



1500W 36cm (14") Electric Scarifier

WEESR

1938265001

en - Original Instructions

ASSEMBLY REQUIRED

Sales & Support: 01793 333212

Before use please read & understand this manual; paying particular attention to the safety instructions before use.

Incorrect use of the product could put the operator or machine in danger.

Whilst every effort has been made to ensure the accuracy of information contained in this manual, our policy of continuous improvement determines the right to make modifications without prior warning.

Images are used for illustration purposes only.



INSTRUCTION MANUAL

19 Aug 2020

Copyright Notice

Copyright © Handy Distribution

Permission is granted to reproduce this publication for personal & educational use only.

Commercial copying, redistribution, hiring or lending is prohibited.

No part of this publication may be stored in a retrieval system or transmitted in any other form or means without written permission from Handy Distribution.

In all cases this copyright notice must remain intact.

CONTENTS

INTENDED USE

SAFETY INSTRUCTIONS

SPECIFICATIONS

KNOW YOUR MACHINE

ASSEMBLY

OPERATION

MAINTENANCE, CLEANING & STORAGE

TROUBLE SHOOTING

PARTS DIAGRAM & LIST

DECLARATION OF CONFORMITY

WARRANTY

INTENDED USE

The basic version of the equipment is a walk behind electric scarifier intended for private use, i.e. for use in home and gardening environments. It is designed to rip out moss and weeds - complete with their roots out of the soil and for loosening the soil in small to medium lawns. As a result, your lawn can absorb nutrients better and is cleansed. We recommend you scarify your lawn in the spring (April) and autumn (October).

The scarifier is for private use only, whose annual operating time generally does not exceed 25 hours. Public facilities, sporting facilities and agricultural / forestry applications are excluded.

Please read this entire manual prior to operating the equipment. It instructs you how to safely and easily set up, operate and maintain your machine. Please be sure that you and any other persons who will operate the machine, always carefully follow the recommended safety practices. Failure to do so could result in personal injury or property damage.

TO THE OWNER

All information in this manual is relative to the most recent product information available at the time of printing. Review this manual frequently to familiarise yourself with the machine, its features and operation. Please be aware that this Instruction Manual may cover a range of product specifications for various models. Characteristics and features discussed and/or illustrated in this manual may not be applicable or exact to all models.

We reserve the right to change product specifications, designs, and equipment without notice and without incurring obligation. If you have any problems or questions concerning the machine, phone your local authorised service dealer or ourselves. Throughout this manual, all references to *right* and *left* side of the machine are observed from the operating position.



WARNING

For safety reasons, the scarifier may not be used as a drive unit for other equipment or toolkits of any kind, unless specifically advised to do so by the manufacturer. The equipment is to be used only for its prescribed purpose. Any other use is deemed to be a case of misuse. The user/operator and not the manufacturer will be liable for any damage or injuries of any kind caused because of this.











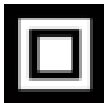









Please note that our equipment has not been designed for use in commercial, trade or industrial applications. Our warranty will be 90 days from the original date of sale for commercial, trade or industrial businesses or for equivalent purposes.



INSTRUCTION MANUAL

SAFETY INSTRUCTIONS

Read and understand the owner's manual and labels affixed to the machine. Learn its application and limitations as well as the specific potential hazards. Retain these instructions for future reference. The operator is responsible for following the warnings & instructions in this manual and on the product.

	<p>Read & understand the instruction manual before using the machine. Failure to follow instructions could result in death or serious injury. Please keep in a safe place for future reference.</p>	 	<p>Whenever the machine is in use, safety goggles or glasses must be worn to safeguard against flying objects. Hearing protection must also be used to protect the operators hearing. Face masks are also recommended to avoid inhalation of debris.</p>
	<p>BEWARE OF SHARP TINES. Tines continue to rotate after the motor is switched off. Remove the electrical plug from the power supply before any maintenance or if the power cable is damaged.</p>	 	<p>Always wear gloves to protect your hands. Wear foot protection or sensible shoes when using the machine. Steel-toed shoes are recommended</p>
	<p>DANGER Keep all bystanders & animals away from the machine during operation. If approached, stop the machine immediately.</p>		<p>DANGER — THROWN DEBRIS Remove objects that can be thrown by the machine in any direction.</p>
	<p>DANGER — SLOPES Use extra caution on slopes. Do not use on slopes greater than 15°. It is advised to work across inclines.</p>		<p>Keep the electrical cable away from the cutting blades</p>
	<p>CLASS II The machine is double insulated and earthing wire is unnecessary</p>		<p>Do not expose to rain or damp conditions.</p>
	<p>Keep guards in place and in working order. Replace damaged, missing, or failed parts before operating.</p>		<p>DANGER — SHARP TINES Keep hands and feet away from rotating parts</p>
	<p>Safety alert symbol. Used to alert you to potential personal injury hazards. Obey all safety messages that follow this symbol to avoid possible injury.</p>		<p>Indicates an imminently hazardous situation which, if not avoided, will result in serious injury</p>
 <p>WARNING</p>	<p>Indicates a potentially hazardous situation which, if not avoided, could result in serious injury</p>	 <p>CAUTION</p>	<p>Indicates a potentially hazardous situation which, if not avoided, may result in minor or moderate injury.</p>
<p>CAUTION</p>	<p>Used without the safety alert symbol indicates a potentially hazardous situation which, if not avoided, may result in property damage.</p>		<p>Noise Level - See label on machine</p>
	<p>CE Marking - the product meets demand and regulations set by the EU</p>		

GENERAL SAFETY RULES



WARNING

Before you put the machine into operation, you must read this instruction manual.

When using this machine, observe the following safety instructions to remove the risk of personal injury or material damage. Please also observe the special safety instructions in the respective chapters. Where applicable, follow the legal directives or regulations for the prevention of accidents in relation to the use of this machine.

When using electric tools, basic safety precautions, including the following, should always be followed to reduce the risk of serious personal injury and/or damage to the unit.

GENERAL OPERATION

1. Read this instruction manual carefully in its entirety before attempting to assemble this machine. Read, understand, and follow all instructions on the machine and in the manual(s) before operation. Keep this manual in a safe place for future and regular reference and for ordering replacement parts.
2. Be completely familiar with the controls and the proper use of this machine before operating it.
3. This machine is a precision piece of power equipment, not a plaything. Therefore, always exercise extreme caution. This machine has been designed to perform one job: to cut out moss and weeds from the root. Do not use it for any other purpose.
4. Never allow children under 16 years of age to operate this machine. Children 16 and over should read and understand the instructions and safe operation practices in this manual and on the machine and should be trained and always supervised by an adult.
5. Only responsible individuals who are familiar with these rules of safe operation should be allowed to use this machine.
6. Thoroughly inspect the area where the equipment is to be used. Remove all stones, sticks, wire, bones, toys, and other foreign objects, which could be tripped over or picked up and thrown by the scarifier. Thrown objects can cause serious personal injury.
7. Plan your scarifying pattern to avoid discharge of material toward roads, pathways, bystanders, and the like. Also, avoid discharging material against a wall or obstruction, which may cause discharged material to ricochet back toward the operator.
8. To help avoid tine contact or a thrown object injury, stay in operator zone behind handles and keep children, bystanders, helpers, and pets at least 20 metres from scarifier while it is in operation. Stop machine if anyone enters area.
9. Always wear safety glasses or safety goggles during operation and while performing an adjustment or repair to protect your eyes. Thrown objects which ricochet can cause serious injury to the eyes.
10. Wear sturdy, rough-soled work shoes and close-fitting trousers and shirts. Shirts and trousers that cover the arms and legs and steel-toed shoes are recommended. Never operate this machine in bare feet, sandals, slippery or light-weight (e.g. canvas) shoes.
11. Do not put hands or feet near or under rotating parts. Always keep clear of discharge area, as the rotating tines can cause injury.
12. Never operate the scarifier without proper shields, guards, control lever or other safety protective devices in place and working.
13. Never operate the scarifier with damaged safety devices. Failure to do so, can result in personal injury.
14. Many injuries occur because of the tines being pulled over the foot during a fall caused by slipping or tripping. Do not hold on to the scarifier if you are falling; release the handle immediately.
15. Never pull the scarifier back towards you while you are walking. If you must back the scarifier away from a wall or obstruction, first look down and behind to avoid tripping and then follow these steps:
 - A. Step back from the scarifier to fully extend your arms.
 - B. Be sure you are well balanced with sure footing.
 - C. Pull the scarifier back slowly, no more than halfway towards you.
 - D. Repeat these steps as needed.



INSTRUCTION MANUAL

16. Do not operate the scarifier while under the influence of alcohol or drugs.
17. The OPC/Brake lever is a safety device. Never attempt to bypass its operation. Doing so makes the safety device inoperative and may result in personal injury through contact with the rotating tines. The OPC/Brake lever must operate easily in both directions and automatically return to the disengaged position when released.
18. Never operate the scarifier in wet grass. Always be sure of your footing. A slip and fall can cause serious personal injury. If you feel you are losing your footing, release the OPC/Brake lever immediately and the tines will rotate for a few seconds after release.
19. Operate only in daylight or good artificial light. Walk, never run.
20. Stop the tines when crossing gravel drives, paths, or roads. Raise the tines to the transport position.
21. If the machine starts to vibrate abnormally, stop the motor, and check immediately for the cause. Vibration is generally a warning of trouble.
22. Shut the motor off and wait until the tines come to a complete stop before cleaning the discharge area. The tines continue to rotate for a few seconds after the OPC/Brake lever is released. Never place any part of the body in the scarifier area until you are sure the tines have stopped rotating and the electrical plug has been removed from the power source and contact cannot be made between the two.
23. Never operate the scarifier without proper shields, discharge cover, OPC/Brake lever or other safety protective devices in place and working. Never operate with damaged safety devices. Failure to do so can result in personal injury.
24. Only use parts and accessories made for this machine by the manufacturer. Failure to do so can result in personal injury.
25. If situations occur which are not covered in this manual, use care and good judgement. Contact your nearest Approved Service Dealer for assistance

SLOPE OPERATION

Slopes are a major factor related to slip and fall accidents, which can result in severe injury. Operation on slopes requires extra caution. If you feel uneasy on a slope, or it is greater than 15 degrees, do not scarify on it.

Do:

1. Scarify across the face of slopes; never up and down. Exercise extreme caution when changing direction on slopes.
2. Watch for holes, ruts, rocks, hidden objects, or bumps which can cause you to slip or trip. Tall grass can hide obstacles.
3. Always be sure of your footing. A slip and fall can cause serious personal injury. If you feel you are losing your balance, release the OPC/Brake lever immediately and the tines will stop rotating a few seconds after release.

Do Not:

1. Do not scarify near drop-offs, ditches, or embankments, you could lose your footing or balance.
2. Do not scarify on slopes greater than 15 degrees.
3. Do not scarify on wet grass. Unstable footing could cause slipping.

CHILDREN

Tragic accidents can occur if the operator is not alert to the presence of children. Children are often attracted to the scarifier and the activity. They do not understand the dangers. Never assume that children will remain where you last saw them.

1. Keep children out of the scarifying area and under care of a responsible adult other than the operator.
2. Be alert and turn the scarifier off if a child enters the area.
3. Before and while moving backwards, look behind and down for small children.
4. Use extreme care when approaching blind corners, doorways, shrubs, trees, or other objects that may obscure your vision of a child who may run into the scarifier.
5. Never allow children under 16 years of age to operate this machine. Children 16 and over should read and understand the instructions and safe operation practices in this manual and on the machine and be trained and supervised by an adult.

SERVICE

General Service:

1. Before cleaning, repairing, or inspecting, make certain the tines and all moving parts have stopped. Disconnect the electrical plug from the power source to prevent unintended starting.
2. Check the tines at frequent intervals for proper tightness. Also, visually inspect tines for damage. Replace with the original equipment manufacturer's (O.E.M.) parts only, listed in this manual. "Use of parts which do not meet the original equipment specifications may lead to improper performance and compromise safety!"
3. Keep all nuts, bolts, and screws tight to be sure the equipment is in safe working condition.
4. Never tamper with safety devices. Check the correct operation regularly.
5. After striking a foreign object, stop the motor, disconnect the electrical plug from the power source. Thoroughly inspect the scarifier for any damage. Repair the damage before starting and operating the scarifier.
6. Scarifier components, guards and shields are subject to wear and damage which could expose moving parts or allow objects to be thrown. For safety protection, frequently check components and replace immediately with original equipment manufacturers (O.E.M.) parts only, listed in this manual. "Use of parts which do not meet the original equipment specifications may lead to improper performance and compromise safety!"
7. Do not change the motor's settings. The motor has been set for the maximum safe operating speed.
8. Maintain or replace safety and instruction labels, as necessary.
9. Observe proper disposal laws and regulations. Improper disposal of fluids and materials can harm the environment.

DO NOT MODIFY THE MOTOR

To avoid serious injury or death, do not modify the motor in any way. Tampering with the motor settings can cause it to operate at unsafe speeds and lead to premature failure. Never tamper with factory settings of the motor. Please refer to this manual, before undertaking any inspection, repair, or maintenance.

ELECTRICAL SAFETY



Always check that the power supply corresponds to the voltage on the rating plate.

1. Power tool electrical plugs must match the outlet. Never modify the plug in any way. Do not use adapter plugs with earthed power tools. Unmodified plugs and matching outlets will reduce the risk of a lethal electric shock.
2. Avoid body contact with earthed surfaces such as pipes, radiators, kitchen ranges and refrigerators. There is an increased risk of a lethal electric shock if your body is earthed.
3. Do not expose power tools to rain or wet conditions. If water gets inside a power tool, it will increase the risk of a lethal electric shock.
4. Do not damage the electrical cable. Never use the electrical cable for carrying, pulling, or unplugging the power tool. Keep the electrical cable away from heat, oil, sharp edges or moving parts. Damaged or entangled electric cables increase the risk of a lethal electric shock.
5. When operating a power tool outdoors, use an extension cable suitable for outdoor use. Using an extension cable suitable for outdoor use reduces the risk of a lethal electric shock.
6. If operating a power tool in a damp location is unavoidable, use a power supply protected by a residual current device (RCD). Using an RCD reduces the risk of a lethal electric shock.

PERSONAL SAFETY


1. This machine is not intended for use by persons (including children) with reduced physical, sensory or mental capabilities, or lack of experience and knowledge, unless they have been given supervision or instruction concerning use of the machine by a person responsible for their safety.
2. Children should be supervised to ensure that they do not use or play with the machine.
3. Stay alert, watch what you are doing and use common sense when operating this machine.
4. Do not use this machine while you are tired, ill or under the influence of drugs, alcohol, or medication. A moment of inattention while operating this machine can cause you to lose control & may result in serious personal injury.



INSTRUCTION MANUAL

5. Use safety equipment. Always wear eye protection. Safety equipment such as a dust mask, non-skid safety shoes, hard hat, or hearing protection used for appropriate condition will reduce personal injuries.
6. Dress properly. Do not wear loose clothing or jewellery. Keep your hair, clothing & gloves away from moving parts. Loose clothes, jewellery or long hair can be caught in moving parts.
7. Prolonged use of the machine may lead to disorders of blood circulation in hands caused by vibration. These effects can be worsened by low ambient temperatures and/or by gripping the handgrips excessively tightly. Period of use you can extend with appropriate gloves or regular breaks. Take frequent work breaks. Limit the amount of exposure per day.

SPECIFICATIONS

Model No.	WEESR
Product No.	1938265001
Rated Power	1500W
Working Speed	3600/min
Working Width	360mm (14")
Working Depth	5 settings (+5, 0, -5, -8, -12 mm)
Collector Capacity	45L
Cable Length	10m
Protection Class	 Class II
Sound Power Level L _{WA} :	103 dB(A)
Vibration Level:	Right Handle: 4.66m/s ² Left Handle: 4.33m/s ² K= 1.5m/s ²
Weight:	13.5 kg

The manufacturer reserves the right to change the product specification and livery according to continued product improvements.



This symbol on the product or on its packaging indicates that this product may not be treated as household waste. Instead it shall be handed over to the applicable collection point for the recycling of electrical and electronic equipment.

For more detailed information about recycling of this product, please contact your local council office, your household waste disposal service or shop where you purchased the product.

KNOW YOUR MACHINE

1. OPC/Brake Lever	2. Safety Button
3. 45L Collector	4. Top Handle
5. Middle Handle	6. Lower Handle
7. Height Adjuster	8. Rear Flap
9. Handle Height Adjuster	10. Quick Release Handle
11. Wheel	



* Image may vary from actual machine

The lawn scarifier is pushed by hand over the area of grass to be worked. The cutters are driven by a 1500W electric motor. The depth of cut is set by varying the central height-adjustment mechanism individually from 5 to -15mm.

AERATOR: (Metal Blades) The cylinder rotates and removes the felt layer formed by moss, lichen and weeds and conveys the scarified material to the outside or into the grass catcher. During cutting the cutters penetrate the ground and therefore ensure that the lawn is loosened and absorbs nutrients better. We recommend aerating the lawn in Spring (April/May) and Autumn (October).

SCARIFIER: (Spring Tines) The cylinder rotates and combs the lawn or aerates the slightly mossy areas. The removed moss is conveyed outwards or into the grass catcher. During scarifying, the surface of the ground is scratched; this improves water drainage and facilitates the absorption of oxygen. We recommend scarifying the lawn during the entire growing period as and when required.



INSTRUCTION MANUAL

ASSEMBLY

Remove the machine and contents from the carton. Be sure the carton is empty before discarding.

If you require assistance with regards to the contents or operation of the machine, please contact us:

Tel: 01793 333212

Email: customerservice@webbgardenpower.co.uk

Opening hours weekdays: February to October 8:30am - 5:30pm / November to January 8:30am - 5:00pm
(Closed Bank Holidays)



WARNING

Stop the motor and unplug the electrical power cable from the power source before any repairs or maintenance operations.

DO NOT attempt to start this machine without it first being **FULLY** assembled.

LOWER HANDLE

1. Insert the lower handle (2) into the central adjuster (3). Then insert the outside adjuster (4) from outside through the hole in the lower handle (2). Place the central adjuster (3) against the inside adjuster. Attach the bolt in the outside adjuster (4) to the Scarifier (**FIG. 2**)

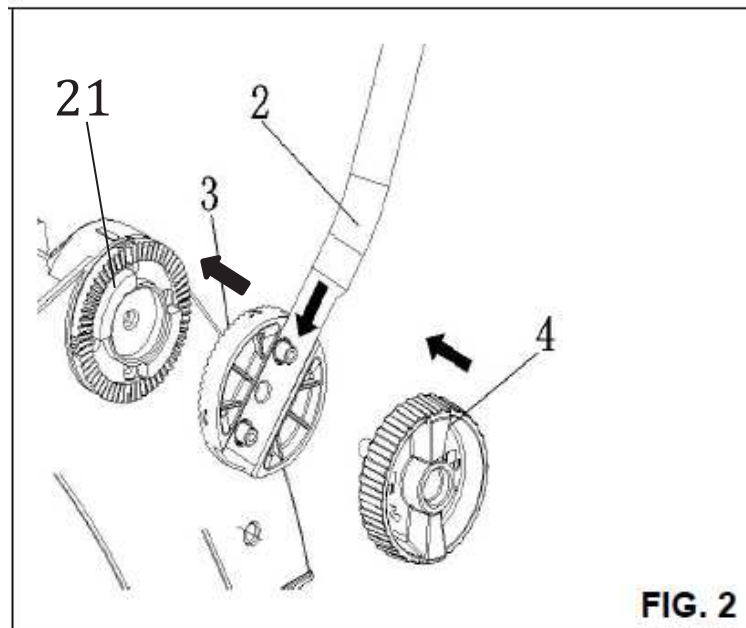


FIG. 2

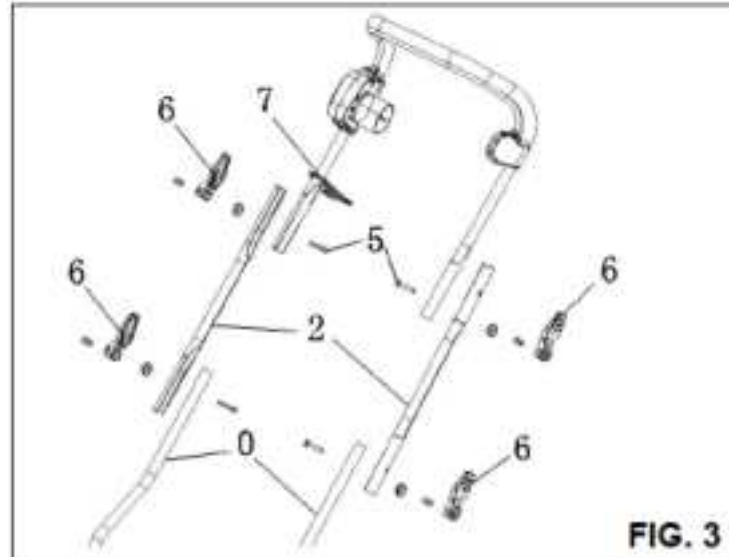
MIDDLE HANDLE

1. Place the middle handle onto the lower handle, lining up the fixing hole of both handles, by inserting the handle bolt (5) from the inside to outside. Now slide the washer onto the bolt, before screwing the quick release handle onto the thread of the bolt. Do not overtighten, to allow the quick release handle to be secured and released easily (**FIG. 3**)
2. Repeat on the other side of the machine.

TOP HANDLE

1. Slide the cable tidy (7) to the right-hand side of the top handle.
2. Place the top handle onto the lower handle, lining up the fixing hole of both handles, being inserting the handle bolt (5) from the inside to outside. Now slide the washer onto the bolt, before screwing the quick release handle onto the thread of the bolt. Do not overtighten, to allow the quick release handle to be secured and released easily (**FIG. 3**)

3. Repeat on the other side of the machine



CABLE CLIP

1. Secure the operating cable of the machine to the handle assembly, by placing the cable into the cable clip and then place the cable clip onto the handle assembly.

COLLECTOR

Important: Before you attach the collector, please ensure that the motor is switched off and the blade/tines are not rotating.

1. Put the metal collector frame into the fabric collection bag, ensuring the loop handle is on the outside (FIG. 4A).
2. Now fit the various collars of the collection bag over the frame, to secure into place (FIG 4B, C, D, E, F).



FIG.4



FIG. 4A



INSTRUCTION MANUAL



FIG. 4B



FIG. 4C



FIG. 4D



FIG. 4E

FITTING FULLY ASSEMBLED COLLECT BAG TO LAWNMOWER

1. Lift the rear flap (8).
2. Make sure the discharge chute is clean and free from debris.
3. Locate collector hooks into hooks position at rear of machine.
4. Lower rear flap onto the top of the collector. Ensure the collector is correctly secure.

Note: For non-grass collection, the scarifier can be used without the collector in position, with the safety guard (8) in the down position.



FIG. 5



INSTRUCTION MANUAL

OPERATION

IMPORTANT:

When the OPC/brake lever is released it must return to its initial position and the motor must stop. If this does not happen, do not use the equipment again, until inspected by your local approved service dealer.



WARNING

Always switch the motor off and remove the electrical plug from the power source before making any adjustments, repairs, or maintenance.

ELECTRICAL CABLE

1. Always route the electrical cable away from the work area, to prevent it from meeting the cutting device.
2. Plan your route before starting work. Start your work at the nearest point to the electrical outlet and work away from it. This will keep the cable away from the cutting device and avoid it being accidentally cut.
3. Keep the cable over your shoulder for added safety.
4. Use the cable tidy, form a loop at the end of the electrical cable and bring this through the opening at the cable tidy and secure over the hook of the cable tidy.
5. A 13 AMP (BS1363/A) plug must be used, and a 13 AMP fuse must be fitted.

NOTE: If a molded plug is fitted and must be removed, take great care in disposing of the plug and severed cable, it must be destroyed to prevent engaging into a socket. If the supply cable is damaged, it must be replaced by a service agent or certificated electrician, to ensure the machine can be used safely

POWER CONNECTION



WARNING

Before operating the scarifier, ensure that the fastening elements are undamaged. To reduce the risk of injuries, always switch off the motor and pull out the mains plug before working on the machine

The product can be connected to any BS three pin socket with 230-240V alternating current.

We recommend to always use the appliance via a Residual Current Device (RCD) with a tripping current of max. 30mA.

1. Electrical cables on scarifiers are particularly susceptible to insulation damage. The causes of this include the following:
 - The cable may be cut if the scarifier passes over it.
 - Damage through crushing if the cable becomes stuck under doors or windows.
 - Damage through crushing if the cable is trapped during handle folding.
 - Cracks caused by ageing of the insulation sheath.
2. Kinks caused by incorrect fastening of the cable.
3. Such damaged cables should not be used under any circumstances, as they may cause fatal injuries due to a damaged insulation sheath.
4. Always check the plug and cable and make sure they are in good condition before operation.

MOTOR STARTING & STOPPING

To avoid any unintentional start-ups of the motor, it comes equipped with an OPC/brake lever, which must always be pressed whilst the device is in use. When released, the motor will stop.

STARTING THE MOTOR



WARNING

**The scarifier blade/tines begin to rotate as soon as the motor is started.
Never open the rear flap when the motor is running. A rotating cutting unit can cause injuries.
Always fasten the rear flap carefully. The flap flips back to the "Closed" position with tensioned springs!**

1. Press and hold the safety button.
2. Pull the OPC/Brake lever up to the top handle.
3. The motor will start, and the blades immediately rotate.
4. Release the safety button

STOPPING THE MOTOR

1. Release the OPC/brake lever to stop the motor.

IMPORTANT:

The blade/tines continue to rotate for a few seconds after the motor is switched off. Never attempt to stop the cassette yourself. If the blade/tines strike an object, immediately switch off the machine and wait for the blade/tines to come to a complete stop. Inspect the condition of the blades/tines. Replace any parts that are damaged.

USING YOUR SCARIFIER



WARNING

The operation of any scarifier can result in foreign objects being thrown into eyes, which can cause severe damage. Always wear safety glasses or goggles while operating the scarifier, or while performing any adjustments or repairs on it.

Shut the motor off and wait until the scarifier comes to a complete stop before cleaning the discharge area. The scarifier continues to rotate for a few seconds after OPC/Brake lever is released.



CAUTION

While operating the scarifier, do not allow the blades/tines to contact concrete, tarmac, or gravel surfaces. Doing so will result in premature wear.

Be sure the working area is clear of stones, sticks, wire, or other objects which could damage the scarifier or motor. Such objects could be accidentally thrown by the scarifier in any direction and cause serious personal injury to the operator and others.

Always ensure that a safe distance (provided by the long handles) is maintained between the user and the housing. Be especially careful when scarifying and changing direction on slopes and inclines. Maintain a solid footing and wear sturdy, non-slip footwear and long trousers.

Do not work on excessively steep slopes, a maximum slope of 15 degrees is recommended. If a slope is difficult to stand on, do not work in the area. Do not work on slopes when the ground is slippery or wet.

Work across the face of a slope, not up and down.

Use special caution when backing up and pulling the scarifier (trip hazard)!



INSTRUCTION MANUAL

CHANGING THE WORKING DEPTH

IMPORTANT:

Turn the motor off, prior to making any height adjustment and ensure the tines/blades have come to a complete stop. Remove the electrical plug from the power source.

1. To set the working depth, push the height adjuster away from the current height and into the channel.
2. Move up or down to the chosen height (+5, 0, -5, -10, -15 mm) set to the required depth and then lock the lever back into position.
3. Moving the lever to the front of the machine, raises the blade and to the back, lowers the blade through the 5 heights.



(The image is used for information reasons only)

TRANSPORT

When moving the machine to and from the work area, always ensure the height adjustment lever is placed in the highest cutting height (+5) to ensure the blades/tines are not in contact with the ground.

CHANGING THE CYLINDER



WARNING

Remove the electrical plug from the power source prior to undertaking any action. When changing the cylinder, ensure suitable hard-wearing gloves are always worn.



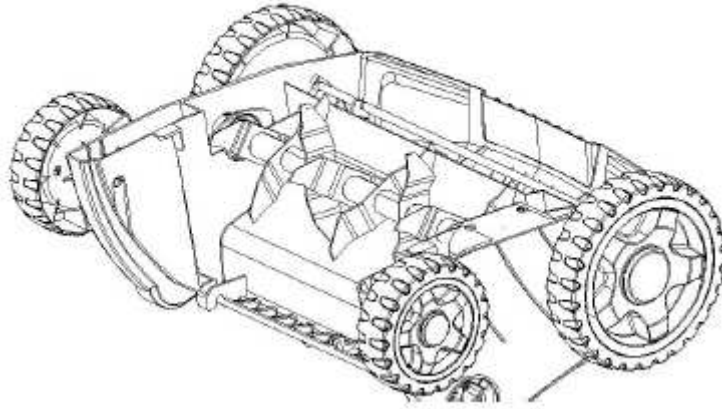
CAUTION

Only use genuine blade/tine cylinders with this machine.

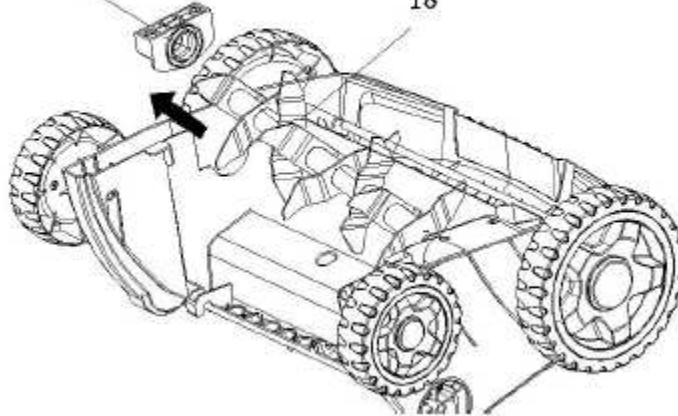
The equipment can be assembled with the Aerator (blades) or Scarifying (spring tines) cylinders. Only replace the cylinder with an original Webb product, to ensure top performance & safety. To change the cylinder, proceed as follows. We recommend that suitable hard-wearing gloves are always worn.

1. Turn the machine upside down, being careful not to touch the blades/spring tines.
2. Unscrew the two bolts (16) on the underside of the housing.
3. Lift cylinder (18) at an angle and pull away driver shaft.
4. Remove bearing shell (17) from the cylinder (18).
5. Push bearing shell (17) on to the new cylinder (18).
6. Push cylinder (18) on to the driver shaft in such a way that the pin (20) is inserted in the gap in the drive shaft (21).
7. Secure to the underside of the housing with fixing bolts (16).

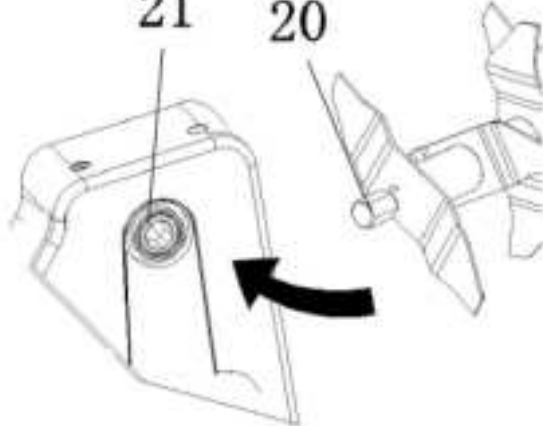
16 — 



17  18 



21  20 





INSTRUCTION MANUAL

SCARIFYING & AERATING



WARNING

Risk of injury! Before beginning work, check the terrain and remove all objects that may be flung out by the product.

Risk of injury! Never let go of the handles while working.

1. Position the product on a flat grass surface.
2. Steer the product at an even walking pace in the straightest lines possible.
3. Work in slight overlapping rows. The most effective pattern for scarifying/aerating lawns is straight lines along one of the lawn sides. This will keep the rows even and ensures that all the lawn is scarified/aerated without missing any spots.
4. Then go over the lawn for a second time using one of the lawn ends as a guide for straight lines, to create a checkerboard affect.
5. Circle around flower beds. When reaching a flower bed in the middle of the lawn, make a row or two around the circumference of the bed.
6. Pay special attention when changing direction.

IMPORTANT:

- *Always keep the electric cable or extension cable away from the product.*
- *Always work across slopes where possible.*
- *Never start the product on a consolidated surface.*
- *Release the OPC/Brake lever immediately if the scarifier becomes blocked or hits a foreign body. If a foreign body gets trapped or the tines/blades hit a foreign object, check the product and have it repaired if necessary.*
- *To improve results and maximise the service life of the product, the grass should be cut as short as possible.*
- *Staying too long in one position can damage the grass swards.*

SCARIFYING

Setting	Depth	Description
Transport	+5	For transportation and storage
Minimal	0	Scarifying a young or sensitive lawn, removing thin thatch layers, also use this setting when scarifying a second time in the Autumn
Middle	-5	Scarifying a healthy lawn, removing thatch
Deep	-10	Scarifying a healthy lawn, removing thicker thatch
Maximum	-15	Maximum/deepest scarifying setting, removing thick thatch layers

AERATING

Setting	Depth	Description
Transport	+5	For transportation and storage
Minimal	0	Aerating a young or sensitive lawn, removing thin thatch layers
Middle	-5	Aerating healthy lawn
Deep	-10	Maximum/deepest areating setting
Maximum	-15	Do not use for Aerating

MAINTENANCE, CLEANING & STORAGE



WARNING

Improper maintenance & storage of the machine may void your warranty. Keep the machine clean for better and safer performance.

Turn off the motor and remove the electrical plug from the power source before performing any maintenance.

Never tilt, lift, or carry the machine while the motor is running.

MAINTENANCE

General Recommendations

1. Always observe safety rules when performing any maintenance.
2. The warranty on this scarifier does not cover items that have been subjected to operator abuse or negligence. To receive full value from the warranty, the operator must maintain the scarifier as instructed.
3. Changing of the motor speed will void warranty.
4. All adjustments should be checked at least once each season.

Lubrication

1. Lubricate pivot points on the OPC/brake lever at least once a season with general maintenance spray. This control must operate freely in both directions.
2. Lubricate the wheels at least once a season with general maintenance spray. If wheels are removed for any reason, lubricate surface of the axle bolt and inner surface of the wheel with general maintenance spray.

CLEANING

Motor Care

Clean air vents regularly with a cloth or brush. Keep the top of the motor clean to permit proper air circulation.

Deck Care

Clean underside of the machine after each use to prevent build-up of grass clippings or other debris. Follow steps below:

1. Disconnect the electrical plug from the power source. Tip the scarifier so that it rests on its top or side. Secure the scarifier.



WARNING

Do not use a water hose or pressure washer to clean the machine. Water can damage the motor.

Do not use hard or pointed objects for cleaning the Aerator.

2. Scrape and clean the underside of the machine with a suitable tool or hard bristled brush. Do not spray with water.
3. Put the scarifier back onto its wheels on the ground.

STORAGE & TRANSPORT

The following steps should be taken to prepare your scarifier for storage.



CAUTION

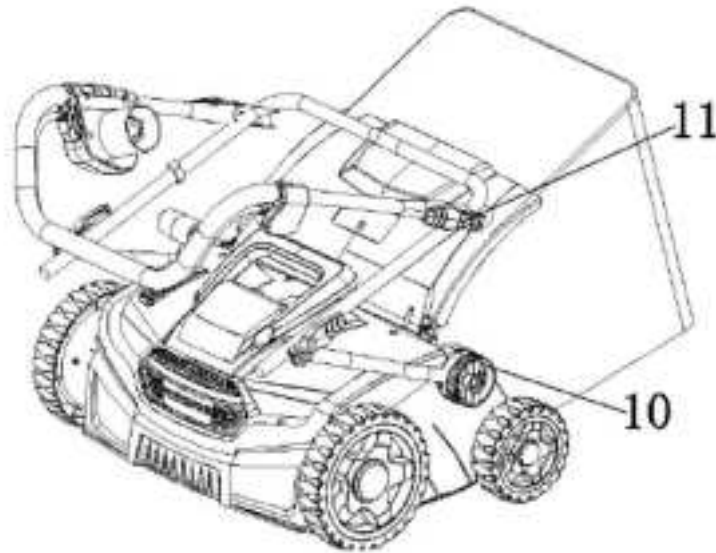
The motor must have completely cooled down before storing.

NOTE: When storing any type of power equipment in an unventilated or material storage shed,

- Care should be taken to rust-proof the equipment. Using a light oil or silicone, coat the equipment, especially cables and all moving parts.
- Be careful not to bend or kink cables.

Quick Release Handles

Loosen the quick release handles (11), attaching the handle assembly to fold for storage.



TROUBLE SHOOTING

PROBLEM	POSSIBLE CAUSES	REMEDIAL ACTION
Motor does not start	No electricity in plug	Check cable and fuse
	Electrical cable defective	Visually inspect fully
	Spark plug loose.	Tighten spark plug.
	Switch, switch/plug block defective	Have machine inspected by an approved service dealer or electrical specialist.
	Connections to motor or capacitor disconnected	Have machine inspected by an approved service dealer or electrical specialist.
	Housing clogged	If necessary, adjust working depth. Clean housing so that the cylinder can run freely
Motor performance drops	Soil is too firm	Change working depth
	Housing clogged	If necessary, adjust working depth. Clean housing so that the cylinder can run freely
	Cylinder badly worn	Replace cylinder
Poor scarification results	Depth of cut too small	Set to deeper depth of cut
	Worn cutting cylinder	Replace cylinder
Collector never fills	Collector is clogged	Stop machine. Remove electrical plug from power source. Unload grass catcher or clean it
	Ejector channel blocked	Stop machine. Remove electrical plug from power source. Remove collector and empty. Lift rear flap and clear any debris in exit chute. Refit collector.
Unusual noises	Bolts, nuts, or other mounting parts slack.	Tighten parts
Vibration	Cutting assembly is loose	Tighten blade
Motor is running, roller is not rotating	Toothed belt is torn	Have machine inspected by an approved service dealer



EC DECLARATION OF CONFORMITY

We Handy Distribution Ltd - SN3 5HY (Importer) declare that the product:

Designation: Electric 1500W Scarifier/Aerator
Model(s): WEESR
Product No.: 1938265001
Type/Serial No. As per rating label on machine
Rated Power: 1500W
Working Speed: 3600/min
Working Width: 36cm (14")

Complies with the following directives:

Machinery Directive 2006/42/EC

The conformity assessment procedure followed was in accordance with:
EN 60335-1:2012+A11:2014+A13:2017, EN 50636-2-92:2014.

Noise Directive 2000/14/EC

Examination of the above appliances using the requirements and test methods of
EN ISO 11094: 1991, EN ISO 3744:1995

Declared Guaranteed Sound Power Level L_{WA} : 103 dB(A)

Hand-Arm Vibration Measurement: Right Handle: 4.66m/s^2 - **Left Handle:** 4.33m/s^2 - $K= 1.5\text{m/s}^2$

Test Notified Body:

SGS-CSTC Standards Technical Services (Shanghai) Co., Ltd

Authorised signatory and technical file holder

Date: 18/08/2020

Signature:

A handwritten signature in black ink, appearing to read "S Belcher", written over a horizontal line.

Name: Mr Simon Belcher

Position: Chairman

Company: Handy Distribution Ltd

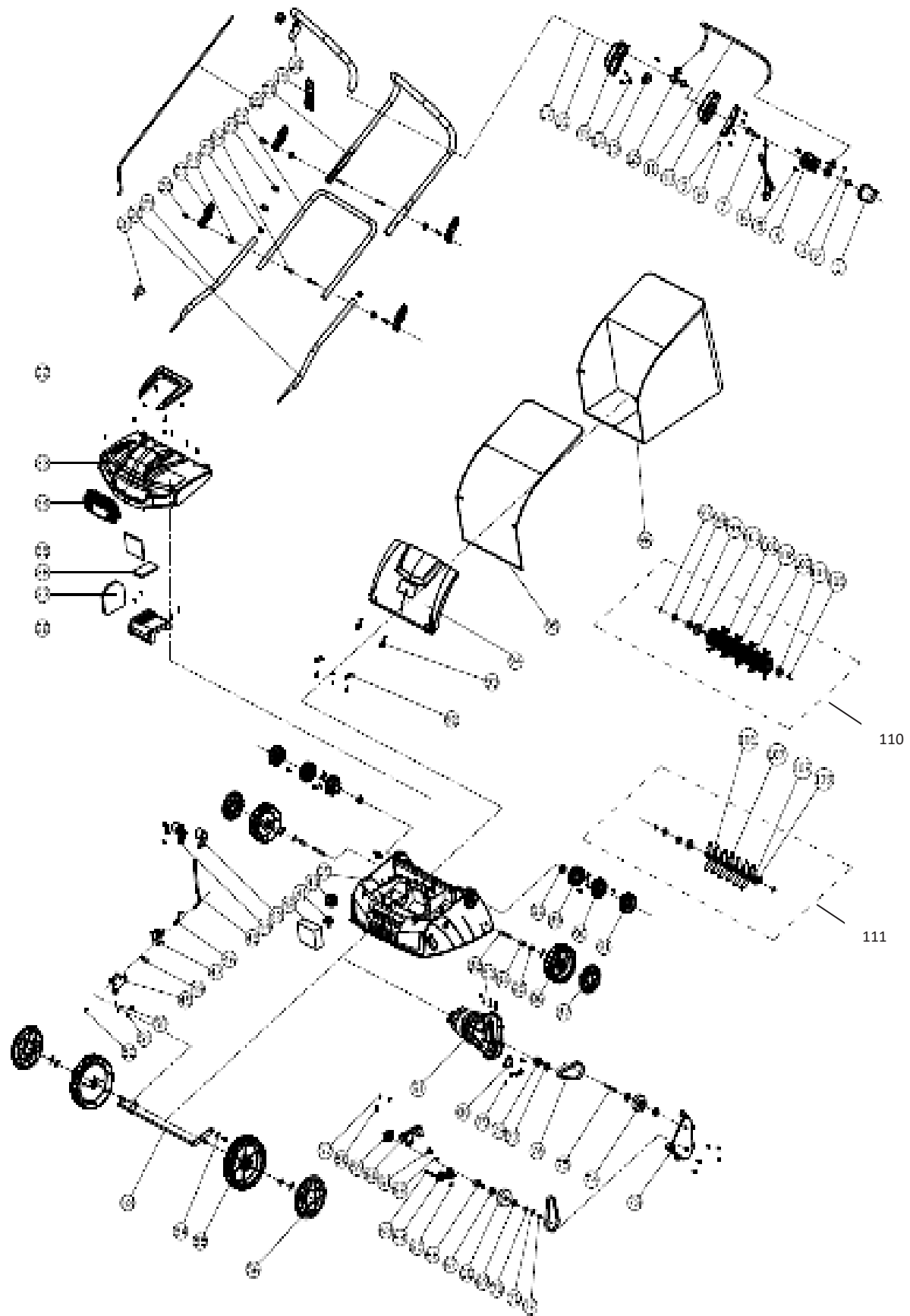
Address: Murdock Rd, Swindon, Wiltshire, SN3 5HY.





INSTRUCTION MANUAL

PARTS DIAGRAM - WEESR 1938265001



PARTS LIST - WEESR 1938265001

Spare Parts are available from our Spares Team. Please call 01793 333212, option 1 for assistance.

Item No.	Webb Part No.	Webb Description	Qty	Item No.	Webb Part No.	Webb Description	Qty	Item No.	Webb Part No.	Webb Description	Qty
1	WE183-8020-521302HD	Left Switch Box Lower Cover	1	38	WE183-8020-521313	Motor Cover	1	75	WE183-8086-521302	Pulley Cylindrical Pin	1
2	WE183-8353-521301	Torsional Spring	2	39	WE183-8143-521301	Lower Deck	1	76	WE183-8370-521301	V-Ribbed Belt	2
3	WE183-85ABC30-06D	Screw	2	40	WE183-8020-521316	Tank Cover	1	77	WE183-8NC-08D	Flange Nut	1
4	WE183-8020-521303HD	Left Switch Box Upper Cover	1	41	WE183-8208-521301	Tank Cover Seal Ring	1	78	WE183-8122-521301	Small Belt Pulley	1
5	WE183-85ABC40-20D	Screw	10	42	WE183-8339-521301	Sand Tank	1	79	WE183-85ABC40-10D	Cross Head Self-Tapping Screw	9
6	WE183-8422-521304	Power Cable & Plug	1	43	WE183-8003-521302	Left Height Adjustment Handle	1	80	WE183-8231-521304	Bearing Housing	1
7	WE183-8332-521302	Cable Sleeve	1	44	WE183-8003-521303	Right Height Adjustment Handle	1	81	WE183-8466-521302	Motor Assembly	1
8	WE183-85ABC40-16D	Screw	43	45	WE183-8087-521303	Height Adjustment Arm	1	82	WE183-8086-521303	Rear Hub	2
9	WE183-8184-521301HD	Switch Box Clamp Plate	1	46	WE183-8353-521302	Height Adjustment Torsional Spring	1	83	WE183-8WA-041210D	Flat Gasket	3
10	WE183-8020-521304HD	Right Switch Box Upper Cover	1	47	WE183-8321-810103	Pipe Support Plate	2	84	WE183-8086-521304	Rear Axle Bracket Cover	2
11	WE183-8044-521301	Switch Handle	1	48	WE183-8086-521301	Height Adjustment Cylinder Pin	1	85	WE183-8WA-092215D	Flat Gasket	6
12	WE183-8087-521301HD	Switch Box Connecting Rod	2	49	WE183-8301-521301	Height Adjustment Bracket	1	86	WE183-8020-521309HD	Small Wheel	2
13	WE183-8042-521301	Switch	1	50	WE183-8WB-05D	Spring Washer	2	87	WE183-8020-521310	Small Wheel Trim	2
14	WE183-8184-710101MM	Cord Plate	2	51	WE183-8SABD05-12D	Bolt	2	88	WE183-8WA-08D	Nut	2
15	WE183-8020-521305HD	Up Right Switch Box Cover	1	52	WE183-8PA02-16D	Cutter Pin	6	89	WE183-8141-521302	Pipe Support Seat	2
16	WE183-8352-521301	Safety Button Spring	1	53	WE183-8466-521301	Front Axle Assembly	1	90	WE183-8141-521303	Tube Fixing Seat	2
17	WE183-8311-521301	Safety Button	1	54	WE183-8WA-041610D	Flat Washer	2	91	WE183-8311-521302	Pipe Clamp Knob	2
18	N/A	Sponge Handle Cover	N/A	55	WE183-8121-521303HD	Large Wheel	2	92	WE183-8231-521303	Rear Cover Tension Spring	2
19	WE183-8260-521301HD	Cable Tidy Hook	1	56	WE183-8121-521301	Large Wheel Trim	2	93	WE183-8351-521301	Spring	2
20	WE183-8061-521301	Upper Handle with Sponge Cover	1	57	WE183-8SABC50-16D	Screw	1	94	WE183-8020-521311	Rear Cover	1
21	WE183-8413-521301	Cable	1	58	WE183-8SABC50-30D	Screw	2	95	WE183-8301-521305	Collection Bag Frame	1
22	WE183-8061-521302	Middle Handle	1	59	WE183-8331-521307	Bearing Sleeve	2	96	WE183-8102-521302	Collection Bag	1
23	WE183-8260-521302HD	Buckle	3	60	WE183-8141-521305	Bearing Base	1	97	N/A	Clamp Spring	2
24	WE183-8SMK006-50D	Handle Bolt	4	61	WE183-8312-521301	Push Twist Lock	1	98	N/A	Bearing 6000RS	2
25	WE183-8212-521301	End Cap	2	62	WE183-8352-710101	Spring	1	99	N/A	Special Nut	2
26	WE183-8202-521301	Flat Washer	4	63	WE183-8SKD006-25D	Screw	1	100	N/A	Bearing Cover 2	2
27	WE183-8238-521301	Quick Release Handle	4	64	WE183-8184-521302	Bearing Plate	1	101	N/A	Scarifier Spring	13
28	WE183-8207-521301	Nut	4	65	WE183-8NB-06D	Screw	1	102	N/A	Rake Spring	24
29	WE183-8061-521303	Lower Right Handle	1	66	WE183-8085-521301	Output Shaft	1	103	N/A	Spring Roller Wheel	12
30	WE183-8061-521304	Lower Left Handle	1	67	WE183-8B-6201RS	Bearing 6201RS	1	104	N/A	Bearing Cover 1	2
31	WE183-8416-521301	Capacitor	1	68	WE183-8122-521302	Belt Wheel	1	105	N/A	Clamp Spring	2
32	WE183-8003-521301	Deck Handle	1	69	WE183-8B-608RS	Bearing 608RS	3	106	N/A	Short Knife Shaft Casing	19
33	WE183-8020-521306	Upper Deck Cover	1	70	WE183-8WE-081302	Waveform Ring	1	107	N/A	Blade	20
34	WE183-8020-521307	Sponge 3	2	71	WE183-8WA-081302	Parallel Ring	1	108	N/A	2 In 1 Short Knife Shaft Casing	3
35	WE183-8495-521303	Sponge 1	1	72	WE183-8CC-08B	Clamp Spring	1	109	N/A	Cutter Shaft	2
36	WE183-8495-521301	Sponge 2	1	73	WE183-8020-521308MM	Belt Box Cover	1	110	WE183-Scarifier	Scarifier Assembly	1
37	WE183-8495-521302		1	74	WE183-8122-521303	Middle Belt Pulley	1	111	WE183-Aerator	Aerator Assembly	1



INSTRUCTION MANUAL

This Service Book is provided with your Webb, to help you look after your purchase to our recommendations and enable you to take advantage of the conditional manufacturer domestic warranty*.

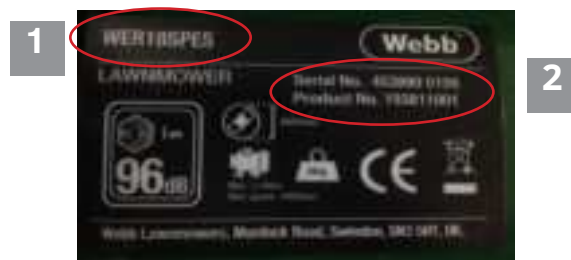
Present this service book to your authorised Webb repair dealer, whenever a service or a warranty appraisal is required.

The booklet is applicable to the following products, in the UK only:

- Ride On Lawn Tractors
- Cylinder Lawnmowers
- Petrol Rotary Lawnmowers
- Petrol Hand Held Range

Please register your machine using the following pages or at www.webbgardenpower.co.uk. By registering your machine, you agree to maintain the machine in accordance with the service schedules specified in this manual and services duly recorded. (Not applicable for Webb electric handheld machines). You may be asked to produce this booklet as proof of servicing in the event of a claim. Proof of purchase should also be kept as a reference.

Ensure you have the following information available from your machine product label. The two examples below can be found on your machine:



1. Model Number

2. Serial & Product Number

Please complete using BLOCK CAPITALS.
Sections marked* must be completed to validate Warranty.

SERVICE BOOK

1. Users Statement of Warranty

Each new machine is warranted against defective material or assembly of material under normal usage. The warranty applies to the original purchaser, is not transferable and covers faulty parts and the labour involved in replacing and repairing those parts, which are of original manufacture.

2. Period of Warranty - valid from 1 January 2020

Webb (excludes Dynamic, Legacy & Heritage), 2 year conditional warranty from the original date of sale to the first domestic user.

Webb (Dynamic, Legacy & Heritage) 1 year warranty from the original date of sale to the first domestic user.

90 days from the original date of sale to the professional/commercial or for hire user.

Engine warranty as per the engine manufacturer's warranty, which will be supplied with the machine.

90 days from the original date of sale for Replacement Spare Parts

All machines' must be serviced within the first 14 months from the original date of purchase, to qualify for a second year parts & labour warranty, details of the service must be recorded in the service record within this manual.

A reduced warranty period of 90 days applies to those items which are subject to normal wear and tear and in normal use, will need replacement or adjustment.

These items are chargeable after 90 days of ownership.

Filters
Tyres / Wheels
Drive chains and belts
Brake & clutch friction components
Control cable & starter cords
Fluids & lubricants
Spark plugs
Blades (Lawnmowers & Brushcutters)
Cutter bars (Hedgecutters)
Drive & clutch cable surfaces
Nylon Lines (Line Trimmers)
Carburettor cleaning
Bearings
Bushes
Electric cable
Grass collectors

3. Not covered by this warranty

(a) The warranty policy does not cover any depreciation or damages caused by ordinary wear, rusting or corrosion, lack of correct maintenance or operation, misuse, abuse, lack of transportation or accident.

(b) The warranty policy does not cover any costs necessary for the standard periodic maintenance services instructed by the operators manual, or service parts replacement which would include oil, filters, tyres, belts, brake linings, fuses, blades, seals and other service parts unless it can be proven that the item has evidence of faulty manufacture.

(c) The warranty policy will not cover failure or damage caused as a result of parts or accessories being modified without the written approval of GJ Handy & Co Ltd.

(d) The warranty policy will not cover the unit if non-genuine parts have been fitted and as a result damage has occurred to the unit.

(e) The warranty policy is non-transferable and is only applicable to the original purchaser.

4. Disclaimer

(a) This warranty is only a remedy for defect of products. GJ Handy & Co Ltd will never warranty in terms of the merchantability or the fitness for a particular purpose.

(b) No person is authorised to make any warranties, representations or promises, expressed or implied, on behalf of GJ Handy & Co Ltd, or to modify the terms conditions or limitation of this warranty policy in any way.



INSTRUCTION MANUAL

(c) Neither GJ Handy & Co Ltd nor any company affiliated with GJ Handy & Co Ltd shall be liable in any event or manner whatsoever for incidental or consequential damages or injuries, including, but not limited to, loss of crops, loss of profit, out of pocket expenses or profits, rental of substitute equipment or other commercial losses.

5. General

(a) Most warrantable failures show up within the first few weeks of use. These failures are usually straightforward and warranty assessment is relatively easy.

(b) Failures relating to cutter decks and belts need careful investigation, as the cause may not always be straightforward. Look for damage to blades and pulleys especially when the cutter belt or blade boss have snapped or cracked as this could be due to impact damage.

(c) Customers should always refer to the operator/instruction manual when any disputed problem arises, you will find most areas covered within the manual.

Protecting your machine

Maintenance

Regular maintenance of your Webb machine is essential to ensure it operates, safely, efficiently and therefore reducing the environmental impact.

It is the owner's responsibility to ensure that their Webb machine is maintained at specific intervals. Any approved Webb service dealer can undertake a service, which are specialised in our products and will be aware of your particular machine and any technical updates which will save valuable time & money.

If you are using your machine in dry, dusty or high temperatures, you will need to service the machine more regularly.

Fuel (if applicable)

Due to ongoing efforts by fuel companies to reduce emissions, unleaded petrol will oxidize & deteriorate in storage overtime, leaving residue from detergent components.

Fuel deterioration problems may occur when petrol is stored for over 30 days. If you are planning to store fuel for over 30 days, we recommend you add Handy Parts Sure-Start fuel stabilizer to fresh fuel after purchasing. Sure-Start cannot reconstitute stale fuel.

Storage

When storing your machine for an extended period, we do recommend that you follow the instructions of engine instruction manual.

Always store the fuel in a clean, approved and sealed container. If the container is steel, ensure it is not corroded. If the container is not filled to its recommended capacity, air can accelerate fuel deterioration.

Always store fuel away from direct sunlight, in a dark, cool environment.

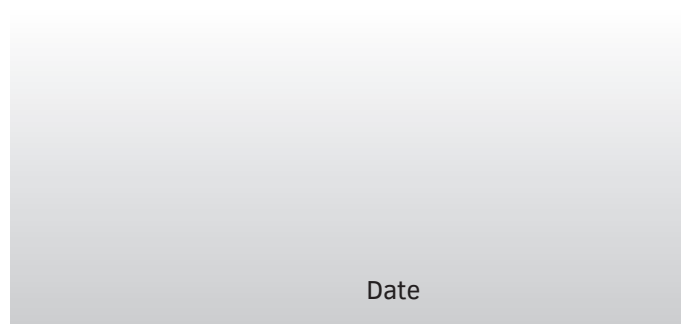
SERVICE BOOK

Your servicing Webb approved dealer will stamp & date the below relevant sections, when the correct service actions have been completed.
PLEASE ENSURE THE SERVICE BOOK IS AVAILABLE FOR THE DEALER, DURING SERVICE WORK.

1st Service

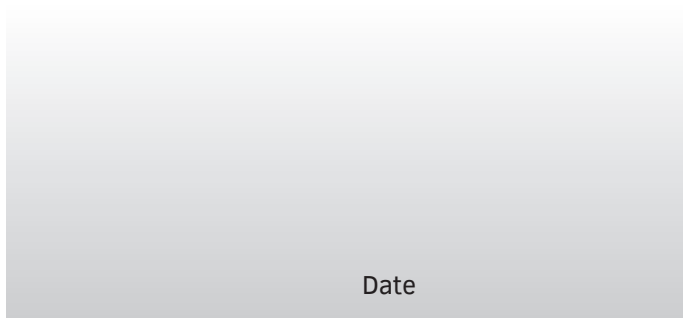
This must be stamped by an approved service dealer to qualify for a free second year warranty.
(Excluding the Webb Electric Handheld machines)

12 Months



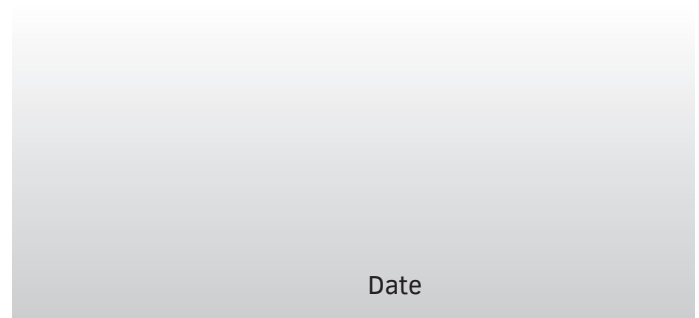
Date

24 Months



Date

36 Months

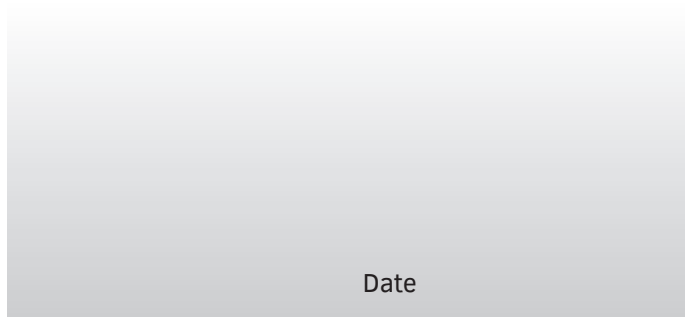


Date



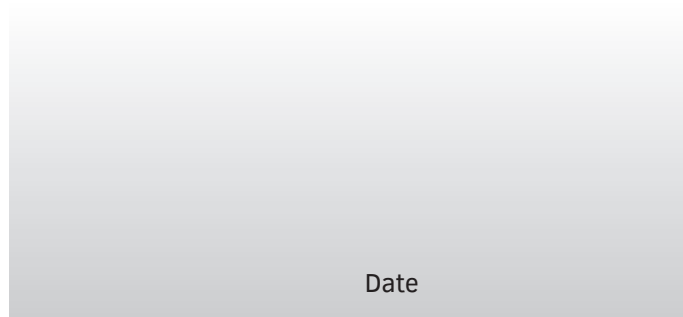
INSTRUCTION MANUAL

48 Months



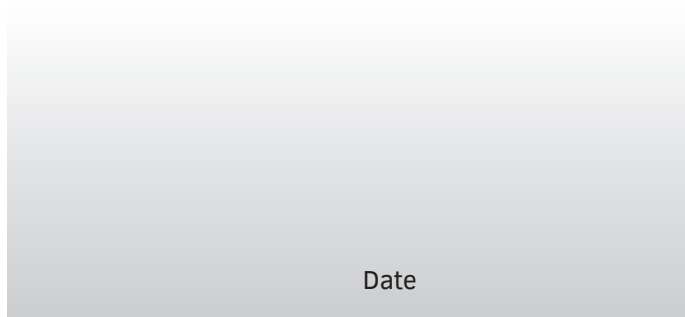
Date

60 Months



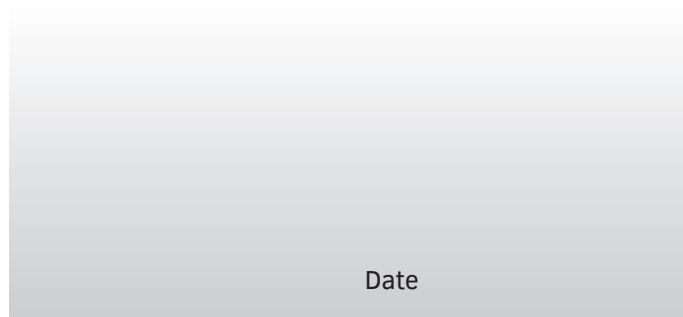
Date

72 Months



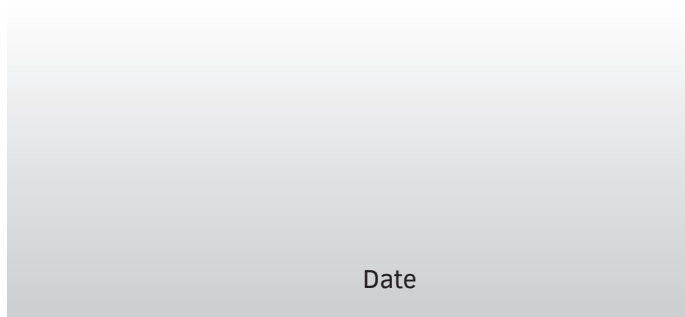
Date

84 Months



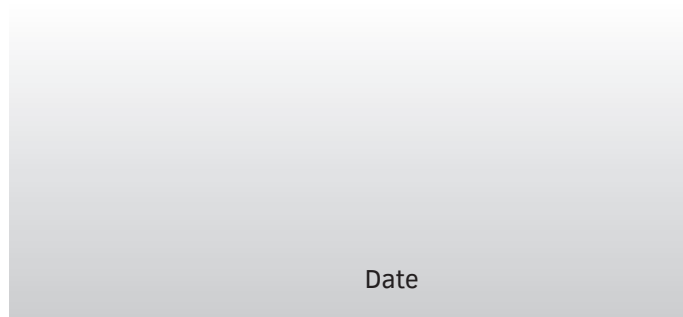
Date

96 Months



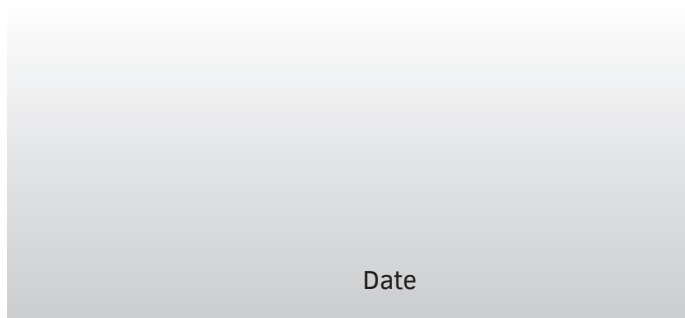
Date

108 Months



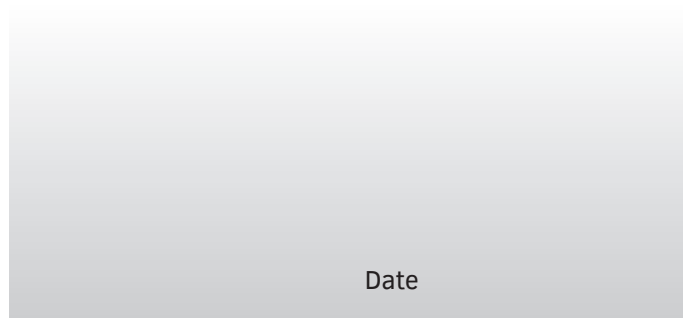
Date

120 Months



Date

132 Months



Date

If you have registered online, this form is not necessary.
PLEASE POST THIS COPY TO THE ADDRESS OVERLEAF

Product Information (* Compulsory)

*Model No:	
*Product No:	
*Serial No:	
*Date of Purchase:	

Personal Information (* Compulsory)

*Title		*Forename		*Surname	
*House Number		*House Name			
*Address 1					
*Address 2					
*Town					
*County					
*Postcode					
Home Tel				Mobile Tel	
Email					

Age	18 to 25	26 to 35	36 to 45	46 to 60	61 to 80	81 & over
*Usage	Domestic Use			Commercial/Professional/Hire Use		

*Dealer Stamp (if available)



*Selling Retailer (If dealer stamp not available)

*Dealer Name	
*Dealer Address	
*Date of Purchase	

Webb Lawnmowers privacy commitment to machine owners.
The information supplied, helps us to improve the products & services we provide, including information that we believe is relevant to your and/or your machine. We value your trust by giving us this information about yourself and we are committed to protecting your privacy.

Webb, its associated companies, authorised dealers or third parties working on our behalf may wish to contact you regarding **PRODUCT RECALLS** specific to your machine. Please advise how you wish to be contacted for this specific reason only:

Post Telephone Email

From time to time Webb, its associated companies, authorised dealers or third parties working on our behalf may wish to contact you regarding our products, services, offers or just opinions, which may be used for marketing, research or analysis purposes.
If you wish to be contacted by any of the following methods, please tick the relevant boxes:

Post Telephone Email

You may give Webb Lawnmowers notice in writing at any time that you no longer wish to receive direct marketing communications

Webb Lawnmowers
Murdock Road
Dorcan
Swindon
Wiltshire
SN3 5HY