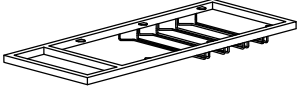
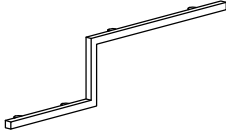
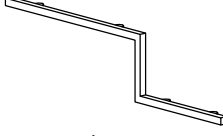
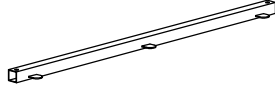


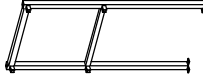

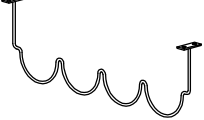
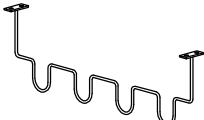






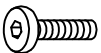



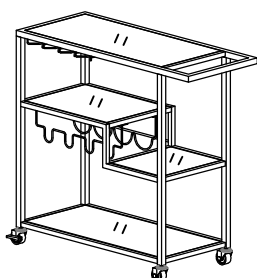


# ASSEMBLY INSTRUCTION

## CHAMPANGE GOLD PAINT FINISH MIRROR GLASS METAL KITCHEN CART

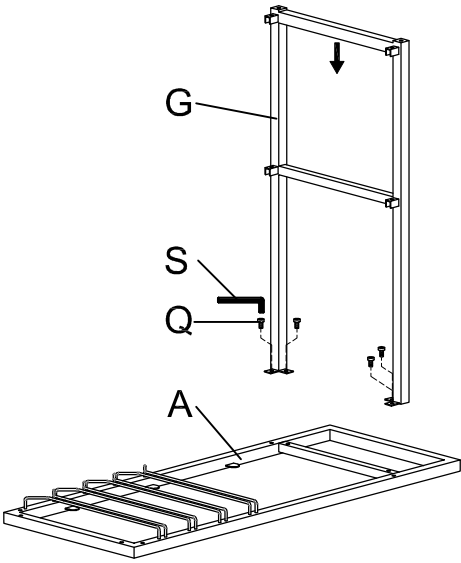
<b>A</b> Top frame  1 pc	<b>B</b> Rail  1 pc	<b>C</b> Rail  1 pc	<b>D</b> Rail  2 pcs
<b>E</b> Center stretcher  1 pc	<b>F</b> Short stretcher  1 pc	<b>G</b> Side frame (Left)  1 pc	<b>H</b> Side frame (Right)  1 pc
<b>I</b> Wine rack  1 pc	<b>J</b> Wine rack  1 pc	<b>K</b> Mirror  2 pcs	<b>L</b> Mirror (Second tier)  1 pc
<b>M</b> Mirror (Third tier)  1 pc	<b>N</b> Wheel  2 pcs	<b>O</b> Wheel with brake  2 pcs	<b>P</b> Metal bar  1 pc
<b>Q</b> Bolt  28 pcs	<b>R</b> Washer  4 pcs	<b>S</b> Allen wrench  1 pc	<b>T</b> Open end wrench  1 pc


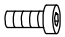


This page lists all the contents included in the box. Please take the time to identify the hardware as well as the individual components to this product. As you unpack and prepare for assembly, place the contents on a carpeted or padded area to protect them from damage.

1

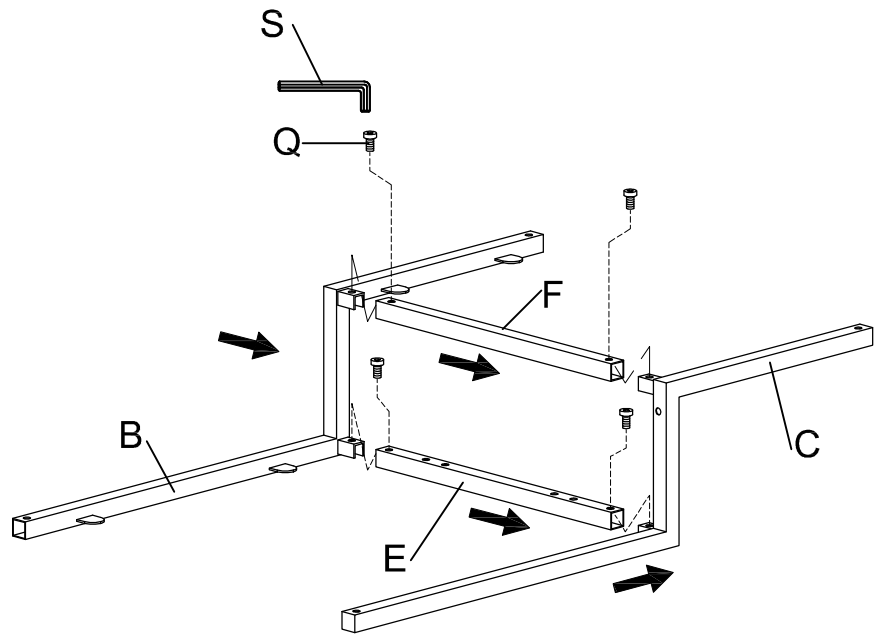
Assemble side frame (G) to top frame (A) with bolt (Q) as shown in drawing then tighten with Allen wrench (S).


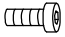


- S  X 1 pc
- Q  X 4 pcs

2

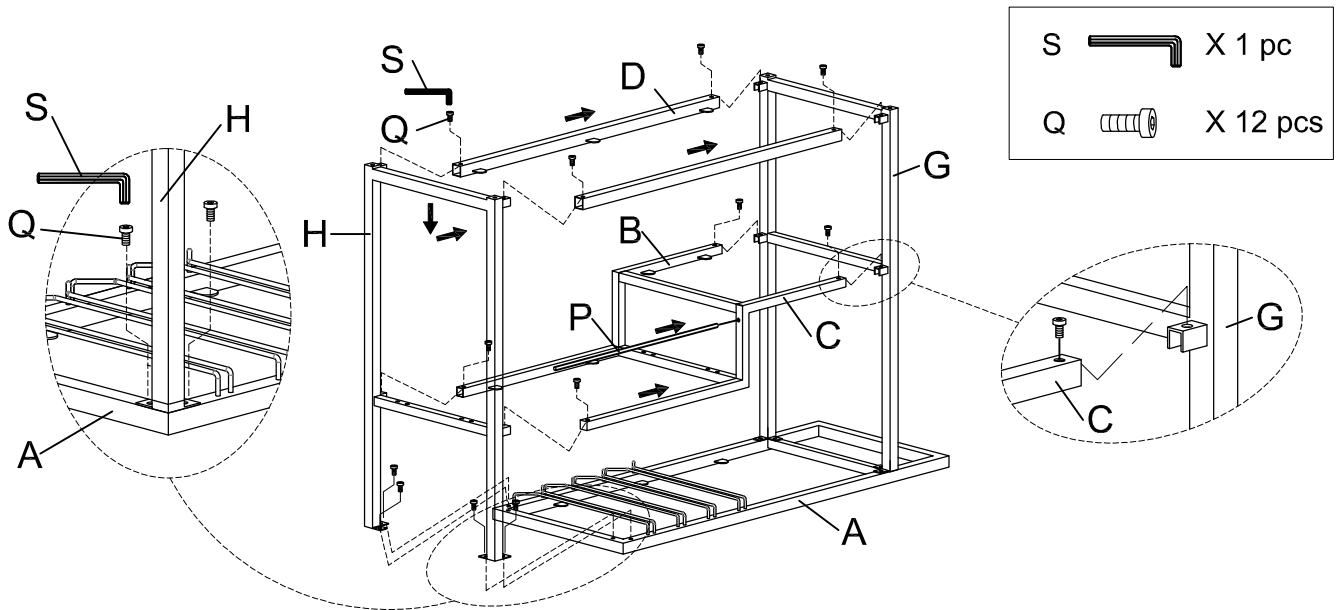
Install center stretcher (E) and short stretcher (F) to rail (C) with bolt (Q) as shown in drawing then tighten with Allen wrench (S). Install center stretcher (E) and short stretcher (F) to rail (B) with bolt (Q) as shown in drawing then tighten with Allen wrench (S).



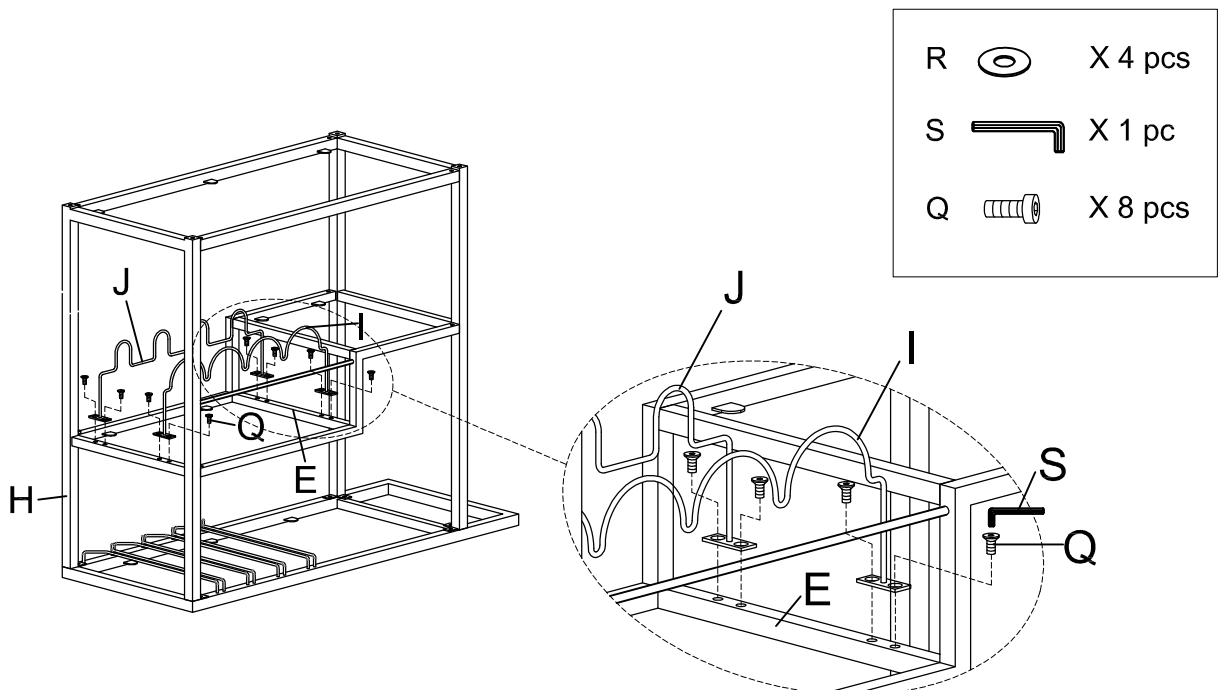
- S  X 1 pc
- Q  X 4 pcs

**3**

Install rail (B) and (C) and (D) to side frame (G) with bolt (Q) as shown in drawing then tighten with Allen wrench (S), install metal bar (P) to rail (C), install rail (B) and (C) and (D) to side frame (H) with bolt (Q) as shown in drawing then tighten with Allen wrench (S), side frame (H) to top frame (A) with bolt (Q) as shown in drawing then tighten with Allen wrench (S).

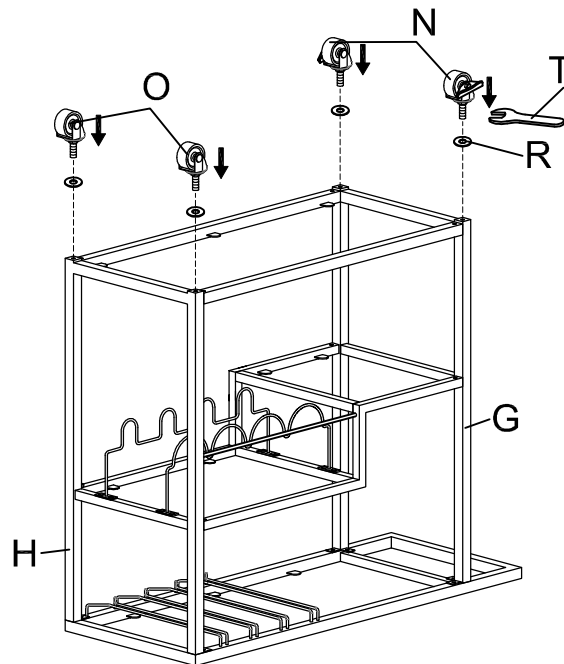
**4**





Install wine rack (I) and (J) to center stretcher (E) and side frame (H) with bolt (Q) as shown in drawing then tighten with Allen wrench (S).



**5**

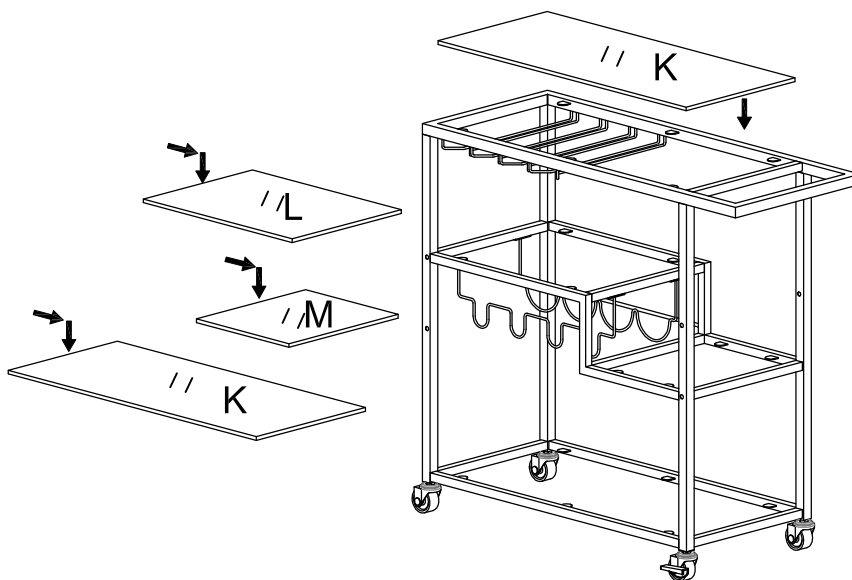
Install wheel (O) to side frame (H) with washer (R) then tighten with open end wrench (T), install wheel (N) to side frame (G) with washer (R) then tighten with open end wrench (T).



T		X 1 pc
R		X 4 pcs
O		X 2 pcs
N		X 2 pcs

**6**

Upright the glass metal kitchen cart and mirror (K) into the top frame and bottom frame. Then place mirror (L) into the second tier of the glass metal kitchen cart and place mirror (M) into the third tier of the glass metal kitchen cart.



#### Cleaning & Care

Treat surface with care. Surface is resistant to scratches but is not scratch resistant. Clean surfaces with a dry or damp soft cloth. Do not use abrasive cleaners. Hardware may loosen over time. Periodically check that all connections are tight.