

Introduction

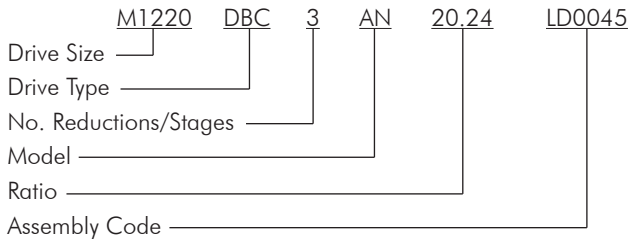
This literature applies to standard gear drives with ratings, speeds, ratios and dimensions as catalogued in current Rexnord selection guides. Refer to the Factory for all specials and modifications.

1. **IDENTIFY DRIVE** — Give complete data shown on drive nameplate. Also, give reference numbers, Falk part numbers, and name of parts required. Drawings and reference numbers are representative of all sizes and the actual parts may not agree in exact detail for each drive size. Complete nameplate data and parts reference number will assure receipt of correct parts.

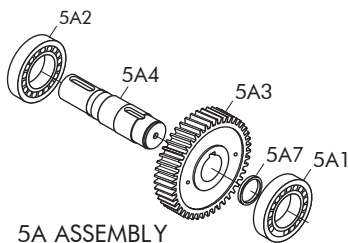
Sample Nameplate

MODEL	M1220DBC3AN-20.24-LD0045		
M.O. S/N	02-066310-01	RATIO	20.24
RPM n1/n2	1750/86.46	APPLIED POWER	1000 HP
CATALOG POWER	1443 HP	SERVICE FACTOR	1.43
DATE	05-02	APPROX. OIL	45 GAL
SEE OWNER'S MANUAL FOR INSTALLATION AND SERVICE LUBRICATION FILL TO LEVEL INDICATED WITH EXTREME PRESSURE OIL PER REQUIREMENTS. CHANGE OIL EVERY 2500 HOURS OR SIX MONTHS, WHICHEVER OCCURS FIRST. FAILURE TO FOLLOW INSTRUCTIONS VOIDS WARRANTY.			
AMBIENT TEMPERATURE -9 TO +16°C (15 TO 60°F) +10 TO +52°C (50 TO 125°F)		ISO-VG 220 EP 320 EP	AGMA 5 EP 6 EP
Rexnord Industries, LLC www.rexnord.com			D013324

Drive Identification



2. **IDENTIFY INDIVIDUAL PARTS** — Use exploded view on Page 2 to determine Ref. No. of required parts.



Ref. No.	Part Description
5A1	Bearing, Shaft LS
5A2	Bearing, Shaft LS
5A3	Gear, LS
5A4	Shaft, LS (Incl. Ref. 5A7)
5A7	Spacer, Gear/Bearing (Incl. Ref. 5A4)

NOTE: It is recommended that the shaft seals be replaced whenever it becomes necessary to disturb a seal in the process of disassembling a drive. It is also recommended that the Repair Kit, Ref. No. "RK", consisting of a full set of seals, bearings and bore plugs be considered when disassembling a drive for servicing.

PINIONS, GEARS & SHAFTS — Replacement of a pinion, gear or shaft may also require the replacement of the respective connected parts. It is recommended that Rexnord be contacted to help make that determination.

FASTENERS — DRIVE ONE fasteners are generally re-usable. If replacement fasteners are required, consult the drive service manual for sizing and grade information for local availability. The Factory will of course furnish fastener kits if required. Simply identify the part for which they are required.

SHAFT COUPLINGS & OTHER DRIVE ACCESSORIES — Refer to coupling parts guide or appropriate accessory product literature for servicing or replacement information.

3. **ORDER PLACEMENT** — Place your order with your local Rexnord Representative or Distributor. If you need assistance call the number below.

Bearing & Seal Identification

Refer to the exploded views on Page 2 to identify the bearings and oil seals by the parts list Reference Number. Then refer to Tables 2 thru 5, Page 4, to determine the Manufacturer and Manufacturer's part number.

Corrosion Protection & Storage

CAUTION: Follow guidelines below to avoid damage to parts.

1. For domestic or indoor storage, Factory provides standard 24 month protection as boxed or optional 24 month protection for individual parts.
2. For export or outdoor storage, Factory provides optional 18 month protection.

CAUTION: This protection does not cover exposure to elements such as standing water, etc.

Parts Diagram

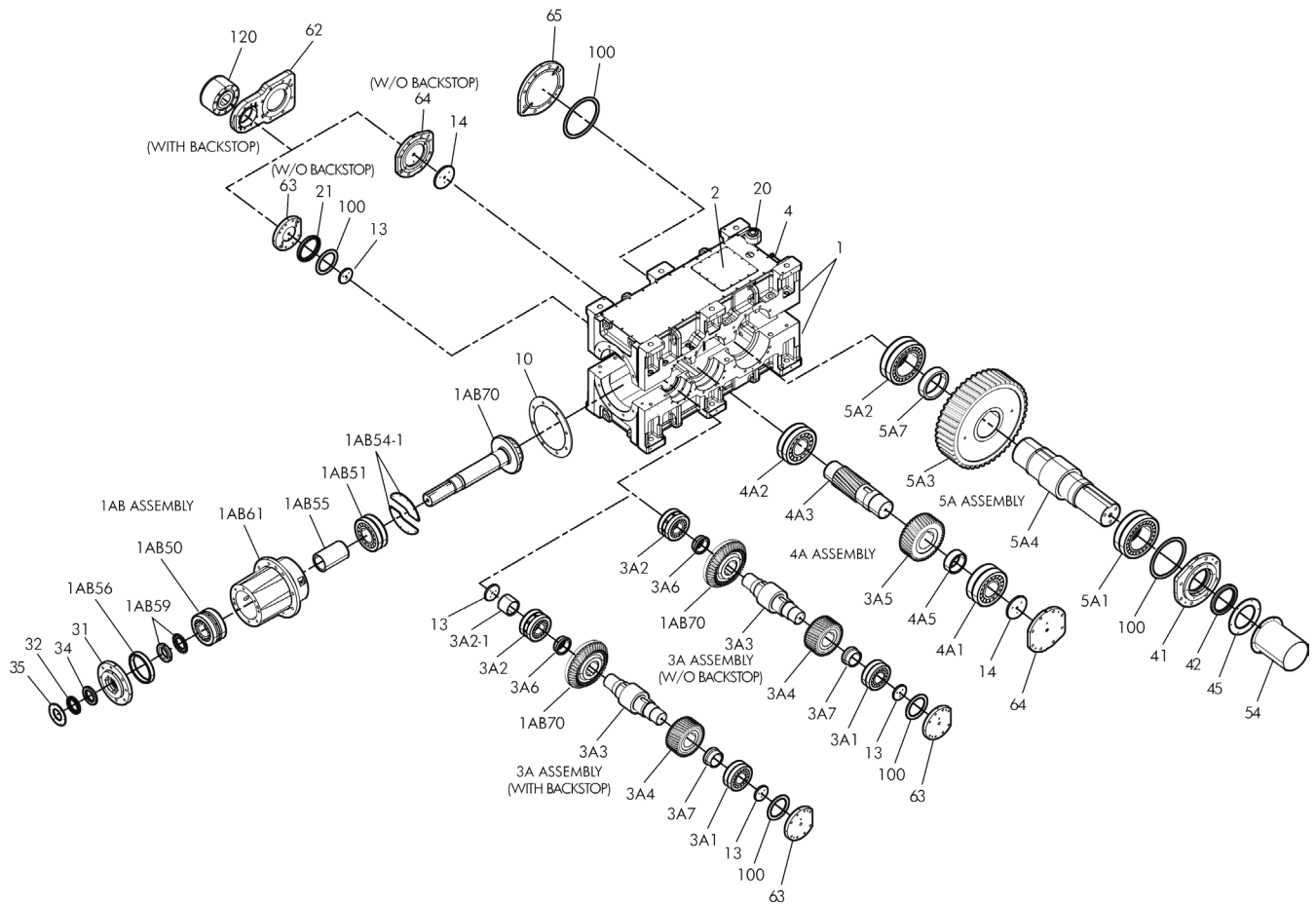


TABLE 1 — Parts List

Ref. No.	Description
1	Housing (Consists of Base & Cover & all Hardware)
2	Inspection Cover
4	Dipstick
10	Shim-Gasket Set, Bearing Carrier
13	Keeper Plate, Intermediate Bearing
14	Keeper Plate, LSP Bearing
20	Air Vent
21	Spacer, Housing HS Bore
23	Spacer, Housing LSP Bore
30	Seal Cage Assy. HS (Incl. Ref. 31-35, 34 where req'd.)
31	Seal Cage HS
32	Seal, Exclusion HS (Outer)
34	Seal, Oil HS (Inner)
35	Cover, Seal HS
40	Seal Cage Assy. LS (Incl. Ref. 41-45, 44 where req'd.)
41	Seal Cage LS
42	Seal, Exclusion LS (Outer)
44	Seal, Oil LS (Inner)
45	Cover, Seal LS
54	Guard, Shaft LS
62	Cover (HS & LS Pinion)
63	Cover, End (Intermediate)
64	Cover, End (LS Pinion)
65	Cover, End (LS Gear)
70	Fan
71	Guard, Fan
75	Shroud, Fan
77	Fan Assy. (Incl. Ref. 70-76)
80	Fan, Electric
81	Fan, Electric, Drive Shroud
100	Gasket, Shim Kit (Drive)
120	Backstop
1AB	HIGH SPEED BEVEL HEAD ASSEMBLY (Incl. Ref. 1AB50-1AB70)
1AB50	Bearing, HS
1AB51	Bearing, HS
1AB54-1	Oil Retainer Plates (2 Piece)
1AB55	Spacer, Shaft HS
1AB56	Spacer, Shaft HS
1AB59	Locknut & Washer
1AB61	Carrier, Bearing HS
1AB70	Set, Bevel HS
3A	INTERMEDIATE SHAFT ASSEMBLY (Incl. Ref. 3A1-3A3, 3A6/3A7 Less Bevel Gear)
3A1	Bearing, Shaft Int.
3A2	Bearing, Shaft Int.
3A3	Pinion, Int. SOS (Incl. Ref. 3A7)
3A3/3A4	Pinion & Shaft Int. (Incl. Ref. 3A6 & 3A7)
3A5	Gear, Int.
3A6	Spacer, Int. Gear/Bearing (Incl. with Ref. 3A3/3A4)
3A7	Spacer, Int. Pinion/Bearing (Incl. with Ref. 3A3 & 3A3/3A4)
4A	LOW SPEED PINION ASSEMBLY (Incl. Ref. 4A1-4A5 & 1A5)
4A1	Bearing, Pinion LS
4A2	Bearing, Pinion LS
4A3	Pinion LS (Incl. Ref. 4A5)
4A5	Spacer, Int. Gear/Bearing (Incl. with Ref. 4A3)
5A	LOW SPEED SHAFT ASSEMBLY (Incl. Ref. 5A1-5A7)
5A1	Bearing, Shaft LS
5A2	Bearing, Shaft LS
5A3	Gear LS
5A4	Shaft LS (Incl. Ref. 5A7)
5A7	Spacer, Gear/Bearing (Incl. with Ref. 5A4)

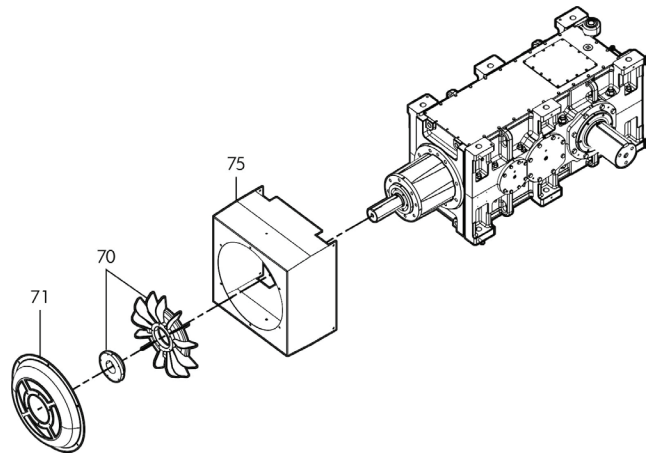
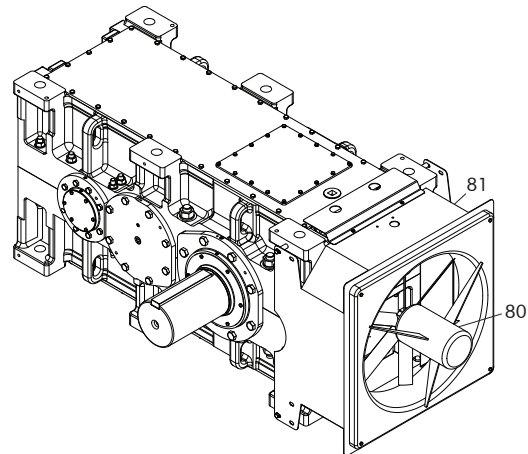
SHAFT FAN PARTS

ELECTRIC FAN PARTS


TABLE 2 — Oil Seals/Falk Part Numbers

DRIVE SIZE	H.S. Shaft		L.S. Shaft	
	Reference No.			
	32	34	42	44
1220	D009046	D005878	D009047	D003199
1230	D009046	D005878	D009047	D003199
1240	D009048	D005734	D009051	D009052
1250	D009048	D005734	D009051	D009052

TABLE 3 — Seal Manufacturer's Part Numbers

Falk Part No.	Manufacturer's Part No.	
	Chicago Rawhide	Transcom
D003199	...	240X270X15TC
D005734	...	130X160X12VTF
D005878	...	120X150XVTF
D009046	...	120X160X12VTF
D009047	...	240X280X16SC
D009048	...	130X170X12VTF
D009051	...	260X300X20SB
D009052	...	260X290X15TC

TABLE 4 — Bearings/Falk Part Numbers

DRIVE SIZE	H.S. Shaft		1st. Int. Shaft		2nd Int. Shaft		L.S. Shaft	
	Reference No.							
	1A50	1A51	3A1	3A2	4A1	4A2	5A1	5A2
1220	919108	D008862	D008859	D008827	919112	919112	D008825	D008825
1230	919108	D008862	D008859	D008827	919112	D008829	D008825	D008825
1240	D008864	D008829	D008861	D008828	919315	919315	D008830	D008830
1250	D008864	D008829	D008861	D008828	919315	D008831	D008830	D008830

TABLE 5 — Bearing Manufacturer's Part Numbers

Falk Part No.	Manufacturer's Part No.
919108	NACHI 22328EW33C3
919112	SKF 22332CCC3W33
919315	SKF 22338CCC3W33
D008825	NACHI 23148EW33
D008827	NSK 23322CAME4C3U15-VS
D008828	TIMKEN 23324YMW33C3S11
D008829	NSK 23332CAME4C3S11
D008830	SKF 24052CCW33
D008831	NSK 23338CAME4C3S11
D008859	2TS-DM31322
D008861	2TS-DM30324/32324
D008862	2TS-DM31326
D008864	2TS-DM31330

• Special end play required on these bearings. Do not replace without consulting the Factory.