

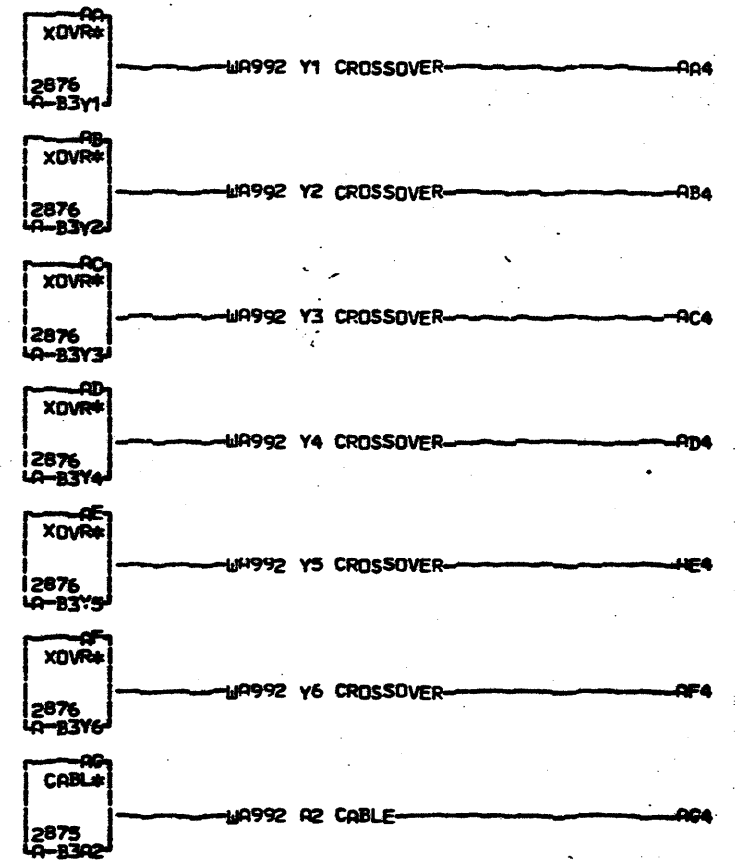
IBM

CONFIDENTIAL

UNTIL FIRST

CUSTOMER SHIP

000 WA991



LOC. TYPE

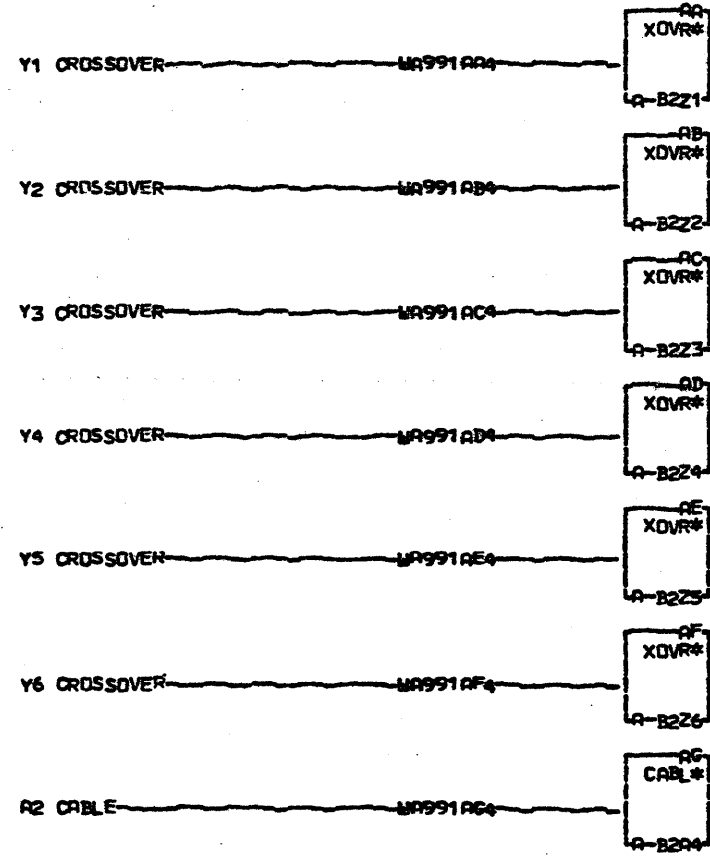
CABLES AND CROSSOVERS BETWEEN		WA 9 9 1 000
R3 AD AND CHAN BD		
EoC HISTORY	C MACH CPU15FST	
DATE	LAST EC	FRAME 01
104-15-76	830225	IBM CORP. GSD
		PoNo 4238896

4-802E
000

IBM

CONFIDENTIAL UNTIL FIRST CUSTOMER SHIP

000 WA992

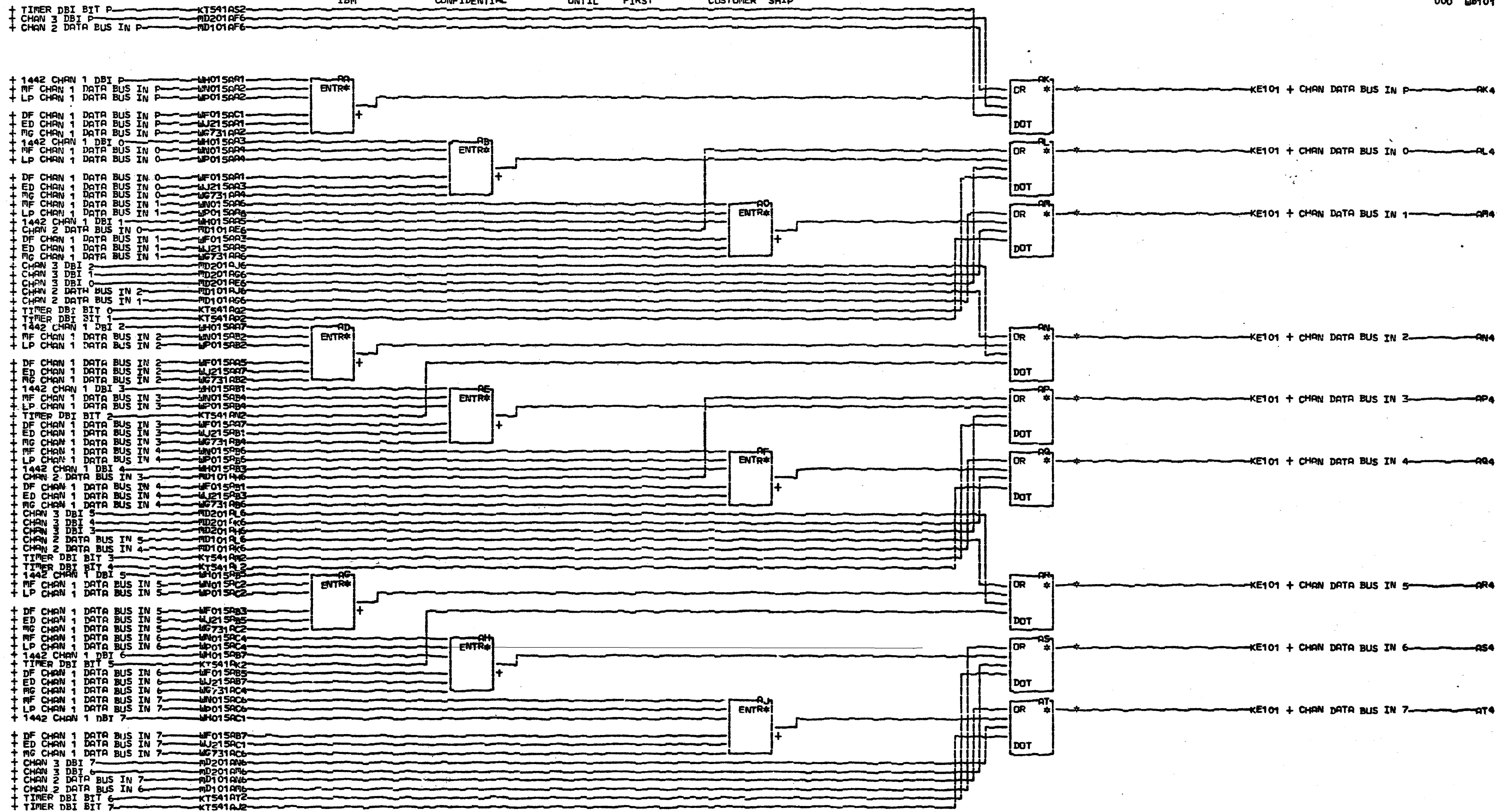


000

LOC. TYPE

CABLES AND CROSSOVERS BETWEEN		U A 9 9 2
B3 BD AND CHAN BD		
E.C. HISTORY	C. RACH. CPU15FST	
	FWARE 01	
DATE	LAST EC	IBM CORP. GSD
04-15-76	830225	IP.N. 423897

000

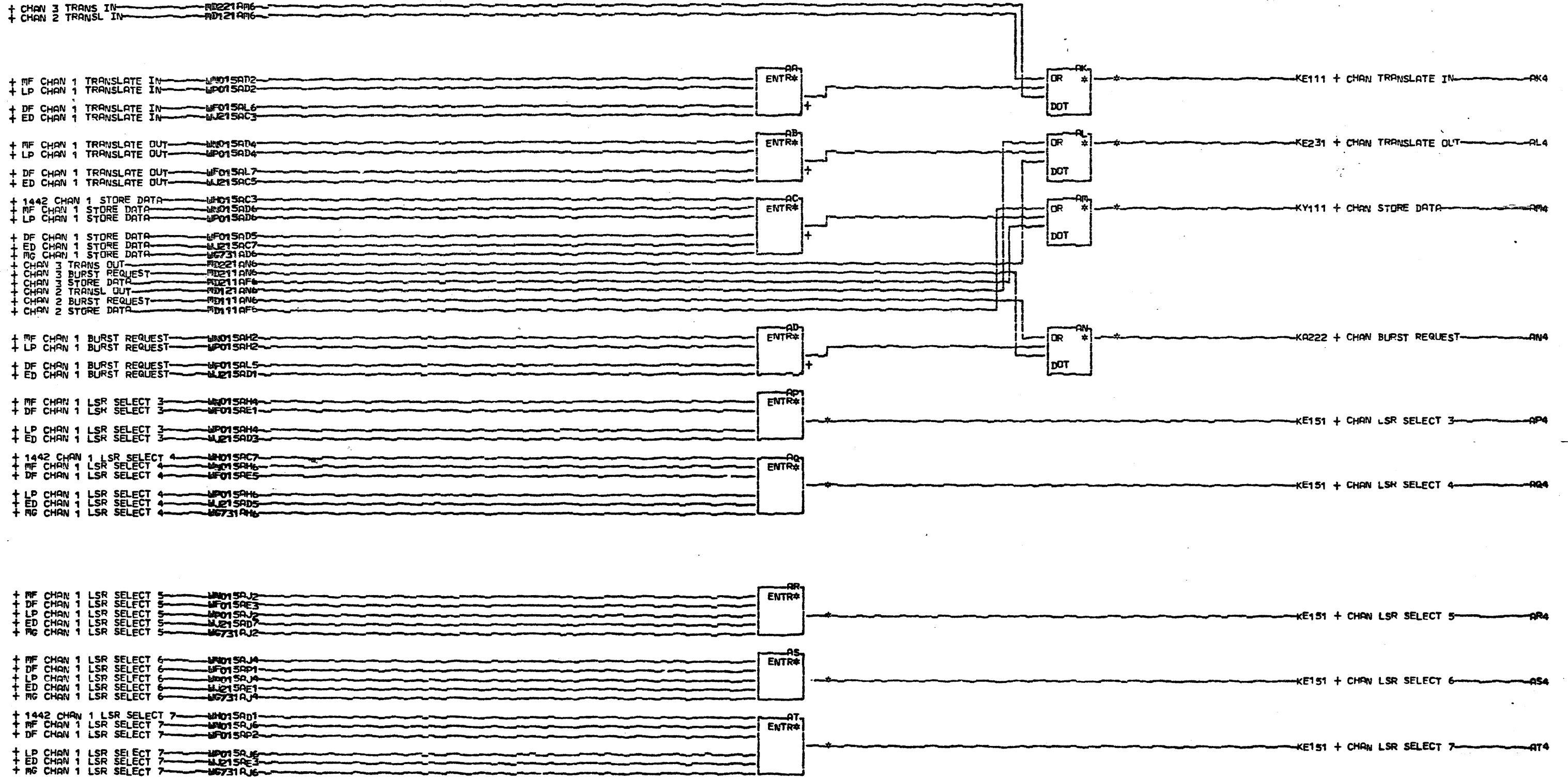


NOTE NOT ALL CONNECTOR POSITIONS SHOWN MAY BE PRESENT ON YOUR SYSTEM. B CONNECTORS ARE SHOWN FOR MAXIMUM FEATURES.

AK2 A-B2H1A11	01A-B1H6B02	01A-B1A4D05	01A-A1M1C11	01A-A1M6D02	01A-A2N1A11	01A-A2N6B02	01A-A3M1C11
01A-B1H6A02	01A-B1A4D03	01A-A1M1B11	01A-A1M6C02	01A-A2M1D11	01A-A2N6A02	01A-A3N1B11	AT2 A-B2K1B11
01A-B1A4D02	01A-A1L6E02	01A-A1M6B02	01A-A2M1C11	01A-A2M6D02	01A-A3M1A11	AS2 A-B2J1E11	01A-B1K6B02
01A-A1L1D11	01A-A1L1E11	01A-A2M1B11	01A-A2M6C02	01A-A3M1D11	AR2 A-B2J1D11	01A-B1J6E02	01A-B1A4D13
01A-A1L6D02	01A-A2L1E11	01A-A2M6B02	01A-A3M1C11	AQ2 A-B2J1C11	AR2 A-B2J1D11	01A-B1J6D02	01A-B1A4D11
01A-A2L1D11	01A-A2L6E02	01A-A3M1B11	AP2 A-B2J1A11	01A-B1J6C02	01A-B1A4D10	01A-A1M1C11	01A-A1M6E02
01A-A2L6D02	01A-A3L1E11	AM2 A-B2H1E11	01A-B1J6A02	01A-B1A4D09	01A-A1M1B11	01A-A1M6C02	01A-A2M1E11
01A-A3L1D11	AM2 A-B2H1D11	01A-B1H6E02	01A-B1A4D07	01A-A1M1A11	01A-A1N6B02	01A-A2M1C11	01A-A2N6E02
AL2 A-B2H1B11	01A-B1H6D02	01A-B1A4D06	01A-A1M1D11	01A-A1N6A02	01A-A2N1B11	01A-A2N6C02	01A-A3M1E11

LOC. TYPE

CHANNEL 1 IN ENTRY LINES		M B 1 0 1
E-C-HISTORY	C-RACH-CPU15FST	
DATE	LAST EC	000
104-15-76	830225	IP.N. 4238998

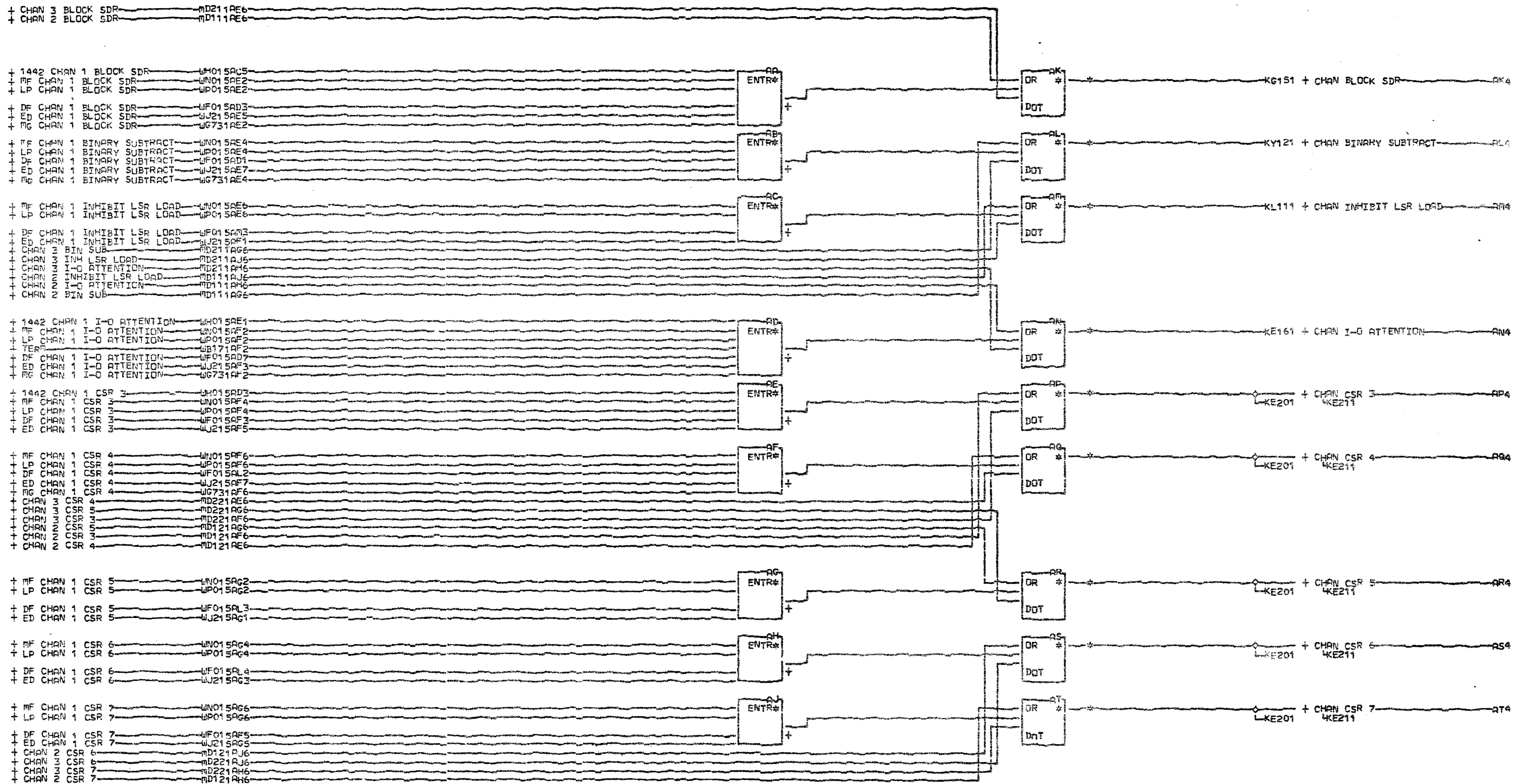


NOTE NOT ALL CONNECTOR POSITIONS SHOWN MAY BE PRESENT ON YOUR SYSTEM. B CONNECTORS ARE SHOWN 1 FOR MAXIMUM FEATURES.

AK2 A-B2N1C11	01A-B1N6E02	01A-B1A4B02	01A-B1N6E04	AP4 A-B2J1B13	01A-B1J6C04	01A-B1A4B10	01A-A1N1D13	01A-A1N6E04
01A-B1N6C02	01A-B1A5D13	01A-A1L1D13	01A-B1A5B08	01A-B1J6B04	01A-B1A4B09	01A-A1N1B13	01A-A1N6D04	01A-A2M1E13
01A-B1A5D11	01A-A1K1B11	01A-A1L6D04	01A-A1J1B13	01A-B1A4B09	01A-A1N1A13	01A-A1N6B04	01A-A2N1D13	01A-A2N6E04
01A-A1J1E11	01A-A1K6B02	01A-A2L1D13	01A-A1J6B04	01A-A1N1E13	01A-A1N6A04	01A-A2N1B13	01A-A2N6D04	01A-A3M1E13
01A-A1J6E02	01A-A2K1B11	01A-A2L6D04	01A-A2J1B13	01A-A1N6E04	01A-A2N1A13	01A-A2N6B04	01A-A3M1D13	
01A-A2J1E11	01A-A2K6B02	01A-A3L1D13	01A-A2J6B04	01A-A2N1E13	01A-A2N6A04	01A-A3N1B13	AT4 A-B2K1B13	
01A-A2J6E02	01A-A3K1B11	01A-B2H6A04	01A-A3J1B13	01A-A2N6E04	01A-A3N1A13	AS4 A-B2K1A13	01A-B1K6B04	
01A-A3J1E11	AM2 A-B2H1A13	01A-B3H1A13	01A-A2R6C07	01A-A3M1E13	AR4 A-B2J1M13	01A-B1K6A04	01A-A1A4B13	
AL2 A-B2M1E11	01A-B1H6A04	AN2 A-B2M1E13	01A-B3R1C11	AQ4 A-B2J1C13	01A-B1J6T04	01A-B1A4B12	01A-A1N1E13	

LOC. TYPE

CHANNEL 1 IN ENTRY LINES	
E-C-HISTORY	C-MACH-CPU15FST
DATE	LAST EC
104-15-76 830225	IP.No. 4238899

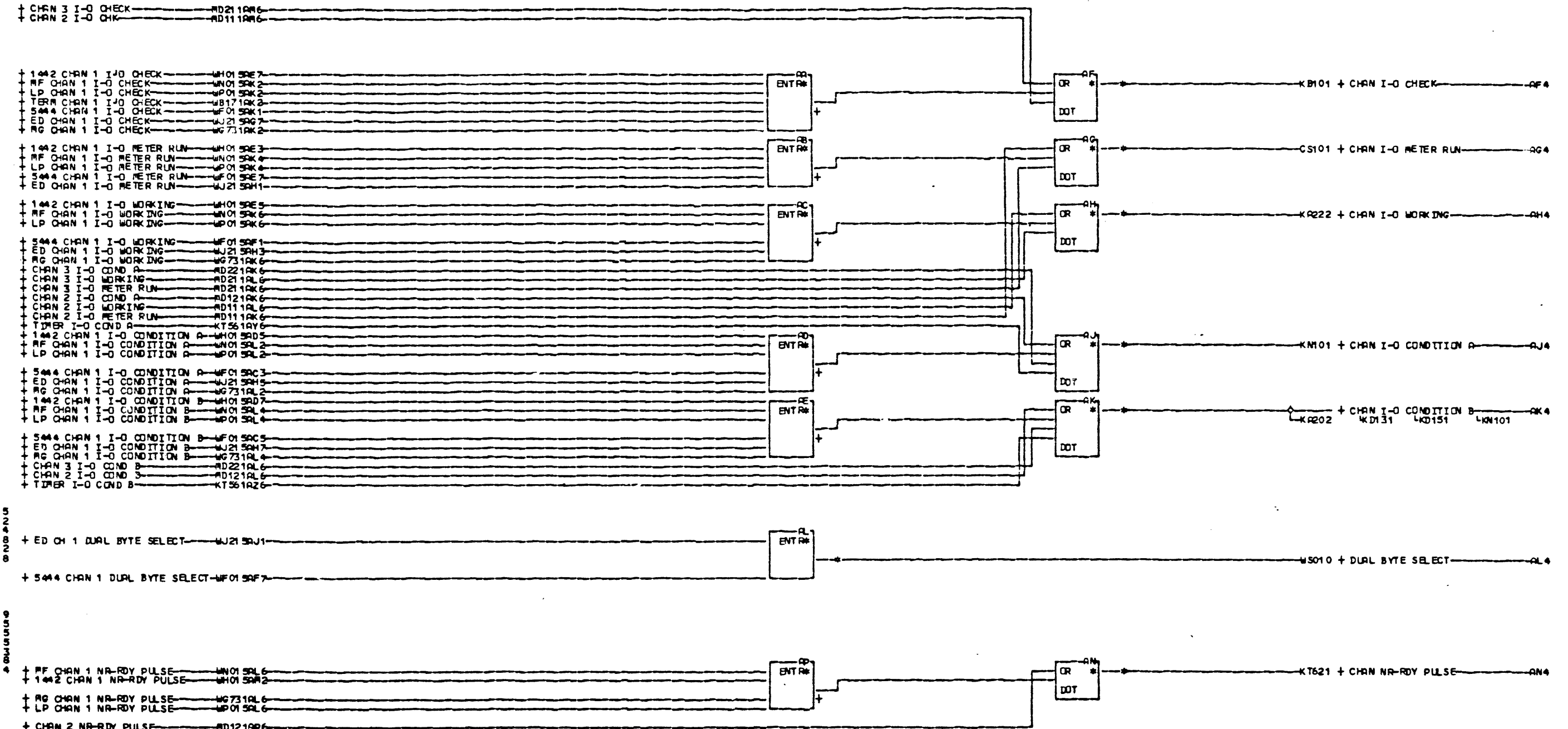


NOTE NOT ALL CONNECTOR POSITIONS SHOWN MAY BE PRESENT ON YOUR SYSTEM. B CONNECTORS ARE SHOWN FOR MAXIMUM FEATURES.

AK2 A-B2H1C13	01A-B3H1C13	01A-B2H6D04	01A-A3M1C13	01A-A2H6A04	01A-A3H1A11	AR2 A-B2M1B11	01A-B1M6C02	01A-B1A5D07	
01A-B1H6C04	AL2 A-B2H1D13	01A-B3H1E13	01A-B2H6E04	01A-A3H1A13	AQ2 A-B2L1E11	01A-B1M6B02	01A-B1A5D06	01A-A1J1A11	
01A-B1A4B04	01A-B1H6D04	01A-B3H1F13	01A-B2H6F04	01A-A3H1A13	01A-B1L6E02	01A-B1A5D05	01A-A1H1E11	01A-A1J6A02	
01A-A1M1A13	01A-B1A4B05	01A-B1H6E04	01A-B1A4B06	01A-A3H1A11	01A-B1L6D02	01A-B1A5D03	01A-A1H1D11	01A-A1H6E02	
01A-A1M6A04	01A-A1M1B13	01A-B1A4B06	01A-B1L6D04	01A-A1H1A11	01A-B1A5D02	01A-A1H1B11	01A-A1H6D02	01A-A2H1E11	
01A-A2M1A13	01A-A1M6B04	01A-A1M1C13	01A-B1A5B02	01A-A1H1A11	01A-A1H6B02	01A-A1H1D11	01A-A2H1D11	01A-A2H6E02	
01A-A2M6A04	01A-A2M1B13	01A-A1M6C04	01A-A1H1A13	01A-A1H6A02	01A-A2H1B11	01A-A2H6D02	01A-A3H1E11	01A-A2J6A02	
01A-A3M1A13	01A-A2M6B04	01A-A2M1C13	01A-A1H6A04	01A-A2H1A11	01A-A2H6R02	01A-A3H1D11	AT2 A-B2M1D11	01A-A3J1A11	
01A-B2H6C04	01A-A3M1E13	01A-A2M6C04	01A-A2H1A13	01A-A2H6A02	01A-A3H1B11	AS2 A-B2M1C11	01A-B1M6D02		

LDC TYPE

CHANNEL 1 IN ENTRY LINES	
-E-C-HISTORY-	C-MACH-CPU15FST
FRAME	01
DATE	LAST EC
104-15-76	830225
IBM CORP. GSD	
P.No. 4238900	



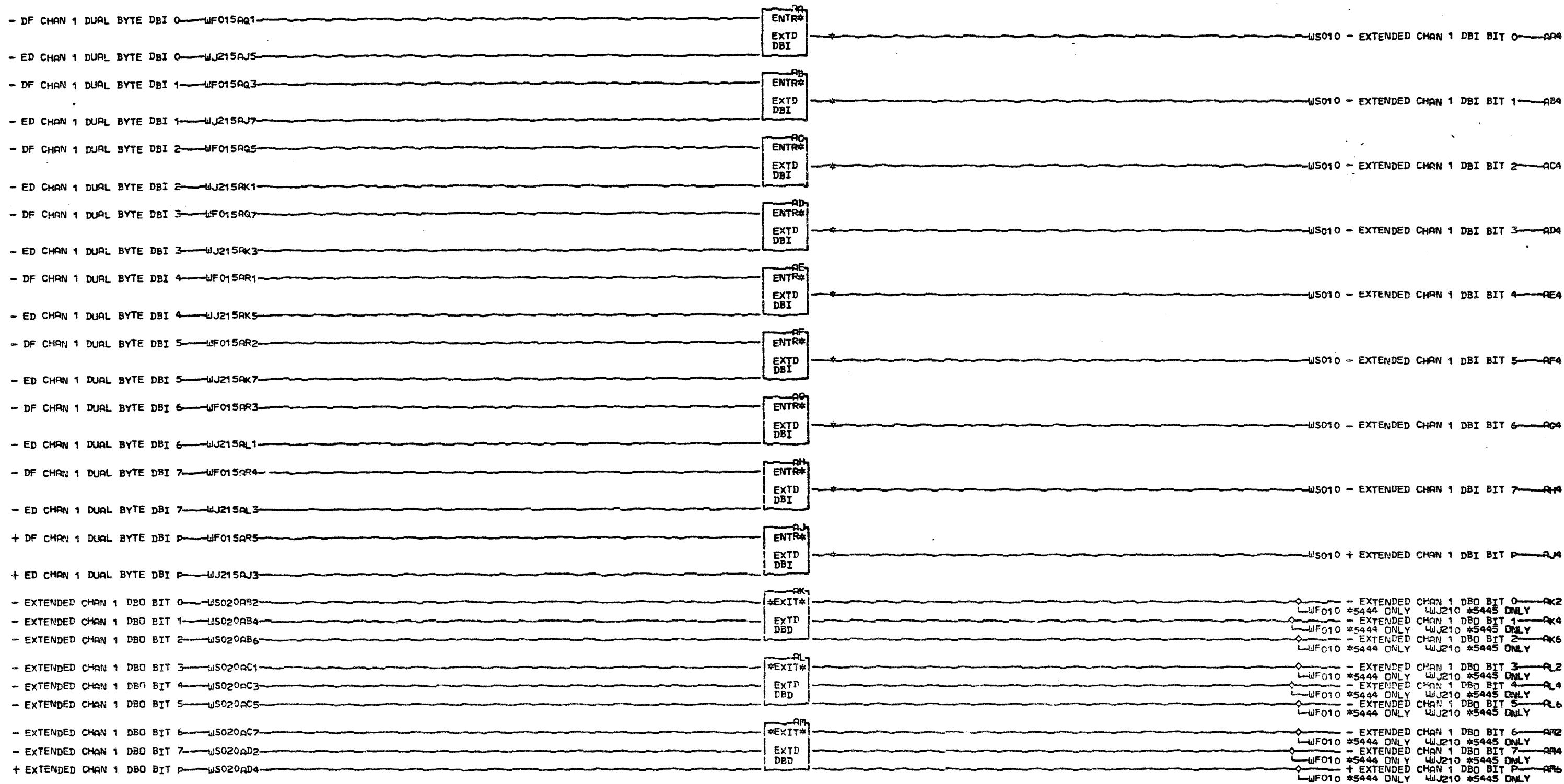
SUBBUS
 BUSBUS
 BUS-01
 006
 PC-107

NOTE NOT ALL CONNECTOR POSITIONS SHOWN MAY BE PRESENT ON YOUR SYSTEM. CONNECTORS ARE SHOWN FOR MAXIMUM FEATURES.

AF2 A-B2A1C13	01A-B3E1D11	01A-B2E5E02	01A-A3H1D13	01A-A2J6C02	01A-A2J1D11	01A-B3L6D04	01A-A1J1D13
01A-B1A5B04	01A-B2M1A13	01A-B3E1E11	01A-B2E6C02	01A-A3J1C11	01A-A2J6D02	01A-B4A5B02	01A-A1J6D04
01A-B1A5B06	01A-B1A5B04	01A-B2E1B13	01A-B2E1C11	01A-B2F6B02	01A-A2J1D11	01A-B3H1E11	01A-A2J1D13
01A-A1H1E13	01A-B1A5B04	01A-B1A5B04	01A-B2N1A11	01A-B3F1B11	01A-B2F6C02	01A-A1J1C13	01A-A2J6D04
01A-A1H1E04	01A-A1H1C13	01A-B1A5B04	01A-B1N6A02	01A-B2M1B11	01A-B3F1C11	01A-A1J6C04	01A-A3J1D13
01A-A2H1E13	01A-A1H6C04	01A-A1H1D13	01A-B1A5D09	01A-B1N6B02	01A-B2N1A13	01A-B4V5B02	
01A-A2H1E04	01A-A2H1C13	01A-A1H6D04	01A-A1J1C11	01A-B1A5D10	01A-A2J1C13	01A-B2M1B13	
01A-A2H1E13	01A-A2H6C04	01A-A2H1D13	01A-A1J6C02	01A-A1J1D11	01A-A2J6C04	01A-B1N6B04	
01A-B2E6D02	01A-A3H1C13	01A-A2H6D04	01A-A2J1C11	01A-A1J6D02	01A-A2H6E02	01A-B1A5B10	

LOC. TYPE

CHANNEL 1 IN ENTRY LINES		M 5 1 0 7
-E-C-HISTORY-	E-RACH-CPU15FST	
DATE	LAST EC	FRAME 01
05-09-77	8 28 425	IBM CORP. GSD
		P/N 4 835559

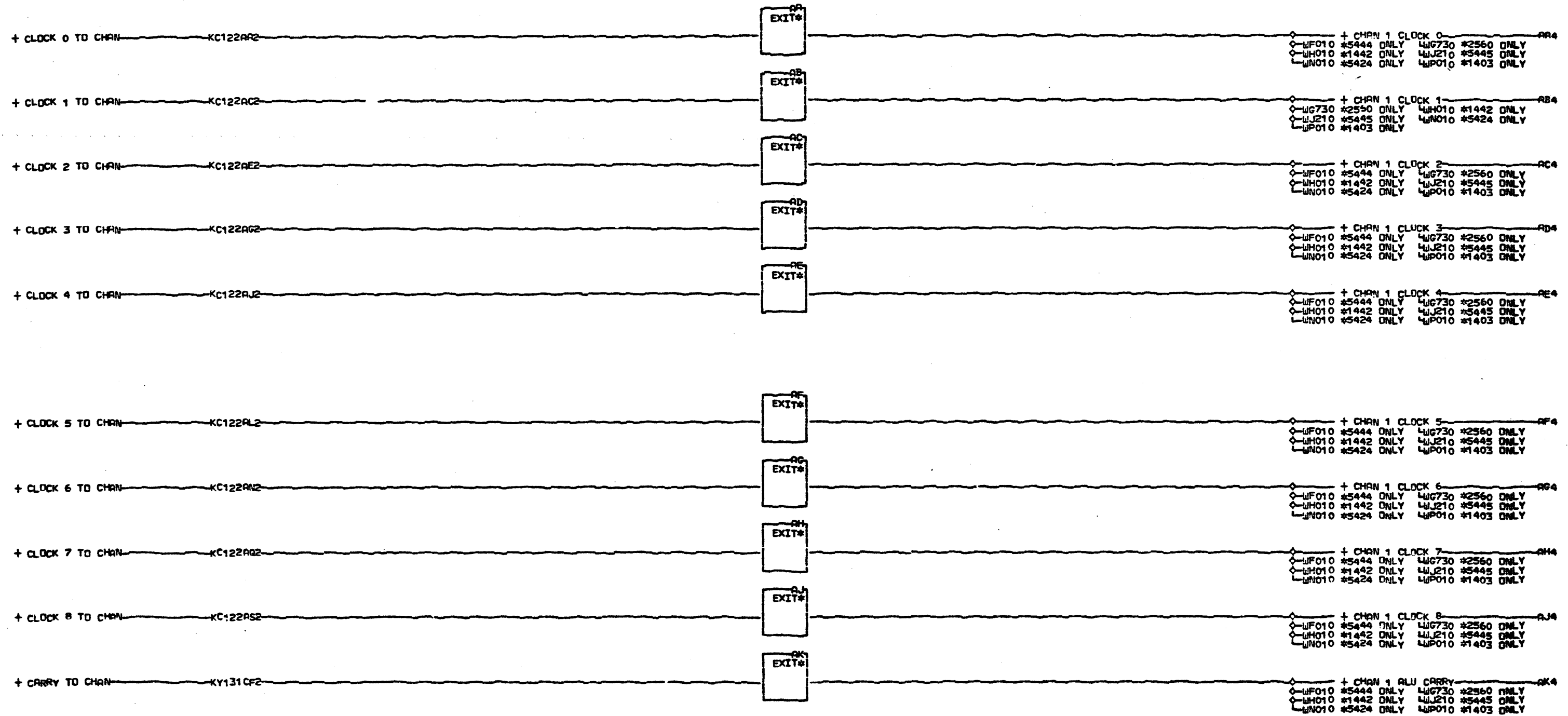


NOTE CABLES MAY ENTER A-B4 BOARD IN A ROW INSTEAD OF V ROW ON EARLY SYSTEMS.
 B 01A-B4A2XXX INSTEAD OF 1 01A-B4V2XXX-01A-B4A3XXX 1 INSTEAD OF 01A-B4V3XXX ETC.
 000

AA4 A-B3A5B04	01A-B4V4D02	01A-A1B6C04	01A-A2B6E04	01A-B3H6D02	01A-A1C1D13	01A-A2C1E13
01A-B3H6A04	01A-A1B1B13	01A-A2B1C13	AE4 A-B3A5B09	01A-A4V4D05	01A-A1C6D04	01A-A2C6E04
01A-B4V4B02	01A-A1B6B04	01A-A2B6C04	01A-B3H6D04	01A-A1C1B13	01A-A2C1D13	AJ4 A-B3A5B02
01A-A1B1A13	01A-A2B1B13	AD4 A-B3A5B08	01A-B4V4B05	01A-A1C6B04	01A-A2C6D04	01A-B3J6A02
01A-A1B6A04	01A-A2B6B04	01A-B3H6C04	01A-A1C1A13	01A-A2C1B13	AM4 A-B3A5B13	01A-B4V4D07
01A-A2B1A13	AC4 A-B3A5B06	01A-B4V4B04	01A-A1C6A04	01A-A2C6B04	01A-B3H6E02	01A-A1A1D13
01A-A2B6A04	01A-B3H6B02	01A-A1B1E13	01A-A2C1A13	AG4 A-B3A5B12	01A-B4V4D06	01A-A1A6D04
AA4 A-B3A5B05	01A-B4V4D03	01A-A1B6E04	01A-A2C6A04	01A-B3H6E04	01A-A1C1E13	01A-A2A1M13
01A-B3H6A02	01A-A1B1C13	01A-A2B1E13	AF4 A-B3A5B10	01A-B4V4B06	01A-A1C6E04	01A-A2A6D04

LDC. TYPE

CHANNEL 1 EXTENDED BUS	
E.C.C.-HISTORY	C.MACH.CPU15FST
FRAME	01
DATE	LAST EC
04-15-76	830225
IP.N.	4238902



NOTE NOT ALL CONNECTOR POSITIONS SHOWN MAY BE PRESENT ON YOUR SYSTEM. B CONNECTORS ARE SHOWN FOR MAXIMUM FEATURES.

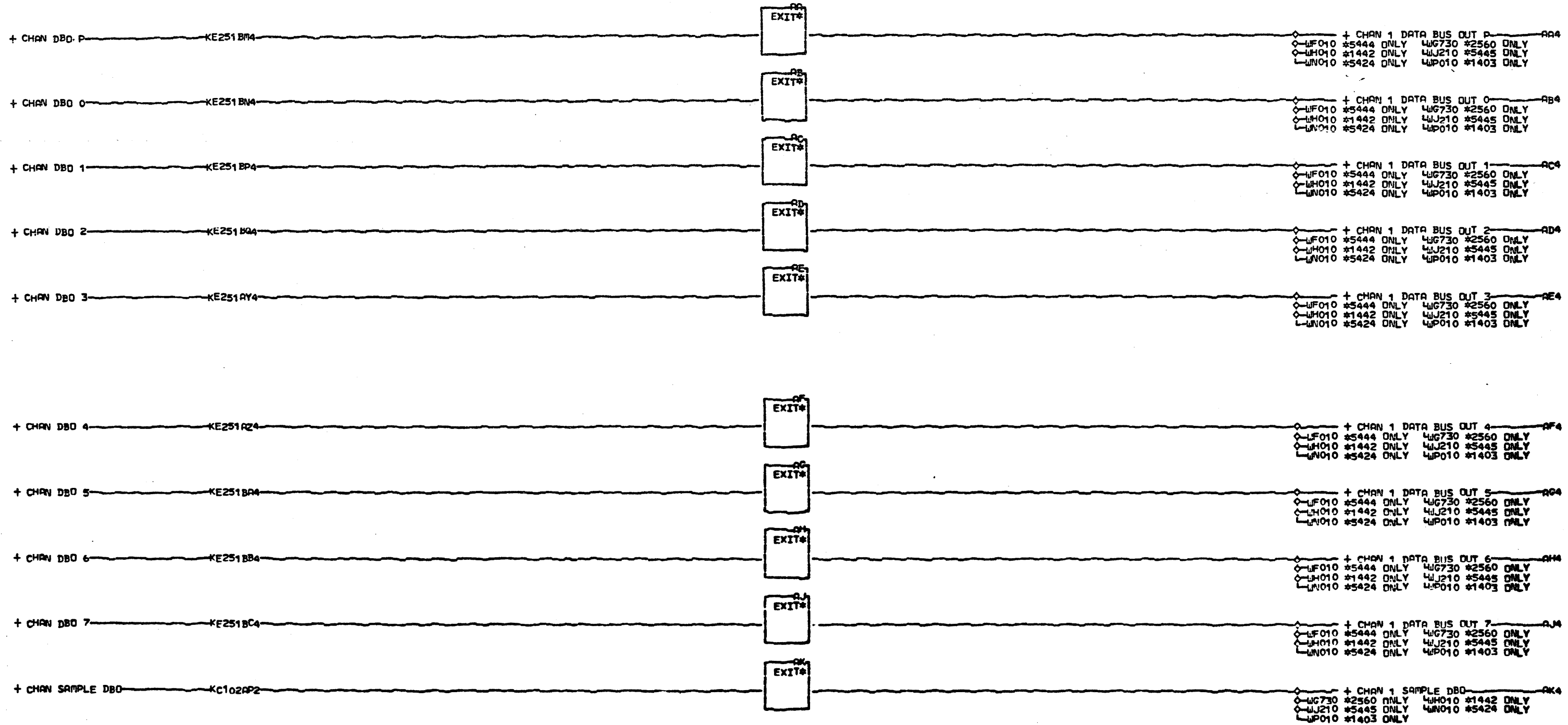
000

LOC. TYPE

CHANNEL 1 OUT EXIT LINES	
E-C-HISTORY	RACH-CPU15FST
FRAME	01
DATE	LAST EC
04-15-76	830225
IBM CORP. GSD	P.N. 4238903

WB151

000



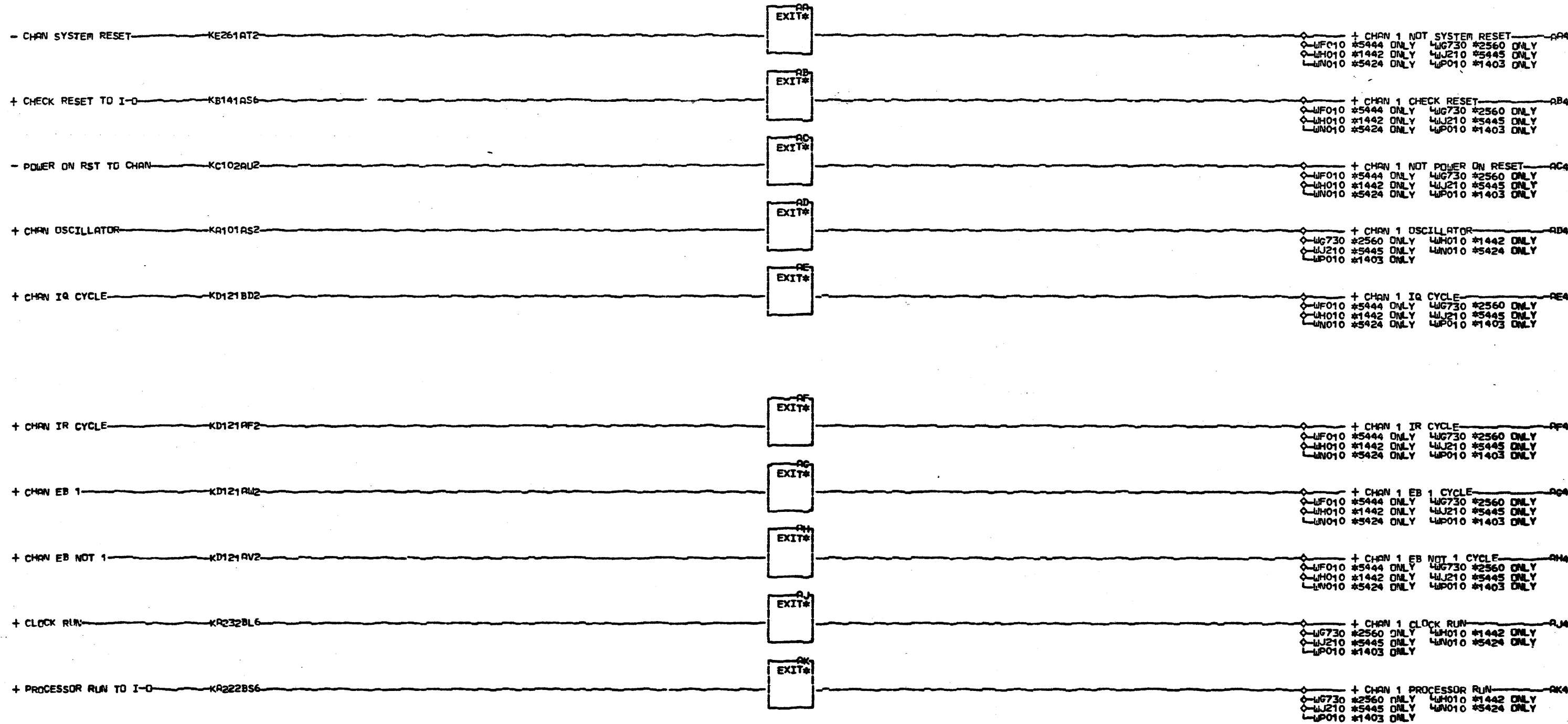
NOTE NOT ALL CONNECTOR
POSITIONS SHOWN MAY BE
PRESENT ON YOUR SYSTEM.
B CONNECTORS ARE SHOWN
FOR MAXIMUM FEATURES.

000

LOC. TYPE

CHANNEL 1 OUT EXIT LINES	
E-C-HISTORY	C-RACH-CPU15FST
FRAME	01
DATE LAST EC	IBM CORP. GSD
104-15-76 830225	IP-N. 4238904

WB153

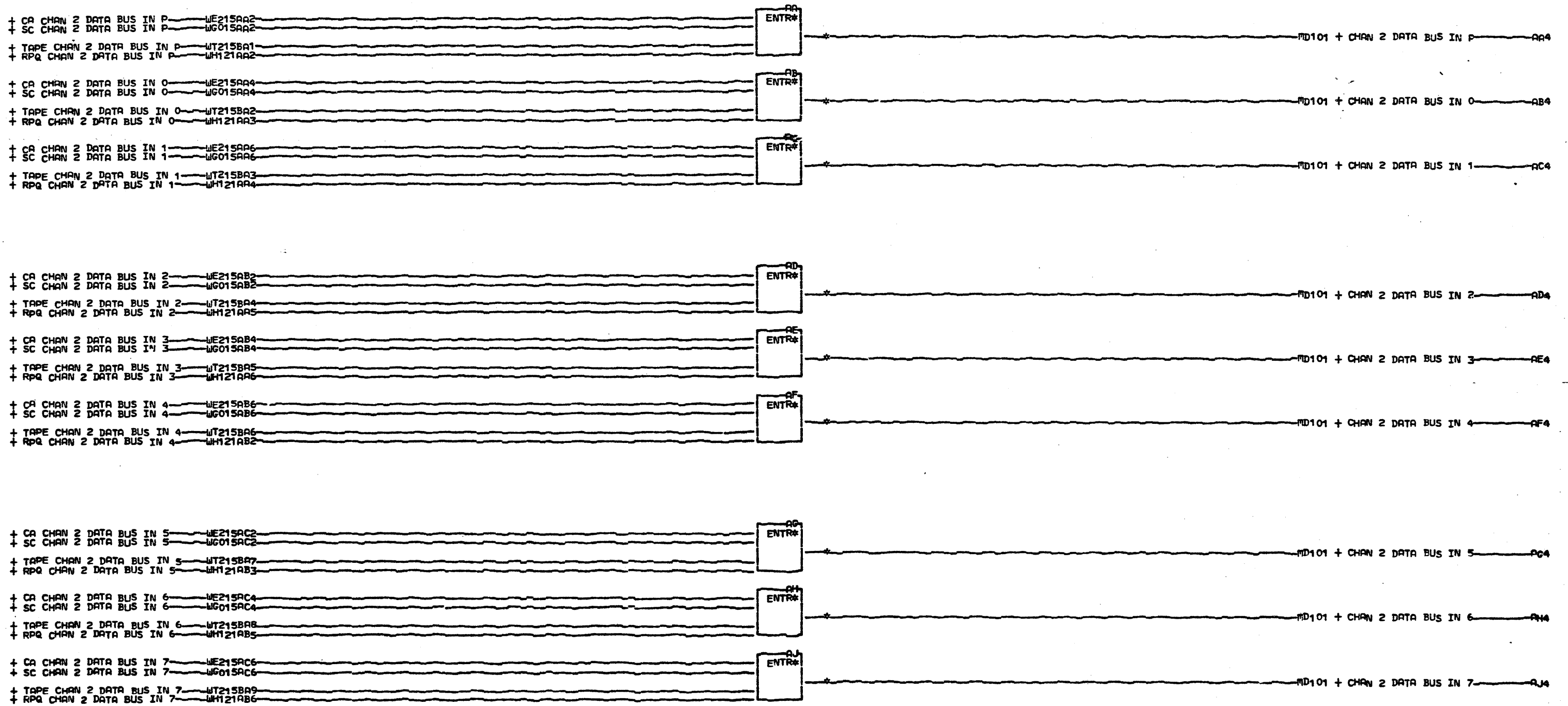


NOTE NOT ALL CONNECTOR POSITIONS SHOWN MAY BE PRESENT ON YOUR SYSTEM. B CONNECTORS ARE SHOWN 1 FOR MAXIMUM FEATURES.
S
S
000

LOC. TYPE

CHANNEL 1 OUT EXIT LINES	
— F.C.—HISTORY—	C1 MACH-CPU15FST
	FRAME 01
DATE LAST EC	IBM CORP. GSD
04-15-76 830225	P.No. 4238905

WB155
000



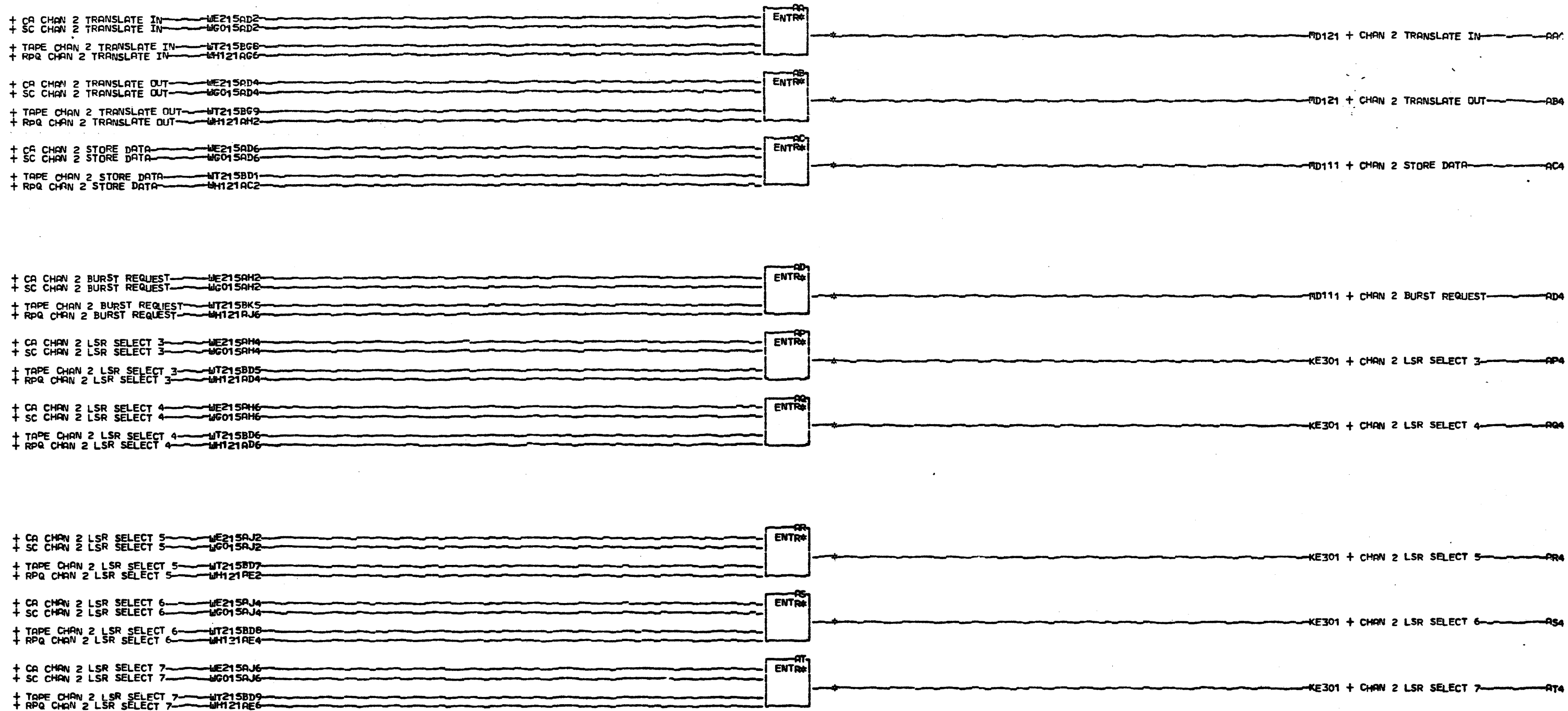
000

AA4 A-B2B4D02	01B-A2V4D03	01B-A2U4D05	01B-B2A4D06	01B-B2B4D07	01B-A1V4D09	01B-A1U4D10	01B-B1A4D11
01B-A2V4D02	01B-A2U4D03	01B-B2A4D05	01B-B2B4D06	01B-A1V4D07	01B-A1U4D09	01B-B1A4D10	01B-B1A4D11
01B-A2U4D02	01B-B2A4D03	01B-B2B4D05	01B-A1V4D06	01B-A1U4D07	01B-B1A4D09	AH4 A-B2B4D11	01B-A2V4D13
01B-B2A4D02	01B-B2B4D03	01B-A1V4T05	01B-A1U4D06	01B-B1A4D07	AG4 A-B2B4D10	01B-A2V4D11	01B-A2U4D13
01B-B2B4D02	01B-A1V4D03	01B-A1U4D05	01B-B1A4D06	AF4 A-B2B4D09	01B-A2V4D10	01B-A2U4D11	01B-B2A4D13
01B-A1V4D02	01B-A1U4D03	01B-B1A4D05	AE4 A-B2B4D07	01B-A2V4D09	01B-A2U4D10	01B-B2A4D11	01B-B2B4D13
01B-A1U4D02	01B-B1A4D03	AD4 A-B2B4D06	01B-A2V4D07	01B-A2U4D09	01B-B2A4D10	01B-B2B4D11	01B-A1V4D13
01B-B1A4T02	AC4 A-B2B4T05	01B-A2V4T06	01B-A2U4D07	01B-B2A4T09	01B-B2B4D10	01B-A1V4D11	01B-A1U4T13
AB4 A-B2B4D03	01B-A2V4D05	01B-A2U4D06	01B-B2A4D07	01B-B2B4D09	01B-A1V4D10	01B-A1U4D11	01B-B1A4D13

LOC. TYPE

CHANNEL 2 IN ENTRY LINES	
EoC-HISTORY	C-MACH.CPU15FST
DATE	LAST EC
104-15-76	830225
FRAME	01
IBN CORP. GSD	
P.No.	4238907

000



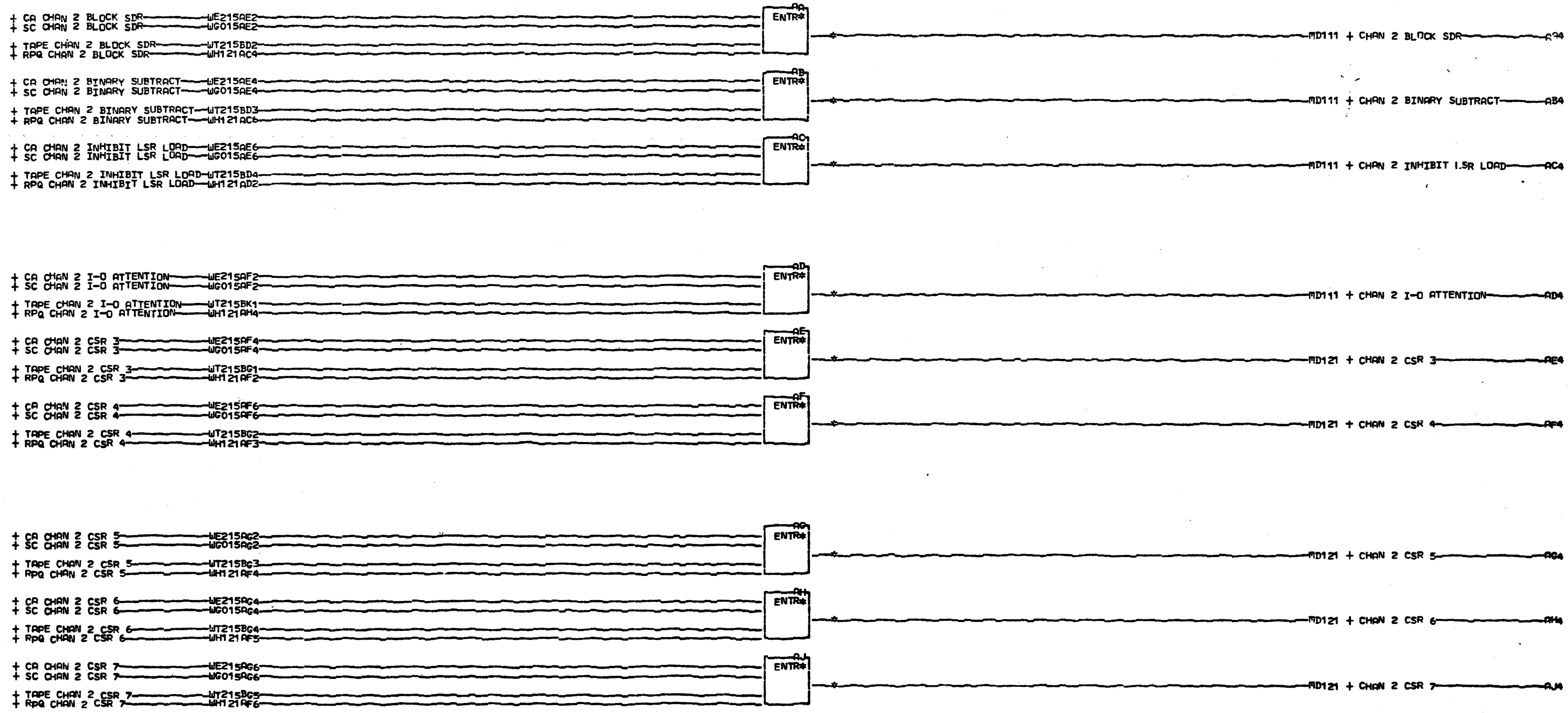
WB
203
000

AA4 A-B2C4D11	01B-A2V5D13	01B-A2U4B02	01B-B2A5B08	01B-B2B4B08	01B-A1V4B09	01B-A1U4B10	01B-B1A4B12
01B-A2V5D11	01B-A2U5D13	01B-B2A4B02	01B-B2B5B08	01B-A1V4B08	01B-A1U4B09	01B-B1A4B10	AT4 A-B2B4B13
01B-A2U5D11	01B-B2A5D13	01B-B2B4B02	01B-A1V5B08	01B-A1U4B08	01B-B1A4B09	AS4 A-B2B4B12	01B-A2V4B13
01B-B2A5D11	01B-A1V5D13	01B-A1V4B02	01B-A1U5B08	01B-B1A4B08	AR4 A-B2B4B10	01B-A2V4B12	01B-A2U4B13
01B-B2B5D11	01B-A1V5D13	01B-A1U4B02	01B-B1A5B08	AR4 A-B2B4B09	01B-A2V4B10	01B-A2U4B12	01B-B2A4B13
01B-A1V5D11	01B-A1U5D13	01B-B1A4B02	AP4 A-B2B4B08	01B-A2V4B09	01B-A2U4B10	01B-B2A4B12	01B-B2B4B13
01B-A1U5D11	01B-B1A5D13	AD4 A-B2C4B08	01B-A2V4B08	01B-A2U4B09	01B-B2A4B10	01B-B2U4B12	01B-A1V4B13
01B-B1A5D11	AC4 A-B2B4B02	01B-A2V5B08	01B-A2U4B08	01B-B2A4B09	01B-B2B4B10	01B-A1V4B12	01B-A1U4B13
AB4 A-B2C4D13	01B-A2V4B02	01B-A2U5B08	01B-B2A4B08	01B-B2B4B09	01B-A1V4B10	01B-A1U4B12	01B-B1A4B13

LOC. TYPE

CHANNEL 2 IN ENTRY LINES	
E.C. HISTORY	C. MACH. CPU 15FST
DATE	LAST EC
04-15-76	830225
FRAME	01
IBM CORP. GSD	
P.N.	4238908

WB
203
000



W
B
2
0
5

000

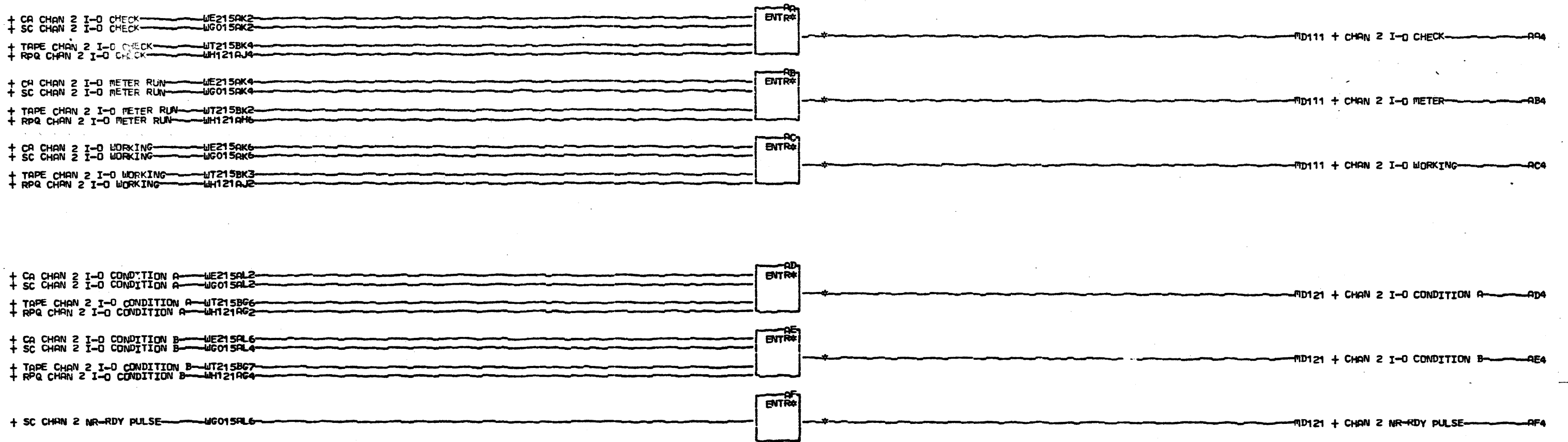
AA4 A-B2B4B04	01B-A2V4B05	01B-A2U4B06	01B-B2A5B02	01B-B2B5D02	01B-A1V5D03	01B-A1U5D05	01B-B1A5D06
01B-A2V4B04	01B-A2I4B05	01B-B2A4B06	01B-B2B5A02	01B-A1V5D02	01B-A1U5D03	01B-A1A5D05	AJ4 A-B2C4D07
01B-A2U4B04	01B-B2A4B05	01B-B2B4B06	01B-A1V5B02	01B-A1U5D02	01B-B1A5D03	01B-B2C4D06	01B-A2V5D07
01B-B2A4B04	01B-B2B4B05	01B-A1V4B06	01B-A1U5B02	01B-B1A5D02	AG4 A-B2C4D05	01B-A2V5D06	01B-A2U5D07
01B-B2B4B04	01B-A1V4B05	01B-A1U4B06	01B-B1A5B02	AF4 A-B2C4D03	01B-A2V5D05	01B-A2U5D06	01B-B2A5D07
01B-A1V4B04	01B-A1I4B05	01B-B1A4B06	AE4 A-B2C4D02	01B-A2V5D03	01B-A2U5D05	01B-B2A5D06	01B-B2B5D07
01B-A1U4B04	01B-B1A4B05	AD4 A-B2C4B02	01B-A2V5D02	01B-A2U5D03	01B-B2A5D05	01B-B2B5D06	01B-A1V5D07
01B-A1A4B04	AC4 A-B2B4B06	01B-A2V4B02	01B-A2U5D02	01B-B2A5D03	01B-A2B5D05	01B-A1V5D06	01B-A1U5D07
AB4 A-B2B4B05	01B-A2V4B06	01B-A2U5B02	01B-B2A5D02	01B-B2B5D03	01B-A1V5D05	01B-A1U5D06	01B-B1A5D07

LOC. TYPE

CHANNEL 2 IN ENTRY LINES	
E.C. HISTORY	C MACH. CPU 15FST
DATE LAST EC	IBN CORP. GSD
104-15-76 830225	IP No. 4238909

W
B
2
0
5

000



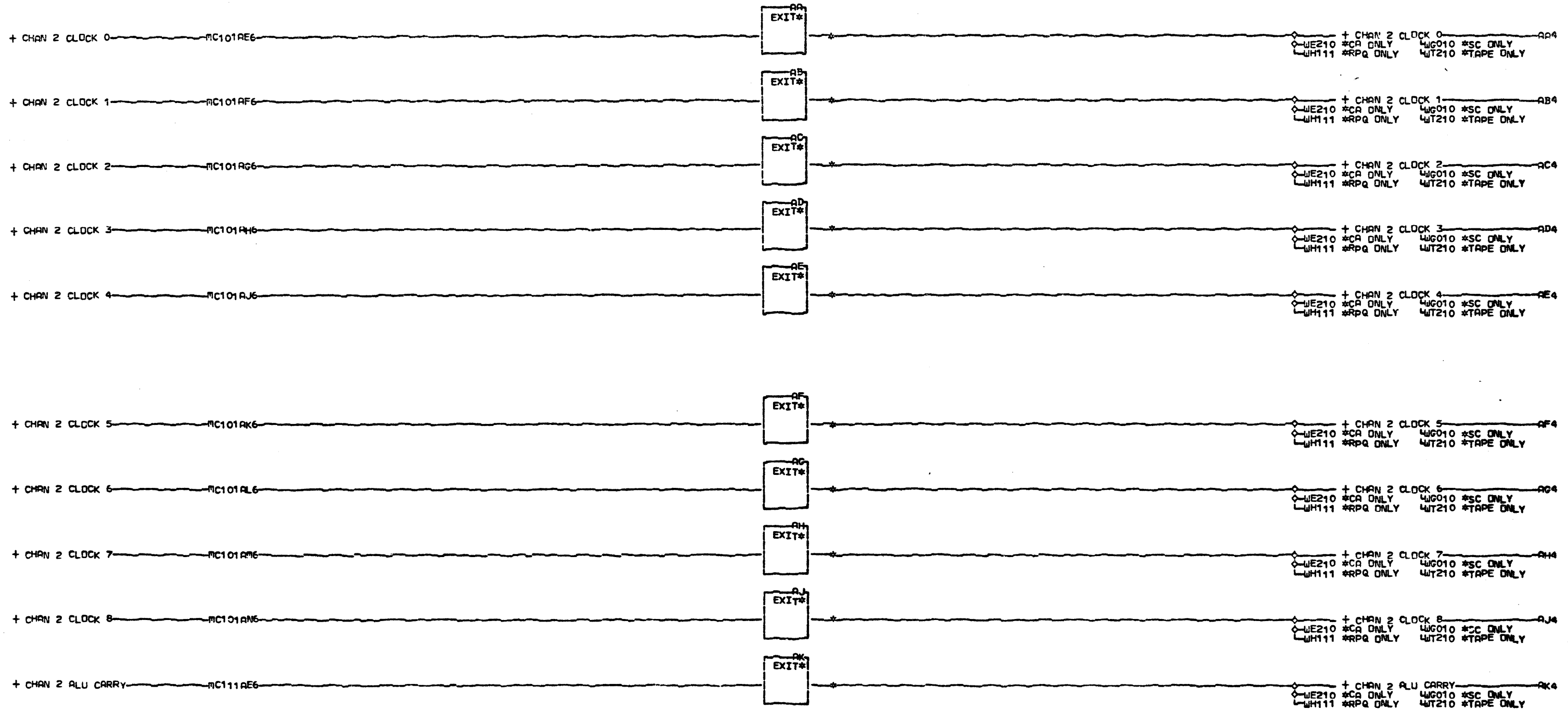
000

AA4 A-B2C4B06	01B-A2V5B04	01B-A2U5B04	01B-A2L5B05	01B-B2A5D09	01B-B2B5D10	01B-A1V5B10
01B-A2V5B06	01B-A2U5B04	01B-B2A5B05	01B-B2B5D09	01B-A1V5D10	01B-A1U5B10	01B-B1A5B10
01B-A2U5B06	01B-B2A5B04	01B-B2B5B05	01B-A1V5D09	01B-A1U5D10	01B-B1A5D10	
01B-B2A5B06	01B-B2B5B04	01B-A1V5B05	01B-A1U5D09	01B-B1A5D10	AF4 A-B2C4B10	
01B-B2B5B06	01B-A1V5B04	01B-A1U5B05	01B-B1A5D09	AF4 A-B2C4B10		
01B-A1V5B06	01B-A1U5B04	01B-B1A5B05	RE4 A-B2C4D10	01B-A2V5B10		
01B-A1U5B06	01B-B1A5B04	AD4 A-B2C4D09	01B-A2V5D10	01B-A2U5B10		
01B-B1A5B06	AC4 A-B2C4B05	01B-A2V5D09	01B-A2U5D10	01B-B2A5B10		
AB4 A-B2C4B04	01B-A2V5B05	01B-A2U5D09	01B-B2A5D10	01B-B2B5B10		

LOC. TYPE

CHANNEL 2 IN ENTRY LINES	
E-C-HISTORY	C-MACH-CPU15FST
DATE	LAST EC
104-15-76	830225
FRAME	01
IBM CORP. GSD	
IP.No. 4238910	

WB207

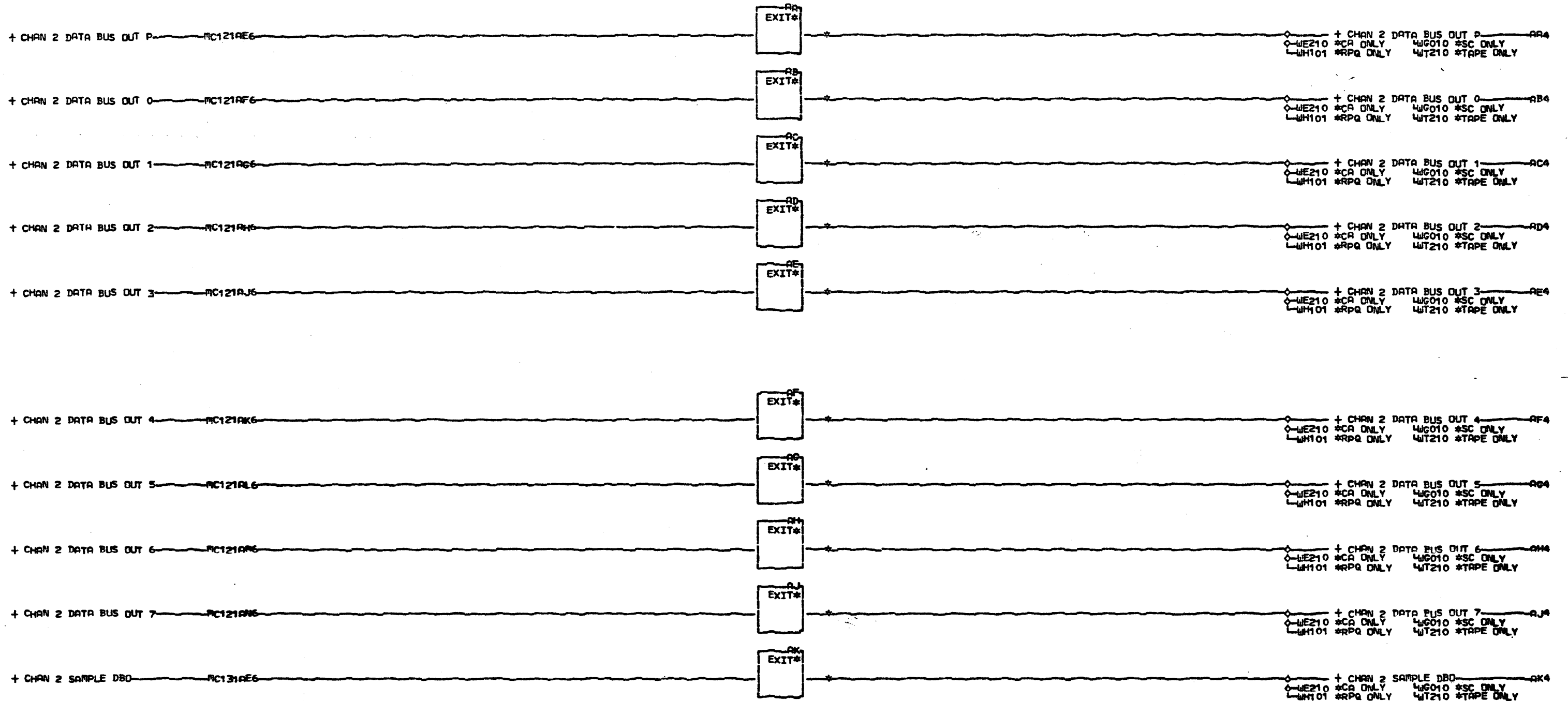


000

AA4 B-A2V3D02	01B-B2A3D03	01B-A1V3D05	01B-B1A3D06	01B-A2U3D09	01B-B2B3D10	01B-A1U3D11	AK4 B-A2V3B02
01B-A2U3D02	01B-B2B3D03	01B-A1U3D05	AE4 B-A2V3D07	01B-B2A3D09	01B-A1V3D10	01B-B1A3D11	01B-A2U3B02
01B-B2A3D02	01B-A1V3D03	01B-B1A3D05	01B-A2U3D07	01B-B2B3D09	01B-A1U3D10	AJ4 B-A2V3D13	01B-B2A3B02
01B-A1V3D02	01B-B1A3D03	AD4 B-A2V3D06	01B-B2A3D07	01B-A1V3D09	01B-B1A3D10	01B-A2U3D13	01B-B2B3B02
01B-B1A3D02	01B-A1V3D03	01B-A2U3D06	01B-B2B3D07	01B-A1U3D09	AH4 B-A2V3D11	01B-B2A3D13	01B-A1V3B02
01B-A1U3D02	AC4 B-A2V3D05	01B-B2A3D06	01B-A1V3D07	01B-B1A3D09	01B-A2U3D11	01B-B2B3D13	01B-A1U3B02
01B-B1A3D02	01B-A2U3D05	01B-B2B3D06	01B-A1U3D07	AG4 B-A2V3D10	01B-B2A3D11	01B-A1V3D13	01B-B1A3B02
AA4 B-A2V3D03	01B-B2A3D05	01B-A1V3D06	01B-B1A3D07	01B-A2U3D10	01B-B2B3D11	01B-A1U3D13	
01B-A2U3D03	01B-B2B3D05	01B-A1U3D06	AF4 B-A2V3D09	01B-B2A3D10	01B-A1V3D11	01B-B1A3D13	

LOC. TYPE

CHANNEL 2 OUT EXIT LINES		WB 251
E.C. HISTORY	C. MACH. CPU15FST	
DATE	LAST EC	1
104-15-76	830225	000
P.N. 4238911		



000

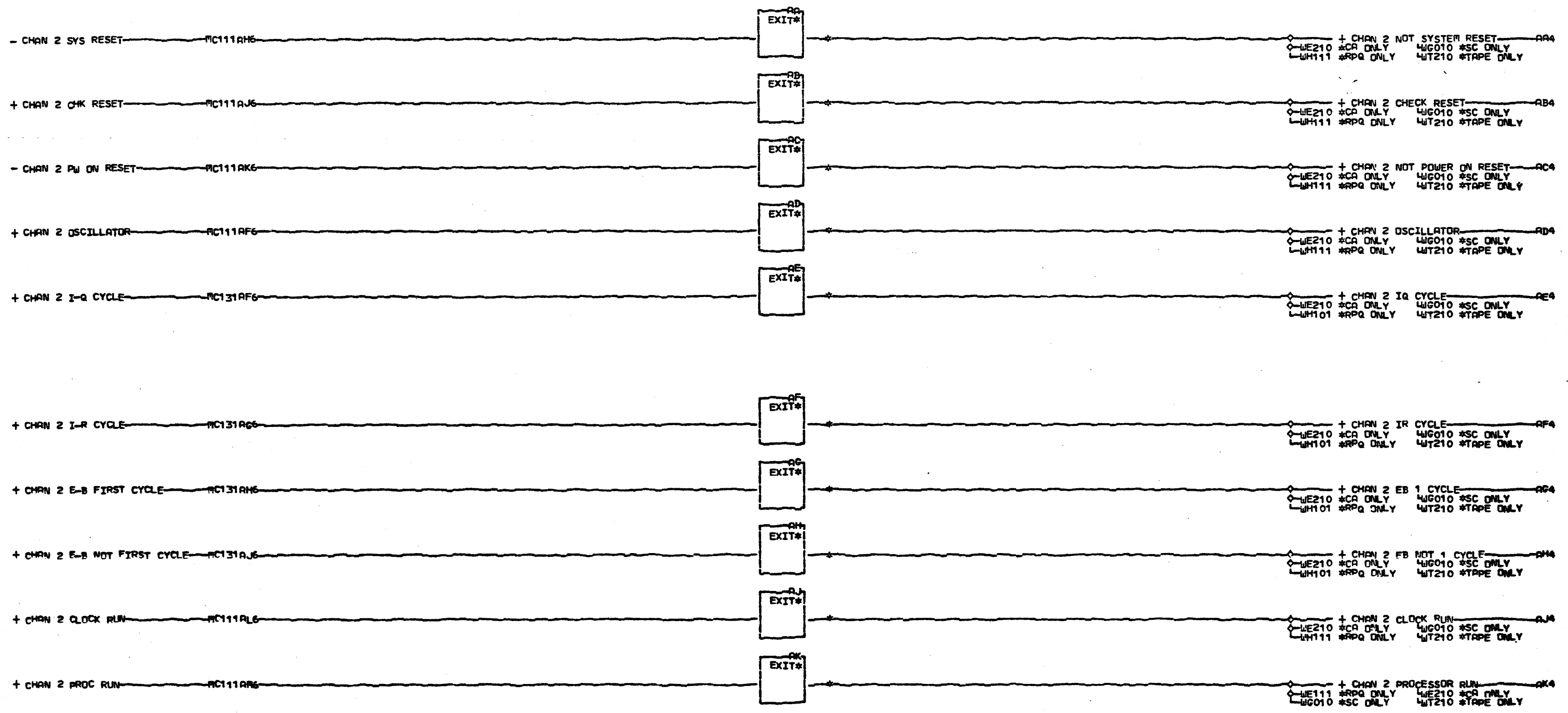
AA4 B-A2V2D02	01B-B2A2D03	01B-A1V2D05	01B-B1A2D06	01B-A2U2D09	01B-B2B2D10	01B-A1U2D11	AK4 B-A2V2B02
01B-A2U2D02	01B-B2B2D03	01B-A1U2D05	AE4 B-A2V2D07	01B-B2A2D09	01B-A1V2D10	01B-A1A2D11	01B-A2U2B02
01B-B2A2D02	01B-A1V2D03	01B-B1A2D05	01B-A2U2D07	01B-B2B2D09	01B-A1U2D10	AJ4 B-A2V2D13	01B-B2A2B02
01B-B2B2D02	01B-A1U2D03	AD4 B-A2V2D06	01B-B2A2D07	01B-A1V2D09	01B-B1A2D10	01B-A2U2D13	01B-B2B2B02
01B-A1V2D02	01B-B1A2D03	01B-A2U2D06	01B-B2B2D07	01B-A1U2D09	AH4 B-A2V2D11	01B-B2A2D13	01B-A1V2B02
01B-A1U2D02	AC4 B-A2V2D05	01B-B2A2D06	01B-A1V2D07	01B-B1A2D09	01B-A2U2D11	01B-B2B2D13	01B-A1U2B02
01B-B1A2D02	01B-A2U2D05	01B-B2B2D06	01B-A1U2D07	AG4 B-A2V2D10	01B-B2A2D11	01B-A1V2D13	01B-B1A2B02
AA4 B-A2V2D07	01B-B2A2D05	01B-A1V2D06	01B-B1A2D07	01B-A2U2D10	01B-B2B2D11	01B-A1U2D13	
01B-A2U2D03	01B-B2B2D05	01B-A1U2D06	AF4 B-A2V2D09	01B-B2A2D10	01B-A1V2D11	01B-B1A2D13	

LOC. TYPE

CHANNEL 2 OUT EXIT LINES	
E-C-HISTORY	C-MACH-CPU15FST
DATE	LAST EC
104-15-76	830225
FRAME	01
IBM CORP. GSD	
IP.No.	4238912

WB253

000



000

AA4 B-A2V3B06	01B-B2A3B08	01B-A1V3B09	01B-B1A3B04	01B-A2U2B05	01B-B2B2B06	01B-A1U2B08	AK4 B-A2V3B12
01B-A2U3B06	01B-A2B3B08	01B-A1U3B09	AF4 B-A2V2B04	01B-A2A2B05	01B-A1V2B06	01B-B1A2B08	01B-A2U3B12
01B-B2A3B06	01B-A1V3B08	01B-B1A3B09	01B-A2U2B04	01B-B2B2B05	01B-A1U2B06	AJ4 B-A2V3B10	01B-B2A3B12
01B-B2B3B06	01B-A1U3B08	AD4 B-A2V3B04	01B-B2A2B04	01B-A1V2B05	01B-B1A2B06	01B-A2U3B10	01B-B2B3B12
01B-A1V3B06	01B-B1A3B08	01B-A2U3B04	01B-B2B2B04	01B-A1U2B05	AH4 B-A2V2B08	01B-B2A3B10	01B-A1V3B12
01B-A1U3B06	AC4 B-A2V3B09	01B-B2A3B04	01B-A1V2B04	01B-B1A2B05	01B-A2U2B08	01B-B2B3B10	01B-A1U3B12
01B-B1A3B06	01B-A2U3B09	01B-B2B3B04	01B-A1U2B04	AG4 B-A2V2B06	01B-B2A2B08	01B-A1V3B10	01B-B1A3B12
AB4 B-A2V3B08	01B-A2A3B09	01B-A1V3B04	01B-B1A2B04	01B-A2U2B06	01B-B2B2B08	AI4 B-A1U3B10	
01B-A2U3B08	01B-B2B3B09	01B-A1U3B04	AF4 B-A2V2B05	01B-B2A2B06	01B-A1V2B08	01B-B1A3B10	

LOC. TYPE

CHANNEL 2 OUT EXIT LINES

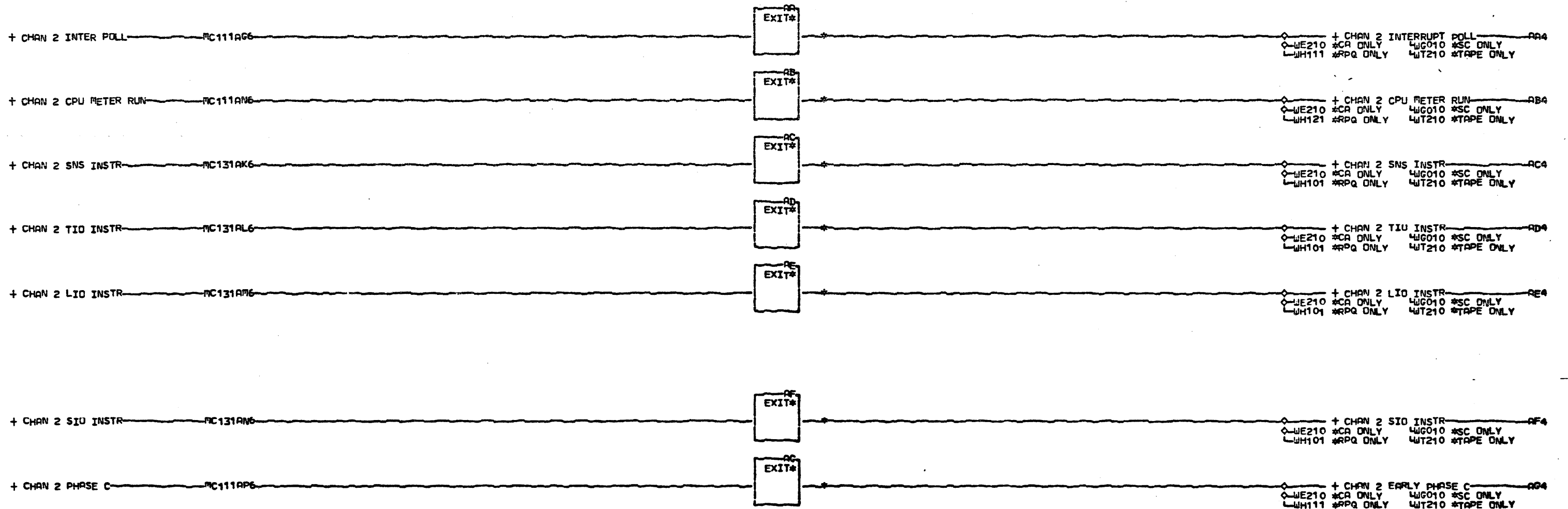
E.C. HISTORY C. MACH. CPU15FST

IFRAME 01

IBM CORP. GSD

DATE LAST EC 104-15-76 830225

P.No. 4238913



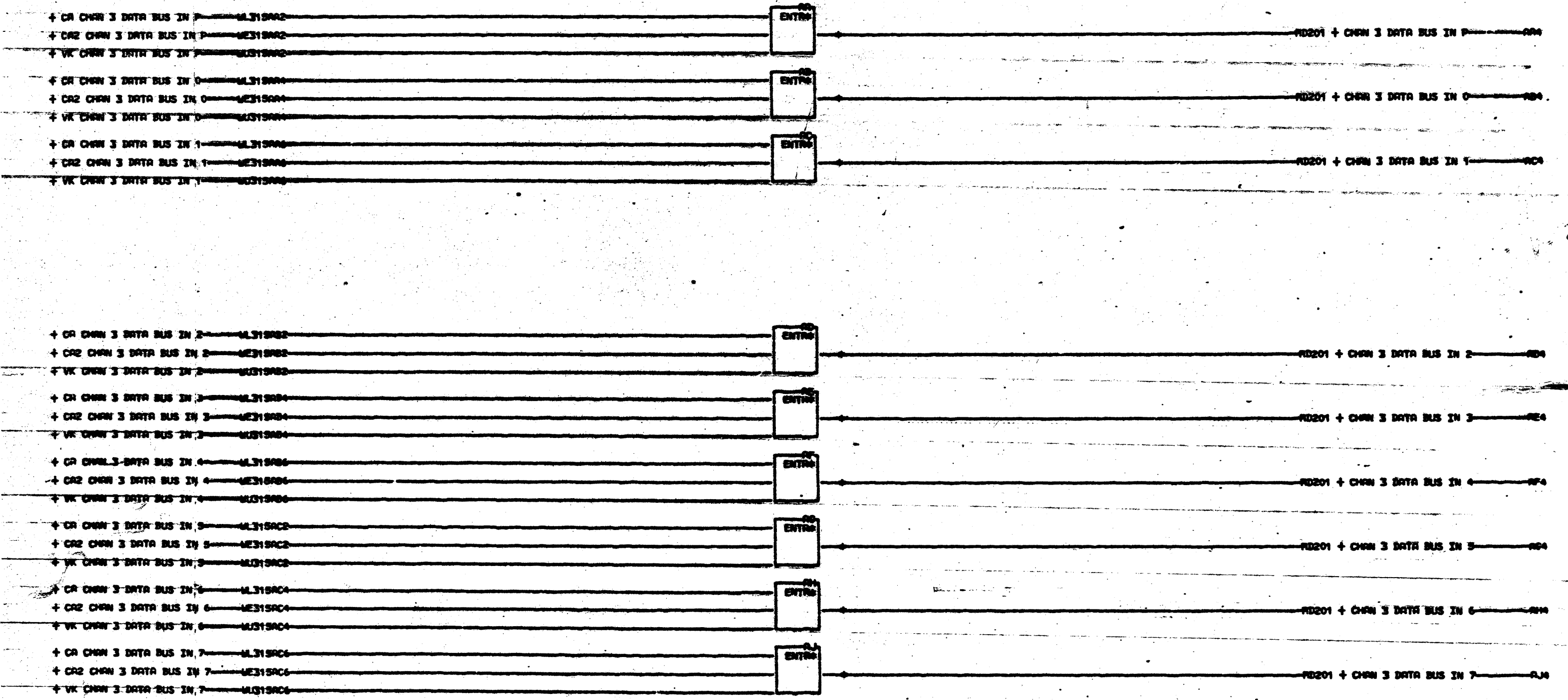
000

AA4 B-A2V3B05	01B-B2A5B13	01B-A1V2B09	01B-B1A2B10	01B-A2U2B13	01B-B2A3B13
01B-A2U3B05	01B-B2B5A13	AF4 B-A2V2B12	01B-B2A2B13	01B-A1V3B13	01B-B1A3B13
01B-B2A3B05	01B-A1V5B13	01B-A2U2B10	01B-B2B2B13	01B-A1U3B13	
01B-B2B3B05	01B-A1U5B13	AD4 B-A2V2B10	01B-B2A2B12	01B-A1V2B13	
01B-A1V1B05	01B-B1A5B13	01B-A2U2B10	01B-B2B2B12	01B-A1U2B13	
01B-A1U3B05	AC4 B-A2V2A09	01B-B2A2B10	01B-A1V2B12	01B-B1A2B13	
01B-B1A3B05	01B-A2U2R09	01B-B2B2B10	01B-A1U2B12	AC4 B-A2V3B13	
AB4 B-A2V5A13	01B-A2A2R09	01B-A1V2B10	01B-B1A2B12	01B-A2U3A13	
01B-A2U5A13	01B-B2B2B09	01B-A1U2B10	AF4 B-A2V2B13	01B-B2A3B13	

LOC. TYPE

CHANNEL 2 OUT EXIT LINES	
E.C. HISTORY	C MACH CPU15FST
DATE	IBR CORP. GSD
104-15-76 830225	P.N. 4238914

WB257



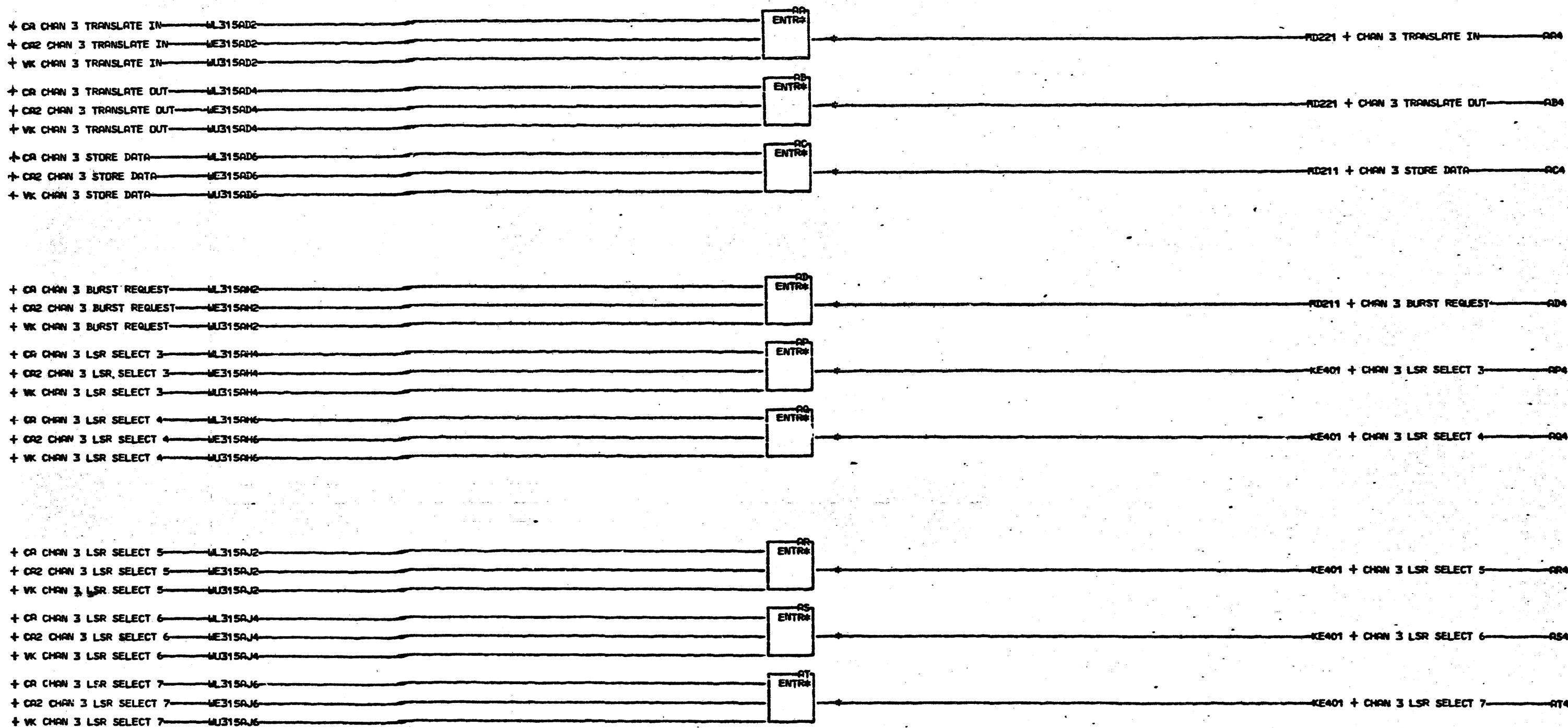
* CA IS ALTA
 * VK IS 3741
 000

AA4 A-8285D02	01B-A4V4D02	AB4 A-8285D06	01B-A4V4D07	AC4 A-8285D10	01B-A4V4D11
01B-A3V4D02	01B-A4U4D03	01B-A3V4D06	01B-A4U4D07	01B-A3V4D10	01B-A4U4D11
01B-A3U4D02	01B-B4H6B02	01B-A3U4D06	01B-B4J6C02	01B-A3U4D10	01B-B4K6E02
01B-A4V4D02	AC4 A-8285D05	01B-A4V4D06	AF4 A-8285D09	01B-A4V4D10	AA4 A-8285D13
01B-A4U4D02	01B-A3V4D05	01B-A4U4D06	01B-A3V4D09	01B-A4U4D10	01B-A3V4D13
01B-B4H6B02	01B-A3U4D05	01B-B4F6E02	01B-A3U4D09	01B-B4J6C02	01B-A3U4D13
AB4 A-8285D03	01B-A4V4D05	AE4 A-8285D07	01B-A4V4D09	AH4 A-8285D11	01B-A4V4D13
01B-A3V4D03	01B-A4U4D05	01B-A3V4D07	01B-A4U4D09	01B-A3V4D11	01B-A4U4D13
01B-A3U4D03	01B-B4H6D02	01B-A3U4D07	01B-B4J6C02	01B-A3U4D11	01B-B4K6E02

LOC. TYPE

CHANNEL 3 IN ENTRY LINES	
E.C. HISTORY	C. PACH. CPUSM15
821492	
DATE	LAST EC
07-31-74	624765
FRAME	01
IBM CORP. 6SD	
P.No. 555705	

MB301



* CA IS ALTA
* VK IS 3741

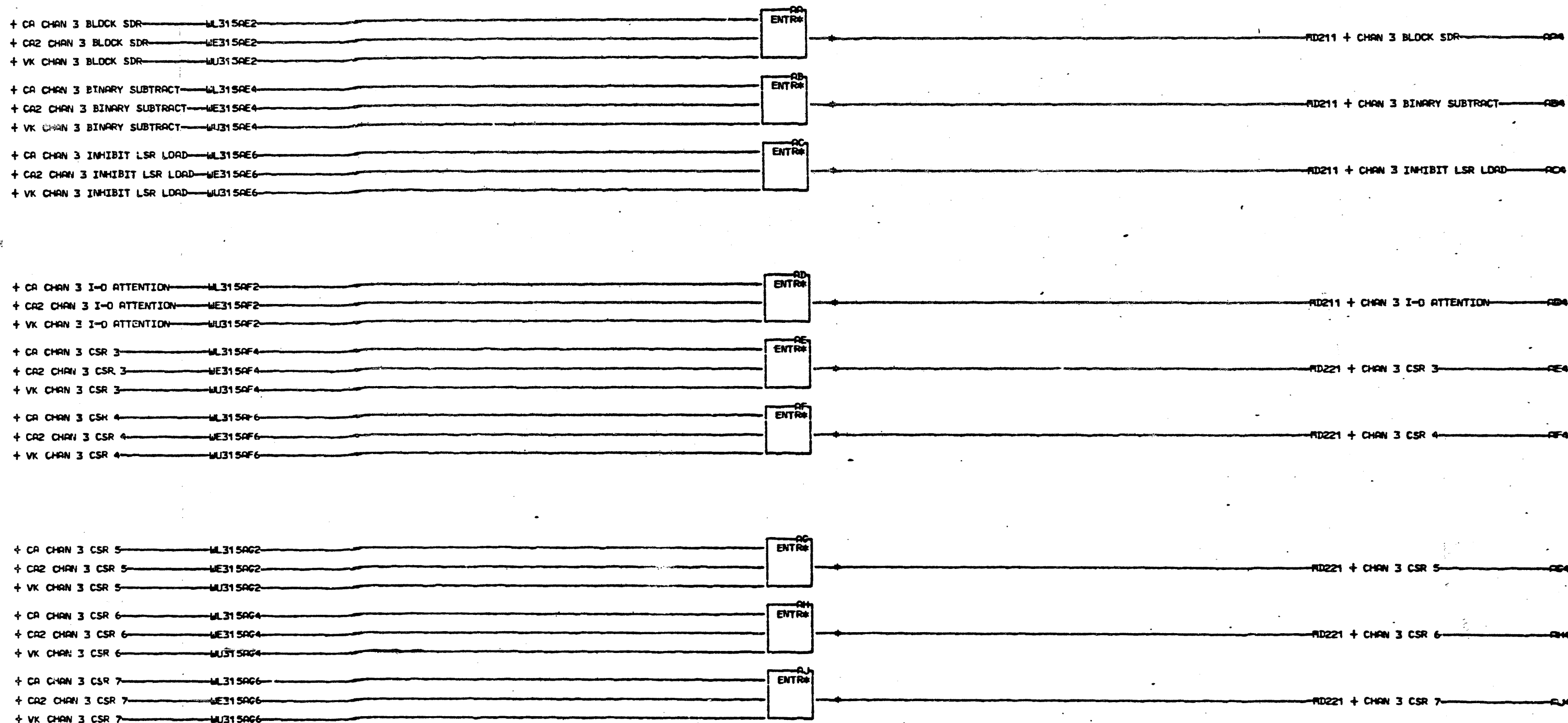
AR4 A-B2C5D11	01B-A4V5D1	AD4 A-B2C5B08	01B-A4V4B08	AR4 A-B2B5B10	01B-A4V4B12
01B-A3V5D11	01B-A4U5D1	01B-A3V5B08	01B-A4U4B08	01B-A3V4B10	01B-A4U4B12
01B-A3U5D11	01B-B4N6E01	01B-A3U5B08	01B-B4J6B04	01B-A3U4B10	01B-B4K6B04
01B-A4V5D11	AC4 A-B2B5B08	01B-A4V5B08	AR4 A-B2B5B09	01B-A4V4B10	AT4 A-B2B5B13
01B-A4U5D11	01B-A3V4B08	01B-A4U5B08	01B-A3V4B09	01B-A4U4B10	01B-A3V4B13
01B-B4N6C02	01B-A3U4B08	01B-B4M6E04	01B-A3U4B09	01B-B4J6D04	01B-A3U4B13
AB4 A-B2C5D13	01B-A4V4B08	AP4 A-B2B5B08	01B-A4V4B09	AS4 A-B2B5B12	01B-A4V4B13
01B-A3V5D13	01B-A4U4B08	01B-A3V4B08	01B-A4U4B09	01B-A3V4B12	01B-A4U4B13
01B-A3U5D13	01B-B4N6R04	01B-A3U4B08	01B-B4J6C04	01B-A3U4B12	01B-B4K6B04

LOC. TYPE

CHANNEL 3 IN ENTRY LINES	
EoC-HISTORY	C-RACH-CPUSM15
821492	
DATE	LAST EC
07-31-74	8-4763
FRAME	01
IBP CORP. GSD	
P.No. 555706	

000

000

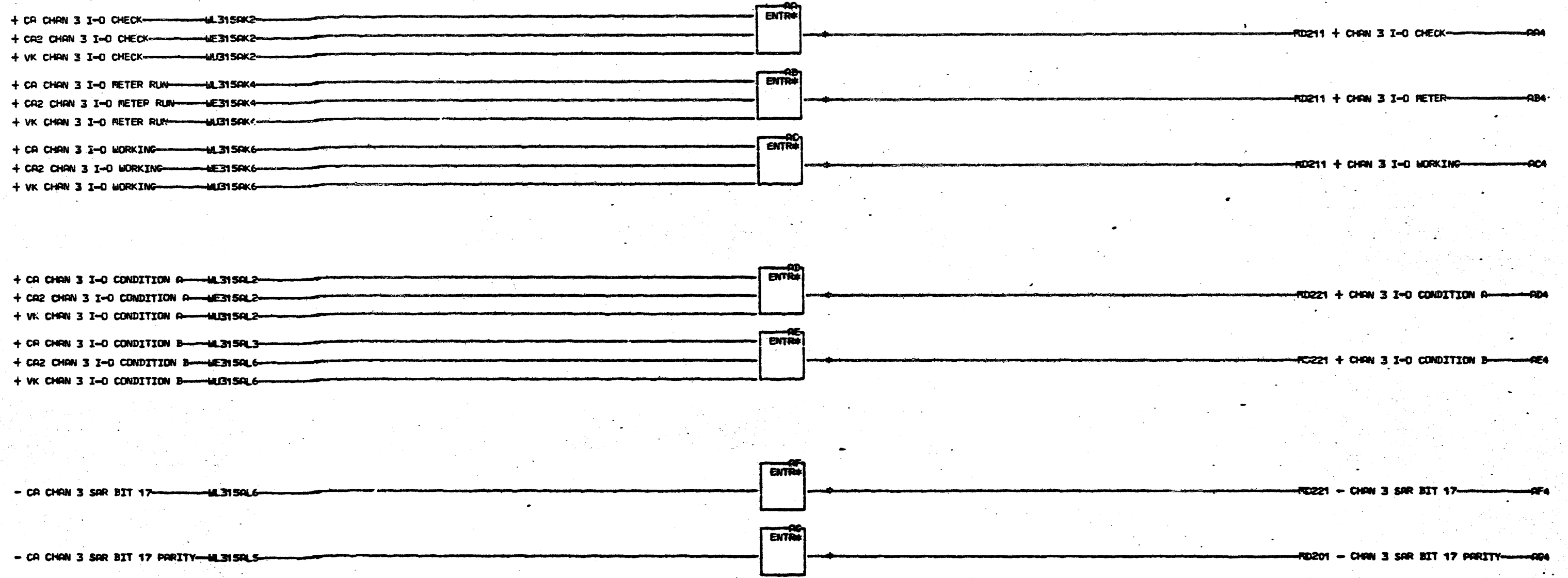


* CA IS MLTA
* VK IS 3741

RA4 A-B2B5B04	01B-A4V4B05	AD4 F-B2C5B02	01B-A4V5D02	AG4 A-B2C5D05	01B-A4V5D06
01B-A3V4B04	01B-A4U4B05	01B-A3V5B02	01B-A4U5D02	01B-A3V5D05	01B-A4U5D06
01B-A3U4B04	01B-B4H6D04	01B-A3U5B02	01B-B4L6D02	01B-A3U5D05	01B-B4H6C02
01B-A4V4B04	AC4 F-B2B5B06	01B-A4V5B02	AF4 A-B2C5D03	01B-A4V5D05	AM4 A-B2C5D07
01B-A4U4B04	01B-A3V4B06	01B-A4U5B02	01B-A3V5D03	01B-A4U5D05	01B-A3V5D07
01B-B4H6C04	01B-A3U4B06	01B-B4L6D04	01B-A3U5D03	01B-B4H6B02	01B-A3U5D07
RB4 A-B2B5B05	01B-A4V4B06	AE4 A-B2C5D02	01B-A4V5D03	AM4 A-B2C5D06	01B-A4V5D07
01B-A3V4B05	01B-A4U4B06	01B-A3V5D02	01B-A4U5D03	01B-A3V5D06	01B-A4U5D07
01B-A3U4B05	01B-B4H6E04	01B-A3U5D02	01B-B4L6E02	01B-A3U5D06	01B-B4H6D02

LOC. TYPE

CHANNEL 3 IN ENTRY LINES	
E.C. HISTORY	C. PACH. CPUSR15
821492	
DATE	LAST EC
07-31-74	824765
FRAME	01
IRN CORP. GSD	
PeN. 5555707	



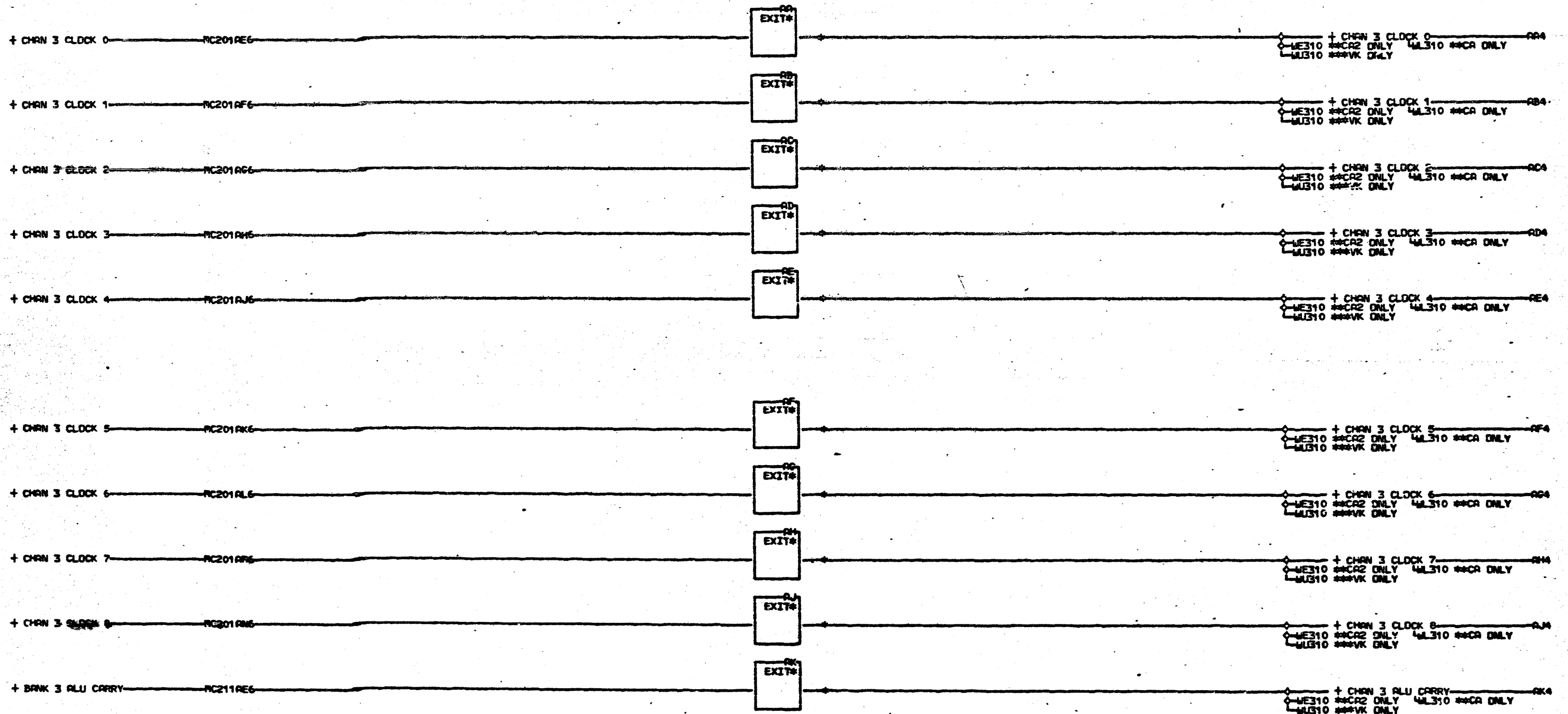
* CA IS FLTA
* VK IS 3741

RA4 A-B2C5B06	01B-A4V5B04	RD4 A-B2C5D09	01B-A4V5D10	01B-A3U5B12
01B-A3V5B06	01B-A4U5B04	01B-A3V5D09	01B-A4U5D10	01B-B4N6B04
01B-A3U5B06	01B-B4N6A04	01B-A3U5D09	01B-B4N6B02	
01B-A4V5B06	RA4 A-B2C5B05	01B-A4V5D09	AF4 A-B2C5B10	
01B-A4U5B06	01B-A3V5B05	01B-A4U5D09	01B-A3V5B10	
01B-B4N6C04	01B-A3U5B05	01B-B4N6A02	01B-A3U5B10	
RA4 A-B2C5B04	01B-A4V5B05	RE4 A-B2C5D10	01B-B4N6B04	
01B-A3V5B04	01B-A4U5B05	01B-A3V5D10	RA4 A-B2C5B12	
01B-A3U5B04	01B-B4N6B04	01B-A3U5D10	01B-A3V5B12	

LOC. TYPE

CHANNEL 3 IN ENTRY LINES	
E-C-HISTORY 821492	C-RACH-CPLSR15
DATE 7-31-74	LAST EC 824765
FRAME 01	IBR CORP. GSD
	P.No. 555708

MB307



* CA IS ALTA
* VK IS 3741

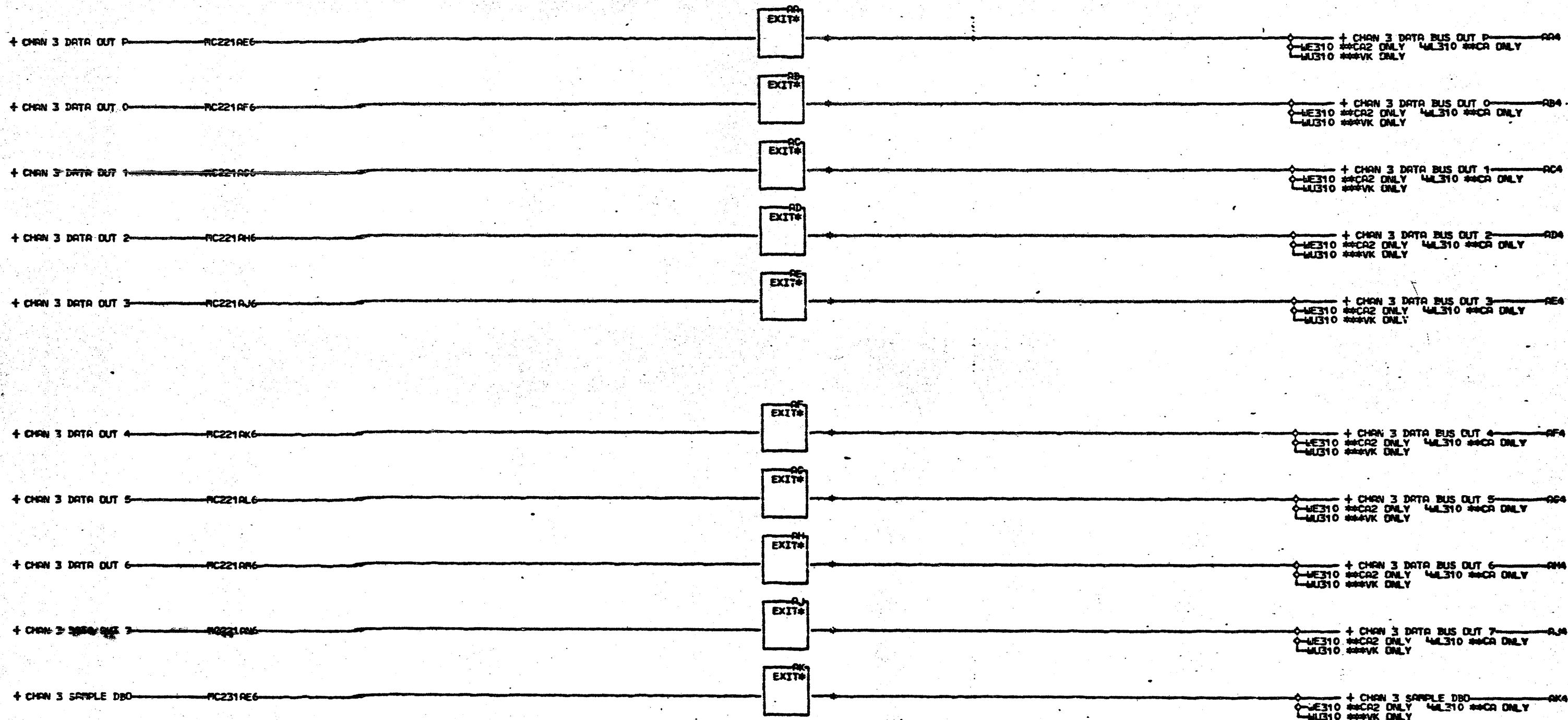
AA4 B-A3V3D02	01B-B4E6A02	01B-A4U3D06	01B-A4V3D09	01B-A3U3D11	AK4 B-A3V3D02
01B-A3U3D02	AC4 B-A3V3D05	01B-B4E6D02	01B-A4U3D09	01B-A4V3D11	01B-A3U3B02
01B-A4V3D02	01B-A3U3D05	RE4 B-A3V3D07	01B-B4F6B02	01B-A4U3D11	01B-A4V3B02
01B-A4U3D02	01B-A4V3D05	01B-A3U3D07	AC4 B-A3V3D10	01B-B4F6D02	01B-A4U3B02
01B-B4D6E02	01B-A4U3D05	01B-A4V3D07	01B-A3U3D10	AK4 B-A3V3D13	01B-A4U3D13
AB4 B-A3V3D03	01B-B4E6C02	01B-A4U3D07	01B-A4V3D10	01B-A3U3D13	01B-B4D6E04
01B-A3U3D03	AD4 B-A3V3D06	01B-B4E6E02	01B-A4U3D10	01B-A4V3D13	
01B-A4V3D03	01B-A3U3D06	RF4 B-A3V3D09	01B-B4F6C02	01B-A4U3D13	
01B-A4U3D03	01B-A4V3D06	01B-A3U3D09	AK4 B-A3V3D11	01B-B4G6A02	

LOC. TYPE

CHANNEL 3 OUT EXIT LINES	
E-C-HISTORY	C-PACH-CPLUS15
821492	FRAME 01
DATE LAST EC	IBM CORP. GSD
07-31-74 824765	P.No. 5555709

MB351

MB351



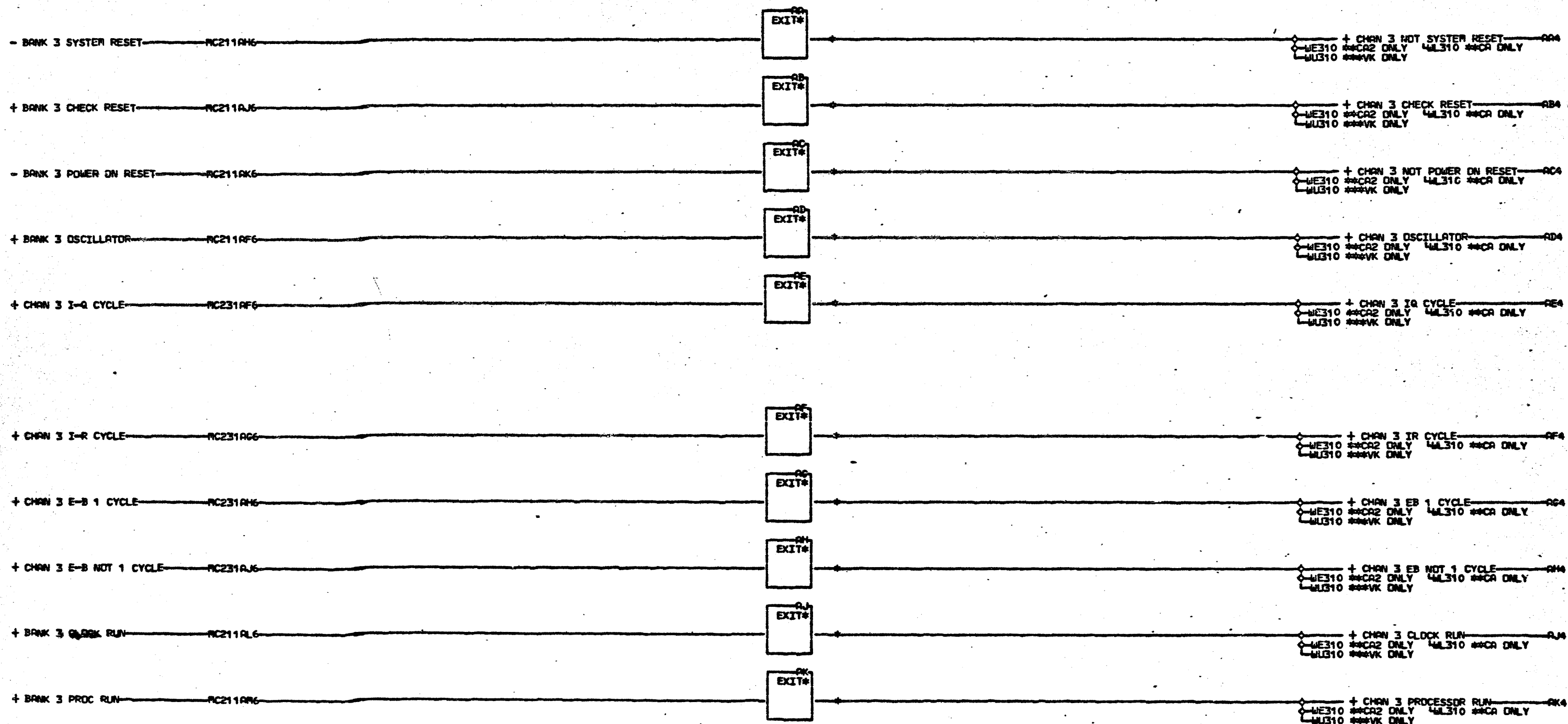
* CA IS RLTA
* VK IS 3741
BUS
J
000

AA4 B-A3V2D02	01B-B4A6E02	01B-A4U2D06	01B-A4V2D09	01B-A3U2D11	AK4 B-A3V2B02
01B-A3U2D02	AC4 B-A3V2D05	01B-B4B6C02	01B-A4U2D09	01B-A4V2D11	01B-A3U2B02
01B-A4V2D02	01B-A3U2D05	AE4 B-A3V2D07	01B-B4C6A02	01B-A4U2D11	01B-A4V2B02
01B-A4U2D02	01B-A4V2D05	01B-A3U2D07	AC4 B-A3V2D10	01B-B4C6C02	01B-A4U2B02
01B-B4A6D02	01B-A4U2D05	01B-A4V2D07	01B-A3U2D10	AJ4 B-A3V2D13	01B-A4V2B02
AB4 B-A3V2D03	01B-B4B6B02	01B-A4U2D07	01B-A4V2D10	01B-A3U2D13	01B-A4U2B02
01B-A3U2D03	AD4 B-A3V2D06	01B-B4B6D02	01B-A4U2D10	01B-A4V2D13	
01B-A4V2D03	01B-A3U2D06	AF4 B-A3V2D09	01B-B4C6B02	01B-A4U2D13	
01B-A4U2D03	01B-A4V2D06	01B-A3U2D09	AK4 B-A3V2D11	01B-B4C6E02	

LOC. TYPE

CHANNEL 3 OUT EXIT LINES	
E-C-HISTORY	C-RACH-CPLUS15
821492	FRAME 01
DATE	LAST EC
07-31-74	824765
P.N.	5555710

NUMBER
000

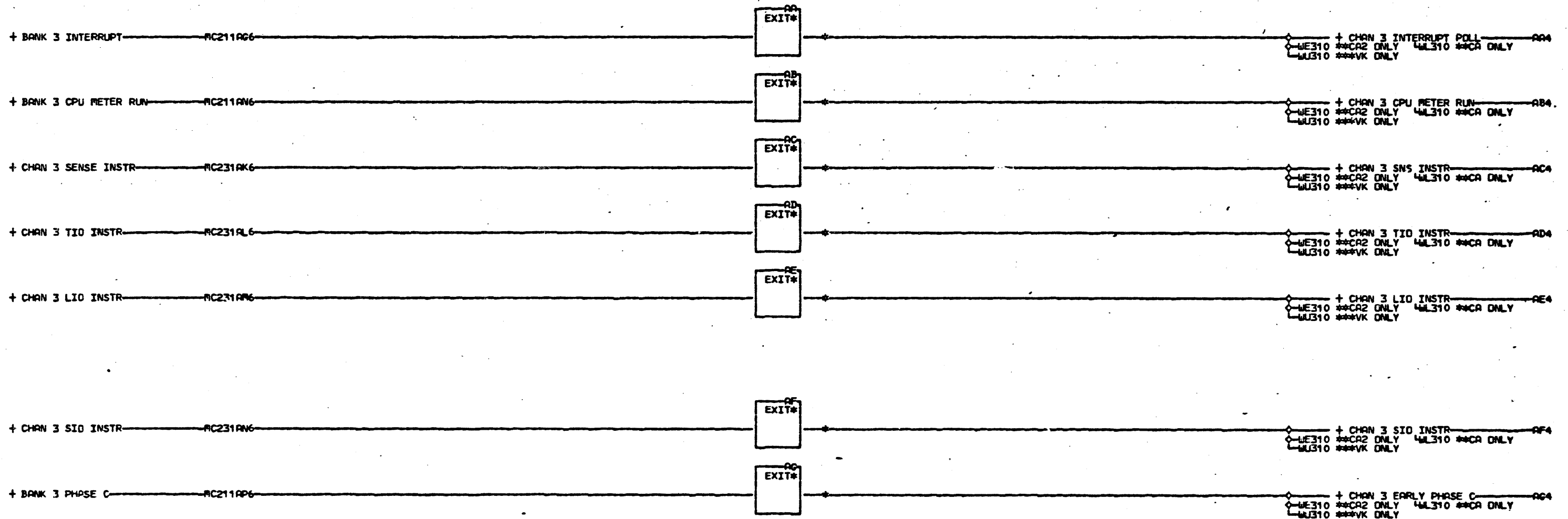


* CA IS ALTA
* VK IS 3741

AA4 B-A3V3B06	01B-B4F6A04	01B-A4U3B04	01B-A4V2B05	01B-A3U2B08	AK4 B-A3V3B12
01B-A3U3B06	AC4 B-A3V3B09	01B-B4E6B04	01B-A4U2B05	01B-A4V2B08	01B-A3U3B12
01B-A4V3B06	01B-A3U3B09	AE4 B-A3V2B04	01B-B4B6B04	01B-A4U2B08	01B-A4V3B12
01B-A4U3B06	01B-A4V3B09	01B-A3U2B04	AG4 B-A3V2B06	01B-B4B6E04	01B-A4U3B12
01B-B4E6D04	01B-A4U3B09	01B-A4V2B04	01B-A3U2B06	AJ4 B-A3V3B10	01B-B4F6E04
AB4 B-A3V3B08	01B-B4F6B04	01B-A4U2B04	01B-A4V2B06	01B-A3U3B10	
01B-A3U3B08	AD4 B-A3V3B04	01E-B4B6A04	01B-A4U2B06	01B-A4V3B10	
01B-A4V3B08	01B-A3U3B04	AF4 B-A3V2B05	01B-B4B6C04	01B-A4U3B10	
01B-A4U3B08	01B-A4V3B04	01B-A3U2B05	AH4 B-A3V2B08	01B-B4F6C04	

LOC. TYPE

CHANNEL 3 OUT EXIT LINES	
E-C-HISTORY 821492	RACH-CPLUSR15
DATE LAST EC 07-31-74 824765	FRAME 01 IBR CORP. GSD PoN. 555711

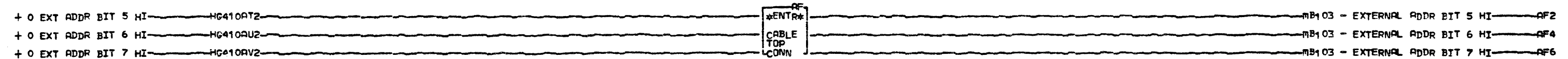
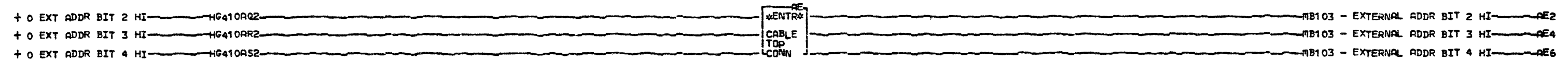
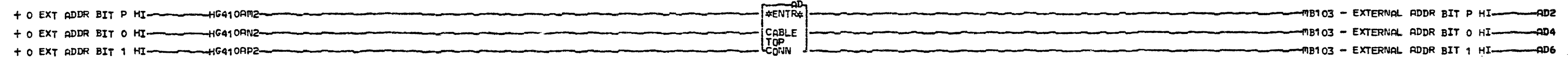
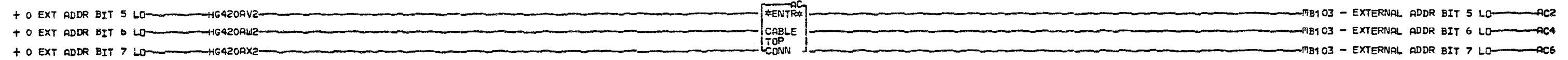
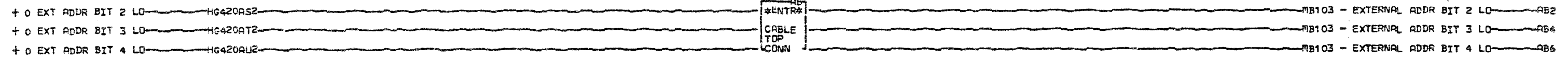
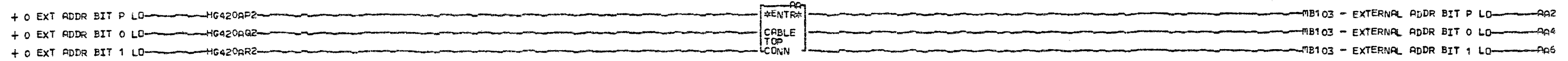


* CA IS FLTA
* VK IS 3741

AA4 B-A3V3B05	01B-B4N6E04	01B-A4U2B10	01B-A4V2B13
01B-A3U3B05	PC4 B-A3V2B09	01B-B4C6B04	01B-A4U2B13
01B-A4V3B05	01B-A3U2B09	AE4 B-A3V2B12	01B-B4C6E04
01B-A4U3B05	01B-A4V2B09	01B-A3U2B12	AG4 B-A3V3B13
01B-B4E6C04	01B-A4U2B09	01B-A4V2B12	01B-A3U3B13
AB4 B-A3V5B13	01B-B4C6A04	01B-A4U2B12	01B-A4V3B13
01B-A3U5B13	AD4 B-A3V2B10	01B-B4C6D04	01B-A4U3B13
01B-A4V5B13	01B-A3U2B10	AF4 B-A3V2B13	01B-B4G6A04
01B-A4U5B13	01B-A4V2B10	01B-A3U2B13	

LOC. TYPE

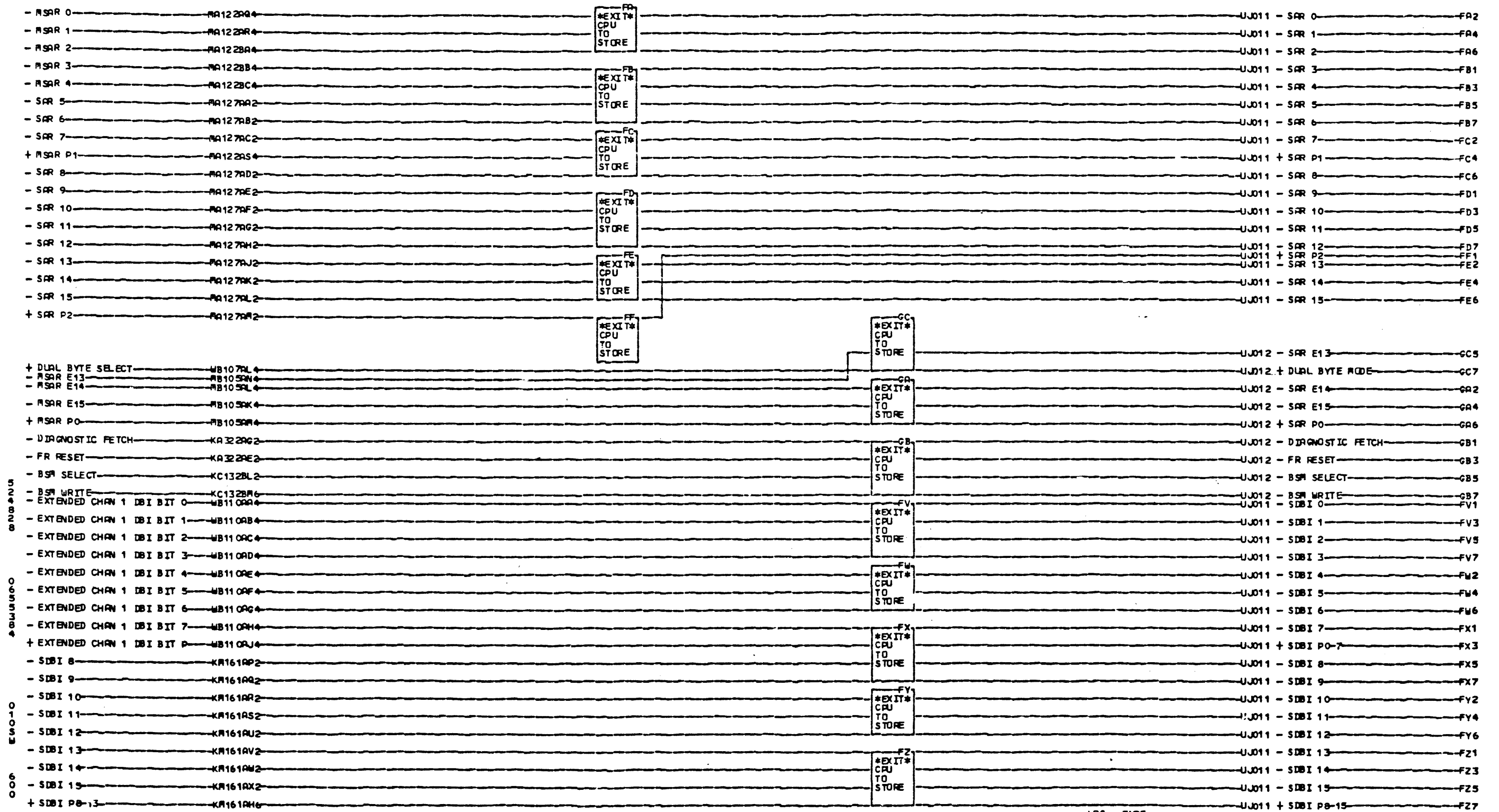
CHANNEL 3 OUT EXIT LINES	
E.C. HISTORY	C. RACH. CPUSM15
821492	
DATE	LAST EC
07-31-74	824765
FRAME	01
IBM CORP. GSD	
P.N. 5555712	



000

LDC. TYPE

EXTERNAL ADDRESS BUS LINES		WB370
INTERFACE TO B3 BOARD		
E.C. HISTORY	C. MACH. CPU15FST	000
DATE	LAST FC	
04-15-76	830225	IP.N. 4238923



80004000
 40000000
 E5010
 006
 PC-UNIT
 W
 S
 0
 1
 0
 006
 SIR TO PN
 EC 830225

LOC. TYPE

CPU TO STORAGE	
-E-C-HISTORY-	E-MACH-CPU15FST
FRAME	01
IBM CORP. GSD	
DATE	LAST EC
05-09-77	828425
P.N. 483560	

W
 S
 0
 1
 0
 006

WIRING CONVERSION

5554939

COMPONENT	WIRING	REFERENCE		
		WIRING	LOCATION ZB512 AND	
POWER CONTROL BOX TB2	(IN BOX) JUMPER FROM TB2-2 TO TB2-3 AND TB2-7 TO TB2-8 (220/235) JUMPER FROM TB2-1 TO TB2-2 AND TB2-7 TO TB2-8 (380/408)	YA101 YA101	YA107 YA107	ONLY ONE PAIR OF JUMPERS ON ANY SYSTEM
POWER CONTROL BOX K3	WIRE FROM K3-T3 TO TB3-3 (220/235) WIRE FROM K3-T4 TO TB3-3 (380/408)	YA101 YA101	YA107 YA107	ONLY ONE WIRE ON ANY SYSTEM
POWER CONTROL BOX K9	WIRE FROM K9-T4 TO TB4-3 (380/408)	YA101	YA107	REMOVE WIRE FOR (220/235) SYSTEMS
POWER CONTROL BOX K9	WIRE FROM K9-T1 TO TB4-2 (220/235) WIRE FROM K9-T3 TO TB4-2 (380/408)	YA101	YA107	ONLY ONE WIRE ON ANY SYSTEM
IN THE REMAINDER OF THIS CHART THE 380 VAC CONNECTIONS ARE THE SAME AS THOSE SPECIFIED FOR 220 VAC AND THE 408 VAC CONNECTIONS ARE THE SAME AS THOSE SPECIFIED FOR 235 VAC				
COMPONENT	WIRING	REFERENCE		
		WIRING	LOCATION ZB512 AND	
POWER CONTROL BOX TRANSFORMER T1	(INPUT) TB1-1 AND TB1-2 (220 VAC) TB1-1 AND TB1-3 (235 VAC)	YA101 YA101	YA107 YA107	
BULK #1 TRANSFORMER T-1	(INPUT) TB1-1 AND TB1-2 (220 VAC) TB1-1 AND TB1-3 (235 VAC)	YA103	YF652 YF652	
BULK #1 BLOWER B1	(INPUT) B1 TO TB1-1 AND TB1-2 (220 VAC) B1 TO TB1-1 AND TB1-3 (235 VAC)	YA103	YF652 YF652	
REGULATOR STACK FAN ASM	(INPUT FROM) BULK #1 TB1-1 AND TB1-2 (220/235 VAC)	YA101	YF652	FAN IS 220 VAC ONLY SO T1 IS USED AS AUTO-TFMR.
"A"-GATE FAN ASM	(INPUT FROM) TB3-3 AND TB3-5 220/235 VAC RATED MOTOR - NO CHANGE	YA101 YA101		
BULK #2 TRANSFORMER	(IN SUPPLY) FIB TO TB1-2 (220 VAC) FIB TO TB1-3 (235 VAC)	YA103A YA103A	YF597 YF597	
BULK #2 FAN ASM	(IN SUPPLY) FAN TO TB1-1 AND TB1-2 (220 VAC/235 VAC)	YF597 YF597	YF597 YF597	FAN IS 220 VAC ONLY #2 TFMR IS USED AS AN AUTO TFMR
BULK #3 TRANSFORMER	(IN SUPPLY) FIB TO TB1-2 (220 VAC) FIB TO TB1-3 (235 VAC)	YA103A	YF597 YF597	
BULK #3 FAN ASM	(IN SUPPLY) FAN TO TB1-1 AND TB1-2 (220 VAC/235 VAC)	YF597 YF597	YF597 YF597	FAN IS 220 VAC ONLY BULK #3 TFMR IS USED AS AN AUTO TFMR
+6V EXPANSION SUPPLY	(TBI ON FRONT OF SUPPLY) JUMPER BETWEEN TB1-2 TO TB1-5 (220 VAC) TB1-2, TB1-4 TB1-3 TO TB1-5 (235 VAC) JUMPER BETWEEN TB1-3, TB1-4	YA103A	YF697 YF697	
EXHAUST FAN (REQUIRED WITH BULK #3)	(INPUT FROM) BULK #2 TB1-1 AND TB1-2 (220/235 VAC)	YA103A		FAN IS 220 VAC ONLY SO T1 IS USED AS AN AUTO TFMR.
MEMORY POWER SUPPLY TRANSFORMER T2	(TBI ON MEM PWR SUPPLY XFMR) FIB TO TB1-3 (220 VAC) FIB TO TB1-4 (230 VAC)	YA103 YA101	YE100	FUSE F1-B TO TB1-3 220 VAC FUSE F1-B TO TB1-4 235 VAC
MEMORY POWER SUPPLY FAN	(INPUTS FROM T2) TB1-1 AND TB1-3 (220/230 VAC)	YA103		FAN IS 220 VAC ONLY SO T2 IS USED AS AUTO TFMR.
2560 * 3 VDC PWR SUPPLY	(INPUTS FROM T3) FIB AND TB1-3 (220 VAC) FIB AND TB1-4 (235 VAC)	YA101 YA103A	YE104	FUSE F1-B TO TB1-3 220 VAC FUSE F1-B TO TB1-4 235 VAC
"B"-GATE FAN ASM	(INPUT FROM) TB3-2 AND TB3-4	YA101		
+24V POWER SUPPLY TRANSFORMER T1	(INPUTS) TB1-1 AND FROM FIB TO TB1-3 (220 VAC) TB1-1 AND FROM FIB TO TB1-4 (235 VAC)	YE106	YE106	

EC HISTORY	DRAWING TITLE	220/235/380/408 VAC INPUT WIRING REF.
	DATE	25 MARCH 74
	BY	B24786 10 MAY 74 MACH
	CHKD	B24843 11 OCT 74
PART NO	5554939	
CLASSIFICATION		
IBM CORP		

D

TABLE I
Y TO Δ CONVERSION

REMOVE	INSTALL
YB2-6-RMC (SEE NOTE [4])	YB2-8-RMC (SEE NOTE [4])
YB2-6-CC (SEE NOTE [4])	YB2-6-CC (SEE NOTE [4])
YB3-2-TB3-2	TB3-1-TB3-2
YB4-3-T4 (SEE NOTE [6])	TB4-3-T3 (SEE NOTE [6])
K3-T4	K3-T3
YELLOW MARKED WIRE	YELLOW MARKED WIRE
TB4-2-T3 (SEE NOTE [6])	TB2-2-TB2-3
YB2-1-TB2-2	TB2-2-TB2-3
K9-T3-TB3-5 NOTE [9]	
YELLOW MARKED WIRE	YELLOW MARKED WIRE
K9-T3	K9-T1
	TB3-4-TB3-5

TABLE III
AUTO TFMR DATA

INPUT		OUTPUT	
VOLTAGE	CONNECTIONS	VOLTAGE	CONNECTIONS
200VAC	TB1-1,4,7	220VAC	TB1-3,6,9

3Ø, 380/408 VAC Y INPUT
220/235 VAC Δ INPUT
200 VAC 50 HZ (SEE
AUTO TFMR ABOVE)
(SEE TABLES II & III)

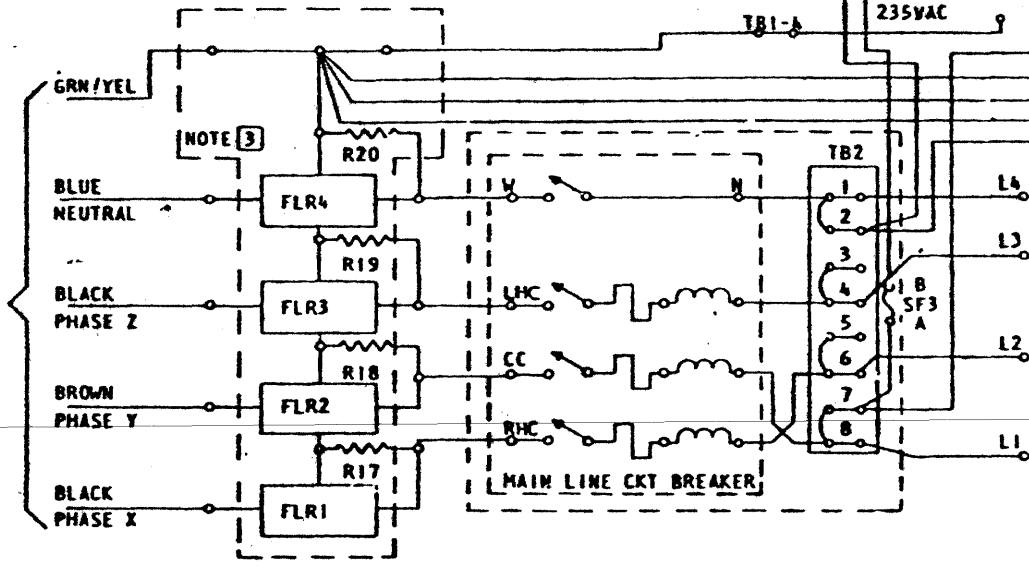


TABLE II

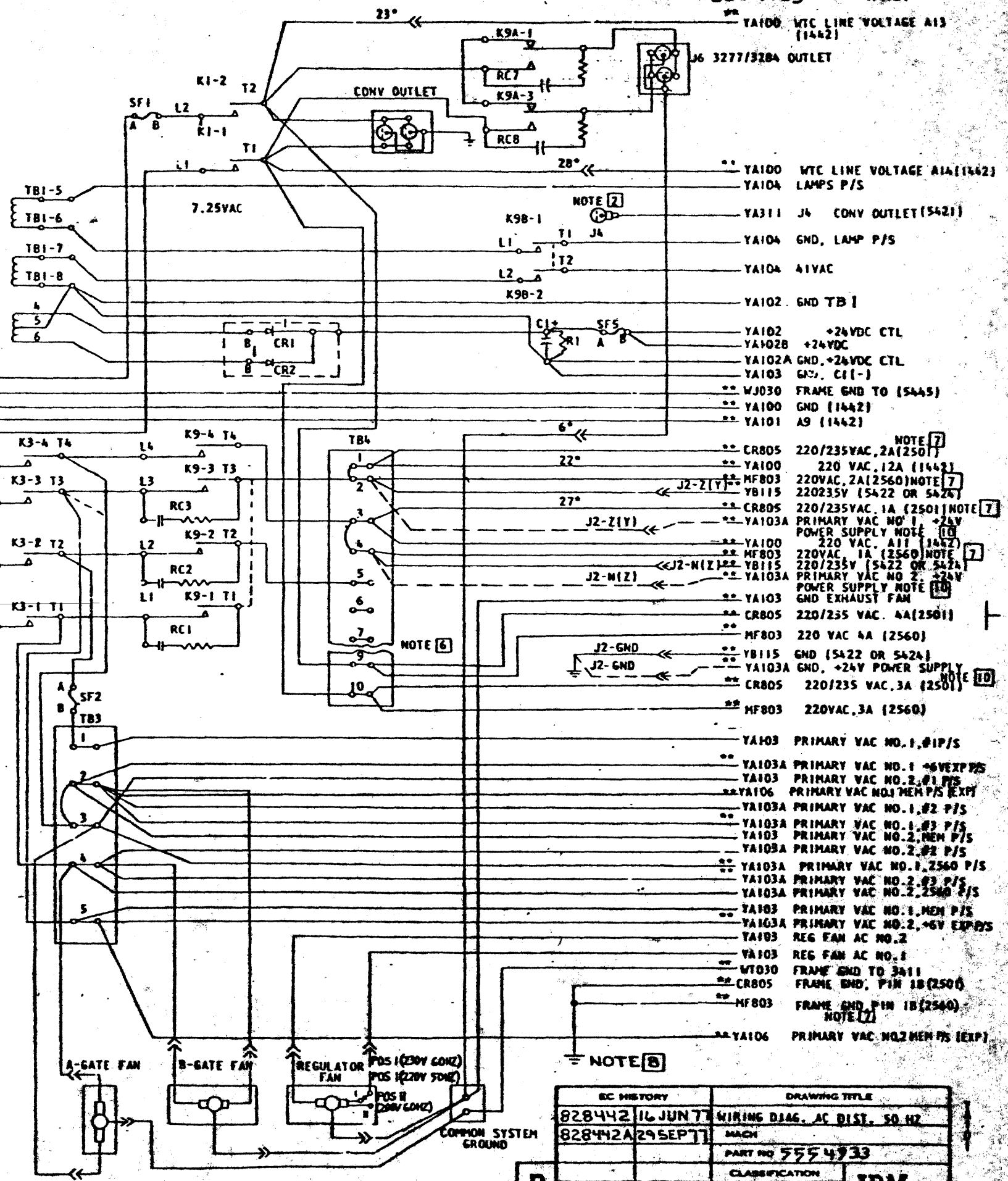
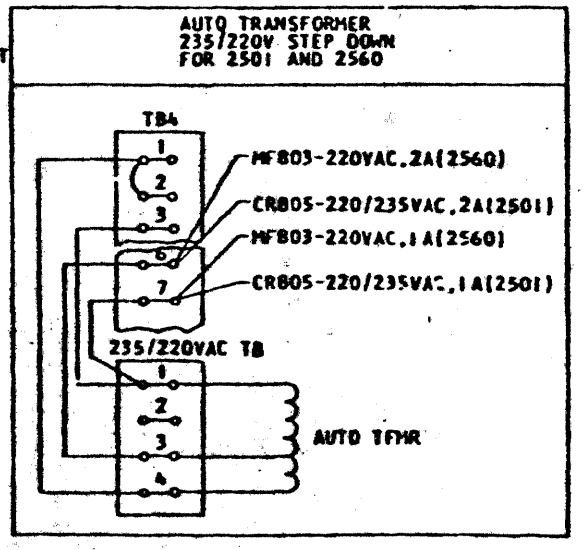
WIRE NAME	END	NEU	X	Y	Z
1P4N	GREEN	-	BLACK	WHITE	RED

• PIN DESIGNATION FOR 1442 CABLE CONNECTOR LOCATED IN 5415 I/O CABLE CLOSET

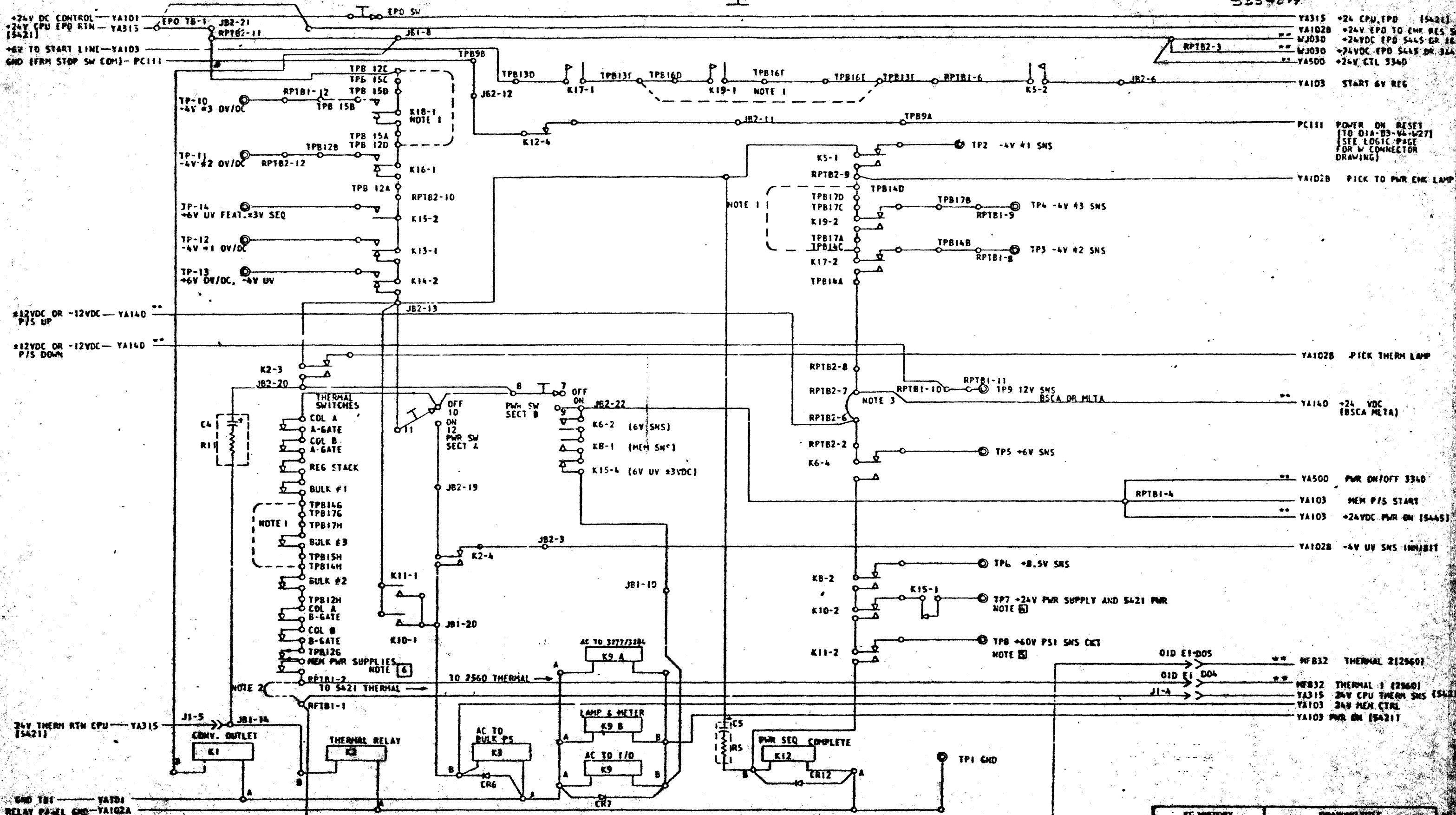
•• FEATURE

NOTES:

- POSITION "A" ON A FUSE HOLDER DESIGNATES CENTER POST
- J4 SUPPLIES AC TO 5409 CONVENIENCE OUTLET AND MUST BE PLUGGED IN 5415 CONVENIENCE OUTLET AT ALL TIMES
- FLR 4 AND R20 NOT INSTALLED ON SYSTEMS USED IN JAPAN
- CONNECTION ON LOAD SIDE OF MAIN LINE CIRCUIT BREAKER
- ON K9 RELAY
- TB4-8 SHOWN ON YAI03
- 235/220V STEP DOWN AUTO-TFMR USED WHEN 2501 AND/OR 2560 ARE ATTACHED TO 5415 WITH 235VAC SERVICE. ON SYSTEMS CONNECTED TO 200VAC SERVICE THE 2560 FEATURE RECEIVES 220VAC FROM THE 5421 SEE YAS12.
- THIS GROUND CONNECTION IS MADE IN THE 5415 PRIMARY POWER CONTROL BOX ON THE LINE FILTER MOUNTING PLATE.
- THIS LEAD IS REMOVED AT BOTH ENDS AND TAPED BACK ON Δ CONFIGURATION
- SOLID LINES SHOW CONNECTIONS WHEN 5422 OR 5424 IS INSTALLED, DASHED LINES SHOW CONNECTIONS WHEN 5422 OR 5424 IS NOT INSTALLED.



EC HISTORY	DRAWING TITLE
828442 16 JUN 77	WIRING DIAG. AC DIST. 50 HZ
828442A 29 SEP 77	MACH
	PART NO 5554933
	CLASSIFICATION
	IBM



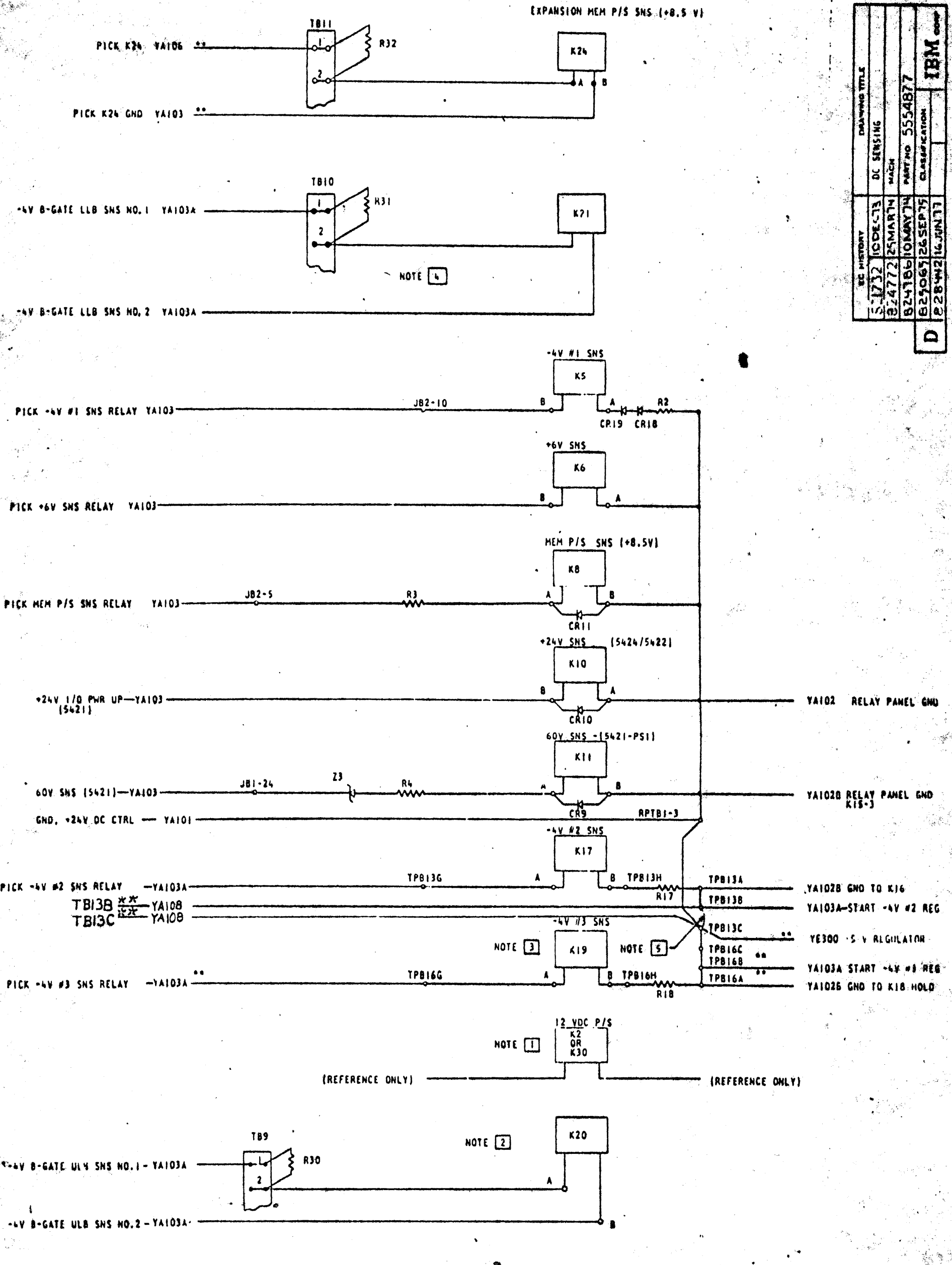
NOTE 1: JUMPER INSTALLED IF -4V DC #3 PWR SUPPLY IS NOT INSTALLED.
 2: JUMPER INSTALLED IF 2560 IS NOT INSTALLED.
 3: JUMPER INSTALLED IF BSCA/MLTA P/S IS NOT INSTALLED.

⊠ FAILURE OF +60V PSI SENSE CIRCUITRY.
 [6] ONE THERMAL IS INSTALLED FOR EACH MEMORY POWER SUPPLY.

** FEATURE

⊠ INDICATES SEQUENCE PROBLEM WITH ONE OF THE FOLLOWING: +24V (IN S424 OR S422 OR S415) OR +60VPSI, +60V, -12V, +6V (IN S421).

EC HISTORY	DRAWING TITLE
08 JUL 75 025052	PWR SEQUENCING
16 JAN 77 028442	REVISION
	PART NO 5554874
	CLASSIFICATION
D	IBM



REV HISTORY	DRAWING TITLE
S 1732	DC SENSING
B 24772	MACH
B 24186	PART NO 5554877
B 24067	CLASSIFICATION
B 28442	14 JUN 77
IBM	

FEATURE

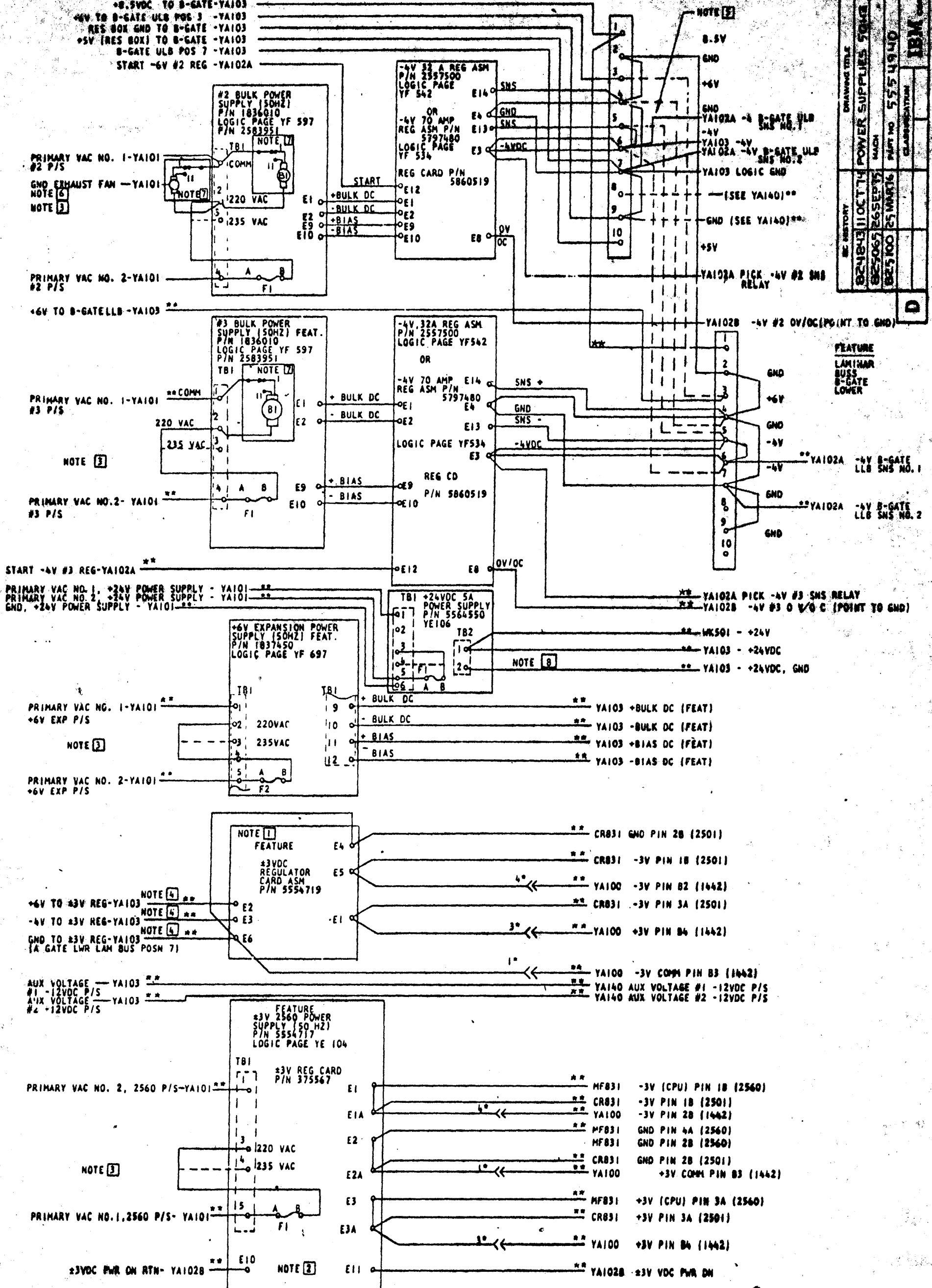
NOTES:

- 1 K2 IS THE SNS RELAY FOR THE + 12V BSCA PWR SUPPLY. K30 IS THE SNS RELAY FOR THE +12V BSCA/MLTA PWR SUPPLY. (SEE LOGIC PAGE YA 140)
- 2 K20 INTERRUPTS THE -4V SNS LINE TO THE MEMORY PWR SUPPLY IF THE -4V #2 PWR SUPPLY OUTPUT FAILS.
- 3 K19, TPB16 AND R18 ARE PART OF THE -4V #3 PWR SUPPLY FEATURE.
- 4 K21 INTERRUPTS THE -4V SNS LINE TO THE MEMORY PWR SUPPLY IF THE -4V #3 PWR SUPPLY OUTPUT FAILS. K21 IS INSTALLED ONLY WHEN D-GATE IET PROTECTION FOR #3 PWR SUPPLY IS INSTALLED.
- 5 THIS JUMPER INSTALLED WHEN ODSA/3BL5 NOT INSTALLED.

DRAWING TITLE		POWER SUPPLIES 504B	
DATE	BY	DATE	BY
8/24/61	J11	8/25/61	W3
PART NO. 5554940		CLASSIFICATION	
		IBM	

+8.5VDC TO B-GATE-YA103
 +6V TO B-GATE ULB POS 3 -YA103
 RES BOX GND TO B-GATE -YA103
 +5V (RES BOX) TO B-GATE -YA103
 B-GATE ULB POS 7 -YA103
 START -6V #2 REG -YA102A

LAMINAR BUSS
 B-GATE UPPER

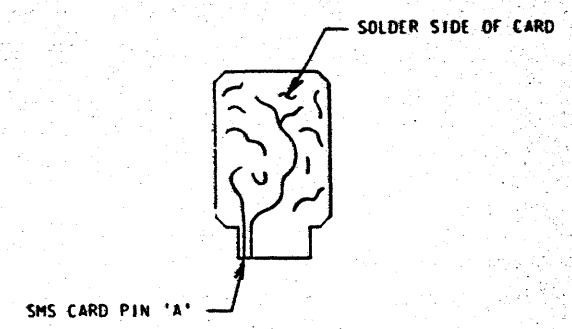


FEATURE
 LAMINAR BUSS
 B-GATE LOWER

* PIN DESIGNATION FOR 1442 CONNECTOR LOCATED IN 5415 1/0 CABLE CLOSET

** FEATURE

- NOTES
- THIS SUPPLY INSTALLED WITH 1442 AND /OR 2501 WITHOUT 2560
 - THIS SUPPLY INSTALLED WITH 2560
 - SEE LOGIC PAGE YA100 FOR 220-235V VOLTAGE CONVERSION INFORMATION
 - THESE LEADS TIED BACK AND TAPED WHEN 2560 P/S 5554717 IS INSTALLED
 - DOTTED LINES BETWEEN B-GATE UPPER AND LOWER LAMINAR BUSS INSTALLED ONLY IF POWER IS REQUIRED FROM THE B-GATE LOWER LAMINAR BUSS AND #3 POWER SUPPLY IS NOT INSTALLED
 - THIS FAN IS INSTALLED ONLY IF #3 POWER SUPPLY IS INSTALLED
 - FAN MOTOR VOLTAGE SWITCH IS IN POSITION 1 FOR ANY 50 HZ INPUT VOLTAGE.
 - THIS POWER SUPPLY IS INSTALLED WHEN THE 5422 OR 5424 IS NOT INSTALLED.



7.25 VAC DIST TR
(LOCATED ABOVE
REGULATOR STACK)

METAL JUMPER (6X)

17°

01DF1-D10

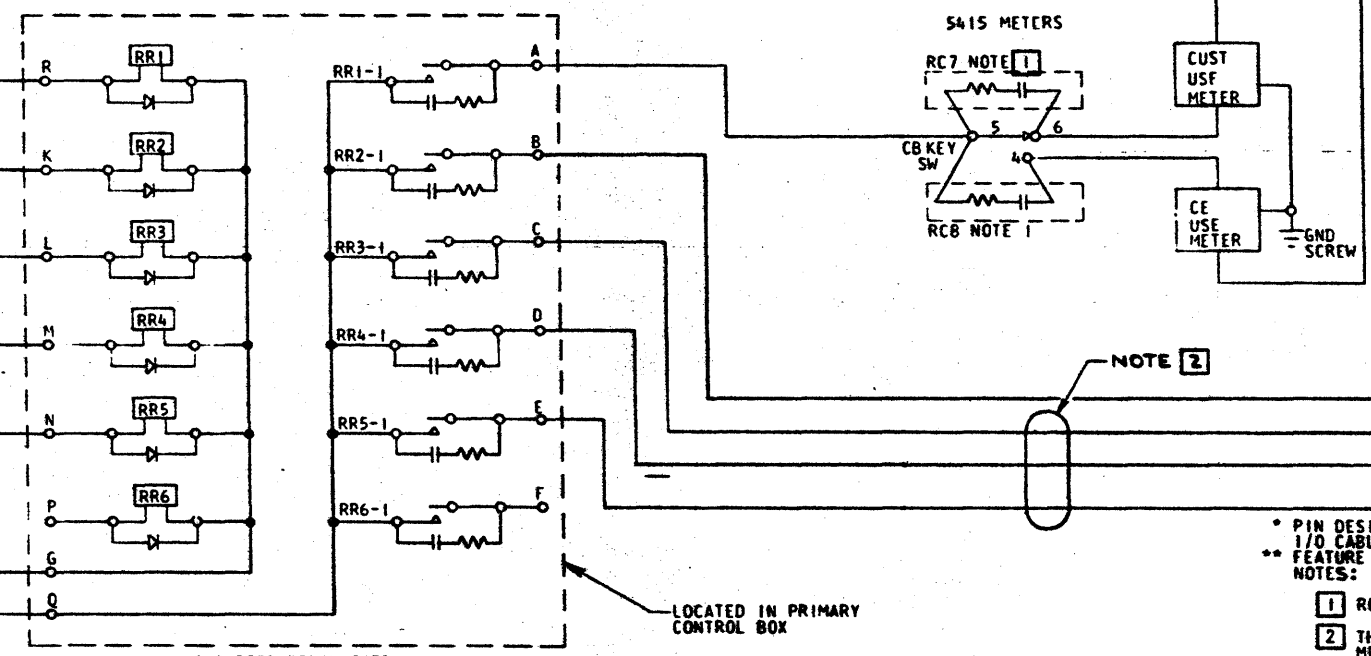
18°

LAMP P/S — YA101
GND. LAMP P/S — YA101
LAMP TEST. GND — YA103
LAMP TEST. -4V — YA103
GND. PWR CHK — YA102B

-USE METER RUN (5415) — CR101
-USE METER RUN (5203) — WK501
-5424 USE METER CTL — YB116
-5444 (DRV 1) USE METER CTL — YD105
-5444 (DRV 2) USE METER CTL — YD110
+6V. USE METER — YA103
41 VAC — YA101

YA100 — 7.25 VAC A2 (1442)
WN201 — MINI BUS (5424)
WN211 — MINI BUS (5424)
PC111 — 7.25 VAC (5415)
PC121 — 7.25 VAC (5415)
WP111 — 7.25 VAC (5415)
PF101 — MINI BUS (5415)
PB111 — MINI BUS (5415)
MF602 — 7.25 VAC (2560)
MG642 — 7.25 VAC (2560)
WF020 — 7.25 VAC (5444)
HD110 — MINI BUS (BSCA)
ZB040 — MLTA INDICATORS (MLTA)
CR805 — 7.25 VAC PIN 3B (2501)
MF803 — 7.25 VAC PIN 3B (2560)
CR805 — 7.25 VAC PIN 2B (2501)
MF803 — 7.25 VAC PIN 2B (2560)
YA100 — 7.25 VAC A3 (1442)
ZB040 — MLTA INDICATORS (MLTA)
WN201 — MINI BUS (5424)
WN211 — MINI BUS (5424)
PC111 — 7.25 VAC (5415)
PC121 — 7.25 VAC (5415)
PB101 — MINI BUS (5415)
PB111 — MINI BUS (5415)
WP111 — 7.25 VAC (5415)
WF020 — 7.25 VAC (5444)
HD110 — MINI BUS (BSCA)

WK501 — (5203) USE METER AC
YB116 — 5424 USE METER
YD105 — 41 VAC OR -0V 5444 (DRV 1) USE METER
YD110 — 41 VAC OR 0V 5444 (DRV 2) USE METER



* PIN DESIGNATION FOR 1442 CONNECTOR LOCATED IN 5415 I/O CABLE CLOSET
** FEATURE NOTES:

- 1 RC7 AND RC8 P/N 2589213
 - 2 THESE LEADS ARE FOR MACHINES WITHOUT USAGE METER POWER PACKS. WHEN YOUR MACHINE HAS POWER PACKS, OPEN CPU POWER CONTROL BOX AND MOVE THE FOLLOWING SLIP ON CONNECTORS (REED RELAY CARD)
- FOR DISK DR1, MOVE SMS D TO H.
FOR DISK DR2, MOVE SMS E TO H.
DO THE REVERSE WHEN CONVERTING BACK TO MACHINES WITHOUT POWER PACKS.

see RPQ

EC HISTORY		DRAWING TITLE	
893 218	30 JAN 75	LAMP AND USE METER DIST.	
		MACH	
		PART NO 2441 653	
		CLASSIFICATION	IBM CORP

YA101

D

COMPONENT LIST - PRIMARY POWER CONTROL - 50 HZ

PRIMARY POWER CONTROL BOX COMPONENT LIST			
SYMBOL	DESCRIPTION	PART NO	PAGE
C1	CAPACITOR 16K UF 30 VDC	5213837	YA101
C2-C3	CAPACITOR 1000 UF 8 VDC NOTE 3	816933	YA103
RC7, RC8	RESISTOR 47Ω .5 WATT	317003	YA101
RC7, RC8	CAPACITOR .5 MFD 400 VDC	317366	YA101
C7	CAPACITOR 2.0UF 35VDC	2588600	YA102
CB1	CIRCUIT BREAKER-MAIN LINE	2086875	YA101
CR1	RECTIFIER 10A	598479	YA101
CR2	RECTIFIER 10A	598479	YA101
CR6	DIODE (AM)	2111232	YA102
CR7	DIODE (AM)	2111232	YA102
SF1	FUSE - 5 AMP - 250V-LONG LAG	107666	YA101
SF2	FUSE - 20 AMP - 250V-MEDIUM LAG	2588338	YA101
SF3	FUSE - 3.2 AMP - 250V-LONG LAG	107664	YA101
SF5	FUSE - 2.5 AMP - 125V-LONG LAG	361755	YA101
FLR1	FILTER	5213430	YA101
FLR2	FILTER	5213430	YA101
FLR3	FILTER	5213430	YA101
FLR4	FILTER NOTE 5	5213430	YA101
J1	RECEPTACLE	2426171	YA102, YA103
	PLUG (FOR J1)	2426172	YA102, YA103
J2	RECEPTACLE	2590281	YA101
	PLUG (FOR J2)	2590278	YA101
R17-R20	RESISTOR 1M, 1W	2637647	YA101
	RECEPTACLE - CONVENIENCE OUTLET	418835	YA101
R1	RESISTOR 510Ω 2W	472535	YA101
RC1	RESISTOR - CAPACITOR ASM	5252800	YA101
RC2	RESISTOR - CAPACITOR ASM	5252800	YA101
RC3	RESISTOR - CAPACITOR ASM	5252800	YA101
T1	TRANSFORMER ASM	4119245	YA101
AUTOTFMR	TRANSFORMER ASM - AUTO	4113369	YA101

PRINTED CIRCUIT BOARD COMPONENT LIST			
SYMBOL	DESCRIPTION	PART NO	PAGE
C4, C5	CAPACITOR	222063	YA102
C6	CAPACITOR	222063	YA103
R11, R5	RESISTOR	550050	YA102
R6	RESISTOR	550051	YA103
CR3-CR5	DIODE (AM)	2111232	YA102B
CR6A	DIODE (AM)	2111232	YA102B
CR9-CR11	DIODE (AM)	2111232	YA102A
CR12-CR13	DIODE (AM)	2111232	YA102
CR15-CR16	DIODE (AM)	2111232	YA102B
CR17	DIODE (AM)	2111232	YA102B
CR18-CR19	DIODE	1149212	YA102A
K6A	REED RELAY (COIL)	2397046	YA102B
	REED RELAY (CONTACTS)		YA102B
Z3	ZENER DIODE	1582688	YA102A
Z4	ZENER DIODE (GR)	2414185	YA102B
R2	RESISTOR 2.0Ω 1W	207321	YA102A
R3	RESISTOR 51Ω 1/2W	502483	YA102A
R4	RESISTOR 620Ω 1/2W	317013	YA102A
R7, R8	RESISTOR 3.0KΩ 1/2W	323920	YA102B
R9	RESISTOR 200Ω 1/4W	492615	YA102B
R10	RESISTOR 2.0KΩ 1/4W	216452	YA102B
Q1	TRANSISTOR 047	369113	YA102B
Q2	TRANSISTOR 183	369691	YA102B

NOTES:

- RELAYS K2, K12, K14, AND K15 ARE INTERCHANGEABLE.
- RELAYS K10, K11, K13 ARE INTERCHANGEABLE.
- C2 - C3 IS ON THE BRASS PLATE (SEE LOGIC PAGE ZB522).
- RELAYS K6 AND K8 ARE INTERCHANGEABLE.
- FLR 4 NOT INSTALLED ON JAPANESE MACHINES
- K21 IS PART OF A FEATURE REQUIRED WHEN +8.5V AND +3.4V ARE REQUIRED FOR A CHANNEL BANK NO.3 DEVICE AND WHEN NO.3 POWER SUPPLY IS INSTALLED.

PN 767031		
K	1275Ω	PAGE
	COIL	YA102
1		NOT USED
2		NOT USED
3		YA102
4		YA102

PN 767037		
K	1275Ω	PAGE
	COIL	YA102A
1		YA102
2		YA102

PN 2128689		
K		PAGE
	COIL	YA102B
1		YA102
2		YA102B

PN 767004		
K	14Ω	PAGE
	COIL	YA102A
1		YA102
2		YA102

PN 767031		
K	1275Ω	PAGE
	COIL	YA102
1		YA103
2		YA102B
3		YA102B
4		YA102

PN 2195640		
K		PAGE
	COIL	YA102A
1		YA102
2		YA102

PN 765548		
K	75Ω	PAGE
	COIL	YA102A
1		YA103
2		YA102
3		YA102B
4		YA102

PN 767037		
K	1275Ω	PAGE
	COIL	YA102B
1		YA102
2		YA102B

PN 2195640		
K		PAGE
	COIL	YA102A
2		YA103
0		NOT USED

PN 767031		
K	1275Ω	PAGE
	COIL	YA102B
1		YA102B
2		YA102
3		NOT USED
4		YA102B

PN 2195640		
K		PAGE
	COIL	YA102A
2		YA103
1		NOT USED

NOTE 6

PN 765548		
K	75Ω	PAGE
	COIL	YA102A
1		YA102
2		YA102

PN 767031		
K	1275Ω	PAGE
	COIL	YA102B
1		YA102
2		YA102
3		YA102B
4		YA102

PN 767037		
K	1275Ω	PAGE
	COIL	YA102A
1		YA102
2		YA102

PN 827960		
K	288Ω	PAGE
	COIL	YA102
1		YA101
2		YA101

**PN 5554875		
K	472Ω	PAGE
	COIL	YA102
1		YA101
2		NOT USED
3		YA101

PN 2588425		
K	132Ω	PAGE
	COIL	YA102
1		YA101
2		YA101
3		YA101
4		YA101

PN 2588425		
K	132Ω	PAGE
	COIL	YA102
1		YA101
2		YA101
3		YA101
4		YA101

PN 827960		
K	288Ω	PAGE
	COIL	YA102
1		YA101
2		YA101

EC HISTORY		DRAWING TITLE	
825052	08JUL75	WIRING DIAGRAM -	50HZ
825065	26 SEPT 75	MACH	
PART NO 5554934			
CLASSIFICATION		IBM CORP	

COMPONENT LIST - PRIMARY POWER CONTROL - 60 HZ

PRIMARY POWER CONTROL BOX COMPONENT LIST			
SYMBOL	DESCRIPTION	PART NO	PAGE
C1	CAPACITOR 16K UF 30 VDC	5213837	YA101
C2-C3	CAPACITOR 2K UF 8 VDC NOTE 3	816933	YA103
RC7, RC8	RESISTOR 47Ω .5 WATT	317003	YA101
RC7, RC8	CAPACITOR .5 MFD 400 VDC	317366	YA101
C7	CAPACITOR 2.0 UF 35 VDC	2588600	YA102
CB1	CIRCUIT BREAKER-MAIN LINE	2454900	YA101
CR1	RECTIFIER 10A	598479	YA101
CR2	RECTIFIER 10A	598479	YA101
CR6	DIODE (AM)	2111232	YA102
CR7	DIODE (AM)	2111232	YA102
SF1	FUSE - 10 AMP - 250V-LONG LAG	107669	YA101
SF2	FUSE - 20 AMP - 250V-MEDIUM LAG	2588338	YA101
SF3	FUSE - 10 AMP - 250V-LONG LAG	107669	YA101
SF5	FUSE - 2.5 AMP - 125V-LONG LAG	361755	YA101
*FLR1	FILTER NOTE 4	7369695	YA101
*FLR2	FILTER NOTE 4	7369695	YA101
*FLR3	FILTER NOTE 4	7369695	YA101
FLR4	FILTER NOTE 8	4234415	YA101
J1	RECEPTACLE	2426171	YA102/YA103
	PLUG (FOR J1)	2426172	YA102/YA103
J2	RECEPTACLE	2590281	YA101
	PLUG (FOR J2)	2590278	YA101
R17-R19	RESISTOR 1M, 1W NOTE 5	2637647	YA101
	RECEPTACLE - CONVENIENCE OUTLET	357995	YA101
R1	RESISTOR 510Ω 2W	472579	YA101
RC1	RESISTOR - CAPACITOR ASM	5252800	YA101
RC2	RESISTOR - CAPACITOR ASM	5252800	YA101
RC3	RESISTOR - CAPACITOR ASM	5252800	YA101
T1	TRANSFORMER ASM	2588428	YA101
AUTOTFM	TRANSFORMER ASM - AUTO	4118369	YA101

PRINTED CIRCUIT BOARD COMPONENT LIST			
SYMBOL	DESCRIPTION	PART NO	PAGE
C4, C5	CAPACITOR	222063	YA102
C6	CAPACITOR	222063	YA103
R11, R5	RESISTOR	550051	YA102
R6	RESISTOR	550051	YA103
CR3-CR5	DIODE (AM)	2111232	YA102B
CR6A	DIODE (AM)	2111232	YA102B
CR9-CR11	DIODE (AM)	2111232	YA102A
CR12-CR13	DIODE (AM)	2111232	YA102
CR15-CR16	DIODE (AM)	2111232	YA102B
CR17	DIODE (AM)	2111232	YA102B
CR18-CR19	DIODE (RK)	1149212	YA102A
K6A	REED RELAY (COIL)	2397046	YA102B
	REED RELAY (CONTACTS)		YA102B
Z3	ZENER DIODE	1582688	YA102A
Z4	ZENER DIODE (GR)	2414875	YA102B
R2	RESISTOR 2.0Ω 1W	207321	YA102A
R3	RESISTOR 51Ω 1/2W	502483	YA102A
R4	RESISTOR 620Ω 1/2W	317013	YA102A
R7, R8	RESISTOR 3.0KΩ 1/2 W	323920	YA102B
R9	RESISTOR 200Ω 1/4 W	492615	YA102B
R10	RESISTOR 2.0KΩ 1/4 W	216452	YA102B
Q1	TRANSISTOR 047	369113	YA102B
Q2	TRANSISTOR 1B3	369691	YA102B

NOTES:

- RELAYS K2, K12, K14, K15 ARE INTERCHANGEABLE
- RELAYS K10, K11, K13 ARE INTERCHANGEABLE.
- C2 - C3 IS ON THE BRASS PLATE (SEE LOGIC PAGE ZB522).
- FILTER P/N 5213430 IS INSTALLED ON WORLD TRADE MACHINES.
- RESISTORS PRESENT ONLY ON WORLD TRADE MACHINES.
- RELAYS K6 AND K8 ARE INTERCHANGEABLE.
- K21 IS PART OF A FEATURE REQUIRED WHEN +8.5V AND +3.4V ARE REQUIRED FOR CHANNEL BANK NO.3 DEVICES AND WHEN NO.3 POWER SUPPLY IS INSTALLED.
- OLDER MACHINES MAY HAVE P/N 5134322 INSTALLED. REPLACE WITH P/N 4234415.

* JAPAN MACHINES USE P/N 5214272

PN 767031		
	1275Ω	PAGE
K	COIL	YA102
2	1	NOT USED
	2	YA102B
	3	YA102
	4	YA102

PN 767037		
	1275Ω	PAGE
K	COIL	YA102A
1	1	YA102
1	2	YA102
1		
1		

PN 2128689		
		PAGE
K	COIL	YA102B
1	1	YA102
6	2	YA102B

PN 767004		
	14Ω	PAGE
K	COIL	YA102A
5	1	YA102
	2	YA102

PN 767031		
	1275Ω	PAGE
K	COIL	YA102
1	1	YA103
2	2	YA102B
	3	YA102B
	4	YA102

PN 2195640		
		PAGE
K	COIL	YA102A
1	1	YA102
7	2	YA102

PN 765548		
	75Ω	PAGE
K	COIL	YA102A
6	1	YA103
	2	YA102
	3	YA102B
	4	YA102

PN 767037		
	1275Ω	PAGE
K	COIL	YA102B
1	1	YA102
3	2	YA102B

PN 2195640		
		PAGE
K	COIL	YA102A
2	1	YA103
0	2	NOT USED

PN 767031		
	1275Ω	PAGE
K	COIL	YA102B
1	1	YA102B
4	2	YA102
	3	NOT USED
	4	YA102B

PN 2195640		
		PAGE
K	COIL	YA102A
2	1	YA103
1	2	NOT USED

NOTE 7

PN 765548		
	75Ω	PAGE
K	COIL	YA102A
8	1	YA102
	2	YA102

PN 767031		
	1275Ω	PAGE
K	COIL	YA102B
1	1	YA102
5	2	YA102
	3	YA102B
	4	YA102

PN 767037		
	1275Ω	PAGE
K	COIL	YA102A
1	1	YA102
0	2	YA102

PN 827960		
	288Ω	PAGE
K	COIL	YA102
1	1	YA101
1	2	YA101

PN 5554875		
	472Ω	PAGE
K	COIL	YA102
9	1	YA101
	2	NOT USED
A	3	YA101

PN 2588425		
	132Ω	PAGE
K	COIL	YA102
9	1	YA101
	2	YA101
	3	YA101
	4	

PN 2588425		
	132Ω	PAGE
K	COIL	YA102
3	1	YA101
	2	YA101
	3	YA101
	4	

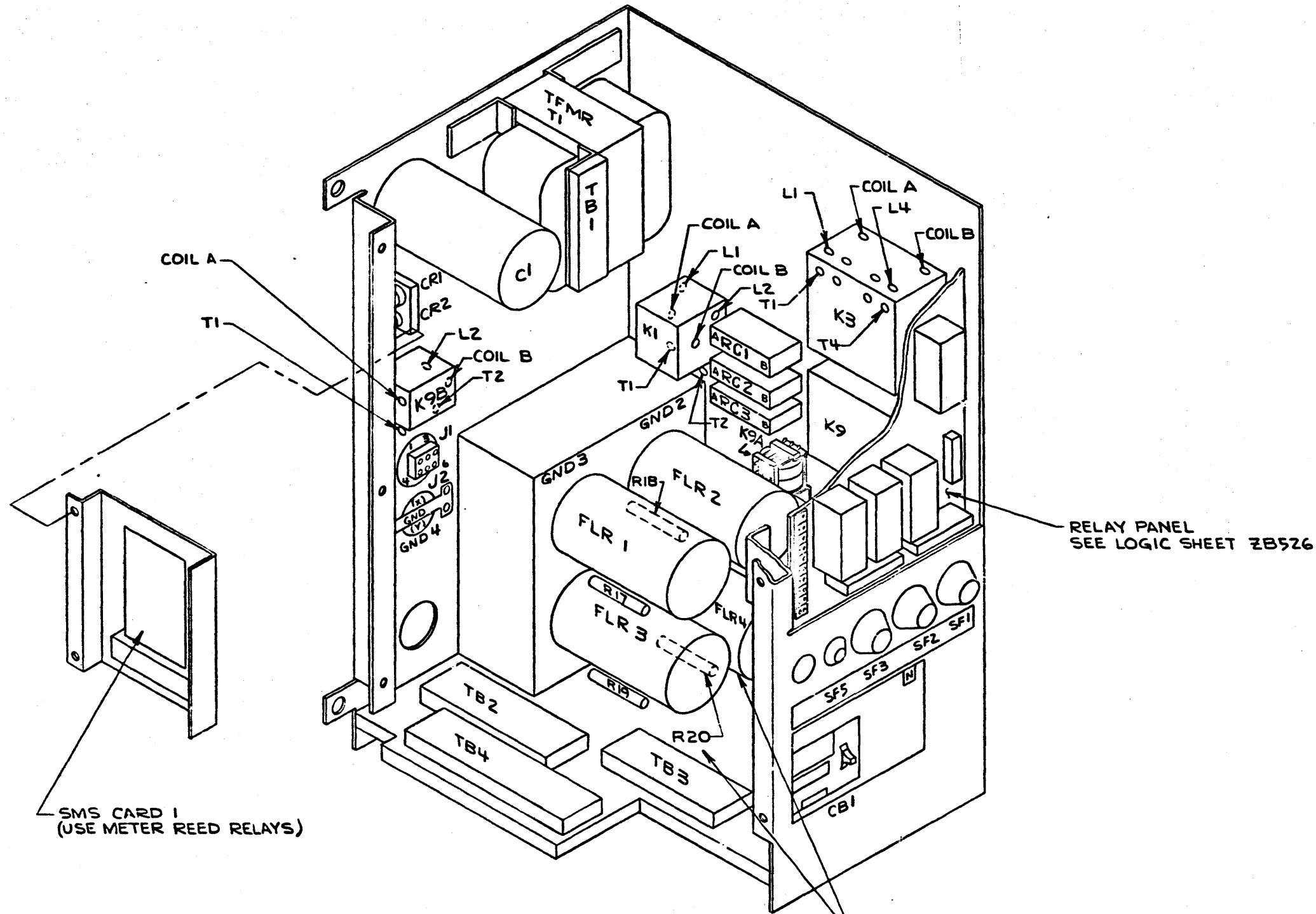
PN 827960		
	288Ω	PAGE
K	COIL	YA102
9	1	YA101
	2	YA101
B		

EC HISTORY		DRAWING TITLE	
825052	08JUL75	WIRING DIAGRAM - 60HZ	
825065	26SEP75	MACH	
		PART NO 5554880	
D		CLASSIFICATION	IBM CORP

YA105

5554935

COMPONENT CHART - PRIMARY CONTROL BOX 50HZ



RELAY PANEL
SEE LOGIC SHEET ZB526

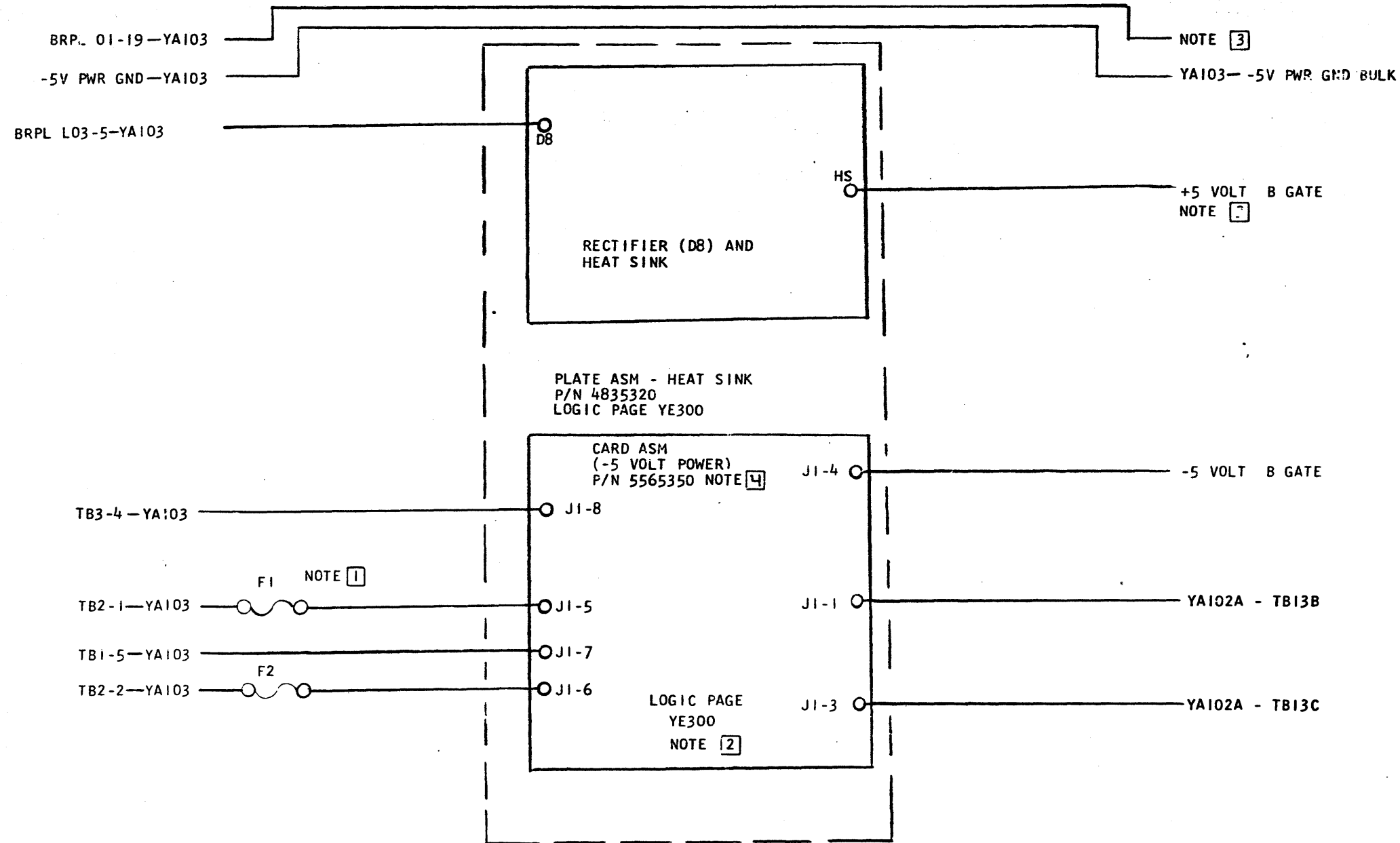
SMS CARD 1
(USE METER REED RELAYS)

FLR 4 AND R20 NOT ON
MACHINES INSTALLED
IN JAPAN

EC HISTORY		DRAWING TITLE	
19 APR 31		CONTROL BOX	
821497	15 MAY 73	PICTORIAL 50 HZ	
821671	10 SEP 73	PART NO 5554935	
D		CLASSIFICATION	IBM CORP

YA107

YA107



NOTES:

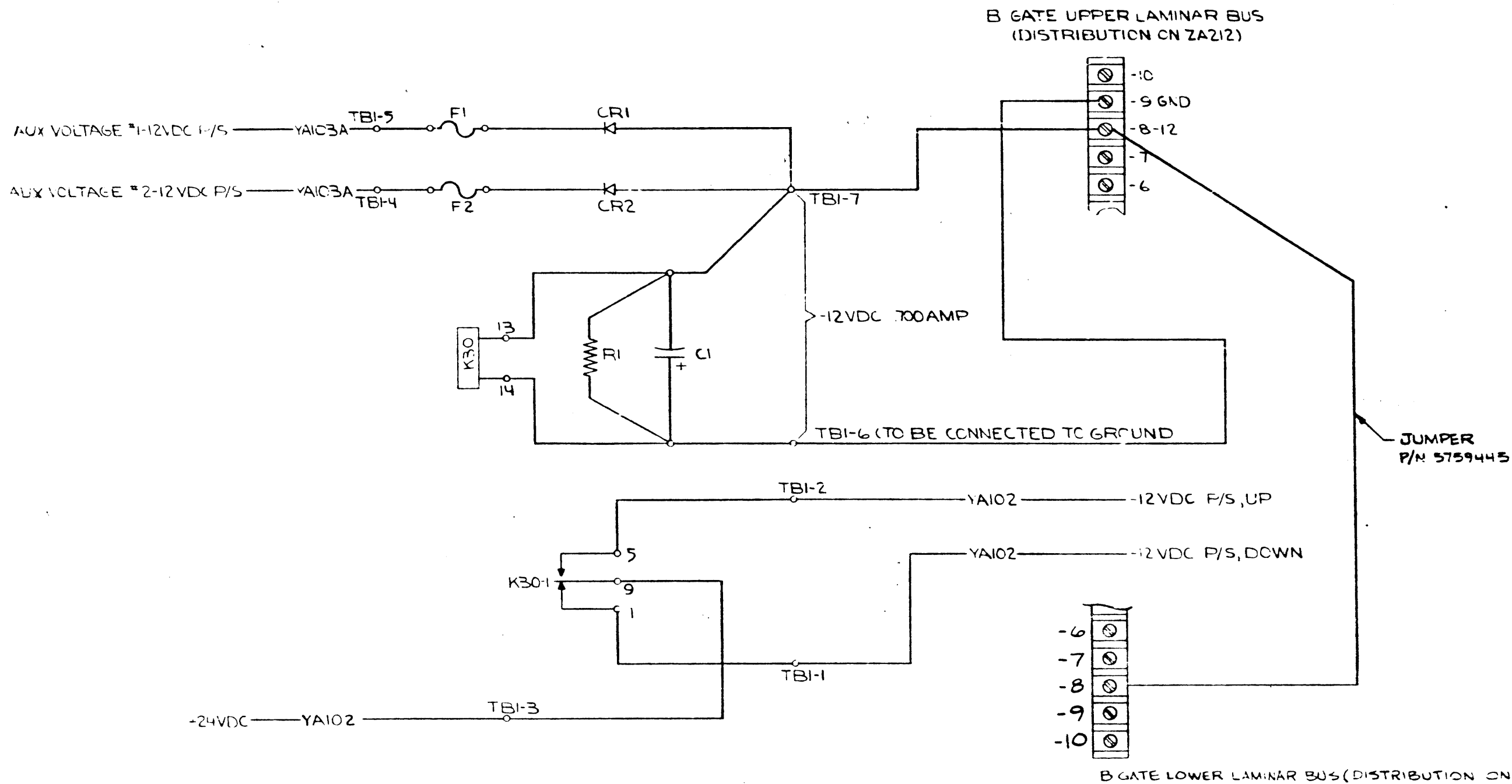
- 1 FUSES F1 & F2 ARE LOCATED WITHIN BULK #1 POWER SUPPLY NEAR TERMINAL BLOCK TR2 AND ARE PART OF CABLE ASM P/N 4835314.
- 2 -5V POWER ASM MAY NOT BE INSTALLED ON SOME 6SCC CONFIGURATIONS.
- 3 SEE LOGIC PAGE ZA314 (P/N 4835383) FOR CONNECTIONS.
- 4 P/N 5565350 IS NOT A PART OF P/N 4835320. P/N 5565350 IS MOUNTED ON P/N 4835320 WITHIN THE SYSTEM.

EC HISTORY		DRAWING TITLE	
08JUN77	828433	+/-5 VOLT WIRING DIAGRAM	
06OCT77	828450	MACH	
		PART NO 4835387	
C	CLASSIFICATION		IBM CORP
	EXP	22-APR-77	

Y
A
I
C
8

BSCA POWER ASSEMBLY

REFERENCE DRAWING FOR
ASM 2590900



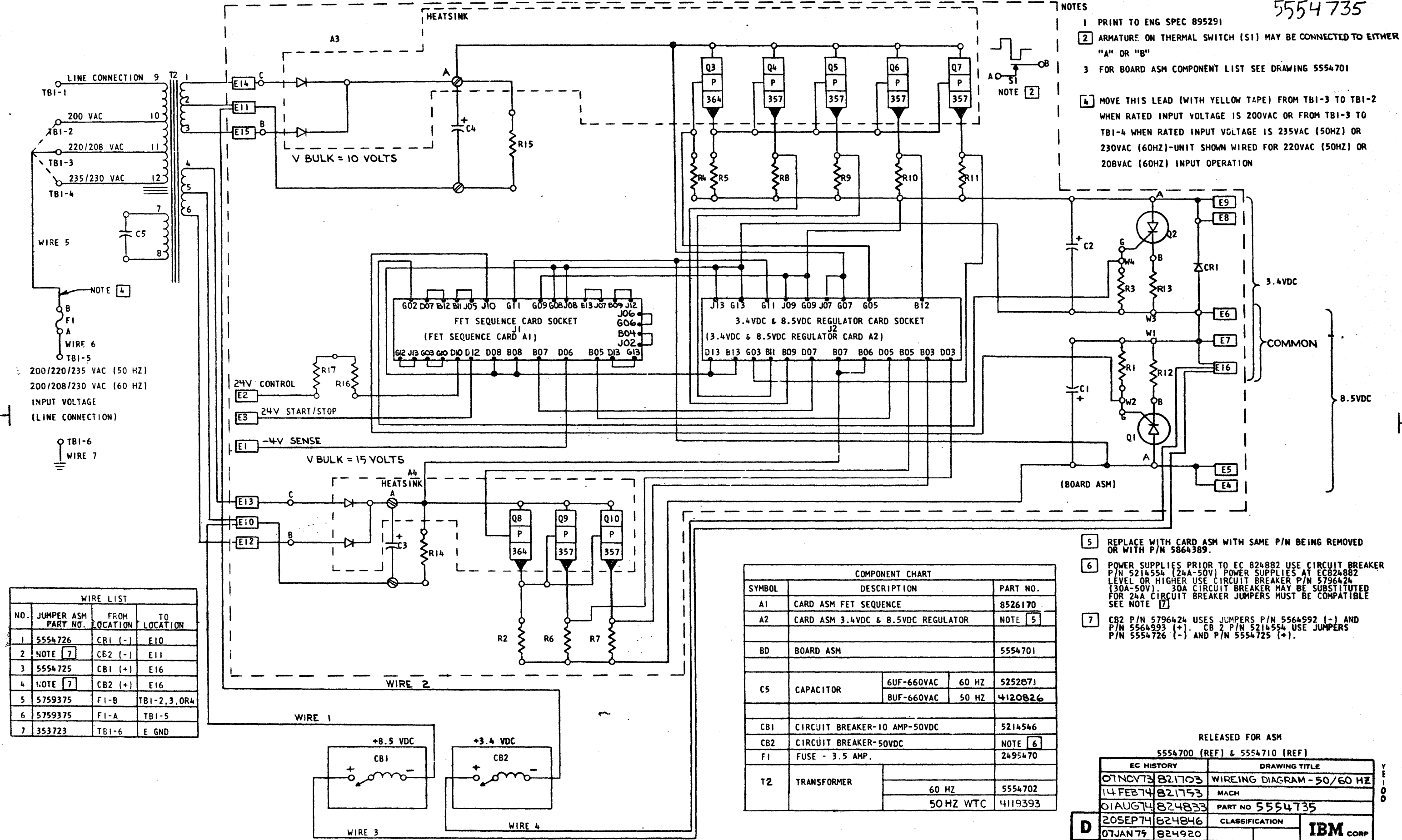
SYMBOL	DESCRIPTION	P/N	RESISTANCE
F1-F2	FUSE 2AMP	615283	
CR1-CR2	RECTIFIER	5323537	
C1	CAPACITOR 20K _v	5214180	
R1	RESISTOR	208287	300Ω 5W
K1	RELAY	2122194	160Ω

EC HISTORY		DRAWING TITLE	
11 DEC 70	810773	BSCA P.W.S. ASM (REF)	
		MACH	
7 AUG 72	577061	PART NO 2454924	
15 NOV 73	5771208	CLASSIFICATION	IBM
		MB	7 DEC 70

Y
A
1
4
0

MEMORY POWER SUPPLY ASM

REFERENCE DRAWING
5554735



- NOTES**
- 1 PRINT TO ENG SPEC 895291
 - 2 ARMATURE ON THERMAL SWITCH (S1) MAY BE CONNECTED TO EITHER "A" OR "B"
 - 3 FOR BOARD ASM COMPONENT LIST SEE DRAWING 5554701
 - 4 MOVE THIS LEAD (WITH YELLOW TAPE) FROM TBI-3 TO TBI-2 WHEN RATED INPUT VOLTAGE IS 200VAC OR FROM TBI-3 TO TBI-4 WHEN RATED INPUT VOLTAGE IS 235VAC (50HZ) OR 230VAC (60HZ)-UNIT SHOWN WIRED FOR 220VAC (50HZ) OR 208VAC (60HZ) INPUT OPERATION

NOTE 4

200/220/235 VAC (50 HZ)
200/208/230 VAC (60 HZ)
INPUT VOLTAGE
(LINE CONNECTION)

WIRE LIST			
NO.	JUMPER ASM PART NO.	FROM LOCATION	TO LOCATION
1	5554726	CB1 (-)	E10
2	NOTE 7	CB2 (-)	E11
3	5554725	CB1 (+)	E16
4	NOTE 7	CB2 (+)	E16
5	5759375	F1-B	TBI-2,3,OR4
6	5759375	F1-A	TBI-5
7	353723	TBI-6	E GND

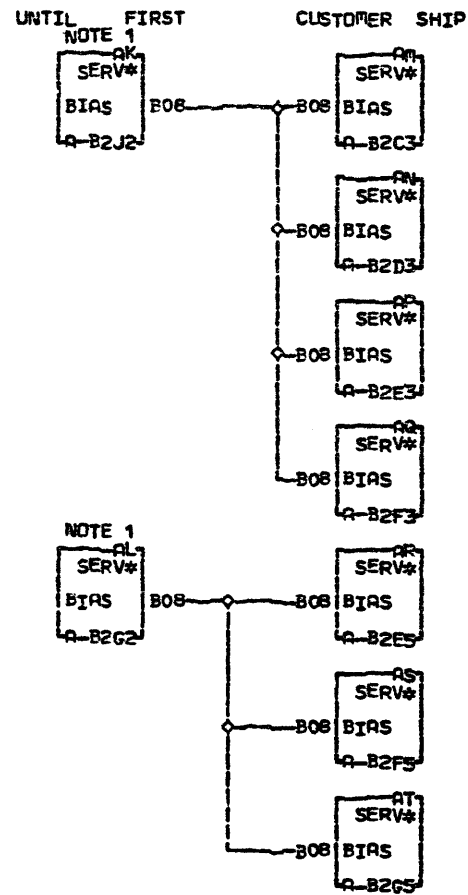
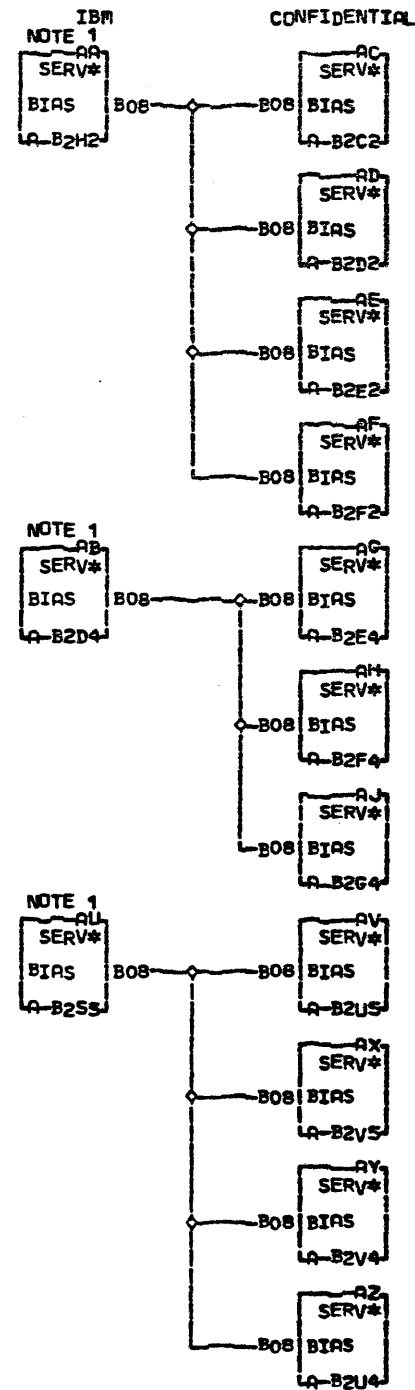
COMPONENT CHART			
SYMBOL	DESCRIPTION	PART NO.	
A1	CARD ASM FET SEQUENCE	8526170	
A2	CARD ASM 3.4VDC & 8.5VDC REGULATOR	NOTE 5	
BD	BOARD ASM	5554701	
C5	CAPACITOR	6UF-660VAC	60 HZ 5252671
		8UF-660VAC	50 HZ 4120826
CB1	CIRCUIT BREAKER-10 AMP-50VDC	5214546	
CB2	CIRCUIT BREAKER-50VDC	NOTE 6	
F1	FUSE - 3.5 AMP.	2495470	
T2	TRANSFORMER		
		60 HZ	5554702
		50 HZ WTC	4119393

- 5 REPLACE WITH CARD ASM WITH SAME P/N BEING REMOVED OR WITH P/N 5864389.
- 6 POWER SUPPLIES PRIOR TO EC 824882 USE CIRCUIT BREAKER P/N 5214554 (24A-50V) POWER SUPPLIES AT EC824882 LEVEL OR HIGHER USE CIRCUIT BREAKER P/N 5796424 (30A-50V) 30A CIRCUIT BREAKER MAY BE SUBSTITUTED FOR 24A CIRCUIT BREAKER JUMPERS MUST BE COMPATIBLE SEE NOTE 7
- 7 CB2 P/N 5796424 USES JUMPERS P/N 5564992 (-) AND P/N 5564993 (+). CB 2 P/N 5214554 USE JUMPERS P/N 5554726 (-) AND P/N 5554725 (+).

RELEASED FOR ASM

5554700 (REF) & 5554710 (REF)

EC HISTORY		DRAWING TITLE	
07NOV73	821703	WIRING DIAGRAM - 50/60 HZ	
14FEB74	821753	MACH	
01AUG74	824833	PART NO 5554735	
20SEP74	824846	CLASSIFICATION	IBM CORP
07JAN79	824920		



NOTE 1
BIAS IS -1.3 VOLTS

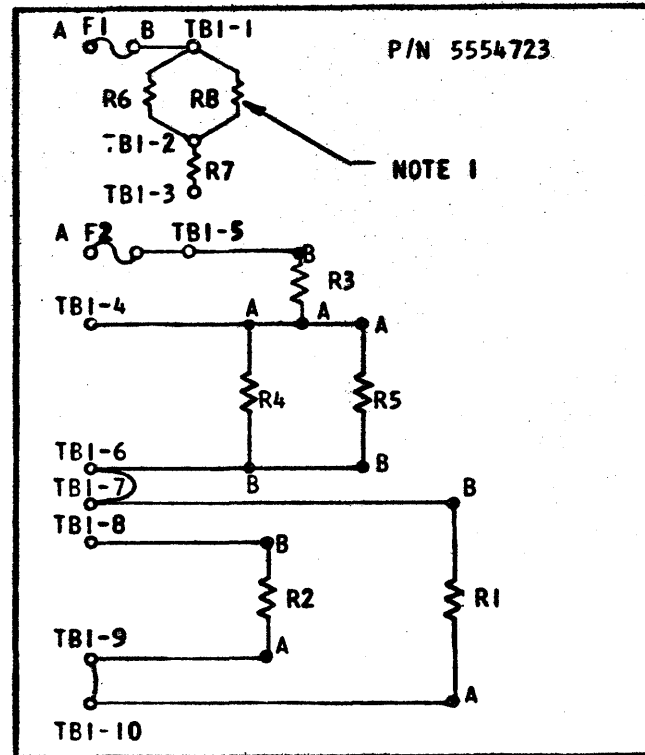
YE101
000

LOC. TYPE

BIAS VOLTAGES FOR		Y E 1 0 1
01A-B2 BOARD		
E.C. HISTORY	C. MACH. CPU15FST	1 0 1
FRAME	01	
DATE LAST EC	IBM CORP. GSD	000
104-15-76 830225	P.N. 4238926	

5554889

COMPONENT LIST		
SYMBOL	PART NO	VALUE
R1	2544839	.32Ω 155W
R2	2544839	.32Ω 155W
R3	2122128	10Ω 50W
R4	0322739	50Ω 50W
R5	0322739	50Ω 50W
R6	5554729	15Ω 1/2W
R7	5554730	30Ω 1W
R8	5554730	30Ω 1W
F1	53436	2 A
F2	361755	2.5 A

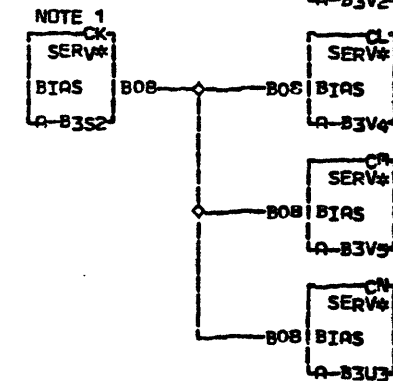
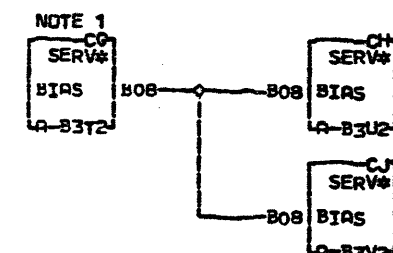
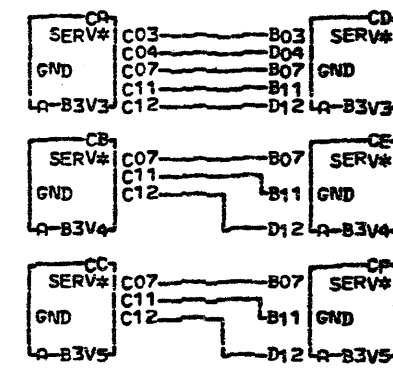
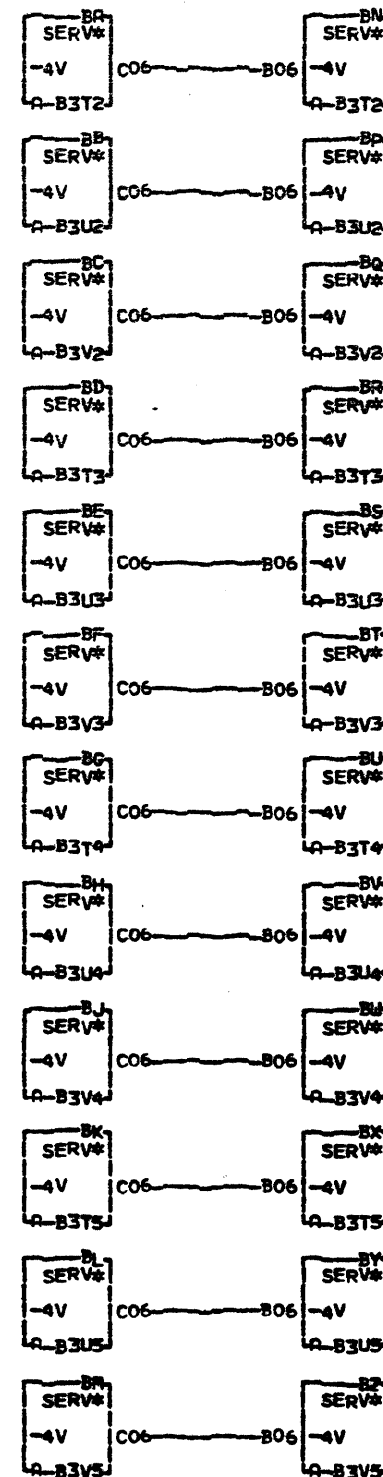
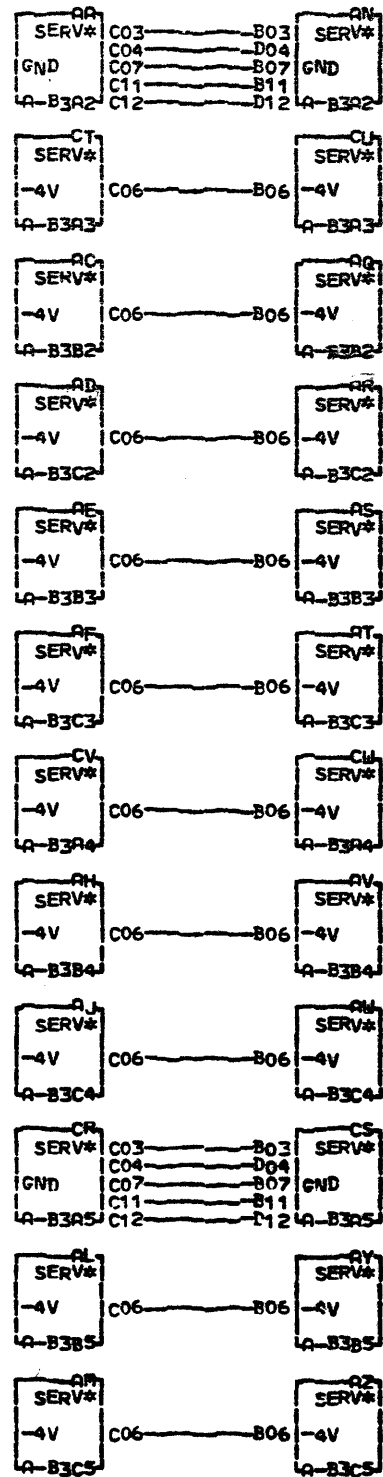


NOTES

- 1 RESISTOR R8 IS INSTALLED ONLY WHEN 3284 FEATURE IS INSTALLED

EC HISTORY		DRAWING TITLE	
19APR3K		RESISTOR BOX ASM WIRING	
821497	15MAY73	MACH	DIAGRAM
821675	27AUG73	PART NO 5554889	
C	821686	8 OCT 73	CLASSIFICATION
	821745	15 JAN 74	
			IBM CORP

Y E I O 2

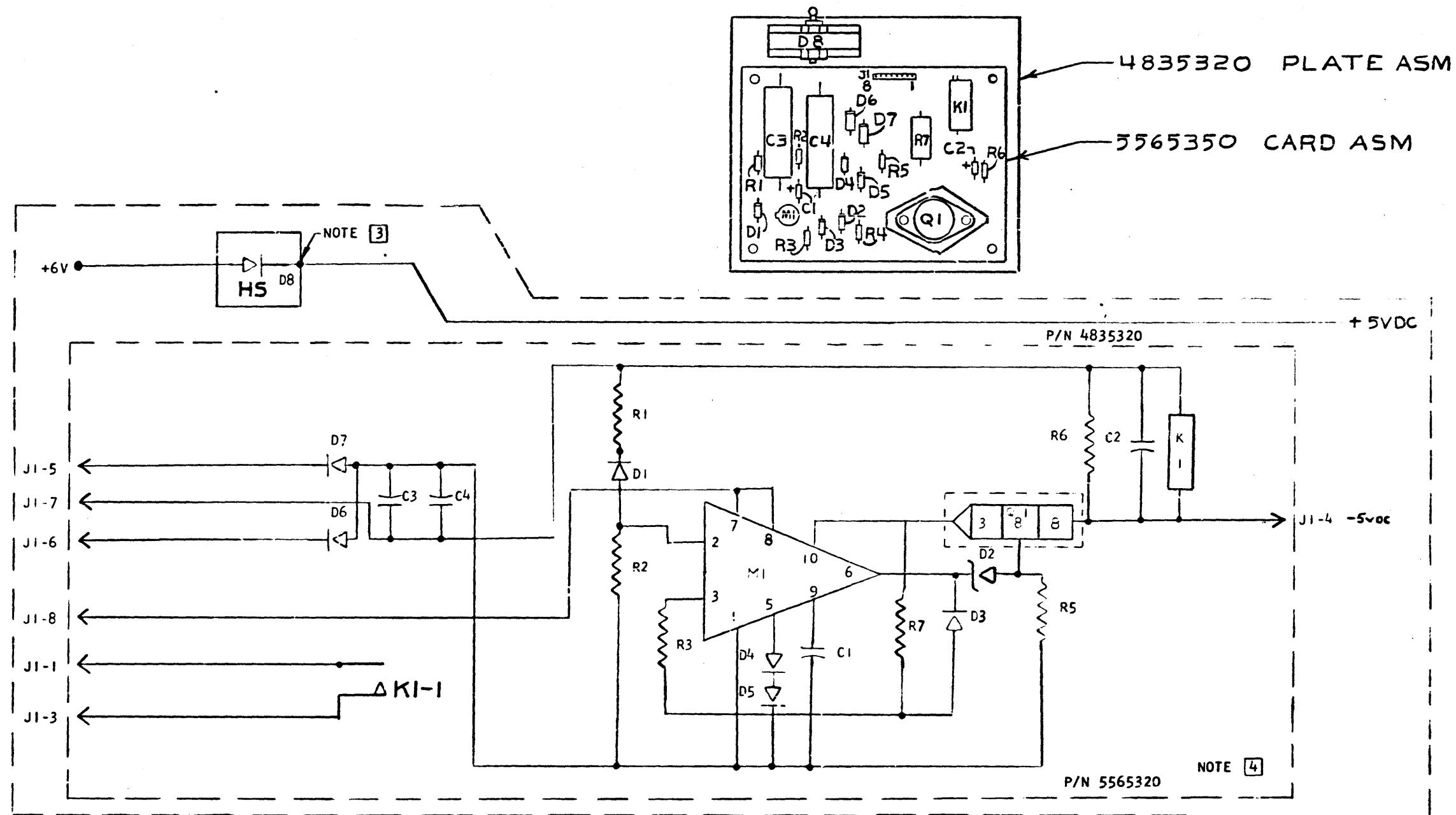


NOTE 1
BIAS IS -1.3 VOLTS

LOC. TYPE

SERVICE AND BIAS VOLTAGES FOR	
A-B3 BOARD	
E.C. HISTORY	CPACH-CPU15FST
DATE	FRAME 01
LAST EC	IBM CORP. GSD
104-15-76 830225	IP.No. 4238927

Y E 1 1 1



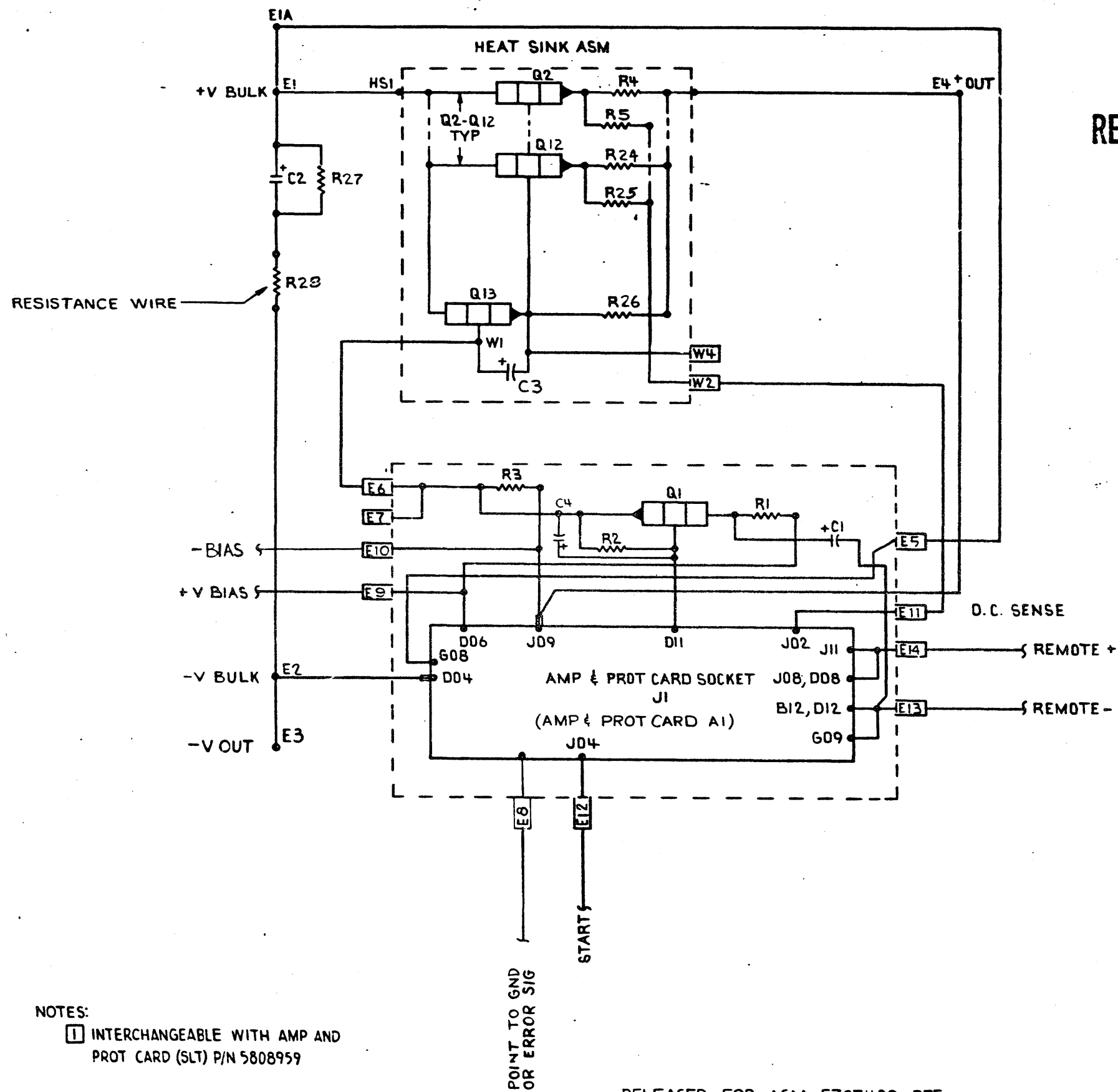
NOTES:

- [3] DIODE D8 IS PART OF PLATE ASM
P/N 4835320.
- [4] P/N 5565350 IS NOT PART OF 4835320
IT IS NORMALLY SECURED TO P/N 4835320
WHEN -5 VOLTS DC IS REQUIRED IN ADDITION
TO +5 VOLTS DC.

SYMBOL	VALUE	PART NUMBER
D8	30 AMP	127324
R3	470 OHM	0216438
R5	680 OHM	0216442
D2	DB	0369127
D1	DY	0369611
R7	1.3 OHM	0483514
R4	100 OHM	0595359
R1	26.7 OHM	0842012
K1	K1	1582683
C3-C4	600 UFD	2395817
M1	723	2396475
Q1	388	2397028
D3-D4-D5	GY	2414891
C2	6.8 UFD	2414920
C1	.1 UFD	2414949
D6-D7	WN	5214324

EC HISTORY		DRAWING TITLE	
08 JUN 77	828433	+/- 5 VOLT CKT DIAGRAM	
06 OCT 77	828450	MACH	
		PART NO	4835386
C	CLASSIFICATION		IBM CORP
	21P	22-APR-77	

E 300



REFERENCE DRAWING

SYMBOL	DESCRIPTION	PART NO
C1	CAPACITOR 6.8 μf	222077
C2	600 μf 25V	5213591
C3	CAPACITOR 22 μf 15VDC	124591
R1	RESISTOR 15 Ω 10W	5796397
R2	51 Ω 1/4W	550051
R3	27 Ω 1/4W	132771
R4, 6, 8, 10, 12	15 Ω 10W	2572225
R14, 16, 18, 20		2572225
R22, 24		5796394
R5, 7, 9, 11, 13	100 Ω 1/4W	595359
R15, 17, 19, 21		595359
R23, 25		595359
R26	1 Ω 5W	207520
R27	1 k Ω 1W	5785135
R28	RESISTOR .04 Ω	5797519
Q1	TRANSISTOR - 359	2391347
Q2 - Q12	" - 358	2391346
Q13	" - 358	2391346
J1	CARD SOCKET ASM	2557477
A1 (NOTE 1)	AMP & PROT CARD (SLT)	5860519
C4	CAPACITOR 68 μf	222092

NOTES:
 1 INTERCHANGEABLE WITH AMP AND PROT CARD (SLT) P/N 5808959

POINT TO GND OR ERROR SIG

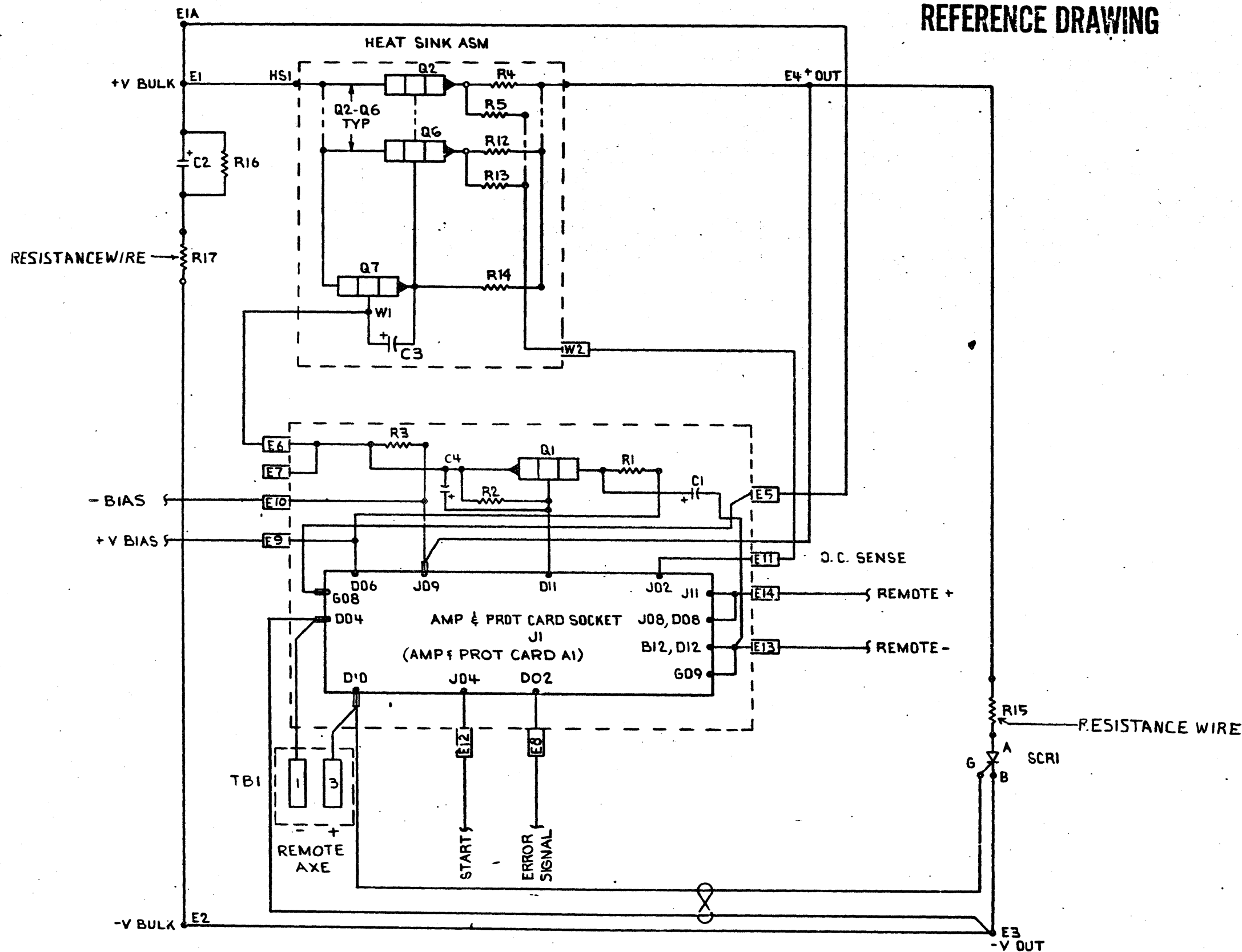
START

RELEASED FOR ASM 5797480 REF

THIS DOCUMENT IS THE PROPERTY OF IBM. ITS USE OR REPRODUCTION IS AUTHORIZED ONLY FOR RESPONDING TO A REQUEST FOR QUOTATION OR FOR THE PERFORMANCE OF WORK FOR IBM. ALL QUESTIONS MUST BE REFERRED TO THE IBM PURCHASING DEPARTMENT.

YF-534		ML=E	
E.C. HISTORY		MST-1 REG	
23 JUN 69	712404	MACH	4V@ 65 A
6 FEB 70	714157	PART NO. 5797481	
7 OCT 70	715236		
24 DEC 70	715505		
12 MAR 71	716105	IBM CORP SDD	

REFERENCE DRAWING



SYMBOL	DESCRIPTION	PART NO
C1	CAPACITOR 6.8 μ f	222077
C2	" 6600 μ f 25V	5213591
C3	CAPACITOR 22 μ f 15VDC	124591
R1	RESISTOR 15 Ω 10W 5%	5796397
R2	51 Ω 1/4W 5%	550051
R3	24 Ω 1W 5%	132771
R4	6.8 10 12	.15 Ω 10W 5%
R5	7 9 11 13	100 Ω 1/4W 5%
R14		10 Ω 5W 5%
R15		.03 Ω RES WIRE
R16		1K Ω 1W 5%
R17		RESISTOR .04 Ω RES WIRE
Q1	TRANSISTOR -359	2391347
Q2-7	" -358	2391346
SCR-1	RECTIFIER SILICON	5214335
A1 (NOTE II)	AMP & PROT CARD(SLT)	5820524
J1	CARD SOCKET ASM	2557477
C4	CAPACITOR 68.4 μ f	222092

NOTES:
 1 INTERCHANGEABLE WITH AMP AND PROT. CARD (SLT) P/N 5808955

RELEASED FOR ASM 5797460 REF

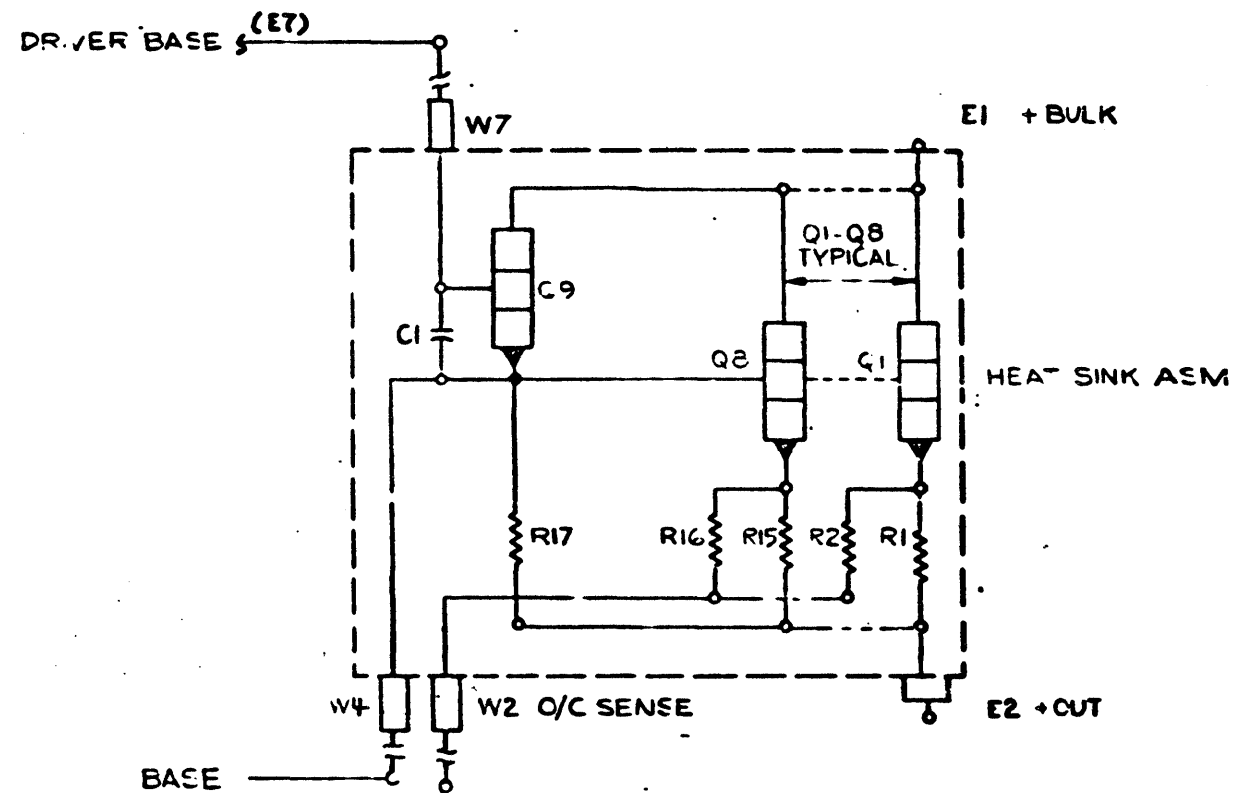
THIS DOCUMENT IS THE PROPERTY OF IBM. ITS USE OR REPRODUCTION IS AUTHORIZED ONLY FOR RESPONDING TO A REQUEST FOR QUOTATION OR FOR THE PERFORMANCE OF WORK FOR IBM. ALL QUESTIONS MUST BE REFERRED TO THE IBM PURCHASING DEPARTMENT.

YF-536		ML-6	
E.C. HISTORY		MST-1 REG	
7 OCT 70	715236	MACH 6V @ 25A	
24 DEC 70	715505	PART NO. 5797461	
12 MAR 71	716105		
		IBM CORP SDD	

SYMBOL	DESCRIPTION	PART NO.
Q1-Q8	TRANSISTOR-358	2391346
Q9	TRANSISTOR-358	2391346
R1,R3,R5,R7,R9,R11 R13,R15,	RESISTOR .15Ω 10W 5%	2572225
R2,R4,R6,R8,R10 R12,R14,R16	RESISTOR 100Ω ¼ 5%	595359
R17	RESISTOR 10Ω 5W 5%	207320
C1	CAPACITOR 22μf 5VDC	124591

RELEASED FOR ASM 2557510 REF

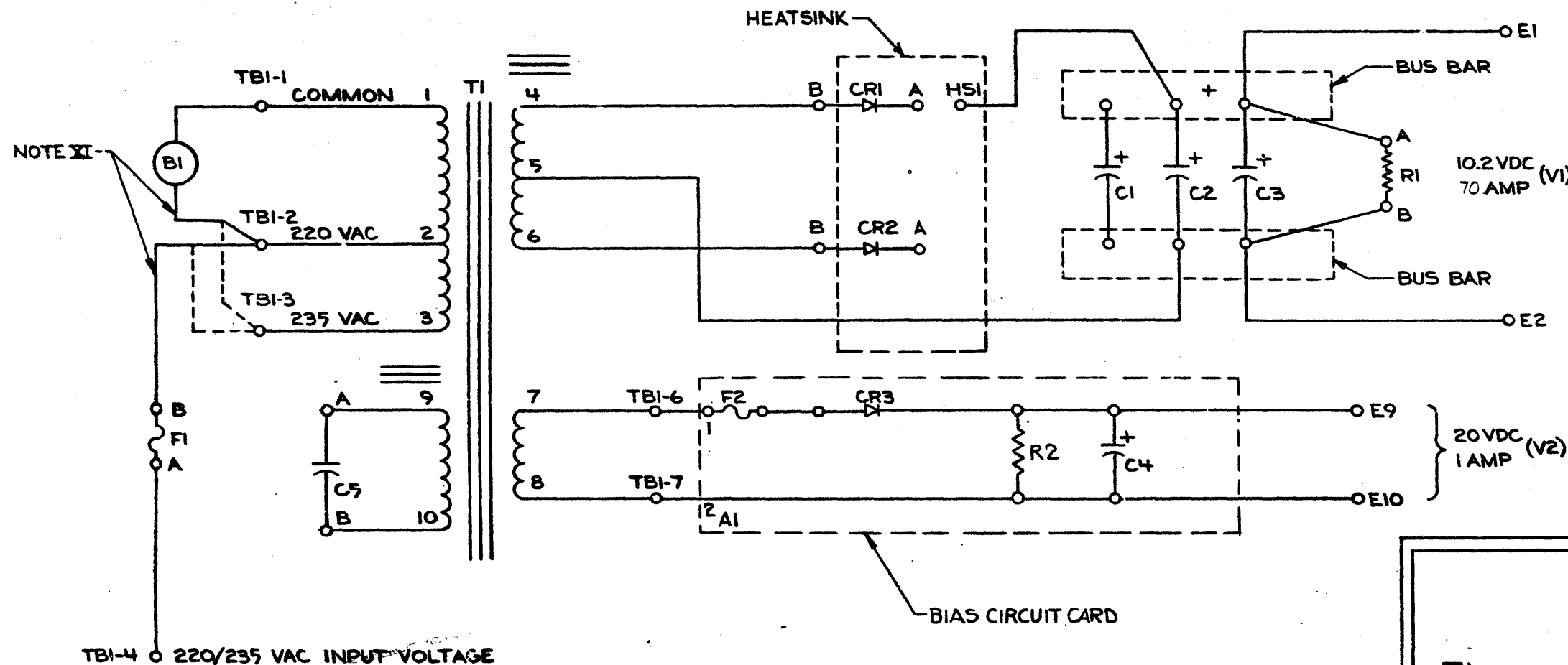
REFERENCE DRAWING



YF-537		ML-C
E.C. HISTORY		MOT-1 REG
27 JUN 68	711416	MACH 50 AMP ADD-ON
20 AUG 68	711697	PART NO. 2557511
23 SEP 68	711764	
21 APR 69	712379	
5 FEB 70	714157	IBM CORP SDD

POWER SUPPLY
MULTI-LEVEL, 50 HZ 1Ø

REFERENCE DRAWING



COMPONENT CHART		
SYMBOL	DESCRIPTION	PART NO.
A1	BIAS CKT ASM	2572216
B1	FAN	4120174
C1-C3	CAPACITOR-120,000UF-15VDC	5796393
C4	CAPACITOR-8,200UF-25VDC	5214420
C5	CAPACITOR-40UF-330VAC	5319839 NOTE XIV
C5	CAPACITOR-40UF-330VAC	5252819 NOTE XIV
C5	CAPACITOR-40UF-330VAC	4120814 NOTE XIV (SUB)
CR3	RECTIFIER	1149212 NOTE XIII
CR1-CR2	RECTIFIER	5214179
F1	FUSE-10AMP-250V	107669
F2	FUSE-4 AMP-125 V	1143492
R1	RESISTOR-40HM-50 WATT	591465
R2	RESISTOR-510 OHM-2 WATT	472579 NOTE XIII
T1	TRANSFORMER ASM	4119210

TBI-4 220/235 VAC INPUT VOLTAGE

TBI-5 0

NOTES
I

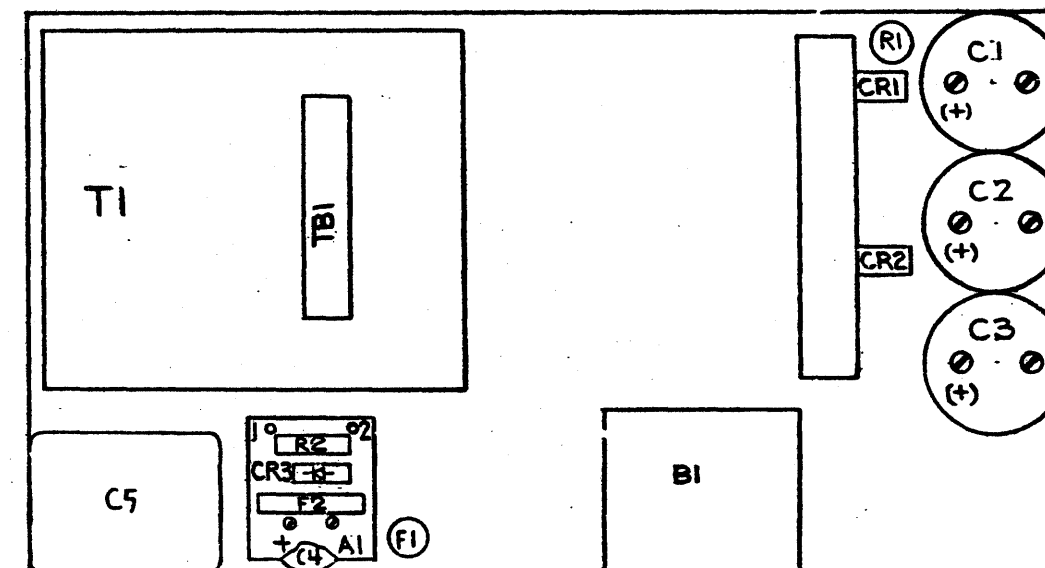
II MOVE BOTH LEADS WITH YELLOW TAPE FROM TBI-2 TO TBI-3 IF INPUT VOLTAGE TO POWER SUPPLY IS 235 VAC—UNIT SHOWN WIRED FOR 220 VAC INPUT OPERATION

XII OUTPUT LEADS TO E1, E2, E9 AND E10 TO BE CONNECTED TO REGULATOR WHEN REGULATOR IS INSTALLED—IN A HIGHER ASSEMBLY

XIII THESE COMPONENTS APPEAR ON A1 ASSEMBLY 2572216 (REF)

XIV CAPACITOR 5319839 (REF) USED IN P/S 2583950 (REF)

CAPACITOR 5252819 (REF) 4120814 (SUB) USE IN P/S 1836010 (REF)



1836010 (REF)
RELEASED FOR ASSEMBLY 2583950 (REF)

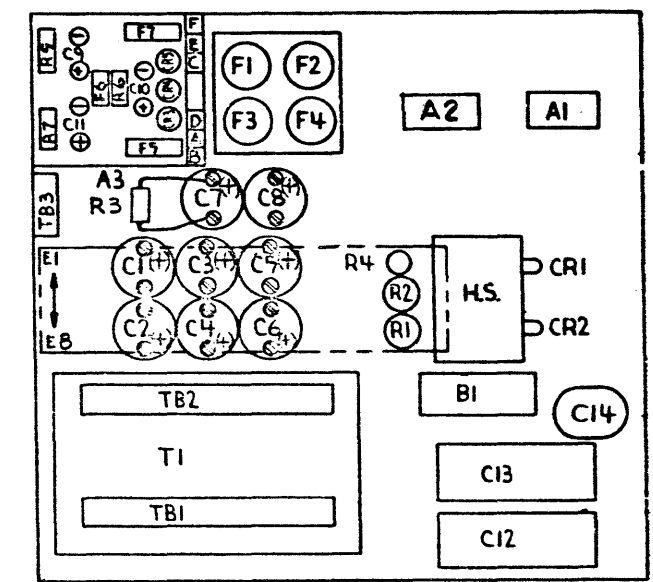
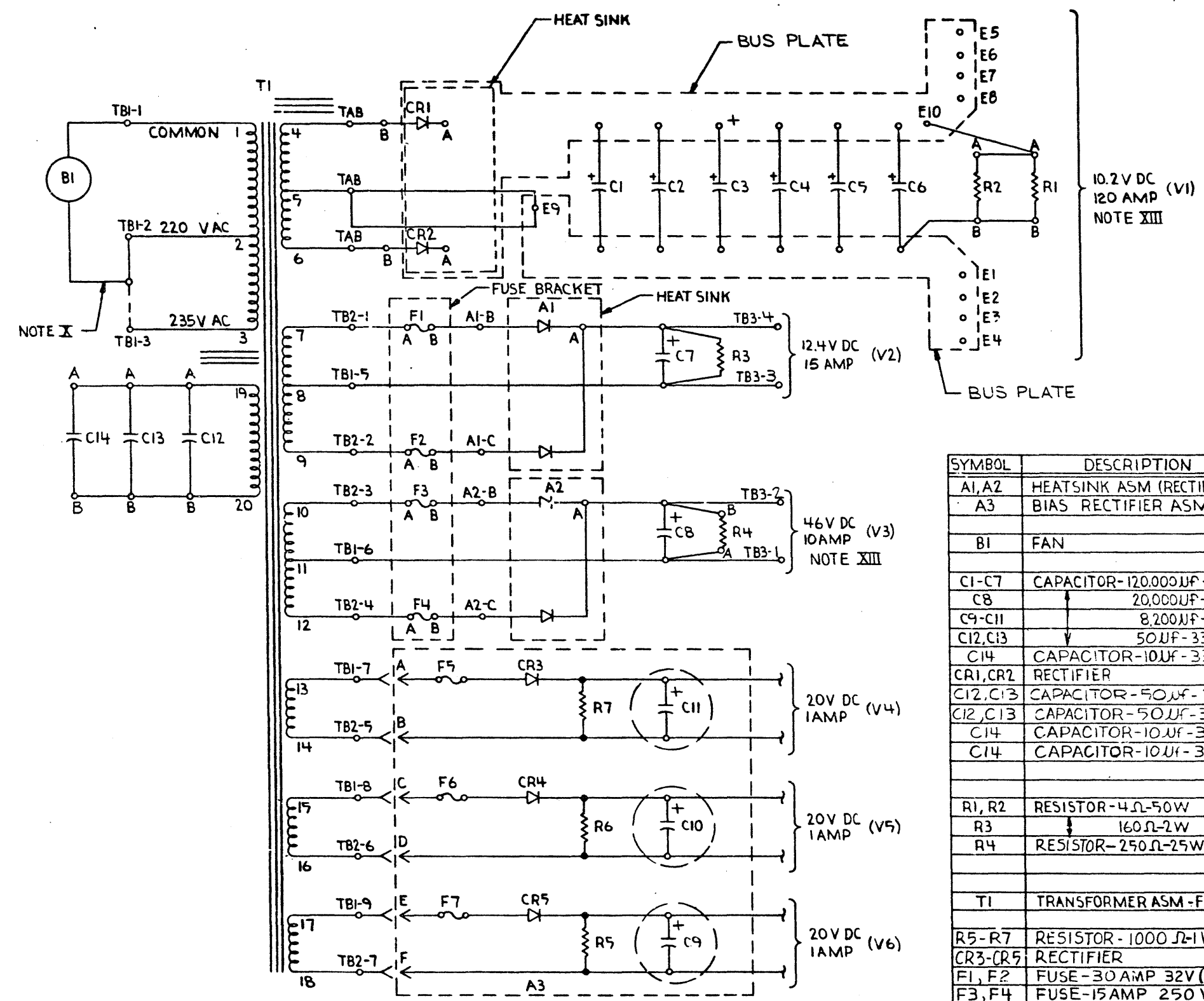
SFC HISTORY		WIRING DIAGRAM	
2 APR 71	716114	MACH	
4 JAN 73	718928	PART NO. 2583951	
8 JUN 73	738596	APPRO: JAW 30 JUN 69	
23 AUG 73	740217		
		IBM CORP SDD	ML#D

THIS DOCUMENT IS THE PROPERTY OF IBM. IT IS LOANED TO YOU AND IS NOT TO BE REPRODUCED OR TRANSMITTED IN ANY FORM OR BY ANY MEANS, ELECTRONIC OR MECHANICAL, INCLUDING PHOTOCOPYING, RECORDING, OR BY ANY INFORMATION STORAGE AND RETRIEVAL SYSTEM. FOR MORE INFORMATION CONTACT THE IBM PURCHASING DEPARTMENT.

Y 40575

Y 40575

POWER SUPPLY
MULTI-LEVEL, 50 HZ 1Ø



SYMBOL	DESCRIPTION	PART NO.
A1,A2	HEATSINK ASM (RECTIFIER 127324)	5761977
A3	BIAS RECTIFIER ASM	2572207
BI	FAN	4120171
C1-C7	CAPACITOR-120.000UF-15V DC	5796393
C8	20.000UF-75V DC	5214233
C9-C11	8.200UF-25V DC	5214420
C12,C13	50UF-330V AC	5214085
C14	CAPACITOR-10UF-330VAC	5708945
CR1,CR2	RECTIFIER	5214179
C12,C13	CAPACITOR-50UF-330 VAC	5252821
C12,C13	CAPACITOR-50UF-330 VAC	4120816 (SUB)
C14	CAPACITOR-10UF-330 VAC	5252810
C14	CAPACITOR-10UF-330 VAC	4120806 (SUB)
R1,R2	RESISTOR-4Ω-50W	591465
R3	160Ω-2W	216491
R4	RESISTOR-250Ω-25W	2102582
T1	TRANSFORMER ASM-FERRO-50HZ	4118437
R5-R7	RESISTOR-1000Ω-1W	317049
CR3-CR5	RECTIFIER	1149212
F1,F2	FUSE-30AMP 32V (SB)	5232814
F3,F4	FUSE-15AMP 250 V	596676
F5,F7	FUSE-4AMP 125 V	1143492

NOTE XII

NOTE XII

NOTE XI

NOTES

- X MOVE JUMPER WITH YELLOW TAPE FROM TBI-2 TO TBI-3 IF INPUT VOLTAGE TO POWER SUPPLY IS 235V AC
- XI THESE COMPONENTS APPEAR ON P/N 2572207 REF (A3) ASM.
- XII CAPACITOR 5214085 (REF) & 5708948 (REF) USED IN P/S 2572200 (REF) CAPACITOR 5252821 (REF) 4120816 (SUB) & 5252810 (REF) 4120806 (SUB) USED IN P/S 1835950 (REF)

XIII ADDITIONAL REQ V1 @ 140 AMP DC & V3 @ 5 AMP DC. ALL OTHER CONDITIONS APPLY

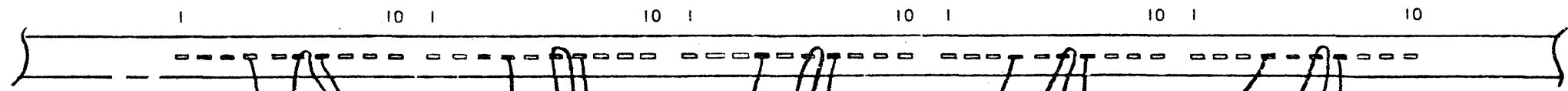
1835950 (REF)
RELEASED FOR ASSEMBLY 2572200 (REF)

SEE EC HISTORY		DRAWING TITLE	
5 JAN 73	718926	WIRING DIAGRAM	
16 MAY 73	738022	MACH	
31 MAY 73	738591	PART NO 2572201	
23 AUG 74	740217	CLASSIFICATION	IBM CORP

2572200

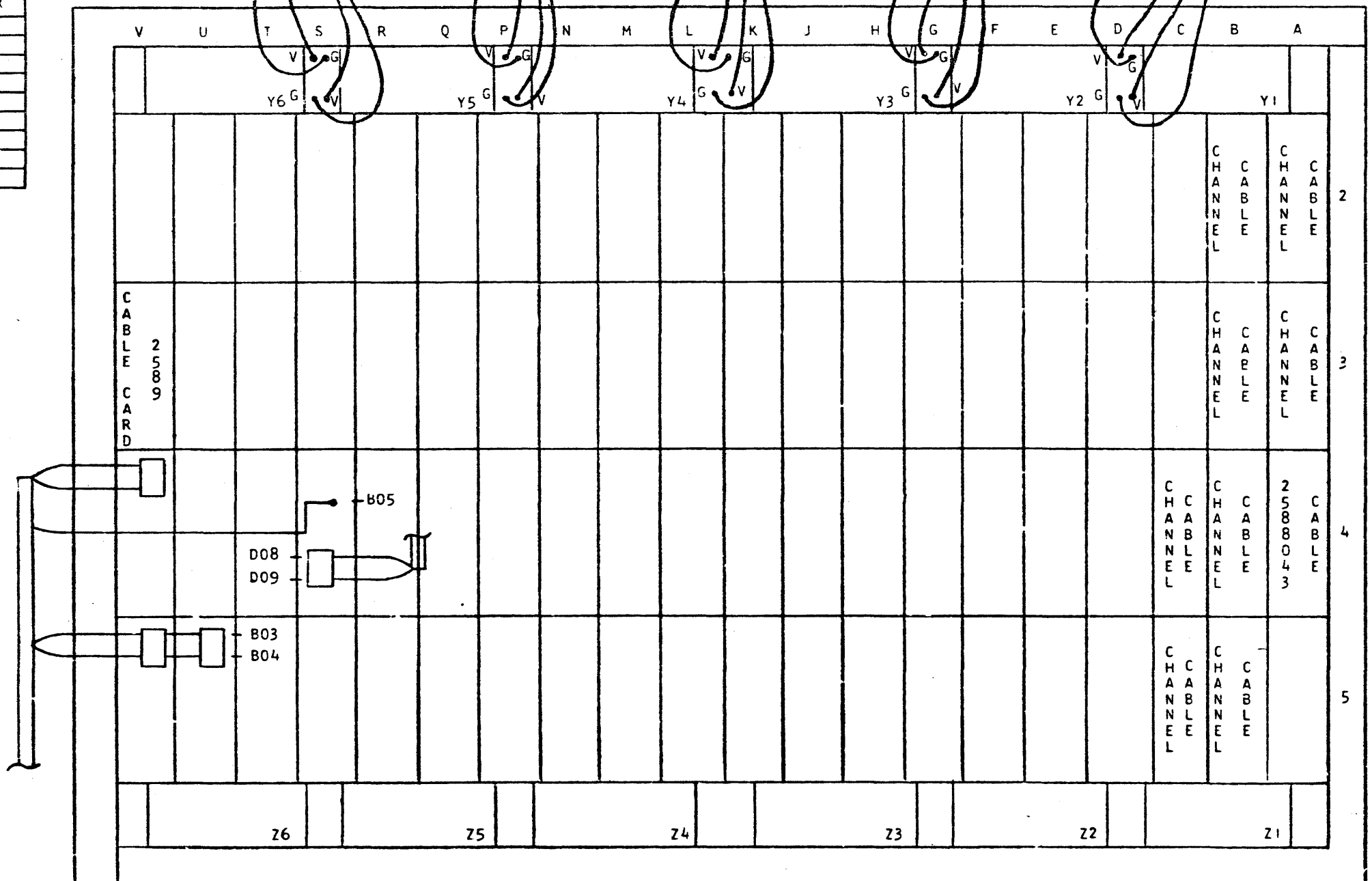
2 3 4 5 6 7

PIN SIDE VIEW



CABLE TO CABLE CARD PLUG CHART

POSITION	CABLE PART NUMBER
U5	2588018
V3	2588016
V4	2588012
V5	2588013



B06 -4 VOLTS
 B08 REF
 D08 GND

NOTES

- Y1 - Y4 AND Z1 - Z6 HAVE CROSSOVER CABLES PLUGGED IN
- CABLE CARD 2588 PLUGS IN POSITIONS V4, V5
- CABLE CARD 2590 PLUGS IN POSITIONS U5
- CARDS AND CABLES SHOWN PLUG IN CARD SIDE

DATE	EC NUMBER	DATE	EC NUMBER	CONNECTOR CHART BOARD		
	22 MAR 3K			01A-B2		
27 APR 73	821493			DATE	PN	5554961
					TYPE	
				IEM ZA 122		

A
B
C
D
E
Z
A
1
2
2

5554960

2 3 4 5 6 7

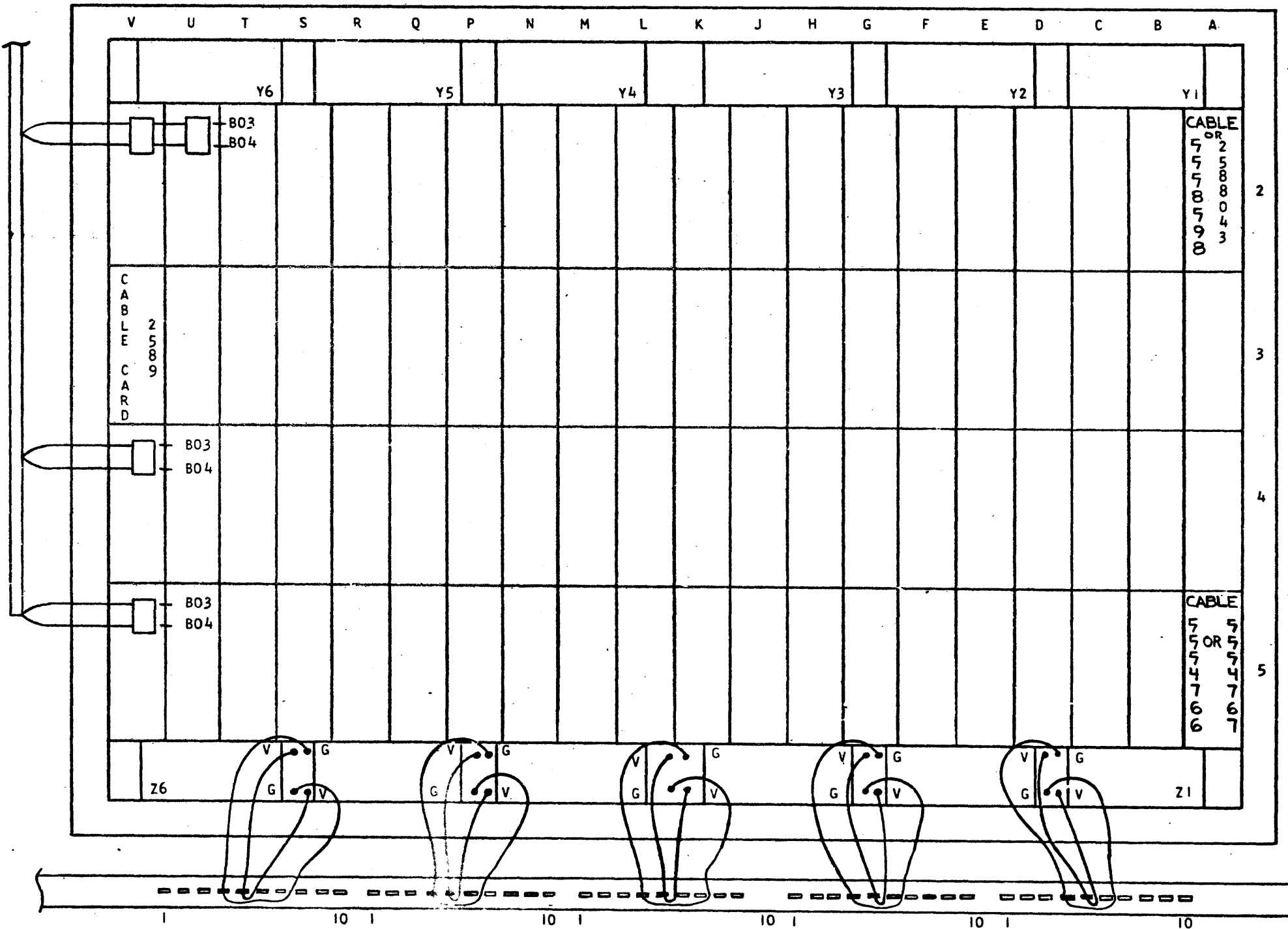
PIN SIDE VIEW

CABLE TO CABLE CARD PLUG CHART

POSITION	CABLE PART NUMBER
U2	2588014
V2	2588015
V3	5554925
V4	2588019
V5	5554854

OR

POSTION	CABLE P/N
U2	5558226
V2	5558597
V3	5558250
V4	5558599
V5	1607725

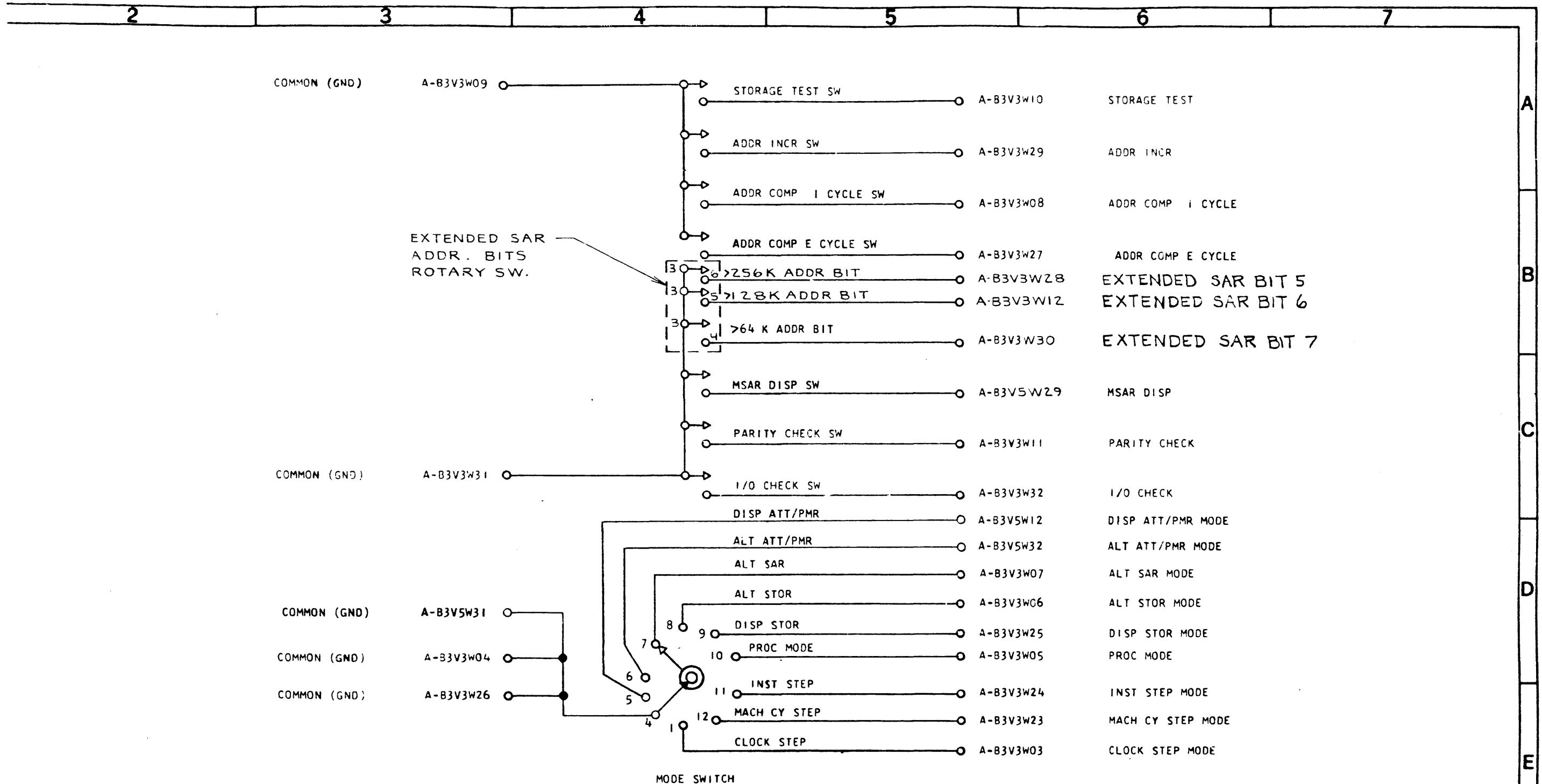


B06 -4 VOLTS
B08 REF
D08 GND

- NOTES
- 1 CABLE CARD 2588 PLUGS IN POSITIONS U2 AND V2
 - 2 CABLE CARD 2590 PLUGS IN POSITIONS V4 AND V5
 - 3 CROSSOVER CABLES PLUG IN POSITIONS Y1-Y6, Z1-Z4
 - 4 CARDS AND CABLES SHOWN PLUG IN CARD SIDE

DATE	EC NUMBER	DATE	EC NUMBER	CONNECTOR CHART BOARD	
	22 MAR 3K			01A-B3	
27 APR 73	821493			DATE	PIN 5554960
20 FEB 75	824934			TYPE	
				IBM ZA 123	

A
B
C
D
E
Z
A
1
2
3



NOTES
 1 CROSS REFERENCE PAGE WITH PA101, PC121

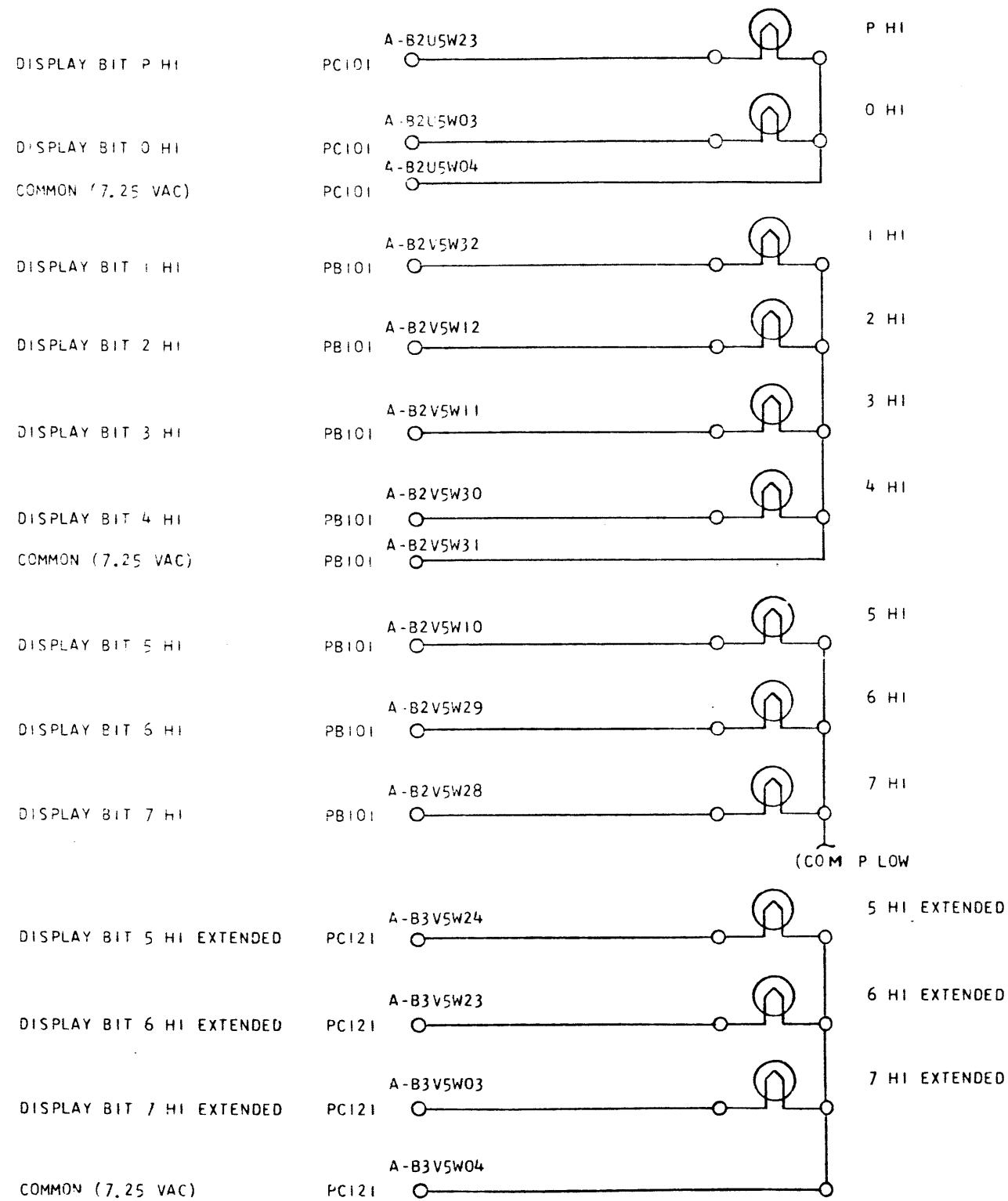
DATE	EC NUMBER	DATE	EC NUMBER	CE MODE AND TOGGLE		
29MART	828424			SWITCHES		
				DATE	P/N	4835384
					TYPE	
				IBM ZB002		

A
B
C
D
E

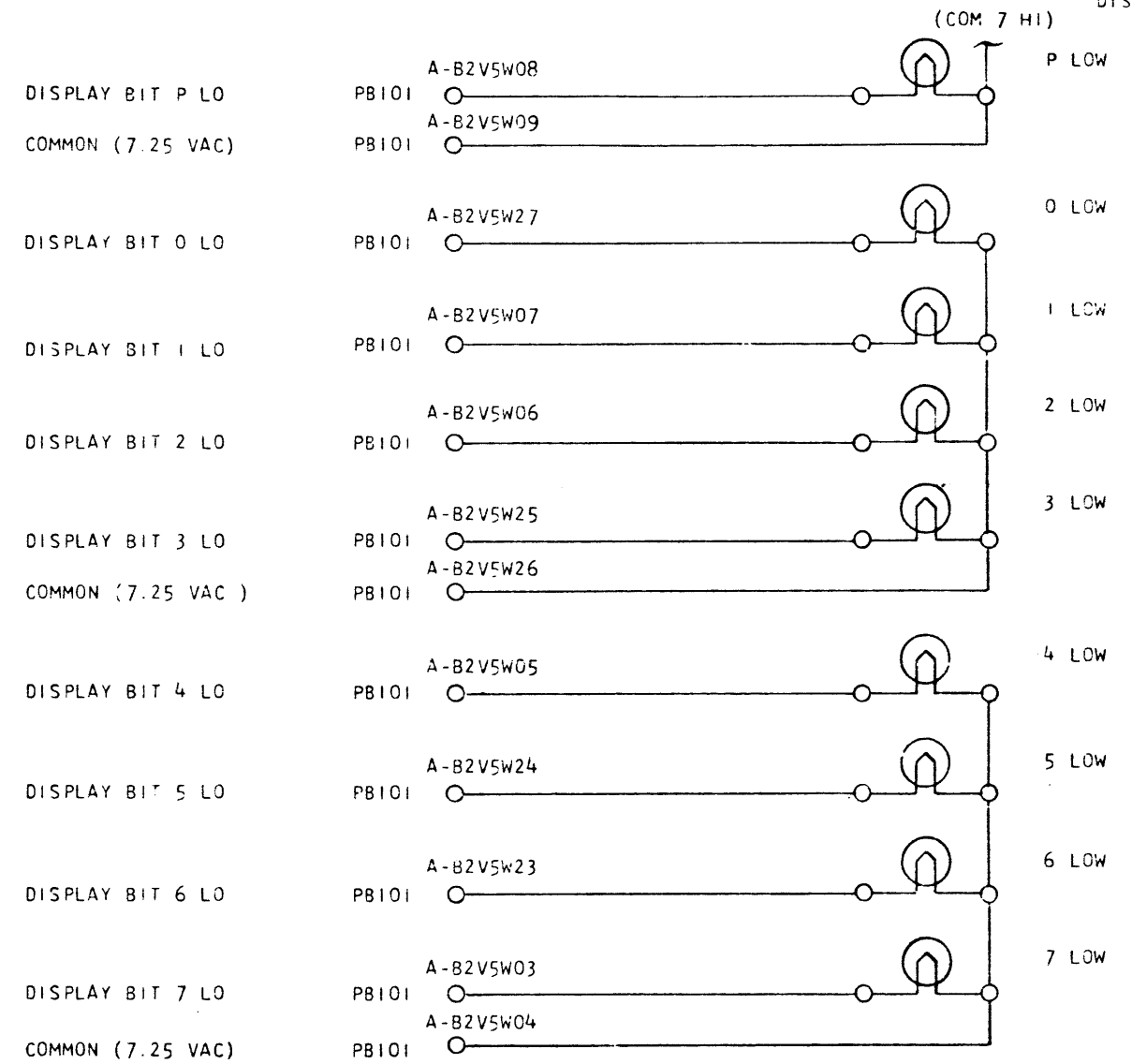
ZB002

1

INDICATOR
DISPLAY BITS



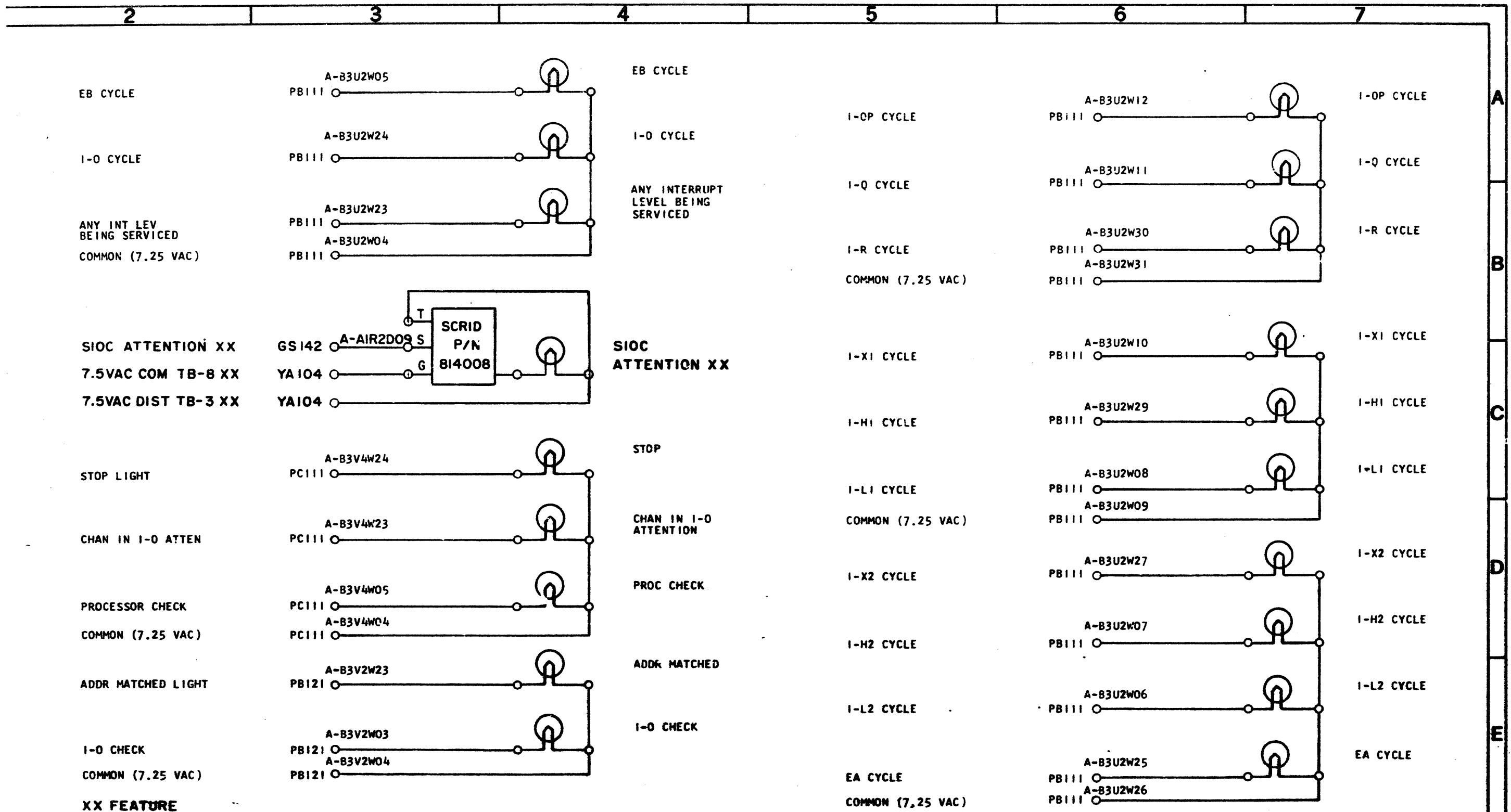
INDICATOR
DISPLAY BITS



EC HISTORY		DRAWING TITLE	
29MART	828424	INDICATORS	
		MACH	ZB004
		PART NO	4835385
C		CLASSIFICATION	IBM CORP

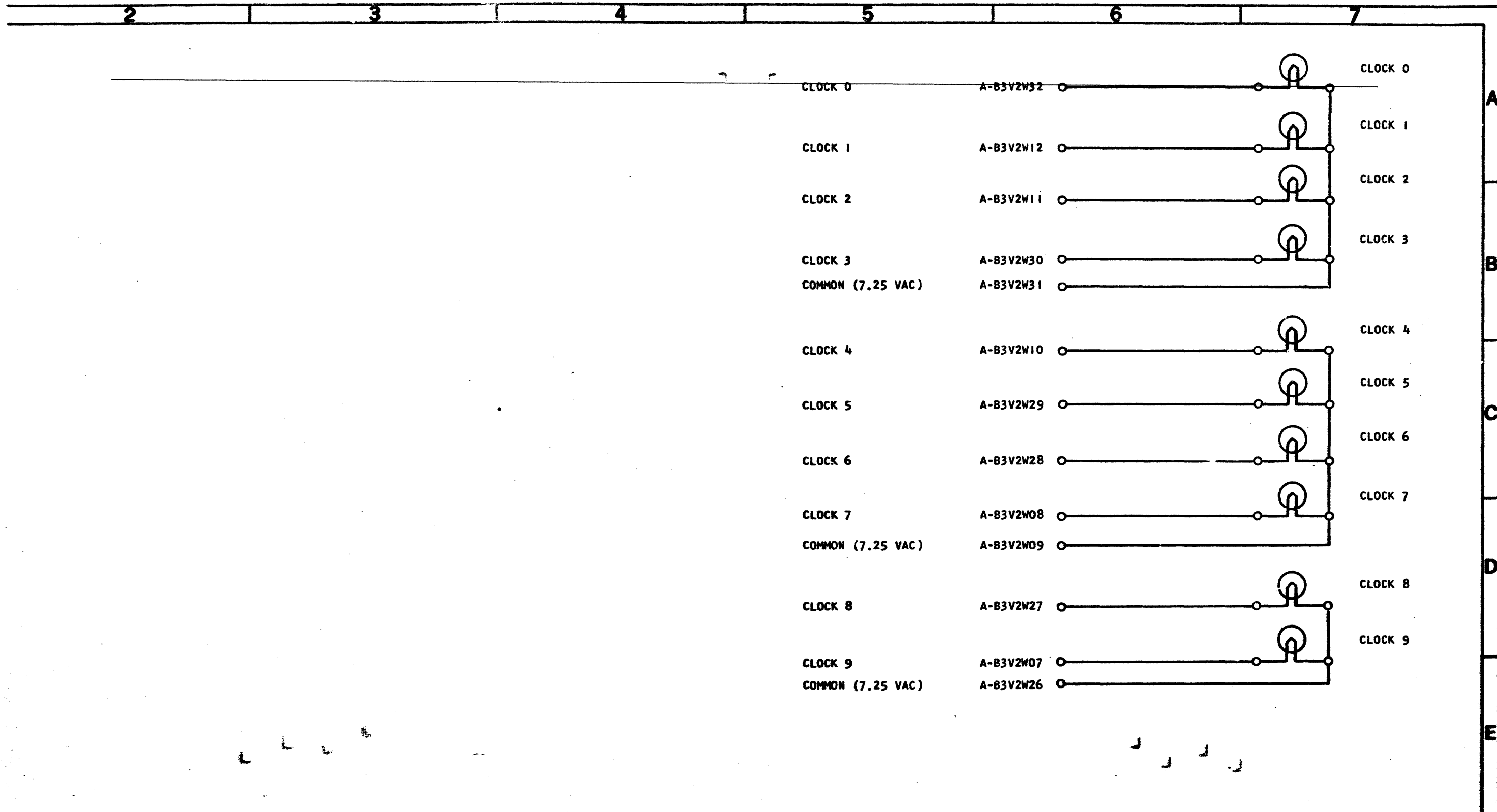
ZB004

T



DATE	EC NUMBER	DATE	EC NUMBER	MACHINE CYCLE INDICATORS AND OPERATOR LIGHTS		
8-20-69	816463			DATE	P/N	8589198
5-24-72	577037				TYPE	
				IBM ZB006		

Z B 0 0 6

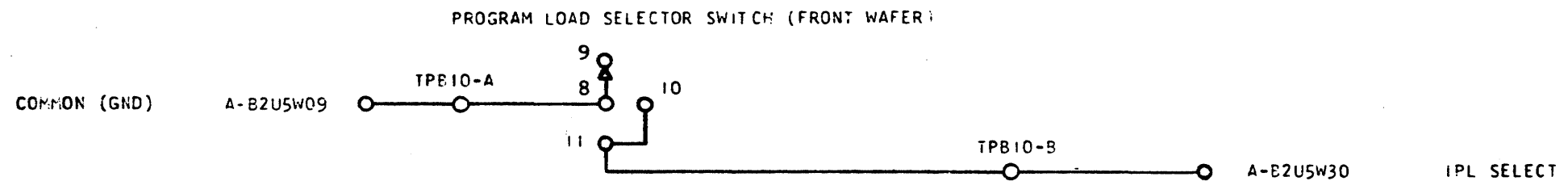
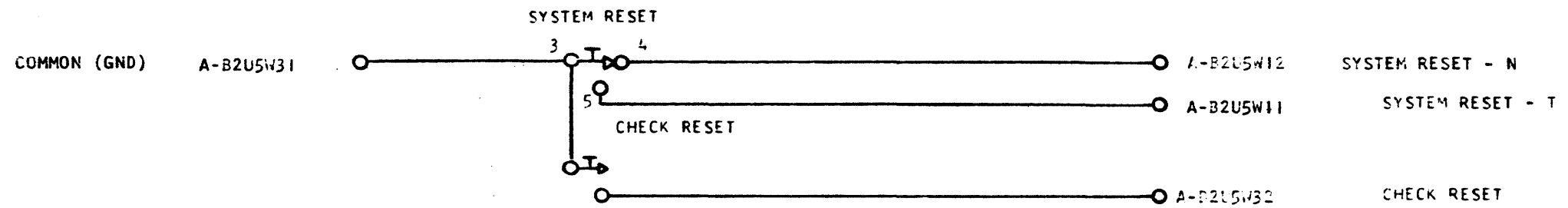
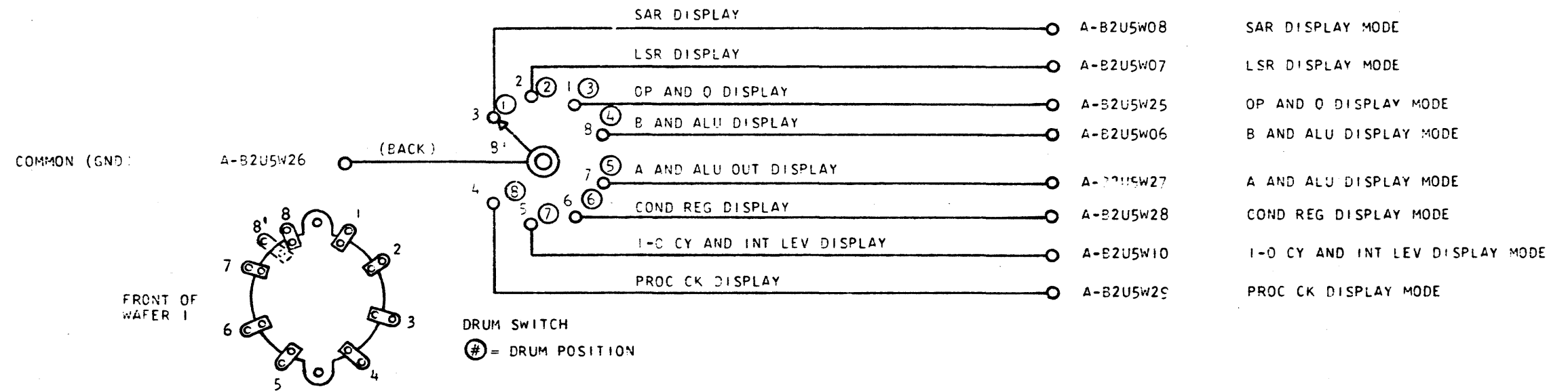


NOTES:

1 CROSS REFERENCE ENTIRE PAGE WITH PB121

DATE	EC NUMBER	DATE	EC NUMBER	CLOCK INDICATORS		
8-20-69	816463			DATE	PN	2589199
					TYPE	
				IBM ZB008		

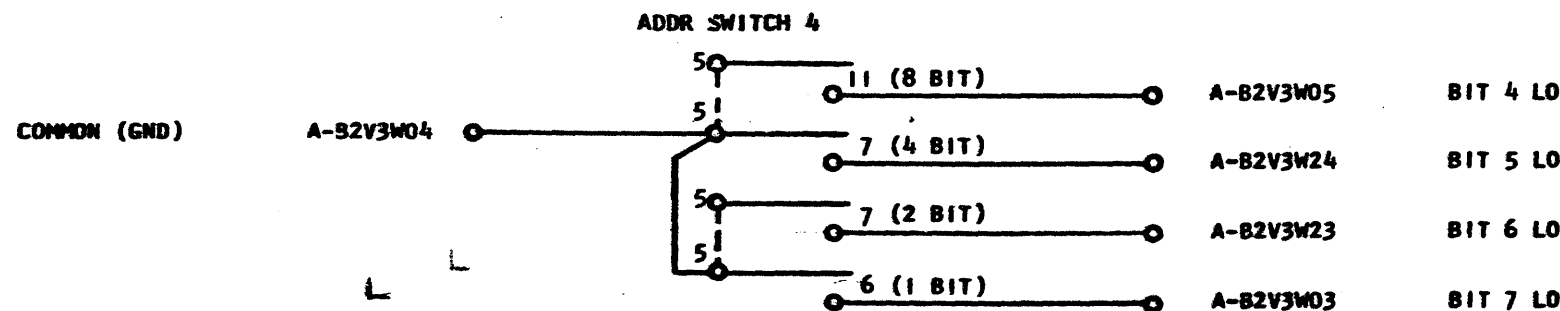
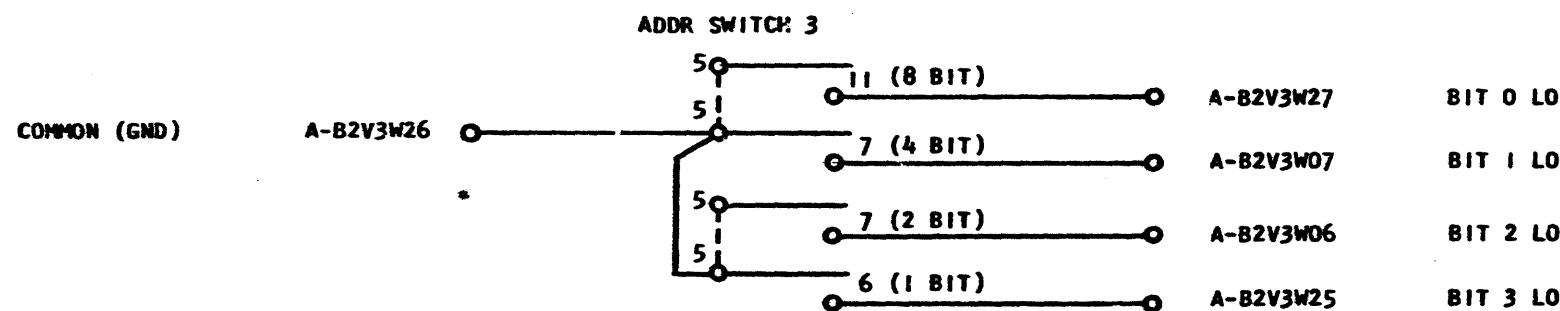
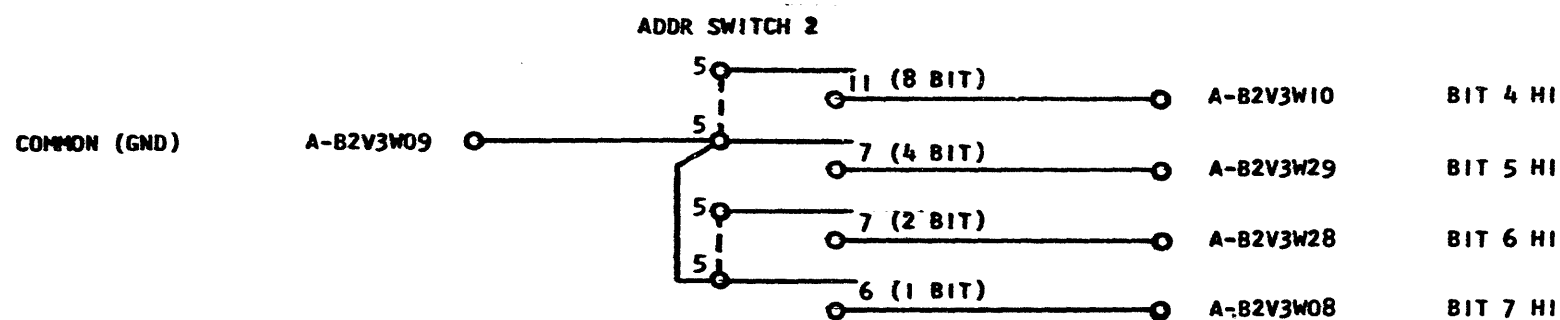
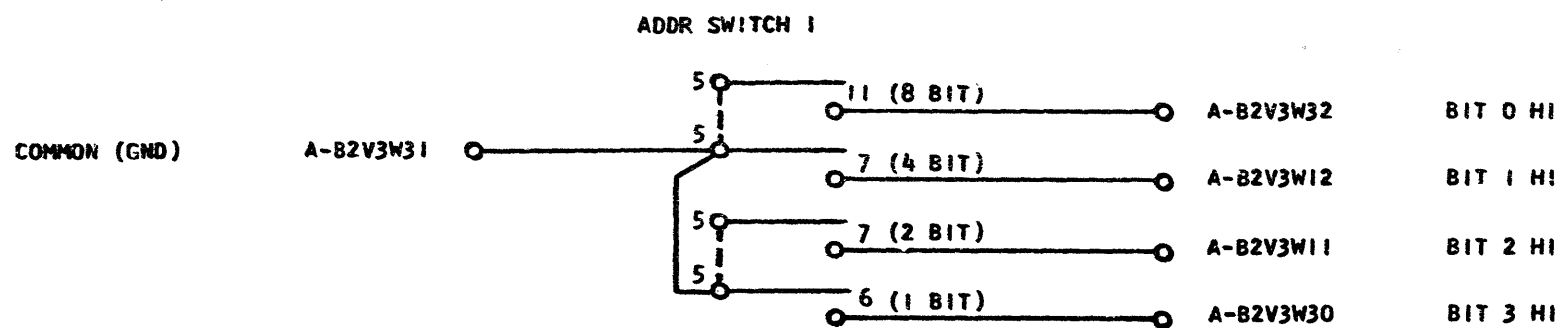
ZB008



NOTES
1 CROSS REFERENCE ENTIRE PAGE WITH PC101

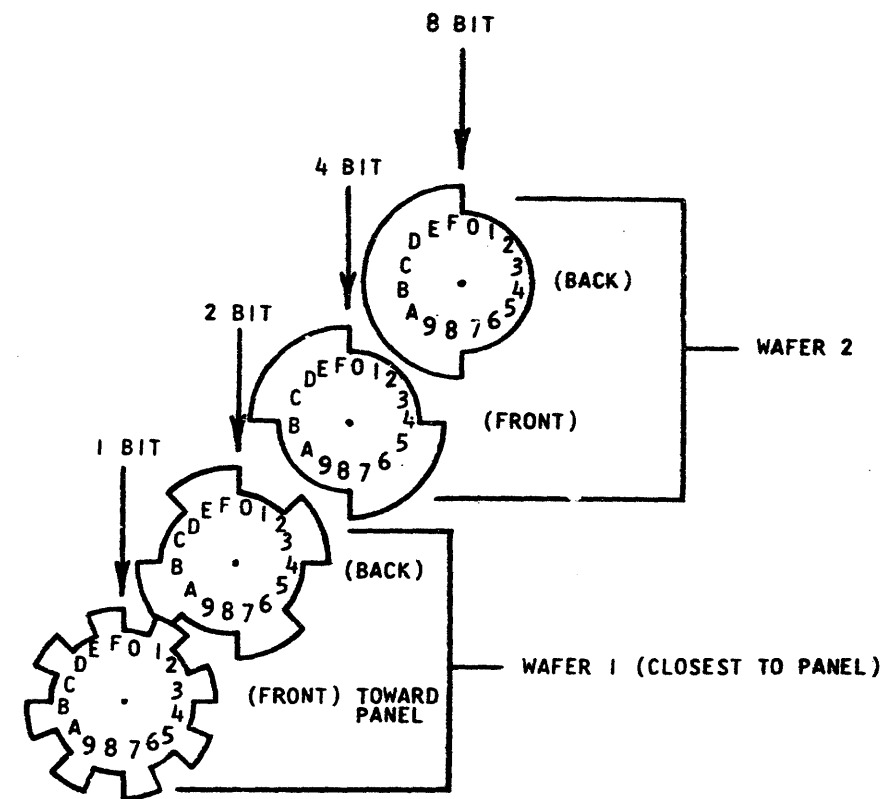
DATE	EC NUMBER	DATE	EC NUMBER	DISPLAY SELECTOR DRUM		
	22MAR3K					
27APR73	B21493			DATE	P/N	5554963
					TYPE	
				IBM Z7010		

A
B
C
D
E



NOTES:

1 CROSS REFERENCE ENTIRE PAGE WITH PA111

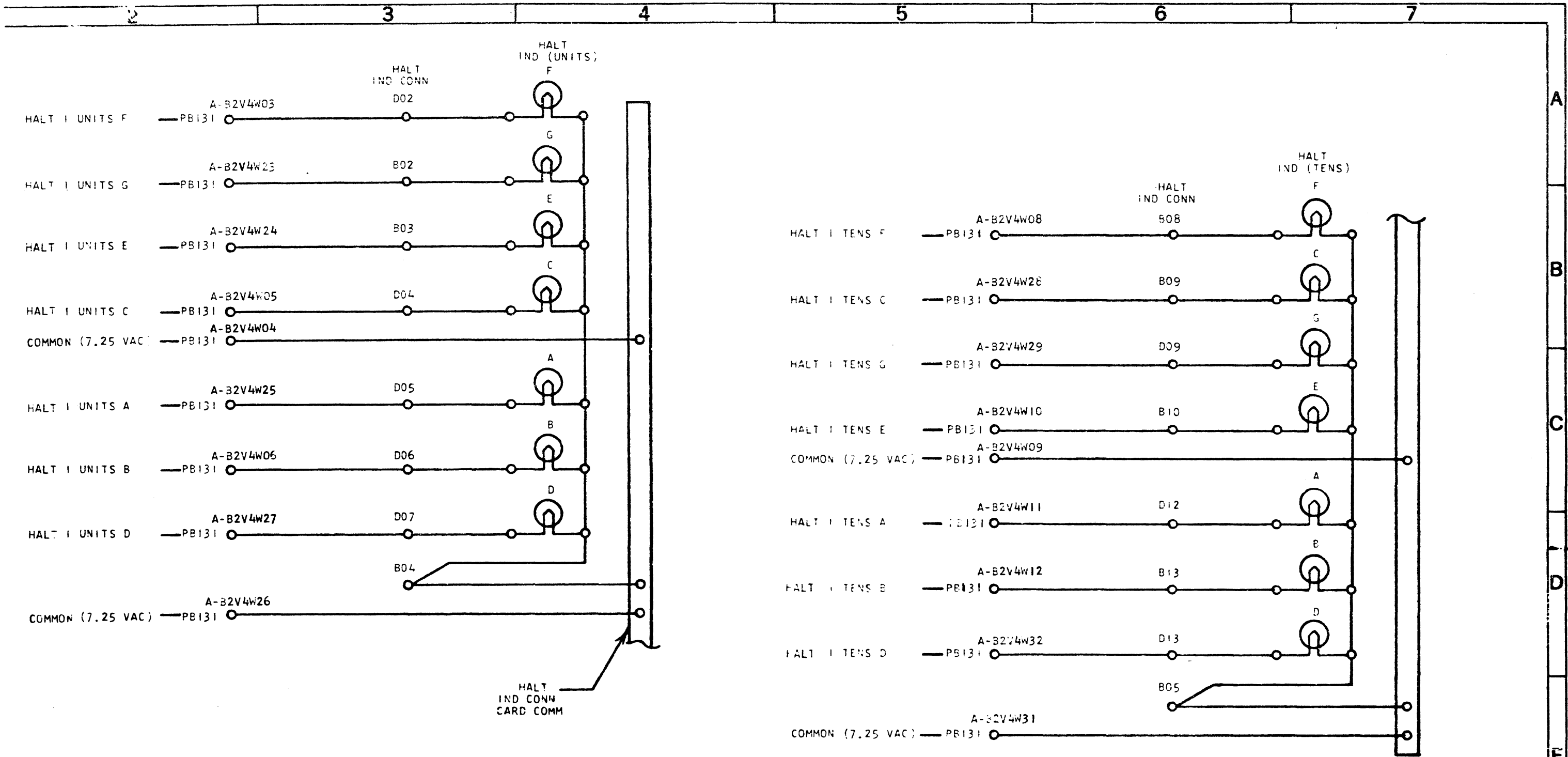


ROTARY SWITCH LAYOUT

DATE	EC NUMBER	DATE	EC NUMBER	ROTARY BIT SWITCH		
8-20-69	816463			DATE	RN	2589203
					TYPE	
				IBM ZB014		

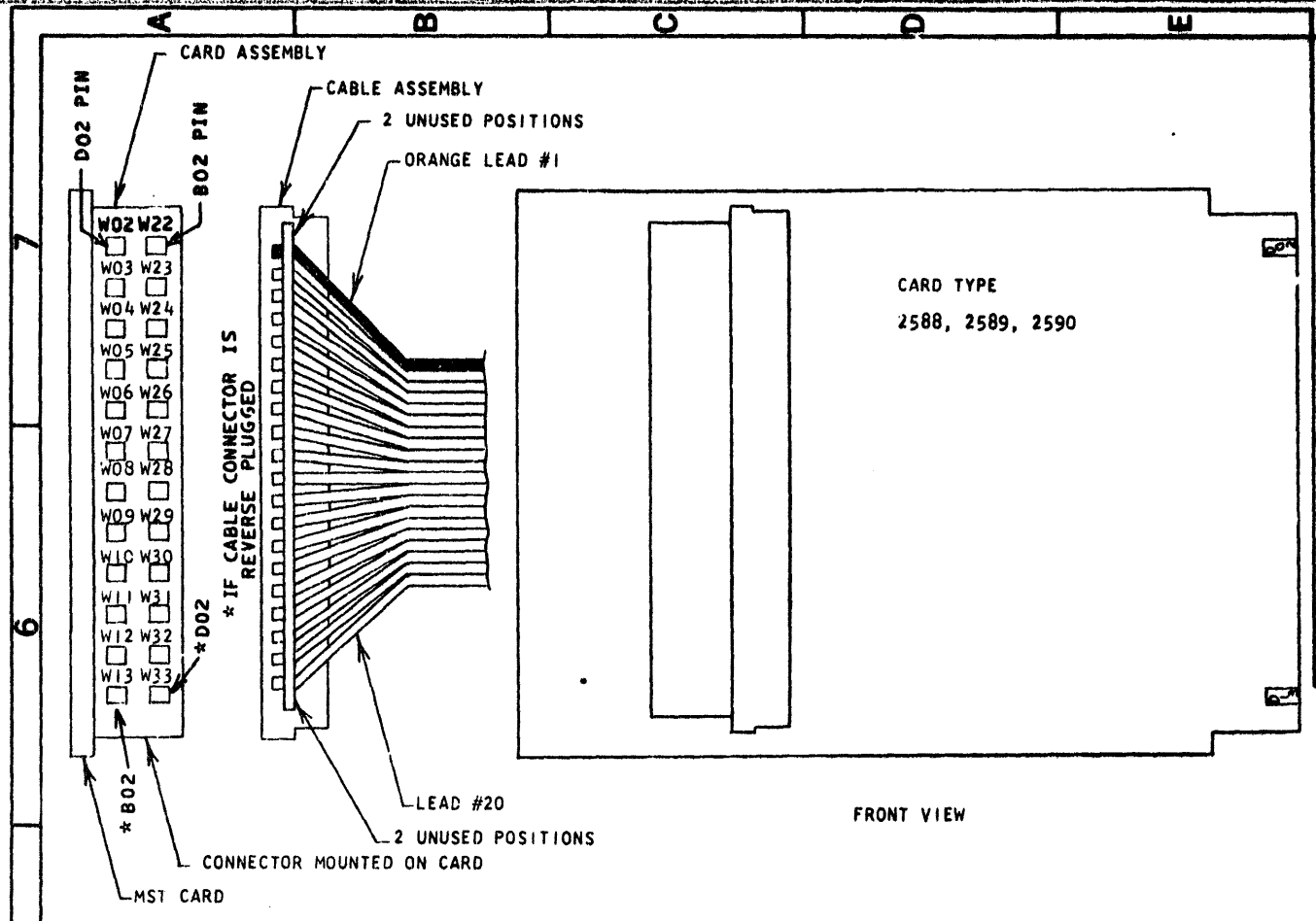
A
B
C
D
E

ZB014



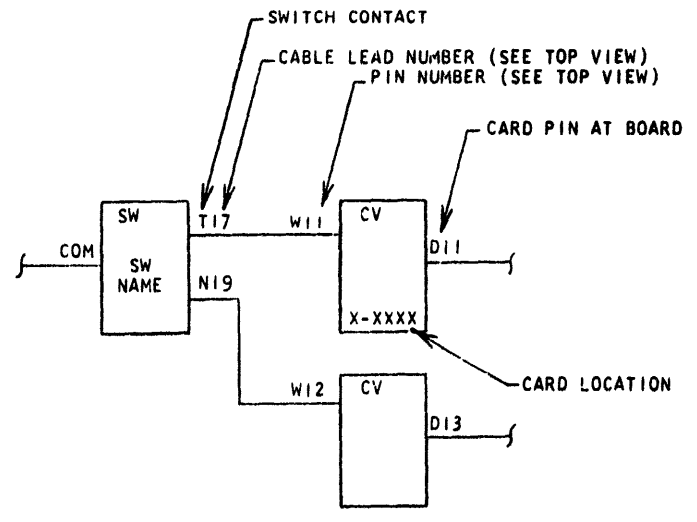
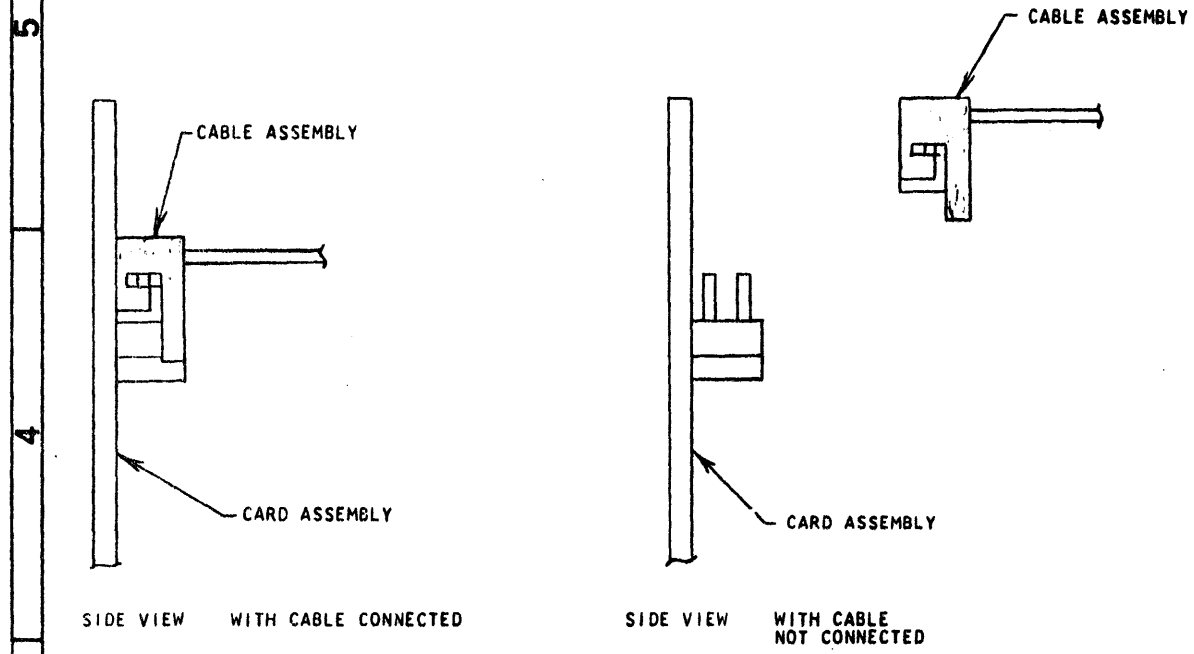
DATE	EC NUMBER	DATE	EC NUMBER	HALT ID INDICATOR		
	22MAR3K					
27APR73	821493			DATE	P/N	
					TYPE	5554964
				IBM ZF016		

Z B O I 6



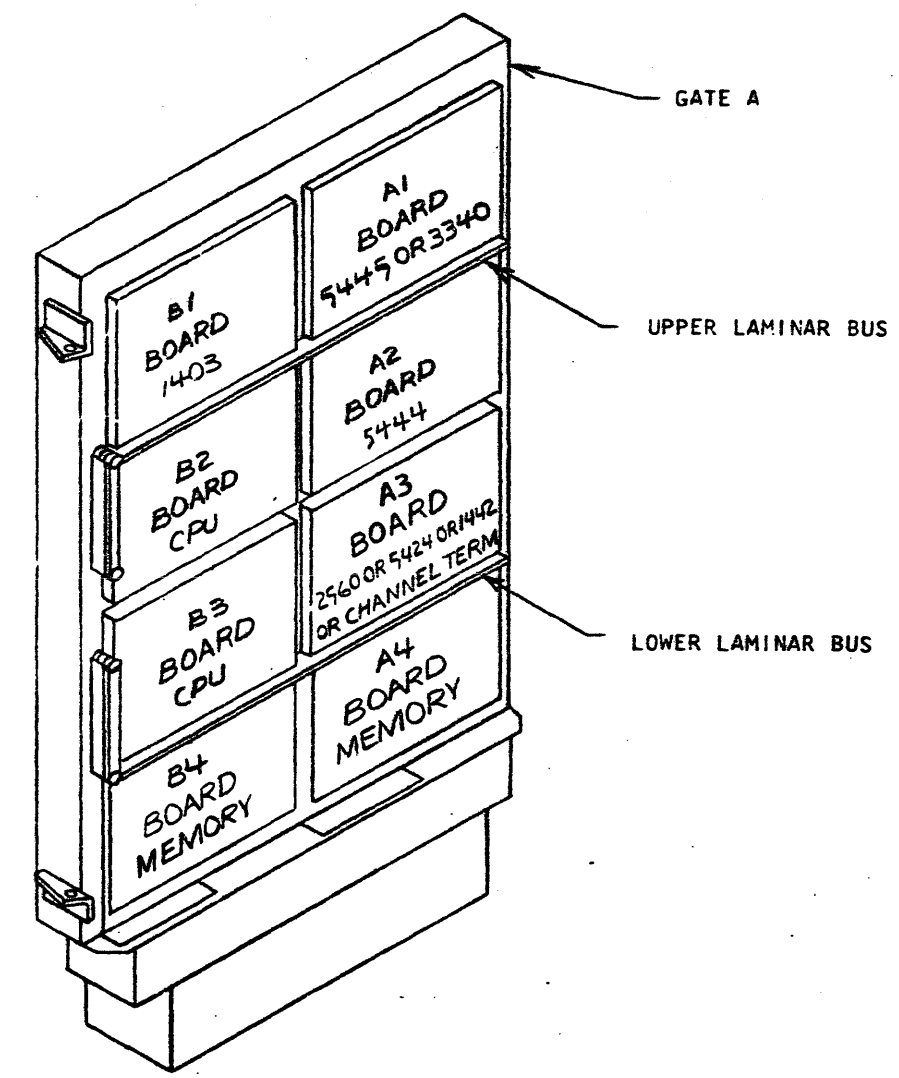
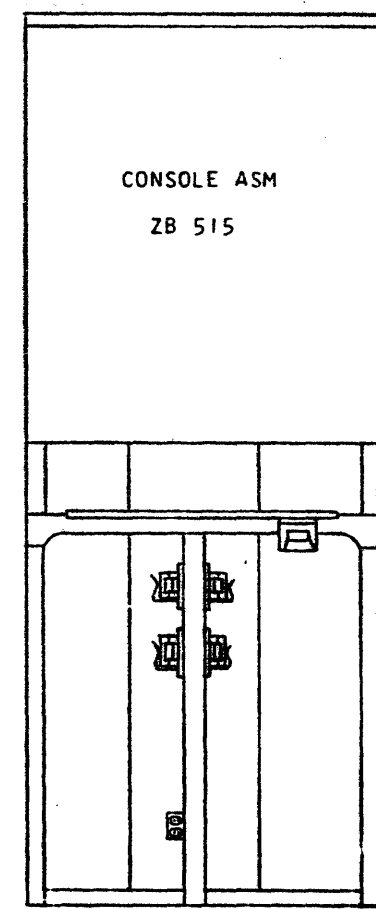
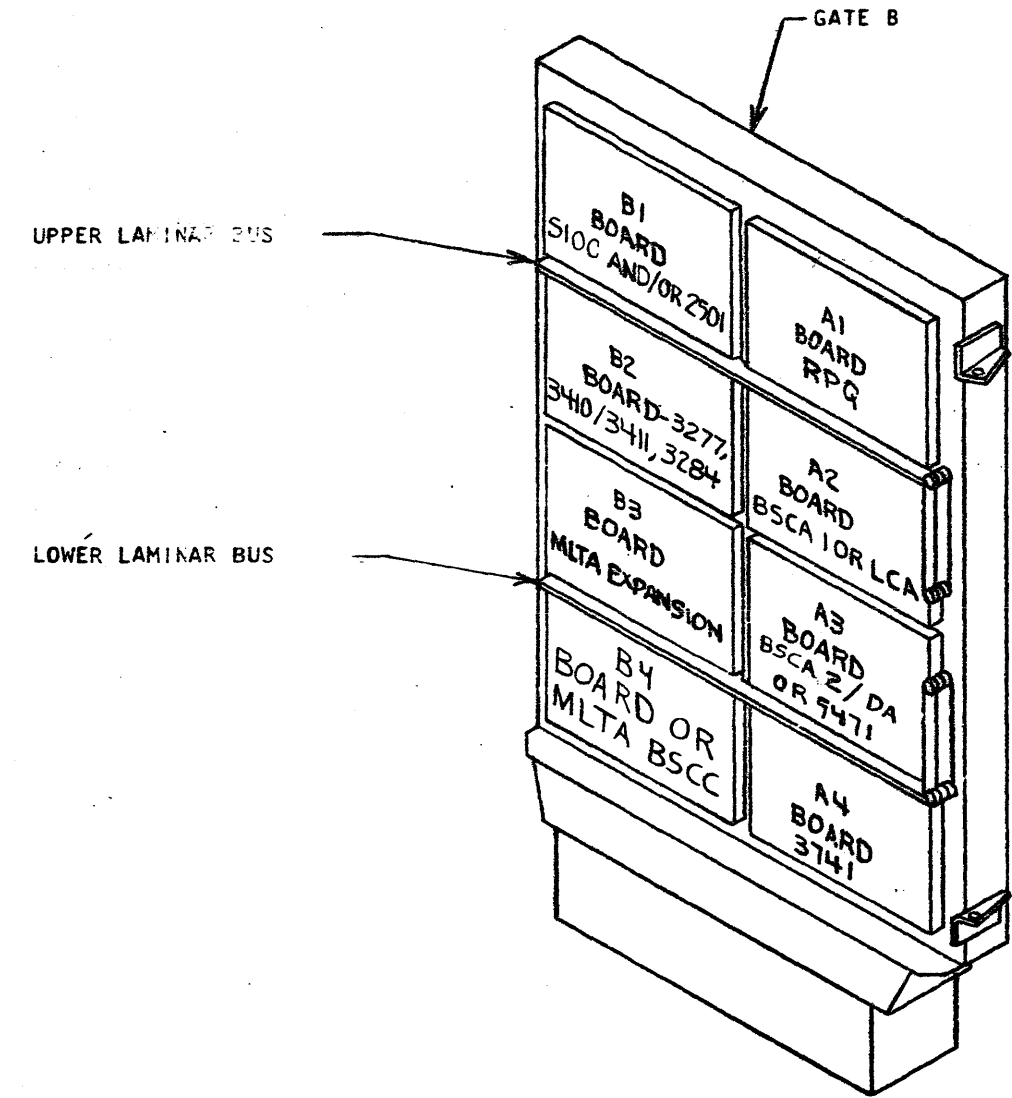
DATE	EC NUMBER	DATE	EC NUMBER	DATE	EC NUMBER	CABLE CARD REF
19MM/8	814377					
8-20-69	816463					2589301
6-20-75	571784					
28JUNE	571829					
						IBM ZBI 10

TOP VIEW



7
6
5
4
3
2

Z B I 1 0



DATE	EC NUMBER	DATE	EC NUMBER	CPU PICTORIAL	
	27 MAR 3K				
27 APR 73	821493			DATE	P/N 5554968
08 JUL 75	825052				TYPE
02 SEP 75	825029			IBM	ZB503
16 JUN 77	828442				

A
B
C
D
E
ZB503

5554967

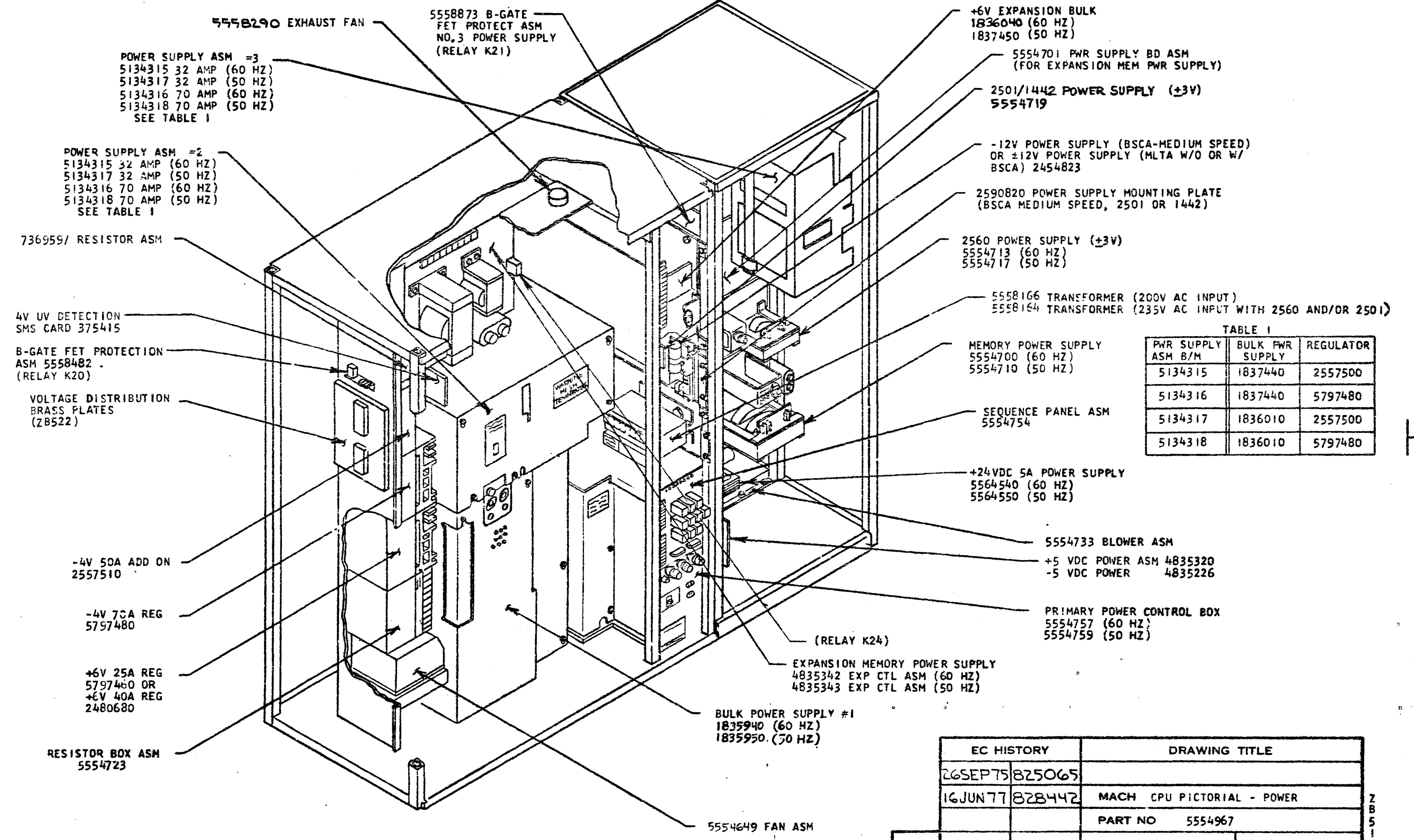


TABLE I

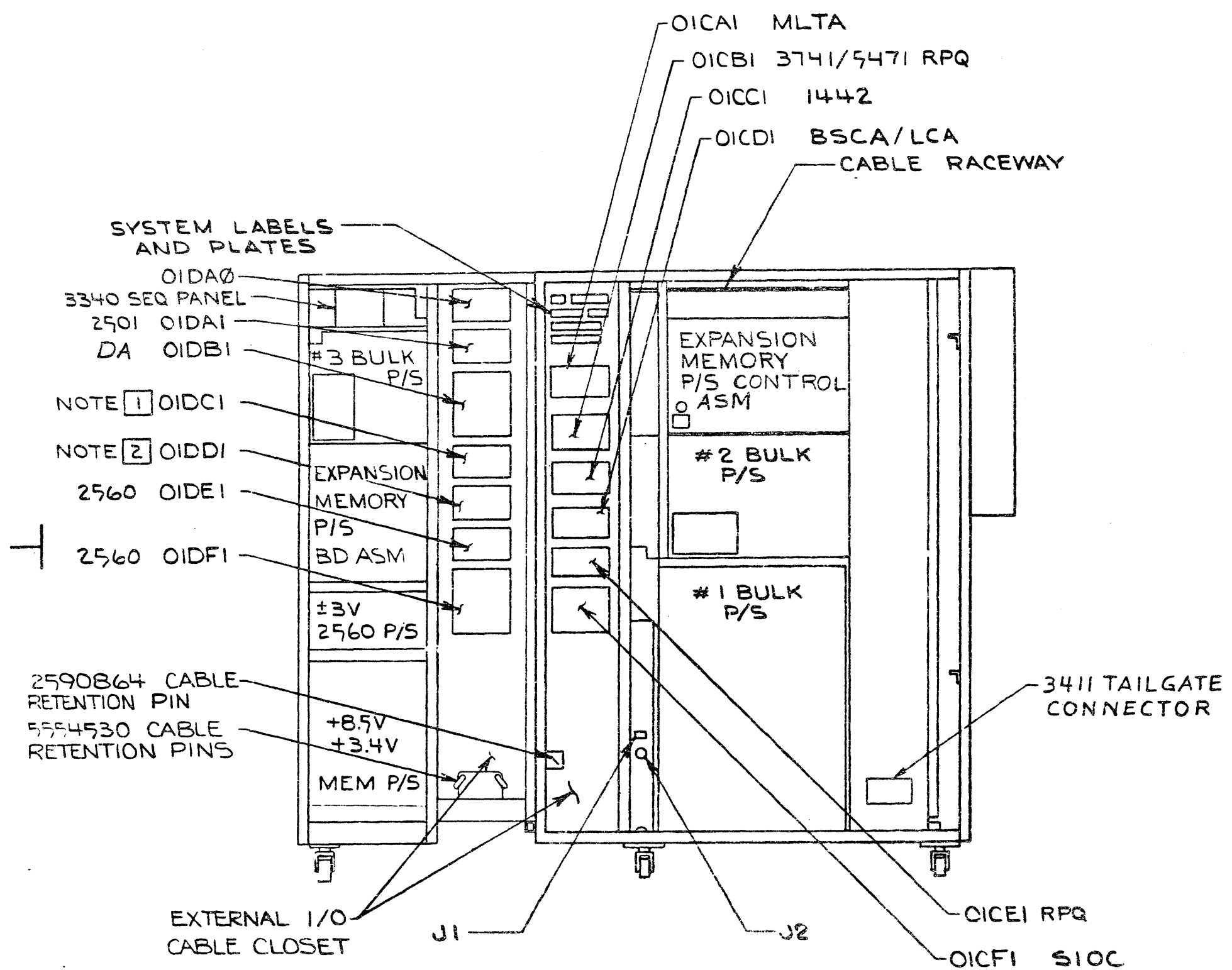
PWR SUPPLY ASM B/M	BULK PWR SUPPLY	REGULATOR
5134315	1837440	2557500
5134316	1837440	5797480
5134317	1836010	2557500
5134318	1836010	5797480

EC HISTORY		DRAWING TITLE	
26SEP75	825065		
16JUN77	828442	MACH CPU PICTORIAL - POWER	
		PART NO 5554967	
C	CLASSIFICATION		IBM CORP

CONSOLE AND A GATE REMOVED

4961555

5554952



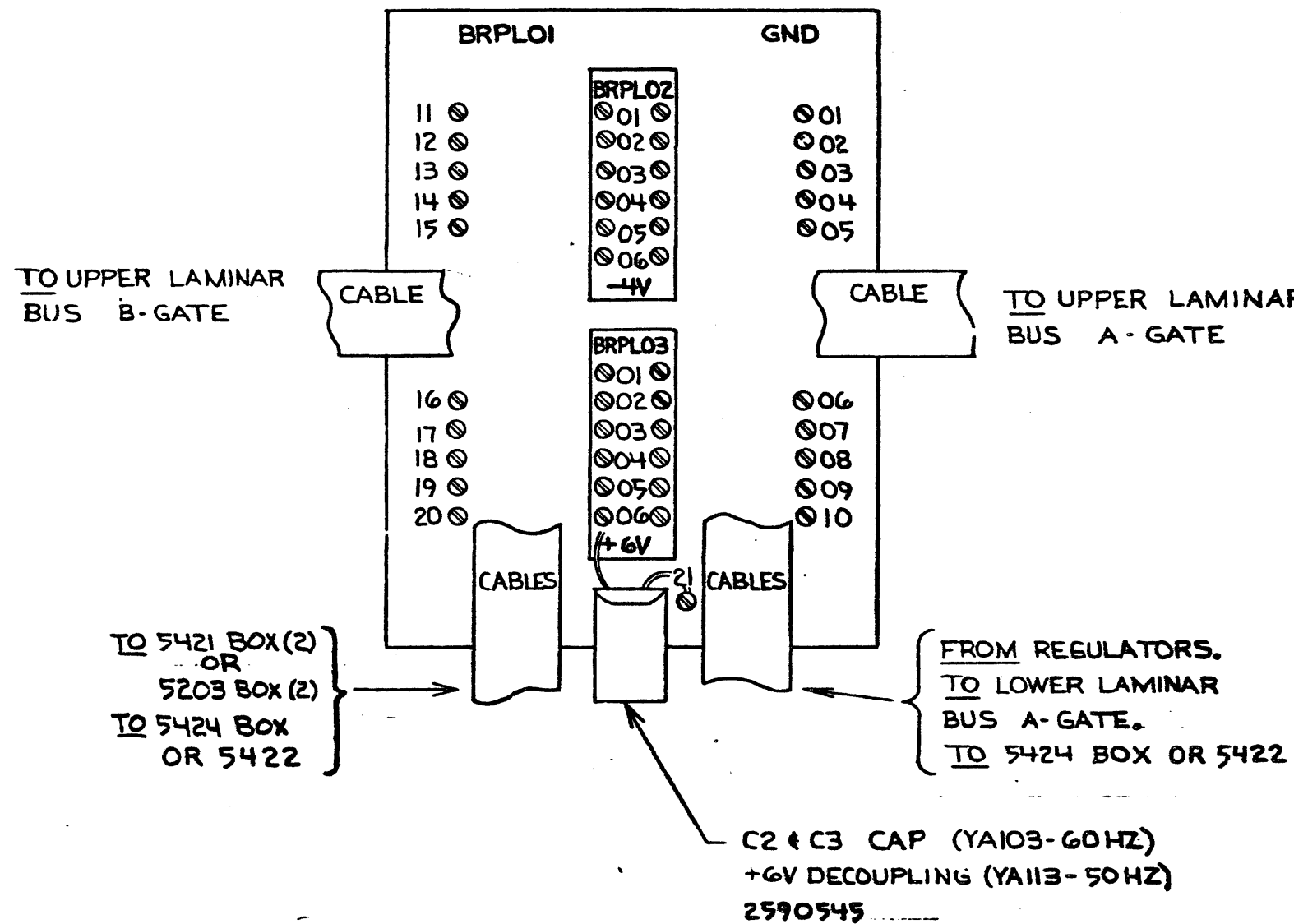
- NOTES
- 1 OI DCI MAY CONTAIN 3340 TAG AND EPO CONNECTORS OR 5445 DRV 3&4 CONNECTORS
 - 2 OI DDI MAY CONTAIN 3340 BUS CONNECTORS OR 5445 DRV 1&2 CONNECTORS

EC HISTORY		DRAWING TITLE	
25MAR76	825100	CPU PICTORIAL - B GATE SIDE	
16JUN77	828442	MACH	5415
		PART NO 5554952	
C		CLASSIFICATION	IBM CORP

ZB513

256A555

ZB513

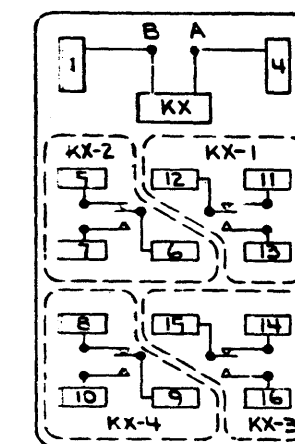
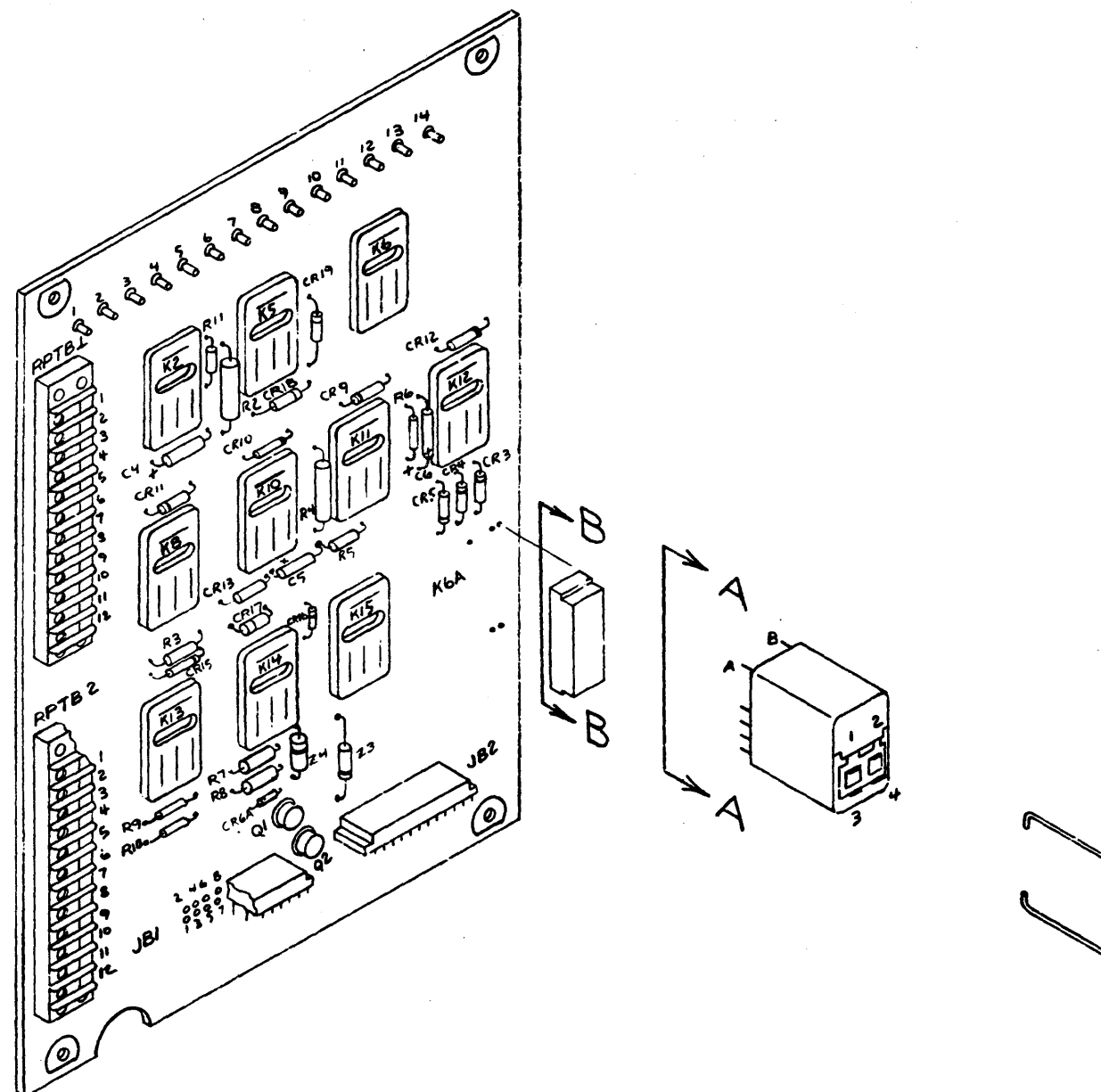


DATE	EC NUMBER	DATE	EC NUMBER	VOLTAGE DISTRIBUTION		
8-20-69	816463			BRASS PLATES		
14 APR 71	816798			DATE	RW	2589307
23 NOV 71	818387				TYPE	
				IBM ZB 522		

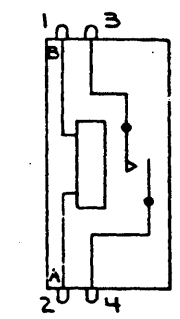
A
B
C
D
E

ZB 522

5554881



VIEW A-A
SCALE - NONE



VIEW B-B

EC HISTORY		DRAWING TITLE	
E 1-9	19 MAY 73	RELAY PANEL PICTORIAL	
E 2167	10 SEP 73	MACH	
E 21743	24 JAN 74	PART NO 5554881	
E 24895	13 MAR 75	CLASSIFICATION	
			IBM CORP

NBSUN 6

WIRING CONVERSION

COMPONENT	WIRING	REFERENCE		
		WIRING	LOCATION ZB512 AND	
POWER CONTROL BOX T67	(IN BOX) JUMPER FROM TB2-2 TO TB2-3 AND TB2-7 TO TB2-8 (220/235) JUMPER FROM TB2-1 TO TB2-2 AND TB2-7 TO TB2-8 (380/408)	YA101 YA101	YA107 YA107	ONLY ONE PAIR OF JUMPERS ON ANY SYSTEM
POWER CONTROL BOX K3	WIRE FROM K3-T3 TO TB3-3 (220/235) WIRE FROM K3-T4 TO TB3-3 (380/408)	YA101 YA101	YA107 YA107	ONLY ONE WIRE ON ANY SYSTEM
POWER CONTROL BOX K9	WIRE FROM K9-T4 TO TB4-3 (380/408)	YA101	YA107	REMOVE WIRE FOR (220/235) SYSTEMS
POWER CONTROL BOX K9	WIRE FROM K9 T1 TO TB4 2 (220/235) WIRE FROM K9 T3 TO TB4 2 (380/408)	YA101	YA107	ONLY ONE WIRE ON ANY SYSTEM
IN THE REMAINDER OF THIS CHART THE 380 VAC CONNECTIONS ARE THE SAME AS THOSE SPECIFIED FOR 220 VAC AND THE 408 VAC CONNECTIONS ARE THE SAME AS THOSE SPECIFIED FOR 235 VAC				
COMPONENT	WIRING	REFERENCE		
		WIRING	LOCATION ZB512 AND	
POWER CONTROL BOX TRANSFORMER T1	(INPUT) TBI-1 AND TBI-2 (220 VAC) TBI-1 AND TBI-3 (235 VAC)	YA101 YA101	YA107 YA107	
BULK #1 TRANSFORMER T-1	(INPUT) TBI-1 AND TBI-2 (220 VAC) TBI-1 AND TBI-3 (235 VAC)	YA103	YF652 YF652	
BULK #1 FLOWER B1	(INPUT) B1 TO TBI-1 AND TBI-2 (220 VAC) B1 TO TBI-1 AND TBI-3 (235 VAC)	YA103	YF652 YF652	
REGULATOR STACK FAN ASM	(INPUT FROM) BULK #1 TBI-1 AND TBI-2 (220/235 VAC)	YA101	YF652	FAN IS 220 VAC ONLY SO T1 IS USED AS AUTO-TFMR.
"A"-GATE FAN ASM	(INPUT FROM) TB3-3 AND TB3-5 220/235 VA RATED MOTOR - NO CHANGE	YA101 YA101		
BULK #2 TRANSFORMER	(IN SUPPLY) FIB TO TBI-2 (220 VAC) FIB TO TBI-3 (235 VAC)	YA103A YA103A	YF597 YF597	
BULK #2 FAN ASM	(IN SUPPLY) FAN TO TBI-1 AND TBI-2 (220 VAC/235 VAC)	YF597 YF597	YF597 YF597	FAN IS 220 VAC ONLY #2 TFMR IS USED AS AN AUTO TFMR
BULK #3 TRANSFORMER	(IN SUPPLY) FIB TO TBI-2 (220 VAC) FIB TO TBI-3 (235 VAC)	YA103A	YF597 YF597	
BULK #3 FAN ASM	(IN SUPPLY) FAN TO TBI-1 AND TBI-2 (220 VAC/235 VAC)	YF597 YF597	YF597 YF597	FAN IS 220 VAC ONLY BULK #3 TFMR IS USED AS AN AUTO TFMR
+1V EXPANSION SUPPLY	(TBI ON FRONT OF SUPPLY) TBI-2 TO TBI-5 (220 VAC) TBI-2, TBI-4 TBI-3 TO TBI-5 (235 VAC) JUMPER BETWEEN TBI-3, TBI-4	YA103A	YF697 YF697	
EXHAUST FAN (REQUIRED WITH BULK #3)	(INPUT FROM) BULK #2 TBI-1 AND TBI-2 (220/235 VAC)	YA103A		FAN IS 220 VAC ONLY SO T1 IS USED AS AN AUTO TFMR
MEMORY POWER SUPPLY TRANSFORMER T2	(TBI ON MEM PWR SUPPLY XFMR) FIB TO TBI-3 (220 VAC) FIB TO TBI-4 (235 VAC)	YA103 YA101	YE100	
MEMORY POWER SUPPLY FAN	(INPUTS FROM T2) TBI-1 AND TBI-3 (220/230 VAC)	YA103		FAN IS 220 VAC ONLY SO T2 IS USED AS AUTO TFMR.
2560 ± 3 VDC PWR SUPPLY	(INPUTS FROM T3) FIB AND TBI-3 (220 VAC) FIB AND TBI-4 (235 VAC)	YA101 YA103A	YE104	FUSE F1-B TO TBI-3 220 VAC FUSE F1-B TO TBI-4 235 VAC
"B"-GATE FAN ASM	(INPUT FROM) TB3-2 AND TB3-4	YA101		
+24V POWER SUPPLY TRANSFORMER T1	(INPUTS) TBI-1 AND FROM FIB TO TBI-3 (220 VAC) TBI-1 AND FROM FIB TO TBI-4 (235 VAC)	YA101 YA103A	YE106	
EXPANSION MEMORY PWR SUPPLY (T2) TRANSFORMER	(TBI ON EXP MEM PWR SUPPLY TRANSFORMER) F1-B TO TBI-3 (220 VAC) F1-B TO TBI-4 (235 VAC)	YA101 YA106	YE200	

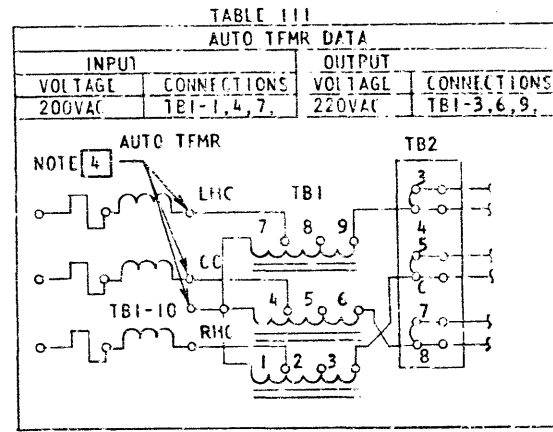
Y 4 100

EC HISTORY	DRAWING TITLE	220/235/380/408 VAC INPUT WIRING REF
	DATE	25 MARCH 74
	BY	10 MAY 74
	CHKD	11 OCT 74
	PART NO	5554935
	CLASSIFICATION	IBM CORP

D

TABLE I
Y TO Δ CONVERSION

REMOVE	INSTALL
TE2-6-RMC (SEE NOTE 4)	TB2-8-RMC (SEE NOTE 4)
TB2-6-CC (SEE NOTE 4)	TB2-6-CC (SEE NOTE 4)
TB3-2 -TB3-3	TB3-1 - TB3-2
TE4-3 -T4 (SEE NOTE 6)	TB4-3 -T3 (SEE NOTE 6)
K3-T4	K3-T3
YELLOW MARKED WIRE	YELLOW MARKED WIRE
TB4-2 -T3 (SEE NOTE 6)	
TB2-1 TB2-2	TB2-2 TB2-3
K3-T3-TB3-5 NOTE 9	
K9-T3 YELLOW MARKED WIRE	K9-T1 YELLOW MARKED WIRE
	TB3-4 -TB2-5



52.330/408 VAC Y INPUT
220/235 VAC Δ INPUT
200 VAC 50 HZ (SEE
AUTO TFMR ABOVE)
(SEE TABLES II & III)

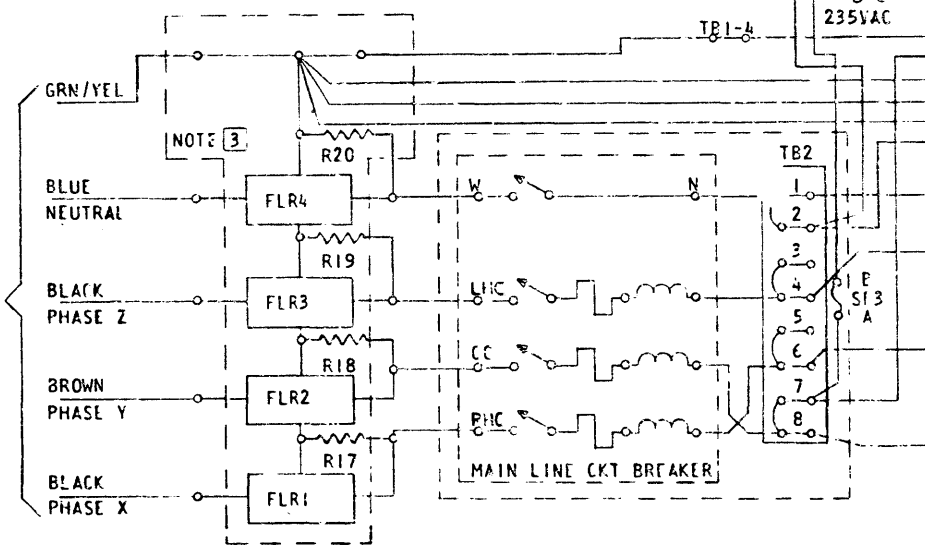
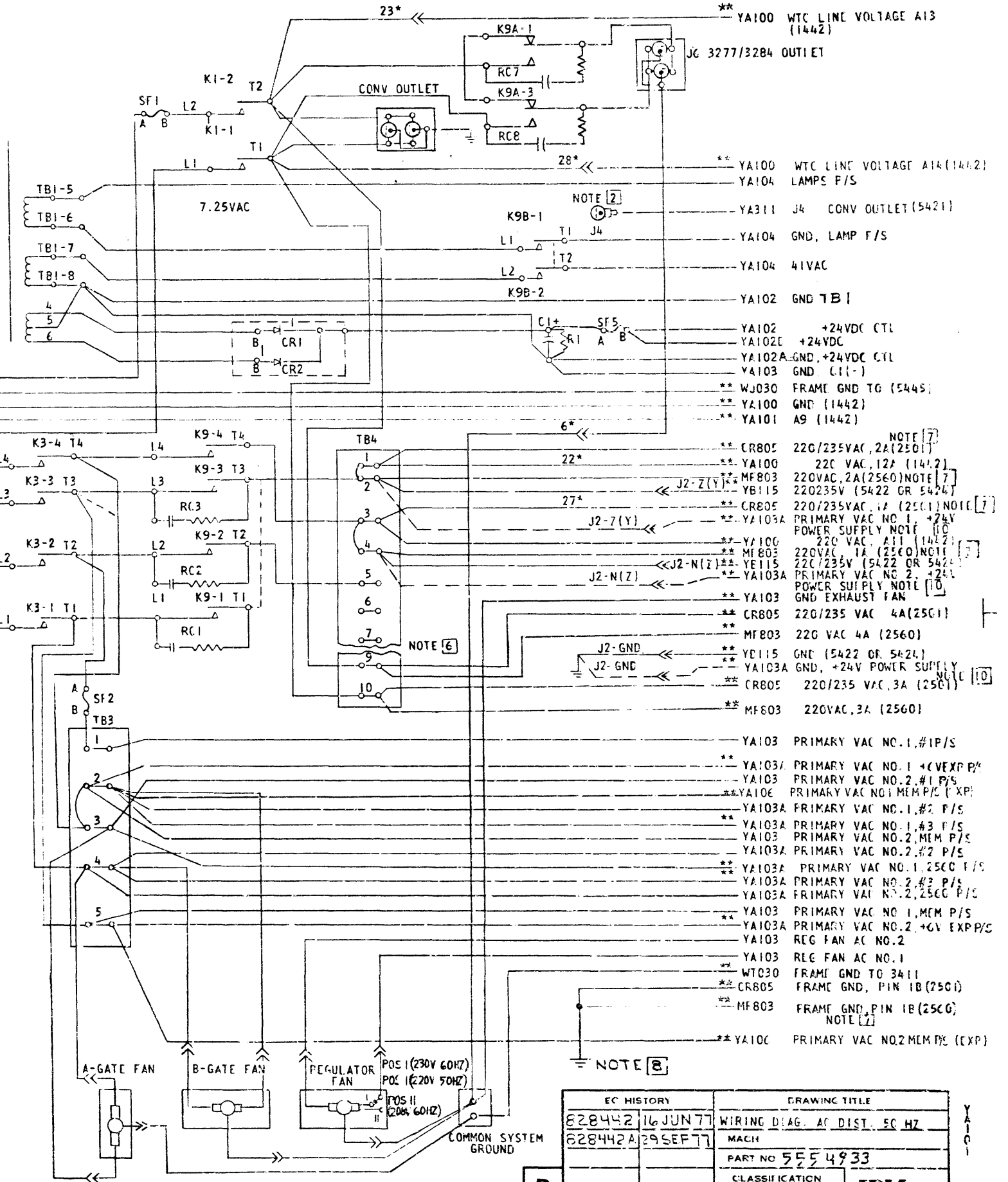
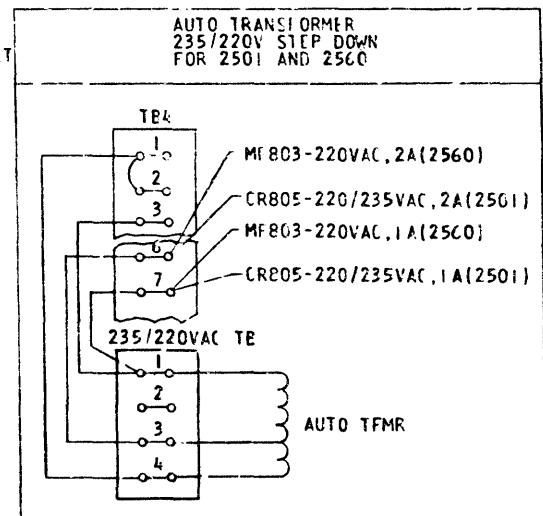


TABLE II

COUNTRY NAME	GND	NEU	X	Y	Z
JAPAN	GREEN		BLACK	WHITE	RED

- * PIN DESIGNATION FOR 1442 CABLE CONNECTOR LOCATED IN 5415 I/O CABLE CLOSET
- ** FEATURE
- NOTES:
 - 1 POSITION "A" ON A FUSE HOLDER DESIGNATES CENTER POST
 - 2 J4 SUPPLIES AC TO 1403 CONVENIENCE OUTLET AND MUST BE PLUGGED IN 5415 CONVENIENCE OUTLET AT ALL TIMES
 - 3 FLR 4 AND R20 NOT INSTALLED ON SYSTEMS USED IN JAPAN
 - 4 CONNECTION ON LOAD SIDE OF MAIN LINE CIRCUIT BREAKER
 - 5 ON K9 RELAY
 - 6 TB4-8 SHOWN ON YA103
 - 7 235/220V STEP DOWN AUTO-TFMR USED WHEN 2501 AND/OR 2560 ARE ATTACHED TO 5415 WITH 235VAC SERVICE. ON SYSTEMS CONNECTED TO 200VAC SERVICE THE 2560 FEATURE RECEIVES 220VAC FROM THE 5421 SEE YA312.
 - 8 THIS GROUND CONNECTION IS MADE IN THE 5415 PRIMARY POWER CONTROL BOX ON THE LINE FILTER MOUNTING PLATE.
 - 9 THIS LEAD IS REMOVED AT BOTH ENDS AND TAPED BACK ON Δ CONFIGURATION
 - 10 SOLID LINES SHOW CONNECTIONS WHEN 5422 OR 5424 IS INSTALLED; DASHED LINES SHOW CONNECTIONS WHEN 5422 OR 5424 IS NOT INSTALLED.



- ** YA100 WTC LINE VOLTAGE A13 (1442)
- ** YA100 WTC LINE VOLTAGE A14 (1442)
- YA104 LAMPS F/S
- YA311 J4 CONV OUTLET (5421)
- YA104 GND, LAMP F/S
- YA104 41VAC
- YA102 GND TB1
- YA102 +24VDC CTL
- YA102E +24VDC
- YA102A-GND, +24VDC CTL
- YA103 GND (1-1)
- ** WJ030 FRAME GND TG (5445)
- ** YA100 GND (1442)
- ** YA101 A9 (1442)

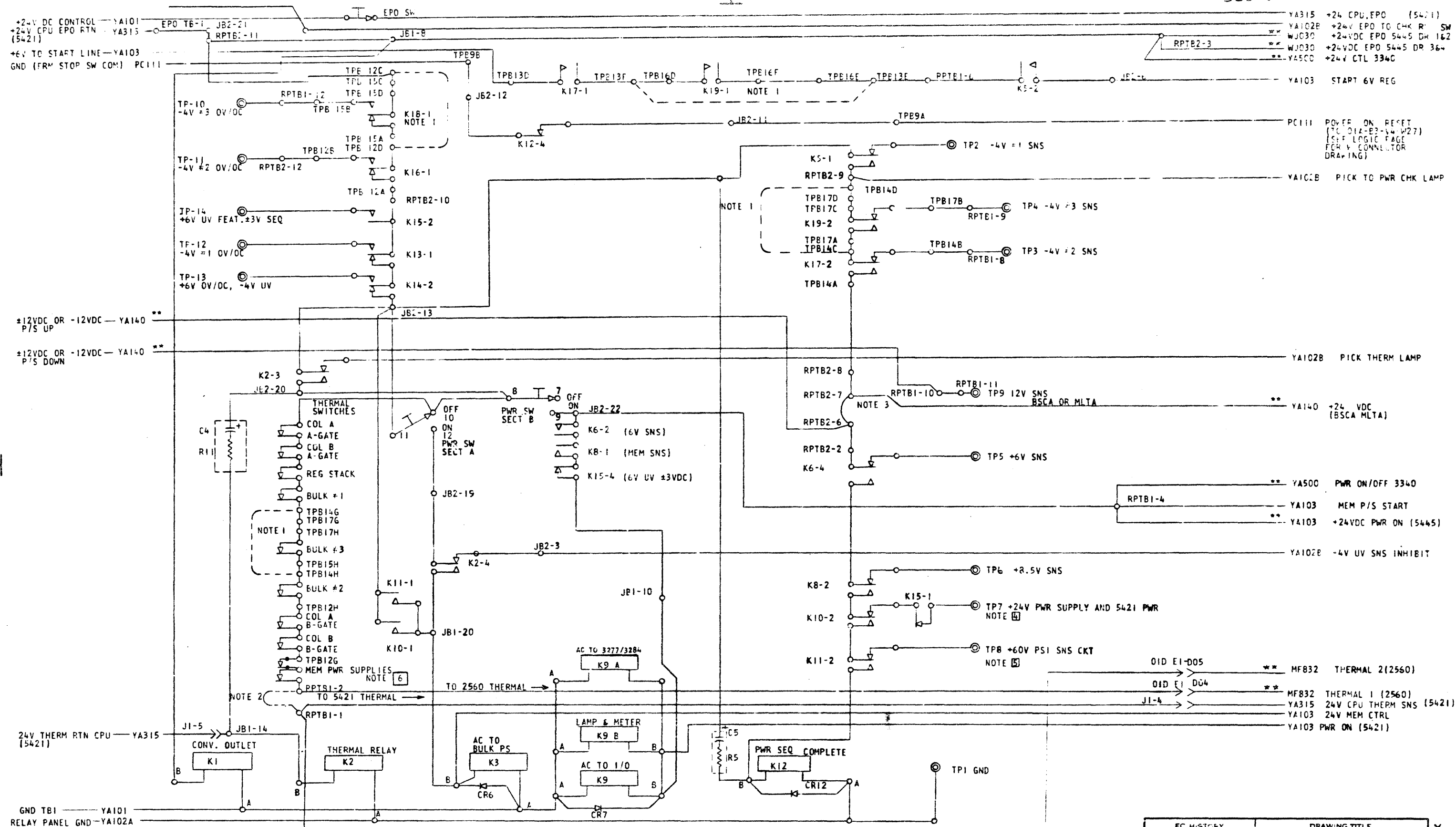
- NOTE 7
- ** CR805 220/235VAC, 2A (2501)
- ** YA100 220 VAC, 12A (1442)
- ** MF803 220VAC, 2A (2560) NOTE 7
- ** YB115 220/235V (5422 OR 5424)
- ** CR805 220/235VAC, 1A (2501) NOTE 7
- ** YA103A PRIMARY VAC NO. 1, +24V POWER SUPPLY NOTE 10
- ** YA106 220 VAC, 11A (1442)
- ** MF803 220VAC, 1A (2560) NOTE 7
- ** YB115 220/235V (5422 OR 5424)
- ** YA103A PRIMARY VAC NO. 2, 12A POWER SUPPLY NOTE 10
- ** YA103 GND EXHAUST FAN
- ** CR805 220/235 VAC 4A (2501)
- ** MF803 220 VAC 4A (2560)
- ** YB115 GND (5422 OR 5424)
- ** YA103A GND, +24V POWER SUPPLY NOTE 10
- ** CR805 220/235 VAC, 3A (2560)
- ** MF803 220VAC, 3A (2560)
- YA103 PRIMARY VAC NO. 1, #1 P/S
- ** YA103A PRIMARY VAC NO. 1, +CV EXP P/S
- YA103 PRIMARY VAC NO. 2, #1 P/S
- ** YA106 PRIMARY VAC NO. 1 MEM P/S (EXP)
- YA103A PRIMARY VAC NO. 1, #2 P/S
- ** YA103A PRIMARY VAC NO. 1, #3 P/S
- YA103 PRIMARY VAC NO. 2, MEM P/S
- YA103A PRIMARY VAC NO. 2, #2 P/S
- ** YA103A PRIMARY VAC NO. 1, 2500 P/S
- YA103A PRIMARY VAC NO. 2, #3 P/S
- YA103A PRIMARY VAC NO. 2, 2500 P/S
- ** YA103 PRIMARY VAC NO. 1, MEM P/S
- YA103A PRIMARY VAC NO. 2, +CV EXP P/S
- YA103 REG FAN AC NO. 2
- YA103 REG FAN AC NO. 1
- ** WJ030 FRAME GND TG 3411
- ** CR805 FRAME GND, PIN 1B (2501)
- ** MF803 FRAME GND, PIN 1B (2501) NOTE 7
- ** YA10C PRIMARY VAC NO. 2 MEM P/S (EXP)

EC HISTORY

EC HISTORY	DRAWING TITLE
828442 16 JUN 77	WIRING DIAG. AC DIST. 50 HZ
828442A 29 SEP 77	MACH
	PART NO 5554933
	CLASSIFICATION

IBM CORP

554874



NOTE 1: JUMPER INSTALLED IF -4V DC ±3 PWR SUPPLY IS NOT INSTALLED.
 2: JUMPER INSTALLED IF 2560 IS NOT INSTALLED.
 3: JUMPER INSTALLED IF BSCA/MLTA P/S IS NOT INSTALLED.
 [5] INDICATES SEQUENCE PROBLEM WITH ONE OF THE FOLLOWING: +24V (IN 5424 OR 5422 OR 5415) OR +60VPS1, +60ML, -12V, +6V (IN 5421).

[5] FAILURE OF +60V PSI SENSE CIRCUITRY.
 [6] ONE THERMAL IS INSTALLED FOR EACH MEMORY POWER SUPPLY.
 ** FEATURE

- YA315 +24 CPU, EPO (5421)
- YA102E +24V EPO TO CHK R SW
- WJ030 +24VDC EPO 5445 DR 162
- WJ030 +24VDC EPO 5445 DR 364
- YA500 +24V CTL 334C
- YA103 START 6V REG
- PC111 POWER ON RESET (TO 314-B3-V4-W27) USE LOGIC PAGE FOR V CONNECTOR DRAWING)
- YA102B PICK TO PWR CHK LAMP
- YA102B PICK THERM LAMP
- YA140 +24 VDC (BSCA MLTA)
- YA500 PWR ON/OFF 3340
- YA103 MEM P/S START
- YA103 +24VDC PWR ON (5445)
- YA102E -4V UV SNS INHIBIT
- MF832 THERMAL 2(2560)
- MF832 THERMAL 1 (2560)
- YA315 24V CPU THERM SNS (5421)
- YA103 24V MEM CTRL
- YA103 PWR ON (5421)

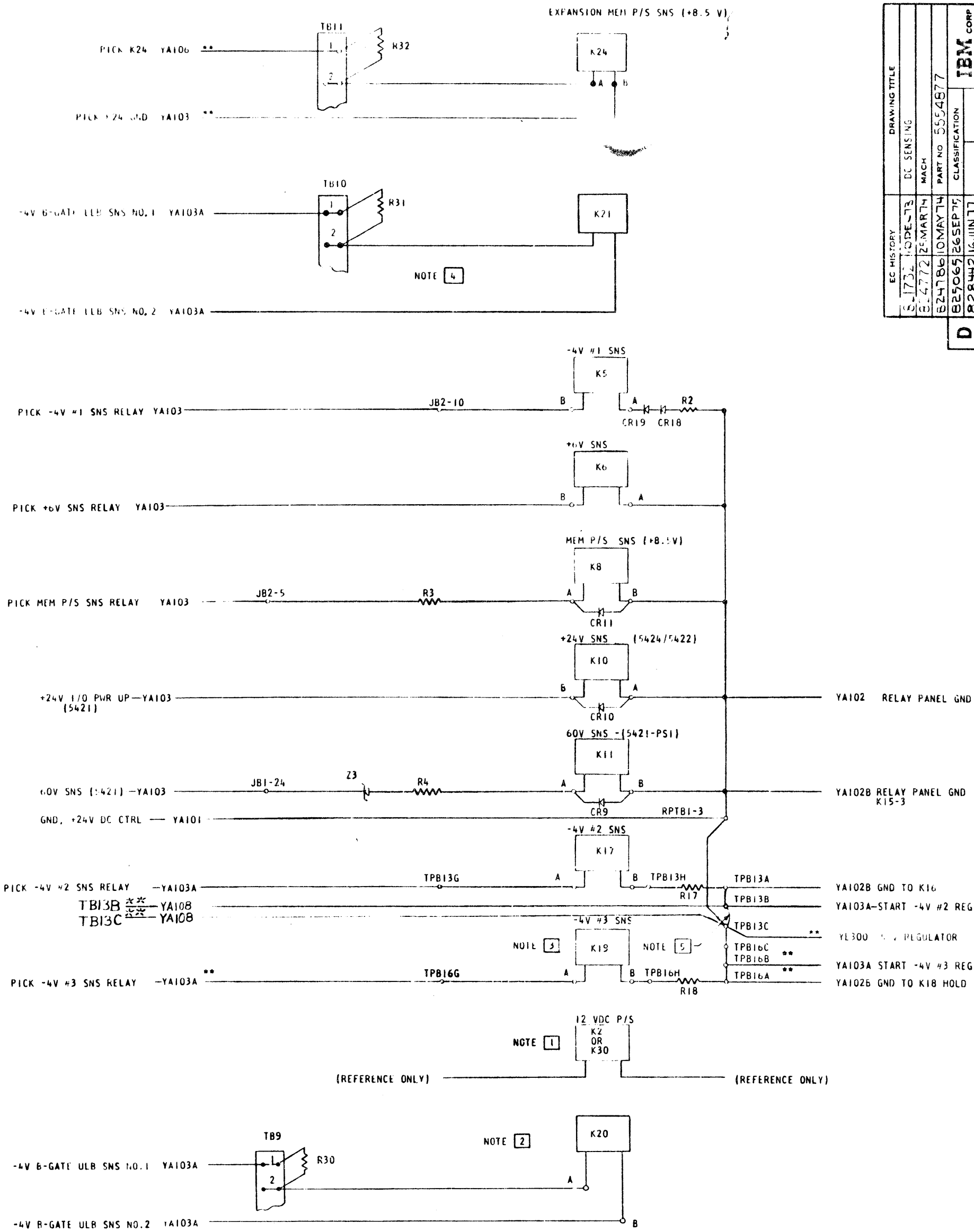
EC HISTORY		DRAWING TITLE	
08JUL75	825052	PWR SEQUENCING	
16JUN77	828442	MACH	
		PART NO 5554874	
		CLASSIFICATION	
		IBM CORP	

YA102

5554877

4-024

DRAWING TITLE	
DC SENSING	DC SENSING
MACH	MACH
PART NO	5554877
CLASSIFICATION	
IBM CORP	
D	



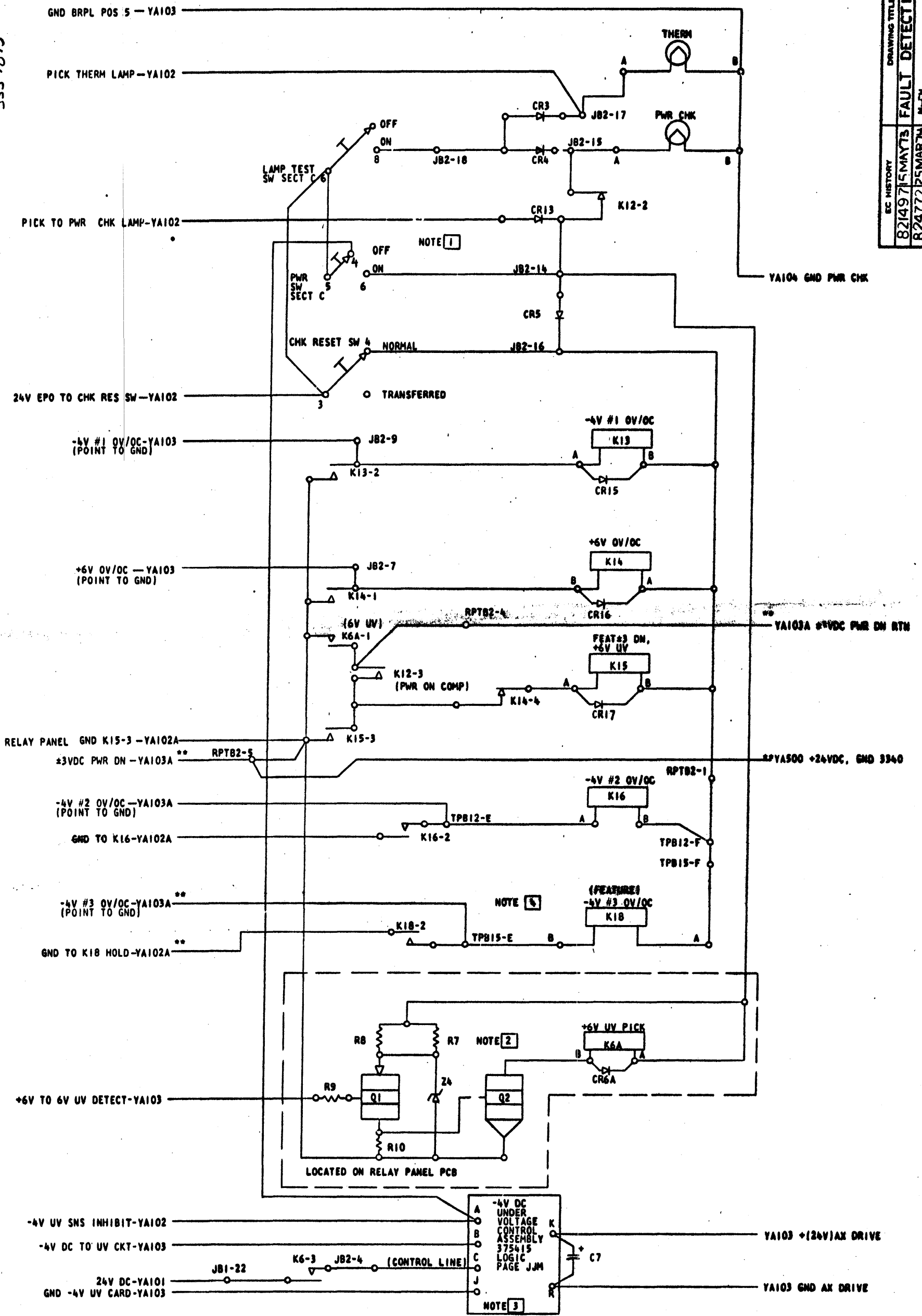
**** FEATURE**

NOTES:

- [1] K2 IS THE SNS RELAY FOR THE + 12V BSCA PWR SUPPLY. K30 IS THE SNS RELAY FOR THE ±12V BSCA/MLTA PWR SUPPLY, (SEE LOGIC PAGE YA 140)
- [2] K20 INTERRUPTS THE -4V SNS LINE TO THE MEMORY PWR SUPPLY IF THE -4V #2 PWR SUPPLY OUTPUT FAILS.
- [3] K19, TPB16 AND R18 ARE PART OF THE -4V #3 PWR SUPPLY FEATURE.
- [4] K21, INTERRUPTS THE -4V SNS LINE TO THE MEMORY PWR SUPPLY IF THE -4V #3 PWR SUPPLY OUTPUT FAILS. K21 IS INSTALLED ONLY WHEN B-GATE FET PROTECTION FOR #3 PWR SUPPLY IS INSTALLED.
- [5] THIS JUMPER INSTALLED WHEN DDSA/38LS NOT INSTALLED

555-4893

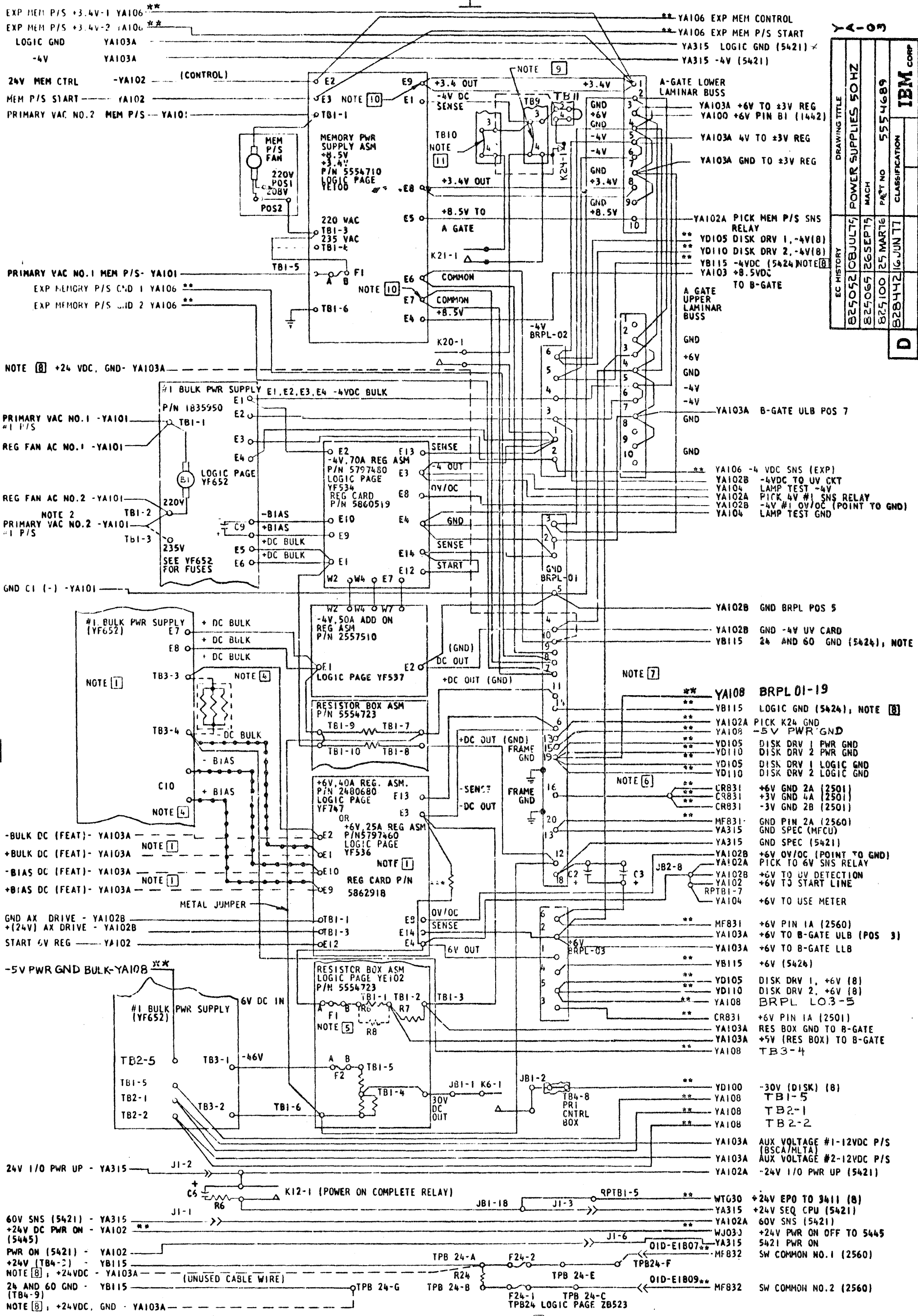
DRAWING TITLE		Y A 1 0 2 B	
EC HISTORY	82149715MAY73	FAULT DETECTION	
	82477225MARTH	M-CH	
	82478610MAYTH	PART NO 5554893	
	82484311OCT74	CLASSIFICATION	
	82493010JANTY		IBM COMP
			D



- NOTE: [1] SEE LOGIC PAGE 28513 FOR PICTORIAL DIAGRAM OF CONSOLE SWITCHES
 [2] Q2 CONDUCTS AND PICKS K6A WHEN THE INPUT TO Q1 DROPS TO +(5.0 TO 5.7) VOLTS
 [3] THIS CIRCUIT SHORTS THE OUTPUT OF THE 6V REGULATOR WITH A SCR WHEN A -4V UV CONDITION IS DETECTED.
 [4] K18 AND TPB15 ARE PART OF -4V #3 POWER SUPPLY FEATURE

** FEATURE

5554689



DRAWING TITLE			
POWER SUPPLIES 50HZ			
EC HISTORY	DATE	BY	CLASSIFICATION
82505210	08JUL75	WACH	5554689
82506510	26SEP75		
82510010	27MAY76		
82544210	16JUN77		
			IBM CORP
			D

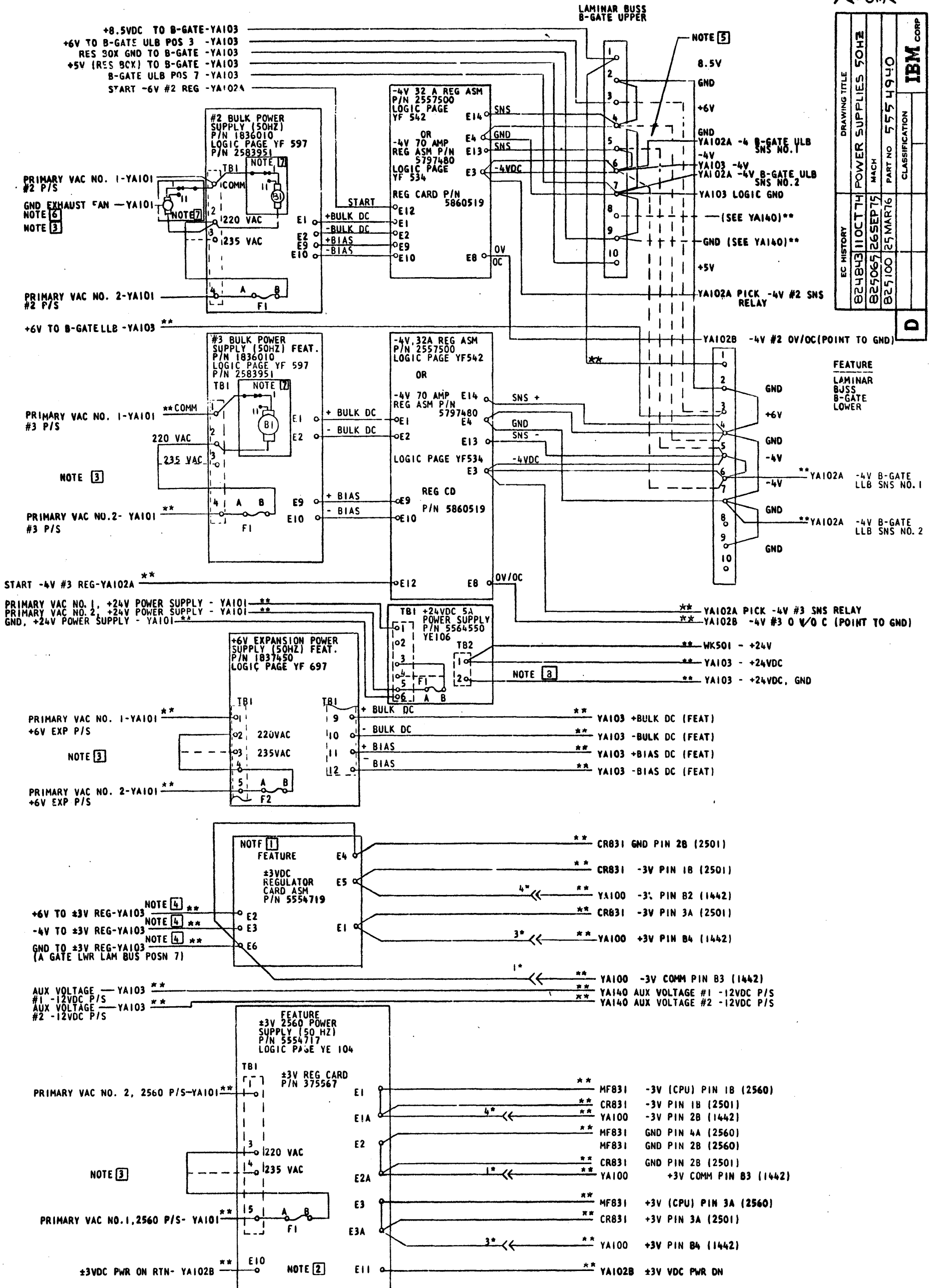
*PIN DESIGNATION FOR 1442 CONNECTOR LOCATED IN 5415 I/O CABLE CLOSET.
 **FEATURE
 ***THIS RESISTOR IS INSTALLED ON SOME CONFIGURATIONS THAT HAVE NO CARD I/O LOADER AND ARE WITHOUT AN IBM PRINTER.

NOTE
 [1] BULK DC AND BIAS TO 6V REG. A DASHED LINE INDICATE WIRING IF THE 6V EXPANSION FEATURE IS INSTALLED. B DOTTED LINE INDICATE WIRING IF THE 6V EXPANSION FEATURE IS NOT INSTALLED.
 [2] SEE LOGIC PAGE YA100 FOR 220-235 VAC CONVERSION INFORMATION.
 [3] TPB 24 LOCATED AT THE BACK OF THE I/O CABLE CLOSET OID.
 [4] WHEN THE 6V EXPANSION SUPPLY IS INSTALLED TB3-3 AND TB3-1 ARE CONNECTED TO PRELOAD RESISTOR ALSO NO LEADS ARE INSTALLED FROM C10 OF THE REG. ASM.
 [5] THIS RESISTOR IS INSTALLED WHEN 3284 FEATURE IS PRESENT.
 [6] A2, A4, B2, ARE JUMPED TOGETHER IN CABLE CONNECTOR LOCATED IN 5415.
 [7] FOR PICTORIAL VIEW OF MASS PLATES SEE LOGIC PAGE 7B522.

[8] SOLID LINES SHOW CONNECTION WHEN 5422 OR 5424 IS INSTALLED, DASHED LINES SHOW CONNECTIONS WHEN 5422 OR 5424 IS NOT INSTALLED.
 [9] TB10 AND K21 ARE INSTALLED ONLY WHEN B-GATE FET PROTECTION FOR NO.3 POWER SUPPLY IS INSTALLED. IF TB10 AND K21 AND/OR EXP MEM P/S ARE INSTALLED JUMPER FROM TB9-3 TO TB9-4 IS REMOVED.
 [10] NO LEADS ARE CONNECTED TO E7 AND E9 OF THE MEMORY P/S WHEN EXPANSION MEMORY P/S FEATURE IS INSTALLED.
 [11] WHEN CHANNEL BANK NO.3 FET PROTECT FEATURE (K21 AND TB10) IS INSTALLED WITH EXPANSION MEMORY PWR. SUPPLY THE INDICATED JUMPER IS REMOVED AND CONNECTIONS ARE MADE AS INDICATED BY DOTTED LINES.

DRAWING TITLE		POWER SUPPLIES 50HZ	
EC HISTORY	824843 11 OCT 74	MACH	825067 26 SEP 75
		PART NO	5554940
		CLASSIFICATION	IBM CORP

016855



- * PIN DESIGNATION FOR 1442 CONNECTOR LOCATED IN 5415 I/O CABLE CLOSET
- ** FEATURE
- NOTES 1 THIS SUPPLY INSTALLED WITH 1442 AND /OR 2501 WITHOUT 2560
- 2 THIS SUPPLY INSTALLED WITH 2560
- 3 SEE LOGIC PAGE YA100 FOR 220-235V VOLTAGE CONVERSION INFORMATION
- 4 THESE LEADS TIED BACK AND TAPED WHEN 2560 P/S 5554717 IS INSTALLED
- 5 DOTTED LINES BETWEEN B-GATE UPPER AND LOWER LAMINAR BUSS INSTALLED ONLY IF POWER IS REQUIRED FROM THE B-GATE LOWER LAMINAR BUSS AND #3 POWER SUPPLY IS NOT INSTALLED
- 6 THIS FAN IS INSTALLED ONLY IF #3 POWER SUPPLY IS INSTALLED
- 7 FAN MOTOR VOLTAGE SWITCH IS IN POSITION 1 FOR ANY 50 HZ INPUT VOLTAGE.
- 8 THIS POWER SUPPLY IS INSTALLED WHEN THE 5422 OR 5424 IS NOT INSTALLED.

COMPLEMENT LIST - PRIMARY POWER CONTROL - 50 HZ

5554934

PRIMARY POWER CONTROL BOX COMPONENT LIST			
SYMBOL	DESCRIPTION	PART NO	PAGE
C1	CAPACITOR 15K UF 30 VDC	5213037	YA101
C2-C3	CAPACITOR 1000 UF 1 VDC NOTE 3	816933	YA103
RC1-RC6	RESISTOR 47Ω .5 WATT	317003	YA101
RC7-RC8	CAPACITOR .5 MFD 400 VDC	317366	YA101
C7	CAPACITOR 2.0UF 35VDC	2588600	YA102
CE1	CIRCUIT BREAKER-MAIN LINE	2086875	YA101
CR1	RECTIFIER 10A	598479	YA101
CR2	RECTIFIER 10A	598479	YA101
CR6	DIODE (AM)	2111232	YA102
CR7	DIODE (AM)	2111232	YA102
SF1	FUSE - 5 AMP - 250V-LONG LAG	107666	YA101
SF2	FUSE - 20 AMP - 250V-MEDIUM LAG	2588338	YA101
SF3	FUSE - 3.2 AMP - 250V-LONG LAG	107664	YA101
SF5	FUSE - 2.5 AMP - 125V-LONG LAG	361755	YA101
FLR1	FILTER NOTE 7	5558602	YA101
FLR2	FILTER NOTE 7	5558602	YA101
FLR3	FILTER NOTE 7	5558602	YA101
FLR4	FILTER NOTE 5, 7	5558602	YA101
J1	RECEPTACLE PLUG (FOR J1)	2426171 2426172	YA102, YA103 YA102, YA103
J2	RECEPTACLE PLUG (FOR J2)	2590291 2590278	YA101 YA101
R17-R20	RESISTOR 1M, 1W	2637647	YA101
	RECEPTACLE - CONVENIENCE OUTLET	418835	YA101
R1	RESISTOR 510Ω 2W	472535	YA101
RC1	RESISTOR - CAPACITOR ASM	5252800	YA101
RC2	RESISTOR - CAPACITOR ASM	5252800	YA101
RC3	RESISTOR - CAPACITOR ASM	5252800	YA101
T1	TRANSFORMER ASM	4119245	YA101
AUTOTFMR	TRANSFORMER ASM - AUTO	4113369	YA101

PRINTED CIRCUIT BOARD COMPONENT LIST			
SYMBOL	DESCRIPTION	PART NO	PAGE
C4, C5	CAPACITOR	222063	YA102
C6	CAPACITOR	222063	YA103
R11, R5	RESISTOR	550050	YA102
R6	RESISTOR	550051	YA103
CR3-CR5	DIODE (AM)	2111232	YA102B
CR6A	DIODE (AM)	2111232	YA102B
CR9-CR11	DIODE (AM)	2111232	YA102A
CR12-CR13	DIODE (AM)	2111232	YA102
CR15-CR16	DIODE (AM)	2111232	YA102B
CR17	DIODE (AM)	2111232	YA102B
CR18-CR19	DIODE	1149212	YA102A
K6A	REED RELAY (COIL) REED RELAY (CONTACTS)	2397046	YA102B YA102B
Z3	ZENER DIODE	1582698	YA102A
Z4	ZENER DIODE (GR)	2414185	YA102B
R2	RESISTOR 2.0Ω 1W	207321	YA102A
R3	RESISTOR 51Ω 1/2W	502483	YA102A
R4	RESISTOR 620Ω 1/2W	317013	YA102A
R7, R8	RESISTOR 3.0KΩ 1/2W	323920	YA102B
R9	RESISTOR 200Ω 1/4W	492615	YA102B
R10	RESISTOR 2.0KΩ 1/4W	216452	YA102B
Q1	TRANSISTOR 047	369113	YA102B
Q2	TRANSISTOR 1B3	369691	YA102B

NOTES:

- 1 RELAYS K2, K12, K14, AND K15 ARE INTERCHANGEABLE.
- 2 RELAYS K10, K11, K13 ARE INTERCHANGEABLE.
- 3 C2 - C3 IS ON THE BRASS PLATE (SEE LOGIC PAGE ZB522).
- 4 RELAYS K6 AND K8 ARE INTERCHANGEABLE.
- 5 FLR 4 NOT INSTALLED ON JAPANESE MACHINES
- 6 K21 IS PART OF A FEATURE REQUIRED WHEN +8.5V AND +3.4V ARE REQUIRED FOR A CHANNEL BANK NO. 3 DEVICE AND WHEN NO. 3 POWER SUPPLY IS INSTALLED.
- 7 OLDER 5415'S MAY BE EQUIPPED WITH LINE FILTER P/N 9213430 LINE FILTER P/N 5558602 MAY BE USED AS A REPLACEMENT
- 8 THIS RELAY IS PART OF THE EXPANSION MEMORY POWER SUPPLY FEATURE REQUIRED FOR 384K AND 512K MEMORY

PN 767031		
K	1275Ω	PAGE
	COIL	YA102
1	1	NOT USED
2	2	NOT USED
	3	YA102
	4	YA102

PN 767037		
K	1275Ω	PAGE
	COIL	YA102A
1	1	YA102
1	2	YA102

PN 21286B9		
K	472Ω	PAGE
	COIL	YA102B
1	1	YA102
6	2	YA102B

PN 767004		
K	14Ω	PAGE
	COIL	YA102A
1	1	YA102
5	2	YA102

PN 767031		
K	1275Ω	PAGE
	COIL	YA102
1	1	YA103
2	2	YA102B
	3	YA102B
	4	YA102

PN 2195640		
K	10Ω	PAGE
	COIL	YA102A
1	1	YA102
7	2	YA102

PN 765548		
K	75Ω	PAGE
	COIL	YA102A
1	1	YA103
6	2	YA102
	3	YA102B
	4	YA102

PN 767037		
K	1275Ω	PAGE
	COIL	YA102B
1	1	YA102
3	2	YA102B

PN 2195640		
K	10Ω	PAGE
	COIL	YA102A
2	1	YA103
0	2	NOT USED

PN 767031		
K	1275Ω	PAGE
	COIL	YA102B
1	1	YA102B
4	2	YA102
	3	NOT USED
	4	YA102B

PN 2195640		
K	10Ω	PAGE
	COIL	YA102A
2	1	YA103
1	2	NOT USED

NOTE 6

PN 765548		
K	75Ω	PAGE
	COIL	YA102A
1	1	YA102
8	2	YA102

PN 767031		
K	1275Ω	PAGE
	COIL	YA102B
1	1	YA102
5	2	YA102
	3	YA102B
	4	YA102

PN 2195640		
K	10Ω	PAGE
	COIL	YA102A
2	1	YA103
4	2	NOT USED

NOTE 8

PN 827960		
K	288Ω	PAGE
	COIL	YA102
1	1	YA101
1	2	YA101

**PN 5554875		
K	472Ω	PAGE
	COIL	YA102
1	1	YA101
9	2	NOT USED
	3	YA101
A		

PN 2588425		
K	132Ω	PAGE
	COIL	YA102
1	1	YA101
9	2	YA101
	3	YA101
	4	YA101

PN 2588425		
K	132Ω	PAGE
	COIL	YA102
1	1	YA101
3	2	YA101
	3	YA101
	4	YA101

PN 827960		
K	288Ω	PAGE
	COIL	YA102
1	1	YA101
9	2	YA101
B		

PN 767037		
K	1275Ω	PAGE
	COIL	YA102A
1	1	YA102
10	2	YA102

EC HISTORY		DRAWING TITLE	
825052	08JUL75	WIRING DIAGRAM -	50HZ
825065	26SEPT75	MACH	
825135	21APR77	PART NO	5554934
D	825442	16JUN77	CLASSIFICATION
			IBM CORP

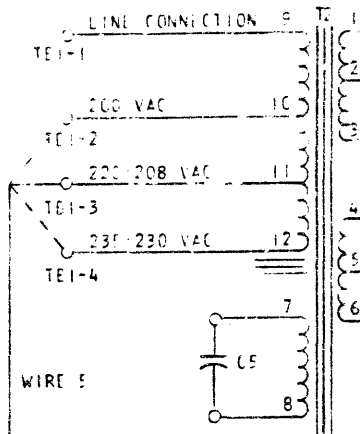
YA105

MEMORY POWER SUPPLY ASM

REFERENCE DRAWING

NOTES

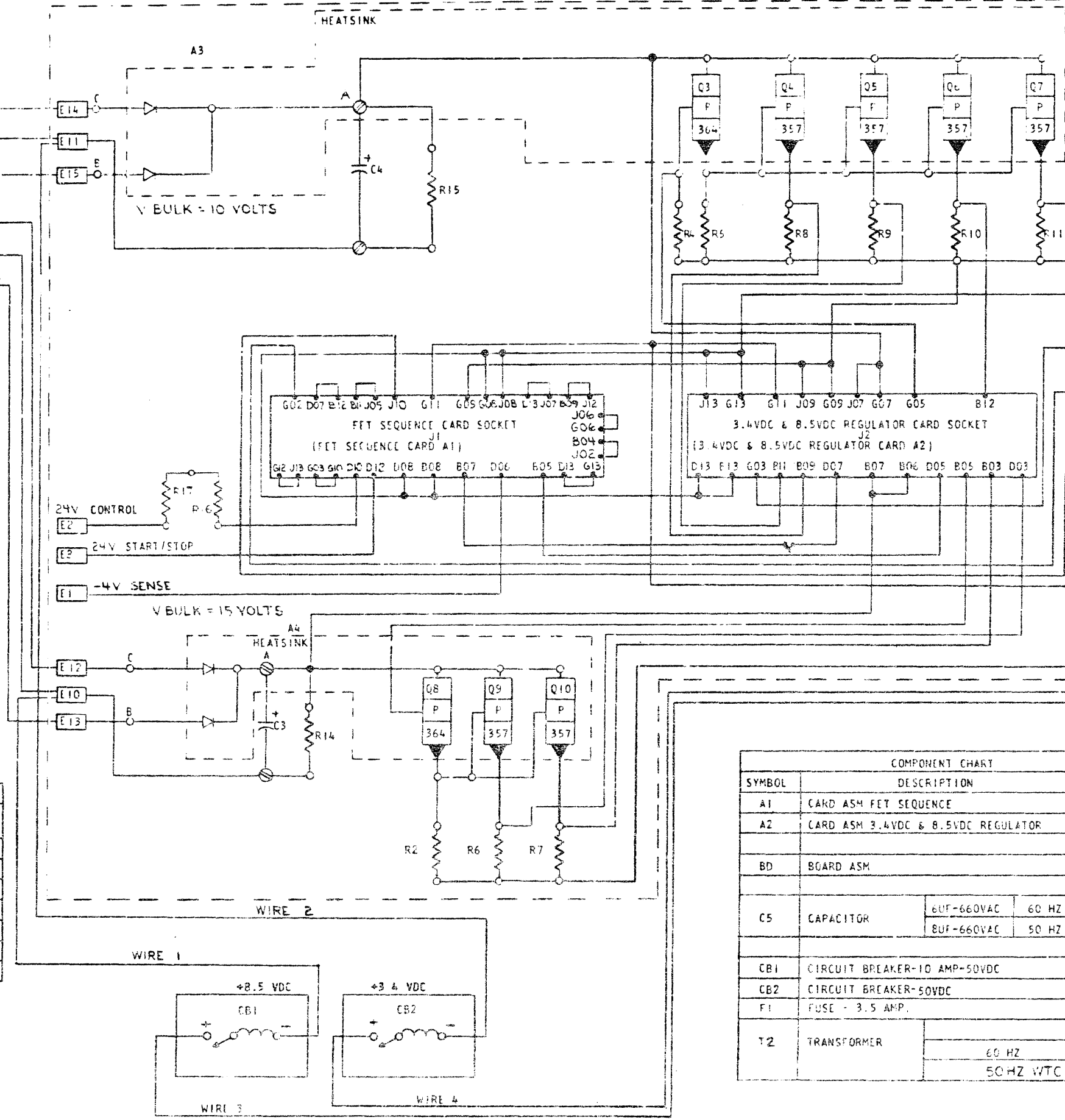
- 1 PRINT TO ENG SPEC 855251
- 2 ARMATURE ON THERMAL SWITCH (S1) MAY BE CONNECTED TO EITHER "A" OR "B"
- 3 FOR EQUIP ASM COMPONENT LIST SEE DRAWING 5554701
- 4 MOVE THIS LEAD (WITH YELLOW TAPE) FROM TBI-3 TO TBI-2 WHEN RATED INPUT VOLTAGE IS 200VAC OR FROM TBI-3 TO TBI-4 WHEN RATED INPUT VOLTAGE IS 230VAC (+2) OR 230VAC (60HZ)-UNIT SHOWN WIRED FOR 220VAC (60HZ) OR 208VAC (60HZ) INPUT OPERATION



NOTE 4
 B F1
 A
 WIRE 6
 TBI-5
 200/220/235 VAC (50 HZ)
 200/208/230 VAC (60 HZ)
 INPUT VOLTAGE
 (LINE CONNECTION)

TBI-6
 WIRE 7
 NOTE 9

WIRE LIST			
NO.	JUMPER ASM PART NO.	FROM LOCATION	TO LOCATION
1	5554726	CB1 (-)	E10
2	NOTE 7	CE2 (-)	E11
3	5554725	CB1 (+)	E16
4	NOTE 7	CB2 (+)	E16
5	5759375	F1-B	TBI-2,3,OR4
6	5759375	F1-A	TBI-5
7			



COMPONENT CHART			
SYMBOL	DESCRIPTION	PART NO.	
A1	CARD ASM FET SEQUENCE	NOTE 5	
A2	CARD ASM 3.4VDC & 8.5VDC REGULATOR	NOTE 5	
BD	BGARD ASM	5554701	
C5	CAPACITOR	60F-660VAC	60 HZ 5252871
		80F-660VAC	50 HZ 4120926
CB1	CIRCUIT BREAKER-10 AMP-50VDC	5214546	
CB2	CIRCUIT BREAKER-50VDC	NOTE 6	
F1	FUSE - 3.5 AMP.	2495470	
T2	TRANSFORMER		
			60 HZ 5554702
			50HZ WTC 4119393

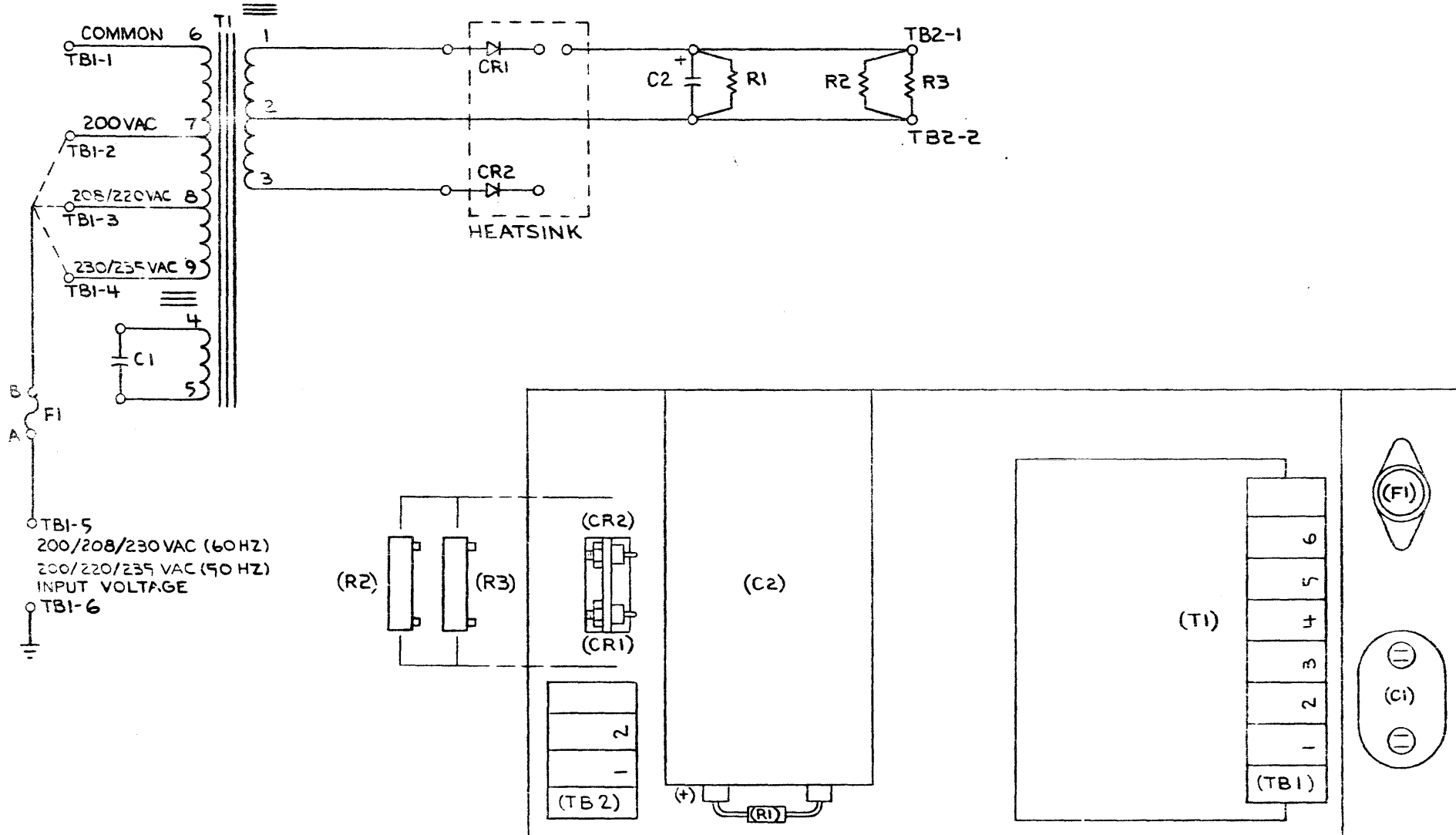
- 5 REPLACE WITH 48D ASM WITH SAME P/N BEING REMOVED OR WITH P/N 5554385.
- 6 POWER SUPPLIES PRIOR TO EC 824882 USE CIRCUIT BREAKER P/N 5214554 (24A-50V) POWER SUPPLIES AT EC824882 LEVEL OF HIGH USE CIRCUIT BREAKER P/N 5756424 (30A-50V). 30A CIRCUIT BREAKER MAY BE SUBSTITUTED FOR 24A CIRCUIT BREAKER JUMPERS MUST BE COMPATIBLE SEE NOTE 7
- 7 CB2 P/N 5756424 USES JUMPERS P/N 5564952 (-) AND P/N 5564953 (+). CB 2 P/N 5214554 USE JUMPERS P/N 5554726 (-) AND P/N 5554725 (+).
- 8 CARD P/N 8526170 OR P/N 8528165 OR P/N 8250522 MAY BE INSTALLED ORDER CARD P/N 8250522 WHEN REPLACING
- 9 THIS JUMPER IS NOT INSTALLED AFTER EC 825137.

RELEASED FOR ASM
 5554700 (REF) & 5554710 (REF)

EC HISTORY		DRAWING TITLE	
07AUG75	824882	WIRING DIAGRAM - 50/60 HZ	
25MAY77	825137	MACH	
19MAY77	825140	PART NO 5554735	

CLASSIFICATION **IBM CORP**

5564541



COMPONENT LIST		
SYMBOL	DESCRIPTION	P/N
C1	CAPACITOR - 2UF 660 VAC	5252850
C2	CAPACITOR - 54,000 UF 30 VDC	5796427
CR1	RECTIFIER - 10AMP 150 V	598479
CR2	RECTIFIER - 10AMP 150 V	598479
F1	FUSE - 1.25 AMP 250 V	259592
R1	RESISTOR - 300 Ω 10 W	2102627
R2,R3	RESISTOR - 100 Ω 25 W	5564553
TB1	TERMINAL BLOCK - 20AMP 6POS	317131
TB2	TERMINAL BLOCK - 20AMP 2POS	323840
T1	TRANSFORMER (60 HZ)	5564543
	TRANSFORMER (50 HZ)	4119452

NOTES

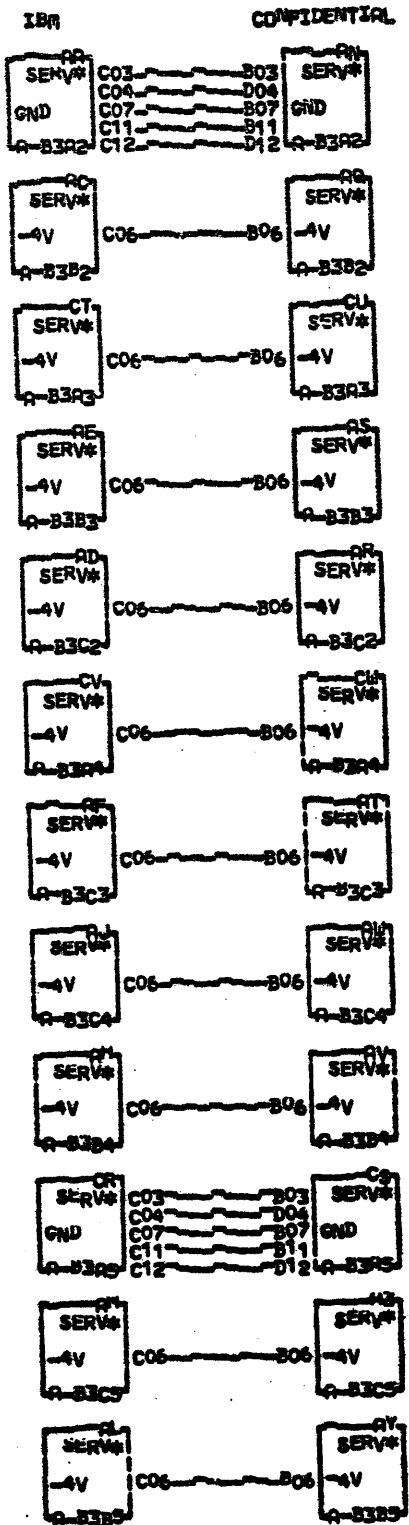
- CONNECT JUMPER P/N FROM FUSE F1-B- TO TB1-2 WHEN RATED INPUT VOLTAGE IS 200 VAC (60 HZ/50 HZ)
TO TB1-3 WHEN RATED INPUT VOLTAGE IS 208 VAC (60 HZ) OR 220 VAC (50 HZ)
TO TB1-4 WHEN RATED INPUT VOLTAGE IS 230 VAC (60 HZ) OR 235 VAC (50 HZ)

REFERENCE DRAWING

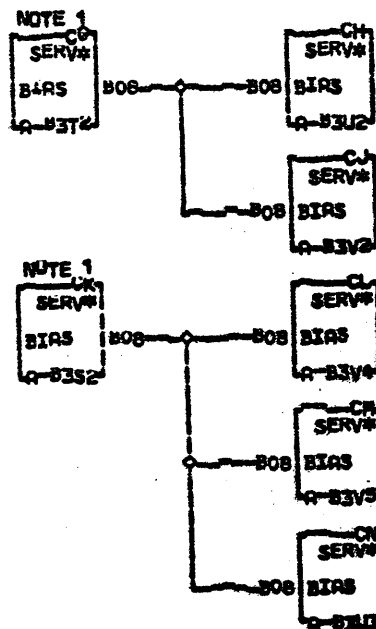
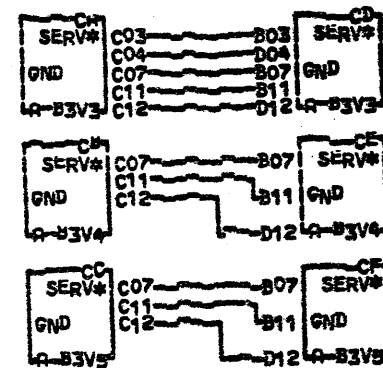
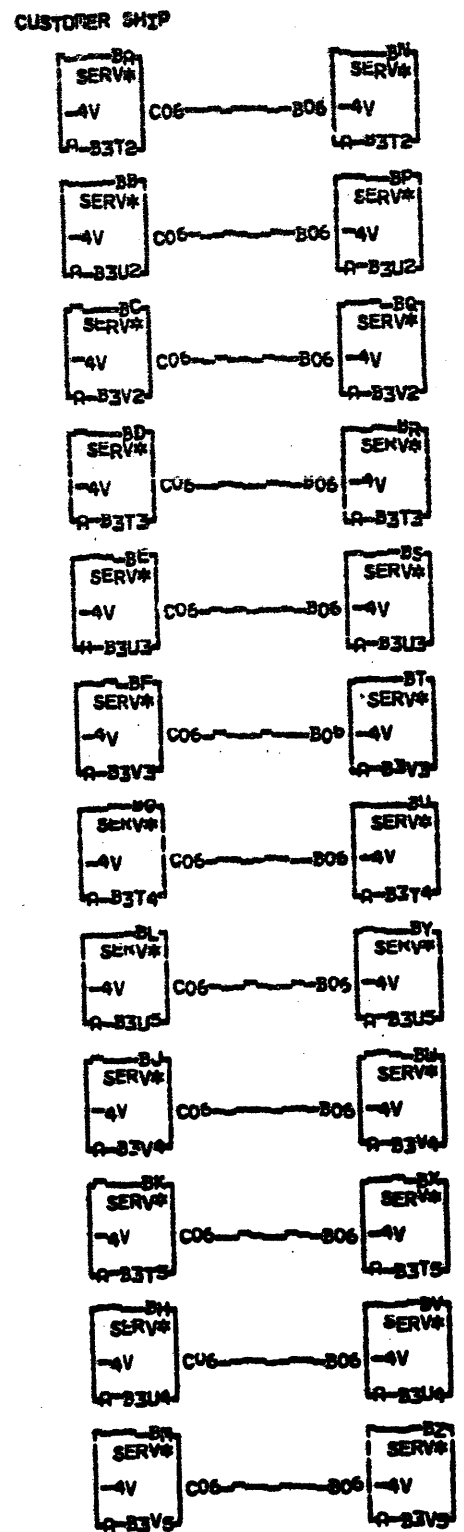
EC HISTORY		DRAWING TITLE	
13 AUG 74	824825	24V WIRING DIAGRAM	
12 NOV 74	824876	MACH	
09 DEC 74	824876A	PART NO 5564541	
25 JUN 75	825054	CLASSIFICATION	
18 NOV 75	825081		IBM CORP

YE 106

YE 106



UNTIL FIRST



NOTE 1
BIAS IS -1.3 VOLTS

001 SIM TO PN

EQ 821650

LOG. TYPE

SERVICE AND BIAS VOLTAGES FOR
01A-83 BOARD
E.C. HISTORY

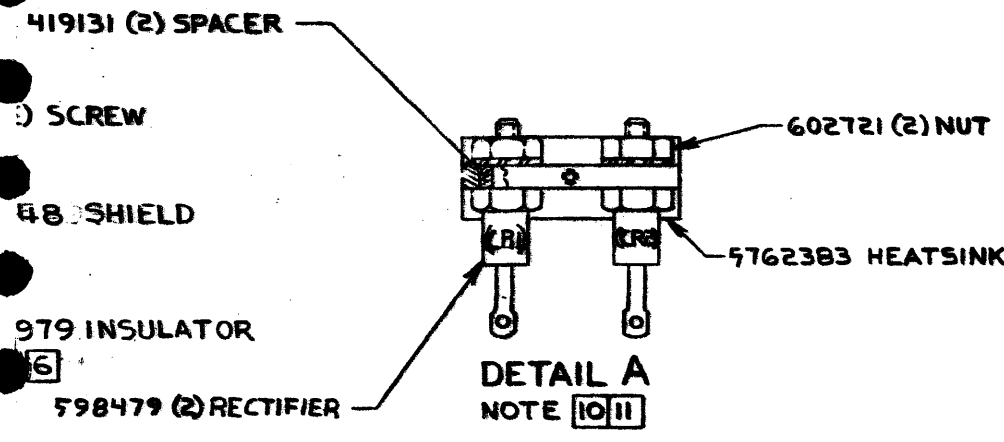
FRAME	01
IBM CORP. OSD	
DATE	12-31-79
LAST EC	824878
Part No.	1607812

Y E 111

001

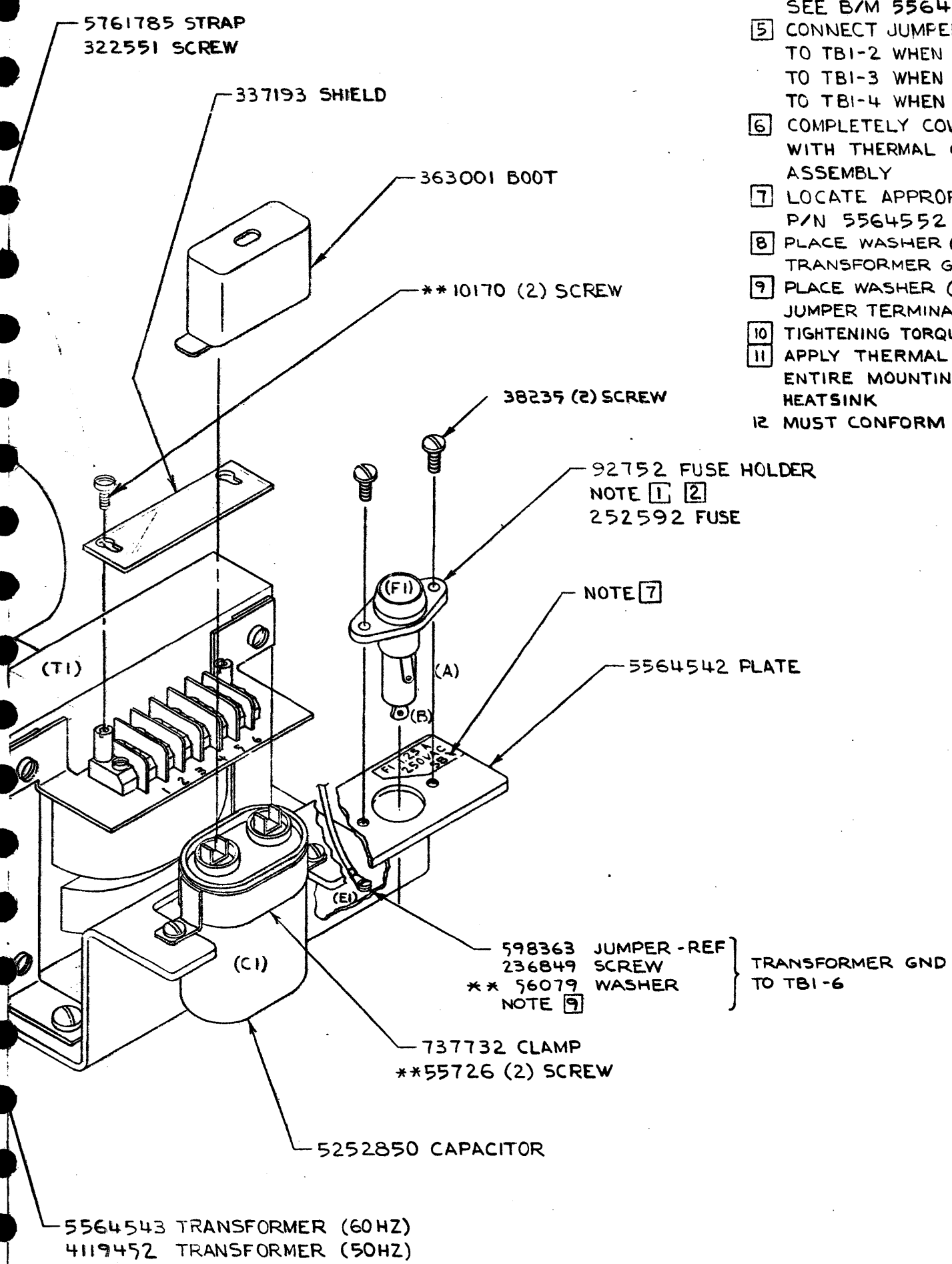
6		7			8			9			
RELEASED FOR ASM	QTY	TECHNICAL APPROVAL			SYM	DATE	CHANGE NO	SYM	DATE	CHANGE NO	
5564540	1	ELEC				13AUG74	824825			5564549	
		METAL				12 NOV. 74	824876				
5564550	1	PLASTIC				14 MAR 75	824932				
						25 JUN 75	825054			DEVELOPMENT NO	6/M
											1

REFERENCE DRAWING

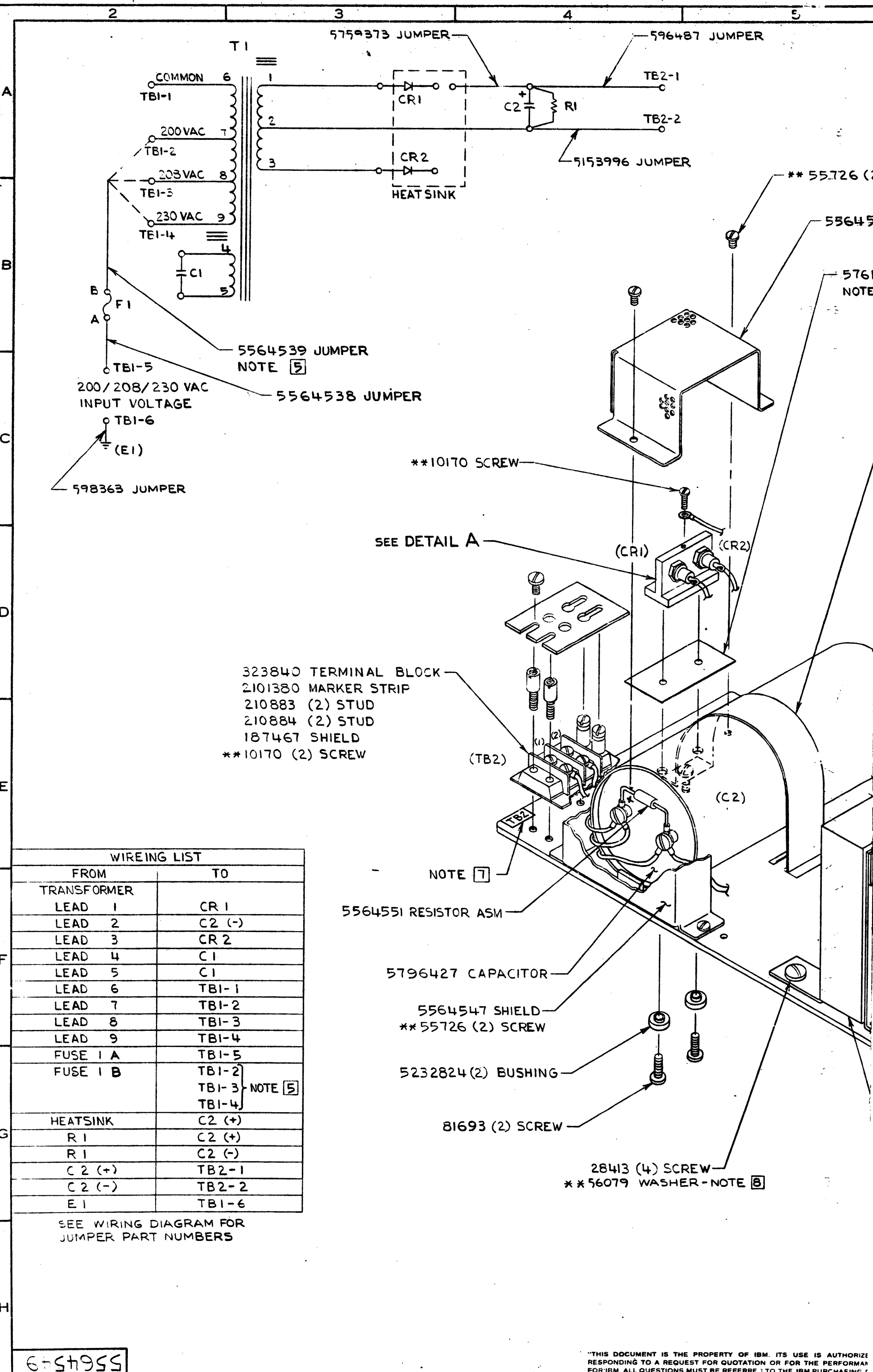


NOTES

- 1 SOLDER PER SPEC 3091
 - 2 USE HEAT SHRINK TUBING P/N 2501330 TO COVER FUSE HOLDER TERMINALS AFTER SOLDERING TOTAL LENGTH REQUIRED $2.250 \pm .250$ (57.2 \pm 6.4)
 - 3 THE SOLDERING PROCESS USED WITH THIS ASSEMBLY REQUIRES SPECIAL PRECAUTIONS
 - 4 SEE B/M 5564540 FOR 60 HZ APPLICATION
SEE B/M 5564550 FOR 50 HZ APPLICATION
 - 5 CONNECT JUMPER P/N 5564539 FROM FUSE FI-B TO TBI-2 WHEN RATED INPUT VOLTAGE IS 200 VAC, TO TBI-3 WHEN RATED INPUT VOLTAGE IS 208 VAC, TO TBI-4 WHEN RATED INPUT VOLTAGE IS 230 VAC
 - 6 COMPLETELY COVER BOTH SIDES OF INSULATOR WITH THERMAL COMPOUND P/N 814007 BEFORE ASSEMBLY
 - 7 LOCATE APPROPRIATE LABELS FROM LABEL P/N 5564552 APPROXIMATELY AS SHOWN
 - 8 PLACE WASHER (P/N 56079 REF) BETWEEN TRANSFORMER GROUND FOOT AND MOUNTING PLATE
 - 9 PLACE WASHER (P/N 56079 REF) BETWEEN JUMPER TERMINAL AND MOUNTING PLATE
 - 10 TIGHTENING TORQUE - 17 TO 20 IN LBS (19.6 TO 23 CM KG)
 - 11 APPLY THERMAL COMPOUND P/N 814007 BETWEEN ENTIRE MOUNTING SURFACE OF RECTIFIERS AND HEATSINK
- 12 MUST CONFORM TO ENG SPEC 869267



IBM MATERIAL	NO		MUST CONFORM TO ENG SPEC: 890350			IBM NAME POWER SUPPLY ASM- 24 VOLT				
IBM MATL ALTERNATE	NO		SCALE	NONE	TOLERANCES UNLESS OTHERWISE NOTED				INCH	mm
CASE DEPTH					LINEAR ±			DESIGNER	GJK	19 JUL 74
HARDNESS		THIRD ANGLE PROJECTION			ANGLES ±			DETAILER	NAB	19 JUL 74
SURFACE TREATMENT					RADI UNLESS OTHERWISE NOTED			DWG CHK	GJK	7 AUG 74
					EDGE/CORNER	OUTSIDE MAX		DSGN APPRO	GJK	7 AUG 74
					BREAKS	INSIDE MAX		CLASSIFICATION	GJK	7 AUG 74



200/208/230 VAC
INPUT VOLTAGE

- 323840 TERMINAL BLOCK
- 2101380 MARKER STRIP
- 210883 (2) STUD
- 210884 (2) STUD
- 187467 SHIELD
- **10170 (2) SCREW

WIRING LIST	
FROM	TO
TRANSFORMER	
LEAD 1	CR 1
LEAD 2	C2 (-)
LEAD 3	CR 2
LEAD 4	C1
LEAD 5	C1
LEAD 6	TBI-1
LEAD 7	TBI-2
LEAD 8	TBI-3
LEAD 9	TBI-4
FUSE 1 A	TBI-5
FUSE 1 B	TBI-2
	TBI-3
	TBI-4
HEATSINK	C2 (+)
R 1	C2 (+)
R 1	C2 (-)
C 2 (+)	TB2-1
C 2 (-)	TB2-2
E 1	TBI-6

SEE WIRING DIAGRAM FOR
JUMPER PART NUMBERS

5564539