

KENWOOD

SERVICE MANUAL

VHF DIGITAL BASE-REPEATER

NXR-5700

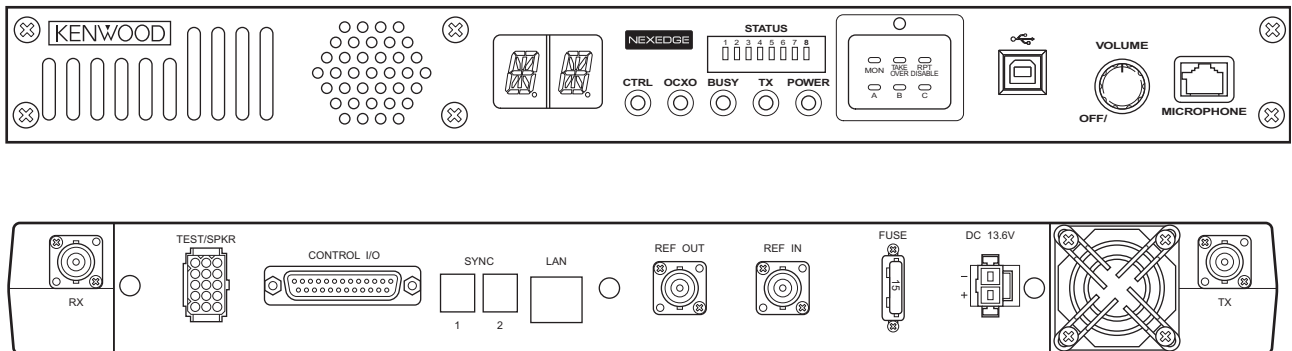


TABLE OF CONTENTS

1	PRECAUTION.....	1-4
2	SPECIFIC SERVICE INSTRUCTIONS.....	1-4
3	DISASSEMBLY.....	1-41
4	ADJUSTMENT.....	1-42
5	TROUBLESHOOTING.....	1-61

This product complies with the RoHS directive for the European market.



This product uses Lead Free solder.

Document Copyrights

Copyright 2015 by JVC KENWOOD Corporation. All rights reserved.

No part of this manual may be reproduced, translated, distributed, or transmitted in any form or by any means, electronic, mechanical, photocopying, recording, or otherwise, for any purpose without the prior written permission of JVC KENWOOD Corporation.

Disclaimer

While every precaution has been taken in the preparation of this manual, JVC KENWOOD Corporation assumes no responsibility for errors or omissions. Neither is any liability assumed for damages resulting from the use of the information contained herein. JVC KENWOOD Corporation reserves the right to make changes to any products herein at any time for improvement purposes.

Firmware Copyrights

The title to and ownership of copyrights for firmware embedded in KENWOOD product memories are reserved for JVC KENWOOD Corporation. Any modifying, reverse engineering, copy, reproducing or disclosing on an Internet website of the firmware is strictly prohibited without prior written consent of JVC KENWOOD Corporation. Furthermore, any reselling, assigning or transferring of the firmware is also strictly prohibited without embedding the firmware in KENWOOD product memories.

Transceivers containing AMBE+2™ Vocoder:

The AMBE+2™ voice coding technology is embedded in the firmware under the license of Digital Voice Systems, Inc.

SPECIFICATION

GENERAL		
Frequency Range		136 ~ 174 MHz
Channel Spacing	Analog	12.5 / 15 / 25* / 30* kHz
	Digital	6.25 / 12.5 kHz
PLL Channel Step		2.5 / 3.125 / 5 / 6.25 kHz
Frequency Stability	Radio only	±0.5 ppm
	with KXK-3 (M3) OCXO unit	±0.1 ppm
Operating Voltage		10.8 ~ 15.6 V DC
Operating Temperature Range		-22°F ~ +140°F (-30°C ~ +60°C)
Antenna Impedance		50Ω
Dimensions (W x H x D) (Projections not included)		19.02 x 1.73 x 13.03 in. (483 x 44 x 331 mm)
Weight (net)		11 lbs (5 kg)
RECEIVER		
Sensitivity	Digital @ 6.25kHz (3% BER)	0.27μV
	Digital @ 12.5kHz (3% BER)	0.33μV
	Analog (12dB SINAD)	0.30μV
Selectivity	Analog @ 30kHz	92dB
	Analog @ 12.5kHz	84dB
FM Hum & Noise	Analog @ 25/30kHz	55dB
	Analog @ 12.5kHz	50dB
Intermodulation Distortion		85dB (±50/100kHz)
Spurious Rejection		100dB
Audio Distortion (Ext. SP)		Less than 2% (at 0.3W)
Audio Output (Ext. SP)		3W (at 4Ω, less than 5% distortion)
TRANSMITTER		
RF Power Output		0.5 / 5 / 25W
Max Duty Cycle		100%
Spurious & Harmonics		73dB
FM Hum & Noise	Analog @ 25/30kHz	55dB
	Analog @ 12.5kHz	50dB
Audio Distortion		Less than 1% at 1000Hz
Modulation		16K0F3E, 11K0F3E, 8K30F1E, 8K30F1D, 8K30F7W, 4K00F1E, 4K00F1D, 4K00F7W, 4K00F2D

*25 and 30 kHz are not included in the models sold in the USA or US territories.

Measurements made per CAI measurement procedures (digital) and TIA-603 (analog); specification are typical.

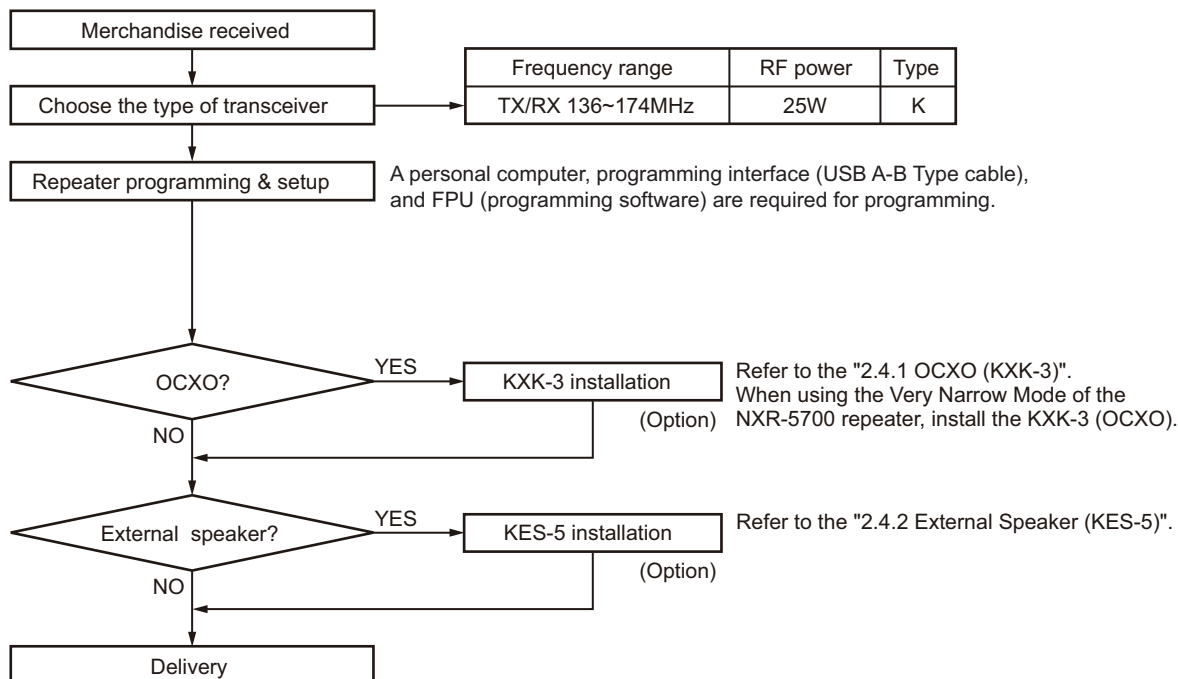
JVC KENWOOD Corporation reserves the right to change specifications without prior notice or obligation.

SECTION 1 PRECAUTION

This service manual does not describe PRECAUTION.

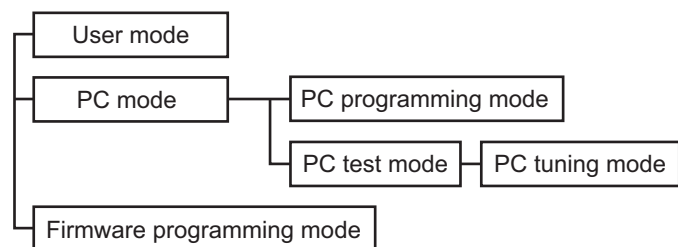
SECTION 2 SPECIFIC SERVICE INSTRUCTIONS

2.1 SYSTEM SET-UP



2.2 REALIGNMENT

2.2.1 Modes



Mode	Function
User mode	Use this mode for normal operation.
PC mode	Use this mode to make various settings by means of the FPU through the USB port.
PC programming mode	Used to read and write frequency data and other features to and from the repeater.
PC test mode	Used to check the repeater using the PC. This feature is included in the FPU.
Firmware programming mode	Use when changing the firmware program of the flash memory.

2.2.2 How to Enter Each Mode

Mode	Operation
User mode	Power on.
PC mode	Received commands from PC
Firmware programming mode	Received commands from PC

2.2.3 PC Mode

2.2.3.1 Preface

The NXR-5700 repeater is programmed by using a personal computer (USB Support) and FPU (programming software).

2.2.3.2 Connection Procedure

- (1) Connect the NXR-5700 to the personal computer with the USB(A-B Type) cable.
- (2) When power is applied, the user mode is entered. When the PC sends a command, the repeater enters the PC mode and displays "PC" on the 17-segment LED. When data is being transmitted to the PC from the repeater, the TX LED flashes. The BUSY LED flashes when data from the PC is being received by the repeater.

Note:

- The data stored in the personal computer must match the model type, when it is written into the flash memory.
- Change the NXR-5700 to PC mode, then attach the USB (A-B Type) cable.

2.2.3.3 Programming Software KPG-D2/D2N Description

The FPU is the programming software for NXR-5700 supplied on a CD-ROM. This software runs under Windows 7, 8 or 8.1 on a PC.

The data can be input to or read from NXR-5700 and edited on the screen. The programmed or edited data can be printed out. It is also possible to tune the transceiver.

2.2.3.4 Programming With PC

Data can be programmed into the flash memory in the USB connector.

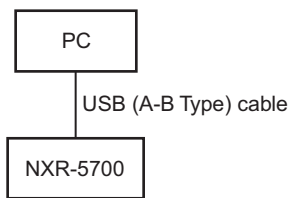
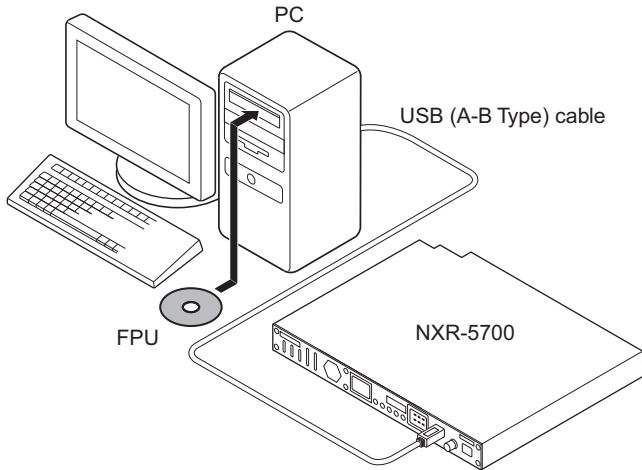


Fig.1

2.2.4 Firmware Programming Mode

2.2.4.1 Preface

The NXR-5700 uses flash memory to allow it to be easily upgraded when new features are released in the future.

2.2.4.2 Connection Procedure

Connect the NXR-5700 to the personal computer with the USB (A-B Type) cable. (Connection is the same as in the PC mode.)

Note:

You can only program firmware from the USB connector on the front panel. Using the 25-pin logic interface on the rear panel will not work.

2.2.4.3 Programming

- (1) Start up the firmware programming software (KENWOOD Firmware Loader). The KFL.exe (ver. 1.20 or later) exists in the KPG-D2/D2N installed folder.
- (2) Check the connection between the NXR-5700 and the personal computer.
- (3) Turn the NXR-5700 power on.
- (4) Set the communications speed Auto and communications port in the configuration item.
- (5) Set the firmware to be updated by file name item.
- (6) Press write button in the window. The KFL indicate progress of writing and 17-segment LED indicate "P G".
- (7) If writing ends successfully, turn off and turn on the NXR-5700 for restart.
- (8) If you want to continue programming other NXR-5700s, repeat steps 3 to 6.

Note:

- It automatically enters the firmware program mode by the writing request from the programming software (KFL.exe).
- While "--" is displayed on the LED, the PC and NXR-5700 can't communicate.

2.2.4.4 Function

Baud rate is decided automatically with setting of programming software.

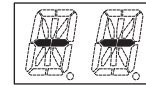
Note:

- Normally, write in the Full-Speed mode (Auto).
- While "--" is displayed on the LED, the PC and NXR-5700 can't communicate.

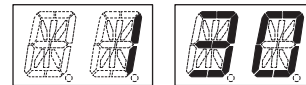
2.3 OPERATING FEATURES

2.3.1 Two 17-segment LED Displays

- "--" is displayed during start processing.



- Channel display (1~30): While operating normally in user mode.



- "PC" is displayed while in PC mode.



- "PG" is displayed while in firmware programming mode.



- "E1" is displayed when FPU data is not written.



- "E2" is displayed when the channel data is not written.



- "E3" is displayed when PLL is unlocked.
Receiver PLL unlocked = BUSY LED blinks.
Transmitter PLL unlocked = TX LED blinks.



- "E4" is displayed when PTT is attempted on a channel number that has no frequency data programmed.



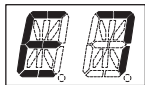
- “E5” is displayed when IP address configuration is error.



- “E6” is displayed when a Frame pulse error is detected.



- “E7” is displayed when a transmission is stopped by high temperature.



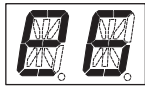
- “E8” is displayed when the Failure channel input is activated.



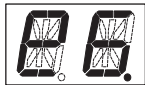
- “e5” is displayed ESN data is not written.



- “e6” is displayed when the external RAM of ASIC has error.



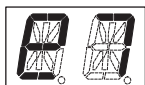
- “e6.” is displayed when the internal RAM of DSP has error.



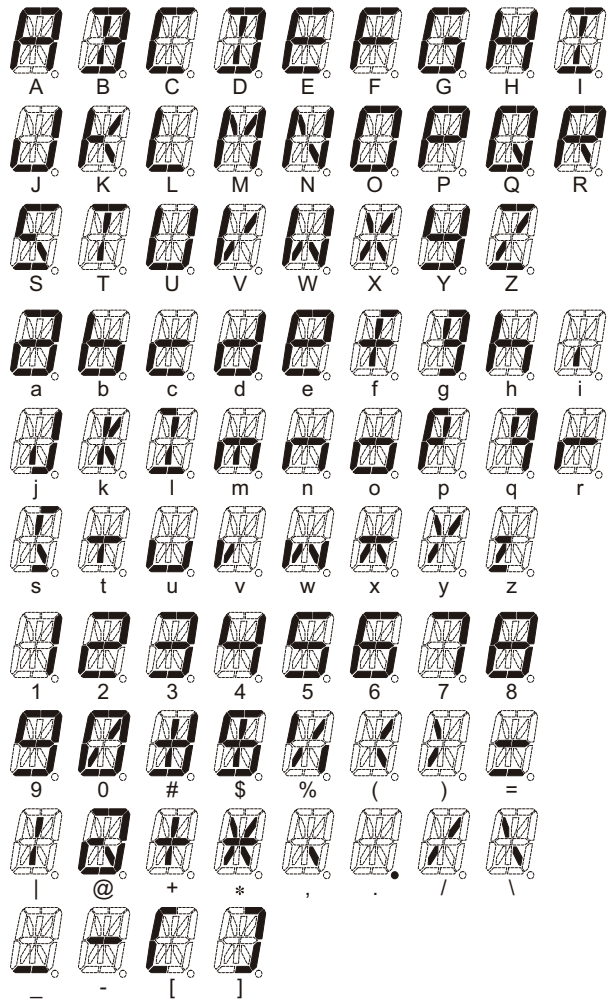
- “e.6.” is displayed when the internal RAM of ASIC has error.



- “e7” is displayed when the ASIC cannot communicate to the AM3352.



- All segments ON



2.4 INSTALLATION

2.4.1 OXO (KXK-3)

- (1) Before installing the KXK-3, be sure to turn the power off.
- (2) Remove the top cover of the TX unit.
- (3) Mount the KXK-3 using the 5 screws.
- (4) Carefully connect and lock the flat cable to CN1 and CN724, with the conductor side facing in.
- (5) Connect the coaxial cable to CN2 and CN602.
- (6) Connect the 2-pin cable to CN3 and CN804.

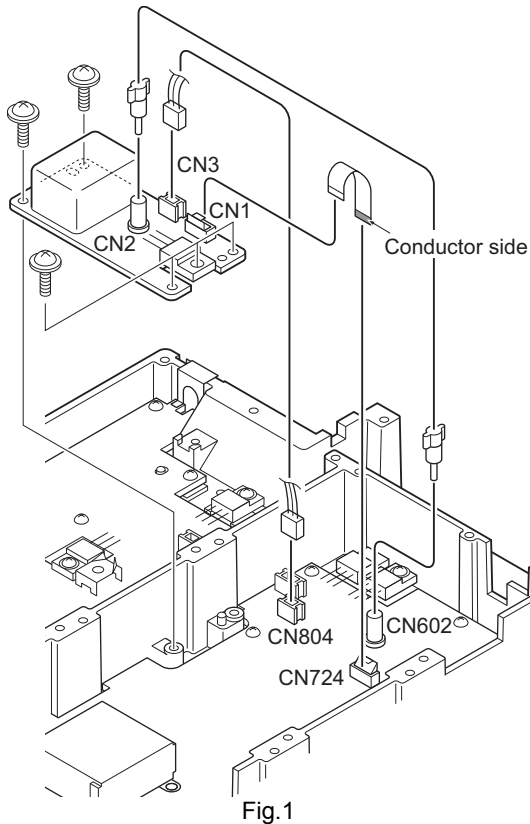


Fig.1

2.4.2 External Speaker (KES-5)

The NXR-5700 has a internal speaker, and the external speaker output from the TEST/SPKR connector (15-pin) on the rear of the radio is 3W/4Ω. Use external speaker KES-5.

2.4.2.1 Connection for the KES-5 With the NXR-5700

■When taking the AF output from the TEST/SPKR connector (15-pin) on the rear of the radio

The following tools are required for changing the connector.

Extracting tool

The following extracting tool is recommended:

Molex Inc. Order No.: 11-03-0002 (W05-0878-00)

- (1) Remove the connector with jumper from the external speaker connector on the rear panel of the radio. (Fig. 2-1)

Note:

Save the jumper, which is required when the radio is used without the external speaker.

- (2) Remove the terminals with the jumper from the connector housing holes number 9 and 12 using the extracting tool.

Removing the jumper lead (Fig. 2-2)

- a) Insert the extracting tool (11-03-0002) into the connector while pushing the jumper lead in the direction of (a).

- b) Push the extracting tool into collapse the barbs of the crimp terminal.

- c) Pull out the lead while continuing to push the extracting tool in the direction (b).

- (3) Reinsert the terminal with the black and white stripe lead into hole number 12, and the terminal with the black lead into hole number 6. (Fig. 2-3)

- (4) Attach the connector to the external speaker connector on the radio.

Note:

- Relationship between TEST/SPKR connector (15-pin) connection and speaker output.
- When pins 9 and 12 are shorted: Built-in internal speaker is used.
- When pins 9 and 12 are open and output is from pins 6 and 12: KES-5 is used.

Square-type plug
(E31-3228-05)
Accessory

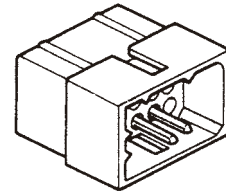


Fig.2-1

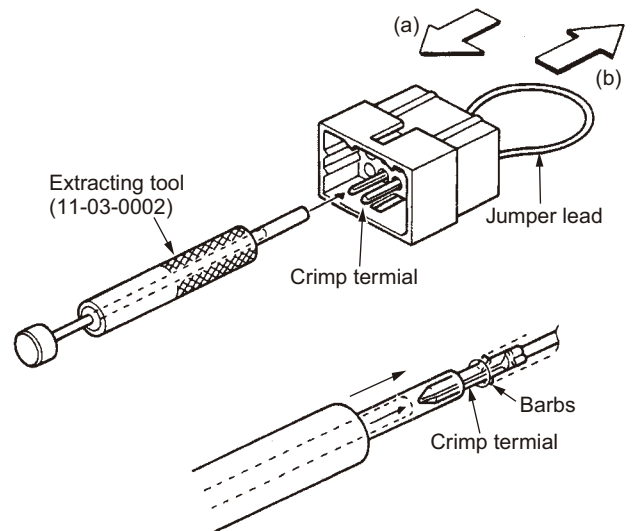


Fig.2-2

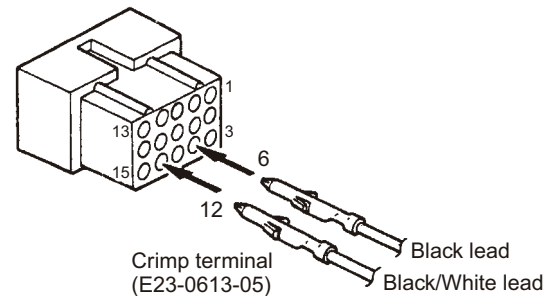


Fig.2-3

2.4.3 How to Attach the Supplied Accessories

- (1) Attach the front glass to the front panel with the supplied screw. <1>
- (2) To attach the handles on the both sides of the chassis, refer to illustration. <2>

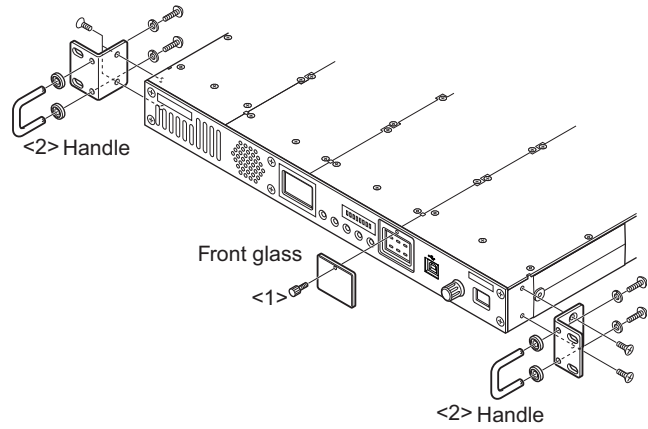


Fig.3

2.5 MODIFICATION

2.5.1 Changing the AUX Port Configuration

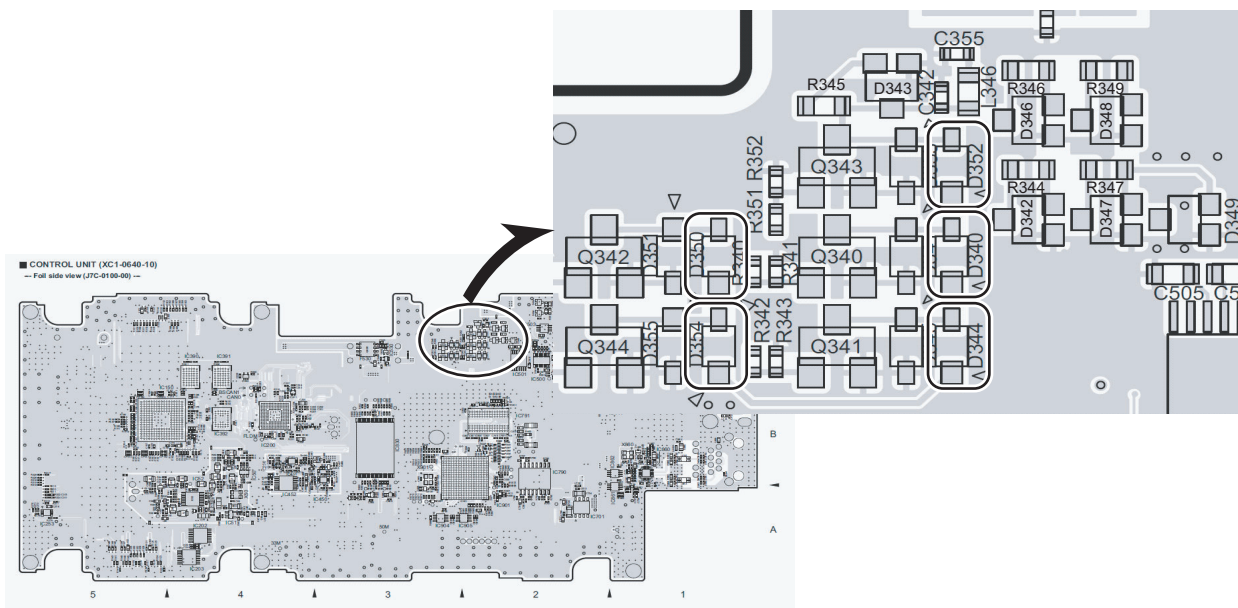
The AUX Output Port (pins 10, 11, 13, 14, and 15) on the 15-pin connector (TEST/SPKR) is an open collector connection type as default, and this port can absorb a maximum of 200 mA.

The AUX Output Port can be used as the output port for High (5 V pull-up resistor output) and Low by changing the configuration of these pins.

Follow the procedure shown below to change the configuration.

- (1) Remove the Control board.
- (2) Remove the part from D340, D344, D350, D352, and D354 on the Control board.
- (3) Mount the part (part number: DA204U) on D342, D343, D346, D347 and D348 of the Control board respectively.
- (4) Mount the resistor (part number: RK73GB2A473J) on R344, R345, R346, R347 and R349 of the Control board respectively.

Signal name	Connector Pin Number	Installing DA204U	Removing DA2J101	Installing RK73GB2A473J
AO1	10	D348	D340	R349
AO2	11	D347	D344	R347
AO3	13	D346	D350	R346
AO4	14	D343	D352	R345
AO5	15	D342	D354	R344



2.5.2 Adding the RSSI or Reset Terminal on the D-sub 25-pin Connector

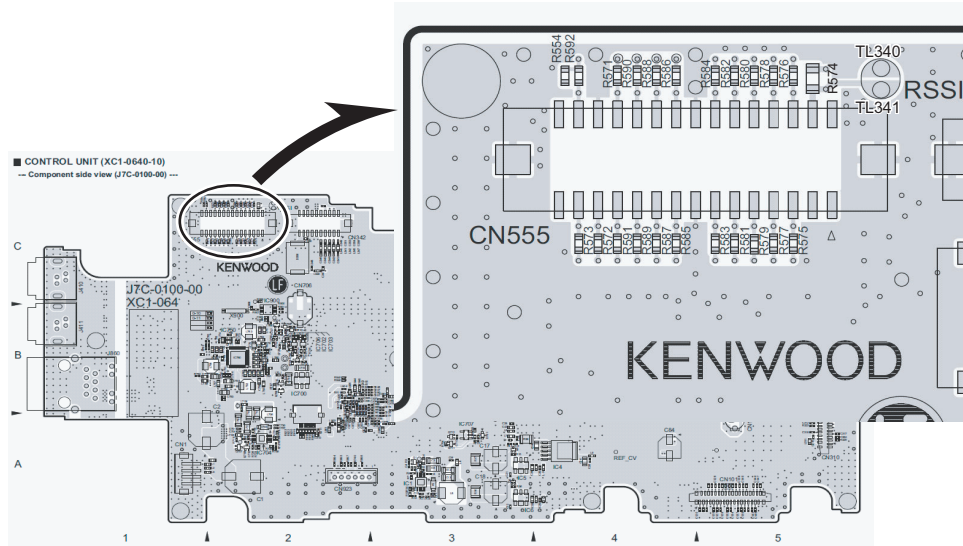
The configuration for pin 1 of the D-Sub 25-pin connector can be changed to allow it to supply the power source for RSSI. Follow the procedure shown below to change the configuration.

Case 1: Add the RSSI.

- (1) Remove the Control board.
- (2) Join the semi-circular soldering pads by soldering.

Case 2: Add the Reset.

- (1) Remove the Control board.
- (2) Mount the part (part number: RK73GB2A000J) on R574 of the Control board.

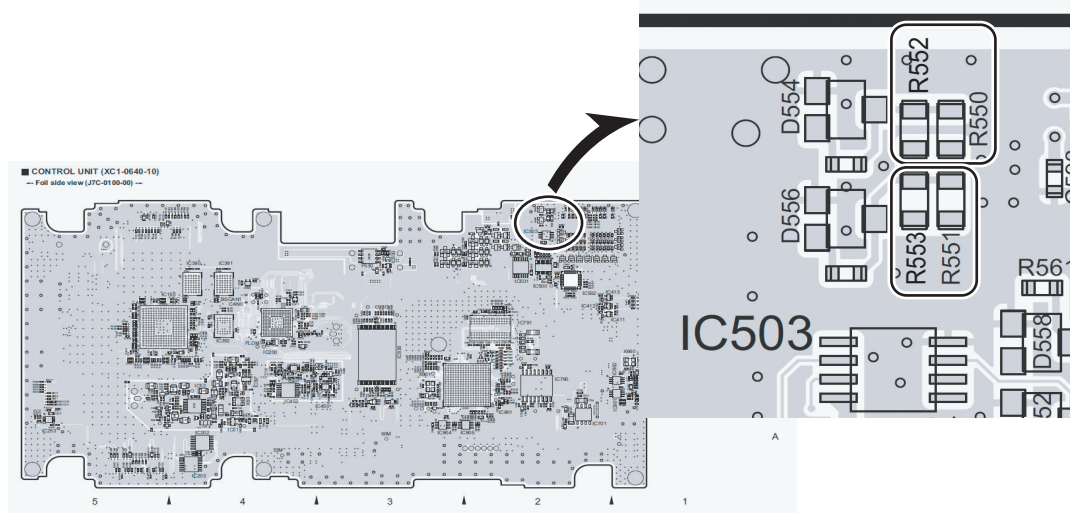


2.5.3 Changing D-sub 25-pin connector (4pin,5pin) configuration

The AUX Input Port (pins 4 and 5) on the D-Sub 25-pin connector can be used as the CTS port and RTS port. Follow the procedure shown below to change the configuration.

- (1) Remove the Control board.
- (2) Remove the R550 chip jumpers and solder to R552.
- (3) Remove the R551 chip jumpers and solder to R553.

Connector Pin Number	Signal name	Installing RK73GB2A000J	NOTE
4	Ai1	R550	Default
	CTS	R552	RS-232C
5	Ai2	R551	Default
	RTS	R553	RS-232C



2.6 CIRCUIT DESCRIPTION

2.6.1 Outline

The NXR-5700 is a VHF repeater operating in the 136~174MHz frequency range. Transmit RF power range is 0.5W to 25W adjustable. Receiver's frontend BPFs are electrically adjusted in the factory.

2.6.2 Transmitter unit

The transmitter unit (XC1-065 A/3) consists of the following circuit.

- (1) 10MHz Internal frequency reference signal circuit
- (2) Internal/external reference signal circuit
- (3) Internal frequency reference 19.2MHz PLL circuit
- (4) Transmitter Modulation 16.8MHz PLL circuit
- (5) Transmitter main PLL circuit
- (6) Driver amplifier circuit
- (7) Modulation level adjustment circuit
- (8) AVR circuit
- (9) Other circuits

2.6.2.1 10MHz internal frequency reference signal circuit

The internal frequency reference is generated by the 20MHz VCTCXO of X601. Oscillation frequency is adjusted by IC605, IC607 and IC608. If even one of X601, IC607 or IC608 is replaced, VCTCXO's frequency must be adjusted again.

After the 20MHz frequency reference signal is amplified by IC604, it is divided by IC602. 10MHz signal is distributed to TX unit. In addition, this 10MHz signal can be distributed to "REF OUT" terminal.

The 10MHz internal frequency reference signal circuit consists of IC602, IC604, IC605, IC607, IC608, D605, D606 and X601.

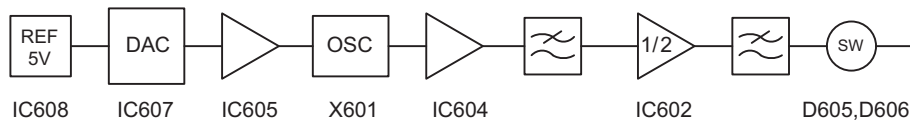


Fig.1 Internal reference circuit

2.6.2.2 Internal/external reference signal circuit

The internal/external reference circuit automatically switches signals used as reference signals among the 10MHz internal reference signal, the 10MHz external reference signal and internal 10MHz OCXO (optional) unit.

If no OCXO unit is installed, and there is no external reference signal, the 10MHz internal reference signal is selected as the reference signal. This reference signal is fed to "REF OUT" terminal.

If the OCXO unit is installed and there is no external reference signal, the 10MHz OCXO unit is selected as the reference signal. This reference signal is fed to "REF OUT" terminal.

If an external reference signal (at CN502/ 10MHz/ 0~+10dBm) is input, the external reference signal is selected as the reference signal irrespective of the 10MHz internal reference signal or OCXO unit. This reference signal is fed to "REF OUT" terminal.

"REF OUT" terminal is CN601. The output level is more than + 5dBm ($Z_{out} = 50\Omega$).

If the repeater is operating with NXR-x00 series for trunking mode, if there is no external reference signal and the OCXO unit is not installed, Q605, Q606, Q609, IC603 and IC606 are not activated. Therefore, there is no output of the reference signal from the "REF OUT" terminal.

The input impedance of external reference circuit is controlled by Q514. If "REF_TERM" signal is high, the input impedance is low (approx. 50ohm). "REF_TERM" signal is low, the input impedance is high (more than 1kohm).

The internal/external reference circuit consists of D501, D502, D503, D504, D507, D508, D509, D510, D511, D601, D602, D603, D604, D607, D608, D609, D610, D611, D612, D613, D614, D615, Q502, Q503, Q504, Q505, Q506, Q507, Q508, Q509, Q510, Q511, Q512, Q513, Q514, Q515, Q601, Q602, Q603, Q604, Q605, Q606, Q607, Q608, Q609, Q610, Q611, IC501, IC502, IC503, IC504, IC505, IC601, IC603 and IC606.

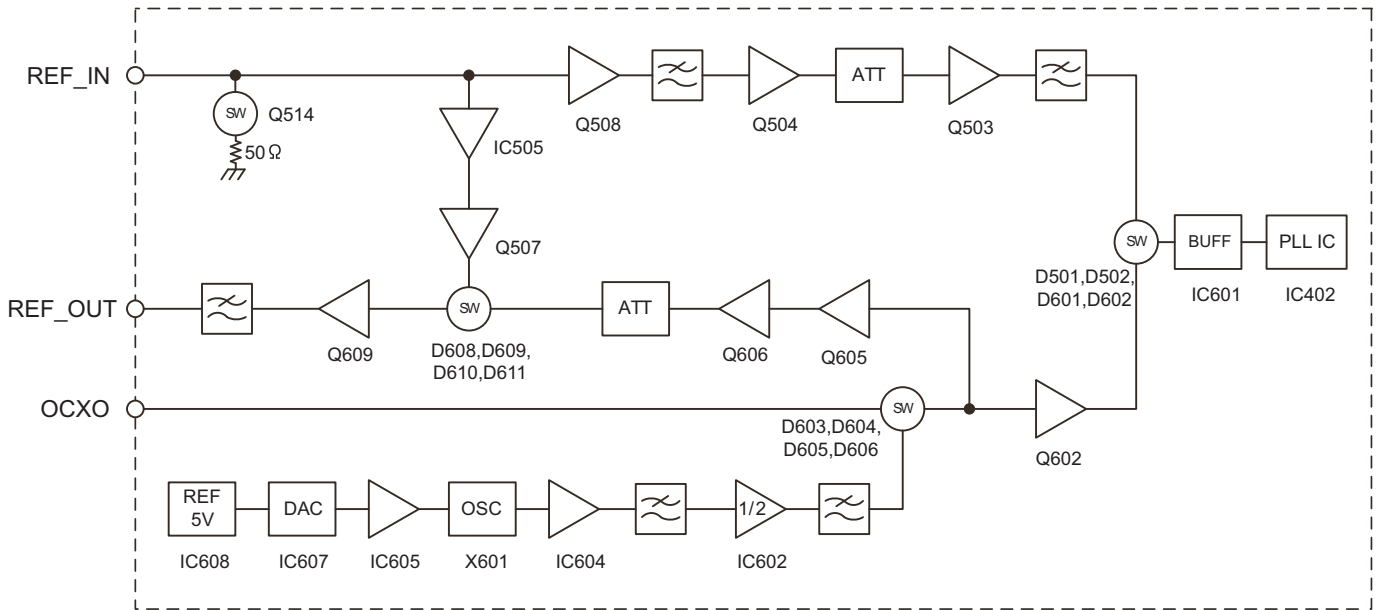


Fig.2 Internal/external reference circuit

2.6.2.3 Internal frequency reference 19.2MHz PLL circuit

The internal frequency reference 19.2MHz PLL circuit produces a reference frequency signal for the transmitter modulation 16.8MHz PLL circuit, the Receiver unit (XC1-066) Receiver PLL circuit and the Control Unit (XC1-064) PLL circuit for ASIC and DSP clock.

This circuit consists of Q402, Q403, Q404, Q405, Q406, Q407, Q408, Q409, Q410, Q411, X401, IC401 and IC402.

The internal or external 10MHz reference signal is amplified by IC601 and is fed to IC402 as a PLL reference signal.

VCXO of X401 generates 19.2MHz reference signal. The signal enters buffer amp Q403. Then it is amplified by Q404 to feed PLL IC of IC402. Also, the signal is amplified by Q402 to feed modulation PLL IC of IC301. Q410 amplifies the signal and feed the signal to receiver unit (XC1-066) from CN404. Q411 amplifies the signal and feed the signal to control unit (XC1-064) from CN405.

PLL IC of IC402 compares the phase between the 19.2MHz signal and the reference 10MHz signal. The phase error will be filtered as a DC signal and the DC signal controls the frequency of X401.

The controlled DC voltage is fed to IC401 operational amplifier, and the output signal (REF_CV) is monitored by AD converter IC of IC804.

PLL's lock and unlock state is monitored by Q408 and Q409 as a signal name "REF_UL".

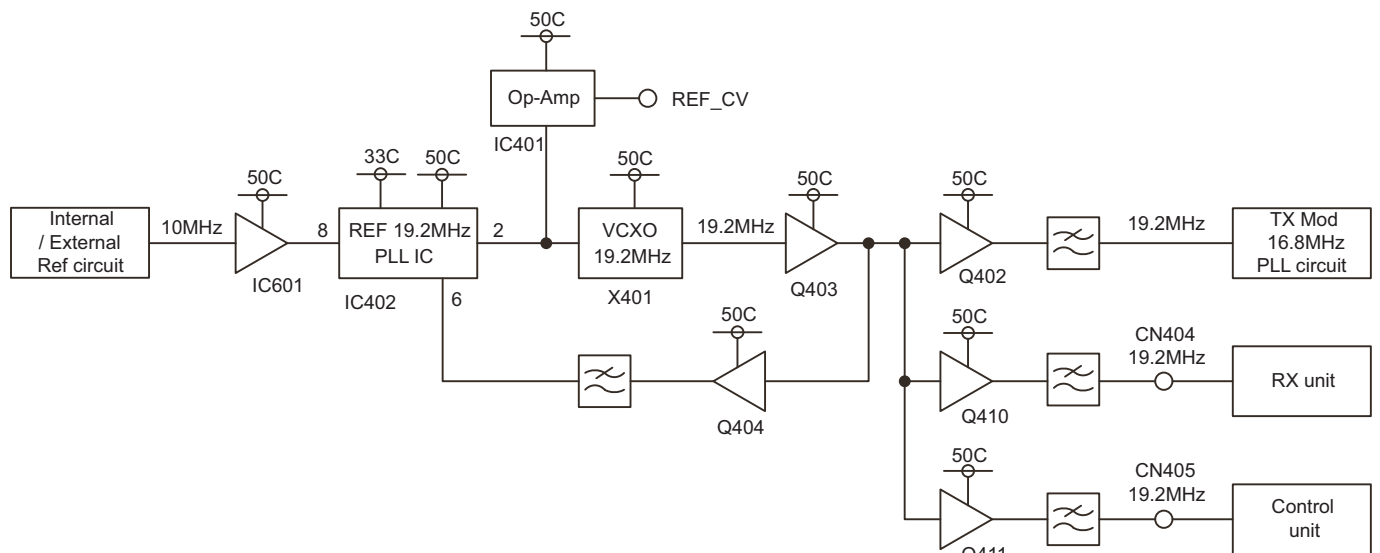


Fig.3 Internal frequency reference 19.2MHz PLL circuit

2.6.2.4 Transmitter modulation 16.8MHz PLL circuit

The transmitter modulation 16.8MHz PLL circuit produces the reference frequency signal for the Transmitter main PLL.

The circuit consists of Q301, Q302, Q303, Q304, Q305, X301, IC301, IC302 and IC303.

19.2MHz reference signal is amplified by Q402 and is fed to IC301 as a PLL reference signal.

VCXO of X301 generates 16.8MHz signal. The signal enters buffer amp Q305. Then it is amplified by Q304 to feed PLL IC of IC301. Also, the signal is fed to TX main PLL of IC104.

PLL IC of IC301 compares the phase between the 16.8MHz signal and the reference 19.2MHz signal. The phase error will be filtered as a DC signal and the DC signal controls the frequency of X301.

The modulation 16.8MHz PLL's loop bandwidth is very small (less than 5Hz). The modulation signal is added by IC302 to phase error filter output.

The controlled DC voltage is fed to IC303 operational amplifier from C317 and C320, and the output signal (MOD_CV) is monitored by AD converter IC of IC804.

PLL's lock and unlock state is monitored by Q301 and Q302 as a signal name "MOD_UL".

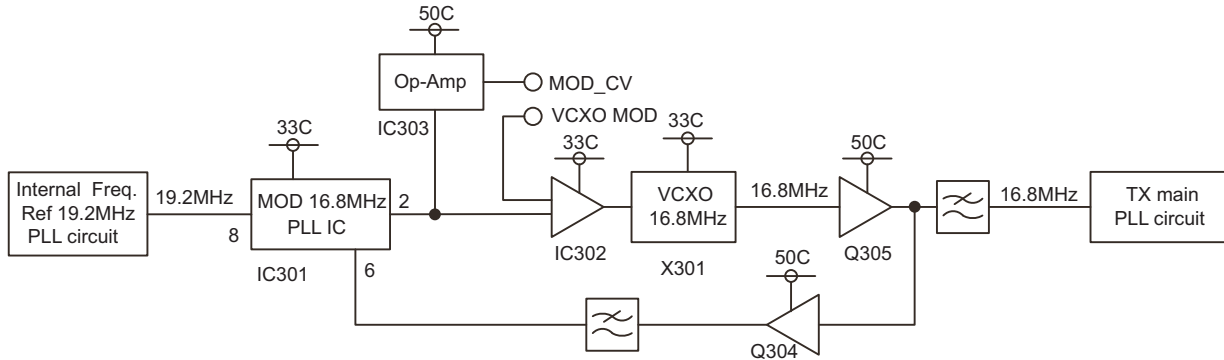


Fig.4 Transmitter Modulation 16.8MHz PLL circuit

2.6.2.5 Transmitter main PLL circuit

The transmitter main PLL circuit consists of the VCO (D103, D104, D105, D106, D107, D108, D109, D110, D111, D112, D113, Q101, Q102, Q105, Q106, Q107, Q108, Q109, IC101, IC102 and IC103) and PLL (Q103, Q110 and IC104). They produce the transmitter frequency signal.

If VCO_A/B signal is high, Q105 is activated and the VCO Q107 produces transmitter frequencies from 136.000MHz to 154.995MHz.

If VCO_A/B signal is low, Q106 is activated and the VCO Q108 produces transmitter frequencies from 155.000MHz to 174.000MHz. VCO oscillation frequency is controlled by TXASSIST signal mainly. The DC signal of TXASSIST is proportional to TX frequency.

The signal produced by the VCO (Q107 or Q108) is amplified by Q109. The signal is divided to PLL multiplier amplifier and driver amplifiers by a power divider circuit (L135, L136, C192 and R181).

PLL multiplier amplifier Q110 is multiply the VCO signal and feed the signal to IC104.

PLL IC of IC104 compares the phase between the multiplying of VCO signal and the reference 16.8MHz modulated signal. The phase error will be filtered as a DC signal and the DC signal controls the frequency of VCO.

PLL control voltage is constant value (2.9 to 3.1V) because the TXASSIST signal adjusts the VCO frequency roughly.

The controlled DC voltage is fed to IC103 operational amplifier, and the output signal (TX_CV) is monitored by AD converter IC of control unit (XC1-064).

PLL's lock and unlock state is monitored by Q103 as a signal name "TX_UL".

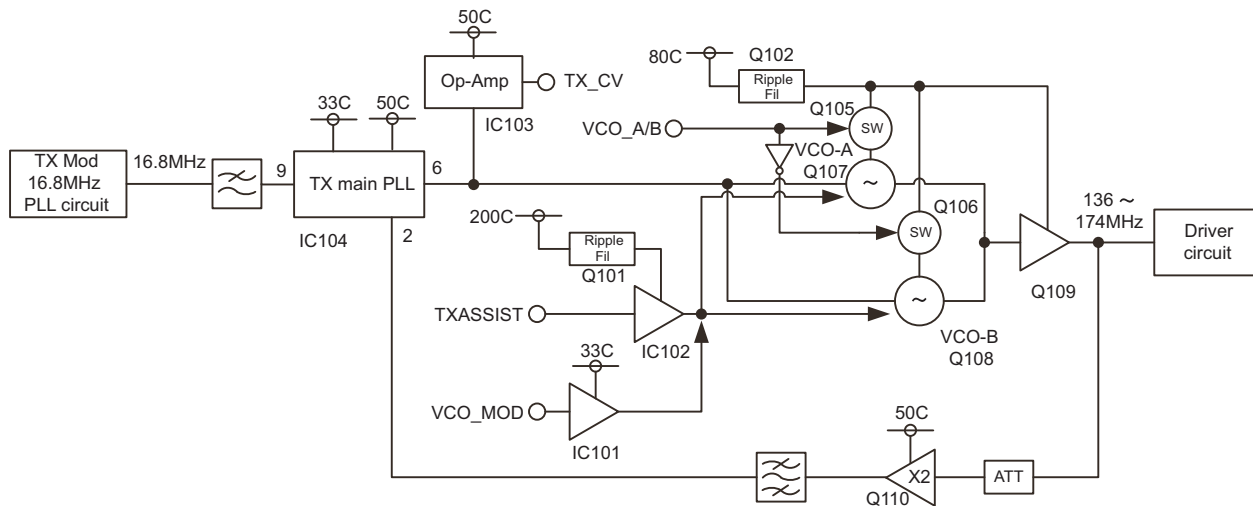


Fig.5 Transmitter main PLL circuit

2.6.2.6 Driver circuit

The driver circuit amplifies the transmitter frequency signal to the level required for input to the Final Unit (XC3-015 A/5). This circuit consists of RF amplifiers Q201, Q202 and Q204, switches Q203, Q207 and Q208, and operating amplifier IC201. DC switches Q207 and Q208 turn the power supply voltage of RF amplifiers Q201, Q202, and Q204 on and off. Q204 output power is controlled by IC201 and "DRV_PWR" signal from IC801. Q204 output power is +16dBm. This output level is output from the driver output connector CN207 and connected to the Final Unit (XC3-015 A/5).

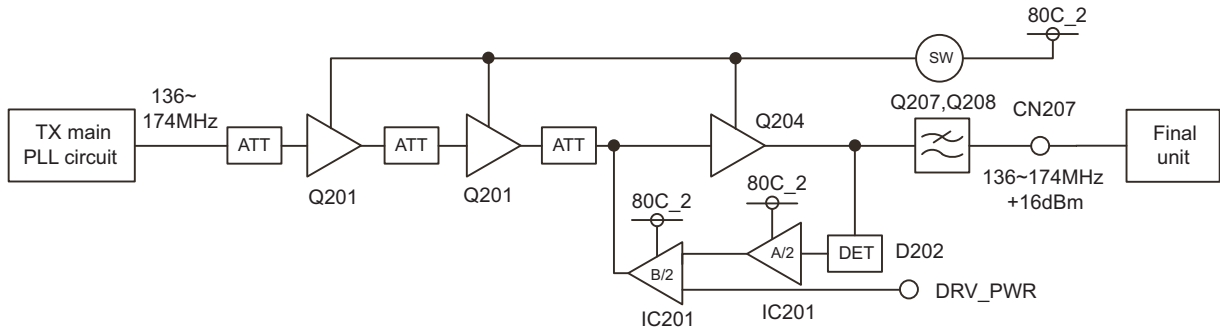


Fig.6 Driver circuit

2.6.2.7 Modulation level adjustment circuit

The level adjustment circuit adjusts the modulation signal level to provide the required level of modulation. This circuit consists of IC101, IC302, IC801.

The modulation audio signal comes from the Control Unit (XC1-064) through CN722 pin1.

IC801 is an electronic volume control IC. Deviation of Transmitter main VCO and 16.8MHz modulation PLL is adjusted by IC801.

Subaudible modulation signal is fed to 16.8MHz modulation PLL. IC302 is an inverting amplifier of the modulating signal, and inverting amplifier of synthesizing the VCXO (X301) control voltage and modulating signal.

Audible modulation signal is fed to transmitter main VCO. IC101 is a non-inverting amplification of modulating signal. And it add to TX_ASSIST voltage of IC102 output.

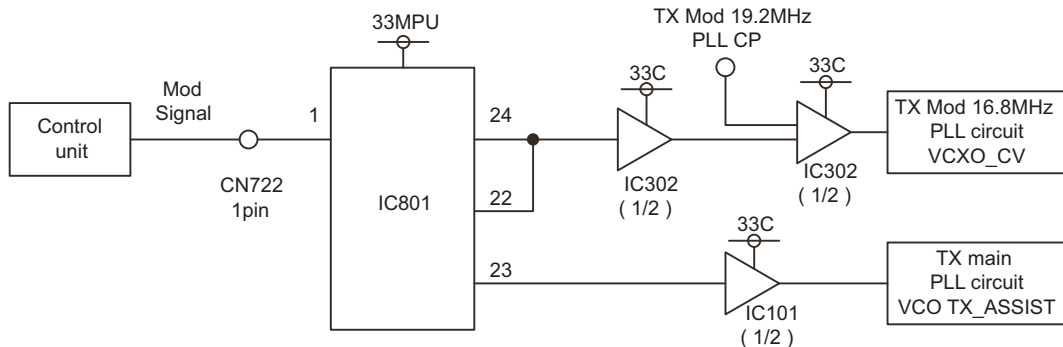


Fig.7 Modulation level adjustment circuit

2.6.2.8 AVR circuit

IC806, IC807, IC808, IC809, IC812 and IC813 are AVR ICs.

IC806 is DC/DC converter IC to produce 20V for VCO. The 20V power supply is filtered by Q101.

IC813 is used for optional OCXO unit.

IC608 and IC803 are voltage reference IC. IC803 is used for AD converter's voltage reference. IC608 is used for internal VCTCXO's frequency control DA converter's voltage reference.

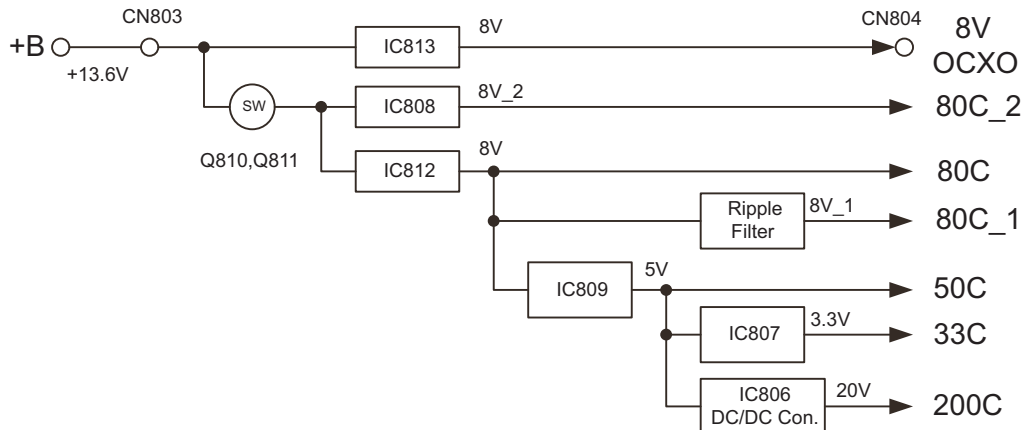


Fig.8 AVR circuit

2.6.2.9 Other circuits

IC810 is an EEPROM. IC810 keeps TX unit adjustment data.

IC811 is a temperature sensor. This temperature sensor is placed near 20MHz VCTCXO (X601), and measures the temperature of VCTCXO.

IC801 is an electronic volume control IC for TX and Final unit control.

IC802 is an I/O expander for TX and Final unit control.

IC804 is an A/D converter for TX and Final unit monitoring signals.

2.6.3 Final unit

The RF final amplifier unit amplifies the transmitter power to a specified level.

This unit consists of the following circuits:

- (1) Final power amplifier stage
- (2) Rf Power detector circuit
- (3) Filter circuit
- (4) APC circuit
- (5) High temperature detector circuit
- (6) FAN action control circuit
- (7) AVR circuit

2.6.3.1 Final power amplifier stage

RF signal from the TX unit is sent to the powermodule through 3dB attenuator.

The power module requires the 13.6V power source (+B), and the gate is controlled by APC circuit.

2.6.3.2 RF power detector circuit

The directional coupler circuit is a line for detecting forward wave and reflected wave. Forward wave is detected by D1,D9, and is converted into DC voltage.

If an abnormal antenna load is connected, reflected wave is detected by D10, D22 converted into DC voltage.

2.6.3.3 Filter circuit

This circuit removes harmonics from the transmitter output and sends filtered signals to the antenna.

This block is connected to the above-mentioned detection block only at the time of transmission by an antenna switch comprised of plural diodes (D11,D14,D15,D16,D19,D20).

2.6.3.4 APC circuit

The automatic transmission power control (APC) circuit controls output power according to control voltage and stabilizes the transmitter output power at a pre-determined level.

DC voltage from the detector circuit is amplified by IC4,IC5.

The forward detection output and the reflection detection output offset by "PRT_POW" are added by IC5.

Each detection voltage is sent to AD converter through IC400, and watched by MPU.

At the time of "Low Power", Q18 changes a gain of IC5 circuit.

When the amplitude is compressed in a process of the power limit adjustment, "RAMP" is supplied as "PWR_LIM".

Compression of the MAX power adjustment is work of E-VOL IC (IC801) of the TX unit.

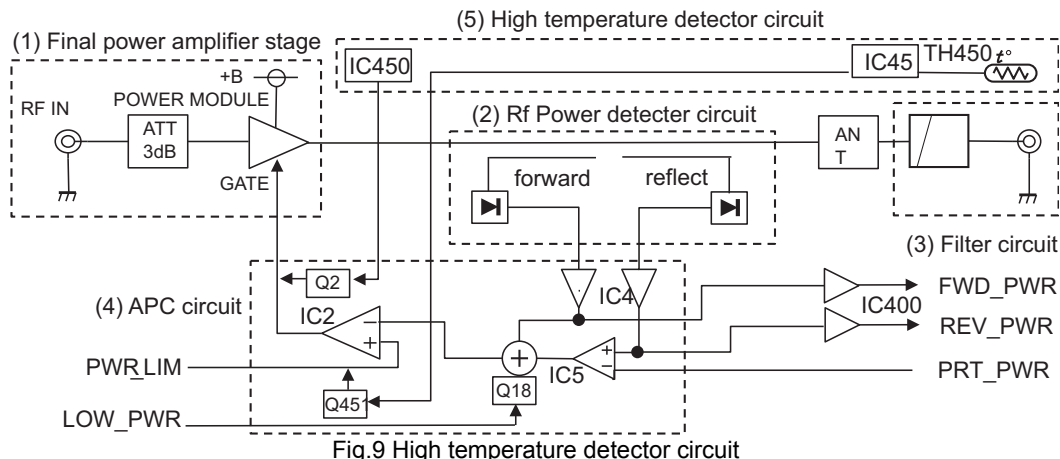
IC2 outputs a comparison between "PWR_LIM" and detection output result as a control signal of GATE.

2.6.3.5 High temperature detector circuit

To prevent thermal destruction of amplifier module, IC450 sensed temperature above a certain level, shut down the gate of the final module and notify MPU.

To prevent thermal destruction of filter circuit components.

IC451 which detected what TH450 became than setting temperature reduces an APC control signal and notify MPU.



2.6.3.6 FAN action control circuit

MPU controls start and the stop of FAN using the control terminal of the 10V regulator IC.

The rotary speed of FAN is controlled with PWM generated in IC802 of the TX unit.

To detect a rotary trouble of FAN, MPU watches the output of the circuit detecting a pulse output with the turn of the rotor.

MPU controls on/off/speed of FAN according to the temperature information by IC501.

2.6.3.7 AVR circuit

The 13.6V power source (+B) is provided through connector CN2 to the Final unit.

10V regulator starts supply of 10V from +B with a set of "FAN_ON" .

Only FAN uses this 10V.

8V regulator starts supply of 8V from +B with a set of "RF_B_ON" .

This 8V power source is supplied to detection block amplifier, APC block and antenna switch.

5V is made from this 8V by IC3.

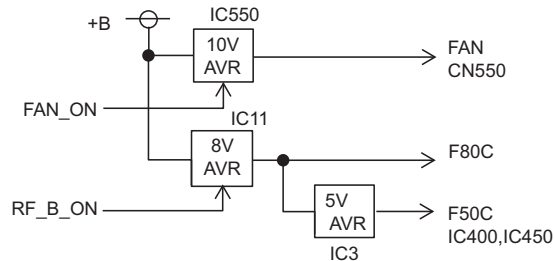


Fig.10 AVR circuit

2.6.4 Receiver unit

The receiver unit (XC1-066) consists of the following circuits:

- (1) Front-end circuit
- (2) 1st-Mixer circuit
- (3) 1st-IF circuits
- (4) 2nd-IF circuits
- (5) Receiver PLL circuits
- (6) AVR circuit
- (7) Other circuits

There are four modulating modes that can receiver demodulate, including Analog_Wide, Analog_Narrow, Digital_Narrow, and Digital_Very-Narrow.

2.6.4.1 Front-end circuit

The front-end circuit consists of former LPF, former BPF tuning Variable Capacitance Diodes (D422-D453), RF input limiter (D418,D419), RF Low Noise Amplifier (Q403), latter BPF tuning Variable Capacitance Diodes (D404-D415 and D454-D473). The BPF covers frequency ranges 136 to 174MHz.

The former LPF, former BPF, latter BPF, and latter LPF attenuate the unwanted signals and send only the necessary signal to the first mixer.

The collector current of LNA is monitored by the IC405 current detection circuit.

Detected DC voltage is input to ASIC (XC1-064 : IC200).

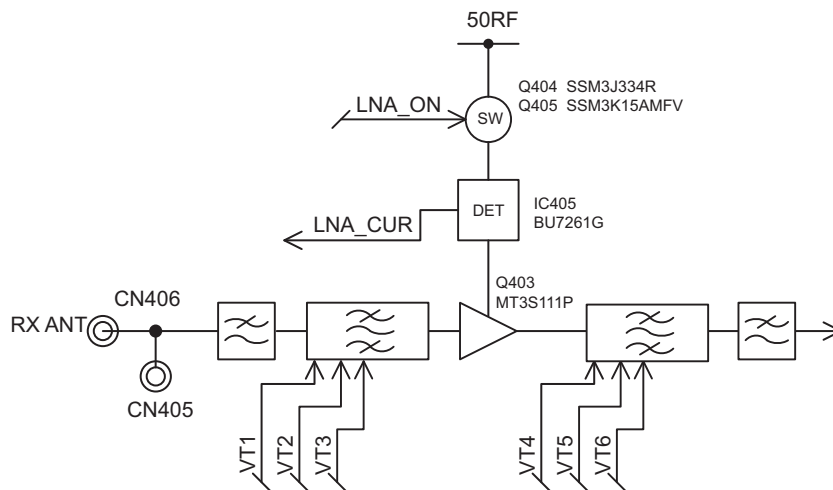


Fig.11 Front-end circuit

2.6.4.2 1st-Mixer circuit

The filtered signal from the front-end circuit is heterodyned with the first local oscillator signal from the PLL frequency synthesizer circuit at the first mixer (IC403) to become a 58.05 MHz first intermediate frequency (IF) signal.

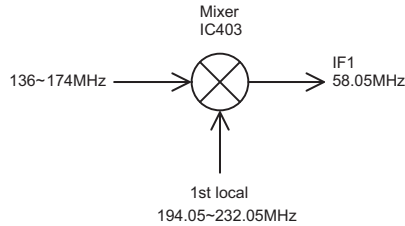


Fig.12 1st-Mixer circuit

2.6.4.3 1st-IF circuits

The IF1 signal produced by the 1st-Mixer circuit is transmitted through either one of two 1st-IF circuits with different bandwidth. The signal passes through the WIDE band consisting of D601, D603, XF601, Q601, XF603, D613 and D615 only in Analog_Wide mode.

Meanwhile, the signal passes through the NARROW band consisting of D602, D604, XF602, Q602, XF604, D614 and D616 in Analog_Narrow, Digital_Narrow or Digital_Very-Narrow mode.

XF601 and XF602 is 2 pole and XF603 and XF604 are 4 pole Monolithic Crystal Filters (MCF). They are BPF for removing spurious noise occurring close to the desired signal. The DC switch consists of Q603 and Q604 switches the WIDE and NARROW bands of the 1st-IF circuits.

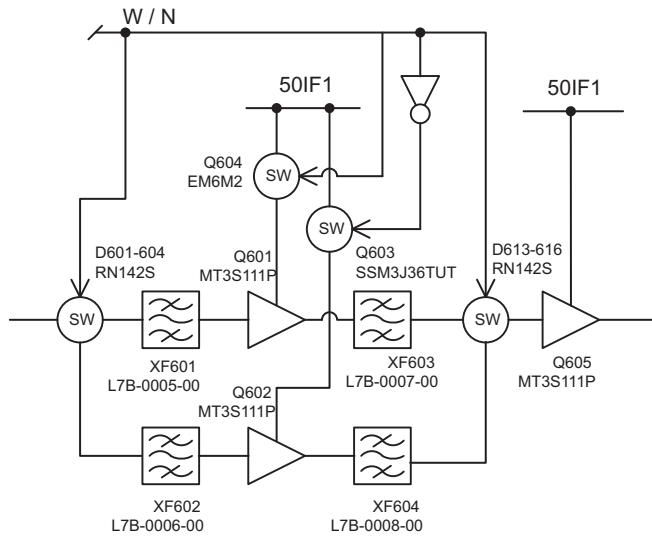


Fig.13 1st-IF circuits

2.6.4.4 2nd-IF circuits

Filtered first IF signal is amplified by the IF amplifier (Q605) and then applied to the IF system IC (IC601). IF system IC provides a second mixer, AGC amplifier, and RSSI (Received Signal Strength Indicator).

The second mixer mixes the first IF signal with the 57.6 MHz of second local oscillator output and produces the second IF signal of 450 kHz.

The second IF signal is passed through the ceramic filter to reject the adjacent channel signal.

It passes through IC603, CF601, IC604, CF605 and IC609, if the modulation mode is Analog_Wide.

It passes through IC603, IC602, CF602, IC605, CF606 and IC610, if the modulation mode is Analog_Narrow and NXDN Narrow.

It passes through IC603, IC602, CF603, IC606 and IC610, if the modulation mode is NXDN Verry-Narrow.

Filtered second IF signal is amplified by the IF system IC IC601.

The signal from IF system IC IC601 is processed by the MPU which is in the Control unit (XC1-064).

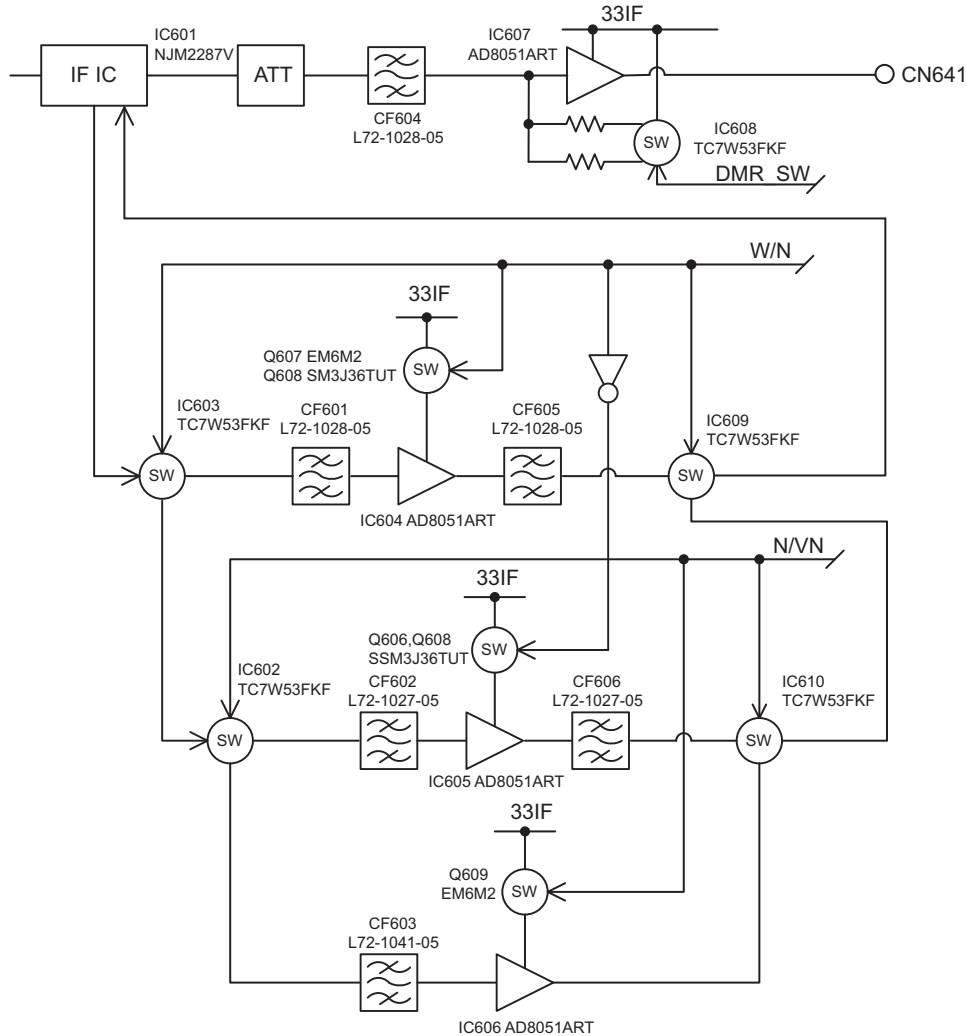


Fig.14 2nd-IF circuits

2.6.4.5 Receiver PLL circuits

The receiver unit (XC1-066) has the PLL circuit for controlling the VCO that generates the hetero signal to the first local oscillator. The first local circuit consists of the VCO (Q205, Q206 and Q207) the Buffer amplifier (Q201 and Q202), the RF amplifiers (Q215), the PLL-IC (IC203), the Passive loop filters (C307, C298, R279, R277 and C290) and the Band switches (Q203, Q204, Q209, Q210 and Q211).

The VCO output with the frequency synchronized is input to the first Mixer as the first local oscillator Upper hetero signal approximately -4dBm via Q401. The control voltage is input to ASIC (XC1-064 : IC200) via IC201.

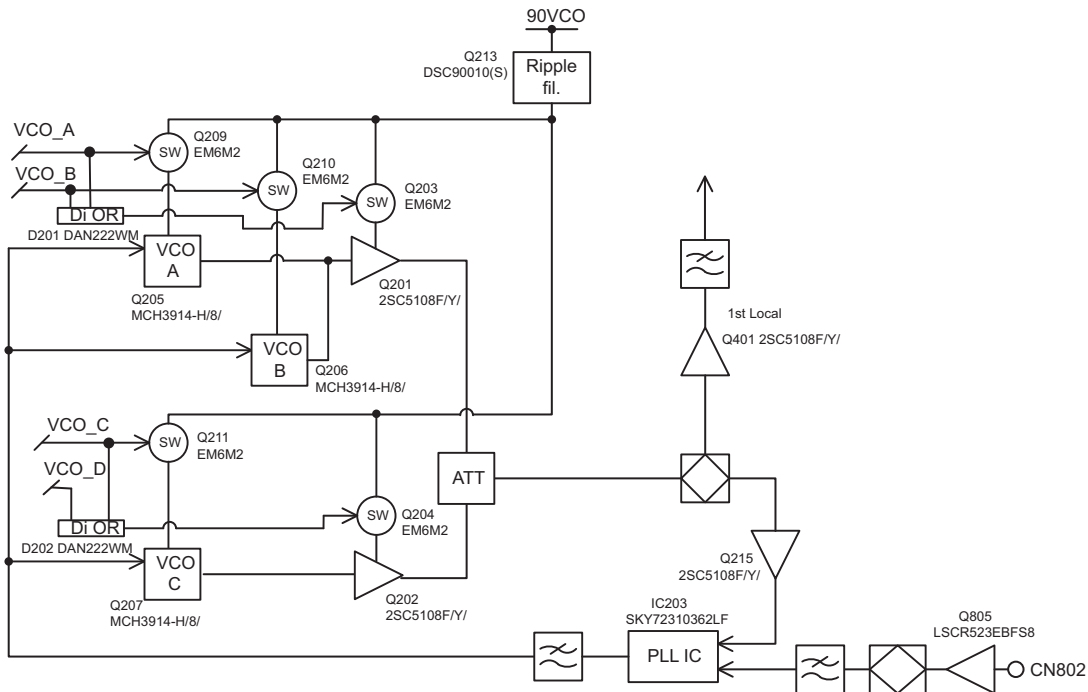


Fig.15 Receiver PLL circuits

2.6.4.6 AVR circuit

The power supply voltage supplied from the DC unit (XC3-016 C/5) is distributed from the receiver unit (XC1-066) CN1 to IC1 (5V), IC2 (5V), IC3 (5V), IC4 (5V) and IC5 (9V) via the Q2 DC switch.

The output of IC1 is supplied to the LNA, the 1st-Mixer and the 1st-LO amplifier via the Q405 DC switch.

The output of IC2 is supplied to the 1st-IF amplifier.

The output of IC3 is supplied to the RSSI amplifier and the AGC voltage amplifier and IC6 (3.3V AVR).

The output of IC6 is supplied to the 2nd-IF system.

The output of IC4 is supplied to the PLL system, the 2nd-Local amplifier and IC7 (3.3V AVR).

The output of IC7 is supplied to the PLL IC and the serial clock/data buffer amplifier.

The output of IC5 is supplied to the VCOs and IC8 (20V DC to DC boost converter).

The output of IC8 is supplied to the Assist circuit and the BPF.

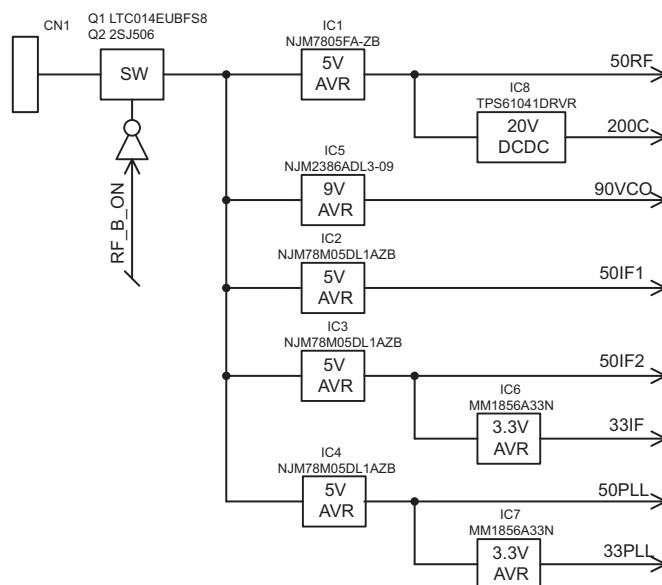


Fig.16 AVR circuit

2.6.4.7 Other circuits

Other circuits include the EEPROM (IC11), the temperature sensor IC (IC9), the DAC (IC10 and IC11) and I/O expander (IC14).

IC11 saves various adjustment values of the receiver unit.

IC9 is built-in for detecting changes in temperature.

IC10 offsets the RSSI voltage (pin 23) (detected by the IF system IC (IC601) and IF AGC gain adjust (pin 7).

IC12 control the Front end BPF.

IC14 monitors the unlock signal, and controls the select signal for the VCO (pin 19, 20 and 21), the IF filter (pin 17 and 18) and 2nd IF level (pin 25).

The signal is processed by the MPU which is in the Control unit (XC1-064).

2.6.5 Control Circuit

2.6.5.1 MPU

2.6.5.1.1 MPU (IC901)

The MPU (IC901) AM3352 microprocessor, based on the ARM Cortex-A8 32-bit RISC processor up to 1GHz , contains various peripheral functions.

And it control DDR3 memory , NAND Flash memory , Ethernet , USB , etc .

2.6.5.1.2 MPU (IC200)

The MPU (IC200) is a 32bit RISC processor, equipped with a peripheral function and ADC/DAC. This MPU operates at a 18.432MHz clock and 3.3V/1.5V DC.

It controls the two flash memory, SRAM, DSP, receive circuit, transmitter circuit, and control circuit.

2.6.5.2 Memory Circuit

NXR-5700 consist of five types of memory IC.

The AM3352 control DDR3 memory, NAND Flash memory, Serial NOR Flash memory and EEPROM.

ASIC control SRAM (IC392) and two Parallel NOR Flash memory (IC390 and IC391).

2.6.5.2.1 DDR3 memory

The MPU has DDR3 controller up to 400MHz.

IC791 is a 2G-bits DDR3 SDRAM, organized as 16M x16bits x 8banks.

DDR3 memory is used for system memory and work memory for program execution of the MPU(IC901).

2.6.5.2.2 NAND Flash memory

The AM3352 has NAND Flash controller support with up to 16 bits ECC.

IC830 is a 2G-bits NAND Flash memory, organized as 2k Bytes per page x 128k Blocks x 8bits . ECC is required 4bits per 512Bytes.

NAND Flash memory is used for program memory of the MPU(IC901).

2.6.5.2.3 Serial NOR Flash memory

Serial NOR Flash memory has SPI interface controlled by the MPU(IC901).

IC790 is a 512M bits Serial NOR Flash memory that use for storage of data logging.

2.6.5.2.4 EEPROM

The MPU(IC901) has four EEPROM controlled by I2C BUS that built in receiver unit, transmitter unit and Final unit.

The EEPROM are used for memory of alignment value for RF circuit.

2.6.5.2.5 Parallel NOR Flash memory (IC390)

The flash memory capacity of 32Mbit that contains the transceiver control program for the MPU(IC200) (firmware program) and stores the data.

2.6.5.2.6 Parallel NOR Flash memory (IC391)

The flash memory stores the data that is written by the FPU, tuning data (Deviation, Squelch, etc.), transceiver channels and operating parameters.

And this program can be easily written from external devices.

2.6.5.2.7 SRAM (static memory)

The SRAM has a capacity of 2Mbit that contains temporary data area and work area.

When the power supply is off, it is backed up by an internal secondary lithium battery. Therefore, the saved data is not lost.

2.6.5.3 LAN interface

NXR-5700 is equipped with a 100Base-TX or 10BaseT LAN interface.

This circuit consists of IC860 and J860.

IC860 is a control IC and J860 is LAN Connector.

IC860 is controlled by MPU (IC901). And MAC address is saved in Serial NOR Flash memory (IC790).

2.6.5.4 DSP

The DSP circuit consists of a DSP (IC150) and processes the base band signal. The DSP operates on an external clock of 18.432MHz (the same as the IC50), the I/O section operates at 3.3V and the core section operates at 1.6V. The DSP carries out the following processes:

■Digital Processing

- 4Level FSK and Baseband filter processing
- Vocoder processing between audio codec and modulation/demodulation
- CAI processing, such as error correction encoding/decoding and interleaving
- AFC loop control
- Frame synchronization and Time tracking
- Data scrambling

■Analog FM Processing

- Pre-emphasis/De-emphasis
- QT/DQT encoding/decoding
- DTMF encoding/decoding
- Compressor/Expander processing
- Voice scrambler processing

■Audio or Modulation function

- Transmit/Receive audio filtering processing
- Microphone amplifier AGC processing
- Audio soft mute processing
- Modulation level processing
- Squelch Filtering

■Other function

- Voting tone
- CWID
- Courtesy tone
- Repeater operating
- Analog/Digital Mixed mode

2.6.5.5 Frame transmitter and receiver circuit

J410 and J411 are connectors to synchronize with other repeaters. Differential rectangular wave 12.5Hz or 25Hz is input to and output from this connector for synchronizes multiple repeaters.

In the repeater system, any given repeater outputs synchronizing signal and synchronous signal is input to other remaining repeaters.

With regard to output of synchronous signal, frame signal generated by DSP (IC150) is differentially output by IC410.

With regard to input of synchronous signal, IC410 receives differential signal, and it is input to the interruption of DSP (IC150).

2.6.5.6 USB interface

NXR-5700 is equipped with a USB device function and supported USB2.0 at full speed.

This circuit consists of IC901 and J800.

IC901 is a MPU IC that contains the USB controller function. J800 is a USB-B connector on the front panel.

This function enables the configuration and firmware updates of repeaters from PC via USB.

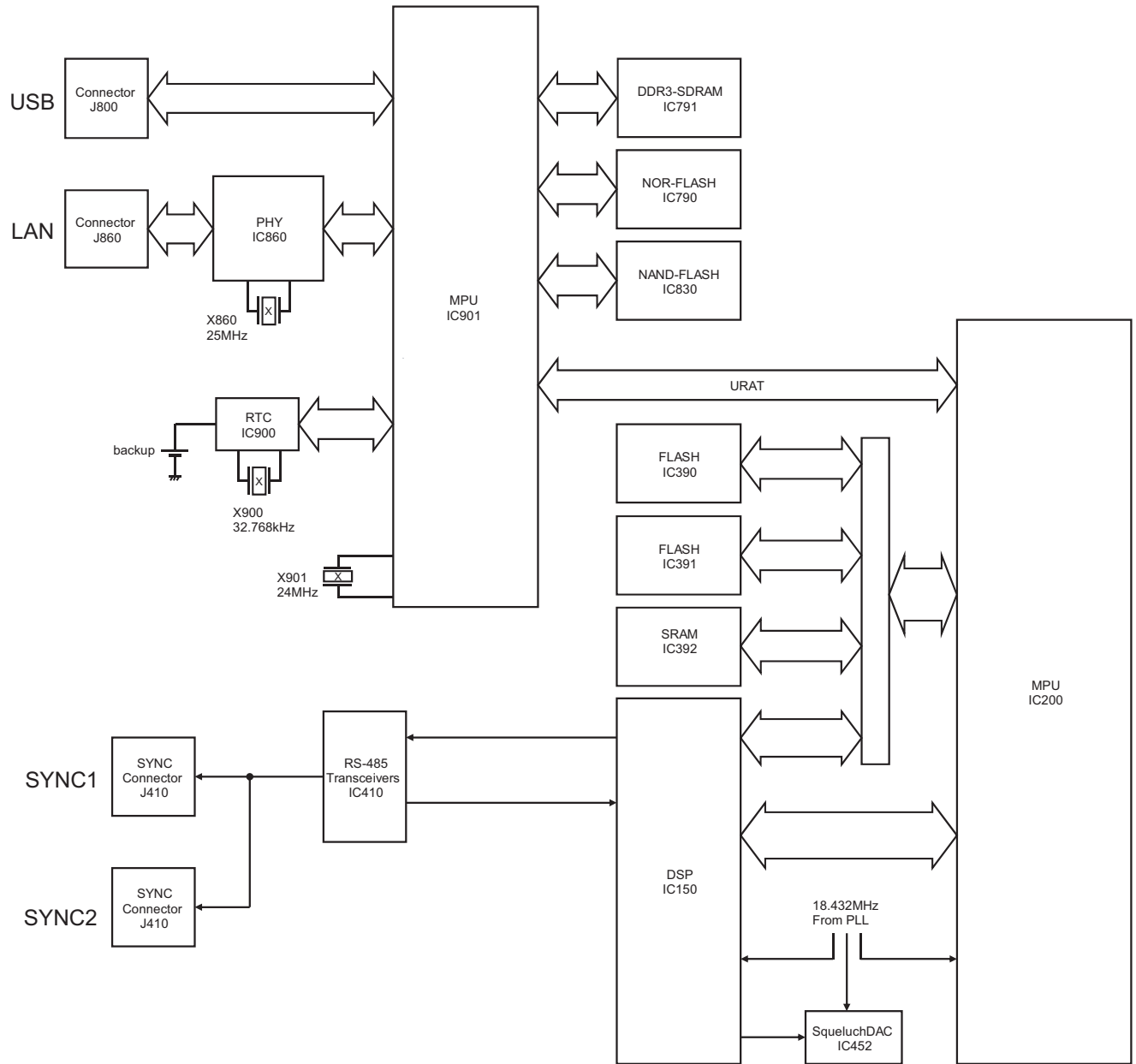


Fig.17 Control circuit

2.6.5.7 Power Supply and Reset Circuit

+B voltage is connected DC/DC converter IC (IC1), DC/DC converter IC (IC704), Voltage regulator IC (IC700), AMP switch (Q906) through the fuse (F530).

IC1 regulates +B voltage to 5V (50M).

PWRGD output of IC1 turns on the IC3, IC4, IC5, IC6 and IC10.

And, 50M provides the power to the panel unit LEDs and IC3, IC4, IC5, IC6 and IC10.

IC3 regulates 5V to 3.3V (33A). 33A provides the power to the Audio circuit blocks.

IC10 regulates 5V to 3.3V (33P). 33P provides the power to the PLL circuit blocks.

IC5 regulates 5V to 1.5V (15M). 15M provides the power to the MPU core (IC200).

IC6 regulates 5V to 1.6V (16D). 16D provides the power to the DSP core (IC150).

IC4 regulates 5V to 3.3V (33M). 33M provides the power to the MPU (IC200) and the DSP (IC150) and these peripheral blocks.

When 33M turn on, Voltage detector IC (IC8) is detected voltage up to 2.9V.

And IC8 output is /RST signal of IC200. This /RST signal is connected to the hardware reset pin of MPU (IC200).

MPU (IC200) will turn on the IC700 and IC704 outputs A8ON signal and A8RST signal.

IC700 regulates +B voltage to 3.3V (33BU). 33BU provides the power to the IC706 and the Q706.

IC706 regulates 3.3V to 1.8V (18RTC). 18RTC provides the power to the IC901 and the IC702.

A8RST signal turns on the Q706 via Q705. Q706 will switch to 33BU the power supply to the IC706 from the lithium-battery (CN706).

IC704 regulates +B voltage to 3.8V (38M). 38M provides the power to the IC701 and the IC750.

IC701 regulates 3.8V to 3.3V (33D). 33D provides the power to the MPU (IC901) and these peripheral blocks.

IC750 regulates 3.8V to many output and many kind of voltage output. IC750 have a multiple of LDO output and three DC / DC converter output, for IC901. However, one of the DC / DC converter in this is the 1.5V output (15DDR) for IC791.

In addition, VDD_MPU is DC / DC converter output, which is controlled voltage to 1.325V from 1.1V by the I2C communication of IC901. VDD_CORE is a DC / DC converter output of 1.1V fixed output.

IC750 will be turned on by PWRHOLD signal. Then, when all of the output is turned on IC750 outputs NRESPWRON, to generate a power-on reset signal of MPU (/PWRONRSTN).

After the power supply rises, IC200 controls the RF block and other power.

2.6.5.8 Power supply voltage monitoring circuit

This circuit always monitors the voltage of the +B.

IC7 is a voltage detect IC and is used to generate the /BiNT signal for the MPU (IC200). A /BiNT signal detects an under-voltage of the +B voltage.

This /BiNT signal is connected to the interrupt pin of MPU (IC200). The software of the MPU (IC200) runs to the sleep-mode to use the /BiNT signal.

IC906 is a voltage detect IC and is used to generate the /oVRB and /oVRB_2 signal. A /oVRB and /oVRB_2 signal detects an over-voltage of the +B voltage.

This /oVRB signal is connected to the interrupt pin of MPU (IC200). The software of the MPU (IC200) runs to the sleep-mode to use the /oVRB signal.

A /oVRB_2 protects IC707 from an overvoltage.

IC707, that, it'll be B_V_MoN signal at a buffer of the divided +B voltage. B_V_MoN signal is input to an A/D port in MPU (IC901), and the +B voltage is always monitored.

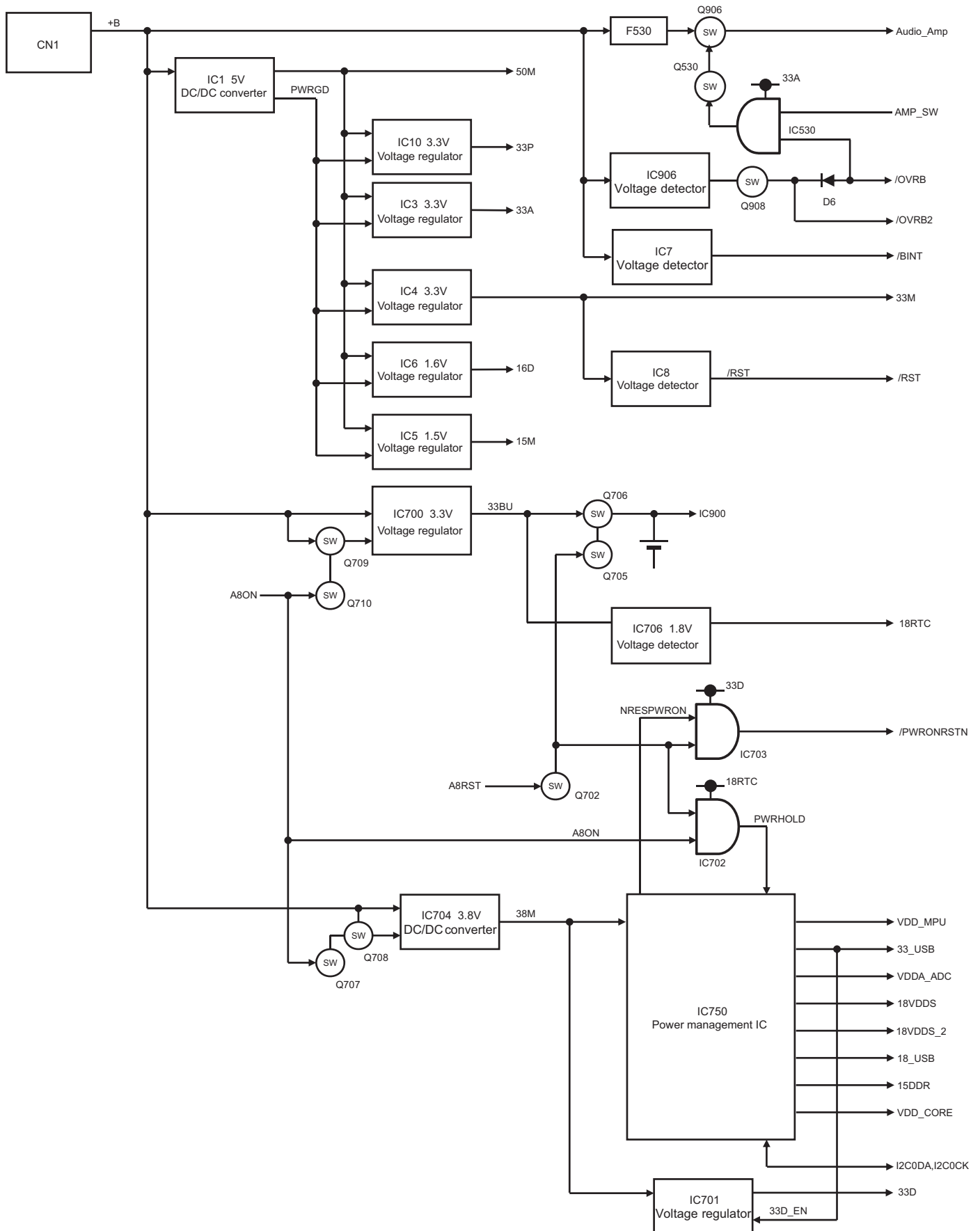


Fig.18 Power supply circuit

2.6.5.9 Temperature sensor

The temperature sensor (IC9) monitors temperature around CONTROL-UNIT.
The temperature is recorded for the NOR-FLASH memory (IC790).

2.6.5.10 Squelch circuit

The squelch circuit amplifies the demodulated noise signal from IC150 after filtering through the BPF circuit.
The processed digital noise signal is applied to CODEC IC452, and is converted from digital to analog.
The amplified signal is then converted to a DC signal by the detection circuit.
The converted signal is fed back to IC200

2.6.5.11 18.432MHz clock PLL circuit

The PLL circuit is installed in the control unit (XC1-064) for operating the IC150, IC200 and IC452.

The PLL circuit consists of X50 (18.432MHz), IC52, IC50, Q51 and Q55.

The purpose of this PLL circuit is to synchronize with the 19.2MHz reference signal controlled by the 10MHz OCXO or X601(20MHz divided),input external reference (10MHz) in transmitter unit.

Q55 is a 19.2MHz buffer amp signal input from the transmitter unit.

The signal from the transmitter unit is supplied to IC52 pin8 (reference signal input).

18.432MHz from X50 is buffered by IC50 and distributed to two routes.

One is amplified by Q51 and input to IC52 pin6 (RF signal input).

The other is supplied as a clock for IC150, IC200 and IC452.

IC52 compares the reference signal and RF signal and detects their phase errors.

This phase error signal is output from pin2 charge pump, passed through the LPF and is supplied to X50 voltage control pin.

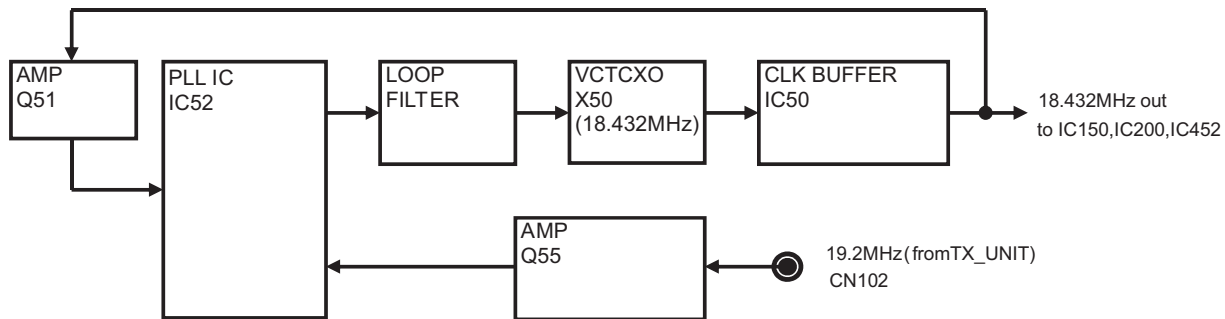


Fig.19 PLL circuit

2.6.5.12 Audio circuit

• Audio amplifier circuit

The audio amplifier circuit is located in the control section of the Control unit (XC1-064).

The 3W output audio power is available from the pin15 TEST/SPKR connector "SPO", "SPG" on the rear panel to the external speaker in the case of a power supply voltage of 13.6V and a 4Ω load.

• Microphone circuit

The signal from the microphone is passed through the AGC circuit located in the Display unit.

So that it may not saturate.

This circuit consists of IC908, Q909, Q910, D923 and D924.

The AGC control the amplifier gains using the detected audio signal depending on the positive and negative peaks of the signal amplitude.

The audio signal goes to the control section of the Control unit from the Display unit.

• Modulation circuit (Analog/Digital signal processing)

In the case of the Analog Signal Processing mode, the transmitting audio signal is amplified by IC252, input to the TX_MIC terminal of the MPU (IC200), and audio processed by DSP (IC150).

The processed audio signal from the MOD terminal of IC200 is passed through an anti-aliasing filter at IC250, and is then amplified to a sufficient level by IC250, and amplified by the summing (TD) amplifier.

The Digital Signal Processing mode is the same as the Analog Signal Processing mode.

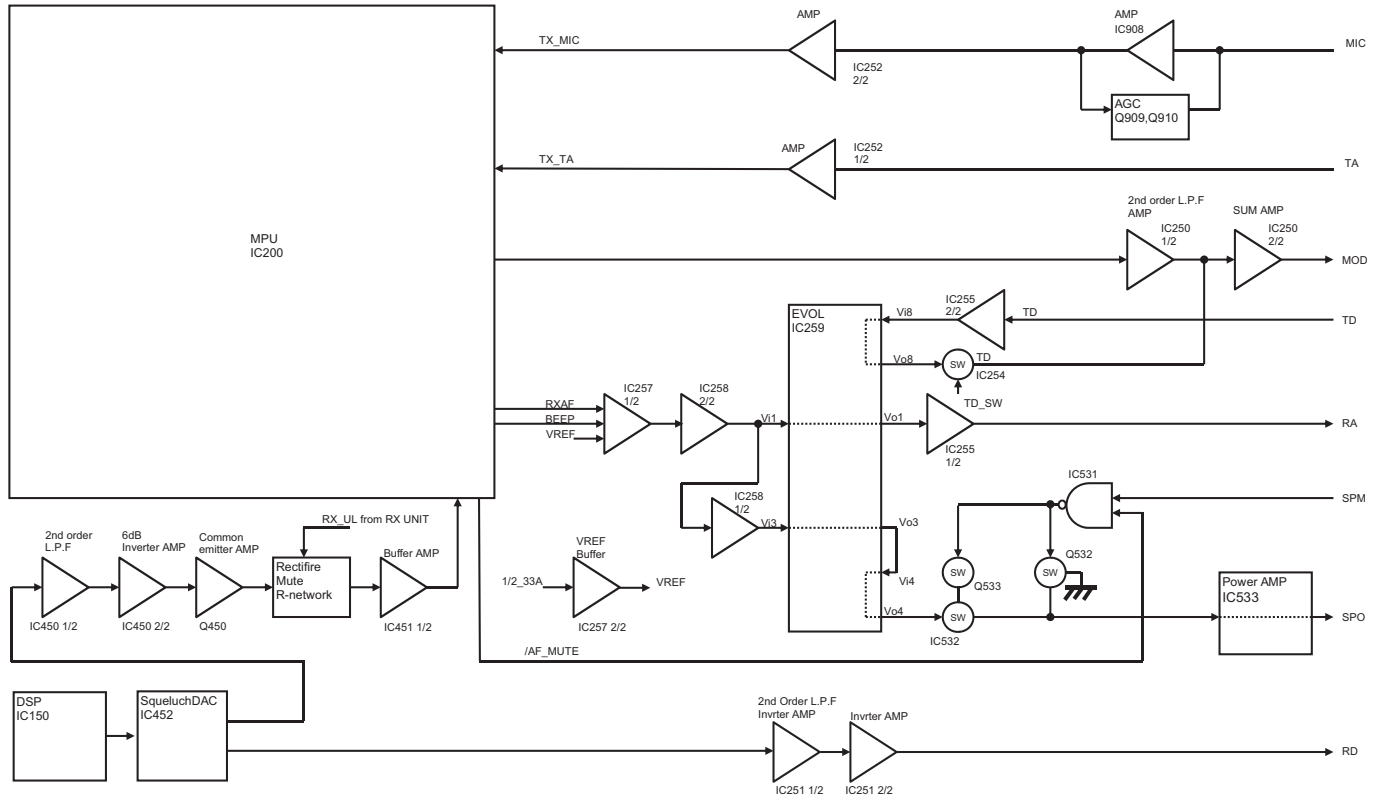


Fig.20 Audio and Squelch circuit

2.6.5.13 Real-time clock

The clock function is based on a real-time clock IC (IC900) and X900.

When the power supply is off, it is backed up by an internal secondary lithium battery.

2.6.5.14 Display Circuit

• Display circuit

The display circuit consists of various types of LEDs, 17-segment type D951 and D952, 8-bit status LEDs D925 to D932, and LEDs with built in switches S920 to S925.

LED for status display of a Power, TX, Busy, CTRL and OCXO is D901 to D910.

IC951 and IC952 are in charge of displaying present channels.

IC904 and IC907 are shift registers that convert the MPU serial data to parallel data and turn on LEDs.

• Key switches circuit

The logic signals from the front panel key and channel switches (channel selector) are entered directly into the MPU (IC200).

2.7 COMPONENTS DESCRIPTION

2.7.1 FINAL UNIT (XC3-0150-10)

Ref. No.	Part Name	Description
IC1, 2	IC	DC amplifier
IC3	IC	AVR
IC4, 5	IC	DC amplifier
IC10	IC	RF amplifier
IC11	IC	AVR
IC250	IC	Switching
IC400	IC	DC amplifier
IC450	IC	Temperature sensor

Ref. No.	Part Name	Description
IC451	IC	DC amplifier
IC500	IC	E2PROM
IC501	IC	Temperature sensor
IC550	IC	AVR
Q2	FET	Switching
Q4, 5	FET	Switching
Q18	FET	Switching
Q251	FET	Switching
Q450, 451	FET	Switching

Ref. No.	Part Name	Description
Q550, 551	FET	Switching
D1	Schottky diode	Detector
D3	Zener diode	Voltage limiting
D7	Zener diode	Voltage limiting
D9, 10	Schottky diode	Detector
D11	PIN diode	Switching
D14~16	PIN diode	Switching
D17	Diode	Surge absorber
D19, 20	PIN diode	Switching
D21	Diode	Surge absorber
D22	Schottky diode	Detector
D450	Zener diode	Voltage limiting
D550	Diode	Reverse protection
D700	Zener diode	Voltage limiting
D701	Diode	Surge absorber
D800~802	Diode	Surge absorber
D902	Diode	Surge absorber

2.7.2 CONTROL UNIT (XC1-0640-10)

Ref. No.	Part Name	Description
IC1	IC	DC/DC converter
IC3~8	IC	Voltage regulator
IC9	IC	Temperature sensor
IC10	IC	Voltage regulator
IC50	IC	Clock buffer
IC51	IC	Buffer amplifier
IC52	IC	18.432MHz PLL
IC150	IC	DSP
IC200	IC	MPU
IC201	IC	AND gate
IC202, 203	IC	Decoder
IC250~253	IC	AF amplifier
IC254	IC	Analog switch
IC255~258	IC	AF amplifier
IC259	IC	D/A Converter
IC390, 391	IC	Flash memory
IC392	IC	SRAM
IC410	IC	RS-485 transceivers
IC411~413	IC	Buffer
IC450, 451	IC	AF amplifier
IC452	IC	CODEC
IC500	IC	Level shifter
IC501	IC	RS-232 transceivers
IC502	IC	I/O Expander
IC503, 504	IC	Level shifter
IC530	IC	AND gate
IC531	IC	NAND gate

Ref. No.	Part Name	Description
IC532	IC	Analog switch
IC533	IC	Power amplifier
IC700, 701	IC	Voltage regulator
IC702, 703	IC	AND gate
IC704	IC	DC/DC converter
IC706	IC	Voltage regulator
IC707	IC	OP amplifier
IC750	IC	Power management IC
IC790	IC	Serial NOR Flash memory
IC791	IC	DDR3 SDRAM
IC830	IC	NAND Flash memory
IC860	IC	Ethernet transceiver
IC861, 862	IC	Buffer
IC900	IC	RTC
IC901	IC	MPU
IC902~905	IC	Buffer
IC906	IC	Voltage detector
Q1	Transistor	DC switch
Q5, 6	FET	DC switch
Q51	Transistor	Buffer amplifier
Q53	Transistor	DC switch
Q54	FET	DC switch
Q55	Transistor	Buffer amplifier
Q340~344	Transistor	DC switch
Q410	Transistor	Power switch
Q411	FET	DC switch
Q450	Transistor	Buffer amplifier
Q530	Transistor	DC switch
Q532	Transistor	Mute switch
Q533, 534	Transistor	DC switch
Q702	FET	DC switch
Q705	FET	DC switch
Q706	Transistor	Power switch
Q707~712	Transistor	DC switch
Q830	Transistor	DC switch
Q906	FET	Power switch
Q907, 908	Transistor	DC switch
D1	Diode	DC/DC converter
D6	Diode	Diode switch
D320	Varistor	Current protector
D340	Diode	Surge protector
D341	Zener Diode	Surge protector
D344	Diode	Surge protector
D345	Zener Diode	Surge protector
D349, 350	Diode	Surge protector
D351	Zener Diode	Surge protector

Ref. No.	Part Name	Description
D352	Diode	Surge protector
D353	Zener Diode	Surge protector
D354	Diode	Surge protector
D355	Zener Diode	Surge protector
D356	Varistor	Curennt protector
D450, 451	Diode	Detector
D550~564	Diode	Surge protector
D701~703	Diode	Diode switch
D704	Diode	DC/DC converter
D832	Varistor	Surge protector
D833, 834	Zener Diode	Surge protector
D860~864	Varistor	Surge protector
D865	Diode	Reverse current protector
D866, 867	Varistor	Surge protector
D901	Diode	Diode switch
D902~905	Varistor	Surge protector

2.7.3 TX UNIT (XC1-0650-10)

Ref. No.	Part Name	Description
IC101	IC	Audio amplifier
IC102, 103	IC	DC amplifier
IC104	IC	PLL IC
IC201	IC	DC amplifier
IC301	IC	PLL IC
IC302	IC	Audio amplifier
IC303	IC	DC amplifier
IC401	IC	DC amplifier
IC402	IC	PLL IC
IC501~504	IC	DC amplifier
IC505	IC	RF amplifier
IC601	IC	RF amplifier
IC602	IC	1/2 divider
IC603	IC	DC amplifier
IC604	IC	RF amplifier
IC605, 606	IC	DC amplifier
IC607	IC	D/A converter
IC608	IC	Voltage reference
IC721~725	IC	BUS buffer
IC726	IC	Schmidt trigger buffer
IC727	IC	BUS buffer
IC728	IC	DC amplifier
IC801	IC	D/A converter
IC802	IC	I/O expander
IC803	IC	Voltage reference
IC804	IC	A/D converter
IC805	IC	BUS buffer
IC806	IC	DC/DC converter

Ref. No.	Part Name	Description
IC807~809	IC	AVR
IC810	IC	E2PROM
IC811	IC	Temperature sensor
IC812, 813	IC	AVR
IC901~903	IC	BUS buffer
IC904~907	IC	Shift register
IC908	IC	Audio amplifier
IC951, 952	IC	Shift register
Q101, 102	Transistor	Ripple filter
Q103	FET	Switching
Q105, 106	Transistor	Switching
Q107, 108	FET	Oscillator
Q109, 110	Transistor	RF amplifier
Q201, 202	Transistor	RF amplifier
Q203	FET	Switching
Q204	FET	RF amplifier
Q207, 208	FET	Switching
Q301	FET	Switching
Q302	Transistor	Switching
Q303	FET	Switching
Q304, 305	Transistor	RF amplifier
Q306	FET	Switching
Q402~404	Transistor	RF amplifier
Q405~407	FET	Switching
Q408	Transistor	Switching
Q409	FET	Switching
Q410, 411	Transistor	RF amplifier
Q412	FET	Switching
Q501, 502	FET	Switching
Q503, 504	FET	RF amplifier
Q505, 506	FET	Switching
Q507, 508	Transistor	RF amplifier
Q509	FET	Switching
Q510	Transistor	RF amplifier
Q511~515	FET	Switching
Q601	FET	Switching
Q602	Transistor	RF amplifier
Q603, 604	FET	Switching
Q605, 606	FET	RF amplifier
Q607, 608	FET	Switching
Q609	FET	RF amplifier
Q610, 611	FET	Switching
Q721, 722	FET	Switching
Q724	Transistor	Switching
Q802, 803	Transistor	Switching
Q805~808	Transistor	Switching

Ref. No.	Part Name	Description
Q810	FET	Switching
Q811	Transistor	Switching
Q901	FET	Switching
Q902	Transistor	Switching
Q903	FET	Switching
Q904, 905	Transistor	Switching
Q906	FET	Switching
Q907~910	Transistor	Switching
D101	LED	TX PLL lock/unlock display
D103	Diode	Switching
D104~113	Vari-cap diode	VCO Frequency control
D201	Zener diode	Limit the RF detect voltage
D202	Schottky diode	RF detection
D205	LED	TX/RX state display
D301	LED	MOD PLL lock/unlock display
D401	LED	REF PLL lock/unlock display
D501, 502	Diode	Switching
D503, 504	Schottky diode	RF detection
D507	Schottky diode	RF detection
D508	Diode	Switching
D509, 510	Zener diode	Limit the RF detect voltage
D511	Diode	Surge absorber
D601~606	Diode	Switching
D607	Schottky diode	RF detection
D608~611	Diode	Switching
D612	Schottky diode	RF detection
D613, 614	Zener diode	Limit the RF detect voltage
D615	Diode	Surge absorber
D801	Schottky diode	Switching
D901~903	LED	BUSY display
D904	LED	TX display
D905, 906	LED	PWR display
D907	LED	CONT display
D908~910	LED	OCXO display
D911~918	LED	STATUS display
D919	Diode	Surge protection
D921	Diode	Surge protection
D923, 924	Schottky diode	Audio signal detection
D951, 952	LED	17-segment LED

2.7.4 RX UNIT (XC1-0660-10)

Ref. No.	Part Name	Description
IC1~7	IC	AVR
IC8	IC	DC/DC converter
IC9	IC	Temperature sensor
IC10	IC	D/A Converter
IC11	IC	E2PROM

Ref. No.	Part Name	Description
IC12	IC	D/A Converter
IC13	IC	BUS buffer
IC14	IC	I/O expander
IC15	IC	BUS buffer
IC201, 202	IC	DC amplifier
IC203	IC	PLL IC
IC402	IC	DC amplifier
IC403	IC	Mixer
IC404~407	IC	DC amplifier
IC601	IC	IF system IC
IC602, 603	IC	Switching
IC604~607	IC	IF amplifier
IC608~610	IC	Switching
IC801~803	IC	DC amplifier
Q1	Transistor	Switching
Q2	FET	Switching
Q201, 202	Transistor	RF amplifier
Q203, 204	FET	Switching
Q205~207	FET	Oscillator
Q209~211	FET	Switching
Q213	Transistor	Ripple filter
Q215	Transistor	RF amplifier
Q216, 217	Transistor	DC amplifier
Q401	Transistor	RF amplifier
Q403	Transistor	RF amplifier
Q404, 405	FET	Switching
Q406	Transistor	Ripple filter
Q601, 602	Transistor	RF amplifier
Q603, 604	FET	Switching
Q605	Transistor	RF amplifier
Q606~611	FET	Switching
Q801, 802	FET	Switching
Q803	Transistor	RF amplifier
Q805	Transistor	RF amplifier
D1	Schottky diode	Switching
D201, 202	Diode	Switching
D203~208	Vari-cap diode	VCO Frequency control
D211~213	Vari-cap diode	VCO Frequency control
D215~217	Vari-cap diode	VCO Frequency control
D219	Schottky diode	Switching
D221	LED	PLL lock/unlock display
D222	Zener diode	Voltage regulation
D404~415	Vari-cap diode	BPF tuning
D418, 419	Diode	Limit the RF input power
D422~473	Vari-cap diode	BPF tuning
D601~604	Diode	Switching

Ref. No.	Part Name	Description
D605~612	Diode	Limit the RF input power
D613~616	Diode	Switching
D701, 702	Diode	Limit the IF power

2.8 TERMINAL FUNCTION

2.8.1 Final Unit (XC3-0150-10) (A/5)

Pin No.	Name	I/O	Function
CN1 (To TX ANT BNC Receptacle)			
1	RF_IN	I	Drive power input
CN2 (To Final Unit XC3-015 C/5 CN705)			
1	+B	I	Power supply input
CN19 (To RX Unit XC1-066 CN405:OPTIONAL)			
1	RX	O	Switched RX signal to RX unit (For simplex operation with single antenna)
CN20 (To TX Unit XC1-065 A/3 CN723)			
1	TEMP_PRT	O	Alarm signal which detects the abnormal final unit temperature
2	GND	-	Ground
3	CAP_TEMP	O	Monitor of LPF capacitors temperature
4	GND	-	Ground
5	FWD_PWR	O	Forward power monitor
6	FI_VER_0	O	Final unit H/W version detection
7	REV_PWR	O	Reverse power monitor
8	FI_VER_1	O	Final unit H/W version detection
9	PA_CUR	O	Monitor of the voltage which detects current consumption of PA module
10	MID_PWR	I	Gain setting for APC loop at mid power
11	PWR_LIM	I	Maximum output power limiter signal
12	LOW_PWR	I	Gain setting for APC loop at low power
13	PRT_PWR	I	PA protection power level setting
14	GND	-	Ground
15	RAMP	I	RF power control voltage
16	GND	-	Ground
17	GND	-	Ground
18	LOCK_DET	O	Detect FAN rotation lock
19	GND	-	Ground
20	FAN_ON	I	FAN power supply control signal
21	GND	-	Ground
22	FAN_PWM	I	PWM signal to define the number of FAN rotation
23	NC	-	No connection
24	33MPU	I	3.3V power supply
25	NC	-	No connection

Pin No.	Name	I/O	Function
26	I2CCK	I	I2C clock
27	33D	I	3.3V power supply
28	I2CDA	I/O	I2C data
29	/EWP	I	EEPROM write control signal
30	GND	-	Ground
31	I2CDA2	I/O	I2C data2
32	GND	-	Ground
33	I2CCK2	I	I2C clock2
34	GND	-	Ground
35	/RF_B_ON	I	RF +B switch control signal
36	ANT_SW	I	ANT switch control
CN21 (To Final Unit XC3-015 C/5 CN706)			
1	GND	-	Ground
CN550 (To FAN)			
1	FAN_B	O	Switched power supply for FAN
2	GND	-	Ground
3	L_PULSE	I	FAN lock detection pulse
4	/FAN_PWM	O	PWM signal to define the number of FAN rotation

2.8.2 Final Unit (XC3-0150-10) (C/5)

Pin No.	Name	I/O	Function
CN702 (To Control Unit XC1-064 CN1)			
1	GND	-	Ground
2	GND	-	Ground
3	+B	O	Power supply
4	+B	O	Power supply
CN703 (To TX Unit XC1-065 A/3 CN137)			
1	GND	-	Ground
2	+B	O	Power supply
3	+B	O	Power supply
CN704 (To RX Unit XC1-066 CN1)			
1	GND	-	Ground
2	+B	O	Power supply
3	+B	O	Power supply

2.8.3 Final Unit (XC3-0150-10) (D/5)

Pin No.	Name	I/O	Function
CN800 (To Control Unit XC1-064 CN830)			
1	VBUS	O	USB VBUS(5V) output
2	D+	I/O	USB Data plus
3	D-	I/O	USB Data minus
4	GND	-	USB Ground

2.8.4 Final Unit (XC3-0150-10) (E/5)

Pin No.	Name	I/O	Function
CN905 (To TX Unit XC1-065 C/3 CN903)			
1	VOLUME_IN	O	Volume control for AF signal
2	33MPU	I	3.3V power supply
3	GND	-	Ground
4	NC	-	No connection
5	+B	I	Power supply input
6	NC	-	No connection
7	GND	-	Ground
8	/PTT	O	PTT signal
9	HOOK	O	Hook detection input
10	MIG	-	MIC Ground
11	MIC	O	MIC signal

2.8.5 Control Unit (XC1-0640-10)

Pin No.	Name	I/O	Function
CN1 (To Final Unit XC3-015 C/5 CN702)			
1	+B	I	13.6V power supply
2	+B	I	13.6V power supply
3	GND	-	Ground
4	GND	-	Ground
CN100 (To RX Unit XC1-066 CN7)			
1	GND	-	Ground
2	SPSCLK0	O	SPI0 clock
3	GND	-	Ground
4	SPSD0	O	SPI0 data out
5	GND	-	Ground
6	RF_B_ON	O	RF +B switch control signal
7	33M	O	3.3V power supply
8	/IO_RST	O	Reset signal of IO Expander(ALL)
9	/RXIOINT	I	Interrupt signal of IO Expander(RX)
10	/RXPCS	O	RX PLL chip select signal
11	GND	-	Ground
12	/EVRXCS1	O	RX EVOL chip select signal
13	/EVRXCS2	O	RX EVOL2 chip select signal
14	I2CCK	O	I2C clock
15	GND	-	Ground

Pin No.	Name	I/O	Function
16	I2CDA	I/O	I2C data
17	GND	-	Ground
18	I2CCK2	O	I2C clock2
19	GND	-	Ground
20	I2CDA2	I/O	I2C data2
21	/EWP	O	EEPROM write control signal
22	33D	O	3.3V power supply
23	LNA_ON	O	LNA switch control signal
24	GND	-	Ground
25	RXASSIST	O	RX PLL assist voltage
26	ASTSW_RX	O	RX PLL assist control signal
27	RX_UL	I	RX PLL unlock detect signal
28	RSSI	I	RSSI voltage
29	DET0	I	RF input status voltage
30	LNA_CUR	I	LNA current detect signal
31	RX_CV	I	RX VCO lock voltage
32	GND	-	Ground
33	MIX STAT(NC)	-	No connection
34	EXT_RSSI	I	External RSSI voltage
35	AGC	O	Auto gain control voltage
36	GND	-	Ground
CN101 (To Tx Unit XC1-065 A/3 CN722)			
1	/OC_VE_EN	O	Serial data enable signal to potentiometer of OCXO unit
2	GND	-	Ground
3	RAMP	O	RF power control voltage
4	GND	-	Ground
5	OC_CURR	I	Monitor of the voltage which detects current of OCXO unit
6	I2CDA	I/O	I2C data
7	GND	-	Ground
8	I2CCK	O	I2C clock
9	ANT_SW	O	ANT switch control
10	33M	O	3.3V power supply
11	/IO_RST	O	Reset signal of IO Expander(ALL)
12	/TXIOINT	I	Interrupt signal of IO Expander(TX)
13	/MODPCS	O	MOD PLL chip select signal
14	/REFPCS	O	REF PLL chip select signal
15	GND	-	Ground
16	/EVTXCS	O	TX EVOL chip select signal
17	/TXPCS	O	TX PLL chip select signal
18	/DACCS	O	DA converter chip select signal
19	/ADCCS	O	AD converter chip select signal
20	I2CDA2	I/O	I2C data2
21	GND	-	Ground

Pin No.	Name	I/O	Function
22	I2CCK2	O	I2C clock2
23	/EWP	O	EEPROM write control signal
24	33D	O	3.3V power supply
25	ASTSW_TX	O	TX PLL assist control signal
26	8TC	O	8V power supply control
27	TX_CV	I	TX VCO lock voltage
28	TXASSIST	O	TX PLL assist voltage
29	SPS11	I	SPI1 data in
30	GND	-	Ground
31	SPSCLK1	O	SPI1 clock
32	/LDAC	I	Simultaneous update of DAC outputs
33	SPSD1	O	SPI1 data out
34	RF_B_ON	O	RF +B switch control signal
35	GND	-	Ground
36	MOD	O	Audio signal for TX modulation
CN102 (To Tx Unit XC1-065 A/3 CN405)			
1	CONT_REF	I	19.2MHz Reference Signal
2	GND	-	Ground
CN103 (To Rx Unit XC1-066 CN641)			
1	IF_SIG	I	450kHz IF Signal
2	GND	-	Ground
CN310 (To Tx Unit XC1-065 B/3 CN902)			
1	50MPU	O	5.0V power supply
2	50MPU	O	5.0V power supply
3	50MPU	O	5.0V power supply
4	50MPU	O	5.0V power supply
5	GUARD	-	Guard
6	GND	-	Ground
7	K5	O	Key scan output
8	K4	O	Key scan output
9	33MPU	O	3.3V power supply
10	33MPU	O	3.3V power supply
11	K3	I	Key scan input
12	K2	I	Key scan input
13	K1	I	Key scan input
14	GND	-	Ground
15	/LED_LAT	O	LED data latch signal
16	GND	-	Ground
17	LED_DAT	O	LED data out
18	GND	-	Ground
19	LED_CLK	O	LED clock out
20	GND	-	Ground
21	/LED_oE	O	LED output enable signal
22	GND	-	Ground
23	LED_PWM	O	LED brightness adjustment control signal

Pin No.	Name	I/O	Function
24	GND	-	Ground
25	/HK	I	Hook detection input
26	GND	-	Ground
27	/PTT	I	PTT input
28	33MPU	O	3.3V power supply
29	VoLUME_iN	I	Volume control input for AF signal
30	GND	-	Ground
31	GUARD	-	Guard
32	+B	O	Power supply ouput
33	GUARD	-	Guard
34	MIG	-	MIC Ground
35	MIC	I	MIC signal
36	33AUD	O	3.3V power supply
CN342 (To TEST/SPKR 15pin Connector)			
1	AO5	O	Auxiliary output5
2	AO4	O	Auxiliary output4
3	AO3	O	Auxiliary output3
4	SPO	O	Speaker AF output
5	AO2	O	Auxiliary output2
6	SPO	O	Speaker AF output
7	AO1	O	Auxiliary output1
8	SPI	I	Internal speaker AF input
9	RSSI	O	RSSI voltage
10	RD	O	RX data output
11	GND	-	Ground
12	SPG	-	Speaker Ground
13	GND	-	Ground
14	SPG	-	Speaker Ground
15	NC	-	No connection
16	NC	-	No connection
17	+B	O	13.6V power supply
18	NC	-	No connection
19	+B	O	13.6V power supply
20	NC	-	No connection
CN343 (To Internal Speaker)			
1	SPO	O	Internal speaker AF output
2	SPG	-	Speaker Ground
CN555 (To Control I/O 25pin D-sub Connector)			
1	NC	-	No connection
2	NC	-	No connection
3	NC	-	No connection
4	NC (RSSI/Reset)	-	No connection (RSSI)
5	BER_CLK_D 25	O	Bit error rate clock
6	RXD0_D25	I	UART RX data

Pin No.	Name	I/O	Function
7	EXT_MOND25	I	External monitor signal
8	TXD0_D25	O	UART TX data
9	/EPTT_D25	I	External PTT
10	AI1_D25 (CTS)	I	Programmable function input 1
11	SC_D25	O	Squelch control output
12	AI2_D25 (RTS)	I	Programmable function input 2
13	BER_DATA_D25	O	Bit error rate data
14	AI3_D25	I	Programmable function input 3
15	TXG	-	TX signal ground for TA,TD
16	DG	-	Control line ground
17	IO1_D25	I/O	Programmable function input/output 1
18	TD_D25	I	TX-DATA input (data or signaling)
19	IO2_D25	I/O	Programmable function input/output 2
20	TA_D25	I	TX audio input (voice)
21	IO3_D25	I/O	Programmable function input/output 3
22	RD_D25	O	RX-DATA output (data or signaling)
23	IO4_D25	I/O	Programmable function input/output 4
24	RA_D25	O	RX-Audio output (voice)
25	IO5_D25	I/O	Programmable function input/output 5
26	RXG	-	RX-signal ground for RA,RD
27	IO6_D25	I/O	Programmable function input/output 6
28	SPM_D25	I	Speaker mute signal input
29	NC	-	No connection
30	NC	-	No connection
CN830 (To Final Unit XC3-015 D/5 CN800)			
1	VBUS	I	USB VBUS(5V) input
2	D+	I/O	USB Data minus
3	D-	I/O	USB Data plus
4	GND	-	USB Ground

2.8.6 TX Unit (XC1-0650-10) (A/3)

Pin No.	Name	I/O	Function
CN207 (To Final Unit XC3-015 CN1)			
1	TX_OUT	O	Drive power output
CN404 (To RX Unit XC1-066 CN802)			
1	RX_REF	O	19.2MHz reference signal for RX unit
CN405 (To Control Unit XC1-064 CN102)			
1	CONT_REF	O	19.2MHz reference signal for Control unit
CN502 (To "REF IN" BNC Receptacle)			
1	REF_IN	I	10.0MHz external reference signal input

Pin No.	Name	I/O	Function
CN601 (To "REF OUT" BNC Receptacle)			
1	REF OUT	O	10.0MHz reference signal output
CN602 (To OCXO Unit X42-328 CN2)			
1	OCXO	I	Optional OCXO reference signal input
CN722 (To Control unit XC1-064 CN101)			
1	MOD	I	Audio signal for TX modulation
2	GND	-	Ground
3	RF_B_ON	I	RF +B switch control signal
4	SPSD1	I	SPI1 data
5	/LDAC	I	Simultaneous update of 10-bit DAC outputs
6	SPSCLK1	I	SPI1 clock
7	GND	-	Ground
8	SPSI1	O	SPI1 data
9	TXASSIST	I	TX PLL assist voltage
10	TX_CV	O	TX VCO lock voltage
11	8TC	I	8V power supply control
12	ASTSW_TX	I	TX PLL assist control signal
13	33D	I	3.3V power supply
14	/EWP	I	EEPROM write control signal
15	I2CCK2	I	I2C clock2
16	GND	-	Ground
17	I2CDA2	I/O	I2C data2
18	/ADCCS	I	AD converter chip select signal
19	/DACCS	I	DA converter chip select signal
20	/TXPCS	I	TX PLL chip select signal
21	/EVTXCS	I	TX EVOL chip select signal
22	GND	-	Ground
23	/REFPCS	I	REF PLL chip select signal
24	/MODPCS	I	MOD PLL chip select signal
25	/TXIOINT	I	Interrupt signal of IO Expander(TX)
26	/IO_RST	I	Reset signal of IO Expander(ALL)
27	33MPU	I	3.3V power supply
28	ANT_SW	I	ANT switch control
29	I2CCK	I	I2C clock
30	GND	-	Ground
31	I2CDA	I/O	I2C data
32	OC_CURR	O	Monitor of the voltage which detects current consumption of OCXO unit
33	GND	-	Ground
34	RAMP	I	RF power control voltage
35	GND	-	Ground
36	/OC_VE_EN	I	Serial data enable signal to potentiometer of OCXO unit
CN723 (To Final Unit XC3-015 CN20)			
1	ANT_SW	O	ANT switch control

Pin No.	Name	I/O	Function
2	/RF_B_ON	O	RF +B switch control signal
3	GND	-	Ground
4	I2CCK2	O	I2C clock2
5	GND	-	Ground
6	I2CDA2	I/O	I2C data2
7	GND	-	Ground
8	/EWP	O	EEPROM write control signal
9	I2CDA	I/O	I2C data
10	33D	O	3.3V power supply
11	I2CCK	O	I2C clock
12	NC	-	No connection
13	33MPU	O	3.3V power supply
14	NC	-	No connection
15	FAN_PWM	O	PWM signal to define the number of FAN rotation
16	GND	-	Ground
17	FAN_ON	O	FAN power supply control signal
18	GND	-	Ground
19	LOCK_DET	I	Detect FAN rotation lock
20	GND	-	Ground
21	GND	-	Ground
22	RAMP	O	RF power control voltage
23	GND	-	Ground
24	PRT_PWR	O	PA protection power level
25	LOW_PWR	O	Gain setting for APC loop at low power
26	PWR_LIM	O	Maximum output power limiter signal
27	MID_PWR	O	Gain setting for APC loop at mid power
28	PA_CUR	I	Monitor of the voltage which detects current consumption of PA module
29	FI_VER_1	I	Final unit H/W version detection
30	REV_PWR	I	Reverse power monitor
31	FI_VER_0	I	Final unit H/W version detection
32	FWD_PWR	I	Forward power monitor
33	GND	-	Ground
34	CAP_TEMP	I	Monitor of LPF capacitors temperature
35	GND	-	Ground
36	TEMP_PRT	I	Alarm signal which detects the abnormal final unit temperature
CN724 (To OCXO Unit X42-328 CN1)			
1	33MPU	O	33D, 3.3V power supply
2	GND	-	Ground
3	OX_SDA	I/O	I2CDA2, I2C data2
4	OX_SCL	O	I2CCK2, I2C clock2

Pin No.	Name	I/O	Function
5	OCXO_VR_EN	O	/OC_VR_EN, Serial data enable signal to potentiometer of OCXO unit
6	OCXO_ON	O	Power supply switch for OCXO unit
7	OX_SCLK2	O	SPSCLK1, SPI1 clock
8	OCXO_CURR	I	OC_CURR, Monitor of the voltage which detects current consumption of OCXO unit
9	OX_SDI2	I	SPS1, SPI1 data (serial data from potentiometer IC)
10	OCXO_EXIST	I	Detect OCXO unit is working
11	OX_SDO2	O	SPSD1, SPI1 data (serial data to potentiometer IC)
12	GND	-	Ground
13	REF_SW2	O	OCXO reference signal output switch
CN803 (To Final Unit XC3-015 C/5 CN703)			
1	GND	-	Ground
2	+B	I	DC power supply
3	+B	I	DC power supply
CN804 (OCXO DC power supply)			
1	GND	-	Ground
2	+8	O	8V DC power supply

2.8.7 TX Unit (XC1-0650-10) (B/3)

Pin No.	Name	I/O	Function
CN901 (To TX Unit XC1-065 C/3 CN951)			
1	50MPU	O	5.0V power supply
2	GND	-	Ground
3	33MPU	O	3.3V power supply
4	/LED_LAT2	O	Buffered serial port data latch signal for LED driver ICs
5	/LED_OE2	O	Buffered output enable signal for LED driver ICs
6	LED_CK2	O	Buffered serial port clock signal for LED driver ICs
7	LED_DAT2	O	Buffered serial port data signal for LED driver ICs
8	LED1	O	LED1 "DOT" signal
9	GND	-	Ground
10	LED10	O	LED10 "DOT" signal
CN902 (To Control Unit XC1-064 CN310)			
1	33AUD	I	3.3V power supply
2	MIC	O	MIC signal
3	MIG	-	MIC Ground
4	GUARD	-	Guard
5	+B	I	Power supply input
6	GUARD	-	Guard
7	GND	-	Ground

Pin No.	Name	I/O	Function
8	VOLUME_IN	O	Volume control for AF signal
9	33MPU	I	3.3V power supply
10	/PTT	O	PTT signal
11	GND	-	Ground
12	/HK	O	Hook detection output
13	GND	-	Ground
14	LED_PWM	I	LED brightness adjustment control signal
15	GND	-	Ground
16	/LED_OE	I	Output enable signal for LED driver ICs
17	GND	-	Ground
18	LED_CLK	I	Serial port clock signal for LED driver ICs
19	GND	-	Ground
20	LED_DAT	I	Serial port data signal for LED driver ICs
21	GND	-	Ground
22	/LED_LAT	I	Serial port data latch signal for LED driver ICs
23	GND	-	Ground
24	K1	O	Key scan port
25	K2	O	Key scan port
26	K3	O	Key scan port
27	33MPU	I	3.3V power supply
28	33MPU	I	3.3V power supply
29	K4	I	Key scan signal
30	K5	I	Key scan signal
31	GND	-	Ground
32	GUARD	-	Guard
33	50MPU	I	5.0V power supply
34	50MPU	I	5.0V power supply
35	50MPU	I	5.0V power supply
36	50MPU	I	5.0V power supply
CN903 (To Final Unit XC3-015 C/3 CN 905)			
1	VOLUME_IN	I	Volume control for AF signal
2	33MPU	O	3.3V power supply
3	GND	-	Ground
4	NC	-	No connection
5	+B	O	Power supply input
6	NC	-	No connection
7	GND	-	Ground
8	/PTT	I	PTT signal
9	HOOK	I	Hook detection input
10	MIG	-	MIC Ground
11	MIC	I	MIC signal

2.8.8 TX Unit (XC1-0650-10) (C/3)

Pin No.	Name	I/O	Function
CN951 (To TX Unit XC1-065 C/3 CN901)			
1	50MPU	I	5.0V power supply
2	GND	-	Ground
3	33MPU	I	3.3V power supply
4	/LED_LAT2	I	Buffered serial port data latch signal for LED driver ICs
5	/LED_oE2	I	Buffered output enable signal for LED driver ICs
6	LED_CK2	I	Buffered serial port clock signal for LED driver ICs
7	LED_DAT2	I	Buffered serial port data signal for LED driver ICs
8	LED1	I	LED1 "DOT" signal
9	GND	-	Ground
10	LED10	I	LED10 "DOT" signal

2.8.9 RX Unit (XC1-0660-10)

Pin No.	Name	I/O	Function
CN1 (To Final Unit XC3-015 C/5 CN704)			
1	GND	-	Ground
2	+B	I	DC power supply
3	+B	I	DC power supply
CN7 (To CONTROL Unit XC1-064 CN100)			
1	GND	-	Ground
2	AGC	I	Auto gain control voltage
3	EXT_RSSI	O	External RSSI voltage
4	MIX STAT(NC)	-	No connection
5	GND	-	Ground
6	RX_CV	O	RX VCO lock voltage
7	LNA_CUR	O	LNA current detect signal
8	DETO	O	RF input status voltage
9	RSSI	O	RSSI voltage
10	RX_UL	O	RX PLL unlock detect signal
11	ASTSW_RX	I	RX PLL assist control signal
12	RXASSIST	I	RX PLL assist voltage
13	GND	-	Ground
14	LNA_ON	I	LNA switch control signal
15	33D	I	3.3V power supply
16	/EWP	I	EEPROM write control signal
17	I2CDA2	I/O	I2C data2
18	GND	-	Ground
19	I2CCK2	I	I2C clock2
20	GND	-	Ground
21	I2CDA	I/O	I2C data

Pin No.	Name	I/O	Function
22	GND	-	Ground
23	I2CCK	I	I2C clock
24	/EVRXCS2	I	RX EVOL2 chip select signal
25	/EVRXCS1	I	RX EVOL chip select signal
26	GND	-	Ground
27	/RXPCS	I	RX PLL chip select signal
28	/RXIOINT	O	Interrupt signal of IO Expander(RX)
29	/IO_RST	I	Reset signal of IO Expander(ALL)
30	33MPU	I	3.3V power supply
31	RF_B_ON	I	RF +B switch control signal
32	GND	-	Ground
33	SPSD0	I	SPI0 data
34	GND	-	Ground
35	SPSCLK0	I	SPI0 clock
36	GND	-	Ground
CN403			
1	BPF_MONIT OR2	O	BPF tuning monitor terminal

Pin No.	Name	I/O	Function
CN405 (To Final Unit XC3-015 A/5 CN19: OPTIONAL)			
1	SWED_RX	I	Switched RX signal from final unit (For simplex operation with single antenna)
CN406 (To RX ANT BNC Receptacle)			
1	RX_SIGNAL	I	Receive signal input (from "RX" BNC receptacle)
CN638			
1	MCF_SOUR CE	I	MCF tuning signal input
CN639			
1	MCF_MONIT OR	O	MCF tuning monitor terminal
CN641 (To CONTROL Unit XC1-064 CN103)			
1	IF_SIG	O	450kHz RX IF signal
CN802 (To TX Unit XC1-065 A/3 CN404)			
1	RX_REF	I	19.2MHz reference signal

2.8.10 Microphone Connector

Pin Num	Pin Name	I/O	Signal Type	Modification	Description/ port Type	Spec and Condition	Min	Typ	Max	Unit	Note
1	GND	-	GND	No	Digital GND		-	-	0.2	A	
2	+B	-	Power	No	Power Supply	Voltage value	10.8	13.6	15.6	V	
						Allowable current value			0.2	A	
3	GND	-	GND	No	Digital GND	Allowable current value			0.2	A	
4	PTT	I	Digital	No	PTT Signal	VIH	2.4			V	3.3V 47k/47k PullUp
						VIL			0.8	V	
						Input impedance		23.5k		ohm	
5	MIG	-	GND	No	MIC GND	-	-	-	-		
6	MIC	I	Analog	No	MIC Input	Input amplitude value (60%Deviation@1kHz)	3.0	5.0	7.0	mVrms	
						Input impedance		600		ohm	
						Allowable frequency	0.3		3	kHz	
7	HOOK	I	Digital	No	HOOK Detect Signal	VIH	2.4			V	3.3V 2.2k PullUp
						VIL			0.9	V	
						Input impedance		2.2k		ohm	
8	NC	-	-	No	-	-	-	-	-		

2.8.11 USB Connector (USB-Type B)

Pin Num	Pin Name	I/O	Signal Type	Modification	Description/ port Type	Spec and Condition	Min	Typ	Max	Unit	Note
1	VBUS	I	Analog	No	USB VBUS(5V) input	USB peripheral operation	4.40	-	5.25	V	*Note1 *Note2
2	D-	I/O	Analog	No	USB Data minus	VIH	2.7	-	3.6	V	*Note1
						VIL		-	0.8	V	
						VOH	2.8	-	3.6	V	
						VOL	0.0	-	0.3	V	
						Data Rate (Full-Speed)			12	Mb/s	
3	D+	I/O	Analog	No	USB Data plus	VIH	2.7	-	3.6	V	*Note1
						VIL		-	0.8	V	
						VOH	2.8	-	3.6	V	
						VOL	0.0	-	0.3	V	
						Data Rate (Full-Speed)			12	Mb/s	
4	GND	-	-	No	USB Ground						

*Note1: Conform to Universal Serial Bus Specification (Revision 2.0 April 27, 2000)

*Note2: "All hubs and functions must be able to provide configuration information with as little as 4.40 V at the connector end of their upstream cables. "

2.8.12 TEST/SPKR 15-pin Connector

Pin Num	Pin Name	I/O	Signal Type	Modification	Description/ port Type	Spec and Condition	Min	Typ	Max	Unit	Note
1	+B	-	Power	No	Power supply	Voltage value Allowable	10.8	13.6	15.6	V	
						Current value			1	A	
2	+B	-	Power	No	Power supply	Voltage value Allowable	10.8	13.6	15.6	V	
						Current value			1	A	
3	NC	-	-	No	-	-	-	-	-		
4	GND	-	GND	No	Digital GND	Allowable Current value			1	A	
5	GND	-	GND	No	Digital GND	Allowable Current value			1	A	
6	SPG	-	GND	No	Speaker GND	Allowable Current value	-	-	-	A	
7	RD	O	Analog	No	RX Data Output (signaling) Not squelched	INPUT : 60% Dev.	75	80	85	mV	
8	RSSI	O	Analog	No	RSSI Output	Output Voltage Range	0		5	V	
						Allowable Load value	10k			ohm	
9	SPI	I	Analog	No	Internal Speaker Input						Short with SPO : Internal speaker is used.
10	AO1	O	Digital	default	Auxiliary Output 1 Open collector	External voltage value			16	V	
						Allowable current value			200	mA	
				Yes	Auxiliary Output 1 Open collector with PU	PU resistor	4.7k	47k		ohm	V _{cc} =5+/-2%
		VOL(IO=0mA)			0.1	V					

Pin Num	Pin Name	I/O	Signal Type	Modification	Description/ port Type	Spec and Condition	Min	Typ	Max	Unit	Note	
11	AO2	O	Digital	default	Auxiliary Output 2 Open collector	External voltage value			16	V		
						Allowable current value			200	mA		
				Yes	Auxiliary Output 2 Open collector with PU	PU resistor	4.7k	47k		ohm		Vcc=5+/-2%
						VOL(IO=0mA)			0.1	V		
12	SPO	O	Analog	No	External Speaker Output	Output level			3	W	Less than 5% distortion at 4ohm load	
13	AO3	O	Digital	default	Auxiliary Output 3 Open collector	External voltage value			16	V		
						Allowable current value			200	mA		
				Yes	Auxiliary Output 3 Open collector with PU	PU resistor	4.7k	47k		ohm		Vcc=5+/-2%
						VOL(IO=0mA)			0.1	V		
14	AO4	O	Digital	default	Auxiliary Output 4 Open collector	External voltage value			16	V		
						Allowable current value			200	mA		
				Yes	Auxiliary Output 4 Open collector with PU	PU resistor	4.7k	47k		ohm		Vcc=5+/-2%
						VOL(IO=0mA)			0.1	V		
15	AO5	O	Digital	default	Auxiliary Output 5 Open collector	External voltage value			16	V		
						Allowable current value			200	mA		
				Yes	Auxiliary Output 5 Open collector with PU	PU resistor	4.7k	47k		ohm		Vcc=5+/-2%
						VOL(IO=0mA)			0.1	V		

2.8.13 Control I/O D-sub 25-pin Connector

Pin Num	Pin Name	I/O	Signal Type	Modification	Description/ port Type	Spec and Condition	Min	Typ	Max	Unit	Note
1	NC	-	-	Default	-	-					
	RSSI	O	Analog	Yes	RSSI Voltage	Output Voltage Range	0		3.3	V	
							10k		-	ohm	
	RESET	I	Digital	Yes	Reset input	VIH	3	5	+B	V	
VIL								0.7	V		
High Pulse width						100			ms		
2	RXD2	I	Digital	No	Asynchronous Receive Data	-	-15	-	15	V	conform to RS-232C
3	TXD2	O	Digital	No	Asynchronous Receive Data	-	+/- 5.0	+/-9.0		V	RL=3kohm conform to RS-232C
4	AI1	I	Digital	Default	Programmable Function Input 1 /CMOS	VIH	0.8 Vcc		Vcc	V	Vcc=5+/-2%
						VIL	0		0.2 Vcc	V	
						Input impedance		47k		ohm	
	CTS	I	Digital	Yes	Clear to Send /RS232C	Input Voltage Range	-15	-	15	V	conform to RS232C

Pin Num	Pin Name	I/O	Signal Type	Modification	Description/ port Type	Spec and Condition	Min	Typ	Max	Unit	Note
5	AI2	I	Digital	Default	Programmable Function Input 2 /CMOS	VIH	0.8 Vcc		Vcc	V	Vcc=5+/-2%
						VIL	0		0.2 Vcc	V	
						Input impedance		47k		ohm	
	RTS	O	Digital	Yes	Request to Send /RS232C	Voltage Swing	+/- 5.0	+/-9.0		V	conform to RS232C
6	AI3	I	Digital	No	Programmable Function Input 3 /CMOS	VIH	0.8 Vcc		Vcc	V	Vcc=5+/-2%
						VIL	Vss		0.2 Vcc	V	
						Input impedance		47k		ohm	
7	DG	-	GND	No	Digital GND	-	-	-	-	-	
8	TD	I	Analog	No	TX Data Input (signaling)	INPUT: 0.1kHz/0.5Vp-p	0.7	0.75	0.8	kHz DEV	NFM WFM
						Input Impedance		600			600ohmPD to GND
9	TA	I	Analog	No	TX Audio Input (voice)	1kHz/60%Dev	270	280	290	mV	NFM WFM
						Input Impedance		600			600ohmPD to GND
10	RD	O	Analog	No	RX Data Output (signaling) Not squelched	INPUT: 60% Dev	75	80	85	mV	Allowable Load 47kohm
11	RA	O	Analog	No	RX Audio Output (voice) Not squelched	INPUT: 60% Dev	380	400	420	mV	Allowable Load 47kohm
12	RXG	-	GND	No	RX Signal GND	-	-	-	-	-	
13	SPM	I	Digital	No	Speaker Mute / CMOS	VIH	0.7 Vcc	-	5.5	V	Vcc=3.3+/-2%
						VIL	Vss	-	0.3 Vcc	V	
						Input impedance		47k		ohm	
14	BER_C LK	O	Digital	No	for Bit Error Rate Clock	VOH(IO=20uA)	4.4	4.5		V	47kohm PU to Vcc=5+/-2%
						VOL(IO=20uA)		0	0.1	V	
15	EMON	I	Digital	No	External Monitor Switch	VIH	0.8 Vcc		Vcc	V	Vcc=5+/-2%
						VIL	Vss		0.2 Vcc	V	
						Input impedance		47k		ohm	
16	EPTT	I	Digital	No	External PTT Switch	VIH	2	-	-	V	Vcc=5+/-2%
						VIL	-	-	0.8	V	
						Input impedance		47k		ohm	
17	SC	O	Digital	No	Squelch Control /CMOS	VOH(IO=-3mA)	Vcc - 0.7	-	-	V	47kohm PU to Vcc=5+/-2%
						VOL(IO=8mA)	-	-	0.6	V	

Pin Num	Pin Name	I/O	Signal Type	Modification	Description/ port Type	Spec and Condition	Min	Typ	Max	Unit	Note
18	BER_D AT	O	Digital	No	for Bit Error Rate Data	VOH(IO=20uA)	4.4	4.5		V	47kohm PU to Vcc=5+/- 2%
						VOL(IO=20uA)		0	0.1	V	
19	TXG	-	GND	No	TX Sigal GND	-	-	-	-	-	
20	IO1	I	Digital	No	Programmable Function I/O 1	VIH	0.8 Vcc	-	Vcc	V	Vcc=5+/-2%
						VIL	Vss	-	0.2 Vcc	V	
						Input impedance		47k		ohm	
		O				VOH(IO=-3mA)	Vcc - 0.7	-	-	V	47kohm PU to Vcc=5+/- 2%
						VOL(IO=8mA)	-	-	0.6	V	
21	IO2	I	Digital	No	Programmable Function I/O 2	VIH	0.8 Vcc	-	Vcc	V	Vcc=5+/-2%
						VIL	Vss	-	0.2 Vcc	V	
						Input impedance		47k		ohm	
		O				VOH(IO=-3mA)	Vcc - 0.7	-	-	V	47kohm PU to Vcc=5+/- 2%
						VOL(IO=8mA)	-	-	0.6	V	
22	IO3	I	Digital	No	Programmable Function I/O 3	VIH	0.8 Vcc	-	Vcc	V	Vcc=5+/-2%
						VIL	Vss	-	0.2 Vcc	V	
						Input impedance		47k		ohm	
		O				VOH(IO=-3mA)	Vcc - 0.7	-	-	V	47kohm PU to Vcc=5+/- 2%
						VOL(IO=8mA)	-	-	0.6	V	
23	IO4	I	Digital	No	Programmable Function I/O 4	VIH	0.8 Vcc	-	Vcc	V	Vcc=5+/-2%
						VIL	Vss	-	0.2 Vcc	V	
						Input impedance		47k		ohm	
		O				VOH(IO=-3mA)	Vcc - 0.7	-	-	V	47kohm PU to Vcc=5+/- 2%
						VOL(IO=8mA)	-	-	0.6	V	
24	IO5	I	Digital	No	Programmable Function I/O 5	VIH	0.8 Vcc	-	Vcc	V	Vcc=5+/-2%
						VIL	Vss	-	0.2 Vcc	V	
						Input impedance		47k		ohm	
		O				VOH(IO=-3mA)	Vcc - 0.7	-	-	V	47kohm PU to Vcc=5+/- 2%
						VOL(IO=8mA)	-	-	0.6	V	

Pin Num	Pin Name	I/O	Signal Type	Modification	Description/ port Type	Spec and Condition	Min	Typ	Max	Unit	Note
25	IO6 TP_IN	I	Digital	No	Programmable Function I/O 6 or Timing Pulse in for simulcast	VIH	0.8 Vcc	-	Vcc	V	Vcc=5+/-2%
						VIL	Vss	-	0.9	V	
						Input impedance		47k		ohm	47kohm PU to Vcc=5+/-2%
	IO6	O			VOH(IO=-3mA)	Vcc - 0.7	-	-	V	47kohm PU to Vcc=5+/-2%	
						VOL(IO=8mA)	-	-	0.6	V	

2.8.14 SYNC Connector 1

Pin Num	Pin Name	I/O	Signal Type	Modification	Description/ port Type	Spec and Condition	Min	Typ	Max	Unit	Note
1	FRMA	I/O	Digital	No	RS-485 Differential Signal A	[Input] VID=VA-VB	-7		12	V	conform to RS-485 Vcc=5+/-4%
						VTH	-0.2		0.2		
						[Output] (No load) VOD= VA-VB			Vcc		
2	NC	-	-	No	-		-	-	-	-	
3	NC	-	-	No	-		-	-	-	-	
4	FRMB	I/O	Digital	No	RS-485 Differential Signal B	[Input] VID=VA-VB	-7		12	V	conform to RS-485 Vcc=5+/-4%
						VTH	-0.2		0.2		
						[Output] (No load) VOD= VA-VB			Vcc		

2.8.15 SYNC Connector 2

Pin Num	Pin Name	I/O	Signal Type	Modification	Description/ port Type	Spec and Condition	Min	Typ	Max	Unit	Note
1	FRMA	I/O	Digital	No	RS-485 Differential Signal A	[Input] VID=VA-VB	-7		12	V	conform to RS-485 Vcc=5+/-4%
						VTH	-0.2		0.2		
						[Output] (No load) VOD= VA-VB			Vcc		
2	NC	-	-	No	-		-	-	-	-	
3	NC	-	-	No	-		-	-	-	-	
4	FRMB	I/O	Digital	No	RS-485 Differential Signal B	[Input] VID=VA-VB	-7		12	V	conform to RS-485 Vcc=5+/-4%
						VTH	-0.2		0.2		
						[Output] (No load) VOD= VA-VB			Vcc		

2.8.16 LAN Connector (RJ-45)

Pin Num	Pin Name	I/O	Signal Type	Modification	Description/ port Type	Spec and Condition	Min	Typ	Max	Unit	Note
1	TD+	O	Analog	No	TX Signal +	100Base-TX				V	conform to IEEE802.3
						+Vout@100ohm	0.95	-	1.05		
						-Vout@100ohm	-1.05	-	-0.95		
						Data rate	-	125.0	-	Mbps	
						10Base-TX				V	
						Vout@100ohm	2.2	2.5	2.8		
						Data rate	-	10.0	-	Mbps	
						Output Impedance	-	100.0	-	ohm	
2	TD-	O	Analog	No	TX Signal -	100Base-TX				V	conform to IEEE802.3
						+Vout@100ohm	0.95	-	1.05		
						-Vout@100ohm	-1.05	-	-0.95		
						Data rate	-	125.0	-	Mbps	
						10Base-TX				V	
						Vout@100ohm	2.2	2.5	2.8		
						Data rate	-	10.0	-	Mbps	
						Output Impedance	-	100.0	-	ohm	
3	RD+	I	Analog	No	RX Signal +	Input Impedance	-	100	-	ohm	conform to IEEE802.3
4	NC	-	-	No	-	-	-	-	-	-	-
5	NC	-	-	No	-	-	-	-	-	-	-
6	RD-	I	Analog	No	RX Signal -	Input Impedance	-	100	-	ohm	conform to IEEE802.3
7	NC	-	-	No	-	-	-	-	-	-	-
8	NC	-	-	No	-	-	-	-	-	-	-

SECTION 3 DISASSEMBLY

This service manual does not describe DISASSEMBLY.

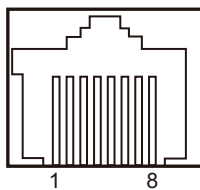
SECTION 4 ADJUSTMENT

4.1 Test Equipment Required for Alignment

Test Equipment	Major Specifications	
1. Standard Signal Generator (SSG)	Frequency Range	136 to 174MHz
	Modulation	Frequency modulation and external modulation
	Output	0.1μV to greater than 1mV
2. Power Meter	Input Impedance	50Ω
	Operation Frequency	136 to 174MHz or more
	Measurement Capability	Vicinity of 100W
3. Deviation Meter	Frequency Range	136 to 174MHz
4. Digital Volt Meter (DVM)	Measuring Range	1V to 25V DC
	Input Impedance	High input impedance for minimum circuit loading
5. Oscilloscope		DC through 30MHz
6. High Sensitivity Frequency Counter	Frequency Range	10Hz to 600MHz
	Frequency Stability	0.01ppm or less
7. Ammeter		15A or more
8. AF Volt Meter (AF VM)	Frequency Range	50Hz to 10kHz
	Voltage Range	3mV to 3V
9. Audio Generator (AG)	Frequency Range	50Hz to 5kHz
	Output	0 to 1V
10. Distortion Meter	Capability	1% or less at 1kHz
	Input Level	50mV to 10Vrms
11. Voltmeter	Measuring Range	10V to 1.5V DC or less
	Input Impedance	50kΩ/V or greater
12. Spectrum Analyzer with Tracking Generator	Frequency Range	10MHz to 1GHz
	Bandwidth	1kHz to 200MHz
	Tracking Generator Output	-40dBm to greater than -20dBm
13. 4Ω Dummy Load		Approx. 4Ω, 5W

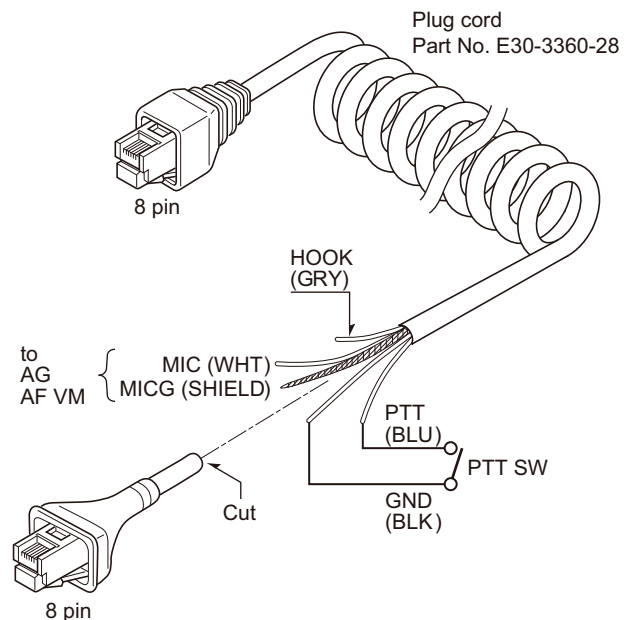
* The test equipment which is not used for adjustment is contained in this table.

■MIC connector (Front panel view)

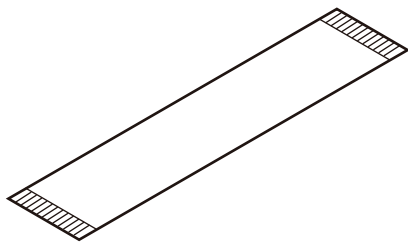


- 1: GND
- 2: SB
- 3: GND
- 4: PTT
- 5: MIG
- 6: MIC
- 7: HOOK
- 8: NC

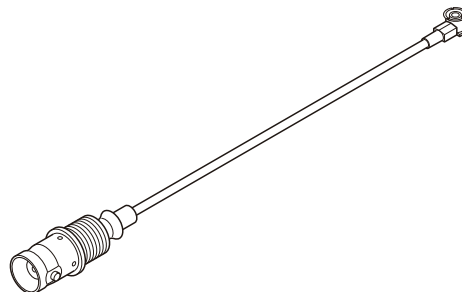
■Test cable for microphone input (E30-3360-28)



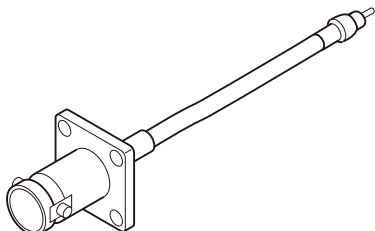
■Flat cable (36-pin) about 256mm (E37-0979-05)



■Jig for Drive AMP adjustment (E37-1304-05)



■ANT Jig for BPF adjustment (E30-3418-25)



4.2 Test Channel

No.	Receiver [MHz]	Transmit [MHz]
1	155.050000	155.100000
2	136.050000	136.100000
3	173.950000	173.900000
4	155.000000	155.000000
5	155.200000	155.200000
6	155.400000	155.400000

4.3 Test Signaling

■Analog

No.	Decode tone	Encode tone
1	None	None
2	None	100Hz square wave
3	QT 67.0Hz	QT 67.0Hz
4	QT 151.4Hz	QT 151.4Hz
5	QT 210.7Hz	QT 210.7Hz
6	QT 254.1Hz	QT 254.1Hz
7	DQT D023N	DQT D023N
8	DQT D754I	DQT D754I
9	DTMF decode (Code: 159D)	DTMF decode (Code: 159D)
10	None	DTMF encode (Code: 9)
11	None	Test Tone Encode
12	None	CWID encode (ID: VVV)
13	None	Courtesy tone

■NXDN

No.	Decode tone	Encode tone
1	RAN1	RAN1
2	RAN1	PN9
3	RAN1	Maximum deviation pattern

- Signaling number 1 is used for link test with voice.
- Signaling number 2 is used for TX modulation signal quality test. i.e, TX adjacent channel power, FSK error, Occupied bandwidth, Emission mask, etc.
- Signaling number 3 is used for TX deviation test. If the modulation mode is very narrow, the modulation frequency is 600Hz. If the modulation mode is narrow, the modulation frequency is 1200Hz.

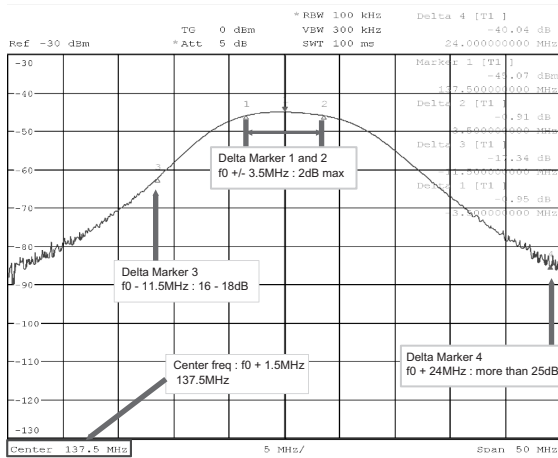


Fig.1

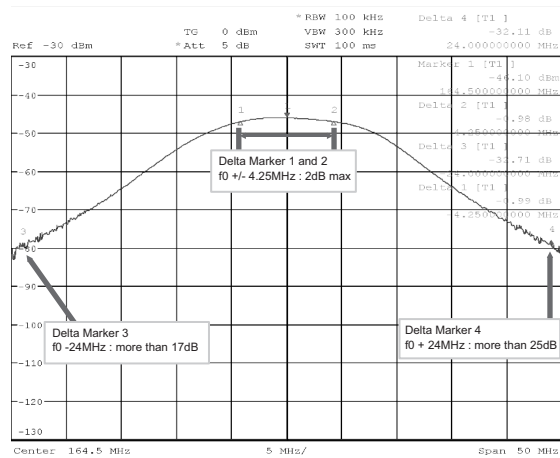


Fig.4

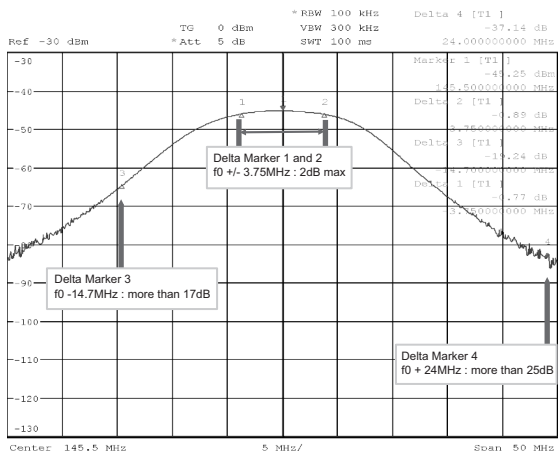


Fig.2

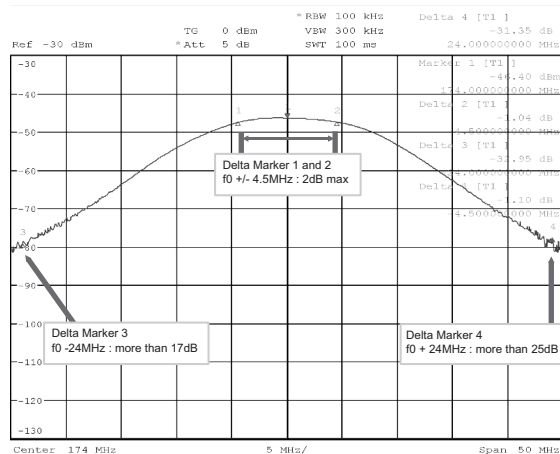


Fig.5

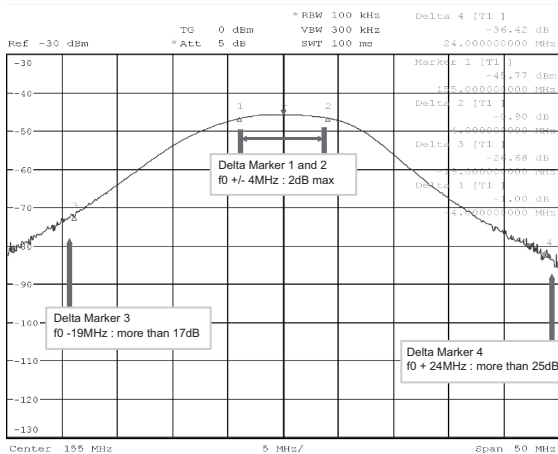


Fig.3

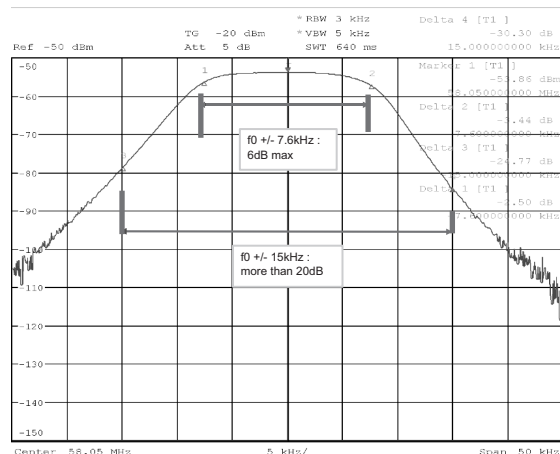


Fig.6

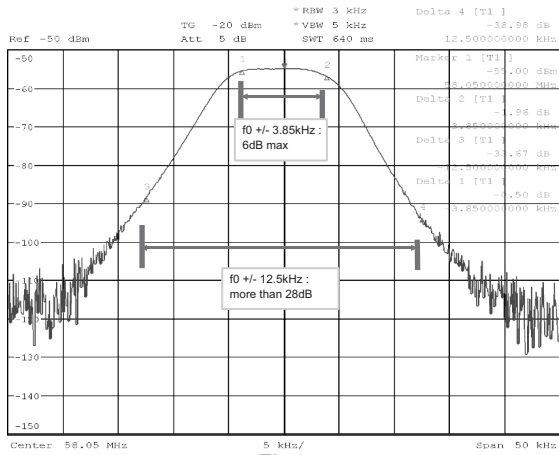
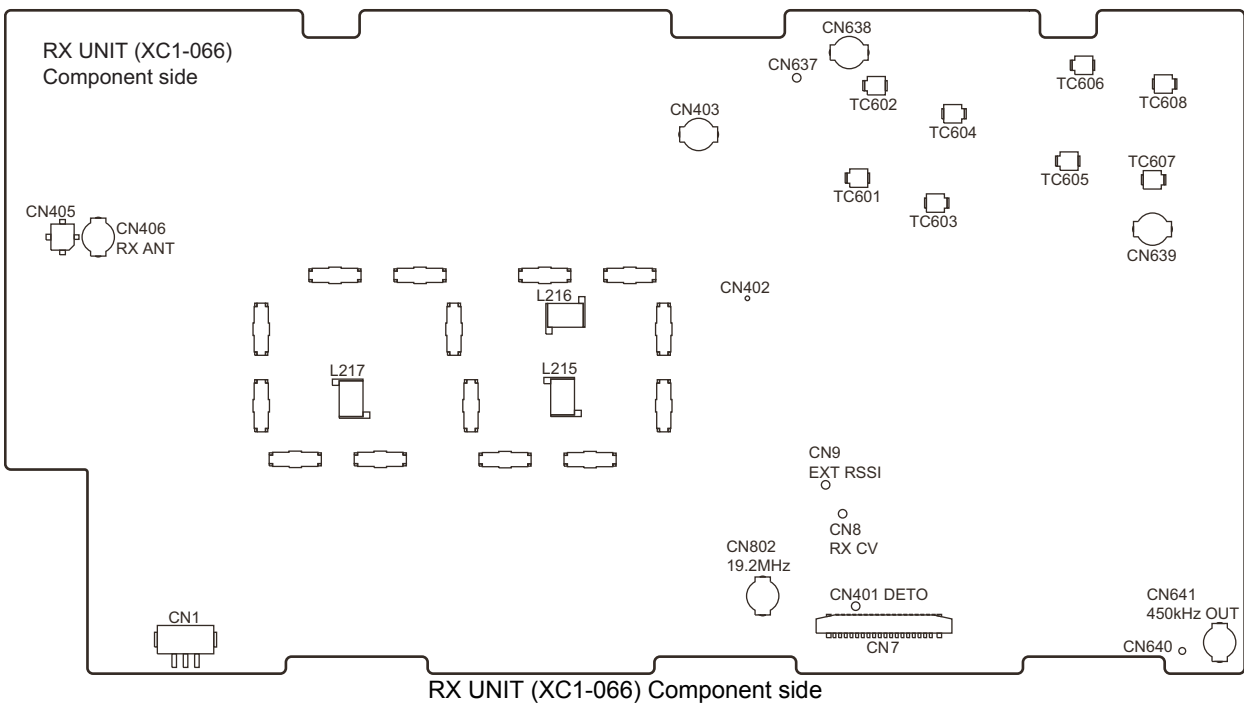
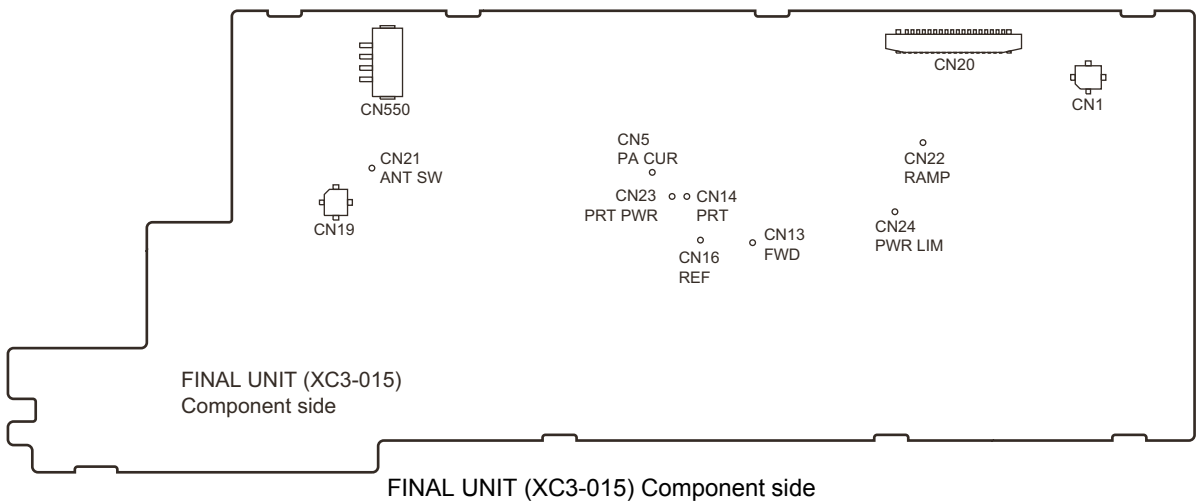
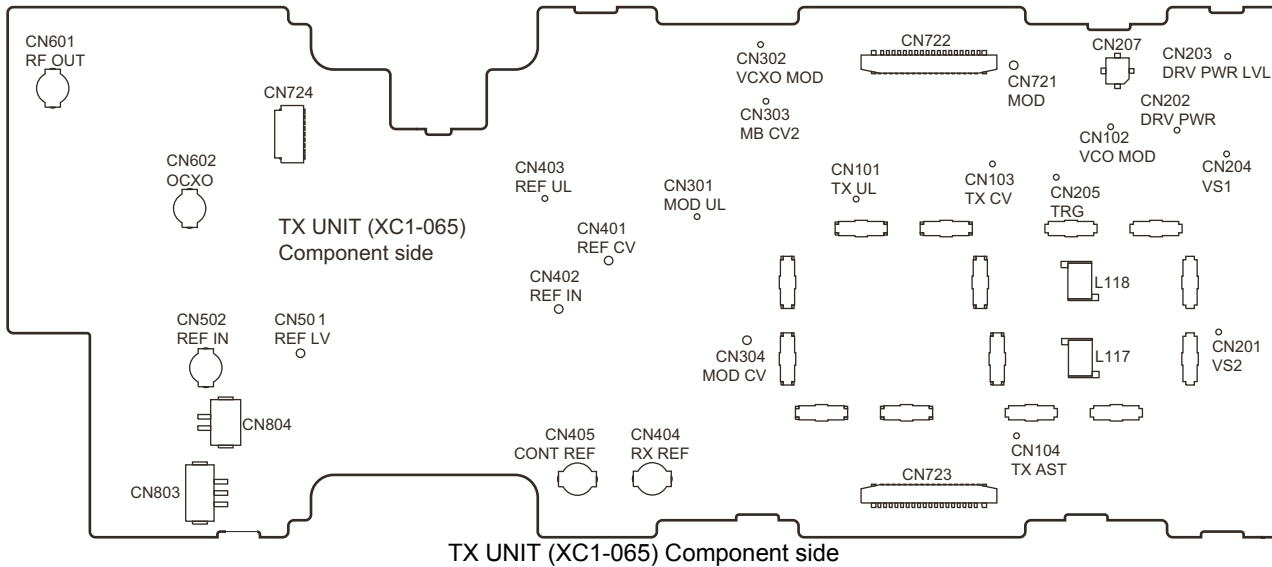


Fig.7

4.4 Adjustment Points



TC601,603,605,607: MCF WIDE
 TC602,604,606,608: MCF NARROW



4.5 Common Section

Item	Condition	Measurement			Adjustment			Specifications / Remarks
		Test-equipment	Unit	Terminal	Unit	Parts	Method	
1. Setting	1) Connect the DC power output to the rear panel DC terminal (13.6V). 2) Connect the front panel USB port to the PC USB port. 3) Active the FPU to go to the test mode.							
2. RX Assist voltage Adjust	FPU Test mode 1) Adjust Item: [Receive Assist] 2) Adjust Item: [A: Low], [A: Center], [A: High], [B: Low], [B: Center], [B: High], [C: Low], [C: Center], [C: High]					PC ADJ	3.0V	±0.1V [V] indicator on the PC window shows "VCO lock voltage". Change the adjustment value to get "VCO lock voltage" within the limit of the specified voltage. Press [Apply All] button to store the adjustment value. Confirm the VCO lock voltage approximately 3 seconds after the adjustment value is changed.
3. TX Assist voltage Adjust	FPU Test mode 1) Adjust Item: [Transmit Assist] 2) Adjust Item: [A: Low], [A: Center], [A: High], [B: Low], [B: Center], [B: High]					PC ADJ	3.0V	±0.1V [V] indicator on the PC window shows "VCO lock voltage". Change the adjustment value to get "VCO lock voltage" within the limit of the specified voltage. Press [Apply All] button to store the adjustment value. Confirm the VCO lock voltage approximately 3 seconds after the adjustment value is changed.

Item	Condition	Measurement			Adjustment			Specifications / Remarks
		Test-equipment	Unit	Terminal	Unit	Parts	Method	
4. BPF Adjust	FPU Test mode 1) Adjust Item: [Sensitivity 1] 2) Adjust Item: [Low], [Low'], [Center], [High'], [High] 3) Adjust Item: [Sensitivity 2] 4) Adjust Item: [Low], [Low'], [Center], [High'], [High]	Tracking generator Spectrum analyzer	Rear RX	RX ANT CN403	RX	PC ADJ	Adjust it to look like the wave in figure 1 to 5.	[Low]: Refer to Fig. 1 (Page.1-44) [Low']: Refer to Fig. 2 (Page.1-44) [Center]: Refer to Fig. 3 (Page.1-44) [High']: Refer to Fig. 4 (Page.1-44) [High]: Refer to Fig. 5 (Page.1-44) Press [Apply All] button to store the adjustment value. Note: Adjust VT1-6 so that the adjustment value rises in turn from Low Frequency to High Frequency.
5. MCF Adjust	1) Wide Tracking generator Output: -20dBm Spectrum analyzer Frequency: 58.05MHz Span: 100kHz	Tracking generator Spectrum analyzer	RX	CN638 CN639	RX	TC601, TC603, TC605, TC607	Adjust it to look like the wave in figure 6.	Refer to Fig. 6 (Page 1-44)
	TC602, TC604, TC606, TC608					Adjust it to look like the wave in figure 7.	Refer to Fig. 7 (Page 1-45)	
6. AGC Target Level adjust	FPU Test mode 1) Adjust Item: [AGC Target Level Adjustment]					PC ADJ	Write the value as followings (typical value) [AGC Target Level Adjustment] = -18	Press [Apply] button to store the adjustment value.
7. High Supply Voltage adjust	FPU Test mode 1) Adjust Item: [Supply Voltage (High)] 2) power supply: 16.0V					PC ADJ		Press [Apply] button to store the adjustment value.
8. Low Supply Voltage adjust	FPU Test mode 1) Adjust Item: [Supply Voltage (Low)] 2) power supply: 10.5V					PC ADJ		Press [Apply] button to store the adjustment value.
10. Frequency Adjust	FPU Test mode 1) Adjust Item: [Frequency] Connect the SSG to the RX ANT. Frequency: 173.95MHz SSG Output: -47dBm (1mV) (CW (without modulation)) Caution: Perform the frequency adjustment under the following condition. • Temperature range of +24°C to +26°C (+75.2°F to +78.8°F). (The temperature is displayed on the frequency adjustment screen of the KPG-D2.) • Use an accuracy of 0.003ppm for the SSG. (Use a standard oscillator if necessary.)	SSG	Rear	RX ANT		PC ADJ		Press [Start] button of [Auto Tuning]. Press [Apply] Button to store the adjustment value after the automatic adjustment was finished.

4.6 Receiver Section

Item	Condition	Measurement			Adjustment			Specifications / Remarks
		Test-equipment	Unit	Terminal	Unit	Parts	Method	
1. RD Output level Adjust [Analog Wide]	FPU Test mode 1) Adjust Item: [RD Level (Analog Wide)] Connect the SSG to the RX ANT. SSG setting Frequency: Desired Frequency Output: -53dBm (501μV) MOD: 1.0kHz DEV: ±3.0kHz	SSG AF VM	Rear	RX ANT		PC ADJ	80mV	±5mV Press [Apply] button to store the adjustment value.
	Control I/O Jack RD (D-sub25 Pin No.10)							
2. RD Output level Adjust [Analog Narrow]	FPU Test mode 1) Adjust Item: [RD Level (Analog Narrow)] Connect the SSG to the RX ANT. Frequency: Desired Frequency Output: -53dBm (501μV) MOD: 1.0kHz DEV: ±1.5kHz							
3. RA Output level Adjust [Analog Wide]	FPU Test mode 1) Adjust Item: [RA Level (Analog Wide)] Connect the SSG to the RX ANT. SSG setting Frequency: Desired Frequency Output: -53dBm (501μV) MOD: 1.0kHz DEV: ±3.0kHz	SSG AF VM	Rear	RX ANT		PC ADJ	400mV	±20mV Press [Apply] button to store the adjustment value.
	Control I/O Jack RA (D-sub25 Pin No.11)							
4. RA Output level Adjust [Analog Narrow]	FPU Test mode 1) Adjust Item: [RA Level (Analog Narrow)] Connect the SSG to the RX ANT. SSG setting Frequency: Desired Frequency Output: -53dBm (501μV) MOD: 1.0kHz DEV: ±1.5kHz							
5. Open Squelch Adjust [Analog Wide]	FPU Test mode 1) Adjust Item: [Open Squelch(Analog Wide)] Connect the SSG to the RX ANT. SSG setting Frequency: [Low], [Low'], [Center], [High'], [High] Output : 12dB SINAD level -1dB MOD: 1.0kHz DEV: ±3.0kHz	SSG Audio analyzer Oscilloscope	Rear	RX ANT		PC ADJ		Press [Apply] button to store the adjustment value. Note: Write the fixed value of "43" when the adjustment value is 42 or less.
	2) SSG output: OFF						Check	The squelch shall be closed.

Item	Condition	Measurement			Adjustment			Specifications / Remarks
		Test-equipment	Unit	Terminal	Unit	Parts	Method	
6. Open Squelch Adjust [Analog Narrow]	FPU Test mode 1) Adjust Item: [Open Squelch (Analog Narrow)] Connect the SSG to the RX ANT. SSG setting Frequency: [Low], [Low'], [Center], [High'], [High] Output: 12dB SINAD level -1dB MOD: 1.0kHz DEV: ±1.5kHz	SSG Audio analyzer Oscilloscope	Rear	RX ANT		PC ADJ		Write the fixed value "43"
	2) SSG output: OFF						Check	The squelch shall be closed.
7. Open Squelch Adjust [NXDN Very Narrow]	FPU Test mode 1) Adjust Item: [Open Squelch (NXDN Very Narrow)] Connect the SSG to the RX ANT. SSG setting Frequency: [Low], [Low'], [Center], [High'], [High] Output: 12dB SINAD level of Analog Narrow -6dB MOD: OFF					PC ADJ		Press [Apply] button to store the adjustment value.
	2) SSG output: OFF							
8. Tight Squelch Adjust [Analog Wide]	FPU Test mode 1) Adjust Item: [Tight Squelch (Analog Wide)] Connect the SSG to the RX ANT. SSG setting Frequency: [Low], [Low'], [Center], [High'], [High] Output: 12dB SINAD level +8dB MOD: 1.0kHz DEV: ±3.0kHz					PC ADJ		Press [Apply] button to store the adjustment value. Note: Write the fixed value of "200" when the adjustment value is "199" or less.
	2) SSG output: OFF						Check	The squelch shall be closed.
9. Tight Squelch Adjust [Analog Narrow]	FPU Test mode 1) Adjust Item [Tight Squelch (Analog Narrow)] Connect the SSG to the RX ANT. SSG setting Frequency: [Low], [Low'], [Center], [High'], [High] Output: 12dB SINAD level +8dB MOD: 1.0kHz DEV: ±1.5kHz					PC ADJ		Write the fixed value "190"
	2) SSG output: OFF						Check	The squelch shall be closed.

Item	Condition	Measurement			Adjustment			Specifications / Remarks
		Test-equipment	Unit	Terminal	Unit	Parts	Method	
10. RSSI Reference Adjust [Analog Wide]	FPU Test mode 1) Adjust Item: [RSSI Ref (Analog Wide)] Connect the SSG to the RX ANT. SSG setting Frequency: [Low], [Low'] [Center], [High'], [High] Output: 12dB SINAD level -1dB MOD: 1.0kHz DEV: ±3.0kHz	SSG Audio analyzer	Rear	RX ANT		PC ADJ		Press [Apply] button to store the adjustment value. Remark: Measure 12dB SINAD in Analog Narrow beforehand, when adjusting "12. RSSI Reference Adjust [NXDN Very Narrow]"
11. RSSI Reference Adjust [Analog Narrow]	FPU Test mode 1) Adjust Item: [RSSI Ref (Analog Narrow)] Connect the SSG to the RX ANT. SSG setting Frequency: [Low], [Low'] [Center], [High'], [High] Output: 12dB SINAD level -1dB MOD: 1.0kHz DEV: ±1.5kHz							
12. RSSI Reference Adjust [NXDN Very Narrow]	FPU Test mode 1) Adjust Item: [RSSI Ref (NXDN Very Narrow)] Connect the SSG to the RX ANT. SSG setting Frequency: [Low], [Low'] [Center], [High'], [High] Output: 12dB SINAD level for Analog Narrow -1dB MOD: OFF							
13. Low RSSI Adjust [Analog Wide]	FPU Test mode 1) Adjust Item: [Low RSSI (Analog Wide)] Connect the SSG to the RX ANT. SSG setting Frequency: [Low], [Low'] [Center], [High'], [High] Output: -118dBm (0.28μV) MOD: 1.0kHz DEV: ±3.0kHz	SSG	Rear	RX ANT		PC ADJ		Press [Apply] button to store the adjustment value.
14. Low RSSI Adjust [Analog Narrow]	FPU Test mode 1) Adjust Item: [Low RSSI (Analog Narrow)] Connect the SSG to the RX ANT. SSG setting Frequency: [Low], [Low'] [Center], [High'], [High] Output: -118dBm (0.28μV) MOD: 1.0kHz DEV: ±1.5kHz							

Item	Condition	Measurement			Adjustment			Specifications / Remarks
		Test-equipment	Unit	Terminal	Unit	Parts	Method	
15 .Low RSSI Adjust [NXDN Very Narrow]	FPU Test mode 1) Adjust Item: [Low RSSI (NXDN Very Narrow)] Connect the SSG to the RX ANT. SSG setting Frequency: [Low], [Low'] [Center], [High'], [High] Output: -118dBm (0.28μV) MOD: OFF	SSG	Rear	RX ANT		PC ADJ		Press [Apply] button to store the adjustment value.
16. High RSSI Adjust [Analog Wide]	FPU Test mode 1) Adjust Item: [High RSSI (Analog Wide)] Connect the SSG to the RX ANT. SSG setting Frequency: [Low], [Low'] [Center], [High'], [High] Output: -70dBm (70.7μV) MOD: 1.0kHz DEV: ±3.0kHz	SSG	Rear	RX ANT		PC ADJ		Press [Apply] button to store the adjustment value.
17. High RSSI Adjust [Analog Narrow]	FPU Test mode 1) Adjust Item: [High RSSI (Analog Narrow)] Connect the SSG to the RX ANT. SSG setting Frequency: [Low], [Low'] [Center], [High'], [High] Output: -70dBm (70.7μV) MOD: 1.0kHz DEV: ±1.5kHz							
18. High RSSI Adjust [NXDN Very Narrow]	FPU Test mode 1) Adjust Item: [High RSSI (NXDN Very Narrow)] Connect the SSG to the RX ANT. SSG setting Frequency: [Low], [Low'] [Center], [High'], [High] Output: -70dBm (70.7μV) MOD: OFF							

Item	Condition	Measurement			Adjustment			Specifications / Remarks
		Test-equipment	Unit	Terminal	Unit	Parts	Method	
19. External RSSI OFFSET Adjust [Analog Wide]	FPU Test mode 1) Adjust Item: [EXT RSSI Offset (Analog Wide)] Connect the SSG to the RX ANT. SSG setting Frequency: [Low], [Low'] [Center], [High'], [High] Output: -90dBm (7.07μV) MOD: OFF	SSG DVM	Rear	RX ANT TEST/ SPKR Jack 8pin		PC ADJ	3.0V	±0.1V Press [Apply] button to store the adjustment value.
20. External RSSI OFFSET Adjust [Analog Narrow]	FPU Test mode 1) Adjust Item: [EXT RSSI Offset (Analog Narrow)] Connect the SSG to the RX ANT. SSG setting Frequency: [Low], [Low'] [Center], [High'], [High] Output: -90dBm (7.07μV) MOD: OFF							Press [Apply] button to store the adjustment value.
21. External RSSI OFFSET Adjust [NXDN Very Narrow]	FPU Test mode 1) Adjust Item: [EXT RSSI Offset (NXDN Very Narrow)] Connect the SSG to the RX ANT. SSG setting Frequency: [Low], [Low'] [Center], [High'], [High] Output: -90dBm (7.07μV) MOD: OFF							Press [Apply] button to store the adjustment value.
22. Receiver Sensitivity Check [Analog Wide]	1) Connect the SSG to the RX ANT. SSG setting Frequency: Desired Frequency MOD: 1.0kHz DEV: ±3.0kHz AF: 0.45V/4Ω	SSG Audio analyzer Oscilloscope	Rear	RX ANT TEST/ SPKR Jack pin 12 4Ω load			Check	-115dBm (0.4μV) or Less
[Analog Narrow]	2) SSG setting DEV: ±1.5kHz							

4.7 Transmitter Section

Item	Condition	Measurement			Adjustment			Specifications / Remarks
		Test-equipment	Unit	Terminal	Unit	Parts	Method	
1. Drive Power Adjust	FPU Test mode 1) Adjust Item: [Drive Amplifier Power] 2) Frequency: [Low], [Low'], [Center], [High'], [High] Press [Transmit] button.	Power Meter	TX	CN207		PC ADJ	16dBm	±0.1dB Press [Apply] button to store the adjustment value.
2. High Transmit Power Limit Adjust	FPU Test mode 1) Adjust Item: [High Transmit Power Limit Adjust] 2) Frequency: [Low1], [Low2],[Low3], [Center1], [Center2],[Center3], [High1], [High2],[High3] Press [Transmit] button.	Power meter Ammeter	Rear	TX ANT		PC ADJ	27.5W	±0.5W Press [Apply] button to store the adjustment value.
3. High Transmit Power Adjust	FPU Test mode 1) Adjust Item: [High TransmitPower] 2) Frequency: [Low1], [Low2],[Low3], [Center1], [Center2],[Center3], [High1], [High2],[High3] Press [Transmit] button.						25W	±0.5W Press [Apply] button to store the adjustment value. Remark: Check the Current Drain: <9A
4. Mid Transmit Power Limit Adjust	FPU Test mode 1) Adjust Item: [Mid Transmit Power Limit Adjust] 2) Frequency: [Low1], [Low2],[Low3], [Center1], [Center2],[Center3], [High1], [High2],[High3] Press [Transmit] button.						6.2W	±0.2W Press [Apply] button to store the adjustment value.
5. Mid Transmit Power Adjust	FPU Test mode 1) Adjust Item: [Mid Transmit Power] 2) Frequency: [Low1], [Low2],[Low3], [Center1], [Center2],[Center3], [High1], [High2],[High3] Press [Transmit] button.						5W	±0.1W Press [Apply] button to store the adjustment value. Remark: Check the Current Drain: <4.5A
6. Low Transmit Power Limit Adjust	FPU Test mode 1) Adjust Item: [Low Transmit Power Limit Adjust] 2) Frequency: [Low1], [Low2],[Low3], [Center1], [Center2],[Center3], [High1], [High2],[High3] Press [Transmit] button.						1.1W	±0.1W Press [Apply] button to store the adjustment value.
7. Low Transmit Power Adjust	FPU Test mode 1) Adjust Item: [High Transmit Power Adjust] 2) Frequency: [Low1], [Low2],[Low3], [Center1], [Center2],[Center3], [High1], [High2],[High3] Press [Transmit] button.						0.5W	±0.01W Press [Apply] button to store the adjustment value. Remark: Check the Current Drain: <3A

Item	Condition	Measurement			Adjustment			Specifications / Remarks
		Test-equipment	Unit	Terminal	Unit	Parts	Method	
8. High Power Down Detection adjust	FPU Test mode 1) Adjust Item: [RF Power Down Detection (High)]	Power Meter	Rear	TX ANT		PC ADJ	12W	±0.5W Press [Apply] button to store the adjustment value.
9. Mid Power Down Detection adjust	FPU Test mode 1) Adjust Item: [RF Power Down Detection (Mid)]						2.5W	±0.5W Press [Apply] button to store the adjustment value.
10. Low Power Down Detection adjust	FPU Test mode 1) Adjust Item: [RF Power Down Detection (Low)]						0.25W	±0.05W Press [Apply] button to store the adjustment value.
11. Maximum Deviation Adjust [NXDN Narrow]	FPU Test mode 1) Adjust Item: [Maximum Deviation (NXDN Narrow)]	Power Meter				PC ADJ	Write the value as followings (typical value) [Maximum Deviation (NXDN Narrow)] = 530	Press [Apply] button to store the adjustment value.
12. Maximum Deviation Adjust [NXDN Very Narrow]	FPU Test mode 1) Adjust Item: [Maximum Deviation (NXDN Very Narrow)]						Write the value as followings (typical value) [Maximum Deviation (NXDN Very Narrow)] = 530	
13. Maximum Deviation Adjust [Analog Wide]	FPU Test mode 1) Adjust Item: [Maximum Deviation (Analog Wide)]						Write the value as followings (typical value) [Maximum Deviation (Analog Wide)] = 530	
14. Maximum Deviation Adjust [Analog Narrow]	FPU Test mode 1) Adjust Item: [Maximum Deviation (Analog Narrow)]						Write the value as followings (typical value) [Maximum Deviation (Analog Narrow)] = 530	

Item	Condition	Measurement			Adjustment			Specifications / Remarks
		Test-equipment	Unit	Terminal	Unit	Parts	Method	
15. Balance Adjust [20Hz Adjustment]	FPU Test mode 1) Adjust Item: [Balance] Connect the Deviation Meter to the TX ANT end via the ATT. Deviation Meter setting LPF: 3kHz HPF: OFF De-emphasis: OFF Detector: (p-p)/2 2) Adjust Item: [A: Low], [A: Center], [A: High], [B: Low], [B: Center], [B: High] Press [Transmit] button. 20Hz is transmitted.	Deviation meter Oscilloscope	Rear	TX ANT		PC ADJ	1) Adjust Gain A to get 1.7KHz 2) Adjust Gain B to get 1.7KHz than on 2KHz 3) Repeat the 1) and 2) to make sure both Gain A and Gain B reading are 1.7KHz	1.700KHz ±20Hz Press [Apply All] button to store the adjustment value after all adjustment point was adjusted.
[2.0kHz Adjustment]	FPU Test mode 1) Adjust Item: [Balance] [2kHz Sine Wave] check box is checked. 2) Adjust Item: [A: Low], [A: Center], [A: High], [B: Low], [B: Center], [B: High] Press [Transmit] button. Check while transmitting change to 2kHz.							
16. Standard Modulation Check [Analog Wide]	1) Connect the Deviation Meter to the TX ANT end via the ATT. Deviation Meter setting LPF: 15kHz HPF: OFF De-emphasis: OFF Detector: (p-p)/2 2) Connect the AG to the MIC Terminal of MIC connector. AG Frequency: 1kHz (Sine Wave) AG Output level: Adjust to become the 3kHz Deviation.	Deviation meter Oscilloscope AG DVM	Rear Front	TX ANT MIC			Check	5.0mV±1.5mV
[Analog Narrow]	1) Connect the Deviation Meter to the TX ANT end via the ATT. Deviation Meter setting LPF: 15kHz HPF: OFF De-emphasis: OFF Detector: (p-p)/2 2) Connect the AG to the MIC Terminal of MIC connector. AG Frequency : 1kHz (Sine Wave) AG Output level: Adjust to become the 1.5kHz Deviation.							

Item	Condition	Measurement			Adjustment			Specifications / Remarks
		Test-equipment	Unit	Terminal	Unit	Parts	Method	
17. TD Deviation adjust [Analog Wide]	FPU Test mode 1) Adjust Item: [TD Deviation (Analog Wide)] Connect the Deviation Meter to the TX ANT end via the ATT. Deviation Meter setting LPF: 3kHz, HPF: OFF De-emphasis: OFF Detector: +peak, -peak 2) Connect the AG to the TD Terminal of Control I/O Jack. AG Frequency: 100Hz (Sine Wave) AG Output level: 0.5Vpp(177mVrms) Press [Transmit] button.	Deviation meter Oscilloscope AG AF VM	Rear	TX ANT Control I/O Jack TD (D-sub25 Pin No.8)		PC ADJ	0.75kHz Deviation	±0.05kHz Press [Apply] button to store the adjustment value.
18. TD Deviation adjust [Analog Narrow]	FPU Test mode 1) Adjust Item: [TD Deviation (Analog Narrow)] Connect the Deviation Meter to the TX ANT end via the ATT. Deviation Meter setting LPF: 3kHz, HPF: OFF De-emphasis: OFF Detector: +peak, -peak 2) Connect the AG to the TD Terminal of Control I/O Jack. AG Frequency: 100Hz (Sine Wave) AG Output level: 0.5Vpp(177mVrms) Press [Transmit] button.							
19 Transmit Audio Input (TA) adjust [Analog Wide]	FPU Test mode 1) Adjust Item: [Transmit Audio Input (TA) (Analog Wide)] Connect the Deviation Meter to the TX ANT end via the ATT. Deviation Meter setting LPF: 15kHz, HPF: OFF De-emphasis: OFF Detector: +peak, -peak 2) Connect the AG to the TA Terminal of Control I/O Jack. AG Frequency: 1kHz (Sine Wave) AG Output level: 280mVrms Press [Transmit] button.	Deviation meter Oscilloscope AG AF VM	Rear	TX ANT Control I/O Jack TA (D-sub25 Pin No.9)		PC ADJ	3.0kHz Deviation	±0.05kHz Press [Apply] button to store the adjustment value.
20. Transmit Audio Input (TA) adjust [Analog Narrow]	FPU Test mode 1) Adjust Item: [Transmit Audio Input (TA) (Analog Narrow)] Connect the Deviation Meter to the TX ANT end via the ATT. Deviation Meter setting LPF: 15kHz, HPF: OFF De-emphasis: OFF Detector: +peak, -peak 2) Connect the AG to the TA Terminal of Control I/O Jack. AG Frequency: 1kHz (Sine Wave) AG Output level: 280mVrms Press [Transmit] button.						1.5kHz Deviation	±0.05kHz Press [Apply] button to store the adjustment value.

Item	Condition	Measurement			Adjustment			Specifications / Remarks
		Test-equipment	Unit	Terminal	Unit	Parts	Method	
21. QT Deviation adjust [Analog Wide]	FPU Test mode 1) Adjust Item: [QT Deviation (Analog Wide)] Connect the Deviation Meter to the TX ANT end via the ATT. Deviation Meter setting LPF: 3kHz, HPF: OFF De-emphasis: OFF Detector: p-p/2 Press [Transmit] button.	Deviation meter Oscilloscope	Rear	TX ANT		PC ADJ	0.75kHz Deviation	±0.05kHz Press [Apply] button to store the adjustment value.
22. QT Deviation adjust [Analog Narrow]	FPU Test mode 1) Adjust Item: [QT Deviation (Analog Narrow)] Connect the Deviation Meter to the TX ANT end via the ATT. Deviation Meter setting LPF: 3kHz, HPF: OFF De-emphasis: OFF Detector: p-p/2 Press [Transmit] button.						0.35kHz Deviation	±0.05kHz Press [Apply] button to store the adjustment value.
23. DQT Deviation adjust [Analog Wide]	FPU Test mode 1) Adjust Item: [DQT Deviation (Analog Wide)] Connect the Deviation Meter to the TX ANT end via the ATT. Deviation Meter setting LPF: 3kHz, HPF: OFF De-emphasis: OFF Detector: Peak hold Press [Transmit] button.						0.75kHz Deviation	±0.05kHz Press [Apply] button to store the adjustment value.
24. DQT Deviation adjust [Analog Narrow]	FPU Test mode 1) Adjust Item: [DQT Deviation (Analog Narrow)] Connect the Deviation Meter to the TX ANT end via the ATT. Deviation Meter setting LPF: 3kHz, HPF: OFF De-emphasis: OFF Detector: Peak hold Press [Transmit] button.						0.35kHz Deviation	±0.05kHz Press [Apply] button to store the adjustment value.
25. DTMF Deviation adjust [Analog Wide]	FPU Test mode 1) Adjust Item: [DTMF Deviation (Analog Wide)] Connect the Deviation Meter to the TX ANT end via the ATT. Deviation Meter setting LPF: 15kHz, HPF: OFF De-emphasis: OFF Detector: +peak, -peak Press [Transmit] button.	Deviation meter Oscilloscope	Rear	TX ANT		PC ADJ	3.0kHz Deviation	±0.05kHz Press [Apply] button to store the adjustment value.
26. DTMF Deviation adjust [Analog Narrow]	FPU Test mode 1) Adjust Item: [DTMF Deviation (Analog Narrow)] Connect the Deviation Meter to the TX ANT end via the ATT. Deviation Meter setting LPF: 15kHz, HPF: OFF De-emphasis: OFF Detector: +peak, -peak Press [Transmit] button.						1.5kHz Deviation	±0.05kHz Press [Apply] button to store the adjustment value.

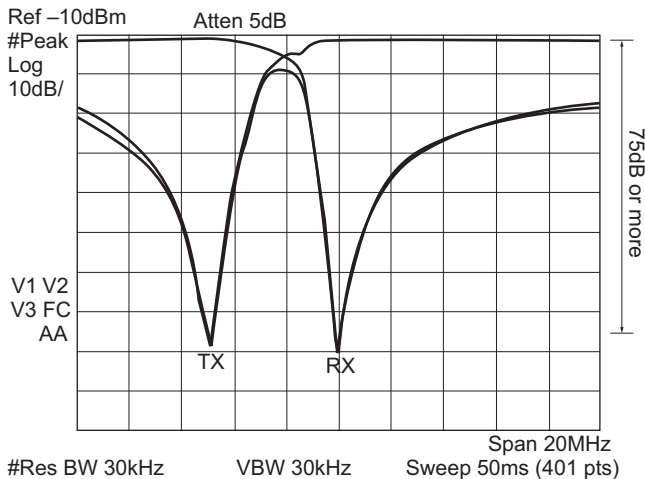
Item	Condition	Measurement			Adjustment			Specifications / Remarks
		Test-equipment	Unit	Terminal	Unit	Parts	Method	
27. Test Tone Deviation adjust [Analog Wide]	FPU Test mode 1) Adjust Item: [Test Tone Deviation (Analog Wide)] Connect the Deviation Meter to the TX ANT end via the ATT. Deviation Meter setting LPF: 15kHz, HPF: OFF De-emphasis: OFF Detector: +peak, -peak Press [Transmit] button.	Deviation meter Oscilloscope	Rear	TX ANT		PC ADJ	3.0kHz Deviation	±0.05kHz Press [Apply] button to store the adjustment value.
28. Test Tone Deviation adjust [Analog Narrow]	FPU Test mode 1) Adjust Item: [Test Tone Deviation (Analog Narrow)] Connect the Deviation Meter to the TX ANT end via the ATT. Deviation Meter setting LPF: 15kHz, HPF: OFF De-emphasis: OFF Detector: +peak, -peak Press [Transmit] button.						1.5kHz Deviation	±0.05kHz Press [Apply] button to store the adjustment value.
29. CW ID Deviation adjust [Analog Wide]	FPU Test mode 1) Adjust Item: [CW ID Deviation (Analog Wide)] Connect the Deviation Meter to the TX ANT end via the ATT. Deviation Meter setting LPF: 15kHz, HPF: OFF De-emphasis: OFF Detector: +peak, -peak Press [Transmit] button.						2.0kHz Deviation	±0.05kHz Press [Apply] button to store the adjustment value.
30. CW ID Deviation adjust [Analog Narrow]	FPU Test mode 1) Adjust Item: [CW ID Deviation (Analog Narrow)] Connect the Deviation Meter to the TX ANT end via the ATT. Deviation Meter setting LPF: 15kHz, HPF: OFF De-emphasis: OFF Detector: +peak, -peak Press [Transmit] button.						1.0kHz Deviation	±0.05kHz Press [Apply] button to store the adjustment value.
31. Courtesy Tone Deviation adjust [Analog Wide]	FPU Test mode 1) Adjust Item: [Courtesy Tone Deviation (Analog Wide)] Connect the Deviation Meter to the TX ANT end via the ATT. Deviation Meter setting LPF: 15kHz, HPF: OFF De-emphasis: OFF Detector: +peak, -peak Press [Transmit] button.						1.0kHz Deviation	±0.05kHz Press [Apply] button to store the adjustment value.
32. Courtesy Tone Deviation adjust [Analog Narrow]	FPU Test mode 1) Adjust Item: [Courtesy Tone Deviation (Analog Narrow)] Connect the Deviation Meter to the TX ANT end via the ATT. Deviation Meter setting LPF: 15kHz, HPF: OFF De-emphasis: OFF Detector: +peak, -peak Press [Transmit] button.						0.5kHz Deviation	±0.05kHz Press [Apply] button to store the adjustment value.

Item	Condition	Measurement			Adjustment			Specifications / Remarks
		Test-equipment	Unit	Terminal	Unit	Parts	Method	
33. Repeat Gain adjust [Analog Wide]	FPU Test mode 1) Adjust Item: [Repeat Gain (Analog Wide)] Connect the Deviation Meter to the TX ANT end via the ATT. Deviation Meter setting LPF: 15kHz, HPF: OFF De-emphasis: OFF Detector: +peak, -peak 2) Connect the SSG to the RX ANT. SSG setting Frequency: Desired Frequency Output: -53dBm (501μV) MOD: 1.0kHz DEV: ±1.0kHz Press [Transmit] button.	Deviation meter Oscilloscope SSG	Rear	TX ANT RX ANT		PC ADJ	1.0kHz Deviation	±0.05kHz Press [Apply] button to store the adjustment value.
34. Repeat Gain adjust [Analog Narrow]	FPU Test mode 1) Adjust Item: [Repeat Gain (Analog Narrow)] Connect the Deviation Meter to the TX ANT end via the ATT. Deviation Meter setting LPF: 15kHz, HPF: OFF De-emphasis: OFF Detector: +peak, -peak 2) Connect the SSG to the RX ANT. SSG setting Frequency: Desired Frequency Output: -53dBm (501μV) MOD: 1.0kHz DEV: ±1.0kHz Press [Transmit] button.							

4.8 Confirmation and Alignment of Set-up to Prevent Receiver Desensitization

4.8.1 Confirmation of Duplexer alignment

The duplexer allows the Repeater to simultaneously transmit and receive. To accomplish this, in the programmed receive frequency, the transmit frequency must be notched or suppressed by 75dB or more. Additionally, on the programmed transmit frequency, the receive frequency must be notched or suppressed by 75dB or more. The following figures are examples of Duplexer alignment using a spectrum analyzer.

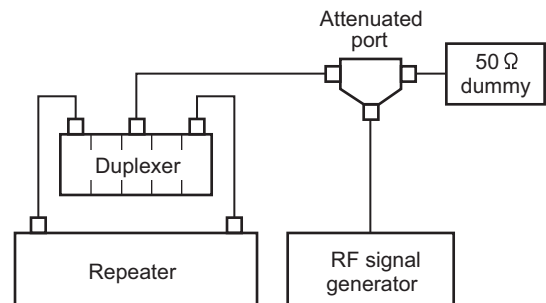


4.8.2 Confirmation of Repeater Desensitization

The following figure is a Test set-up for Repeater Desensitization.

After this Test set-up is completed, confirm the Repeater Desensitization as mentioned below.

- (1) Disable the repeater mode.
- (2) Adjust the level of the RF generator until 12dB SINAD is reached.
- (3) Increase the output of the RF generator by 1dB. (This increases the SINAD.)
- (4) Enable the repeater mode.
- (5) Read the SINAD level. It should not drop below 12dB SINAD. If the SINAD is less than 12dB, check the tightness of the connectors and the tuning of duplexer.



4.9 Adjustment for KXK-3(M3) (OCXO unit)

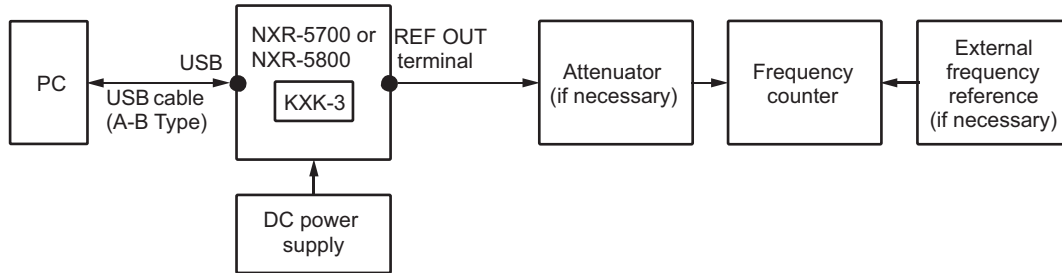
We recommend that the frequency adjustment be checked each time the radio is serviced, or at least once per two years. Maintenance should only be performed under normal temperatures.

■Test Equipment Required for Alignment

Test Equipment	Major Specifications	
1. Frequency Counter	Frequency Range	Up to 50MHz
	Resolution	10 digits
	Reference Frequency Accuracy	Smaller than 0.0001ppm
	Input level	Up to 5Vpp

■Adjustment Setup

The KXK-3(M3) OCXO unit must be mounted on the NXR-5700 repeater. Adjustment setup is shown as follows.



To adjust the KXK-3(M3) OCXO unit, some preparations are required.

- (1) The NXR-5700 with the KXK-3(M3) OCXO unit must be warmed up at least 72 hours before the adjustment is made. The environment temperature must be stable.
- (2) The frequency counter (or reference oscillator) must be warmed up as defined by the equipment manufacturer.

■Adjustment

Item	Condition	Measurement			Adjustment			Specifications / Remarks
		Test-equipment	Unit	Terminal	Unit	Parts	Method	
1. Setting	1) Connect the DC power output to the rear panel DC terminal (13.6V). 2) Connect the "REF OUT" terminal to the frequency counter. 3) Warm-up the equipment and KXK-3(M3) properly. 4) Connect the front panel USB port to the PC USB port with a USB cable. 5) Activate the FPU to go to the test mode.							
2. OCXO frequency adjustment		f. counter	Rear	REF OUT		PC ADJ		±0.002ppm 9.99999998MHz~ 10.00000002MHz

Note:

Adjusted data is stored in the KXK-3 internal memory, therefore no re-adjustment is required when the adjusted KXK-3 is moved to another NXR-5700 or NXR-5800.

SECTION 5 TROUBLESHOOTING

5.1 Fault diagnosis of the BGA(Ball Grid Array) IC

Overview: A flowchart for determining whether or not the transceiver can't be powered on (the Display does not function) due to broken BGA parts.

BGA parts

- MPU(IC200) ▪ DSP(IC150) ▪ FLASH_No.1(IC390) ▪ FLASH_No.2(IC391)
- SRAM(IC392) ▪ MPU(IC901) ▪ DDR(IC791)

● Checking power supply voltage

Checking voltage	
Points to be checked	Normal voltage
33M IC4 (3pin)	3.3V
15M IC5 (5pin)	1.5V
16D IC6 (5pin)	1.6V
33A IC3 (1pin)	3.3V

Power supply of each device is connected through coil or resistor.
 [MPU (IC200)] 33M:L200, 15M:L11, 33A:R212
 [DSP] 33M:L150, 16D:None
 [FLASH_No.1] 33M: L390
 [FLASH_No.2] 33M: L391
 [SRAM] 33M (33BU): L392

Checking an abnormal point

33M has an abnormal voltage.
 [MPU (IC200)]
 Remove L200 to check the voltage of the 33M.
 If the voltage becomes normal, the MPU (IC200) is broken.
 [DSP]
 Remove L150 to check the voltage of the 33M.
 If the voltage becomes normal, the DSP is broken.
 [FLASH_No1]
 Remove L390 to check the voltage of the 33M.
 If the voltage becomes normal, the FLASH is broken.
 [FLASH_No2]
 Remove L390 to check the voltage of the 33M.
 If the voltage becomes normal, the FLASH is broken.
 [SRAM]
 Remove L392 to check the voltage of the 33M.
 If the voltage becomes normal, the SRAM is broken.

15M has an abnormal voltage.
 [MPU(IC200)]
 Remove L11 to check the voltage of the 15M.
 If the voltage becomes normal, the MPU(IC200) is broken.

16D has an abnormal voltage.
 [DSP]
 Exchange IC6 to check the voltage of the 16D, Still when 16D was the abnormal voltage, the DSP is broken.

33A has an abnormal voltage.
 [MPU(IC200)]
 Remove R212 to check the voltage of the 33A.
 If the voltage becomes normal, the MPU(IC200) is broken.

● Checking the clock

Checking the clock	
Point to be checked	Normal voltage (3.3V)
MPU(IC200) side R203	18.432Mhz
DSP side R175	18.432Mhz

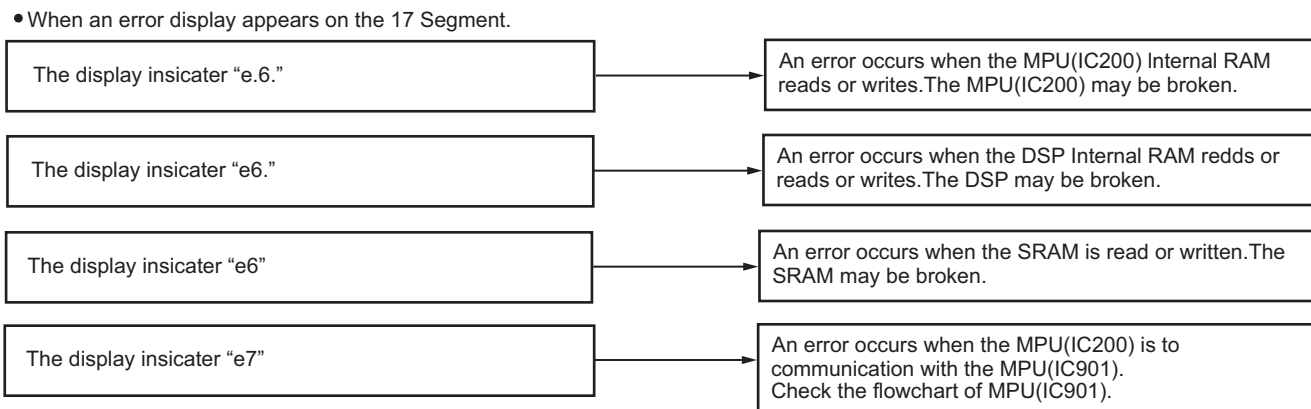
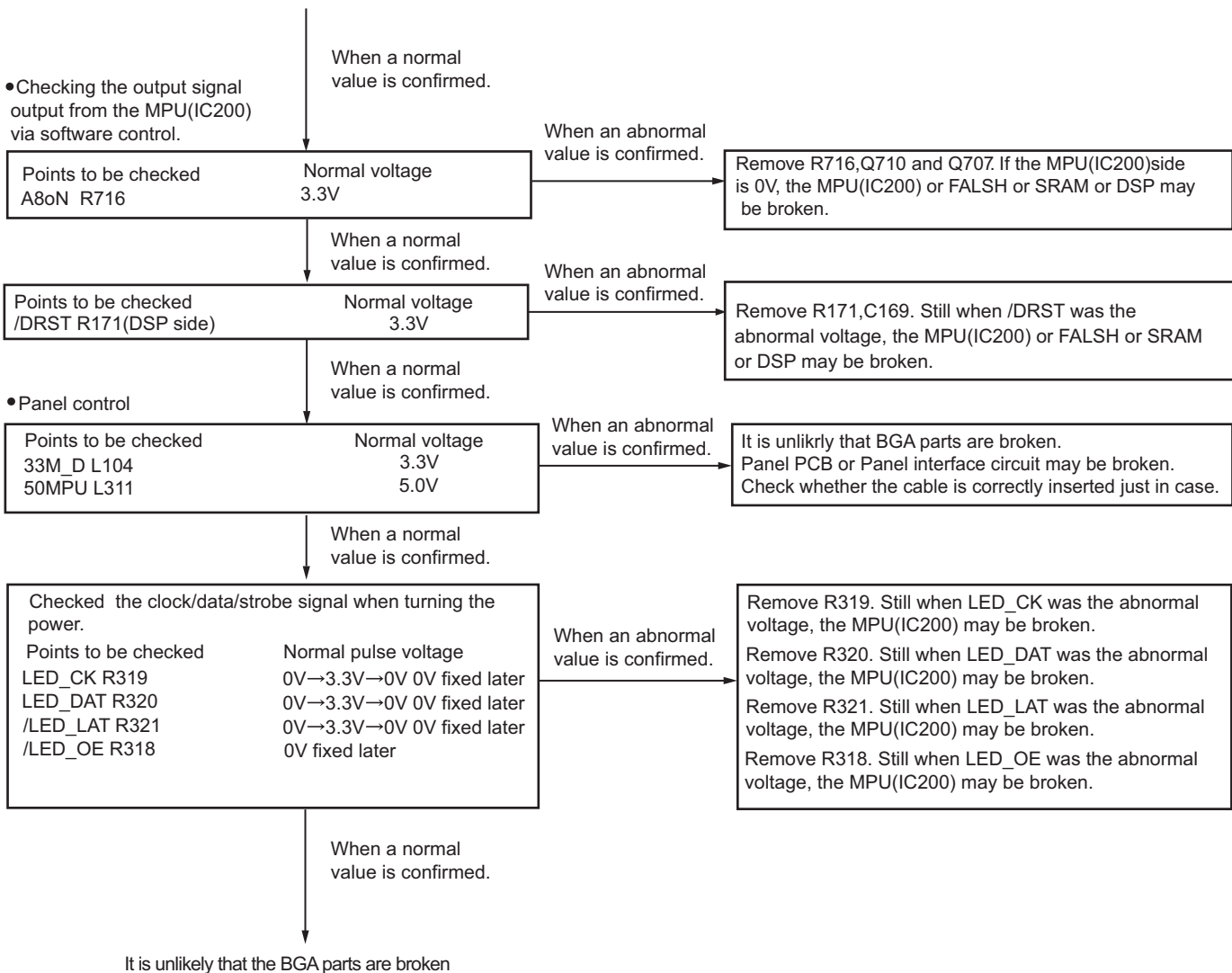
Remove R203 to check the voltage of the clock.
 If the voltage becomes normal, the MPU(IC200) is broken.
 Remove R175 to check the voltage of the clock.
 If the voltage becomes normal, the DSP is broken.

● Checking the Reset/Control signal

Checking the control signal to the MPU (IC200)	
Point to be checked	Normal voltage
/RST IC8 (1pin)	3.3V
/BINT IC7 (1pin)	3.3V

[IC8 1pin]
 Remove R211 to check the voltage of the /RST.
 If the voltage becomes normal, the MPU(IC200) is broken.
 [IC7 1pin]
 Exchange IC7,R24&C40 to check the voltage of the /BINT.Still when /BINT was the abnormal voltage,the MPU(IC200) is broken.

The BGA parts are not broken.



■ Descriptions of signal names

1) /RST(RESET)	: Reset signal of MPU(IC200)	LOW → Reset
2) /BINT	: Monitornig signal of Battery final voltage	LOW → Final voltage
3) A8oN	: Power switch signal MPU(IC901)	HIGH→ ON
4) LED_CLK	: Controller signal of LED&17 Segment	Switching → During access
5) LED_DAT	: Controller signal of LED&17 Segment	Switching → During access
6) LED_LAT	: Controller signal of LED&17 Segment	Switching → During access
7) LED_OE	: Controller signal of LED&17 Segment	LOW → Active

5.2 MPU(IC901) and DDR3 (IC791) Troubleshooting

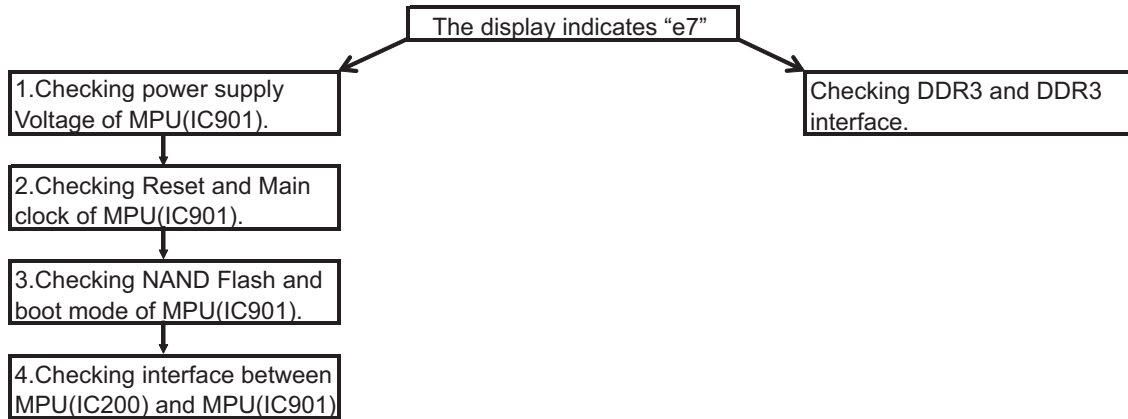
Overview : The flowchart about troubleshooting of BGA package MPU (IC901) and DDR3 (IC791) .

This flowchart describe about "error display of e7" that is meant an error occurrence when the MPU (IC901) communicate to other MPU (IC200).

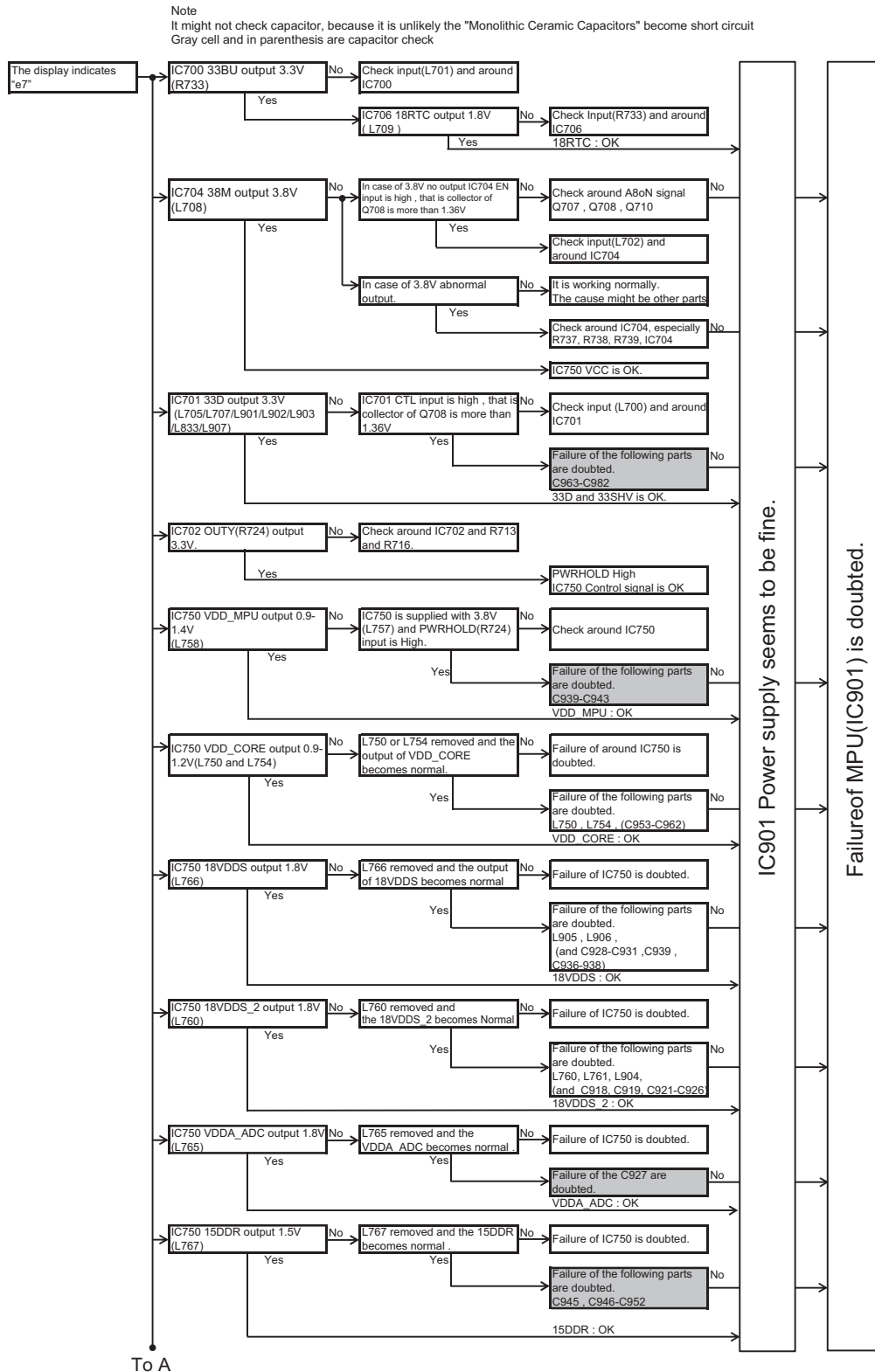
When repeater display error "e7" , we come to mind two main reason.

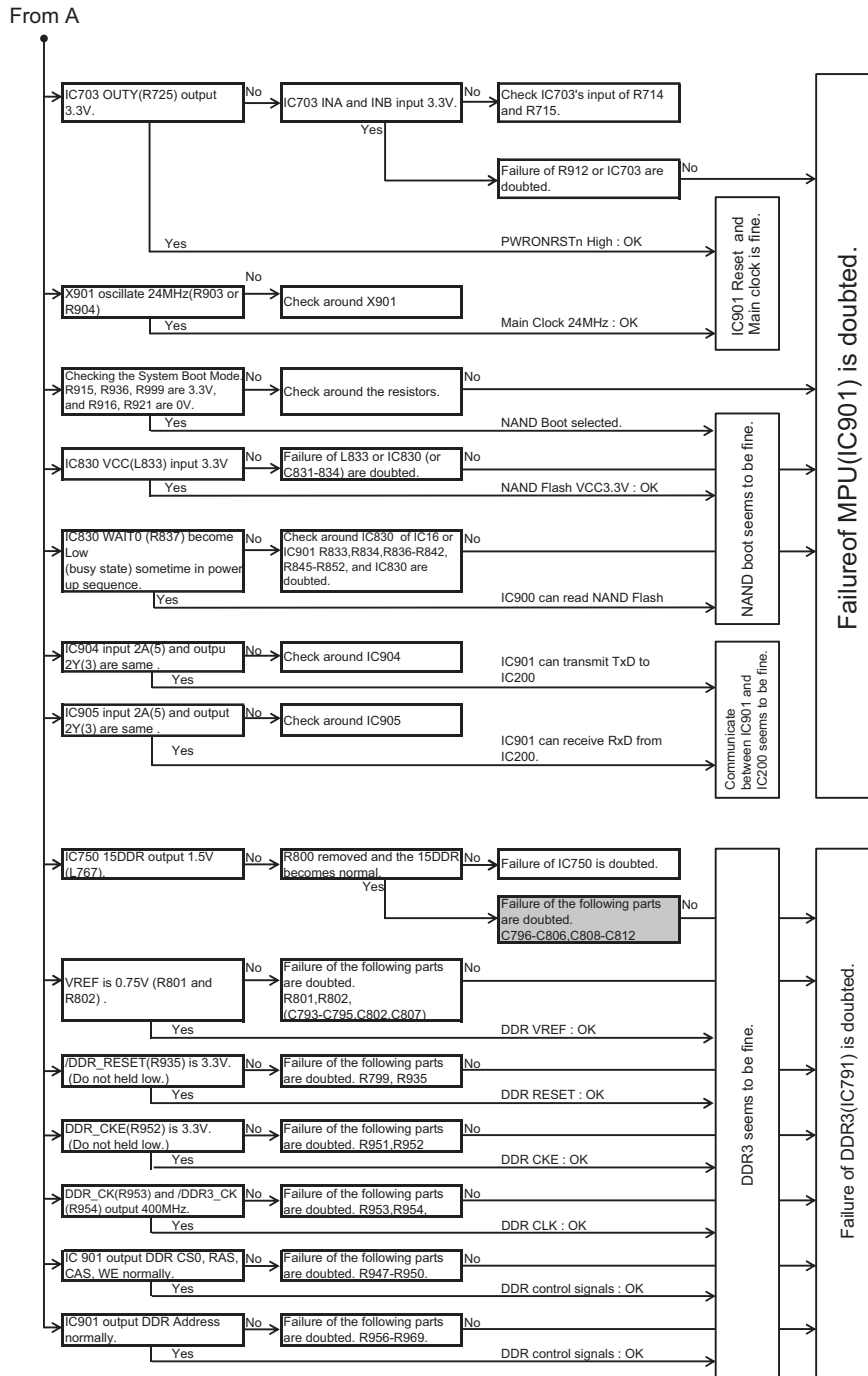
One reason is MPU makes trouble, the other is DDR3 makes trouble.

5.2.1 Outline for the process of MPU (901) and DDR3 (IC791) troubleshooting



5.2.2 Detail of MPU (901) and DDR3 (IC791) troubleshooting





5.3 If normal power is not obtained, please follow the steps below

- (1) Is the set current when the output becomes the upper limit appropriate for the output?
When an excessive electric current is observed for the too little output, there is the example that the input to a module is not enough. So, is drive power enough?
Try to readjust it if incompatible. And confirm a course reaching the module.
- (2) The output is the state of the upper limit, and observe gate voltage at that time.
If around 5V that is the hardware-like upper limit appears, there is the abnormality on an output step or the output course.
For example, it is power supply, module, coupling capacitor, LPF.
When the power supply voltage at the module terminal abnormally descends, you should confirm each joint, main fuse, current detection resistance (R4).
- (3) When you cannot confirm enough gate voltage, there is the problem with a control block or a detection block.
Can "PWR_LIM" observe an appropriate value (limit adjustment up to around 3V)?
The protector circuit malfunctions (in normal time Q2, Q451 OFF)?
The reflection side detection circuit misdetects it (the R61 side of the coupler including non-connection)?
Is the antenna switch replaced definitely?

■When a full power transmits and cannot lower the power.

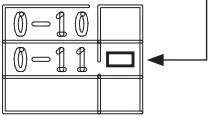
(1) Is the course of the forward side detection normal?

When the detection output is not provided though there is the real RF output, the APC is going to give max power.

(2) Confirm that you can turn down the "PWR_LIM" output by power limit adjustment.

5.4 Replacing Control Unit

5.4.1 Control Unit Information

Original Control Unit	Control Unit (Service unit)	Difference between original unit and Service Unit
XC1-0640-10	XC1-0640-11	Mounted chip at 0-11 location for Service Unit. 

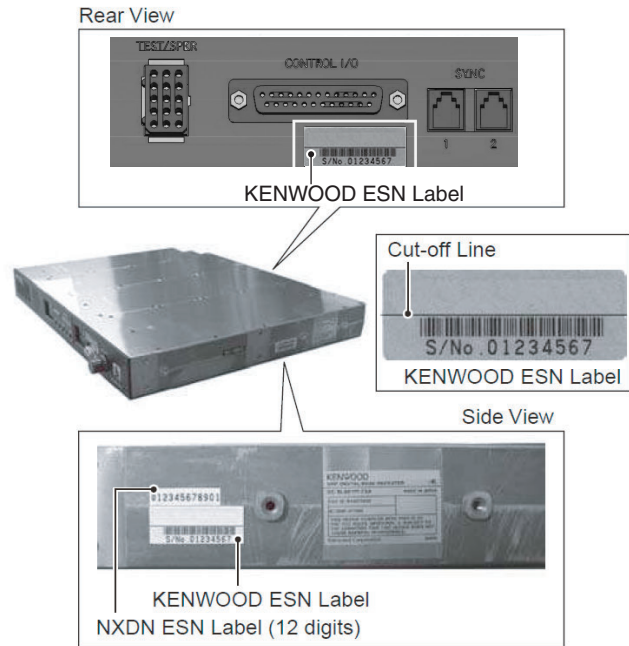
5.4.2 Supplied Accessories

Item (Including Part Number)	Quantity
Control Unit	1
KENWOOD ESN Label	2
NXDN ESN Label	1

5.4.3 Printed Circuit Board Data

The following data is written on the circuit board:

Data Type	Description
Firmware	NXR-5700/5800 Firmware
FPU Data (PC programming mode)	NXR-5700 K type data.
Various Adjustment Data (PC test mode)	General adjustment values for the NXR-5700/5800.
KENWOOD ESN	Model Name: NXR57/5800S Type: K The same number as the KENWOOD ESN label is written.
NXDN ESN	The same number as the NXDN ESN label is written.
Media Access Control address	The number is on the service printed circuit board. The MAC address number is on a sticker which is applied to the service printed circuit board. It can't be rewritten number.



Note:

For the XC1-064, a UPC code and UPC barcode is not printed on the KENWOOD ESN Label. If necessary, cut the label at the cut-off line and attach only the serial number.

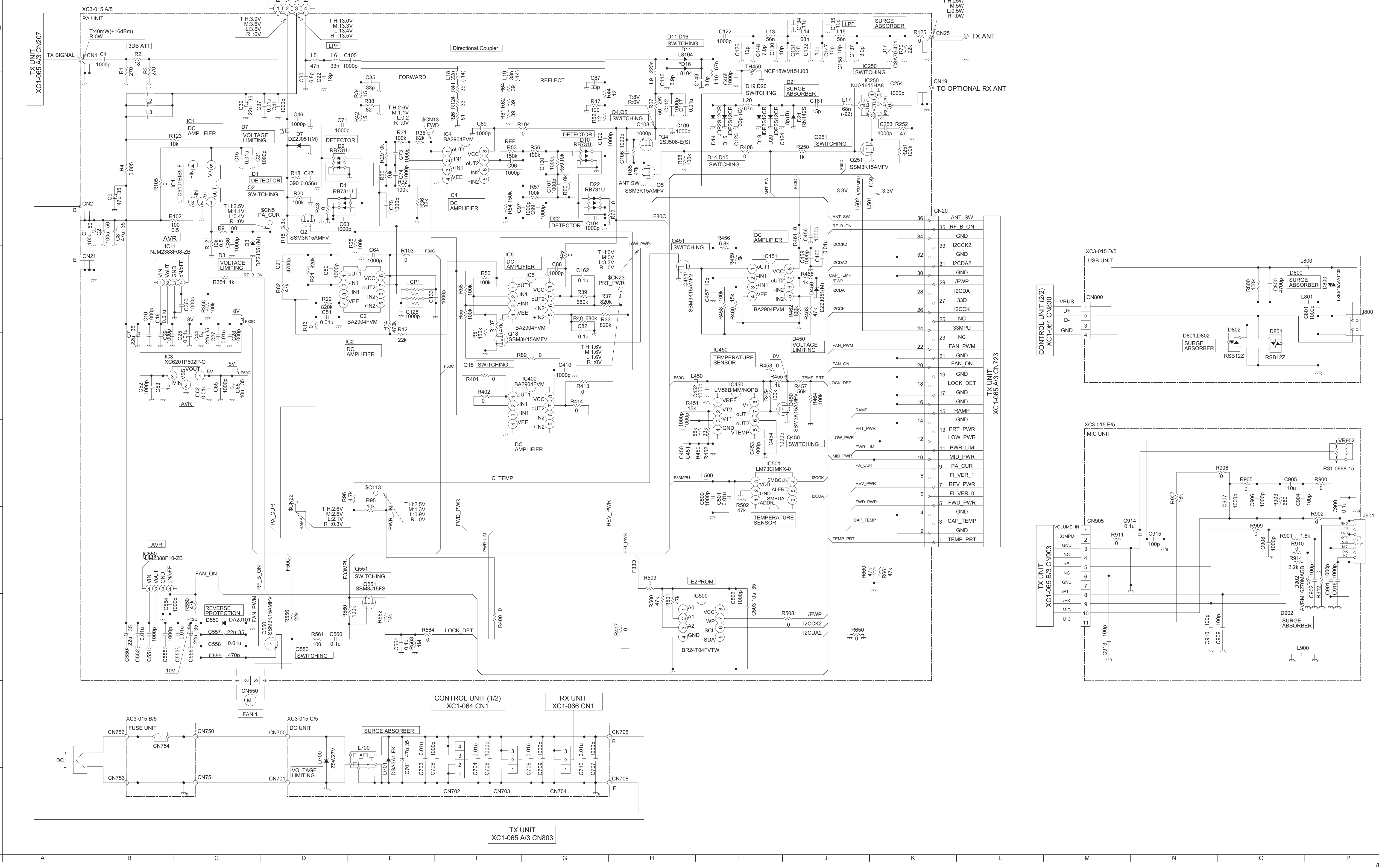
5.4.4 After Changing the PCB

- (1) After changing the printed circuit board, write the upto-date Firmware following the instructions in the "REALIGNMENT 4. Firmware Programming Mode".
- (2) Using the KPG-D2/D2N, select your desired item (Model Name and Frequency) from the Model > Product Information menu, then use Program > Write Data to the repeater to write the FPU data (PC Programming mode).
When writing to the repeater, a Warning Message, corresponding to the item selected, appears. Click [OK] to continue writing the data.
- (3) Enter Program > Test mode, then adjust the various adjustment data (PC Test mode) as described in the "ADJUSTMENT".
- (4) For the XC1-064, attach the new labels corresponding to the new printed circuit board. (Refer to the images below for label placement.)
- (5) If necessary, write the FPU data used by the customer with the KPG-D2/D2N.

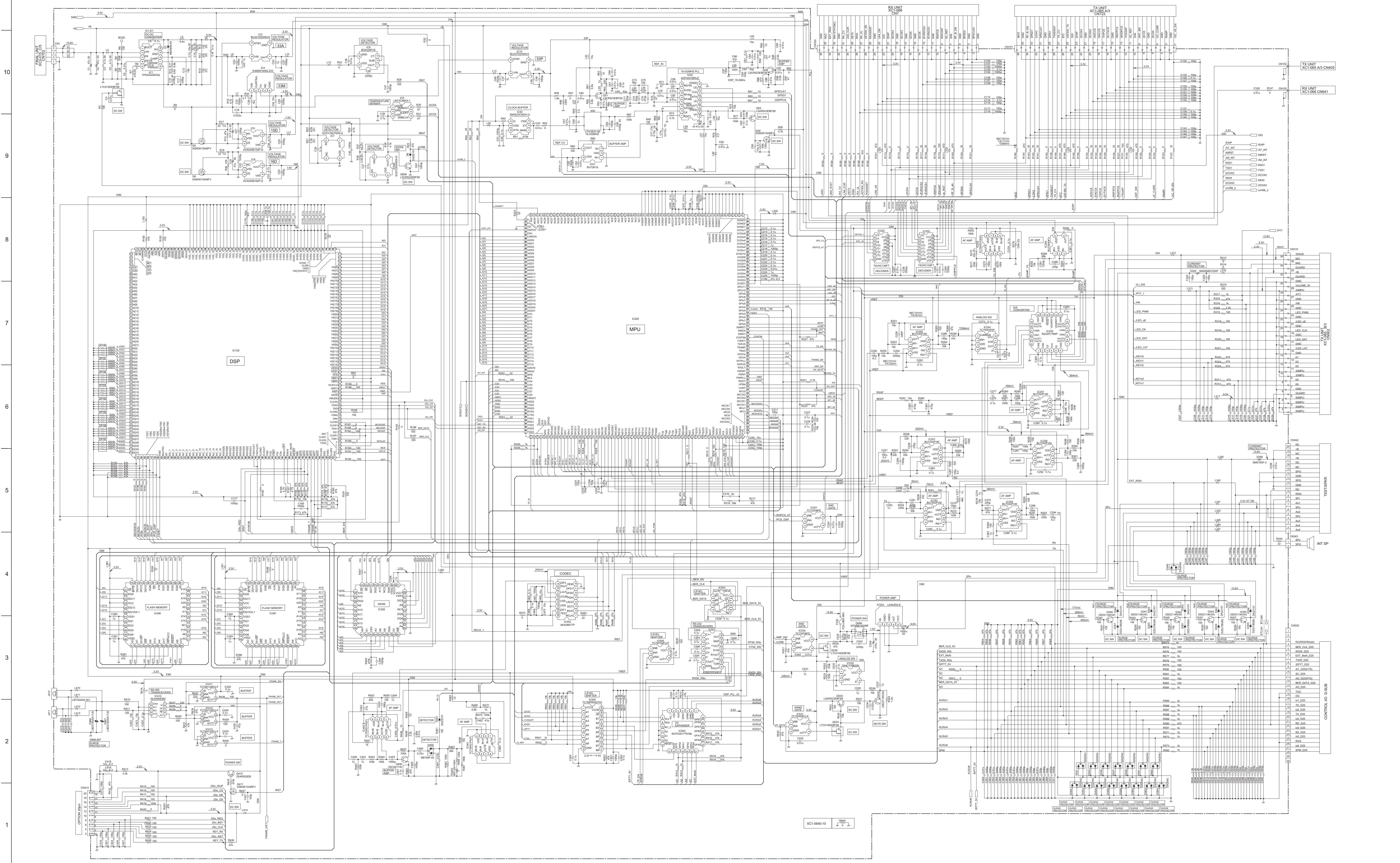
Note:

- When a new printed circuit board is used, the KENWOOD ESN changes, as does the Repeater Information display of the KPG-D2/D2N, but this does not have any effect on the operation of the transceiver.
- If changing to the original KENWOOD ESN and NXDN ESN, please contact our service center.
- Re-installing other parts from original unit to Service unit is not required after changing to Service unit.

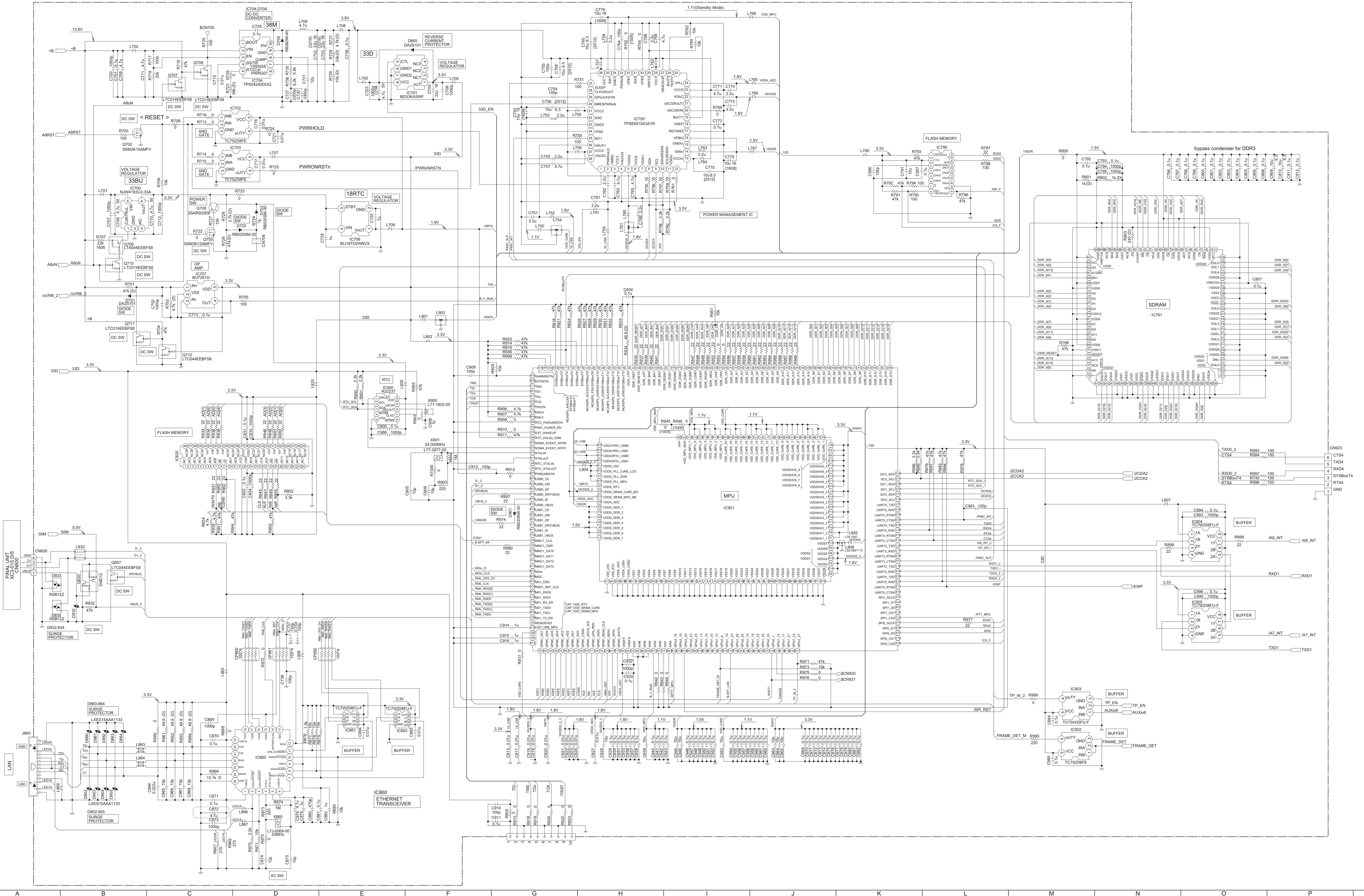
SCHEMATIC DIAGRAM
FINAL UNIT (XC3-0150-10)



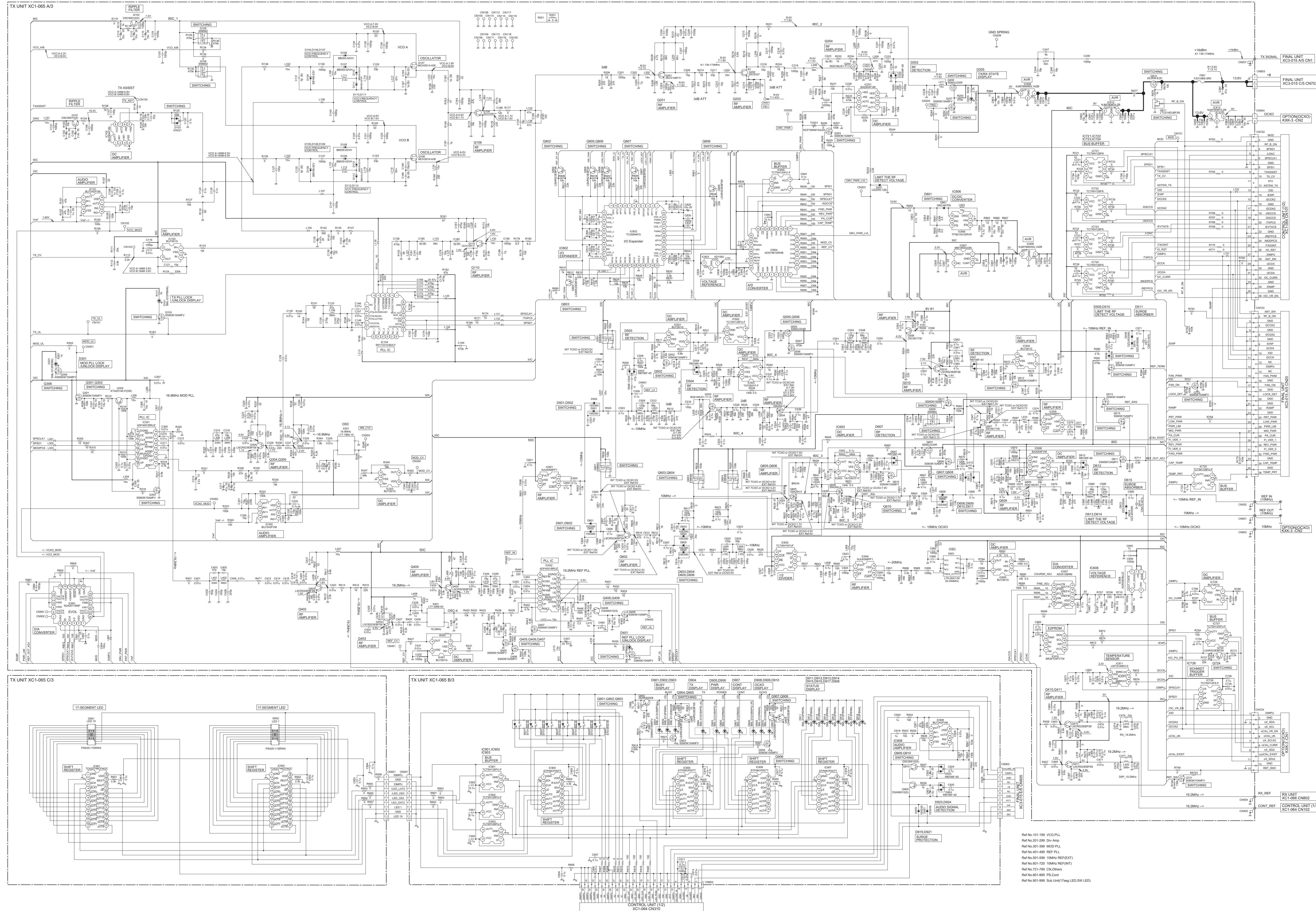
CONTROL UNIT (1/2) (XC1-0640-10)



CONTROL UNIT (2/2) (XC1-0640-10)



TX UNIT (XC1-0650-10)



INTERCONNECTION DIAGRAM

10

9

8

7

6

5

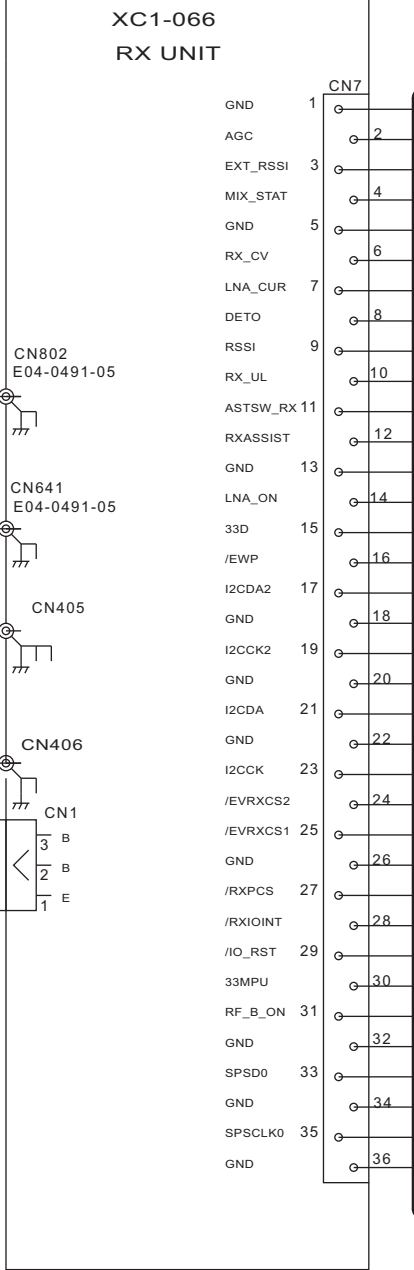
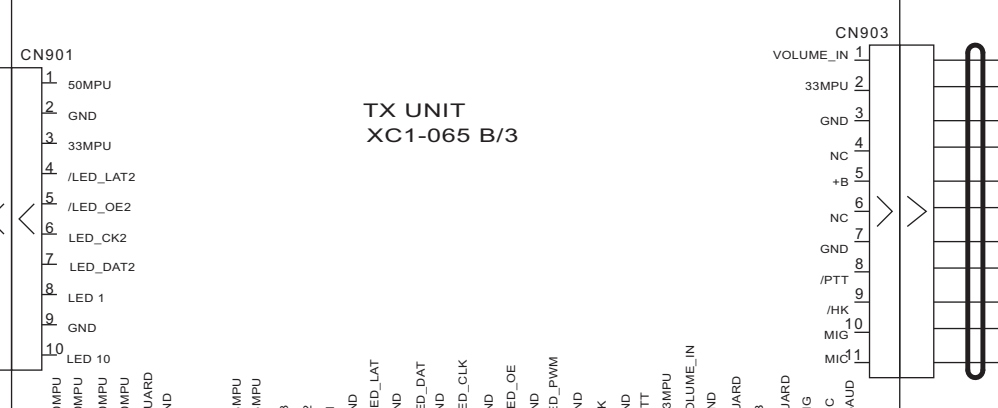
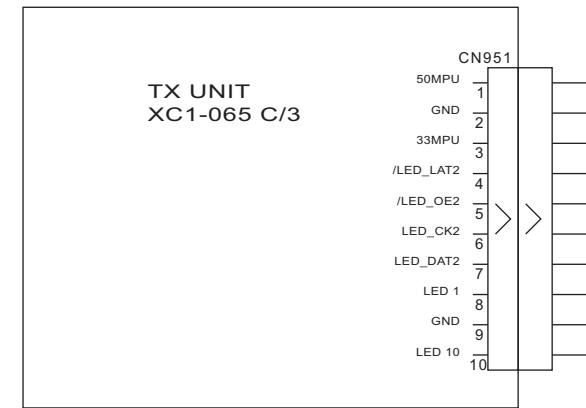
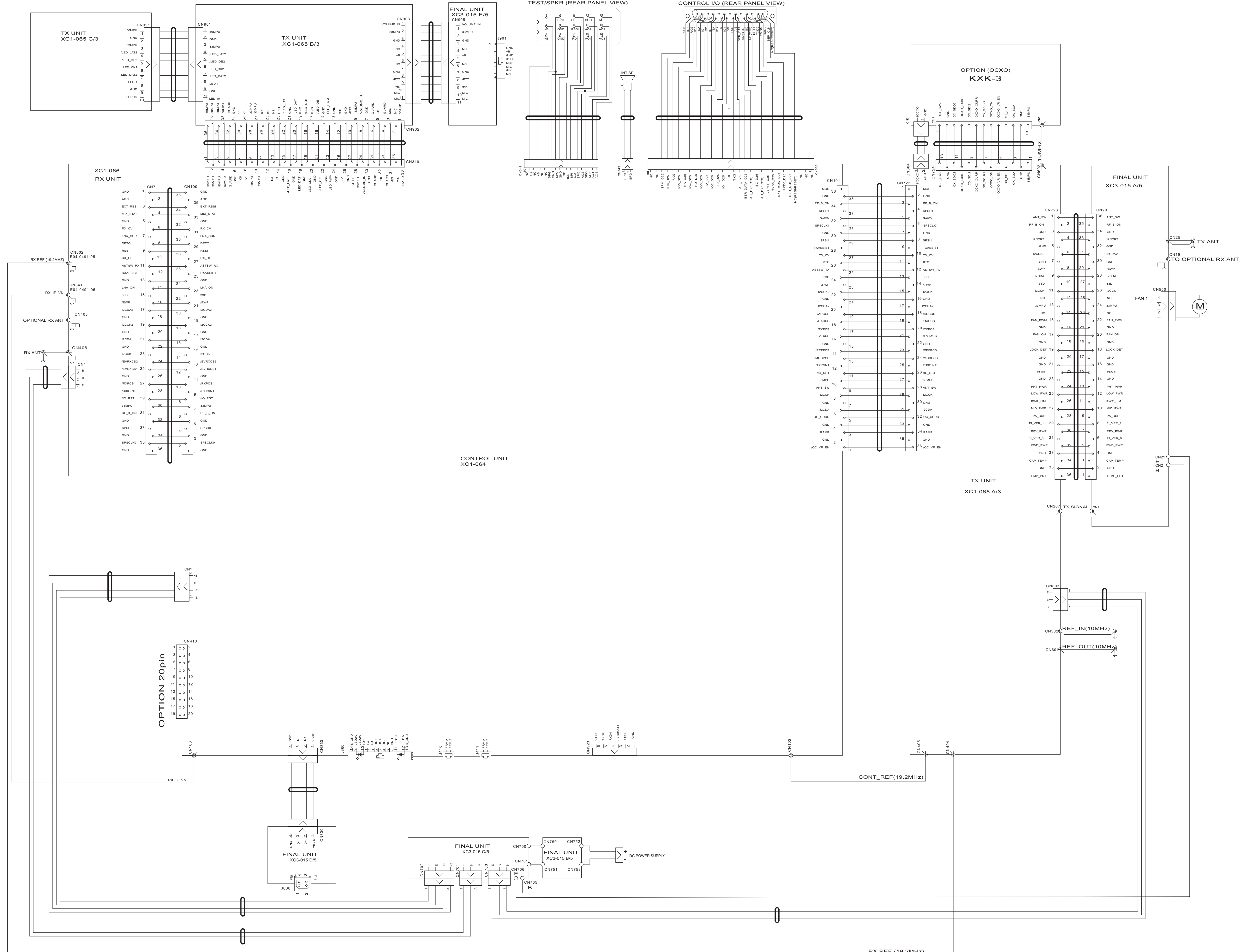
4

3

2

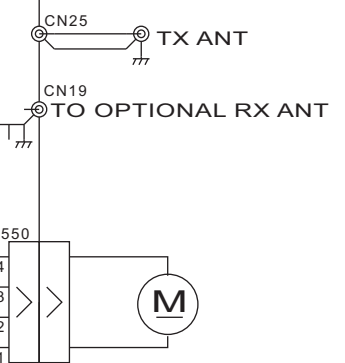
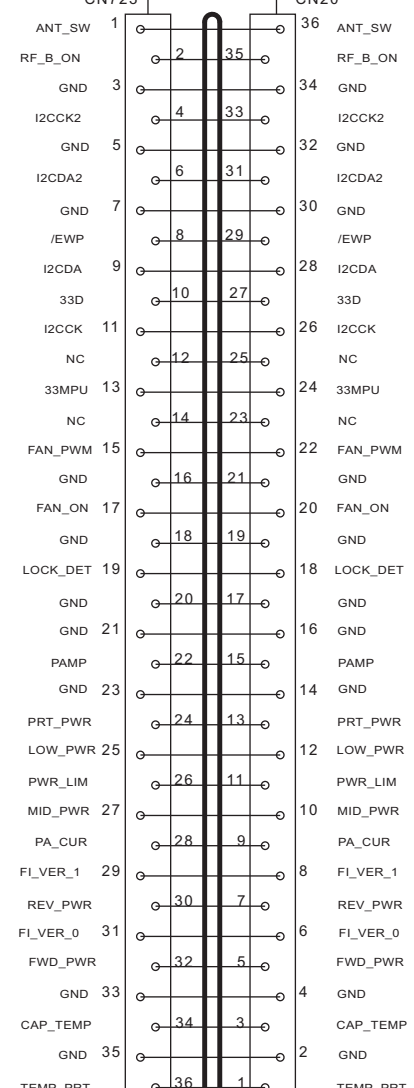
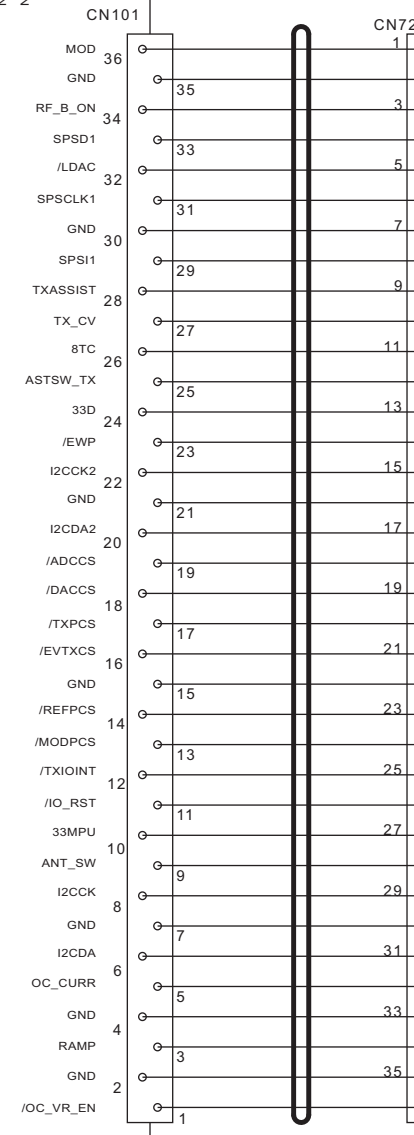
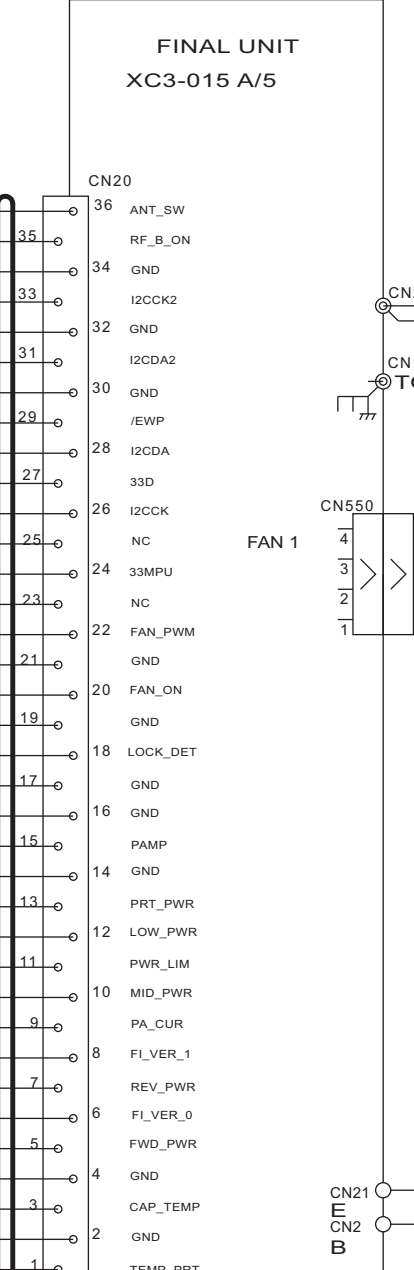
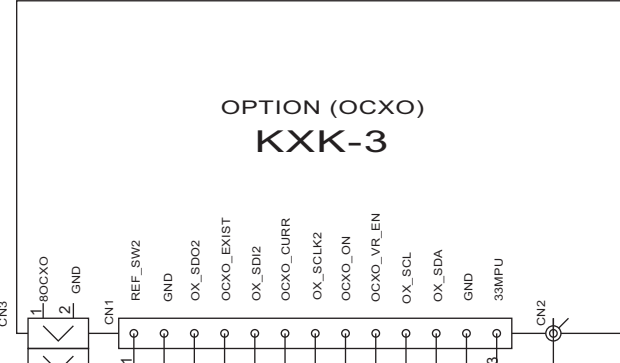
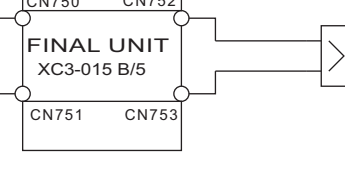
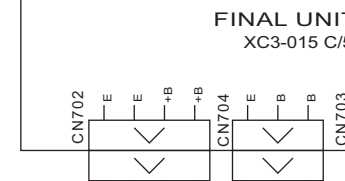
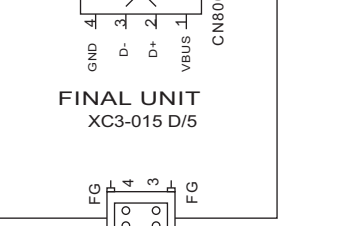
1

A B C D E F G H I J K L M N O P Q



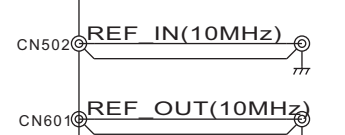
CONTROL UNIT XC1-064

OPTION 20pin



CONT_REF(19.2MHz)

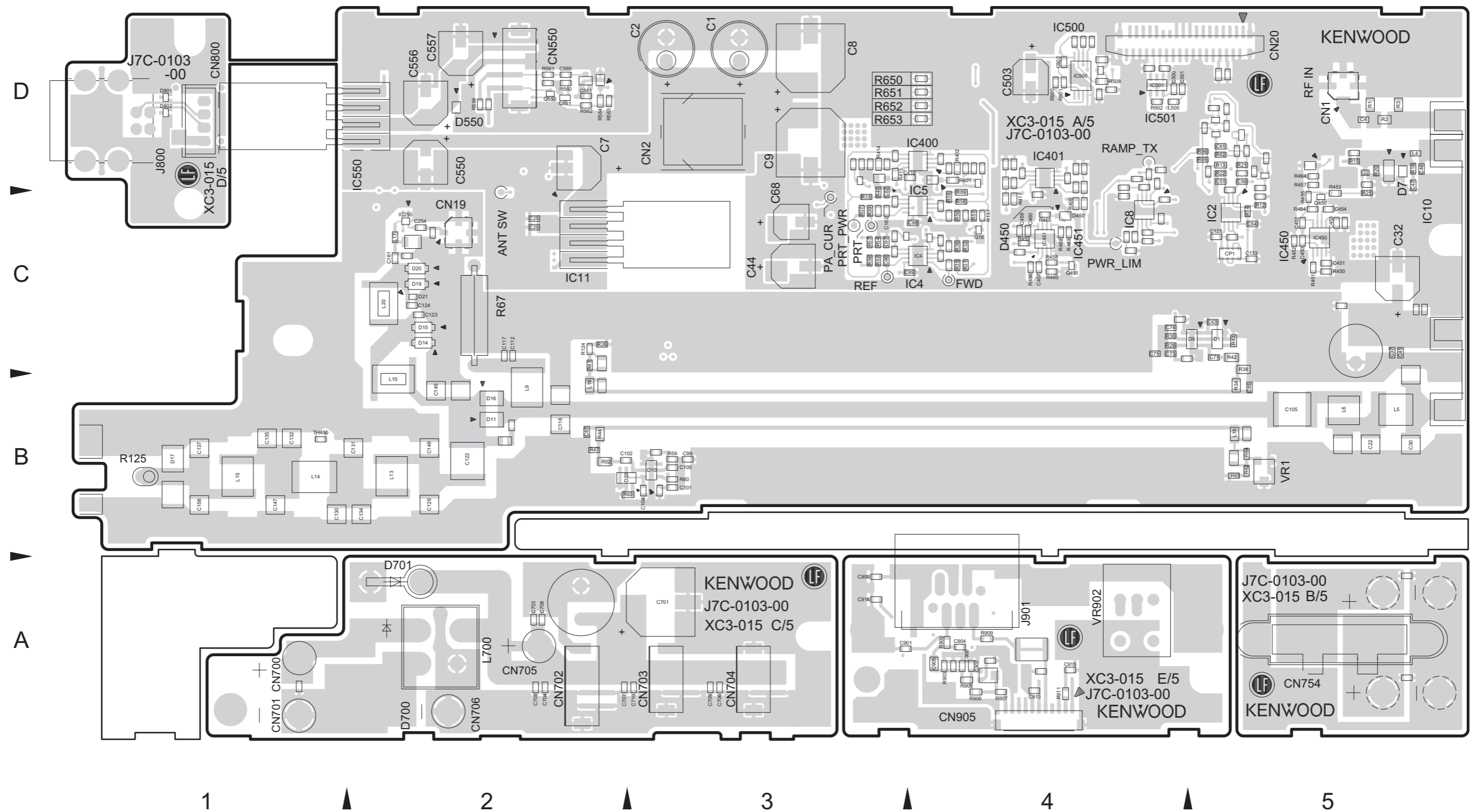
TX UNIT XC1-065 A/3



PRINTED CIRCUIT BOARD

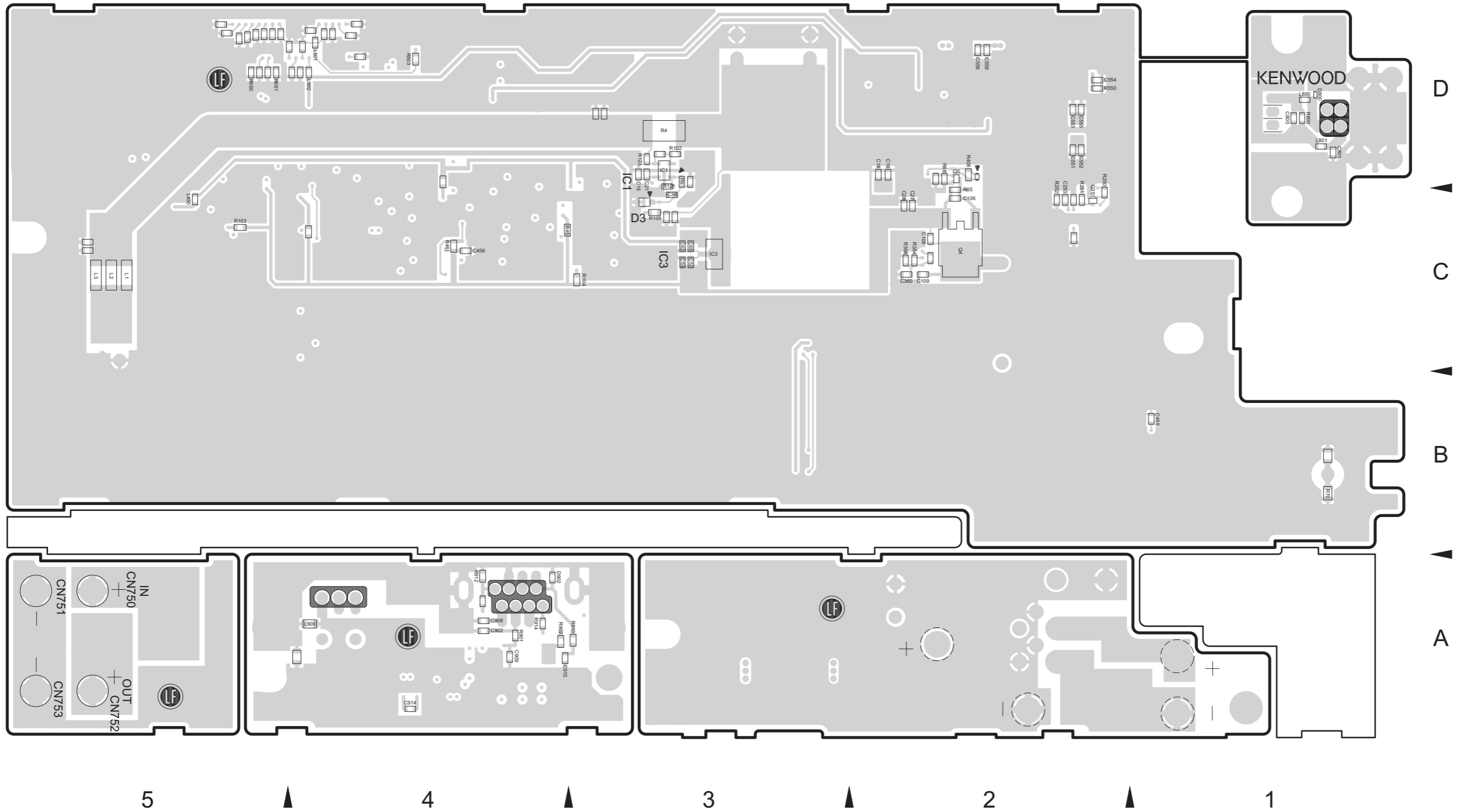
■ FINAL UNIT (XC3-0150-10)

--- Component side view (J7C-0103-00) ---



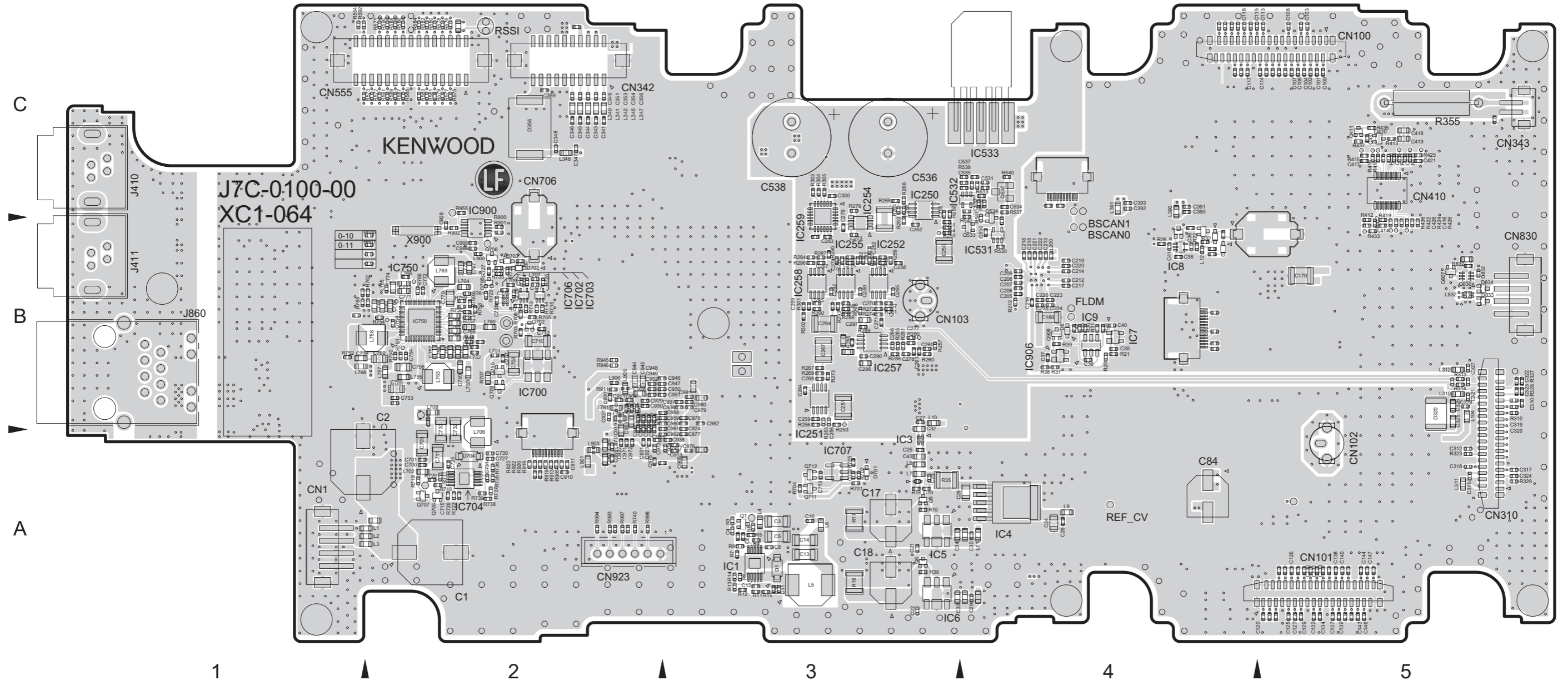
■ FINAL UNIT (XC3-0150-10)

--- Foil side view (J7C-0103-00) ---



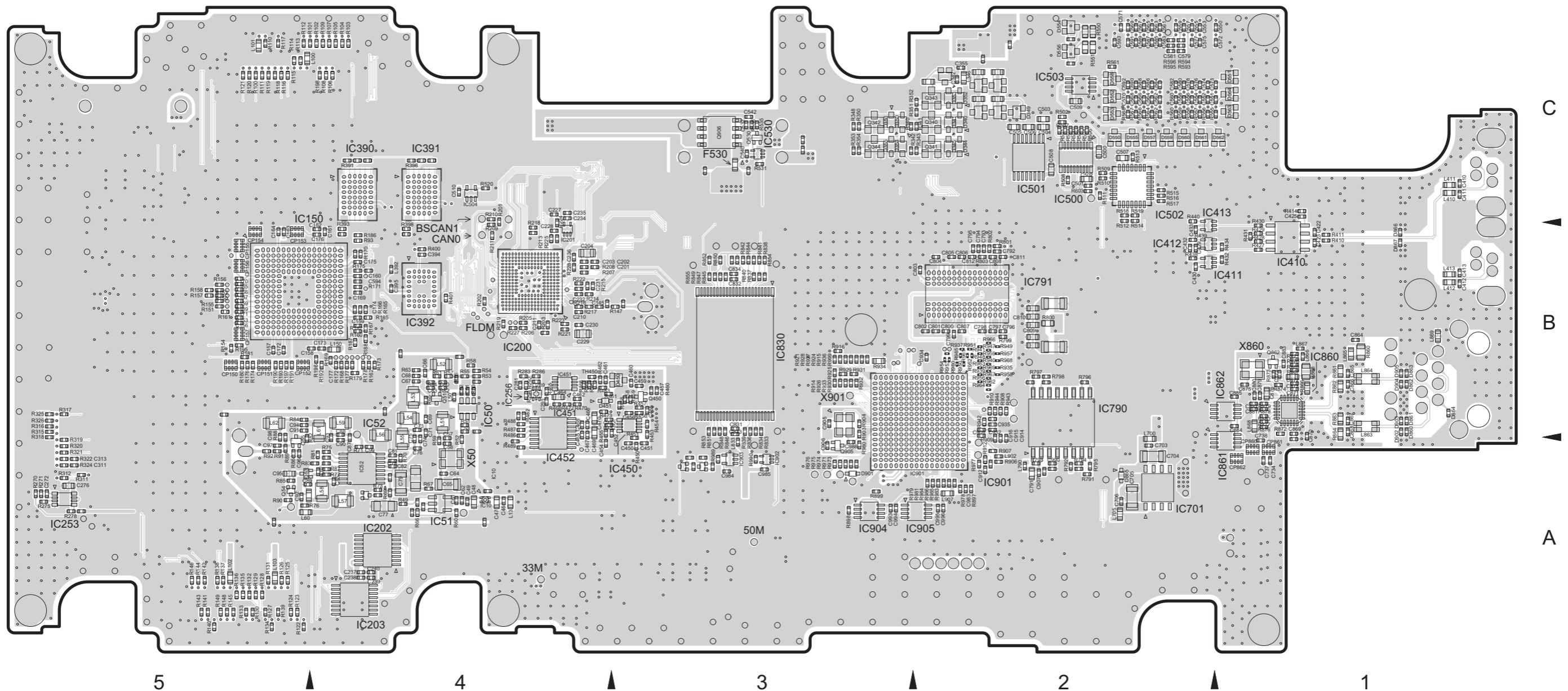
■ CONTROL UNIT (XC1-0640-10)

--- Component side view (J7C-0100-00) ---



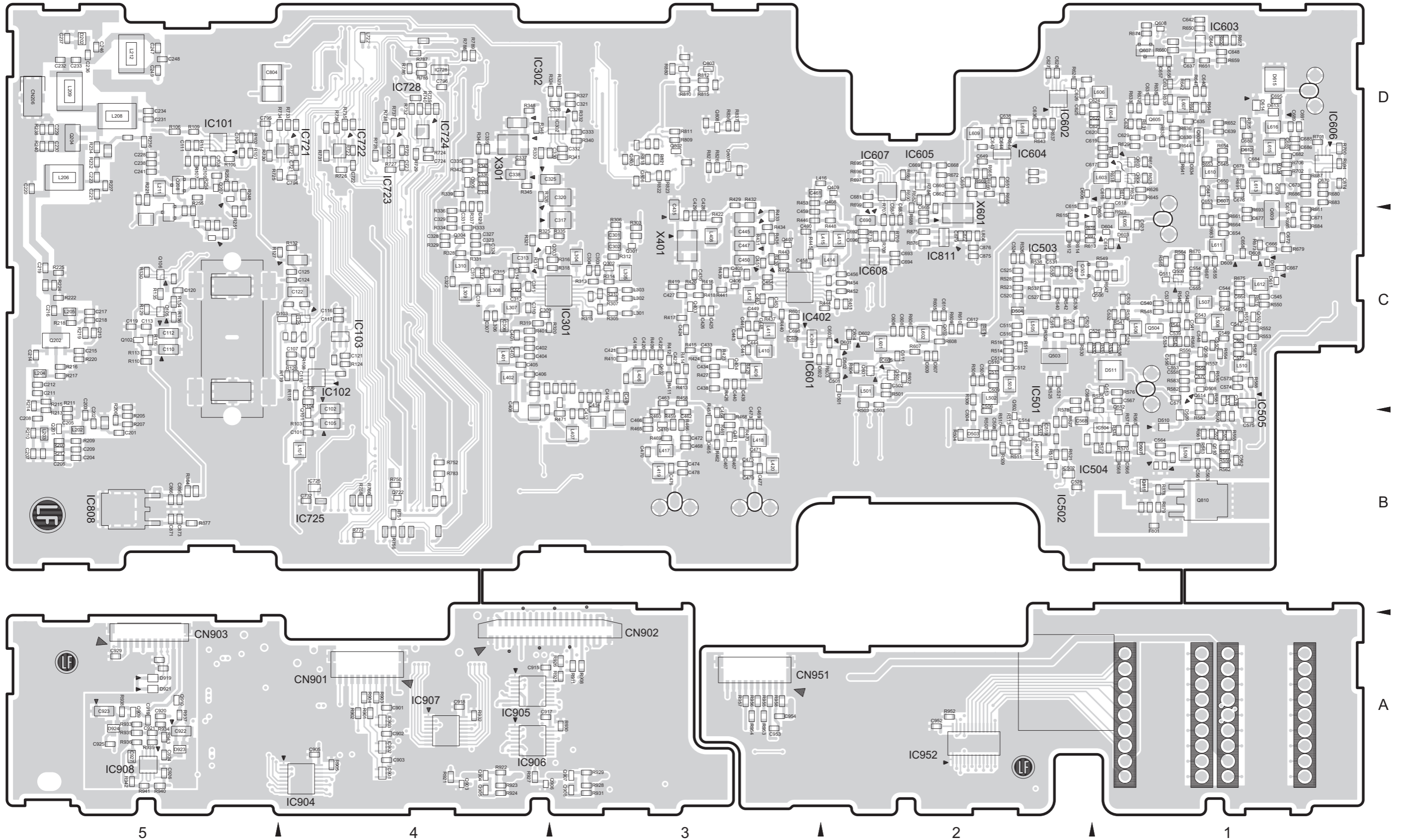
■ CONTROL UNIT (XC1-0640-10)

--- Foil side view (J7C-0100-00) ---



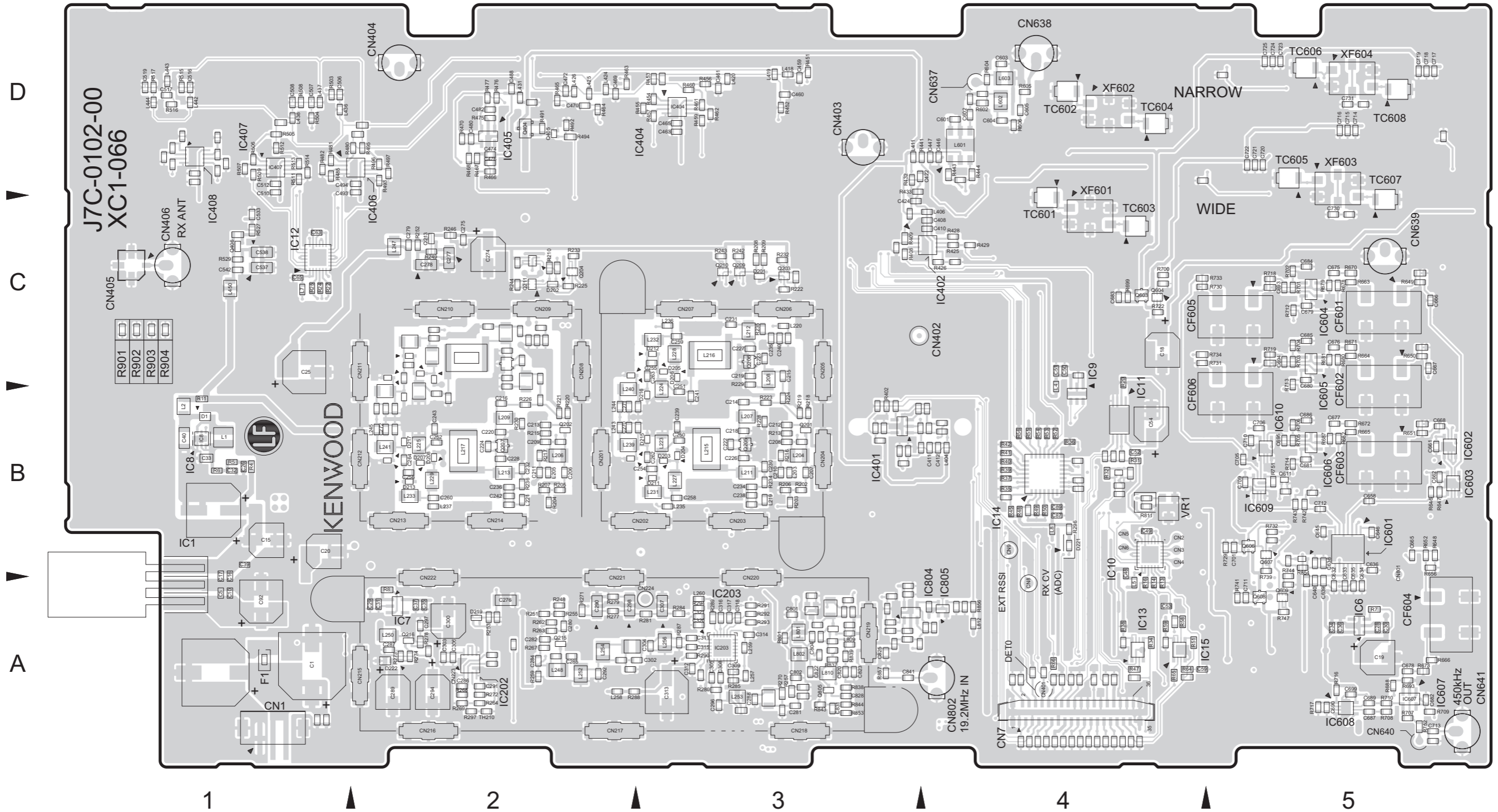
■ TX UNIT (XC1-0650-10)

--- Foil side view (J7C-0101-10) ---



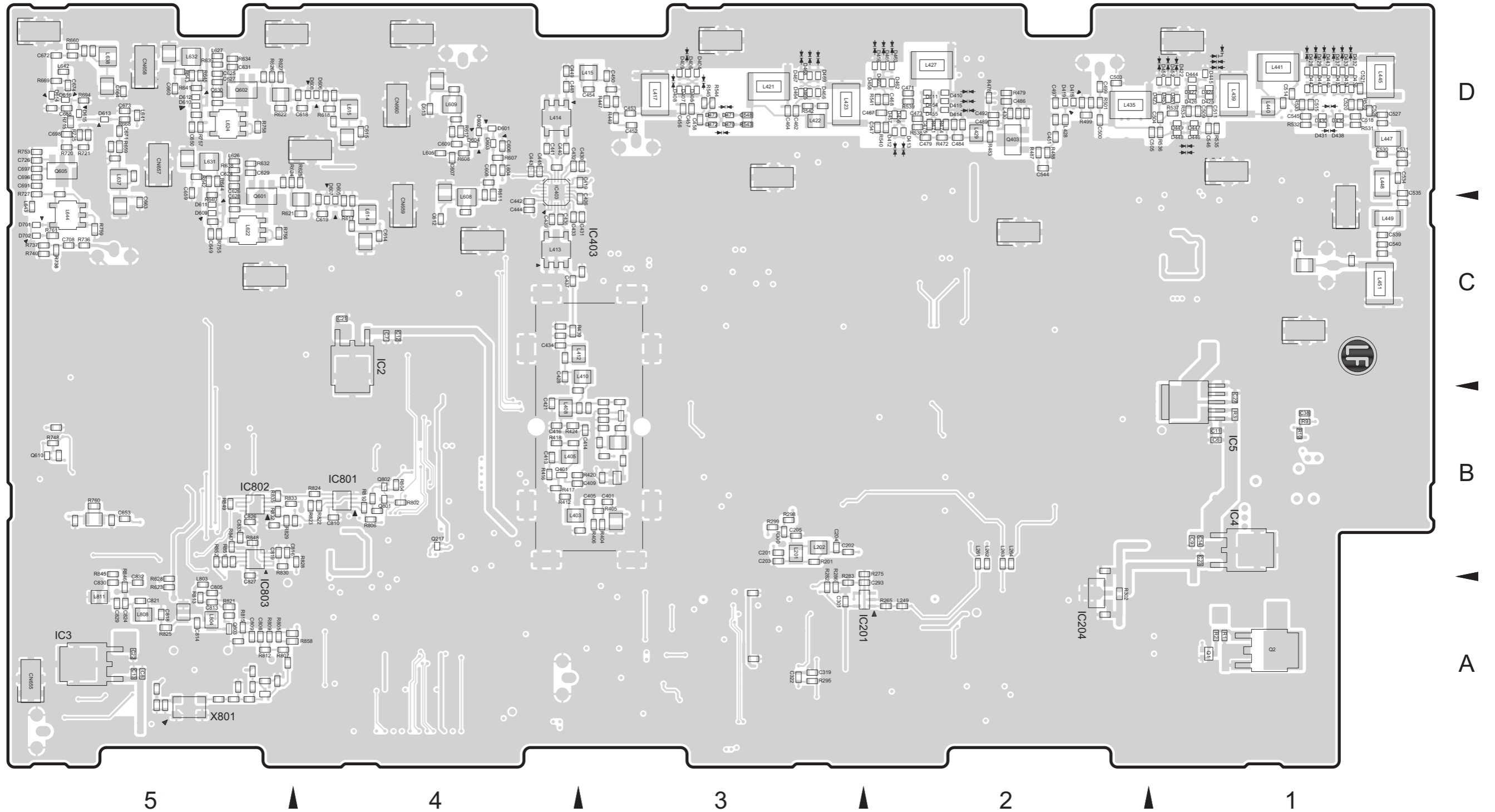
■ RX UNIT (XC1-0660-10)

--- Component side view (J7C-0102-00) ---



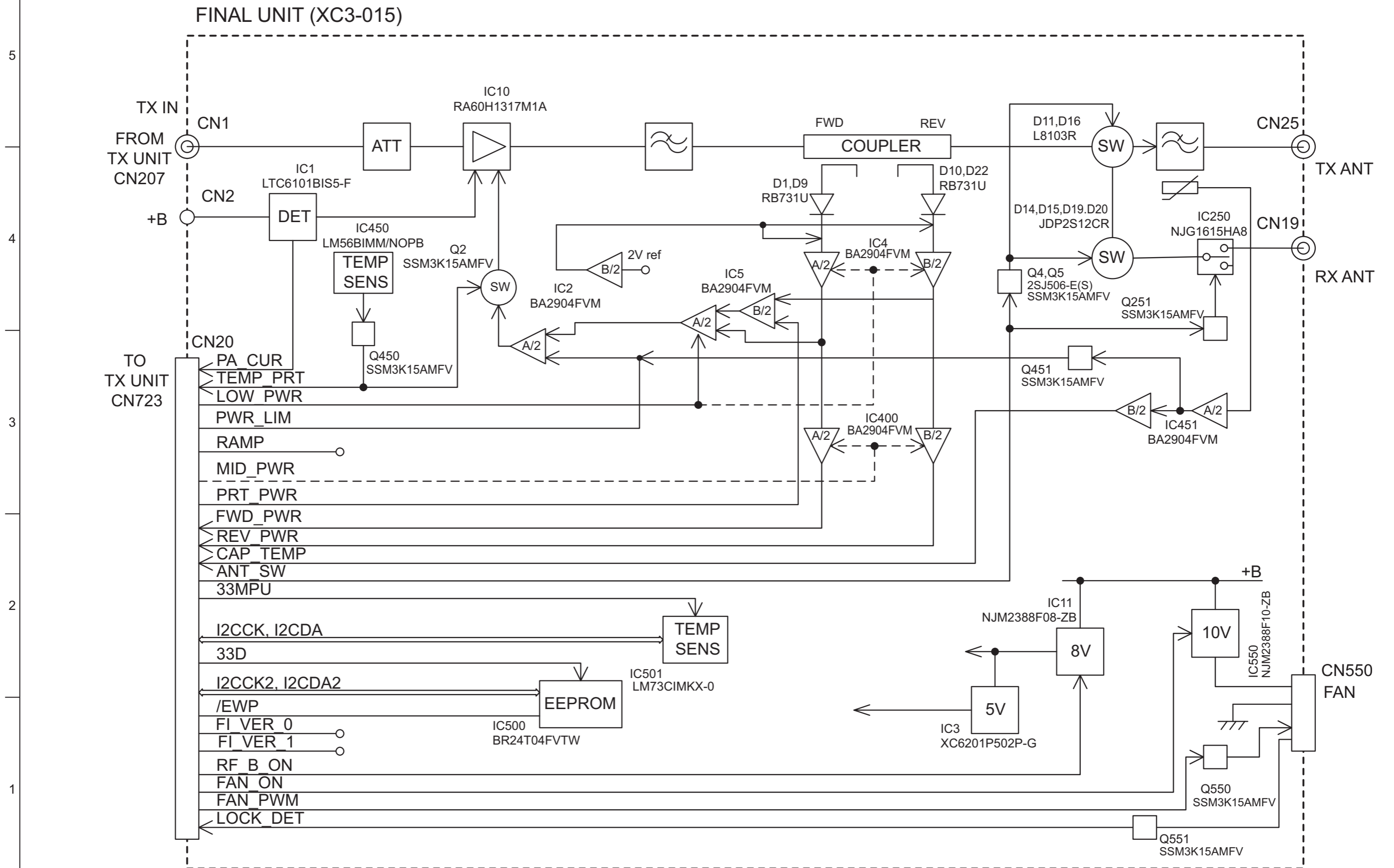
■ RX UNIT (XC1-0660-10)

--- Foil side view (J7C-0102-00) ---



BLOCK DIAGRAM

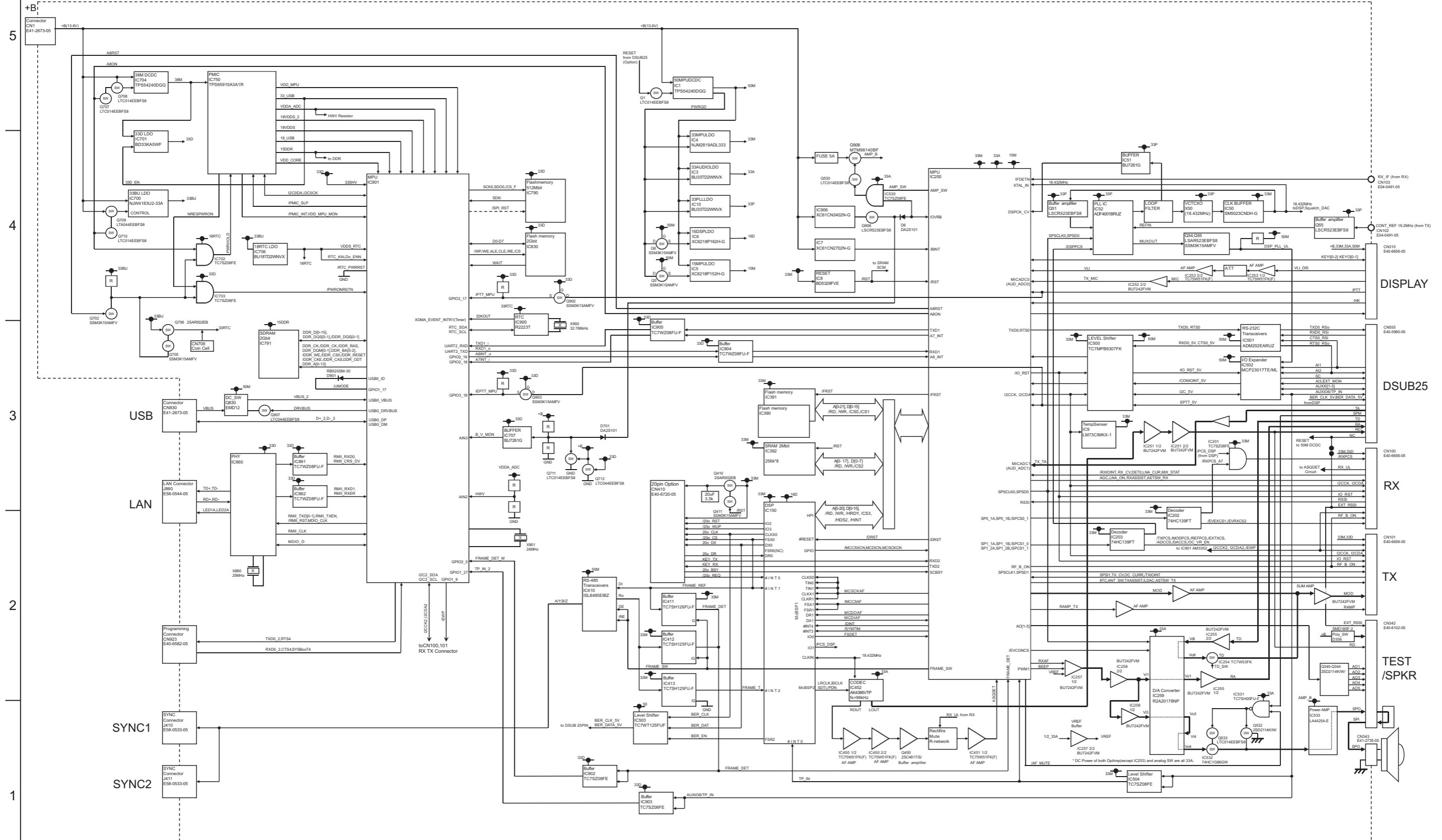
■ FINAL UNIT



A | B | C | D | E | F | G

CONTROL UNIT

CONTROL UNIT (XC1-064)



RX UNIT

5

4

3

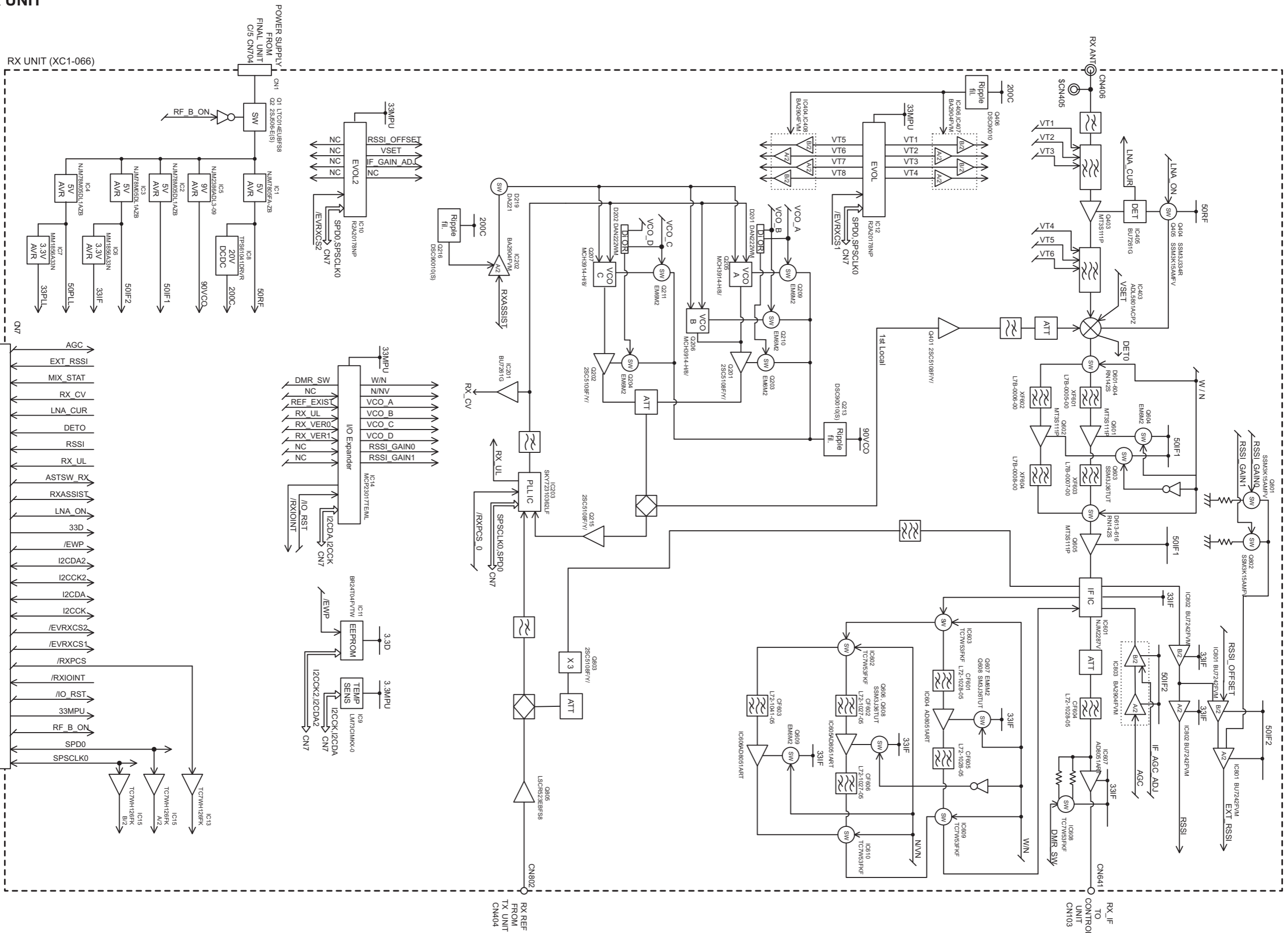
2

1

RX UNIT (XC1-066)

TO CONTROL UNIT
CN100

TO CONTROL UNIT
CN100



PARTS LIST

[NXR-5700]

* SAFETY PRECAUTION

Parts identified by the ⚠ symbol are critical for safety. Replace only with specified part numbers.

* BEWARE OF BOGUS PARTS

Parts that do not meet specifications may cause trouble in regard to safety and performance. We recommend that genuine parts be used.

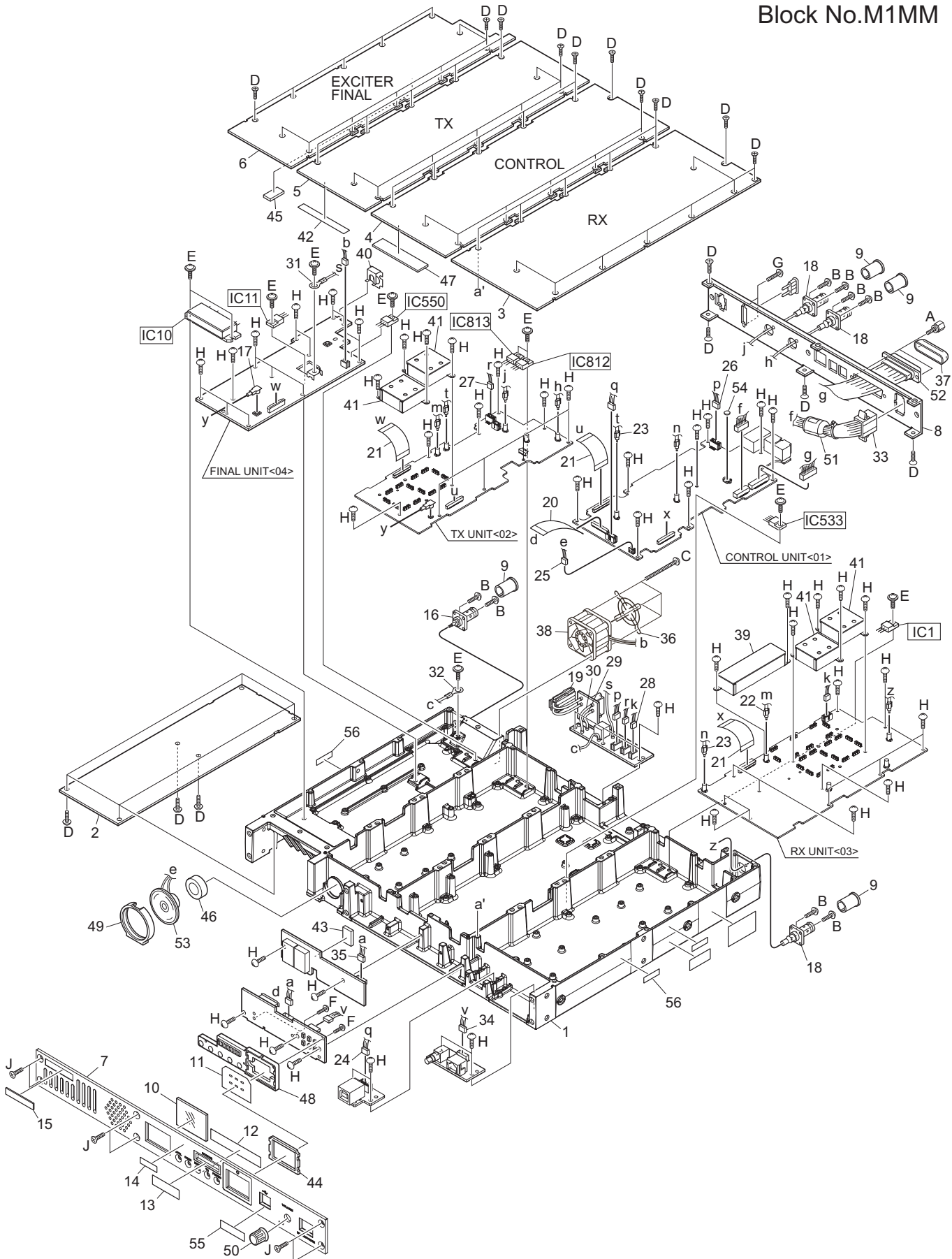
* (x_) in a description column shows the number of the used part.

- Contents -

Exploded view of general assembly and parts list	3-2
Electrical parts list	3-4
Packing materials and accessories parts list	3-32

Exploded view of general assembly and parts list

Block No.M1MM



General assembly

Block No. [M][1][M][M]

△ Symbol No.	Part No.	Part Name	Description	Local
1	A1A-0040-00	CHASSIS		
2	A4A-0012-00	BOTTOM PLATE		
3	A5C-0034-00	TOP PLATE	RX	
4	A5C-0035-00	TOP PLATE	CONTROL	
5	A5C-0036-00	TOP PLATE	TX	
6	A5C-0037-00	TOP PLATE	FINAL	
7	A6C-0022-00	PANEL ASSY	FRONT	
8	A8A-0021-00	REAR PANEL		
9	B09-0406-15	CAP	BNC(x4)	
10	B11-1842-04	FILTER	17SEG	
11	B1B-0056-00	FILTER	PF KEY	
12	B1B-0058-00	FILTER	LED	
13	B1B-0059-00	FILTER	STATUS	
14	B42-7417-04	STICKER	NEXEDGE	
15	B4D-0030-00	BADGE	KENWOOD	
16	E0E-0023-00	C.RECEPTACLE-BN	TX	
17	E30-7583-05	TRUNK CABLE	TX-FINAL	
18	E3A-0149-00	ANTENNA CABLE	RX/REF IN/REF OUT(x3)	
19	E3A-0176-00	DC CORD		
20	E3F-0080-00	FLAT CABLE	DISP-CONT	
21	E3F-0081-00	FLAT CABLE	(x3)	
22	E3H-0020-00	L.WIRE W.M.PLUG	TX-RX	
23	E3H-0021-00	L.WIRE W.M.PLUG	TX-CONT/RX-CONT(x2)	
24	E3H-0023-00	LEAD.WIRE W.C.	USB-CONT	
25	E3H-0024-00	LEAD.WIRE W.C.	SP-CONT	
26	E3H-0025-00	LEAD.WIRE W.C.	DC-CONT	
27	E3H-0027-00	LEAD.WIRE W.C.	DC-TX	
28	E3H-0028-00	LEAD.WIRE W.C.	DC-RX	
29	E3H-0029-00	L.WIRE W.TER.	FUSE-DC(+)	
30	E3H-0030-00	L.WIRE W.TER.	FUSE-DC(-)	
31	E3H-0031-00	L.WIRE W.TER.	DC-FINAL(+)	
32	E3H-0032-00	L.WIRE W.TER.	DC-FINAL(-)	
33	E3H-0033-00	LEAD.WIRE W.C.	TEST/SPKR	
34	E3H-0034-00	LEAD.WIRE W.C.	DISP-VOL	
35	E3H-0035-00	LEAD.WIRE W.C.	DISP-17seg	
36	F07-1930-05	COVER	FAN	
37	F09-0445-05	CAP	25P-S	
38	F0K-0082-00	FANMOTOR		
39	F10-3061-13	SHIELDING CASE	RX	
40	F10-3068-04	SHIELDING PLATE	ANT	
41	F1B-0043-00	SHIELDING CASE	(x4)	
42	G1A-0030-00	FIBROUS SHEET	TX	
43	G13-2339-04	CUSHION	DISP	
44	G1D-0109-00	CUSHION	PF KEY	
45	G1D-0110-00	CUSHION	FINAL	
46	G1D-0111-00	CUSHION	SP	
47	G1D-0139-00	CUSHION	CONT	
48	J19-5496-12	HOLDER	DISP	
49	J39-0655-03	SPACER	SP	
50	K29-4539-04	KNOB	VOL	
51	L92-0471-05	CLAMP FILTER	ACC15	
52	E37-1310-15	LEAD.WIRE W.C.	DSUB-25P	
53	T07-0347-15	SPEAKER		
54	W09-0971-05	LITHIUM CELL		
55	B4B-0030-00	CAUTION STICKER	FCC	
56	B42-2455-04	STICKER	M4X8MAX(x2)	
A	N09-2292-05	HEX.HEAD SCREW	D-SUB(x2)	
B	N30-2606-48	P.HEAD M.SCREW	BNC(x8)	
C	N30-3035-43	P.HEAD M.SCREW	FAN(x4)	
D	N32-3006-43	F.HEAD M.SCREW	TOP / REAR(x60)	
E	N67-3008-48	P.H.SEMS SCREW	AVR(x10)	
F	N80-2006-43	P.HEAD T.SCREW	DISP(x3)	
G	N80-2608-43	P.HEAD T.SCREW	FUSE(x2)	
H	N87-2608-48	BR.HEAD T.SCREW	PCB(x62)	
J	N32-4008-43	F.HEAD M.SCREW	PANEL(x6)	
-	XC1-0640-11	CONTROL UNIT	SERVICE UNIT	
-	XC1-0650-10	TX UNIT		
-	XC1-0660-10	RX UNIT		
-	XC3-0150-10	FINAL UNIT		

Electrical parts list

CONTROL UNIT

XC1-0640-10

***Note : This part cannot be replaced. Therefore, this part is not supplied as a service part.**

Block No. [0][1]

Symbol No.	Part No.	Part Name	Description	Local
IC1	TPS54240DGQ	IC		
IC3	BU33TD2WNVX	IC		
IC4	NJM2819ADL333	IC		
IC5	XC6205B152P-G	IC		
IC6	XC6205B162P-G	IC		
IC7	XC61CN2702N-G	IC		
IC8	BD5329FVE	IC		
IC9	LM73CIMKX-1	IC		
IC10	BU33TD2WNVX	IC		
IC50	SM5023CNDH-G	IC		
IC51	BU7261G	IC		
IC52	ADF4001BRUZ	IC		
IC150	-----	IC	*Note	
IC200	-----	IC	*Note	
IC201	TC7SZ08FE	IC		
IC202	74VHC139FT	IC		
IC203	74VHC139FT	IC		
IC250	BU7242FVM	IC		
IC251	BU7242FVM	IC		
IC252	BU7242FVM	IC		
IC253	TC75W51FK(F)	IC		
IC254	TC7W53FKF	IC		
IC255	BU7242FVM	IC		
IC256	BU7295HFV	IC		
IC257	BU7242FVM	IC		
IC258	BU7242FVM	IC		
IC259	R2A20178NP	IC		
IC390	-----	IC	*Note	
IC391	-----	IC	*Note	
IC392	-----	IC	*Note	
IC410	ISL8485EIBZ	IC		
IC411	TC7SH126FU-F	IC		
IC412	TC7SH125FU-F	IC		
IC413	TC7SH125FU-F	IC		
IC450	TC75W51FK(F)	IC		
IC451	TC75W51FK(F)	IC		
IC452	AK4386VTP	IC		
IC500	TC7MPB9307FK	IC		
IC501	ADM202EARUZ	IC		
IC502	MCP23017TE/ML	IC		
IC503	TC7WT125FUF	IC		
IC504	TC7SH32FU-F	IC		
IC530	TC7SZ08FE	IC		
IC531	TC7SH00FU-F	IC		
IC532	74HC1G66GW	IC		
IC533	LA4425A	IC		
IC700	NJW4183U2-33A	IC		
IC701	BD33KA5WF	IC		
IC702	TC7SZ08FE	IC		
IC703	TC7SZ08FE	IC		
IC704	TPS54240DGQ	IC		
IC706	BU18TD2WNVX	IC		
IC707	BU7261G	IC		
IC750	TPS65910A3A1R	IC		
IC790	-----	IC	*Note	
IC791	-----	IC	*Note	
IC830	-----	IC	*Note	
IC860	-----	IC	*Note	
IC861	TC7WZ08FU-F	IC		
IC862	TC7WZ08FU-F	IC		
IC900	R2223T	IC		
IC901	-----	IC	*Note	
IC902	TC7SZ08FE	IC		
IC903	TC7SH32FU-F	IC		
IC904	TC7WZ08FU-F	IC		
IC905	TC7WZ08FU-F	IC		
IC906	XC61CN3402N-G	IC		

Symbol No.	Part No.	Part Name	Description	Local
Q1	LTC014EEBFS8	DIGI TRANSISTOR		
Q5	SSM3K15AMFV	FET		
Q6	SSM3K15AMFV	FET		
Q51	LSCR523EBFS8	TRANSISTOR		
Q53	LSAR523EBFS8	TRANSISTOR		
Q54	SSM3K15AMFV	FET		
Q55	LSCR523EBFS8	TRANSISTOR		
Q340	2SD2114K(W)	TRANSISTOR		
Q341	2SD2114K(W)	TRANSISTOR		
Q342	2SD2114K(W)	TRANSISTOR		
Q343	2SD2114K(W)	TRANSISTOR		
Q344	2SD2114K(W)	TRANSISTOR		
Q410	2SAR502EB	TRANSISTOR		
Q411	SSM3K15AMFV	FET		
Q450	2SC4617/S/	TRANSISTOR		
Q530	LTC014EEBFS8	DIGI TRANSISTOR		
Q532	2SD2114K(W)	TRANSISTOR		
Q533	LTC014EEBFS8	DIGI TRANSISTOR		
Q534	LSAR523EBFS8	TRANSISTOR		
Q702	SSM3K15AMFV	FET		
Q705	SSM3K15AMFV	FET		
Q706	2SAR502EB	TRANSISTOR		
Q707	LTC014EEBFS8	DIGI TRANSISTOR		
Q708	LTC014EEBFS8	DIGI TRANSISTOR		
Q709	LTA044EEBFS8	DIGI TRANSISTOR		
Q710	LTC014EEBFS8	DIGI TRANSISTOR		
Q711	LTC014EEBFS8	DIGI TRANSISTOR		
Q712	LTC044EEBFS8	DIGI TRANSISTOR		
Q830	EMD12	TRANSISTOR		
Q906	MTM981400BF	FET		
Q907	LTC044EEBFS8	DIGI TRANSISTOR		
Q908	LSCR523EBFS8	TRANSISTOR		
D1	RB060M-40	DIODE		
D6	DA2S101	DIODE		
D320	MINISMDC020F	VARISTOR		
D340	DA2J101	DIODE		
D341	DZ2J180(M)	ZENER DIODE		
D344	DA2J101	DIODE		
D345	DZ2J180(M)	ZENER DIODE		
D349	DA204U	MULTIPLE DIODE		
D350	DA2J101	DIODE		
D351	DZ2J180(M)	ZENER DIODE		
D352	DA2J101	DIODE		
D353	DZ2J180(M)	ZENER DIODE		
D354	DA2J101	DIODE		
D355	DZ2J180(M)	ZENER DIODE		
D356	SMD185F-2	VARISTOR		
D450	RB706F-40	DIODE		
D451	DA2S101	DIODE		
D550	DA204U	MULTIPLE DIODE		
D551	DA204U	MULTIPLE DIODE		
D552	DA204U	MULTIPLE DIODE		
D553	DA204U	MULTIPLE DIODE		
D554	DA204U	MULTIPLE DIODE		
D555	DA204U	MULTIPLE DIODE		
D556	DA204U	MULTIPLE DIODE		
D557	DA204U	MULTIPLE DIODE		
D558	DA204U	MULTIPLE DIODE		
D559	DA204U	MULTIPLE DIODE		
D560	DA204U	MULTIPLE DIODE		
D561	DA204U	MULTIPLE DIODE		
D562	DA204U	MULTIPLE DIODE		
D563	DA204U	MULTIPLE DIODE		
D564	DA204U	MULTIPLE DIODE		
D701	DA2S101	DIODE		
D702	RB520SM-30	DIODE		
D703	RB520SM-30	DIODE		
D704	RB060M-40	DIODE		
D832	LXES15AAA1133	VARISTOR		
D833	RSB12Z	ZENER DIODE		
D834	RSB12Z	ZENER DIODE		
D860	LXES15AAA1133	VARISTOR		
D861	LXES15AAA1133	VARISTOR		
D862	LXES15AAA1133	VARISTOR		
D863	LXES15AAA1133	VARISTOR		

△ Symbol No.	Part No.	Part Name	Description	Local	△ Symbol No.	Part No.	Part Name	Description	Local
D864	LXES15AAA1133	VARIATOR			C85	CK73HB1H103K	C CAPACITOR	10000pF 50V K	
D865	DA2S101	DIODE			C87	CC73HCH1H121J	C CAPACITOR	120pF 50V J	
D866	LXES15AAA1133	VARIATOR			C88	CC73HCH1H470J	C CAPACITOR	47pF 50V J	
D867	LXES15AAA1133	VARIATOR			C89	CK73HBB1A104K	C CAPACITOR	0.1uF 10V K	
D901	RB520SM-30	DIODE			C90	CC73HCH1H121J	C CAPACITOR	120pF 50V J	
D902	LXES15AAA1133	VARIATOR			C91	CK73HBB1A104K	C CAPACITOR	0.1uF 10V K	
D903	LXES15AAA1133	VARIATOR			C92	CK73HB1H103K	C CAPACITOR	10000pF 50V K	
D904	LXES15AAA1133	VARIATOR			C93	CC73HCH1H820J	C CAPACITOR	82pF 50V J	
D905	LXES15AAA1133	VARIATOR			C94	CK73HB1H103K	C CAPACITOR	10000pF 50V K	
					C95	CK73GB0J106K	C CAPACITOR	10uF 6.3V K	
C1	C92-0905-05	OS-CON	47uF 35V		C96	CK73HB1H103K	C CAPACITOR	10000pF 50V K	
C2	C92-0905-05	OS-CON	47uF 35V		C97	CK73HB1H103K	C CAPACITOR	10000pF 50V K	
C3	CK73EB1H475KM	C CAPACITOR	4.7uF 50V M		C98	CK73HB1H103K	C CAPACITOR	10000pF 50V K	
C4	CK73HB1H103K	C CAPACITOR	10000pF 50V K		C99	CK73HB1H103K	C CAPACITOR	10000pF 50V K	
C5	CK73EB1H475KM	C CAPACITOR	4.7uF 50V M		C100	CC73HCH1H101J	C CAPACITOR	100pF 50V J	
C6	CK73HB1H103K	C CAPACITOR	10000pF 50V K		C101	CC73HCH1H101J	C CAPACITOR	100pF 50V J	
C8	CK73HBB1A104K	C CAPACITOR	0.1uF 10V K		C102	CK73HBB1H102K	C CAPACITOR	1000pF 50V K	
C10	CK73HBB1H472K	C CAPACITOR	4700pF 50V K		C103	CK73HBB1A104K	C CAPACITOR	0.1uF 10V K	
C11	CK73HBB1H102K	C CAPACITOR	1000pF 50V K		C104	CK73HBB1H102K	C CAPACITOR	1000pF 50V K	
C12	CC73HCH1H100D	C CAPACITOR	10pF 50V D		C106	CC73HCH1H101J	C CAPACITOR	100pF 50V J	
C13	CK73EB1E106K	C CAPACITOR	10uF 25V K		C107	CC73HCH1H101J	C CAPACITOR	100pF 50V J	
C14	CK73EB1E106K	C CAPACITOR	10uF 25V K		C108	CC73HCH1H101J	C CAPACITOR	100pF 50V J	
C16	CK73HBB1A104K	C CAPACITOR	0.1uF 10V K		C113	CC73HCH1H101J	C CAPACITOR	100pF 50V J	
C17	CE32BM1E470M	E CAPACITOR	47uF 25V M		C114	CK73HBB1A104K	C CAPACITOR	0.1uF 10V K	
C18	CE32BM1E470M	E CAPACITOR	47uF 25V M		C115	CC73HCH1H101J	C CAPACITOR	100pF 50V J	
C19	CK73HBB1E223K	C CAPACITOR	0.022uF 25V K		C117	CC73HCH1H101J	C CAPACITOR	100pF 50V J	
C21	CK73HBB1H102K	C CAPACITOR	1000pF 50V K		C118	CK73HBB1H102K	C CAPACITOR	1000pF 50V K	
C22	CK73HBB1H102K	C CAPACITOR	1000pF 50V K		C120	CC73HCH1H101J	C CAPACITOR	100pF 50V J	
C23	CK73HBB1H102K	C CAPACITOR	1000pF 50V K		C125	CC73HCH1H101J	C CAPACITOR	100pF 50V J	
C24	CK73FB0J106K	C CAPACITOR	10uF 6.3V K		C126	CK73HBB1A104K	C CAPACITOR	0.1uF 10V K	
C25	CK73HBB1H102K	C CAPACITOR	1000pF 50V K		C127	CC73HCH1H101J	C CAPACITOR	100pF 50V J	
C26	CK73HBB1H102K	C CAPACITOR	1000pF 50V K		C129	CC73HCH1H101J	C CAPACITOR	100pF 50V J	
C27	CK73HBB1H102K	C CAPACITOR	1000pF 50V K		C130	CC73HCH1H101J	C CAPACITOR	100pF 50V J	
C28	CK73FB0J106K	C CAPACITOR	10uF 6.3V K		C131	CC73HCH1H101J	C CAPACITOR	100pF 50V J	
C29	CK73HBB1H102K	C CAPACITOR	1000pF 50V K		C132	CC73HCH1H101J	C CAPACITOR	100pF 50V J	
C30	CK73HBB1H102K	C CAPACITOR	1000pF 50V K		C133	CC73HCH1H101J	C CAPACITOR	100pF 50V J	
C32	CK73GBB1A105K	C CAPACITOR	1uF 10V K		C134	CC73HCH1H101J	C CAPACITOR	100pF 50V J	
C33	CK73GXR0J475K	C CAPACITOR	4.7uF 6.3V K		C137	CC73HCH1H101J	C CAPACITOR	100pF 50V J	
C34	CK73GXR0J475K	C CAPACITOR	4.7uF 6.3V K		C138	CK73HBB1A104K	C CAPACITOR	0.1uF 10V K	
C35	CK73HBB1A104K	C CAPACITOR	0.1uF 10V K		C139	CC73HCH1H101J	C CAPACITOR	100pF 50V J	
C36	CK73HB1H103K	C CAPACITOR	10000pF 50V K		C140	CC73HCH1H101J	C CAPACITOR	100pF 50V J	
C37	CK73HBB1A104K	C CAPACITOR	0.1uF 10V K		C143	CC73HCH1H101J	C CAPACITOR	100pF 50V J	
C38	CK73HBB1H1222K	C CAPACITOR	2200pF 50V K		C144	CC73HCH1H101J	C CAPACITOR	100pF 50V J	
C39	CK73HBB1A104K	C CAPACITOR	0.1uF 10V K		C145	CK73HB1H103K	C CAPACITOR	10000pF 50V K	
C40	CK73HBB1H102K	C CAPACITOR	1000pF 50V K		C146	CC73HCH1H101J	C CAPACITOR	100pF 50V J	
C41	CK73HBB1H102K	C CAPACITOR	1000pF 50V K		C147	CC73HCH1H101J	C CAPACITOR	100pF 50V J	
C42	CK73HBB1H102K	C CAPACITOR	1000pF 50V K		C156	CK73HBB1A104K	C CAPACITOR	0.1uF 10V K	
C43	CK73GBB1A105K	C CAPACITOR	1uF 10V K		C157	CK73HBB1A104K	C CAPACITOR	0.1uF 10V K	
C46	CK73HBB1H102K	C CAPACITOR	1000pF 50V K		C158	CK73HBB1A104K	C CAPACITOR	0.1uF 10V K	
C47	CK73GBB1A105K	C CAPACITOR	1uF 10V K		C159	CK73HBB1A104K	C CAPACITOR	0.1uF 10V K	
C48	CK73GBB1A105K	C CAPACITOR	1uF 10V K		C160	CK73HB1A105K	C CAPACITOR	1uF 10V K	
C49	CK73HBB1H102K	C CAPACITOR	1000pF 50V K		C161	CK73HBB1A104K	C CAPACITOR	0.1uF 10V K	
C51	CK73HBB1H102K	C CAPACITOR	1000pF 50V K		C162	CK73HBB1A104K	C CAPACITOR	0.1uF 10V K	
C52	CK73HBB1A104K	C CAPACITOR	0.1uF 10V K		C163	CK73HBB1A104K	C CAPACITOR	0.1uF 10V K	
C53	CK73HB1H103K	C CAPACITOR	10000pF 50V K		C164	CK73HBB1A104K	C CAPACITOR	0.1uF 10V K	
C57	CK73HB1H103K	C CAPACITOR	10000pF 50V K		C165	CK73HBB1A104K	C CAPACITOR	0.1uF 10V K	
C58	CK73HB1A105K	C CAPACITOR	1uF 10V K		C166	CK73HBB1A104K	C CAPACITOR	0.1uF 10V K	
C60	CK73HB1H103K	C CAPACITOR	10000pF 50V K		C167	CK73HB1A105K	C CAPACITOR	1uF 10V K	
C61	CK73HB1H103K	C CAPACITOR	10000pF 50V K		C169	CK73HBB1H102K	C CAPACITOR	1000pF 50V K	
C62	CK73HBB1H102K	C CAPACITOR	1000pF 50V K		C170	CK73HBB1A104K	C CAPACITOR	0.1uF 10V K	
C63	CK73HB1H103K	C CAPACITOR	10000pF 50V K		C171	CK73HBB1A104K	C CAPACITOR	0.1uF 10V K	
C64	CK73HBB1H102K	C CAPACITOR	1000pF 50V K		C172	CK73HBB1A104K	C CAPACITOR	0.1uF 10V K	
C65	CB73EAA1H472G	FILM CAPACITOR	4700pF 50V G		C173	CK73HBB1A104K	C CAPACITOR	0.1uF 10V K	
C66	CK73HB1H103K	C CAPACITOR	10000pF 50V K		C174	CK73HBB1A104K	C CAPACITOR	0.1uF 10V K	
C67	CK73HB1H103K	C CAPACITOR	10000pF 50V K		C175	CK73HBB1A104K	C CAPACITOR	0.1uF 10V K	
C68	CK73HBB1A104K	C CAPACITOR	0.1uF 10V K		C176	CK73HB1A105K	C CAPACITOR	1uF 10V K	
C69	CC73HCH1H820J	C CAPACITOR	82pF 50V J		C177	CK73HBB1H102K	C CAPACITOR	1000pF 50V K	
C71	CC73HCH1H221J	C CAPACITOR	220pF 50V J		C179	C93-1824-05	C CAPACITOR	100uF 6.3V	
C73	CC73HCH1H560J	C CAPACITOR	56pF 50V J		C180	CK73EXR0J476M	C CAPACITOR	47uF 6.3V M	
C74	CC73HCH1H331J	C CAPACITOR	330pF 50V J		C201	CC73HCH1H101J	C CAPACITOR	100pF 50V J	
C75	CC73HCH1H220J	C CAPACITOR	22pF 50V J		C202	CC73HCH1H101J	C CAPACITOR	100pF 50V J	
C76	CC73HCH1H271J	C CAPACITOR	270pF 50V J		C203	CK73HBB1A104K	C CAPACITOR	0.1uF 10V K	
C77	CS77MA1VR15M	TA E CAPACITOR	0.15uF 35V M		C204	CK73FB0J106K	C CAPACITOR	10uF 6.3V K	
C78	CK73HB1H103K	C CAPACITOR	10000pF 50V K		C205	CK73HBB1A104K	C CAPACITOR	0.1uF 10V K	
C79	CB73EAA1C123G	FILM CAPACITOR	0.012uF 16V G		C206	CK73HBB1A104K	C CAPACITOR	0.1uF 10V K	
C81	CK73HB1H103K	C CAPACITOR	10000pF 50V K		C207	CK73HB1H103K	C CAPACITOR	10000pF 50V K	
C82	CK73HB1H103K	C CAPACITOR	10000pF 50V K		C208	CK73HB1A105K	C CAPACITOR	1uF 10V K	
C84	CE32BM1E470M	E CAPACITOR	47uF 25V M		C209	CK73HBB1H102K	C CAPACITOR	1000pF 50V K	

△ Symbol No.	Part No.	Part Name	Description	Local	△ Symbol No.	Part No.	Part Name	Description	Local
C210	CC73HCH1H020C	C CAPACITOR	2pF 50V C		C313	CC73HCH1H101J	C CAPACITOR	100pF 50V J	
C211	CC73HCH1H101J	C CAPACITOR	100pF 50V J		C316	CK73HBB1H102K	C CAPACITOR	1000pF 50V K	
C212	CK73HBB1A104K	C CAPACITOR	0.1uF 10V K		C317	CC73HCH1H101J	C CAPACITOR	100pF 50V J	
C213	CK73HBB1A104K	C CAPACITOR	0.1uF 10V K		C318	CC73HCH1H101J	C CAPACITOR	100pF 50V J	
C214	CK73HBB1A104K	C CAPACITOR	0.1uF 10V K		C319	CK73HBB1H102K	C CAPACITOR	1000pF 50V K	
C215	CK73HBB1A104K	C CAPACITOR	0.1uF 10V K		C320	CK73HBB1H102K	C CAPACITOR	1000pF 50V K	
C216	CK73HBB1A104K	C CAPACITOR	0.1uF 10V K		C321	CK73HBB1A104K	C CAPACITOR	0.1uF 10V K	
C217	CK73HB1A105K	C CAPACITOR	1uF 10V K		C322	CK73HB1H103K	C CAPACITOR	10000pF 50V K	
C218	CK73HBB1H102K	C CAPACITOR	1000pF 50V K		C323	CK73HB1H103K	C CAPACITOR	10000pF 50V K	
C219	CK73HBB1A104K	C CAPACITOR	0.1uF 10V K		C324	CK73HB1H103K	C CAPACITOR	10000pF 50V K	
C220	CK73HBB1A104K	C CAPACITOR	0.1uF 10V K		C325	CC73GCH1H101J	C CAPACITOR	100pF 50V J	
C221	CK73HBB1A104K	C CAPACITOR	0.1uF 10V K		C326	CC73GCH1H101J	C CAPACITOR	100pF 50V J	
C222	CK73HBB1A104K	C CAPACITOR	0.1uF 10V K		C327	CK73HBB1H102K	C CAPACITOR	1000pF 50V K	
C223	CK73HBB1A104K	C CAPACITOR	0.1uF 10V K		C328	CK73HBB1H102K	C CAPACITOR	1000pF 50V K	
C224	CK73HB1H103K	C CAPACITOR	10000pF 50V K		C341	CK73HBB1H102K	C CAPACITOR	1000pF 50V K	
C225	CK73HB1A105K	C CAPACITOR	1uF 10V K		C342	CK73HBB1H102K	C CAPACITOR	1000pF 50V K	
C226	CK73HBB1H102K	C CAPACITOR	1000pF 50V K		C343	CK73HBB1H102K	C CAPACITOR	1000pF 50V K	
C227	CK73HBB1A104K	C CAPACITOR	0.1uF 10V K		C344	CK73HBB1H102K	C CAPACITOR	1000pF 50V K	
C228	CK73HBB1A104K	C CAPACITOR	0.1uF 10V K		C345	CK73HBB1H102K	C CAPACITOR	1000pF 50V K	
C229	CK73FB0J106K	C CAPACITOR	10uF 6.3V K		C346	CK73HBB1H102K	C CAPACITOR	1000pF 50V K	
C230	CK73HBB1A104K	C CAPACITOR	0.1uF 10V K		C347	CK73HBB1H102K	C CAPACITOR	1000pF 50V K	
C231	CC73HCH1H101J	C CAPACITOR	100pF 50V J		C348	CK73HBB1H102K	C CAPACITOR	1000pF 50V K	
C232	CC73HCH1H101J	C CAPACITOR	100pF 50V J		C349	CK73HBB1H102K	C CAPACITOR	1000pF 50V K	
C234	CK73HB1H103K	C CAPACITOR	10000pF 50V K		C351	CK73HBB1H102K	C CAPACITOR	1000pF 50V K	
C235	CK73HBB1H102K	C CAPACITOR	1000pF 50V K		C353	CK73HBB1H102K	C CAPACITOR	1000pF 50V K	
C236	CC73HCH1H101J	C CAPACITOR	100pF 50V J		C354	CK73HBB1H102K	C CAPACITOR	1000pF 50V K	
C237	CK73HB1H103K	C CAPACITOR	10000pF 50V K		C355	CK73HBB1H102K	C CAPACITOR	1000pF 50V K	
C238	CK73HBB1H102K	C CAPACITOR	1000pF 50V K		C356	CK73HBB1H102K	C CAPACITOR	1000pF 50V K	
C239	CK73HB1H103K	C CAPACITOR	10000pF 50V K		C359	CK73HB1H103K	C CAPACITOR	10000pF 50V K	
C240	CK73HBB1H102K	C CAPACITOR	1000pF 50V K		C390	CK73HB1A105K	C CAPACITOR	1uF 10V K	
C250	C93-1824-05	C CAPACITOR	100uF 6.3V		C391	CK73HB1A105K	C CAPACITOR	1uF 10V K	
C251	C93-1824-05	C CAPACITOR	100uF 6.3V		C392	CK73HB1A105K	C CAPACITOR	1uF 10V K	
C252	CK73HB1A105K	C CAPACITOR	1uF 10V K		C393	CK73HB1A105K	C CAPACITOR	1uF 10V K	
C254	CK73HBB1H222K	C CAPACITOR	2200pF 50V K		C394	CK73HBB1H102K	C CAPACITOR	1000pF 50V K	
C255	CC73HCH1H391J	C CAPACITOR	390pF 50V J		C395	CK73HB1A105K	C CAPACITOR	1uF 10V K	
C256	CK73HBB1H152K	C CAPACITOR	1500pF 50V K		C410	CC73HCH1H470J	C CAPACITOR	47pF 50V J	
C257	CK73HB1A105K	C CAPACITOR	1uF 10V K		C411	CC73HCH1H470J	C CAPACITOR	47pF 50V J	
C258	CK73HB1A105K	C CAPACITOR	1uF 10V K		C412	CC73HCH1H470J	C CAPACITOR	47pF 50V J	
C259	CC73HCH1H331J	C CAPACITOR	330pF 50V J		C413	CC73HCH1H470J	C CAPACITOR	47pF 50V J	
C260	CC73HCH1H471J	C CAPACITOR	470pF 50V J		C416	CC73HCH1H101J	C CAPACITOR	100pF 50V J	
C261	CC73HCH1H221J	C CAPACITOR	220pF 50V J		C417	CC73HCH1H101J	C CAPACITOR	100pF 50V J	
C262	CK73HBB1A104K	C CAPACITOR	0.1uF 10V K		C418	CK73GB0J106K	C CAPACITOR	10uF 6.3V K	
C263	CC73HCH1H471J	C CAPACITOR	470pF 50V J		C419	CK73GB0J106K	C CAPACITOR	10uF 6.3V K	
C264	CK73HBB1A104K	C CAPACITOR	0.1uF 10V K		C421	CC73HCH1H101J	C CAPACITOR	100pF 50V J	
C265	CK73HBB1A104K	C CAPACITOR	0.1uF 10V K		C422	CC73HCH1H100B	C CAPACITOR	10pF 50V B	
C266	CC73HCH1H181J	C CAPACITOR	180pF 50V J		C423	CC73HCH1H100B	C CAPACITOR	10pF 50V B	
C267	C93-1824-05	C CAPACITOR	100uF 6.3V		C424	CC73HCH1H101J	C CAPACITOR	100pF 50V J	
C268	CC73HCH1H221J	C CAPACITOR	220pF 50V J		C425	CK73HBB1A104K	C CAPACITOR	0.1uF 10V K	
C270	CC73HCH1H101J	C CAPACITOR	100pF 50V J		C426	CC73HCH1H101J	C CAPACITOR	100pF 50V J	
C271	CK73HB1A105K	C CAPACITOR	1uF 10V K		C427	CC73HCH1H101J	C CAPACITOR	100pF 50V J	
C272	CC73HCH1H101J	C CAPACITOR	100pF 50V J		C429	CK73HBB1A104K	C CAPACITOR	0.1uF 10V K	
C273	CK73HBB1A104K	C CAPACITOR	0.1uF 10V K		C430	CK73HBB1A104K	C CAPACITOR	0.1uF 10V K	
C274	CK73HB1A105K	C CAPACITOR	1uF 10V K		C431	CC73HCH1H101J	C CAPACITOR	100pF 50V J	
C275	CC73HCH1H221J	C CAPACITOR	220pF 50V J		C432	CC73HCH1H470J	C CAPACITOR	47pF 50V J	
C276	CK73GBB1C104K	C CAPACITOR	0.1uF 16V K		C433	CK73HBB1A104K	C CAPACITOR	0.1uF 10V K	
C277	CK73HB1A105K	C CAPACITOR	1uF 10V K		C450	CK73HB1A105K	C CAPACITOR	1uF 10V K	
C278	CK73HBB1A104K	C CAPACITOR	0.1uF 10V K		C451	CK73HB1A105K	C CAPACITOR	1uF 10V K	
C279	CK73HB1A105K	C CAPACITOR	1uF 10V K		C452	CC73HCH1H270J	C CAPACITOR	27pF 50V J	
C280	CK73HBB1A104K	C CAPACITOR	0.1uF 10V K		C453	CK73HBB1H681K	C CAPACITOR	680pF 50V K	
C281	CK73HB1H122K	C CAPACITOR	1200pF 50V K		C454	CK73HB1A105K	C CAPACITOR	1uF 10V K	
C282	CK73HB1A105K	C CAPACITOR	1uF 10V K		C455	CK73HBB1H102K	C CAPACITOR	1000pF 50V K	
C283	CK73HBB1A104K	C CAPACITOR	0.1uF 10V K		C456	CK73HB1H103K	C CAPACITOR	10000pF 50V K	
C286	CC73HCH1H101J	C CAPACITOR	100pF 50V J		C457	CK73HBB1A104K	C CAPACITOR	0.1uF 10V K	
C287	CC73HCH1H101J	C CAPACITOR	100pF 50V J		C458	CK73HB1H103K	C CAPACITOR	10000pF 50V K	
C288	CC73HCH1H101J	C CAPACITOR	100pF 50V J		C459	CK73HBB1H102K	C CAPACITOR	1000pF 50V K	
C289	CC73HCH1H221J	C CAPACITOR	220pF 50V J		C460	CK73HB1A224K	C CAPACITOR	0.22uF 10V K	
C290	CK73HBB1A104K	C CAPACITOR	0.1uF 10V K		C461	CK73HB1A224K	C CAPACITOR	0.22uF 10V K	
C291	CK73HBB1A104K	C CAPACITOR	0.1uF 10V K		C462	CC73HCH1H470J	C CAPACITOR	47pF 50V J	
C292	CK73HBB1A104K	C CAPACITOR	0.1uF 10V K		C464	CK73GBB1C104K	C CAPACITOR	0.1uF 16V K	
C294	C93-1824-05	C CAPACITOR	100uF 6.3V		C465	CK73HBB1A104K	C CAPACITOR	0.1uF 10V K	
C295	CC73HCH1H331J	C CAPACITOR	330pF 50V J		C466	CK73HBB1A104K	C CAPACITOR	0.1uF 10V K	
C296	CK73GB0J106K	C CAPACITOR	10uF 6.3V K		C467	CK73HBB1H102K	C CAPACITOR	1000pF 50V K	
C297	CK73GB0J106K	C CAPACITOR	10uF 6.3V K		C468	CK73HBB1H102K	C CAPACITOR	1000pF 50V K	
C299	CK73HBB1H152K	C CAPACITOR	1500pF 50V K		C469	CK73GB0J106K	C CAPACITOR	10uF 6.3V K	
C300	CK73HBB1A104K	C CAPACITOR	0.1uF 10V K		C470	CK73GB0J106K	C CAPACITOR	10uF 6.3V K	
C310	CK73HBB1H102K	C CAPACITOR	1000pF 50V K		C500	CK73GBB1C104K	C CAPACITOR	0.1uF 16V K	
C311	CC73HCH1H101J	C CAPACITOR	100pF 50V J		C501	CK73HBB1H102K	C CAPACITOR	1000pF 50V K	
C312	CC73HCH1H101J	C CAPACITOR	100pF 50V J		C502	CK73GBB1C104K	C CAPACITOR	0.1uF 16V K	

△ Symbol No.	Part No.	Part Name	Description	Local	△ Symbol No.	Part No.	Part Name	Description	Local
C503	CK73GBB1C104K	C CAPACITOR	0.1uF 16V K		C715	CK73HB1H103K	C CAPACITOR	10000pF 50V K	
C504	CK73GBB1C104K	C CAPACITOR	0.1uF 16V K		C716	CK73HB1H103K	C CAPACITOR	10000pF 50V K	
C505	CK73GBB1C104K	C CAPACITOR	0.1uF 16V K		C717	CK73HB1H103K	C CAPACITOR	10000pF 50V K	
C506	CK73GBB1C104K	C CAPACITOR	0.1uF 16V K		C721	CK73HB1H103K	C CAPACITOR	10000pF 50V K	
C507	CK73GBB1C104K	C CAPACITOR	0.1uF 16V K		C725	CK73HBB1A104K	C CAPACITOR	0.1uF 10V K	
C508	CK73GBB1C104K	C CAPACITOR	0.1uF 16V K		C727	CK73HBB1H222K	C CAPACITOR	2200pF 50V K	
C509	CK73GBB1C104K	C CAPACITOR	0.1uF 16V K		C728	CK73HB1A105K	C CAPACITOR	1uF 10V K	
C510	CK73HBB1A104K	C CAPACITOR	0.1uF 10V K		C730	CK73HBB1H332K	C CAPACITOR	3300pF 50V K	
C530	CK73HB1H103K	C CAPACITOR	10000pF 50V K		C731	CC73HCH1H120J	C CAPACITOR	12pF 50V J	
C531	CK73HB1A105K	C CAPACITOR	1uF 10V K		C732	CK73EB1C226M	C CAPACITOR	22uF 16V	
C532	CK73HB1H103K	C CAPACITOR	10000pF 50V K		C733	CK73EB1C226M	C CAPACITOR	22uF 16V	
C533	CK73HBB1A104K	C CAPACITOR	0.1uF 10V K		C734	CC73HCH1H101J	C CAPACITOR	100pF 50V J	
C534	CK73HBB1E223K	C CAPACITOR	0.022uF 25V K		C735	CK73HB1A105K	C CAPACITOR	1uF 10V K	
C535	CK73HB1A105K	C CAPACITOR	1uF 10V K		C736	CK73HBB1A104K	C CAPACITOR	0.1uF 10V K	
C536	C90-4120-05	E CAPACITOR	470uF 35V		C737	CC73HCH1H101J	C CAPACITOR	100pF 50V J	
C537	CK73HB1A105K	C CAPACITOR	1uF 10V K		C738	CC73HCH1H101J	C CAPACITOR	100pF 50V J	
C538	CD04CK1E102M	E CAPACITOR	1000uF 25V M		C750	CK730FJ1C106M	C CAPACITOR	10uF 16V M	
C540	CK73HB1H103K	C CAPACITOR	10000pF 50V K		C751	CK73GXR1C225K	C CAPACITOR	2.2uF 16V K	
C542	CK73HBB1H222K	C CAPACITOR	2200pF 50V K		C753	CC73HCH1H101J	C CAPACITOR	100pF 50V J	
C550	CK73HB1H103K	C CAPACITOR	10000pF 50V K		C754	CC73HCH1H101J	C CAPACITOR	100pF 50V J	
C551	CK73HBB1H102K	C CAPACITOR	1000pF 50V K		C755	CK73GXR1C225K	C CAPACITOR	2.2uF 16V K	
C552	CK73HBB1H102K	C CAPACITOR	1000pF 50V K		C756	CK73FB0J106K	C CAPACITOR	10uF 6.3V K	
C553	CK73HB1H103K	C CAPACITOR	10000pF 50V K		C757	CK73GXR0J475K	C CAPACITOR	4.7uF 6.3V K	
C554	CK73HBB1H102K	C CAPACITOR	1000pF 50V K		C758	CK73FB0J106K	C CAPACITOR	10uF 6.3V K	
C555	CK73HBB1H102K	C CAPACITOR	1000pF 50V K		C760	CK73FB0J106K	C CAPACITOR	10uF 6.3V K	
C556	CK73HBB1H102K	C CAPACITOR	1000pF 50V K		C761	CK73GXR1C225K	C CAPACITOR	2.2uF 16V K	
C557	CK73HB1H103K	C CAPACITOR	10000pF 50V K		C762	CK73GXR1C225K	C CAPACITOR	2.2uF 16V K	
C558	CK73HBB1H102K	C CAPACITOR	1000pF 50V K		C763	CK73GXR0J475K	C CAPACITOR	4.7uF 6.3V K	
C559	CK73HB1H103K	C CAPACITOR	10000pF 50V K		C764	CC73HCH1H101J	C CAPACITOR	100pF 50V J	
C560	CK73HBB1H102K	C CAPACITOR	1000pF 50V K		C765	CK73GXR0J475K	C CAPACITOR	4.7uF 6.3V K	
C561	CK73HBB1H102K	C CAPACITOR	1000pF 50V K		C766	CK73GXR1C225K	C CAPACITOR	2.2uF 16V K	
C562	CK73HBB1H102K	C CAPACITOR	1000pF 50V K		C768	CK73GXR1C225K	C CAPACITOR	2.2uF 16V K	
C563	CC73HCH1H101J	C CAPACITOR	100pF 50V J		C769	CK73GXR0J475K	C CAPACITOR	4.7uF 6.3V K	
C564	CK73HBB1H102K	C CAPACITOR	1000pF 50V K		C770	CK73FB0J106K	C CAPACITOR	10uF 6.3V K	
C565	CC73HCH1H101J	C CAPACITOR	100pF 50V J		C771	CK73GXR0J475K	C CAPACITOR	4.7uF 6.3V K	
C566	CK73HB1H103K	C CAPACITOR	10000pF 50V K		C772	CK73HBB1A104K	C CAPACITOR	0.1uF 10V K	
C567	CC73HCH1H101J	C CAPACITOR	100pF 50V J		C773	CK73GXR1C225K	C CAPACITOR	2.2uF 16V K	
C568	CK73HBB1H102K	C CAPACITOR	1000pF 50V K		C774	CK73GXR1C225K	C CAPACITOR	2.2uF 16V K	
C569	CC73HCH1H101J	C CAPACITOR	100pF 50V J		C775	CK730FJ1C106M	C CAPACITOR	10uF 16V M	
C570	CK73HBB1H102K	C CAPACITOR	1000pF 50V K		C776	CK730FJ1C106M	C CAPACITOR	10uF 16V M	
C571	CK73HBB1H102K	C CAPACITOR	1000pF 50V K		C791	CK73GB0J106K	C CAPACITOR	10uF 6.3V K	
C572	CK73HB1H103K	C CAPACITOR	10000pF 50V K		C792	CK73HBB1A104K	C CAPACITOR	0.1uF 10V K	
C573	CK73HBB1H102K	C CAPACITOR	1000pF 50V K		C793	CK73HBB1A104K	C CAPACITOR	0.1uF 10V K	
C574	CK73HBB1H102K	C CAPACITOR	1000pF 50V K		C794	CK73HBB1H102K	C CAPACITOR	1000pF 50V K	
C575	CK73HB1H103K	C CAPACITOR	10000pF 50V K		C795	CK73HBB1H102K	C CAPACITOR	1000pF 50V K	
C576	CK73HBB1H102K	C CAPACITOR	1000pF 50V K		C796	CK73HBB1A104K	C CAPACITOR	0.1uF 10V K	
C577	CK73HBB1H102K	C CAPACITOR	1000pF 50V K		C797	CK73HBB1A104K	C CAPACITOR	0.1uF 10V K	
C578	CK73HBB1H102K	C CAPACITOR	1000pF 50V K		C798	CK73HBB1A104K	C CAPACITOR	0.1uF 10V K	
C579	CK73HB1H103K	C CAPACITOR	10000pF 50V K		C799	CK73HBB1A104K	C CAPACITOR	0.1uF 10V K	
C580	CK73HBB1H102K	C CAPACITOR	1000pF 50V K		C800	CK73HBB1A104K	C CAPACITOR	0.1uF 10V K	
C581	CK73HB1H103K	C CAPACITOR	10000pF 50V K		C801	CK73HBB1A104K	C CAPACITOR	0.1uF 10V K	
C582	CK73HBB1H102K	C CAPACITOR	1000pF 50V K		C802	CK73HBB1A104K	C CAPACITOR	0.1uF 10V K	
C583	CK73HBB1H102K	C CAPACITOR	1000pF 50V K		C803	CK73HBB1A104K	C CAPACITOR	0.1uF 10V K	
C584	CK73HBB1H102K	C CAPACITOR	1000pF 50V K		C804	CK73HBB1A104K	C CAPACITOR	0.1uF 10V K	
C585	CC73HCH1H101J	C CAPACITOR	100pF 50V J		C805	CK73HBB1A104K	C CAPACITOR	0.1uF 10V K	
C586	CK73HBB1H102K	C CAPACITOR	1000pF 50V K		C806	CK73HBB1A104K	C CAPACITOR	0.1uF 10V K	
C587	CC73HCH1H101J	C CAPACITOR	100pF 50V J		C807	CK73HBB1A104K	C CAPACITOR	0.1uF 10V K	
C588	CK73HB1H103K	C CAPACITOR	10000pF 50V K		C808	CK73HBB1A104K	C CAPACITOR	0.1uF 10V K	
C589	CC73HCH1H101J	C CAPACITOR	100pF 50V J		C809	CK73GB0J106K	C CAPACITOR	10uF 6.3V K	
C590	CK73HBB1H102K	C CAPACITOR	1000pF 50V K		C810	CK73GB0J106K	C CAPACITOR	10uF 6.3V K	
C591	CC73HCH1H101J	C CAPACITOR	100pF 50V J		C811	CK73HBB1A104K	C CAPACITOR	0.1uF 10V K	
C592	CK73HBB1H102K	C CAPACITOR	1000pF 50V K		C812	CK73HBB1A104K	C CAPACITOR	0.1uF 10V K	
C593	CK73HBB1H102K	C CAPACITOR	1000pF 50V K		C831	CK73HBB1A104K	C CAPACITOR	0.1uF 10V K	
C594	CK73HB1A105K	C CAPACITOR	1uF 10V K		C832	CK73HBB1A104K	C CAPACITOR	0.1uF 10V K	
C700	CK73HBB1H102K	C CAPACITOR	1000pF 50V K		C833	CK73HBB1H102K	C CAPACITOR	1000pF 50V K	
C701	CK73HBB1A104K	C CAPACITOR	0.1uF 10V K		C834	CK73HBB1H102K	C CAPACITOR	1000pF 50V K	
C702	CK73HBB1H102K	C CAPACITOR	1000pF 50V K		C864	CK73HBB1E223K	C CAPACITOR	0.022uF 25V K	
C703	CK73HBB1H102K	C CAPACITOR	1000pF 50V K		C865	CC73HCH1H100B	C CAPACITOR	10pF 50V B	
C704	CK73EB1H475KM	C CAPACITOR	4.7uF 50V M		C866	CC73HCH1H100B	C CAPACITOR	10pF 50V B	
C705	CK73EB1C226M	C CAPACITOR	22uF 16V		C867	CC73HCH1H100B	C CAPACITOR	10pF 50V B	
C706	CK73HBB1H102K	C CAPACITOR	1000pF 50V K		C868	CC73HCH1H100B	C CAPACITOR	10pF 50V B	
C707	CK73HBB1H102K	C CAPACITOR	1000pF 50V K		C869	CK73HBB1H102K	C CAPACITOR	1000pF 50V K	
C708	CK73EB1H475KM	C CAPACITOR	4.7uF 50V M		C870	CK73HBB1A104K	C CAPACITOR	0.1uF 10V K	
C709	C93-1810-05	C CAPACITOR	4.7uF 50V		C871	CK73HBB1A104K	C CAPACITOR	0.1uF 10V K	
C710	CK73EB1H475KM	C CAPACITOR	4.7uF 50V M		C872	CK73GXR0J475K	C CAPACITOR	4.7uF 6.3V K	
C711	C93-1810-05	C CAPACITOR	4.7uF 50V		C873	CK73HBB1H102K	C CAPACITOR	1000pF 50V K	
C712	CK73HBB1H102K	C CAPACITOR	1000pF 50V K		C874	CC73HCH1H120G	C CAPACITOR	12pF 50V G	
C713	CK73HBB1A104K	C CAPACITOR	0.1uF 10V K		C875	CC73HCH1H100B	C CAPACITOR	10pF 50V B	

△ Symbol No.	Part No.	Part Name	Description	Local	△ Symbol No.	Part No.	Part Name	Description	Local
C876	CK73GXR0J475K	C CAPACITOR	4.7uF 6.3V K		C980	CK73HBB1A104K	C CAPACITOR	0.1uF 10V K	
C879	CK73HB1A105K	C CAPACITOR	1uF 10V K		C981	CK73HBB1A104K	C CAPACITOR	0.1uF 10V K	
C880	CC73HCH1H471J	C CAPACITOR	470pF 50V J		C982	CK73HBB1A104K	C CAPACITOR	0.1uF 10V K	
C881	CK73HBB1A104K	C CAPACITOR	0.1uF 10V K		C983	CC73HCH1H101J	C CAPACITOR	100pF 50V J	
C882	CK73HB1A105K	C CAPACITOR	1uF 10V K		C984	CK73HBB1A104K	C CAPACITOR	0.1uF 10V K	
C884	CK73HB1H103K	C CAPACITOR	10000pF 50V K		C985	CK73HBB1A104K	C CAPACITOR	0.1uF 10V K	
C885	CK73HB1H103K	C CAPACITOR	10000pF 50V K		C986	CK73HBB1H102K	C CAPACITOR	1000pF 50V K	
C900	CK73HBB1A104K	C CAPACITOR	0.1uF 10V K		C990	CC73HCH1H101J	C CAPACITOR	100pF 50V J	
C905	CC73HCH1H100D	C CAPACITOR	10pF 50V D		C993	CK73HBB1H102K	C CAPACITOR	1000pF 50V K	
C906	CC73HCH1H100D	C CAPACITOR	10pF 50V D		C994	CK73HBB1A104K	C CAPACITOR	0.1uF 10V K	
C907	CK73HBB1A104K	C CAPACITOR	0.1uF 10V K		C995	CK73HBB1H102K	C CAPACITOR	1000pF 50V K	
C908	CC73HCH1H010C	C CAPACITOR	1pF 50V C		C996	CK73HBB1A104K	C CAPACITOR	0.1uF 10V K	
C909	CC73HCH1H101J	C CAPACITOR	100pF 50V J						
C910	CC73HCH1H101J	C CAPACITOR	100pF 50V J		R3	RK73HB1J103J	MG RESISTOR	10kΩ 1/16W J	
C911	CK73HBB1A104K	C CAPACITOR	0.1uF 10V K		R4	RK73HB1J104J	MG RESISTOR	100kΩ 1/16W J	
C912	CC73HCH1H101J	C CAPACITOR	100pF 50V J		R5	RK73HB1J223J	MG RESISTOR	22kΩ 1/16W J	
C913	CK73HB1H103K	C CAPACITOR	10000pF 50V K		R6	RK73HB1J101J	MG RESISTOR	100Ω 1/16W J	
C914	CK73HB1A105K	C CAPACITOR	1uF 10V K		R7	RK73HH1J473D	MG RESISTOR	47kΩ 1/16W D	
C915	CK73HB1A105K	C CAPACITOR	1uF 10V K		R8	RK73HB1J000J	MG RESISTOR	0Ω 1/16W J	
C916	CK73HB1A105K	C CAPACITOR	1uF 10V K		R9	RK73HB1J000J	MG RESISTOR	0Ω 1/16W J	
C917	CK73HB1H103K	C CAPACITOR	10000pF 50V K		R10	RK73HB1J473J	MG RESISTOR	47kΩ 1/16W J	
C918	CK73HB1H103K	C CAPACITOR	10000pF 50V K		R11	RK73HB1J682J	MG RESISTOR	6.8kΩ 1/16W J	
C919	CK73HB1H103K	C CAPACITOR	10000pF 50V K		R12	RK73HH1J113D	MG RESISTOR	11kΩ 1/16W D	
C920	CK73HB1H103K	C CAPACITOR	10000pF 50V K		R13	RK73HH1J473D	MG RESISTOR	47kΩ 1/16W D	
C921	CK73HB1H103K	C CAPACITOR	10000pF 50V K		R14	RK73HH1J113D	MG RESISTOR	11kΩ 1/16W D	
C922	CK73HB1H103K	C CAPACITOR	10000pF 50V K		R15	RK73HB1J682J	MG RESISTOR	6.8kΩ 1/16W J	
C923	CK73HB1H103K	C CAPACITOR	10000pF 50V K		R16	RK73PB2H220J	MG RESISTOR	22Ω 1/2W J	
C924	CK73HB1H103K	C CAPACITOR	10000pF 50V K		R17	RK73PB2H220J	MG RESISTOR	22Ω 1/2W J	
C927	CK73HB1H103K	C CAPACITOR	10000pF 50V K		R18	RK73HB1J472J	MG RESISTOR	4.7kΩ 1/16W J	
C928	CK73GB0J106K	C CAPACITOR	10uF 6.3V K		R20	RK73HH1J822D	MG RESISTOR	8.2kΩ 1/16W D	
C929	CK73HBB1A104K	C CAPACITOR	0.1uF 10V K		R21	RK73HH1J332D	MG RESISTOR	3.3kΩ 1/16W D	
C930	CK73HBB1A104K	C CAPACITOR	0.1uF 10V K		R22	RK73HB1J000J	MG RESISTOR	0Ω 1/16W J	
C931	CK73HBB1A104K	C CAPACITOR	0.1uF 10V K		R24	RK73HB1J472J	MG RESISTOR	4.7kΩ 1/16W J	
C932	CK73HBB1H102K	C CAPACITOR	1000pF 50V K		R25	RK73HB1J473J	MG RESISTOR	47kΩ 1/16W J	
C933	CK73HBB1A104K	C CAPACITOR	0.1uF 10V K		R26	RK73HB1J101J	MG RESISTOR	100Ω 1/16W J	
C934	CK73HBB1A104K	C CAPACITOR	0.1uF 10V K		R30	RK73HB1J470J	MG RESISTOR	47Ω 1/16W J	
C935	CK73HBB1A104K	C CAPACITOR	0.1uF 10V K		R31	RK73HB1J470J	MG RESISTOR	47Ω 1/16W J	
C936	CK73HBB1A104K	C CAPACITOR	0.1uF 10V K		R32	RK73HB1J000J	MG RESISTOR	0Ω 1/16W J	
C937	CK73HBB1A104K	C CAPACITOR	0.1uF 10V K		R35	RK73PB2H2R7J	MG RESISTOR	2.7Ω 1/2W J	
C938	CK73HBB1A104K	C CAPACITOR	0.1uF 10V K		R36	RK73HB1J473J	MG RESISTOR	47kΩ 1/16W J	
C939	CK73GB0J106K	C CAPACITOR	10uF 6.3V K		R37	RK73HH1J153D	MG RESISTOR	15kΩ 1/16W D	
C940	CK73HBB1A104K	C CAPACITOR	0.1uF 10V K		R38	RK73HH1J392D	MG RESISTOR	3.9kΩ 1/16W D	
C941	CK73HBB1A104K	C CAPACITOR	0.1uF 10V K		R39	RK73HB1J472J	MG RESISTOR	4.7kΩ 1/16W J	
C942	CK73HBB1A104K	C CAPACITOR	0.1uF 10V K		R49	RK73HB1J105J	MG RESISTOR	1MΩ 1/16W J	
C943	CK73HBB1A104K	C CAPACITOR	0.1uF 10V K		R50	RK73HB1J000J	MG RESISTOR	0Ω 1/16W J	
C944	CK73GB0J106K	C CAPACITOR	10uF 6.3V K		R51	RK73HB1J474J	MG RESISTOR	470kΩ 1/16W J	
C945	CK73GB0J106K	C CAPACITOR	10uF 6.3V K		R52	RK73HB1J000J	MG RESISTOR	0Ω 1/16W J	
C946	CK73HBB1A104K	C CAPACITOR	0.1uF 10V K		R53	RK73HB1J220J	MG RESISTOR	22Ω 1/16W J	
C947	CK73HBB1A104K	C CAPACITOR	0.1uF 10V K		R54	RK73HB1J220J	MG RESISTOR	22Ω 1/16W J	
C948	CK73HBB1A104K	C CAPACITOR	0.1uF 10V K		R55	RK73HB1J182J	MG RESISTOR	1.8kΩ 1/16W J	
C949	CK73HBB1A104K	C CAPACITOR	0.1uF 10V K		R56	RK73HB1J224J	MG RESISTOR	220kΩ 1/16W J	
C950	CK73HBB1A104K	C CAPACITOR	0.1uF 10V K		R57	RK73HB1J000J	MG RESISTOR	0Ω 1/16W J	
C951	CK73HBB1A104K	C CAPACITOR	0.1uF 10V K		R58	RK73HB1J220J	MG RESISTOR	22Ω 1/16W J	
C952	CK73HBB1A104K	C CAPACITOR	0.1uF 10V K		R59	RK73HB1J2R2J	MG RESISTOR	2.2Ω 1/16W J	
C953	CK73GB0J106K	C CAPACITOR	10uF 6.3V K		R60	RK73HB1J101J	MG RESISTOR	100Ω 1/16W J	
C954	CK73HBB1A104K	C CAPACITOR	0.1uF 10V K		R61	RK73HB1J562J	MG RESISTOR	5.6kΩ 1/16W J	
C955	CK73HBB1A104K	C CAPACITOR	0.1uF 10V K		R62	RK73HB1J562J	MG RESISTOR	5.6kΩ 1/16W J	
C956	CK73HBB1A104K	C CAPACITOR	0.1uF 10V K		R63	RK73HB1J100J	MG RESISTOR	10Ω 1/16W J	
C957	CK73HBB1A104K	C CAPACITOR	0.1uF 10V K		R64	RK73HB1J471J	MG RESISTOR	470Ω 1/16W J	
C958	CK73HBB1A104K	C CAPACITOR	0.1uF 10V K		R65	RK73HB1J331J	MG RESISTOR	330Ω 1/16W J	
C959	CK73HBB1A104K	C CAPACITOR	0.1uF 10V K		R66	RK73HB1J000J	MG RESISTOR	0Ω 1/16W J	
C960	CK73HBB1A104K	C CAPACITOR	0.1uF 10V K		R67	RK73HB1J104J	MG RESISTOR	100kΩ 1/16W J	
C961	CK73HBB1A104K	C CAPACITOR	0.1uF 10V K		R69	RK73HB1J563J	MG RESISTOR	56kΩ 1/16W J	
C962	CK73HBB1A104K	C CAPACITOR	0.1uF 10V K		R70	RK73HB1J470J	MG RESISTOR	47Ω 1/16W J	
C963	CK73GB0J106K	C CAPACITOR	10uF 6.3V K		R71	RK73HB1J470J	MG RESISTOR	47Ω 1/16W J	
C964	CK73GB0J106K	C CAPACITOR	10uF 6.3V K		R73	RK73HB1J472J	MG RESISTOR	4.7kΩ 1/16W J	
C965	CK73GB0J106K	C CAPACITOR	10uF 6.3V K		R75	RK73HB1J103J	MG RESISTOR	10kΩ 1/16W J	
C969	CK73HBB1A104K	C CAPACITOR	0.1uF 10V K		R76	RK73HB1J2R2J	MG RESISTOR	2.2Ω 1/16W J	
C970	CK73HBB1A104K	C CAPACITOR	0.1uF 10V K		R77	RK73HB1J104J	MG RESISTOR	100kΩ 1/16W J	
C971	CK73HBB1A104K	C CAPACITOR	0.1uF 10V K		R79	RK73HB1J104J	MG RESISTOR	100kΩ 1/16W J	
C972	CK73HBB1A104K	C CAPACITOR	0.1uF 10V K		R81	RK73HB1J100J	MG RESISTOR	10Ω 1/16W J	
C973	CK73HBB1A104K	C CAPACITOR	0.1uF 10V K		R82	RK73HB1J331J	MG RESISTOR	330Ω 1/16W J	
C974	CK73HBB1A104K	C CAPACITOR	0.1uF 10V K		R83	RK73HB1J100J	MG RESISTOR	10Ω 1/16W J	
C975	CK73HBB1A104K	C CAPACITOR	0.1uF 10V K		R84	RK73HB1J100J	MG RESISTOR	10Ω 1/16W J	
C976	CK73HBB1A104K	C CAPACITOR	0.1uF 10V K		R85	RK73HB1J104J	MG RESISTOR	100kΩ 1/16W J	
C977	CK73HBB1A104K	C CAPACITOR	0.1uF 10V K		R86	RK73HB1J471J	MG RESISTOR	470Ω 1/16W J	
C978	CK73HBB1A104K	C CAPACITOR	0.1uF 10V K		R87	RK73HB1J100J	MG RESISTOR	10Ω 1/16W J	
C979	CK73HBB1A104K	C CAPACITOR	0.1uF 10V K		R88	RK73HB1J562J	MG RESISTOR	5.6kΩ 1/16W J	

△ Symbol No.	Part No.	Part Name	Description	Local	△ Symbol No.	Part No.	Part Name	Description	Local
R89	RK73HB1J562J	MG RESISTOR	5.6kΩ 1/16W J		R175	RK73HB1J220J	MG RESISTOR	22Ω 1/16W J	
R90	RK73HB1J472J	MG RESISTOR	4.7kΩ 1/16W J		R176	RK73HB1J473J	MG RESISTOR	47kΩ 1/16W J	
R91	RK73HB1J470J	MG RESISTOR	47Ω 1/16W J		R177	RK73HB1J473J	MG RESISTOR	47kΩ 1/16W J	
R92	RK73HB1J000J	MG RESISTOR	0Ω 1/16W J		R178	RK73HB1J473J	MG RESISTOR	47kΩ 1/16W J	
R93	RK73HB1J000J	MG RESISTOR	0Ω 1/16W J		R179	RK73HB1J473J	MG RESISTOR	47kΩ 1/16W J	
R100	RK73HB1J471J	MG RESISTOR	470Ω 1/16W J		R180	RK73HB1J473J	MG RESISTOR	47kΩ 1/16W J	
R101	RK73HB1J471J	MG RESISTOR	470Ω 1/16W J		R181	RK73HB1J101J	MG RESISTOR	100Ω 1/16W J	
R102	RK73HB1J000J	MG RESISTOR	0Ω 1/16W J		R182	RK73HB1J101J	MG RESISTOR	100Ω 1/16W J	
R103	RK73HB1J000J	MG RESISTOR	0Ω 1/16W J		R185	RK73HB1J000J	MG RESISTOR	0Ω 1/16W J	
R104	RK73HB1J000J	MG RESISTOR	0Ω 1/16W J		R186	RK73HB1J101J	MG RESISTOR	100Ω 1/16W J	
R105	RK73HB1J000J	MG RESISTOR	0Ω 1/16W J		R187	RK73HB1J000J	MG RESISTOR	0Ω 1/16W J	
R106	RK73HB1J000J	MG RESISTOR	0Ω 1/16W J		R188	RK73HB1J000J	MG RESISTOR	0Ω 1/16W J	
R107	RK73HB1J000J	MG RESISTOR	0Ω 1/16W J		R189	RK73HB1J000J	MG RESISTOR	0Ω 1/16W J	
R108	RK73HB1J000J	MG RESISTOR	0Ω 1/16W J		R190	RK73HB1J101J	MG RESISTOR	100Ω 1/16W J	
R109	RK73HB1J000J	MG RESISTOR	0Ω 1/16W J		R191	RK73HB1J101J	MG RESISTOR	100Ω 1/16W J	
R110	RK73HB1J101J	MG RESISTOR	100Ω 1/16W J		R192	RK73HB1J101J	MG RESISTOR	100Ω 1/16W J	
R111	RK73HB1J471J	MG RESISTOR	470Ω 1/16W J		R193	RK73HB1J000J	MG RESISTOR	0Ω 1/16W J	
R112	RK73HB1J471J	MG RESISTOR	470Ω 1/16W J		R195	RK73HB1J103J	MG RESISTOR	10kΩ 1/16W J	
R113	RK73HB1J000J	MG RESISTOR	0Ω 1/16W J		R196	RK73HB1J101J	MG RESISTOR	100Ω 1/16W J	
R114	RK73HB1J000J	MG RESISTOR	0Ω 1/16W J		R197	RK73HB1J101J	MG RESISTOR	100Ω 1/16W J	
R115	RK73HB1J000J	MG RESISTOR	0Ω 1/16W J		R198	RK73HB1J471J	MG RESISTOR	470Ω 1/16W J	
R116	RK73HB1J000J	MG RESISTOR	0Ω 1/16W J		R201	RK73HB1J220J	MG RESISTOR	22Ω 1/16W J	
R117	RK73HB1J330J	MG RESISTOR	33Ω 1/16W J		R202	RK73HB1J220J	MG RESISTOR	22Ω 1/16W J	
R118	RK73HB1J330J	MG RESISTOR	33Ω 1/16W J		R203	RK73HB1J220J	MG RESISTOR	22Ω 1/16W J	
R119	RK73HB1J330J	MG RESISTOR	33Ω 1/16W J		R205	RK73HB1J102J	MG RESISTOR	1kΩ 1/16W J	
R120	RK73HB1J330J	MG RESISTOR	33Ω 1/16W J		R206	RK73HB1J102J	MG RESISTOR	1kΩ 1/16W J	
R121	RK73HB1J330J	MG RESISTOR	33Ω 1/16W J		R207	RK73HB1J101J	MG RESISTOR	100Ω 1/16W J	
R122	RK73HB1J330J	MG RESISTOR	33Ω 1/16W J		R208	RK73HB1J101J	MG RESISTOR	100Ω 1/16W J	
R123	RK73HB1J000J	MG RESISTOR	0Ω 1/16W J		R209	RK73HB1J473J	MG RESISTOR	47kΩ 1/16W J	
R124	RK73HB1J000J	MG RESISTOR	0Ω 1/16W J		R210	RK73HB1J473J	MG RESISTOR	47kΩ 1/16W J	
R125	RK73HB1J000J	MG RESISTOR	0Ω 1/16W J		R211	RK73HB1J000J	MG RESISTOR	0Ω 1/16W J	
R126	RK73HB1J000J	MG RESISTOR	0Ω 1/16W J		R212	RK73HB1J000J	MG RESISTOR	0Ω 1/16W J	
R127	RK73HB1J330J	MG RESISTOR	33Ω 1/16W J		R213	RK73HB1J000J	MG RESISTOR	0Ω 1/16W J	
R128	RK73HB1J330J	MG RESISTOR	33Ω 1/16W J		R214	RK73HB1J101J	MG RESISTOR	100Ω 1/16W J	
R129	RK73HB1J330J	MG RESISTOR	33Ω 1/16W J		R215	RK73HB1J101J	MG RESISTOR	100Ω 1/16W J	
R130	RK73HB1J330J	MG RESISTOR	33Ω 1/16W J		R216	RK73HB1J563J	MG RESISTOR	56kΩ 1/16W J	
R131	RK73HB1J101J	MG RESISTOR	100Ω 1/16W J		R217	RK73HB1J473J	MG RESISTOR	47kΩ 1/16W J	
R132	RK73HB1J330J	MG RESISTOR	33Ω 1/16W J		R218	RK73HB1J103J	MG RESISTOR	10kΩ 1/16W J	
R133	RK73HB1J330J	MG RESISTOR	33Ω 1/16W J		R219	RK73HB1J101J	MG RESISTOR	100Ω 1/16W J	
R134	RK73HB1J471J	MG RESISTOR	470Ω 1/16W J		R221	RK73HB1J472J	MG RESISTOR	4.7kΩ 1/16W J	
R135	RK73HB1J000J	MG RESISTOR	0Ω 1/16W J		R223	RK73HB1J473J	MG RESISTOR	47kΩ 1/16W J	
R136	RK73HB1J000J	MG RESISTOR	0Ω 1/16W J		R224	RK73HB1J101J	MG RESISTOR	100Ω 1/16W J	
R137	RK73HB1J471J	MG RESISTOR	470Ω 1/16W J		R225	RK73HB1J103J	MG RESISTOR	10kΩ 1/16W J	
R138	RK73HB1J000J	MG RESISTOR	0Ω 1/16W J		R227	RK73HB1J473J	MG RESISTOR	47kΩ 1/16W J	
R139	RK73HB1J471J	MG RESISTOR	470Ω 1/16W J		R228	RK73HB1J101J	MG RESISTOR	100Ω 1/16W J	
R140	RK73HB1J000J	MG RESISTOR	0Ω 1/16W J		R250	RK73HB1J123J	MG RESISTOR	12kΩ 1/16W J	
R141	RK73HB1J330J	MG RESISTOR	33Ω 1/16W J		R251	RK73HB1J153J	MG RESISTOR	15kΩ 1/16W J	
R142	RK73HB1J330J	MG RESISTOR	33Ω 1/16W J		R252	RK73HB1J123J	MG RESISTOR	12kΩ 1/16W J	
R143	RK73HB1J330J	MG RESISTOR	33Ω 1/16W J		R253	RK73HB1J223J	MG RESISTOR	22kΩ 1/16W J	
R144	RK73HB1J471J	MG RESISTOR	470Ω 1/16W J		R254	RK73HB1J224J	MG RESISTOR	220kΩ 1/16W J	
R145	RK73HB1J471J	MG RESISTOR	470Ω 1/16W J		R255	RK73HB1J223J	MG RESISTOR	22kΩ 1/16W J	
R146	RK73HB1J000J	MG RESISTOR	0Ω 1/16W J		R256	RK73HB1J223J	MG RESISTOR	22kΩ 1/16W J	
R147	RK73HB1J000J	MG RESISTOR	0Ω 1/16W J		R257	RK73HB1J153J	MG RESISTOR	15kΩ 1/16W J	
R148	RK73HB1J471J	MG RESISTOR	470Ω 1/16W J		R258	RK73HB1J393J	MG RESISTOR	39kΩ 1/16W J	
R149	RK73HB1J000J	MG RESISTOR	0Ω 1/16W J		R259	RK73HB1J101J	MG RESISTOR	100Ω 1/16W J	
R150	RK73HB1J473J	MG RESISTOR	47kΩ 1/16W J		R260	RK73HB1J103J	MG RESISTOR	10kΩ 1/16W J	
R151	RK73HB1J473J	MG RESISTOR	47kΩ 1/16W J		R261	RK73HB1J101J	MG RESISTOR	100Ω 1/16W J	
R152	RK73HB1J473J	MG RESISTOR	47kΩ 1/16W J		R262	RK73HB1J101J	MG RESISTOR	100Ω 1/16W J	
R153	RK73HB1J473J	MG RESISTOR	47kΩ 1/16W J		R264	RK73HB1J333J	MG RESISTOR	33kΩ 1/16W J	
R154	RK73HB1J473J	MG RESISTOR	47kΩ 1/16W J		R265	RK73HH1J184D	MG RESISTOR	180kΩ 1/16W D	
R155	RK73HB1J473J	MG RESISTOR	47kΩ 1/16W J		R266	RK73HB1J473J	MG RESISTOR	47kΩ 1/16W J	
R156	RK73HB1J473J	MG RESISTOR	47kΩ 1/16W J		R267	RK73HB1J101J	MG RESISTOR	100Ω 1/16W J	
R157	RK73HB1J000J	MG RESISTOR	0Ω 1/16W J		R268	RK73HB1J473J	MG RESISTOR	47kΩ 1/16W J	
R158	RK73HB1J000J	MG RESISTOR	0Ω 1/16W J		R269	RK73HB1J333J	MG RESISTOR	33kΩ 1/16W J	
R159	RK73HB1J000J	MG RESISTOR	0Ω 1/16W J		R270	RK73HH1J223D	MG RESISTOR	22kΩ 1/16W D	
R160	RK73HB1J473J	MG RESISTOR	47kΩ 1/16W J		R271	RK73HB1J104J	MG RESISTOR	100kΩ 1/16W J	
R161	RK73HB1J000J	MG RESISTOR	0Ω 1/16W J		R272	RK73HB1J124J	MG RESISTOR	120kΩ 1/16W J	
R162	RK73HB1J473J	MG RESISTOR	47kΩ 1/16W J		R273	RK73HB1J104J	MG RESISTOR	100kΩ 1/16W J	
R165	RK73HB1J000J	MG RESISTOR	0Ω 1/16W J		R274	RK73HB1J683J	MG RESISTOR	68kΩ 1/16W J	
R166	RK73HB1J472J	MG RESISTOR	4.7kΩ 1/16W J		R275	RK73HB1J104J	MG RESISTOR	100kΩ 1/16W J	
R167	RK73HB1J472J	MG RESISTOR	4.7kΩ 1/16W J		R276	RK73HB1J333J	MG RESISTOR	33kΩ 1/16W J	
R168	RK73HB1J473J	MG RESISTOR	47kΩ 1/16W J		R277	RK73HB1J473J	MG RESISTOR	47kΩ 1/16W J	
R169	RK73HB1J473J	MG RESISTOR	47kΩ 1/16W J		R278	RK73HH1J124D	MG RESISTOR	120kΩ 1/16W D	
R170	RK73HB1J103J	MG RESISTOR	10kΩ 1/16W J		R279	RK73HB1J473J	MG RESISTOR	47kΩ 1/16W J	
R171	RK73HB1J473J	MG RESISTOR	47kΩ 1/16W J		R280	RK73HB1J333J	MG RESISTOR	33kΩ 1/16W J	
R172	RK73HB1J473J	MG RESISTOR	47kΩ 1/16W J		R281	RK73HB1J224J	MG RESISTOR	220kΩ 1/16W J	
R173	RK73HB1J473J	MG RESISTOR	47kΩ 1/16W J		R282	RK73HB1J101J	MG RESISTOR	100Ω 1/16W J	
R174	RK73HB1J473J	MG RESISTOR	47kΩ 1/16W J		R283	RK73HB1J103J	MG RESISTOR	10kΩ 1/16W J	

△ Symbol No.	Part No.	Part Name	Description	Local	△ Symbol No.	Part No.	Part Name	Description	Local
R284	RK73HB1J104J	MG RESISTOR	100kΩ 1/16W J		R430	RK73HB1J101J	MG RESISTOR	100Ω 1/16W J	
R285	RK73HB1J104J	MG RESISTOR	100kΩ 1/16W J		R431	RK73HB1J473J	MG RESISTOR	47kΩ 1/16W J	
R286	RK73HB1J683J	MG RESISTOR	68kΩ 1/16W J		R432	RK73HB1J221J	MG RESISTOR	220Ω 1/16W J	
R287	RK73HB1J104J	MG RESISTOR	100kΩ 1/16W J		R433	RK73HB1J473J	MG RESISTOR	47kΩ 1/16W J	
R288	RK73HB1J101J	MG RESISTOR	100Ω 1/16W J		R434	RK73HB1J473J	MG RESISTOR	47kΩ 1/16W J	
R289	RK73HB1J101J	MG RESISTOR	100Ω 1/16W J		R435	RK73HB1J474J	MG RESISTOR	470kΩ 1/16W J	
R290	RK73HB1J101J	MG RESISTOR	100Ω 1/16W J		R436	RK73HB1J473J	MG RESISTOR	47kΩ 1/16W J	
R291	RK73HB1J104J	MG RESISTOR	100kΩ 1/16W J		R437	RK73HB1J000J	MG RESISTOR	0Ω 1/16W J	
R292	RK73HB1J000J	MG RESISTOR	0Ω 1/16W J		R438	RK73HB1J101J	MG RESISTOR	100Ω 1/16W J	
R293	RK73HB1J104J	MG RESISTOR	100kΩ 1/16W J		R439	RK73HB1J101J	MG RESISTOR	100Ω 1/16W J	
R294	RK73HB1J000J	MG RESISTOR	0Ω 1/16W J		R440	RK73HB1J000J	MG RESISTOR	0Ω 1/16W J	
R295	RK73HB1J101J	MG RESISTOR	100Ω 1/16W J		R450	RK73HB1J104J	MG RESISTOR	100kΩ 1/16W J	
R296	RK73HB1J101J	MG RESISTOR	100Ω 1/16W J		R451	RK73HB1J102J	MG RESISTOR	1kΩ 1/16W J	
R298	RK73HB1J104J	MG RESISTOR	100kΩ 1/16W J		R452	RK73HB1J823J	MG RESISTOR	82kΩ 1/16W J	
R299	RK73HB1J104J	MG RESISTOR	100kΩ 1/16W J		R453	RK73HB1J104J	MG RESISTOR	100kΩ 1/16W J	
R300	RK73HB1J223J	MG RESISTOR	22kΩ 1/16W J		R454	RK73HB1J104J	MG RESISTOR	100kΩ 1/16W J	
R301	RK73HB1J223J	MG RESISTOR	22kΩ 1/16W J		R455	RK73HB1J103J	MG RESISTOR	10kΩ 1/16W J	
R302	RK73HB1J223J	MG RESISTOR	22kΩ 1/16W J		R456	RK73HB1J100J	MG RESISTOR	10Ω 1/16W J	
R303	RK73HB1J101J	MG RESISTOR	100Ω 1/16W J		R457	RK73HB1J334J	MG RESISTOR	330kΩ 1/16W J	
R304	RK73HB1J101J	MG RESISTOR	100Ω 1/16W J		R458	RK73HB1J100J	MG RESISTOR	10Ω 1/16W J	
R305	RK73HB1J101J	MG RESISTOR	100Ω 1/16W J		R459	RK73HB1J332J	MG RESISTOR	3.3kΩ 1/16W J	
R310	RK73HB1J101J	MG RESISTOR	100Ω 1/16W J		R460	RK73HB1J471J	MG RESISTOR	470Ω 1/16W J	
R311	RK73HB1J471J	MG RESISTOR	470Ω 1/16W J		R461	RK73HB1J103J	MG RESISTOR	10kΩ 1/16W J	
R312	RK73HB1J471J	MG RESISTOR	470Ω 1/16W J		R462	RK73HB1J104J	MG RESISTOR	100kΩ 1/16W J	
R313	RK73HB1J000J	MG RESISTOR	0Ω 1/16W J		R463	RK73HB1J393J	MG RESISTOR	39kΩ 1/16W J	
R314	RK73HB1J000J	MG RESISTOR	0Ω 1/16W J		R464	RK73HB1J334J	MG RESISTOR	330kΩ 1/16W J	
R315	RK73HB1J101J	MG RESISTOR	100Ω 1/16W J		R465	RK73HB1J100J	MG RESISTOR	10Ω 1/16W J	
R316	RK73HB1J102J	MG RESISTOR	1kΩ 1/16W J		R466	RK73HB1J103J	MG RESISTOR	10kΩ 1/16W J	
R317	RK73HB1J102J	MG RESISTOR	1kΩ 1/16W J		R467	RK73HB1J184J	MG RESISTOR	180kΩ 1/16W J	
R318	RK73HB1J101J	MG RESISTOR	100Ω 1/16W J		R468	RK73HB1J682J	MG RESISTOR	6.8kΩ 1/16W J	
R319	RK73HB1J101J	MG RESISTOR	100Ω 1/16W J		R470	RK73HB1J104J	MG RESISTOR	100kΩ 1/16W J	
R320	RK73HB1J101J	MG RESISTOR	100Ω 1/16W J		R472	RK73HB1J102J	MG RESISTOR	1kΩ 1/16W J	
R321	RK73HB1J101J	MG RESISTOR	100Ω 1/16W J		R473	RK73HB1J000J	MG RESISTOR	0Ω 1/16W J	
R322	RK73HB1J471J	MG RESISTOR	470Ω 1/16W J		R482	RK73HB1J220J	MG RESISTOR	22Ω 1/16W J	
R323	RK73HB1J471J	MG RESISTOR	470Ω 1/16W J		R486	RK73HB1J473J	MG RESISTOR	47kΩ 1/16W J	
R324	RK73HB1J471J	MG RESISTOR	470Ω 1/16W J		R487	RK73HB1J473J	MG RESISTOR	47kΩ 1/16W J	
R325	RK73HB1J473J	MG RESISTOR	47kΩ 1/16W J		R488	RK73HB1J473J	MG RESISTOR	47kΩ 1/16W J	
R326	RK73HB1J222J	MG RESISTOR	2.2kΩ 1/16W J		R489	RK73HB1J473J	MG RESISTOR	47kΩ 1/16W J	
R327	RK73HB1J473J	MG RESISTOR	47kΩ 1/16W J		R500	RK73HB1J103J	MG RESISTOR	10kΩ 1/16W J	
R328	RK73HB1J473J	MG RESISTOR	47kΩ 1/16W J		R501	RK73HB1J102J	MG RESISTOR	1kΩ 1/16W J	
R329	RK73HB1J473J	MG RESISTOR	47kΩ 1/16W J		R502	RK73HB1J000J	MG RESISTOR	0Ω 1/16W J	
R340	RK73HB1J103J	MG RESISTOR	10kΩ 1/16W J		R503	RK73HB1J103J	MG RESISTOR	10kΩ 1/16W J	
R341	RK73HB1J103J	MG RESISTOR	10kΩ 1/16W J		R504	RK73HB1J103J	MG RESISTOR	10kΩ 1/16W J	
R342	RK73HB1J103J	MG RESISTOR	10kΩ 1/16W J		R505	RK73HB1J103J	MG RESISTOR	10kΩ 1/16W J	
R343	RK73HB1J103J	MG RESISTOR	10kΩ 1/16W J		R506	RK73HB1J103J	MG RESISTOR	10kΩ 1/16W J	
R348	RK73HB1J103J	MG RESISTOR	10kΩ 1/16W J		R507	RK73HB1J103J	MG RESISTOR	10kΩ 1/16W J	
R350	RK73HB1J103J	MG RESISTOR	10kΩ 1/16W J		R508	RK73HB1J103J	MG RESISTOR	10kΩ 1/16W J	
R351	RK73HB1J103J	MG RESISTOR	10kΩ 1/16W J		R509	RK73HB1J222J	MG RESISTOR	2.2kΩ 1/16W J	
R352	RK73HB1J103J	MG RESISTOR	10kΩ 1/16W J		R510	RK73HB1J222J	MG RESISTOR	2.2kΩ 1/16W J	
R353	RK73HB1J103J	MG RESISTOR	10kΩ 1/16W J		R511	RK73HB1J473J	MG RESISTOR	47kΩ 1/16W J	
R354	RK73HB1J103J	MG RESISTOR	10kΩ 1/16W J		R512	RK73HB1J102J	MG RESISTOR	1kΩ 1/16W J	
R355	RS14KB3D220J	OMF RESISTOR	22Ω 2W J		R513	RK73HB1J473J	MG RESISTOR	47kΩ 1/16W J	
R391	RK73HB1J473J	MG RESISTOR	47kΩ 1/16W J		R514	RK73HB1J102J	MG RESISTOR	1kΩ 1/16W J	
R393	RK73HB1J000J	MG RESISTOR	0Ω 1/16W J		R515	RK73HB1J473J	MG RESISTOR	47kΩ 1/16W J	
R396	RK73HB1J473J	MG RESISTOR	47kΩ 1/16W J		R516	RK73HB1J473J	MG RESISTOR	47kΩ 1/16W J	
R398	RK73HB1J000J	MG RESISTOR	0Ω 1/16W J		R517	RK73HB1J473J	MG RESISTOR	47kΩ 1/16W J	
R400	RK73HB1J474J	MG RESISTOR	470kΩ 1/16W J		R518	RK73HB1J473J	MG RESISTOR	47kΩ 1/16W J	
R401	RK73HB1J000J	MG RESISTOR	0Ω 1/16W J		R519	RK73HB1J473J	MG RESISTOR	47kΩ 1/16W J	
R410	RK73HB1J101J	MG RESISTOR	100Ω 1/16W J		R520	RK73HB1J101J	MG RESISTOR	100Ω 1/16W J	
R411	RK73HB1J101J	MG RESISTOR	100Ω 1/16W J		R530	RK73HB1J473J	MG RESISTOR	47kΩ 1/16W J	
R412	RK73HB1J473J	MG RESISTOR	47kΩ 1/16W J		R531	RK73HB1J473J	MG RESISTOR	47kΩ 1/16W J	
R413	RK73HB1J332J	MG RESISTOR	3.3kΩ 1/16W J		R532	RK73HB1J104J	MG RESISTOR	100kΩ 1/16W J	
R414	RK73HB1J000J	MG RESISTOR	0Ω 1/16W J		R533	RK73HB1J104J	MG RESISTOR	100kΩ 1/16W J	
R415	RK73HB1J101J	MG RESISTOR	100Ω 1/16W J		R535	RK73HB1J473J	MG RESISTOR	47kΩ 1/16W J	
R416	RK73HB1J101J	MG RESISTOR	100Ω 1/16W J		R536	RK73HB1J473J	MG RESISTOR	47kΩ 1/16W J	
R417	RK73HB1J101J	MG RESISTOR	100Ω 1/16W J		R537	RK73HB1J103J	MG RESISTOR	10kΩ 1/16W J	
R418	RK73HB1J101J	MG RESISTOR	100Ω 1/16W J		R538	RK73HB1J103J	MG RESISTOR	10kΩ 1/16W J	
R419	RK73HB1J104J	MG RESISTOR	100kΩ 1/16W J		R540	RK73HB1J122J	MG RESISTOR	1.2kΩ 1/16W J	
R420	RK73HB1J000J	MG RESISTOR	0Ω 1/16W J		R541	RK73HB1J103J	MG RESISTOR	10kΩ 1/16W J	
R421	RK73HB1J101J	MG RESISTOR	100Ω 1/16W J		R542	RK73HB1J103J	MG RESISTOR	10kΩ 1/16W J	
R422	RK73HB1J101J	MG RESISTOR	100Ω 1/16W J		R550	RK73GB2A000J	MG RESISTOR	0Ω 1/10W J	
R423	RK73HB1J101J	MG RESISTOR	100Ω 1/16W J		R551	RK73GB2A000J	MG RESISTOR	0Ω 1/10W J	
R424	RK73HB1J101J	MG RESISTOR	100Ω 1/16W J		R554	RK73HB1J473J	MG RESISTOR	47kΩ 1/16W J	
R425	RK73HB1J101J	MG RESISTOR	100Ω 1/16W J		R555	RK73HB1J473J	MG RESISTOR	47kΩ 1/16W J	
R426	RK73HB1J101J	MG RESISTOR	100Ω 1/16W J		R556	RK73HB1J473J	MG RESISTOR	47kΩ 1/16W J	
R427	RK73HB1J221J	MG RESISTOR	220Ω 1/16W J		R557	RK73HB1J473J	MG RESISTOR	47kΩ 1/16W J	
R428	RK73HB1J000J	MG RESISTOR	0Ω 1/16W J		R558	RK73HB1J473J	MG RESISTOR	47kΩ 1/16W J	
R429	RK73HB1J000J	MG RESISTOR	0Ω 1/16W J		R559	RK73HB1J473J	MG RESISTOR	47kΩ 1/16W J	

△ Symbol No.	Part No.	Part Name	Description	Local	△ Symbol No.	Part No.	Part Name	Description	Local
R560	RK73HB1J473J	MG RESISTOR	47kΩ 1/16W J		R765	RK73HB1J103J	MG RESISTOR	10kΩ 1/16W J	
R561	RK73HB1J473J	MG RESISTOR	47kΩ 1/16W J		R766	RK73HB1J000J	MG RESISTOR	0Ω 1/16W J	
R562	RK73HB1J473J	MG RESISTOR	47kΩ 1/16W J		R791	RK73HB1J473J	MG RESISTOR	47kΩ 1/16W J	
R564	RK73HB1J473J	MG RESISTOR	47kΩ 1/16W J		R792	RK73HB1J473J	MG RESISTOR	47kΩ 1/16W J	
R566	RK73HB1J473J	MG RESISTOR	47kΩ 1/16W J		R793	RK73HB1J473J	MG RESISTOR	47kΩ 1/16W J	
R567	RK73HB1J473J	MG RESISTOR	47kΩ 1/16W J		R794	RK73HB1J101J	MG RESISTOR	100Ω 1/16W J	
R568	RK73HB1J473J	MG RESISTOR	47kΩ 1/16W J		R795	RK73HB1J101J	MG RESISTOR	100Ω 1/16W J	
R571	RK73HB1J102J	MG RESISTOR	1kΩ 1/16W J		R796	RK73HB1J473J	MG RESISTOR	47kΩ 1/16W J	
R572	RK73HB1J102J	MG RESISTOR	1kΩ 1/16W J		R797	RK73HB1J220J	MG RESISTOR	22Ω 1/16W J	
R573	RK73HB1J102J	MG RESISTOR	1kΩ 1/16W J		R798	RK73HB1J101J	MG RESISTOR	100Ω 1/16W J	
R575	RK73HB1J121J	MG RESISTOR	120Ω 1/16W J		R799	RK73HH1J473D	MG RESISTOR	47kΩ 1/16W D	
R576	RK73HB1J101J	MG RESISTOR	100Ω 1/16W J		R800	RK73GB2A000J	MG RESISTOR	0Ω 1/10W J	
R577	RK73HB1J102J	MG RESISTOR	1kΩ 1/16W J		R801	RK73HH1J102D	MG RESISTOR	1kΩ 1/16W D	
R578	RK73HB1J101J	MG RESISTOR	100Ω 1/16W J		R802	RK73HH1J102D	MG RESISTOR	1kΩ 1/16W D	
R579	RK73HB1J101J	MG RESISTOR	100Ω 1/16W J		R803	RK73HH1J241D	MG RESISTOR	240Ω 1/16W D	
R580	RK73HB1J101J	MG RESISTOR	100Ω 1/16W J		R832	RK73HB1J473J	MG RESISTOR	47kΩ 1/16W J	
R581	RK73HB1J102J	MG RESISTOR	1kΩ 1/16W J		R833	RK73HB1J220J	MG RESISTOR	22Ω 1/16W J	
R582	RK73HB1J101J	MG RESISTOR	100Ω 1/16W J		R834	RK73HB1J220J	MG RESISTOR	22Ω 1/16W J	
R583	RK73HB1J121J	MG RESISTOR	120Ω 1/16W J		R836	RK73HB1J220J	MG RESISTOR	22Ω 1/16W J	
R584	RK73HB1J102J	MG RESISTOR	1kΩ 1/16W J		R837	RK73HB1J220J	MG RESISTOR	22Ω 1/16W J	
R585	RK73HB1J102J	MG RESISTOR	1kΩ 1/16W J		R838	RK73HB1J472J	MG RESISTOR	4.7kΩ 1/16W J	
R586	RK73HB1J102J	MG RESISTOR	1kΩ 1/16W J		R839	RK73HB1J220J	MG RESISTOR	22Ω 1/16W J	
R587	RK73HB1J102J	MG RESISTOR	1kΩ 1/16W J		R840	RK73HB1J220J	MG RESISTOR	22Ω 1/16W J	
R588	RK73HB1J102J	MG RESISTOR	1kΩ 1/16W J		R841	RK73HB1J473J	MG RESISTOR	47kΩ 1/16W J	
R589	RK73HB1J102J	MG RESISTOR	1kΩ 1/16W J		R842	RK73HB1J220J	MG RESISTOR	22Ω 1/16W J	
R590	RK73HB1J471J	MG RESISTOR	470Ω 1/16W J		R844	RK73HB1J473J	MG RESISTOR	47kΩ 1/16W J	
R591	RK73HB1J102J	MG RESISTOR	1kΩ 1/16W J		R845	RK73HB1J220J	MG RESISTOR	22Ω 1/16W J	
R592	RK73HB1J102J	MG RESISTOR	1kΩ 1/16W J		R846	RK73HB1J220J	MG RESISTOR	22Ω 1/16W J	
R593	RK73HB1J122J	MG RESISTOR	1.2kΩ 1/16W J		R847	RK73HB1J220J	MG RESISTOR	22Ω 1/16W J	
R594	RK73HB1J122J	MG RESISTOR	1.2kΩ 1/16W J		R848	RK73HB1J220J	MG RESISTOR	22Ω 1/16W J	
R595	RK73HB1J122J	MG RESISTOR	1.2kΩ 1/16W J		R849	RK73HB1J220J	MG RESISTOR	22Ω 1/16W J	
R596	RK73HB1J122J	MG RESISTOR	1.2kΩ 1/16W J		R850	RK73HB1J473J	MG RESISTOR	47kΩ 1/16W J	
R600	RK73HB1J000J	MG RESISTOR	0Ω 1/16W J		R851	RK73HB1J220J	MG RESISTOR	22Ω 1/16W J	
R603	RK73HB1J473J	MG RESISTOR	47kΩ 1/16W J		R852	RK73HB1J332J	MG RESISTOR	3.3kΩ 1/16W J	
R701	RK73HH1J473D	MG RESISTOR	47kΩ 1/16W D		R853	RK73HB1J220J	MG RESISTOR	22Ω 1/16W J	
R702	RK73HH1J472D	MG RESISTOR	4.7kΩ 1/16W D		R854	RK73HB1J472J	MG RESISTOR	4.7kΩ 1/16W J	
R703	RK73HB1J101J	MG RESISTOR	100Ω 1/16W J		R855	RK73HB1J220J	MG RESISTOR	22Ω 1/16W J	
R704	RK73HB1J473J	MG RESISTOR	47kΩ 1/16W J		R860	RK73FB2B000J	MG RESISTOR	0Ω 1/8W J	
R705	RK73HB1J101J	MG RESISTOR	100Ω 1/16W J		R861	RK73GH2A49R9D	MG RESISTOR	49.9Ω 1/10W D	
R706	RK73HB1J103J	MG RESISTOR	10kΩ 1/16W J		R862	RK73GH2A49R9D	MG RESISTOR	49.9Ω 1/10W D	
R707	RK73GB2A223J	MG RESISTOR	22kΩ 1/10W J		R863	RK73GH2A49R9D	MG RESISTOR	49.9Ω 1/10W D	
R708	RK73HB1J000J	MG RESISTOR	0Ω 1/16W J		R864	RK73GH2A49R9D	MG RESISTOR	49.9Ω 1/10W D	
R713	RK73HB1J000J	MG RESISTOR	0Ω 1/16W J		R866	RK73GH2A1212D	MG RESISTOR	12.1kΩ 0.1W D	
R714	RK73HB1J000J	MG RESISTOR	0Ω 1/16W J		R867	RK73HB1J271J	MG RESISTOR	270Ω 1/16W J	
R715	RK73HB1J000J	MG RESISTOR	0Ω 1/16W J		R868	RK73FB2B000J	MG RESISTOR	0Ω 1/8W J	
R716	RK73HB1J000J	MG RESISTOR	0Ω 1/16W J		R869	RK73HB1J271J	MG RESISTOR	270Ω 1/16W J	
R717	RK73HB1J104J	MG RESISTOR	100kΩ 1/16W J		R870	RK73HB1J222J	MG RESISTOR	2.2kΩ 1/16W J	
R718	RK73HB1J223J	MG RESISTOR	22kΩ 1/16W J		R871	RK73HB1J103J	MG RESISTOR	10kΩ 1/16W J	
R719	RK73HB1J473J	MG RESISTOR	47kΩ 1/16W J		R872	RK73HB1J000J	MG RESISTOR	0Ω 1/16W J	
R720	RK73HB1J101J	MG RESISTOR	100Ω 1/16W J		R873	RK73HB1J221J	MG RESISTOR	220Ω 1/16W J	
R722	RK73HB1J000J	MG RESISTOR	0Ω 1/16W J		R874	RK73HB1J105J	MG RESISTOR	1MΩ 1/16W J	
R723	RK73HH1J563D	MG RESISTOR	56kΩ 1/16W D		R875	RK73HB1J000J	MG RESISTOR	0Ω 1/16W J	
R724	RK73HB1J000J	MG RESISTOR	0Ω 1/16W J		R876	RK73HB1J152J	MG RESISTOR	1.5kΩ 1/16W J	
R725	RK73HB1J000J	MG RESISTOR	0Ω 1/16W J		R877	RK73HB1J103J	MG RESISTOR	10kΩ 1/16W J	
R726	RK73HB1J000J	MG RESISTOR	0Ω 1/16W J		R878	RK73HB1J103J	MG RESISTOR	10kΩ 1/16W J	
R727	RK73HB1J103J	MG RESISTOR	10kΩ 1/16W J		R879	RK73HB1J103J	MG RESISTOR	10kΩ 1/16W J	
R728	RK73HH1J272D	MG RESISTOR	2.7kΩ 1/16W D		R880	RK73HB1J103J	MG RESISTOR	10kΩ 1/16W J	
R729	RK73HH1J473D	MG RESISTOR	47kΩ 1/16W D		R897	RK73HB1J220J	MG RESISTOR	22Ω 1/16W J	
R733	RK73HB1J000J	MG RESISTOR	0Ω 1/16W J		R898	RK73HB1J220J	MG RESISTOR	22Ω 1/16W J	
R734	RK73HB1J102J	MG RESISTOR	1kΩ 1/16W J		R899	RK73HB1J220J	MG RESISTOR	22Ω 1/16W J	
R735	RK73HB1J562J	MG RESISTOR	5.6kΩ 1/16W J		R900	RK73HB1J222J	MG RESISTOR	2.2kΩ 1/16W J	
R736	RK73HB1J822J	MG RESISTOR	8.2kΩ 1/16W J		R901	RK73HB1J222J	MG RESISTOR	2.2kΩ 1/16W J	
R737	RK73HH1J472D	MG RESISTOR	4.7kΩ 1/16W D		R902	RK73HB1J000J	MG RESISTOR	0Ω 1/16W J	
R738	RK73HH1J333D	MG RESISTOR	33kΩ 1/16W D		R903	RK73HB1J221J	MG RESISTOR	220Ω 1/16W J	
R739	RK73HH1J103D	MG RESISTOR	10kΩ 1/16W D		R904	RK73HB1J105J	MG RESISTOR	1MΩ 1/16W J	
R740	RK73HB1J101J	MG RESISTOR	100Ω 1/16W J		R905	RK73HB1J000J	MG RESISTOR	0Ω 1/16W J	
R750	RK73HB1J101J	MG RESISTOR	100Ω 1/16W J		R906	RK73HB1J472J	MG RESISTOR	4.7kΩ 1/16W J	
R751	RK73HB1J101J	MG RESISTOR	100Ω 1/16W J		R907	RK73HB1J472J	MG RESISTOR	4.7kΩ 1/16W J	
R752	RK73HB1J000J	MG RESISTOR	0Ω 1/16W J		R908	RK73HB1J000J	MG RESISTOR	0Ω 1/16W J	
R754	RK73HB1J000J	MG RESISTOR	0Ω 1/16W J		R909	RK73HB1J103J	MG RESISTOR	10kΩ 1/16W J	
R755	RK73HB1J100J	MG RESISTOR	10Ω 1/16W J		R910	RK73HB1J000J	MG RESISTOR	0Ω 1/16W J	
R756	RK73HB1J100J	MG RESISTOR	10Ω 1/16W J		R911	RK73HB1J473J	MG RESISTOR	47kΩ 1/16W J	
R757	RK73HB1J100J	MG RESISTOR	10Ω 1/16W J		R912	RK73HB1J000J	MG RESISTOR	0Ω 1/16W J	
R758	RK73HB1J222J	MG RESISTOR	2.2kΩ 1/16W J		R913	RK73HB1J000J	MG RESISTOR	0Ω 1/16W J	
R759	RK73HB1J100J	MG RESISTOR	10Ω 1/16W J		R914	RK73HB1J473J	MG RESISTOR	47kΩ 1/16W J	
R760	RK73HB1J222J	MG RESISTOR	2.2kΩ 1/16W J		R915	RK73HB1J473J	MG RESISTOR	47kΩ 1/16W J	
R761	RK73HB1J000J	MG RESISTOR	0Ω 1/16W J		R916	RK73HB1J473J	MG RESISTOR	47kΩ 1/16W J	
R762	RK73HB1J103J	MG RESISTOR	10kΩ 1/16W J		R917	RK73HB1J000J	MG RESISTOR	0Ω 1/16W J	

△ Symbol No.	Part No.	Part Name	Description	Local	△ Symbol No.	Part No.	Part Name	Description	Local
R918	RK73HB1J000J	MG RESISTOR	0Ω 1/16W J		L5	LR79Z0GU6R8M	CHIP INDUCTOR		
R919	RK73HB1J000J	MG RESISTOR	0Ω 1/16W J		L6	LB73G0AM-004	CHIP FERRITE		
R920	RK73HB1J000J	MG RESISTOR	0Ω 1/16W J		L7	LB73G0AK-001	CHIP FERRITE		
R921	RK73HB1J473J	MG RESISTOR	47kΩ 1/16W J		L8	LB73G0AK-001	CHIP FERRITE		
R922	RK73HB1J000J	MG RESISTOR	0Ω 1/16W J		L9	LB73G0AK-001	CHIP FERRITE		
R923	RK73HB1J000J	MG RESISTOR	0Ω 1/16W J		L10	LB73G0AK-001	CHIP FERRITE		
R924	RK73HB1J473J	MG RESISTOR	47kΩ 1/16W J		L11	LB73G0AK-001	CHIP FERRITE		
R925	RK73HB1J473J	MG RESISTOR	47kΩ 1/16W J		L12	LB73H0AV-002	CHIP FERRITE		
R926	RK73HB1J473J	MG RESISTOR	47kΩ 1/16W J		L13	LB73G0AK-001	CHIP FERRITE		
R927	RK73HB1J473J	MG RESISTOR	47kΩ 1/16W J		L50	LB73H0AV-002	CHIP FERRITE		
R928	RK73HB1J473J	MG RESISTOR	47kΩ 1/16W J		L51	L41-1095-33	CHIP INDUCTOR		
R929	RK73HB1J473J	MG RESISTOR	47kΩ 1/16W J		L52	L41-1005-33	CHIP INDUCTOR		
R930	RK73HB1J473J	MG RESISTOR	47kΩ 1/16W J		L53	L41-1095-33	CHIP INDUCTOR		
R931	RK73HB1J473J	MG RESISTOR	47kΩ 1/16W J		L54	L41-3985-33	CHIP INDUCTOR		
R932	RK73HB1J473J	MG RESISTOR	47kΩ 1/16W J		L55	L41-4785-33	CHIP INDUCTOR		
R933	RK73HB1J473J	MG RESISTOR	47kΩ 1/16W J		L56	L41-1005-33	CHIP INDUCTOR		
R934	RK73GH2A49R9D	MG RESISTOR	49.9Ω 1/10W D		L57	L41-1005-33	CHIP INDUCTOR		
R935	RK73JB1H220J	MG RESISTOR	22Ω 1/20W J		L58	L41-1005-33	CHIP INDUCTOR		
R936	RK73HB1J473J	MG RESISTOR	47kΩ 1/16W J		L59	L41-3385-33	CHIP INDUCTOR		
R937	RK73JB1H220J	MG RESISTOR	22Ω 1/20W J		L60	LB73G0AM-004	CHIP FERRITE		
R939	RK73JB1H220J	MG RESISTOR	22Ω 1/20W J		L61	L41-1095-33	CHIP INDUCTOR		
R940	RK73JB1H220J	MG RESISTOR	22Ω 1/20W J		L62	L41-1005-33	CHIP INDUCTOR		
R941	RK73JB1H220J	MG RESISTOR	22Ω 1/20W J		L100	LB73G0AM-004	CHIP FERRITE		
R942	RK73HB1J000J	MG RESISTOR	0Ω 1/16W J		L101	LB73G0AM-004	CHIP FERRITE		
R943	RK73HB1J000J	MG RESISTOR	0Ω 1/16W J		L102	LB73G0AM-004	CHIP FERRITE		
R944	RK73HB1J000J	MG RESISTOR	0Ω 1/16W J		L103	LB73G0AM-004	CHIP FERRITE		
R945	RK73HB1J000J	MG RESISTOR	0Ω 1/16W J		L104	LB73G0AK-001	CHIP FERRITE		
R946	RK73HB1J000J	MG RESISTOR	0Ω 1/16W J		L150	LB73G0AK-001	CHIP FERRITE		
R947	RK73JB1H220J	MG RESISTOR	22Ω 1/20W J		L200	LB73H0AV-002	CHIP FERRITE		
R948	RK73JB1H220J	MG RESISTOR	22Ω 1/20W J		L310	LB73G0AK-001	CHIP FERRITE		
R949	RK73JB1H220J	MG RESISTOR	22Ω 1/20W J		L311	LB73G0AM-004	CHIP FERRITE		
R950	RK73JB1H220J	MG RESISTOR	22Ω 1/20W J		L312	LB73G0AK-001	CHIP FERRITE		
R951	RK73JB1H103J	MG RESISTOR	10kΩ 1/20W J		L340	LB73G0AK-001	CHIP FERRITE		
R952	RK73JB1H220J	MG RESISTOR	22Ω 1/20W J		L341	LB73G0AK-001	CHIP FERRITE		
R953	RK73JB1H000J	MG RESISTOR	0Ω 1/20W J		L342	LB73G0AK-001	CHIP FERRITE		
R954	RK73JB1H000J	MG RESISTOR	0Ω 1/20W J		L345	LB73G0AK-001	CHIP FERRITE		
R955	RK73HB1J473J	MG RESISTOR	47kΩ 1/16W J		L346	LB73G0AK-001	CHIP FERRITE		
R956	RK73JB1H220J	MG RESISTOR	22Ω 1/20W J		L347	LB73G0AK-001	CHIP FERRITE		
R957	RK73JB1H220J	MG RESISTOR	22Ω 1/20W J		L348	LB73G0AM-002	CHIP FERRITE		
R958	RK73JB1H220J	MG RESISTOR	22Ω 1/20W J		L390	LB73G0AK-001	CHIP FERRITE		
R959	RK73JB1H220J	MG RESISTOR	22Ω 1/20W J		L391	LB73G0AK-001	CHIP FERRITE		
R960	RK73JB1H220J	MG RESISTOR	22Ω 1/20W J		L392	LB73H0AV-002	CHIP FERRITE		
R961	RK73JB1H220J	MG RESISTOR	22Ω 1/20W J		L410	LB73G0AK-001	CHIP FERRITE		
R962	RK73JB1H220J	MG RESISTOR	22Ω 1/20W J		L411	LB73G0AK-001	CHIP FERRITE		
R963	RK73JB1H220J	MG RESISTOR	22Ω 1/20W J		L412	LB73G0AK-001	CHIP FERRITE		
R964	RK73JB1H220J	MG RESISTOR	22Ω 1/20W J		L413	LB73G0AK-001	CHIP FERRITE		
R965	RK73JB1H220J	MG RESISTOR	22Ω 1/20W J		L414	L92-0621-15	CHIP FERRITE		
R966	RK73JB1H220J	MG RESISTOR	22Ω 1/20W J		L700	LB73G0AM-004	CHIP FERRITE		
R967	RK73JB1H220J	MG RESISTOR	22Ω 1/20W J		L701	L92-0621-15	CHIP FERRITE		
R968	RK73JB1H220J	MG RESISTOR	22Ω 1/20W J		L702	LB73G0AM-004	CHIP FERRITE		
R969	RK73JB1H220J	MG RESISTOR	22Ω 1/20W J		L705	LB73G0AM-004	CHIP FERRITE		
R971	RK73HB1J473J	MG RESISTOR	47kΩ 1/16W J		L706	L41-4792-69	CHIP INDUCTOR		
R973	RK73HB1J103J	MG RESISTOR	10kΩ 1/16W J		L707	L92-0621-15	CHIP FERRITE		
R974	RK73HB1J220J	MG RESISTOR	22Ω 1/16W J		L708	LB73G0AM-004	CHIP FERRITE		
R975	RK73HB1J000J	MG RESISTOR	0Ω 1/16W J		L709	L92-0621-15	CHIP FERRITE		
R976	RK73HB1J000J	MG RESISTOR	0Ω 1/16W J		L750	LB73G0AM-004	CHIP FERRITE		
R977	RK73HB1J220J	MG RESISTOR	22Ω 1/16W J		L752	L92-0621-15	CHIP FERRITE		
R978	RK73HB1J473J	MG RESISTOR	47kΩ 1/16W J		L753	L3D-0021-00	CHOKE COIL		
R979	RK73HB1J473J	MG RESISTOR	47kΩ 1/16W J		L754	L79-1947-05	FILTER		
R980	RK73HB1J220J	MG RESISTOR	22Ω 1/16W J		L755	LB73G0AM-004	CHIP FERRITE		
R981	RK73HB1J473J	MG RESISTOR	47kΩ 1/16W J		L756	LB73G0AM-004	CHIP FERRITE		
R983	RK73HB1J473J	MG RESISTOR	47kΩ 1/16W J		L757	LB73G0AM-004	CHIP FERRITE		
R984	RK73HB1J473J	MG RESISTOR	47kΩ 1/16W J		L758	L3D-0021-00	CHOKE COIL		
R985	RK73HB1J222J	MG RESISTOR	2.2kΩ 1/16W J		L759	L92-0621-15	CHIP FERRITE		
R986	RK73HB1J222J	MG RESISTOR	2.2kΩ 1/16W J		L760	LB73G0AM-004	CHIP FERRITE		
R989	RK73HB1J000J	MG RESISTOR	0Ω 1/16W J		L761	L79-1947-05	FILTER		
R990	RK73HB1J221J	MG RESISTOR	220Ω 1/16W J		L762	LB73G0AM-004	CHIP FERRITE		
R993	RK73HB1J101J	MG RESISTOR	100Ω 1/16W J		L763	L3D-0021-00	CHOKE COIL		
R994	RK73HB1J101J	MG RESISTOR	100Ω 1/16W J		L764	LB73G0AM-004	CHIP FERRITE		
R997	RK73HB1J101J	MG RESISTOR	100Ω 1/16W J		L765	L92-0621-15	CHIP FERRITE		
R998	RK73HB1J101J	MG RESISTOR	100Ω 1/16W J		L766	L92-0621-15	CHIP FERRITE		
R999	RK73HB1J473J	MG RESISTOR	47kΩ 1/16W J		L767	LB73G0AM-004	CHIP FERRITE		
R1000	RK73HB1J000J	MG RESISTOR	0Ω 1/16W J		L768	LB73G0AM-004	CHIP FERRITE		
L1	LB73G0AM-004	CHIP FERRITE			L790	L92-0621-15	CHIP FERRITE		
L2	LB73G0AM-004	CHIP FERRITE			L791	L92-0621-15	CHIP FERRITE		
L3	LB73G0AM-004	CHIP FERRITE			L832	L3D-0011-00	CHOKE COIL		
L4	LB73G0AM-004	CHIP FERRITE			L833	L92-0621-15	CHIP FERRITE		
					L863	L33-3033-05	CHOKE COIL		

△ Symbol No.	Part No.	Part Name	Description	Local	△ Symbol No.	Part No.	Part Name	Description	Local
L864	L33-3033-05	CHOKO COIL			IC604	NJU6368PF1	IC		
L865	LB73G0AM-004	CHIP FERRITE			IC605	BU7261G	IC		
L866	L92-0621-15	CHIP FERRITE			IC606	BA2904FVM	IC		
L867	L92-0621-15	CHIP FERRITE			IC607	AD5312BRM	IC		
L868	LB73G0AM-004	CHIP FERRITE			IC608	ADR395BUJZ	IC		
L869	LB73G0AM-002	CHIP FERRITE			IC721	TC7WH126FK	IC		
L900	L92-0621-15	CHIP FERRITE			IC722	TC7WH126FK	IC		
L901	LB73G0AM-004	CHIP FERRITE			IC723	TC7WH126FK	IC		
L902	L92-0621-15	CHIP FERRITE			IC724	TC7WH126FK	IC		
L903	L79-1947-05	FILTER			IC725	TC7SH126FU-F	IC		
L904	L92-0621-15	CHIP FERRITE			IC726	TC7WH14FK-F	IC		
L905	L79-1947-05	FILTER			IC727	TC7SH125FU-F	IC		
L906	L92-0621-15	CHIP FERRITE			IC728	BU7261G	IC		
L907	LB73G0AM-004	CHIP FERRITE			IC801	R2A20178NP	IC		
CN1	E41-2673-05	PIN ASSY			IC802	TC35894FG	IC		
CN100	E40-6656-05	PIN ASSY			IC803	AD1582	IC		
CN101	E40-6656-05	PIN ASSY			IC804	ADS7961SRHB	IC		
CN102	E04-0491-05	PIN SOCKET			IC805	TC7SH125FU-F	IC		
CN103	E04-0491-05	PIN SOCKET			IC806	TPS61041DRVR	IC		
CN310	E40-6656-05	PIN ASSY			IC807	MM1856A33N	IC		
CN342	E40-6102-05	PIN ASSY			IC808	NJM78M08DL1AZB	IC		
CN343	E41-2735-05	PIN ASSY			IC809	NJM78M05DL1AZB	IC		
CN410	E40-6720-05	SOCKET FOR PIN			IC810	BR24T04FVTW	IC		
CN555	E40-5960-05	PIN ASSY			IC811	LM73CIMKX-0	IC		
CN706	J19-5386-05	HOLDER			IC812	NJM7808FA-ZB	IC		
CN830	E41-2673-05	PIN ASSY			IC813	NJM7808FA-ZB	IC		
CN923	E40-6582-05	PIN ASSY			IC901	TC7SH126FU-F	IC		
CP150	RK74HB1J334J	NET RESISTOR	330kΩ 1/16W J		IC902	TC7SH126FU-F	IC		
CP151	RK74HB1J334J	NET RESISTOR	330kΩ 1/16W J		IC904	STP08CP05TT	IC		
CP152	RK74HB1J334J	NET RESISTOR	330kΩ 1/16W J		IC905	STP08CP05TT	IC		
CP153	RK74HB1J334J	NET RESISTOR	330kΩ 1/16W J		IC906	STP08CP05TT	IC		
CP154	RK74HB1J334J	NET RESISTOR	330kΩ 1/16W J		IC907	STP08CP05TT	IC		
CP155	RK74HB1J334J	NET RESISTOR	330kΩ 1/16W J		IC908	BU7242FVM	IC		
CP156	RK74HB1J334J	NET RESISTOR	330kΩ 1/16W J		IC951	TC62D748CFNGC	IC		
CP157	RK74HB1J334J	NET RESISTOR	330kΩ 1/16W J		IC952	TC62D748CFNGC	IC		
CP860	RK74HB1J101J	NET RESISTOR	100Ω 1/16W J		Q101	DSC90010(S)	TRANSISTOR		
CP861	RK74HB1J101J	NET RESISTOR	100Ω 1/16W J		Q102	DSC90010(S)	TRANSISTOR		
CP862	RK74HB1J101J	NET RESISTOR	100Ω 1/16W J		Q103	SSM3K15AMFV	FET		
F530	FZA10BS-5R0	FUSE (CC)			Q105	EM6M2	FET		
J410	E58-0533-05	MODULAR JACK			Q106	EM6M2	FET		
J411	E58-0533-05	MODULAR JACK			Q107	MCH3914-H/8/	FET		
J860	E58-0544-05	MODULAR JACK			Q108	MCH3914-H/8/	FET		
TH450	ERTJ0V104H	N THERMISTOR			Q109	2SC5108F/Y/	TRANSISTOR		
X50	L7H-0031-00	TCXO			Q110	2SC5108F/Y/	TRANSISTOR		
X860	L7J-0069-00	QUARTZ CRYSTAL			Q201	2SC5108F/Y/	TRANSISTOR		
X900	L77-1802-05	QUARTZ CRYSTAL			Q202	2SC5337	TRANSISTOR		
X901	L77-3877-05	QUARTZ CRYSTAL			Q203	SSM3K15AMFV	FET		

TX UNIT

XC1-0650-10

Block No. [0][2]

△ Symbol No.	Part No.	Part Name	Description	Local	△ Symbol No.	Part No.	Part Name	Description	Local
IC101	BU7242FVM	IC			Q204	RD01MUS1-T113	FET		
IC102	BA2904FVM	IC			Q207	SSM3K15AMFV	FET		
IC103	BU7261G	IC			Q208	SSM3J334R	FET		
IC104	SKY72310362LF	IC			Q301	SSM3K15AMFV	FET		
IC201	BA2904FVM	IC			Q302	KTA2014E-P/GR	TRANSISTOR		
IC301	ADF4001BRUZ	IC			Q303	SSM3K15AMFV	FET		
IC302	BU7242FVM	IC			Q304	LSCR523EBFS8	TRANSISTOR		
IC303	BU7261G	IC			Q305	LSCR523EBFS8	TRANSISTOR		
IC401	BU7261G	IC			Q306	SSM3K15AMFV	FET		
IC402	ADF4001BRUZ	IC			Q402	LSCR523EBFS8	TRANSISTOR		
IC501	BU7261G	IC			Q403	LSCR523EBFS8	TRANSISTOR		
IC502	TC7SH126FU-F	IC			Q404	LSCR523EBFS8	TRANSISTOR		
IC503	TA75S01F-F	IC			Q405	SSM3K15AMFV	FET		
IC504	BU7261G	IC			Q406	SSM3K15AMFV	FET		
IC505	NJU6368PF1	IC			Q407	SSM3K15AMFV	FET		
IC601	NJU6368PF1	IC			Q408	DSA90010(S)	TRANSISTOR		
IC602	TC7WH74FUF	IC			Q409	SSM3K15AMFV	FET		
IC603	TA75S01F-F	IC			Q410	LSCR523EBFS8	TRANSISTOR		
					Q411	LSCR523EBFS8	TRANSISTOR		
					Q412	SSM3K15AMFV	FET		
					Q501	EM6M2	FET		
					Q502	SSM3K15AMFV	FET		
					Q503	RD01MUS1-T113	FET		
					Q504	3SK264-5	FET		
					Q505	SSM3J334R	FET		
					Q506	SSM3K15AMFV	FET		
					Q507	2SC4617/S/	TRANSISTOR		
					Q508	2SC4617/S/	TRANSISTOR		
					Q509	EM6M2	FET		

△ Symbol No.	Part No.	Part Name	Description	Local	△ Symbol No.	Part No.	Part Name	Description	Local
Q510	LSCR523EBFS8	TRANSISTOR			D614	DZ2J030(M)	ZENER DIODE		
Q511	SSM3K15AMFV	FET			D615	CSA70-401L	SURGE ABSORBER		
Q512	SSM3K15AMFV	FET			D801	DB2J40700	DIODE		
Q513	SSM3K15AMFV	FET			D901	SML-D12V8WPQ	LED		
Q514	SSM3K15AMFV	FET			D902	SML-D12P8WKL	LED		
Q515	SSM3K15AMFV	FET			D903	SML-D12D8WQR	LED		
Q601	EM6M2	FET			D904	SML-D12V8WPQ	LED		
Q602	LSCR523EBFS8	TRANSISTOR			D905	SML-D12V8WPQ	LED		
Q603	EM6M2	FET			D906	SML-D12P8WKL	LED		
Q604	EM6M2	FET			D907	SML-D12P8WKL	LED		
Q605	3SK264-5	FET			D908	SML-D12V8WPQ	LED		
Q606	3SK264-5	FET			D909	SML-D12P8WKL	LED		
Q607	SSM3J334R	FET			D910	SML-D12D8WQR	LED		
Q608	SSM3K15AMFV	FET			D911	SML-D12P8WKL	LED		
Q609	RD01MUS1-T113	FET			D912	SML-D12P8WKL	LED		
Q610	SSM3K15AMFV	FET			D913	SML-D12P8WKL	LED		
Q611	SSM3K15AMFV	FET			D914	SML-D12P8WKL	LED		
Q721	SSM3K15AMFV	FET			D915	SML-D12P8WKL	LED		
Q722	SSM3K15AMFV	FET			D916	SML-D12P8WKL	LED		
Q724	LSAR523EBFS8	TRANSISTOR			D917	SML-D12P8WKL	LED		
Q802	LSAR523EBFS8	TRANSISTOR			D918	SML-D12P8WKL	LED		
Q803	LSAR523EBFS8	TRANSISTOR			D919	1SS355	DIODE		
Q805	LSAR523EBFS8	TRANSISTOR			D921	1SS355	DIODE		
Q806	LSAR523EBFS8	TRANSISTOR			D923	RB706F-40	DIODE		
Q807	LSAR523EBFS8	TRANSISTOR			D924	RB706F-40	DIODE		
Q808	LSAR523EBFS8	TRANSISTOR			D951	PSA05-11SRWA	LED		
Q810	2SJ506-E(S)	FET			D952	PSA05-11SRWA	LED		
Q811	LTC014EUBFS8	DIGI TRANSISTOR							
Q901	SSM3K15AMFV	FET			C101	CK73GBB1H102K	C CAPACITOR	1000pF 50V K	
Q902	2SAR502EB	TRANSISTOR			C102	CS77MA1V2R2M	TA E CAPACITOR	2.2uF 35V M	
Q903	SSM3K15AMFV	FET			C104	CK73GB1E105K	C CAPACITOR	1uF 25V K	
Q904	LSAR523EBFS8	TRANSISTOR			C105	CS77MA1V2R2M	TA E CAPACITOR	2.2uF 35V M	
Q905	LSAR523EBFS8	TRANSISTOR			C106	CK73GBB1H102K	C CAPACITOR	1000pF 50V K	
Q906	SSM3K15AMFV	FET			C107	CC73GCH1H101J	C CAPACITOR	100pF 50V J	
Q907	LSAR523EBFS8	TRANSISTOR			C108	CK73GB1E105K	C CAPACITOR	1uF 25V K	
Q908	LSAR523EBFS8	TRANSISTOR			C109	CK73GB1H104K	C CAPACITOR	0.1uF 50V K	
Q909	DSA90010(S)	TRANSISTOR			C110	CS77ABE1D100M	TA E CAPACITOR	10uF 20V M	
Q910	DSC90010(S)	TRANSISTOR			C111	CC73GCH1H100D	C CAPACITOR	10pF 50V D	
					C112	CS77ABE1D100M	TA E CAPACITOR	10uF 20V M	
D101	SML-D12P8WKL	LED			C113	CK73GBB1H102K	C CAPACITOR	1000pF 50V K	
D103	DA221	DIODE ARRAY			C115	CE32CL1V100M	E CAPACITOR	10uF 35V M	
D104	BBY66-02V	VARI CAP DIODE			C116	CK73GBB1H102K	C CAPACITOR	1000pF 50V K	
D105	BBY66-02V	VARI CAP DIODE			C117	CK73GBB1H103K	C CAPACITOR	0.01uF 50V K	
D106	BB555-02VH	VARI CAP DIODE			C118	CC73GCH1H330J	C CAPACITOR	33pF 50V J	
D107	BB555-02VH	VARI CAP DIODE			C119	CK73GBB1H102K	C CAPACITOR	1000pF 50V K	
D108	BB555-02VH	VARI CAP DIODE			C120	CK73GBB1H102K	C CAPACITOR	1000pF 50V K	
D109	BB555-02VH	VARI CAP DIODE			C121	CC73GCH1H100D	C CAPACITOR	10pF 50V D	
D110	BB555-02VH	VARI CAP DIODE			C122	CC730AD1H104J	C CAPACITOR	0.1uF 50V J	
D111	BB555-02VH	VARI CAP DIODE			C124	CK73GB1H104K	C CAPACITOR	0.1uF 50V K	
D112	BB555-02VH	VARI CAP DIODE			C125	CK73GB1H104K	C CAPACITOR	0.1uF 50V K	
D113	BB555-02VH	VARI CAP DIODE			C127	CC73GCH1H101J	C CAPACITOR	100pF 50V J	
D201	UDZW5.1(B)	ZENER DIODE			C129	CK73GBB1H103K	C CAPACITOR	0.01uF 50V K	
D202	RB706F-40	DIODE			C130	CK73GBB1H103K	C CAPACITOR	0.01uF 50V K	
D205	SML-D12P8WKL	LED			C131	CC73GCH1H050B	C CAPACITOR	5pF 50V B	
D301	SML-D12P8WKL	LED			C132	CC73GCH1H050B	C CAPACITOR	5pF 50V B	
D401	SML-D12P8WKL	LED			C133	CC73GCH1H270J	C CAPACITOR	27pF 50V J	
D501	1SS390	DIODE			C135	CS77MA1VR47M	TA E CAPACITOR	0.47uF 35V M	
D502	1SS390	DIODE			C136	CK73GBB1H102K	C CAPACITOR	1000pF 50V K	
D503	RB706F-40	DIODE			C137	CK73GBB1H102K	C CAPACITOR	1000pF 50V K	
D504	RB706F-40	DIODE			C138	CC73GCH1H271J	C CAPACITOR	270pF 50V J	
D507	RB706F-40	DIODE			C139	CS77ABE1D100M	TA E CAPACITOR	10uF 20V M	
D508	1SS390	DIODE			C140	CK73GBB1H102K	C CAPACITOR	1000pF 50V K	
D509	DZ2J030(M)	ZENER DIODE			C141	CK73GBB1H102K	C CAPACITOR	1000pF 50V K	
D510	DZ2J030(M)	ZENER DIODE			C142	CC73GCH1H271J	C CAPACITOR	270pF 50V J	
D511	CSA70-401L	SURGE ABSORBER			C143	CS77MA1VR15M	TA E CAPACITOR	0.15uF 35V M	
D601	1SS390	DIODE			C144	CK73GBB1H103K	C CAPACITOR	0.01uF 50V K	
D602	1SS390	DIODE			C145	CK73GBB1H103K	C CAPACITOR	0.01uF 50V K	
D603	1SS390	DIODE			C146	CK73GBB1H103K	C CAPACITOR	0.01uF 50V K	
D604	1SS390	DIODE			C147	CK73GBB1H103K	C CAPACITOR	0.01uF 50V K	
D605	1SS390	DIODE			C148	CK73GBB1H103K	C CAPACITOR	0.01uF 50V K	
D606	1SS390	DIODE			C150	CK73GBB1H102K	C CAPACITOR	1000pF 50V K	
D607	RB706F-40	DIODE			C151	CK73GBB1H102K	C CAPACITOR	1000pF 50V K	
D608	1SS390	DIODE			C152	CC73GCH1H330J	C CAPACITOR	33pF 50V J	
D609	1SS390	DIODE			C153	CC73GCH1H330J	C CAPACITOR	33pF 50V J	
D610	1SS390	DIODE			C154	CK73GBB1H102K	C CAPACITOR	1000pF 50V K	
D611	1SS390	DIODE			C155	CK73GBB1H102K	C CAPACITOR	1000pF 50V K	
D612	RB706F-40	DIODE			C158	CK73GB1H471K	C CAPACITOR	470pF 50V K	
D613	DZ2J030(M)	ZENER DIODE			C159	CC73GCH1H150G	C CAPACITOR	15pF 50V G	

△ Symbol No.	Part No.	Part Name	Description	Local	△ Symbol No.	Part No.	Part Name	Description	Local
C160	CC73GCH1H150G	C CAPACITOR	15pF 50V G		C314	CC73GCH1H181J	C CAPACITOR	180pF 50V J	
C161	CC73GCH1H330J	C CAPACITOR	33pF 50V J		C315	CC73GCH1H470J	C CAPACITOR	47pF 50V J	
C162	CK73GBB1H102K	C CAPACITOR	1000pF 50V K		C316	CC73GCH1H331J	C CAPACITOR	330pF 50V J	
C165	CC73GCH1H030B	C CAPACITOR	3pF 50V B		C317	CS77BB21A470M	TA E CAPACITOR	47uF 10V M	
C167	CC73GCH1H010B	C CAPACITOR	1pF 50V B		C318	CC73GCH1H180J	C CAPACITOR	18pF 50V J	
C168	CC73GCH1H020B	C CAPACITOR	2pF 50V B		C319	CC73GCH1H221J	C CAPACITOR	220pF 50V J	
C169	CE32BM1E470M	E CAPACITOR	47uF 25V M		C320	CS77BB21A470M	TA E CAPACITOR	47uF 10V M	
C170	CK73GB1H471K	C CAPACITOR	470pF 50V K		C321	CC73GCH1H100D	C CAPACITOR	10pF 50V D	
C171	CK73GB1H471K	C CAPACITOR	470pF 50V K		C322	CK73GBB1H103K	C CAPACITOR	0.01uF 50V K	
C172	CK73GBB1H103K	C CAPACITOR	0.01uF 50V K		C323	CK73GB1H104K	C CAPACITOR	0.1uF 50V K	
C173	CK73GB1H471K	C CAPACITOR	470pF 50V K		C324	CK73GBB1H103K	C CAPACITOR	0.01uF 50V K	
C174	CC73GCH1H101J	C CAPACITOR	100pF 50V J		C325	CS77BA1E3R3M	TA E CAPACITOR	3.3uF 25V M	
C178	CK73GB1H471K	C CAPACITOR	470pF 50V K		C326	CC73GCH1H100D	C CAPACITOR	10pF 50V D	
C179	CC73GCH1H330J	C CAPACITOR	33pF 50V J		C327	CK73GBB1H103K	C CAPACITOR	0.01uF 50V K	
C180	CC73GCH1H010B	C CAPACITOR	1pF 50V B		C328	CK73GBB1H103K	C CAPACITOR	0.01uF 50V K	
C181	CC73GCH1H010B	C CAPACITOR	1pF 50V B		C329	CK73GBB1H103K	C CAPACITOR	0.01uF 50V K	
C182	CC73GCH1H050B	C CAPACITOR	5pF 50V B		C330	CC73GCH1H100D	C CAPACITOR	10pF 50V D	
C183	CK73GB1H471K	C CAPACITOR	470pF 50V K		C331	CK73GBB1H103K	C CAPACITOR	0.01uF 50V K	
C184	CK73GBB1H102K	C CAPACITOR	1000pF 50V K		C332	CC73GCH1H100D	C CAPACITOR	10pF 50V D	
C185	CK73GB1H471K	C CAPACITOR	470pF 50V K		C333	CK73GB1H104K	C CAPACITOR	0.1uF 50V K	
C186	CK73GB1H471K	C CAPACITOR	470pF 50V K		C334	CK73GBB1H103K	C CAPACITOR	0.01uF 50V K	
C187	CK73GBB1H102K	C CAPACITOR	1000pF 50V K		C335	CK73GBB1H103K	C CAPACITOR	0.01uF 50V K	
C188	CC73GCH1H120G	C CAPACITOR	12pF 50V G		C336	CK73GBB1H103K	C CAPACITOR	0.01uF 50V K	
C189	CC73GCH1H070B	C CAPACITOR	7pF 50V B		C337	CK73GBB1H103K	C CAPACITOR	0.01uF 50V K	
C190	CK73GBB1H102K	C CAPACITOR	1000pF 50V K		C338	CS77ABE1D100M	TA E CAPACITOR	10uF 20V M	
C191	CC73GCH1H180J	C CAPACITOR	18pF 50V J		C339	CK73GBB1H103K	C CAPACITOR	0.01uF 50V K	
C192	CC73GCH1H120G	C CAPACITOR	12pF 50V G		C342	CK73GBB1H102K	C CAPACITOR	1000pF 50V K	
C201	CK73GBB1H102K	C CAPACITOR	1000pF 50V K		C343	CK73GBB1H103K	C CAPACITOR	0.01uF 50V K	
C202	CC73GCH1H050B	C CAPACITOR	5pF 50V B		C401	CK73GBB1H103K	C CAPACITOR	0.01uF 50V K	
C203	CC73GCH1H070B	C CAPACITOR	7pF 50V B		C402	CC73GCH1H181J	C CAPACITOR	180pF 50V J	
C204	CK73GBB1H102K	C CAPACITOR	1000pF 50V K		C403	CC73GCH1H470J	C CAPACITOR	47pF 50V J	
C205	CK73GBB1H102K	C CAPACITOR	1000pF 50V K		C404	CC73GCH1H331J	C CAPACITOR	330pF 50V J	
C206	CK73GBB1H103K	C CAPACITOR	0.01uF 50V K		C405	CC73GCH1H180J	C CAPACITOR	18pF 50V J	
C207	CK73GBB1H102K	C CAPACITOR	1000pF 50V K		C406	CC73GCH1H221J	C CAPACITOR	220pF 50V J	
C208	CC73GCH1H150G	C CAPACITOR	15pF 50V G		C408	CK73GBB1H103K	C CAPACITOR	0.01uF 50V K	
C209	CK73GBB1H102K	C CAPACITOR	1000pF 50V K		C412	CK73GBB1H103K	C CAPACITOR	0.01uF 50V K	
C211	CC73GCH1H330J	C CAPACITOR	33pF 50V J		C414	CK73GBB1H103K	C CAPACITOR	0.01uF 50V K	
C212	CC73GCH1H100D	C CAPACITOR	10pF 50V D		C416	CK73GBB1H103K	C CAPACITOR	0.01uF 50V K	
C213	CK73GBB1H102K	C CAPACITOR	1000pF 50V K		C418	CK73GB1H104K	C CAPACITOR	0.1uF 50V K	
C214	CK73GBB1H102K	C CAPACITOR	1000pF 50V K		C419	CK73GBB1H103K	C CAPACITOR	0.01uF 50V K	
C215	CK73GBB1H102K	C CAPACITOR	1000pF 50V K		C420	CK73GBB1H103K	C CAPACITOR	0.01uF 50V K	
C216	CC73GCH1H330J	C CAPACITOR	33pF 50V J		C421	CK73GBB1H103K	C CAPACITOR	0.01uF 50V K	
C217	CK73GBB1H102K	C CAPACITOR	1000pF 50V K		C422	CK73GBB1H103K	C CAPACITOR	0.01uF 50V K	
C218	CK73GBB1H103K	C CAPACITOR	0.01uF 50V K		C423	CK73GBB1H103K	C CAPACITOR	0.01uF 50V K	
C219	CK73GBB1H102K	C CAPACITOR	1000pF 50V K		C424	CK73GBB1H103K	C CAPACITOR	0.01uF 50V K	
C220	CC73GCH1H180J	C CAPACITOR	18pF 50V J		C425	CK73GBB1H103K	C CAPACITOR	0.01uF 50V K	
C221	CK73GBB1H102K	C CAPACITOR	1000pF 50V K		C426	CK73GBB1H103K	C CAPACITOR	0.01uF 50V K	
C222	CK73GBB1H222K	C CAPACITOR	2200pF 50V K		C427	CK73GBB1H103K	C CAPACITOR	0.01uF 50V K	
C223	CC73GCH1H030B	C CAPACITOR	3pF 50V B		C428	CK73GBB1H103K	C CAPACITOR	0.01uF 50V K	
C225	CK73GBB1H102K	C CAPACITOR	1000pF 50V K		C429	CK73GB1E105K	C CAPACITOR	1uF 25V K	
C226	CK73GBB1H103K	C CAPACITOR	0.01uF 50V K		C430	CK73GBB1H103K	C CAPACITOR	0.01uF 50V K	
C228	CK73GBB1H102K	C CAPACITOR	1000pF 50V K		C431	CK73GBB1H103K	C CAPACITOR	0.01uF 50V K	
C229	CK73GBB1H102K	C CAPACITOR	1000pF 50V K		C432	CK73GBB1H102K	C CAPACITOR	1000pF 50V K	
C230	CK73GBB1H103K	C CAPACITOR	0.01uF 50V K		C433	CK73GBB1H103K	C CAPACITOR	0.01uF 50V K	
C231	CK73GBB1H102K	C CAPACITOR	1000pF 50V K		C434	CK73GBB1H103K	C CAPACITOR	0.01uF 50V K	
C232	CC73GCH1H020B	C CAPACITOR	2pF 50V B		C435	CS77MA1V0R1M	TA E CAPACITOR	0.1uF 35V M	
C233	CK73GBB1H102K	C CAPACITOR	1000pF 50V K		C438	CK73GBB1H103K	C CAPACITOR	0.01uF 50V K	
C234	CK73GBB1H103K	C CAPACITOR	0.01uF 50V K		C439	CK73GBB1H103K	C CAPACITOR	0.01uF 50V K	
C236	CC73GCH1H010B	C CAPACITOR	1pF 50V B		C440	CK73GB1H104K	C CAPACITOR	0.1uF 50V K	
C237	CK73GBB1H102K	C CAPACITOR	1000pF 50V K		C441	CK73GBB1H103K	C CAPACITOR	0.01uF 50V K	
C238	CK73GBB1H103K	C CAPACITOR	0.01uF 50V K		C443	CC73GCH1H221J	C CAPACITOR	220pF 50V J	
C241	CK73GBB1H102K	C CAPACITOR	1000pF 50V K		C444	CC73GCH1H180J	C CAPACITOR	18pF 50V J	
C246	CC73GCH1H180J	C CAPACITOR	18pF 50V J		C445	CS77MA1ER68M	TA E CAPACITOR	0.68uF 25V M	
C247	CC73GCH1H040B	C CAPACITOR	4pF 50V B		C446	CC73GCH1H331J	C CAPACITOR	330pF 50V J	
C248	CC73GCH1H180J	C CAPACITOR	18pF 50V J		C447	CS77BA1A2R2M	TA E CAPACITOR	2.2uF 10V M	
C249	CK73GBB1H102K	C CAPACITOR	1000pF 50V K		C448	CC73GCH1H470J	C CAPACITOR	47pF 50V J	
C301	CK73FB1A106K	C CAPACITOR	10uF 10V K		C449	CC73GCH1H181J	C CAPACITOR	180pF 50V J	
C302	CK73FB1A106K	C CAPACITOR	10uF 10V K		C450	CS77MA1VR47M	TA E CAPACITOR	0.47uF 35V M	
C303	CK73GB1H104K	C CAPACITOR	0.1uF 50V K		C451	CK73GBB1H103K	C CAPACITOR	0.01uF 50V K	
C304	CK73GBB1H103K	C CAPACITOR	0.01uF 50V K		C452	CK73GBB1H103K	C CAPACITOR	0.01uF 50V K	
C305	CE32BM1E470M	E CAPACITOR	47uF 25V M		C453	CK73GBB1H103K	C CAPACITOR	0.01uF 50V K	
C306	CK73FB1A106K	C CAPACITOR	10uF 10V K		C454	CK73GBB1H103K	C CAPACITOR	0.01uF 50V K	
C307	CK73GBB1H103K	C CAPACITOR	0.01uF 50V K		C456	CK73GBB1H103K	C CAPACITOR	0.01uF 50V K	
C309	CK73GBB1H103K	C CAPACITOR	0.01uF 50V K		C457	CE32BM1E470M	E CAPACITOR	47uF 25V M	
C310	CK73GBB1H103K	C CAPACITOR	0.01uF 50V K		C458	CK73GBB1H103K	C CAPACITOR	0.01uF 50V K	
C311	CK73GBB1H103K	C CAPACITOR	0.01uF 50V K		C459	CK73GB1H104K	C CAPACITOR	0.1uF 50V K	
C312	CK73GBB1H103K	C CAPACITOR	0.01uF 50V K		C460	CK73GBB1H103K	C CAPACITOR	0.01uF 50V K	
C313	CS77BA1A2R2M	TA E CAPACITOR	2.2uF 10V M		C461	CK73FB1A106K	C CAPACITOR	10uF 10V K	

△ Symbol No.	Part No.	Part Name	Description	Local	△ Symbol No.	Part No.	Part Name	Description	Local
C462	CK73GBB1H103K	C CAPACITOR	0.01uF 50V K		C566	CK73GB1H104K	C CAPACITOR	0.1uF 50V K	
C463	CK73GBB1H103K	C CAPACITOR	0.01uF 50V K		C567	CK73GBB1H103K	C CAPACITOR	0.01uF 50V K	
C464	CK73GBB1H103K	C CAPACITOR	0.01uF 50V K		C568	CK73FB1A106K	C CAPACITOR	10uF 10V K	
C465	CK73GBB1H103K	C CAPACITOR	0.01uF 50V K		C569	CK73GB1H104K	C CAPACITOR	0.1uF 50V K	
C466	CK73GBB1H103K	C CAPACITOR	0.01uF 50V K		C570	CK73GB1H104K	C CAPACITOR	0.1uF 50V K	
C467	CK73GBB1H103K	C CAPACITOR	0.01uF 50V K		C571	CK73GB1H104K	C CAPACITOR	0.1uF 50V K	
C468	CK73GBB1H103K	C CAPACITOR	0.01uF 50V K		C572	CC73GCH1H270J	C CAPACITOR	27pF 50V J	
C469	CK73GBB1H103K	C CAPACITOR	0.01uF 50V K		C573	CC73GCH1H270J	C CAPACITOR	27pF 50V J	
C470	CK73GBB1H103K	C CAPACITOR	0.01uF 50V K		C574	CK73GB1H104K	C CAPACITOR	0.1uF 50V K	
C471	CK73GBB1H103K	C CAPACITOR	0.01uF 50V K		C575	CK73GB1H104K	C CAPACITOR	0.1uF 50V K	
C472	CK73GB1H104K	C CAPACITOR	0.1uF 50V K		C576	CK73GB1H104K	C CAPACITOR	0.1uF 50V K	
C473	CK73GB1H104K	C CAPACITOR	0.1uF 50V K		C601	CK73GB1H104K	C CAPACITOR	0.1uF 50V K	
C474	CC73GCH1H271J	C CAPACITOR	270pF 50V J		C602	CK73GB1H104K	C CAPACITOR	0.1uF 50V K	
C475	CC73GCH1H271J	C CAPACITOR	270pF 50V J		C603	CK73GB1H104K	C CAPACITOR	0.1uF 50V K	
C476	CC73GCH1H220J	C CAPACITOR	22pF 50V J		C604	CC73GCH1H100D	C CAPACITOR	10pF 50V D	
C477	CC73GCH1H220J	C CAPACITOR	22pF 50V J		C605	CK73GB1H104K	C CAPACITOR	0.1uF 50V K	
C478	CC73GCH1H271J	C CAPACITOR	270pF 50V J		C606	CC73GCH1H820J	C CAPACITOR	82pF 50V J	
C479	CC73GCH1H271J	C CAPACITOR	270pF 50V J		C607	CK73GBB1H103K	C CAPACITOR	0.01uF 50V K	
C501	CC73GCH1H100D	C CAPACITOR	10pF 50V D		C608	CK73GB1H104K	C CAPACITOR	0.1uF 50V K	
C502	CK73GB1H104K	C CAPACITOR	0.1uF 50V K		C609	CK73GB1H104K	C CAPACITOR	0.1uF 50V K	
C503	CK73GB1H104K	C CAPACITOR	0.1uF 50V K		C610	CK73GBB1H103K	C CAPACITOR	0.01uF 50V K	
C504	CC73GCH1H470J	C CAPACITOR	47pF 50V J		C611	CK73GB1H104K	C CAPACITOR	0.1uF 50V K	
C506	CK73GB1H104K	C CAPACITOR	0.1uF 50V K		C612	CK73GB1H104K	C CAPACITOR	0.1uF 50V K	
C507	CC73GCH1H221J	C CAPACITOR	220pF 50V J		C614	CC73GCH1H100D	C CAPACITOR	10pF 50V D	
C508	CK73GB1H104K	C CAPACITOR	0.1uF 50V K		C615	CC73GCH1H100D	C CAPACITOR	10pF 50V D	
C509	CC73GCH1H121J	C CAPACITOR	120pF 50V J		C616	CK73GB1H104K	C CAPACITOR	0.1uF 50V K	
C510	CC73GCH1H221J	C CAPACITOR	220pF 50V J		C617	CK73GB1H104K	C CAPACITOR	0.1uF 50V K	
C511	CC73GCH1H271J	C CAPACITOR	270pF 50V J		C618	CK73GB1H104K	C CAPACITOR	0.1uF 50V K	
C512	CC73GCH1H680J	C CAPACITOR	68pF 50V J		C619	CC73GCH1H221J	C CAPACITOR	220pF 50V J	
C513	CC73GCH1H331J	C CAPACITOR	330pF 50V J		C620	CC73GCH1H121J	C CAPACITOR	120pF 50V J	
C514	CK73GBB1H103K	C CAPACITOR	0.01uF 50V K		C621	CC73GCH1H221J	C CAPACITOR	220pF 50V J	
C515	CC73GCH1H030B	C CAPACITOR	3pF 50V B		C622	CC73GCH1H271J	C CAPACITOR	270pF 50V J	
C516	CC73GCH1H151J	C CAPACITOR	150pF 50V J		C623	CK73GB1H104K	C CAPACITOR	0.1uF 50V K	
C517	CK73GB1H104K	C CAPACITOR	0.1uF 50V K		C624	CC73GCH1H680J	C CAPACITOR	68pF 50V J	
C518	CK73GB1H104K	C CAPACITOR	0.1uF 50V K		C625	CC73GCH1H331J	C CAPACITOR	330pF 50V J	
C519	CK73FB1A106K	C CAPACITOR	10uF 10V K		C626	CK73GBB1H103K	C CAPACITOR	0.01uF 50V K	
C520	CK73GB1H104K	C CAPACITOR	0.1uF 50V K		C627	CK73GB1H104K	C CAPACITOR	0.1uF 50V K	
C521	CK73GB1H104K	C CAPACITOR	0.1uF 50V K		C628	CK73GBB1H103K	C CAPACITOR	0.01uF 50V K	
C522	CK73GB1H104K	C CAPACITOR	0.1uF 50V K		C629	CK73GB1H104K	C CAPACITOR	0.1uF 50V K	
C524	CK73GBB1H102K	C CAPACITOR	1000pF 50V K		C630	CK73GB1H104K	C CAPACITOR	0.1uF 50V K	
C525	CK73GBB1H102K	C CAPACITOR	1000pF 50V K		C631	CK73GB1H104K	C CAPACITOR	0.1uF 50V K	
C526	CK73GB1H104K	C CAPACITOR	0.1uF 50V K		C632	CK73GB1H104K	C CAPACITOR	0.1uF 50V K	
C527	CK73GB1H104K	C CAPACITOR	0.1uF 50V K		C633	CK73GB1H104K	C CAPACITOR	0.1uF 50V K	
C528	CK73GB1H104K	C CAPACITOR	0.1uF 50V K		C634	CK73GB1H104K	C CAPACITOR	0.1uF 50V K	
C529	CC73GCH1H820J	C CAPACITOR	82pF 50V J		C635	CC73GCH1H820J	C CAPACITOR	82pF 50V J	
C530	CK73GB1H104K	C CAPACITOR	0.1uF 50V K		C636	CC73GCH1H180J	C CAPACITOR	18pF 50V J	
C531	CK73GB1H104K	C CAPACITOR	0.1uF 50V K		C637	CK73GB1H104K	C CAPACITOR	0.1uF 50V K	
C532	CK73GB1H104K	C CAPACITOR	0.1uF 50V K		C638	CC73GCH1H180J	C CAPACITOR	18pF 50V J	
C533	CK73GB1H104K	C CAPACITOR	0.1uF 50V K		C639	CK73GB1H104K	C CAPACITOR	0.1uF 50V K	
C534	CK73GB1H104K	C CAPACITOR	0.1uF 50V K		C640	CK73GB1H104K	C CAPACITOR	0.1uF 50V K	
C535	CK73GBB1H102K	C CAPACITOR	1000pF 50V K		C642	CK73GB1H104K	C CAPACITOR	0.1uF 50V K	
C536	CK73GB1H104K	C CAPACITOR	0.1uF 50V K		C643	CK73GB1H104K	C CAPACITOR	0.1uF 50V K	
C537	CK73GB1H104K	C CAPACITOR	0.1uF 50V K		C644	CK73GBB1H102K	C CAPACITOR	1000pF 50V K	
C539	CK73GB1H104K	C CAPACITOR	0.1uF 50V K		C645	CK73GB1H104K	C CAPACITOR	0.1uF 50V K	
C540	CK73GB1H104K	C CAPACITOR	0.1uF 50V K		C646	CK73GBB1H102K	C CAPACITOR	1000pF 50V K	
C541	CK73GB1H104K	C CAPACITOR	0.1uF 50V K		C647	CC73GCH1H820J	C CAPACITOR	82pF 50V J	
C542	CC73GCH1H221J	C CAPACITOR	220pF 50V J		C648	CK73GBB1H102K	C CAPACITOR	1000pF 50V K	
C543	CC73GCH1H121J	C CAPACITOR	120pF 50V J		C649	CK73GBB1H102K	C CAPACITOR	1000pF 50V K	
C544	CC73GCH1H221J	C CAPACITOR	220pF 50V J		C650	CK73GB1H104K	C CAPACITOR	0.1uF 50V K	
C545	CK73GB1H104K	C CAPACITOR	0.1uF 50V K		C651	CC73GCH1H100D	C CAPACITOR	10pF 50V D	
C546	CC73GCH1H271J	C CAPACITOR	270pF 50V J		C653	CC73GCH1H470J	C CAPACITOR	47pF 50V J	
C547	CK73GB1H104K	C CAPACITOR	0.1uF 50V K		C654	CK73GB1H104K	C CAPACITOR	0.1uF 50V K	
C548	CC73GCH1H680J	C CAPACITOR	68pF 50V J		C655	CK73GB1H104K	C CAPACITOR	0.1uF 50V K	
C549	CC73GCH1H331J	C CAPACITOR	330pF 50V J		C656	CK73GB1H104K	C CAPACITOR	0.1uF 50V K	
C550	CK73GB1H104K	C CAPACITOR	0.1uF 50V K		C657	CK73GBB1H102K	C CAPACITOR	1000pF 50V K	
C551	CK73GB1H104K	C CAPACITOR	0.1uF 50V K		C658	CC73GCH1H100D	C CAPACITOR	10pF 50V D	
C552	CK73GB1H104K	C CAPACITOR	0.1uF 50V K		C659	CK73GBB1H102K	C CAPACITOR	1000pF 50V K	
C553	CK73GB1H104K	C CAPACITOR	0.1uF 50V K		C660	CK73GB1H104K	C CAPACITOR	0.1uF 50V K	
C554	CK73GB1H104K	C CAPACITOR	0.1uF 50V K		C662	CK73GBB1H102K	C CAPACITOR	1000pF 50V K	
C555	CK73GBB1H102K	C CAPACITOR	1000pF 50V K		C664	CK73GB1H104K	C CAPACITOR	0.1uF 50V K	
C556	CK73GB1H104K	C CAPACITOR	0.1uF 50V K		C665	CK73GB1H104K	C CAPACITOR	0.1uF 50V K	
C557	CK73GB1H104K	C CAPACITOR	0.1uF 50V K		C666	CK73GB1H104K	C CAPACITOR	0.1uF 50V K	
C558	CK73GB1H104K	C CAPACITOR	0.1uF 50V K		C667	CC73GCH1H100D	C CAPACITOR	10pF 50V D	
C559	CK73GB1H104K	C CAPACITOR	0.1uF 50V K		C668	CK73GBB1H103K	C CAPACITOR	0.01uF 50V K	
C561	CK73GBB1H103K	C CAPACITOR	0.01uF 50V K		C669	CK73GBB1H102K	C CAPACITOR	1000pF 50V K	
C562	CK73GB1H104K	C CAPACITOR	0.1uF 50V K		C670	CK73GB1H104K	C CAPACITOR	0.1uF 50V K	
C563	CK73GB1H104K	C CAPACITOR	0.1uF 50V K		C671	CK73GB1H104K	C CAPACITOR	0.1uF 50V K	
C564	CK73GB1H104K	C CAPACITOR	0.1uF 50V K		C672	CK73GB1H104K	C CAPACITOR	0.1uF 50V K	

△ Symbol No.	Part No.	Part Name	Description	Local	△ Symbol No.	Part No.	Part Name	Description	Local
C673	CK73GBB1H102K	C CAPACITOR	1000pF 50V K		C873	CK73GBB1H103K	C CAPACITOR	0.01uF 50V K	
C674	CK73GB1H104K	C CAPACITOR	0.1uF 50V K		C874	CK73GBB1H103K	C CAPACITOR	0.01uF 50V K	
C675	CK73GB1H104K	C CAPACITOR	0.1uF 50V K		C875	CK73GB1H104K	C CAPACITOR	0.1uF 50V K	
C676	CK73GB1H104K	C CAPACITOR	0.1uF 50V K		C876	CK73GBB1H103K	C CAPACITOR	0.01uF 50V K	
C677	CK73GB1H104K	C CAPACITOR	0.1uF 50V K		C877	CK73GB1H104K	C CAPACITOR	0.1uF 50V K	
C678	CK73GB1H104K	C CAPACITOR	0.1uF 50V K		C879	CK73GBB1H103K	C CAPACITOR	0.01uF 50V K	
C679	CC73GCH1H151J	C CAPACITOR	150pF 50V J		C880	CE32CL1V100M	E CAPACITOR	10uF 35V M	
C680	CK73GB1H104K	C CAPACITOR	0.1uF 50V K		C881	CK73GBB1H103K	C CAPACITOR	0.01uF 50V K	
C681	CK73GB1H104K	C CAPACITOR	0.1uF 50V K		C882	CK73GBB1H102K	C CAPACITOR	1000pF 50V K	
C682	CC73GCH1H331J	C CAPACITOR	330pF 50V J		C883	CK73GBB1H102K	C CAPACITOR	1000pF 50V K	
C683	CK73GB1H104K	C CAPACITOR	0.1uF 50V K		C884	CK73GBB1H103K	C CAPACITOR	0.01uF 50V K	
C684	CC73GCH1H030B	C CAPACITOR	3pF 50V B		C885	CK73GBB1H103K	C CAPACITOR	0.01uF 50V K	
C685	CC73GCH1H680J	C CAPACITOR	68pF 50V J		C886	CK73GBB1H102K	C CAPACITOR	1000pF 50V K	
C686	CC73GCH1H221J	C CAPACITOR	220pF 50V J		C888	CK73GBB1H102K	C CAPACITOR	1000pF 50V K	
C687	CK73GB1H104K	C CAPACITOR	0.1uF 50V K		C890	CK73GBB1H103K	C CAPACITOR	0.01uF 50V K	
C688	CC73GCH1H271J	C CAPACITOR	270pF 50V J		C891	C92-0905-05	OS-CON	47uF 35V	
C689	CC73GCH1H121J	C CAPACITOR	120pF 50V J		C892	CE32AU1E100M	E CAPACITOR	10uF 25V M	
C690	CS77ABE1D100M	TA E CAPACITOR	10uF 20V M		C894	CK73GBB1H102K	C CAPACITOR	1000pF 50V K	
C691	CC73GCH1H221J	C CAPACITOR	220pF 50V J		C895	CK73GBB1H103K	C CAPACITOR	0.01uF 50V K	
C692	CK73GBB1H102K	C CAPACITOR	1000pF 50V K		C901	CK73GB1H104K	C CAPACITOR	0.1uF 50V K	
C693	CK73GB1E105K	C CAPACITOR	1uF 25V K		C902	CK73GB1H104K	C CAPACITOR	0.1uF 50V K	
C694	CK73GBB1H102K	C CAPACITOR	1000pF 50V K		C903	CK73GB1H104K	C CAPACITOR	0.1uF 50V K	
C695	CK73GB1H104K	C CAPACITOR	0.1uF 50V K		C904	CK73GB1H104K	C CAPACITOR	0.1uF 50V K	
C696	CK73GB1E105K	C CAPACITOR	1uF 25V K		C905	CK73GB1H104K	C CAPACITOR	0.1uF 50V K	
C697	CK73GB1H104K	C CAPACITOR	0.1uF 50V K		C906	CK73GBB1H103K	C CAPACITOR	0.01uF 50V K	
C698	CK73GBB1H103K	C CAPACITOR	0.01uF 50V K		C907	CK73GB1H104K	C CAPACITOR	0.1uF 50V K	
C721	CK73GB1H104K	C CAPACITOR	0.1uF 50V K		C909	CK73GB1E105K	C CAPACITOR	1uF 25V K	
C722	CK73GB1H104K	C CAPACITOR	0.1uF 50V K		C911	CK73GB1H104K	C CAPACITOR	0.1uF 50V K	
C723	CK73GB1H104K	C CAPACITOR	0.1uF 50V K		C912	CK73GBB1H102K	C CAPACITOR	1000pF 50V K	
C724	CK73GB1H104K	C CAPACITOR	0.1uF 50V K		C913	CK73GBB1H103K	C CAPACITOR	0.01uF 50V K	
C732	CK73GB1H104K	C CAPACITOR	0.1uF 50V K		C914	CK73GBB1H103K	C CAPACITOR	0.01uF 50V K	
C734	CK73GB1H104K	C CAPACITOR	0.1uF 50V K		C915	CK73GB1H104K	C CAPACITOR	0.1uF 50V K	
C738	CK73GB1H104K	C CAPACITOR	0.1uF 50V K		C917	CK73GB1H104K	C CAPACITOR	0.1uF 50V K	
C739	CK73GBB1H103K	C CAPACITOR	0.01uF 50V K		C918	CK73GB1H104K	C CAPACITOR	0.1uF 50V K	
C794	CC73GCH1H101J	C CAPACITOR	100pF 50V J		C919	CK73GB1E105K	C CAPACITOR	1uF 25V K	
C795	CC73GCH1H101J	C CAPACITOR	100pF 50V J		C920	CK73GB1E105K	C CAPACITOR	1uF 25V K	
C796	CK73GBB1H103K	C CAPACITOR	0.01uF 50V K		C921	CC73GCH1H470J	C CAPACITOR	47pF 50V J	
C801	CK73GB1E105K	C CAPACITOR	1uF 25V K		C922	CS77MA1D1R5M	TA E CAPACITOR	1.5uF 20V M	
C802	CK73GB1H104K	C CAPACITOR	0.1uF 50V K		C923	CS77MA1D1R5M	TA E CAPACITOR	1.5uF 20V M	
C804	C93-1824-05	C CAPACITOR	100uF 6.3V		C924	CK73GB1H104K	C CAPACITOR	0.1uF 50V K	
C808	CK73GBB1H102K	C CAPACITOR	1000pF 50V K		C925	CK73GB1H104K	C CAPACITOR	0.1uF 50V K	
C809	CK73GBB1H102K	C CAPACITOR	1000pF 50V K		C926	CK73GBB1H103K	C CAPACITOR	0.01uF 50V K	
C810	CK73GBB1H102K	C CAPACITOR	1000pF 50V K		C927	CK73FB1A106K	C CAPACITOR	10uF 10V K	
C812	CK73GBB1H103K	C CAPACITOR	0.01uF 50V K		C929	CK73GBB1H102K	C CAPACITOR	1000pF 50V K	
C813	CK73GBB1H103K	C CAPACITOR	0.01uF 50V K		C951	CK73GB1H104K	C CAPACITOR	0.1uF 50V K	
C814	CK73GBB1H103K	C CAPACITOR	0.01uF 50V K		C952	CK73GB1H104K	C CAPACITOR	0.1uF 50V K	
C825	CK73GBB1H102K	C CAPACITOR	1000pF 50V K		C953	CK73GB1H104K	C CAPACITOR	0.1uF 50V K	
C826	CK73GBB1H102K	C CAPACITOR	1000pF 50V K		C954	CK73GB1H104K	C CAPACITOR	0.1uF 50V K	
C827	CK73GBB1H103K	C CAPACITOR	0.01uF 50V K		R101	RK73GB2A473J	MG RESISTOR	47kΩ 1/10W J	
C828	CK73GBB1H103K	C CAPACITOR	0.01uF 50V K		R102	RK73GB2A473J	MG RESISTOR	47kΩ 1/10W J	
C829	CS77ABE1D100M	TA E CAPACITOR	10uF 20V M		R103	RK73GB2A103J	MG RESISTOR	10kΩ 1/10W J	
C830	CK73GBB1H102K	C CAPACITOR	1000pF 50V K		R104	RK73GB2A000J	MG RESISTOR	0Ω 1/10W J	
C831	CK73GBB1H103K	C CAPACITOR	0.01uF 50V K		R105	RK73GB2A104J	MG RESISTOR	100kΩ 1/10W J	
C835	CK73GB1H104K	C CAPACITOR	0.1uF 50V K		R106	RK73GB2A000J	MG RESISTOR	0Ω 1/10W J	
C838	CK73GBB1H102K	C CAPACITOR	1000pF 50V K		R107	RK73GB2A220J	MG RESISTOR	22Ω 1/10W J	
C839	CK73FB1C105K	C CAPACITOR	1uF 16V K		R108	RK73GB2A102J	MG RESISTOR	1kΩ 1/10W J	
C840	CE32CL1V100M	E CAPACITOR	10uF 35V M		R109	RK73GB2A104J	MG RESISTOR	100kΩ 1/10W J	
C841	CK73GB1H104K	C CAPACITOR	0.1uF 50V K		R110	RK73GB2A000J	MG RESISTOR	0Ω 1/10W J	
C842	CK73GB1H104K	C CAPACITOR	0.1uF 50V K		R111	RK73GB2A333J	MG RESISTOR	33kΩ 1/10W J	
C843	CK73GB1H104K	C CAPACITOR	0.1uF 50V K		R112	RK73GB2A392J	MG RESISTOR	3.9kΩ 1/10W J	
C844	CK73GB1H104K	C CAPACITOR	0.1uF 50V K		R113	RK73GB2A102J	MG RESISTOR	1kΩ 1/10W J	
C852	CK73EB1H475KM	C CAPACITOR	4.7uF 50V M		R114	RK73GB2A274J	MG RESISTOR	270kΩ 1/10W J	
C854	CC73GCH1H391J	C CAPACITOR	390pF 50V J		R115	RK73GB2A222J	MG RESISTOR	2.2kΩ 1/10W J	
C855	CK73GBB1H103K	C CAPACITOR	0.01uF 50V K		R116	RK73GB2A102J	MG RESISTOR	1kΩ 1/10W J	
C857	CK73GB1E105K	C CAPACITOR	1uF 25V K		R117	RK73GB2A102J	MG RESISTOR	1kΩ 1/10W J	
C858	CK73FXR1E475K	C CAPACITOR	4.7uF 25V K		R118	RK73GB2A102J	MG RESISTOR	1kΩ 1/10W J	
C859	CK73GB1E105K	C CAPACITOR	1uF 25V K		R119	RK73GB2A124J	MG RESISTOR	120kΩ 1/10W J	
C860	CK73FB1C106K	C CAPACITOR	10uF 16V K		R120	RK73GB2A333J	MG RESISTOR	33kΩ 1/10W J	
C861	CK73GBB1H102K	C CAPACITOR	1000pF 50V K		R124	RK73GB2A224J	MG RESISTOR	220kΩ 1/10W J	
C862	CK73FB1C106K	C CAPACITOR	10uF 16V K		R125	RK73GB2A106J	MG RESISTOR	10MΩ 1/10W J	
C863	CE32CL1V100M	E CAPACITOR	10uF 35V M		R127	RK73GB2A103J	MG RESISTOR	10kΩ 1/10W J	
C864	CE32CL1V100M	E CAPACITOR	10uF 35V M		R129	RK73GB2A474J	MG RESISTOR	470kΩ 1/10W J	
C866	CK73GBB1H102K	C CAPACITOR	1000pF 50V K		R130	RK73GB2A474J	MG RESISTOR	470kΩ 1/10W J	
C867	CK73GBB1H102K	C CAPACITOR	1000pF 50V K		R132	RK73GB2A820J	MG RESISTOR	82Ω 1/10W J	
C869	CK73GB1H104K	C CAPACITOR	0.1uF 50V K		R133	RK73GB2A105J	MG RESISTOR	1MΩ 1/10W J	
C870	CK73GBB1H103K	C CAPACITOR	0.01uF 50V K		R134	RK73GB2A000J	MG RESISTOR	0Ω 1/10W J	
C871	CK73GBB1H102K	C CAPACITOR	1000pF 50V K		R135	RK73GB2A000J	MG RESISTOR	0Ω 1/10W J	
C872	CK73GBB1H102K	C CAPACITOR	1000pF 50V K						

△ Symbol No.	Part No.	Part Name	Description	Local	△ Symbol No.	Part No.	Part Name	Description	Local
R136	RK73GB2A474J	MG RESISTOR	470kΩ 1/10W J		R242	RK73GB2A000J	MG RESISTOR	0Ω 1/10W J	
R138	RK73GB2A000J	MG RESISTOR	0Ω 1/10W J		R244	RK73GB2A000J	MG RESISTOR	0Ω 1/10W J	
R139	RK73GB2A000J	MG RESISTOR	0Ω 1/10W J		R245	RK73GB2A223J	MG RESISTOR	22kΩ 1/10W J	
R140	RK73GB2A180J	MG RESISTOR	18Ω 1/10W J		R246	RK73GB2A104J	MG RESISTOR	100kΩ 1/10W J	
R141	RK73GB2A180J	MG RESISTOR	18Ω 1/10W J		R248	RK73GB2A000J	MG RESISTOR	0Ω 1/10W J	
R142	RK73GB2A391J	MG RESISTOR	390Ω 1/10W J		R251	RK73GB2A000J	MG RESISTOR	0Ω 1/10W J	
R143	RK73GB2A151J	MG RESISTOR	150Ω 1/10W J		R252	RK73GB2A474J	MG RESISTOR	470kΩ 1/10W J	
R144	RK73GB2A820J	MG RESISTOR	82Ω 1/10W J		R254	RK73GB2A474J	MG RESISTOR	470kΩ 1/10W J	
R145	RK73GB2A000J	MG RESISTOR	0Ω 1/10W J		R255	RK73GB2A272J	MG RESISTOR	2.7kΩ 1/10W J	
R146	RK73GB2A470J	MG RESISTOR	47Ω 1/10W J		R256	RK73GB2A000J	MG RESISTOR	0Ω 1/10W J	
R147	RK73GB2A000J	MG RESISTOR	0Ω 1/10W J		R257	RK73GB2A154J	MG RESISTOR	150kΩ 1/10W J	
R148	RK73GB2A100J	MG RESISTOR	10Ω 1/10W J		R301	RK73GB2A102J	MG RESISTOR	1kΩ 1/10W J	
R149	RN73GH1J330D	MF RESISTOR	33Ω 0.063W D		R303	RK73GB2A000J	MG RESISTOR	0Ω 1/10W J	
R150	RN73GH1J330D	MF RESISTOR	33Ω 0.063W D		R305	RK73GB2A100J	MG RESISTOR	10Ω 1/10W J	
R151	RK73GB2A100J	MG RESISTOR	10Ω 1/10W J		R306	RK73GB2A104J	MG RESISTOR	100kΩ 1/10W J	
R152	RK73GB2A331J	MG RESISTOR	330Ω 1/10W J		R307	RK73GB2A100J	MG RESISTOR	10Ω 1/10W J	
R153	RK73GB2A560J	MG RESISTOR	56Ω 1/10W J		R310	RK73GB2A100J	MG RESISTOR	10Ω 1/10W J	
R154	RK73GB2A000J	MG RESISTOR	0Ω 1/10W J		R312	RK73GB2A000J	MG RESISTOR	0Ω 1/10W J	
R156	RK73GB2A100J	MG RESISTOR	10Ω 1/10W J		R313	RK73GB2A104J	MG RESISTOR	100kΩ 1/10W J	
R158	RN73GH1J331D	MF RESISTOR	330Ω 0.063W D		R314	RK73GB2A104J	MG RESISTOR	100kΩ 1/10W J	
R160	RN73GH1J331D	MF RESISTOR	330Ω 0.063W D		R315	RK73GB2A104J	MG RESISTOR	100kΩ 1/10W J	
R161	RK73GB2A470J	MG RESISTOR	47Ω 1/10W J		R316	RK73GB2A000J	MG RESISTOR	0Ω 1/10W J	
R162	RK73GB2A473J	MG RESISTOR	47kΩ 1/10W J		R317	RK73GB2A682J	MG RESISTOR	6.8kΩ 1/10W J	
R163	RN73GH1J470D	MF RESISTOR	47Ω 0.063W D		R318	RK73GB2A472J	MG RESISTOR	4.7kΩ 1/10W J	
R164	RN73GH1J470D	MF RESISTOR	47Ω 0.063W D		R319	RK73GB2A000J	MG RESISTOR	0Ω 1/10W J	
R165	RK73GB2A330J	MG RESISTOR	33Ω 1/10W J		R320	RK73GB2A470J	MG RESISTOR	47Ω 1/10W J	
R166	RK73GB2A221J	MG RESISTOR	220Ω 1/10W J		R321	RK73GB2A000J	MG RESISTOR	0Ω 1/10W J	
R167	RK73GB2A331J	MG RESISTOR	330Ω 1/10W J		R322	RK73GB2A470J	MG RESISTOR	47Ω 1/10W J	
R168	RK73GB2A100J	MG RESISTOR	10Ω 1/10W J		R323	RK73GB2A104J	MG RESISTOR	100kΩ 1/10W J	
R169	RN73GH1J473D	MF RESISTOR	47kΩ 0.063W D		R324	RK73GB2A103J	MG RESISTOR	10Ω 1/10W J	
R170	RN73GH1J103D	MF RESISTOR	10kΩ 0.063W D		R325	RK73GB2A123J	MG RESISTOR	12kΩ 1/10W J	
R171	RK73GB2A100J	MG RESISTOR	10Ω 1/10W J		R326	RK73GB2A273J	MG RESISTOR	27kΩ 1/10W J	
R172	RK73GB2A103J	MG RESISTOR	10kΩ 1/10W J		R327	RK73GB2A224J	MG RESISTOR	220kΩ 1/10W J	
R173	RK73GB2A562J	MG RESISTOR	5.6kΩ 1/10W J		R328	RK73GB2A101J	MG RESISTOR	100Ω 1/10W J	
R174	RK73GB2A100J	MG RESISTOR	10Ω 1/10W J		R329	RK73GB2A221J	MG RESISTOR	220Ω 1/10W J	
R175	RK73GB2A681J	MG RESISTOR	680Ω 1/10W J		R330	RK73GB2A000J	MG RESISTOR	0Ω 1/10W J	
R176	RK73GB2A221J	MG RESISTOR	220Ω 1/10W J		R331	RK73GB2A220J	MG RESISTOR	22Ω 1/10W J	
R177	RK73GB2A000J	MG RESISTOR	0Ω 1/10W J		R332	RK73GB2A104J	MG RESISTOR	100kΩ 1/10W J	
R178	RK73GB2A8R2J	MG RESISTOR	8.2Ω 1/10W J		R333	RK73GB2A103J	MG RESISTOR	10kΩ 1/10W J	
R179	RK73GB2A151J	MG RESISTOR	150Ω 1/10W J		R334	RK73GB2A562J	MG RESISTOR	5.6kΩ 1/10W J	
R180	RK73GB2A8R2J	MG RESISTOR	8.2Ω 1/10W J		R335	RK73GB2A105J	MG RESISTOR	1MΩ 1/10W J	
R181	RK73GB2A101J	MG RESISTOR	100Ω 1/10W J		R336	RK73GB2A221J	MG RESISTOR	220Ω 1/10W J	
R183	RK73GB2A000J	MG RESISTOR	0Ω 1/10W J		R337	RK73GB2A100J	MG RESISTOR	10Ω 1/10W J	
R201	RK73GB2A000J	MG RESISTOR	0Ω 1/10W J		R338	RK73GB2A220J	MG RESISTOR	22Ω 1/10W J	
R205	RK73GB2A271J	MG RESISTOR	270Ω 1/10W J		R339	RK73GB2A471J	MG RESISTOR	470Ω 1/10W J	
R206	RK73GB2A180J	MG RESISTOR	18Ω 1/10W J		R340	RK73GB2A220J	MG RESISTOR	22Ω 1/10W J	
R207	RK73GB2A271J	MG RESISTOR	270Ω 1/10W J		R341	RK73GB2A104J	MG RESISTOR	100kΩ 1/10W J	
R208	RK73GB2A472J	MG RESISTOR	4.7kΩ 1/10W J		R342	RK73GB2A104J	MG RESISTOR	100kΩ 1/10W J	
R209	RK73GB2A182J	MG RESISTOR	1.8kΩ 1/10W J		R343	RK73GB2A822J	MG RESISTOR	8.2kΩ 1/10W J	
R210	RK73GB2A561J	MG RESISTOR	560Ω 1/10W J		R344	RK73GB2A182J	MG RESISTOR	1.8kΩ 1/10W J	
R211	RK73GB2A331J	MG RESISTOR	330Ω 1/10W J		R345	RK73GB2A2R2J	MG RESISTOR	2.2Ω 1/10W J	
R212	RK73GB2A220J	MG RESISTOR	22Ω 1/10W J		R346	RK73GB2A000J	MG RESISTOR	0Ω 1/10W J	
R213	RK73GB2A271J	MG RESISTOR	270Ω 1/10W J		R347	RK73GB2A683J	MG RESISTOR	68kΩ 1/10W J	
R214	RK73GB2A180J	MG RESISTOR	18Ω 1/10W J		R348	RK73GB2A102J	MG RESISTOR	1kΩ 1/10W J	
R215	RK73GB2A271J	MG RESISTOR	270Ω 1/10W J		R349	RK73GB2A393J	MG RESISTOR	39kΩ 1/10W J	
R216	RK73GB2A562J	MG RESISTOR	5.6kΩ 1/10W J		R350	RK73GB2A000J	MG RESISTOR	0Ω 1/10W J	
R217	RK73GB2A222J	MG RESISTOR	2.2kΩ 1/10W J		R401	RK73GB2A000J	MG RESISTOR	0Ω 1/10W J	
R218	RK73GB2A221J	MG RESISTOR	220Ω 1/10W J		R409	RK73GB2A181J	MG RESISTOR	180Ω 1/10W J	
R219	RK73GB2A000J	MG RESISTOR	0Ω 1/10W J		R410	RK73GB2A100J	MG RESISTOR	10Ω 1/10W J	
R220	RK73GB2A470J	MG RESISTOR	47Ω 1/10W J		R411	RK73GB2A682J	MG RESISTOR	6.8kΩ 1/10W J	
R221	RK73GB2A000J	MG RESISTOR	0Ω 1/10W J		R412	RK73GB2A332J	MG RESISTOR	3.3kΩ 1/10W J	
R222	RK73GB2A271J	MG RESISTOR	270Ω 1/10W J		R413	RK73GB2A000J	MG RESISTOR	0Ω 1/10W J	
R224	RK73GB2A180J	MG RESISTOR	18Ω 1/10W J		R414	RK73GB2A100J	MG RESISTOR	10Ω 1/10W J	
R225	RK73GB2A271J	MG RESISTOR	270Ω 1/10W J		R415	RK73GB2A221J	MG RESISTOR	220Ω 1/10W J	
R226	RK73GB2A564J	MG RESISTOR	560kΩ 1/10W J		R416	RK73GB2A100J	MG RESISTOR	10Ω 1/10W J	
R227	RK73GB2A560J	MG RESISTOR	56Ω 1/10W J		R417	RK73GB2A471J	MG RESISTOR	470Ω 1/10W J	
R228	RK73GB2A103J	MG RESISTOR	10kΩ 1/10W J		R418	RK73GB2A104J	MG RESISTOR	100kΩ 1/10W J	
R229	RK73GB2A104J	MG RESISTOR	100kΩ 1/10W J		R419	RK73GB2A822J	MG RESISTOR	8.2kΩ 1/10W J	
R230	RK73GB2A474J	MG RESISTOR	470kΩ 1/10W J		R420	RK73GB2A182J	MG RESISTOR	1.8kΩ 1/10W J	
R231	RK73GB2A123J	MG RESISTOR	12kΩ 1/10W J		R421	RK73GB2A000J	MG RESISTOR	0Ω 1/10W J	
R232	RK73GB2A102J	MG RESISTOR	1kΩ 1/10W J		R422	RK73GB2A2R2J	MG RESISTOR	2.2Ω 1/10W J	
R233	RK73GB2A474J	MG RESISTOR	470kΩ 1/10W J		R423	RK73GB2A682J	MG RESISTOR	6.8kΩ 1/10W J	
R234	RK73GB2A000J	MG RESISTOR	0Ω 1/10W J		R424	RK73GB2A332J	MG RESISTOR	3.3kΩ 1/10W J	
R235	RK73GB2A223J	MG RESISTOR	22kΩ 1/10W J		R425	RK73GB2A000J	MG RESISTOR	0Ω 1/10W J	
R236	RK73GB2A000J	MG RESISTOR	0Ω 1/10W J		R426	RK73GB2A470J	MG RESISTOR	47Ω 1/10W J	
R238	RK73GB2A100J	MG RESISTOR	10Ω 1/10W J		R427	RK73GB2A221J	MG RESISTOR	220Ω 1/10W J	
R239	RK73GB2A222J	MG RESISTOR	2.2kΩ 1/10W J		R428	RK73GB2A101J	MG RESISTOR	100Ω 1/10W J	
R240	RK73GB2A100J	MG RESISTOR	10Ω 1/10W J		R429	RK73GB2A103J	MG RESISTOR	10kΩ 1/10W J	

△ Symbol No.	Part No.	Part Name	Description	Local	△ Symbol No.	Part No.	Part Name	Description	Local
R431	RK73GB2A105J	MG RESISTOR	1MΩ 1/10W J		R552	RK73GB2A563J	MG RESISTOR	56kΩ 1/10W J	
R432	RK73GB2A000J	MG RESISTOR	0Ω 1/10W J		R553	RK73GB2A000J	MG RESISTOR	0Ω 1/10W J	
R433	RK73GB2A000J	MG RESISTOR	0Ω 1/10W J		R554	RK73GB2A221J	MG RESISTOR	220Ω 1/10W J	
R434	RK73GB2A563J	MG RESISTOR	56kΩ 1/10W J		R555	RK73GB2A221J	MG RESISTOR	220Ω 1/10W J	
R436	RK73GB2A000J	MG RESISTOR	0Ω 1/10W J		R556	RK73GB2A100J	MG RESISTOR	10Ω 1/10W J	
R437	RK73GB2A470J	MG RESISTOR	47Ω 1/10W J		R557	RK73GB2A124J	MG RESISTOR	120kΩ 1/10W J	
R438	RK73GB2A000J	MG RESISTOR	0Ω 1/10W J		R558	RK73GB2A102J	MG RESISTOR	1kΩ 1/10W J	
R439	RK73GB2A104J	MG RESISTOR	100kΩ 1/10W J		R559	RK73GB2A223J	MG RESISTOR	22kΩ 1/10W J	
R440	RK73GB2A221J	MG RESISTOR	220Ω 1/10W J		R560	RK73GB2A822J	MG RESISTOR	8.2kΩ 1/10W J	
R441	RK73GB2A104J	MG RESISTOR	100kΩ 1/10W J		R561	RK73GB2A471J	MG RESISTOR	470Ω 1/10W J	
R442	RK73GB2A472J	MG RESISTOR	4.7kΩ 1/10W J		R562	RK73GB2A100J	MG RESISTOR	10Ω 1/10W J	
R443	RK73GB2A682J	MG RESISTOR	6.8kΩ 1/10W J		R563	RK73GB2A151J	MG RESISTOR	150Ω 1/10W J	
R444	RK73GB2A104J	MG RESISTOR	100kΩ 1/10W J		R564	RK73GB2A474J	MG RESISTOR	470kΩ 1/10W J	
R445	RK73GB2A2R2J	MG RESISTOR	2.2Ω 1/10W J		R565	RK73GB2A104J	MG RESISTOR	100kΩ 1/10W J	
R446	RK73GB2A104J	MG RESISTOR	100kΩ 1/10W J		R567	RK73GB2A000J	MG RESISTOR	0Ω 1/10W J	
R448	RK73GB2A104J	MG RESISTOR	100kΩ 1/10W J		R568	RK73GB2A104J	MG RESISTOR	100kΩ 1/10W J	
R451	RK73GB2A100J	MG RESISTOR	10Ω 1/10W J		R570	RK73GB2A000J	MG RESISTOR	0Ω 1/10W J	
R452	RK73GB2A100J	MG RESISTOR	10Ω 1/10W J		R571	RK73GB2A392J	MG RESISTOR	3.9kΩ 1/10W J	
R453	RK73GB2A104J	MG RESISTOR	100kΩ 1/10W J		R572	RK73GB2A102J	MG RESISTOR	1kΩ 1/10W J	
R454	RK73GB2A100J	MG RESISTOR	10Ω 1/10W J		R574	RK73GB2A103J	MG RESISTOR	10kΩ 1/10W J	
R455	RK73GB2A102J	MG RESISTOR	1kΩ 1/10W J		R575	RK73GB2A153J	MG RESISTOR	15kΩ 1/10W J	
R457	RK73GB2A000J	MG RESISTOR	0Ω 1/10W J		R576	RK73GB2A000J	MG RESISTOR	0Ω 1/10W J	
R458	RK73GB2A000J	MG RESISTOR	0Ω 1/10W J		R578	RK73GB2A000J	MG RESISTOR	0Ω 1/10W J	
R459	RK73GB2A123J	MG RESISTOR	12kΩ 1/10W J		R580	RK73GB2A272J	MG RESISTOR	2.7kΩ 1/10W J	
R460	RK73GB2A562J	MG RESISTOR	5.6kΩ 1/10W J		R581	RK73GB2A474J	MG RESISTOR	470kΩ 1/10W J	
R461	RK73GB2A123J	MG RESISTOR	12kΩ 1/10W J		R582	RK73GB2A101J	MG RESISTOR	100Ω 1/10W J	
R462	RK73GB2A562J	MG RESISTOR	5.6kΩ 1/10W J		R583	RK73GB2A101J	MG RESISTOR	100Ω 1/10W J	
R465	RK73GB2A221J	MG RESISTOR	220Ω 1/10W J		R584	RK73GB2A104J	MG RESISTOR	100kΩ 1/10W J	
R466	RK73GB2A000J	MG RESISTOR	0Ω 1/10W J		R585	RK73GB2A470J	MG RESISTOR	47Ω 1/10W J	
R467	RK73GB2A221J	MG RESISTOR	220Ω 1/10W J		R587	RK73GB2A473J	MG RESISTOR	47kΩ 1/10W J	
R468	RK73GB2A000J	MG RESISTOR	0Ω 1/10W J		R588	RK73GB2A101J	MG RESISTOR	100Ω 1/10W J	
R469	RK73GB2A181J	MG RESISTOR	180Ω 1/10W J		R590	RK73GB2A104J	MG RESISTOR	100kΩ 1/10W J	
R470	RK73GB2A181J	MG RESISTOR	180Ω 1/10W J		R601	RK73GB2A101J	MG RESISTOR	100Ω 1/10W J	
R471	RK73GB2A000J	MG RESISTOR	0Ω 1/10W J		R603	RK73GB2A152J	MG RESISTOR	1.5kΩ 1/10W J	
R501	RK73GB2A104J	MG RESISTOR	100kΩ 1/10W J		R604	RK73GB2A104J	MG RESISTOR	100kΩ 1/10W J	
R502	RK73GB2A104J	MG RESISTOR	100kΩ 1/10W J		R605	RK73GB2A221J	MG RESISTOR	220Ω 1/10W J	
R503	RK73GB2A000J	MG RESISTOR	0Ω 1/10W J		R606	RK73GB2A102J	MG RESISTOR	1kΩ 1/10W J	
R504	RK73GB2A000J	MG RESISTOR	0Ω 1/10W J		R607	RK73GB2A220J	MG RESISTOR	22Ω 1/10W J	
R505	RK73GB2A470J	MG RESISTOR	47Ω 1/10W J		R608	RK73GB2A103J	MG RESISTOR	10kΩ 1/10W J	
R506	RK73GB2A000J	MG RESISTOR	0Ω 1/10W J		R609	RK73GB2A103J	MG RESISTOR	10kΩ 1/10W J	
R507	RK73GB2A104J	MG RESISTOR	100kΩ 1/10W J		R610	RK73GB2A471J	MG RESISTOR	470Ω 1/10W J	
R509	RK73GB2A000J	MG RESISTOR	0Ω 1/10W J		R611	RK73GB2A470J	MG RESISTOR	47Ω 1/10W J	
R510	RK73GB2A272J	MG RESISTOR	2.7kΩ 1/10W J		R612	RK73GB2A180J	MG RESISTOR	18Ω 1/10W J	
R511	RK73GB2A102J	MG RESISTOR	1kΩ 1/10W J		R613	RK73GB2A180J	MG RESISTOR	18Ω 1/10W J	
R513	RK73GB2A562J	MG RESISTOR	5.6kΩ 1/10W J		R614	RK73GB2A180J	MG RESISTOR	18Ω 1/10W J	
R514	RK73GB2A271J	MG RESISTOR	270Ω 1/10W J		R615	RK73GB2A102J	MG RESISTOR	1kΩ 1/10W J	
R515	RK73GB2A180J	MG RESISTOR	18Ω 1/10W J		R616	RK73GB2A470J	MG RESISTOR	47Ω 1/10W J	
R516	RK73GB2A271J	MG RESISTOR	270Ω 1/10W J		R617	RK73GB2A104J	MG RESISTOR	100kΩ 1/10W J	
R517	RK73GB2A682J	MG RESISTOR	6.8kΩ 1/10W J		R618	RK73GB2A000J	MG RESISTOR	0Ω 1/10W J	
R518	RK73GB2A102J	MG RESISTOR	1kΩ 1/10W J		R619	RK73GB2A104J	MG RESISTOR	100kΩ 1/10W J	
R520	RK73GB2A561J	MG RESISTOR	560Ω 1/10W J		R621	RK73GB2A000J	MG RESISTOR	0Ω 1/10W J	
R521	RK73GB2A000J	MG RESISTOR	0Ω 1/10W J		R623	RK73GB2A104J	MG RESISTOR	100kΩ 1/10W J	
R523	RK73GB2A104J	MG RESISTOR	100kΩ 1/10W J		R624	RK73GB2A000J	MG RESISTOR	0Ω 1/10W J	
R524	RK73GB2A1R0J	MG RESISTOR	1Ω 1/10W J		R625	RK73GB2A104J	MG RESISTOR	100kΩ 1/10W J	
R525	RK73GB2A220J	MG RESISTOR	22Ω 1/10W J		R626	RK73GB2A224J	MG RESISTOR	220kΩ 1/10W J	
R526	RK73GH2A333D	MG RESISTOR	33kΩ 1/10W D		R628	RK73GB2A271J	MG RESISTOR	270Ω 1/10W J	
R527	RK73GB2A000J	MG RESISTOR	0Ω 1/10W J		R629	RK73GB2A470J	MG RESISTOR	47Ω 1/10W J	
R528	RK73GB2A563J	MG RESISTOR	56kΩ 1/10W J		R631	RK73GB2A473J	MG RESISTOR	47kΩ 1/10W J	
R530	RK73GB2A473J	MG RESISTOR	47kΩ 1/10W J		R632	RK73GB2A473J	MG RESISTOR	47kΩ 1/10W J	
R531	RK73GB2A473J	MG RESISTOR	47kΩ 1/10W J		R633	RK73GB2A333J	MG RESISTOR	33kΩ 1/10W J	
R532	RK73GB2A563J	MG RESISTOR	56kΩ 1/10W J		R635	RK73GB2A271J	MG RESISTOR	270Ω 1/10W J	
R534	RK73GB2A391J	MG RESISTOR	390Ω 1/10W J		R636	RK73GB2A104J	MG RESISTOR	100kΩ 1/10W J	
R535	RK73GB2A120J	MG RESISTOR	12Ω 1/10W J		R637	RK73GB2A000J	MG RESISTOR	0Ω 1/10W J	
R536	RK73GB2A391J	MG RESISTOR	390Ω 1/10W J		R638	RK73GB2A102J	MG RESISTOR	1kΩ 1/10W J	
R537	RK73GB2A564J	MG RESISTOR	560kΩ 1/10W J		R639	RK73GB2A103J	MG RESISTOR	10kΩ 1/10W J	
R538	RK73GH2A154D	MG RESISTOR	150kΩ 1/10W D		R641	RK73GB2A104J	MG RESISTOR	100kΩ 1/10W J	
R539	RK73GB2A100J	MG RESISTOR	10Ω 1/10W J		R642	RK73GB2A100J	MG RESISTOR	10Ω 1/10W J	
R540	RK73GB2A102J	MG RESISTOR	1kΩ 1/10W J		R643	RK73GB2A000J	MG RESISTOR	0Ω 1/10W J	
R541	RK73GB2A103J	MG RESISTOR	10kΩ 1/10W J		R644	RK73GB2A102J	MG RESISTOR	1kΩ 1/10W J	
R542	RK73GB2A104J	MG RESISTOR	100kΩ 1/10W J		R645	RK73GB2A000J	MG RESISTOR	0Ω 1/10W J	
R543	RK73GB2A391J	MG RESISTOR	390Ω 1/10W J		R646	RK73GB2A470J	MG RESISTOR	47Ω 1/10W J	
R544	RK73GB2A473J	MG RESISTOR	47kΩ 1/10W J		R647	RK73GB2A473J	MG RESISTOR	47kΩ 1/10W J	
R545	RK73GB2A333J	MG RESISTOR	33kΩ 1/10W J		R648	RK73GB2A333J	MG RESISTOR	33kΩ 1/10W J	
R547	RK73GB2A474J	MG RESISTOR	470kΩ 1/10W J		R649	RK73GB2A101J	MG RESISTOR	100Ω 1/10W J	
R548	RK73GB2A473J	MG RESISTOR	47kΩ 1/10W J		R650	RK73GB2A564J	MG RESISTOR	560kΩ 1/10W J	
R549	RK73GB2A000J	MG RESISTOR	0Ω 1/10W J		R651	RK73GH2A154D	MG RESISTOR	150kΩ 1/10W D	
R550	RK73GB2A101J	MG RESISTOR	100Ω 1/10W J		R652	RK73GB2A271J	MG RESISTOR	270Ω 1/10W J	
R551	RK73GB2A100J	MG RESISTOR	10Ω 1/10W J		R653	RK73GB2A103J	MG RESISTOR	10kΩ 1/10W J	

△ Symbol No.	Part No.	Part Name	Description	Local	△ Symbol No.	Part No.	Part Name	Description	Local
R654	RK73GB2A100J	MG RESISTOR	10Ω 1/10W J		R758	RK73GB2A000J	MG RESISTOR	0Ω 1/10W J	
R656	RK73GB2A333J	MG RESISTOR	33kΩ 1/10W J		R759	RK73GB2A103J	MG RESISTOR	10kΩ 1/10W J	
R657	RK73GB2A104J	MG RESISTOR	100kΩ 1/10W J		R760	RK73GB2A000J	MG RESISTOR	0Ω 1/10W J	
R659	RK73GH2A223D	MG RESISTOR	22kΩ 1/10W D		R763	RK73GB2A000J	MG RESISTOR	0Ω 1/10W J	
R660	RK73GB2A000J	MG RESISTOR	0Ω 1/10W J		R764	RK73GB2A000J	MG RESISTOR	0Ω 1/10W J	
R661	RK73GB2A151J	MG RESISTOR	150Ω 1/10W J		R765	RK73GB2A000J	MG RESISTOR	0Ω 1/10W J	
R663	RK73GB2A390J	MG RESISTOR	39Ω 1/10W J		R766	RK73GB2A000J	MG RESISTOR	0Ω 1/10W J	
R664	RK73GB2A151J	MG RESISTOR	150Ω 1/10W J		R767	RK73GB2A000J	MG RESISTOR	0Ω 1/10W J	
R665	RK73GB2A563J	MG RESISTOR	56kΩ 1/10W J		R768	RK73GB2A000J	MG RESISTOR	0Ω 1/10W J	
R666	RK73GB2A332J	MG RESISTOR	3.3kΩ 1/10W J		R769	RK73GB2A000J	MG RESISTOR	0Ω 1/10W J	
R667	RK73GB2A104J	MG RESISTOR	100kΩ 1/10W J		R770	RK73GB2A000J	MG RESISTOR	0Ω 1/10W J	
R668	RK73GB2A563J	MG RESISTOR	56kΩ 1/10W J		R771	RK73GB2A000J	MG RESISTOR	0Ω 1/10W J	
R669	RK73GB2A000J	MG RESISTOR	0Ω 1/10W J		R772	RK73GB2A473J	MG RESISTOR	47kΩ 1/10W J	
R670	RK73GB2A000J	MG RESISTOR	0Ω 1/10W J		R773	RK73GB2A222J	MG RESISTOR	2.2kΩ 1/10W J	
R672	RK73GB2A220J	MG RESISTOR	22Ω 1/10W J		R775	RK73GB2A104J	MG RESISTOR	100kΩ 1/10W J	
R673	RK73GB2A152J	MG RESISTOR	1.5kΩ 1/10W J		R780	RK73GB2A000J	MG RESISTOR	0Ω 1/10W J	
R674	RK73GB2A474J	MG RESISTOR	470kΩ 1/10W J		R783	RK73GB2A000J	MG RESISTOR	0Ω 1/10W J	
R675	RK73GB2A104J	MG RESISTOR	100kΩ 1/10W J		R784	RK73GB2A102J	MG RESISTOR	1kΩ 1/10W J	
R676	RK73GB2A000J	MG RESISTOR	0Ω 1/10W J		R785	RK73GB2A472J	MG RESISTOR	4.7kΩ 1/10W J	
R679	RK73GB2A470J	MG RESISTOR	47Ω 1/10W J		R786	RK73GB2A822J	MG RESISTOR	8.2kΩ 1/10W J	
R680	RK73GB2A564J	MG RESISTOR	560kΩ 1/10W J		R787	RK73GB2A561J	MG RESISTOR	560Ω 1/10W J	
R681	RK73GB2A223J	MG RESISTOR	22kΩ 1/10W J		R788	RK73GB2A104J	MG RESISTOR	100kΩ 1/10W J	
R682	RK73GH2A472D	MG RESISTOR	4.7kΩ 1/10W D		R789	RK73GB2A000J	MG RESISTOR	0Ω 1/10W J	
R683	RK73GB2A183J	MG RESISTOR	18kΩ 1/10W J		R802	RK73GB2A000J	MG RESISTOR	0Ω 1/10W J	
R684	RK73GB2A560J	MG RESISTOR	56Ω 1/10W J		R803	RK73GB2A101J	MG RESISTOR	100Ω 1/10W J	
R685	RK73GB2A102J	MG RESISTOR	1kΩ 1/10W J		R804	RK73GB2A101J	MG RESISTOR	100Ω 1/10W J	
R686	RK73GH2A123D	MG RESISTOR	12kΩ 1/10W D		R805	RK73GB2A000J	MG RESISTOR	0Ω 1/10W J	
R687	RK73GH2A154D	MG RESISTOR	150kΩ 1/10W D		R807	RK73GB2A101J	MG RESISTOR	100Ω 1/10W J	
R688	RK73GH2A104D	MG RESISTOR	100kΩ 1/10W D		R809	RK73GB2A103J	MG RESISTOR	10kΩ 1/10W J	
R689	RK73GH2A184D	MG RESISTOR	180kΩ 1/10W D		R810	RK73GB2A102J	MG RESISTOR	1kΩ 1/10W J	
R690	RK73GH2A103D	MG RESISTOR	10kΩ 1/10W D		R811	RK73GB2A223J	MG RESISTOR	22kΩ 1/10W J	
R691	RK73GB2A1R0J	MG RESISTOR	1Ω 1/10W J		R812	RK73GB2A103J	MG RESISTOR	10kΩ 1/10W J	
R692	RK73GB2A104J	MG RESISTOR	100kΩ 1/10W J		R815	RK73GB2A223J	MG RESISTOR	22kΩ 1/10W J	
R693	RK73GB2A220J	MG RESISTOR	22Ω 1/10W J		R816	RK73GB2A103J	MG RESISTOR	10kΩ 1/10W J	
R694	RK73GB2A333J	MG RESISTOR	33kΩ 1/10W J		R818	RK73GB2A103J	MG RESISTOR	10kΩ 1/10W J	
R695	RK73GB2A100J	MG RESISTOR	10Ω 1/10W J		R819	RK73GB2A103J	MG RESISTOR	10kΩ 1/10W J	
R696	RK73GB2A100J	MG RESISTOR	10Ω 1/10W J		R821	RK73GB2A223J	MG RESISTOR	22kΩ 1/10W J	
R697	RK73GB2A100J	MG RESISTOR	10Ω 1/10W J		R822	RK73GB2A103J	MG RESISTOR	10kΩ 1/10W J	
R699	RK73GB2A100J	MG RESISTOR	10Ω 1/10W J		R823	RK73GB2A223J	MG RESISTOR	22kΩ 1/10W J	
R700	RK73GB2A000J	MG RESISTOR	0Ω 1/10W J		R824	RK73GB2A103J	MG RESISTOR	10kΩ 1/10W J	
R701	RK73GB2A104J	MG RESISTOR	100kΩ 1/10W J		R825	RK73GB2A103J	MG RESISTOR	10kΩ 1/10W J	
R702	RK73GB2A271J	MG RESISTOR	270Ω 1/10W J		R826	RK73GB2A103J	MG RESISTOR	10kΩ 1/10W J	
R704	RK73GB2A180J	MG RESISTOR	18Ω 1/10W J		R827	RK73GB2A223J	MG RESISTOR	22kΩ 1/10W J	
R705	RK73GB2A000J	MG RESISTOR	0Ω 1/10W J		R828	RK73GB2A103J	MG RESISTOR	10kΩ 1/10W J	
R706	RK73GB2A271J	MG RESISTOR	270Ω 1/10W J		R830	RK73GB2A000J	MG RESISTOR	0Ω 1/10W J	
R707	RK73GB2A000J	MG RESISTOR	0Ω 1/10W J		R831	RK73GB2A000J	MG RESISTOR	0Ω 1/10W J	
R708	RK73GB2A221J	MG RESISTOR	220Ω 1/10W J		R832	RK73GB2A332J	MG RESISTOR	3.3kΩ 1/10W J	
R709	RK73GH2A563D	MG RESISTOR	56kΩ 1/10W D		R833	RK73GB2A332J	MG RESISTOR	3.3kΩ 1/10W J	
R710	RK73GH2A333D	MG RESISTOR	33kΩ 1/10W D		R834	RK73GB2A103J	MG RESISTOR	10kΩ 1/10W J	
R711	RK73GB2A332J	MG RESISTOR	3.3kΩ 1/10W J		R835	RK73GB2A103J	MG RESISTOR	10kΩ 1/10W J	
R721	RK73GB2A100J	MG RESISTOR	10Ω 1/10W J		R836	RK73GB2A103J	MG RESISTOR	10kΩ 1/10W J	
R722	RK73GB2A100J	MG RESISTOR	10Ω 1/10W J		R837	RK73GB2A223J	MG RESISTOR	22kΩ 1/10W J	
R723	RK73GB2A100J	MG RESISTOR	10Ω 1/10W J		R838	RK73GB2A473J	MG RESISTOR	47kΩ 1/10W J	
R724	RK73GB2A100J	MG RESISTOR	10Ω 1/10W J		R839	RK73GB2A101J	MG RESISTOR	100Ω 1/10W J	
R725	RK73GB2A000J	MG RESISTOR	0Ω 1/10W J		R840	RK73GB2A101J	MG RESISTOR	100Ω 1/10W J	
R726	RK73GB2A000J	MG RESISTOR	0Ω 1/10W J		R841	RK73GB2A101J	MG RESISTOR	100Ω 1/10W J	
R727	RK73GB2A000J	MG RESISTOR	0Ω 1/10W J		R842	RK73GB2A101J	MG RESISTOR	100Ω 1/10W J	
R728	RK73GB2A000J	MG RESISTOR	0Ω 1/10W J		R843	RK73GB2A101J	MG RESISTOR	100Ω 1/10W J	
R729	RK73GB2A000J	MG RESISTOR	0Ω 1/10W J		R844	RK73GB2A101J	MG RESISTOR	100Ω 1/10W J	
R730	RK73GB2A000J	MG RESISTOR	0Ω 1/10W J		R845	RK73GB2A101J	MG RESISTOR	100Ω 1/10W J	
R731	RK73GB2A000J	MG RESISTOR	0Ω 1/10W J		R846	RK73GB2A101J	MG RESISTOR	100Ω 1/10W J	
R732	RK73GB2A000J	MG RESISTOR	0Ω 1/10W J		R847	RK73GB2A101J	MG RESISTOR	100Ω 1/10W J	
R733	RK73GB2A000J	MG RESISTOR	0Ω 1/10W J		R848	RK73GB2A104J	MG RESISTOR	100kΩ 1/10W J	
R734	RK73GB2A000J	MG RESISTOR	0Ω 1/10W J		R849	RK73GB2A101J	MG RESISTOR	100Ω 1/10W J	
R735	RK73GB2A000J	MG RESISTOR	0Ω 1/10W J		R850	RK73GB2A101J	MG RESISTOR	100Ω 1/10W J	
R736	RK73GB2A000J	MG RESISTOR	0Ω 1/10W J		R851	RK73GB2A104J	MG RESISTOR	100kΩ 1/10W J	
R737	RK73GB2A000J	MG RESISTOR	0Ω 1/10W J		R852	RK73GB2A104J	MG RESISTOR	100kΩ 1/10W J	
R738	RK73GB2A000J	MG RESISTOR	0Ω 1/10W J		R853	RK73GB2A104J	MG RESISTOR	100kΩ 1/10W J	
R739	RK73GB2A000J	MG RESISTOR	0Ω 1/10W J		R854	RK73GB2A104J	MG RESISTOR	100kΩ 1/10W J	
R740	RK73GB2A000J	MG RESISTOR	0Ω 1/10W J		R855	RK73GB2A104J	MG RESISTOR	100kΩ 1/10W J	
R748	RK73GB2A104J	MG RESISTOR	100kΩ 1/10W J		R856	RK73GB2A104J	MG RESISTOR	100kΩ 1/10W J	
R749	RK73GB2A000J	MG RESISTOR	0Ω 1/10W J		R857	RK73GB2A104J	MG RESISTOR	100kΩ 1/10W J	
R750	RK73GB2A104J	MG RESISTOR	100kΩ 1/10W J		R858	RK73GB2A104J	MG RESISTOR	100kΩ 1/10W J	
R751	RK73GB2A102J	MG RESISTOR	1kΩ 1/10W J		R859	RK73GB2A100J	MG RESISTOR	10Ω 1/10W J	
R752	RK73GB2A104J	MG RESISTOR	100kΩ 1/10W J		R861	RK73GH2A334D	MG RESISTOR	330kΩ 1/10W D	
R754	RK73GB2A101J	MG RESISTOR	100Ω 1/10W J		R862	RK73GH2A223D	MG RESISTOR	22kΩ 1/10W D	
R756	RK73GB2A104J	MG RESISTOR	100kΩ 1/10W J		R863	RK73GB2A100J	MG RESISTOR	10Ω 1/10W J	
R757	RK73GB2A223J	MG RESISTOR	22kΩ 1/10W J		R864	RK73GB2A000J	MG RESISTOR	0Ω 1/10W J	

△ Symbol No.	Part No.	Part Name	Description	Local	△ Symbol No.	Part No.	Part Name	Description	Local
R866	RK73GB2A100J	MG RESISTOR	10Ω 1/10W J		L115	L41-1005-33	CHIP INDUCTOR		
R867	RK73GB2A000J	MG RESISTOR	0Ω 1/10W J		L116	LB73G0BA-004	CHIP FERRITE		
R872	RK73GB2A000J	MG RESISTOR	0Ω 1/10W J		L117	L34-4613-05	AIR CORE COIL		
R873	RK73GB2A000J	MG RESISTOR	0Ω 1/10W J		L118	L34-4612-05	AIR CORE COIL		
R874	RK73GB2A000J	MG RESISTOR	0Ω 1/10W J		L121	L41-6868-14	CHIP INDUCTOR		
R875	RK73GB2A000J	MG RESISTOR	0Ω 1/10W J		L122	L41-1005-33	CHIP INDUCTOR		
R876	RK73GB2A000J	MG RESISTOR	0Ω 1/10W J		L123	L41-6878-14	CHIP INDUCTOR		
R877	RK73GB2A000J	MG RESISTOR	0Ω 1/10W J		L124	L41-1005-33	CHIP INDUCTOR		
R878	RK73GB2A102J	MG RESISTOR	1kΩ 1/10W J		L125	LB73G0BA-004	CHIP FERRITE		
R879	RK73GB2A103J	MG RESISTOR	10kΩ 1/10W J		L126	LB73G0BA-004	CHIP FERRITE		
R880	RK73GB2A000J	MG RESISTOR	0Ω 1/10W J		L127	L41-6868-14	CHIP INDUCTOR		
R881	RK73GB2A102J	MG RESISTOR	1kΩ 1/10W J		L128	L41-4778-14	CHIP INDUCTOR		
R883	RK73GB2A000J	MG RESISTOR	0Ω 1/10W J		L129	L41-6878-14	CHIP INDUCTOR		
R901	RK73GB2A000J	MG RESISTOR	0Ω 1/10W J		L130	L41-1578-14	CHIP INDUCTOR		
R902	RK73GB2A000J	MG RESISTOR	0Ω 1/10W J		L131	LB73G0AM-004	CHIP FERRITE		
R903	RK73GB2A000J	MG RESISTOR	0Ω 1/10W J		L132	LB73G0AM-004	CHIP FERRITE		
R904	RK73GB2A000J	MG RESISTOR	0Ω 1/10W J		L133	LB73G0AM-004	CHIP FERRITE		
R905	RK73GB2A332J	MG RESISTOR	3.3kΩ 1/10W J		L135	L41-4778-14	CHIP INDUCTOR		
R906	RK73GB2A000J	MG RESISTOR	0Ω 1/10W J		L136	L41-4778-14	CHIP INDUCTOR		
R907	RK73GB2A000J	MG RESISTOR	0Ω 1/10W J		L202	L41-1578-14	CHIP INDUCTOR		
R908	RK73GB2A000J	MG RESISTOR	0Ω 1/10W J		L203	L41-8278-14	CHIP INDUCTOR		
R909	RK73GB2A000J	MG RESISTOR	0Ω 1/10W J		L204	L41-3378-14	CHIP INDUCTOR		
R910	RK73GB2A000J	MG RESISTOR	0Ω 1/10W J		L205	L41-5678-14	CHIP INDUCTOR		
R911	RK73GB2A000J	MG RESISTOR	0Ω 1/10W J		L206	L34-4612-05	AIR CORE COIL		
R912	RK73GB2A000J	MG RESISTOR	0Ω 1/10W J		L208	L34-4616-05	AIR CORE COIL		
R913	RK73GB2A101J	MG RESISTOR	100Ω 1/10W J		L209	L34-4613-05	AIR CORE COIL		
R914	RK73GB2A104J	MG RESISTOR	100kΩ 1/10W J		L211	L41-1005-33	CHIP INDUCTOR		
R915	RK73GB2A101J	MG RESISTOR	100Ω 1/10W J		L212	L34-4612-05	AIR CORE COIL		
R916	RK73GB2A000J	MG RESISTOR	0Ω 1/10W J		L301	LB73G0AM-004	CHIP FERRITE		
R917	RK73GB2A102J	MG RESISTOR	1kΩ 1/10W J		L302	LB73G0AM-004	CHIP FERRITE		
R918	RK73GB2A101J	MG RESISTOR	100Ω 1/10W J		L303	LB73G0AM-004	CHIP FERRITE		
R919	RK73GB2A471J	MG RESISTOR	470Ω 1/10W J		L304	L41-1005-33	CHIP INDUCTOR		
R920	RK73GB2A101J	MG RESISTOR	100Ω 1/10W J		L305	L41-1005-33	CHIP INDUCTOR		
R921	RK73GB2A000J	MG RESISTOR	0Ω 1/10W J		L306	LB73G0BA-004	CHIP FERRITE		
R922	RK73GB2A221J	MG RESISTOR	220Ω 1/10W J		L307	L41-1005-33	CHIP INDUCTOR		
R923	RK73GB2A220J	MG RESISTOR	22Ω 1/10W J		L308	L41-3385-39	CHIP INDUCTOR		
R924	RK73GB2A150J	MG RESISTOR	15Ω 1/10W J		L309	L41-3985-39	CHIP INDUCTOR		
R925	RK73GB2A392J	MG RESISTOR	3.9kΩ 1/10W J		L310	L41-1095-33	CHIP INDUCTOR		
R926	RK73GB2A000J	MG RESISTOR	0Ω 1/10W J		L401	L41-3385-33	CHIP INDUCTOR		
R927	RK73GB2A000J	MG RESISTOR	0Ω 1/10W J		L402	L41-3985-33	CHIP INDUCTOR		
R928	RK73GB2A221J	MG RESISTOR	220Ω 1/10W J		L406	L41-1095-33	CHIP INDUCTOR		
R929	RK73GB2A220J	MG RESISTOR	22Ω 1/10W J		L407	L41-1005-33	CHIP INDUCTOR		
R930	RK73GB2A392J	MG RESISTOR	3.9kΩ 1/10W J		L408	L41-1095-33	CHIP INDUCTOR		
R931	RK73GB2A150J	MG RESISTOR	15Ω 1/10W J		L409	L41-1095-33	CHIP INDUCTOR		
R932	RK73GB2A392J	MG RESISTOR	3.9kΩ 1/10W J		L410	L41-3985-33	CHIP INDUCTOR		
R933	RK73GB2A103J	MG RESISTOR	10kΩ 1/10W J		L411	L41-3385-33	CHIP INDUCTOR		
R934	RK73GB2A101J	MG RESISTOR	100Ω 1/10W J		L412	L41-1005-33	CHIP INDUCTOR		
R935	RK73GB2A000J	MG RESISTOR	0Ω 1/10W J		L413	L41-1005-33	CHIP INDUCTOR		
R936	RK73GB2A103J	MG RESISTOR	10kΩ 1/10W J		L414	L41-1005-33	CHIP INDUCTOR		
R937	RK73GB2A102J	MG RESISTOR	1kΩ 1/10W J		L415	L41-1095-33	CHIP INDUCTOR		
R938	RK73GB2A102J	MG RESISTOR	1kΩ 1/10W J		L416	LB73G0BA-004	CHIP FERRITE		
R939	RK73GH2A224D	MG RESISTOR	220kΩ 1/10W D		L417	L41-1095-33	CHIP INDUCTOR		
R940	RK73GB2A000J	MG RESISTOR	0Ω 1/10W J		L418	L41-1095-33	CHIP INDUCTOR		
R941	RK73GH2A104D	MG RESISTOR	100kΩ 1/10W D		L419	L41-3985-33	CHIP INDUCTOR		
R942	RK73GH2A104D	MG RESISTOR	100kΩ 1/10W D		L420	L41-3985-33	CHIP INDUCTOR		
R943	RK73GB2A471J	MG RESISTOR	470Ω 1/10W J		L501	L41-3305-33	CHIP INDUCTOR		
R951	RK73GB2A332J	MG RESISTOR	3.3kΩ 1/10W J		L502	L41-5685-33	CHIP INDUCTOR		
R952	RK73GB2A332J	MG RESISTOR	3.3kΩ 1/10W J		L503	L41-6885-33	CHIP INDUCTOR		
R953	RK73GB2A000J	MG RESISTOR	0Ω 1/10W J		L505	L41-2295-33	CHIP INDUCTOR		
R954	RK73GB2A000J	MG RESISTOR	0Ω 1/10W J		L506	L41-3395-33	CHIP INDUCTOR		
R955	RK73GB2A000J	MG RESISTOR	0Ω 1/10W J		L507	L41-5685-33	CHIP INDUCTOR		
R956	RK73GB2A000J	MG RESISTOR	0Ω 1/10W J		L508	L41-6885-33	CHIP INDUCTOR		
R957	RK73GB2A000J	MG RESISTOR	0Ω 1/10W J		L509	L41-1005-33	CHIP INDUCTOR		
R958	RK73GB2A000J	MG RESISTOR	0Ω 1/10W J		L510	L41-1005-33	CHIP INDUCTOR		
					L511	L41-1085-06	CHIP INDUCTOR		
L101	L41-1005-33	CHIP INDUCTOR			L601	L41-3305-33	CHIP INDUCTOR		
L102	L41-1005-33	CHIP INDUCTOR			L602	L41-2295-33	CHIP INDUCTOR		
L103	L41-1005-33	CHIP INDUCTOR			L603	L41-3305-33	CHIP INDUCTOR		
L104	LB73G0BA-004	CHIP FERRITE			L604	L41-5685-33	CHIP INDUCTOR		
L106	LB73G0BA-004	CHIP FERRITE			L605	L41-3305-33	CHIP INDUCTOR		
L107	LB73G0BA-004	CHIP FERRITE			L606	L41-6885-33	CHIP INDUCTOR		
L108	L41-3985-33	CHIP INDUCTOR			L607	L41-3395-33	CHIP INDUCTOR		
L109	L41-1005-33	CHIP INDUCTOR			L608	L41-4795-33	CHIP INDUCTOR		
L110	L41-1005-33	CHIP INDUCTOR			L609	L41-1005-33	CHIP INDUCTOR		
L111	L41-2295-33	CHIP INDUCTOR			L610	L41-3395-33	CHIP INDUCTOR		
L112	L41-2295-33	CHIP INDUCTOR			L611	L41-3305-33	CHIP INDUCTOR		
L113	LB73G0BA-004	CHIP FERRITE			L612	L41-3305-33	CHIP INDUCTOR		
L114	L41-1005-33	CHIP INDUCTOR			L613	L41-2295-33	CHIP INDUCTOR		

△ Symbol No.	Part No.	Part Name	Description	Local	△ Symbol No.	Part No.	Part Name	Description	Local
L615	L41-6885-33	CHIP INDUCTOR			IC201	BU7261G	IC		
L616	L41-6885-33	CHIP INDUCTOR			IC202	BA2904FVM	IC		
L721	LB73G0BA-004	CHIP FERRITE			IC203	SKY72310362LF	IC		
L722	LB73G0BA-004	CHIP FERRITE			IC402	BA2904FVM	IC		
L801	LB73G0BA-004	CHIP FERRITE			IC403	ADL5801ACPZ	IC		
L802	LB73G0BA-004	CHIP FERRITE			IC404	BA2904FVM	IC		
L803	LR79Z0AA150M	CHIP INDUCTOR			IC405	BU7261G	IC		
L804	LB73G0BA-004	CHIP FERRITE			IC406	BA2904FVM	IC		
CN105	E23-1280-05	TERMINAL			IC407	BA2904FVM	IC		
CN106	E23-1280-05	TERMINAL			IC601	NJM2287V	IC		
CN108	E23-1280-05	TERMINAL			IC602	TC7W53FKF	IC		
CN109	E23-1280-05	TERMINAL			IC603	TC7W53FKF	IC		
CN110	E23-1280-05	TERMINAL			IC604	AD8051ART	IC		
CN111	E23-1280-05	TERMINAL			IC605	AD8051ART	IC		
CN112	E23-1280-05	TERMINAL			IC606	AD8051ART	IC		
CN113	E23-1280-05	TERMINAL			IC607	AD8051ART	IC		
CN115	E23-1280-05	TERMINAL			IC608	TC7W53FKF	IC		
CN116	E23-1280-05	TERMINAL			IC609	TC7W53FKF	IC		
CN117	E23-1280-05	TERMINAL			IC610	TC7W53FKF	IC		
CN118	E23-1280-05	TERMINAL			IC801	BU7242FVM	IC		
CN119	E23-1280-05	TERMINAL			IC802	BU7242FVM	IC		
CN120	E23-1280-05	TERMINAL			IC803	BA2904FVM	IC		
CN206	E23-1330-05	TERMINAL			Q1	LTC014EUBFS8	DIGI TRANSISTOR		
CN207	E04-0193-05	PIN SOCKET			Q2	2SJ506-E(S)	FET		
CN404	E04-0491-05	PIN SOCKET			Q201	2SC5108F/Y/	TRANSISTOR		
CN405	E04-0491-05	PIN SOCKET			Q202	2SC5108F/Y/	TRANSISTOR		
CN502	E04-0491-05	PIN SOCKET			Q203	EM6M2	FET		
CN601	E04-0491-05	PIN SOCKET			Q204	EM6M2	FET		
CN602	E04-0491-05	PIN SOCKET			Q205	MCH3914-H/8/	FET		
CN722	E40-6656-05	PIN ASSY			Q206	MCH3914-H/8/	FET		
CN723	E40-6656-05	PIN ASSY			Q207	MCH3914-H/8/	FET		
CN724	E40-6822-05	F.C.CONNECTOR			Q209	EM6M2	FET		
CN803	E41-2672-05	PIN ASSY			Q210	EM6M2	FET		
CN804	E41-2671-05	PIN ASSY			Q211	EM6M2	FET		
CN901	E41-1493-05	PIN ASSY			Q213	DSC90010(S)	TRANSISTOR		
CN902	E40-6656-05	PIN ASSY			Q215	2SC5108F/Y/	TRANSISTOR		
CN903	E41-1483-05	PIN ASSY			Q216	DSC90010(S)	TRANSISTOR		
CN951	E41-1493-05	PIN ASSY			Q217	SSM3K15AMFV	FET		
F801	FZA10BS-5R0	FUSE (CC)			Q401	2SC5108F/Y/	TRANSISTOR		
OT1	F10-3081-04	SHIELDING CASE			Q403	MT3S111P	TRANSISTOR		
S901	S70-0502-05	TACTILE PUSH SW			Q404	SSM3J334R	FET		
S902	S70-0502-05	TACTILE PUSH SW			Q405	SSM3K15AMFV	FET		
S903	S70-0502-05	TACTILE PUSH SW			Q406	DSC90010(S)	TRANSISTOR		
S904	S70-0502-05	TACTILE PUSH SW			Q601	MT3S111P	TRANSISTOR		
S905	S70-0502-05	TACTILE PUSH SW			Q602	MT3S111P	TRANSISTOR		
S906	S70-0502-05	TACTILE PUSH SW			Q603	SSM3J36TUT	FET		
TH201	NCP18WM154J03	THERMISTOR			Q604	EM6M2	FET		
X301	L77-1960-15	VCXO			Q605	MT3S111P	TRANSISTOR		
X401	L77-3066-05	VCXO			Q606	SSM3J36TUT	FET		
X601	L7H-0047-00	TCXO			Q607	EM6M2	FET		
					Q608	SSM3J36TUT	FET		
					Q609	EM6M2	FET		
					Q610	SSM3K15AMFV	FET		
					Q611	SSM3K15AMFV	FET		
					Q801	SSM3K15AMFV	FET		
					Q802	SSM3K15AMFV	FET		
					Q803	2SC5108F/Y/	TRANSISTOR		
					Q805	LSCR523EBFS8	TRANSISTOR		

RX UNIT

XC1-0660-10

Block No. [0][3]

△ Symbol No.	Part No.	Part Name	Description	Local	△ Symbol No.	Part No.	Part Name	Description	Local
IC1	NJM7805FA-ZB	IC			D1	DB2J40700	DIODE		
IC2	NJM78M05DL1AZB	IC			D201	DAN222WM	DIODE		
IC3	NJM78M05DL1AZB	IC			D202	DAN222WM	DIODE		
IC4	NJM78M05DL1AZB	IC			D203	BB664-02V	VARI CAP DIODE		
IC5	NJM2386ADL3-09	IC			D204	BB664-02V	VARI CAP DIODE		
IC6	MM1856A33N	IC			D205	BB664-02V	VARI CAP DIODE		
IC7	MM1856A33N	IC			D206	BB664-02V	VARI CAP DIODE		
IC8	TPS61041DRVR	IC			D207	BB664-02V	VARI CAP DIODE		
IC9	LM73CIMKX-0	IC			D208	BB664-02V	VARI CAP DIODE		
IC10	R2A20178NP	IC			D211	BB664-02V	VARI CAP DIODE		
IC11	BR24T04FVTW	IC			D212	BB664-02V	VARI CAP DIODE		
IC12	R2A20178NP	IC			D213	BB664-02V	VARI CAP DIODE		
IC13	TC7WH126FK	IC			D215	BBY56-02V	VARI CAP DIODE		
IC14	MCP23017TE/ML	IC			D216	BBY56-02V	VARI CAP DIODE		
IC15	TC7WH126FK	IC			D217	BBY56-02V	VARI CAP DIODE		
					D219	DA221	DIODE ARRAY		
					D221	SML-D12P8WKL	LED		
					D222	DZ2J180(M)	ZENER DIODE		

△ Symbol No.	Part No.	Part Name	Description	Local	△ Symbol No.	Part No.	Part Name	Description	Local
D404	BB664-02V	VARI CAP DIODE			D613	RN142S	DIODE		
D405	BB664-02V	VARI CAP DIODE			D614	RN142S	DIODE		
D406	BB664-02V	VARI CAP DIODE			D615	RN142S	DIODE		
D407	BB664-02V	VARI CAP DIODE			D616	RN142S	DIODE		
D408	BB664-02V	VARI CAP DIODE			D701	CES388	SCHOTTKY DIODE		
D409	BB664-02V	VARI CAP DIODE			D702	CES388	SCHOTTKY DIODE		
D410	BB664-02V	VARI CAP DIODE			C1	C92-0905-05	OS-CON	47uF 35V	
D411	BB664-02V	VARI CAP DIODE			C5	CK73GBB1H102K	C CAPACITOR	1000pF 50V K	
D412	BB664-02V	VARI CAP DIODE			C6	CK73GBB1H103K	C CAPACITOR	0.01uF 50V K	
D413	BB664-02V	VARI CAP DIODE			C7	CK73GBB1H103K	C CAPACITOR	0.01uF 50V K	
D414	BB664-02V	VARI CAP DIODE			C8	CK73GBB1H103K	C CAPACITOR	0.01uF 50V K	
D415	BB664-02V	VARI CAP DIODE			C9	CK73GBB1H103K	C CAPACITOR	0.01uF 50V K	
D418	RN142S	DIODE			C10	CK73GBB1H103K	C CAPACITOR	0.01uF 50V K	
D419	RN142S	DIODE			C11	CK73GBB1H102K	C CAPACITOR	1000pF 50V K	
D422	BB664-02V	VARI CAP DIODE			C12	CK73GBB1H102K	C CAPACITOR	1000pF 50V K	
D423	BB664-02V	VARI CAP DIODE			C13	CK73GBB1H102K	C CAPACITOR	1000pF 50V K	
D424	BB664-02V	VARI CAP DIODE			C14	CK73GBB1H102K	C CAPACITOR	1000pF 50V K	
D425	BB664-02V	VARI CAP DIODE			C15	CE32CL1V100M	E CAPACITOR	10uF 35V M	
D426	BB664-02V	VARI CAP DIODE			C16	CK73GBB1H103K	C CAPACITOR	0.01uF 50V K	
D427	BB664-02V	VARI CAP DIODE			C17	CK73GBB1H102K	C CAPACITOR	1000pF 50V K	
D428	BB664-02V	VARI CAP DIODE			C18	CE32CL1V100M	E CAPACITOR	10uF 35V M	
D429	BB664-02V	VARI CAP DIODE			C19	CE32CL1V100M	E CAPACITOR	10uF 35V M	
D430	BB664-02V	VARI CAP DIODE			C20	CE32CL1V100M	E CAPACITOR	10uF 35V M	
D431	BB664-02V	VARI CAP DIODE			C21	CK73GBB1H102K	C CAPACITOR	1000pF 50V K	
D432	BB664-02V	VARI CAP DIODE			C22	CK73GBB1H102K	C CAPACITOR	1000pF 50V K	
D433	BB664-02V	VARI CAP DIODE			C23	CK73GBB1H102K	C CAPACITOR	1000pF 50V K	
D434	BB664-02V	VARI CAP DIODE			C25	CE32BM1V220M	E CAPACITOR	22uF 35V M	
D435	BB664-02V	VARI CAP DIODE			C26	CK73GB1E105K	C CAPACITOR	1uF 25V K	
D436	BB664-02V	VARI CAP DIODE			C27	CK73GBB1H102K	C CAPACITOR	1000pF 50V K	
D437	BB664-02V	VARI CAP DIODE			C28	CK73GB1E105K	C CAPACITOR	1uF 25V K	
D438	BB664-02V	VARI CAP DIODE			C29	CK73GB1E105K	C CAPACITOR	1uF 25V K	
D439	BB664-02V	VARI CAP DIODE			C30	CK73GBB1H102K	C CAPACITOR	1000pF 50V K	
D440	BB664-02V	VARI CAP DIODE			C31	CK73GBB1H102K	C CAPACITOR	1000pF 50V K	
D441	BB664-02V	VARI CAP DIODE			C32	CK73GB1E105K	C CAPACITOR	1uF 25V K	
D442	BB664-02V	VARI CAP DIODE			C33	CK73FXR1E475K	C CAPACITOR	4.7uF 25V K	
D443	BB664-02V	VARI CAP DIODE			C34	CK73GB1E105K	C CAPACITOR	1uF 25V K	
D444	BB664-02V	VARI CAP DIODE			C35	CK73GB1E105K	C CAPACITOR	1uF 25V K	
D445	BB664-02V	VARI CAP DIODE			C36	CK73GBB1H103K	C CAPACITOR	0.01uF 50V K	
D446	BB664-02V	VARI CAP DIODE			C37	CK73GBB1H103K	C CAPACITOR	0.01uF 50V K	
D447	BB664-02V	VARI CAP DIODE			C38	CC73GCH1H391J	C CAPACITOR	390pF 50V J	
D448	BB664-02V	VARI CAP DIODE			C39	CK73GB1H104K	C CAPACITOR	0.1uF 50V K	
D449	BB664-02V	VARI CAP DIODE			C40	CK73EB1H475KM	C CAPACITOR	4.7uF 50V M	
D450	BB664-02V	VARI CAP DIODE			C48	CK73GB1E105K	C CAPACITOR	1uF 25V K	
D451	BB664-02V	VARI CAP DIODE			C49	CK73GB1H104K	C CAPACITOR	0.1uF 50V K	
D452	BB664-02V	VARI CAP DIODE			C50	CK73GBB1H103K	C CAPACITOR	0.01uF 50V K	
D453	BB664-02V	VARI CAP DIODE			C51	CK73GB1H104K	C CAPACITOR	0.1uF 50V K	
D454	BB664-02V	VARI CAP DIODE			C52	CK73GBB1H102K	C CAPACITOR	1000pF 50V K	
D455	BB664-02V	VARI CAP DIODE			C53	CC73GCH1H101J	C CAPACITOR	100pF 50V J	
D456	BB664-02V	VARI CAP DIODE			C54	CE32CL1V100M	E CAPACITOR	10uF 35V M	
D457	BB664-02V	VARI CAP DIODE			C59	CC73GCH1H101J	C CAPACITOR	100pF 50V J	
D458	BB664-02V	VARI CAP DIODE			C63	CK73GB1E105K	C CAPACITOR	1uF 25V K	
D459	BB664-02V	VARI CAP DIODE			C65	CK73GB1H104K	C CAPACITOR	0.1uF 50V K	
D460	BB664-02V	VARI CAP DIODE			C87	CK73GB1H104K	C CAPACITOR	0.1uF 50V K	
D461	BB664-02V	VARI CAP DIODE			C89	CK73GB1E105K	C CAPACITOR	1uF 25V K	
D462	BB664-02V	VARI CAP DIODE			C92	CE32BM1V220M	E CAPACITOR	22uF 35V M	
D463	BB664-02V	VARI CAP DIODE			C201	CK73GBB1H102K	C CAPACITOR	1000pF 50V K	
D464	BB664-02V	VARI CAP DIODE			C202	CK73GBB1H102K	C CAPACITOR	1000pF 50V K	
D465	BB664-02V	VARI CAP DIODE			C203	CC73GCH1H100C	C CAPACITOR	10pF 50V C	
D466	BB664-02V	VARI CAP DIODE			C204	CC73GCH1H100C	C CAPACITOR	10pF 50V C	
D467	BB664-02V	VARI CAP DIODE			C205	CC73GCH1H220G	C CAPACITOR	22pF 50V G	
D468	BB664-02V	VARI CAP DIODE			C206	CC73GCH1H080B	C CAPACITOR	8pF 50V B	
D469	BB664-02V	VARI CAP DIODE			C207	CC73GCH1H080B	C CAPACITOR	8pF 50V B	
D470	BB664-02V	VARI CAP DIODE			C208	CK73GBB1H102K	C CAPACITOR	1000pF 50V K	
D471	BB664-02V	VARI CAP DIODE			C209	CK73GBB1H102K	C CAPACITOR	1000pF 50V K	
D472	BB664-02V	VARI CAP DIODE			C210	CK73GBB1H102K	C CAPACITOR	1000pF 50V K	
D473	BB664-02V	VARI CAP DIODE			C211	CK73GBB1H102K	C CAPACITOR	1000pF 50V K	
D601	RN142S	DIODE			C212	CK73GBB1H102K	C CAPACITOR	1000pF 50V K	
D602	RN142S	DIODE			C213	CK73GBB1H102K	C CAPACITOR	1000pF 50V K	
D603	RN142S	DIODE			C214	CC73GCH1H010B	C CAPACITOR	1pF 50V B	
D604	RN142S	DIODE			C215	CC73GCH1H010B	C CAPACITOR	1pF 50V B	
D605	RN142S	DIODE			C216	CC73GCH1H010B	C CAPACITOR	1pF 50V B	
D606	RN142S	DIODE			C218	CC73GCH1H080B	C CAPACITOR	8pF 50V B	
D607	RN142S	DIODE			C219	CC73GCH1H080B	C CAPACITOR	8pF 50V B	
D608	RN142S	DIODE			C220	CC73GCH1H080B	C CAPACITOR	8pF 50V B	
D609	RN142S	DIODE			C222	CC73GCH1H080B	C CAPACITOR	8pF 50V B	
D610	RN142S	DIODE			C223	CC73GCH1H080B	C CAPACITOR	8pF 50V B	
D611	RN142S	DIODE			C224	CC73GCH1H080B	C CAPACITOR	8pF 50V B	
D612	RN142S	DIODE							

△ Symbol No.	Part No.	Part Name	Description	Local	△ Symbol No.	Part No.	Part Name	Description	Local
C226	CC73GCH1H150G	C CAPACITOR	15pF 50V G		C409	CK73GGBB1H102K	C CAPACITOR	1000pF 50V K	
C227	CC73GCH1H120G	C CAPACITOR	12pF 50V G		C410	CK73GGBB1H102K	C CAPACITOR	1000pF 50V K	
C228	CC73GCH1H100C	C CAPACITOR	10pF 50V C		C411	CK73GGBB1H102K	C CAPACITOR	1000pF 50V K	
C230	CK73GGBB1H102K	C CAPACITOR	1000pF 50V K		C412	CK73GB1H104K	C CAPACITOR	0.1uF 50V K	
C231	CK73GGBB1H102K	C CAPACITOR	1000pF 50V K		C413	CK73GGBB1H102K	C CAPACITOR	1000pF 50V K	
C232	CK73GGBB1H102K	C CAPACITOR	1000pF 50V K		C414	CC73GCH1H080B	C CAPACITOR	8pF 50V B	
C234	CK73GGBB1H102K	C CAPACITOR	1000pF 50V K		C416	CC73GCH1H180J	C CAPACITOR	18pF 50V J	
C235	CK73GGBB1H102K	C CAPACITOR	1000pF 50V K		C419	CK73GGBB1H102K	C CAPACITOR	1000pF 50V K	
C236	CK73GGBB1H102K	C CAPACITOR	1000pF 50V K		C421	CC73GCH1H270G	C CAPACITOR	27pF 50V G	
C238	CK73GGBB1H103K	C CAPACITOR	0.01uF 50V K		C422	CK73GGBB1H103K	C CAPACITOR	0.01uF 50V K	
C239	CC73GCH1H070B	C CAPACITOR	7pF 50V B		C424	CK73GGBB1H103K	C CAPACITOR	0.01uF 50V K	
C240	CK73GGBB1H103K	C CAPACITOR	0.01uF 50V K		C426	CK73GGBB1H102K	C CAPACITOR	1000pF 50V K	
C241	CC73GCH1H050B	C CAPACITOR	5pF 50V B		C428	CC73GCH1H270G	C CAPACITOR	27pF 50V G	
C242	CK73GGBB1H103K	C CAPACITOR	0.01uF 50V K		C430	CK73GGBB1H103K	C CAPACITOR	0.01uF 50V K	
C243	CC73GCH1H4R5B	C CAPACITOR	4.5pF 50V B		C431	CK73GGBB1H103K	C CAPACITOR	0.01uF 50V K	
C250	CC73GCH1H330G	C CAPACITOR	33pF 50V G		C432	CK73GGBB1H102K	C CAPACITOR	1000pF 50V K	
C251	CC73GCH1H270G	C CAPACITOR	27pF 50V G		C433	CK73GGBB1H102K	C CAPACITOR	1000pF 50V K	
C252	CC73GCH1H220G	C CAPACITOR	22pF 50V G		C434	CC73GCH1H150G	C CAPACITOR	15pF 50V G	
C254	CC73GCH1H010B	C CAPACITOR	1pF 50V B		C436	CK73GGBB1H102K	C CAPACITOR	1000pF 50V K	
C255	CC73GCH1H020B	C CAPACITOR	2pF 50V B		C437	CK73GGBB1H102K	C CAPACITOR	1000pF 50V K	
C256	CC73GCH1H030B	C CAPACITOR	3pF 50V B		C438	CC73GCH1H070B	C CAPACITOR	7pF 50V B	
C258	CK73GGBB1H102K	C CAPACITOR	1000pF 50V K		C439	CK73GGBB1H102K	C CAPACITOR	1000pF 50V K	
C259	CK73GGBB1H102K	C CAPACITOR	1000pF 50V K		C440	CK73GGBB1H102K	C CAPACITOR	1000pF 50V K	
C260	CK73GGBB1H102K	C CAPACITOR	1000pF 50V K		C441	CK73GGBB1H102K	C CAPACITOR	1000pF 50V K	
C262	CK73GGBB1H102K	C CAPACITOR	1000pF 50V K		C442	CK73GGBB1H102K	C CAPACITOR	1000pF 50V K	
C263	CK73GGBB1H102K	C CAPACITOR	1000pF 50V K		C443	CK73GGBB1H102K	C CAPACITOR	1000pF 50V K	
C264	CK73GGBB1H102K	C CAPACITOR	1000pF 50V K		C444	CK73GGBB1H103K	C CAPACITOR	0.01uF 50V K	
C270	CC73GCH1H101J	C CAPACITOR	100pF 50V J		C445	CK73GGBB1H103K	C CAPACITOR	0.01uF 50V K	
C271	CC73GCH1H101J	C CAPACITOR	100pF 50V J		C446	CK73GGBB1H103K	C CAPACITOR	0.01uF 50V K	
C272	CC73GCH1H101J	C CAPACITOR	100pF 50V J		C447	CK73GGBB1H102K	C CAPACITOR	1000pF 50V K	
C274	CE32CL1V100M	E CAPACITOR	10uF 35V M		C449	CC73GCH1H150G	C CAPACITOR	15pF 50V G	
C275	CK73GGBB1H102K	C CAPACITOR	1000pF 50V K		C450	CC73GCH1H080B	C CAPACITOR	8pF 50V B	
C276	CC730AD1H104J	C CAPACITOR	0.1uF 50V J		C451	CK73GGBB1H102K	C CAPACITOR	1000pF 50V K	
C277	CS77ABE1D100M	TA E CAPACITOR	10uF 20V M		C452	CK73GGBB1H102K	C CAPACITOR	1000pF 50V K	
C278	CS77ABE1D100M	TA E CAPACITOR	10uF 20V M		C453	CK73GGBB1H102K	C CAPACITOR	1000pF 50V K	
C279	CK73GGBB1H102K	C CAPACITOR	1000pF 50V K		C454	CC73GCH1H150G	C CAPACITOR	15pF 50V G	
C280	CC73GCH1H100C	C CAPACITOR	10pF 50V C		C456	CC73GCH1H030B	C CAPACITOR	3pF 50V B	
C281	CK73GGBB1H103K	C CAPACITOR	0.01uF 50V K		C457	CC73GCH1H270G	C CAPACITOR	27pF 50V G	
C282	CK73GGBB1H102K	C CAPACITOR	1000pF 50V K		C458	CC73GCH1H180G	C CAPACITOR	18pF 50V G	
C284	CK73GGBB1H102K	C CAPACITOR	1000pF 50V K		C459	CK73GGBB1H102K	C CAPACITOR	1000pF 50V K	
C285	CC73GCH1H040B	C CAPACITOR	4pF 50V B		C460	CK73GGBB1H102K	C CAPACITOR	1000pF 50V K	
C286	CC73GCH1H330G	C CAPACITOR	33pF 50V G		C461	CK73GGBB1H102K	C CAPACITOR	1000pF 50V K	
C287	CK73GGBB1H102K	C CAPACITOR	1000pF 50V K		C462	CC73GCH1H270G	C CAPACITOR	27pF 50V G	
C288	CC73GCH1H100C	C CAPACITOR	10pF 50V C		C463	CK73GB1H104K	C CAPACITOR	0.1uF 50V K	
C289	CE32CL1V100M	E CAPACITOR	10uF 35V M		C464	CC73GCH1H030B	C CAPACITOR	3pF 50V B	
C290	CS77MA1VR47M	TA E CAPACITOR	0.47uF 35V M		C465	CK73GGBB1H102K	C CAPACITOR	1000pF 50V K	
C291	CC73GCH1H101J	C CAPACITOR	100pF 50V J		C467	CC73GCH1H030B	C CAPACITOR	3pF 50V B	
C292	CC73GCH1H180J	C CAPACITOR	18pF 50V J		C468	CC73GCH1H270G	C CAPACITOR	27pF 50V G	
C293	CC73GCH1H100C	C CAPACITOR	10pF 50V C		C469	CK73GGBB1H102K	C CAPACITOR	1000pF 50V K	
C294	CE32CL1V100M	E CAPACITOR	10uF 35V M		C470	CK73GGBB1H102K	C CAPACITOR	1000pF 50V K	
C296	CC73GCH1H100C	C CAPACITOR	10pF 50V C		C471	CC73GCH1H180G	C CAPACITOR	18pF 50V G	
C297	CK73GGBB1H102K	C CAPACITOR	1000pF 50V K		C472	CK73GGBB1H102K	C CAPACITOR	1000pF 50V K	
C298	CS77ABE1D100M	TA E CAPACITOR	10uF 20V M		C473	CC73GCH1H270G	C CAPACITOR	27pF 50V G	
C300	CE32CL1V100M	E CAPACITOR	10uF 35V M		C474	CK73GGBB1H102K	C CAPACITOR	1000pF 50V K	
C301	CK73GB1H104K	C CAPACITOR	0.1uF 50V K		C475	CC73GCH1H030B	C CAPACITOR	3pF 50V B	
C302	CC73GCH1H030B	C CAPACITOR	3pF 50V B		C476	CK73GB1H104K	C CAPACITOR	0.1uF 50V K	
C303	CK73GB1H105K	C CAPACITOR	1uF 50V K		C479	CK73GGBB1H102K	C CAPACITOR	1000pF 50V K	
C304	CC73GCH1H180J	C CAPACITOR	18pF 50V J		C480	CC73GCH1H101J	C CAPACITOR	100pF 50V J	
C305	CK73GGBB1H103K	C CAPACITOR	0.01uF 50V K		C482	CC73GCH1H101J	C CAPACITOR	100pF 50V J	
C306	CC73GCH1H101J	C CAPACITOR	100pF 50V J		C484	CC73GCH1H100C	C CAPACITOR	10pF 50V C	
C307	CS77MA1V0R1M	TA E CAPACITOR	0.1uF 35V M		C486	CK73GGBB1H102K	C CAPACITOR	1000pF 50V K	
C308	CK73GGBB1H103K	C CAPACITOR	0.01uF 50V K		C488	CK73GGBB1H102K	C CAPACITOR	1000pF 50V K	
C309	CK73GGBB1H103K	C CAPACITOR	0.01uF 50V K		C489	CK73GGBB1H102K	C CAPACITOR	1000pF 50V K	
C311	CK73GGBB1H102K	C CAPACITOR	1000pF 50V K		C490	CC73GCH1H010B	C CAPACITOR	1pF 50V B	
C312	CK73GB1H471K	C CAPACITOR	470pF 50V K		C492	CK73GB1H104K	C CAPACITOR	0.1uF 50V K	
C313	CE32BM1E470M	E CAPACITOR	47uF 25V M		C493	CK73GB1H104K	C CAPACITOR	0.1uF 50V K	
C314	CK73GGBB1H102K	C CAPACITOR	1000pF 50V K		C494	CK73GGBB1H102K	C CAPACITOR	1000pF 50V K	
C315	CK73GB1H471K	C CAPACITOR	470pF 50V K		C497	CC73GCH1H030B	C CAPACITOR	3pF 50V B	
C316	CC73GCH1H101J	C CAPACITOR	100pF 50V J		C500	CK73GGBB1H102K	C CAPACITOR	1000pF 50V K	
C317	CC73GCH1H101J	C CAPACITOR	100pF 50V J		C503	CC73GCH1H030B	C CAPACITOR	3pF 50V B	
C318	CC73GCH1H101J	C CAPACITOR	100pF 50V J		C504	CC73GCH1H330G	C CAPACITOR	33pF 50V G	
C319	CK73GB1H471K	C CAPACITOR	470pF 50V K		C505	CC73GCH1H180G	C CAPACITOR	18pF 50V G	
C320	CK73GB1H471K	C CAPACITOR	470pF 50V K		C506	CK73GGBB1H102K	C CAPACITOR	1000pF 50V K	
C321	CK73GGBB1H103K	C CAPACITOR	0.01uF 50V K		C507	CK73GGBB1H102K	C CAPACITOR	1000pF 50V K	
C322	CK73GB1H471K	C CAPACITOR	470pF 50V K		C508	CK73GGBB1H102K	C CAPACITOR	1000pF 50V K	
C401	CK73GGBB1H102K	C CAPACITOR	1000pF 50V K		C509	CC73GCH1H330G	C CAPACITOR	33pF 50V G	
C405	CK73GGBB1H102K	C CAPACITOR	1000pF 50V K		C510	CK73GB1H104K	C CAPACITOR	0.1uF 50V K	
C408	CK73GGBB1H103K	C CAPACITOR	0.01uF 50V K		C511	CC73GCH1H030B	C CAPACITOR	3pF 50V B	

△ Symbol No.	Part No.	Part Name	Description	Local	△ Symbol No.	Part No.	Part Name	Description	Local
C512	CK73GBB1H102K	C CAPACITOR	1000pF 50V K		C676	CK73GB1H104K	C CAPACITOR	0.1uF 50V K	
C514	CC73GCH1H030B	C CAPACITOR	3pF 50V B		C677	CK73GB1H104K	C CAPACITOR	0.1uF 50V K	
C515	CC73GCH1H270G	C CAPACITOR	27pF 50V G		C678	CK73GB1H104K	C CAPACITOR	0.1uF 50V K	
C516	CK73GBB1H102K	C CAPACITOR	1000pF 50V K		C679	CK73GB1H104K	C CAPACITOR	0.1uF 50V K	
C517	CK73GBB1H102K	C CAPACITOR	1000pF 50V K		C680	CK73GB1H104K	C CAPACITOR	0.1uF 50V K	
C518	CC73GCH1H180G	C CAPACITOR	18pF 50V G		C681	CK73GB1H104K	C CAPACITOR	0.1uF 50V K	
C519	CK73GBB1H102K	C CAPACITOR	1000pF 50V K		C682	CK73GB1H104K	C CAPACITOR	0.1uF 50V K	
C520	CC73GCH1H270G	C CAPACITOR	27pF 50V G		C683	CK73GBB1H103K	C CAPACITOR	0.01uF 50V K	
C521	CC73GCH1H030B	C CAPACITOR	3pF 50V B		C684	CK73GB1H104K	C CAPACITOR	0.1uF 50V K	
C526	CK73GBB1H102K	C CAPACITOR	1000pF 50V K		C685	CK73GB1H104K	C CAPACITOR	0.1uF 50V K	
C527	CC73GCH1H150G	C CAPACITOR	15pF 50V G		C686	CK73GB1H104K	C CAPACITOR	0.1uF 50V K	
C530	CC73GCH1H060B	C CAPACITOR	6pF 50V B		C687	CK73GB1H104K	C CAPACITOR	0.1uF 50V K	
C531	CC73GCH1H330G	C CAPACITOR	33pF 50V G		C688	CC73GCH1H151J	C CAPACITOR	150pF 50V J	
C533	CK73GBB1H102K	C CAPACITOR	1000pF 50V K		C689	CK73GB1H104K	C CAPACITOR	0.1uF 50V K	
C534	CC73GCH1H060B	C CAPACITOR	6pF 50V B		C690	CK73GB1H104K	C CAPACITOR	0.1uF 50V K	
C535	CC73GCH1H330G	C CAPACITOR	33pF 50V G		C691	CK73GB1E474K	C CAPACITOR	0.47uF 25V K	
C537	CS77MA1V2R2M	TA E CAPACITOR	2.2uF 35V M		C693	CK73GB1H104K	C CAPACITOR	0.1uF 50V K	
C538	CS77MA1V2R2M	TA E CAPACITOR	2.2uF 35V M		C694	CK73GB1H104K	C CAPACITOR	0.1uF 50V K	
C539	CC73GCH1H060B	C CAPACITOR	6pF 50V B		C695	CK73GB1H104K	C CAPACITOR	0.1uF 50V K	
C540	CC73GCH1H220G	C CAPACITOR	22pF 50V G		C696	CK73GB1H104K	C CAPACITOR	0.1uF 50V K	
C542	CK73GBB1H102K	C CAPACITOR	1000pF 50V K		C697	CK73GBB1H473K	C CAPACITOR	0.047uF 50V K	
C544	CK73GBB1H102K	C CAPACITOR	1000pF 50V K		C698	CC73GCH1H180J	C CAPACITOR	18pF 50V J	
C545	CC73GCH1H180G	C CAPACITOR	18pF 50V G		C699	CK73GB1H104K	C CAPACITOR	0.1uF 50V K	
C546	CC73GCH1H180G	C CAPACITOR	18pF 50V G		C701	CK73GBB1H103K	C CAPACITOR	0.01uF 50V K	
C547	CC73GCH1H180G	C CAPACITOR	18pF 50V G		C705	CK73GB1H104K	C CAPACITOR	0.1uF 50V K	
C548	CC73GCH1H180G	C CAPACITOR	18pF 50V G		C706	CK73GB1H104K	C CAPACITOR	0.1uF 50V K	
C601	CK73GBB1H103K	C CAPACITOR	0.01uF 50V K		C708	CK73GBB1H103K	C CAPACITOR	0.01uF 50V K	
C602	CK73GBB1H103K	C CAPACITOR	0.01uF 50V K		C709	CK73GB1H104K	C CAPACITOR	0.1uF 50V K	
C603	CC73GCH1H270G	C CAPACITOR	27pF 50V G		C710	CK73GB1H104K	C CAPACITOR	0.1uF 50V K	
C604	CC73GCH1H820J	C CAPACITOR	82pF 50V J		C711	CK73GBB1H103K	C CAPACITOR	0.01uF 50V K	
C605	CK73GBB1H103K	C CAPACITOR	0.01uF 50V K		C712	CK73GB1H104K	C CAPACITOR	0.1uF 50V K	
C606	CK73GBB1H103K	C CAPACITOR	0.01uF 50V K		C713	CK73GB1H104K	C CAPACITOR	0.1uF 50V K	
C607	CK73GBB1H103K	C CAPACITOR	0.01uF 50V K		C714	CK73GBB1H473K	C CAPACITOR	0.047uF 50V K	
C608	CK73GBB1H103K	C CAPACITOR	0.01uF 50V K		C715	CK73GB1H104K	C CAPACITOR	0.1uF 50V K	
C609	CK73GBB1H103K	C CAPACITOR	0.01uF 50V K		C716	CK73GB1E474K	C CAPACITOR	0.47uF 25V K	
C612	CC73GCH1H180G	C CAPACITOR	18pF 50V G		C717	CK73GBB1H473K	C CAPACITOR	0.047uF 50V K	
C613	CC73GCH1H180G	C CAPACITOR	18pF 50V G		C718	CK73GB1H104K	C CAPACITOR	0.1uF 50V K	
C614	CC73GCH1H150G	C CAPACITOR	15pF 50V G		C719	CK73GB1E474K	C CAPACITOR	0.47uF 25V K	
C615	CC73GCH1H180G	C CAPACITOR	18pF 50V G		C720	CK73GBB1H473K	C CAPACITOR	0.047uF 50V K	
C618	CK73GBB1H103K	C CAPACITOR	0.01uF 50V K		C721	CK73GB1H104K	C CAPACITOR	0.1uF 50V K	
C619	CK73GBB1H103K	C CAPACITOR	0.01uF 50V K		C722	CK73GB1E474K	C CAPACITOR	0.47uF 25V K	
C624	CK73GB1E474K	C CAPACITOR	0.47uF 25V K		C723	CK73GBB1H473K	C CAPACITOR	0.047uF 50V K	
C625	CK73GBB1H473K	C CAPACITOR	0.047uF 50V K		C724	CK73GB1H104K	C CAPACITOR	0.1uF 50V K	
C626	CK73GB1H104K	C CAPACITOR	0.1uF 50V K		C725	CK73GB1E474K	C CAPACITOR	0.47uF 25V K	
C627	CK73GB1H104K	C CAPACITOR	0.1uF 50V K		C726	CK73GBB1H103K	C CAPACITOR	0.01uF 50V K	
C628	CK73GBB1H473K	C CAPACITOR	0.047uF 50V K		C730	CC73GCH1H130J	C CAPACITOR	13pF 50V J	
C629	CK73GBB1H103K	C CAPACITOR	0.01uF 50V K		C731	CC73GCH1H200J	C CAPACITOR	20pF 50V J	
C630	CK73GBB1H473K	C CAPACITOR	0.047uF 50V K		C734	CC73GCH1H1R5B	C CAPACITOR	1.5pF 50V B	
C631	CK73GBB1H103K	C CAPACITOR	0.01uF 50V K		C801	CC73GCH1H121J	C CAPACITOR	120pF 50V J	
C632	CK73GB1E105K	C CAPACITOR	1uF 25V K		C802	CC73GCH1H121J	C CAPACITOR	120pF 50V J	
C633	CK73GBB1H102K	C CAPACITOR	1000pF 50V K		C804	CC73GCH1H221J	C CAPACITOR	220pF 50V J	
C634	CK73GB1E105K	C CAPACITOR	1uF 25V K		C805	CK73GBB1H103K	C CAPACITOR	0.01uF 50V K	
C635	CK73GBB1H102K	C CAPACITOR	1000pF 50V K		C806	CC73GCH1H100C	C CAPACITOR	10pF 50V C	
C636	CK73GBB1H102K	C CAPACITOR	1000pF 50V K		C809	CK73GBB1H103K	C CAPACITOR	0.01uF 50V K	
C638	CK73GBB1H102K	C CAPACITOR	1000pF 50V K		C810	CK73GB1H104K	C CAPACITOR	0.1uF 50V K	
C639	CK73GBB1H102K	C CAPACITOR	1000pF 50V K		C813	CK73GBB1H103K	C CAPACITOR	0.01uF 50V K	
C640	CK73GB1H104K	C CAPACITOR	0.1uF 50V K		C814	CC73GCH1H120G	C CAPACITOR	12pF 50V G	
C645	CK73GB1H104K	C CAPACITOR	0.1uF 50V K		C816	CK73GB1H104K	C CAPACITOR	0.1uF 50V K	
C646	CK73GBB1H102K	C CAPACITOR	1000pF 50V K		C818	CC73GCH1H680J	C CAPACITOR	68pF 50V J	
C649	CK73GBB1H103K	C CAPACITOR	0.01uF 50V K		C819	CK73GB1H471K	C CAPACITOR	470pF 50V K	
C650	CK73GBB1H103K	C CAPACITOR	0.01uF 50V K		C820	CK73GBB1H103K	C CAPACITOR	0.01uF 50V K	
C653	CK73GBB1H103K	C CAPACITOR	0.01uF 50V K		C821	CC73GCH1H101J	C CAPACITOR	100pF 50V J	
C658	CK73GB1H104K	C CAPACITOR	0.1uF 50V K		C822	CK73GBB1H103K	C CAPACITOR	0.01uF 50V K	
C659	CC73GCH1H120G	C CAPACITOR	12pF 50V G		C823	CK73GB1H104K	C CAPACITOR	0.1uF 50V K	
C660	CC73GCH1H120G	C CAPACITOR	12pF 50V G		C824	CC73GCH1H680J	C CAPACITOR	68pF 50V J	
C661	CK73GB1H104K	C CAPACITOR	0.1uF 50V K		C825	CK73GBB1H103K	C CAPACITOR	0.01uF 50V K	
C662	CK73GB1H104K	C CAPACITOR	0.1uF 50V K		C826	CK73GB1H104K	C CAPACITOR	0.1uF 50V K	
C663	CC73GCH1H180J	C CAPACITOR	18pF 50V J		C827	CK73GB1H104K	C CAPACITOR	0.1uF 50V K	
C664	CC73GCH1H180G	C CAPACITOR	18pF 50V G		C828	CK73GBB1H103K	C CAPACITOR	0.01uF 50V K	
C665	CK73GB1H104K	C CAPACITOR	0.1uF 50V K		C829	CC73GCH1H470J	C CAPACITOR	47pF 50V J	
C666	CK73GB1H104K	C CAPACITOR	0.1uF 50V K		C830	CC73GCH1H470J	C CAPACITOR	47pF 50V J	
C667	CK73GB1H104K	C CAPACITOR	0.1uF 50V K		C831	CK73GBB1H103K	C CAPACITOR	0.01uF 50V K	
C668	CK73GB1H104K	C CAPACITOR	0.1uF 50V K		C832	CK73GBB1H103K	C CAPACITOR	0.01uF 50V K	
C671	CK73GBB1H103K	C CAPACITOR	0.01uF 50V K		C833	CK73GB1H471K	C CAPACITOR	470pF 50V K	
C672	CK73GBB1H103K	C CAPACITOR	0.01uF 50V K		C841	CK73GBB1H103K	C CAPACITOR	0.01uF 50V K	
C673	CK73GBB1H103K	C CAPACITOR	0.01uF 50V K		TC601	C05-0611-05	TRIM CAPACITOR		
C674	CK73GBB1H103K	C CAPACITOR	0.01uF 50V K		TC602	C05-0611-05	TRIM CAPACITOR		
C675	CK73GB1H104K	C CAPACITOR	0.1uF 50V K		TC603	C05-0611-05	TRIM CAPACITOR		

△ Symbol No.	Part No.	Part Name	Description	Local	△ Symbol No.	Part No.	Part Name	Description	Local
TC604	C05-0611-05	TRIM CAPACITOR			R233	RK73GB2A474J	MG RESISTOR	470kΩ 1/10W J	
TC605	C05-0611-05	TRIM CAPACITOR			R234	RN73GE1J680D	MF RESISTOR	68Ω 0.063W D	
TC606	C05-0611-05	TRIM CAPACITOR			R235	RN73GE1J680D	MF RESISTOR	68Ω 0.063W D	
TC607	C05-0611-05	TRIM CAPACITOR			R236	RN73GE1J680D	MF RESISTOR	68Ω 0.063W D	
TC608	C05-0611-05	TRIM CAPACITOR			R242	RK73GB2A474J	MG RESISTOR	470kΩ 1/10W J	
R1	RK73GB2A103J	MG RESISTOR	10kΩ 1/10W J		R243	RK73GB2A474J	MG RESISTOR	470kΩ 1/10W J	
R2	RK73GB2A102J	MG RESISTOR	1kΩ 1/10W J		R244	RK73GB2A474J	MG RESISTOR	470kΩ 1/10W J	
R3	RK73GB2A000J	MG RESISTOR	0Ω 1/10W J		R246	RK73GB2A000J	MG RESISTOR	0Ω 1/10W J	
R4	RK73GB2A000J	MG RESISTOR	0Ω 1/10W J		R248	RK73GB2A8R2J	MG RESISTOR	8.2Ω 1/10W J	
R5	RK73GB2A100J	MG RESISTOR	10Ω 1/10W J		R249	RK73GB2A102J	MG RESISTOR	1kΩ 1/10W J	
R6	RK73GB2A100J	MG RESISTOR	10Ω 1/10W J		R251	RK73GB2A151J	MG RESISTOR	150Ω 1/10W J	
R7	RK73GB2A000J	MG RESISTOR	0Ω 1/10W J		R252	RK73GB2A102J	MG RESISTOR	1kΩ 1/10W J	
R8	RK73GB2A000J	MG RESISTOR	0Ω 1/10W J		R253	RK73GB2A106J	MG RESISTOR	10MΩ 1/10W J	
R9	RK73GB2A334J	MG RESISTOR	330kΩ 1/10W J		R255	RK73GB2A8R2J	MG RESISTOR	8.2Ω 1/10W J	
R10	RK73GB2A183J	MG RESISTOR	18kΩ 1/10W J		R257	RK73GB2A000J	MG RESISTOR	0Ω 1/10W J	
R11	RK73GB2A000J	MG RESISTOR	0Ω 1/10W J		R259	RK73GB2A330J	MG RESISTOR	33Ω 1/10W J	
R13	RK73GB2A101J	MG RESISTOR	100Ω 1/10W J		R262	RK73GB2A223J	MG RESISTOR	22kΩ 1/10W J	
R14	RK73GB2A101J	MG RESISTOR	100Ω 1/10W J		R263	RK73GB2A103J	MG RESISTOR	10kΩ 1/10W J	
R16	RK73GB2A101J	MG RESISTOR	100Ω 1/10W J		R264	RK73GB2A394J	MG RESISTOR	390kΩ 1/10W J	
R20	RK73GB2A473J	MG RESISTOR	47kΩ 1/10W J		R265	RK73GB2A103J	MG RESISTOR	10kΩ 1/10W J	
R22	RK73GB2A101J	MG RESISTOR	100Ω 1/10W J		R267	RK73GB2A331J	MG RESISTOR	330Ω 1/10W J	
R24	RK73GB2A101J	MG RESISTOR	100Ω 1/10W J		R268	RK73GB2A124J	MG RESISTOR	120kΩ 1/10W J	
R25	RK73GB2A101J	MG RESISTOR	100Ω 1/10W J		R269	RK73GB2A273J	MG RESISTOR	27kΩ 1/10W J	
R31	RK73GB2A000J	MG RESISTOR	0Ω 1/10W J		R270	RK73GB2A000J	MG RESISTOR	0Ω 1/10W J	
R32	RK73GB2A000J	MG RESISTOR	0Ω 1/10W J		R271	RK73GB2A000J	MG RESISTOR	0Ω 1/10W J	
R34	RK73GB2A000J	MG RESISTOR	0Ω 1/10W J		R272	RK73GB2A102J	MG RESISTOR	1kΩ 1/10W J	
R35	RK73GB2A474J	MG RESISTOR	470kΩ 1/10W J		R273	RK73GB2A222J	MG RESISTOR	2.2kΩ 1/10W J	
R36	RK73GB2A101J	MG RESISTOR	100Ω 1/10W J		R274	RK73GB2A222J	MG RESISTOR	2.2kΩ 1/10W J	
R37	RK73GB2A473J	MG RESISTOR	47kΩ 1/10W J		R275	RK73GB2A224J	MG RESISTOR	220kΩ 1/10W J	
R38	RK73GB2A100J	MG RESISTOR	10Ω 1/10W J		R277	RK73GB2A391J	MG RESISTOR	390Ω 1/10W J	
R39	RK73GB2A473J	MG RESISTOR	47kΩ 1/10W J		R278	RK73GB2A000J	MG RESISTOR	0Ω 1/10W J	
R40	RK73GB2A473J	MG RESISTOR	47kΩ 1/10W J		R279	RK73GB2A151J	MG RESISTOR	150Ω 1/10W J	
R41	RK73GB2A473J	MG RESISTOR	47kΩ 1/10W J		R280	RK73GB2A472J	MG RESISTOR	4.7kΩ 1/10W J	
R42	RK73GB2A473J	MG RESISTOR	47kΩ 1/10W J		R281	RK73GB2A000J	MG RESISTOR	0Ω 1/10W J	
R45	RK73GB2A473J	MG RESISTOR	47kΩ 1/10W J		R282	RK73GB2A333J	MG RESISTOR	33kΩ 1/10W J	
R47	RK73GB2A000J	MG RESISTOR	0Ω 1/10W J		R283	RK73GB2A222J	MG RESISTOR	2.2kΩ 1/10W J	
R48	RK73GB2A473J	MG RESISTOR	47kΩ 1/10W J		R284	RK73GB2A000J	MG RESISTOR	0Ω 1/10W J	
R49	RK73GB2A473J	MG RESISTOR	47kΩ 1/10W J		R285	RK73GB2A100J	MG RESISTOR	10Ω 1/10W J	
R50	RK73GB2A473J	MG RESISTOR	47kΩ 1/10W J		R286	RK73GB2A392J	MG RESISTOR	3.9kΩ 1/10W J	
R51	RK73GB2A000J	MG RESISTOR	0Ω 1/10W J		R287	RK73GB2A470J	MG RESISTOR	47Ω 1/10W J	
R52	RK73GB2A473J	MG RESISTOR	47kΩ 1/10W J		R288	RK73GB2A100J	MG RESISTOR	10Ω 1/10W J	
R53	RK73GB2A473J	MG RESISTOR	47kΩ 1/10W J		R289	RK73GB2A000J	MG RESISTOR	0Ω 1/10W J	
R54	RK73GB2A473J	MG RESISTOR	47kΩ 1/10W J		R290	RK73GB2A331J	MG RESISTOR	330Ω 1/10W J	
R55	RK73GB2A473J	MG RESISTOR	47kΩ 1/10W J		R291	RK73GB2A100J	MG RESISTOR	10Ω 1/10W J	
R56	RK73GB2A473J	MG RESISTOR	47kΩ 1/10W J		R292	RK73GB2A100J	MG RESISTOR	10Ω 1/10W J	
R58	RK73GB2A000J	MG RESISTOR	0Ω 1/10W J		R293	RK73GB2A100J	MG RESISTOR	10Ω 1/10W J	
R59	RK73GB2A100J	MG RESISTOR	10Ω 1/10W J		R294	RK73GB2A100J	MG RESISTOR	10Ω 1/10W J	
R64	RK73GB2A000J	MG RESISTOR	0Ω 1/10W J		R295	RK73GB2A473J	MG RESISTOR	47kΩ 1/10W J	
R65	RK73GB2A000J	MG RESISTOR	0Ω 1/10W J		R296	RK73GB2A102J	MG RESISTOR	1kΩ 1/10W J	
R66	RK73GB2A000J	MG RESISTOR	0Ω 1/10W J		R297	RK73GB2A154J	MG RESISTOR	150kΩ 1/10W J	
R201	RK73GB2A101J	MG RESISTOR	100Ω 1/10W J		R298	RK73GB2A180J	MG RESISTOR	18Ω 1/10W J	
R202	RK73GB2A8R2J	MG RESISTOR	8.2Ω 1/10W J		R299	RK73GB2A180J	MG RESISTOR	18Ω 1/10W J	
R203	RK73GB2A8R2J	MG RESISTOR	8.2Ω 1/10W J		R300	RK73GB2A180J	MG RESISTOR	18Ω 1/10W J	
R204	RK73GB2A8R2J	MG RESISTOR	8.2Ω 1/10W J		R302	RK73GB2A000J	MG RESISTOR	0Ω 1/10W J	
R205	RK73GB2A8R2J	MG RESISTOR	8.2Ω 1/10W J		R402	RK73GB2A104J	MG RESISTOR	100kΩ 1/10W J	
R206	RK73GB2A151J	MG RESISTOR	150Ω 1/10W J		R404	RK73GB2A271J	MG RESISTOR	270Ω 1/10W J	
R207	RK73GB2A151J	MG RESISTOR	150Ω 1/10W J		R405	RK73GB2A180J	MG RESISTOR	18Ω 1/10W J	
R208	RK73GB2A000J	MG RESISTOR	0Ω 1/10W J		R406	RK73GB2A271J	MG RESISTOR	270Ω 1/10W J	
R209	RK73GB2A000J	MG RESISTOR	0Ω 1/10W J		R408	RK73GB2A103J	MG RESISTOR	10kΩ 1/10W J	
R210	RK73GB2A000J	MG RESISTOR	0Ω 1/10W J		R409	RK73GB2A000J	MG RESISTOR	0Ω 1/10W J	
R213	RK73GB2A151J	MG RESISTOR	150Ω 1/10W J		R412	RK73GB2A220J	MG RESISTOR	22Ω 1/10W J	
R215	RK73GB2A151J	MG RESISTOR	150Ω 1/10W J		R416	RK73GB2A472J	MG RESISTOR	4.7kΩ 1/10W J	
R216	RK73GB2A330J	MG RESISTOR	33Ω 1/10W J		R417	RK73GB2A182J	MG RESISTOR	1.8kΩ 1/10W J	
R217	RK73GB2A330J	MG RESISTOR	33Ω 1/10W J		R418	RK73GB2A220J	MG RESISTOR	22Ω 1/10W J	
R218	RN73GH1J473D	MF RESISTOR	47kΩ 0.063W D		R420	RK73GB2A471J	MG RESISTOR	470Ω 1/10W J	
R219	RN73GH1J103D	MF RESISTOR	10kΩ 0.063W D		R424	RK73GB2A000J	MG RESISTOR	0Ω 1/10W J	
R220	RN73GH1J473D	MF RESISTOR	47kΩ 0.063W D		R425	RK73GB2A392J	MG RESISTOR	3.9kΩ 1/10W J	
R221	RN73GH1J103D	MF RESISTOR	10kΩ 0.063W D		R426	RK73GB2A103J	MG RESISTOR	10kΩ 1/10W J	
R222	RK73GB2A474J	MG RESISTOR	470kΩ 1/10W J		R428	RK73GB2A273J	MG RESISTOR	27kΩ 1/10W J	
R223	RN73GH1J470D	MF RESISTOR	47Ω 0.063W D		R429	RK73GB2A472J	MG RESISTOR	4.7kΩ 1/10W J	
R224	RN73GH1J470D	MF RESISTOR	47Ω 0.063W D		R432	RK73GB2A221J	MG RESISTOR	220Ω 1/10W J	
R225	RK73GB2A474J	MG RESISTOR	470kΩ 1/10W J		R433	RK73GB2A102J	MG RESISTOR	1kΩ 1/10W J	
R226	RN73GH1J470D	MF RESISTOR	47Ω 0.063W D		R439	RK73GB2A000J	MG RESISTOR	0Ω 1/10W J	
R228	RN73GH1J331D	MF RESISTOR	330Ω 0.063W D		R441	RK73GB2A5R6J	MG RESISTOR	5.6Ω 1/10W J	
R229	RN73GH1J331D	MF RESISTOR	330Ω 0.063W D		R443	RK73GB2A000J	MG RESISTOR	0Ω 1/10W J	
R230	RN73GH1J331D	MF RESISTOR	330Ω 0.063W D		R444	RK73GB2A000J	MG RESISTOR	0Ω 1/10W J	
R232	RK73GB2A474J	MG RESISTOR	470kΩ 1/10W J		R447	RK73GB2A000J	MG RESISTOR	0Ω 1/10W J	
					R449	RK73GB2A561J	MG RESISTOR	560Ω 1/10W J	

△ Symbol No.	Part No.	Part Name	Description	Local	△ Symbol No.	Part No.	Part Name	Description	Local
R451	RK73GB2A104J	MG RESISTOR	100kΩ 1/10W J		R608	RK73GB2A272J	MG RESISTOR	2.7kΩ 1/10W J	
R452	RK73GB2A104J	MG RESISTOR	100kΩ 1/10W J		R611	RK73GB2A000J	MG RESISTOR	0Ω 1/10W J	
R453	RK73GB2A105J	MG RESISTOR	1MΩ 1/10W J		R612	RK73GB2A000J	MG RESISTOR	0Ω 1/10W J	
R454	RK73GB2A474J	MG RESISTOR	470kΩ 1/10W J		R617	RK73GB2A000J	MG RESISTOR	0Ω 1/10W J	
R455	RK73GB2A104J	MG RESISTOR	100kΩ 1/10W J		R618	RK73GB2A000J	MG RESISTOR	0Ω 1/10W J	
R456	RK73GB2A104J	MG RESISTOR	100kΩ 1/10W J		R621	RK73GB2A000J	MG RESISTOR	0Ω 1/10W J	
R457	RK73GB2A103J	MG RESISTOR	10kΩ 1/10W J		R622	RK73GB2A000J	MG RESISTOR	0Ω 1/10W J	
R459	RK73GB2A103J	MG RESISTOR	10kΩ 1/10W J		R623	RK73GB2A220J	MG RESISTOR	22Ω 1/10W J	
R460	RK73GB2A105J	MG RESISTOR	1MΩ 1/10W J		R624	RK73GB2A472J	MG RESISTOR	4.7kΩ 1/10W J	
R461	RK73GB2A474J	MG RESISTOR	470kΩ 1/10W J		R625	RK73GB2A222J	MG RESISTOR	2.2kΩ 1/10W J	
R462	RK73GB2A104J	MG RESISTOR	100kΩ 1/10W J		R626	RK73GB2A472J	MG RESISTOR	4.7kΩ 1/10W J	
R463	RK73GB2A104J	MG RESISTOR	100kΩ 1/10W J		R627	RK73GB2A222J	MG RESISTOR	2.2kΩ 1/10W J	
R464	RK73GB2A104J	MG RESISTOR	100kΩ 1/10W J		R628	RK73GB2A220J	MG RESISTOR	22Ω 1/10W J	
R465	RK73GB2A104J	MG RESISTOR	100kΩ 1/10W J		R632	RK73GB2A100J	MG RESISTOR	10Ω 1/10W J	
R466	RK73GB2A273J	MG RESISTOR	27kΩ 1/10W J		R634	RK73GB2A100J	MG RESISTOR	10Ω 1/10W J	
R467	RK73GB2A472J	MG RESISTOR	4.7kΩ 1/10W J		R638	RK73GB2A100J	MG RESISTOR	10Ω 1/10W J	
R468	RK73GB2A392J	MG RESISTOR	3.9kΩ 1/10W J		R639	RK73GB2A100J	MG RESISTOR	10Ω 1/10W J	
R470	RK73GB2A684J	MG RESISTOR	680kΩ 1/10W J		R640	RK73GB2A181J	MG RESISTOR	180Ω 1/10W J	
R471	RK73GB2A471J	MG RESISTOR	470Ω 1/10W J		R641	RK73GB2A181J	MG RESISTOR	180Ω 1/10W J	
R472	RK73GB2A120J	MG RESISTOR	12Ω 1/10W J		R642	RK73GB2A270J	MG RESISTOR	27Ω 1/10W J	
R474	RK73GB2A471J	MG RESISTOR	470Ω 1/10W J		R643	RK73GB2A270J	MG RESISTOR	27Ω 1/10W J	
R475	RK73GB2A684J	MG RESISTOR	680kΩ 1/10W J		R644	RK73GB2A181J	MG RESISTOR	180Ω 1/10W J	
R476	RK73GB2A104J	MG RESISTOR	100kΩ 1/10W J		R645	RK73GB2A181J	MG RESISTOR	180Ω 1/10W J	
R477	RK73GB2A104J	MG RESISTOR	100kΩ 1/10W J		R646	RK73GB2A103J	MG RESISTOR	10kΩ 1/10W J	
R478	RK73GB2A100J	MG RESISTOR	10Ω 1/10W J		R647	RK73GB2A103J	MG RESISTOR	10kΩ 1/10W J	
R479	RK73GB2A330J	MG RESISTOR	33Ω 1/10W J		R648	RK73GB2A682J	MG RESISTOR	6.8kΩ 1/10W J	
R480	RK73GB2A105J	MG RESISTOR	1MΩ 1/10W J		R649	RK73GB2A821J	MG RESISTOR	820Ω 1/10W J	
R481	RK73GB2A334J	MG RESISTOR	330kΩ 1/10W J		R650	RK73GB2A821J	MG RESISTOR	820Ω 1/10W J	
R482	RK73GB2A104J	MG RESISTOR	100kΩ 1/10W J		R651	RK73GB2A122J	MG RESISTOR	1.2kΩ 1/10W J	
R483	RK73GB2A221J	MG RESISTOR	220Ω 1/10W J		R652	RK73GB2A152J	MG RESISTOR	1.5kΩ 1/10W J	
R485	RK73GB2A103J	MG RESISTOR	10kΩ 1/10W J		R656	RK73GB2A682J	MG RESISTOR	6.8kΩ 1/10W J	
R487	RK73GB2A682J	MG RESISTOR	6.8kΩ 1/10W J		R659	RK73GB2A000J	MG RESISTOR	0Ω 1/10W J	
R488	RK73GB2A562J	MG RESISTOR	5.6kΩ 1/10W J		R660	RK73GB2A000J	MG RESISTOR	0Ω 1/10W J	
R491	RK73GB2A474J	MG RESISTOR	470kΩ 1/10W J		R663	RK73GB2A152J	MG RESISTOR	1.5kΩ 1/10W J	
R492	RK73GB2A474J	MG RESISTOR	470kΩ 1/10W J		R664	RK73GB2A152J	MG RESISTOR	1.5kΩ 1/10W J	
R493	RK73GB2A103J	MG RESISTOR	10kΩ 1/10W J		R665	RK73GB2A152J	MG RESISTOR	1.5kΩ 1/10W J	
R494	RK73GB2A000J	MG RESISTOR	0Ω 1/10W J		R666	RK73GB2A152J	MG RESISTOR	1.5kΩ 1/10W J	
R495	RK73GB2A105J	MG RESISTOR	1MΩ 1/10W J		R668	RK73GB2A272J	MG RESISTOR	2.7kΩ 1/10W J	
R496	RK73GB2A334J	MG RESISTOR	330kΩ 1/10W J		R669	RK73GB2A272J	MG RESISTOR	2.7kΩ 1/10W J	
R497	RK73GB2A104J	MG RESISTOR	100kΩ 1/10W J		R670	RK73GB2A000J	MG RESISTOR	0Ω 1/10W J	
R499	RK73GB2A000J	MG RESISTOR	0Ω 1/10W J		R671	RK73GB2A000J	MG RESISTOR	0Ω 1/10W J	
R503	RK73GB2A104J	MG RESISTOR	100kΩ 1/10W J		R672	RK73GB2A000J	MG RESISTOR	0Ω 1/10W J	
R504	RK73GB2A104J	MG RESISTOR	100kΩ 1/10W J		R673	RK73GB2A000J	MG RESISTOR	0Ω 1/10W J	
R505	RK73GB2A105J	MG RESISTOR	1MΩ 1/10W J		R678	RK73GB2A473J	MG RESISTOR	47kΩ 1/10W J	
R506	RK73GB2A474J	MG RESISTOR	470kΩ 1/10W J		R679	RK73GB2A473J	MG RESISTOR	47kΩ 1/10W J	
R507	RK73GB2A104J	MG RESISTOR	100kΩ 1/10W J		R680	RK73GB2A473J	MG RESISTOR	47kΩ 1/10W J	
R508	RK73GB2A104J	MG RESISTOR	100kΩ 1/10W J		R681	RK73GB2A473J	MG RESISTOR	47kΩ 1/10W J	
R509	RK73GB2A103J	MG RESISTOR	10kΩ 1/10W J		R682	RK73GB2A473J	MG RESISTOR	47kΩ 1/10W J	
R511	RK73GB2A103J	MG RESISTOR	10kΩ 1/10W J		R687	RK73GB2A473J	MG RESISTOR	47kΩ 1/10W J	
R512	RK73GB2A105J	MG RESISTOR	1MΩ 1/10W J		R688	RK73GB2A473J	MG RESISTOR	47kΩ 1/10W J	
R513	RK73GB2A474J	MG RESISTOR	470kΩ 1/10W J		R693	RK73GB2A473J	MG RESISTOR	47kΩ 1/10W J	
R514	RK73GB2A104J	MG RESISTOR	100kΩ 1/10W J		R694	RK73GB2A272J	MG RESISTOR	2.7kΩ 1/10W J	
R515	RK73GB2A104J	MG RESISTOR	100kΩ 1/10W J		R699	RK73GB2A473J	MG RESISTOR	47kΩ 1/10W J	
R516	RK73GB2A104J	MG RESISTOR	100kΩ 1/10W J		R700	RK73GB2A102J	MG RESISTOR	1kΩ 1/10W J	
R517	RK73GB2A104J	MG RESISTOR	100kΩ 1/10W J		R701	RK73GB2A393J	MG RESISTOR	39kΩ 1/10W J	
R527	RK73GB2A000J	MG RESISTOR	0Ω 1/10W J		R702	RK73GB2A822J	MG RESISTOR	8.2kΩ 1/10W J	
R529	RK73GB2A103J	MG RESISTOR	10kΩ 1/10W J		R703	RK73GB2A473J	MG RESISTOR	47kΩ 1/10W J	
R530	RK73GB2A104J	MG RESISTOR	100kΩ 1/10W J		R704	RK73GB2A822J	MG RESISTOR	8.2kΩ 1/10W J	
R531	RK73GB2A104J	MG RESISTOR	100kΩ 1/10W J		R705	RK73GB2A183J	MG RESISTOR	18kΩ 1/10W J	
R532	RK73GB2A104J	MG RESISTOR	100kΩ 1/10W J		R706	RK73GB2A822J	MG RESISTOR	8.2kΩ 1/10W J	
R533	RK73GB2A104J	MG RESISTOR	100kΩ 1/10W J		R707	RK73GB2A103J	MG RESISTOR	10kΩ 1/10W J	
R534	RK73GB2A104J	MG RESISTOR	100kΩ 1/10W J		R708	RK73GB2A224J	MG RESISTOR	220kΩ 1/10W J	
R535	RK73GB2A104J	MG RESISTOR	100kΩ 1/10W J		R709	RK73GB2A220J	MG RESISTOR	22Ω 1/10W J	
R536	RK73GB2A104J	MG RESISTOR	100kΩ 1/10W J		R710	RK73GB2A102J	MG RESISTOR	1kΩ 1/10W J	
R537	RK73GB2A104J	MG RESISTOR	100kΩ 1/10W J		R712	RK73GB2A220J	MG RESISTOR	22Ω 1/10W J	
R538	RK73GB2A104J	MG RESISTOR	100kΩ 1/10W J		R713	RK73GB2A220J	MG RESISTOR	22Ω 1/10W J	
R539	RK73GB2A104J	MG RESISTOR	100kΩ 1/10W J		R714	RK73GB2A220J	MG RESISTOR	22Ω 1/10W J	
R540	RK73GB2A104J	MG RESISTOR	100kΩ 1/10W J		R715	RK73GB2A000J	MG RESISTOR	0Ω 1/10W J	
R541	RK73GB2A104J	MG RESISTOR	100kΩ 1/10W J		R716	RK73GB2A103J	MG RESISTOR	10kΩ 1/10W J	
R542	RK73GB2A104J	MG RESISTOR	100kΩ 1/10W J		R717	RK73GB2A103J	MG RESISTOR	10kΩ 1/10W J	
R543	RK73GB2A104J	MG RESISTOR	100kΩ 1/10W J		R718	RK73GB2A152J	MG RESISTOR	1.5kΩ 1/10W J	
R544	RK73GB2A104J	MG RESISTOR	100kΩ 1/10W J		R719	RK73GB2A152J	MG RESISTOR	1.5kΩ 1/10W J	
R545	RK73GB2A104J	MG RESISTOR	100kΩ 1/10W J		R720	RK73GB2A472J	MG RESISTOR	4.7kΩ 1/10W J	
R602	RK73GB2A000J	MG RESISTOR	0Ω 1/10W J		R721	RK73GB2A102J	MG RESISTOR	1kΩ 1/10W J	
R604	RK73GB2A470J	MG RESISTOR	47Ω 1/10W J		R722	RK73GB2A474J	MG RESISTOR	470kΩ 1/10W J	
R605	RK73GB2A102J	MG RESISTOR	1kΩ 1/10W J		R725	RK73GB2A102J	MG RESISTOR	1kΩ 1/10W J	
R606	RK73GB2A272J	MG RESISTOR	2.7kΩ 1/10W J		R727	RK73GB2A100J	MG RESISTOR	10Ω 1/10W J	
R607	RK73GB2A272J	MG RESISTOR	2.7kΩ 1/10W J		R729	RK73GB2A473J	MG RESISTOR	47kΩ 1/10W J	

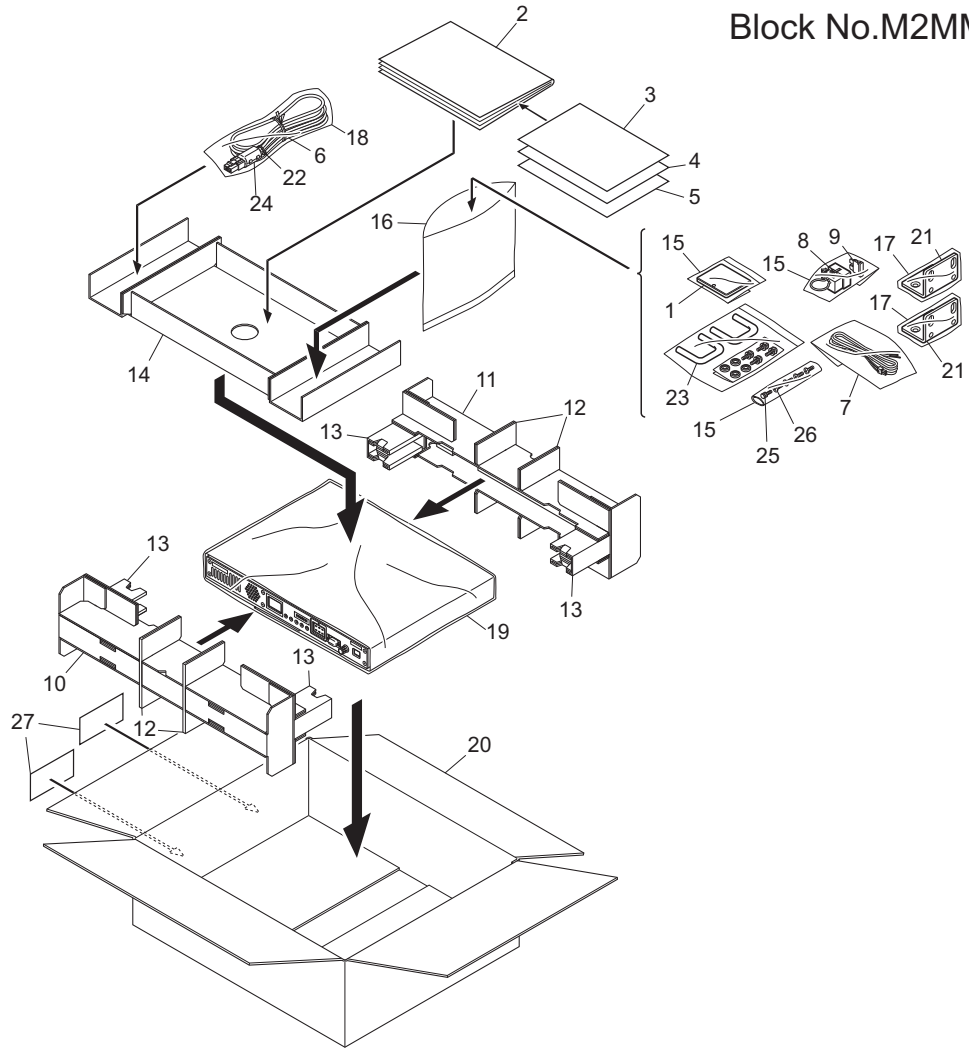
△ Symbol No.	Part No.	Part Name	Description	Local	△ Symbol No.	Part No.	Part Name	Description	Local
R730	RK73GB2A152J	MG RESISTOR	1.5kΩ 1/10W J		L205	LB73G0AM-004	CHIP FERRITE		
R731	RK73GB2A152J	MG RESISTOR	1.5kΩ 1/10W J		L206	L41-8278-08	CHIP INDUCTOR		
R732	RK73GB2A102J	MG RESISTOR	1kΩ 1/10W J		L207	L41-1005-39	CHIP INDUCTOR		
R733	RK73GB2A000J	MG RESISTOR	0Ω 1/10W J		L208	L41-1005-39	CHIP INDUCTOR		
R734	RK73GB2A000J	MG RESISTOR	0Ω 1/10W J		L209	L41-1005-39	CHIP INDUCTOR		
R736	RK73GB2A102J	MG RESISTOR	1kΩ 1/10W J		L211	L41-1005-39	CHIP INDUCTOR		
R737	RK73GB2A121J	MG RESISTOR	120Ω 1/10W J		L212	L41-1005-39	CHIP INDUCTOR		
R738	RK73GB2A470J	MG RESISTOR	47Ω 1/10W J		L213	L41-1005-39	CHIP INDUCTOR		
R739	RK73GB2A474J	MG RESISTOR	470kΩ 1/10W J		L215	L34-4612-05	AIR CORE COIL		
R740	RK73GB2A121J	MG RESISTOR	120Ω 1/10W J		L216	L34-4612-05	AIR CORE COIL		
R741	RK73GB2A473J	MG RESISTOR	47kΩ 1/10W J		L217	L34-4612-05	AIR CORE COIL		
R742	RK73GB2A103J	MG RESISTOR	10kΩ 1/10W J		L219	LB73G0AM-004	CHIP FERRITE		
R743	RK73GB2A103J	MG RESISTOR	10kΩ 1/10W J		L220	LB73G0AM-004	CHIP FERRITE		
R744	RK73GB2A102J	MG RESISTOR	1kΩ 1/10W J		L221	LB73G0AM-004	CHIP FERRITE		
R747	RK73GB2A474J	MG RESISTOR	470kΩ 1/10W J		L223	L41-1005-39	CHIP INDUCTOR		
R748	RK73GB2A473J	MG RESISTOR	47kΩ 1/10W J		L224	L41-1005-39	CHIP INDUCTOR		
R751	RK73GB2A473J	MG RESISTOR	47kΩ 1/10W J		L225	L41-1005-39	CHIP INDUCTOR		
R752	RK73GB2A000J	MG RESISTOR	0Ω 1/10W J		L227	L41-1005-39	CHIP INDUCTOR		
R753	RK73GB2A390J	MG RESISTOR	39Ω 1/10W J		L228	L41-1005-39	CHIP INDUCTOR		
R755	RK73GB2A101J	MG RESISTOR	100Ω 1/10W J		L229	L41-1005-39	CHIP INDUCTOR		
R756	RK73GB2A000J	MG RESISTOR	0Ω 1/10W J		L231	L41-1005-39	CHIP INDUCTOR		
R757	RK73GB2A101J	MG RESISTOR	100Ω 1/10W J		L232	L41-1005-39	CHIP INDUCTOR		
R758	RK73GB2A000J	MG RESISTOR	0Ω 1/10W J		L233	L41-1005-39	CHIP INDUCTOR		
R759	RK73GB2A000J	MG RESISTOR	0Ω 1/10W J		L235	LB73G0BA-004	CHIP FERRITE		
R760	RK73GB2A000J	MG RESISTOR	0Ω 1/10W J		L236	LB73G0BA-004	CHIP FERRITE		
R761	RK73GB2A000J	MG RESISTOR	0Ω 1/10W J		L237	LB73G0BA-004	CHIP FERRITE		
R801	RK73GB2A101J	MG RESISTOR	100Ω 1/10W J		L239	L41-1005-39	CHIP INDUCTOR		
R802	RK73GB2A102J	MG RESISTOR	1kΩ 1/10W J		L240	L41-1005-39	CHIP INDUCTOR		
R804	RK73GB2A102J	MG RESISTOR	1kΩ 1/10W J		L241	L41-1005-39	CHIP INDUCTOR		
R805	RK73GB2A271J	MG RESISTOR	270Ω 1/10W J		L243	LB73G0BA-004	CHIP FERRITE		
R806	RK73GB2A471J	MG RESISTOR	470Ω 1/10W J		L244	LB73G0BA-004	CHIP FERRITE		
R807	RK73GB2A180J	MG RESISTOR	18Ω 1/10W J		L245	LB73G0BA-004	CHIP FERRITE		
R809	RK73GB2A271J	MG RESISTOR	270Ω 1/10W J		L247	L41-1005-39	CHIP INDUCTOR		
R810	RK73GB2A183J	MG RESISTOR	18kΩ 1/10W J		L248	L41-2778-08	CHIP INDUCTOR		
R811	RK73GB2A104J	MG RESISTOR	100kΩ 1/10W J		L249	LB73G0BA-004	CHIP FERRITE		
R812	RK73GB2A181J	MG RESISTOR	180Ω 1/10W J		L250	L41-1005-39	CHIP INDUCTOR		
R813	RK73GB2A220J	MG RESISTOR	22Ω 1/10W J		L252	L41-6865-08	CHIP INDUCTOR		
R815	RK73GB2A334J	MG RESISTOR	330kΩ 1/10W J		L253	L41-1295-39	CHIP INDUCTOR		
R821	RK73GB2A000J	MG RESISTOR	0Ω 1/10W J		L254	L41-3978-08	CHIP INDUCTOR		
R822	RK73GB2A823J	MG RESISTOR	82kΩ 1/10W J		L256	L41-6865-08	CHIP INDUCTOR		
R823	RK73GB2A823J	MG RESISTOR	82kΩ 1/10W J		L257	LB73G0BA-004	CHIP FERRITE		
R824	RK73GB2A103J	MG RESISTOR	10kΩ 1/10W J		L258	LB73G0BA-004	CHIP FERRITE		
R825	RK73GB2A000J	MG RESISTOR	0Ω 1/10W J		L259	LB73G0BA-004	CHIP FERRITE		
R828	RK73GB2A224J	MG RESISTOR	220kΩ 1/10W J		L260	LB73G0BA-004	CHIP FERRITE		
R829	RK73GB2A102J	MG RESISTOR	1kΩ 1/10W J		L261	LB73G0BA-004	CHIP FERRITE		
R830	RK73GB2A101J	MG RESISTOR	100Ω 1/10W J		L262	LB73G0BA-004	CHIP FERRITE		
R832	RK73GB2A333J	MG RESISTOR	33kΩ 1/10W J		L263	LB73G0BA-004	CHIP FERRITE		
R833	RK73GB2A104J	MG RESISTOR	100kΩ 1/10W J		L264	LB73G0BA-004	CHIP FERRITE		
R835	RK73GB2A103J	MG RESISTOR	10kΩ 1/10W J		L403	L41-1578-08	CHIP INDUCTOR		
R837	RK73GB2A102J	MG RESISTOR	1kΩ 1/10W J		L404	LB73G0AM-004	CHIP FERRITE		
R838	RK73GB2A181J	MG RESISTOR	180Ω 1/10W J		L405	L41-5678-08	CHIP INDUCTOR		
R839	RK73GB2A220J	MG RESISTOR	22Ω 1/10W J		L406	LB73G0AM-004	CHIP FERRITE		
R843	RK73GB2A123J	MG RESISTOR	12kΩ 1/10W J		L408	L41-3378-08	CHIP INDUCTOR		
R844	RK73GB2A562J	MG RESISTOR	5.6kΩ 1/10W J		L410	L41-3378-08	CHIP INDUCTOR		
R845	RK73GB2A102J	MG RESISTOR	1kΩ 1/10W J		L411	LB73G0AM-004	CHIP FERRITE		
R846	RK73GB2A470J	MG RESISTOR	47Ω 1/10W J		L412	L41-3378-08	CHIP INDUCTOR		
R847	RK73GB2A102J	MG RESISTOR	1kΩ 1/10W J		L413	L39-1804-05	TOROIDAL COIL		
R848	RK73GB2A101J	MG RESISTOR	100Ω 1/10W J		L414	L39-1804-05	TOROIDAL COIL		
R849	RK73GB2A103J	MG RESISTOR	10kΩ 1/10W J		L415	LR79Z0DD21N9J	CHIP INDUCTOR	21.9nH	
R851	RK73GB2A104J	MG RESISTOR	100kΩ 1/10W J		L416	L41-1575-06	CHIP INDUCTOR		
R852	RK73GB2A104J	MG RESISTOR	100kΩ 1/10W J		L417	L34-4612-05	AIR CORE COIL		
R853	RK73GB2A181J	MG RESISTOR	180Ω 1/10W J		L418	LB73G0AM-004	CHIP FERRITE		
R854	RK73GB2A101J	MG RESISTOR	100Ω 1/10W J		L419	LB73G0AM-004	CHIP FERRITE		
R856	RK73GB2A104J	MG RESISTOR	100kΩ 1/10W J		L420	LB73G0AM-004	CHIP FERRITE		
R857	RK73GB2A470J	MG RESISTOR	47Ω 1/10W J		L421	L34-4612-05	AIR CORE COIL		
R858	RK73GB2A000J	MG RESISTOR	0Ω 1/10W J		L422	L41-5688-08	CHIP INDUCTOR		
R901	RK73GB2A000J	MG RESISTOR	0Ω 1/10W J		L423	L34-4612-05	AIR CORE COIL		
L1	LR79Z0AA150M	CHIP INDUCTOR			L424	LB73G0AM-004	CHIP FERRITE		
L2	L41-1005-39	CHIP INDUCTOR			L425	LB73G0AM-004	CHIP FERRITE		
L4	LB73G0AM-004	CHIP FERRITE			L426	LB73G0AM-004	CHIP FERRITE		
L5	LB73G0AM-004	CHIP FERRITE			L427	L34-4612-05	AIR CORE COIL		
L7	LB73G0AM-004	CHIP FERRITE			L428	L41-4778-55	CHIP INDUCTOR		
L8	LB73G0AM-004	CHIP FERRITE			L429	L41-1088-08	CHIP INDUCTOR		
L201	L41-5678-08	CHIP INDUCTOR			L430	L40-1878-92	CHIP INDUCTOR		
L202	L41-5678-08	CHIP INDUCTOR			L431	LB73G0AM-004	CHIP FERRITE		
L203	LB73G0AM-004	CHIP FERRITE			L435	L34-4612-05	AIR CORE COIL		
L204	L41-8278-08	CHIP INDUCTOR			L436	LB73G0AM-004	CHIP FERRITE		
					L437	LB73G0AM-004	CHIP FERRITE		

△ Symbol No.	Part No.	Part Name	Description	Local	△ Symbol No.	Part No.	Part Name	Description	Local
C7	CE32BM1V220M	E CAPACITOR	22uF 35V M		C453	CK73GBB1H102K	C CAPACITOR	1000pF 50V K	
C8	C92-0905-05	OS-CON	47uF 35V		C454	CK73GBB1H102K	C CAPACITOR	1000pF 50V K	
C9	C92-0905-05	OS-CON	47uF 35V		C455	CK73GBB1H102K	C CAPACITOR	1000pF 50V K	
C10	CK73GBB1H102K	C CAPACITOR	1000pF 50V K		C456	CK73GBB1H102K	C CAPACITOR	1000pF 50V K	
C15	CK73GBB1H103K	C CAPACITOR	0.01uF 50V K		C457	CC73GCH1H100B	C CAPACITOR	10pF 50V B	
C16	CK73GBB1H103K	C CAPACITOR	0.01uF 50V K		C459	CK73GBB1H102K	C CAPACITOR	1000pF 50V K	
C21	CK73GBB1H102K	C CAPACITOR	1000pF 50V K		C460	CK73GBB1H103K	C CAPACITOR	0.01uF 50V K	
C22	C93-2051-05	C CAPACITOR	18pF 500V		C500	CK73GBB1H102K	C CAPACITOR	1000pF 50V K	
C25	CK73GBB1H103K	C CAPACITOR	0.01uF 50V K		C501	CK73GBB1H103K	C CAPACITOR	0.01uF 50V K	
C27	CK73GBB1H103K	C CAPACITOR	0.01uF 50V K		C502	CK73GBB1H102K	C CAPACITOR	1000pF 50V K	
C28	CK73GBB1H102K	C CAPACITOR	1000pF 50V K		C503	CE32CL1V100M	E CAPACITOR	10uF 35V M	
C29	CK73GBB1H102K	C CAPACITOR	1000pF 50V K		C550	CE32BM1V220M	E CAPACITOR	22uF 35V M	
C30	C93-2025-05	C CAPACITOR	6.8pF 500V		C551	CK73GBB1H102K	C CAPACITOR	1000pF 50V K	
C32	CE32BM1V220M	E CAPACITOR	22uF 35V M		C552	CK73GBB1H103K	C CAPACITOR	0.01uF 50V K	
C36	CK73GBB1H102K	C CAPACITOR	1000pF 50V K		C553	CK73GBB1H103K	C CAPACITOR	0.01uF 50V K	
C37	CK73GBB1H103K	C CAPACITOR	0.01uF 50V K		C554	CK73GBB1H102K	C CAPACITOR	1000pF 50V K	
C41	CK73GBB1H102K	C CAPACITOR	1000pF 50V K		C555	CK73GBB1H102K	C CAPACITOR	1000pF 50V K	
C44	CE32BM1V220M	E CAPACITOR	22uF 35V M		C556	CE32BM1V220M	E CAPACITOR	22uF 35V M	
C46	CK73GBB1H102K	C CAPACITOR	1000pF 50V K		C557	CE32BM1V220M	E CAPACITOR	22uF 35V M	
C47	CK73GB1C563K	C CAPACITOR	0.056uF 16V K		C558	CK73GBB1H103K	C CAPACITOR	0.01uF 50V K	
C50	CK73GBB1H102K	C CAPACITOR	1000pF 50V K		C559	CK73GB1H471K	C CAPACITOR	470pF 50V K	
C51	CK73GBB1H103K	C CAPACITOR	0.01uF 50V K		C560	CK73GBB1H104K	C CAPACITOR	0.1uF 50V K	
C52	CK73GBB1H102K	C CAPACITOR	1000pF 50V K		C561	CK73GBB1H104K	C CAPACITOR	0.1uF 50V K	
C53	CK73GB1E105K	C CAPACITOR	1uF 25V K		C701	C92-0905-05	OS-CON	47uF 35V	
C62	CK73GBB1H103K	C CAPACITOR	0.01uF 50V K		C703	CK73GBB1H103K	C CAPACITOR	0.01uF 50V K	
C63	CK73GBB1H102K	C CAPACITOR	1000pF 50V K		C704	CK73GBB1H103K	C CAPACITOR	0.01uF 50V K	
C64	CK73GBB1H102K	C CAPACITOR	1000pF 50V K		C705	CK73GBB1H102K	C CAPACITOR	1000pF 50V K	
C65	CK73GBB1H102K	C CAPACITOR	1000pF 50V K		C706	CK73GBB1H103K	C CAPACITOR	0.01uF 50V K	
C68	CE32CL1V100M	E CAPACITOR	10uF 35V M		C707	CK73GBB1H102K	C CAPACITOR	1000pF 50V K	
C71	CK73GBB1H102K	C CAPACITOR	1000pF 50V K		C708	CK73GBB1H102K	C CAPACITOR	1000pF 50V K	
C73	CK73GBB1H102K	C CAPACITOR	1000pF 50V K		C709	CK73GBB1H102K	C CAPACITOR	1000pF 50V K	
C74	CK73GBB1H102K	C CAPACITOR	1000pF 50V K		C710	CK73GBB1H103K	C CAPACITOR	0.01uF 50V K	
C75	CK73GBB1H102K	C CAPACITOR	1000pF 50V K		C800	CK73GBB1H472K	C CAPACITOR	4700pF 50V K	
C82	CK73GB1H104K	C CAPACITOR	0.1uF 50V K		C801	CK73GBB1H102K	C CAPACITOR	1000pF 50V K	
C85	CC73GCH1H330J	C CAPACITOR	33pF 50V J		C900	CK73GB1H104K	C CAPACITOR	0.1uF 50V K	
C87	CC73GCH1H330J	C CAPACITOR	33pF 50V J		C901	CK73GBB1H102K	C CAPACITOR	1000pF 50V K	
C88	CK73GBB1H102K	C CAPACITOR	1000pF 50V K		C902	CC73GCH1H101J	C CAPACITOR	100pF 50V J	
C89	CK73GBB1H102K	C CAPACITOR	1000pF 50V K		C904	CC73GCH1H101J	C CAPACITOR	100pF 50V J	
C91	CK73GBB1H472K	C CAPACITOR	4700pF 50V K		C905	CK73FB0J106K	C CAPACITOR	10uF 6.3V K	
C96	CK73GBB1H102K	C CAPACITOR	1000pF 50V K		C906	CK73GBB1H102K	C CAPACITOR	1000pF 50V K	
C97	CK73GBB1H102K	C CAPACITOR	1000pF 50V K		C907	CK73GBB1H102K	C CAPACITOR	1000pF 50V K	
C99	CK73GBB1H102K	C CAPACITOR	1000pF 50V K		C908	CK73GBB1H102K	C CAPACITOR	1000pF 50V K	
C100	CK73GBB1H102K	C CAPACITOR	1000pF 50V K		C909	CC73GCH1H101J	C CAPACITOR	100pF 50V J	
C101	CK73GBB1H102K	C CAPACITOR	1000pF 50V K		C910	CC73GCH1H101J	C CAPACITOR	100pF 50V J	
C102	CK73GBB1H102K	C CAPACITOR	1000pF 50V K		C913	CC73GCH1H101J	C CAPACITOR	100pF 50V J	
C104	CK73GBB1H102K	C CAPACITOR	1000pF 50V K		C914	CK73GB1H104K	C CAPACITOR	0.1uF 50V K	
C105	CM73F2H102J	MICA CAPACITOR	1000pF 500V		C915	CC73GCH1H101J	C CAPACITOR	100pF 50V J	
C106	CK73GBB1H102K	C CAPACITOR	1000pF 50V K		C916	CK73GBB1H102K	C CAPACITOR	1000pF 50V K	
C108	CK73GBB1H102K	C CAPACITOR	1000pF 50V K						
C109	CK73GBB1H102K	C CAPACITOR	1000pF 50V K		R1	RK73FB2B271J	MG RESISTOR	270Ω 1/8W J	
C112	CK73GBB1H102K	C CAPACITOR	1000pF 50V K		R2	RK73FB2B180J	MG RESISTOR	18Ω 1/8W J	
C116	C93-2008-05	C CAPACITOR	3.9pF 500V		R3	RK73FB2B271J	MG RESISTOR	270Ω 1/8W J	
C117	CK73GBB1H103K	C CAPACITOR	0.01uF 50V K		R4	R92-3627-05	MG RESISTOR	0.005Ω 6.3W	
C122	CM73F2H102J	MICA CAPACITOR	1000pF 500V		R9	RK73GB2A101J	MG RESISTOR	100Ω 1/10W J	
C123	CC73GCH1H330G	C CAPACITOR	33pF 50V G		R12	RK73GB2A223J	MG RESISTOR	22kΩ 1/10W J	
C124	CC73GCH1H080B	C CAPACITOR	8pF 50V B		R13	RK73GB2A000J	MG RESISTOR	0Ω 1/10W J	
C126	C93-2043-05	C CAPACITOR	12pF 500V		R14	RK73GB2A474J	MG RESISTOR	470kΩ 1/10W J	
C128	CK73GBB1H102K	C CAPACITOR	1000pF 50V K		R15	RK73GB2A332J	MG RESISTOR	3.3kΩ 1/10W J	
C130	C93-2039-05	C CAPACITOR	10pF 500V		R18	RK73GB2A391J	MG RESISTOR	390Ω 1/10W J	
C131	C93-2039-05	C CAPACITOR	10pF 500V		R20	RK73GB2A104J	MG RESISTOR	100kΩ 1/10W J	
C132	C93-2039-05	C CAPACITOR	10pF 500V		R21	RK73GB2A824J	MG RESISTOR	820kΩ 1/10W J	
C133	CK73GBB1H102K	C CAPACITOR	1000pF 50V K		R22	RK73GB2A824J	MG RESISTOR	820kΩ 1/10W J	
C134	C93-2041-05	C CAPACITOR	11pF 500V		R25	RK73GB2A104J	MG RESISTOR	100kΩ 1/10W J	
C135	C93-2039-05	C CAPACITOR	10pF 500V		R26	RZ73G0BB510D	RESISTOR	51Ω 0.25W D	
C137	C93-2002-05	C CAPACITOR	3pF 500V		R29	RK73GB2A103J	MG RESISTOR	10kΩ 1/10W J	
C147	C93-2039-05	C CAPACITOR	10pF 500V		R30	RK73GB2A103J	MG RESISTOR	10kΩ 1/10W J	
C148	C93-2027-05	C CAPACITOR	7pF 500V		R31	RK73GB2A104J	MG RESISTOR	100kΩ 1/10W J	
C149	C93-2031-05	C CAPACITOR	8pF 500V		R32	RK73GB2A104J	MG RESISTOR	100kΩ 1/10W J	
C158	C93-2039-05	C CAPACITOR	10pF 500V		R33	RK73GB2A824J	MG RESISTOR	820kΩ 1/10W J	
C161	CC73GCH1H150J	C CAPACITOR	15pF 50V J		R34	RK73FB2B150J	MG RESISTOR	15Ω 1/8W J	
C162	CK73GB1H104K	C CAPACITOR	0.1uF 50V K		R35	RK73GB2A823J	MG RESISTOR	82kΩ 1/10W J	
C253	CK73GBB1H102K	C CAPACITOR	1000pF 50V K		R36	RK73GB2A823J	MG RESISTOR	82kΩ 1/10W J	
C254	CK73GBB1H102K	C CAPACITOR	1000pF 50V K		R37	RK73GB2A824J	MG RESISTOR	820kΩ 1/10W J	
C360	CK73GBB1H102K	C CAPACITOR	1000pF 50V K		R38	RK73FB2B820J	MG RESISTOR	82Ω 1/8W J	
C410	CK73GBB1H102K	C CAPACITOR	1000pF 50V K		R39	RK73GB2A684J	MG RESISTOR	680kΩ 1/10W J	
C450	CK73GBB1H102K	C CAPACITOR	1000pF 50V K		R40	RK73GB2A684J	MG RESISTOR	680kΩ 1/10W J	
C451	CK73GBB1H102K	C CAPACITOR	1000pF 50V K		R41	RZ73G0BB390D	RESISTOR	39Ω 0.25W D	
C452	CK73GBB1H102K	C CAPACITOR	1000pF 50V K		R42	RK73FB2B150J	MG RESISTOR	15Ω 1/8W J	

△ Symbol No.	Part No.	Part Name	Description	Local	△ Symbol No.	Part No.	Part Name	Description	Local
R43	RK73GB2A000J	MG RESISTOR	0Ω 1/10W J		R661	RK73GB2A473J	MG RESISTOR	47kΩ 1/10W J	
R44	RK73FB2B120J	MG RESISTOR	12Ω 1/8W J		R800	RK73GB2A104J	MG RESISTOR	100kΩ 1/10W J	
R45	RK73GB2A000J	MG RESISTOR	0Ω 1/10W J		R900	RK73GB2A000J	MG RESISTOR	0Ω 1/10W J	
R47	RK73GB2A101J	MG RESISTOR	100Ω 1/10W J		R901	RK73GB2A182J	MG RESISTOR	1.8kΩ 1/10W J	
R50	RK73GB2A104J	MG RESISTOR	100kΩ 1/10W J		R902	RK73GB2A000J	MG RESISTOR	0Ω 1/10W J	
R51	RK73GB2A154J	MG RESISTOR	150kΩ 1/10W J		R903	RK73GB2A681J	MG RESISTOR	680Ω 1/10W J	
R52	RK73FB2B120J	MG RESISTOR	12Ω 1/8W J		R905	RK73GB2A000J	MG RESISTOR	0Ω 1/10W J	
R53	RK73GB2A154J	MG RESISTOR	150kΩ 1/10W J		R906	RK73GB2A000J	MG RESISTOR	0Ω 1/10W J	
R54	RK73GB2A154J	MG RESISTOR	150kΩ 1/10W J		R907	RK73GH2A183D	MG RESISTOR	18kΩ 1/10W D	
R55	RK73GB2A104J	MG RESISTOR	100kΩ 1/10W J		R909	RK73GB2A000J	MG RESISTOR	0Ω 1/10W J	
R56	RK73GB2A104J	MG RESISTOR	100kΩ 1/10W J		R910	RK73GB2A000J	MG RESISTOR	0Ω 1/10W J	
R57	RK73GB2A104J	MG RESISTOR	100kΩ 1/10W J		R911	RK73GB2A000J	MG RESISTOR	0Ω 1/10W J	
R58	RK73GB2A104J	MG RESISTOR	100kΩ 1/10W J		R912	RK73GB2A000J	MG RESISTOR	0Ω 1/10W J	
R59	RK73GB2A103J	MG RESISTOR	10kΩ 1/10W J		R914	RK73GB2A222J	MG RESISTOR	2.2kΩ 1/10W J	
R60	RK73GB2A103J	MG RESISTOR	10kΩ 1/10W J		VR902	R31-0668-15	V RESISTOR		
R61	RZ73G0BB390D	RESISTOR	39Ω 0.25W D		L1	LB73Z0AF-001	CHIP FERRITE		
R62	RZ73G0BB390D	RESISTOR	39Ω 0.25W D		L2	LB73Z0AF-001	CHIP FERRITE		
R63	RK73GB2A000J	MG RESISTOR	0Ω 1/10W J		L3	LB73Z0AF-001	CHIP FERRITE		
R64	RZ73G0BB390D	RESISTOR	39Ω 0.25W D		L4	LB73G0AM-004	CHIP FERRITE		
R65	RK73GB2A473J	MG RESISTOR	47kΩ 1/10W J		L5	L34-4592-05	AIR CORE COIL		
R67	RS14DB3D560J	OMF RESISTOR	56Ω 2W J		L6	L34-4519-05	AIR CORE COIL		
R68	RK73GB2A104J	MG RESISTOR	100kΩ 1/10W J		L9	L34-4638-05	AIR CORE COIL		
R70	RK73FB2B223J	MG RESISTOR	22kΩ 1/8W J		L10	L34-4613-05	AIR CORE COIL		
R82	RK73GB2A473J	MG RESISTOR	47kΩ 1/10W J		L13	L34-4521-05	AIR CORE COIL		
R89	RK73GB2A000J	MG RESISTOR	0Ω 1/10W J		L14	L34-4522-05	AIR CORE COIL		
R95	RK73GB2A103J	MG RESISTOR	10kΩ 1/10W J		L15	L34-4521-05	AIR CORE COIL		
R96	RK73GB2A472J	MG RESISTOR	4.7kΩ 1/10W J		L17	L40-6875-92	CHIP INDUCTOR		
R102	RK73GH2A101D	MG RESISTOR	100Ω 1/10W D		L18	L41-2278-14	CHIP INDUCTOR		
R103	RK73GB2A000J	MG RESISTOR	0Ω 1/10W J		L19	L41-3378-14	CHIP INDUCTOR		
R104	RK73GB2A000J	MG RESISTOR	0Ω 1/10W J		L20	L34-4613-05	AIR CORE COIL		
R105	RK73GB2A000J	MG RESISTOR	0Ω 1/10W J		L450	LB73G0AM-004	CHIP FERRITE		
R121	RK73GH2A103D	MG RESISTOR	10kΩ 1/10W D		L500	LB73G0AM-004	CHIP FERRITE		
R123	RK73GB2A103J	MG RESISTOR	10kΩ 1/10W J		L501	LB73G0AM-004	CHIP FERRITE		
R124	RZ73G0BB330D	RESISTOR	33Ω 0.25W D		L502	LB73G0AM-004	CHIP FERRITE		
R125	R92-1061-05	C RESISTOR	0.008Ω		L700	L79-1938-05	FILTER		
R137	RK73GB2A473J	MG RESISTOR	47kΩ 1/10W J		L800	LB73G0AM-004	CHIP FERRITE		
R250	RK73GB2A102J	MG RESISTOR	1kΩ 1/10W J		L801	LB73G0AM-004	CHIP FERRITE		
R251	RK73GB2A104J	MG RESISTOR	100kΩ 1/10W J		L900	L92-0447-05	BEADS CORE		
R252	RK73GB2A470J	MG RESISTOR	47Ω 1/10W J		CN1	E04-0193-05	PIN SOCKET		
R354	RK73GB2A102J	MG RESISTOR	1kΩ 1/10W J		CN2	E23-0902-05	TERMINAL		
R356	RK73GB2A104J	MG RESISTOR	100kΩ 1/10W J		CN19	E04-0193-05	PIN SOCKET		
R400	RK73GB2A000J	MG RESISTOR	0Ω 1/10W J		CN20	E40-6656-05	PIN ASSY		
R401	RK73GB2A000J	MG RESISTOR	0Ω 1/10W J		CN550	E41-2673-05	PIN ASSY		
R402	RK73GB2A000J	MG RESISTOR	0Ω 1/10W J		CN702	E41-2673-05	PIN ASSY		
R408	RK73GB2A000J	MG RESISTOR	0Ω 1/10W J		CN703	E41-2672-05	PIN ASSY		
R413	RK73GB2A000J	MG RESISTOR	0Ω 1/10W J		CN704	E41-2672-05	PIN ASSY		
R414	RK73GB2A000J	MG RESISTOR	0Ω 1/10W J		CN754	J13-0071-05	FUSE HOLDER		
R417	RK73GB2A000J	MG RESISTOR	0Ω 1/10W J		CN800	E41-1684-05	PIN ASSY		
R450	RK73GH2A563D	MG RESISTOR	56kΩ 1/10W D		CN905	E41-1483-05	PIN ASSY		
R451	RK73GH2A153D	MG RESISTOR	15kΩ 1/10W D		CP1	RK74GB1J103J	NET RESISTOR	10kΩ 1/16W J	
R452	RK73GH2A333D	MG RESISTOR	33kΩ 1/10W D		J800	E58-0537-05	R.RECEPTACLE		
R453	RK73GB2A000J	MG RESISTOR	0Ω 1/10W J		J901	E58-0526-05	MODULAR JACK		
R454	RK73GB2A104J	MG RESISTOR	100kΩ 1/10W J		TH450	NCP18WM154J03	THERMISTOR		
R455	RK73GB2A102J	MG RESISTOR	1kΩ 1/10W J						
R456	RK73GB2A682J	MG RESISTOR	6.8kΩ 1/10W J						
R457	RK73GB2A563J	MG RESISTOR	56kΩ 1/10W J						
R458	RK73GB2A104J	MG RESISTOR	100kΩ 1/10W J						
R459	RK73GB2A153J	MG RESISTOR	15kΩ 1/10W J						
R460	RK73GB2A153J	MG RESISTOR	15kΩ 1/10W J						
R461	RK73GB2A000J	MG RESISTOR	0Ω 1/10W J						
R462	RK73GH2A104D	MG RESISTOR	100kΩ 1/10W D						
R463	RK73GH2A473D	MG RESISTOR	47kΩ 1/10W D						
R464	RK73GH2A104D	MG RESISTOR	100kΩ 1/10W D						
R465	RK73GB2A102J	MG RESISTOR	1kΩ 1/10W J						
R500	RK73GB2A473J	MG RESISTOR	47kΩ 1/10W J						
R501	RK73GB2A473J	MG RESISTOR	47kΩ 1/10W J						
R502	RK73GB2A473J	MG RESISTOR	47kΩ 1/10W J						
R503	RK73GB2A000J	MG RESISTOR	0Ω 1/10W J						
R508	RK73GB2A000J	MG RESISTOR	0Ω 1/10W J						
R550	RK73GB2A473J	MG RESISTOR	47kΩ 1/10W J						
R556	RK73GB2A223J	MG RESISTOR	22kΩ 1/10W J						
R560	RK73GB2A104J	MG RESISTOR	100kΩ 1/10W J						
R561	RK73GB2A101J	MG RESISTOR	100Ω 1/10W J						
R562	RK73GB2A103J	MG RESISTOR	10kΩ 1/10W J						
R563	RK73GB2A105J	MG RESISTOR	1MΩ 1/10W J						
R564	RK73GB2A000J	MG RESISTOR	0Ω 1/10W J						
R650	RK73GB2A000J	MG RESISTOR	0Ω 1/10W J						
R660	RK73GB2A473J	MG RESISTOR	47kΩ 1/10W J						

Packing materials and accessories parts list

Block No.M2MM



Packing and accessories

Block No. [M][2][M][M]

Symbol No.	Part No.	Part Name	Description	Local
1	B10-2781-04	FRONT GLASS	Accessory	
2	B5A-0713-00	INST.MANUAL	E/S/F	
3	-----	PAMPHLET	FCC	
4	-----	PAMPHLET	CANADA TA	
5	-----	PAMPHLET	SOFTWARE	
6	E30-3427-45	DC CORD	Accessory / DC	
7	E3A-0177-00	MODULAR CABLE	Accessory / SYNC	
8	E31-3228-05	LEAD.WIRE W.C.	Accessory / 15P	
9	F52-0042-05	FUSE	Accessory(1pc)(x2)	
10	H1C-0081-00	PACKING FIXTURE	FRONT	
11	H1C-0082-00	PACKING FIXTURE	REAR	
12	H1C-0083-00	PACKING FIXTURE	(x4)	
13	H1C-0084-00	PACKING FIXTURE	(x4)	
14	H1C-0085-00	CARTON BOARD		
15	-----	PROTECTION BAG	FG/SCREW/FUSE & CN(x3)	
16	-----	PROTECTION BAG	Accessory assy	
17	-----	PROTECTION BAG	BRACKET(x2)	
18	-----	PROTECTION BAG	DC CORD	
19	-----	PROTECTION BAG		
20	H5A-0599-00	ITEM CARTON		
21	J29-0725-04	BRACKET	Accessory / SIDE(x2)	
22	J61-0307-05	WIRE BAND	Accessory / DC	
23	K01-0421-05	HANDLE	Accessory	
24	L79-1419-05	LINE FILTER	Accessory / DC	
25	N08-0563-04	DRESSED SCREW	Accessory	
26	N32-4008-43	F.HEAD M.SCREW	Accessory(x4)	
27	B44-2165-04	POS LABEL	(x2)	

MEMO



KENWOOD

JVC KENWOOD Corporation
Communications Systems Business Unit

(No.RA033<Rev.001>)

Printed in Japan
VSE