

Body

350 Doors

ENTRANCE

JACKKNIFE

AIR, POWER, FLUSH

*With: OPTION 237; FEATURE 30977-03
To BSN L10093804*

1

*With: OPTION 237; FEATURE 30977-03
From BSN L10093805*

2

MANUAL, FLUSH

*With: STD, OPTION 10239
From STD CSN 980992; OPT 10239; BSN 185593 365697
To STD BSN 185592 365696*

3

With: FEATURE 30977-03

4

POWER, FLUSH

RH DRIVE

With: OPTION 237 or FEATURE 30977-03 WITH OPTION 3480 -01, -02, -03, -04

5

JACKKNIFE DOOR CONTROL

DELUXE

With: OPTION 226

6

With: FEATURE 30977-03 WITH FEATURE 30978-02

7

MANUAL

With: FEATURE 30977-03 WITH FEATURE 30978-01, -02

8

WITH SAF-LATCH

9

JACKKNIFE DOOR PLUMBING, AIR

With: FEATURE 30978-04, -07

10

OUTWARD OPENING

AIR

With: OPTION 275-02

11

CANADIAN UNITS ONLY

*With: FEATURE 30977-02 WITH FEATURE 30978-04 or -07
To BSN F10053940 F20054224 L10093804*

12

U.S UNITS ONLY

*With: FEATURE 30977-02 WITH FEATURE 30978-04
To BSN BSN F10053940 F20054224 L10093804* 13

U.S. & CANADIAN UNITS

*With: FEATURE 30977-02 WITH FEATURE 30978-04
From BSN F10053941 F20054225 L10093805* 14

ELECTRIC

With: OPTION 275-04 15

*With: FEATURE 30977-02 WITH FEATURE 30978-06
To BSN B10107204 F10056064 L10093804* 16

*With: FEATURE 30977-02 WITH FEATURE 30978-06
From BSN B10107205 F10056065 L10093805* 17

ELECTRIC, ACTUATOR ASSY

*With: OPTION 275-03
To BSN F10000290* 18

*With: OPTION 275-03
From BSN F10000291* 19

ELECTRIC, RELAY MOUNT BRACKET

With: FEATURE 30978-06 20

MANUAL

*With: STD
From BSN 185593 365697 0001255 0015559 254188* 21

With: FEATURE 30977-02 22

CANADIAN UNITS ONLY

*With: FEATURE 30977-02
From BSN F10047065 F20047085 L10077955
To BSN L10093804* 23

*With: FEATURE 30977-02
From BSN L10093805* 24

OUTWARD OPENING DOOR CONTROL

AIR, CYLINDER & VALVE ASSY

*With: FEATURE 30978-04, -07
To BSN B10064339 F10035824 F20035859 L10059259
M10074849 X10019804* 25

*With: FEATURE 30978-04, -07
From BSN B10064340 F10035825 F20035860 L10059260 M10074850 X10019805
To BSN B10093509 F10048779 F20048799 L10080734 M10107584* 26

*With: FEATURE 30978-04, -07
From BSN B10093510, F10048780, F20048800, L10080735, M10107585* 27

MANUAL

*From BSN 0185597
To BSN B0257909 F0189958 L0020065 M0370787 X0001037* 28

*With: FEATURE 30977-02 WITH FEATURE 30978-01, -02
From BSN B0257910 F0189959 L0020066 M0370788 X0001038* 29

MANUAL, DELUXE

With: FEATURE 30977-02 WITH FEATURE 30978-03 30

OUTWARD OPENING DOOR PLUMBING, AIR INTEGRAL SWITCH

With: FEATURE 30978-04, -07 31

POWER CYLINDER, FLUSH POWER JACKKNIFE DOOR

With: FEATURE 30978-04, -07 32

SEDAN

*With: FEATURE 30977-04
To BSN B10107204 F10056064 L10093804* 33

*With: FEATURE 30977-04
From BSN B10107205 F10056065 L10093805* 34

SEDAN CONTROL, DELUXE

With: FEATURE 30977-04 WITH FEATURE 30978-02 35

EXIT

SIDE JACKKNIFE, POWER FLUSH, AIR, 35 INCH, RH
23 & 24.75 INCH STEP

*With: OPTION 0472, 0475
To BSN B10107204 L10093804* 36

*With: OPTION 0472, 0475
From BSN B10107205 L10093805* 37

LIFT

43 INCH ADA LIFT DOOR

With: OPTION 460 38

REAR

40 INCH

With: OPTION 437, 439 39

<p>SIDE</p> <p style="padding-left: 20px;"><i>With: OPTION 455, 456</i> <i>To BSN B10107204 F10053940 L10093804</i></p> <hr/> <p style="padding-left: 20px;"><i>With: OPTION 455, 456</i> <i>From BSN B10107205 L10093805</i></p> <hr/> <p>LUGGAGE RACK RACK, FLOOR MOUNTED</p> <p style="padding-left: 20px;"><i>With: OPTION 0182-01</i></p> <hr/> <p>OPTIONAL EQUIPMENT 3 POINT LOCK COVER</p> <p style="padding-left: 20px;"><i>With: OPTION 0436-01</i></p> <hr/> <p>SIDE EMERGENCY DOOR</p> <p style="padding-left: 20px;"><i>With: OPTION 436 WITH OPTION 429, 432 OR 434</i> <i>To BSN 10000290</i></p> <hr/> <p style="padding-left: 20px;"><i>With: OPTION 436 WITH OPTION 432 OR 434</i> <i>From BSN 10000291</i></p> <hr/> <p>AIR EMERGENCY RELEASE VALVE ON DASH</p> <p style="padding-left: 20px;"><i>With: FEATURE 00222-02</i></p> <hr/> <p>OUTWARD OPENING, AIR AIR PIPING</p> <p style="padding-left: 20px;"><i>With: OPTION 275-02; FEATURE 30977-02 WITH FEATURE 30978-04, -07</i> <i>To BSN B10064339 F10035824 F20035859 L10059259</i> <i>M10074849 X10019804</i></p> <hr/> <p style="padding-left: 20px;"><i>With: FEATURE 30977-02 WITH FEATURE 30978-04, -07</i> <i>From BSN B10064340 F10035825 F20035860 L10059260 M10074850 X10019805</i></p> <hr/> <p>VALVE MOUNTING</p> <p style="padding-left: 20px;"><i>With: OPTION 275-02; FEATURE 30977-02 WITH FEATURE 30978-04</i> <i>To BSN B10064339 F10035824 F20035859 L10059259</i> <i>M10074849 X10019804</i></p> <hr/> <p style="padding-left: 20px;"><i>With: OPTION 275-02; FEATURE 30977-02 WITH FEATURE 30978-04</i> <i>From BSN B10064340 F10035825 F20035860 L10059260 M10074850 X10019805</i></p> <hr/> <p>AMBULANCE DOOR COMPONENTS</p> <p style="padding-left: 20px;"><i>With: FEATURE 31063-01</i></p> <hr/>	<p>40</p> <p>41</p> <p>42</p> <p>43</p> <p>44</p> <p>45</p> <p>46</p> <p>47</p> <p>48</p> <p>49</p> <p>50</p> <p>51</p>
--	---



BUZZER & SWITCH ASSY, VANDAL LOCK & SLIDE BOLT	
<i>With: FEATURE 31010-03 or OPTION 3001-01 WITH OPTION 0219</i>	
<i>To BSN B10013009 B20013004 F10007799 F20007869</i>	
<i>L10013049 M10015674 X10002570</i>	52
<hr/>	
<i>With: FEATURE 31010-03 or OPTION 3001-01 WITH OPTION 0219</i>	
<i>From BSN B10013010 B20013005 F10007800 F20007870 L10013050 M10015675 X10002571</i>	53
<hr/>	
DIAGRAM, AIR CONTROL PIPING	
ENTRANCE	
<i>With: OPTION 275-02, OPTION 236</i>	54
<hr/>	
EXIT	
<i>With: OPTION 275-02, OPTION 236</i>	55
<hr/>	
EMERGENCY DOOR POSITIVE STOP STRAP	
<i>With: OPTION 372 W OPTION 428, 429, 432, 434, 31012-01</i>	56
<hr/>	
EMERGENCY DOOR SUPPORT	
<i>With: OPTION 374</i>	57
<hr/>	
EMERGENCY RELEASE, ENTRANCE DOOR	
<i>With: FEATURE 31011-06</i>	58
<hr/>	
HINGE MOUNTED REAR EMERGENCY DOOR RETAINER	
<i>With: OPTION 377; FEATURE 31012-04</i>	59
<hr/>	
MANUAL LOCK, OUTWARD OPENING DOOR	
<i>With: FEATURE 30983-01, -02</i>	60
<hr/>	
REAR EMERGENCY DOOR	
3-POINT LOCK	
	61
<hr/>	
LOCK & HANDLE INSTALLATION	
	62
<hr/>	
ROOF HATCH	
SPECIALTY 8650-02	
VENT WITH OUTSIDE HANDLE & ALARM SWITCH	
<i>With: OPTION 3250 -13, -14</i>	63
<hr/>	
TRANSPEC & SPECIALTY	
<i>With: OPTION 3250 -01, -02, -03, -04, -05, -06, -07, -08, -09, -10, OPTION 6132, 6178-02</i>	64
<hr/>	
SECURITY LOCK, OUTWARD OPENING DOOR	
<i>With: FEATURE 30981-02 WITH 30978-01, -02, -03</i>	
<i>From BSN B-10035320 F-10020225 L-10032855 M-10041330 X-10009290</i>	
<i>To BSN B10064339 B20064364 F10035824 F20035859 L10059259 M10074849 X10049804</i>	65
<hr/>	

*With: FEATURE 30981-02 WITH 30978-01, -02, -03
 From BSN B-10064340 B-20064365 F-10035825 F-20035860 L-10059260 M-10074850 X
 -10019805
 To BSN B10097189 F10050449 L10083489*

66

*With: FEATURE 30981-03 WITH 30978-01, -02
 From BSN B10097190 F10050450 L10083490*

67

VANDAL LOCK
 ELECTRIC

With: OPTION 215

68

ENTRANCE DOOR LOCKING

With: OPTION 0220, 0221

69

JACKKNIFE ENTRANCE DOOR

With: OPTION 0216

70

LOWER, JACKKNIFE ENTRANCE DOOR

With: OPTION 0216

71

REAR EMERGENCY DOOR

With: OPTION 217

72

REAR EMERGENCY DOOR WITH BUZZER

With: OPTION 3001-01 WITH OPTION 217

73

With: OPTION 3001-01 WITH OPTION 219

74

SIDE EMERGENCY DOOR

With: OPTION 218

75

SIDE & REAR EMERGENCY
 28 INCH SIDE EMERGENCY DOOR
 LH

With: OPTION 429

76

RH

With: OPTION 428

77

REAR EMERGENCY DOOR

78

REAR VISION & REAR EMERGENCY DOOR GLASS

With: FEATURE 31184, 31185, 31187

79

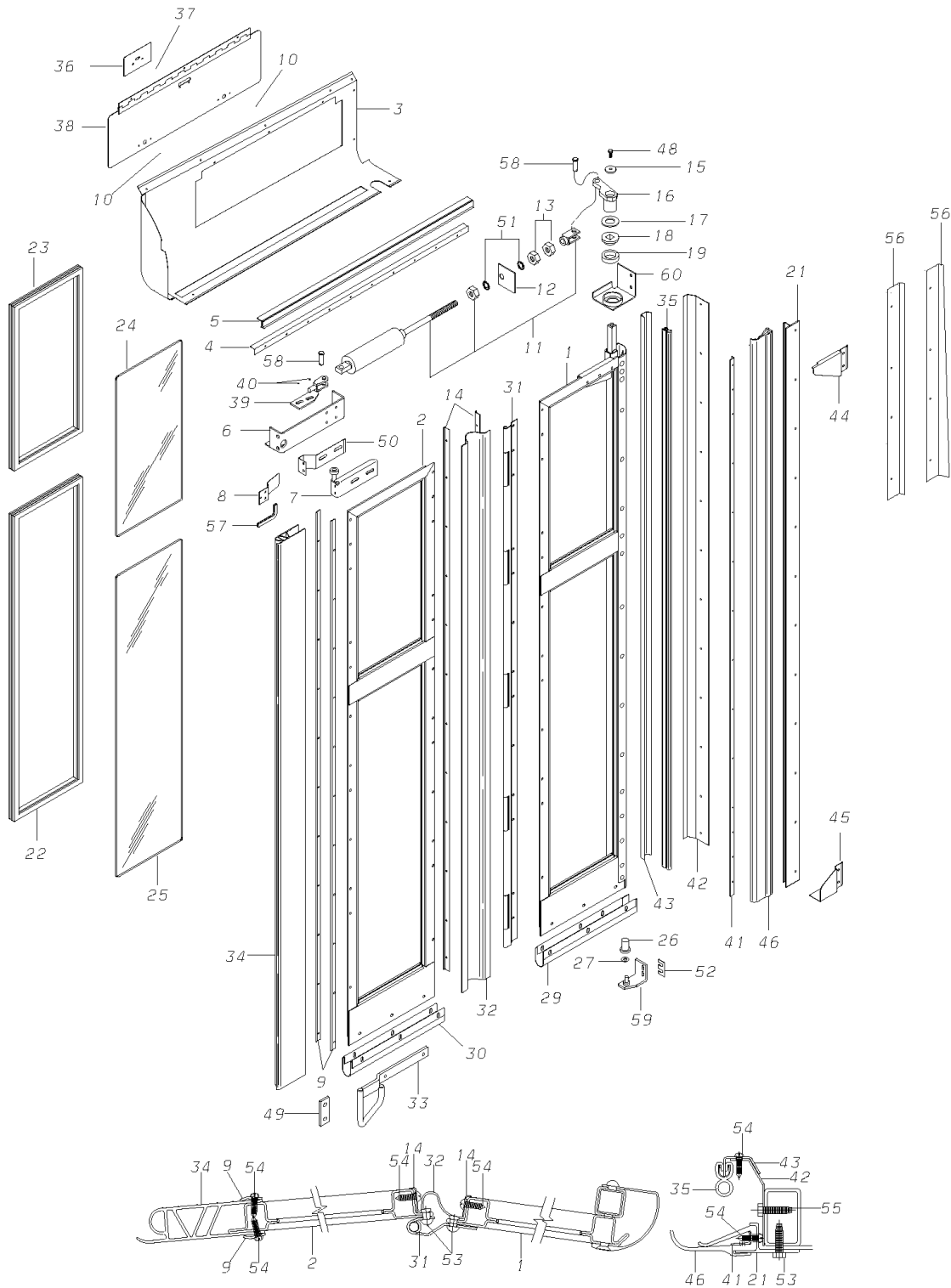
Models: A3FE, A3RE, CSFE, TCFE

**ENTRANCE
JACKKNIFE**

AIR, POWER, FLUSH

With Features: OPTION 237; FEATURE 30977-03
To BSN L10093804

Key	PartNumber	Qty	Description	Comment
-----	------------	-----	-------------	---------



Models: A3FE, A3RE, CSFE, TCFE

ENTRANCE

JACKKNIFE

AIR, POWER, FLUSH

With Features: **OPTION 237; FEATURE 30977-03**

To BSN L10093804

Key	PartNumber	Qty	Description	Comment
1	1554930		DOOR ASSY,FRONT,COMPLETE,PJK,23.00,36 TC	STANDARD, 23" STEP
1	1554948		DOOR ASSY,FRONT,COMPLETE,PJK,24.75,36 TC	OPTION 241, 24.75" STEP
2	1554898		DOOR ASSY,STEEL TUBE,23.00,36 TC	STANDARD 23" STEP
2	1548965		DOOR ASSY,STEEL TUBE,24.75,TC	OPTION 241, 24.75" STEP
3	1554989		COVER ASSY,HDR,FLUSH PJK,74HR, 36 TC	A3FE, A3RE, TCFE,STANDARD 74" HR, ENDING WITH BSN 179134
3	1599380		COVER ASSY,HEADER,FLUSH PJK DR,74 HR,TC	A3FE, A3RE, TCFE,STANDARD 74" HR, BEGIN WITH BSN 179135
3	1554872		COVER ASSY,HDR,PJK,77HR, 36 TC	A3FE, A3RE, TCFE,OPTION 3471, 77" HR, ENDING WITH BSN 179134
3	1599406		COVER ASSY,HEADER,FLUSH PJK DR,77 HR, TC	A3FE, A3RE, TCFE,OPTION 3471, 77" HR,BEGIN WITH BSN 179135
3	1653773		COVER ASSY,POWER JK DOOR, TQ	CSFE, STANDARD 77" HR
NI	1599034		EXTENSION ASSY,HEADER,JACKKNIFE DR,77	OPTION 3471, 77" HR, BEGIN WITH BSN 179135
4	1557834		RETAINER,SEAL,UPPER,FLUSH,JACKKNIFE	ENDING WITH BSN 183520
4	1695899		RETAINER,UPPER ENTRANCE DR SEAL,34.50,TC	BEGIN WITH BSN 183521
5	1586221		SEAL,RUBBER,UPPER,FLUSH JACKKNIFE DOOR,	ENDING WITH BSN 183520
5	1695915		EXTRUSION,RUBBER,UPPER ENT DOOR	BEGIN WITH BSN 183521
6	1555432		BRACKET ASSY,POWER CYL MTG,FLUSH JK DR,	
7	1441716		BRACKET ASSY,FLUSH JK ENT DOOR ROLLER,	
8	1599307		TRIM,DOOR,JACKKNIFE,UPPER REAR	
9	1005081	2	RETAINER,DOOR NOSG,JK DOOR,23 STEP	STANDARD, 23" STEP
9	0150185	2	RETAINER,DOOR NOSG RUBBER,24 3/4IN STEP	OPTION 241, 24.75" STEP
10	1103035	2	LATCH,SPR,SOUTHCO	
11	1595180		CYLINDER,AIR,2.00 BORE X 4.50 STROKE	ENDING WITH BSN B10064339, F10035824, F20035859, L10059259
11	0031458		CYLINDER ASSY,AIR,2.00 BORE X 4.50 STROKE	BEGIN WITH BSN B10064340, F10035825, F20035860, L10059260
12	0414763		BRACKET,CYL ROD SWITCH	
13	2001493	3	NUT,HEX HD,5/8-11,YEL ZN DICH	
14	1599083	2	RETAINER,HINGE SEAL,23.00 STP,STL TUBE DR	STANDARD, 23" STEP
14	1599091	2	RETAINER,HINGE SEAL,24.75 STP,STL TUBE DR	OPTION 241, 24.75" STEP
15	2001055		WASHER,FLAT,11/32 X 1 1/4 X 5/32,YEL ZN	
16	1637867		LEVER ARM ASSY,POWER JACKKNIFE DOOR	
17	2021939		WASHER,FLAT,2 OD X 1.06 ID X .13 THK,YEL	

Models: A3FE, A3RE, CSFE, TCFE
**ENTRANCE
 JACKKNIFE
 AIR, POWER, FLUSH**
With Features: **OPTION 237; FEATURE 30977-03
 To BSN L10093804**

Key	PartNumber	Qty	Description	Comment
18	1294867		BEARING,NYLON,UPPER PIVOT,POWER JK DOOR	
19	1294875		BEARING,NYLON,GUIDE,POWER JACKKNIFE	
21	1368463		TRIM,CORNER POST,23 STEP,FLUSH POWER JK	STANDARD, 23" STEP
21	1368471		TRIM,CORNER POST,24.75 STEP,FLUSH PWR JK	OPTION 241, 24.75" STEP
22	1547603		RUBBER,GLAZING,ENT DOOR LOWER,GP/CV	STANDARD, 23" STEP, OPTION 3322, 3330, 3331
22	1814789		RUBBER,STORM GLAZING,ENT DR LWR,23.00	STANDARD ,23" STEP, OPTION 3415, 3427
22	1472703		RUBBER,GLAZING,ENT DOOR LOWER,24.75,	OPTION 241, 24.75" STEP. STANDARD GLASS, OPTION 3322, 3330, 3331
22	1814755		RUBBER,STORM GLAZING,ENT DR LWR,24.75	OPTION 241, 24.75 STEP. OPTION 3415, 3427
23	1472695		RUBBER,GLAZING,ENTRANCE DOOR,,TC/CS	STANDARD & OPTION 241, STANDARD GLASS, OPTION 3331, 3330, 3321
23	1814748		RUBBER,STORM GLAZING,ENTRANCE DOOR,,	STANDARD & OPTION 241, OPTION 3144, 3415, 3427
24	1472687		GLASS,DOOR,ENT,STL TUBE,UPPER,TEMPERED,	STANDARD, TEMPERED
24	1472661		GLASS,DOOR,ENT,STL TUBE,UPPER,CLEAR,LAM,	OPTION 3321, 3331, CLEAR, LAMINATED
24	1472679		GLASS,DOOR,ENT,STL TUBE,UPPER,70PCT GRN,	OPTION 3330 LAMINATED, TINTED, GREEN 70%
24	1602093		GLASS ASSY,STORM,ENT DR,UPPER,TC AA	OPTION 3414, 3415, STORM
24	1625474		GLASS ASSY,STORM,ENT DR,UPPER,TINTED,TC	OPTION 3427, STORM, TINTED
25	1548403		GLASS,DOOR,ENT,STL,LOWER,TEMPERED,23	23 IN, STANDARD, TEMPERED
25	1548387		GLASS,DOOR,ENT,STL,LOWER,CLEAR,LAM,23	23 IN, OPTION 3322, 3331 LAMINATED
25	1548395		GLASS,DOOR,ENT,STL,LOWER,70 PCT	23 IN, OPTION 3330, LAMINATED, TINTED, GREEN 70%
25	1602127		GLASS ASSY,STORM,ENT DR,LWR,23.00,TC	23 IN, OPTION 3415, STORM
25	1625508		GLASS ASSY,STORM,ENT DR,LOWER,23.00,TNT,	23 IN, OPTION 3427, STORM, TINTED
25	1472646		GLASS,DOOR,ENT,STL TUBE,LOWER,TEMPERED,	24.75 IN, STANDARD,TEMPERED
25	1472620		GLASS,DOOR,ENT,STL TUBE,LOWER,CLEAR	24.75 IN, OPTION 3322, LAMINATED
25	1472638		GLASS,DOOR,ENT,STL TUBE,LOWER,70PCT	24.75 IN, OPTION 3330, LAMINATED, TINTED, GREEN 70%
25	1602135		GLASS ASSY,STORM,ENT DR,LWR,24.75,TC AA	24.75 IN, OPTION 3415, STORM
25	1625516		GLASS ASSY,STORM,ENT DR,LWR,24.75,TNT TC	24.75 IN, OPTION 3427, STORM, TINTED
26	1294784		BEARING,NYLON,LOWER PIVOT,POWER JK	
27	1056647		WASHER,FRICITION,LEVER PIVOT,NYLON	

Models: A3FE, A3RE, CSFE, TCFE

ENTRANCE

JACKKNIFE

AIR, POWER, FLUSH

With Features: **OPTION 237; FEATURE 30977-03**

To BSN L10093804

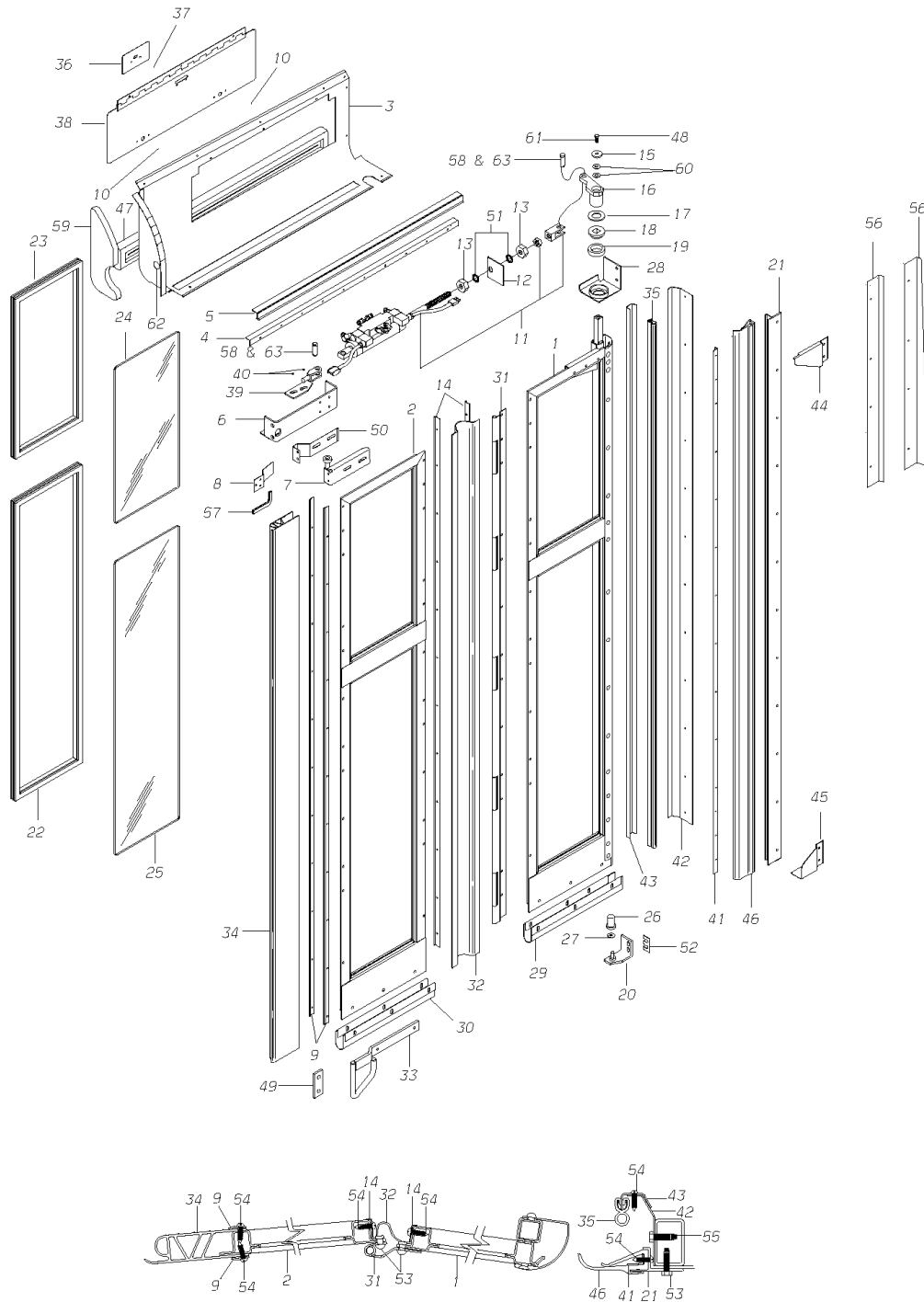
Key	PartNumber	Qty	Description	Comment
29	1593367		SEAL ASSY,FLUSH POWER JACKKNIFE DR,	
30	0066667		SEAL ASSY,DOOR,JK,LOWER,36,A3FE/RE	
31	1443324		HINGE ASSY,CTR POSN,FLUSH JK DR,23,LH DR	STANDARD, 23" STEP
31	1443381		HINGE ASSY,C/POSN,FLUSH JK DR,24.75,	OPTION 241, 24.75" STEP
32	1548411		SEAL,HINGE,CENTER,JK ENT DOOR,27.50 STEP	
33	1383520		KEEPER ASSY,JK DOOR,36,A3RE	
34	1599315		RUBBER,DOOR NOSING,FLUSH JACKKNIFE DR,	
35	1068501	7	SEAL,RUBBER,A/C HOOD TRIM	
36	0995324		PLATE,EMERGENCY REL,AIR	
37	1098656		VALVE,EM RELEASE,MIDLAND ROSS N-13440-	
38	1141886		PLATE ASSY,INSPECTION,DOOR CONTROL,	
39	1319334		YOKE ASSY,ADJUSTABLE,POWER CYL MTG,J-K	
40	0829390	2	NUT,HEX HD,5/16-18,SER WASHER,YEL ZN	
41	1376094		RETAINER,DOOR NOSG,POWER JK,24.75 STEP	
42	1368513		TRIM,CORNER POST,IS 23 STP,FLUSH PWR JK	STANDARD, 23" STEP
42	1368505		TRIM,CORNER POST,IS 24.75 STP,FLUSH PWR	OPTION 241, 24.75" STEP
43	1368521		RETAINER,SEAL,I/S,FRT,23 STP,FLUSH PJK DR	STANDARD , 23" STEP
43	1368539		RETAINER,SEAL,I/S,FRT,24.75 STP,FLUSH PJK	OPTION 241, 24.75" STEP
44	1374651		RETAINER,RUBBER SEAL,UPPER,POWER JK	
45	1375492		RETAINER,RUBBER SEAL,LOWER,POWER JK DR	
46	1373687		RUBBER,DOOR NOSING,FLUSH POWER	
47	1540434		TRIM,SEAL,UPPER,FLUSH JACKKNIFE DOOR,TC	ENDING WITH BSN 183520
48	1032283		CAPSCREW,HEX HD,5/16-18,X,3/4,GR5,	
49	1385186		STRIKER,JK KEEPER,36,AAFC/RE	
50	1444785	2	CAP,ROLLER BRACKET,FLUSH JACKKNIFE DR,	
51	1540103		WASHER,STAR,.62,ZINC PLATED	
52	1032234		SHIM,LOWER PIVOT,ENT DOOR	
53	1376086		SCREW,MACH,1/4-20 X 1,HEX,BLK	
53	0955930		RIVET,.250 X .437,BUTTON HD,SOLID,STL,ZN-	
54	1164821		SCREW,10-16 X 3/4,AB,PH1,TRUSS HD, YEL ZN	
55	2000073		SCREW,1/4-20 X 1,D,HEX HD,YEL ZN DICH	
56	0004838		TRIM,COVER,WRG & TUB,RH POST,AIR	A3, TC- STANDARD OPTION 3316 OR 3318
56	0004804		TRIM,COVER,WRG & TUB,RH POST,AIR DR,	A3, TC- OPTION 3311, 3315

Models: A3FE, A3RE, CSFE, TCFE
ENTRANCE
JACKKNIFE
AIR, POWER, FLUSH
With Features: **OPTION 237; FEATURE 30977-03**
To BSN L10093804

Key	PartNumber	Qty	Description	Comment
56	1698653		TRIM,CVR,WRG & TBG,RH POST,AIR DR,CF2,	<i>CS- OPTION 3311, 3315</i>
NI	2051902		SEALANT,SILICONE,BLACK,CARTRIDGE	
57	2004547		TRIM,INSTRUMENT HOOD,VINYL EDGE,BLACK	
58	2008852		PIN,CLEVIS,1/2 DIA X 1 1/2, YEL ZN DICH	
59	1906247		PIVOT ASSY,LOWER,FLUSH POWER JK DOOR,TC	
60	1906221		BRACKET ASSY,FLUSH JK ENTRANCE DOOR,TC	
NI	1578459		PAD ASSY,HDR,ENT DR, 3.00 X 35.00	
NI	1323021		STOP,DOOR,ROLLER BRACKET,FLUSH JK DR,77	
NI	1323013		STOP,DOOR,ROLLER BRACKET,FLUSH JK DR	

Models: A3FE, A3RE
ENTRANCE
JACKKNIFE
AIR, POWER, FLUSH
With Features: OPTION 237; FEATURE 30977-03
BSN: From BSN L10093805

Key	PartNumber	Qty	Description	Comment
-----	------------	-----	-------------	---------



DOOR SEAL ASSEMBLY

SCALE: .50

Models: A3FE, A3RE
ENTRANCE
JACKKNIFE
AIR, POWER, FLUSH
With Features: OPTION 237; FEATURE 30977-03
BSN: From BSN L10093805

Key	PartNumber	Qty	Description	Comment
1	1554930		DOOR ASSY,FRONT,COMPLETE,PJK,23.00,36 TC	STANDARD . 23" STEP
1	1554948		DOOR ASSY,FRONT,COMPLETE,PJK,24.75,36 TC	OPTION 0241. 24.75" STEP
2	1554898		DOOR ASSY,STEEL TUBE,23.00,36 TC	STANDARD . 23" STEP
2	1548965		DOOR ASSY,STEEL TUBE,24.75,TC	OPTION 0241. 24.75" STEP
3	0058134		COVER ASSY,HEADER,PJK DR,74HR, A3	STANDARD
3	0058241		COVER ASSY,HEADER,POWER JK DR,77HR,A3	77" HR. OPTION 3471, 3473
4	1695899		RETAINER,UPPER ENTRANCE DR SEAL,34.50,TC	
5	1695915		EXTRUSION,RUBBER,UPPER ENT DOOR	
6	1555432		BRACKET ASSY,POWER CYL MTG,FLUSH JK DR,	
7	1441716		BRACKET ASSY,FLUSH JK ENT DOOR ROLLER,	
8	1599307		TRIM,DOOR,JACKKNIFE,UPPER REAR	
9	1005081		RETAINER,DOOR NOSG,JK DOOR,23 STEP	STANDARD . 23" STEP
9	0150185		RETAINER,DOOR NOSG RUBBER,24 3/4IN STEP	OPTION 0241. 24.75" STEP
10	1103035		LATCH,SPR,SOUTHCO	
11	0031458		CYLINDER ASSY,AIR,2.00 BORE X 4.50 STROKE	
12	0414763		BRACKET,CYL ROD SWITCH	
13	2001493		NUT,HEX HD,5/8-11,YEL ZN DICH	
14	1599083		RETAINER,HINGE SEAL,23.00 STP,STL TUBE DR	STANDARD. 23" STEP
14	1599091		RETAINER,HINGE SEAL,24.75 STP,STL TUBE DR	OPTION 0241. 24.75" STEP
15	2001055		WASHER,FLAT,11/32 X 1 1/4 X 5/32,YEL ZN	
16	1637867		LEVER ARM ASSY,POWER JACKKNIFE DOOR	
17	2021939		WASHER,FLAT,2 OD X 1.06 ID X .13 THK,YEL	
18	1294867		BEARING,NYLON,UPPER PIVOT,POWER JK DOOR	
19	1294875		BEARING,NYLON,GUIDE,POWER JACKKNIFE	
20	1906247		PIVOT ASSY,LOWER,FLUSH POWER JK DOOR,TC	
21	1368463		TRIM,CORNER POST,23 STEP,FLUSH POWER JK	STANDARD, 23" STEP
21	1368471		TRIM,CORNER POST,24.75 STEP,FLUSH PWR JK	OPTION 0241, 24.75" STEP
22	1547603		RUBBER,GLAZING,ENT DOOR LOWER,GP/CV	STANDARD, 23" STEP
22	1814789		RUBBER,STORM GLAZING,ENT DR LWR,23.00	STANDARD, 23" STEP, STORM
22	1472703		RUBBER,GLAZING,ENT DOOR LOWER,24.75,	OPTION 0241, 24.75" STEP
22	1814755		RUBBER,STORM GLAZING,ENT DR LWR,24.75	OPTION 0241, 24.75" STEP., STORM
23	1472695		RUBBER,GLAZING,ENTRANCE DOOR,,TC/CS	
23	1814748		RUBBER,STORM GLAZING,ENTRANCE DOOR,,	

Models: A3FE, A3RE
ENTRANCE
JACKKNIFE
AIR, POWER, FLUSH
With Features: OPTION 237; FEATURE 30977-03
BSN: From BSN L10093805

Key	PartNumber	Qty	Description	Comment
24	1472661		GLASS,DOOR,ENT,STL TUBE,UPPER,CLEAR,LAM,	FEATURE 31189-02, CLEAR, LAMINATED
24	1472679		GLASS,DOOR,ENT,STL TUBE,UPPER,70PCT GRN,	FEATURE 31189-03,TINTED, 70 PCT, GREEN
24	1472687		GLASS,DOOR,ENT,STL TUBE,UPPER,TEMPERED,	FEATURE 31189-01. TEMPERED
24	1602093		GLASS ASSY,STORM,ENT DR,UPPER,TC AA	FEATURE 31189-04, STORM
25	1548403		GLASS,DOOR,ENT,STL,LOWER,TEMPERED,23	FEATURE 31188-01, TEMPERED
25	1548387		GLASS,DOOR,ENT,STL,LOWER,CLEAR,LAM,23	FEATURE 31188-02,CLEAR, LAMINATED
25	1548395		GLASS,DOOR,ENT,STL,LOWER,70 PCT	FEATURE 31188-03 TINTED, 70 PCT, GREEN
25	1602127		GLASS ASSY,STORM,ENT DR,LWR,23.00,TC	FEATURE 31188-04, STORM
25	1472646		GLASS,DOOR,ENT,STL TUBE,LOWER,TEMPERED,	24.75 IN, OPTION 0241 FEATURE 31188-01, TEMPERED
25	1472620		GLASS,DOOR,ENT,STL TUBE,LOWER,CLEAR	24.75 IN, OPTION 0241 FEATURE 31188-02, CLEAR, LAMINATED
25	1472638		GLASS,DOOR,ENT,STL TUBE,LOWER,70PCT	24.75 IN, OPTION 0241 FEATURE 31188-03, TINTED, 70 PCT, GREEN
25	1602135		GLASS ASSY,STORM,ENT DR,LWR,24.75,TC AA	24.75 IN, OPTION 0241 FEATURE 31188-04, STORM
26	1294784		BEARING,NYLON,LOWER PIVOT,POWER JK	
27	1056647		WASHER,FRICTION,LEVER PIVOT,NYLON	
28	1906221		BRACKET ASSY,FLUSH JK ENTRANCE DOOR,TC	
29	0066677		SEAL ASSY,DOOR,PWR J/K,LOWER	
30	0066667		SEAL ASSY,DOOR,JK,LOWER,36,A3FE/RE	
31	1443324		HINGE ASSY,CTR POSN,FLUSH JK DR,23,LH DR	STANDARD, 23" STEP
31	1443381		HINGE ASSY,C/POSN,FLUSH JK DR,24.75,	OPTION 241, 24.75" STEP
32	0076164		SEAL,HINGE,CENTER,JK ENT DOOR,27.50,PROF,	
33	1383520		KEEPER ASSY,JK DOOR,36,A3RE	
34	1599315		RUBBER,DOOR NOSING,FLUSH JACKKNIFE DR,	
35	1149533		SEAL,VERTICAL,UNI-GRIP,O/O DOOR,	
36	0995324		PLATE,EMERGENCY REL,AIR	
37	1098656		VALVE,EM RELEASE,MIDLAND ROSS N-13440-	
38	1141886		PLATE ASSY,INSPECTION,DOOR CONTROL,	
39	1319334		YOKE ASSY,ADJUSTABLE,POWER CYL MTG,J-K	
40	0829390		NUT,HEX HD,5/16-18,SER WASHER,YEL ZN	
41	1376094		RETAINER,DOOR NOSG,POWER JK,24.75 STEP	
42	1368513		TRIM,CORNER POST,IS 23 STP,FLUSH PWR JK	STANDARD, 23" STEP

Models: A3FE, A3RE
ENTRANCE
JACKKNIFE
AIR, POWER, FLUSH
With Features: OPTION 237; FEATURE 30977-03
BSN: From BSN L10093805

Key	PartNumber	Qty	Description	Comment
42	1368505		TRIM,CORNER POST,IS 24.75 STP,FLUSH PWR	OPTION 0241, 24.75" STEP
43	1368521		RETAINER,SEAL,I/S,FRT,23 STP,FLUSH PJK DR	
43	1368539		RETAINER,SEAL,I/S,FRT,24.75 STP,FLUSH PJK	
44	1374651		RETAINER,RUBBER SEAL,UPPER,POWER JK	
45	1375492		RETAINER,RUBBER SEAL,LOWER,POWER JK DR	
46	1373687		RUBBER,DOOR NOSING,FLUSH POWER	
47	1578459		PAD ASSY,HDR,ENT DR, 3.00 X 35.00	
48	1032283		CAPSCREW,HEX HD,5/16-18,X,3/4,GR5,	
49	1385186		STRIKER,JK KEEPER,36,AAFC/RE	
50	1444785		CAP,ROLLER BRACKET,FLUSH JACKKNIFE DR,	
51	1540103		WASHER,STAR,.62,ZINC PLATED	
52	1032234		SHIM,LOWER PIVOT,ENT DOOR	
53	0955930		RIVET,.250 X .437,BUTTON HD,SOLID,STL,ZN-	
54	1164821		SCREW,10-16 X 3/4,AB,PH1,TRUSS HD, YEL ZN	
55	2000073		SCREW,1/4-20 X 1,D,HEX HD,YEL ZN DICH	
56	0004804		TRIM,COVER,WRG & TUB,RH POST,AIR DR,	WITH FEATURE 30400-01
56	0075894		TRIM,COVER,WIRING & TUBING,RH POST,AIR	WITH FEATURE 30400-02
56	0075931		TRIM,COVER,WIRING & TUBING,RH POST,AIR	WITH FEATURE 30400-03
56	0086932		TRIM,COVER,WRG&TUB,RH POST,AIR DR,CF2,	WITH FEATURE 30400-04
56	0004838		TRIM,COVER,WRG & TUB,RH POST,AIR	WITH FEATURE 30400-01
56	0057482		TRIM,COVER,WRG & TUB,RH POST,AIR DR,	WITH FEATURE 30400-02
56	0060151		TRIM,COVER,WRG & TUB,RH POST,AIR	WITH FEATURE 30400-03
56	0086933		TRIM,COVER,WRG&TUB,RH POST,AIR DR,4FF,	WITH FEATURE 30400-04
57	2004547		TRIM,INSTRUMENT HOOD,VINYL EDGE,BLACK	
58	2008852		PIN,CLEVIS,1/2 DIA X 1 1/2, YEL ZN DICH	
59	0053074		PAD ASSY,HDR,J/K ENT D00R,REAR,74HR	
59	0053082		PAD ASSY,HDR,J/K ENT D00R,REAR,77HR	
60	1078922		WASHER,FLAT,3/8 X 7/8 X 5/64,YEL ZN DICH	
61	1422195		SEALANT,LOCTITE,THREADLOCKER 242, BLUE	
62	1894187		GROMMET,RUBBER,.75 ID W/1.00 X .09	
63	1105469		PIN,HAIR,COTTER 3/16	

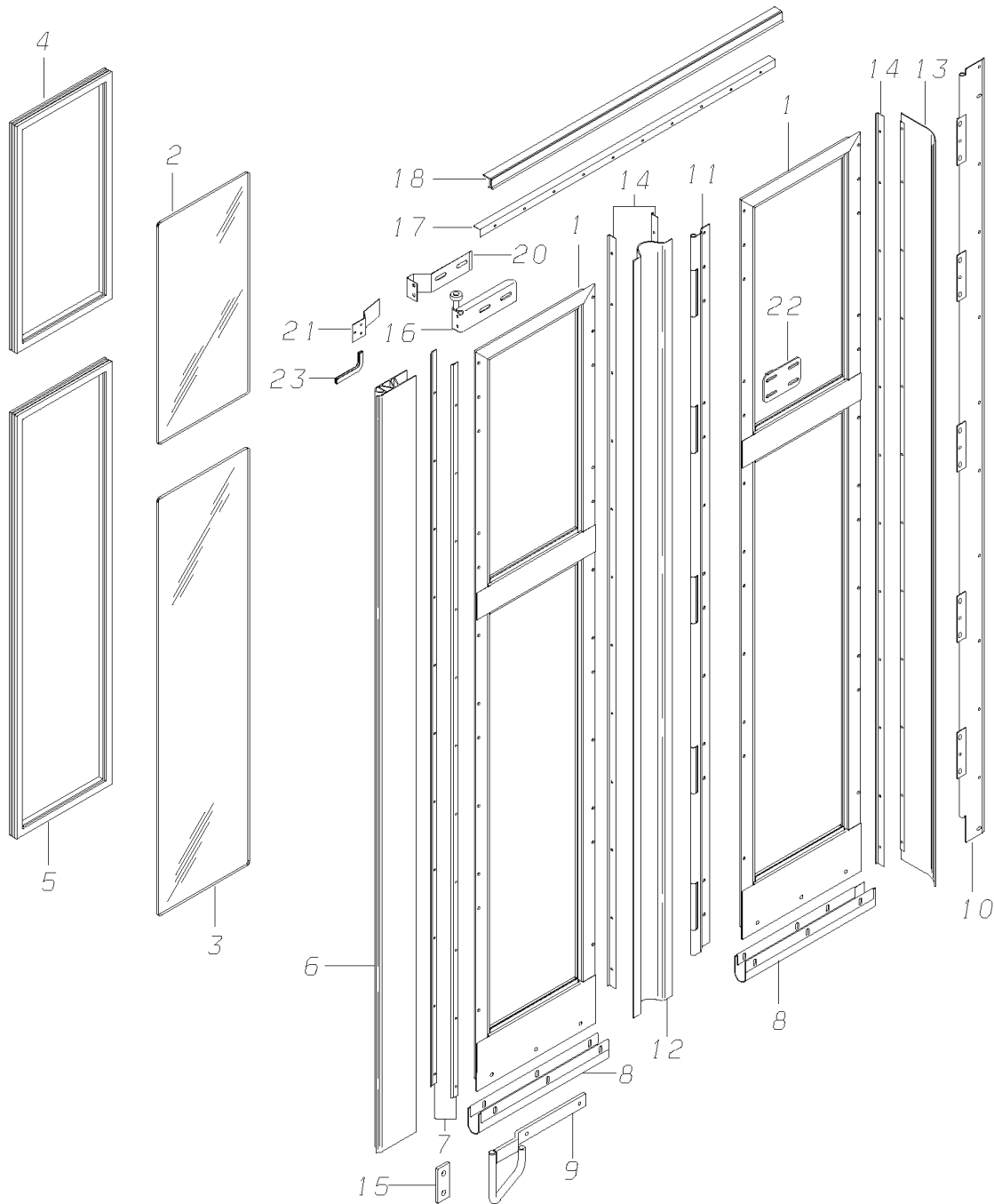
Models: A3FE, A3RE, CSFE, CSRE, TCFE, TCRE

**ENTRANCE
JACKKNIFE
MANUAL, FLUSH**

With Features: STD, OPTION 10239

BSN: From STD CSN 980992; OPT 10239; BSN 185593 365697
To STD BSN 185592 365696

Key	PartNumber	Qty	Description	Comment
-----	------------	-----	-------------	---------



Models: A3FE, A3RE, CSFE, CSRE, TCFE, TCRE

**ENTRANCE
JACKKNIFE
MANUAL, FLUSH**

With Features: STD, OPTION 10239

BSN: From STD CSN 980992; OPT 10239; BSN 185593 365697
To STD BSN 185592 365696

Key	PartNumber	Qty	Description	Comment
1	1554898		DOOR ASSY,STEEL TUBE,23.00,36 TC	
1	1548965		DOOR ASSY,STEEL TUBE,24.75,TC	
2	1472687	2	GLASS,DOOR,ENT,STL TUBE,UPPER,TEMPERED,	STANDARD
2	1472661	2	GLASS,DOOR,ENT,STL TUBE,UPPER,CLEAR,LAM,	CLEAR LAMINATED, OPTION 3322, 3331, 3336, 3337, 3338, 3339, 7375-01
2	1472679	2	GLASS,DOOR,ENT,STL TUBE,UPPER,70PCT GRN,	TINTED, 70% GREEN, OPTION 3329, 3330, 3335, 3365, 3367, 3376, 3377, 7352-02
2	1602093	2	GLASS ASSY,STORM,ENT DR,UPPER,TC AA	STORM, OPTION 3414, 3415
2	1625474	2	GLASS ASSY,STORM,ENT DR,UPPER,TINTED,TC	STORM, TINTED, TEMPERED, OPTION 3427
2	1523737	2	GLASS,TINTED,ENT DR,STORM,UPPER	
NI	1557008		HEADER,FRONT SIDE,RH,FMVSS221,36.75 FRT,	
NI	1649904		HEADER ASSY,ENTRANCE DOOR	
NI	1599067		COVER ASSY,HEADER,FLUSH JK DR,77 HR, TC	
NI	1653757		COVER ASSY,HEADER,JK DOOR,TQ	
NI	1599034		EXTENSION ASSY,HEADER,JACKKNIFE DR,77	
3	1548403	2	GLASS,DOOR,ENT,STL,LOWER,TEMPERED,23	STANDARD
3	1548387	2	GLASS,DOOR,ENT,STL,LOWER,CLEAR,LAM,23	CLEAR LAMINATED, OPTION 3322, 3331, 3336, 3337, 3338, 3339, 7375-01
3	1548395	2	GLASS,DOOR,ENT,STL,LOWER,70 PCT	TINTED 70% GREEN, OPTION 3329, 3330, 3335, 3365, 3367, 3376, 3377, 7352-02
3	1602127	2	GLASS ASSY,STORM,ENT DR,LWR,23.00,TC	STORM, OPTION 3415
3	1625508	2	GLASS ASSY,STORM,ENT DR,LOWER,23.00,TNT,	STORM, TINTED, OPTION 3427
3	1472646	2	GLASS,DOOR,ENT,STL TUBE,LOWER,TEMPERED,	24.75 IN, STANDARD
3	1472620	2	GLASS,DOOR,ENT,STL TUBE,LOWER,CLEAR	24.75 IN, CLEAR LAMINATED, OPTION 3322, 3331, 3336, 3337, 3338, 3339, 7375-01
3	1472638	2	GLASS,DOOR,ENT,STL TUBE,LOWER,70PCT	24.75 IN, TINTED 70% GREEN, OPTION 3329, 3330, 3335, 3365, 3367, 3376, 3377, 7352-02
3	1602135		GLASS ASSY,STORM,ENT DR,LWR,24.75,TC AA	STORM, OPTION OPTION 3415
3	1625516		GLASS ASSY,STORM,ENT DR,LWR,24.75,TNT TC	STORM, TINTED, OPTION 3427
4	1472695	2	RUBBER,GLAZING,ENTRANCE DOOR,,TC/CS	STANDARD
4	1814748	2	RUBBER,STORM GLAZING,ENTRANCE DOOR,,	STORM, OPTION 3414, 3415
5	1547603	2	RUBBER,GLAZING,ENT DOOR LOWER,GP/CV	23 IN, STANDARD
5	1814789	2	RUBBER,STORM GLAZING,ENT DR LWR,23.00	23 IN, STORM, OPTION 3415

Models: A3FE, A3RE, CSFE, CSRE, TCFE, TCRE

ENTRANCE

JACKKNIFE

MANUAL, FLUSH

With Features: STD, OPTION 10239

BSN: From STD CSN 980992; OPT 10239; BSN 185593 365697

To STD BSN 185592 365696

Key	PartNumber	Qty	Description	Comment
5	1472703		RUBBER, GLAZING, ENT DOOR LOWER, 24.75,	24.75 IN, STANDARD
5	1814755		RUBBER, STORM GLAZING, ENT DR LWR, 24.75	24.75 IN, STORM, OPTION 3415
6	1599315		RUBBER, DOOR NOSING, FLUSH JACKKNIFE DR,	
7	1005081	2	RETAINER, DOOR NOSG, JK DOOR, 23 STEP	
7	0150185	2	RETAINER, DOOR NOSG RUBBER, 24 3/4IN STEP	
8	0066667	2	SEAL ASSY, DOOR, JK, LOWER, 36, A3FE/RE	
9	1309301		KEEPER ASSY, FLUSH JK DR	
10	1443357		HINGE ASSY, FRT POSN, FLUSH JK DR, 23, PRM	
10	1443407		HINGE ASSY, F/ POSN, FLUSH JK DR, 24.75,	
11	1443324		HINGE ASSY, CTR POSN, FLUSH JK DR, 23, LH DR	
11	1443381		HINGE ASSY, C/ POSN, FLUSH JK DR, 24.75,	
12	1120062		SEAL, HINGE, CENTER, JK ENT DOOR, 23, BLACK	
12	1120070		SEAL, HINGE, CENTER, JK ENT DOOR, 24, BLACK	
12	1548411		SEAL, HINGE, CENTER, JK ENT DOOR, 27.50 STEP	
13	1571967		SEAL ASSY, HGE, FRT POSN ENT DR, 23 STEP, TC	A3FE, A3RE, TCFE, STANDARD, 23" STEP
13	1572031		SEAL ASSY, HGE FRT POSN ENT DR 24.75 STEP	A3FE, A3RE, TCFE, OPTION 241, 24.75" STEP
13	1699073		SEAL ASSY, HGE, FRT POSN ENT DR, 23 STEP,	CSFE, CSRE, STANDARD 23" STEP
13	1698976		SEAL ASSY, HGE, FRT POSN ENT DR, 24.75, BLACK	CSFE, CSRE, OPTION 241, 24" STEP
NI	1323021		STOP, DOOR, ROLLER BRACKET, FLUSH JK DR, 77	
NI	1323013		STOP, DOOR, ROLLER BRACKET, FLUSH JK DR	
14	1599083	3	RETAINER, HINGE SEAL, 23.00 STP, STL TUBE DR	
14	1599091	3	RETAINER, HINGE SEAL, 24.75 STP, STL TUBE DR	
15	1385186		STRIKER, JK KEEPER, 36, AAFC/RE	
16	1441716		BRACKET ASSY, FLUSH JK ENT DOOR ROLLER,	
17	1695899		RETAINER, UPPER ENTRANCE DR SEAL, 34.50, TC	
18	1695915		EXTRUSION, RUBBER, UPPER ENT DOOR	
19				N/A
20	1444785		CAP, ROLLER BRACKET, FLUSH JACKKNIFE DR,	
21	1599307		TRIM, DOOR, JACKKNIFE, UPPER REAR	
NI	2051902		SEALANT, SILICONE, BLACK, CARTRIDGE	
22	1808070		BRACKET ASSY, ROD END, ENT DOOR	
23	2004547	.33	TRIM, INSTRUMENT HOOD, VINYL EDGE, BLACK	

Models: A3FE, A3RE, CSFE, CSRE, TCFE, TCRE
ENTRANCE
JACKKNIFE
MANUAL, FLUSH

With Features: STD, OPTION 10239

BSN: From STD CSN 980992; OPT 10239; BSN 185593 365697
To STD BSN 185592 365696

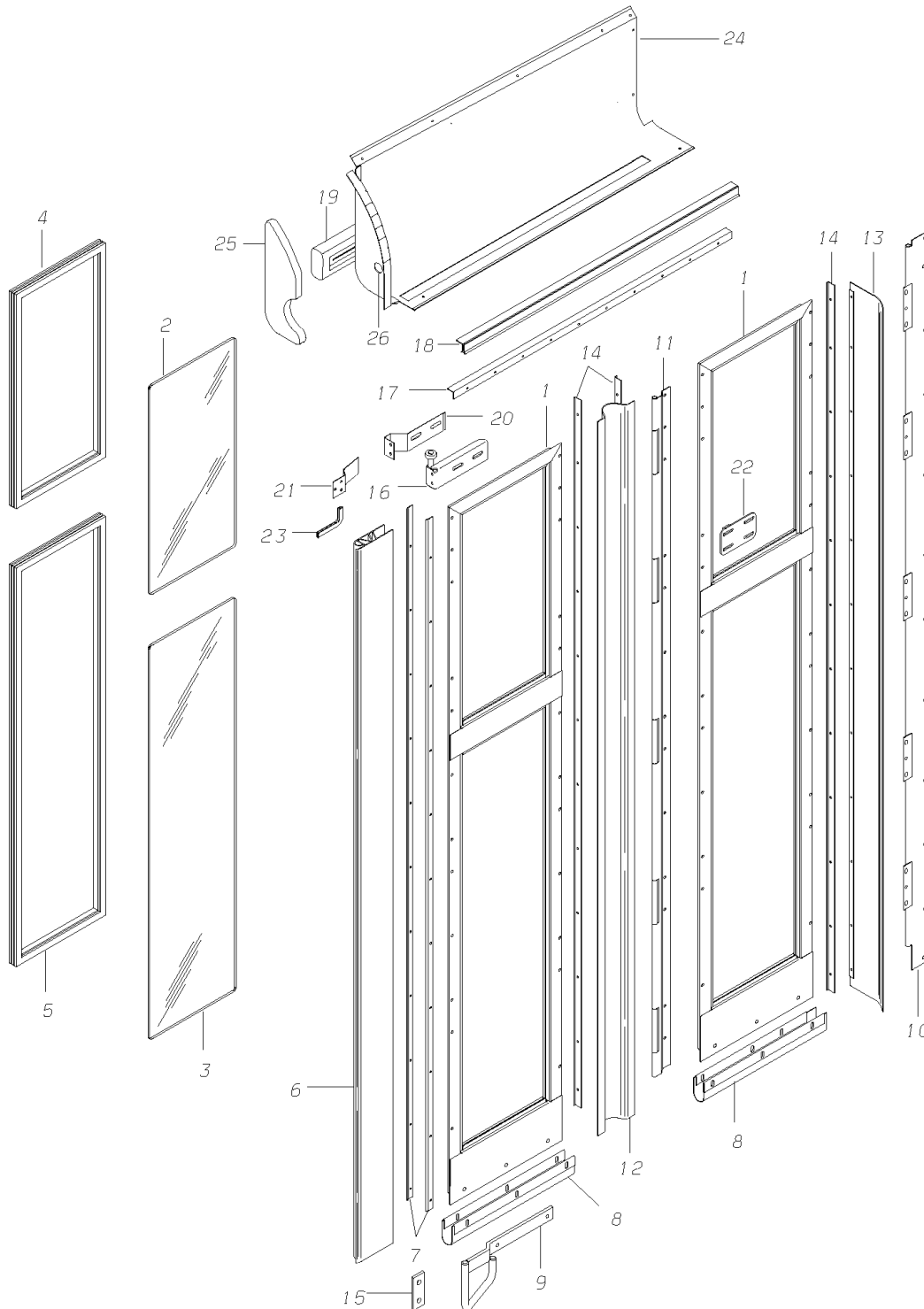
Key	PartNumber	Qty	Description	Comment
NI	1578459		PAD ASSY,HDR,ENT DR, 3.00 X 35.00	

Models: A3FE, A3RE, CSFE, CSRE, TCFE

**ENTRANCE
JACKKNIFE
MANUAL, FLUSH**

With Features: FEATURE 30977-03

Key	PartNumber	Qty	Description	Comment
-----	------------	-----	-------------	---------



Models: A3FE, A3RE, CSFE, CSRE, TCFE
**ENTRANCE
 JACKKNIFE
 MANUAL, FLUSH
 With Features:** FEATURE 30977-03

Key	PartNumber	Qty	Description	Comment
1	1554898		DOOR ASSY,STEEL TUBE,23.00,36 TC	
1	1548965		DOOR ASSY,STEEL TUBE,24.75,TC	
2	1472687		GLASS,DOOR,ENT,STL TUBE,UPPER,TEMPERED,	FEATURE 31189-01
2	1472661		GLASS,DOOR,ENT,STL TUBE,UPPER,CLEAR,LAM,	FEATURE 31189-02
2	1472679		GLASS,DOOR,ENT,STL TUBE,UPPER,70PCT GRN,	FEATURE 31189-03
2	1602093		GLASS ASSY,STORM,ENT DR,UPPER,TC AA	FEATURE 31189-04
3	1548403		GLASS,DOOR,ENT,STL,LOWER,TEMPERED,23	FEATURE 31188-01
3	1548387		GLASS,DOOR,ENT,STL,LOWER,CLEAR,LAM,23	FEATURE 31188-02
3	1548395		GLASS,DOOR,ENT,STL,LOWER,70 PCT	FEATURE 31188-03
3	1602127		GLASS ASSY,STORM,ENT DR,LWR,23.00,TC	FEATURE 31188-04
3	1472646		GLASS,DOOR,ENT,STL TUBE,LOWER,TEMPERED,	24.75 IN, FEATURE 31188-01
3	1472620		GLASS,DOOR,ENT,STL TUBE,LOWER,CLEAR	24.75 IN, FEATURE 31188-02
3	1472638		GLASS,DOOR,ENT,STL TUBE,LOWER,70PCT	24.75 IN, FEATURE 31188-03
3	1602135		GLASS ASSY,STORM,ENT DR,LWR,24.75,TC AA	24.75 IN, FEATURE 31188-04
4	1472695		RUBBER,GLAZING,ENTRANCE DOOR,,TC/CS	
4	1814748		RUBBER,STORM GLAZING,ENTRANCE DOOR,,	
5	1547603		RUBBER,GLAZING,ENT DOOR LOWER,GP/CV	
5	1814789		RUBBER,STORM GLAZING,ENT DR LWR,23.00	
5	1472703		RUBBER,GLAZING,ENT DOOR LOWER,24.75,	
5	1814755		RUBBER,STORM GLAZING,ENT DR LWR,24.75	
6	1599315		RUBBER,DOOR NOSING,FLUSH JACKKNIFE DR,	
7	1005081		RETAINER,DOOR NOSG,JK DOOR,23 STEP	
7	0150185		RETAINER,DOOR NOSG RUBBER,24 3/4IN STEP	
8	0066667		SEAL ASSY,DOOR,JK,LOWER,36,A3FE/RE	
9	1309301		KEEPER ASSY,FLUSH JK DR	
10	1443357		HINGE ASSY,FRT POSN,FLUSH JK DR,23,PRM	
10	1443407		HINGE ASSY,F/POSN,FLUSH JK DR,24.75,	
11	1443324		HINGE ASSY,CTR POSN,FLUSH JK DR,23,LH DR	
11	1443381		HINGE ASSY,C/POSN,FLUSH JK DR,24.75,	
12	1120062		SEAL,HINGE,CENTER,JK ENT DOOR,23,BLACK	
12	1120070		SEAL,HINGE,CENTER,JK ENT DOOR,24,BLACK	
13	1571967		SEAL ASSY,HGE,FRT POSN ENT DR,23 STEP,TC	
13	1572031		SEAL ASSY,HGE FRT POSN ENT DR 24.75 STEP	

Models: A3FE, A3RE, CSFE, CSRE, TCFE
**ENTRANCE
 JACKKNIFE
 MANUAL, FLUSH**
With Features: FEATURE 30977-03

Key	PartNumber	Qty	Description	Comment
14	1599083		RETAINER,HINGE SEAL,23.00 STP,STL TUBE DR	
14	1599091		RETAINER,HINGE SEAL,24.75 STP,STL TUBE DR	
15	1385186		STRIKER,JK KEEPER,36,AAFC/RE	
16	1441716		BRACKET ASSY,FLUSH JK ENT DOOR ROLLER,	
17	1695899		RETAINER,UPPER ENTRANCE DR SEAL,34.50,TC	
18	1695915		EXTRUSION,RUBBER,UPPER ENT DOOR	
19	1578459		PAD ASSY,HDR,ENT DR, 3.00 X 35.00	
20	1444785		CAP,ROLLER BRACKET,FLUSH JACKKNIFE DR,	
21	1599307		TRIM,DOOR,JACKKNIFE,UPPER REAR	
22	1808070		BRACKET ASSY,ROD END,ENT DOOR	
23	2004547		TRIM,INSTRUMENT HOOD,VINYL EDGE,BLACK	
24	0058124		COVER ASSY,HEADER,MANUAL JK DR,74 HR, A3	
24	0058239		COVER ASSY,HEADER,MANUAL JK DR,77 HR, A3	
25	0053074		PAD ASSY,HDR,J/K ENT D00R,REAR,74HR	
25	0053082		PAD ASSY,HDR,J/K ENT D00R,REAR,77HR	
NI	2051902		SEALANT,SILICONE,BLACK,CARTRIDGE	
26	1894187		GROMMET,RUBBER,.75 ID W/1.00 X .09	

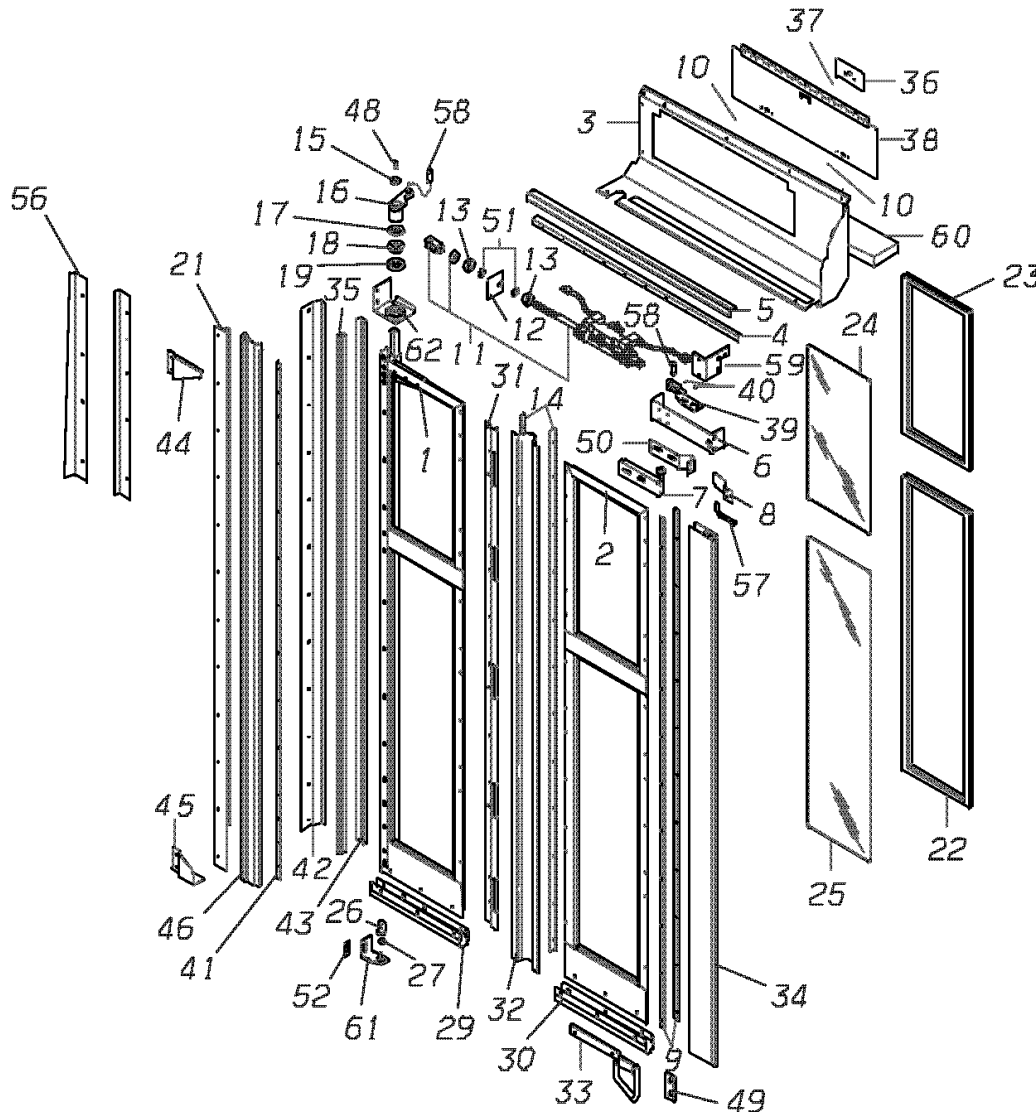
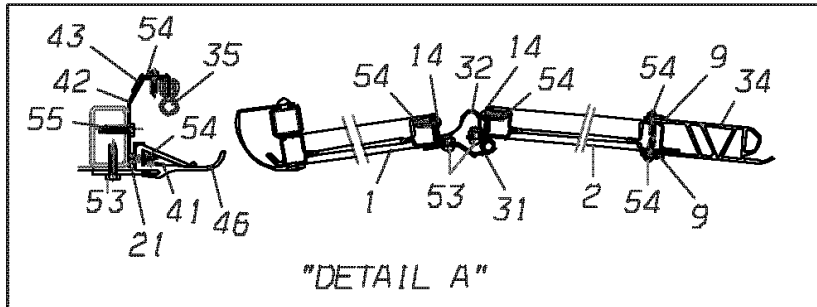
Models: A3FE, CSFE, CSRE, TCFE, TCRE
 ENTRANCE
 JACKKNIFE
 POWER, FLUSH
 RH DRIVE

With Features: OPTION 237 or FEATURE 30977-03 WITH OPTION 3480 -01, -02, -03, -04

Key PartNumber Qty Description Comment

DR. 11/29/01	BY TFM		1748144	N
APP.	BY	FRT		REV

© BLUE BIRD BODY COMPANY. ALL RIGHTS RESERVED



Models: A3FE, CSFE, CSRE, TCFE, TCRE
ENTRANCE
JACKKNIFE
POWER, FLUSH
RH DRIVE

With Features: **OPTION 237 or FEATURE 30977-03 WITH OPTION 3480 -01, -02, -03, -04**

Key	PartNumber	Qty	Description	Comment
1	1748094		DOOR ASSY,FRT,COMPLETE PWR JK,RH DRIVE	
2	1554898		DOOR ASSY,STEEL TUBE,23.00,36 TC	
3	1748110		COVER ASSY,HD,FLUSH PWR JK DR,77 HR,RH	
4	1695899		RETAINER,UPPER ENTRANCE DR SEAL,34.50,TC	
5	1695915		EXTRUSION,RUBBER,UPPER ENT DOOR	
6	1745447		BRACKET ASSY,PWR CYL MNTG,FLSH JK DR,RH	
7	1745546		BRACKET ASSY,FLUSH JK DOOR ROLLER,RH	
8	1745579		TRIM,DOOR,JACKKNIFE,UPPER REAR,RH DRIVE	
9	1005081	2	RETAINER,DOOR NOSG,JK DOOR,23 STEP	
10	1103035	2	LATCH,SPR,SOUTHCO	
11	1595180		CYLINDER,AIR,2.00 BORE X 4.50 STROKE	<i>ENDING WITH BSN B10064339, F10035824, F20035859, L10059259</i>
11	0031458		CYLINDER ASSY,AIR,2.00 BORE X 4.50 STROKE	<i>BEGIN WITH BSN B10064340, F10035825, F20035860, L10059260</i>
12	0414763		BRACKET,CYL ROD SWITCH	
13	2001493	2	NUT,HEX HD,5/8-11,YEL ZN DICH	
14	1599083	2	RETAINER,HINGE SEAL,23.00 STP,STL TUBE DR	
15	2001055		WASHER,FLAT,11/32 X 1 1/4 X 5/32,YEL ZN	
16	1744200		LEVER ARM ASSY,POWER JACKKNIFE DOOR,RH	
17	2021939		WASHER,FLAT,2 OD X 1.06 ID X .13 THK,YEL	
18	1294867		BEARING,NYLON,UPPER PIVOT,POWER JK DOOR	
19	1294875		BEARING,NYLON,GUIDE,POWER JACKKNIFE	
21	1766856		TRIM,COR POST,23,STEP,FLUSH PWR J/K DR	
22	1547603		RUBBER,GLAZING,ENT DOOR LOWER,GP/CV	<i>23 IN STEP, STANDARD</i>
22	1814789		RUBBER,STORM GLAZING,ENT DR LWR,23.00	<i>23 IN STEP, OPTION 3415</i>
22	1472703		RUBBER,GLAZING,ENT DOOR LOWER,24.75,	<i>24.75 IN, STANDARD</i>
22	1814755		RUBBER,STORM GLAZING,ENT DR LWR,24.75	<i>24.75 IN, OPTION 3415</i>
23	1472695	2	RUBBER,GLAZING,ENTRANCE DOOR,,TC/CS	<i>STANDARD</i>
23	1814748	2	RUBBER,STORM GLAZING,ENTRANCE DOOR,,	<i>OPTION 3414, 3415</i>
24	1472687	2	GLASS,DOOR,ENT,STL TUBE,UPPER,TEMPERED,	<i>STANDARD</i>
24	1472661	2	GLASS,DOOR,ENT,STL TUBE,UPPER,CLEAR,LAM,	<i>CLEAR, LAMINATED, OPTION 3321, 3331, 3336, 3337, 3338, 3339, & 7375-01</i>
24	1472679	2	GLASS,DOOR,ENT,STL TUBE,UPPER,70PCT GRN,	<i>TINTED 70% GREEN, OPTION 3329, 3330, 3335, 3365, 3367,</i>

Models: A3FE, CSFE, CSRE, TCFE, TCRE
ENTRANCE
JACKKNIFE
POWER, FLUSH
RH DRIVE

With Features: **OPTION 237 or FEATURE 30977-03 WITH OPTION 3480 -01, -02, -03, -04**

Key	PartNumber	Qty	Description	Comment
				3376, 3377, 7352-02
24	1602093	2	GLASS ASSY,STORM,ENT DR,UPPER,TC AA	STORM, OPTION 3414, 3415
24	1625474	2	GLASS ASSY,STORM,ENT DR,UPPER,TINTED,TC	TINTED, STORM, OPTION 3427 -01
25	1548403	2	GLASS,DOOR,ENT,STL,LOWER,TEMPERED,23	23 IN, STANDARD
25	1548387	2	GLASS,DOOR,ENT,STL,LOWER,CLEAR,LAM,23	23 IN, CLEAR, LAMINATED, OPTION 3322, 3331, 3336, 3337, 3338, 3339, & 7375-01
25	1548395	2	GLASS,DOOR,ENT,STL,LOWER,70 PCT	23 IN, TINTED 70% GREEN, OPTION 3329, 3330, 3335, 3365, 3367, 3376, 3377, 7352-02
25	1602127	2	GLASS ASSY,STORM,ENT DR,LWR,23.00,TC	23 IN, STORM, OPTION 3415
25	1625508	2	GLASS ASSY,STORM,ENT DR,LOWER,23.00,TNT,	23 IN, TINTED STORM, OPTION 3427-01
25	1472646	2	GLASS,DOOR,ENT,STL TUBE,LOWER,TEMPERED,	24.75 IN, STANDARD
25	1472620	2	GLASS,DOOR,ENT,STL TUBE,LOWER,CLEAR	24.75 IN, CLEAR, LAM, OPTION 3322, 3331, 3336, 3337, 3338, 3339, & 7375-01
25	1472638	2	GLASS,DOOR,ENT,STL TUBE,LOWER,70PCT	24.75 IN, TINTED, 70% GREEN, OPTION 3329, 3330, 3335, 3365, 3367, 3376, 3377, 7352-02
25	1602135	2	GLASS ASSY,STORM,ENT DR,LWR,24.75,TC AA	24.75 IN, STORM, OPTION 3415
25	1625516	2	GLASS ASSY,STORM,ENT DR,LWR,24.75,TNT TC	24.75 IN, TINTED STORM, OPTION 3427-01
26	1294784		BEARING,NYLON,LOWER PIVOT,POWER JK	
27	1056647		WASHER,FRICTION,LEVER PIVOT,NYLON	
28	1745470		PIVOT ASSY,LOWER FLUSH PWR JK DOOR,RH	
29	0066676		SEAL ASSY,DOOR,PWR J/K,LOWER,RH DRIVE	
30	0066667		SEAL ASSY,DOOR,JK,LOWER,36,A3FE/RE	
31	1745595		HINGE ASSY,CTR POSN,FLH JK DR,23,PRM,RH	
32	1120062		SEAL,HINGE,CENTER,JK ENT DOOR,23,BLACK	
33	1744226		KEEPER ASSY,JACKKNIFE DOOR,36,RH DRIVE	
34	1599315		RUBBER,DOOR NOSING,FLUSH JACKKNIFE DR,	
35	1149533	7	SEAL,VERTICAL,UNI-GRIP,O/O DOOR,	
36	0995324		PLATE,EMERGENCY REL,AIR	
37	1098656		VALVE,EM RELEASE,MIDLAND ROSS N-13440-	
38	1141886		PLATE ASSY,INSPECTION,DOOR CONTROL,	
39	1744218		YOKE ASSY,ADJ,PWR CYL MNTG,JK DOOR,RH	
40	0829390	2	NUT,HEX HD,5/16-18,SER WASHER,YEL ZN	
41	1376094		RETAINER,DOOR NOSG,POWER JK,24.75 STEP	

Models: A3FE, CSFE, CSRE, TCFE, TCRE
ENTRANCE
JACKKNIFE
POWER, FLUSH
RH DRIVE

With Features: OPTION 237 or FEATURE 30977-03 WITH OPTION 3480 -01, -02, -03, -04

Key	PartNumber	Qty	Description	Comment
42	1368513		TRIM,CORNER POST,IS 23 STP,FLUSH PWR JK	
43	1368521		RETAINER,SEAL,I/S,FRT,23 STP,FLUSH PJK DR	
44	1745488		RETAINER,RUBBER SEAL,UPR,PWR JK DOOR,RH	
45	1745496		RETAINER,RUBBER SEAL,LWR,PWR JK DOOR,RH	
46	1373687		RUBBER,DOOR NOSING,FLUSH POWER	
47			NOT USED	
48	1032283		CAPSCREW,HEX HD,5/16-18,X,3/4,GR5,	
49	1385186		STRIKER,JK KEEPER,36,AAFC/RE	
50	1745587		CAP,ROLLER BRACKET,FLUSH JK DOOR,RH	
51	1540103	2	WASHER,STAR,.62,ZINC PLATED	
52	1032234		SHIM,LOWER PIVOT,ENT DOOR	
53	1376086		SCREW,MACH,1/4-20 X 1,HEX,BLK	
54	1164821		SCREW,10-16 X 3/4,AB,PH1,TRUSS HD, YEL ZN	
55	2000073		SCREW,1/4-20 X 1,D,HEX HD,YEL ZN DICH	
56	1745553		TRIM,CVR,WRG & TUB,LH PST,AIR DR,2CF,RH	ENDING WITH BSN B10013049, F10007799, F20007869, L10013059
56	0004812		TRIM,COVER,WRG & TUB,LH POST,AIR DR,	BEGIN WITH BSN B10013050, F10007800, F20007870, L10013060
56	1745561		TRIM,CVR,WRG & TUB,LH PST,AIR DR,4FF,RH	ENDING WITH BSN B10013049, F10007799, F20007869, L10013059
56	0004838		TRIM,COVER,WRG & TUB,RH POST,AIR	BEGIN WITH BSN B10013050, F10007800, F20007870, L10013060
NI	2051902		SEALANT,SILICONE,BLACK,CARTRIDGE	
57	2004547	.33	TRIM,INSTRUMENT HOOD,VINYL EDGE,BLACK	
58	2008852	2	PIN,CLEVIS,1/2 DIA X 1 1/2, YEL ZN DICH	
59	1766864		BRACKET,SWITCH,PJK DOOR,2 POINT HINGE,	
60	1766773		PAD ASSY,HDR,ENT DR,4.00 X 35.00,RHD	
61	1745470		PIVOT ASSY,LOWER FLUSH PWR JK DOOR,RH	ENDING WITH BSN F194068, F10000002
61	1916170		PIVOT ASSY,LOWER,FLUSH POWER JK DOOR,	BEGIN WITH BSN F194069, F10000003
62	1745421		BRACKET ASSY,FLUSH JK ENT DOOR,RH DRIVE	ENDING WITH BSN F194068, F10000002
62	1916154		BRACKET ASSY,FLUSH JK ENTRANCE DOOR,RH,	BEGIN WITH BSN F194069, F10000003

Models: A3FE, A3RE
ENTRANCE
JACKKNIFE DOOR CONTROL
DELUXE
With Features: OPTION 226

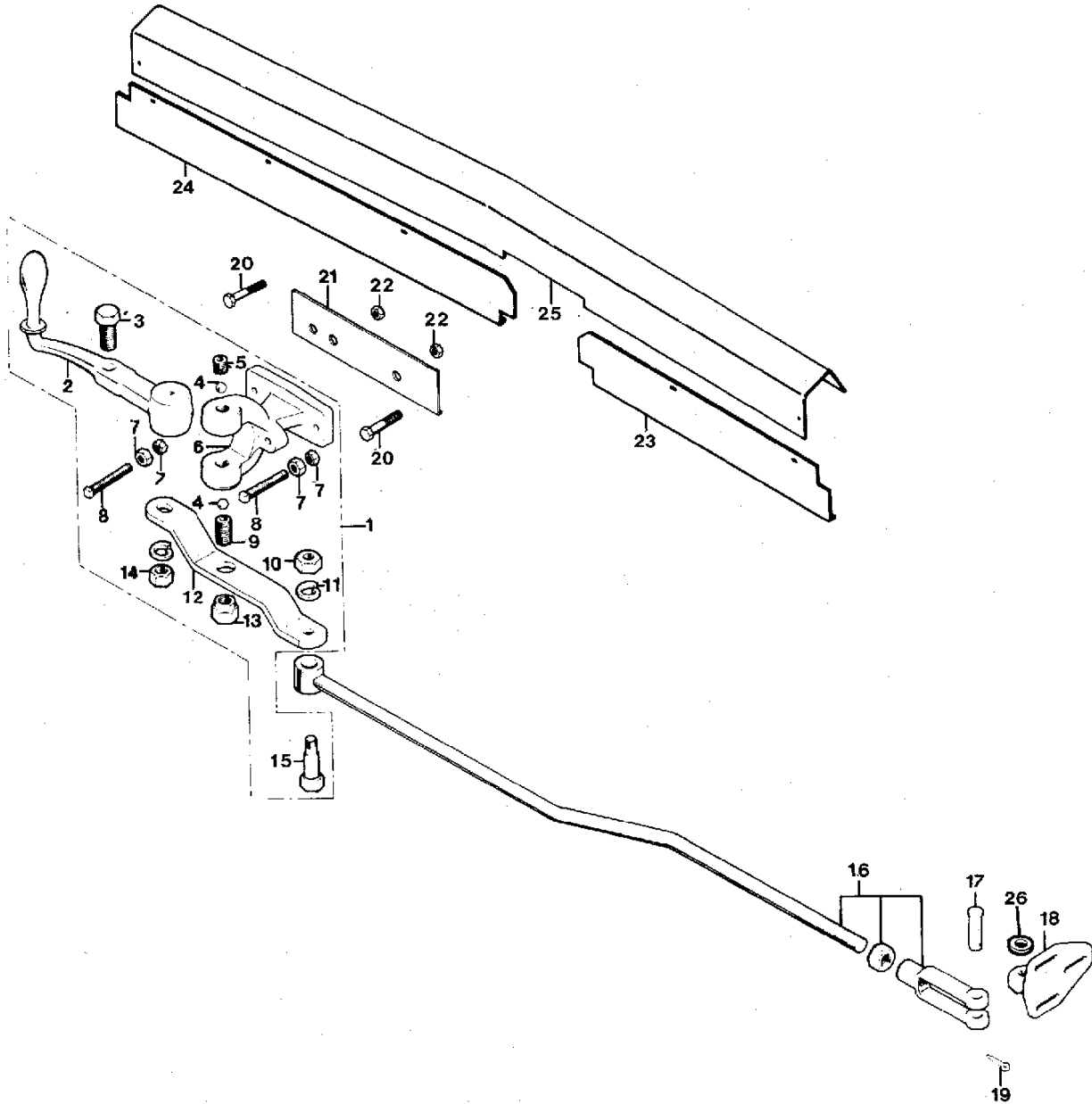
Key	PartNumber	Qty	Description	Comment
-----	------------	-----	-------------	---------

DR 11-14-90	BY <i>RH</i>	FRT	8001893	A
APP	BY	FRT	8001893	REV



© 1990 BLUE BIRD BODY COMPANY. ALL RIGHTS RESERVED.

BLUE BIRD



Models: A3FE, A3RE
ENTRANCE
JACKKNIFE DOOR CONTROL
DELUXE
With Features: OPTION 226

Key	PartNumber	Qty	Description	Comment
1	1410430		DOOR CONTROL ASSY,DELUXE JK,OPT 0226	
2	2128676		HANDLE,DLX DOOR CONTROL,2321 J-2, ZINC"	
3	2128684		BOLT,HEX HD,5/8 - 18 X 2 1/2	
4	2128643	2	BEARING,BALL,DLX DOOR CNTRL,9/16 DIA"	
5	2128619		SCREW,ALLEN HD,DLX DOOR CONTROL,UPPER"	
6	2128510		BRACKET,DASH,DLX DOOR CTRL,BLACK	
7	2101962	4	NUT,HEX,3/8-16,2321-A-12	
8	2101954	2	BOLT,SQUAREHEAD,3/8-16 X 1 3/4,2321-A	
9	2128627		SCREW,ALLEN HD,DLX DOOR CONTROL,LOWER"	
10	2101913		NUT,HEX HD,1/2-20,DOOR CONTROL	
11	2102002		LOCKWASHER,2392-A20	
12	2101939		ARM,JK DOOR,(CLEVELAND HDWE NO 2321-J1)	
13	2128650		NUT,HEX HD,5/8 W/ 3/8 SHOULDER"	
14	2128692		NUT,SELF LOCKING,5/8-18	
15	2008654		CAPSCREW,HEX HD,1/2-20 X 2.00,GR5,	
16	1322965		ROD ASSY,DOOR CONTROL,CHROME	
18	1808070		BRACKET ASSY,ROD END,ENT DOOR	
NI	1361153		BEARING,BRONZE,.62 X .75 OD	
NI	1357243		BRACKET ASSY,DOOR CONTROL,DELUXE, TCFC	
NI	1469337		LATCH ASSY,DELUXE DOOR CONTROL,AA	
NI	1913821		KIT,TRIM,DASH W/STD AUTOMATIC TRANS	<i>WITH STANDARD AUTO TRANSMISSION</i>
NI	1914126		KIT,MANUAL DOOR CONTROL BRACKETS,	

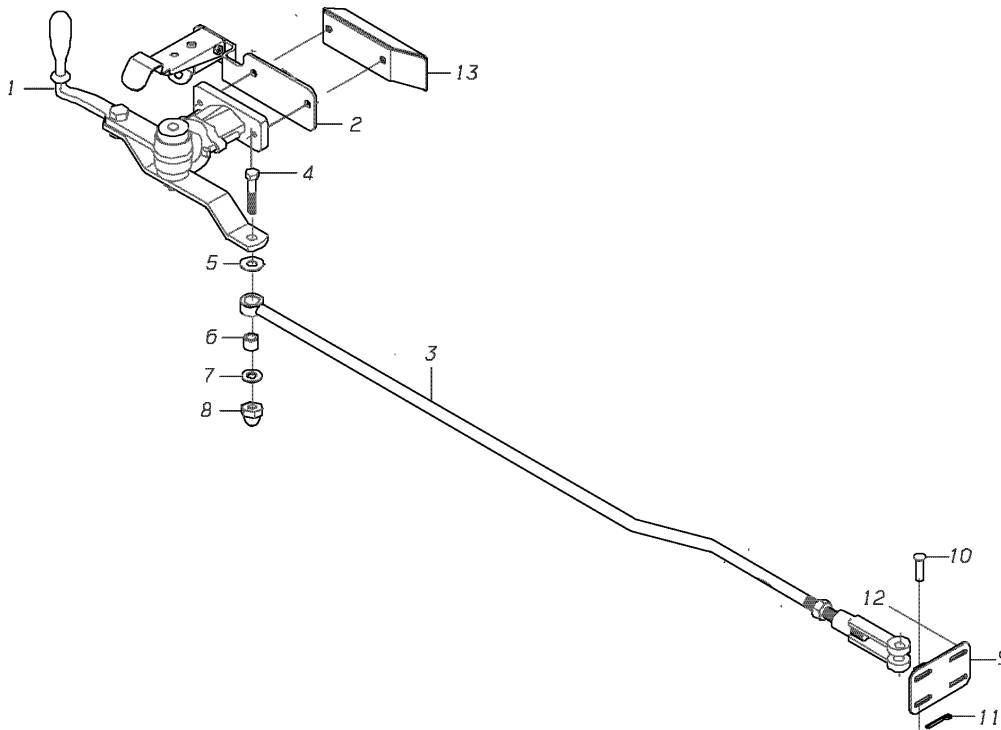
Models: A3FE, A3RE, C1FE, CSFE, CSRE, TCEV, TCFE
**ENTRANCE
 JACKKNIFE DOOR CONTROL
 DELUXE**

With Features: FEATURE 30977-03 WITH FEATURE 30978-02

Key	PartNumber	Qty	Description	Comment
-----	------------	-----	-------------	---------

DR.	06/05/01	BY	SFD						
APP.	06/05/01	BY	MC	FRT	1947167	8	REV		

© BLUE BIRD BODY COMPANY, ALL RIGHTS RESERVED



Models: A3FE, A3RE, C1FE, CSFE, CSRE, TCEV, TCFE
**ENTRANCE
 JACKKNIFE DOOR CONTROL
 DELUXE**

With Features: FEATURE 30977-03 WITH FEATURE 30978-02

Key	PartNumber	Qty	Description	Comment
1	1410430		DOOR CONTROL ASSY,DELUXE JK,OPT 0226	<i>OPTION 0226</i>
2	1469337		LATCH ASSY,DELUXE DOOR CONTROL,AA	
3	1322965		ROD ASSY,DOOR CONTROL,CHROME	
4	2008654		CAPSCREW,HEX HD,1/2-20 X 2.00,GR5,	
5	1161926		WASHER,FLAT,1 1/4 X 33/64 X 1/16 THK,	
6	1361153		BEARING,BRONZE,.62 X .75 OD	
7	0850776		WASHER,FLAT,17/32 X 1 1/16 X 3/32,	
8	0412080		NUT,HEX CAP,CTR-LOCK 1/2-20 BRIGHT ZC	
9	1808070		BRACKET ASSY,ROD END,ENT DOOR	
10	2008845		PIN,CLEVIS,1/2 DIA X 1 15/16,YEL ZN DICH	
11	2008860		PIN,COTTER,3/32 X 1,YEL ZN DICH	
12	1094275	4	SCREW,1/4-14X3/4,HEX HD,SELFDRILL,	
13	0031473		BRACKET ASSY,DOOR CONTROL,DELUXE,TCFE	
NI	1913821		KIT,TRIM,DASH W/STD AUTOMATIC TRANS	<i>WITH STANDARD AUTOMATIC TRANSMISSION</i>
NI	1914126		KIT,MANUAL DOOR CONTROL BRACKETS,	

Models: A3FE, A3RE, C1FE, CSFE, CSRE, TCEV, TCFE

**ENTRANCE
JACKKNIFE DOOR CONTROL
MANUAL**

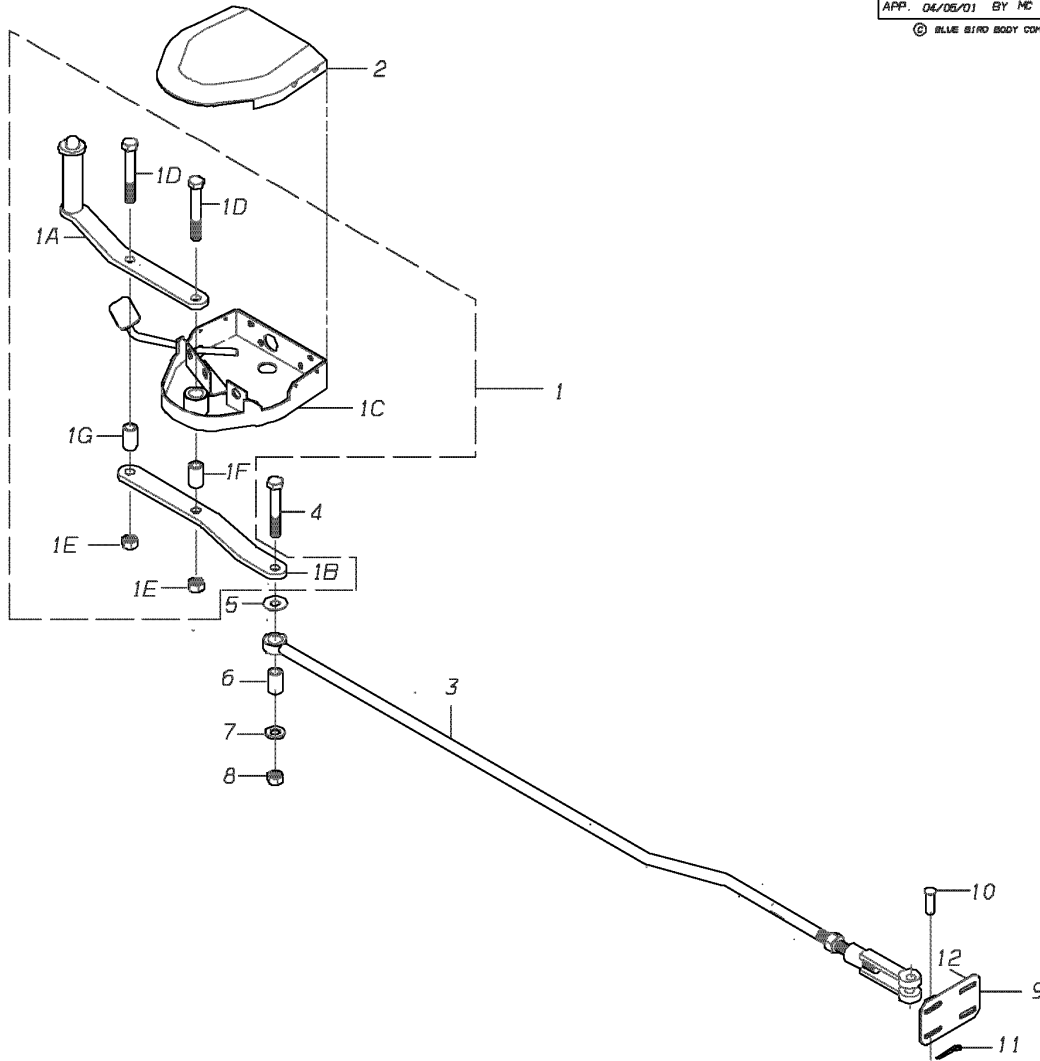
With Features: FEATURE 30977-03 WITH FEATURE 30978-01, -02

Key	PartNumber	Qty	Description	Comment
-----	------------	-----	-------------	---------

DR.	04/06/01	BY	SFD	---	1944057	G	REV
APP.	04/06/01	BY	MC	FRT			



© BLUE BIRD BODY COMPANY. ALL RIGHTS RESERVED



Models: A3FE, A3RE, C1FE, CSFE, CSRE, TCEV, TCFC
**ENTRANCE
 JACKKNIFE DOOR CONTROL
 MANUAL**

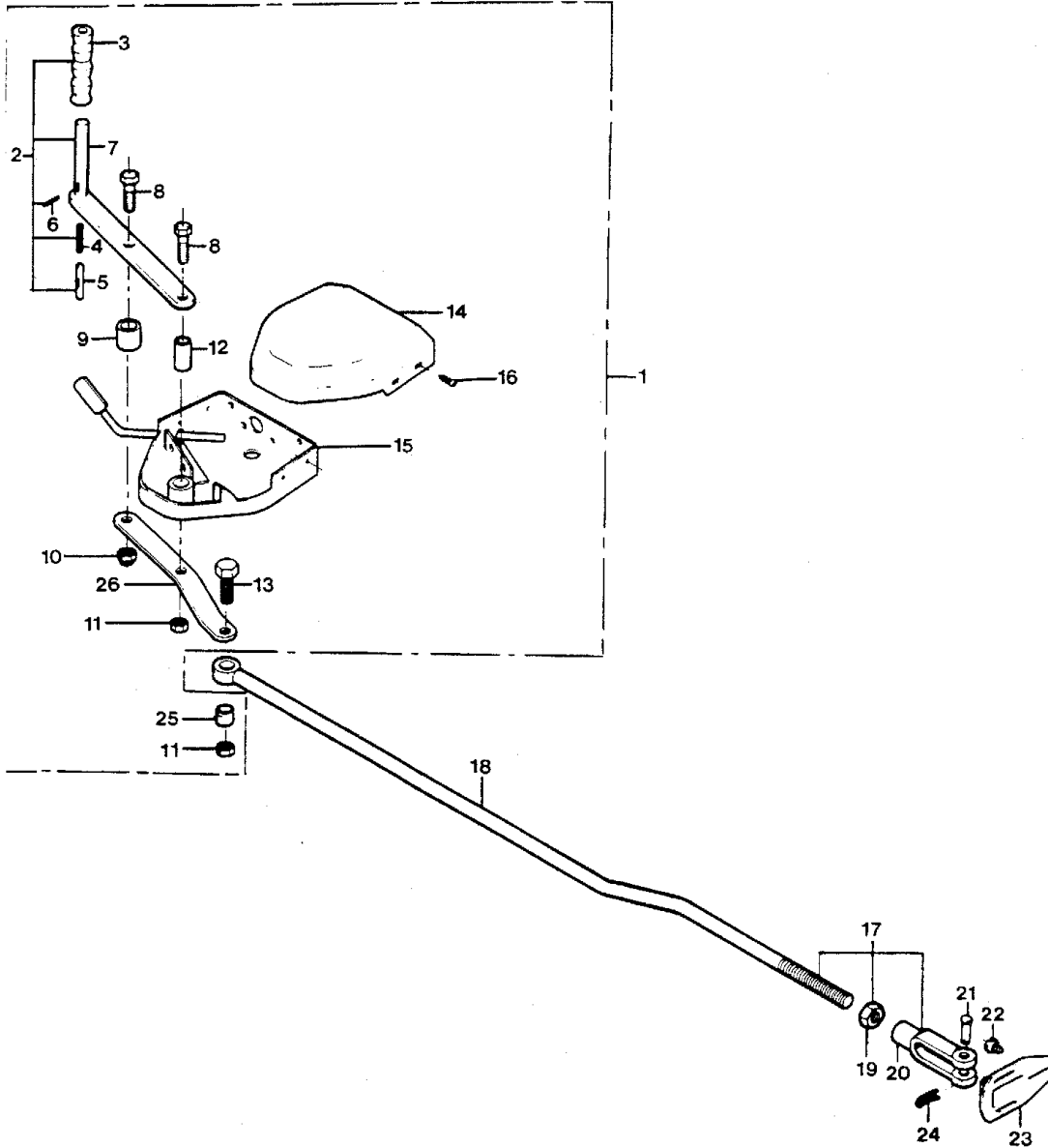
With Features: FEATURE 30977-03 WITH FEATURE 30978-01, -02

Key	PartNumber	Qty	Description	Comment
1	0031675		DOOR CONTROL ASSY,STD,J/K DR,SAF-LATCH	STANDARD J/K DOOR, SAFETY LATCH
1A	0017842		HANDLE ASSY,DOOR CONTROL,SAF-LATCH	
1B	0538041		ARM,ROD,JK DOOR CONTROL,SAF LATCH,	
1C	0031655		BRACKET ASSY,SAF-LATCH	
1D	2008621	2	CAPSCREW,HEX HD,1/2-20 X 2-1/4,YEL ZN	
1E	0952556	2	NUT,HEX HD,1/2-20,LOCKING,YELLOW	
1F	2008647		BEARING,BRONZE	
1G	0266288		SPACER,J/K DOOR CONTROL,CHROME	
2	0031472		COVER,MANUAL DOOR CONTROL,MED.GRAY	
2	0031333		COVER ASSY,DOOR CONTROL STOP	WITH FEATURE 00216-01
3	1322957		ROD ASSY,DOOR CONTROL,PAINTED,TCFC	FEATURE 30978-01
3	1322965		ROD ASSY,DOOR CONTROL,CHROME	FEATURE 30978-02
4	1363456		CAPSCREW,HEX HD,1/2-20 X1 1/2,GR8,	
5	1161926		WASHER,FLAT,1 1/4 X 33/64 X 1/16 THK,	
6	1361153		BEARING,BRONZE,-.62 X .75 OD	
7	0850776		WASHER,FLAT,17/32 X 1 1/16 X 3/32,	
8	0952556		NUT,HEX HD,1/2-20,LOCKING,YELLOW	
9	1808070		BRACKET ASSY,ROD END,ENT DOOR	
10	2008845		PIN,CLEVIS,1/2 DIA X 1 15/16,YEL ZN DICH	
11	2008860		PIN,COTTER,3/32 X 1,YEL ZN DICH	
12	1094275	4	SCREW,1/4-14X3/4,HEX HD,SELFDRILL,	
NI	1913821		KIT,TRIM,DASH W/STD AUTOMATIC TRANS	WITH STANDARD AUTOMATIC TRANSMISSION
NI	1914126		KIT,MANUAL DOOR CONTROL BRACKETS,	
NI	0026048		KIT,DOOR CONTROL STOP	WITH FEATURE 00216-01

Models: A3FE, A3RE, CSFE, CSRE, TCFE, TCRE
 ENTRANCE
 JACKKNIFE DOOR CONTROL
 WITH SAF-LATCH

Key	PartNumber	Qty	Description	Comment
-----	------------	-----	-------------	---------

DR. 12-10-57 BY DEW
 APP. 12-16-57 BY [Signature] 8007270
 FRONT
 © 1985 BLUE BIRD BODY COMPANY
 ALL RIGHTS RESERVED



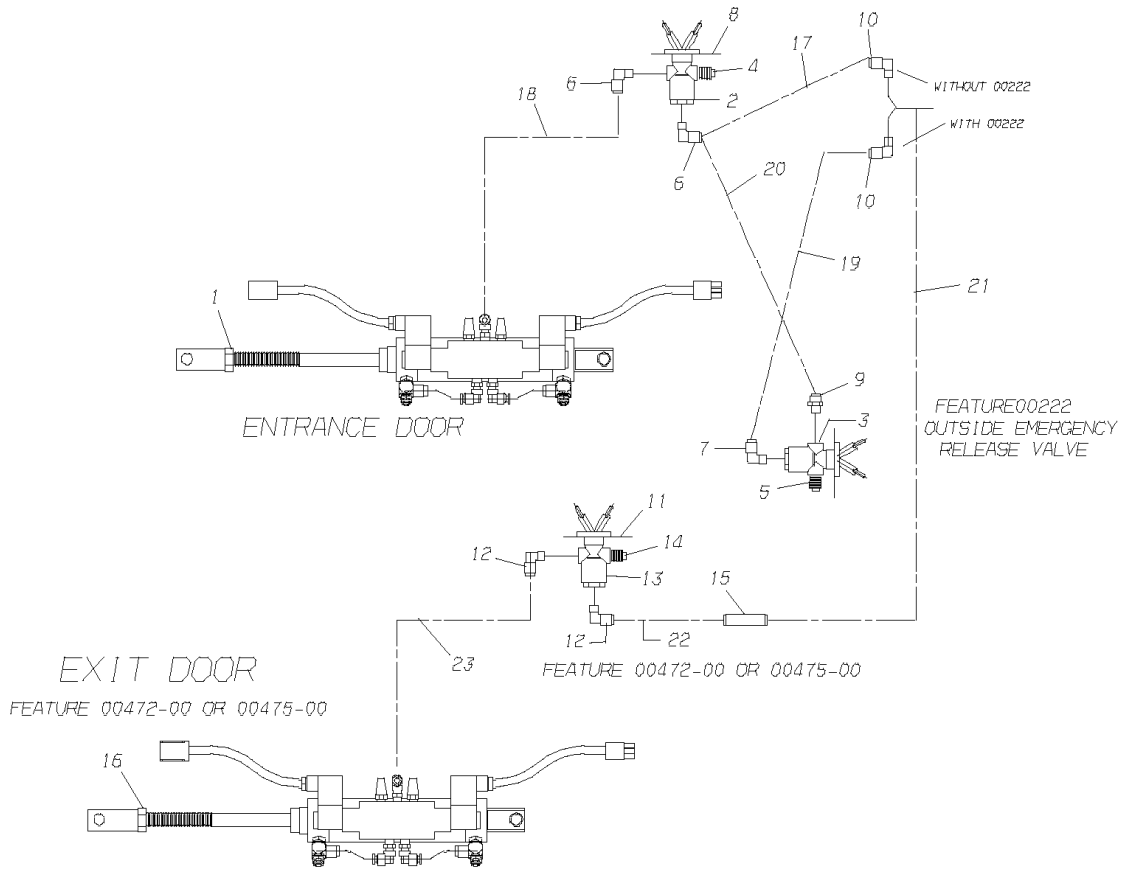
Models: A3FE, A3RE, CSFE, CSRE, TCFE, TCRE
**ENTRANCE
 JACKKNIFE DOOR CONTROL
 WITH SAF-LATCH**

Key	PartNumber	Qty	Description	Comment
1	1717875		DOOR CONTROL ASSY,STD,J/K DR,SAF-LATCH	STANDARD J/K DOOR, SAF-LATCH
2	1539162		HANDLE ASSY,DOOR CONTROL,SAF-LATCH	
3	1366715		HANDLE,SAF-LATCH	
4	1367630		SPRING,COMPRESSION,SAF-LATCH,1987	
4	1539147		SPRING,COMPRESSION,SAF-LATCH,1991	
5	0992024		PIN,LOCK,SAF-LATCH,5/16"	
5	1483627		PIN,LOCK,SAF-LATCH,3/8" DIA	
6	0993261		PIN,ROLL,1/8 DIA X 15/16 LG	
7	1539162		HANDLE ASSY,DOOR CONTROL,SAF-LATCH	
8	2008621	2	CAPSCREW,HEX HD,1/2-20 X 2-1/4,YEL ZN	
9	0266288		SPACER,J/K DOOR CONTROL,CHROME	
10	0952556		NUT,HEX HD,1/2-20,LOCKING,YELLOW	
NI	1003045		WASHER,FLAT,17/32 X 1 1/16 X 7/64,HDN,	
11	0952556	2	NUT,HEX HD,1/2-20,LOCKING,YELLOW	
12	2008647		BEARING,BRONZE	
13	1363456		CAPSCREW,HEX HD,1/2-20 X1 1/2,GR8,	
14	0939454		COVER,MANUAL DOOR CONTROL	
15	1410992		BRACKET ASSY,SAF-LATCH	
16	0527291	4	SCREW,10X3/4,PH,PAN,AB 0003,YEL ZN DICH	
17	1322957		ROD ASSY,DOOR CONTROL,PAINTED,TCFC	STANDARD
17	1322965		ROD ASSY,DOOR CONTROL,CHROME	CHROME, OPTION 229
18	1322973		ROD ASSY,DOOR,W/BUSHING	PART OF ITEM 17
19	2001501		NUT,HEX HD,FINISH,5/8-18,YEL ZN DICH	PART OF ITEM 17
20	0151696		YOKE,END,ADJUSTABLE,PLAIN	PART OF ITEM 17
21	2008845		PIN,CLEVIS,1/2 DIA X 1 15/16,YEL ZN DICH	
22	0666727	3	CAPSCREW,HEX HD,1/4-28 X 5/8,GR5,SPECIAL	
23	1356583		BRACKET ASSY,ROD END,ENT DOOR,O/O	
23	1698539		BRACKET ASSY,ROD END,ENT DR STL TUBE,	
24	2008860		PIN,COTTER,3/32 X 1,YEL ZN DICH	
25	1361153		BEARING,BRONZE,.62 X .75 OD	PART OF ITEM 17
26	0538041		ARM,ROD,JK DOOR CONTROL,SAF LATCH,	
NI	0850776		WASHER,FLAT,17/32 X 1 1/16 X 3/32,	
NI	1161926		WASHER,FLAT,1 1/4 X 33/64 X 1/16 THK,	

Models: A3FE, A3RE, BBCV, C1FE, CSFE, CSRE, GMCV, SBCV, TCFE

With Features: ENTRANCE
 JACKKNIFE DOOR PLUMBING, AIR
 FEATURE 30978-04, -07

Key	PartNumber	Qty	Description	Comment
-----	------------	-----	-------------	---------



Models: A3FE, A3RE, BBCV, C1FE, CSFE, CSRE, GMCV, SBCV, TCFE

With Features: ENTRANCE
JACKKNIFE DOOR PLUMBING, AIR
FEATURE 30978-04, -07

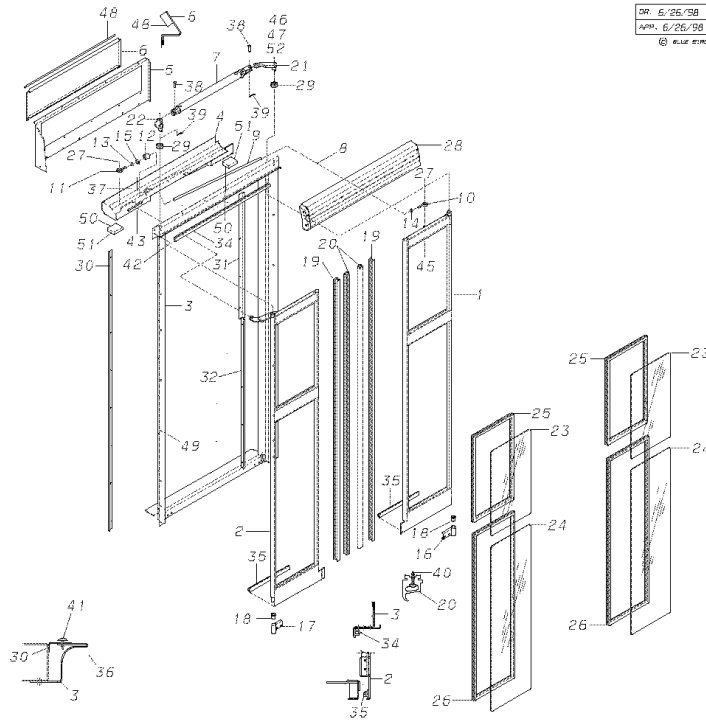
Key	PartNumber	Qty	Description	Comment
1	0031458		CYLINDER ASSY,AIR,2.00 BORE X 4.50 STROKE	
2	1098656		VALVE,EM RELEASE,MIDLAND ROSS N-13440-	
3	1098656		VALVE,EM RELEASE,MIDLAND ROSS N-13440-	OPTION 222
4	2027118		PLUG,1/8 PIPE	
5	2027118		PLUG,1/8 PIPE	OPTION 222
6	0009903	2	ELBOW,90 DEG,MALE1869X4-Z,.13MPT X .25T	
7	0009903		ELBOW,90 DEG,MALE1869X4-Z,.13MPT X .25T	OPTION 222
8	0995324		PLATE,EMERGENCY REL,AIR	
9	0009917		CONNECTOR,MALE,1868X4-Z,.13MP X .25T"	OPTION 222
10	0009903		ELBOW,90 DEG,MALE1869X4-Z,.13MPT X .25T	
11	0995324		PLATE,EMERGENCY REL,AIR	OPTION 475
12	0009903	2	ELBOW,90 DEG,MALE1869X4-Z,.13MPT X .25T	OPTION 472 OR 475
13	1098656		VALVE,EM RELEASE,MIDLAND ROSS N-13440-	OPTION 472 OR 475
14	2027118		PLUG,1/8 PIPE	OPTION 472 OR 475
15	0032971		UNION,TUBE,1862X4-Z,.25T	OPTION 472 OR 475
16	0031458		CYLINDER ASSY,AIR,2.00 BORE X 4.50 STROKE	OPTION 472 OR 475
NI	0009987		TEE,UNION,1864X4,.25T	OPTION 472 OR 475
17	1346832	18	TUBING,PLASTIC,1/4 OD,RED,SAE J844 TYPE A	
18	1346832	2	TUBING,PLASTIC,1/4 OD,RED,SAE J844 TYPE A	
19	1346832	13	TUBING,PLASTIC,1/4 OD,RED,SAE J844 TYPE A	
20	1346832	7	TUBING,PLASTIC,1/4 OD,RED,SAE J844 TYPE A	
21	1346832	28	TUBING,PLASTIC,1/4 OD,RED,SAE J844 TYPE A	
22	1346832	8	TUBING,PLASTIC,1/4 OD,RED,SAE J844 TYPE A	
23	1346832	2	TUBING,PLASTIC,1/4 OD,RED,SAE J844 TYPE A	
24	2005718	19	LOOM,ASPHALTUM,WIRE,5/16IN	

Models: A3FE, A3RE, C1FE, CSFE, CSRE, TCFE, TCRE, TSFE

ENTRANCE
OUTWARD OPENING
AIR

With Features: OPTION 275-02

Key	PartNumber	Qty	Description	Comment
-----	------------	-----	-------------	---------



Models: A3FE, A3RE, C1FE, CSFE, CSRE, TCFE, TCRE, TSFE
ENTRANCE
OUTWARD OPENING
AIR
With Features: **OPTION 275-02**

Key	PartNumber	Qty	Description	Comment
1	1773464		FRAME ASSY,FRONT PWR,O/O ENT DR,23 STEP	ENDING WITH BSN 0193668, 0029831, 0263337, 0378649
1	1957612		FRAME ASSY,FRONT,PWR,O/O ENT DR,23 STEP	BEGIN WITH BSN 0193669, 0029832, 0263338, 0378650
1	1773480		FRAME ASSY,FRT,PWR O/O ENT DR,S/LK,23	ENDING WITH BSN 0193668, 0029831, 0263337, 0378649, WITH OPTION 0276
1	1957661		FRAME ASSY,FRT,PWR,O/O ENT DR,S/LK,23	BEGIN WITH BSN 0193669, 0029832, 0263338, 0378650. WITH OPTION 0276.
1	1782309		FRAME ASSY,FRT,PWR O/O ENT DR,24.75 STEP	ENDING WITH BSN 0193668, 0029831, 0263337, 0378649
1	1957620		FRAME ASSY,FRT,PWR,O/O ENT DR,24.75 STEP	BEGIN WITH BSN 0193669, 0029832, 0263338, 0378650
1	1782317		FRAME ASSY,FRT,PWR O/O ENT DR,S/LK,24.75	ENDING WITH BSN 0193668, 0029831, 0263337, 0378649, WITH OPTION 0241
1	1957679		FRAME ASSY,FRT,PWR,O/O ENT DR,S/LK,24.75	BEGIN WITH BSN 0193669, 0029832, 0263338, 0378650. OPTION 0241 WITH OPTION 0276
NI	1773241		PIVOT,UPPER,POWER OUTWARD OPENING	5/8, ENDING WITH BSN 0193668, 0029831, 0263337, 0378649
NI	1956804		PIVOT,UPPER,POWER O/O DOOR,3/4	3/4, BEGIN WITH BSN 0193669, 0029832, 0263338, 0378650
NI	1772797		PIVOT,LOWER,OUTWARD OPENING DOOR	
2	1956937		FRAME ASSY,DOOR,REAR,ENT,23 STP,TRANSIT	
2	1956945		FRAME ASSY,DOOR,REAR,ENT,24.75 STP,	OPTION 241
3	1773209		DOOR SUPPORT ASSY,O/O 23.00 STEP	
3	1780444		DOOR,SUPPORT,ASSY,O/O,24.75 STEP	
4	1773001		COVER ASSY,OUTWARD OPENING DR	TC, SC ONLY
4	1791508		COVER ASSY,OUTWARD OPENING DR	CS ONLY
5	1882109		PANEL,HEADER COVER,O/O DOOR,AIR	TSFE ONLY
5	1791540		COVER,HEADER,AIR,OUTWARD OPENING DOOR	CS ONLY
5	1793009		PANEL,HEADER COVER,O/O DOOR,AIR,74 HR	
5	1793025		PANEL,HEADER COVER,O/O DOOR,AIR,77 HR	
6	0005066		PANEL,CONTROL ACCESS,O/O DR HEADER	
6	1890516		DOOR,HEADER COVER,OUTWARD OPENING	CS ONLY
7	1752302		CYLINDER,AIR 1.5 IN BORE, 15.25 IN STROKE	
8	1858208		CONNECTOR LINK ASSY,O/O DOOR	
9	1773647		TUBE,CONNECTOR LINK,O/O DOOR,25.70	INCLUDED IN PURCHASED ASSEMBLY 1858208 (KEY #8)
10	1773571		ROD END,ALINABAL,VML-6-G	

Models: A3FE, A3RE, C1FE, CSFE, CSRE, TCFE, TCRE, TSFE

ENTRANCE
OUTWARD OPENING
AIR

With Features: OPTION 275-02

Key	PartNumber	Qty	Description	Comment
				ASSEMBLY 1858208 (KEY #8). INCLUDED IN PURCHASED ASSEMBLY 1858208 (KEY #8)
11	1336320		ROD END,ALINABAL VM-6-G,WLPP	
12	1773613		BUMPER,O/O DOOR STOP,URETHANE	INCLUDED IN PURCHASED ASSEMBLY 1858208 (KEY #8).
13			NUT, HEX HD, 3/8-24, STD LIGHT, SEMI-FIN,	INCLUDED IN PURCHASED ASSEMBLY 1858208 (KEY #8)
14	1767466		NUT,HEX HD,3/8-24,LH THREAD,ZINC	INCLUDED IN PURCHASED ASSEMBLY 1858208 (KEY #8).
15	1003045		WASHER,FLAT,17/32 X 1 1/16 X 7/64,HDN,	INCLUDED IN PURCHASED ASSEMBLY 1858208 (KEY #8)
16	1774157		BRACKET ASSY,FRONT MOUNT,LWR PIVOT,O/O	
17	1774140		BRACKET ASSY,REAR MOUNT,LWR PIVOT,O/O	
18	1773597	2	BEARING,FLANGED BRONZE,.878 OD X.628 ID	
19	1768100	2	RETAINER,O/O DR NOSING FOR 24.75	
20	1768027	2	RUBBER,O/O DOOR NOSING FOR 23.00	
20	1768035	2	RUBBER,O/O DOOR NOSING FOR 24.75	
21	1956788		LEVER ASSY,FRONT,POWER O/O DOOR,3/4	
22	1956796		LEVER ASSY,REAR,POWER O/O DOOR,3/4	
23	1773084	2	GLASS,UPPER,O/O ENT DR TEMP CLR	STANDARD
23	1773076	2	GLASS,UPPER,O/O ENT DR LAM CLR	OPTION 3331, 3336, 3337, 3338, 3339, 7375-01
23	1773092	2	GLASS,UPPER,O/O ENT DR LAM 70 LT GRN	OPTION 3321
23	1781145	2	GLASS ASSY,STORM,ENT DR,UPPER,O/O	OPTION 3414, 3415
23	1781152	2	GLASS ASSY,STORM,ENT DR,UPPER,O/O	OPTION 3427-01
24	1773100	2	GLASS,LOWER,O/O ENT DR LAM CLR 23 STEP	STANDARD
24	1773118	2	GLASS,LOWER,O/O ENT DR TEMP CLR 23 STEP	OPTION 3331, 3336, 3337, 3338, 3339, 7375-01
24	1773126	2	GLASS,LOWER,O/O ENT DR LAM 70 LT GRN 23	OPTION 3322
24	1781160	2	GLASS ASSY,STORM,ENT DR,LWR,23 STEP	OPTION 3415
24	1781178	2	GLASS ASSY,STORM,O/O DR,LWR,23 STEP	OPTION 3427-01
24	1781293	2	GLASS,LWR,O/O ENT DR,TEMP CLR,24.75 STEP	STANDARD
24	1781285	2	GLASS,LWR,O/O ENT DR,LAM CLR,24.75 STEP	OPTION 3331, 3336, 3337, 3338, 3339, 7375-01
24	1781301	2	GLASS,LWR,O/O ENT DR,LAM 70 LT GRN,24.75	OPTION 3322
24	1781186		GLASS ASSY,STORM,O/O DR,LWR,24.75 STEP	OPTION 3415
24	1781194		GLASS ASSY,STORM,O/O DR,LWR,24.75 STEP,	OPTION 3427-01
25	1773027		RUBBER,GLAZING,O/O ENTRANCE DOOR	

Models: A3FE, A3RE, C1FE, CSFE, CSRE, TCFE, TCRE, TSFE
ENTRANCE
OUTWARD OPENING
AIR
With Features: OPTION 275-02

Key	PartNumber	Qty	Description	Comment
25	1726819		RUBBER,STORM GLAZING,O/O ENT DOOR	
26	1773035		RUBBER,GLAZING,O/O ENT DR,LWR,23 STEP	
26	1726827		RUBBER,STORM GLAZING,O/O ENT DR,LWR 23	
26	1777085		RUBBER,GLAZING,O/O ENT DR,LWR,24.75 STEP	
26	1814706		RUBBER,STORM GLAZING,O/O,ENT DR LWR	
27	1782226	2	SCREW,ALLEN,3/8-16 X 1.25,CSK FT/HD BLK	
28	1782093		HEADER ASSY,ENT DOOR,74 HR O/O DOOR	
28	1789825		HEADER ASSY,ENT DOOR,77 HR,O/O DOOR	
29	1773605	2	BEARING,BALL,SEALED,.671D X 1.57 OD X .47	5/8, ENDING WITH BSN 0193668, 0029831, 0263337, 0378649
29	1956820	2	BEARING,BALL,SEALED,.75 ID X 1.57 OD X .47	3/4, BEGIN WITH BSN 0193669, 0029832, 0263338, 0378650
30	1771047		TRIM,REAR,DR TO FRT BOW TRIM,23.00 STEP	
30	1771054		TRIM,REAR,DR TO FRT BOW TRIM,24.75 STEP	
31	1780881		TRIM,UPPER FRONT,DOOR TO POST,O/O DR	
32	1771013		TRIM,LWR FRT,DR TO POST O/O DR,23 STEP	
32	1771021		TRIM,LWR FRT,DR TO POST O/O DR,24.75 STEP	
33				NOT APPLICABLE
34	1785369		SEAL,RUBBER,UPPER O/O	
35	1789403	2	SEAL,RUBBER,DOOR TO STEP	
36	1932433	14'	SEAL,LIP,O/O ENT DR,PIVOT SI,UNI-GRIP	
37	1777770		STOP,REAR DOOR,OUTWARD OPENING	
38	2008845	2	PIN,CLEVIS,1/2 DIA X 1 15/16,YEL ZN DICH	
39	2008860	2	PIN,COTTER,3/32 X 1,YEL ZN DICH	
40	1143676	15	SCREW,10-16 X 3/4, AB,PH1,PAN HD,BLK ZN,	
41	0527341	16	SCREW,10-16 X 1/2,AB,SLTD,TRUSS HD,YELZN	
42	2000024	10	SCREW,1/4-14 X 3/4,B,HEX HD,YEL ZN DICH	
43	1675198	7	BOLT,CARRIAGE,1/4-20 X 5/8 ZINC PLATED	
44	0659979	7	NUT,HEX,FLANGE SER,1/4-20,BLACK ZINC	
45	0826297	2	NUT,HEX HD,3/8-16 LOCK,YEL ZN DICH	
46	0882811	2	CAPSCREW,HEX HD,3/8-16X2 1/2,GR5,YEL	
47	0882795	2	LOCKWASHER,SPLIT RING,3/8,MED,YELLOW	
48	0758292	3'	TAPE,FOAM,PCV,3/16 X 3/8 WIDTH,W/ADH	
49	2000644	14	SCREW,1/4-14X 3/4,AB,PH1,TRUSS HD,	
50	1770973	2	LAMP,DOME,32 CANDLEPOWER,WITH GROUND	

Models: A3FE, A3RE, C1FE, CSFE, CSRE, TCFE, TCRE, TSFE

**ENTRANCE
OUTWARD OPENING
AIR**

With Features: OPTION 275-02

Key	PartNumber	Qty	Description	Comment
51	2000529	6	SCREW,10-16X1/2,AB,PH1,OVAL CSNK,YEL	
52	1422195		SEALANT,LOCTITE,THREADLOCKER 242, BLUE	
NI	1797539		PAD ASSY,HDR CVR,O/O ENT DR,	A3FE, A3RE, TCFE, TCRE. STANDARD, 74" HR, 9" S/S
NI	1797505		PAD ASSY,HDR CVR,O/O ENT DR,	A3FE, A3RE, TCFE, TCRE. OPTION 3339, 74" HR, 12" S/S
NI	1797448		PAD ASSY,HDR CVR,O/O ENT DR,	A3FE, A3RE, TCFE, TCRE, OPTION 3471, 3473, 77" HR, 9" S/S
NI	1797471		PAD ASSY,HDR CVR,O/O ENT DR,	A3FE, A3RE, TCFE, TCRE. OPTION 3337. 77" HR, 12 S/S
NI	1658426		PAD ASSY,HEADER COVER,ENTRANCE DR,REAR,	C1FE, CSFE, CSRE
NI	1795905		PAD ASSY,HDR,O/O ENT DR	A3FE, A3RE, TCFE, TCRE, TSFE
NI	1578459		PAD ASSY,HDR,ENT DR, 3.00 X 35.00	C1FE, CSFE, CSRE, TCFE, TCRE
NI	1793348		PAD ASSY,HDR,O/O,ENTRANCE DOOR	C1FE, CSFE, CSRE
NI	1843515		INSULATION,HEADER,O/O DOOR	STANDARD,C1FE, CSFE, CSRE
NI	1823681		INSULATION,HEADER,O/O DOOR,74 HR	A3FE, A3RE, TCFE, TCRE
NI	1823699		INSULATION,HEADER,O/O DOOR,77 HR	A3FE, A3RE, TCFE, TCRE
NI	3775863	7	WASHER,COUNTERSUNK,12/12,WL	
NI	2144038	7	COVER,SCREWHEAD,BLACK,NO 12/12	
NI	2000594	7	SCREW,10-16X1-1/2,AB,PH1,OVAL CNSK,YEL	

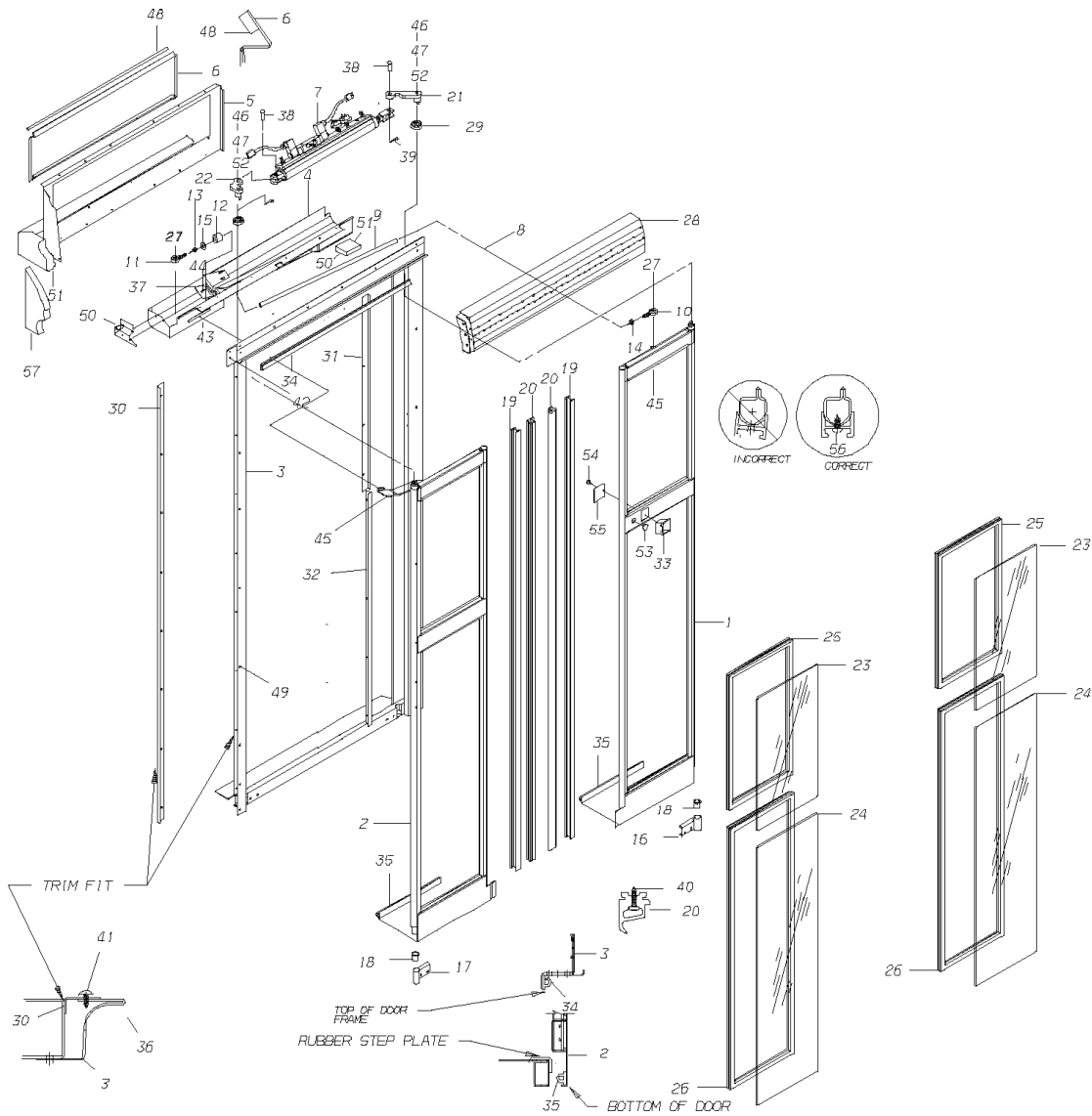
Models: A3FE, A3RE, C1FE, CSFE, CSRE, TCFE

**ENTRANCE
OUTWARD OPENING
AIR**

CANADIAN UNITS ONLY

With Features: FEATURE 30977-02 WITH FEATURE 30978-04 or -07
To BSN F10053940 F20054224 L10093804

Key	PartNumber	Qty	Description	Comment
-----	------------	-----	-------------	---------



Models: A3FE, A3RE, C1FE, CSFE, CSRE, TCFE
**ENTRANCE
 OUTWARD OPENING
 AIR
 CANADIAN UNITS ONLY**
With Features: FEATURE 30977-02 WITH FEATURE 30978-04 or -07
 To BSN F10053940 F20054224 L10093804

Key	PartNumber	Qty	Description	Comment
1	0000374		FRAME ASSY,DOOR,FRONT,ENT,23 STP,	
1	0000375		FRAME ASSY,DOOR,FRONT,ENT,24.75 STP	
2	1956937		FRAME ASSY,DOOR,REAR,ENT,23 STP,TRANSIT	
2	1956945		FRAME ASSY,DOOR,REAR,ENT,24.75 STP,	
3	1773209		DOOR SUPPORT ASSY,O/O 23.00 STEP	
3	1780444		DOOR,SUPPORT,ASSY,O/O,24.75 STEP	
4	0045338		COVER ASSY,OUTWARD OPENING DR	
5	0044477		PANEL,HEADER COVER,O/O DOOR,AIR,CMVSS,	
5	0045504		PANEL,HEADER CVR,0/0 DR,77HR,AIR,CAN,	
6	0045399		PANEL,CONTROL ACCESS,O/O DR HDR CVR	
7	0031457		CYLINDER ASSY,AIR,1.50 BORE X 15.25	
8*	1858208		CONNECTOR LINK ASSY,O/O DOOR	
9*	1773647		TUBE,CONNECTOR LINK,O/O DOOR,25.70	PART OF ITEM 8
10	1773571		ROD END,ALINABAL,VML-6-G	PART OF ITEM 8
11	1336320		ROD END,ALINABAL VM-6-G,WLPP	PART OF ITEM 8
12	1773613		BUMPER,O/O DOOR STOP,URETHANE	PART OF ITEM 8
13			NUT, HEX HEAD, 3/8-24	PART OF ITEM 8
14	1767466		NUT,HEX HD,3/8-24,LH THREAD,ZINC	PART OF ITEM 8
15	1003045		WASHER,FLAT,17/32 X 1 1/16 X 7/64,HDN,	PART OF ITEM 8
16	1774157		BRACKET ASSY,FRONT MOUNT,LWR PIVOT,O/O	
17	1774140		BRACKET ASSY,REAR MOUNT,LWR PIVOT,O/O	
18	1773597	2	BEARING,FLANGED BRONZE,.878 OD X.628 ID	
19	1768092	2	RETAINER,O/O DR NOSING FOR 23.00	
19	1768100	2	RETAINER,O/O DR NOSING FOR 24.75	
20	1975200	2	RUBBER,DOOR NOSING,O/O,V2,23.00 STEP	
20	1975689	2	RUBBER,O/O DOOR NOSING,V2,24.75 STEP	
21	0034180		LEVER ASSY,FRT,PWR O/O DOOR,4.00,.75 X 1	
22	0034259		LEVER ASSY,REAR,PWR O/O DOOR,2.00,.75 X 1	
23	1773084	2	GLASS,UPPER,O/O ENT DR TEMP CLR	FEATURE 31189-01, TEMPERED, CLEAR
23	1773076	2	GLASS,UPPER,O/O ENT DR LAM CLR	FEATURE 31189-02, LAMINATED, CLEAR
23	1773092	2	GLASS,UPPER,O/O ENT DR LAM 70 LT GRN	FEATURE 31189-03, LAMINATED, GREEN
23	1781145	2	GLASS ASSY,STORM,ENT DR,UPPER,O/O	FEATURE 31189-04, STORM

Models: A3FE, A3RE, C1FE, CSFE, CSRE, TCFE

**ENTRANCE
OUTWARD OPENING
AIR**

CANADIAN UNITS ONLY

With Features: FEATURE 30977-02 WITH FEATURE 30978-04 or -07
To BSN F10053940 F20054224 L10093804

Key	PartNumber	Qty	Description	Comment
23	1781152	2	GLASS ASSY,STORM,ENT DR,UPPER,O/O	TINTED
24	1773118		GLASS,LOWER,O/O ENT DR TEMP CLR 23 STEP	FEATURE 31188-01, TEMPERED, CLEAR
24	1773100		GLASS,LOWER,O/O ENT DR LAM CLR 23 STEP	FEATURE 31188-02, LAMINATED, CLEAR
24	1773126		GLASS,LOWER,O/O ENT DR LAM 70 LT GRN 23	FEATURE 31188-03, LAMINATED, GREEN
24	1781160		GLASS ASSY,STORM,ENT DR,LWR,23 STEP	FEATURE 31188-04, STORM
24	1781178		GLASS ASSY,STORM,O/O DR,LWR,23 STEP	FEATURE 31188-05, STORM, TINTED
24	1781293		GLASS,LWR,O/O ENT DR,TEMP CLR,24.75 STEP	FEATURE 31188-01, TEMPERED, CLEAR
24	1781285		GLASS,LWR,O/O ENT DR,LAM CLR,24.75 STEP	FEATURE 31188-02, LAMINATED, CLEAR
24	1781301		GLASS,LWR,O/O ENT DR,LAM 70 LT GRN,24.75	FEATURE 31188-03, LAMINATED, GREEN
24	1781186		GLASS ASSY,STORM,O/O DR,LWR,24.75 STEP	FEATURE 31188-04, STORM
24	1781194		GLASS ASSY,STORM,O/O DR,LWR,24.75 STEP,	FEATURE 31188-05, STORM, TINTED
25	1773027	2	RUBBER,GLAZING,O/O ENTRANCE DOOR	STANDARD
25	1726819	2	RUBBER,STORM GLAZING,O/O ENT DOOR	FEATURE 31189-04, -05, STORM GLASS
26	1773035	2	RUBBER,GLAZING,O/O ENT DR,LWR,23 STEP	STANDARD
26	1726827	2	RUBBER,STORM GLAZING,O/O ENT DR,LWR 23	FEATURE 31188-04, -05, STORM GLASS
26	1777085	2	RUBBER,GLAZING,O/O ENT DR,LWR,24.75 STEP	STANDARD
26	1814706	2	RUBBER,STORM GLAZING,O/O,ENT DR LWR	FEATURE 31188-04, -05. STORM GLASS
27	1782226	2	SCREW,ALLEN,3/8-16 X 1.25,CSK FT/HD BLK	
28	1782093		HEADER ASSY,ENT DOOR,74 HR O/O DOOR	
28	1789825		HEADER ASSY,ENT DOOR,77 HR,O/O DOOR	
29	1956820	2	BEARING,BALL,SEALED,.75 ID X 1.57 OD X .47	
30	1771047		TRIM,REAR,DR TO FRT BOW TRIM,23.00 STEP	
30	1771054		TRIM,REAR,DR TO FRT BOW TRIM,24.75 STEP	
31	1780881		TRIM,UPPER FRONT,DOOR TO POST,O/O DR	
32	1771013		TRIM,LWR FRT,DR TO POST O/O DR,23 STEP	
32	1771021		TRIM,LWR FRT,DR TO POST O/O DR,24.75 STEP	
33	0006887		HANDLE,DOOR,OUTWARD OPENING	
34	1785369		SEAL,RUBBER,UPPER O/O	
35	1789403	2	SEAL,RUBBER,DOOR TO STEP	

Models: A3FE, A3RE, C1FE, CSFE, CSRE, TCFE

**ENTRANCE
OUTWARD OPENING
AIR**

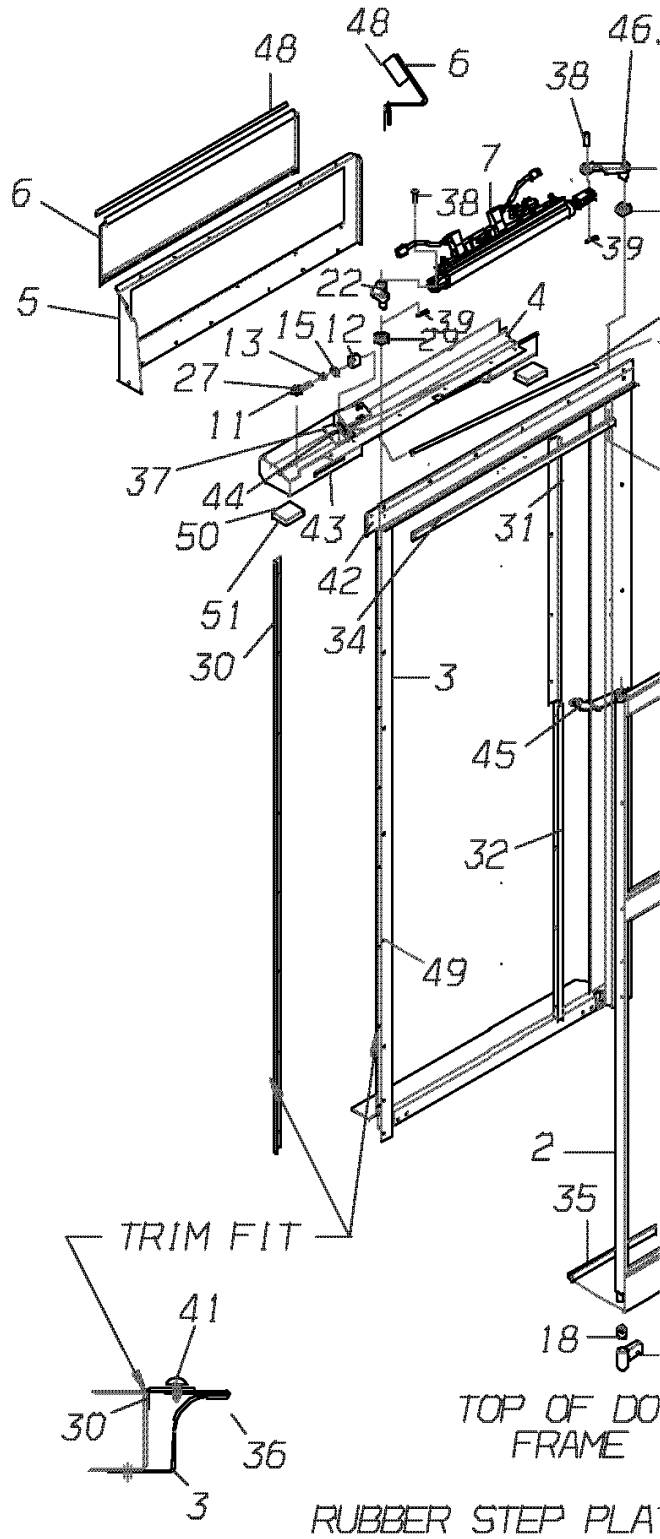
With Features:

**CANADIAN UNITS ONLY
FEATURE 30977-02 WITH FEATURE 30978-04 or -07
To BSN F10053940 F20054224 L10093804**

Key	PartNumber	Qty	Description	Comment
36	1932433	14	SEAL,LIP,O/O ENT DR,PIVOT SI,UNI-GRIP	
37	1777770		STOP,REAR DOOR,OUTWARD OPENING	
38	2008852	2	PIN,CLEVIS,1/2 DIA X 1 1/2, YEL ZN DICH	
39	2008860		PIN,COTTER,3/32 X 1,YEL ZN DICH	
40	1143676	17	SCREW,10-16 X 3/4, AB,PH1,PAN HD,BLK ZN,	
41	0527341	16	SCREW,10-16 X 1/2,AB,SLTD,TRUSS HD,YELZN	
42	1854397	10	RIVET,BLIND,.25 DIA,.38 GRIP	
43	1675198	7	BOLT,CARRIAGE,1/4-20 X 5/8 ZINC PLATED	
44	0659979	7	NUT,HEX,FLANGE SER,1/4-20,BLACK ZINC	
45	0826297		NUT,HEX HD,3/8-16 LOCK,YEL ZN DICH	
46	0882811	2	CAPSCREW,HEX HD,3/8-16X2 1/2,GR5,YEL	
47	0882795	2	LOCKWASHER,SPLIT RING,3/8,MED,YELLOW	
48	0758292	3	TAPE,FOAM,PCV,3/16 X 3/8 WIDTH,W/ADH	
49	1854397	14	RIVET,BLIND,.25 DIA,.38 GRIP	
50	0045181		CAP,COVER ASSY,OUTWARD OPENING DOOR	
50	0045592		CAP,COVER ASSY,OUTWARD OPENING DOOR,77	
51	0045800		PAD ASSY,HDR,O/O ENT DR,CMVSS,74HR,	
51	0045801		PAD ASSY,HDR,O/O ENT DR,CMVSS,77HR,	
52	1422195		SEALANT,LOCTITE,THREADLOCKER 242, BLUE	
53	1330893		PLUG,BUTTON,BLACK,DP-750,HEYCO 2683	ENDING WITH BSN B10097184, F10050449, L10083479
53	1585868		PLUG,BUTTON,BLACK,DP-875,HEYCO 2703	BEGIN WITH BSN B10097185, F10050450, L10083480
54	1560754		SCREW,10-16 X 3/8,AB,PH1,PAN HD,BLK	
55	0006487		COVER,SECURITY LOCK,O/O DOOR	
56	2186401	8	SCREW,10-16 X 1/2,AB,PH1,PAN HD,YEL ZN	
NI	1797539		PAD ASSY,HDR CVR,O/O ENT DR,	
NI	1797471		PAD ASSY,HDR CVR,O/O ENT DR,	
NI	1795905		PAD ASSY,HDR,O/O ENT DR	
NI	1823681		INSULATION,HEADER,O/O DOOR,74 HR	
NI	1823699		INSULATION,HEADER,O/O DOOR,77 HR	
57	0045803		PAD ASSY,HDR,O/O ENT DR,REAR,74 HR	
57	0045802		PAD ASSY,HDR,O/O ENT DR,REAR,CMVSS,77HR	

Models: A3FE, A3RE, C1FE, CSEV, CSFE, CSRE, TCEV, TCFE, TSFE
 ENTRANCE
 OUTWARD OPENING
 AIR
 U.S UNITS ONLY
 With Features: FEATURE 30977-02 WITH FEATURE 30978-04
 To BSN BSN F10053940 F20054224 L10093804

Key	PartNumber	Qty	Description	Comment
-----	------------	-----	-------------	---------



Models: A3FE, A3RE, C1FE, CSEV, CSFE, CSRE, TCEV, TCFE, TSFE
**ENTRANCE
 OUTWARD OPENING
 AIR
 U.S UNITS ONLY**
With Features: FEATURE 30977-02 WITH FEATURE 30978-04
 To BSN BSN F10053940 F20054224 L10093804

Key	PartNumber	Qty	Description	Comment
1	0000374		FRAME ASSY,DOOR,FRONT,ENT,23 STP,	
1	0000375		FRAME ASSY,DOOR,FRONT,ENT,24.75 STP	
2	1956937		FRAME ASSY,DOOR,REAR,ENT,23 STP,TRANSIT	
2	1956945		FRAME ASSY,DOOR,REAR,ENT,24.75 STP,	
3	1773209		DOOR SUPPORT ASSY,O/O 23.00 STEP	
3	1780444		DOOR,SUPPORT,ASSY,O/O,24.75 STEP	
4	1773001		COVER ASSY,OUTWARD OPENING DR	ENDING WITH BSN F10046289, L10076539
4	0045338		COVER ASSY,OUTWARD OPENING DR	BEGIN WITH BSN F10046290, L10076540
4	1791508		COVER ASSY,OUTWARD OPENING DR	C1, CS ONLY
5	0005140		PANEL,HEADER COVER,O/O DOOR,74 HR,AIR,TC	A3, TC ONLY
5	0005165		PANEL,HEADER COVER,O/O DOOR,77 HR,AIR,TC	A3, TC ONLY
5	1791540		COVER,HEADER,AIR,OUTWARD OPENING DOOR	C1, CS ONLY
5	0006999		PANEL,HEADER COVER,O/O DOOR,AIR, TSFE	TSFE ONLY
6	0005066		PANEL,CONTROL ACCESS,O/O DR HEADER	A3, TC, C1 ONLY
6	1890516		DOOR,HEADER COVER,OUTWARD OPENING	CS ONLY
7	0008276		CYLINDER & VALVE ASSY,AIR O/O DOOR	ENDING WITH BSN B10064339, F10035824, L10059259
7	0031457		CYLINDER ASSY,AIR,1.50 BORE X 15.25	FROM BSN B10064340, F10035825, L10059260 TO BSN B10093509,F10048779, F20048799, L10080734)
7	0046311		CYLINDER ASSY,AIR,1.5 X 15.28 W/PRESS SW	BEGIN WITH BSN B10093510, F10048780, F20048800, L10080735, M10107585
8*	1858208		CONNECTOR LINK ASSY,O/O DOOR	
9*	1773647		TUBE,CONNECTOR LINK,O/O DOOR,25.70	
10	1773571		ROD END,ALINABAL,VML-6-G	
11	1336320		ROD END,ALINABAL VM-6-G,WLPP	
12	1773613		BUMPER,O/O DOOR STOP,URETHANE	
14	1767466		NUT,HEX HD,3/8-24,LH THREAD,ZINC	
15	1003045		WASHER,FLAT,17/32 X 1 1/16 X 7/64,HDN,	
16	1774157		BRACKET ASSY,FRONT MOUNT,LWR PIVOT,O/O	
17	1774140		BRACKET ASSY,REAR MOUNT,LWR PIVOT,O/O	
18	1773597	2	BEARING,FLANGED BRONZE,.878 OD X.628 ID	
19	1768092	2	RETAINER,O/O DR NOSING FOR 23.00	78.00
19	1768100	2	RETAINER,O/O DR NOSING FOR 24.75	79.75

Models: A3FE, A3RE, C1FE, CSEV, CSFE, CSRE, TCEV, TCFE, TSFE
**ENTRANCE
 OUTWARD OPENING
 AIR
 U.S UNITS ONLY**
With Features: **FEATURE 30977-02 WITH FEATURE 30978-04
 To BSN BSN F10053940 F20054224 L10093804**

Key	PartNumber	Qty	Description	Comment
20	1975200	2	RUBBER,DOOR NOSING,O/O,V2,23.00 STEP	78.00
20	1975689	2	RUBBER,O/O DOOR NOSING,V2,24.75 STEP	79.75
21	1956788		LEVER ASSY,FRONT,POWER O/O DOOR,3/4	ENDING WITH BSN B10067399, F10037494, L10061784
21	0034180		LEVER ASSY,FRT,PWR O/O DOOR,4.00,.75 X 1	BEGIN WITH BSN B10067400, F10037495, L10061785
22	1956796		LEVER ASSY,REAR,POWER O/O DOOR,3/4	ENDING WITH BSN B10067399, F10037494, L10061784
22	0034259		LEVER ASSY,REAR,PWR O/O DOOR,2.00,.75 X 1	BEGIN WITH BSN B10067400, F10037495, L10061785
23	1773084		GLASS,UPPER,O/O ENT DR TEMP CLR	FEATURE 31189-01, TEMPERED, CLEAR
23	1773076		GLASS,UPPER,O/O ENT DR LAM CLR	FEATURE 31189-02, LAMINATED, CLEAR
23	1773092		GLASS,UPPER,O/O ENT DR LAM 70 LT GRN	FEATURE 31189-03, LAMINATED, TINTED
23	1781145		GLASS ASSY,STORM,ENT DR,UPPER,O/O	FEATURE 31189-04.,STORM, TEMPERED
23	1781152		GLASS ASSY,STORM,ENT DR,UPPER,O/O	FEATURE 31189-05, STORM, TEMPERED, TINTED
24	1773118		GLASS,LOWER,O/O ENT DR TEMP CLR 23 STEP	FEATURE 31188-01, TEMPERED, CLEAR
24	1773100		GLASS,LOWER,O/O ENT DR LAM CLR 23 STEP	FEATURE 31188-02, LAMINATED, CLEAR
24	1773126		GLASS,LOWER,O/O ENT DR LAM 70 LT GRN 23	FEATURE 31188-03, LAMINATED, TINTED
24	1781160		GLASS ASSY,STORM,ENT DR,LWR,23 STEP	FEATURE 31188-04, STORM, TEMPERED
24	1781178		GLASS ASSY,STORM,O/O DR,LWR,23 STEP	FEATURE 31188-05, STORM, TEMPERED, TINTED
24	1781293		GLASS,LWR,O/O ENT DR,TEMP CLR,24.75 STEP	FEATURE 31188-01, TEMPERED, CLEAR
24	1781285		GLASS,LWR,O/O ENT DR,LAM CLR,24.75 STEP	FEATURE 31188-02, LAMINATED, CLEAR
24	1781301		GLASS,LWR,O/O ENT DR,LAM 70 LT GRN,24.75	FEATURE 31188-03, LAMINATED, TINTED
24	1781186		GLASS ASSY,STORM,O/O DR,LWR,24.75 STEP	FEATURE 31188-04, STORM, TEMPERED
24	1781194		GLASS ASSY,STORM,O/O DR,LWR,24.75 STEP,	FEATURE 31188-05, STORM, TEMPERED, TINTED
25	1773027		RUBBER,GLAZING,O/O ENTRANCE DOOR	FEATURE 31189-01, -02, -03
25	1726819		RUBBER,STORM GLAZING,O/O ENT DOOR	FEATURE 31189-04, -05
26	1773035		RUBBER,GLAZING,O/O ENT DR,LWR,23 STEP	FEATURE 31188-01, -02, -03
26	1726827		RUBBER,STORM GLAZING,O/O ENT DR,LWR 23	FEATURE 31188-04, -05
26	1777085		RUBBER,GLAZING,O/O ENT DR,LWR,24.75 STEP	FEATURE 31188-01, -02, -03

Models: A3FE, A3RE, C1FE, CSEV, CSFE, CSRE, TCEV, TCFE, TSFE

**ENTRANCE
OUTWARD OPENING
AIR**

With Features: U.S UNITS ONLY

**FEATURE 30977-02 WITH FEATURE 30978-04
To BSN BSN F10053940 F20054224 L10093804**

Key	PartNumber	Qty	Description	Comment
26	1814706		RUBBER,STORM GLAZING,O/O,ENT DR LWR	<i>FEATURE 31188-04, -05</i>
27	1782226		SCREW,ALLEN,3/8-16 X 1.25,CSK FT/HD BLK	
28	1782093		HEADER ASSY,ENT DOOR,74 HR O/O DOOR	<i>A3, TC ONLY, 74" HR, STANDARD OPTION 3339</i>
28	1789825		HEADER ASSY,ENT DOOR,77 HR,O/O DOOR	<i>A3, TC ONLY, 77" HR, OPTION 3471, 3473, 3337</i>
28	1791557		HEADER,FRONT ENTRANCE,OUTWARD OPENING	<i>CS, SC, C1 ONLY</i>
29	1956820	2	BEARING,BALL,SEALED,.75 ID X 1.57 OD X .47	
30	1771047		TRIM,REAR,DR TO FRT BOW TRIM,23.00 STEP	
30	1771054		TRIM,REAR,DR TO FRT BOW TRIM,24.75 STEP	
31	1780881		TRIM,UPPER FRONT,DOOR TO POST,O/O DR	
32	1771013		TRIM,LWR FRT,DR TO POST O/O DR,23 STEP	
32	1771021		TRIM,LWR FRT,DR TO POST O/O DR,24.75 STEP	
33	0006887		HANDLE,DOOR,OUTWARD OPENING	
34	1785369		SEAL,RUBBER,UPPER O/O	
35	1789403	2	SEAL,RUBBER,DOOR TO STEP	
36	1932433	14	SEAL,LIP,O/O ENT DR,PIVOT SI,UNI-GRIP	
37	1777770		STOP,REAR DOOR,OUTWARD OPENING	
38	2008852	2	PIN,CLEVIS,1/2 DIA X 1 1/2, YEL ZN DICH	
39	2008860		PIN,COTTER,3/32 X 1,YEL ZN DICH	
40	1143676	17	SCREW,10-16 X 3/4, AB,PH1,PAN HD,BLK ZN,	
41	0527341	16	SCREW,10-16 X 1/2,AB,SLTD,TRUSS HD,YELZN	
42	2000024	10	SCREW,1/4-14 X 3/4,B,HEX HD,YEL ZN DICH	
NI	1854397	10	RIVET,BLIND,.25 DIA,.38 GRIP	
43	1675198	7	BOLT,CARRIAGE,1/4-20 X 5/8 ZINC PLATED	
44	0659979	7	NUT,HEX,FLANGE SER,1/4-20,BLACK ZINC	
45	0826297		NUT,HEX HD,3/8-16 LOCK,YEL ZN DICH	
46	0882811	2	CAPSCREW,HEX HD,3/8-16X2 1/2,GR5,YEL	
47	0882795	2	LOCKWASHER,SPLIT RING,3/8,MED,YELLOW	
48	0758292	3	TAPE,FOAM,PCV,3/16 X 3/8 WIDTH,W/ADH	
49	2000644	14	SCREW,1/4-14X 3/4,AB,PH1,TRUSS HD,	
NI	1854397	14	RIVET,BLIND,.25 DIA,.38 GRIP	
50	1770973	2	LAMP,DOME,32 CANDLEPOWER,WITH GROUND	<i>CS, C1 ONLY</i>
51	2000529	6	SCREW,10-16X1/2,AB,PH1,OVAL CSNK,YEL	<i>CS, C1 ONLY</i>
52	1422195		SEALANT,LOCTITE,THREADLOCKER 242, BLUE	

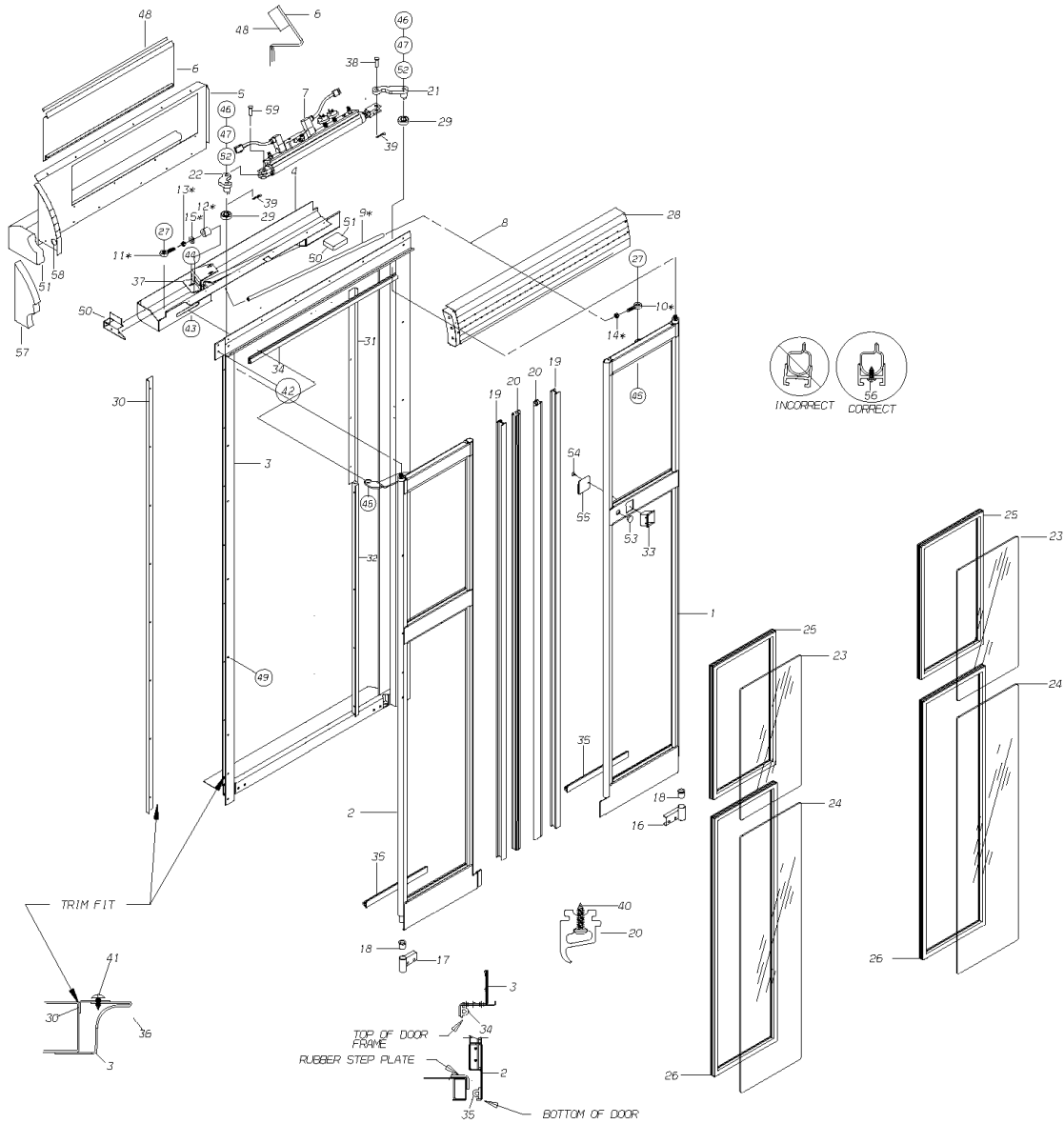
Models: A3FE, A3RE, C1FE, CSEV, CSFE, CSRE, TCEV, TCFE, TSFE
**ENTRANCE
 OUTWARD OPENING
 AIR
 U.S UNITS ONLY**
With Features: **FEATURE 30977-02 WITH FEATURE 30978-04
 To BSN BSN F10053940 F20054224 L10093804**

Key	PartNumber	Qty	Description	Comment
53	1330893		PLUG,BUTTON,BLACK,DP-750,HEYCO 2683	ENDING WITH BSN F10050449, F20050479, L10083419
53	1585868		PLUG,BUTTON,BLACK,DP-875,HEYCO 2703	BEGIN WITH BSN F10050450, F20050480, L10083420
54	1560754		SCREW,10-16 X 3/8,AB,PH1,PAN HD,BLK	
55	0006487		COVER,SECURITY LOCK,O/O DOOR	
56	2186401	8	SCREW,10-16 X 1/2,AB,PH1,PAN HD,YEL ZN	
NI	1797539		PAD ASSY,HDR CVR,O/O ENT DR,	STANDARD
NI	1797505		PAD ASSY,HDR CVR,O/O ENT DR,	74" HR WITH 12 SS, STANDARD OPTION 3339
NI	1797448		PAD ASSY,HDR CVR,O/O ENT DR,	77" HR WITH 9 SS, OPTION 3471, 3473
NI	1797471		PAD ASSY,HDR CVR,O/O ENT DR,	77" HR WITH 12 SS, OPTION 3337
NI	1795905		PAD ASSY,HDR,O/O ENT DR	A3, T2, TC, TS
NI	1578459		PAD ASSY,HDR,ENT DR, 3.00 X 35.00	C1, CS
NI	1793348		PAD ASSY,HDR,O/O,ENTRANCE DOOR	C1, CS
NI	1658426		PAD ASSY,HEADER COVER,ENTRANCE DR,REAR,	C1, CS
NI	1823681		INSULATION,HEADER,O/O DOOR,74 HR	A3, T2, TC, TS, 74" HR, STANDARD OPTION 3339
NI	1823699		INSULATION,HEADER,O/O DOOR,77 HR	A3, T2, TC, TS, 77" HR. OPTION 3337, 3471, 3473
NI	1843515		INSULATION,HEADER,O/O DOOR	C1, CS
NI	3775863		WASHER,COUNTERSUNK,12/12,WL	
NI	2144038		COVER,SCREWHEAD,BLACK,NO 12/12	
NI	2000594		SCREW,10-16X1-1/2,AB,PH1,OVAL CNSK,YEL	

Models: A3FE, A3RE
ENTRANCE
OUTWARD OPENING
AIR

U.S. & CANADIAN UNITS
With Features: FEATURE 30977-02 WITH FEATURE 30978-04
BSN: From BSN F10053941 F20054225 L10093805

Key	PartNumber	Qty	Description	Comment
-----	------------	-----	-------------	---------



Models: A3FE, A3RE
ENTRANCE
OUTWARD OPENING
AIR

With Features: U.S. & CANADIAN UNITS
FEATURE 30977-02 WITH FEATURE 30978-04
BSN: From BSN F10053941 F20054225 L10093805

Key	PartNumber	Qty	Description	Comment
1	0000374		FRAME ASSY,DOOR,FRONT,ENT,23 STP,	
1	0000375		FRAME ASSY,DOOR,FRONT,ENT,24.75 STP	
2	1956937		FRAME ASSY,DOOR,REAR,ENT,23 STP,TRANSIT	
2	1956945		FRAME ASSY,DOOR,REAR,ENT,24.75 STP,	
3*	1773209		DOOR SUPPORT ASSY,O/O 23.00 STEP	
3*	1780444		DOOR,SUPPORT,ASSY,O/O,24.75 STEP	
NI	0074429		INSULATION,F/GLS,1.50 X 1.50 X 60.00	*FITS IN KEY #3
4	0045338		COVER ASSY,OUTWARD OPENING DR	
5	0062409		PANEL ASSY,COVER,HEADER,O/O DR,AIR,74HR,	ENDING WITH BSN F10065534
5	0082234		PANEL,ASSY,HDR,O/O DOOR,AIR,74HR, A3	BEGIN WITH BSN F10065535
5	0062411		PANEL ASSY,COVER,HEADER,O/O DR,AIR,77HR,	ENDING WITH BSN F10065534
5	0082236		PANEL,ASSY,HDR COVER,O/O DR,AIR,77HR, A3	BEGIN WITH BSN F10065535
6	0058807		PANEL,CONTROL ACCESS,O/O DR HDR CVR, A3	FEATURE 30400-01
6	0075895		PANEL,ACCESS,CONTROL,O/O DOOR HEADER,	FEATURE 30400-02
6	0075932		PANEL,ACCESS,CONTROL,O/O DOOR HEADER,	FEATURE 30400-03
6	0086959		PANEL,ACCESS,CONTROL,O/O DOOR HEADER,	FEATURE 30400-04
7	0046311		CYLINDER ASSY,AIR,1.5 X 15.28 W/PRESS SW	
8*	1858208		CONNECTOR LINK ASSY,O/O DOOR	
9*	1773647		TUBE,CONNECTOR LINK,O/O DOOR,25.70	PART OF ITEM 8
10	1773571		ROD END,ALINABAL,VML-6-G	PART OF ITEM 8
11	1336320		ROD END,ALINABAL VM-6-G,WLPP	PART OF ITEM 8
12	1773613		BUMPER,O/O DOOR STOP,URETHANE	PART OF ITEM 8
13			NUT, HEX HEAD, 3/8-24, STD. LGT	PART OF ITEM 8
14	1767466		NUT,HEX HD,3/8-24,LH THREAD,ZINC	PART OF ITEM 8
15	1003045		WASHER,FLAT,17/32 X 1 1/16 X 7/64,HDN,	PART OF ITEM 8
16	1774157		BRACKET ASSY,FRONT MOUNT,LWR PIVOT,O/O	
17	1774140		BRACKET ASSY,REAR MOUNT,LWR PIVOT,O/O	
18	1773597		BEARING,FLANGED BRONZE,.878 OD X.628 ID	
19	1768092		RETAINER,O/O DR NOSING FOR 23.00	78.00
19	1768100		RETAINER,O/O DR NOSING FOR 24.75	79.75
20	1975200		RUBBER,DOOR NOSING,O/O,V2,23.00 STEP	78.00
20	1975689		RUBBER,O/O DOOR NOSING,V2,24.75 STEP	79.75
21	0034180		LEVER ASSY,FRT,PWR O/O DOOR,4.00,.75 X 1	

Models: **A3FE, A3RE
ENTRANCE
OUTWARD OPENING
AIR**

With Features: **U.S. & CANADIAN UNITS
FEATURE 30977-02 WITH FEATURE 30978-04
BSN: From BSN F10053941 F20054225 L10093805**

Key	PartNumber	Qty	Description	Comment
22	0034259		LEVER ASSY,REAR,PWR O/O DOOR,2.00,.75 X 1	
23	1773084		GLASS,UPPER,O/O ENT DR TEMP CLR	<i>FEATURE 31189-01, TEMPERED, CLEAR</i>
23	1773076		GLASS,UPPER,O/O ENT DR LAM CLR	<i>FEATURE 31189-02, LAMINATED, CLEAR</i>
23	1773092		GLASS,UPPER,O/O ENT DR LAM 70 LT GRN	<i>FEATURE 31189-03, LAMINATED, TINTED</i>
23	1781145		GLASS ASSY,STORM,ENT DR,UPPER,O/O	<i>FEATURE 31189-04, STORM</i>
23	1781152		GLASS ASSY,STORM,ENT DR,UPPER,O/O	<i>FEATURE 31189-05, STORM, TINTED</i>
24	1773118		GLASS,LOWER,O/O ENT DR TEMP CLR 23 STEP	<i>FEATURE 31188-01, TEMPERED, CLEAR</i>
24	1773100		GLASS,LOWER,O/O ENT DR LAM CLR 23 STEP	<i>FEATURE 31188-02, LAMINATED, CLEAR</i>
24	1773126		GLASS,LOWER,O/O ENT DR LAM 70 LT GRN 23	<i>FEATURE 31188-03, LAMINATED, TINTED</i>
24	1781160		GLASS ASSY,STORM,ENT DR,LWR,23 STEP	<i>FEATURE 31188-04, STORM, TEMPERED</i>
24	1781178		GLASS ASSY,STORM,O/O DR,LWR,23 STEP	<i>FEATURE 31188-05, STORM, TEMPERED, TINTED</i>
24	1781293		GLASS,LWR,O/O ENT DR,TEMP CLR,24.75 STEP	<i>FEATURE 31188-01, TEMPERED, CLEAR</i>
24	1781285		GLASS,LWR,O/O ENT DR,LAM CLR,24.75 STEP	<i>FEATURE 31188-02, LAMINATED, CLEAR</i>
24	1781301		GLASS,LWR,O/O ENT DR,LAM 70 LT GRN,24.75	<i>FEATURE 31188-03, LAMINATED, TINTED</i>
24	1781186		GLASS ASSY,STORM,O/O DR,LWR,24.75 STEP	<i>FEATURE 31188-04, STORM, TEMPERED</i>
24	1781194		GLASS ASSY,STORM,O/O DR,LWR,24.75 STEP,	<i>FEATURE 31188-05, STORM, TEMPERED, TINTED</i>
25	1773027		RUBBER,GLAZING,O/O ENTRANCE DOOR	<i>FEATURE 31189-01, -02, -03</i>
25	1726819		RUBBER,STORM GLAZING,O/O ENT DOOR	<i>FEATURE 31189-04, -05</i>
26	1773035		RUBBER,GLAZING,O/O ENT DR,LWR,23 STEP	<i>FEATURE 31188-01, -02, -03</i>
26	1726827		RUBBER,STORM GLAZING,O/O ENT DR,LWR 23	<i>FEATURE 31188-04, -05</i>
26	1777085		RUBBER,GLAZING,O/O ENT DR,LWR,24.75 STEP	<i>FEATURE 31188-01, -02, -03</i>
26	1814706		RUBBER,STORM GLAZING,O/O,ENT DR LWR	<i>FEATURE 31188-04, -05</i>
27	1782226		SCREW,ALLEN,3/8-16 X 1.25,CSK FT/HD BLK	
28	1782093		HEADER ASSY,ENT DOOR,74 HR O/O DOOR	
28	1789825		HEADER ASSY,ENT DOOR,77 HR,O/O DOOR	
29	1956820		BEARING,BALL,SEALED,.75 ID X 1.57 OD X .47	
30	1771047		TRIM,REAR,DR TO FRT BOW TRIM,23.00 STEP	
30	1771054		TRIM,REAR,DR TO FRT BOW TRIM,24.75 STEP	

Models: A3FE, A3RE
ENTRANCE
OUTWARD OPENING
AIR

With Features: U.S. & CANADIAN UNITS
BSN: FEATURE 30977-02 WITH FEATURE 30978-04
From BSN F10053941 F20054225 L10093805

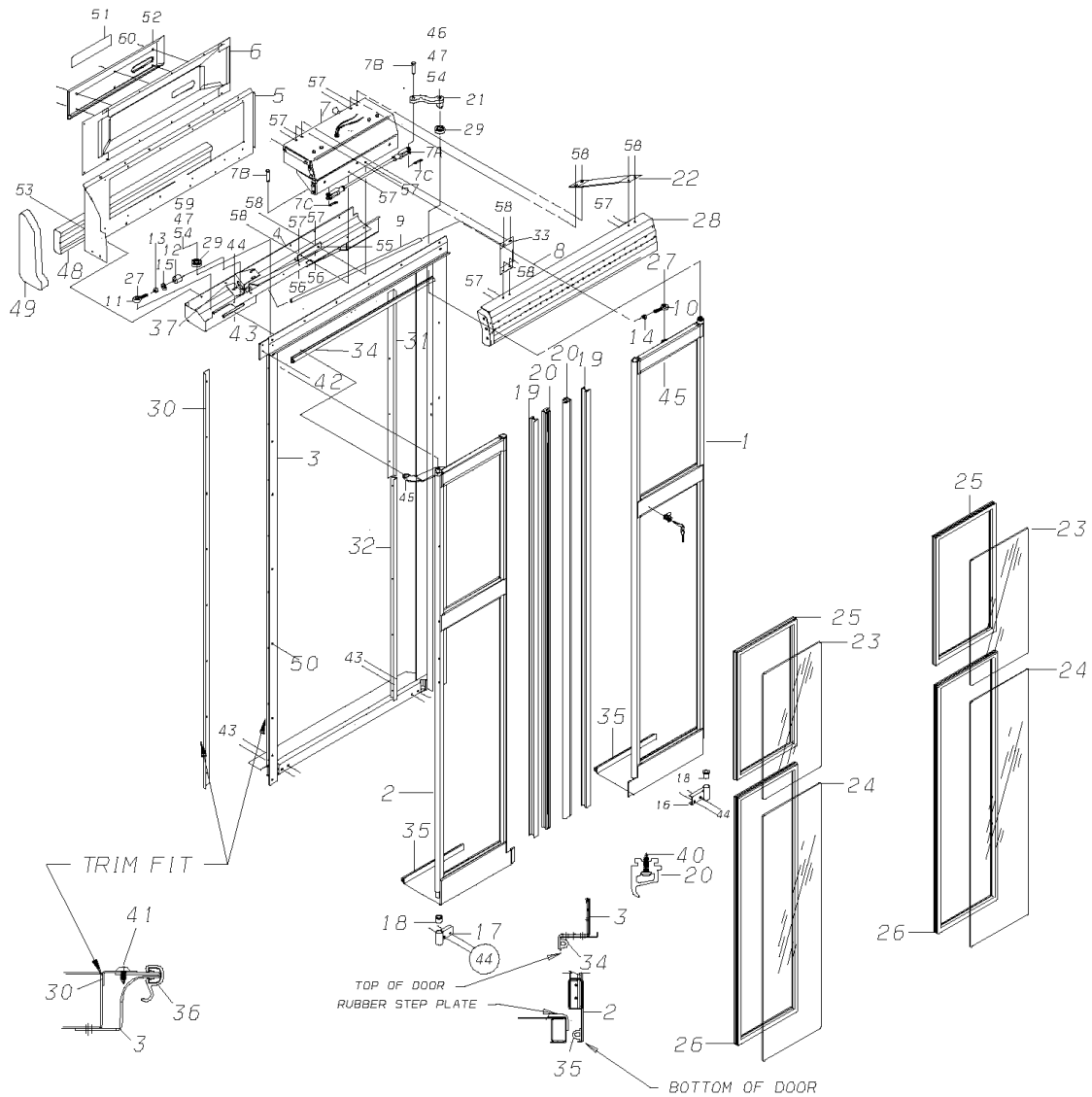
Key	PartNumber	Qty	Description	Comment
31	1780881		TRIM,UPPER FRONT,DOOR TO POST,O/O DR	
32	1771013		TRIM,LWR FRT,DR TO POST O/O DR,23 STEP	
32	1771021		TRIM,LWR FRT,DR TO POST O/O DR,24.75 STEP	
33	0006887		HANDLE,DOOR,OUTWARD OPENING	
34	1785369		SEAL,RUBBER,UPPER O/O	
35	1789403		SEAL,RUBBER,DOOR TO STEP	
36	1932433		SEAL,LIP,O/O ENT DR,PIVOT SI,UNI-GRIP	23" & 24.75" STEP
37	1777770		STOP,REAR DOOR,OUTWARD OPENING	
38	2008852		PIN,CLEVIS,1/2 DIA X 1 1/2, YEL ZN DICH	
39	2008860		PIN,COTTER,3/32 X 1,YEL ZN DICH	
39	1105469		PIN,HAIR,COTTER 3/16	
40	1143676		SCREW,10-16 X 3/4, AB,PH1,PAN HD,BLK ZN,	
41	0527341		SCREW,10-16 X 1/2,AB,SLTD,TRUSS HD,YELZN	
42	1854397		RIVET,BLIND,.25 DIA,.38 GRIP	
43	1675198		BOLT,CARRIAGE,1/4-20 X 5/8 ZINC PLATED	
44	0659979		NUT,HEX,FLANGE SER,1/4-20,BLACK ZINC	
45	0826297		NUT,HEX HD,3/8-16 LOCK,YEL ZN DICH	
46	0882811		CAPSCREW,HEX HD,3/8-16X2 1/2,GR5,YEL	
47	0882795		LOCKWASHER,SPLIT RING,3/8,MED,YELLOW	
48	0758292		TAPE,FOAM,PCV,3/16 X 3/8 WIDTH,W/ADH	
49	1854397		RIVET,BLIND,.25 DIA,.38 GRIP	
50	0057596		CAP,COVER ASSY,OUTWARD OPENING	
50	0057597		CAP,COVER ASSY,OUTWARD OPENING DOOR,77	
51	0045800		PAD ASSY,HDR,O/O ENT DR,CMVSS,74HR,	
51	0045801		PAD ASSY,HDR,O/O ENT DR,CMVSS,77HR,	
52	1422195		SEALANT,LOCTITE,THREADLOCKER 242, BLUE	
53	1585868		PLUG,BUTTON,BLACK,DP-875,HEYCO 2703	
54	1560754		SCREW,10-16 X 3/8,AB,PH1,PAN HD,BLK	
55	0006487		COVER,SECURITY LOCK,O/O DOOR	
56	2186401		SCREW,10-16 X 1/2,AB,PH1,PAN HD,YEL ZN	
NI	1823681		INSULATION,HEADER,O/O DOOR,74 HR	
NI	1823699		INSULATION,HEADER,O/O DOOR,77 HR	
57	0057510		PAD ASSY,HDR,O/O ENT DR,REAR,74 HR.	

Models: A3FE, A3RE
 ENTRANCE
 OUTWARD OPENING
 AIR
 U.S. & CANADIAN UNITS
With Features: FEATURE 30977-02 WITH FEATURE 30978-04
BSN: From BSN F10053941 F20054225 L10093805

Key	PartNumber	Qty	Description	Comment
57	0057508		PAD ASSY,HDR,O/O ENT DR,REAR 77HR	
58	1894187		GROMMET,RUBBER,.75 ID W/1.00 X .09	
59	2008845		PIN,CLEVIS,1/2 DIA X 1 15/16,YEL ZN DICH	

Models: A3FE, A3RE
ENTRANCE
OUTWARD OPENING
ELECTRIC
With Features: OPTION 275-04

Key	PartNumber	Qty	Description	Comment
-----	------------	-----	-------------	---------



Models: A3FE, A3RE
ENTRANCE
OUTWARD OPENING
ELECTRIC
With Features: OPTION 275-04

Key	PartNumber	Qty	Description	Comment
1	1957661		FRAME ASSY,FRT,PWR,O/O ENT DR,S/LK,23	
1	1957679		FRAME ASSY,FRT,PWR,O/O ENT DR,S/LK,24.75	
2	1956887		FRAME ASSY,REAR,O/O ENT DR,23.00 STEP	
2	1956895		FRAME ASSY,REAR,O/O ENT DR,24.75 STEP	
3	1773209		DOOR SUPPORT ASSY,O/O 23.00 STEP	
3	1780444		DOOR,SUPPORT,ASSY,O/O,24.75 STEP	
4	1773001		COVER ASSY,OUTWARD OPENING DR	
5	0000888		PANEL,HEADER COVER,O/O DOOR,	
5	0000889		PANEL,HEADER COVER,O/O DOOR,	
6	0000886		PANEL ASSY,COVER,ACTUATOR,O/O DOOR,ELEC	
7	1844794		DOOR CONTROL,ELECTRIC,EXCELL/BLUE BIRD	
7A			CONNECTOR, LINK	
7B			PIN, 7/16 X 1 11/32	
7C			PIN, COTTER, 3/32 X 1	
8	1858208		CONNECTOR LINK ASSY,O/O DOOR	<i>PURCHASED ASSEMBLY</i>
9*	1773647		TUBE,CONNECTOR LINK,O/O DOOR,25.70	<i>PART OF ITEM 8</i>
10	1773571		ROD END,ALINABAL,VML-6-G	<i>PART OF ITEM 8</i>
11	1336320		ROD END,ALINABAL VM-6-G,WLPP	<i>PART OF ITEM 8</i>
12	1773613		BUMPER,O/O DOOR STOP,URETHANE	<i>PART OF ITEM 8</i>
13			NUT, HEX HEAD, 3/8-24, STD LGT, SEMI-FIN	<i>PART OF ITEM 8</i>
14	1767466		NUT,HEX HD,3/8-24,LH THREAD,ZINC	<i>PART OF ITEM 8</i>
15	1003045		WASHER,FLAT,17/32 X 1 1/16 X 7/64,HDN,	<i>PART OF ITEM 8</i>
16	1774157		BRACKET ASSY,FRONT MOUNT,LWR PIVOT,O/O	
17	1774140		BRACKET ASSY,REAR MOUNT,LWR PIVOT,O/O	
18	1773597	2	BEARING,FLANGED BRONZE,.878 OD X.628 ID	
19	1768092	2	RETAINER,O/O DR NOSING FOR 23.00	
19	1768100	2	RETAINER,O/O DR NOSING FOR 24.75	
20	1975200	2	RUBBER,DOOR NOSING,O/O,V2,23.00 STEP	
20	1975689	2	RUBBER,O/O DOOR NOSING,V2,24.75 STEP	
21	1956846		LEVER ASSY,FRONT,ELECTRIC O/O DOOR,3/4	
22	0000897		BRACE,ACTUATOR TO HEADER,FRONT,74 HR,TC	
22	0000896		BRACE,ACTUATOR TO HEADER,FRONT,77 HR,TC	
23	1773076	2	GLASS,UPPER,O/O ENT DR LAM CLR	<i>FEATURE 31189-02, LAMINATED, CLEAR</i>

Models: A3FE, A3RE
ENTRANCE
OUTWARD OPENING
ELECTRIC
With Features: OPTION 275-04

Key	PartNumber	Qty	Description	Comment
23	1773092	2	GLASS,UPPER,O/O ENT DR LAM 70 LT GRN	FEATURE 31189-03, LAMINATED, TINTED
23	1781145	2	GLASS ASSY,STORM,ENT DR,UPPER,O/O	FEATURE 31189-04, STORM
23	1781152	2	GLASS ASSY,STORM,ENT DR,UPPER,O/O	FEATURE 31189-05, STORM, TINTED
24	1773118	2	GLASS,LOWER,O/O ENT DR TEMP CLR 23 STEP	FEATURE 31188-01, TEMPERED, CLEAR
24	1773100	2	GLASS,LOWER,O/O ENT DR LAM CLR 23 STEP	FEATURE 31188-02, LAMINATED, CLEAR
24	1773126	2	GLASS,LOWER,O/O ENT DR LAM 70 LT GRN 23	FEATURE 31188-03, LAMINATED, TINTED
24	1781160	2	GLASS ASSY,STORM,ENT DR,LWR,23 STEP	FEATURE 31188-04, STORM
24	1781178	2	GLASS ASSY,STORM,O/O DR,LWR,23 STEP	FEATURE 31188-05, STORM, TINTED
24	1781293	2	GLASS,LWR,O/O ENT DR,TEMP CLR,24.75 STEP	FEATURE 31188-01, TEMPERED, CLEAR
24	1781285	2	GLASS,LWR,O/O ENT DR,LAM CLR,24.75 STEP	FEATURE 31188-02, LAMINATED, CLEAR
24	1781301	2	GLASS,LWR,O/O ENT DR,LAM 70 LT GRN,24.75	FEATURE 31188-03, LAMINATED, TINTED
24	1781186	2	GLASS ASSY,STORM,O/O DR,LWR,24.75 STEP	FEATURE 31188-04, STORM
24	1781194	2	GLASS ASSY,STORM,O/O DR,LWR,24.75 STEP,	FEATURE 31188-05, STORM, TINTED
25	1773027	2	RUBBER,GLAZING,O/O ENTRANCE DOOR	
25	1726819	2	RUBBER,STORM GLAZING,O/O ENT DOOR	
26	1773035	2	RUBBER,GLAZING,O/O ENT DR,LWR,23 STEP	
26	1726827	2	RUBBER,STORM GLAZING,O/O ENT DR,LWR 23	
26	1777085	2	RUBBER,GLAZING,O/O ENT DR,LWR,24.75 STEP	
26	1814706	2	RUBBER,STORM GLAZING,O/O,ENT DR LWR	
27	1782226	2	SCREW,ALLEN,3/8-16 X 1.25,CSK FT/HD BLK	
28	1782093		HEADER ASSY,ENT DOOR,74 HR O/O DOOR	
28	1789825		HEADER ASSY,ENT DOOR,77 HR,O/O DOOR	
29	1956820	2	BEARING,BALL,SEALED,.75 ID X 1.57 OD X .47	
30	1771047		TRIM,REAR,DR TO FRT BOW TRIM,23.00 STEP	
30	1771054		TRIM,REAR,DR TO FRT BOW TRIM,24.75 STEP	
31	1780881		TRIM,UPPER FRONT,DOOR TO POST,O/O DR	
32	1771013		TRIM,LWR FRT,DR TO POST O/O DR,23 STEP	
32	1771021		TRIM,LWR FRT,DR TO POST O/O DR,24.75 STEP	
33	0000898		BRACE,ACTUATOR TO HEADER,REAR,74 HR,TC	
33	0000899		BRACE,ACTUATOR TO HEADER,REAR,77 HR,TC	

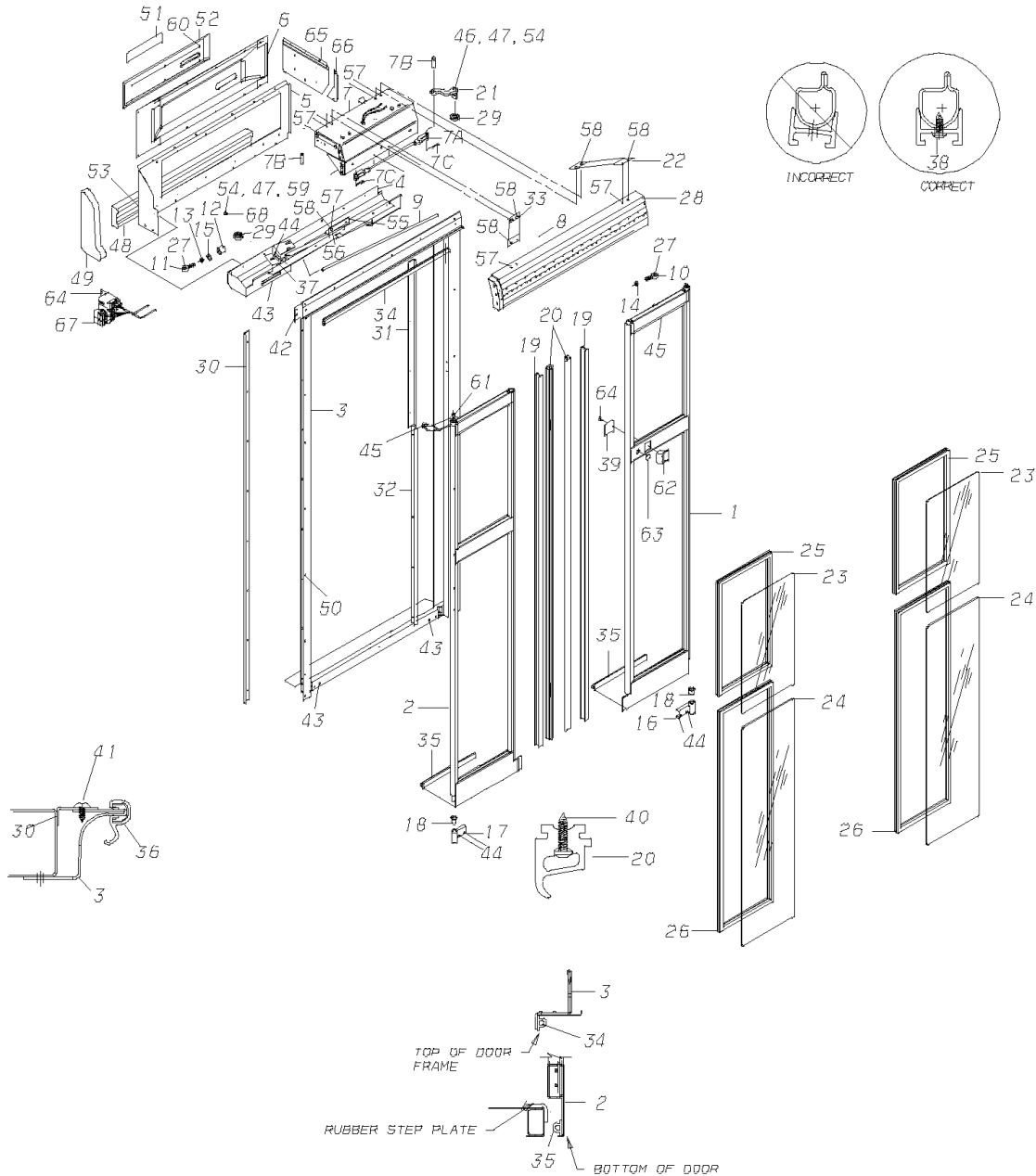
Models: A3FE, A3RE
ENTRANCE
OUTWARD OPENING
ELECTRIC
With Features: OPTION 275-04

Key	PartNumber	Qty	Description	Comment
34	1785369		SEAL,RUBBER,UPPER O/O	
35	1789403	2	SEAL,RUBBER,DOOR TO STEP	
36	1932433	13	SEAL,LIP,O/O ENT DR,PIVOT SI,UNI-GRIP	
36	1932433	14	SEAL,LIP,O/O ENT DR,PIVOT SI,UNI-GRIP	
37	1777770		STOP,REAR DOOR,OUTWARD OPENING	
40	1143676	15	SCREW,10-16 X 3/4, AB,PH1,PAN HD,BLK ZN,	
41	0527341	16	SCREW,10-16 X 1/2,AB,SLTD,TRUSS HD,YELZN	
42	2000024	10	SCREW,1/4-14 X 3/4,B,HEX HD,YEL ZN DICH	
43	1675198	7	BOLT,CARRIAGE,1/4-20 X 5/8 ZINC PLATED	
44	0659979	7	NUT,HEX,FLANGE SER,1/4-20,BLACK ZINC	
45	0826297	2	NUT,HEX HD,3/8-16 LOCK,YEL ZN DICH	
46	0882811		CAPSCREW,HEX HD,3/8-16X2 1/2,GR5,YEL	
47	0882795	2	LOCKWASHER,SPLIT RING,3/8,MED,YELLOW	
48	1795905		PAD ASSY,HDR,O/O ENT DR	
49	1797539		PAD ASSY,HDR CVR,O/O ENT DR,	STANDARD, 74" HR WITH 9SS
49	1797505		PAD ASSY,HDR CVR,O/O ENT DR,	OPTION 3339, 74" HR WITH 12" SS
49	1797448		PAD ASSY,HDR CVR,O/O ENT DR,	OPTION 3471, 3473, 77" HR WITH 9" SS
49	1797471		PAD ASSY,HDR CVR,O/O ENT DR,	OPTION 3337, 77" HR WITH 12SS
50	2000644	14	SCREW,1/4-14X 3/4,AB,PH1,TRUSS HD,	
51	0001783		DECAL,EM RELEASE,EXCELL ELEC DOOR	
52	0000887		COVER,ACTUATOR,O/O ENT DOOR,ELECTRIC	
53	1589522	20	SCREW,10-16 X 3/4,AB,PH1,PAN HD,YEL ZN	
54	1422195		SEALANT,LOCTITE,THREADLOCKER 242, BLUE	
55	0001371		ANGLE,ACTUATOR TO HEADER,EXCELL	
56	2000826	2	SCREW,MACH,1/4X20X3/4,PH1,TRUSSHD,	
57	2001345	12	NUT,HEX HD,1/4-20,LOCKING,YELLOW	
58	0977132	10	CAPSCREW,HEX HD,1/4-20 X 3/4,GR 5,YEL	
59	0803213		CAPSCREW,HEX HD,3/8-16X1 1/4,GR8,YEL	
NI	1823681		INSULATION,HEADER,O/O DOOR,74 HR	
NI	1823699		INSULATION,HEADER,O/O DOOR,77 HR	
60	1143676		SCREW,10-16 X 3/4, AB,PH1,PAN HD,BLK ZN,	

Models: A3FE, A3RE, C1FE, CSFE, CSRE, TCFE, TSFE
**ENTRANCE
 OUTWARD OPENING
 ELECTRIC**

With Features: FEATURE 30977-02 WITH FEATURE 30978-06
 To BSN B10107204 F10056064 L10093804

Key	PartNumber	Qty	Description	Comment
-----	------------	-----	-------------	---------



Models: A3FE, A3RE, C1FE, CSFE, CSRE, TCFE, TSFE
ENTRANCE
OUTWARD OPENING
ELECTRIC

With Features: **FEATURE 30977-02 WITH FEATURE 30978-06**
To BSN B10107204 F10056064 L10093804

Key	PartNumber	Qty	Description	Comment
1	0000374		FRAME ASSY,DOOR,FRONT,ENT,23 STP,	
1	0000375		FRAME ASSY,DOOR,FRONT,ENT,24.75 STP	
2	1956937		FRAME ASSY,DOOR,REAR,ENT,23 STP,TRANSIT	
2	1956945		FRAME ASSY,DOOR,REAR,ENT,24.75 STP,	
3	1773209		DOOR SUPPORT ASSY,O/O 23.00 STEP	
3	1780444		DOOR,SUPPORT,ASSY,O/O,24.75 STEP	
4	1773001		COVER ASSY,OUTWARD OPENING DR	<i>ENDING WITH BSN B-10087289, F-10046259, L-10076594</i>
4	0045338		COVER ASSY,OUTWARD OPENING DR	<i>BEGIN WITH BSN B-10087290, F -10046260, L-10076595</i>
5	0000888		PANEL,HEADER COVER,O/O DOOR,	
5	0000889		PANEL,HEADER COVER,O/O DOOR,	
6	0000886		PANEL ASSY,COVER,ACTUATOR,O/O DOOR,ELEC	
7	0020427		DOOR ACTUATOR,ELEC,EXCELL/BLUE BIRD,	
7A			CONNECTOR, LINK	
7B		2	PIN, 7/16 X 1 11/32	
7C		2	PIN, COTTER, 3/32 X 1	
7C	8300394		MOTOR ONLY,EXCELL DR. CTRL FOR 8901-001	<i>MOTOR ONLY</i>
8	1858208		CONNECTOR LINK ASSY,O/O DOOR	
9*	1773647		TUBE,CONNECTOR LINK,O/O DOOR,25.70	<i>PART OF ITEM 8</i>
10	1773571		ROD END,ALINABAL,VML-6-G	<i>PART OF ITEM 8</i>
11	1336320		ROD END,ALINABAL VM-6-G,WLPP	<i>PART OF ITEM 8</i>
12	1773613		BUMPER,O/O DOOR STOP,URETHANE	<i>PART OF ITEM 8</i>
13			NUT, HEX HEAD, 3/8-24, STD LGT, SEMI-FIN	<i>PART OF ITEM 8</i>
14	1767466		NUT,HEX HD,3/8-24,LH THREAD,ZINC	<i>PART OF ITEM 8</i>
15	1003045		WASHER,FLAT,17/32 X 1 1/16 X 7/64,HDN,	<i>PART OF ITEM 8</i>
16	1774157		BRACKET ASSY,FRONT MOUNT,LWR PIVOT,O/O	
17	1774140		BRACKET ASSY,REAR MOUNT,LWR PIVOT,O/O	
18	1773597	2	BEARING,FLANGED BRONZE,.878 OD X.628 ID	
19	1768092	2	RETAINER,O/O DR NOSING FOR 23.00	<i>78.00</i>
19	1768100	2	RETAINER,O/O DR NOSING FOR 24.75	<i>79.75</i>
20	1975200	2	RUBBER,DOOR NOSING,O/O,V2,23.00 STEP	
20	1975689	2	RUBBER,O/O DOOR NOSING,V2,24.75 STEP	
21	1956846		LEVER ASSY,FRONT,ELECTRIC O/O DOOR,3/4	<i>ENDING WITH BSN B-10067394, F-10037494, F-20037519, L -10061784</i>

Models: A3FE, A3RE, C1FE, CSFE, CSRE, TCFE, TSFE

**ENTRANCE
OUTWARD OPENING
ELECTRIC**

With Features: FEATURE 30977-02 WITH FEATURE 30978-06
To BSN B10107204 F10056064 L10093804

Key	PartNumber	Qty	Description	Comment
21	0030911		LEVER ASSY,FRT,ELEC O/O DOOR,3.50,.75 X 1	BEGIN WITH BSN B-10067395, F-10037495, F-20037520, L-10061785
22	0000897		BRACE,ACTUATOR TO HEADER,FRONT,74 HR,TC	
22	0000896		BRACE,ACTUATOR TO HEADER,FRONT,77 HR,TC	
23	1773076	2	GLASS,UPPER,O/O ENT DR LAM CLR	FEATURE 31189-02,LAMINATED, CLEAR
23	1773092	2	GLASS,UPPER,O/O ENT DR LAM 70 LT GRN	FEATURE 31189-03, LAMINATED, TINTED, GREEN
23	1781145	2	GLASS ASSY,STORM,ENT DR,UPPER,O/O	FEATURE 31189-04, STORM
23	1781152	2	GLASS ASSY,STORM,ENT DR,UPPER,O/O	FEATURE 31189-05, STORM, TINTED
24	1773118		GLASS,LOWER,O/O ENT DR TEMP CLR 23 STEP	FEATURE 31188-01, TEMPERED, CLEAR
24	1773100		GLASS,LOWER,O/O ENT DR LAM CLR 23 STEP	FEATURE 31188-02, LAMINATED, CLEAR
24	1773126		GLASS,LOWER,O/O ENT DR LAM 70 LT GRN 23	FEATURE 31188-03, LAMINATED, TINTED, GREEN
24	1781160		GLASS ASSY,STORM,ENT DR,LWR,23 STEP	FEATURE 31188-04, STORM
24	1781178		GLASS ASSY,STORM,O/O DR,LWR,23 STEP	FEATURE 31188-05, STORM, TINTED
24	1781293		GLASS,LWR,O/O ENT DR,TEMP CLR,24.75 STEP	FEATURE 31188-0, TEMPERED, CLEAR
24	1781285		GLASS,LWR,O/O ENT DR,LAM CLR,24.75 STEP	FEATURE 31188-02, LAMINATED, CLEAR
24	1781301		GLASS,LWR,O/O ENT DR,LAM 70 LT GRN,24.75	FEATURE 31188-03, LAMINATED, TINTED, GREEN
24	1781186		GLASS ASSY,STORM,O/O DR,LWR,24.75 STEP	FEATURE 31188-04, STORM
24	1781194		GLASS ASSY,STORM,O/O DR,LWR,24.75 STEP,	FEATURE 31188-05, STORM, TINTED
25	1773027		RUBBER,GLAZING,O/O ENTRANCE DOOR	
25	1726819		RUBBER,STORM GLAZING,O/O ENT DOOR	
26	1773035		RUBBER,GLAZING,O/O ENT DR,LWR,23 STEP	
26	1726827		RUBBER,STORM GLAZING,O/O ENT DR,LWR 23	
26	1777085		RUBBER,GLAZING,O/O ENT DR,LWR,24.75 STEP	
26	1814706		RUBBER,STORM GLAZING,O/O,ENT DR LWR	
27	1782226	2	SCREW,ALLEN,3/8-16 X 1.25,CSK FT/HD BLK	
28	1782093		HEADER ASSY,ENT DOOR,74 HR O/O DOOR	
28	1789825		HEADER ASSY,ENT DOOR,77 HR,O/O DOOR	
29	1956820		BEARING,BALL,SEALED,.75 ID X 1.57 OD X .47	
30	1771047		TRIM,REAR,DR TO FRT BOW TRIM,23.00 STEP	

Models: A3FE, A3RE, C1FE, CSFE, CSRE, TCFE, TSFE
**ENTRANCE
 OUTWARD OPENING
 ELECTRIC**

With Features: FEATURE 30977-02 WITH FEATURE 30978-06
 To BSN B10107204 F10056064 L10093804

Key	PartNumber	Qty	Description	Comment
30	1771054		TRIM,REAR,DR TO FRT BOW TRIM,24.75 STEP	
31	1780881		TRIM,UPPER FRONT,DOOR TO POST,O/O DR	
32	1771013		TRIM,LWR FRT,DR TO POST O/O DR,23 STEP	
32	1771021		TRIM,LWR FRT,DR TO POST O/O DR,24.75 STEP	
33	0000898		BRACE,ACTUATOR TO HEADER,REAR,74 HR,TC	
33	0000899		BRACE,ACTUATOR TO HEADER,REAR,77 HR,TC	
34	1785369		SEAL,RUBBER,UPPER O/O	
35	1789403		SEAL,RUBBER,DOOR TO STEP	
36	1932433	14	SEAL,LIP,O/O ENT DR,PIVOT SI,UNI-GRIP	
37	1777770		STOP,REAR DOOR,OUTWARD OPENING	
38	2186401	8	SCREW,10-16 X 1/2,AB,PH1,PAN HD,YEL ZN	
39	0006487		COVER,SECURITY LOCK,O/O DOOR	
40	1143676	15	SCREW,10-16 X 3/4, AB,PH1,PAN HD,BLK ZN,	
41	0527341	16	SCREW,10-16 X 1/2,AB,SLTD,TRUSS HD,YELZN	
42	2000024	10	SCREW,1/4-14 X 3/4,B,HEX HD,YEL ZN DICH	
42	1854397	10	RIVET,BLIND, .25 DIA, .38 GRIP	
43	1675198	7	BOLT,CARRIAGE,1/4-20 X 5/8 ZINC PLATED	
44	0659979	7	NUT,HEX,FLANGE SER,1/4-20,BLACK ZINC	
45	0826297	2	NUT,HEX HD,3/8-16 LOCK,YEL ZN DICH	
46	0882811		CAPSCREW,HEX HD,3/8-16X2 1/2,GR5,YEL	
47	0882795	2	LOCKWASHER,SPLIT RING,3/8,MED,YELLOW	
48	1795905		PAD ASSY,HDR,O/O ENT DR	
49	1797539		PAD ASSY,HDR CVR,O/O ENT DR,	STANDARD. 74" HR, 9" SS
49	1797505		PAD ASSY,HDR CVR,O/O ENT DR,	OPTION 3339. 74" HR, 12" SS
49	1797448		PAD ASSY,HDR CVR,O/O ENT DR,	OPTION 3471, 3473. 77" HR, 9" SS
49	1797471		PAD ASSY,HDR CVR,O/O ENT DR,	OPTION 3337. 77" HR, 12 SS
50	2000644	14	SCREW,1/4-14X 3/4,AB,PH1,TRUSS HD,	
50	1854397	14	RIVET,BLIND, .25 DIA, .38 GRIP	
51	0001783		DECAL,EM RELEASE,EXCELL ELEC DOOR	
52	0000887		COVER,ACTUATOR,O/O ENT DOOR,ELECTRIC	
53	1589522	20	SCREW,10-16 X 3/4,AB,PH1,PAN HD,YEL ZN	
54	1422195		SEALANT,LOCTITE,THREADLOCKER 242, BLUE	
NI	1078922		WASHER,FLAT,3/8 X 7/8 X 5/64,YEL ZN DICH	

Models: A3FE, A3RE, C1FE, CSFE, CSRE, TCFE, TSFE
**ENTRANCE
 OUTWARD OPENING
 ELECTRIC**

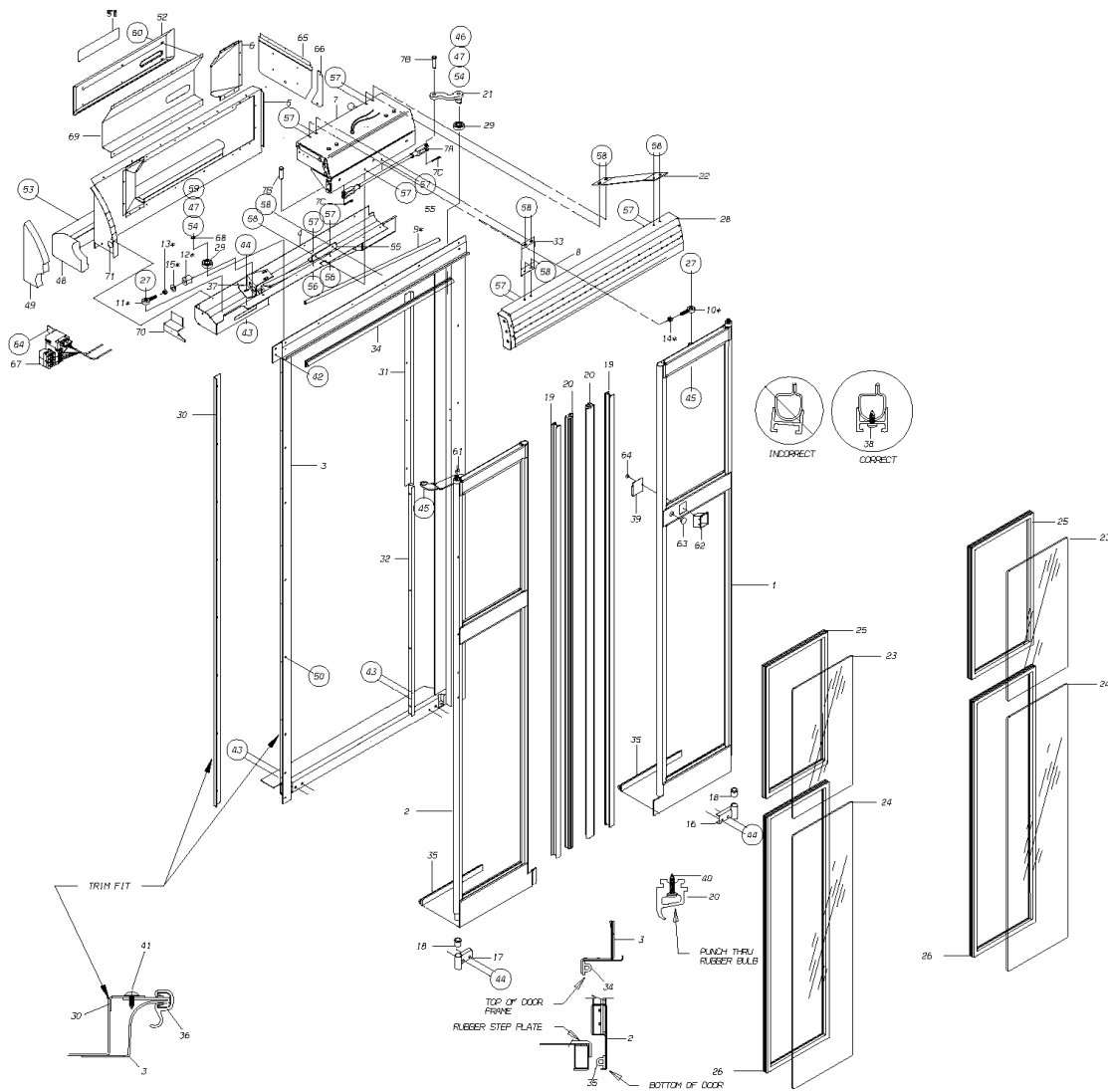
With Features: FEATURE 30977-02 WITH FEATURE 30978-06
 To BSN B10107204 F10056064 L10093804

Key	PartNumber	Qty	Description	Comment
55	0001371		ANGLE,ACTUATOR TO HEADER,EXCELL	
56	2000826	2	SCREW,MACH,1/4X20X3/4,PH1,TRUSSHD,	
57	2001345	12	NUT,HEX HD,1/4-20,LOCKING,YELLOW	
58	0977132	10	CAPSCREW,HEX HD,1/4-20 X 3/4,GR 5,YEL	
59	0803213		CAPSCREW,HEX HD,3/8-16X1 1/4,GR8,YEL	
60	1143676	6	SCREW,10-16 X 3/4, AB,PH1,PAN HD,BLK ZN,	
61	0004704		SPACER,PIVOT,OUTWARD OPENING DOOR	
62	0006887		HANDLE,DOOR,OUTWARD OPENING	
63	1330893		PLUG,BUTTON,BLACK,DP-750,HEYCO 2683	ENDING WITH BSN B-10097184, F-10050449, L-10083479
63	1585868		PLUG,BUTTON,BLACK,DP-875,HEYCO 2703	BEGIN WITH BSN B-10097185, F -10050450, L-10083480
64	1560754	3	SCREW,10-16 X 3/8,AB,PH1,PAN HD,BLK	
NI	1823681		INSULATION,HEADER,O/O DOOR,74 HR	
NI	1823699		INSULATION,HEADER,O/O DOOR,77 HR	
65	0011502		DOOR ASSEMBLY,GLOVE CMPT W/ELECTRIC	
65	0011711		DOOR ASSEMBLY,GLOVE CMPT,LK,W/ELECTRIC	WITH OPTION 0162-LOCKING
66	0011500		TRIM,EXTENSION,GLOVE CMPT W/ELECTRIC	
67	0008193		BRACKET ASSY.,RELAY MOUNT,EXCELL DR CTRL	
68	1078922		WASHER,FLAT,3/8 X 7/8 X 5/64,YEL ZN DICH	

Models: A3FE, A3RE, C1FE, CSFE, CSRE, TCFE, TSFE
**ENTRANCE
 OUTWARD OPENING
 ELECTRIC**

With Features: FEATURE 30977-02 WITH FEATURE 30978-06
BSN: From BSN B10107205 F10056065 L10093805

Key	PartNumber	Qty	Description	Comment
-----	------------	-----	-------------	---------



Models: A3FE, A3RE, C1FE, CSFE, CSRE, TCFE, TSFE
ENTRANCE
OUTWARD OPENING
ELECTRIC
With Features: FEATURE 30977-02 WITH FEATURE 30978-06
BSN: From BSN B10107205 F10056065 L10093805

Key	PartNumber	Qty	Description	Comment
1	0000374		FRAME ASSY,DOOR,FRONT,ENT,23 STP,	
1	0000375		FRAME ASSY,DOOR,FRONT,ENT,24.75 STP	
2	1956937		FRAME ASSY,DOOR,REAR,ENT,23 STP,TRANSIT	
2	1956945		FRAME ASSY,DOOR,REAR,ENT,24.75 STP,	
3*	1773209		DOOR SUPPORT ASSY,O/O 23.00 STEP	
3*	1780444		DOOR,SUPPORT,ASSY,O/O,24.75 STEP	
NI	0074429		INSULATION,F/GLS,1.50 X 1.50 X 60.00	<i>*FITS IN KEY #3</i>
4	0045338		COVER ASSY,OUTWARD OPENING DR	
5	0059232		PANEL,ASSY,COVER,HEADER,O/O DR,	<i>ENDING WITH BSN F10068989</i>
5	0082232		PANEL,ASSY,COVER,HDR,O/O DR,ELEC,74HR,	<i>BEGIN WITH BSN F10068990</i>
5	0059231		PANEL,ASSY,COVER,HEADER,O/O DR,	<i>ENDING WITH BSN F10068989</i>
5	0082262		PANEL ASSY,COVER,HEADER,O/O DR,	<i>BEGIN WITH BSN F10068990</i>
6	0058672		PANEL,COVER,ACTUATOR,O/O DOOR,LH,ELEC	
7	0020427		DOOR ACTUATOR,ELEC,EXCELL/BLUE BIRD,	
7A			CONNECTOR, LINK, EXCELL	
7B			PIN, 7/16 X 1 11/32, EXCELL	
7C			PIN, COTTER, 3/32 X 1, EXCELL	
8	1858208		CONNECTOR LINK ASSY,O/O DOOR	
9*	1773647		TUBE,CONNECTOR LINK,O/O DOOR,25.70	<i>PART OF ITEM 8</i>
10	1773571		ROD END,ALINABAL,VML-6-G	<i>PART OF ITEM 8</i>
11	1336320		ROD END,ALINABAL VM-6-G,WLPP	<i>PART OF ITEM 8</i>
12	1773613		BUMPER,O/O DOOR STOP,URETHANE	<i>PART OF ITEM 8</i>
13			NUT, HEX HEAD, 3/8-24, STD LGT, SEMI-FIN	<i>PART OF ITEM 8</i>
14	1767466		NUT,HEX HD,3/8-24,LH THREAD,ZINC	<i>PART OF ITEM 8</i>
15	1003045		WASHER,FLAT,17/32 X 1 1/16 X 7/64,HDN,	<i>PART OF ITEM 8</i>
16	1774157		BRACKET ASSY,FRONT MOUNT,LWR PIVOT,O/O	
17	1774140		BRACKET ASSY,REAR MOUNT,LWR PIVOT,O/O	
18	1773597		BEARING,FLANGED BRONZE,.878 OD X.628 ID	
19	1768092		RETAINER,O/O DR NOSING FOR 23.00	<i>78.00</i>
19	1768100		RETAINER,O/O DR NOSING FOR 24.75	<i>79.75</i>
20	1975200		RUBBER,DOOR NOSING,O/O,V2,23.00 STEP	
20	1975689		RUBBER,O/O DOOR NOSING,V2,24.75 STEP	
21	0030911		LEVER ASSY,FRT,ELEC O/O DOOR,3.50,.75 X 1	

Models: A3FE, A3RE, C1FE, CSFE, CSRE, TCFE, TSFE
**ENTRANCE
 OUTWARD OPENING
 ELECTRIC**
With Features: FEATURE 30977-02 WITH FEATURE 30978-06
BSN: From BSN B10107205 F10056065 L10093805

Key	PartNumber	Qty	Description	Comment
22	0000897		BRACE,ACTUATOR TO HEADER,FRONT,74 HR,TC	
22	0000896		BRACE,ACTUATOR TO HEADER,FRONT,77 HR,TC	
23	1773076		GLASS,UPPER,O/O ENT DR LAM CLR	LAMINATED, CLEAR, FEATURE 31189-02
23	1773092		GLASS,UPPER,O/O ENT DR LAM 70 LT GRN	LAMINATED, 70 LT GRD. FEATURE 31189-03
23	1781145		GLASS ASSY,STORM,ENT DR,UPPER,O/O	STORM, FEATURE 31189-04
23	1781152		GLASS ASSY,STORM,ENT DR,UPPER,O/O	STORM, TINTED, FEATURE 31189-05
24	1773118		GLASS,LOWER,O/O ENT DR TEMP CLR 23 STEP	TEMPERED, CLEAR, FEATURE 31188-01
24	1773100		GLASS,LOWER,O/O ENT DR LAM CLR 23 STEP	LAMINATED, CLEAR, FEATURE 31188-02
24	1773126		GLASS,LOWER,O/O ENT DR LAM 70 LT GRN 23	LAMINATED, 70 LT GRN. FEATURE 31188-03
24	1781160		GLASS ASSY,STORM,ENT DR,LWR,23 STEP	STORM. FEATURE 31188-04
24	1781178		GLASS ASSY,STORM,O/O DR,LWR,23 STEP	STORM, TINTED, FEATURE 31188-05
24	1781293		GLASS,LWR,O/O ENT DR,TEMP CLR,24.75 STEP	TEMPERED, CLEAR, FEATURE 31188-01
24	1781285		GLASS,LWR,O/O ENT DR,LAM CLR,24.75 STEP	LAMINATED, CLEAR, FEATURE 31188-02
24	1781301		GLASS,LWR,O/O ENT DR,LAM 70 LT GRN,24.75	LAMINATED, 70 LT GRN. FEATURE 31188-03
24	1781186		GLASS ASSY,STORM,O/O DR,LWR,24.75 STEP	STORM, FEATURE 31188-04
24	1781194		GLASS ASSY,STORM,O/O DR,LWR,24.75 STEP,	STORM, TINTED, FEATURE 31188-05
25	1773027		RUBBER,GLAZING,O/O ENTRANCE DOOR	
25	1726819		RUBBER,STORM GLAZING,O/O ENT DOOR	
26	1773035		RUBBER,GLAZING,O/O ENT DR,LWR,23 STEP	
26	1726827		RUBBER,STORM GLAZING,O/O ENT DR,LWR 23	
26	1777085		RUBBER,GLAZING,O/O ENT DR,LWR,24.75 STEP	
26	1814706		RUBBER,STORM GLAZING,O/O,ENT DR LWR	
27	1782226		SCREW,ALLEN,3/8-16 X 1.25,CSK FT/HD BLK	
28	1782093		HEADER ASSY,ENT DOOR,74 HR O/O DOOR	
28	1789825		HEADER ASSY,ENT DOOR,77 HR,O/O DOOR	
29	1956820		BEARING,BALL,SEALED,.75 ID X 1.57 OD X .47	
30	1771047		TRIM,REAR,DR TO FRT BOW TRIM,23.00 STEP	
30	1771054		TRIM,REAR,DR TO FRT BOW TRIM,24.75 STEP	
31	1780881		TRIM,UPPER FRONT,DOOR TO POST,O/O DR	

Models: A3FE, A3RE, C1FE, CSFE, CSRE, TCFE, TSFE
**ENTRANCE
 OUTWARD OPENING
 ELECTRIC**
With Features: FEATURE 30977-02 WITH FEATURE 30978-06
BSN: From BSN B10107205 F10056065 L10093805

Key	PartNumber	Qty	Description	Comment
32	1771013		TRIM,LWR FRT,DR TO POST O/O DR,23 STEP	
32	1771021		TRIM,LWR FRT,DR TO POST O/O DR,24.75 STEP	
33	0000898		BRACE,ACTUATOR TO HEADER,REAR,74 HR,TC	
33	0000899		BRACE,ACTUATOR TO HEADER,REAR,77 HR,TC	
34	1785369		SEAL,RUBBER,UPPER O/O	
35	1789403		SEAL,RUBBER,DOOR TO STEP	
36	1932433		SEAL,LIP,O/O ENT DR,PIVOT SI,UNI-GRIP	
37	1777770		STOP,REAR DOOR,OUTWARD OPENING	
38	2186401		SCREW,10-16 X 1/2,AB,PH1,PAN HD,YEL ZN	
39	0006487		COVER,SECURITY LOCK,O/O DOOR	
40	1143676		SCREW,10-16 X 3/4, AB,PH1,PAN HD,BLK ZN,	
41	0527341		SCREW,10-16 X 1/2,AB,SLTD,TRUSS HD,YELZN	
42	1854397		RIVET,BLIND,.25 DIA,.38 GRIP	
43	1675198		BOLT,CARRIAGE,1/4-20 X 5/8 ZINC PLATED	
44	0659979		NUT,HEX,FLANGE SER,1/4-20,BLACK ZINC	
45	0826297		NUT,HEX HD,3/8-16 LOCK,YEL ZN DICH	
46	0882811		CAPSCREW,HEX HD,3/8-16X2 1/2,GR5,YEL	
47	0882795		LOCKWASHER,SPLIT RING,3/8,MED,YELLOW	
48	0045800		PAD ASSY,HDR,O/O ENT DR,CMVSS,74HR,	
48	0045801		PAD ASSY,HDR,O/O ENT DR,CMVSS,77HR,	
49	0057510		PAD ASSY,HDR,O/O ENT DR,REAR,74 HR.	
49	0057508		PAD ASSY,HDR,O/O ENT DR,REAR 77HR	
50	1854397		RIVET,BLIND,.25 DIA,.38 GRIP	
51	0001783		DECAL,EM RELEASE,EXCELL ELEC DOOR	
52	0000887		COVER,ACTUATOR,O/O ENT DOOR,ELECTRIC	
53	1589522		SCREW,10-16 X 3/4,AB,PH1,PAN HD,YEL ZN	
54	1422195		SEALANT,LOCTITE,THREADLOCKER 242, BLUE	
55	0001371		ANGLE,ACTUATOR TO HEADER,EXCELL	
56	2000826		SCREW,MACH,1/4X20X3/4,PH1,TRUSSHD,	
57	2001345		NUT,HEX HD,1/4-20,LOCKING,YELLOW	
58	0977132		CAPSCREW,HEX HD,1/4-20 X 3/4,GR 5,YEL	
59	0803213		CAPSCREW,HEX HD,3/8-16X1 1/4,GR8,YEL	
60	1143676		SCREW,10-16 X 3/4, AB,PH1,PAN HD,BLK ZN,	

Models: A3FE, A3RE, C1FE, CSFE, CSRE, TCFE, TSFE
**ENTRANCE
 OUTWARD OPENING
 ELECTRIC**

With Features: **FEATURE 30977-02 WITH FEATURE 30978-06**
BSN: **From BSN B10107205 F10056065 L10093805**

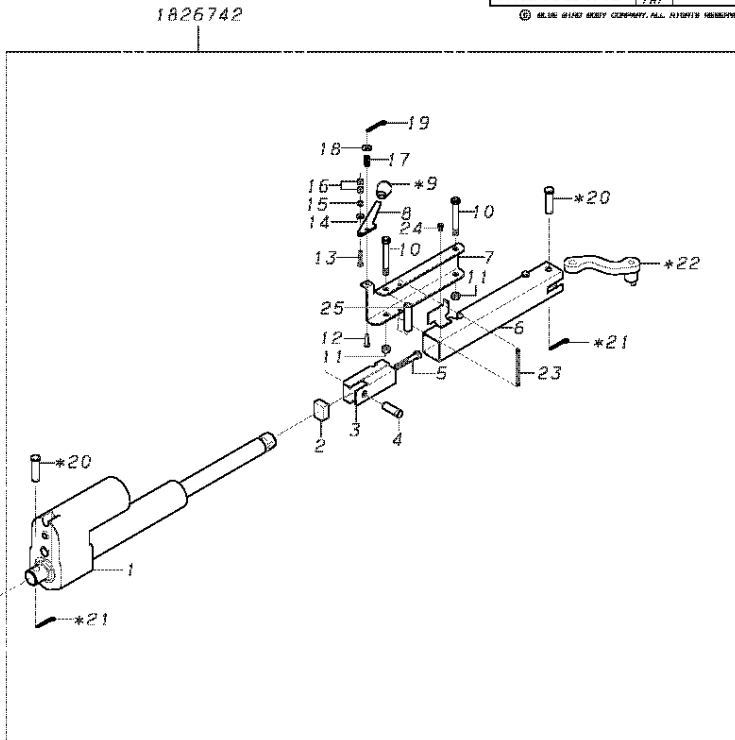
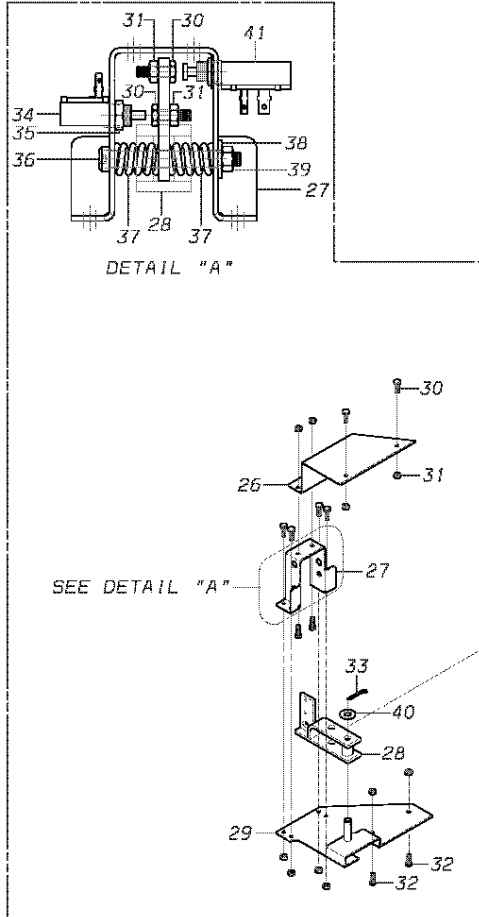
Key	PartNumber	Qty	Description	Comment
61	0004704		SPACER,PIVOT,OUTWARD OPENING DOOR	
62	0006887		HANDLE,DOOR,OUTWARD OPENING	
63	1585868		PLUG,BUTTON,BLACK,DP-875,HEYCO 2703	
64	1560754		SCREW,10-16 X 3/8,AB,PH1,PAN HD,BLK	
NI	1823681		INSULATION,HEADER,O/O DOOR,74 HR	
NI	1823699		INSULATION,HEADER,O/O DOOR,77 HR	
65	0011502		DOOR ASSEMBLY,GLOVE CMPT W/ELECTRIC	
65	0011711		DOOR ASSEMBLY,GLOVE CMPT,LK,W/ELECTRIC	<i>LOCKING, OPTION 0162</i>
66	0011500		TRIM,EXTENSION,GLOVE CMPT W/ELECTRIC	
67	0008193		BRACKET ASSY.,RELAY MOUNT,EXCELL DR CTRL	
68	1078922		WASHER,FLAT,3/8 X 7/8 X 5/64,YEL ZN DICH	
69	0058507		PANEL,COVER,ACTUATOR,O/O DOOR,CENTER,	
70	0057596		CAP,COVER ASSY,OUTWARD OPENING	
70	0057597		CAP,COVER ASSY,OUTWARD OPENING DOOR,77	
71	1894187		GROMMET,RUBBER,.75 ID W/1.00 X .09	


Models: AAFE, AARE, A3FE, A3RE, C1FE, CSFE, CSRE, TCFE, TCRE, TSFE

**ENTRANCE
OUTWARD OPENING
ELECTRIC, ACTUATOR ASSY
OPTION 275-03
To BSN F10000290**

With Features:

Key	PartNumber	Qty	Description	Comment
-----	------------	-----	-------------	---------



DR. 12/14/95	BY DJJ	1825850	N	
APP. 12/14/95	BY AG	FRY	REV	

© BLUE BIRD BODY COMPANY, ALL RIGHTS RESERVED

Models: AAFE, AARE, A3FE, A3RE, C1FE, CSFE, CSRE, TCFE, TCRE, TSFE
ENTRANCE
OUTWARD OPENING
ELECTRIC, ACTUATOR ASSY
With Features: OPTION 275-03
To BSN F10000290

Key	PartNumber	Qty	Description	Comment
	1826742		ACTUATOR ASSY,O/O DOOR,ELECTRIC	CONSISTS OF KEY NUMBERS 1 THRU 25
1	1820604		ACTUATOR,ELECTRIC,O/O DOOR,8.00 IN	
2	1848720		PLATE,ALIGNMENT,INNER SLIDE ASSY,ELEC	
3	1848738		SLIDE ASSY,INNER,ELECTRIC DOOR ACTUATOR	
4	1825785		PIN,RETAINING,INNER SLIDE ASSY TO	
5	1828441		CAPSCREW,HEX HD,5/16-18 X 2.00,GR5,YEL ZN	
6	1825884		SLIDE ASSY,OUTER,ELECTRIC DOOR ACTUATOR	
7	1825827		ARM,RELEASE,ELECTRIC DOOR ACTUATOR	
8	1860394		LEVER,EMERGENCY RELEASE,ELECTRIC DOOR	ENDING WITH BSN F190987
8	1908508		LEVER,EMERGENCY REL,ELEC DOOR ACTUATOR	FROM BSN F190988 TO BSN F10000290
9	2131746		KNOB,DRIVERS SEAT SLIDE,0556860"	
10	1828425	2	SCREW,SHOULDER,ALLEN,3/8 X 2.25	
11	1465954	2	NUT,HEX HD,5/16-18,LK,NYLON INSERT,YEL	
12	2028140		PIN,CLEVIS,1/4 DIA X 3/4 LG	
13	1426253		STUD,SELF-CLINCHING,PEM HFH-0420-16,Z1	
14	2001170		LOCKWASHER,SPLIT RING, 1/4 ,MED,YEL ZN	
15	1821909		BEARING,RADIAL,.25 ID X .625 OD X .196	
16	2001329		NUT,HEX HD,1/4-20,YELLOW DICHROMATE"	
17	1823095		SPRING,COMPRESSION,.30 ID X .75 LG	
18	1247709		WASHER,FLAT,17/64 ID X,5/8,YEL ZN DICH	
19	2028199		PIN,COTTER,1/16 X 1	
*2	1422930		PIN,CLEVIS,1/2 DIA X 2.00 LG	
*2	2008860		PIN,COTTER,3/32 X 1,YEL ZN DICH	
*2	1860378		LEVER ASSY,FRONT,ELECTRIC O/O DOOR	
23	1829423	2	SPRING,EXTENSION,.25 OD X 3.00	
24	0977132		CAPSCREW,HEX HD,1/4-20 X 3/4,GR 5,YEL	
25	1825801		SLEEVE,ELECTRIC DOOR RELEASE MECHANISM	
NI	1835883		MOUNTING ASSY,ACTUATOR,O/O DOOR,ELEC,	CONSISTS OF KEY NUMBERS 26 THRU 41, CSFE, CSRE ONLY
NI	1826759		MOUNTING ASSY,ACTUATOR,O/O DOOR,	CONSISTS OF KEY NUMBERS 26 THRU 41.
NI	1826767		MOUNTING ASSY,ACTUATOR,O/O DOOR,	CONSISTS OF KEY NUMBERS 26 THRU 41.
26	1835875		BRACKET,SUPT,ELEC DR ACTR, CS	CSFE, CSRE ONLY

Models: AAFE, AARE, A3FE, A3RE, C1FE, CSFE, CSRE, TCFE, TCRE, TSFE
ENTRANCE
OUTWARD OPENING
ELECTRIC, ACTUATOR ASSY
With Features: **OPTION 275-03**
To BSN F10000290

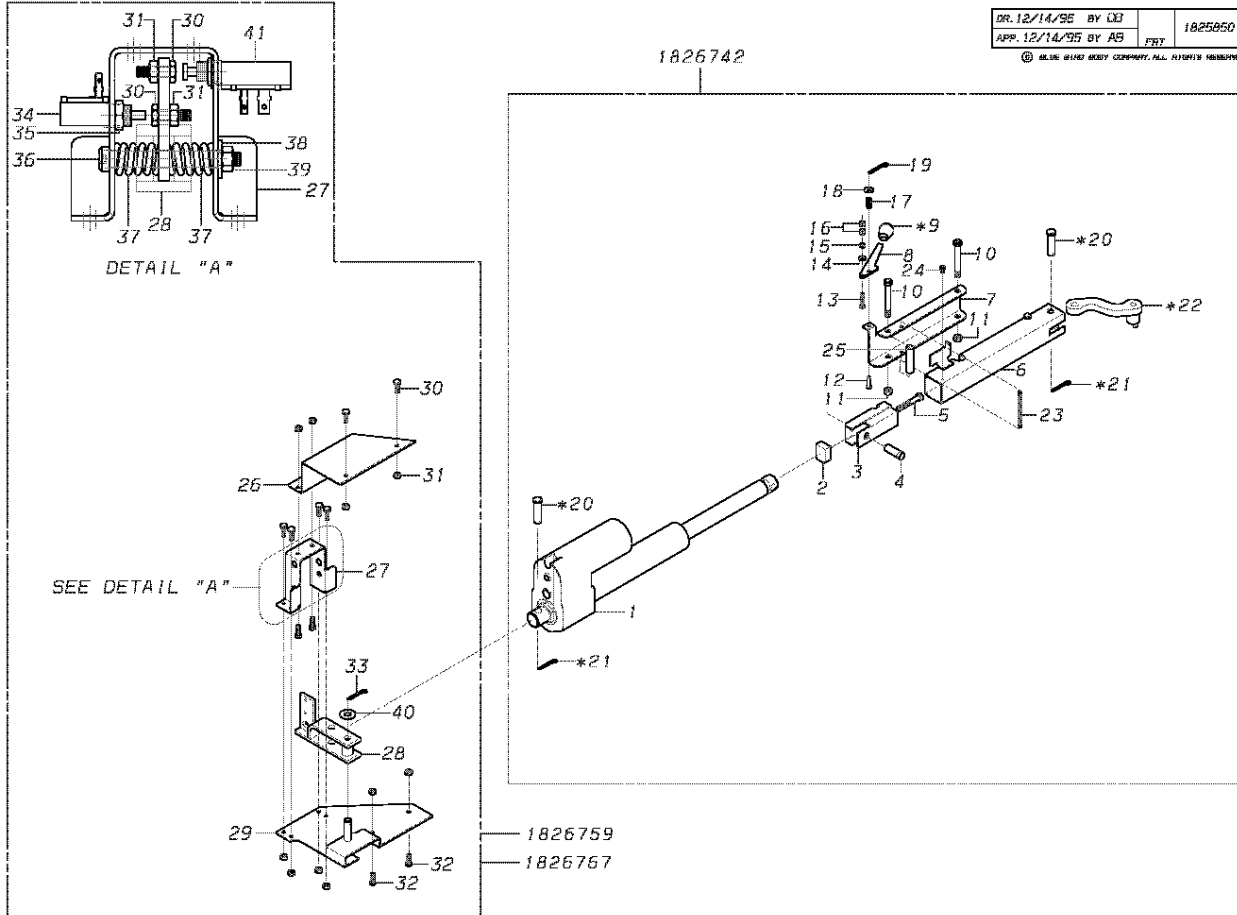
Key	PartNumber	Qty	Description	Comment
26	1825934		BRACKET,SUPPORT,ELECTRIC DOOR ACTUATOR	
27	1825835		BRACKET,MOUNTING,LIMIT SWITCHES,ELEC	
28	1825702		PIVOT ASSY,ELECTRIC DOOR ACTUATOR	
29	1825843		PLATE ASSY,MOUNTING,ELECTRIC DOOR	
30	0977132	10	CAPSCREW,HEX HD,1/4-20 X 3/4,GR 5,YEL	
31	2001345	12	NUT,HEX HD,1/4-20,LOCKING,YELLOW	
32	2000826	2	SCREW,MACH,1/4X20X3/4,PH1,TRUSSHD,	
33	2008860		PIN,COTTER,3/32 X 1,YEL ZN DICH	
34	1126176		SWITCH,MOMENTARY,SPST NC	
35	1073311		NUT,PANEL,HEX HD,1/2-20,YEL ZN DICH	
36	1828433		SCREW,SHOULDER,ALLEN,3/8 X 2.50	
37	1827963	2	SPRING,DIE,MHD .75 X 1.00,(RED)	
38	1078922		WASHER,FLAT,3/8 X 7/8 X 5/64,YEL ZN DICH	
39	1465954		NUT,HEX HD,5/16-18,LK,NYLON INSERT,YEL	
40	0850776		WASHER,FLAT,17/32 X 1 1/16 X 3/32,	
41	1861814		SWITCH,MOMENTARY,DPST(NC),SEQUENTIAL	
NI	1835446		HARNES,WRG,O/O DOOR,ELEC,HEADER	
NI	1161876		RELAY,ISO,W/O TAB	

Models: AAFE, AARE, A3FE, A3RE, C1FE, CSFE, CSRE, TCFE, TCRE, TSFE

**ENTRANCE
OUTWARD OPENING
ELECTRIC, ACTUATOR ASSY**

With Features: OPTION 275-03
BSN: From BSN F10000291

Key	PartNumber	Qty	Description	Comment
-----	------------	-----	-------------	---------



Models: AAFE, AARE, A3FE, A3RE, C1FE, CSFE, CSRE, TCFE, TCRE, TSFE
ENTRANCE
OUTWARD OPENING
ELECTRIC, ACTUATOR ASSY
With Features: OPTION 275-03
BSN: From BSN F10000291

Key	PartNumber	Qty	Description	Comment
*	1826742		ACTUATOR ASSY,O/O DOOR,ELECTRIC	
*1	1820604		ACTUATOR,ELECTRIC,O/O DOOR,8.00 IN	
*2	1848720		PLATE,ALIGNMENT,INNER SLIDE ASSY,ELEC	
*3	1848738		SLIDE ASSY,INNER,ELECTRIC DOOR ACTUATOR	
*4	1825785		PIN,RETAINING,INNER SLIDE ASSY TO	
*5	1828441		CAPSCREW,HEX HD,5/16-18 X 2.00,GR5,YEL ZN	
*6	1825884		SLIDE ASSY,OUTER,ELECTRIC DOOR ACTUATOR	
*7	1825827		ARM,RELEASE,ELECTRIC DOOR ACTUATOR	
*8	1981851		LEVER,EMERGENCY RELEASE,ELEC DOOR	
*9	1981869		COVER,LEVER,ELEC DOOR ACTUATOR,RED	
*1	1828425	2	SCREW,SHOULDER,ALLEN,3/8 X 2.25	
*1	1465954	2	NUT,HEX HD,5/16-18,LK,NYLON INSERT,YEL	
*1	1981844		NUT,HEX HD,5/16-18,LOCK,YEL DICH	
*1	1426253		STUD,SELF-CLINCHING,PEM HFH-0420-16,Z1	
*1	1821909		BEARING,RADIAL,.25 ID X .625 OD X .196	
*1	2001329	3	NUT,HEX HD,1/4-20,YELLOW DICHROMATE"	
*1	1981836		SCREW,LOCK,ELEC DOOR ACTUATOR	
*2	1422930		PIN,CLEVIS,1/2 DIA X 2.00 LG	
*2	2008860		PIN,COTTER,3/32 X 1,YEL ZN DICH	
*2	1956770		LEVER ASSY,FRONT,ELECTRIC O/O DOOR,3/4	
*2	1829423	2	SPRING,EXTENSION,.25 OD X 3.00	
*2	0977132		CAPSCREW,HEX HD,1/4-20 X 3/4,GR 5,YEL	
*2	1825801		SLEEVE,ELECTRIC DOOR RELEASE MECHANISM	
+	1826759		MOUNTING ASSY,ACTUATOR,O/O DOOR,	
+	1826767		MOUNTING ASSY,ACTUATOR,O/O DOOR,	
+	1835883		MOUNTING ASSY,ACTUATOR,O/O DOOR,ELEC,	CSFE, CSRE, C1FE ONLY CONSIST OF THE FOLLOWING
+1	1825926		BRACKET,SUPPORT,ELECTRIC DOOR ACTUATOR	
+1	1825934		BRACKET,SUPPORT,ELECTRIC DOOR ACTUATOR	
+1	1835875		BRACKET,SUPT,ELEC DR ACTR, CS	CSFE, CSRE, C1FE ONLY
+2	1825835		BRACKET,MOUNTING,LIMIT SWITCHES,ELEC	
+3	1825702		PIVOT ASSY,ELECTRIC DOOR ACTUATOR	
+4	1825843		PLATE ASSY,MOUNTING,ELECTRIC DOOR	

Models: AAFE, AARE, A3FE, A3RE, C1FE, CSFE, CSRE, TCFE, TCRE, TSFE
ENTRANCE
OUTWARD OPENING
ELECTRIC, ACTUATOR ASSY
With Features: OPTION 275-03
BSN: From BSN F10000291

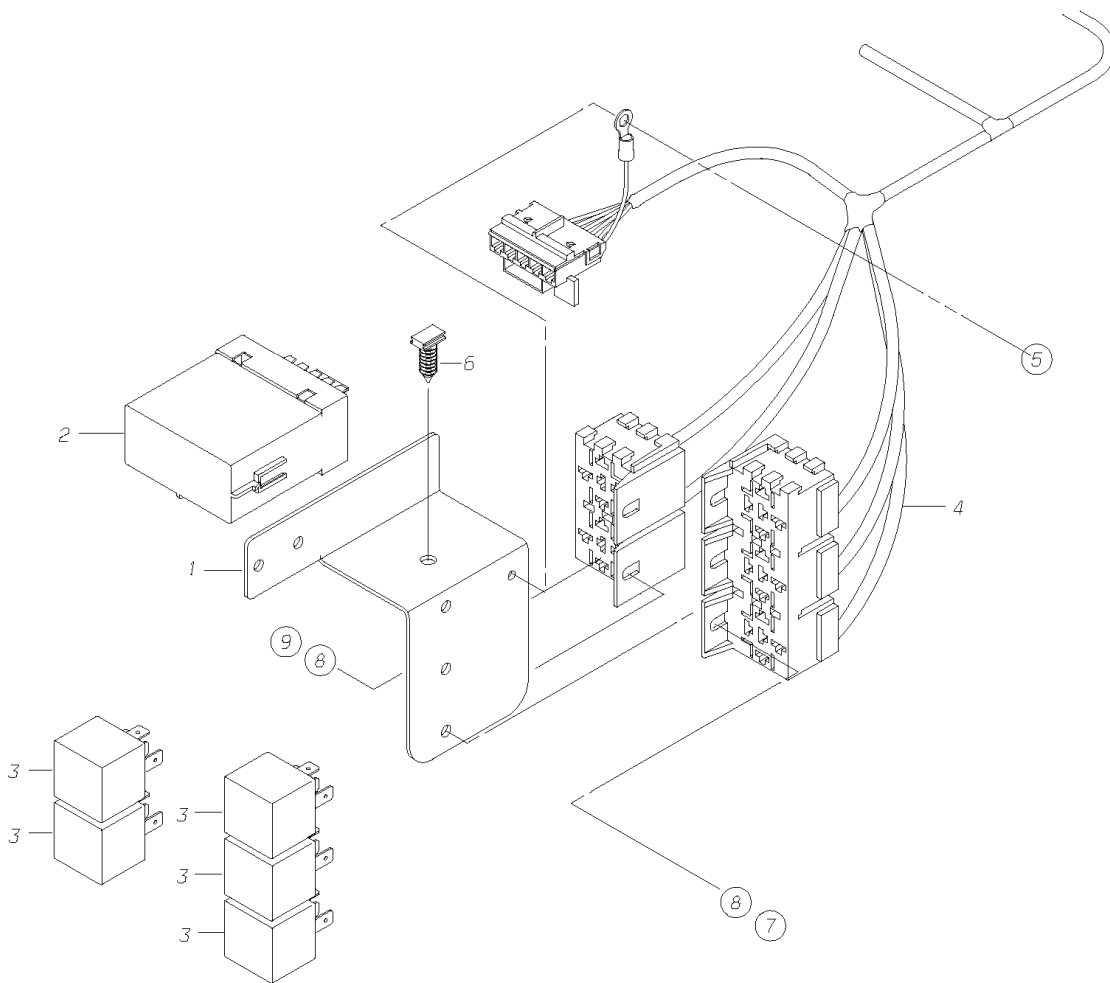
Key	PartNumber	Qty	Description	Comment
+5	0977132	9	CAPSCREW,HEX HD,1/4-20 X 3/4,GR 5,YEL	
+6	2001345	10	NUT,HEX HD,1/4-20,LOCKING,YELLOW	
+7	2000826	2	SCREW,MACH,1/4X20X3/4,PH1,TRUSSHD,	
+8	2008860		PIN,COTTER,3/32 X 1,YEL ZN DICH	
+9	1126176		SWITCH,MOMENTARY,SPST NC	
+1	1956838		NUT,SWITCH MOUNT SPRING RET,ELEC O/O	
+1	2028306		CAPSCREW,HEX HD,5/16-18X3,GR 5,YEL ZN	
+1	1956994		SPRING,DIE,MHD .62 X 1.00 (RED)	RED
+1	1078922		WASHER,FLAT,3/8 X 7/8 X 5/64,YEL ZN DICH	
+1	1465954		NUT,HEX HD,5/16-18,LK,NYLON INSERT,YEL	
+1	0850776		WASHER,FLAT,17/32 X 1 1/16 X 3/32,	
+1	1861814		SWITCH,MOMENTARY,DPST(NC),SEQUENTIAL	
+1	1956986	2	SPRING,COMPRESSION,.720 OD X .75	
+N	1161876		RELAY,ISO,W/O TAB	
+N	1835446		HARNES,WRG,O/O DOOR,ELEC,HEADER	

Models: A1VC, A3FE, A3RE, B1VC, B2VC, BBCV, GMCV, SBCV, TCFE

**ENTRANCE
OUTWARD OPENING
ELECTRIC, RELAY MOUNT BRACKET
FEATURE 30978-06**

With Features:

Key	PartNumber	Qty	Description	Comment
-----	------------	-----	-------------	---------



Models: A1VC, A3FE, A3RE, B1VC, B2VC, BBCV, GMCV, SBCV, TCFE
ENTRANCE
OUTWARD OPENING
ELECTRIC, RELAY MOUNT BRACKET
With Features: FEATURE 30978-06

Key	PartNumber	Qty	Description	Comment
	0008193		BRACKET ASSY.,RELAY MOUNT,EXCELL DR CTRL	
1	0021076		BRACKET,RELAY MOUNT,EXCELL DOOR	
2	0020479		MODULE ASSY,CONTROL,DOOR,ENTRANCE	
3	1161876	5	RELAY,ISO,W/O TAB	
4	0019834		HARNESS,WRG,SWITCHING,O/O DR, ELEC,	
5	0527275		SCREW,10-16 X 3/8,AB,PH1,PAN,YEL ZINC	
6	0003443		CLIP,MOUNTING,PLASTIC,PACKARD	
7	1795459	3	SCREW,MACH 10-24X 1/2 P HD,BLK	
8	2001105	6	WASHER,FLAT,13/64 X,1/2 X 3/64,YEL ZN DICH	
9	1469287	3	NUT,HEX,10-24,ELASTIC LOCKNUT,YEL ZN DICH	

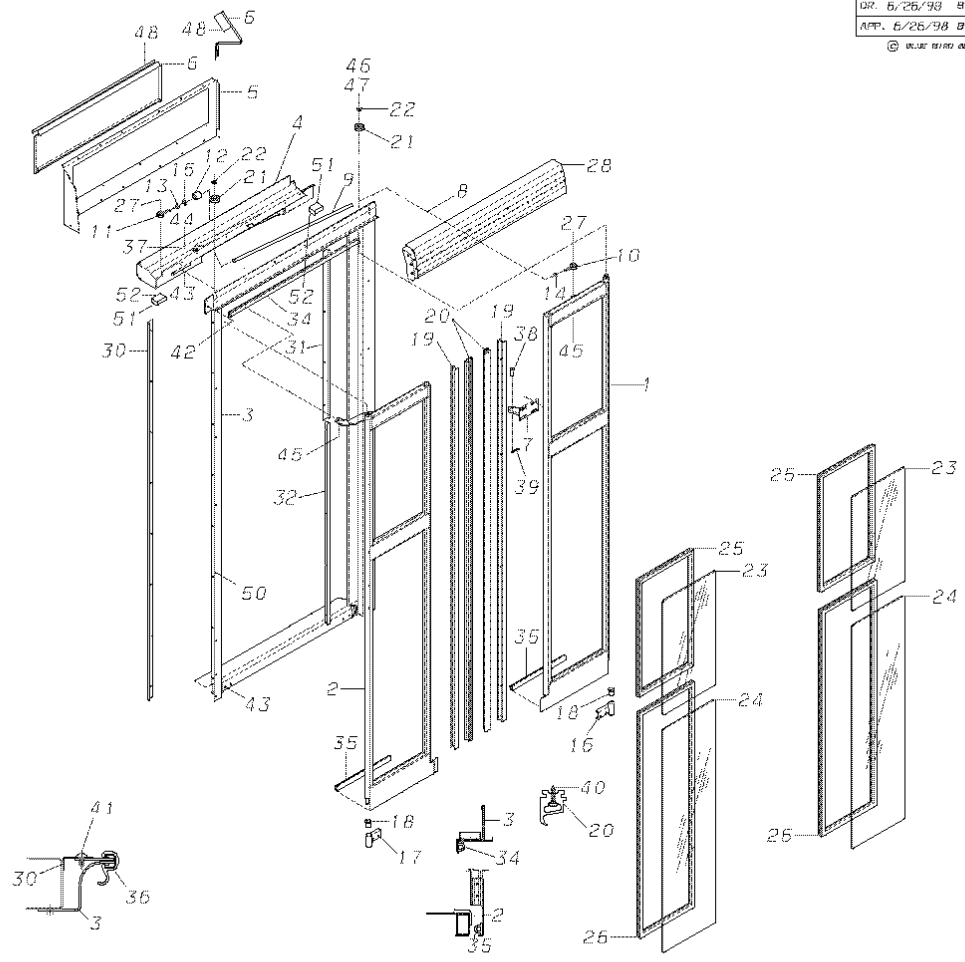
Models: A3FE, A3RE, C1FE, CSFE, CSRE, TCFE, TCRE, TSFE

**ENTRANCE
OUTWARD OPENING
MANUAL**

With Features: STD

BSN: From BSN 185593 365697 0001255 0015559 254188

Key	PartNumber	Qty	Description	Comment
-----	------------	-----	-------------	---------



DR. 5/26/98 BY J.L.	1011140	U	
APP. 5/26/98 BY AB	FRT	REV	

© BLUE BIRD BODY COMPANY, ALL RIGHTS RESERVED

Models: A3FE, A3RE, C1FE, CSFE, CSRE, TCFE, TCRE, TSFE

**ENTRANCE
OUTWARD OPENING
MANUAL**

With Features: STD

BSN: From BSN 185593 365697 0001255 0015559 254188

Key	PartNumber	Qty	Description	Comment
1	1772862		FRAME ASSY,FRONT,O/O ENT DR,23.00 STEP	STANDARD. ENDING WITH BSN 0193668, 0029831, 0263337, 0378649
1	1957513		FRAME ASSY,FRONT,O/O ENT DR,23.00 STEP	STANDARD. BEGIN WITH BSN 0193669, 0029832, 0263338, 0378650
1	1773415		FRAME ASSY,FRONT O/O ENT DR,S/LK,23.00	OPTION 0276. ENDING WITH BSN 0193668, 0029831, 0263337, 0378649
1	1957562		FRAME ASSY,FRONT,O/O ENT DR,S/LK,23.00	OPTION 0276. BEGIN WITH BSN 0193669, 0029832, 0263338, 0378650
1	1777143		FRAME ASSY,FRONT,O/O ENT DR,24.75 STEP	OPTION 0241. ENDING WITH BSN 0193668, 0029831, 0263337, 0378649
1	1957521		FRAME ASSY,FRONT,O/O ENT DR,24.75 STEP	OPTION 0241. BEGIN WITH BSN 0193669, 0029832, 0263338, 0378650
1	1777150		FRAME ASSY,FRONT,O/O ENT DR,S/LOCK,24.75	OPTION 0276. ENDING WITH BSN 0193668, 0029831, 0263337, 0378649
1	1957570		FRAME ASSY,FRONT,O/O ENT DR,S/LOCK,24.75	OPTION 0276. BEGIN WITH BSN 0193669, 0029832, 0263338, 0378650
NI	1772789		PIVOT,UPPER,OUTWARD OPENING DOOR	ENDING WITH BSN 0193668, 0029831, 0263337, 0378649
NI	1957513		FRAME ASSY,FRONT,O/O ENT DR,23.00 STEP	BEGIN WITH BSN 0193669, 0029832, 0263338, 0378650
NI	1772797		PIVOT,LOWER,OUTWARD OPENING DOOR	
2	1772870		FRAME ASSY,REAR,O/O ENT DR,23.00 STEP	ENDING WITH BSN 0193668, 0029832, 0263338, 0378649
2	1956887		FRAME ASSY,REAR,O/O ENT DR,23.00 STEP	BEGIN WITH BSN 0193669, 0029833, 0263339, 0378650
2	1777168		FRAME ASSY,REAR,O/O ENT DR,24.75 STEP	ENDING WITH BSN 0193668, 0029832, 0263338, 0378649
2	1956895		FRAME ASSY,REAR,O/O ENT DR,24.75 STEP	BEGIN WITH BSN 0193669, 0029833, 0263339, 0378650
3	1773209		DOOR SUPPORT ASSY,O/O 23.00 STEP	
3	1780444		DOOR,SUPPORT,ASSY,O/O,24.75 STEP	
4	1773001		COVER ASSY,OUTWARD OPENING DR	A3, TC
4	1791508		COVER ASSY,OUTWARD OPENING DR	C1, CS
5	1773522		PANEL,HEADER COVER,O/O DOOR, TC	74 HR. A3,TC,T2 ONLY, ENDING WITH BSN
5	0005058		PANEL,HEADER COVER,O/O DOOR, TC	74 HR. A3,TC,T2 ONLY, BEGIN WITH BSN
5	1882125		PANEL,HEADER COVER,O/O DOOR, TSFE	74 HR. TSFE ONLY, ENDING WITH BSN

Models: A3FE, A3RE, C1FE, CSFE, CSRE, TCFE, TCRE, TSFE

**ENTRANCE
OUTWARD OPENING
MANUAL**

With Features: STD

BSN: From BSN 185593 365697 0001255 0015559 254188

Key	PartNumber	Qty	Description	Comment
5	0007005		PANEL,HEADER COVER,O/O DOOR, TSFE	74 HR. TSFE ONLY, BEGIN WITH BSN
5	1791078		PANEL,HEADER COVER,O/O DOOR,77 HR, TC	77 HR. A3,TC,T2 ONLY, ENDING WITH BSN F10008094.
5	0005116		PANEL,HEADER COVER,O/O DOOR,77 HR, TC	77 HR. A3,TC,T2 ONLY, BEGIN WITH BSN F10008095.
5	1791482		COVER,HEADER,MANUAL,OUTWARD OPENING	77 HR. C1,CS ONLY, ENDING WITH BSN F10020365.
6	1773530		PANEL,CONTROL ACCESS,O/O DR HEADER	TC ONLY
6	1791466		DOOR,HEADER COVER,OUTWARD OPENING	CS ONLY
7	1773589		BRACKET ASSY,ROD END,O/O ENT DOOR	
8	1858208		CONNECTOR LINK ASSY,O/O DOOR	
9	1773647		TUBE,CONNECTOR LINK,O/O DOOR,25.70	INCLUDED IN PURCHASED ASSEMBLY 1858208 (KEY #8)
10	1773571		ROD END,ALINABAL,VML-6-G	INCLUDED IN PURCHASED ASSEMBLY 1858208 (KEY #8)
11	1336320		ROD END,ALINABAL VM-6-G,WLPP	INCLUDED IN PURCHASED ASSEMBLY 1858208 (KEY #8)
12	1773613		BUMPER,O/O DOOR STOP,URETHANE	INCLUDED IN PURCHASED ASSEMBLY 1858208 (KEY #8)
13			NUT, HEX HD, 3/8-24, STD LIGHT SEMI-FIN,	INCLUDED IN PURCHASED ASSEMBLY 1858208 (KEY #8)
14	1767466		NUT,HEX HD,3/8-24,LH THREAD,ZINC	INCLUDED IN PURCHASED ASSEMBLY 1858208 (KEY #8)
15	1003045		WASHER,FLAT,17/32 X 1 1/16 X 7/64,HDN,	INCLUDED IN PURCHASED ASSEMBLY 1858208 (KEY #8)
16	1774157		BRACKET ASSY,FRONT MOUNT,LWR PIVOT,O/O	
17	1774140		BRACKET ASSY,REAR MOUNT,LWR PIVOT,O/O	
18	1773597	2	BEARING,FLANGED BRONZE,.878 OD X.628 ID	ENDING WITH BSN 0193668, 0029831, 0263337
18	1956812	2	PIVOT,UPPER,O/O DOOR,3/4	BEGIN WITH BSN 0193669, 0029832, 0263338
19	1768092	2	RETAINER,O/O DR NOSING FOR 23.00	
19	1768100	2	RETAINER,O/O DR NOSING FOR 24.75	
20	1768027	2	RUBBER,O/O DOOR NOSING FOR 23.00	
20	1768035	2	RUBBER,O/O DOOR NOSING FOR 24.75	
21	1773605		BEARING,BALL,SEALED,.671D X 1.57 OD X .47	ENDING WITH BSN 0193668, 0029831, 0263337, 0378649
21	1956820		BEARING,BALL,SEALED,.75 ID X 1.57 OD X .47	BEGIN WITH BSN 0193669, 0029832, 0263338, 0378650
22	1078922		WASHER,FLAT,3/8 X 7/8 X 5/64,YEL ZN DICH	
23	1773084	2	GLASS,UPPER,O/O ENT DR TEMP CLR	STANDARD
23	1773076	2	GLASS,UPPER,O/O ENT DR LAM CLR	

Models: A3FE, A3RE, C1FE, CSFE, CSRE, TCFE, TCRE, TSFE

**ENTRANCE
OUTWARD OPENING
MANUAL**

With Features: STD

BSN: From BSN 185593 365697 0001255 0015559 254188

Key	PartNumber	Qty	Description	Comment
				3339, 7375-01
23	1773092	2	GLASS,UPPER,O/O ENT DR LAM 70 LT GRN	OPTION 3321
23	1781145	2	GLASS ASSY,STORM,ENT DR,UPPER,O/O	OPTION 3414, 3415
23	1781152	2	GLASS ASSY,STORM,ENT DR,UPPER,O/O	OPTION 3427-01
24	1773118		GLASS,LOWER,O/O ENT DR TEMP CLR 23 STEP	STANDARD
24	1773100		GLASS,LOWER,O/O ENT DR LAM CLR 23 STEP	OPTION 3331, 3336, 3337, 3338, 3339, 7375-01
24	1773126		GLASS,LOWER,O/O ENT DR LAM 70 LT GRN 23	OPTION 3322
24	1781160		GLASS ASSY,STORM,ENT DR,LWR,23 STEP	OPTION 3415
24	1781178		GLASS ASSY,STORM,O/O DR,LWR,23 STEP	OPTION 3427-01
24	1781293		GLASS,LWR,O/O ENT DR,TEMP CLR,24.75 STEP	STANDARD
24	1781285		GLASS,LWR,O/O ENT DR,LAM CLR,24.75 STEP	OPTION 3331, 3336, 3337, 3338, 3339, 7375-01
24	1781301		GLASS,LWR,O/O ENT DR,LAM 70 LT GRN,24.75	OPTION 3330
24	1781186		GLASS ASSY,STORM,O/O DR,LWR,24.75 STEP	OPTION 3415
24	1781194		GLASS ASSY,STORM,O/O DR,LWR,24.75 STEP,	OPTION 3427-01
25	1773027	2	RUBBER,GLAZING,O/O ENTRANCE DOOR	
25	1726819		RUBBER,STORM GLAZING,O/O ENT DOOR	
26	1773035		RUBBER,GLAZING,O/O ENT DR,LWR,23 STEP	
26	1726827		RUBBER,STORM GLAZING,O/O ENT DR,LWR 23	
26	1777085		RUBBER,GLAZING,O/O ENT DR,LWR,24.75 STEP	
26	1814706		RUBBER,STORM GLAZING,O/O,ENT DR LWR	
27	1782226	2	SCREW,ALLEN,3/8-16 X 1.25,CSK FT/HD BLK	
28	1782093		HEADER ASSY,ENT DOOR,74 HR O/O DOOR	
28	1789825		HEADER ASSY,ENT DOOR,77 HR,O/O DOOR	
28	1649904		HEADER ASSY,ENTRANCE DOOR	77 HR, CS ONLY, ENDING WITH BSN 0193668, 0029831, 0263337, 0378649
28	1791557		HEADER,FRONT ENTRANCE,OUTWARD OPENING	77 HR, CS ONLY, BEGIN WITH BSN 0193668, 0029831, 0263337, 0378650
29				NOT APPLICABLE
30	1771047		TRIM,REAR,DR TO FRT BOW TRIM,23.00 STEP	
30	1771054		TRIM,REAR,DR TO FRT BOW TRIM,24.75 STEP	
31	1780881		TRIM,UPPER FRONT,DOOR TO POST,O/O DR	
32	1771013		TRIM,LWR FRT,DR TO POST O/O DR,23 STEP	

Models: A3FE, A3RE, C1FE, CSFE, CSRE, TCFE, TCRE, TSFE

**ENTRANCE
OUTWARD OPENING
MANUAL**

With Features: STD

BSN: From BSN 185593 365697 0001255 0015559 254188

Key	PartNumber	Qty	Description	Comment
32	1771021		TRIM,LWR FRT,DR TO POST O/O DR,24.75 STEP	
33				NOT APPLICABLE
34	1785369		SEAL,RUBBER,UPPER O/O	
35	1789403	2	SEAL,RUBBER,DOOR TO STEP	
36	1932433	13	SEAL,LIP,O/O ENT DR,PIVOT SI,UNI-GRIP	
36	1932433	14	SEAL,LIP,O/O ENT DR,PIVOT SI,UNI-GRIP	
37	1777770		STOP,REAR DOOR,OUTWARD OPENING	
38	2008845		LG. PIN,CLEVIS,1/2 DIA X 1 15/16,YEL ZN DICH	
39	2008860		PIN,COTTER,3/32 X 1,YEL ZN DICH	
40	1143676	15	SCREW,10-16 X 3/4, AB,PH1,PAN HD,BLK ZN,	
41	0527341	16	SCREW,10-16 X 1/2,AB,SLTD,TRUSS HD,YELZN	
42	2000024	24	SCREW,1/4-14 X 3/4,B,HEX HD,YEL ZN DICH	
43	1675198	7	BOLT,CARRIAGE,1/4-20 X 5/8 ZINC PLATED	
44	0659979	7	NUT,HEX,FLANGE SER,1/4-20,BLACK ZINC	
45	0826297		NUT,HEX HD,3/8-16 LOCK,YEL ZN DICH	
46	0803213	2	CAPSCREW,HEX HD,3/8-16X1 1/4,GR8,YEL	
47	0882795	2	LOCKWASHER,SPLIT RING,3/8,MED,YELLOW	
48	0758292	3	TAPE,FOAM,PCV,3/16 X 3/8 WIDTH,W/ADH	
49	2000016	4	SCREW,1/4-14 X 5/8,B,HEX,W/PLAIN WASH,	
50	2000644		SCREW,1/4-14X 3/4,AB,PH1,TRUSS HD,	
51	1770973		LAMP,DOME,32 CANDLEPOWER,WITH GROUND	
52	2000529		SCREW,10-16X1/2,AB,PH1,OVAL CSNK,YEL	
NI	1797539		PAD ASSY,HDR CVR,O/O ENT DR,	STANDARD
NI	1797505		PAD ASSY,HDR CVR,O/O ENT DR,	O/O ENT DR, REAR, 74 HR, 12SS, OPTION 3339
NI	1797448		PAD ASSY,HDR CVR,O/O ENT DR,	OPTION 3471, 3473
NI	1797471		PAD ASSY,HDR CVR,O/O ENT DR,	OPTION 3337
NI	1795905		PAD ASSY,HDR,O/O ENT DR	
NI	1578459		PAD ASSY,HDR,ENT DR, 3.00 X 35.00	HEADER, CS ONLY
NI	1793348		PAD ASSY,HDR,O/O,ENTRANCE DOOR	HEADER, CS ONLY
NI	1658426		PAD ASSY,HEADER COVER,ENTRANCE DR,REAR,	HEADER COVER, REAR, CS ONLY
NI	1823681		INSULATION,HEADER,O/O DOOR,74 HR	HEADER O/O 74 H., TC ONLY
NI	1823699		INSULATION,HEADER,O/O DOOR,77 HR	HEADER O/O 77 HR, TC ONLY
NI	1843515		INSULATION,HEADER,O/O DOOR	HEADER O/O, CS ONLY

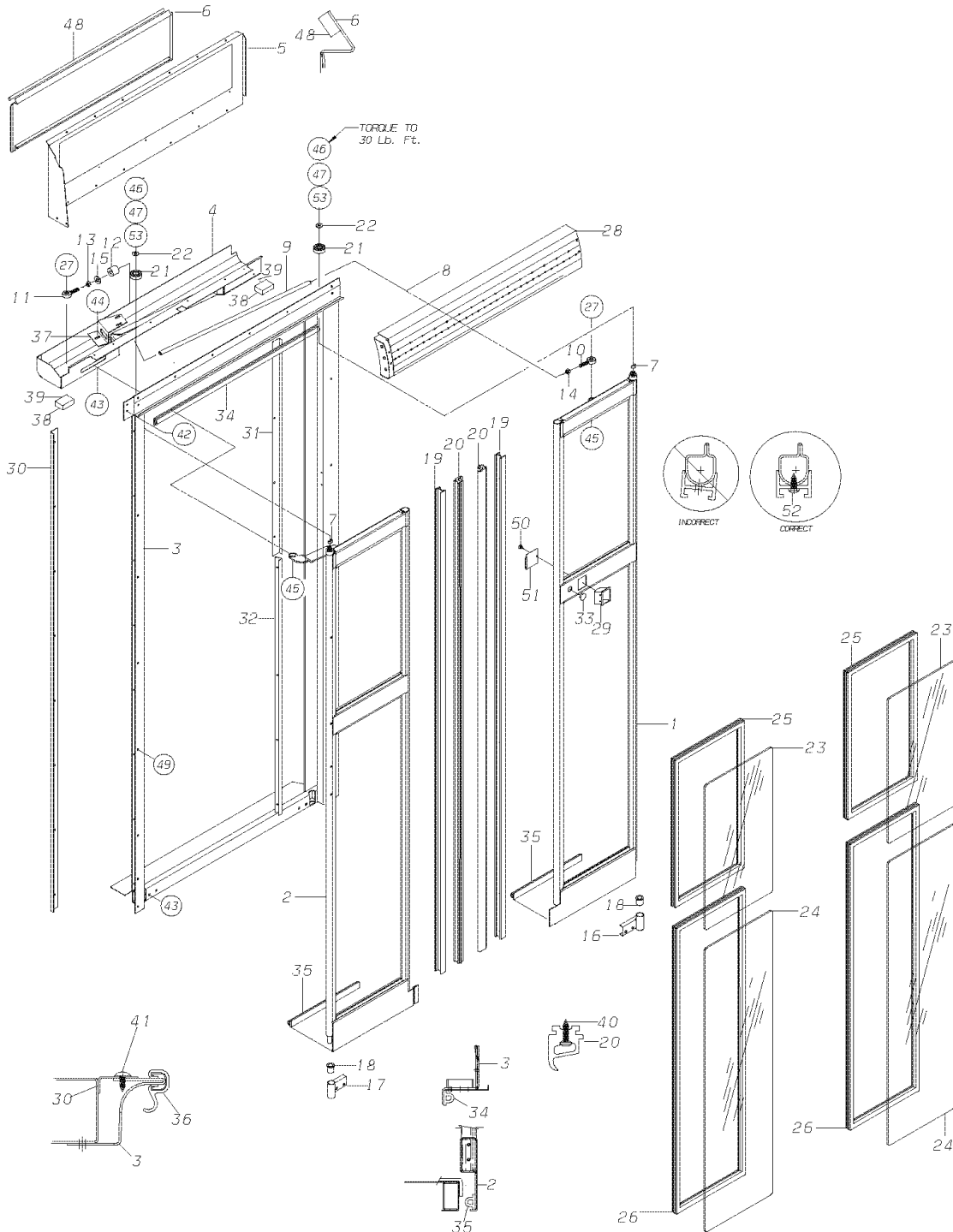
Models: A3FE, A3RE, C1FE, CSFE, CSRE, TCFE, TCRE, TSFE
ENTRANCE
OUTWARD OPENING
MANUAL
With Features: STD
BSN: From BSN 185593 365697 0001255 0015559 254188

Key	PartNumber	Qty	Description	Comment
NI	3775863		WASHER,COUNTERSUNK,12/12,WL	
NI	2144038		COVER,SCREWHEAD,BLACK,NO 12/12	
NI	2000594		SCREW,10-16X1-1/2,AB,PH1,OVAL CNSK,YEL	

Models: A3FE, A3RE
**ENTRANCE
 OUTWARD OPENING
 MANUAL**

With Features: FEATURE 30977-02

Key	PartNumber	Qty	Description	Comment
-----	------------	-----	-------------	---------



Models: A3FE, A3RE
ENTRANCE
OUTWARD OPENING
MANUAL

With Features: FEATURE 30977-02

Key	PartNumber	Qty	Description	Comment
1	0000375		FRAME ASSY,DOOR,FRONT,ENT,24.75 STP	
2	1956945		FRAME ASSY,DOOR,REAR,ENT,24.75 STP,	
3	1792944		DOOR SUPPORT ASSY,O/O,24.75 STEP	
4	1795087		COVER ASSY,O/O DOOR MECHANISM	
5	0005181		PANEL,HEADER COVER,O/O DOOR,74 HR	STANDARD. 74" HR
5	0005199		PANEL,HEADER COVER,O/O DOOR,77 HR	OPTION 3471, 3473. 77" HR
6	0005066		PANEL,CONTROL ACCESS,O/O DR HEADER	
7	0004704	2	SPACER,PIVOT,OUTWARD OPENING DOOR	
8	1858208		CONNECTOR LINK ASSY,O/O DOOR	
9*	1773647		TUBE,CONNECTOR LINK,O/O DOOR,25.70	PART OF ITEM 8
10	1773571		ROD END,ALINABAL,VML-6-G	PART OF ITEM 8
11	1336320		ROD END,ALINABAL VM-6-G,WLPP	PART OF ITEM 8
12	1773613		BUMPER,O/O DOOR STOP,URETHANE	PART OF ITEM 8
13			NUT, HEX HD, 3/8 - 24, STD LIGHT, SEMI-FIN	PART OF ITEM 8
14	1767466		NUT,HEX HD,3/8-24,LH THREAD,ZINC	PART OF ITEM 8
15	1003045		WASHER,FLAT,17/32 X 1 1/16 X 7/64,HDN,	PART OF ITEM 8
16	1774157		BRACKET ASSY,FRONT MOUNT,LWR PIVOT,O/O	
17	1774140		BRACKET ASSY,REAR MOUNT,LWR PIVOT,O/O	
18	1773597	2	BEARING,FLANGED BRONZE,.878 OD X.628 ID	
19	1768100	2	RETAINER,O/O DR NOSING FOR 24.75	
20	1975689	2	RUBBER,O/O DOOR NOSING,V2,24.75 STEP	
21	1956820	2	BEARING,BALL,SEALED,.75 ID X 1.57 OD X .47	
22	1078922	2	WASHER,FLAT,3/8 X 7/8 X 5/64,YEL ZN DICH	
23	1773084	2	GLASS,UPPER,O/O ENT DR TEMP CLR	FEATURE 31189-01, TEMPERED , CLEAR
23	1773076	2	GLASS,UPPER,O/O ENT DR LAM CLR	FEATURE 31189-02, LAMINATED, CLEAR
23	1773092	2	GLASS,UPPER,O/O ENT DR LAM 70 LT GRN	FEATURE 31189-03, LAMINATED, 70 LT GREEN
23	1781145	2	GLASS ASSY,STORM,ENT DR,UPPER,O/O	FEATURE 31189-04, STORM
23	1781152	2	GLASS ASSY,STORM,ENT DR,UPPER,O/O	FEATURE 31189-05, STORM, TINTED
24	1781293	2	GLASS,LWR,O/O ENT DR,TEMP CLR,24.75 STEP	FEATURE 31188-01, TEMPERED, CLEAR
24	1781285	2	GLASS,LWR,O/O ENT DR,LAM CLR,24.75 STEP	FEATURE 31188-02, LAMINATED, CLEAR
24	1781301	2	GLASS,LWR,O/O ENT DR,LAM 70 LT GRN,24.75	FEATURE 31188-03, LAMINATED ,70 LT GREEN

Models: A3FE, A3RE
**ENTRANCE
 OUTWARD OPENING
 MANUAL**

With Features: FEATURE 30977-02

Key	PartNumber	Qty	Description	Comment
24	1781186	2	GLASS ASSY,STORM,O/O DR,LWR,24.75 STEP	FEATURE 31188-04, STORM
24	1781194	2	GLASS ASSY,STORM,O/O DR,LWR,24.75 STEP,	FEATURE 31188-05, STORM, TINTED
25	1773027	2	RUBBER,GLAZING,O/O ENTRANCE DOOR	
25	1726819	2	RUBBER,STORM GLAZING,O/O ENT DOOR	
26	1777085	2	RUBBER,GLAZING,O/O ENT DR,LWR,24.75 STEP	
26	1814706	2	RUBBER,STORM GLAZING,O/O,ENT DR LWR	
27	1782226	2	SCREW,ALLEN,3/8-16 X 1.25,CSK FT/HD BLK	
28	1795129		HEADER ASSY,ENTRANCE DOOR,74HR,O/O, AA	
28	1795145		HEADER ASSY,ENTRANCE DOOR,77HR,O/O, AA	
29	0006887		HANDLE,DOOR,OUTWARD OPENING	
30	1771054		TRIM,REAR,DR TO FRT BOW TRIM,24.75 STEP	
31	1780881		TRIM,UPPER FRONT,DOOR TO POST,O/O DR	
32	1771021		TRIM,LWR FRT,DR TO POST O/O DR,24.75 STEP	
33	1330893		PLUG,BUTTON,BLACK,DP-750,HEYCO 2683	ENDING WITH BSN F-10050449
33	1585868		PLUG,BUTTON,BLACK,DP-875,HEYCO 2703	BEGIN WITH BSN F-10050450
34	1785369		SEAL,RUBBER,UPPER O/O	
35	1789403	2	SEAL,RUBBER,DOOR TO STEP	
36	1932433	14	SEAL,LIP,O/O ENT DR,PIVOT SI,UNI-GRIP	
37	1777770		STOP,REAR DOOR,OUTWARD OPENING	
38			NOT USED	
39			NOT USED	
40	1143676	17	SCREW,10-16 X 3/4, AB,PH1,PAN HD,BLK ZN,	
41	0527341	16	SCREW,10-16 X 1/2,AB,SLTD,TRUSS HD,YELZN	
42	1854397	10	RIVET,BLIND,.25 DIA,.38 GRIP	
43	1675198	7	BOLT,CARRIAGE,1/4-20 X 5/8 ZINC PLATED	
44	0659979	7	NUT,HEX,FLANGE SER,1/4-20,BLACK ZINC	
45	0826297		NUT,HEX HD,3/8-16 LOCK,YEL ZN DICH	
46	0803213	2	CAPSCREW,HEX HD,3/8-16X1 1/4,GR8,YEL	
47	0882795	2	LOCKWASHER,SPLIT RING,3/8,MED,YELLOW	
48	0758292	3	TAPE,FOAM,PCV,3/16 X 3/8 WIDTH,W/ADH	
49	2000644	14	SCREW,1/4-14X 3/4,AB,PH1,TRUSS HD,	
49	1854397		RIVET,BLIND,.25 DIA,.38 GRIP	
50	1560754		SCREW,10-16 X 3/8,AB,PH1,PAN HD,BLK	

Models: A3FE, A3RE
ENTRANCE
OUTWARD OPENING
MANUAL

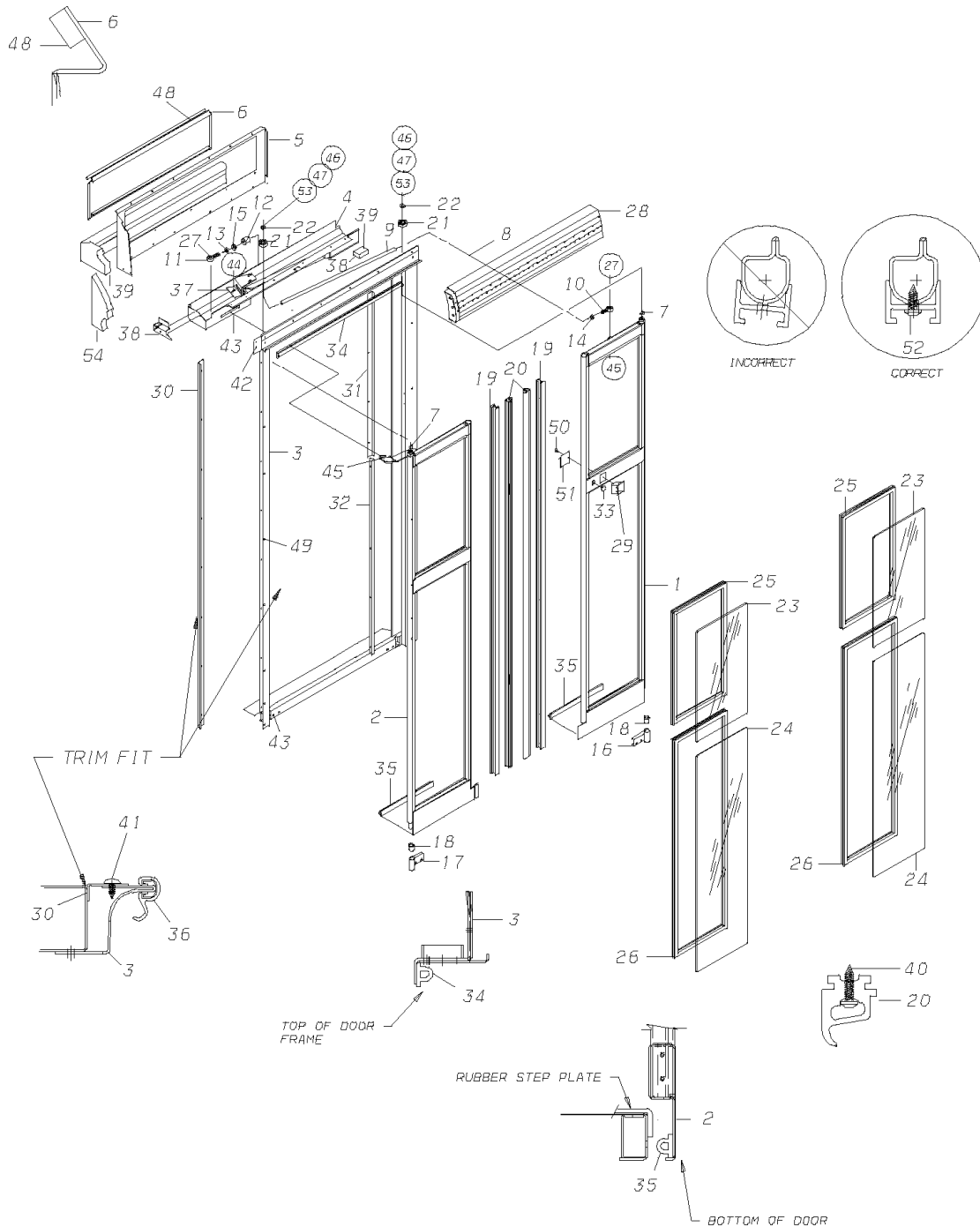
With Features: FEATURE 30977-02

Key	PartNumber	Qty	Description	Comment
51	0006487		COVER,SECURITY LOCK,O/O DOOR	
52	2186401	8	SCREW,10-16 X 1/2,AB,PH1,PAN HD,YEL ZN	
NI	1797539		PAD ASSY,HDR CVR,O/O ENT DR,	<i>STANDARD, 74" HR, 9" SS</i>
NI	1797505		PAD ASSY,HDR CVR,O/O ENT DR,	<i>OPTION 3339, 74" HR, 12" SS</i>
NI	1797448		PAD ASSY,HDR CVR,O/O ENT DR,	<i>OPTION 3471, 3473, 77" HR, 9" SS</i>
NI	1797471		PAD ASSY,HDR CVR,O/O ENT DR,	<i>OPTION 3337, 77" HR , 12SS</i>
NI	1795905		PAD ASSY,HDR,O/O ENT DR	
NI	1823707		INSULATION,HEADER,O/O DOOR,74 HR, AA	
NI	1823715		INSULATION,HEADER,O/O DOOR,77 HR, AA	
53	1422195		SEALANT,LOCTITE,THREADLOCKER 242, BLUE	

Models: A3FE, A3RE, C1FE, CSFE, CSRE, TCFE
**ENTRANCE
 OUTWARD OPENING
 MANUAL**

With Features: CANADIAN UNITS ONLY
FEATURE 30977-02
BSN: From BSN F10047065 F20047085 L10077955
 To BSN L10093804

Key	PartNumber	Qty	Description	Comment
-----	------------	-----	-------------	---------



Models: A3FE, A3RE, C1FE, CSFE, CSRE, TCFE

**ENTRANCE
OUTWARD OPENING
MANUAL**

CANADIAN UNITS ONLY

With Features: FEATURE 30977-02

BSN: From BSN F10047065 F20047085 L10077955

To BSN L10093804

Key	PartNumber	Qty	Description	Comment
1	0000374		FRAME ASSY,DOOR,FRONT,ENT,23 STP,	
1	0000375		FRAME ASSY,DOOR,FRONT,ENT,24.75 STP	
2	1956937		FRAME ASSY,DOOR,REAR,ENT,23 STP,TRANSIT	
2	1956945		FRAME ASSY,DOOR,REAR,ENT,24.75 STP,	
3	1773209		DOOR SUPPORT ASSY,O/O 23.00 STEP	
3	1780444		DOOR,SUPPORT,ASSY,O/O,24.75 STEP	
4	0045338		COVER ASSY,OUTWARD OPENING DR	
5	0040670		PANEL,HEADER COVER,O/O DOOR,MANUAL,	74 IN HR, ENDING WITH BSN B10107204, F20054224, L10093804
5	0052825		PANEL,HEADER COVER,O/O DOOR,	BEGIN WITH BSN B10107205, F20054225, L10093805
5	0045632		PANEL,HEADER COVER,0/0 DOOR,77HR,MAN,	
6	0045399		PANEL,CONTROL ACCESS,O/O DR HDR CVR	
7	0004704	2	SPACER,PIVOT,OUTWARD OPENING DOOR	
8*	1858208		CONNECTOR LINK ASSY,O/O DOOR	
9*	1773647		TUBE,CONNECTOR LINK,O/O DOOR,25.70	PART OF ITEM 8
10	1773571		ROD END,ALINABAL,VML-6-G	PART OF ITEM 8
11	1336320		ROD END,ALINABAL VM-6-G,WLPP	PART OF ITEM 8
12	1773613		BUMPER,O/O DOOR STOP,URETHANE	PART OF ITEM 8
13			NUT, HEX HEAD, 3/8-24	PART OF ITEM 8
14	1767466		NUT,HEX HD,3/8-24,LH THREAD,ZINC	PART OF ITEM 8
15	1003045		WASHER,FLAT,17/32 X 1 1/16 X 7/64,HDN,	PART OF ITEM 8
16	1774157		BRACKET ASSY,FRONT MOUNT,LWR PIVOT,O/O	
17	1774140		BRACKET ASSY,REAR MOUNT,LWR PIVOT,O/O	
18	1773597	2	BEARING,FLANGED BRONZE,.878 OD X.628 ID	
19	1768092	2	RETAINER,O/O DR NOSING FOR 23.00	
19	1768100	2	RETAINER,O/O DR NOSING FOR 24.75	
20	1975200	2	RUBBER,DOOR NOSING,O/O,V2,23.00 STEP	
20	1975689	2	RUBBER,O/O DOOR NOSING,V2,24.75 STEP	
21	1956820	2	BEARING,BALL,SEALED,.75 ID X 1.57 OD X .47	
22	1078922	2	WASHER,FLAT,3/8 X 7/8 X 5/64,YEL ZN DICH	
23	1773084		GLASS,UPPER,O/O ENT DR TEMP CLR	FEATURE 31189-01, TEMPERED, CLEAR
23	1773076		GLASS,UPPER,O/O ENT DR LAM CLR	FEATURE 31189-02, LAMINATED, CLEAR

Models: A3FE, A3RE, C1FE, CSFE, CSRE, TCFE

**ENTRANCE
OUTWARD OPENING
MANUAL**

CANADIAN UNITS ONLY

With Features: FEATURE 30977-02

BSN: From BSN F10047065 F20047085 L10077955

To BSN L10093804

Key	PartNumber	Qty	Description	Comment
23	1773092		GLASS,UPPER,O/O ENT DR LAM 70 LT GRN	GREEN
23	1781145		GLASS ASSY,STORM,ENT DR,UPPER,O/O	FEATURE 31189-04, STORM
23	1781152		GLASS ASSY,STORM,ENT DR,UPPER,O/O	FEATURE 31189-05, STORM, TINTED
24	1773118		GLASS,LOWER,O/O ENT DR TEMP CLR 23 STEP	FEATURE 31188-01, TEMPERED, CLEAR
24	1773100		GLASS,LOWER,O/O ENT DR LAM CLR 23 STEP	FEATURE 31188-02, LAMINATED, CLEAR
24	1773126		GLASS,LOWER,O/O ENT DR LAM 70 LT GRN 23	FEATURE 31188-03, LAMINATED, GREEN
24	1781160		GLASS ASSY,STORM,ENT DR,LWR,23 STEP	FEATURE 31188-04, STORM
24	1781178		GLASS ASSY,STORM,O/O DR,LWR,23 STEP	FEATURE 31188-05, STORM, TINTED
24	1781293		GLASS,LWR,O/O ENT DR,TEMP CLR,24.75 STEP	FEATURE 31188-01, TEMPERED, CLEAR
24	1781285		GLASS,LWR,O/O ENT DR,LAM CLR,24.75 STEP	FEATURE 31188-02, LAMINATED, CLEAR
24	1781301		GLASS,LWR,O/O ENT DR,LAM 70 LT GRN,24.75	FEATURE 31188-03, LAMINATED, GREEN
24	1781186		GLASS ASSY,STORM,O/O DR,LWR,24.75 STEP	FEATURE 31188-04, STORM
24	1781194		GLASS ASSY,STORM,O/O DR,LWR,24.75 STEP,	FEATURE 31188-05, STORM, TINTED
25	1773027		RUBBER,GLAZING,O/O ENTRANCE DOOR	STANDARD FEATURE 31188-01, -02, -03
25	1726819		RUBBER,STORM GLAZING,O/O ENT DOOR	FEATURE 31188-04, -05.,STORM , GLASS
26	1773035		RUBBER,GLAZING,O/O ENT DR,LWR,23 STEP	STANDARD FEATURE 31188-01, -02, -03
26	1726827		RUBBER,STORM GLAZING,O/O ENT DR,LWR 23	FEATURE 31188-04, -05
26	1777085		RUBBER,GLAZING,O/O ENT DR,LWR,24.75 STEP	STANDARD FEATURE 31188-01, -02, -03
26	1814706		RUBBER,STORM GLAZING,O/O,ENT DR LWR	FEATURE 31188-04, -05, STORM GLASS
27	1782226	2	SCREW,ALLEN,3/8-16 X 1.25,CSK FT/HD BLK	
28	1782093		HEADER ASSY,ENT DOOR,74 HR O/O DOOR	
28	1789825		HEADER ASSY,ENT DOOR,77 HR,O/O DOOR	
29	0006887		HANDLE,DOOR,OUTWARD OPENING	
30	1771047		TRIM,REAR,DR TO FRT BOW TRIM,23.00 STEP	
30	1771054		TRIM,REAR,DR TO FRT BOW TRIM,24.75 STEP	
31	1780881		TRIM,UPPER FRONT,DOOR TO POST,O/O DR	
32	1771013		TRIM,LWR FRT,DR TO POST O/O DR,23 STEP	
32	1771021		TRIM,LWR FRT,DR TO POST O/O DR,24.75 STEP	

Models: A3FE, A3RE, C1FE, CSFE, CSRE, TCFE

**ENTRANCE
OUTWARD OPENING
MANUAL**

CANADIAN UNITS ONLY

With Features: FEATURE 30977-02

BSN: From BSN F10047065 F20047085 L10077955

To BSN L10093804

Key	PartNumber	Qty	Description	Comment
33	1330893		PLUG,BUTTON,BLACK,DP-750,HEYCO 2683	<i>ENDING WITH BSN B10097189, F10050449, F20050424, L10083489</i>
33	1585868		PLUG,BUTTON,BLACK,DP-875,HEYCO 2703	<i>BEGIN WITH BSN B10097190, F10050450, F20050425, L10083490</i>
34	1785369		SEAL,RUBBER,UPPER O/O	
35	1789403	2	SEAL,RUBBER,DOOR TO STEP	
36	1932433	14	SEAL,LIP,O/O ENT DR,PIVOT SI,UNI-GRIP	
37	1777770		STOP,REAR DOOR,OUTWARD OPENING	
38	0045181		CAP,COVER ASSY,OUTWARD OPENING DOOR	
38	0045592		CAP,COVER ASSY,OUTWARD OPENING DOOR,77	
39	0045800		PAD ASSY,HDR,O/O ENT DR,CMVSS,74HR,	
39	0045801		PAD ASSY,HDR,O/O ENT DR,CMVSS,77HR,	
40	1143676	17	SCREW,10-16 X 3/4, AB,PH1,PAN HD,BLK ZN,	
41	0527341	16	SCREW,10-16 X 1/2,AB,SLTD,TRUSS HD,YELZN	
42	1854397	10	RIVET,BLIND,.25 DIA,.38 GRIP	
43	1675198	7	BOLT,CARRIAGE,1/4-20 X 5/8 ZINC PLATED	
44	0659979	7	NUT,HEX,FLANGE SER,1/4-20,BLACK ZINC	
45	0826297		NUT,HEX HD,3/8-16 LOCK,YEL ZN DICH	
46	0803213	2	CAPSCREW,HEX HD,3/8-16X1 1/4,GR8,YEL	
47	0882795	2	LOCKWASHER,SPLIT RING,3/8,MED,YELLOW	
48	0758292	3	TAPE,FOAM,PCV,3/16 X 3/8 WIDTH,W/ADH	
49	1854397	14	RIVET,BLIND,.25 DIA,.38 GRIP	
50	1560754		SCREW,10-16 X 3/8,AB,PH1,PAN HD,BLK	
51	0006487		COVER,SECURITY LOCK,O/O DOOR	
52	2186401	8	SCREW,10-16 X 1/2,AB,PH1,PAN HD,YEL ZN	
NI	1797539		PAD ASSY,HDR CVR,O/O ENT DR,	
NI	1797471		PAD ASSY,HDR CVR,O/O ENT DR,	
NI	1795905		PAD ASSY,HDR,O/O ENT DR	
NI	1578459		PAD ASSY,HDR,ENT DR, 3.00 X 35.00	
NI	1823681		INSULATION,HEADER,O/O DOOR,74 HR	
NI	1823699		INSULATION,HEADER,O/O DOOR,77 HR	
53	1422195		SEALANT,LOCTITE,THREADLOCKER 242, BLUE	
54	0045802		PAD ASSY,HDR,O/O ENT DR,REAR,CMVSS,77HR	

Models: A3FE, A3RE, C1FE, CSFE, CSRE, TCFE
 ENTRANCE
 OUTWARD OPENING
 MANUAL
 CANADIAN UNITS ONLY

With Features: FEATURE 30977-02

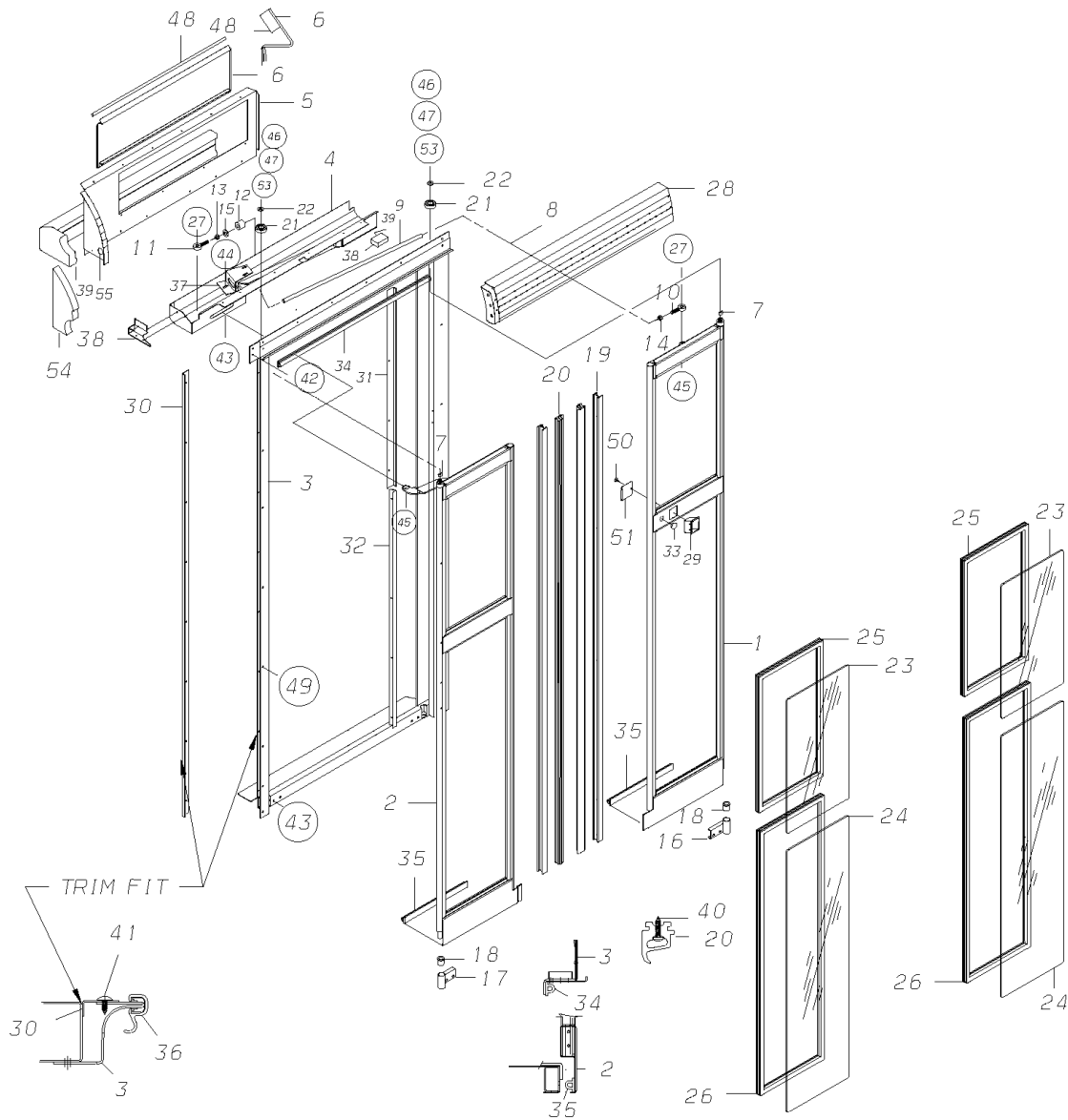
BSN: From BSN F10047065 F20047085 L10077955
 To BSN L10093804

Key	PartNumber	Qty	Description	Comment
54	0045803		PAD ASSY,HDR,O/O ENT DR,REAR,74 HR	

Models: A3FE, A3RE
ENTRANCE
OUTWARD OPENING
MANUAL
CANADIAN UNITS ONLY

With Features: FEATURE 30977-02
BSN: From BSN L10093805

Key	PartNumber	Qty	Description	Comment
-----	------------	-----	-------------	---------



Models: A3FE, A3RE
ENTRANCE
OUTWARD OPENING
MANUAL
CANADIAN UNITS ONLY
With Features: FEATURE 30977-02
BSN: From BSN L10093805

Key	PartNumber	Qty	Description	Comment
1	0000375		FRAME ASSY,DOOR,FRONT,ENT,24.75 STP	
2	1956945		FRAME ASSY,DOOR,REAR,ENT,24.75 STP,	
3*	1780444		DOOR,SUPPORT,ASSY,O/O,24.75 STEP	
NI	0074429		INSULATION,F/GLS,1.50 X 1.50 X 60.00	*FITS IN KEY #3
4	0045338		COVER ASSY,OUTWARD OPENING DR	
5	0052825		PANEL,HEADER COVER,O/O DOOR,	ENDING WITH BSN B10135149, L10117249
5	0082233		PANEL ASSY,COVER,HDR,O/O DR,MAN,74HR, A3	BEGIN WITH BSN B10135150, L10117250
5	0052887		PANEL,HEADER COVER,O/O DOOR,77HR,MAN,	ENDING WITH BSN B10135149, L10117249
5	0082235		PANEL ASSY,COVER,HDR,O/O DR,MAN,77HR, A3	BEGIN WITH BSN B10135150, L10117250
6	0058807		PANEL,CONTROL ACCESS,O/O DR HDR CVR, A3	WITH FEATURE 30400-01
6	0075895		PANEL,ACCESS,CONTROL,O/O DOOR HEADER,	WITH FEATURE 30400-02
6	0075932		PANEL,ACCESS,CONTROL,O/O DOOR HEADER,	WITH FEATURE 30400-03
6	0086959		PANEL,ACCESS,CONTROL,O/O DOOR HEADER,	WITH FEATURE 30400-04
7	0004704	2	SPACER,PIVOT,OUTWARD OPENING DOOR	
8	1858208		CONNECTOR LINK ASSY,O/O DOOR	
9*	1773647		TUBE,CONNECTOR LINK,O/O DOOR,25.70	INCLUDED IN ASSY
10	1773571		ROD END,ALINABAL,VML-6-G	INCLUDED IN ASSY
11	1336320		ROD END,ALINABAL VM-6-G,WLPP	INCLUDED IN ASSY
12	1773613		BUMPER,O/O DOOR STOP,URETHANE	INCLUDED IN ASSY
13			NUT, HEX HEAD, 3/8-24	INCLUDED IN ASSY
14	1767466		NUT,HEX HD,3/8-24,LH THREAD,ZINC	INCLUDED IN ASSY
15	1003045		WASHER,FLAT,17/32 X 1 1/16 X 7/64,HDN,	INCLUDED IN ASSY
16	1774157		BRACKET ASSY,FRONT MOUNT,LWR PIVOT,O/O	
17	1774140		BRACKET ASSY,REAR MOUNT,LWR PIVOT,O/O	
18	1773597	2	BEARING,FLANGED BRONZE,.878 OD X.628 ID	
19	1768100	2	RETAINER,O/O DR NOSING FOR 24.75	
20	1975689	2	RUBBER,O/O DOOR NOSING,V2,24.75 STEP	
21	1956820		BEARING,BALL,SEALED,.75 ID X 1.57 OD X .47	
22	1078922	2	WASHER,FLAT,3/8 X 7/8 X 5/64,YEL ZN DICH	
23	1773084		GLASS,UPPER,O/O ENT DR TEMP CLR	FEATURE 31189-01, TEMPERED, CLEAR
23	1773076		GLASS,UPPER,O/O ENT DR LAM CLR	FEATURE 31189-02, LAMINATED, CLEAR

Models: A3FE, A3RE
ENTRANCE
OUTWARD OPENING
MANUAL
CANADIAN UNITS ONLY
With Features: FEATURE 30977-02
BSN: From BSN L10093805

Key	PartNumber	Qty	Description	Comment
23	1773092		GLASS,UPPER,O/O ENT DR LAM 70 LT GRN	FEATURE 31189-03, LAMINATED, GREEN
23	1781145		GLASS ASSY,STORM,ENT DR,UPPER,O/O	FEATURE 31189-04, STORM
23	1781152		GLASS ASSY,STORM,ENT DR,UPPER,O/O	FEATURE 31189-05, STORM, TINTED
24	1781293		GLASS,LWR,O/O ENT DR,TEMP CLR,24.75 STEP	FEATURE 31188-01, TEMPERED, CLEAR
24	1781285		GLASS,LWR,O/O ENT DR,LAM CLR,24.75 STEP	FEATURE 31188-02, LAMINATED, CLEAR
24	1781301		GLASS,LWR,O/O ENT DR,LAM 70 LT GRN,24.75	FEATURE 31188-03, LAMINATED, GREEN
24	1781186		GLASS ASSY,STORM,O/O DR,LWR,24.75 STEP	FEATURE 31188-04, STORM
24	1781194		GLASS ASSY,STORM,O/O DR,LWR,24.75 STEP,	FEATURE 31188-05, STORM, TINTED
25	1773027		RUBBER,GLAZING,O/O ENTRANCE DOOR	
25	1726819		RUBBER,STORM GLAZING,O/O ENT DOOR	
26	1777085		RUBBER,GLAZING,O/O ENT DR,LWR,24.75 STEP	
26	1814706		RUBBER,STORM GLAZING,O/O,ENT DR LWR	
27	1782226	2	SCREW,ALLEN,3/8-16 X 1.25,CSK FT/HD BLK	
28	1782093		HEADER ASSY,ENT DOOR,74 HR O/O DOOR	
28	1789825		HEADER ASSY,ENT DOOR,77 HR,O/O DOOR	
29	0006887		HANDLE,DOOR,OUTWARD OPENING	
30	1771054		TRIM,REAR,DR TO FRT BOW TRIM,24.75 STEP	
31	1780881		TRIM,UPPER FRONT,DOOR TO POST,O/O DR	
32	1771021		TRIM,LWR FRT,DR TO POST O/O DR,24.75 STEP	
33	1585868		PLUG,BUTTON,BLACK,DP-875,HEYCO 2703	
34	1785369		SEAL,RUBBER,UPPER O/O	
35	1789403	2	SEAL,RUBBER,DOOR TO STEP	
36	1932433	14	SEAL,LIP,O/O ENT DR,PIVOT SI,UNI-GRIP	
37	1777770		STOP,REAR DOOR,OUTWARD OPENING	
38	0057596		CAP,COVER ASSY,OUTWARD OPENING	
38	0057597		CAP,COVER ASSY,OUTWARD OPENING DOOR,77	
39	0045800		PAD ASSY,HDR,O/O ENT DR,CMVSS,74HR,	
39	0045801		PAD ASSY,HDR,O/O ENT DR,CMVSS,77HR,	
40	1143676	17	SCREW,10-16 X 3/4, AB,PH1,PAN HD,BLK ZN,	
41	0527341	18	SCREW,10-16 X 1/2,AB,SLTD,TRUSS HD,YELZN	
42	1854397	10	RIVET,BLIND,.25 DIA,.38 GRIP	

Models: A3FE, A3RE
ENTRANCE
OUTWARD OPENING
MANUAL
CANADIAN UNITS ONLY
With Features: FEATURE 30977-02
BSN: From BSN L10093805

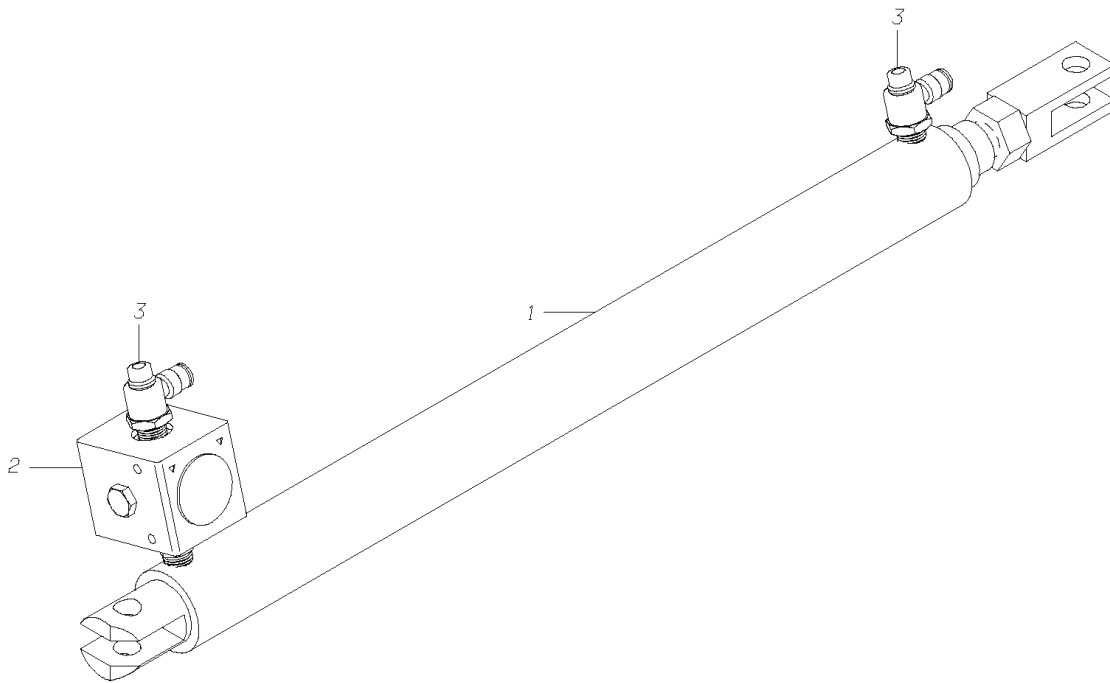
Key	PartNumber	Qty	Description	Comment
43	1675198	7	BOLT,CARRIAGE,1/4-20 X 5/8 ZINC PLATED	
44	0659979	7	NUT,HEX,FLANGE SER,1/4-20,BLACK ZINC	
45	0826297		NUT,HEX HD,3/8-16 LOCK,YEL ZN DICH	
46	0803213	2	CAPSCREW,HEX HD,3/8-16X1 1/4,GR8,YEL	
47	0882795	2	LOCKWASHER,SPLIT RING,3/8,MED,YELLOW	
48	0758292		TAPE,FOAM,PCV,3/16 X 3/8 WIDTH,W/ADH	
49	1854397	14	RIVET,BLIND, .25 DIA, .38 GRIP	
50	1560754		SCREW,10-16 X 3/8,AB,PH1,PAN HD,BLK	
51	0006487		COVER,SECURITY LOCK,O/O DOOR	
52	2186401	8	SCREW,10-16 X 1/2,AB,PH1,PAN HD,YEL ZN	
NI	1823681		INSULATION,HEADER,O/O DOOR,74 HR	
NI	1823699		INSULATION,HEADER,O/O DOOR,77 HR	
53	1422195		SEALANT,LOCTITE,THREADLOCKER 242, BLUE	
54	0057510		PAD ASSY,HDR,O/O ENT DR,REAR,74 HR.	
54	0057508		PAD ASSY,HDR,O/O ENT DR,REAR 77HR	
55	1894187		GROMMET,RUBBER,.75 ID W/1.00 X .09	

Models: A3FE, A3RE, C1FE, CSFE, CSRE, CSEV, GMCV, SBCV, TCFE, TCEV, TSFE
ENTRANCE
OUTWARD OPENING DOOR CONTROL
AIR, CYLINDER & VALVE ASSY

With Features: FEATURE 30978-04, -07
To BSN B10064339 F10035824 F20035859 L10059259

M10074849 X10019804

Key	PartNumber	Qty	Description	Comment
-----	------------	-----	-------------	---------



Models: A3FE, A3RE, C1FE, CSFE, CSRE, CSEV, GMCV, SBCV, TCFE, TCEV, TSFE
ENTRANCE
OUTWARD OPENING DOOR CONTROL
AIR, CYLINDER & VALVE ASSY

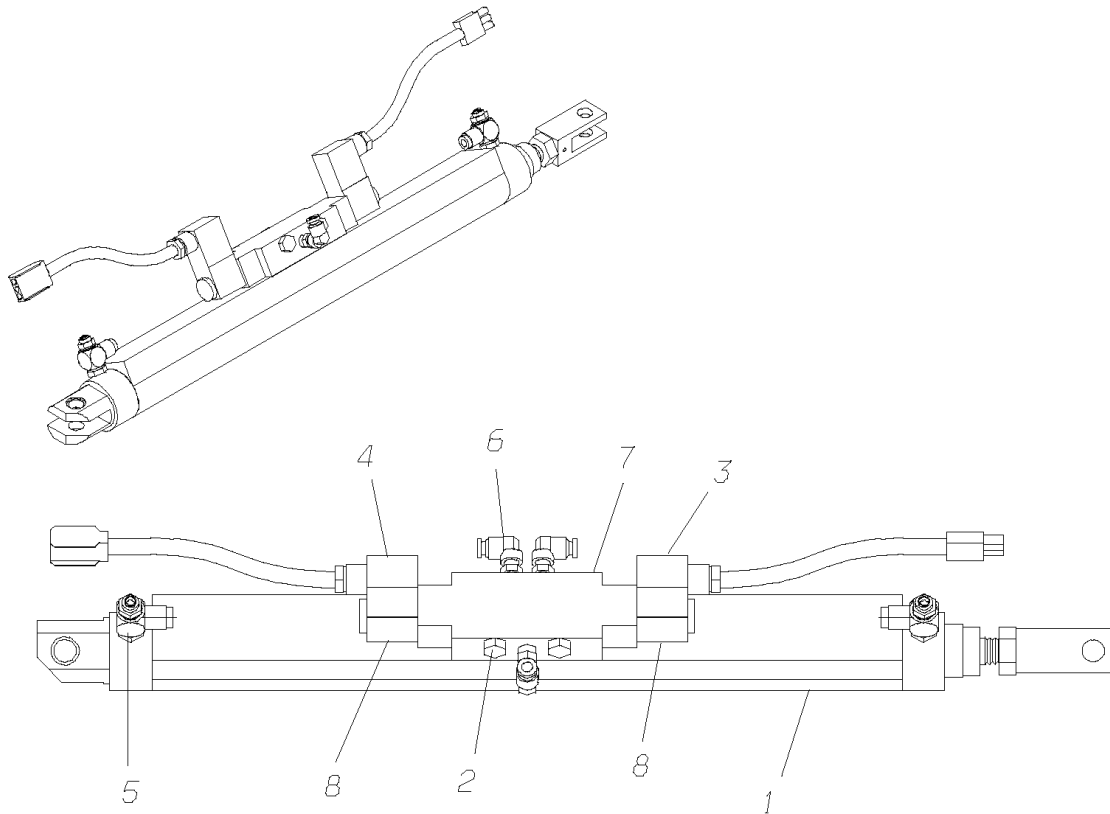
With Features: FEATURE 30978-04, -07
To BSN B10064339 F10035824 F20035859 L10059259

M10074849 X10019804

Key	PartNumber	Qty	Description	Comment
	0008276		CYLINDER & VALVE ASSY,AIR O/O DOOR	
1	0008268		CYLINDER,AIR,1.5 IN.BORE X 15.25 IN,STROKE	
2	1987882		VALVE,SOFT START,BOSCH NL 2,PNEUMATIC	
3	1987890	2	VALVE,FLOW CONTROL,RT ANGLE,1/4NPTX1/4	

Models: A3FE, A3RE, C1FE, CSFE, CSRE, CSEV, GMCV, SBCV, TCEV, TCFE, TSFE
ENTRANCE
OUTWARD OPENING DOOR CONTROL
AIR, CYLINDER & VALVE ASSY
With Features: FEATURE 30978-04, -07
BSN: From BSN B10064340 F10035825 F20035860 L10059260 M10074850
X10019805
To BSN B10093509 F10048779 F20048799 L10080734 M10107584

Key	PartNumber	Qty	Description	Comment
-----	------------	-----	-------------	---------



Models: A3FE, A3RE, C1FE, CSFE, CSRE, CSEV, GMCV, SBCV, TCEV, TCPE, TSPE
ENTRANCE
OUTWARD OPENING DOOR CONTROL
AIR, CYLINDER & VALVE ASSY

With Features: FEATURE 30978-04, -07

BSN: From BSN B10064340 F10035825 F20035860 L10059260 M10074850
X10019805

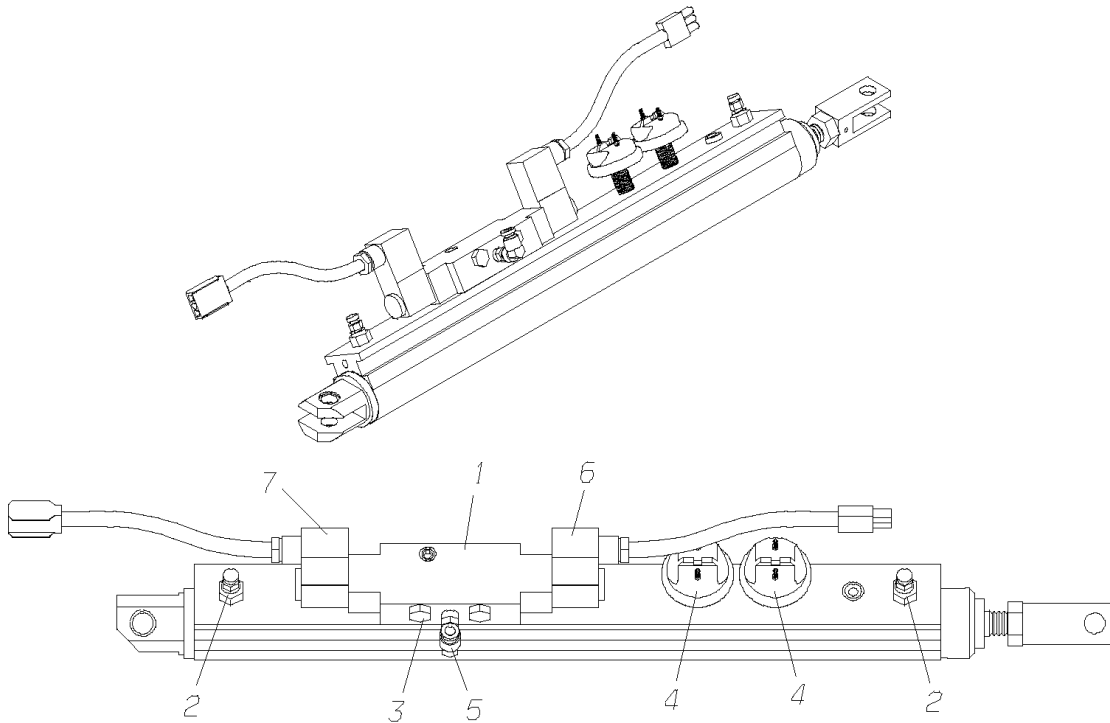
To BSN B10093509 F10048779 F20048799 L10080734 M10107584

Key	PartNumber	Qty	Description	Comment
1	0031457		CYLINDER ASSY,AIR,1.50 BORE X 15.25	INCLUDES KEY #1 - 8
2	0041935	2	SILENCERS,SINTERED EXHAUST,1/8 NPTF	10 PIECES PER PACKAGE
3	0041936		CONNECTOR,ELECTRICAL,W/MALE END,DIN X	
3	0067531		CONNECTOR,PLUG,MALE,3 CIRC,AMP MATE-N-	
4	0041938		CONNECTOR,ELECTRICAL,W/FEMALE END,DIN X	
4	0067532		CONNECTOR,CAP,FEMALE,3 CIRC,AMP MATE-N-	
5	0042579	2	FLOW CONTROL,METER-IN,RIGHT	
6	0042580	3	ELBOW FITTING,1/8 NPTF X 1/4 OD	
7	0041928		VALVE,5/2 DOUBLE SOLENOID,12V DC,1/8	
8	0043842		COIL,12 VDC (FOR 0031457 AIR CYLINDER)"	

Models: A3FE, A3RE, BBCV, C1FE, CSFE, CSRE, CSEV, GMCV, SBCV, TCEV, TCFE
ENTRANCE

With Features: AIR, CYLINDER & VALVE ASSY
BSN: From BSN B10093510, F10048780, F20048800, L10080735, M10107585

Key	PartNumber	Qty	Description	Comment
-----	------------	-----	-------------	---------



Models: A3FE, A3RE, BBCV, C1FE, CSFE, CSRE, CSEV, GMCV, SBCV, TCEV, TCFE

**ENTRANCE
OUTWARD OPENING DOOR CONTROL
AIR, CYLINDER & VALVE ASSY**

With Features: FEATURE 30978-04, -07

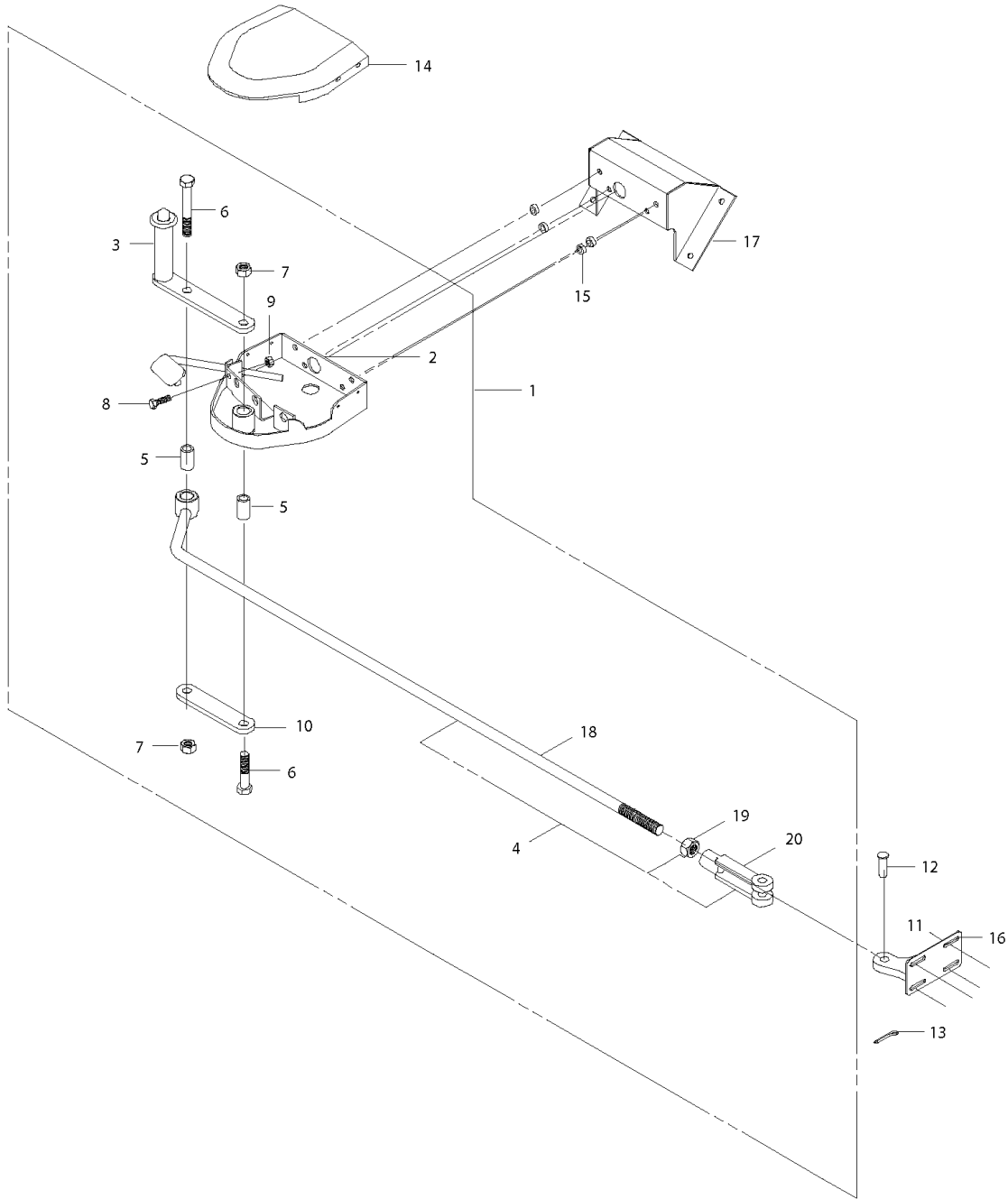
BSN: From BSN B10093510, F10048780, F20048800, L10080735, M10107585

Key	PartNumber	Qty	Description	Comment
	0046311		CYLINDER ASSY,AIR,1.5 X 15.28 W/PRESS SW	INCLUDES KEY #1 - 7
1	0054496		VALVE,NAMUR MOUNT"	
NI	0054497		SCREW,MOUNTING,VALVE	
2	0054498		FLOW CONTROLS	
3	0041935		SILENCERS,SINTERED EXHAUST,1/8 NPTF	
4	1940873		SWITCH ASSY,STOPLIGHT PRESSURE	
5	0054507		ELBOW FITTING,PRESSURE SUPPLY"	
6	0054508		COIL/CONNECTOR,12VDC/AMP77018-1,MALE	
6	0067531		CONNECTOR,PLUG,MALE,3 CIRC,AMP MATE-N-	
7	0054509		COIL/CONNECTOR,12VDC/AMP77025-1,FEMALE	
7	0067532		CONNECTOR,CAP,FEMALE,3 CIRC,AMP MATE-N-	
NI	0073589		KIT,HARDWARE,BOSCH,COIL/CONN,NUTS &	

Models: A3FE, A3RE, C1FE, CSFE, CSRE, TCFE, TCRE, TSFE
ENTRANCE
OUTWARD OPENING DOOR CONTROL
MANUAL

BSN: From BSN 0185597
 To BSN B0257909 F0189958 L0020065 M0370787 X0001037

Key	PartNumber	Qty	Description	Comment
-----	------------	-----	-------------	---------



Models: A3FE, A3RE, C1FE, CSFE, CSRE, TCFE, TCRE, TSFE
ENTRANCE
OUTWARD OPENING DOOR CONTROL
MANUAL

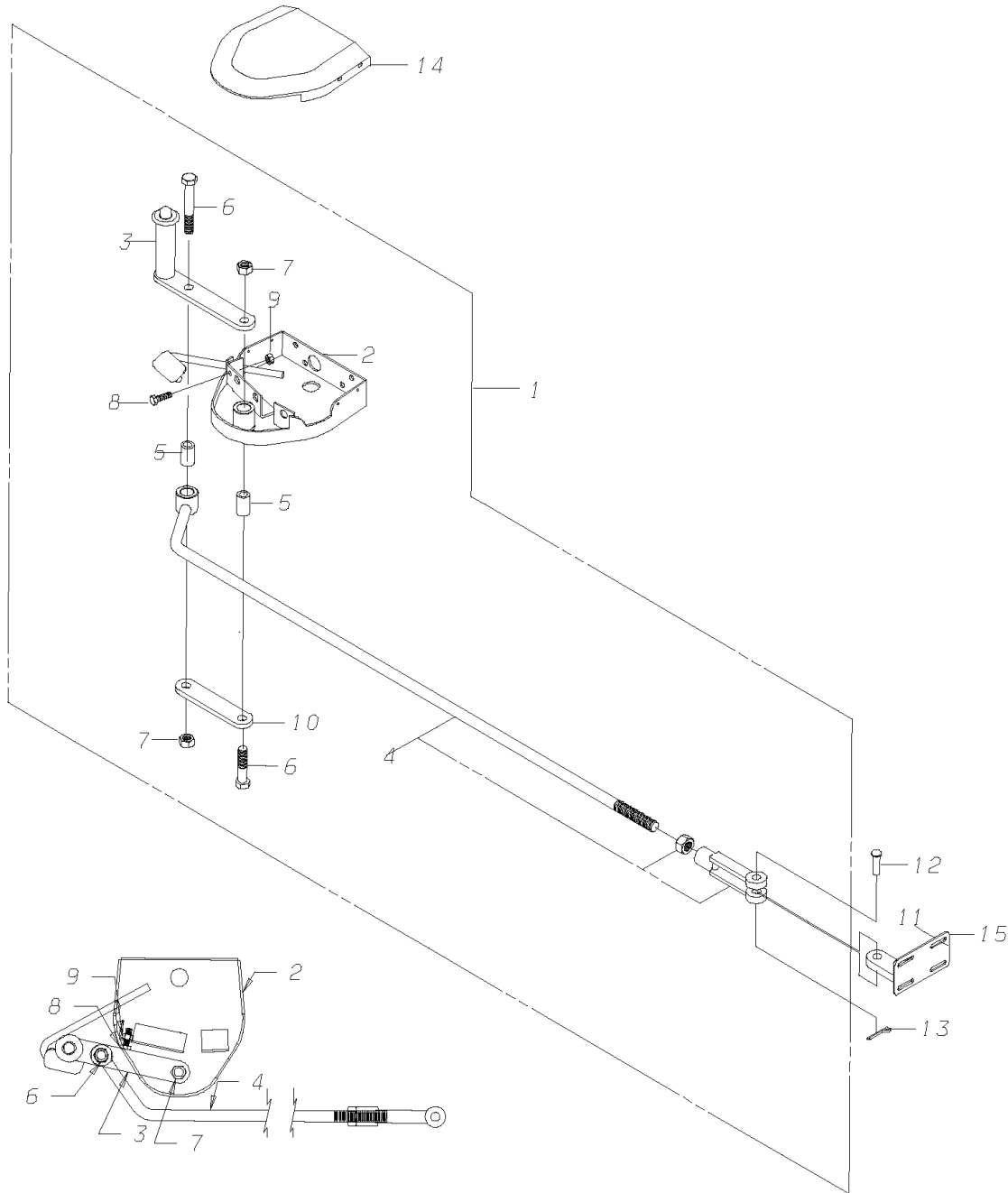
BSN: From BSN 0185597
 To BSN B0257909 F0189958 L0020065 M0370787 X0001037

Key	PartNumber	Qty	Description	Comment
1	1779909		DOOR CONTROL ASSY,SAF-LATCH,O/O,TC	STANDARD
1	1811124		DOOR CONTROL ASSY,SAF-LATCH,O/O,	OPTION 0229
2	1773274		BRACKET ASSY,SAF-LATCH,O/O DOOR	
3	1773308		HANDLE ASSY,O/O DOOR CONTROL,SAF-LATCH	
4	1773332		ROD ASSY,OUTWARD OPENING DOOR,TC	STANDARD
4	1807882		ROD ASSY,O/O DR,DELUXE DOOR CONT,CHROM	OPTION 0226
4	1791375		ROD ASSY,CHROME,O/O DOOR	OPTION 0229
5	2008647		BEARING,BRONZE	
6	2008621		CAPSCREW,HEX HD,1/2-20 X 2-1/4,YEL ZN	
7	0952556		NUT,HEX HD,1/2-20,LOCKING,YELLOW	
8	0854406		CAPSCREW,HEX HD,5/16-18 X 1,GR8,YEL ZN	
9	1142603		NUT,HEX HD,5/16-18,GR 8,YELLOW	
10	1773282		TIE PLATE,HANDLE ARM,O/O DOOR	
11	2000016		SCREW,1/4-14 X 5/8,B,HEX,W/PLAIN WASH,	
12	2008845		PIN,CLEVIS,1/2 DIA X 1 15/16,YEL ZN DICH	
13	2008860		PIN,COTTER,3/32 X 1,YEL ZN DICH	
14	0939454		COVER,MANUAL DOOR CONTROL	
15				NOT APPLICABLE
16	1773589		BRACKET ASSY,ROD END,O/O ENT DOOR	
17				NOT APPLICABLE
18	1773324		ROD, OUTWARD OPENING DOOR	STANDARD & OPTION 0229
19	2001501		NUT,HEX HD,FINISH,5/8-18,YEL ZN DICH	
20	0151696		YOKE,END,ADJUSTABLE,PLAIN	
NI	0179325		BUSHING,MANUAL DOOR CONTROL ROD ASSY	

Models: A3FE, A3RE, C1FE, CSFE, CSRE, TCFE
ENTRANCE
OUTWARD OPENING DOOR CONTROL
MANUAL

With Features: FEATURE 30977-02 WITH FEATURE 30978-01, -02
BSN: From BSN B0257910 F0189959 L0020066 M0370788 X0001038

Key	PartNumber	Qty	Description	Comment
-----	------------	-----	-------------	---------



Models: A3FE, A3RE, C1FE, CSFE, CSRE, TCFE
ENTRANCE
OUTWARD OPENING DOOR CONTROL
MANUAL

With Features: FEATURE 30977-02 WITH FEATURE 30978-01, -02
BSN: From BSN B0257910 F0189959 L0020066 M0370788 X0001038

Key	PartNumber	Qty	Description	Comment
				FEATURE 30977-02 WITH FEATURE 30978-01
1	1867217		DOOR CONTROL ASSY,SAF-LATCH,O/O,	ENDING WITH BSN B-10064339, B-20064364, F-10035824, F-20035859, L-10050360
1	0031653		DOOR CONTROL ASSY,SAF-LATCH,O/O,	BEGIN WITH BSN B-10064340, B-20064365, F-10035825, F-20035860, L-10050360
1	1867225		DOOR CONTROL ASSY,SAF-LATCH,O/O,	ENDING WITH BSN B-10064339, B-20064364, F-10035824, F-20035859, L-10050360
1	0031652		DOOR CONTROL ASSY,SAF-LATCH,O/O,	BEGIN WITH BSN B-10064340, B-20064365, F-10035825, F-20035860, L-10050360
2			BRACKET ASS.,SAF-LATCH	
2	1773274		BRACKET ASSY,SAF-LATCH,O/O DOOR	ENDING WITH BSN B-10064339, B-20064364, F-10035824, F-20035859, L-10050360
2	0031651		BRACKET ASSY,SAF-LATCH,O/O DOOR	BEGIN WITH BSN B-10064340, B-20064365, F-10035825, F-20035860, L-10050360
3	1773308		HANDLE ASSY,O/O DOOR CONTROL,SAF-LATCH	
4			ROD ASSY.,O/O DOOR	
4	1894625		ROD ASSY,O/O DOOR,PAINTED,TC	FEATURE 30977-02 WITH FEATURE 30978-01
4	1894633		ROD ASSY,O/O DOOR,CHROME,TC	FEATURE 30977-02 WITH FEATURE 30978-02
5	2008647	2	BEARING,BRONZE	
6	2008621	2	CAPSCREW,HEX HD,1/2-20 X 2-1/4,YEL ZN	
7	0952556	2	NUT,HEX HD,1/2-20,LOCKING,YELLOW	
8	0854406		CAPSCREW,HEX HD,5/16-18 X 1,GR8,YEL ZN	
9	1142603		NUT,HEX HD,5/16-18,GR 8,YELLOW	

Models: A3FE, A3RE, C1FE, CSFE, CSRE, TCFE
ENTRANCE
OUTWARD OPENING DOOR CONTROL
MANUAL

With Features: FEATURE 30977-02 WITH FEATURE 30978-01, -02
BSN: From BSN B0257910 F0189959 L0020066 M0370788 X0001038

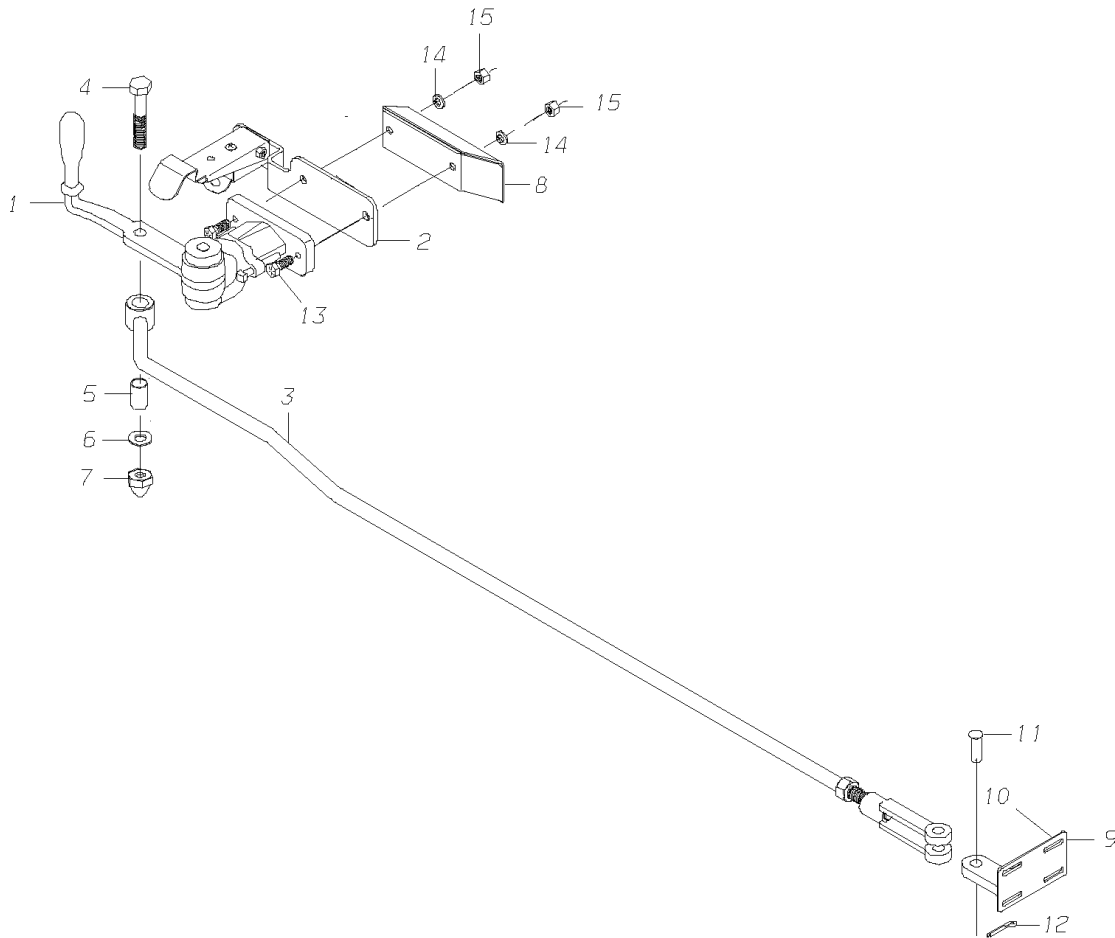
Key	PartNumber	Qty	Description	Comment
10	1773282		TIE PLATE,HANDLE ARM,O/O DOOR	
11	2000016	4	SCREW,1/4-14 X 5/8,B,HEX,W/PLAIN WASH,	
12	2008845		PIN,CLEVIS,1/2 DIA X 1 15/16,YEL ZN DICH	
13	2008860		PIN,COTTER,3/32 X 1,YEL ZN DICH	
14			COVER,MANUAL DOOR CONTROL	
14	0939454		COVER,MANUAL DOOR CONTROL	<i>ENDING WITH BSN B-10064339, F-10035824, F-20035859, L-10059259</i>
14	0031472		COVER,MANUAL DOOR CONTROL,MED.GRAY	<i>BEGIN WITH BSN B-10064340, F-10035825, F-20035860, L-10059260. FEATURE 30978-01,</i>
14	0031333		COVER ASSY,DOOR CONTROL STOP	<i>BEGIN WITH BSN B-10064340, F-10035825, F-20035860, L-10059260. FEATURE 30978-01,</i>
15	0005077		BRACKET ASSY,ROD END,O/O ENT DOOR	<i>02 WITH FEATURE 30981-02</i>
NI	0026048		KIT,DOOR CONTROL STOP	<i>WITH FEATURE 30981-02</i>

Models: A3FE, A3RE, C1FE, CSFE, CSRE, TCEV, TCFE
ENTRANCE

With Features: **FEATURE 30977-02 WITH FEATURE 30978-03**

**OUTWARD OPENING DOOR CONTROL
 MANUAL, DELUXE**

Key	PartNumber	Qty	Description	Comment
-----	------------	-----	-------------	---------



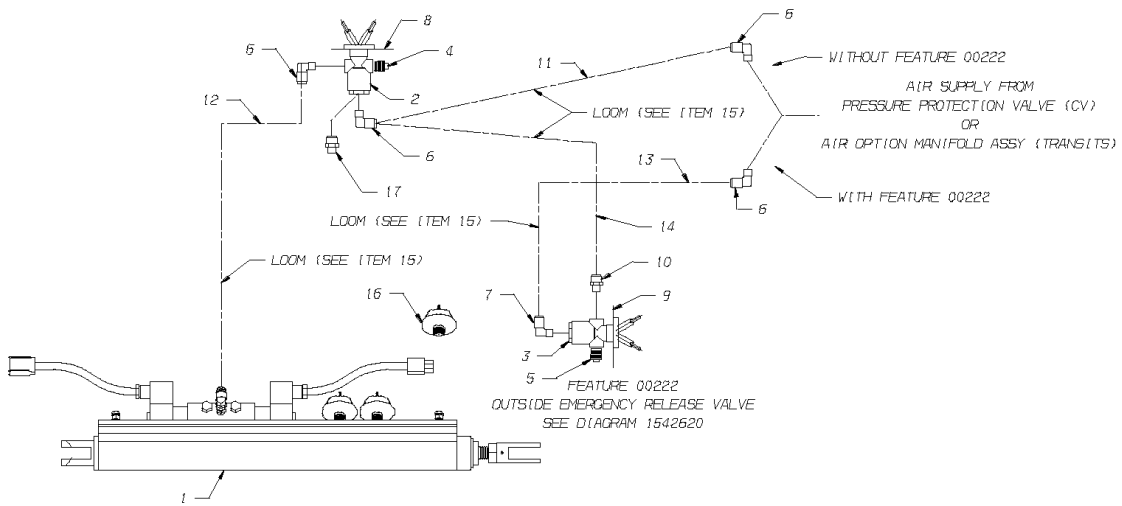
Models: A3FE, A3RE, C1FE, CSFE, CSRE, TCEV, TCFE
**ENTRANCE
 OUTWARD OPENING DOOR CONTROL
 MANUAL, DELUXE**

With Features: FEATURE 30977-02 WITH FEATURE 30978-03

Key	PartNumber	Qty	Description	Comment
1	1016930		DOOR,CONTROL,ASSY,O/O&SDN,BLK BASE,	
2	1469337		LATCH ASSY,DELUXE DOOR CONTROL,AA	
3	1806942		ROD ASSY,O/O DOOR,DELUXE DOOR CONT,	
4	2008621		CAPSCREW,HEX HD,1/2-20 X 2-1/4,YEL ZN	
5	2008647		BEARING,BRONZE	
6	0850776		WASHER,FLAT,17/32 X 1 1/16 X 3/32,	
7	0412080		NUT,HEX CAP,CTR-LOCK 1/2-20 BRIGHT ZC	
8	0031473		BRACKET ASSY,DOOR CONTROL,DELUXE,TCFE	
9	0005077		BRACKET ASSY,ROD END,O/O ENT DOOR	
10	2000016	4	SCREW,1/4-14 X 5/8,B,HEX,W/PLAIN WASH,	
11	2008845		PIN,CLEVIS,1/2 DIA X 1 15/16,YEL ZN DICH	
12	2008860		PIN,COTTER,3/32 X 1,YEL ZN DICH	
13	2028322	2	CAPSCREW,HEX HD,3/8-16, X, 1, ,GR 5,ZINC	
14	0882795	2	LOCKWASHER,SPLIT RING,3/8,MED,YELLOW	
15	0826297	2	NUT,HEX HD,3/8-16 LOCK,YEL ZN DICH	
NI	1913821		KIT,TRIM,DASH W/STD AUTOMATIC TRANS	<i>WITH STANDARD AUTOMATIC TRANSMISSION</i>
NI	1914126		KIT,MANUAL DOOR CONTROL BRACKETS,	

Models: A3FE, A3RE, C1FE, CSFE, CSRE, CSEV, GMCV, SBCV, TCEV, TCFE
ENTRANCE
With Features: OUTWARD OPENING DOOR PLUMBING, AIR INTEGRAL SWITCH
FEATURE 30978-04, -07

Key	PartNumber	Qty	Description	Comment
-----	------------	-----	-------------	---------



Models: A3FE, A3RE, C1FE, CSFE, CSRE, CSEV, GMCV, SBCV, TCEV, TCPE
ENTRANCE

With Features: OUTWARD OPENING DOOR PLUMBING, AIR INTEGRAL SWITCH
FEATURE 30978-04, -07

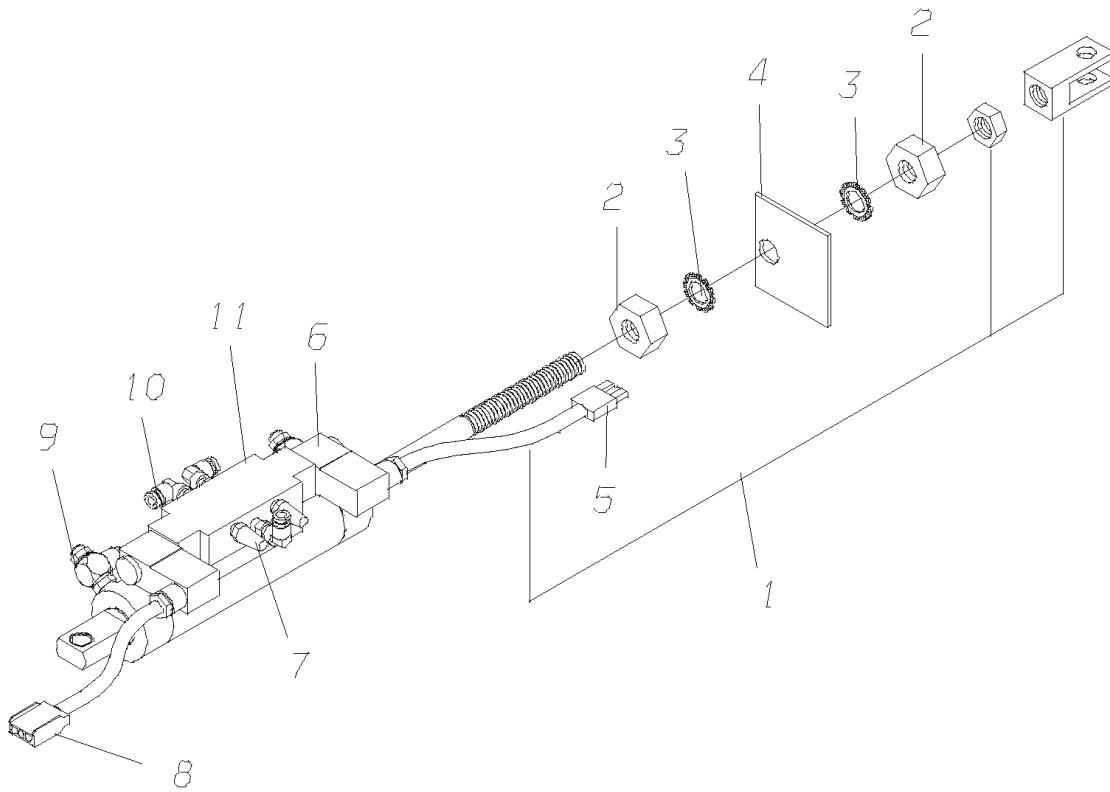
Key	PartNumber	Qty	Description	Comment
1	0046311		CYLINDER ASSY,AIR,1.5 X 15.28 W/PRESS SW	
2	1098656		VALVE,EM RELEASE,MIDLAND ROSS N-13440-	
3	1098656		VALVE,EM RELEASE,MIDLAND ROSS N-13440-	WITH OPTION 0222
4	2027118		PLUG,1/8 PIPE	
5	2027118		PLUG,1/8 PIPE	PLUG, 1/8 PIPE, WITH OPTION 0222
6	0009903	3	ELBOW,90 DEG,MALE1869X4-Z,,.13MPT X .25T	
7	0009903		ELBOW,90 DEG,MALE1869X4-Z,,.13MPT X .25T	WITH OPTION 0222
8	1775931		PLATE,EMERGENCY RELEASE,AIR ENT & EXIT	
9	1775931		PLATE,EMERGENCY RELEASE,AIR ENT & EXIT	WITH OPTION 0222
10	0009917		CONNECTOR,MALE,1868X4-Z,,.13MP X .25T"	WITH OPTION 0222
11	1346832	18'	TUBING,PLASTIC,1/4 OD,RED,SAE J844 TYPE A	WITHOUT OPTION 0222
12	1346832	2'	TUBING,PLASTIC,1/4 OD,RED,SAE J844 TYPE A	
13	1346832	13'	TUBING,PLASTIC,1/4 OD,RED,SAE J844 TYPE A	WITH OPTION 0222
14	1346832	7'	TUBING,PLASTIC,1/4 OD,RED,SAE J844 TYPE A	WITH OPTION 0222
15	2005718	19'	LOOM,ASPHALTUM,WIRE,5/16IN	
16	1940873		SWITCH ASSY,STOPLIGHT PRESSURE	FEATURE 40051-03
17	0009917		CONNECTOR,MALE,1868X4-Z,,.13MP X .25T"	WITH OPTION 0222-02

Models: A3FE, A3RE, BBCV, C1FE, CSFE, CSRE, GMCV, SBCV, TCFE

**ENTRANCE
POWER CYLINDER, FLUSH POWER JACKKNIFE DOOR
FEATURE 30978-04, -07**

With Features:

Key	PartNumber	Qty	Description	Comment
-----	------------	-----	-------------	---------



Models: A3FE, A3RE, BBCV, C1FE, CSFE, CSRE, GMCV, SBCV, TCFE
With Features: ENTRANCE
 POWER CYLINDER, FLUSH POWER JACKKNIFE DOOR
 FEATURE 30978-04, -07

Key	PartNumber	Qty	Description	Comment
1	0031458		CYLINDER ASSY,AIR,2.00 BORE X 4.50 STROKE	
2	2001493	2	NUT,HEX HD,5/8-11,YEL ZN DICH	
3	1540103	2	WASHER,STAR,.62,ZINC PLATED	
4	0414763		BRACKET,CYL ROD SWITCH	
5	0042420		CONNECTOR,MALE,ELECTRICAL	
*	0042421		SOLENOID VALVE ASSY,AIR J/K DOOR (FOR	<i>INCLUDES KEY #6 AND KEY #11</i>
* 6	0044675		COIL,12 VDC (FOR 0031458 AIR CYLINDER)	
7	0042427	2	BREATHERS,PORT	
8	0042428		CONNECTOR,FEMALE,ELECTRICAL	
9	0042429	2	VALVE,NEEDLE	
10	0042430	3	ELBOW,90 DEGREE,1/8 X 1/4	
*	0044674		SOLENOID VALVE ONLY (OF 0042421 ASSY)	<i>SOLENOID VALVE ONLY</i>

Models: A3FE, A3RE, TCFE, TCRE

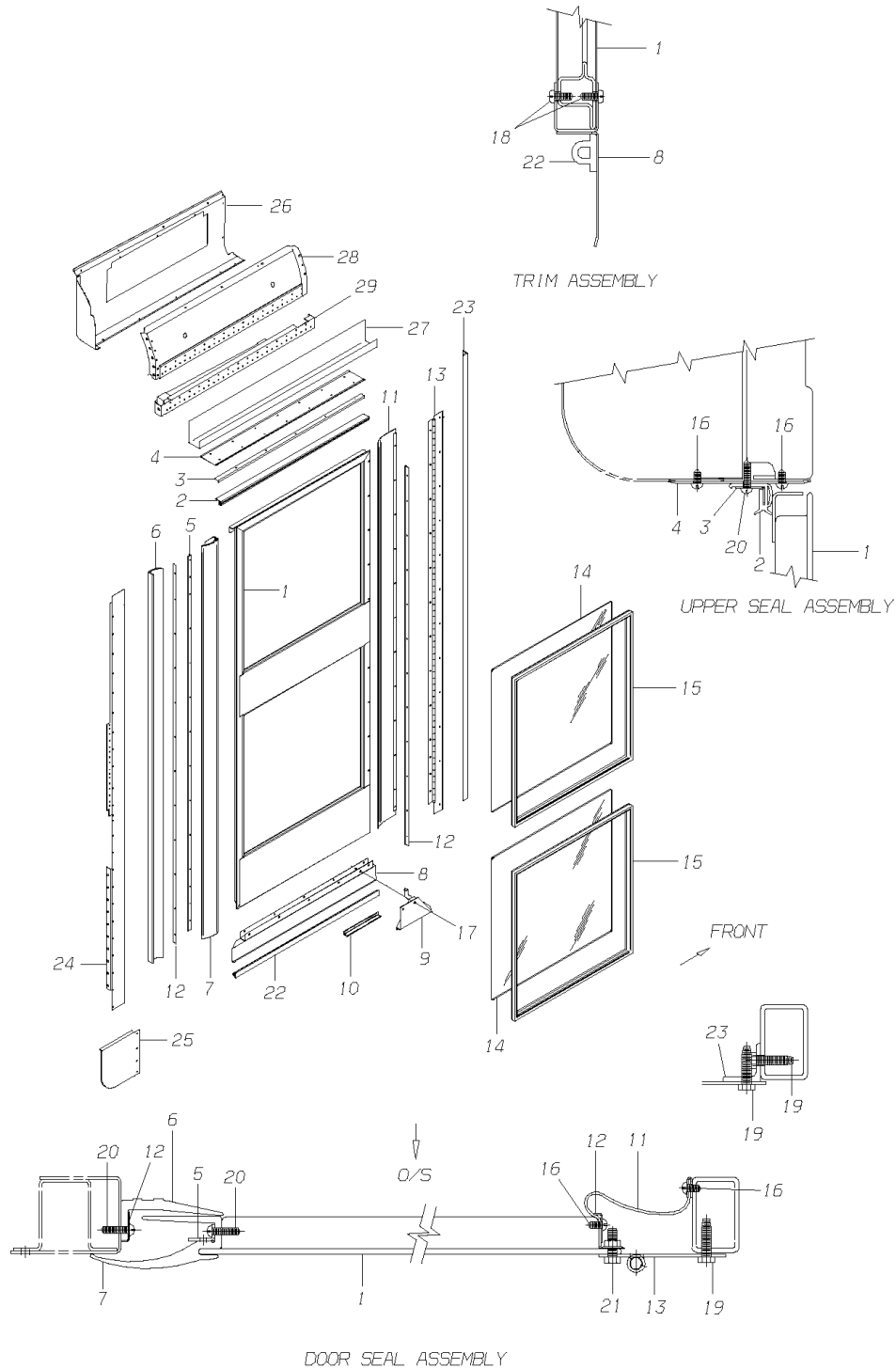
ENTRANCE

SEDAN

With Features: FEATURE 30977-04

To BSN B10107204 F10056064 L10093804

Key	PartNumber	Qty	Description	Comment
-----	------------	-----	-------------	---------



Models: A3FE, A3RE, TCFE, TCRE

**ENTRANCE
SEDAN**

With Features: FEATURE 30977-04

To BSN B10107204 F10056064 L10093804

Key	PartNumber	Qty	Description	Comment
1	1553692		DOOR ASSY,SEDAN,23.00 STEP, TC	
1	1476779		DOOR ASSY,SEDAN,24.75 STEP, AA	
2	1429968		RUBBER,SEAL,UPPER,ALUM O/O DR,34.75	
3	1557842		RETAINER,UPPER,SEAL,O/O DOOR,36,TC	
4	1561455		TRIM,HEADER,SEDAN DOOR, TC	
5	1376094		RETAINER,DOOR NOSG,POWER JK,24.75 STEP	
6	0315937		NOSING,RUBBER,ENT DOOR,O/O	
7	1465715		RUBBER,SEAL,FRONT NOSING,O/O DOOR	
8	1472331		TRIM ASSY,SEDAN DOOR STEP,AA	
9	0542837		KEEPER ASSY,SEDAN DOOR	
10	0278309		KEEPER,BUMPER,J/K ENT DOOR	TC ONLY
11	1119965		SEAL ASSY,HINGE,FRONT POSN,ENT DR,23	
11	1119981		SEAL ASSY,HINGE,FRONT POSN,ENT DR,24	
12	1005164	2	RETAINER,HGE SEAL,23 STEP	
12	0306514	2	RETAINER,HGE SEAL,24 3/4 STEP	
13	1007723		HINGE ASSY,SEDAN DOOR,23 INCH STEP	
13	0555623		HINGE ASSY,SEDAN DOOR,24 3/4IN STEP	
14	1472463	2	GLASS,DOOR,ENT,SEDAN,TEMPERED,AA	FEATURE 31188-01, 31189-01, CLEAR, TEMPERED
14	1472448	2	GLASS,DOOR,ENT,SEDAN,CLEAR,LAMINATED,	FEATURE 31188-02, 31189-02, CLEAR, LAMINATED
14	1472455	2	GLASS,DOOR,ENT,SEDAN,70 PCT GREEN,AA	FEATURE 31188-03, 31189-03, TINTED, 70 PCT. GREEN
15	1472380	2	GLAZING,RUBBER,ENT DOOR,SEDAN	
16	0527275	39	SCREW,10-16 X 3/8,AB,PH1,PAN,YEL ZINC	
17	1542380	2	CAPSCREW,HEX FLG,1/4-20X1.50,GRD5,BLACK	
17	0659979	2	NUT,HEX,FLANGE SER,1/4-20,BLACK ZINC	
18	2000636	18	SCREW,1/4-14 X 1/2,AB,PH1,PAN HD,YEL	
19	2000073	20	SCREW,1/4-20 X 1,D,HEX HD,YEL ZN DICH	
20	1589522	28	SCREW,10-16 X 3/4,AB,PH1,PAN HD,YEL ZN	
21	0977132	13	CAPSCREW,HEX HD,1/4-20 X 3/4,GR 5,YEL	
21	0659979	13	NUT,HEX,FLANGE SER,1/4-20,BLACK ZINC	
22	1377274		EXTRUSION,RUBBER,UPPER DOOR SEAL 36 DR,	
23	1725720		ANGLE,CORNER POST TO SEDAN DOOR,	
24	1785427		TRIM,FRONT BOW,23.00	

Models: A3FE, A3RE, TCFE, TCRE

ENTRANCE

SEDAN

With Features: FEATURE 30977-04

To BSN B10107204 F10056064 L10093804

Key	PartNumber	Qty	Description	Comment
24	1782598		TRIM,FRONT BOW,24.75 STEP,TCFE	
25	1619030		TRIM,STEPWELL TO SKIRT,RH	TCFE
25	1983956		TRIM,STEPWELL TO SKIRT,RH,23.00, DRFL	A3FE
25	1499193		TRIM,STEPWELL TO SKIRT,23 STEP,19.75, TCRE	CSRE, TCRE
25	1619022		TRIM,STEPWELL TO SKIRT,RH,24.75 STEP	TCFE
25	1999028		TRIM,STEPWELL TO SKIRT,RH,24.75 STEP,DRFL	A3FE
25	0001013		TRIM,STEPWELL TO SKIRT,24.75,19.75 SKT	A3RE
26	1559525		COVER ASSY,HDR,FRT SI,O/O DR,74HR, 36 TC	
26	1599067		COVER ASSY,HEADER,FLUSH JK DR,77 HR, TC	
27	1561620		MOLDING,DRIP,ENTRANCE DOOR,36.75,TC	
28	1557008		HEADER,FRONT SIDE,RH,FMVSS221,36.75 FRT,	
29	1599034		EXTENSION ASSY,HEADER,JACKKNIFE DR,77	
NI	0269373		FILLERSTRIP,GLAZING RUBBER	
NI	1578418		PAD ASSY,HDR,ENT DR, 4.00 X 35.00, TCFC/RE	

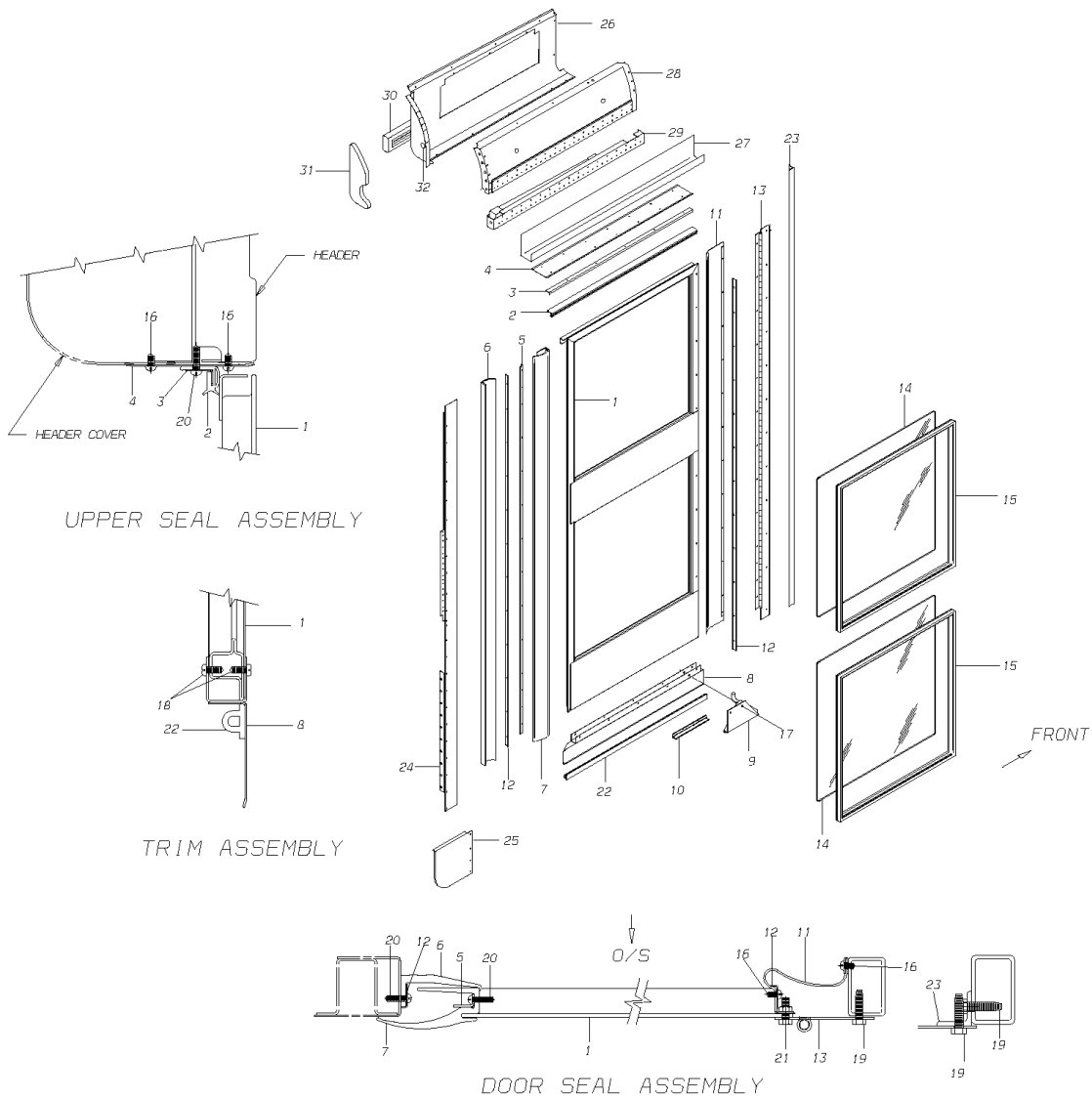
Models: A3FE, A3RE, TCFE, TCRE

**ENTRANCE
SEDAN**

With Features: FEATURE 30977-04

BSN: From BSN B10107205 F10056065 L10093805

Key	PartNumber	Qty	Description	Comment
-----	------------	-----	-------------	---------



Models: A3FE, A3RE, TCFE, TCRE

**ENTRANCE
SEDAN**

With Features: FEATURE 30977-04

BSN: From BSN B10107205 F10056065 L10093805

Key	PartNumber	Qty	Description	Comment
1	1553692		DOOR ASSY,SEDAN,23.00 STEP, TC	
1	1476779		DOOR ASSY,SEDAN,24.75 STEP, AA	
2	1429968		RUBBER,SEAL,UPPER,ALUM O/O DR,34.75	
3	1557842		RETAINER,UPPER,SEAL,O/O DOOR,36,TC	
4	1561455		TRIM,HEADER,SEDAN DOOR, TC	
5	1376094		RETAINER,DOOR NOSG,POWER JK,24.75 STEP	
6	0315937		NOSING,RUBBER,ENT DOOR,O/O	
7	1465715		RUBBER,SEAL,FRONT NOSING,O/O DOOR	
8	1472331		TRIM ASSY,SEDAN DOOR STEP,AA	
9	0542837		KEEPER ASSY,SEDAN DOOR	
10	0278309		KEEPER,BUMPER,J/K ENT DOOR	
11	1119965		SEAL ASSY,HINGE,FRONT POSN,ENT DR,23	
11	1119981		SEAL ASSY,HINGE,FRONT POSN,ENT DR,24	
12	1005164		RETAINER,HGE SEAL,23 STEP	
12	0306514		RETAINER,HGE SEAL,24 3/4 STEP	
13	1007723		HINGE ASSY,SEDAN DOOR,23 INCH STEP	
13	0555623		HINGE ASSY,SEDAN DOOR,24 3/4IN STEP	
14	1472463		GLASS,DOOR,ENT,SEDAN,TEMPERED,AA	FEATURE 31188-01, 31189-01. TEMPERED
14	1472448		GLASS,DOOR,ENT,SEDAN,CLEAR,LAMINATED,	FEATURE 31188-02, 31189-02. CLEAR, LAMINATED
14	1472455		GLASS,DOOR,ENT,SEDAN,70 PCT GREEN,AA	FEATURE 31188-03, 31189-03. TINTED, 70 PCT GREEN
15	1472380		GLAZING,RUBBER,ENT DOOR,SEDAN	
16	0527275		SCREW,10-16 X 3/8,AB,PH1,PAN,YEL ZINC	
17	1542380		CAPSCREW,HEX FLG,1/4-20X1.50,GRD5,BLACK	
17	0659979		NUT,HEX,FLANGE SER,1/4-20,BLACK ZINC	
18	2000636		SCREW,1/4-14 X 1/2,AB,PH1,PAN HD,YEL	
19	2000073		SCREW,1/4-20 X 1,D,HEX HD,YEL ZN DICH	
20	1589522		SCREW,10-16 X 3/4,AB,PH1,PAN HD,YEL ZN	
21	0977132		CAPSCREW,HEX HD,1/4-20 X 3/4,GR 5,YEL	
21	0659979		NUT,HEX,FLANGE SER,1/4-20,BLACK ZINC	
22	1377274		EXTRUSION,RUBBER,UPPER DOOR SEAL 36 DR,	
23	1725720		ANGLE,CORNER POST TO SEDAN DOOR,	
24	1785427		TRIM,FRONT BOW,23.00	

Models: A3FE, A3RE, TCFE, TCRE

ENTRANCE

SEDAN

With Features: FEATURE 30977-04

BSN: From BSN B10107205 F10056065 L10093805


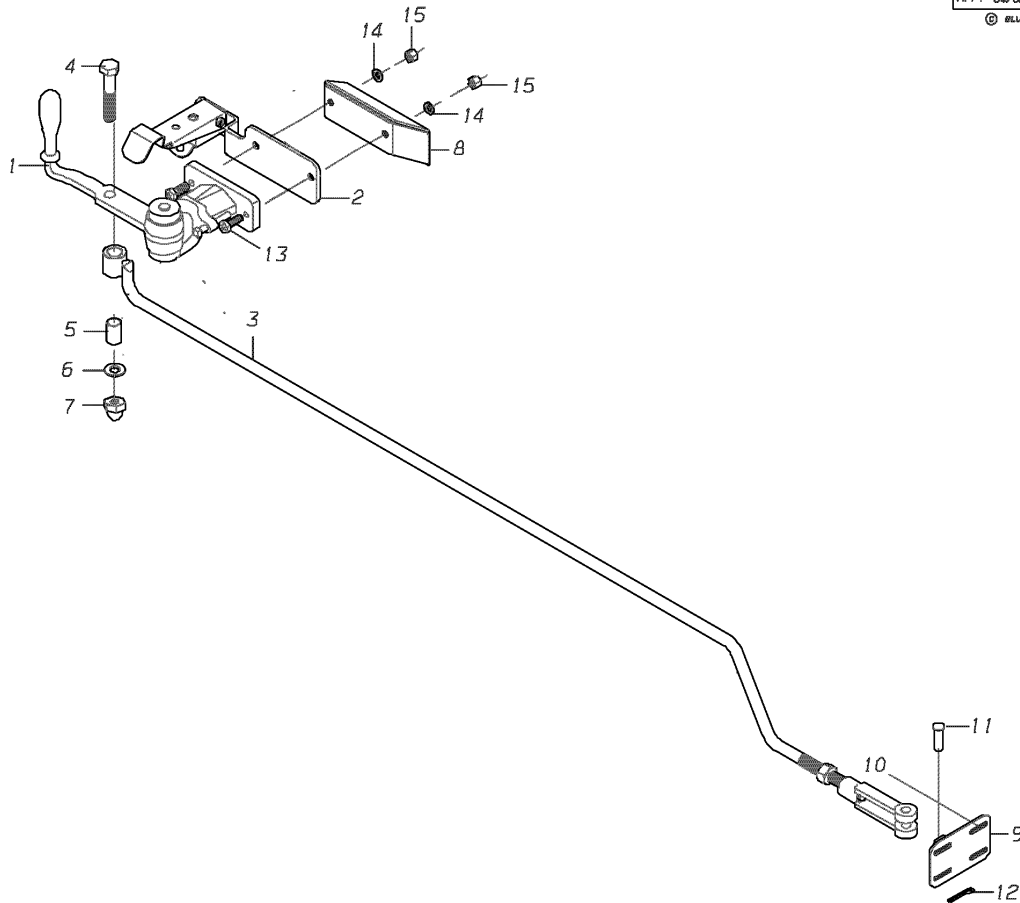
Key	PartNumber	Qty	Description	Comment
24	1782598		TRIM,FRONT BOW,24.75 STEP,TCFE	
25	1983956		TRIM,STEPWELL TO SKIRT,RH,23.00, DRFL	23" STEP
25	1619030		TRIM,STEPWELL TO SKIRT,RH	23" STEP
25	1499193		TRIM,STEPWELL TO SKIRT,23 STEP,19.75, TCRE	23" STEP
25	1999028		TRIM,STEPWELL TO SKIRT,RH,24.75 STEP,DRFL	24.75" STEP
25	1619022		TRIM,STEPWELL TO SKIRT,RH,24.75 STEP	24.75" STEP
25	1499193		TRIM,STEPWELL TO SKIRT,23 STEP,19.75, TCRE	24.75" STEP
25	0001013		TRIM,STEPWELL TO SKIRT,24.75,19.75 SKT	24.75" STEP WITH 19.75" SKIRT
26	0058141		COVER ASSY,HEADER,SEDAN DR,74 HR, A3	
26	0058242		COVER ASSY,HEADER,SEDAN DR,77 HR, A3	
27	1561620		MOLDING,DRIP,ENTRANCE DOOR,36.75,TC	
28	1557008		HEADER,FRONT SIDE,RH,FMVSS221,36.75 FRT,	
29	1599034		EXTENSION ASSY,HEADER,JACKKNIFE DR,77	
30	0075192		PAD ASSY,HDR,ENT DR,SEDAN,4.00 X 35.00,	
31	0075274		PAD ASSY,HDR,J/K ENT DOOR,REAR,74 HR	
31	0075275		PAD ASSY,HDR,J/K ENT DOOR,REAR,77 HR	
NI	0269373		FILLERSTRIP,GLAZING RUBBER	
32	1894187		GROMMET,RUBBER,.75 ID W/1.00 X .09	

Models: A3FE, A3RE, TCFE
ENTRANCE
SEDAN CONTROL, DELUXE
With Features: FEATURE 30977-04 WITH FEATURE 30978-02

Key	PartNumber	Qty	Description	Comment
-----	------------	-----	-------------	---------

DR.	04/05/01	BY	SFD					
APP.	04/05/01	BY	MC	FRT	1950773	B	REV	

© BLUE BIRD BODY COMPANY, ALL RIGHTS RESERVED

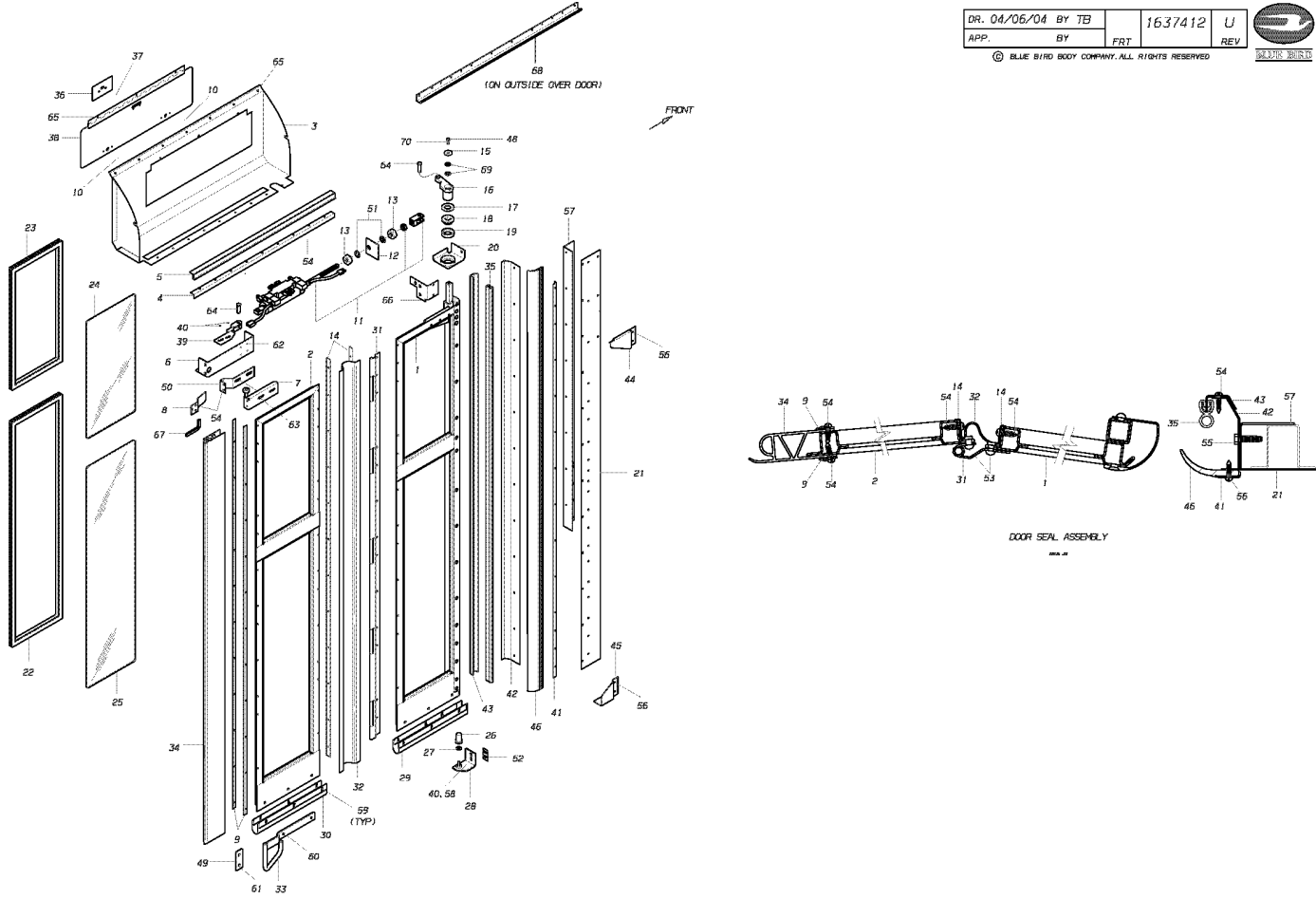



Models: A3FE, A3RE, TCFE
ENTRANCE
SEDAN CONTROL, DELUXE
With Features: FEATURE 30977-04 WITH FEATURE 30978-02

Key	PartNumber	Qty	Description	Comment
1	1016930		DOOR,CONTROL,ASSY,O/O&SDN,BLK BASE,	
2	1469337		LATCH ASSY,DELUXE DOOR CONTROL,AA	
3	1731140		ROD ASSY,DOOR CONTROL,SEDAN,MANUAL,	
4	2008621		CAPSCREW,HEX HD,1/2-20 X 2-1/4,YEL ZN	
5	2008647		BEARING,BRONZE	
6	0850776		WASHER,FLAT,17/32 X 1 1/16 X 3/32,	
7	0412080		NUT,HEX CAP,CTR-LOCK 1/2-20 BRIGHT ZC	
8	0031473		BRACKET ASSY,DOOR CONTROL,DELUXE,TCFE	
9	1808070		BRACKET ASSY,ROD END,ENT DOOR	
10	1094275	4	SCREW,1/4-14X3/4,HEX HD,SELFDRILL,	
11	2008845		PIN,CLEVIS,1/2 DIA X 1 15/16,YEL ZN DICH	
12	2008860		PIN,COTTER,3/32 X 1,YEL ZN DICH	
13	2028322	2	CAPSCREW,HEX HD,3/8-16, X, 1, ,GR 5,ZINC	
14	0882795	2	LOCKWASHER,SPLIT RING,3/8,MED,YELLOW	
15	0826297	2	NUT,HEX HD,3/8-16 LOCK,YEL ZN DICH	
NI	1913821		KIT,TRIM,DASH W/STD AUTOMATIC TRANS	<i>WITH STANDARD AUTOMATIC TRANS</i>
NI	1914126		KIT,MANUAL DOOR CONTROL BRACKETS,	

Models: A3FE, A3RE, BBCV, SBCV, TCFE, TCRE
EXIT
SIDE JACKKNIFE, POWER FLUSH, AIR, 35 INCH, RH
23 & 24.75 INCH STEP
With Features: OPTION 0472, 0475
To BSN B10107204 L10093804

Key	PartNumber	Qty	Description	Comment
-----	------------	-----	-------------	---------



Models: A3FE, A3RE, BBCV, SBCV, TCFE, TCRE
EXIT
SIDE JACKKNIFE, POWER FLUSH, AIR, 35 INCH, RH
23 & 24.75 INCH STEP
With Features: **OPTION 0472, 0475**
To BSN B10107204 L10093804

Key	PartNumber	Qty	Description	Comment
1	1441765		DOOR ASSY,FRONT,COMPLETE POWER	
1	1441773		DOOR ASSY,FRONT,COMPLETE PWR,24.75,	
2	1441575		DOOR ASSY,STEEL TUBE,23.00	
2	1441583		DOOR ASSY,STEEL TUBE,24.75	
3	1378843		COVER ASSY,HDR,JK EXIT,35,2PT HGE,74,	
3	1378835		COVER ASSY,HDR,JK EXIT,35,2PT HGE,77,	
4	1695881		RETAINER,UPPER ENTRANCE DR SEAL,31.75,CV	
5	1651488		EXTRUSION,RUBBER,UPPER ENT DOOR	
6	1369990		BRACKET ASSY,POWER CYL MTG,FLUSH JK DR	
7	1441716		BRACKET ASSY,FLUSH JK ENT DOOR ROLLER,	
8	1599307		TRIM,DOOR,JACKKNIFE,UPPER REAR	
9	1005081		RETAINER,DOOR NOSG,JK DOOR,23 STEP	
9	0150185		RETAINER,DOOR NOSG RUBBER,24 3/4IN STEP	
10	1103035		LATCH,SPR,SOUTHCO	
11	0031458		CYLINDER ASSY,AIR,2.00 BORE X 4.50 STROKE	
12	0414763		BRACKET,CYL ROD SWITCH	
13	2001493		NUT,HEX HD,5/8-11,YEL ZN DICH	
14	1599083		RETAINER,HINGE SEAL,23.00 STP,STL TUBE DR	
14	1599091		RETAINER,HINGE SEAL,24.75 STP,STL TUBE DR	
15	2001055		WASHER,FLAT,11/32 X 1 1/4 X 5/32,YEL ZN	
16	1637867		LEVER ARM ASSY,POWER JACKKNIFE DOOR	
17	2021939		WASHER,FLAT,2 OD X 1.06 ID X .13 THK,YEL	
18	1294867		BEARING,NYLON,UPPER PIVOT,POWER JK DOOR	
19	1294875		BEARING,NYLON,GUIDE,POWER JACKKNIFE	
20	1378074		BRACKET ASSY,EXIT DOOR,35,FLUSH JK,A/CV	
21	1378991		TRIM,BOW,O/S,FWD POSN,REAR EXIT DR,23	
21	1379007		TRIM,BOW,O/S,FWD POSN,RR EXIT DR,24.75	
22	1529882		RUBBER,GLAZING,35 EXIT DR LWR,23 STEP,	
23	1444793		RUBBER,GLAZING,ENTRANCE DOOR,CV	
24	1444884		GLASS,DOOR,ENT,STL TUBE,UPPER,TEMPERED	FEATURE 31189-01, TEMPERED
24	1444868		GLASS,DOOR,ENT,STL TUBE,UPPER,CLEAR,LAM	FEATURE 31189-02, CLEAR, LAMINATED
24	1444876		GLASS,DOOR,ENT,STL TUBE,UPPER,70 PCT	FEATURE 31189-03, TINTED, GREEN
24	1858794		GLASS,DOOR,EXIT,STL TUB,UPPER,DARK TINT	

Models: A3FE, A3RE, BBCV, SBCV, TCFE, TCRE
EXIT
SIDE JACKKNIFE, POWER FLUSH, AIR, 35 INCH, RH
23 & 24.75 INCH STEP
With Features: **OPTION 0472, 0475**
To BSN B10107204 L10093804

Key	PartNumber	Qty	Description	Comment
24	1661875		GLASS,DOOR,EXIT,STL TUB,UPPER,DARK TINT	
25	1529908		GLASS,DOOR,ENT,STL TUBE,LOWER,CLEAR,	23 IN STEP
25	1529916		GLASS,DOOR,ENT,STL TUBE,LOWER,70 PCT	23 IN STEP
25	1529924		GLASS,DOOR,ENT,STL TUBE,LOWER,	23 IN STEP
25	1858810		GLASS,DOOR,EXIT,STL TUB,LOWER,DARK TINT	23 IN STEP
25	1661883		GLASS,DOOR,EXIT,STL TUB,LOWER,DARK TINT	23 IN STEP
25	1444827		GLASS,DOOR,ENT,STL TUBE,LOWER,CLEAR,LAM	24.75 IN STEP
25	1444835		GLASS,DOOR,ENT,STL TUBE,LOWER,70 PCT	24.75 IN STEP
25	1444843		GLASS,DOOR,ENT,STL TUBE,LOWER,TEMPERED	24.75 IN STEP
25	1858802		GLASS,DOOR,EXIT,STL TUB,LWR,DK TINT	24.75 IN STEP
25	1687037		GLASS,DOOR,EXIT,STL TUB,LWR,DK TINT	24.75 IN STEP
NI	2051902		SEALANT,SILICONE,BLACK,CARTRIDGE	
26	1294784		BEARING,NYLON,LOWER PIVOT,POWER JK	
27	1056647		WASHER,FRICTION,LEVER PIVOT,NYLON	
28	1368448		PIVOT ASSY,LOWER,FLUSH POWER JK DOOR,AA	
29	1372184		SEAL ASSY,FLUSH POWER JACKKNIFE DOOR,	
30	0066663		SEAL ASSY,DOOR,JK,LOWER,CV	
31	1443324		HINGE ASSY,CTR POSN,FLUSH JK DR,23,LH DR	
31	1443381		HINGE ASSY,C/POSN,FLUSH JK DR,24.75,	
32	1120062		SEAL,HINGE,CENTER,JK ENT DOOR,23,BLACK	
32	1120070		SEAL,HINGE,CENTER,JK ENT DOOR,24,BLACK	
33	1383520		KEEPER ASSY,JK DOOR,36,A3RE	
34	1380708		RUBBER,DOOR NOSING,FLUSH JACKKNIFE	
35	1149533		SEAL,VERTICAL,UNI-GRIP,O/O DOOR,	
36	0995324		PLATE,EMERGENCY REL,AIR	
37	1098656		VALVE,EM RELEASE,MIDLAND ROSS N-13440-	
38	1141886		PLATE ASSY,INSPECTION,DOOR CONTROL,	
39	1319334		YOKE ASSY,ADJUSTABLE,POWER CYL MTG,J-K	
40	0829390		NUT,HEX HD,5/16-18,SER WASHER,YEL ZN	
41	1637552		RETAINER,DOOR NOSG,FWD,EXIT PJK,23.00	
41	1637560		RETAINER,DOOR NOSG,FWD,EXIT PJK,24.75	
42	1368513		TRIM,CORNER POST,IS 23 STP,FLUSH PWR JK	
42	1368505		TRIM,CORNER POST,IS 24.75 STP,FLUSH PWR	

Models: A3FE, A3RE, BBCV, SBCV, TCFE, TCRE
EXIT
SIDE JACKKNIFE, POWER FLUSH, AIR, 35 INCH, RH
23 & 24.75 INCH STEP
With Features: OPTION 0472, 0475
To BSN B10107204 L10093804

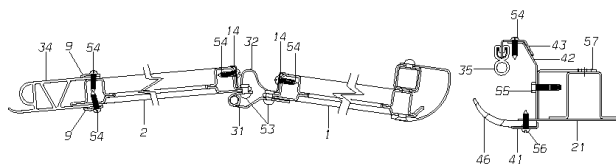
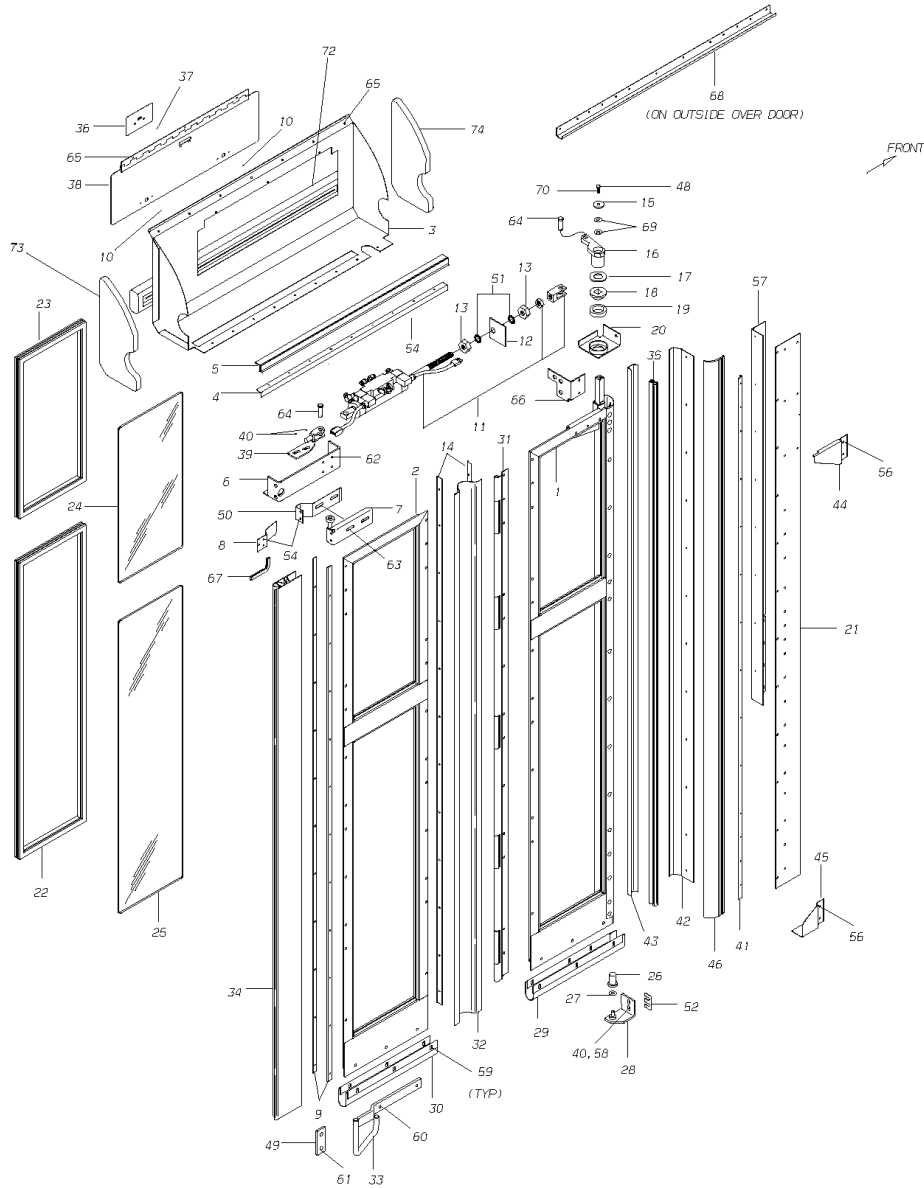
Key	PartNumber	Qty	Description	Comment
43	1368521		RETAINER,SEAL,I/S,FRT,23 STP,FLUSH PJK DR	
43	1368539		RETAINER,SEAL,I/S,FRT,24.75 STP,FLUSH PJK	
44	1374651		RETAINER,RUBBER SEAL,UPPER,POWER JK	
45	1375492		RETAINER,RUBBER SEAL,LOWER,POWER JK DR	
46	1637545		RUBBER,NOSING,EXIT PJK DOOR,FRONT	
47			NOT USED	
48	1032283		CAPSCREW,HEX HD,5/16-18,X,3/4,GR5,	
49	1385186		STRIKER,JK KEEPER,36,AAFC/RE	
50	1444785		CAP,ROLLER BRACKET,FLUSH JACKKNIFE DR,	
51	1540103		WASHER,STAR,.62,ZINC PLATED	
52	1032234		SHIM,LOWER PIVOT,ENT DOOR	
53	0955930		RIVET,.250 X .437,BUTTON HD,SOLID,STL,ZN-	
54	1164821		SCREW,10-16 X 3/4,AB,PH1,TRUSS HD, YEL ZN	
55	2000073		SCREW,1/4-20 X 1,D,HEX HD,YEL ZN DICH	
56	1143676		SCREW,10-16 X 3/4, AB,PH1,PAN HD,BLK ZN,	
57	1378983		TRIM,BOW,INSIDE,FORWARD,POSN,REAR EXIT	
58	2000206		CAPSCREW,HEX HD,5/16-24X1 1/4,GR5,	
59	2000016		SCREW,1/4-14 X 5/8,B,HEX,W/PLAIN WASH,	
60	2028298		CAPSCREW,HEX HD,5/16-24X1 3/4,GR5,	
	2004257		NUT,HEX HD,5/16-24,FLG,PRVLG TORQ,	
61	2000669		SCREW,1/4-14 X 3/4,TYP1,PH1,OVAL CNSK,YEL	
62	0948497		RIVET,.250 X .625,WAGON BX,SOLID,STL,ZN-NI	
63	2000214		CAPSCREW,HEX HD,5/16-24X1 1/2,GR5,	
63	2001121		WASHER,FLAT,5/16 X 3/4,X 5/64,YEL ZN DICH	
63	2004257		NUT,HEX HD,5/16-24,FLG,PRVLG TORQ,	
64	2008852		PIN,CLEVIS,1/2 DIA X 1 1/2, YEL ZN DICH	
64	1105469		PIN,HAIR,COTTER 3/16	
65	1589522		SCREW,10-16 X 3/4,AB,PH1,PAN HD,YEL ZN	
66	1457803		BRACKET,SWITCH,FLUSH POWER JK DOOR, AA	
67	2004547		TRIM,INSTRUMENT HOOD,VINYL EDGE,BLACK	
68	1125962		MOLDING,DRIP,ENTRANCE DOOR	
NI	1578459		PAD ASSY,HDR,ENT DR, 3.00 X 35.00	
69	1078922		WASHER,FLAT,3/8 X 7/8 X 5/64,YEL ZN DICH	

Models: A3FE, A3RE, BBCV, SBCV, TCFE, TCRE
EXIT
SIDE JACKKNIFE, POWER FLUSH, AIR, 35 INCH, RH
23 & 24.75 INCH STEP
With Features: OPTION 0472, 0475
To BSN B10107204 L10093804

Key	PartNumber	Qty	Description	Comment
70	1422195		SEALANT,LOCTITE,THREADLOCKER 242, BLUE	

Models: A3FE, A3RE, BBCV, SBCV, TCFE, TCRE
EXIT
SIDE JACKKNIFE, POWER FLUSH, AIR, 35 INCH, RH
23 & 24.75 INCH STEP
With Features: OPTION 0472, 0475
BSN: From BSN B10107205 L10093805

Key	PartNumber	Qty	Description	Comment
-----	------------	-----	-------------	---------



DOOR SEAL ASSEMBLY

Models: A3FE, A3RE, BBCV, SBCV, TCFE, TCRE
EXIT
SIDE JACKKNIFE, POWER FLUSH, AIR, 35 INCH, RH
23 & 24.75 INCH STEP
With Features: **OPTION 0472, 0475**
BSN: **From BSN B10107205 L10093805**

Key	PartNumber	Qty	Description	Comment
1	1441765		DOOR ASSY,FRONT,COMPLETE POWER	
1	1441773		DOOR ASSY,FRONT,COMPLETE PWR,24.75,	
2	1441575		DOOR ASSY,STEEL TUBE,23.00	
2	1441583		DOOR ASSY,STEEL TUBE,24.75	
3	0054040		COVER ASSY,HDR,JK EXIT DR,74 HR	
3	0054956		COVER ASSY,HDR,JK EXIT DR,77 HR	
4	1695881		RETAINER,UPPER ENTRANCE DR SEAL,31.75,CV	
5	1651488		EXTRUSION,RUBBER,UPPER ENT DOOR	
6	1369990		BRACKET ASSY,POWER CYL MTG,FLUSH JK DR	
7	1441716		BRACKET ASSY,FLUSH JK ENT DOOR ROLLER,	
8	1599307		TRIM,DOOR,JACKKNIFE,UPPER REAR	
9	1005081		RETAINER,DOOR NOSG,JK DOOR,23 STEP	
9	0150185		RETAINER,DOOR NOSG RUBBER,24 3/4IN STEP	
10	1103035		LATCH,SPR,SOUTHCO	
11	0031458		CYLINDER ASSY,AIR,2.00 BORE X 4.50 STROKE	
12	0414763		BRACKET,CYL ROD SWITCH	
13	2001493		NUT,HEX HD,5/8-11,YEL ZN DICH	
14	1599083		RETAINER,HINGE SEAL,23.00 STP,STL TUBE DR	
14	1599091		RETAINER,HINGE SEAL,24.75 STP,STL TUBE DR	
15	2001055		WASHER,FLAT,11/32 X 1 1/4 X 5/32,YEL ZN	
16	1637867		LEVER ARM ASSY,POWER JACKKNIFE DOOR	
17	2021939		WASHER,FLAT,2 OD X 1.06 ID X .13 THK,YEL	
18	1294867		BEARING,NYLON,UPPER PIVOT,POWER JK DOOR	
19	1294875		BEARING,NYLON,GUIDE,POWER JACKKNIFE	
20	1378074		BRACKET ASSY,EXIT DOOR,35,FLUSH JK,A/CV	
21	1378991		TRIM,BOW,O/S,FWD POSN,REAR EXIT DR,23	
21	1379007		TRIM,BOW,O/S,FWD POSN,RR EXIT DR,24.75	
22	1529882		RUBBER,GLAZING,35 EXIT DR LWR,23 STEP,	
23	1444793		RUBBER,GLAZING,ENTRANCE DOOR,CV	
24	1444884		GLASS,DOOR,ENT,STL TUBE,UPPER,TEMPERED	FEATURE 31189-01, TEMPERED
24	1444868		GLASS,DOOR,ENT,STL TUBE,UPPER,CLEAR,LAM	FEATURE 31189-02, CLEAR, LAMINATED
24	1444876		GLASS,DOOR,ENT,STL TUBE,UPPER,70 PCT	FEATURE 31189-03, TINTED, GREEN
24	1858794		GLASS,DOOR,EXIT,STL TUB,UPPER,DARK TINT	TEMPERED, DARK TINT

Models: A3FE, A3RE, BBCV, SBCV, TCFE, TCRE
EXIT
SIDE JACKKNIFE, POWER FLUSH, AIR, 35 INCH, RH
23 & 24.75 INCH STEP
With Features: OPTION 0472, 0475
BSN: From BSN B10107205 L10093805

Key	PartNumber	Qty	Description	Comment
24	1661875		GLASS,DOOR,EXIT,STL TUB,UPPER,DARK TINT	LAMINATED, DARK TINT
25	1529908		GLASS,DOOR,ENT,STL TUBE,LOWER,CLEAR,	23 IN STEP
25	1529916		GLASS,DOOR,ENT,STL TUBE,LOWER,70 PCT	23 IN STEP
25	1529924		GLASS,DOOR,ENT,STL TUBE,LOWER,	23 IN STEP
25	1858810		GLASS,DOOR,EXIT,STL TUB,LOWER,DARK TINT	23 IN STEP
25	1661883		GLASS,DOOR,EXIT,STL TUB,LOWER,DARK TINT	23 IN STEP
25	1444827		GLASS,DOOR,ENT,STL TUBE,LOWER,CLEAR,LAM	24.75 IN
25	1444835		GLASS,DOOR,ENT,STL TUBE,LOWER,70 PCT	24.75 IN
25	1444843		GLASS,DOOR,ENT,STL TUBE,LOWER,TEMPERED	24.75 IN
25	1858802		GLASS,DOOR,EXIT,STL TUB,LWR,DK TINT	24.75 IN
25	1687037		GLASS,DOOR,EXIT,STL TUB,LWR,DK TINT	24.75 IN
NI	2051902		SEALANT,SILICONE,BLACK,CARTRIDGE	
26	1294784		BEARING,NYLON,LOWER PIVOT,POWER JK	
27	1056647		WASHER,FRICTION,LEVER PIVOT,NYLON	
28	1368448		PIVOT ASSY,LOWER,FLUSH POWER JK DOOR,AA	
29	0066672		SEAL ASSY,DOOR,POWER JACKKNIFE,LOWER	
30	0066663		SEAL ASSY,DOOR,JK,LOWER,CV	
31	1443324		HINGE ASSY,CTR POSN,FLUSH JK DR,23,LH DR	
31	1443381		HINGE ASSY,C/POSN,FLUSH JK DR,24.75,	
32	1120062		SEAL,HINGE,CENTER,JK ENT DOOR,23,BLACK	
32	1120070		SEAL,HINGE,CENTER,JK ENT DOOR,24,BLACK	
33	1383520		KEEPER ASSY,JK DOOR,36,A3RE	
34	1380708		RUBBER,DOOR NOSING,FLUSH JACKKNIFE	
35	1149533		SEAL,VERTICAL,UNI-GRIP,O/O DOOR,	
36	0995324		PLATE,EMERGENCY REL,AIR	
37	1098656		VALVE,EM RELEASE,MIDLAND ROSS N-13440-	
38	1141886		PLATE ASSY,INSPECTION,DOOR CONTROL,	
39	1319334		YOKE ASSY,ADJUSTABLE,POWER CYL MTG,J-K	
40	0829390		NUT,HEX HD,5/16-18,SER WASHER,YEL ZN	
41	1637552		RETAINER,DOOR NOSG,FWD,EXIT PJK,23.00	
41	1637560		RETAINER,DOOR NOSG,FWD,EXIT PJK,24.75	
42	1368513		TRIM,CORNER POST,IS 23 STP,FLUSH PWR JK	
42	1368505		TRIM,CORNER POST,IS 24.75 STP,FLUSH PWR	

Models: A3FE, A3RE, BBCV, SBCV, TCFE, TCRE
EXIT
SIDE JACKKNIFE, POWER FLUSH, AIR, 35 INCH, RH
23 & 24.75 INCH STEP
With Features: **OPTION 0472, 0475**
BSN: **From BSN B10107205 L10093805**

Key	PartNumber	Qty	Description	Comment
43	1368521		RETAINER,SEAL,I/S,FRT,23 STP,FLUSH PJK DR	
43	1368539		RETAINER,SEAL,I/S,FRT,24.75 STP,FLUSH PJK	
44	1374651		RETAINER,RUBBER SEAL,UPPER,POWER JK	
45	1375492		RETAINER,RUBBER SEAL,LOWER,POWER JK DR	
46	1637545		RUBBER,NOSING,EXIT PJK DOOR,FRONT	
47			NOT USED	
48	1032283		CAPSCREW,HEX HD,5/16-18,X,3/4,GR5,	
49	1385186		STRIKER,JK KEEPER,36,AAFC/RE	
50	1444785		CAP,ROLLER BRACKET,FLUSH JACKKNIFE DR,	
51	1540103		WASHER,STAR,.62,ZINC PLATED	
52	1032234		SHIM,LOWER PIVOT,ENT DOOR	
53	0955930		RIVET,.250 X .437,BUTTON HD,SOLID,STL,ZN-	
54	1164821		SCREW,10-16 X 3/4,AB,PH1,TRUSS HD, YEL ZN	
55	2000073		SCREW,1/4-20 X 1,D,HEX HD,YEL ZN DICH	
56	1143676		SCREW,10-16 X 3/4, AB,PH1,PAN HD,BLK ZN,	
57	1378983		TRIM,BOW,INSIDE,FORWARD,POSN,REAR EXIT	
58	2000206		CAPSCREW,HEX HD,5/16-24X1 1/4,GR5,	
59	2000016		SCREW,1/4-14 X 5/8,B,HEX,W/PLAIN WASH,	
60	2028298		CAPSCREW,HEX HD,5/16-24X1 3/4,GR5,	
	2004257		NUT,HEX HD,5/16-24,FLG,PRVLG TORQ,	
61	2000669		SCREW,1/4-14 X 3/4,TYP1,PH1,OVAL CNSK,YEL	
62	0948497		RIVET,.250 X .625,WAGON BX,SOLID,STL,ZN-NI	
63	2000214		CAPSCREW,HEX HD,5/16-24X1 1/2,GR5,	
	2001121		WASHER,FLAT,5/16 X 3/4,X 5/64,YEL ZN DICH	
	2004257		NUT,HEX HD,5/16-24,FLG,PRVLG TORQ,	
64	2008852		PIN,CLEVIS,1/2 DIA X 1 1/2, YEL ZN DICH	
	1105469		PIN,HAIR,COTTER 3/16	
65	1589522		SCREW,10-16 X 3/4,AB,PH1,PAN HD,YEL ZN	
66	1457803		BRACKET,SWITCH,FLUSH POWER JK DOOR, AA	
67	2004547		TRIM,INSTRUMENT HOOD,VINYL EDGE,BLACK	
68	1125962		MOLDING,DRIP,ENTRANCE DOOR	
69	1078922		WASHER,FLAT,3/8 X 7/8 X 5/64,YEL ZN DICH	
70	1422195		SEALANT,LOCTITE,THREADLOCKER 242, BLUE	

Models: A3FE, A3RE, BBCV, SBCV, TCFE, TCRE
 EXIT
 SIDE JACKKNIFE, POWER FLUSH, AIR, 35 INCH, RH
 23 & 24.75 INCH STEP

With Features: OPTION 0472, 0475

BSN: From BSN B10107205 L10093805

Key	PartNumber	Qty	Description	Comment
71	1578459		PAD ASSY,HDR,ENT DR, 3.00 X 35.00	
72	0075190		PAD ASSY,HDR,J/K ENT DR,3.00 X 35.00, A3	
73	0054681		PAD ASSY,HDR,J/K EXIT D00R,REAR,74HR	
73	0054954		PAD ASSY,HDR,J/K EXIT D00R,REAR,77HR	
74	0054682		PAD ASSY,HDR,J/K EXIT D00R,FRT,74HR	
74	0054958		PAD ASSY,HDR,J/K EXIT D00R,FRT,77HR	

Models: A3FE, A3RE, BBCV, GMCV, MBWB, SBCV, TCFE
LIFT

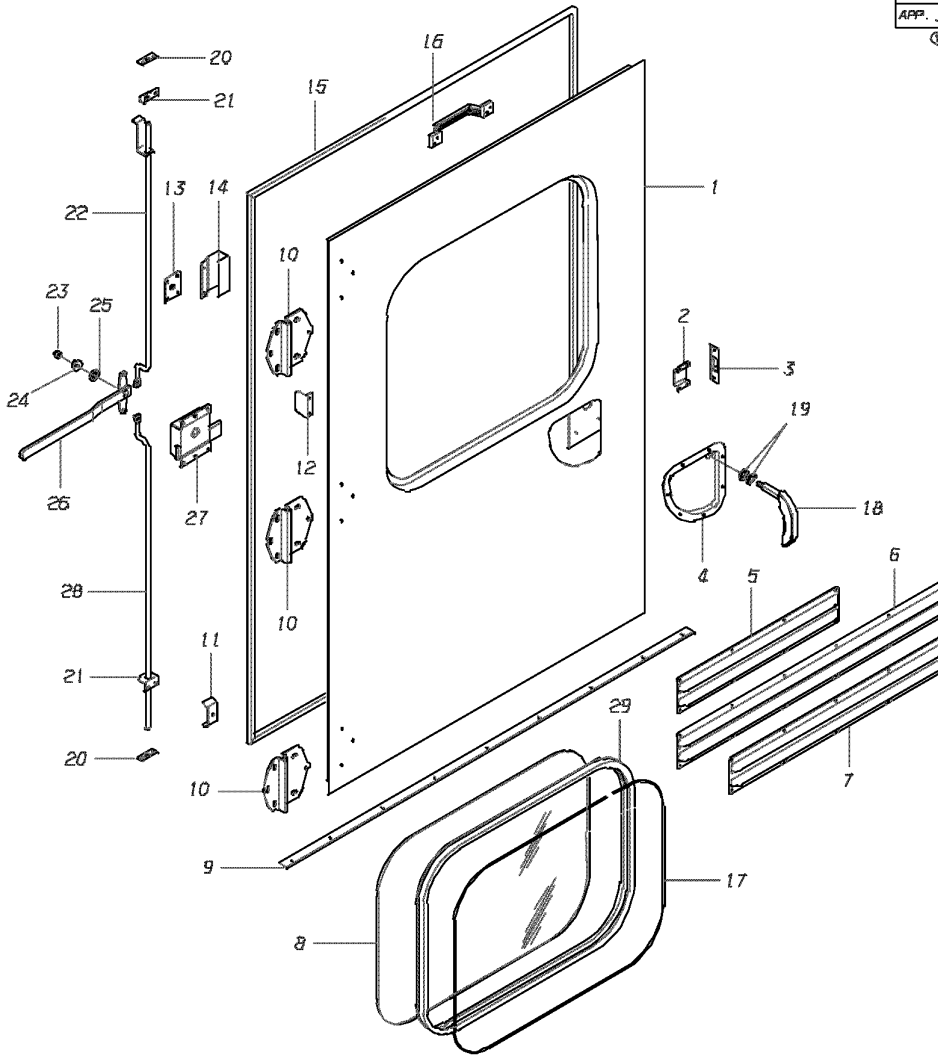
With Features: 43 INCH ADA LIFT DOOR
OPTION 460

Key	PartNumber	Qty	Description	Comment
-----	------------	-----	-------------	---------

DR. 3/9/01	BY JL	---	1751207	F
APP. 3/9/01	BY PF	FRT		REV



© BLUE BIRD BODY COMPANY. ALL RIGHTS RESERVED



Models: A3FE, A3RE, BBCV, GMCV, MBWB, SBCV, TCFE
LIFT

With Features: 43 INCH ADA LIFT DOOR
OPTION 460

Key	PartNumber	Qty	Description	Comment
1	1728013		DOOR ASSY,43 LIFT,70 HEADROOM,REAR	
1	1728021		DOOR ASSY,43 LIFT,70 HEADROOM,FRONT	
2	0004218		GUIDE,DOOR LATCH	FEATURE 30400-01. ASTRO WHITE
2	0075878		GUIDE,LATCH,DOOR,FLORIDA	FEATURE 30400-02. FLORIDA GRAY
2	0060132		GUIDE,DOOR LATCH,KY	FEATURE 30400-03. KENTUCKY BLUE
2	0086920		GUIDE,LATCH,DOOR,GREEN	FEATURE 30400-04. SEA FOAM GREEN
3	0004358		STRIKER,40 LIFT DOOR LATCH	FEATURE 30400-01. ASTRO WHITE
3	0075879		STRIKER,LATCH,40 LIFT DOOR,FLORIDA	FEATURE 30400-02. FLORIDA GRAY
3	0060133		STRIKER,40 LIFT DOOR LATCH,KY	FEATURE 30400-03. KENTUCKY BLUE
3	0086925		STRIKER,LATCH,40 LIFT DOOR,GREEN	FEATURE 30400-04. SEA FOAM GREEN
4	1243294		CUP ASSY,RECESSED O/S HDL,42 LIFT DR,	
5	0309955		RUB RAIL,NO 03, 21 3/4 IN	
6	0309971		RUB RAIL,NO 05, 35 3/4 IN	
7	0309963		RUB RAIL,NO 04, 28 3/4 IN	
8	1728187		GLASS,WINDOW,ADA LIFT DOOR,CLEAR,	FEATURE 31070-01. CLEAR, LAMINATED
8	1858695		GLASS,WINDOW,ADA LIFT DOOR,DARK TINT	FEATURE 31070-02. DARK TINT TEMPERED
8	1728195		GLASS,WINDOW,ADA LIFT DOOR,DARK TINT	FEATURE 31070-03. DARK TINT LAMINATED
8	0064036		GLASS,WINDOW,ADA LIFT DOOR,CLEAR,	FEATURE 03332-01. CLEAR, TEMPERED
9	0802330		TRIM,DRIVERS FLOOR	
10	1613744	3	HINGE ASSY,EMERG DOOR,E-COAT,W/GREASE	
11	0003632		BRACKET,RUBBER BUMPER HANDLE,C-LIFT	
NI	2018786		CUP,REPLACEMENT,ORTHOPEDIC UNIT	
12	0002972		STRIKER,MICROSWITCH,FRONT	FEATURE 30400-01, ENDING WITH BSN B10111764, L10097774
12	0068164		STRIKER,SWITCH,43 LIFT DOOR	FEATURE 30400-01, BEGIN WITH BSN B10111765, L10097775
12	0075876		STRIKER,SWITCH,43 LIFT DOOR,FLORIDA	FEATURE 30400-02,FLORIDA GRAY
12	0060130		STRIKER,MICROSWITCH,FRONT,KY	FEATURE 30400-03, KENTUCKY BLUE
12	0086961		STRIKER,SWITCH,43 LIFT DOOR,GREEN	

Models: A3FE, A3RE, BBCV, GMCV, MBWB, SBCV, TCFE
LIFT

With Features: 43 INCH ADA LIFT DOOR
OPTION 460

Key	PartNumber	Qty	Description	Comment
				GREEN
13	0004226		PLATE,MTG,DOME LIGHT SWITCH	FEATURE 30400-01, ASTRO WHITE, ENDING WITH BSN B0075214, (04- 04- 05)
13	0075880		PLATE,MTG,SWITCH,DOME LIGHT,FLORIDA	FEATURE 30400-02, FLORIDA GRAY, ENDING WITH BSN B0075214, (04- 04- 05)
13	0060142		PLATE,MTG,DOME LIGHT SWITCH,KY	FEATURE 30400-03, KENTUCKY BLUE, ENDING WITH BSN B0075214, (04- 04- 05)
13	0086921		PLATE,MTG,SWITCH,DOME LIGHT,GREEN	FEATURE 30400-04, SEA FOAM GREEN, ENDING WITH BSN B0075214, (04- 04- 05)
14	0003442		BRACKET,BUZZER-PUMP MICROSWITCH	FEATURE 30400-01, ASTRO WHITE, ENDING 07-10-06
14	0075877		BRACKET,BUZZER,& PUMP,MICROSWITCH,	FEATURE 30400-02,FLORIDA GRAY, ENDING 07-10-06
14	0060131		BRACKET,BUZZER-PUMP MICROSWITCH,KY	FEATURE 30400-03, KENTUCKY BLUE, ENDING 07-10-06
14	0086915		BRACKET,BUZZER,& PUMP,MICROSWITCH,	FEATURE 30400-04, SEA FOAM GREEN, ENDING 07-10-06
15	1632975		WEATHERSEAL,DOOR,43 LIFT,ADA	
16	1122605		HANDLE,HOOD,FIBERGLASS	
17	0269373	9	FILLERSTRIP,GLAZING RUBBER	
18	0949842		HANDLE,O/S,S E D,NON-LOCKING	
19	0658013	2	WASHER,FRICTION,EMERGENCY DOOR	
20	0004275	2	STRIKER,UPPER,LOWER,SIDE EMERGENCY	FEATURE 30400-01,ASTRO WHITE
20	0075873	2	STRIKER,UPPER,LOWER,SIDE,EM DOOR,	FEATURE 30400-02, FLORIDA GRAY
20	0060125	2	STRIKER,UPPER,LOWER,SIDE EMERGENCY	FEATURE 30400-03, KENTUCKY BLUE
20	0086923	2	STRIKER,UPPER,LOWER,SIDE,EM DOOR,GREEN	FEATURE 30400-04, SEA FOAM GREEN
21	0004309	2	GUIDE,LOCKING,BAR,3PT,RED & SED,WHITE	FEATURE 30400-01, ASTRO WHITE
21	0075874	2	GUIDE,LOCKING,BAR,3PT,RED & SED,GRAY	FEATURE 30400-02, FLORIDA GRAY
21	0060128	2	GUIDE,LOCKING,BAR,3PT,RED & SED,BLUE	FEATURE 30400-03, KENTUCKY BLUE
21	0086924	2	GUIDE,LOCKING,BAR,3PT,RED & SED,GREEN	FEATURE 30400-04, SEA FOAM GREEN
22	1632926		BAR,LOCKING,UPPER,3-PT LOCK,ADA LIFT DR,	
23	0928440		NUT,ACORN,3/8-16,YEL ZN DICH,LOW CROWN	

Models: A3FE, A3RE, BBCV, GMCV, MBWB, SBCV, TCFE
LIFT
43 INCH ADA LIFT DOOR
With Features: OPTION 460

Key	PartNumber	Qty	Description	Comment
24	0543934		NUT,HEX HD,3/8-16,ZINC,LG FLG LK,YEL	
25	0954420		WASHER,FLAT,3/4 ID X 1 1/8 OD X3/16TK,	
26	1051093		HANDLE ASSY,I/S,REAR & SIDE DOOR,3 PT	
27	1565282		LOCK ASSY,SINGLE PT,LH,LIFT DR,PWDR MTL	
27	1565274		LOCK ASSY,SINGLE PT,RH,LIFT DR,PWDR MTL	
28	1820612		BAR,LOCKING,LOWER,3-POINT LOCK, PLATED	
29	1728336		GLAZING,RUBBER,WINDOW,ADA LIFT DOOR	
30	1214931		CABLE & HOOK ASSY,CMPT DOOR,10 13/16	
31	2008894		HOOK,SIZE 40,HOT DIPPED GALVANIZED 610	
NI	0887513		CHAIN ASSY,DOOR,56IN WHEELCHAIR LIFT	

Models: A3FE, A3RE, GMCV, MBWB, SBCV, TCFE, TCRE, VCTA

LIFT

REAR

40 INCH

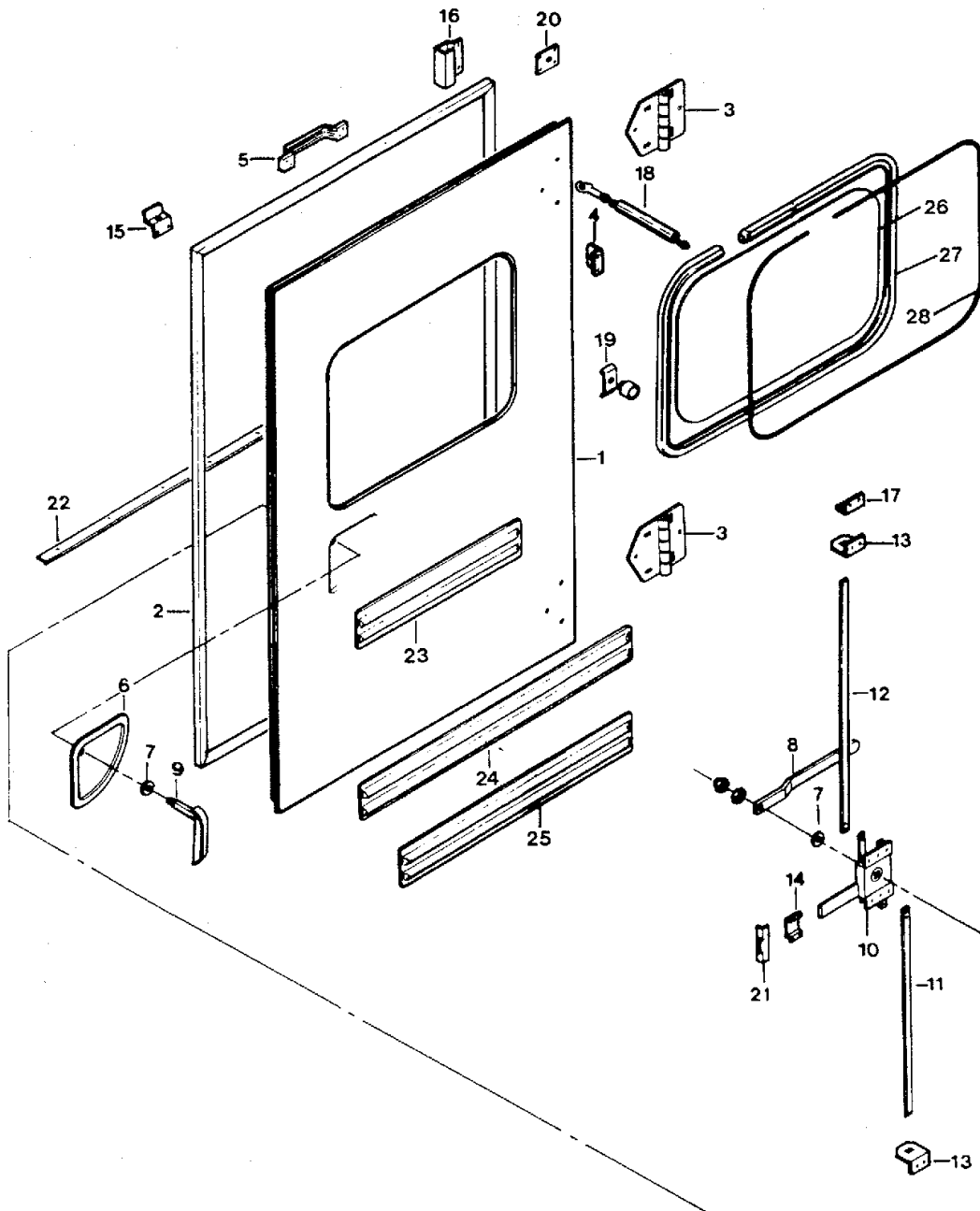
With Features: OPTION 437, 439

Key	PartNumber	Qty	Description	Comment
-----	------------	-----	-------------	---------

FRONT

 © 1986 BLUE BIRD BODY COMPANY

 ALL RIGHTS RESERVED



Models: A3FE, A3RE, GMCV, MBWB, SBCV, TCFE, TCRE, VCTA
**LIFT
 REAR
 40 INCH**

With Features: OPTION 437, 439

Key	PartNumber	Qty	Description	Comment
1	1266832		DOOR ASSY,40 LIFT DOOR	
1	1586437		DOOR ASSY,40 LIFT DR,PRIMED	
1	1648500		DOOR ASSY,40 LIFT DR,E-COAT	
2	1266915		WEATHERSEAL,40 LIFT DOOR	
3	1559590		HINGE ASSY,EMERG DOOR,PRIMED,W/GREASE	STANDARD
3	1613744		HINGE ASSY,EMERG DOOR,E-COAT,W/GREASE	
4	0812743		STRIKER,MICRO SWITCH FOOT, EXCB	
5	1122605		HANDLE,HOOD,FIBERGLASS	
6	1243294		CUP ASSY,RECESSED O/S HDL,42 LIFT DR,	
7	0658013		WASHER,FRICITION,EMERGENCY DOOR	
8	1051093		HANDLE ASSY,I/S,REAR & SIDE DOOR,3 PT	
9	0949834		HANDLE,O/S,S E D,NON-LOCKING	
10	1565282		LOCK ASSY,SINGLE PT,LH,LIFT DR,PWDR MTL	
11	1820612		BAR,LOCKING,LOWER,3-POINT LOCK, PLATED	
12	1598606		BAR ASSY,LOCKING,UPPER,3-PT LK,LIFT DR,	
13	1134964		GUIDE,LOCKING BAR,3 PNT LOCK,RED	
14	0907089		GUIDE,DOOR LATCH	
15	0904847		BRACKET,BUZZER SWITCH	
16	0812735		BRACKET,BUZZER & PUMP,MICRO-SWITCH	
17	1051150		STRIKER,UPPER,LOWER,SIDE EMERGENCY	
18	0887513		CHAIN ASSY,DOOR,56IN WHEELCHAIR LIFT	
19	0907022		BRACKET,RUBBER BUMPER HANDLE,C-LIFT	
20	0929653		PLATE,MTG,DOME LIGHT SWITCH	
21	1269497		STRIKER,40 LIFT DOOR LATCH	
22	0802330		TRIM,DRIVERS FLOOR	
23	0309955		RUB RAIL,NO 03, 21 3/4 IN	
24	0309971		RUB RAIL,NO 05, 35 3/4 IN	
25	0309963		RUB RAIL,NO 04, 28 3/4 IN	
26	0799973		GLASS,42 LIFT DOOR,CLEAR,LAMINATED	
26	1565134		GLASS,CLEAR,STORM,42.00 LIFT DOOR	STORM, OPTION 3334
27	0962746		GLAZING,RUBBER,84	
27	1456490		GLAZING,RUBBER,ENT DOOR,LOWER,STORM	OPTION 3334
28	0269373	7'	FILLERSTRIP,GLAZING RUBBER	OPTION 3334

Models: A3FE, A3RE, GMCV, MBWB, SBCV, TCFE, TCRE, VCTA
LIFT
REAR
40 INCH
With Features: OPTION 437, 439

Key	PartNumber	Qty	Description	Comment
28	0269373	14'	FILLERSTRIP, GLAZING RUBBER	
NI	1355148		FRAME ASSY, 40 LIFT DOOR, FIRST SECTION,	
NI	1355080		FRAME ASSY, 40 LIFT DOOR, LAST SECTION,	

Models: AAFE, AARE, A3FE, A3RE, BBCV, GMCV, MBWB, SBCV, TCFE, TSFE

**LIFT
SIDE**

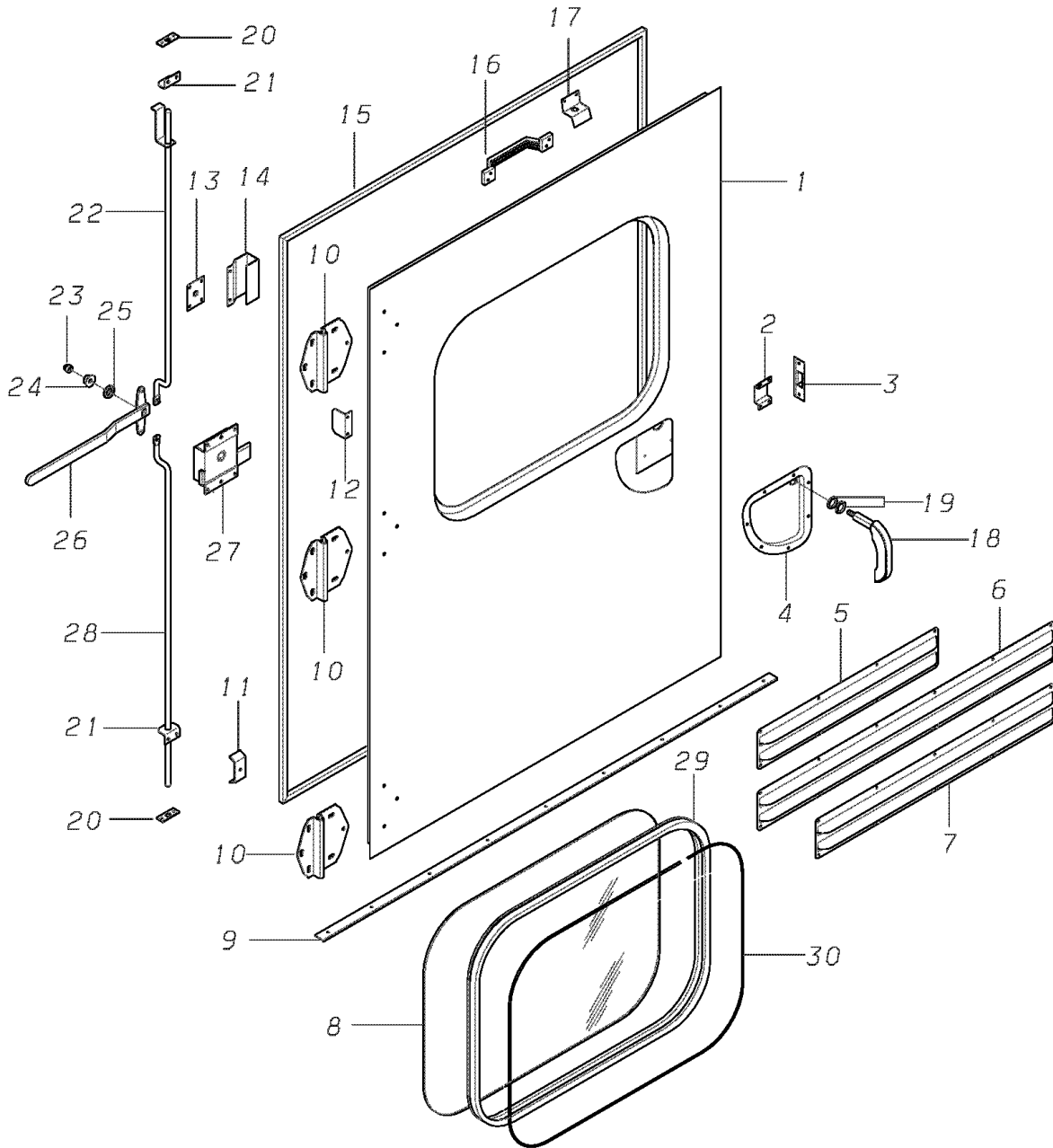
With Features: OPTION 455, 456
To BSN B10107204 F10053940 L10093804

Key	PartNumber	Qty	Description	Comment
-----	------------	-----	-------------	---------

DR.12/13/94 BY DB	FRT	1600923	B
APP.12/13/94 BY AB			



© BLUE BIRD BODY COMPANY. ALL RIGHTS RESERVED



Models: AAFE, AARE, A3FE, A3RE, BBCV, GMCV, MBWB, SBCV, TCPE, TSPE

LIFT

SIDE

With Features: OPTION 455, 456

To BSN B10107204 F10053940 L10093804

Key	PartNumber	Qty	Description	Comment
1	1597335		DOOR ASSY,43 LIFT DOOR,REAR HINGE	
1	1597343		DOOR ASSY,43 LIFT DOOR,FRONT HINGE	
2	0004218		GUIDE,DOOR LATCH	
3	0004358		STRIKER,40 LIFT DOOR LATCH	
4	1243294		CUP ASSY,RECESSED O/S HDL,42 LIFT DR,	
5	0309955		RUB RAIL,NO 03, 21 3/4 IN	
6	0309971		RUB RAIL,NO 05, 35 3/4 IN	
7	0309963		RUB RAIL,NO 04, 28 3/4 IN	
8	0799973		GLASS,42 LIFT DOOR,CLEAR,LAMINATED	STANDARD , LAMINATED
8	2261014		GLASS ASSY,STORM,42 LIFT DOOR	OPTION 3339, STORM
9	0802330		TRIM,DRIVERS FLOOR	
10	1613744	3	HINGE ASSY,EMERG DOOR,E-COAT,W/GREASE	
11	0003632		BRACKET,RUBBER BUMPER HANDLE,C-LIFT	
NI	2018786		CUP,REPLACEMENT,ORTHOPEDIC UNIT	
12	0002972		STRIKER,MICROSWITCH,FRONT	
13	0004226		PLATE,MTG,DOME LIGHT SWITCH	
14	0003442		BRACKET,BUZZER-PUMP MICROSWITCH	
15	1600576		WEATHERSEAL,43 LIFT DOOR	
16	1122605		HANDLE,HOOD,FIBERGLASS	
17	0004200		BRACKET,BUZZER SWITCH	
18	0949842		HANDLE,O/S,S E D,NON-LOCKING	
19	0658013	2	WASHER,FRICTION,EMERGENCY DOOR	
20	0004275	2	STRIKER,UPPER,LOWER,SIDE EMERGENCY	
21	0004309	2	GUIDE,LOCKING,BAR,3PT,RED & SED,WHITE	
22	1598606		BAR ASSY,LOCKING,UPPER,3-PT LK,LIFT DR,	
23	0928440		NUT,ACORN,3/8-16,YEL ZN DICH,LOW CROWN	
24	0543934		NUT,HEX HD,3/8-16,ZINC,LG FLG LK,YEL	
25	0954420		WASHER,FLAT,3/4 ID X 1 1/8 OD X3/16TK,	
26	1051093		HANDLE ASSY,I/S,REAR & SIDE DOOR,3 PT	
27	1565282		LOCK ASSY,SINGLE PT,LH,LIFT DR,PWDR MTL	
27	1565274		LOCK ASSY,SINGLE PT,RH,LIFT DR,PWDR MTL	
28	1820612		BAR,LOCKING,LOWER,3-POINT LOCK, PLATED	
29	0962746		GLAZING,RUBBER,84	STANDARD

Models: AAFE, AARE, A3FE, A3RE, BBCV, GMCV, MBWB, SBCV, TCPE, TSPE

**LIFT
SIDE**

With Features: OPTION 455, 456
To BSN B10107204 F10053940 L10093804

Key	PartNumber	Qty	Description	Comment
29	0350728		GLAZING,RUBBER,ENT DOOR,LOWER,DOUBLE	
30	0269373		FILLERSTRIP,GLAZING RUBBER	STANDARD & LOWER DOUBLE GLASS
31	1499102		SWITCH,2 POSN,ACCESSORY	
32	1126176		SWITCH,MOMENTARY,SPST NC	
33	1126184		SWITCH,MOMENTARY,SPST NO	
34	1145168		SWITCH,ADJUSTABLE,DPST (NC) INTERNAL	NC
35	1214931		CABLE & HOOK ASSY,CMPT DOOR,10 13/16	
36	2008894		HOOK,SIZE 40,HOT DIPPED GALVANIZED 610	
NI	0887513		CHAIN ASSY,DOOR,56IN WHEELCHAIR LIFT	

Models: A3FE, A3RE, BBCV, SBCV

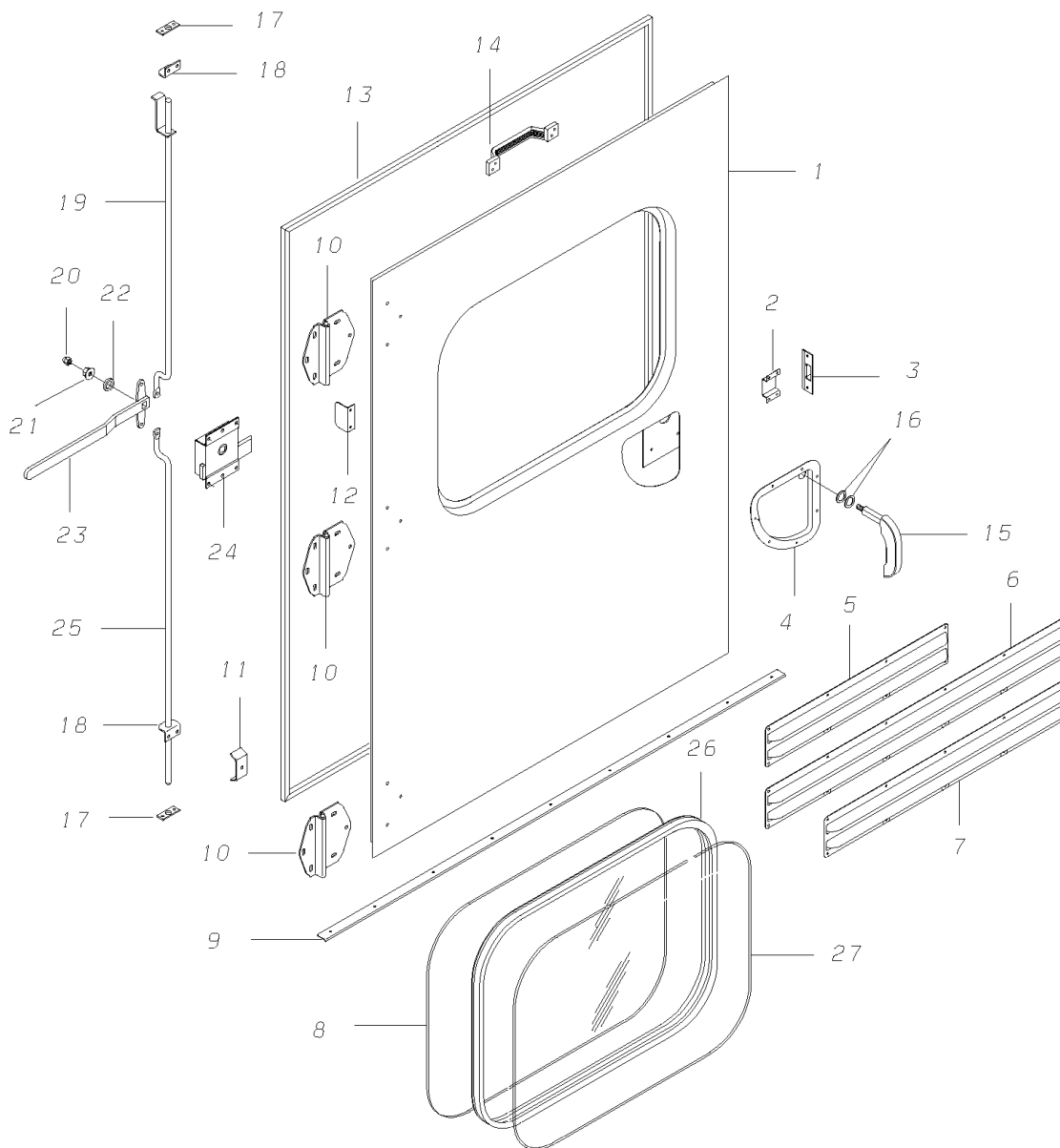
LIFT

SIDE

With Features: OPTION 455, 456

BSN: From BSN B10107205 L10093805

Key	PartNumber	Qty	Description	Comment
-----	------------	-----	-------------	---------



Models: A3FE, A3RE, BBCV, SBCV
LIFT SIDE
With Features: OPTION 455, 456
BSN: From BSN B10107205 L10093805

Key	PartNumber	Qty	Description	Comment
1	1597335		DOOR ASSY,43 LIFT DOOR,REAR HINGE	
1	1597343		DOOR ASSY,43 LIFT DOOR,FRONT HINGE	
2	0004218		GUIDE,DOOR LATCH	FEATURE 30400-01, ASTRO WHITE
2	0075878		GUIDE,LATCH,DOOR,FLORIDA	FEATURE 30400-02, FLORIDA GRAY
2	0060132		GUIDE,DOOR LATCH,KY	FEATURE 30400-03, KENTUCKY BLUE
2	0086920		GUIDE,LATCH,DOOR,GREEN	FEATURE 30400-04, SEA FOAM GREEN
3	0004358		STRIKER,40 LIFT DOOR LATCH	FEATURE 30400-01, ASTRO WHITE
3	0075879		STRIKER,LATCH,40 LIFT DOOR,FLORIDA	FEATURE 30400-02, FLORIDA GRAY
3	0060133		STRIKER,40 LIFT DOOR LATCH,KY	FEATURE 30400-03, KENTUCKY BLUE
3	0086925		STRIKER,LATCH,40 LIFT DOOR,GREEN	FEATURE 30400-04, SEA FOAM GREEN
4	1243294		CUP ASSY,RECESSED O/S HDL,42 LIFT DR,	
5	0309955		RUB RAIL,NO 03, 21 3/4 IN	
6	0309971		RUB RAIL,NO 05, 35 3/4 IN	
7	0309963		RUB RAIL,NO 04, 28 3/4 IN	
8	0799973		GLASS,42 LIFT DOOR,CLEAR,LAMINATED	
8	1565134		GLASS,CLEAR,STORM,42.00 LIFT DOOR	
8	0038146		GLASS,42 LIFT DOOR,CLEAR TEMPERED	
9	0802330		TRIM,DRIVERS FLOOR	
10	1613744	3	HINGE ASSY,EMERG DOOR,E-COAT,W/GREASE	
11	0003632		BRACKET,RUBBER BUMPER HANDLE,C-LIFT	
12	0068164		STRIKER,SWITCH,43 LIFT DOOR	FEATURE 30400-01, ASTRO WHITE
12	0075876		STRIKER,SWITCH,43 LIFT DOOR,FLORIDA	FEATURE 30400-02, FLORIDA GRAY
12	0060130		STRIKER,MICROSWITCH,FRONT,KY	FEATURE 30400-03, KENTUCKY BLUE
12	0086961		STRIKER,SWITCH,43 LIFT DOOR,GREEN	FEATURE 30400-04, SEA FOAM GREEN
13	1600576		WEATHERSEAL,43 LIFT DOOR	
14	1122605		HANDLE,HOOD,FIBERGLASS	
15	0949842		HANDLE,O/S,S E D,NON-LOCKING	
16	0658013	2	WASHER,FRICITION,EMERGENCY DOOR	
17	0004275	2	STRIKER,UPPER,LOWER,SIDE EMERGENCY	

Models: A3FE, A3RE, BBCV, SBCV

LIFT

SIDE

With Features: OPTION 455, 456

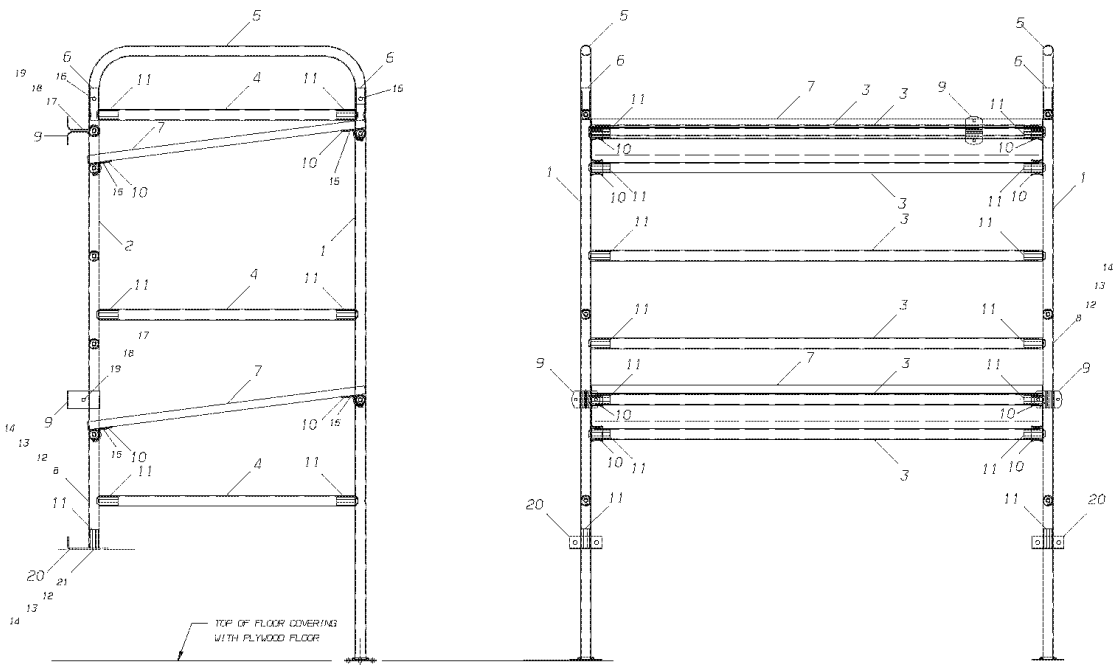
BSN: From BSN B10107205 L10093805

Key	PartNumber	Qty	Description	Comment
				<i>WHITE</i>
17	0075873	2	STRIKER,UPPER,LOWER,SIDE,EM DOOR,	<i>FEATURE 30400-02, FLORIDA GRAY</i>
17	0060125	2	STRIKER,UPPER,LOWER,SIDE EMERGENCY	<i>FEATURE 30400-03, KENTUCKY BLUE</i>
17	0086923	2	STRIKER,UPPER,LOWER,SIDE,EM DOOR,GREEN	<i>FEATURE 30400-04, SEA FOAM GREEN</i>
18	0004309	2	GUIDE,LOCKING,BAR,3PT,RED & SED,WHITE	<i>FEATURE 30400-01, ASTRO WHITE</i>
18	0075874	2	GUIDE,LOCKING,BAR,3PT,RED & SED,GRAY	<i>FEATURE 30400-02, FLORIDA GRAY</i>
18	0060128	2	GUIDE,LOCKING,BAR,3PT,RED & SED,BLUE	<i>FEATURE 30400-03, KENTUCKY BLUE</i>
18	0086924	2	GUIDE,LOCKING,BAR,3PT,RED & SED,GREEN	<i>FEATURE 30400-04, SEA FOAM GREEN</i>
19	1598606		BAR ASSY,LOCKING,UPPER,3-PT LK,LIFT DR,	
20	0928440		NUT,ACORN,3/8-16,YEL ZN DICH,LOW CROWN	
21	0543934		NUT,HEX HD,3/8-16,ZINC,LG FLG LK,YEL	
22	0954420		WASHER,FLAT,3/4 ID X 1 1/8 OD X3/16TK,	
23	1051093		HANDLE ASSY,I/S,REAR & SIDE DOOR,3 PT	
24	1565282		LOCK ASSY,SINGLE PT,LH,LIFT DR,PWDR MTL	
24	1565274		LOCK ASSY,SINGLE PT,RH,LIFT DR,PWDR MTL	
25	1820612		BAR,LOCKING,LOWER,3-POINT LOCK, PLATED	
26	0962746		GLAZING,RUBBER,84	
27	0269373		FILLERSTRIP,GLAZING RUBBER	
NI	1214931		CABLE & HOOK ASSY,CMPT DOOR,10 13/16	
NI	2018786		CUP,REPLACEMENT,ORTHOPEDIC UNIT	
NI	2008894		HOOK,SIZE 40,HOT DIPPED GALVANIZED 610	

Models: **A3FE, A3RE, B2VC**
LUGGAGE
RACK
RACK, FLOOR MOUNTED
OPTION 0182-01

With Features:

Key	PartNumber	Qty	Description	Comment
-----	------------	-----	-------------	---------



Models: A3FE, A3RE, B2VC
LUGGAGE RACK RACK, FLOOR MOUNTED
With Features: OPTION 0182-01

Key	PartNumber	Qty	Description	Comment
1	0996587	2	POST ASSY,LUGGAGE RACK,AISLE SIDE	
2	1110808	2	POST,LUGGAGE RACK,WALL SIDE	
3	0933390	7	RAIL,LUGGAGE RACK,AISLE & WALL SIDE	
4	0933408	6	RAIL,LUGGAGE RACK,FRONT & REAR END	
5	0933416	2	RAIL,LUGGAGE RACK,UPPER,END	
6	0933952	4	PLUG,LUGGAGE RACK,POST TO UPPER RAIL	
7	0933960	2	SHELF ASSY,LUGGAGE RACK	
8	0935551	26	SCREW,MACH,5/16-18 X 3,PH1,OVAL CSNK,YEL	
9	1845494	3	BRACKET,LUGGAGE RACK	
10	0615567	8	CLAMP,POSITIVE SEAT CUSHION,REAR	
11	0329722	28	PLUG,RUBBER,HDRAIL,JK ENT DR	
12	1078922	28	WASHER,FLAT,3/8 X 7/8 X 5/64,YEL ZN DICH	
13	2001188	28	LOCKWASHER,SPLIT RING, 5/16,MED,YEL ZN	
14	2001410	28	NUT,HEX HD,5/16-18,YEL ZN DICH"	
15	1589530	8	SCREW,1/4-14 X 3/4,AB,PH1,PAN HD,YEL ZN	
16	1589522	4	SCREW,10-16 X 3/4,AB,PH1,PAN HD,YEL ZN	
17	2000826	3	SCREW,MACH,1/4X20X3/4,PH1,TRUSSHD,	
18	2001170	3	LOCKWASHER,SPLIT RING, 1/4 ,MED,YEL ZN	
19	2001360	3	NUT,ACORN,1/4-20,NICKEL"	
20	0004234	2	BRACKET,POST,WALL SIDE,LUGGAGE RACK	
21	2028306	2	CAPSCREW,HEX HD,5/16-18X3,GR 5,YEL ZN	
1	0996587	2	POST ASSY,LUGGAGE RACK,AISLE SIDE	
2	1110808	2	POST,LUGGAGE RACK,WALL SIDE	
3	0933390	7	RAIL,LUGGAGE RACK,AISLE & WALL SIDE	
4	0933408	6	RAIL,LUGGAGE RACK,FRONT & REAR END	
5	0933416	2	RAIL,LUGGAGE RACK,UPPER,END	
6	0933952	4	PLUG,LUGGAGE RACK,POST TO UPPER RAIL	
7	0933960	2	SHELF ASSY,LUGGAGE RACK	
8	0935551	26	SCREW,MACH,5/16-18 X 3,PH1,OVAL CSNK,YEL	
9	1845494	3	BRACKET,LUGGAGE RACK	
10	0615567	8	CLAMP,POSITIVE SEAT CUSHION,REAR	
11	0329722	28	PLUG,RUBBER,HDRAIL,JK ENT DR	
12	1078922	28	WASHER,FLAT,3/8 X 7/8 X 5/64,YEL ZN DICH	

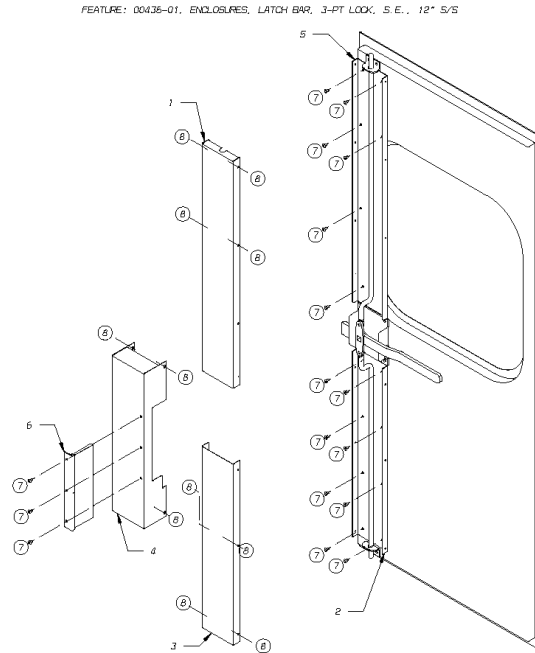
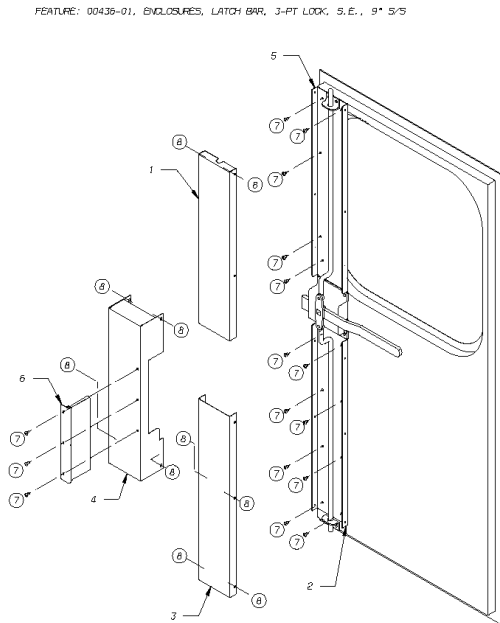
Models: A3FE, A3RE, B2VC
LUGGAGE RACK RACK, FLOOR MOUNTED
With Features: OPTION 0182-01

Key	PartNumber	Qty	Description	Comment
13	2001188	28	LOCKWASHER,SPLIT RING, 5/16,MED,YEL ZN	
14	2001410	28	NUT,HEX HD,5/16-18,YEL ZN DICH"	
15	1589530	8	SCREW,1/4-14 X 3/4,AB,PH1,PAN HD,YEL ZN	
16	1589522	4	SCREW,10-16 X 3/4,AB,PH1,PAN HD,YEL ZN	
17	2000826	3	SCREW,MACH,1/4X20X3/4,PH1,TRUSSHD,	
18	2001170	3	LOCKWASHER,SPLIT RING, 1/4 ,MED,YEL ZN	
19	2001360	3	NUT,ACORN,1/4-20,NICKEL"	
20	0004234	2	BRACKET,POST,WALL SIDE,LUGGAGE RACK	
21	2028306	2	CAPSCREW,HEX HD,5/16-18X3,GR 5,YEL ZN	

Models: A3FE, A3RE, BBCV, SBCV
OPTIONAL EQUIPMENT
3 POINT LOCK
COVER

With Features: OPTION 0436-01

Key	PartNumber	Qty	Description	Comment
-----	------------	-----	-------------	---------



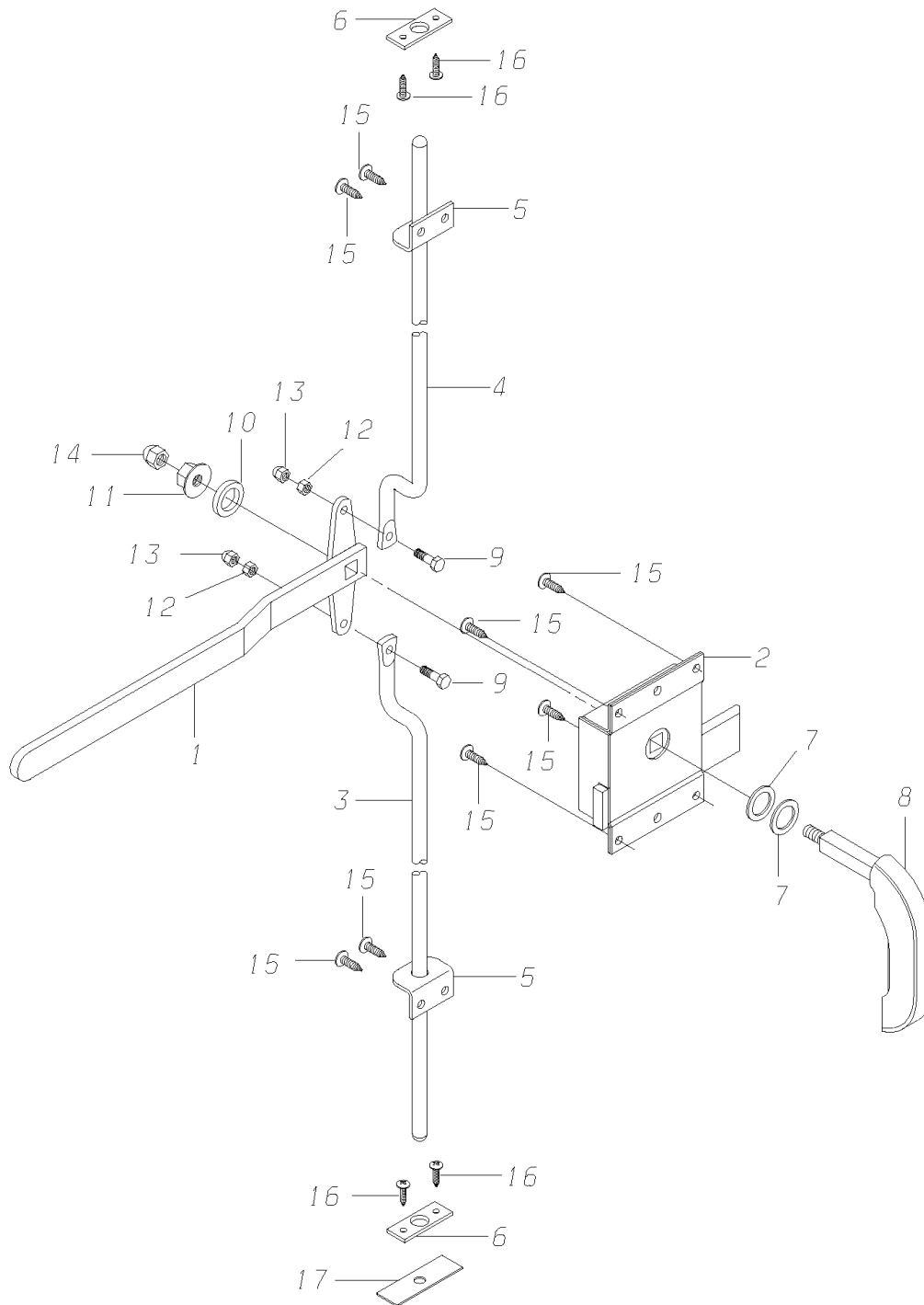
Models: A3FE, A3RE, BBCV, SBCV
OPTIONAL EQUIPMENT
3 POINT LOCK
COVER

With Features: **OPTION 0436-01**

Key	PartNumber	Qty	Description	Comment
1	0055411		COVER,UPPER,3PT BAR LOCK,9"S/S	
1	0055408		COVER,UPPER,3-POINT BAR LOCK,12"S/S	
2	0055412		CHANNEL,LOWER,3-POINT BAR LOCK	
3	0055413		COVER,LOWER,3-POINT BAR LOCK	
4	0055414		COVER,FRONT,3-POINT BAR LOCK	
5	0055876		CHANNEL,UPPER,3PT BAR LOCK,9"S/S	
5	0055409		CHANNEL,UPPER,3-POINT BAR LOCK,12" S/S	
6	0056199		SEAL,BRUSH,3PT LOCK COVER,W/MTG HOLES	
7	0055758		RIVET,POP,STL,.187X(.020-.125)CHERRY SSP	.020-.125
8	1589522		SCREW,10-16 X 3/4,AB,PH1,PAN HD,YEL ZN	

Models: AAFE, AARE, A3FE, A3RE, GMCV, GPWB, MBWB, SBCV, TCEV, TCPE, TCRE
 OPTIONAL EQUIPMENT
 3 POINT LOCK
 SIDE EMERGENCY DOOR
 With Features: OPTION 436 WITH OPTION 429, 432 OR 434
 To BSN 10000290

Key	PartNumber	Qty	Description	Comment
-----	------------	-----	-------------	---------



Models: AAFE, AARE, A3FE, A3RE, GMCV, GPWB, MBWB, SBCV, TCEV, TCPE, TCRE
OPTIONAL EQUIPMENT
3 POINT LOCK
SIDE EMERGENCY DOOR
With Features: **OPTION 436 WITH OPTION 429, 432 OR 434**
To BSN 10000290

Key	PartNumber	Qty	Description	Comment
1	1722735		HANDLE ASSY,3 PT LOCK, SIDE EM DOOR	
2	1565308		LOCK ASSY,SINGLE PT,LH,POWDERED METAL	<i>LH. OPTION 0434</i>
2	1565290		LOCK ASSY,SINGLE PT,RH,POWDERED METAL	<i>RH. OPTION 0432</i>
3	1051804		BAR ASSY,LOCKING,LOWER,SED & RED,CAD	
3	1598374		BAR,LOCKING,LOWER,3-POINT LOCK,CAD PLTD	
4	1051788		BAR ASSY,LOCKING,UPPER,SED,CAD PLATED	
4	1598390		BAR,LOCKING,UPPER,3-PT LOCK SED,CAD PLTD	
5	1805332	2	GUIDE,LOCKING BAR,3 POINT LOCK,SED	
6	1051150	2	STRIKER,UPPER,LOWER,SIDE EMERGENCY	
7	0658013		WASHER,FRICTION,EMERGENCY DOOR	
8	0949834		HANDLE,O/S,S E D,NON-LOCKING	
9	1047893	2	CAPSCREW,HEX HD,1/4-20X7/8,GR5,YEL ZN	
10	0954420		WASHER,FLAT,3/4 ID X 1 1/8 OD X3/16TK,	
11	0543934		NUT,HEX HD,3/8-16,ZINC,LG FLG LK,YEL	
12	2001329	2	NUT,HEX HD,1/4-20,YELLOW DICHROMATE"	
13	2001360	2	NUT,ACORN,1/4-20,NICKEL"	
14	0928440		NUT,ACORN,3/8-16,YEL ZN DICH,LOW CROWN	
15	1589530	8	SCREW,1/4-14 X 3/4,AB,PH1,PAN HD,YEL ZN	
16	1589522	4	SCREW,10-16 X 3/4,AB,PH1,PAN HD,YEL ZN	
17	1632884		SEAL,LOWER,3 PT LOCK,SED	

Models: A3FE, A3RE, BBCV, SBCV

OPTIONAL EQUIPMENT

3 POINT LOCK

SIDE EMERGENCY DOOR

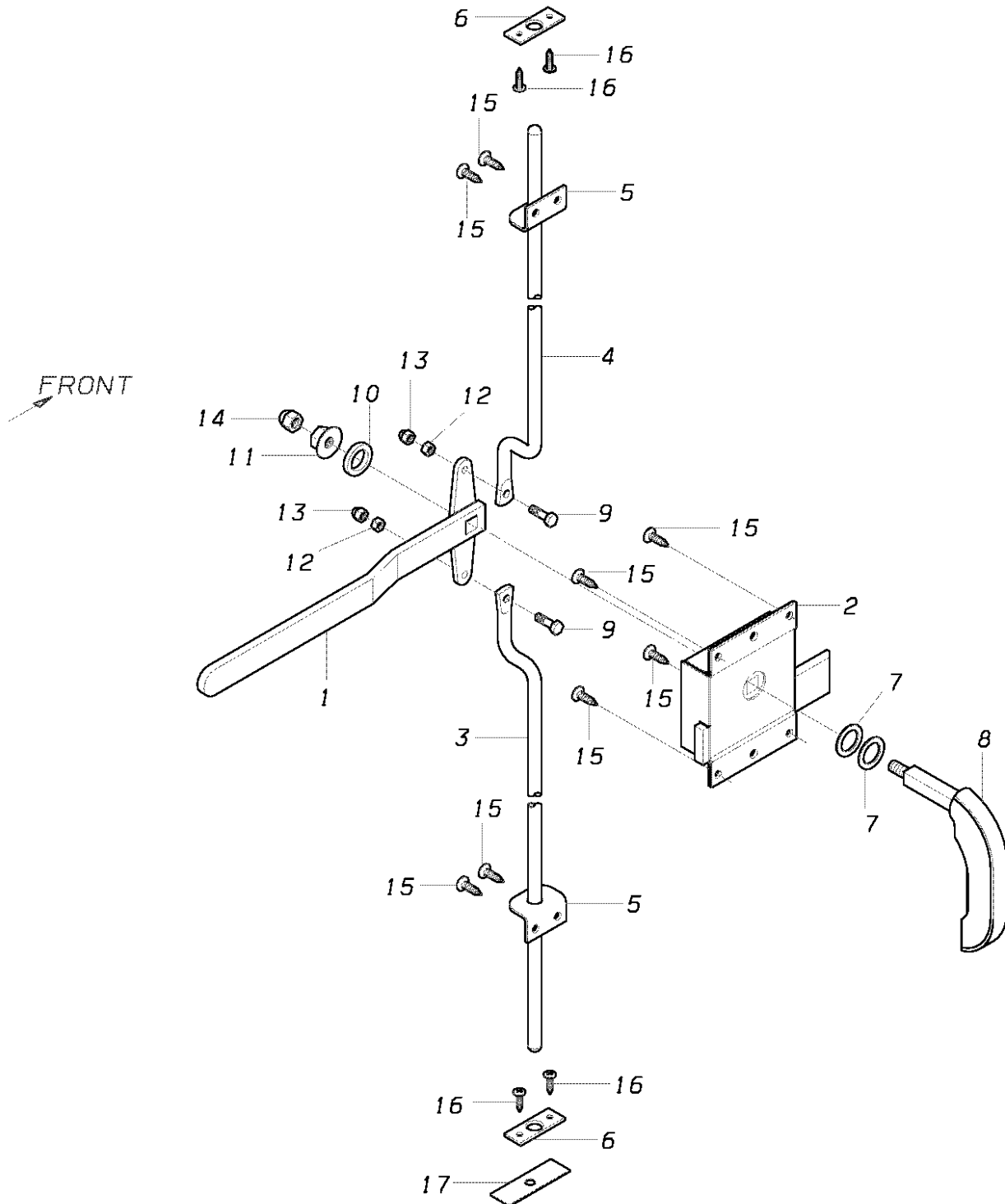
With Features: OPTION 436 WITH OPTION 432 OR 434

BSN: From BSN 10000291

Key	PartNumber	Qty	Description	Comment
-----	------------	-----	-------------	---------

DR. 01/12/04	BY TB	1724004	G
APP.	BY		

© BLUE BIRD BODY COMPANY. ALL RIGHTS RESERVED



Models: A3FE, A3RE, BBCV, SBCV

OPTIONAL EQUIPMENT

3 POINT LOCK

SIDE EMERGENCY DOOR

With Features: OPTION 436 WITH OPTION 432 OR 434

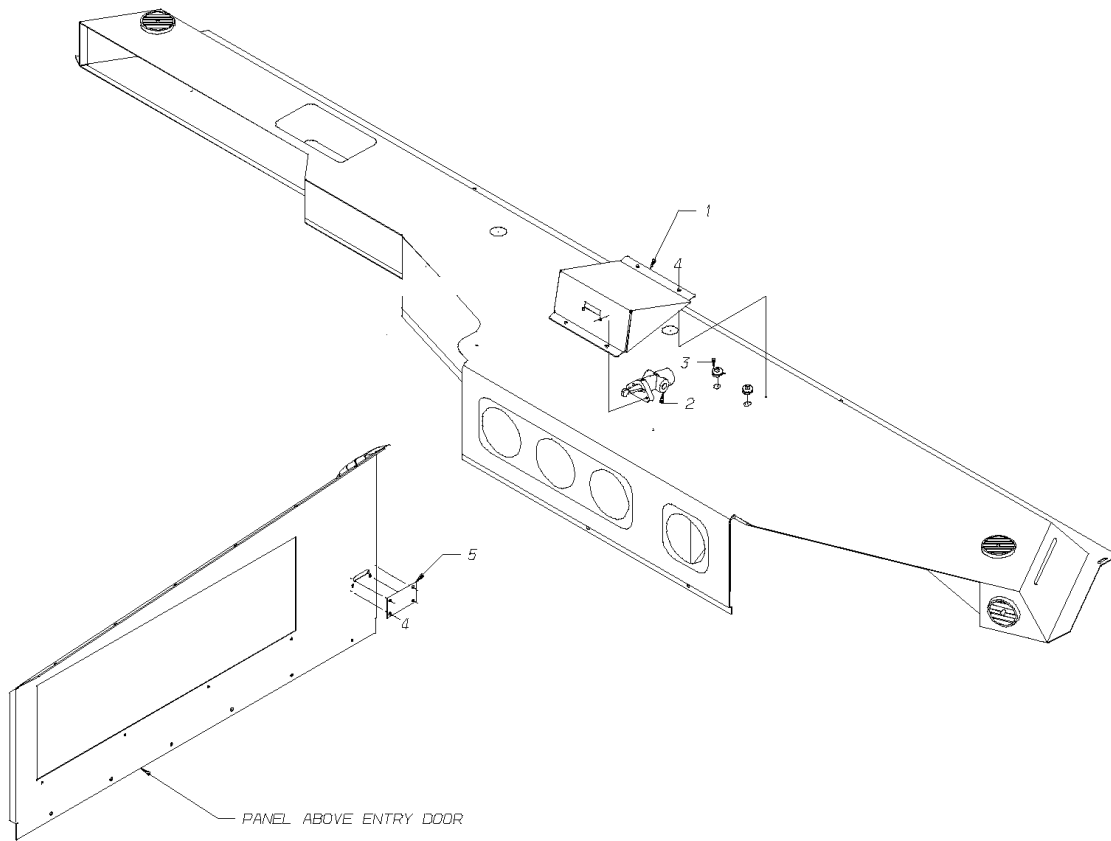
BSN: From BSN 10000291

Key	PartNumber	Qty	Description	Comment
1	1994417		HANDLE ASSY,3 PT LOCK,SIDE EM DOOR	
2	1565290		LOCK ASSY,SINGLE PT,RH,POWDERED METAL	<i>RH. OPTION 0432</i>
2	1565308		LOCK ASSY,SINGLE PT,LH,POWDERED METAL	<i>LH. OPTION 0434</i>
3	1820612		BAR,LOCKING,LOWER,3-POINT LOCK, PLATED	
4	1996800		BAR,LOCKING,UPR,3-PT LOCK,SED 9SS, PLATED	
4	1598408		BAR,LOCKING,UPPER,3-PT LOCK,SED 12SS,	
5	0005231		GUIDE,LOCKING,BAR,3PT,SED,ASTRO WHITE	<i>FEATURE 30400-01. ASTRO WHITE</i>
5	0075891		GUIDE,LOCKING,BAR,3PT,SED,FLORIDA	<i>FEATURE 30400-02. FLORIDA GRAY</i>
5	0075928		GUIDE,LOCKING,BAR,3PT,SED,KENTUCKY	<i>FEATURE 30400-03. KENTUCKY BLUE</i>
5	0086935		GUIDE,LOCKING,BAR,3PT,SED,GREEN	<i>FEATURE 30400-04. SEA FOAM GREEN</i>
6	0004275		STRIKER,UPPER,LOWER,SIDE EMERGENCY	<i>FEATURE 30400-01. ASTRO WHITE</i>
6	0075873		STRIKER,UPPER,LOWER,SIDE,EM DOOR,	<i>FEATURE 30400-02. FLORIDA GRAY</i>
6	0060125		STRIKER,UPPER,LOWER,SIDE EMERGENCY	<i>FEATURE 30400-03. KENTUCKY BLUE</i>
6	0086923		STRIKER,UPPER,LOWER,SIDE,EM DOOR,GREEN	<i>FEATURE 30400-04. SEA FOAM GREEN</i>
7	0658013		WASHER,FRICTION,EMERGENCY DOOR	
8	0949842		HANDLE,O/S,S E D,NON-LOCKING	
9	1047893		CAPSCREW,HEX HD,1/4-20X7/8,GR5,YEL ZN	
10	0954420		WASHER,FLAT,3/4 ID X 1 1/8 OD X3/16TK,	
11	0543934		NUT,HEX HD,3/8-16,ZINC,LG FLG LK,YEL	
12	2001329		NUT,HEX HD,1/4-20,YELLOW DICHROMATE"	
13	2001360		NUT,ACORN,1/4-20,NICKEL"	
14	0928440		NUT,ACORN,3/8-16,YEL ZN DICH,LOW CROWN	
15	1589530		SCREW,1/4-14 X 3/4,AB,PH1,PAN HD,YEL ZN	
16	1589522		SCREW,10-16 X 3/4,AB,PH1,PAN HD,YEL ZN	
17	1632884		SEAL,LOWER,3 PT LOCK,SED	

Models: A3FE, A3RE
OPTIONAL EQUIPMENT
AIR EMERGENCY RELEASE VALVE
ON DASH

With Features: FEATURE 00222-02

Key	PartNumber	Qty	Description	Comment
-----	------------	-----	-------------	---------



Models: A3FE, A3RE
OPTIONAL EQUIPMENT
AIR EMERGENCY RELEASE VALVE
ON DASH

With Features: FEATURE 00222-02

Key	PartNumber	Qty	Description	Comment
1	0062640		BRACKET,MTG,EMERG REL VALVE,DASH, A3	
NI	0995324		PLATE,EMERGENCY REL,AIR	
2	1098656		VALVE,EM RELEASE,MIDLAND ROSS N-13440-	
3	2003168	2	GROMMET,RUBBER	
4	0527275	10	SCREW,10-16 X 3/8,AB,PH1,PAN,YEL ZINC	
5	0062642		PLATE,COVER,EMERG REL VALVE,OUTSIDE,	
NI	1346832	16	TUBING,PLASTIC,1/4 OD,RED,SAE J844 TYPE A	
NI	2005718	16	LOOM,ASPHALTUM,WIRE,5/16IN	

Models: AAFE, AARE, A3FE, A3RE, C1FE, CSFE, CSRE, TCFE, TCRE, T3FE

OPTIONAL EQUIPMENT
 AIR EMERGENCY RELEASE VALVE
 OUTWARD OPENING, AIR
 AIR PIPING

With Features: OPTION 275-02; FEATURE 30977-02 WITH FEATURE 30978-04, -07
 To BSN B10064339 F10035824 F20035859 L10059259

M10074849 X10019804

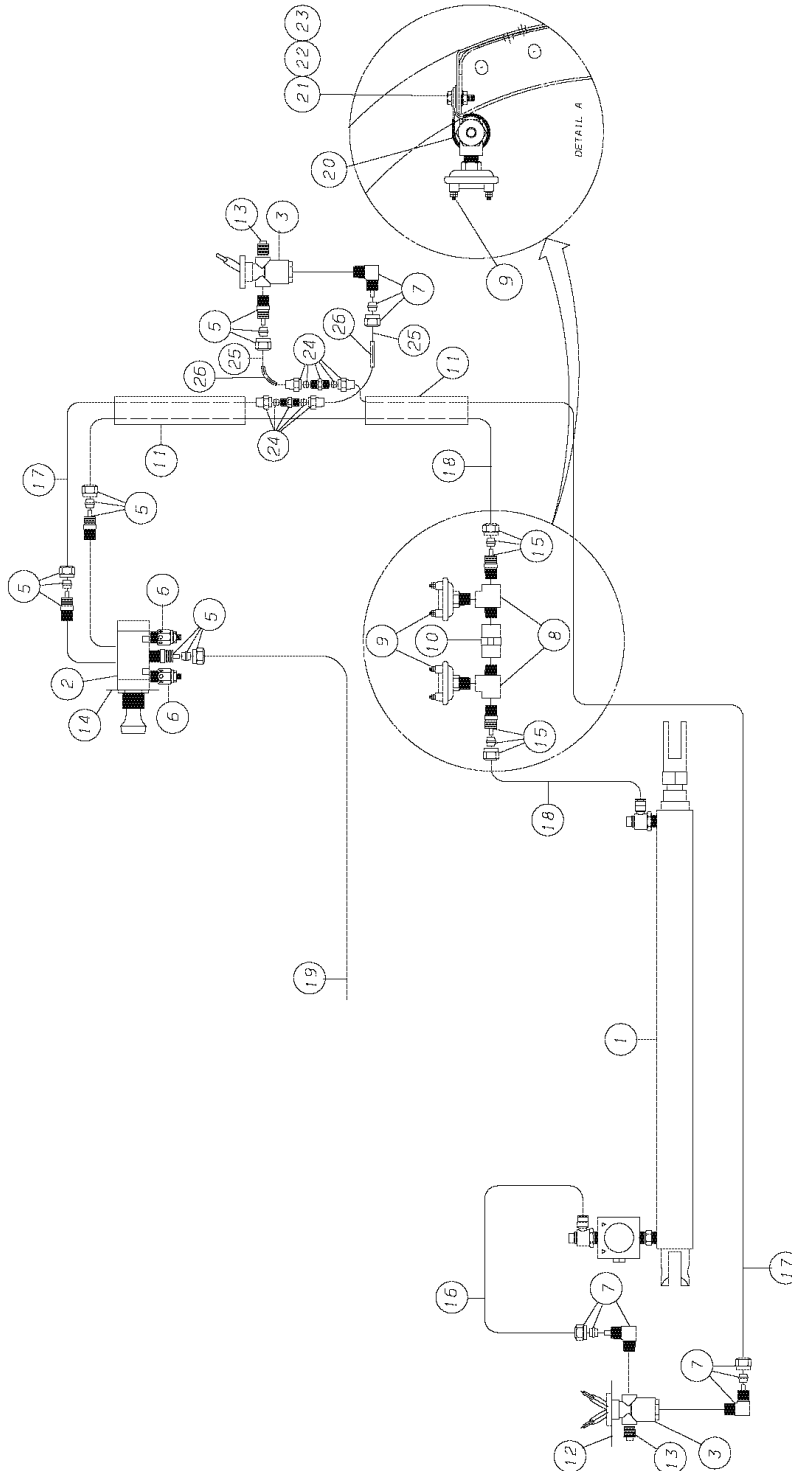
Key	PartNumber	Qty	Description	Comment
-----	------------	-----	-------------	---------



DR 4-26-00	BY JB	1802032	L
APP	BY	FRT	REV

BLUE BIRD

© 2000 BLUE BIRD BODY COMPANY ALL RIGHTS RESERVED



Models: AAFE, AARE, A3FE, A3RE, C1FE, CSFE, CSRE, TCFE, TCRE, T3FE

**OPTIONAL EQUIPMENT
AIR EMERGENCY RELEASE VALVE
OUTWARD OPENING, AIR
AIR PIPING**

With Features: **OPTION 275-02; FEATURE 30977-02 WITH FEATURE 30978-04, -07
To BSN B10064339 F10035824 F20035859 L10059259**

M10074849 X10019804

Key	PartNumber	Qty	Description	Comment
1	1752302		CYLINDER,AIR 1.5 IN BORE, 15.25 IN STROKE	<i>ENDING WITH BSN B10011354, F10006684, F20006729, L10011034, M10013404</i>
1	0008276		CYLINDER & VALVE ASSY,AIR O/O DOOR	<i>FROM BSN B10011355, F10006685, F20006730, L10011035, M10013405 TO BSN B10064339, F10035824, F20035859, L10059259, M10074849, X10019804</i>
2	1545128		VALVE,SPOOL,DIRECTIONAL CONTROL	
3	1098656	2	VALVE,EM RELEASE,MIDLAND ROSS N-13440-	
4	0936096		VALVE,CONTROL,FLOW,ENT DOOR,AIR	<i>ENDING WITH BSN B10011354, F10006684, F20006729, L10011034, M10013404</i>
5	1344829	3	CONNECTOR,MALE,1468X4-Z,.13MP X .25T	
6	1545110	2	MUFFLER,SPEED CONTROL	
7	2023786	3	ELBOW,1/8 MPT X 1/4 TUBE,1369X4	
8	0654277	2	TEE,STREET,1/4 PIPE,3750X4	
9	1940873	2	SWITCH ASSY,STOPLIGHT PRESSURE	
10	2027175		COUPLING,PIPE,1/4	
11	2005726		LOOM,ASPHALTUM,WIRE,9/16IN	
12	1775931		PLATE,EMERGENCY RELEASE,AIR ENT & EXIT	
13	2027118	2	PLUG,1/8 PIPE	
14	1545136		PLATE,IDENT,DOOR CONTROL,AIR	
15	2023224	4	CONNECTOR,1/4 MPT X 1/4 TUBE,205183	
16	0654962		TUBING,PLASTIC,1/4 OD,BLACK,SAE J844 TYPE	<i>DOOR OPENING 22 IN.</i>
17	1346832		TUBING,PLASTIC,1/4 OD,RED,SAE J844 TYPE A	<i>DOOR CLOSING 240 IN.</i>
18	0654962		TUBING,PLASTIC,1/4 OD,BLACK,SAE J844 TYPE	<i>DOOR OPENING 230 IN.</i>
19	0654962		TUBING,PLASTIC,1/4 OD,BLACK,SAE J844 TYPE	<i>SUPPLY 97 IN.</i>
20	0557710		CLAMP,LOOP,.812	
21	0977132		CAPSCREW,HEX HD,1/4-20 X 3/4,GR 5,YEL	
22	2001121		WASHER,FLAT,5/16 X 3/4,X 5/64,YEL ZN DICH	
23	0659979		NUT,HEX,FLANGE SER,1/4-20,BLACK ZINC	
24	2052736		UNION,TUBE,1/4IN,1362X4	<i>WITH OPTION 0222</i>
25	1346832		TUBING,PLASTIC,1/4 OD,RED,SAE J844 TYPE A	<i>WITH OPTION 0222</i>
26	1510775		LOOM,CORRUGATED,BLACK NYLON,1/4 ID,SS	<i>WITH OPTION 0222</i>

Models: A3FE, A3RE, BBCV, C1FE, CSFE, CSRE, GMCV, MBWB, SBCV, TCPE

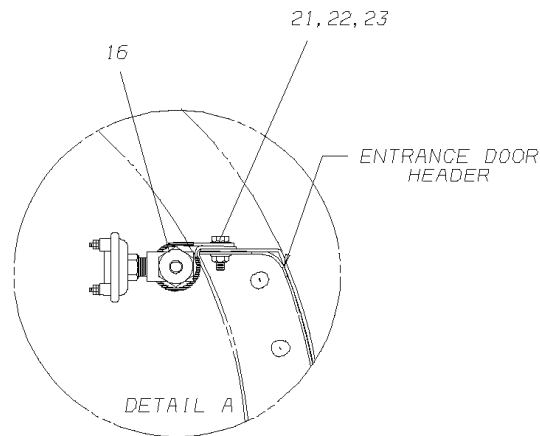
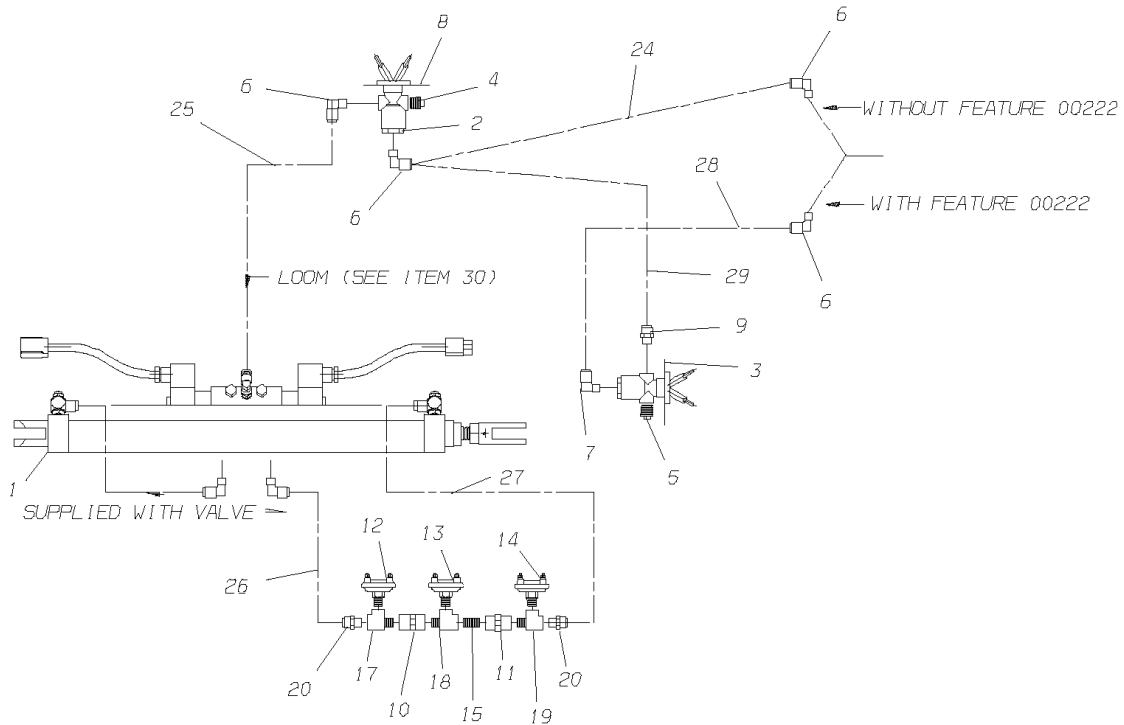
OPTIONAL EQUIPMENT
AIR EMERGENCY RELEASE VALVE
OUTWARD OPENING, AIR
AIR PIPING

With Features: FEATURE 30977-02 WITH FEATURE 30978-04, -07

BSN: From BSN B10064340 F10035825 F20035860 L10059260 M10074850

X10019805

Key	PartNumber	Qty	Description	Comment
-----	------------	-----	-------------	---------



Models: A3FE, A3RE, BBCV, C1FE, CSFE, CSRE, GMCV, MBWB, SBCV, TCPE
OPTIONAL EQUIPMENT
AIR EMERGENCY RELEASE VALVE
OUTWARD OPENING, AIR
AIR PIPING
With Features: FEATURE 30977-02 WITH FEATURE 30978-04, -07
BSN: From BSN B10064340 F10035825 F20035860 L10059260 M10074850

X10019805

Key	PartNumber	Qty	Description	Comment
1	0031457		CYLINDER ASSY,AIR,1.50 BORE X 15.25	
2	1098656		VALVE,EM RELEASE,MIDLAND ROSS N-13440-	
3	1098656		VALVE,EM RELEASE,MIDLAND ROSS N-13440-	OPTION 0222
4	2027118		PLUG,1/8 PIPE	
5	2027118		PLUG,1/8 PIPE	OPTION 0222
6	0009903	3	ELBOW,90 DEG,MALE1869X4-Z,.13MPT X .25T	
7	0009903		ELBOW,90 DEG,MALE1869X4-Z,.13MPT X .25T	OPTION 0222
8	1775931		PLATE,EMERGENCY RELEASE,AIR ENT & EXIT	
9	0009917		CONNECTOR,MALE,1868X4-Z,.13MP X .25T"	OPTION 0222
10	2027175		COUPLING,PIPE,1/4	
11	2027175		COUPLING,PIPE,1/4	OPTION 40051-03
12	1940873		SWITCH ASSY,STOPLIGHT PRESSURE	OPTION 02230
13	1940873		SWITCH ASSY,STOPLIGHT PRESSURE	OPTION 40051-03, OPTION 30193-01 OR -04
14	1940873		SWITCH ASSY,STOPLIGHT PRESSURE	OPTION 40051-03
15	2027183		NIPPLE,1/4 CLOSE,BRASS	OPTION 02230, 30193-01, -04, 40051-03
16	0557710		CLAMP,LOOP,.812	
17	0654277		TEE,STREET,1/4 PIPE,3750X4	OPTION 02230 OR 30193-01, -04 OR 40051-03
18	0654277	2	TEE,STREET,1/4 PIPE,3750X4	OPTION 02230 OR 30193-01, -04 OR 40051-03
19	0654277	3	TEE,STREET,1/4 PIPE,3750X4	OPTION 02230 OR 30193-01, -04 OR 40051-03
20	0009922	2	CONNECTOR,MALE,1868X4X4-Z,.25MPT X .25T"	
21	0977132		CAPSCREW,HEX HD,1/4-20 X 3/4,GR 5,YEL	
22	2001121		WASHER,FLAT,5/16 X 3/4,X 5/64,YEL ZN DICH	
23	0659979		NUT,HEX,FLANGE SER,1/4-20,BLACK ZINC	
24	1346832	18'	TUBING,PLASTIC,1/4 OD,RED,SAE J844 TYPE A	
25	1346832	2'	TUBING,PLASTIC,1/4 OD,RED,SAE J844 TYPE A	
26	1346832	1'	TUBING,PLASTIC,1/4 OD,RED,SAE J844 TYPE A	
27	1346832	1'	TUBING,PLASTIC,1/4 OD,RED,SAE J844 TYPE A	
28	1346832	13'	TUBING,PLASTIC,1/4 OD,RED,SAE J844 TYPE A	OPTION 0222
29	1346832	7'	TUBING,PLASTIC,1/4 OD,RED,SAE J844 TYPE A	OPTION 0222
30	2005718	19'	LOOM,ASPHALTUM,WIRE,5/16IN	

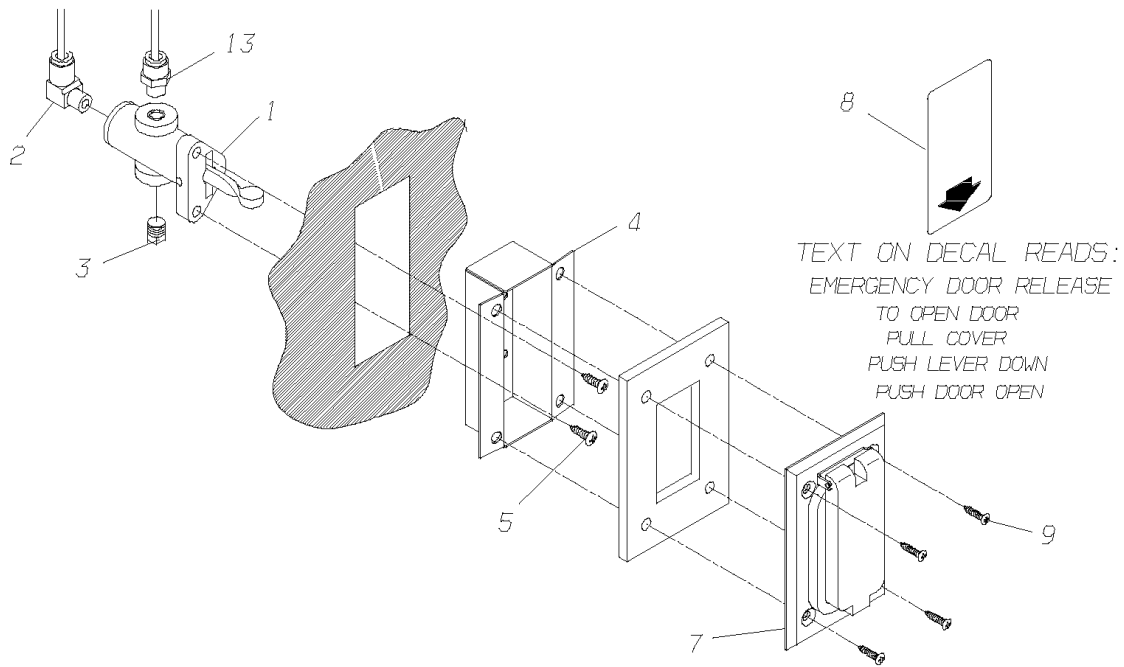
TCRE

Models: AAFE, AARE, A3FE, A3RE, C1FE, CSFE, CSRE, GMCV, MBWB, SBCV, TCEV, TCPE,

OPTIONAL EQUIPMENT
AIR EMERGENCY RELEASE VALVE
OUTWARD OPENING, AIR
VALVE MOUNTING

With Features: **OPTION 275-02; FEATURE 30977-02 WITH FEATURE 30978-04**
To BSN B10064339 F10035824 F20035859 L10059259

Key	PartNumber	Qty	Description	Comment
-----	------------	-----	-------------	---------



TCRE **Models:** **AAFE, AARE, A3FE, A3RE, C1FE, CSFE, CSRE, GMCV, MBWB, SBCV, TCEV, TCPE,**

OPTIONAL EQUIPMENT
AIR EMERGENCY RELEASE VALVE
OUTWARD OPENING, AIR
VALVE MOUNTING

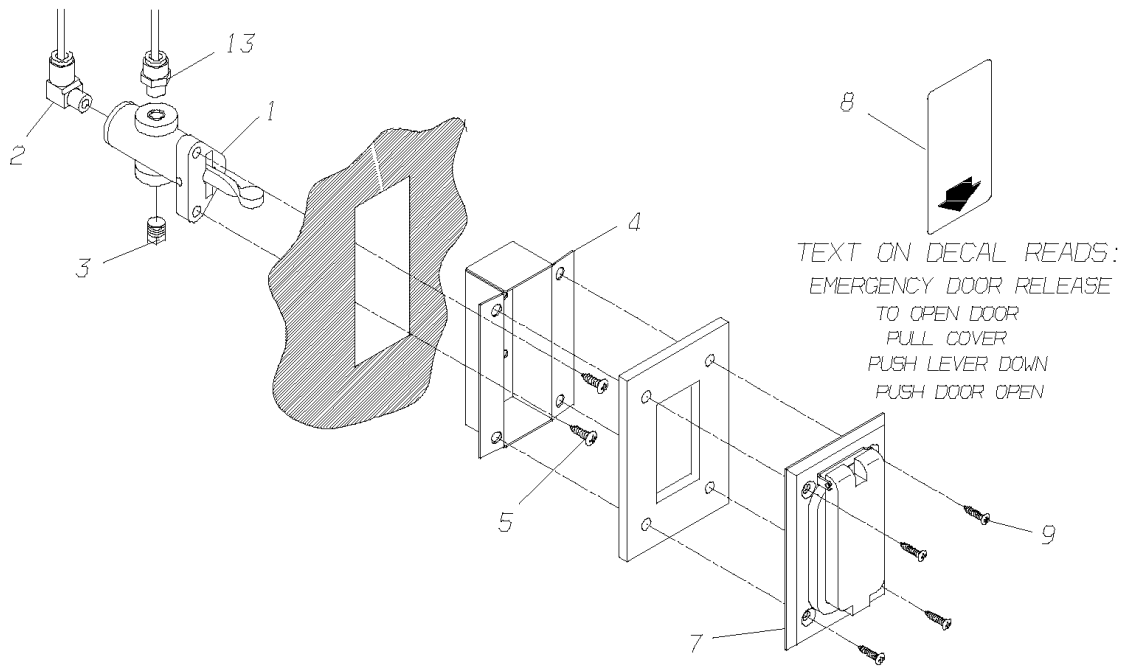
With Features: **OPTION 275-02; FEATURE 30977-02 WITH FEATURE 30978-04**
To BSN B10064339 F10035824 F20035859 L10059259

Key	PartNumber	Qty	Description	Comment
1	1098656		VALVE,EM RELEASE,MIDLAND ROSS N-13440-	
2	2023786		ELBOW,1/8 MPT X 1/4 TUBE,1369X4	
3	2027118		PLUG,1/8 PIPE	
4	1542612		BRACKET,MTG,ACCESS DOOR,AIR VALVE	
5	0864579	2	SCREW,10-16 X 3/4,AB,PH1,PAN HD,SST	
6	1542596		GASKET,ACCESS DOOR,AIR VALVE	ENDING WITH BSN B10060339, F10033664,F20033689, L10055779, M10069789, X10018499)
7	1542604		COVER,GFI,VERTICAL OUTLET SINGLE GANG	ENDING WITH BSN B10060339, F10033664, F20033689, L10055779, M10069789, X10018499)
7	0033459		COVER,GFI,VERTICAL,FS MOUNT,W/GASKETS	BEGIN WITH BSN B10060340, F10033665, F20033690, L10055780,M10069790, X10018500)
8	1542661		DECAL,EMERGENCY RELEASE,AIR ENT DOOR,OS	
9	2000495	4	SCREW,8-18 X1,AB,PH1,OVAL CNSK HD,	
10	1346832		TUBING,PLASTIC,1/4 OD,RED,SAE J844 TYPE A	
11	1344829		CONNECTOR,MALE,1468X4-Z,.13MP X .25T	
12	2052736	2	UNION,TUBE,1/4IN,1362X4	
NI	1510775		LOOM,CORRUGATED,BLACK NYLON,1/4 ID,SS	

Models: A3FE, A3RE, BBCV, C1FE, CSFE, CSRE, GMCV, MBWB, SBCV, TCEV, TCFE
OPTIONAL EQUIPMENT
AIR EMERGENCY RELEASE VALVE
OUTWARD OPENING, AIR
VALVE MOUNTING
With Features: OPTION 275-02; FEATURE 30977-02 WITH FEATURE 30978-04
BSN: From BSN B10064340 F10035825 F20035860 L10059260 M10074850

X10019805

Key	PartNumber	Qty	Description	Comment
-----	------------	-----	-------------	---------



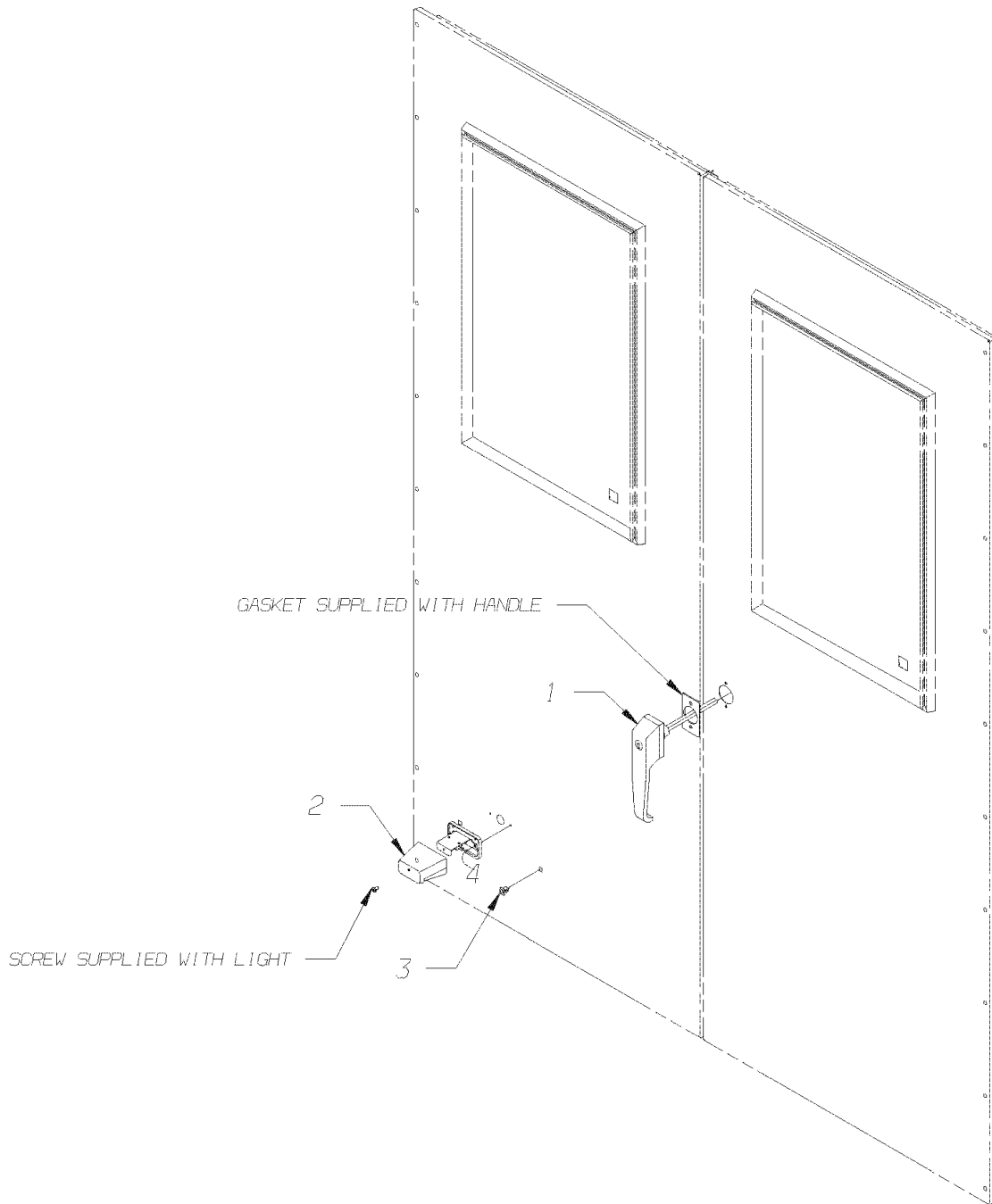
Models: A3FE, A3RE, BBCV, C1FE, CSFE, CSRE, GMCV, MBWB, SBCV, TCEV, TCFE
OPTIONAL EQUIPMENT
AIR EMERGENCY RELEASE VALVE
OUTWARD OPENING, AIR
VALVE MOUNTING
With Features: **OPTION 275-02; FEATURE 30977-02 WITH FEATURE 30978-04**
BSN: **From BSN B10064340 F10035825 F20035860 L10059260 M10074850**

X10019805

Key	PartNumber	Qty	Description	Comment
1	1098656		VALVE,EM RELEASE,MIDLAND ROSS N-13440-	
2	0009903		ELBOW,90 DEG,MALE1869X4-Z,.13MPT X .25T	
3	2027118		PLUG,1/8 PIPE	
4	1542612		BRACKET,MTG,ACCESS DOOR,AIR VALVE	
5	0864579	2	SCREW,10-16 X 3/4,AB,PH1,PAN HD,SST	
7	0033459		COVER,GFI,VERTICAL,FS MOUNT,W/GASKETS	
8	1542661		DECAL,EMERGENCY RELEASE,AIR ENT DOOR,OS	
9	2000495	4	SCREW,8-18 X1,AB,PH1,OVAL CNSK HD,	
13	0009917		CONNECTOR,MALE,1868X4-Z,.13MP X .25T"	

Models: A3FE
OPTIONAL EQUIPMENT
AMBULANCE DOOR COMPONENTS
With Features: FEATURE 31063-01

Key	PartNumber	Qty	Description	Comment
-----	------------	-----	-------------	---------



Models: A3FE
OPTIONAL EQUIPMENT
AMBULANCE DOOR COMPONENTS
With Features: FEATURE 31063-01

Key	PartNumber	Qty	Description	Comment
1	1868918		HANDLE,OUTSIDE,DOOR,LOCKING,RR LUGGAGE	
2	0105521		LIGHT,TAG,LED	
3	2001261	2	NUT,PLASTIC,EXPANSION"	
4	0527341	2	SCREW,10-16 X 1/2,AB,SLTD,TRUSS HD,YELZN	

Models: A3FE, B1VC, B2VC, C1FE, GMCV, MBWB, SBCV, TCFE

OPTIONAL EQUIPMENT


BUZZER & SWITCH ASSY, VANDAL LOCK & SLIDE BOLT

With Features: FEATURE 31010-03 or OPTION 3001-01 WITH OPTION 0219

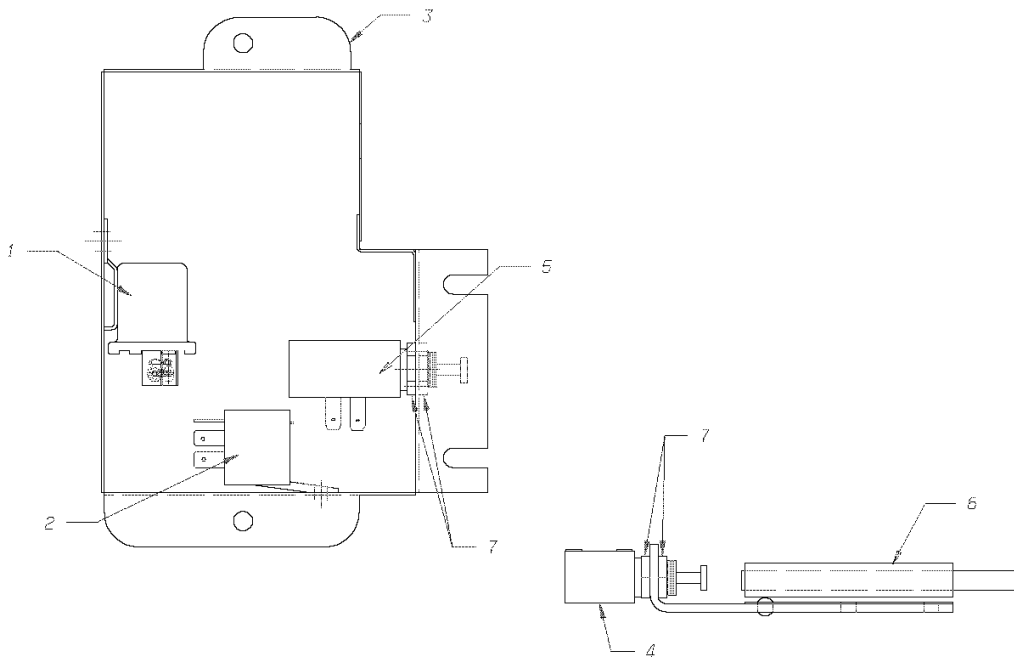
To BSN B10013009 B20013004 F10007799 F20007869

L10013049 M10015674 X10002570

Key	PartNumber	Qty	Description	Comment
-----	------------	-----	-------------	---------

DR. 8/26/00	BY J.L.	1910090	B	
APP. 8/26/00	BY P.F.	REV	REV	

© BLUE BIRD BODY COMPANY ALL RIGHTS RESERVED



Models: A3FE, B1VC, B2VC, C1FE, GMCV, MBWB, SBCV, TCFE
OPTIONAL EQUIPMENT
BUZZER & SWITCH ASSY, VANDAL LOCK & SLIDE BOLT
With Features: FEATURE 31010-03 or OPTION 3001-01 WITH OPTION 0219
To BSN B10013009 B20013004 F10007799 F20007869
L10013049 M10015674 X10002570

Key	PartNumber	Qty	Description	Comment
	1910090		BUZZER & SWITCH ASSY,VANDAL LOCK & SLD	
1	2006187		BUZZER,R E D/R E W/POW	
2	1077718		RELAY,BOSCH,0-332-209-161,30 AMP	
3	1912435		COVER & TRIM ASSY,BZR & SW,VAN/LK & SL	
4	1870039		SWITCH,ADJ,DPST (NC) INTERNAL GND,SHORT	NC
5	1145168		SWITCH,ADJUSTABLE,DPST (NC) INTERNAL	NC
6	1439124		LOCK ASSY,VANDAL,REAR EMERGENCY DOOR	
*	1911346		PLATE,VANDAL LOCK,STRIKER,RED	
7	1073311		NUT,PANEL,HEX HD,1/2-20,YEL ZN DICH	
*	2000792		SCREW,MACH,1/4-20X1/2,PH1,RD HD,YEL ZN	
*	2001253		NUT,HEX HD,8-32,YELLOW DICHROMATE	
*	0659979		NUT,HEX,FLANGE SER,1/4-20,BLACK ZINC	
*	0563916		SCREW,8-32 X 1/2,PH1,RD HD,YEL ZN DICH	

Models: A3FE, B1VC, B2VC, C1FE, GMCV, MBWB, SBCV, TCFE

OPTIONAL EQUIPMENT

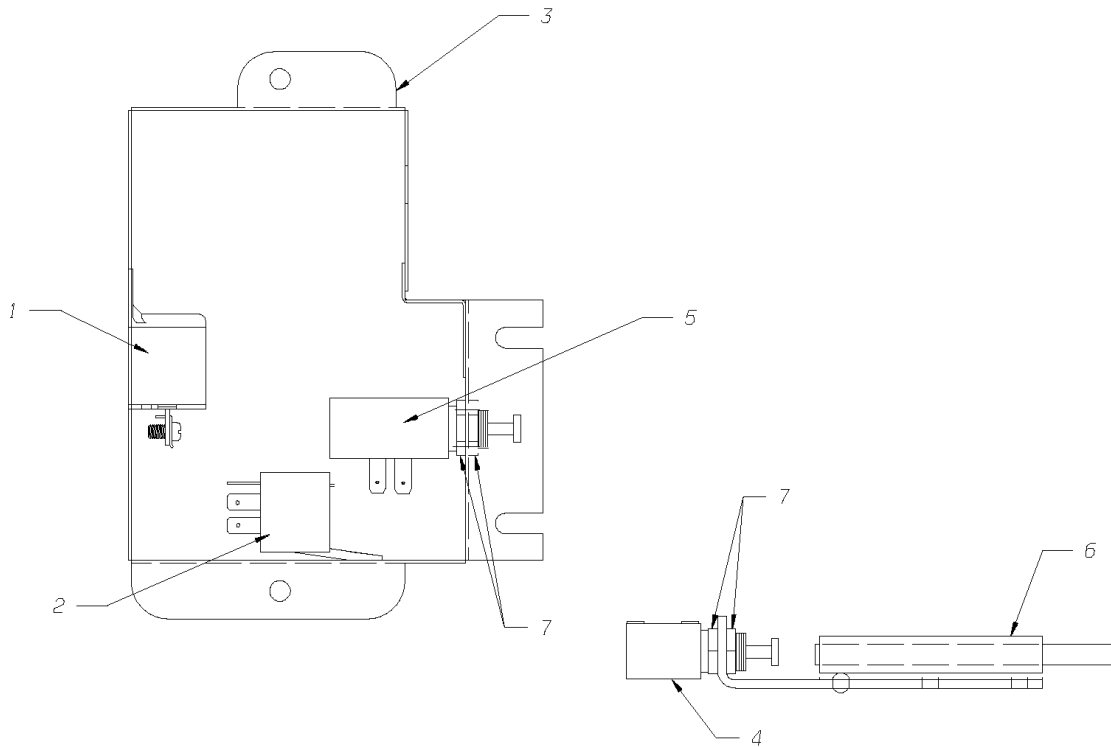
BUZZER & SWITCH ASSY, VANDAL LOCK & SLIDE BOLT

With Features: FEATURE 31010-03 or OPTION 3001-01 WITH OPTION 0219

BSN: From BSN B10013010 B20013005 F10007800 F20007870 L10013050

M10015675 X10002571

Key	PartNumber	Qty	Description	Comment
-----	------------	-----	-------------	---------



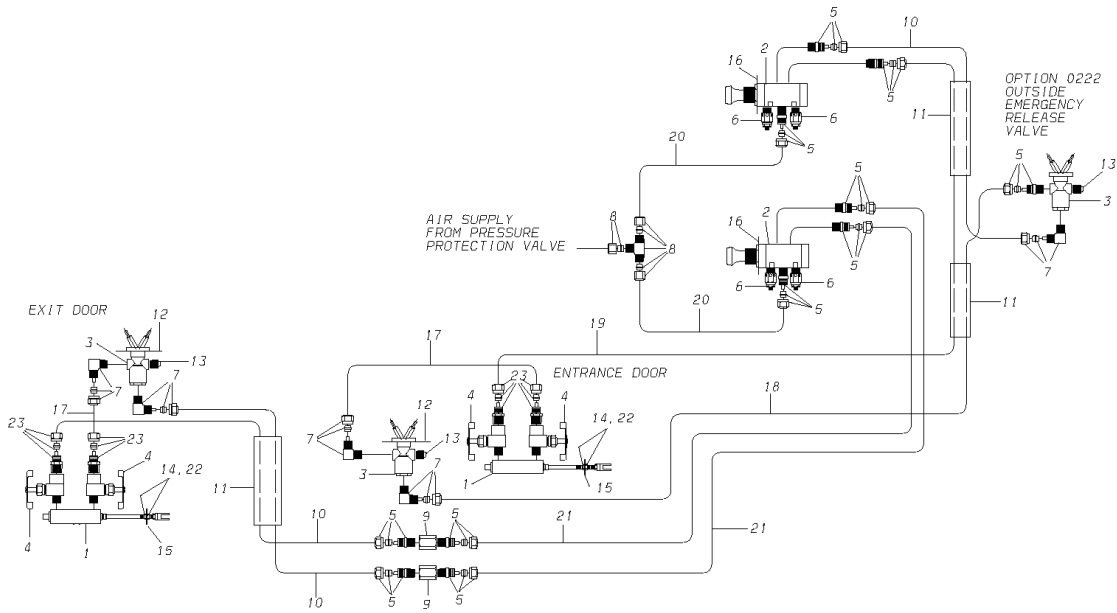
Models: A3FE, B1VC, B2VC, C1FE, GMCV, MBWB, SBCV, TCFE
OPTIONAL EQUIPMENT
BUZZER & SWITCH ASSY, VANDAL LOCK & SLIDE BOLT
With Features: FEATURE 31010-03 or OPTION 3001-01 WITH OPTION 0219
BSN: From BSN B10013010 B20013005 F10007800 F20007870 L10013050
M10015675 X10002571

Key	PartNumber	Qty	Description	Comment
	0007104		BUZZER & SWITCH,ASSY,VANDAL LOCK & SLD	
1	0021437		BUZZER, R.E.D / R.E.W / P.O.W	
2	1077718		RELAY,BOSCH,0-332-209-161,30 AMP	
3	0007153		COVER & TRIM ASSY,BZR & SW,VAN/LK & SL	
4	1870039		SWITCH,ADJ,DPST (NC) INTERNAL GND,SHORT	NC
5	1145168		SWITCH,ADJUSTABLE,DPST (NC) INTERNAL	NC
6	0004440		LOCK ASSY,VANDAL,REAR EMERGENCY DOOR,	
*	0004259		STRIKER,LOCK,VANDAL,RED,ASTRO WHITE	
7	1073311		NUT,PANEL,HEX HD,1/2-20,YEL ZN DICH	
NI	1062124		SCREW,1/4-14 X 1,AB,PH1,PAN HD,YEL ZN	FOR ALL LOCK MOUNTING HOLES
NI	1565290		LOCK ASSY,SINGLE PT,RH,POWDERED METAL	
*	2000792		SCREW,MACH,1/4-20X1/2,PH1,RD HD,YEL ZN	
*	2001253		NUT,HEX HD,8-32,YELLOW DICHROMATE	
*	0659979		NUT,HEX,FLANGE SER,1/4-20,BLACK ZINC	
*	0563916		SCREW,8-32 X 1/2,PH1,RD HD,YEL ZN DICH	

Models: AAFE, A3FE, A3RE
OPTIONAL EQUIPMENT
DIAGRAM, AIR CONTROL PIPING
ENTRANCE

With Features: OPTION 275-02, OPTION 236

Key	PartNumber	Qty	Description	Comment
-----	------------	-----	-------------	---------



Models: AAFE, A3FE, A3RE
**OPTIONAL EQUIPMENT
 DIAGRAM, AIR CONTROL PIPING
 ENTRANCE**

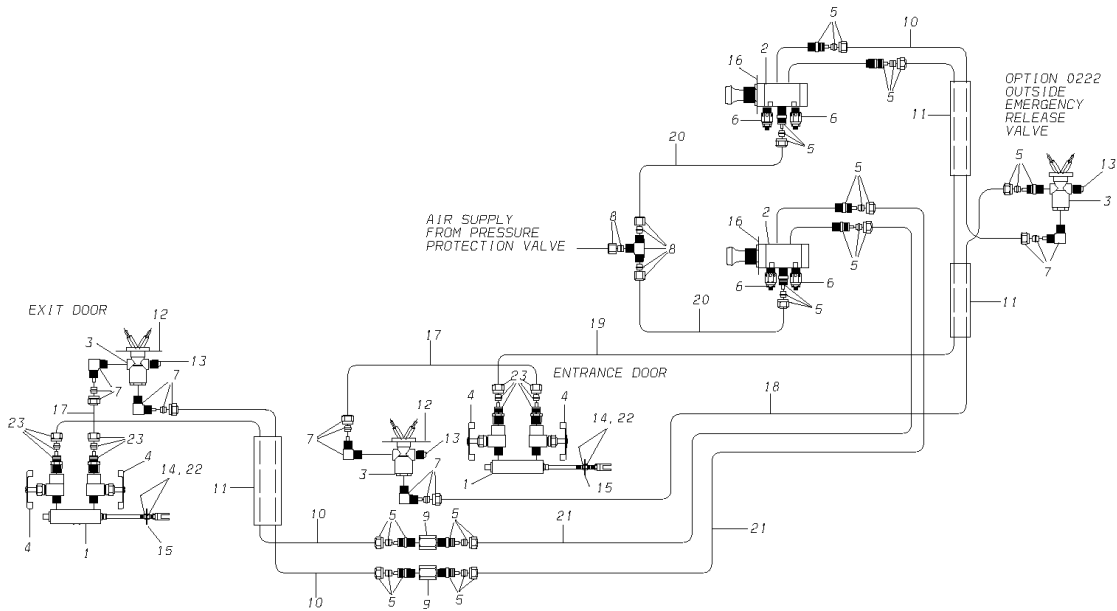
With Features: OPTION 275-02, OPTION 236

Key	PartNumber	Qty	Description	Comment
1	1595180		CYLINDER,AIR,2.00 BORE X 4.50 STROKE	
NI	1063130		ROD,END,POWER DR,ALLEN AIR CYL,OPT	FOR CYLINDER 1595180
2	1545128		VALVE,SPOOL,DIRECTIONAL CONTROL	
NI	4321089		KNOB ONLY,GOLD SPOOL VLV CTRL,7/32	
NI	4311718		KNOB ONLY,RED SPOOL VLV CTRL,3/8	
NI	4321089		KNOB ONLY,GOLD SPOOL VLV CTRL,7/32	
3	1098656		VALVE,EM RELEASE,MIDLAND ROSS N-13440-	
4	0936096	2	VALVE,CONTROL,FLOW,ENT DOOR,AIR	
5	1344829		CONNECTOR,MALE,1468X4-Z,.13MP X .25T	
6	1545110	2	MUFFLER,SPEED CONTROL	
7	2023786	2	ELBOW,1/8 MPT X 1/4 TUBE,1369X4	
11	2005726		LOOM,ASPHALTUM,WIRE,9/16IN	
12	0995324		PLATE,EMERGENCY REL,AIR	
13	2027118		PLUG,1/8 PIPE	
14	2001493	2	NUT,HEX HD,5/8-11,YEL ZN DICH	
15	0414763		BRACKET,CYL ROD SWITCH	
16	1545136		PLATE,IDENT,DOOR CONTROL,AIR	
17	0654962		TUBING,PLASTIC,1/4 OD,BLACK,SAE J844 TYPE	DR OPNG 22"
18	0654962		TUBING,PLASTIC,1/4 OD,BLACK,SAE J844 TYPE	DR CLSNG 186"
19	0654962		TUBING,PLASTIC,1/4 OD,BLACK,SAE J844 TYPE	DOOR OPENING 179"
22	1540103	2	WASHER,STAR,.62,ZINC PLATED	
23	2023224	2	CONNECTOR,1/4 MPT X 1/4 TUBE,205183	
NI			KIT, AIR CYLINDER REPAIR	
NI	2113207		KIT,REPAIR,FOR 32 X 4 1/2 CS ALLEN AIR CYL	0808766
NI	4309977		KIT,REPAIR,AIR CYLINDER,1595180"	

Models: AAFE, A3FE, A3RE
OPTIONAL EQUIPMENT
DIAGRAM, AIR CONTROL PIPING
EXIT

With Features: OPTION 275-02, OPTION 236

Key	PartNumber	Qty	Description	Comment
-----	------------	-----	-------------	---------



Models: AAFE, A3FE, A3RE
**OPTIONAL EQUIPMENT
 DIAGRAM, AIR CONTROL PIPING
 EXIT**

With Features: OPTION 275-02, OPTION 236

Key	PartNumber	Qty	Description	Comment
1	1595180		CYLINDER,AIR,2.00 BORE X 4.50 STROKE	
NI	1063130		ROD,END,POWER DR,ALLENAIR CYL,OPT	FOR CYLINDER 1595180
2	1545128		VALVE,SPOOL,DIRECTIONAL CONTROL	
3	1098656		VALVE,EM RELEASE,MIDLAND ROSS N-13440-	
4	0936096	2	VALVE,CONTROL,FLOW,ENT DOOR,AIR	
5	1344829		CONNECTOR,MALE,1468X4-Z,.13MP X .25T	
6	1545110	2	MUFFLER,SPEED CONTROL	
7	1143338	2	SWITCH,BATTERY DISCONNECT,C-H M-284-A	
8	2008381		TEE,1/4IN	
9	1201961	2	ADAPTER,UNION,302 X 4,MANUAL TRANS, AARE	
10	0654962	2	TUBING,PLASTIC,1/4 OD,BLACK,SAE J844 TYPE	121 IN
11	2005726		LOOM,ASPHALTUM,WIRE,9/16IN	
12	0995324		PLATE,EMERGENCY REL,AIR	
13	2027118		PLUG,1/8 PIPE	
14	2001493	2	NUT,HEX HD,5/8-11,YEL ZN DICH	
15	0414763		BRACKET,CYL ROD SWITCH	
16	1545136		PLATE,IDENT,DOOR CONTROL,AIR	
17	0654962		TUBING,PLASTIC,1/4 OD,BLACK,SAE J844 TYPE	DR OPNNG 22"
20	0654962	2	TUBING,PLASTIC,1/4 OD,BLACK,SAE J844 TYPE	4 IN
21	0654962	2	TUBING,PLASTIC,1/4 OD,BLACK,SAE J844 TYPE	SPECIFY LENGTH
22	1540103	2	WASHER,STAR,.62,ZINC PLATED	
23	2023224	2	CONNECTOR,1/4 MPT X 1/4 TUBE,205183	
NI			KIT, AIR CYLINDER REPAIR	
NI	2113207		KIT,REPAIR,FOR 32 X 4 1/2 CS ALLENAIR CYL	0808766
NI	4309977		KIT,REPAIR,AIR CYLINDER,1595180"	

Models: A3FE, C1FE, TCFE, TSFE, VCTA

OPTIONAL EQUIPMENT

EMERGENCY DOOR POSITIVE STOP STRAP

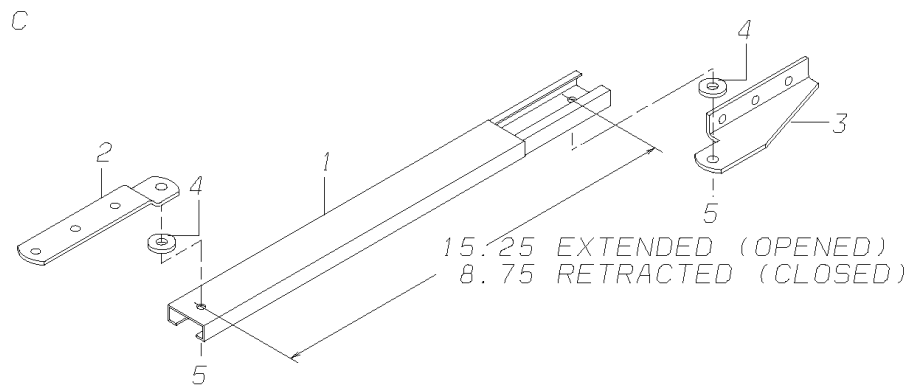
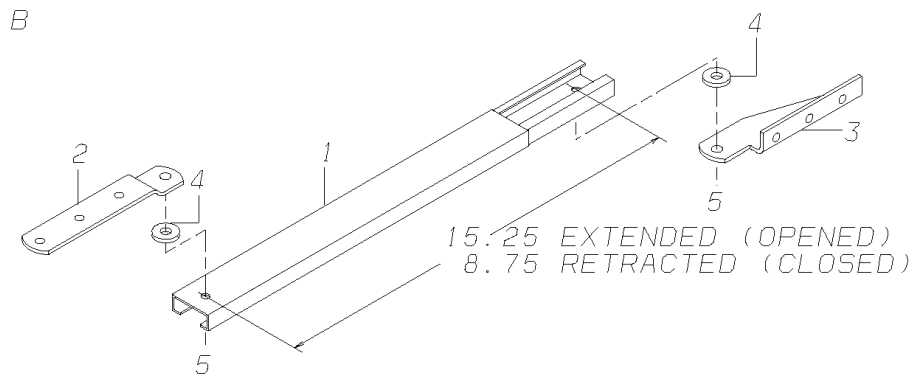
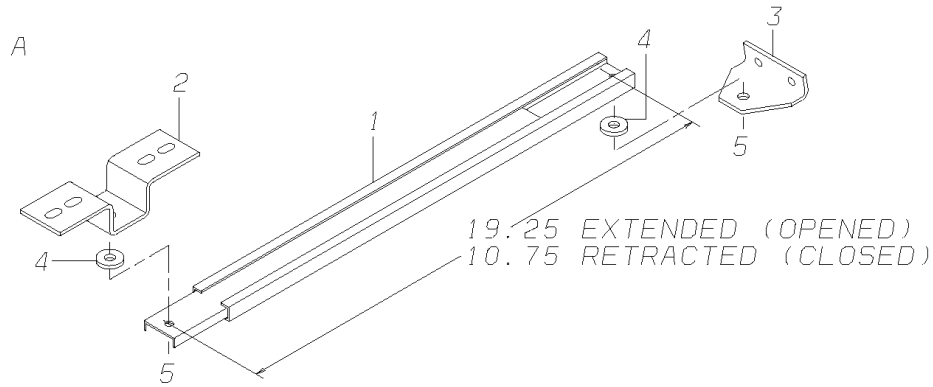
With Features: OPTION 372 W OPTION 428, 429, 432, 434, 31012-01

Key	PartNumber	Qty	Description	Comment
NI	0176941	2	CLAMP,EMERGENCY DOOR STOP	
NI	0952937		STRAP,DOOR STOP,REAR EMERGENCY DOOR	
NI	1589530	4	SCREW,1/4-14 X 3/4,AB,PH1,PAN HD,YEL ZN	

Models: A3FE, C1FE, TCFE, TSFE, VCTA
OPTIONAL EQUIPMENT
EMERGENCY DOOR SUPPORT
OPTION 374

With Features:

Key	PartNumber	Qty	Description	Comment
-----	------------	-----	-------------	---------

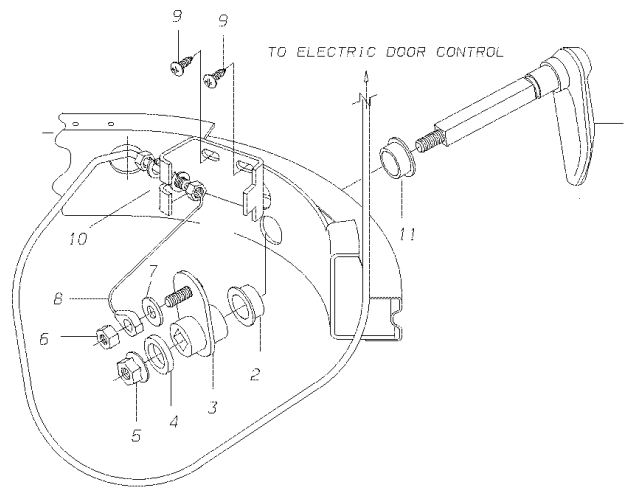
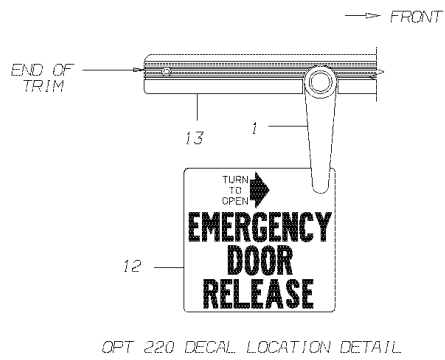
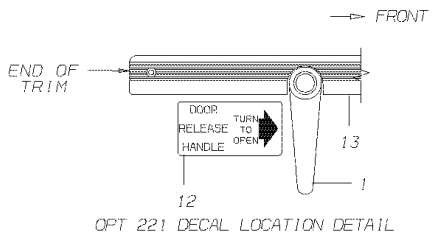


Models: A3FE, C1FE, TCFE, TSFE, VCTA
OPTIONAL EQUIPMENT
EMERGENCY DOOR SUPPORT
With Features: **OPTION 374**

Key	PartNumber	Qty	Description	Comment
A	1546167		SUPPORT ASSY,TELESCOPIC,REAR EMERGENCY	<i>OPTION 374-01</i>
1			TELESCOPIC PROP 712	<i>PART OF ITEM A</i>
2	1546134		BRACKET,MTG,TELESCOPIC SUPPORT HEADER,	<i>PART OF ITEM A</i>
3	1546126		BRACKET,MTG,TELESCOPIC SUPT,RED	<i>PART OF ITEM A</i>
4		2	WASHER, NYLON 5/16 I.D. X 3/4 O.D.	<i>PART OF ITEM A</i>
5		2	RIVET, SHOULDER	<i>PART OF ITEM A</i>
B	1553569		SUPPORT ASSY,TELESCOPIC,RH SED	<i>OPTION 374-02</i>
1			TELESCOPIC PROP 710	<i>PART OF ITEM B</i>
2	1546159		BRACKET,MTG,TELESCOPIC SUPPORT HEADER,	<i>PART OF ITEM B</i>
3	1553544		BRACKET,MTG,TELESCOPIC SUPPORT,RH SED	<i>PART OF ITEM B</i>
4		2	WASHER, NYLON 5/16 I.D. X 3/4 O.D.	<i>PART OF ITEM B</i>
5		2	RIVET, SHOULDER	<i>PART OF ITEM B</i>
C	1546175		SUPPORT ASSY,TELESCOPIC,LH SED	<i>OPTION 374-03</i>
1			TELESCOPIC PROP 710	<i>PART OF ITEM C</i>
2	1546159		BRACKET,MTG,TELESCOPIC SUPPORT HEADER,	<i>PART OF ITEM C</i>
3	1546142		BRACKET,MTG,TELESCOPIC SUPPORT,LH SED	<i>PART OF ITEM C</i>
4		2	WASHER, NYLON 5/16 I.D. X 3/4 O.D.	<i>PART OF ITEM C</i>
5		2	RIVET, SHOULDER	<i>PART OF ITEM C</i>

Models: A3FE
OPTIONAL EQUIPMENT
EMERGENCY RELEASE, ENTRANCE DOOR
With Features: FEATURE 31011-06

Key	PartNumber	Qty	Description	Comment
-----	------------	-----	-------------	---------



Models:

A3FE

OPTIONAL EQUIPMENT

EMERGENCY RELEASE, ENTRANCE DOOR

With Features:


FEATURE 31011-06

Key	PartNumber	Qty	Description	Comment
1	1515220		HANDLE,O/S,ENT DOOR CONTROL,NON-	
2	1520717		BUSHING,NYLON,.875 HEYCO	
3	1515253		CAM ASSY,ENTRANCE DOOR CONTROL HANDLE,	
4	0954420		WASHER,FLAT,3/4 ID X 1 1/8 OD X3/16TK,	
5	0543934		NUT,HEX HD,3/8-16,ZINC,LG FLG LK,YEL	
6	1465954		NUT,HEX HD,5/16-18,LK,NYLON INSERT,YEL	
7	1078922		WASHER,FLAT,3/8 X 7/8 X 5/64,YEL ZN DICH	
8	0097677		CABLE,ASSY,ELECT DOOR CONTROL,BBCV,A3FE	
9	2000636		SCREW,1/4-14 X 1/2,AB,PH1,PAN HD,YEL	
10	0029952		BRACKET,ATCH,CABLE,ENT DR CTRL, TRANSIT	
11	0802462		BUSHING,NYLON,R E D HANDLE	
12	0009941		DECAL,ENTRANCE DOOR EMERGENCY RELEASE	
13	0187815		TRIM,POLISHED ALUMINUM COWL	

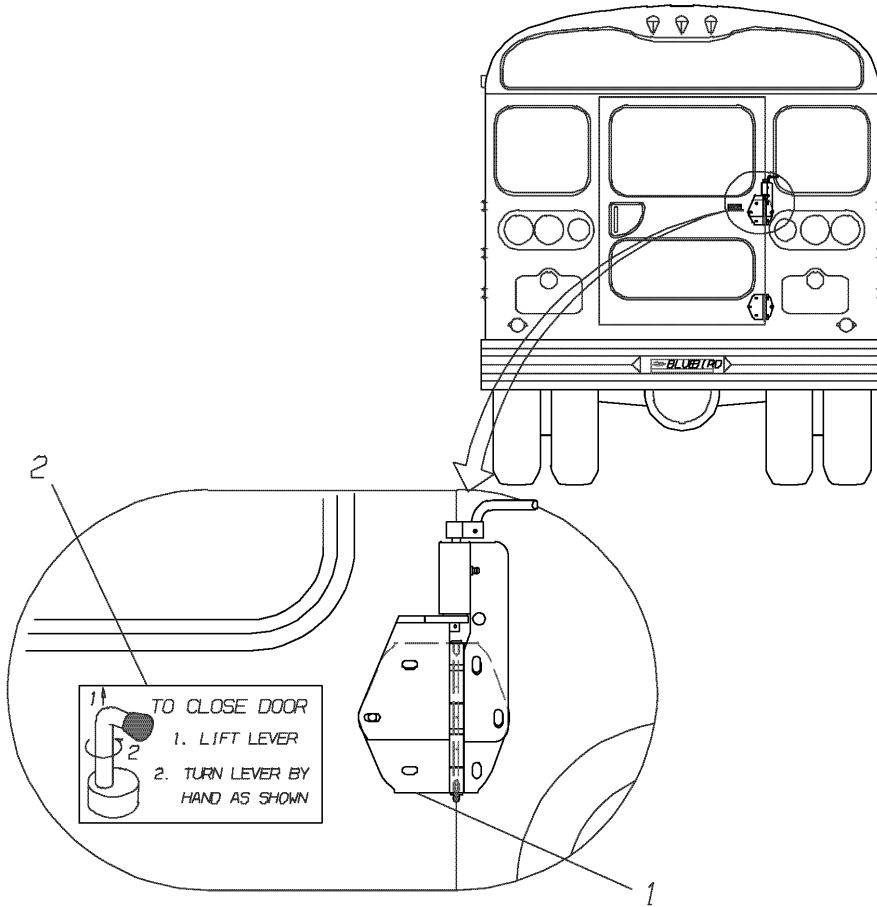
Models: A3FE, BBCV, GMCV, MBWB, SBCV, TCFE
OPTIONAL EQUIPMENT
HINGE MOUNTED REAR EMERGENCY DOOR RETAINER
OPTION 377; FEATURE 31012-04

With Features:

Key	PartNumber	Qty	Description	Comment
-----	------------	-----	-------------	---------

DR. 08/21/02 BY TFM	1798107	A	
APP. BY FBT	REV		

© BLUE BIRD BODY COMPANY. ALL RIGHTS RESERVED



Models: A3FE, BBCV, GMCV, MBWB, SBCV, TCFE
OPTIONAL EQUIPMENT
HINGE MOUNTED REAR EMERGENCY DOOR RETAINER
With Features: OPTION 377; FEATURE 31012-04

Key	PartNumber	Qty	Description	Comment
1	1952514		HINGE ASSY,POSITIVE OPEN,RR EM DOOR	
2	1952522		DECAL,INSTR,HINGE ASSY,POSITIVE OPEN,RR	

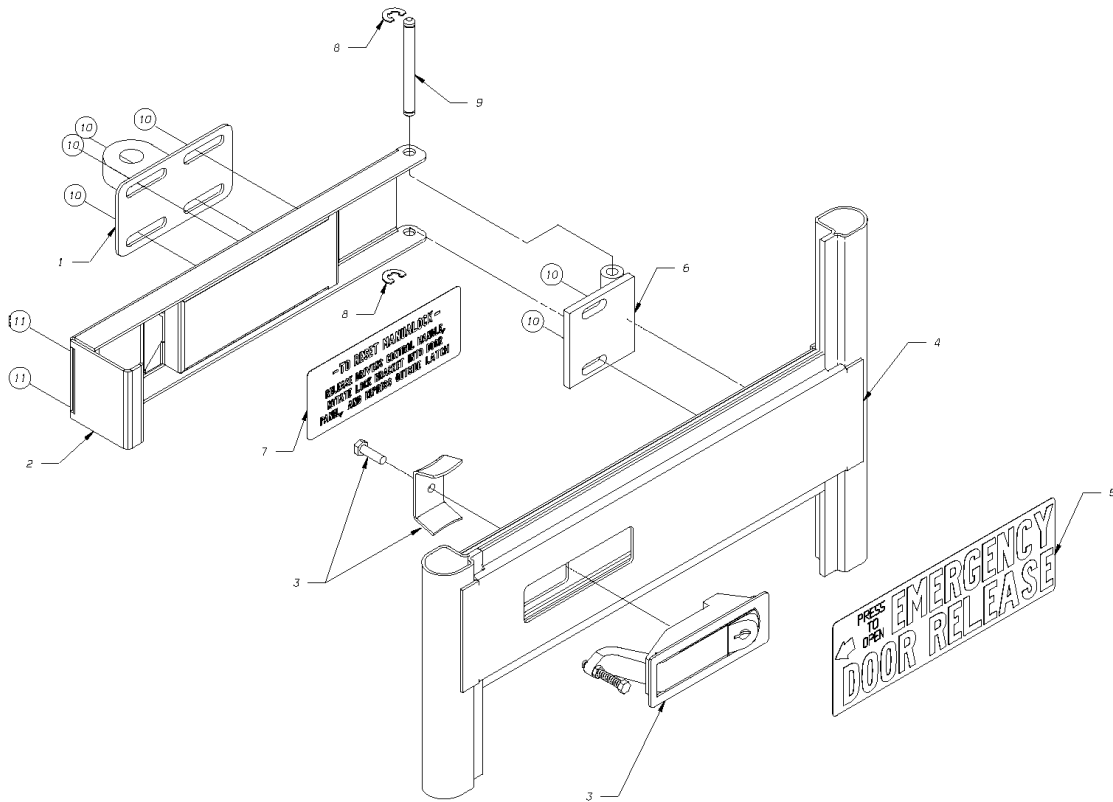
Models: A1VC, A3FE, A3RE, BBCV, B1VC, B2VC, SBCV

OPTIONAL EQUIPMENT

MANUAL LOCK, OUTWARD OPENING DOOR

With Features: FEATURE 30983-01, -02

Key	PartNumber	Qty	Description	Comment
-----	------------	-----	-------------	---------

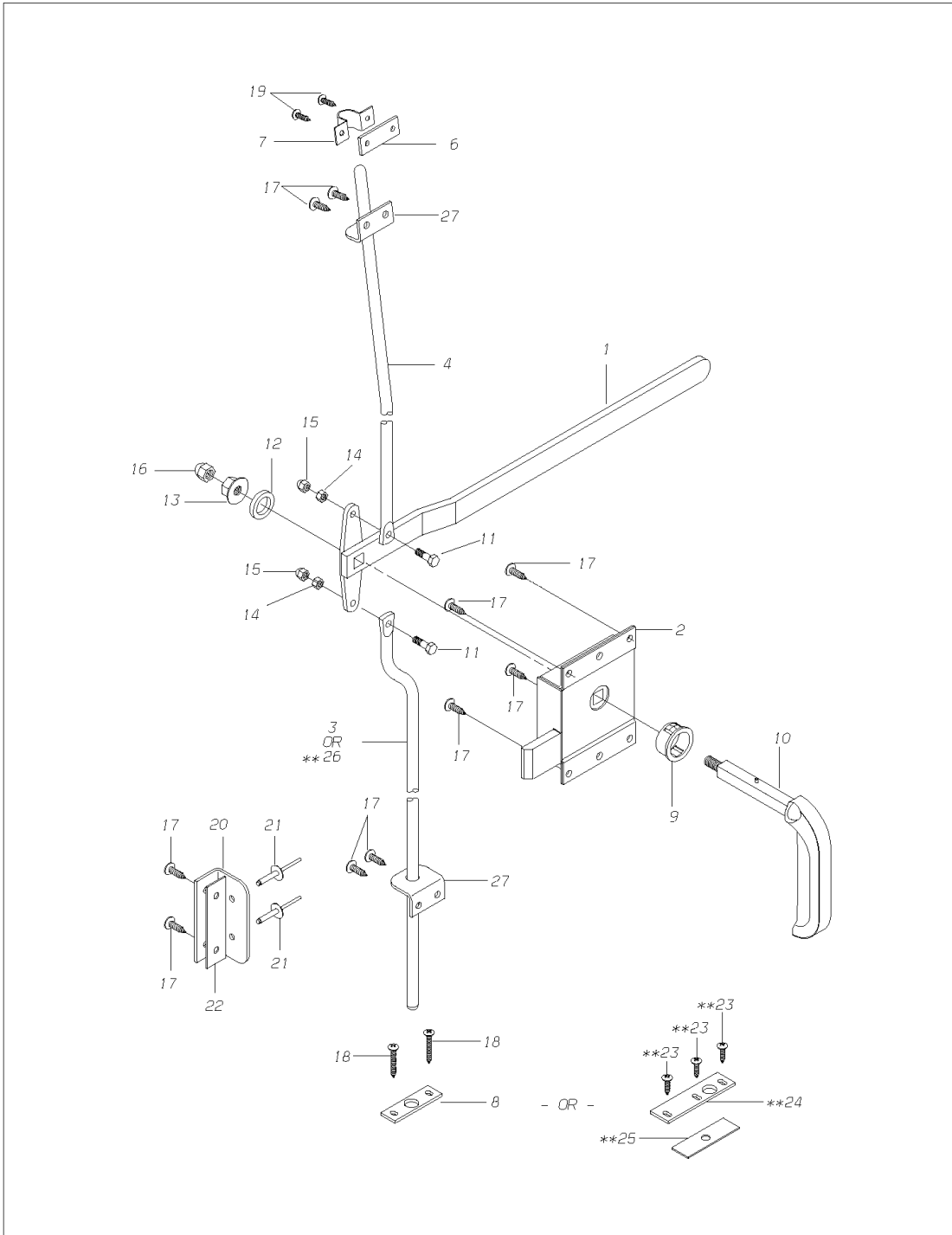


Models: A1VC, A3FE, A3RE, BBCV, B1VC, B2VC, SBCV
OPTIONAL EQUIPMENT
MANUAL LOCK, OUTWARD OPENING DOOR
With Features: FEATURE 30983-01, -02

Key	PartNumber	Qty	Description	Comment
1	0049426		BRACKET ASSY,ROD END,O/O DOOR,	
2	0049430		CHANNEL ASSY,ROD END BKT ATT.M-LOCK	
3	1798420		LATCH,ADJUSTABLE LEVER,THIN GRIP	<i>FEATURE 30983-01. NON-LOCKING OPTION</i>
3	0027886		LATCH,ADJUSTABLE LEVER,THIN GRIP,LOCKING	<i>FEATURE 30983-02. LOCKING OPTION</i>
4	0052564		FRAME ASSY,DOOR,FRT,ENT,15.25 STEP ML	<i>A1VC, B1VC. 15.25" STEP</i>
4	0052571		FRAME ASSY,DR,FRT,ENT,15.25 ST,ML 69HR	<i>A1VC. 69 HR. 15.25" STEP</i>
4	0052565		FRAME ASSY,DOOR,FRONT,ENT,.23 STEP ML CV	<i>CV. 23" STEP</i>
4	0052566		FRAME ASSY,DOOR,FRONT,ENT,24.75 STEP ML	<i>CV. 24.75" STEP</i>
4	0052567		FRAME ASSY,DOOR,FRONT,ENT,27.50 STEP ML	<i>CV. 27.50" STEP</i>
4	0052570		FRAME ASSY,DOOR,FRONT,ENT,24.75 STP ML	<i>A3FE, A3RE. 24.75" STEP</i>
5	0051238		DECAL,ENTRANCE DOOR EMERGENCY RELEASE,	<i>CANADA ONLY</i>
6	0049434		HINGE ASSY,ROD END BKT CHANNEL,M-LOCK	
7	0052444		DECAL,ENTRANCE DOOR,MANUALOCK RESET	
8	0052149	2	E-RING, .210 GROOVE X .025 THICH	
9	0052148		PIN,E-RING,MANUALOCK,.297 X 2.34	
10	1094275	6	SCREW,1/4-14X3/4,HEX HD,SELFDRILL,	<i>FEATURE 30983-01</i>
10	2000016	6	SCREW,1/4-14 X 5/8,B,HEX,W/PLAIN WASH,	<i>FEATURE 30983-02</i>
11	1415769	2	RIVET,POP,.18 X .45,CHERRY SSPS-6-4	

Models: A1VC, A3FE, B1VC, B2VC, C1FE, TCFE, TSFE, VCTA
 OPTIONAL EQUIPMENT
 REAR EMERGENCY DOOR
 3-POINT LOCK

Key	PartNumber	Qty	Description	Comment
-----	------------	-----	-------------	---------



Models: A1VC, A3FE, B1VC, B2VC, C1FE, TCFE, TSFE, VCTA
OPTIONAL EQUIPMENT
REAR EMERGENCY DOOR
3-POINT LOCK

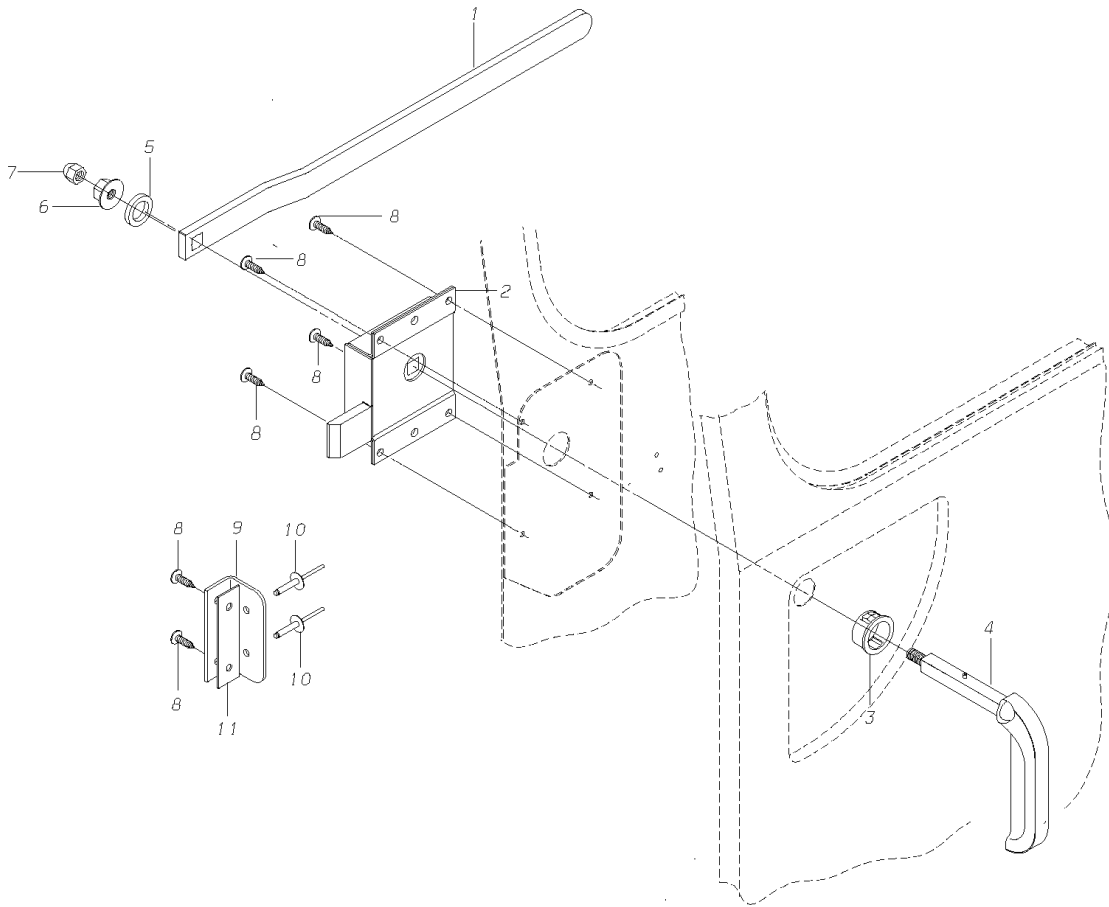
Key	PartNumber	Qty	Description	Comment
1	1166537		HANDLE ASSY,I/S,R E D,WIDE 3PT LOCK	
2	1565290		LOCK ASSY,SINGLE PT,RH,POWDERED METAL	
3	1820612		BAR,LOCKING,LOWER,3-POINT LOCK, PLATED	
4	1051747		BAR,LOCKING,UPR,REAR EM DOOR, PLATED	
6	0003350		STRIKER,UPPER,3 PT,REAR EMERGENCY DOOR	FEATURE 30400-01. ASTRO WHITE
6	0075897		STRIKER,UPPER,3PT LOCK,RED,FLORIDA	FEATURE 30400-02. FLORIDA GRAY
6	0075934		STRIKER,UPPER,3PT LOCK,RED,KENTUCKY	FEATURE 30400-03. KENTUCKY BLUE
6	0086913		STRIKER,UPPER,3PT LOCK,RED,GREEN	FEATURE 30400-04. SEA FOAM GREEN
7	0003434		COVER,UPPER,STRIKER,3 PT RED LOCK	FEATURE 30400-01. ASTRO WHITE
7	0075896		COVER,UPPER,STRIKER,3PT LOCK,RED,FLORIDA	FEATURE 30400-02. FLORIDA GRAY
7	0075933		COVER,UPPER,STRIKER,3PT LOCK,RED,	FEATURE 30400-03. KENTUCKY BLUE
7	0086914		COVER,UPPER,STRIKER,3PT LOCK,RED,GREEN	FEATURE 30400-04. SEA FOAM GREEN
8	0005033		STRIKER,LOWER,3 POINT LOCK,RED LOCK,	FEATURE 30400-01, ENDING WITH BSN B20104429
8	0004275		STRIKER,UPPER,LOWER,SIDE EMERGENCY	FEATURE 30400-01, BEGIN WITH BSN B20104430
8	0060125		STRIKER,UPPER,LOWER,SIDE EMERGENCY	FEATURE 30400-02. FLORIDA GRAY
8	0075873		STRIKER,UPPER,LOWER,SIDE,EM DOOR,	FEATURE 30400-03. KENTUCKY BLUE
8	0086923		STRIKER,UPPER,LOWER,SIDE,EM DOOR,GREEN	FEATURE 30400-04. SEA FOAM GREEN
9	0802462		BUSHING,NYLON,R E D HANDLE	
10	0949818		HANDLE,O/S,R E D,NON-LOCKING	ENDING WITH BSN B10064339, F10035824, F20035859, L10059259
10	0949826		HANDLE,DOOR,O/S,REAR EMERGENCY,MB	BEGIN WITH BSN B10064340, F10035825, F20035860, L10059260
11	1047893	2	CAPSCREW,HEX HD,1/4-20X7/8,GR5,YEL ZN	
12	0954420		WASHER,FLAT,3/4 ID X 1 1/8 OD X3/16TK,	
13	0543934		NUT,HEX HD,3/8-16,ZINC,LG FLG LK,YEL	
14	2001329	2	NUT,HEX HD,1/4-20,YELLOW DICHROMATE"	
15	2001360	2	NUT,ACORN,1/4-20,NICKEL"	
16	0928440		NUT,ACORN,3/8-16,YEL ZN DICH,LOW CROWN	

Models: A1VC, A3FE, B1VC, B2VC, C1FE, TCFE, TSFE, VCTA
OPTIONAL EQUIPMENT
REAR EMERGENCY DOOR
3-POINT LOCK

Key	PartNumber	Qty	Description	Comment
17	1589530	10	SCREW,1/4-14 X 3/4,AB,PH1,PAN HD,YEL ZN	
18	2000701	2	SCREW,1/4-14 X1-1/2,AB,PH1,PAN HD,	
19	1589522	2	SCREW,10-16 X 3/4,AB,PH1,PAN HD,YEL ZN	
20	0004432		STRIKER,REAR EMERGENCY DOOR	FEATURE 30400-01. ASTRO WHITE
20	0057478		STRIKER,REAR EMERGENCY DOOR,FLORIDA	FEATURE 30400-02. FLORIDA GRAY
20	0060121		STRIKER,REAR EMERGENCY DOOR KY	FEATURE 30400-03. KENTUCKY BLUE
20	0086927		STRIKER,REAR EMERGENCY DOOR,GREEN	FEATURE 30400-04. SEA FOAM GREEN
NI	1325778		GUARD,INSIDE HANDLE,REAR EMERGENCY	
21	1407899	2	RIVET,POP,.18,OPEN LONG FLG,T/A SD6128SLF	
22	1420652		SHIM,STRIKER,REAR EMERGENCY DOOR	
**	1589522	3	SCREW,10-16 X 3/4,AB,PH1,PAN HD,YEL ZN	
**	0005280		STRIKER,LOWER,3 PT LK,R.E.D.,ASTRO WHITE	FEATURE 30400-01. ASTRO WHITE
**	0087889		STRIKER,LOWER,3 PT LK,R.E.D.,FLORIDA GRAY	FEATURE 30400-02. FLORIDA GRAY
**	0087890		STRIKER,LOWER,3 PT LK,R.E.D.,KENTUCKY	FEATURE 30400-03. KENTUCKY BLUE
**	0086937		STRIKER,LOWER,3 PT LK,R.E.D.,GREEN	FEATURE 30400-04. SEA FOAM GREEN
**	1632884		SEAL,LOWER,3 PT LOCK,SED	
**	1826668		BAR,LOCKING,LWR,3-POINT LOCK,RED, PLATED	
27	0005272		GUIDE,LOCKING,BAR,LWR,3 PT LK,R.E.D.,	FEATURE 30400-01. ASTRO WHITE
27	0057468		GUIDE,LOCKING,BAR,LWR,3 PT LK,R.E.D.,GRAY	FEATURE 30400-02. FLORIDA GRAY
27	0060148		GUIDE,LOCKING,BAR,LWR,3 PT LK,R.E.D.,BLUE	FEATURE 30400-03. KENTUCKY BLUE
27	0086936		GUIDE,LOCKING,BAR,LWR,3 PT LK,R.E.D.,	FEATURE 30400-04. SEA FOAM GREEN

Models: A1VC, A3FE, B1VC, B2VC, BBCV, SBCV
OPTIONAL EQUIPMENT
REAR EMERGENCY DOOR
LOCK & HANDLE INSTALLATION

Key	PartNumber	Qty	Description	Comment
-----	------------	-----	-------------	---------



Models: A1VC, A3FE, B1VC, B2VC, BBCV, SBCV
OPTIONAL EQUIPMENT
REAR EMERGENCY DOOR
LOCK & HANDLE INSTALLATION

Key	PartNumber	Qty	Description	Comment
1*	1166529		HANDLE,I/S,WIDE R E D,PAINTED	
1	0805457		HANDLE,I/S,R E D,PAINTED	
2	1565290		LOCK ASSY,SINGLE PT,RH,POWDERED METAL	
3	0802462		BUSHING,NYLON,R E D HANDLE	
4	0949826		HANDLE,DOOR,O/S,REAR EMERGENCY,MB	
5	0954420		WASHER,FLAT,3/4 ID X 1 1/8 OD X3/16TK,	
6	0543934		NUT,HEX HD,3/8-16,ZINC,LG FLG LK,YEL	
7	0928440		NUT,ACORN,3/8-16,YEL ZN DICH,LOW CROWN	
8	1589530		SCREW,1/4-14 X 3/4,AB,PH1,PAN HD,YEL ZN	
9	0004432		STRIKER,REAR EMERGENCY DOOR	<i>FEATURE 30400-01, ASTRO WHITE</i>
9	0057478		STRIKER,REAR EMERGENCY DOOR,FLORIDA	<i>FEATURE 30400-02, FLORIDA GRAY</i>
9	0060121		STRIKER,REAR EMERGENCY DOOR KY	<i>FEATURE 30400-03, KENTUCKY BLUE</i>
9	0086927		STRIKER,REAR EMERGENCY DOOR,GREEN	<i>FEATURE 30400-04, SEA FOAM GREEN</i>
10	1407899		RIVET,POP,.18,OPEN LONG FLG,T/A SD6128SLF	
11	1420652		SHIM,STRIKER,REAR EMERGENCY DOOR	

Models: AAFE, AARE, A3FE, A3RE, C1FE, MBWB, TCFE, TCRE, TSFE, VCTA
OPTIONAL EQUIPMENT
ROOF HATCH
SPECIALTY 8650-02
VENT WITH OUTSIDE HANDLE & ALARM SWITCH
With Features: **OPTION 3250 -13, -14**

Key	PartNumber	Qty	Description	Comment
NI		1	VENT/ROOF HATCH	<i>OPT. 3250-13</i>
	1843671		KIT,SAF VENT,OS HDL & SW,SPECIALTY 8650	
	1843689		KIT,SAF VENT,BLGL,OS HDL&SW,	
	1612894	8	SEALANT,TAPE,1/8X1 BLK,SCHNEE MOREHEAD	
	1171511	2	CHANNEL,SUPPORT,TRANSPEC VENT HATCH,28	
	1521897	3	CHANNEL,SUPPORT,TRANSPEC VENT HATCH,35	
	3751997	8	COVER,SCREWHEAD,CREAM,NO 12/12-108	
	3775863	8	WASHER,COUNTERSUNK,12/12,WL	
	1203066	2	TERMINAL,SLIDE,3/16,14-16 GA,INSULATED	
		2	VENT/ROOF HATCH	<i>OPTION 3250-14</i>
	1843671	2	KIT,SAF VENT,OS HDL & SW,SPECIALTY 8650	
	1843689	2	KIT,SAF VENT,BLGL,OS HDL&SW,	
	1612894	16	SEALANT,TAPE,1/8X1 BLK,SCHNEE MOREHEAD	
	1171511	4	CHANNEL,SUPPORT,TRANSPEC VENT HATCH,28	
	1521897	6	CHANNEL,SUPPORT,TRANSPEC VENT HATCH,35	
	3751997	16	COVER,SCREWHEAD,CREAM,NO 12/12-108	
	3775863	16	WASHER,COUNTERSUNK,12/12,WL	
	1203066	4	TERMINAL,SLIDE,3/16,14-16 GA,INSULATED	

Models: AAFE, AARE, A3FE, A3RE, C1FE, MBWB, TCFE, TCRE, TSFE, VCTA
OPTIONAL EQUIPMENT
ROOF HATCH
TRANSPEC & SPECIALTY

With Features: **OPTION 3250 -01, -02, -03, -04, -05, -06, -07, -08, -09, -10, OPTION 6132, 6178-02**

Key	PartNumber	Qty	Description	Comment
			KIT, DUAL PURP, SAF-VENT, W/ OUTSIDE	OPT. 3250-01, 02/OPT. 6132
	1458595		KIT,DUAL PUR SAF VENT OS HNDL	OPT. 3250-01, 02/OPT. 6132
	1500354		KIT,DUAL PURP SAF VNT BLNGL W/OS HDL	OPT. 3250-01, 02/OPT. 6132
			KIT, TRIPLE VALUE, SAFETY VENT, W/ OUTSIDE	OPT. 3250-03, 04
	1458603		KIT,TRIPLE VAL SAF VNT OS HDL	OPT. 3250-03, 04
	1500370		KIT,TRIPLE VAL.SAF VENT,BLNGL W/OS HDL &	OPT. 3250-03, 04
	3751997		COVER,SCREWHEAD,CREAM,NO 12/12-108	OPT. 3250-03, 04
	3775863		WASHER,COUNTERSUNK,12/12,WL	OPT. 3250-03, 04
			KIT, TRIPLE VALUE, SAFETY VENT, W/ OUTSIDE	OPT. 3250-05, 06/OPT. 6178-02
	1667302		KIT,TRIP VAL SAF VENT,PWR FAN,W/OS HDL &	OPT. 3250-05, 06/OPT. 6178-02
	1667310		KIT,TRIP VAL SAF VENT,PWR FAN,BLNGL,OS	OPT. 3250-05, 06/OPT. 6178-02
			KIT, TRIPLE VALUE, SAFETY VENT, W/ OUTSIDE	OPT. 3250-07, 08
	1667443		KIT,SAF VENT,W/OS HDL & SW,SPECIALTY 8600	OPT. 3250-07, 08
	1667450		KIT,SAF VENT,BLNGL,OS HDL&SW,SPECIALTY	OPT. 3250-07, 08
			KIT, TRIPLE VALUE, SAFETY VENT, W/ OUTSIDE	OPT. 3250-09, 10
	1782754		KIT,ECONO VENT,W/OS HNDL & BUZZ,	OPT. 3250-09, 10
	1782762		KIT,ECONO VENT,BLNGL,OS HNDL/BUZZ,	OPT. 3250-09, 10
	4326575		HATCH, ROOF, SAFETYGUARD, "POP UP"	OPT. 3250-09, 10
	4295812		KNOB ASSY,OUTSIDE RELEASE,TRANSPEC"	TRANSPEC ONLY

Models:
TCFE, TSFE

A3FE, A3RE, B1VC, B2VC, C1FE, CSEV, CSFE, CSRE, GMCV, MBWB, SBCV, TCEV,

With Features:
BSN:

OPTIONAL EQUIPMENT

SECURITY LOCK, OUTWARD OPENING DOOR

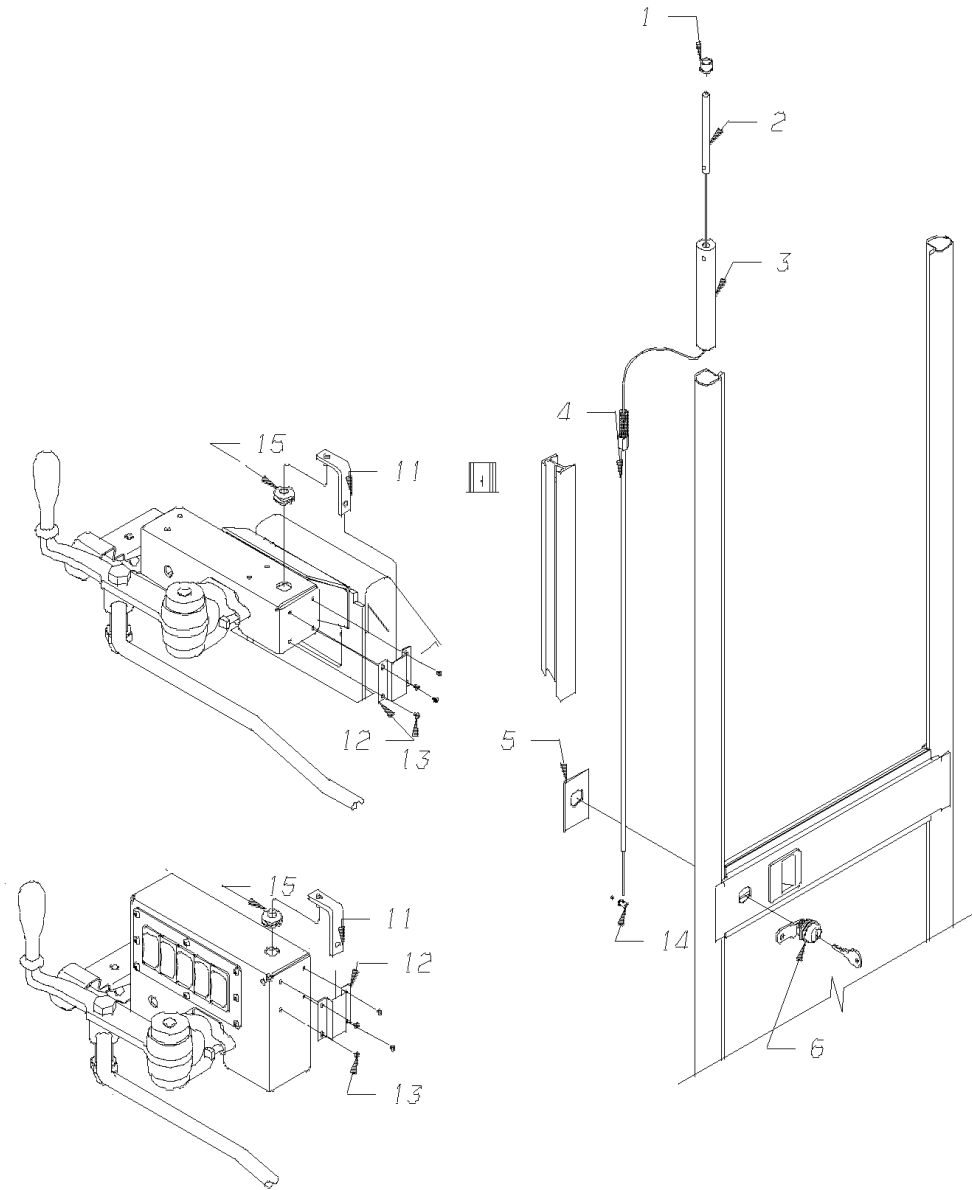
FEATURE 30981-02 WITH 30978-01, -02, -03

From BSN B-10035320 F-10020225 L-10032855 M-10041330 X-10009290

To BSN B10064339 B20064364 F10035824 F20035859 L10059259

M10074849 X100049804

Key	PartNumber	Qty	Description	Comment
-----	------------	-----	-------------	---------



Models:
TCFE, TSFE

A3FE, A3RE, B1VC, B2VC, C1FE, CSEV, CSFE, CSRE, GMCV, MBWB, SBCV, TCEV,

With Features:
BSN:

OPTIONAL EQUIPMENT
SECURITY LOCK, OUTWARD OPENING DOOR
FEATURE 30981-02 WITH 30978-01, -02, -03
From BSN B-10035320 F-10020225 L-10032855 M-10041330 X-10009290
To BSN B10064339 B20064364 F10035824 F20035859 L10059259

M10074849 X10049804

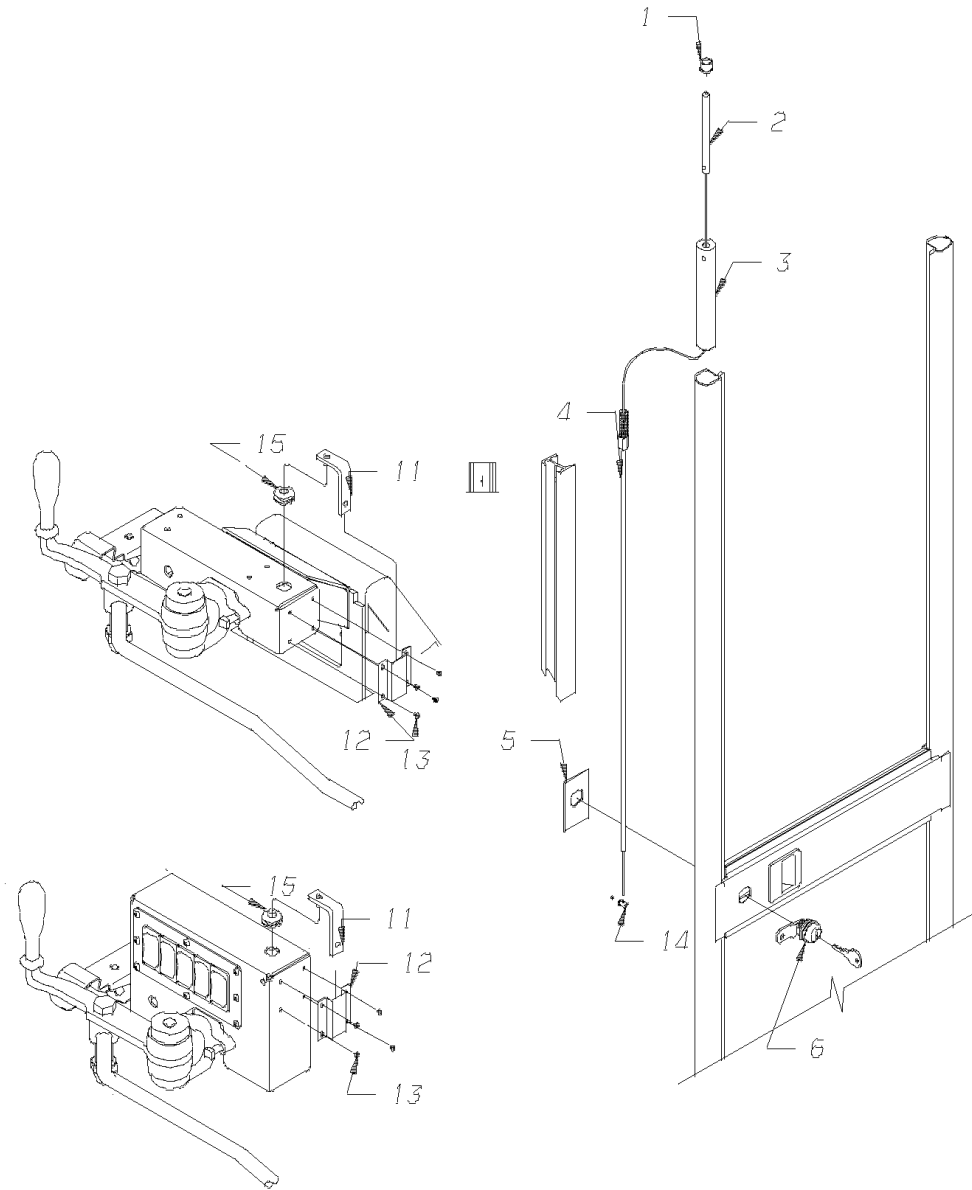
Key	PartNumber	Qty	Description	Comment
1	3940186		BUSHING,NYLON, .500 HEYCO	
2	0000470		BOLT,SECURITY LOCK,O/O DOOR	
3	0000474		SLEEVE,BOLT/CABLE,SECURITY LOCK,O/O	
4	0000473		CABLE,SECURITY LOCK,O/O DOOR	
5	0000475		PLATE,MTG,LOCK,SECURITY LOCK,O/O DR	
6	0000472		LOCK ASSY,CAM,SECURITY LOCK,O/O DOOR	
6	0848747		KEY,LL-25,LOCKING COMPARTMENTS	KEY, LL-25
7	2186401	4	SCREW,10-16 X 1/2,AB,PH1,PAN HD,YEL ZN	FEATURE 30981-02 WITH 30978 -01, -02
8	0825851		CATCH,MAGNETIC	FEATURE 30981-02 WITH 30978 -01, -02
9	1519859		HINGE ASSY,DOOR CONTROL STOP	FEATURE 30981-02 WITH 30978 -01, -02
10	0527275		SCREW,10-16 X 3/8,AB,PH1,PAN,YEL ZINC	
11	1034560		STOP ASSY,DELUXE DOOR CONTROL	FEATURE 30981-02 WITH 30978 -03
12	0006075		RETAINER,STOP ASSY,DELUXE DOOR CONTROL	FEATURE 30981-02 WITH 30978 -03
13	2186401	4	SCREW,10-16 X 1/2,AB,PH1,PAN HD,YEL ZN	FEATURE 30981-02 WITH 30978 -03
14	0011781		FITTING,WIRE STOP	

Models: A3FE, A3RE, B1VC, B2VC, C1FE, CSFE, CSRE, GMCV, MBWB, SBCV, TCPE
OPTIONAL EQUIPMENT

With Features: FEATURE 30981-02 WITH 30978-01, -02, -03

BSN: From BSN B-10064340 B-20064365 F-10035825 F-20035860 L-10059260 M-10074850 X-10019805
To BSN B10097189 F10050449 L10083489

Key	PartNumber	Qty	Description	Comment
-----	------------	-----	-------------	---------



Models: A3FE, A3RE, B1VC, B2VC, C1FE, CSFE, CSRE, GMCV, MBWB, SBCV, TCPE
OPTIONAL EQUIPMENT
SECURITY LOCK, OUTWARD OPENING DOOR
With Features: FEATURE 30981-02 WITH 30978-01, -02, -03
BSN: From BSN B-10064340 B-20064365 F-10035825 F-20035860 L-10059260 M
-10074850 X-10019805
To BSN B10097189 F10050449 L10083489

Key	PartNumber	Qty	Description	Comment
1	3940186		BUSHING,NYLON, .500 HEYCO	
2	0000470		BOLT,SECURITY LOCK,O/O DOOR	
3	0000474		SLEEVE,BOLT/CABLE,SECURITY LOCK,O/O	
4	0000473		CABLE,SECURITY LOCK,O/O DOOR	
5	0000475		PLATE,MTG,LOCK,SECURITY LOCK,O/O DR	
6	0000472		LOCK ASSY,CAM,SECURITY LOCK,O/O DOOR	
6	0848747		KEY,LL-25,LOCKING COMPARTMENTS	KEY, LL-25
10	0527275		SCREW,10-16 X 3/8,AB,PH1,PAN,YEL ZINC	
11	1034560		STOP ASSY,DELUXE DOOR CONTROL	FEATURE 30981-02 WITH FEATURE 30978-03
12	0028533		RETAINER,STOP ASSY,DELUXE DOOR CTRL,CV,	FEATURE 30981-02 WITH FEATURE 30978-03
13	2186401	4	SCREW,10-16 X 1/2,AB,PH1,PAN HD,YEL ZN	
14	0011781		FITTING,WIRE STOP	
15	0890566		GROMMET,RUBBER,ATLANTIC INDIA,NO 2758	

Models: A3FE, A3RE, BBCV, GMCV, SBCV

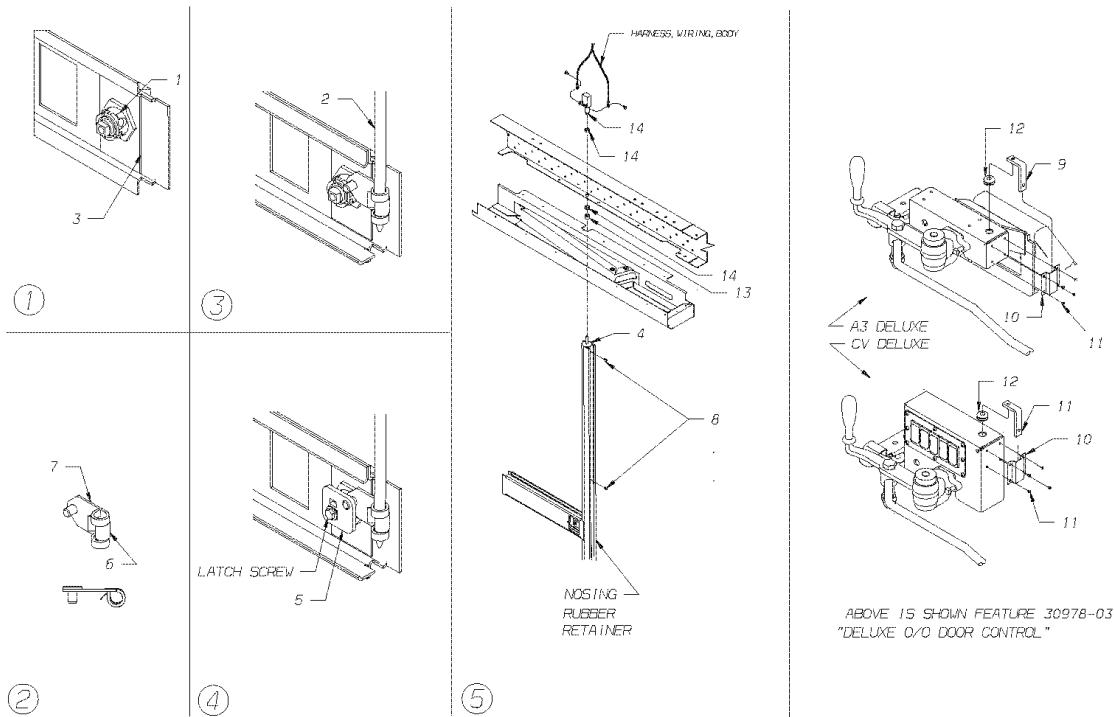
OPTIONAL EQUIPMENT

SECURITY LOCK, OUTWARD OPENING DOOR

With Features: FEATURE 30981-03 WITH 30978-01, -02

BSN: From BSN B10097190 F10050450 L10083490

Key	PartNumber	Qty	Description	Comment
-----	------------	-----	-------------	---------

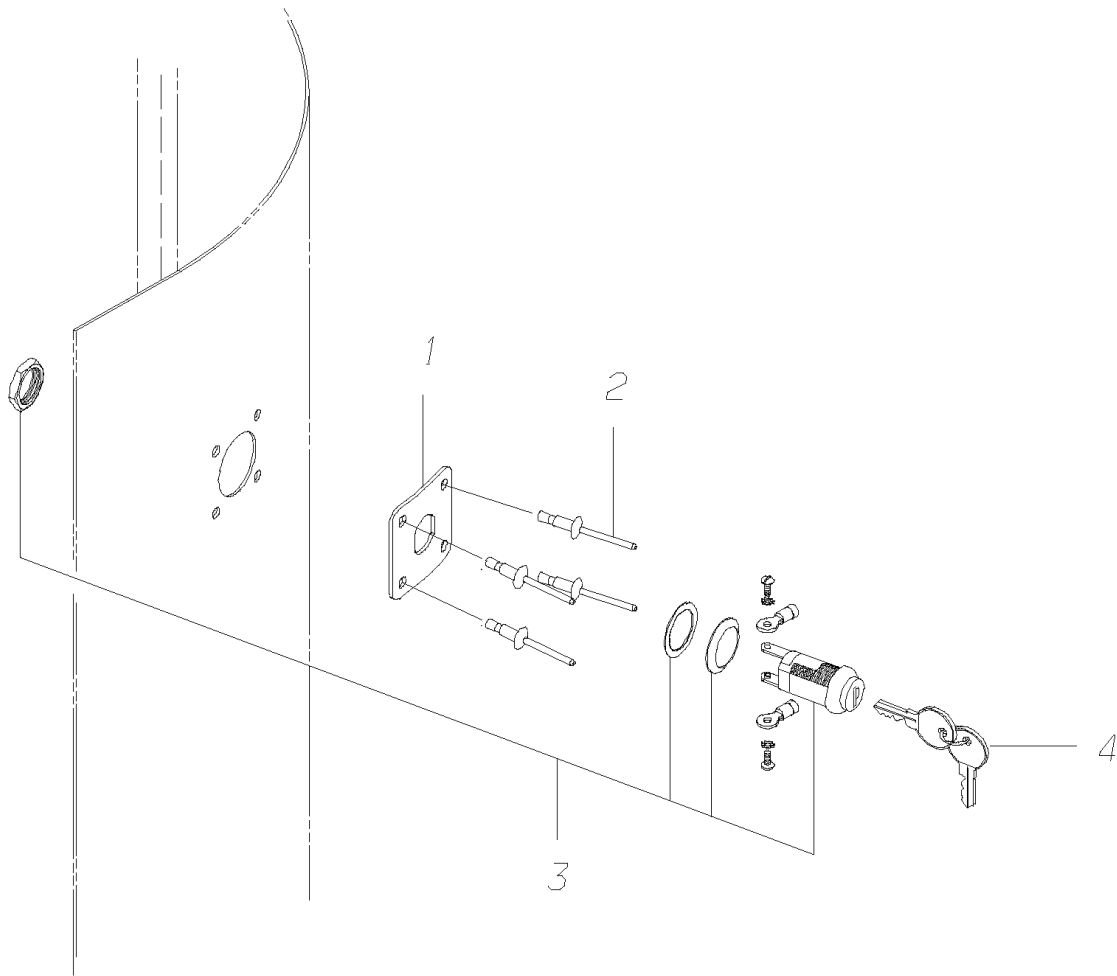


Models: A3FE, A3RE, BBCV, GMCV, SBCV
OPTIONAL EQUIPMENT
SECURITY LOCK, OUTWARD OPENING DOOR
With Features: FEATURE 30981-03 WITH 30978-01, -02
BSN: From BSN B10097190 F10050450 L10083490

Key	PartNumber	Qty	Description	Comment
1	0047119		LATCH,LOCKABLE WINGKNOB,WITH PAWL,	
2	0046949		BOLT,SECURITY LOCK,OUTWARD OPENING	
3	0046592		PLATE,MOUNTING,SECURITY LOCK,O/O DOOR	
4	0046950		SLEEVE,BOLT,SECURITY LOCK, O/O DOOR	
5	0046591		PAWL,SECURITY LOCK,O/O DOOR	COMES WITH LATCH 0047119
6	0048639		CLIP,SECURITY LOCK BOLT RETAINER	
7	0046990		BRACKET ASSY,SEC LOCK,BOLT TO PAWL,O/O	
8	0527275	2	SCREW,10-16 X 3/8,AB,PH1,PAN,YEL ZINC	
9	1034560		STOP ASSY,DELUXE DOOR CONTROL	
10	0028533		RETAINER,STOP ASSY,DELUXE DOOR CTRL,CV,	
11	2186401	4	SCREW,10-16 X 1/2,AB,PH1,PAN HD,YEL ZN	
12	0890566		GROMMET,RUBBER,ATLANTIC INDIA,NO 2758	
13	3940186		BUSHING,NYLON, .500 HEYCO	
14	0088191		SWITCH,ADJUSTABLE,SPST (NO)	

Models: AAFE, A3FE, A3RE, MBWB, SBCV, TCFE, TSFE
OPTIONAL EQUIPMENT
VANDAL LOCK
ELECTRIC
With Features: OPTION 215

Key	PartNumber	Qty	Description	Comment
-----	------------	-----	-------------	---------



Models: AAFE, A3FE, A3RE, MBWB, SBCV, TCFE, TSFE
OPTIONAL EQUIPMENT
VANDAL LOCK
ELECTRIC
With Features: **OPTION 215**

Key	PartNumber	Qty	Description	Comment
1	1446822		PLATE,MTG,ELECTRIC VANDAL LOCK	
2	1549211	4	RIVET,CHERRY,SSPVH-204-4	
3	1583699		SWITCH,KEY,O/S,VANDAL LOCK,ELECTRIC	<i>SWITCH, KEY, O/S, VANDAL LOCK, ELECTRIC (INCLUDES KEYS)</i>
NI	0848747		KEY,LL-25,LOCKING COMPARTMENTS	<i>KEY LL-25</i>
NI	2006104		BREAKER,CIRCUIT,15 AMP	
NI	2001162	4	LOCKWASHER,SPLIT RING, 3/16,MED,YEL ZN	
NI	2001105	2	WASHER,FLAT,13/64 X,1/2 X 3/64,YEL ZN DICH	
NI	2001287	2	NUT,HEX HD,10-32,YEL ZN DICH	

Models: AAFE, AARE, A3FE, A3RE, C1FE, TCFE, TCRE, TSFE

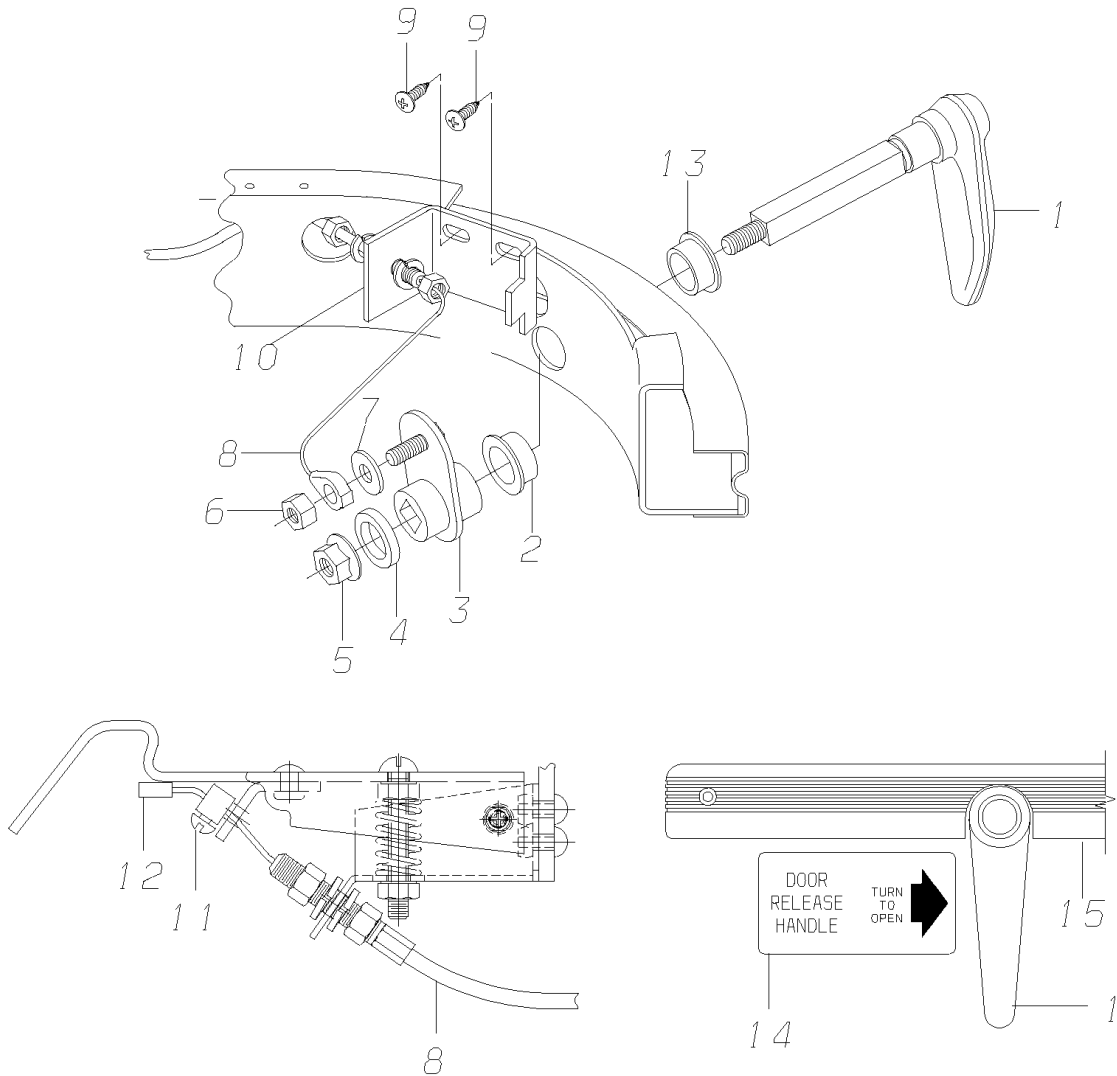
OPTIONAL EQUIPMENT

VANDAL LOCK

ENTRANCE DOOR LOCKING

With Features: OPTION 0220, 0221

Key	PartNumber	Qty	Description	Comment
-----	------------	-----	-------------	---------

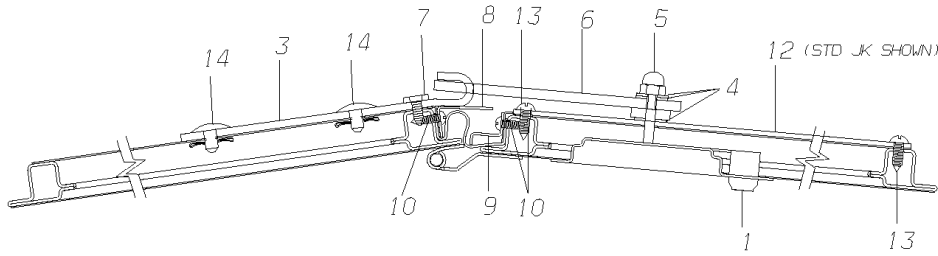


Models: AAFE, AARE, A3FE, A3RE, C1FE, TCFE, TCRE, TSFE
OPTIONAL EQUIPMENT
VANDAL LOCK
ENTRANCE DOOR LOCKING
With Features: OPTION 0220, 0221

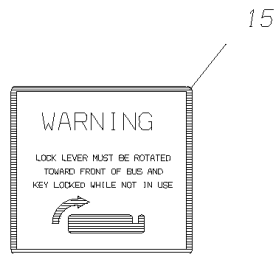
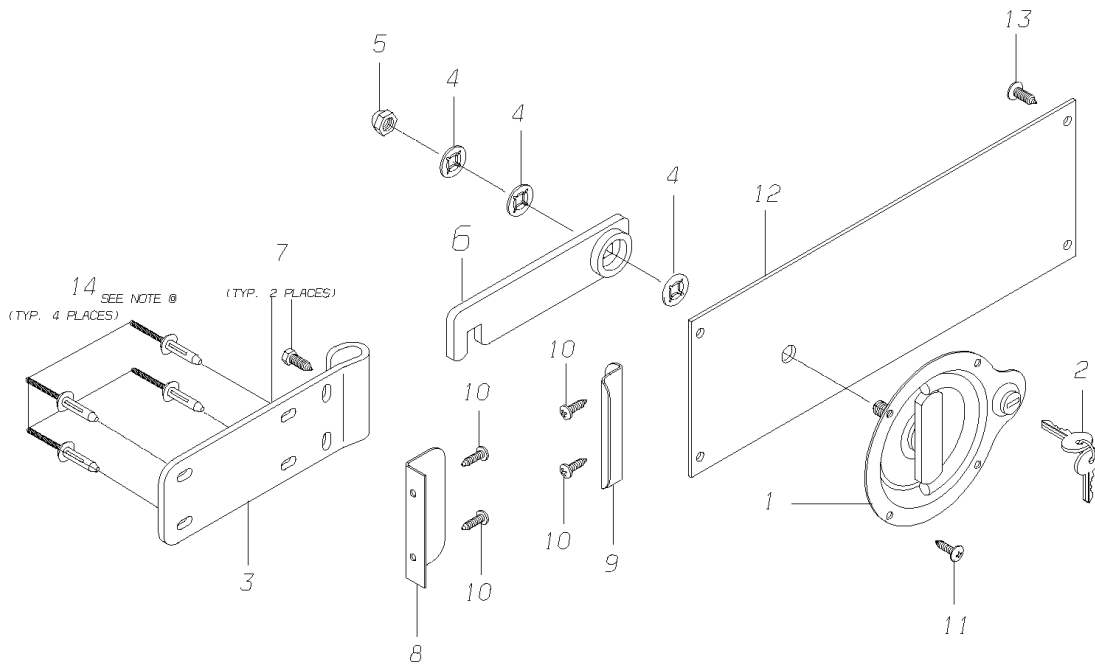
Key	PartNumber	Qty	Description	Comment
1	1515220		HANDLE,O/S,ENT DOOR CONTROL,NON-	OPTION 0220
1	1062132		HANDLE ASSY,O/S,R E D,W/2 CH751 KEYS	OPTION 0221
2	1520717		BUSHING,NYLON, .875 HEYCO	
3	1515253		CAM ASSY,ENTRANCE DOOR CONTROL HANDLE,	
4	0954420		WASHER,FLAT,3/4 ID X 1 1/8 OD X3/16TK,	
5	0543934		NUT,HEX HD,3/8-16,ZINC,LG FLG LK,YEL	
6	1465954		NUT,HEX HD,5/16-18,LK,NYLON INSERT,YEL	
7	1078922	AR	WASHER,FLAT,3/8 X 7/8 X 5/64,YEL ZN DICH	
8	1514926		CABLE ASSY,DOOR CONTROL AA/TC	ENDING WITH BSN B10060359, L10055784, M10069789, X10018509
8	0029990		CABLE ASSY,DOOR CONTROL,TRANSIT"	BEGIN WITH BSN B10060360, L10055785, M10069790, X10018510
9	2000636		SCREW,1/4-14 X 1/2,AB,PH1,PAN HD,YEL	
10	1515212		BRACKET,STOP,DOOR CONTROL CABLE AA/TC	ENDING WITH BSN B10060359, L10055784, M10069789, X10018509
10	0029952		BRACKET,ATCH,CABLE,ENT DR CTRL, TRANSIT	BEGIN WITH BSN B10060360, L10055785, M10069790, X10018510
11	2025955		WIRE,CORE STOP,1/4 IN	
12	0994673		SLEEVE,OVAL CABLE LOCK	
13	0802462		BUSHING,NYLON,R E D HANDLE	
14	0009941		DECAL,ENTRANCE DOOR EMERGENCY RELEASE	OPTION 0220, EMERGENCY DOOR RELEASE TURN TO OPEN
14	1542679		DECAL,ENTRANCE DOOR RELEASE	OPTION 0221, DOOR RELEASE HANDLE TURN TO OPEN
15	0187815		TRIM,POLISHED ALUMINUM COWL	
NI	0829390		NUT,HEX HD,5/16-18,SER WASHER,YEL ZN	
NI	1854181		LATCH ASSY,DELUXE DOOR CONTROL, TC	
NI	1522762		LATCH ASSY,DELUXE DOOR CONTROL,CV	

Models: A3FE, A3RE, BBCV, TCFE
OPTIONAL EQUIPMENT
VANDAL LOCK
JACKKNIFE ENTRANCE DOOR
With Features: OPTION 0216

Key	PartNumber	Qty	Description	Comment
-----	------------	-----	-------------	---------



FRONT OF BUS →



Models: A3FE, A3RE, BBCV, TCFE
OPTIONAL EQUIPMENT
VANDAL LOCK
JACKKNIFE ENTRANCE DOOR

With Features: **OPTION 0216**

Key	PartNumber	Qty	Description	Comment
1	0058414		LOCK ASSEMBLY,VANDAL,ENT DOOR,LL25,E-	
2	0848747	2	KEY,LL-25,LOCKING COMPARTMENTS	KEY, LL-25
3	0004820		STRIKER,ENTRANCE DOOR,VANDAL LOCK,JK,	
4	0832410	3	CONNECTOR,PUSH ON,5/16 SQUARE SHAFT	
5	0928440		NUT,ACORN,3/8-16,YEL ZN DICH,LOW CROWN	
6	0001418		LEVER & SPACER ASSY.,VANDAL LOCK,JK-TC	
7	2000016	2	SCREW,1/4-14 X 5/8,B,HEX,W/PLAIN WASH,	
8	1371103		DISPLACER,SEAL,JK DR,V/LK,FRT POSN,	
9	1371111		DISPLACER,SEAL,JK DR,V/LK,RR POSN,COATED	
10	0864579	4	SCREW,10-16 X 3/4,AB,PH1,PAN HD,SST	
11	1164821	4	SCREW,10-16 X 3/4,AB,PH1,TRUSS HD, YEL ZN	
12	0004994		PLATE,REINF,VANDAL LOCK,LOWER,PJK DR, CV	
12	0005009		PLATE,REINF,VANDAL LOCK,LOWER,JK DR, CV	
13	1589530	4	SCREW,1/4-14 X 3/4,AB,PH1,PAN HD,YEL ZN	
14	1981737	4	FASTENER,BULB TITE,.25	
15	1496819		DECAL,WARNING,VANDAL LOCK,JK ENT DR	

Models: A3FE, A3RE, BBCV, TCFE, TCRE

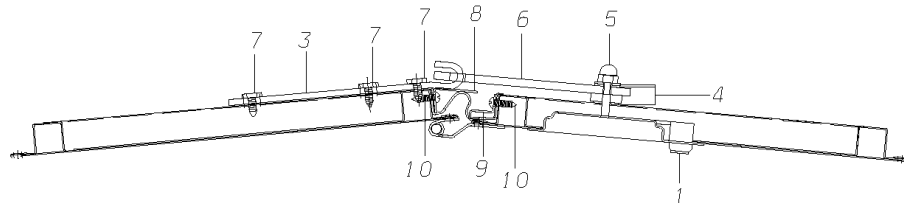
OPTIONAL EQUIPMENT

VANDAL LOCK

LOWER, JACKKNIFE ENTRANCE DOOR

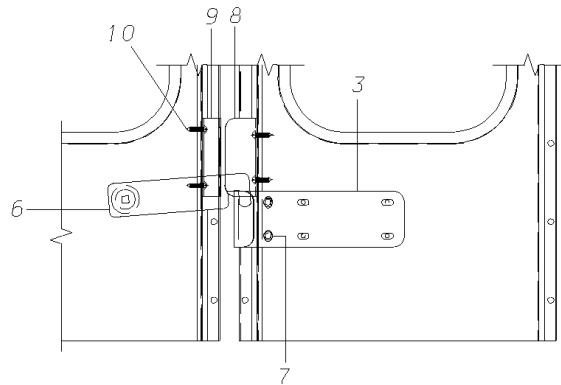
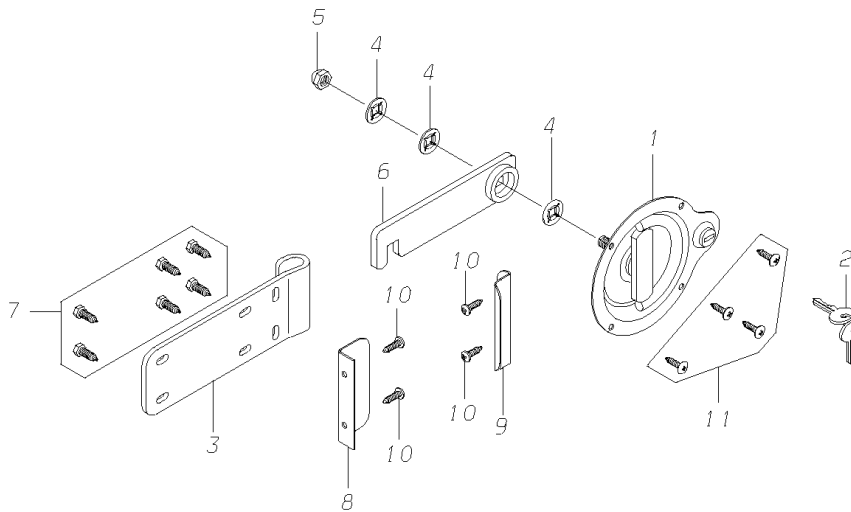
With Features: **OPTION 0216**

Key	PartNumber	Qty	Description	Comment
-----	------------	-----	-------------	---------



(PARTS SHOWN ASSEMBLED IN PLAN VIEW)

← FRONT OF BUS



INTERIOR PARTS ASSEMBLY
VIEWED FROM INSIDE OF BUS
FRONT OF BUS →

Models: A3FE, A3RE, BBCV, TCFE, TCRE
OPTIONAL EQUIPMENT
VANDAL LOCK
LOWER, JACKKNIFE ENTRANCE DOOR
With Features: **OPTION 0216**

Key	PartNumber	Qty	Description	Comment
1	0058414		LOCK ASSEMBLY,VANDAL,ENT DOOR,LL25,E-	
2	0848747	2	KEY,LL-25,LOCKING COMPARTMENTS	KEY, LL-25
3	0004820		STRIKER,ENTRANCE DOOR,VANDAL LOCK,JK,	
4	0832410	3	CONNECTOR,PUSH ON,5/16 SQUARE SHAFT	
5	0928440		NUT,ACORN,3/8-16,YEL ZN DICH,LOW CROWN	
6	0004341		LEVER & SPACER ASSY,VANDAL LOCK	
7	2000016	2	SCREW,1/4-14 X 5/8,B,HEX,W/PLAIN WASH,	
8	1371103		DISPLACER,SEAL,JK DR,V/LK,FRT POSN,	
9	1371111		DISPLACER,SEAL,JK DR,V/LK,RR POSN,COATED	
10	0864579	4	SCREW,10-16 X 3/4,AB,PH1,PAN HD,SST	
11	1164821	4	SCREW,10-16 X 3/4,AB,PH1,TRUSS HD, YEL ZN	
12	1981737	4	FASTENER,BULB TITE,.25	
13	1496819		DECAL,WARNING,VANDAL LOCK,JK ENT DR	

Models: A3FE, SBCV, VCTA
OPTIONAL EQUIPMENT
VANDAL LOCK
REAR EMERGENCY DOOR
With Features: **OPTION 217**

Key	PartNumber	Qty	Description	Comment
	1155639		BUZZER & SWITCH ASSY,R E D,FMVSS217	
	0824417		BRACKET,LOCK,REAR EM DOOR,VANDAL LOCK	
	0967281		NUT,PANEL,HEX HD,3/4-27,YEL ZN DICH	
	0967307		BARREL,PLUG LOCK,CHROME PLTD	
	1352327		DECAL,VANDAL LOCK,EM DOOR IGN	
	1125194		COVER,BZR & SW ASSY,RED,W/VNDL LK	
	1145168		SWITCH,ADJUSTABLE,DPST (NC) INTERNAL	
	1077718		RELAY,BOSCH,0-332-209-161,30 AMP	
	0831461		LOCK,REMOVABLE PLUG,ACE 4127	
	2072494		KEY,PL201,LOCK,REMOVABLE PLUG	<i>KEY, PL201, LOCK, REMOVABLE PLUG</i>
	2006187		BUZZER,R E D/R E W/POW	

Models: A3FE, C1FE, TCFE, TSFE
OPTIONAL EQUIPMENT
VANDAL LOCK
REAR EMERGENCY DOOR WITH BUZZER
With Features: OPTION 3001-01 WITH OPTION 217

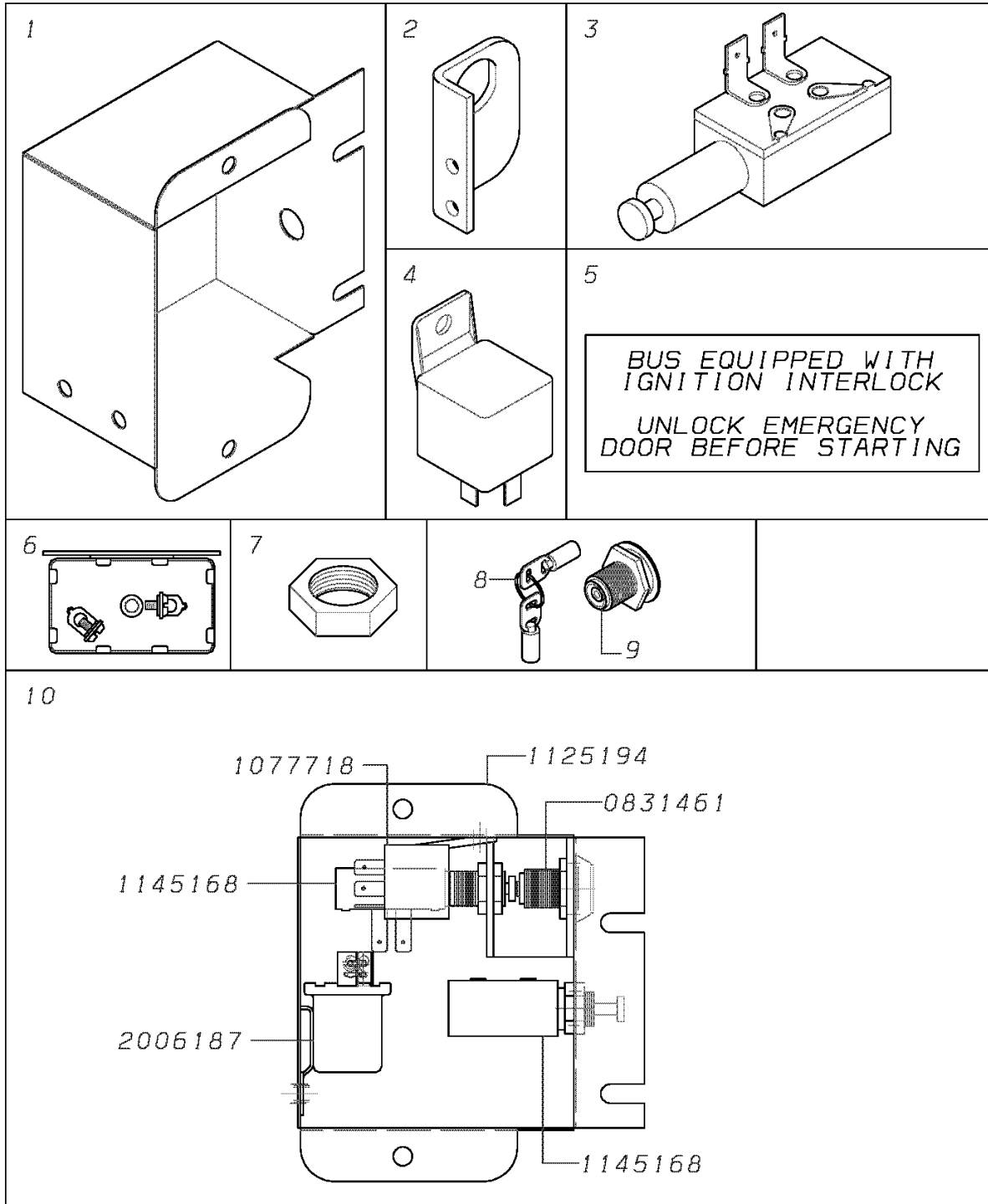
Key PartNumber Qty Description Comment

DR. 6/20/95 BY DB		4316980	
APP. 6/20/95 BY AB	FRT		REV



© BLUE BIRD BODY COMPANY. ALL RIGHTS RESERVED

BLUE BIRD



Models: A3FE, C1FE, TCFE, TSFE
OPTIONAL EQUIPMENT
VANDAL LOCK
REAR EMERGENCY DOOR WITH BUZZER
With Features: OPTION 3001-01 WITH OPTION 217

Key	PartNumber	Qty	Description	Comment
1	1125194		COVER,BZR & SW ASSY,RED,W/VNDL LK	
2	0824417		BRACKET,LOCK,REAR EM DOOR,VANDAL LOCK	
3	1145168	2	SWITCH,ADJUSTABLE,DPST (NC) INTERNAL	
4	1077718		RELAY,BOSCH,0-332-209-161,30 AMP	
5	1352327		DECAL,VANDAL LOCK,EM DOOR IGN	
6	2006187		BUZZER,R E D/R E W/POW	
7	0967281		NUT,PANEL,HEX HD,3/4-27,YEL ZN DICH	
8	2072494		KEY,PL201,LOCK,REMOVABLE PLUG	<i>KEY, PL201, LOCK, REMOVABLE PLUG</i>
9	0831461		LOCK,REMOVABLE PLUG,ACE 4127	
10	1155639		BUZZER & SWITCH ASSY,R E D,FMVSS217	
10			DOOR W/ VANDAL LOCK	
NI	0967307		BARREL,PLUG LOCK,CHROME PLTD	

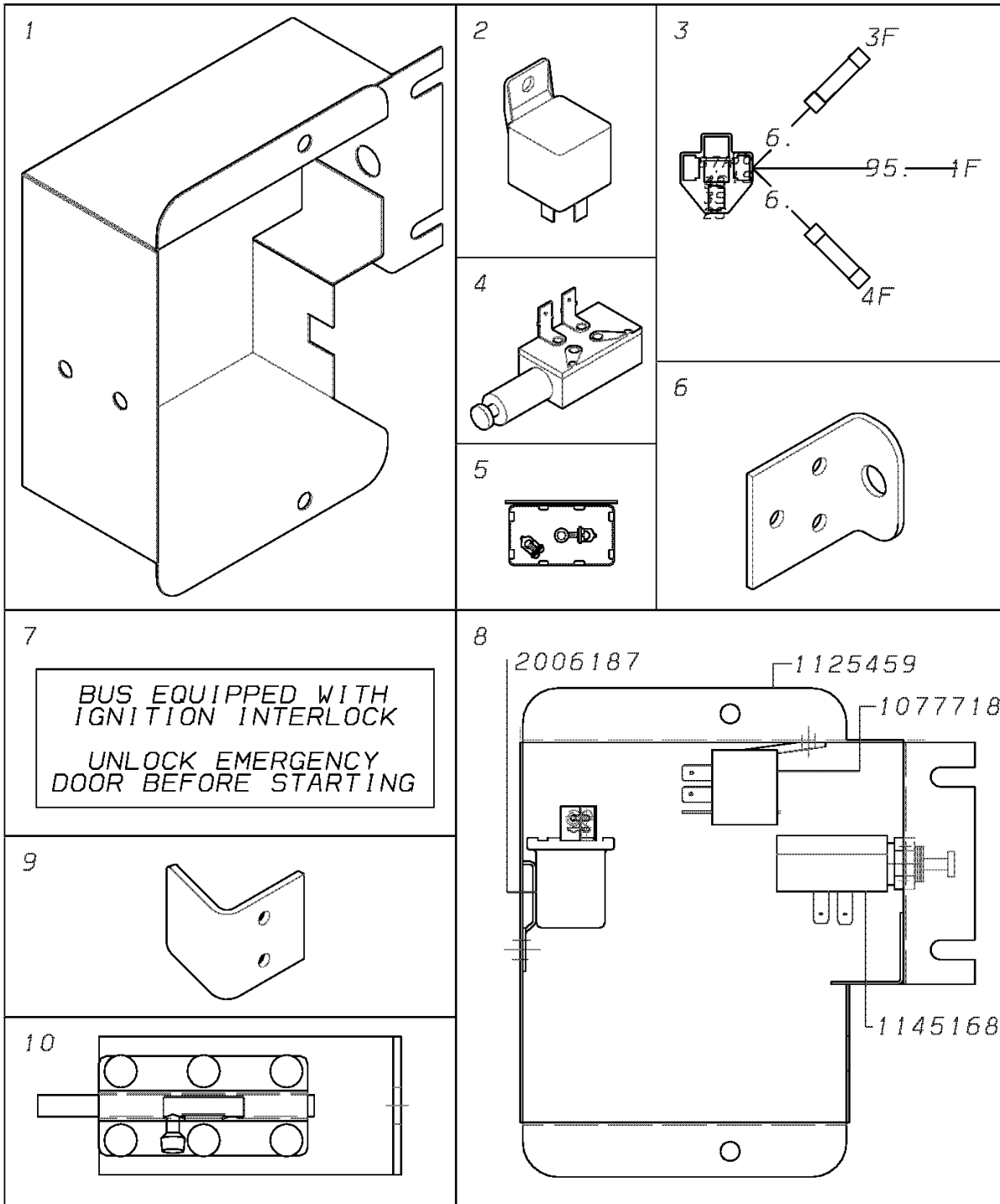
Models: A3FE, C1FE, TCFE, TSFE
OPTIONAL EQUIPMENT
VANDAL LOCK
REAR EMERGENCY DOOR WITH BUZZER
With Features: OPTION 3001-01 WITH OPTION 219

Key	PartNumber	Qty	Description	Comment
-----	------------	-----	-------------	---------

DR. 6/20/95 BY DB		4317004	
APP. 6/20/95 BY AB	FRT		REV



© BLUE BIRD BODY COMPANY. ALL RIGHTS RESERVED



Models: A3FE, C1FE, TCFE, TSFE
OPTIONAL EQUIPMENT
VANDAL LOCK
REAR EMERGENCY DOOR WITH BUZZER
With Features: OPTION 3001-01 WITH OPTION 219

Key	PartNumber	Qty	Description	Comment
1	1125459		COVER & TRIM ASSY,BZR & SW,VNDL LK &	
2	1077718		RELAY,BOSCH,0-332-209-161,30 AMP	
3	1289883		HARNESS,WRG,VANDAL LOCK RELAY	
4	1145168		SWITCH,ADJUSTABLE,DPST (NC) INTERNAL	
5	2006187		BUZZER,R E D/R E W/POW	
6	1013648		PLATE,VANDAL LOCK STRIKER,R E D	
7	1352327		DECAL,VANDAL LOCK,EM DOOR IGN	
8	1155746		BUZZER & SWITCH ASSY,W/VNDL LK & SLIDE	
9	0882431		STRIKER,ANGLE,REW BUZZER SWITCH	
10	1439124		LOCK ASSY,VANDAL,REAR EMERGENCY DOOR	

Models: A3FE, A3RE, TCRE
OPTIONAL EQUIPMENT
VANDAL LOCK
SIDE EMERGENCY DOOR
With Features: OPTION 218

Key PartNumber Qty Description Comment

DR. 6/20/95 BY DB		4316998	
APP. 6/20/95 BY AB	FRT		REV



© BLUE BIRD BODY COMPANY. ALL RIGHTS RESERVED

BLUE BIRD

<p>1</p>	<p>2</p> <p>3</p>
<p>4</p>	<p>5</p> <p>BUS EQUIPPED WITH IGNITION INTERLOCK</p> <p>UNLOCK EMERGENCY DOOR BEFORE STARTING</p>
<p>6</p>	<p>7</p>
<p>8</p>	<p>9</p>

Models: A3FE, A3RE, TCRE
OPTIONAL EQUIPMENT
VANDAL LOCK
SIDE EMERGENCY DOOR
With Features: OPTION 218

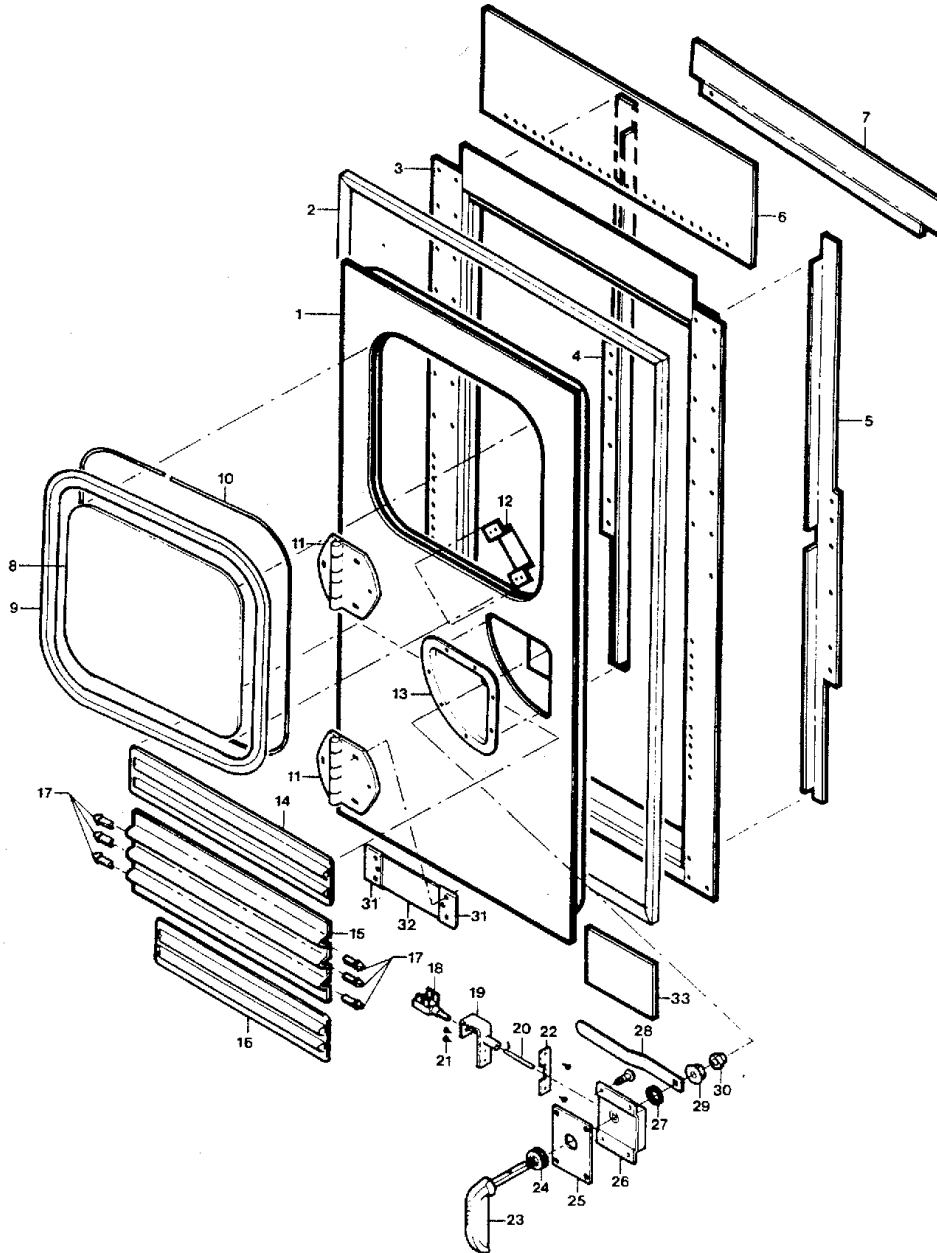
Key	PartNumber	Qty	Description	Comment
1	0824441		BRACKET,LOCK	
2	2072494		KEY,PL201,LOCK,REMOVABLE PLUG	
3	0831461		LOCK,REMOVABLE PLUG,ACE 4127	<i>WITHOUT KEYS</i>
4	0956862		BRACKET,INTERLOCK,S E D VANDAL LOCK	
5	1352327		DECAL,VANDAL LOCK,EM DOOR IGN	
6	0967281		NUT,PANEL,HEX HD,3/4-27,YEL ZN DICH	
7	1077718		RELAY,BOSCH,0-332-209-161,30 AMP	
8	1289883		HARNES,WRG,VANDAL LOCK RELAY	
9	1415694		COVER,VANDAL LOCK,INTERLOCK SWITCH,SED	
NI	0967307		BARREL,PLUG LOCK,CHROME PLTD	

Models: AAFE, AARE, A3FE, A3RE, BBCV, GMCV, SBCV, T2RE, TCFE, TCRE
**SIDE & REAR EMERGENCY
 28 INCH SIDE EMERGENCY DOOR
 LH**

With Features: OPTION 429

Key	PartNumber	Qty	Description	Comment
-----	------------	-----	-------------	---------

DR 5-22-86 BY DBW
 APP 5-22-86 BY DB 8006009
 FRONT
 © 1986 BLUE BIRD BODY COMPANY
 ALL RIGHTS RESERVED



Models: AAFE, AARE, A3FE, A3RE, BBCV, GMCV, SBCV, T2RE, TCFE, TCRE
**SIDE & REAR EMERGENCY
 28 INCH SIDE EMERGENCY DOOR
 LH**
With Features: **OPTION 429**

Key	PartNumber	Qty	Description	Comment
1	1083542		DOOR ASSY,28IN SIDE EMERGENCY,LH,	STANDARD, 51 7/8" TALL, 2 HINGE DOOR
1	1768381		DOOR ASSY,SIDE EM,28,LH,PRIMED, FMVSS	STANDARD, 52 3/4" TALL, 2 HINGE DOOR
1	1844448		DOOR ASSY,SIDE EM,28,LH,PRIMED	STANDARD, 52 3/4" TALL, 3 HINGE DOOR
1	1844489		DOOR ASSY,SIDE EM,28,LH,E-COAT	OPTION 2309, 52 3/4" TALL, 3 HINGE DOOR
1	1768407		DOOR ASSY,SIDE EM,28,LH,E-COAT, FMVSS	OPTION 2309
1	1771674		DOOR ASSY,SI EM,28,LH,12 SS,E-CTD FMVSS	OPTION 2309 WITH OPTION 3339
1	1771658		DOOR ASSY,SI EM,28,LH,12 SS,PRM, FMVSS	OPTION 3337-39, 3365 & 3367 60 1/4" TALL, 3 HINGE DOOR
1	1771674		DOOR ASSY,SI EM,28,LH,12 SS,E-CTD FMVSS	OPTION 2309 WITH OPTION 3337 -39, 3365 & 3367, 60 1/4" 3 HINGE DOOR
2	1741156		WEATHERSTRIP,SIDE EMERGENCY DOOR	STANDARD, 51 7/8" TALL, 2 HINGE DOOR
2	1741156		WEATHERSTRIP,SIDE EMERGENCY DOOR	STANDARD, 52 3/4" TALL, 2 HINGE DOOR
2	1741156		WEATHERSTRIP,SIDE EMERGENCY DOOR	OPTION 3337-39, 3365 AND 3367 60 1/4" TALL, 3 HINGE DOOR
3	1155852		FRAME ASSY,DOOR,LH 28 SED,FMVSS217	STANDARD, 51 7/8" TALL, 2 HINGE DOOR
3	1772615		FRAME ASSY,SED,LH,28	STANDARD, 52 3/4" TALL, 2 HINGE DOOR
3	1844547		FRAME ASSY,SED,LH,28,PRIMED	STANDARD, 52 3/4" TALL, 3 HINGE DOOR
3	1844588		FRAME ASSY,SED,LH,28,E-COAT	OPTION 2309, 52 3/4" TALL, 3 HINGE DOOR
3	1772656		FRAME ASSY,SED,LH,28 E-COAT	OPTION 2309, E-COAT
3	1772599		FRAME ASSY,SED,LH,28,12 SS,E-COAT	OPTION 2309 WITH OPTION 3339
3	1772557		FRAME ASSY,SED,LH,28,12 SS	OPTION 3339, 3337, 3338, 3365 & 3367 60 1/4" TALL, 3 HINGE DOOR
3	1772599		FRAME ASSY,SED,LH,28,12 SS,E-COAT	OPTION 2309 WITH OPTION 3337 -39, 3365 & 3367 60 1/4" 3 HINGE DOOR
4	1123546		TRIM,PANEL,FRT BOW,LH,28 SED,FMVSS 217	STANDARD 51 7/8" TALL DOOR, 52 3/4" TALL DOOR
4	1570159		TRIM,PANEL,FRT BOW,LH,SED,12 SS,FMVSS	OPTION 3337-39, 3365 AND 3367 60 1/4" TALL, 3 HINGE DOOR
5	1122209		TRIM,PANEL,RR BOW,LH,28 SED,FMVSS217	STANDARD
5	1570795		TRIM,PANEL,RR BOW,LH SED,12SS,FMVSS217	OPTION 3337-39, 3365 AND 3367 60 1/4" TALL, 3 HINGE DOOR
6	0849885		TRIM,PANEL,I/S,28 SED HDR,12SS	USED WITH 51 7/8" DOOR ONLY
7	1123553		TRIM,HEADER PANEL,28 SED,FMVSS217	STANDARD

Models: AAFE, AARE, A3FE, A3RE, BBCV, GMCV, SBCV, T2RE, TCFE, TCRE
With Features: SIDE & REAR EMERGENCY
 28 INCH SIDE EMERGENCY DOOR
 LH
 OPTION 429

Key	PartNumber	Qty	Description	Comment
7	1569888		TRIM PANEL,HEADER,28 SED,12 SS, FMVSS 217	OPTION 3337-39, 3365 AND 3367 60 1/4" TALL
8	0800169		GLASS,DOOR,28 SIDE EM,CLEAR LAMINATED	
9	0962738		GLAZING,RUBBER,72 7/32	
10	0269373		FILLERSTRIP,GLAZING RUBBER	
11	1559590	3	HINGE ASSY,EMERG DOOR,PRIMED,W/GREASE	STANDARD THREE HOLE PATTERN ON FRAME SIDE
11	1613744	3	HINGE ASSY,EMERG DOOR,E-COAT,W/GREASE	
11	1769769	3	HINGE ASSY,EMERGENCY DOOR,W/GREASE FTG	STANDARD TWO HOLE PATTERN ON FRAME SIDE
11	1844687	3	HINGE ASSY,SED,28,LH,UPPER,PRIMED	BEGIN WITH BSN 187804
11	1844729	3	HINGE ASSY,SED,28,LH,UPPER,E-COAT	BEGIN WITH BSN 187804
12	1308915		GUARD,INSIDE HANDLE,SIDE EMERGENCY	
12	0803296		GUARD,INSIDE HANDLE,SIDE EMERGENCY	
13	0317149		CUP,RECESSED OUTSIDE HANDLE,PRIMED	STANDARD
13	1647643		CUP,RECESSED OUTSIDE HANDLE,E-COAT	
14	0309955		RUB RAIL,NO 03, 21 3/4 IN	
15	1035500		PANEL,FLUTED,EMERGENCY DOOR,28IN	
16	0309948		RUB RAIL,NO 02, 14 3/4 IN	
17	1265891	6	PLUG,FLUTED,OUTER SIDE PANEL	
18	1145168		SWITCH,ADJUSTABLE,DPST (NC) INTERNAL	
19	1029511		BRACKET ASSY,SWITCH BUZZER,28 SED,FMVSS	
19	1725100		BRACKET ASSY,SWITCH,BUZZER,SED,FMVSS	
20	1029776		SLIDE,SWITCH,BUZZER,28 SED"	
20	1725076		SLIDE,SWITCH,BUZZER,SIDE EMERG DOOR	
21	0527291	4	SCREW,10X3/4,PH,PAN,AB 0003,YEL ZN DICH	
22	1219963		STRIKER,28 SIDE EMERGENCY DOOR LATCH,	
23	0949834		HANDLE,O/S,S E D,NON-LOCKING	
24	0658013	2	WASHER,FRICTION,EMERGENCY DOOR	
25	1134956		HOUSING,LOCK,LOWER BACKING PLATE	
26	1565308		LOCK ASSY,SINGLE PT,LH,POWDERED METAL	
27	0954420		WASHER,FLAT,3/4 ID X 1 1/8 OD X3/16TK,	
28	0805457		HANDLE,I/S,R E D,PAINTED	
28	1722719		HANDLE,INSIDE,REAR EMERGENCY DOOR,	
29	0543934		NUT,HEX HD,3/8-16,ZINC,LG FLG LK,YEL	

Models: AAFE, AARE, A3FE, A3RE, BBCV, GMCV, SBCV, T2RE, TCFE, TCRE
With Features: SIDE & REAR EMERGENCY
 28 INCH SIDE EMERGENCY DOOR
 LH
 OPTION 429

Key	PartNumber	Qty	Description	Comment
30	0928440		NUT,ACORN,3/8-16,YEL ZN DICH,LOW CROWN	
31	0176941	2	CLAMP,EMERGENCY DOOR STOP	
32	0952937		STRAP,DOOR STOP,REAR EMERGENCY DOOR	
33	0864686	2	PLATE,REINF,FRONT SIDE,O/S PANEL	
NI	0812248		DECAL,REAR & SIDE EM DR INSTR,SM	
NI	0990192		DECAL,REAR & SIDE EM DR INSTR,BI-LINGUAL	
NI	0847707		DECAL,EMERGENCY DOOR,2IN BLACK	
NI	0558387		PAD ASSY,HANDLE GUARD	
NI	1073311	2	NUT,PANEL,HEX HD,1/2-20,YEL ZN DICH	
NI	1091685	8	SCREW,5/16-18 X 3/4,TT,HEX HD, YEL ZN	
NI	2129567	8	WASHER,FLAT,3/8,ZINC PLATED (EACH)"	
NI	1265909	3	PLUG,FLUTED,SIDE PANEL,SIDE EXIT/EM DR	
NI	1426956		PAD ASSY,HDR,R E D,3.00 X 38.00	OPTION 274-01
NI	1426873		PAD ASSY,HDR,EMERGENCY DOOR,4.00 X 38.00	OPTION 274-02
NI	1677194		TRIM,SIDE EMERGENCY DOOR,28,FLOOR SEAL	

Models: AARE, A3FE, A3RE, BBCV, GMCV, SBCV, T2RE, TCFE, TCRE
SIDE & REAR EMERGENCY
28 INCH SIDE EMERGENCY DOOR
RH

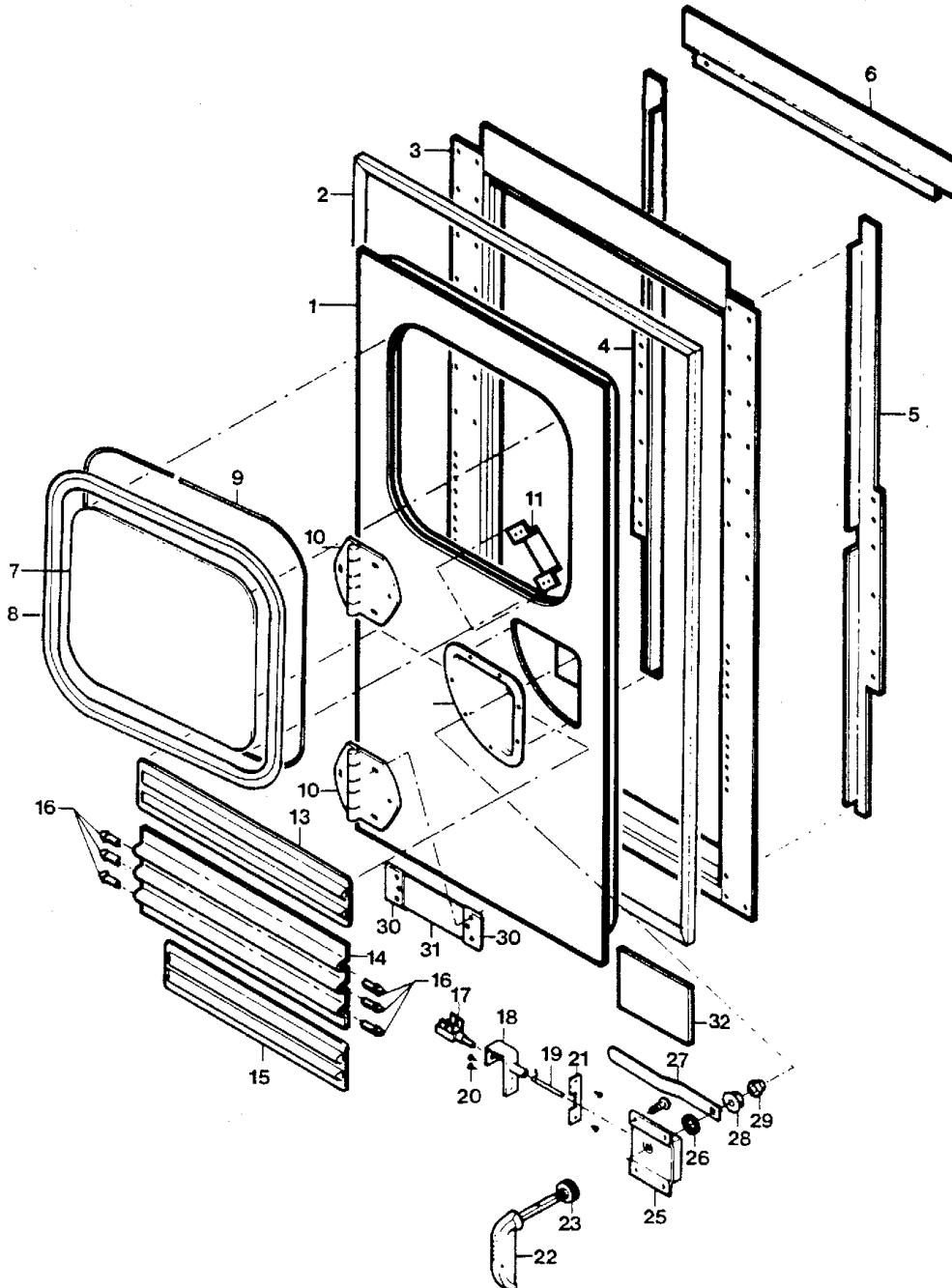
With Features: OPTION 428

Key	PartNumber	Qty	Description	Comment
-----	------------	-----	-------------	---------

28 INCH SIDE EMERGENCY DOORS

DR 8791 BY MAP	FRT	8009813	REV
APP 8/19/91 BY TSB			

© 1988 BLUE BIRD BODY COMPANY ALL RIGHTS RESERVED



Models: AARE, A3FE, A3RE, BBCV, GMCV, SBCV, T2RE, TCFE, TCRE

**SIDE & REAR EMERGENCY
28 INCH SIDE EMERGENCY DOOR
RH**

With Features: **OPTION 428**

Key	PartNumber	Qty	Description	Comment
1	1083534		DOOR ASSY,28IN SIDE EMERGENCY,RH	STANDARD 51 7/8" TALL, 2 HINGE DOOR
1	1768373		DOOR ASSY,SIDE EM,28,RH,PRIMED, FMVSS	STANDARD 52 3/4" TALL, 2 HINGE DOOR
1	1844430		DOOR ASSY,SIDE EM,28,RH,PRIMED	STANDARD 52 3/4" TALL, 3 HINGE DOOR
1	1844471		DOOR ASSY,SIDE EM,28,RH,E-COAT	OPTION 2309, 52 3/4" TALL, 3 HINGE DOOR
1	1771690		DOOR ASSY,SI EM,28,RH,12SS,E-COAT,FMVSS	OPTION 2309 WITH OPTION 3339, E-COAT
1	1768423		DOOR ASSY,SIDE EM,28,E-COAT, FMVSS 217	OPTION 2309
1	1769843		DOOR ASSY,SI EM,28,RH,12 SS,PRM,FMVSS	OPTION 3339, 60 1/4" TALL, 3 HINGE DOOR
2	1393834		WEATHERSEAL,DOOR,28 SED,FMVSS 217	STANDARD 51 7/8" TALL, 2 HINGE DOOR
2	1741156		WEATHERSTRIP,SIDE EMERGENCY DOOR	STANDARD 52 3/4" TALL, 2 HINGE DOOR
2	1741156		WEATHERSTRIP,SIDE EMERGENCY DOOR	OPTION 3339, 60 1/4" TALL, 3 HINGE DOOR
3	1155845		FRAME ASSY,DOOR,RH 28 SED,FMVSS 217	STANDARD 51 7/8" TALL, 2 HINGE DOOR
3	1772607		FRAME ASSY,SED,RH,28	STANDARD 52 3/4" TALL, 2 HINGE DOOR
3	1844539		FRAME ASSY,SED,RH,28,PRIMED	STANDARD 52 3/4" TALL, 3 HINGE DOOR
3	1844570		FRAME ASSY,SED,RH,28,E-COAT	OPTION 2309, 52 3/4" TALL, 3 HINGE DOOR
3	1772581		FRAME ASSY,SED,RH,28,12 SS,E-COAT	OPTION 2309 WITH OPTION 3339, E-COAT
3	1772649		FRAME ASSY,SED,RH,28,E-COAT	OPTION 2309, E-COAT
3	1772540		FRAME ASSY,SED,RH,28,12 SS	OPTION 3339, 60 1/4" TALL, 3 HINGE DOOR
4	1123538		TRIM,PANEL,FRT BOW,RH,28 SED,FMVSS 217	STANDARD
4	1570142		TRIM,PANEL,FRT BOW,RH,SED,12 SS,FMVSS	OPTION 3339
5	1122191		TRIM,PANEL,RR BOW,RH,28 SED,FMVSS 217	STANDARD
5	1570787		TRIM,PANEL,RR BOW,RH SED,12SS,FMVSS217	OPTION 3339
6	1123553		TRIM,HEADER PANEL,28 SED,FMVSS217	STANDARD
6	1569888		TRIM PANEL,HEADER,28 SED,12 SS, FMVSS 217	OPTION 3339
7	0800169		GLASS,DOOR,28 SIDE EM,CLEAR LAMINATED	STANDARD & OPTION 3339
7	1163237		GLASS,DOOR,28 SIDE EM,DARK TINT	OPTION 3333
8	0962738		GLAZING,RUBBER,72 7/32	
NI	1426956		PAD ASSY,HDR,R E D,3.00 X 38.00	OPTION 274-02
9	0269373		FILLERSTRIP,GLAZING RUBBER	

Models: AARE, A3FE, A3RE, BBCV, GMCV, SBCV, T2RE, TCFE, TCRE
With Features: SIDE & REAR EMERGENCY
 28 INCH SIDE EMERGENCY DOOR
 RH
 OPTION 428

Key	PartNumber	Qty	Description	Comment
10	1559590	3	HINGE ASSY,EMERG DOOR,PRIMED,W/GREASE	STANDARD THREE HOLE PATTERN ON FRAME SIDE
10	1844679	3	HINGE ASSY,SED,28,RH,UPPER,PRIMED	STANDARD TOP, BEGIN WITH '96 MODEL
10	1613744	3	HINGE ASSY,EMERG DOOR,E-COAT,W/GREASE	
10	1844711	3	HINGE ASSY,SED,28,RH,UPPER,E-COAT	E-COAT TOP.,BEGIN WITH '96 MODEL
10	1769769	3	HINGE ASSY,EMERGENCY DOOR,W/GREASE FTG	STANDARD TWO HOLE PATTERN ON FRAME SIDE
11	0007138		GUARD,INSIDE HANDLE,SIDE EMERGENCY	
13	0309955		RUB RAIL,NO 03, 21 3/4 IN	28 SED
14	1035500		PANEL,FLUTED,EMERGENCY DOOR,28IN	
15	0309948		RUB RAIL,NO 02, 14 3/4 IN	28 SED
16	0203687	6	PLUG,FLUTED,OUTER SIDE PANEL	
17	1124411		SWITCH,ADJUSTABLE,DPST (NC)	
18	1029511		BRACKET ASSY,SWITCH BUZZER,28 SED,FMVSS	
18	1725100		BRACKET ASSY,SWITCH,BUZZER,SED,FMVSS	
19	1029776		SLIDE,SWITCH,BUZZER,28 SED"	
19	1725076		SLIDE,SWITCH,BUZZER,SIDE EMERG DOOR	
20	0527291	4	SCREW,10X3/4,PH,PAN,AB 0003,YEL ZN DICH	
21	1219963		STRIKER,28 SIDE EMERGENCY DOOR LATCH,	
22	0949834		HANDLE,O/S,S E D,NON-LOCKING	
23	0958504		WASHER,FLAT,1 1/2 X 3/4 1/16 THK,NYLON	
25	1565290		LOCK ASSY,SINGLE PT,RH,POWDERED METAL	
26	0954420		WASHER,FLAT,3/4 ID X 1 1/8 OD X3/16TK,	
27	0805457		HANDLE,I/S,R E D,PAINTED	
27	1722719		HANDLE,INSIDE,REAR EMERGENCY DOOR,	
28	0543934		NUT,HEX HD,3/8-16,ZINC,LG FLG LK,YEL	
29	0928440		NUT,ACORN,3/8-16,YEL ZN DICH,LOW CROWN	
30	0176941	2	CLAMP,EMERGENCY DOOR STOP	
31	0952937		STRAP,DOOR STOP,REAR EMERGENCY DOOR	
32	0864686	2	PLATE,REINF,FRONT SIDE,O/S PANEL	
NI	0812248		DECAL,REAR & SIDE EM DR INSTR,SM	
NI	0847707		DECAL,EMERGENCY DOOR,2IN BLACK	
NI	0558387		PAD ASSY,HANDLE GUARD	
NI	1073311	2	NUT,PANEL,HEX HD,1/2-20,YEL ZN DICH	

Models: AARE, A3FE, A3RE, BBCV, GMCV, SBCV, T2RE, TCFE, TCRE
**SIDE & REAR EMERGENCY
 28 INCH SIDE EMERGENCY DOOR
 RH**

With Features: **OPTION 428**


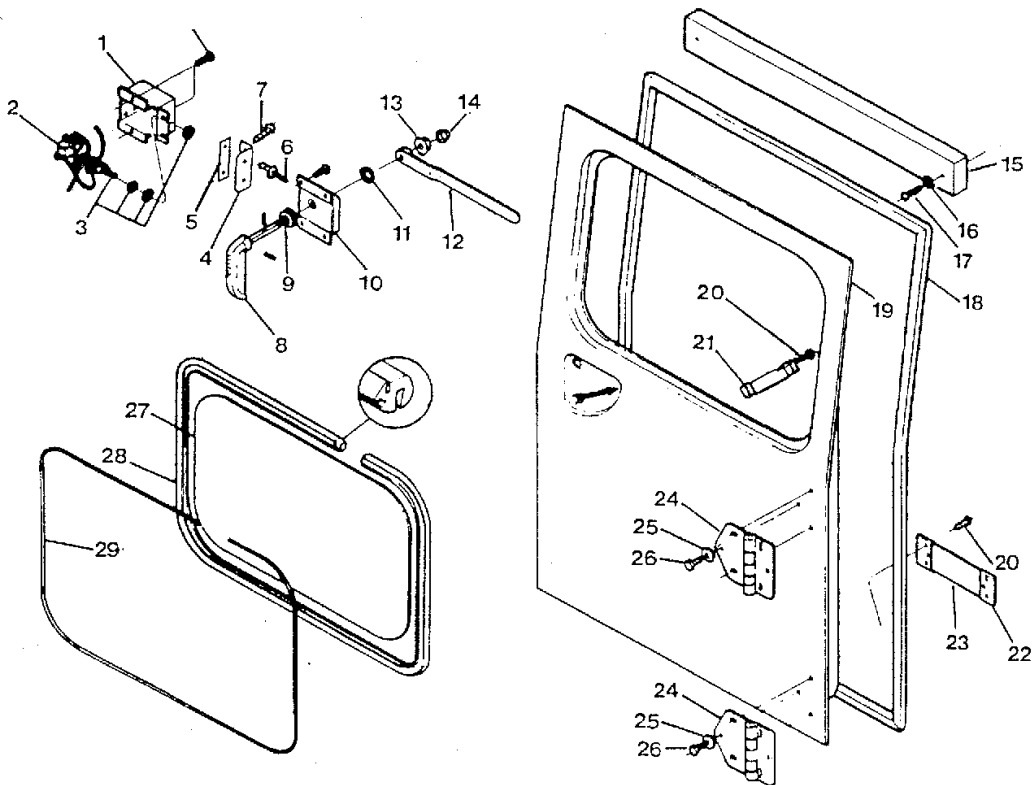
Key	PartNumber	Qty	Description	Comment
NI	1091685	8	SCREW,5/16-18 X 3/4,TT,HEX HD, YEL ZN	
NI	2129567	8	WASHER,FLAT,3/8,ZINC PLATED (EACH)"	
NI	0208017	3	PLUG,FLUTED,SIDE PANEL,SIDE EXIT/EM DR	
NI	1219963		STRIKER,28 SIDE EMERGENCY DOOR LATCH,	
NI	2007268	4	PLUG,BUTTON,HS 51210	
NI	1677194		TRIM,SIDE EMERGENCY DOOR,28,FLOOR SEAL	

Models: **AAFE, A3FE, BBCV, C1FE, GMCV, MBWB, SBCV, TCFE, TSFE, VCTA**
SIDE & REAR EMERGENCY
REAR EMERGENCY DOOR

Key	PartNumber	Qty	Description	Comment
-----	------------	-----	-------------	---------

REAR EMERGENCY DOOR

DR	9-19-88	BY	WAT	FRT	8000218	REV	A
© 1988 BLUE BIRD BODY COMPANY ALL RIGHTS RESERVED							

Models: **AAFE, A3FE, BBCV, C1FE, GMCV, MBWB, SBCV, TCFE, TSFE, VCTA**
SIDE & REAR EMERGENCY
REAR EMERGENCY DOOR

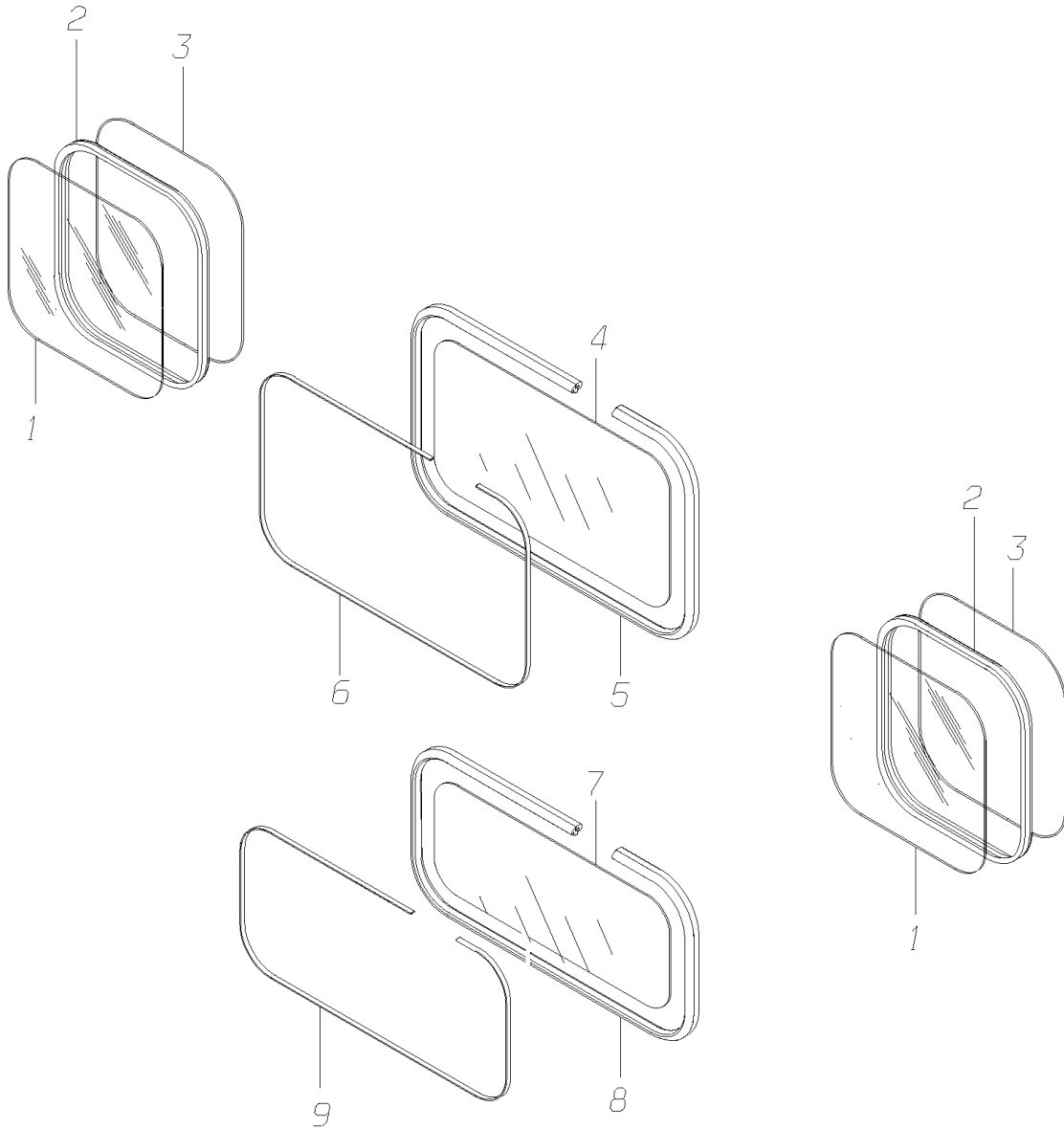
Key	PartNumber	Qty	Description	Comment
1	1008960		COVER,BZR & SW,REAR EMERGENCY DOOR	OPTION 3001
2	2006187		BUZZER,R E D/R E W/POW	OPTION 3001
3	1145168		SWITCH,ADJUSTABLE,DPST (NC) INTERNAL	OPTION 3001
4	1420645		STRIKER,REAR EMERGENCY DOOR	
5	1420652		SHIM,STRIKER,REAR EMERGENCY DOOR	
6	0888222	2	RIVET,CHERRY,1/4IN	
7	0527358	2	SCREW,1/4-14 X 1-1/4,AB,PH1,FLT CNSK,YEL	
8	0949818		HANDLE,O/S,R E D,NON-LOCKING	STANDARD
8	1062132		HANDLE ASSY,O/S,R E D,W/2 CH751 KEYS	OPTION 360, LOCKING HANDLE
8	0949826		HANDLE,DOOR,O/S,REAR EMERGENCY,MB	OPTION 6216
9	0802462		BUSHING,NYLON,R E D HANDLE	
10	1416718		LOCK ASSY,SINGLE PT,RH	
11	0954420		WASHER,FLAT,3/4 ID X 1 1/8 OD X3/16TK,	
12	1166529		HANDLE,I/S,WIDE R E D,PAINTED	STANDARD
12	1051093		HANDLE ASSY,I/S,REAR & SIDE DOOR,3 PT	OPTION 358, REAR & SIDE, 3 PT. LOCK
13	0543934		NUT,HEX HD,3/8-16,ZINC,LG FLG LK,YEL	
14	0928440		NUT,ACORN,3/8-16,YEL ZN DICH,LOW CROWN	
15	1426956		PAD ASSY,HDR,R E D,3.00 X 38.00	OPTION 274-01
15	1426873		PAD ASSY,HDR,EMERGENCY DOOR,4.00 X 38.00	OPTION 274-02
16	2001030		WASHER,COUNTERSUNK,NO10,ZN W/ BLUE	
17	2000586		SCREW,10-16X1-1/4,AB,PH1,PAN HD,YEL ZN	
18	1360262		WEATHERSEAL,REAR EMERGENCY DOOR,	
19	1073253		DOOR ASSY,REAR EM,W/O LOWER WINDOW,	STANDARD
19	1097849		DOOR ASSY,REAR EM,W/3PT LK,W/O LWR WDO,	OPTION 358
19	1066521		DOOR ASSY,REAR EM,W/LOWER WINDOW,	OPTION 3375 OR 3378
19	1098011		DOOR ASSY,REAR EM,W/3PT LK,W/LWR WDO,	OPTION 358, 3375 OR 3378
19	1070176		DOOR ASSY,REAR EM,W/LOWER WINDOW,	OPTION 6217 & 3378
20	0527283		SCREW,14 X 3/4, PH, PAN, AB 0003, YEL ZN	
21	1325778		GUARD,INSIDE HANDLE,REAR EMERGENCY	
22	0176941	2	CLAMP,EMERGENCY DOOR STOP	
23	0952937		STRAP,DOOR STOP,REAR EMERGENCY DOOR	
24	1559590	2	HINGE ASSY,EMERG DOOR,PRIMED,W/GREASE	STANDARD
24	1613744	2	HINGE ASSY,EMERG DOOR,E-COAT,W/GREASE	OPTION 2309

Models: **AAFE, A3FE, BBCV, C1FE, GMCV, MBWB, SBCV, TCFE, TSFE, VCTA**
SIDE & REAR EMERGENCY
REAR EMERGENCY DOOR

Key	PartNumber	Qty	Description	Comment
24	1952514		HINGE ASSY,POSITIVE OPEN,RR EM DOOR	OPTION 377
NI	1952522	2	DECAL,INSTR,HINGE ASSY,POSITIVE OPEN,RR	OPTION 377, TO CLOSE DOOR, 1. LIFT LEVER, 2. TURN LEVER BY HAND AS SHOWN
NI	1719640		DECAL,INSTRUCTION WEDGE SAFETY HGE,RH	OPTION 377, OUTSIDE, TO CLOSE EMERGENCY DOOR, TURN LEVER TO RIGHT
NI	1719632		DECAL,INSTRUCTION WEDGE SAFETY HGE,LH	OPTION 377, INSIDE, TO CLOSE EMERGENCY DOOR, TURN LEVER TO RIGHT
25	0971499	6	WASHER,FLAT,5/16	
26	0527366	6	SCREW,5/16-12 X 3/4,B,HEX HD,YEL ZN	
27	1110048		GLASS,RED,UPPER,TEMPERED	STANDARD
27	1110055		GLASS,RED,UPPER,CLEAR LAMINATED	OPTION 3331, 3337
27	1163195		GLASS,RED,UPPER,DARK TINT LAMINATED	OPTION 3395, 28% NEUTRAL BRONZE
27	3815016		GLASS ASSY,STORM,EMERGENCY DOOR,REAR	OPTION 3420
27	1110089		GLASS,RED,LOWER,TEMPERED	OPTION 3375, 3378
27	1110097		GLASS,RED,LOWER,CLEAR,LAMINATED	OPTION 3331, 3337, WITH EITHER OPTION ABOVE
27	1163179		GLASS,RED,LOWER,DARK TINT LAMINATED	OPTION 3395
27	3815065		GLASS ASSY,STORM,REAR EM DR,LOWER,LAM	OPTION 3416
28	1114339		GLAZING,RUBBER,R E D,UPPER,99.875	STANDARD
28	1114305		GLAZING,RUBBER,R E D,UPPER,STORM	OPTION 3420
29	0269373		FILLERSTRIP,GLAZING RUBBER	
29	0269373		FILLERSTRIP,GLAZING RUBBER	
NI	0968081		WEDGE ASSY,REAR EM DOOR	
NI	1234590		SPACER,DOOR WEDGE,16GA	
NI	1234608		SPACER,DOOR WEDGE,14GA	

Models: A1VC, A3FE, B1VC, B2VC, BBCV, SBCV
With Features: SIDE & REAR EMERGENCY
 REAR VISION & REAR EMERGENCY DOOR GLASS
 FEATURE 31184, 31185, 31187

Key	PartNumber	Qty	Description	Comment
-----	------------	-----	-------------	---------



Models: A1VC, A3FE, B1VC, B2VC, BBCV, SBCV
With Features: SIDE & REAR EMERGENCY
 REAR VISION & REAR EMERGENCY DOOR GLASS
 FEATURE 31184, 31185, 31187

Key	PartNumber	Qty	Description	Comment
1	0034827		GLASS,REAR VISION,TEMPERED, SRWAFFD/GM	FEATURE 31187-01,TEMPERED, A1VC
1	0034828		GLASS,REAR VISION,CLEAR LAM, SRWAFFD/GM	FEATURE 31187-02,CLEAR, LAMINATED, A1VC
1	0034830		GLASS,REAR VISION,DK TNT TEMP,	FEATURE 31187-03, DARK TINT, TEMPERED, A1VC
1	0034831		GLASS,REAR VISION,DK TNT LAM,	FEATURE 31187-04, DARK TINT, LAMINATED, A1VC
2	0949107		GLAZING,RUBBER,69 1/2,MBCC	A1VC
3	0269373		FILLERSTRIP,GLAZING RUBBER	A1VC
1	1110154		GLASS,REAR VISION,TEMPERED	FEATURE 31187-01, TEMPERED, A3FE, B1VC, B2VC, BBCV, SBCV
1	1110162		GLASS,REAR VISION,CLEAR,LAMINATED	FEATURE 31187-02, LAMINATED, A3FE, B1VC, B2VC, BBCV, SBCV
1	1858646		GLASS,REAR VISION,DARK TINT,TEMPERED	FEATURE 31187-03, DARK TINT, TEMPERED, A3FE, B1VC, B2VC, BBCV, SBCV
1	1163096		GLASS,RR VISION,28% BRONZE LAMINATED	FEATURE 31187-04, 28% BRONZE LAMINATED, A3FE, B1VC, B2VC, BBCV, SBCV
2	1114321		GLAZING,RUBBER,74.5625	A3FE, B1VC, B2VC, BBCV, SBCV
3	0269373		FILLERSTRIP,GLAZING RUBBER	A3FE, B1VC, B2VC, BBCV, SBCV
4	0033789		GLASS,RED,UPPER,TEMPERED, SRWAFFD/GM	FEATURE 31185-01,TEMPERED, A1VC
4	0033791		GLASS,RED,UPPER,CLEAR LAMINATED,	FEATURE 31185-02,CLEAR, LAMINATED, A1VC
4	0034765		GLASS,RED,UPPER,DK TNT TEMP, SRWAFFD/GM	FEATURE 31185-03,DARK TINT, TEMPERED, A1VC
4	0034767		GLASS,RED,UPPER,DK TNT LAM,SRWAFFD/GM	FEATURE 31185-04. DARK TINT, LAMINATED, A1VC
4	0034775		GLASS,RED,UPPER,CLEAR STORM,	FEATURE 31185-05, CLEAR, STORM, A1VC
4	0034776		GLASS,RED,UPPER,TNT STORM, SRWAFFD/GM	FEATURE 31185-06, TINTED, STORM, A1VC
5	0034770		GLAZING,RUBBER,RED,UPPER,91.00,	FEATURE 31185-01, -02, -03, -04, A1VC
5	1114305		GLAZING,RUBBER,R E D,UPPER,STORM	FEATURE 31185-05, -06, A1VC
6	0269373		FILLERSTRIP,GLAZING RUBBER	A1VC
4	1110048		GLASS,RED,UPPER,TEMPERED	FEATURE 31185-01, TEMPERED, A3FE, B1VC, B2VC, BBCV, SBCV
4	1110055		GLASS,RED,UPPER,CLEAR LAMINATED	FEATURE 31185-02,CLEAR, LAMINATED, A3FE, B1VC, B2VC, BBCV, SBCV
4	1858661		GLASS,RED,UPPER,DARK TINT TEMPERED	FEATURE 31185-03, DARK TINT, TEMPERED, A3FE, B1VC, B2VC, BBCV, SBCV

Models: A1VC, A3FE, B1VC, B2VC, BBCV, SBCV
With Features: SIDE & REAR EMERGENCY
 REAR VISION & REAR EMERGENCY DOOR GLASS
 FEATURE 31184, 31185, 31187

Key	PartNumber	Qty	Description	Comment
4	1163195		GLASS,RED,UPPER,DARK TINT LAMINATED	FEATURE 31185-04. DARK TINT, LAMINATED, A3FE, B1VC, B2VC, BBCV, SBCV
4	1565126		GLASS,CLEAR,STORM,UPPER,REAR EM DOOR	FEATURE 31185-05, CLEAR, STORM, A3FE, B1VC, B2VC, BBCV, SBCV
4	1519370		GLASS,TINTED,STORM,UPPER,RED	FEATURE 31185-06,TINTED, STORM, A3FE, B1VC, B2VC, BBCV, SBCV
5	1114339		GLAZING,RUBBER,R E D,UPPER,99.875	FEATURE 31185-01, -02, -03, -04, A3FE, B1VC, B2VC, BBCV, SBCV
5	1114305		GLAZING,RUBBER,R E D,UPPER,STORM	FEATURE 31185-05, -06, A3FE, B1VC, B2VC, BBCV, SBCV
6	0269373		FILLERSTRIP,GLAZING RUBBER	A3FE, B1VC, B2VC, BBCV, SBCV
7	0033790		GLASS,RED,LOWER,TEMPERED, SRWAFFD/GM	FEATURE 31184-01,TEMPERED, A1VC
7	0033792		GLASS,RED,LOWER,CLEAR LAMINATED,	FEATURE 31184-02, CLEAR, LAMINATED, A1VC
7	0034766		GLASS,RED,LOWER,DK TNT TEMP,	FEATURE 31184-03, DARK TINT, TEMPERED, A1VC
7	0034768		GLASS,RED,LOWER,DK TNT LAM, SRWAFFD/GM	FEATURE 31184-04, DARK TINT, LAMINATED, A1VC
7	0034777		GLASS,RED,LOWER,CLEAR STORM,	FEATURE 31184-05, CLEAR, STORM, A1VC
7	0034778		GLASS,RED,LOWER,TNT STORM, SRWAFFD/GM	FEATURE 31184-06,TINTED, STORM, A1VC
8	0034771		GLAZING,RUBBER,RED,LOWER,79.00,	FEATURE 31184-01, -02, -03, -04, A1VC
8	1114305		GLAZING,RUBBER,R E D,UPPER,STORM	FEATURE 31184-05, -06, A1VC
9	0269373		FILLERSTRIP,GLAZING RUBBER	A1VC
7	1110089		GLASS,RED,LOWER,TEMPERED	FEATURE 31184-01,TEMPERED, A3FE, B1VC, B2VC, BBCV, SBCV
7	1110097		GLASS,RED,LOWER,CLEAR,LAMINATED	FEATURE 31184-02, CLEAR, LAMINATED, A3FE, B1VC, B2VC, BBCV, SBCV
7	1858653		GLASS,RED,LOWER,DARK TINT,TEMPERED	FEATURE 31184-03,DARK TINT, TEMPERED, A3FE, B1VC, B2VC, BBCV, SBCV
7	1163179		GLASS,RED,LOWER,DARK TINT LAMINATED	FEATURE 31184-04, DARK TINT, LAMINATED, A3FE, B1VC, B2VC, BBCV, SBCV
7	1565092		GLASS,CLEAR,STORM,LOWER,REAR EM DOOR	FEATURE 31184-05, CLEAR, STORM, A3FE, B1VC, B2VC, BBCV, SBCV
7	1519339		GLASS,TINTED,STORM,LOWER,REAR	FEATURE 31184-06, TINTED, STORM, A3FE, B1VC, B2VC, BBCV, SBCV

Models: A1VC, A3FE, B1VC, B2VC, BBCV, SBCV
With Features: SIDE & REAR EMERGENCY
 REAR VISION & REAR EMERGENCY DOOR GLASS
 FEATURE 31184, 31185, 31187

Key	PartNumber	Qty	Description	Comment
8	1168046		GLAZING,RUBBER,R E D,LOWER,87.875	FEATURE 31184-01, -02, -03, -04, A3FE, B1VC, B2VC, BBCV, SBCV
8	1114305		GLAZING,RUBBER,R E D,UPPER,STORM	FEATURE 31184-05, -06, A3FE, B1VC, B2VC, BBCV, SBCV
9	0269373		FILLERSTRIP,GLAZING RUBBER	A3FE, B1VC, B2VC, BBCV, SBCV