

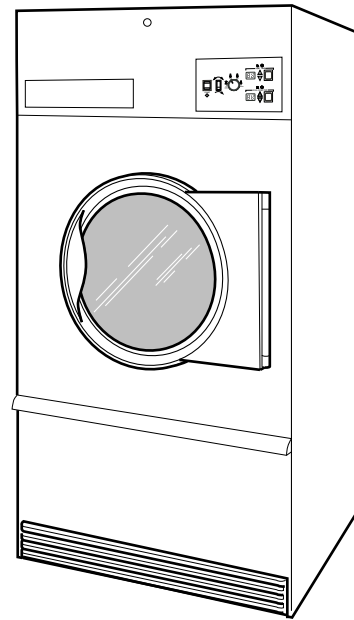
Tumble Dryers

50 Pound (25 Kilogram) Capacity

75 Pound (34 Kilogram) Capacity

15 Digit Model Numbers with 2 in 12th Position

Refer to Page 9 for Model Identification



TMB1277C_SVG

Installation/Operation/Maintenance

Original Instructions

Keep These Instructions for Future Reference.

CAUTION: Read the instructions before using the machine.

(If this machine changes ownership, this manual must accompany machine.)

Installation must conform with local codes or, in the absence of local codes, with:

In the U.S.A., installation must conform to the latest edition of the American National Standard Z223.1/ NFPA 54 “National Fuel Gas Code” and Standard ANSI/NFPA 70 “National Electric Code.”

In Canada, installation must comply with Standards CAN/CSA-B149.1 or Natural Gas and Propane Installation Code and CSA C22.1, latest edition, Canadian Electric Code, Part I.

In Australia and New Zealand, installation must comply with the Gas Installations Standard AS/NZS 5601 Part 1: General Installations.



WARNING

FOR YOUR SAFETY, the information in this manual must be followed to minimize the risk of fire or explosion or to prevent property damage, personal injury or death.

W033



WARNING

- Do not store or use gasoline or other flammable vapors and liquids in the vicinity of this or any other appliance.
- **WHAT TO DO IF YOU SMELL GAS:**
 - Do not try to light any appliance.
 - Do not touch any electrical switch; do not use any phone in your building.
 - Clear the room, building or area of all occupants.
 - Immediately call your gas supplier from a neighbor’s phone. Follow the gas supplier’s instructions.
 - If you cannot reach your gas supplier, call the fire department.
- Installation and service must be performed by a qualified installer, service agency or the gas supplier.

W052

IMPORTANT: Information must be obtained from a local gas supplier on instructions to be followed if the user smells gas. These instructions must be posted in a prominent location. Step-by-step instructions of the above safety information must be posted in a prominent location near the tumble dryer for customer use.

IMPORTANT: The installer must fully test the tumble dryer after installation and demonstrate to the owner how to operate the machine.



WARNING

To reduce the risk of electric shock, fire, explosion, serious injury or death:

- Disconnect electric power to the tumble dryer before servicing.
- Close gas shut-off valve to gas tumble dryer before servicing.
- Close steam valve to steam tumble dryer before servicing.
- Never start the tumble dryer with any guards/panels removed.
- Whenever ground wires are removed during servicing, these ground wires must be reconnected to ensure that the tumble dryer is properly grounded.

W002R1



WARNING

- **Installation of unit must be performed by a qualified installer.**
- **Install tumble dryer according to manufacturer's instructions and local codes.**
- **DO NOT install a tumble dryer with flexible plastic venting materials. If flexible metal (foil type) duct is installed, it must be of a specific type identified by the appliance manufacturer as suitable for use with tumble dryer. Refer to section on connecting exhaust system. Flexible venting materials are known to collapse, be easily crushed, and trap lint. These conditions will obstruct tumble dryer airflow and increase the risk of fire.**

W752R1

The following information applies to the state of Massachusetts, USA.

- This appliance can only be installed by a Massachusetts licensed plumber or gas fitter.
- This appliance must be installed with a 36 inch [91 cm] long flexible gas connector.
- A "T-Handle" type gas shut-off valve must be installed in the gas supply line to this appliance.
- This appliance must not be installed in a bedroom or bathroom.

Table of Contents

Introduction.....	9
Model Identification.....	9
Contact Information.....	12
Manufacturing Date	13
Manufacturing Date.....	13
Safety Information.....	14
Explanation of Safety Messages.....	14
Important Safety Instructions.....	14
Specifications and Dimensions.....	16
Specifications and Dimensions	16
Cabinet Dimensions.....	18
Exhaust Outlet Locations.....	19
Gas Connection Locations.....	20
Electrical Connection Locations.....	21
Steam Connection Locations.....	22
Installation.....	23
Pre-Installation Inspection.....	23
Location Requirements.....	23
Position and Level the Tumble Dryer.....	24
Fire Suppression System (Optional Equipment).....	25
Check Local Codes and Permits.....	25
Water Requirements.....	25
Water Connections.....	25
Electrical Requirements.....	26
Auxiliary Alarm.....	26
Bolt-On Angle Option.....	27
To Reverse the Loading Door	28
Before Placing Tumble Dryer into Service.....	30
Required for CE Models Only.....	32
Installing CE Gas Drying Tumble Dryer.....	32
General Information.....	32
CE Orifices	33
Properties of CE Gases.....	34
Changing Gas Configuration.....	35
Specific Conversion Procedures.....	36
Exhaust Requirements.....	38

Exhaust Requirements.....	38
Layout.....	38
Make-Up Air.....	38
Venting.....	38
Individual Venting.....	40
Manifold Venting.....	40
Gas Requirements.....	43
Gas Requirements.....	43
Gas Supply Pipe Sizing and Looping.....	45
Low Pressure Gas Pipe Sizes.....	46
High Pressure Gas Pipe Sizes.....	48
High Altitude Burner Orifice Sizing	49
Electrical Requirements.....	53
Electrical Requirements.....	53
Wiring Diagram.....	53
Wiring for Central Pay.....	53
Grounding Instructions.....	55
For CE Models Only.....	55
Service/Ground Location.....	56
To Connect Electrical Service To The Tumble Dryer.....	57
Jumper Configuration Instructions.....	57
Ferrite Ring Installation	58
Electrical Specifications	60
Steam Requirements.....	63
Steam Requirements.....	63
Piping Recommendations.....	65
Installing Steam Trap and Making Condensate Return Connections.....	65
Thermal Oil Prep.....	65
Single Drop Timer.....	66
Power-Up Mode.....	66
Ready Mode.....	66
Start Mode.....	66
Run Mode.....	66
Door Open Mode.....	66
End of Cycle Mode.....	66
Setting Dry Time Dipswitches.....	66
Models Through Serial No. 0908xxxxx.....	66
Models Starting Serial No. 0909xxxxx.....	66
Resetting Cycle Time to Zero.....	66
Dipswitch Settings.....	67
Topoffs.....	70
Temperature Selector Switch.....	70
To Program a Short Test Cycle.....	70
Error Codes.....	70

Operating Instructions.....	71
Operating Instructions.....	71
Emergency Stop Button On CE Models.....	71
Operating Instructions.....	71
Reversing Operation.....	72
Control Instructions.....	72
Dual Digital Timer Control.....	72
Electronic OPL Micro Control.....	74
Single Drop Control.....	75
MDC Coin and Card Control.....	75
Quantum Control	76
Galaxy 600 Control	77
LED OPL Control	78
UniLinc Control	79
DX4 Coin Control.....	80
DX4 OPL Control.....	81
Diagnostic Microprocessor Control	81
DMP OPL Models.....	83
DMP Coin.....	85
Ignition Control Operation and Troubleshooting for Models Starting 3/11/13.....	87
Internal Control Failure.....	87
Troubleshooting.....	87
Proper Electrode Location.....	88
Flame Current Measurement.....	88
Ignition Control Operation for Non-CE Models Through 3/10/13.....	88
Ignition Control Operation for CE Models Through 3/10/13.....	89
System Tests.....	89
Diagnostic LED (DGN LED)/Error Codes.....	90
 Adjustments.....	 91
Adjustments.....	91
Gas Burner Air Shutter.....	91
Airflow Switch	92
Loading Door Switch.....	92
Loading Door Catch	93
Drive Belt - Nonreversing Models.....	93
Drive Belt - Reversing Models.....	93
 Maintenance.....	 95
Daily.....	95
Monthly.....	95
Quarterly.....	95
Bi-Annually.....	96
Annually.....	96
Fire Suppression System (Optional Equipment) Maintenance Test.....	96
 Before You Call for Service.....	 98

Removing Tumble Dryer from Service..... 99

Disposal of Unit.....100

China Restriction of hazardous substances (RoHS)..... 101

Introduction

Model Identification

Information in this manual is applicable to these models. **Refer to the machine serial plate for the model number.**

	Gas			Steam/Thermal Oil		Electric	
050 Series (25 Kg)	BA050L	HU050N	PU050L	BH050S	NH050S	BH050E	NT050E
	BA050N	IT050L	PU050N	BT050S	NT050S	BT050E	NU050E
	BH050L	IT050N	SA050L	BT050T	NU050S	BU050E	PH050E
	BH050N	LA050L	SA050N	BU050S	PH050S	CT050E	PT050E
	BK050N	LA050N	SH050L	BU050T	PT050S	CU050E	PU050E
	BT050D	LK050N	SH050N	CT050S	PT050T	HH050E	SH050E
	BT050L	LT050L	SK050N	CT050T	PU050S	HT050E	ST050E
	BT050N	LT050N	ST050D	CU050S	PU050T	HU050E	SU050E
	BU050L	LU050L	ST050L	CU050T	SH050S	IT050E	UH050E
	BU050N	LU050N	ST050N	HH050S	ST050S	LT050E	UT050E
	CA050L	MT050L	SU050L	HT050S	ST050T	LU050E	UU050E
	CA050N	MT050N	SU050N	HT050T	SU050S	MT050E	YT050E
	CK050N	NH050L	UA050L	HU050S	SU050T	NH050E	YU050E
	CT050L	NH050N	UA050N	HU050T	UH050S		
	CT050N	NT050L	UH050L	IT050S	UT050S		
	CU050L	NT050N	UH050N	IT050T	UT050T		
	CU050N	NU050L	UK050N	LT050S	UU050S		
	HA050L	NU050N	UT050L	LT050T	UU050T		
	HA050N	PA050L	UT050N	LU050S	YT050S		
	HH050L	PA050N	UU050L	LU050T	YT050T		
	HH050N	PH050L	UU050N	MT050S	YU050S		
	HK050N	PH050N	YT050L	MT050T	YU050T		
	HT050D	PK050N	YT050N				
	HT050L	PT050L	YU050L				
	HT050N	PT050N	YU050N				
	HU050L						

Table continues...

	Gas			Steam/Thermal Oil		Electric	
075 Series (34 Kg)	BA075L	HT075R	SH075L	BH075S	NH075S	BH075E	NH075E
	BA075N	HU075L	SH075N	BT075S	NT075S	BH075F	NT075E
	BH075L	HU075N	SH075R	BT075T	NU075S	BT075E	NU075E
	BH075N	HU075R	SK075N	BU075S	PH075S	BT075F	PH075E
	BH075R	IT075L	SK075R	BU075T	PT075S	BU075E	PT075E
	BK075N	IT075N	ST075D	CT075S	PT075T	BU075F	PU075E
	BK075R	IT075R	ST075L	CT075T	PU075S	CT075E	SH075E
	BT075D	LA075L	ST075N	CU075S	PU075T	CT075F	SH075F
	BT075L	LA075N	ST075R	CU075T	SH075S	CU075E	ST075E
	BT075N	LK075N	STF75L	HH075S	ST075S	CU075F	ST075F
	BT075R	LT075L	STF75N	HT075S	ST075T	HH075E	SU075E
	BU075L	LT075N	SU075L	HT075T	SU075S	HH075F	SU075F
	BU075N	LU075L	SU075N	HU075S	SU075T	HT075E	UB075E
	BU075R	LU075N	SU075R	HU075T	UH075S	HT075F	UH075E
	CA075L	MT075L	UA075L	IT075S	UT075S	HU075E	UH075F
	CA075N	MT075N	UA075N	IT075T	UT075T	HU075F	UT075E
	CK075N	MT075R	UH075L	LT075S	UU075S	IT075E	UT075F
	CK075R	NH075L	UH075N	LT075T	UU075T	IT075F	UU075E
	CT075L	NH075N	UH075R	LU075S	YT075S	LT075E	UU075F
	CT075N	NT075L	UK075N	LU075T	YT075T	LU075E	YT075E
	CT075R	NT075N	UK075R	MT075S	YU075S	MT075E	YU075E
	CU075L	NU075L	UT075L	MT075T	YU075T	MT075F	
	CU075N	NU075N	UT075N				
	CU075R	PA075L	UT075R				
	HA075L	PA075N	UTF75L				
	HA075N	PH075L	UTF75N				
	HH075L	PH075N	UU075L				
	HH075N	PK075N	UU075N				
	HH075R	PT075L	UU075R				
	HK075N	PT075N	YT075L				
	HK075R	PU075L	YT075N				
	HT075D	PU075N	YU075L				
	HT075L	SA075L	YU075N				
	HT075N	SA075N					

Explanation of digit in 6th position of model number:

D = Liquid Petroleum (L.P.) Gas, Japan
E = Electric
F = Reduced Electric (Eco Line)
L = L.P. Gas
N = Natural Gas
R = Reduced Gas, Natural Gas (Eco Line)
S = Steam
T = Thermal Oil

Includes models with the following control suffixes:

3B – reversing DX4 vended	KL – prep for central pay	SX – single drop, prep for coin
3K – reversing DX4 prep for central pay	KW – reversing prep for coin	UO – UniLinc OPL
3L – DX4 prep for central pay	KX – prep for coin	WB – reversing network ready coin
3O – DX4 OPL	KY – prep for card	WC – network ready coin
3V – DX4 vended	KZ – reversing prep for card	WK – reversing network ready, prep for central pay
3W – reversing DX4 prep for coin	LB – reversing network adaptable coin	WL – network ready, prep for central pay
3X – DX4 prep for coin	LC – network adaptable coin	WW – reversing network ready, prep for coin
BB – reversing basic electronic, coin	LK – reversing network adaptable, prep for central pay	WX – network ready, prep for coin
BC – basic electronic, coin	LL – network adaptable, prep for central pay	WY – network ready, prep for card
BG – basic electronic, OPL mode	LW – reversing network adaptable, prep for coin	WZ – reversing network ready, prep for card
BK – reversing basic electronic, prep for central pay	LX – network adaptable, prep for coin	ZB – reversing network ready, single coin
BL – basic electronic, prep for central pay	LY – network adaptable, prep for card	ZC – network ready, single coin
BW – reversing basic electronic, prep for coin	LZ – reversing network adaptable, prep for card	ZK – reversing network ready, prep for central pay
BX – basic electronic, prep for coin	OM – OPL micro	ZL – network ready, prep for central pay
BY – basic electronic, prep for card	QT – dual digital timer	ZW – reversing network ready, prep for coin
BZ – reversing basic electronic, prep for card	R3 – reversing DX4 OPL	ZX – network ready, prep for coin
DO – DMP OPL	RD – reversing DMP OPL	ZY – network ready, prep for card
EO – LED OPL	RE – reversing LED OPL	ZZ – reversing network ready, prep for card
KB – reversing single coin	RM – reversing OPL micro	
KC – single coin	RQ – reversing dual digital timer	
KK – reversing prep for central pay	RU – reversing UniLinc OPL	
	SD – single drop	

Contact Information

If service is required, contact the nearest Factory Authorized Service Center.

If you are unable to locate an authorized service center or are unsatisfied with the service performed on your unit, contact:

Alliance Laundry Systems
Shepard Street
P.O. Box 990
Ripon, WI 54971-0990
U.S.A.
www.alliancelaundry.com
Phone: +1 (920) 748-3121

When calling or writing about your unit, PLEASE GIVE THE MODEL AND SERIAL NUMBERS. The model and serial num-

bers are located on the serial plate. The serial plate will be in the location shown in *Figure 1*.

Date Purchased	
Model Number	
Serial Number	

Please include a copy of your bill of sale and any service receipts you have.

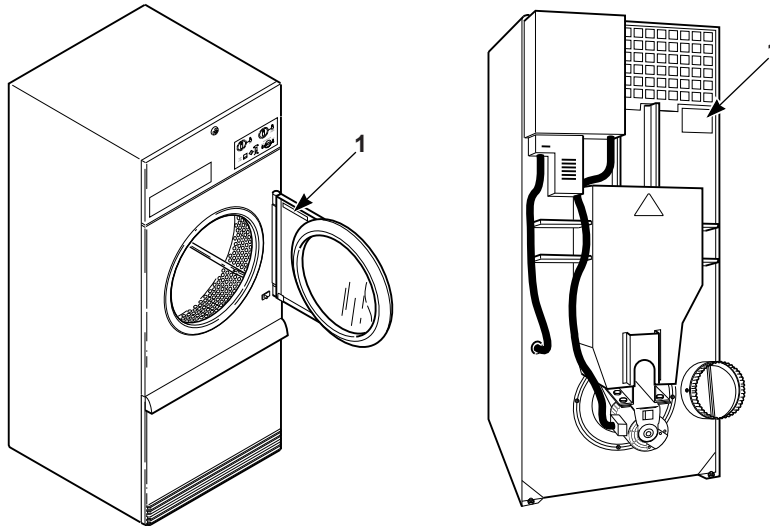


WARNING

To reduce the risk of serious injury or death, **DO NOT** repair or replace any part of the unit or attempt any servicing unless specifically recommended in the user-maintenance instructions or in published user-repair instructions that you understand and have the skills to carry out.

W329

If replacement parts are required, contact the source from where you purchased your unit or call +1 (920) 748-3950 for the name and address of the nearest authorized parts distributor.



TMB2235N_SVG

1. Serial Plate

Figure 1

Manufacturing Date

Manufacturing Date


The manufacturing date for your unit can be found on the serial number. The first two digits indicate the year. The third and fourth digits indicate the month. For example, a unit with serial number 150500001 was manufactured in May 2015.


EAC


Safety Information

Explanation of Safety Messages

Precautionary statements (“DANGER,” “WARNING,” and “CAUTION”), followed by specific instructions, are found in this manual and on machine decals. These precautions are intended for the personal safety of the operator, user, servicer, and those maintaining the machine.

	DANGER
Indicates an imminently hazardous situation that, if not avoided, will cause severe personal injury or death.	

	WARNING
Indicates a hazardous situation that, if not avoided, could cause severe personal injury or death.	


	CAUTION
Indicates a hazardous situation that, if not avoided, may cause minor or moderate personal injury or property damage.	

Additional precautionary statements (“IMPORTANT” and “NOTE”) are followed by specific instructions.

IMPORTANT: The word “IMPORTANT” is used to inform the reader of specific procedures where minor machine damage will occur if the procedure is not followed.

NOTE: The word “NOTE” is used to communicate installation, operation, maintenance or servicing information that is important but not hazard related.

Important Safety Instructions

	WARNING
To reduce the risk of fire, electric shock, serious injury or death to persons when using your tumble dryer, follow these basic precautions.	
W776R1	

Save These Instructions

- Read all instructions before using the tumble dryer.

- Install the tumble dryer according to the INSTALLATION instructions. Refer to the EARTHING (grounding) instructions for the proper earthing (grounding) of the tumble dryer. All connections for electrical power, earthing (grounding) and gas supply must comply with local codes and be made by licensed personnel when required. It is recommended that the machine be installed by qualified technicians.
- Do not install or store the tumble dryer where it will be exposed to water and/or weather. The tumble dryer cannot be used in a closed room where the air supply is insufficient. If necessary, ventilation grids must be installed in the doors or the windows.
- This tumble dryer must not be activated without lint screen filter.
- When you perceive a gas odor, immediately shut off the gas supply and ventilate the room. Do not power on electrical appliances and do not pull electrical switches. Do not use matches or lighters. Do not use a phone in the building. Warn the installer, and if so desired, the gas company, as soon as possible.
- To avoid fire and explosion, keep surrounding areas free of flammable and combustible products. Regularly clean the cylinder and exhaust tube should be cleaned periodically by competent maintenance personnel. Daily remove debris from lint screen filter and inside of filter compartment.
- Do not use or store flammable materials near this appliance.
- Do not place into tumble dryer articles that have been previously cleaned in, washed in, soaked in or spotted with gasoline or machine oils, vegetable or cooking oils, cleaning waxes or chemicals, dry-cleaning solvents, thinner or other flammable or explosive substances as they give off vapors that could ignite, explode or cause fabric to catch on fire by itself.
- Do not spray aerosols in the vicinity of this appliance while it is in operation.
- Items such as foam rubber (latex foam), shower caps, waterproof textiles, rubber backed articles and clothes or pillows filled with foam rubber pads should not be dried in the tumble dryer. Do not use the appliance to dry materials with a low melting temperature (PVC, rubber, etc.).
- Do not tumble fiberglass curtains and draperies unless the label says it can be done. If they are dried, wipe out the cylinder with a damp cloth to remove particles of fiberglass.
- Do not allow children to play on or in the dryer. Close supervision of children is necessary when the dryer is used near children. This appliance is not intended for use by persons (including children) with reduced physical, sensory or mental capabilities, or lack of experience and knowledge, unless they have been given supervision or instruction concerning the use of the appliance by a person responsible for their safety. This is a safety rule for all appliances.
- Cleaning and user maintenance shall not be made by children without supervision.

- Children less than three years should be kept away unless continuously supervised.
- Do not reach into the tumble dryer if the cylinder is revolving.
- Use tumble dryer only for its intended purpose, drying fabrics. Always follow the fabric care instructions supplied by the textile manufacturer and only use the dryer to dry textiles that have been washed in water. Only insert spin-dried linen in the dryer to avoid damage to dryer.
- Always read and follow manufacturer's instructions on packages of laundry and cleaning aids. Follow all warnings or precautions. To reduce the risk of poisoning or chemical burns, keep them out of the reach of children at all times (preferably in a locked cabinet).
- Do not use fabric softeners or products to eliminate static unless recommended by the manufacturer of the fabric softener or product.
- Remove laundry immediately after tumble dryer stops.
- DO NOT operate the tumble dryer if it is smoking, grinding or has missing or broken parts or removed guards or panels. DO NOT tamper with the controls or bypass any safety devices.
- Tumble dryer will not operate with the loading door open. DO NOT bypass the door safety switch to permit the tumble dryer to operate with the door open. The tumble dryer will stop rotating when the door is opened. Do not use the tumble dryer if it does not stop rotating when the door is opened or starts tumbling without pressing the START mechanism. Remove the tumble dryer from use and call for service.
- Tumble dryer will not operate with lint panel open. DO NOT bypass lint panel door safety switch to permit the tumble dryer to operate with the lint panel door open.
- Do not alter this tumble dryer from factory construction except as otherwise described in the technical instructions.
- Always clean the lint filter daily. Keep area around the exhaust opening and adjacent surrounding area free from the accumulation of lint, dust and dirt. The interior of the tumble dryer and the exhaust duct should be cleaned periodically by qualified service personnel.
- Solvent vapors from dry-cleaning machines create acids when drawn through the heater of the drying unit. These acids are corrosive to the tumble dryer as well as the laundry load being dried. Be sure make-up air is free of solvent vapors.
- At the end of each working day, close off all main supplies of gas, steam and electricity.

IMPORTANT: For fire suppression equipped tumble dryers, electricity and water should NOT be turned off.

- Do not repair or replace any part of the tumble dryer, or attempt any servicing unless specifically recommended in the user-maintenance instructions or in published user-repair instructions that the user understands and has the skills to carry out. ALWAYS disconnect and lockout the electrical power to the tumble dryer before servicing. Disconnect power by shutting off appropriate breaker or fuse.

- Activation of the emergency stop switch stops all tumble dryer control circuit functions, but DOES NOT remove all electrical power from tumble dryer.
- Exhaust ductwork should be examined and cleaned annually after installation.
- Before the tumble dryer is removed from service or discarded, remove the door to the drying compartment and the door to the lint compartment.
- Failure to install, maintain, and/or operate this tumble dryer according to the manufacturer's instructions may result in conditions which can produce bodily injury and/or property damage.

NOTE: The WARNINGS and IMPORTANT SAFETY INSTRUCTIONS appearing in this manual are not meant to cover all possible conditions and situations that may occur. Observe and be aware of other labels and precautions that are located on the machine. They are intended to provide instruction for safe use of the machine. Common sense, caution and care must be exercised when installing, maintaining, or operating the tumble dryer.

Always contact your dealer, distributor, service agent or the manufacturer about any problems or conditions you do not understand.

NOTE: All appliances are produced according the EMC-directive (Electro-Magnetic-Compatibility). They can be used in restricted surroundings only (comply minimally with class A requirements). For safety reasons there must be kept the necessary precaution distances with sensitive electrical or electronic device(s). These machines are not intended for domestic use by private consumers in the home environment.

Specifications and Dimensions

Specifications and Dimensions

Refer to machine serial plate for additional specifications.

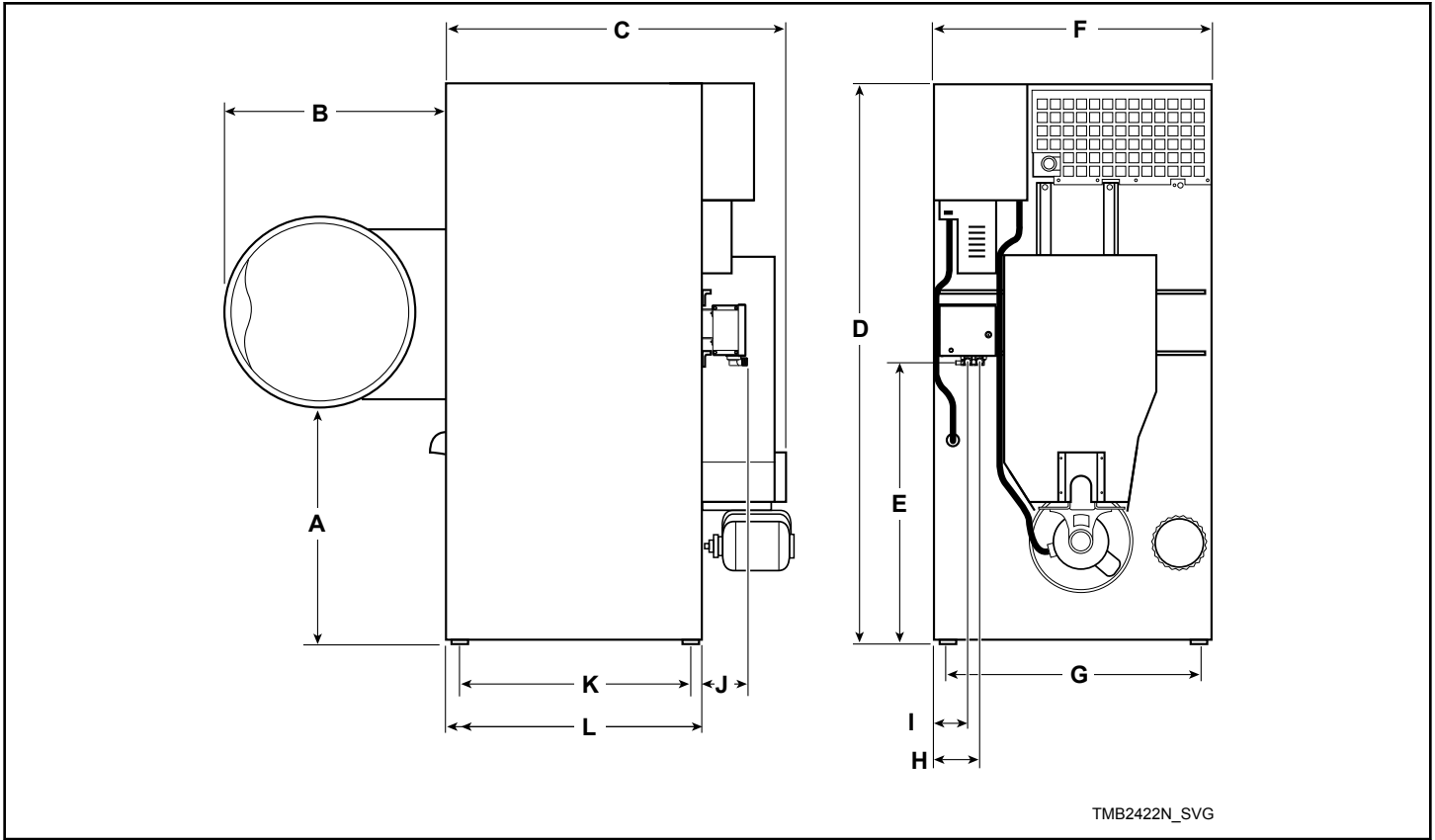
Specifications	050 Series	075 Series	F75
Heat dissipation of surface area exposed to conditioned air: Btu/ft ² [Joules/m ²]	60 [681,392]	60 [681,392]	60 [681,392]
Noise level measured during operation at operator position of 3.3 feet [1 meter] in front of machine and 5.2 feet [1.6 meters] from floor (approximate)	60 dBA	65 dBA	67 dBA
Net Weight (approximate): Pounds [Kilograms]	545 [247]	615 [279]	710 [322]
Standard Packaging Weight: Pounds [Kilograms]	602 [273]	677 [307]	772 [350]
Standard Packaging Shipping Dimensions: Inches [Millimeters]	41.5 x 52.1 x 81 [1054 x 1323 x 2057]	41.5 x 56.4 x 81 [1054 x 1433 x 2057]	41.5 x 56.4 x 81 [1054 x 1433 x 2057]
Slat Crate Packaging Weight: Pounds [Kilograms]	669 [303]	742 [337]	837 [380]
Slat Crate Shipping Dimensions: Inches [Millimeters]	44.5 x 55 x 87.75 [1130 x 1397 x 2229]	44.5 x 59.25 x 87.75 [1130 x 1505 x 2229]	44.5 x 59.25 x 87.75 [1130 x 1505 x 2229]
Cylinder Size: Inches [Millimeters]	37 x 30 [940 x 762]	37 x 36 [940 x 914]	37 x 36 [940 x 914]
Cylinder Capacity (dry weight): Pounds [Kilograms]	50 [25]	75 [34]	75 [34]
Air Outlet Diameter: Inches [Millimeters]	8 [203]	8 [203]	10 [254]
Maximum Static Back Pressure: W.C.I. [Millibar, kPa]	0.5 [1.3, 0.13]	0.5 [1.3, 0.13]	0.5 [1.3, 0.13]
Minimum Static Back Pressure: W.C.I. [Millibar, kPa]	0.0 [0.0, 0.0]	0.0 [0.0, 0.0]	0.0 [0.0, 0.0]

Table continues...

Specifications	050 Series	075 Series		F75
Maximum Airflow: C.F.M. [L/sec]	750 [354]	Standard Line Gas/Steam 60 Hz 920 [434] 50 Hz 750 [354] Electric 750 [354]	Eco Line 60 Hz 750 [354] 50 Hz 625 [295]	1100 [519]
Motor: Horsepower [kW]				
Nonreversing	1/2 [0.373]	3/4 [0.560]		Not Applicable
Reversing Fan	1/3 [0.249]	1/3 [0.249]		1 [0.746]
Reversing Cylinder	1/3 [0.249]	1/3 [0.249]		1/3 [0.249]
Gas Models				
Gas Connection	1/2 in. NPT	1/2 in. NPT		3/4 in. NPT
Gas Burner Rating: Btu/hr. [Mj/hr., kW]	130,000 [137, 38.1]	Standard Line 165,000 [174, 48.359]	Eco Line 60 Hz 130,000 [137.2, 38.1] 50 Hz 110,000 [116.1, 32.2]	225,000 [237, 65.94]
Electric Models				
Heating Element Rating: Kilowatts	21 kW (240 V/50 Hz) 30 kW (other vol- tages)	Standard Line - 30 kW Eco Line - 21 kW		Not Applicable
Steam Models				
Steam Connection	3/4 in. NPT	3/4 in. NPT		Not Applicable
Steam Coil Rating at 100 psig: Btu/hr. [kg/hr.] (recommended operating pressure 80-100 psig)	177,500 [83.14]	210,300 [98.5]		Not Applicable

NOTE: All machines are shipped with extra nipple to convert to metric thread (from Standard).

Cabinet Dimensions



Models	A	B	C	D	E*	F
050 Series Gas and Electric	29.25 in. [743 mm]	33.87 in. [860 mm]	48.25 in. [1226 mm]	76.625 in. [1946 mm]	36 in. [914 mm]	38.625 in. [981 mm]
050 Series Steam	29.25 in. [743 mm]	33.87 in. [860 mm]	48.25 in. [1226 mm]	76.625 in. [1946 mm]	36 in. [914 mm]	38.625 in. [981 mm]
075 Series Gas and Electric	29.25 in. [743 mm]	33.87 in. [860 mm]	54.25 in. [1378 mm]	76.625 in. [1946 mm]	36 in. [914 mm]	38.625 in. [981 mm]
075 Series Steam	29.25 in. [743 mm]	33.87 in. [860 mm]	54.25 in. [1378 mm]	76.625 in. [1946 mm]	36 in. [914 mm]	38.625 in. [981 mm]
F75 Gas	29.25 in. [743 mm]	33.87 in. [860 mm]	53 in. [1346 mm]	76.625 in. [1946 mm]	36 in. [914 mm]	38.625 in. [981 mm]

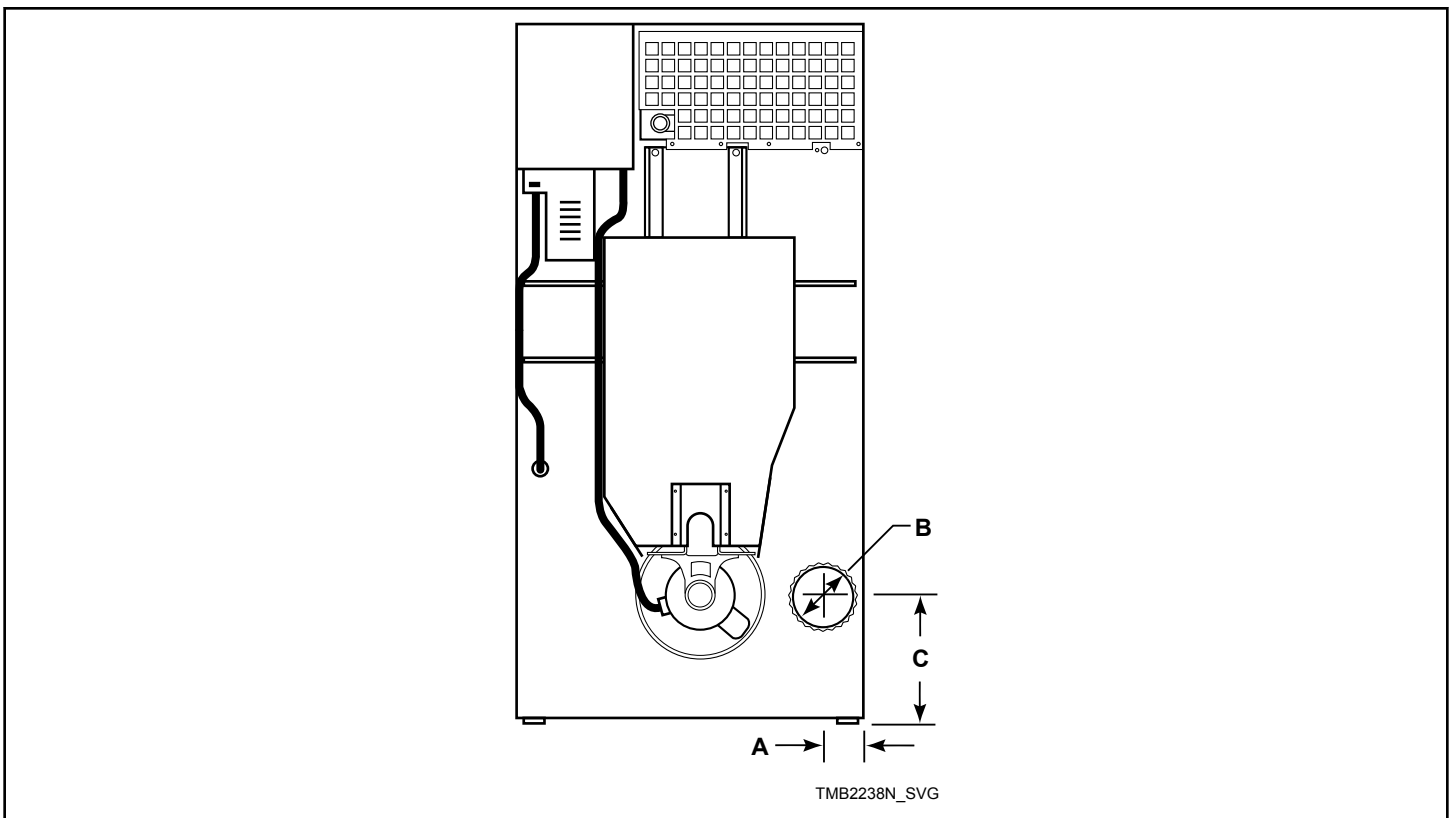
Models	G	H*	I*	J*	K	L
050 Series Gas and Electric	33 in. [838 mm]	7.1 in. [180 mm]	5.5 in. [140 mm]	6.53 in. [166 mm]	29.5 in. [749 mm]	33.24 in. [844 mm]

Table continues...

Models	G	H*	I*	J*	K	L
050 Series Steam	33 in. [838 mm]	7.1 in. [180 mm]	5.5 in. [140 mm]	6.53 in. [166 mm]	29.5 in. [749 mm]	33.24 in. [844 mm]
075 Series Gas and Electric	33 in. [838 mm]	7.1 in. [180 mm]	5.5 in. [140 mm]	6.53 in. [166 mm]	35.5 in. [902 mm]	39.22 in. [996 mm]
075 Series Steam	33 in. [838 mm]	7.1 in. [180 mm]	5.5 in. [140 mm]	6.53 in. [166 mm]	35.5 in. [902 mm]	39.22 in. [996 mm]
F75 Gas	33 in. [838 mm]	7.1 in. [180 mm]	5.5 in. [140 mm]	6.53 in. [166 mm]	35.5 in. [902 mm]	39.22 in. [996 mm]

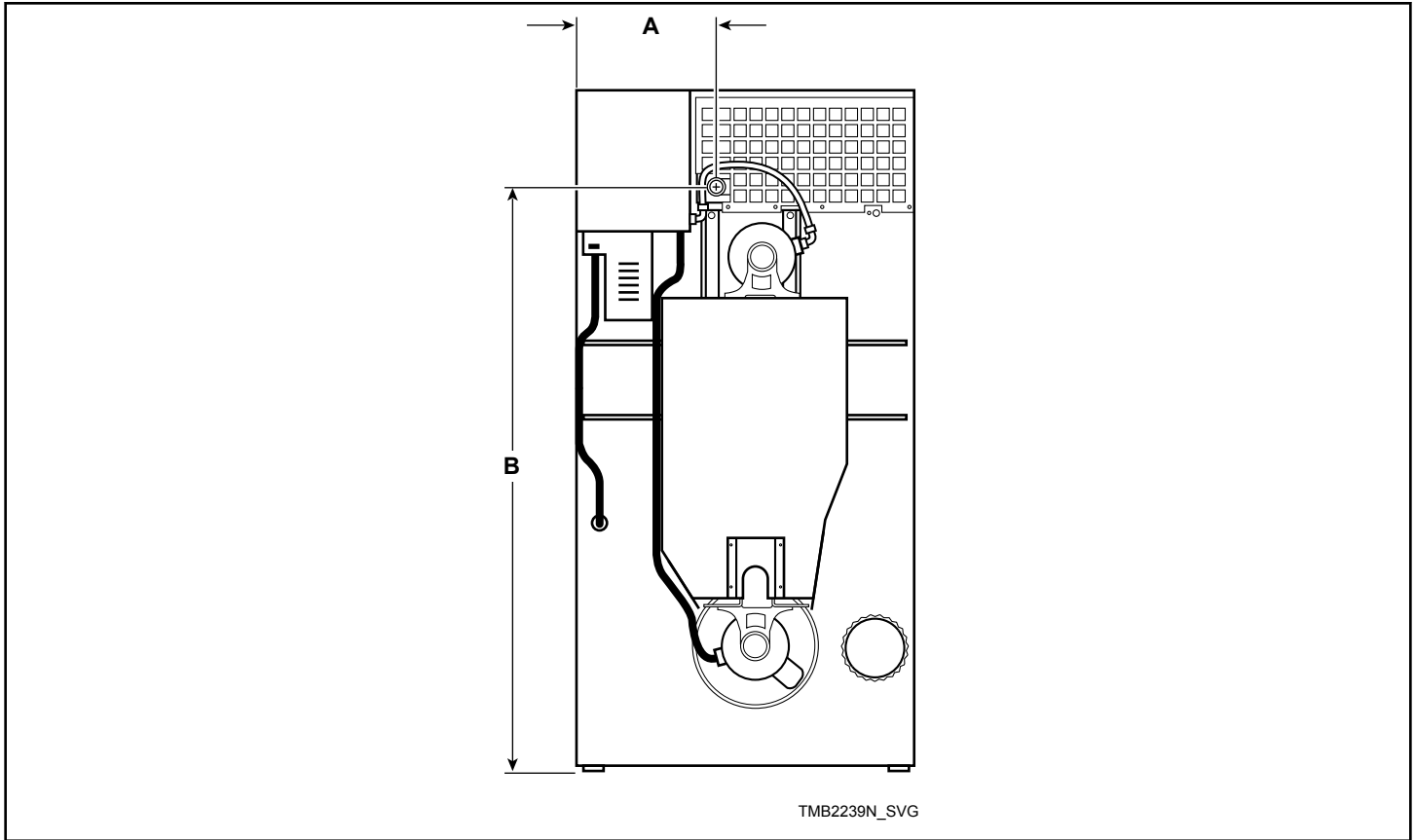
* Fire suppression system optional - may not be on machine.

Exhaust Outlet Locations



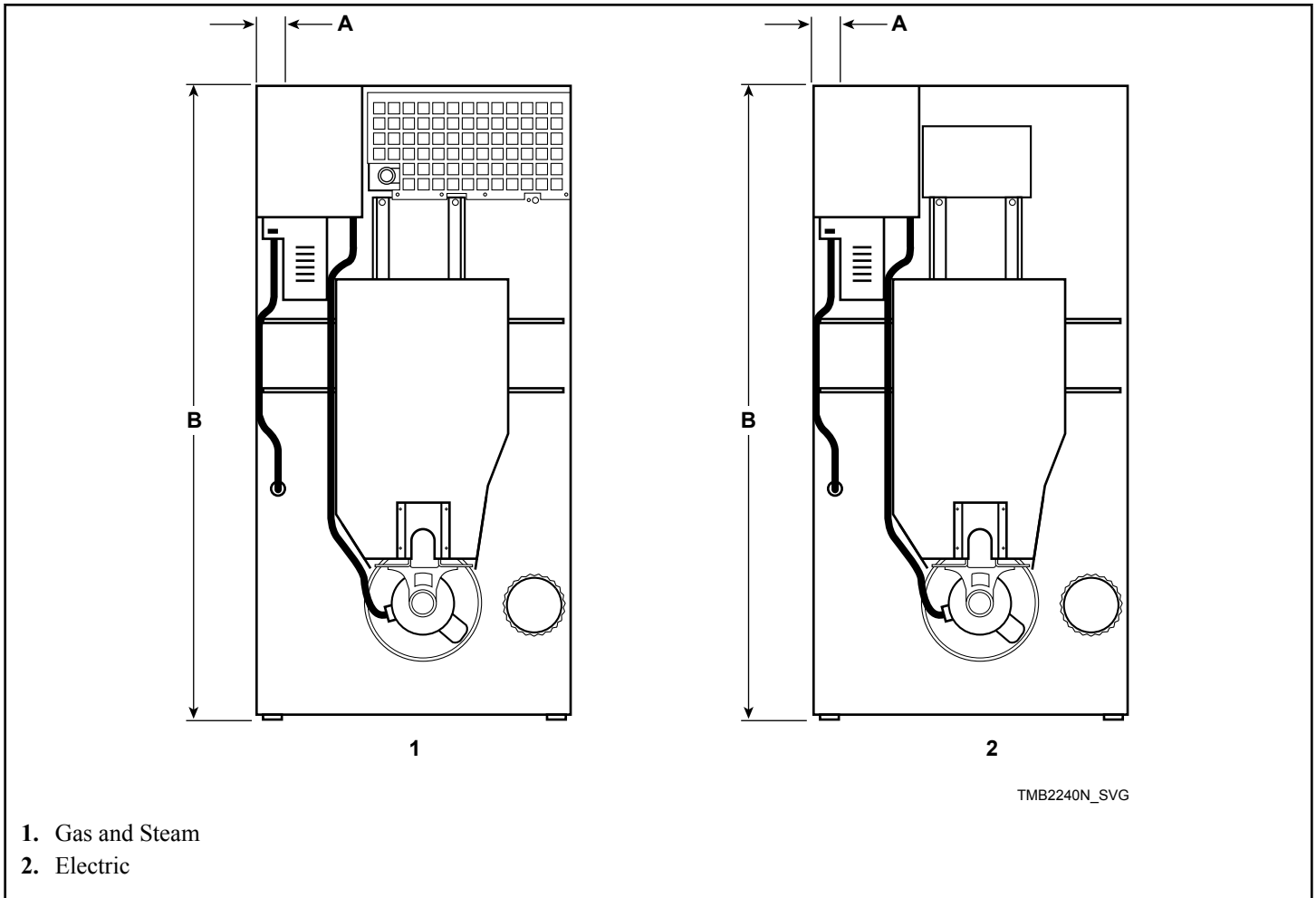
Models	A	B	C
050/075 Series	5.375 in. [137 mm]	8 in. [203 mm]	13.375 in. [340 mm]
F75	6.5 in. [165 mm]	10 in. [254 mm]	6.5 in. [165 mm]

Gas Connection Locations



Diameter	A	B
050/075 – 1/2 in. NPT	14.75 in. [375 mm]	65.75 in. [1670 mm]
F75 – 3/4 in. NPT		

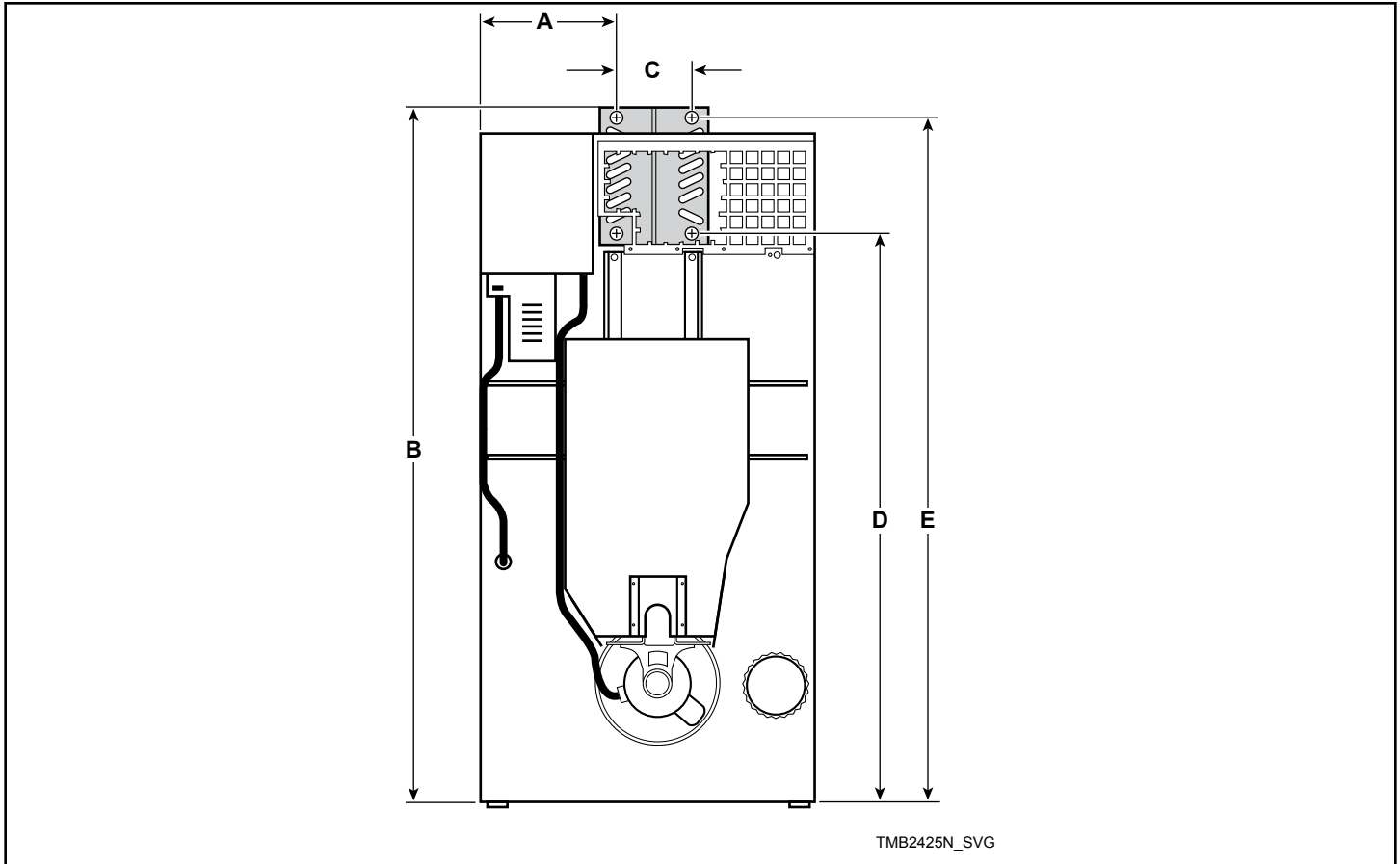
Electrical Connection Locations



A	B
3.25 in. [83 mm]	75.5 in. [1918 mm]

NOTE: These figures are approximate dimensions only.

Steam Connection Locations



Diameter	A	B	C	D	E
3/4 in. NPT	15.25 in. [387 mm]	79.23 in. [2013 mm]	7.5 in. [190 mm]	64.64 in. [1642 mm]	78.14 in. [1985 mm]

Installation

Pre-Installation Inspection

Upon delivery, visually inspect the crate, carton and parts for any visible shipping damage. If the crate, carton, or cover is damaged or signs of possible damage are evident, have the carrier note the condition on the shipping papers before the shipping receipt is signed, or advise the carrier of the condition as soon as it is discovered.

Remove the crate and protective cover as soon as possible and check the items listed on the packing list. Advise the carrier of any damaged or missing articles as soon as possible. A written claim should be filed with the carrier immediately if articles are damaged or missing.

IMPORTANT: Remove the yellow shipping wire tie securing the airflow switch.

IMPORTANT: Warranty is void unless tumble dryer is installed according to instructions in this manual. Installation should comply with minimum specifications and requirements detailed in this manual and applicable local gas fitting regulations, municipal building codes, water supply regulations, electrical wiring regulations, and any other relevant statutory regulations. Due to varied requirements, applicable local codes should be thoroughly understood and all pre-installation work arranged for accordingly.

Materials Required (Obtain Locally)	
All Models	Fused disconnect switch or circuit breaker on 1 Phase models. Circuit breaker on 3 Phase models.
Gas Models	One gas shut-off valve for gas service line to each tumble dryer.

Table continues...

Materials Required (Obtain Locally)	
Steam Models	One steam shut-off valve for steam service line to be connected upstream of solenoid steam valve. Two steam shut-off valves for each condensate return line. Flexible steam hoses with a 125 psig [pounds per square inch gauge] [862 kPa] working pressure for connecting steam coils. Refer to <i>Figure 29</i> for sizing and connection configurations. Two steam traps for steam coil outlets to condensate return line. Optional – Two vacuum breakers for condensate return lines.

IMPORTANT: 3 Phase Only – Each tumble dryer must be connected to its own individual branch circuit breaker, not fuses, to avoid the possibility of “single phasing” and causing premature failure of the motor(s).

Location Requirements


The tumble dryer must be installed on a level floor. Floor covering materials such as carpeting or tile should be removed.

To assure compliance, consult local building code requirements. The tumble dryer must not be installed or stored in area where it will be exposed to water and/or weather.

IMPORTANT: DO NOT block the airflow at the rear of the tumble dryer with laundry or other articles. Doing so would prevent adequate air supply to the combustion chamber of the tumble dryer.

A typical tumble dryer enclosure is shown in *Figure 2*.

IMPORTANT: Install tumble dryers with sufficient clearance for servicing and operation, refer to *Figure 2*.

	WARNING
<p>To reduce the risk of severe injury, clearance of tumble dryer cabinet from combustible construction must conform to the minimum clearances, and/or local codes and ordinances.</p>	
W770R1	

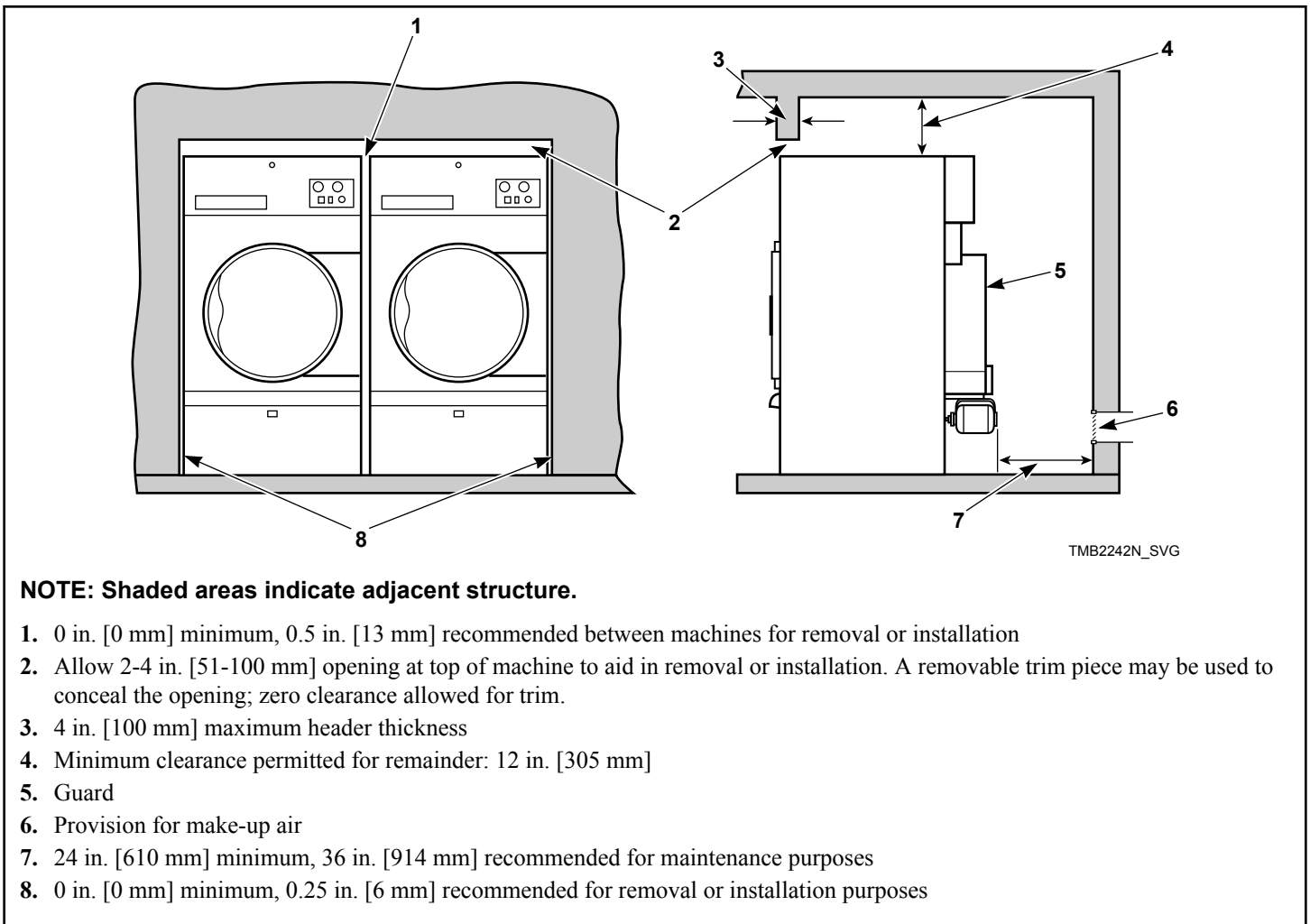


Figure 2

Position and Level the Tumble Dryer

1. Remove lint panel door, and unscrew the four shipping bolts (one at each corner).

2. Remove tumble dryer from pallet.

NOTE: DO NOT discard shipping bolts, they are used as machine leveling legs.

3. Remove four nuts from the literature package, and screw one fully on to each leveling leg.
4. Screw the four leveling legs (bolts) back into the level adjusting fittings from the bottom.
5. Slide tumble dryer to its permanent location. Adjust the leveling legs until the unit is level, or no more than 0.13 inch [3.3 mm] higher in the front. Refer to *Figure 3*. Tumble dryer must not rock. Lock leveling legs with nuts previously installed.

NOTE: The front of the tumble dryer should be slightly higher than the rear (approximately 0.13 inch [3.3 mm]). This will prevent the clothes, while tumbling, from wearing on the door glass gasket.

IMPORTANT: Keep tumble dryer as close to floor as possible. The unit must rest firmly on floor so weight of tumble dryer is evenly distributed.

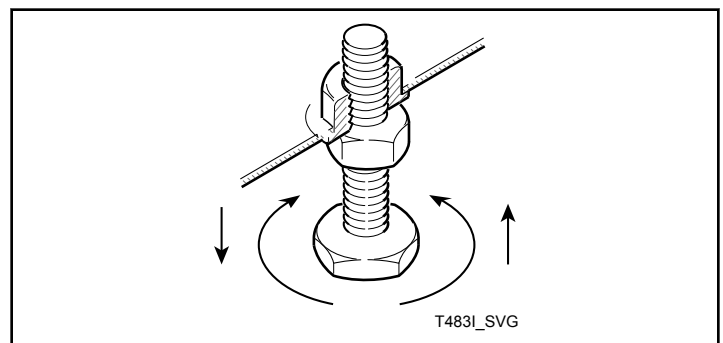



Figure 3

Fire Suppression System (Optional Equipment)

	WARNING
<p>ELECTRICAL SHOCK HAZARD. Electrical shock can result in death or serious injury. If the water dispensing system is activated, do not attempt to operate the tumble dryer. If the water dispensing system is activated, have the tumble dryer inspected by a qualified agency before operating the tumble dryer.</p>	
W879R1	

IMPORTANT: Main supplies of electricity and water to the tumble dryer should remain on at all times for the fire suppression system to work.

Check Local Codes and Permits

Call your local water company or the proper municipal authority for information regarding local codes.

IMPORTANT: It is your responsibility to have ALL plumbing connections made by a qualified professional to assure that the plumbing is adequate and conforms to local, state, and federal regulations or codes.

IMPORTANT: It is the installation or owner's responsibility to confirm that the necessary or required water, water pressure, pipe size, or connections are provided. Manufacturer assumes no responsibility if the fire suppression system is not connected, installed, or maintained properly.

Water Requirements

IMPORTANT: Water must be supplied to the fire suppression system, or the fire suppression system will not operate as intended.

To ensure the fire suppression system operates properly:

- Water supply requirements: 3/4 inch hose connections providing 15 gpm [57 lpm] minimum flow; Water pressure 20 psi [138 kPa] minimum, 120 psi [827 kPa] maximum; water temperature 40°F [4.5°C] minimum, 120°F [49°C] maximum must be maintained at all times.
- Electric power to the tumble dryer must be provided at all times.
- Perform preventative maintenance checks every month. Refer to Operation/Maintenance Manual.

NOTE: Water pressure under 20 psi [138 kPa] will cause low flow at water solenoid valve.

If the rear of the tumble dryer or the water supply is located in an area where it will be exposed to cold/freezing temperatures, provisions must be made to protect these water lines from freezing.

IMPORTANT: Temperature of the water supply must be kept between 40°F and 120°F [4.5°C and 49°C]. If water in the supply line or water solenoid valve freezes, the fire suppression system will not operate.

IMPORTANT: If temperature sensors inside the tumble dryer register a temperature below 40°F [4.5°C], the fire suppression system control will lock out. This feature protects against operation of the tumble dryer with a possible frozen water supply. Only when the temperature sensors register a temperature 40°F [4.5°C] or above will the machine reset for operation.

For installations where the tumble dryer must operate below 40°F [4.5°C], a cold weather fire suppression system relocation kit (part no. 44340301) is available. Refer to the instructions provided in the kit for proper installation.

IMPORTANT: Flexible supply line/coupling must be used. Solenoid valve failure due to hard plumbing connections will void the warranty. It is recommended that a filter or strainer be installed in the water supply line.

Water Connections

Connect machine to a backflow preventer (vacuum breaker) before connecting to the public water main in all countries where local regulations require specific water approval certificates.

Two hoses and a Y-valve are provided with the tumble dryer to allow for connection of water supply to tumble dryer. The water connections are made to the bushings of the water solenoid valve, located on the rear of the tumble dryer. The Y-valve provides a single female hose connection (Standard US 3/4-11 1/2 NH thread). Refer to *Figure 4* and *Figure 5*.

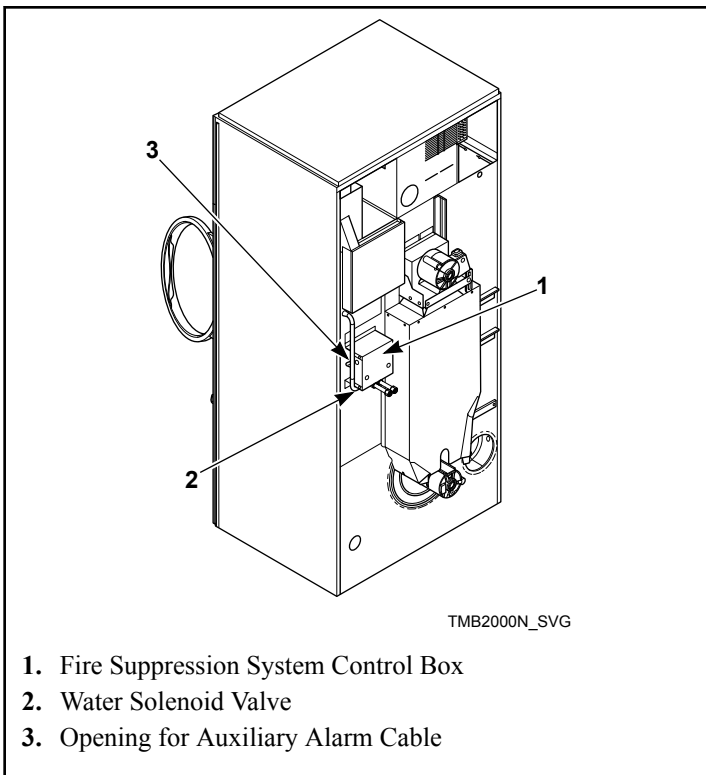


Figure 4

To connect the two hoses (supplied with tumble dryer), insert rubber washers (from literature pack) in water inlet hose couplings. Refer to *Figure 5*.

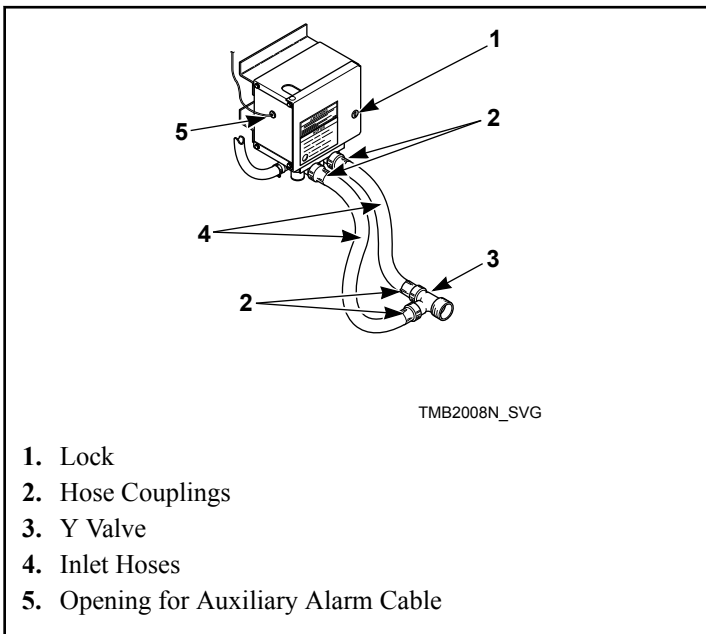


Figure 5

Connect inlet hoses to water supply. Flush the lines for approximately two minutes to remove any foreign materials that could clog the screens in the water mixing valve. This is especially important when installing a tumble dryer in a newly constructed or renovated building. Then connect the hoses to the Y-valve; con-

nect the Y-valve to the connections at the rear of the tumble dryer.

IMPORTANT: Thread hose couplings onto valve connections finger tight, then turn 1/4 turn with pliers. Do not cross thread or overtighten couplings.

IMPORTANT: Hoses and other natural rubber parts deteriorate after extended use. Hoses may develop cracks, blisters or material wear from the temperature and constant high pressure they are subjected to. All hoses should be checked on a yearly basis for any visible signs of deterioration. Any hose showing the signs of deterioration listed above should be replaced immediately. All hoses should be replaced every five years.

NOTE: Longer inlet hoses are available (as optional equipment at extra cost) if the hoses supplied with the tumble dryer are not long enough for installation. Order hoses as follows:

Part No. 20617 Inlet hose 8 feet [2.44 m]

Part No. 20618 Inlet hose 10 feet [3.05 m]

NOTE: Replacement outlet hoses are available (at extra cost). Order 44073301 Hose, 39 in. [99 cm].

Electrical Requirements

	WARNING
<p>Electrical power must be provided to tumble dryer at all times. The fire suppression system will be inoperative if the main electrical power supply is disconnected.</p>	
W690R1	

No independent external power source or supply connection is necessary. Power to operate the 24 Volt fire suppression system is from the rear junction/contactors box.

Auxiliary Alarm

The fire suppression system provides an auxiliary output signal when the system is activated. During tumble dryer installation, you have the option to connect a separate alarm system to this auxiliary output. Potential uses of the auxiliary output include, but are not limited to: (1) sounds an alarm, (2) activates a building sprinkler system, (3) notifies a fire department, etc. Use of the auxiliary output is not required for the fire suppression system to operate, but may be used for additional protection.

The connection to the auxiliary output is made through the FS-1 and FS-2 fast-on connections inside the fire suppression control box. Refer to *Figure 6*. The relay is rated for 24 VAC, 5.2 Amp, sealed current.

NOTE: The auxiliary output is activated during fire suppression system maintenance test sequence. Consider this fact prior to your system test every three months. (Example: If the external system uses the auxiliary output to call the fire department, inform the fire department before and after the fire suppression system maintenance test.)

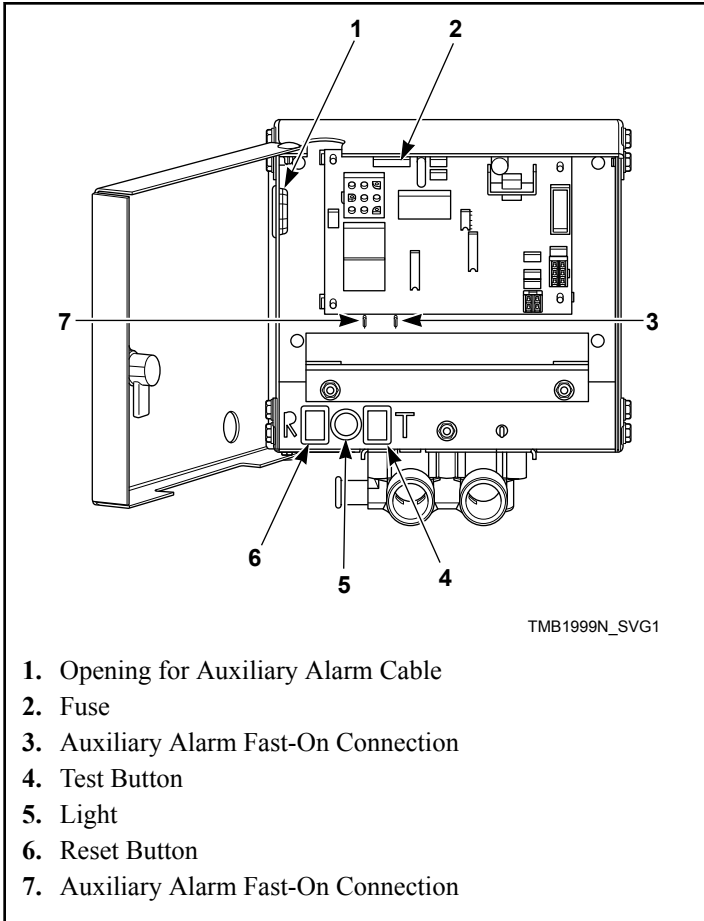


Figure 6

Bolt-On Angle Option

050 Series Tumble Dryers Only

This option allows the tumble dryer depth to be reduced to 34 5/16 inches [871 mm]. The tumble dryer should then fit through a 36 inch [914 mm] door opening (actual 34.5 inches [876 mm]).

1. Remove the loading door, access panel, front panel and lint panel. Refer to *Figure 7*.

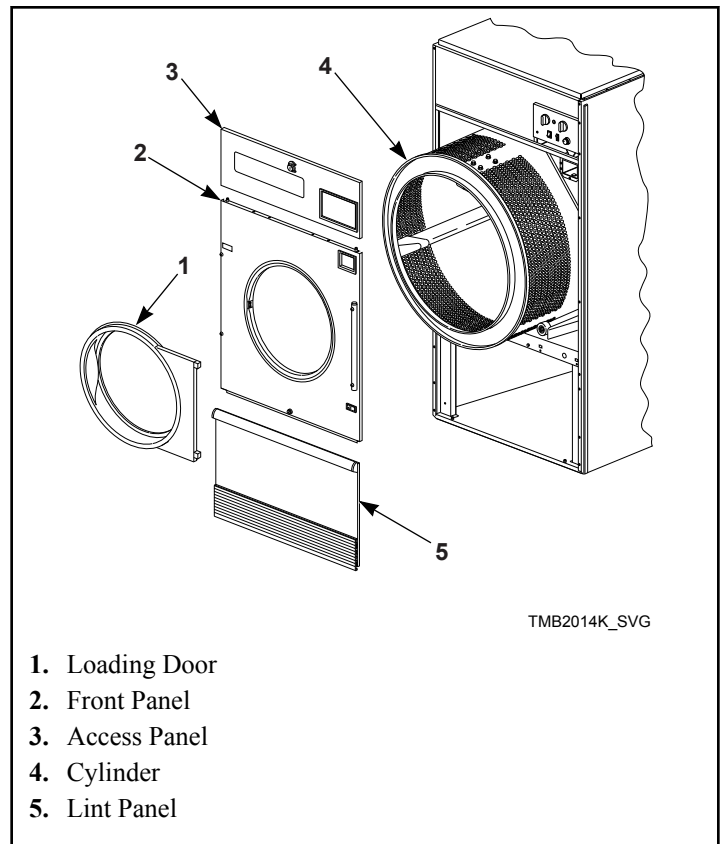
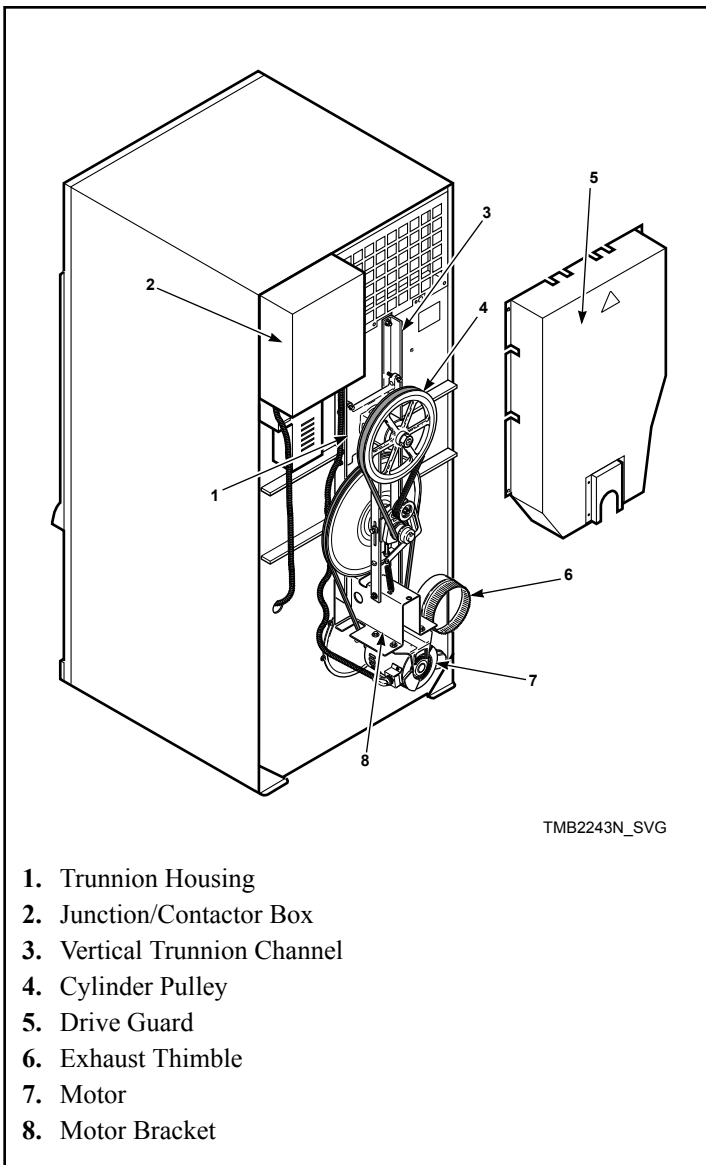


Figure 7

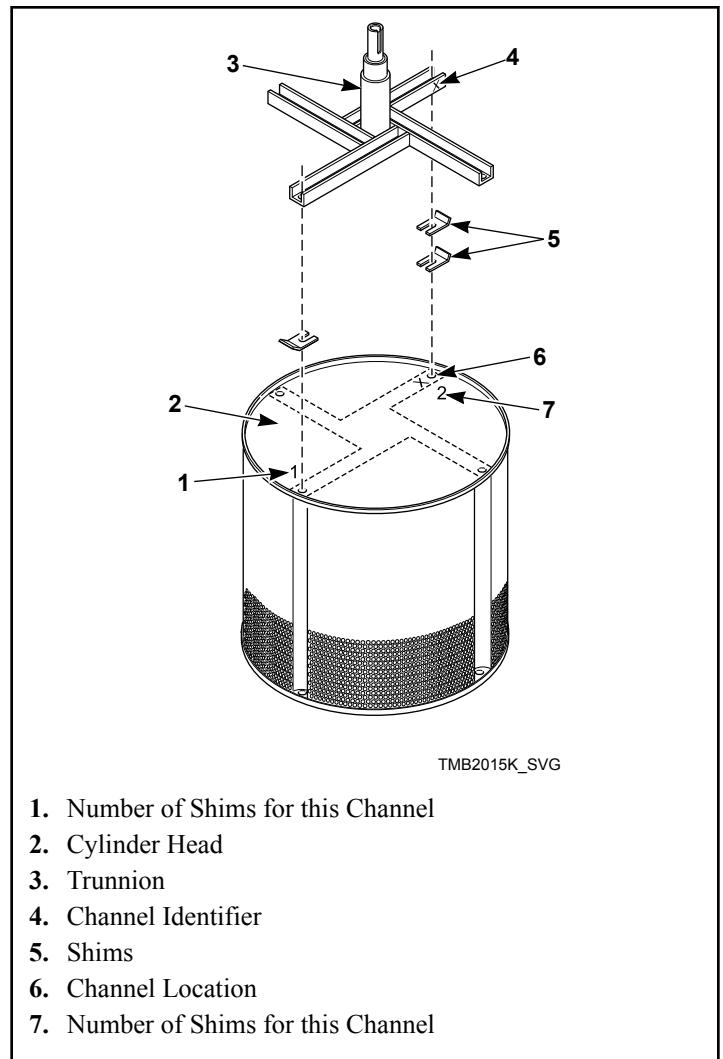
2. Remove the drive guard. Refer to *Figure 8*.



1. Trunnion Housing
2. Junction/Contactor Box
3. Vertical Trunnion Channel
4. Cylinder Pulley
5. Drive Guard
6. Exhaust Thimble
7. Motor
8. Motor Bracket

Figure 8

3. Remove the drive belts. Refer to *Figure 8*.
4. Remove the cylinder pulley and shaft key.
5. Pull the cylinder out through the front of the tumble dryer. Refer to *Figure 7*.
6. To ensure proper cylinder balance for reassembly, mark each channel's original location on cylinder head and number of shims for each channel before removal. Refer to *Figure 9*.
7. Remove the complete idler assembly.
8. Remove the trunnion housing. Refer to *Figure 8*.
9. Disconnect the motor harness(es).



1. Number of Shims for this Channel
2. Cylinder Head
3. Trunnion
4. Channel Identifier
5. Shims
6. Channel Location
7. Number of Shims for this Channel

Figure 9

10. Remove the motor(s) and motor bracket(s). Refer to *Figure 8*.
11. Unbolt and remove the two vertical trunnion channels.
12. Remove the junction/contactator box. Refer to *Figure 8*.
13. Remove the exhaust thimble.
14. The gas supply line may require removal if it extends past the rear panel. If so, disconnect the union located between the gas and shutoff valves and remove the assembly out through the front of the tumble dryer.
15. Remove the tumble dryer from the crate base and slide it through the door, sideways.
16. Refer to the appropriate service video, installation manual and wiring diagram to reassemble and install the tumble dryer correctly.

To Reverse the Loading Door

The tumble dryer is delivered with a right hinged door, but the door can be changed to a left hinged position.

1. Disconnect power supply to tumble dryer.

2. Unlock and remove control panel. Remove two control assembly mounting screws from right side. Swing open control to access upper flange right guide lug assembly. Refer to *Figure 10*.
3. Remove lint panel.

IMPORTANT: Support door and hinge assembly securely to prevent it from dropping once side screws are removed from door hinge lug.

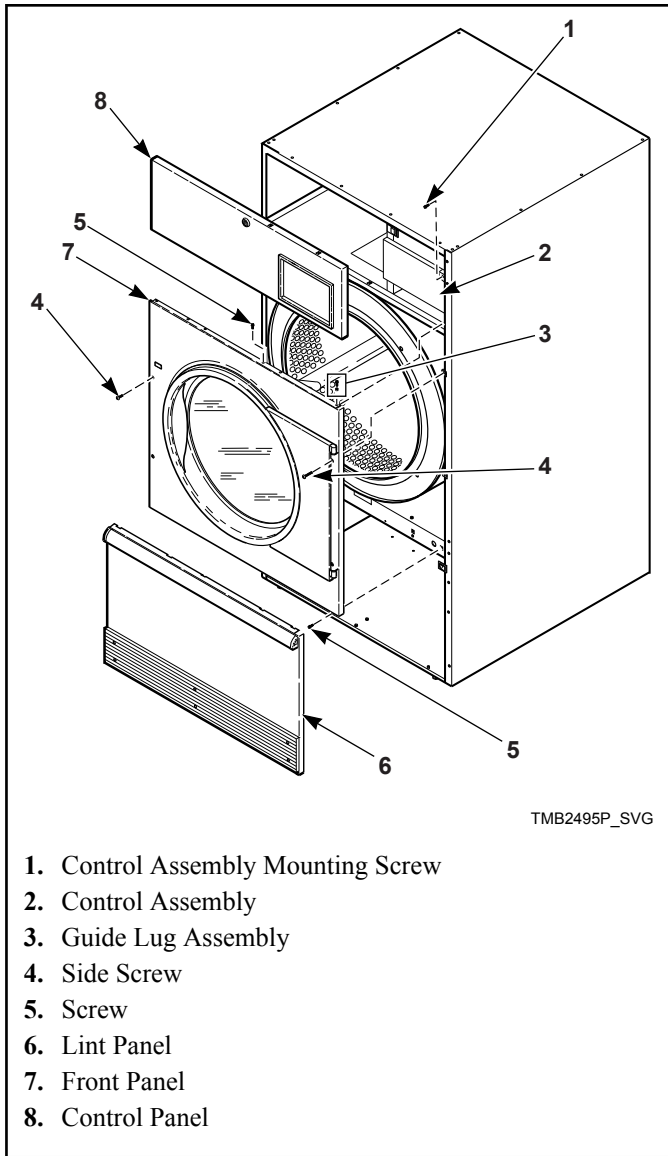


Figure 10

4. Remove four front panel screws. Refer to *Figure 10*. Keep door hinge cams in place on door hinge lug. Pull lug and door assembly off as one piece. Refer to *Figure 11*.
5. Remove remaining front panel screws. Refer to *Figure 10*. Disconnect door switch harness from switch. Take off front panel. Refer to *Figure 11*.
6. Exchange switch and plug locations. Depress tabs with an adjustable pliers to remove plug and switch from front panel. Reinstall switch, orienting button toward center of machine.

Reinstall plug in switch's previous location. Refer to *Figure 11*.

IMPORTANT: Door switch must be oriented correctly in front panel receiving hole or tumble dryer will not operate.

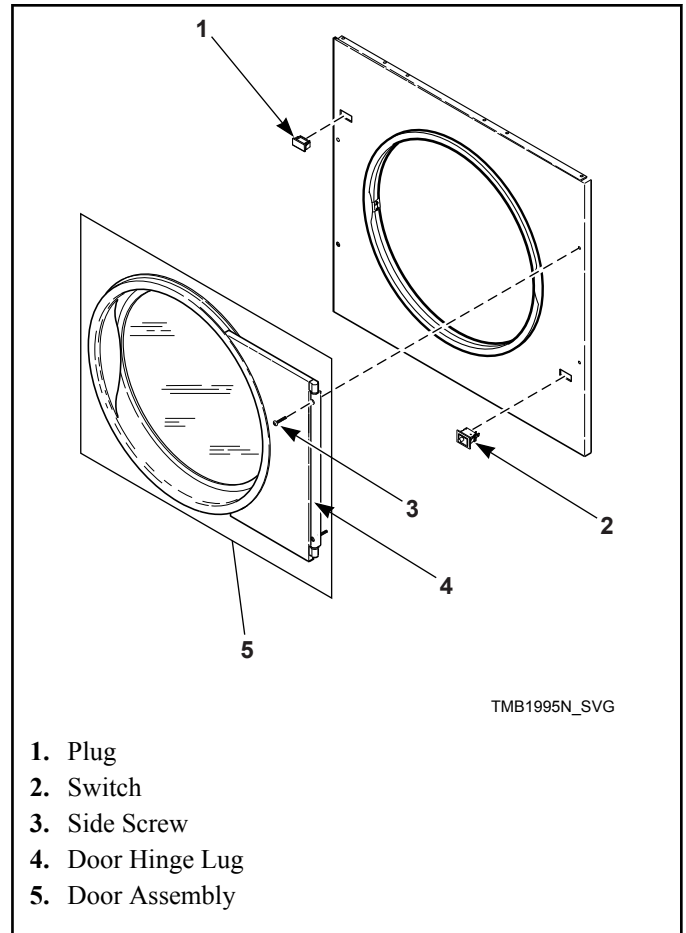


Figure 11

7. Cut wire ties to remove door switch harness bundle. Be careful not to damage harness wires. Refer to *Figure 12*.
8. Reroute door switch harness up through the hole in the right side of the top panel. Use the panel cutout opening to then put harness down through the hole in the left side of the top panel and into the upper left corner of the cylinder enclosure.

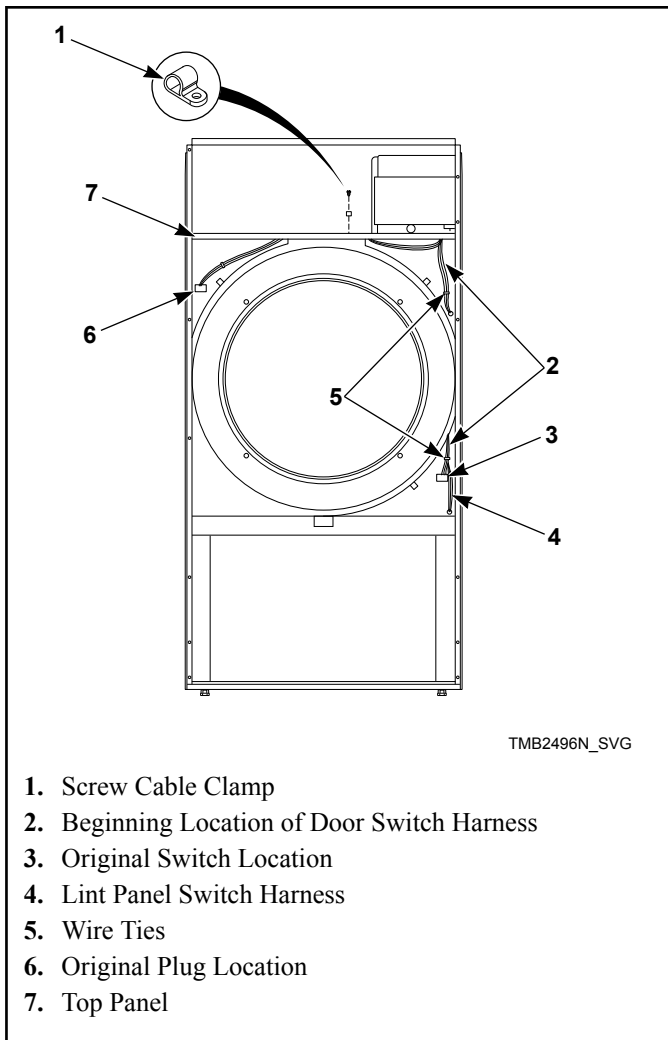


Figure 12

9. Place front panel on machine, loosely attach four bottom screws. Connect door switch harness to switch in new location. Install door assembly and four front panel side screws loosely. Refer to *Figure 13*.
10. Check lint panel fit, adjusting front panel up or down as required. Tighten four front panel side screws to maintain position of front panel for proper lint panel clearance.
11. Remove lint panel. Fully tighten bottom screws on front panel.
12. Reinstall top screws and guide lugs.
13. Adjust door catch if necessary to allow 8 – 15 pounds [35.6N – 66.7N] pull at center of handle.
14. Reinstall control assembly using mounting screws.
15. Reinstall control panel and lint panel.

IMPORTANT: Restore power to tumble dryer and test for proper operation of loading door switch. Refer to *Loading Door Switch* section for adjustment procedure. Tumble dryer should not start with door open; an operating tumble dryer should stop when door is opened.

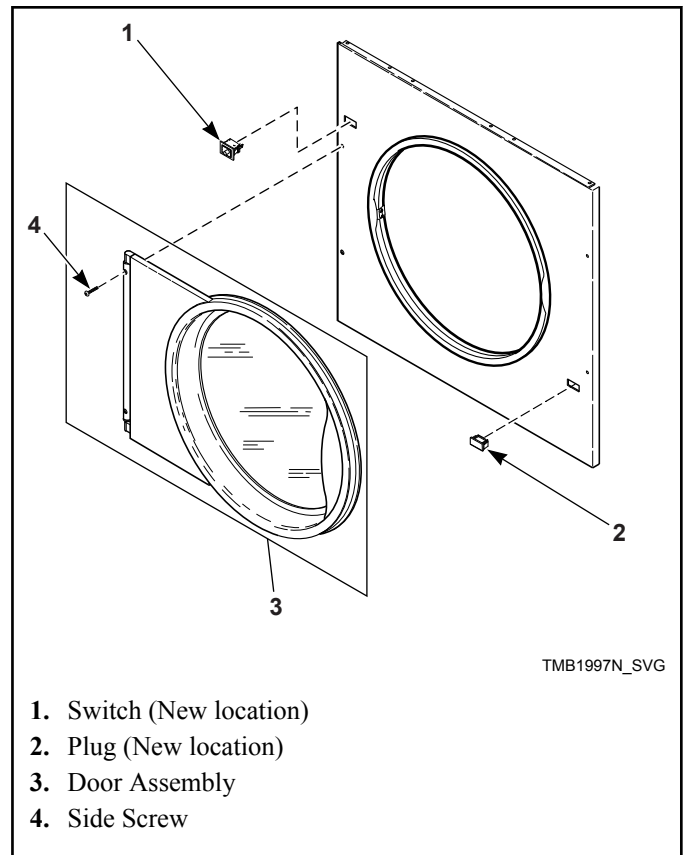


Figure 13

NOTE: If machine is converted back to right hand hinge operation, the door switch harness must be rerouted.

Before Placing Tumble Dryer into Service

1. Remove or open all panels and check accessible bolts, nuts, screws, terminals and fittings for tightness.
2. Check belt tension and adjust if necessary. Refer to Adjustments section.
3. Replace all panels and guards.
4. Turn on electrical supply to tumble dryer.
5. Open the supply valve for gas or steam heated tumble dryers.
6. After performing the previous checks, start the tumble dryer by pressing START. (Refer to the Operating section for detailed instructions.) Release the start button and open the loading door. The cylinder should stop rotating within seven seconds after the door is opened a maximum of 2 inches [51 mm]. If it does not, adjust the loading door switch. Refer to Adjustments section.
7. **Gas Tumble Dryers:** Start the tumble dryer and check the burner flame. Adjust the air inlet shutter as required. Refer to Adjustments section.

IMPORTANT: The electronic ignition system will attempt to light the gas by sparking for the “trial for ignition” period. If gas does not ignite within this period, the ignition control will go into a safety lockout and the valve will no longer open until the control is reset. It may be necessary to retry several times to bleed air from the gas lines. To reset, open and close the loading door and restart tumble dryer. If lockout condition persists, check that the manual gas shut-off valve is in the ON position and that the gas service is properly connected. If condition still persists, remove tumble dryer from service.

10. Wipe out the cylinder using an all-purpose cleaner or detergent and water solution. Refer to *Figure 14*.

IMPORTANT: The use of chlorine bleach for removing any discoloration should be avoided because bleach could damage the finish.

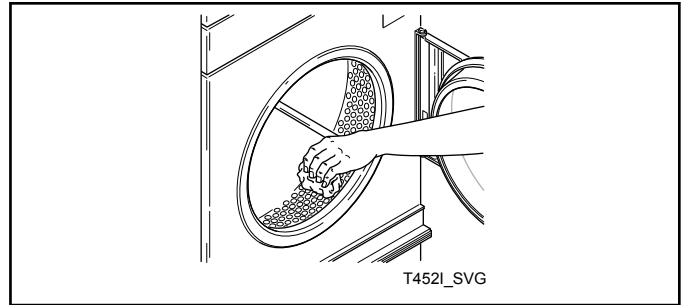


Figure 14

8. Load the cylinder with a full load of clean rags and run to remove oil or dirt from cylinder.
9. Check the airflow switch operation by opening the lint panel; be sure to remove shipping tape from airflow switch prior to operation. Temporarily tape down the lint panel safety switch located behind the upper left corner of the lint panel. The heating systems should shut off when the lint panel is opened a maximum of 1.5 inches [38 mm].

The airflow switch operation may be affected by shipping tape still in place, lack of make-up air, or an obstruction in the exhaust duct. These should be checked. If there is a problem, contact an authorized service person.

	WARNING
<p>Do not operate tumble dryer if airflow switch is faulty. An explosive gas mixture could collect in tumble dryer if airflow switch does not operate properly.</p>	
W407R1	

Models		Prepurge Time (seconds)	Trial for Ignition (seconds)	Reset Lockout Condition By:
Models through 3/10/13	CE and Australia	18	10	025, 030, 035, 055: Press reset button on rear of machine T30, T45: Press lighted reset button in rear contactor box
	All others	1-3	10	Open loading door

Table continues...

Models		Prepurge Time (seconds)	Trial for Ignition (seconds)	Reset Lockout Condition By:
Models starting 3/11/13 through 12/31/13	CE	1	10 (attempts to ignite 3 times)	For models with EO, RE, RU or UO control suffixes: Press start on control keypad. For models with all other control suffixes: Press and hold reset button on junction box until light goes out.
Models Starting 3/11/13	Non-CE and non-Australian	1	10 (attempts to ignite 3 times)	Open loading door
Models starting 3/11/13 through 7/31/13	Australia	18	10	025, 030, 035, 055: Press reset button on rear of machine T30, T45: Press lighted reset button in rear contactor box
Models starting 8/1/13	Australia	23	23	For models with EO, RE, RU or UO control suffixes: Press start on control keypad. For models with all other control suffixes: Press and hold ignition control reset button.
Models Starting 1/1/14	CE			

If the tumble dryer does not meet ANY of the listed requirements, remove tumble dryer from use. Refer to Removing Tumble Dryer from Service section.

Required for CE Models Only

Once machine is installed, please be sure to complete the following items:

- Review and verify machine operation with customer.
- Leave all literature and a signed Declaration of Conformity with customer.
- Review machine warranty information with customer.
- Apply warning sticker on front panel of machine, in language appropriate to country of sale (included in literature packet).

operation on Natural Gas 1000 Btu/cu. ft. [8914 kcal/m³], or L.P. Gas 2500 Btu/cu. ft. [22,250 kcal/m³], with natural gas group H/E, designation G20 and L.P. gas group B/P, designation G30. To install machines in any other country, or on any other gas, requires some level of modification.

Machines are built in two different configurations:

- Natural Gas – regulated/governor
- Liquefied Petroleum (L.P.) Gas – not regulated/no governor

For converting models from Natural Gas to L.P. Gas:

050 series	M4544P3
075 series	M4545P3

Serial plates supplied from the factory are configured for GB/IE/PT/ES/IT/GR/LU/CH/BE. These instructions pertain to the situations when the country of use or gas supply is different

Installing CE Gas Drying Tumble Dryer

General Information

This information is to be used when installing gas tumble dryers in countries and/or on gases different than the machine’s factory configuration. Tumble Dryers are supplied from the factory for

than that on the serial plate. If applicable, peel off the appropriate country sticker (included with machine) and apply it to the serial plate over the existing country information.

These instructions are only valid if the following country code is on the appliance: GB/IE/PT/ES/IT/GR/LU/CH/BE. If this code is not present on the appliance, it is necessary to refer to the technical instructions which will provide the necessary information concerning the modification of the appliance to the condition of use for the country.

Before installation, check that the local distribution conditions, nature of gas and pressure, and the adjustment of the appliance are compatible.

CE Orifices

Gas Type	Gas Family	Group	Gas Designation	Supply Pressure in. wc [mbar, kPa]	Manifold Pressure in. wc [mbar, kPa]	Capacity/Model	Orifice Diameter inch [mm]	Orifice Part Number	Quantity
Natural Gas	Second	I _{2H(E)}	G20	8/10 [20/25, 2/2.5]	3.57 [8.9, 0.89]	50	0.1440 [3.7]	M40099 8	2
						75	0.1405 [3.6]	M40101 4	3
		I _{2L}	G25	10 [25, 2.5]	5.06 [12.6, 1.26]	50	0.1440 [3.7]	M40099 8	2
						75	0.1405 [3.6]	M40101 4	3
		I _{2E+}	G20	8 [20, 2.0]	Unregulated	50	0.1200 [3.0]	M40101 7	2
						75	0.1160 [2.9]	M40102 2	3

Table 1 continues...

Gas Type	Gas Family	Group	Gas Designation	Supply Pressure in. wc [mbar, kPa]	Manifold Pressure in. wc [mbar, kPa]	Capacity/Model	Orifice Diameter inch [mm]	Orifice Part Number	Quantity
LP	Third	I _{3B/P}	G30	11.25/12 [28/30, 2.8/3.0]	Unregulated	50	0.0820 [2.1]	M401027	2
						75	0.0785 [2.0]	M400999	3
			G30		12.05 [30, 3.0]	50	0.0820 [2.1]	M401027	2
						75	0.0785 [2.0]	M400999	3
		I _{3+/3P}	G30 / G31	11.25/14.9 [28/37, 2.8/3.7]	Unregulated	50	0.0820 [2.1]	M401027	2
						75	0.0785 [2.0]	M400999	3

Table 1

Properties of CE Gases

Gas Type	Gas Family	Group	Gas Description	Gas Designation	Wi	Hi	Ws	Hs	d	
					Wobbe Index (net)	Heating Value (net)	Wobbe Index (gross)	Heating Value (gross)	Density	
					Btu/ft ³ [MJ/m ³]	Btu/ft ³ [MJ/m ³]	Btu/ft ³ [MJ/m ³]	Btu/ft ³ [MJ/m ³]		
Natural Gas	Second	I _{2H,E}	Not Applicable	G20	1226 [45.67]	913 [34.02]	1362 [50.72]	1014 [37.78]	0.555	
		I _{2E+}	2H							
		I _{2L}	Not Applicable	G25	1004 [37.38]	785 [29.25]	1115 [41.52]	872 [32.49]		0.612
		I _{2E+}	2L							


Table 2 continues...

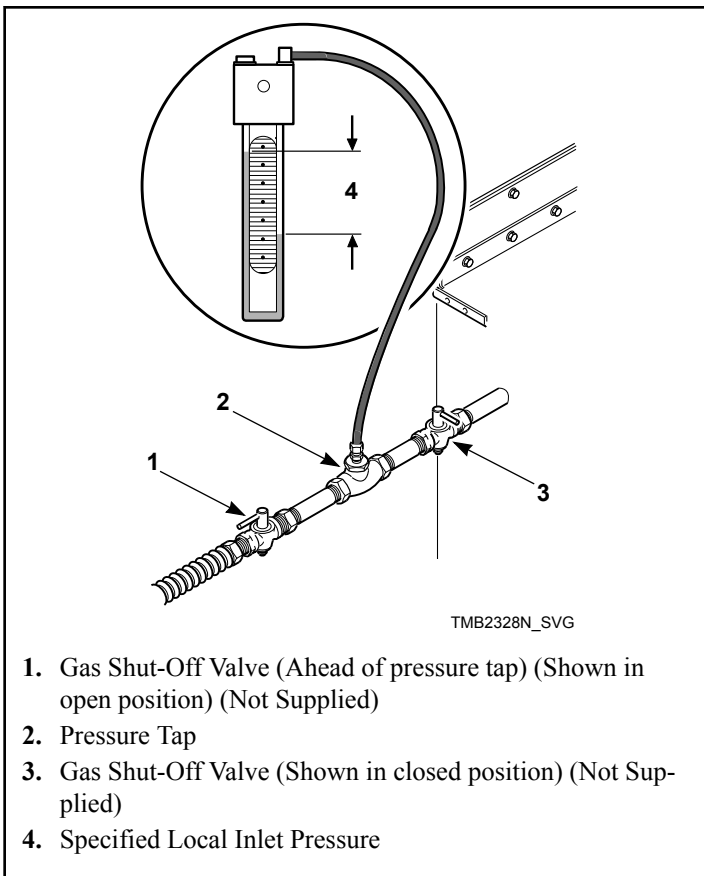
Gas Type	Gas Family	Group	Gas Description	Gas Designation	Wi	Hi	Ws	Hs	d
					Wobbe Index (net)	Heating Value (net)	Wobbe Index (gross)	Heating Value (gross)	Density
					Btu/ft ³ [MJ/m ³]	Btu/ft ³ [MJ/m ³]	Btu/ft ³ [MJ/m ³]	Btu/ft ³ [MJ/m ³]	
LP	Third	I _{3B/P}	Not Applicable	G30	2164 [80.58]	3117 [116.09]	2345 [87.33]	3378 [125.81]	2.075
		I ₃₊	Pure Butane						
		I ₃₊	Pure Propane	G31	1898 [70.69]	2363 [88]	2063 [76.83]	2568 [95.65]	1.55
		I _{3P}	LPG with Propane						

Table 2

Changing Gas Configuration

1. Refer to table in *Gas Requirements* section to determine which conversion kit to use.
2. Determine the necessary conversion operations to convert from the factory-supplied configuration to the desired configuration.
3. Perform the conversions required so the tumble dryer is properly configured for the desired country and gas. Refer to the conversion kit instructions supplied with the kit and the following sections:
 - How to Change Burner Orifice Size
 - How to Adjust Gas Valve Governor/Regulator

	WARNING
<p>When converting the tumble dryer to a different gas or pressure, first verify that the supply inlet pressure is equipped with a pressure regulator (located ahead of the tumble dryer) that will maintain the gas supply at the inlet pressure specified.</p>	
W430R1	



1. Gas Shut-Off Valve (Ahead of pressure tap) (Shown in open position) (Not Supplied)
2. Pressure Tap
3. Gas Shut-Off Valve (Shown in closed position) (Not Supplied)
4. Specified Local Inlet Pressure

Figure 15

How to Change Burner Orifice Size

1. Disconnect electrical power from tumble dryer. Close gas shut-off valve to tumble dryer. Refer to *Figure 15*.
2. Remove spud holder. Unscrew spud holder nut near gas valve. Remove the burner orifice(s) from spud holder. Refer to *Figure 16*.
3. Install the new, correct burner orifice(s). Refer to *Figure 17* and *Table 1*. Torque each to 9 – 10 Nm.

Specific Conversion Procedures

How to Convert Gas Valve from Regulated to Unregulated

NOTE: Conversion from regulated to unregulated is only needed when regulated tumble dryers were ordered, but unregulated tumble dryers were needed.

1. Disconnect electrical power from tumble dryer. Close gas shut-off valve to tumble dryer. Refer to *Figure 15*.
2. Follow instructions in Conversion Kit, Part No. M400763.

Models through 3/10/13	Part No. M400763 (two kits required)
Models starting 3/11/13	Part No. 44240401P

NOTE: These kits do not contain any burner orifices.

3. Replace burner orifice(s) as per *Table 1*.
4. If applicable, peel off the appropriate conversion sticker (included with tumble dryer) and apply it to the serial plate over the “ADJUSTED FOR _____ GAS: _____” information.
5. Commission tumble dryer for use.

4. Reinstall spud holder assembly to gas valve, making certain burner orifice(s) are in line with burner tube opening. Refer to *Figure 17*.
5. Commission tumble dryer for use.

NOTE: Blank burner orifices are Part No. M400995.

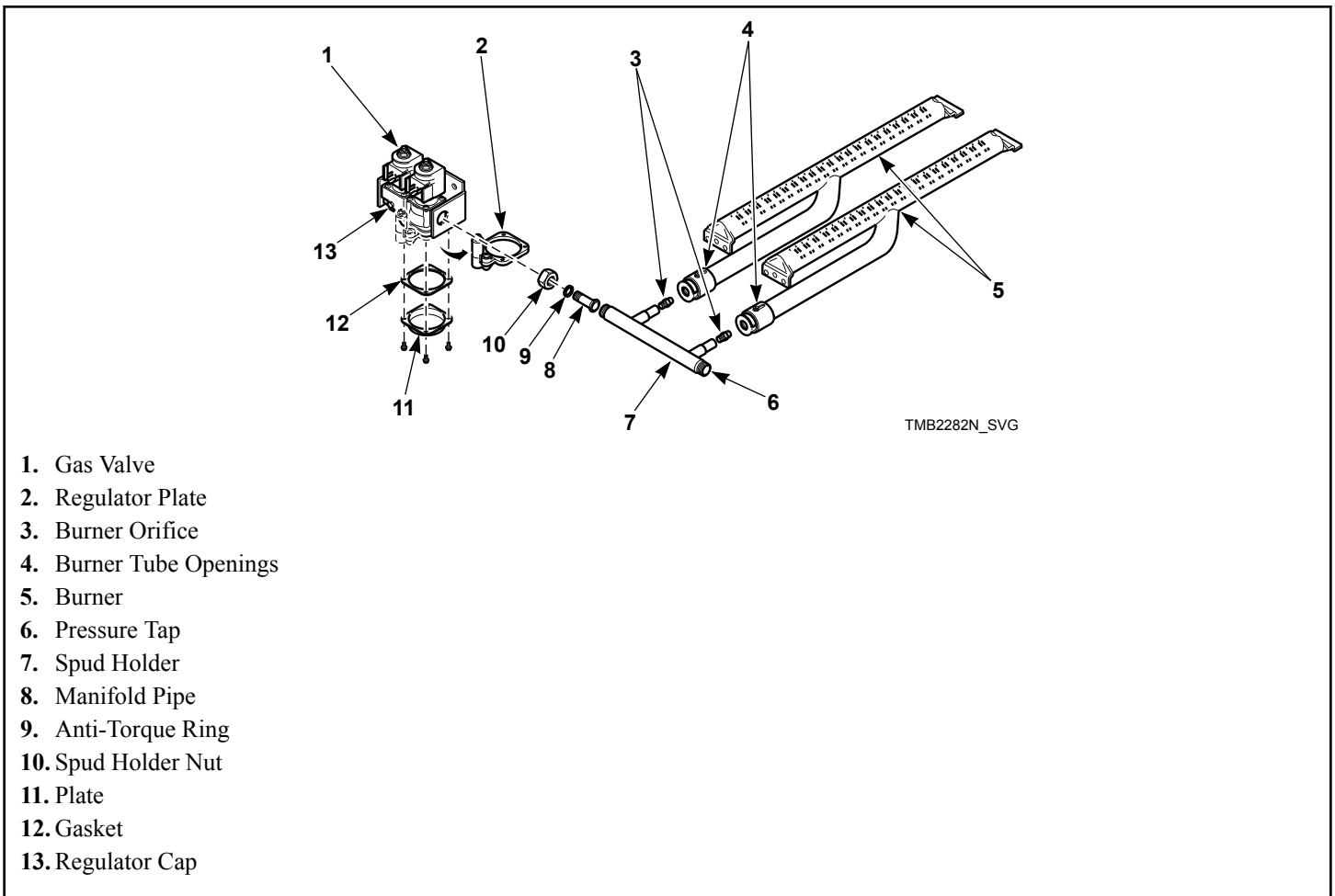


Figure 16

How to Adjust Gas Valve Governor/Regulator

1. Check gas burner orifice (manifold) pressure as follows. Refer to *Figure 2*.
2. Remove screw plug from pressure tap.
3. Connect a “U”-tube manometer (or similar pressure gauge) to the burner orifice (manifold) pressure tap.
4. Start tumble dryer and note pressure once flame is burning. Remove regulator cap and adjust regulator screw until the burner orifice pressure per applicable table is achieved. Replace regulator cap. Refer to *Figure 2*.
5. Commission tumble dryer for use.

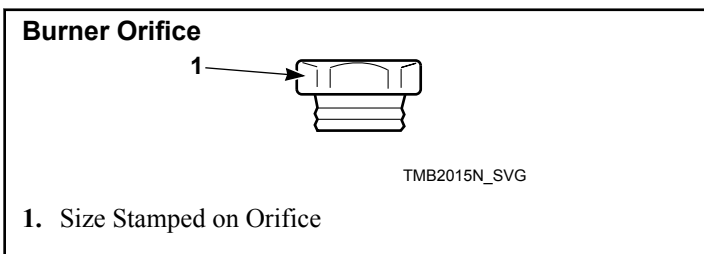





Figure 17

Exhaust Requirements

Exhaust Requirements

	CAUTION
<p>Risk of fire. A clothes dryer produces combustible lint. Exhaust outdoors. Consult technical instructions for detailed exhaust specifications.</p>	
W933	

	WARNING
<p>To reduce the risk of fire, DO NOT use plastic or thin foil ducting to exhaust the tumble dryer.</p>	
W773R1	

	WARNING
<p>To reduce the risk of fire and accumulation of combustible gases, DO NOT exhaust tumble dryer air into a window well, gas vent, chimney or enclosed, unventilated area such as an attic wall, ceiling, crawl space under a building, or concealed space of a building.</p>	
W059R1	

Layout

Whenever possible, install tumble dryers along an outside wall where duct length can be kept to a minimum, and make-up air can be easily accessed. Construction must not block the airflow at the rear of the tumble dryer. Doing so would prevent adequate air supply to the tumble dryer combustion chamber.

Make-Up Air

A tumble dryer is forced air exhausted and requires provisions for make-up air to replace air exhausted by tumble dryer.


IMPORTANT: Do not obstruct flow of combustion and ventilation air.

Required Make-Up Air Opening (to the outside) for Each Tumble Dryer	
Model	Opening, in. ² [cm ²]
050 Series	144 [930]
Standard 075 Series	195 [1,260]
Eco 075 Series	170 [1,095]
F75 Series	250 [1,610]

Make-up air openings with louvers will restrict airflow. The opening must be increased to compensate for area taken up and restrictions created by louvers. Contact the louver manufacturer for the exact specifications.

Make-up air openings in rooms containing tumble dryer(s) and/or gas fired hot water heater or other gravity vented appliances must be increased sufficiently to prevent downdrafts in any of the vents when all tumble dryers are in operation. Do not locate gravity vented appliances between tumble dryer(s) and make-up air openings. If it is necessary to duct make-up air to tumble dryer(s), increase area of duct work by 25% to compensate for restrictions in air movement.

Venting

	WARNING
<p>To reduce the risk of fire due to increased static pressure, we do not recommend installation of in-line secondary lint filters or lint collectors. If secondary systems are mandated, frequently clean the system to assure safe operation.</p>	
W749	

IMPORTANT: Installing in-line filters or lint collectors will cause increased static pressure. Failure to maintain the secondary lint system will decrease tumble dryer efficiency and may void machine warranty.

For maximum efficiency and minimum lint accumulation, tumble dryer air must be exhausted to the outdoors by the shortest possible route.

Proper sized exhaust ducts are essential for proper operation. All elbows should be sweep type. Exhaust ducts must be assembled so the interior surfaces are smooth, so the joints do not permit the accumulation of lint. **DO NOT** use plastic, thin foil or Type B flexible ducts - rigid metal ducts are recommended. Use exhaust ducts made of sheet metal or other noncombustible material. **DO NOT** use sheet metal screws or fasteners on exhaust pipe joints which extend into the duct and catch lint. Use of duct tape or pop-rivets on all seams and joints is recommended, if allowed by local codes.

Verify that old ducts are thoroughly cleaned out before installing new tumble dryer(s).

NOTE: Exhaust ducts must be constructed of sheet metal or other noncombustible material. Such ducts must be equivalent in strength and corrosion resistance to ducts made of galvanized sheet steel not less than 0.0195 inches [0.495 mm] thick.

Where the exhaust duct pierces a combustible wall or ceiling, the opening must be sized per local codes. The space around the duct may be sealed with noncombustible material. Refer to *Figure 18*.

IMPORTANT: For best performance provide an individual exhaust duct for each tumble dryer. Do not install a hot water heater in a room containing tumble dryers. It is better to have the water heater in a separate room with a separate air inlet.

	WARNING
<p>Improperly sized or assembled ductwork causes excess back pressure which results in slow drying, lint collecting in the duct, lint blowing back into the room, and increased fire hazard.</p>	
W355	

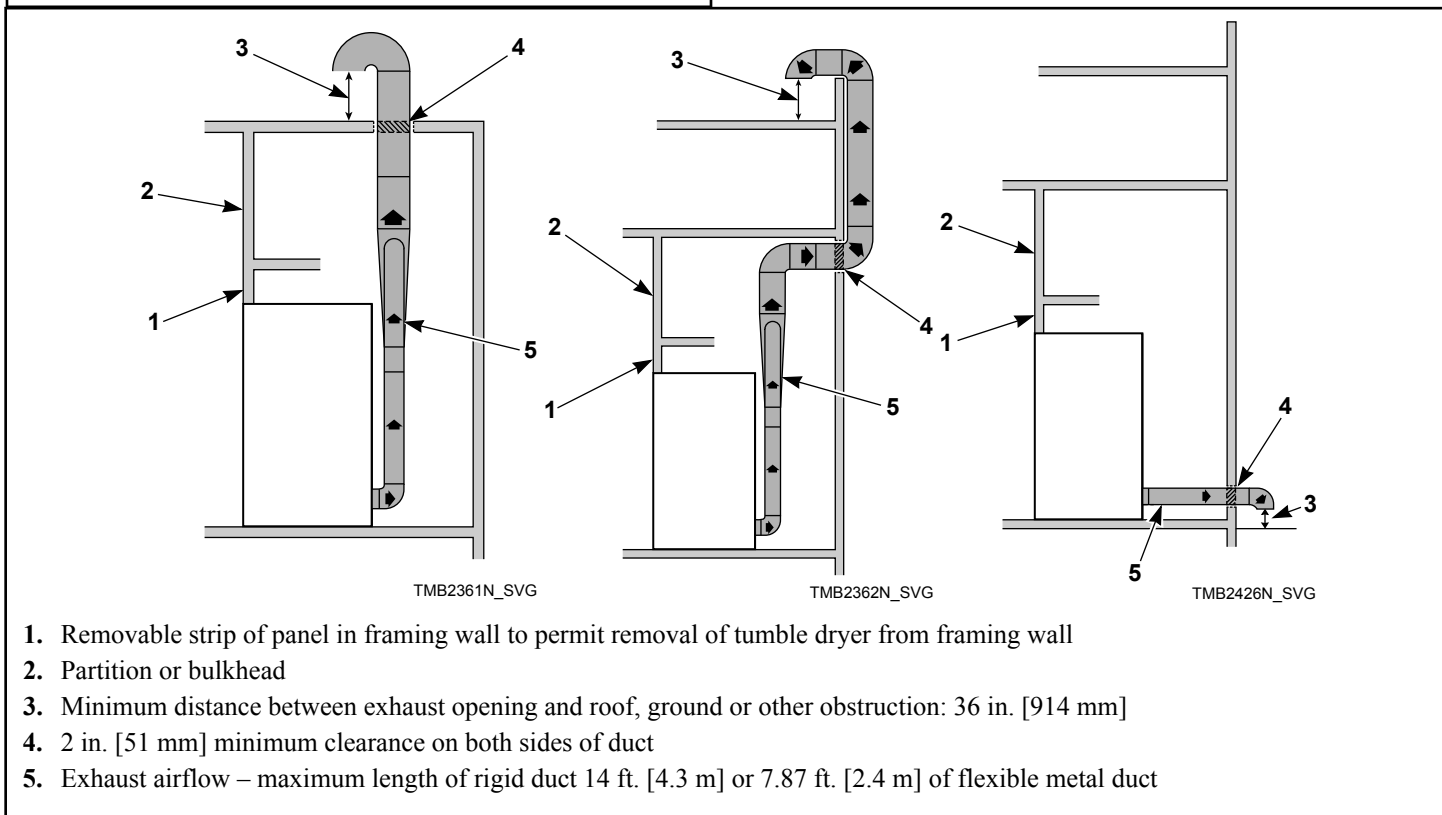


Figure 18

NOTE: Do not install wire mesh or screen in exhaust duct opening to avoid lint build-up or impacting proper discharge of air from tumble dryers.

NOTE: Where exhaust duct pierces a combustible wall or ceiling, the opening must be sized per local codes.

NOTE: Inside of duct must be smooth. Do not use sheet metal screws to join sections.

NOTE: Locate exhaust far enough away from make-up air location to prevent re-introduction.

Exhaust Requirements

Consult your local building code for regulations which may also apply.

Individual Venting

For maximum efficiency and performance, it is preferred to exhaust tumble dryer(s) individually to the outdoors.

IMPORTANT: At no point may the cross sectional area of installed venting be less than the cross sectional area of the exhaust outlet of the tumble dryer.

The exhaust duct must be designed so the static back pressure measured 12 inches [305 mm] from the exhaust outlet does not exceed the maximum allowable pressure specified in the Specifications and Dimensions Table or on the installation sticker on the rear of the tumble dryer.

NOTE: Static back pressure must be measured with the tumble dryer running.

The maximum allowable length venting is 14 feet [4.3 m] and two 90° elbows or equivalent. If the equivalent length of a duct required for an installation exceeds the maximum allowable equivalent length, the diameter of a round duct must be increased by 10% for each additional 20 feet [6.1 m]. Cross section area of a rectangular duct must be increased by 20% for each additional 20 feet [6.1 m]. Refer to *Table 3* to determine equivalent venting.

Duct Diameter	Equivalent Length of Rigid Straight Duct
8 in. [203 mm]	One 90° elbow = 9.3 ft. [2.8 m]
10 in. [254 mm]	One 90° elbow = 11.6 ft. [3.5 m]
12 in. [305 mm]	One 90° elbow = 14 ft. [4.3 m]
14 in. [356 mm]	One 90° elbow = 16 ft. [4.9 m]
16 in. [406 mm]	One 90° elbow = 18.7 ft. [5.7 m]
18 in. [457 mm]	One 90° elbow = 21 ft. [6.4 m]
Equivalent Length (meter) = 1.17 x Duct Diameter (mm)	

Table 3

Example: A 12 inch [305 mm] diameter duct's equivalent length of 14 feet [4.3 m] of duct and two 90° elbows is:

Equivalent Length
 = 14 ft. [4.3 m] + (2) 90° elbows

= 14 ft. [4.3 m] + 14 ft. [4.3 m] + 14 ft. [4.3 m]
 = 42 ft. [12.8 m]

With the tumble dryer in operation, airflow at any point in the duct should be at least 1200 feet/min. [366 m/min.] to ensure that lint remains airborne. If 1200 feet/min. [366 m/min.] cannot be maintained, schedule monthly inspections and cleaning of the ductwork.

NOTE: The maximum length of a flexible metal duct must not exceed 7.9 ft. [2.4 m] as required to meet UL2158, clause 7.3.2A.

Manifold Venting

While it is preferable to exhaust tumble dryers individually to the outdoors, a main collector duct may be used if it is sized according to *Figure 20* and *Figure 21*. This illustration indicates minimum diameters, and should be increased if the collector length exceeds 14 feet [4.3 m] and two 90° elbows. The diameter of a round duct must be increased by 10% for each additional 20 feet [6.1 m]. Cross sectional area of a rectangular or square duct must be increased 20% for each additional 20 feet [6.1 m]. Refer to *Table 4* to determine equivalent ducting sizing. The collector duct may be rectangular or square in cross section, as long as the area is not reduced. Provisions **MUST** be made for lint removal and cleaning of the collector duct.

The vent collector system must be designed so the static back pressure measured 12 inches [305 mm] from the exhaust outlet does not exceed the maximum allowable pressure specified in the Specifications and Dimensions Table or on the installation sticker on the rear of tumble dryer. Static back pressure must be measured with all tumble dryers vented into the collector operating.

NOTE: Never connect a tumble dryer duct at a 90° angle to the collector duct. Refer to Figure 19. Doing so will cause excessive back pressure, resulting in poor performance. Never connect two tumble dryer exhaust ducts directly across from each other at the point of entry to the collector duct.

With the tumble dryer in operation, airflow at any point in the duct should be at least 1200 feet/min. [366 m/min.] to ensure that lint remains airborne. If 1200 feet/min. [366 m/min.] cannot be maintained, schedule monthly inspections and cleaning of the ductwork.

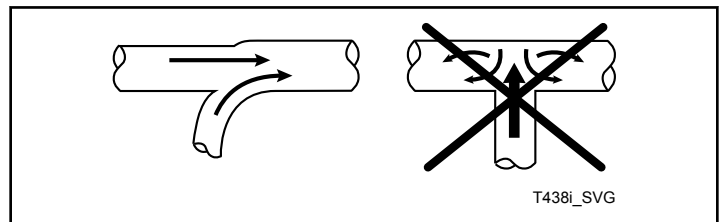


Figure 19

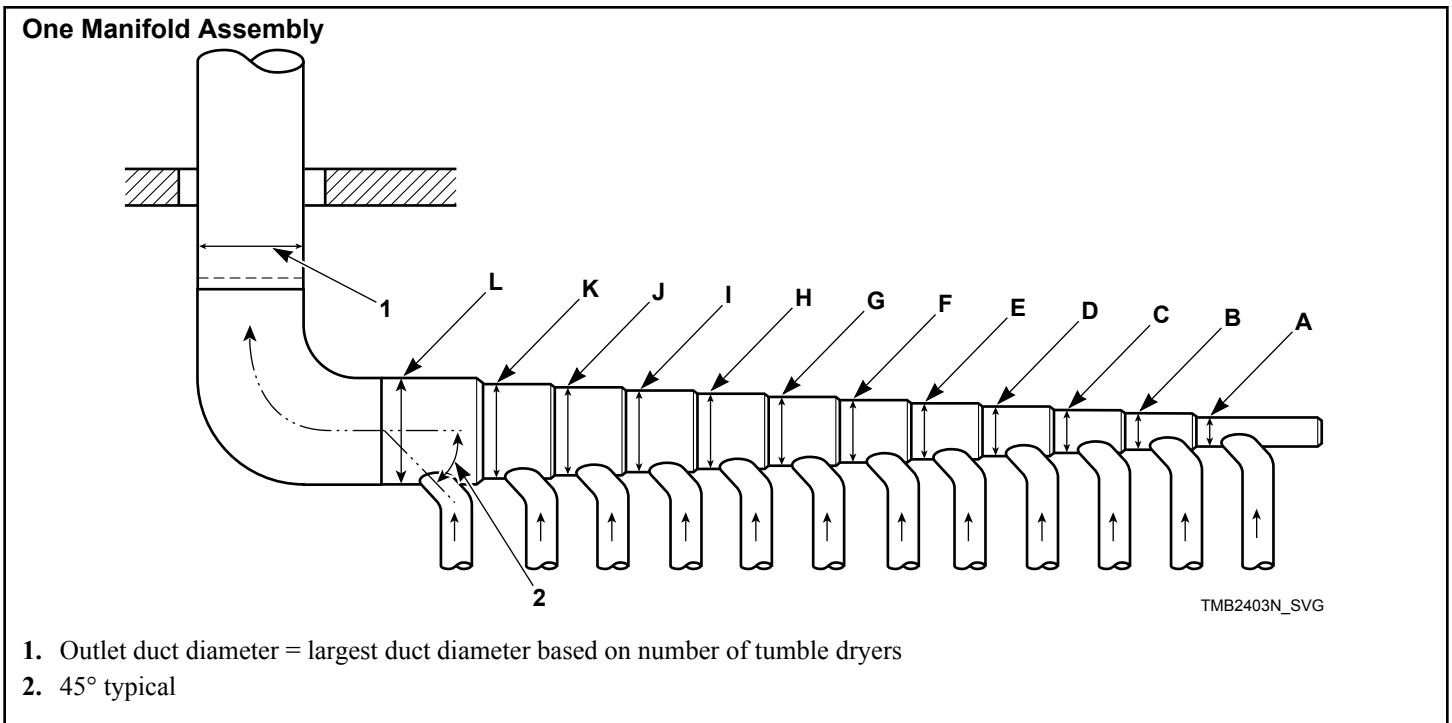


Figure 20

Duct Station	050/075	F75
A	8 in. [203 mm]	10 in. [254 mm]
B	12 in. [305 mm]	15 in. [381 mm]
C	15 in. [381 mm]	18 in. [457 mm]
D	17 in. [432 mm]	21 in. [533 mm]
E	19 in. [483 mm]	24 in. [610 mm]
F	21 in. [533 mm]	26 in. [660 mm]
G	23 in. [584 mm]	28 in. [711 mm]
H	25 in. [635 mm]	30 in. [762 mm]
I	26 in. [660 mm]	32 in. [813 mm]
J	27 in. [686 mm]	33 in. [838 mm]
K	29 in. [737 mm]	35 in. [889 mm]
L	30 in. [762 mm]	36 in. [914 mm]

Table 4

NOTE: *Table 4* represents tumble dryers with the same vent size. If multiple vent sizes are used, consult a local HVAC specialist.

NOTE: Duct clean-out recommended every 6 feet [0.18 m].

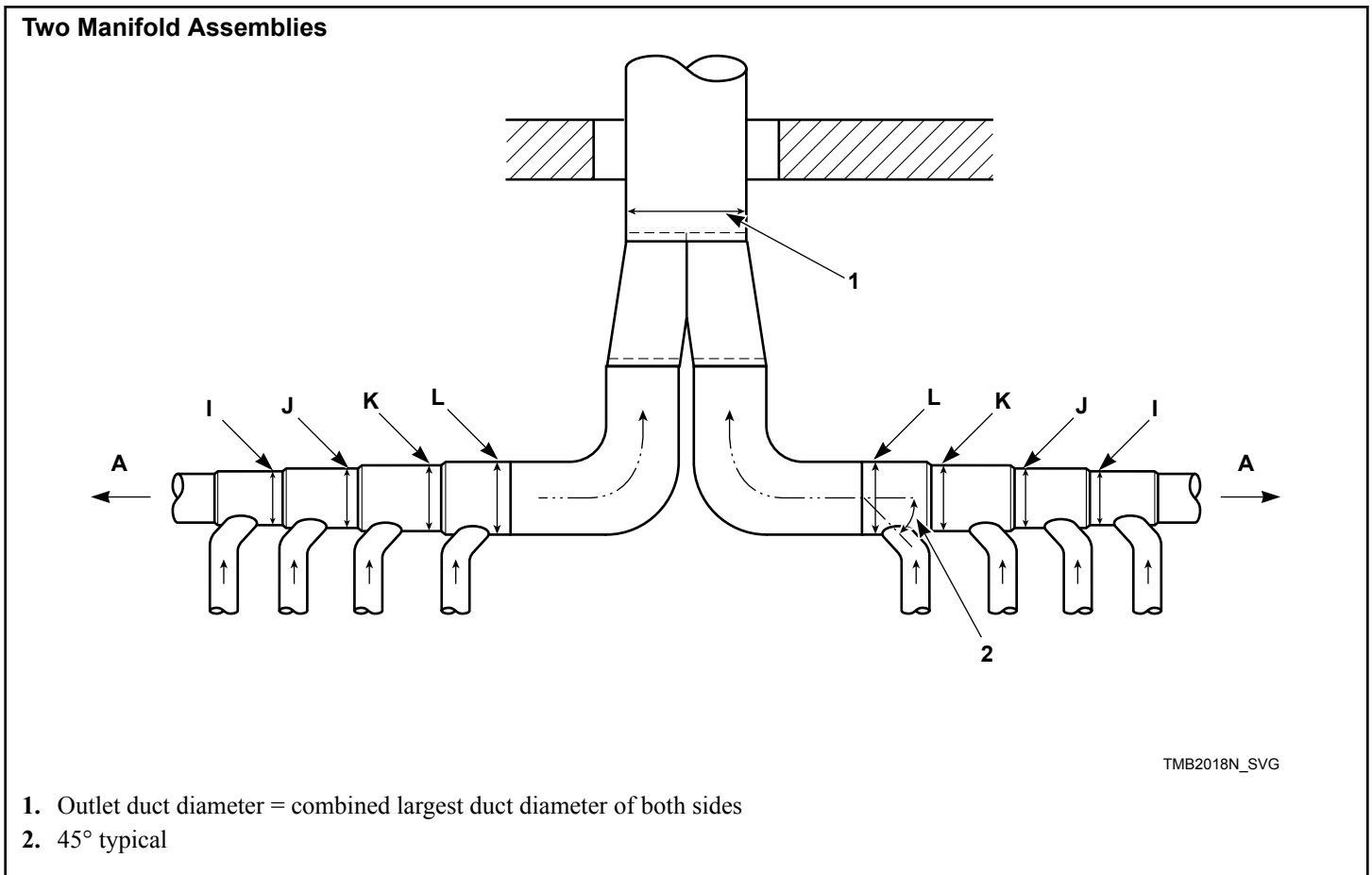




Figure 21

Refer to *Table 4* for measurements for each manifold.

Gas Requirements

Gas Requirements

	WARNING
<p>To reduce the risk of fire or explosion, DO NOT CONNECT THE GAS LINE TO THE TUMBLE DRYER IF THE GAS SERVICE IS NOT THE SAME AS THAT SPECIFIED ON THE TUMBLE DRYER SERIAL PLATE! It will first be necessary to convert the gas burner orifice and gas valve. Appropriate conversion kits are available.</p>	
W060R1	

	WARNING
<p>To reduce the risk of gas leaks, fire or explosion, use a new flexible stainless steel connector.</p>	
W774	

IMPORTANT: Any product revisions or conversions must be made by the Manufacturer’s Authorized Dealers, Distributors or local service personnel.

IMPORTANT: The tumble dryer must be isolated from the gas supply piping system by closing its individual manual shut-off valve during any pressure testing of the gas supply piping system at test pressure equal to or less than 0.5 psig [3.45 kPa, 34.5 mbar].

NOTE: For gas valves with a manual shut-off switch on the gas valve, the shut-off switch does not protect the valve from this pressure test. Use the individual manual shut-off valve from the gas supply piping system to protect the gas valve.

IMPORTANT: The tumble dryer and its manually operated appliance gas valve must be disconnected from the gas supply piping system during any pressure testing of that system at test pressures in excess of 0.5 psig [3.45 kPa, 34.5 mbar].

IMPORTANT: The installation must comply with local codes or, in the absence of local codes:


- with the latest edition of the “National Fuel Gas Code,” ANSI Z223.1/NFPA 54 in the U.S.A.
- with CAN/CSA-B149.1 Natural Gas and Propane Installation Code in Canada
- In Australia and New Zealand , installation must comply with the Gas Installations Standard AS/NZS 5601 Part 1: General Installations.

Obtain specific gas service pipe size from the gas supplier. Refer to *Table 5* and *Table 6* for general pipe size.

The following must be furnished and installed by the customer for the gas service line to each tumble dryer. Refer to *Figure 22* .

- Sediment traps
- Shut-off valves
- Supply pressure taps

It is important that equal pressure be maintained at all tumble dryer gas connections. This can be done by installing a 1 inch [25.4 mm] pipe gas loop to maintain equal pressure at all gas connections. Refer to *Figure 23* .

	WARNING
<p>To reduce the risk of fire or explosion, if the tumble dryer is to be connected to Liquefied Petroleum (L.P.) gas, a vent to the outdoors must be provided in the room where the tumble dryer is installed.</p>	
W062R1	

NATURAL GAS pressures with all gas appliances running (tumble dryers, water heaters, space heaters, furnace, etc.):

	Non-CE and Non-Australian Models	Australian and Korean Models	CE Models
Maximum	10.5 in. w.c.	2.61 kPa	26.1 mbar
Recommended	6.5 in. w.c	1.62 kPa	16.2 mbar
Minimum	5 in. w.c.	1.13 kPa	12.4 mbar

An in-line pressure regulator may be required if the line pressure exceeds 10.5 water column inches [26.1 mbar, 2.61 kPa] with all gas appliances running.

LIQUID PETROLEUM GAS (L.P.) pressures with all gas appliances running (tumble dryers, water heaters, space heaters, furnace, etc.):

	Non-CE and Non-Australian Models	Australian and Korean Models	CE Models
Maximum	13 in. w.c.	3.23 kPa	32.3 mbar

Table continues...

Gas Requirements


	Non-CE and Non-Australian Models	Australian and Korean Models	CE Models
Recommended	11 in. w.c.	2.74 kPa	27.4 mbar
Minimum	10 in. w.c.	2.49 kPa	24.9 mbar

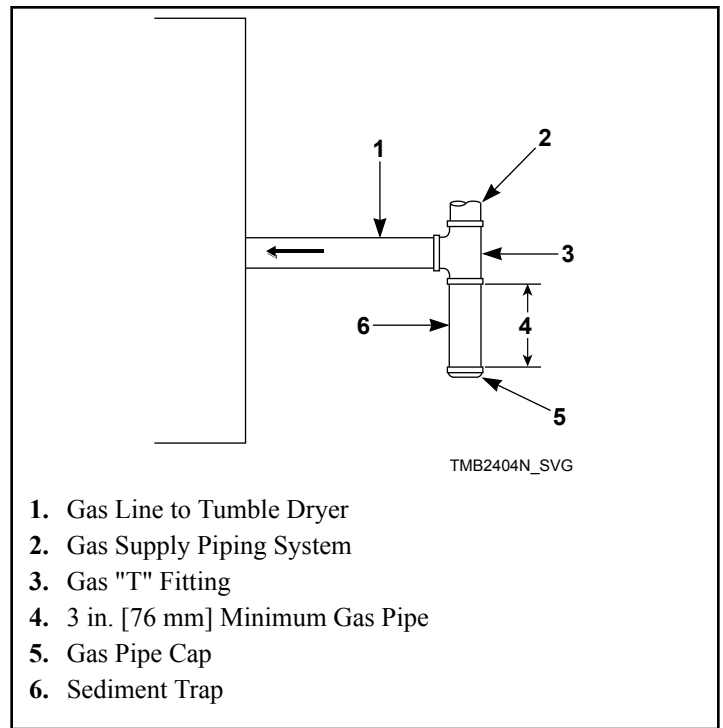
For converting Non-CE models from Natural Gas to L.P. Gas:

050 Series	M4979P3
075 Series	M4454P3
F75 Series	M4609P3

CE GASES refer to Installing CE Gas Drying Tumble Dryers section, the above data does not apply to the CE.

Turn on gas and check all pipe connections (internal and external) for gas leaks with a non-corrosive leak detection fluid. Purge air in gas service line by operating the tumble dryers in the drying mode. If burner does not light and unit goes into lockout, open and close the door and restart. Repeat these steps until burner ignites. Use pipe compound, resistant to actions of L.P. gas, on all pipe threads.

	WARNING
<p>Check all pipe connections, internal and external, for gas leaks using a non-corrosive leak detection fluid. To reduce the risk of explosion or fire, DO NOT USE AN OPEN FLAME TO CHECK FOR GAS LEAKS! Gas connections should be checked twice a year for leakage.</p>	
W635	



1. Gas Line to Tumble Dryer
2. Gas Supply Piping System
3. Gas "T" Fitting
4. 3 in. [76 mm] Minimum Gas Pipe
5. Gas Pipe Cap
6. Sediment Trap

Figure 22

Gas Supply Pipe Sizing and Looping

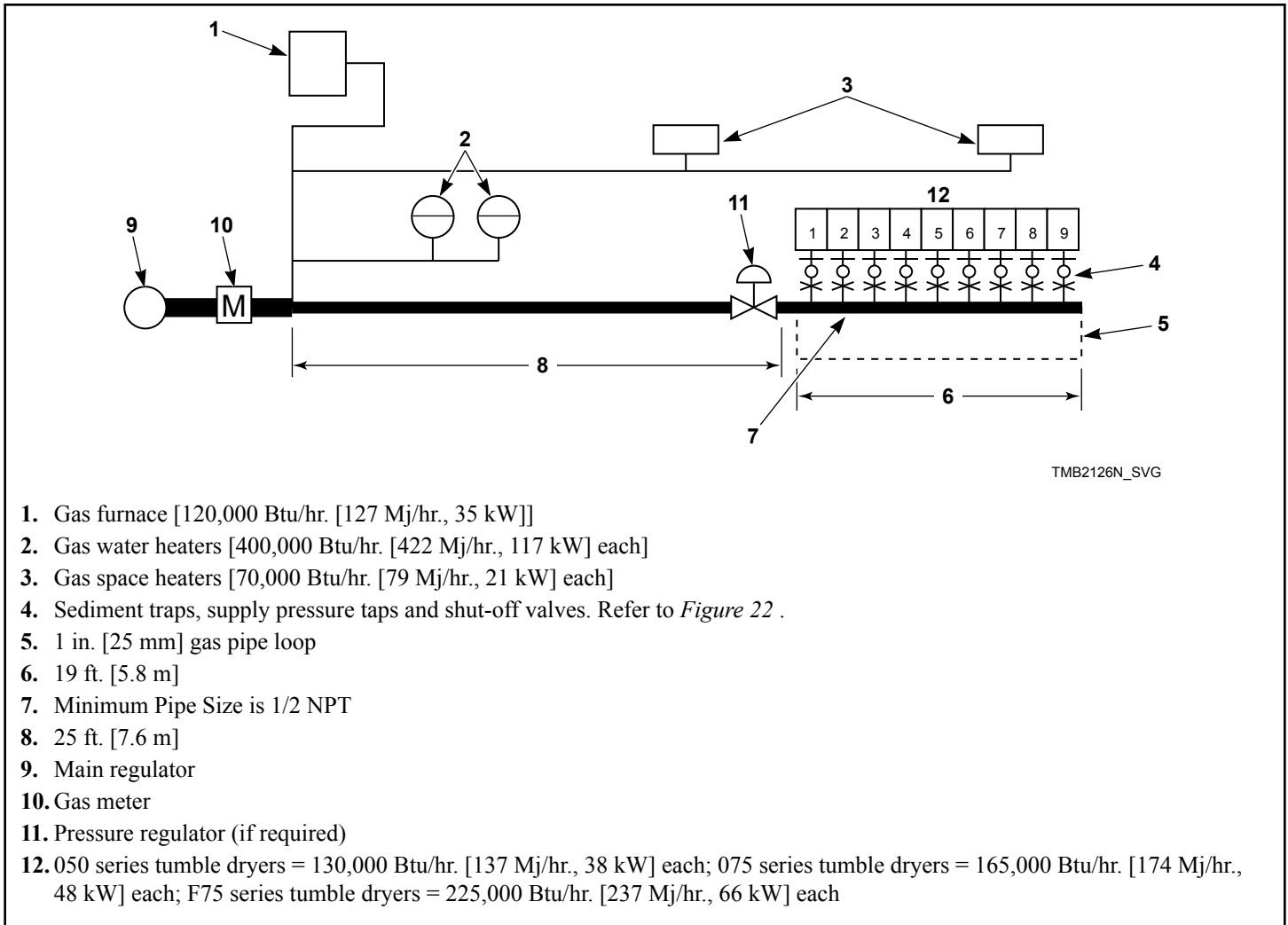


Figure 23

SAMPLE CALCULATIONS:

Equivalent length = Total length of main gas supply pipe to the far end of the tumble dryers.
 = 25 ft. + 19 ft. [7.6 m + 5.8 m] gas supply pipe
 = 44 ft. [13.4 m] Total Gas Line

Total Btu/hr. = The sum of the Btu/hr. of all 050 series tumble dryers being fed by the main gas supply pipe.
 = 9 x 130,000 [137, 38]
 = 1,170,000 Btu/hr. [1,234 MJ/hr., 343 kW]

Using *Table 5*, the main supply pipe diameter should be 2 NPT.

IMPORTANT: Gas loop piping must be installed as illustrated to equalize gas pressure for all tumble dryers connected to single gas service. Other gas using appliances should be connected upstream from loop.

Low Pressure Gas Pipe Sizes

NOTE: Sizing calculations based on National Fuel Gas Code.

Gas Pipe Size Required for 1000 BTU Natural Gas (Standard Conditions) at Upstream Pressure— 7.0 ± 1.5 inches water column pressure [17.4 ± 4.0 mbar, 1.74 ± 0.37 kPa]						
Gas Appli- ances Total BTU/hr.	Equivalent Length					
	25 feet [7.6 m]	50 feet [15.2 m]	75 feet [22.9 m]	100 feet [30 m]	125 feet [38 m]	150 feet [46 m]
	Based on 0.3 inches Water Column Pressure Drop for Length Given Sizes shown in Gas Pipe Nominal Size (NPT)					
100,000	3/4	3/4	3/4	1	1	1
120,000	3/4	3/4	1	1	1	1
140,000	3/4	1	1	1	1	1
160,000	3/4	1	1	1	1-1/4	1-1/4
180,000	3/4	1	1	1-1/4	1-1/4	1-1/4
200,000	1	1	1	1-1/4	1-1/4	1-1/4
300,000	1	1-1/4	1-1/4	1-1/4	1-1/2	1-1/2
400,000	1-1/4	1-1/4	1-1/2	1-1/2	1-1/2	1-1/2
500,000	1-1/4	1-1/2	1-1/2	1-1/2	1-1/2	2
600,000	1-1/4	1-1/2	1-1/2	2	2	2
700,000	1-1/2	1-1/2	2	2	2	2
800,000	1-1/2	1-1/2	2	2	2	2
900,000	1-1/2	2	2	2	2	2-1/2
1,000,000	1-1/2	2	2	2	2-1/2	2-1/2
1,100,000	1-1/2	2	2	2	2-1/2	2-1/2
1,200,000	1-1/2	2	2	2-1/2	2-1/2	2-1/2
1,300,000	2	2	2-1/2	2-1/2	2-1/2	2-1/2
1,400,000	2	2	2-1/2	2-1/2	2-1/2	2-1/2
1,500,000	2	2	2-1/2	2-1/2	2-1/2	2-1/2
1,600,000	2	2	2-1/2	2-1/2	2-1/2	3

Table 5 *continues...*

Gas Pipe Size Required for 1000 BTU Natural Gas (Standard Conditions) at Upstream Pressure— 7.0 ± 1.5 inches water column pressure [17.4 ± 4.0 mbar, 1.74 ± 0.37 kPa]						
Gas Appliances Total BTU/hr.	Equivalent Length					
	25 feet [7.6 m]	50 feet [15.2 m]	75 feet [22.9 m]	100 feet [30 m]	125 feet [38 m]	150 feet [46 m]
	Based on 0.3 inches Water Column Pressure Drop for Length Given Sizes shown in Gas Pipe Nominal Size (NPT)					
1,700,000	2	2-1/2	2-1/2	2-1/2	3	3
1,800,000	2	2-1/2	2-1/2	2-1/2	3	3
1,900,000	2	2-1/2	2-1/2	3	3	3
2,000,000	2	2-1/2	2-1/2	3	3	3
2,200,000	2	2-1/2	3	3	3	3
2,400,000	2-1/2	2-1/2	3	3	3	3-1/2
2,600,000	2-1/2	2-1/2	3	3	3-1/2	3-1/2
2,800,000	2-1/2	3	3	3	3-1/2	3-1/2
3,000,000	2-1/2	3	3	3-1/2	3-1/2	3-1/2
For L.P. Gas, correct the total Btu/hr by multiplying it by 0.6. The answer is the equivalent Btu on the above chart.						

Table 5

High Pressure Gas Pipe Sizes

NOTE: Sizing calculations based on National Fuel Gas Code.

IMPORTANT: A high pressure regulator is required at each machine.

Gas Pipe Size Required for 1000 BTU Natural Gas (Standard Conditions) at Upstream Pressure — 2.0 ± 0.4 PSI [138 ± 28 mbar, 13.7 ± 2.7 kPa]						
Gas Appli- ances Total BTU/hr.	Equivalent Length					
	25 feet [7.6 m]	50 feet [15.2 m]	75 feet [22.9 m]	100 feet [30 m]	125 feet [38 m]	150 feet [46 m]
	Based on 1 PSI Pressure Drop for Length Given Sizes shown in Gas Pipe Nominal Size (NPT)					
100,000	1/2	1/2	1/2	1/2	1/2	1/2
120,000	1/2	1/2	1/2	1/2	1/2	1/2
140,000	1/2	1/2	1/2	1/2	1/2	1/2
160,000	1/2	1/2	1/2	1/2	1/2	1/2
180,000	1/2	1/2	1/2	1/2	1/2	1/2
200,000	1/2	1/2	1/2	1/2	1/2	1/2
300,000	1/2	1/2	1/2	1/2	1/2	3/4
400,000	1/2	1/2	1/2	1/2	1/2	3/4
500,000	1/2	1/2	1/2	3/4	3/4	3/4
600,000	1/2	1/2	3/4	3/4	3/4	3/4
700,000	1/2	3/4	3/4	3/4	3/4	1
800,000	1/2	3/4	3/4	3/4	3/4	1
900,000	1/2	3/4	3/4	3/4	3/4	1
1,000,000	3/4	3/4	3/4	3/4	1	1
1,100,000	3/4	3/4	3/4	3/4	1	1
1,200,000	3/4	3/4	3/4	1	1	1
1,300,000	3/4	3/4	3/4	1	1	1-1/4
1,400,000	3/4	3/4	1	1	1	1-1/2
1,500,000	3/4	3/4	1	1	1	1-1/4
1,600,000	3/4	3/4	1	1	1	1-1/4

Table 6 continues...

Gas Pipe Size Required for 1000 BTU Natural Gas (Standard Conditions) at Upstream Pressure — 2.0 ± 0.4 PSI [138 ± 28 mbar, 13.7 ± 2.7 kPa]						
Gas Appliances Total BTU/hr.	Equivalent Length					
	25 feet [7.6 m]	50 feet [15.2 m]	75 feet [22.9 m]	100 feet [30 m]	125 feet [38 m]	150 feet [46 m]
	Based on 1 PSI Pressure Drop for Length Given Sizes shown in Gas Pipe Nominal Size (NPT)					
1,700,000	3/4	1	1	1	1	1-1/4
1,800,000	3/4	1	1	1	1	1-1/4
1,900,000	3/4	1	1	1	1	1-1/4
2,000,000	3/4	1	1	1	1-1/4	1-1/4
2,200,000	3/4	1	1	1-1/4	1-1/4	1-1/4
2,400,000	1	1	1	1-1/4	1-1/4	1-1/2
2,600,000	1	1	1-1/4	1-1/4	1-1/4	1-1/2
2,800,000	1	1	1-1/4	1-1/4	1-1/4	1-1/2
3,000,000	1	1	1-1/4	1-1/4	1-1/4	1-1/2
For L.P. Gas, correct the total Btu/hr by multiplying it by 0.6. The answer is the equivalent Btu on the above chart.						

Table 6

High Altitude Burner Orifice Sizing

For proper operation at altitudes above 2000 feet [610 m], the gas burner orifice size must be reduced to ensure complete combustion. Refer to *Table 7*. For CE models, consult local gas supplier.

Gas Requirements

Model	Gas	Altitude	Burner Orifice				New Rate
		feet [meters]	No.	inches [mm]	Quantity	Part Number	Btu/hr. [Mj/hr.]*
050 Series	Natural Gas	2001-4000 [610-1220]	27	0.1440 [3.7]	2	M400998	119,600 [126]
		4001-6000 [1221-1830]	28	0.1405 [3.6]		M401014	109,200 [115]
		6001-8000 [1831-2440]	29	0.1360 [3.4]		M400997	98,800 [104]
		8001-10,000 [2441-3050]	30	0.1285 [3.3]		M401021	88,400 [93]
	L.P. Gas	2001-4000 [610-1220]	43	0.0890 [2.3]		M406184	119,600 [126]
		4001-6000 [1221-1830]	44	0.0860 [2.2]		M401011	109,200 [115]
		6001-8000 [1831-2440]	45	0.0820 [2.1]		M401027	98,800 [104]
		8001-10,000 [2441-3050]	46	0.0810 [2.1]		M401003	88,400 [93]
Standard Line 075 Series	Natural Gas	2001-4000 [610-1220]	29	0.1360 [3.4]	3	M400997	151,800 [160]
		4001-6000 [1221-1830]	30	0.1285 [3.3]		M401021	138,600 [146]
		6001-8000 [1831-2440]	1/8	0.1250 [3.2]		M402489	125,400 [132]
		8001-10,000 [2441-3050]	31	0.1200 [3.0]		M401017	112,200 [118]
	L.P. Gas	2001-4000 [610-1220]	45	0.0820 [2.1]		M401027	165,000 [174]
		4001-6000 [1221-1830]	47	0.0785 [2.0]		M400999	138,600 [146]
		6001-8000 [1831-2440]	47	0.0785 [2.0]		M400999	125,400 [132]
		8001-10,000 [2441-3050]	48	0.0760 [1.9]		M401001	112,200 [118]

Table 7 continues...

Model	Gas	Altitude	Burner Orifice				New Rate
		feet [meters]	No.	inches [mm]	Quantity	Part Number	Btu/hr. [Mj/hr.]*
Eco Line 075 Series	Natural Gas 50 Hz	2001-4000 [610-1220]	---	0.1299 [3.3]	2	44253801	101,200 [107]
		4001-6000 [1221-1830]	1/8	0.1250 [3.2]		M402489	92,400 [97]
		6001-8000 [1831-2440]	---	0.1220 [3.1]		70070903	83,600 [88]
		8001-10,000 [2441-3050]	31	0.1200 [3.0]		M401017	74,800 [79]
	Natural Gas 60 Hz	2001-4000 [610-1220]	28	0.1405 [3.6]		M401014	119,600 [126]
		4001-6000 [1221-1830]	29	0.1360 [---]		M400997	109,200 [115]
		6001-8000 [1831-2440]	---	0.1299 [3.3]		44253801	98,800 [104]
		8001-10,000 [2441-3050]	1/8	0.1250 [3.2]		M402489	88,400 [93]
F75 Series	Natural Gas	2001-4000 [610-1220]	22	0.1570 [4.0]	3	M402996	207,000 [218]
		4001-6000 [1221-1830]	24	0.1520 [3.9]		M402980	189,000 [199]
		6001-8000 [1831-2440]	26	0.1470 [3.7]		M401000	171,000 [180]
		8001-10,000 [2441-3050]	28	0.1405 [3.6]		M401014	153,000 [161]
	L.P. Gas	2001-4000 [610-1220]	41	0.0960 [2.4]		M401015	225,000 [237]
		4001-6000 [1221-1830]	42	0.0935 [2.4]		M403017	189,000 [199]
		6001-8000 [1831-2440]	43	0.0890 [2.3]		M406184	171,000 [180]
		8001-10,000 [2441-3050]	44	0.0860 [2.2]		M401001	153,000 [161]

Table 7 continues...


Gas Requirements


Model	Gas	Altitude	Burner Orifice				New Rate
		feet [meters]	No.	inches [mm]	Quantity	Part Number	Btu/hr. [Mj/hr.]*
* Btu/hr. derate of 4% per 1000 feet [305 meters] of altitude. NOTE: Eco line is only available in natural gas.							


Table 7

Electrical Requirements

Electrical Requirements

	WARNING
<ul style="list-style-type: none"> To reduce the risk of electric shock, disconnect this appliance from the power supply before attempting any user maintenance other than cleaning the lint trap for dryers. Turning the controls to the OFF position does not disconnect this appliance from the power supply. To reduce the risk of fire and electric shock, check with a qualified service person for proper grounding procedures. Improper connection of the equipment grounding conductor may result in a risk of electric shock. Certain internal parts are intentionally not grounded and may present a risk of electric shock only during servicing. Service Personnel - Do not contact the following parts while the appliance is energized: Input/Output Board and Variable Frequency Drive, including the heat sinks. This appliance shall be installed in accordance with the rules in force, and dryers used only in a sufficiently ventilated space. Consult technical instruction before installation and use of this appliance. 	
W935	


	CAUTION
<p>To reduce the risk of injury or component failure, if electrical supply is coming from a three phase service, DO NOT connect a "High Leg" or "Stinger Leg" to a single phase machine. On a three phase machine, if there is a "High Leg" or "Stinger Leg" it should be connected to L3.</p>	
W938	

	WARNING
<p>The appliance must not be supplied through an external switching device, such as a timer, or connected to a circuit that is regularly switched on and off by a utility.</p>	
W943	

IMPORTANT: Electrical connections must be made by a qualified electrician using data on serial plate, installation manuals and wiring diagram provided with tumble dryer and according to local codes. Install a circuit breaker as close to the tumble dryer as possible. If more than one tumble dryer is being installed, a circuit breaker must be provided for each.

NOTE: Connect tumble dryer to an individual branch circuit not shared with lighting or other equipment.

NOTE: 3 Phase Tumble Dryers Only - Do not use fuses to avoid the possibility of "single phasing" and causing premature failure of the motors.

	WARNING
<p>In case of servicing (or putting the tumble dryer out of order), disconnect the tumble dryer from the main supply by switching off the circuit breaker.</p>	
W796	

Wiring Diagram

NOTE: Wiring diagram location: inside electrical box.

The wiring diagram part number is in the lower portion of the electrical data on the serial plate.

Wiring for Central Pay

Applicable for the following control suffixes: 3K, 3L, BK, BL, KK, KL, LK, LL, WK and WL.

System Connections

Connection to central pay systems will be made in the rear junction box of the tumble dryer. For stack models, connection for both the lower control and upper control will be made in the upper junction box.

Locate the harness with Black, Blue, Gray and Brown wires. The upper and lower harness can be identified by a yellow label on the harness tubing indicating "UPPER" and a white label on the harness tubing indicating "LOWER".

The wire colors will be the same regardless of control type. Splice the after-market central pay system wires to the tumble dryer control wire harness as follows.

Wire Colors	Description
BLK wire	24V AC/DC from central pay system

Table continues...

Wire Colors	Description
BLU wire	Common (negative) from central pay system
GRY wire	Machine busy signal to central pay system

Wire Colors	Description
BRN wire	Machine busy signal to central pay system

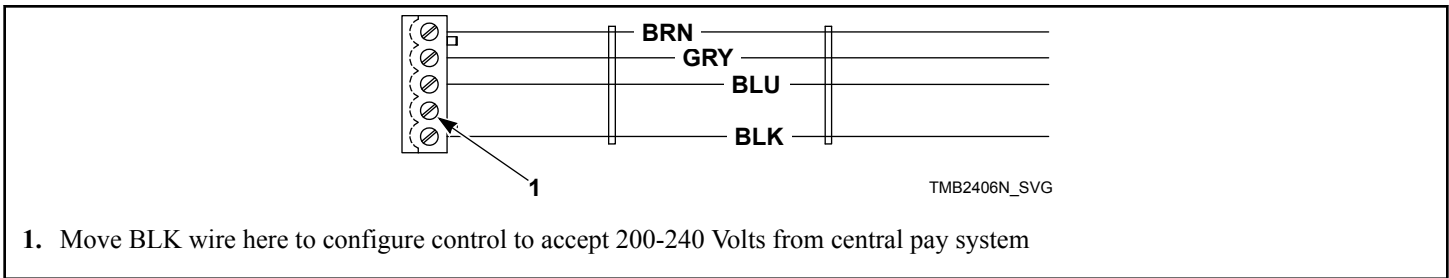
Table continues...

Start Pulse Requirements

All control types will consider a pulse valid if it is between 200 and 1000 milliseconds in length, with a minimum of 200 milliseconds between pulses.

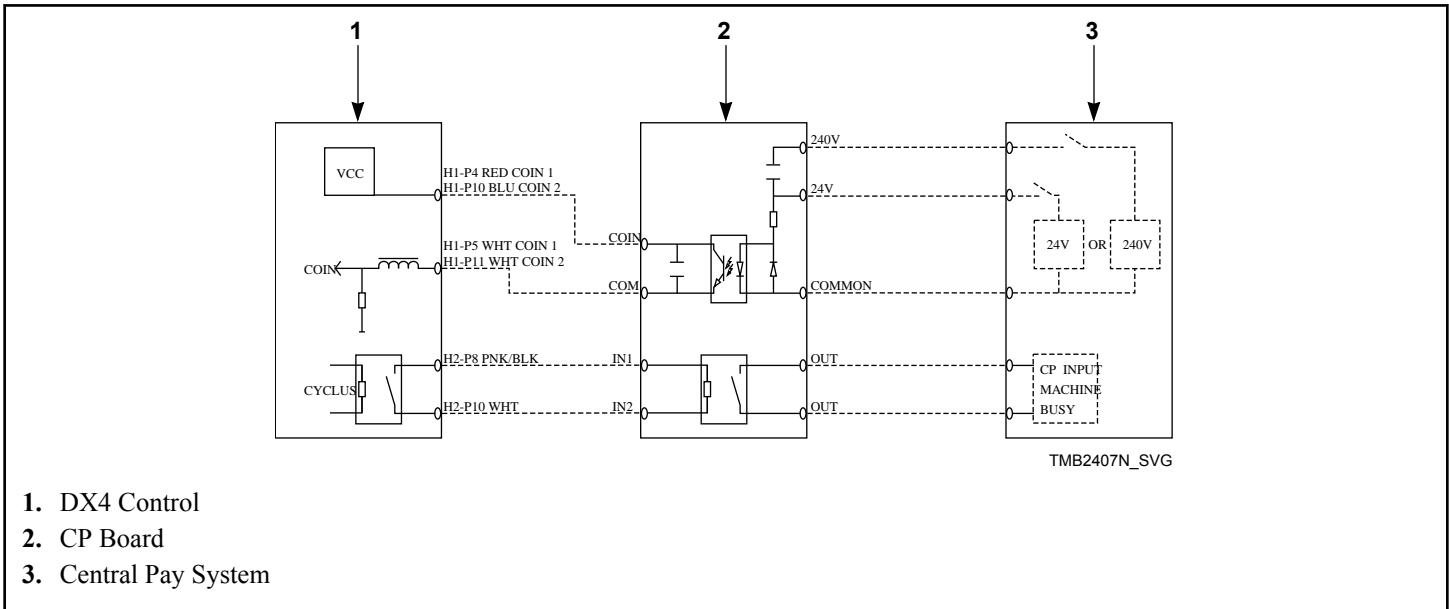
DX4 Control Only (3L or 3K Control Suffixes)

The DX4 control tumble dryer comes configured to operate at 24 Volts AC or DC. If the central pay system provides 200-240V AC, conversion is possible. Loosen screw and move the BLK wire to the adjacent open terminal and tighten securely. Refer to *Figure 24* and *Figure 25*.



1. Move BLK wire here to configure control to accept 200-240 Volts from central pay system

Figure 24



- 1. DX4 Control
- 2. CP Board
- 3. Central Pay System


Figure 25

Grounding Instructions

NOTE: To ensure protection against shock, this tumble dryer **MUST** be electrically grounded in accordance with the local codes, or in the absence of local codes, with the latest edition of the National Electrical Code ANSI/NFPA No. 70. In Canada the electrical connections are to be made in accordance with CSA C22.1 latest edition Canadian Electrical Code, or local codes. Electrical work should be done by a qualified electrician.

This tumble dryer must be grounded. In the event of malfunction or breakdown, grounding will reduce the risk of electric shock by providing a path of least resistance for electric current. This tumble dryer must be connected to a grounded metal, permanent wiring system; or an equipment grounding conductor must be run with the circuit conductors and connected to the appropriate ground location.

- Metal conduit and/or BX cable is not considered ground.
- Connecting the Neutral from the electrical service box to the tumble dryer ground screw does not constitute a ground.
- A dedicated ground conduit (wire) must be connected between the electrical service box ground bar and tumble dryer ground screw.

	WARNING
<p>To reduce the risk of electrical shock, de-energize the electrical circuit being connected to the tumble dryer before making any electrical connections. All electrical connections should be made by a qualified electrician. Never attempt to connect a live circuit.</p>	
W409R1	



CAUTION

Label all wires prior to disconnection when servicing controls. Wiring errors can cause improper and dangerous operation. Verify proper operation after servicing.

W071

For CE Models Only

All OPL (non-vend) models are factory-equipped with an emergency stop button on the front panel. If the emergency stop function is desired on coin-operated models, an external emergency stop button may be installed.

NOTE: Activation of the emergency stop switch stops all machine control circuit functions, but DOES NOT remove all electrical power from machine.

Service/Ground Location

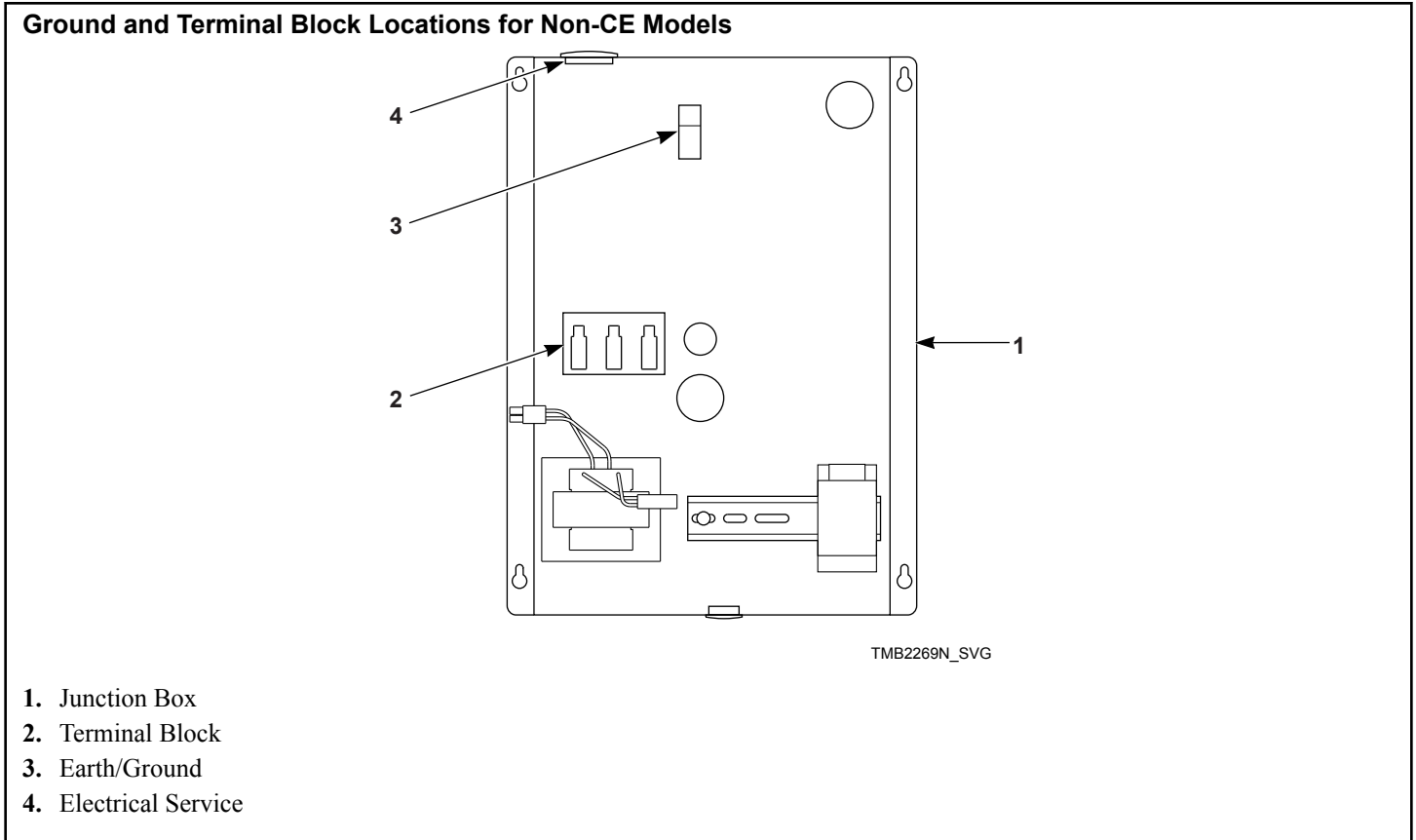


Figure 26

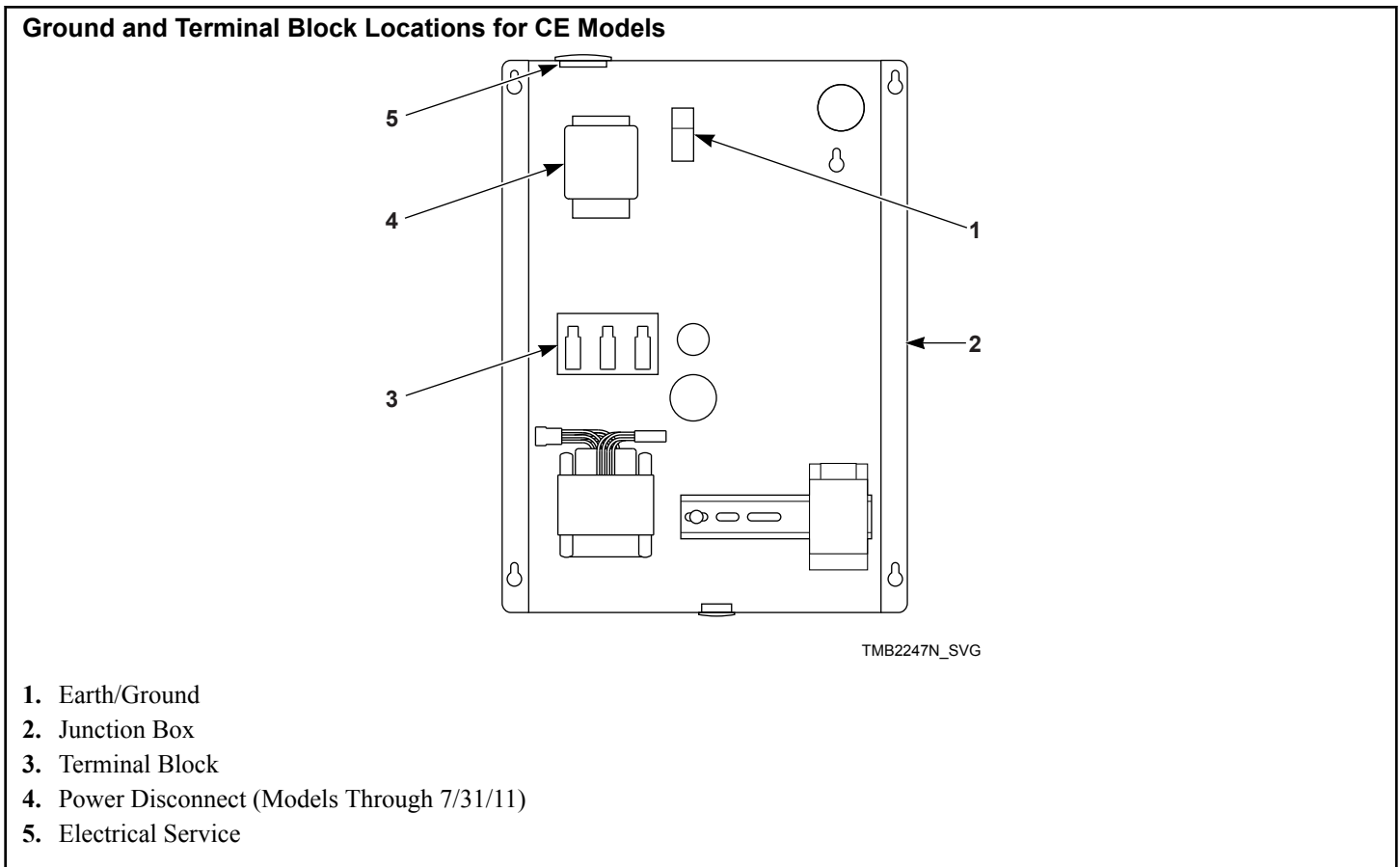


Figure 27

To Connect Electrical Service To The Tumble Dryer

NOTE: The wiring diagram is located in the junction box.

1. Install a circuit breaker as close to the tumble dryer as possible. If more than one tumble dryer is being installed, a disconnect switch or circuit breaker should be provided for each. This will make it possible to disconnect each tumble dryer for maintenance purposes.
2. Connect the conduit-encased leads to the disconnect switch, or circuit breaker. Connect the wire leads to the appropriate labeled terminal on the terminal block. The ground wire must be connected to the ground connection as shown in *Figure 26* or *Figure 27*.
3. Check the electrical service phase sequence (three phase only) as follows:
 - a. Energize the electrical service (on reversing tumble dryers, ensure nonreversing is selected) and momentarily start the tumble dryer. Check the direction of the cylinder rotation. If the cylinder rotates clockwise (viewed from the front), the phase sequence is correct. If the cylinder rotates counterclockwise, proceed with step b.

NOTE: When viewed from the front, the fan should rotate clockwise on 050 and 075 series models and counterclockwise on F75 series models.

- b. Disconnect and reverse any two service leads on the terminal block (example: switch L2 and L3 on terminal block).

Jumper Configuration Instructions

Changing the transformer configuration jumper is required, PRIOR TO SUPPLYING POWER TO THE MACHINE, if any of the following apply:

IMPORTANT: Failure to install the proper configuration jumper may result in damage to sensitive electronic controls and may void warranty.

- Location voltage 200 – 208 Volt service and connecting a model rated for 240 Volt operation.

Replace the 240 Volt jumper with the 208 Volt jumper per the conversion label, located on the rear of the tumble dryer, sign and date conversion label to document the conversion.

Ferrite Ring Installation

Gas and Steam Models with OM and RM Control Suffixes Only (Models Through 7/31/11)

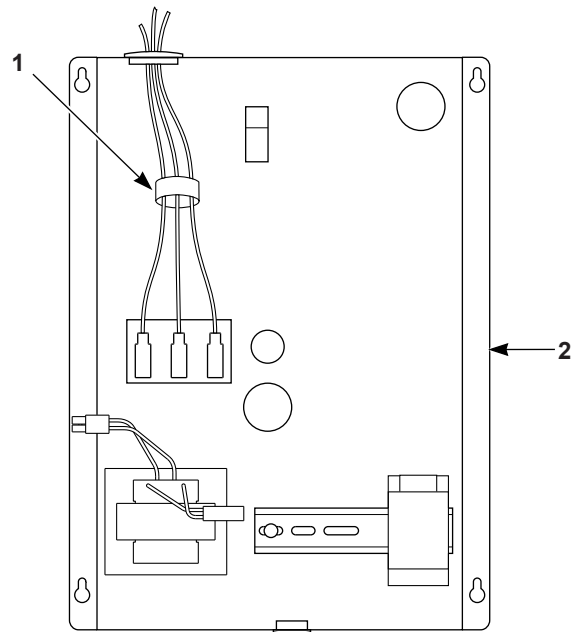
The ferrite ring provided in the literature packet must be installed over the power leads during connection of electrical service. The ferrite protects the sensitive electronic controls from destructive electrical disturbances which may be present on power lines to the machine. Failure to properly install the ferrite ring may result in damage to the electronic controls and will void control warranty.

To install:

1. Immediately after connection of power leads and before applying power to machine, locate each of the incoming service leads including ground.
2. Snap the ferrite ring closed over all the service leads inside of the contactor box as shown. It is important that the ferrite ring

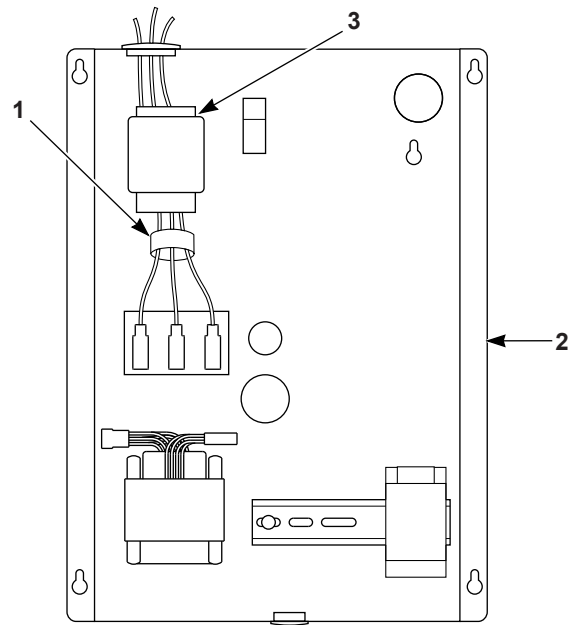
be installed inside the contactor box. Refer to *Figure 28*. Do not install the ferrite outside of the box or other area. Make sure that service leads are in the center of the ferrite before closing the ring so as not to pinch or damage leads.

Non-CE Models



TMB2270N_SVG

CE Models



TMB2271N_SVG

- 1. Ferrite Ring
- 2. Junction Box
- 3. Models Through 7/31/11

Figure 28

Electrical Specifications

NOTE: Wire sizes were obtained from the Canadian Electrical Code for 75 C. wire and are intended for use as a guideline only. Electrical connections should be made by a qualified electrical contractor in accordance with all applicable local and national requirements.

NOTE: Electrical specifications below are subject to change without notice. Always refer to product serial plate for most current specifications of product being installed.

NOTE: Use copper conductors only.

NOTE: Connect to individual branch circuit.

NOTE: 3 Phase Only – Each tumble dryer must be connected to its own individual branch circuit breaker, not fuses, to avoid the possibility of “single phasing” and causing premature failure of the motor(s).

050 Series Gas and Steam Models

Serial Plate Rating	Terminal Block Connections Required	Serial Plate Amps		Recommended Circuit Breaker Rating	Wire Size AWG [mm ²]
		Nonreversing	Reversing		
120V/60Hz/1ph	L1, Neutral and ground	9.3	N/A	15A	14 [2.5]
120/208-240V/60Hz/1ph	L1, L2, Neutral and ground	N/A	12	15A	14 [2.5]
208-240V/60Hz/1ph	L1, L2, Neutral and ground	5.1	N/A	15A	14 [2.5]
200-208-240V/60Hz/1ph	L1, L2 and ground	5.1	N/A	10A	14 [2.5]
230-240V/50Hz/1ph	L1, Neutral and ground	6.3	6.9	15A	14 [2.5]
200-208/240V/60Hz/3ph	L1, L2, L3 and ground	2.8	4.0	10A	14 [2.5]
200V/50Hz/3ph	L1, L2, L3 and ground	3.3	4.2	10A	14 [2.5]
230-240V/50Hz/3ph	L1, L2, L3 and ground	3.1	4.3	10A	14 [2.5]
380V/50 or 60Hz/3ph	L1, L2, L3 and ground	1.6	2.0	10A	14 [2.5]
400-415V/50Hz/3ph	L1, L2, L3 and ground	1.6	2.0	10A	14 [2.5]
440V/60Hz/3ph	L1, L2, L3 and ground	1.4	1.9	10A	14 [2.5]
460-480V/60Hz/3ph	L1, L2, L3 and ground	1.4	1.9	10A	14 [2.5]
N/A = Not Applicable					

Table 8

075 Series Gas and Steam Models

Serial Plate Rating	Terminal Block Connections Required	Serial Plate Amps		Recommended Circuit Breaker Rating	Wire Size AWG [mm ²]
		Nonreversing	Reversing		
120V/60Hz/1ph	L1, Neutral and ground	13.8	N/A	20A	12 [4]
120/208-240V/60Hz/1ph	L1, L2, Neutral and ground	13	13	20A	12 [4]
208-240V/60Hz/1ph	L1, L2, Neutral and ground	7.6	N/A	20A	12 [4]
200-208-240V/60Hz/1ph	L1, L2 and ground	7.6	N/A	15A	14 [2.5]
230-240V/50Hz/1ph	L1, Neutral and ground	6.7	7.0	15A	14 [2.5]
200-208/240V/60Hz/3ph	L1, L2, L3 and ground	3.8	4.3	10A	14 [2.5]
200V/50Hz/3ph	L1, L2, L3 and ground	3.5	4.5	10A	14 [2.5]
230-240V/50Hz/3ph	L1, L2, L3 and ground	3.5	4.9	10A	14 [2.5]
380V/50 or 60Hz/3ph	L1, L2, L3 and ground	1.8	2.1	10A	14 [2.5]
400-415V/50Hz/3ph	L1, L2, L3 and ground	1.8	2.1	10A	14 [2.5]
440V/60Hz/3ph	L1, L2, L3 and ground	1.9	2.1	10A	14 [2.5]
460-480V/60Hz/3ph	L1, L2, L3 and ground	1.9	2.1	10A	14 [2.5]
N/A = Not Applicable					

Table 9

F75 Gas Models Only

Serial Plate Rating	Terminal Block Connections Required	Serial Plate Amps		Recommended Circuit Breaker Rating	Wire Size AWG [mm ²]
		Nonreversing	Reversing		
200-208/240V/60Hz/3ph	L1, L2, L3 and ground	N/A	6.3	15A	14 [2.5]
460-480V/60Hz/3ph	L1, L2, L3 and ground	N/A	3.1	10A	14 [2.5]
N/A = Not Applicable					

Table 10

050 and Standard Line 075 Series Electric Models

Serial Plate Rating	Terminal Block Connections Required	Serial Plate Amps		Recommended Circuit Breaker Rating	Wire Size AWG [mm ²]
		Nonreversing	Reversing		
240V/50Hz/1ph (050 Series only)	L1, Neutral and Ground	93	95	125A	1 [35]
200-208V/60Hz/3ph	L1, L2, L3 and ground	89	88	125A	1 [35]
200V/50Hz/3ph	L1, L2, L3 and ground	84	85	125A	1 [35]
230V/50Hz/3ph	L1, L2, L3 and ground	73	75	100A	3 [26.7]
240V/50Hz/3ph	L1, L2, L3 and ground	79	78	100A	3 [26.7]
240V/60Hz/3ph	L1, L2, L3 and ground	79	78	100A	3 [26.7]
380V/50 or 60Hz/3ph	L1, L2, L3 and ground	47	48	60A	6 [16]
400-415V/50Hz/3ph	L1, L2, L3 and ground	43	44	60A	6 [16]
440V/60Hz/3ph	L1, L2, L3 and ground	41	41	50A	6 [16]
480V/60Hz/3ph	L1, L2, L3 and ground	38	38	50A	6 [16]

Table 11

Eco Line 075 Series Electric Models

Serial Plate Rating	Terminal Block Connections Required	Serial Plate Amps		Recommended Circuit Breaker Rating	Wire Size AWG [mm ²]
		Nonreversing	Reversing		
200-208V/60Hz/3ph	L1, L2, L3 and ground	63	63	80A	4 [25]
240V/60Hz/3ph	L1, L2, L3 and ground	56	56	70A	4 [25]
380V/50Hz/3ph	L1, L2, L3 and ground	34.3	35.3	45A	8 [10]
380V/60Hz/3ph	L1, L2, L3 and ground	32.6	32.6	45A	8 [10]
400-415V/50Hz/3ph	L1, L2, L3 and ground	32.3	33.3	40A	8 [10]
440V/60Hz/3ph	L1, L2, L3 and ground	28.4	28.4	40A	8 [10]
460-480V/60Hz/3ph	L1, L2, L3 and ground	26.9	26.9	35A	8 [10]

Table 12

Steam Requirements

Steam Requirements



WARNING

This appliance does not contain inherent pressure relief. A pressure relief valve rated for a maximum of 125 psi shall be provided by the steam source.

W942

NOTE: Steam valve and required adapter are located in cylinder or lint compartment.

NOTE: Machines require a constant 80 to 100 psig [5.3 to 6.9 bar] steam service for optimum operation. The maximum allowable steam pressure is 125 psig [8.6 bar]. In no case may the pressure exceed the above value.

Obtain specific steam service pipe sizes from steam system supplier or a qualified steam fitter.

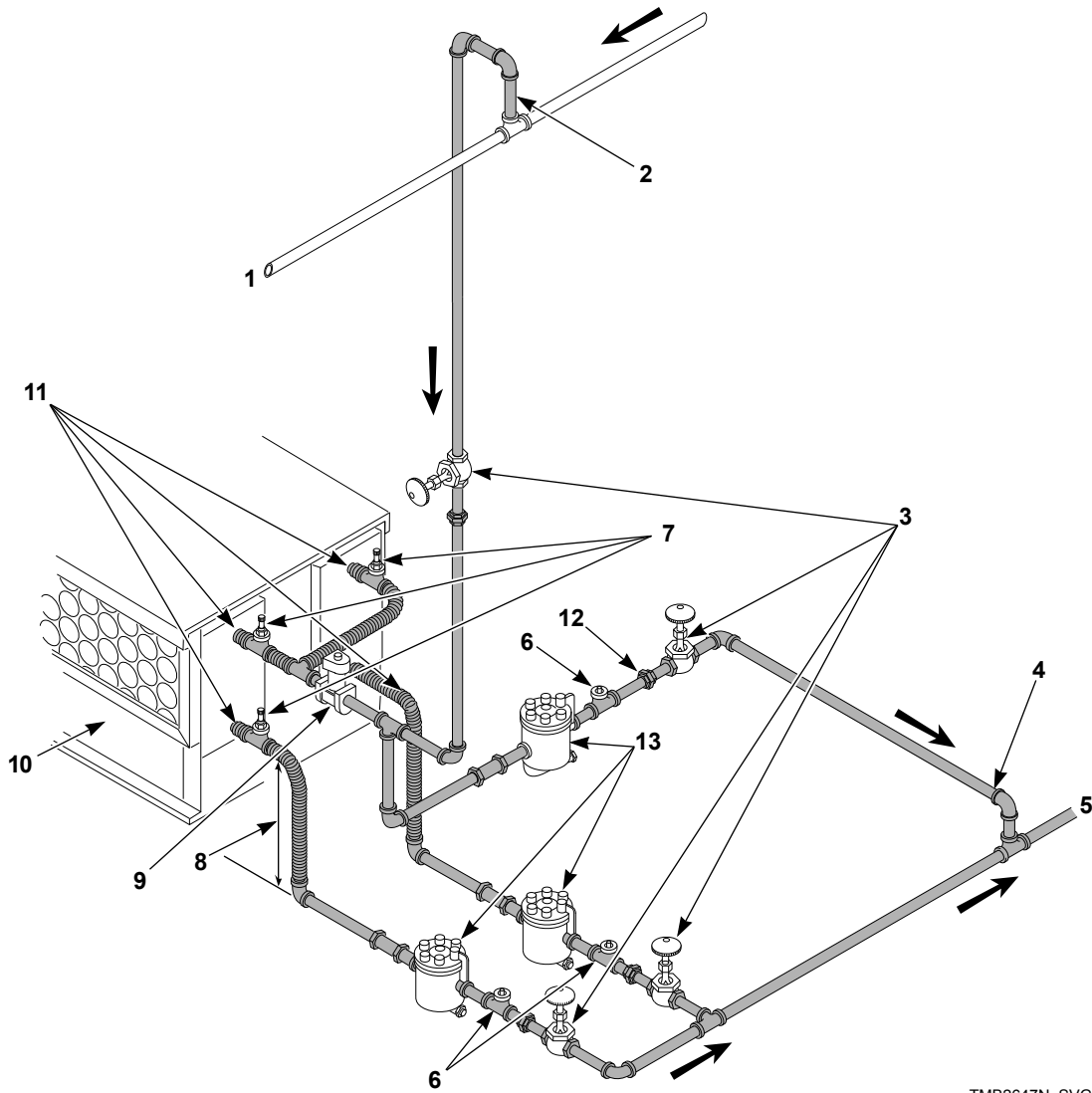
- Refer to *Figure 29* for proper steam pipe configurations.
- To prevent condensate draining from headers to tumble dryer, piping should have a minimum 12 inch [300 mm] rise above respective header. Do not make steam connection to header with a horizontal or downward facing tee or elbow.
- Whenever possible, horizontal runs of steam lines must drain, by gravity, to respective steam header. Water pockets, or an improperly drained steam header will provide wet steam, causing improper operation of tumble dryer. If pockets or improper drainage cannot be eliminated, install a bypass trap to drain condensate from the low point in the steam header to the return.

- In both steam supply and steam return line, it is recommended that each have a pipe union and shut-off valve. This will enable you to disconnect the steam connections and service the tumble dryer while your laundry facility is in operation.
- Connect the steam solenoid valve to the related steam coil inlet connection with nipples, flex hoses, unions and tees.
- Strainers may require cleaning due to materials from hoses or pipes.
- Install vacuum breaker (optional), bucket trap with built-in strainer and check valve. For successful operation of tumble dryer, install trap 18 inches [460 mm] below coil and as near to the tumble dryer as possible. Inspect trap carefully for inlet and outlet markings and install according to trap manufacturer's instructions. If steam is gravity returned to boiler, omit trap but install vacuum breaker and check valve in return line near tumble dryer. Gravity return requires entire return plumbing be below steam coil outlets.
- Install union and shut-off valve in return line and make final pipe connections to return header.

NOTE: To prevent water hammering, route return lines below outlets of steam coils.

NOTE: Steam inlet lines of each dryer should be trapped to keep line condensation from going into steam coils.

NOTE: IEC machines are shipped with BSPT adapters in the lint compartment.



TMB2647N_SVG

NOTE: Refer to Table 13 for sizing of steam lines. Piping must also be sized accordingly for length of runs and number of elbows.

1. Supply
2. 12 in. [300 mm] Riser
3. Shut-Off Valve
4. Condensate Return Line from Supply Line
5. Return
6. Check Valve
7. Vacuum Breaker (Optional)
8. 18 in. [460 mm] Drop Recommended (not above outlet)
9. Solenoid Valve (Supplied with machine)
10. Steam Bonnet
11. Flexible Line
12. Union
13. Trap with Built-In Strainer

Figure 29

Steam Pressure PSI [bar]	Minimum Supply Pipe Diameter	Steam Trap Size* Pounds Condensate/Hour [Kilograms Condensate/Hour]
80-100 [5.3-6.9]	3/4 NPT	160 [72.6]
*Based on 6.9 bar.		


Table 13

Piping Recommendations

- Trap each steam coil individually. Always keep the trap clean and in good working condition.
- When tumble dryer is on the end of a line of equipment, extend header at least 4 feet [1.2 m] beyond tumble dryer. Install shut-off valve, union, check valve and bypass trap at end of line. If gravity return to boiler, omit trap.
- Insulate steam supply and return lines for safety of operator and safety while servicing tumble dryer.

Thermal Oil Prep

It is the responsibility of the customer to install appropriate coil and heating system for thermal oil prep models. The manufacturer is not responsible for the performance or safety of the customer installed thermal oil system. To ensure proper operation, refer to the Specifications and Dimensions section for the Btu input of equivalent steam models. Thermal oil systems that do not deliver appropriate Btus will dry slower. For solenoid valve wiring connections, refer to the Wiring Diagram supplied with tumble dryer.

	WARNING
<p>All system components must have a 125 psig [8.6 bar] working pressure. Shut-off valves must be installed upstream of the steam solenoid valve and downstream of each steam trap so components can be isolated for maintenance or emergency purposes. All components (solenoid valve, traps) must be supported to minimize loads on the tumble dryer steam coil connections.</p>	
W701R1	

Installing Steam Trap and Making Condensate Return Connections

The steam trap must be installed and the coil outlet connections must be connected to the condensate return lines. The following steps outline the procedure for installing the steam trap and connecting the condensate return lines. Refer to *Figure 29* for typical installations.

1. Use flexible lines between steam inlet solenoid and steam coils, as well as outlet between steam coil and traps.
2. If necessary, install a strainer at the end of each flexible hose.
3. Install a steam trap to each strainer.

IMPORTANT: Steam trap must be installed a minimum of 18 inches [460 mm] recommended below the steam coil outlet connections.

4. Install a shut-off valve to each steam trap.
5. Connect to the condensate return lines.
6. For steam solenoid valve wiring connections, refer to Wiring Diagram supplied with tumble dryer.

Single Drop Timer

NOTE: The following information is for models with an SD control suffix only.

Power-Up Mode

When power is applied to the tumble dryer, the IN USE light flashes factory status information. Following this, the control goes into READY Mode (light off) or RUN Mode if power was interrupted during a cycle (light on, time remaining unchanged). If a power disruption is less than 5 seconds, with a cycle in process, the control will enter Run Mode once power is restored and continue the cycle. If a power disruption is more than 5 seconds, with a cycle in process, the control will enter Start Mode once power is restored.

If the dry time dipswitch settings have not changed from the factory default, the IN USE LED will flash two to five times, depending on model.

Ready Mode

In READY Mode (light off), the control waits for the vend to be satisfied. When vend is satisfied the control goes into START Mode.

Start Mode

In START Mode (light on), the vend has been satisfied but the start button has not been pressed. Time remaining in the cycle will not change until the start button is pressed. When the start button is pressed the machine goes into RUN Mode.

Run Mode

In RUN Mode (light on), the machine is running a cycle and the time remaining is counting down. When time remaining counts down to zero, the control goes into READY Mode.

Door Open Mode

In Door Open Mode, the control turns off the heater and motor when the door is opened during a run cycle. The timer will continue to count down time and the IN USE LED is lit.

End of Cycle Mode

In End of Cycle Mode, a cycle is complete and the IN USE LED is off. The control remains in this mode until the door is opened or additional vend has been satisfied.

Setting Dry Time Dipswitches

To change the dry time on the tumble dryer, combinations of dipswitches can be set on the control.

There are eight dipswitches on the tumble dryer control. The first six switches are used to program the amount of additional heat time given for each coin pulse. The additional drying time is added to the factory default minimum heat time of one minute. A value of 1 to 64 minutes of additional drying time is available for each coin drop pulse.

Models Through Serial No. 0908xxxxx

The last two switches are used to program the amount of additional cool down time. The additional cool down time is added to the factory default minimum cool down time of 1 minute. A value of 1 to 3 additional minutes is available. The control is shipped from the factory programmed with 1 minute of minimum heat time, preset with 7 additional minutes of drying time (dipswitches 1, 2 and 3 in ON position) and 1 minute of minimum cool down time for a total time of 9 minutes for a coin pulse.

Models Starting Serial No. 0909xxxxx

The seventh switch is used to program the amount of additional cool down time. The additional cool down time is added to the factory default minimum cool down time of 1 minute. A value of 3 additional minutes is available. The control is shipped from the factory programmed with 1 minute of minimum heat time, preset with 7 additional minutes of drying time (dipswitches 1, 2 and 3 in ON position) and 1 minute of minimum cool down time for a total time of 9 minutes for a coin pulse.

The eight switch is used for the cycle reset. If the switch is OFF (default), the control will save the time left on a cycle in case of a power failure. If the switch is ON, the control will clear the cycle and go back to Ready Mode if there is a power failure.

The control reads the dipswitch settings at power-up. The control must be powered down to change the dipswitch settings.

To change the time for a coin pulse, the desired dry time dipswitches must be set to ON position. All other dipswitches must be in OFF position.

NOTE: The control must be powered down for 10 seconds before the dipswitches can be changed.

Resetting Cycle Time to Zero

(Models Starting Serial No. 0909xxxxx)

To remove any cycle time that may have accumulated on the control during setup, the cycle time on the control can be reset to zero.

To reset the time, unplug the tumble dryer and set dipswitch 8 to ON position. Restore power to the tumble dryer for 10 seconds and once again unplug tumble dryer. Set dipswitch 8 to OFF position and restore power to the tumble dryer.

Dipswitch Settings

Models Through Serial No. 0908xxxxx

Heat Time Per Coin Pulse (in minutes)	Heat Switch Number					
	1	2	3	4	5	6
1	OFF	OFF	OFF	OFF	OFF	OFF
2	ON	OFF	OFF	OFF	OFF	OFF
3	OFF	ON	OFF	OFF	OFF	OFF
4	ON	ON	OFF	OFF	OFF	OFF
5	OFF	OFF	ON	OFF	OFF	OFF
6	ON	OFF	ON	OFF	OFF	OFF
7	OFF	ON	ON	OFF	OFF	OFF
8 (factory default)	ON	ON	ON	OFF	OFF	OFF
9	OFF	OFF	OFF	ON	OFF	OFF
10	ON	OFF	OFF	ON	OFF	OFF
11	OFF	ON	OFF	ON	OFF	OFF
12	ON	ON	OFF	ON	OFF	OFF
13	OFF	OFF	ON	ON	OFF	OFF
14	ON	OFF	ON	ON	OFF	OFF
15	OFF	ON	ON	ON	OFF	OFF
16	ON	ON	ON	ON	OFF	OFF
17	OFF	OFF	OFF	OFF	ON	OFF
18	ON	OFF	OFF	OFF	ON	OFF
19	OFF	ON	OFF	OFF	ON	OFF
20	ON	ON	OFF	OFF	ON	OFF
21	OFF	OFF	ON	OFF	ON	OFF
22	ON	OFF	ON	OFF	ON	OFF
23	OFF	ON	ON	OFF	ON	OFF

Table continues...

Single Drop Timer

Heat Time Per Coin Pulse (in minutes)	Heat Switch Number					
	1	2	3	4	5	6
24	ON	ON	ON	OFF	ON	OFF
25	OFF	OFF	OFF	ON	ON	OFF
26	ON	OFF	OFF	ON	ON	OFF
27	OFF	ON	OFF	ON	ON	OFF
28	ON	ON	OFF	ON	ON	OFF
29	OFF	OFF	ON	ON	ON	OFF
30	ON	OFF	ON	ON	ON	OFF
31	OFF	ON	ON	ON	ON	OFF
32	ON	ON	ON	ON	ON	OFF
33	OFF	OFF	OFF	OFF	OFF	ON
34	ON	OFF	OFF	OFF	OFF	ON
35	OFF	ON	OFF	OFF	OFF	ON
36	ON	ON	OFF	OFF	OFF	ON
37	OFF	OFF	ON	OFF	OFF	ON
38	ON	OFF	ON	OFF	OFF	ON
39	OFF	ON	ON	OFF	OFF	ON
40	ON	ON	ON	OFF	OFF	ON
41	OFF	OFF	OFF	ON	OFF	ON
42	ON	OFF	OFF	ON	OFF	ON
43	OFF	ON	OFF	ON	OFF	ON
44	ON	ON	OFF	ON	OFF	ON
45	OFF	OFF	ON	ON	OFF	ON
46	ON	OFF	ON	ON	OFF	ON
47	OFF	ON	ON	ON	OFF	ON
48	ON	ON	ON	ON	OFF	ON
49	OFF	OFF	OFF	OFF	ON	ON

Table continues...

Heat Time Per Coin Pulse (in minutes)	Heat Switch Number					
	1	2	3	4	5	6
50	ON	OFF	OFF	OFF	ON	ON
51	OFF	ON	OFF	OFF	ON	ON
52	ON	ON	OFF	OFF	ON	ON
53	OFF	OFF	ON	OFF	ON	ON
54	ON	OFF	ON	OFF	ON	ON
55	OFF	ON	ON	OFF	ON	ON
56	ON	ON	ON	OFF	ON	ON
57	OFF	OFF	OFF	ON	ON	ON
58	ON	OFF	OFF	ON	ON	ON
59	OFF	ON	OFF	ON	ON	ON
60	ON	ON	OFF	ON	ON	ON
61	OFF	OFF	ON	ON	ON	ON
62	ON	OFF	ON	ON	ON	ON
63	OFF	ON	ON	ON	ON	ON
64	ON	ON	ON	ON	ON	ON

Cool Down Per Cycle (in minutes)	Cool Down Switch Number	
	7	8
1 (factory default)	OFF	OFF
2	ON	OFF
3	OFF	ON

Table continues...

Cool Down Per Cycle (in minutes)	Cool Down Switch Number	
4	ON	ON

Models Starting Serial No. 0909xxxxx

Cool Down Per Cycle (in minutes)	Cool Down Switch Number	Cycle Reset Switch Number
	7	8
1 (factory default)	OFF	OFF ON
3	ON	

Total Cycle Time = Heat Time + Cool Down Time

Topoffs

Any time the control receives a coin drop pulse during a cycle it will add the programmed dry time to the time currently remaining in the cycle. The maximum cycle time is 99 minutes, the control will not add time beyond 99 minutes. The cool down time will not change.

If the control receives a coin drop pulse during cool down the IN USE LED will flash briefly to indicate the coin input, the machine will exit cool down and it will start heating. The cycle time will be equal to the programmed dry time.

Temperature Selector Switch

For five minutes after the control is powered up, there is a diagnostic feature that allows the temperature selector switches to be tested.

When the temperature selector is changed, the new setting is displayed by flashing the IN USE LED as follows:

High/Normal	4 flashes
-------------	-----------

Table continues...

Error Codes

Display	Definition	Corrective Action
AF (flashing)	Airflow switch opened/closed 5 or more times in a running cycle.	Check airflow switch. Replace if inoperative.

Medium/PP	3 flashes
Low/Delicate	2 flashes
No Heat	1 flash

NOTE: To change dipswitch settings refer to Dipswitch Settings section.

To Program a Short Test Cycle

1. Unplug machine power cord.
2. Write down machine control dip switch settings, then set them all to the off position. Refer to *Figure 30*.
3. Plug machine in and start a cycle.

NOTE: With all control dip switches off, the total cycle time will be 2 minutes long (1 minute of heat and 1 minute of cool down).

4. Once all testing is complete, unplug machine and re-set dip switches to their original settings.
5. Plug machine in.

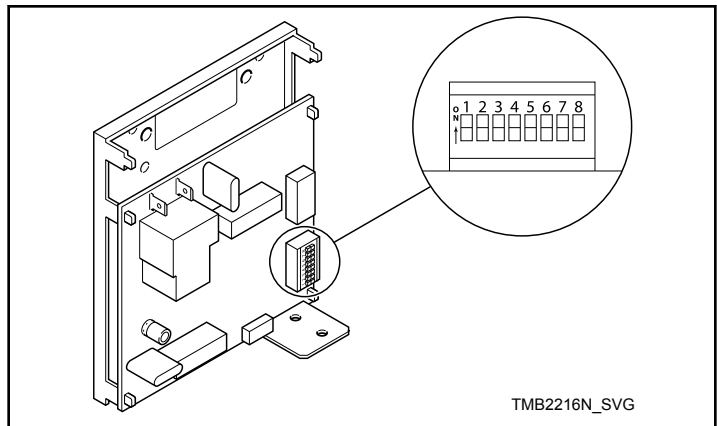




Figure 30

Operating Instructions

Operating Instructions

	WARNING
<p>To reduce the risk of fire:</p> <ul style="list-style-type: none"> • DO NOT DRY articles containing foam rubber or similarly textured rubberlike materials. • DO NOT DRY plastics, anything containing wax or chemicals such as mops and cleaning cloths, or anything dry-cleaned at home with a dry-cleaning solvent. • DO NOT TUMBLE fiberglass curtains and draperies unless the label says it can be done. If they are dried, wipe out the cylinder with a damp cloth to remove particles of fiberglass. 	
W076	

	WARNING
<p>To reduce the risk of serious injury, allow cylinder to stop before cleaning lint screen.</p>	
W412	

Emergency Stop Button On CE Models

All CE approved OPL tumble dryers are factory equipped with an emergency stop button located on the front panel. Refer to *Figure 31*.

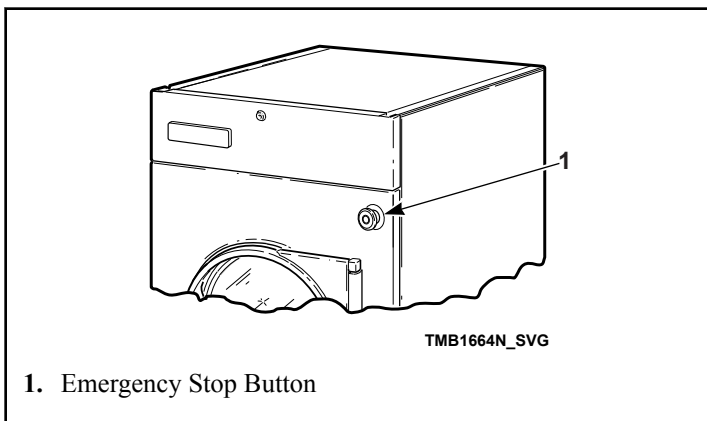



Figure 31

To operate emergency stop button:

- Press red emergency stop button to stop all action.
- To restart machine, pull red emergency stop button out and press START pad or button.

NOTE: Activation of the emergency stop button stops all machine control circuit functions, but **DOES NOT** remove all electrical power from machine.


Operating Instructions

	WARNING
<p>To reduce the risk of fire, electric shock, or injury to persons, read the IMPORTANT SAFETY INSTRUCTIONS before operating this appliance.</p>	
W727	

IMPORTANT: This appliance shall not be used to dry off solvents or dry cleaning fluids.

1. Clean Lint Screen/Compartment
 - a. Remove any accumulated lint from the lint screen and compartment.
 - b. Close panel tightly against tumble dryer frame and lock panel securely, if applicable.

IMPORTANT: Clean lint screen and lint compartment daily. Failure to clean the lint screen daily will result in higher than normal temperatures that may damage laundry.

	WARNING
<p>To reduce the risk of fire and risk of lint collecting in exhaust duct, do not operate tumbler without lint filter in place.</p>	
W772	

2. Load Laundry
 - a. Open loading door and load cylinder with laundry. Maximum drying load is:

Model	Pound [Kg]
050	50 [25]
075	75 [34]
F75	75 [34]

DO NOT OVERLOAD.

NOTE: Overloading causes slow drying and wrinkling.

- b. Close loading door. Tumble dryer will not operate with the door open.

3. Determine Control Type and Temperature Setting
 - a. Refer to the various controls and follow the instructions for the appropriate control type.
 - b. The type of fabric being dried will determine the temperature setting. Consult the fabric care label or fabric manufacturer to determine proper temperature setting.

IMPORTANT: Always follow the fabric care instructions supplied by the garment manufacturer.

4. Remove Laundry
 - a. When the cycle is complete, open door and remove the laundry.

Reversing Operation

Tumble dryers with the reversing option prevent the tangling of large pieces of laundry and minimize wrinkling. These tumble dryers are equipped with a second motor and additional controls which reverse the rotation direction of the cylinder.

Some models may have a switch or touchpad in the control panel area so the operator can select the reversing or nonreversing operation. In nonreversing mode, the cylinder will always turn clockwise (as viewed from the front of the tumble dryer). If the cylinder is turning counterclockwise when switched to nonreversing, it will continue for a few seconds and then start up in the proper direction. Refer to Programming Manual for more information on reversing.

IMPORTANT: After any electrical maintenance is done, make sure that the blower motor is turning clockwise as viewed from the front of the 050 and 075 series tumble dryers and counterclockwise on the F75 tumble dryers. Then set the reverse control switch to “nonreversing” and note that the cylinder turns constantly clockwise as viewed from the front of the tumble dryer. If not, interchange L1 and L2 service leads to the reverse drive motor.

Control Instructions

Dual Digital Timer Control

QT and RQ Control Suffixes

1. Select HIGH, MED, LOW or NO HEAT by turning the temperature knob.

HIGH	Temperature 190°F [88°C]
MED	Temperature 170°F [77°C]
LOW	Temperature 120°F [49°C]

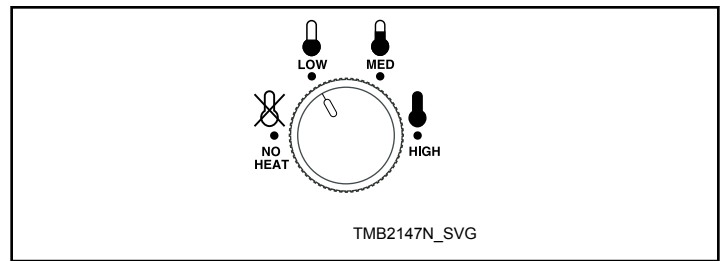


Figure 32

2. Set the HEAT TIME for the number of minutes (from 0 - 60) desired.

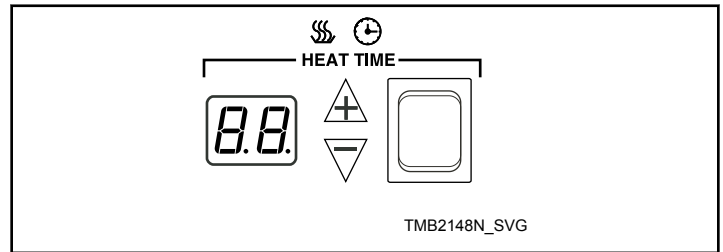


Figure 33

3. Set the COOL DOWN TIME for the number of minutes (from 0 - 15) desired.

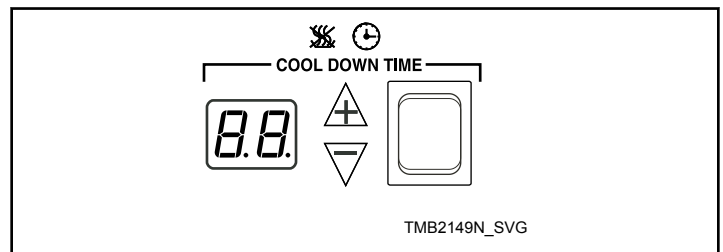


Figure 34

4. Select reversing or nonreversing cylinder rotation setting, if applicable.

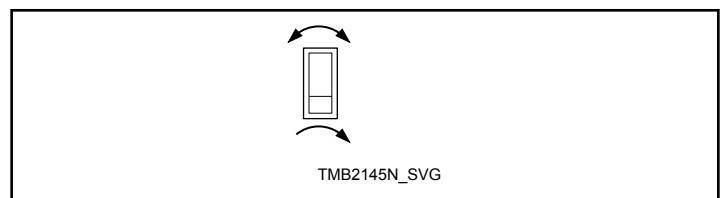


Figure 35

5. Press and release START button to start tumble dryer. Display will show minutes remaining before end of cycle.

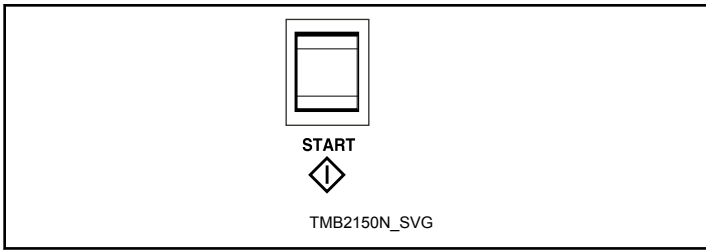


Figure 36

NOTE: One touch drying is available for repetitive loads. If the **START** button is pressed while the machine is in Idle Mode, when the display is dark, the tumble dryer will repeat the last drying cycle. If the cycle time is adjusted before the cycle is started, the time displayed when the start button was pressed will be used for future cycles.

IMPORTANT: To stop the tumble dryer at any time during the cycle, **OPEN DOOR**. If the loading door or lint panel door is opened during the cycle, the heating system will shut off and the motor will stop. To restart the cycle, both doors must be closed and the **START** button must be pressed in.

If the load cools to 90°F [32°C] before cool down time expires, the control will flash “Lr” (load ready) in the heat time display. If

the door is not opened, the tumble dryer completes the selected cool down time. If the door is opened after reaching “Lr” temperature, the cycle will be terminated.

NOTE: If display shows an error code, refer to **Error Codes** section.

- When the cycle is complete, open door and remove the laundry.



WARNING

To prevent the risk of fire, remove laundry immediately in case of power failure.

W779

NOTE: This machine includes an anti-wrinkle/ extended tumble feature. After the drying cycle is complete, the cylinder will tumble without heat every few minutes. The intermittent tumbling will continue for one hour or until the door is opened. Anti-wrinkle feature will tumble the load without heat for 30 seconds every 2 minutes for 1 hour OR until the loading door is opened.

Error Codes		
Display	Definition	Corrective Action
OP	Open thermistor error	<ul style="list-style-type: none"> Check thermistor. Replace if inoperative. Check wiring diagram between control and thermistor. Refer to wiring diagram for proper wiring. Check control. Replace if inoperative.
SH	Shorted thermistor error	<ul style="list-style-type: none"> Check thermistor. Replace if inoperative. Check wiring between control and thermistor. Refer to wiring diagram for proper wiring. Check control. Replace if inoperative.
AF - 1	Airflow switch closed when cycle started	<ul style="list-style-type: none"> Check airflow switch. Replace if inoperative.
AF - 2	Airflow switch failed to close after cycle started	<ul style="list-style-type: none"> Check airflow switch. Replace if inoperative.

Table 14 continues...

Error Codes		
Display	Definition	Corrective Action
AF (Flashing)	Bouncing Airflow Switch	<ul style="list-style-type: none"> • Cycling power will not clear error. Start machine and allow it to terminate normally. To quickly advance cycle, set HEAT TIME to 0 and COOL DOWN TIME to 1, then press START (control may flash "Lr"). Once machine has cycled, identify and correct problem. • Check airflow switch to ensure that it is properly aligned and securely mounted in the mounting bracket. • Make sure airflow switch can open and close freely. • Check installation and make sure there is adequate airflow. • Make sure exhaust is not blocked. • Clean the lint screen. • Replace airflow switch if inoperative.
AF (Solid)	Airflow Switch Closed when Resuming Cycle	<ul style="list-style-type: none"> • Allow up to 20 seconds for this condition to clear. • Check if airflow switch opens at end of cycle. • Replace airflow switch if inoperative.

Table 14

Electronic OPL Micro Control

OM and RM Control Suffixes

1. To use an Automatic Cycle, press an ON/SELECT pad. Select HIGH, MEDIUM, MED LOW, LOW or NO HEAT for items that should not be dried with heat. A light to the left of the selected pad lights up.

HIGH	Temperature 180°F [82°C]
MEDIUM	Temperature 160°F [71°C]
MED LOW	Temperature 140°F [60°C]
LOW	Temperature 120°F [49°C]

To use a Time Dry or Custom Cycle, refer to the Programming Manual.

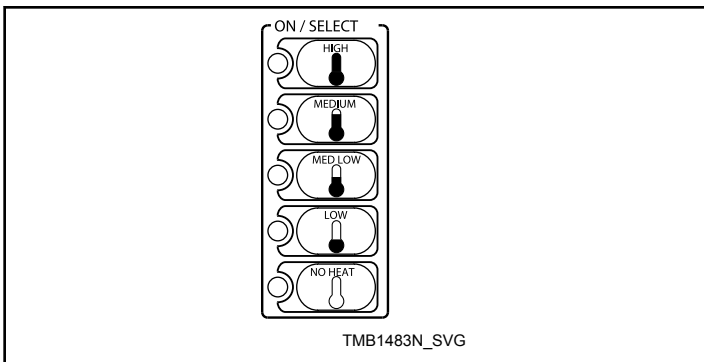


Figure 37

NOTE: Do not press directly on lights or the center of pad. For proper selection, press on pad slightly to the right of center. Refer to *Figure 38* .

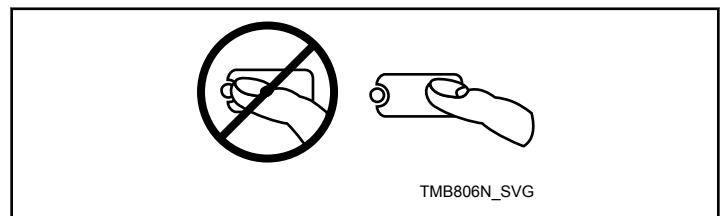


Figure 38

2. Select REVERSING or NONREVERSING cylinder rotation setting.

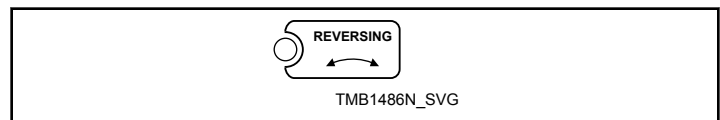


Figure 39

3. Press START pad to start tumble dryer.

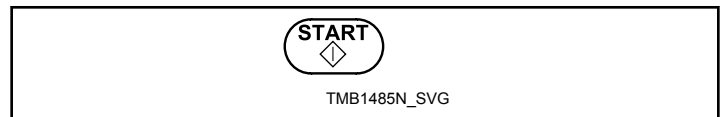


Figure 40

NOTE: All pads can be pressed in any sequence without damaging control or tumble dryer. To stop the tumble dryer at any time, open the door or press STOP/RESET.



Figure 41

NOTE: The window display will flash. Press STOP/RESET twice (within three seconds) to end the cycle and reset the control to idle status. To restart the tumble dryer, CLOSE door and press START pad.

IMPORTANT: If the loading door or lint panel door is opened during the cycle, the heating system will shut off and the motor will stop. To restart the cycle, both doors must be closed and START pad must be pressed.

- When the cycle is complete, open door and remove the laundry.

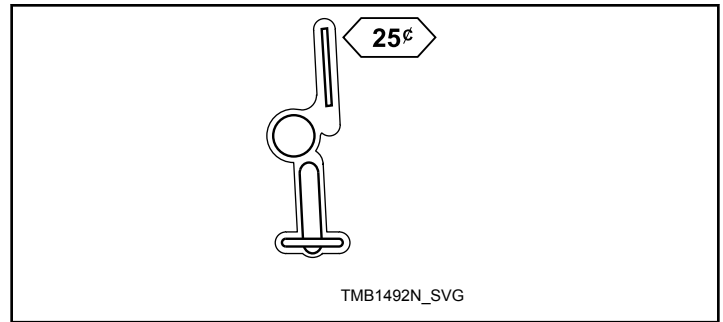


Figure 43

- Press START button to start tumble dryer.

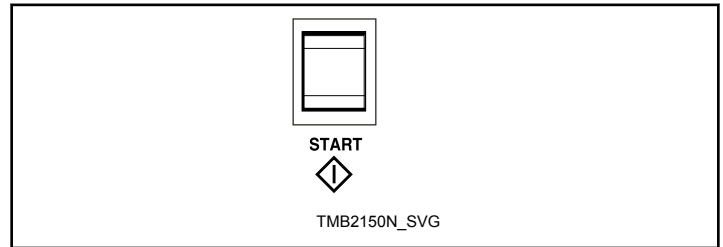


Figure 44

IMPORTANT: To stop the tumble dryer at any time during the cycle, OPEN DOOR. To restart the tumble dryer, CLOSE door and press START button.

- When the cycle is complete, open door and remove the laundry.

	WARNING
To prevent the risk of fire, remove laundry immediately in case of power failure.	
W779	

NOTE: This machine includes an anti-wrinkle/ extended tumble feature. After the drying cycle is complete, the cylinder will tumble without heat every few minutes. The intermittent tumbling will continue for one hour or until the door is opened.

	WARNING
To prevent the risk of fire, remove laundry immediately in case of power failure.	
W779	

NOTE: This machine includes an extended tumble feature. Starting 20 minutes after a cycle ends, the cylinder will tumble for two minutes every hour without heat, up to 18 hours or until door is opened.

Single Drop Control

SD and SX Control Suffixes

- Select HIGH, MED, LOW or NO HEAT by turning the temperature knob.

HIGH	Temperature 190°F [88°C]
MED	Temperature 160°F [71°C]
LOW	Temperature 130°F [54°C]

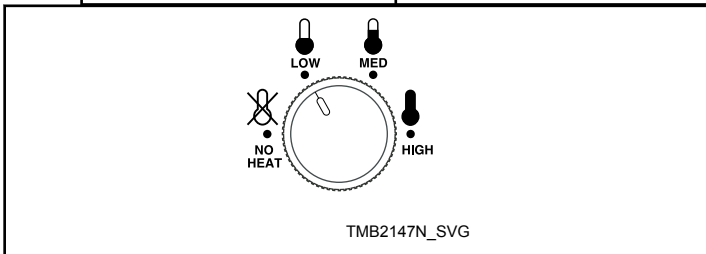


Figure 42

- Insert the coin(s) in the coin slot.

MDC Coin and Card Control

BB, BC, BG, BK, BL, BW, BX, BY and BZ Control Suffixes

- Select temperature by pressing the appropriate temperature pad.

HIGH	Temperature 190°F [88°C]
MED	Temperature 180°F [82°C]
LOW	Temperature 160°F [72°C]
DELICATES	Temperature 130°F [54°C]

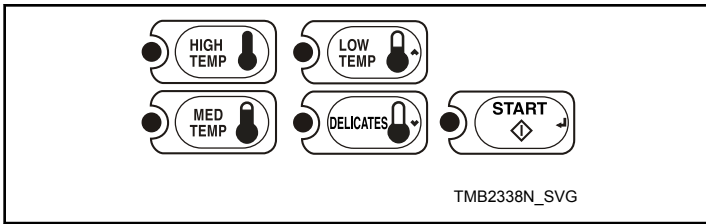


Figure 45

2. Insert the coin(s) in the coin slot, or the card into the opening.

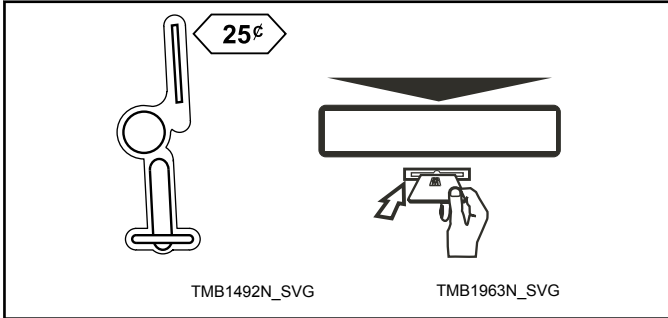


Figure 46

3. Press START pad to start tumble dryer.

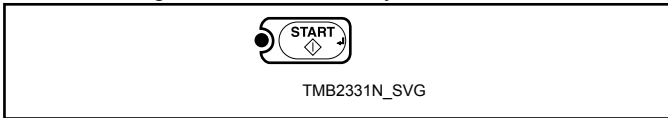
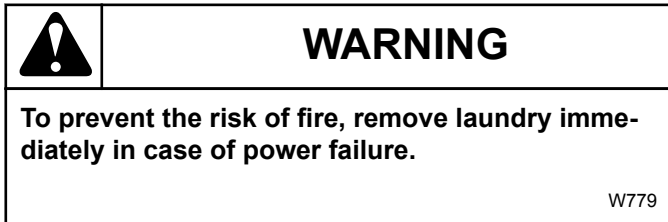


Figure 47

IMPORTANT: To stop the tumble dryer at any time during the cycle, OPEN DOOR. To restart the tumble dryer, CLOSE door and press START pad.

4. When the cycle is complete, open door and remove the laundry.



Quantum Control

LB, LC, LK, LL, LW, LX, LY, LZ, WB, WC, WK, WL, WW, WX, WY and WZ Control Suffixes

1. Select HIGH, MED, LOW, NO HEAT or DELICATES by pressing the appropriate temperature pad.

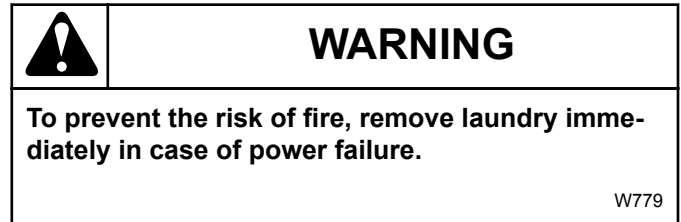
HIGH	Temperature 190°F [88°C]
MED	Temperature 180°F [82°C]
LOW	Temperature 160°F [72°C]
DELICATES	Temperature 130°F [54°C]

2. Insert the coin(s) in the coin slot or card into the card opening.

3. Press START pad to start tumble dryer.

IMPORTANT: To stop the tumble dryer at any time during a cycle, OPEN DOOR. To restart the tumble dryer, CLOSE door and press START pad.

4. When the cycle is complete, open door and remove the laundry.



NOTE: This machine includes an extended tumble feature. Starting 20 minutes after a cycle ends, the cylinder will tumble for two minutes every hour without heat, up to 18 hours or until door is opened.

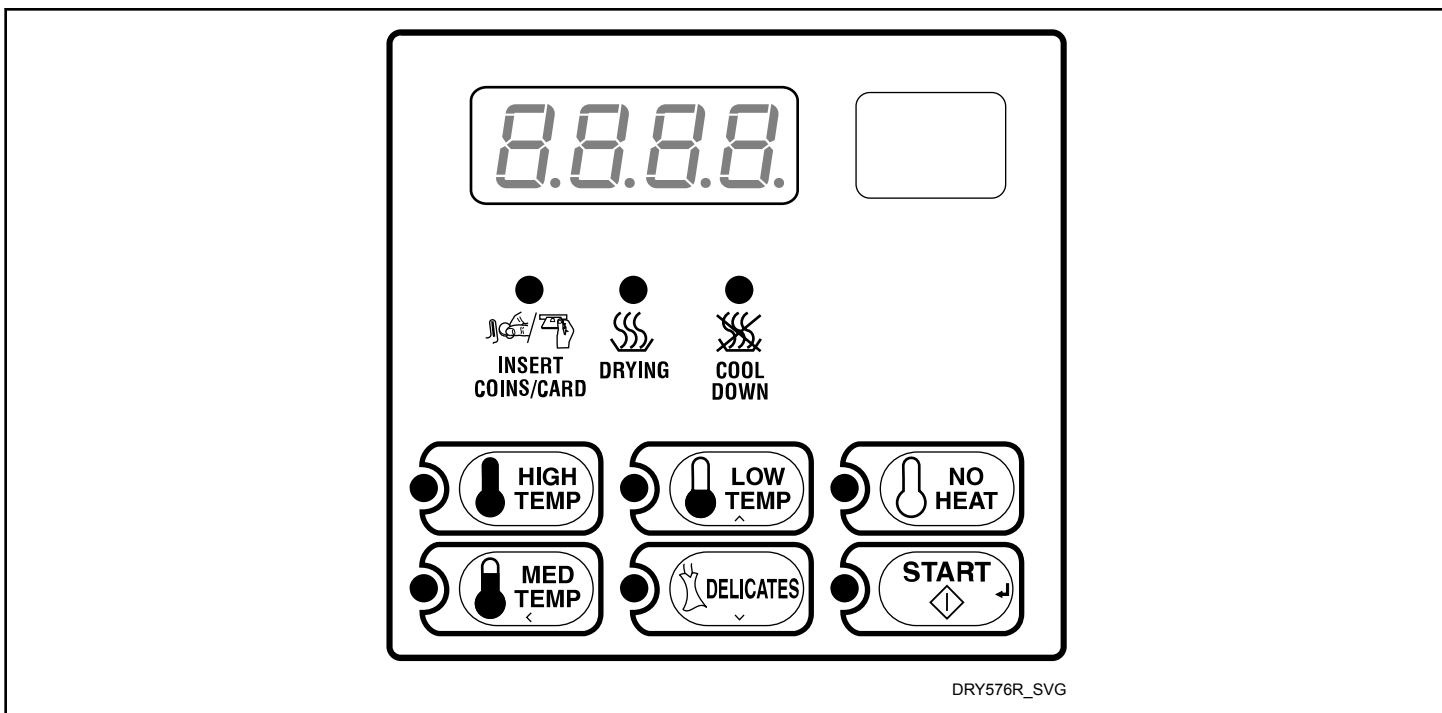


Figure 48

Galaxy 600 Control

KB, KC, KK, KL, KW, KX, KY and KZ Control Suffixes

1. Select HIGH, MED, LOW or DELICATES by pressing the appropriate temperature pad.

HIGH	Temperature 190°F [88°C]
MED	Temperature 180°F [82°C]
LOW	Temperature 160°F [72°C]
DELICATES	Temperature 130°F [54°C]

2. Insert the coin(s) in the coin slot or card into the card opening.
3. Press START pad to start tumble dryer.

IMPORTANT: To stop the tumble dryer at any time during a cycle, OPEN DOOR. To restart the tumble dryer, CLOSE door and press START pad.

4. When the cycle is complete, open door and remove the laundry.

	WARNING
To prevent the risk of fire, remove laundry immediately in case of power failure.	
W779	

NOTE: This machine includes an extended tumble feature. Starting 20 minutes after a cycle ends, the cylinder will tumble for two minutes every hour without heat, up to 18 hours or until door is opened.

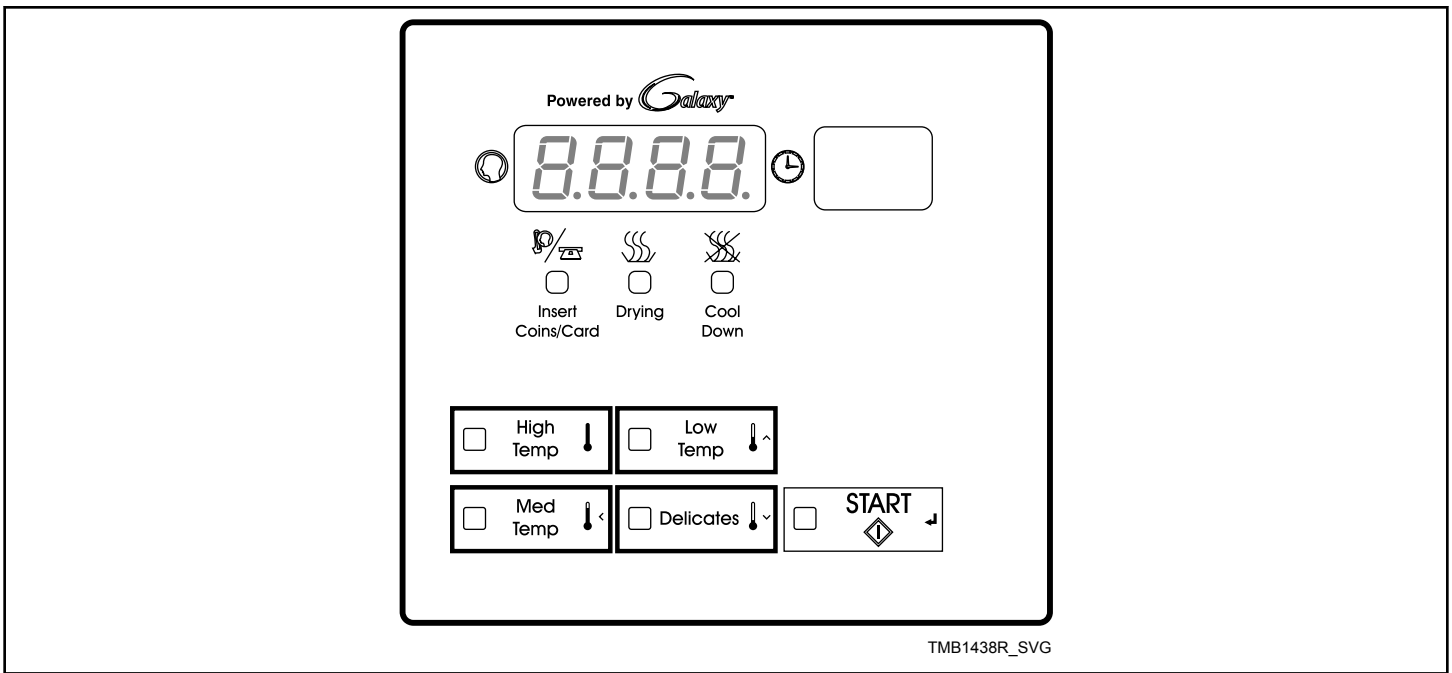


Figure 49

LED OPL Control

EO and RE Control Suffixes

1. Press the Up or Down keypad to change cycles.
To customize a cycle, refer to the Programming Manual.
2. Press START to start selected cycle.

IMPORTANT: If the loading door or lint panel door is opened during the cycle, the heating system will shut off and the motor will stop. To restart the cycle, both doors must be closed and the START pad must be pressed.

3. When the cycle is complete, open door and remove laundry.

	WARNING
To prevent the risk of fire, remove laundry immediately in case of power failure.	
W779	

NOTE: This machine includes an anti-wrinkle/extended tumble feature. After the drying cycle is complete, the cylinder will tumble without heat every few minutes. The intermittent tumbling will continue for one hour or until the door is opened. After an hour the machine enters delayed tumble and will tumble for two minutes every hour for up to 18 hours or until the door is opened.

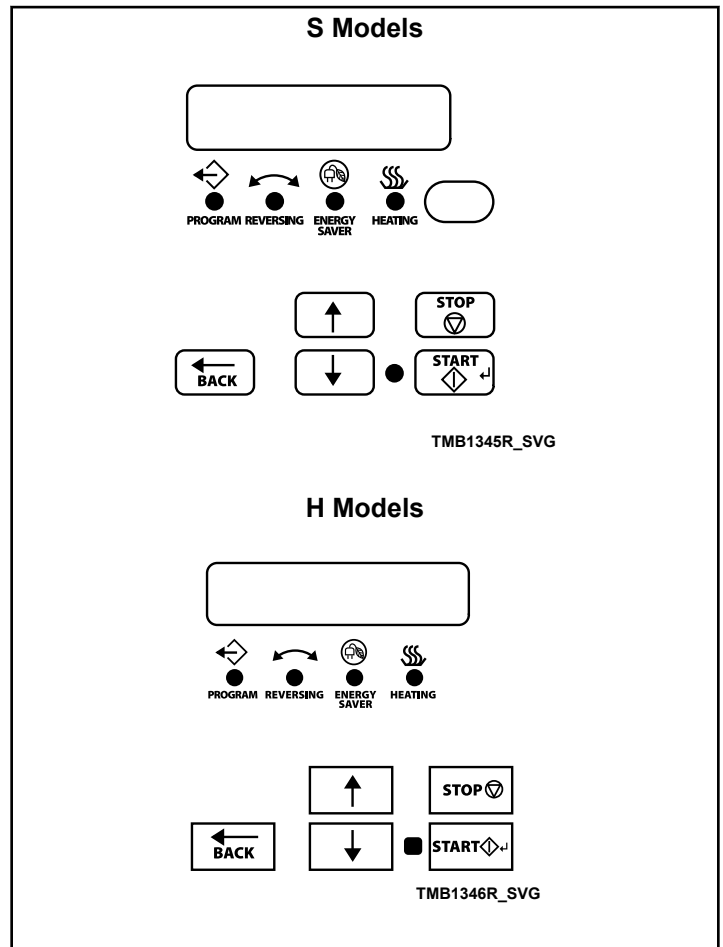


Figure 50

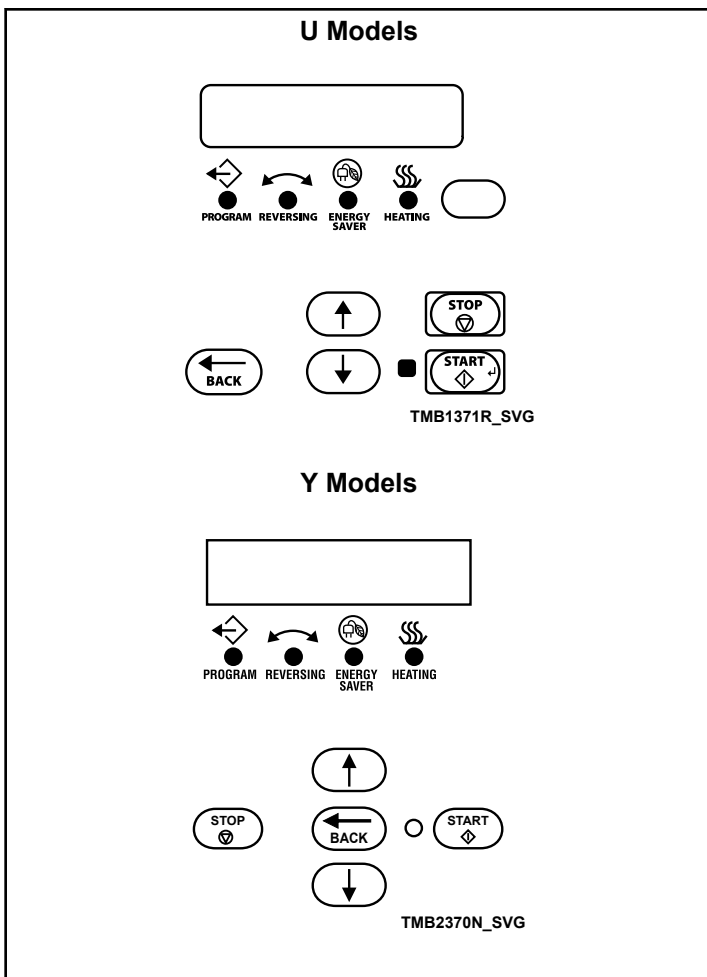


Figure 51

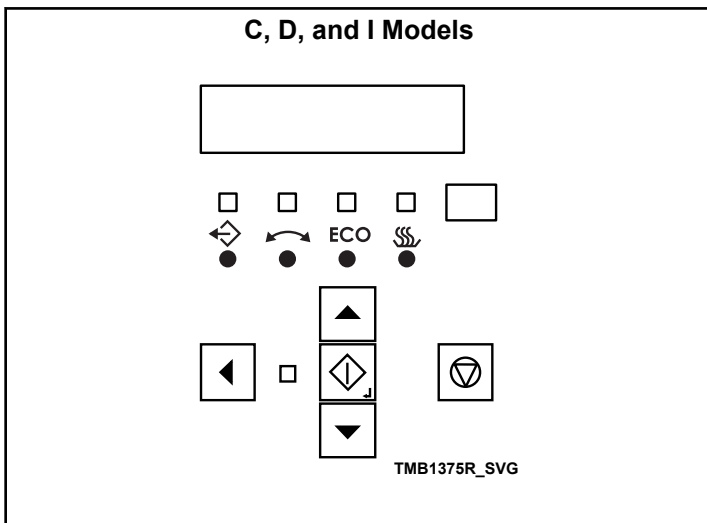


Figure 52

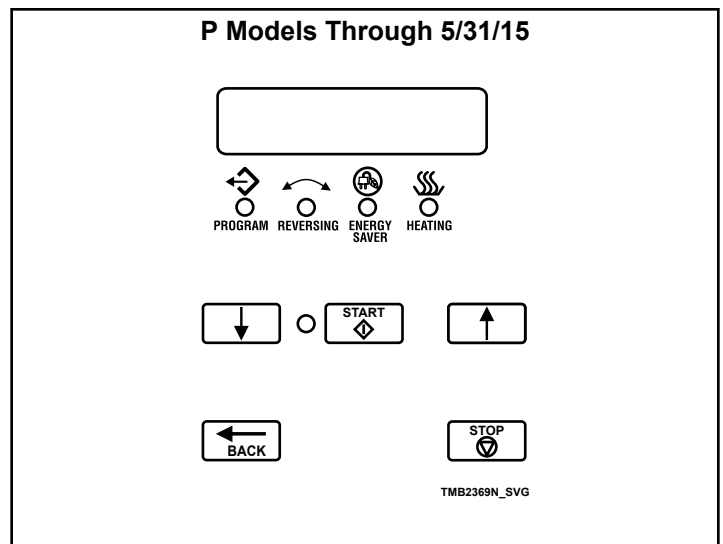


Figure 53

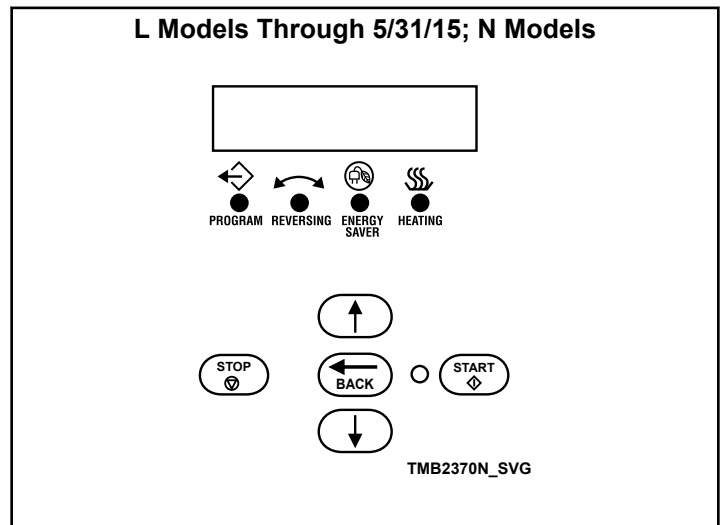


Figure 54

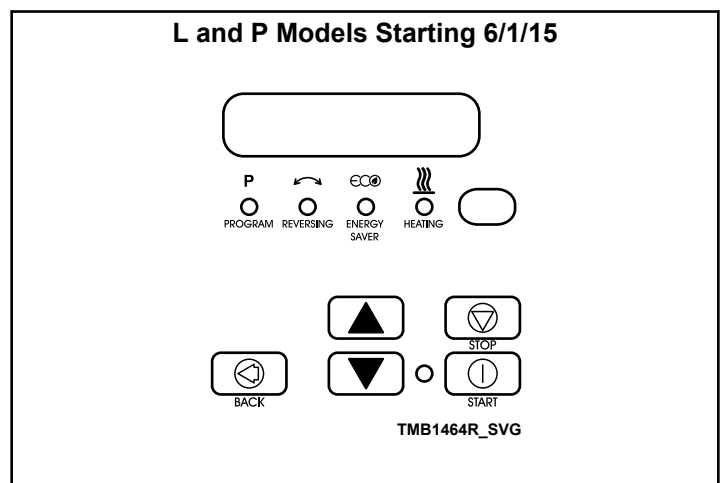






Figure 55

UniLinc Control


UO and RU Control Suffixes

1. Press the  or  keypad to change cycles. The center highlighted position is the selected cycle.
To customize a cycle, refer to the Programming Manual.
2. Press START  to start selected cycle.

IMPORTANT: If the loading door or lint panel door is opened during the cycle, the heating system will shut off and the motor will stop. To restart the cycle, both doors must be closed and the START  pad must be pressed.

3. When the cycle is complete, open door and remove laundry.

NOTE: This machine includes an anti-wrinkle/ extended tumble feature. After the drying cycle is complete, the cylinder will tumble without heat every few minutes. The intermittent tumbling will continue for one hour or until the door is opened. After an hour the machine enters delayed tumble and will tumble for two minutes every hour for up to 18 hours or until the door is opened.

	WARNING
To prevent the risk of fire, remove laundry immediately in case of power failure.	
W779	

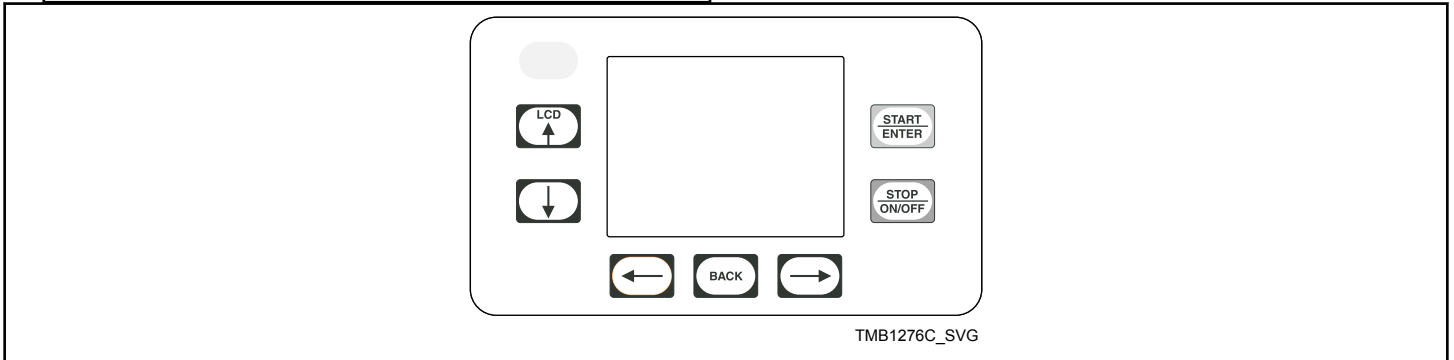


Figure 56

DX4 Coin Control

3B, 3K, 3L, 3V, 3W and 3X Control Suffixes

1. Open door and fill drum with clothes.
2. Close door.
3. Insert the coin(s) in the coin slot.
4. Press and release one of the cycle buttons to select a cycle and start the tumble dryer. Refer to *Table 15*.

To use a custom cycle, refer to the Programming Manual.

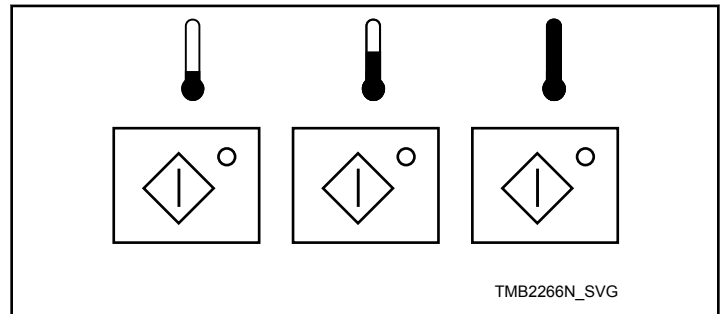


Figure 57


	Temperature	Drying Time	Cool Down Time
Left Button	104°F [40°C]	Varies	2 min.
Middle Button	140°F [60°C]	Varies	2 min.
Right Button	176°F [80°C]	Varies	2 min.

Table 15

NOTE: Drying times will be dependent on the number of coins that are inserted in the coin slot.

IMPORTANT: To stop the tumble dryer at any time during the cycle, OPEN DOOR. To restart the tumble dryer, CLOSE door and press START button.

- When the cycle is complete, open door and remove the laundry.

	WARNING
To prevent the risk of fire, remove laundry immediately in case of power failure.	
W779	

DX4 OPL Control

3O and R3 Control Suffixes

- Open door and fill drum with clothes.
- Press and release one of the cycle buttons to select a cycle and start the tumble dryer. Refer to *Table 16*.

To use a custom cycle, refer to the Programming Manual.

Diagnostic Microprocessor Control General Operation

The Diagnostic Microprocessor Control (DMP) is designed to manage the drying and cooling cycles of the tumble dryer. The controller is also programmed from the factory with five different default programs as described below. The operator has the flexibility to select the time for the drying and the cool down cycles and the drying temperature. The operator may also select either reversing or nonreversing basket action only if the tumble dryer is equipped for reversing. The operator may also reprogram the default programs. See Programming.

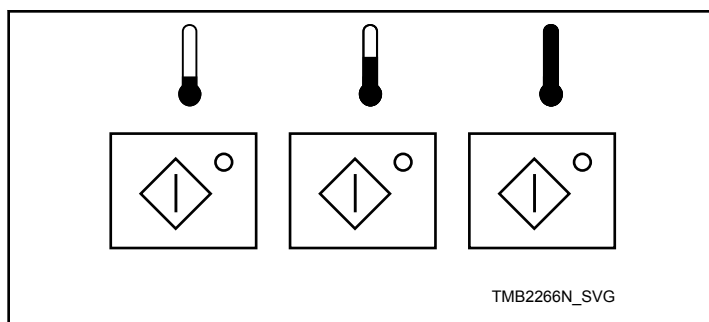



Figure 58

	Temperature	Drying Time	Cool Down Time
Left Button	104°F [40°C]	30 min.	2 min.
Middle Button	140°F [60°C]	30 min.	2 min.
Right Button	176°F [80°C]	35 min.	2 min.

Table 16

IMPORTANT: To stop the tumble dryer at any time during the cycle, OPEN DOOR. To restart the tumble dryer, CLOSE door and press START button.

- When the cycle is complete, open door and remove the laundry.

	WARNING
To prevent the risk of fire, remove laundry immediately in case of power failure.	
W779	

Default Programs	Dry Time (Min.)	Cool Time (Min.)	Temp. Set Point	Reversing
1 – Towels	40	5	185°/195°F [85°/91°C]	No
2 – Sheets	30	5	165°F [74°C]	Yes

Table continues...

Default Programs	Dry Time (Min.)	Cool Time (Min.)	Temp. Set Point	Reversing
3 – Misc-1	30	5	150°F [66°C]	No
4 – Misc-2	25	5	135°F [57°C]	Yes
5 – Extra Dry	5	2	150°F [66°C]	No

NOTE: If an altered program is determined to be corrupted, the default program settings will be used.

Features

- Drying time: 0-60 minutes
- Cooling time: 2-60 minutes
- LED display of cycle time, set temperature, and actual temperature
- Thermistor controlled temperature
- Safety tumble cycle
- Buzzer for end of cycle, audible alarm
- Reversing/Nonreversing selection
- Five user programmable programs
- RPM display – when equipped with rotational sensor only
- Monitors the lint door switch operation
- Monitors the thermistor for operation

The minimum drying time is 0 minutes, and the minimum cooling time is 2 minutes. The maximum drying or cooling time is 60 minutes. The drying temperature may be set from 100°F [38°C] to 185°/195°F [85°/91°C]. The drying time, cooling time, or temperature may be modified during an operating cycle.

If it is necessary to reset the drying and cooling times for the current cycle, press STOP once to stop the tumble dryer. Press STOP again to cancel the cycle.

If it is necessary to change programs during a current cycle, press STOP once to stop the tumble dryer and press STOP again to cancel the current cycle.

Programming

1. Set DIP switch #8 to the ON position.
2. Select the desired program number to change. The LED should be flashing.
3. Select DRY TIME. Set the time with the Up/Down arrows.
4. Select COOL TIME. Set the time with the Up/Down arrows.
5. Select TEMPERATURE. Set the temperature with the Up/Down arrows.

6. Select reversing REV (illuminated) or nonreversing REV (not illuminated). To change basket direction and dwell time, see Reversing Operation.
7. Press and hold the Program Select button about 3 seconds until the LED stops flashing. The selected program number is now programmed. If the Program button is pressed for less than 3 seconds, the controller will cancel the program and display the next program’s settings. If not programmed correctly, the display will flash “E2F” for 4 seconds, and the default settings will be used. Follow steps 4 through 7 to reprogram any program number. When finished, set DIP switch #8 to OFF. The programs are now stored.
8. During the Program Mode, if the Up/Down arrows, REV, or Display button is not pressed within 10 seconds, the default program settings will be used.
9. Temporary Reprogramming of Current Programs (OPL ONLY).
10. The Drying Time, Cooling Time, Temperature, and Reversing Mode of a program currently in use may be modified simply by adjusting any or all of the program parameters for that program, as needed. Once a modification has been made, the current program LED will flash indicating that it has been modified.
11. Use the Up/Down arrows to adjust program time.
12. Use the Display Select button to choose between Drying Time, Cooling Time, and Temperature. Then use the Up/Down arrows to adjust the times and temperature.
13. Toggle between reversing REV (illuminated) or nonreversing REV (not illuminated). (Only for tumble dryers with the reversing option.)
14. To cancel this temporary programming mode push the STOP button once to stop the current cycle and once more to cancel the modified program settings. The program will revert back to its original settings.

Reversing Operation

1. When the LOCAL reversing operation is selected, the reversing times are stored in the EEPROM which is located on the controller board. If the values stored are determined to be invalid, the clockwise and counterclockwise times will default to 60 seconds, and the dwell time will default to 4 seconds.
2. The reversing time program has the following sequence: (1) clockwise time, (2) dwell time and (3) counterclockwise time.
3. To program new reversing times DIP switches #3 and #8 must be on.
4. Press and hold the reverse button (REV) for 3 seconds to display the clockwise time.
5. Use the Up/Down arrows to set the clockwise time within the range of 30-120 seconds.
6. Press REV to display the dwell time.
7. Use the Up/Down arrows to change the dwell time within the range of 3-10 seconds.
8. Press the REV button to display the counterclockwise time.

9. Use the Up/Down arrows to change the counterclockwise time within the range of 30-120 seconds.
10. Press the REV button to save these settings and leave DIP switch #3 in the ON position and flip DIP switch #8 to the OFF position.

When the DMP controller is retrofitted to an existing tumble dryer with the reversing feature, off board reversing will be required and DIP switch #3 on the DMP must be in the OFF position and the DMP must be connected to the Reversing Timer Board for proper operation. The DMP settings for clockwise, dwell, and counterclockwise times are no longer valid when used with the Reversing Board. Instead these settings are made on the Reversing Timer Board.

Rotation Sensor

The rotation sensor must “read” the key on the basket shaft or pulley. The sensor must be set approximately 1/4 inch from the key or pulley. Look for the light on the sensor to come on as the key passes the sensor; this is a correctly operating sensor. If no light appears, either the sensor is out of range or the key/pulley or

DMP OPL Models

DO and RD Control Suffix

the sensor is bad. In addition, if the light stays on continuously, then the sensor is too close to the component or the sensor is bad.

Safety Tumble/Anti-Wrinkle

At the end of the cool down cycle, the tumble dryer will stop and display “END.” The DMP control will automatically rotate the basket for 5 seconds every 2 minutes for a total of 20 minutes, until some function of the tumble dryer is activated/deactivated by the user.

Operational Check for the Board Diagnostics

1. “dor” indicates that the loading or lint door is open.
2. Cycle the tumble dryer to check if the buzzer activates.
3. “P-F” indicates that the thermistor is short circuited or open circuited.
4. “bbt” indicates a broken belt condition or a faulty rotation sensor. (Only available on tumble dryers with the rotation sensor.)
5. Hold the START button to display the drum RPM’s; the display will read “r##” where ## are the RPM’s. (Only available on tumble dryers with the rotation sensor.)

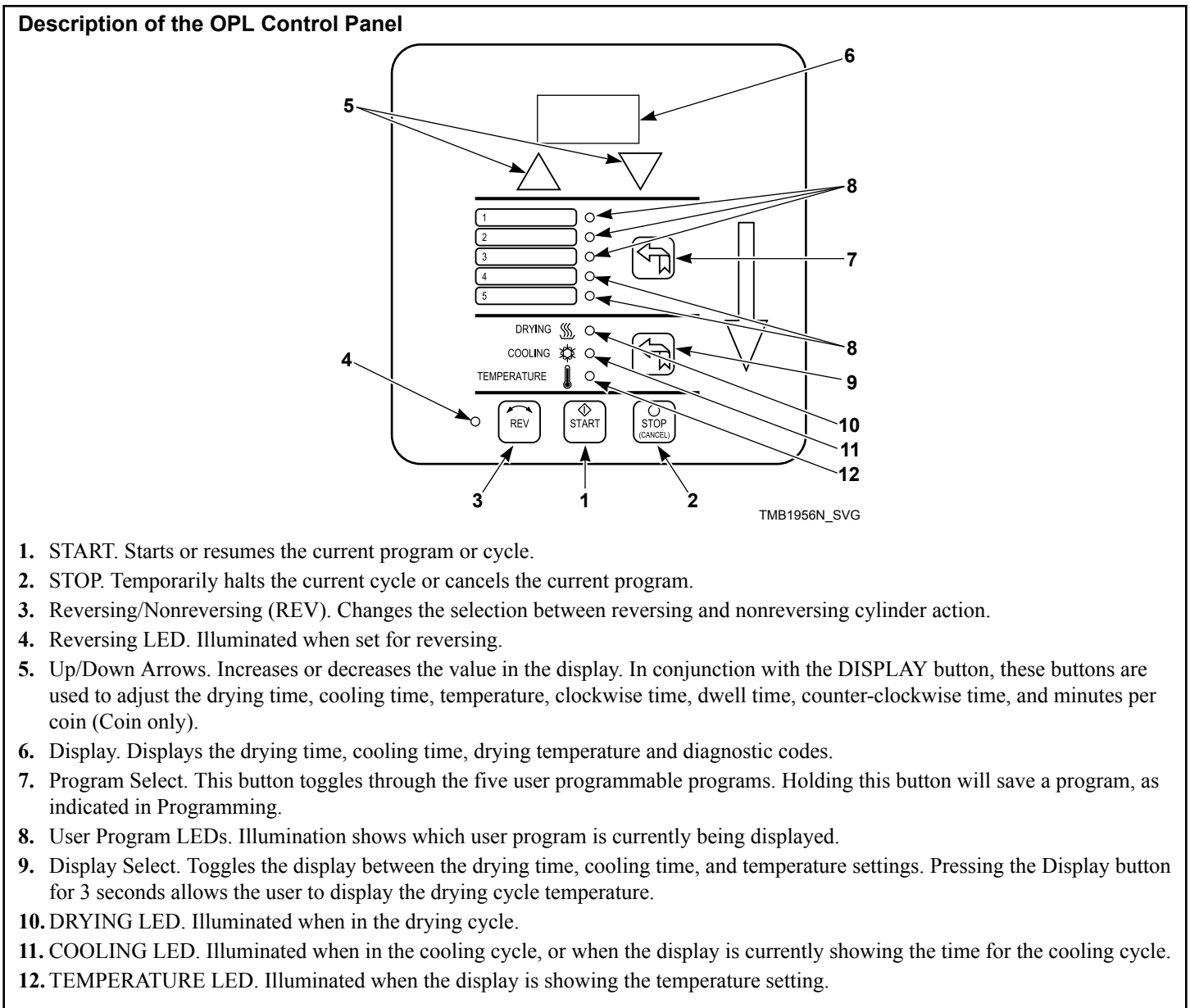


Figure 59

The DMP has an 8 position DIP switch bank that is accessible from the back of the control board. By switching these DIP

switches, it is possible for the operator to customize the display and some of the operating features of the tumble dryer.

Function	OPL		Coin		
	OFF	ON	OFF	ON	
1	Tumble dryer Type	OFF	ON		OPL=Off; Coin=On
2	Temperature Units	OFF	OFF		°F=Off; °C=On
3	Local/Remote Reversing	ON	ON		Local=On; Remote=Off

Table continues...

Function	OPL	Coin				
4	Empty	ON	ON	Always ON		
5	Empty	ON	ON	Always ON		
6	Buzzer Timer	ON	ON	5 Sec=Off; Continuous=On		
7	Safety Tumble (OPL) or Coin Count/Pay (Coin)	ON	OFF	#1	#7	DIP SWITCH
				OFF	ON	SAFETY TUMBLE
				OFF	OFF	NO SAFETY TUMBLE
				ON	ON	COIN COUNT
				ON	OFF	PAY
8	Programming	OFF	OFF	Disable=Off; Enable=On		

DIP Switch Functions Explained

1. Tumble dryer Type: This DIP switch selects the type of tumble dryer, i.e., OPL or Coin.
2. Temperature Units: Selects °F or °C for the temperature display. Factory setting is for °F.
3. Local/Remote Reversing: Preset at the factory; usually for local reversing. Remote reversing for use with Reversing Timer Board only.
4. Empty: Preset at the factory; always ON.
5. Empty: Preset at the factory; always ON.
6. Buzzer Timer: This DIP switch determines the length of time that the end of cycle buzzer will remain on. "OFF" indicates

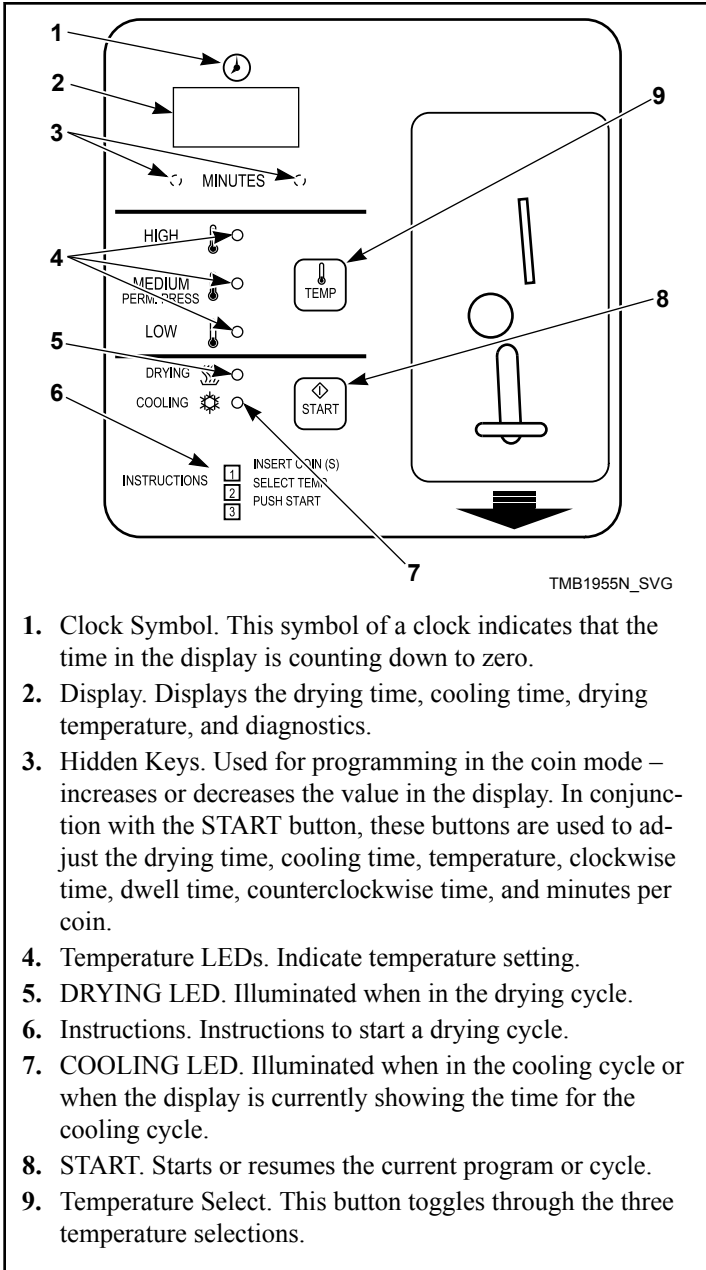
that the buzzer will sound for 5 seconds when the drying cycle is completed. "ON" indicates that the buzzer will sound continuously until the STOP button is pressed or the loading door is opened.

7. Safety Tumble (OPL) or Coin count/Pay (Coin): If DIP switch #1 is set for OPL, then DIP switch #7 in the ON position enables the safety tumble. If DIP switch #1 is set for Coin, then DIP switch #7 in the ON position enables the display of the coin count. DIP switch #7 in the OFF position enables the display of "PAy", to indicate that coins are needed to run the tumble dryer.
8. Programming: This switch enables or disables the programming feature and should normally be in the OFF position.

DMP Coin

DV and DX Control Suffixes

Description of The Coin Control Panel



1. Clock Symbol. This symbol of a clock indicates that the time in the display is counting down to zero.
2. Display. Displays the drying time, cooling time, drying temperature, and diagnostics.
3. Hidden Keys. Used for programming in the coin mode – increases or decreases the value in the display. In conjunction with the START button, these buttons are used to adjust the drying time, cooling time, temperature, clockwise time, dwell time, counterclockwise time, and minutes per coin.
4. Temperature LEDs. Indicate temperature setting.
5. DRYING LED. Illuminated when in the drying cycle.
6. INSTRUCTIONS. Instructions to start a drying cycle.
7. COOLING LED. Illuminated when in the cooling cycle or when the display is currently showing the time for the cooling cycle.
8. START. Starts or resumes the current program or cycle.
9. Temperature Select. This button toggles through the three temperature selections.

Figure 60

Coin Keypad Interface

- START button to start or resume a cycle.
- TEMP button to select HIGH, MEDIUM, or LOW temperature.
- Two hidden buttons to increment or decrement the programmable time and temperature options.

Power-Up

Upon applying power to the tumble dryer, the display will show “PAy” and the DRYING and COOLING LEDs will be off until coins are deposited to increase the tumble dryer run time. When

time is displayed, the default (LOW) temperature setting LED will be on until a different temperature setting is selected.

Power Failure

If a power loss occurs during operation, a cycle will not resume until the START button is pressed. To cancel the remaining cycle, press the internal CLEAR button.

Coin Operation

The tumble dryer run time is determined by the pre-programmed run time per coin and the number of coins deposited into the tumble dryer. The maximum time that can be accumulated and displayed is 99 minutes. The drying time is the difference between the run time and the cooling time. The cooling time is pre-programmed to be 2 to 5 minutes. The drying temperature can be selected from LOW, MEDIUM, or HIGH temperature settings by pressing the TEMP button.

Coin Programming

The Coin board programming mode can only be entered when “PAy” is displayed. DIP switch #7 must be in the off position.

Programming is enabled by setting DIP switch #8 to the ON position.

The programming mode is entered by pressing and holding the CLEAR button for three seconds.

The programming follows the following parameter order:

1. Tumble dryer run time per coin (DRYING), COOLING time, HIGH temperature setpoint, MEDIUM temperature setpoint, LOW temperature setpoint.
2. An LED will be on to indicate which parameter is flashing on the display.
3. The hidden front panel increment and decrement keys are used to change the value.
4. The CLEAR button is used to recall the default value.
5. The START button is used to step to the next parameter.
6. After the last parameter, “End” will be flashing.
7. Press the START button one last time to store the settings and exit the program mode.
8. “PAy” will be displayed.
9. If it is determined that the data did not program correctly, the error message “E2F” will flash for 4 seconds, and then the default coin parameters will be used.

The tumble dryer run time per coin is programmable for 1 to 20 minutes with the default preset to 10 minutes.

The cooling run time is programmable from 2 to 5 minutes with the default preset to 2 minutes.

The three temperatures setpoints are programmable for 100°F [38°C] to 185°/195°F [85°/90°C] with the following default settings:

- HIGH equal to 185°F [85°C]
- MEDIUM equal to 150°F [66°C]

- LOW equal to 135°F [57°C]

Stop

When in the Coin mode, the tumble dryer will stop if the tumble dryer door is opened while the tumble dryer is running. If the CLEAR button, located behind the board, is pressed, the tumble dryer will stop, the tumble dryer time will be zeroed and the display will show “PAy”.

Coin Count

The unit will count the number of coins deposited.


Setting DIP switch #7 to the ON position will display the coin count since it was the last reset.

To reset the count, press the CLEAR button and “00” will be displayed.

If the coin count is greater than “999”, the display will flash “999”.

Setting DIP switch #7 to the OFF position will return the display to “PAy”.

Ignition Control Operation and Troubleshooting for Models Starting 3/11/13

	WARNING
<p>70458601 and 70458701 controls cannot be serviced by the user. If any control failures are detected, the controls must be replaced by qualified service personnel. Risk of explosion or fire can result if the control module has been opened or with any attempts to repair it and the warranty is void.</p>	
W818	

Before troubleshooting the system, check the following items:

Troubleshooting

Troubleshooting Guide	
Symptom	Probable Cause
Control in Lockout Mode (70458701 Control Only)	Manual reset of the control is needed. Reset by pushing red lockout button or use front end control.
Control does not start, green LED is off	<ol style="list-style-type: none"> 1. 24 VAC present between 24V and ground on 70458701 only. If not, see machine schematic. 2. 24 VAC present between TH and ground. If not, see machine schematic.

Table continues...

- Verify all mechanical and electrical connections are secure and tight.

- Verify all system wiring is correct.

- Verify there is a proper system ground. The igniter, flame sensor and igniter module must share a common ground with the burner. Nuisance shutdowns are often caused by a poor or erratic ground.

- Verify that the system is powered and that the control is calling for heat.

- If the control proceeds to an error code on the red diagnostic LED, troubleshoot per the Fault conditions table below:

Fault Conditions	
LED Indication	Fault Mode
Off	Normal Operation
1 Flash	At Power Up
2 Flashes	Flame Without Call For Heat
3 Flashes	Ignition Lockout
4 Flashes (70458701 only)	Manual Reset Error
Steady On	Internal Control Failure

NOTE: The LED will flash on for 1/4 second, then off for 1/4 second during a fault condition. The pause between fault codes is 3 seconds.

Internal Control Failure

If the control detects an error in its software or hardware, all outputs are turned off and the red LED displays a steady ON condition. If this condition persists after an attempt to restart, then the control must be replaced.

Troubleshooting Guide	
Thermostat on, no spark or valve	<ol style="list-style-type: none"> 1. Cable connects to control and electrode. Voltage present at gas valve. 2. Bad control. Check red LED for steady on or flashing codes.
Valve on, no spark during TFI	<ol style="list-style-type: none"> 1. Shorted electrode. 2. Spark gap not correct. Set to .094-.156 inch. 3. High voltage cable is faulty or has a poor connection. 4. Control failure.
Spark on, no flame	<ol style="list-style-type: none"> 1. Is gas on? 2. 24 VAC at gas valve. 3. Bad control. Check voltage between gas valve terminal MV and GND on control.
Flame okay during TFI, no flame sense after TFI	<ol style="list-style-type: none"> 1. Check electrode position and cleanliness. 2. Check high voltage wire. 3. Poor ground at burner. 4. Poor flame, check flame current.
Reset failure	<ol style="list-style-type: none"> 1. Reset switch was pressed too long. Try to reset again. 2. Reset switch is shorted. Replace switch.

Proper Electrode Location

Proper location of the electrode assembly is important for optimal system performance. The electrode assembly should be located so that the tips are inside the flame envelope and about 1/2 inch [1.2 cm] above the base of the flame. Refer to *Figure 61*.

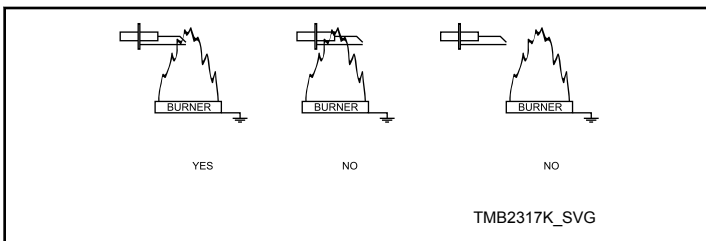


Figure 61

Flame Current Measurement

Flame current is the current that passes through the flame from sensor to ground. To measure flame current, connect a True RMS or analog DC micro-amp meter to the FC+ and the FC- terminals. The reading should be 1.0 micro-amps DC or higher. If the meter reads negative or below “0” on the scale, the meter leads are reversed. Re-connect leads with proper polarity.

Alternately, a Digital Voltmeter may be used to measure the DC voltage between the FC+ and FC- terminals. Each micro-amp of

flame current produces 1.0 VDC, so a reading of 2.6 VDC would equate to 2.6 micro-amps.

A good burner ground that matches the control ground is critical for reliable flame sensing.

Ignition Control Operation for Non-CE Models Through 3/10/13

Power Up

When power is applied to the ignition control, the control will begin the ignition sequence within 1 – 3 seconds prepurge waiting time.

Ignition Sequence

The control begins the ignition sequence after prepurge by powering the ignitor and opening the gas valve. The ignitor will remain on either until a flame is sensed or until a maximum of ten (10) seconds (10 +0/-4 sec) has elapsed. If a flame is established and lost during the 10 second period, the ignitor will be powered up again in an attempt to re-ignite the gas.

If no flame is detected within the ten (10) second ignition sequence, the control will terminate power to the gas valves, ignitor, and enter lockout within 5 seconds.

Normal Operation

Once a flame has been established, the spark igniter will stop sparking and the control will continually monitor all inputs. If the controller senses a loss of flame after flame is established, the gas valve will remain energized and sparking will commence within one second of the flame loss. If flame reattempt fails, lockout will occur within 11 seconds of initial flame loss.

Termination of Flame

Normal flame termination occurs when the thermostat has been satisfied, meaning there is no immediate need for more heat. The thermostat will disconnect power from the ignition control, which will cause the gas valve to close and the flame to go out. After a short period of time, not less than 1 second, the thermostat will cool down and close causing power to be reapplied to the ignition control. When this occurs, the control must complete the same prepurge and ignition sequence specified above.

Control Lockout

When the control locks out, the gas valve will be closed and all requests for heat will be ignored. The lockout mode may only be discontinued by interrupting power to the control or cycling the thermostat. After this occurs, the control will restart with its normal power up and ignition sequence.

Low Voltage Detection

The control will have capability for detection of a low voltage input condition. If input voltage on power up is below 19.0VAC +0.8VAC/-0.5VAC, the control will disable output to gas valve control relay. If input voltage rises above 19.8VAC for at least three (3) seconds, the control will then re-enable function of the gas valve control relay and ignition sequence may begin. On powerup, the control function must always be disabled if greater than 19.8VAC.

Ignition Control Operation for CE Models Through 3/10/13

Power Up

After 24VAC is applied to the ignition control pins 24V and GND, the Diagnostic LED on the ignition control will turn orange/yellow. If a fault is detected the ignition control will enter Lockout Mode. If no faults are detected, the Diagnostic LED will turn Green and the ignition control will enter Standby Mode.

Standby Mode

While in Standby Mode, the ignition control will continually monitor the system for faults. Once 24VAC is applied to terminals TH and GND on the control, the ignition control will enter Start Up Mode.

Start Up Mode

During Start Up Mode, the ignition control will monitor the system for faults and begin the ignition sequence. If no faults are

present, the ignition control will begin the ignition sequence by entering an 18 second waiting period. During this time the Green LED on the ignition control will switch between Red and Green, before maintaining a Green color.

After the waiting period, the ignition control will turn on the igniter and gas valve. The igniter will remain on until a flame is sensed, or up to 10 seconds.

Once a flame has been sensed the ignition control will stop sparking, the gas valve will remain on and ignition control will enter Run Mode.

If a flame is not sensed, the ignition control will then begin two additional retrials for ignition. The ignition control will re-enter the 18 seconds waiting period before the ignition control makes another attempt at ignition. If the three attempts at ignition fail, the ignition control will enter Lockout Mode.

Run Mode

While in Run Mode the ignition control leaves the gas valve on, monitors the flame signal, and leaves the igniter off.

If a flame signal is lost during Run Mode, one additional retrial for ignition will take place within one second. The ignition control will restore the spark for approximately 10 seconds. If the ignition re-attempt fails, the ignition control will enter Lockout Mode.

The ignition control will remain in Run Mode until 24VAC is removed from terminals TH and GND on the control.

Termination of Flame

The flame will go out when power is removed from ignition control. The ignition control will turn off the gas valve and enter Standby Mode.

Lockout Mode

When Lockout Mode is entered, the ignition control will remove power to the gas valve, the igniter will turn off, the Lockout/Reset Light will turn on, and the Diagnostic LED will display the appropriate Error Code.

Lockout Manual Reset

Lockout Mode is cleared by pressing an external reset switch for three seconds. The ignition control will clear all error codes and enter Standby Mode. During Lockout Manual Reset, the Diagnostic LED on the ignition control flashes red and orange, and the Reset Light remains on until the ignition control is reset. After the Reset Light turns off, stop pressing the switch. Holding the reset for three seconds after lockout has been cleared will cause a fault and result in entering Lockout Mode again.

System Tests

The following system tests are performed during normal operation. System tests are performed at a minimum of every 24 hours.

Low Voltage Detection

If the voltage between terminals TH and GND on the control is below 18.75VAC +/- 0.75VAC for more than 3 seconds the ignition control will turn off the gas valve and will not attempt to spark. The Diagnostic LED will display Error Code 5. The ignition control will not enter Lockout Mode if a low voltage condition is detected, but will enter Standby Mode and wait for the low voltage condition to be cleared.

If the voltage between terminals TH and GND on the control rises above 19.75VAC +/- 0.1VAC for at least 3 seconds, the ignition control will then enter Start Up Mode.

Low Voltage Detection test is disabled during Run Mode.

Gas Valve

The ignition control verifies that the gas valve is connected. Failure of this test results in the ignition control entering Lockout Mode with the Diagnostic LED displaying Error Code 2.

Flame Probe Tests

The Unexpected Presence of Flame test is performed when no flame is expected. Failure of this test results in the ignition control entering Lockout Mode with the Diagnostic LED displaying Error Code 3.

During the Flame Monitoring test, the flame is checked to ensure the gas is being burned when the gas valve is on. Failure of this test will result in the ignition control entering Lockout Mode with the Diagnostic LED displaying Error Code 3.

Diagnostic LED (DGN LED)/Error Codes

The Diagnostic LED or DGN LED is located by the power connector on the ignition control. Refer to *Figure 62*. The Diagnostic LED will indicate the status of the ignition control. Refer to *Table 17*.

LED Color	Description
Orange-Yellow	Initialization
Green	Standby/Normal Operation
Red	Fault Indication Code

Table 17

The Diagnostic LED will flash error codes one half second on and one half second off. Error codes are separated by a one second pause before the code is repeated.

Error Code	DGN LED status	Fault Type
1	Red	Ignition Control Internal Failure
2	2 Red Flashes	Gas Valve Not Connected
3	3 Red Flashes	Ignition/Flame Sense Failure
4	4 Red Flashes	Reset Switch is Shorted
5	Slow Red and Green Flashes	Low Voltage Detection
6	Fast Red and Orange Flashes	Ignition Control is in Reset Delay


TMB2176N_SVG

1. Diagnostic (DGN) LED

Figure 62

Adjustments

Adjustments

	WARNING
<p>To reduce the risk of electric shock, fire, explosion, serious injury or death:</p> <ul style="list-style-type: none"> • Disconnect electric power to the tumble dryer before servicing. • Close gas shut-off valve to gas tumble dryer before servicing. • Close steam valve to steam tumble dryer before servicing. • Never start the tumble dryer with any guards/panels removed. • Whenever ground wires are removed during servicing, these ground wires must be reconnected to ensure that the tumble dryer is properly grounded. 	
W002R1	

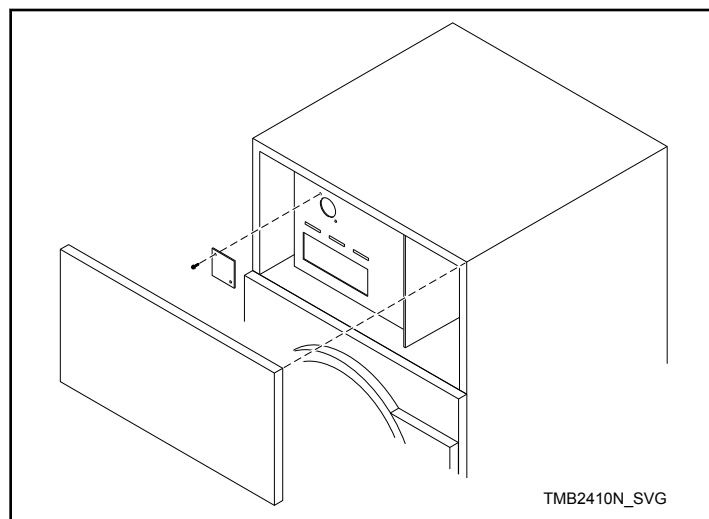


Figure 63

Gas Burner Air Shutter

NOTE: Air inlet shutters on the burner must be adjusted so sufficient air is metered into the system for proper combustion and maximum efficiency. Before adjusting the inlet shutters be sure that all lint is removed from lint compartments and lint screen.

Air shutter adjustments will vary from location to location and will depend on the vent system, number of units installed, make-up air and line gas pressure. Opening the shutter increases the amount of primary air supplied to the burner while closing the shutter decreases the primary air supply. Adjust air shutter as follows:

Refer to *Figure 63*.

1. Open the upper front access panel and remove the burner inspection hole plate.

2. Start the tumble dryer and check the flame pattern. If the flame pattern is straight up, insufficient air is flowing through the tumble dryer. A flame pattern that flares to the right and left indicates no air is flowing through the tumble dryer. Correct air and gas mixture is indicated if the flame pattern is primarily blue, with small yellow tips, and bends to the right of the heater section. Too little air is indicated if the flame is yellow, lazy and smokey. (A whistling sound from burner could also be caused by an improper air shutter setting.)
3. To adjust the air shutter, loosen air inlet shutter adjusting screw.
4. Open or close air shutter as necessary to obtain proper flame intensity.
5. After air shutter is adjusted for proper flame, tighten air shutter adjusting screw securely.

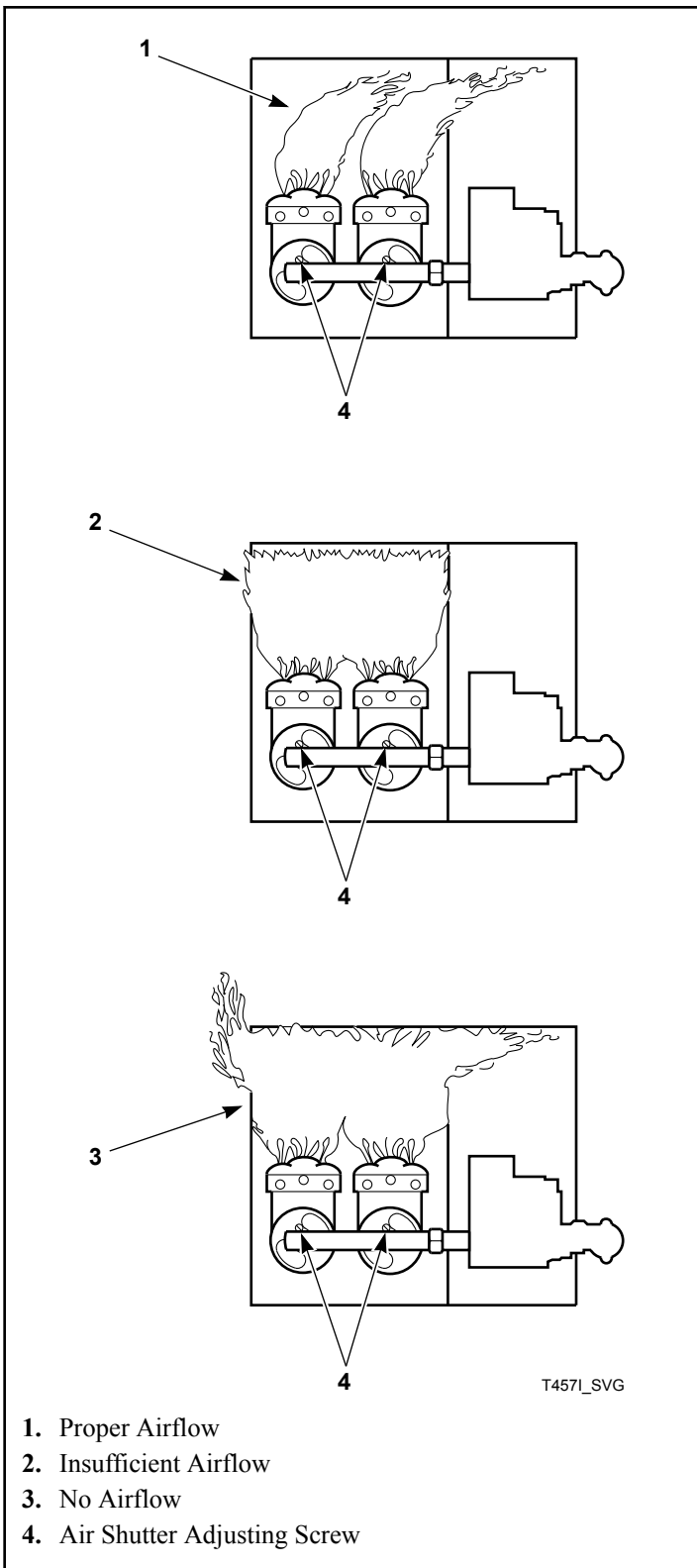


Figure 64

Airflow Switch

The airflow switch is set at the factory for proper operation. No adjustment necessary.

The airflow switch operation may be affected by shipping wire tie still in place, lack of make-up air, or an obstruction in the exhaust duct. These should be checked and the required corrective action taken.



WARNING

The tumble dryer must not be operated if the airflow switch does not operate properly. Faulty airflow switch operation may cause an explosive gas mixture to collect in the tumble dryer.

W072R1

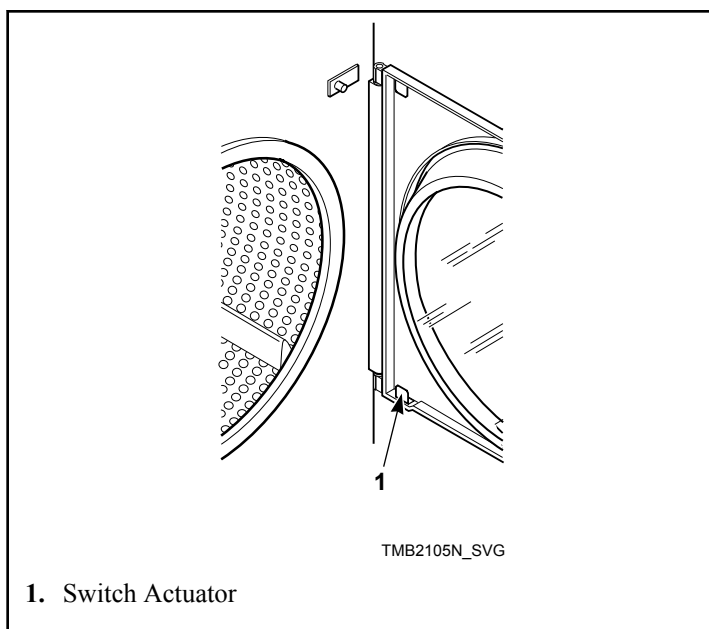
IMPORTANT: Airflow switch vane must remain closed during operation. If it opens and closes during the drying cycle, this indicates insufficient airflow through the tumble dryer. If switch remains open, or pops open and closed during the cycle, the heating system will shut off. The cylinder and fan will continue to operate even though the airflow switch is indicating insufficient airflow.

NOTE: To properly mount the airflow switch bracket, or in case of a load not drying, the airflow switch bracket may need to be checked for proper alignment. Be sure the locator pins are securely in their respective holes before tightening the bracket mounting screws. This will assure proper alignment of the airflow switch arm in the channel of the airflow switch bracket and prevent binding of the arm.

Loading Door Switch

The door switch should be adjusted so the cylinder stops when door is opened 2 inches [51 mm] plus or minus 0.25 inch [6 mm]. This switch is a normally open switch and is closed by the hinge cam when the door is closed. If adjustment is required, refer to *Figure 65* and proceed as follows:

1. Close door and start tumble dryer, slowly open loading door. Cylinder and heat system should shut off when door is open 2 inches [51 mm] plus or minus 0.25 inch [6 mm].
2. Slowly close the loading door. When door is 2 inches [51 mm] from being fully closed, the door switch actuating bracket (located on the door) should depress the button and the switch arm with an audible "click."
3. If the actuating bracket does not operate the switch at the appropriate door closure, bend the actuating switch arm in or out to achieve proper actuation.



1. Switch Actuator

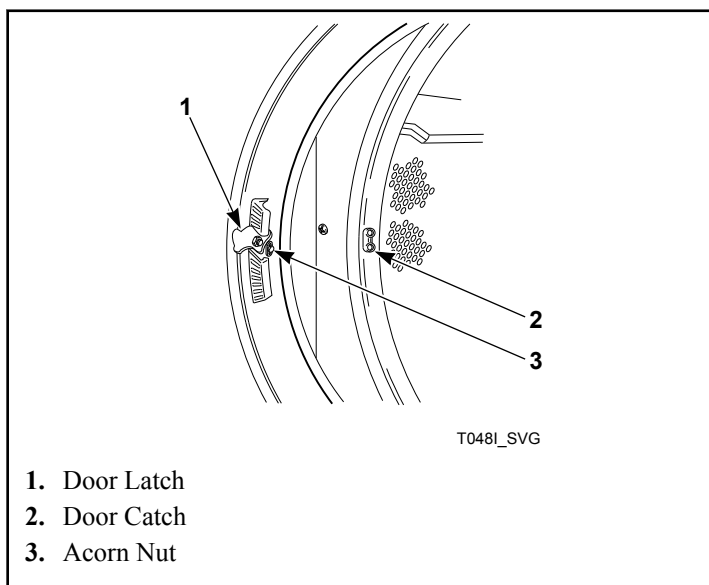
Figure 65

Loading Door Catch

The door catch must be adjusted to have sufficient tension to hold loading door closed against force of load tumbling against it. Proper adjustment is when 8-15 pounds [35.6N - 66.7N] pull is required to open door.

If adjustment is required, refer to *Figure 66* and proceed as follows:

1. Open door.
2. Loosen acorn nut.
3. Turn door strike screw in or out as required.
4. Tighten acorn nut.

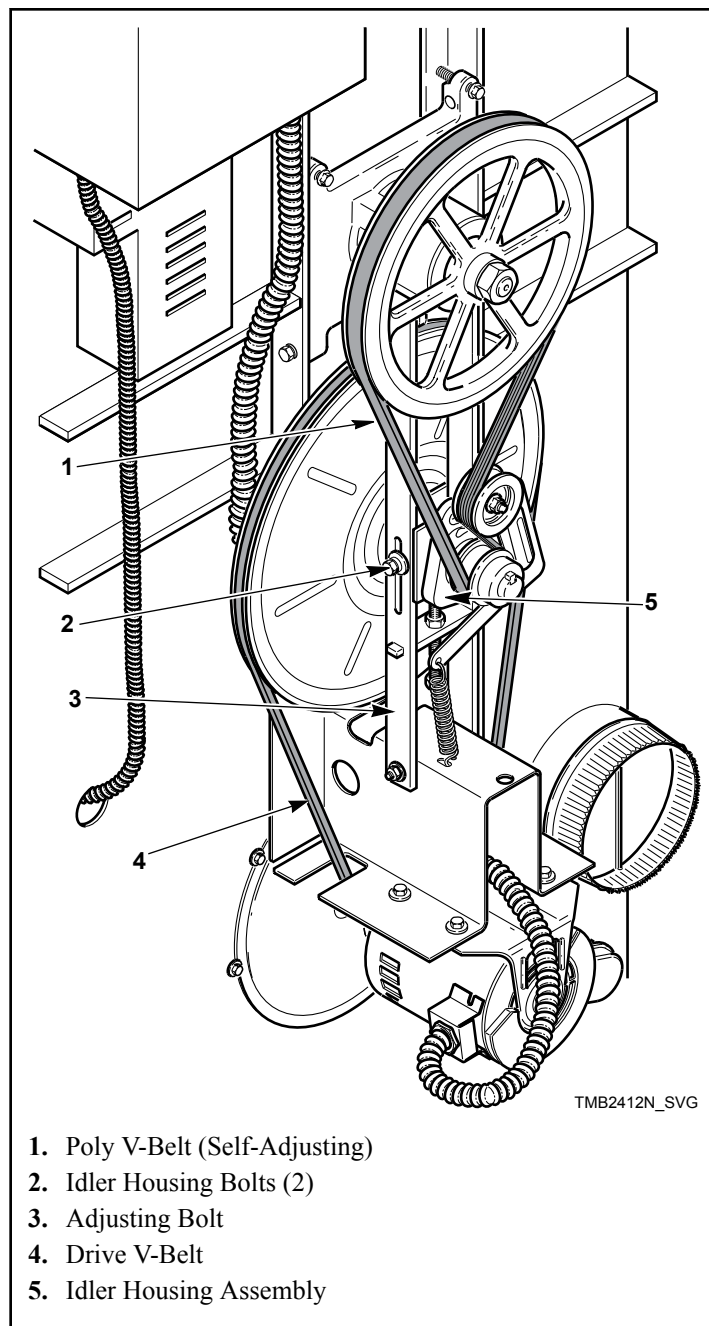


1. Door Latch
2. Door Catch
3. Acorn Nut

Figure 66

Drive Belt - Nonreversing Models

1. Remove guard from rear of tumble dryer.
2. To adjust belt tension, loosen idler housing bolts holding idler housing assembly to the guide rails.
3. Position housing assembly by turning adjusting bolt until proper belt tension is reached, then retighten idler housing bolts.
4. Replace the guard on rear of tumble dryer.



1. Poly V-Belt (Self-Adjusting)
2. Idler Housing Bolts (2)
3. Adjusting Bolt
4. Drive V-Belt
5. Idler Housing Assembly

Figure 67

Drive Belt - Reversing Models

Adjustments

Refer to *Figure 68* .

Proper tension is when the drive belt can be depressed approximately 0.5 inch [13 mm] by applying light thumb pressure [approximately 5 pounds [0.35 bar]] at a point midway between the sheave and motor pulley.

Proper tension is when each cylinder belt can be depressed approximately 0.19 inch [5 mm] by applying light thumb pressure [approximately 5 pounds [0.35 bar]] at a point midway between the sheave and the idler.

1. Remove guard from rear of tumble dryer.
2. To adjust cylinder belt tension, loosen idler housing bolts holding idler housing assembly to the guide rails.
3. Position housing assembly by turning adjusting bolt until proper belt tension is reached, then retighten idler housing bolts.

NOTE: Adjusting the cylinder belt tension will change the drive tension. Drive belt tension must also be adjusted.

4. Loosen the locking bolt.
5. Loosen the adjusting nut and use the adjusting screw to move the motor up or down.
6. Once proper belt tension is reached, retighten the adjusting nut and locking bolt.
7. Replace the guard on rear of tumble dryer.

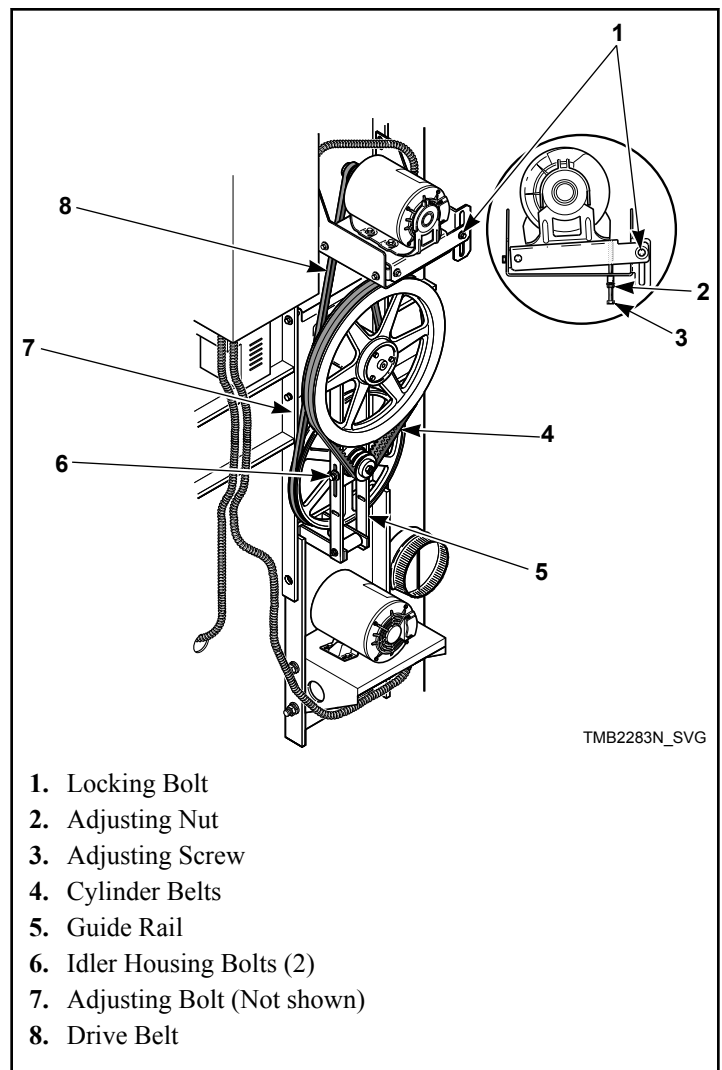


Figure 68

Maintenance

Daily

1. Inspect the area surrounding tumble dryers, remove all combustible materials, including lint, before operating the machines.
2. Check cylinder for foreign objects to avoid damage to clothing and equipment.
3. Clean lint from lint compartment and screen to maintain proper airflow and avoid overheating.



WARNING

To reduce the risk of serious injury, do not open the lint panel while the tumble dryer is in operation. Before cleaning the lint screen, open tumble dryer door and allow cylinder to completely stop.

W410R1

- a. Open the lint panel.
 - b. Remove all accumulated lint in the lint compartment area. Lightly brush any lint that may be left on the lint screen.
 - c. Be sure the lint screen is not torn.
 - d. The lint screen is designed to completely cover the entire opening in the lint screen panel. Be sure that it does so.
 - e. Wipe lint off of the cabinet high limit thermostat and thermistor. Refer to *Figure 69*.
 - f. Replace the lint compartment panel on the tumble dryer ensuring a tight fit, and lock if applicable.
4. At end of day, clean the machine's top, front and side panels with mild detergent. Rinse with clean water. **DO NOT** use products that contain alcohol on the control panel.

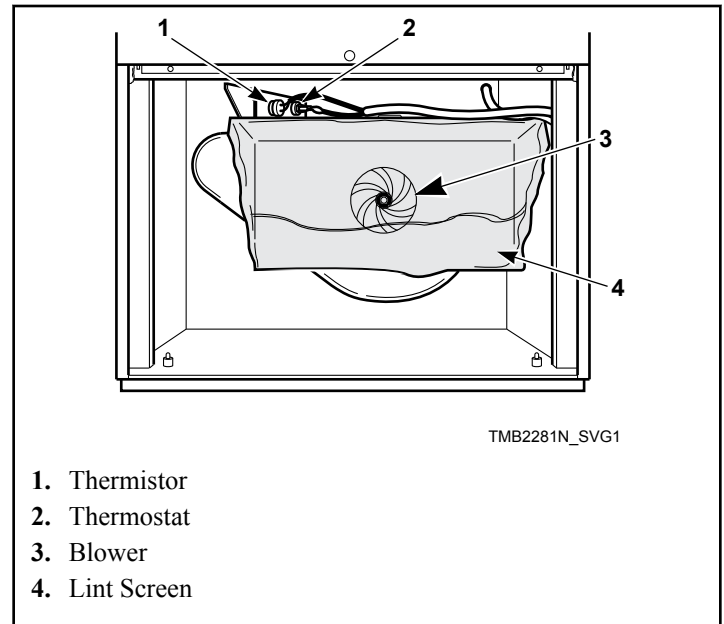


Figure 69

1. Thermistor
2. Thermostat
3. Blower
4. Lint Screen

Monthly

1. Remove lint and debris from inside exhaust duct to maintain proper airflow and avoid overheating.
 - a. Remove external duct and duct access covers, if present.
 - b. Clean inside of duct with a vacuum.
 - c. Clean dampers and make sure they operate freely.
 - d. Replace duct and all access covers before returning tumble dryer to operation.
2. Ensure even lint distribution over lint screen.
3. Carefully wipe any accumulated lint off the cabinet high limit thermostat and thermistor, including perforated cover.
4. Clean lint and debris buildup from blower to maintain proper airflow.

Quarterly

1. Use a vacuum to clean air vents on drive motors.
2. Check and clean steam coils, if applicable.
3. Check flow of combustion and ventilation air.
4. Check belt tension and condition. Replace worn or cracked belts.
5. Clean the machine's top panel with mild detergent. Rinse with clean water.
6. **Models equipped with a fire suppression system:** Perform the fire suppression system maintenance test by pressing the test button in the control box.

Bi-Annually

1. Check mounting hardware for any loose nuts, bolts or screws.
2. Check gas connections for leakage.
3. Check for loose electrical connections.
4. Check steam connections for looseness and leakage.
5. Check steam filter. Replace if dirty.
6. Remove all front panels and vacuum, including coin drop mechanisms.
7. Check cylinder and front panel seals.
8. Inspect cabinet and inner panels for any damage, replace or repair as needed.
9. Clean burner tubes and orifice area of any lint buildup.
10. **Machines equipped with a fire suppression system:** All inlet and outlet hoses should be checked for any visible signs of deterioration. Replace as necessary or every five years.
11. **Machines equipped with a heat exchanger kit:** Clean the inlet and outlet with a soft brush or clean by using hot water and, if needed, a mild detergent.

Annually

1. Remove burner tubes.
2. Clean burner tubes using water and a brush.

Fire Suppression System (Optional Equipment) Maintenance Test

NOTE: Fire suppression system only available on gas and steam models.

To ensure proper operation, the fire suppression system must be tested every three months. If the system test does not perform as indicated:

1. Discontinue use of the tumble dryer.
2. Refer to Troubleshooting Manual or contact a qualified service person.
3. Restore the fire suppression system to proper working order before using tumble dryer.

Create a maintenance record with a check box for pass, the date and a signature. Store this record in an area where it will not be damaged, but is easily accessible to person performing tests.

NOTE: Failure to maintain the fire suppression system will void the tumble dryer warranty.

NOTE: The auxiliary output is activated during the fire suppression system maintenance test sequence. Consider this fact prior to testing the system every three months. (Example – If the external system uses the auxiliary output to call the fire department, inform the fire department before and after the fire suppression system maintenance test.)

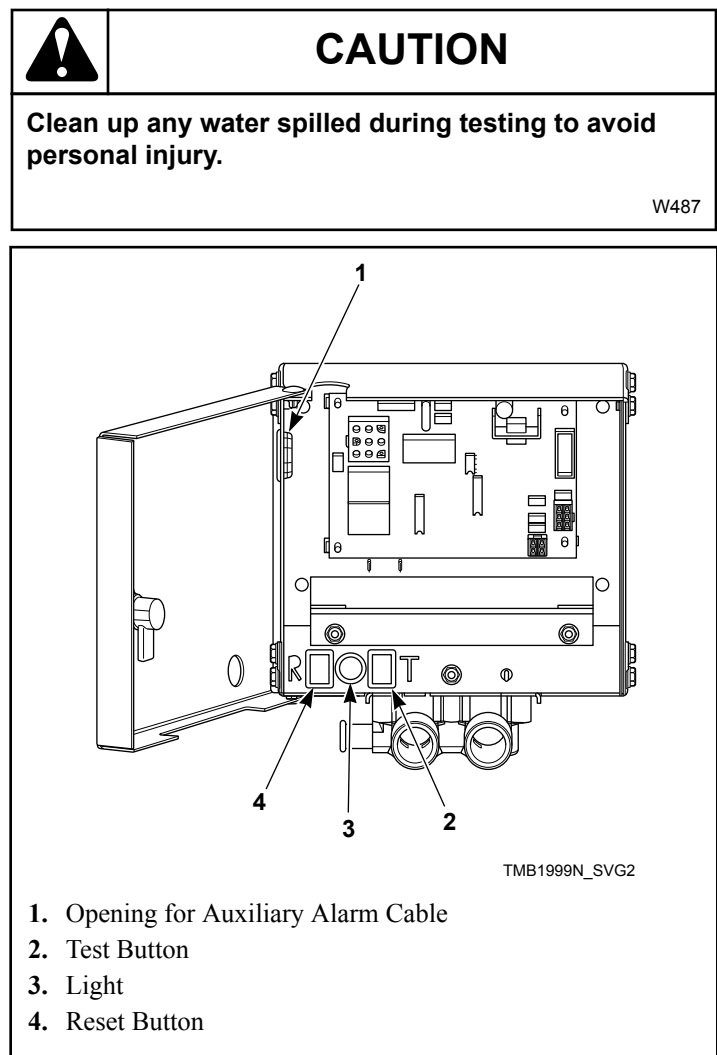


Figure 70

To perform the fire suppression system maintenance test:

1. If the auxiliary alarm output is connected to a separate alarm system, disconnect prior to performing the fire suppression system maintenance test.
2. Remove any lint from the lint compartment.
3. Ensure temperature sensors are free of lint.
4. Place a load of dry towels in the tumble dryer. Refer to *Table 18* for proper load size. Ensure the cylinder baffles are to the left and right of the spray manifold located at the center top of the cylinder.
5. Unlock the fire suppression system control box.
6. Press and hold the test button, verify the light is on, this should take approximately five seconds. Refer to *Figure 70*. After a one-second pause water should begin to spray into the cylinder.
7. After 15 seconds of water spray, press and hold the reset button until water spray is off and light is off. This should take approximately one second. Refer to *Figure 70* and *Figure 71*.
8. Immediately remove and weigh the load. Refer to *Table 18* for acceptable weight range. If less than minimum pounds in-

licated in *Table 18* , the fire suppression system has failed the maintenance test. Refer to the Troubleshooting Manual.

IMPORTANT: If the fire suppression system failed the maintenance test, DO NOT operate the tumble dryer.

	Dry Weight	Wet Weight	Minimum Weight
	lbs. [kg]	lbs. [kg]	lbs. [kg]
50	25 [11]	40-44 [18-20]	35 [16]
75	40 [18]	57-61 [26-28]	52 [24]

Table 18

9. Clean up any water on the floor.
10. Lock the fire suppression system control box.
11. If the separate alarm option is being used, reconnect the auxiliary alarm output.
12. Start the tumble dryer to dry the test load.
13. On maintenance record, check box if fire suppression system passed the test, date and sign record.

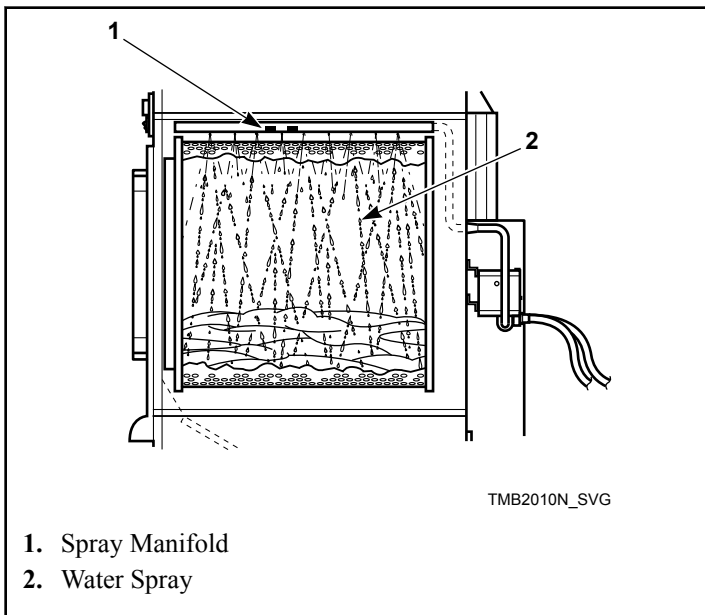


Figure 71

Before You Call for Service

Won't Start	Won't Heat	Clothes Not Dry	Possible Reason – Corrective Actions
•			Insert correct coin(s) or valid card if applicable.
•			Close the loading door tightly.
•			Close lint panel tightly.
•			Press the PUSH-TO-START or START pad/button.
•			Be sure power cord is plugged all the way into the electrical outlet and hard or direct wire connections are tight.
•			Check the main fuse and circuit breaker.
•			Check fuses located in the machine.
	•		Insufficient airflow.
	•		Gas shut-off valve in OFF position.
	•		Are controls properly set?
	•		Broken drive belt. Call the service person.
	•	•	Tumble dryer is in Cool Down Mode.
	•	•	Lint screen clogged. Clean lint screen.
	•	•	Exhaust duct to outside is blocked. Clean out.

Removing Tumble Dryer from Service

1. Turn off electrical supply external to machine.
2. Turn off electrical disconnect on machine.
3. Turn off gas supply external to machine.
4. Turn off manual gas shut-off valve on machine.
5. Turn off steam supply external to machine.
6. Remove all electric, gas and steam connections.

Disposal of Unit

This appliance is marked according to the European directive 2002/96/EC on Waste Electrical and Electronic Equipment (WEEE).

This symbol on the product or on its packaging indicates that this product shall not be treated as household waste. Refer to *Figure 72*. Instead it shall be handed over to the applicable collection point for the recycling of electrical and electronic equipment. Ensuring this product is disposed of correctly will help prevent potential negative consequences for the environment and human health which could otherwise be caused by inappropriate waste handling of this product. The recycling of materials will help to conserve natural resources. For more detailed information about recycling of this product, please contact the local city office, household waste disposal service, or the source from which the product was purchased.

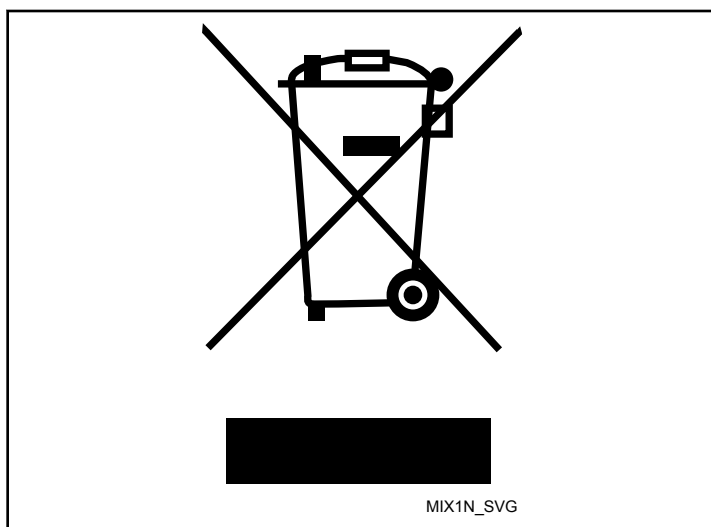



Figure 72

China Restriction of hazardous substances (RoHS)

The Table of Hazardous Substances/Elements and their Content

As required by China's Management Methods for Restricted Use of Hazardous Substances in Electrical and Electronic Products

Hazardous substances						
Part Name	Lead (Pb)	Mercury (Hg)	Cadmium (Cd)	Hexavalent Chromium (CR[VI])	Polybrominated biphenyls (PBB)	Polybrominated diphenyl ethers (PBDE)
PCBs	X	O	O	O	O	O
Electromechanical Parts	O	O	O	O	O	O
Cables and Wires	O	O	O	O	O	O
Metal Parts	O	O	O	O	O	O
Plastic Parts	O	O	O	O	O	O
Batteries	O	O	O	O	O	O
Textile	O	O	O	O	O	O
Timing Belts	O	O	O	O	O	O
Insulation	O	O	O	O	O	O
Glass	O	O	O	O	O	O
Display	O	O	O	O	O	O
<p>This table is prepared in accordance with the provisions of SJ/T-11364.</p> <p>O: Indicates that the content of said hazardous substance in all of the homogenous materials in the component is within the limits required by GB/T 26572.</p> <p>X: Indicates that the content of said hazardous substance exceeds the limits required by GB/T 26572 in at least one homogenous material in the component.</p> <p>All parts named in this table with an "X" are in compliance with the European Union's RoHS Legislation.</p> <p>NOTE: The referenced Environmental Protection Use Period Marking was determined according to normal operating use conditions of the product such as temperature and humidity.</p>						
	This product under normal use, durable years of environmental protection is 15 years.					