



Parts Manual

Serial Number Range

GRC-12

from GRC08-101 to GRC11-999

Part No. 115369
Rev C40
November 2018

Technical Publications

Genie has endeavored to deliver the highest degree of accuracy possible. However, continuous improvement of our products is a Genie policy. Therefore, product specifications are subject to change without notice.

Readers are encouraged to notify Genie of errors and send in suggestions for improvement. All communications will be carefully considered for future printings of this and all other manuals.

Contact Us:

Internet: www.genielift.com
e-mail: awp.techpub@terex.com

Find a Manual for this Model

Go to <http://www.genielift.com>

Use the links to locate Operator's, Parts, Maintenance, and Service and Repair Manuals.


Copyright © 2011 by Terex Corporation

115369 Rev C July 2009
First Edition, Third Printing

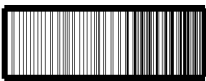
Genie is a registered trademarks of Terex South Dakota, Inc. in the USA and many other countries. "Runabout" is a trademark of Terex South Dakota, Inc.

 Printed on recycled paper

MANUFACTURED BY/FABRIQUE PAR:
 Terex South Dakota, Inc.
 18340 NE 76th Street
 Redmond, WA 98052 USA



Model: GRC-12
Serial number: GRC08-1234
Model year: 2008 **Manufacture date:** 4/14/08
Elec/Hydr Schematic: ES0126/HS0251
Power supply voltage/Pneumatic Pressure:
 85-264 VAC, 60/50 Hz, 900 W
Nominal Power: 8.3 Hp / 6.2 kW
Machine unladen weight: 2,055 lbs / 932 kg
Max Load: 500 lbs / 227 kg
Occupants and Equipment must not exceed:
 500 lbs / 227 kg
Maximum allowable inclination of the chassis:
 1.5°(Side) 3°(Rear)
Maximum Wind Speed:
 Indoor: N/A
 Outdoor: N/A
Gradeability: 30%
Maximum allowable side force: 100 lbs / 445 N
Maximum platform height: 12 ft / 3.7 m
Maximum Travel Height: Full ht
Maximum number of platform occupants: 1
Country of manufacture: USA
This machine complies with:
 EN 280
 98/37/EC



PN- 77172


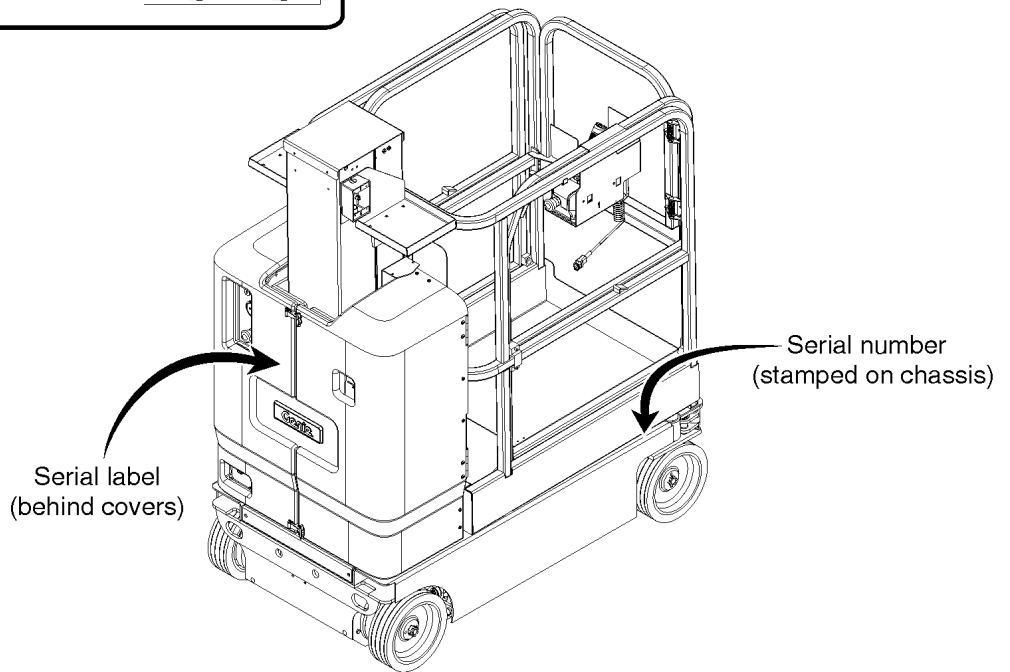
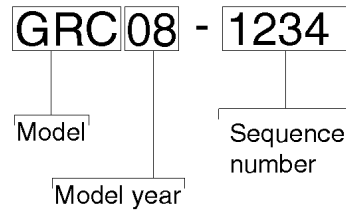



Table of Contents

This manual is updated frequently. If you have a printed manual, you can keep it up to date by downloading new figures from the Genie website at www.genielift.com. For the most up-to-date parts information, visit the Parts Lookup System on the Genie website at www.genielift.com.

How to Read Your Serial Number.....	3
Parts Stocking List.....	7
How to Order Parts.....	8
Service Parts Fax Order Form.....	9

Electronic Version

Click on any page number to view the figure.

100 Decals

101.1 Decals with Words.....	10
102.1 Decals with Symbols, ANSI.....	12
103.1 Decals with Symbols, CE Models.....	14
104.1 Decals with Words, Australia.....	16

200 Base Components

201.1 Steer Axle Linkage and Wheels.....	18
202.1 Non-steer Axle.....	20
203.1 Pothole Protection Assembly.....	22
204.1 Battery Pack and Counterweight Brackets.....	24
205.1 Ground Control Module Components.....	26
206.1 Power Unit Components.....	28
207.1 Battery Charger.....	30
208.1 Power Cables.....	32
209.1 Electrical Wiring.....	34

300 Mast Components

301.1 Mast Assembly.....	36
302.1 Number 1 Column Assembly.....	38
303.1 Number 2 and Number 3 Column Assemblies.....	40
304.1 Number 4 Column Assembly.....	42

400 Hydraulic Components

401.1 Hydraulic Power Unit and Lift Cylinder.....	44
402.1 Function Manifold.....	46
403.1 Brake Release Manifold.....	48
404.1 Hydraulic Hoses and Fittings.....	50

500 Platform Components

501.1 Main Platform.....	52
--------------------------	----

502.1 Extension Platform.....	54
503.1 Platform Controls.....	56
504.1 Joystick Controller.....	58

600 Accessories

601.1 Flashing Beacon.....	60
----------------------------	----

Indices

Part Number Index.....	62
Part Description Index.....	64

Cross References

Fittings Cross Reference.....	68
-------------------------------	----

This Page Intentionally Left Blank

Required Parts

The following parts are required to perform maintenance procedures as outlined in the Genie GRC-12 Service Manual.

Description	Part No.
Filter Element	44788
Resistor, 10 ohm, 25W	27287
Dielectric Grease	66399

Recommended Parts

Description	Part No.
Genie Blue Paint, 1 Gallon	32150
Genie Blue Paint, 12 Ounce Aerosol.....	1484
Genie Gray Paint, 1 Gallon.....	32151
Genie Gray Paint, 12 Ounce Aerosol	1268

Manuals

Genie Industries offers the following support documents for these models:

Title	Part No.
EMI Safety Manual	27581
Manual of Responsibilities ANSI A92.6	44163

How To Order Parts

How to Order Parts

Please be prepared with the following information when ordering replacement parts for your Terex or Genie product.

- Machine model number
- Machine serial number
- Part number
- Part description and quantity
- Purchase order number
- "Ship to" address
- Desired method of shipment
- Name and telephone number of the authorized distributor in your area.

Use the Service Parts Fax Order Form on the next page and fax your order to our Parts Department.

If you don't know the name of your authorized distributor, or if your area is not currently serviced by an authorized distributor, please call Terex or Genie Industries.

Machine Information

Model

Serial Number

Date of Purchase

Authorized Genie Distributor

Phone Number

North America

Telephone (425)881-1800
 Toll Free (800)536-1800 in US and Canada
 Fax (425)556-8659
 Toll Free fax (888)274-6192
 Email AWP.PartsSalesPO@terex.com
<http://genielift.com/en>

EMEAR (Europe, Middle East, Africa and Russia)

Telephone (31)(165)519 313
 Fax (31)(165)511 148
<http://genielift.co.uk>

Asia Pacific (Genie Singapore)

Telephone +65 6692 7777
 Fax +65 6261 8893
<http://genielift.com.sg/>

Australia

Telephone (61)(7)3456 4444
 Fax (61)(7)3456 4466
<http://genielift.com.au>

South America

Telephone (55)(11)4082 5600
 Fax (55)(11)4082 5630



Service Parts Fax Order Form

Fax to: (425) 556-8659 or Toll Free: 888-274-6192
International: +1-425-556-8659

Please fill out completely

Date _____ Account Number _____
 Your Name _____ Your Fax Number _____
 _____ Your Phone Number _____
 Bill To _____ Ship To _____

 Purchase Order Number _____ Ship Via _____

Model(s) _____ **Serial No.(s)** _____

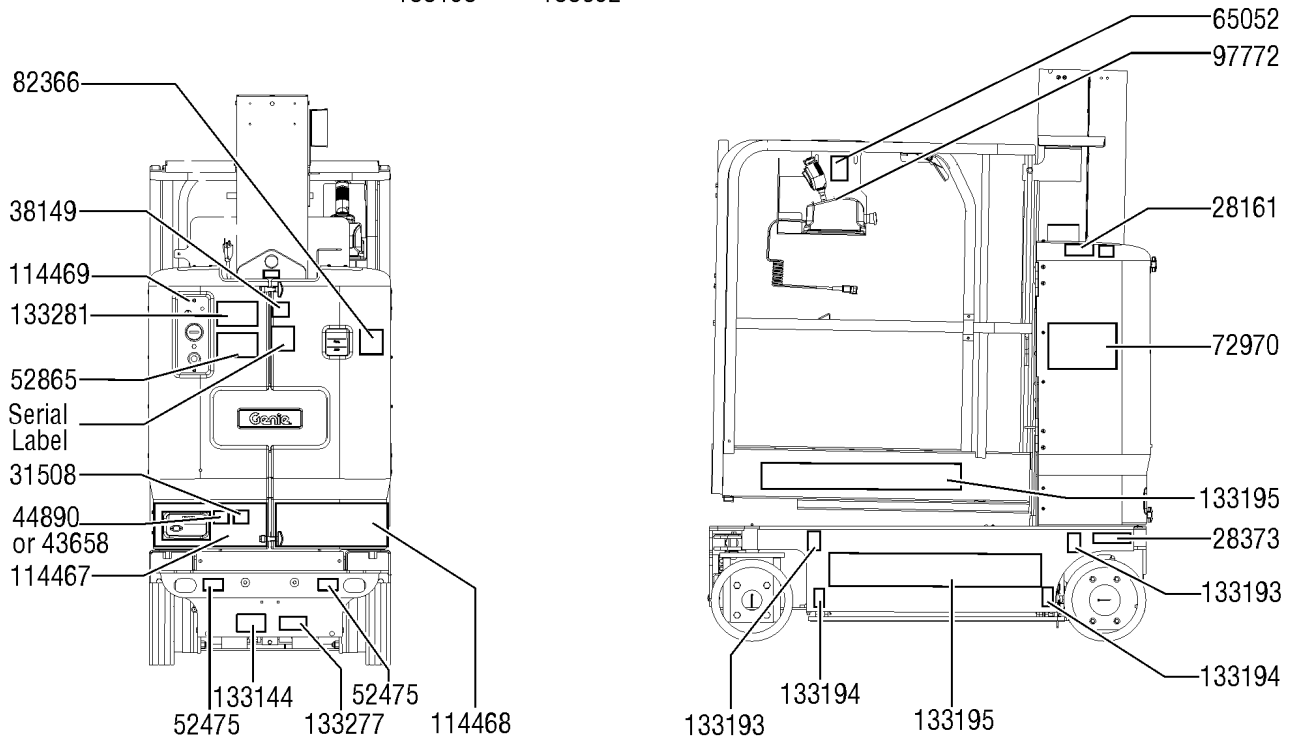
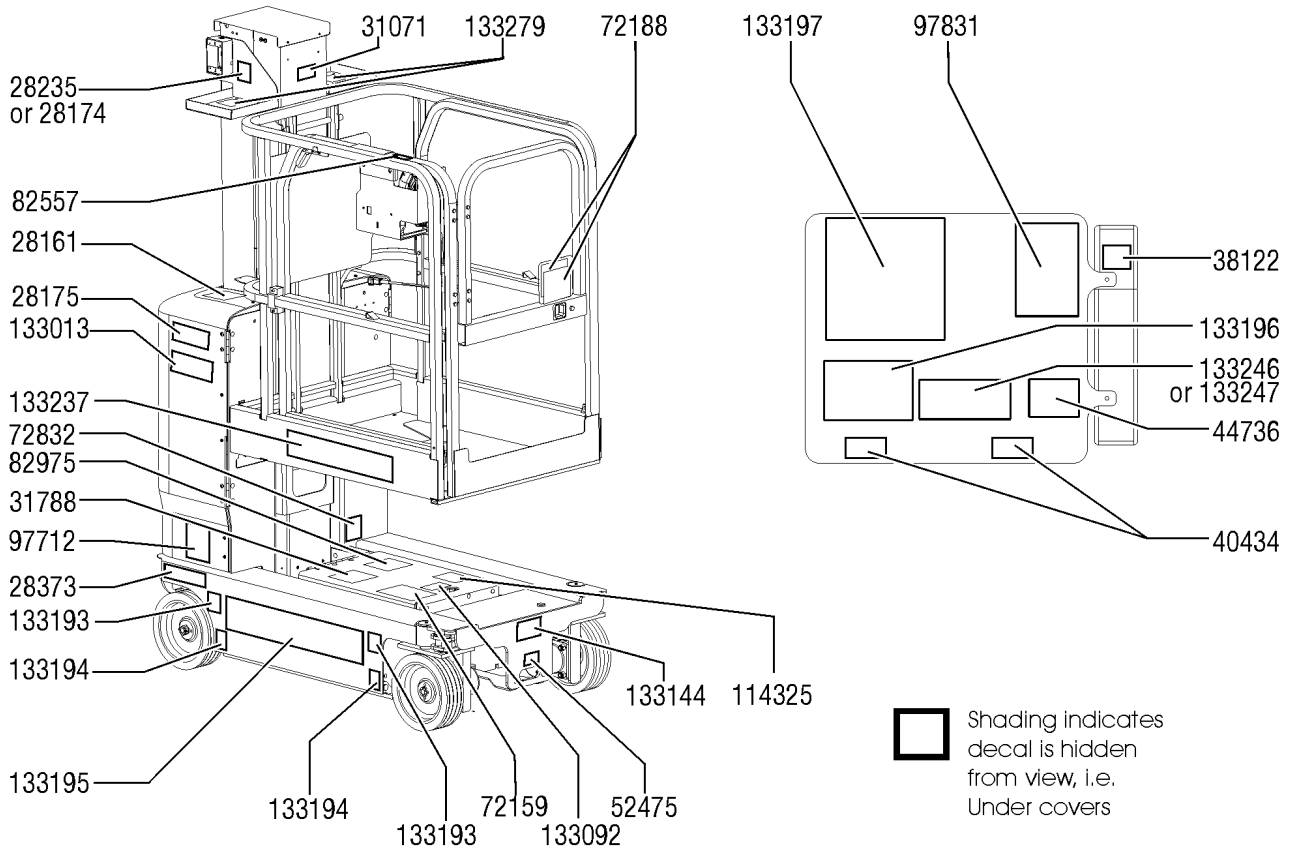
Optional Equipment _____

Part Number	Description	Quantity	Price

All back-ordered parts will be shipped when available via the same ship method as the original order unless Noted below:

- Ship complete order only - No back orders
- Ship all available parts and contact customer on disposition of back-ordered parts
- Other (please specify)

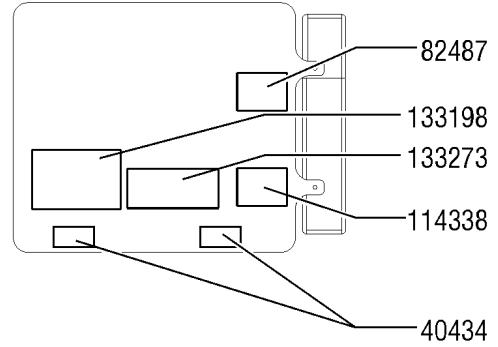
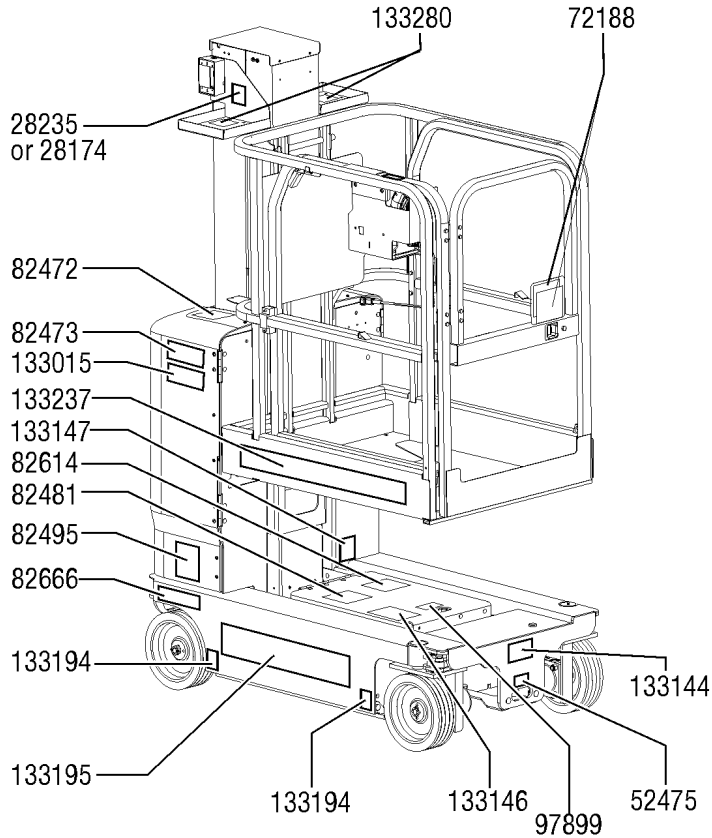
101.1 Decals with Words




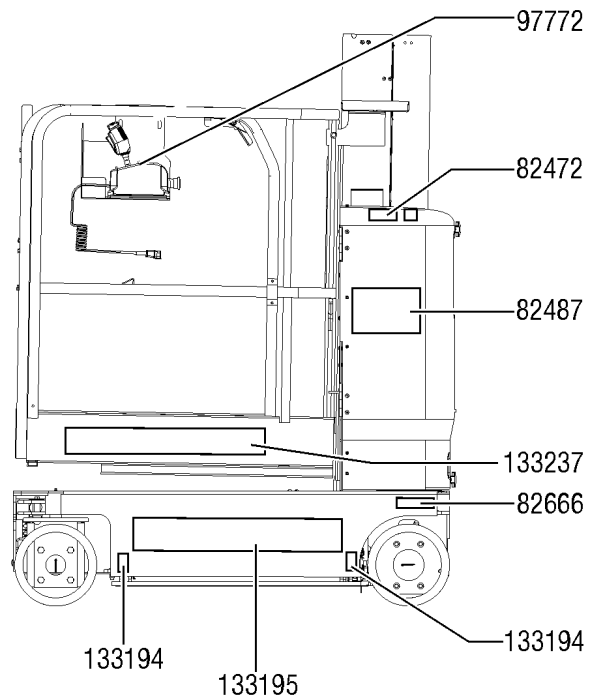
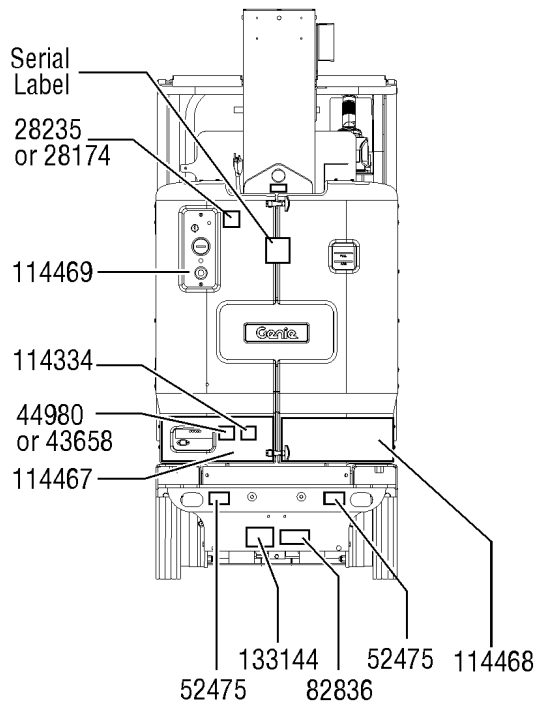
101.1 Decals with Words

Item	Part No.	Description	Qty.	Item	Part No.	Description	Qty.
1	28161GT	DECAL,WARN,CRUSH HAZARD HAND.....	2	32	114469GT	DECAL,GROUND CONTROL PANEL ***	1
2	28174GT	DECAL, POWER TO PLATFORM 230V**	2	33	133013GT	DECAL,DANGER,ELECTROCUTION,GR.1	
3	28175GT	DECAL,WARNING-COMPART ACCESS.....	1	34	133092GT	DECAL,CRUSH HAZARD,USE SAFETY.....	1
4	28235GT	DECAL,POWER TO PLATFORM 115V...2		35	133144GT	DECAL,LABEL-TRANSPORT DIGRAM.....	2
5	28373GT	DECAL,FORK LIFT POCKET.....	2	36	133193GT	DECAL,LABEL,TIRE SPECS,GRC.....	4
6	31071GT	DECAL,WARNING,FAILURE TO READ.....	1	37	133194GT	DECAL,LABEL,WHEEL LOAD GRC12...4	
7	31508GT	DECAL,DANGER,ELECT HAZARD,PLUG.....	1	38	133195GT	DECAL,COSMETIC,GENIE GRC-12.....2	
8	31788GT	DECAL,DANGER,BATTERY SAFETY***	1	39	133196GT	DECAL-NOTICE,MAX CAP-500 LB.....1 (GRC-12)	
9	38122GT	DECAL,LABEL, OM STORAGE.....	1	40	133197GT	DECAL,GENERAL SAFETY,GRC ANSI.....	1
10	38149GT	DECAL,LABEL,PATENTS.....	1	41	133237GT	DECAL,COSMETIC, GRC.....	2
11	40434GT	DECAL,LANYARD ANCHORAGE POINT.....	2	42	133246GT	DECAL,SIDE FORCE,100,GRC,ANSI.....1	
12	43658GT	DECAL,LABEL,PWR TO CHARGR 230V.....	1	43	133247GT	DECAL,MANUAL FRCE,GRC,AUS,WRD.....	1
13	44736GT	DECAL,DANGER,TIP-OVER,TILT.....	1	44	133277GT	DECAL,LABEL,EMERGENCY LOWERING.....	1
14	44980GT	DECAL,LABEL,PWR TO CHARGR 115V.....	1	45	133279GT	DECAL,INSTR-MAX CAP-TRAY,WRD....1 (each)	
15	52475GT	DECAL,LABEL,TRANSPORT TIEDOWN*.....	3	46	133281GT	DECAL,INSTRUCTIONS-OPER,GCP.....1	
16	52865GT	DECAL,ANNUAL INSP***.....	1				
17	65052GT	DECAL,LABEL,FAULT CODES.....	1				
19	72159GT	DECAL,TIP-OVER,BATTERIES,GR.....	1				
20	72188GT	DECAL,DIRECTIONAL ARROWS,GR...2					
21	72832GT	DECAL,DANGER,DO NOT ALTER SWTC.....	1				
22	72970GT	DECAL,INSTRUCTIONS-CHARGER OP.....	1				
23	82366GT	DECAL,CHEVRON RANDO HD.....	1				
24	82557GT	DECAL,LABEL,PLAT CONT LOCATION.....	1				
25	82975GT	DECAL,DANGER,COLLISION HAZARD.....	1				
26	97712GT	DECAL,DANGER,BRAKE REL SAFETY*.....	1				
27	97772GT	DECAL,OVERLAY,PLAT CONTROLS***	1				
28	97831GT	OPERATING INST,PLAT,GR***	1				
29	114325GT	DECAL,BATTERY CONN DIAG,GR.....	1				
30	114467GT	DECAL,GRAY VINYL,RECT SHAPE,CS.....	1				
		(left side)					
31	114468GT	DECAL,GRAY VINYL,RECT SHAPE,HS.....	1				
		(right side)					

102.1 Decals with Symbols, ANSI



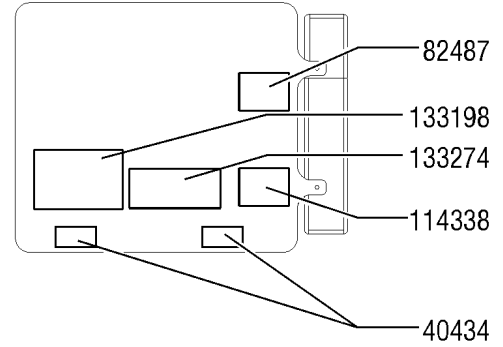
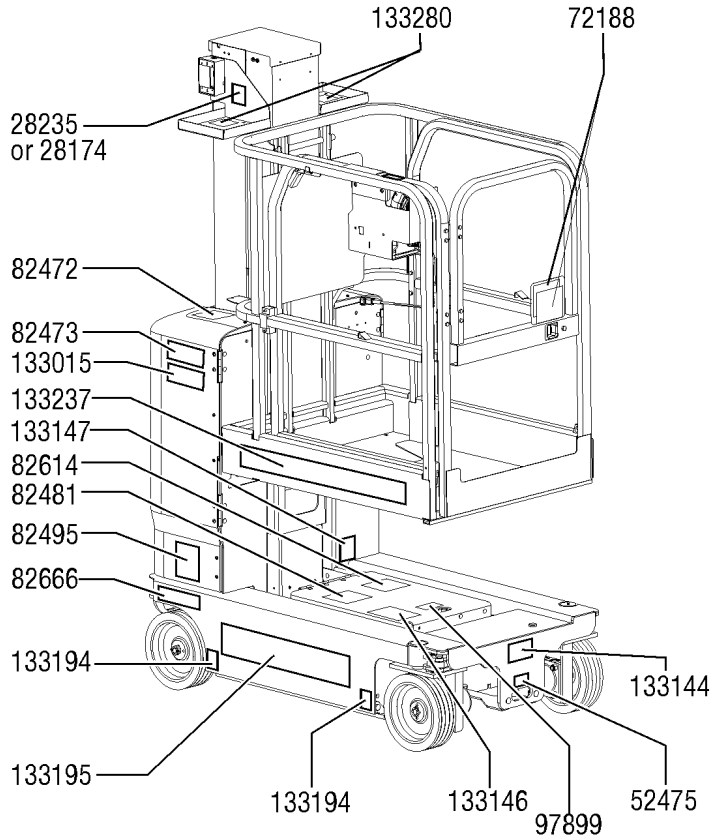
 Shading indicates decal is hidden from view, i.e. Under covers




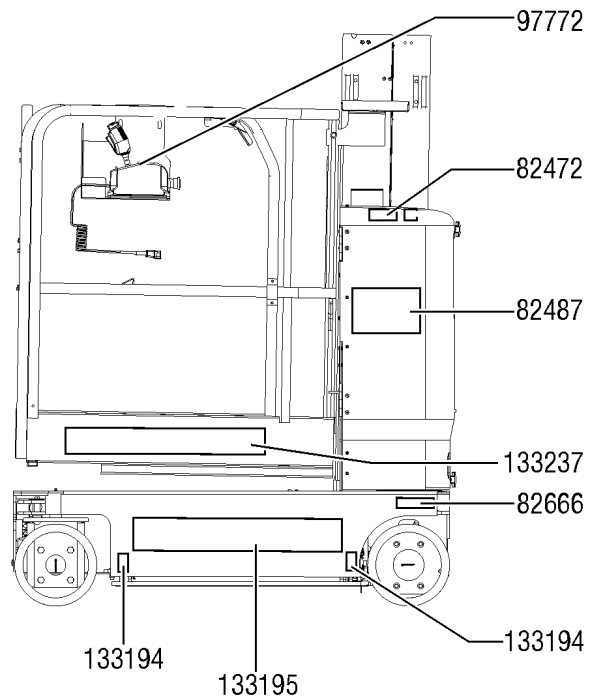
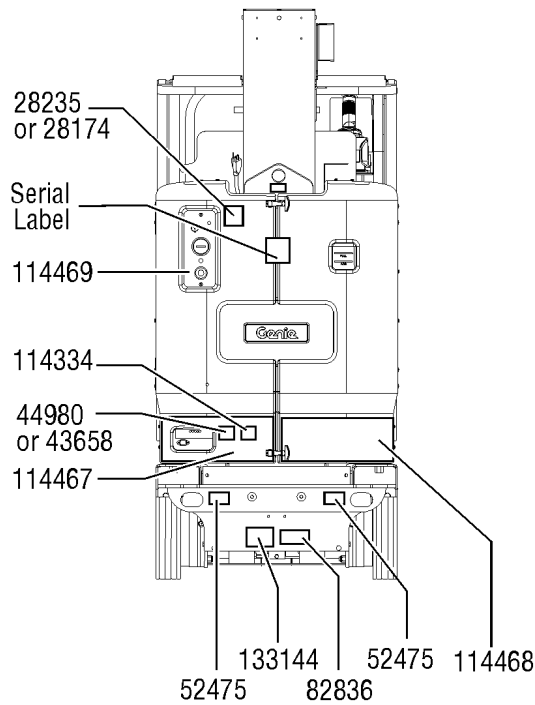
102.1 Decals with Symbols, ANSI

Item	Part No.	Description	Qty.	Item	Part No.	Description	Qty.
1	28174GT	DECAL, POWER TO PLATFORM 230V**.....	2	32	133280GT	DECAL-DANGER,MAX CAP-TRAY,SYM.....	2
2	28235GT	DECAL,POWER TO PLATFORM 115V...2				(GRC-12) (11 KG)	
3	40434GT	DECAL,LANYARD ANCHORAGE POINT.....	2				
4	43658GT	DECAL,LABEL,PWR TO CHARGR 230V.....	1				
5	44980GT	DECAL,LABEL,PWR TO CHARGR 115V.....	1				
6	52475GT	DECAL,LABEL,TRANSPORT TIEDOWN*.....	3				
7	72188GT	DECAL,DIRECTIONAL ARROWS,GR...2					
8	82472GT	DECAL,WARNING,CRUSHING HAZARD.....	2				
9	82473GT	DECAL,SYMBOL-COMP ACCESS.....1					
10	82481GT	DECAL,SYMBOL-BATTERY SAFETY.....1					
11	82487GT	DECAL, SYMBOL - READ THE MANUAL.....	2				
12	82495GT	DECAL,SYMBOL-BRAKE REL SAFETY.....	1				
13	82614GT	DECAL,DANGER,COLLISION HAZARD.....	1				
14	82666GT	DECAL,LABEL,FORKLIFT POCKET.....2					
15	82836GT	LABEL,AUXILIARY LOWERING.....1					
16	97772GT	DECAL,OVERLAY,PLAT CONTROLS***.....	1				
17	97899GT	DECAL,WARN,SAFETY CHOCK***.....1					
18	114334GT	DECAL,SYM-ELEC HAZARD,PLUG.....1					
19	114338GT	DECAL,SYM-TIP-OVER,TILT ALARM.....1					
20	114467GT	DECAL,GRAY VINYL,RECT SHAPE,CS.....	1				
21	114468GT	DECAL,GRAY VINYL,RECT SHAPE,HS.....	1				
22	114469GT	DECAL,GROUND CONTROL PANEL***.....	1				
23	133015GT	DECAL,DANGER,ELEC.HAZ SYMB.....1					
24	133144GT	DECAL,LABEL-TRANSPORT DIGRAM.....	2				
25	133146GT	DECAL,SYM-TIPOVER,BATTERIES,GR.1					
26	133147GT	DECAL,SYM-TIPOVER,LIMIT SWITCH.....	1				
27	133194GT	DECAL,LABEL,WHEEL LOAD GRC12...4					
28	133195GT	DECAL,COSMETIC,GENIE GRC-12.....2					
29	133198GT	DECAL-DANGER,MAX CAP-227 KG***.....	1				
		(GRC-12)					
30	133237GT	DECAL,COSMETIC, GRC.....2					
31	133273GT	DECAL,SIDE FORCE,GRC- ANSI,SYM.....	1				
		(445 N)					

103.1 Decals with Symbols, CE Models



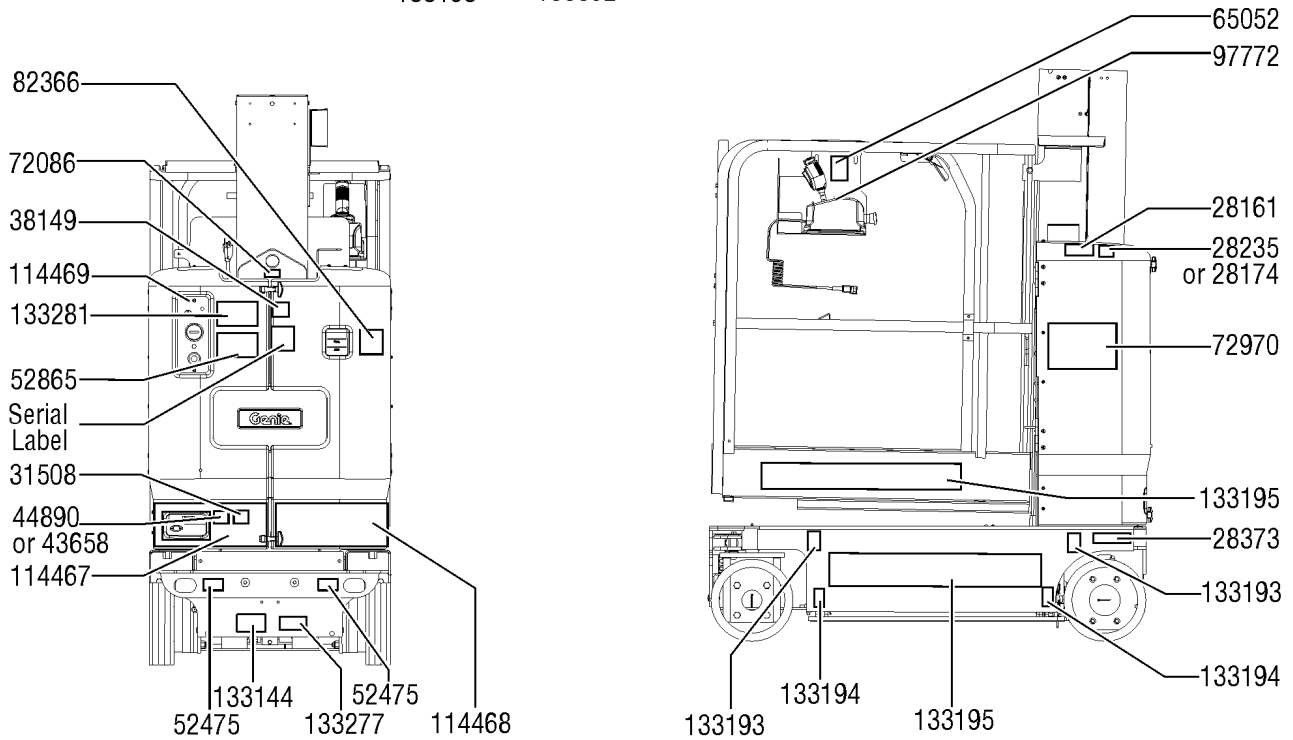
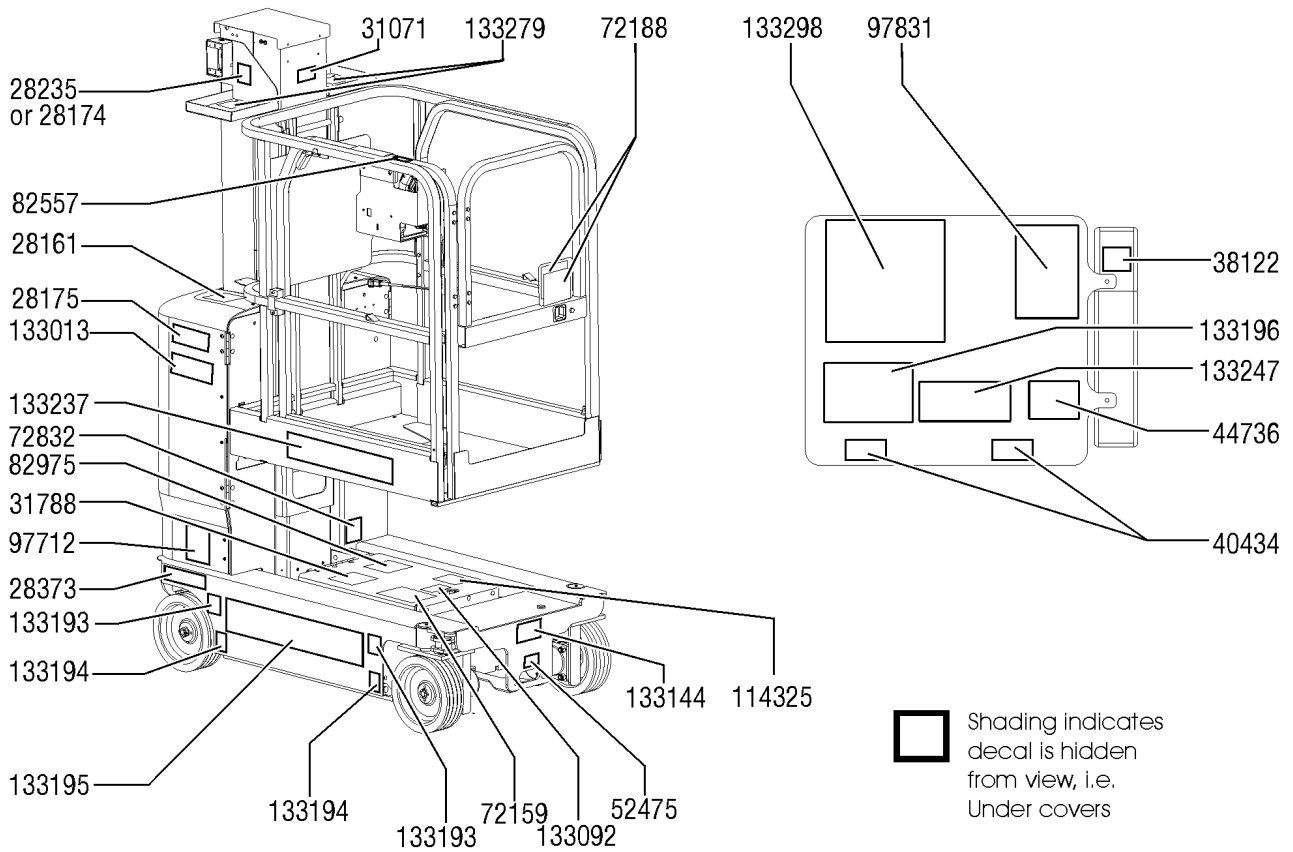
 Shading indicates decal is hidden from view, i.e. Under covers



103.1 Decals with Symbols, CE Models

Item	Part No.	Description	Qty.	Item	Part No.	Description	Qty.
1	28174GT	DECAL, POWER TO PLATFORM 230V**.....	2	32	133280GT	DECAL-DANGER,MAX CAP-TRAY,SYM.....	2
2	28235GT	DECAL,POWER TO PLATFORM 115V...2				(GRC-12) (11 KG.)	
3	40434GT	DECAL,LANYARD ANCHORAGE POINT.....	2				
4	43658GT	DECAL,LABEL,PWR TO CHARGR 230V.....	1				
5	44980GT	DECAL,LABEL,PWR TO CHARGR 115V.....	1				
6	52475GT	DECAL,LABEL,TRANSPORT TIEDOWN*.....	3				
7	72188GT	DECAL,DIRECTIONAL ARROWS,GR...2					
8	82472GT	DECAL,WARNING,CRUSHING HAZARD.....	2				
9	82473GT	DECAL,SYMBOL-COMP ACCESS.....1					
10	82481GT	DECAL,SYMBOL-BATTERY SAFETY.....1					
11	82487GT	DECAL, SYMBOL - READ THE MANUAL.....	2				
12	82495GT	DECAL,SYMBOL-BRAKE REL SAFETY.....	1				
13	82614GT	DECAL,DANGER,COLLISION HAZARD.....	1				
14	82666GT	DECAL,LABEL,FORKLIFT POCKET.....2					
15	82836GT	LABEL,AUXILIARY LOWERING.....1					
16	97772GT	DECAL,OVERLAY,PLAT CONTROLS***.....	1				
17	97899GT	DECAL,WARN,SAFETY CHOCK***.....1					
18	114334GT	DECAL,SYM-ELEC HAZARD,PLUG.....1					
19	114338GT	DECAL,SYM-TIP-OVER,TILT ALARM.....1					
20	114467GT	DECAL,GRAY VINYL,RECT SHAPE,CS.....	1				
21	114468GT	DECAL,GRAY VINYL,RECT SHAPE,HS.....	1				
22	114469GT	DECAL,GROUND CONTROL PANEL***.....	1				
23	133015GT	DECAL,DANGER,ELEC.HAZ SYMB.....1					
24	133144GT	DECAL,LABEL-TRANSPORT DIGRAM.....	2				
25	133146GT	DECAL,SYM-TIPOVER,BATTERIES,GR.1					
26	133147GT	DECAL,SYM-TIPOVER,LIMIT SWITCH.....	1				
27	133194GT	DECAL,LABEL,WHEEL LOAD GRC12...4					
28	133195GT	DECAL,COSMETIC,GENIE GRC-12.....2					
29	133198GT	DECAL-DANGER,MAX CAP-227 KG***.....	1				
		(GRC-12)					
30	133237GT	DECAL,COSMETIC, GRC.....2					
31	133274GT	DECAL,DANGER,SIDE FORCE CE GRC.....	1				
		(200 N)					

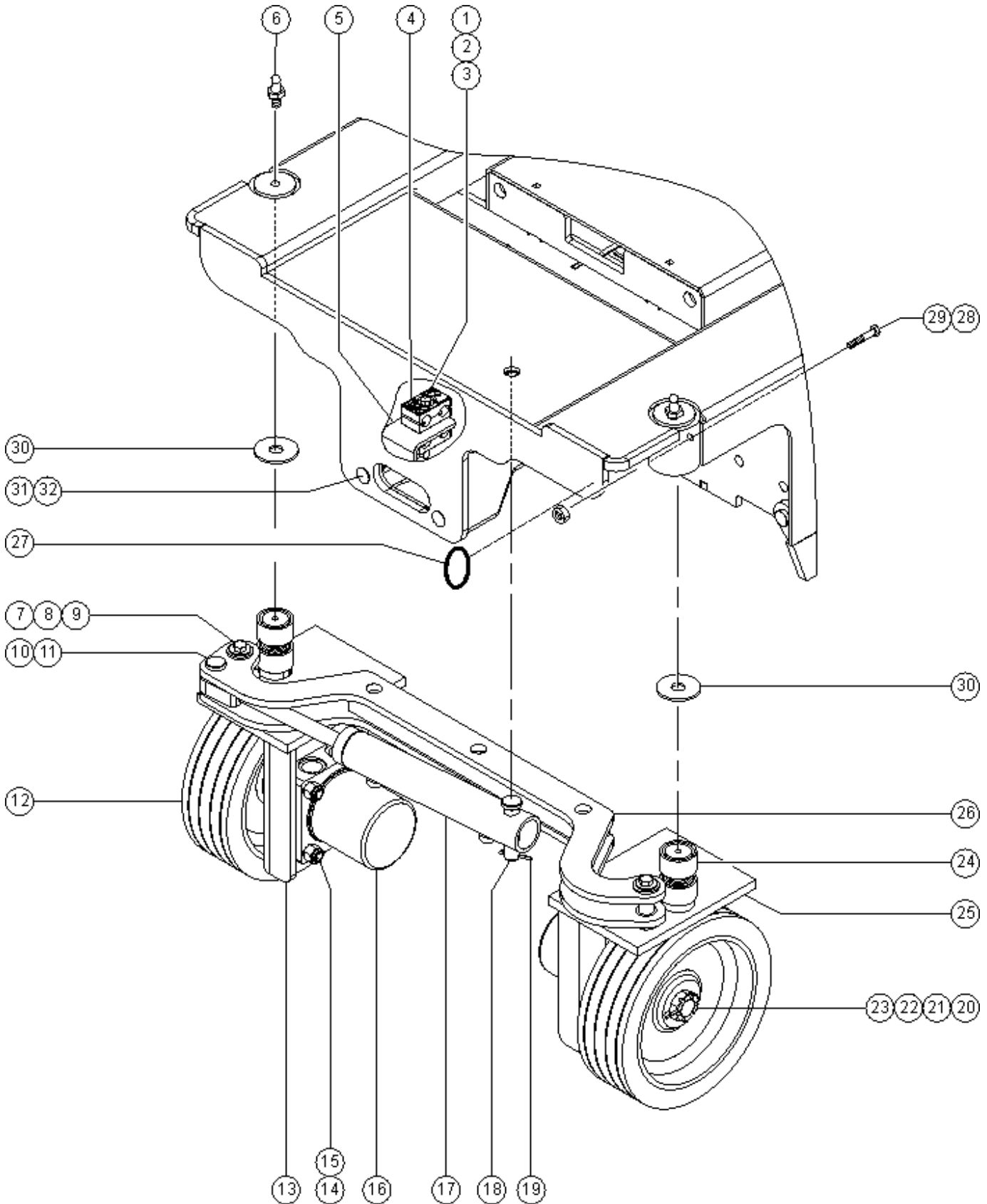
104.1 Decals with Words, Australia



104.1 Decals with Words, Australia

Item	Part No.	Description	Qty.	Item	Part No.	Description	Qty.
1	28161GT	DECAL,WARN,CRUSH HAZARD HAND.....	2	32	114469GT	DECAL,GROUND CONTROL PANEL ***	1
2	28174GT	DECAL, POWER TO PLATFORM 230V**	2	33	133013GT	DECAL,DANGER,ELECTROCUTION,GR.1	
3	28175GT	DECAL,WARNING-COMPART ACCESS.....	1	34	133092GT	DECAL,CRUSH HAZARD,USE SAFETY.....	1
4	28235GT	DECAL,POWER TO PLATFORM 115V...2		35	133144GT	DECAL,LABEL-TRANSPORT DIGRAM.....	2
5	28373GT	DECAL,FORK LIFT POCKET.....	2	36	133193GT	DECAL,LABEL,TIRE SPECS,GRC.....	4
6	28236GT	DECAL,WARN,IMPROPER OPERATION.....	1	37	133194GT	DECAL,LABEL,WHEEL LOAD GRC12...4	
7	31508GT	DECAL,DANGER,ELECT HAZARD,PLUG.....	1	38	133195GT	DECAL,COSMETIC,GENIE GRC-12.....2	
8	31788GT	DECAL,DANGER,BATTERY SAFETY***	1	39	133196GT	DECAL-NOTICE,MAX CAP-500 LB.....1 (GRC-12)	
9	38122GT	DECAL,LABEL, OM STORAGE.....	1	40	133237GT	DECAL,COSMETIC, GRC.....	2
10	38149GT	DECAL,LABEL,PATENTS.....	1	41	133247GT	DECAL,MANUAL FRCE,GRC,AUS,WRD.....	1
11	40434GT	DECAL,LANYARD ANCHORAGE POINT.....	2	42	133277GT	DECAL,LABEL,EMERGENCY LOWERING.....	1
12	43658GT	DECAL,LABEL,PWR TO CHARGR 230V.....	1	43	133279GT	DECAL,INSTR-MAX CAP-TRAY,WRD...2 (11 KG each)	
13	44736GT	DECAL,DANGER,TIP-OVER,TILT.....	1	44	133281GT	DECAL,INSTRUCTIONS-OPER,GCP.....	1
14	44980GT	DECAL,LABEL,PWR TO CHARGR 115V.....	1	45	133298GT	DECAL,GENERAL SAFETY,GRC,AUS...1	
15	52475GT	DECAL,LABEL,TRANSPORT TIEDOWN*	3				
16	52865GT	DECAL,ANNUAL INSP***	1				
17	65052GT	DECAL,LABEL,FAULT CODES.....	1				
18	72086GT	DECAL,LABEL,LIFTING EYE.....	1				
19	72159GT	DECAL,TIP-OVER,BATTERIES,GR.....	1				
20	72188GT	DECAL,DIRECTIONAL ARROWS,GR...2					
21	72832GT	DECAL,DANGER,DO NOT ALTER SWTC.....	1				
22	72970GT	DECAL,INSTRUCTIONS-CHARGER OP.....	1				
23	82366GT	DECAL,CHEVRON RANDO HD.....	1				
24	82557GT	DECAL,LABEL,PLAT CONT LOCATION.....	1				
25	82975GT	DECAL,DANGER,COLLISION HAZARD.....	1				
26	97712GT	DECAL,DANGER,BRAKE REL SAFETY*	1				
27	97772GT	DECAL,OVERLAY,PLAT CONTROLS***	1				
28	97831GT	OPERATING INST,PLAT,GR***	1				
29	114325GT	DECAL,BATTERY CONN DIAG,GR.....	1				
30	114467GT	DECAL,GRAY VINYL,RECT SHAPE,CS.....	1				
31	114468GT	DECAL,GRAY VINYL,RECT SHAPE,HS.....	1				

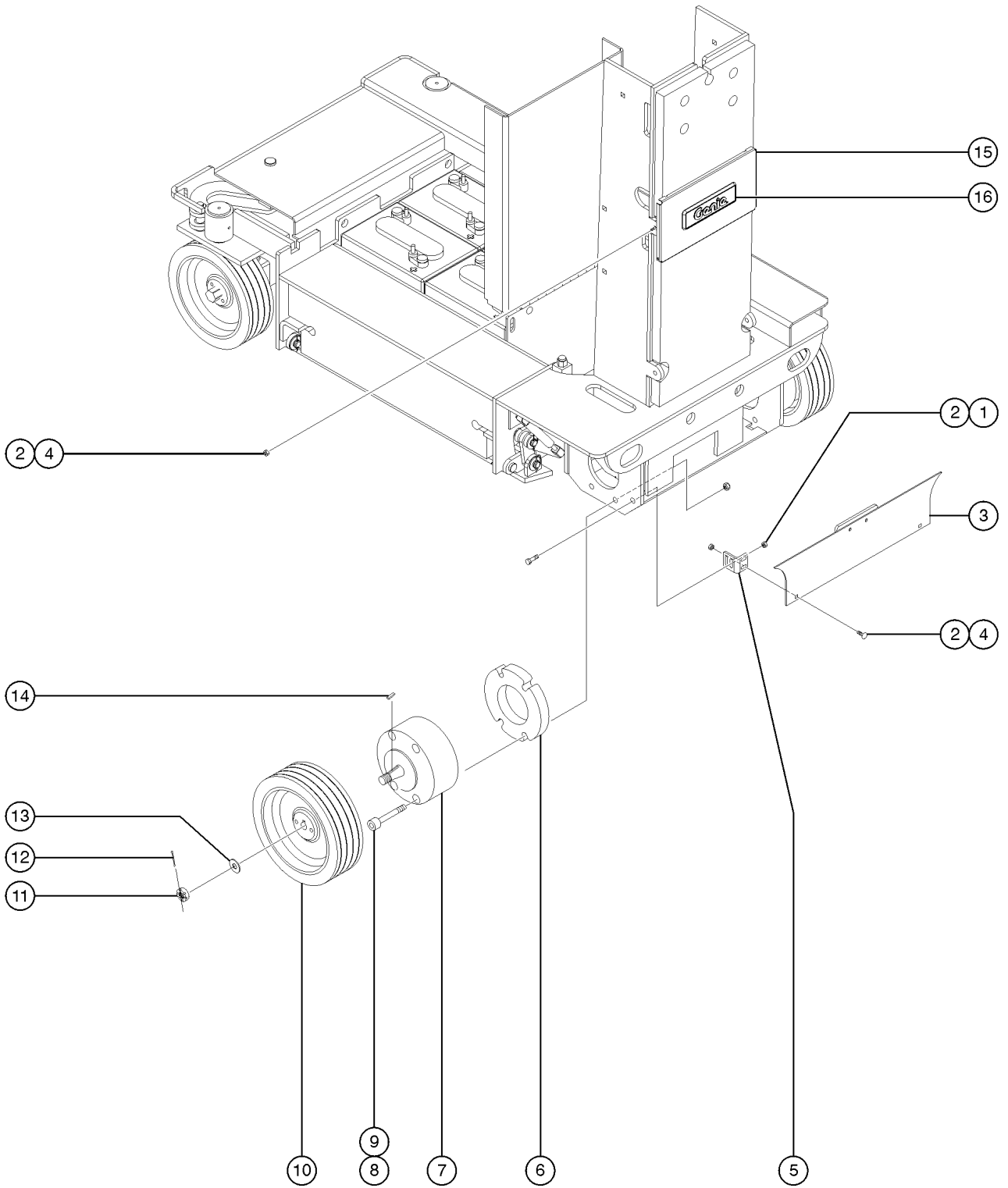
201.1 Steer Axle Linkage and Wheels



201.1 Steer Axle Linkage and Wheels

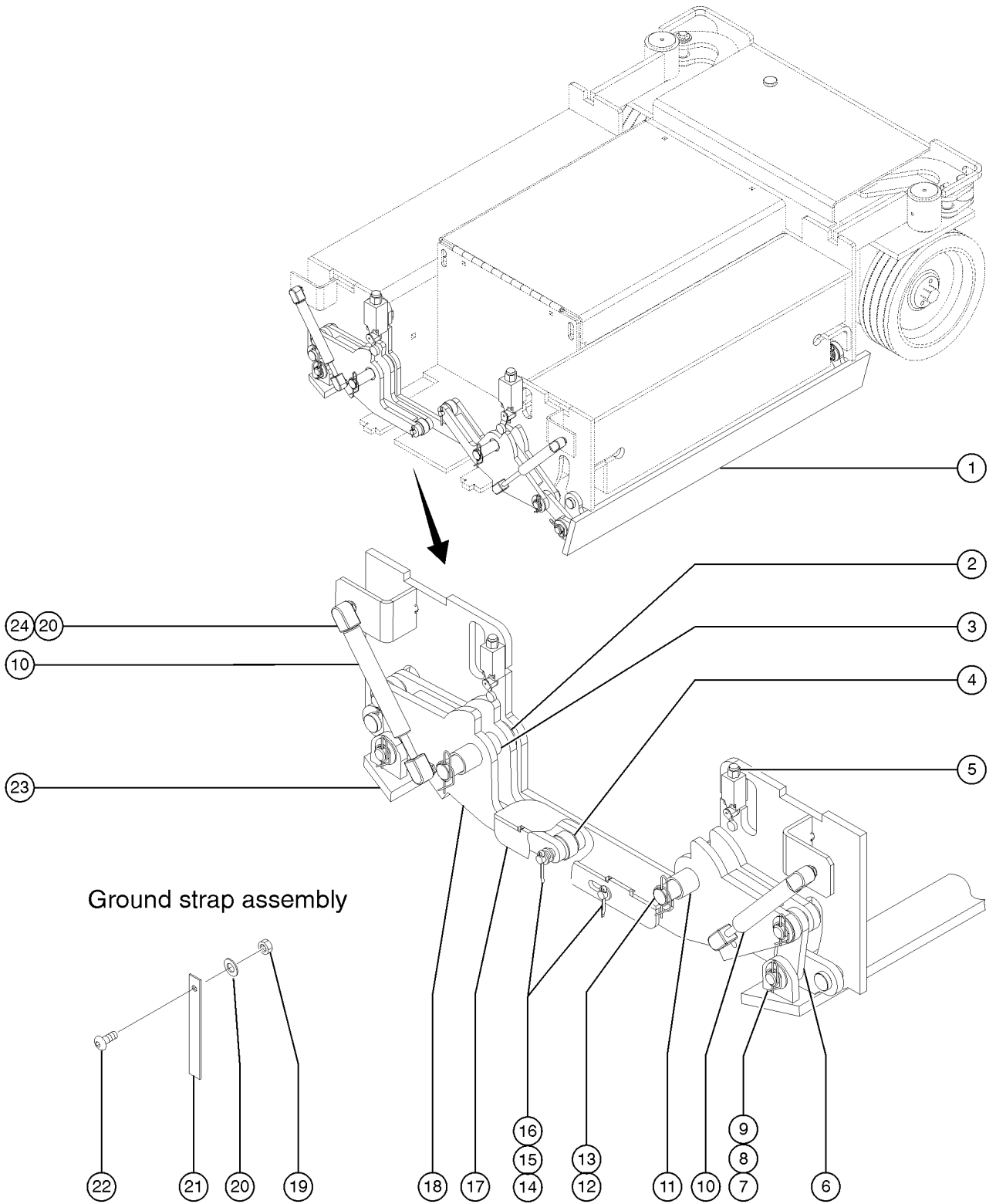
Item	Part No.	Description	Qty.	Item	Part No.	Description	Qty.
1	12343GT	SCREW,HHC,1/4-20 X 3		--	145084GT	WELDMENT, STEER YOKE, LH, GR (ANSI) (power unit side) (to SN 240) (for use only after installation of Service Kit 228789)	
2	6638GT	WASHER,FLAT,USS,1/4"Y		25B	145084GT	WELDMENT, STEER YOKE, LH, GR (ANSI) (power unit side) (from SN 241)	
3	6091GT	NUT,NYLOCK,1/4-20		25C	228921GT	SRV KIT,STEER YOKE, GR-20/GRC (CE) (to SN 240) (required for first-time replacement; includes items 13 and 25)	
4	78736GT	CLAMP,2 HOSE,PLASTIC,5/8.....4		--	145086GT	WELDMENT, STEER YOKE, LH, GR20 (CE) (power unit side) (to SN 240) (for use only after installation of Service Kit 228921)	
5	124122GT	FORMING, DRIVE HOSE GUARD.....1		25D	145086GT	WELDMENT, STEER YOKE, LH, GR20 (CE) (power unit side) (from SN 241)	
6	66770GT	FITTING,STRAIGHT DRIVE-IN ZERK....2		26	107359GT	TIE ROD ASSY W/BRNGS,GR2.....1 (includes item 9)	
7	8255GT	SCREW,HHC,3/8-16 X .75		27	106924GT	GROMMET,RUBBER .38X.2X1.75.....2	
8	6097GT	WASHER,FLAT,USS,3/8",Y		28	109581GT	SCREW,SET,HS1/4-20X.625W/PATCH	
9	47548GT	BEARING,FL,0.75ID X 1 OD X .49.....4		29	6357GT	NUT,HEX,1/4-20	
10	6545GT	PIN,CLEVIS,.75 X 2.....1		30	105565GT	WASHER,THRUST, GS	
11	5361GT	PIN,COTTER,.125 X 1.5.....2		31	105092GT	BOLT,CARRIAGE,3/8-16X1.25,GR5	
12	57998GT	ASSY,WHEEL & TIRE,GR.....2 grey, non-marking		32	4828GT	NUT,NYLOCK,3/8-16	
13A	228789GT	SRV KIT,STEER YOKE,GR/GRC.....1 (ANSI) (to SN 240) (required for first-time replacement; includes items 13 and 25)					
--	145083GT	WELDMENT, STEER YOKE, RH, GR (ANSI) (ground control side) (to SN 240) (for use only after installation of Service Kit 228789)					
13B	145083GT	WELDMENT, STEER YOKE, RH, GR (ANSI) (ground control side) (from SN 241)					
13C	228921GT	SRV KIT,STEER YOKE, GR-20/GRC (CE) (to SN 240) (required for first-time replacement; includes items 13 and 25)					
--	145085GT	WELDMENT, STEER YOKE, RT, GR20 (CE) (ground control side) (to SN 240) (for use only after installation of Service Kit 228921)					
13D	145085GT	WELDMENT, STEER YOKE, RT, GR20 (CE) (ground control side) (from SN 241)					
14	9145GT	SCREW,HHC,1/2-13 X 2.5,GR5					
15	6198GT	NUT,NYLOCK,1/2-13					
16	57996GT	MOTOR, 10.0 CU IN/REV DRIVE.....2					
--	65616GT	SEAL KIT PWR WHL MOTOR					
17	105547GT	CYLINDER,GS/GR STEER***1					
--	105550GT	KIT,STEER CYL SEAL					
18	96907GT	PIN,CLEVIS,0.75 X 3.25".....1					
19	96423GT	RUE RING,3/4 PIN.....2					
20	5361GT	PIN,COTTER,.125 X 1.5.....2					
21	69548GT	NUT,CASTLE(57996)GR.....2					
22	69547GT	KEY,DRIVE MOTOR(57996).....2					
23	33373GT	WASHER,SHIM,1.50 X .890 X .09					
24	18396GT	BEARING,1.5IDX1.75ODX1.0L.....4					
25A	228789GT	SRV KIT,STEER YOKE,GR/GRC.....1 (ANSI) (to SN 240) (required for first-time replacement; includes items 13 and 25)					

202.1 Non-steer Axle



Item	Part No.	Description	Qty.
1	6888GT	SCREW,HHC,1/4-20 X 1	
2	6091GT	NUT,NYLOCK,1/4-20	
3	822685GT	FIELD KIT,REAR COVER,GR.....1	
4	6878GT	BOLT,CARRIAGE,1/4-20 X .75,G2	
5	96113GT	BRACKET,TRAY LATCH.....2	
6	100808GT	PLATE, BRAKE SPACER, GR20.....2 (CE)	
7	215550GT	BRAKE,1.5IN/FT SHAFT,W/ORIFICE....2	
8	52730GT	SCREW,SHC,1/2-13 X 5 GR to SN 15817; GRC to SN 237	
8A	42360GT	SCREW,SHC,1/2-13 X 4 ZINC GR from SN 15818 to 15860; GRC from SN 238 to 251 (for use with 145307 brake)	
8B	52730GT	SCREW,SHC,1/2-13 X 5 GR from SN 15861 to 15910; GRC from SN 252 to 253	
8C	42360GT	SCREW,SHC,1/2-13 X 4 ZINC GR from SN 15911; GRC from SN 254 (for use with 145307 brake)	
9	6198GT	NUT,NYLOCK,1/2-13	
10	57998GT	ASSY,WHEEL & TIRE,GR.....2 grey, non-marking	
11	69548GT	NUT,CASTLE(57996)GR.....2	
12	5361GT	PIN,COTTER,,125 X 1.5.....2	
13	33373GT	WASHER,SHIM,1.50 X .890 X .09	
14	69547GT	KEY,DRIVE MOTOR(57996).....2	
15	124244GT	FORMING,GR EMBLEM MNTG PLATE.....1	
16	130083GT	EMBLEM,GENIE,8 IN.....1	

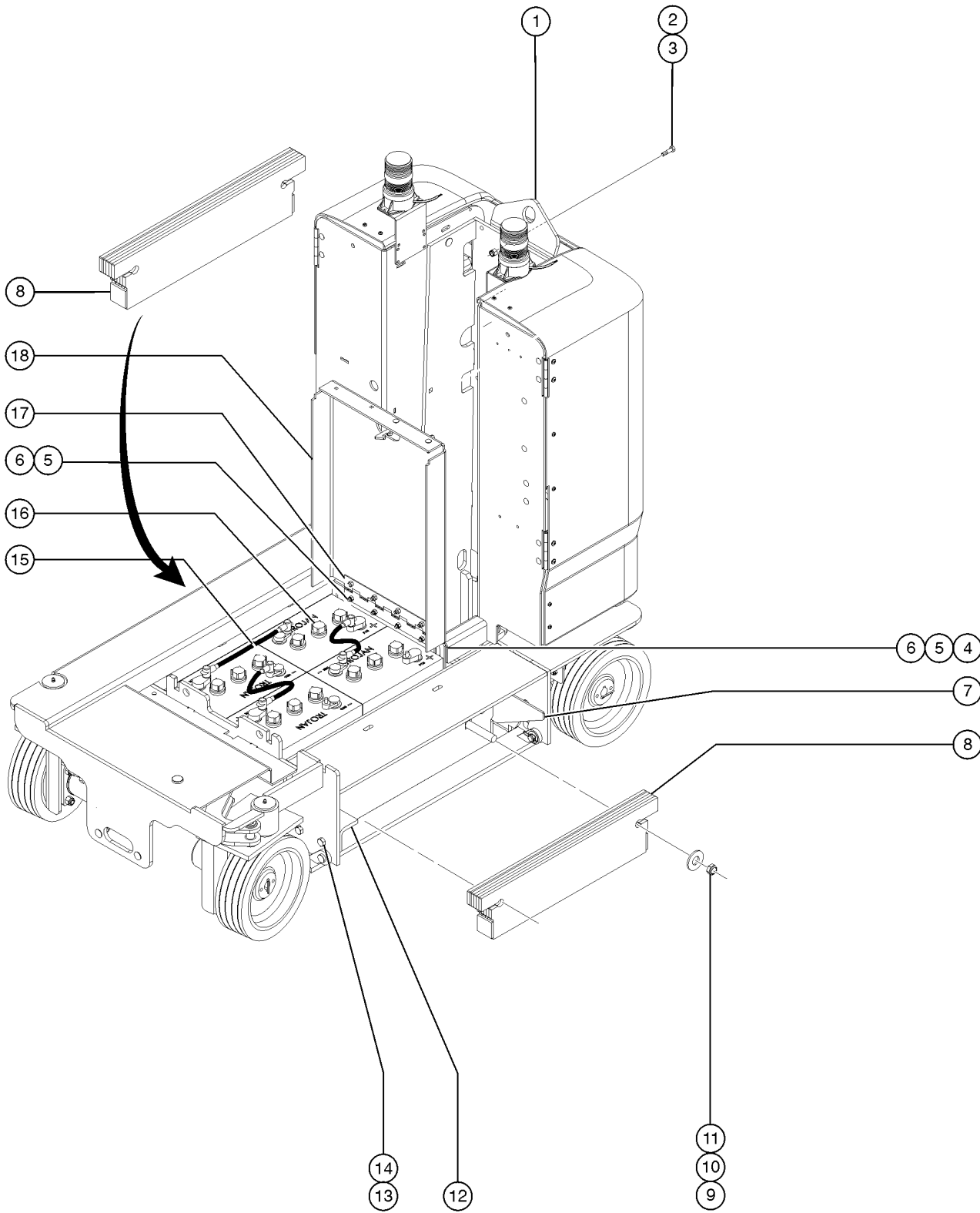
203.1 Pothole Protection Assembly



203.1 Pothole Protection Assembly

Item	Part No.	Description	Qty.
1	100489GT	WELDMENT, POTHOLE GUARD, RT.....1 (power unit side)	1
2	55355GT	SPACER,.75ID X 1.5OD X 1/4THK.....2	2
3	96642GT	BEARING,.75ID X 1.0OD X 1.38LG.....2	2
4	96541GT	CAM FOLLOWER,1.125X.375,DELFIN.2	2
5	96948GT	SWITCH,LIMIT,W/ROLLER ARM***2	2
--	15513GT	NUT,HEX,10-32.....4	4
--	19491GT	CONTACTOR,LIMIT SWITCH	
--	51063GT	SCREW,PHILLIPS,RHM,10-32 X 1.5.....4	4
--	75144GT	WASHER,FLAT,SAE 1/4,ZINC.....4	4
--	87561GT	CABLE SQUEEZE CONN 2 WIRE	
--	97128GT	ROLLER ARM,LIMIT SWITCH***	
6	100492GT	PLATE, POTHOLE LOWER LINK.....2	2
7	96422GT	RUE RING,5/8 PIN.....8	8
8	96135GT	PIN,CLEVIS,.625 X 1.88,ZINC PL.....8	8
9	22261GT	WASHER,FLAT,.650 X 1.312 X.095	
10	100834GT	GAS SPRING, GR.....2	2
11	100915GT	SPACER,.82 ID X1.0 ODX1.125 LG.....2	2
12	96423GT	RUE RING,3/4 PIN.....2	2
13	78060GT	PIN,CLEVIS,.75 DIA. X 4.00.....2	2
14	12016GT	PIN,COTTER,.125 X .75.....2	2
15	124374GT	PIN,CLEVIS,.375 X 2.25 LG.....2	2
16	40021GT	WASHER,FLAT,.390 ID X .625 OD	
17	124366GT	WELDMENT, POTHOLE LINK	
18	107370GT	UPPER POTHOLE LINK ASSY W/BRNG.....2 (includes item 3)	2
19	7713GT	NUT, LP NYLOCK, 3/8-16	
20	6097GT	WASHER,FLAT,USS,3/8",Y	
21	105060GT	GROUND STRAP, 8"LG.....2	2
22	64154GT	BOLT,CARRIAGE,3/8-16 X1.00,G5	
23	100488GT	WELDMENT, POTHOLE GUARD, LT.....1 (ground control side)	1
24	78086GT	BALL STUD, GAS STRUT, 3/8-16.....4	4

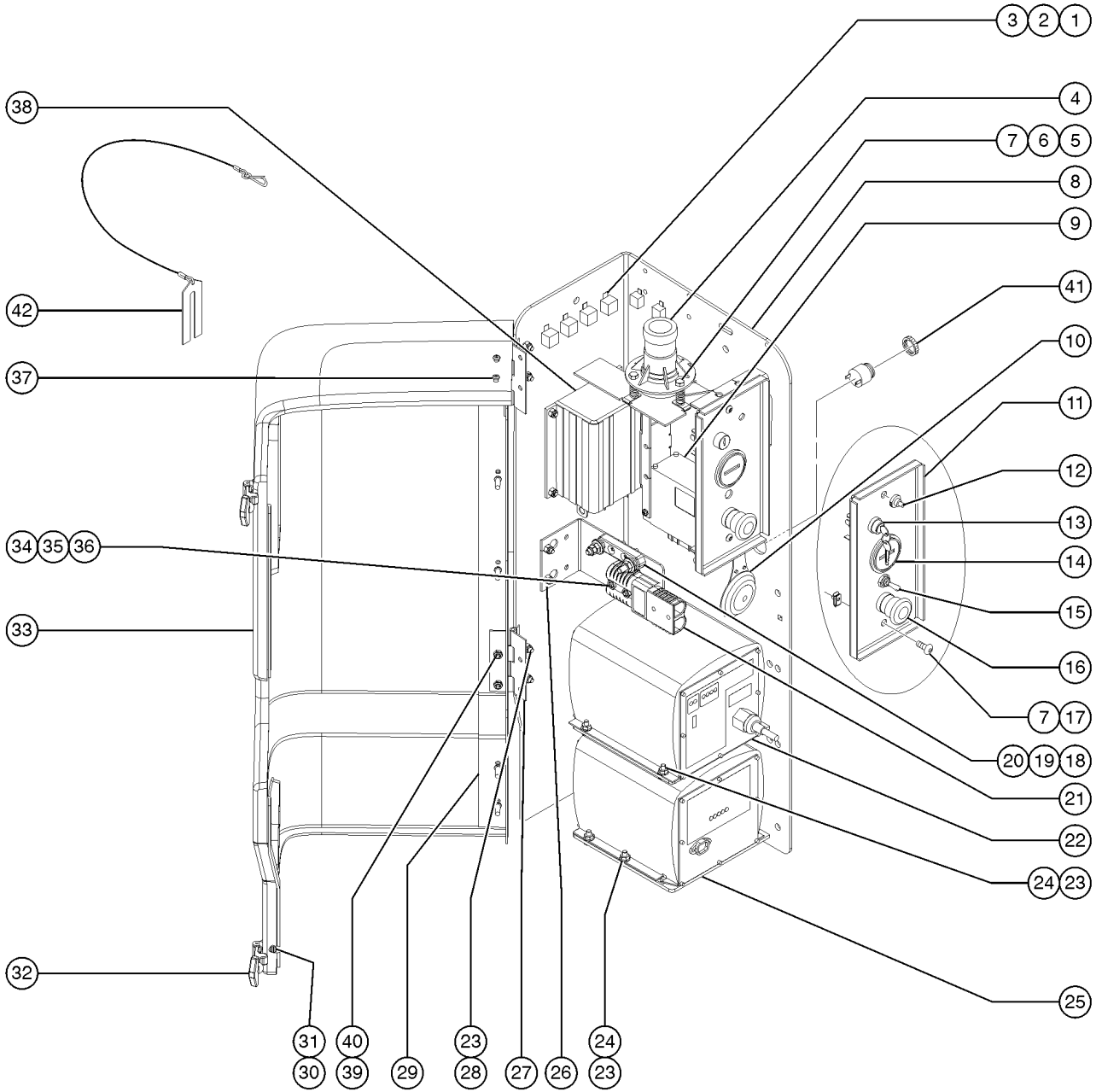
204.1 Battery Pack and Counterweight Brackets



204.1 Battery Pack and Counterweight Brackets

Item	Part No.	Description	Qty.
1	124866GT	FORMING,LIFTING EYE,GRC.....	1
2	6019GT	SCREW,HHC,3/8-16 X 1.25 GRD 5 (GR5)	
3	4828GT	NUT,NYLOCK,3/8-16	
4	100913GT	FORMING, CABLE BRIDGE.....	1
5	6878GT	BOLT,CARRIAGE,1/4-20 X .75,G2	
6	6091GT	NUT,NYLOCK,1/4-20	
7	124151GT	WLDMT,CW SUPPORT,LT..... <i>CE models (non-steer end) (ground controls side)</i>	1
7A	124152GT	WLDMT,CW SUPPORT,RT..... <i>CE models (non-steer end) (power unit side)</i>	1
8	124391GT	WELDMENT, CTWT, GRC-12..... <i>CE models (75 lbs)</i>	2
9	7713GT	NUT, LP NYLOCK, 3/8-16	
10	15086GT	WASHER,FLAT,.375 X 1.5 X .125	
11	124757GT	BOLT,CARRIAGE,3/8-16 X 3.50,G5	
12	100352GT	FORMING, CWT BRACKET..... <i>CE models (non-steer end)</i>	2
13	8177GT	SCREW,HHC,1/2-13 X 1.5 (GR 5)	
14	6198GT	NUT,NYLOCK,1/2-13	
15		Ref. Battery Cables <i>(refer to 208.1)</i>	
16A	76502GT	BATTERY,T105 W/LPT,3 CAP,DRY**.....	4
--	137769GT	BATTERY WATERING HAND PUMP	
--	137770GT	BATTERY WATERING KIT, 24V UNIV <i>(to watch the installation video, copy and paste this link to your web browser)</i> https://www.youtube.com/watch?v=13zTt-hWik	
--	18503GT	NUT,LOCKING-LG.FLANGE,5/16-18	
16B	105150GT	BATTERY, AGM, 6V, (TROJAN) *** <i>(option)</i>	
--	137769GT	BATTERY WATERING HAND PUMP	
--	137770GT	BATTERY WATERING KIT, 24V UNIV <i>(to watch the installation video, copy and paste this link to your web browser)</i> https://www.youtube.com/watch?v=13zTt-hWik	
--	18503GT	NUT,LOCKING-LG.FLANGE,5/16-18	
17	47569GT	HINGE,11"X 2.5"X.44".....	1
18	115377GT	BATTERY COVER ASSY,WORD,GRC.... <i>(ANSI)</i>	1
18A	115378GT	BATTERY COVER ASSY,SUMBOL,GRC <i>(CE)</i>	

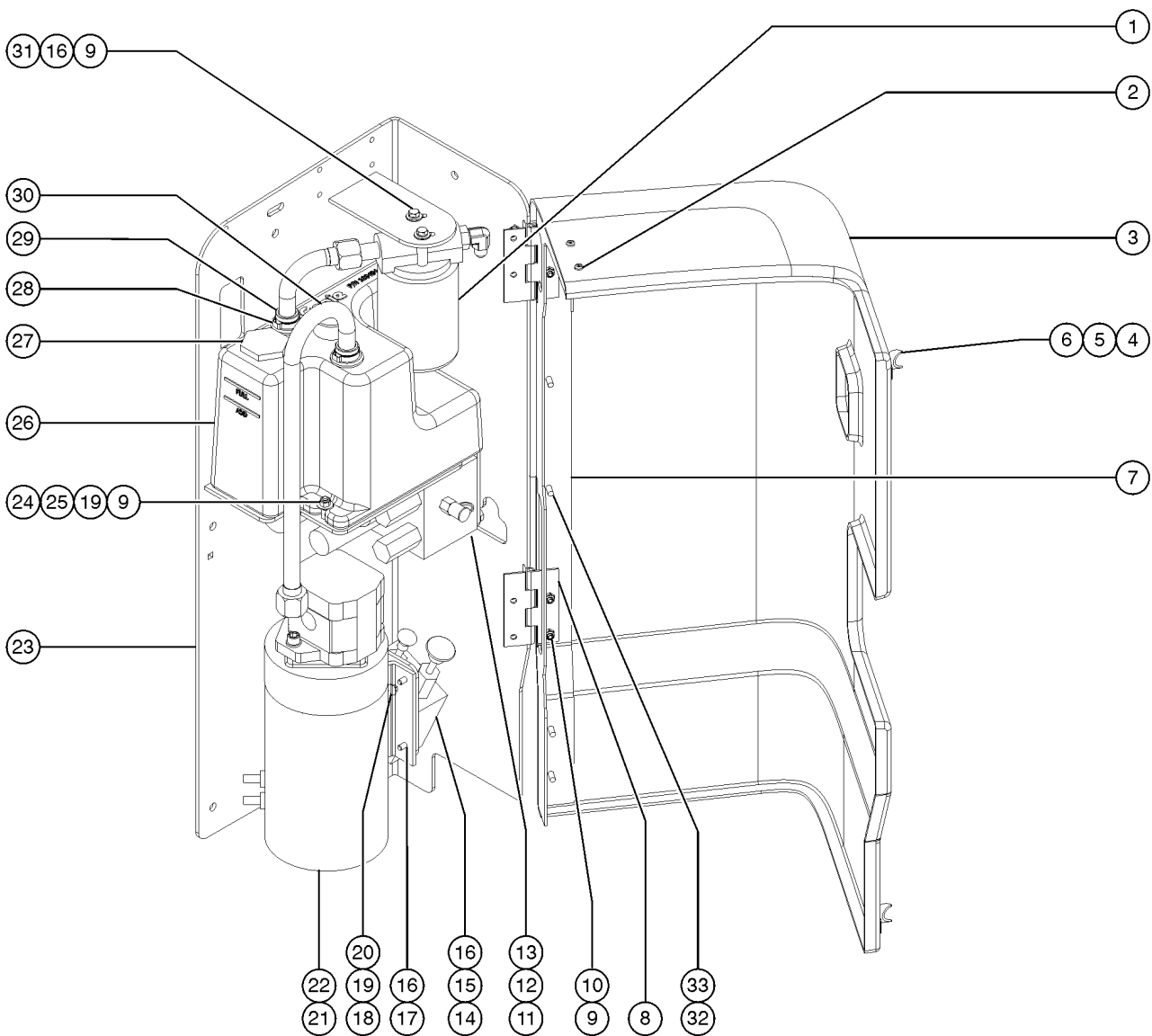
205.1 Ground Control Module Components



205.1 Ground Control Module Components

Item	Part No.	Description	Qty.	Item	Part No.	Description	Qty.
1	78098GT	RELAY,24VDC,40/30A,SLD W/BRKT*.....1 (ANSI, CSA)	1	24	18504GT	NUT,LOCKING-LG.FLANGE,1/4-20	
1A	78098GT	RELAY,24VDC,40/30A,SLD W/BRKT*.....4 (CE)	4	25		Ref. Battery Charger (refer to 207.1)	
2	55906GT	SCREW,PHILLIPS,PHM,8-32 X .5 (GR 5)		26	145284GT	FORMING,FUSE BRACKET.....1	
3	18605GT	NUT,NYLOCK,8-32		27	105573GT	HINGE,ACCESS DOOR***2	
4	105142GT	LEVEL SENSOR,LS60,RED,1.5 DIA.....1		28	6091GT	NUT,NYLOCK,1/4-20	
4	124449GT	TILT SENSOR TEST TOOL.....1		29	124232GT	WELDMENT,COVER SUP.CONT.....1	
5	6637GT	SCREW,HHC,1/4-20 X 1.75		30	12344GT	NUT,NYLOCK,6-32	
6	39469GT	SPRING,COMPRESSION.485 X1.75**		31	45546GT	SCREW,RHM,6-32 X .5	
7	56912GT	SPRING CLIP,1/4-20,.025-.15X.54,ZAG		32	57881GT	LATCH, RUBBER, 3-13/32 X 1-7/8.....2	
8	124224GT	WELDMENT,GROUND CONTROLS TRAY.....1	1	33	115379GT	GRND CONTROL COVER ASSY,WORDS.....1 (ANSI) (ground controls side)	
9	100839GT	ECU,SLAB/GR GEN 5***.....1	1	33A	115380GT	GRND CONTROL COVER ASSY,SYMBOL (CE) (ground controls side)	
--	39520GT	RECEPTACLE,FEMALE,36 CONTACT		34	66094GT	NUT-THIN HEAVY HEX, 1/4-20	
--	39521GT	RECEPTACLE,ANTI-BACKOUT		35	6356GT	WASHER,LOCK,.25	
--	39673GT	CONTACT,14-20GA.		36	8915GT	SCREW,HHC,1/4-20 X 1.25 (GR 5)	
--	51577GT	RECEPTACLE,FEMALE 18 CONT.		37	7265GT	RIVET,STEEL,P. .25 X .375	
--	51578GT	RECEPTACLE ANTIBACKOUT,18 CONT		38A	1257203GT	KIT,MTR CNTRLR REPLACEMENT,GR%.....1 for models that have had a contactor kit previously installed)	
10	81579GT	HORN,24VDC,SPADE TERMINALS***1	1	38B	823408GT	MOTOR CONTROLLER, DC,24V,300A motor controllers sold separately only in cases where upgrade kits are N/A or an upgrade kit has been previously installed	
11	107135GT	GRND CONTROL PANEL ASSY,GR.....1 (includes decal)	1	38C	232580GT	HARNES,DIODE JUMPER	
12	96452GT	CIRCUIT BREAKER,7.0 AMP***1	1	38D	232573GT	RESISTOR, 200 OHM 10 WATT	
13	96008-SGT	KEYSWITCH,3 POS. W/KEYS***1	1	38E	232535GT	KIT,CONTACTOR,GR All machines must have a contactor installed regardless of serial number. If no contactor is present order this contactor kit.	
--	37947GT	KEYS,10 PACK***		--	232848GT	CONTACTOR ASSY,GR	
--	83093GT	KEY SINGLE***		38F	1257035GT	KIT,BATT. CABLE ASSY., GR model specific battery cable kit may be purchased and installed on any machine with motor controller 823408 installed	
--	85239GT	NUT,RETAINER (96008)		39	80058GT	SCREW,PHP,1/4-20 X .875 (GR 2)	
--	96009GT	WASHER,NITRILE		40	6889GT	NUT,LP NYLOCK,1/4-20	
--	96010GT	SCREW,PHILLIPS,PHM,8-32 X.25**		41	39540GT	ALARM,STEADY TONE***1 Does not include 72326 nut	
14	19506GT	HOUR METER,10-80 VOLTS***1	1	--	72326GT	NUT - PLASTIC,RING FOR ALARMS	
15	T114691GT	ASSY,SWITCH,TOGGLE,SPDT*****.....1	1	42	124449GT	TILT SENSOR TEST TOOL	
16	66812GT	BUTTON,PUSH,RED MUSHROOM HEAD					
--	66817GT	BASE WITH 1 NC CONTACT, E-STOP					
--	66818GT	CONTACT, N.C.					
17	14297GT	SCREW,BHHS,1/4-20 X .75					
18	66717GT	FUSE BLOCK, ANN & ANL FUSE.....1 (includes mounting fasteners)	1				
--	40833GT	FUSE,275 AMP,VERY FAST ACTING					
19	6873GT	SCREW,FHM,10-32 X 1 (GR 2)					
20	6178GT	NUT,NYLOCK,10-32					
21	66398GT	TERM CONTACT,#1/0 GA,SB175.....1	1				
22	96950GT	INVERTER,24VDC,110/230 VAC***1	1				
23	6878GT	BOLT,CARRIAGE,1/4-20 X .75,G2					

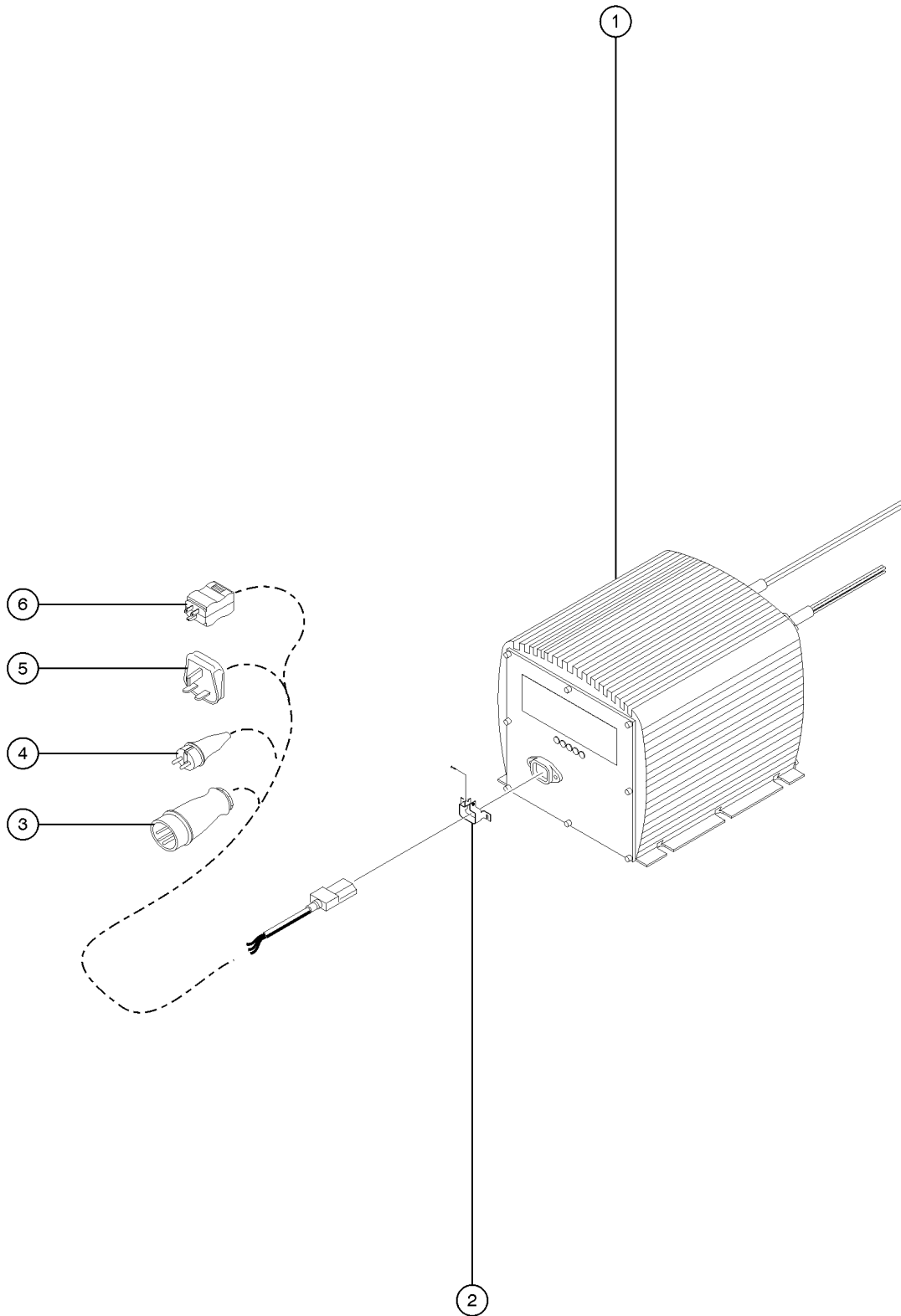
206.1 Power Unit Components



206.1 Power Unit Components

Item	Part No.	Description	Qty.	Item	Part No.	Description	Qty.
1	78622GT	FILTER ASSY,SAE8,10 MIC,PAPR**.....1		32	80058GT	SCREW,PHP,1/4-20 X .875 (GR 2)	
--	44207GT	FILTER ELEMENT,BETA(10)=200		33	6889GT	NUT,LP NYLOCK,1/4-20	
--	44788GT	FILTER ELEMENT,10MICRON,PAPER*					
2	7265GT	RIVET,STEEL,P, .25 X .375					
3	115381GT	POWER UNIT COV ASSY,WORD DECAL (ANSI) (power unit side)					
3A	115382GT	POWER UNIT COV ASSY,SYMB DECAL (CE) (power unit side)					
4	57881GT	LATCH, RUBBER, 3-13/32 X 1-7/8.....2					
5	45546GT	SCREW,RHM,6-32 X .5					
6	12344GT	NUT,NYLOCK,6-32					
7	124233GT	WELDMENT,COVER SUP.HYD.....1					
8	105573GT	HINGE,ACCESS DOOR***.....2					
9	6091GT	NUT,NYLOCK,1/4-20					
10	6878GT	BOLT,CARRIAGE,1/4-20 X .75,G2					
11		Ref. Function Manifold (refer to 402.1)					
12	6175GT	SCREW,HHC,3/8-16 X 1 (GR 5)					
13	6021GT	WASHER,LOCK,.375					
14		Ref. Brake Release Manifold (refer to 403.1)					
15	6884GT	SCREW,HHC,1/4-20 X 2.5 (GR 5)					
16	6356GT	WASHER,LOCK,.25					
17	8914GT	SCREW,HHC,1/4-20 X .625 (GR 5)					
18	96905GT	BOLT,CARRIAGE,1/4-20 X 2.5,G2					
19	6638GT	WASHER,FLAT,USS,1/4"Y					
20	6889GT	NUT,LP NYLOCK,1/4-20					
21		Ref. MOTOR (refer to 401.1)					
22		Ref. GEAR PUMP (refer to 401.1)					
23	124225GT	WELDMENT,HYDRAULIC TRAY (USA, Canada, Australia, Asia South America) (power unit side)					
--	124489GT	POWER UNIT TRAY ASSY W/SYMBOLS (Europe) (power unit side)					
24	9116GT	BOLT,CARRIAGE,1/4-20x1.25,G2					
25	96699GT	SLEEVE,TANK SUPPORT.....3					
26	100484GT	HYD. TANK, POLYETHELENE.....1					
27	66204GT	FILTER CAP (PLUG 1-1/2" NPT HEX.....1					
28	96709GT	GROMMET,SLAB HYD TANK***.....2					
29	96855GT	CLAMP,HOSE,1 EAR,1-1/16***.....1					
30	78546GT	BREATHER CAP,HYD.TANK,1/4 NPT.....1					
31	6090GT	SCREW,HHC,1/4-20 X .75 (GR 5)					

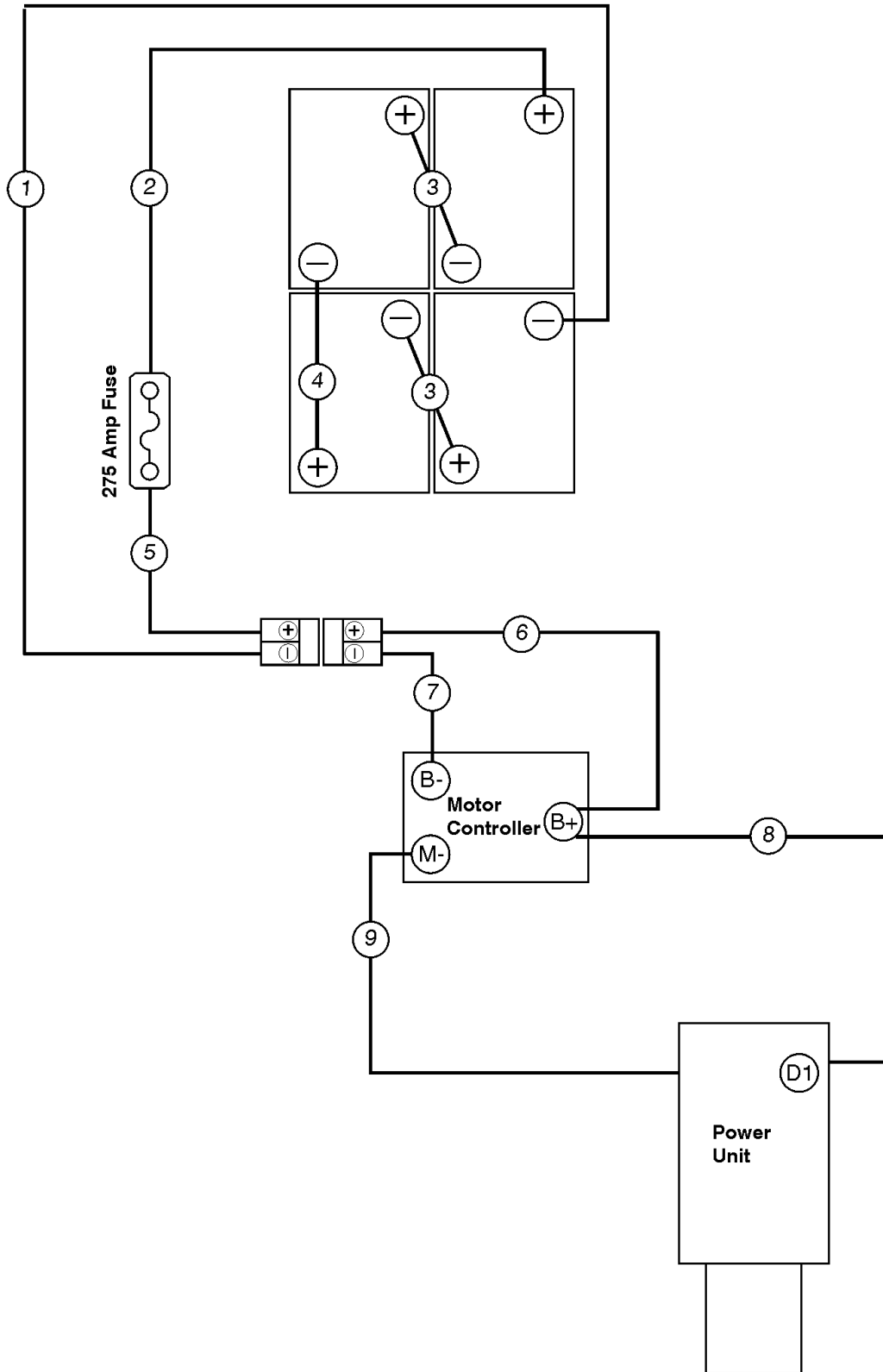
207.1 Battery Charger



207.1 Battery Charger

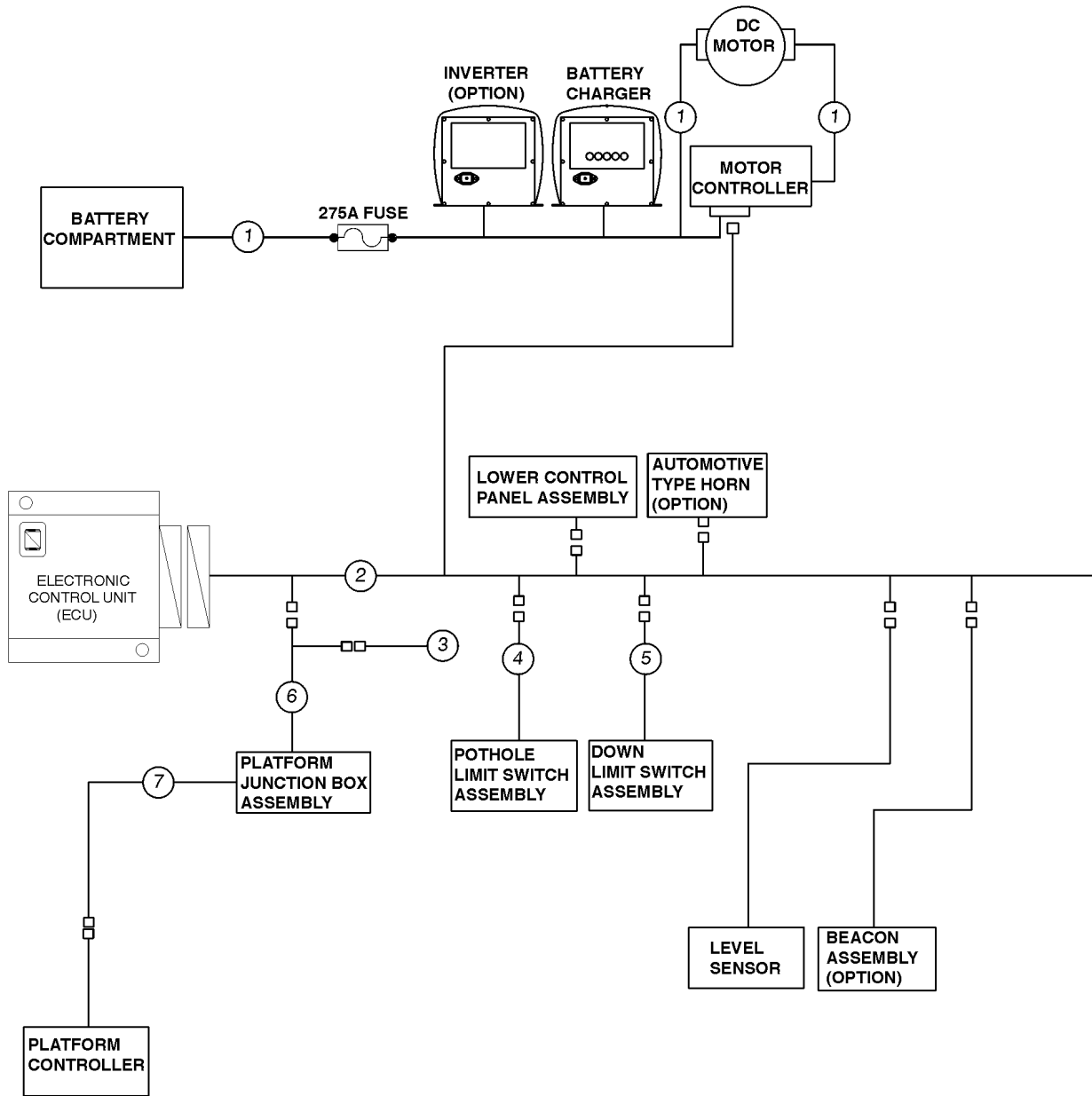
Item	Part No.	Description	Qty.
--	105334GT	CONNECTOR, IEC CHARGER CORD <i>for 5-LED battery charger</i>	
--	97059GT	FUSE,BATTERY CHARGER*** <i>for 5-LED battery charger</i>	
1A	105739GT	CHARGER,BAT,24VDC,H/LO GEN2.....1	
--	144180GT	MANUAL,OWNERS,CHARGER,105739	
1B	219480GT	KIT,BATTERY CHARGER,24V <i>(includes 105739 charger, fasteners, ring terminals and instructions for field installation)</i>	
2	55010GT	LOCK, CONNECTOR.....1 <i>(includes fasteners)</i>	
3	71706GT	POWER CORD, UK 110, 115".....1 <i>(AC)</i>	
4	55019GT	POWER CORD,NOVON, 8" <i>(EUROPEAN) (220 V AC) (WITH 2-PIN PLUG)</i>	
5	55018GT	POWER CORD,UK-HIGH VOLTAGE, 8" <i>(WITH 3-PIN PLUG)</i>	
6	55021GT	POWER CORD,US 110, 8" <i>(DOMESTIC) (WITH 3-PIN pLUG)</i>	

208.1 Power Cables



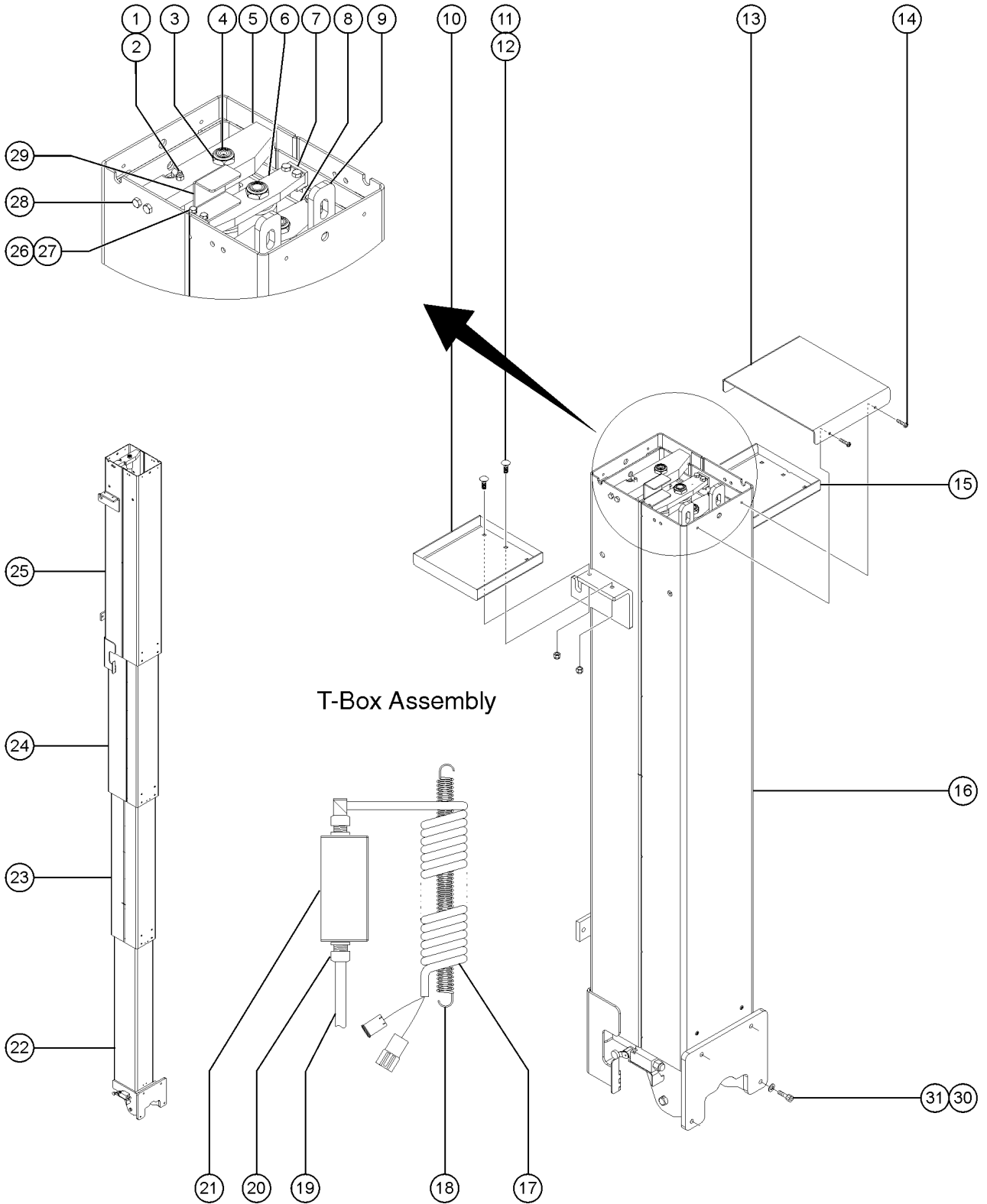
Item	Part No.	Description	Qty.
--	100981GT	BATTERY CABLE ASSY, GR	
--		Ref. Fuse, 275A <i>(refer to 205.1)</i>	
--		Ref. Quick Disconnect <i>(refer to 205.1)</i>	
D	1257035GT	KIT,BATT. CABLE ASSY., GR <i>(include items 6B, 7B, 8B, 9B)</i>	
1	100732GT	CABLE ASSY, BATT TO ANDERSON.....1 <i>(BLACK)</i>	
2	100730GT	CABLE ASSY, BATT TO FUSE.....1 <i>(RED)</i>	
3	100728GT	CABLE ASSY,BATT,5.50"RED.....2	
4	100729GT	CABLE ASSY,BATT, 10" RED.....1	
5	100731GT	CABLE ASSY, FUSE TO ANDERSON...1 <i>(RED)</i>	
6A	100733GT	CABLE ASSY, ANDERSON TO MC/RED.....1	
6B	1257065GT	CABLE ASSY.,BATT. 14",4AWG RD.....1 <i>(for units with kit 1257203 installed)</i>	
7A	100734GT	CABLE ASSY, ANDERSON TO MC,BLK.....1	
7B	1257064GT	CABLE ASSY., BATT. 27" BLACK.....1 <i>(for units with kit 1257203 installed)</i>	
8A	100735GT	CABLE ASSY,BATT,50.0"RED.....1	
8B	1257062GT	CABLE ASSY., BATT. 64" RED.....1 <i>(for units with kit 1257203 installed)</i>	
9A	100736GT	CABLE ASSY,BATT,52.0"BLK.....1	
9B	1257063GT	CABLE ASSY., BATT. 62" BLACK.....1 <i>(for units with kit 1257203 installed)</i>	

209.1 Electrical Wiring



Item	Part No.	Description	Qty.
--		Ref. Fuse Holder (refer to 205.1)	
--		Ref. Quick Disconnect (refer to 205.1)	
1		Ref. Battery Cable Assembly (refer to 208.1)	
2	100698GT	HARNESS, ECU, GR ANSI.....1 (ANSI and CSA)	
2A	100929GT	HARNESS, ECU, GR CE (CE)	
3	100782GT	POWER CABLE, GR BASE, DOMESTIC.....1 (ANSI and CSA)	
3A	100931GT	POWER CABLE GR BASE,FOREIGN (CE)	
4	100754GT	ASSY, POTHOLE HARNESS, GR.....1	
5	124504GT	WIRE ASSY,DOWN LIMIT SW,GRC.....1	
6	124294GT	HARNESS, MAST, GRC12.....1	
7	124440GT	WIRE ASSY,PLATFORM,GRC.....1	

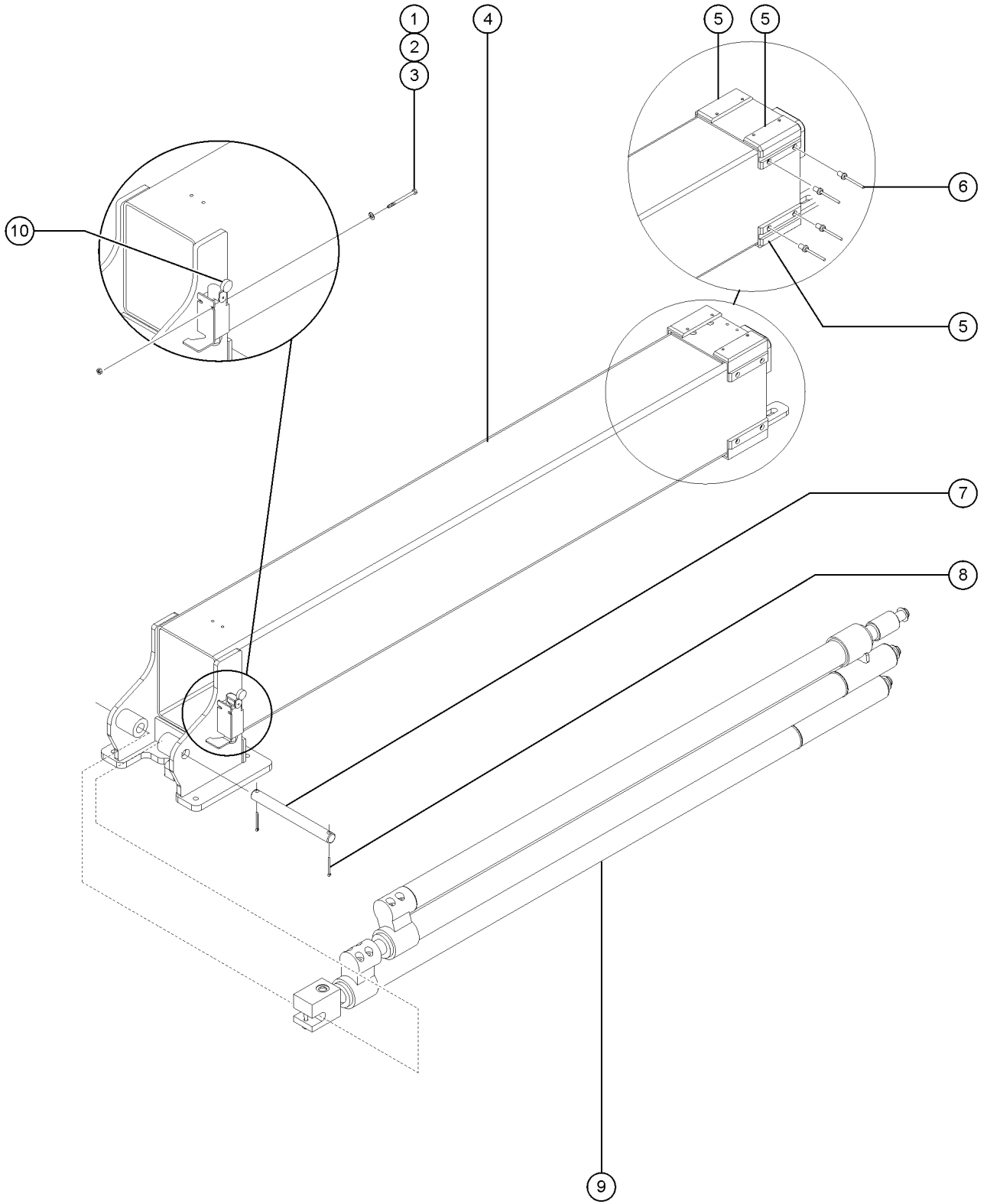
301.1 Mast Assembly



T-Box Assembly

Item	Part No.	Description	Qty.
--	90337GT	BOE LUBE.....1 <i>lubricant</i>	1
1	124964GT	EYE BOLT,TURNED,1/4-20 X 1.5.....2	2
2	6091GT	NUT,NYLOCK,1/4-20	
3	124978GT	NUT,JAM,LOCKING INSERT,3/4-16	
4		Ref. Cylinder <i>(refer to 302.1)</i>	
5	124429GT	MOUNT, CYLINDER, MAST SEC 4.....1	1
6	124351GT	MOUNT, CYLINDER, MAST SEC 3.....1	1
7	124443GT	CYL MOUNT TAB, TAPPED 1/4-20.....4	4
8	124350GT	MOUNT, CYLINDER, MAST SEC 2.....1	1
9	124375GT	LIFTING EYE, GRC12.....2	2
10		Ref. Workstation Tray <i>(refer to 304.1)</i>	
11	6878GT	BOLT,CARRIAGE,1/4-20 X .75,G2	
12	6889GT	NUT,LP NYLOCK,1/4-20	
13	124372GT	FORMING, MAST CAP, GRC-12.....1	1
14	124409GT	SCREW,THRDCUT,HWH,12-24X50#23	
15		Ref. Workstation Tray with Decal.....1 <i>(refer to 304.1)</i>	1
16	124253GT	MAST/CABLE ASSY,GRC12.....1	1
17	124294GT	HARNESS, MAST, GRC12.....1	1
--	124353GT	CABLE, COILED, 9 COND	
18	124479GT	SPRING,EXT,COIL CORD RETAIN.....1	1
19	124440GT	WIRE ASSY,PLATFORM,GRC.....1	1
20	7057GT	CONN. SQZ,1/2NPT .39-.56 MED.....1	1
21	10775GT	T-BOX,2.75 X 4.5 X 2.0.....1	1
21A	69919GT	JUNCTION BOX, 4 OUTLET, DEEP	
22		Ref. Number 1 Column Assembly <i>(refer to 302.1)</i>	
23		Ref. Number 2 Column Assembly <i>(refer to 303.1)</i>	
24		Ref. Number 3 Column Assembly <i>(refer to 303.1)</i>	
25		Ref. Number 4 Column Assembly <i>(refer to 304.1)</i>	
26	6888GT	SCREW,HHC,1/4-20 X 1	
27	75869GT	WASHER,LOCK, 1/4 INCH	
28	6090GT	SCREW,HHC,1/4-20 X .75 <i>(GR 5)</i>	
29	124897GT	FORMING,COIL GUARD,GRC	
30	33988GT	SCREW,SHC,3/8-16 X 1.....4	4
31	19934GT	WASHER,3/8 HARD.STEEL-FLAT,USS.....4	4

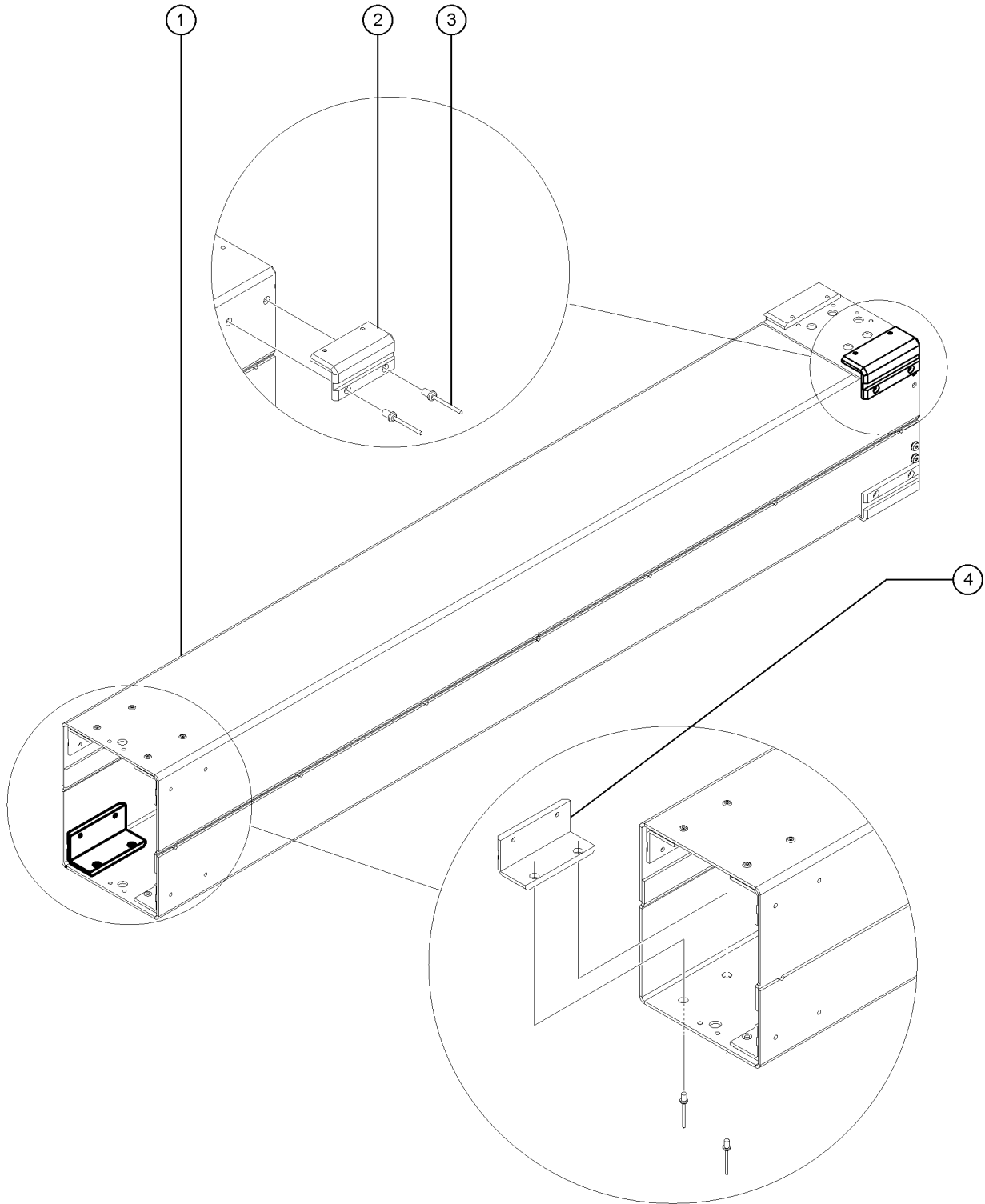
302.1 Number 1 Column Assembly



302.1 Number 1 Column Assembly

Item	Part No.	Description	Qty.
--			
1	51063GT	SCREW,PHILLIPS,RHM,10-32 X 1.5	
2	15513GT	NUT,HEX,10-32 (GR 2)	
3	6607GT	WASHER,LOCK,#10 PLTD	
4	1252760GT	WELDMENT,TUBE,GRC12#1.....1 <i>for initial replacement, also order PN1252761. BOTH MAST TUBES MUST BE REPLACED TOGETHER.</i>	
5	T112021GT	WEARPAD,GRC MAST, TOP.....4	
5A	T112839GT	KIT,GRC12 WEARPADS <i>includes 24 wear pads and all needed rivets</i>	
6	39579GT	RIVET,STL,STL,.188 X .45	
7	124379GT	PIN, MAST CYLINDER.....1	
8	13779GT	PIN,COTTER,.25 X 1.5	
9		Ref. Mast Cylinder <i>(refer to 401.1)</i>	
10	96948GT	SWITCH,LIMIT,W/ROLLER ARM***.....1	
--	19491GT	CONTACTOR,LIMIT SWITCH	
--	87561GT	CABLE SQUEEZE CONN 2 WIRE <i>for limit switch 96948</i>	

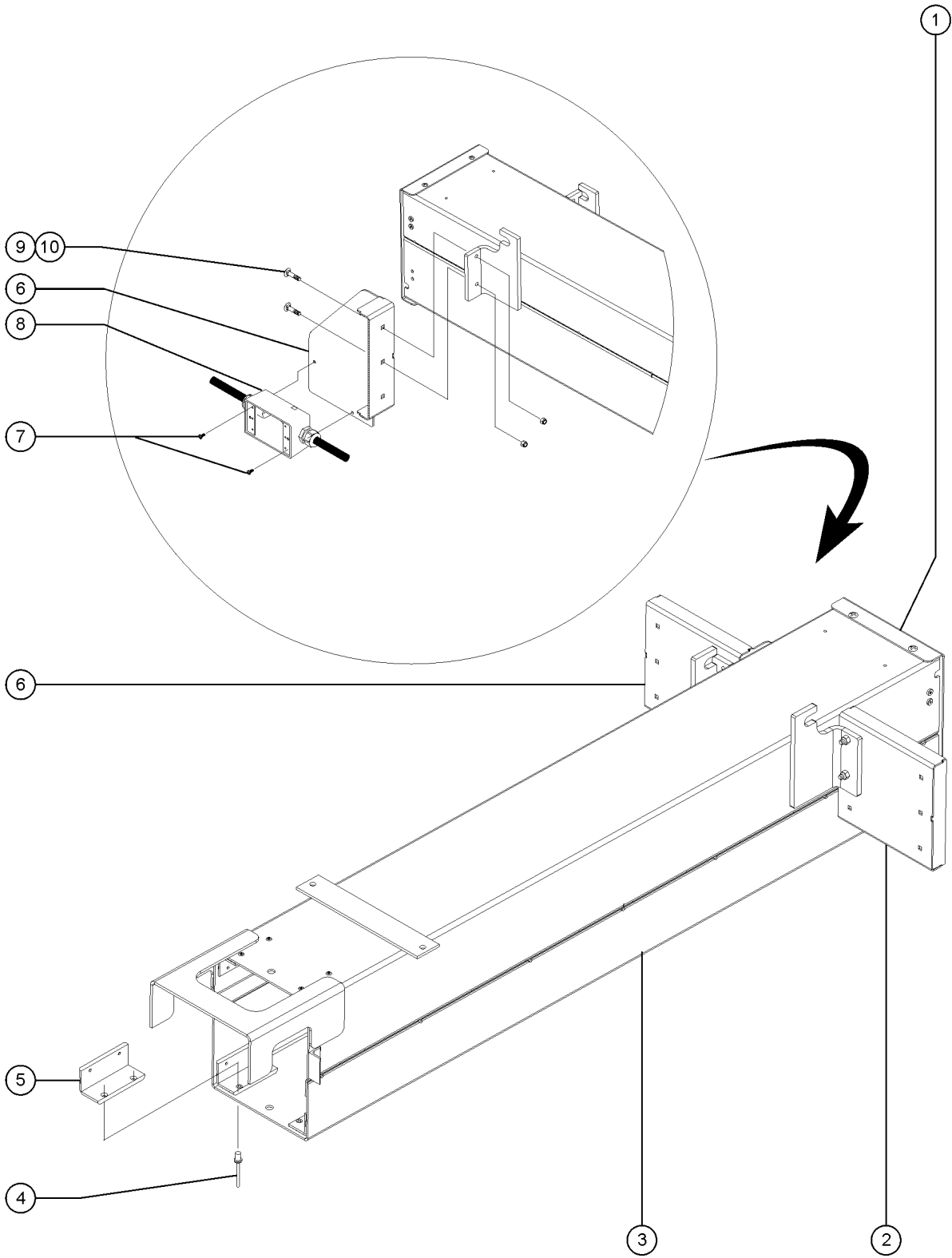
303.1 Number 2 and Number 3 Column Assemblies



303.1 Number 2 and Number 3 Column Assemblies

Item	Part No.	Description	Qty.
--	T112839GT	KIT,GRC12 WEARPADS <i>includes 24 wear pads and all needed rivets</i>	
1	124256GT	ASSY,MAST,GRC12 #2.....	1
1A	124255GT	ASSY,MAST,GRC12 #3	
2	T112021GT	WEARPAD,GRC MAST, TOP.....	4
3	39579GT	RIVET,STL,STL,,188 X .45	
4	T112022GT	WEARPAD,GRC MAST,BOTTOM.....	4

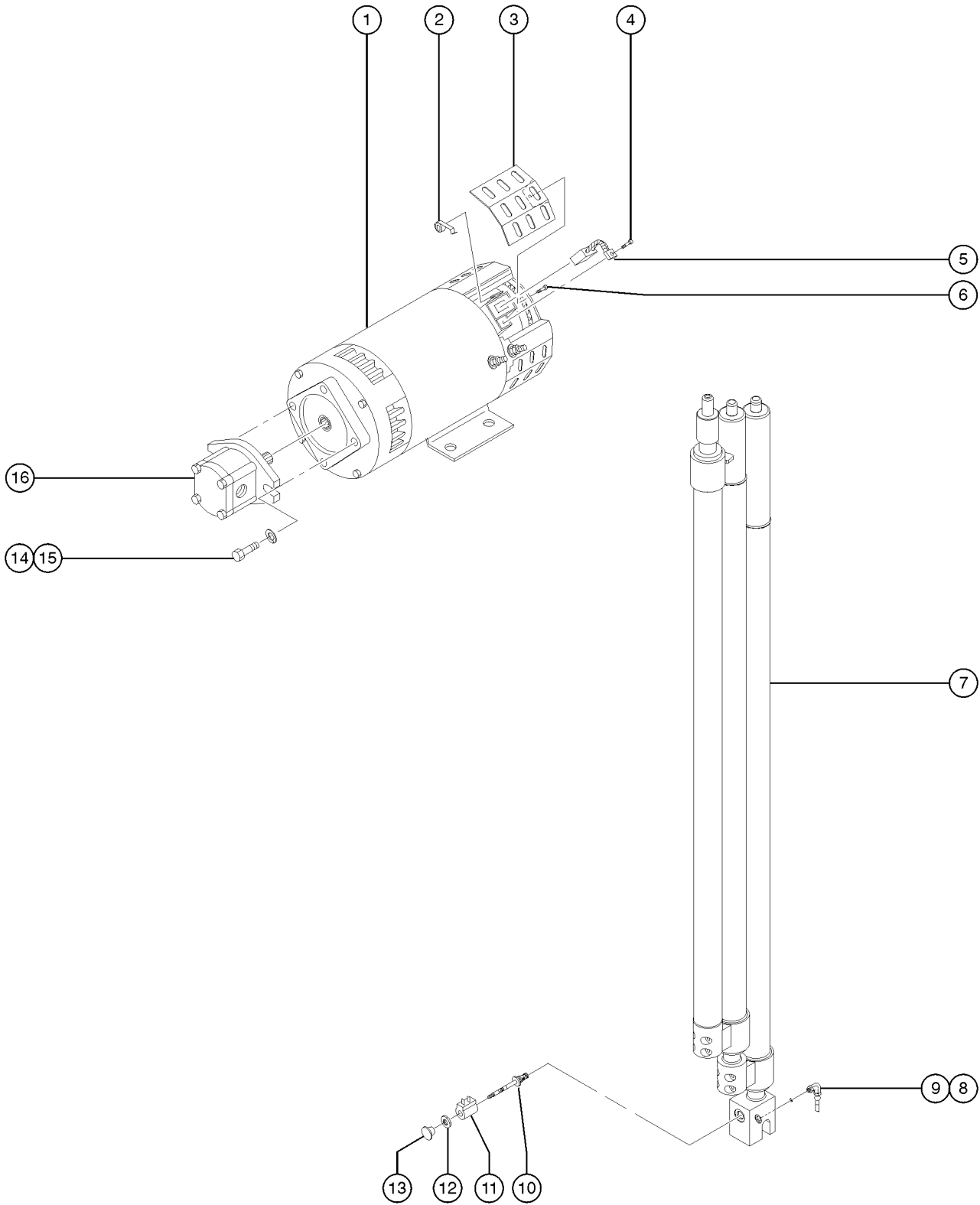
304.1 Number 4 Column Assembly



304.1 Number 4 Column Assembly

Item	Part No.	Description	Qty.
1		Ref. Mast Cap <i>(refer to 301.1)</i>	
2	115391GT	WORKSTATION TRAY ASSY W/DECAL*1 <i>(word)</i>	
2A	115392GT	WORKSTATION TRAY ASSY W/DECAL* <i>(symbol)</i>	
3	1252761GT	WELDMENT,TUBE,GRC12#4,11X9X54.2 <i>for initial replacement, also order PN1252760. BOTH MAST TUBES MUST BE REPLACED TOGETHER.</i>	
4	39579GT	RIVET,STL,STL,,188 X .45	
5	T112022GT	WEARPAD,GRC MAST,BOTTOM.....4	
5A	T112839GT	KIT,GRC12 WEARPADS <i>includes 24 wear pads and all needed rivets</i>	
6	115383GT	WORKSTATION TRAY ASSY,W/DECAL.....1 <i>(word)</i>	
6A	115393GT	WORKSTATION TRAY ASSY W/DECAL* <i>(symbol)</i>	
7	21018GT	SCREW,PHIL,PHM,10-24 X.38,SEMS	
8		Ref. T-box Assembly <i>(refer to 301.1)</i>	
9	6878GT	BOLT,CARRIAGE,1/4-20 X .75,G2	
10	6889GT	NUT,LP NYLOCK,1/4-20	

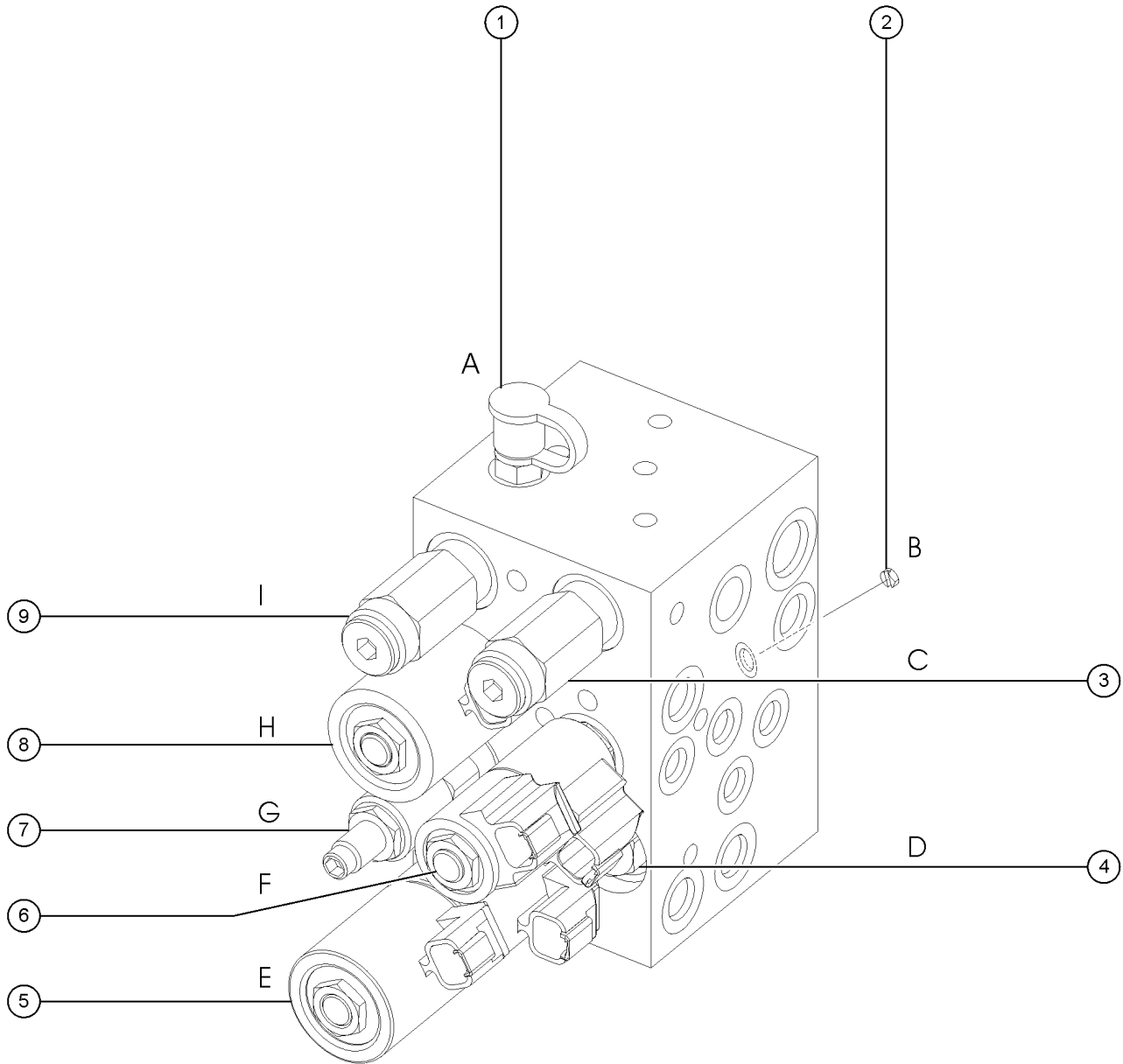
401.1 Hydraulic Power Unit and Lift Cylinder



401.1 Hydraulic Power Unit and Lift Cylinder

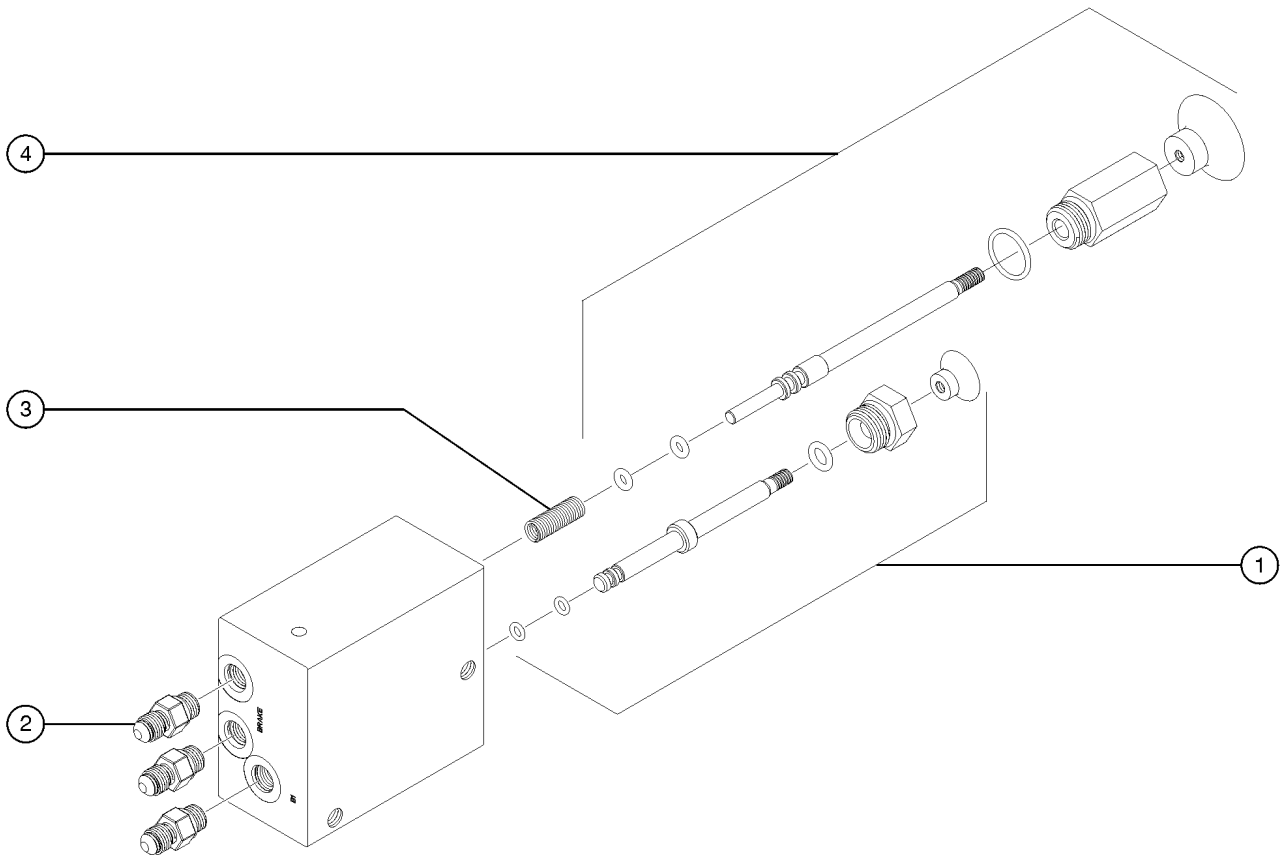
Item	Part No.	Description	Qty.
1	105387GT	MOTOR,24DC,ADV.....1 <i>(includes items 2-6)</i>	1
--	43685GT	SEAL KIT,LIFT PUMP,BARNES**	
--	44777GT	BEARING,MOTOR	
--	44778GT	BEARING,MOTOR,36843,BRUSH END*	
--	52915GT	BRUSH LEAD ASSEMBLY KIT(48504)	
--	58934GT	BRUSH BOX ASSEMBLY	
2	44750GT	SPRING-BRUSH,40844, SCISSORS.....4	4
3	44752GT	COVER-BRUSH INSPEC.40844,SCISS.....4	4
4	52913GT	SCREW,HH TAPETITE THRD8-32X.50 (GR 5)	
5	44751GT	BRUSH,PWR UNIT (40844)**.....4	4
6	52914GT	SCREW,HHTAPTITE THREAD8-32X.38	
7	124277GT	CYLINDER, MAST, GRC12 (TRIPLE).....1	1
--	124442GT	SEAL KIT	
--	6145GT	SCREW,HHC,1/4-20 X 1.5 (GR 5)	
8	39875GT	ELBOW,070220-4-6.....2	2
9	124967GT	ORIFICE,SHORT,.059 X .300	
10	66465GT	VALVE,W/20V NC SOLENOID,MANUAL.....1 <i>(includes items 11 and 13)</i>	1
11	84422GT	COIL-SOLENOID VALVE,20V DC***.....1	1
12	38068GT	KNOB,PUSH/PULL,RED.....1	1
13	52943GT	NUT,SOLENOID VALVE COIL.....1	1
14	32317GT	SCREW,HHC,3/8-24 X 1 GR 8 YEL.....2	2
15	6021GT	WASHER,LOCK,.375	
16A	96193GT	PUMP,4CC GEAR,CCW***1 <i>Bosch / Rexroth</i>	1
--	233641GT	SEAL KIT,BOSCH PUMP <i>For 96193 w/Bosch PN 9510090001</i>	
--	85197GT	SEAL KIT,BOSCH PUMP*** <i>For 96193 w/Bosch PN 9510290001</i>	
16B		PUMP,4CC GEAR,CCW 228192 <i>Parker (component no longer available)</i>	
--	229453GT	SEAL KIT,PUMP,PARKER (228192) <i>for Parker pump 228192</i>	

402.1 Function Manifold



Item	Part No.	Description	Qty.
--	105462GT	KIT,DYN.BRAKING MANIF,MINI	
--	49612GT	O-RING KIT (ORFS FITTINGS)	
--	49613GT	PLUG AND CAP KIT-SERVICE,ORFS*	
1	48997GT	NIPPLE,DIAGNOSTIC,#4 (A, Testing)	
--	20224GT	DIAGNOSTIC FEMALE Q-DSCNT (pressure gauge not included)	
--	48880GT	CAP,DIAGNOSTIC NIPPLE	
2	84386GT	CHECK DISK, NO SPRING (B, Steer circuit)	
3	65962GT	VALVE-RELIEF, 3700 PSI #8** (C, Lift relief)	
--	44226GT	SEAL KIT-FOR P.N.44167	
4	46216GT	VALVE,CHECK,IWP-S/CWP PWR ASSI (D, Drive circuit)	
--	44227GT	SEAL KIT, VALVE	
5	44172GT	VALVE,SOLENOID,3POS 4WAY*** (E, Drive forward/reverse)	
--	44174GT	NUT-COIL SHORT	
--	44230GT	SEAL KIT-P.N.44169,44172,44171	
--	84385GT	COIL,20VDC DEUTC SH W/DIODE (sold separately)	
6	44168GT	VALVE,SOLENOID,3POS 4WAY (F, Steer left/right)	
--	44174GT	NUT-COIL SHORT	
--	44229GT	SEAL KIT, VALVE	
--	77709GT	COIL,#8 20VDC,DEUTSCH W/DIOD (sold separately)	
7	84384GT	PRTY,FLOW CNTRL VALVE,.75 GPM (G, Steer circuit)	
--	1261888GT	SEAL KIT (84384) for 84384	
8	44169GT	VALVE-SOLENOID, 2POS 4 WAY (H, Platform up)	
--	44174GT	NUT-COIL SHORT	
--	44230GT	SEAL KIT-P.N.44169,44172,44171	
--	84385GT	COIL,20VDC DEUTC SH W/DIODE (sold separately)	
9	65962GT	VALVE-RELIEF, 3700 PSI #8** (I, System relief)	
--	44226GT	SEAL KIT-FOR P.N.44167	

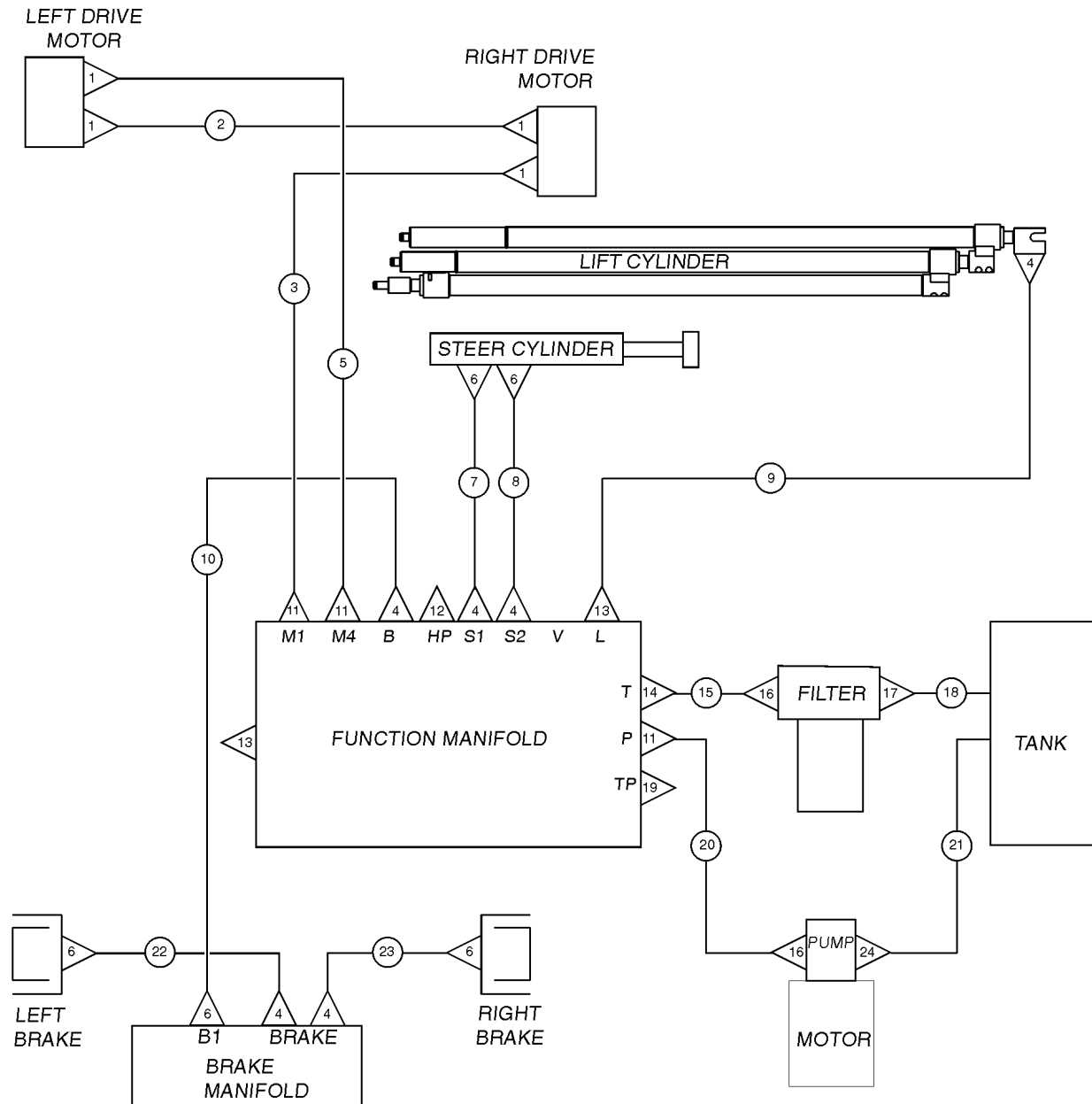
403.1 Brake Release Manifold



403.1 Brake Release Manifold

Item	Part No.	Description	Qty.
--	105067GT	MANIFOLD,BRAKE RELEASE <i>(includes items 1, 3 and 4)</i>	
1	84743GT	VALVE,PILOT OPERATED ASSEMBLY*.....1 <i>(84744 was replaced by 84743)</i>	1
--	84740GT	SEAL KIT,HAND PUMP*** <i>(84745 was replaced by 84740)</i>	
--	84746GT	KNOB,PILOT OP VALVE (BLACK)***	
2	39877GT	CONNECTOR,070120-4-4.....3	3
3	84748GT	SPRING,HAND PUMP ROD.....1	1
4	84739GT	VALVE,HAND PUMP ASSEMBLY***.....1	1
--	84739GT	VALVE,HAND PUMP ASSEMBLY***	
--	84740GT	SEAL KIT,HAND PUMP***	
--	84742GT	KNOB,HAND PUMP (RED)***	

404.1 Hydraulic Hoses and Fittings

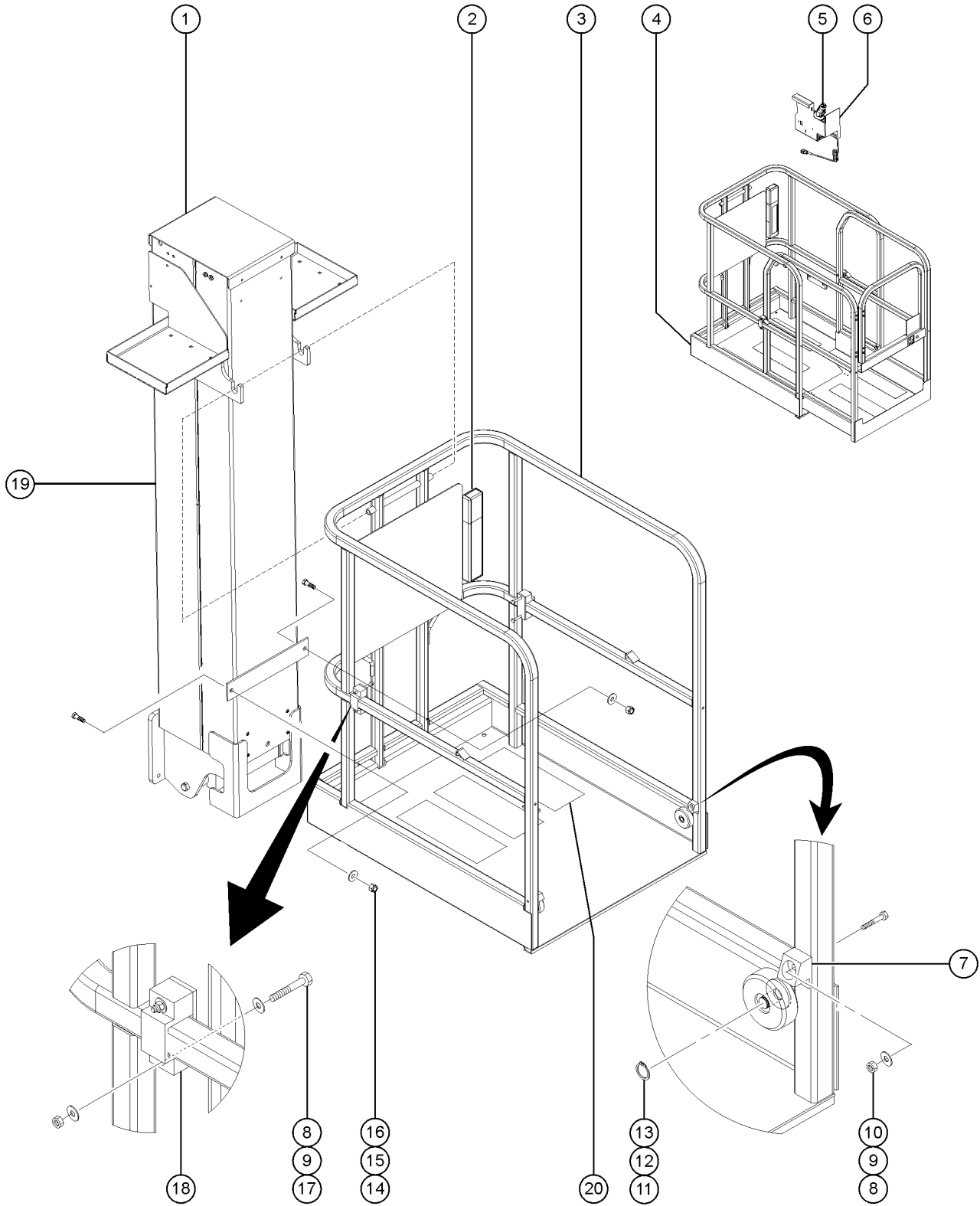


LEGEND	
	ADAPTER
	HOSE ASSEMBLY
	UNION

404.1 Hydraulic Hoses and Fittings

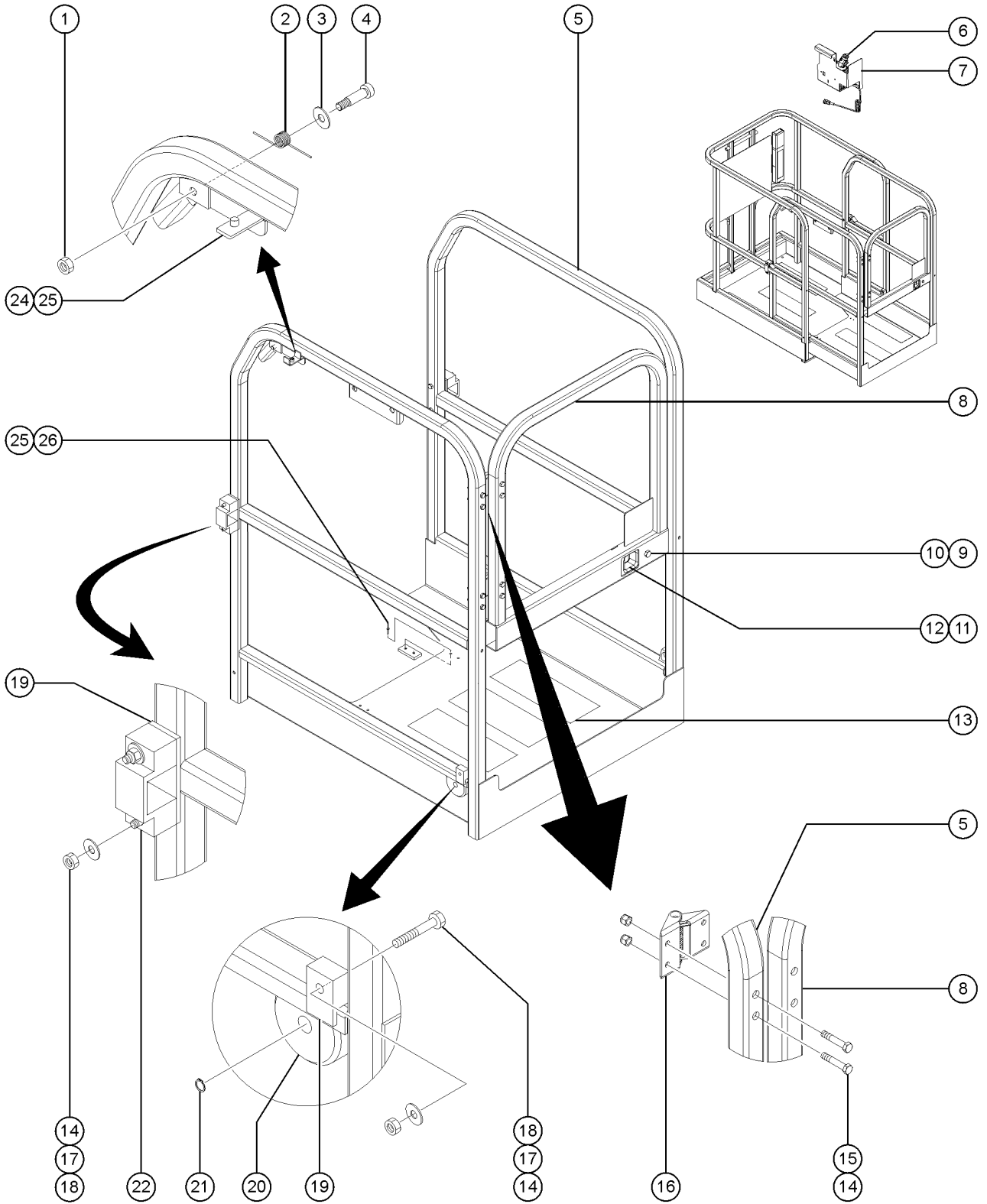
Item	Part No.	Description	Qty.
1	61264GT	ELBOW,90D,520220,6-10.....	4
2	109836GT	HOSE,ASSY,MOTOR CROSSOVER.....1 (Components: 48812, 48812 and 56776 @ 38 inches)	
3	109837GT	HOSE,ASSY,RT DRIVE MOTOR.....1 (Components: 39890, 48812 and 56776 @ 88 inches)	
4	39877GT	CONNECTOR,070120-4-4.....	7
5	109838GT	HOSE,ASSY,LT DRIVE MOTOR.....1 (Components: 39890, 48812 and 56776 @ 92 inches)	
6	13921GT	ELBOW,070220-4-4.....	5
7	100720GT	HOSE, ASSY, RT STEER.....1 (Components: 78855, 78855 and 78852 @ 65 inches)	
8	100719GT	HOSE, ASSY, LT STEER.....1 (Components: 78855, 78855 and 78852 @ 69 inches)	
9	124405GT	HOSE, ASSY, LIFT CYL. TO MAN.....1 (Components: 78855, 78855 and 48751 @ 30 inches)	
10	100723GT	HOSE, ASSY, BRAKE.....1 (components: 48805, 48806 and 48751 @ 9.5 inches)	
11	39878GT	CONNECTOR,070120-6-6.....	3
12	45374GT	PLUG,HEX HEAD,090109A-4.....	2
13		GS30 PENDANT CONTROLLER (39811).....	1
14	39873GT	ELBOW,070220-6-6.....	1
15	100726GT	HOSE, ASSY, MAN TO FILTER.....1 (components: 96406, 105045 and 75631 @ 15 inches)	
16	39876GT	ELBOW,070220-6-8.....	2
17	96398GT	CONNECTOR, 070120-12-8.....	1
18	100486GT	TUBE ASSY,RETURN.....	1
19		Ref. Diagnostic Nipple (refer to 402.1)	
20	100725GT	HOSE, ASSY, PRESSURE.....1 (Components: 39890, 39890 and 56776 @ 33 inches)	
21	100510GT	TUBE ASSY, DRAW.....	1
22	100721GT	HOSE, ASSY, LT BRAKE.....1 (Components: 48805, 48805 and 48751 @ 32 inches)	
23	100722GT	HOSE, ASSY, RT BRAKE.....1 (components: 48805, 48805 and 48751 @ 14.5 inches)	
24	22664GT	ELBOW,070220-12-10.....	1

501.1 Main Platform



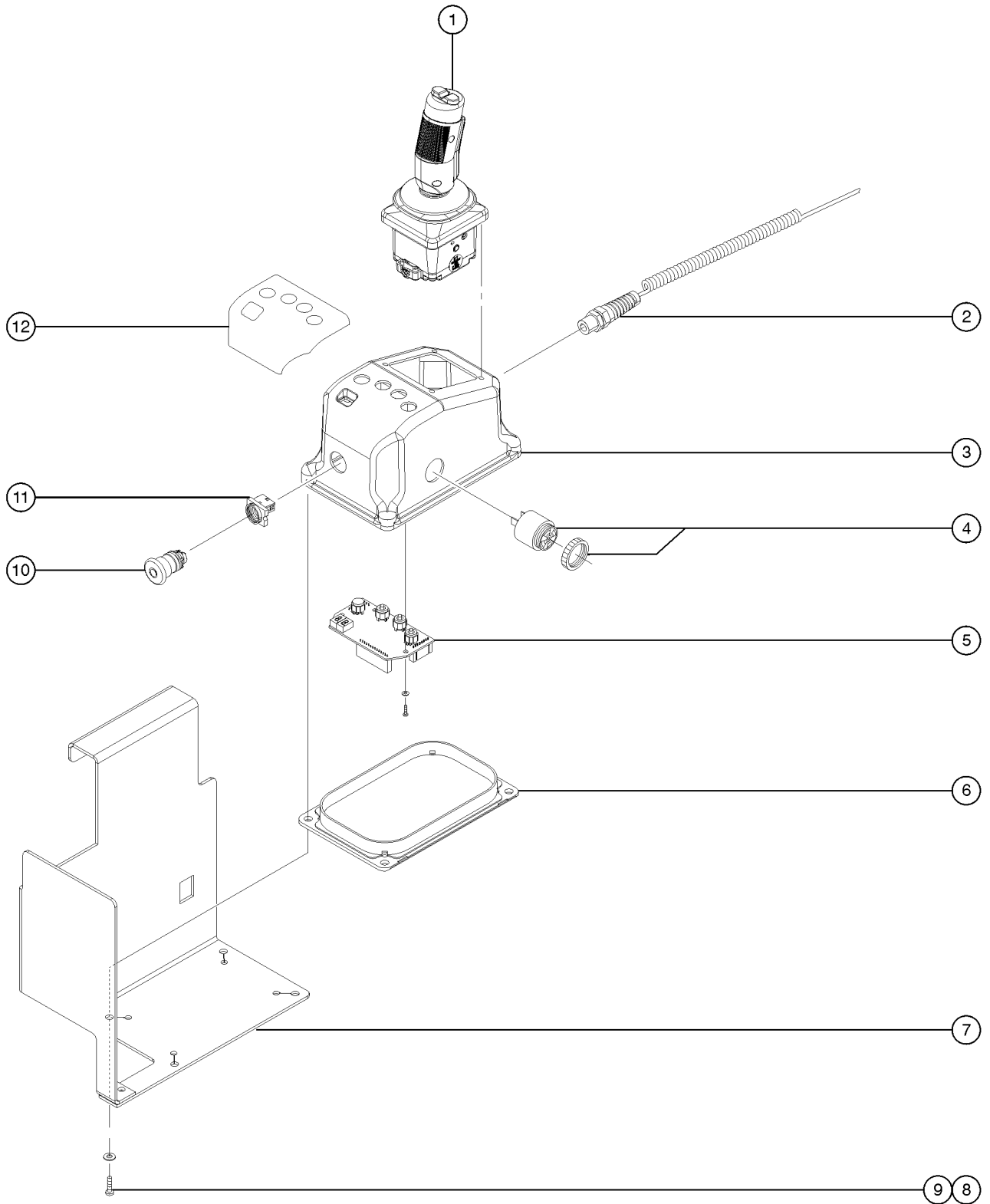
Item	Part No.	Description	Qty.
1	124372GT	FORMING, MAST CAP, GRC-12.....	1
2	107180GT	MANUAL STORAGE BX,NO DECAL,GR.....	1
3	124285GT	WELDMENT,PLATFRM,GRC12.....	1
4	115384GT	PLAT ASSY W/WORD DECAL,ANSI	
4A	115385GT	PLAT ASSY W/WORD DECAL,AUS	
4B	115386GT	PLAT ASSY W/SYMBL DECAL,ANSI	
4C	115387GT	PLAT ASSY W/SYMBL DECAL,CE	
5		Ref. Joystic Controller <i>(refer to 503.1 and 504.1)</i>	
6		Ref. Platform Control Mount <i>(refer to 503.1)</i>	
7	124346GT	WEAR PAD, PLATFORM.....	2
8	6091GT	NUT,NYLOCK,1/4-20	
9	75144GT	WASHER,FLAT,SAE 1/4,ZINC	
10	8179GT	SCREW,HHC,1/4-20 X 2.25	
11	57190GT	SNAP RING,EXTERNAL,.50 DIA.	
12	8519GT	WASHER,SHIM,.5 X .875 X .033	
13	124312GT	WHEEL, EXTENSION DECK, GRC12....	2
14	7713GT	NUT, LP NYLOCK, 3/8-16	
15	6097GT	WASHER,FLAT,USS,3/8",Y	
16	94434GT	SCREW,HHC,3/8-16X1.25 GD307A <i>(GR 5)</i>	
17	12343GT	SCREW,HHC,1/4-20 X 3 <i>(GR 5)</i>	
18	124325GT	GUIDE, EXT DECK, GRC12.....	2
--	124342GT	WEAR STRIP, EXT DECK GUIDE	
19		Ref. Mast Assembly <i>(refer to 301.1)</i>	
20	47231GT	TAPE,NON-SKID,DIE CUT,4"X 16".....	3

502.1 Extension Platform



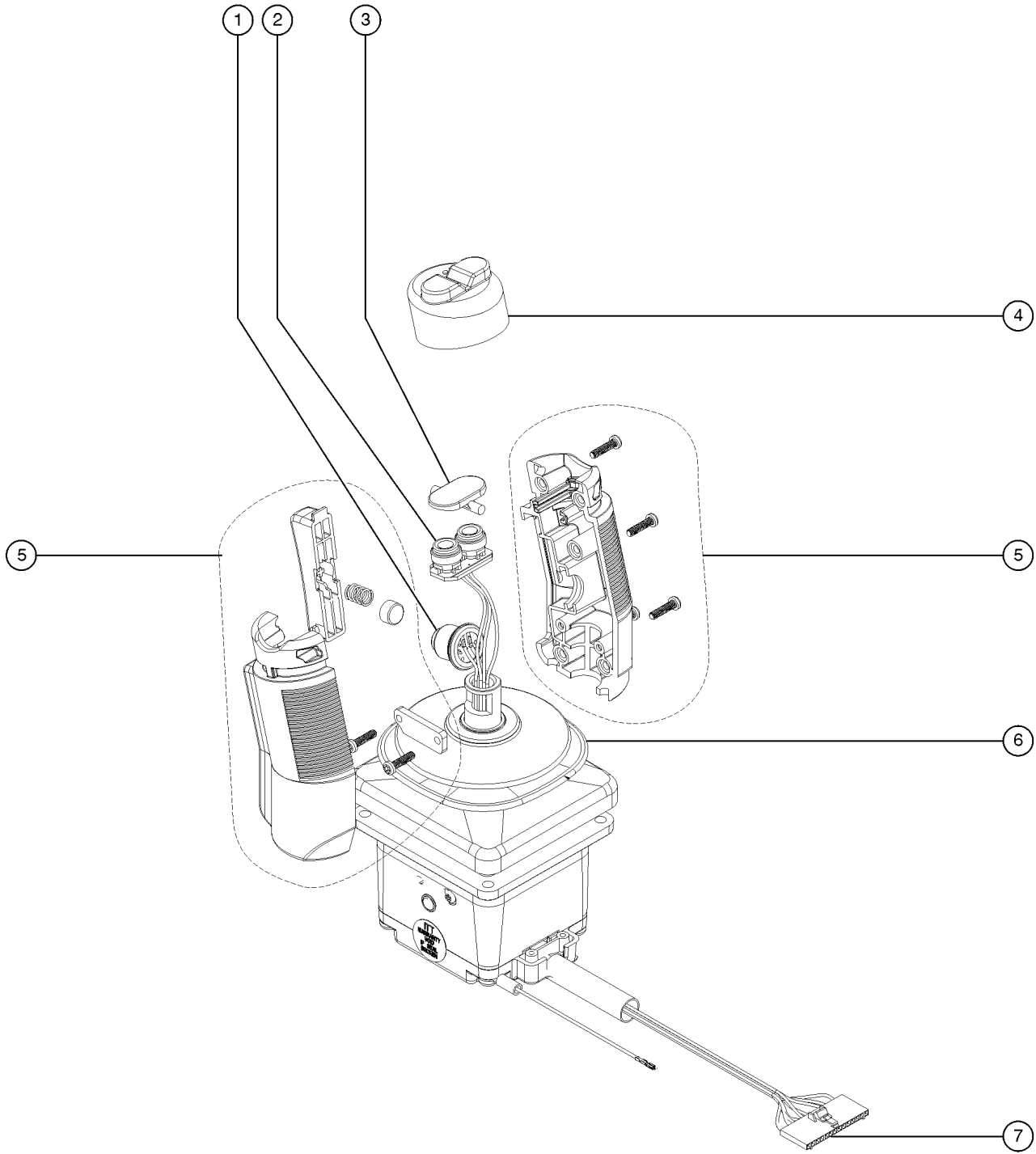
Item	Part No.	Description	Qty.
1	6782GT	NUT,NYLOCK,5/16-18	
2	124362GT	SPRING, TORSION, .078" WIRE	
3	37038GT	WASHER,FLAT,.5X .125,HARDENED*	
4	124363GT	BOLT, SHOULDER, .375 X 1.00	
5	124318GT	WELDMENT,EXTENSION DECK, GRC12	
6		Ref. Joystick Controller (refer to 503.1 and 504.1)	
7		Ref. Platform Control Mount (refer to 503.1)	
8	115388GT	EXT DECK GATE ASSY W/DECAL.....1	
9	5224GT	SCREW,HHC,3/8-16 X 2 (GR 5)	
10	4828GT	NUT,NYLOCK,3/8-16	
11	22446GT	SPRING,COMPRESSION .835 X 2.....1	
12	66544GT	LATCH HANDLE.....1	
13	47231GT	TAPE,NON-SKID,DIE CUT,4"X 16".....3	
14	8179GT	SCREW,HHC,1/4-20 X 2.25 (GR 5)	
15	4266GT	SCREW,HHC,1/4-20 X 2 (GR 5)	
16	104804GT	HINGE, SPRING, LONG LEG	
17	75144GT	WASHER,FLAT,SAE 1/4,ZINC	
18	6091GT	NUT,NYLOCK,1/4-20	
19	124346GT	WEAR PAD, PLATFORM.....2	
20	124312GT	WHEEL, EXTENSION DECK, GRC12....2	
21	57190GT	SNAP RING,EXTERNAL,.50 DIA.....2	
22	124325GT	GUIDE, EXT DECK, GRC12.....2	
24	124361GT	WELDMENT,LATCH,EXTENSION DECK.....1	
25	T113787GT	RIVET,ALUM,STL,.188 X .250.....8	
26	39474GT	WEAR PAD,PLATFORM.....2	

503.1 Platform Controls



Item	Part No.	Description	Qty.
--	100840GT	PLATFORM CONTROL BOX GEN 5 <i>(does not include items 7-9)</i>	
--	1288159GT	KIT,PLATFORM CONTROL GUARD,GEN5,GRC	
1		Ref. Joystick Controller <i>(refer to 504.1)</i>	
2	144065GT	KIT,GEN 5 COIL CORD.....1 <i>(kit, includes connector, coil cord, instructions, dielectric grease and cable tie; see below)</i>	
3	100998GT	ENCLOSURE GEN 5.....1	
4	62164GT	ALARM ASSY,12VDC,ITT,4 PIN****.....1 <i>Does not include 72326 nut</i>	
--	72326GT	NUT - PLASTIC,RING FOR ALARMS	
5	109503GT	PLAT CONTROL CIRCT BRD ASSY G5.....1	
--	105662GT	CLEAR SWITCH ACTUATOR	
--	T108044GT	CLEAR SWITCH ACTUATOR(QTY 10)	
6	100999GT	COVER BOTTOM GEN 5.....1	
7	124428GT	WELDMENT, PLAT CTRL MOUNT	
8	7339GT	SCREW,HHC,1/4-20 X .5 <i>(GR 5)</i>	
9	6638GT	WASHER,FLAT,USS,1/4"Y	
10	66812GT	BUTTON,PUSH,RED MUSHROOM HEAD.....1	
11	66817GT	BASE WITH 1 NC CONTACT, E-STOP...1	
--	66818GT	CONTACT, N.C.	
12		Ref. Platform Control Panel Decal <i>(refer to 101.1 and 102.1)</i>	

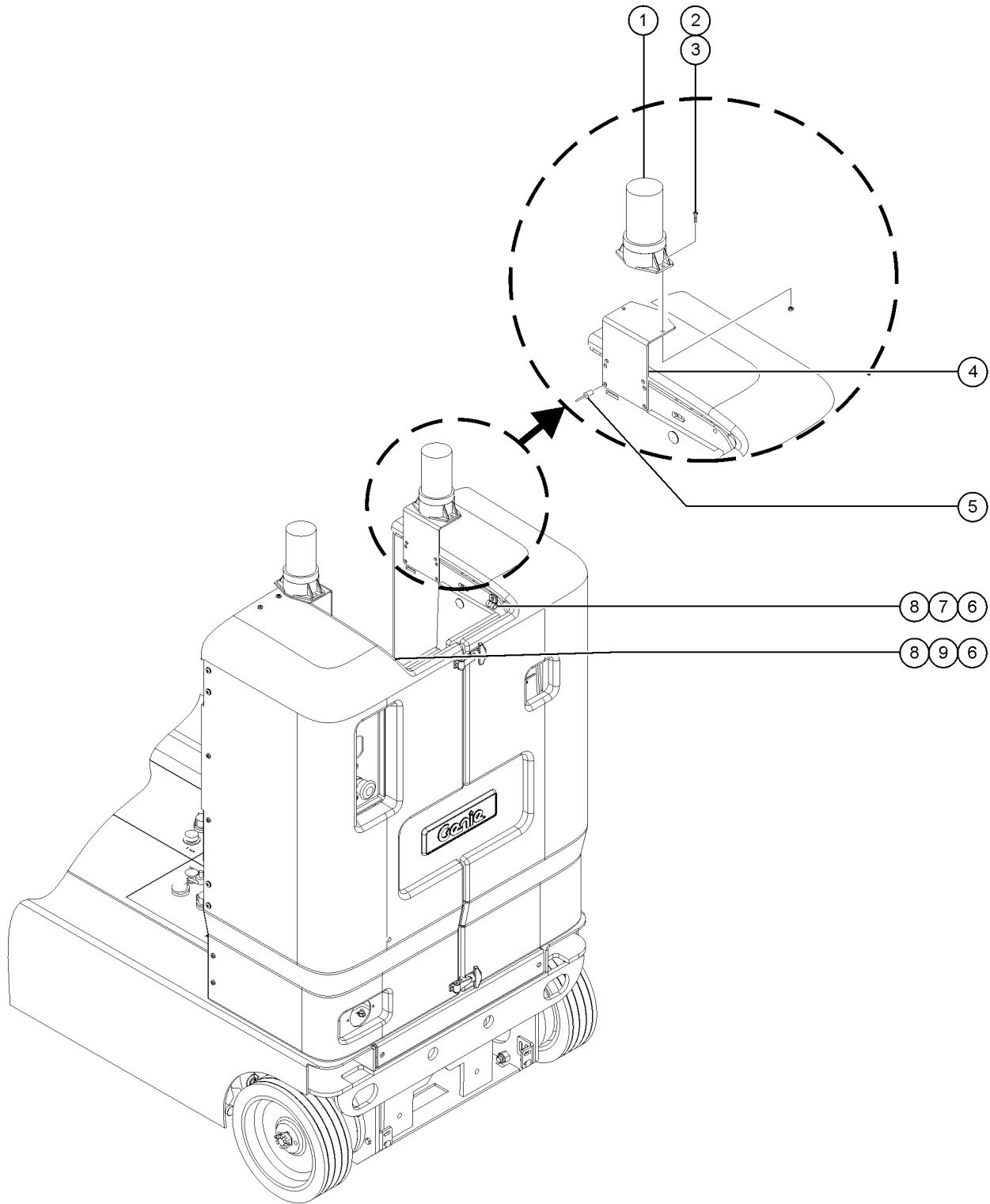
504.1 Joystick Controller



504.1 Joystick Controller

Item	Part No.	Description	Qty.
--	78903GT	JOYSTICK,SINGL AXIS,HALL,SLAB* <i>OEM joystick</i>	
--	78903HGT	JOYSTICK,SINGL AXIS,POT,SLAB <i>aftermarket joystick</i>	
1	105171GT	KIT,JOYSTICK ENABLE SWITCH.....1	
2	105115GT	KIT,JOYSTICK STEER SWITCH.....1	
3	105109GT	TURN SWITCH ACTUATOR,JOYSTICK**.....1	
4	97015GT	BOOT,THUMB ROCKER***.....1	
5	97014GT	JOYSTICK HANDLE SET, COMPLETE.....1 <i>(with hardware)</i>	
6	97013GT	BOOT, JOYSTICK~.....1	
7	105172GT	KIT, PLATFORM PC RECEPT/SOC.....1	

601.1 Flashing Beacon



601.1 Flashing Beacon

Item	Part No.	Description	Qty.
--	115376GT	ACCESSORY,BEACON,GRC-12 (complete)	
1A	231931GT	STROBE,BEACON, AC COMP 12-80V...2 replaced 105107	
--	105556GT	LENS,FLASHING BEACON	
--	105557GT	BULB,FLASHING BEACON	
1B	229990GT	STROBE,BEACON,LED 12-80V	
2	49816GT	SCREW,PHILLIPS,PHM,10-32 X .75.....4	
3	6178GT	NUT,NYLOCK,10-32.....4	
4	124421GT	BRACKET, BEACON MOUNT, GRC.....2	
5	38600GT	RIVET,STL,STL,.156 X .50.....6	
6	6090GT	SCREW,HHC,1/4-20 X .75.....2	
7	45470GT	CLAMP,0.31,#5 X 1/4,RUB CUSH.....1	
8	6091GT	NUT,NYLOCK,1/4-20.....2	
9	6833GT	CLAMP,0.50,#8 X 1/4,RUB CUSH.....1	

Part Number Index

The Part Number Index is a numeric index of all part numbers included in this manual. The index shows what page(s) the part is used on.

Part Number	Page	Part Number	Page	Part Number	Page	Part Number	Page
100352GT	25	115376GT	61	1257203GT	27	33988GT	37
100484GT	29	115377GT	25	1261888GT	47	37038GT	55
100486GT	51	115378GT	25	1288159GT	57	37947GT	27
100488GT	23	115379GT	27	130083GT	21	38068GT	45
100489GT	23	115380GT	27	133013GT	11, 17	38122GT	11, 17
100492GT	23	115381GT	29	133015GT	13, 15	38149GT	11, 17
100510GT	51	115382GT	29	133092GT	11, 17	38600GT	61
100698GT	35	115383GT	43	133144GT	11, 13, 15, 17	39469GT	27
100719GT	51	115384GT	53	133146GT	13, 15	39474GT	55
100720GT	51	115385GT	53	133147GT	13, 15	39520GT	27
100721GT	51	115386GT	53	133193GT	11, 17	39521GT	27
100722GT	51	115387GT	53	133194GT	11, 13, 15, 17	39540GT	27
100723GT	51	115388GT	55	133195GT	11, 13, 15, 17	39579GT	39, 41, 43
100725GT	51	115391GT	43	133196GT	11, 17	39673GT	27
100726GT	51	115392GT	43	133197GT	11	39873GT	51
100728GT	33	115393GT	43	133198GT	13, 15	39875GT	45
100729GT	33	12016GT	23	133237GT	11, 13, 15, 17	39876GT	51
100730GT	33	12343GT	19, 53	133246GT	11	39877GT	49, 51
100731GT	33	12344GT	27, 29	133247GT	11, 17	39878GT	51
100732GT	33	124122GT	19	133273GT	13	40021GT	23
100733GT	33	124151GT	25	133274GT	15	40434GT	11, 13, 15, 17
100734GT	33	124152GT	25	133277GT	11, 17	40833GT	27
100735GT	33	124224GT	27	133279GT	11, 17	42360GT	21
100736GT	33	124225GT	29	133280GT	13, 15	4266GT	55
100754GT	35	124232GT	27	133281GT	11, 17	43658GT	11, 13, 15, 17
100782GT	35	124233GT	29	133298GT	17	43685GT	45
100808GT	21	124244GT	21	137769GT	25	44168GT	47
100834GT	23	124253GT	37	137770GT	25	44169GT	47
100839GT	27	124255GT	41	13779GT	39	44172GT	47
100840GT	57	124256GT	41	13921GT	51	44174GT	47
100913GT	25	124277GT	45	14297GT	27	44207GT	29
100915GT	23	124285GT	53	144065GT	57	44226GT	47
100929GT	35	124294GT	35, 37	144180GT	31	44227GT	47
100931GT	35	124312GT	53, 55	145083GT	19	44229GT	47
100981GT	33	124318GT	55	145084GT	19	44230GT	47
100998GT	57	124325GT	53, 55	145085GT	19	44736GT	11, 17
100999GT	57	124342GT	53	145086GT	19	44750GT	45
104804GT	55	124346GT	53, 55	145284GT	27	44751GT	45
105060GT	23	124350GT	37	15086GT	25	44752GT	45
105067GT	49	124351GT	37	15513GT	23, 39	44777GT	45
105092GT	19	124353GT	37	18396GT	19	44778GT	45
105109GT	59	124361GT	55	18503GT	25	44788GT	29
105115GT	59	124362GT	55	18504GT	27	44980GT	11, 13, 15, 17
105142GT	27	124363GT	55	18605GT	27	45374GT	51
105150GT	25	124366GT	23	19491GT	23, 39	45470GT	61
105171GT	59	124372GT	37, 53	19506GT	27	45546GT	27, 29
105172GT	59	124374GT	23	19934GT	37	46216GT	47
105334GT	31	124375GT	37	20224GT	47	47231GT	53, 55
105387GT	45	124379GT	39	21018GT	43	47548GT	19
105462GT	47	124391GT	25	215550GT	21	47569GT	25
105547GT	19	124405GT	51	219480GT	31	4828GT	19, 25, 55
105550GT	19	124409GT	37	22261GT	23	48880GT	47
105556GT	61	124421GT	61	22446GT	55	48997GT	47
105557GT	61	124428GT	57	22664GT	51	49612GT	47
105565GT	19	124429GT	37	228789GT	19	49613GT	47
105573GT	27, 29	124440GT	35, 37	228921GT	19	49816GT	61
105662GT	57	124442GT	45	229453GT	45	51063GT	23, 39
105739GT	31	124443GT	37	229990GT	61	51577GT	27
106924GT	19	124449GT	27	231931GT	61	51578GT	27
107135GT	27	124479GT	37	232535GT	27	5224GT	55
107180GT	53	124489GT	29	232573GT	27	52475GT	11, 13, 15, 17
107359GT	19	124504GT	35	232580GT	27	52730GT	21
107370GT	23	124757GT	25	232848GT	27	52865GT	11, 17
10775GT	37	124866GT	25	233641GT	45	52913GT	45
109503GT	57	124897GT	37	28161GT	11, 17	52914GT	45
109581GT	19	124964GT	37	28174GT	11, 13, 15, 17	52915GT	45
109836GT	51	124967GT	45	28175GT	11, 17	52943GT	45
109837GT	51	124978GT	37	28235GT	11, 13, 15, 17	5361GT	19, 21
109838GT	51	1252760GT	39	28236GT	17	55010GT	31
114325GT	11, 17	1252761GT	43	28373GT	11, 17	55018GT	31
114334GT	13, 15	1257035GT	27, 33	31071GT	11	55019GT	31
114338GT	13, 15	1257062GT	33	31508GT	11, 17	55021GT	31
114467GT	11, 13, 15, 17	1257063GT	33	31788GT	11, 17	55355GT	23
114468GT	11, 13, 15, 17	1257064GT	33	32317GT	45	55906GT	27
114469GT	11, 13, 15, 17	1257065GT	33	33373GT	19, 21	56912GT	27

Part Number	Page	Part Number	Page
57190GT	53, 55	823408GT	27
57881GT	27, 29	82366GT	11, 17
57996GT	19	82472GT	13, 15
57998GT	19, 21	82473GT	13, 15
58934GT	45	82481GT	13, 15
6019GT	25	82487GT	13, 15
6021GT	29, 45	82495GT	13, 15
6090GT	29, 37, 61	82557GT	11, 17
6091GT	19, 21, 25, 27, 29, 37, 53, 55, 61	8255GT	19
6097GT	19, 23, 53	82614GT	13, 15
61264GT	51	82666GT	13, 15
6145GT	45	82836GT	13, 15
6175GT	29	82975GT	11, 17
6178GT	27, 61	83093GT	27
6198GT	19, 21, 25	84384GT	47
62164GT	57	84385GT	47
6356GT	27, 29	84386GT	47
6357GT	19	84422GT	45
64154GT	23	84739GT	49
65052GT	11, 17	84740GT	49
6545GT	19	84742GT	49
65616GT	19	84743GT	49
65962GT	47	84746GT	49
6607GT	39	84748GT	49
66094GT	27	85197GT	45
66204GT	29	8519GT	53
6637GT	27	85239GT	27
6638GT	19, 29, 57	87561GT	23, 39
66398GT	27	8914GT	29
66465GT	45	8915GT	27
66544GT	55	90337GT	37
66717GT	27	9116GT	29
66770GT	19	9145GT	19
66812GT	27, 57	94434GT	53
66817GT	27, 57	96008-SGT	27
66818GT	27, 57	96009GT	27
6782GT	55	96010GT	27
6833GT	61	96113GT	21
6873GT	27	96135GT	23
6878GT	21, 25, 27, 29, 37, 43	96193GT	45
6884GT	29	96398GT	51
6888GT	21, 37	96422GT	23
6889GT	27, 29, 37, 43	96423GT	19, 23
69547GT	19, 21	96452GT	27
69548GT	19, 21	96541GT	23
69919GT	37	96642GT	23
7057GT	37	96699GT	29
71706GT	31	96709GT	29
72086GT	17	96855GT	29
72159GT	11, 17	96905GT	29
72188GT	11, 13, 15, 17	96907GT	19
72326GT	27, 57	96948GT	23, 39
7265GT	27, 29	96950GT	27
72832GT	11, 17	97013GT	59
72970GT	11, 17	97014GT	59
7339GT	57	97015GT	59
75144GT	23, 53, 55	97059GT	31
75869GT	37	97128GT	23
76502GT	25	97712GT	11, 17
7713GT	23, 25, 53	97772GT	11, 13, 15, 17
77709GT	47	97831GT	11, 17
78060GT	23	97899GT	13, 15
78086GT	23	T108044GT	57
78098GT	27	T112021GT	39, 41
78546GT	29	T112022GT	41, 43
78622GT	29	T112839GT	39, 41, 43
78736GT	19	T113787GT	55
78903GT	59	T114691GT	27
78903HGT	59		
80058GT	27, 29		
81579GT	27		
8177GT	25		
8179GT	53, 55		
822685GT	21		

Part Description Index

The Part Description Index is an alphabetical index of all part descriptions included in this manual. The index shows what page(s) the part is used on.

A

ACCESSORY,BEACON,GRC-12.....61
 ALARM ASSY,12VDC,ITT,4 PIN****57
 ALARM,STEADY TONE****.....27
 ASSY, POTHOLE HARNESS, GR.....35
 ASSY,MAST,GRC12 #2.....41
 ASSY,MAST,GRC12 #3.....41
 ASSY,SWITCH,TOGGLE,SPDT*****27
 ASSY,WHEEL & TIRE,GR.....19, 21

B

BALL STUD, GAS STRUT, 3/8-16.....23
 BASE WITH 1 NC CONTACT, E-STOP.....27, 57
 BATTERY CABLE ASSY, GR.....33
 BATTERY COVER ASSY,SUMBOL,GRC.....25
 BATTERY COVER ASSY,WORD,GRC.....25
 BATTERY WATERING HAND PUMP.....25
 BATTERY WATERING KIT, 24V UNIV.....25
 BATTERY, AGM, 6V, (TROJAN) ***.....25
 BATTERY,T105 W/LPT,3 CAP,DRY***.....25
 BEARING,.75ID X 1.0OD X 1.38LG.....23
 BEARING,1.5ID X 1.75OD X 1.0L.....19
 BEARING,FL,0.75ID X 1 OD X .49.....19
 BEARING,MOTOR.....45
 BEARING,MOTOR,36843,BRUSH END*.....45
 BOE LUBE.....37
 BOLT, SHOULDER, .375 X 1.00.....55
 BOLT,CARRIAGE,1/4-20 X .75,G2.....21, 25, 27, 29, 37, 43
 BOLT,CARRIAGE,1/4-20 X 2.5,G2.....29
 BOLT,CARRIAGE,1/4-20x1.25,G2.....29
 BOLT,CARRIAGE,3/8-16 X 3.50,G5.....25
 BOLT,CARRIAGE,3/8-16 X1.00,G5.....23
 BOLT,CARRIAGE,3/8-16X1.25,GR5.....19
 BOOT, JOYSTICK~.....59
 BOOT,THUMB ROCKER***59
 BRACKET, BEACON MOUNT, GRC.....61
 BRACKET,TRAY LATCH.....21
 BRAKE,1.5IN/FT SHAFT,W/ORIFICE.....21
 BREATHER CAP,HYD. TANK,1/4 NPT.....29
 BRUSH BOX ASSEMBLY.....45
 BRUSH LEAD ASSEMBLY KIT(48504).....45
 BRUSH,PWR UNIT (40844)**.....45
 BULB,FLASHING BEACON.....61
 BUTTON,PUSH,RED MUSHROOM HEAD.....27, 57

C

CABLE ASSY, ANDERSON TO MC,BLK.....33
 CABLE ASSY, ANDERSON TO MC/RED.....33
 CABLE ASSY, BATT TO ANDERSON.....33
 CABLE ASSY, BATT TO FUSE.....33
 CABLE ASSY, FUSE TO ANDERSON.....33
 CABLE ASSY,BATT, 10" RED.....33
 CABLE ASSY,BATT,5.50"RED.....33
 CABLE ASSY,BATT,50.0"RED.....33
 CABLE ASSY,BATT,52.0"BLK.....33
 CABLE ASSY., BATT. 27" BLACK.....33
 CABLE ASSY., BATT. 62" BLACK.....33
 CABLE ASSY., BATT. 64" RED.....33
 CABLE ASSY.,BATT. 14",4AWG RD.....33
 CABLE SQUEEZE CONN 2 WIRE.....23, 39
 CABLE, COILED, 9 COND.....37

CAM FOLLOWER,1.125X.375,DELTRIN.....23
 CAP,DIAGNOSTIC NIPPLE.....47
 CHARGER,BAT,24VDC,H/LO GEN2.....31
 CHECK DISK, NO SPRING.....47
 CIRCUIT BREAKER,7.0 AMP***.....27
 CLAMP,0.31,#5 X 1/4,RUB CUSH.....61
 CLAMP,0.50,#8 X 1/4,RUB CUSH.....61
 CLAMP,2 HOSE,PLASTIC,5/8.....19
 CLAMP,HOSE,1 EAR,1-1/16***.....29
 CLEAR SWITCH ACTUATOR.....57
 CLEAR SWITCH ACTUATOR(QTY 10).....57
 COIL,#8 20VDC,DEUTSCH W/DIOD.....47
 COIL,20VDC DEUTSCH W/DIODE.....47
 COIL-SOLENOID VALVE,20V DC***45
 CONN. SQZ,1/2NPT .39-.56 MED.....37
 CONNECTOR, 070120-12-8.....51
 CONNECTOR, IEC CHARGER CORD.....31
 CONNECTOR,070120-4-4.....49, 51
 CONNECTOR,070120-6-6.....51
 CONTACT, N.C.....27, 57
 CONTACT,14-20GA.....27
 CONTACTOR ASSY,GR.....27
 CONTACTOR,LIMIT SWITCH.....23, 39
 COVER BOTTOM GEN 5.....57
 COVER-BRUSH INSPEC.40844,SCISS.....45
 CYL MOUNT TAB, TAPPED 1/4-20.....37
 CYLINDER, MAST, GRC12 (TRIPLE).....45
 CYLINDER,GS/GR STEER***.....19

D

DECAL, POWER TO PLATFORM 230V**11, 13, 15, 17
 DECAL, SYMBOL - READ THE MANUAL.....13, 15
 DECAL,ANNUAL INSP****.....11, 17
 DECAL,BATTERY CONN DIAG,GR.....11, 17
 DECAL,CHEVRON RANDO HD.....11, 17
 DECAL,COSMETIC, GRC.....11, 13, 15, 17
 DECAL,COSMETIC,GENIE GRC-12.....11, 13, 15, 17
 DECAL,CRUSH HAZARD,USE SAFETY.....11, 17
 DECAL,DANGER,BATTERY SAFETY***.....11, 17
 DECAL,DANGER,BRAKE REL SAFETY*.....11, 17
 DECAL,DANGER,COLLISION HAZARD.....11, 13, 15, 17
 DECAL,DANGER,DO NOT ALTER SWTC.....11, 17
 DECAL,DANGER,ELEC.HAZ SYMB.....13, 15
 D E C A L , D A N G E R , E L E C T HAZARD,PLUG.....11, 17
 DECAL,DANGER,ELECTROCUTION,GR.....11, 17
 DECAL,DANGER,SIDE FORCE CE GRC.....15
 DECAL,DANGER,TIP-OVER,TILT.....11, 17
 DECAL,DIRECTIONAL ARROWS,GR.....11, 13, 15, 17
 DECAL,FORK LIFT POCKET.....11, 17
 DECAL,GENERAL SAFETY,GRC ANSI.....11
 DECAL,GENERAL SAFETY,GRC,AUS.....17
 DECAL,GRAY VINYL,RECT SHAPE,CS.....11, 13, 15, 17
 DECAL,GRAY VINYL,RECT SHAPE,HS.....11, 13, 15, 17

DECAL,GROUND CONTROL PANEL***.....11, 13, 15, 17
 DECAL,INSTR-MAX CAP-TRAY,WRD.....11, 17
 DECAL,INSTRUCTIONS-CHARGER OP....11, 17
 DECAL,INSTRUCTIONS-OPER,GCP.....11, 17
 DECAL,LABEL, OM STORAGE.....11, 17
 D E C A L , L A B E L , E M E R G E N C Y LOWERING.....11, 17
 DECAL,LABEL,FAULT CODES.....11, 17
 DECAL,LABEL,FORKLIFT POCKET.....13, 15
 DECAL,LABEL,LIFTING EYE.....17
 DECAL,LABEL,PATENTS.....11, 17
 DECAL,LABEL,PLAT CONT LOCATION.....11, 17
 DECAL,LABEL,PWR TO CHARGR 115V....11, 13, 15, 17
 DECAL,LABEL,PWR TO CHARGR 230V....11, 13, 15, 17
 DECAL,LABEL,TIRE SPECS,GRC.....11, 17
 DECAL,LABEL,TRANSPORT TIEDOWN*..11, 13, 15, 17
 DECAL,LABEL,WHEEL LOAD GRC12.....11, 13, 15, 17
 DECAL,LABEL-TRANSPORT DIGRAM.....11, 13, 15, 17
 DECAL,LANYARD ANCHORAGE POINT...11, 13, 15, 17
 DECAL,MANUAL FRCE,GRC,AUS,WRD....11, 17
 DECAL,OVERLAY,PLAT CONTROLS***.....11, 13, 15, 17
 DECAL,POWER TO PLATFORM 115V.....11, 13, 15, 17
 DECAL,SIDE FORCE,100,GRC,ANSI.....11
 DECAL,SIDE FORCE,GRC- ANSI,SYM.....13
 DECAL,SYM-ELEC HAZARD,PLUG.....13, 15
 DECAL,SYM-TIP-OVER,TILT ALARM.....13, 15
 DECAL,SYM-TIPOVER,BATTERIES,GR....13, 15
 DECAL,SYM-TIPOVER,LIMIT SWITCH.....13, 15
 DECAL,SYMBOL-BATTERY SAFETY.....13, 15
 DECAL,SYMBOL-BRAKE REL SAFETY....13, 15
 DECAL,SYMBOL-COMP ACCESS.....13, 15
 DECAL,TIP-OVER,BATTERIES,GR.....11, 17
 DECAL,WARN,CRUSH HAZARD HAND....11, 17
 DECAL,WARN,IMPROPER OPERATION.....17
 DECAL,WARN,SAFETY CHOCK***.....13, 15
 DECAL,WARNING,CRUSHING HAZARD...13, 15
 DECAL,WARNING,FAILURE TO READ.....11
 DECAL,WARNING-COMPART ACCESS...11, 17
 DECAL-DANGER,MAX CAP-227 KG***.....13, 15
 DECAL-DANGER,MAX CAP-TRAY,SYM....13, 15
 DECAL-NOTICE,MAX CAP-500 LB.....11, 17
 DIAGNOSTIC FEMALE Q-DSCNT.....47

E

ECU,SLAB/GR GEN 5***27

ELBOW,070220-12-10.....51

ELBOW,070220-4-4.....51

ELBOW,070220-4-6.....45

ELBOW,070220-6-6.....51

ELBOW,070220-6-8.....51

ELBOW,90D,520220,6-10.....51

EMBLEM,GENIE,8 IN.....21

ENCLOSURE GEN 5.....57

EXT DECK GATE ASSY W/DECAL.....55

EYE BOLT,TURNED,1/4-20 X 1.5.....37

F

FIELD KIT,REAR COVER,GR.....21

FILTER ASSY,SAE8,10 MIC,PAPR*.....29

FILTER CAP (PLUG 1-1/2" NPT HEX.....29

FILTER ELEMENT,10MICRON,PAPER*.....29

FILTER ELEMENT,BETA(10)=200.....29

FITTING,STRAIGHT DRIVE-IN ZERK.....19

FORMING, CABLE BRIDGE.....25

FORMING, CWT BRACKET.....25

FORMING, DRIVE HOSE GUARD.....19

FORMING, MAST CAP, GRC-12.....37, 53

FORMING, COIL GUARD, GRC.....37

FORMING, FUSE BRACKET.....27

FORMING, GR EMBLEM MNTG PLATE.....21

FORMING, LIFTING EYE, GRC.....25

FUSE BLOCK, ANN & ANL FUSE.....27

FUSE, 275 AMP, VERY FAST ACTING.....27

FUSE, BATTERY CHARGER***.....31

G

GAS SPRING, GR.....23

GRND CONTROL COVER

ASSY,SYMBOL.....27

GRND CONTROL COVER ASSY,WORDS...27

GRND CONTROL PANEL ASSY,GR.....27

GROMMET,RUBBER .38X.2X1.75.....19

GROMMET,SLAB HYD TANK***.....29

GROUND STRAP, 8"LG.....23

GS30 PENDANT CONTROLLER (39811).....51

GUIDE, EXT DECK, GRC12.....53, 55

H

HARNESS, ECU, GR ANSI.....35

HARNESS, ECU, GR CE.....35

HARNESS, MAST, GRC12.....35, 37

HARNESS, DIODE JUMPER.....27

HINGE, SPRING, LONG LEG.....55

HINGE, 11"X 2.5"X.44".....25

HINGE, ACCESS DOOR***.....27, 29

HORN, 24VDC, SPADE TERMINALS***.....27

HOSE, ASSY, BRAKE.....51

HOSE, ASSY, LIFT CYL. TO MAN.....51

HOSE, ASSY, LT BRAKE.....51

HOSE, ASSY, LT STEER.....51

HOSE, ASSY, MAN TO FILTER.....51

HOSE, ASSY, PRESSURE.....51

HOSE, ASSY, RT BRAKE.....51

HOSE, ASSY, RT STEER.....51

HOSE, ASSY, LT DRIVE MOTOR.....51

HOSE, ASSY, MOTOR CROSSOVER.....51

HOSE, ASSY, RT DRIVE MOTOR.....51

HOUR METER, 10-80 VOLTS***.....27

HYD. TANK, POLYETHELENE.....29

I

INVERTER, 24VDC, 110/230 VAC***.....27

J

JOYSTICK HANDLE SET, COMPLETE.....59

JOYSTICK, SINGL AXIS, HALL, SLAB*.....59

JOYSTICK, SINGL AXIS, POT, SLAB.....59

JUNCTION BOX, 4 OUTLET, DEEP.....37

K

KEY SINGLE***.....27

KEY, DRIVE MOTOR(57996).....19, 21

KEYS, 10 PACK***.....27

KEYSWITCH, 3 POS. W/KEYS***.....27

KIT, PLATFORM PC RECEIPT/SOC.....59

KIT, BATT. CABLE ASSY., GR.....27, 33

KIT, BATTERY CHARGER, 24V.....31

KIT, CONTACTOR, GR.....27

KIT, DYN. BRAKING MANIF, MINI.....47

KIT, GEN 5 COIL CORD.....57

KIT, GRC12 WEARPADS.....39, 41, 43

KIT, JOYSTICK ENABLE SWITCH.....59

KIT, JOYSTICK STEER SWITCH.....59

KIT, MTR CNTRLR REPLACEMENT, GR%.....27

KIT, PLATFORM CONTROL

GUARD, GEN5, GRC.....57

KIT, STEER CYL SEAL.....19

KNOB, HAND PUMP (RED)***.....49

KNOB, PILOT OP VALVE (BLACK)***.....49

KNOB, PUSH/PULL, RED.....45

L

LABEL, AUXILIARY LOWERING.....13, 15

LATCH HANDLE.....55

LATCH, RUBBER, 3-13/32 X 1-7/8.....27, 29

LENS, FLASHING BEACON.....61

LEVEL SENSOR, LS60, RED, 1.5 DIA.....27

LIFTING EYE, GRC12.....37

LOCK, CONNECTOR.....31

M

MANIFOLD, BRAKE RELEASE.....49

MANUAL STORAGE BX, NO DECAL, GR.....53

MANUAL, OWNERS, CHARGER, 105739.....31

MAST/CABLE ASSY, GRC12.....37

MOTOR CONTROLLER, DC, 24V, 300A.....27

MOTOR, 10.0 CU IN/REV DRIVE.....19

MOTOR, 24DC, ADV.....45

MOUNT, CYLINDER, MAST SEC 2.....37

MOUNT, CYLINDER, MAST SEC 3.....37

MOUNT, CYLINDER, MAST SEC 4.....37

N

NIPPLE, DIAGNOSTIC, #4.....47

NUT - PLASTIC, RING FOR ALARMS.....27, 57

NUT, LP NYLOCK, 3/8-16.....23, 25, 53

NUT, CASTLE(57996)GR.....19, 21

NUT, HEX, 1/4-20.....19

NUT, HEX, 10-32.....23, 39

NUT, JAM, LOCKING INSERT, 3/4-16.....37

NUT, LOCKING-LG. FLANGE, 1/4-20.....27

NUT, LOCKING-LG. FLANGE, 5/16-18.....25

NUT, LP NYLOCK, 1/4-20.....27, 29, 37, 43

NUT, NYLOCK, 1/2-13.....19, 21, 25

NUT, NYLOCK, 1/4-20.....19, 21, 25, 27, 29, 37,

53, 55, 61

NUT, NYLOCK, 10-32.....27, 61

NUT, NYLOCK, 3/8-16.....19, 25, 55

NUT, NYLOCK, 5/16-18.....55

NUT, NYLOCK, 6-32.....27, 29

NUT, NYLOCK, 8-32.....27

NUT, RETAINER (96008).....27

NUT, SOLENOID VALVE COIL.....45

NUT-COIL SHORT.....47

NUT-THIN HEAVY HEX, 1/4-20.....27

O

O-RING KIT (ORFS FITTINGS).....47

OPERATING INST, PLAT, GR***.....11, 17

ORIFICE, SHORT, .059 X .300.....45

P

PIN, MAST CYLINDER.....39

PIN, CLEVIS, .375 X 2.25 LG.....23

PIN, CLEVIS, .625 X 1.88, ZINC PL.....23

PIN, CLEVIS, .75 DIA. X 4.00.....23

PIN, CLEVIS, .75 X 2.....19

PIN, CLEVIS, 0.75 X 3.25.....19

PIN, COTTER, .125 X .75.....23

PIN, COTTER, .125 X 1.5.....19, 21

PIN, COTTER, .25 X 1.5.....39

PLAT ASSY W/SYMBL DECAL, ANSI.....53

PLAT ASSY W/SYMBL DECAL, CE.....53

PLAT ASSY W/WORD DECAL, ANSI.....53

PLAT ASSY W/WORD DECAL, AUS.....53

PLAT CONTROL CIRCT BRD ASSY G5.....57

PLATE, BRAKE SPACER, GR20.....21

PLATE, POTHOLE LOWER LINK.....23

PLATFORM CONTROL BOX GEN 5.....57

PLUG AND CAP KIT-SERVICE, ORFS*.....47

PLUG, HEX HEAD, 090109A-4.....51

POWER CABLE GR BASE, FOREIGN.....35

POWER CABLE, GR BASE, DOMESTIC.....35

POWER CORD, UK 110, 115".....31

POWER CORD, NOVON, 8".....31

POWER CORD, UK-HIGH VOLTAGE, 8".....31

POWER CORD, US 110, 8".....31

POWER UNIT COV ASSY, SYMB DECAL.....29

POWER UNIT COV ASSY, WORD DECAL.....29

POWER UNIT TRAY ASSY W/SYMBOLS.....29

PRTY, FLOW CNTRL VALVE, .75 GPM.....47

PUMP, 4CC GEAR, CCW 228192.....45

PUMP, 4CC GEAR, CCW***.....45

R

RECEPTACLE ANTIBACKOUT, 18 CONT.....27

RECEPTACLE, ANTI-BACKOUT.....27

RECEPTACLE, FEMALE 18 CONT.....27

RECEPTACLE, FEMALE, 36 CONTACT.....27

RELAY, 24VDC, 40/30A, SLD W/BRKT*.....27

RESISTOR, 200 OHM 10 WATT.....27

RIVET, ALUM, STL., 188 X .250.....55

RIVET, STEEL, P, .25 X .375.....27, 29

RIVET, STL, STL., 156 X .50.....61

RIVET, STL, STL., 188 X .45.....39, 41, 43

ROLLER ARM, LIMIT SWITCH***.....23

RUE RING, 3/4 PIN.....19, 23

RUE RING, 5/8 PIN.....23

S

SCREW, BHHS, 1/4-20 X .75.....27

SCREW, FHM, 10-32 X 1.....27

SCREW, HH TAPETITE THRD8-32X.50.....45

SCREW, HHC, 1/2-13 X 1.5.....25

SCREW, HHC, 1/2-13 X 2.5, GR5.....19

SCREW, HHC, 1/4-20 X .5.....57

SCREW, HHC, 1/4-20 X .625.....29

Part Description Index (continued)

SCREW,HHC,1/4-20 X .75.....29, 37, 61
 SCREW,HHC,1/4-20 X 1.....21, 37
 SCREW,HHC,1/4-20 X 1.25.....27
 SCREW,HHC,1/4-20 X 1.5.....45
 SCREW,HHC,1/4-20 X 1.75.....27
 SCREW,HHC,1/4-20 X 2.....55
 SCREW,HHC,1/4-20 X 2.25.....53, 55
 SCREW,HHC,1/4-20 X 2.5.....29
 SCREW,HHC,1/4-20 X 3.....19, 53
 SCREW,HHC,3/8-16 X .75.....19
 SCREW,HHC,3/8-16 X 1.....29
 SCREW,HHC,3/8-16 X 1.25 GRD 5.....25
 SCREW,HHC,3/8-16 X 2.....55
 SCREW,HHC,3/8-16X1.25 GD307A.....53
 SCREW,HHC,3/8-24 X 1 GR 8 YEL.....45
 SCREW,HHTAPTITE THREAD8-32X.38.....45
 SCREW,PHIL,PHM,10-24 X.38,SEMS.....43
 SCREW,PHILLIPS,PHM,10-32 X .75.....61
 SCREW,PHILLIPS,PHM,8-32 X .5.....27
 SCREW,PHILLIPS,PHM,8-32 X.25**.....27
 SCREW,PHILLIPS,RHM,10-32 X 1.5.....23, 39
 SCREW,PHP,1/4-20 X .875.....27, 29
 SCREW,RHM,6-32 X .5.....27, 29
 SCREW,SET,HS1/4-20X.625W/PATCH.....19
 SCREW,SHC,1/2-13 X 4 ZINC.....21
 SCREW,SHC,1/2-13 X 5.....21
 SCREW,SHC,3/8-16 X 1.....37
 SCREW,THRDCUT,HWH,12-24X50#23.....37
 SEAL KIT.....45
 SEAL KIT (84384).....47
 SEAL KIT PWR WHL MOTOR.....19
 SEAL KIT, VALVE.....47
 SEAL KIT,BOSCH PUMP.....45
 SEAL KIT,BOSCH PUMP***.....45
 SEAL KIT,HAND PUMP***.....49
 SEAL KIT,LIFT PUMP,BARNES**.....45
 SEAL KIT,PUMP,PARKER (228192).....45
 SEAL KIT-FOR P.N.44167.....47
 SEAL KIT-P.N.44169,44172,44171.....47
 SLEEVE,TANK SUPPORT.....29
 SNAP RING,EXTERNAL,.50 DIA.....53, 55
 SPACER,.75ID X 1.5OD X 1/4THK.....23
 SPACER,.82 ID X1.0 ODX1.125 LG.....23
 SPRING CLIP,1/4-20,.025-.15X.54,ZAG.....27
 SPRING,TORSION,.078" WIRE.....55
 SPRING,COMPRESSION .835 X 2.....55
 SPRING,COMPRESSION.485 X1.75**.....27
 SPRING,EXT,COIL CORD RETAIN.....37
 SPRING,HAND PUMP ROD.....49
 SPRING-BRUSH,40844, SCISSORS.....45
 SRV KIT,STEER YOKE, GR-20/GRC.....19
 SRV KIT,STEER YOKE,GR/GRC.....19
 STROBE,BEACON, AC COMP 12-80V.....61
 STROBE,BEACON,LED 12-80V.....61
 SWITCH,LIMIT,W/ROLLER ARM***.....23, 39

T

T-BOX,2.75 X 4.5 X 2.0.....37
 TAPE,NON-SKID,DIE CUT,4"X 16".....53, 55
 TERM CONTACT,#1/0 GA,SB175.....27
 TIE ROD ASSY W/BRNGS,GR2.....19
 TILT SENSOR TEST TOOL.....27
 TUBE ASSY, DRAW.....51
 TUBE ASSY,RETURN.....51
 TURN SWITCH ACTUATOR,JOYSTICK**.....59

U

UPPER POTHOLE LINK ASSY W/BRNG.....23

V

VALVE,CHECK,IWP-S/CWP PWR ASSI.....47
 VALVE,HAND PUMP ASSEMBLY***.....49
 VALVE,PILOT OPERATED ASSEMBLY*.....49
 VALVE,SOLENOID,3POS 4WAY.....47
 VALVE,SOLENOID,3POS 4WAY***.....47
 VALVE,W/20V NC SOLENOID,MANUAL.....45
 VALVE-RELIEF, 3700 PSI #8**.....47
 VALVE-SOLENOID, 2POS 4 WAY.....47

W

WASHER,3/8 HARD,STEEL-FLAT,USS.....37
 WASHER,FLAT,.375 X 1.5 X .125.....25
 WASHER,FLAT,.390 ID X .625 OD.....23
 WASHER,FLAT,.5X .125,HARDENED*.....55
 WASHER,FLAT,.650 X 1.312 X.095.....23
 WASHER,FLAT,SAE 1/4,ZINC.....23, 53, 55
 WASHER,FLAT,USS,1/4"Y.....19, 29, 57
 WASHER,FLAT,USS,3/8",Y.....19, 23, 53
 WASHER,LOCK, 1/4 INCH.....37
 WASHER,LOCK,#10 PLTD.....39
 WASHER,LOCK,.25.....27, 29
 WASHER,LOCK,.375.....29, 45
 WASHER,NITRILE.....27
 WASHER,SHIM,.5 X .875 X .033.....53
 WASHER,SHIM,1.50 X .890 X .09.....19, 21
 WASHER,THRUST, GS.....19
 WEAR PAD, PLATFORM.....53, 55
 WEAR PAD,PLATFORM.....55
 WEAR STRIP, EXT DECK GUIDE.....53
 WEARPAD,GRC MAST,BOTTOM.....41, 43
 WEARPAD,GRC MAST, TOP.....39, 41
 WELDMENT, CTWT, GRC-12.....25
 WELDMENT, PLAT CTRL MOUNT.....57
 WELDMENT, POTHOLE GUARD, LT.....23
 WELDMENT, POTHOLE GUARD, RT.....23
 WELDMENT, POTHOLE LINK.....23
 WELDMENT, STEER YOKE, LH, GR.....19
 WELDMENT, STEER YOKE, LH, GR20.....19
 WELDMENT, STEER YOKE, RH, GR.....19
 WELDMENT, STEER YOKE, RT, GR20.....19
 WELDMENT,COVER SUP,CONT.....27
 WELDMENT,COVER SUP,HYD.....29
 WELDMENT,EXTENSION DECK, GRC12.....55
 WELDMENT,GROUND CONTROLS TRAY.....27
 WELDMENT,HYDRAULIC TRAY.....29
 WELDMENT,LATCH,EXTENSION DECK.....55
 WELDMENT,PLATFRM,GRC12.....53
 WELDMENT,TUBE,GRC12#1.....39
 WELDMENT,TUBE,GRC12#4,11X9X54.....43
 WHEEL, EXTENSION DECK, GRC12.....53, 55
 WIRE ASSY,DOWN LIMIT SW,GRC.....35
 WIRE ASSY,PLATFORM,GRC.....35, 37
 WLDMT,CW SUPPORT,LT.....25
 WLDMT,CW SUPPORT,RT.....25
 WORKSTATION TRAY ASSY W/DECAL*.....43
 WORKSTATION TRAY ASSY,W/DECAL.....43

This Page Intentionally Left Blank

Fitting Cross References

Genie PN	Parker PN	Description	Genie PN	Parker PN	Description
12342	6-4 F5OX-S	CONNECTOR,STRAIGHT THREAD TO FLARE TUBE	42794	1 CR-S	ELBOW,90°,MALE PIPE
13757	4 R6X-S	RUN TEE,SWIVEL NUT,ORFS	42795	BV-0839	BALL VALVE
19685	12-10 C5OX-S	ELBOW,90°,STRAIGHT THREAD TO FLARE TUBE	42796	BV-0838	BALL VALVE
22664	12-10 C5OX	ELBOW,90°,STRAIGHT THREAD TO FLARE TUBE	42874	6-8 CLO-S	ELBOW,90°,MALE PIPE TO ORFS
27431	8-12 F5OX-S	CONNECTOR,STRAIGHT THREAD TO FLARE TUBE	42912	13943-6-4	HOSE END,90° FEMALE SWIVEL,JIC
28678	AS-B-33	SLEEVE,NYLON,1.81" ID	42920	BV-0840	BALL VALVE,90°
39871	6 WETX-WLN-S	UNION,90° BULKHEAD W/NUT,FLARE TUBE	42932	AS-B-17	SLEEVE,NYLON,1.22" ID
39872	4 R5OX-S	RUN TEE,STRAIGHT THREAD	42936	10243-2-4	HOSE END,FEMALE PIPE
39873	6 C5OX-S	ELBOW,90°,STRAIGHT THREAD TO FLARE TUBE	42953	1/2 DD-S	ELBOW,90°,FEMALE PIPE
39874	8-6 C5OX-S	ELBOW,90°,STRAIGHT THREAD TO FLARE TUBE	42956	6 WELO-WLNL-S	UNION,90° BULKHEAD W/NUT,ORFS
39875	4-6 C5OX-S	ELBOW,90°,STRAIGHT THREAD TO FLARE TUBE	45349	8 V5OX-S	ELBOW,45°,STRAIGHT THREAD TO FLARE TUBE
39876	6-8 C5OX-S	ELBOW,90°,STRAIGHT THREAD TO FLARE TUBE	45351	4 V5OX-S	ELBOW,45°,STRAIGHT THREAD TO FLARE TUBE
39877	4 F5OX-S	CONNECTOR,STRAIGHT THREAD TO FLARE TUBE	47223	10343-6-6	HOSE END,MALE,JIC
39878	6 F5OX-S	CONNECTOR,STRAIGHT THREAD TO FLARE TUBE	47419	PS690503-6-6	SWIVEL,90°,STRAIGHT THREAD TO 37° FLARE
39879	4-8 F5OX-S	CONNECTOR,STRAIGHT THREAD TO FLARE TUBE	48750	421-4	HOSE,1/4 INCH ID
39880	6-10 F5OX-S	CONNECTOR,STRAIGHT THREAD TO FLARE TUBE	48751	481TC-4	HOSE,1/4 INCH ID
39881	4-6 F5OX-S	CONNECTOR,STRAIGHT THREAD TO FLARE TUBE	48752	482TC-4	HOSE,1/4 INCH ID
39882	4-HP5ON-S	PLUG,STRAIGHT THREAD	48753	451TC-6	HOSE,3/8 INCH ID
39883	8-8 FTX-S	CONNECTOR,MALE PIPE TO FLARE TUBE	48754	482TC-6	HOSE,3/8 INCH ID
39885	269HB 12-12	ELBOW,90°,BEADED HOSE BARB TO MALE PIPE	48755	381-6	HOSE,3/8 INCH ID
39886	431-6	HOSE,3/8 INCH ID	48756	451TC-8	HOSE,1/2 INCH ID
39887	540N-2	HOSE,1/8 INCH ID	48757	482TC-8	HOSE,1/2 INCH ID
39888	801-8	HOSE,1/2 INCH ID	48758	381-8	HOSE,1/2 INCH ID
39889	801-12	HOSE,3/4 INCH ID	48759	381-10	HOSE,5/8 INCH ID
39890	10643-6-6	HOSE END,FEMALE SWIVEL,JIC	48760	451TC-10	HOSE,5/8 INCH ID
39891	13943-6-6	HOSE END,90° FEMALE SWIVEL,JIC	48761	482TC-12	HOSE,3/4 INCH ID
39892	13743-6-6	HOSE END,45° FEMALE SWIVEL,JIC	48762	451TC-12	HOSE,3/4 INCH ID
39894	30682-8-8	HOSE END,FEMALE SWIVEL,JIC	48763	772-12	HOSE,3/4 INCH ID
39895	30682-10-12	HOSE END,FEMALE SWIVEL,JIC	48764	881-16	HOSE,1 INCH ID
42286	8-8 CTX-S	ELBOW,90°,MALE PIPE TO FLARE TUBE	48765	772-16	HOSE,1 INCH ID
42756	8-12 CLO-S	ELBOW,90,MALE PIPE TO ORFS	48766	AS-B-15	SLEEVE,NYLON,1.06" ID
42757	8-12 FLO-S	CONNECTOR,MALE PIPE TO ORFS	48767	AS-B-22	SLEEVE,NYLON,1.42" ID
42758	4 JLO-S	UNION TEE,ORFS	48770	881-8	HOSE,1/2 INCH ID
42759	4-4 FLO-S	CONNECTOR,MALE PIPE TO ORFS			
42760	6-8 FLO-S	CONNECTOR,MALE PIPE TO ORFS			
42761	1J143-6-4	HOSE END,90° FEMALE SWIVEL,SEAL LOK			
42762	1J743-6-4	HOSE END,45° FEMALE SWIVEL,SEAL LOK			
42768	1JO43-4-4	HOSE END,MALE,SEAL LOK			
42776	601-8	HOSE,1/2 INCH ID			
42777	1J743-16-16	HOSE END,45° FEMALE SWIVEL,SEAL LOK			
42786	16 CLO-S	ELBOW,90°,MALE PIPE TO ORFS			
42787	16 R6LO-S	RUN TEE,SWIVEL NUT,ORFS			
42788	16-8 TRLO-BL-S	REDUCER,TUBE END TO SWIVEL,ORFS			
42789	6-6 CLO-S	ELBOW,90°,MALE PIPE TO ORFS			
42790	8-10 V5OLO-S	ELBOW,45°,STRAIGHT THREAD TO ORFS			
42791	3/4 CD-S	ELBOW,90°,MALE TO FEMALE PIPE			
42792	3/4 X 1/2 PTR-S	REDUCER,MALE TO FEMALE PIPE			
42793	1/2 CR-S	ELBOW,90°,MALE PIPE			

Fitting Cross References (Continued)

Genie PN	Parker PN	Description	Genie PN	Parker PN	Description
48771	881-10	HOSE,5/8 INCH ID	48847	13943-12-12	HOSE END,90° FEMALE SWIVEL,JIC
48772	381-4	HOSE,1/4 INCH ID	48848	10543-12-12	HOSE END,MALE,STRAIGHT THREAD
48773	AS-B-13	SLEEVE,NYLON,.86" ID	48849	1JC71-12-12	HOSE END,FEMALE SWIVEL,SEAL LOK
48800	1JC43-4-4	HOSE END,FEMALE SWIVEL,SEAL LOK	48850	1JS71-12-12	HOSE END,FEMALE SWIVEL,SEAL LOK
48801	1J743-4-4	HOSE END,45° FEMALE SWIVEL,SEAL LOK	48851	1J171-12-12	HOSE END,90° FEMALE SWIVEL,SEAL LOK
48802	1J943-4-4	HOSE END,90° FEMALE SWIVEL,SEAL LOK	48852	1J771-12-12	HOSE END,45° FEMALE SWIVEL,SEAL LOK
48804	1JM43-4-4	HOSE END,MALE,SEAL LOK, NO O-RING	48853	1J971-12-12	HOSE END,90° FEMALE SWIVEL,SEAL LOK
48805	10643-4-4	HOSE END,FEMALE SWIVEL,JIC	48854	1JC43-16-16	HOSE END,FEMALE SWIVEL,SEAL LOK
48806	13943-4-4	HOSE END,90° FEMALE SWIVEL,JIC	48855	1J943-16-16	HOSE END,90° FEMALE SWIVEL,SEAL LOK
48807	1JS43-4-4	HOSE END,FEMALE SWIVEL,SEAL LOK	48856	1J171-16-16	HOSE END,90° FEMALE SWIVEL,SEAL LOK
48808	3JC82-8-8	HOSE END,FEMALE SWIVEL,SEAL LOK	48857	1J971-16-16	HOSE END,90° FEMALE SWIVEL,SEAL LOK
48809	3JC82-12-12	HOSE END,FEMALE SWIVEL,SEAL LOK	48859	1JS43-8-4	HOSE END,FEMALE SWIVEL,SEAL LOK
48810	1JC43-6-4	HOSE END,FEMALE SWIVEL,SEAL LOK	48867	PD36BTL	DIAGNOSTIC NIPPLE,SEAL-LOK SWIVEL
48811	1J943-6-4	HOSE END,90° FEMALE SWIVEL,SEAL LOK	48873	6 PNLO-S	PLUG,TUBE END,ORFS
48812	1JC43-6-6	HOSE END,FEMALE SWIVEL,SEAL LOK	48874	6 PNTX-S	PLUG,FLARE TUBE
48813	1J143-6-6	HOSE END,90° FEMALE SWIVEL,SEAL LOK	48875	6 R6LO-S	RUN TEE,SWIVEL NUT,ORFS
48814	1J543-6-6	HOSE END,90° FEMALE SWIVEL,SEAL LOK	48877	4 F5OLO-SW/.025	CONNECTOR,STRAIGHT THREAD TO ORFS, W/.025 ORI
48815	1J743-6-6	HOSE END,45° FEMALE SWIVEL,SEAL LOK	48878	16-12 C5OLO-S	ELBOW,90°,STRAIGHT THREAD TO ORFS
48816	1J943-6-6	HOSE END,90° FEMALE SWIVEL,SEAL LOK	48879	8 C6LO-S	ELBOW,90°,SWIVEL NUT ORFS
48817	1JS43-6-8	HOSE END,FEMALE SWIVEL,SEAL LOK	48880	PD6-285	CAP,DIAGNOSTIC NIPPLE
48818	1J943-8-4	HOSE END,90° FEMALE SWIVEL,SEAL LOK	48881	6 HLO-S	UNION,ORFS
48819	1JC43-8-6	HOSE END,FEMALE SWIVEL,SEAL LOK	48883	8 P5ON-S	PLUG,STRAIGHT THREAD
48820	1J743-8-6	HOSE END,45° FEMALE SWIVEL,SEAL LOK	48884	8M18F87OMLO-S	CONNECTOR,METRIC,STRAIGHT THREAD TO ORFS
48821	1J943-8-6	HOSE END,90° FEMALE SWIVEL,SEAL LOK	48885	4 WGTX-WLN-S	CONNECTOR,BULKHEAD,FEMALE PIPE TO FLARE TUBE
48822	1JC43-8-8	HOSE END,FEMALE SWIVEL,SEAL LOK	48886	4 F5OLO-SW/2MM	CONNECTOR,MACHINED STRAIGHT THREAD TO ORFS
48823	1JS43-8-8	HOSE END,FEMALE SWIVEL,SEAL LOK	48887	4 CTX-S	ELBOW,90°,MALE PIPE TO FLARE TUBE
48824	1J143-8-8	HOSE END,90° FEMALE SWIVEL,SEAL LOK	48888	10-12 V5OLO-S	ELBOW,45°,STRAIGHT THREAD TO ORFS
48825	1J543-8-8	HOSE END,90° FEMALE SWIVEL,SEAL LOK	48890	4 S5OLO-S	BRANCH TEE,STRAIGHT THREAD TO ORFS
48826	1J743-8-8	HOSE END,45° FEMALE SWIVEL,SEAL LOK	48891	4 S6LO-S	BRANCH TEE,SWIVEL NUT TO ORFS
48827	1J943-8-8	HOSE END,90° FEMALE SWIVEL,SEAL LOK			
48828	1JC43-10-8	HOSE END,FEMALE SWIVEL,SEAL LOK			
48829	1JS43-10-8	HOSE END,FEMALE SWIVEL,SEAL LOK			
48830	1J743-10-8	HOSE END,45° FEMALE SWIVEL,SEAL LOK			
48831	1J943-10-8	HOSE END,90° FEMALE SWIVEL,SEAL LOK			
48833	1JC43-10-10	HOSE END,FEMALE SWIVEL,SEAL LOK			
48834	1J943-10-10	HOSE END,90° FEMALE SWIVEL,SEAL LOK			
48835	1JS43-10-12	HOSE END,FEMALE SWIVEL,SEAL LOK			
48836	1JC43-12-8	HOSE END,FEMALE SWIVEL,SEAL LOK			
48837	1JS43-12-8	HOSE END,FEMALE SWIVEL,SEAL LOK			
48838	1J743-12-8	HOSE END,45° FEMALE SWIVEL,SEAL LOK			
48839	1J943-12-8	HOSE END,90° FEMALE SWIVEL,SEAL LOK			
48840	1J943-12-10	HOSE END,90° FEMALE SWIVEL,SEAL LOK			
48841	1JC43-12-12	HOSE END,FEMALE SWIVEL,SEAL LOK			
48842	1JO43-12-12	HOSE END,MALE,SEAL LOK			
48843	1J143-12-12	HOSE END,90° FEMALE SWIVEL,SEAL LOK			
48844	1J543-12-12	HOSE END,90° FEMALE SWIVEL,SEAL LOK			
48845	1J743-12-12	HOSE END,45° FEMALE SWIVEL,SEAL LOK			
48846	1J943-12-12	HOSE END,90° FEMALE SWIVEL,SEAL LOK			

Fitting Cross References (Continued)

Genie PN	Parker PN	Description	Genie PN	Parker PN	Description
48892	6 C6LO-S	ELBOW,90°,SWIVEL NUT ORFS	48938	8 R6LO-S	RUN TEE,SWIVEL NUT,ORFS
48893	6 F5OHAO-S	UNION,STRAIGHT THREAD	48939	8 S6LO-S	BRANCH TEE,SWIVEL NUT TO ORFS
48894	8 WLO-WLNL-S	UNION,BULKHEAD,ORFS	48940	8 WJLO-WLNL-S	RUN TEE, BULKHEAD,ORFS
48895	DT-370-MSMO-5	VALVE,CHECK	48941	8-4 TRLO-S	REDUCER,TUBE END TO SWIVEL,ORFS
48896	6 JLO-S	UNION,TEE,ORFS	48942	8-6 C5OLO-S	ELBOW,90°,STRAIGHT THREAD TO ORFS
48897	DT-750-MSMS-5	VALVE,CHECK	48943	8-6 F5OLO-S	CONNECTOR,STRAIGHT THREAD TO ORFS
48898	DT-750-MOMS-5	VALVE,CHECK	48944	8-8 FLO-S	CONNECTOR,MALE PIPE TO ORFS
48899	DT-620-MOMS-5	VALVE,CHECK	48945	8 FTX-S	CONNECTOR,MALE PIPE TO FLARE TUBE
48900	4-6 F5OLO-SW/.035	CONNECTOR,STRAIGHT THREAD TO ORFS, W/.035 ORI	48946	8-10 F5OLO-S	CONNECTOR,STRAIGHT THREAD TO ORFS
48902	16-1 AOE4G-S	ELBOW,90° LONG,FEMALE PIPE TO STRAIGHT THREAD	48947	8-12 C5OLO-S	ELBOW,90°,STRAIGHT THREAD TO ORFS
48903	1 FF-S	NIPPLE,PIPE	48948	8-12 F5OLO-S	CONNECTOR,STRAIGHT THREAD TO ORFS
48904	4 C5OLO-S	ELBOW,90°,STRAIGHT THREAD TO ORFS	48949	8-16 F5OLO-S	CONNECTOR,STRAIGHT THREAD TO ORFS
48905	4 F5OLO-S	CONNECTOR,STRAIGHT THREAD TO ORFS	48950	10 C5OLO-S	ELBOW,90°,STRAIGHT THREAD TO ORFS
48906	4 R5OLO-S	RUN TEE,STRAIGHT THREAD	48951	10 CC5OLO-S	ELBOW,90° LONG,STRAIGHT THREAD TO ORFS
48907	4 V5OLO-S	ELBOW,45°,STRAIGHT THREAD TO ORFS	48952	10 F5OLO-S	CONNECTOR,STRAIGHT THREAD TO ORFS
48908	4 R6LO-S	RUN TEE,SWIVEL NUT,ORFS	48953	10 R5OLO-S	RUN TEE,STRAIGHT THREAD
48909	4 WJLO-WLNL-S	RUN TEE, BULKHEAD,ORFS	48954	10 S5OLO-S	BRANCH TEE,STRAIGHT THREAD TO ORFS
48910	4 GTX-S W/.030	CONNECTOR,FEMALE PIPE TO FLARE TUBE	48955	10 R6LO-S	RUN TEE,SWIVEL NUT,ORFS
48911	4-6 C5OLO-S	ELBOW,90°,STRAIGHT THREAD TO ORFS	48956	10-4 TRLO-BL-S	REDUCER,TUBE END TO SWIVEL,ORFS
48912	4-6 F5OLO-S	CONNECTOR,STRAIGHT THREAD TO ORFS	48957	10-6 TRLO-BL-S	REDUCER,TUBE END TO SWIVEL,ORFS
48913	4-6 F5OLO-SW/.030	CONNECTOR,STRAIGHT THREAD TO ORFS, W/.030 ORI	48958	10-12 F5OLO-S	CONNECTOR,STRAIGHT THREAD TO ORFS
48914	4-8 F5OLO-S	CONNECTOR,STRAIGHT THREAD TO ORFS	48959	12 C5OLO-S	ELBOW,90°,STRAIGHT THREAD TO ORFS
48915	6 C5OLO-S	ELBOW,90°,STRAIGHT THREAD TO ORFS	48960	12 F5OLO-S	CONNECTOR,STRAIGHT THREAD TO ORFS
48916	6 F5OLO-S	CONNECTOR,STRAIGHT THREAD TO ORFS	48961	12 R5OLO-S	RUN TEE,STRAIGHT THREAD
48917	6 FF5OLO-S	CONNECTOR,LONG,STRAIGHT THREAD TO ORFS	48962	12 S5OLO-S	BRANCH TEE,STRAIGHT THREAD TO ORFS
48918	6 R5OLO-S	RUN TEE,STRAIGHT THREAD	48963	12 V5OLO-S	ELBOW,45°,STRAIGHT THREAD TO ORFS
48919	6 S5OLO-S	BRANCH TEE,STRAIGHT THREAD TO ORFS	48964	12 R6LO-S	RUN TEE,SWIVEL NUT,ORFS
48920	6 V5OLO-S	ELBOW,45°,STRAIGHT THREAD TO ORFS	48965	12 CLO-S	ELBOW,90°,MALE PIPE TO ORFS
48921	6 FLO-S	CONNECTOR,MALE PIPE TO ORFS	48966	12 FLO-S	CONNECTOR,MALE PIPE TO ORFS
48922	6-6 FLO-S	CONNECTOR,MALE PIPE TO ORFS	48967	12 JLO-S	UNION TEE,ORFS
48923	6 P5ON-S	PLUG,STRAIGHT THREAD	48968	12 WLO-WLNL-S	UNION,BULKHEAD,ORFS
48925	6 WELO-S	UNION,90° BULKHEAD,ORFS	48969	12 WJLO-WLNL-S	RUN TEE, BULKHEAD,ORFS
48926	6-4 C5OLO-S	ELBOW,90°,STRAIGHT THREAD TO ORFS	48970	12 WELO-WLNL-S	UNION,90° BULKHEAD W/NUT,ORFS
48927	6-4 F5OLO-S	CONNECTOR,STRAIGHT THREAD TO ORFS			
48928	6-4 V5OLO-S	ELBOW,45°,STRAIGHT THREAD TO ORFS			
48929	6-8 C5OLO-S	ELBOW,90°,STRAIGHT THREAD TO ORFS			
48930	6-8 F5OLO-S	CONNECTOR,STRAIGHT THREAD TO ORFS			
48931	6-10 F5OLO-S	CONNECTOR,STRAIGHT THREAD TO ORFS			
48932	8 C5OLO-S	ELBOW,90°,STRAIGHT THREAD TO ORFS			
48933	8 F5OLO-S	CONNECTOR,STRAIGHT THREAD TO ORFS			
48934	8 FF5OLO-S	CONNECTOR,LONG,STRAIGHT THREAD TO ORFS			
48935	8 R5OLO-S	RUN TEE,STRAIGHT THREAD			
48936	8 S5OLO-S	BRANCH TEE,STRAIGHT THREAD TO ORFS			
48937	8 V5OLO-S	ELBOW,45°,STRAIGHT THREAD TO ORFS			

Fitting Cross References (Continued)

Genie PN	Parker PN	Description	Genie PN	Parker PN	Description
48971	12 G5G5JG5-S	TEE,FEMALE STRAIGHT THREAD	49612	PKT02586	O-RING KIT (ORFS FITTINGS)
48972	12 XHL6-S	ADAPTER, 37° MALE TO SWIVEL ORFS	49613	PKT06276	PLUG AND CAP KIT-SERVICE,ORFS
48973	12-1/2 F5OG-S	ADAPTER,FEMALE PIPE TO STRAIGHT THREAD	49728	10143-12-12	HOSE END, MALE PIPE
48974	12-10 C5OLO-S	ELBOW,90°,STRAIGHT THREAD TO ORFS	49729	16-1 F5OG-S	ADAPTER,FEMALE PIPE TO STRAIGHT THREAD
48975	12-10 F5OLO-S	CONNECTOR,STRAIGHT THREAD TO ORFS	49814	12-8 FLO-S	CONNECTOR,MALE PIPE TO ORFS
48976	12-16 C5OLO-S	ELBOW,90°,STRAIGHT THREAD TO ORFS	49829	DT-500-MOMF-5	VALVE,CHECK
48977	12-16 F5OLO-S	CONNECTOR,STRAIGHT THREAD TO ORFS	49831	881-12	HOSE,3/4 INCH ID
48978	12-16 V5OLO-S	ELBOW,45°,STRAIGHT THREAD TO ORFS	49834	16 JLO-S	UNION TEE,ORFS
48980	12-16 FLO-S	CONNECTOR,MALE PIPE TO ORFS	49838	12-8 TRLO-BL-S	REDUCER,TUBE END TO SWIVEL,ORFS
48983	16 C5OLO-S	ELBOW,90°,STRAIGHT THREAD TO ORFS	49840	8 JLO-S	UNION TEE,ORFS
48984	16 F5OLO-S	CONNECTOR,STRAIGHT THREAD TO ORFS	49844	10-8 TRLO-BL-S	REDUCER,TUBE END TO SWIVEL,ORFS
48985	16 V5OLO-S	ELBOW,45°,STRAIGHT THREAD TO ORFS	49854	8 P5ON-S	PLUG,STRAIGHT THREAD
48986	16 FLO-S	CONNECTOR,MALE PIPE TO ORFS	49855	1JC43-16-12	HOSE END,FEMALE SWIVEL,SEAL LOK
48988	16 CD45-S	ELBOW,45°,MALE TO FEMALE PIPE	49859	4 P5ON-S	PLUG,STRAIGHT THREAD
48989	12 CD45-S	ELBOW,45°,MALE TO FEMALE PIPE	49861	4 FF5OLO-S	CONNECTOR,LONG,STRAIGHT THREAD TO ORFS
48990	8 CD45-S	ELBOW,45°,MALE TO FEMALE PIPE	49867	12-3/4 F5OG-S	ADAPTER,FEMALE PIPE TO STRAIGHT THREAD
48991	16-12 FLO-S	CONNECTOR,MALE PIPE TO ORFS	51152	6 R6X-S	RUN TEE,SWIVEL NUT,ORFS
48992	16-12 V5OLO-S	ELBOW,45°,STRAIGHT THREAD TO ORFS	51153	6-4 TRTX-S	REDUCER,TUBE END TO SWIVEL,ORFS
48993	XV501-12	BALL VALVE	51154	4-4 GTX	CONNECTOR,FEMALE PIPE TO FLARE TUBE
48994	XV501-16	BALL VALVE	51264	881-12	HOSE,3/4 INCH ID
48995	XV510P-12	BALL VALVE	51265	8 JLO-S	UNION TEE,ORFS
48996	XV510P-16	BALL VALVE	51508	6 BTX-S	NUT,FLARE TUBE
48997	PD341	DIAGNOSTIC NIPPLE, STRAIGHT THREAD	51580	12-8 TRLO-BL-S	TUBE END REDUCER,ORFS
48998	PD 361	DIAGNOSTIC NIPPLE, STRAIGHT THREAD	51628	6 R6X-S	RUN TEE,SWIVEL NUT,ORFS
48999	DT-500-MOMS-5	VALVE,CHECK	51735	3/8 HHP	PLUG,PIPE THREAD
49201	10 V5OLO-S	ELBOW,45°,STRAIGHT THREAD TO ORFS	51803	1J943-6-8	HOSE END,90° FEMALE SWIVEL,SEAL LOK
49202	1JC43-12-10	HOSE END,FEMALE SWIVEL,SEAL LOK	53023	125HBL-5-4	FITTING,HOSE BARB TO MALE PIPE
49203	10-8 V5OLO-S	ELBOW,45°,STRAIGHT THREAD TO ORFS	53497	PKT02585	O-RING KIT
49205	6 F5OHAO-S	UNION,STRAIGHT THREAD	53499	1JC71-16-16	HOSE END,FEMALE SWIVEL,SEAL LOK
49207	PD34BTL	DIAGNOSTIC NIPPLE,SEAL-LOK SWIVEL	53500	3-904	O-RING,STRAIGHT THREAD,-4
49209	8M18F870MX-S	CONNECTOR,METRIC,STRAIGHT THREAD TO FLARE TUBE	53501	3-906	O-RING,STRAIGHT THREAD,-6
49212	8 WGTX-WLN-S	CONNECTOR,BULKHEAD,FEMALE PIPE TO FLARE TUBE	53502	3-908	O-RING,STRAIGHT THREAD,-8
49213	30682-8-8	HOSE END,FEMALE SWIVEL,JIC	53503	3-910	O-RING,STRAIGHT THREAD,-10
49216	831-8	HOSE,1/2 INCH ID			
49217	33982-8-8	HOSE END,90° FEMALE SWIVEL,JIC			
49219	PS-B-35	SLEEVE,NYLON,2.19" ID			
49418	4-6 V5OLO-S	ELBOW,45°,STRAIGHT THREAD TO ORFS			
49511	DT370-MOMS-5	VALVE,CHECK			
49512	1 DD-S	ELBOW,90°,FEMALE PIPE			
49513	1 FF-S	NIPPLE,PIPE			
49514	10 HP5ON-S	PLUG,STRAIGHT THREAD			
49515	12-16 CLO-S	ELBOW,90°,MALE PIPE TO ORFS			
49517	6 HP5ON-S	PLUG,STRAIGHT THREAD			
49519	16-12 F5OLO-S	CONNECTOR,STRAIGHT THREAD TO ORFS			
49520	4 VTX-S	ELBOW,45°,MALE PIPE TO FLARE TUBE			
49530	16 C6LO-S	ELBOW,90°,SWIVEL NUT ORFS			

Fitting Cross References (Continued)

Genie PN	Parker PN	Description	Genie PN	Parker PN	Description
53535	3-912	O-RING,STRAIGHT THREAD,-12	61083	24 F5OLO-S	CONNECTOR,STRAIGHT THREAD TO ORFS
53536	4-PNLO-S	PLUG,TUBE END,ORFS	61086	20 R5OLO-S	RUN TEE,STRAIGHT THREAD
53537	6 PNLO-S	PLUG,TUBE END,ORFS	61090	24-20 F5OLO-S	CONNECTOR,STRAIGHT THREAD TO ORFS
53538	8 PNLO-S	PLUG,TUBE END,ORFS	61091	1J943 24-24	HOSE END,90° FEMALE SWIVEL,SEAL LOK
53539	10 PNLO-S	PLUG,TUBE END,ORFS	61093	1J978-12-12	HOSE END,90° FEMALE SWIVEL,JIC
53540	12 PNLO-S	PLUG,TUBE END,ORFS	61095	1JS43-20-16	HOSE END,FEMALE SWIVEL,SEAL LOK
53946	129HB-5-4	FITTING,90° HOSE BARB TO MALE PIPE	61100	811-24	HOSE,11/2 INCH ID
53951	8-1/4F50G-S	ADAPTER,FEMALE PIPE TO STRAIGHT THREAD	61130	1JS43-24-24	HOSE END,FEMALE SWIVEL,SEAL LOK
53980	6 S6LO-S	BRANCH TEE,SWIVEL NUT TO ORFS	61131	1JS78 12-12	HOSE END,FEMALE SWIVEL,SEAL LOK
54132	4 C6LO-S	ELBOW,90°,SWIVEL NUT ORFS	61132	1J778-12-12	HOSE END,45° FEMALE SWIVEL,JIC
54135	11343-16-16	HOSE END,MALE SWIVEL,PIPE	61152	139HB-6-4	ELBOW,45°,BARB TO MALE PIPE
54283	8-10 C5OLO-S	ELBOW,90°,STRAIGHT THREAD TO ORFS	61251	BV-0750	BALL VALVE
54428	8M18C870MLO-S	ELBOW, 90° METRIC, STRAIGHT THREAD TO ORFS	61259	4 CC5OLO-S	ELBOW,90° LONG,STRAIGHT THREAD TO ORFS
54803	FS-F-16-10	SLEEVE,FIRE,-96" ID	61260	20-12 TRLO-BL	REDUCER,TUBE END TO SWIVEL,ORFS
54954	10143-2-4	HOSE END, MALE PIPE	61262	12 C6LO-S	ELBOW,90°,SWIVEL NUT ORFS
55190	3/8 HP-S	PLUG,PIPE THREAD	61263	20 F5OHAO-S	UNION,STRAIGHT THREAD
55448	8 HLO-S	UNION,ORFS	61264	6-10 C5OLO-S	ELBOW,90°,STRAIGHT THREAD TO ORFS
55839	6 F65OX-S	CONNECTOR,STRAIGHT THREAD TO 37° SWIVEL	61265	6 WNLO-WLNL-S	UNION,BULKHEAD 45°,ORFS
55968	10 C5OX-S	ELBOW,90°,STRAIGHT THREAD TO FLARE TUBE	61268	4 WNLO-WLNL-S	UNION,BULKHEAD 45°,ORFS
56003	6 CC5OLO-S	ELBOW,90° LONG,STRAIGHT THREAD TO ORFS	61269	4 WLO-WLNL-S	UNION,BULKHEAD,ORFS
56166	BV-0837	BALL VALVE,90°	61272	12 AOEL6	ELBOW,90°,STRAIGHT THREAD TO ORFS SWIVEL
56188	10143-8-6	HOSE END, MALE PIPE	61316	482TC-16	HOSE,1 INCH ID
56233	2-011	O-RING,ORFS,-4	61321	6 JLO-S	UNION TEE,ORFS
56234	2-012	O-RING,ORFS,-6	61327	782-12	HOSE,3/4 INCH ID
56235	2-014	O-RING,ORFS,-8	61328	881-24	HOSE,11/2 INCH ID
56236	2-016	O-RING,ORFS,-10	61336	11943-20-24	HOSE END,90° FLANGE HEAD
56237	2-018	O-RING,ORFS,-12	61345	12 WJLO-WLNL-S	RUN TEE, BULKHEAD,ORFS
56238	2-021	O-RING,ORFS,-16	61346	8 WNLO-WLNL-S 4	UNION,BULKHEAD 45°,ORFS
56352	6 WLNL-S	LOCKNUT,BULKHEAD	61569	33782-8-8	HOSE END,45° FEMALE SWIVEL,JIC
56353	3J782-12-12	HOSE END,45° FEMALE SWIVEL,SEAL LOK	61610	12 FF5OLO-S	CONNECTOR,LONG,STRAIGHT THREAD TO ORFS
56354	3J982-12-12	HOSE END,90° FEMALE SWIVEL,SEAL LOK	61742	1/8 X 1.5 FFF	NIPPLE,PIPE
56604	10-8 F5OLO-S	CONNECTOR,STRAIGHT THREAD TO ORFS	63426	8 PNTX-S	PLUG,FLARE TUBE
56639	3JC82-10-10	HOSE END,FEMALE SWIVEL,SEAL LOK			
56640	3J982-10-10	HOSE END,90° FEMALE SWIVEL,SEAL LOK			
56655	3JC82-8-10	HOSE END,FEMALE SWIVEL,SEAL LOK			
56676	10-8 C5OLO-S	ELBOW,90°,STRAIGHT THREAD TO ORFS			
56776	471TC-6	HOSE,3/8 INCH ID			
56777	471TC-8	HOSE,1/2 INCH ID			
56789	811-16	HOSE,1 INCH ID			
57884	3/8 FF	NIPPLE,PIPE			
59335	6 FNL-S	CAP, TUBE END			
59342	4 FNL-S	CAP, TUBE END			
59371	8 HP5ON-S	PLUG,STRAIGHT THREAD			
60653	BV-0751	BALL VALVE			
60806	125HB-3-4	FITTING,HOSE BARB TO MALE PIPE			
61064	5-1/4 F50G-S	ADAPTER,FEMALE PIPE TO STRAIGHT THREAD			
61079	4 WELO-WLNL-S	UNION,90° BULKHEAD W/NUT,ORFS			
61080	6 WLO-WLNL-S	UNION,BULKHEAD,ORFS			

Fitting Cross References (Continued)

Genie PN	Parker PN	Description	Genie PN	Parker PN	Description
64271	4 WLO-WLNL-S	UNION,BULKHEAD,ORFS	75631	801-6	HOSE,3/8 INCH ID
64272	6 WLO-WLNL-S	UNION,BULKHEAD,ORFS	75654	20 F5OLO-S	CONNECTOR,STRAIGHT THREAD TO ORFS
65776	8 F65OL-S	CONNECTOR,STRAIGHT THREAD TO ORFS SWIVEL	75655	1J943-20-20	HOSE END,90° FEMALE SWIVEL,SEAL LOK
65880	6001012	O-RING KIT	75656	881-20	HOSE,1-1/4 INCH ID
66154	6 WTX-WLNS	UNION,BULKHEAD,FLARE TUBE	75971	8 F5OHAO-S	UNION,STRAIGHT THREAD
66155	6 WETX-S	UNION,BULKHEAD 90°,FLARE TUBE	77307	1JB43-8-8	HOSE END,BULKHEAD,SEAL LOK
66156	6 WLN-S	BULKHEAD LOCKNUT	77309	8 WLNL-S	BULKHEAD LOCKNUT
66389	6-8 F5OX-S	CONNECTOR,STRAIGHT THREAD TO FLARE TUBE	77379	8M18C87OMX-S	ELBOW,90° METRIC,STRAIGHT THREAD TO FLARE TUBE
66392	6 R5OX-S	RUN TEE,STRAIGHT THREAD	77703	3J982-8-8	HOSE END,90° FEMALE SWIVEL,SEAL LOK
66396	811-12	HOSE,3/4 INCH ID	77711	801-10	HOSE,5/8 INCH ID
66829	H3174PP	CLAMP,TUBE	77758	12 WNLO-WLNL-S	UNION,BULKHEAD 45°,ORFS
67217	4 KLO-S	UNION,CROSS,ORFS	78091	6 C6X-S	ELBOW,90°,SWIVEL NUT TO FLARE TUBE
67339	10-6 F5OX-S	CONNECTOR,STRAIGHT THREAD TO FLARE TUBE	78684	30582-8-8B	HOSE END,PUSH LOK,MALE
67357	13943-8-6	HOSE END,90° FEMALE SWIVEL,JIC	78852	549-2	HOSE,1/8 INCH ID
67358	10 HP5ON-S	PLUG,STRAIGHT THREAD	78855	10657-4-2	HOSE END,FEMALE SWIVEL,JIC
67371	12 S6LO-S	BRANCH TEE,SWIVEL NUT TO ORFS	79138	PS-B-37	SLEEVE,NYLON,2.38" ID
67498	4 FNL-S	CAP, TUBE END	79476	1JS43-6-8	HOSE END,FEMALE SWIVEL,SEAL LOK
67906	DC-370-F0F0-5	VALVE,CHECK	79847	12-3/4 A0EG-S	ELBOW,90°,STRAIGHT THREAD TO FEMALE PIPE
69316	8 FLO-S	CONNECTOR,MALE PIPE TO ORFS	80044	8 CLO-S	ELBOW,90°,MALE PIPE TO ORFS
69333	H3174PP	CLAMP,HYDRAULIC HOSE	80502	8 F5OX-S	CONNECTOR,STRAIGHT THREAD TO FLARE TUBE
69503	4 F65OX-S	CONNECTOR,STRAIGHT THREAD TO 37° SWIVEL	80503	8 C5OX-S	ELBOW,90°,STRAIGHT THREAD TO FLARE TUBE
69775	8 FNL-S	CAP, TUBE END	81010	AS-B-27	SLEEVE,NYLON,1.63" ID
71038	1/4X1/4F3HG-S	ADAPTER,CONVERSION	83052	821-6	HOSE,3/8 INCH ID
71196	12-8 F5OLO-S	CONNECTOR,STRAIGHT THREAD TO ORFS	83053	821-8	HOSE,1/2 INCH ID
71383	1/4 CD45-S	ELBOW,45°,MALE TO FEMALE PIPE	83054	821-12	HOSE,3/4 INCH ID
72270	12FNL-S	CAP, TUBE END	83055	30682-6-6	HOSE END,FEMALE SWIVEL,JIC
73436	60C-4	SLEEVE,COMPRESSION	83056	30682-12-12	HOSE END,FEMALE SWIVEL,JIC
73437	61C-4	NUT,COMPRESSION	83057	33782-6-6	HOSE END,45° FEMALE SWIVEL,JIC
73438	33482-4-4B	HOSE END,PUSH LOK,MALE	83058	33982-6-6	HOSE END,90° FEMALE SWIVEL,JIC
73767	1CD-S	ELBOW,90°,MALE TO FEMALE PIPE	83060	33982-12-12	HOSE END,90° FEMALE SWIVEL,JIC
73768	20-16-F5OG5-S	ADAPTER,FEMALE PIPE TO STRAIGHT THREAD	83063	13743-4-4	HOSE END,45° FEMALE SWIVEL,JIC
73769	16-20 F5OLO-S	CONNECTOR,STRAIGHT THREAD TO ORFS			
74660	6-8 F42EDMLO-S	CONNECTOR,MALE BSPP TO ORFS			
74661	8-8 F42EDMLO-S	CONNECTOR,MALE BSPP TO ORFS			
75007	4 FLO-S	CONNECTOR,MALE PIPE TO ORFS			
75008	1/8 HP-S	PLUG,PIPE THREAD			
75014	1/2 HP-S	PLUG,PIPE THREAD			
75042	8 WELO-WLNL-S	UNION,90° BULKHEAD W/NUT,ORFS			
75043	3/4 FF-S	NIPPLE,PIPE			
75254	24 F5OHAO-S	UNION,STRAIGHT THREAD			
75255	12 F5OHAO-S	UNION,STRAIGHT THREAD			
75256	XV506P-24	BALL VALVE			
75574	4 WLNL-S	BULKHEAD LOCKNUT			
75612	8 WJLO-WLNL-S	RUN TEE, BULKHEAD,ORFS			
75613	12-8 F5OG5-S	ADAPTER,FEMALE PIPE TO STRAIGHT THREAD			
75614	8 CC5OLO-S	ELBOW,90° LONG,STRAIGHT THREAD TO ORFS			
75628	1JB43-4-4	HOSE END,BULKHEAD,SEAL LOK			

Fitting Cross References (Continued)

Genie PN	Parker PN	Description	Genie PN	Parker PN	Description
83064	13743-8-8	HOSE END,45° FEMALE SWIVEL,JIC	89449	6 WJLO-WLNL-S	RUN TEE, BULKHEAD,ORFS
83065	13743-12-12	HOSE END,45° FEMALE SWIVEL,JIC	89489	4 WJMLO-S	BRANCH TEE,BULKHEAD,ORFS
83066	13943-8-8	HOSE END,90° FEMALE SWIVEL,JIC	89551	1JB43-6-6	HOSE END,BULKHEAD,SEAL LOK
83067	14143-6-6	HOSE END,90° FEMALE SWIVEL,JIC	89552	1JB43-8-8	HOSE END,BULKHEAD,SEAL LOK
83068	14143-8-8	HOSE END,90° FEMALE SWIVEL,JIC	89593	20 C5OLO-S	ELBOW,90°,STRAIGHT THREAD TO ORFS
83069	14143-12-12	HOSE END,90° FEMALE SWIVEL,JIC	94161	8-8 CLO-S	ELBOW,90°,MALE PIPE TO ORFS
83070	772-8	HOSE,1/2 INCH ID	94358	351TC-12	HOSE,3/4 INCH ID
83071	10671-8-8	HOSE END,FEMALE SWIVEL,JIC	94418	20 FLO-S	CONNECTOR,MALE PIPE TO ORFS
83072	10671-12-12	HOSE END,FEMALE SWIVEL,JIC	96358	12 TX-S	SLEEVE,FLARE TUBE
83073	13771-8-8	HOSE END,45° FEMALE SWIVEL,JIC	96359	12 BTX-S	NUT,FLARE TUBE
83074	13771-12-12	HOSE END,45° FEMALE SWIVEL,JIC	96397	8 F5OX-S	CONNECTOR,STRAIGHT THREAD TO FLARE TUBE
83075	13971-8-8	HOSE END,90° FEMALE SWIVEL,JIC	96398	12-8 F5OX-S	CONNECTOR,STRAIGHT THREAD TO FLARE TUBE
83076	13971-12-12	HOSE END,90° FEMALE SWIVEL,JIC	96402	10343-6-6	HOSE END,MALE,JIC
83077	14171-8-8	HOSE END,90° FEMALE SWIVEL,JIC	96407	30382-6-6B	HOSE END,MALE,JIC
83078	14171-12-12	HOSE END,90° FEMALE SWIVEL,JIC			
83080	13943-16-16	HOSE END,90° FEMALE SWIVEL,JIC			
83103	10671-16-12	HOSE END,FEMALE SWIVEL,JIC			
83104	10671-10-12	HOSE END,FEMALE SWIVEL,JIC			
83112	1JC71-8-8	HOSE END,FEMALE SWIVEL,SEAL LOK			
83113	1JS71-16-12	HOSE END,FEMALE SWIVEL,SEAL LOK			
83114	1JS71-10-12	HOSE END,FEMALE SWIVEL,SEAL LOK			
83115	1J971-8-8	HOSE END,90° FEMALE SWIVEL,SEAL LOK			
83116	1J171-8-8	HOSE END,90° FEMALE SWIVEL,SEAL LOK			
83117	1J771-8-8	HOSE END,45° FEMALE SWIVEL,SEAL LOK			
83127	1J543-6-8	HOSE END,90° FEMALE SWIVEL,JIC			
83128	1JC43-6-8	HOSE END,FEMALE SWIVEL,SEAL LOK			
87033	12-6 TRLO-S	REDUCER,TUBE END TO SWIVEL,ORFS			
87034	3J782-8-8	HOSE END,45° FEMALE SWIVEL,SEAL LOK			
87172	12 HP5ON-S	PLUG,STRAIGHT THREAD			
87185	8 WNLO-WLNL-S	UNION,BULKHEAD 45°,ORFS			
87246	4 C6X-S	ELBOW,90°,SWIVEL NUT TO FLARE TUBE			
87679	6 LHP-S	FLANGE SEAL FITTING, MALE			
87681	6PLS N0702	BONDED SEAL			
88100	SR88100	ADAPTER,OIL DRAIN,GM 3.0L			
88311	1JS43-20-20	HOSE END,FEMALE SWIVEL,SEAL LOK			
88353	20 V5OLO-S	ELBOW,45°,STRAIGHT THREAD TO ORFS			
88474	10081-20	Crimp Shell, 1.25"			
88475	1988-20-24	HOSE END,90° FLANGE HEAD			
88476	JS88-24-24	HOSE END,FEMALE SWIVEL,SEAL LOK			
88477	1JC88-20-20	HOSE END,FEMALE SWIVEL,SEAL LOK			
88478	811-20	HOSE,11/4 INCH ID			
88936	20-16 F5OLO-S	CONNECTOR,STRAIGHT THREAD TO ORFS			
88937	20-16 FLO-S	CONNECTOR,MALE PIPE TO ORFS			
88938	1JC88-16-16	HOSE END,FEMALE SWIVEL,SEAL LOK			
88939	1J988-16-16	HOSE END,90° FEMALE SWIVEL,ORFS			
88940	811-16	HOSE,1 INCH ID			
88944	1J988-20-20	HOSE END,90° FEMALE SWIVEL,ORFS			
89403	16 VLO-S	ELBOW,45°,MALE PIPE TO ORFS			

California Proposition 65



WARNING

Operating, servicing and maintaining this equipment can expose you to chemicals including engine exhaust, carbon monoxide, phthalates, and lead, which are known to the State of California to cause cancer and birth defects or other reproductive harm. These chemicals can be emitted from or contained in other various parts and systems, fluids and some component wear by-products. To minimize exposure, avoid breathing exhaust, do not idle the engine except as necessary, service your equipment and vehicle in a well-ventilated area and wear gloves or wash your hands frequently when servicing your equipment or vehicle and after operation. For more information go to www.P65Warnings.ca.gov/passenger-vehicle.

Parts Manual

GRC-12

from GRC08-101 to GRC11-999

Part No.
115369

Rev C40

Genie
A TEREX BRAND