

U.S. DEPARTMENT OF TRANSPORTATION
NATIONAL HIGHWAY TRAFFIC SAFETY
ADMINISTRATION

LABORATORY TEST PROCEDURE
for
FMVSS 213
Child Restraint Systems



ENFORCEMENT
Office of Vehicle Safety Compliance
Mail Code: NVS-220, W43-481
1200 New Jersey Avenue, SE
Washington, DC 20590

OVSC LABORATORY TEST PROCEDURE No. 213
TABLE OF CONTENTS

1. PURPOSE AND APPLICATION	1
2. GENERAL REQUIREMENTS	2
3. SECURITY	4
4. GOOD HOUSEKEEPING	4
5. TEST SCHEDULING AND MONITORING	4
6. TEST DATA	4
7. GOVERNMENT FURNISHED PROPERTY (GFP)	6
8. CALIBRATION OF TEST INSTRUMENTS	6
9. PHOTOGRAPHIC AND VIDEO DOCUMENTATION.....	8
10. DEFINITIONS	10
11. PRETEST REQUIREMENTS	13
12. COMPLIANCE TEST EXECUTION	14
12.A. TEST SAMPLES	14
12.A.1 MATERIALS TESTS	14
12.A.2 INSPECTION OF PHYSICAL FEATURES.....	15
12.A.3 DYNAMIC IMPACT TESTS.....	15
12.A.4 FAA INVERSION TEST.....	16
12.A.5 TEST SAMPLE INSPECTION, INVENTORY, IDENTIFICATION AND STORAGE	16
12.B. MATERIALS TESTS.....	17
12.B.1 FLAMMABILITY TEST (S213, S5.7; S302, S4.1, S4.2))	17
12.B.2 WEBBING PERFORMANCE TESTS (S213, S5.4.1)	20
12.B.2.1 ENVIRONMENTAL CONDITIONING (S209, S5.1(a)).....	20
12.B.2.2 BREAKING STRENGTH (S213, S5.4.1(a); S209, S5.1(b)).....	20
12.B.2.3 RESISTANCE TO ABRASION (S209, S5.1(d)).....	21
12.B.2.4 RESISTANCE TO BUCKLE ABRASION (S209, S5.3(c))	24

12.B.2.5 RESISTANCE TO LIGHT (S209, S4.2(e), S5.1(e)).....	25
12.B.2.6 RESISTANCE TO MICRO-ORGANISMS (S209, S4.2(f), S5.1(f)) 25	
12.B.2.7 WIDTH (S213, S5.4.1(C), S5.4.1.1)	26
12.B.3 BELT BUCKLE AND ADJUSTMENT HARDWARE (S213, S5.4.2).....	26
12.B.3.1 CORROSION RESISTANCE (S209, S4.3(a), (2), S5.2(a)).....	26
12.B.3.2 TEMPERATURE RESISTANCE (S209, S4.3(b), S5.2(b))	27
12.B.3.3 BUCKLE RELEASE ACCESS (S209, S4.3(d)(2), S5.2(d))	28
12.B.3.4 ADJUSTMENT FORCE (S209, S4.3(e), S5.2(e)).....	28
12.B.3.5 TILT-LOCK ADJUSTMENT (S209, S4.3(f), S5.2(f)).....	28
12.B.3.6 BUCKLE LATCH AND PARTIAL ENGAGEMENT (S209, S4.3(g), S5.2(g))	29
12.C. INSPECTION OF PHYSICAL FEATURES.....	30
12.C.1 LABELING (S213, S5.5).....	30
12.C.2 INSTALLATION INSTRUCTIONS (S213, S5.6).....	31
12.C.3 INSTALLATION (S213, S5.3).....	31
12.C.4 MINIMUM HEAD SUPPORT SURFACE (S213, S5.2.1)	33
12.C.5 BELT RESTRAINT (S213, S5.4.3)	35
12.C.5.1 SNUG FIT OF BELTS (S213, S5.4.3.1)	35
12.C.5.2 DIRECT RESTRAINT BELTS (S213, S5.4.3.2)	35
12.C.5.3 SEATING SYSTEM BELTS AND SHIELDS (S213, S5.4.3.3)...	36
12.C.5.4 HARNESES (S213, S5.4.3.4)	36
12.C.6 TORSO IMPACT PROTECTION (S213, S5.2.2).....	37
12.C.6.1 BACK SUPPORT SURFACE (S213, S5.2.2.1(a)).....	37
12.C.6.2 SIDE SUPPORT SURFACE (S213, S5.2.2.1(b))	37
12.C.6.3 FORWARD RESTRAINING SURFACE (S213, S5.2.2.1(c))	38
12.C.6.4 FORWARD FIXED/MOVABLE SURFACES (S213, S5.2.2.2)...	38
12.C.7 PROTRUSION LIMITATION (S213, S5.2.4)	38

12.C.8 ATTACHMENT TO CHILD RESTRAINT ANCHORAGE SYSTEM (S213, S5.9).....	39
12.D. DYNAMIC TEST CONDITIONS AND PROCEDURES (S213, S6)	39
12.D.1 TEST EQUIPMENT	39
12.D.1.1 TEST CONDITIONS AND DEVICES (S213, S6.1.1)	39
12.D.1.2 INSTRUMENTATION.....	47
12.D.2 SYSTEMS CHECK.....	48
12.D.3 TEST CONDITIONS.....	48
12.D.3.1 ENVIRONMENTAL CONDITIONS (S213, S6.1.1(d)).....	48
12.D.3.2 IMPACT SPEED (S213, S6.1.1).....	49
12.D.3.3 IMPACT SEVERITY (S213, S6.1.1).....	49
12.D.4 DUMMY PREPARATION	52
12.D.4.1 DUMMY SELECTION (S213, S6.1.2.3, S7.2)	52
12.D.4.2 PRETEST CONDITIONING	52
12.D.4.3 DUMMY INSTRUMENTATION	54
12.D.4.4 DUMMY CLOTHING (S213, S9)	54
12.D.5 PREIMPACT BUCKLE RELEASE TEST (S213, S5.4.3.5, S6.2)	56
12.D.6 RESTRAINT SETUP	57
12.D.6.1 CHILD RESTRAINT SYSTEM INSTALLATION.....	57
12.D.6.2 DUMMY INSTALLATION - RESTRAINTS OTHER THAN CAR BEDS (S213, S10.2)	58
12.D.6.2 DUMMY INSTALLATION - CAR BEDS (S213, S10.1).....	66
12.D.6.3 BELT ADJUSTMENT	66
12.D.6.4 RESTRAINT TARGETING	68
12.D.7 IMPACT TEST (S213, S6.1.2(e))	69
12.D.8 PERFORMANCE REQUIREMENTS (S213, S5.1).....	71
12.D.8.1 POST IMPACT BUCKLE RELEASE TEST (S213, S5.4.3.5, S6.2.3).....	71

12.D.8.2	RESTRAINT SYSTEM INTEGRITY (S213, S5.1.1)	72
12.D.8.3	INJURY CRITERIA (S213, S5(d), S5.1.2).....	74
12.D.8.4	OCCUPANT EXCURSION (S213, S5(d), S5.1.3, S5.1.4, S5.2.1.1(c)).....	74
12.E.	TESTING FOR AIRCRAFT USE (S213, S8)	77
12.E.1	INSTALLATION INSTRUCTIONS (S213, S8.1)	77
12.E.2	INVERSION TEST	78
12.E.2.1	TEST DEVICE (S213, S8.2.1).....	78
12.E.2.2	RESTRAINT SYSTEM INSTALLATION IN AIRCRAFT PASSENGER SEAT (S213, S8.2.2).....	78
12.E.2.3	DUMMY SELECTION (S213, S8.2.3)	78
12.E.2.4	BELT TENSION (S213, S8.2.4)	81
12.E.2.5	FORWARD ROTATION TEST (S213, S8.2.5)	81
12.E.2.6	SIDEWAYS ROTATION TEST (S213, S8.2.6).....	81
13.	POST TEST REQUIREMENTS	82
14.	REPORTS	82
14.1	MONTHLY STATUS REPORTS.....	82
14.2	APPARENT TEST FAILURE.....	82
14.3	FINAL TEST REPORTS.....	82
14.3.1	COPIES.....	82
14.3.2	REQUIREMENTS.....	83
14.3.3	FIRST THREE PAGES.....	83
14.3.4	TABLE OF CONTENTS	88
14.3.5	PURPOSE AND TEST PROCEDURE	89
14.3.6	INTERPRETATIONS AND DEVIATIONS.....	89
14.3.7	REPORTS FOR BUILT-IN CHILD RESTRAINT TESTS	89
15.	DATA SHEETS.....	90
	LABELING (S213, S5.3, S5.5).....	93

PRINTED INSTRUCTIONS FOR PROPER USE (S213, S5.6)	108
REGISTRATION FORM (S213, S5.8)	116
MAXIMUM CHILD WEIGHT FOR LOWER ANCHOR USE (S213, S5.5.2(l)(3))	121
ATTACHMENT TO ANCHORAGE SYSTEM (S213, S5.9).....	122
INSTALLATION (S213-S5.3).....	123
MINIMUM HEAD SUPPORT SURFACE (S213, S5.2.1)	124
TORSO IMPACT PROTECTION (S213, S5.2.2)	125
PROTRUSION LIMITATION (S213, S5.2.4).....	126
DYNAMIC IMPACT TEST CONDITIONS (S6.1).....	127
BELT RESTRAINT (S213-S5.4.3)	129
BUCKLE RELEASE (S5.4.3.5, S6.2).....	130
AIRCRAFT PASSENGER SEAT INVERSION TEST (S213-S8.2, S8.2.5, S8.2.6).....	135
FLAMMABILITY (S213-S5.7/S302-S4.3).....	136
WEBBING PERFORMANCE (S213-S5.4.1).....	137
BUCKLE AND ADJUSTMENT HARDWARE (S213-S5.4.2/S209-S4.3).....	139
16. FORMS.....	140
APPENDIX A: INSTRUCTIONS AND TEMPLATES FOR CREATING ENTRÉE FILES	144

LIST OF FIGURES

ENCLOSURE CABINET, U-FRAME, AND U-FRAME STAND.....	18
BREAKING STRENGTH TEST DEVICE	23
ABRASION TEST SCHEMATIC.....	23
BUCKLE ABRASION TEST SCHEMATIC	24
LABEL ON HARNESS THAT ATTACHES TO SCHOOL BUS SEAT BACK.....	33
SEAT BACK WIDTH MEASUREMENT.....	34
SORL AND BELT ANCHORAGE POINT LOCATIONS ON THE STANDARD SEAT ASSEMBLY	43

SORL AND LOCATION OF UNIVERSAL CHILD RESTRAINT ANCHORAGE SYSTEM ON THE STANDARD SEAT ASSEMBLY	43
LOCATIONS OF BELT ANCHORAGE POINTS AND FORWARD EXCURSION LIMIT ON THE STANDARD SEAT ASSEMBLY	45
LOCATION OF UNIVERSAL CHILD RESTRAINT ANCHORAGE SYSTEM AND FORWARD EXCURSION LIMITS FOR THE STANDARD SEAT ASSEMBLY	46
CONFIGURATION I ACCELERATION FUNCTION CURVE.....	51
CONFIGURATION II ACCELERATION FUNCTION CURVE.....	51
HIII-10C DUMMY NECK ANGLE SETTING IS SP-16 DEGREES	64
HIII-10C DUMMY LUMBAR ANGLE SETTING IS SP-12 DEGREES	65
LAP SHIELD.....	65
WEBBING TENSION PULL DEVICE	68
PRE-IMPACT BUCKLE RELEASE FORCE TEST SETUP	70
BUCKLE RELEASE TEST CONFIGURATION.....	72
RELEASE FORCE APPLICATION DEVICE – PUSH BUTTON RELEASE BUCKLES.....	73
REAR FACING CRS FORWARD AND UPPER HEAD EXCURSION LIMITS.....	77
SIMULATED AIRCRAFT PASSENGER SEAT.....	79
INTERFACE PROFILE OF TETHER HOOK	80
AIR BAG WARNING LABEL.....	100
REGISTRATION CARD	102

LIST OF TABLES

REQUIRED MEANS OF CERTIFICATION	31
S5.2.1.1(a) REQUIREMENTS FOR BACK HEIGHT	33
SHOULDER HEIGHT AND TORSO DEPTH OF REPRESENTATIVE DUMMIES.....	37
TEST CONFIGURATION I ACCELERATION FUNCTION ENVELOPE.....	50
TEST CONFIGURATION II ACCELERATION FUNCTION ENVELOPE.....	50
DUMMY SELECTION BY MASS OR HEIGHT (S7.1.2)	52

FORWARD FACING RESTRAINTS EXCURSION LIMITS	75
TEST CONFIGURATION CODE LEGEND	91

**REVISION CONTROL LOG
FOR OVSC LABORATORY
TEST PROCEDURES**

TP-213
Child Restraint Systems

TEST PROCEDURE		FMVSS 213		DESCRIPTION
REV. No.	DATE	AMENDMENT	EFFECTIVE DATE	
00				Original Issue
01				Minor Revisions
02				Revised for additional requirements
03	April 12, 1994			Conversion to WordPerfect and minor corrections
04	Sept. 1, 1997	59 FR 37167 60 FR 35126	Aug. 22, 1994 Jan. 3, 1996	General update. Addition of booster seats and expanded number of test dummies.
05	Dec. 18, 2003	64 FR 47566 67 FR 61523	Sep. 1, 2002 Oct. 1, 2003	Addition of LATCH requirements. Addition of revised label requirements.
06	June 30, 2004	68 FR 37620	Voluntary Compliance Dec. 22, 2003 Fully Effective Aug. 1, 2005	Additional requirements to upgrade S213 per TREAD Act mandate.
07	June 1, 2005	69 FR 42595 70 FR 15596	August 1, 2005	Addition of Hybrid III 6-year-old weighted dummy. Minor revision based on Denton ATD petition for reconsideration.
08	November 1, 2005	70 FR 35556 70 FR 44520 70 FR 53569	June 21, 2006 Aug. 1, 2005 Nov. 8, 2005	Revised Hotline number and addition of web address. Optional use of 6 yr. old HIII dummy. Addition of online registration requirements.
09	June 7, 2006	71 FR 32855	August 7, 2006 (effective date) September 1, 2007 (compliance date)	Revised to incorporate minimum breaking strength requirements for webbing.
10	February 1, 2014	77 FR 11626 79 FR 10396	February 27, 2014	Revised to incorporate 10-yr-old HIII dummy requirements and procedures. Other minor changes throughout document

1. PURPOSE AND APPLICATION

The Office of Vehicle Safety Compliance (OVSC) provides contractor laboratories with Laboratory Test Procedures as guidelines for obtaining compliance test data. The data are used to determine if a specific vehicle or item of motor vehicle equipment meets the minimum performance requirements of the subject Federal Motor Vehicle Safety Standard (FMVSS). The purpose of these OVSC Laboratory Test Procedures is to present a uniform testing and data recording format, and provide suggestions for the use of specific equipment and procedures. These Laboratory Test Procedures do not constitute an endorsement or recommendation for use of any product or method. If any contractor views any part of the OVSC Laboratory Test Procedures (TP) to be in conflict with a FMVSS or observes deficiencies in a TP, the contractor is required to advise the Contracting Officer's Technical Representative (COTR) and resolve the discrepancy prior to the start of compliance testing.

Prior to conducting compliance testing, contracted laboratories are required to submit a detailed test procedure to the COTR to demonstrate concurrence with the OVSC laboratory test procedure and the applicable FMVSS. The procedure must include a step-by-step description of the methodology to be used. The contractor's test procedure shall contain a complete listing of test equipment with make and model numbers and detailed check-off sheets. The list of test equipment shall include instrument accuracy and calibration dates. All equipment shall be calibrated in accordance with the manufacturer's instructions. There shall be no contradictions between the TP and the contractor's in-house test procedure. Written approval of the in-house test procedures shall be obtained from the COTR before initiating the compliance test program. The TP is not intended to limit or restrain a contractor from developing or utilizing any testing techniques or equipment that will assist in procuring the required compliance test data. However, the application of any such testing technique or equipment is subject to prior approval of the COTR.

NOTE: This TP, prepared for the limited purpose of use by contracted independent laboratories conducting compliance tests for the OVSC, are not rules, regulations, or NHTSA interpretations regarding the meaning of a FMVSS. Neither is the TP intended to limit the requirements of the applicable FMVSS(s). In some cases, the TP does not include all of the various FMVSS minimum performance requirements. Recognizing applicable test tolerances, the TP may specify test conditions that are less severe than the minimum requirements of the standard. In addition, the TP may be modified by the OVSC at any time without notice, and the COTR may direct or authorize contractors to deviate from these procedures, as long as the tests are performed in a manner consistent with the standard itself and within the scope of the contract. Laboratory Test Procedures may not be relied upon to create any right or benefit in any person. Therefore, compliance of a vehicle or item of motor vehicle equipment is not necessarily guaranteed if the manufacturer limits its certification tests to those described in the TP.

2. GENERAL REQUIREMENTS

The test procedures, methods, and associated equipment are based on the requirements of the following documents to the extent referenced herein.

49 CODE OF FEDERAL REGULATIONS (CFR) 571 FEDERAL MOTOR VEHICLE SAFETY STANDARDS (FMVSS)

FMVSS 213 - Child Restraint Systems

FMVSS 209 - Seat Belt Assemblies

FMVSS 302 - Flammability of Interior Materials

FMVSS 225 - Child Restraint Anchorage Systems

49 CODE OF FEDERAL REGULATIONS (CFR) 572 ANTHROPOMORPHIC TEST DEVICES

Subpart K – Newborn Infant

Subpart R – 12-month-old Infant

Subpart P – 3-year-old Child

Subpart N – 6-year-old (HIII) Child

Subpart I – 6-year-old (HII) Child

Subpart S – 6-year-old Weighted Child

Subpart T – 10-year-old Child

STANDARD BENCH SEAT -- Drawing Package NHTSA-213-2003 dated June 3, 2003.

AMERICAN ASSOCIATION OF TEXTILE CHEMISTS AND COLORISTS (AATCC)

AATCC Geometric Gray Scale

AATCC Test Method 30-81

Fungicides Evaluation of Textiles; Mildew and Rot Resistance of Textiles

AMERICAN SOCIETY FOR TESTING AND MATERIALS (ASTM)

ASTM B117-73 Standard Method for Salt Spray (Fog) Testing

ASTM D756-78 Standard Practice for Determination of Weight and Shape Changes of Plastics Under Accelerated Service Conditions

ASTM D1056-73 Standard Specification for Flexible Cellular Materials--Sponge or Expanded Rubber

- ASTM D3574-05 Standard Methods of Testing Flexible Cellular Materials--Slab Urethane Foam
- ASTM D1565-76 Standard Specifications for Flexible Cellular Materials--Vinyl Chloride Polymers and Copolymers (Open-Cell Foam)
- ASTM E4-79 Standard Methods of Load Verification of Testing Machines
- ASTM G23-81 Standard Practice for Operating Light Exposure Apparatus (Carbon Arc Type) with and without Water for Exposure of Nonmetallic Materials

SOCIETY OF AUTOMOTIVE ENGINEERS (SAE)
SAE J211 Instrumentation for Impact Tests

AMERICAN NATIONAL STANDARDS INSTITUTE
ANSI/NCSL Z540-1 Calibration Laboratories and Measuring and Test Equipment
– General Requirements

ENVIRONMENTAL CONDITIONS

The environmental conditions specific to each test and measurement procedure is described in the relevant portion of this test procedure. However, if environmental conditions are not specified, all tests and measurements shall be conducted under the following environmental conditions:

Temperature	19 °C (66 °F) to 26 °C (78 °F)
Relative Humidity	10% to 70%

All data on environmental conditions required throughout this procedure shall be continuously monitored and recorded on strip charts, circular charts, or digitally for printout on graphs.

TEST SEQUENCE

The following three test series may be done simultaneously or sequentially in any order.

MATERIALS TESTS (see section 12.B of this test procedure)

INSPECTION OF PHYSICAL FEATURES (see section 12.C of this test procedure)

DYNAMIC IMPACT TEST (see section 12.D of this test procedure)

Child restraint systems that are manufactured for use in both motor vehicles and aircraft require the following additional tests.

TESTING FOR AIRCRAFT USE (see section 12.E of this test procedure)

3. SECURITY

The contractor shall provide appropriate security measures to protect the OVSC test equipment from unauthorized personnel during the entire compliance-testing program. The contractor is financially responsible for any acts of theft and/or vandalism, which occur during the storage of test equipment. Any security problems, which arise, shall be reported by telephone to the Industrial Property Manager (IPM), Office of Contracts and Procurement, within two working days after the incident. A letter containing specific details of the security problem will be sent to the IPM (with copy to the COTR) within 48 hours.

The contractor shall protect and segregate the data that evolves from compliance testing before and after each test. No information concerning the safety compliance-testing program shall be released to anyone except the COTR, unless specifically authorized by the COTR or the COTR's Supervisor.

NOTE: NO INDIVIDUALS, OTHER THAN CONTRACTOR PERSONNEL DIRECTLY INVOLVED IN THE COMPLIANCE TESTING PROGRAM, SHALL BE ALLOWED TO WITNESS ANY EQUIPMENT COMPLIANCE TEST UNLESS SPECIFICALLY AUTHORIZED BY THE COTR.

4. GOOD HOUSEKEEPING

Contractors shall maintain the entire equipment compliance testing area, test fixtures and instrumentation in a neat, clean and painted condition with test instruments arranged in an orderly manner consistent with good test laboratory housekeeping practices.

5. TEST SCHEDULING AND MONITORING

The contractor shall submit a test schedule to the COTR prior to testing. Tests shall be completed as required in the contract. All testing shall be coordinated to allow monitoring by the COTR.

6. TEST DATA

A. AVAILABILITY

The contractor shall make all preliminary compliance test data available to the COTR on location within four hours after the test. Final test data, including digital printouts and computer generated plots (if applicable), shall be furnished to the COTR within five

working days. Additionally, the contractor shall analyze the preliminary test results as directed by the COTR.

B. ENTRÉE FILES

The contractor shall provide accelerometer data and test videos to the COTR for each child restraint test conducted. Accompanying the videos (and accelerometer data) shall be Entrée files created using the instructions and templates provide in Appendix B.

C. DISPOSITION

All backup data sheets, strip charts, recordings, plots, technicians' notes, etc., shall be either sent to the COTR or retained by the contractor for a minimum of 3 years after conclusion of each delivery order, purchase order, etc. The COTR shall direct final disposition at that time.

D. INVALID TESTS

An invalid compliance test is one which does not conform precisely to all requirements/specifications of the OVSC Laboratory Test Procedure and Statement of Work applicable to the test.

The contractor shall notify NHTSA of any test not meeting all requirements/specifications of the OVSC Laboratory Test Procedure and Statement of Work applicable to the test, by telephone, within 24 hours of the test and send written notice to the COTR within 48 hours of the test completion.

The Contracting Officer of NHTSA is the only NHTSA official authorized to notify the contractor that a retest is required. The retest shall be completed within 2 weeks after receipt of notification by the Contracting Officer that a retest is required.

NHTSA, in its sole discretion, reserves the right to waive the retest requirement. This provision shall not constitute a basis for dispute over NHTSA's waiving or not waiving any requirement.

No test report is required for any test that is determined to be invalid unless NHTSA specifically decides, in writing, to require the contractor to submit such report. The test data from the invalid test must be safeguarded until the data from the retest has been accepted by the COTR. The report and other required deliverables for the retest are required to be submitted to the COTR in accordance with the terms of the contract.

The contractor is subject to the default and subsequent reprocurement costs for non-delivery of valid or conforming tests (pursuant to the Termination for Default clause in the contract).

None of the requirements herein stated shall diminish or modify the rights of NHTSA to determine that any test submitted by the contractor does not conform precisely to all requirements/specifications of the OVSC Laboratory Test Procedure and Statement of Work applicable to the test.

7. GOVERNMENT FURNISHED PROPERTY (GFP)

A. TEST EQUIPMENT

All equipment items shall be inventoried upon receipt and checked against the shipping documents. Any missing or broken parts shall be reported immediately to the COTR. A running inventory list shall be maintained until the complete matrix list of test samples is received.

B. TEST DUMMIES

The newborn infant dummy (Part 572K), 12-month-old dummy (Part 572R), 3-year-old dummy (Part 572P), 6-year-old dummies (Parts 572I, 572N, and 572S), and 10-year-old dummy (Part 572T) will be provided to the laboratory by OVSC. The 12-month-old, 3-year-old, 6-year-old, and 10-year-old dummies shall be calibrated by the laboratory before the start of the test program, after an apparent noncompliance with the Dynamic Impact Test requirements (unless waived by the COTR), after 30 tests, or if the dummy has not been used in a dynamic sled test during the prior thirty calendar days. If the test dummy has been in storage for a week or more and is within the calibration period, move its subassemblies (arms, legs, head) within their range of motion to loosen up its joints and warm up the materials before testing. The dummy shall not be used for more than one test per hour. The 12-month-old, 3-year-old, 6-year-old (HII), 6-year-old (HIII), 6-year-old weighted, and 10-year-old dummy calibration procedures are attached to this test procedure as Appendix E, D, B, C, G, and H respectively.

The newborn size dummy does not have a calibration procedure but shall be visually inspected at the start of the test program and after an apparent noncompliance with the Dynamic Impact Test requirements to check for cracks, tears or other physical damage and either repaired or replaced at the discretion of the COTR.

8. CALIBRATION OF TEST INSTRUMENTS

Before the contractor initiates the safety compliance test program, a test instrumentation calibration system shall be implemented and maintained in accordance with established calibration practices. The calibration system shall include the following as a minimum:

- A. Standards for calibrating the measuring and test equipment will be stored and used under appropriate environmental conditions to assure their accuracy and stability.
- B. All measuring instruments and standards shall be calibrated by the contractor, or a commercial facility, against a higher order standard at periodic intervals NOT TO EXCEED TWELVE (12) MONTHS! Records, showing the calibration traceability to the National Institute of Standards and Technology (NIST), shall be maintained for all measuring and test equipment.
- C. All measuring and test equipment and measuring standards will be labeled with the following information:
 - (1) Date of calibration
 - (2) Date of next scheduled calibration
 - (3) Name of the technician who calibrated the equipment
- D. A written calibration procedure shall be provided by the contractor which includes as a minimum the following information for all measurement and test equipment:
 - (1) Type of equipment, manufacturer, model number, etc.
 - (2) Measurement range
 - (3) Accuracy
 - (4) Calibration interval
 - (5) Type of standard used to calibrate the equipment (calibration traceability of the standard must be evident)
- E. Records of calibration for all test instrumentation shall be kept by the contractor in a manner that assures the maintenance of established calibration schedules. All such records shall be readily available for inspection when requested by the COTR. The calibration system need the acceptance by the COTR before the test program commences.

Further guidance is provided in the International Standard ISO 10012-1, "Quality Assurance Requirements for Measuring Equipment" and American National Standard ANSI/NCSL Z540-1, "Calibration Laboratories and Measuring and Test Equipment – General Requirements.")

- F. The calibration procedures and data sheets for the child ATDs are located in separate test procedures available on NHTSA's website¹ (as summarized below:

- 12-month old CRABI- TP572-R-XX²
- 3-year old HIII- TP572-P-XX
- 6-year old HIII- TP572-N-XX
- 6-year old HII- TP572-I-XX

¹ <http://www.nhtsa.gov/Vehicle+Safety/Test+Procedures> available on 2/25/14

² Where XX indicates revision number for the test procedures

6-year old weighted- TP572-S-XX
10-year old – TP572-T-XX

9. PHOTOGRAPHIC AND VIDEO DOCUMENTATION

PHOTOGRAPHS

The contractor shall document the test using a digital camera. It shall be used to take pretest and posttest digital photographs of the test item that are to be included in each final test report. Photographs shall be taken in color and contain clear images. A tag, label, or placard identifying the test as pretest or posttest and the lab test number shall appear in each photograph and must be legible. The required resolution for digital photographs is a minimum of 1,600 x 1,200 pixels and shall have the same labeling requirements as still photographs. The digital photographs shall be included in the test report as a clear printed image measuring 102 mm x 152 mm (4 x 6 inch) in size or its digital equivalent format. Digital photographs are required to be saved in a JPG format. Glare or light from any illuminated or reflective surface should be minimized while taking photographs.

The test reports should include enough photographs to describe the testing in detail and shall be organized in a logical succession of consecutive pictures. At a minimum, the following test photographs shall be included in each final test report submitted by the contractor:

1. $\frac{3}{4}$ front view of bench seat (without the CRS or dummy) from the right or left side
2. For each set of pretest and posttest photographs, the dummy must be secured in the CRS, which is secured to the bench seat. Six photographs for each set of pretest and posttest photographs must be taken, which includes an overhead shot and angle shots at 0°, 45°, 90°, 135°, and 180°. The first angle shot is taken from the side of the CRS setup (0° angle shot) and subsequent photographs are taken at 45° angle increments, stopping when the left side of the setup (180° angle shot) has been photographed.
3. Any failure must be photographed at various angles to assure complete coverage. Upon request, the photographs should be sent to the COTR and saved in a “read only” format to ensure that the digital photographs are the exact pictures taken during testing and have not been altered from the original condition.
4. Each final test report shall include color photographs of the test item as received.
5. Each final report shall include color photographs of testing equipment.

HIGH SPEED DIGITAL VIDEOS

The contractor shall document the test event with high-speed and real-time³ digital video cameras for at least 10 msec prior to the sled firing and for at least 210 msec after the pulse is complete. At least three (3), on board high-speed video cameras operating at 1,000 frames per second (fps) or greater are required to record the dynamic performance of each child restraint system being tested. The minimum resolution for these cameras shall be 1536 CMOS sensors per every two rows of pixels with 80% of the horizontal distance of the two rows covered by effective light sensors. There shall be a minimum of 1024 row of sensors. Cameras that do not meet these specifications may be used if approved by the COTR.

Two video cameras are typically used to measure the head and knee excursion limits in forward facing restraints, the third camera shall be positioned to record a complete view of the restraint system and dummy behavior during the entire test.

For built-in child restraint systems using the specific vehicle for the dynamic test it is suggested that a minimum of two high-speed video cameras capable of 1000 frames per second (fps) be utilized on board the vehicle. The location of the camera must be perpendicular to the SORL and placed on the outdoor skin of the vehicle at a known distance forward of the child restraint system. Because of the vehicle construction and obstructions (B pillar, front seats, etc.), the camera cannot be placed 864 mm (34 inches) forward of the seat back pivot as suggested above, therefore, the camera must be located at an accurately measured distance forward of the restraint system to avoid parallax so the forward excursions can be measured with a minimum of error.

If an alternate method of comparable accuracy is available for observing and measuring occupant excursions, this method may be used instead of a high-speed video system with the concurrence of the COTR.

The following housekeeping procedures will aid in obtaining quality videos for analysis:

- Provide a visual indicator within the field of view of each video that allows for synchronization of the data collected by instrumentation used in the child dummies to the events captured in the video, where applicable.
- Place a rigidly fixed reference grid that displays field calibration targets on the far side of the standard seat assembly.
- Prevent unnecessary target obstructions by securing non-test items such as straps, cables, etc. that could move during testing and obstruct the targets)
- Mount targets low on the stadia poles so they are more stationary during the recorded event
- Apply black and yellow 1 x 1 inch square inch tape on the stadia poles
- Place targets on rigid bodies as far apart as possible to help determine scale

³ real-time means that when the video is played at normal frame rates, the event appears to happen exactly as if it were watched live

For built-in child restraint systems using the specific vehicle, a rigidly fixed reference grid should be placed in the vehicle in line with the onboard camera. This reference must be a known distance from the seat back pivot point.

VIDEO FILES

The images recorded during the test (the original) should never be edited. The raw, uncompressed original video file should be retained by the contractor and provided to the COTR if requested.

At the very beginning, legible video identification placards shall be incorporated into the video covering the following information:

- A. Test number (consistent with the test report)
- B. Child restraint manufacturer and model name
- C. Test code
- D. Camera location

All test videos shall be provided to the COTR on the CD/DVD with the final test report as AVI or MPEG files with any standard or generally available "codex" compatible with Microsoft Windows, or other format only if approved by the COTR. Specify the codex necessary to read the video file. Video footage shall be saved in a "read only" format.

Accompanying the video on the CD/DVD provided to the COTR shall be an Entrée file that can be used to upload the test videos to NHTSA's database. For information about creating the Entrée files, see section 6.

9. PHOTOGRAPHIC DOCUMENTATION....Continued

DISPOSITION OF VIDEOS

The contractor shall retain the original video for a minimum of 3 years after conclusion of each delivery order, purchase order, etc. The COTR shall direct final disposition at that time.

10. DEFINITIONS

ADD-ON CHILD RESTRAINT SYSTEM

Any portable child restraint system.

BACKLESS CHILD RESTRAINT SYSTEM

A child restraint other than a belt-positioning seat, that consists of a seating platform that does not extend up to provide a cushion for the child's back or head and has a structural element designed to restrain forward motion of the child's torso in a forward impact.

BELT-POSITIONING SEAT

A child restraint system that positions a child on a vehicle seat to improve the fit of a vehicle Type II belt system on the child and that lacks any component, such as a belt system or a structural element, designed to restrain forward movement of the child's torso in a forward impact.

BOOSTER SEAT

A child restraint that is either a backless child restraint system or a belt-positioning seat.

BUILT-IN CHILD RESTRAINT SYSTEM

Any child restraint system that is designed to be an integral part of and permanently installed in a motor vehicle.

CAR BED

A child restraint system designed to restrain or position a child in the supine or prone position on a continuous flat surface.

CHILD RESTRAINT ANCHORAGE SYSTEM

A vehicle system that is designed for attaching a child restraint system to a vehicle at a particular designated seating position, consisting of: (a) Two lower anchorages meeting the requirements of S9, FMVSS No. 225; and (b) A tether anchorage meeting the requirements of S6, FMVSS No. 225.

CHILD RESTRAINT SYSTEM

Any device, except Type I or Type II seat belts, designed for use in a motor vehicle or aircraft to restrain, seat, or position children who weigh 36 kg (80 pounds) or less.

CONTACTABLE SURFACE

Any child restraint system surface (other than that of a belt, belt buckle, or belt adjustment hardware) that may contact any part of the head or torso of the appropriate test dummy, specified in S7, when a child restraint system is tested in accordance with S6.1 of FMVSS 213.

CRS

Child Restraint System

FACTORY INSTALLED BUILT-IN CHILD RESTRAINT

A built-in child restraint system that has been or will be permanently installed in a motor vehicle before that vehicle is certified as a completed or altered vehicle in accordance with part 567 of 49 CFR Chapter 5, certification requirements for passenger vehicles.

HARNESS

A combination pelvic and upper torso child restraint system that consists primarily of flexible material, such as straps, webbing or similar material, and that does not include a rigid seating structure for the child.

REAR-FACING CHILD RESTRAINT

A child restraint system, except a car bed, that positions a child to face in the direction opposite to the normal direction of travel of the motor vehicle.

REPRESENTATIVE AIRCRAFT PASSENGER SEAT

Either a Federal Aviation Administration approved production aircraft passenger seat or a simulated aircraft passenger seat conforming to Figure 21 of this OVSC Laboratory Test Procedure.

SEAT ORIENTATION REFERENCE LINE (SORL)

The horizontal line through Point Z as illustrated in Figures 6 and 7 of this OVSC Laboratory Test Procedure.

SPECIFIC VEHICLE SHELL

The actual vehicle model part into which the built-in child restraint system is or is intended to be fabricated, including the complete surroundings of the built-in system. If the built-in child restraint system is or is intended to be fabricated as part of any seat other than a front seat, these surroundings include the back of

the seat in front, the interior rear side door panels and trim, the floor pan, adjacent pillars (e.g., the B and C pillars), and the ceiling. If the built-in system is or is intended to be fabricated as part of the front seat, these surroundings include the dashboard, the steering mechanism and its associated trim hardware, any levers and knobs installed on the floor or on a console, the interior front side door panels and trim, the front seat, the floor pan, the A pillars and the ceiling.

TETHER ANCHORAGE

A user-ready, permanently installed vehicle system that transfers loads from a tether strap through the tether hook to the vehicle structure and that accepts a tether hook.

TETHER STRAP

A strap that is secured to the rigid structure of the seat back of a child restraint system, and is connected to a tether hook that transfers the load from that system to the tether anchorage.

TETHER HOOK

A device used to attach a tether strap to a tether anchorage which must comply with the interface profile requirements (see Figure 22).

TORSO

The portion of the body of a seated anthropomorphic test dummy, excluding the thighs, that lies between the top of the child restraint system seating surface and the top of the shoulders of the test dummy.

11. PRETEST REQUIREMENTS

A. OPERATING TEST PROCEDURE

Prior to conducting any compliance test, contractors are required to submit a detailed in-house compliance test procedure to the COTR, which includes a step-by-step description of the methodology to be used. Written approval must be obtained from the COTR before initiating the compliance test program so that all parties are in agreement.

B. TEST DATA LOSS

A compliance test is not to be conducted unless all of the various test conditions specified in the applicable OVSC Laboratory Test Procedure have been met. Failure of a contractor to obtain the required test data and to maintain acceptable limits on test parameters in the manner outlined in the applicable OVSC Laboratory Test Procedure

may require a retest at the expense of the contractor. The retest costs will include the cost of the replacement item of motor vehicle equipment and all costs associated with conducting the retest. The original test specimen used for the invalid test shall remain the property of OVSC, and the retest specimen shall remain the property of the contractor. If there is a test failure, the contractor shall retain the retest specimen for a period not exceeding two years. If there is no test failure, the Contractor may dispose of the test specimen upon notification from the COTR that the final test report has been accepted.

The Contracting Officer of NHTSA is the only NHTSA official authorized to notify the contractor that a retest is required. The retest shall be completed within two (2) weeks after receipt of notification by the Contracting Officer that a retest is required. If a retest is conducted, no test report is required for the original test.

C. TEST PERSONNEL PERFORMANCE

Technicians charged with the responsibility of performing the compliance test program shall be thoroughly familiar with the requirements and test conditions for each test phase to be performed. Each technician shall be specifically instructed in the proper operation of all equipment employed in conducting these tests.

Personnel supervising the compliance test program shall be thoroughly familiar with the requirements, test conditions, and equipment for the test to be conducted.

12. COMPLIANCE TEST EXECUTION

12.A. TEST SAMPLES

12.A.1 MATERIALS TESTS

Samples of all materials used in a given child restraint system shall be supplied by NHTSA in appropriate quantities for the materials tests in this procedure.

(1) FLAMMABILITY TESTS

One (1) sample of each direction as applicable (longitudinal and lateral), 102 mm (4 inches) wide by 356 mm (14 inches) long, or the maximum available width or length if less, of each nonmetallic material is required for the flammability tests described in this document (see 12.B.1). The laboratory may be required to cut specimens from an actual child restraint system.

(2) WEBBING PERFORMANCE TESTS

Either webbing samples representative of the webbing used on the child restraint or webbing obtained from production child restraint systems shall be used for testing. With respect to webbing samples, twenty-four (24) samples, each 1,067 mm (42 inches) long, of each type of webbing used on the child restraint system are required for the webbing performance tests described in 12.B.2. With respect to production child restraint systems, ten (10) restraints will typically be required to support webbing and buckle/adjustment hardware performance testing. Webbing materials shall be obtained from each restraint to the fullest extent practicable. Webbing materials shall be carefully removed and prepared for testing ensuring that webbing materials are not damaged or altered in the region subjected to tensile breaking strength.

(3) BELT BUCKLE AND ADJUSTMENT HARDWARE PERFORMANCE TESTS

Buckle samples shall be obtained directly from the child restraints noting that any restraints containing built-in buckle assemblies will likely require additional preparation prior to testing. Three (3) sets of all buckle and adjustment hardware and an additional three sets of any plastic or nonmetallic buckle and adjustment hardware are required for the hardware performance tests described in 12.B.3.

12.A.2 INSPECTION OF PHYSICAL FEATURES

One child restraint system shall be supplied by NHTSA for the inspection of physical features described in 12.C.

12.A.3 DYNAMIC IMPACT TESTS

Child restraint systems shall be supplied by NHTSA for the dynamic impact tests described in 12.D.

(1) DYNAMIC IMPACT TEST CONFIGURATION I

One (1) child restraint system is required for EACH TEST according to Dynamic Impact Test Configuration I. One or more tests are possible depending on the number of installation modes (forward facing/infant mode), adjustment positions (upright/recline), and height and weight recommendations of the manufacturer.

(2) DYNAMIC IMPACT TEST CONFIGURATION II

One (1) child restraint system is required for EACH TEST according to Dynamic Impact Test Configuration II. One or more tests are possible for each forward-facing system, other than a child harness, that is equipped

with an anchorage belt or a fixed or movable surface directly forward of the dummy, in EACH ADJUSTMENT POSITION (i.e. upright or reclined) recommended by the manufacturer for actual use. Child restraint systems having both of the above features shall be tested with each feature “misused”, i.e., with the tether or restraint belts not attached, both separately and simultaneously. For each child restraint model, one or more tests are possible depending on the number of installation modes (forward facing/infant mode), adjustment positions (upright/recline), and height and weight recommendations of the manufacturer.

(3) RETEST

One (1) child restraint system shall be available as a spare unit in the event that a retest is required.

12.A.4 FAA INVERSION TEST

One (1) child restraint is required for each FAA test performed. For each child restraint model, one or more tests are possible depending on the number of installation modes (forward/reverse), adjustment positions (upright/recline), and height and weight recommendations of the manufacturer.

12.A.5 TEST SAMPLE INSPECTION, INVENTORY, IDENTIFICATION AND STORAGE

All child restraint systems and associated extra materials and parts shall be stored upon receipt in a clean, dry, secure storage area to prevent any damage or deterioration that might affect test results. Within one week of receipt, all samples shall be inspected, and the date of receipt and condition of the samples shall be recorded. Each sample shall also be marked or labeled with a systematic item-coding scheme to indicate the following:

1. Sequential number for entire sample set
2. Child restraint manufacturer and model
3. Sequential sample number within set
4. Type of test to be conducted with sample

EXAMPLE: 001-XYZ-03-MW

This item code shall be recorded on all data sheets applicable to the test sample.

12.B. MATERIALS TESTS

12.B.1 FLAMMABILITY TEST (S213, S5.7; S302, S4.1, S4.2))

12.B.1.1 GENERAL

All nonmetallic materials of a child restraint system shall meet the flammability requirements of S302 as outlined in this procedure. Any material that does not adhere to other material(s) at every point of contact shall meet the given requirements when tested separately. Any material that adheres to other material(s) at every point of contact shall meet these same requirements when tested as a composite with the other materials. Indicate on the appropriate data sheets the type of material being tested and the specimen's function on the restraint system (i.e., padding, buckle, shell, etc.).

12.B.1.2 ENVIRONMENTAL CONDITIONS (S302, S5.1.2)

Flammability tests shall be conducted under the following environmental conditions:

Temperature	16°C (60°F) to 27°C (80°F)
-------------	----------------------------

Relative Humidity	40% to 60%
-------------------	------------

Each specimen shall be conditioned for a minimum of 24 hours under these environmental conditions before subjecting it to the flammability test.

12.B.1.3 EQUIPMENT REQUIREMENTS (S302, S5.1.1)

Conduct the test in a metal cabinet for protecting the test specimens from drafts, as shown in Figure 1 below. The interior of the cabinet is 381 mm (15 inches) long, 203 mm (8 inches) deep, and 356 mm (14 inches) high. It has a glass observation window in the front, a closable opening to permit insertion of the specimen holder, and a hole to accommodate tubing for a gas burner. For ventilation, it has a 13 mm (0.50 inch) clearance space around the top of the cabinet, ten (10) 19 mm (0.75 inch) diameter holes in the base of the cabinet, and legs to elevate the bottom of the cabinet by 10 mm (0.375 inch), all located as shown in the figure. If tested in exhaust hood, the maximum allowable airflow is 55CFM as measured at intake with sash opening of 127 mm (5 inches).

SPECIMEN SUPPORT FRAME (S302, S5.1.3)

Insert the test specimen between two matching U-shaped frames of metal stock 25 mm (1 inch) wide and 10 mm (0.375 inch) high. The interior dimensions of the U-shaped frames are 51 mm (2 inches) wide by 330 mm

(13 inches) long. A specimen that softens and bends at the flaming end so as to cause erratic burning is kept horizontal by supports consisting of thin, heat resistant wires, spanning the width of the U-shaped frame under the specimen at 25 mm (1 inch) intervals. A device that may be used for supporting this type of material is an additional U-shaped frame, wider than the U-shaped frame containing the specimen, spanned by 10 mil wires of heat-resistant composition at 25 mm (1 inch) intervals, inserted over the bottom U-shaped frame.

FLAME SOURCE (S302, S5.1.4 and S5.1.5)

Use a Bunsen burner with a tube of 10 mm (0.375 inch) inside diameter. Set the gas-adjusting valve to provide a flame, with the tube vertical, of 38 mm (1.50 inches) \pm 2 mm (0.0625 inch) in height. Close the air inlet to the burner. The gas supplied to the burner should have a flame temperature equivalent to that of natural gas.

ENCLOSURE CABINET, U-FRAME, AND U-FRAME STAND

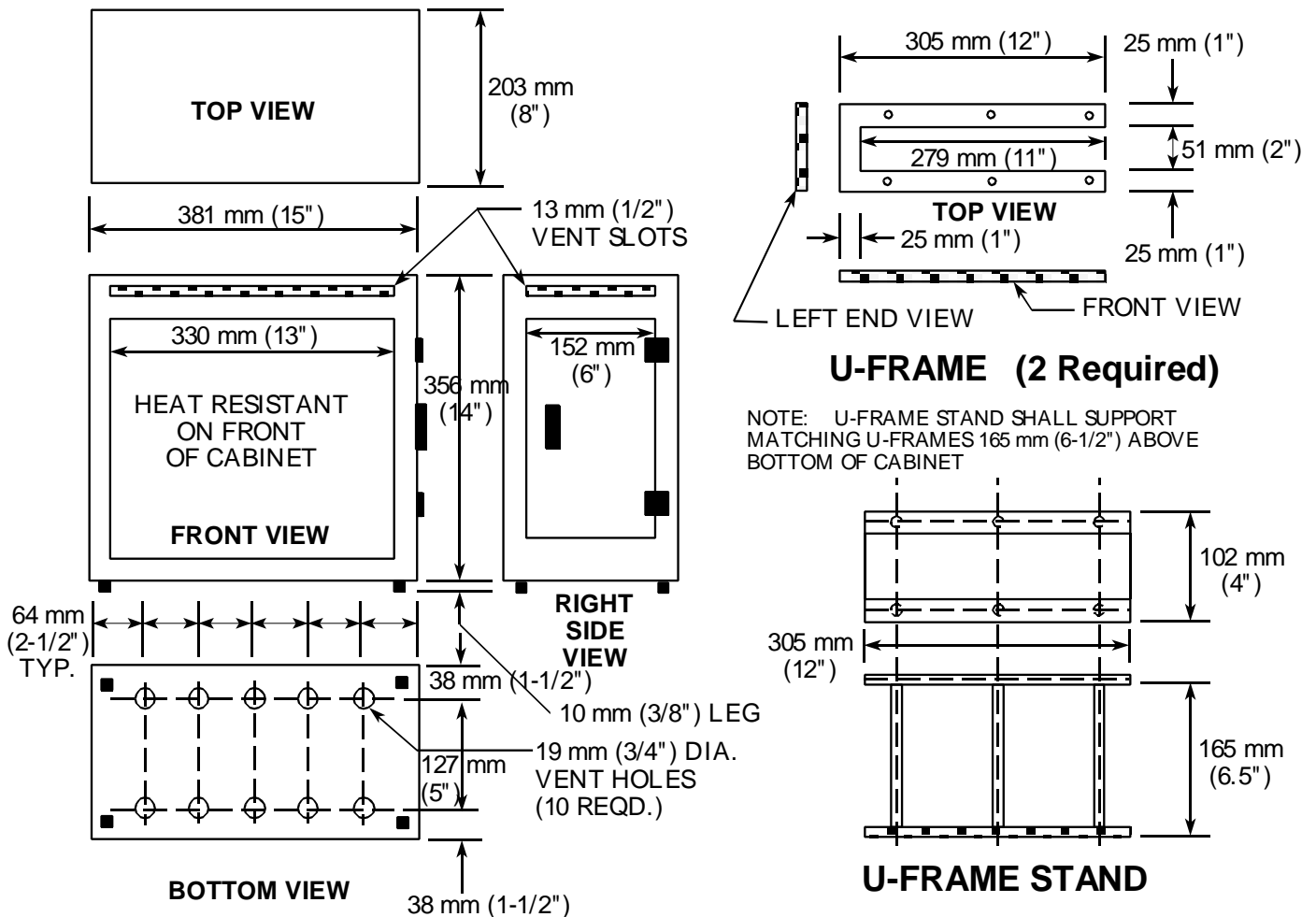


FIGURE 1

12.B.1.4 SPECIMEN PREPARATION (S302, S5.2.1, S5.2.2, S5.2.3)

Each specimen of material to be tested shall be a rectangle 102 mm (4 inches) wide by 356 mm (14 inches) long, whenever possible. The thickness of the specimen is that of the single or composite material used in the child restraint system, except that if the material's thickness exceeds 13 mm (0.5 inch), cut the specimen down to that thickness. When it is not possible to obtain a flat specimen because of surface curvature, cut the specimen to not more than 13 mm (0.5 inch) in thickness at any point. Use the maximum available length or width of a specimen when either dimension is less than 356 mm (14 inches) or 102 mm (4 inches), respectively. For homogeneous material, prepare a single specimen.

For material with directional structure, cut and test two specimens, one oriented parallel to and the other oriented perpendicular to this structure. If during a test, a diagonal direction appears to yield a more adverse result, prepare and test a third specimen oriented diagonally. Place material with a napped or tufted surface on a flat surface and comb twice against the nap with a comb having 7 to 8 smooth, rounded teeth per 25 mm (1 inch).

12.B.1.5 TEST PROCEDURE (S302, S5.3)

Orient the specimen so that the surface closest to the child restraint occupant faces downward on the test frame. Mount the specimen so that both sides and one end are held by the U-shaped frame, and one end is even with the open end of the frame. When the maximum available width of a specimen is not more than 51 mm (2 inches), so that the sides of the specimen cannot be held in the U-shaped frame, place the specimen in position on wire supports with one end held by the closed end of the U-shaped frame.

Place the mounted specimen in a horizontal position, in the center of the cabinet. With the flame properly adjusted, position the Bunsen burner and specimen so that the center of the burner tip is 19 mm (0.75 inch) below the center of the bottom edge of the open end of the specimen. Expose the specimen to the flame for 15 seconds, +0, -1 second. Turn off the gas supply to the burner and reset the timer to zero.

Begin timing (without reference to the period of application of the burner flame) when the flame from the burning specimen reaches a point 38 mm (1.50 inches) \pm 2 mm (0.0625 inch) from the open end of the specimen. Use the forward-most point of visible flame as a reference point. Measure the time that it takes the flame to progress to a point 38 mm (1.50 inches) from the clamped end of the specimen. If the flame does not reach the specified end point, time its progress to the point where flaming stops.

Calculate the burn rate from the following formula:

$B = 60 \times D/T$, where —

B = burn rate in millimeters (inches) per minute

D = length the flame travels in millimeters (inches)

T = time in seconds for the flame to travel D millimeters (inches)

Record the burn rate data on the appropriate data sheet along with any observations on burn characteristics.

12.B.1.6 PERFORMANCE REQUIREMENTS (S302, S4.3)

When tested in accordance with the appropriate section of this procedure, the material shall not burn, nor transmit a flame front across its surface, at a rate of more than 102 mm per minute (mpm)(4 inches per minute(ipm)). However, the requirement concerning transmission of a flame front shall not apply to a surface created by the cutting of a test specimen for purposes of testing.

If a material stops burning before it has burned for 60 seconds from the start of timing, and has not burned more than 51 mm (2 inches) from the point where timing was started, it shall be considered to meet the burn-rate requirement.

In the case of a noncompliance, repeat burn test on a fresh specimen using support wires and exhaust hood off (or minimum airflow to remove smoke). Record repeat results in remarks section of appropriate data sheet.

Record the results on the appropriate data sheet.

12.B.2 WEBBING PERFORMANCE TESTS (S213, S5.4.1)

This section applies to the webbing of belts provided with a child restraint system and used to attach the system to the vehicle or to restrain the child within the system. Three specimens of each type of webbing are to be subjected to each of the following webbing performance tests.

12.B.2.1 ENVIRONMENTAL CONDITIONING (S209, S5.1(a))

When specified below for particular tests, webbing samples shall be conditioned for at least 24 hours under the following environmental conditions:

Temperature 21°C (69.8°F) to 25°C (77°F)

Relative Humidity 48% to 67%

12.B.2.2 BREAKING STRENGTH (S213, S5.4.1(a); S209, S5.1(b))

Subject three specimens of each type of belt webbing used in the child restraint system to the environmental conditioning.

Test the webbing for breaking strength in a testing machine having a load-generating capacity of approximately 2,268 kg (5,000 pounds) and verified to have an error of not more than 1 percent in the range of the breaking strength of the tested webbing by ASTM E4-79, Standard Methods of Load Verification of Testing Machines. The machine shall be equipped with split drum grips illustrated in Figure 2, shown on the next page, having a diameter between 51 mm (2 inches) and 102 mm (4 inches). The rate of grip separation shall be between 51 mm (2 inches) and 102 mm (4 inches) per minute. The distance between the centers of the grips at the start of the test shall be between 102 mm (4 inches) and 254 mm (10 inches). After placing the specimen in the grips, stretch the webbing continuously at a uniform rate to failure. Record the breaking strength for each webbing specimen on the appropriate data sheet. Each breaking strength value shall not be less than 15,000 N for webbing used to secure a child restraint system to the vehicle, including the tether and lower anchorages of a child restraint anchorage system, and shall not be less than 11,000 N for webbing used to secure a child to a child restraint system. Also, calculate and record the median breaking strength. The median breaking strength shall be used in determining the retention of breaking strength as specified in section 12.B.2.3 (Resistance to Abrasion), section 12.B.2.4 (Resistance to Buckle Abrasion), section 12.B.2.5 (Resistance to Light), and section 12.B.2.6 (Resistance to Micro-Organisms).

12.B.2.3 RESISTANCE TO ABRASION (S209, S5.1(d))

Test three specimens for resistance to abrasion by rubbing over the hexagon bar illustrated in Figure 3, in the following manner. Mount the webbing in the apparatus as shown schematically in the figure. One end of the webbing (A) shall be attached to a mass (B) of 2.35 kg (5.18 lbs) \pm .05 kg (0.1 lbs), including for webbing used to secure a child restraint system to the tether and lower anchorages of a child restraint anchorage system, except that a mass of 1.5 kg (3.3 lbs) \pm .05 kg (0.1 lbs) shall be used for webbing in pelvic and upper torso restraints of a belt assembly used in a child restraint system. Pass the webbing over the two new abrading edges of the hexagon bar (C), and attach the other end to an oscillating drum (D) that has a stroke of 330 mm (13 inches). Use suitable guides to prevent movement of the webbing along the axis of hexagonal bar C. Oscillate drum D for 5,000 strokes or 2,500 cycles at a rate of 60 strokes \pm 2 strokes per minute or 30 cycles \pm 1 cycle per minute.

Upon completion of the webbing abrasion, conduct a breaking strength test on the three belt webbing specimens as outlined in this procedure, including the required environmental conditioning. Record the breaking strength for each abraded specimen on the appropriate data sheet, calculate the median breaking strength for the three specimens, and record this value on the data sheet. The

median breaking strength of the abraded samples shall be at least 75% of the median breaking strength of the non-abraded belt webbing specimens of the same type.

BREAKING STRENGTH TEST DEVICE

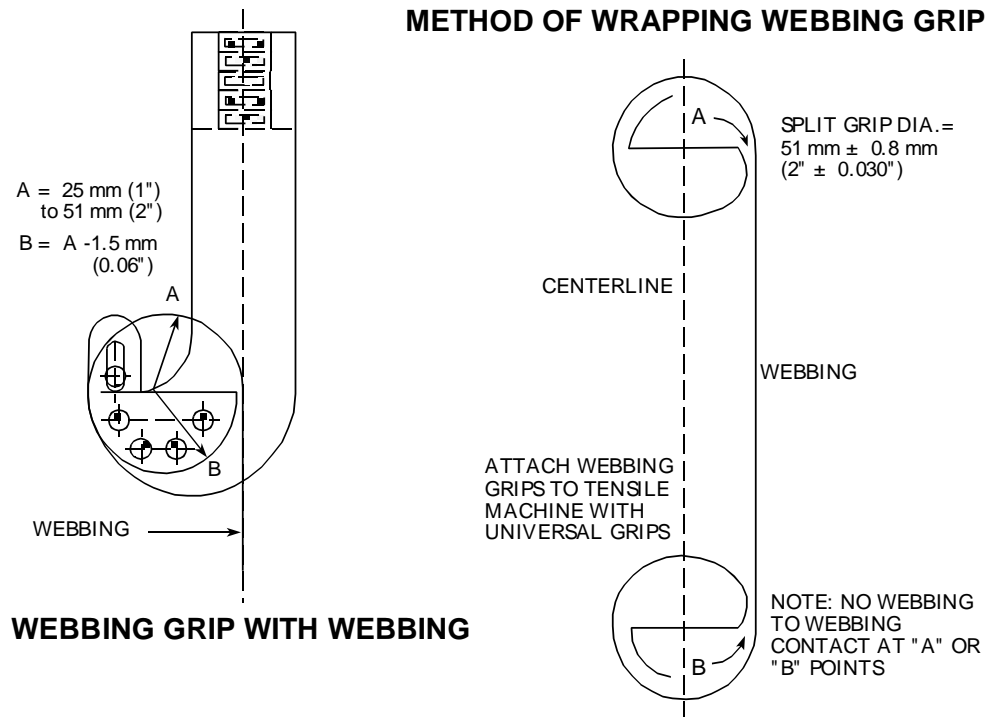


FIGURE 2

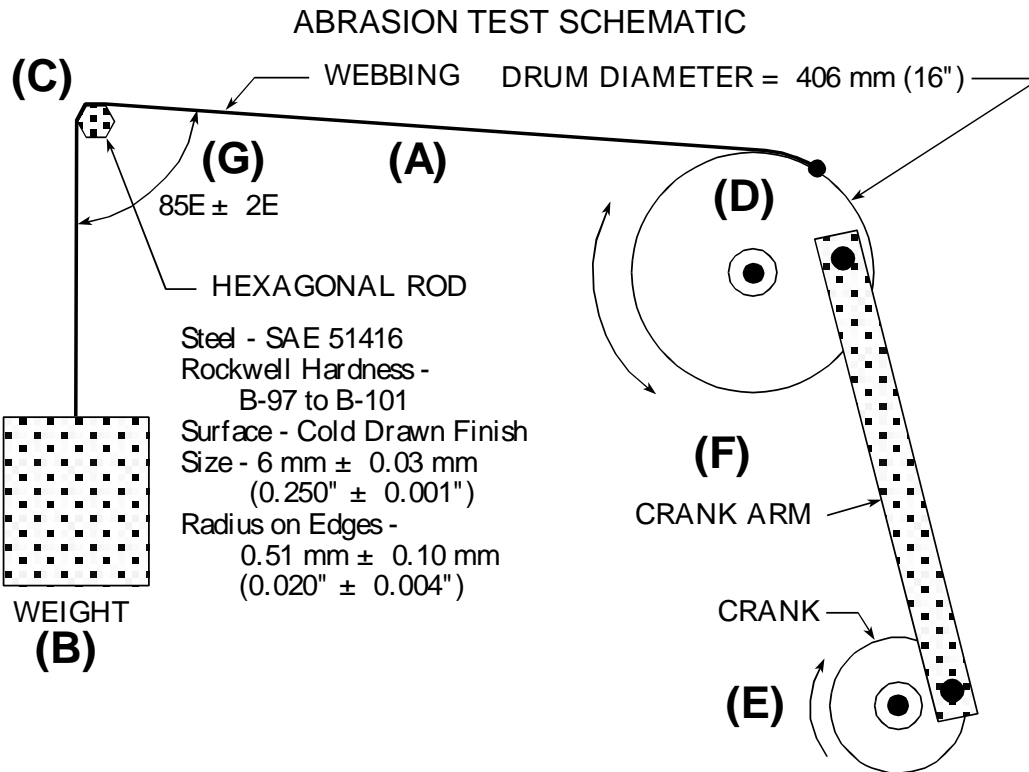
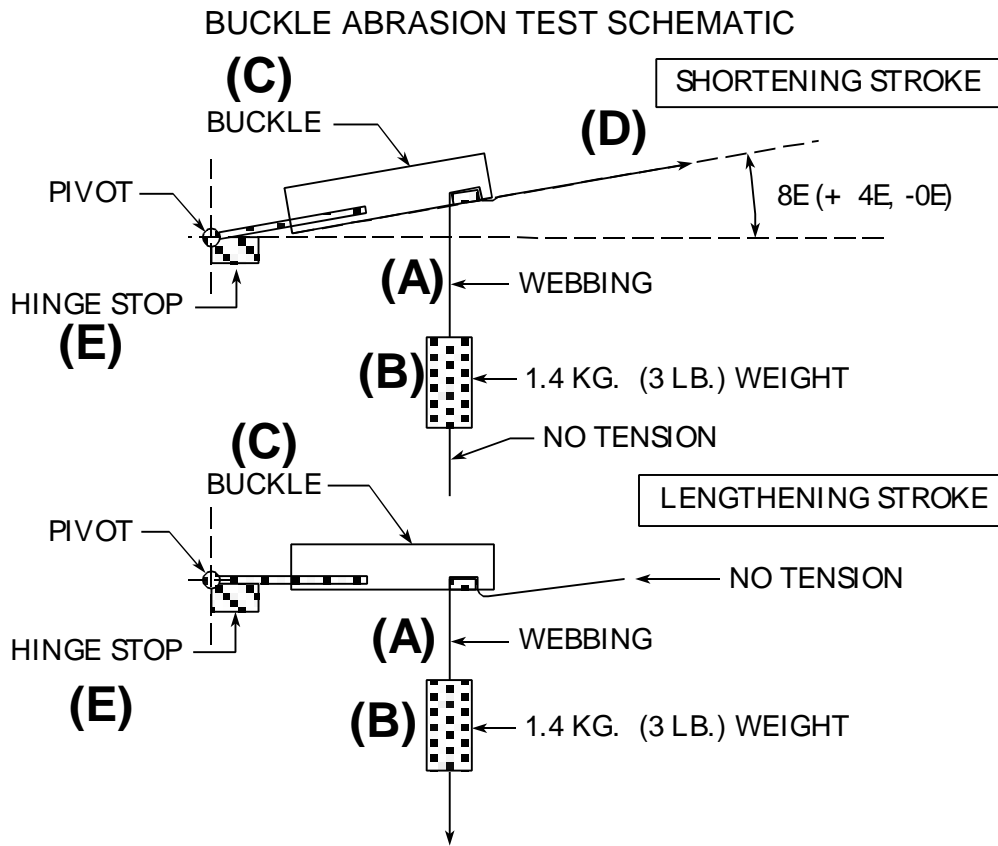


FIGURE 3

12.B.2.4 RESISTANCE TO BUCKLE ABRASION (S209, S5.3(c))

Test three specimens of each type of belt webbing used in a child restraint system for resistance to abrasion by each buckle or manual adjusting device normally used to adjust the size of the assembly. Expose the webbing for 4 hours, + 0 minutes, - 5 minutes, to an atmosphere having relative humidity of 65 percent, ± 5 percent, and temperature of 21°C (70°F), ± 3 °C (5°F). Pull the webbing back and forth through the buckle or manual adjusting device as shown schematically in Figure 4. Attach the anchor end of the webbing (A) to a weight (B) or 1.4 kg (3 pounds). Pass the webbing through the buckle (C), and attach the other end (D) to a reciprocating device so that the webbing forms an angle of 8°, +4°, -0° with the hinge stop (E). Operate the reciprocating device for 2,500 cycles at a rate of 18 cycles per minute with a stroke length of 203 mm (8 inches) +0, -12.7 mm (+0, -.5 inches). Upon completion of the webbing buckle abrasion, conduct a breaking strength test on the three belt webbing specimens as outlined in this procedure, including the required environmental conditioning. Record the breaking strength for each buckle-abraded specimen on the appropriate data sheet, calculate the median breaking strength for the three specimens, and record this value on the data sheet. The median breaking strength of the buckle-abraded samples shall be at least 75% of the median breaking strength of the non-abraded belt webbing specimens of the same type.



12.B.2.5 RESISTANCE TO LIGHT (S209, S4.2(e), S5.1(e))

Test three specimens of each type of belt webbing used in the child restraint system for resistance to light. Webbing specimens shall be at least 508 mm (20 inches) in length. Suspend these specimens vertically on the inside of the specimen rack in a Type E carbon-arc light-exposure apparatus described in ASTM G23-81, Standard Practice for Operating Light-Exposure Apparatus (Carbon-Arc Type) With and Without Water for Exposure of Nonmetallic Materials. Operate the apparatus without water spray at an air temperature of 60°C (140°F) ± 2°C (3.6°F) measured at a point 25 mm (1.0 inch) ± 5 mm (0.2 inch) outside the specimen rack and midway in height. The temperature-sensing element shall be shielded from radiation. Use cortex filter for nylon and soda-lime filter for polyester webbing.

Expose the specimens to the light from the carbon arc for 100 hours, + 0 hours, - 0.5 hours, and then condition the specimens under the environmental conditions given in this procedure.

Determine the Color fastness of the exposed and conditioned specimens on the AATCC Geometric Gray Scale. The webbing shall have a color retention not less than No. 2 on this scale. Record the results for each specimen on the appropriate data sheet.

Conduct a breaking strength test on the three light-exposed and conditioned belt-webbing specimens as outlined in this procedure without repeating the environmental conditioning. Record the breaking strength of each carbon-arc-exposed belt webbing specimen on the appropriate data sheet, calculate the median breaking strength for the three specimens, and record this value on the data sheet. The median breaking strength of the carbon-arc-exposed samples shall be at least 60% of the median breaking strength of specimens of the same type of belt webbing without any exposure to the carbon arc.

12.B.2.6 RESISTANCE TO MICRO-ORGANISMS (S209, S4.2(f), S5.1(f))

Test three specimens of each type of belt webbing used in the child restraint system for resistance to micro-organisms, unless the webbing is made from material inherently resistant to micro-organisms. Webbing specimens shall be at least 508 mm (20 inches) in length. Subject these specimens successively to the procedures prescribed in AATCC Test Method 30-81, Fungicides, Evaluation of Textiles; Mildew and Rot Resistance of Textiles, Section 1B3 -- Soil Burial Leaching, Section 1C2 -- Volatilization, and Section 1B3 -- Soil Burial Test. After soil-burial for a period of 2 weeks, wash the specimens in water, allow them to dry and condition them under the environmental conditions given in this procedure.

Upon completion of exposure to micro-organisms, conduct a breaking strength test on the three belt webbing specimens as outlined in this procedure, without repeating the environmental conditioning. Record the breaking strength of each micro-organism-exposed belt webbing specimen on the appropriate data sheet, calculate the median breaking strength for the three specimens, and record this value on the data sheet. The median breaking strength of the micro-organism-exposed samples shall be at least 85% of the median breaking strength of specimens of the same type of belt webbing without any exposure to micro-organisms

12.B.2.7 WIDTH (S213, S5.4.1(C), S5.4.1.1)

Subject three specimens of each type of belt webbing used in a child restraint system and contactable by the test dummy torso during the Dynamic Impact Test to width measurement. Condition the webbing for 24 hours under the following environmental conditions:

Temperature 21°C (70°F) to 25°C (77°F)

Relative Humidity 48% to 67%

Measure belt webbing width under a tension of 2 kg (5 pounds) applied lengthwise. The measured width of the belt webbing shall not be less than 38 mm (1.50 inches). Record the results for each specimen on the appropriate data sheet.

12.B.3 BELT BUCKLE AND ADJUSTMENT HARDWARE (S213, S5.4.2)

NOTE: See B.3.6, BUCKLE LATCH/PARTIAL ENGAGEMENT, prior to B.3.1, CORROSION RESISTANCE, and B.3.2, TEMPERATURE RESISTANCE.

12.B.3.1 CORROSION RESISTANCE (S209, S4.3(a), (2), S5.2(a))

Subject three specimens of all buckle and adjustment hardware to the salt spray test, according to ASTM B117-73, for a period not to exceed 25 hours, consisting of 24 hours, +0, -0.25 hour of salt spray exposure followed by 1 hour, +0, -0.1 hour of drying. Each specimen among a set of three components shall be oriented differently in the salt spray chamber. Buckles must be unlatched. The position of the specimens in the salt spray chamber during the test shall be such that the following conditions are met: the specimens shall be supported or suspended between 15° and 30° from the vertical, based upon the dominant surface being tested. The specimens shall not be allowed to contact each other or any other surface. Each specimen shall be placed so as to permit free settling of fog on all specimens. Salt solution from one specimen shall not be allowed to drip on any other specimen.

The Ph shall be recorded at the time of the test. During the test, the temperature in the salt spray chamber shall be continuously and permanently recorded, and the test condition records specified in Section 13 of ASTM B117-73 shall be maintained.

After the test, follow Steps 1-3 below to wash the components thoroughly with water to remove the salt. After washing, follow Step 4 below to allow the specimens to dry for 24 hours under standard laboratory environmental conditions as given in this procedure.

- (1) Place component under running water at 38 °C (100 °F) +/- 5 °C (9 °F).
- (2) Thoroughly wash components while holding under running water. Rub exposed surfaces and edges of the components lightly with fingers to remove salt from the surfaces. (See the diagrams for steps 1-4, below, which illustrate the proper washing method)
- (3) Turn component over and repeat Step # 2.
- (4) After thoroughly washing and before evaluation, allow components to dry for 24 hours under standard laboratory conditions as stated in B.2.1.

Evaluation for corrosion: The hardware shall be free of ferrous or nonferrous corrosion that may be transferred, either directly or indirectly by means of webbing, to the restraint system's occupant, or his/her clothing when the assembly is worn. Examine the hardware for such corrosion and record the results on the appropriate data sheet.

12.B.3.2 TEMPERATURE RESISTANCE (S209, S4.3(b), S5.2(b))

Subject three new specimens of all plastic or other nonmetallic buckle and adjustment hardware to the accelerated service conditions test in accordance with ASTM D756-78, Procedure IV, omitting the weight and dimension measurements. Unlatch buckles, and condition the specimens as indicated in ASTM D756-78, Section 5, prior to and at the end of the test.

The hardware specimens shall not warp or otherwise deteriorate to cause the buckle or other assembly to operate improperly. Examine the specimens for such deterioration, and record the results on the appropriate data sheet.

The three hardware specimens used in this test shall also be tested according to applicable hardware tests outlined in this procedure.

12.B.3.3 BUCKLE RELEASE ACCESS (S209, S4.3(d)(2), S5.2(d))

Follow the procedure given below for the appropriate buckle design, and record the results on the appropriate data sheet.

PUSHBUTTON BUCKLES

Measure the linear dimensions of the surface designed for applying the release force, and calculate the area of this surface to the nearest 0.3 square cm (0.05 square inch). This surface shall have a minimum area of 3.9 square cm (0.6 square inch), with a minimum linear dimension of 10 mm (0.4 inch).

LEVER-RELEASE BUCKLES

Insert a cylinder 10 mm (0.4 inch) \pm 0.5 mm (0.02 inch) in diameter and 38 mm (1.5 inches) \pm 0.5 mm (0.02 inch) long in the actuation portion of the buckle release. The buckle shall permit insertion of this cylinder to at least the midpoint of the cylinder along the cylinder's entire length.

OTHER BUCKLE DESIGNS

Attempt to actuate the buckle release using two adult fingers. The buckle shall have adequate access for two or more adult fingers.

12.B.3.4 ADJUSTMENT FORCE (S209, S4.3(e), S5.2(e))

Test three sets of adjustment hardware and webbing for the force necessary to decrease the effective length of the assembly. The hardware previously used for the Corrosion Resistance of Temperature Resistance tests shall also be used for this test. With no load on the anchor end of the webbing, draw the webbing through the adjustment device at a rate of 508 mm per minute (mpm) (20 inches per minute (ipm)) \pm 50 mpm (2 ipm). Precycle the webbing 10 times in the above manner, and then measure the maximum force to the nearest 0.1 kg (0.25 pound) after the first 25 mm (1.0 inch) of webbing movement. The force required to decrease the effective length of this assembly shall not exceed 5 kg (11 pounds). Record the results on the appropriate data sheet.

12.B.3.5 TILT-LOCK ADJUSTMENT (S209, S4.3(f), S5.2(f))

If the adjustment device is of a "tilt-lock" design, test three such devices for lock angle. The hardware previously used for the Corrosion Resistance or Temperature Resistance tests shall also be used for this test. Orient the base of the adjustment mechanism and the anchor-end of the webbing in planes normal to each other. Draw the webbing through the adjustment mechanism in a direction to increase belt length at a rate of 508 mm (20 inches) \pm 50 mm (2 inches) per minute while the plane of the base is slowly rotated in a direction to

lock the webbing. When the webbing locks, stop the rotation, but continue pulling on the webbing until there is a resistance of at least 9 kg (20 pounds). Measure the angle between the anchor-end of the webbing and the base of the adjustment mechanism to the nearest degree. The lock angle shall be not less than 30 degrees. Record the results on the appropriate data sheet.

12.B.3.6 BUCKLE LATCH AND PARTIAL ENGAGEMENT (S209, S4.3(g), S5.2(g))

Six buckle/tongue assemblies are tested for “as received” Partial Engagement and then exposed as follows: three for Corrosion Resistance (12.B.3.1), and three for Temperature Resistance (12.B.3.2). After exposure the assemblies are then tested for Buckle Latch and Partial Engagement.

NOTE: Buckles with plastic components in either tongue or latch mechanism are not evaluated for partial engagement. A metal-to-metal buckle shall be examined to determine whether partial engagement is possible by means of any technique representative of actual use. If possible, the partial engagement test shall be conducted. If it is possible to insert a tongue in the inverted position, both positions must be evaluated for partial engagement.

12.B.3.6.1 AS RECEIVED PARTIAL ENGAGEMENT

12.B.3.6.1.1 PARTIAL ENGAGEMENT

Anchor buckle in a rigid fixture. Manually insert tongue completely into buckle, release buckle and withdraw tongue only enough to induce partial engagement. Attach a cable and weight (22 N (4.9 lb.) total), to the tongue. In the case of a two-tongue buckle design, attach the weight to each tongue separately such that the force is equally distributed to both tongues. The alignment of buckle, tongue, and the weight must be parallel. Release the weight support slowly to allow the weight to be applied to the tongue in a direction parallel and away from the buckle. The weight must remove the tongue from the buckle in order to meet the “partial engagement release force” requirement. Measure the time required for the weight to remove the tongue from the buckle to within ± 3 seconds up to a maximum time of 60 seconds, ending the test. Perform the test 3 times on each of 3 assemblies and record the pass/fail results on each assembly. Repeat the tests with the tongue in an inverted position, as applicable. Record the results on the appropriate data sheet.

Only when directed by the COTR, the buckle shall be retested using the test procedure defined below in the following paragraph. The purpose of the retest is to obtain an average partial engagement release force.

Anchor buckle in some manner. Attach tongue to a force gauge by a flexible means such that the alignment of buckle, tongue, and gauge can be made parallel. Manually insert tongue completely into buckle and withdraw only enough to induce partial engagement. Remove tongue from buckle with force

gauge and record the highest force reading as the “partial engagement release force.” Perform three readings per assembly. The average of the three readings will be used to determine

the partial engagement release force. Repeat tests with tongue in inverted position as applicable. Record the results on the appropriate data sheet.

12.B.3.6.2 BUCKLE LATCH AND PARTIAL ENGAGEMENT FOLLOWING CORROSION RESISTANCE (B.3.1) AND TEMPERATURE RESISTANCE (B.3.2)

Following the corrosion resistance and temperature resistance tests, the six buckles (3 for the corrosion test and 3 for the temperature test) shall be tested for Buckle Latch per 12.B.3.6.2.1, and Partial Engagement per 12.B.3.6.2.2.

12.B.3.6.2.1 BUCKLE LATCH

Manually latch and unlatch six buckle assemblies (3 for the corrosion test and 3 for the temperature test) ten (10) times each.

Then, mount the six buckles on a compressive cycling fixture. The fixture is such that one cycle will completely move a buckle’s release mechanism through its full range of motion and induces a force of 133 N (29.9 lb) \pm 13 N (2.9 lb) at the travel limit of the mechanism. Operate the fixture at a rate of 30 cpm for a total of 200 cycles. Visually and functionally evaluate buckle assemblies following cycling and then perform the partial engagement test as specified in 12.B.3.6.2.2.

12.B.3.6.2.2 PARTIAL ENGAGEMENT

Perform partial engagement as per 12.B.3.6.1.1.

12.C. INSPECTION OF PHYSICAL FEATURES

12.C.1 LABELING (S213, S5.5)

Inspect the labels attached to the child restraint system and compare them with the requirements of FMVSS 213, S5.5, listed on the appropriate data sheet. After the child restraint is installed, check whether certain required labels are visible in all recommended installation modes. Provide photographs of all labels on the child restraint system to show availability, legibility, and location. Include these photographs as part of the test report.

12.C.2 INSTALLATION INSTRUCTIONS (S213, S5.6)

Review the manufacturer's instructions for installation and use of the child restraint system to verify that they include the information specified by S213, S5.6, and listed on the appropriate Data Sheet. Verify that storage provisions are available for these instructions on the child restraint itself.

12.C.3 INSTALLATION (S213, S5.3)

Except for components designed to attach to a child restraint anchorage system, the add-on child restraint shall have no means designed for attaching the system to the vehicle seat cushion or the vehicle seat back and no component (except belts) that is designed to be inserted between the vehicle seat cushion and vehicle seat back.

For harnesses labeled per S5.3.1(b)(1) through S5.3.1(b)(3) and Figure 5 (below), the system shall be capable of meeting the requirements of this standard with a seat back mount.

Except for belt positioning seats, the add-on system shall also be capable of meeting the requirements of this standard solely by means of a Type I seat belt assembly (lap belt) or by means of a lap belt plus one additional anchorage strap (tether) that is supplied with the system.

Each belt positioning seat shall be capable of meeting the requirements of this standard solely by means of a Type II seat belt assembly (lap and shoulder belt).

Except for harnesses, car beds, and belt positioning seats, the add-on system shall be capable of meeting the requirements of this standard solely by means of a child restraint anchorage system.

For car beds, the system shall be designed to be installed on a vehicle seat so that the car bed's longitudinal axis is perpendicular to a vertical longitudinal plane through the longitudinal axis of the vehicle. Indicate compliance and record any difficulties encountered during installation on the appropriate Data Sheet.

Table 1 summarizes the required means of certification.

TABLE 1
REQUIRED MEANS OF CERTIFICATION

	<i>Lap Belt</i>	<i>Lap Belt & Tether (if needed)</i>	<i>Lower Anchors</i>	<i>Lap & Shoulder Belt</i>	<i>Seat back Mount</i>
<i>Harnesses per S5.3.1(b)(1)-(3) and Fig. 12</i>					X

Other Harnesses		X			
Car Beds	X				
Rear-Facing Restraints	X		X		
Belt Positioning Seats				X	
Other*	X	X	X		

*Per S5(f), each child restraint system that is equipped with internal components to restrain the child need not meet this standard when attached to the lower anchors of the child restraint anchorage system if the sum of the weight of the child restraint system (in pounds) and the average weight of child represented by the test dummy,(see Table 2), exceeds 65 pounds.

**TABLE 2
AVERAGE WEIGHT OF CHILD REPRESENTED BY TEST DUMMIES**

Test Dummy	Average weight of child represented by test dummy (pounds)
CRABI 12-month-old infant dummy	22
Hybrid III 3-year-old dummy	31
Hybrid III 6-year-old dummy	45
Hybrid III 6-year-old weighted child test dummy	62
Hybrid II 6-year-old dummy	45

LABEL ON HARNESS THAT ATTACHES TO SCHOOL BUS SEAT BACK

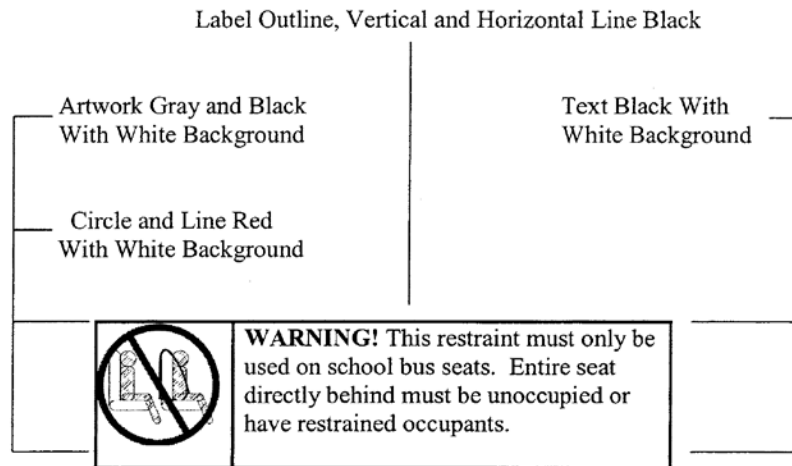


FIGURE 5.

12.C.4 MINIMUM HEAD SUPPORT SURFACE (S213, S5.2.1)

This section does not apply to car beds or to forward-facing child restraints whose seating surface, when installed on the standard seat assembly, is low enough that the target point on either side of the appropriate dummy's head, when properly positioned in the restraint, is below the top of the standard seat assembly or vehicle seat (in the case of a built-in restraint). Indicate exemption, if appropriate, on the appropriate Data Sheet.

Other child restraint systems shall have a minimum back height, as specified in Table 2, based on the manufacturer's recommended maximum weight for children using the restraint.

TABLE 2
S5.2.1.1(a) REQUIREMENTS FOR BACK HEIGHT

MANUFACTURER'S RECOMMENDED WEIGHT	MINIMUM BACK HEIGHT
Not more than 18 kg (40 pounds)	500 mm (19.7 inches)
More than 18 kg (40 pounds)	560 mm (22.0 inches)

Measure the height of the restraint back surface along the vertical centerline from the seating surface to the top of the back surface. The padding on the seating

surface may be depressed by the weight of the appropriate dummy in the seated position. Record the results on the appropriate Data Sheet.

The width of the back surface, at the height specified above, shall be at least 203 mm (8 inches), or at least 152 mm (6 inches) if side wings at least 102 mm (4 inches) deep are also provided. Measure the depth of these side wings, if any, along a line perpendicular to the restraint back surface at the appropriate height from the seating surface as specified above. Record the results on the appropriate Data Sheet.

Measure the widest part of the back surface at the height specified above and at the forward plane made by the center of gravity targets located on each side of the dummy head of the appropriate size dummy when seated in the restraint as shown in Figure 6. However, the 6-year-old and 10-year-old child dummies are not used to determine applicability of or compliance with S5.2.1.1.

SEAT BACK WIDTH MEASUREMENT

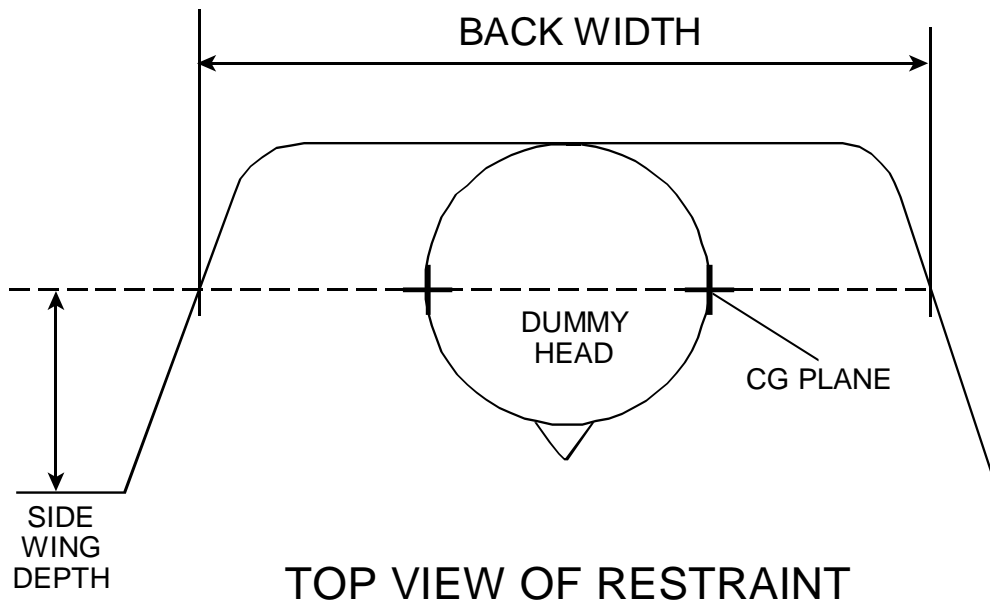


FIGURE 6

The side wing depth shall be the remaining wing material forward of the dummy head C_G plane.

In the case of a built-in child restraint, measure the height of the seat back as noted above. If the system includes a head rest also measure the seat height including the head rest in the fully down position. Record the results on the appropriate Data Sheet.

12.C.5 BELT RESTRAINT (S213, S5.4.3)

12.C.5.1 SNUG FIT OF BELTS (S213, S5.4.3.1)

Each belt that is designed to restrain a child using the system shall be adjustable to snugly fit any properly positioned child whose height and weight are within the ranges recommended by the manufacturer. Using the appropriate dummy, fasten and adjust the system's harness to fit properly around the dummy. If there is insufficient webbing to do so, the restraint system fails. There is currently no test criterion for "snug fit" at the lower end of the size range. Questionable cases should be indicated, however, under **REMARKS** on the appropriate Data Sheet for evaluation by COTR.

12.C.5.2 DIRECT RESTRAINT BELTS (S213, S5.4.3.2)

Except for belt-positioning seats, each belt that is part of a child restraint system and that is designed to restrain a child using the system and to attach the system to the vehicle, and each Type I and lap portion of a Type II vehicle belt that is used to attach the system to the vehicle shall, when tested in accordance with S6.1, impose no loads on the child that result from the mass of the system, or from the mass of the seat back of the standard seat assembly.

To determine compliance with this requirement, verify whether the following conditions are met:

- (1) The belt in question contacts the dummy for the purpose of restraint and attaches the child restraint to the vehicle, and
- (2) the child restraint includes any rigid structure between the dummy and the back of the standard seat assembly, and
- (3) the child restraint can move relative to the belt system.

If ALL THREE conditions apply, the restraint FAILS.

If any one condition is NOT met, the restraint PASSES.

Record the results on the appropriate Data Sheet.

12.C.5.3 SEATING SYSTEM BELTS AND SHIELDS (S213, S5.4.3.3)

These requirements apply to child restraints that are designed for use by a child in a seated position and that include belt restraints, with the specific exception of child harnesses. Also excluded are infant restraint systems that are designed to place the child in a rear-facing, semi-recumbent position instead of a seated position, and that are recommended only for children up to 10 kg. (22 lb.). For applicable seating systems, the following restraining systems shall be provided:

(1) Upper torso

Either belts passing over each shoulder of the child or a fixed or movable surface that complies with S5.2.2.1(c).

(2) Lower torso

Either a lap belt (angle with seating surface at anchorage point to be between 45 degrees and 90 degrees) or a fixed or movable surface that complies with S5.2.2.1(c).

(3) Crotch restraint

For child restraints recommended for children over 10 kg (22 pounds), either a crotch belt connectable to the lower torso restraint or a fixed or movable surface that complies with S5.2.2.1(c). Verify the existence of the above systems, and record the results on the appropriate Data Sheet.

12.C.5.4 HARNESSSES (S213, S5.4.3.4)

For child harnesses, the following restraining belts shall be provided:

(1) Upper Torso -- Belts passing over each shoulder of the child

(2) Lower Torso -- Lap and crotch belts

(3) Belts to prevent any properly restrained child, whose height is within the range recommended by the manufacturer, from standing on the vehicle seat.

Verify the existence of the above belts, and record the results on the appropriate Data Sheet.

12.C.6 TORSO IMPACT PROTECTION (S213, S5.2.2)

These requirements do not apply to car beds. For other child restraint systems, the following surface area and curvature requirements apply. Remove padding for all curvature determinations, noting any difficulties on the appropriate Data Sheet.

For measurements that refer to dummy "shoulder height" or "torso depth," use the dimensions for the appropriate dummy specified in Table 3, based on the manufacturer's recommended maximum weight for children using the restraint. These values are only provided for reference purposes to permit a determination of compliance with S5.2.2.1 (a) and S5.2.2.1 (b):

TABLE 3
SHOULDER HEIGHT AND TORSO DEPTH OF REPRESENTATIVE DUMMIES

MAXIMUM WEIGHT	DUMMY	SHOULDER HEIGHT	TORSO DEPTH
Under 10 kg (22 pounds)	12-month-old	307 mm (12.1 inches)	109 mm (4.3 inches)
10 kg (22 pounds) or more	3-year-old	368 mm (14.5 inches)	133 mm (5.25 inches)

12.C.6.1 BACK SUPPORT SURFACE (S213, S5.2.2.1(a))

The surface provided for the support of the child's back shall be flat or concave and have a continuous surface area of not less than 548 square cm (85 square inches). The area to be considered is the entire width of the restraint back surface below a height above the seating surface indicated above as "shoulder height" for the appropriate dummy. Measure this area, and record the results on the appropriate Data Sheet.

12.C.6.2 SIDE SUPPORT SURFACE (S213, S5.2.2.1(b))

Each surface provided for support of the side of the child's torso shall be flat or concave and have a continuous surface of not less than 155 square cm (24 square inches) for systems recommended for children weighing 9 kg (20 pounds) or more, or 310 square cm (48 square inches) for systems recommended for children weighing less than 9 kg (20 pounds). "Torso" is defined as "the portion of the body of a seated anthropomorphic test dummy, excluding the thighs that lie between the top of the child restraint system seating surface and the top of the shoulders of the test dummy." The area to be considered as:

- (1) **BELOW** a line perpendicular to the restraint back surface at a height above the seating surface indicated above as "shoulder height" for the appropriate dummy, and
- (2) **REARWARD** of a line perpendicular to the seating surface at a distance forward of the restraint back surface indicated above as "torso depth" for the appropriate dummy.

Measure this area, and record the results on the appropriate Data Sheet.

12.C.6.3 FORWARD RESTRAINING SURFACE (S213, S5.2.2.1(c))

Each horizontal cross section of each surface designed to restrain forward movement of the child's torso shall be flat or concave, and each vertical longitudinal cross section shall be flat or convex with a radius of curvature of the underlying structure of not less than 51 mm (2 inches). To determine contactable area of the forward restraining surface, the dummy may be "chalked" prior to the dynamic test and post test inspect the forward surface for transferred chalk. This surface shall be the contactable surface. Determine the curvatures, and record the results on the appropriate Data Sheet.

12.C.6.4 FORWARD FIXED/MOVABLE SURFACES (S213, S5.2.2.2)

For forward-facing child restraint systems, there shall be no fixed or movable surface directly in front of the appropriate test dummy, when properly positioned in the restraint, and intersected by a horizontal line parallel to the Seat Orientation Reference Line (SORL) and passing through any portion of that dummy, except for surfaces that restrain the dummy when tested according to Dynamic Impact Test Configuration II (S213, S6.1.2(a)2). If such a surface exists, determination of compliance must be deferred pending results of the Dynamic Impact Test. If no such surface exists, the system complies. Indicate PASS or DEFERRED on the appropriate Data Sheet.

12.C.7 PROTRUSION LIMITATION (S213, S5.2.4)

Any protrusion, padded or unpadded, on a rigid structure, other than belts or belt hardware, that is contactable by any part of the appropriate dummy head or torso during the Dynamic Impact Test shall have a height above the immediately adjacent restraint system surface off not more than 9.525 mm (0.375 inch) and no exposed edge with a radius of less than 6.35 mm (0.25 inch). The areas to be considered include those identified in the section on Torso Impact Protection (C.6) with the addition of the surfaces directly forward of the dummy or directly rearward of the dummy and above its shoulders for restraints recommended for children weighing 10 kg (22 pounds) or more. This requirement does not apply to child harnesses consisting entirely of belt restraints.

Remove any padding in the applicable areas to make the measurements, and record the maximum values encountered on the Data Sheet.

12.C.8 ATTACHMENT TO CHILD RESTRAINT ANCHORAGE SYSTEM (S213, S5.9)

- (1) Each add-on child restraint system, other than a car bed, harness and belt positioning seat, shall have components permanently attached to the system that enable the restraint to be securely fastened to the lower anchorages of the child restraint anchorage system specified in FMVSS No. 225. The components must be attached such that they can only be removed by use of a tool, such as a screwdriver. In the case of rear-facing child restraints with detachable bases, only the base is required to have the components.
- (2) In the case of each child restraint system that has components for attaching the system to a tether anchorage, those components shall include a tether hook that conforms to the configuration and geometry specified in Figure 22.
- (3) In the case of each child restraint system that has components, including belt webbing, for attaching the system to a tether anchorage or to a child restraint anchorage system, the belt webbing shall be adjustable so that the child restraint can be tightly attached to the vehicle.
- (4) Each child restraint system with components that enable the restraint to be securely fastened to the lower anchorages of a child restraint anchorage system, other than a system with hooks for attaching to the lower anchorages, shall provide either an indication when each attachment to the lower anchorages becomes fully latched or attached, or a visual indication that all attachments to the lower anchorages are fully latched or attached. Visual indications shall be detectable under normal daylight lighting conditions.

Inspect the restraint system for the applicable requirements and indicate the results on the appropriate Data Sheet.

12.D. DYNAMIC TEST CONDITIONS AND PROCEDURES (S213, S6)

Test a new specimen of the child restraint system according to the procedures below in each possible combination of installation mode, adjustment position, and proper-use/"misuse" mode. Record the particular combination to be tested as well as the test configuration to be used on the appropriate Data Sheet.

12.D.1 TEST EQUIPMENT

12.D.1.1 TEST CONDITIONS AND DEVICES (S213, S6.1.1)

The test device used to evaluate the dynamic performance of the add-on child restraint is the standard seat assembly securely attached to a dynamic test platform or impact sled. The standard seat assembly is described in Drawing Package NHTSA Standard Seat Assembly FMVSS No. 213, No. NHTSA-213-2003, dated June 3, 2003. The orientation should simulate a vehicle frontal impact. The standard seat has three seating positions. The forward direction of the standard seat is defined by the Seat Orientation Reference Line (SORL), which is the horizontal line through point Z as illustrated in Figures 7 and 8. Additionally, belt anchor points and forward dummy excursion limits for dynamic compliance tests using seat belts are illustrated in Figures 7 and 9.

Figures 8 and 10 illustrate the locations of the universal child restraint anchorage system and forward excursion limits for systems tested using the universal child restraint anchorage system applicable to add-on child restraint systems other than belt positioning booster seats.

The standard seat assembly is covered by a seat cushion. The seat cushion is constructed of elastic-backed automotive vinyl on the upper surface, which is in contact with the child restraint, backed by a thin layer of nylon-impregnated vinyl (). The nylon-impregnated vinyl extends around the top of seam of the cover and is cross-stitched to the automotive vinyl on the seating surface.

The test device for built-in child restraint systems is either the specific vehicle shell or the specific vehicle.

SPECIFIC VEHICLE SHELL

- A. The specific vehicle shell, if selected for testing, is mounted on a dynamic test platform so that the longitudinal center line of the shell is parallel to the direction of the test platform travel and so that movement between the base of the shell and the platform is prevented. Adjustable seats are in the adjustment position midway between the forward-most and rearmost positions, and if separately adjustable in a vertical direction, are at the lowest position. If an adjustment position does not exist midway between the forward-most and rearmost position, the closest adjustment position to the rear of the midpoint is used. Adjustable seat backs are in the manufacturer's nominal design riding position. If such a position is not specified, the seat back is positioned so that

the longitudinal centerline of the child test dummy's neck is vertical, and if an instrumented test dummy is used, the accelerometer surfaces in the dummy's head and thorax, as positioned in the vehicle, are horizontal. If the vehicle seat is equipped with adjustable head restraints, each is adjusted to its highest adjustment position.

- B. The platform is instrumented with an accelerometer and data processing system having a frequency response of 60 Hz channel class as specified in Society of Automotive Engineers Recommended Practice J211 MARCH95 "Instrumentation for Impact Tests." The accelerometer sensitive axis is parallel to the direction of test platform travel.

SPECIFIC VEHICLE

For built-in child restraint systems, an alternate test device is the specific vehicle into which the built-in system is fabricated. The following test conditions apply to this alternate test device.

- A. The vehicle is loaded to its unloaded vehicle weight plus its rated cargo and luggage capacity weight, secured in the luggage area, plus the appropriate child test dummy and, at the vehicle manufacturer's option, an anthropomorphic test dummy which conforms to the requirements of subpart B or subpart E of part 572 of this title for a 50th percentile adult male dummy placed in the front outboard seating position. If the built-in child restraint system is installed at one of the seating positions otherwise requiring the placement of a part 572 test dummy, then in the frontal barrier crash specified in (c), the appropriate child test dummy shall be substituted for the part 572 adult dummy, but only at that seating position. The fuel tank is filled to any level from 90 to 95 percent of capacity.
- B. Adjustable seats are in the adjustment position midway between the forward-most and rearmost position, and if separately adjustable in a vehicle direction, are at the lowest position. If an adjustment position does not exist midway between the forward-most and rearmost positions, the closest adjustment position to the rear of the midpoint is used.
- C. Adjustable seat backs are in the manufacturer's nominal design riding position. If a nominal position is not specified, the seat back is positioned so that the longitudinal center line of the child test dummy's neck is vertical, and if an anthropomorphic test dummy is used, the accelerometer surfaces in the test dummy's head and thorax, as positioned in the vehicle, are horizontal. If the vehicle is equipped with adjustable head restraints, each is adjusted to its highest adjustment position.
- D. Movable vehicle windows and vents are, at the manufacturer's option, placed in the fully closed position.
- E. Convertibles and open-body type vehicles have the top, if any in place in the closed passenger compartment configuration.
- F. Doors are fully closed and latched but not locked.

SLED SEAT FOAM

Before conducting a Dynamic Impact Test, measure the force-deflection characteristics of all four foam inserts used in the standard seat. Using the test methodology and apparatus described in ASTM Standard D1564-71 "Standard Method of Testing Flexible Cellular Materials-Slab Urethane Foam," determine the load required to produce a 25% compression of the foam thickness. To be suitable for use in compliance testing, the foam inserts shall compress 25% under the following load limits:

51 mm (2-inch) thick foam: 20.4 to 24.9 kg (45 to 55 lbs)

102 mm (4-inch) thick foam: 9.5 to 12.2 kg (21 to 27 lbs)

If a foam insert has already been used in a Dynamic Impact Test, allow a minimum of twelve hours recovery time before measuring the force-deflection characteristics. Also inspect each used foam insert for damage or permanent deformation, and replace any insert judged to be defective.

SLED SEAT RIGID ROD

A cold-rolled 1045 steel rigid rod (drawing number 2003HA200, part number 28) runs through the pivot blocks in the Y direction on the test bench and allows the seat back of the test bench to rotate forwards and backwards. This rigid rod shall be replaced after each test.

TYPE I AND TYPE II BELT WEBBING

The webbing used for both the type I and type II belts are five-panel polyester webbing that complies with FMVSS 209 Seat Belt Assemblies. A new belt is used for each test performed.

SORL AND BELT ANCHORAGE POINT LOCATIONS ON THE STANDARD SEAT ASSEMBLY

NOTES:

- (1) Lap belt anchor points are symmetrically located with respect to the center SORL.
- (2) Maximum distance from the seat bight to the end of the buckle is 175 mm.
- (3) Outboard anchor point located 700 mm from the center SORL.

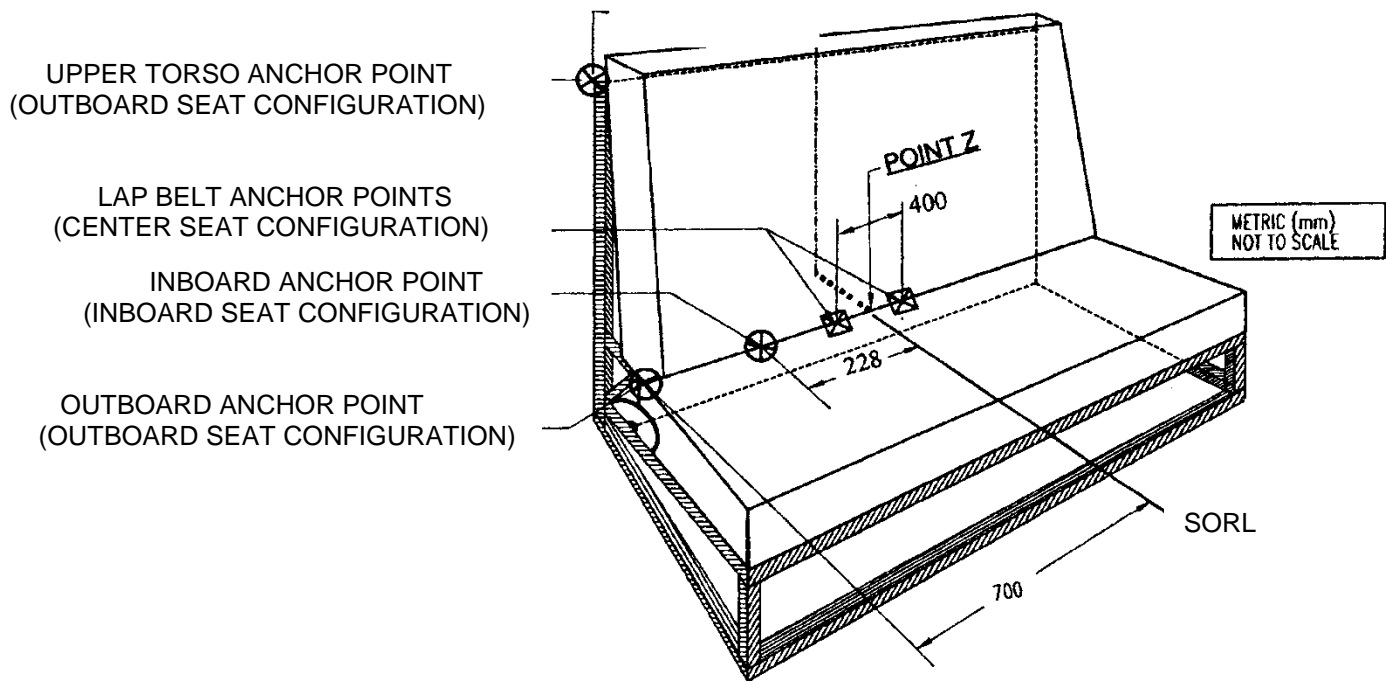


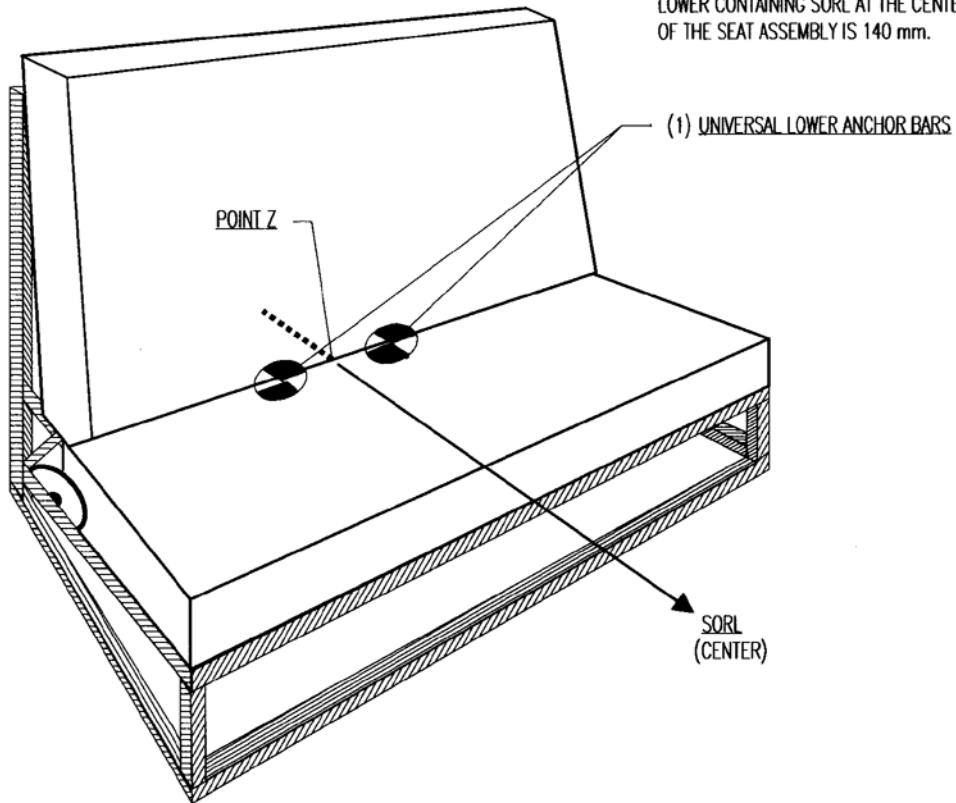
FIGURE 7

SORL AND LOCATION OF UNIVERSAL CHILD RESTRAINT ANCHORAGE SYSTEM ON THE STANDARD SEAT ASSEMBLY

NOTES:

(1i) UNIVERSAL LOWER ANCHOR BARS
6 mm DIAMETER AND 25 mm LENGTH

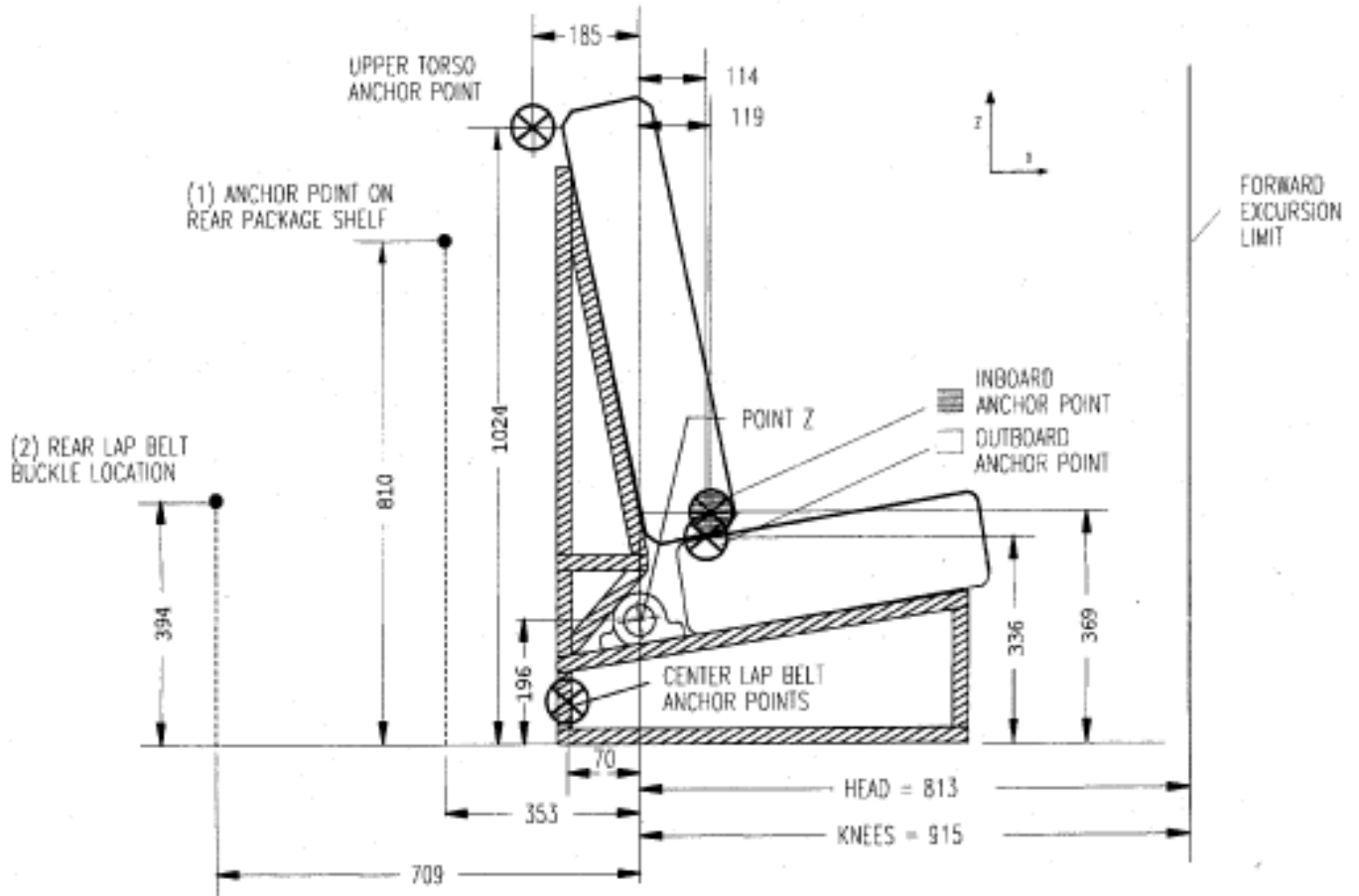
(1ii) TRANSVERSE HORIZONTAL DISTANCE
BETWEEN THE CENTER OF THE UNIVERSAL
ANCHOR BARS AND THE VERTICAL PLANE
LOWER CONTAINING SORL AT THE CENTER
OF THE SEAT ASSEMBLY IS 140 mm.



SEAT ORIENTATION REFERENCE LINE AND LOCATION OF UNIVERSAL CHILD RESTRAINT ANCHORAGE SYSTEM ON THE STANDARD SEAT ASSEMBLY

FIGURE 8

LOCATIONS OF BELT ANCHORAGE POINTS AND FORWARD EXCURSION LIMIT ON THE STANDARD SEAT ASSEMBLY



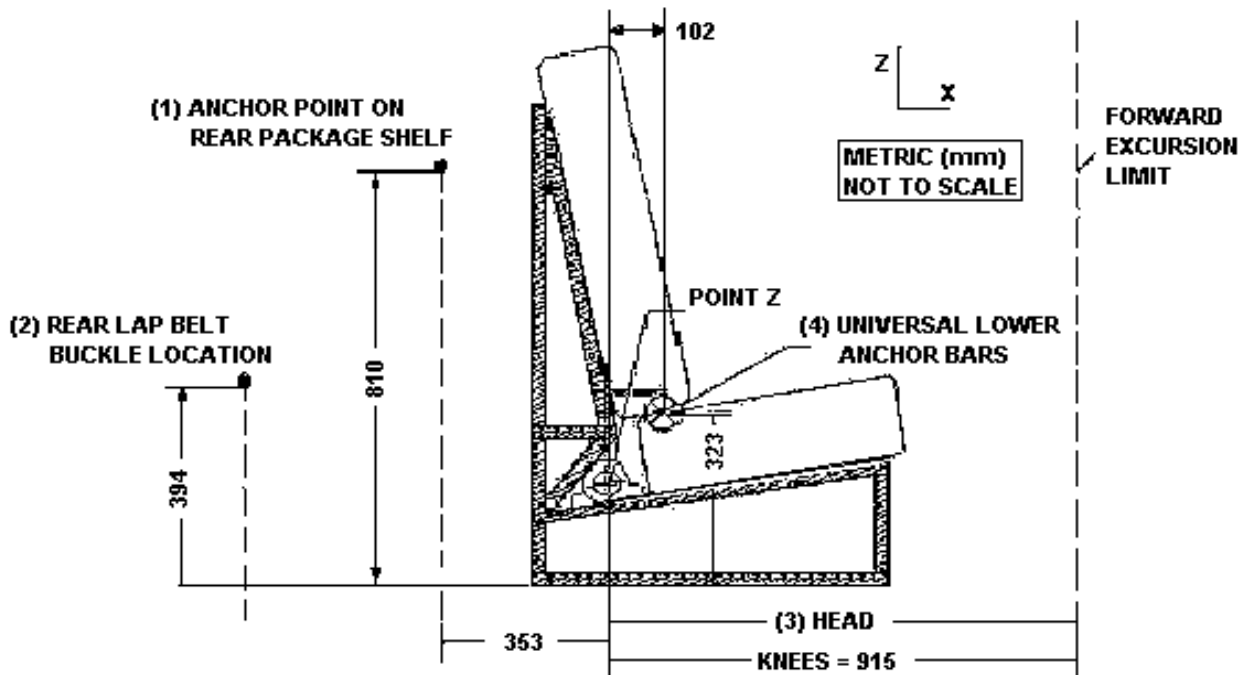
NOTES:

- (1) Anchor Point on Rear Package Shelf Located 544 mm Right or Left of the Center SORL as shown in Fig. 1A
- (2) Rear Lap Belt Buckle Located 178 mm Right or Left of the Center SORL as shown in Fig. 1A

METRIC (mm)
NOT TO SCALE

FIGURE 9

LOCATION OF UNIVERSAL CHILD RESTRAINT ANCHORAGE SYSTEM AND FORWARD EXCURSION LIMITS FOR THE STANDARD SEAT ASSEMBLY



NOTES:

- (1) ANCHOR POINT ON REAR PACKAGE SHELF LOCATED 544 mm RIGHT OR LEFT OF THE CENTER SORLS AS SHOWN IN FIGURE 15a.
- (2) REAR LAP BELT BUCKL LOCATED 178 mm RIGHT OR LEFT OF THE CENTER SORL AS SHOWN IN FIGURE 15a.
- (3) HEAD EXCURSION LIMIT IS: (i) 720 mm WITH TETHER ATTACHED AND (ii) 813 mm WITH TETHER UNATTACHED.
- (4) UNIVERSALE LOWER ANCHORAGE BARS LOCATED 102 mm FORWARD OF POINT Z AND 323 mm UPWARD FROM FLOOR.

FIGURE 10

12.D.1.2 INSTRUMENTATION

TRANSDUCERS (S213, S5.1.2, S6.1.1.1, S7.2)

The following transducers are required:

- (1) Accelerometer for monitoring impact sled deceleration. Accelerometer type and class as required to adequately measure an acceleration response as specified in Figures 11 and 12.
- (2) Two triaxial accelerometer packages for mounting one each in the head and the thorax of the 3-year-old dummy. Six accelerometers are required for mounting, three each in the head and thorax of the six-year-old unweighted and the 10-year-old dummies. Each axis of the accelerometers shall meet the following minimum performance requirements:

Mounting frequency response: $\pm 5\%$, 0 to 2000 Hz

Maximum damping: 0.005 of critical, nominal

Transverse sensitivity: 5% maximum

Linearity and hysteresis: $\pm 3\%$ of reading, maximum

Dynamic range: ± 500 g, minimum

Type and Class: See App. D (3 YO), B (6YO HII), C (6 YO HIII), or H (10YO)

- (3) Seat belt webbing load cells to monitor belt preload during seat installation. This item is not required if an equivalent belt tension measurement device is utilized to determine the preload on the Type I and Type II seat belt assembly.
- (4) Velocity transducer or integration of the sled accelerometer to determine speed of Dynamic Impact Test.
- (5) Force transducer to monitor the load applied to the dummy sling during the Buckle Release Tests described in this procedure.
- (6) Force transducer to measure buckle release force.

PLAYBACK AND RECORDING EQUIPMENT

Equipment shall be provided that has the following capabilities:

- (1) Have a minimum capability of 8 data channels for measuring the following during the Dynamic Impact Test:
 - 6 - Dummy accelerations
 - 1 - Sled acceleration
 - 1 - Sled velocity
- (2) Provide a permanent record of all data channels during dynamic impact.
- (3) Provide a permanent record of seat belt preload.
- (4) Provide a permanent record of force applied to the dummy sling during the Buckle Release Tests described in this procedure.
- (5) Provide a permanent record of buckle release force.

12.D.2 SYSTEMS CHECK

Before beginning a series of child restraint system compliance tests, conduct one trial test to determine that all systems are functioning properly. In particular:

- (1) Ensure the test velocities and severity conditions given in this procedure are met.
- (2) When applicable, conduct the trial test with an instrumented dummy to assure correct operation of transducers, signal conditioning, and record/playback equipment.
- (3) Review high-speed video coverage of the test setup and timing of the camera operation.
- (4) Ensure accurate calibrations of the high-speed video field of view are available in the plane of motion of the child restraint system.

12.D.3 TEST CONDITIONS

12.D.3.1 ENVIRONMENTAL CONDITIONS (S213, S6.1.1(d))

The Dynamic Impact Test shall be performed under the following environmental conditions unless agreed to by the COTR:

Temperature	20.6°C (69°F) to 22.2°C (72°F)
Relative Humidity	10% to 70%

12.D.3.2 IMPACT SPEED (S213, S6.1.1)

Configuration I tests shall be conducted at a velocity change of 48 km/h, + 0, -3.2 km/h (30 mph, + 0, - 2 mph), or for the specific vehicle test with the deceleration produced in a 48 km/h frontal barrier crash.

Configuration II tests shall be conducted at a velocity change of 32 km/h, +0, -3.2 km/h (20 mph, + 0, - 2 mph), or for the specific vehicle test with the deceleration produced in a 32 km/h frontal barrier crash.

The test facility must establish a target impact speed, which, with all equipment and instrumentation accuracies considered, ensures that the actual speed is within the tolerance band. The target speed should be the maximum possible and still meet the required criteria. The target speed must be reported to the COTR prior to starting the testing program.

12.D.3.3 IMPACT SEVERITY (S213, S6.1.1)

The impact sled acceleration function envelopes shown in Figures 11 and 12 are defined by the coordinates in Tables 4 and 5.

TABLE 4
TEST CONFIGURATION I ACCELERATION FUNCTION ENVELOPE

UPPER LIMIT		LOWER LIMIT	
TIME (msec)	ACCELERATION (G's)	TIME (msec)	ACCELERATION (G's)
0	3	4	0
10	25	13	19
52	25	46	19
90	0	75	0

TABLE 5
TEST CONFIGURATION II ACCELERATION FUNCTION ENVELOPE

TIME (msec)	UPPER LIMIT ACCEL.(G's)	LOWER LIMIT ACCEL.(G's)
0	0.0	-2.0
9.5	14.0	9.4
14	17.0	13.5
20	17.7	14.0
32	16.5	12.5
40	14.8	11.0
44	15.3	11.5
50	15.0	11.5
60	12.0	9.0
66	9.0	6.0
72	5.0	2.0
76	0.0	-2.0

CONFIGURATION I ACCELERATION FUNCTION CURVE
 ACCELERATION FUNCTION FOR $\Delta V = 48 \text{ km/h (30 mph)}$

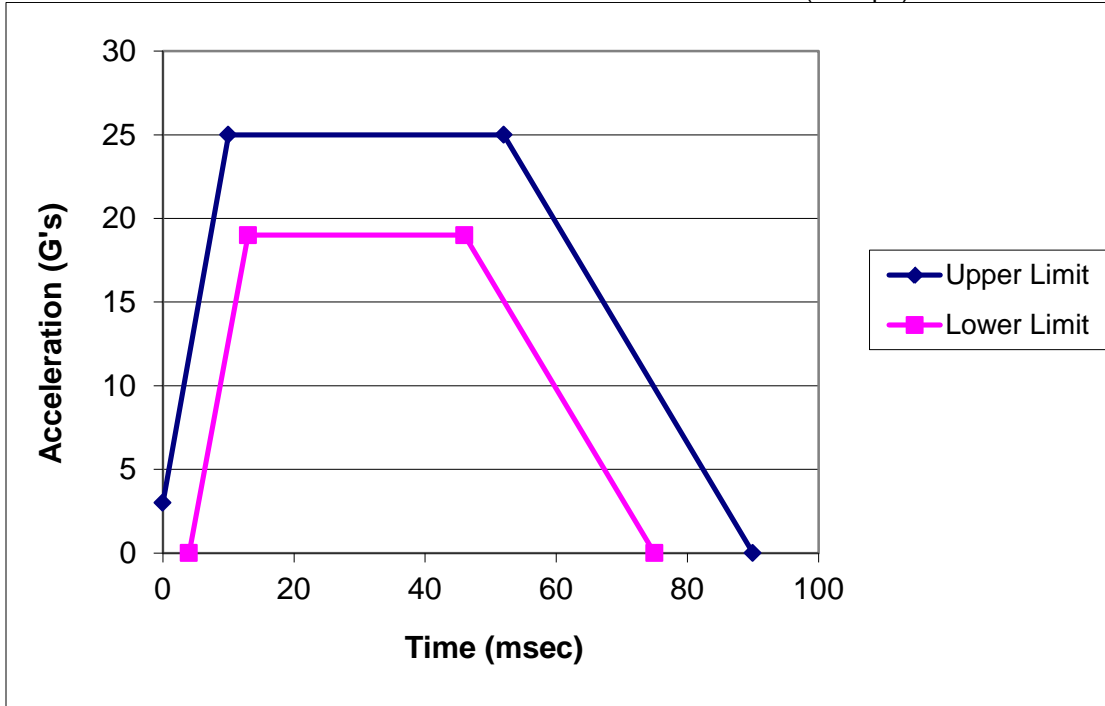


FIGURE 11

CONFIGURATION II ACCELERATION FUNCTION CURVE
 ACCELERATION FUNCTION FOR $\Delta V = 32 \text{ km/h (20 mph)}$

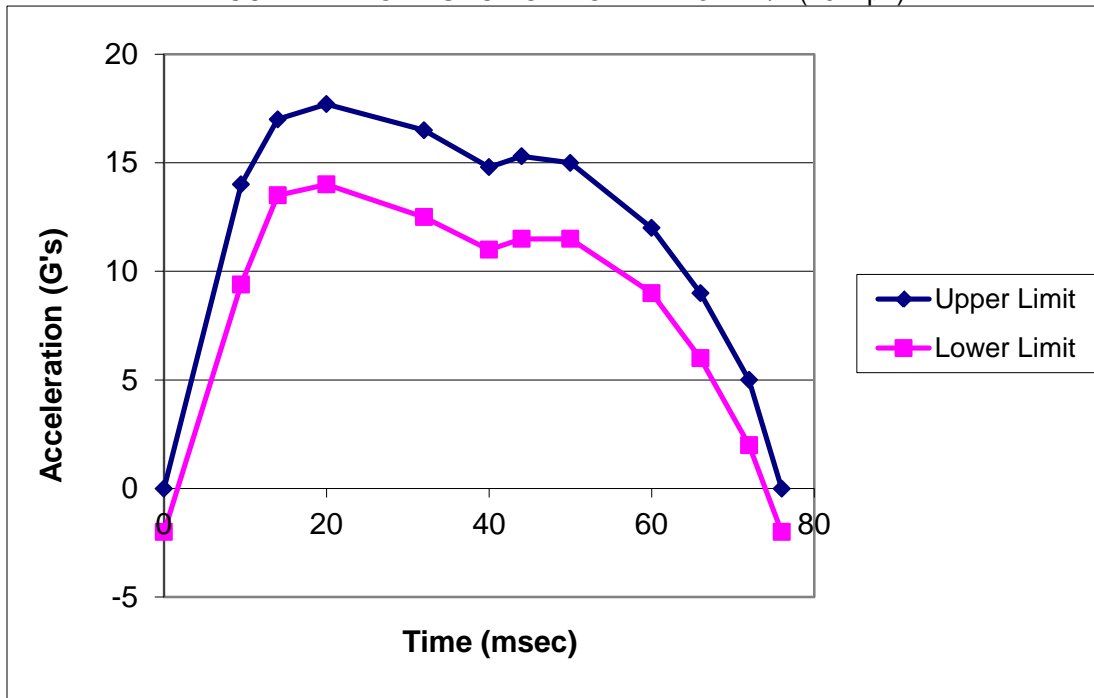


FIGURE 12

12.D.4 DUMMY PREPARATION

12.D.4.1 DUMMY SELECTION (S213, S6.1.2.3, S7.2)

Determine whether to use the newborn, 12-month-old dummy, 3-year-old dummy, 6-year-old dummy, weighted 6-year-old dummy, or 10-year-old dummy based on the manufacturer's label information for occupant weight class.

A child restraint that is recommended for children having a specific mass range or height range shall use the tested child restraint according to Table 6.

TABLE 6
DUMMY SELECTION BY MASS OR HEIGHT (S7.1.2)

MASS	HEIGHT	DUMM(IES)
≤ 5 kg (11 lb)	≤ 650 mm (26 in.)	Newborn Part 572(K)
> 5 kg (11 lb) and ≤ 10 kg (22 lb)	> 650 mm (26 in.) and ≤ 850 mm (34 in.)	Newborn Part 572(K) and 12-Month-Old Part 572(R)
> 10 kg (22 lb.) and ≤ 18 kg (40 lb)	> 850 mm (34 in.) and ≤ 1100 mm (43 in.)	12-Month-Old Part 572(R)* and 3-Year-Old Part 572(P)
> 18 kg (40 lb) and ≤ 22.7 kg (50 lb)	> 1100 mm (43 in.) and ≤ 1250 mm (49 in.)	6-Year-Old Part 572(I) (Hybrid II) or 6-Year-Old Part 572(N) (Hybrid III)**
> 22.7 kg (50 lb) and ≤ 30 kg (65 lb)	> 1100 mm (43 in.) and ≤ 1250 mm (49 in.)	6-Year-Old Part 572(I)(Hybrid II) or 6-Year-Old Part 572(N)(Hybrid III)**, and 6-Year-Old Part 572(S)(weighted Hybrid III)
> 30 kg (65 lb)	> 1250 mm (49 in.)	10-Year-Old Part 572(T) (Hybrid III)***

*The 12-month-old dummy is not tested in a booster seat.

**Child restraint manufacturer's option to use 6-year-old HII until further notice per 76 FR 55825.

***No HIC measured with 10-year-old HIII.

12.D.4.2 PRETEST CONDITIONING

NEWBORN INFANT DUMMY (S213, S9)

Prior to testing, condition the newborn infant dummy at any ambient temperature from 19°C to 25.5°C and at any relative humidity from 10 percent to 70 percent, for at least 4 hours.

12-MONTH-OLD DUMMY (S213, S9)

Calibrate the 12-month-old dummy according to the requirements of 49 CFR Part 572, Subpart R as described in TP-572-R-00. Calibrations are performed prior to the start of the compliance test program, after an apparent noncompliance (as

described by the COTR), after 30 tests, or if the dummy has not been used in a dynamic sled test during the prior thirty calendar days.

Prior to testing, condition the 12-month-old dummy at any ambient temperature from 20.6°C to 22.2°C and at any relative humidity from 10 percent to 70 percent, for at least 4 hours.

3-YEAR-OLD DUMMY (S213, S9)

Calibrate the 3-year-old dummy according to the requirements of 49 CFR Part 572, Subpart P as described in TP-572-P-00. Calibrations are performed prior to the start of the compliance test program, after an apparent noncompliance (as described by the COTR), after 30 tests, or if the dummy has not been used in a dynamic sled test during the prior thirty calendar days.

Prior to testing, condition the 3-year-old dummy at any ambient temperature from 20.6°C to 22.2°C and at any relative humidity from 10 percent to 70 percent, for at least 4 hours.

6-YEAR-OLD DUMMY (UNWEIGHTED AND WEIGHTED) (S213, S9)

Calibrate the 6-year-old dummy according to the requirements of 49 CFR Part 572, Subpart I (Hybrid II) as described in TP-572-I-00 or 49 CFR Part 572, Subpart N (Hybrid III) as described in TP-572-N-00 of this procedure. Calibrate the 6-year-old weighted dummy according to the requirements of 49 CFR Part 572, Subpart S as described in TP-572-S-00. Calibrations are performed prior to the start of the compliance test program, after an apparent noncompliance (as described by the COTR), after 30 tests, or if the dummy has not been used in a dynamic sled test during the prior thirty calendar days.

Prior to testing, condition the 6-year-old dummy (unweighted and weighted) at any ambient temperature from 20.6°C to 22.2°C and at any relative humidity from 10 percent to 70 percent, for at least 4 hours.

10-YEAR-OLD DUMMY (S213, S9)

Calibrate the 10-year-old dummy according to the requirements of 49 CFR Part 572, Subpart T (Hybrid III) as described in TP-572-T-00. Calibrations are performed prior to the start of the compliance test program, after an apparent noncompliance (as described by the COTR), after 30 tests, or if the dummy has not been used in a dynamic sled test during the prior thirty calendar days.

Prior to testing, condition the 10-year-old dummy at any ambient temperature from 20.6°C to 22.2°C and at any relative humidity from 10 percent to 70 percent, for at least 4 hours.

12.D.4.3 DUMMY INSTRUMENTATION

NEWBORN INFANT DUMMY

No instrumentation is installed in the newborn infant dummy.

12-MONTH-OLD DUMMY

Three uniaxial accelerometers in the dummy's head and three uniaxial accelerometers in the dummy's thorax are used to instrument the 12-month-old dummy per the requirements of 49 CFR Part 572, Subpart R.

3-YEAR-OLD DUMMY

Three uniaxial accelerometers in the dummy's head and three uniaxial accelerometers in the dummy's thorax are used to instrument the 3-year-old dummy per the requirements of 49 CFR Part 572, Subpart P.

6-YEAR-OLD DUMMY (UNWEIGHTED)

Three uniaxial accelerometers in the dummy's head and three uniaxial accelerometers in the dummy's thorax are used to instrument the 6-year-old dummy per the requirements of 49 CFR Part 572, Subpart I (Hybrid II) or 49 CFR Part 572, Subpart N (Hybrid III).

10-YEAR-OLD DUMMY

Three uniaxial accelerometers in the dummy's thorax are used to instrument the 10-year-old dummy per the requirements of 49 CFR Part 572, Subpart T.

12.D.4.4 DUMMY CLOTHING (S213, S9)

NEWBORN INFANT DUMMY (S213, S9.1(a))

The newborn infant dummy is tested unclothed.

12-MONTH-OLD DUMMY (S213, S9.1(c), S9.2)

The dummy is clothed in a cotton-polyester based tight fitting sweat shirt with long sleeves and ankle long pants whose combined weight is not more than 0.25 kg (0.55 lb).

3-YEAR-OLD DUMMY (S213, S9.1(e), S9.2)

The 3-year-old dummy is clothed in cotton-polyester-based tight-fitting shirt with long sleeves and ankle-length pants whose combined weight is not more than 0.25 kg (0.55 lb). The 3-year-old dummy shall wear children's size 8 canvas oxford style sneakers weighing not more than 0.26 kg each. Shirt sleeve may be cut off at the elbows to improve the visibility of the dummy head during maximum excursion.

6-YEAR-OLD DUMMY (S213, S9.1(d) and (f), S9.2)

The 6-year-old dummy is clothed in thermal knit, waffle-weave polyester and cotton underwear or equivalent, a size 5 short-sleeved shirt, having a mass no more than 0.090 kg, 6-year-old and size 4 pair of long pants having a mass no more than 0.090 kg (0.2 lb), cut off just far enough above the knee to allow the knee target to be visible. The Hybrid II 6-year-old dummy shall wear size 13M sneakers weighing not more than 0.45 kg each. The Hybrid III 6-year-old unweighted and weighted dummies shall wear children's size 13 M canvas oxford style sneakers weighing not more than 0.43 kg each.

10-YEAR-OLD DUMMY (S213, S9.1(f), S9.2)

The 10-year-old dummy is clothed in a form fitting cotton stretch above-the-elbow sleeved shirt having a mass no more than 0.14 kg (0.30 lb), above-the-knees pants having a mass no more than 0.14 kg (0.30 lb), and youth size 3 sneakers weighing not more than 0.6 kg each.

LAUNDERING DUMMY CLOTHES

Machine-wash the clothing, other than the shoes, in 71°C (160°F) to 82°C (180°F) water, and machine-dry at 43°C (110°F) to 54°C (130°F) approximately 30 minutes.

12.D.4.5 DUMMY TARGETING

12-MONTH-OLD DUMMY

Photographic targets are required to identify the head center of gravity of the 12-month-old dummy, which is located on either side of the dummy head at the head accelerometer mounting block bolt. Adhesive backed paper or fabric targets with a pattern that facilitates identifying and tracking the head center of gravity in the high speed videos are recommended. The knee pivot-points are defined by the centers of the knee pivot bolts and are used for maximum forward excursion measurements.

3-YEAR-OLD, 6-YEAR-OLD, AND 10-YEAR-OLD DUMMIES

Photographic targets are required to identify the head center of gravity and the pivot points of the knees of the 3-year-old, 6-year-old, and 10-year-old dummies. Adhesive backed paper or fabric targets having a pattern that facilitates identifying and tracking of the head and knee reference points in the high speed videos are recommended. The head center of gravity is identified by the head center of gravity reference pin, which protrudes from each side of the head. Note that the head center of gravity target is not used for maximum forward excursion measurements. It may be used, however, along with a second target placed on the head to facilitate determination of maximum head/torso angle. The knee pivot-points are defined by the centers of the knee pivot bolts and are used for maximum forward excursion measurements.

12.D.5 PREIMPACT BUCKLE RELEASE TEST (S213, S5.4.3.5, S6.2)

Before conducting the dynamic testing of either the built-in or add-on child restraint system, remove the buckle from the restraint system and place on a hard, flat horizontal surface. Each belt end of the buckle shall be pre-loaded in the following manner. The anchor end of the buckle shall be loaded with a 9 N (2 lbs.) force in the direction away from the buckle. In the case of buckles designed to secure a single latch plate, the belt latch plate end of the buckle shall be pre-loaded with a 9 N (2 lbs.) force in the direction away from the buckle. In the case of buckles designed to secure two or more latch plates, the belt latch plate ends of the buckle shall be loaded equally so that the total load is 9 N (2 lbs.), in the direction away from the buckle. For pushbutton-release buckles, the release force shall be applied by a conical surface (cone angle not exceeding 90 degrees). For pushbutton-release mechanisms with a fixed edge (referred to in Figure 17 as “hinged button”), the release force shall be applied at the centerline of the button, 3mm away from the movable edge directly opposite the fixed edge, and in the direction that produces maximum releasing effect. For pushbutton-release mechanisms with no fixed edge (referred to in Figure 17 as “floating button”), the release force shall be applied at the center of the release mechanism in the direction that produces the maximum releasing effect. For all other buckle release mechanisms, the force shall be applied on the centerline of the buckle lever or finger tab in the direction that produces the maximum releasing effect. Measure the force required to release the buckle. Figure 17 illustrates the loading for the different buckles and the point where the release force should be applied, and Figure 19 illustrates the conical surface used to apply the release force to pushbutton-release buckles.

For child restraint systems that have buckles integral to the seat, the entire seat may be placed on its back on a flat surface with the 9 N (2 lbs.) force applied to the belts away from the buckle as described above, and the release force of the buckle determined with the appropriate release gauge. For buckle assemblies that are attached to a crotch belt where the crotch belt cannot be removed, the buckle assembly can be hand held while the test gauge release force is applied. Place the restraint on its back, following the procedure above keep the buckle

assembly in the orientation described and apply the force sufficient to release the buckle. Record the results in the appropriate data sheets.

12.D.6 RESTRAINT SETUP

This section describes the procedure to be followed for installing the child restraint system on the standard seat and for installing the dummy in the child restraint system for dynamic impact testing.

12.D.6.1 CHILD RESTRAINT SYSTEM INSTALLATION

Activate the built-in child restraint or attach the add-on child restraint to the seat assembly as described below:

TEST CONFIGURATION I

(1) In the case of each add-on child restraint system other than a belt-positioning seat, install the child restraint system at the center seating position of the standard seat assembly in accordance with the manufacturer's instructions provided with the system, except that the standard lap belt is used and, if provided, a tether strap may be used.

For harnesses that bear the label shown in Figure 14 of this standard and that meet S5.3.1(b)(1) through S5.3.1(b)(3) of this standard, attach the harness in accordance with the manufacturer's instructions provided with the system pursuant to S5.6.1, i.e., the seat back mount is used.

(2) Except for a child harness, a backless child restraint system with a top anchorage strap, and a restraint designed for use by physically handicapped children, install the child restraint system at the center seating position of the standard seat assembly in accordance with the manufacturer's instructions provided with the system, except that no tether strap is used.

(3) In the case of each add-on child restraint system other than a harness, backless booster, belt-positioning seat, and a restraint designed for use by physically handicapped children, install the child restraint system at the center seating position of the standard seat assembly in accordance with the manufacturer's instructions provided with the system. The tether strap, if one is provided, is attached to the tether anchorage.

(4) Same as (3) above, except install the child restraint system using only the lower anchorages of the child restraint anchorage system. No tether strap is used.

(5) An add-on belt-positioning seat shall be installed at either outboard seating position of the standard seat assembly in accordance with the manufacturer's

instructions provided with the system, except that it is secured to the standard seat assembly using only the standard vehicle lap and shoulder belt and no tether.

(6) In the case of each built-in child restraint system, activate the restraint in the specific vehicle shell or the specific vehicle, in accordance with the manufacturer's instructions provided.

TEST CONFIGURATION II

In the case of each add-on child restraint system which is equipped with a fixed or movable surface or a backless child restraint system with a top anchorage strap, install the add-on child restraint system at the center seating position of the standard seat assembly using only the Type I lap belt to secure the system to the standard seat assembly.

In the case of each built-in child restraint system, which is equipped with a fixed or movable surface or a built-in booster seat with a top anchorage strap, activate the system in the specific vehicle shell or the specific vehicle in accordance with the manufacturer's instructions provided.

12.D.6.2 DUMMY INSTALLATION - RESTRAINTS OTHER THAN CAR BEDS (S213, S10.2)

NEWBORN DUMMY AND 12-MONTH-OLD DUMMY (S213, S10.2.1)

Position the test dummy according to the instruction for child positioning that the manufacturer provided with the system.

When testing forward-facing child restraint systems, holding the 12-month-old test dummy torso upright until it contacts the system's design seating surface, place the 12-month-old test dummy in the seated position within the system with the midsagittal plane of the dummy head:

- (1) Coincident with the center SORL of the standard seating assembly, in the case of the add-on child restraint system, or
- (2) Vertical and parallel to the longitudinal centerline of the specific vehicle shell or the specific vehicle, in the case of a built-in child restraint system.

When testing rear-facing child restraint systems, place the newborn or 12-month-old dummy in the child restraint system so that the back of the dummy torso contacts the back support surface of the system. For a child restraint system which is equipped with a fixed or movable surface and which is being tested under the conditions of test configuration II, do not attach any of the child restraint belts unless they are an integral part of the fixed or movable surface.

For all other child restraint systems and for a child restraint system with a fixed or movable surface which is being tested under the conditions of Test Configuration I, attach all appropriate child restraint belts and tighten them as specified in S6.1.2. Attach all appropriate vehicle belts and tighten them as specified in S6.1.2. Position each movable surface in accordance with the instruction that the manufacturer provided under S5.6.1 or S5.6.2. If the dummy's head does not remain in the proper position, it shall be taped against the front of the seat back surface of the system by means of a single thickness of 6 mm (1/4 inch) wide paper masking tape placed across the center of the dummy's face.

When testing forward-facing child restraint systems, extend the arms of the 12-month-old test dummy as far as possible in the upward vertical direction. Extend the legs of the 12-month-old dummy as far as possible in the forward horizontal direction, with the dummy feet perpendicular to the centerline of the lower legs. Using a flat surface with an area of 2580 square mm (4 square in), apply a force of 178 N (40 lbs), perpendicular to:

- (1) The plane of the back of the standard seat assembly, in the case of an add-on system, or
- (2) The back of the vehicle seat in the specific vehicle shell or the specific vehicle, in the case of a built-in system.

Apply the force first against the dummy crotch and then at the dummy thorax in the midsagittal plane of the dummy.

For a child restraint system with a fixed or movable surface, which is being tested under the conditions of test configuration II, do not attach any of the child restraint belts unless they are an integral part of the fixed or movable surface.

For all other child restraint systems and for a child restraint system with a fixed or movable surface, which is being tested under the conditions of test configuration I, attach all appropriate child restraint belts and tighten them as specified in S6.1.2. Attach all appropriate vehicle belts and tighten them as specified in S6.1.2. Position each movable surface in accordance with the instructions that the manufacturer provided.

After attaching and tightening appropriate belts, rotate each arm from the vertical position downward toward the dummy's lower body until the arm contacts a surface of the child restraint system or the standard seat assembly in the case of an add-on child restraint system, or the specific vehicle shell or the specific vehicle, in the case of a built-in child restraint system. Ensure that no arm is restrained from movement in other than the downward direction, by any part of the system or the belts used to anchor the system to the standard seat assembly, the specific shell, or the specific vehicle. If necessary, position the limbs so that

their placement does not inhibit torso or head movement when the dynamic sled test is conducted.

When testing rear-facing child restraints, extend the dummy's arms vertically upwards and then rotate each arm downward toward the dummy's lower body until the arm contacts a surface of the child restraint system or the standard seat assembly in the case of an add-on child restraint system, or the specific vehicle shell or the specific vehicle, in the case of a built-in child restraint system. Ensure that no arm is restrained from movement in other than the downward direction, by any part of the system or the belts used to anchor the system to the standard seat assembly, the specific shell, or the specific vehicle.

OTHER DUMMIES GENERALLY (S213, S10.2.2)

When using the 3-year-old, the 6-year-old HII, and the 6-year-old weighted dummies, use the following dummy positioning procedures. In addition, when using the 6-year-old HIII and the 10-year-old dummies in child restraint systems other than belt-positioning seats, use the following dummy positioning procedures.

Position the test dummy according to the instructions for child positioning that the restraint manufacturer provided with the system, while conforming to the following:

- (1) Holding the test dummy torso upright until it contacts the system's design seating surface, place the test dummy in the seated position within the system with the midsagittal plane of the test dummy head—
 - (A) Coincident with the center SORL of the standard seating assembly, in the case of the add-on child restraint system, or
 - (B) Vertical and parallel to the longitudinal centerline of the specific vehicle, in the case of a built-in child restraint system.
- (2) Extend the arms of the test dummy as far as possible in the upward vertical direction. Extend the legs of the dummy as far as possible in the forward horizontal direction, with the dummy feet perpendicular to the centerline of the lower legs.
- (3) Using a flat square surface with an area of 2580 square millimeters (4 square inches), apply a force of 178 N (40 lbs), perpendicular to:
 - (A) The plane of the back of the standard seat assembly, in the case of an add-on system, or
 - (B) The back of the vehicle seat in the specific vehicle shell or the specific vehicle, in the case of a built-in system,

first against the dummy crotch and then at the dummy thorax in the midsagittal plane of the dummy. For a child restraint system with a fixed or movable surface, which is being tested under the conditions of test configuration II, do not attach any of the child restraint belts unless they are an integral part of the fixed or movable surface. For all other child restraint systems and for a child restraint system with a fixed or movable surface, which is being tested under the conditions of test configuration I, attach all appropriate child restraint belts and tighten them as specified in S6.1.2. Attach all appropriate vehicle belts and tighten them as specified in S6.1.2.

Position each movable surface in accordance with the instructions that the manufacturer provided.

Rotate each dummy limb downwards in the plane parallel to the dummy's midsagittal plane until the limb contacts a surface of the child restraint system or the standard seat assembly, in the case of an add-on system, or the specific vehicle shell or specific vehicle, in the case of a built-in system, as appropriate. Position the limbs, if necessary, so that limb placement does not inhibit torso or head movement.

When using the 6-year-old HIII and the 10-year-old dummies in belt-positioning seats, use the following dummy positioning procedures.

1) Lap Shield and Pelvis Positioning Pad Preparation

Lap Shield. Cut a piece of translucent silicone rubber 3 mm \pm 0.5 mm thick (50A durometer) to the dimensions specified in Figure 15.

Pelvis Positioning Pad. Cut a pad having the dimensions 125 x 95 x 20 mm (\pm 2 mm tolerance in each of the three dimensions) from a piece of closed cell (Type 2 according to ASTM D-1056-07) foam or rubber material having the following specifications: compression resistance between 9 to 17 psi in a compression-deflection test specified in ASTM D-1056-07 and a density of 7 to 12.5 lb/ft³.

2) Dummy Preparation

A) 6-year-old HIII Dummy Preparation, (S213, S10.2.3)

Apply double-sided tape to the surface of the lap shield. Align the top of the lap shield with the superior anterior edge of the pelvis skin. Attach the lap shield to the pelvis of the dummy.

Apply double-sided tape to one side of a pelvis positioning pad. Center the long axis of the pad on the posterior of the pelvis with the top edge of the

foam aligned with the superior edge of the pelvis skin. Attach the pelvis positioning pad to the dummy.

Dress and prepare the dummy.

B) 10-year-old HIII Dummy Preparation (S213, S10.2.3)

- (1) Set the dummy's neck angle at the Standard Procedure-16 setting, see Figure 13.
- (2) Set the dummy's lumbar angle at the SP-12 setting, see Figure 14. This is done by aligning the notch on the lumbar adjustment bracket with the SP-12 notch on the lumbar attachment.
- (3) Adjust the limb joints to 1-2 g while the torso is in the seated position.
- (4) Apply double-sided tape to the surface of the lap shield, Align the top of the lap shield with the superior anterior edge of the pelvis skin. Attach the lap shield to the pelvis of the dummy.
- (5) Apply double-sided tape to one side of a pelvis positioning pad. Center the long axis of the pad on the posterior of the pelvis with the top edge of the foam aligned with the superior edge of the pelvis skin. Attach the pelvis positioning pad to the dummy.
- (6) Dress and prepare the dummy.

Belt positioning seats (S312, S6.1.2(a)(1)(ii))

A belt-positioning seat is attached to either outboard seating position of the standard seat assembly in accordance with the manufacturer's instructions using only the standard vehicle lap and shoulder belt and no tether (or any other supplemental device).

Dummy Positioning (S213, S10.2.3(c))

Position the test dummy according to the instructions for child positioning that the restraint manufacturer provided with the system, while conforming to the following:

(1) Position the dummy on the seat cushion of the belt-positioning seat such that the plane of the posterior pelvis is parallel to the plane of the seat back of the belt-positioning seat, standard seat assembly or vehicle seat back, but not touching. Pick up and move the dummy rearward, maintaining the parallel planes, until the pelvis positioning pad, if used, or the pelvis or back of the dummy and the back of the belt-positioning seat or the back of the standard seat assembly, are in minimal contact.

(2) Straighten and align the arm segments horizontally, then rotate the arms upward at the shoulder as far as possible without contacting the belt-positioning seat. Straighten and align the legs horizontally and extend the lower legs as far as possible in the forward horizontal direction, with the feet perpendicular to the centerline of the lower legs.

(3) Using a flat square surface with an area of 2580 square millimeters, apply a force of 178 N (40 lb) first against the dummy crotch and then against the dummy thorax on the midsagittal plane of the dummy, perpendicular to:

(a) The plane of the back of the belt-positioning seat, in the case of a belt-positioning seat with a back, or ,

(b) The plane of the back of the standard seat assembly or vehicle seat, in the case of a backless belt-positioning seat or built-in booster.

(4) Rotate the arms of the dummy down so that they are perpendicular to the torso.

(5) Bend the knees until the back of the lower legs are in minimal contact with the belt-positioning seat, standard seat assembly or vehicle seat.

(6) Position the legs such that the outer edges of the knees are 180 ± 10 mm apart for the Hybrid III 6-year-old dummy and 220 ± 10 mm apart for the Hybrid III 10-year-old dummy.

(7) Position the feet such that the soles are perpendicular to the centerline of the lower legs.

(8) In the case of a belt-positioning seat with a back, adjust the dummy so that the shoulders are parallel to a line connecting the shoulder belt guides. This can be accomplished by leaning the torso such that the dummy's head and neck are centered on the backrest components of the belt-positioning seat. In the case of a backless child restraint, adjust the dummy's torso so that the head is as close to laterally level as possible.

(9) Attach the vehicle belts and tighten the lap and shoulder portions to a tension of not less than 9 N (2 pounds) and not more than 18 N (4 pounds).

(10) Check the leg, feet, thorax, and head positions and make any necessary adjustments to achieve the positions described in steps (5)- (8), above. Position the legs, if necessary, so that the leg placement does not inhibit thorax movement.

(11) Rotate each dummy arm downwards in the plane parallel to the dummy's midsagittal plane until the arm contacts a surface of the child restraint system or the standard seat assembly, in the case of an add-on system, or the specific vehicle shell or specific vehicle, in the case of a built-in system, as appropriate. Position the arms, if necessary, so that the arm placement does not inhibit torso or head movement.

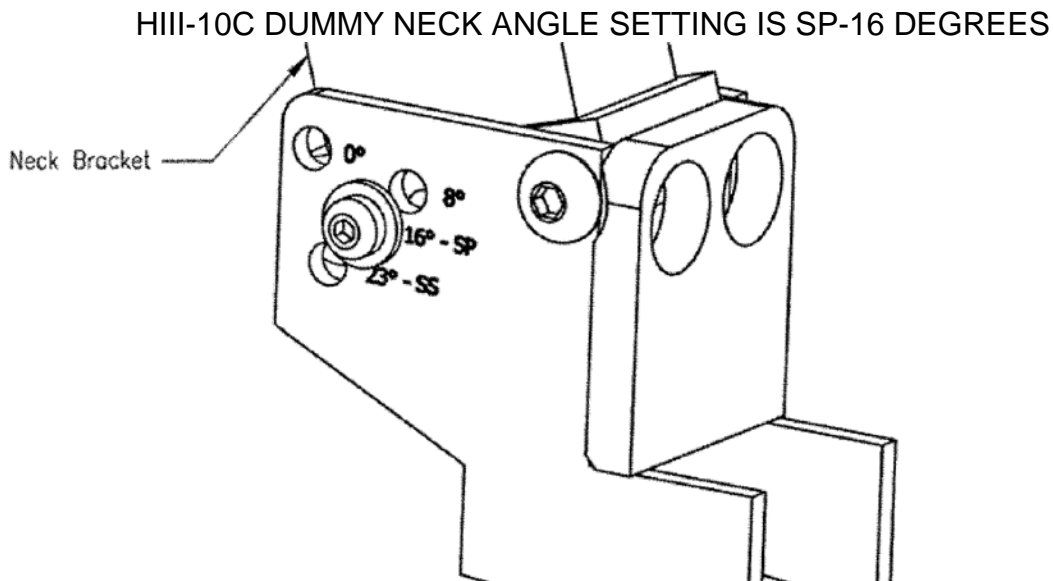


FIGURE 13

HIII-10C DUMMY LUMBAR ANGLE SETTING IS SP-12 DEGREES

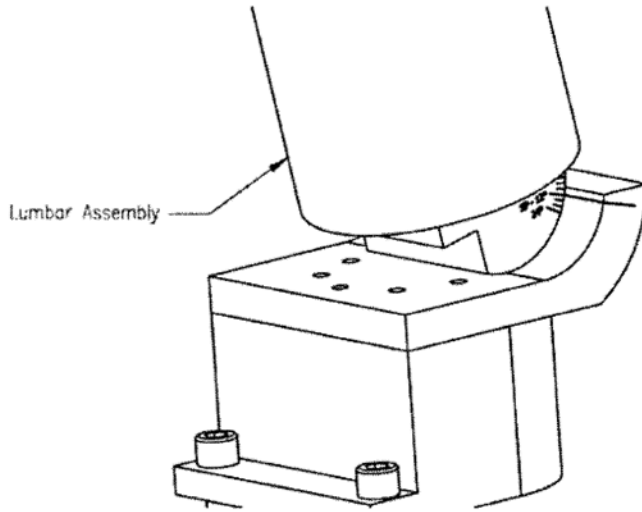


FIGURE 14

LAP SHIELD

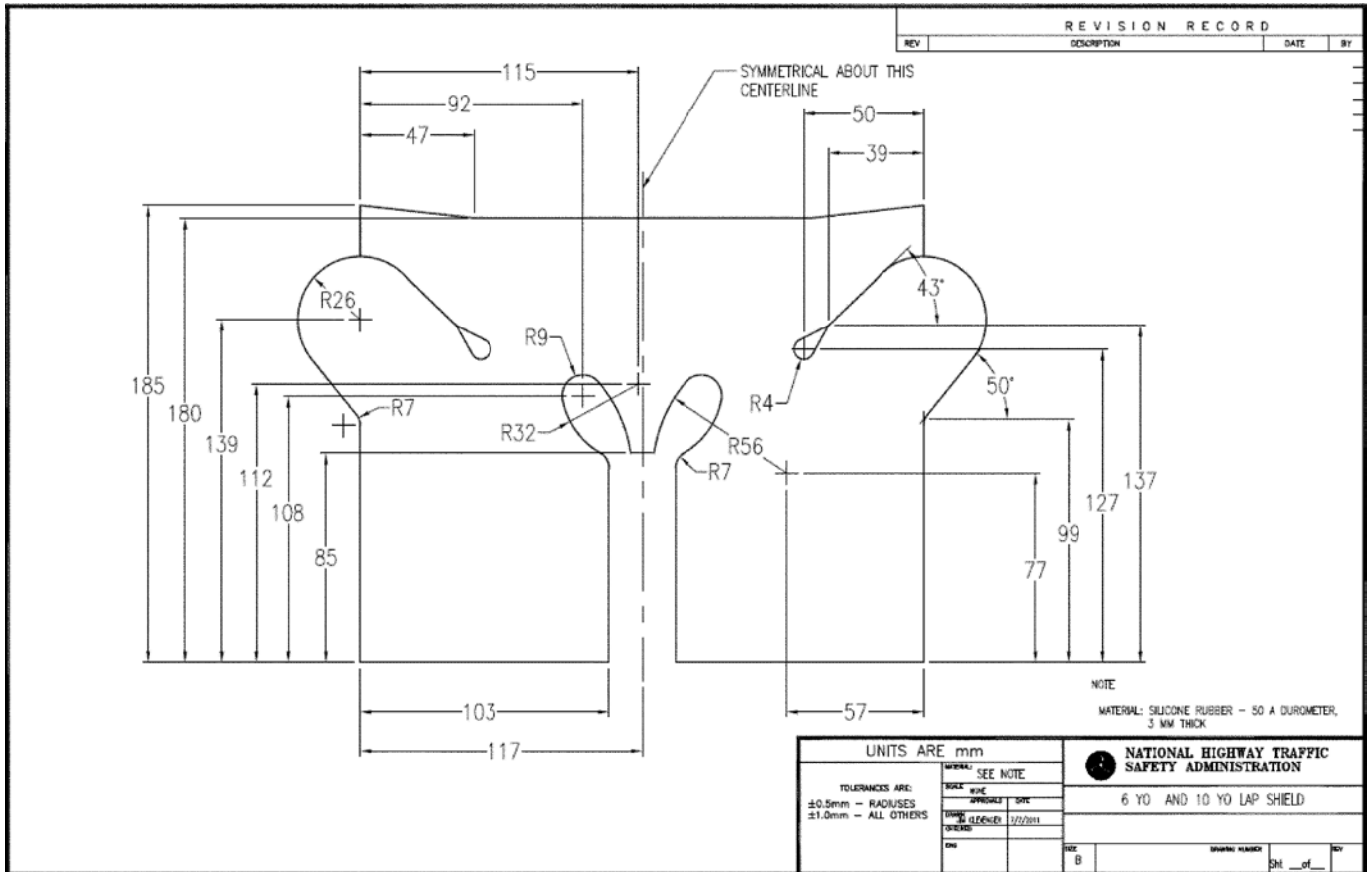


FIGURE 15

12.D.6.2 DUMMY INSTALLATION - CAR BEDS (S213, S10.1)

Place the test dummy in the car bed in the supine position with its midsagittal plane perpendicular to the center SORL of the standard seat assembly, in the case of an add-on car bed, or perpendicular to the longitudinal axis of the specific vehicle shell or the specific vehicle, in the case of a built-in car bed. Position the dummy within the car bed in accordance with the instructions for child position that the bed manufacturer provided with the bed.

12.D.6.3 BELT ADJUSTMENT

CHILD RESTRAINT PELVIC AND SHOULDER BELTS (S213, S6.1.2(d)(1)(i))

Determine shoulder harness slot position and buckle harness position by seating the dummy into the child restraint. Review the owner's manual for specific instructions about recommended shoulder and buckle harness positions. Generally, rear facing child restraints will use a shoulder harness position equal or lower to the shoulder height of the child and forward facing child restraints will use a shoulder harness position equal to or higher than the shoulder height of the child. Typically, the buckle harness position is the position closest to the child but not under their body. NTHSA reserves the right to determine the appropriate harness positions. Make note of the harness position used for testing on the appropriate data sheet.

In child restraints, other than belt-positioning seats, place the appropriate size dummy in the child restraint for testing. Tighten the child restraint belts until a 9 N (2 lbs.) force applied to the webbing at the top of each dummy shoulder and to the pelvic webbing 50 mm (2 inches) on either side of the torso midsagittal plane pulls the webbing 7 mm (1/3 inch) from the dummy. Use the webbing tension pull device shown in Figure 16 or an aluminum rod of sufficient diameter to perform this evaluation.

CHILD RESTRAINT ATTACHMENT BELTS

Add-On Systems Other Than Belt Positioning Seats (S213, S6.1.2(d)(1)(ii))

Tighten all belts used to restrain the child restraint system to the standard seat assembly or built-in restraint after installation of the appropriate size dummy. It is recommended that a belt-tensioning gage be used to apply the initial tension. For all Type I and the lap portion of Type II belt systems, apply the initial tension at the junction of the seat back and seat bottom on the standard seat assembly.

Tighten all Type I belt systems and any provided additional anchorage belt (tether), that are used to attach an add-on child restraint to the standard seat

assembly to a tension of not less than 53.5 N (12 lbs.) and not more than 67 N (15 lbs.), as measured by a load cell used on the webbing portion of the belt. Tighten all belt systems used to attach the restraint to the tether anchorage and the child restraint anchorage system on the standard seat assembly to a tension of not less than 53.5N (12 lb) and not more than 67 N (15 lb), as measured by a load cell used on the webbing portion of the belt.

Add-On Belt Positioning Seats (S213, S6.1.2(d)(2))

Tighten the lap and shoulder portions of the Type II belt system used to directly restrain the dummy in add-on and built-in child restraint systems to a tension of not less than 9 N (2 lbs.) and not more than 18 N (4 lbs.). For the shoulder portion of all Type II belt systems, apply the initial tension at a point close to the D-ring between the belt anchorage and the D-ring. Otherwise, apply the initial tension at the closest point to the child restraint system that permits installation of the gage on the belt system.

NOTE: There are no tension requirements for an Emergency Locking Retractor system on a built-in restraint system.

WEBBING TENSION PULL DEVICE

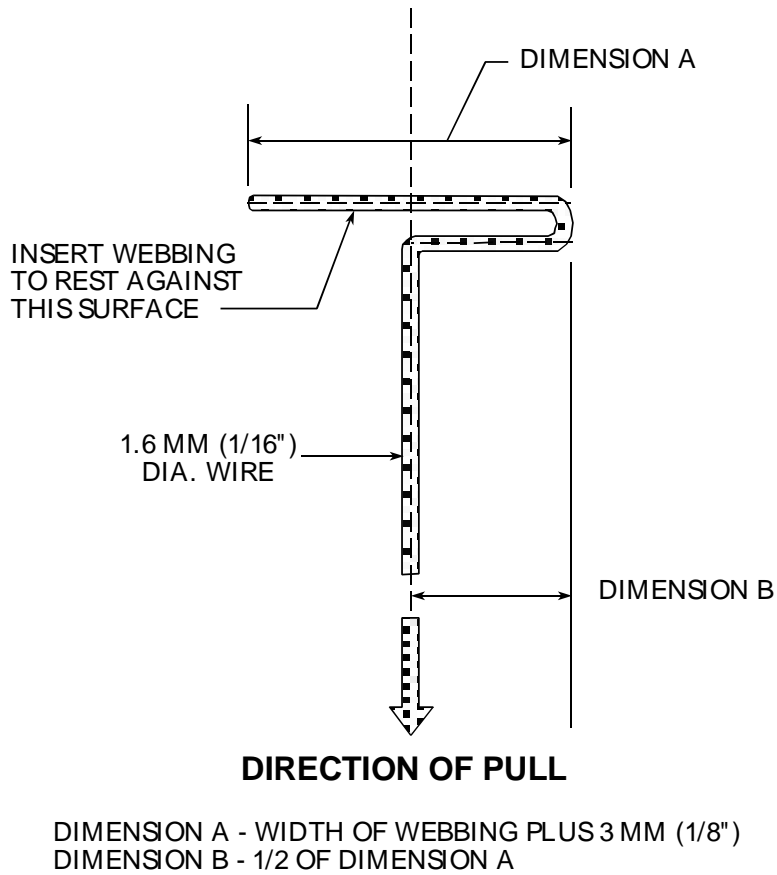


FIGURE 16

12.D.6.4 RESTRAINT TARGETING

Rear-facing restraints, depending on their design, require the use of targets visible to the high-speed video camera to allow determination of compliance with occupant excursion and back support angle requirements. A target identifying the forward-most and top-most point on the restraint is necessary if that point is not visible from the side.

If a surface parallel to the back support surface is not externally visible, targets identifying that surface may be necessary for determining its maximum deviation from vertical. An alternate method for defining the seat back plane is to determine the angular relationship between an externally visible surface and the actual back support surface prior to the Dynamic Impact Test.

If the back support surface is curved, a target is necessary that identifies the top of the dummy's shoulder, defined in this procedure, on the surface to be observed. The angle determination will then be made using a tangent to the surface at the "shoulder height" point.

Do not modify the restraint in any manner that will affect its structure or performance to achieve the targeting requirement. The use of adhesive-backed paper or fabric photographic targets is recommended for this application.

12.D.7 IMPACT TEST (S213, S6.1.2(e))

Photograph the restraint setup to document the final pretest configuration. Include this documentation with the appropriate Data Sheet.

Before conducting the Dynamic Impact Test, ensure that:

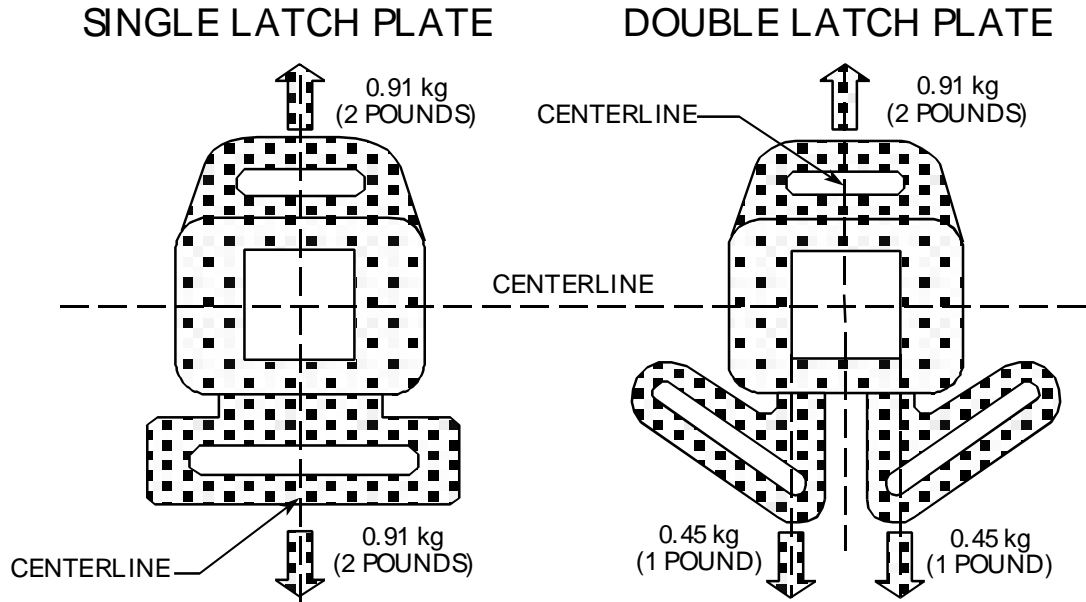
- (1) The restraint system and dummy are properly installed on the standard seat, and all belts are adjusted and tensioned as required.
- (2) Restraint and dummy targeting required to measure performance are properly installed.
- (3) All required calibrations of instrumentation, transducers, and high-speed video camera field are completed and recorded.
- (4) All parameters relating to the required impact severity and velocity have been correctly set.
- (5) The environmental requirements are met.

When all pretest requirements are met, conduct the Dynamic Impact Test.

Immediately after the Dynamic Impact Test, photograph the restraint and dummy in their final posttest positions and configurations on the standard seat or vehicle. Include this documentation with the appropriate Data Sheet. Provide, in addition, a plot of the sled/vehicle acceleration-time history for the test, showing its relationship to the acceleration-function envelope. Indicate on the appropriate Data Sheet the actual sled/vehicle velocity change for the test and the cumulative velocity change associated with acceleration deviations below the acceleration-function envelope. In the event of a noncompliance, a posttest calibration check of critically sensitive test equipment and instrumentation shall be required at the discretion of the COTR.

PRE-IMPACT BUCKLE RELEASE FORCE TEST SETUP

BUCKLE PRELOAD



**RELEASE FORCE APPLICATION POSITION —
PUSH BUTTON MECHANISMS**

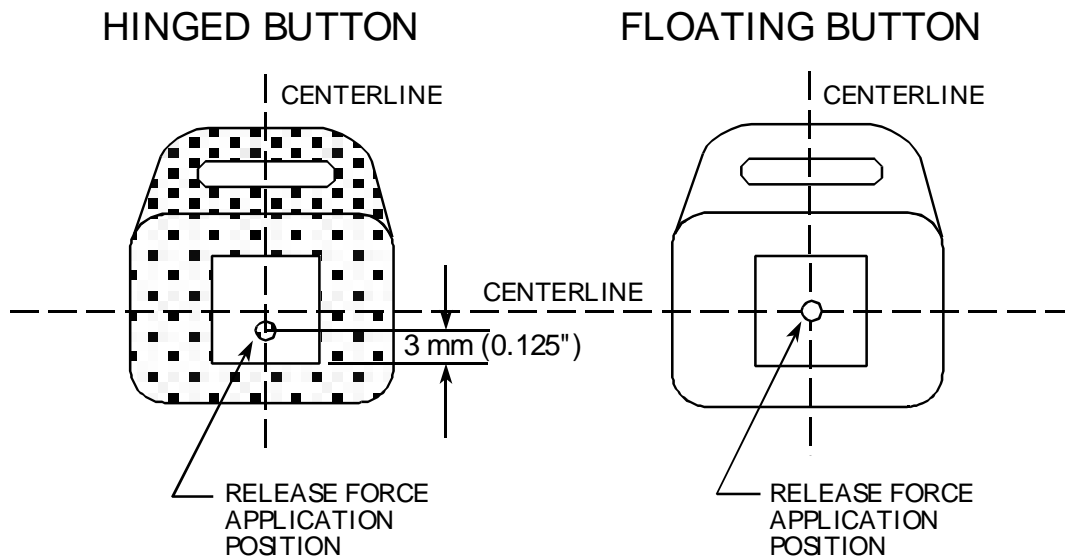


FIGURE 17

12.D.8 PERFORMANCE REQUIREMENTS (S213, S5.1)

12.D.8.1 POST IMPACT BUCKLE RELEASE TEST (S213, S5.4.3.5, S6.2.3)

After completion of the testing specified in S6.1 and before the buckle is unlatched, tie a self-adjusting sling to each wrist and ankle of the test dummy in the manner illustrated in Figure 18.

Pull the sling tied to the dummy restrained in the child restraint system and apply a force whose magnitude is: 50 N (11 lb.) for a system tested with a newborn dummy; 90 N (20 lb.) for a system tested with a 12-month-old dummy; 200 N (45 lb.) for a system tested with a 3-year-old dummy; 270 N (61 lb.) for a system tested with a 6-year-old dummy; 350 N (79 lb.) for a system tested with a weighted 6-year-old dummy; or 437 N (98 lb.) for a system tested with a 10-year-old dummy. The force is applied in the manner illustrated in Figure 18 and as follows:

- (A) **Add-on Child Restraints.** For an add-on child restraint other than a car bed, apply the specified force by pulling the sling horizontally and parallel to the SORL of the standard seat assembly. For a car bed, apply the force by pulling the sling vertically.
- (B) **Built-in Child Restraints.** For a built-in child restraint other than a car bed, apply the force by pulling the sling parallel to the longitudinal centerline of the specific vehicle shell or the specific vehicle. In the case of a car bed, apply the force by pulling the sling vertically.
- (C) **Figure 18 illustrates a forward facing restraint.** For rear facing restraints, reverse the restraint so that it's forward facing. Pull the sling according to the procedures for a forward facing restraint.

While applying the force specified and using the device shown in Figure 19 for pushbutton-release buckles, apply the release force in the manner and location specified in S6.2.1, for that type of buckle. Measure the force required releasing the buckle and record in the appropriate data sheet.

BUCKLE RELEASE TEST CONFIGURATION

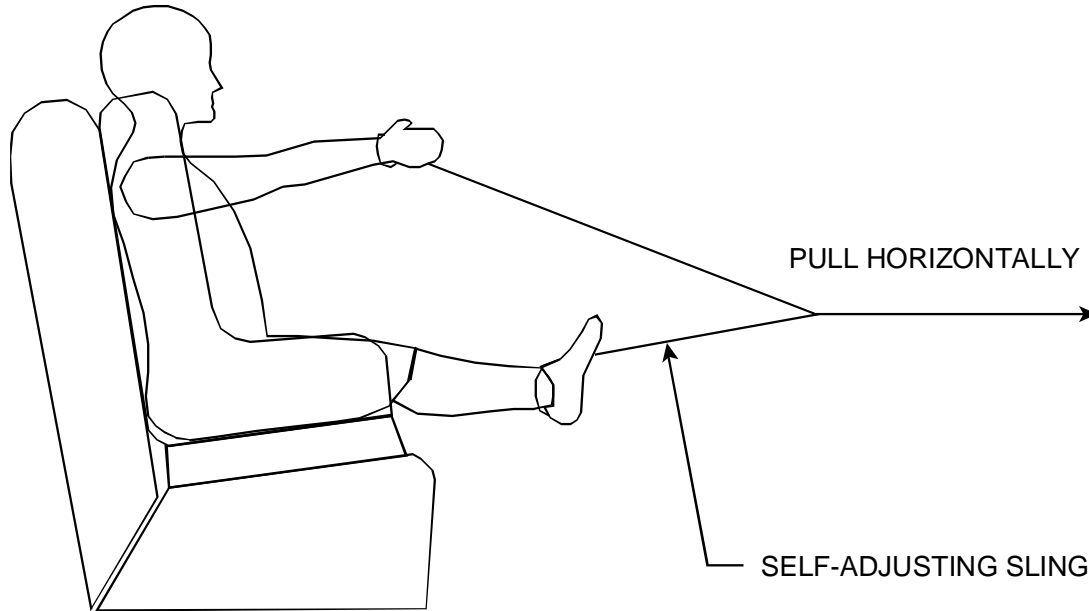


FIGURE 18

12.D.8.2 RESTRAINT SYSTEM INTEGRITY (S213, S5.1.1)

After the Dynamic Impact Test, the child restraint system shall:

- (1) Exhibit no complete separation of any load bearing structural element and no partial separation exposing either surfaces with a radius of less than 6 mm (0.25 inch) or surfaces with protrusions greater than 10 mm (0.375 inch) above the immediate adjacent surrounding contactable surface of any structural element of the system.
- (2) If adjustable to different positions, remain in the same adjustment position during the testing as it was immediately before the testing except as noted below:
 - (A) A rear-facing child restraint system may have a means for repositioning the seating surface of the system that allows the system's occupant to move from a reclined position to an upright position and back to a reclined position during testing.

- (B) No opening that is exposed and is larger than 6 mm (1/4 inch) before the testing shall become smaller during the testing as a result of the movement of the seating surface relative to the restraint system as a whole.
- (3) If a forward-facing child restraint system, not allow the angle between the system's back support surface for the child and the system's seating surface to be less than 45 degrees at the completion of the test.

Observe, measure, and record the results, including maximum protrusion values, on the appropriate Data Sheet.

RELEASE FORCE APPLICATION DEVICE – PUSH BUTTON RELEASE BUCKLES

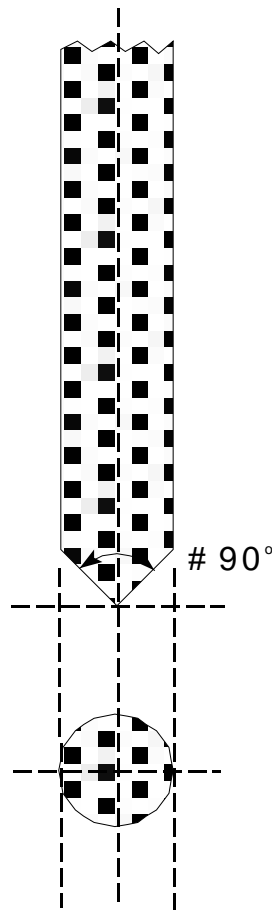


FIGURE 19

12.D.8.3 INJURY CRITERIA (S213, S5(d), S5.1.2)

Restraints tested with the 12-month-old, 3-year-old, or 6-year-old unweighted dummy shall be evaluated for injury potential. Restraints tested with the 10-year-old dummy shall be evaluated for injury potential as described in (2) below, but not (1). Restraints tested with the 6-year-old weighted dummy shall not be evaluated for injury potential. For compliance, the child restraint system shall:

- (1) Limit the resultant acceleration at the location of the accelerometer mounted in the test dummy head as specified in 49 CFR, Part 572, such that the expression for head injury criterion (HIC36):

$$HIC = \left[\frac{1}{(t_2 - t_1)} \int_{t_1}^{t_2} a dt \right]^{2.5} (t_2 - t_1)$$

shall not exceed 1,000, where a is the resultant acceleration expressed as a multiple of g (the acceleration of gravity), and t_1 and t_2 , are any two moments during the impact which are separated by not more than a 36 millisecond time interval and where t_1 is less than t_2 .

- (2) Limit the resultant acceleration at the location of the accelerometer mounted in the test dummy upper thorax as specified in 49 CFR, Part 572, to not more than 60 g 's except for intervals whose cumulative duration is not more than 3 milliseconds.

Record the results on the appropriate Data Sheet.

12.D.8.4 OCCUPANT EXCURSION (S213, S5(d), S5.1.3, S5.1.4, S5.2.1.1(c))

By analysis of the high-speed video of the Dynamic Impact Test, or from an equivalent method approved by the COTR, the dummy excursion must be within the following limits during the impact test. Restraints tested with a 6-year-old weighted dummy shall not be evaluated for occupant excursion.

CHILD RESTRAINT SYSTEMS OTHER THAN REAR-FACING ONES AND CAR BEDS

Each child restraint system, other than a rear-facing child restraint system or a car bed, shall retain the test dummy's torso within the system.

FORWARD-FACING RESTRAINTS (S213, S5.1.3.1, S5.2.1.1(C))

- (A) In the case of an add-on child restraint system, no portion of the test dummy's head shall pass through a vertical, transverse plane that is 720 mm (28 inches) or 813 mm (32 inches) (as specified in D.5.1) forward of point Z on the standard seat assembly, measured along the center SORL (as illustrated in Figures 7 and 8), and neither knee pivot point shall pass through a vertical, transverse plane that is 915 mm (36 inches) forward of point Z on the standard seat assembly, measured along the center SORL.
- (B) In the case of a built-in child restraint system, neither knee pivot point shall, at any time during the dynamic test, pass through a vertical, transverse plane that is 305 mm (12 inches) forward of the initial pre-test position of the respective knee pivot point, measured along a horizontal line that passes through the knee pivot point and is parallel to the vertical plane that passes through the vehicle's longitudinal centerline.

TABLE 7
FORWARD FACING RESTRAINTS EXCURSION LIMITS

When this type of CRS	is tested in accordance with	these excursion limits apply	NOTE: the CRS is attached in the manner described below, subject to certain conditions
Harnesses, backless boosters, special needs restraints	S6.1.2(a)(1)(i)(A)	Head 813 mm; Knee 915 mm	Lap belt and tether (if provided)
School bus harnesses	S6.1.2(a)(1)(i)(A)	Head 813 mm; Knee 915 mm	Seat back mount
Belt positioning seats	S6.1.2(a)(1)(ii)	Head 813 mm; Knee 915 mm	Lap and shoulder belt; no tether
All other CRS	S6.1.2(a)(1)(i)(B)	Head 813 mm; Knee 915 mm	Lap belt; no tether
	S6.1.2(a)(1)(i)(D)	Head 813 mm; Knee 915 mm	Lower anchorages; no tether
	S6.1.2(a)(1)(i)(A)	Head 720 mm; Knee 915 mm	Lap belt and tether

	S6.1.2(a)(1)(i)(C)	Head 720 mm; Knee 915 mm	Lower anchorages and tether
--	--------------------	-----------------------------	-----------------------------------

Record the results of the film analysis, including maximum excursions and angles observed, on the appropriate Data Sheet.

REAR-FACING RESTRAINTS (S213, S5.1.3.2, S5.1.4, S5.2.1.1(C))

In the case of each rear-facing child restraint system, all portions of the test dummy's torso shall be retained within the system and neither of the target points on either side of the dummy's head and on the transverse axis passing through the center of mass of the dummy's head and perpendicular to the head's midsagittal plane, shall pass through the transverse orthogonal planes whose intersection contains the forward-most and top-most points on the child restraint system surfaces (illustrated in Figure 20).

Record the results of the film analysis, including maximum angles observed, on the appropriate Data Sheet.

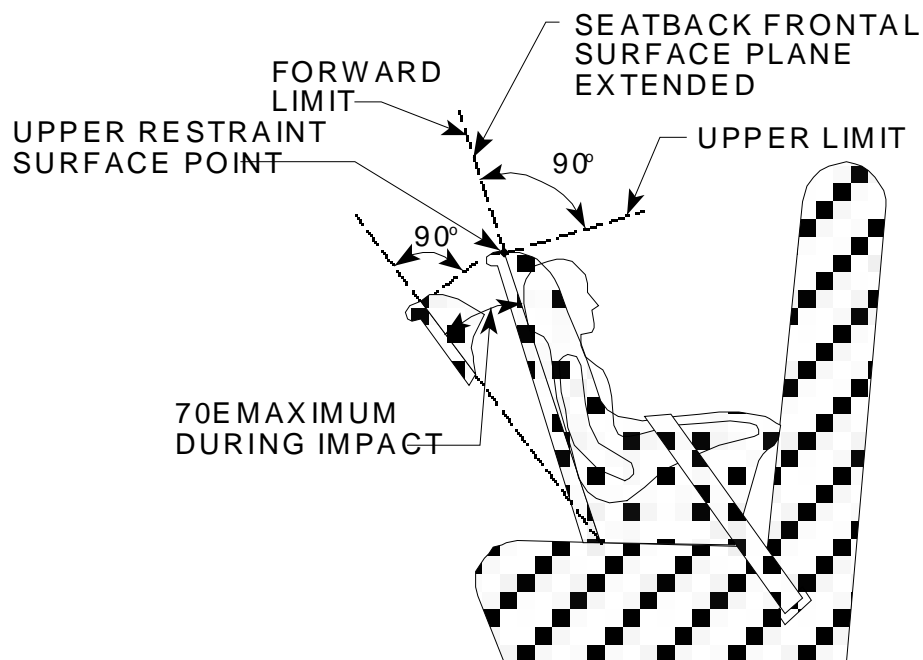
CAR BEDS (S213, S5.1.3.3)

In the case of car beds, all portions of the test dummy's head and torso shall be retained within the confines of the car bed. Record the results on the appropriate Data Sheet.

BACK SUPPORT ANGLE (S213, S5.1.4)

When a rear-facing child restraint system is tested in accordance with S6.1, the angle between the system's back support surface for the child and the vertical shall not exceed 70 degrees. Record the results on the appropriate Data Sheet.

REAR FACING CRS FORWARD AND UPPER HEAD EXCURSION LIMITS



NOTE: Limits illustrated move during dynamic testing

FIGURE 20

12.E. TESTING FOR AIRCRAFT USE (S213, S8)

Test a child restraint system manufactured for use in aircraft according to the additional procedures following:

12.E.1 INSTALLATION INSTRUCTIONS (S213, S8.1)

Review the manufacturer's printed instructions and install the child restraint system accordingly. Verify the requirements shown below:

Each child restraint system manufactured for use in aircraft shall be accompanied by printed instructions in the English language that provide a step-by-step procedure, including diagrams, for installing the system in the aircraft passenger seats, securing the system to the seat, positioning a child in the system when it is installed in aircraft, and adjusting the system to fit the child.

Record the results in the appropriate Data Sheets.

12.E.2 INVERSION TEST

This test uses a representative aircraft passenger seat assembly and a child restraint system manufactured for use in aircraft.

12.E.2.1 TEST DEVICE (S213, S8.2.1)

Position and adjust a representative aircraft passenger seat so that its horizontal and vertical orientation and its seat back angle are in accordance with Figure 21, below.

"A" represents a 51 mm (2 inch) to 76 mm (3 inch) thick polyurethane foam pad, 0.68 kg (1.5 pounds) to 0.91 kg (2.0 pounds) per cubic foot density, over 0.51 mm (0.020 inch) thick aluminum pan, and covered by 340 grams (12 ounce) to 397 grams (14 ounce) marine canvas. The sheet aluminum pan is 508 mm (20 inches) wide and supported on each side by a rigid structure. The seat back is a rectangular frame covered with the aluminum sheet and weighing between 6 kg (14 pounds) and 7 kg (15 pounds), with a center of mass 330 mm (13 inches) to 406 mm (16 inches) above the seat pivot axis. The mass moment of inertia of the seat back about the seat pivot axis is between 1.378 and 1.553 kg-m² (195 and 220 ounce-inch-second²). The seat back is free to fold forward about the pivot, but a stop prevents rearward motion. The passenger safety belt anchor points are spaced 533 mm (21 inches) to 559 mm (22 inches) apart and are located in line with the seat pivot axis.

12.E.2.2 RESTRAINT SYSTEM INSTALLATION IN AIRCRAFT PASSENGER SEAT (S213, S8.2.2)

Attach the child restraint system to the representative aircraft passenger seat using, at the manufacturer's options, any Federal Aviation Administration approved aircraft safety belt, according to the restraint manufacturer's instructions for attaching the restraint to an aircraft seat. No supplementary anchorage belts or tether straps may be attached; however, Federal Aviation Administration approved safety belt extensions may be used.

12.E.2.3 DUMMY SELECTION (S213, S8.2.3)

Place the appropriate size dummy, per Table 6, in the child restraint as recommended by the manufacturer's instructions. Indicate the dummy used on the appropriate Data Sheet.

SIMULATED AIRCRAFT PASSENGER SEAT

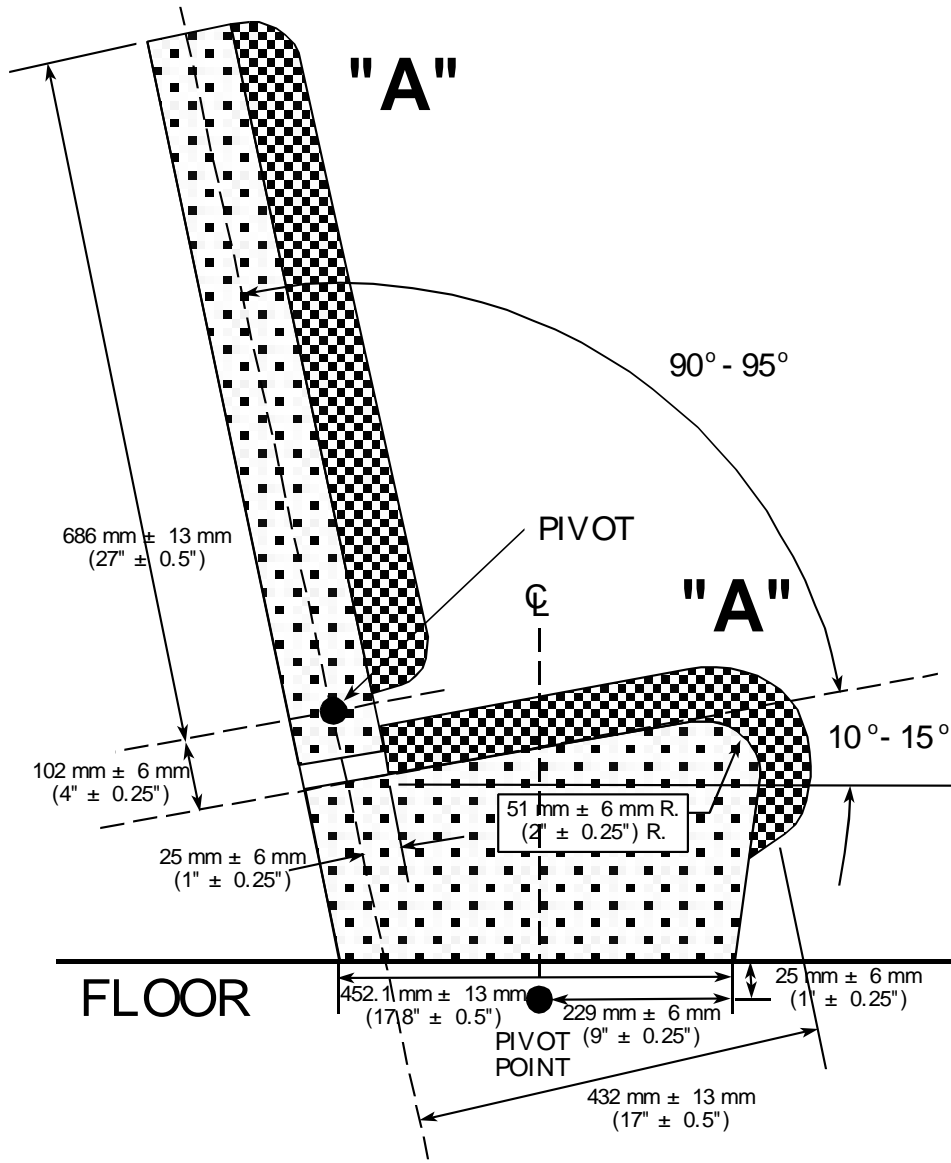
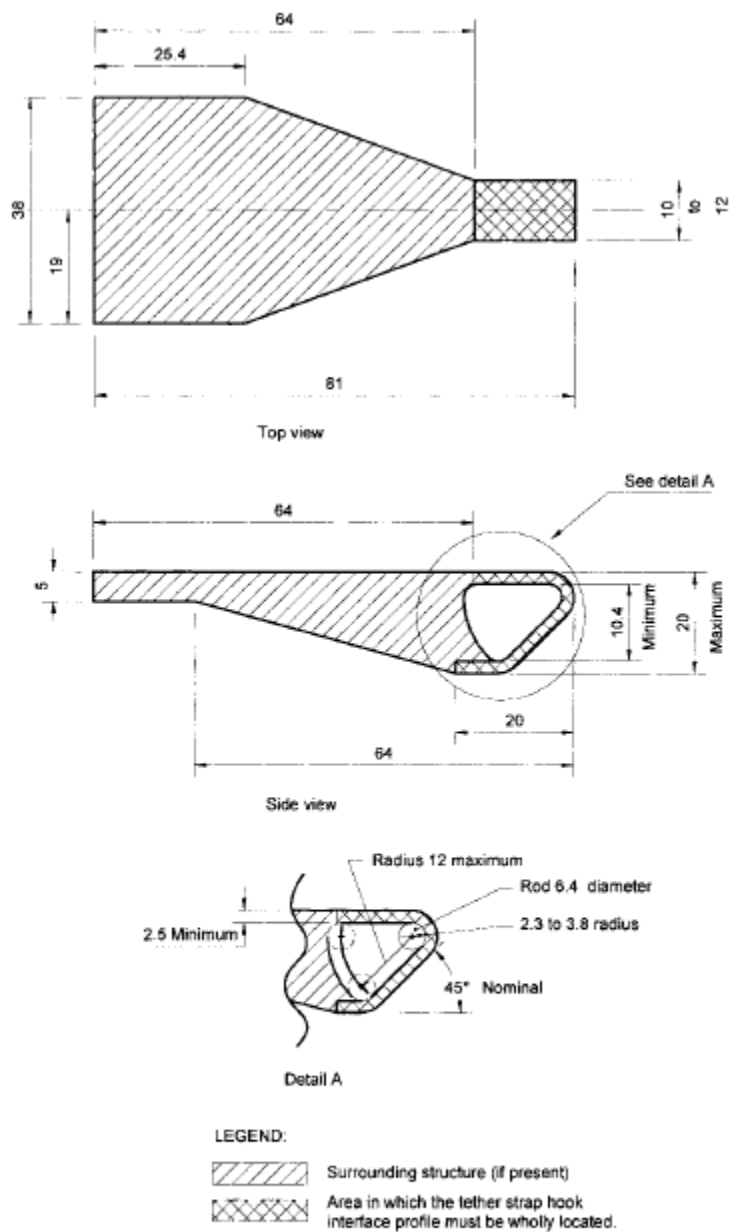


FIGURE 21

INTERFACE PROFILE OF TETHER HOOK



Notes

1. Dimensions in mm, except where otherwise indicated
2. Drawing not to scale

FIGURE 22

12.E.2.4 BELT TENSION (S213, S8.2.4)

Refer to Section D.5.3 of this test procedure for adjusting shoulder and pelvic belts in the restraint system that directly rests on the dummy.

12.E.2.5 FORWARD ROTATION TEST (S213, S8.2.5)

Rotate the combination of representative aircraft passenger seat, child restraint, and test dummy forward around a horizontal axis which is contained in the median transverse vertical plane of the seating surface portion of the aircraft seat and is located 25.4 mm (1 in) below the bottom of the seat frame, at a speed of 35 degrees to 45 degrees per second, to an angle of 180 degrees. The rotation shall be stopped when it reaches that angle and the seat shall be held in this position for three seconds. The child restraint shall not fall out of the aircraft safety belt, nor shall the test dummy fall out of the child restraint at any time during the rotation or the three second period. The specified rate of rotation shall be attained in not less than one-half second, and not more than one second, and the rotating combination shall be brought to a stop in not less than one half second and not more than one second.

Indicate the results on the appropriate Data Sheet.

12.E.2.6 SIDEWAYS ROTATION TEST (S213, S8.2.6)

Rotate the combination of the representative aircraft passenger seat, child restraint, and test dummy sideways around a horizontal axis which is contained in the median longitudinal vertical plane of the seating surface portion of the aircraft seat and is located 25.4 mm (1 in) below the bottom of the seat frame, at a speed of 35 degrees to 45 degrees per second, to an angle of 180 degrees. The rotation shall be stopped when it reaches that angle and the seat shall be held in this position for three seconds. The child restraint shall not fall out of the aircraft safety belt, nor shall the test dummy fall out of the child restraint at any time during the rotation or the three second period. The specified rate of rotation shall be attained in not less than one half second and not more than one second, and the rotating combination shall be brought to a stop in not less than one half second and not more than one second. Indicate the results on the appropriate Data Sheet.

13. POST TEST REQUIREMENTS

The contractor shall re-verify all instrumentation and checks data sheets and photographs. Make sure data are recorded in all applicable data blocks on every compliance test Data Sheet.

14. REPORTS

14.1 MONTHLY STATUS REPORTS

The contractor shall submit, in accordance with the contract delivery schedule, a monthly Test Status Report and an Inventory Status Report to the COTR. The Inventory Status Report shall be submitted until all child restraint systems are disposed of. Samples of the required Monthly Status Reports (for tests and inventory) are contained in the report forms section.

For FMVSS 213 child restraint component testing, the contractor shall submit a monthly test status report spreadsheet. The spreadsheet report shall contain dates for receipt of child restraint systems, associated webbing and foam samples, and manufacturer verification statements. The report shall also include dates for initiating and completing all component tests such as for buckle, webbing, and foam components. The report shall also include information on test results (passing and failing) along with estimated and actual test completion dates for the overall child restraint system. Comments shall include any problems or delays that the Contractor experienced during the reporting period that are related to the supplies and services required under this contract, and the specific action which the Contractor proposes to correct problems or delays identified. A sample component test status spreadsheet is contained in the report forms section.

14.2 APPARENT TEST FAILURE

Any indication of a test failure shall be communicated by telephone to the COTR within 24 hours with written notification sent within 48 hours (Saturdays and Sundays excluded). A Laboratory Notice of Test Failure (see report forms section) with a copy of the particular compliance test data sheet(s) and preliminary data plot(s) shall be included. In the event of a test failure, a post test calibration check of some critically sensitive test equipment and instrumentation may be required for verification of accuracy. The necessity for the calibration shall be at the COTR's discretion and shall be performed without additional costs to the OVSC.

14.3 FINAL TEST REPORTS

14.3.1 COPIES

Two hard copies, and one electronic copy (Microsoft Word format) on compact disk (CD) or Zip diskette, of the Final Test Report shall be submitted to the COTR for acceptance within two weeks of test completion. The Final Test Report format to be used by all contractors can be found in the "Report Section".

Payment of contractor's invoices for completed compliance tests may be withheld until the Final Test Report is accepted by the COTR. Contractors are requested to NOT submit invoices before the COTR is provided copies of the Final Test Report.

Contractors are required to submit the first Final Test Report in draft form within two weeks after the compliance test is conducted. The contractor and the COTR will then be able to discuss the details of both test conduct and report content early in the compliance test program.

Contractors are required to PROOF READ all Final Test Reports before submittal to the COTR. The OVSC will not act as a report quality control office for contractors. Reports containing a significant number of errors will be returned to the contractor for correction, and a "hold" will be placed on invoice payment for the particular test.

14.3.2 REQUIREMENTS

The Final Test Report, associated documentation (including photographs) is relied upon as the chronicle of the compliance test. The Final Test Report will be released to the public domain after review and acceptance by the COTR. For these reasons, each final report must be a complete document capable of standing by itself.

The contractor should use **detailed** descriptions of all compliance test events. Any events that are not directly associated with the standard but are of technical interest should also be included. The contractor should include as much **detail** as possible in the report.

In addition, one (1) data disk containing dynamic sled test data shall be submitted. Data contained on the disk shall be arranged such that it complies with the "NHTSA Component Data Reference Guide, Vol. 3" and is in a well-organized and readily understandable format.

Instructions for the preparation of the first three pages of the final test report are provided for the purpose of standardization. A template of the test report in MS Word format is available from OVSC for standardization of the final reports.

14.3.3 FIRST THREE PAGES

A. FRONT COVER

A heavy paperback cover (or transparency) shall be provided for the protection of the final report. The information required on the cover is as follows:

- (1) FINAL REPORT NUMBER such as 213-ABC-0X-001, where –
- 213 is the FMVSS tested
 - ABC are the initials for the laboratory
 - 0X is the Fiscal Year of the test program (02, 03, etc..)
 - 001 is the Group Number (001 for 1st test, 002 for 2nd test, etc.)

- (2) Final Report Title And Subtitle such as
- SAFETY COMPLIANCE TESTING FOR FMVSS 213
Child Restraint Systems

Child Safety Corporation
200X CSC Super Safe
Model No. CSC 9X123, P/N 12345678

- (3) Contractor's Name and Address such as
- COMPLIANCE TESTING LABORATORIES, INC.
4335 West Dearborn Street
Detroit, Michigan 48090-1234



NOTE: DOT SYMBOL WILL BE PLACED BETWEEN ITEMS (3) AND (4)

- (4) Date of Final Report completion
- (5) The words "FINAL REPORT"
- (6) The sponsoring agency's name and address as follows

U. S. DEPARTMENT OF TRANSPORTATION
National Highway Traffic Safety Administration

Enforcement
Office of Vehicle Safety Compliance
Mail Code: NVS-220, W43-481
1200 New Jersey Avenue, SE
Washington, DC 20590

B. FIRST PAGE AFTER FRONT COVER

A disclaimer statement and an acceptance signature block for the COTR shall be provided as follows:

This publication is distributed by the U. S. Department of Transportation, National Highway Traffic Safety Administration, in the interest of information exchange. The opinions, findings and conclusions expressed in this publication are those of the author(s) and not necessarily those of the Department of Transportation or the National Highway Traffic Safety Administration. The United States Government assumes no liability for its contents or use thereof. If trade or manufacturers' names or products are mentioned, it is only because they are considered essential to the object of the publication and should not be construed as an endorsement. The United States Government does not endorse products or manufacturers.

Prepared By: _____

Approved By: _____

Approval Date: _____

FINAL REPORT ACCEPTANCE BY OVSC:

Accepted By: _____

Acceptance Date: _____

C. SECOND PAGE AFTER FRONT COVER

A completed Technical Report Documentation Page (Form DOT F1700.7) shall be completed for those items that are applicable with the other spaces left blank. Sample data for the applicable block numbers of the title page follows.

Block No. 1 -- REPORT NUMBER

213-ABC-0X-001

Block No. 2 -- GOVERNMENT ACCESSION NUMBER

Leave blank

Block No. 3 -- RECIPIENT'S CATALOG NUMBER

Leave blank

Block No. 4 -- TITLE AND SUBTITLE

Final Report of FMVSS 213 compliance testing of CSC Super Safe Child Restraint System

Block No. 5 -- REPORT DATE

March 1, 200X

Block No. 6 -- PERFORMING ORGANIZATION CODE

ABC

Block No. 7 -- AUTHOR(S)

John Smith, Project Manager
Bill Doe, Project Engineer

Block No. 8 -- PERFORMING ORGANIZATION REPORT NUMBER

ABC-DOT-213-001

Block No. 9 -- PERFORMING ORGANIZATION NAME AND ADDRESS

ABC Laboratories
405 Main Street

Detroit, MI 480
Block No. 10 -- WORK UNIT NUMBER

Leave blank

Block No. 11 -- CONTRACT OR GRANT NUMBER

DTNH22-0X-D-12345

Block No. 12 -- SPONSORING AGENCY NAME AND ADDRESS

U.S. Department of Transportation
National Highway Traffic Safety Administration
Office of Vehicle Safety Compliance
Mail Code: NVS-220
1200 New Jersey Avenue, SE
Washington, DC 20590

Block No. 13 -- TYPE OF REPORT AND PERIOD COVERED

Final Test Report
Feb. 15 to Mar. 15, 200X

Block No. 14 -- SPONSORING AGENCY CODE

NVS-220

Block No. 15 -- SUPPLEMENTARY NOTES

Leave blank

Block No. 16 -- ABSTRACT

Compliance tests were conducted on CSC Super Safe child restraint systems in accordance with the specifications of the Office of Vehicle Safety Compliance Test Procedure No. TP-213-0X. Test failures identified were as follows:

None

NOTE: Above wording must be shown with appropriate changes made for a particular compliance test. Any questions should be resolved with the COTR.

Block No. 17 -- KEY WORDS

Compliance Testing
Safety Engineering
FMVSS 213

Block No. 18 -- DISTRIBUTION STATEMENT

Copies of this report are available from--

National Highway Traffic Safety Administration
Technology Information Services, NPO-411
1200 New Jersey Avenue, SE, (Room E12-100)
Washington, DC 20590

e-mail: tis@nhtsa.dot.gov
FAX: 202-493-2833

Block No. 19 -- SECURITY CLASSIFICATION OF REPORT

Unclassified

Block No. 20 -- SECURITY CLASSIFICATION OF PAGE

Unclassified

Block No. 21 -- NUMBER OF PAGES

Add appropriate number

Block No. 22 -- PRICE

Leave blank

14.3.4 TABLE OF CONTENTS

Final test report Table of Contents shall include the following:

- Section 1 - Purpose of Compliance Test and Test Procedure
- Section 2 - Compliance Data Summary
- Section 3 - Inspection and Test Data
- Section 4 - Test Equipment List and Calibration Information
- Section 5 - Photographs
- Section 6 - Notice of Test Failure (if applicable)

14.3.5 PURPOSE AND TEST PROCEDURE

Final test reports shall include the following:

PURPOSE

The purpose of the test was to determine if the production child restraint systems supplied by the National Highway Traffic Safety Administration met the requirements of Federal Motor Vehicle Safety Standard (FMVSS) No. 213 - Child Restraint Systems.

TEST PROCEDURE

The "ABC Laboratories Test Procedure for FMVSS 213," submitted and approved by the Office of Vehicle Safety Compliance, National Highway Traffic Safety Administration, contains the specific procedures used to conduct this test. This procedure shall not be interpreted to be in conflict with any portion of FMVSS 213 and amendments in effect as noted in the applicable contract.

14.3.6 INTERPRETATIONS AND DEVIATIONS

Any interpretations and/or deviations from this Test Procedure shall be shown in Appendix A of the Final Test Report.

14.3.7 REPORTS FOR BUILT-IN CHILD RESTRAINT TESTS

The report template provided in this test procedure shall be modified to reflect built-in child restraint tests by adding the following information:

- the vehicle's model year, manufacturer, model and address to the cover page of the test report, and elsewhere, as appropriate.
- The type of built-in child restraint to the cover sheet of the report and elsewhere as appropriate

15. DATA SHEETS

One sample of each Compliance Data Sheet is included in this section. More than one copy of a Data Sheet may be needed for a complete compliance test series.

Test data shall be recorded in standard engineering units, when applicable, on Data Sheets specifically prepared for this purpose, as shown in section 15 of this procedure.

For each FMVSS requirement indicated on the Data Sheets, determine compliance, and record PASS, FAIL, NA (not applicable), or SEE REMARKS in the space provided. Any noncompliance should be explained under REMARKS.

Completed Data Sheets shall be included in the Final Test Report for each test required by the contract. In the case where the contract requires inspection of labels, instructions for proper use, and registration forms, the supplemental data sheets do not need to be included in the Final Test Report but shall be retained by the test lab.

Data sheets used to describe dynamic testing will identify test samples by report and model number or by report and item code. Item codes are used to describe the test sample in a succinct manner. Typically, item codes are four alpha numeric sequences as described below.

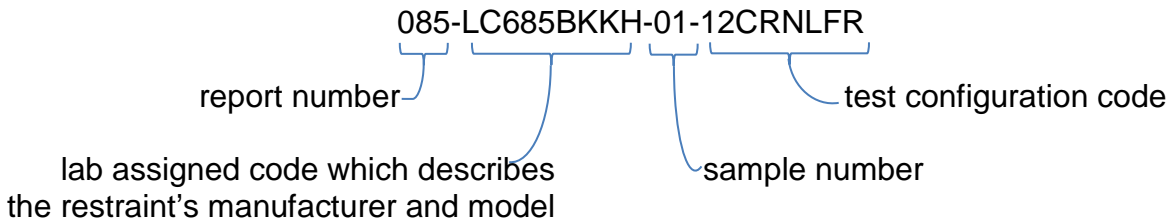


Table 8 explains the 8-character test configuration code which describes the dummy and restraint configuration for each unique dynamic test. For example, the test configuration code 12CFNLFU indicates that the child restraint sled test was conducted using a 12-month old CRABI dummy installed in the forward facing direction with no optional base, the LATCH system, no tether, and in the upright position.

TABLE 8
TEST CONFIGURATION CODE LEGEND

Dummy Description	NIN – Newborn Infant
	3H3 – 3YO, Hybrid III
	12C – 12MO, CRABI
	6H2 – 6YO Hybrid II
	6H3 – 6YO Hybrid III
	6W3 – 6YO, Weighted Hybrid III
	TH3 – 10YO, Hybrid III
Installed Direction	R – Rear Facing
	F – Forward Facing
	S – Faces Sideways (applies to carbeds)
Base Usage	B – Optional base used with CRS
	N – All other configurations
Attachment Method	L – Lower anchors
	2 – Lap belt
	3 – Lap & shoulder belt
	M – Seat back mount
Tether Usage	T – Tether
	F – Tether free
Seat Back Position	U – Upright
	R – Reclined
	N – Not Applicable

DATA SHEET 1
CHILD RESTRAINT SYSTEM IDENTIFICATION

Manufacturer:	
Place of Manufacture per S5.5.2(d):	
Model No.	
Group No.	

1	Item Code	
	Date of Manufacture	
	Sled Test No.	
2	Item Code	
	Date of Manufacture	
	Sled Test No.	
3	Item Code	
	Date of Manufacture	
	Sled Test No.	
4	Item Code	
	Date of Manufacture	
	Sled Test No.	
5	Item Code	
	Date of Manufacture	
	Sled Test No.	
6	Item Code	
	Date of Manufacture	
	Sled Test No.	

REMARKS:

Technician: _____

Date: _____

DATA SHEET 2
LABELING (S213, S5.3, S5.5)

Report No.: _____ Model No.: _____

Test Date: _____

FMVSS 213, S5.3 and S5.5	Pass/Fail
The labels on the subject child restraint system were inspected and compared to the requirements of FMVSS No. 213 S5.3.1(b) and S5.5, as applicable.	

Remarks:


List any labeling failures by describing the applicable section of the standard and explaining what information is missing or incorrect.

Include the following statement with the correct Appendix identifier, "Photographs of the labels are included in Appendix _."

DATA SHEET 2- supplement
LABELING (S213, S5.3, S5.5)

Report No.: _____ Model No.: _____

Test Date: _____

Section	Required Statement	Pass/Fail
	Harnesses manufactured for use on school bus seats	
S5.3.1(b)	<p>Harnesses manufactured for use on school bus seats must meet S5.3.1(a) unless a label that conforms in content to the figure below and to the requirements of S5.3.1(b)(1) through S5.3.1(b)(3) is permanently affixed to the part of the harness that attaches the system to a vehicle seat back.</p> <p style="text-align: center;">Label Outline, Vertical and Horizontal Line Black</p> <div style="display: flex; justify-content: space-around; align-items: center;"> <div style="border: 1px solid black; padding: 5px; width: 40%;"> <p>Artwork Gray and Black With White Background</p> <p>Circle and Line Red With White Background</p> </div> <div style="border: 1px solid black; padding: 5px; width: 40%;"> <p>Text Black With White Background</p> </div> </div> <div style="display: flex; justify-content: center; align-items: center; margin-top: 10px;">  <div style="border: 1px solid black; padding: 5px; margin-left: 10px; width: 300px;"> <p>WARNING! This restraint must only be used on school bus seats. Entire seat directly behind must be unoccupied or have restrained occupants.</p> </div> </div>	
S5.3.1(b)(1)	The label must be plainly visible when installed and easily readable.	
S5.3.1(b)(2)	The message area must be white with black text. The message area must be no less than 20 square centimeters.	
S5.3.1(b)(3)	The pictogram shall be gray and black with a red circle and slash on a white background. The pictogram shall be no less than 20 mm in diameter.	

Report No.: _____ Model No.: _____

Test Date: _____

Section	Required Statement	Pass/Fail
	All Child Restraints	
S5.5	Any labels or written instructions provided in addition to those required by this section shall not obscure or confuse the meaning of the required information or be otherwise misleading to the consumer. Any labels or written instructions other than in the English language shall be an accurate translation of English labels or written instructions.	
	All Add-On Child Restraints	
S5.5.1	Each add-on child restraint system shall be permanently labeled with the information specified in S5.5.2 (a) through (m).	
S5.5.2	The information specified in paragraphs (a) through (m) of this section shall be stated in the English language and lettered in letters and numbers that are not smaller than 10 point type. Unless otherwise specified, the information shall be labeled on a white background with black text. Unless written in all capitals, the information shall be stated in sentence capitalization.	
	The following information is included:	
S5.5.2(a)	The model name or number of the system.	
S5.5.2(b)	The manufacturer's name. A distributor's name may be used instead if the distributor assumes responsibility for all duties and liabilities imposed on the manufacturer with respect to the system by the National Traffic and Motor Vehicle Safety Act, as amended.	
S5.5.2(c)	The statement: "Manufactured in _____," inserting the month and year of manufacture.	
S5.5.2(d)	The place of manufacture (city and State, or foreign country). However, if the manufacturer uses the name of the distributor, then it shall state the location (city and State, or foreign country) of the principal offices of the distributor.	
S5.5.2(e)	The statement: "This child restraint system conforms to all applicable Federal motor vehicle safety standards."	

Section	Required Statement	Pass/Fail
S5.5.2(f)	One of the following statements, as appropriate, inserting the manufacturer's recommendations for the maximum mass of children who can safely occupy the system, except that booster seats shall not be recommended for children whose masses are less than 13.6 kg. For seats that can only be used as belt-positioning seats, manufacturers must include the maximum and minimum recommended height, but may delete the reference to weight:	
S5.5.2(f)(1)	Use only with children who weigh ____ pounds (____ kg) or less and whose height is <i>(insert values in English and metric units; use of word "mass" in label is optional)</i> or less; or	
S5.5.2(f)(2)	Use only with children who weigh between ____ and ____ pounds <i>(insert appropriate English and metric values; use of word "mass" is optional)</i> and whose height is <i>(insert appropriate values in English and metric units)</i> or less and who are capable of sitting upright alone; or	
S5.5.2(f)(3)	Use only with children who weigh between ____ and ____ pounds <i>(insert appropriate English and metric values; use of word "mass" is optional)</i> and whose height is <i>(insert appropriate values in English and metric units)</i> or less.	
S5.5.2(f)(4)	Use only with children who weigh between ____ and ____ pounds <i>(insert appropriate English and metric values; use of word "mass" is optional)</i> and whose height is between ____ and ____ <i>(insert appropriate values in English and metric units)</i> .	

Report No.: _____

Model No.: _____

Test Date: _____

Section	Required Statement	Pass/Fail
S5.5.2(g)(1)	A heading as specified in S5.5.2(k)(3)(i), with the statement WARNING! DEATH or SERIOUS INJURY can occur,” capitalized as written and followed by bulleted statements in the following order:	
S5.5.2(g)(1)(i)	As appropriate, the statements required by the following sections will be bulleted and placed after the statement required by 5.5.2(g)(1) in the following order: 5.5.2(k)(1) or 5.5.2(k)(2), 5.5.2(f), 5.5.2(h), 5.5.2(j), and 5.5.2(i).	
S5.5.2(g)(1)(ii)	Secure this child restraint with the vehicle's child restraint anchorage system, if available, or with a vehicle belt. [For car beds, harnesses, and belt positioning seats, the first part of the statement regarding attachment by the child restraint anchorage system is optional.] [For belt-positioning seats, the second part of the statement regarding attachment by the vehicle belt does not apply.] [For child restraints manufactured from February 27, 2014 to February 26, 2015, the following statement applies.] Child restraint systems equipped with internal harnesses to restrain the child and with components to attach to a child restraint anchorage system and for which the combined weight of the child restraint system and the maximum recommended child weight for use with internal harnesses exceeds 65 pounds, must be labeled with the following statement: “Do not use the lower anchors of the child restraint anchorage system (LATCH system) to attach this child restraint when restraining a child weighing more than * [*insert a recommended weight value in English and metric units such that the sum of the recommended weight value and the weight of the child restraint system does not exceed 65 pounds (29.5 kg)] with the internal harnesses of the child restraint.”	
S5.5.2(g)(1)(iii)	Follow all instructions on this child restraint and in the written instructions located (insert storage location on the restraint for the manufacturer’s installation instruction booklet or sheet).	
S5.5.2(g)(1)(iv)	Register your child restraint with the manufacturer.	
S5.5.2(g)(2)	At the manufacturer’s option, the phrase “DEATH or SERIOUS INJURY can occur” in the heading can be on either a white or yellow background.	

Report No.: _____

Model No.: _____

Test Date: _____

S5.5.2(g)(3)	More than one label may be used for the required bulleted statements. Multiple labels shall be placed one above the other unless that arrangement is precluded by insufficient space or shape of the child restraint. In that case, multiple labels shall be placed side by side. When using multiple labels, the mandated warnings must be in the correct order when read from top to bottom. If the labels are side-by-side, then the mandated warnings must appear top to bottom of the leftmost label, then top to bottom of the next label to its right, and so on. There shall be no intervening labels and the required heading shall only appear on the first label in the sequence.	
S5.5.2(h)	In the case of each child restraint system that has belts designed to restrain children using them and which do not adjust automatically to fit the child; the statement: Snugly adjust the belts provided with this child restraint around your child.	
S5.5.2(i)(1)	For a booster seat that is recommended for use with either a vehicle's Type I or Type II seat belt assembly, one of the following statements, as appropriate:	
S5.5.2(i)(1)(i)	Use only the vehicle's lap and shoulder belt system when restraining the child in this booster seat; or,	
S5.5.2(i)(1)(ii)	Use only the vehicle's lap belt system, or the lap belt part of a lap/shoulder belt system with the shoulder belt placed behind the child, when restraining the child in this seat.	

Report No.: _____

Model No.: _____


Test Date: _____

Section	Required Statement	Pass/Fail
S5.5.2(i)(2)(i)	<p>Except as provided in paragraph (i)(2)(ii) of this section, for a booster seat which is recommended for use with both a vehicle's Type I and Type II seat belt assemblies, the following statement: Use only the vehicle's lap belt system, or the lap belt part of a lap/shoulder belt system with the shoulder belt placed behind the child, when restraining the child with the (insert description of the system element provided to restrain forward movement of the child's torso when used with a lap belt (e.g., shield)), and only the vehicle's lap and shoulder belt system when using the booster without the (insert above description).</p>	
S5.5.2(i)(2)(ii)	<p>A booster seat which is recommended for use with both a vehicle's Type I and Type II seat belt assemblies is not subject to S5.5.2(i)(2)(i) if, when the booster is used with the shield or similar component, the booster will cause the shoulder belt to be located in a position other than in front of the child when the booster is installed. However, such a booster shall be <u>labeled with a warning to use the booster with the vehicle's lap and shoulder belt system when using the booster without a shield.</u></p>	
S5.5.2(j)	<p>In the case of each child restraint system equipped with a top anchorage strap, the statement: Secure the top anchorage strap provided with this child restraint.</p>	
S5.5.2(k)(1)	<p>In the case of each rear-facing child restraint system that is designed for infants only, the statement: Use only in a rear-facing position when using it in the vehicle.</p>	
S5.5.2(k)(2)	<p>In the case of a child restraint system that is designed to be used rearward-facing for infants and forward-facing for older children, the statement: Use only in a rear-facing position when using it with an infant weighing less than (insert a recommended weight that is not less than 20 pounds).</p>	

Report No.: _____

Model No.: _____

Test Date: _____

Section	Required Statement	Pass/Fail
S5.5.2(k)(3)	<p>Except as provided in (k)(4) of this section, each child restraint system that can be used in a rear-facing position shall have a label that conforms in content to Figure 23 (below) and to the requirements of S5.5.2(k)(3)(i) through S5.5.2(k)(3)(iii) permanently affixed to the outer surface of the cushion or padding in or adjacent to the area where a child’s head would rest, so that the label is plainly visible and easily readable. The text reads: “WARNING. DO NOT place rear-facing child seat on front seat with air bag. DEATH OR SERIOUS INJURY can occur. The back seat is the safest place for children 12 and under.”</p> <p style="text-align: center;">AIR BAG WARNING LABEL Label Outline, Vertical and Horizontal Line Black</p> <div style="display: flex; justify-content: space-around;"> <div style="text-align: center;"> <p>Artwork Black With White Background</p> <p>Circle and Line Red With White Background</p> </div> <div style="text-align: center;"> <p>Bottom Text Black With White Background</p> <p>Top Text and Symbol Black With Yellow Background</p> </div> </div>  <p style="text-align: center;">FIGURE 23</p>	
S5.5.2(k)(3)(i)	The heading area shall be yellow with the word “warning” and the alert symbol in black.	
S5.5.2(k)(3)(ii)	The message area shall be white with black text. The message area shall be no less than 30 square cm.	
S5.5.2(k)(3)(iii)	The pictogram shall be black with a red circle and slash on a white background. The pictogram shall be no less than 30 mm in diameter.	

Report No.: _____

Model No.: _____

Test Date: _____

Section	Required Statement	Pass/Fail
S5.5.2(k)(4)	If a child restraint system is equipped with a device that deactivates the passenger-side air bag in a vehicle when and only when the child restraint is installed in the vehicle and provides a signal, for at least 60 seconds after deactivation, that the air bag is deactivated, the label specified in Figure 23 (above) may include the phrase “unless air bag is off” after “on front seat with air bag.”	
S5.5.2(l)	An installation diagram showing the child restraint system installed in :	
S5.5.2(l)(1)	A seating position equipped with a continuous-loop lap/shoulder belt;	
S5.5.2(l)(2)	A seating position equipped with only a lap belt, as specified in the manufacturer’s instructions; and	
S5.5.2(l)(3)	A seating position equipped with a child restraint anchorage system.	
S5.5.2(l)(3)(A)	<p>The CRS is manufactured on or after Feb 27, 2015, the weight of the CRS and maximum child weight recommended is greater than 65 lb, and the diagram includes the statement “Do not install by this method for a child weighing more than **”</p> <p>Note: Complete data sheet 5 if this requirement applies.</p>	

REGISTRATION CARD

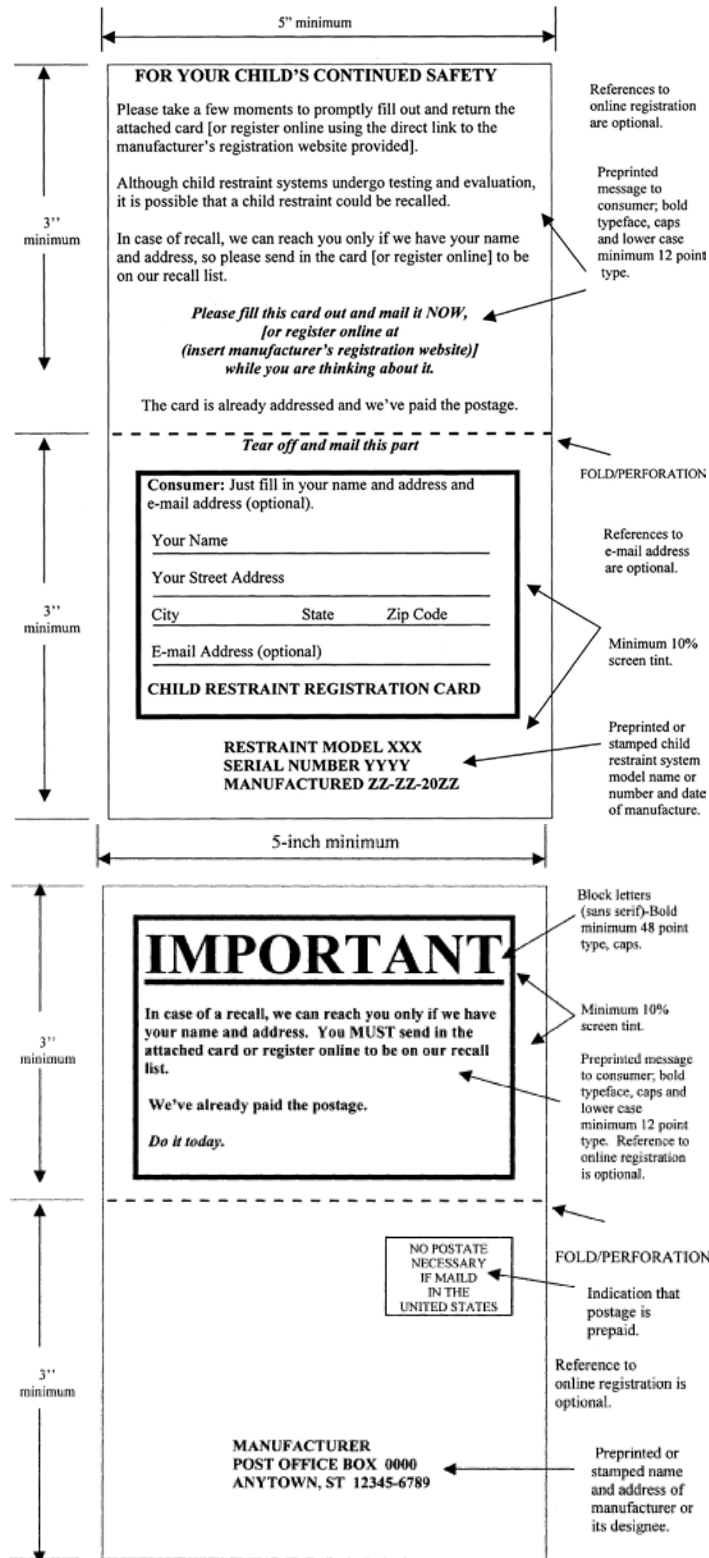


FIGURE 24

Report No.: _____

Model No.: _____

Test Date: _____

Section	Required Statement	Pass/Fail
S5.5.2(m)	One of the following statements, inserting an address and a U.S. telephone number. If a manufacturer opts to provide a Web site on the registration card as permitted in Figure 24 (above), the manufacturer must include the statement in part (ii):	
S5.5.2(m)(i)	(i) "Child restraints could be recalled for safety reasons. You must register this restraint to be reached in a recall. Send your name, address, e-mail address if available (preceding four words are optional) and the restraint's model number and manufacturing date to (insert address) or call (insert a U.S. telephone number). For recall information, call the U.S. Government's Vehicle Safety Hotline at 1-888-327-4236 (TTY: 1-800-424-9153), or go to http://www.NHTSA.gov ."	
S5.5.2(m)(ii)	(ii) "Child restraints could be recalled for safety reasons. You must register this restraint to be reached in a recall. Send your name, address, e-mail address if available [preceding four words are optional], and the restraint's model number and manufacturing date to (insert address) or call (insert a U.S. telephone number) or register online at (insert Web site for electronic registration form). For recall information, call the U.S. Government's Vehicle Safety Hotline at 1-888-327-4236 (TTY: 1-800-424-9153), or go to http://www.NHTSA.gov ."	
	Restraints Certified for Use in Aircraft	
S5.5.2(n)	Child restraint systems, other than belt-positioning seats, harnesses and backless child restraint systems, may be certified as complying with the provisions of S8. Child restraints that are so certified shall be labeled with the statement "This Restraint is Certified for Use in Motor Vehicles and Aircraft." Belt-positioning seats, harnesses and backless child restraint systems shall be labeled with the statement "This Restraint is Not Certified for Use in Aircraft." The statement required by this paragraph shall be in red lettering and shall be placed after the certification statement required by S5.5.2(e).	

Report No.: _____

Model No.: _____

Test Date: _____

Section	Required Statement	Pass/Fail
All Add-On Child Restraints		
S5.5.3	The information specified in S5.5.2(f) through (l) shall be located on the add-on child restraint system so that it is visible when the system is installed as specified in S5.6.1, except that for child restraints with a detachable base, the installation diagrams specified in S5.5.2(l) are required to be visible only when the base alone is installed.	
All Built-in Child Restraints		
S5.5.4(a)	Each built-in child restraint system other than a factory-installed built-in restraint shall be permanently labeled with the information specified in S5.5.5 (a) through (l). The information specified in S5.5.5(a) through (j) and in S5.5.5(l) shall be visible when the system is activated for use.	
S5.5.4(b)	Each factory-installed built-in child restraint shall be permanently labeled with the information specified in S5.5.5(f) through (j) and S5.5.5(l), so that the information is visible when the restraint is activated for use. The information shall also be included in the vehicle owner's manual.	
S5.5.5	The information specified in paragraphs (a) through (l) of this section that is required by S5.5.4 shall be in English and lettered in letters and numbers using a not smaller than 10 point type. Unless specified otherwise, the information shall be labeled on a white background with black text. Unless written in all capitals, the information shall be stated in sentence capitalization.	
S5.5.5(a)	The model name or number of the system.	
S5.5.5(b)	The manufacturer's name. A distributor's or dealer's name may be used instead if the distributor or dealer assumes responsibility for all duties and liabilities imposed on the manufacturer with respect to the system by the National Traffic and Motor Vehicle Safety Act, as amended.	
S5.5.5(c)	The statement: "Manufactured in _____," inserting the month and year of manufacture.	
S5.5.5(d)	The place of manufacture (city and State, or foreign country). However, if the manufacturer uses the name of the distributor or dealer, then it shall state the location (city and State, or foreign country) of the principal offices of the distributor or dealer.	
S5.5.5(e)	The statement: "This child restraint system conforms to all applicable Federal motor vehicle safety standards."	

Report No.: _____ Model No.: _____

Test Date: _____

Section	Required Statement	Pass/Fail
S5.5.5(f)	One of the following statements, inserting the manufacturer's recommendations for the maximum mass of children who can safely occupy the system, except that booster seats shall not be recommended for children whose masses are less than 13.6 kg. For seats that can only be used as belt-positioning seats, manufacturers must include the maximum and minimum recommended height, but may delete the reference to weight:	
S5.5.5(f)(1)	Use only with children who weigh __ pounds (__ kg) or less and whose height is (insert values in English and metric units; use of word "mass" in label is optional) or less; or	
S5.5.5(f)(2)	Use only with children who weigh between __ and __ pounds (__ and __ kg) and whose height is (insert appropriate values in English and metric units; use of word "mass" in label is optional) or less and who are capable of sitting upright alone; or	
S5.5.5(f)(3)	Use only with children who weigh between __ and __ pounds (__ and __ kg) and whose height is (insert appropriate values in English and metric units; use of word "mass" in label is optional) or less.	
S5.5.5(f)(4)	Use only with children who weigh between __ and __ pounds (insert appropriate English and metric values; use of word "mass" is optional) and whose height is between __ and __ (insert appropriate values in English and metric units).	

Report No.: _____

Model No.: _____

Test Date: _____

Section	Required Statement	Pass/Fail
S5.5.5(g)	(The heading and statement specified in paragraph (1), and if appropriate, the statements in paragraph (2) and (3). If used, the statements in paragraphs (2) and (3) shall be bulleted and precede the bulleted statement required by paragraph (1) after the heading.	
S5.5.5(g)(1)	A heading as specified in S5.5.2(k)(3)(i), with the statement "WARNING! DEATH or SERIOUS INJURY can occur," capitalized as written and followed by the bulleted statement: Follow all instructions on the child restraint and in the vehicle's owner's manual. At the manufacturer's option, the phrase "DEATH or SERIOUS INJURY can occur" in the heading can be on either a white or yellow background.	
S5.5.5(g)(2)	In the case of each built-in child restraint system which is not intended for use in motor vehicles in certain adjustment positions or under certain circumstances, an appropriate statement of the manufacturer's restrictions regarding those positions or circumstances.	
S5.5.5(g)(3)	As appropriate, the statements required by the following sections will be bulleted and placed after the statement required by 5.5.5(g)(1) in the following order: 5.5.5(g)(2), 5.5.5(f), S5.5.5(h) and S5.5.5(i).	
S5.5.5(h)	In the case of each built-in child restraint system that has belts designed to restrain children using them and which do not adjust automatically to fit the child: Snugly adjust the belts provided with this child restraint around your child.	
S5.5.5(i)	In the case of each built-in child restraint which can be used in a rear-facing position, the following statement: Place an infant in a rear-facing position in this child restraint.	
S5.5.5(j)	A diagram or diagrams showing the fully activated child restraint system in infant and/or child configurations.	

Report No.: _____

Model No.: _____

Test Date: _____

Section	Required Statement	Pass/Fail
S5.5.5(k)	One of the following statements, inserting an address and a U.S. telephone number. If a manufacturer opts to provide a Web site on the registration card as permitted in Figure 24, the manufacturer must include the statement in part (ii):	
S5.5.5(k)(i)	“Child restraints could be recalled for safety reasons. You must register this restraint to be reached in a recall. Send your name, address, e-mail address if available (preceding four words are optional), and the restraint's model number and manufacturing date to (insert address) or call (insert a U.S. telephone number). For recall information, call the U.S. Government's Vehicle Safety Hotline at 1-888-327-4236 (TTY: 1-800-424-9153), or go to http://www.NHTSA.gov . ”	
S5.5.5(k)(ii)	“Child restraints could be recalled for safety reasons. You must register this restraint to be reached in a recall. Send your name, address, e-mail address if available (preceding four words are optional), and the restraint's model number and manufacturing date to (insert address) or call (insert telephone number) or register online at (insert Web site for electronic registration form). For recall information, call the U.S. Government's Vehicle Safety Hotline at 1-888-327-4236 (TTY: 1-800-424-9153), or go to http://www.NHTSA.gov . ”	
S5.5.5(l)	In the case of a built-in belt-positioning seat that uses either the vehicle's Type I or Type II belt systems or both, a statement describing the manufacturer's recommendations for the maximum height and weight of children who can safely occupy the system and how the booster should be used (e.g., with or without shield) with the different vehicle belt systems.	

DATA SHEET 3
PRINTED INSTRUCTIONS FOR PROPER USE (S213, S5.6)

Report No.: _____ Model No.: _____

Test Date: _____

FMVSS 213, S5.6	Pass/Fail
The printed instructions accompanying the subject child restraint system were inspected and compared to the requirements of FMVSS No. 213 S5.6, as applicable.	

Remarks:

List any failures by describing the applicable section of the standard and explaining what information is missing or incorrect.

DATA SHEET 3- supplement
 PRINTED INSTRUCTIONS FOR PROPER USE (S213, S5.6)

Report No.: _____ Model No.: _____

Test Date: _____

Section	Required Statement	Pass/Fail
	All Child Restraint Systems	
S5.6	Printed Instructions for Proper Use. Any labels or written instructions provided in addition to those required by this section shall not obscure or confuse the meaning of the required information or be otherwise misleading to the consumer. Any labels or written instructions other than in the English language shall be an accurate translation of English labels or written instructions. Unless written in all capitals, the information required by S5.6.1 through S5.6.3 shall be stated in sentence capitalization.	
	Add-On Child Restraint Systems	
S5.6.1	Add-on child restraint systems. Each add-on child restraint system shall be accompanied by printed installation instructions in English that provide a step-by-step procedure, including diagrams, for installing the system in motor vehicles, securing the system in the vehicles, positioning a child in the system, and adjusting the system to fit the child. For each child restraint system that has components for attaching to a tether anchorage or a child restraint anchorage system, the installation instructions shall include a step-by-step procedure, including diagrams, for properly attaching to that anchorage or system.	
S5.6.1.1	In a vehicle with rear designated seating positions, the instructions shall alert vehicle owners that, according to accident statistics, children are safer when properly restrained in the rear seating positions than in the front seating positions.	
S5.6.1.2	The instructions shall specify in general terms the types of vehicles, the types of seating positions, and the types of vehicle safety belts with which the add-on child restraint system can or cannot be used.	
S5.6.1.3	The instructions shall explain the primary consequences of not following the warnings required to be labeled on the child restraint system in accordance with S5.5.2 (g) through (k).	

Report No.: _____ Model No.: _____

Test Date: _____

Section	Required Statement	Pass/Fail
S5.6.1.4	The instructions for each car bed shall explain that the car bed should position in such a way that the child's head is near the center of the vehicle.	
S5.6.1.5	The instructions shall state that add-on child restraint systems should be securely belted to the vehicle, even when they are not occupied, since in a crash an unsecured child restraint system may injure other occupants.	
S5.6.1.6	Each add-on child restraint system shall have a location on the restraint for storing the manufacturer's instructions.	
S5.6.1.7	One of the following statements, inserting an address and a U.S. telephone number. If a manufacturer opts to provide a Web site on the registration card as permitted in Figure 24, the manufacturer must include the statement in part (ii):	
S5.6.1.7(i)	“Child restraints could be recalled for safety reasons. You must register this restraint to be reached in a recall. Send your name, address, e-mail address if available (preceding four words are optional), and the restraint's model number and manufacturing date to (insert address) or call (insert a U.S. telephone number). For recall information, call the U.S. Government's Vehicle Safety Hotline at 1-888-327-4236 (TTY: 1-800-424-9153), or go to http://www.NHTSA.gov . ”	
S5.6.1.7(ii)	“Child restraints could be recalled for safety reasons. You must register this restraint to be reached in a recall. Send your name, address, e-mail address if available (preceding four words are optional), and the restraint's model number and manufacturing date to (insert address) or call (insert telephone number) or register online at (insert Web site for electronic registration form). For recall information, call the U.S. Government's Vehicle Safety Hotline at 1-888-327-4236 (TTY: 1-800-424-9153), or go to http://www.NHTSA.gov .”	

Report No.: _____ Model No.: _____

Test Date: _____

Section	Required Statement	Pass/Fail
S5.6.1.8	In the case of each child restraint system that can be used in a position so that it is facing the rear of the vehicle, the instructions shall provide a warning against using rear-facing restraints at seating positions equipped with air bags, and shall explain the reasons for, and consequences of not following the warning. The instructions shall also include a statement that owners of vehicles with front passenger side air bags should refer to their vehicle owner's manual for child restraint installation instructions.	
S5.6.1.9	In the case of each rear-facing child restraint system that has a means for repositioning the seating surface of the system that allows the system's occupant to move from a reclined position to an upright position during testing, the instructions shall include a warning against impeding the ability of the restraint to change adjustment position.	
S5.6.1.10(a)	For instructions for a booster seat that is recommended for use with either a vehicle's Type I or Type II seat belt assembly, one of the following statements, as appropriate, and the reasons for the statement:	
S5.6.1.10(a)(1)	Warning! Use only the vehicle's lap and shoulder belt system when restraining the child in this booster seat; or,	
S5.6.1.10(a)(2)	Warning! Use only the vehicle's lap belt system, or the lap belt part of a lap/shoulder belt system with the shoulder belt placed behind the child, when restraining the child in this seat.	

Report No.: _____ Model No.: _____

Test Date: _____

Section	Required Statement	Pass/Fail
S5.6.1.10(b)(1)	Except as provided in S5.6.1.10(b)(2), the instructions for a booster seat that is recommended for use with both a vehicle's Type I and Type II seat belt assemblies shall include the following statement and the reasons therefor: Warning! Use only the vehicle's lap belt system, or the lap belt part of a lap/shoulder belt system with the shoulder belt placed behind the child, when restraining the child with the (insert description of the system element provided to restrain forward movement of the child's torso when used with a lap belt (e.g., shield)), and only the vehicle's lap and shoulder belt system when using this booster without the (insert above description).	
S5.6.1.10(b)(2)	A booster seat which is recommended for use with both a vehicle's Type I and Type II seat belt assemblies is not subject to S5.6.1.10(b)(1) if, when the booster is used with the shield or similar component, the booster will cause the shoulder belt to be located in a position other than in front of the child when the booster is installed. However, the instructions for such a booster shall include a warning to use the booster with the vehicle's lap and shoulder belt system when using the booster without a shield.	
S5.6.1.10(c)	The instructions for belt-positioning seats shall include the statement, "This restraint is not certified for aircraft use," and the reasons for this statement.	
	Harnesses Manufactured for Use on School Bus Seats	
S5.6.1.11	For harnesses that are manufactured for use on school bus seats, the instructions must include the following statements: "WARNING! This restraint must only be used on school bus seats. Entire seat directly behind must be unoccupied or have restrained occupants." The labeling requirement refers to a restrained occupant as: an occupant restrained by any user appropriate vehicle restraint or child restraint system (e.g. lap belt, lap and shoulder belt, booster, child seat, harness . . .).	

Report No.: _____ Model No.: _____

Test Date: _____

Section	Required Statement	Pass/Fail
	Add-on Child Restraint Systems	
S5.6.1.12(a)	<p><i>CRS manufactured from Feb. 27, 2014 to Feb. 26, 2015.</i> The instructions for child restraint systems equipped with an internal harness to restrain the child and with components to attach to a child restraint anchorage system, and for which the combined weight of the child restraint system and the maximum recommended child weight for use with internal harnesses exceeds 65 pounds, must include the following statement: "Do not use the lower anchors of the child restraint anchorage system (LATCH system) to attach this child restraint when restraining a child weighing more than ___ * ___ [*insert a recommended weight value in English and metric units such that the sum of the recommended weight value and the weight of the child restraint system does not exceed 65 pounds (29.5 kg)] with the internal harnesses of the child restraint."</p>	
S5.6.1.12(b)	<p><i>CRS manufactured on or after Feb. 27, 2015.</i> If the child restraint is designed to meet the requirement of this standard when installed by the lower anchors, the installation diagram meets S5.5.2(l)(3).</p> <p>Note: Complete data sheet 5 if this requirement applies.</p>	
	Built-in Child Restraint Systems	
S5.6.2(a)	<p>Built-in child restraint systems. (a) Each built-in child restraint system shall be accompanied by printed instructions in English that provide a step-by-step procedure, including diagrams, for activating the restraint system, positioning a child in the system, adjusting the restraint and, if provided, the restraint harness to fit the child. The instructions for each built-in car bed shall explain that the child should be positioned in the bed in such a way that the child's head is near the center of the vehicle.</p>	
S5.6.2(b)	<p>(b) Each motor vehicle equipped with a factory-installed built-in child restraint shall have the information specified in paragraph (a) of this section included in its vehicle owner's manual.</p>	
S5.6.2.1	<p>The instructions shall explain the primary consequences of not following the manufacturer's warnings for proper use of the child restraint system in accordance with S5.5.5 (f) through (i).</p>	

Report No.: _____ Model No.: _____

Test Date: _____

Section	Required Statement	Pass/Fail
S5.6.2.2	S5.6.2.2 The instructions for each built-in child restraint system other than a factory-installed restraint, shall include one of the following statements, inserting an address and a U.S. telephone number. If a manufacturer opts to provide a Web site on the registration card as permitted in Figure 24, the manufacturer must include the statement in part (ii):	
S5.6.2.2(i)	“Child restraints could be recalled for safety reasons. You must register this restraint to be reached in a recall. Send your name, address, e-mail address if available (preceding four words are optional), and the restraint's model number and manufacturing date to (insert address) or call (insert a U.S. telephone number). For recall information, call the U.S. Government's Vehicle Safety Hotline at 1-888-327-4236 (TTY: 1-800-424-9153), or go to http://www.NHTSA.gov .”	
S5.6.2.2(ii)	“Child restraints could be recalled for safety reasons. You must register this restraint to be reached in a recall. Send your name, address, e-mail address if available (preceding four words are optional), and the restraint's model number and manufacturing date to (insert address) or call (insert U.S. telephone number) or register online at (insert Web site for electronic registration form). For recall information, call the U.S. Government's Vehicle Safety Hotline at 1-888-327-4236 (TTY: 1-800-424-9153), or go to http://www.NHTSA.gov .”	
S5.6.2.3	Each built-in child restraint system other than a factory-installed built-in restraint, shall have a location on the restraint for storing the instructions.	

Report No.: _____ Model No.: _____

Test Date: _____

Section	Required Statement	Pass/Fail
S5.6.2.4	Each built-in child restraint system, other than a system that has been installed in a vehicle or a factory-installed built-in system that is designed for a specific vehicle model and seating position, shall be accompanied by instructions in English that provide a step-by-step procedure for installing the system in a motor vehicle. The instructions shall specify the types of vehicles and the seating positions into which the restraint can or cannot be installed. The instructions for each car bed shall explain that the bed should be installed so that the child's head will be near the center of the vehicle.	
S5.6.2.5	In the case of a built-in belt-positioning seat that uses either the vehicle's Type I or Type II belt systems or both, the instructions shall include a statement describing the manufacturer's recommendations for the maximum height and weight of children who can safely occupy the system and how the booster must be used with the vehicle belt systems appropriate for the booster seat. The instructions shall explain the consequences of not following the directions. The instructions shall specify that, if the booster seat is recommended for use with only the lap-belt part of a Type II assembly, the shoulder belt portion of the assembly must be placed behind the child.	
	Add-on and Built-in Child Restraint Systems	
S5.6.3	<i>Add-on and built-in child restraint systems.</i> In the case of each child restraint system that has belts designed to restrain children using them and which do not adjust automatically to fit the child, the printed instructions shall include the following statement: A snug strap should not allow any slack. It lies in a relatively straight line without sagging. It does not press on the child's flesh or push the child's body into an unnatural position.	
	Systems Manufactured for Use in Aircraft.	
S8.1	Each child restraint system manufactured for use in aircraft shall be accompanied by printed instructions in English that provide a step-by-step procedure, including diagrams, for installing the system in aircraft passenger seats, securing a child in the system when it is installed in an aircraft, and adjusting the system to fit the child.	

15. DATA SHEETS....Continued:

DATA SHEET 4
REGISTRATION FORM (S213, S5.8)

Report No.: _____ Model No.: _____

Test Date: _____

FMVSS 213, S5.8	Pass/Fail
The printed registration form accompanying the subject child restraint system and the electronic registration form were inspected and compared to the requirements of FMVSS No. 213 S5.8.	

Remarks:

List any failures by describing the applicable section of the standard and explaining what information is missing or incorrect.

15. DATA SHEETS....Continued:

DATA SHEET 4- supplement
REGISTRATION FORM (S213, S5.8)

Report No.: _____ Model No.: _____

Test Date: _____

Section	Required Statement	Pass/Fail
S5.8	Information requirements—attached registration form and electronic registration form.	
S5.8.1	Attached registration form	
S5.8.1(a)	Each child restraint system, except a factory-installed built-in restraint system, shall have a registration form attached to any surface of the restraint that contacts the dummy when the dummy is positioned in the system in accordance with S6.1.2 of Standard 213.	
S5.8.1(b)	Each attached form shall:	
S5.8.1(b)(1)	Consist of a postcard that is attached at a perforation to an informational card;	
S5.8.1(b)(2)	Conform in size, content and format to Figure 24; and	
S5.8.1(b)(3)	Have a thickness of at least 0.007 inches and not more than 0.0095 inches.	

Report No.: _____ Model No.: _____
 Test Date: _____

Section	Required Statement	Pass/Fail
S5.8.1(c)	Each postcard shall provide the model name or number and date of manufacture (month, year) of the child restraint system to which the form is attached, shall contain space for the purchaser to record his or her name, mailing address, and at the manufacturer's option, e-mail address, shall be addressed to the manufacturer, and shall be postage paid. No other information shall appear on the postcard, except identifying information that distinguishes a particular child restraint system from other systems of that model name or number may be preprinted in the shaded area of the postcard, as shown in 24.	
S5.8.1(d)	Manufacturers may voluntarily provide a web address on the informational card enabling owners to register child restraints online, provided that the Web address is a direct link to the electronic registration form meeting the requirements of S5.8.2 of this section.	
S5.8.2	Electronic registration form.	
S5.8.2(a)	Each electronic registration form must meet the requirements of this S5.8.2. Each form shall:	
S5.8.2(a)(1)	Contain the following statements at the top of the form:	
S5.8.2(a)(1)(i)	"FOR YOUR CHILD'S CONTINUED SAFETY" (Displayed in bold type face, caps, and minimum 12 point type.)	
S5.8.2(a)(1)(ii)	"Although child restraint systems undergo testing and evaluation, it is possible that a child restraint could be recalled." (Displayed in bold typeface, caps and lower case, and minimum 12 point type.)	

Report No.: _____ Model No.: _____

Test Date: _____

Section	Required Statement	Pass/Fail
S5.8.2(a)(1)(iii)	<p>“In case of a recall, we can reach you only if we have your name and address, so please fill in the registration form to be on our recall list.” (Displayed in bold typeface, caps and lower case, and minimum 12 point type.)</p>	
S5.8.2(a)(1)(iv)	<p>“In order to properly register your child restraint system, you will need to provide the model number, serial number and date of manufacture. This information is printed on the registration card and can also be found on a white label located on the back of the child restraint system.” (Displayed in bold typeface, caps and lower case, and minimum 12 point type.)</p>	
S5.8.2(a)(1)(v)	<p>“This registration is only applicable to child restraint systems purchased in the United States.” (Displayed in bold typeface, caps and lower case, and minimum 12 point type.)</p>	
S5.8.2(a)(2)	<p>Provide as required registration fields, space for the purchaser to record the model name or number and date of manufacture (month, year) of the child restraint system, and space for the purchaser to record his or her name and mailing address. At the manufacturer's option, a space is provided for the purchaser to record his or her e-mail address.</p>	

Report No.: _____ Model No.: _____

Test Date: _____

Section	Required Statement	Pass/Fail
S5.8.2(b)	No other information shall appear on the electronic registration form, except for information identifying the manufacturer or a link to the manufacturer's home page, a field to confirm submission, and a prompt to indicate any incomplete or invalid fields prior to submission. Accessing the web page that contains the electronic registration form shall not cause additional screens or electronic banners to appear.	
S5.8.2(c)	The electronic registration form shall be accessed directly by the web address that the manufacturer printed on the attached registration form. The form must appear on screen when the consumer has inputted the web address provided by the manufacturer, without any further keystrokes on the keyboard or clicks of the mouse.	

DATA SHEET 5
MAXIMUM CHILD WEIGHT FOR LOWER ANCHOR USE (S213, S5.5.2(l)(3))

Report No.: _____ Model No.: _____

Test Date: _____

Installation Mode	A Max Child Weight is Required for this Installation Mode (Y or N)	Installation Diagram Shown (Y or N)	Max Child Weight Indicated on Installation Diagram (lb)
Rear Facing			
Forward Facing			

CRS Weight (lb.)	Child Weight (CW) Calculation (lb)	Rounded CW Limit permitted under S5.5.2(l)(3)(A)	Calculated CW	Rounded CW
			15 < CW ≤ 20	20
	Rear Facing 60-CRS Weight =		20 < CW ≤ 25	25
			25 < CW ≤ 30	30
			30 < CW ≤ 35	35
			35 < CW ≤ 40	40
	Forward Facing 65-CRS Weight =		40 < CW ≤ 45	45
			45 < CW ≤ 50	50
			50 < CW ≤ 55	55
			55 < CW ≤ 60	60

Section	Requirement	Pass/Fail
S5.5.2(l)(3)(A)	A maximum child weight is required on an installation diagram when the CRS+ child weight is greater than 65 lb for CRS that are used with the internal harness and installed with lower anchors. The maximum weight on the label conforms to the limits established in S5.5.2(l)(3)(A)	
S5.5.2(l)(3)(B)	Either: (1) separate diagrams are provided and labeled; or (2) only one diagram is applicable, provided, and labeled; or (3) two diagrams are applicable and the diagram shown contains the lesser of the permitted weights	

REMARKS:

Technician: _____

Date: _____

DATA SHEET 6
ATTACHMENT TO ANCHORAGE SYSTEM (S213, S5.9)

Report No.: _____ Model No.: _____

Test Date: _____

Section	Requirement	Pass/Fail
S5.9(a)	This add-on child restraint system (excluding car beds, harnesses, and belt-positioning seats) has a permanently attached anchorage system having components that enable the restraint to be securely fastened to the lower anchorages.	
	The anchorage system has components which can only be removed with a tool, such as a screwdriver.	
	Note: If this is a rear-facing child restraint system with a detachable base, then only the base is required to have the components.	
S5.9(b)	This child restraint system has components for attaching the system to a tether anchorage, and those components include a tether hook that conforms to the configuration and geometry specified in Figure 22.	
S5.9(c)	This child restraint system has adjustable components for attaching the system to a tether anchorage or to lower anchors to allow the restraint to be tightened to the vehicle.	
S5.9(d)	If the anchorage system on this child restraint system has components, other than hooks, that enable the restraint to be securely fastened to the lower anchorages, it provides either an indication when each attachment to the lower anchorage becomes fully latched or attached, or provides a visual indication that all attachments to the lower anchorages are fully latched or attached.	
	Visual indications are detectable under normal daylight lighting conditions.	

REMARKS:

Technician: _____

Date: _____

DATA SHEET 7
INSTALLATION (S213-S5.3)

Report No.: _____ Model No.: _____

Test Date: _____

Section	Requirement						Pass/Fail
S5.3.1	Add-on child restraints meet either (a) or (b) as appropriate						
S5.3.1(a)	Except for components designed to attach a child restraint anchorage system, this add-on child restraint does not have any means designed for attaching the system to a vehicle seat cushion or vehicle seat back and any component (except belts) that is designed to be inserted between the vehicle seat cushion and vehicle seat back.						
S5.3.1(b)	Harnesses manufactured for use on school bus seats must meet S5.3.1(a) unless labeled appropriately. Refer to the labeling data sheet for the specific requirements.						
S5.3.2	This child restraint system is capable of being installed as required by Table S5.3.2 of FMVSS No. 213.						
		<i>Lap Belt</i>	<i>Lap Belt & Tether (if needed)</i>	<i>Lower Anchors</i>	<i>Lap & Shoulder Belt</i>	<i>Seat back Mount</i>	
	<i>Harnesses per S5.3.1(b)(1)-(3) and Fig. 12</i>					X	
	Other Harnesses		X				
	Car Beds	X					
	Rear-Facing Restraints	X		X			
	Belt Positioning Seats				X		
Other	X	X	X				
S5.3.3	If a car bed, this child restraint system is designed to be installed laterally.						

REMARKS:

Technician: _____ Date: _____

DATA SHEET 8
MINIMUM HEAD SUPPORT SURFACE (S213, S5.2.1)

Report No.: _____ Model No.: _____

Test Date: _____

Section	Requirement	
S5.2.1.2	The child restraint system is exempt from S5.2.1.1 if it is a forward facing restraint and the target points on either side of the dummy's head (using the largest test dummy specified in S7, excluding the 6-year-old) is below the top of the test seat.	
S5.2.1.1.(a)	Maximum Recommended Child Weight	Minimum Seat Back Height Required
	≤ 18 kg (39.7 lb)	50 cm (19.7 in.)
	> 18 kg (39.7 lb)	56 cm (22.0 in.)
S5.2.1.1.(b)	Side Wing Depth	Minimum Back Support Width
	< 10.2 cm (4.0 in.)	20.3 cm (8.0 in.)
	≥ 10.2 cm (4.0 in.)	15.2 cm (6.0 in.)

The child restraint system is **exempt** from S5.2.1.1 _____
(YES, NO)

Back Support Height

Manufacturer's Recommended Maximum Child Weight kg (lb)	Measured Height cm (in.)	Pass/Fail

Back Support Width

Measured Side Wing Depth cm (in.)	Measured Width cm (in.)	Pass/Fail

REMARKS:

Technician: _____ Date: _____

DATA SHEET 9
TORSO IMPACT PROTECTION (S213, S5.2.2)

Report No.: _____ Model No.: _____

Test Date: _____

Section	Surface Requirement	Contour Requirement	Other Requirement
S5.2.2.1(a)	Back Support Surface	flat or concave	Continuous surface area of ≥ 85 in. ²
S5.2.2.1(b)	Side Support Surface	flat or concave	Continuous surface area of ≥ 24 in. ² for restraints having a recommended child weight ≥ 20 lb
		flat or concave	Continuous surface area of ≥ 48 in. ² for restraints having a recommended child weight < 20 lb
S5.2.2.1(c)	Horizontal Cross Sections of Surfaces Restraining Torso Forward Movement	flat or concave	
	Vertical Longitudinal Cross Sections of Surfaces Restraining Torso Forward Movement	flat or convex	Radius of curvature ≥ 2 in.
S5.2.2.2	Fixed or movable surface forward of dummy		Must be used to restrain dummy and allow compliance with injury & excursion criteria

Support Surface- Results

Surface	Contour	Measured Area	Pass/Fail
Back Support Surface			
Side Support Surface			

Surfaces Restraining Torso Forward Movement- Results

	Contour	Radius of Curvature	Pass/Fail
Horizontal Cross Section			
Vertical Cross Section			

Fixed or Movable Surfaces Forward of Dummy- Results

Yes/No	Pass/Fail

Technician: _____ Date: _____

DATA SHEET 10
PROTRUSION LIMITATION (S213, S5.2.4)

Report No.: _____ Model No.: _____

Test Date: _____

S5.2.4. Any portion of a rigid structural component within or underlying a contactable surface is subject to the protrusion limitations described below.

Test	Requirement mm. (in.)	Measurement mm. (in.)	Pass/Fail
Height	≤ 9.53 mm. (3/8 in.)		
Edge Radius	≥ 6.35 mm. (1/4 in.)		

REMARKS:

Technician: _____

Date: _____

DATA SHEET 11
DYNAMIC IMPACT TEST CONDITIONS (S6.1)

Report No. _____

Sled Test No. _____

Test Date: _____

Item Code: _____

Laboratory Ambient Conditions During Testing:

Temperature (°C)	
Relative Humidity (%)	

Pulse:

Test Configuration (I or II)	
Nominal Velocity (km/h)	

Dummy:

Dummy Description	(include age, family, and 572 Part)
Dummy Serial Number	

Restraint Installation:

Installed Direction	
Base Usage	
Attachment Method	
Tether Usage	
Seat Back Position	
Shoulder Harness Position	
Buckle Harness Position	

[Take pre- and post-test photographs as described in this test procedure and include them in the test report]

REMARKS:

Pretest and posttest photographs are presented in Appendix C.

Technician: _____

Date: _____

DATA SHEET 11 (continued)
DYNAMIC IMPACT TEST CONDITIONS

Report No. _____ Sled Test No. _____

Test Date: _____ Item Code: _____

[INSERT SLED PULSE HERE]

FMVSS 213 48 km/h PULSE ENVELOPE

Include acceleration-time and velocity-time history plots, using units of g for acceleration, km/h for velocity, and ms for time. The data shall be filtered using CFC 60 and CFC 180 should be used for the acceleration-time and velocity-time plots, respectively. The plots shall be labeled with maximum acceleration and time of maximum acceleration, or velocity as appropriate, and the filter.

DATA SHEET 12
BELT RESTRAINT (S213-S5.4.3)

Report No. _____

Sled Test No. _____

Test Date: _____

Item Code: _____

Section	Requirement	Pass/Fail
S5.4.3.1	Snug Fit of Belts. Belts that are part of the restraint and designed to restrain the child are adjustable to snugly fit any child of height and weight identified by the manufacturer in accordance with the manufacturer's installation instructions.	

Section	Requirement	Yes/No	Pass/Fail
S5.4.3.2	Direct Restraint. Belts impose no loads on the child resulting from the mass of the system or the test seat.		
	This restraint has one or more belts that contact the dummy for restraint.		If all are "yes," restraint fails S5.4.3.2.
	This restraint has a rigid structure behind the dummy.		
	The restraint could move relative to the belt.		

Section	Requirement	Pass/Fail
S5.4.3.3	Seating Systems. Except for harnesses, each restraint designed for a child in a seated position ⁴ and having belts shall provide:	
S5.4.3.3(a)	Upper torso restraint (either belts or a shield)	
S5.4.3.3(b)	Lower torso restraint (either belts or a shield)	
S5.4.3.3(c)	Crotch restraint (either a belt attached to the lap belt or a shield)	

Section	Requirement	Pass/Fail
S5.4.3.4	Harnesses. Each harness shall:	
S5.4.3.3(a)	Provide upper torso restraint	
S5.4.3.3(b)	Provide lower torso restraint (lap and crotch restraint)	
S5.4.3.3(c)	Prevent standing	

REMARKS:

Technician: _____

Date: _____

⁴ Does not refer to seats who maintain children in reclined position. See <http://isearch.nhtsa.gov/gm/81/nht81-1.39.html>, last accessed on 11/21/13.

DATA SHEET 13
BUCKLE RELEASE (S5.4.3.5, S6.2)

Report No. _____

Sled Test No. _____

Test Date: _____

Item Code: _____

Section	Requirement	Measurement	Pass/Fail
S5.4.3.5(a)	<i>Pre-Impact Release Force</i> — Releases under 40-62 N (9-14 lb)	N (lb)	
S5.4.3.5(b)	<i>Post-Impact Release Force</i> — Releases \leq 71 N (16 lb)	N (lb)	
S5.4.3.5(c)	<i>Minimum Surface Area of Buckle</i> — \geq 3.9 cm ² (0.6 in. ²)	mm (in.)	
S5.4.3.5(e)	<i>Buckle Integrity</i> Shall not release during testing		

REMARKS:

Technician: _____

Date: _____

DATA SHEET 14
SYSTEM INTEGRITY (FMVSS 213, S5.1.1)

Report No. _____

Sled Test No. _____

Test Date: _____

Item Code: _____

S5.1.1 When dynamically tested, the child restraint system shall:

Section	Requirement	Pass/Fail
S5.1.1(a)	Structural Integrity- Exhibit no complete separation of any load bearing structural element	
	Exhibit no partial separation exposing surfaces with a radius of less than ¼ in. (9.53 mm)	
	Exhibit no partial separation exposing surfaces with protrusions greater than 3/8 in. (6.35 mm)	
S5.1.1(b)(1)	Adjustment Position- Remain in the same adjustment position during the test that it was in immediate before the test	
S5.1.1(b)(2)(ii)	Exposed Openings- Have no exposed opening larger than ¼ inch (9.53 mm) before the test becomes smaller during the testing as a result of the movement of the seating service relative to the restrain system as a whole	
S5.1.1(c)	Seating Surface Angle- Forward facing restraints do not allow the angle between the system's back support surface and seating surface to be less than 45 degrees at the completion of the test.	

REMARKS: (Describe any failures here and include labeled photographs in the final report.)

Technician: _____

Date: _____

DATA SHEET 15
INJURY CRITERIA (FMVSS 213, S5.1.2)

Report No. _____

Sled Test No. _____

Test Date: _____

Item Code: _____

Section	Requirement
S5.1.2.1(a) ⁵	Head Injury Criterion- The maximum calculated head injury criterion for a 36 millisecond time interval (HIC36) shall not exceed 1,000
S5.1.2.1(b)	Chest Injury Criterion- The chest acceleration shall not exceed 60g for intervals whose cumulative duration is more than 3 milliseconds.

Head Injury Criterion Results

Calculated HIC36	Pass/Fail

Chest Injury Criterion Results

Max acceleration lasting 3 ms (g)	Pass/Fail

Include X, Y, Z, and resultant acceleration-time history plots for both head and chest tests, using G for acceleration and ms for time. CFC 1000 and 180 should be used for the head and chest, respectively. The HIC score should be displayed on the history plots.

REMARKS:

Technician: _____

Date: _____

⁵ See S5 (d), (e), and (f) for exceptions to this requirement.

DATA SHEET 16
OCCUPANT EXCURSION (S213- S5.1.3, S5.1.4, S5.2.1.1(c))

Report No. _____

Sled Test No. _____

Test Date: _____

Item Code: _____

FORWARD-FACING RESTRAINTS

Section	Requirement	Measurement	Pass/Fail
S5.1.3.1	Torso retention —CRS shall retain the torso within system		
S5.1.3.1(a)(1)	Head excursion ≤ 720 mm (28 in.) with tether ≤ 813 mm (32 in.) no tether	mm (in.)	
S5.1.3.1(a)(2)	Knee target excursion ≤ 915 mm (36 in.)	mm (in.)	
S5.2.1.1(c)	Head-torso angle rearward change ≤ 45°	deg.	

REAR-FACING RESTRAINTS

Section	Requirement	Measurement	Pass/Fail
S5.1.3.2	Torso retention —CRS shall retain the torso within system		
S5.1.3.2	Head target excursion -Not beyond restraint's top and forward edge		
S5.1.4	Back support angle Angle between the back support surface and the vertical ≤ 70°	deg.	
S5.2.1.1(c)	Head-torso angle rearward change ≤ 45°	deg.	

REMARKS:

Describe excursion camera locations (distance forward of point Z), camera speeds, and lens focal lengths here.

Technician: _____ Date: _____

DATA SHEET 17
OCCUPANT EXCURSION (S213, S5.1.3.3)

Report No. _____

Sled Test No. _____

Test Date: _____

Item Code: _____

CAR BED RESTRAINTS

Section	Requirement	Pass/Fail
S5.1.3.3	Head - torso retention- CRS shall retain the head and torso within confines of system	

REMARKS:

Technician: _____

Date: _____

DATA SHEET 18
 AIRCRAFT PASSENGER SEAT INVERSION TEST (S213-S8.2, S8.2.5, S8.2.6)

Report No. _____

Sled Test No. _____

Test Date: _____

Item Code: _____

INVERSION TEST

Dummy:

Dummy Description	(include age, family, and 572 Part)
Dummy Serial Number	

ROTATION ABOUT Y-AXIS (FORWARD)

Section	Requirement	Pass/Fail
S8.2.5	The test dummy shall be retained within the CRS	
S8.2.5	The CRS shall be retained within the aircraft seat	

ROTATION ABOUT X-AXIS (LATERAL)

Section	Requirement	Pass/Fail
S8.2.6	The test dummy shall be retained within the CRS	
S8.2.6	The CRS shall be retained within the aircraft seat	

REMARKS

Technician: _____

Date: _____

DATA SHEET 19
FLAMMABILITY (S213-S5.7/S302-S4.3)

Report No.: _____ Model No.: _____

Test Date: _____

Laboratory Ambient Conditions during Testing:

Temperature (°C)	
Relative Humidity (%)	

Data:

Type of Material		
Description of How the Material is Used on the CRS		
Dimensions of the Sample	Length, cm (in.)	
	Width, cm (in.)	
	Height, cm (in.)	
Burn Direction		
Burn Distance, cm (in.)		
Burn Time, sec		

Section	Requirement	Pass/Fail
S4.3(a)	Material shall only burn or transmit a flame front across its surface at a rate ≤ 10.2 cm/min (4 in./min), or	
S4.3(b)	Material stops burning < 60 sec and ≤ 5.1 cm (2 in.)	

REMARKS:

Technician: _____

Date: _____

DATA SHEET 20
WEBBING PERFORMANCE (S213-S5.4.1)

Report No.: _____ Date of Test: _____

New Webbing Breaking Strength

Section	Requirement		
S5.4.1.2(a)	Each sample must meet the baseline breaking strength requirement.		
	≥15,000 N for webbing used to secure the CRS to the vehicle		
	≥11,000 N for webbing used to secure the child within the CRS		
Webbing Use/ Sample Description	Measured Breaking Strength (N)	Pass/Fail	Median (N)

Resistance to Abrasion

Section	Requirement
S5.4.1.2(b)(1)	After being subject to abrasion, the median breaking strength ≥ 75% of the median new webbing breaking strength

Method of Abrasion	Number of Cycles Performed
(Hex bar or Buckle)	

Measured Breaking Strength N (lb)	Median N	% Strength Retained	Pass/Fail

Resistance to Light

Section	Requirement
S5.4.1.2(c)(1)	After exposure to the light of a carbon arc, the median breaking strength \geq 60% of the median new webbing breaking strength, and
	Color retention not less than No. 2 on the AATCC Gray Scale for Evaluating Change in Color

Exposure Time	Color Retention	Measured Breaking Strength N	Median N	% Strength Retained	Pass/Fail

Resistance to Micro-Organisms

Section	Requirement
S5.4.1.2(c)(2)	After being subject to micro-organisms, the median breaking strength \geq 85% of the median new webbing breaking strength

Measured Breaking Strength N	Median N	% Strength Retained	Pass/Fail

Width

Section	Requirement
S5.4.1.3	Width of the webbing touching the dummy torso must be \geq 3.8 cm

Measured Width (cm)	Pass/Fail

REMARKS:

Technician: _____

Date: _____

DATA SHEET 21
BUCKLE AND ADJUSTMENT HARDWARE (S213-S5.4.2/S209-S4.3)

Report No.: _____ Date of Test: _____

Section	Requirement		Pass/Fail
FMVSS 209/ S4.3(a)(2)	Corrosion Resistance — Surfaces shall be free of corrosion following 24 hours of exposure time and 1 hour of drying time.	Exposure Time:	
		Drying Time:	
FMVSS 209/ S4.3(b)	Temperature Resistance — Shall show no functional deterioration after 24 hours exposure over 80°C water followed by 24 hour exposure in 80° C dry oven.	Exposure Time Over Water:	
		Exposure Time in Dry Oven:	
FMVSS 209/ S4.3(d)(2)	Buckle Release Access — If pushbutton, $\geq 452 \text{ mm}^2$ and linear dimension 10 mm; If lever release, cylinder insertion test; If other design, access should permit \geq two fingers	Buckle design:	
FMVSS 209/ S4.3(e)	Adjustment Force — After 10 conditioning cycles, the force required to decrease the size of the assembly $\leq 49\text{N}$ (11 lb)	Number of conditioning cycles performed:	
FMVSS 209/ S4.3(f)	Tilt-Lock Adjustment — Buckle shall lock the webbing At an angle $\geq 30^\circ$	Angles Measured:	
FMVSS 209/ S4.3(g)	Buckle Latch — After 200 conditioning cycles, buckle shall show no functional deterioration	Number of conditioning cycles performed:	
FMVSS 209/ S4.3(g)	Partial Engagement — Shall separate when in any position of partial engagement by $\leq 22 \text{ N}$	Partial engagement observed?	

REMARKS:

Technician: _____ Date: _____

16. FORMS

LABORATORY NOTICE OF TEST FAILURE TO OVSC

FMVSS 213

TEST DATE: _____

LABORATORY: _____

CONTRACT NO.: _____;

LABORATORY PROJECT ENGINEER'S NAME: _____

TEST SPECIMEN DESCRIPTION:

MANUFACTURER: _____

MODEL: _____

PART NO.: _____

TEST FAILURE DESCRIPTION: _____

FMVSS REQUIREMENT, PARAGRAPH § ____ : _____

LIST ALL APPLICABLE TEST EQUIPMENT & LAST DATE OF CALIBRATION:

NOTIFICATION TO NHTSA (COTR): _____

DATE: _____

BY: _____

REMARKS:

FMVSS 213 MONTHLY TEST STATUS REPORT
 DATE OF REPORT: _____

GROUP NO.	MANUFACTURER AND BRAND NAME	TEST START DATE	TEST COMPLETE DATE	PASS/ FAIL	DATE FINAL REPORT SUBMITTED
001					
002					
003					
004					
005					
006					
007					
008					
009					
010					
011					
012					
013					
014					
015					
016					
017					
018					
019					
020					
021					
022					
023					
024					

FMVSS 213
 MONTHLY INVENTORY STATUS REPORT
 DATE OF REPORT: _____

GROUP NO.	MANUFACTURER'S NAME	MODEL	NUMBER OF SPECIMENS RECEIVED	CONDITION OF SAMPLE	DATE RECEIVED
001					
002					
003					
004					
005					
006					
007					
008					
009					
010					
011					
012					
013					
014					
015					
016					
017					
018					
019					
020					
021					
022					
023					
024					

16. FORMS....Continued:

FY 200X FMVSS 213 (Component) Monthly Status Test Report

Test Number	Manufacturer	Model	Seat Rec'd	Foam Rec'd	Web Rec'd	Verifi Rec'd	Foam Tested	Web Start	Web Done	Buckle Start	Buckle Finish	Photo Taken	Foam Pass	Web Pass	Buckle Pass	Est compl.	Actual Compl.	Comments	

APPENDIX A: INSTRUCTIONS AND TEMPLATES FOR CREATING ENTRÉE FILES

Creating Entrée Files for the Vehicle Database

Electronic test data and high speed videos can be submitted to the Vehicle Test Database if they are accompanied by Entrée files. These instructions are intended to facilitate consistency in creating Entrée files and supplement the information available in the Test Reference Guide, Volume I: Vehicle Tests (Revision) June 3, 2013 available on the NHTSA.gov website. The template was created to show the codes typically used during a 213 dynamic sled test. The fields completed in the screen shots below should be completed for every 213 sled test data submission but should be updated to reflect information accurate for that test. The summary below each screen shot includes codes that apply to typical 213 compliance tests; however, other codes are available and can be found by selecting the “search” button in the Entrée software or by reviewing the MS Access database available from the NHTSA website.

A. General Test Info Tab

The screenshot shows the 'General Test Info' tab in the 'Vehicle Data' application. The form contains the following fields and values:

- Version Number: VS
- Test Performer: MGA
- Test Date: 16/MAY/2012
- 1 Title: BRITAX CHILD SAFETY INC. - BOULEVARD 70 CS G2, MODEL E9BB72Z
- 2 Test Objectives: FY12 SAFETY COMPLIANCE PROGRAM
- 3 Test Comments: (empty)
- 4 Test Reference Number: 642690
- 5 Test Type: 213
- 6 Test Configuration: SLN
- 7 Type of Recorder: DDA
- 8 Data Link to Recorder: UMB
- 9 Total Number of Curves: 1

Fields highlighted in green are test specific and have been completed to serve as an example. A test is defined by all sled tests contained in a single test report. Fields highlighted in yellow represent the code most likely to be used in a standard FMVSS 213 sled test.

- 1- Title: Include the manufacturer, model name, and model of the CRS in this field.
- 2- Test Objectives: Update the fiscal year.
- 3- Test Comments: Typically leave this field blank. However, should an atypical test event occur that would be important to a viewer of the test data or video, include a comment in this field.
- 4- Test Reference Number will need to be obtained from the COTR. This is the number NHTSA assigns to the corresponding test report.
- 5- Test Type: 213 indicates this is a "FMVSS 213 Child Restraint Systems" test.
- 6- Test Configuration: SLN indicates this is a "sled without vehicle body" test.
- 7- Type of Recorder: DDA indicates that "digital data acquisition" was used for this test.
- 8- Data Link to Recorder: UMB indicates that the data was collected via an "umbilical cable". UCT would be used if both an "umbilical cable and telemetry" were used. If no data is recorded, leave this field blank.

- 9- The total number of curves is the total number of recorded instrument channels. The number in this field needs should be consistent with the Instrumentation “Info” tab’s “curve/channel number” window. (see Item Number X)

B. Vehicle Info Tab

- 10- Vehicle Make & Vehicle Model- “99” indicates “Other”
- 11- Body type, Engine type, Transmission type- “NA” and “NAPP” indicate not applicable
- 12- Steering Column Shear Capsule Separation, Steering Column Collapse Mechanism, Vehicle Modification Indicator- “NA”, “NAP”, and “U” indicates “not applicable” or “Unknown”
- 13- Bumper Engagement, Sill Engagement, Pillar Engagement- “NA” indicates not applicable.
- 14- Vehicle Comments - Specify Proper Test Sled Drawing Number such as, “213 FRONTAL TEST SLED DWG NO. NHTSA-213-2003”

C. Occupant Info Tab

15- Occupant Info Record Index- Press '>' button under Occupant Info Record Index repeatedly until the total number of sled runs for the Test appears in the box.

Highlight one of the Occupant Record Index Numbers, and complete an occupant record specific to that test run. Repeat for all runs.

16- Test Vehicle No.- Indicates the “vehicle” containing the occupant. For sled tests, the field should always be completed with “1”.

17- Occupant Location- Either S1, S2, S3, S4, S5, S6, S7, S8 or S9 where “S” indicates a sled test and the sequential number, 1 through 9, corresponds to the run number from field 15. These codes are different from the traditional occupant

locations assigned by location in the vehicle, and are essential to allow the user to relate all sled runs in a test within a single record.

- 18- Occupant Type- The correct occupant type code can be identified using the table below.
- 19- Occupant Sex- "N" indicates the occupant is not an adult dummy.
- 20- Dummy Size Percentile- The correct dummy size percentile code can be identified using the table below.
- 21- Method of Calibration- "P5" indicates Part 572 was the method of calibration.
- 22- Seat Position- "NO" indicates a non-adjustable seat.

	Occupant Type Code	Dummy Size Percentile	
Subpart K – Newborn Infant	CH	06	
Subpart R – Twelve-Month-Old Infant	CR	12	
Subpart P – Three-Year-Old Child	H3	3C	
Subpart N – Six-Year-Old (HIII) Child	H3	6C	
Subpart I – Six-Year-Old (HII) Child	H2	6C	
Subpart S – Six-Year-Old Weighted Child	H3	6W	
Subpart T – Ten-Year-Old Child	H3	10	
Subpart TBD-- Q3S Child	QC	3C	

Table 8. Codes for Occupant Type and Dummy Size Percentile Fields

4. Occupant Restraints Info Tab

General Test Info | Vehicle Info | Occupant Info | **Occupant Restraints Info** | Barrier Info | Instrumentation Info

23 Occupant Restraints Info Record Index
 x Delete the Selected Record
 Retain the Last Record for the New
 >

Restraint Number:

24 Vehicle Number: 1 Search...

25 Occupant Location: S1 Search...

26 Restraint Type: CHD Search...

27 Restraint Mount: LN Search...

28 Inflator/Belt Pretensioner Deployment: NA Search...

29 Restraint Comments: <NHTSA TEST CONFIGURATION CODE>

- 23- Press '>' button under Occupant Restraints Info Record Index to match number of conducted runs in Test.
- 24- Vehicle Number is the number that identifies the vehicle containing the test occupant. Since this is a sled test and represents a frontal impact, select "1".
- 25- Occupant Location- Either S1, S2, S3, S4, S5, S6, S7, S8 or S9 where "S" indicates a sled test and the sequential number, 1 through 9, corresponds to the run number from field 15. These codes are different from the traditional occupant locations assigned by location in the vehicle, and are essential to allow the user to relate all sled runs in a test within a single record. The number selected must match the Occupant Info tab.
- 26- RSTTYP is the type of restraint system in use at a given occupant location. Inflatable restraints are considered to be "in use" for occupied seating positions. "CHD" indicates a child restraint.
- 27- RSTMNT indicates the interior component(s) to which the restraint is mounted.
 - "LT" indicates LATCH - LOWER ANCHORAGES AND TOP TETHER
 - "3N" indicates LAP/SHOULDER BELT, NO TOP TETHER
 - "3T" indicates LAP/SHOULDER BELT, TOP TETHER
 - "2T" indicates LAP BELT ONLY, TOP TETHER
 - "2N" indicates LAP BELT ONLY, NO TOP TETHER
 - "LN" indicates LATCH - LOWER ANCHORAGES NO TOP TETHER
- 28- Inflator/Belt Pretensioner Deployment should be set to 'NA'
- 29- Restraint Comments will contain the NHTSA Configuration code specific to the test run.

Repeat for all Runs.

5. Instrumentation Info Tab

General Test Info | Vehicle Info | Occupant Info | Occupant Restraints Info | Barrier Info | **Instrumentation Info** | High-Speed Digital Video Info | Intrusion Info

30 Curve/channel number
 Delete the Selected Record
 Retain the Last Record for the New
 1
2
3
4
5
6
7

31 Test Vehicle Number: 1 Search...

32 Sensor Location: S1 Search...

33 Sensor Type: AC Search...

34 Sensor Attachment: HDCG Search...

35 Axis Direction: XL Search...

36 X Direction Units: Search...
 36 Y Direction Units: G'S Search...

37 Manufacturer of the Instrument:

38 Instrumentation Comments:

39 Prefilter Frequency:

40 Instrument Rating:

41 Channel Maximum Rating:

42 First Point:

43 Last Point:

44 Time Increment: 0

45 Initial Velocity:

46 Calibration Date:

47 Data Status: Search...

48 Channel Status: Search...

- 30- Increase the number of curve/channel numbers to equal the total number of channels of data collected (x, y, z, and time channel for each accelerometer) for the entire test sequence.
- 31- Test Vehicle Number is the number that identifies the vehicle containing the test occupant. Since this is a sled test and represents a frontal impact, select "1".
- 32- Sensor Location- Either S1, S2, S3, S4, S5, S6, S7, S8 or S9 where "S" indicates a sled test and the sequential number, 1 through 9, corresponds to the run number from field 15. These codes are different from the traditional occupant locations assigned by location in the vehicle, and are essential to allow the user to relate all sled runs in a test within a single record. The number selected must match the record number in the Occupant Info tab.
- 33- Sensor Type indicates the type of sensor used for collecting the measurements at the time of the test.
 - AC indicates accelerometer.
 - LC indicates load cell
- 34- Sensor Attachment indicates where the sensor is attached.
 - HDCG indicates head CG
 - CHST indicates chest
- 35- Axis Direction is required for sensors measuring vector quantities (acceleration, force, velocity, etc..). The global coordinate system would apply to sensors affixed to the sled. With respect to the sled longitudinal axis, X is positive forward, Y is positive right, and Z is positive down.

AXIS is required when the measurement is a vector quantity such as acceleration, force, velocity, etc. All signals from anatomical sensors, (HDCG, CHST, etc.), are local coordinate systems.

XL indicates X-local coordinate system

YL indicates Y-local coordinate system

ZL indicates Z-local coordinate system

XG indicates X-global coordinate system

YG indicates G-global coordinate system

ZG indicates Z-global coordinate system

RS indicates a resultant

OT indicates other (note: when using this field, add an explanation in the Instrumentation commentary field)

NA indicates not applicable (note: when using this field, add an explanation in the Instrumentation commentary field)

36- XDirectionUnits indicates the units used to measure the independent variable (usually time). Y Direction Units indicates the units used to measure the signal of the sensor data.

G'S indicates acceleration

SEC indicates seconds

37- Manufacturer of the Instrument describes the manufacturer, model, and serial number of the instrument in the following format:

MFG: manufacturer name, Model: model number, S/N: serial number.

38- Instrumentation Commentary should include any further commentary on an instrumentation information record and its correlated signal data, including any unusual conditions affecting the data or a reference to a document that describes problems with a particular curve.

39- Pre-filter Frequency is the cutoff frequency in Hz of a low-pass filter applied to the signal. This frequency is defined as where filter gain equals 70 percent (-3db.)

40- Instrument Rating represents the maximum value that can be accurately measured by the recording system for a channel, in the same units as the data channel

41- Channel Maximum Rating represents the full-scale value of the data based upon the actual test setup, including signal conditioning, as a percentage of INSRAT, and may exceed 100%.

42- Number of First Point represents the index number of the first point in the data array (less than or equal to 0). Time zero always has an index number of 0. If no data exists prior to time zero then this field equals 0; if 20 data points exist prior to time zero, enter -20. There may never be more than 10,000 points before time zero.

43- Number of Last Point represents the index number of the last point in the data array. If 1,000 points were digitized, and number of first point (above) is equal to -100, then the number of last point is equal to 899. This field can never be greater than 99,999.

44- Time Increment is the time increment in microseconds between each data point.

- 45- Initial Velocity is the initial (time zero) velocity of the sensor along its axis and applies only to linear accelerometers.
- 46- Calibration Date in the format (DD/MMM/YYYY) is the most recent calibration date of the instrument.
- 47- Data Status indicates the status of the data as it appears in the data
 - AM indicates as measured.
 - MN indicates meaningless if the signal is invalid
 - CF indicates that the signal becomes questionable or invalid part of the way through a signal
 - CM indicates the signal is computed, An example of a computed signal would be the resultant acceleration or the rotational acceleration of the head measured with a nine linear accelerometer array.
- 48- Channel Status indicates whether the data channel is primary or redundant.
 - P indicates primary
 - R indicates redundant

6. High-Speed Digital Video Info Tab

The screenshot shows the 'High-Speed Digital Video Info' tab selected. The 'Camera Number' list contains 12 items, with the 12th item selected. The 'Test Reference Number' is 642690, the 'Video Frame Number Scale Factor' is 1, the 'View Description' is 'H12384 RIGHT FRONT', and the 'Camera Commentary' is 'H3FNLTU - BRITAX BOULEVARD 70 CS G2, MODEL E9BB72Z'.

- 49- Camera Number- total number of records should reflect the total number of camera views for all of the sled runs contained in a single test report.
- 50- Test Reference Number- must match field 4- This is the number NHTSA assigns to the corresponding test report and is obtained from the COTR.
- 51- Video Frame Number Scale Factor is the scale factor to be applied against the integer frame number of a sequential image file, as described below, in order to convert the integer frame sequence value into a time value in seconds.
- 52- View Description should include the manufacturer's assigned run number and position of the camera. Example formats are shown
- 53- Camera Commentary should include NHTSA's test configuration, model name and model number.