

Walker Rider Lawnmowers

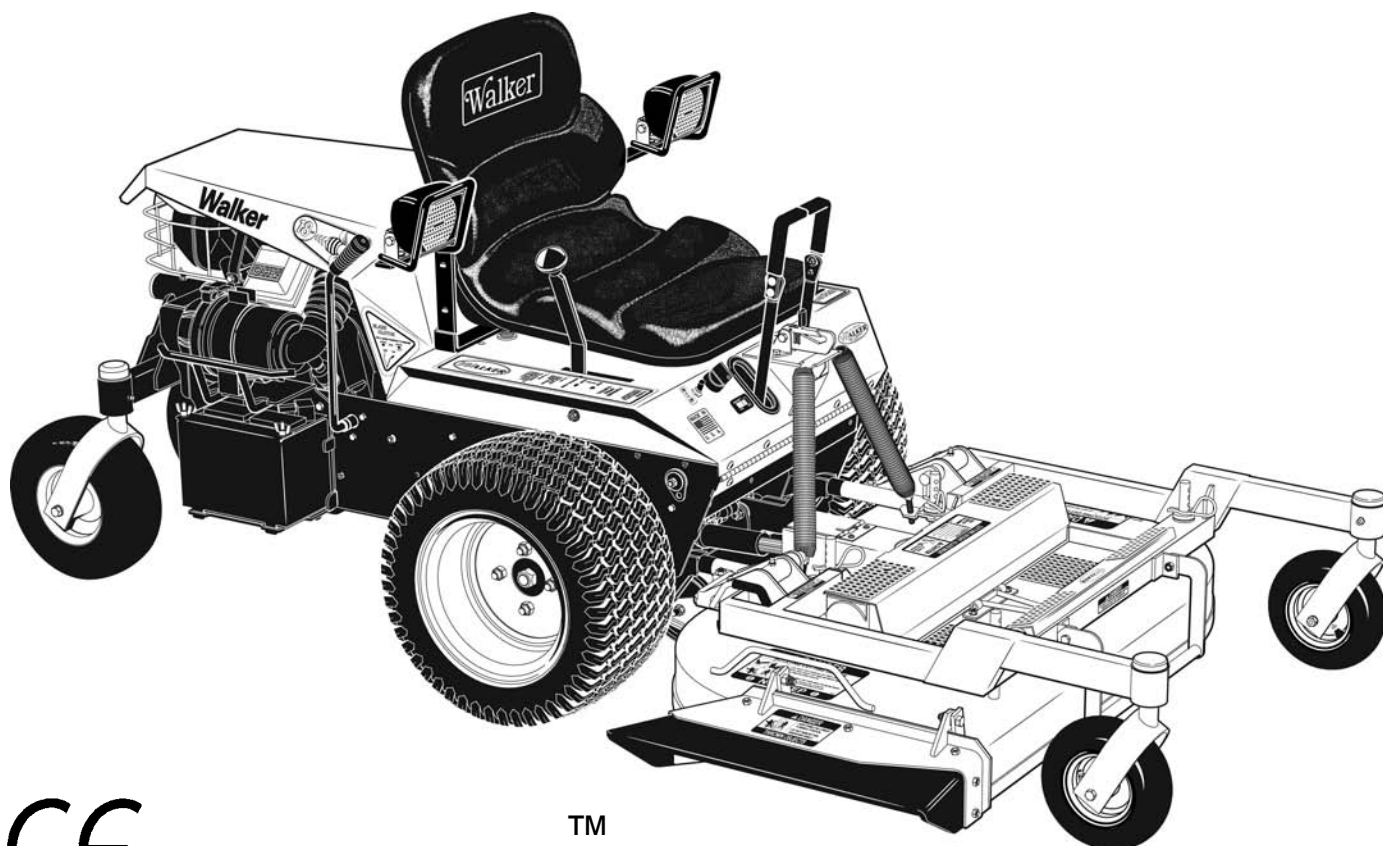
OWNER'S MANUAL

Safety, Assembly, Operating, and Maintenance Instructions

and ILLUSTRATED PARTS MANUAL

Model MBV (18 HP)

Model MBK (18 HP)



CE

TM

Please Read and Save These Instructions

For Safety, Read All Safety and Operation
Instructions Prior to Operating Machine

Effective Date: 04-01-10

P/N 4000-4



Foreword

Thank you. . .for purchasing a Walker mower. Every effort has been made to provide you with the most reliable mower on the market, and we are sure you will be among our many satisfied customers. If for any reason this product does not perform to your expectations, please contact us at (970) 221-5614. Every customer is important to us. Your satisfaction is our goal.

Please. . .read this manual thoroughly! This manual is to be used in conjunction with the engine manufacturer's manual for the specific engine on the mower model you have purchased. Before you operate your new mower, please read this entire manual. Some of the information is crucial for proper operation and maintenance of this mower - it will help protect your investment and ensure that the mower performs to your satisfaction. Some of the information is important to your safety, and must be read and understood to help prevent possible injury to the operator or others. If anything in this manual is confusing or hard to understand, please contact your local authorized dealer or call our service department, at (970) 221-5614, for clarification before operating or servicing this mower.

This manual covers Model MBV with the Briggs & Stratton Vanguard (18.0 HP) gasoline engine and Model MBK with the Kohler Command CH18 (18.0 HP) gasoline engine.

All shields and guards must be in place for the proper and safe operation of this machine. Where they are shown removed in this manual, it is for illustration purposes only. **Do not operate this machine unless all shields and guards are in place.**

Specifications given are based on the latest information available at the time this manual was produced.

Walker Mfg. Co. is continually striving to improve the design and performance of its products. We reserve the right to make changes in specifications and design without thereby incurring any obligation relative to previously manufactured products.

Sincerely,
WALKER MANUFACTURING COMPANY

A handwritten signature in black ink that reads "Bob Walker". The signature is written in a cursive, flowing style.

Bob Walker, President

Table of Contents

Owner's Manual

General Information _____	1
HIGHLIGHTED INFORMATION _____	1
GLOSSARY _____	1
IDENTIFYING NUMBER LOCATIONS _____	1
ENGINE SERIAL NUMBER LOCATION _____	2
Model MBV _____	2
Model MBK _____	2
SERVICING OF ENGINE AND DRIVETRAIN COMPONENTS _____	2
Specifications _____	3
ENGINE _____	3
ELECTRICAL SYSTEM _____	3
TRANSMISSION _____	4
BLADE DRIVE _____	4
TIRE SIZE _____	5
TIRE PRESSURE _____	5
DIMENSIONS (Tractor and Mower) _____	5
MOWER DECK _____	5
CURB WEIGHT _____	6
DRIVE BELTS _____	6
SEAT _____	6
FRAME/BODY CONSTRUCTION _____	6
Component Identification _____	7
Safety Instructions _____	11
BEFORE OPERATING _____	11
OPERATING _____	13
MAINTENANCE _____	15
SAFETY, CONTROL, AND INSTRUCTION DECALS _____	16
Assembly Instructions _____	18
SETUP INSTRUCTIONS _____	18
Battery Service _____	18
Mower Deck Assembly _____	18
Deck Caster Wheels Installation _____	18
Deck Discharge Chute Installation _____	18
PTO Shaft Guard Installation _____	19
Tilt-Up Roller Wheel Installation _____	19
Mower Deck Installation on Tractor _____	19
Deck Installation - Model MBV _____	19
Deck Installation - Model MBK _____	20
Deck Leveling _____	22
PREOPERATING CHECKLIST _____	23

Operating Instructions _____	26
CONTROL IDENTIFICATION, LOCATION, AND FUNCTION _____	26
Ignition Switch _____	26
Engine Choke _____	27
Engine Throttle _____	27
Forward Speed Control (FSC) _____	27
Steering Levers _____	27
Blade Clutch (PTO) _____	27
Parking Brake _____	28
Transaxle Lockout Rods _____	28
Hourmeter _____	28
STARTING THE ENGINE _____	30
ADJUSTING GROUND SPEED AND STEERING _____	30
ENGAGING THE MOWER _____	32
STOPPING THE MACHINE _____	33
ADJUSTING CUTTING HEIGHT _____	33
TRANSAXLE LOCKOUTS _____	34
RECOMMENDATIONS FOR MOWING _____	34
RECOMMENDATIONS FOR TILT-UP DECK OPERATION/TRANSPORT _____	36
Maintenance Instructions _____	37
MAINTENANCE SCHEDULE CHART _____	37
IMPORTANT TIPS FOR CARE OF THE BRIGGS & STRATTON ENGINE - MODEL MBV _____	38
Fuel System _____	38
Starting/Stopping _____	38
Cooling System _____	38
Air Cleaner System _____	38
Oil _____	38
IMPORTANT TIPS FOR CARE OF THE KOHLER ENGINE - MODEL MBK _____	39
Fuel System _____	39
Starting/Stopping _____	39
Cooling System _____	39
Air Cleaner System _____	39
Oil _____	39
LUBRICATION _____	40
Engine Oil - Model MBV _____	40
Engine Break-In Oil _____	40
Checking Engine Crankcase Oil Level _____	40
Changing Engine Crankcase Oil/Oil Filter _____	40
Engine Oil - Model MBK _____	42
Engine Break-In Oil _____	42
Checking Engine Crankcase Oil Level _____	42
Changing Engine Crankcase Oil/Oil Filter _____	42
Grease Fitting and Oil Point Lubrication _____	43
Mower Deck Gearbox Lubrication _____	46
Transaxle Lubrication _____	46
Transaxle Oil and Filter Change _____	46

Table of Contents

CLEANING	47
Engine Air Cooling System	47
<i>Cylinder Head Cooling Fins</i>	48
Engine Air Cleaner System	49
<i>Cummins/Fleetguard OptiAir™</i>	
<i>Air Cleaner</i>	49
Grass Buildup in Mower Housing	51
Transaxle Cooling Fins	52
CHECKING/SERVICING	53
Security of Air Cleaner System	53
Battery	53
<i>Cleaning the Terminals</i>	53
<i>Charging the Battery</i>	53
Tire Pressure	53
Wheel Nut Torque	53
Sharpen Mower Blades	53
Drive Belts	55
Mower Deck Gearbox Oil Seals	55
Spark Plugs	55
Breaker Points - Model MBV	55
Fuel Lines and Clamps	55
Blade Brake Action	55
PTO U-Joints	55
Engine Starter - Model MBK	55
Safety Switch System	56
Forward Speed Control Friction Lock	56
REPLACING/REPAIRING	57
Drive Belts	57
<i>Engine/PTO Belt</i>	58
<i>Ground Drive Belt</i>	59
Fuel Filter	60
Blade Overload Shear Bolts	61
PTO Shear Pin	61
Mower Blades	62
ADJUSTMENTS	63
Transmission Control	63
<i>Steering Lever Position Adjustment</i>	63
<i>Steering Handles Adjustment</i>	64
<i>Neutral Position Adjustment</i>	64
<i>Full Forward Speed Adjustment</i>	66
<i>Straight Tracking Adjustment</i>	66
<i>Neutral Switch Adjustment</i>	67
<i>Forward Speed Control</i>	
<i>Friction Adjustment</i>	67
Blade Clutch (PTO)	68
<i>Clutch Engagement/Belt Tension</i>	68
<i>Clutch Disengagement/Brake Action</i>	69
<i>Idler Pulley Maximum Travel Adjustment</i>	69
<i>Blade Brake Band Adjustment</i>	70
Tilt-Up Deck Adjustable Stop	71
ELECTRICAL SYSTEM	71

Illustrated Parts Manual

TRACTOR DECALS	72
BODY / CHASSIS ASSEMBLY	74
MAIN COMPONENT POWER TRANSMISSION	76
ENGINE GROUP (MODEL MBV)	78
ENGINE GROUP (MODEL MBK)	80
HYDROSTATIC GROUND	
DRIVE ASSEMBLIES	82
STEERING CONTROL ASSEMBLIES	84
ELECTRICAL ASSEMBLY (MODEL MBV)	86
ELECTRICAL ASSEMBLY (MODEL MBK)	88
LIGHT KIT / HITCH KIT	90
WIRING SCHEMATIC (MODEL MBV)	92
WIRING SCHEMATIC (MODEL MBK)	93
Maintenance and Service	
Record Sheet	94
Warranty	95

General Information

HIGHLIGHTED INFORMATION

Walker Manufacturing recommends that any service requiring special training or tools be performed by an authorized Walker Mower Dealer. There are several general practices to be aware of in the area of safety. Most accidents associated with the operation or maintenance of a Walker Mower are caused by disregarding basic safety precautions or specific warnings. Such accidents, in most cases, can be prevented by being aware of the dangers present.

Information of special importance has been highlighted in bold type in this manual. Refer to **Safety Instructions** for the meanings of **DANGER, WARNING, CAUTION, IMPORTANT, and NOTE.**

GLOSSARY

There are many terms that are either unique to this equipment or that are used as acronyms. The following terms and their definitions will help while using this manual:

- **DECK** is the mowing attachment mounted on the front of the tractor which includes the carrier frame, deck housing, blade drive gearboxes, and cutter blades.
- **FORWARD SPEED CONTROL (FSC)** controls the maximum forward speed of the tractor; functioning as a cruise control.
- **GROUND DRIVE** refers to the dual transaxles which drive the main wheels.
- **TRANSAXLE** transmits and controls power from the ground drive belt to the main drive wheel.
- **LEFT HAND (LH)** refers to the left-hand side of the tractor when the operator is seated facing forward in the tractor seat.
- **POWER TAKE-OFF (PTO)** transmits engine power to run the cutter blades.
- **RIGHT HAND (RH)** refers to the right-hand side of the tractor when the operator is seated facing forward in the tractor seat.
- **SIDE DISCHARGE (SD)** mows but does not collect the mowed material.

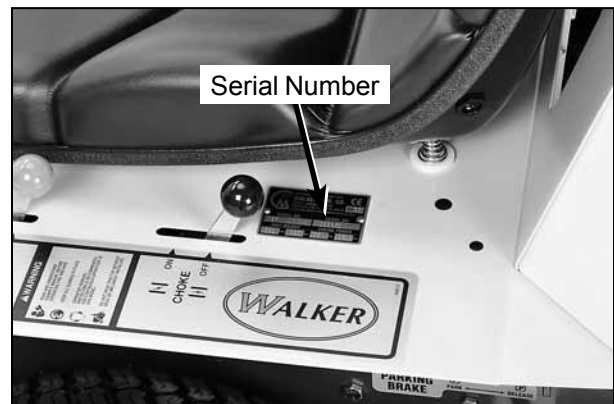
- **STEERING LEVERS** steer the tractor by controlling the two transaxles.
- **TRACTOR** is the prime mover, including the engine, drive train, operator seat, and controls to operate the mower.
- **TRANSAXLE LOCKOUT RODS** release the transaxles to permit freewheeling the tractor.

IDENTIFYING NUMBER LOCATIONS

The tractor serial number plate is affixed to the tractor body just below the left rear corner of the seat. The mower deck serial number plate is affixed alongside the angle iron framing on the LH side of the LH mower blade drive. Model and serial numbers are helpful when obtaining replacement parts and maintenance assistance. For ready reference, please record these numbers in the space provided.

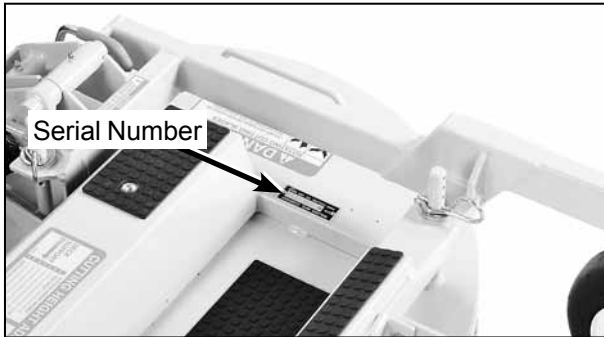
Tractor Model No.	_____
Tractor Serial No.	_____
Deck Serial No.	_____
Engine Model No.	_____
Engine Serial No.	_____
Date of Purchase	_____

Fill In By Purchaser



Tractor Serial Number Location

General Information

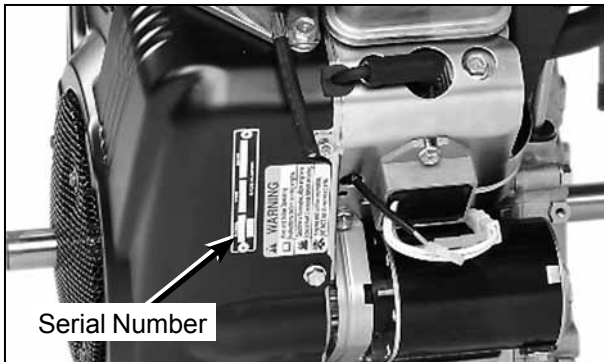


Mower Deck Serial Number Location

ENGINE SERIAL NUMBER LOCATION

Model MBV

The Briggs & Stratton engine model, type, and code numbers are located on the left hand of the engine shroud. For the mower model covered by this manual, contact a Briggs & Stratton servicing dealer.



Engine Serial Number Location

Model MBK

Refer to the engine manual that accompanies this manual for the location of the engine serial number. For the mower model covered by this manual, an engine manual is available from Kohler covering the Kohler Command CH18 gasoline engine.



Engine Serial Number Location

SERVICING OF ENGINE AND DRIVETRAIN COMPONENTS

The detailed servicing and repair of the engine, transaxle, and gearboxes are not covered in this manual. Only routine maintenance and general service instructions are provided. For the service of these components during the limited warranty period, it is important to find a local, authorized servicing agent of the component manufacturer. **Any unauthorized work done** on these components during the warranty period **may void the warranty**. If you have any difficulty finding an authorized outlet or obtaining warranty service, please contact our Service Department for assistance:

Walker Manufacturing Company

5925 E. Harmony Road
Fort Collins, CO 80528
1-970-221-5614

Service manuals are available for each of these components from their respective manufacturers as follows:

Briggs & Stratton
Engine

Briggs & Stratton
800-233-3723
(24-hour hotline in
USA & Canada)
www.briggsandstratton.com

Kohler Engine

Kohler Company
Kohler, WI 53044
800-544-2444
www.kohlerengines.com

Transaxle

Hydro-Gear
1411 South Hamilton St.
Sullivan, IL 61951

Gearboxes (Deck)

Tecumseh Power Co.
1555 S. Jackson Street
Salem, IN 47167
812-883-3575

Specifications

MODEL	MBV	MBK
ENGINE		
Manufacturer/Model	Briggs & Stratton Vanguard, 2 Cyl. OHV (Air-Cooled)	Kohler Command, 2 Cyl. (Air-Cooled)
Displacement	34.7 cu. in. (570 cc)	38.0 cu. in. (624 cc)
HP (@ 3600 RPM)	18.0	18.0
Max. RPM (No Load)	3600 ± 100	3750
Governed RPM	3600 ± 100	3600
Max. Torque [ft-lb (N·m) @ RPM]	29.5 (40.0) @ 2400	32.2 (43.7) @ 2200
Idle RPM	1750	1200 ± 75
Spark Plug Type	Champion® RC14YC	Champion® RC12YC
Spark Plug Gap	.030 in. (0.75 mm)	.030 in. (0.75 mm)
Crankcase Capacity	1.5 qts (1.4 liters)	2 qts (1.9 liters)
Crankcase Lubricant	SF/SG/SH/SJ or Higher Grade Oil Only with 30W Viscosity Above 40° F (4° C)	API SG or SH Grade Oil Only with 10W-30 Viscosity above 0° F (-18° C), or 5W-20 or 5W-30 Viscosity below 32° F (0° C)
Oil Filter	492932	12-050-01
Fuel Tank Capacity	3 Gallons (11.35 liters)	3 Gallons (11.35 liters)
Fuel	Automotive Grade Unleaded Gasoline (87 Octane)	Automotive Grade Unleaded Gasoline (87 Octane)
Cooling System	Air Cooled	Air Cooled
ELECTRICAL SYSTEM		
Battery	12 Volt, 275 CCA	12 Volt, 275 CCA
Charging System	Flywheel Alternator	Flywheel Alternator
Charging Output	16 Amp DC (Regulated)	15 Amp DC (Regulated)
System Polarity	Negative Ground	Negative Ground
Ignition	Magnetron® Electronic	Electronic Capacitive Discharge
Starter	12 Volt Electric Key and Solenoid Operated	12 Volt Electric Ring-Gear Type, Solenoid Shift
Interlock Switch	Ignition Lockout by Seat Switch, Transmission Neutral and Blade Clutch	Ignition Lockout by Seat Switch, Transmission Neutral and Blade Clutch
Circuit Breaker	Manual Reset (15A)	Manual Reset (15A)

Specifications

MODEL	MBV	MBK
TRANSMISSION		
Manufacturer/Model	Dual, Independent Hydro-Gear® Integrated Transaxles	Dual, Independent Hydro-Gear® Integrated Transaxles
Steering	Hand Lever Control / Individual Wheel	Hand Lever Control / Individual Wheel
Forward Speed Control	Precision Friction Lock Lever, Cruise Control, with Neutral-Park Position	Precision Friction Lock Lever, Cruise Control, with Neutral-Park Position
Service Brake	Mechanical Lockout for each Transmission (Single Lever Control)	Mechanical Lockout for each Transmission (Single Lever Control)
Parking Brake	Mechanical Cog Lock on Transmission Gear	Mechanical Cog Lock on Transmission Gear
Neutral	Transmission Release by Manual Dump Valve	Transmission Release by Manual Dump Valve
Final Drive	Direct Drive Axle from Transaxle	Direct Drive Axle from Transaxle
Transmission Fluid		
Factory Service	20W-50 Multi-Viscosity Motor Oil (Minimum SL Grade Oil)	20W-50 Multi-Viscosity Motor Oil (Minimum SL Grade Oil)
Transmission Fluid Capacity	79 fl oz (2336 ml)	79 fl oz (2336 ml)
Transmission Cooling	Cooling Fan Mounted on Drive Pulley	Cooling Fan Mounted on Drive Pulley
Ground Travel Speed		
Forward m.p.h. (km/h)	0-8 (0-13) Infinitely Variable	0-8 (0-13) Infinitely Variable
Reverse m.p.h. (km/h)	0-8 (0-13) Infinitely Variable	0-8 (0-13) Infinitely Variable
BLADE DRIVE		
PTO Shaft	Sliding Spline Shaft with Two High-Speed U-Joints	Quick Disconnect Splined Shaft with Two High-Speed U-Joints
Blade Spindle	Each Blade (2) Mounts Direct on Peerless Right Angle Gearbox with Tee Gearbox in Center Connected to PTO Shaft (Complete Geared Drive, Peerless Model 1000 Gearboxes)	Each Blade (2) Mounts Direct on Peerless Right Angle Gearbox with Tee Gearbox in Center Connected to PTO Shaft (Complete Geared Drive, Peerless Model 1000 Gearboxes)
Blade Drive Clutch and Brake	Manual Belt Tightener Clutch and Band Brake [Stops Blades within Five (5) Seconds of Disengagement]	Manual Belt Tightener Clutch and Band Brake [Stops Blades within Five (5) Seconds of Disengagement]
Max. Blade Speed [22 in. (56 cm) Blade] @ 3600 RPM Engine	2900 RPM [16700 FPM (5090 m/min)]	2900 RPM [16700 FPM (5090 m/min)]

Specifications

MODEL	MBV	MBK
TIRE SIZE		
Deck Caster Wheel	2.80/2.50-4 Pneumatic (4-Ply)	2.80/2.50-4 Pneumatic (4-Ply)
Deck Caster Wheel (Optional)	8 x 3.00-4 Foamed Rubber	8 x 3.00-4 Foamed Rubber
Drive	18 x 8.50-10 (4-Ply Low-Profile)	18 x 8.50-10 (4-Ply Low-Profile)
Rear	11 x 4.00-5	11 x 4.00-5
TIRE PRESSURE		
Deck Caster Wheel	20 PSI (137 kPa)	20 PSI (137 kPa)
Drive	15 PSI (103 kPa)	15 PSI (103 kPa)
Rear	20 PSI (137 kPa)	20 PSI (137 kPa)
DIMENSIONS (Tractor and Mower)		
Length		
	82 in. (208 cm)	82 in. (208 cm)
Width		
36 in. (91 cm) SD Model (with Deflector)	41-3/4 in. (106 cm)	41-3/4 in. (106 cm)
42 in. (107 cm) SD Model (with Deflector)	47-3/4 in. (121 cm)	47-3/4 in. (121 cm)
48 in. (122 cm) SD Model (with Deflector)	53-3/4 in. (137 cm)	53-3/4 in. (137 cm)
52 in. (132 cm) SD Model (with Deflector)		63 in. (160 cm)
56 in. (142 cm) SD Model (with Deflector)	61-3/4 in. (157 cm)	61-3/4 in. (157 cm)
Height		
	40-1/2 in. (103 cm)	40-1/2 in. (103 cm)
Wheel Base (Tractor)	38-1/2 in. (98 cm)	38-1/2 in. (98 cm)
Tread Width (Tractor)	29-3/4 in. (76 cm)	29-3/4 in. (76 cm)
MOWER DECK		
Width of Cut	36-, 42-, 48-, 52-, or 56-in. (91, 107, 122, 132 or 142 cm)	36-, 42-, 48-, 52-, or 56-in. (91, 107, 122, 132 or 142 cm)
Cutting Height	1 to 4 in. (3 to 10 cm)	1 to 4 in. (3 to 10 cm)
Height Adjustment	7 Positions - 1/2 in. (1 cm) Increment Hitch Pins Installed in Multi-Position Deck Support	7 Positions - 1/2 in. (1 cm) Increment Hitch Pins Installed in Multi-Position Deck Support

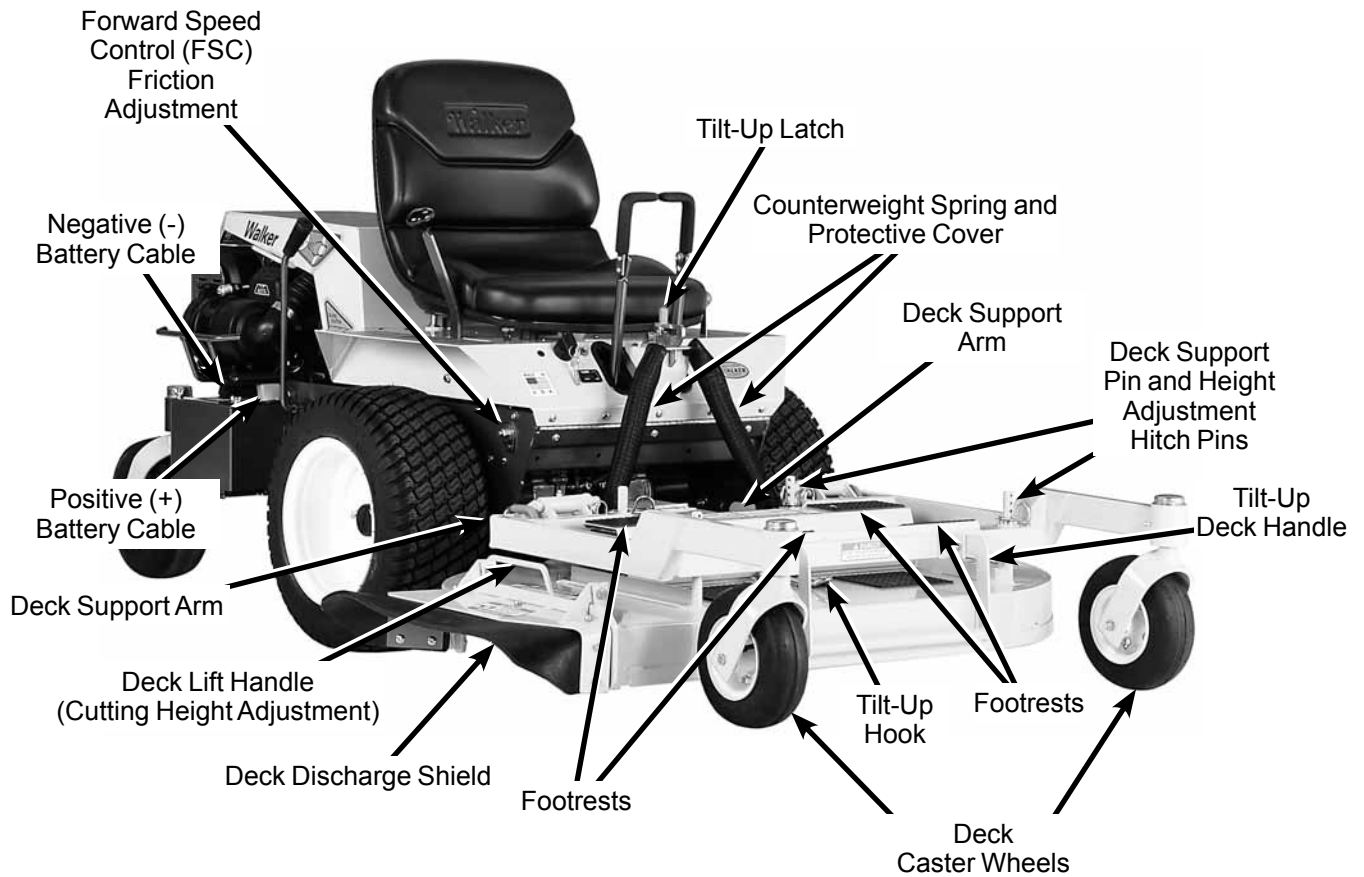
Specifications

MODEL	MBV	MBK
MOWER DECK (continued)		
Blade Size		
36 in. (91 cm) SD Model	20 in. (51 cm) Two (2) Clock-wise-Rotating Blades with a 4 in. (10 cm) Center Overlap	20 in. (51 cm) Two (2) Clock-wise-Rotating Blades with a 4 in. (10 cm) Center Overlap
42 in. (107 cm) SD Model	22 in. (56 cm) Two (2) Clock-wise-Rotating Blades with a 2 in. (5 cm) Center Overlap	22 in. (56 cm) Two (2) Clock-wise-Rotating Blades with a 2 in. (5 cm) Center Overlap
48 in. (122 cm) SD Model	25 in. (64 cm) Two (2) Clock-wise-Rotating Blades with a 2 in. (5 cm) Center Overlap	25 in. (64 cm) Two (2) Clock-wise-Rotating Blades with a 2 in. (5 cm) Center Overlap
56 in. (142 cm) SD Model	20 in. (51 cm) Three (3) Clock-wise-Rotating Blades with a 2 in. (5 cm) Center Overlap	20 in. (51 cm) Three (3) Clock-wise-Rotating Blades with a 2 in. (5 cm) Center Overlap
Deck Suspension	Torsion-Flex Frame with Caster Wheels and Counterweight Springs	Torsion-Flex Frame with Caster Wheels and Counterweight Springs
CURB WEIGHT (Approximate)		
Tractor Only	562 lb (255 kg)	560 lb (254 kg)
SD Tractor and 36 in. SD Deck	696 lb (316 kg)	696 lb (316 kg)
SD Tractor and 42 in. SD Deck	775 lb (352 kg)	773 lb (351 kg)
SD Tractor and 48 in. SD Deck	756 lb (343 kg)	756 lb (343 kg)
DRIVE BELTS		
Engine PTO	Walker P/N 4230-1	Walker P/N 4230-1
Ground Drive	Walker P/N 4248	Walker P/N 4248
SEAT	Contour-Molded, with Nylon Backed Vinyl Cover and Integral Foam Cushion	Contour-Molded, with Nylon Backed Vinyl Cover and Integral Foam Cushion
FRAME/BODY CONSTRUCTION		
Frame/Body	3/16 Plate Steel	3/16 Plate Steel
Deck	11 Gauge Steel	11 Gauge Steel

NOTE: The manufacturer reserves the right to make changes in specifications shown herein at any time without notice or obligation.

Component Identification

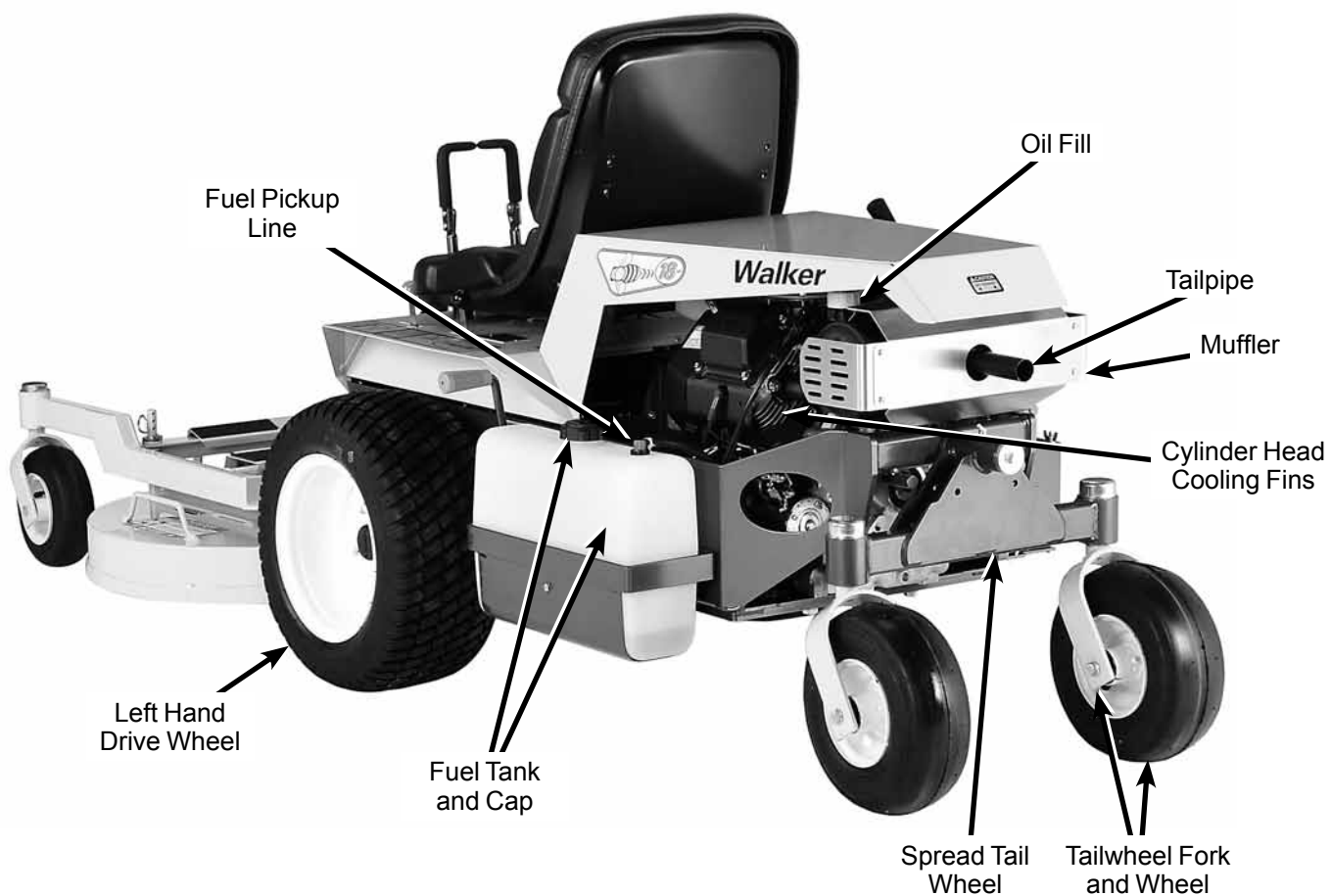
NOTE: Control Identification shown in **Operating Instructions** section.



NOTE: Model MBK Shown

Front View and Right Side View

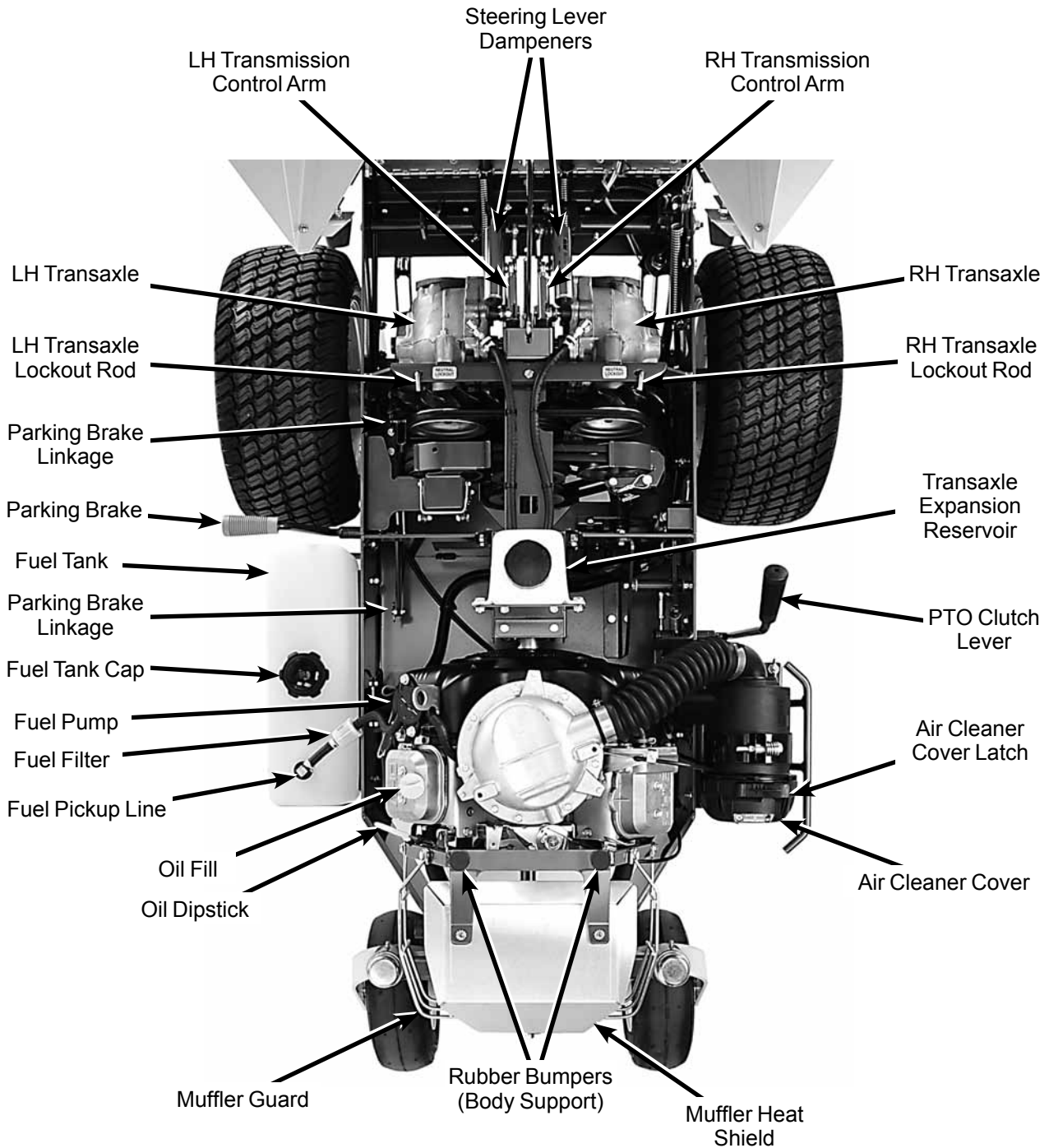
Component Identification



NOTE: Model MBK Shown

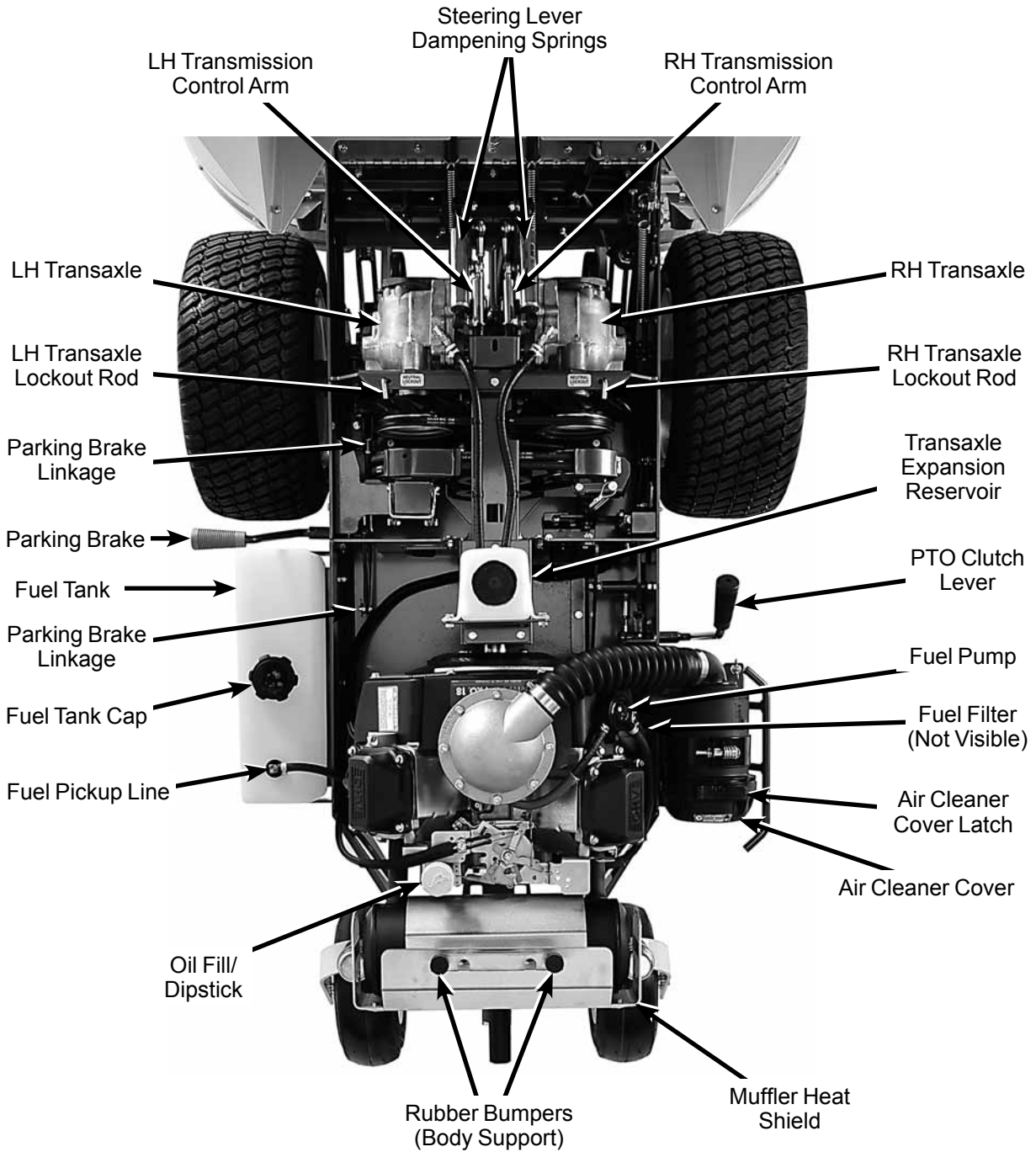
Rear View and Left Side View

Component Identification



Top View (Engine Compartment) Model MBV


Component Identification



Top View (Engine Compartment) Model MBK

Safety Instructions

Pay particular attention to any information labeled **DANGER, WARNING, CAUTION, IMPORTANT,** and **NOTE** in this manual.

When you see the Safety Alert Symbol (), read, understand, and follow the instructions. Failure to comply with safety instructions may result in personal injury.

The seriousness or degree of importance of each type of information is defined as follows:

DANGER

An **IMMEDIATE** hazard that **WILL** result in severe personal injury or **DEATH**, if warning is ignored and proper safety precautions are not taken.

WARNING

A **POTENTIAL** hazard that **COULD** result in severe personal injury or **DEATH**, if warning is ignored and proper safety precautions are not taken.

CAUTION

Possible hazards or unsafe practices that **MAY** result in **MODERATE** personal injury or property damage, or machine damage, if warning is ignored and proper safety precautions are not taken.

IMPORTANT: Identifies mechanical information demanding special attention, since it deals with the possibility of damaging a part or parts of the machine.

NOTE: Identifies information worthy of special attention.

Walker Manufacturing cannot predict every potentially dangerous situation. Therefore, items labeled as such in this manual do not cover all conceivable situations. Any person using procedures, tools, or control techniques not recommended by Walker Manufacturing must take full responsibility for safety.

The Walker Rider Lawnmower has been designed with many safety features to protect the operator from personal harm or injury. However, it is necessary for the operator to use safe operating procedures at all times. **Failure to follow safety instructions contained in this manual may result in personal injury or damage to equipment or property.**

If you have any questions concerning setup, operation, maintenance, or safety, please contact your authorized Walker Mower Dealer or call Walker Manufacturing Company at (970) 221-5614.

BEFORE OPERATING

1. **Read and understand the contents of this Owner's Manual before starting and operating the machine.** Become thoroughly familiar with all machine controls and how to stop the machine and disengage the controls quickly. Replacement Owner's Manuals are available by sending the Model and Serial Number to:

Walker Manufacturing Company
5925 East Harmony Road
Fort Collins, CO 80528

2. **Never allow children to operate rider mower.** Do not allow adults to operate without proper instruction.
3. **Clear the area to be mowed of any foreign objects** which may be picked up and thrown by cutter blades. Pick up all sticks, stones, wire, and any other debris.
4. Keep everyone, especially children and pets, a safe distance away from the area being mowed. **Do not mow with bystanders in the area.**
5. Do not operate the machine barefoot or wearing sandals, sneakers, tennis shoes, or similar lightweight footwear. **Wear substantial protective footwear.**

Safety Instructions

6. Do not wear loose fitting clothing that could get caught in moving parts. Do not operate this machine while wearing shorts; **always wear adequate protective clothing**, including long pants. Wearing safety glasses, safety shoes, and a helmet is advisable and required by some local ordinances and insurance regulations.
7. Prolonged exposure to loud noise can cause impairment or loss of hearing. **Operator hearing protection is recommended.** Wear a suitable hearing protective device, such as ear-muffs or earplugs.
8. **Keep all protective shields and safety devices in place.** If a protective shield, safety device, or decal is damaged, unusable, or missing, repair or replace it **before** operating the machine.
9. **Be sure interlock switches are functioning correctly**, so the engine cannot be started unless the Forward Speed Control lever is in the **NEUTRAL-PARK** position, and the PTO clutch is in the **DISENGAGED** position. Also, the engine should stop if the operator lifts off the seat with the PTO clutch in the **ENGAGED** position.
10. **Handle gasoline with care.** Gasoline is highly flammable and its vapors are explosive:
 - a. Use an approved fuel container.
 - b. Never add fuel to a running engine or hot engine (allow hot engine to cool several minutes).
 - c. Keep matches, cigarettes, cigars, pipes, open flames, or sparks away from the fuel tank and fuel container.
 - d. Always fill the fuel tank outdoors using care. Fill to about one inch from the top of the tank. Use a funnel or spout to prevent spilling.
 - e. Replace the machine fuel cap and container cap securely and clean up any spilled fuel before starting the engine.
11. **Never attempt to make any adjustments while the engine is running**, except where specifically instructed to do so.
12. The electrical system battery contains sulfuric acid. Avoid any contact with skin, eyes, and clothing. Keep the battery and acid out of reach of children.



WARNING

The engine exhaust from this product contains chemicals known to the State of California to cause cancer, birth defects or other reproductive harm.

Safety Instructions

OPERATING

1. **Operate the mower only in daylight** or in good artificial light with good visibility of the area being mowed.
2. Sit on the seat when starting the engine and operating the machine. Keep feet on the deck footrests at all times when the tractor is moving and/or mower blades are operating. **Never operate the tractor without a deck or implement installed.**
3. For a beginning operator, **learn to steer (maneuver) the tractor with a slow engine speed before attempting any mowing operation.** Be aware that, with the front mounted mower configuration, the back of the tractor swings to the outside during turns.



DANGER

Do not mow around overhanging tree branches or bushes at the same height as the operator's torso and head where inadvertent contact may cause injury.

4. Remember, for an emergency stop, the forward motion of the tractor can always be stopped by pulling the Forward Speed Control (FSC) into the **NEUTRAL-PARK** position.
5. In case the transmission drive belt breaks during operation, and if the machine is on a slope, the machine will freewheel down the slope. **To maintain control**, immediately (1) Release the steering levers and simultaneously (2) Move the FSC to the **NEUTRAL-PARK** position. When the machine is stopped or moving slowly, engage the parking brake.
NOTE: This is exactly the same procedure used to normally stop and park the machine.
6. Disengage the blade clutch and put the FSC in the **NEUTRAL-PARK** position before starting the engine (an ignition interlock switch normally prevents starting of the machine if these controls are in the **OPERATING** position).

7. **Do not run the engine in a confined area without adequate ventilation.** Exhaust fumes are hazardous and can be deadly.
8. **Do not carry passengers** - maximum seating capacity is one (1) person.
9. Watch for holes, rocks, and roots in the terrain and for other hidden hazards. When mowing tall grass, mow higher than desired to expose any hidden obstacles. Then, clean the area and mow to the desired height.
10. **Avoid sudden starts or stops.** Before backing the machine up, look to the rear to be sure no one is behind the machine. Watch carefully for traffic when crossing or working near roadways.
11. Disengage the blade drive when transporting the machine across drives, sidewalks, etc. **Never raise the mower deck while blades are rotating.**



DANGER

Do not mow or dump grass within 5 feet (1.5 meters) of an embankment or retaining wall with drop off.

12. **The maximum recommended side slope operating angle is 20 degrees or 33% grade.** When operating the machine on a slope, reduce speed and use caution to start, stop, and maneuver. To prevent tipping or loss of control of the machine, avoid sharp turns or sudden changes in direction.

Safety Instructions

13. **Never adjust cutting height with the engine running. Before** adjusting cutting height or servicing, disengage the blade clutch (PTO), stop the engine, and remove the ignition key. Wait for all movement to stop before getting off the seat.

NOTE: The clutch brake should normally stop drive line rotation within five (5) seconds of disengaging the PTO clutch.

14. For side discharge mower decks, **do not operate with the grass deflector chute removed.** Keep the deflector in the lowest possible position.
15. When using the tilt-up deck, **observe the following recommendations:**
 - a. Do not move tractor with deck in tilt-up position.
 - b. Never tilt body forward with deck in tilt-up position.

16. **In case of a clogged or plugged mower deck:**

- a. Disengage the blade clutch (PTO) and turn the engine off before leaving the seat.
- b. **LOOK** to make sure blade drive shaft movement has stopped before trying to unclog the system.
- c. Disconnect the spark plug wires.
- d. Never place hands under the deck - use a stick or similar tool to remove clogged material.

17. If the cutting blades strike a solid object or the machine begins to vibrate abnormally, **immediately disengage the blade clutch (PTO), stop the engine, and wait for all moving parts to stop.** To prevent accidental starting, disconnect the spark plug wires. Thoroughly inspect the mower and repair any damage before restarting the engine and operating the mower. Make sure cutter blades are in good condition and blade nuts are torqued to 60 ft-lb (81.3 N·m).

18. **Do not touch the engine or muffler while the engine is running** or immediately after stopping the engine. These areas may be hot enough to cause serious burns.

19. When leaving the machine unattended, **disengage the blade clutch (PTO), stop the engine, and remove the key.**

Safety Instructions

MAINTENANCE

1. To prevent accidental starting of the engine when servicing or adjusting the machine, remove the key from the ignition switch and disconnect the spark plug wires.
2. **To reduce fire hazards**, keep the engine free of grass, leaves, excessive grease, and dirt.
3. Keep all nuts, bolts, and screws tight to ensure the machine is in a safe, working condition. Check the blade mounting nuts frequently, making sure they are tight.
4. **Perform only maintenance instructions described in this manual.** Unauthorized maintenance operations or machine modifications may result in unsafe operating conditions.
5. If the engine must be running to perform a maintenance adjustment, keep hands, feet, and clothing away from moving parts. **Do not wear jewelry or loose clothing.**
6. **Always use the proper engine service manual when working on the engine.** Unauthorized maintenance operations or modifications to the engine may result in unsafe operating conditions.
7. Altering the equipment or engine in any manner which adversely affects its operation, performance, durability, or use will **VOID the warranty** and may cause hazardous conditions.
8. Never attempt to disconnect any safety devices or defeat the purpose of these safety devices.
9. Do not change the engine governor settings or overspeed the engine. The governor has been factory-set for maximum-safe engine operating speed.
10. **Use genuine factory replacement parts.** Substitute parts may result in product malfunction and possible injury to the operator and/or others.

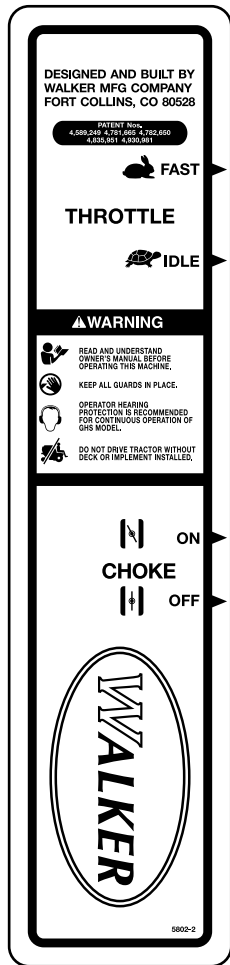
11. **Use care when charging the battery** or performing maintenance on the battery and electrical system:
 - a. Make sure the battery charger is unplugged before connecting or disconnecting cables to the battery.
 - b. Charge the battery in a well-ventilated space, so gases produced while charging can dissipate. Make sure the battery vents in the caps are open.
 - c. Keep sparks, flames, and smoking materials away from the battery at all times. To avoid sparks, use care when removing battery cables from posts.
 - d. Disconnect both battery cables before unplugging any wiring connectors or making repairs on the electrical system.

IMPORTANT: Keep all applicable manuals immediately accessible to anyone who may operate or service this machine.

Safety Instructions

SAFETY, CONTROL, AND INSTRUCTION DECALS

Safety, Control, and Instruction Decals are installed on the machine; if any are missing, illegible, or damaged, a replacement should be ordered and installed before putting the machine into operation. The Decal Part Number is listed below and in the Parts Section.



LH Fender (5802-2)



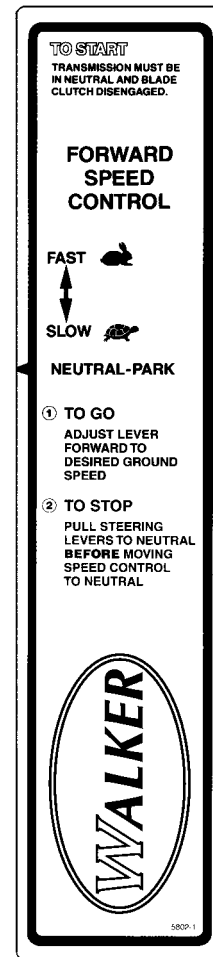
Each End of Mower Deck (5808 All Decks Except DSD56)
(5808-1 DSD56 Deck)



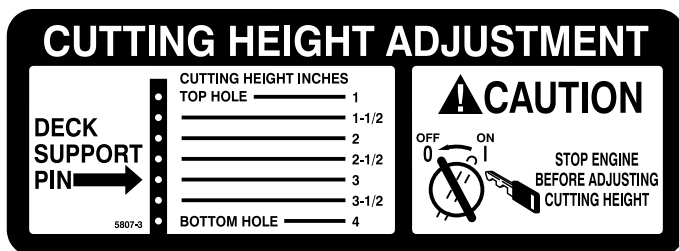
SD Deck Discharge Shield (5848)



Rear Body,
Above Muffler (5805)



RH Fender (5802-1)



Deck Gearbox Cover (5807-3)

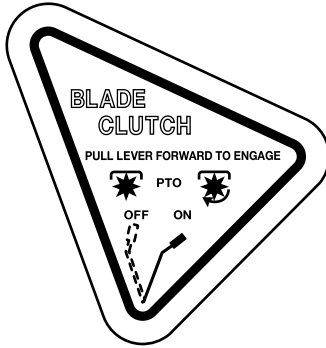


Flex Coupling Guard,
Both Sides (4107-1)

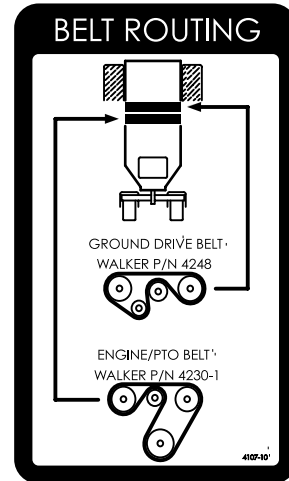
Safety Instructions

SAFETY, CONTROL, AND INSTRUCTION DECALS

Safety, Control, and Instruction Decals are installed on the machine; if any are missing, illegible, or damaged, a replacement should be ordered and installed before putting the machine into operation. The Decal Part Number is listed below and in the Parts Section.



**Blade Clutch on Front Body
Adjacent to RH Steering Lever (4107-6)**



Belt Routing (4107-10)



Deck Carrier Frame (8647)



**Center Body Behind Transaxles
(9804)**



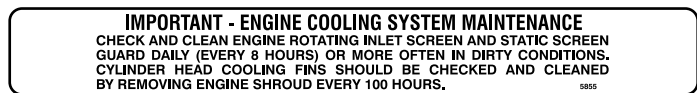
Deck Carrier Frame (8653)



Parking Brake (4406-8)



Deck Carrier Frame (5865)



**Engine Shroud (5855)
(Model MBK only)**

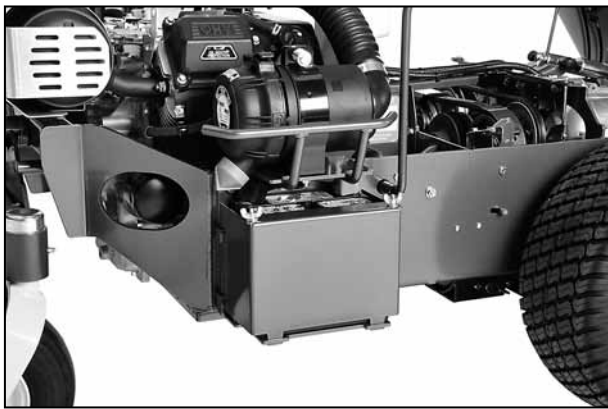
Assembly Instructions

SETUP INSTRUCTIONS

Walker Mowers are shipped partially assembled to our distribution network, and are typically assembled by the selling dealer. For any additional assembly besides the following, contact your Walker dealer.

Battery Service

The battery is a completely sealed, non serviceable battery.



Battery Location

IMPORTANT: Make sure battery is securely mounted in the frame. A loose battery may cause damage to the case resulting in acid leakage and severe damage to the machine. A hazard may be created by damage to critical working parts and safety systems.

Mower Deck Assembly

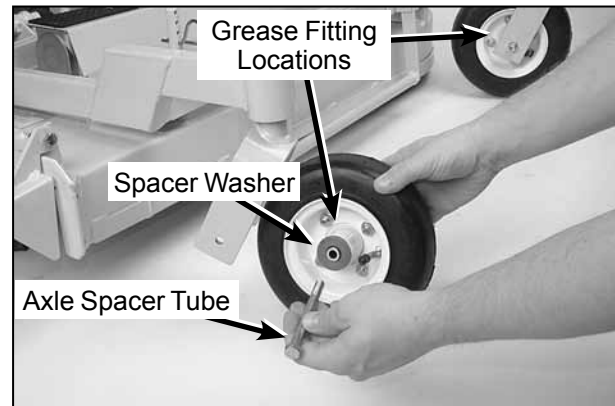
Deck Caster Wheels Installation

1. Remove the bolt, nut, axle spacer tube, and spacer washers from each deck caster wheel fork.

NOTE: Spacer washers are used only when the optional semi-pneumatic deck wheels (8.25 x 2.75) are installed.

2. Fit the axle spacer tube through the wheel hub, position the spacer washer on each side of the hub (if used), and fit the assembly into the wheel fork.
3. Insert the 3/8-16 x 4-1/2 in. bolt through the wheel fork with the bolt head to the outside and install the 3/8-16 in. Keps nut.

4. Tighten the bolt and nut until the axle spacer tube bottoms against the inside of the wheel fork (will not turn) while the wheel and spacer washers (if used) spin freely without binding.



Deck Caster Wheel Installation

Deck Discharge Chute Installation (Side Discharge Models Only)

Attach the deck side discharge shield by positioning the shield hinge lug in front of the deck mount and fastening with two 3/8-16 x 1-1/4 in. bolts, 3/8-16 ESNA nuts, and 3/8 in. wave spring washers. The wave washers fit between the two hinging surfaces. Tighten the nuts until the shield moves freely but is not loose.



DO NOT operate the machine without the grass deflector chute attached and in the lowest possible position.

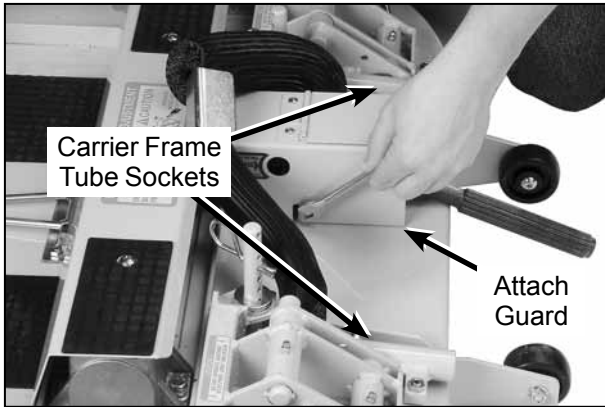


Deck Discharge Shield Installation

Assembly Instructions

PTO Shaft Guard Installation

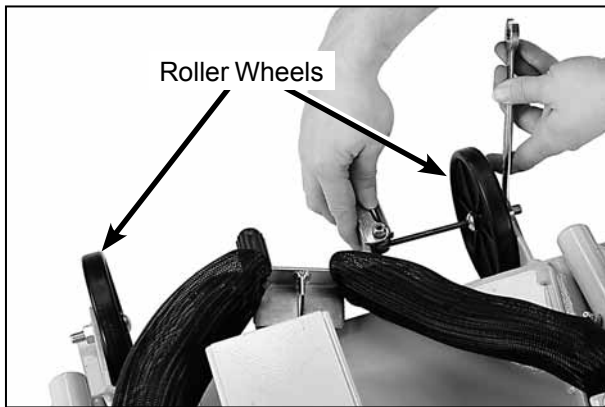
Position the shaft guard as shown and mount with two (2) 1/4-20 x 1/2 in. bolts.



PTO Shaft Guard Installation

Tilt-Up Roller Wheel Installation

Mount the two (2) tilt-up roller wheels on the brackets on the rear skirt of the deck housing using the P/N 8490 axle bolt, 3/8 in. wave spring washer and 3/8-16 in. Whiz locknut. Tighten the axle bolt until the wheel rolls freely, but is not loose.

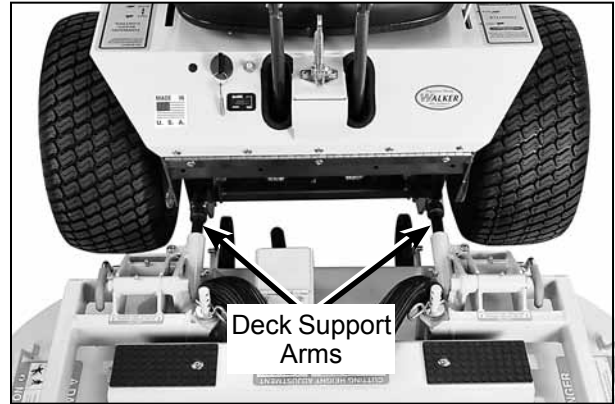


Roller Wheel Installation

Mower Deck Installation on Tractor

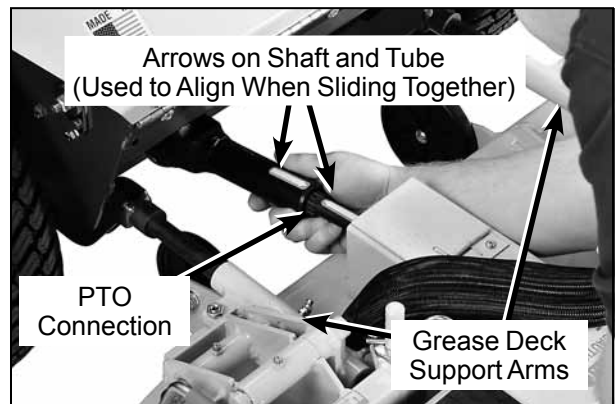
Deck Installation - Model MBV

1. Lightly grease each deck support arm (2) on the tractor. Refer to **Mower Deck Installation** photo for location of deck support arm.



Mower Deck Installation

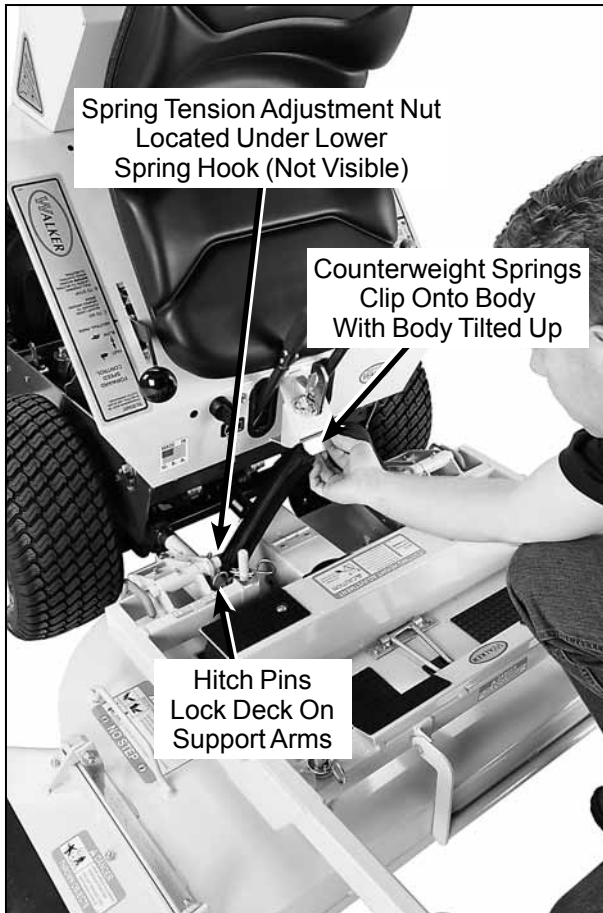
2. Engage the deck carrier frame tube sockets on the tractor support arms (refer to **PTO Shaft Guard Installation** photo for socket location). Slide the deck onto the support arms approximately 3 in. (76 mm).
3. Align and connect the splined PTO shaft and socket halves, as shown in **PTO Shaft Connection** photo. The PTO shaft has a pilot end to ease alignment of shaft; fit shaft end into socket and rotate shaft until the splines line up as indicated by arrows, then slide together.



PTO Shaft Connection

4. Install the hitch pin through the hole on the end of each support arm to lock the deck in place (refer to **Deck Counterweight Spring Installation** photo). Two (2) hitch pins are included in the owner's packet of materials.

Assembly Instructions

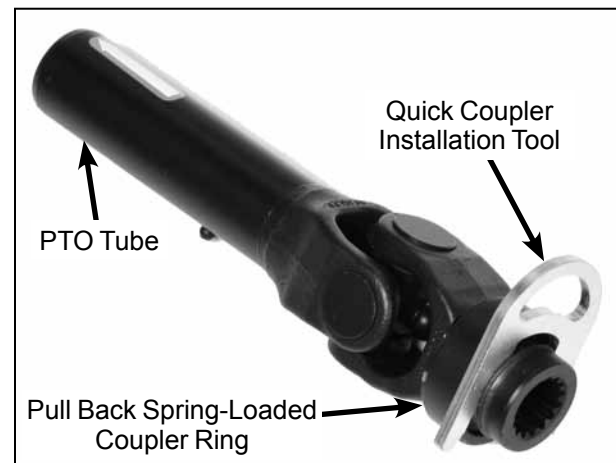


Deck Counterweight Spring Installation

5. Raise mower body (instead of lifting the front of deck) and clip the counterweight springs to the receptacle on front of body. Lower the body to tension the springs. (Refer to **Deck Counterweight Spring Installation** photo.)
6. With the counterweight springs connected, the weight on the deck caster wheels should be 15 to 25 lb (6.8 to 11.3 kg); this adjustment is preset at the factory. If required, the spring tension can be adjusted by tightening or loosening the elastic stop nuts located underneath the lower spring hook, or contact your local dealer if additional help is required. Refer to **Deck Counterweight Spring Installation** photo.

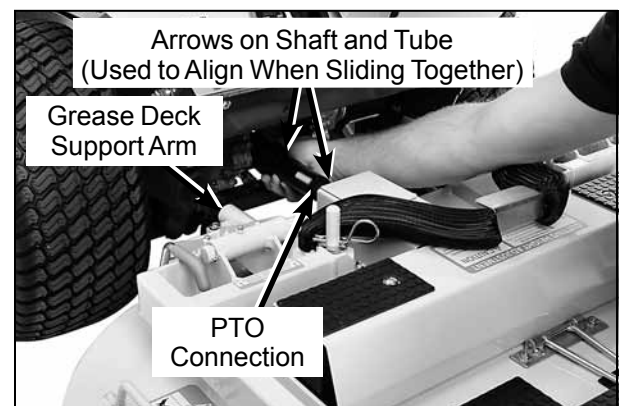
Deck Installation - Model MBK

1. Lightly grease each deck support arm (2) on the tractor. Refer to **Mower Deck Installation** photo for location of deck support arm.
2. Engage the deck carrier frame tube sockets on the tractor support arms (refer to **PTO Shaft Guard Installation** photo for socket location), slide the deck onto the support arms approximately 3 in. (76 mm).
3. Retract spring-loaded coupler ring on the PTO Tube (provided in owner's packet) and insert coupler tool. Refer to **Quick Coupler Installation Tool** photo.



Quick Coupler Installation Tool

4. Reaching under the tractor, join the PTO tube to the PTO shaft (align arrow decals). Slide the PTO tube onto the spline shaft on the tractor PTO gearbox.



Mower Deck Installation (PTO Shaft Connection)

Assembly Instructions

5. Slide the deck the rest of the way on the deck arms.
6. Install the hitch pin through the hole on the end of each support arm to lock the deck in place (refer to **Deck Counterweight Spring Installation** photo). Two (2) hitch pins are included in the owner's packet of materials.
7. Remove Installation Tool from coupler ring and make sure the ring has "snapped" securely on the spline shaft.

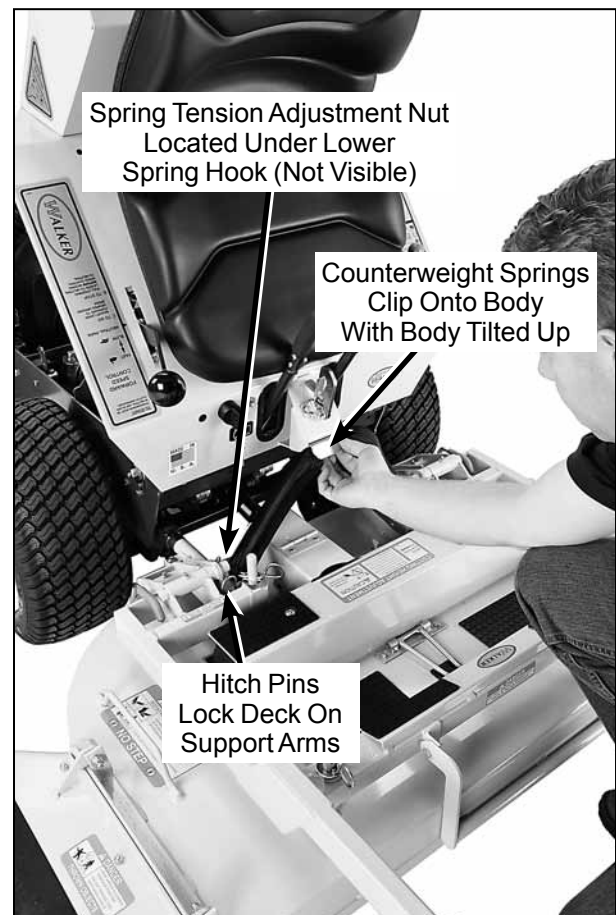
IMPORTANT: DO NOT operate tractor with Quick Coupler Installation Tool installed.

IMPORTANT: To prevent damage to the mower, make sure the PTO shaft assembly is securely locked on the tractor, with the locking balls fully seated in the groove and the ring in the full forward position (refer to the **Coupler Ring "Locked" Position** photo). After installation, pull on the shaft to check for security.



Coupler Ring "Locked" Position

8. Raise the mower body (instead of lifting the front of deck) and clip the counterweight springs to the receptacle on front of body. Lower the body to tension the springs. (Refer to **Deck Counterweight Spring Installation** photo.)
9. With the counterweight springs connected, the weight on the deck caster wheels should be 15 to 25 lb (6.8 to 11.3 kg); this adjustment is preset at the factory. If required, the spring tension can be adjusted by tightening or loosening the elastic stop nuts located underneath the lower spring hook, or contact your local dealer if additional help is required. Refer to **Deck Counterweight Spring Installation** photo.



Deck Counterweight Spring Installation

Assembly Instructions

Deck Leveling

1. Position mower on a smooth, level surface. Set the cutting height to the highest position - 4 in. (102 mm) - for easy access under the deck to measure blade height. Refer to **ADJUSTING CUTTING HEIGHT** in **Operating Instructions**.

NOTE: A block of wood cut 4 in. (102 mm) high is a convenient gauge to measure blade height above ground during the leveling process.

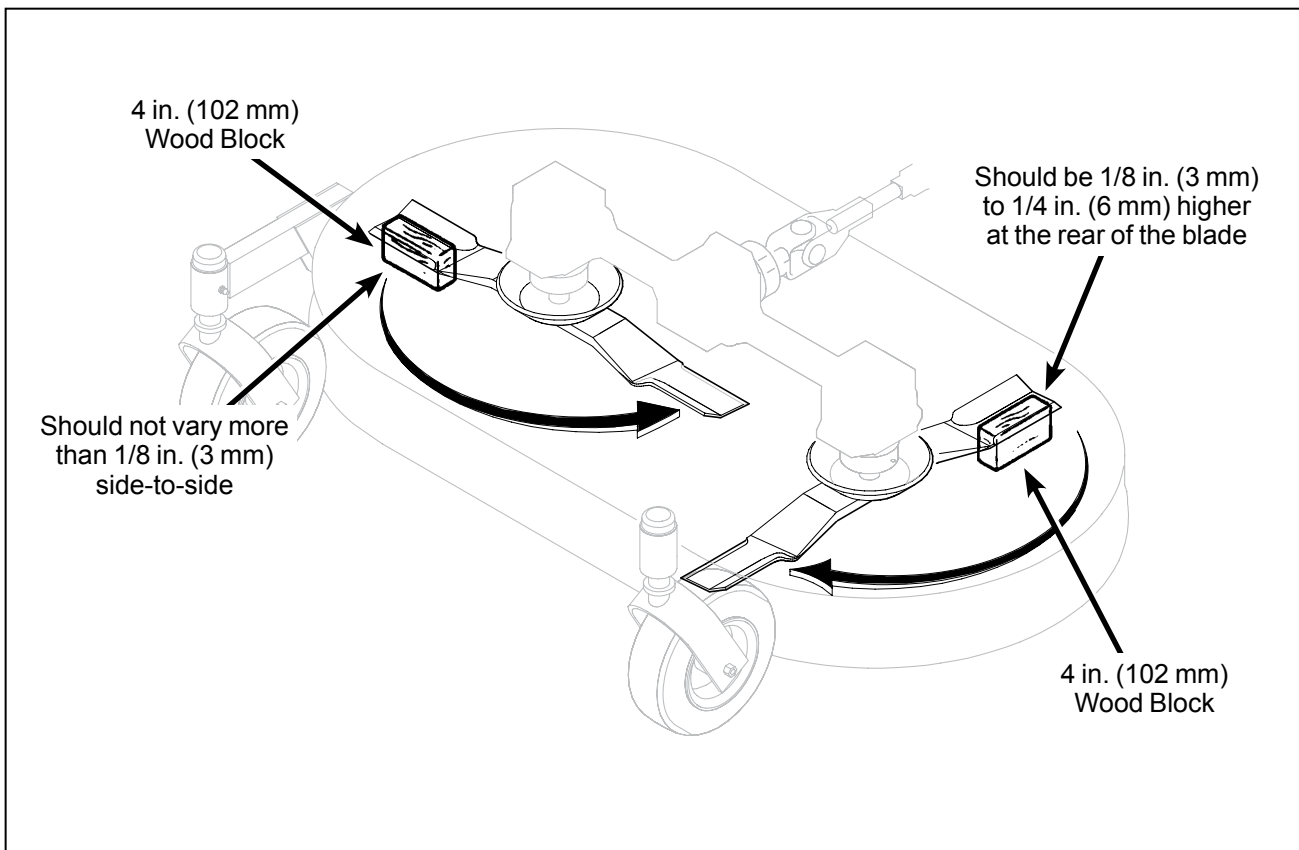


WARNING

The machine must be shut off during this procedure.

2. Check the side-to-side level. **Rotate each blade sideways** and measure the distance from blade tip to ground on each side. If measurements vary more than 1/8 in. (3 mm), add a washer shim under the deck support pins on the low side to level the deck.
3. Check the front-to-rear level. **Rotate the blades to point forward.** Measure the distance from blade tip to ground on the front and rear. The rear of the blade should be 1/8 to 1/4 in. (3 to 6 mm) higher than the front of the blade; shim the rear (or front) deck support pins equally to achieve at least 1/8 in. (3 mm) difference.

NOTE: The mower deck and support frame are jig welded; within normal tolerances, very little, if any, shimming should be required to level the deck. Tire pressure will influence the levelness of the deck. Check the tire pressure as a possible cause of the deck not being level.



Deck Leveling

Assembly Instructions

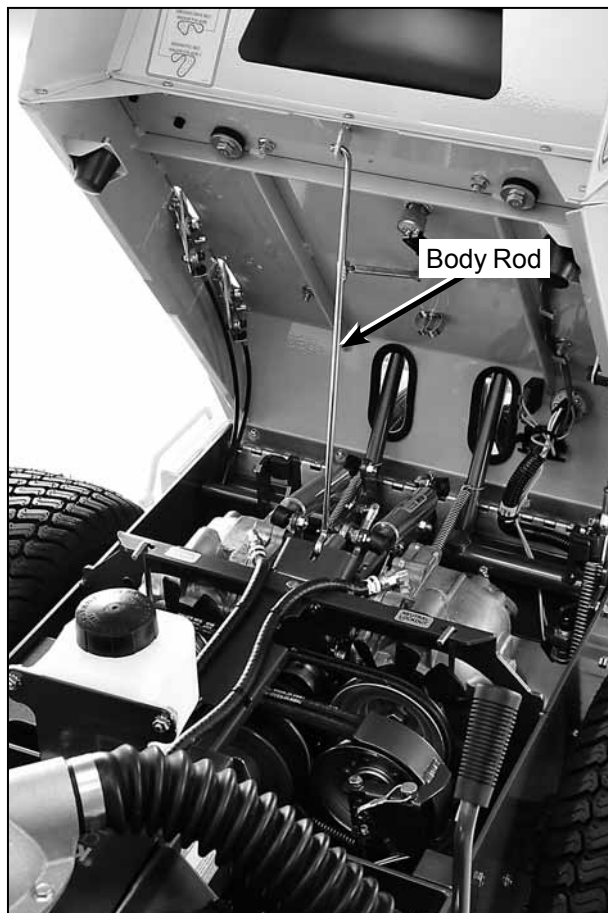
PREOPERATING CHECKLIST

Before operating the mower for the first time, and as a routine before daily operations, it is important to make sure the mower is properly prepared and ready for operation. The following is a list of items to be checked. (For a mower with frequent operation, some of these items will not need to be checked every day, but the operator should be aware of the condition of each.)

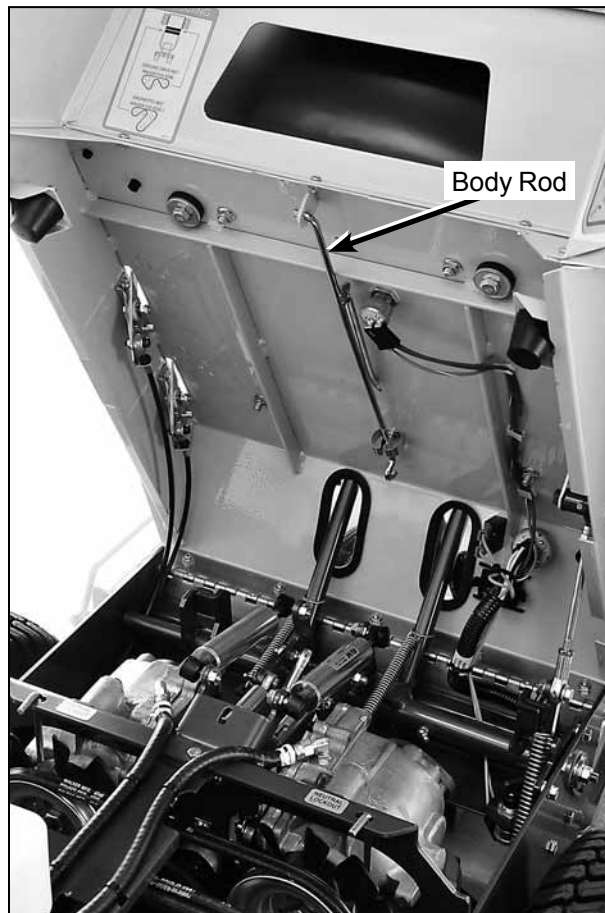
For proper fuel and lubricants refer to **Specifications**.

CHECK BODY ROD IN STOWED POSITION

Check that body rod is secured in the stowed position before lowering body. Refer to **Body Rod in Stowed Position** photo.



Body Rod in Engaged Position



Body Rod in Stowed Position

FILL FUEL TANK

Fill the fuel tank using clean, fresh automotive grade **unleaded** gasoline (87 octane rating minimum).

Assembly Instructions

DANGER

Handle gasoline with care. Gasoline is highly flammable and its vapors are explosive. Use safe refueling procedures:

- DO NOT fill fuel tank with the engine running.
- If the engine is hot, allow to cool before refueling.
- Use an approved fuel container.
- Fuel the mower outdoors.
- DO NOT smoke while refueling.
- Avoid spilling fuel; use a funnel or spout.
- DO NOT overfill the fuel tank; fill up to about 1 in. (25 mm) below the top of tank.

IMPORTANT: DO NOT permit dirt or other foreign matter to enter the fuel tank. Wipe dirt from around the filler cap before removing. Use a clean fuel storage container and funnel.

IMPORTANT: DO NOT mix oil with gasoline. Always use fresh, automotive grade unleaded gasoline. **DO NOT** use premium, white, or high-test gasoline. **DO NOT** use additives, such as carburetor cleaners, deicers, or moisture removing agents. **DO NOT** use gasoline blended with methyl alcohol.

CHECK ENGINE CRANKCASE OIL LEVEL

Check the engine crankcase oil level before use and **after each 8 hours** of continuous operation. Refer to **LUBRICATION** for *Checking Engine Crankcase Oil Level* in **Maintenance Instructions**.

CHECK AND SERVICE ENGINE AIR CLEANER SYSTEM

- Check air restriction gauge to make sure there is no red indication showing.
- Check condition, cleanliness, and security of the complete air cleaner system (inspect air filter **every 100 hours**). For detailed procedures, refer to **CLEANING** the **Engine Air Cleaner System** in **Maintenance Instructions**.

CHECK ENGINE COOLING SYSTEM

Check that the engine cooling air intake screen is free of obstruction by grass clippings or debris and clean if required. Also, cylinder head cooling fins should be inspected and cleaned if any build-up of debris is noted. Contact your Walker dealer to perform this procedure.

CHECK SECURITY OF DRIVE TIRE MOUNTING NUTS

The eight (8) Drive Tire mounting nuts should each be torqued to 75 to 85 ft-lbs. (101.7 to 115.2 N·m).

INSPECT THREE (3) DRIVE BELTS

Engine/PTO and Ground Drive.

CHECK HYDROSTATIC TRANSAXLE OIL LEVEL

Refer to **LUBRICATION** for **Transaxle Lubrication** in **Maintenance Instructions**.

CHECK TIRE PRESSURE

Deck Caster Wheel = 20 PSI (137 kPa)
Drive = 15 PSI (103 kPa)
Rear = 20 PSI (137 kPa)

CHECK AND CLEAN GRASS BUILDUP UNDERNEATH MOWER DECK

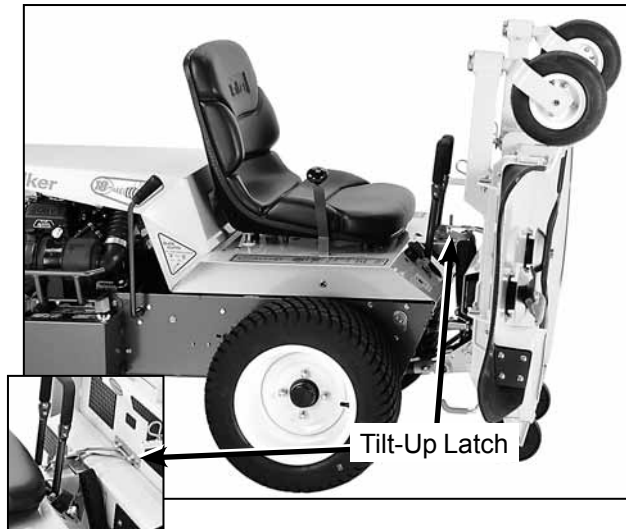
Refer to **CLEANING** in **Maintenance Instructions** for deck cleaning information.

DANGER

Never operate cutter blades with deck in raised position because it is hazardous.

The tilt-up deck can be secured in the raised position by unlocking the deck lock levers on each side of the carrier frame and inserting the deck hook into the tilt-up latch on the tractor body. Before operating the tractor, make sure to re-engage the deck lock levers after lowering the deck to the normal operating position.

Assembly Instructions



Deck Secured in TILT-UP Position

 **CAUTION**

Do not operate machine with deck tilt-up pivot joint unlocked.

 **DANGER**

Do not operate the mower with deck in tilt-up position. Do not move the tractor with the deck in the tilt-up position.

- CHECK MOWER BLADE CONDITION, SHARPNESS, AND SECURITY OF MOUNTING

The blade mounting nut should be tightened to 60 ft-lb (81.3 N·m). If blade sharpening is required, refer to **CHECKING/SERVICING** for **Sharpen Mower Blades** in **Maintenance Instructions**.

- ADJUST MOWER CUTTING HEIGHT, IF REQUIRED

Position the hitch pins in the four deck support pins. Refer to the "Cutting Height Adjustment" decal on the deck gearbox cover.

- PERFORM ANY ADDITIONAL PROCEDURES called for on the **MAINTENANCE SCHEDULE CHART** in **Maintenance Instructions**.

Operating Instructions

CONTROL IDENTIFICATION, LOCATION, AND FUNCTION

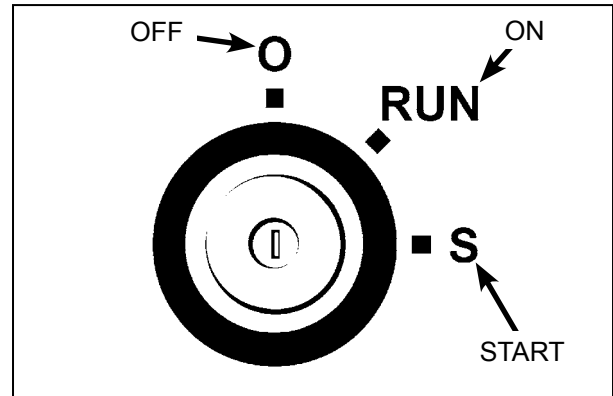
CAUTION

Before operating the mower, become familiar with the location and function of all operator controls. Knowing the location, function, and operation of these controls is important for safe and efficient operation of the mower.

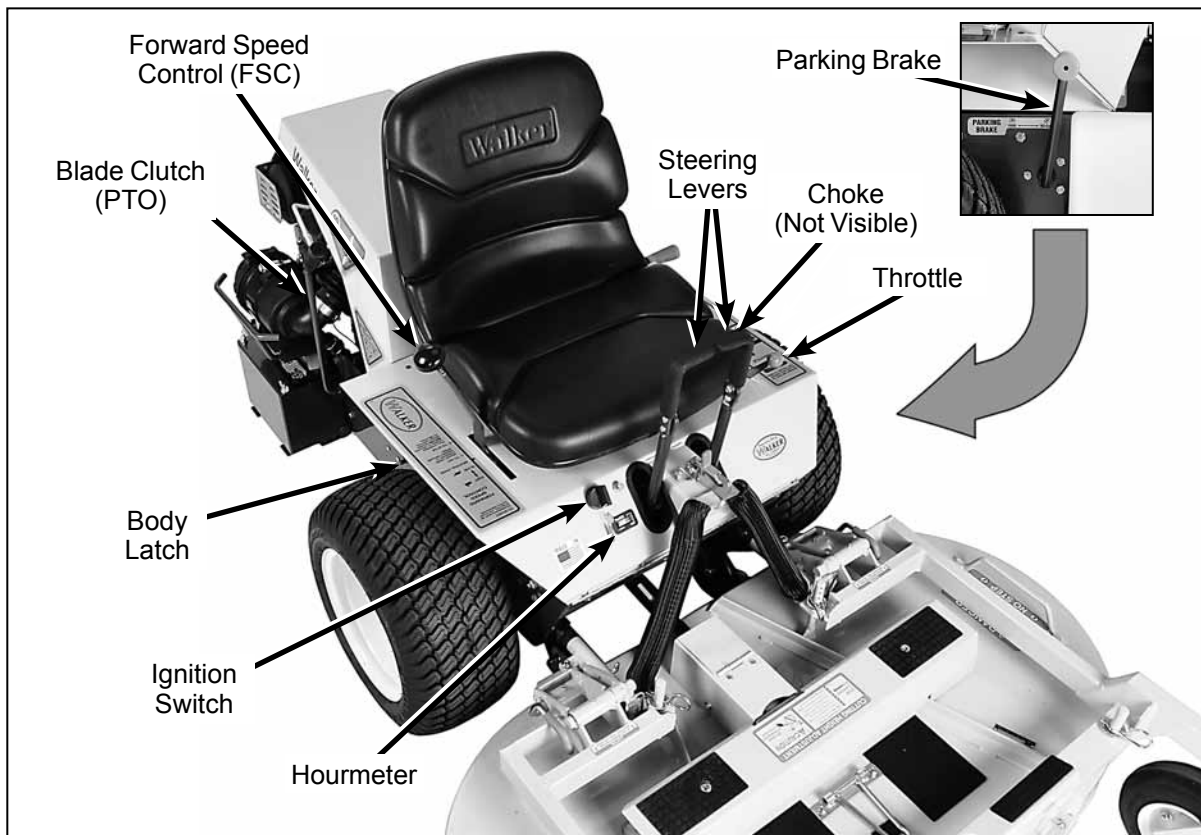
Ignition Switch

The ignition switch is located on the right front of the body and is used to start and stop the engine. The switch has three positions: "O" is the **OFF** position, **RUN** is the position the key returns to after starting, and "S" is the **START** position. When starting the engine, turn the key clockwise to the "S" position. Do not hold the key in the "S" position longer than 10 seconds. If the engine does not start, return the key to the "O" position for at least 60 seconds before

making a restart attempt. Prolonged cranking can damage the starter motor and shorten battery life. Release the key when the engine starts, and it will return to the **RUN** position. To stop the engine, rotate the key counterclockwise to the "O" position.



Ignition Switch



Operating Controls

Operating Instructions

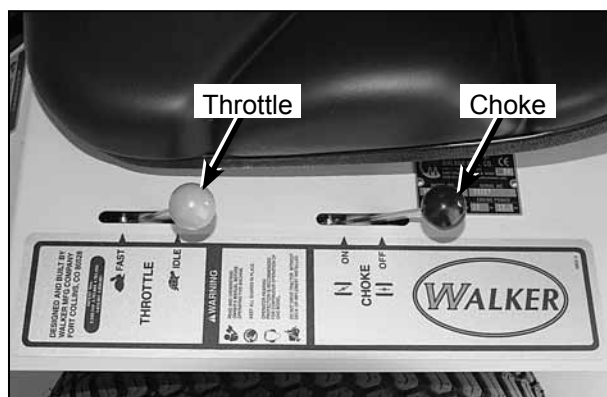
Engine Choke

The choke control lever (black knob) is located on the left side of the seat. To start a cold engine, move the choke control forward to the **ON** position. After engine starts, move the choke control toward the **OFF** position, keeping enough choke to allow the engine to run smoothly as it warms up. As soon as possible, move the choke to the **OFF** position. A warm engine requires little or no choke for starting.

IMPORTANT: Make sure the choke is in the **OFF** position during normal engine operation; running with the choke in the **ON** position **CAN** damage the engine.

Engine Throttle

The throttle control lever (red knob) is located on the left side of the seat and is used to control engine speed. Moving the lever **forward** toward the **FAST** position **increases** engine speed; moving it **backward** toward the **IDLE** position **decreases** engine speed.



Choke and Throttle Location

Forward Speed Control (FSC)

Forward Speed Control (FSC) has two functions: One is to set forward travel speed, and the other is to establish the **NEUTRAL-PARK** position. When the FSC lever is moved into the **FORWARD** position, a friction lock holds any forward speed setting from 0 to 8 mph (0 to 12.9 km/h). The ground speed is proportional to the lever position; the further the lever is advanced forward, the faster the tractor moves. It is not necessary to hold the FSC in position since the friction lock maintains the selected lever position. Pulling back on the steering levers overrides the FSC setting and slows or stops forward travel. Releasing the steering levers allows the tractor to resume forward travel at the speed set by the FSC lever. To stop and park the machine, the FSC lever is moved backward to the **NEUTRAL-PARK** position.

Steering Levers

Each drive wheel is controlled by its own independent steering lever, for both steering function and **FORWARD/REVERSE** motion. The FSC lever sets the maximum forward speed, and also sets the forward position of the steering levers. The steering levers operate **only with a backward pulling** movement of the lever, which causes the drive wheel for that lever to first slow down, stop, and then reverse with a full backward lever stroke. The levers are released to the **FORWARD** position for "straight-ahead" ground travel.

NOTE: Pushing forward on the steering levers will not cause **any** change in tractor motion - there will be no steering lever reaction and there will be no machine damage.

Blade Clutch (PTO)

The blade clutch lever has two positions. Pushing the lever **DOWN engages** the PTO that drives the mower blades. Pulling the lever **UP disengages** the PTO and engages the blade brake.

Operating Instructions

Parking Brake

The parking brake functions by locking a detent arm into the transaxle outer control gear teeth. Moving the lever **FORWARD engages** the parking brake; moving the lever **BACKWARD releases** the brake.

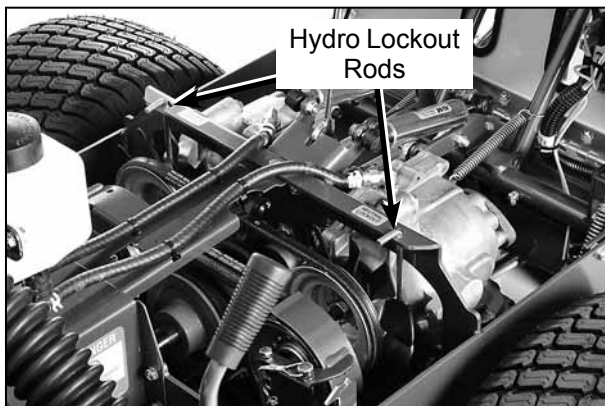
IMPORTANT: Stop the tractor completely before engaging the parking brake. The parking brake uses a positive mechanical lock similar to the **PARK** position on an automotive automatic transmission. If the tractor is moving when the brake is engaged, it will result in sudden stoppage and possible internal damage to the transaxle.

NOTE: If pressure on the parking brake pin (e.g., parked on a hill) makes it impossible to release the parking brake with the parking brake lever, move the mower gently forward or backward to allow the brake detent to set into the teeth.

Transaxle Lockout Rods

The transaxle lockout rods disengage the transaxles. By lifting the rods up and locking them into place with the shoulder on the rod in the chassis notch, the transaxles are released to permit free-wheeling. By releasing the rods and recessing them back toward the chassis, the transaxles are engaged for normal operation. The transaxle rods in the **LOCKOUT** position are used to enable moving the machine without the engine running (e.g., for service). Refer to **TRANSAXLE LOCKOUTS** in this section for operating instructions.

NOTE: The transaxle lockout rods ends should be completely retracted against the body, otherwise operation of the transaxle may be erratic.



Hydro Lockout Rod Location

Hourmeter

The hourmeter, which is located on the right front of the body, displays **operating time** accumulated when the PTO is in the **ENGAGED** position.

The hourmeter provides maintenance reminders after certain hours of operation. The hourmeter screen will start flashing the reminder one hour prior to the recommended interval and will continue until one hour after the recommended interval (two hours). The hourmeter **does not have a manual reset function**.

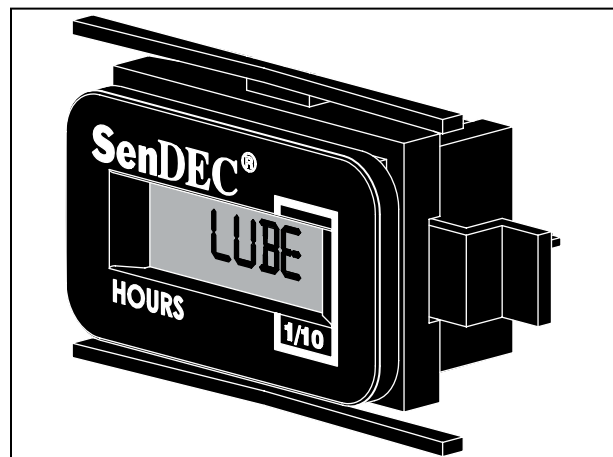
Procedure	Interval*	Reminder
Oil Change (Break-In)**	4-6 Hours	C H G OIL
Lubricate and Check Levels	24-26 Hours	LUBE
Oil Change	49-51 Hours***	C H G OIL

* These intervals reflect the actual time that the reminder will flash (one hour prior to and one hour after the recommended interval).

** This reminder is only used one time.

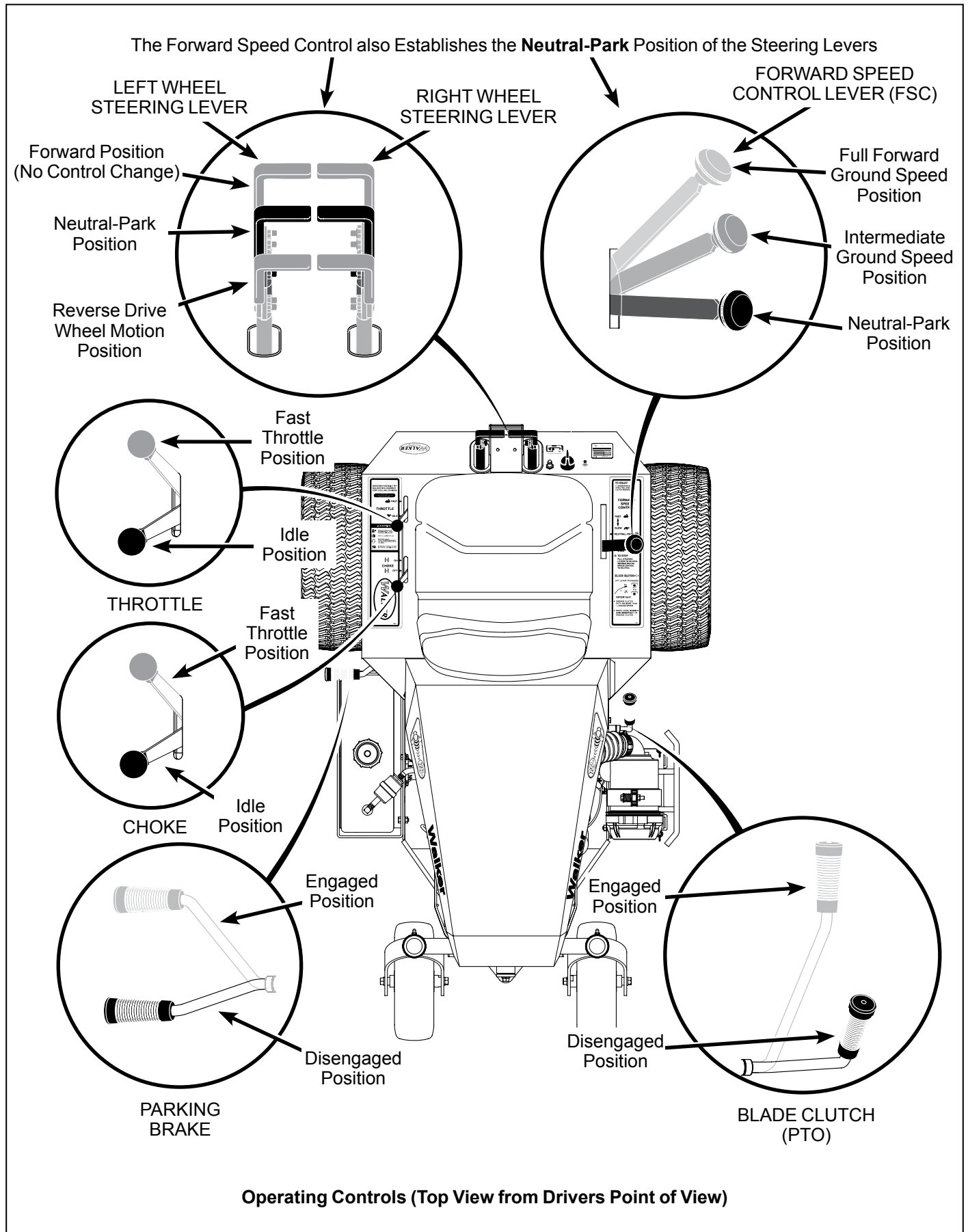
*** In normal operating conditions, oil changes in 100-hour intervals are acceptable. Walker and the engine manufacturers recommend engine oil changes every 50 hours in extremely dirty or dusty conditions or for units with less than 100 hours annual use.

NOTE: The blinking hour glass on the display means that the meter is operating properly.



Hourmeter

Operating Instructions



Operating Instructions

STARTING THE ENGINE

CAUTION

Before operating the mower, read and understand all Safety Instructions and Operating Instructions.

WARNING

NEVER run the engine in an enclosed or poorly ventilated area. Engine exhaust contains carbon monoxide, an odorless and deadly gas.

1. Before attempting to start the engine, make sure the operator is in the seat, the Forward Speed Control is in **NEUTRAL-PARK** position, and the blade clutch and parking brake are **DIS-ENGAGED**.

NOTE: Release parking brake to prevent extra load on the starter if the transmission neutral is slightly out of adjustment.

CAUTION

A safety interlock switch system **PREVENTS CRANKING** the engine with either the Forward Speed Control or the blade clutch (PTO) out of neutral. If the engine cranks otherwise, the safety system is not working and should be repaired or adjusted before operating the mower. **DO NOT** disconnect safety switches; they are for the operator's protection.

2. Move the choke lever to the **ON** position and move the throttle 1/4 to 1/2 open (toward **FAST**). Turn the ignition switch to the **START** position to start the engine. Release the key to **RUN** position as soon as the engine starts.

NOTE: The choke may not be required if the engine is warm.

IMPORTANT: DO NOT crank the engine continuously for more than 10 seconds at a time. If the engine does not start, turn the key to the **OFF** position and allow a 60 second cool-down period between starting attempts. Failure to follow these guidelines can damage the starter motor and shorten battery life. Contact your Walker dealer or authorized engine dealer for additional help.

3. After the engine starts, gradually move the choke to the **OFF** position, keeping enough choke on to allow the engine to run smoothly as it warms up. As soon as possible, move the choke to the **OFF** position.

IMPORTANT: Make sure the choke is in the **OFF** position during normal engine operation; running with the choke in the **ON** position **CAN** damage the engine.

ADJUSTING GROUND SPEED AND STEERING

CAUTION

Learn to **START, STOP, and MANEUVER** the mower in a large, open area.

If the operator has not operated a machine with **LEVER STEERING OR DUAL TRANS-AXLES**, steering and ground operation should be learned and practiced until the operator is completely comfortable handling the machine **BEFORE ATTEMPTING TO MOW**.

DANGER

Keep feet on footrests at all times when the machine is moving. Never operate the tractor without a deck or implement installed.

Operating Instructions

Beginning Recommendations are:

- ◆ Learn operation of the mower in an open area away from buildings, fences, and obstructions. Learn operation on flat ground **BEFORE** operating on slopes.
- ◆ Start maneuvering the mower with **SLOW** engine speed and **SLOW** Forward Speed Control setting until familiar with all operating characteristics.
- ◆ Remember it is not necessary to hold the steering levers forward (a unique Walker feature); always **PULL** on the levers for steering or for reverse motion of the mower.
- ◆ Learn to operate the mower with your left hand on the steering levers and right hand on Forward Speed Control. The use of two hands on the steering levers tends to cause overcontrol.
- ◆ Learn to operate the steering levers with smooth action. Jerky movements are hard on the transmission and lawn. For sharp turns, do not allow the inside wheel to stop and twist on the grass. Pull the steering lever controlling the inside wheel into reverse for a smooth “rolling” turn (one wheel rolling forward while the other rolls backward).
- ◆ Practice maneuvering the mower until you can make it go exactly where you are aiming.
- ◆ Remember, for an emergency stop, or in case of loss of control, machine movement can always be stopped quickly by pulling the Forward Speed Control into the **NEUTRAL-PARK** position.

1. Move the FSC out of **NEUTRAL-PARK** position to the desired forward speed. **DO NOT** hold forward on steering levers. It is not necessary to hold the FSC lever in position since a friction lock maintains the selected lever position (and forward travel speed).

WARNING

In case either of the transmission drive belts break during operation, and if the machine is on a slope, the machine will freewheel down the slope. To maintain control, immediately (1) Release the steering levers and simultaneously (2) Move the FSC to the **NEUTRAL-PARK** position. When the machine is stopped or moving slowly, engage the parking brake.

NOTE: This is exactly the same procedure used to normally stop and park the machine.

NOTE: If the FSC lever will not stay in the selected position, the friction lock needs to be adjusted. Contact your Walker dealer.

2. Steer by pulling the lever on the side of desired direction of turn, e.g., pull the **LH** lever to **turn left**. To minimize the possibility of overcontrol, use only one hand on both steering levers.



Correct Operator Hand Position on the Controls

Operating Instructions

- Reverse direction of the mower by pulling both levers backward.

NOTE: Smooth action on the steering levers will produce smooth mower operation. Remember to keep the engine and ground speed slow until learning the control response.

- The FSC may be adjusted forward for faster ground speed and backward for slower ground speed. When mowing, ground speed should be adjusted to match the load on the cutter blades, i.e., as the engine pulls down in heavy cutting, pull back on the FSC lever to reduce ground speed. Adjusting ground speed helps maintain a balance between engine power and blade speed for high-quality cutting action.
- Stop ground travel by pulling both steering levers backward to the **NEUTRAL-PARK** position (tractor not moving) and then moving the FSC lever to the **NEUTRAL-PARK** position.

NOTE: If the tractor creeps forward or backward with the FSC lever in the **NEUTRAL-PARK** position, the transmission control needs to be adjusted. Refer to **ADJUSTMENTS of Transmission Control** in **Maintenance Instructions**.

ENGAGING THE MOWER

- Set the engine throttle at about 1/3 speed. **Do not attempt to engage the blade clutch at high engine speeds.** This will drastically shorten drive belt life. Use only moderate engine speed when engaging the blade clutch.
- Push the blade clutch lever **SLOWLY** forward to engage the mower blades.

CAUTION

A safety interlock switch (seat switch) will cause the engine to stop if the blade clutch is engaged and the operator is not in the seat. The function of this switch should be checked by the operator raising off the seat and engaging the blade clutch; the engine should stop. If the switch is not working, it should be repaired or replaced before operating the mower. **DO NOT** disconnect the safety switches; they are for the operator's protection.

IMPORTANT: DO NOT engage the blade clutch when transporting the mower across drives, sidewalks, loose materials, etc. **DO NOT engage the blade clutch with the PTO shaft disconnected** (the mower deck removed from tractor).



Blade Clutch Engaged



Blade Clutch Disengaged

Operating Instructions

CAUTION

If the cutting blades strike a stationary object while mowing, stop the mower immediately, disconnect the spark plug wires, lift the deck, and inspect the deck and blades thoroughly for damage. Make sure that the blade timing has not been disturbed (the blades should be at 90 degrees to each other). Refer to REPLACING/REPAIRING the Blade Overload Shear Bolts in Maintenance Instructions if blades are out of time. Also, make sure the blade retaining nuts are torqued to 60 ft-lb (81.3 N·m).

STOPPING THE MACHINE

1. Pull the steering levers to the **NEUTRAL-PARK** position and then move the FSC lever backward to the **NEUTRAL-PARK** position.
2. Slow the engine to idle; put the throttle in the **IDLE** position.
3. Disengage the blade clutch.

IMPORTANT: DO NOT disengage the blade clutch with high engine speed (above 1/2 throttle) since the brake action on the blade drive will cause premature wear of the brake band.

WARNING

A brake stops the cutter blades from freewheeling within five (5) seconds after disengaging the clutch. If the brake system malfunctions and the blades do not stop within five (5) seconds, the brake should be repaired or replaced before operating the mower. Contact your Walker dealer.

4. Turn the ignition switch **OFF**.

WARNING

Remove the key from the ignition switch when leaving the mower unattended. This will prevent children and inexperienced operators from starting the engine.

5. Engage the parking brake. Also, engaging the parking brake is recommended when stopping or parking the machine in a confined space with little tolerance for movement.

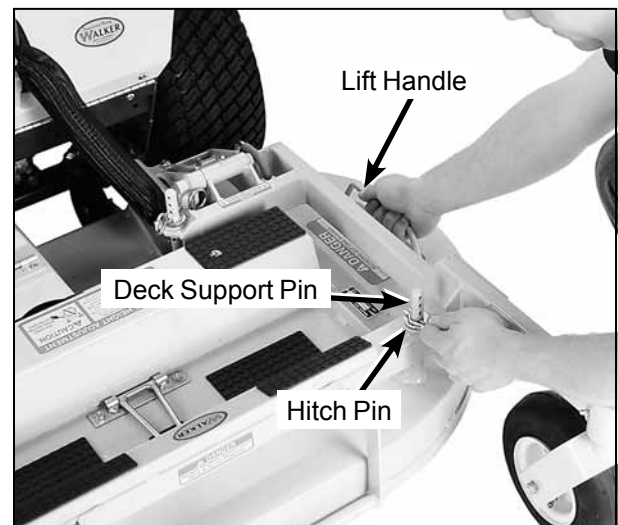
IMPORTANT: The hydrostatic transaxles lock to prevent the mower from rolling freely with the engine stopped. However, if the mower is parked on a slope, it is necessary to **ENGAGE** the parking **BRAKE** to prevent the mower from creeping. This is due to a small amount of slippage in the transaxles, especially when transmission fluid is warm.

ADJUSTING CUTTING HEIGHT

WARNING

The engine must be stopped before adjusting cutting height. Disengage the blade clutch (PTO), stop the engine, and remove the ignition key. Wait for all movement to stop before getting off the seat.

Cutting height is adjusted by positioning the four retainer hitch pins in a series of seven vertical holes on the deck support pins. Lift handles have been provided on each end of the deck to assist in raising the deck while positioning the hitch pins. Cutting heights range from 1 in. (25 mm) [top holes] to 4 in. (102 mm) [bottom holes] in 1/2 in. (13 mm) increments.



Cutting Height Adjustment

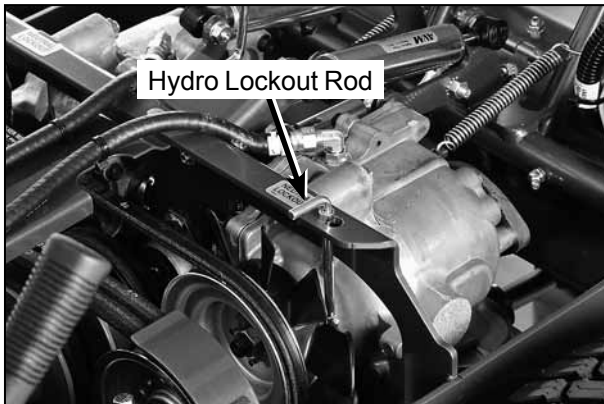
Operating Instructions

TRANSAXLE LOCKOUTS

IMPORTANT: DO NOT TOW this mower with the transmission lockout engaged. Towing can produce excessive internal pressure and damage the trans-axle.

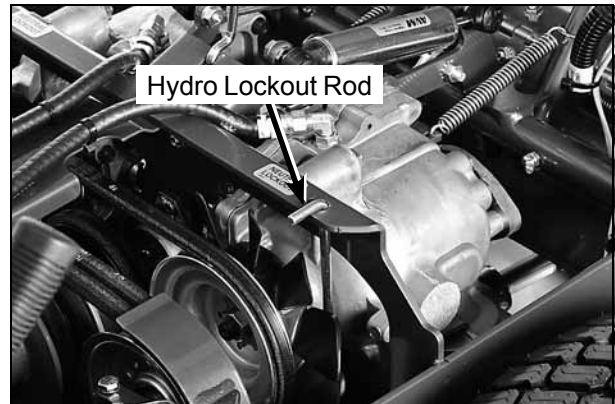
To move the mower with the engine **NOT** running (dead battery, maintenance, etc.), the transaxles are unlocked (released).

1. Raise the body.
2. Pull up the transaxle lockout rods on both the RH and LH transaxles and secure into place by shouldering both rods in the chassis notch area.
3. The mower will “freewheel” with the rods in the **LOCKOUT** position. The levers must be in the highest position to completely unlock the transmissions.



Hydro Lockout Rod - Freewheel Position

4. After moving the mower, release the rods, placing them in the normal **OPERATING** position. The transmission rod ends should be completely retracted against the chassis, otherwise operation of the transmission may be erratic.

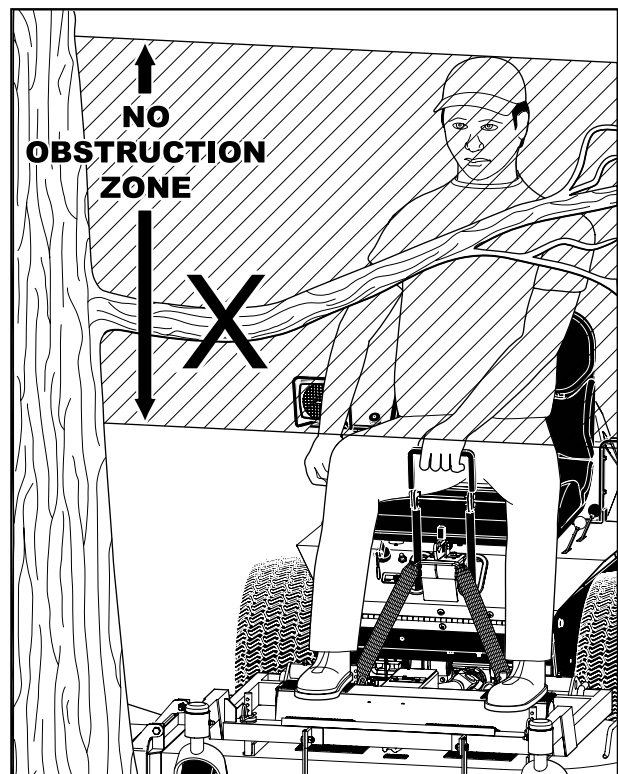


Hydro Lockout Rod - Normal Operating Position

RECOMMENDATIONS FOR MOWING

⚠ DANGER

Do not mow around overhanging tree branches or bushes at the same height as the operator's torso and head where inadvertent contact may cause injury.



Avoid Low Hanging Branches

Operating Instructions

IMPORTANT: Operate the engine at **full throttle** when mowing, to allow the engine to produce full horsepower and to increase efficiency of the engine cooling system.

- Keep the mower deck and discharge chute clean.
- Mow with **sharp blades**. A dull blade tears the grass (resulting in poor lawn appearance) and uses extra power (slowing the mowing speed).
- It is preferable to cut grass when it is **dry** and **not too tall**. Mow frequently and do not cut grass too short. (For best appearance, cut off 1/3 or less of existing grass height.)
- When mowing, operate the engine at or near **full throttle** for the best cutting action. Mowing with a lower engine RPM causes the mowing blade to not cut clean and tear the grass. The engine is **designed to be operated at full speed**.
- When mowing in adverse conditions (tall and/or wet grass), mow the grass twice. Raise the mower to the highest setting - 4 in. (102 mm) - for the first pass and then make a second pass cutting to the desired height.
- Use a **slow** setting on the FSC for **trimming** operations.
- Make sure the mower is **leveled properly** for a smooth cut. Refer to *Deck Leveling in Assembly Instructions*.
- Use an alternating **stripe mowing pattern** for **best appearance** and vary the direction of the stripe each time the grass is mowed to avoid wear patterns in the grass.
- Avoid damage to the grass by slipping and skidding of the drive tires. Use **smooth control movements** of the steering levers since the transaxles are “power boosted controls” and jerking the levers can easily slip the tires. For sharp turns, do not allow the inside wheel to stop and twist on grass; pull inside steering lever into reverse for a smooth “rolling” turn (one wheel rolling forward while the other rolls backward).


- When using a side discharge mower deck, the side discharge shield **must not be removed** and must be kept in the lowest possible position to deflect grass clippings and thrown objects downward. Orient the side discharge away from sidewalks or streets to minimize cleanup of clippings. When mowing close to obstacles, orient the side discharge away from obstacles to reduce the chance of damage to property by thrown objects.

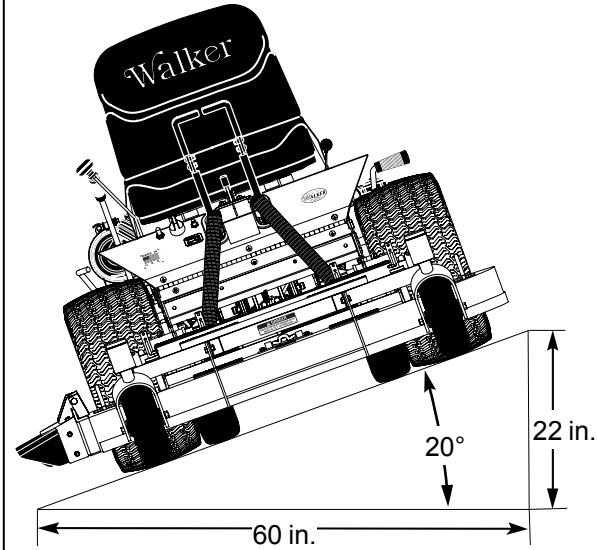


Side Discharge Shield in Lowest Position

- When operating on a slope, **reduce speed and use caution** to start, stop, and maneuver. Avoid sharp turns or sudden changes in direction. The **maximum recommended side slope operating angle is 20 degrees or 33% grade**.

Operating Instructions

 Maximum Recommended Side Slope - Do Not Operate on Steep Slopes



Maximum Recommended Side Slope

 **DANGER**

Do not mow or dump grass within 5 feet (1.5 meters) of an embankment or retaining wall with drop off.

RECOMMENDATIONS FOR TILT-UP DECK OPERATION/TRANSPORT

To avoid potential deck and/or tractor damage while using the tilt-up deck, the following recommendations are offered:

- **Do not move the tractor** with the deck in the tilt-up position since both the roller wheels (on the back of the deck) may be damaged by moving the tractor. The tilt-up configuration should only be used when the tractor is parked.
- The tractor **body should never be tilted forward** with the deck in the tilt-up position. This can cause the deck to unhook from the tractor and fall with considerable force, potentially causing deck or tractor damage and/or bodily injury.
- When transporting a tractor with the deck in the tilt-up position (on a truck or trailer), the **deck should be secured** to the vehicle with a strap or rope (stop vertical movement). This will prevent the deck from bouncing on the rear roller wheels (causing breakage). This will also prevent the deck from unhooking from the tractor and falling, potentially causing deck or tractor damage. Damage to other items parked in front of the deck may also occur.



No Driving Zone

Maintenance Instructions



Maintenance procedures requiring special training or tools should be performed by a trained technician.

MAINTENANCE SCHEDULE CHART - RECOMMENDED SERVICE INTERVALS - MODEL MBV AND MODEL MBK

Service Item	Daily	25 Hours	50 Hours	100 Hours	200 Hours	400 Hours	Yearly	Every 2 Years	Ref. Page
Check Engine Crankcase Oil Level	X								40
Check/Clean Engine Air Cooling System*	X								47
Clean Grass Buildup Under Deck	X								51
Service Mower Blades	X								53
Check Security of Air Cleaner System	X								53
Check Air Filter Restriction Gauge	X								49
Lubricate Grease Fittings and Oil Points*		X							43
Check Transaxle Fluid		X							46
Check Tire Pressure		X							53
Check Drive Belts (Engine/PTO, Ground Drive)		X							55
Check Deck Gearbox Oil Seals		X							55
Check Safety Switch System		X							56
Change Engine Crankcase Oil** (MBV)			X						40
Change Engine Oil Filter (MBV)				X					40
Check Security of Drive Tire Mounting Nuts (75 to 85 ft-lbs.)				X					53
Clean Transaxle Cooling Fins				X					52
Check Blade Brake Action				X					55
Clean Engine Cooling Fins				X					48
Check Air Filter Element ^Δ				X					49
Check/Regap Spark Plugs				X					55
Change Engine Crankcase Oil** (MBK)				X					42
Change Engine Oil Filter (MBK)					X				42
Change Transaxle Oil and Filter						X			46
Replace Fuel Filter							X		60
Check FSC Friction Lock							X		56
Check Fuel Lines and Clamps							X		55
Replace Air Filter Element, and Dust Ejection Valve ^Δ							X		50
Service Solenoid Shift Starter (MBK)							X		55
Check PTO U-Joints for Wear/Looseness							X		55
Service Battery							X		53
Replace Fuel Lines and Clamps								X	55

* More often in extremely dusty or dirty conditions

** Change engine oil and filter after first 5-8 hours of operation of a new engine (break-in period)

*** See your Walker dealer for this service or refer to the Walker Service Manual

Δ Air cleaner is remote mounted Cummins/Fleetguard OptiAir™ unit, replace filter every year



When performing maintenance with the mower body raised, a safety prop should be installed from back of body to chassis frame (fail-safe protection in case of failure of body lift support).

IMPORTANT TIPS FOR CARE OF THE BRIGGS & STRATTON ENGINE - MODEL MBV

Fuel System

- Fuel must be clean - free from water, dirt, and organic material.
- Clean the fuel filter on a regular basis and when contamination is suspected or found in the fuel.

Starting/Stopping

- Start engine with the throttle advanced off idle (1/4 to 1/2 throttle). This will aid starting, especially in cold weather.
- Keep the battery fully charged.
- Match crankcase oil viscosity to the ambient temperature, allowing the engine to crank faster and start easier.
- Allow engine to run at idle for a few seconds before stopping engine to avoid run-on or backfiring.

Cooling System

 **CAUTION**

DO NOT use a pressure washer to clean the cooling system on an air-cooled engine, mud may form under the cooling shroud on the cylinder head and cooling fan.

- Keep engine air intake screen and cylinder head fins free of grass clippings, chaff, and dirt. Inspect intake screen and cooling fins for cleanliness and damage.
- Check performance of the cooling system by starting the engine, holding a hand adjacent to the cylinder head, and feeling the cooling airflow.

 **DANGER**

Make sure to keep hands clear of exhaust pipe, muffler, and moving parts when checking airflow.

- Operate the engine at full speed when mowing. This will allow the engine to produce full horsepower and move more cooling air through the engine cooling fins.

Air Cleaner System

- Use **only** Cummins/Fleetguard air cleaner elements. Aftermarket elements may not seal in the air cleaner housing, allowing dirt to enter the engine. Also, aftermarket filters often skimp on the filtration media and require more frequent replacement (see following instructions).

- Use the air flow restriction gauge to indicate the need to service the air filter.

- **DO NOT overservice** or frequently “disturb” the **air filter**. A dirty air filter actually cleans better than a new one. Changing the air filter too often can actually reduce filter efficiency and increase the opportunity for traces of dust to enter the engine. Wait until the element really needs servicing as indicated by the air flow restriction gauge.

- When the air filter element is removed or replaced, make sure all **dust is cleaned out** of the **air cleaner housing and hose**. Use a damp cloth and wipe the interior of the canister and hose clean (a little dirt left here will be sucked into the engine and reduce engine life). When the filter is reinstalled, make sure the **element is held tight and straight** in the canister for proper seating and sealing.

- Periodically check the air intake hose for cuts, nicks, etc., and the hose clamps for tightness.

Oil

- Single viscosity or multi-viscosity oils may be used with the viscosity matching ambient temperatures for the engine operating conditions. This will **aid starting** in cold weather and assure proper lubrication in hot weather.

- Use only Briggs & Stratton oil filters. **Aftermarket filters may not seal properly** and/or have the incorrect pressure relief valve for proper lubrication.

IMPORTANT TIPS FOR CARE OF THE KOHLER ENGINE - MODEL MBK

Fuel System

- Fuel must be clean - free from water, dirt, and organic material.
- Change fuel filter on a regular basis and when contamination is suspected or found in the fuel.

Starting/Stopping

- Start engine with the throttle advanced off idle (1/4 to 1/2 throttle). This will aid starting, especially in cold weather.
- Keep the battery fully charged.
- Match crankcase oil viscosity to the ambient temperature, allowing the engine to crank faster and start easier.
- Allow engine to run at idle for a few seconds before stopping engine to avoid run-on or backfiring.

Cooling System

 **CAUTION**

DONOT use a pressure washer to clean the cooling system on an air-cooled engine, mud may form under the cooling shroud on the cylinder head and cooling fan.

- Keep engine air intake screen and cylinder head fins free of grass clippings, chaff, and dirt. Inspect intake screen and cooling fins for cleanliness and no damage.
- Periodically remove two access panels in the engine shroud to inspect and clean cylinder head cooling fins.
- Check performance of the cooling system by starting the engine, holding a hand adjacent to the cylinder head, and feeling the cooling airflow.

 **DANGER**

Make sure to keep hands clear of exhaust pipe, muffler, and moving parts when checking airflow.

- Operate the engine at full speed when mowing. This allows the engine to produce full horsepower and move more cooling air through the engine cooling fins.

Air Cleaner System

- Use **only** Cummins/Fleetguard air cleaner elements. Aftermarket elements may not seal in the air cleaner housing, allowing dirt to enter the engine. Also, aftermarket filters often skimp on the filtration media and require more frequent replacement (see following instructions).
- Use the air flow restriction gauge to indicate the need to service the air filter.
- **DO NOT overservice** or frequently “disturb” the **air filter**. A dirty air filter actually cleans better than a new one. Changing the air filter too often can actually reduce filter efficiency and increase the opportunity for traces of dust to enter the engine. Wait until the element really needs servicing as indicated by the air flow restriction gauge.
- When the air filter element is removed or replaced, make sure all **dust is cleaned out** of the **air cleaner housing and hose**. Use a damp cloth and wipe the interior of the canister and hose clean (a little dirt left here will be sucked into the engine and reduce engine life). When the filter is reinstalled, make sure the **element is held tight and straight** in the canister for proper seating and sealing.
- Periodically check the air intake hose for cuts, nicks, etc., and the hose clamps for tightness.

Oil

- Use only multi-viscosity oils as specified with the viscosity matching ambient temperatures for the engine operating conditions. This will **aid starting** in cold weather and assure proper lubrication in hot weather.
- Use only Kohler oil filters. Aftermarket filters may not seal properly and/or have the incorrect pressure relief valve for proper lubrication.

LUBRICATION



WARNING

DO NOT attempt to lubricate the machine with the engine running. Disengage the PTO clutch, shut off the machine, and remove the ignition key.

Proper lubrication is an important maintenance procedure. It reduces wear and makes the machine quieter and easier to operate.

Engine Oil - Model MBV

Engine Break-In Oil

No special break-in oil is required. The engine is serviced with 10W-30, Service Class SG oil from the factory. The oil should be changed after the initial engine **break-in period** of **5-8 hours**. Thereafter, change oil **after every 50 hours** of operation.

Checking Engine Crankcase Oil Level

Check the engine crankcase oil level before use and **after each 8 hours** of continuous operation.

IMPORTANT: The importance of checking and maintaining the proper crankcase oil level cannot be overemphasized. Check the oil level **BEFORE EACH USE**.

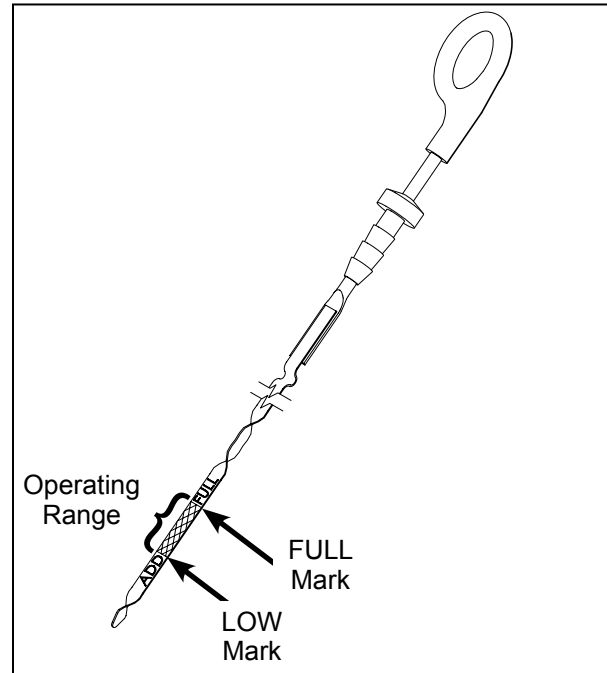
1. Park the mower on a **level surface with the engine stopped**. Also, make sure the engine is cool and oil has had time to drain into the sump [allow **at least five (5) minutes** after stopping the engine].

IMPORTANT: **NEVER** check or add oil with the engine running.

2. Before removing the dipstick, clean the area around the dipstick to keep any dirt or debris out of the engine.
3. Remove the dipstick, wipe off with a clean rag, then reinsert the dipstick into the tube and press all the way down.

4. Remove the dipstick again and check the oil level on the dipstick. The oil level should be within the "Operating Range" on the dipstick (between the **LOW** mark and the **FULL** mark).

IMPORTANT: **DO NOT** operate engine without sufficient oil supply in the crankcase. **DO NOT** operate with oil level below the **LOW** mark or above the **FULL** mark on the dipstick.



Dipstick Operating Range

5. If additional oil is needed, refer to **Specifications** for proper crankcase lubricant. **Fill to the FULL mark**.

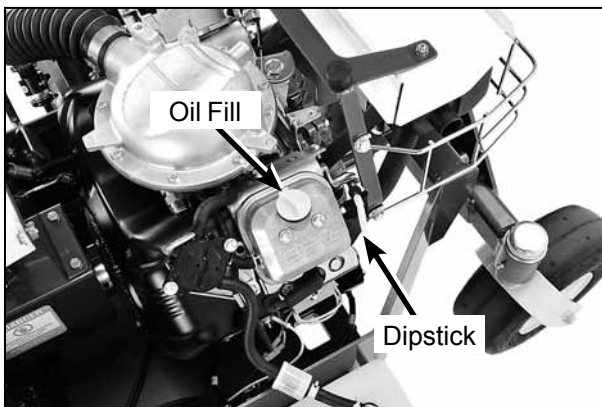
IMPORTANT: **DO NOT** overfill crankcase (oil above **FULL** level) as this **CAN** result in engine overheating, loss of power, and possible engine damage.

Changing Engine Crankcase Oil/Oil Filter

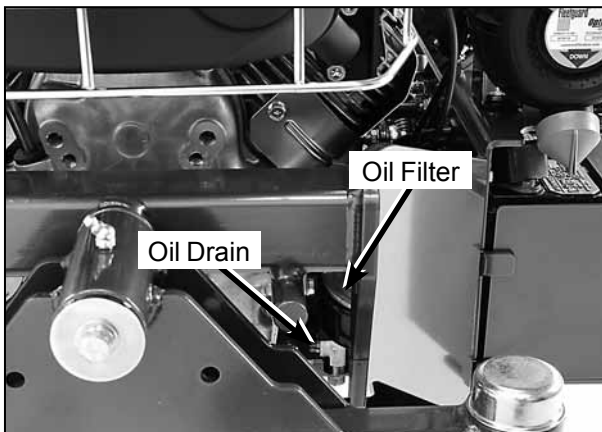
Change the engine crankcase oil **after every 50 hours** of operation and the oil filter **after every 100 hours** of operation as follows:

1. Park the mower on a **level surface with the engine stopped**. The engine oil should be warm before draining. If not warm from operation, start the engine and run a few minutes to warm the oil.

2. Before removing the dipstick, clean the area around it to keep any dirt or debris out of the engine.
3. Remove the dipstick and oil drain plug, and drain oil into a suitable container. Be sure to allow ample time for complete drainage.
4. Before removing the oil filter, clean the area around the filter to keep dirt and debris out of the engine.
5. Remove the old oil filter and wipe off the filter mounting surface on the engine.



**Dipstick and Oil Fill - Model MBV
(View from Above Left Side of Tractor)**



**Oil Drain and Oil Filter Locations - Model MBV
(View from the Rear Right Side of Tractor)**

6. Apply a thin coating of new oil to the rubber gasket on the replacement oil filter.

IMPORTANT: Use **ONLY** oil filters from the engine manufacturer. Aftermarket oil filters may not seal properly and/or may not have the correct pressure relief valve for proper lubrication.

7. Install the new oil filter on the engine. Turn the oil filter clockwise until the rubber gasket contacts the sealing surface, then tighten the filter an additional **1/2 to 3/4 turn**.
8. Reinstall the drain plug.
9. Fill the crankcase with new, clean oil. Use only crankcase lubricants recommended by the engine manufacturer. Refer to **Specifications** in this manual or the engine owner's manual. Use the recommended oil viscosity for the expected ambient temperature. Oil with the correct viscosity will aid starting in cold weather and assure proper lubrication in hot weather. **Fill to FULL mark** on the dipstick; crankcase capacity is 1.5 quarts (1.4 liters) when changing oil and filter.

IMPORTANT: Check the dipstick reading before pouring in the last 1/2 pint of oil and **fill only to the FULL mark**. The oil level should never be over the **FULL** mark on the dipstick; overfilling can result in engine overheating and loss of power.

10. Start the engine and check for oil leaks around the oil filter. Stop the engine, recheck the oil level, and add oil if necessary. (When the engine is first operated with a new oil filter, the oil level will drop slightly as the filter is filled with oil.)

Engine Oil - Model MBK

Engine Break-In Oil

No special break-in oil is required. The engine is serviced with 10W-30, Service Class SG oil from the factory. Change the oil after the initial engine **break-in period of 5 hours**. Thereafter, change oil **after every 100 hours** of operation.

Checking Engine Crankcase Oil Level

Check the engine crankcase oil level before use and **after each 8 hours** of continuous operation.

IMPORTANT: The importance of checking and maintaining the proper crankcase oil level cannot be overemphasized. Check the oil level **BEFORE EACH USE**.

1. Park the mower on a **level surface with the engine stopped**. Also, make sure the engine is cool and oil has had time to drain into the sump [allow **at least five (5) minutes** after stopping the engine].

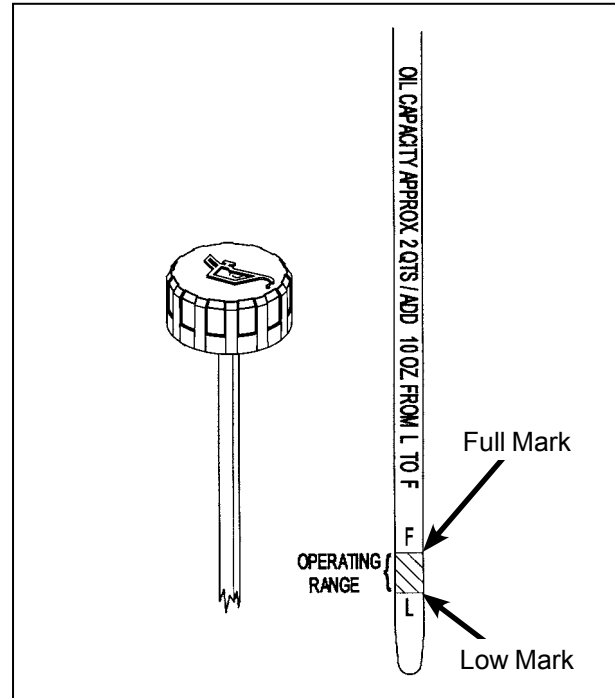
IMPORTANT: NEVER check or add oil with the engine running.

2. Before removing the dipstick, clean the area around the dipstick to keep any dirt or debris out of the engine.
3. Remove the dipstick, wipe off with a clean rag, then reinsert the dipstick into the tube and press all the way down.
4. Remove the dipstick again and check the oil level on the dipstick. The oil level should be within the "Operating Range" on the dipstick (between the "L" mark and the "F" mark).

IMPORTANT: DO NOT operate engine without a sufficient oil supply in the crankcase. **DO NOT** operate with the oil level below the "L" mark or above the "F" mark on the dipstick.

5. If additional oil is needed, refer to **Specifications** for proper crankcase lubricant. **Fill up to, but not above, the "F" mark on the dipstick.**

IMPORTANT: DO NOT overfill the crankcase (oil above "F" mark) as this **CAN** result in engine overheating, loss of power, and possible engine damage.



Dipstick Operating Range

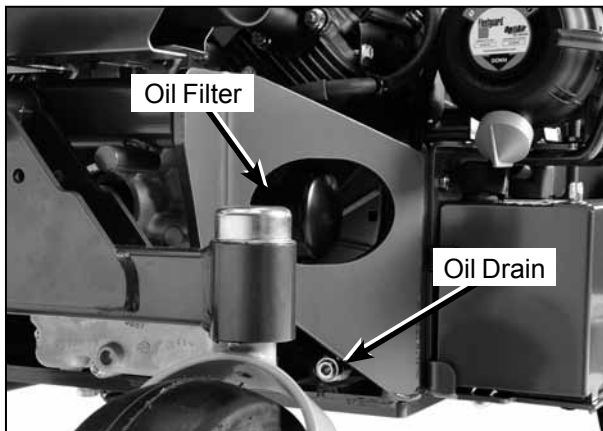
Changing Engine Crankcase Oil/Oil Filter

Change the engine crankcase oil **after every 100 hours** of operation and replace the oil filter every other oil change (**every 200 hours** of operation).

1. Park the mower on a **level surface with the engine stopped**. The engine oil should be warm before draining. If not warm from operation, start the engine and run a few minutes to warm the oil.
2. Before removing the dipstick, clean the area around it to keep any dirt or debris out of the engine.
3. Remove the dipstick and oil drain plug and drain the oil into a suitable container. Be sure to allow ample time for complete drainage.



**Dipstick and Oil Fill - Model MBK
(View from Above Left Side of Tractor)**



**Oil Drain and Oil Filter Locations - Model MBK
(View from the Rear Right Side of Tractor)**

4. Before removing the oil filter, clean the area around the filter to keep dirt and debris out of the engine.
5. Remove the old oil filter and wipe off the filter mounting surface on the engine.
6. Apply a thin coating of clean oil to the rubber gasket on the replacement oil filter.

IMPORTANT: Use **ONLY** oil filters from the engine manufacturer (Kohler 12-050-01). After-market oil filters may not seal properly and/or may not have the correct pressure relief valve for proper lubrication.

7. Install the new oil filter on the engine. Turn the filter clockwise until the rubber gasket contacts the sealing surface, then tighten an additional **1/2 turn**.

8. Reinstall the drain plug. Make sure it is tightened to 10 ft-lb (13.6 N·m).
9. Fill the crankcase with new, clean oil. Use only crankcase lubricants recommended by the engine manufacturer. Refer to **Specifications** in this manual or the engine owner's manual. Use the recommended oil viscosity for the expected ambient temperature. Oil with the correct viscosity will aid starting in cold weather and assure proper lubrication in hot weather. **Fill up to, but not above, the "F" mark on the dipstick.** Crankcase capacity is 1.85 quarts (1.75 liters) plus 1/2 pint (0.24 liters) for the new oil filter.

IMPORTANT: Check the dipstick reading before adding the last 1/2 pint of oil and **fill only to the "F" mark.** **DO NOT** overfill the crankcase (oil above "F" mark) as this **CAN** result in engine overheating, loss of power, and possible engine damage.

10. Start the engine and check for oil leaks around the oil filter. Stop the engine, recheck the oil level, and add oil if necessary. (When the engine is first operated with a new oil filter, the oil level drops slightly as the filter is filled with oil.)

Grease Fitting and Oil Point Lubrication

Lubricate the grease fittings and oil points after **every 25 hours** of operation. Lubricate **more often** when operating in **dusty or dirty conditions**. Use SAE general purpose lithium or molybdenum base grease for grease fittings and light machine oil (SAE 10) to lubricate oil points. **Lubricate the locations shown in the Chassis and Deck Lubrication Points illustration.**

NOTE: PTO universal joints (on the deck and tractor) require routine lubrication **after every 8 hours** of running time.

NOTE: The best way to lubricate the PTO tube half of the universal joint assembly is to remove it from the tractor. See instructions for removing and installing PTO quick coupler, refer to *Deck Installation on Tractor* in the **Assembly Instructions**.

Maintenance Instructions

LUBRICATION

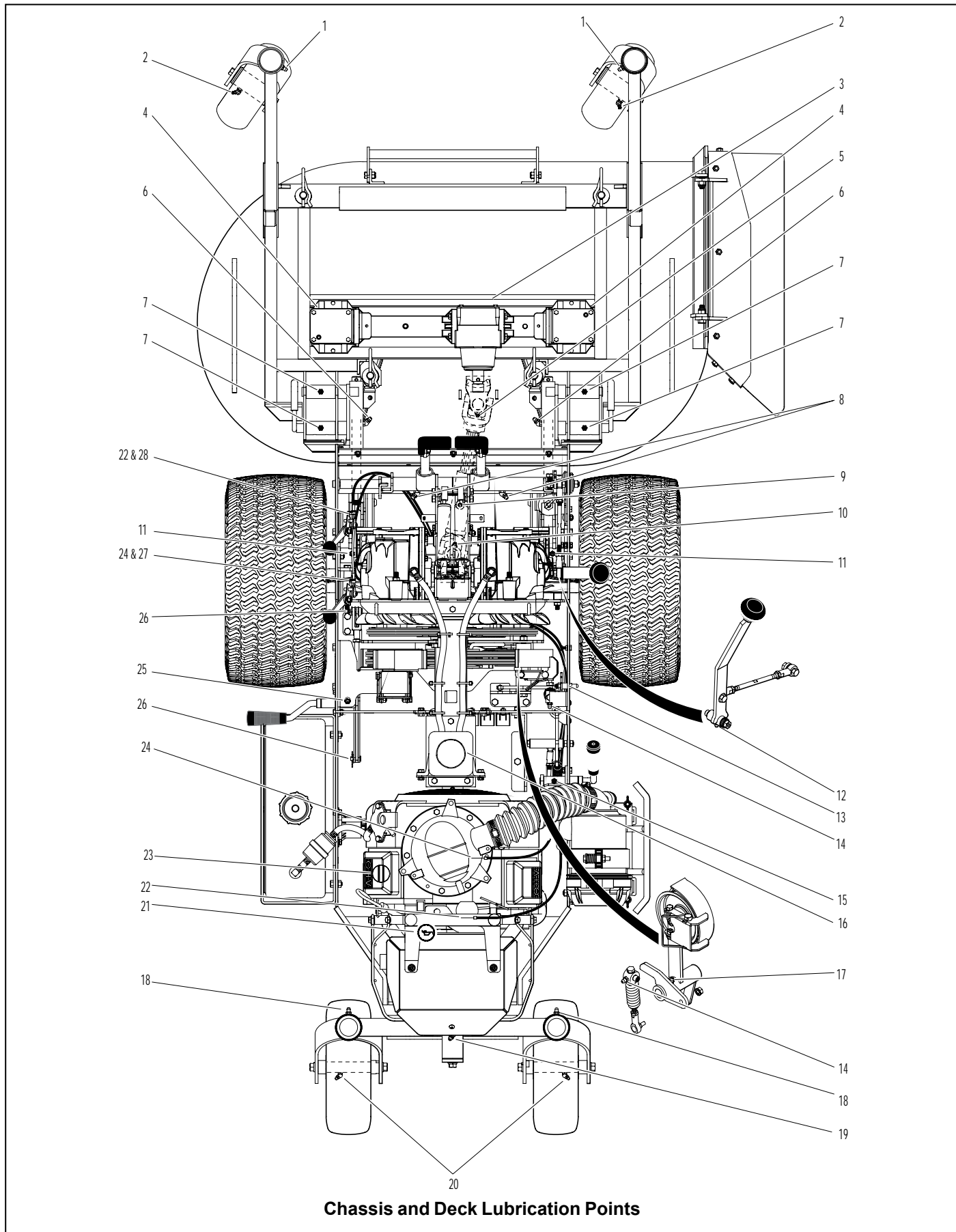
Ident No.	Location	Lubrication Type	No. Places	Ident No.	Location	Lubrication Type	No. Places
1	Deck Caster Wheel Fork Pivot	Grease	2	17	Clutch Engagement Pivot	Grease	1
2	Deck Caster Wheel Bearing	Grease	2	18	Rear Wheel Pivot	Grease	2
3	Tee Gearbox, Deck	Oil*	1	19	Tail Wheel Caster Pivot	Grease	1
4	Blade Drive Gearbox	Oil*	2	20	Rear Wheel Bearing	Grease	2
5	Universal Joint Shaft Assembly	Grease**	1	21	Engine Oil (MBK)	Oil***	1
6	Deck Support Arm Socket	Grease	2	22	Throttle Control Cable Ends (MBV)	Oil	2
7	Pivot Assembly, Tilt-Up Deck	Grease	4	23	Engine / Oil Filler	Oil***	1
8	Steering Lever Pivot	Grease	2	24	Choke Control Cable Ends (MBV)	Oil	2
9	Deck-to-PTO Coupling (Grease Slide Area)	Grease	1	25	Parking Brake Lever	Grease	1
10	Universal Joint Tube Assembly	Grease**	1	26	Parking Brake Clevis	Oil	2
11	Deck Support Arm Pivot	Grease	2	27	Choke Control Pivot	Oil	1
12	FSC Lever Pivot	Grease	1	28	Throttle Control Pivot	Oil	1
13	Body Latch	Oil	1				
14	Clutch Actuator Rod	Grease	1				
15	PTO Clutch Lever Pivot	Grease	1				
16	Transaxle Oil Reservoir	Oil/20W-50	1				

* Gearboxes are permanently lubricated and sealed requiring no scheduled lubrication. Oil level should be checked only when an oil leak is noted.

** Grease every eight (8) hours.

*** Refer to **Engine Oil** located on page 40.

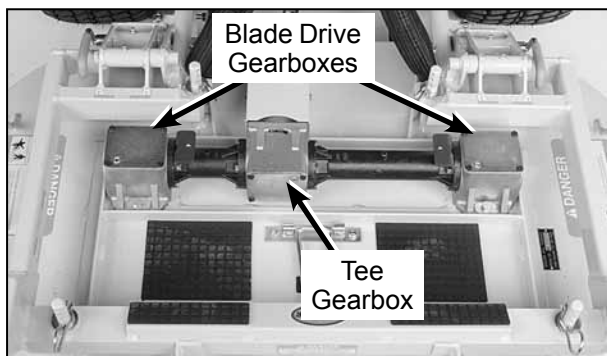
NOTE: DSD42 Tilt-Up Deck is shown for reference. For other Deck Lubrication Points, refer to **Deck and Carrier Frame Illustrated Parts Manual**.



Mower Deck Gearbox Lubrication

The mower deck gearboxes (tee gearbox and blade drive gearboxes) are connected as a unitized assembly, and oil flows freely between them. The gearboxes are permanently lubricated (oil filled) and sealed requiring no scheduled lubrication. However, the gearbox oil seals should be checked **every 25 hours** for indication of an oil leak; **particularly the lower seals** on the blade drive gearboxes should be inspected, since they operate in a dirty environment. If an oil leak is noted, replace the oil seal and relubricate the gearbox assembly as follows:

1. Remove gearbox cover (footrest). Deck orientation should be the normal operating position.



**Mower Deck Gearboxes
(Shown with Gearbox Cover
Removed for Clarity)**

2. Clean the area around the individual gearbox cover plates to prevent contaminants from entering the gearcase.
3. Remove the screws securing the cover plates on the blade drive gearboxes.
4. Check the level of lubricant in the gearboxes. If the lubricant is low, add SAE E.P. (Extreme Pressure) 80W-90 (API GL-5) gear lube until the oil level is up to (submerges) the horizontal shaft in the gearbox (shaft parallel to cover plate).

NOTE: In case the gearboxes are completely drained of oil, approximately 5 fl. oz. (15 cl) of oil per gearbox is required to refill the gear drive assembly.

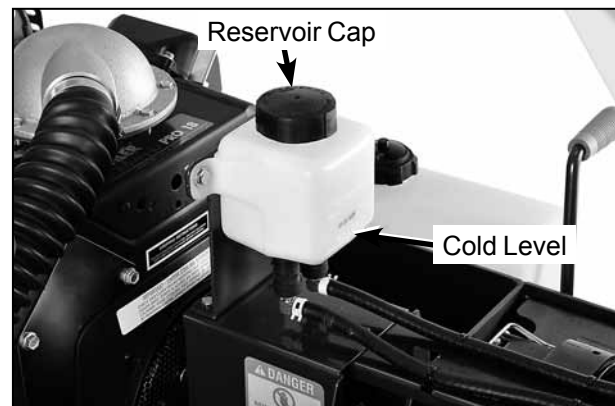
NOTE: Since the gearboxes are connected as a unit by connector tubes, it is necessary to add oil slowly. Allow a few minutes after adding oil for the oil to flow throughout the assembly and the oil level to stabilize before reassembly.

IMPORTANT: DO NOT overfill the deck gearboxes. The gearbox assembly is not vented, and overfilling with oil will cause excessive pressure and result in oil leaks.

5. Check condition of the cover gasket and replace if worn or damaged. Reinstall gearbox cover plates; torque screws to 24 in-lb (2.7 N·m).

Transaxle Lubrication

- The transaxle oil lubrication is SAE 20W-50 (API Service Class SL or higher) engine oil.
- Inspect both transaxle cases and hoses **after every 100 hours** of operation for visible leaks.
- The fluid level of each transaxle can be checked visually by looking at the fluid level in the expansion reservoir. When the transaxles are cold, the fluid level in the expansion reservoir should be between 1/4 in. and 1/2 in. (0.64 cm and 1.27 cm).

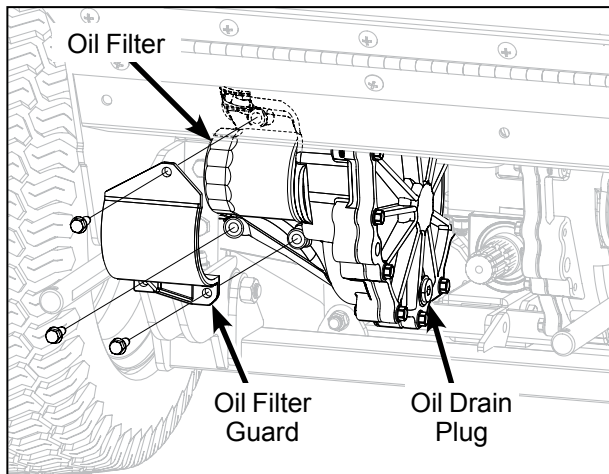


Expansion Reservoir Location

Transaxle Oil and Filter Change

Change the transaxle oil after the initial **break-in period of 75-100 hours**. Thereafter, change oil **every 400 hours** of operation as follows:

1. Thoroughly clean the exterior of the transmission housing before servicing. Using a 1/4 in. hex wrench, remove the plug on the lower inside of each transaxle allowing the oil to drain.
2. Remove and replace the oil filters using a 3/8 in. hex wrench. (Refer to **Transaxle Oil Drain Plug, Filter, and Guard Location** illustration.)



Transaxle Oil Drain Plug, Filter, and Guard Location (Shown with Deck Support Arms Removed for Clarity)

3. Reinstall drain plugs.
4. Remove the oil reservoir hose attached to the elbow on top of the transaxles and remove the elbows to access the oil fill openings.
5. Fill the transaxles with 20W-50 (API Service Class SL or higher) oil through the opening where the elbows were. Fill up to the opening.
6. Before reinstalling the elbows, screw the locking nut on the elbows down until they are snug (the o-ring on the elbow will be to the bottom of the o-ring groove).
7. Reinstall the elbows. When the elbow begins to be snug, position the elbow as it was when removed and tighten the locknut.
8. Fill reservoir to 1/4-1/2 in. (6-13 mm) with 20W-50 (API Service Class SL or higher) oil.
9. Start and drive the unit for 1 - 2 minutes.
10. If the transaxles sound noisy or have poor steering response, recheck oil level in both transaxles by removing the elbows (check oil level at fill opening).
11. If oil needs to be added refer back to steps 4-10.

CLEANING

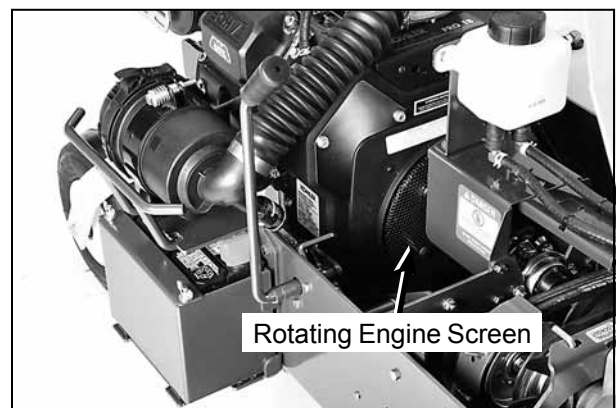


If a pressure washer is used on the exposed working parts, avoid water on the electrical parts and the engine cooling system.

Engine Air Cooling System

To prevent engine overheating and possible engine damage, clean grass clippings, chaff and dirt from the rotating engine air intake screen **every 8 hours** of operation. In certain mowing conditions (dry grass, leaves, tree "cotton", etc.) it may be necessary to check and clean this area several times each day to prevent engine overheating. Also, visually check inside cylinder head shroud and between cylinder head fins for material packed in this area which would prevent cooling airflow; remove shroud and clean as required.

IMPORTANT: Yearly or every 100 hours, remove engine cooling shroud and clean cylinder head cooling fins to prevent overheating. Make sure cooling shroud is reinstalled properly.

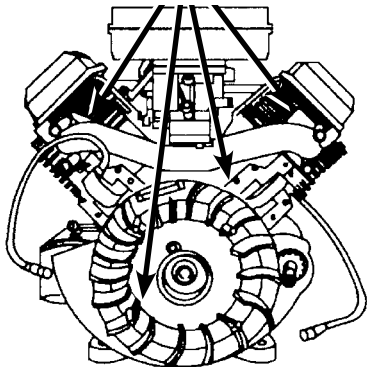


Keep Engine Screen Clean

CAUTION

Operating the engine with a blocked air intake screen, dirty or plugged cooling fins, and/or cooling shrouds removed will cause engine damage from overheating.

Clean these areas of dirt and debris



Clean Cooling Fins and Fan - Model MBV

Cylinder Head Cooling Fins

It is essential for performance and longevity of the air-cooled engine to keep the cylinder head cooling fins clean and free of obstruction. After **every 8 hours** of operation, check the performance of the cooling system by starting the engine, holding a hand adjacent to the cylinder head, and feeling the cooling airflow. If there is little or no airflow, clean the cooling fins as follows:

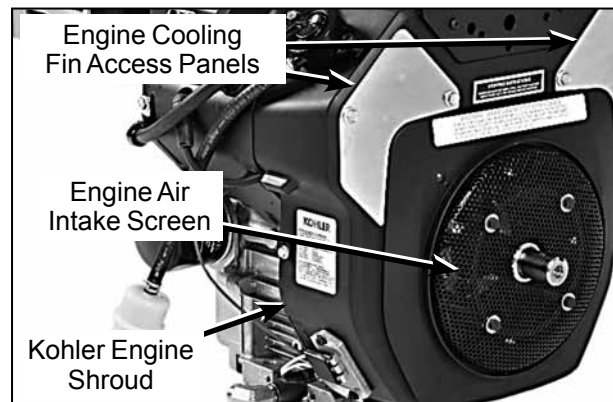
DANGER

Make sure to keep hands clear of exhaust pipe, muffler, and moving parts when checking airflow.



Cooling System Airflow

Every 100 hours, inspect and clean the cooling fins (more often when operating in extremely dusty, dirty conditions). Remove the two (2) cooling fin access panels in the engine shroud and clean the cooling fins and external surfaces using compressed air. Make sure to reinstall the access panels before operating the engine.



Engine Air Intake Screen and Cooling Fin Access Panels

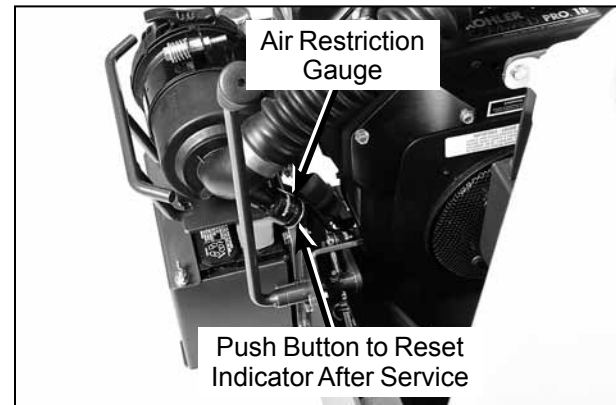
Engine Air Cleaner System

Cummins/Fleetguard OptiAir™ Air Cleaner

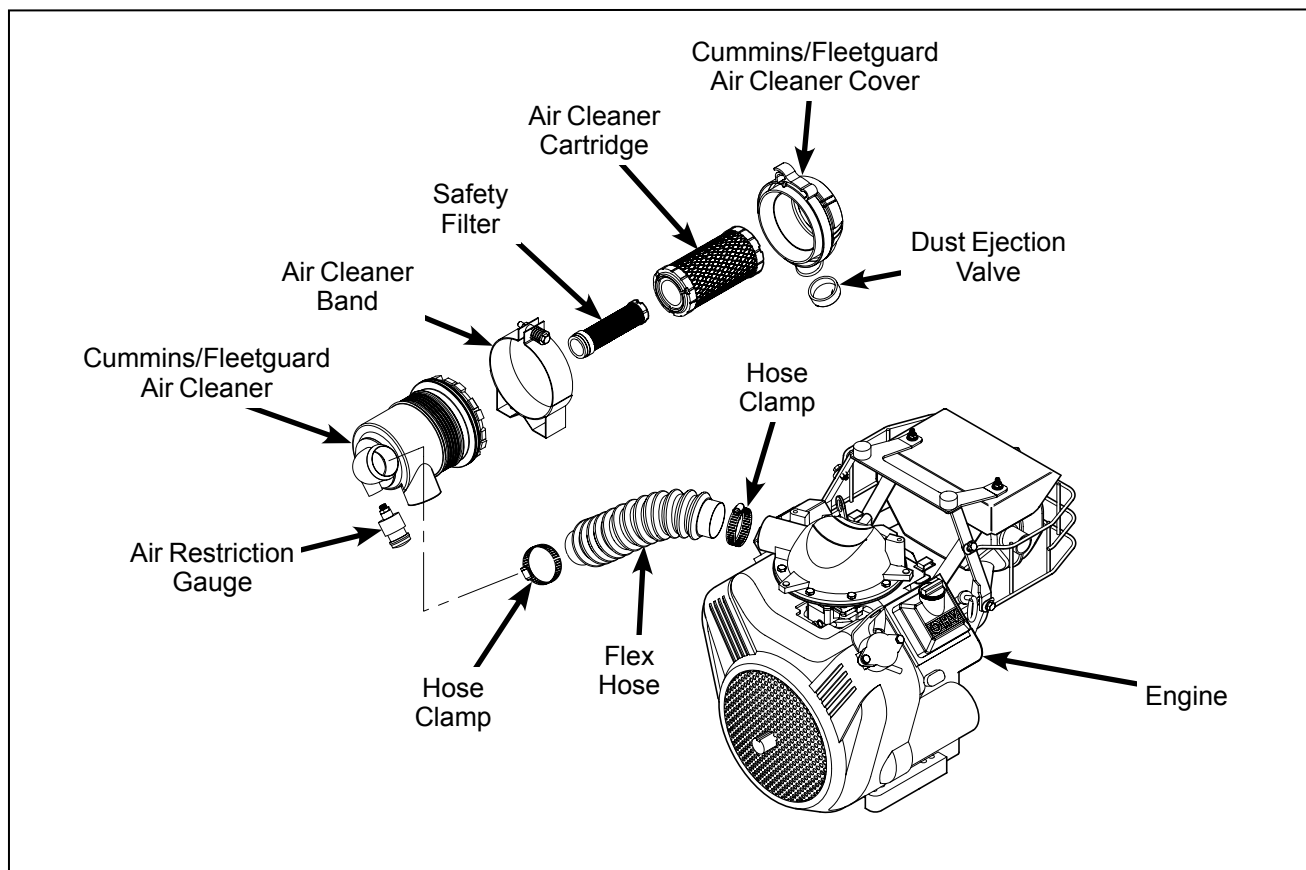
A remote mounted Cummins/Fleetguard OptiAir™ air cleaner provides the air filtering function. The paper filter element slides over an outlet tube inside the air cleaner canister with **radial** sealing action, eliminating the possibility of dust leaks due to improper filter installation. Intake design, internal baffling, and a dust ejection valve provide dust separation and automatic precleaning action. Daily or frequent servicing of the air cleaner is **not required**. Use the air restriction gauge on the air cleaner outlet to indicate when the air filter needs servicing -- a red flag will appear when the filter is overly restricting airflow into the engine.

IMPORTANT: Use **only** Cummins/Fleetguard air filter elements for replacement (Walker 2090-1 or 2090-3). Aftermarket filters may not seal properly or filter efficiently.

IMPORTANT: The Cummins/Fleetguard air cleaner uses a dry paper-type air filter element. **NEVER** apply oil to the paper element.



Air Restriction Gauge Location



Engine Air Cleaner System Components

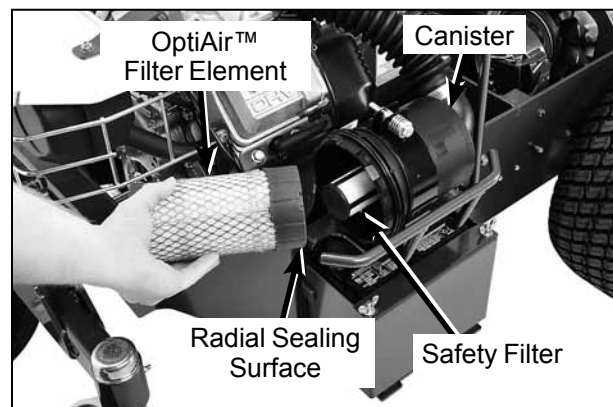
Inspect the paper element **after every 100 hours** of service and **replace** the element and safety filter **yearly** (or when dirty or damaged). More frequent replacement may be required when operating in extremely dusty conditions as indicated by the air restriction gauge. Service the air cleaner as follows:

1. Lift Mono Latch Twist Lock™ and twist the OptiAir™ cover to the left into the “open” position to remove the air cleaner cover. Wash the cover and dust ejection valve. Check that these components are in good condition. The dust ejection valve is subject to wear and deterioration and should be replaced yearly or when damaged. The lips of the valve should close and fit together; any cracks, deformation, or wear in the valve is cause for replacement.
2. Remove the filter element by pulling it out of the canister. There will be some initial resistance as the filter seal breaks loose and slides off of the outlet tube. **Gently** move the end of the filter up and down and side to side or twist to loosen the seal. Use gentle action to minimize the amount of dust dislodged as the filter is removed.
3. Replace the filter element.
NOTE: Washing the element in water or cleaning solution is **not recommended**. Do not try to clean the element with compressed air.
4. Use a bright light inside the element to inspect for damage. Check the element very carefully for **pin holes or other damage** that will allow dirt to leak through the paper media. Replace element if necessary.
5. Without removing, visually inspect the condition of the safety filter for damage or holes. The safety filter should only be removed for yearly replacement (or when dirty or damaged).
6. Check the condition and resilience of the radial sealing surface (inside of the open end) of the filter. Replace the filter if any cracks, tears, or other damage to the sealing surface are noted.
7. Use a clean, damp cloth and wipe the interior of the air cleaner canister clean. Use special care to clean **both the inside and outside** surfaces of the outlet tube.

IMPORTANT: Any dust left on the inside of the outlet tube will go into the engine and cause wear.

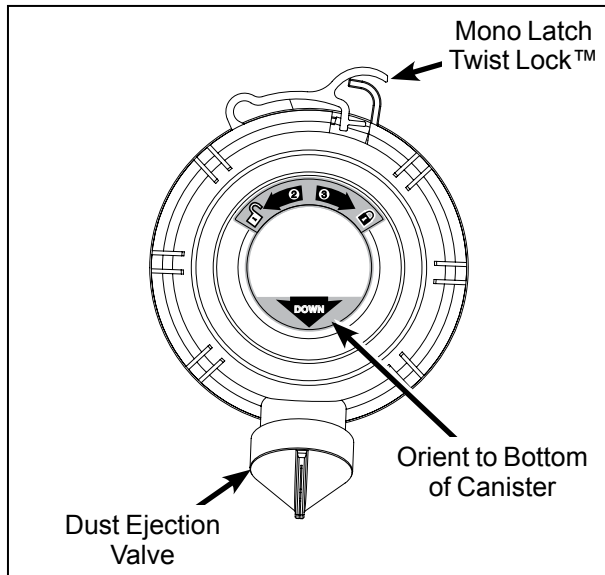
8. Check the outside surface of the outlet tube for smoothness and cleanness (this is the sealing surface).
9. Insert and seat the safety filter and OptiAir™ element carefully into the canister, applying pressure at the outer rim of the filter; not at the flexible center. Make sure the filter element is completely in place before installing the cover.

NOTE: **DO NOT** use petroleum based lubricants on the sealing surfaces of the filter; use talcum powder or dry silicone lubricants if required for filter installation.



Air Filter Element Replacement

10. Install the cover with the word "DOWN" properly oriented to the bottom of the canister. Twist the OptiAir™ cover to the right and put into the "closed" position.



Proper Orientation of Air Cleaner Cover

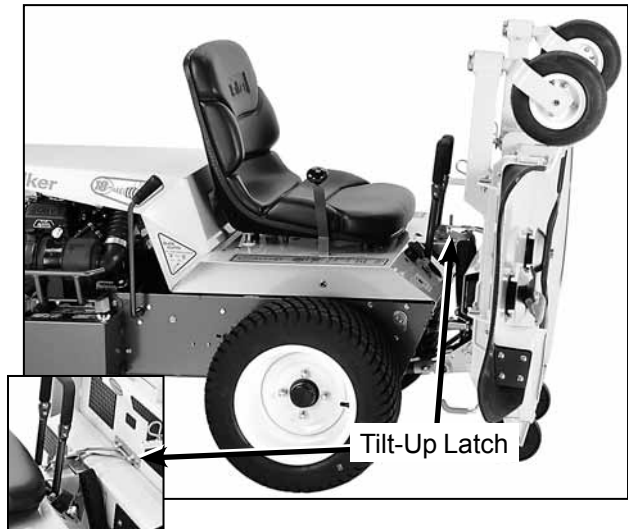
11. Check the air intake hose for cuts, nicks, cracks, etc., and the hose clamps for tightness.
12. Reset the air restriction indicator (press button on the end of indicator).

Grass Buildup in Mower Housing

DANGER

Before raising or removing the mower deck for cleaning, stop the engine, remove the ignition key, and disconnect the spark plug wires.

1. **Raise** the deck lock lever handle on each side of the carrier frame **and pull out** to release carrier frame for tilting action.
2. Using the carrier frame lift handle, raise deck to the **TILT-UP** position and insert the deck hook into the tilt-up latch on the tractor body.



Deck Secured in TILT-UP Position

DANGER

Do not operate the mower with deck in tilt-up position. Do not move the tractor with the deck in the tilt-up position.

3. Clean grass buildup underneath the deck using a pressure washer (and scraper if required).

NOTE: If the buildup is severe, it may be easier to clean the deck by removing the deck assembly from the tractor and standing the deck assembly on its "nose".

NOTE: While some degree of material buildup in the mower deck housing can be tolerated, a point is finally reached **where cutting quality deteriorates and clogging begins to occur** because of too much buildup on the baffling and housing.

4. Lower the deck to the normal operating position and re-engage the deck lock levers.

CAUTION

Do not operate machine with deck tilt-up pivot joint unlocked.

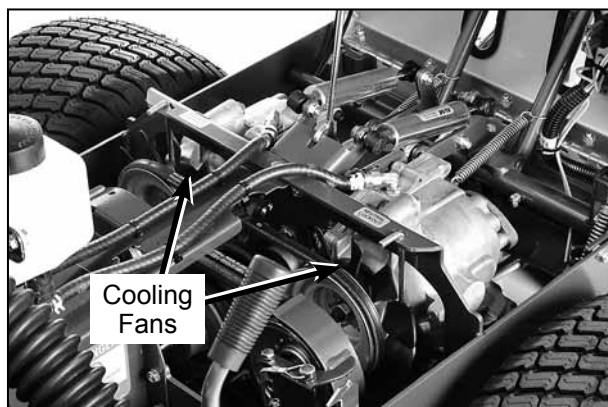
Transaxle Cooling Fins

Keeping the cooling fins on the transaxles clean and free of obstruction is **essential to avoid overheating** the transmission fluid and shortening transmission life. The cooling fins should be checked **every 100 hours**; and cleaned if necessary.

To clean the fins, use compressed air and/or a pressure washer. The cooling fins extend all the way around the housing -- the fins underneath need to be clean as well as the more visible fins above. Also, pay close attention to the area under the drive pulley.

IMPORTANT: In case an oil leak develops on the input shaft, the cooling fan blowing dusty air and oil on the transmission will **quickly** pack the cooling fins with **oily dirt**. If this condition occurs, contact your dealer immediately to avoid overheating and damaging the transaxles.

An additional procedure in maintaining transaxle cooling is to inspect the cooling fans. Replace the fan(s) if blades are missing or damaged.



Transaxle Cooling Fans

CHECKING/SERVICING



To prevent accidental starting of the engine when servicing or adjusting the machine, remove the key from the ignition switch and disconnect the spark plug wires.

Security of Air Cleaner System

NOTE: The following inspection is **only an external inspection** and should be done without “**disturbing**” the filtration components.

On a daily basis, visually inspect the external condition of the complete air cleaner system. The following items should be inspected:

1. Check the Cummins/Fleetguard OptiAir™ air cleaner canister for damage. Make sure the cover is in place and the cover latch is secure - do not run the engine without the air cleaner cover in place and secure.
2. Inspect the air intake hose for cracks, nicks, cuts, etc., and check the hose clamps for tightness.
3. Check to make sure the air flow indicator is in place and tight.

Battery

NOTE: For initial battery service during setup, refer to **Battery Service** in **Assembly Instructions**.

IMPORTANT: Make sure battery is securely mounted in the frame. A loose battery may cause damage to the case resulting in acid leakage and severe damage to the machine. A hazard may be created by damage to critical working parts and safety systems.

Cleaning the Terminals

If battery terminals are corroded, **remove battery** from the mower. Using a wire brush, remove corrosion with a solution of **one part baking soda and four parts water**. Rinse with clean water. Coat the terminals with petroleum jelly or terminal protector spray to retard further corrosion.

Charging the Battery



BATTERIES PRODUCE EXPLOSIVE GASES

- Charge the battery in a well-ventilated area, so that gases produced while charging can dissipate.
- Keep sparks, flames, and smoking materials away from the battery at all times.
- Make sure the battery cap vents are open (check manifold vent on each cap).
- Make sure the battery charger is unplugged before connecting or disconnecting cables to the battery.

Check the battery charge by measuring the specific gravity of electrolyte; if specific gravity is less than 1.225, the battery will need to be charged as follows:

- Charge the battery at 15 amps for 10 minutes. **DO NOT** exceed 20 amps maximum recommended charging rate. Charge until specific gravity is at least 1.250. Total charging time should not exceed one (1) hour.

Tire Pressure

Inflate tires to pressures shown below:

Deck Caster Wheel = 20 PSI (137 kPa)
 Drive = 15 PSI (103 kPa)
 Rear = 20 PSI (137 kPa)

Wheel Nut Torque

Check **every 100 hours** the eight (8) Drive Tire mounting nuts. They should each be torqued to 75 to 85 ft-lbs. (101.7 to 115.2 N·m).

Sharpen Mower Blades

Check mower blade(s) for **straightness, sharpness, condition of the cutting edge, and balance every 10 hours** of operation (or more often when mowing abrasive type grass or operating on sandy soils). **Replace blades if worn, bent, cracked, or otherwise damaged** (refer to **REPLACING/REPAIRING the Mower Blades** in this section). Use the following procedure to check and sharpen blades:

NOTE: Keep blades sharp - cutting with dull blades not only yields a poor mowing job but slows the cutting speed of the mower and causes extra wear on the engine and blade drive by pulling hard.

1. Stop the engine, remove ignition key, and disconnect the spark plug wires **before** raising the mower deck to service blades.
2. Raise the deck and **secure** it in the **TILT-UP** position (refer to **Deck Secured in TILT-UP Position** photo in **CLEANING of Grass Buildup in Mower Housing** in this section).

! DANGER

NEVER operate cutter blades with the deck in the raised position.

NOTE: PTO shaft must be **disconnected** before checking blades for straightness.

3. Check the blades for **straightness** by marking the blade tip position inside the deck housing, and then rotating the opposite end of the blade to the same position and comparing. If the difference in blade tip track is **more than 1/8 in. (3 mm)**, the blade is bent and **should be replaced**.

! WARNING

DO NOT try to straighten a blade that is bent. NEVER weld a broken or cracked blade. ALWAYS replace with a new blade to assure safety.

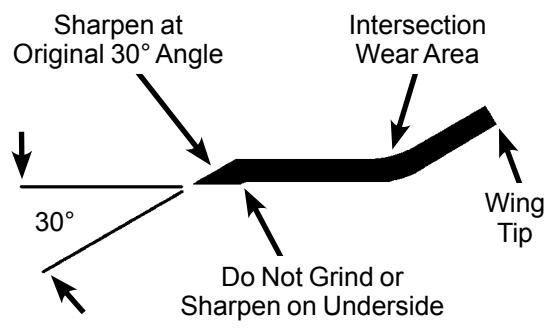
4. If the blade cutting edge is **dull or nicked**, it should be sharpened. Remove blades for sharpening by grasping the end of the blade using a rag or a thick, padded glove, while loosening and removing the nut, lock washer, and flat washer that mounts the blade.
5. Grind cutting edge at the same bevel as the original. Sharpen only the top of the cutting edge to maintain sharpness.

NOTE: Blades can be sharpened with an electric blade sharpener, conventional electric grinder, or a hand file.

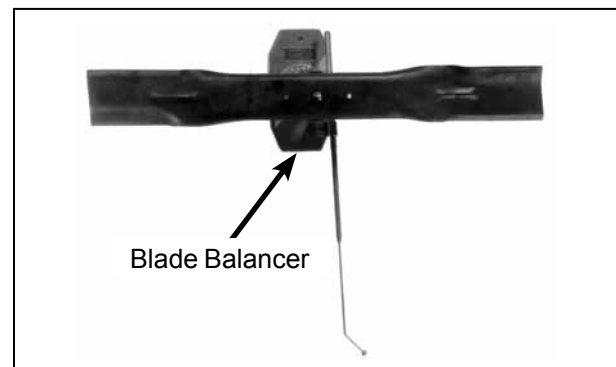
! CAUTION

ALWAYS wear eye protection and gloves when sharpening a blade.

6. Check blade balance by positioning the blade **horizontally** on a blade balancer or use a nail or shaft through the center hole. If either end of the blade rotates downward, grind (remove) metal on that end until the blade will balance. The blade is properly balanced when neither end drops. Balance of a blade is generally maintained by removing an equal amount of material from each end of the blade when sharpening.



Mower Blade Profile For Sharpening



Blade Balanced on Magnetic Wall-Mounted Balancer

7. Mount the blade with wing tips pointing up into the housing. Reinstall the blade, washer, lock washer, and nut. **Tighten the nut to 60 ft-lb (81.3 N·m).**

Drive Belts

Raise the body and inspect the condition of the three (3) drive belts after **every 25 hours** of operation -- engine/PTO drive and ground drive. If the belts show **signs of cracking or deteriorating**, the belts should be **replaced**. Refer to **REPLACING/REPAIRING the Drive Belts** in this section.

Mower Deck Gearbox Oil Seals

The mower deck gearbox seals should be inspected **every 25 hours** for evidence of oil leaking; **particularly the lower oil seal on the blade drive gearbox**. This seal is protected by the trash guard on the blade hub and seal protector plate on the housing, but is still vulnerable to seal damage due to operating in an adverse environment. The mower blade must be removed for inspection of the seal, so it is recommended to **inspect the gearbox seals when blades are removed for sharpening**. If an oil leak is noted, the seal should be replaced and the gearbox assembly relubricated. Refer to **LUBRICATION for Mower Deck Gearbox Lubrication** in this section.

Spark Plugs

Every 100 hours, remove the spark plugs, inspect, clean, and reset the gap (or replace with a **new plug**). Clean spark plug with a wire brush. If the electrodes are burned short or pitted, replace the plug (refer to **Specifications** for the proper type of replacement plug). Check the spark plug gap with a wire-type feeler gauge and set the gap between 0.028 and 0.032 in. (0.7 and 0.8 mm). Reinstall and tighten to 17 ft-lb (23.0 N-m). Both spark plugs should be replaced yearly.

Breaker Points - Model MBV

The Briggs & Stratton engine is equipped with electronic ignition. No breaker points, maintenance, or adjustments are necessary with this system. Contact an authorized Briggs & Stratton engine dealer in case of ignition failure.

Fuel Lines and Clamps

Every year, inspect the fuel line from the tank to engine for deterioration or damage. Also, inspect the fuel line **clamps for tightness**. Good preventive maintenance calls for complete **replacement** of fuel lines and clamps **every two (2) years**.

Blade Brake Action



It is important to check and maintain blade brake action for safe operation of the machine.

Check the function of the cutter blade brake by engaging the blade clutch (PTO), operating the engine at full throttle, then disengaging the clutch and measuring how quickly the blades stop. Watch the rotation of the blade drive shaft as a visual indication that movement has stopped. If the brake is **working properly, all rotation will stop five (5) seconds after disengagement** of the clutch. If the brake system malfunctions - blades do not stop in five (5) seconds - adjust or repair the brake before operating the mower. Contact your Walker dealer for this service or refer to the Walker Service Manual.

PTO U-Joints

The PTO U-joints should be inspected **yearly** for looseness and wear. If either is noticed, the respective shaft or tube should be replaced. A worn U-joint can cause vibration and extensive damage to the PTO and deck gearboxes.

Engine Starter - Model MBK

Yearly or every 500 hours disassemble and clean the solenoid shift starter. Refer to the Kohler Service Manual for this procedure or contact an authorized Kohler engine dealer to perform this service.

Safety Switch System



It is important to check and maintain the safety switch system for safe operation of the machine.

There are three (3) safety interlock switches on the tractor; Seat Switch, FSC Neutral - Park Switch, and PTO Switch.

If any of the following conditions occur during starting or operating, a safety interlock switch may be malfunctioning. Contact your Walker dealer for troubleshooting and/or replacement.

- With an operator in the seat, the engine starts with the Forward Speed Control (FSC) and/or the PTO engaged.
- With an operator in the seat, the engine starts but dies soon after the Forward Speed Control (FSC) or PTO is engaged.
- **Without** an operator on the seat, the engine starts and continues to run with the Forward Speed Control (FSC) and/or PTO engaged.
- With an operator in the seat, the Forward Speed Control (FSC) and PTO disengaged and panel horn works, but the starter is not engaging.

Forward Speed Control Friction Lock

The FSC friction lock is designed to **hold the selected forward travel speed** when the steering levers are moved and yet the friction is not too heavy to make **moving the FSC control** difficult (too much friction). The procedure for checking the FSC friction lock is as follows:

1. Place the FSC in the full **FORWARD** position and pull both steering levers back; the FSC lever should not move. If the FSC lever moves back when the steering levers are pulled back, the **friction needs to be increased**.
2. With the steering levers held back, move the FSC lever back from the **FORWARD** position. With a proper amount of friction adjusted, the FSC lever should move back with a slight amount of resistance (friction). If the FSC lever movement is "stiff", **the friction needs to be decreased**.

If the FSC friction lock needs to be adjusted, refer to *Forward Speed Control Friction Adjustment* in **ADJUSTMENTS** in this section or contact your Walker dealer.

REPLACING/REPAIRING



To prevent accidental starting of the engine when replacing parts or repairing the machine, remove the key from the ignition switch and disconnect the spark plug wires.

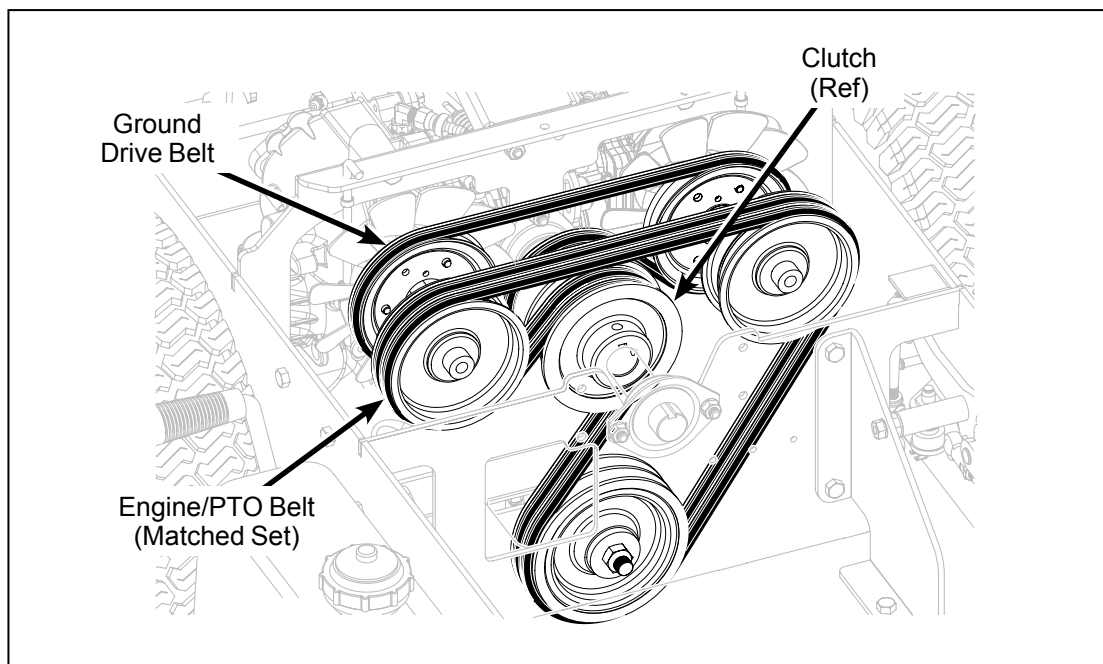
IMPORTANT: ALWAYS use genuine factory replacement parts. Substitute parts **CAN** result in product malfunction and possible injury to the operator and/or others.

Drive Belts

There are **three (3) individual belts** on the machine:

- Engine/PTO Belt (Matched Set)
- Ground Drive Belt

The belts may be removed and replaced using the procedures described on the following pages.



Belt Locations

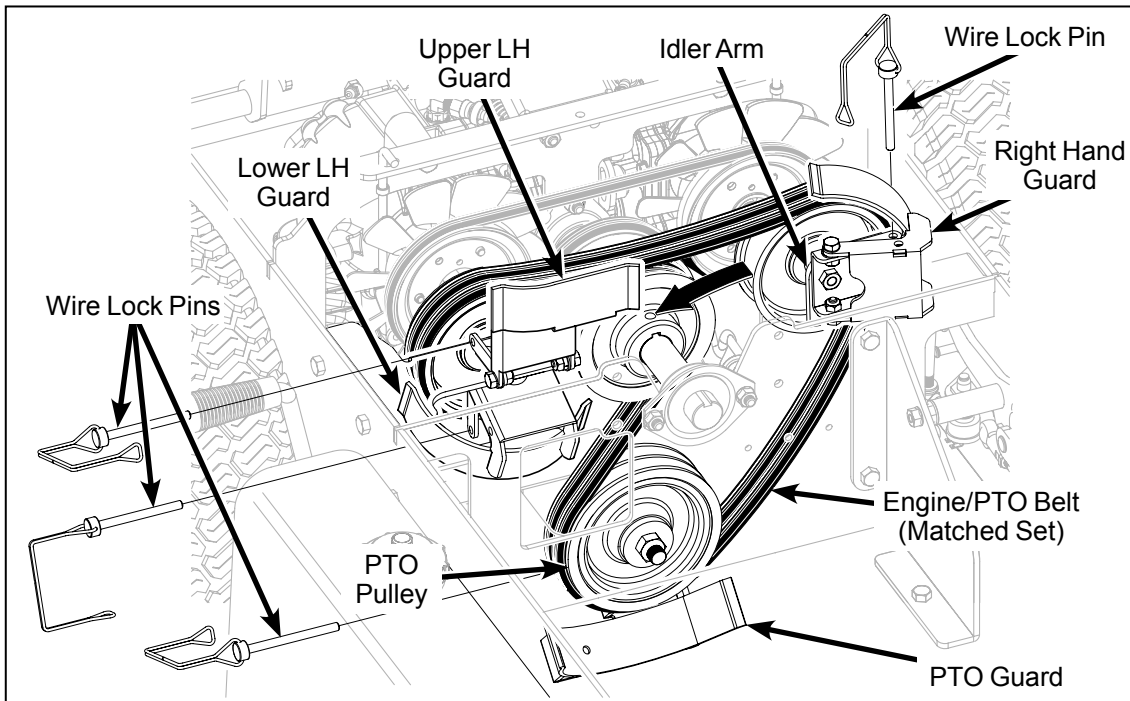
Engine/PTO Belt

1. To remove the engine/PTO belt:

- a. Remove wire lock pins (4), open belt guards.

b. Relax belt by depressing idler arm.

- c. Roll the belt off the pulley and remove the belt.

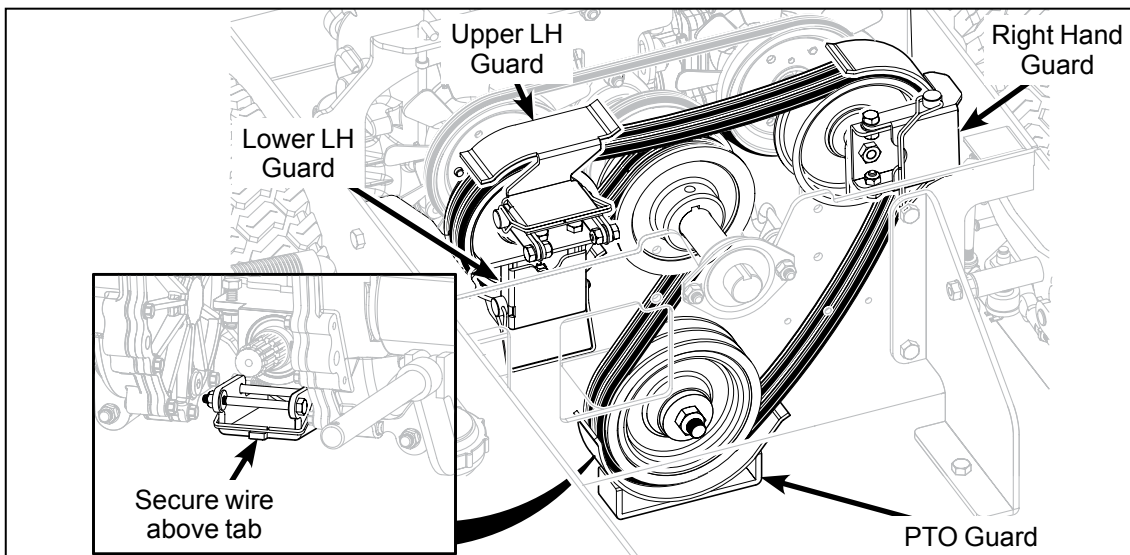


Engine/PTO Belt (Belt Guards Open) (Engine Hidden for Clarity)

2. To replace the engine/PTO belt:

- a. Reverse the removal procedure to replace the engine belt.

- b. Secure wire on lock pin above tab on lower PTO guard.



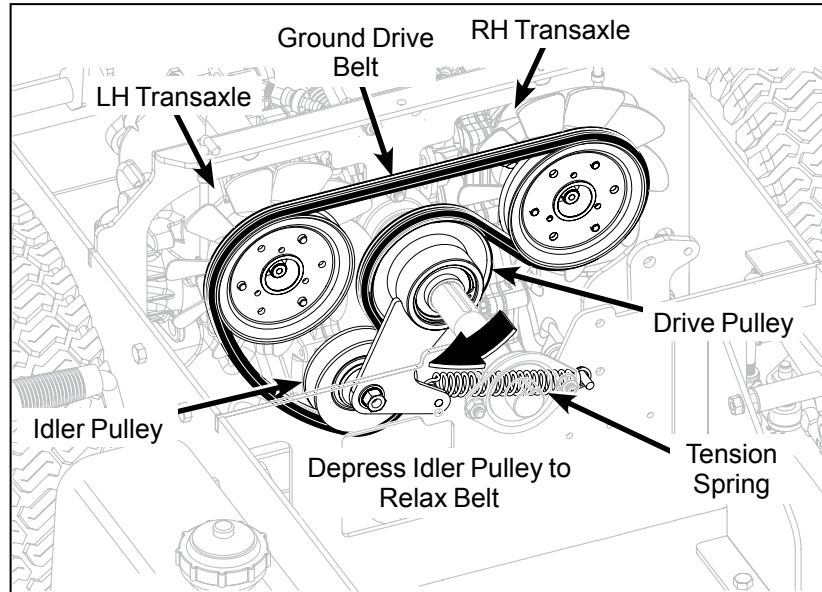
Engine/PTO Belt (Belt Guards Closed) (Engine Hidden for Clarity)

Ground Drive Belt

1. To remove the ground drive belt:

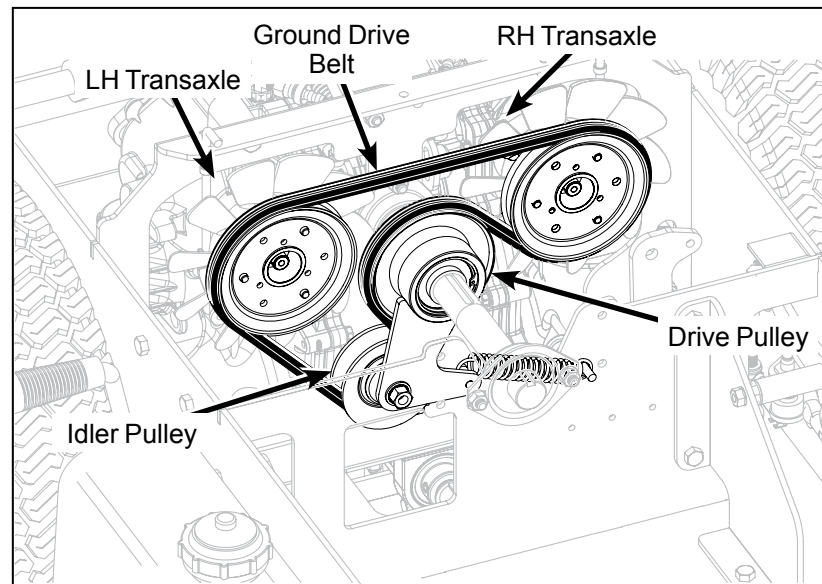
a. Depress the spring-loaded idler to relax belt.

b. Slide belt off pulleys, then release the idler.



Ground Drive Belt Assembly (Disengaged)

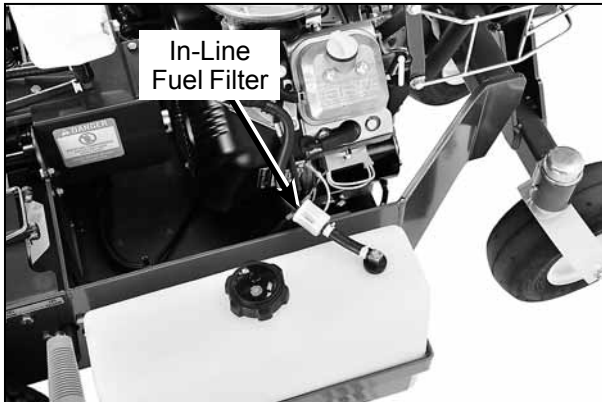
2. Reverse the procedure to install the ground drive belt.



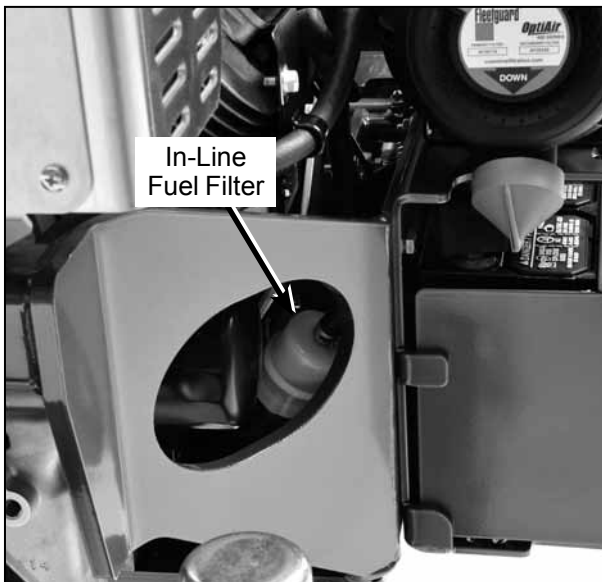
Ground Drive Belt Assembly (Engaged)

Fuel Filter

Models MBV and MBK are equipped with an in-line fuel filter. Visually inspect the filter periodically, and replace the filter **yearly**.



Fuel Filter Location - Model MBV



Fuel Filter Location - Model MBK

IMPORTANT: Replace the fuel filter only in a clean area where the fuel line and connections will not be contaminated by any dust and dirt.

DANGER

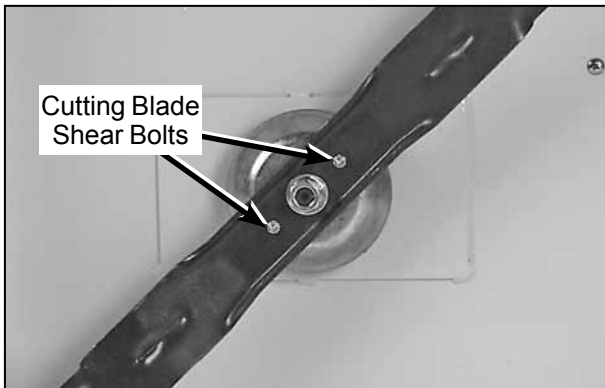
Gasoline is extremely flammable and can be highly explosive. To minimize danger:

- Use only an approved fuel container for gasoline.
- **DO NOT** allow open flames or sparks near the machine while performing maintenance or refueling; **DO NOT** smoke while working with fuel.
- Wipe up spilled gasoline immediately and completely.

1. Expand and slide clamps on either side of the filter away from filter and pull fuel lines off filter.
2. Replace filter.

Blade Overload Shear Bolts

The cutting blade is keyed to the blade hub by **two (2) shear bolts** (10-24 x 5/8 in. stainless steel machine screws). These bolts are designed to shear and protect the blade drive gearbox from damage if the blade encounters a shock load.



Cutting Blade Shear Bolts

NOTE: Tightening the **5/8-18 blade mounting nut to 60 ft-lb (81.3 N·m)** is also important for proper shock load protection. It is important to **not over-tighten** the mounting nut since this defeats (over-rides) the function of the shear bolts.

If these bolts shear, remove the blade and install new bolts. Refer to **CHECKING/SERVICING** in this section for **Sharpen Mower Blades** which describes the blade removal and installation procedure.

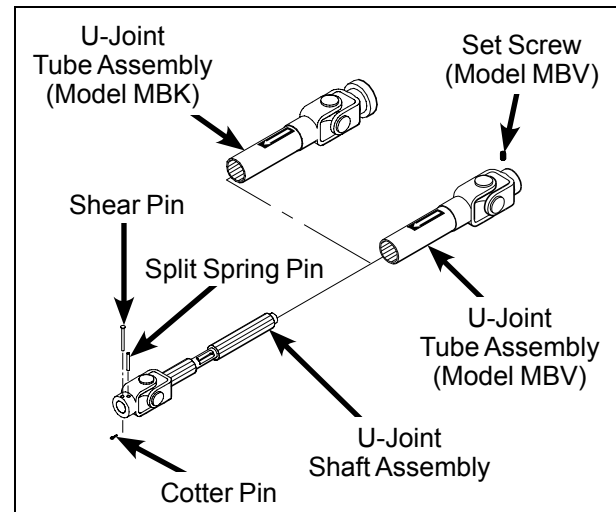
After reinstalling the blade, check blade timing (on gear driven decks) by moving blades through **one (1) complete revolution**. Make sure blade tips pass clear of each other. If timing is incorrect, contact your Walker dealer.

PTO Shear Pin

The PTO drive shaft connection to the deck gearbox has a shear pin to provide shock load protection to the mower deck drive. This system provides **primary shock protection** in case of blade impact and will normally shear before the individual shear bolts on the blade hub.

When the PTO pin has sheared, use the following procedure to replace it:

1. Loosen the two bolts securing the PTO shaft guard on the deck; lift the guard off. (Holes in guard are slotted for easy removal.)
2. Rotate U-joint on shaft to align the shear pin hole with the hole (and shear pin fragment) in the shaft. Use a punch to drive the remaining portion of the old shear pin out.
3. Install new shear pin and secure with cotter pin.



PTO Shear Pin

IMPORTANT: Use only Walker P/N 8067-13 shear pins for replacement to provide proper shock protection -- these pins are hardened to shear under a specific amount of load.

4. Reinstall the PTO shaft guard.

Before operating the deck, inspect the blade overload shear bolts and also check blade timing (on gear driven decks) by moving blades through **one (1) complete revolution**. Make sure blade tips pass clear of each other. If timing is incorrect, contact your Walker dealer.

Mower Blades

Mower blades are removed and remounted as described in **Sharpen Mower Blades** instructions. During the course of sharpening and inspecting mower blades, if there are **any of the following conditions of wear or damage, blades should be replaced** for reasons of safety and performance of the machine:

- An excessive amount of the **flat section** of the blade has been **ground away** (removed) when the blade is sharpened. Replace the blade **when less than a 3/4 in. (19 mm) flat section remains** at the blade tip.
- Examine ends of the blade carefully, especially the intersection where the flat section of the blade turns up to form the “wing tip” (refer to **Mower Blade Profile for Sharpening** illustration in **Sharpen Mower Blades** instructions). Since sand and abrasive material can wear metal away in this area, the blade should be **replaced when metal thickness has worn to 1/16 in. (1.6 mm) or less.**

DANGER

When blades are operated over sandy soil, and if blades are allowed to wear, a “slot” may be worn into the wing tip of blade. Eventually a piece of the blade may break off creating a serious potential for injury or damage.

- Check the blades for **straightness** by marking blade tip position inside the deck housing and then rotating the opposite end of the blade to the same position and comparing. If the difference in blade tip track is **more than 1/8 in. (3 mm)**, the blade is bent and **should be replaced.**
- Inspect the blade surface, especially in formed areas, for **cracks**. Replace the blade if any cracks are found.

WARNING

DO NOT try to straighten a blade that is bent. NEVER weld a broken or cracked blade. ALWAYS replace with a new blade to assure safety.

Reinstall the blades following procedure from **Sharpen Mower Blades** instructions. If blades are replaced, always use **Walker original equipment blades** to ensure safety and optimum performance. The quality and performance of **replacement blades offered by other manufacturers** cannot be guaranteed, they **could be dangerous.**

CAUTION

ALWAYS use genuine factory replacement parts. Substitute parts CAN result in product malfunction and possible injury to the operator.

ADJUSTMENTS

Transmission Control

IMPORTANT: The proper adjustment of the transaxle control stops is **essential** for efficient operation and life of the transaxle. These stops are properly adjusted at the factory and should only require readjustment if the transaxle or related control linkage is removed or changed.

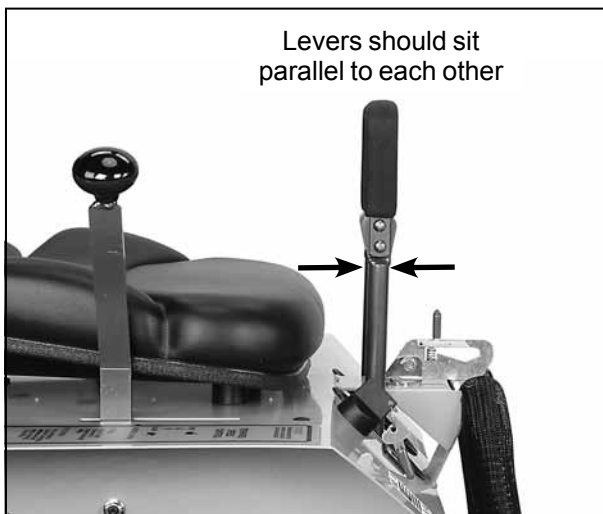
NOTE: It would not be unusual for a new machine, after initial 5 or 10 hours of operation, to begin to not travel straight (this is due to the break-in of the transaxles).

Steering Lever Position Adjustment - Step 1

NOTE: For proper operation, the steering levers should be adjusted to sit evenly using the following procedure.

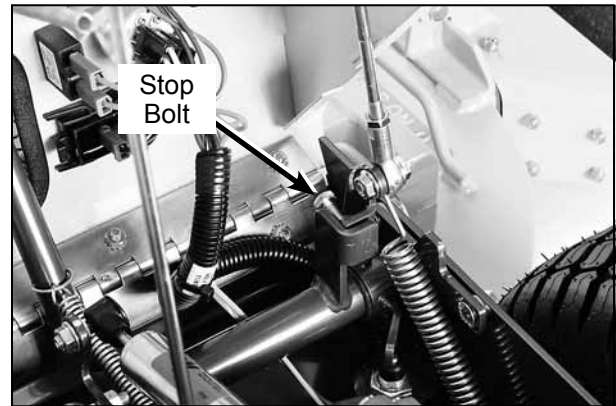
1. Examine the steering levers to make sure they are **parallel front to back** in relation to one another. If they are not equal, adjust accordingly. (The handles may or may not be even at this point.)

NOTE: The LH steering lever is **non-adjustable**. This procedure will require adjustment of the RH lever to make it even with the LH lever.



Lever Alignment

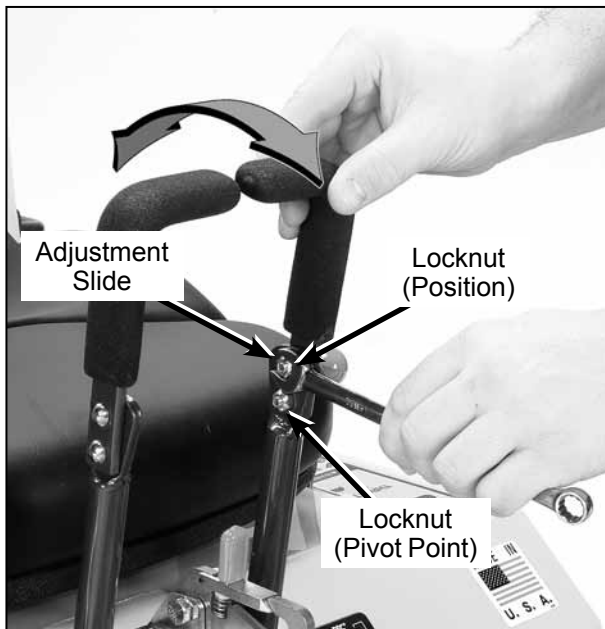
2. Adjust the position of the RH lever by turning the stop bolt in the Speed Control Actuator in or out. Turning the stop bolt in will make the RH lever move back, and turning it out will make it move forward. Tighten the locknut.



Stop Bolt Location

Steering Handles Adjustment - Step 2

1. An adjustment range of approximately 3 in. (76.2 mm) is available on the steering handles - the handles can be adjusted forward or aft depending on the arm length of the operator. The handles can be adjusted by loosening the locknut at the pivot point and the locknut holding the handle in position in the adjustment slide. Adjust the handles into the most comfortable position and tighten both locknuts.



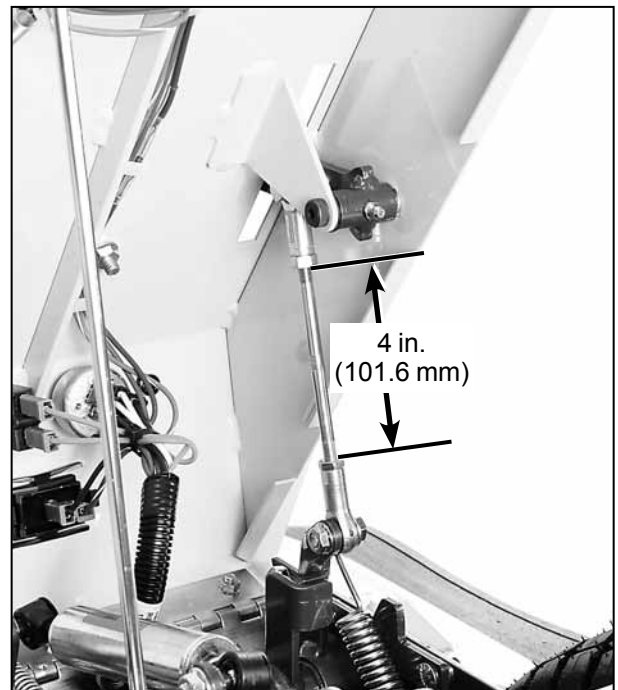
Steering Lever Adjustment

Neutral Position Adjustment - Step 3

1. With the Forward Speed Control (FSC) in **NEUTRAL**, the lever should be straight up. Adjust by loosening the jam nuts on the FSC Rod and turn the rod to attain the straight up position. Tighten the jam nuts.

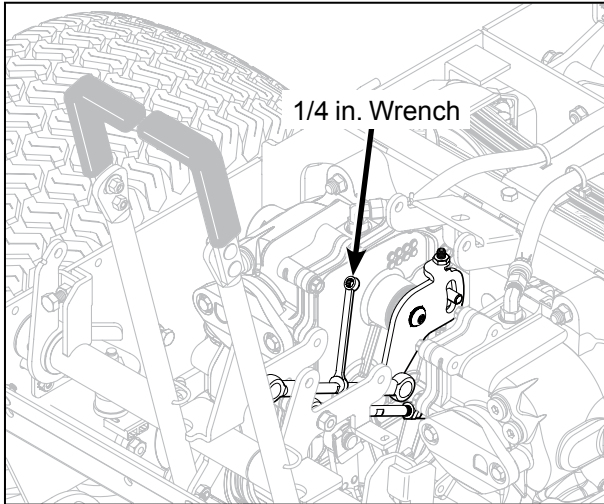


FSC Position



Steering Adjustment

2. The initial adjustment for neutral is to loosen the jam nuts on each end of the Hydro-Gear Control Rods and turn the rods to achieve a measurement of 4 in. (101.6 mm) between the jam nuts. Be sure to tighten jam nuts before making the measurement.

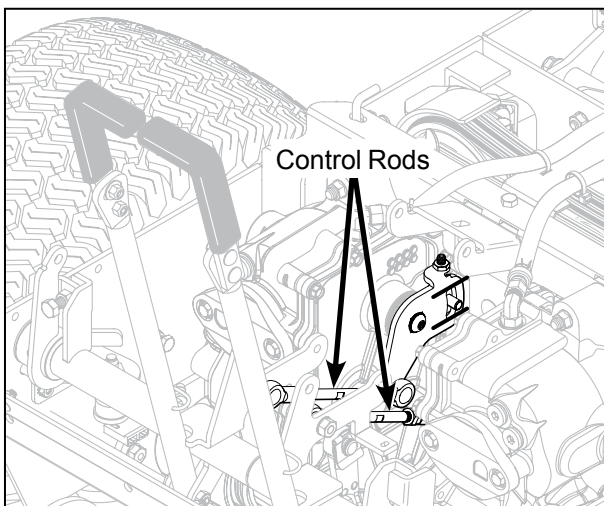


Actuator Rod Length Adjustment

3. Block the tractor up so the drive tires are off the ground.
4. With the FSC in **NEUTRAL**, start the engine. (Operate first at idle and then normal operating speed) and **check for movement of drive wheels.**

NOTE: If the engine will not start, check and adjust the neutral safety switch (**see adjustment below**).

5. With the FSC in the **NEUTRAL** position and the engine running, the wheels should not move. If a drive tire is moving, the Control Rod on that side is out of adjustment. Adjust that side to achieve neutral. Now both transaxles are in the neutral window.

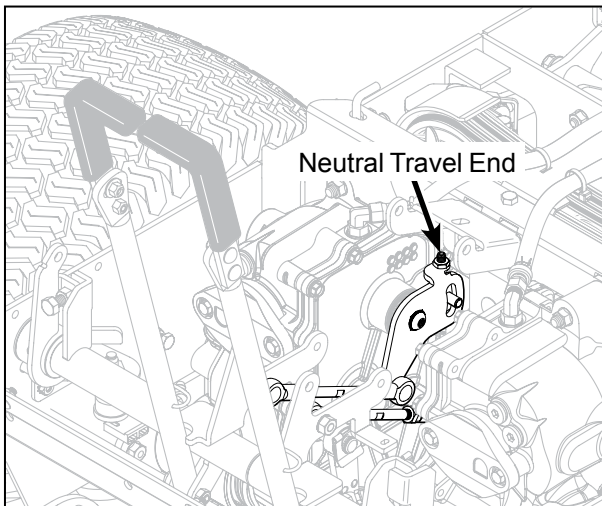


Neutral Window

6. One at a time adjust the left and right Control Rods to find the center of the neutral window. Shorten the rods until the drive tire turns forward then lengthen it until the drive tire turns in reverse (approximately 1 turn). Position the rods halfway between forward and reverse. Tighten the jam nuts.
7. Lower drive tires onto ground.

Full Forward Speed Adjustment - Step 4

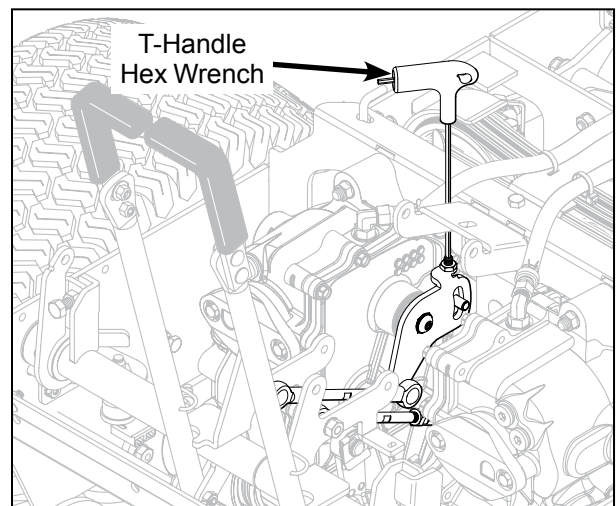
1. Move the FSC to the full **FORWARD** speed position.
2. Raise the body. The set screws in the left and right Transmission Control Arms should not be contacting the locating stud in the transaxle. If they are, back the set screws out until they do not touch.



Neutral Travel End

Straight Tracking Adjustment - Step 5

1. Sit in the seat, start the engine, set throttle at full speed, and with the FSC in the **NEUTRAL-PARK** position check for movement of either drive wheel (if either wheel moves backward or forward, refer to the *Neutral Position Adjustment - Step 3* and readjust).
2. Check for straight ground tracking on a level surface (with hands off the steering levers). Set the FSC at several different speeds and observe if the mower moves in a straight line (use cement joint or other line on ground for reference).
3. If travel is not straight, shorten the control rod of the slow side (adjust in 1/8 turn increments) to match the faster side while maintaining the neutral position. If straight tracking and neutral can not be achieved, turn the control rod back to where neutral can be achieved.
4. Lengthen the control rod of the faster side (adjust in 1/8 turn increments) to match the slower side while maintaining the neutral position.
5. If the forward travel is straight throughout the speed range, except at maximum speed - place the FSC in full **FORWARD**, turn the set screw in the Transmission Control Arm, of the faster side, in until it contacts the hydro stud. (Turning the set screw in slows the wheel.) **Turn the set screw in an additional 1/8 turn.** Recheck for equal full forward speed. Adjust this set screw until equal full forward speed is achieved. Tighten the jam nut.



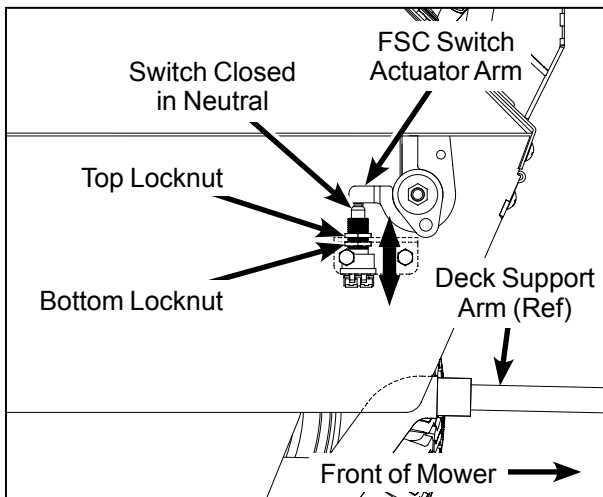
Neutral Travel End Adjust

Neutral Switch Adjustment - Step 6

1. Place the FSC in **NEUTRAL** position. Loosen the bottom locknut and adjust switch body up with top locknut until the switch contacts open. Turn the locknut an additional 1 turn. Tighten bottom locknut.



FSC Switch Location



**FSC Switch Adjustment
(Side View Through Chassis)**

Forward Speed Control Friction Adjustment - Step 7



FSC Position With Levers

1. Place the FSC in the full **FORWARD** position and pull both steering levers back; the FSC lever should not move. If the FSC lever moves back the **friction needs to be increased**.
2. With the steering levers held back, move the FSC lever back from the **FORWARD** position. With a proper amount of friction adjusted, the FSC lever should move back with a slight amount of resistance (friction). If the FSC lever movement is "stiff", the **friction needs to be decreased**.
3. The FSC friction is **increased** or **decreased** by **tightening** or **loosening** the **friction adjustment nut**. Loosen or tighten the nut and check the control function until the conditions of both steps 1 and 2 are met.

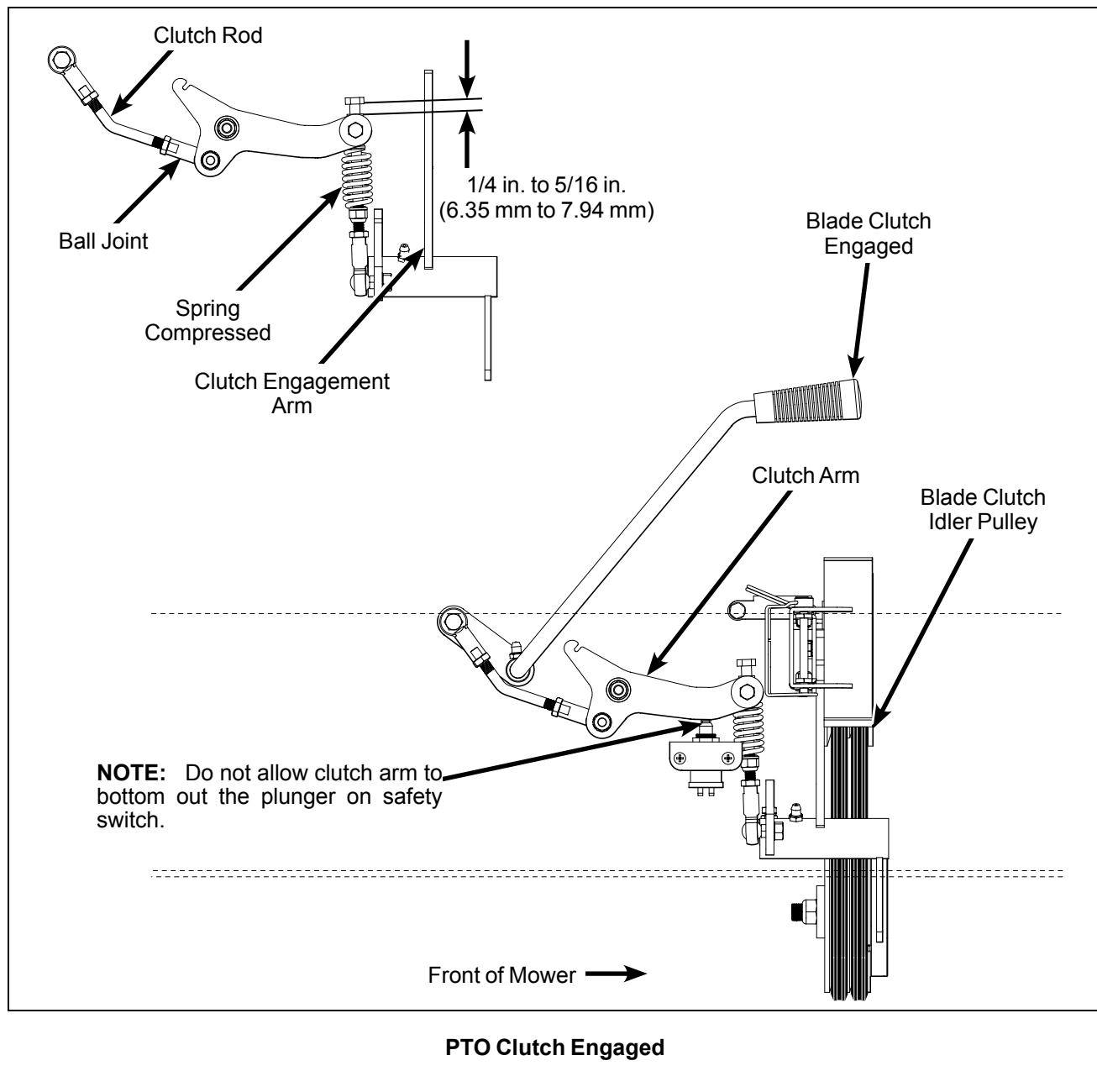
Blade Clutch (PTO)

Clutch Engagement/Belt Tension

The clutch engagement and PTO belt tension are adjusted using the clutch rod. Initially, after installing new PTO belts, **after 10 hours and every 100 hours** thereafter, check and adjust for the dimensions as shown in the **PTO Clutch Engaged** and **PTO Clutch Disengaged** illustrations.

Adjust the length of the clutch rod to achieve a bolt head clearance of 1/4 in. to 5/16 in. (6.35 mm to 7.94 mm) with the clutch engaged. To adjust length: remove ball joint from clutch arm, **shorten** the clutch rod to **decrease** this measurement or **lengthen** the clutch rod to **increase** this measurement. If adjustments are needed more frequently than every 100 hours to maintain dimensions, it may suggest problems with pulley wear or belt misalignment.

NOTE: Do not allow clutch arm to bottom out the plunger on safety switch. Adjust switch down if condition exists.

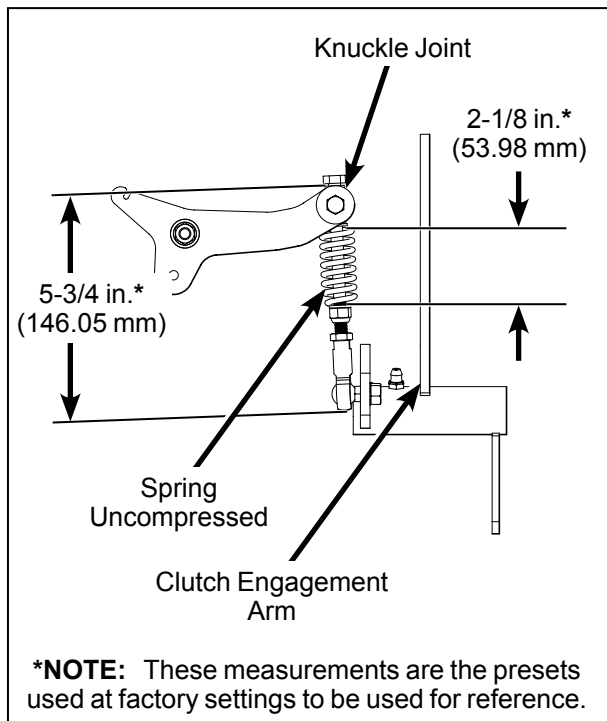


Clutch Disengagement/Brake Action

WARNING

It is important to check and maintain blade brake action for safe operation of the machine.

The **declutched or disengaged position** of the blade clutch idler pulley is adjustable and is set to give belt release **without excessive slack** and to apply the blade brake. The blade brake is activated by the brake band connected to the clutch engagement arm. The brake is designed to stop the blades within five (5) seconds after disengaging the clutch.



PTO Clutch Disengaged

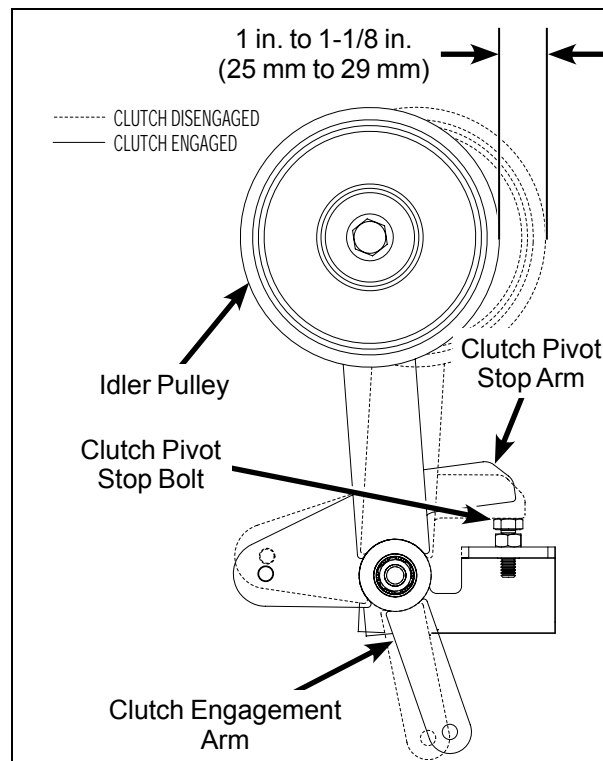
Use the following procedures to check and adjust clutch disengagement and brake action:

Idler Pulley Maximum Travel Adjustment - Step 1

Loosen the brake band adjustment nut allowing stop arm and stop nut to make contact (refer to **Blade Brake Band Adjustment** illustration).

1. Adjust the pivot stop bolt to give 1 in. to 1-1/8 in. (25 mm to 29 mm) pulley travel from “clutch engaged” to “clutch disengaged”.
2. Check and adjust the pulley travel, first engage the clutch, then measure the distance the pulley travels as the clutch is disengaged and the stop arm contacts the stop bolt.

NOTE: This adjustment will prevent excessive pulley travel that can cause belts to develop too much slack, causing possible belt derailment upon disengagement.



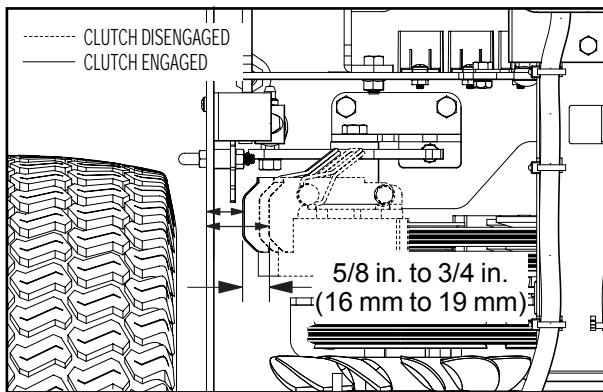
Clutch Idler Pulley Travel

Blade Brake Band Adjustment - Step 2

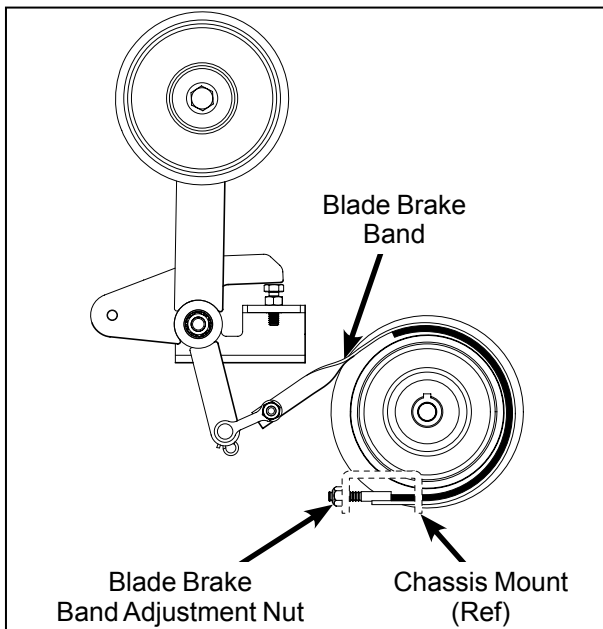
After the maximum pulley travel is set, adjust the working travel of the clutch idler pulley by adjusting the brake band nut and make the following adjustment as needed:

1. Adjust the blade brake band, using the adjustment nut until pulley travel is approximately 5/8 in. to 3/4 in. (16 mm to 19 mm) from engaged to disengaged.

NOTE: As blade brake band/drum wears, pulley travel will increase and it will be necessary to adjust the blade brake band nut to maintain these dimensions.



Clutch Idler Pulley Travel Adjustment

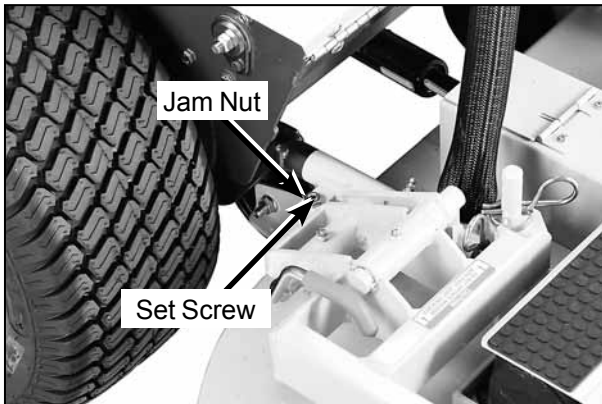


Blade Brake Band Adjustment

2. After adjustments are complete, check blade brake action as described in **CHECKING/SERVICING the Blade Brake Action** in this section. If blades do not stop within five (5) seconds, check the following:
 - a. Make sure clutch and brake linkage are working freely (no binding).
 - b. Check the brake band lining.
 - c. Check the brake drum on the pulley. If excessive wear is present, it will be necessary to replace worn parts.

Tilt-Up Deck Adjustable Stop

When the carrier frame hinge joint is properly adjusted, the deck lock levers should move in and out of the engaged and disengaged positions freely. All four (4) hitch pins used for height adjustment should sit flush on the washers above the deck pin bushing. On a level surface, if any pin is sticking up (likely the front pins), tighten the opposite side or loosen the same side to lower the pin. Adjustments are made by loosening the jam nut and tightening or loosening the set screws on the Deck Mount Pivot Brackets. Retighten the jam nut when the adjustment is complete.



Tilt-Up Deck Adjustable Stop

ELECTRICAL SYSTEM

For troubleshooting, refer to the **WIRING SCHEMATIC**.

IMPORTANT: Disconnect both battery cables before unplugging any wiring connectors or making repairs on the electrical system.

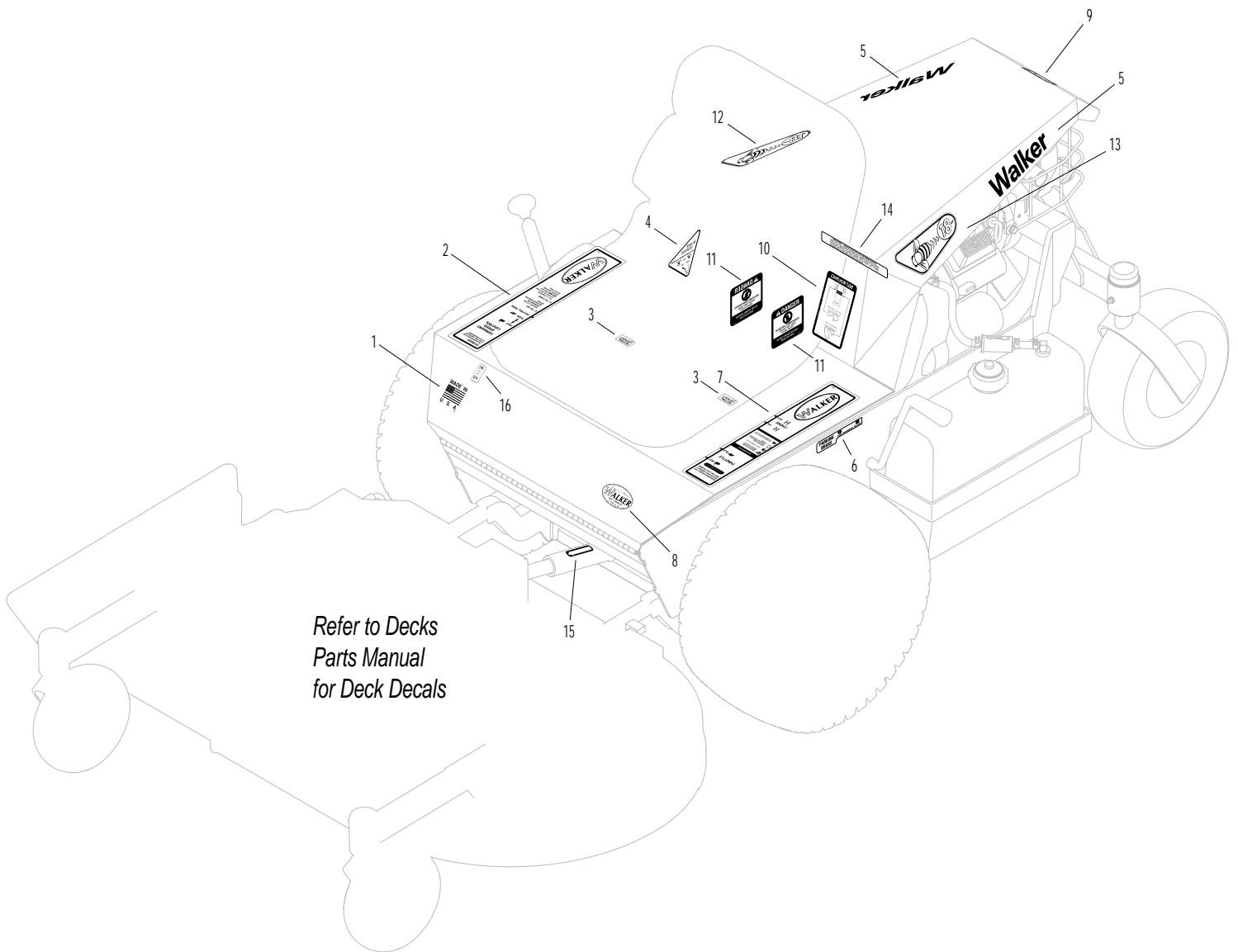
TRACTOR DECALS

ITEM NO.	PART NO.	DESCRIPTION	LOCATION	NO. REQ'D SD
Walker Product and Operation Decals				
1	5856	Made In USA	Body	1
2	5802-1	RH Fender	Body, RH Side Near Seat	1
3	9804	Axle Lockout	Chassis	2
4	4107-6	PTO Clutch	Chassis	1
5	5800-6	Decal, Walker 6-3/4"	Rear Body (one on each side)	2
6	4406-8	Decal, Parking Brake	Chassis, LH	1
7	5802-2	LH Fender	Body, LH Side Near Seat	1
8	5803	Walker Manufacturing Logo	Body	1
Danger Decals Warning Decals Caution Decals				
9	5805	Caution, Engine Exhaust	Rear Body	1
10	4107-10	Decal, Belt Routing	Rear Body, Underside	1
11	4107-1	Danger, Rotating Components	Flex Coupling Guard, RH	2
Maintenance Decals				
12	4105-8	Decal/RH, 18HP	Rear Body, RH Side	1
13	4105-9	Decal/LH, 18HP	Rear Body, LH Side	1
14	5855	Important, Engine Cooling	Engine	1*
15	6875	PTO Alignment Arrow	Universal Joint Tube Assembly	1
Option Decals (applied only to units with corresponding Options installed)				
16	5877	Lights, On-Off	Body	1

* Item used on Model MBK only

NOTE: All parts requiring decals are shipped with decals applied.

TRACTOR DECALS



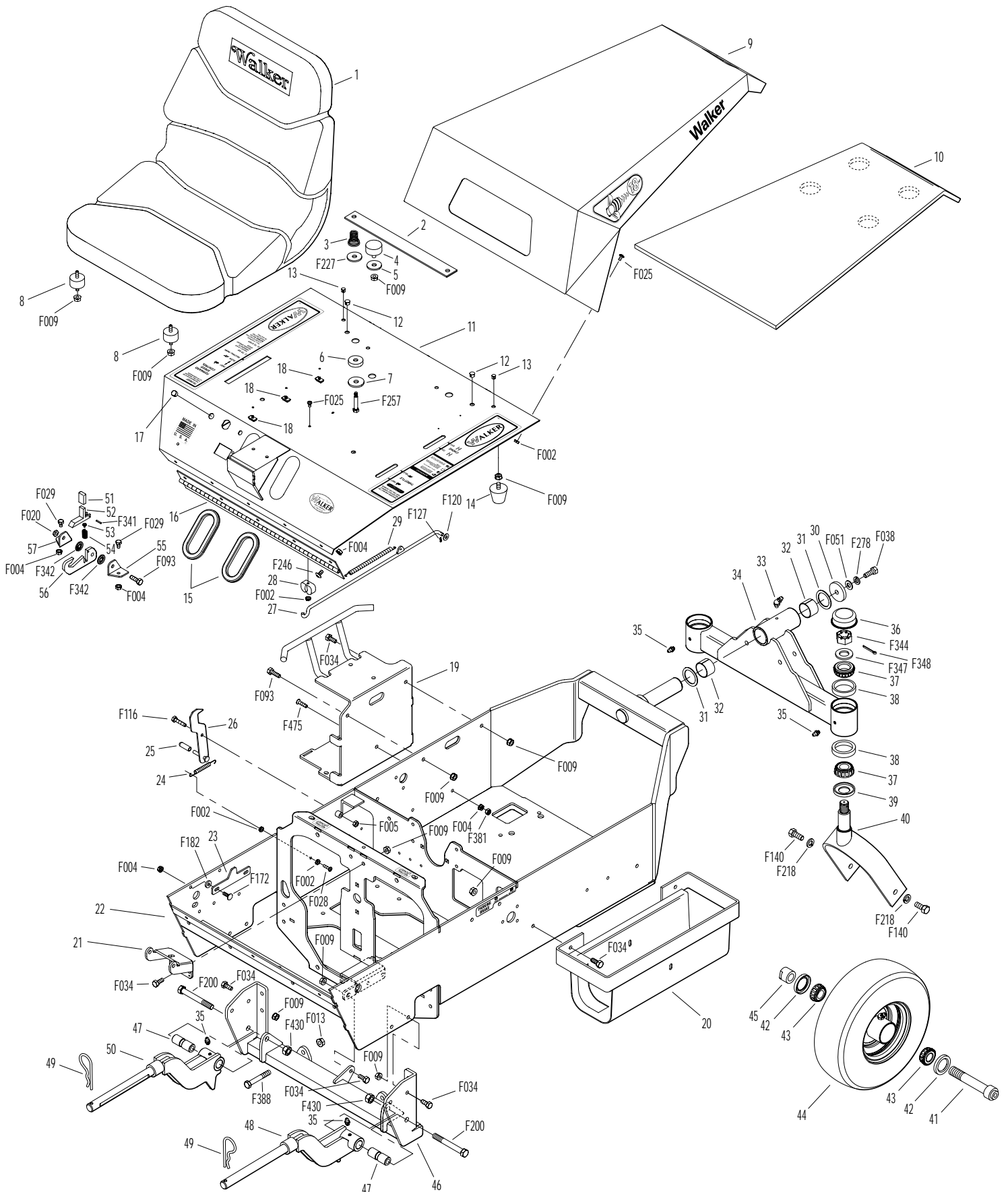
BODY / CHASSIS ASSEMBLY

ITEM NO.	PART NO.	DESCRIPTION	NO. REQ'D	ITEM NO.	PART NO.	DESCRIPTION	NO. REQ'D
Seat Assembly				Deck Support Arm & Hitch Assemblies			
1	5103	Seat	1	46	4300-13	Deck Arm Support Mount	1
2	7203	Seat Spring Plate	1	47	6840-1	Support Arm Bushing (2-1/16)	2
3	7223-1	Compression Spring	2	48	4431-1	Deck Support Arm/LH (Includes Item # 35)	1
4	7845	Rubber Bumper (1.375 x .63)	2	49	5775-2	Hitch Pin (#6)	2
5	5841	Retainer Washer (3/8 x 1-1/4)	2	50	4430-1	Deck Support Arm/RH (Includes Item # 35)	1
6	7434	Washer (3/8 x 1-1/4 x 1/4)	2	Tilt-Up Latch Assembly**			
7	5841-1	Retainer Washer	2	51	5847	Plastic Tip	1
8	7440-5	Shock Mount (1-1/4 x 3/4)	2	52	5744-20	Spring Arm, Tilt-Up Latch	1
Body Assembly				53	5744-10	Spring Pivot Bushing	1
9	4105-2	Rear Body (Includes Item # 10)	1	54	5744-15	Compression Spring (3/8 x 5/8)	1
10	4190-2	Insulation Foam Pad	1	55	5744-13	Mount Angle, LH	1
11	4100-1	Front Body	1	56	5744-12	Hook, Tilt-Up Latch	1
12	5989-4	Dome Plug (3/8)	2	57	5744-14	Mount Angle, RH	1
13	5989-3	Dome Plug (5/16)	2	Fasteners			
14	5845	Rubber Bumper (1.50 x 1.25)	2	F002	10-24 Keps Nut		8
15	5180	Edge Molding/Lever Opening	2	F004	1/4-20 Keps Nut		13
16	4504-3	Hinge (19")	1	F005	1/4-20 ESNA Nut		1
17	5989-5	Dome Plug (7/16)	1	F009	5/16-18 Whiz Locknut		16
18	7834-3	Wire Saddle (3 Wires)	3	F013	3/8-16 Whiz Locknut		2
Chassis Assembly				F020	5/16-18 ESNA Nut		1
19	4010-8	Precleaner / Battery Mount	1	F025	10-24 x 3/8 PPHMS		6
20	9046	Gas Tank Mount	1	F028	10-24 x 3/4 PPHMS		1
21	4215-7	Steering Dampener Mount	1	F029	1/4-20 x 1/2 Hex Bolt		2
22	4300-15	Chassis Frame / MBV	1	F034	5/16-18 x 3/4 Hex Bolt		10
	4300-12	Chassis Frame / MBK	1	F038	3/8-16 x 1 Hex Bolt		1
23	4102	Body Guide	1	F051	3/8 SAE Washer		1
24	7222	Extension Spring (1/4 x 3)	1	F093	5/16-18 x 1 Hex Bolt		2
25	7854	Plastic Tip, Red	1	F116	1/4-20 x 1-1/4 Hex Bolt		1
26	7383-1	Body Latch Hook	1	F120	AN960416 Washer		1
27	4145	Body Support Rod	1	F127	1/16 x 1/2 Cotter Pin		1
28	4145-1	Spring Clip	1	F140	7/16-14 x 1 Hex Bolt		2
29	5223	Extension Spring (1/4 x 5-1/2)	1	F172	1/4-20 x 3/4 Carriage Bolt		2
Spread Tail Wheel Assembly				F182	1/4 x 5/8 x 1/8 Washer		2
30	4401-4	Washer (1-3/4 x 3/8 x 1/4 Thk)	1	F200	7/16-20 x 3 Grade 8 Bolt		2
31	4301-2	Fiberglide Thrust Washer	2	F218	7/16 Split Lock Washer		2
32	4301-3	Fiberglide Bearing	2	F227	3/8 x 1-1/4 x 1/8 Washer (Plastic)		2
33	5830-3	Grease Fitting (45 Deg.)	1	F246	1/4-20 x 1/2 PTHMS		8
34	4301	Tail Wheel Pivot (Includes Items # 33 & 35)	1	F257	3/8 x 1-11/16 Shoulder Bolt		2
35	5830	Grease Fitting	4	F278	3/8 Split Lock Washer		1
36	8769-8	Dust Cap, Deck Caster	2	F341	Coil Roll Pin (7/64 x 9/16)		1
37	8769-6	Bearing Cone (1" ID)	4	F342	5/16 Conical Washer		2
38	8769-5	Bearing Cup (2 x 1-5/8)	4	F344	3/4-16 Slotted Hex Nut		2
39	8769-7	Seal	2	F347	3/4 SAE Washer		2
40	8765-10	Caster Wheel Fork	2	F348	1/8 x 1-1/2 Cotter Pin		2
41	8767	Axle, Caster Wheel (5-1/8)	2	F381	1/4-20 Hex Nut		1
42	8768-2	Seal, Reverse Lip	4	F388	3/8-16 x 2-1/2 Hex Bolt		2
43	8037	Bearing Cone (3/4 ID)	4	F430	7/16-20 ESNA Nut		2
44	8768	Caster Wheel, Pneumatic (11 x 4.00-5)	2	F475	1/4-20 x 1 PFH Screw		1
	8768-3	Tire, Pneumatic (11 x 4.00-5)	*	* Service Part Only			
	8768-5	Caster Wheel (5 x 3)	*	** Complete Tilt-Up Latch Assembly Kit available by ordering kit # 5747.			
45	8766	Axle Nut (3/4-16)	2				

Use only genuine **Walker**® replacement parts.

Effective Date 01-01-10

BODY / CHASSIS ASSEMBLY



Effective Date 01-01-10

Use only genuine Walker® replacement parts.

MAIN COMPONENT POWER TRANSMISSION

ITEM NO.	PART NO.	DESCRIPTION	NO. REQ'D	ITEM NO.	PART NO.	DESCRIPTION	NO. REQ'D
PTO Drive Assembly				45	5221	Extension Spring (3/4 x 4)	1
1	4850	Handle Grip	1	46	5214-4	Ball Joint (5/16-24) W/O Stud	1
2	4358-2	Clutch Lever (Includes Items # 1 & 3)	1	47	4358-10	Clutch Rod	1
3	5830	Grease Fitting	3	Fasteners			
4	5103-2	Pivot Bushing (5/16 ID)	2	F004	1/4-20 Keps Nut	7	
5	2358-6	5/16-18 x 1-3/4 Stud	2	F005	1/4-20 ESNA Nut	2	
6	4358-11	Clutch Pivot Plate	1	F008	5/16-24 Keps Nut	2	
7	7775-6	Wire Lock Pin (2-1/2")	3	F009	5/16-18 Whiz Locknut	17	
8	4302	Right Hand Shoe	1	F010	5/16-24 ESNA Nut	1	
9	4302-5	Upper Shoe, LH	1	F012	3/8-16 Keps Nut	2	
10	4302-1	Left Hand Shoe	1	F024	5/16-24 Jam Nut	3	
11	2302-6	Shoe Mount, LH	1	F029	1/4-20 x 1/2 Hex Bolt	1	
12	4302-2	Shoe Mount	2	F031	1/4-20 x 5/8 Hex Bolt	10	
13	4325-11	Idler Mount	1	F034	5/16-18 x 3/4 Hex Bolt	5	
14	4236-3	PTO Drive Pulley (5/AA)	1	F035	5/16-18 x 1-1/4 Hex Bolt	6	
15	4274-9	Collar (3/4")	2***	F041	3/8-16 x 1-3/4 Hex Bolt	2	
16	4274-8	Bearing (3/4")	2	F051	3/8 SAE Washer	2	
17	4302-4	PTO Shoe	1	F058	1/4 Wave Spring Washer	6	
18	7775-7	Wire Lock Pin (3")	1	F060	AN960516 Washer	2	
19	4274-11	PTO Drive Shaft 3/4"	1	F061	1/4 Star Lock Washer	1	
	4274-10	PTO Drive Shaft Assembly (Includes Items # 15, 16, 19 & 25)	*	F065	3/16 x 3/4 Woodruff Key (#606)	1	
20	5275-15	U-Joint Tube / 9.5" OAL / Spline (Includes Item # F076)	1	F067	3/16 x 3/16 x 1 Key	1	
21	7275-9	Quick Coupler Installation Tool	1**	F069	3/32 x 1/2 Cotter Pin	1	
22	7275-16	Universal Joint Tube Assembly / Spline	1**	F076	3/8-16 x 5/8 SQH Set Screw	1	
23	4274-13	PTO Drive Shaft	1**	F093	5/16-18 x 1 Hex Bolt	1	
	4274-12	PTO Drive Shaft Assembly / Spline (Includes Item # 15, 16 & 23-25)	*	F104	1/4-20 x 3/4 PFH Bolt	1	
24	4274-14	Spacer	1**	F120	AN960416 Washer	8	
25	4274-7	PTO Bearing Housing	1	F149	1/4 x 1/4 x 1-1/2 Key	1	
26	4358-7	Clutch / Pivot Stop	1	F153	3/16 x 3/16 x 1-1/4 Key	2	
27	7201-3	Fiberglide Bearing	2	F178	1/4 x 1 Fender Washer	1	
28	7201-8	Inner Race (4")	1	F183	.312 x .700 x .074 Washer	1	
29	4359	Clutch Engagement (Includes Item # 3)	1	F211	1/4-20 x 7/8 Hex Bolt	2	
30	4359-2	Brake Band Link / Rear	1	F290	3/8-16 x 5 Hex Bolt	1	
31	8304	Brake Band (14-1/2)	1	F325	1/4-20 x 3 Hex Bolt	2	
32	4359-1	Brake Band Link / Front	1	F350	1/4-20 LP Nylock	7	
33	7523-2	Clevis Pin W/Hole (1/4 x 5/8)	1	F381	1/4-20 Hex Nut	1	
34	4411-2	Drive Shaft	1	F435	1/4 x 1/4 x 1-1/4 Key	1	
35	4245-1	Idler Pulley (4/Flat)	2	F449	Washer 1/2 x 1-5/8 x 1/4	1	
36	4230-1	Engine/PTO Belt/Matched Set	1	F451	1/2-20 Nylon Locknut	1	
37	4236-4	Idler Pulley (4/AA)	1	* Service Part Only			
38	5214-2	Ball Joint (5/16-24) (Nylon Lined)	2	** Items used on Model MBK only			
39	5226-1	Spring (3/4 x 2-1/2)	1	*** Model MBK uses a quantity of one (1)			
40	7380	Knuckle Joint	1				
41	4303-7	Clutch Actuator Bolt (5/16)	1				
42	7377	Plastic Washer (1 x .438.025)	2				
43	7378	Pivot Bearing (7/16 x 9/16)	1				
44	4325-1	Clutch Arm	1				

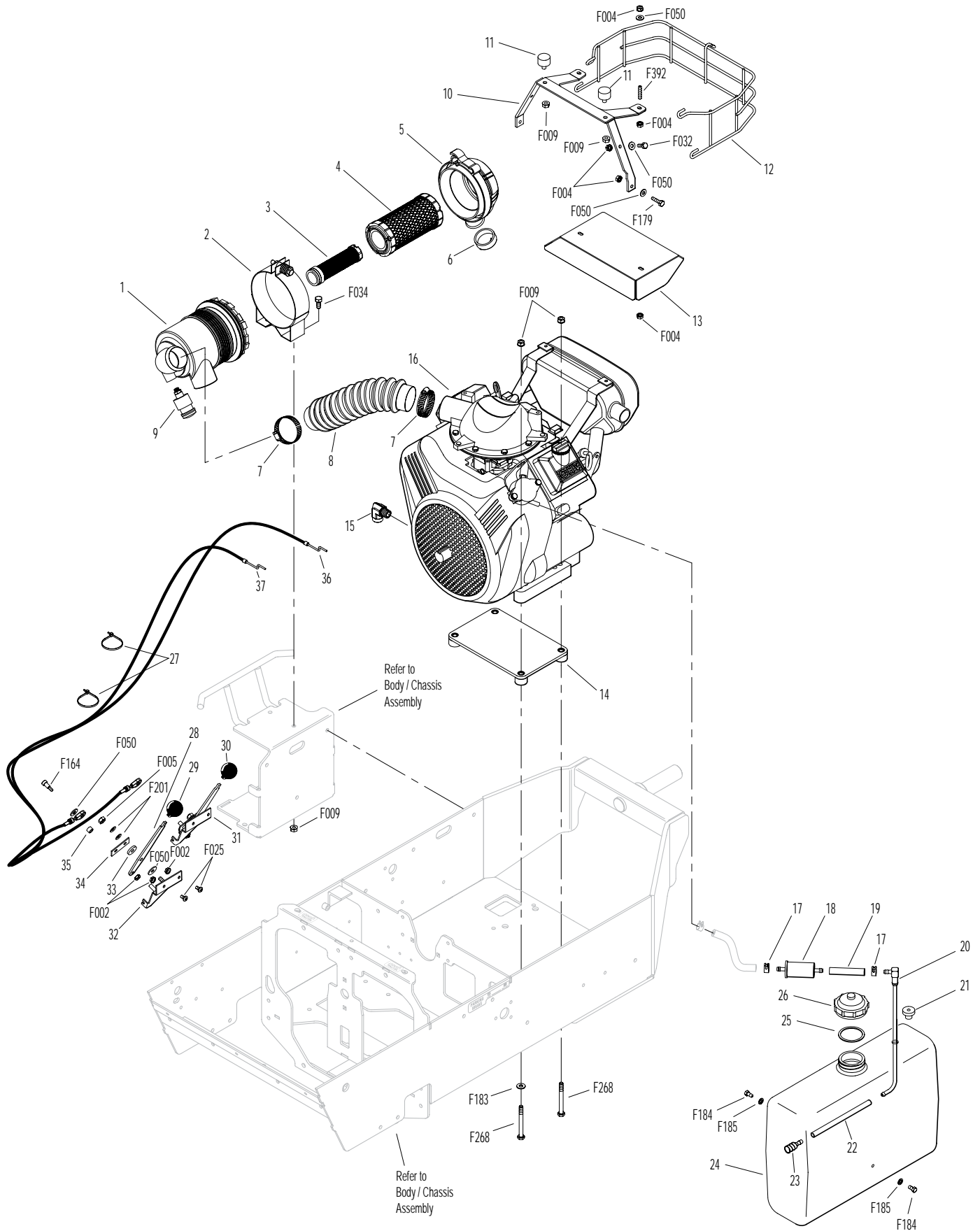
Use only genuine **Walker**® replacement parts.

Effective Date 01-01-10

ENGINE GROUP (MODEL MBV)

ITEM NO.	PART NO.	DESCRIPTION	NO. REQ'D	ITEM NO.	PART NO.	DESCRIPTION	NO. REQ'D
Precleaner Assembly				Choke and Throttle Assemblies			
1	4088-10	Air Cleaner Assembly (Includes Items # 2-6 & 9)	1	27	5975-3	Cable Tie (50# x 7")	2
2	2088-1	Air Cleaner Band	1	28	5108-1	Control Lever, Throttle/Choke	2
3	2090-3	Safety Filter Insert	1	29	5108-5	Throttle Control Knob, Red	1
4	2090-1	Air Cleaner Cartridge	1	30	5108-6	Choke Control Knob, Black	1
5	2088-2	Air Cleaner Cap	1	31	7108	Control Assembly	2
6	2090-2	Vacuator Valve	1		4108-4	Throttle Control and Cable Assembly (Includes Item # 29)	*
7	7840	Hose Clamp (1-5/16 to 2-1/4)	2		4109-4	Choke Control and Cable Assembly (Includes Item # 30)	*
8	2012	Flex Hose (1-3/4 x 2)	1	32	5108-8	Control Bracket	2
9	5091-11	Air Flow Indicator & Nipple	1	33	5108-10	Friction Washer (.125)	2
Engine Assembly				34	5108-7	Control Lock Tab	2
10	4104-1	Body Support	1	35	5172	Bearing, Nylon (.255 ID x .379 OD x .250)	1
11	4845	Rubber Bumper (1.0 x .625)	2	36	4109-3	Control Cable (66")	1
12	4013-1	Muffler Guard	1	37	4109-5	Control Cable (71")	1
13	4104-9	Heat Shield, Aluminum	1	Fasteners			
14	4300-14	Engine Spacer Plate	1		F002	10-24 Keps Nut	6
15	4010-5	3/8 NPT Street L	1		F004	1/4-20 Keps Nut	10
16	NS	18 HP Engine (Briggs & Stratton 3564470236G1)	1		F005	1/4-20 ESNA Nut	2
Fuel Tank Assembly					F009	5/16-18 Whiz Locknut	8
17	5879-3	Hose Clamp (1/2)	2		F025	10-24 x 3/8 PPHMS	4
18	5020	Fuel Filter	1		F032	1/4-20 x 3/4 Hex Bolt	2
19	5086-8	Hose (1/4 x 2-1/2)	1		F034	5/16-18 x 3/4 Hex Bolt	2
20	5083-6	Tank Tube Elbow	1		F050	1/4 SAE Washer	10
21	5083-1	Bushing, Rubber (Fits 5083)	1		F164	10-24 x 1/4 x 3/8 SHL Bolt	2
22	5086-7	Hose (1/4 x 6)	1		F179	1/4-20 x 1 Hex Bolt	2
23	5020-2	Fuel Filter, In Tank	1		F183	.312 x .700 x .074 Washer	2
24	4046	Fuel Tank, 3.0 Gal. Gas (Fuel Cap Centered) (Includes Items # 25 & 26)	1		F184	1/4-20 x 1/2 Hex Bolt, SS	2
25	5082-2	Fuel Cap Seal	1		F185	1/4 Internal Star Lock Washer	2
26	5082	Fuel Tank Cap (Includes Item # 25)	1		F201	1/4 Belleville Spring Washer	4
					F268	5/16-18 x 3 Hex Bolt	4
					F392	1/4-20 x 1 Set Screw/SS Cup Point	2
				* Service Part Only			

ENGINE GROUP (MODEL MBV)



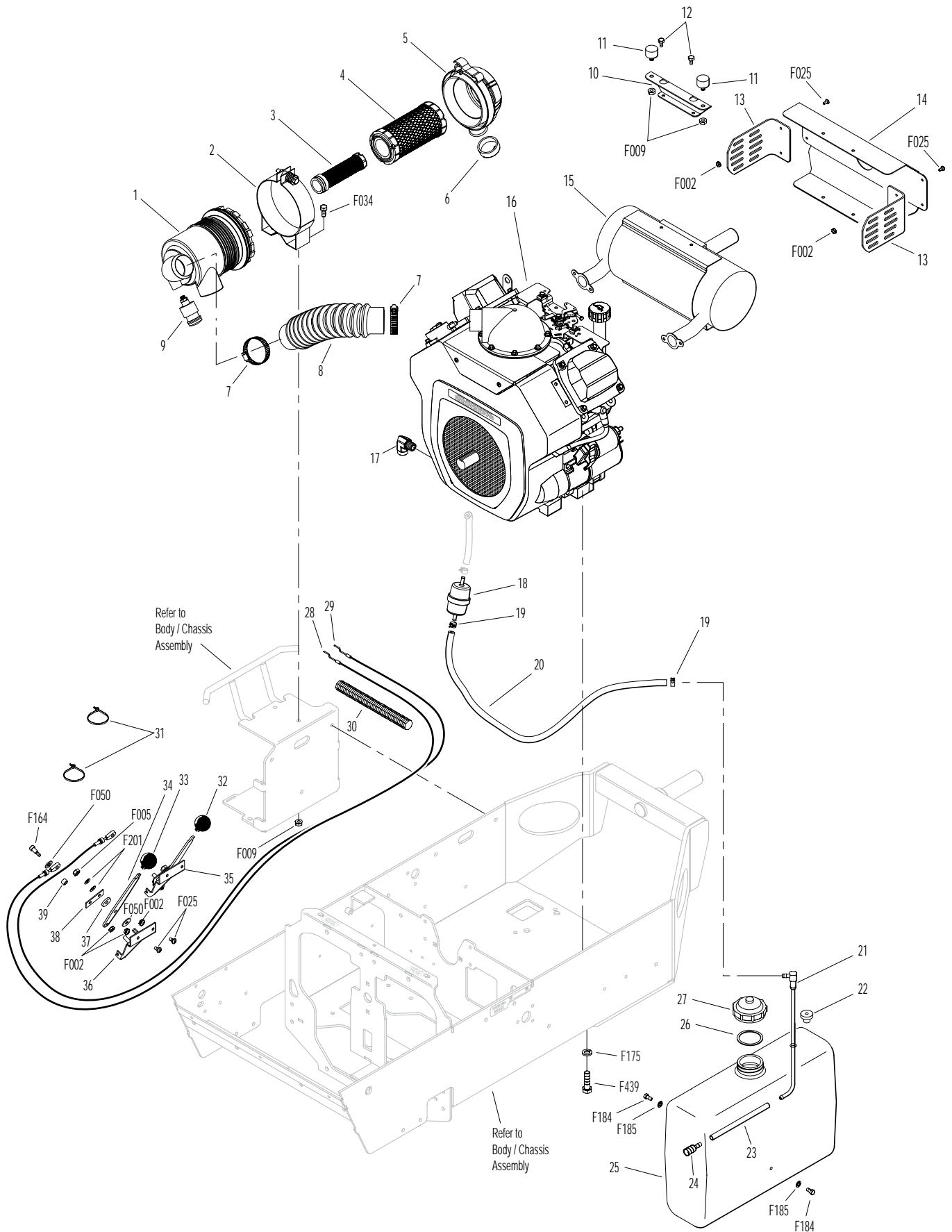
Effective Date 01-01-10

Use only genuine **Walker®** replacement parts.

ENGINE GROUP (MODEL MBK)

ITEM NO.	PART NO.	DESCRIPTION	NO. REQ'D	ITEM NO.	PART NO.	DESCRIPTION	NO. REQ'D
Precleaner Assembly				Choke and Throttle Assemblies			
1	4088-10	Air Cleaner Assembly (Includes Items # 2-6 & 9)	1	28	4108-3	Control Cable (64")	1
2	2088-1	Air Cleaner Band	1	29	2108-4	Control Cable (68")	1
3	2090-3	Safety Filter Insert	1	30	8123	Insulating Sleeve (3/8 x 6)	1
4	2090-1	Air Cleaner Cartridge	1	31	5975-3	Cable Tie (50# x 7")	2
5	2088-2	Air Cleaner Cap	1	32	5108-6	Choke Control Knob, Black	1
6	2090-2	Vacuator Valve	1	33	5108-5	Throttle Control Knob, Red	1
7	7840	Hose Clamp (1-5/16 to 2-1/4)	2	34	5108-1	Control Lever, Throttle/Choke	2
8	2012	Flex Hose (1-3/4 x 2)	1	35	7108	Control Assembly	2
9	5091-11	Air Flow Indicator & Nipple	1		4108-2	Throttle Control and Cable Assembly (Includes Item # 33)	*
					4109-1	Choke Control and Cable Assembly (Includes Item # 32)	*
Engine Assembly				36	5108-8	Control Bracket	2
10	2104	Body Support	1	37	5108-10	Friction Washer (.125)	2
11	4845	Rubber Bumper (1.0 x .625)	2	38	5108-7	Control Lock Tab	2
12	NS	Kohler Bolt	2	39	5172	Bearing, Nylon (.255 ID x .379 OD x .250)	1
13	2013-4	Shield Side	2	Fasteners			
14	2013-3	Muffler Heat Shield	1		F002	10-24 Keps Nut	6
15	NS	Muffler	1		F005	1/4-20 ESNA Nut	2
16	NS	18 HP Engine (Kohler)	1		F009	5/16-18 Whiz Locknut	4
17	4010-5	3/8 NPT Street L	1		F025	10-24 x 3/8 PPHMS	8
					F034	5/16-18 x 3/4 Hex Bolt	2
					F050	1/4 SAE Washer	4
					F164	10-24 x 1/4 x 3/8 SHL Bolt	2
					F175	1/2 Split Lock Washer	4
					F184	1/4-20 x 1/2 Hex Bolt, SS	2
					F185	1/4 Internal Star Lock Washer	2
					F201	1/4 Belleville Spring Washer	4
					F439	1/2-13 x 1-3/4 Hex Bolt	4
Fuel Tank Assembly				* Service Part Only			
18	5020	Fuel Filter	1				
19	5879-3	Hose Clamp (1/2)	2				
20	5086-16	Hose (1/4 x 28)	1				
21	5083-6	Tank Tube Elbow	1				
22	5083-1	Bushing, Rubber (Fits 5083)	1				
23	5086-7	Hose (1/4 x 6)	1				
24	5020-2	Fuel Filter, In Tank	1				
25	4046	Fuel Tank, 3.0 Gal. Gas (Fuel Cap Centered) (Includes Items # 26 & 27)	1				
26	5082-2	Fuel Cap Seal	1				
27	5082	Fuel Tank Cap (Includes Item # 26)	1				

ENGINE GROUP (MODEL MBK)



Effective Date 01-01-10

Use only genuine **Walker®** replacement parts.

HYDROSTATIC GROUND DRIVE ASSEMBLIES

ITEM NO.	PART NO.	DESCRIPTION	NO. REQ'D	ITEM NO.	PART NO.	DESCRIPTION	NO. REQ'D
Ground Drive Assemblies				Wheel Assembly			
1	4025-6	Bottle Mount	1	48	5075-1	LP Wheel & Tire Assembly (18 x 8.50-10)	2
2	2350-13	3/18-16 x 1-3/4 Bolt Grade 5	8		5075-2	LP Tire (18 x 8.50-10)	*
3	2350-1	Hub, Coupler End	4		5075-5	LP Wheel (10 x 7)	*
4	2350-15	Spacer Bushing	16		5033-6	Wheel & Tire (18 x 7.00-8)	**
5	2350-16	Flex Plate	16		5030-6	Standard Tire (18 x 7.00-8)	*
6	4350-12	Coupling Shaft	1		5031-2	Standard Wheel (8 x 5.5)	*
7	4349-6	Flanged Bearing 1"	1		5030-4	Tire Tube (18 x 8.50-8)	*
8	4010-2	Flex Coupling Guard	1	Fasteners			
9	4025-7	Hose Channel	1		F004	1/4-20 Keps Nut	13
10	5975-3	Cable Tie (50# x 7")	4		F009	5/16-18 Whiz Locknut	12
11	5270	Bearing W/Collar (1")	1		F012	3/8-16 Keps Nut	1
12	4411-1	Idler Bearing Housing	1		F013	3/8-16 Whiz Locknut	2
13	4245	Idler Pulley (3/A)	1		F014	3/8-16 ESNA Nut	8
14	4240-1	Drive Pulley	1		F015	1/2-20 Wheel Lug Nut	8
15	5221	Extension Spring (3/4 x 4)	1		F020	5/16-18 ESNA Nut	2
16	4248	Ground Drive Belt	1		F029	1/4-20 x 1/2 Hex Bolt	8
17	2028-3	Hydro Lockout Rod, LH	1		F031	1/4-20 x 5/8 Hex Bolt	5
18	4407-4	Bow Tie Cotter Pin	5		F034	5/16-18 x 3/4 Hex Bolt	4
19	4026-9	Pulley (52364)	2		F040	3/8-16 x 1-1/2 Hex Bolt	1
20	4349-4	Flanged Bearing 3/4"	1		F042	3/8-16 x 2-1/4 Hex Bolt	2
21	9430-1	Spacer Tube	4		F050	1/4 SAE Washer	2
22	2025-20	Hydro-Gear W/Charge Pump, LH	1		F051	3/8 SAE Washer	1
23	2026-20	Hydro-Gear W/Charge Pump, RH	1		F054	AN960616 Washer	8
24	2025-16	Elbow Fitting	2		F171	5/16-18 x 3/8 Set Screw	4
25	2025-15	Hose Fitting	2		F173	5/16-18 x 3/4 Carriage Bolt	4
26	5879-3	Hose Clamp (1/2)	4		F182	1/4 x 5/8 x 1/8 Washer	4
27	2028-4	Hydro Lockout Rod, RH	1		F183	.312 x .700 x .074 Washer	5
28	8015	Hose (1/4 x 14-1/2)	2		F336	3/8-16 Jam Nut	1
29	4024-1	Oil Expansion Reservoir Elbow	2		F350	1/4-20 LP Nylock	2
30	2010-9	Hose Reducer 1/2-1/4	2		F369	5/16-18 x 4-1/2 Hex Bolt	2
31	5879-8	Hose Clamp (13/16)	4		F434	5/16-18 x 3-1/2 Hex Bolt	4
32	5087-1	Hose (1/2 x 1-3/4)	2		F447	1/4 x 1/4 x 1 Key	3
33	2025-1	Oil Expansion Reservoir (71327)	1		F467	2" Internal Snap Ring	1
Parking Brake Assembly							
34	4406	Parking Brake Lever (Includes Items # 35 & 36)	1	*	Service Part Only		
35	2850	Handle Grip, Red	1	**	May be ordered as a factory-installed option or for dealer installation. Narrow Drive Tires are used when installing a 36" Deck. Contact your Walker dealer.		
36	5830-3	Grease Fitting (45 Deg.)	1				
37	8655-4	Clevis Pin (5/16 x 3/4)	2				
38	4406-12	Brake Actuator Pull	1				
39	2280	Clevis (3/8)	1				
40	2406-4	Clevis Pin (5/16 x 1-1/8)	1				
41	4406-5	Parking Brake Mount	1				
42	4401-8	Parking Brake Pivot	1				
43	4406-13	Parking Brake Actuator	1				
44	5665-1	Compression Spring (2-1/2)	2				
45	4406-0	Parking Brake Link	1				
46	5222	Extension Spring (1/2 x 3-1/4)	1				
47	5463	Steering Lever Actuator	2				

Use only genuine **Walker**® replacement parts.

Effective Date 01-01-10

STEERING CONTROL ASSEMBLIES

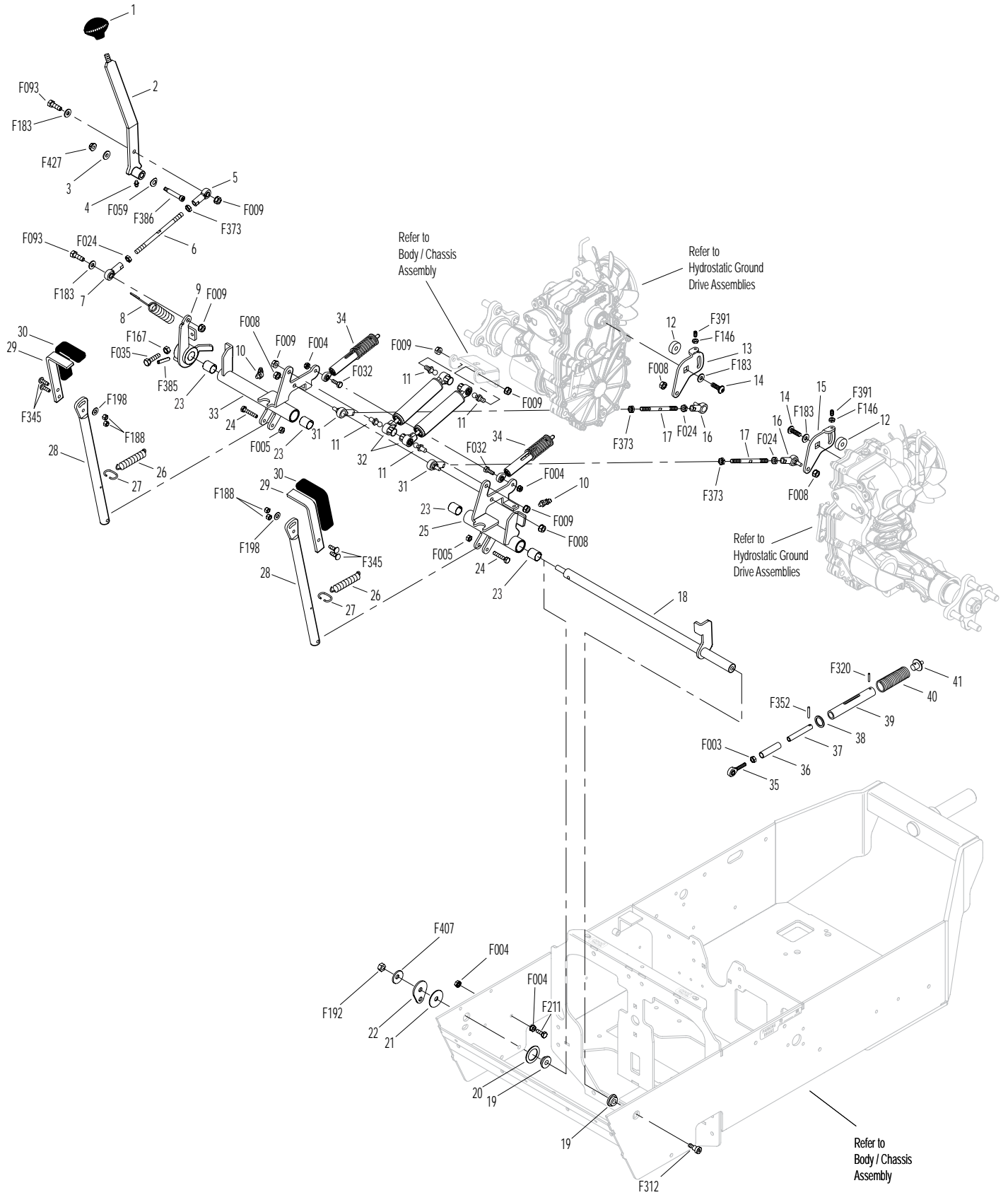
ITEM NO.	PART NO.	DESCRIPTION	NO. REQ'D	ITEM NO.	PART NO.	DESCRIPTION	NO. REQ'D
Steering Lever & FSC Assemblies				Fasteners			
1	5862	FSC Knob	1				
2	4170	FSC Lever Assembly (Includes Item # 4)	*	F003	1/4-28 Hex Nut		2
3	2170-1	Step Washer	2	F004	1/4-20 Keps Nut		4
4	5830	Grease Fitting	1	F005	1/4-20 ESNA Nut		2
5	5214-5	Ball Joint (5/16-24/LH) W/O Stud	1	F008	5/16-24 Keps Nut		4
6	4173	Control Rod (5-3/8)	1	F009	5/16-18 Whiz Locknut		6
7	5214-4	Ball Joint (5/16-24) W/O Stud	1	F024	5/16-24 Jam Nut		3
8	4219	Extension Spring (3/4 x 6-1/2)	1	F032	1/4-20 x 3/4 Hex Bolt		2
9	4451-4	FSC Friction Actuator	1	F035	5/16-18 x 1-1/4 Hex Bolt		1
10	5830-3	Grease Fitting (45 Degree)	2	F059	3/8 Wave Spring Washer		1
11	5146	10mm Ball Stud	4	F093	5/16-18 x 1 Hex Bolt		2
12	2212	Transmission Control Arm Stop	2	F146	1/4-20 Jam Nut		2
13	2212-2	Transmission Control Arm, RH	1	F167	5/16-18 Hex Nut		1
14	2025-10	TWHCS 5/16-24 x 1.0 (Patch)	2	F183	.312 x .700 x .074 Washer		4
15	2212-1	Transmission Control Arm, LH	1	F188	1/4-20 Self-Locking Nut		4
16	5214-2	Ball Joint (5/16-24) (Nylon Lined)	2	F192	3/8-24 Self-Locking Nut		1
17	4213-1	Control Rod (4-1/2)	2	F198	.250 x .625 x .040 Washer, SS		2
18	4451-1	Steering Pivot Shaft W/Stop	1	F211	1/4-20 x 7/8 Hex Bolt		1
19	9704-3	Pivot Rod Bushing/Plastic	2	F312	3/8 x 3/8 Shoulder Bolt		1
20	4142-2	FSC Friction Washer (1-1/2 x 1-1/32 x 1/16)	1	F320	1/8 x 3/4 Split Spring Pin		2
21	5141	FSC Friction Washer (1-1/2 x 3/8 x 1/16)	1	F345	1/4-20 x .770 Knurled Bolt		4
22	4142-1	FSC Cam	1	F352	5/32 x 1 Heavy Duty Roll Pin		2
23	8201-3	Fiberglide Bearing	4	F373	5/16-24 Hex Nut, LH		3
24	4452-6	Steering Pivot (1/4-20 x 1-1/2)	2	F385	1/4 x 1-1/4 Roll Pin		1
25	4451-5	Speed Control Actuator, LH (Includes Item # 23)	1	F386	5/16-18 x 1-1/2 x 3/8 Shoulder Bolt		1
26	5222	Extension Spring (1/2 x 3-1/4)	2	F391	1/4-20 x 1/2 Set Screw, SS		2
27	5450	D-Clip	2	F407	Belleville Washer 3/8 x 1.187 SS		1
28	4452-4	Steering Lever Tube W/Tab	2	F427	5/16-18 Flange Nut		1
29	5453-10	Steering Lever Handle/Adjustable (Includes Items # 30 & F345)	2				
30	5850-2	Handle Grip, Foam (5-1/2)	2				
31	5214-3	Ball Joint (5/16-24LH) (Nylon Lined)	2				
32	2215-5	Steering Lever Dampener	2				
33	4451-6	Speed Control Actuator, RH (Includes Item # 23)	1				
Transmission Spring Assemblies							
34	4199-1	Transmission Spring Assembly (Includes Items # 35-41, F320 & F352)	*				
35	4552	Ball Joint (1/4-28) (Includes Item # F003)	2				
36	5194	Plunger Sleeve	2				
37	5192-2	Spring Plunger (Female)	2				
38	5193	Washer (3/4 x 1 x .085)	2				
39	6191	Spring Slide (4-3/4)	2				
40	5195-3	Compress Spring (1 x 5-1/16)	2				
41	6196	Spring Slide Cap	2				

* Service Part Only

Use only genuine **Walker**® replacement parts.

Effective Date 01-01-10

STEERING CONTROL ASSEMBLIES



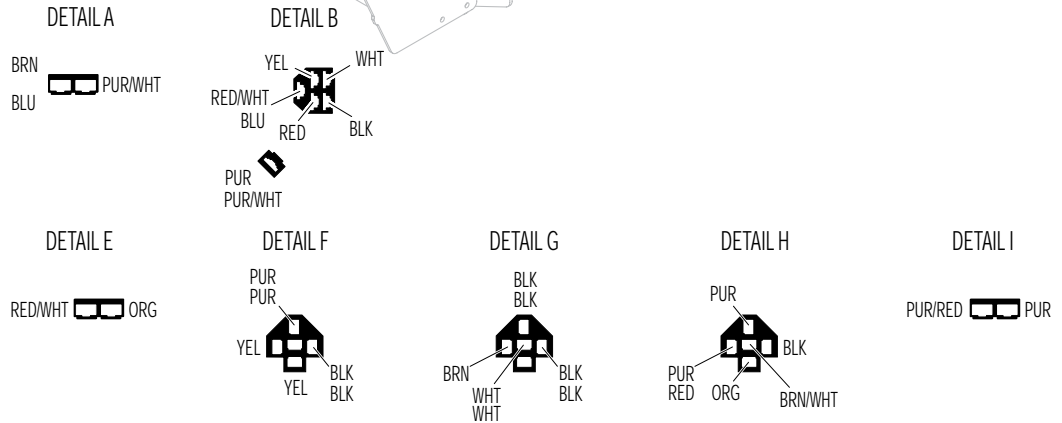
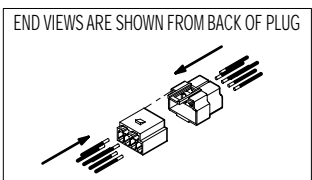
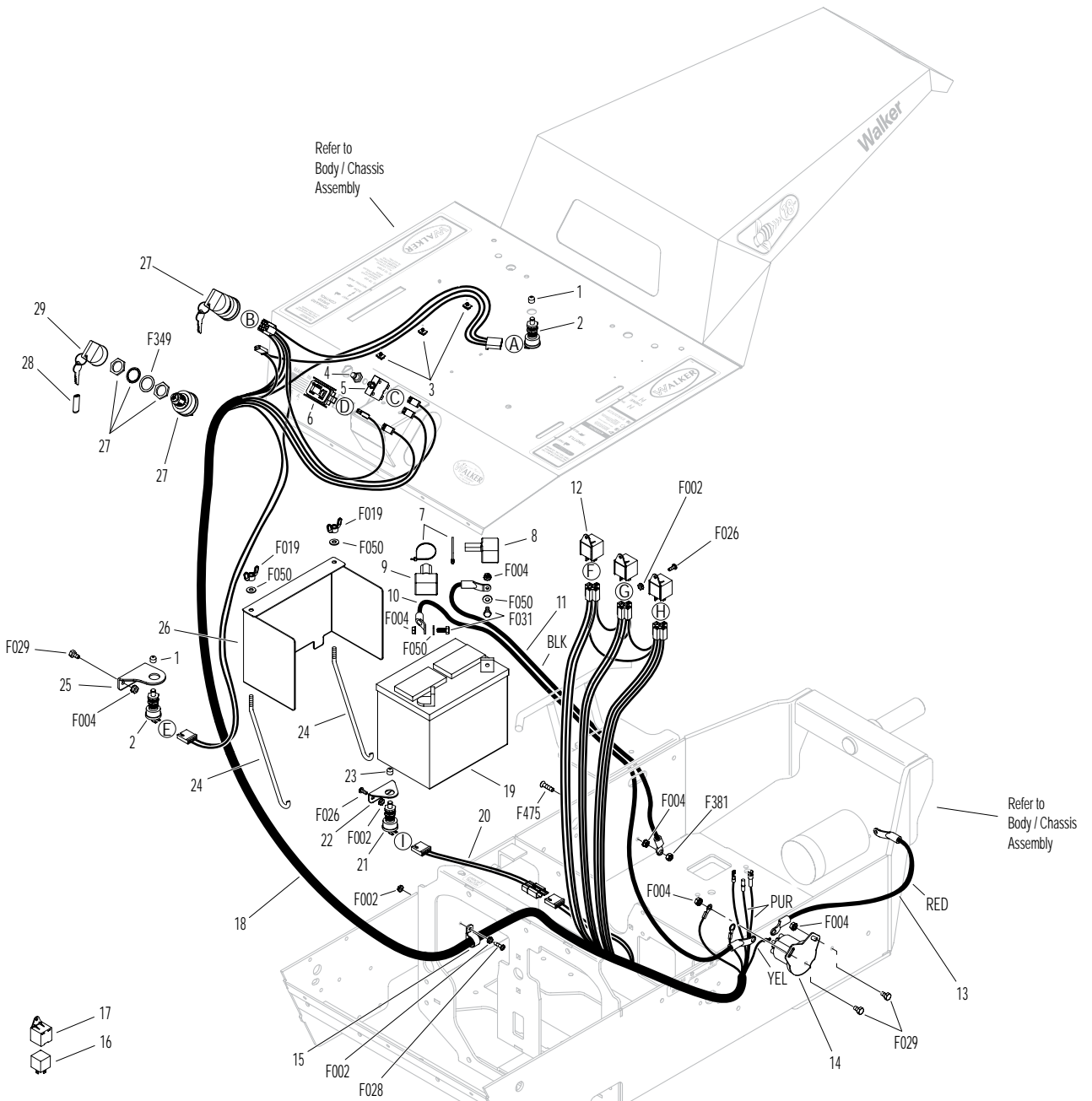
Effective Date 01-01-10

Use only genuine **Walker®** replacement parts.

ELECTRICAL ASSEMBLY (MODEL MBV)

ITEM NO.	PART NO.	DESCRIPTION	NO. REQ'D	ITEM NO.	PART NO.	DESCRIPTION	NO. REQ'D
Electrical Assembly				Fasteners			
1	5942-1	Switch Boot (Fits P/N 5942)	2		F002	10-24 Keps Nut	5
2	5942	Safety Switch (NO)	2		F004	1/4-20 Keps Nut	2
3	7834-3	Wire Saddle (3 Wires)	3		F019	1/4-20 ESNA Wing Nut	2
4	7941-3	Boot, Circuit Breaker	1		F026	10-24 x 1/2 PPHMS	4
5	7941-6	Circuit Breaker (15AMP)	1		F028	10-24 x 3/4 PPHMS	1
6	8990-1	Hourmeter (Sendec)	1		F029	1/4-20 x 1/2 Hex Bolt	3
7	5975-1	Cable Tie (18# x 3-3/4")	2		F031	1/4-20 x 5/8 Hex Bolt	2
8	5932	Battery Terminal Insulation Black (-)	1		F050	1/4 SAE Washer	4
9	5933	Battery Terminal Insulation Red (+)	1		F349	Washer .835 ID 1.122 OD, SS	1
10	4940-5	Battery Cable 25"	1		F381	1/4-20 Hex Nut	1
11	6923	Battery Cable (-)	1		F475	1/4-20 x 1 PFH Screw	1
12	6942	Relay Switch 30/40AMP (NC) (Includes Items # 16 & 17)	3				
13	4940-8	Starter Solenoid Cable	1				
14	4929	Starter Solenoid	1				
15	5835	Cable Clamp (3/4)	1				
16	6941-6	Relay Switch 30/40AMP	*				
17	6941-7	Relay Mount	*				
18	4940-1	Wire Harness	1				
19	7910	Battery (12V/275CCA/Dry)	1				
20	4940-2	Wire Harness Extension	1				
21	5941	Safety Switch (NC)	1				
22	4359-3	Switch Mount / Clutch	1				
23	5941-1	Switch Boot (Fits P/N 5941)	1				
24	5839	Hook Bolt	2				
25	4024-12	Switch Mount	1				
26	4910-4	Battery Cover	1				
27	8960-15	Ignition Switch W/Keys (Includes Items # 28, 29 & F349)	1				
28	7854	Plastic Tip, Red	1				
29	8960-3	Key Set W/Umbrella	1				
				*		Service Part Only	

ELECTRICAL ASSEMBLY (MODEL MBV)



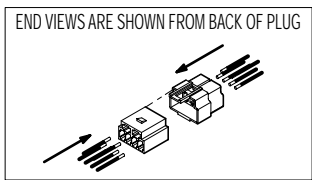
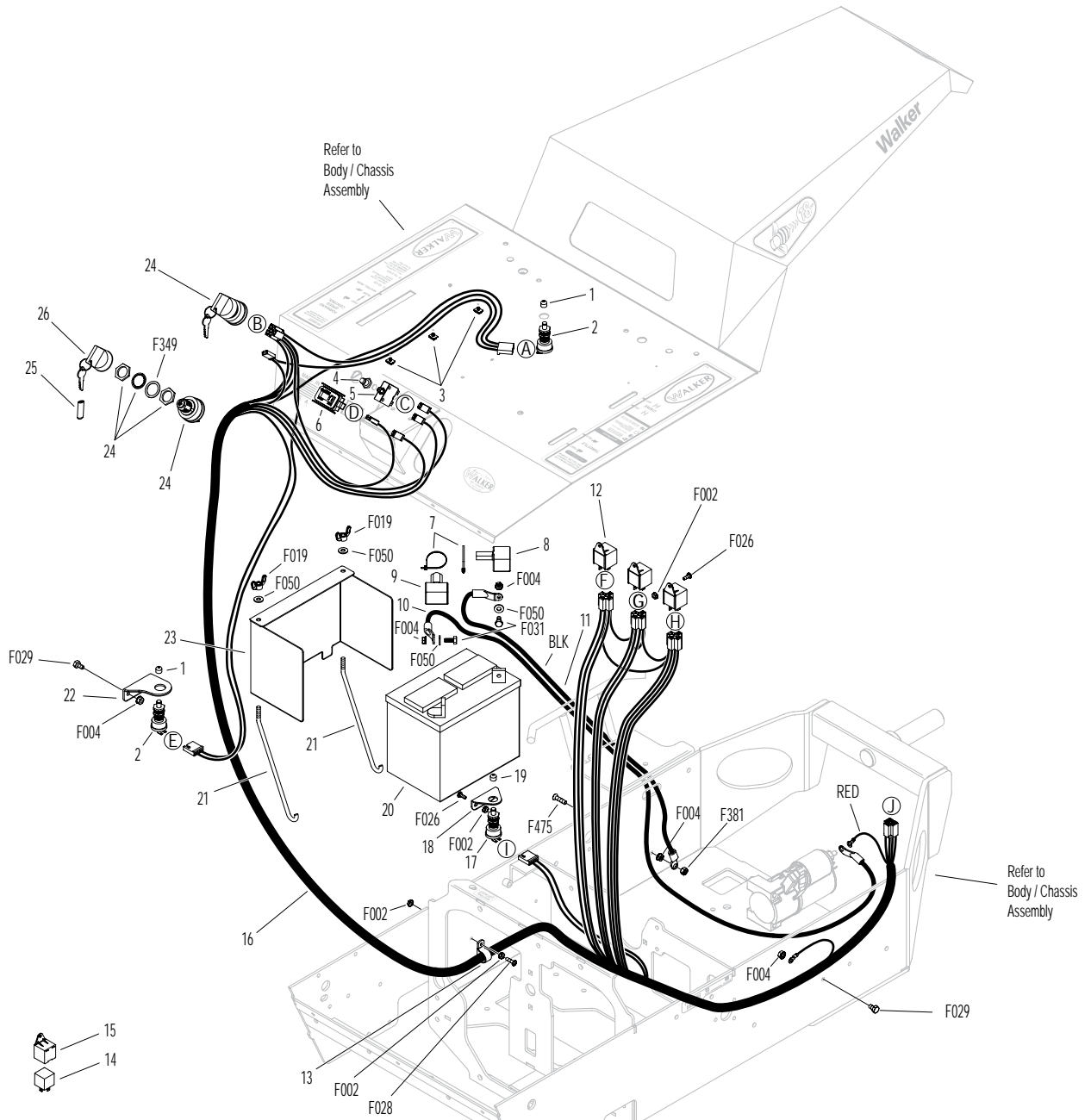
Effective Date 01-01-10

Use only genuine Walker® replacement parts.

ELECTRICAL ASSEMBLY (MODEL MBK)

ITEM NO.	PART NO.	DESCRIPTION	NO. REQ'D	ITEM NO.	PART NO.	DESCRIPTION	NO. REQ'D
Electrical Assembly				Fasteners			
1	5942-1	Switch Boot (Fits P/N 5942)	2		F002	10-24 Keps Nut	6
2	5942	Safety Switch (NO)	2		F004	1/4-20 Keps Nut	5
3	7834-3	Wire Saddle (3 Wires)	3		F019	1/4-20 ESNA Wing Nut	2
4	7941-3	Boot, Circuit Breaker	1		F026	10-24 x 1/2 PPHMS	4
5	7941-6	Circuit Breaker (15AMP)	1		F028	10-24 x 3/4 PPHMS	1
6	8990-1	Hourmeter (Sendec)	1		F029	1/4-20 x 1/2 Hex Bolt	2
7	5975-1	Cable Tie (18# x 3-3/4")	2		F031	1/4-20 x 5/8 Hex Bolt	2
8	5932	Battery Terminal Insulation Black (-)	1		F050	1/4 SAE Washer	4
9	5933	Battery Terminal Insulation Red (+)	1		F349	Washer .835 ID 1.122 OD, SS	1
10	4940-6	Battery Cable 33"	1		F381	1/4-20 Hex Nut	1
11	6923	Battery Cable (-)	1		F475	1/4-20 x 1 PFH Screw	1
12	6942	Relay Switch 30/40AMP (NC) (Includes Items # 14 & 15)	3				
13	5835	Cable Clamp (3/4)	1				
14	6941-6	Relay Switch 30/40AMP	*				
15	6941-7	Relay Mount	*				
16	4940-7	Wire Harness	1				
17	5941	Safety Switch (NC)	1				
18	4359-3	Switch Mount / Clutch	1				
19	5941-1	Switch Boot (Fits P/N 5941)	1				
20	7910	Battery (12V/275CCA/Dry)	1				
21	5839	Hook Bolt	2				
22	4024-12	Switch Mount	1				
23	4910-4	Battery Cover	1				
24	8960-15	Ignition Switch W/Keys (Includes Items # 25, 26 & F349)	1				
25	7854	Plastic Tip, Red	1				
26	8960-3	Key Set W/Umbrella	1				
				*		Service Part Only	

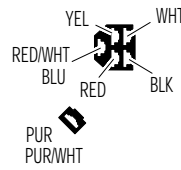
ELECTRICAL ASSEMBLY (MODEL MBK)



DETAIL A



DETAIL B



DETAIL C



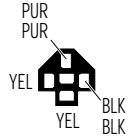
DETAIL D



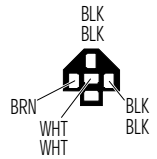
DETAIL E



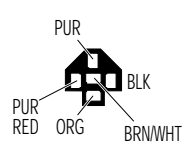
DETAIL F



DETAIL G



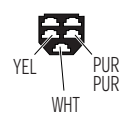
DETAIL H



DETAIL I



DETAIL J



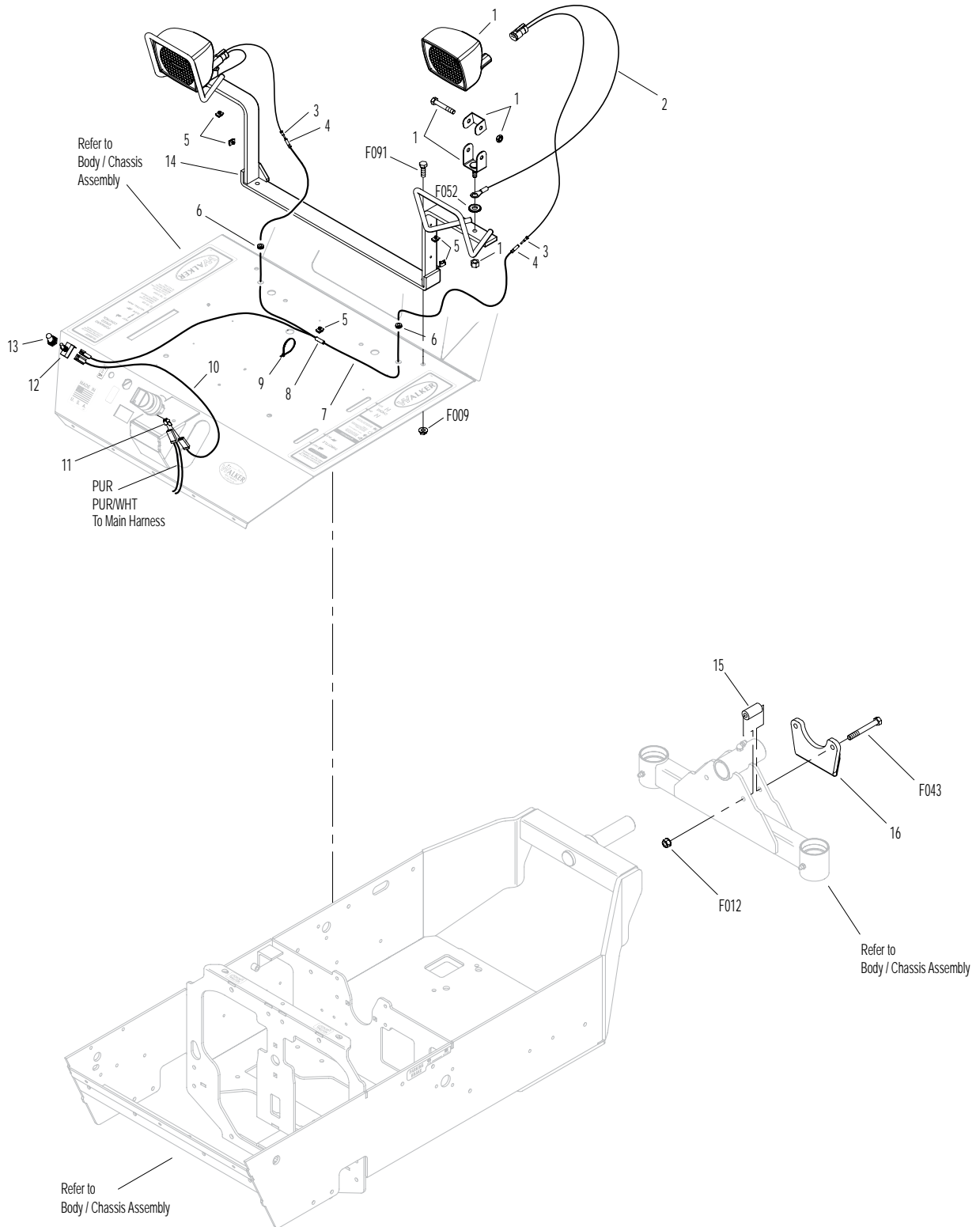
Effective Date 01-01-10

Use only genuine Walker® replacement parts.

LIGHT KIT / HITCH KIT

ITEM NO.	PART NO.	DESCRIPTION	NO. REQ'D	ITEM NO.	PART NO.	DESCRIPTION	NO. REQ'D
Kit 5989-11 Light Kit				Fasteners			
Includes Items # 1-14, fasteners listed and instructions. May be ordered as a dealer-installed option. Contact your Walker dealer.							
1	7989-2	Light Assembly (Halogen)	2	F009		5/16-18 Whiz Locknut	2
2	7989-3	Wire Harness Ext./Halogen (Includes Item # 3)	2	F012		3/8-16 Keps Nut	2
3	5996-4	16-14 GA Bullet Cntr. (M)	2	F043		3/8-16 x 3 Hex Bolt	2
4	5996-5	16-14 GA Bullet Cntr. (F)	2	F052		5/16 External Star Lock Washer	2
5	7834-2	Wire Saddle (2 Wires)	9	F091		5/16-18 x 5/8 Hex Bolt	2
6	5977-1	Grommet (1/8 x 3/8)	2	* Service Part Only			
7	7995-4	Power Lead Wire Assembly (Includes Items # 6, 8 & 9)	1				
8	5996	1/4 x 16-14 GA QDF Terminal (Fully Insulated)	1				
9	5975-1	Cable Tie (18# x 3-3/4")	1				
10	6940-10	Jumper Wire	1				
11	5995-5	Piggyback Terminal	1				
12	5995	Toggle Switch (Off-On)	1				
13	5995-2	Switch Boot	1				
14	7993-1	Mount Bracket, Lights	1				
Kit 4310-9 Hitch Kit							
Includes Items # 15-16, fasteners listed and instructions. May be ordered as a dealer-installed option. Contact your Walker dealer.							
15	4310-1	Spacer	2				
16	2310-20	Hitch	1				

LIGHT KIT / HITCH KIT



Effective Date 01-01-10

Use only genuine **Walker®** replacement parts.

WIRING SCHEMATIC (MODEL MBV)

WALKER MODEL MBV
Beginning S/N 2010-104436

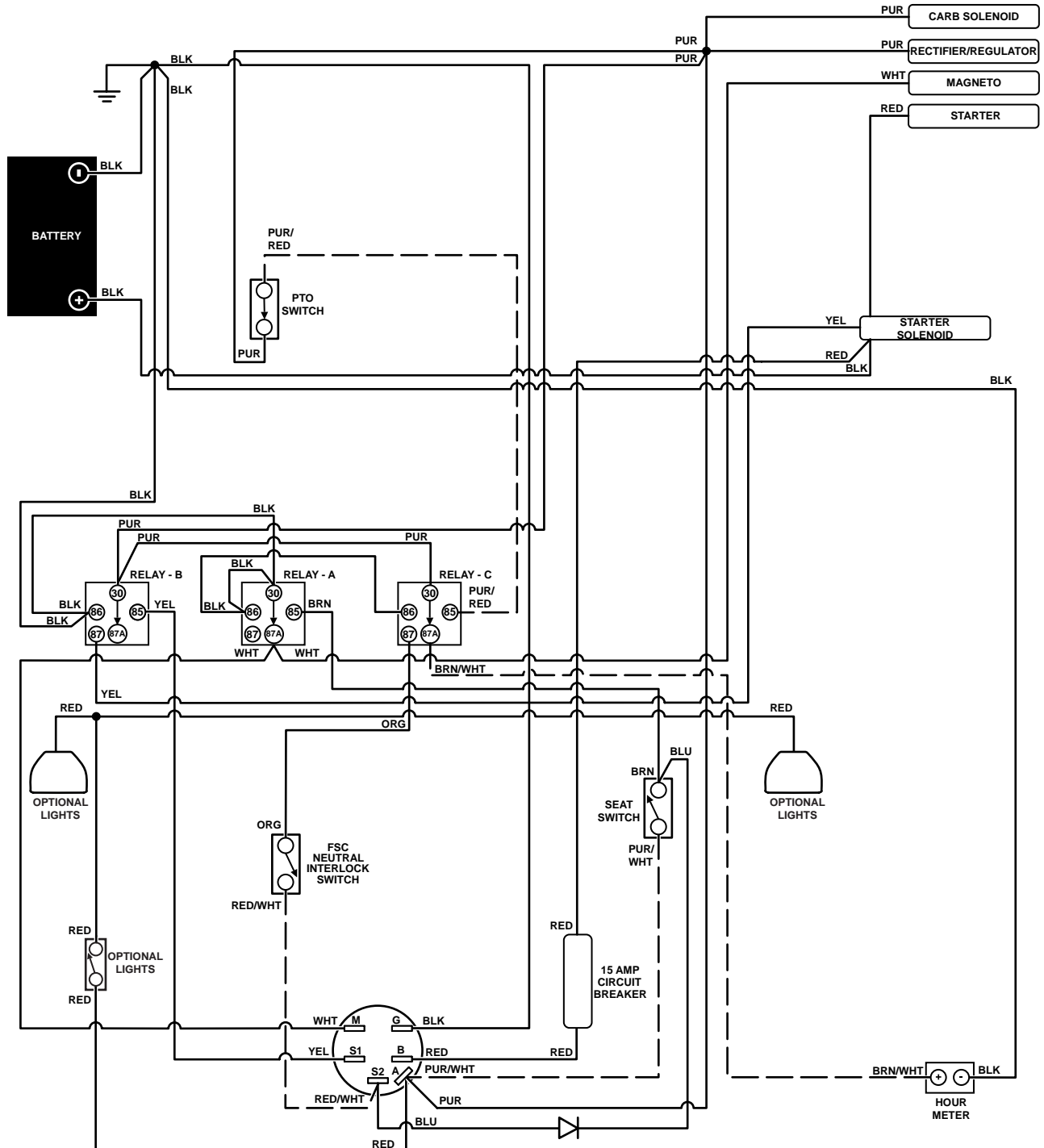
RELAY - A	
IGNITION RELAY	
OFF	30 + 87A
START	30 + 87
RUN	30 + 87
PTO ON	30 + 87A

RELAY - C	
IGNITION RELAY	
OFF	30 + 87A
START	30 + 87
RUN	30 + 87
PTO ON	30 + 87A

RELAY - B	
START RELAY	
OFF	30 + 87A
START	30 + 87
RUN	30 + 87
PTO ON	30 + 87A

IGNITION SWITCH CIRCUITS	
OFF	G + M
START	B + A / S1 + S2
RUN	B + A

S1 = START CIRCUIT
S2 = START/ACCESSORY CIRCUIT
M = MAGNETO GROUND CIRCUIT
B = BATTERY CIRCUIT
A = ACCESSORY CIRCUIT
G = GROUND CIRCUIT



Use only genuine **Walker**® replacement parts.

Effective Date 01-01-10

WIRING SCHEMATIC (MODEL MBK)

WALKER MODEL MBK Beginning S/N 2010-104768

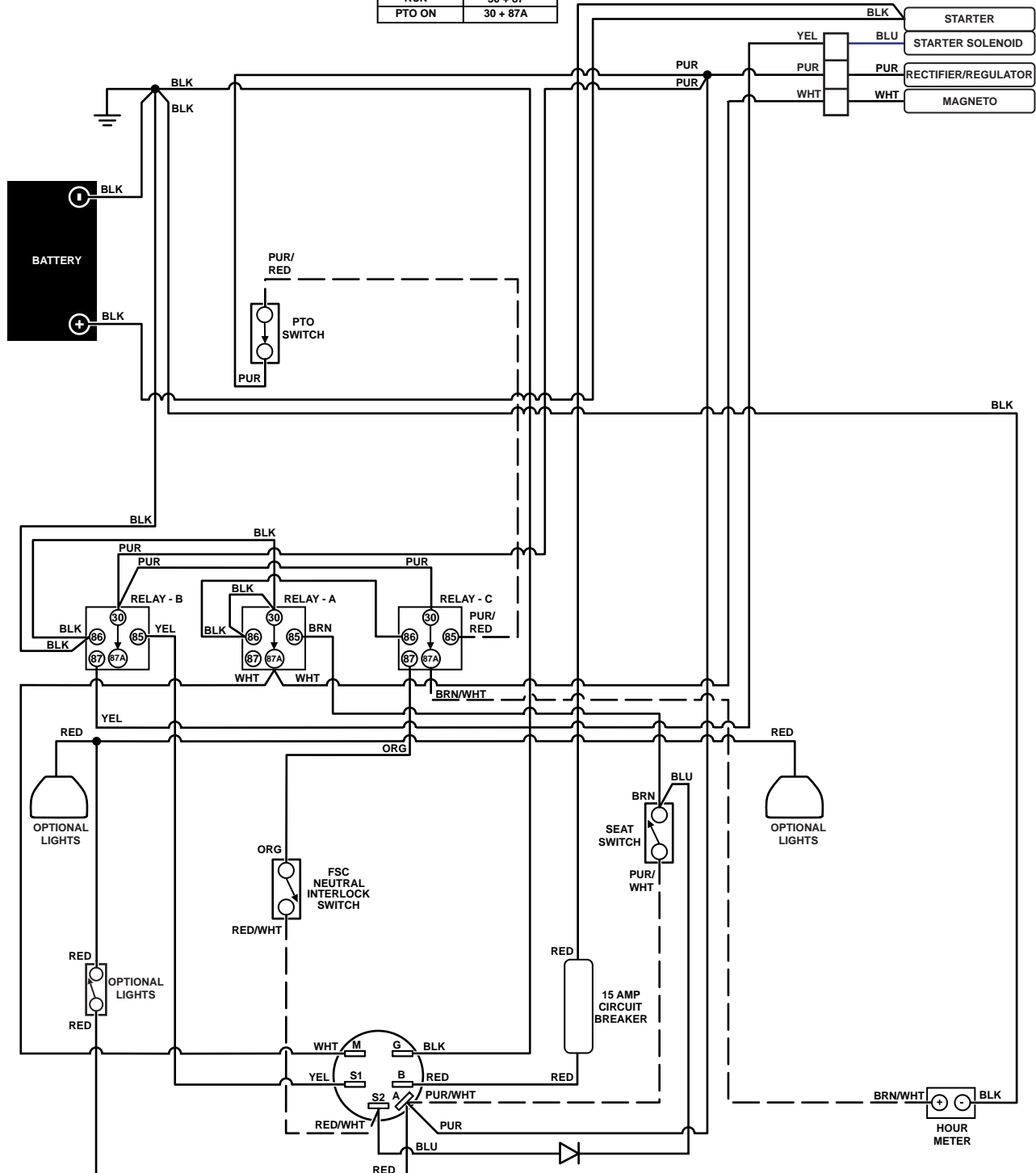
RELAY - A	
IGNITION RELAY	
OFF	30 + 87A
START	30 + 87
RUN	30 + 87
PTO ON	30 + 87A

RELAY - C	
IGNITION RELAY	
OFF	30 + 87A
START	30 + 87
RUN	30 + 87
PTO ON	30 + 87A

RELAY - B	
START RELAY	
OFF	30 + 87A
START	30 + 87
RUN	30 + 87
PTO ON	30 + 87A

IGNITION SWITCH CIRCUITS	
OFF	G + M
START	B + A / S1 + S2
RUN	B + A

S1 = START CIRCUIT
S2 = START/ACCESSORY CIRCUIT
M = MAGNETO GROUND CIRCUIT
B = BATTERY CIRCUIT
A = ACCESSORY CIRCUIT
G = GROUND CIRCUIT



Effective Date 01-01-10

Use only genuine Walker® replacement parts.

LIMITED WARRANTY FOR WALKER MODEL MBV AND MBK RIDER MOWERS

1. WHAT THIS WARRANTY COVERS, AND FOR HOW LONG:

Walker Manufacturing company will, at its option, repair or replace, without charge, any part covered by this warranty which is found to be defective in material and/or workmanship within one (1) year after date of sale to the original retail purchaser unless the product is used for rental purposes, in which case this warranty is limited to ninety (90) days. At Walker's request, customer will make the defective part available for inspection by Walker and/or return the defective part to Walker, transportation charges prepaid. All parts and components of the Walker Mower are covered by this warranty **except** the following components which are warranted separately by their respective manufacturers:

Briggs & Stratton Engine
Kohler Engine
Hydro-Gear Transaxles
Battery
Tires

The available warranties covering these items are furnished with each mower. Walker does not assume any warranty obligation, liability or modification for these items, which are covered exclusively by the stated warranty of the respective manufacturers noted above.

2. WHAT THIS WARRANTY DOES NOT COVER:

- A. This warranty does not cover defects caused by depreciation or damage caused by normal wear, accidents, improper maintenance, improper use or abuse of the product, alterations, or failure to follow the instructions contained in the Owner's Manual for operation and maintenance.
- B. The customer shall pay any charges for making service calls and/or for transporting the mower to and from the place where the inspection and/or warranty work is performed.

3. HOW TO OBTAIN SERVICE UNDER THIS WARRANTY:

Warranty service can be arranged by contacting the dealer where you purchased the mower or by contacting Walker Manufacturing Company, 5925 East Harmony Road, Ft. Collins, CO 80528. Proof of the date of purchase may be required to verify warranty coverage.

4. WARRANTY LIMITATION:

- A. **THERE IS NO OTHER EXPRESS WARRANTY. ANY WARRANTY THAT MAY BE IMPLIED FROM THIS PURCHASE INCLUDING MERCHANTABILITY AND FITNESS FOR A PARTICULAR PURPOSE IS HEREBY LIMITED TO THE DURATION OF THIS WARRANTY AND TO THE EXTENT PERMITTED BY LAW ANY AND ALL IMPLIED WARRANTIES ARE EXCLUDED.** Some states do not allow limitations on how long an implied warranty lasts, so the above limitations may not apply to you.
- B. **WALKER WILL NOT BE LIABLE FOR ANY INCIDENTAL, CONSEQUENTIAL, OR SPECIAL DAMAGES AND/OR EXPENSES IN CONNECTION WITH THE PURCHASE OR USE OF THE MOWER.** Some states do not allow the exclusion or limitation of incidental or consequential damages, so the above limitation(s) or exclusion(s) may not apply to you.
- C. Only the warranty expressed in this limited warranty shall apply and no dealer, distributor, or individual is authorized to amend, modify, or extend this warranty in any way. Accordingly, additional statements such as dealer advertising or presentations, whether oral or written, do not constitute warranties by Walker, and should not be relied upon.
- D. This warranty gives you specific legal rights, and you may also have other rights which vary from state to state.

Sound - Model MBV

Sound Test

Sound test conducted was in accordance with 2000/14/EC and was performed on 28 May 10 under the conditions listed:

General Condition: Clear

Temperature: 85 (F)° 29 (C)°

Wind Speed: < 5 mph (< 8 kmh)

Humidity: 20%

Barometric Pressure: 83.8 kPA

Deck Size < 122 cm

Deck Size > 122 cm

Lwa
94

LpA
74

OPERATOR

Lwa
97

LpA
76

OPERATOR

Vibration - Model MBV

Vibration Level

1.42g

Vibration levels at the operators handles were measured in the vertical, lateral, and longitudinal directions using calibrated vibration test equipment.

Tests were performed on 28 May 10 under the conditions listed:

General Condition: Clear

Temperature: 85 (F)° 29 (C)°

Wind Speed: < 5 mph (< 8 kmh)

Humidity: 20%

Barometric Pressure: 83.8 kPA

Sound - Model MBK

Sound Test

Sound test conducted was in accordance with 2000/14/EC and was performed on 28 May 10 under the conditions listed:

General Condition: Clear

Temperature: 85 (F)° 29 (C)°

Wind Speed: < 5 mph (< 8 kmh)

Humidity: 20%

Barometric Pressure: 83.8 kPA

Deck Size < 122 cm

Deck Size > 122 cm

Lwa
95

LpA
75

OPERATOR

Lwa
97

LpA
77

OPERATOR

Vibration - Model MBK

Vibration Level

1.51g

Vibration levels at the operators handles were measured in the vertical, lateral, and longitudinal directions using calibrated vibration test equipment.

Tests were performed on 28 May 10 under the conditions listed:

General Condition: Clear

Temperature: 85 (F)° 29 (C)°

Wind Speed: < 5 mph (< 8 kmh)

Humidity: 20%

Barometric Pressure: 83.8 kPA

WALKER MOWERS™

WALKER MFG. CO. • 5925 E. HARMONY ROAD, FORT COLLINS, CO 80528 • (970) 221-5614
FORM NO. 041510 PRINTED IN USA www.walkermowers.com ©2010 WALKER MFG. CO