

STM32F3DISCOVERY

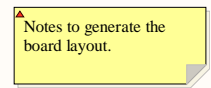
MB1035

Table of contents

- Sheet 1: Project overview (this page)
- Sheet 2: MB1035_Top
- Sheet 3: STM32Fx
- Sheet 4: ST_LINK_V2
- Sheet 5: IO Peripherals

Legend

- General comment such as function title, configuration, ...
- Text to be added to silkscreen.
- Warning text.



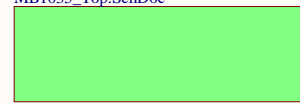
Open Platform License Agreement

The Open Platform License Agreement (“Agreement”) is a binding legal contract between you (“You”) and STMicroelectronics International N.V. (“ST”), a company incorporated under the laws of the Netherlands acting for the purpose of this Agreement through its Swiss branch 39, Chemin du Champ des Filles, 1228 Plan-les-Ouates, Geneva, Switzerland.

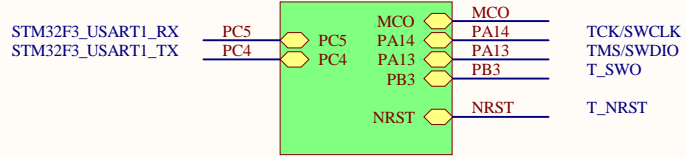
By using the enclosed reference designs, schematics, PC board layouts, and documentation, in hardcopy or CAD tool file format (collectively, the “Reference Material”), You are agreeing to be bound by the terms and conditions of this Agreement. Do not use the Reference Material until You have read and agreed to this Agreement terms and conditions. The use of the Reference Material automatically implies the acceptance of the Agreement terms and conditions.

The complete Open Platform License Agreement can be found on www.st.com/opla.

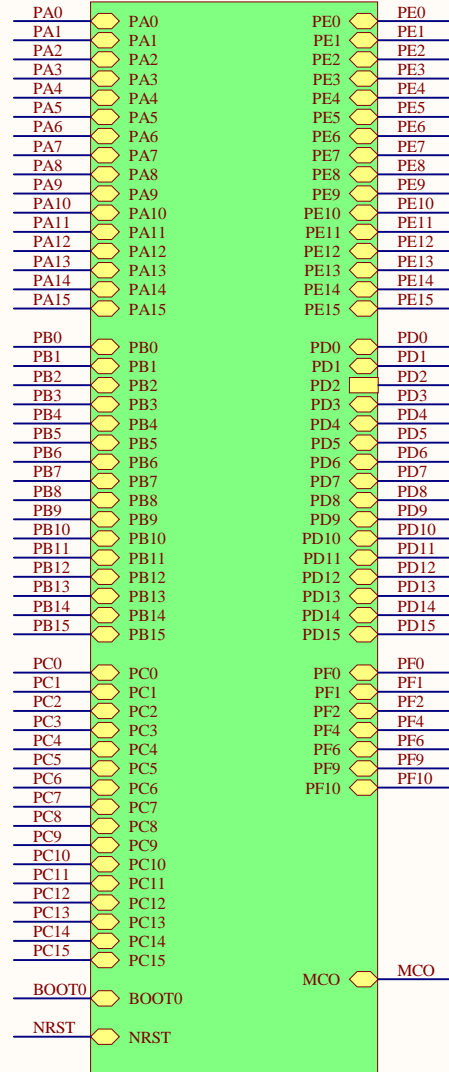
U_MB1035_Top
MB1035_Top.SchDoc



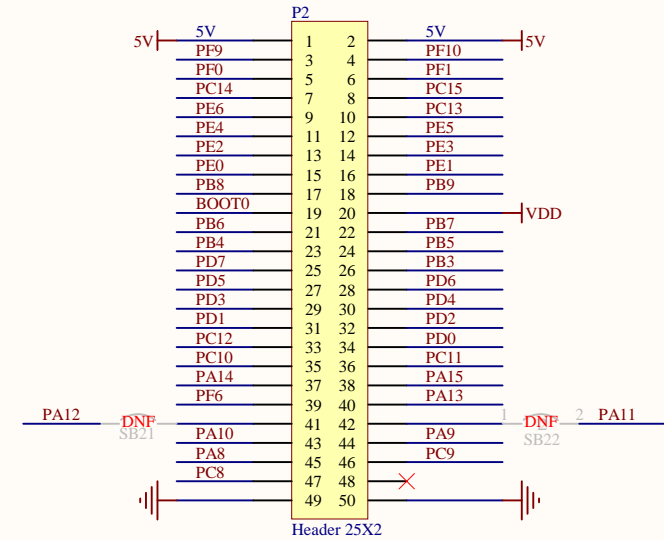
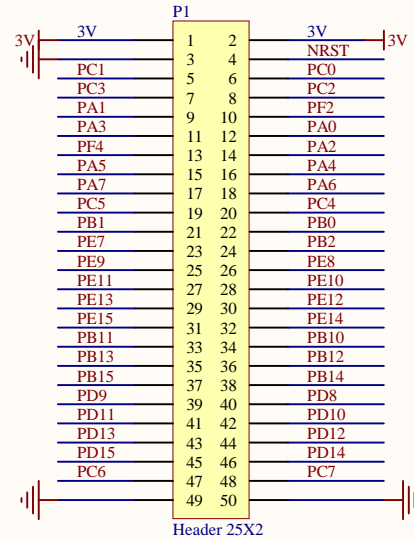
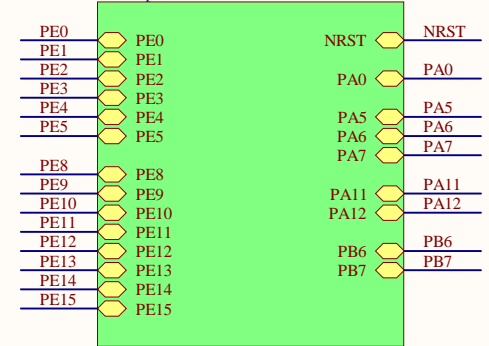
ST_LINK_V2.SCHDOC
U_ST_LINK



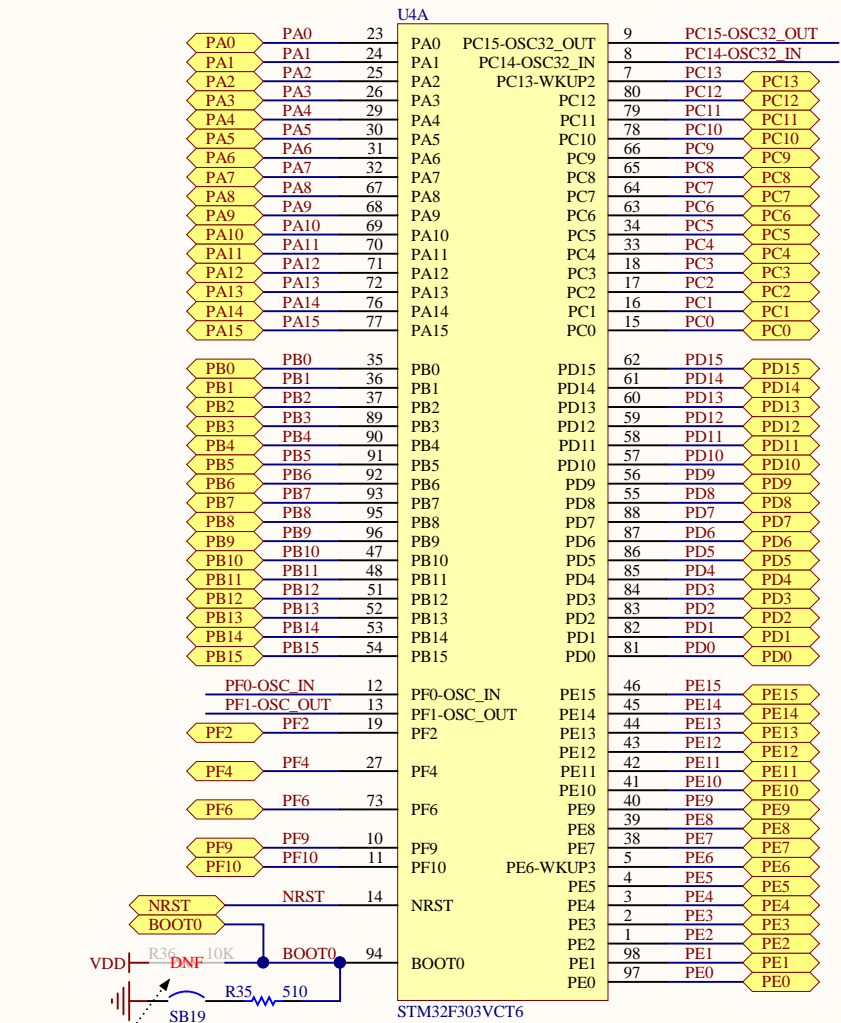
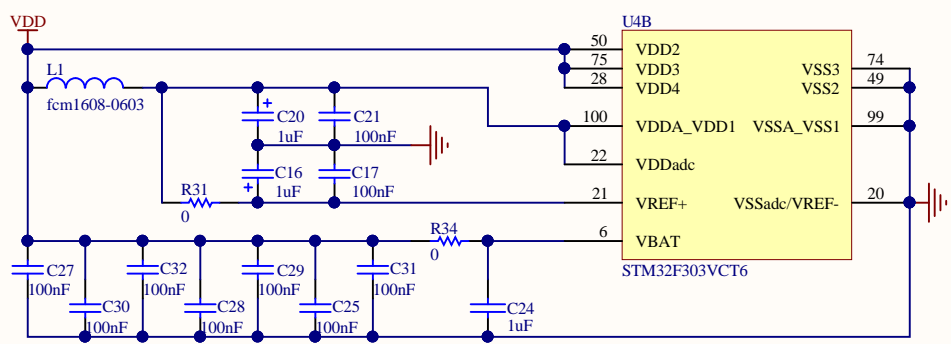
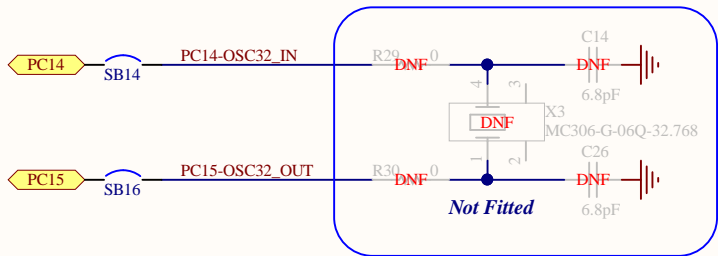
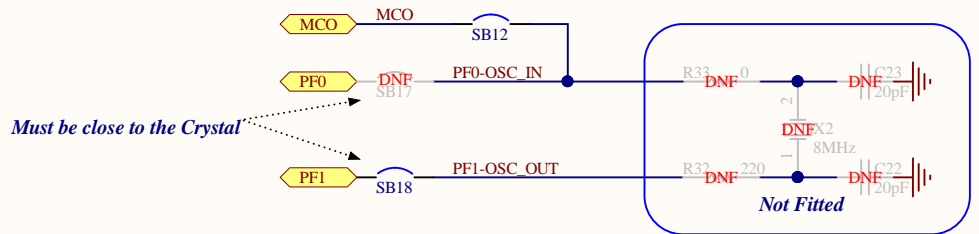
U_STM32Fx
STM32Fx.SchDoc

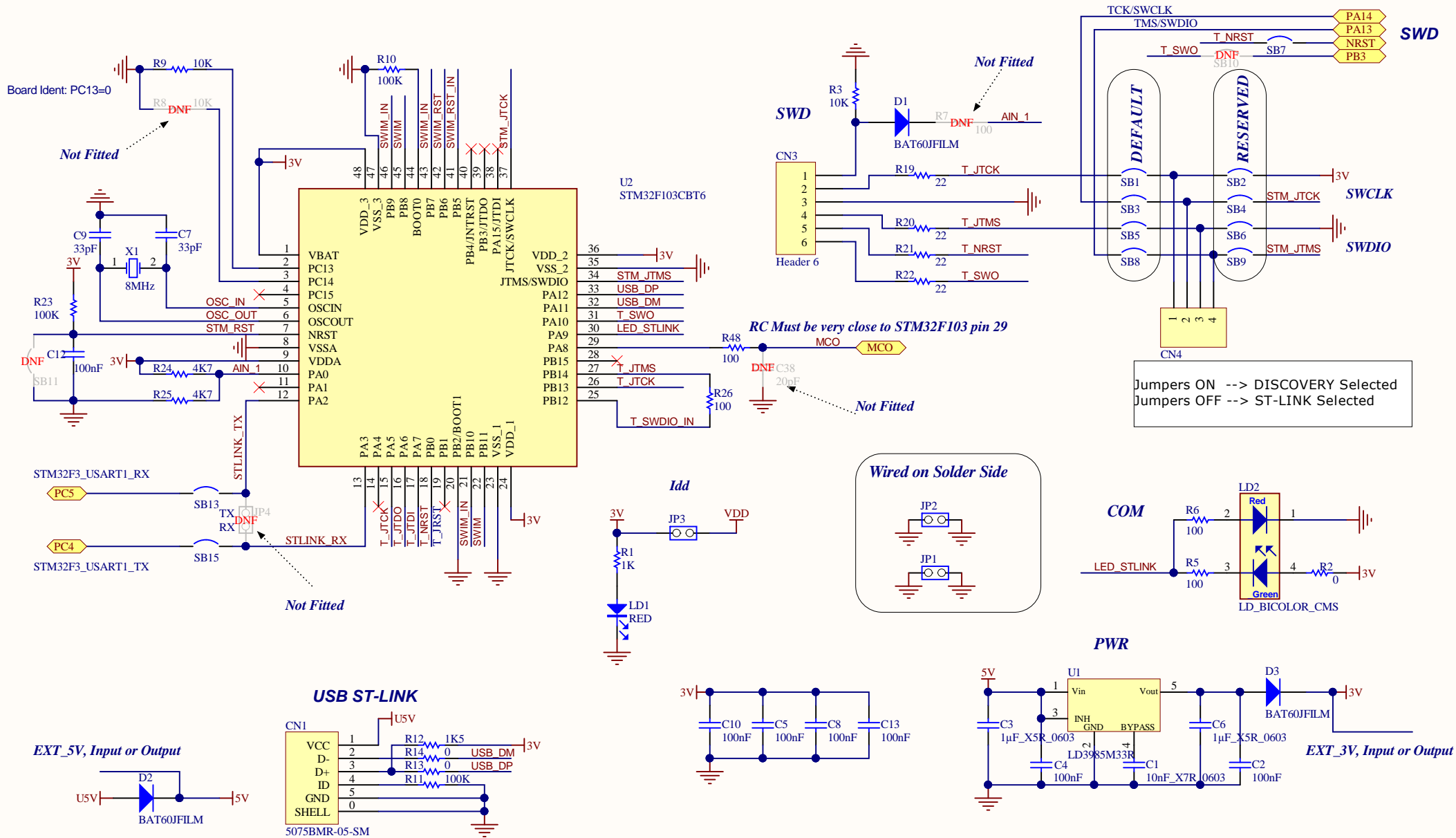


U_IO Peripherals
IO Peripherals.SchDoc

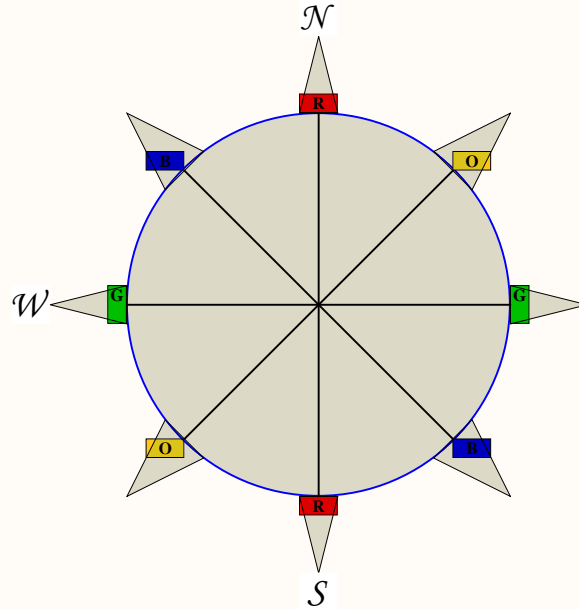
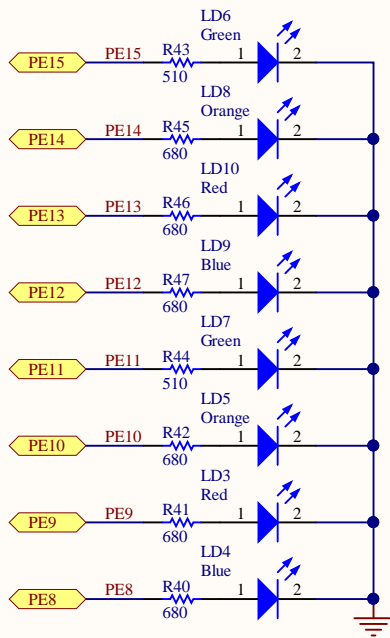
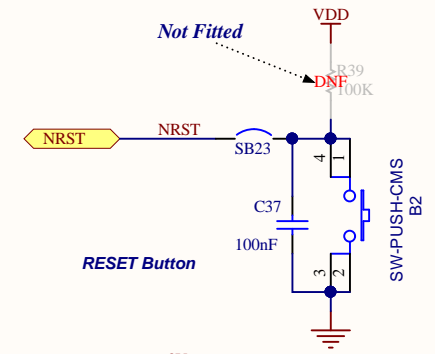
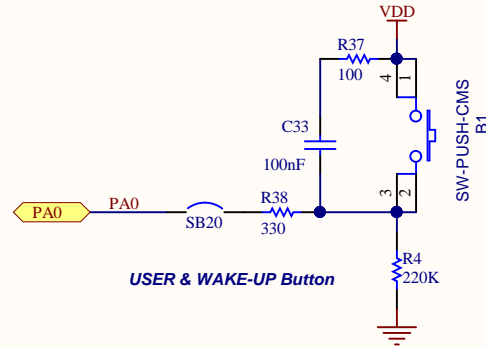
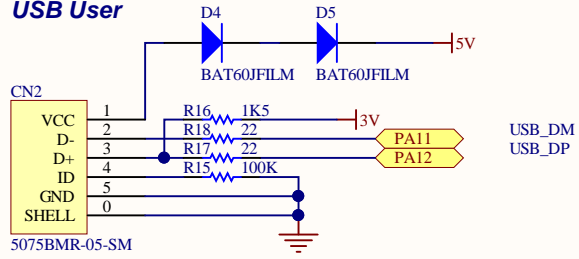


STM32F3DISCOVERY

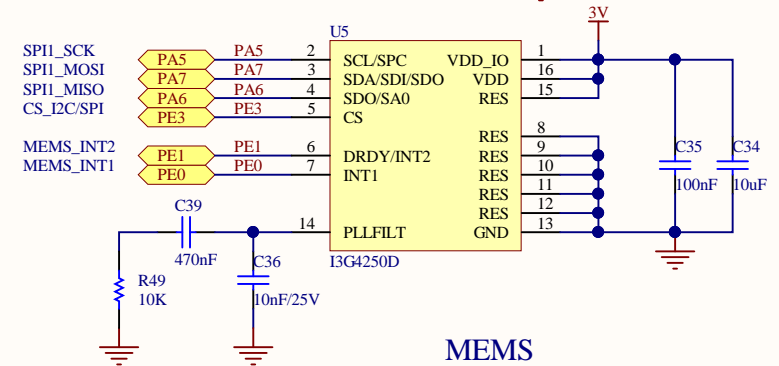
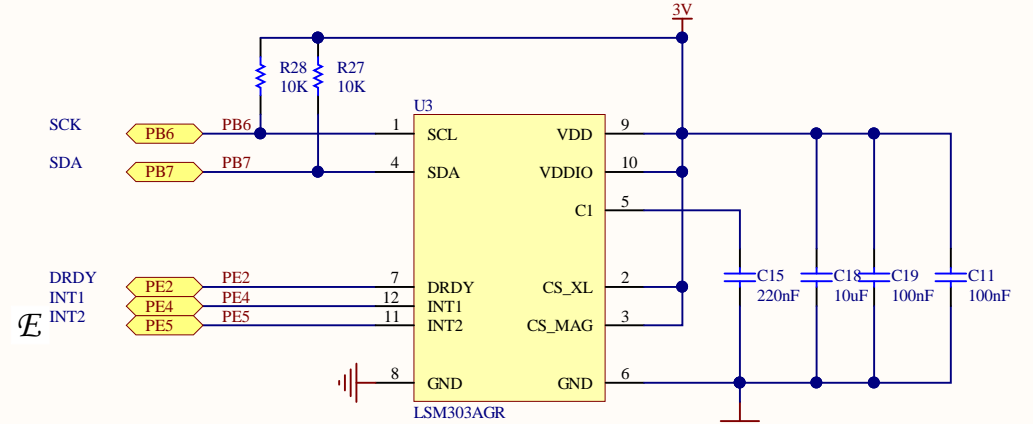




USB User



Silkscreen for Gyroscope and E-compass with accelerometer



MEMS

