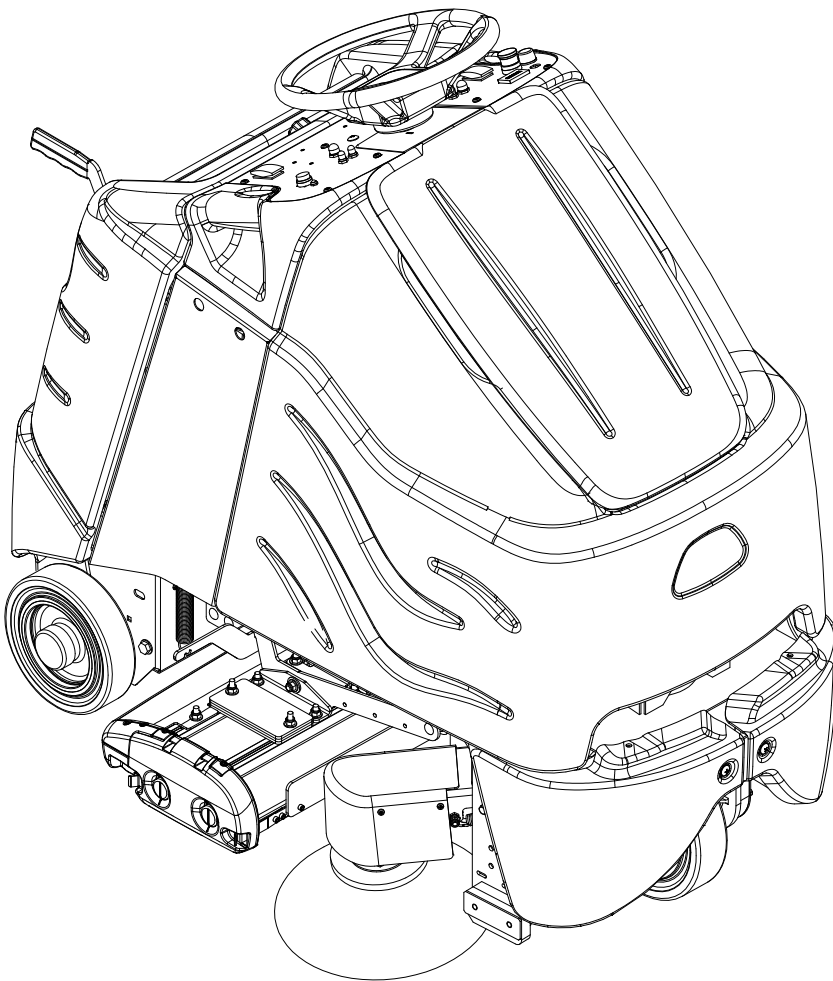




Operating Instructions (ENG)

MODELS: CV34
1.012-565.0

CV34X
1.012-579.0



Read these instructions before using the machine.



Model: _____

Date of Purchase: _____

Serial Number: _____

Dealer: _____

Address: _____

Phone Number: _____

Sales Representative: _____

OVERVIEW

The Chariot® iVacuum 34™ is a battery powered, stand-on, wide area vacuum intended for commercial use. The Chariot® iVacuum 34™ brushes and vacuums debris from the floor and stores it in the debris tray and vacuum bags.

Warranty Registration

Thank you for purchasing a Windsor product. Warranty registration is quick and easy. Your registration will allow us to serve you better over the lifetime of the product.

To register your product go to :
www.windsorind.com/WarrantyRegistration.aspx

For customer assistance:
1-800-444-7654



Machine Data/Overview2
Table of Contents3
How to Use This Manual4

Safety

IMPORTANT SAFETY INSTRUCTIONS5
 Hazard Intensity Level6
 Safety Label Location7

Operations

Technical Specifications8
 How This machine Works10
 Components11
 Drive Controls12
 Deck Controls16
 Pre-run Machine Inspection17
 Emergency Stop Procedures17
 Normal Vacuuming18
 To Begin Vacuuming18
 To Stop Vacuuming19
 Changing Vacuum Bag19

Maintenance

Service Schedule20
 Batteries21
 Battery Maintenance22
 Checking Battery Specific Gravity23
 Charging Batteries23
 Changing Batteries24
 Brush Deck25
 Brush Removal26
 Brush Installation26
 To Replace Brush Motor27
 Brush Motor Carbon Brush Replacement27
 Circuit Breakers28
 Vacuum Motor Carbon Brush Replacement29
 To Remove Vacuum Motor29
 Electric Parking Brake Engagement31
 Drive Motor Carbon Brush Replacement32
 Brake Removal32
 Pushing Machine33
 Machine Tie-downs33
 Preparation for Loading/Unloading Trailer33
 Troubleshooting34
 Propel Circuit Board Troubleshooting35

Parts

Brush Deck - Debris Tray38
 Brush Deck Drive40
 Brush Deck42
 Brush Deck Linkage44
 Brush Deck Mounting46
 Brush Deck Linkage Mounting48
 Brush Deck Lift50
 Bumper52
 Control Panel54
 Control Panel Housing56
 Decal58
 Frame-lower60
 Frame-Upper62
 Hood64
 Pedal Platform66
 Pedal Platform Mounting68
 Rear Cover70
 Side Broom72
 Steering74
 Vacuum76
 Wheel-Front Drive-Gear78
 Wheel-Front Drive Brake80
 Wheel-Rear82
 Wiring-Batteries84
 Wiring-Components86
 Wiring-Control Panel88
 Wiring-Drive Motor90
 Wiring-Main Harness92
 Wiring-Pedal Platform94
 Wiring Diagram96
 Suggested Spare Parts97
 Back-Up Alarm-Option98
 Battery Cart-Option100
 Seat-Option104
 Warning Light-Option106
 Serial Numbers108

How to Use This Manual

This manual contains the following sections:

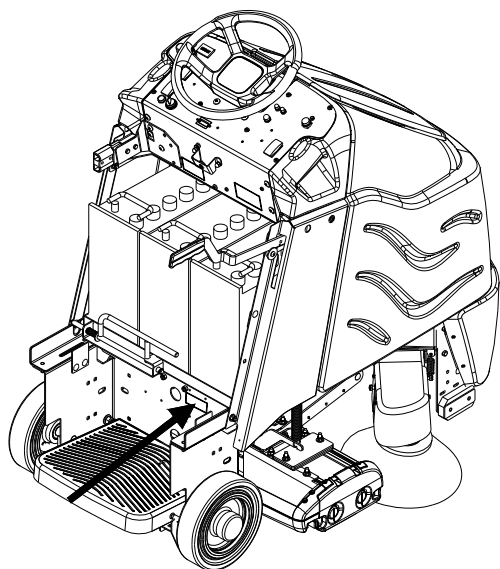
- HOW TO USE THIS MANUAL
- SAFETY
- OPERATIONS
- MAINTENANCE
- PARTS LIST

The HOW TO USE THIS MANUAL section will tell you how to find important information for ordering correct repair parts.

Model: _____
Date of Purchase: _____
Serial Number: _____
Dealer: _____
Address: _____
Phone Number: _____
Sales Representative: _____

Parts may be ordered from authorized Windsor dealers. When placing an order for parts, the machine model and machine serial number are important. Refer to the MACHINE DATA box which is filled out during the installation of your machine. The MACHINE DATA box is located on the inside of the front cover of this manual.

The model and serial number of your machine are located below the battery compartment of the machine.



The SAFETY section contains important information regarding hazard or unsafe practices of the machine. Levels of hazards are identified that could

result in product or personal injury, or severe injury resulting in death.

The OPERATIONS section is to familiarize the operator with the operation and function of the machine.

The MAINTENANCE section contains preventive maintenance to keep the machine and its components in good working condition. They are listed in this general order:

- Service Schedule
- Batteries
- Brush Deck
- Circuit Protection
- Vacuum Motor
- Drive Motor & Brake

The PARTS LIST section contains assembled parts illustrations and corresponding parts list. The parts lists include a number of columns of information:

REF - column refers to the reference number on the parts illustration.

PART NO. - column lists the part number for the part.

PRV NO. - reference number.

QTY - column lists the quantity of the part used in that area of the machine.

DESCRIPTION - column is a brief description of the part.

SERIAL NO. FROM - If this column has an (*) and a Reference number, see the SERIAL NUMBERS page in the back of your manual. If column has two asterisk (**), call manufacturer for serial number. The serial number indicates the first machine the part number is applicable to. The main illustration shows the most current design of the machine. When a boxed illustration is shown, it displays the older design.

NOTES - column for information not noted by the other columns.

NOTE: If a service or option kit is installed on your machine, be sure to keep the KIT INSTRUCTIONS which came with the kit. It contains replacement parts numbers needed for ordering future parts

IMPORTANT SAFETY INSTRUCTIONS

When using an electrical appliance, basic precaution must always be followed, including the following:

READ ALL INSTRUCTIONS BEFORE USING THIS MACHINE.

⚠ WARNING: To reduce the risk of fire, electric shock, or injury:

Use only indoors. Do not use outdoors or expose to rain.

Use only as described in this manual. Use only manufacturer's recommended components and attachments.

If the machine is not working properly, has been dropped, damaged, left outdoors, or dropped into water, return it to an authorized service center.

Do not operate the machine with any openings blocked. Keep openings free of debris that may reduce airflow.

This machine is not suitable for picking up hazardous dust.

Machine can cause a fire when operating near flammable vapors or materials. Do not operate this machine near flammable fluids, dust or vapors.

This machine is suitable for commercial use, for example in hotels, schools, hospitals, factories, shops and offices for more than normal housekeeping purposes.

Maintenance and repairs must be done by qualified personnel.

Disconnect battery before cleaning or servicing.

Before the machine is discarded, the batteries must be removed and properly disposed of.

Make sure all warning and caution labels are legible and properly attached to the machine.

During operation, attention shall be paid to other persons, especially children.

Before use all covers and doors shall be put in the positions specified in the instructions.

When leaving unattended, secure against unintentional movement.

The machine shall only be operated by instructed and authorized persons.

When leaving unattended, switch off or lock the main power switch to prevent unauthorized use.

This appliance has been designed for use with the brushes specified by the manufacturer. The fitting of other brushes may affect its safety.

Do not use on surfaces having a gradient of over 10% (6 degrees).

SAVE THESE INSTRUCTIONS

Safety

The following symbols are used throughout this guide as indicated in their descriptions:

HAZARD INTENSITY LEVEL

There are three levels of hazard intensity identified by signal words -**WARNING** and **CAUTION** and **FOR SAFETY**. The level of hazard intensity is determined by the following definitions:

⚠ WARNING:

WARNING - Hazards or unsafe practices which COULD result in severe personal injury or death.

⚠ CAUTION:

CAUTION - Hazards or unsafe practices which could result in minor personal injury or product or property damage.

FOR SAFETY: To Identify actions which must be followed for safe operation of equipment.

Report machine damage or faulty operation immediately. Do not use the machine if it is not in proper operating condition. Following is information that signals some potentially dangerous conditions to the operator or the equipment. Read this information carefully. Know when these conditions can exist. Locate all safety devices on the machine. Please take the necessary steps to train the machine operating personnel.

FOR SAFETY:

DO NOT OPERATE MACHINE:

Unless Trained and Authorized.

Unless Operation Guide is Read and understood.

In Flammable or Explosive areas.

In areas with possible falling objects.

WHEN SERVICING MACHINE:

Avoid moving parts. Do not wear loose clothing; jackets, shirts, or sleeves when working on the machine. Use Windsor approved replacement parts.

⚠ WARNING:

Batteries emit hydrogen gas. Explosion or fire can result. Keep sparks and open flame away. Keep battery compartment open during charging. Keep sparks and flames away from the batteries. Do not smoke around batteries.

⚠ WARNING:

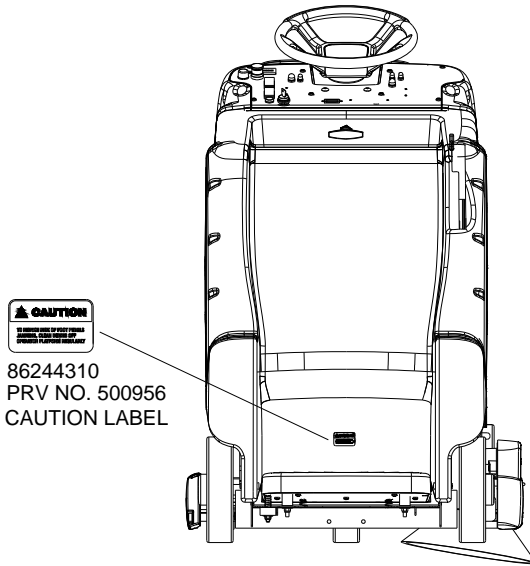
Disconnect batteries before working on machine. Only qualified personnel should work inside machine. Always wear eye protection and protective clothing when working on or near batteries. Avoid skin contact with the acid contained in the batteries.


⚠ WARNING:

Never allow metal to lie across battery tops.

Safety Label Location

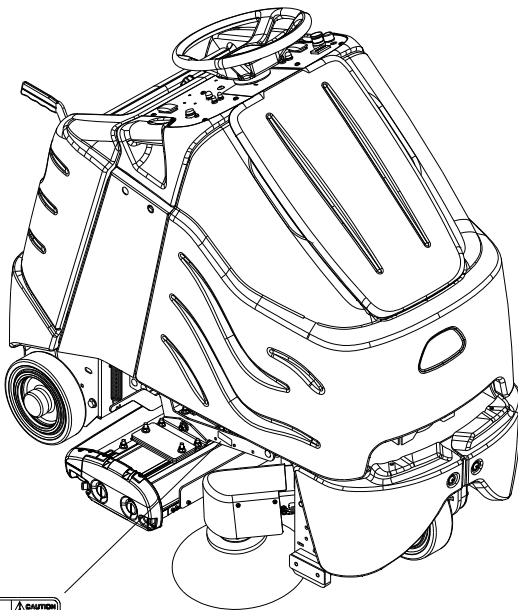
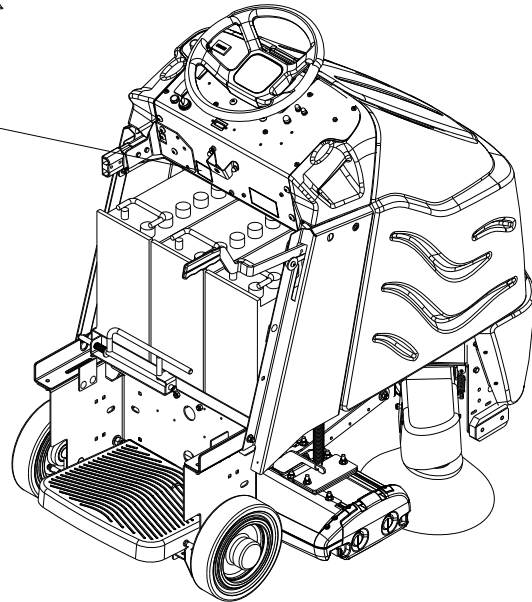
These drawings indicate the location of safety labels on the machine. If at any time the labels become illegible, promptly replace them.




86244310
PRV NO. 500956
CAUTION LABEL



86252520
PRV NO. 80885
BATTERY
CAUTION

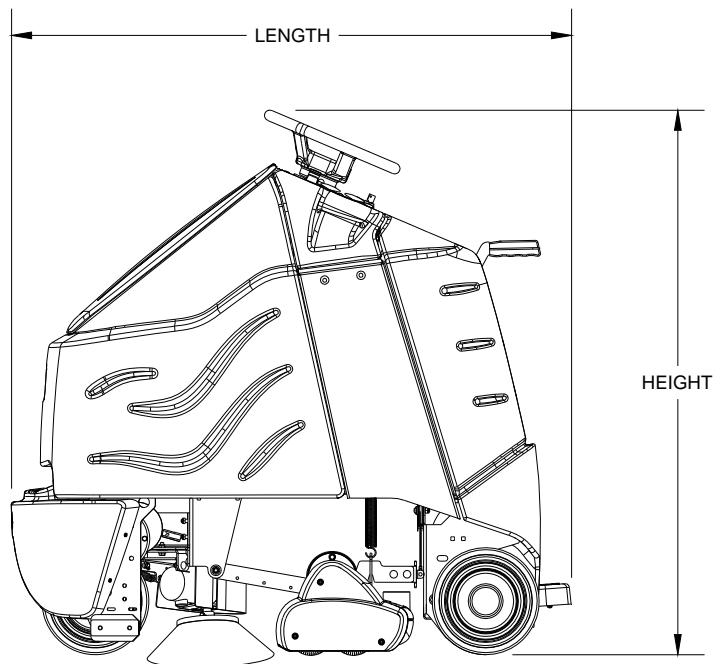
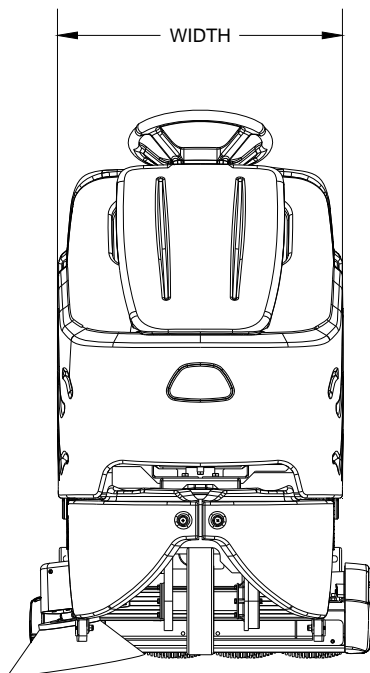



86243830 (2)
PRV NO. 500663

Technical Specifications

ITEM	DIMENSION/CAPACITY
Nominal Power	1548 W
Rated Voltage	36 Volts DC
Rated Amperage	43 amps
Batteries	3 X12 Volt 195-215 AH @ 20 hr. rate
Battery Compartment Dimensions	21 in. x 16 in. x 17 in. tall (533mm x 406mm x 432mm)
Propelling Motor	0.75 HP (560 W)
Brush Motor	0.5 HP (373 W)
Side Broom Motor	0.06 HP (47W)
Bag Capacity (HEPA)	1019 in ³ (16.7 L)
Hopper Capacity	54.9in ³ (0.93 Liters)
Brushes	Two 28 in. (71 cm) by 4 in. (10 cm) diameter
Side Broom	13 in (33 cm)
Brush Speed	1125 RPM
Side Broom Speed	90 RPM
Vacuum Motor	0.75 HP (560 W)
Maximum flow rate of vacuum motor	200 cfm (95 liters per second)
Suction of vacuum motor with new HEPA bag.	4.8 inches of water (1.19 kPa)
Vacuum bag full shut off	14-16 inches of water (3.5-4.0 kPa)
Maximim suction of vacuum motor	23-26 inches of water (5.7-6.5 kPa)
Weight (GVW) Gross Weight Batteries	1035 lbs (470 kg)
Weight Empty Without Batteries	467 lbs (212 kg)
Tires	10 in. (254mm) Solid Gray non-marking
Foundation Pressure	79 psi (544 kPa)
Maximum Speed	3.5 miles/hour (5.7 Km/hour)
Frame Construction	Powder coated steel
Brake	Electrical parking brake, sets automatically whenever operator steps off platform or engages emergency stop.
Minimum Aisle	U-Turn Width 61 in. (1550 mm)
Maximum Rated Climb And Descent Angle	10.0 degrees
Sound Pressure level at operator's ear (IEC 60704-1)	69.7 dBA Uncertainty 3.0 dBA
Sound Power (IEC 60704-1)	84.3 dBA Uncertainty 3.0 dBA
Vibration Hands (ISO 5349)	1.32 m/sec ² Uncertainty 0.5 m/sec ²
Vibration Feet (ISO 5349)	0.52 m/sec ² Uncertainty 0.5 m/sec ²

ITEM	MEASURE
Height	50.6 inches (1285 mm)
Length	52.5 inches (1330 mm)
Width without deck	26.5 inches (670 mm)
Width of deck	32.0 inches (813 mm)
Width with side broom	34.5 inches (876 mm)



⚠ CAUTION:

This appliance is not intended for use by persons (including children) with reduced physical, sensory or mental capabilities, or lack of experience and knowledge, unless they have been given supervision or instruction concerning use of the appliance by a person responsible for their safety. Children should be supervised to ensure that they do not play with the appliance.

How This machine Works

The Chariot® iVacuum 34™ is a battery powered, self-propelled, vacuum intended for commercial use. The appliance vacuums debris and dirt from the floor and collects it in a hopper, debris tray and disposable bag.

The machine's primary systems are the brush system, vacuum system, and operator control system.

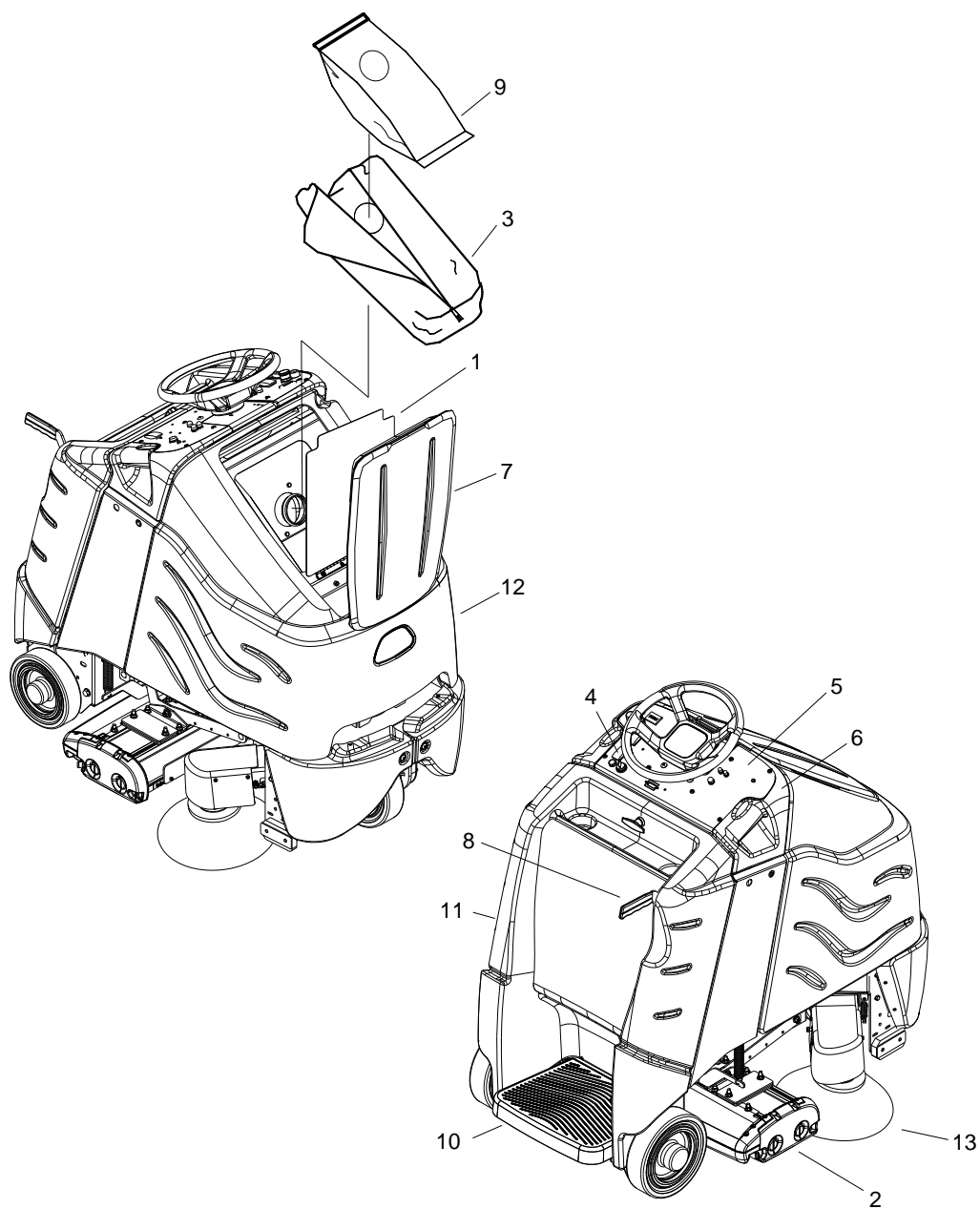
The function of the brush system is to brush the floor.

The brush system consists of two cylindrical type brushes, motor, brush deck, and controls.

The front brush turns clockwise when viewed from the right side of the machine. The rear brush turns counterclockwise. Both brushes work to agitate the floor and to route the debris up into the brush deck.

The function of the vacuum system is to vacuum fine dirt and debris into the vacuum bag, and large debris into the debris tray. The recovery system consists of the vacuum deck, debris tray, vacuum motor, cloth vacuum bag and paper vacuum bag. The vacuum deck captures the dirt off the floor as the machine moves forward. The vacuum motor provides suction to draw the fine dirt into the vacuum bag, and the debris tray stores large debris. The vacuum bag stores the fine dirt.

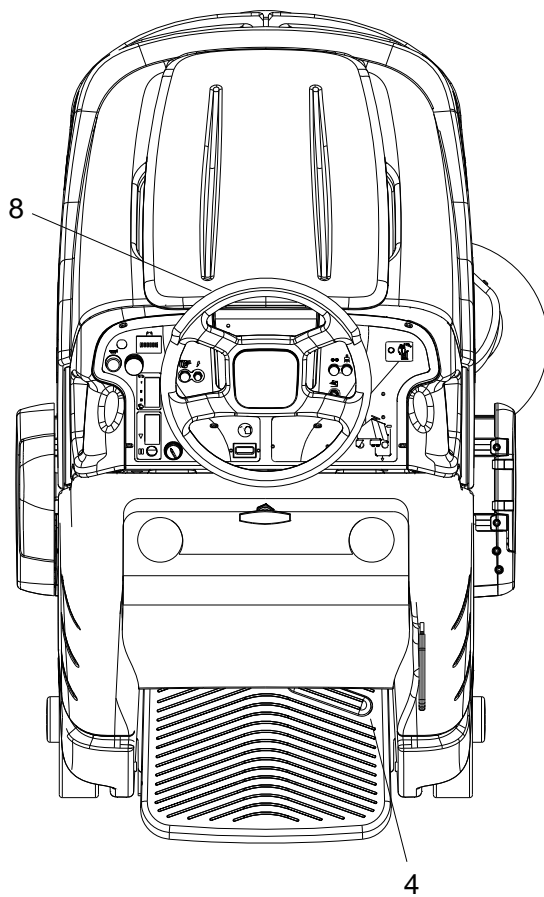
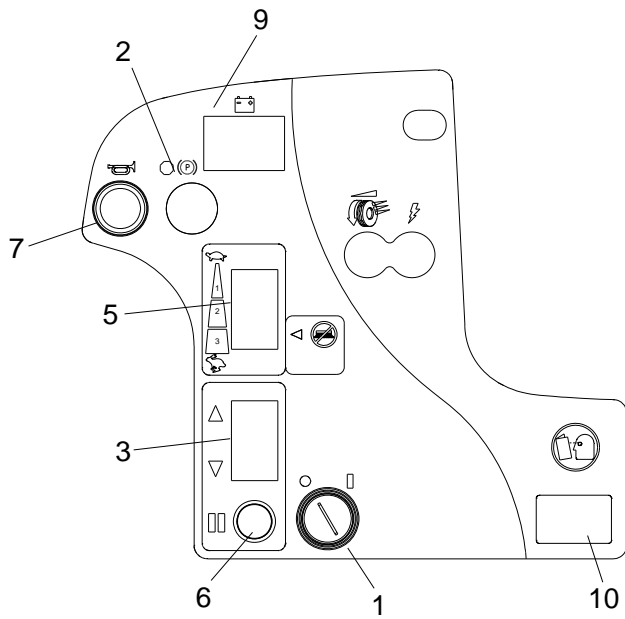
The function of the operator control system is to control the direction and speed of the machine. The directional control system consists of the direction control switch, throttle pedal, speed control switch, drive reset switch, emergency stop/brake switch, steering wheel, propel controller and drive wheel. The directional control switch signals forward or reverse direction. The controller interprets signals from the throttle pedal to command the drive wheel to propel or slow the machine. The drive reset switch is to make sure the operator is on platform before machine will propel. The steering wheel points the drive wheel in the direction desired by the operator. The parking brake automatically engages when the operator steps off the platform. The emergency stop/brake can be used to hold the machine on slopes.



Components

- | | |
|-------------------------|--------------------|
| 1. Bag Access Lid | 8. Deck Lift |
| 2. Brush Deck | 9. Paper Bag |
| 3. Cloth Bag | 10. Pedal Platform |
| 4. Control Panel-Drive | 11. Rear Cover |
| 5. Control Panel-Vacuum | 12. Cover |
| 6. Control Housing | 13. Side Broom |
| 7. Cover Lid | |

Drive Controls



- | | |
|--------------------------------|--------------------------------|
| 1. Key Switch | 6. Drive Reset Button |
| 2. Emergency Stop/Brake Switch | 7. Horn Button |
| 3. Directional Control Switch | 8. Steering Wheel |
| 4. Throttle Pedal | 9. Battery Discharge Indicator |
| 5. Speed Control Switch | 10. Hour Meter |

1. KEY SWITCH

Controls the power for machine functions.
To turn the machine power on, rotate key clockwise.
To turn the machine off, rotate key counterclockwise.

2. EMERGENCY STOP/BRAKE SWITCH

This safety feature is designed to cut all power to the machine at any time and apply parking brake.
To shut the machine power off, push the Emergency Stop Switch, this will also engage the parking brake and cause the machine to stop immediately.
To reset the machine, rotate the switch clockwise.

3. DIRECTIONAL CONTROL SWITCH

Controls the direction of travel of the vehicle. The position of the switch indicates direction of travel.
To travel forward, press the top of the switch.
To travel in reverse, press the bottom of the switch.

4. THROTTLE PEDAL

Controls the speed of the vehicle within the speed control setting selected. Pressing the pedal causes the machine to travel in the direction selected by the Directional Control Switch.
To increase speed, increase pressure on the pedal.
To decrease speed, decrease pressure on the pedal.

5. SPEED CONTROL SWITCH

Controls the maximum speed of the machine. Speed 1 is intended for vacuuming. Speeds 2 and 3 are recommended for transport only, not vacuuming.

To increase speed, press the top of the switch.

To decrease speed, press bottom of the switch. Speeds can be adjusted at any time, whether machine is moving or not.

6. DRIVE RESET SWITCH

This safety feature is designed to ensure safe engagement of propel drive. Each time the machine power is turned on, and each time an operator steps on to the platform, the Drive Reset Switch must be pushed before machine will propel.

7. HORN BUTTON

The horn is activated by pressing the horn button.

8. STEERING WHEEL

The steering wheel turns the front wheel causing the machine to change direction.

9. BATTERY DISCHARGE INDICATOR

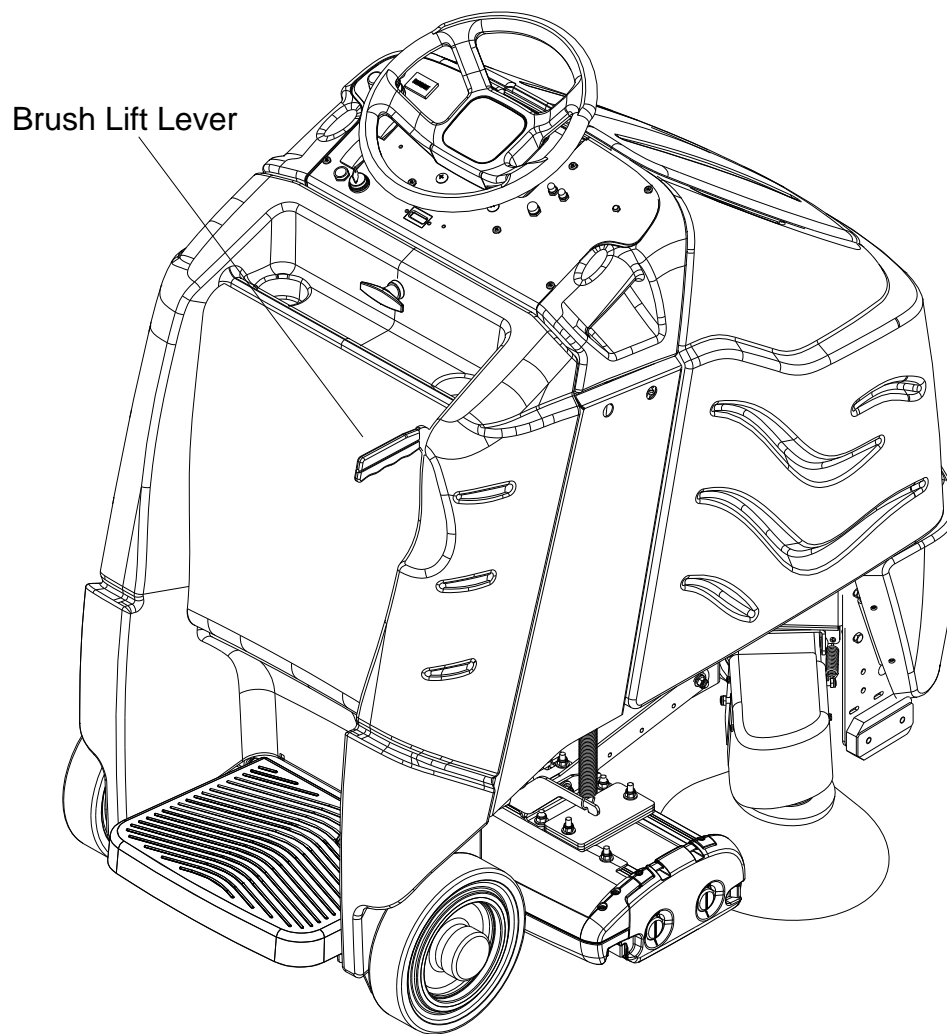
Indicates the charge level of the batteries.

The meter display is divided into 10 vertical bars. Bars illuminated on the far right indicate full charge. Bars flashing near the left side indicate the batteries should be recharged. Further operation of the machine could damage the machine or the batteries. Bars flashing near left side also indicate that machine has been left unattended with key on for more that 15 minutes. Turn key off then on to reset.

When the machine is left overnight with less than a full charge, the display may initially indicate a full charge. It will also indicate a full charge if the batteries are disconnected, then reconnected. After a few minutes of operation the meter will give the correct charge level.

10. HOUR METER

Records the number of hours the machine has been in operation. This information is useful in determining when to service the machine.



Deck Controls

Brush Lift Lever

Raises and lowers the brush deck, side broom and turns the vacuum motor on and off.

To lower brush deck and start vacuum motor and brushes, lift the lever from its raised position.

To raise brush deck and stop vacuum motor and brushes, lift the lever from its lowered position.

Pre-run Machine Inspection

Do a pre-run inspection to find possible problems that could cause poor performance or lost time from breakdown. Follow the same procedure each time to avoid missing steps.

NOTE: See maintenance section for pre-run machine inspection checklist items.

STARTING MACHINE

NOTE: Perform pre-run machine check before operating machine.

FOR SAFETY: Before starting machine, make sure that all safety devices are in place and operating properly.

1. Stand on the operator platform. Throttle pedal must be in neutral position.
2. Turn the machine power on by turning key switch clockwise to the "ON" position.
3. Check the position of the Directional Control Switch to make sure the machine will travel in the direction intended.
4. Press the Drive Reset Switch.
5. Press lightly on the throttle pedal with right foot.

Emergency Stop Procedures

1. Release the throttle pedal by lifting right foot.
2. Turn machine power off with key switch by turning key switch counterclockwise.
3. If an electrical problem is suspected, push in emergency stop button. This will also engage the parking brake and cause the machine to stop immediately.

To Stop Vacuuming

1. Raise the brush deck, which turns off brushes and vacuum.
2. Allow the throttle pedal to return to neutral.
3. Turn machine power off.

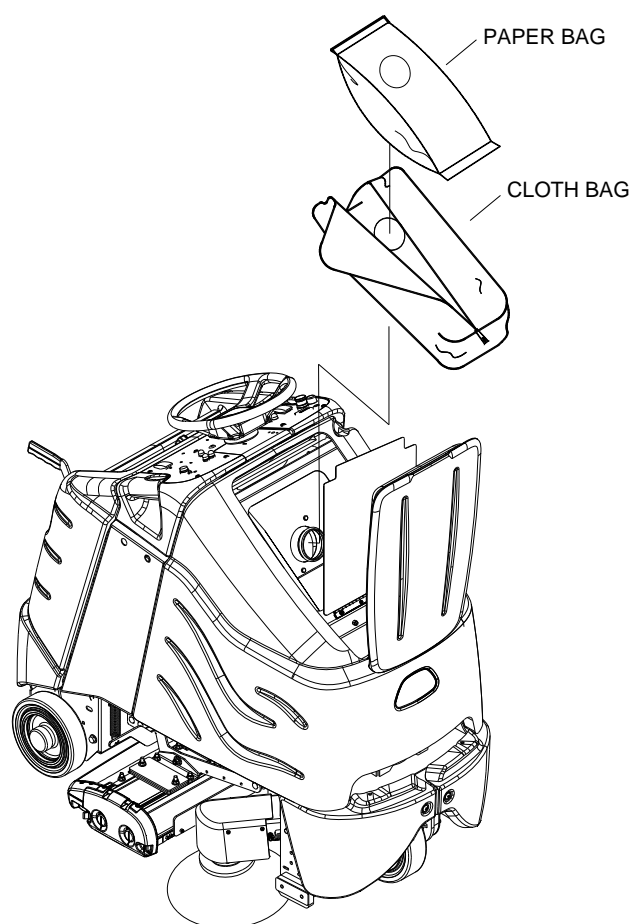
FOR SAFETY: Before leaving or servicing machine: stop on level surface, turn off machine and remove key.

FOR SAFETY: When using machine, go slow on inclines.

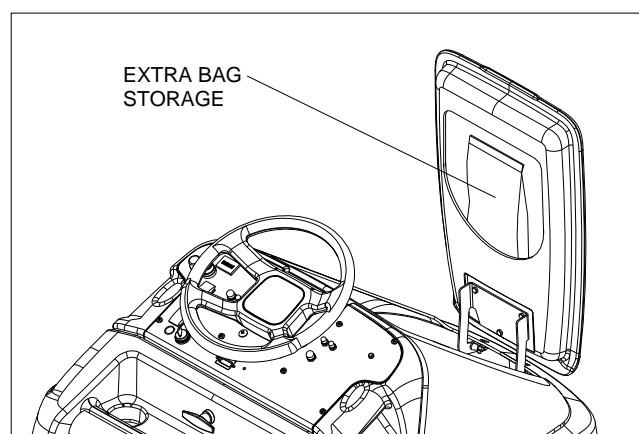
Changing Vacuum Bag

A convenient bag storage is built into the lid.

1. Park machine on level area.
2. Turn the machine power off.
3. Open cover lid and vacuum box lid.
4. Unzip cloth bag.
5. Remove paper bag lip from nozzle.



6. Remove cloth bag lip from nozzle.
7. Remove cloth band and paper bag together from vacuum box.
8. Remove paper bag from cloth bag and dispose of properly.
9. Clean vacuum box and remove any debris from inside screen.
10. Shake cloth bag to remove any extra debris.
11. Place cloth bag back into vacuum box and push the rubber collar over the nozzle.
12. Retrieve a new clean paper bag from the storage compartment in the cover lid.



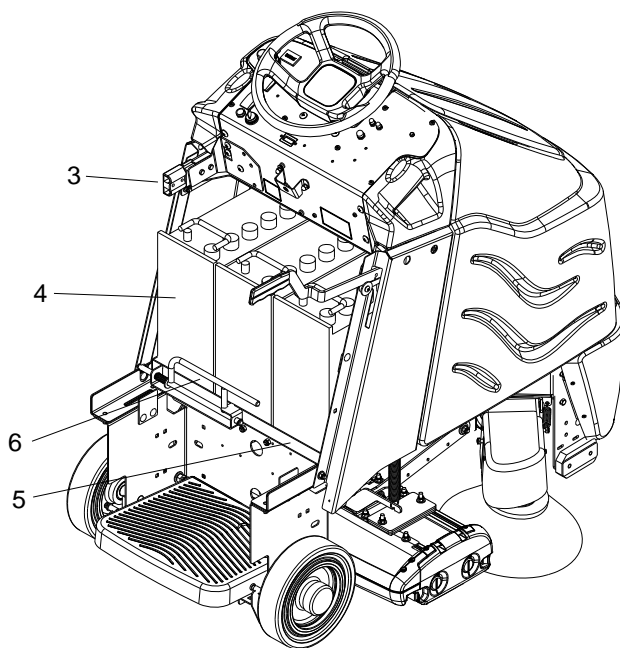
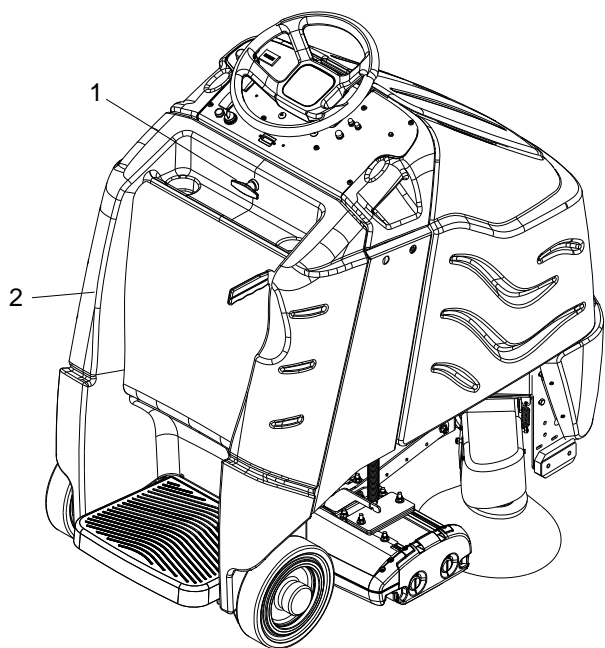
13. Place a new paper bag into the cloth bag and push the rubber collar over the nozzle.
14. Close all lids and covers.

Maintenance

Service Schedule

MAINTENANCE	BEFORE EACH WORK PERIOD	AFTER EACH WORK PERIOD	50 HRS	100 HRS	200 HRS
Check water level of batteries after charging; add distilled water if necessary	*				
Check that the vacuum box lid seal tightly	*				
Visually check for damaged or worn tires.	*				
Check vacuum hose connections.	*				
Check hoses for debris buildup.	*				
Check pedal(s), brake and steering for proper operation	*				
Check vacuum bag fullness and change if necessary.	*				
Clean brushes and check wear.		*			
Remove bearing cap from end of brush. Clean bearing and cap.		*			
Empty debris tray		*			
Charge batteries.		*			
Clean off top of batteries.			*		
Check battery cells with hydrometer. (Wet cell only)			*		
Check battery connections are tight.			*		
Clean battery cases and compartment.				*	
Clean and check drive tension chain for wear and tension.				*	
Check parking brake.					*
Clean chains, cables and pulleys for brush deck lift.					*
Check all motors for carbon brush wear.					*
Check motor commutators.					*
Check steering chain tensioner.					*

NOTE: A Vacuum hose cleaning brush is included with your vacuum. If debris is caught in the vacuum hose, use brush to clear the vacuum hose. Remove vacuum bag and clear hose of debris with the brush. It may be necessary to clear the hose at vacuum shoe connection. Disconnect vacuum hose and clear hose. Check vacuum shoe for debris also.



Batteries

- 1. Rear Cover Retainer Knob
- 2. Rear Cover
- 3. Battery Connector-Machine

- 4. Batteries
- 5. Battery Tray
- 6. Battery Tray Latch

Batteries (Wet Cell Only)

The batteries provide the power to operate the machine. The batteries require regular maintenance to keep them operating at peak efficiency.

The machine batteries will hold their charge for long periods of time, but they can only be charged a certain number of times. To get the greatest life from the batteries, charge them when their charge level reaches 25% of a full charge. Use a hydrometer to check the charge level.

Do not allow the batteries to remain in a discharged condition for any length of time. Never expose a discharged battery to temperatures below freezing. Discharged batteries will freeze causing cracked cases. Do not operate the machine if the batteries are in poor condition or if they have a charge level below 25% (specific gravity below 1.155).

Keep all metallic objects off the top of the batteries, as they may cause a short circuit. Replace worn or damaged cables and terminals.

Check the electrolyte level in each battery cell before and after charging the batteries. Never add acid to the batteries, use distilled water. Do not allow water level to fall below the battery plates. Portions of plates exposed to air will be destroyed. Do not overfill. Keep plugs firmly in place at all times.

CAUTION:

When servicing machine, avoid contact with battery acid.

WARNING:

Batteries emit hydrogen gas. Explosion or fire can result. Keep sparks and open flame away. Keep covers open when charging.

WARNING:

Wear eye protection and protective clothing when working with batteries.

WARNING:

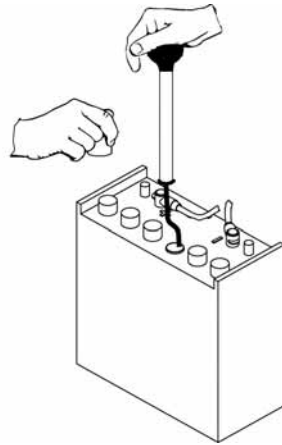
Charge batteries in a well ventilated area.

Battery Maintenance

1. When cleaning the batteries, use a solution of baking soda and water. Do not allow the cleaning fluid to enter the battery cells, electrolyte will be neutralized.
2. Maintain the proper electrolyte level in each battery cell. If a cell should accidentally overflow, clean immediately.
3. Wipe off the top of the batteries at least once a week.
4. Test battery condition with a hydrometer at least once a week.
5. Ensure that all connections are tight and all corrosion removed.
6. Every 4 to 6 months, remove that batteries from the machine and clean the battery cases and battery compartment.

Checking Battery Specific Gravity

Use a hydrometer to check the battery specific gravity.



NOTE: Do not take readings immediately after adding distilled water, if the water and acid are not thoroughly mixed, the reading may not be accurate.

Check the hydrometer readings against this chart.

SPECIFIC GRAVITY @ 80° F (27°C)	BATTERY CONDITION
1.265	100% CHARGED
1.225	75% CHARGED
1.190	50% CHARGED
1.155	25% CHARGED
1.120	DISCHARGED

NOTE: If the readings are taken when the battery electrolyte is any temperature other than 80°F (27°C), the reading must be temperature corrected.

To find the corrected specific gravity reading when the temperature of the battery electrolyte is other than 80°F (27°): Add (+) to the specific gravity reading 0.004 (4 points), for each 10°F (6°C) above 80° (27°C).

Subtract (-) from the specific reading 0.004 (4 points), for each 10°F (6°C) below 80°F (27°C).

Charging Batteries

⚠ WARNING:

When servicing machine, avoid contact with battery acid.

⚠ WARNING:

Batteries emit hydrogen gas. Explosion or fire can result. Keep sparks and open flame away. Keep covers open when charging.

⚠ WARNING:

Wear eye protection and protective clothing when working with batteries.

⚠ WARNING:

Charge batteries in a well ventilated area.

Use a 36 volt, 20 amp maximum output DC charger which will automatically shut off when the batteries are fully charged.

1. Empty recovery tank.
2. Stop the machine in a clean, well ventilated area next to the charger.
3. Turn "OFF" machine.

FOR SAFETY: Before leaving or servicing machine; stop on level surface, turn off machine and remove key.

4. 3. Remove rear cover, unplug batteries from machine, unlatch battery tray and pull out to expose batteries.

⚠ WARNING:

Batteries emit hydrogen gas. Explosion or fire can result. Keep sparks and open flame away. Keep covers open when charging.

5. Check the electrolyte level in each battery cell. Before charging, add just enough distilled water to cover the plates. After charging is complete, add just enough distilled water to bring up the level to the indicator ring. If the water level is too high before charging, normal expansion rate of the electrolyte may cause an overflow resulting in a loss of battery acid balance and damage the machine.

NOTE: Battery Charger must be approved to 60335-2-29 standard.

5. Replace the battery caps, and leave them in place while charging.
6. Unplug the battery connector from the machine.

SAFETY: When charging, connect the charger to the batteries before connecting the charger to the AC wall outlet. Never connect the charger to the AC wall outlet first. Hazardous sparks may result.

7. Plug the charger connector into the battery connector. Connect the charger AC plug to a wall outlet. The charger gauge should indicate that the batteries are charging.
8. When the batteries are fully charged, disconnect the charger from the AC wall outlet, then disconnect the charger from the batteries.
9. Connect the batteries to the machine connector.
10. Check the electrolyte level. It should be up to the indicator ring. If necessary, add distilled water.
11. Install the rear cover.

Changing Batteries

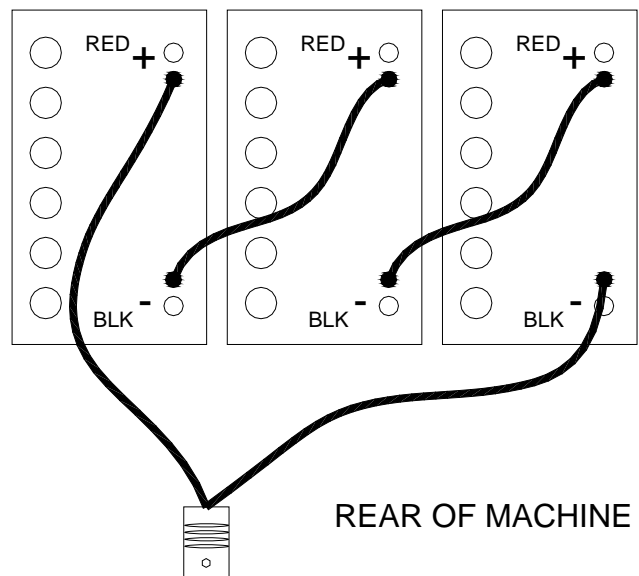
Stop the machine in a clean area next to the charger. Turn off machine.

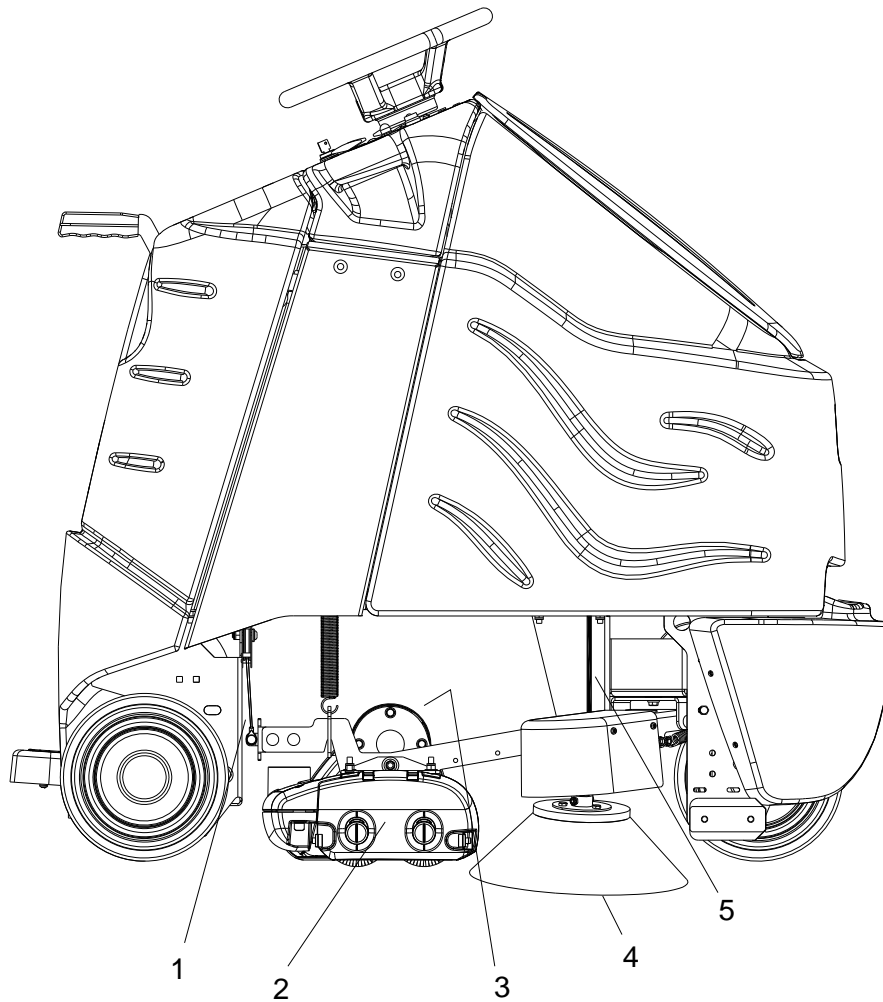
SAFETY: Before leaving or servicing the machine; stop on level surface, turn off machine and remove key.

1. Remove the rear cover.
2. Disconnect battery pack from machine.
3. Unlatch battery tray from machine and pull out to expose batteries.
4. Use the proper size open end wrench to disconnect main ground wire first and secure cable terminal away from batteries.
5. Disconnect main positive lead and secure cable terminals away from batteries.
6. Loosen both terminals on each jumper cable and remove one at a time.
7. Prepare a suitable site to place the batteries.
8. Attach suitable battery lifting device and lift batteries from the machine.

⚠ WARNING:

Batteries are a potential environmental hazard. Consult your battery supplier for safe disposal methods.





Brush Deck

1. Brush Deck Lift Cable
2. Brush Door
3. Brush Motor
4. Side Broom
5. Side Broom Lift Cable

Maintenance

Brush Deck

The dual cylindrical head is designed to agitate the carpet while vacuuming. The first scrubbing brush turns in a clockwise rotation when viewed from the right of operator's side of machine. The first brush scrubs dirt and debris between the brushes. The second brush, turns in a counter clockwise rotation, picks up debris and throws it into the debris tray.

NOTE: The brushes should wear evenly side to side. Brushes should be replaced as a set when bristle length wears to height of yellow PerformAlert™ bristles.

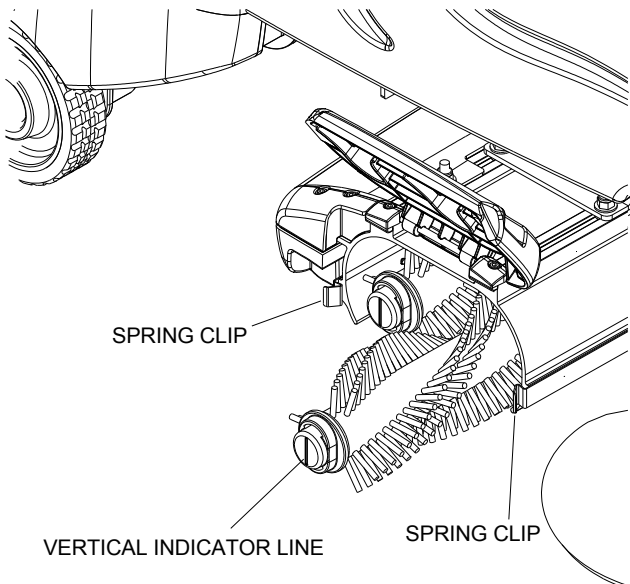
Brush Removal

The brushes are removed from the right side of the machine.

1. Release door spring clips and rotate the brush door up.
2. Slide the brushes out the side opening.

Brush Installation

1. Slide brush through door opening and onto drive shaft. Make sure it is fully seated and is driven by the deck system.
2. Rotate the brushes until the indicator lines on the ends are vertical.
3. Rotate the brush door down and secure with spring clips.

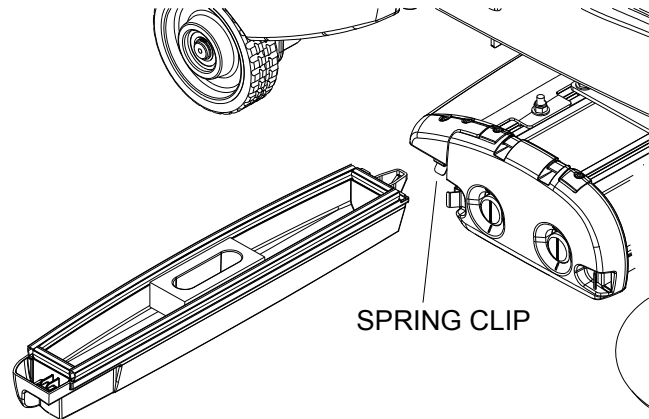


Debris Tray Removal

1. Release the debris tray spring clip.
2. Slide the debris tray away from machine.

Debris Tray Installation

1. Slide the debris tray into the debris tray mount notch.
2. Secure with debris tray spring clip.



Bearing Cleaning

1. Remove bearing cap from end of brush.
2. Clean cap and bearings.



⚠ CAUTION:

Do not use a pressure washer to clean around the brush motors. Use tap pressure only.

To Replace Brush Motor

3. With the scrub deck in the lowered position, disconnect brush motor wiring connector from harness.
4. Remove the drive housing
5. Remove six (6) motor mount screws.
6. Remove motor with attached coupler, leaving front motor mounting bracket still attached to deck.
7. Remove coupler from old motor for reuse.
8. Inspect spider coupler for wear replace as needed.
9. Reverse process to reassemble with new motor.

Brush Motor Carbon Brush Replacement

1. Scribe alignment mark on motor barrel to motor cap. Remove two bolts.
2. Remove end cap from motor.

NOTE: Motors contain two wave washers in cap. Do not lose these.

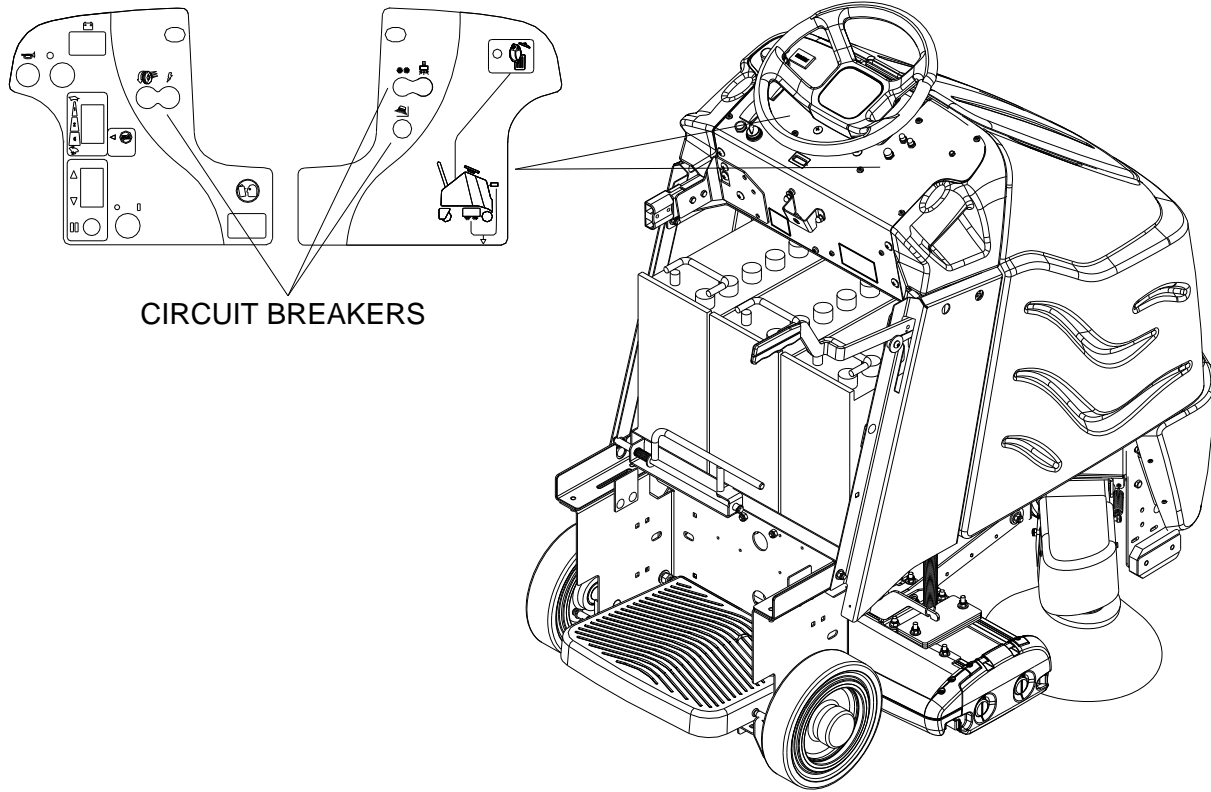
3. Release brush from spring tension. Remove screw connecting brush wire lead to brush holder. Clean brush holder to insure free movement.
4. Retract spring and install new brush. Install connector screw and lead.
5. When all new brushes are installed. Place all in retracted position, held into brush holder by spring tension.
6. Carefully place end cap onto bearing on motor shaft.

NOTE: Use care to assure wave washer alignment.

7. With end cap in partially installed position, release all brushes to contact position with motor commutator.

NOTE: Failure to insure all brushes are released will result in motor failure.

8. Reset end cap and realign with scribe marks on motor barrel. Reinstall the two attach bolts from cap into base.
9. Maintain alignment between motor barrel base and cap.




Circuit Breakers

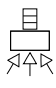
Circuit breakers interrupt the flow of power in the event of an electrical overload. When a circuit breaker is tripped, reset it by pressing the exposed button. If a circuit breaker continues to trip, the cause of the electrical overload should be found and corrected.

 22 Amp. Protects the brush motor.

 30 Amp. Protects the propel motor.

 3 Amp. Protects the machine controls.

 3 Amp. Protects the side broom.

 22 Amp. Protects the vacuum motor.

⚠ WARNING:

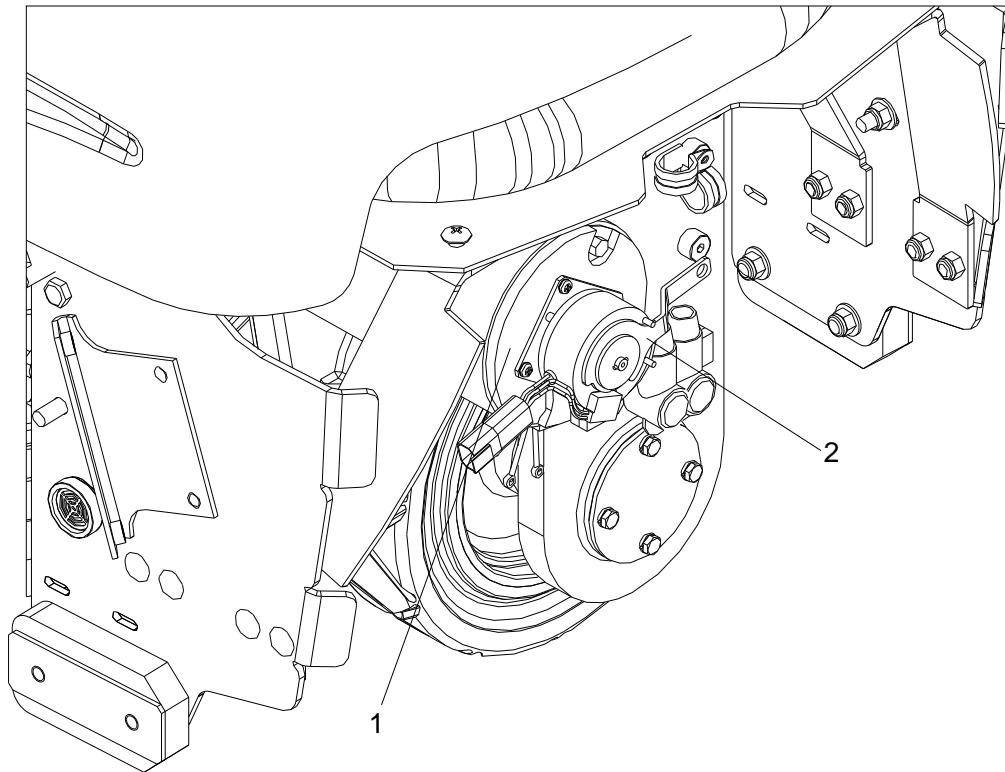
Disconnect batteries before working on machine. Only qualified personnel should work inside machine. Always wear eye protection and protective clothing when working on or near batteries. Avoid skin contact with the acid contained in the batteries.

Vacuum Motor Carbon Brush Replacement

1. Remove rear cover from machine.
2. Remove batteries from machine.
3. Remove 4 bolts holding access cover in place and remove cover.
4. Pull top clips from vacuum motor top brush retainers.
5. Remove and inspect brushes.
6. Replace both if either is less than 3/8" (9.5 mm) long.
7. Reverse steps to assemble.

To Remove Vacuum Motor

1. Remove rear cover.
2. Remove two screws from top of control panel and four screws from side of control panel housing.
3. Slide control housing back from tank to expose main cover bolts.
4. Remove four bolts in front of console from cover, and 2 bolts from the bottom front of main cover, and two inside, next to batteries.
5. Remove main cover.
6. Remove four bolts from vacuum motor and disconnect plug.
7. Reverse steps to assemble



Drive Motor & Brake

- 1. Drive motor
- 2. Parking brake

Electric Parking Brake Engagement

SAFETY: Before leaving or servicing machine, stop on a level surface, turn off machine and remove key.

Electric Brake Engagement

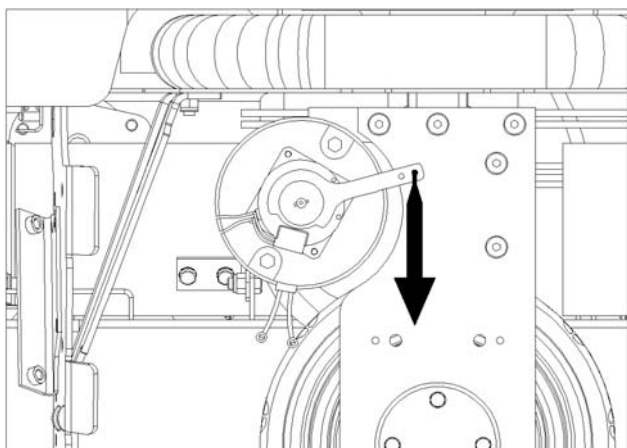
This machine is equipped with an electric parking brake.

The brake automatically engages and keeps the machine from moving whenever the operator steps off the platform or when emergency stop is engaged.

The brake has a mechanical over-ride that can be engaged so machine can be pushed or towed (slowly).

When the mechanical over-ride is engaged the machine cannot be driven.

To engage brake:

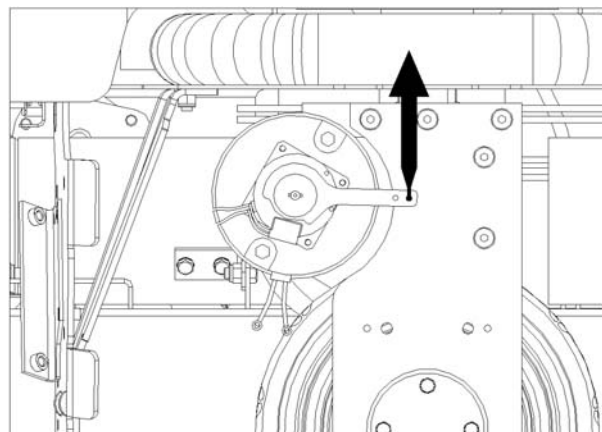


1. Mechanical over-ride engaged.
2. Machine can be pushed or towed (slowly).

Push lever firmly in direction of arrow

NOTE: There is an intermediate stop. Make sure lever is fully in the down position.

To disengage brake:



1. Mechanical over-ride disengaged
2. Machine can be driven.
3. Push lever firmly in direction of arrow.

Drive Motor Carbon Brush Replacement

⚠ WARNING:

Do not use a pressure washer to clean around the motors. Use tap pressure only.

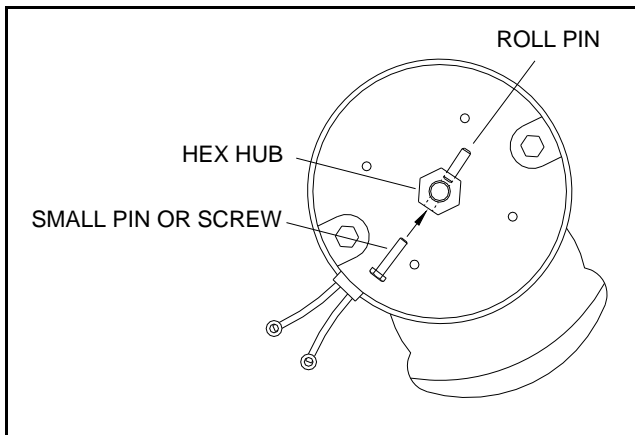
SAFETY: Before leaving or servicing machine, stop on a level surface, turn off machine and remove key.

1. Disconnect batteries from machine.
2. Disconnect the electrical connection to the traction motor.

Brake Removal

(Must be done to access carbon brushes)

3. Remove 4 mounting screws and remove brake.
4. Drive roll pin out of the hex hub enough to allow hex hub to slide off shaft. It is recommended that the roll pin be left partially in the hex hub.



5. Remove brush cap.
6. Release brush from spring tension. Remove screw connecting brush wire lead to brush holder. Clean brush holder to insure free movement.

7. Install new brush and reinstall connecting screw and lead.
8. When all new brushes are installed. Place all in retracted position, held into brush holder by spring tension.
9. Carefully replace brush cap.

Reinstalling:

10. When replacing the hex hub, use a small pin or screw to help align the holes.
11. Drive the pin into the hub and make sure it is flush to the hex surface. The brake will not fit on the hub if the roll pin is protruding from the hub.
12. Replace the hub and use Lock-Tite on the screws.

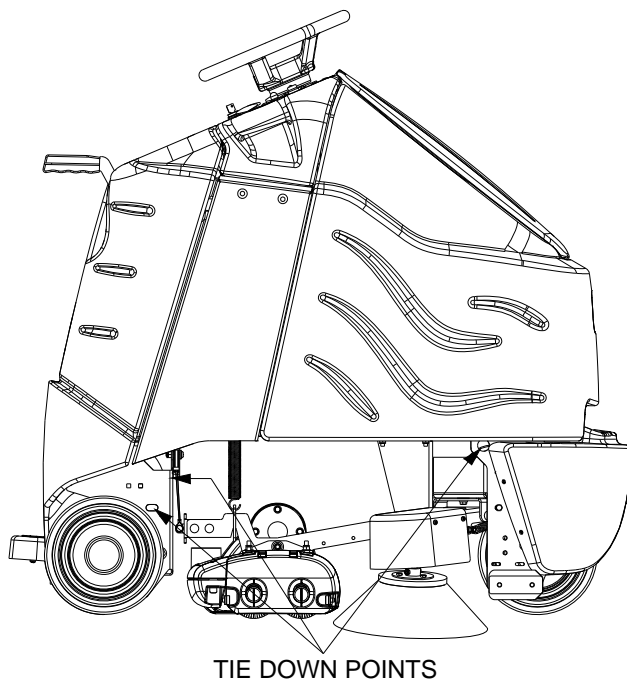
Pushing Machine

The machine may be pushed for short distances at speeds not to exceed 5 mph. Be careful to avoid damaging machine. The machine may be pushed by hand from the rear.

NOTE: To avoid damage caused by regenerative voltage, disconnect traction motor before towing or pushing machine.

Machine Tie-downs

There are two tie points located at front and each side of foot box frame and two at the front side of frame. Tie-down devices must be of the proper type and strength. The combined strength of all tie-downs must be strong enough to lift two times the weight of the machine. Tie-downs must be positioned to prevent the machine from moving forward, backward, or either side to side. Use all four corners of the machine with the tie-downs running out opposite directions. Tie-downs must be attached to the transporting vehicle securely.



Preparation for Loading/Unloading Trailer

Before loading or unloading machine from trailer, brush head must be in the up position before loading.

NOTE: When transporting the machine on a trailer or in a truck, in addition to using tie-downs, be sure to set the parking brake, and block the tires to prevent the machine from rolling

Troubleshooting

PROBLEM	CAUSE	SOLUTION
No power to machine	Battery disconnected	Check all battery cable connections
	Emergency shut-off activated	Reset
	Faulty key switch	Replace switch
Little or no propel	Low battery charge	Charge batteries
	Machine turned on with pedal not in neutral position	Allow pedal to return to neutral. Restart
	Tripped circuit breaker	Reset circuit breaker and check brush
	Controller overheated	Allow cool down period
	Loose motor connection	Check wires and connections from controller to motor
	Faulty throttle circuit or potentiometer	Check wires and connections from throttle to controller and potentiometer resistance
	Faulty drive reset circuit or switch	Check wires, connection and switch
	Faulty platform circuit or switch	Check wires, connections and switch
	Brake over-ride engaged	Disengage brake over-ride
	Faulty brake circuit or over-ride switch	Check wires, connections and switch
Machine does not change speeds	Faulty speed control circuit or switch	Check wires, connections and switch
Forward speed only Reverse speed only	Faulty forward/reverse switch	Replace Switch
Vacuum and brush do not turn on	Circuit breaker tripped	Reset
	Full bag or clog in system (bag full light on)	Replace bag, check for and remove debris
Poor vacuums performance	Debris caught in system	Remove debris
	Low battery charge	Charge batteries
Brush motors do no run, or run slowly	Bag full light on	Replace bag or remove clog
	Circuit breaker(s) tripped	Reset circuit breaker(s)
	Low battery charge	Charge battery
	Fault brush circuit or motor	Check wires, connections and motor

Propel Circuit Board Troubleshooting

Curtis 1228 LED DIAGNOSTICS

During normal operation, with no faults present, the status LED is steadily on.

If the controller detects a fault, the status LED provides two types of information.

First, it displays a slow flash (2 Hz) or a fast flash (4 Hz) to indicate the severity of the fault. Slow-flash faults are self-clearing; as soon as the fault is corrected, the vehicle will operate normally. Fast-flash faults ("." in Table 2) are considered to be more serious in nature and require that the key switch be cycled to resume operation after the fault is corrected.

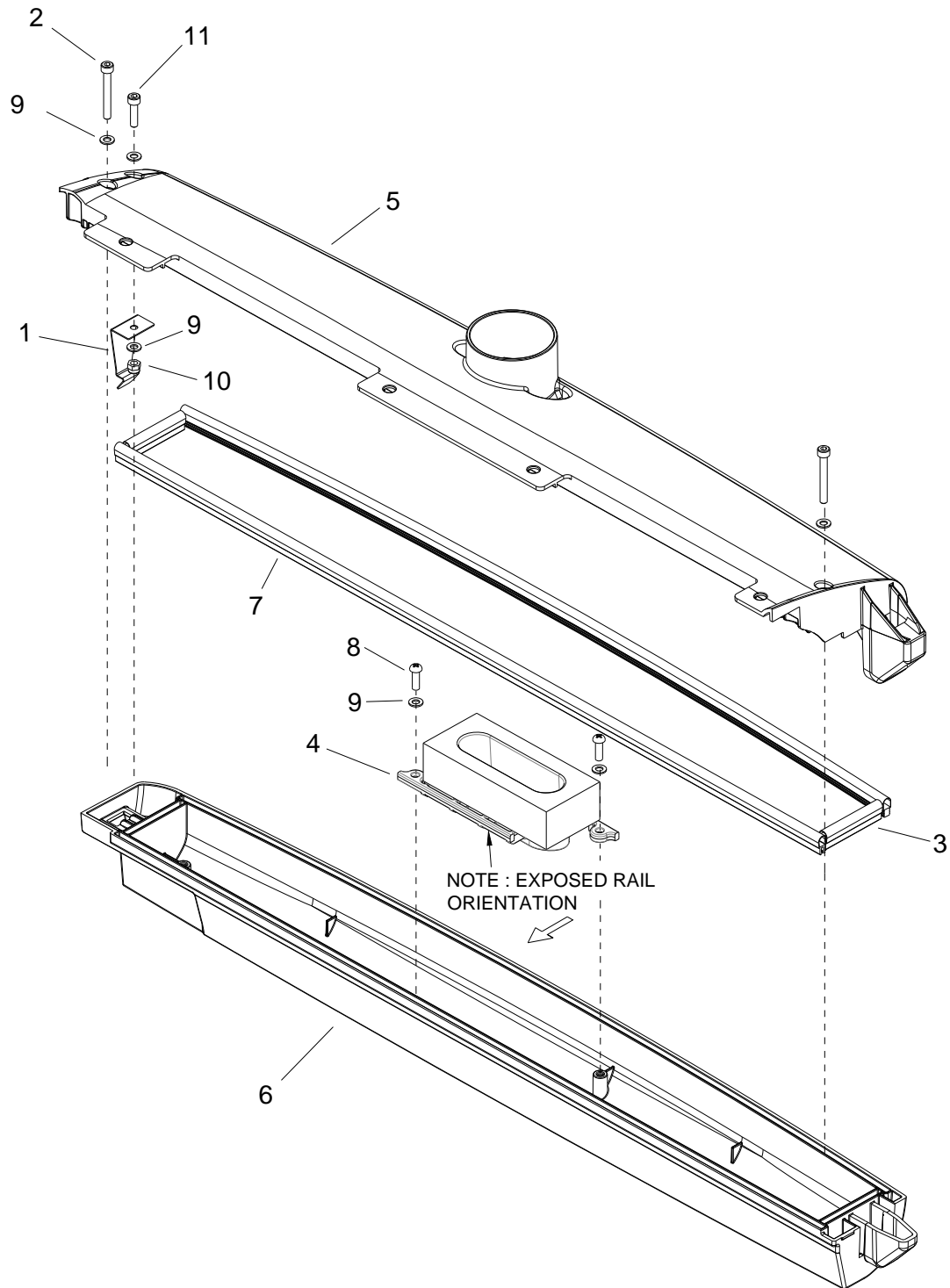
After the severity indication has been active for 10 seconds, the status LED flashes a 2-digit fault identification code continuously until the fault is corrected. For example, code "1,4"-low battery voltage-appears as: one LED flash, followed by a pause, then 4 LED flashes, and then repeats.

LED CODE	PROGRAMMER LCD DISPLAY	EXPLANATION	POSSIBLE CAUSE
1,1	THERMAL CUTBACK	over-/under-temperature cutback	<ol style="list-style-type: none"> 1. Temperature >92°C or < -25°C. 2. Excessive load on vehicle. 3. Operation in extreme environments. 4. Electromagnetic brake not releasing.
1,2	THROTTLE FAULT 1	throttle fault	<ol style="list-style-type: none"> 1. Throttle input wire open or shorted. 2. Throttle pot defective. 3. Wrong throttle type selected
1,3	SPD LIMIT POT FAULT	speed limit pot fault	<ol style="list-style-type: none"> 1. Speed limit pot wire(s) broken or shorted. 2. Broken speed limit pot.
1,4	LOW BATTERY VOLTAGE	battery voltage too low	<ol style="list-style-type: none"> 1. Battery voltage <17 volts. 2. Bad connection at battery or controller.
1,5	OVERVOLTAGE	battery voltage too high	<ol style="list-style-type: none"> 1. Battery voltage >36 volts. 2. Vehicle operating with charger attached. 3. Intermittent battery connection.
2,1	MAIN OFF FAULT	main contactor driver Off fault	<ol style="list-style-type: none"> 1. Main contactor driver failed open.
2,3	MAIN CONT FLTS	main contactor fault	<ol style="list-style-type: none"> 1. Main contactor welded or stuck open. 2. Main contactor driver fault. 3. Brake coil resistance too high.
2,4	MAIN ON FAULT	main contactor driver On fault	<ol style="list-style-type: none"> 1. Main contactor driver failed closed.

LED CODE	PROGRAMMER LCD DISPLAY	EXPLANATION	POSSIBLE CAUSE
3,1	PROC/WIRING FAULT	HPD fault present for >10 sec.	1. Misadjusted throttle. 2. Broken throttle pot or throttle mechanism.
3,2	BRAKE ON FAULT	brake On fault	1. Electromagnetic brake driver shorted. 2. Electromagnetic brake coil open.
3,3	PRECHARGE FAULT	precharge fault	1. Low battery voltage. 2. KSI and throttle turned on at same time.
3,4	BRAKE OFF FAULT	brake Off fault	1. Electromagnetic brake driver open. 2. Electromagnetic brake coil shorted.
3,5	HPD	HPD (High Pedal Disable) fault	1. Improper sequence of throttle and KSI, push, or inhibit inputs. 2. Misadjusted throttle pot.
4,1	CURRENT SENSE FAULT	current sense fault	1. Short in motor or in motor wiring. 2. Controller failure.
4,2	HW FAILSAFE	motor voltage fault (hardware)	1. Motor voltage does not correspond to throttle request. 2. Short in motor or in motor wiring. 3. Controller failure.
4,3	EEPROM FAULT	EEPROM fault	1. EEPROM failure or fault.
4,4	POWER SECTION FAULT	power section fault	1. EEPROM failure or fault. 2. Short in motor or in motor wiring. 3. Controller failure.

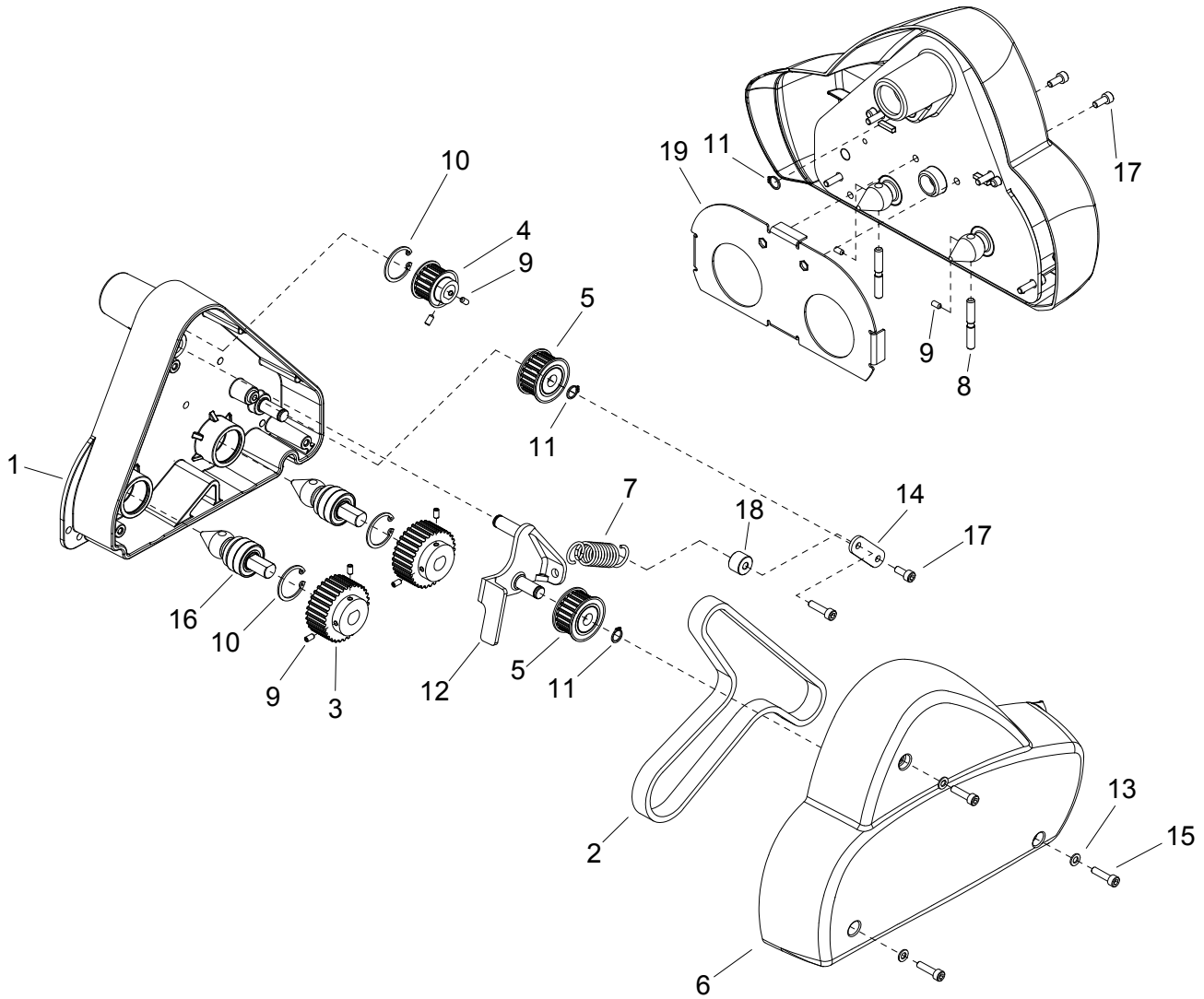
Parts

Brush Deck - Debris Tray



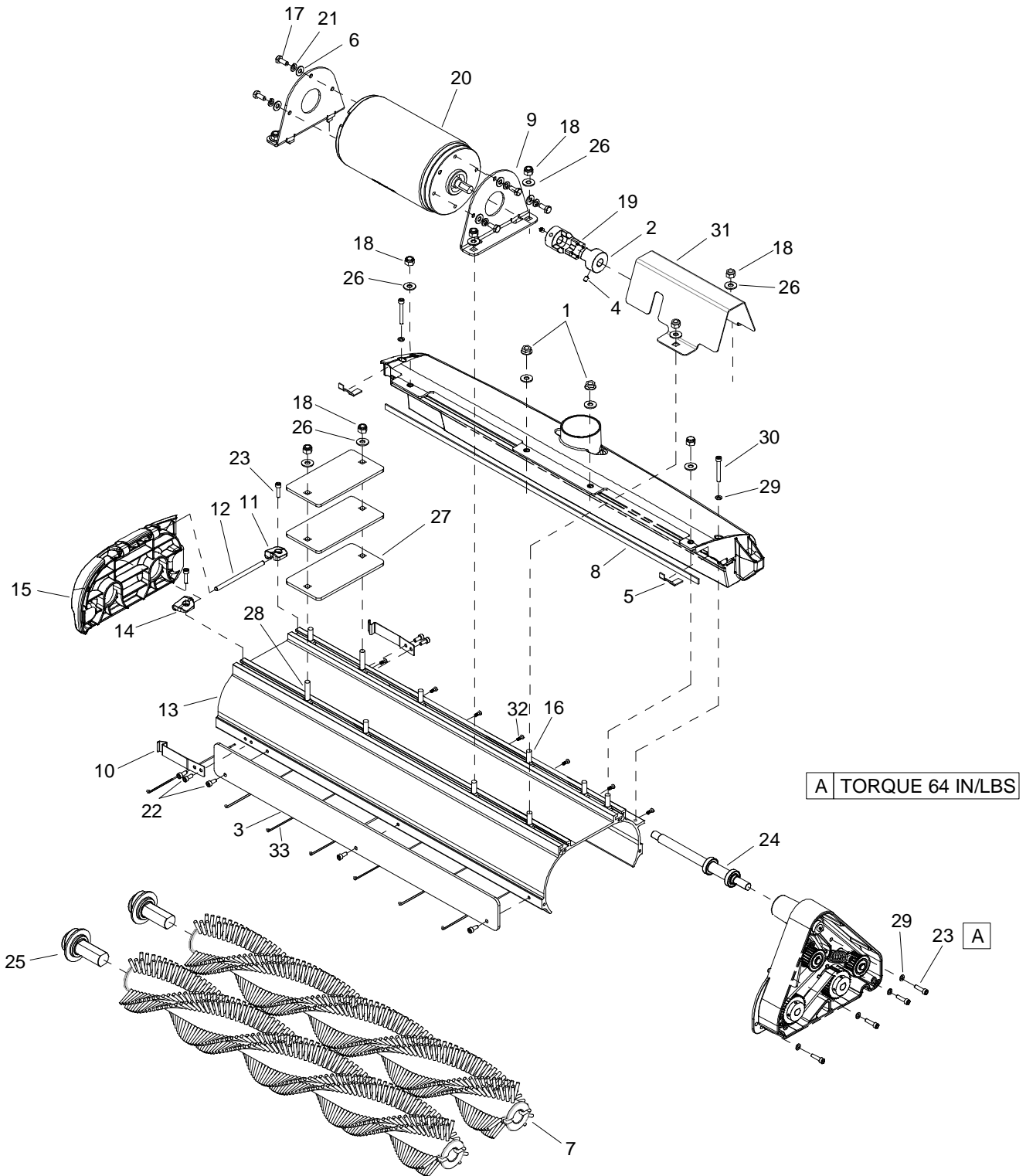
REF	PART NO.	QTY	DESCRIPTION	SERIAL NO. FROM	NOTES
1	86408760	1	CLIP, DEBRIS TRAY SPRING		
2	86343160	2	SCR, M5X40, SHCS, ISO4762, SS		
3	86342400	2	GASKET, DEBRIS TRAY, END		
4	86350590	1	ASM, DEBRIS TRAY INLET		
5	86342130	1	MOUNT, DEBRIS TRAY, 28"		
6	86342120	1	TRAY, DEBRIS, 28"		
7	86340570	2	GASKET, DEBRIS TRAY, 28"		
8	86327510	2	SCR, KA50X16, PT OHS, WN1412, A2 SS		
9	86173350	6	WASHER, M5, FL, ISO7089, SST		
10	86024750	1	NUT, M5 HEX NYLOCK, SS		
11	86014990	1	SCR, M5X20, SHCS, ISO4762, SS		

Brush Deck Drive



REF	PART NO.	QTY	DESCRIPTION	SERIAL NO. FROM	NOTES
1	86343870	1	HOUSING ASM, BRUSH DRIVE		
2	86343860	1	BELT, TWIN 5MM GT2, 15W, 130T		
3	86343850	2	PULLEY, 32T 5MM GT, 15W		
4	86343840	1	PULLEY, 18T 5MM GT, 15W		
5	86343830	2	PULLEY ASM, 22T 5MM GT, 15W		
6	86339570	1	COVER, DRIVE HOUSING		
7	86224660	1	SPRING, TENSIONER		
8	86224170	2	SHAFT, 6.2 MM BRUSH DRIVE		
9	86223780	8	SCR,M4X8,ISO4029,CP,BLK		
10	86223520	3	RING, 28MM INT SNAP PHOSPHATE		
11	86223490	3	RING, 10MM EXTERNAL SNAP		
12	86215870	1	BRKT, TENSIONER ARM		
13	86173350	3	WASHER, M5, FL, ISO7089, SST		
14	86349790	1	PLATE, SUPPORT		
15	86014990	4	SCR, M5X20, SHCS, ISO4762, SS		
16	86012790	2	SHAFT ASM, BRUSH DRIVE		
17	86172950	3	SCR, M5X12, SHCS, ISO4762, SS		
18	86349800	1	SPACER, 15.9OD X 5.3ID X 11L		
19	86349320	1	PLATE, BRUSH GUIDE		

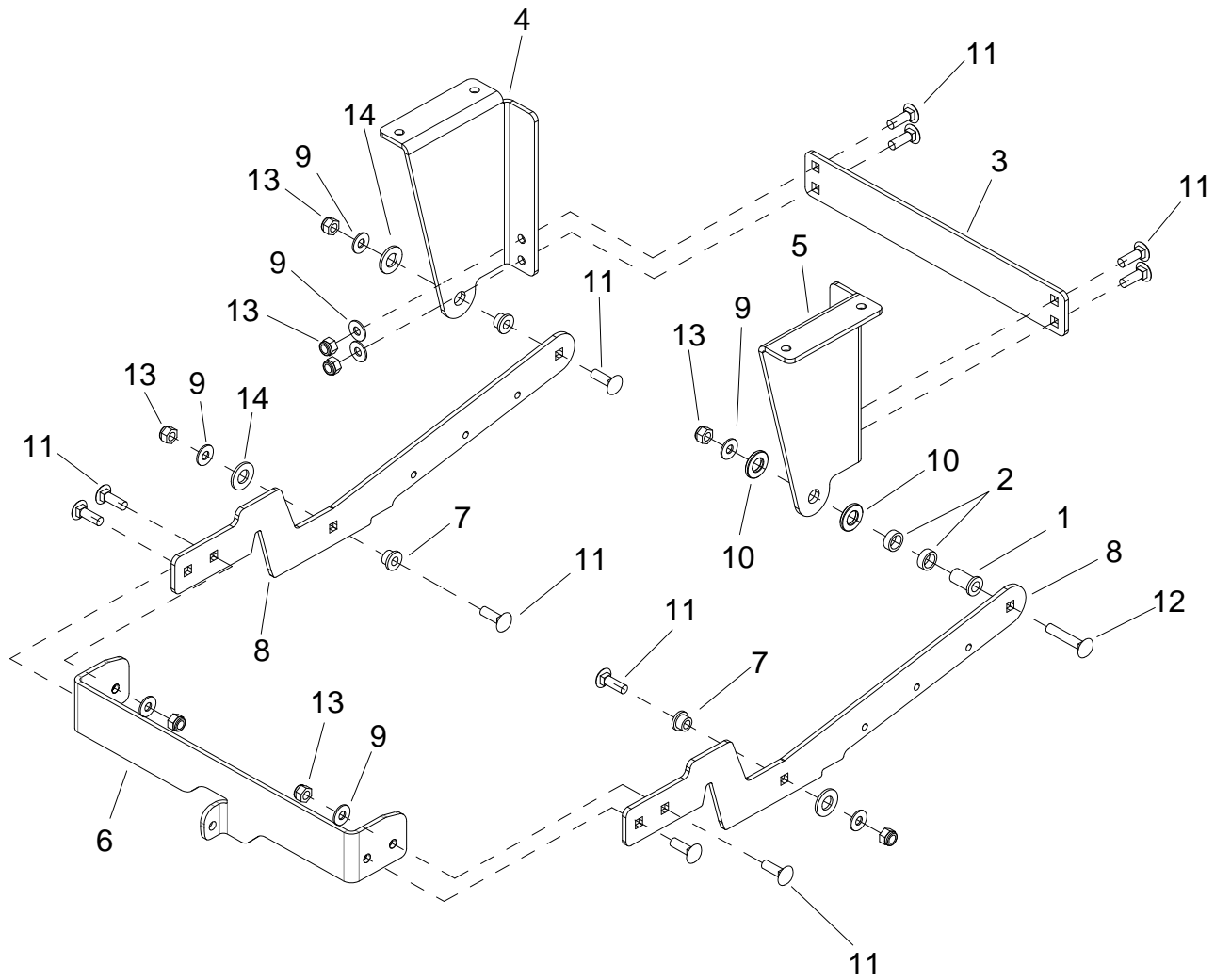
Brush Deck



REF	PART NO.	QTY	DESCRIPTION	SERIAL NO. FROM	NOTES
1	86005740	2	NUT 5/16-18 SERRATED FLG		
2	86346070	2	COUPLER, 2 JAW, 35MM		
3	86344860	1	PLATE, COUNTERBALANCE		
4	86172960	2	SCR,SET,M6X8,SH,ISO4029,SS		
5	86343190	2	GASKET, 1/16THKX3/8WX2.17L		
6	86010630	6	WASHER, 1/4 X 5/8 FLAT SS		
7	86340590	2	BRUSH, VACUUM , 4"OD, 28"L		
-	86348830	2	BRUSH, VACUUM, 4" OD, 28"L, SF		SOFT FLOOR
-	86348850	2	BRUSH, VACUUM 4" OD, 28"L, HF		HARD FLOOR
8	86340580	1	GASKET, .063 X .375 X 27.5		
9	86340490	2	BRKT, MOTOR MOUNT		
10	86340480	2	SPRING, DOOR CLIP		
11	86339980	1	CAP, BRUSH DOOR HINGE, REAR		
12	86339790	1	PIN, DOWEL, 6 X 106, SS		
13	86374900	1	EXTRUSION, DUAL 4" BRUSH, 28"	(5*)	
14	86339590	1	CAP, BRUSH DOOR HINGE, FRONT		
15	86339580	1	DOOR, BRUSH RELEASE		
16	86277130	10	SCR, 5/16-18X1.00 CARRIAGE SS		
17	86273750	6	SCR, 1/4-20 X 5/8 HHCS SS		
18	86270830	12	NUT, 5/16-18 HEX NYLOCK SS		
19	86234600	1	COUPLER, SPIDER		
20	86222130	1	MOTOR, 36VDC		
21	86173340	6	WASHER, SPLIT LOCK, 1/4, SS		
22	86172950	7	SCR, M5X12, SHCS, ISO4762, SS		
23	86014990	6	SCR, M5X20, SHCS, ISO4762, SS		
24	86012830	1	SHAFT ASM, DRIVE 24"		
25	86373070	2	ASM, BRUSH END, NON-DRIVE	(3*)	
26	86010670	12	WASHER, 5/16 X 3/4 SS		
27	86345990	3	PLATE, WEIGHT, BRUSH DECK		
28	86277470	2	SCR, 5/16-18 X 1.5 CARRIAGE SS		
29	86173350	6	WASHER, M5, FLAT, ISO7089, SS		
30	86343160	2	SCR, M5X40, SHCS, ISO4762, SS		
31	86351440	1	BRKT, SHAFT COVER	(1*)	
32	86354280	7	NIPPLE, GUARD ATV	(2*)	
33	86354080	7	ROD, GUARD ATV	(2*)	

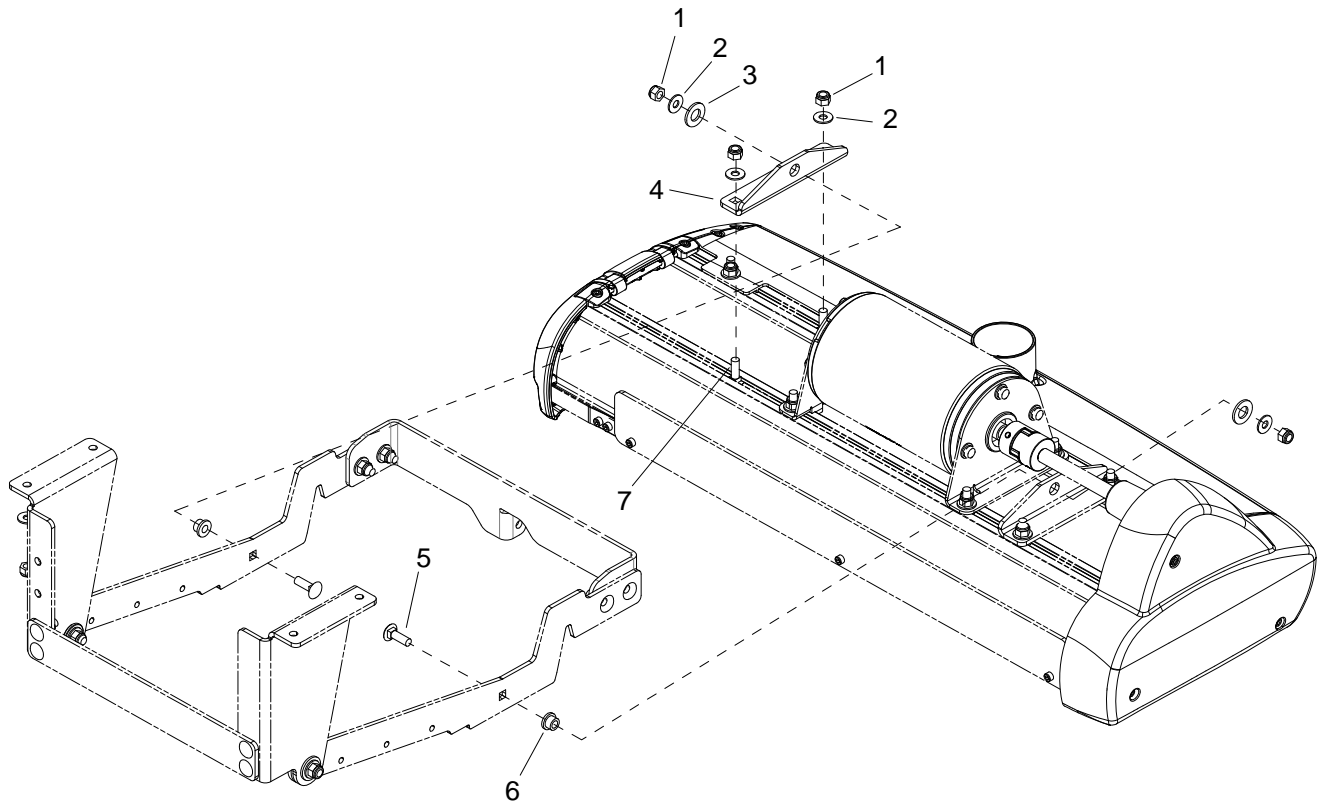
* See Serial Number Page

Brush Deck Linkage



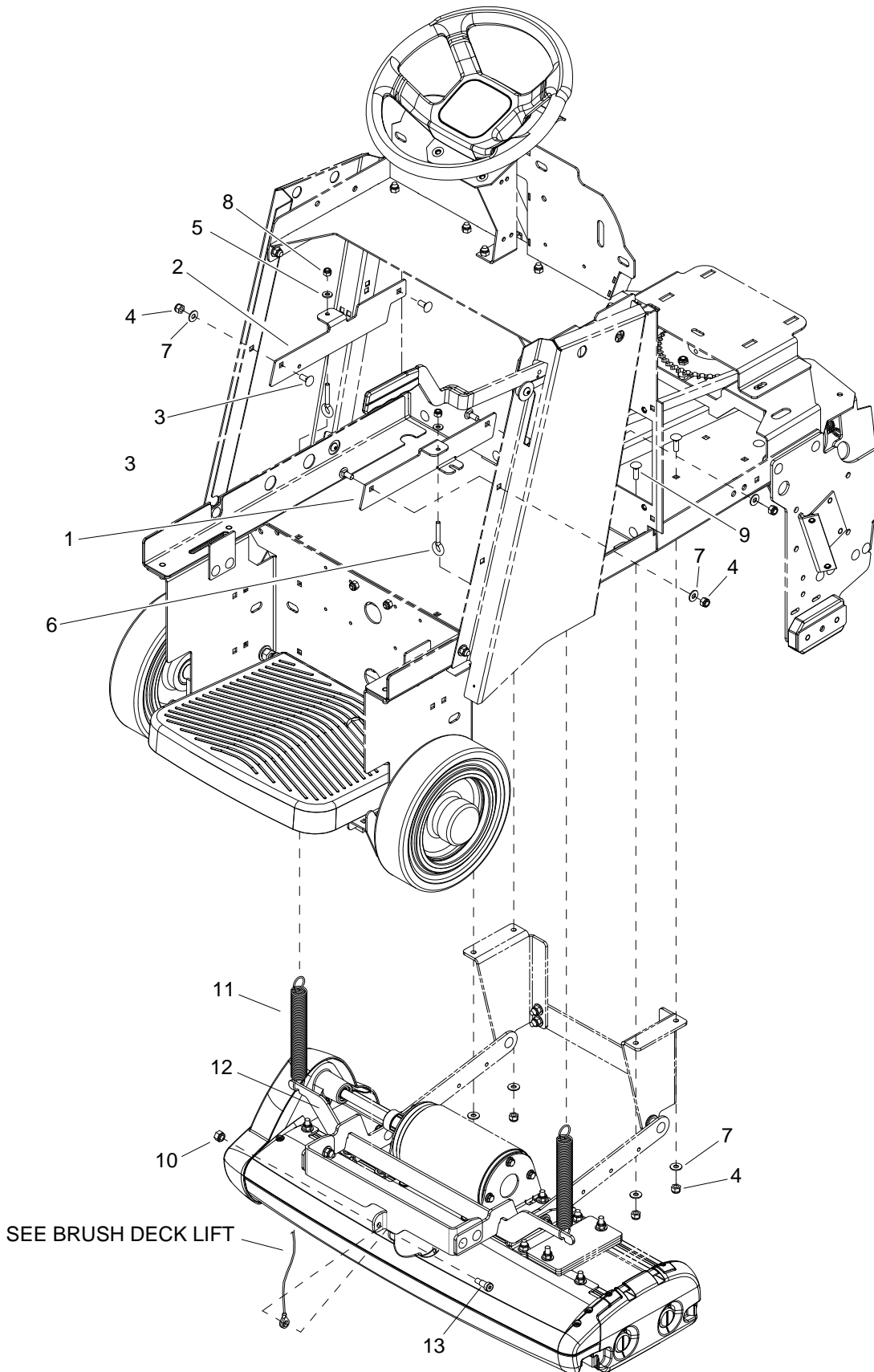
REF	PART NO.	QTY	DESCRIPTION	SERIAL NO. FROM	NOTES
1	86228980	1	BEARING FLANGED .377 ID X .502 OD X 1 LG		
2	86254330	2	SPACER,.504 ID X .690 OD X .25		
3	86345970	1	BRKT, LINKAGE MOUNT SUPPORT		
4	86345960	1	BRACKET, LINKAGE MOUNT, LEFT		
5	86345950	1	BRACKET, LINKAGE MOUNT, RIGHT		
6	86392000	1	BRKT, DECK LIFT, CV34	(6*)	
7	86228990	3	BEARING FLG .314IDX.502OD		
8	86345920	2	ARM, BRUSH DECK LIFT		
9	86010670	12	WASHER, 5/16 X 3/4 SS		
10	86259400	2	WASHER, THRUST .51 ID X 1 ODBRO		
11	86277130	15	SCR, 5/16-18X1.00 CARRIAGE SS		
12	86276690	1	SCR, 5/16-18 X 1.75 CARR SS		
13	86270830	12	NUT, 5/16-18 HEX NYLOCK SS		
14	86259420	3	WASHER, THRUST.51 ID X 1 ODBRO		

* See Serial Number Page



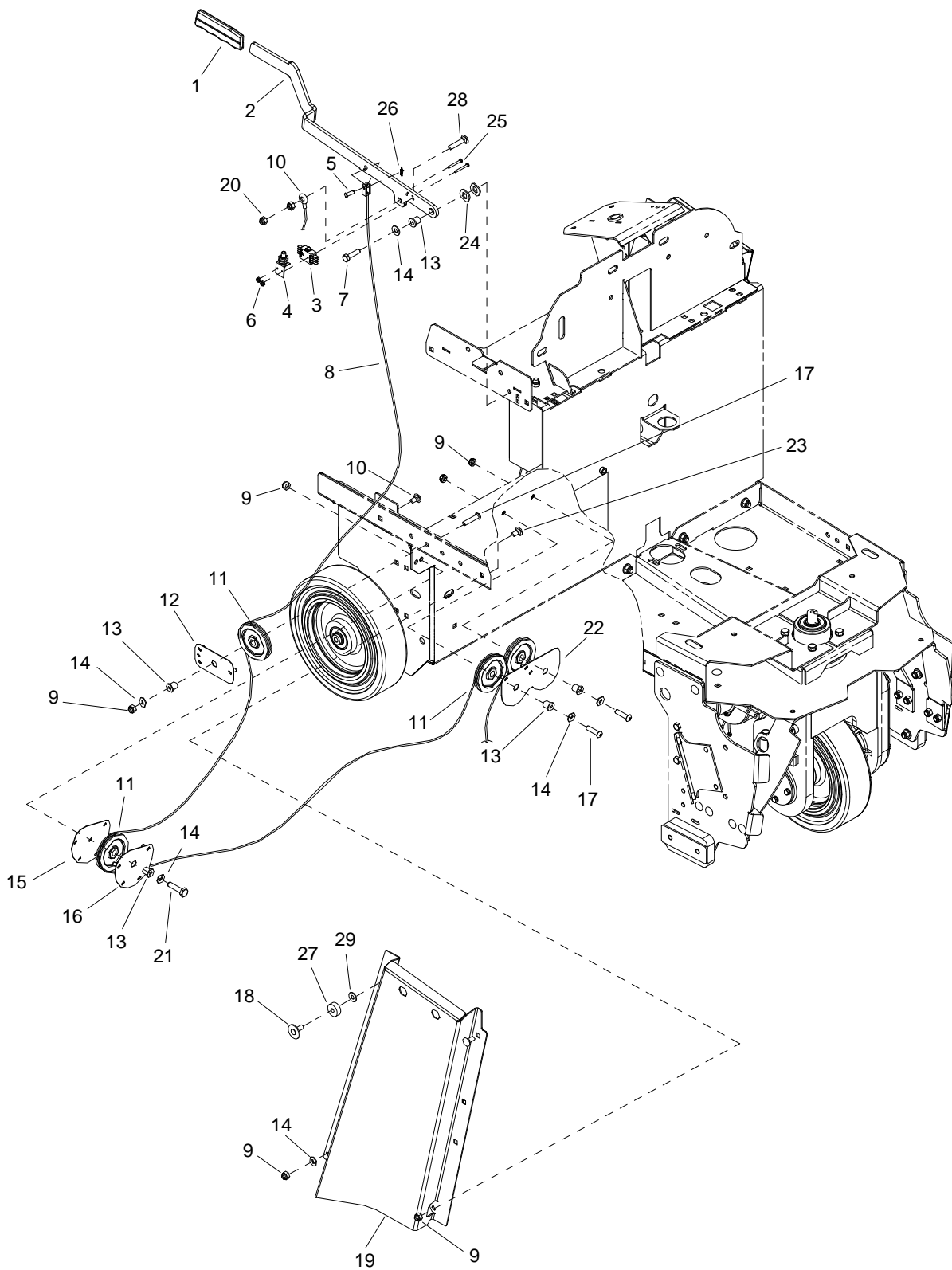
REF	PART NO.	QTY	DESCRIPTION	SERIAL NO. FROM	NOTES
1	86270830	6	NUT 5/16-18 HEX NYLOCK SS		
2	86010670	6	WASHER 5/16 FLAT SS		
3	86259420	2	WASHER, THRUST .51ID X 1 ODBRO		
4	86341310	2	BRKT, BRUSH DECK PIVOT		
5	86277130	2	SCREW 5/16-18X1.00 CARRIAGE SS		
6	86228990	2	BEARING,FLNGD,.314ID X.502OD		
7	86277130	4	SCR, 5/16-18 X 1.00"		

Brush Deck Linkage Mounting



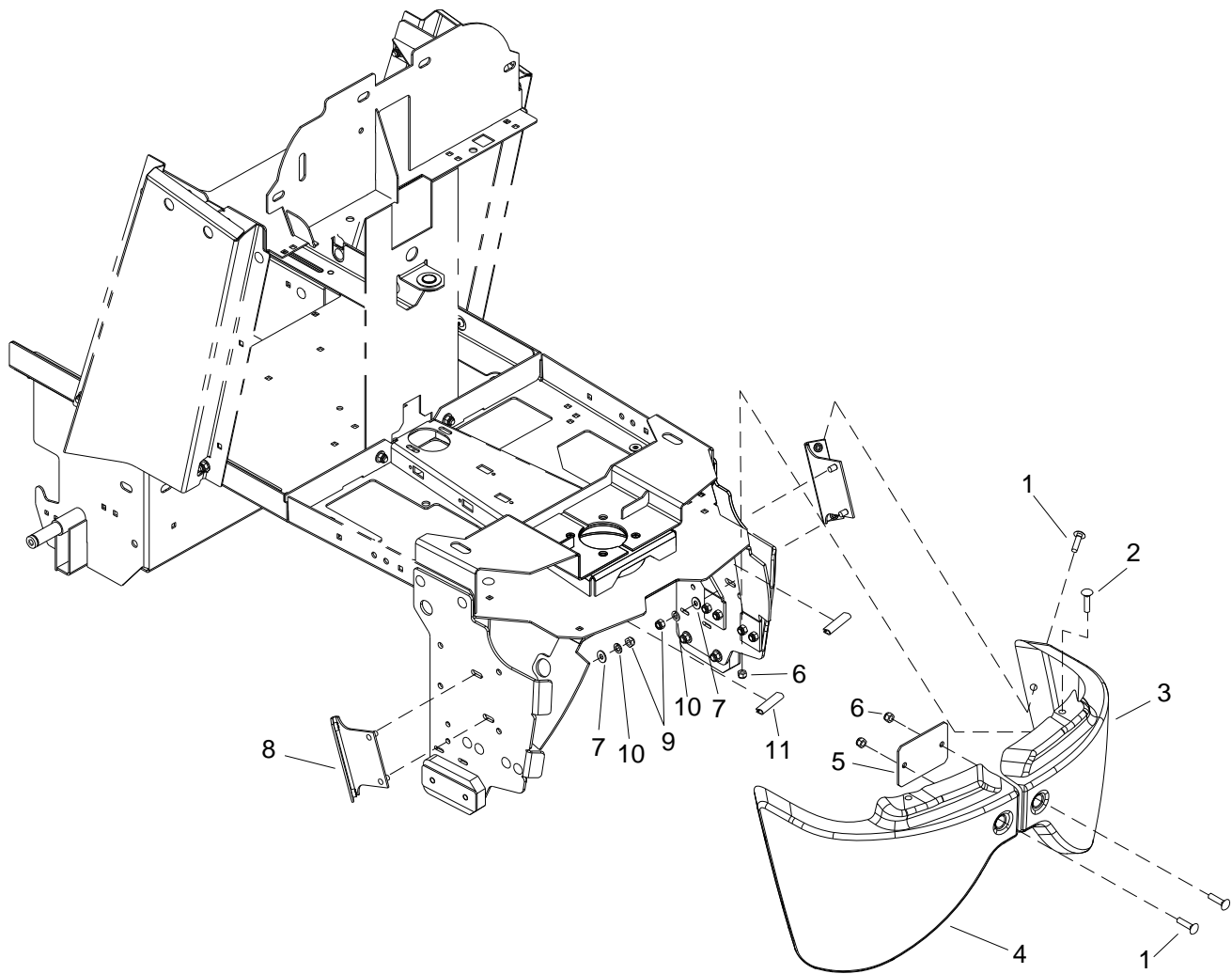
REF	PART NO.	QTY	DESCRIPTION	SERIAL NO. FROM	NOTES
1	86348720	1	BRACKET, CABLE MOUNT		
2	86345980	1	BRACKET, SIDE PANEL SPRNG MNT		
3	86276070	4	SCR, 5/16-18 X 3/4 CARRIAGE SS		
4	86270830	8	NUT, 5/16-18 HEX NYLOCK SS		
5	86270330	2	FLATWASHER, 1/4		
6	86270310	2	EYEBOLT, 1/4-20 X 1.5		
7	86010670	8	WASHER, 5/16 X 3/4 SS		
8	86005680	2	NUT, 1/4-20 HEX NYLOCK		
9	86277130	4	SCR, 5/16-18X1.00 CARRIAGE SS		
10	86271840	1	NUT, 5/16-18 HEX NYLOCK THIN SS	(6*)	
11	86346000	2	SPRING, EXT, 1.0 OD X 8.5L		
12	86345930	1	BRKT, BRUSH DECK SPRING MNT		
13	86278240	1	SHOULDER BOLT, 3/8 OD X 5/8 LDL	(6*)	

* See Serial Number Page

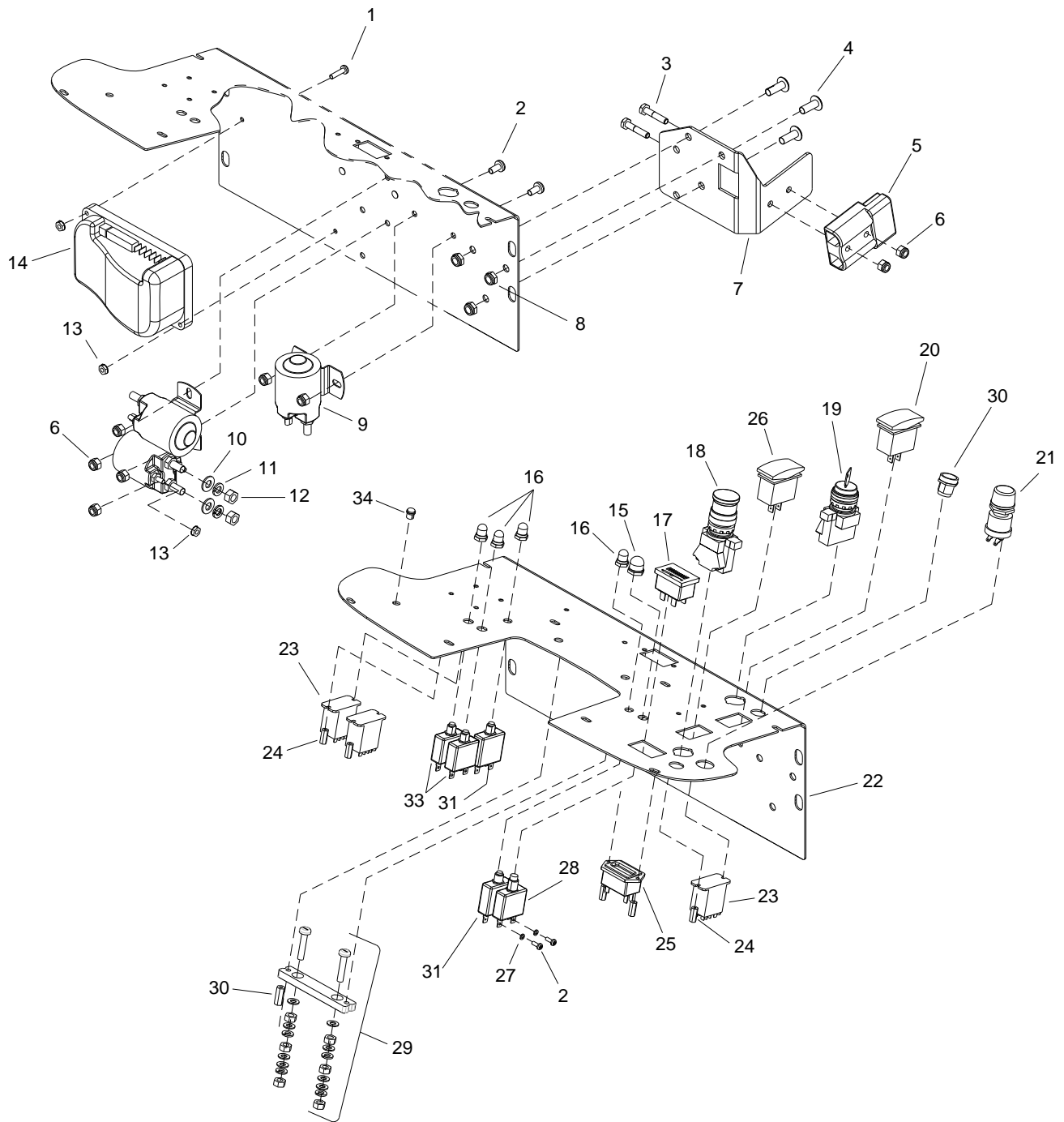


REF	PART NO.	QTY	DESCRIPTION	SERIAL NO. FROM	NOTES
1	86238350	1	GRIP, 3/16 X 1.00 BLUE		
2	86076610	1	HANDLE, SQUEEGEE LIFT		
3	86257170	1	SWITCH, DPDT, SNAP ACTION		
4	86250240	1	PLUNGER, SWITCH, OVERTRAVEL		
5	86009560	1	PIN, CLEVIS 1/4 X .63 PLTD		
6	86271660	2	NUT, 4-40 HEX NYLOCK		
7	86007020	1	SCR, 5/16-18 X 1.25 HHCS SS NP		
8	86392010	1	CABLE, 3/32 X 38 SS, THM X CLV	(6*)	
9	86270830	8	NUT, 5/16-18 HEX NYLOCK SS		
10	86231760	1	CABLE ASM, SQUEEGEE TC		
11	86223370	4	PULLEY, PLASTIC 3.0 DIA.		
12	86073600	1	BRKT, PULLEY RETAINER, SINGLE		
13	86231150	5	BUSHING FLANGE, .314 ID X.502 OD		
14	86010670	6	WASHER, 5/16 FLAT SS		
15	86083500	1	PLATE, PULLEY RETAINER, CORNER		
16	86083490	1	PLATE, PULLEY MOUNT, CORNER		
17	86276760	4	SCR, 5/16-18 X 1.25 BSHCS SS		
18	86066130	1	ASM, HANDLE RETAINER		
19	86091820	1	BRKT, SIDE CHANNEL R		
20	86271840	2	NUT, 5/16-18 HEX NYLOCK THIN SS		
21	86274720	1	SCREW 5/16-18 X 1.50 HHCS SS		
22	86083440	1	PLATE, PULLEY MOUNTING, CENTER		
23	86277460	1	SCR, 5/16-18 X 5/8 BSHCS SS		
24	86259420	2	WASHER, THRUST .51 ID X 1 OD BRO		
25	86276010	2	SCR, 4-40 X 1.0 PPHMS		
26	86279450	2	WASHER, #6 FLAT SAE PLTD		
27	86254280	1	SPACER, 1.00 OD X .32 ID X .375		
28	86277130	1	SCR, 5/16-18 X 1.00 CARRIAGE SS		
29	86279630	1	WASHER, 5/16 X 1.13 X .09 FLT		

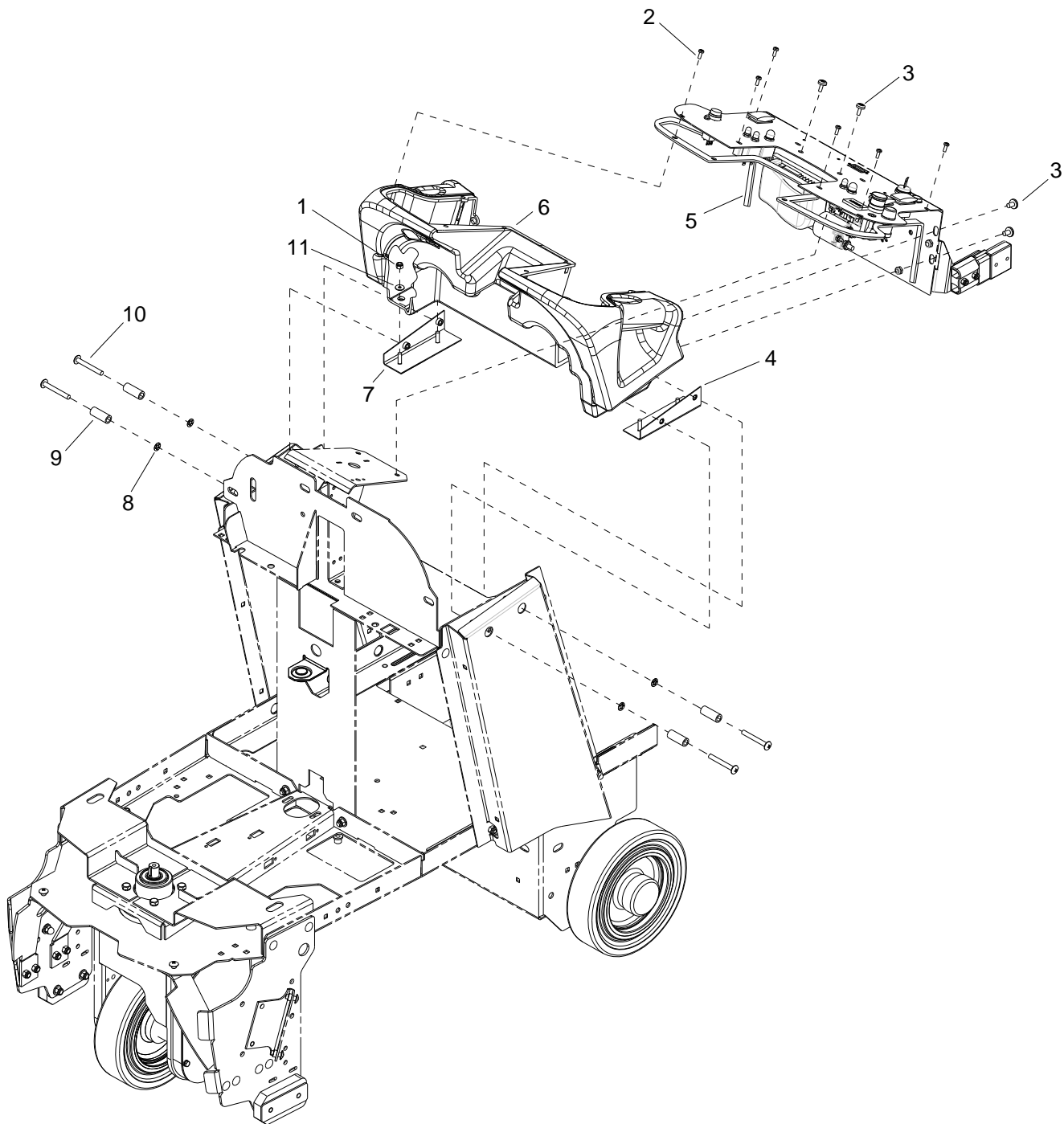
* See Serial Number Page



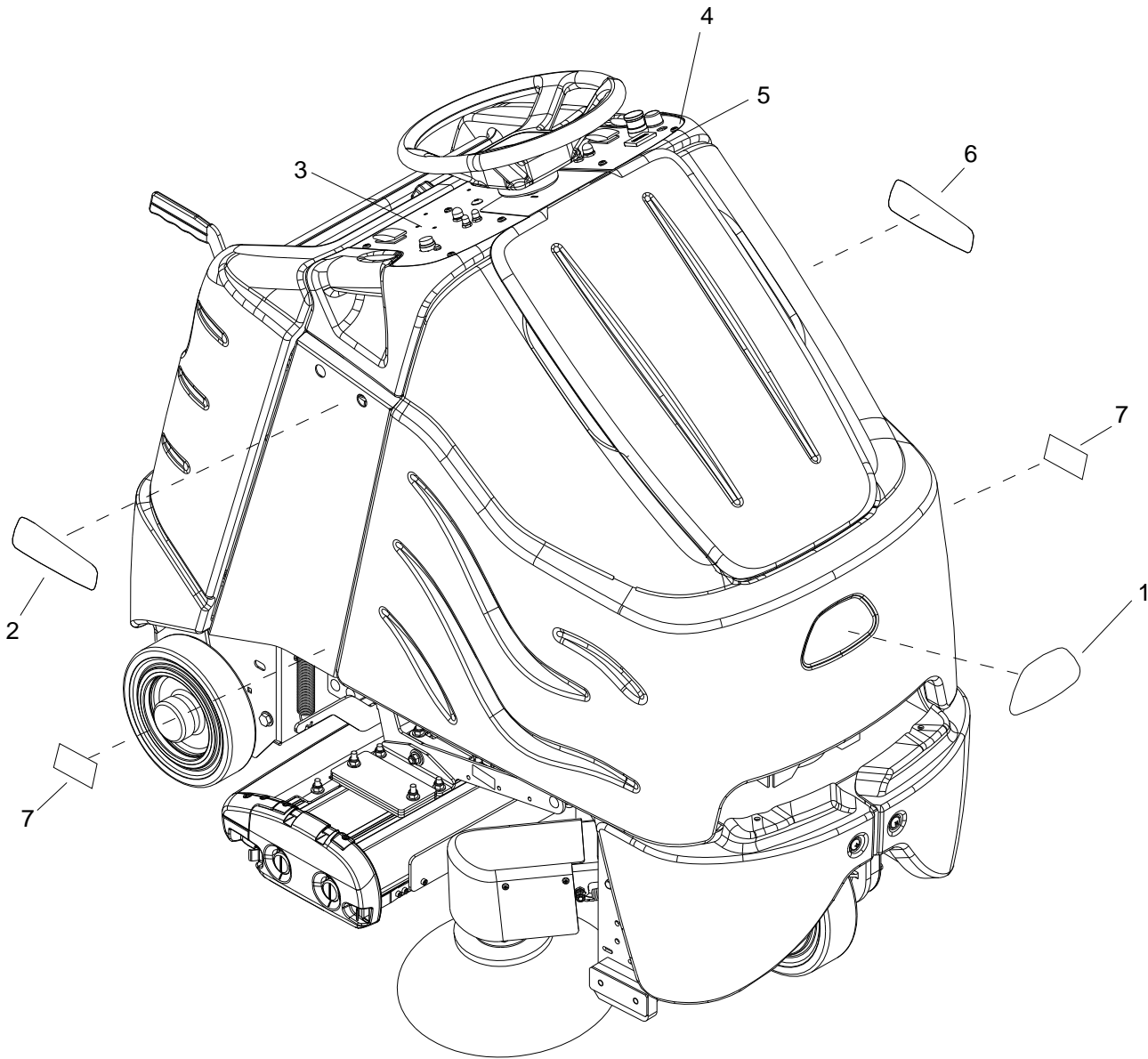
REF	PART NO.	QTY	DESCRIPTION	SERIAL NO. FROM	NOTES
1	86276890	6	SCR, 5/16-18X3/4 PTHMS SS		
2	86007070	2	SCR, 5/16-18 X 1.00 PPHMS SS		
3	86063230	1	BUMPER, LEFT		
4	86063240	1	BUMPER, RIGHT		
5	86071020	1	BRKT, FRONT BUMPER		
6	86270830	4	NUT, 5/16-18 HEX NYLOCK SS		
7	86010670	4	WASHER, 5/16 FLAT SS		
8	86070730	2	BRKT, BUMPER MOUNT, SIDE		
9	86197040	4	NUT, 5/16-18 HEX ACORN PLTD		
10	86279130	4	WASHER, 5/16 SPLIT LOCK PLTD		
11	86251750	2	RISER, BUMPER		



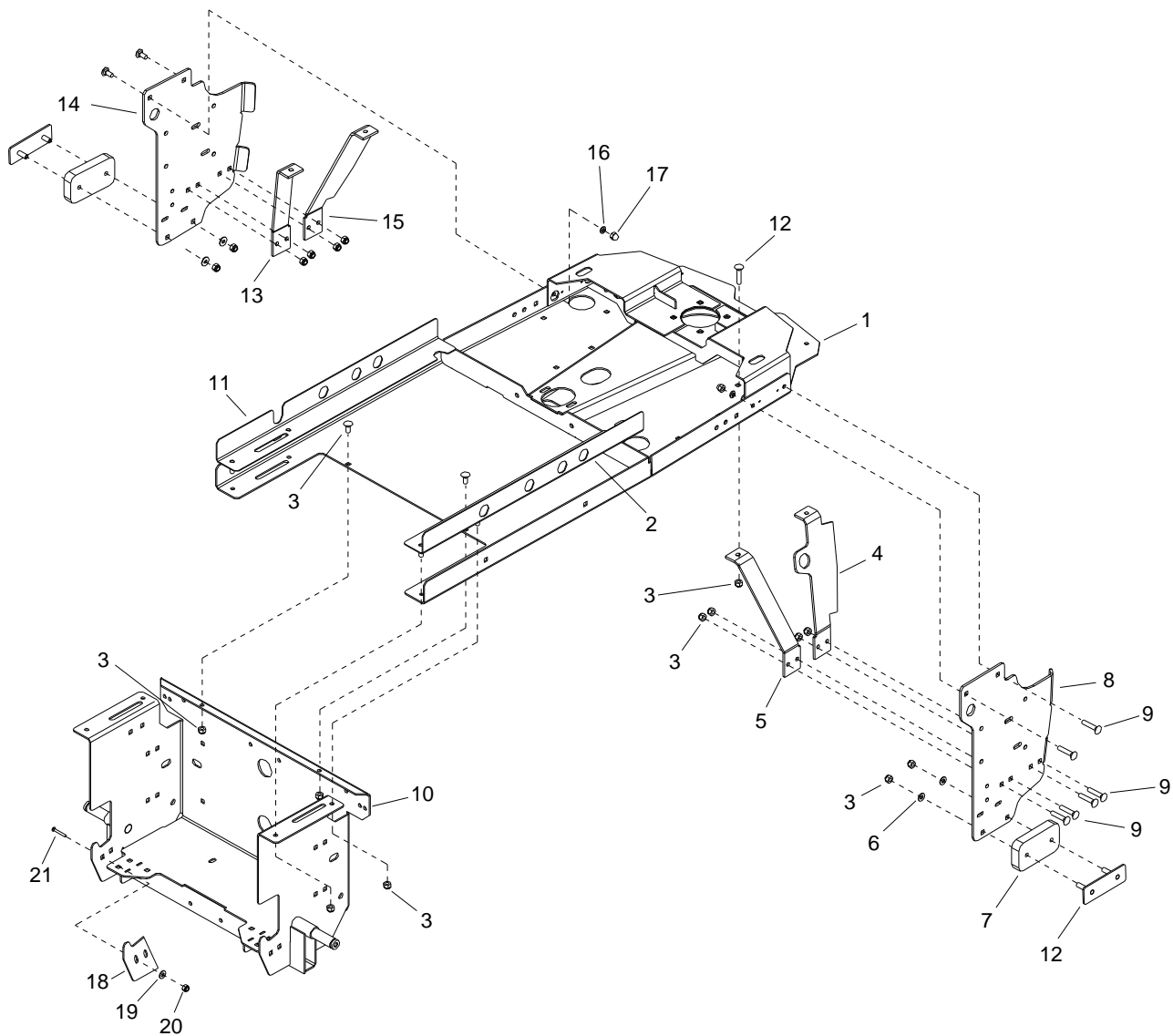
REF	PART NO.	QTY	DESCRIPTION	SERIAL NO. FROM	NOTES
1	86273980	2	SCR, 10-32 X 3/4 PPHMS SS		
2	86223740	6	SCR, 1/4-20 X .59 PPHMS SSC		
3	86273820	2	SCR, 1/4-20 X 1.25 HHCS SS		
4	86277480	3	SCR, 5/16-18 X 1/2 PTHMS SS		
5	86008760	1	CONN, 175 DCA GRY W/O TERMS		
6	86005810	8	NUT, 1/4-20 HEX NYLOCK SS		
7	86070720	1	BRKT, BATT CONN BASIC		
8	86271840	3	NUT, 5/16-18 HEX NYLOCK THIN SS		
9	86006370	3	RELAY, 36VDC 100 AMP HVY DUTY		
10	86010670	6	WASHER, 5/16 FLAT SS		
11	86279130	6	WASHER, 5/16 SPLIT LOCK PLTD		
12	86271120	6	NUT, 5/16-18 BRASS		
13	86005700	5	NUT, 10-32 W/STAR WASHER PLTD		
14	86027740	1	CONTROLLER, GEAR BASIC		
15	86008900	1	BOOT, SEAL-PUSH BUTTON 7/16-28		
16	86002010	4	BOOT, 3/8 CIRCUIT BREAKER		
17	86005560	1	METER, 36V LED BATTERY		
18	86007180	1	SWITCH, EMERGENCY STOP		
19	86007190	1	SWITCH KEY DPST		
20	86007130	1	SWITCH, DPDT 2-POSITION ROCKER		
21	86257280	1	SWITCH, PUSH BUTTON		
22	86078180	1	PANEL, VACUUM		
23	86251410	3	RELAY, 15A 36V MINI		
24	86255900	10	STANDOFF, 6-32 X 5/8 HEX NYL		
25	86005530	1	METER, 12-48 VDC LED HOUR		
26	86257110	1	SWITCH, 4P3T FIXED POS ROCKER		
27	86279300	2	WASHER, #6 LOCK		
28	86001910	1	BREAKER, 30A 50VDC CIRCUIT		
29	86229770	1	BLOCK, SHUNT MOUNT		
30	86257140	1	SWITCH ASM, SEALED PB RND GRN		
31	86002000	2	BREAKER, 3 AMP 1681-090-300		
32	86250210	1	PLUG, DOME .375		
33	86230080	2	BREAKER, 22A 250VAC, 50VDC		
34	86246630	1	LIGHT, INDICATOR, RED		



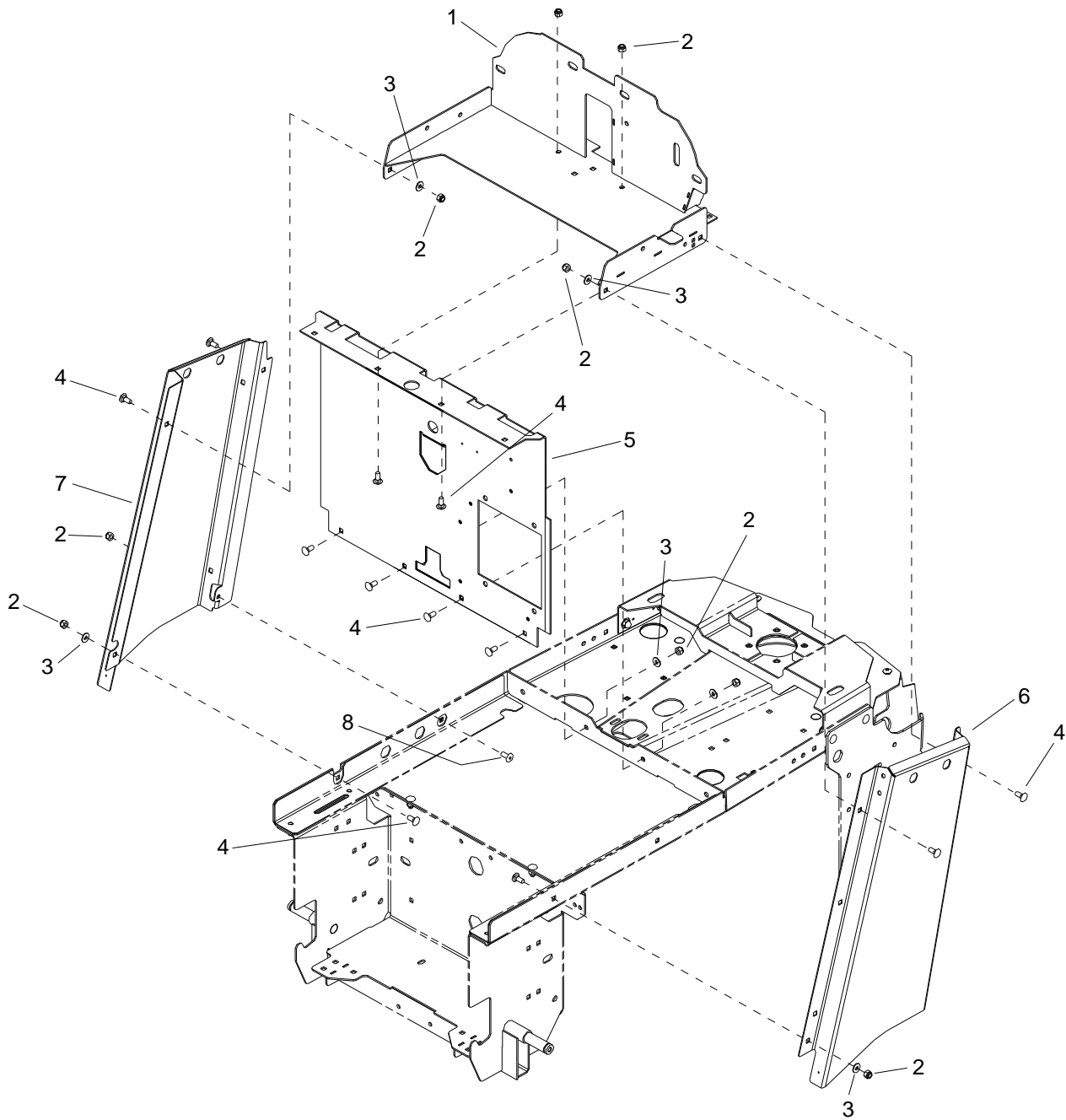
REF	PART NO.	QTY	DESCRIPTION	SERIAL NO. FROM	NOTES:
1	86005810	4	NUT, 1/4-20 HEX NYLOCK SS		
2	86290540	6	SCR, 10-32 X 1/2 TORX SS BLK NP		
3	86277480	6	SCR, 5/16-18 X1/2 PTHMS SS		
4	86070710	1	BRKT, LEFT CONSOLE MOUNT		
5	86237900	3	GASKET, .125T X .25W X 23L		
6	86062220	1	CONSOLE, BURNISHER		
7	86070700	1	BRKT, RIGHT CONSOLE MOUNT		
8	86279750	4	WASHER, RET, PUSHNUT, 5/16 BOLT		
9	86089650	4	TUBE, 5/8 OD X .357 ID X 1.57		
10	86277420	4	SCR, 5/16-18 X 2.5 PTHMS SS		
11	86010630	4	WASHER, 1/4 ID X 5/8 OD SS		



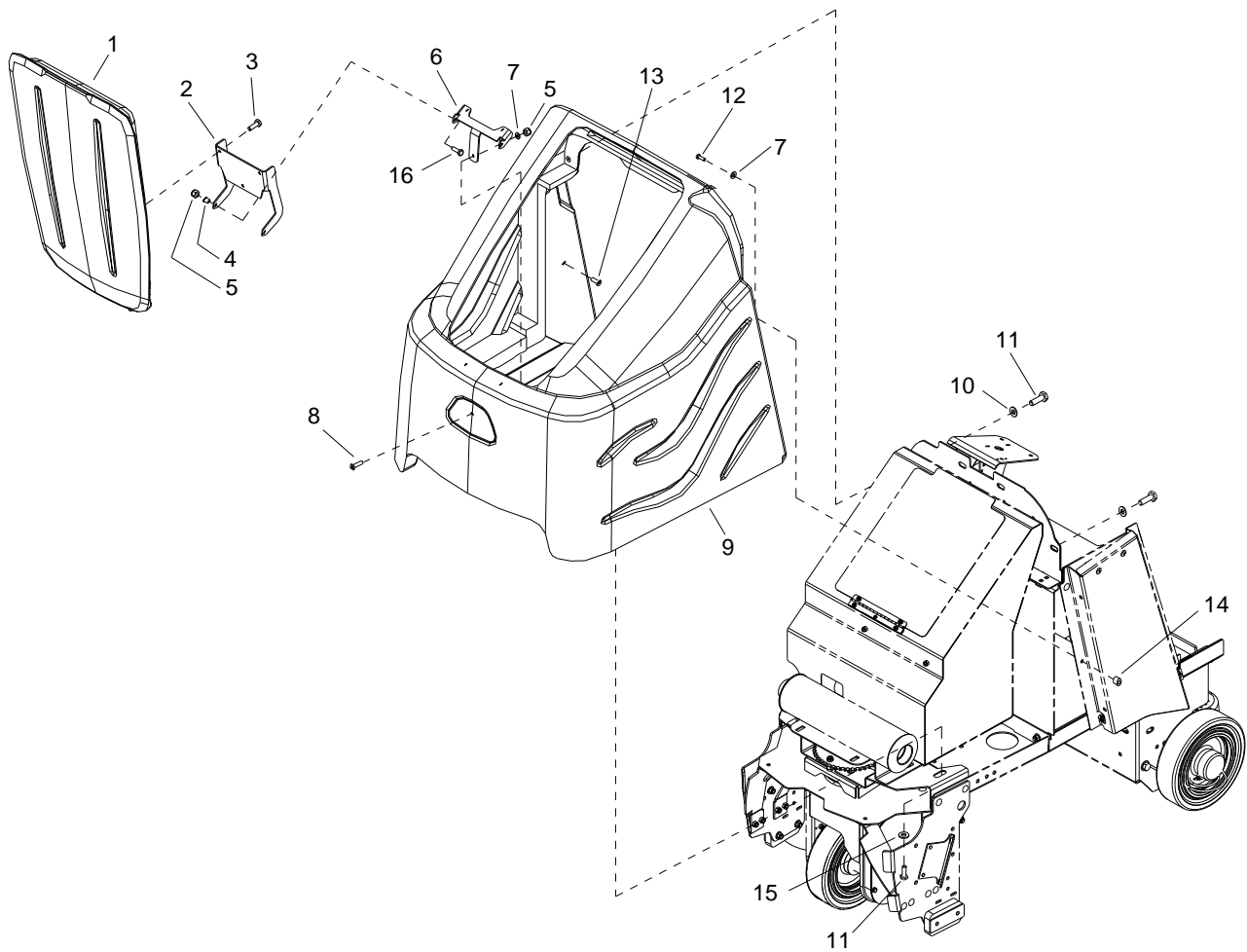
REF	PART NO.	QTY	DESCRIPTION	SERIAL NO. FROM	NOTES
1	86004970	1	LABEL, WINDSOR LOGO DOMED		
2	86346620	1	LABEL, CHAR, IVAC 34, RIGHT		
3	86244360	1	LABEL, PANEL R VAC		
4	86244190	1	LABEL, PANEL BASIC LEFT		
5	86243990	1	LABEL, COVER PANEL		
6	86346610	1	LABEL, CHAR, IVAC 34 LEFT		
7	86334860	2	LABEL, HEPA FILTRATION		



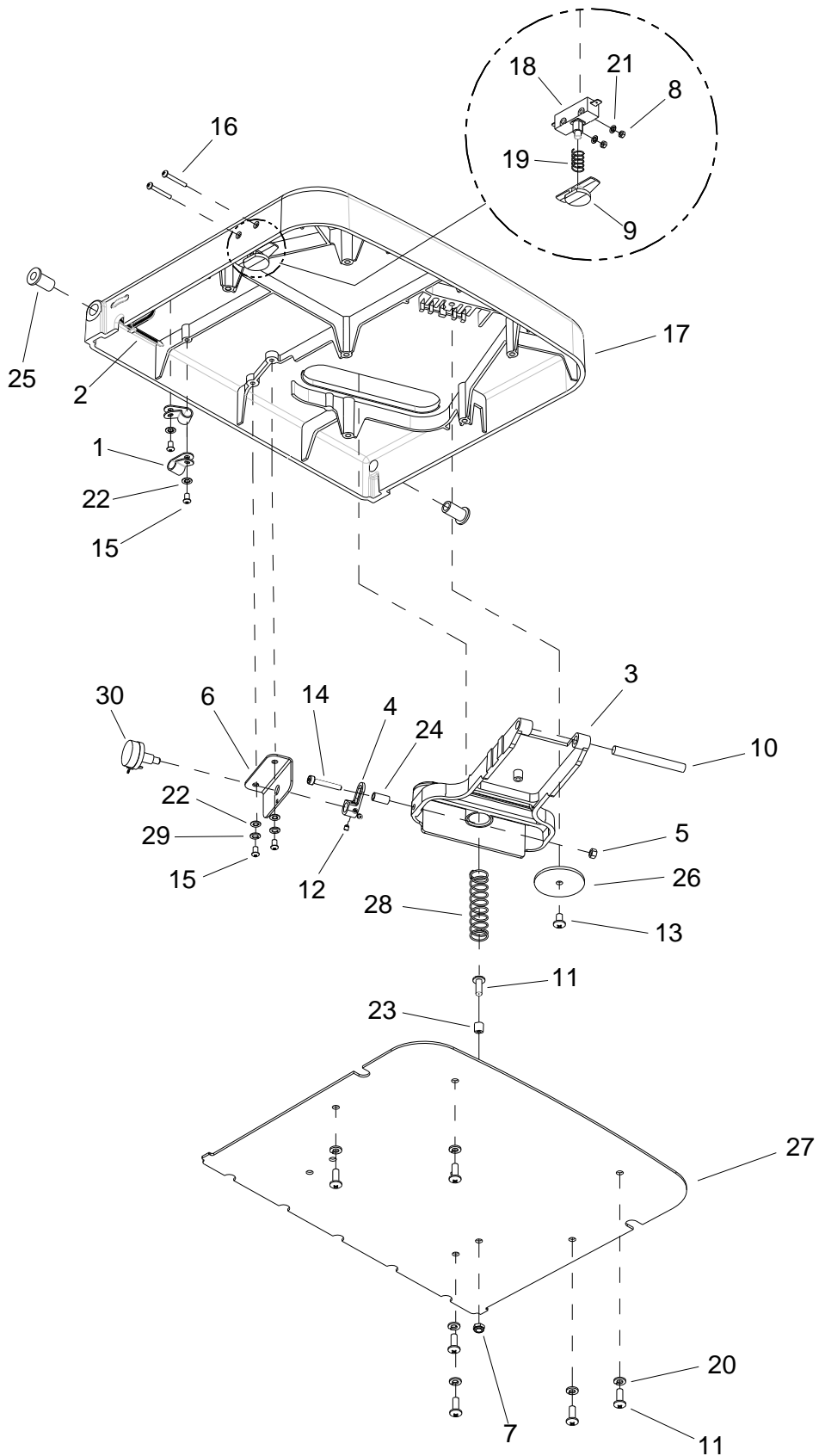
REF	PART NO.	QTY	DESCRIPTION	SERIAL NO. FROM	NOTES
1	86092510	1	FRAME, MAIN ASM		
2	86088760	1	TRAY, SLIDE, RIGHT		
3	86270830	18	NUT, 5/16-18 HEX NYLOCK SS		
4	86071430	1	BRKT, BRACE, RGT FRONT		
5	86071120	1	BRKT, TIP BRACE, RIGHT, REAR		
6	86010670	4	WASHER, 5/16 FLAT SS		
7	86064300	2	PAD, TIPPING BAR		
8	86070740	1	BRKT, LINKAGE, RIGHT		
9	86276070	16	SCR, 5/16-18 X 3/4 CARRIAGE SS		
10	86091420	1	AXLE, REAR WELDMENT		
11	86088750	1	TRAY, SLIDE, LEFT		
12	86079320	2	PLATE, PAD RETAINER		
13	86071130	1	BRKT, TIP BRACE, LEFT, REAR		
14	86070750	1	BRKT, LINKAGE, LEFT		
15	86070760	1	BRKT, BRACE, LEFT FRONT		
16	86279130	4	WASHER, 5/16 SPLIT LOCK PLTD		
17	86197040	4	NUT, 5/16-18 HEX ACORN PLTD		
18	86079290	2	PLATE, REAR COVER ADJ.		
19	86010630	4	WASHER, 1/4 ID X 5/8 OD SS		
20	86271870	4	NUT, 1/4-20 HEX NYLOCK THIN SS		
21	86276950	4	SCR, 1/4-20 X 3/4 CARRIAGE SS		



REF	PART NO.	QTY	DESCRIPTION	SERIAL NO. FROM	NOTES
1	86071360	1	BRKT, HORIZ ELECT, BURNISHER		
2	86270830	13	NUT, 5/16-18 HEX NYLOCK SS		
3	86010670	12	WASHER, 5/16 FLAT SS		
4	86276070	12	SCR, 5/16 X 3/4 CARRIAGE SS		
5	86078620	1	BRKT, VERTICAL SUPPORT		
6	86091820	1	BRKT, SIDE CHANNEL R		
7	86073500	1	BRKT, SIDE CHANNEL L		
8	86277460	1	SCR, 5/16-18 X 5/8 BSHCS SS		



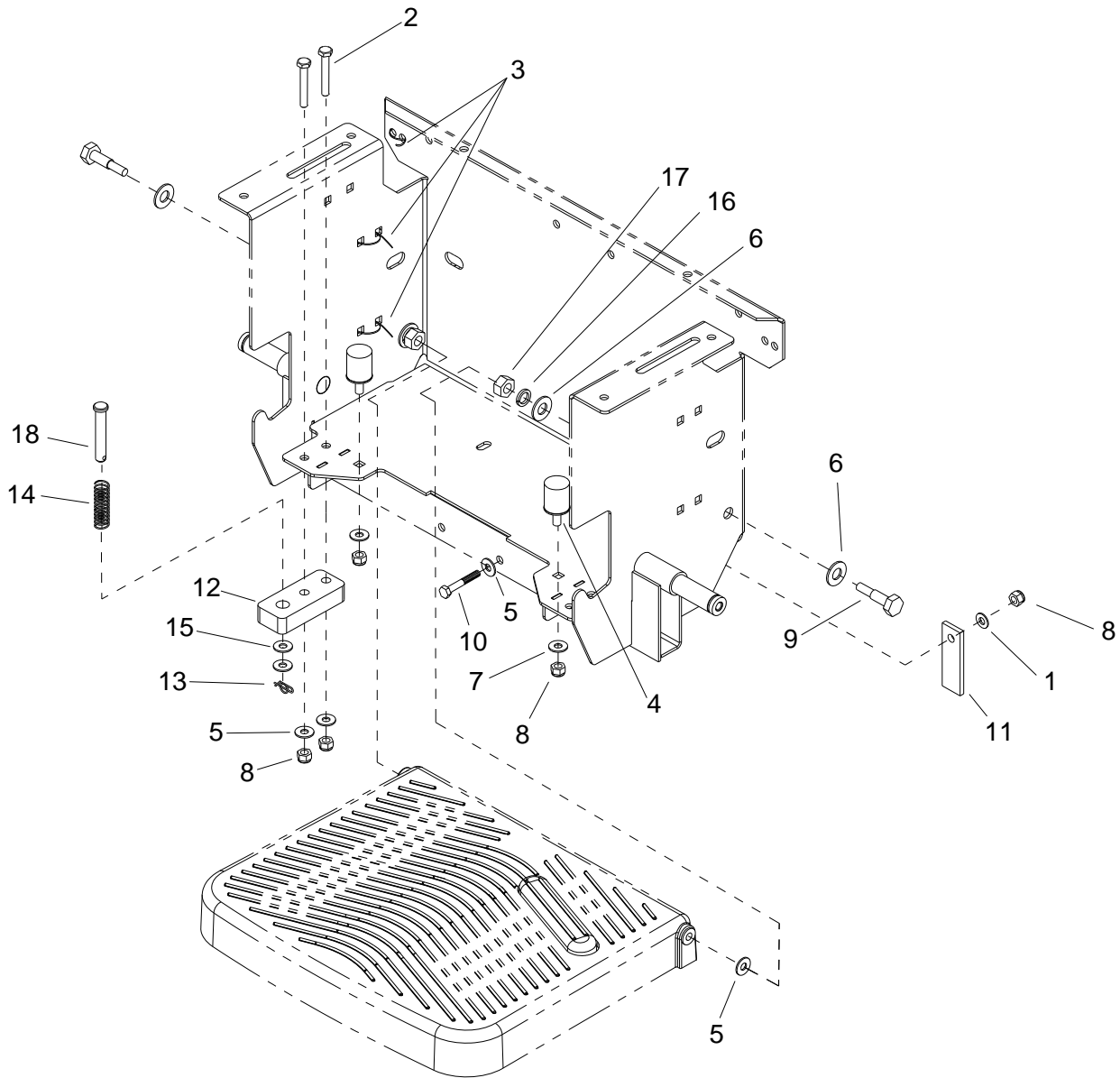
REF	PART NO.	QTY	DESCRIPTION	SERIAL NO. FROM	NOTES
1	86293630	1	LID, VACUUM		
2	86076720	1	HINGE, LID		
3	86273830	3	SCR, 1/4-20 X 1/2 HHCS SS NP		
4	86226370	2	BUSH, BRZ FLG .25 X .38 X .38		
5	86005810	2	NUT, 1/4-20 HEX NYLOCK SS		
6	86076710	1	HINGE, TANK		
7	86010630	5	WASHER, 1/4 ID X 5/8 OD SS		
8	86006840	3	SCR, 1/4-20 X 1 FHCS PLTD		
9	86032920	1	TANK, VACUUM BODY COVER		
10	86279630	4	WASHER, .344 ID X 1.13 OD X .09 T PLT		
11	86006760	6	SCR, 5/16-18 X 3/4 HHCS GR5 PLTDL		
12	86273820	2	SCR, 1/4-20 X 1.25 HHCS SS		
13	86250250	2	PLUSNUT, 1/4-20 FLATHEAD		
14	86254280	2	SPACER, 1.00 OD X .32 ID X .375		
15	86279630	2	WASHER, .344 ID X 1.13 OD X .09 T PLT		
16	86273780	2	SCR, 1/4-20 X 3/4 HHCS SS NP		



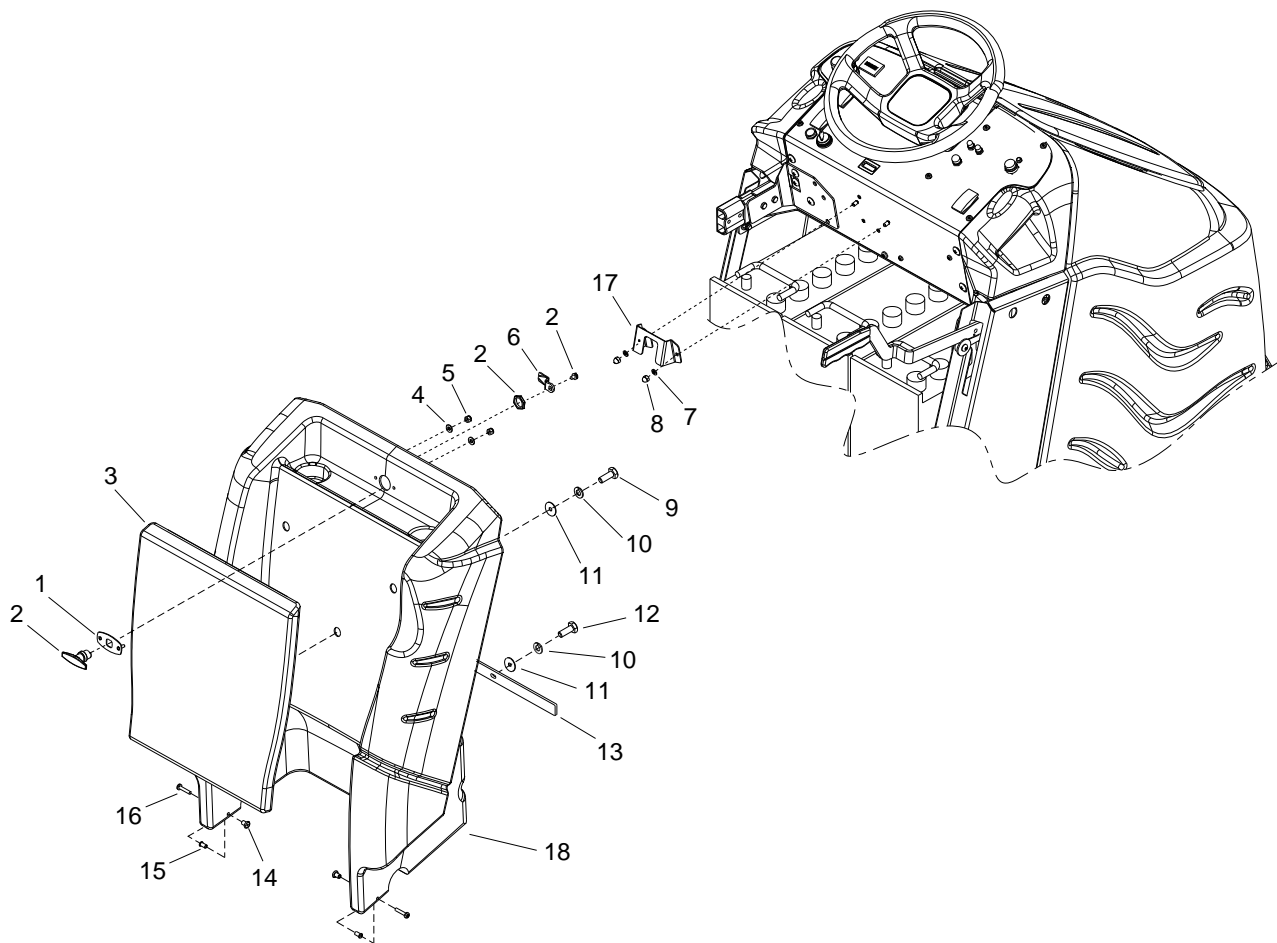
REF	PART NO.	QTY	DESCRIPTION	SERIAL NO.FROM	NOTES
1	86233170	2	CLAMP, 3/8 NYLON UL/CSA		
2	86264920	1	CABLE TIE, .19 X 7 UL/CSA		
3	86222510	1	PEDAL, THROTTLE		
4	86221850	1	LINK, THROTTLE		
5	86136310	1	NUT, M5 HEX		
6	86312820	1	BRACKET, POT, SPEED		
7	86288720	1	NUT, M6 NYLOCK PLATED		
8	86272040	2	NUT, M3.5 X 2.8 HEX		
9	86223260	1	PLUNGER, PLATFORM SWITCH		
10	86223580	1	ROD, PIVOT, 8.5MM X 77		
11	86274340	7	SCR, M6 X 16 PH		
12	86278060	2	SET SCR, M4 X 4MM NP		
13	86277360	1	SCR, M6 X 10 PH		
14	86277370	1	SCR, M5 X 30 SHCS		
15	86277380	4	SCR, M4.8 X 16 PHTF		
16	86277390	2	SCR, M3.5 X 38 PH		
17	86312770	1	PLATFORM		
18	86007110	1	SWITCH, 25A SPST 125-250V SNAP		
19	86224750	1	SPRING, COMP, .48OD X .91L		
20	86279140	6	WASHER, M6 SPLIT LOCK DIN127B		
21	86279720	2	WASHER, M4 INT STAR		
22	86279730	4	WASHER, M5 INT STAR		
23	86224360	1	SPACER 12.7MMOD X 2.78W X 6L		
24	86224350	1	SPACER, 8MM X 16LG		
25	86333280	2	BUSHING, 8MM X 10 LG SS		
26	86222780	1	PLATE, PIVOT		
27	86222810	1	PLATE, COVER		
28	86254970	1	SPRING, COMP 18MM OD X 83 X 2		
29	86137300	2	WASHER, M5 SPLIT LOCK PLTD		
30	86250280	1	POTENTIOMETER 5K OHMS		

NOTE: Complete platform assembly is available, Part No. 86028310.

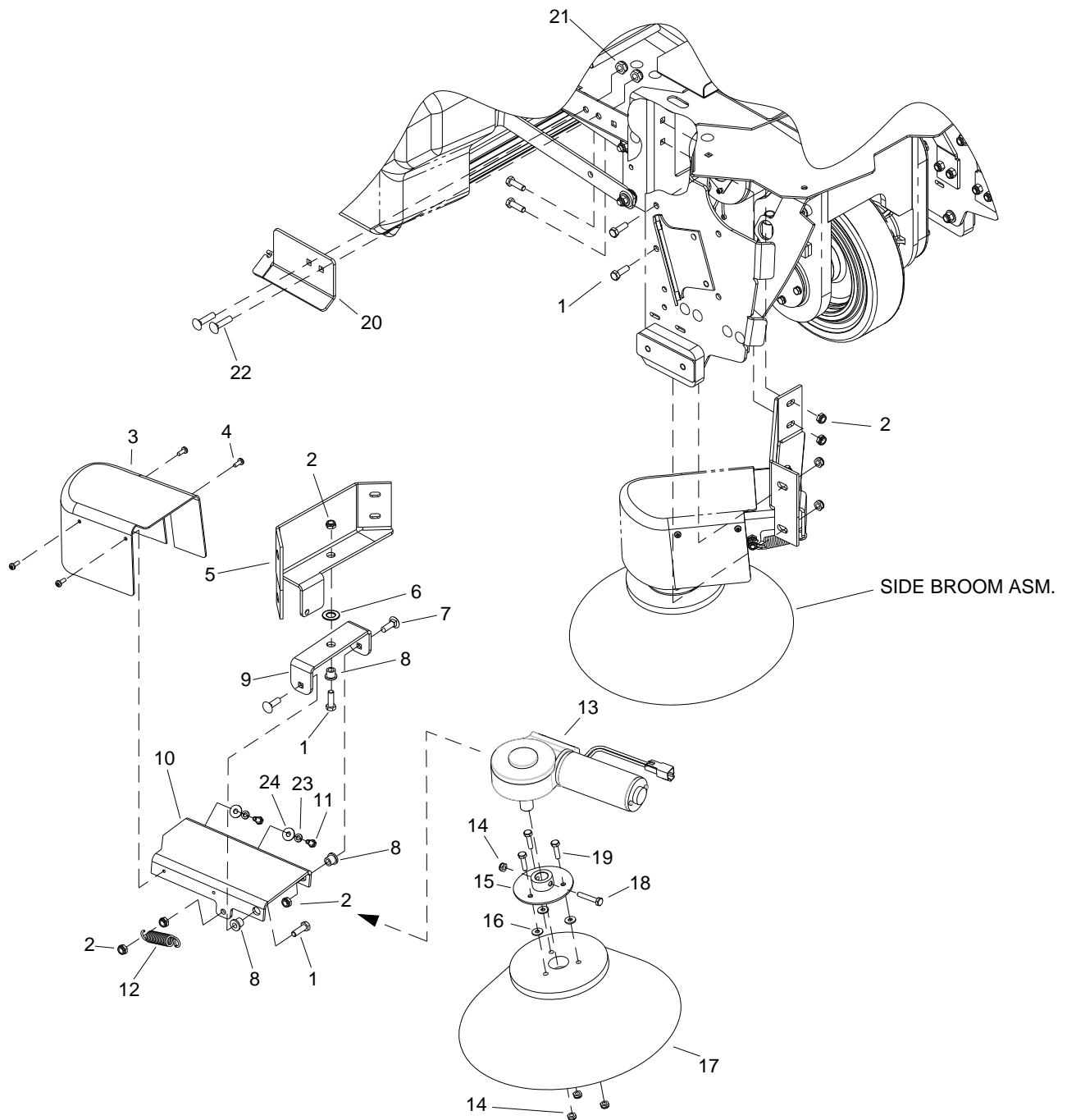
Pedal Platform Mounting



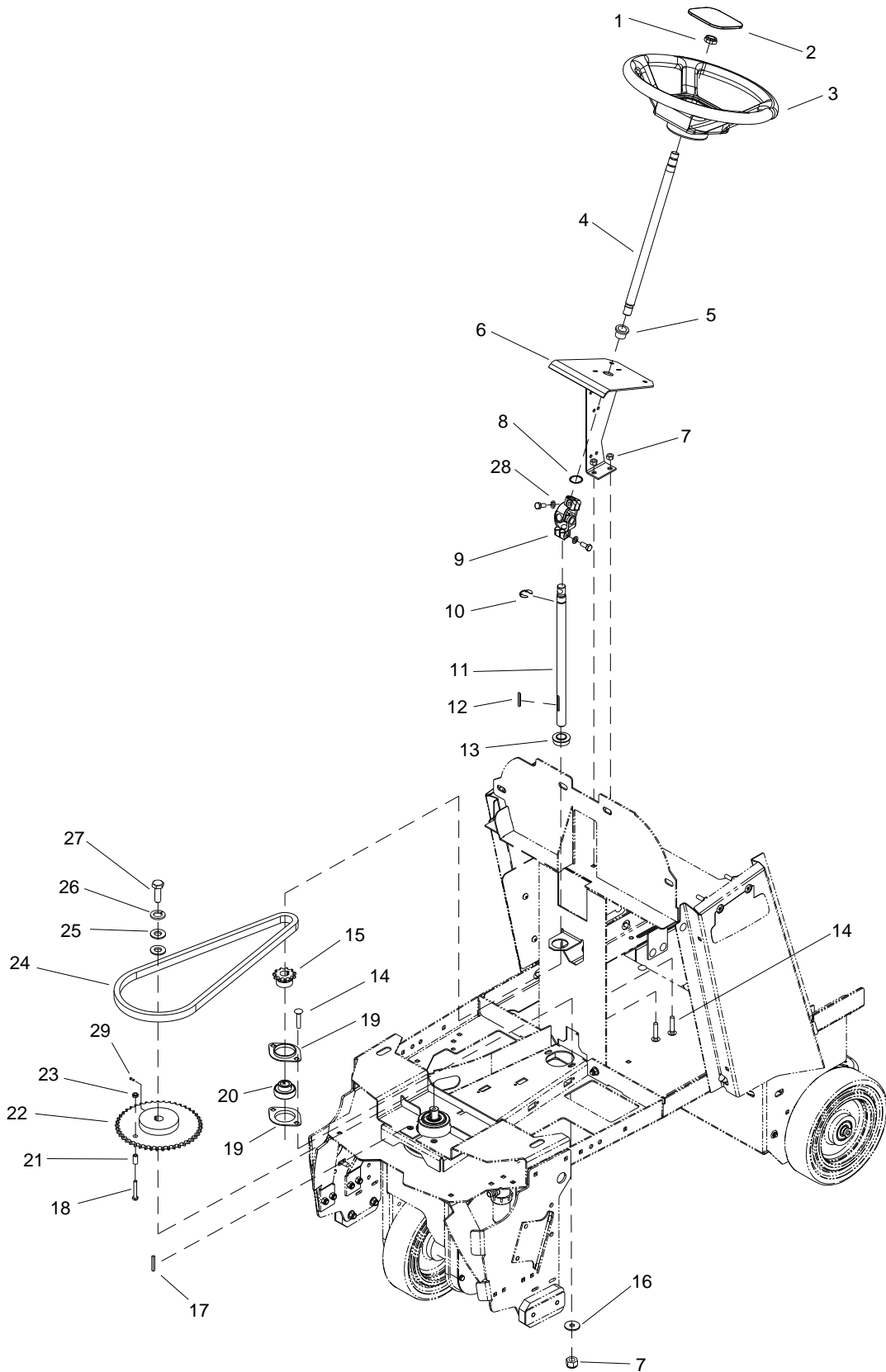
REF	PART NO.	QTY	DESCRIPTION	SERIAL NO. FROM	NOTES:
1	86279630	1	WASHER, .344ID X 1.13 OD X .09T PLT		
2	86274690	2	SCR, 5/16-18 X 1.5 HHCS GR5PLT		
3	86264920	3	CABLE TIE, 7" UL/CSA		
4	86231070	2	BUMPER, 1 X 1.375 RUBBER		
5	86010670	5	WASHER, 5/16 FLAT SS		
6	86259430	4	M12 FLAT WASHER		
7	86010770	2	WASHER, 7/16ID X1D.08 FLT SS		
8	86270830	5	NUT, 5/16-18 HEX NYLOCK SS		
9	86256470	2	STUB AXLE, M12-1.75 X 45MM		
10	86276980	1	SCR, 5/16 X 2 HHCS SS		
11	86256130	1	STRAP, STATIC, .2T X 1W X 3L		
12	86064480	1	PLATE, SWITCH BASE		
13	86008680	1	COTTER, 1/2" RING		
14	86007780	1	SPRING, COMP .60D X2.0L X .045W		
15	86278850	2	WASHER, .506 ID X .94D X .064 NYL		
16	86259440	2	WASHER, M12 SPRING LOCK		
17	86271190	2	NUT, M12 X 1.75 HEX DIN934 PLT		
18	86248920	1	PIN, CLEVIS 1/2 X 2.25		



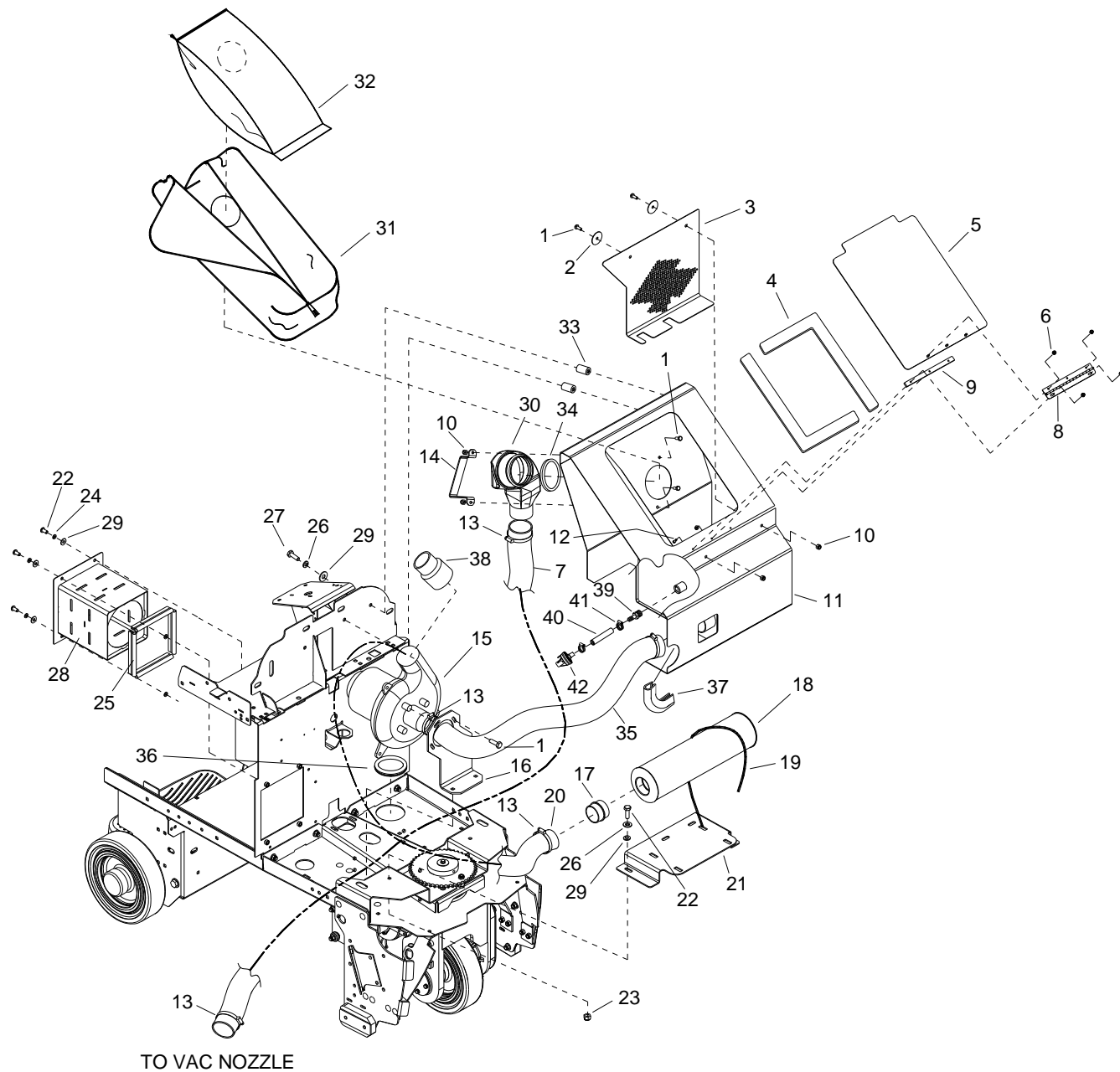
REF	PART NO.	QTY	DESCRIPTION	SERIAL NO. FROM	NOTES:
1	86324760	1	PLATE, COVER LATCH		
2	86324640	1	HANDLE, CAM LATCH		
3	86248280	1	PAD FLAT LEANING		
4	86010630	2	WASHER 1/4 ID X 5/8 OD SS		
5	86005810	2	NUT 1/4-20 HEX NYLOCK SS		
6	86324650	1	PAWL, HANDLE		
7	86010780	2	WASHER 1/4 SPLIT LOCK PLTD		
8	86271940	2	NUT, 1/4-20 ACORN SS		
9	86276780	3	SCR, 5/16-18 X 3/4 HHCS SS		
10	86279130	5	WASHER 5/16 SPLIT LOCK PLTD		
11	86010670	5	WASHER 5/16 FLAT SS		
12	86006560	2	SCREW 5/16-18 X 1 HHCS SS NP		
13	86066940	1	BAR, COVER		
14	86005860	2	NUT 1/4-20 X 12MM HEX BARREL		
15	86228980	2	BEARING FLANGED .377ID X .505OD		
16	86275870	2	SCR, 1/4-20 X 1.5" PPHMS SS		
17	86324340	1	BRKT, REAR COVER LATCH		
18	86324320	1	COVER REAR DELUXE		



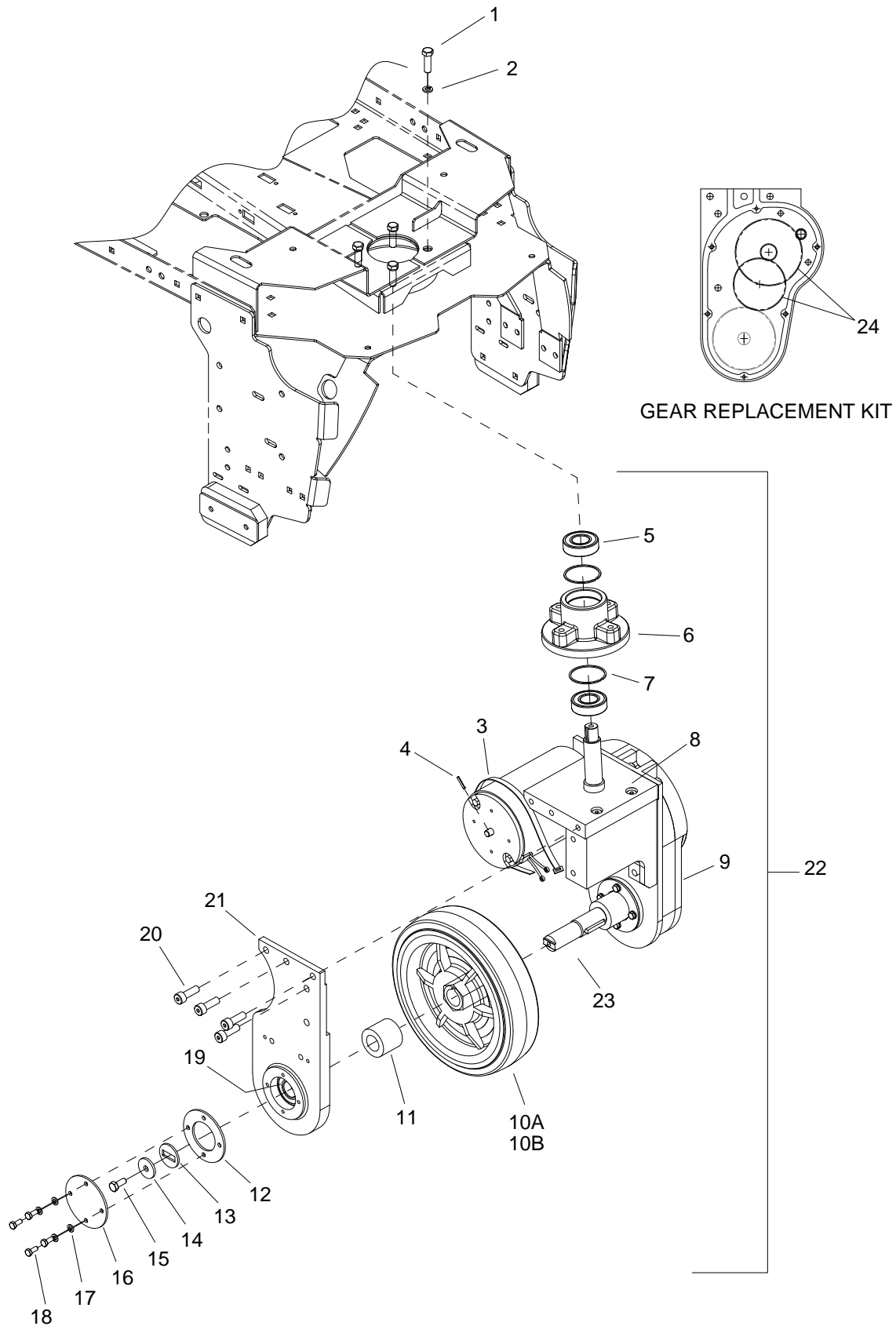
REF	PART NO.	QTY	DESCRIPTION	SERIAL NO. FROM	NOTES:
1	86006560	7	SCR, 5/16-18 X 1 HHCS SS		
2	86271840	9	NUT, 5/16 -18 HEX NYLOCK THIN SS		
3	86062570	1	COVER, SIDE BROOM		
4	86274350	4	SCR, 10-24 X 1/2 PHTC -F-		
5	86068350	1	BRACKET, MOUNT, SIDE BRUSH		
6	86259410	1	WASHER, THRUST .51 ID X 1 OD X .063		
7	86277130	2	SCR, 5/16-18 X 1.00 CARRIAGE SS		
8	86228840	3	BEARING, FLANGED .314 ID X .502 OD		
9	86088500	1	BRACKET, SWIVEL, SIDE BRUSH		
10	86323530	1	ARM, MOUNTING, SIDE BRUSH		
11	86274700	2	SCR, M6 X 1 X 16MM HHCS PLT		
12	86226830	1	SPRING, EXT .68D X 3.00 L X .098W		
13	86322470	1	MOTOR, 36VDC, 90 DEG. 1/16 HP		
-	86332020	-	BRUSH SET FOR CIM MOTOR 8.632-247.0		
14	86271870	4	NUT, 1/4-20 HEX NYLOCK THIN SS		
15	86094090	1	SHAFT, COLLAR ASSEMBLY PLATE		
16	86010630	3	WASHER, 1/4 ID X 5/8 OD SS		
17	86230600	1	BRUSH, 13", NYLON BLACK, SIDE		
18	86273740	1	SCR, 1/4-20 X 1.5 HHCS SS		
19	86273810	3	SCR, 1/4-20 X 1 HHCS SS		
20	86073530	1	BRKT, SIDE BROOM, CABLE MNT		
21	86270830	2	NUT, 5/16-18 HEX NYLOCK SS		
22	86276070	2	SCR, 5/16-18 X 3/4 CARRIAGE SS		
23	86279140	2	WASHER, M6 SPLIT LOCK DIN127B		
24	86279070	2	WASHER, M6 FLAT		



REF	PART NO.	QTY	DESCRIPTION	SERIAL NO. FROM	NOTES:
1	86271610	1	NUT, 5/8-16 HEX NYLOCK THN		
2	86234810	1	COVER, STEERING WHEEL		
3	86259610	1	WHEEL, STEERING 40 SPLINE HUB		
4	86224050	1	SHAFT, UPPER STEERING		
5	86228790	1	BEARING, FLANGE .88ODX.75IDX.75		
6	86091740	1	BRKT, UPPER STEERING		
7	86270830	4	NUT, 5/16-18 HEX NYLOCK SS		
8	86005610	1	NUT, 7/8 DIA PUSHLOCK		
9	86219600	1	JOINT, UNIVERSAL FEMALE		
10	86272900	1	RING, 3/4" KLIP		
11	86224060	1	SHAFT, LOWER STEERING		
12	86219650	1	KEY, 5MM SQ X 39MM L		
13	86228670	1	BEARING, 3/4" BORE FLANGED		
14	86276070	4	SCR, 5/16-18 X 3/4 CARRIAGE SS		
15	86224800	1	SPROCKET, STEERING SHAFT		
16	86010670	2	WASHER, 5/16 FLAT SS		
17	86135970	1	KEY, 3/16 SQ X 5/8 LONG		
18	86275190	1	SCR, 3/8-16 X 1.25 HHCS SS		
19	86008610	2	FLANGE, BEARING PRESS STEEL		
20	86001030	1	BEARING, BALL 3/4 BORE SPHERED		
21	86224320	1	SPACER, .63 OD X .385ID X .64L		
22	86224810	1	SPROCKET, DRIVE WHEEL STEERING		
23	86005630	1	NUT, 3/8-16 HEX NYLOCK THIN SS		
24	86002750	1	CHAIN, ISO 08B, 12.7MM PITCH		
25	86278940	2	WASHER, 1/4 ID X 1-1/4OD PLT		
26	86010780	1	WASHER, 1/4 SPLIT LOCK PLTD		
27	86274330	1	SCR, M6 X 20HHMS PLTD		
28	86279130	2	WASHER, 5/16 SPLIT LOCK PLTD		
29	86253200	1	SET SCR, M6 X 25 NP		
-	86232780	-	CHAIN, MASTERLINK 12.7MM		

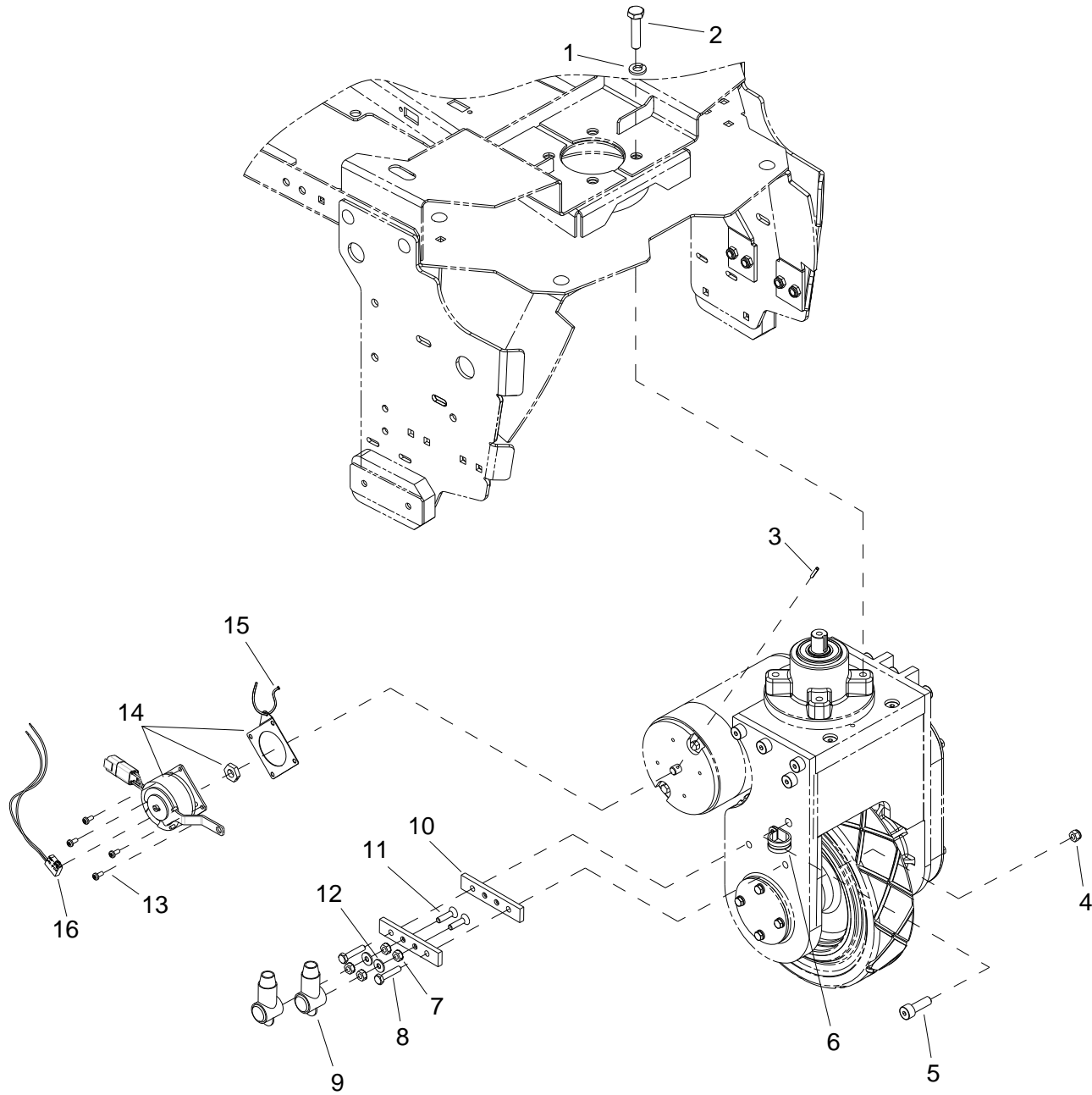


REF	PART NO.	PRV NO.	QTY	DESCRIPTION	SERIAL NO. FROM	NOTES:
1	86273780	70015	8	SCR, 1/4-20 X 3/4 HHCS SS NP		
2	86197220	87193	2	WASHER, 1/4 X 1.5 FENDER PLTD		
3	86086740	730397	1	SCREEN, VAC INTAKE		
4	86237960	35362	2	GASKET, VACUUM BOX LID		
5	86075570	51460	1	COVER, VAC BOX		
6	86272020	57313	5	NUT, 3-32 HEX THIN NYLOCK SS		
7	86240300	39718	1	HOSE, GRY VAC, 2.5 X 36		
8	86200030	41394	1	HINGE, ACCESS PLATE SENSEI		
9	86087370	730398	1	SPACER, VAC BOX LID		
10	86005810	57245	4	NUT, 1/4-20 HEX NYLOCK SS		
11	86229990	140927	1	BOX, WAV VACUUM		
12	86277620	70891	2	SCR, 8-32 X 1/2 HHCS SS		
13	86233120	20019	5	CLAMP, 2.75" WORM GEAR		
14	86088130	73950	1	STRAP, CHUTE		
15	86247520	53818	1	VAC MOTOR, 36V 1ST TD		
-	86290210	-	-	BRUSH SET MOTOR 53818		
16	86068440	54208	1	BRACKET, VAC MOTOR MOUNT		
17	86236190	34456	1	FITTING, 2 OD MALE X MALE PVC		
18	86247660	54209	1	MUFFLER, SOUND TUBE PLASTIC		
19	86002830	27196	2	CABLE, TIE, .375 X 24.7		
20	86240760	81399	1	HOSE, 2" VAC X 32"		
21	86068110	14028	1	BRACKET, VAC BOX MOUNT		
22	86276780	70728	6	SCR, 5/16-18 X 3/4 HHCS SS		
23	86270830	57023	2	NUT, 5/16-18 HEX NYLOCK SS		
24	86010780	87162	6	WASHER, 1/4 SPLIT LOCK PLTD		
25	86235400	78600	2	EDGING, 16" GRIP X 5.50" LG		
26	86010670	87029	6	WASHER, 5/16 FLAT SS		
27	86006730	70259	2	SCR, 5/16-18 X 1.75 HHCS PLTD		
28	86075530	27923	1	COVER, VAC MOTOR		
29	86279130	87083	8	WASHER, 5/16 SPLIT LOCK PLTD		
30	86062710	29274	1	DEBRIS CHUTE, WAV		
31	86227870	140915	1	BAG, CLOTH VACUUM		
32	86314620	-	1	BAG, HEPA (PACKAGE OF 5)		
-	86215090	140949	1	BAG, PAPER WIDE AREA VAC		OPTION
33	86224380	730336	2	SPACER, 1 OD X .391 ID X 1.063		
34	86238050	36246	1	GASKET, 4.25OD X 3.63ID X .25		
35	86240310	39719	1	HOSE, GRAY VAC, 2.25 X 10.0		
36	86238450	36245	1	GROMMET, 3.0 ID X 3.25 GROOVE		
37	86251750	67602	1	RISER, BUMPER		
38	86009380	81866	1	CUFF, 2" ID VAC-U-FLEX HOSE		
39	86198000	40067	1	HOSEBARB, 1/8MPT X 3/8 PLASTIC		
40	86281680	39486	1	HOSE, 3/8ID NYLOBRAID X 2"		
41	86233090	20016	2	CLAMP, 1/4 ID HOSE		
42	86257160	72199	1	SWITCH, VACUUM 15" H2O NC/NO		
-	86316200	-	-	VACUUM LINT BRUSH		NOT SHOWN

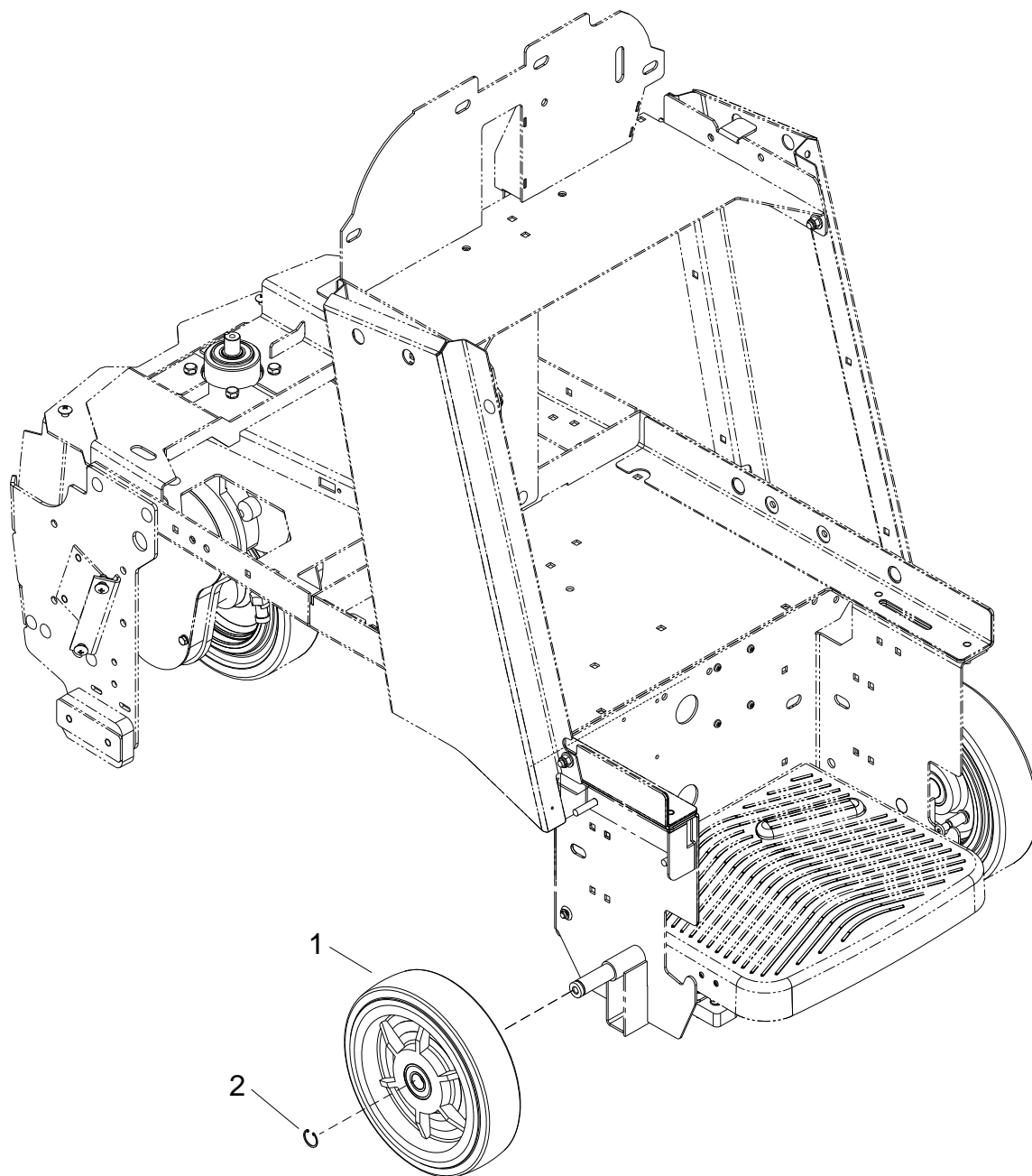


Wheel-Front Drive-Gear

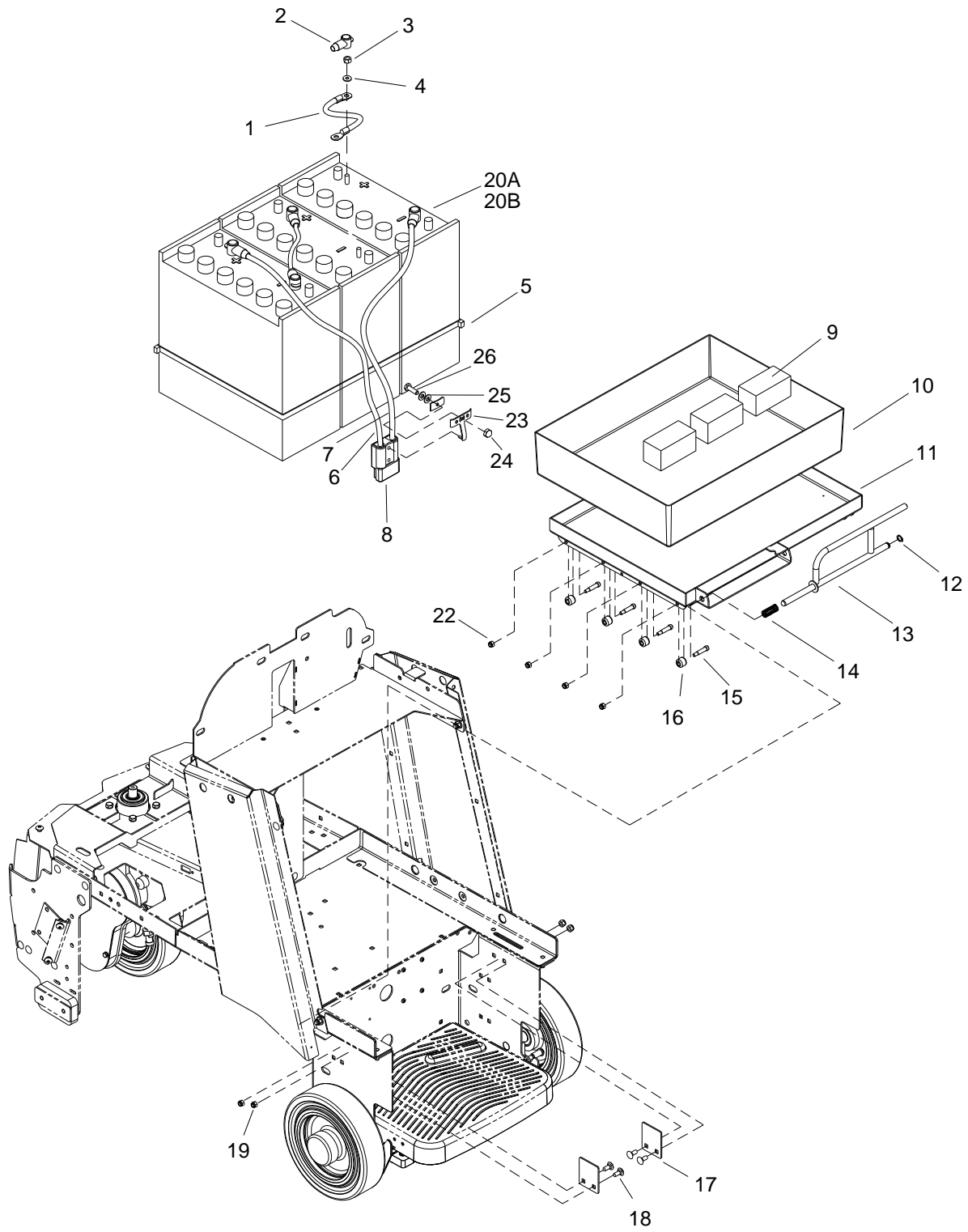
REF	PART NO.	QTY	DESCRIPTION	SERIAL NO. FROM	NOTES:
1	86275190	4	SCR, 3/8-16 X 1.25 HHCS SS		
2	86010790	4	WASHER, 3/8 SPLIT LOCK PLTD		
3	86002830	1	CABLE TIE, .375 X 24.7		
4	86006170	1	PIN, ROLL 1/8" X 3/4"L		
5	86223980	3	SEALED BALL BRNG, 25MM X 52MM		
6	86219420	1	HUB STEERING		
7	86223480	2	RING, 52MM INTERNAL SNAP		
8	86224020	1	SHAFT ASM, DRIVE PIVOT		
9	86317190	1	DRIVE MOTOR ASSEMBLY HELICAL		
10A	86351970	1	WHEEL 10X2.5 PLSTC HUB W/ KEYWY,GRY,NT		
10B	86259920	1	WHEEL, 10 X 2.5 W/KEYWAY, GRY		OPTION
11	86224440	1	SPACER, 25.51 ID X 45 OD X 39.1 L		
12	86222720	1	PLATE, BEARING RETAINERX		
13	86225810	1	WASHER, ANTI-ROTATION		
14	86279710	1	WASHER, M8 (2THK X 26 OD)		
15	86136640	1	SCR, M8-1.25 X 20 HHMS PLTD		
16	86222770	1	PLATE, BEARING COVER		
17	86279690	4	WASHER, M6 SPLIT LOCK BLK		
18	86277340	4	SCR, M6 X 15 HHCS BLK		
19	86223980	3	SEALED BALL BRNG, .25MM X 52MM		
20	86318830	10	SCR, M10 X 30 SHCS		
21	86222760	1	PLATE, DRIVE YOKE RH		
22	86317200	1	GEAR BOX DRIVE UNIT HELICAL		WHEEL NOT INCLUDED
23	86214990	1	AXLE, DRIVE		
24	86374290	1	KIT, DRIVE GEAR		
-	86216210	-	BRUSH SET MOTOR, 53810 86005510		



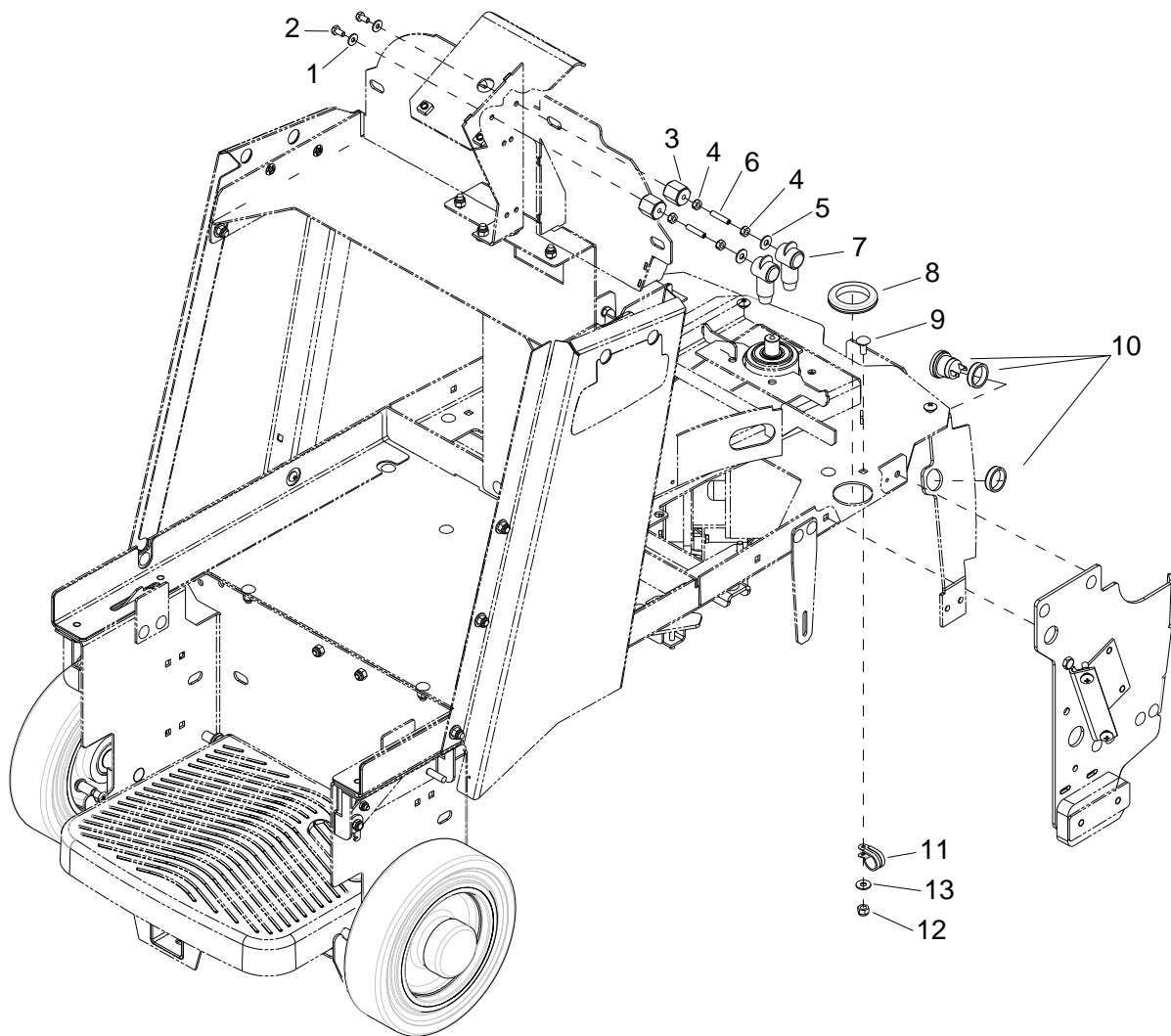
REF	PART NO.	QTY	DESCRIPTION	SERIAL NO. FROM	NOTES:
1	86010790	4	WASHER, 3/8 SPLIT LOCK PLTD		
2	86275190	4	SCR, 3/8-16 X 1.25 HHCS SS		
3	86006170	1	PIN, ROLL 1/8" X 3/4"L SS		
4	86005810	2	NUT, 1/4-20 HEX NYLOCK SS		
5	86318830	1	SCR, M10 X 30 SHCS		
6	86233410	1	CLAMP, 3/4 DIA CUSHION .406DIA		
7	86005710	4	NUT, 1/4-20 HEX W/STAR WASHER		
8	86273740	2	SCR, 1/4-20 X 1.50 HHCS		
9	86008920	2	BOOT, RUBBER TERM. ISOLATOR		
10	86257490	2	TERMINAL MOUNT		
11	86006840	2	SCR, 1/4-20 X 1 FHCS PLTD		
12	86010630	2	WASHER, 1/4 ID X 5/8 OD SS		
13	86273340	4	SCR, 8-32 X 3/8 SHCS SS		
14	86001740	1	BRAKE, 36VDC W/CONNECTOR		
15	86264930	1	CABLE TIE, 3.5" UL/CSA		
16	86320870	1	SWITCH, 36V BRAKE		



REF	PART NO.	QTY	DESCRIPTION	SERIAL NO. FROM	NOTES:
1	86322590	2	WHEEL, 10X2.5 W/BRNGS, GRY, NT		
2	86008710	2	RING, 3/4" EXT SNAP H-D		

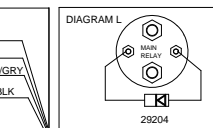
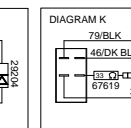
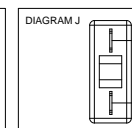
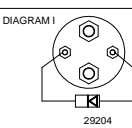
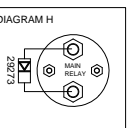
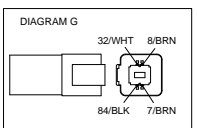
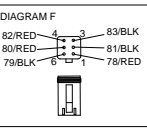
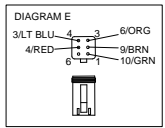
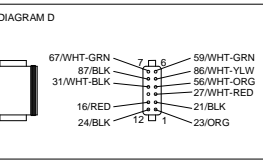
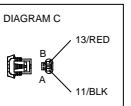
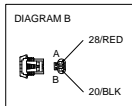
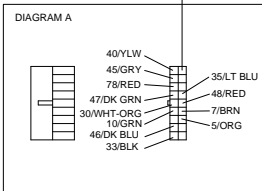
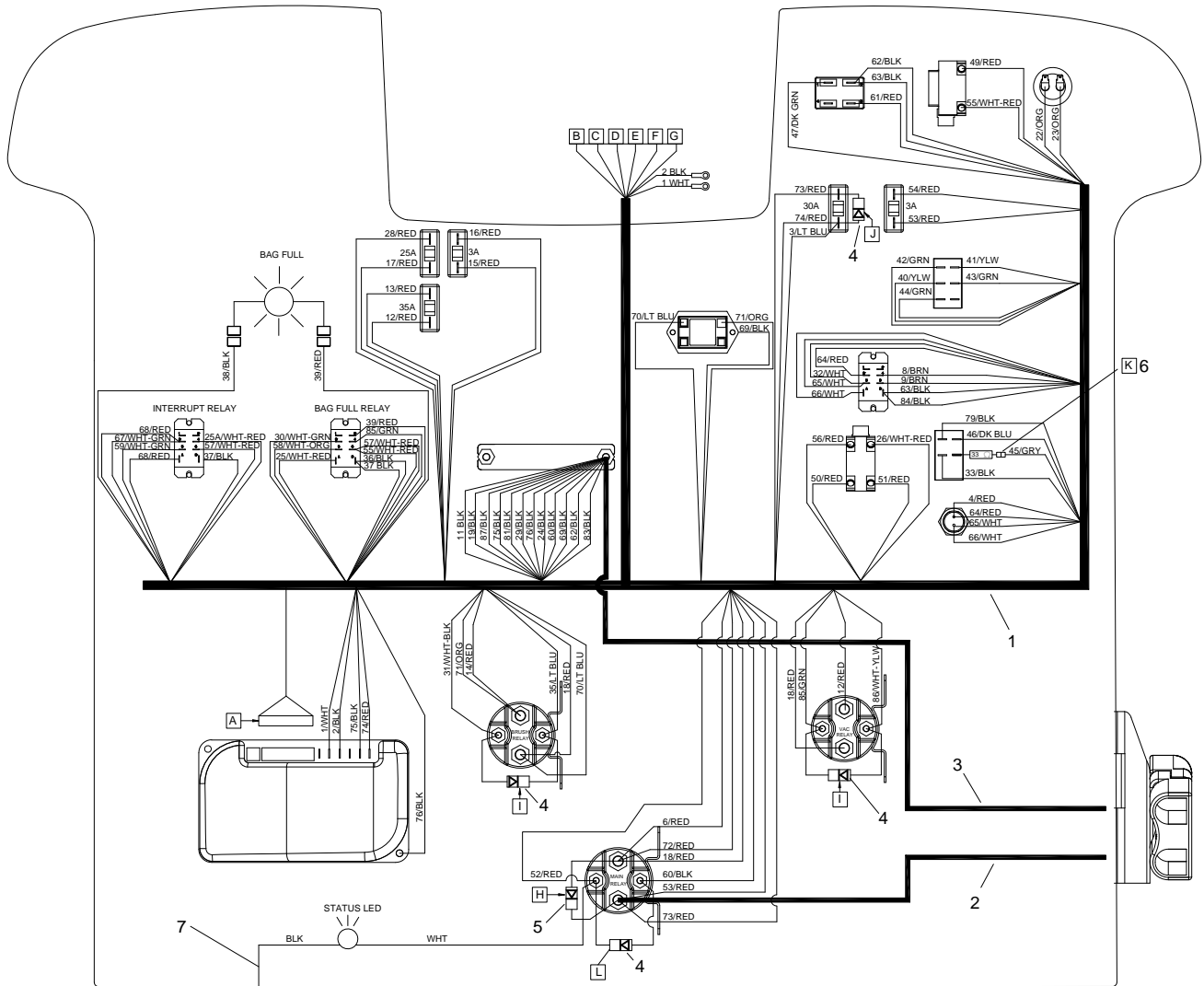


REF	PART NO.	QTY	DESCRIPTION	SERIAL NO. FROM	NOTES:
1A	86260200	2	WIRE, 4X14.5BK 3/8 RING X 3/8 RING		
1B	86002510	2	CABLE ASM, BAT. JUMPER X 15"		
2	86008920	6	BOOT, RUBBER TERM. ISOLATOR		
3	86271910	6	NUT, 5/16-18 FLEXLOCK		
4	86010670	6	WASHER, 5/16 FLAT SS		
5s	86264960	2	CABLE TIE, .375 X 43"		
6A	86260610	1	WIRE, 4X25RD CTERM X 3/8RING		
6B	86002570	1	WIRE, 4X27 RD BCLAMP X CTERM		
7A	86260230	1	WIRE, 4X30 BK CTERM X 3/8RING		
7B	86002580	1	WIRE, 4X27 BK BCLAMP X CTERM		
8	86008760	1	CONN, 175 DCA GRAY W/O TERMS		
9	86229700	3	BLOCK, 3.0 X 1.5 X 1.5		
10	86008300	1	TRAY, BATTERY LINER		
11	86008410	1	TRAY, BATTERY		
12	86272810	1	RING, ½ EXT. SNAP H-D		
13	86092910	1	LATCH ROD, BATTERY TRAY		
14	86254990	1	SPRING, COMP, 63ODX3.5LX.047		
15	86278150	8	SHOULDER BOLT, 5/16 OD X 1.0 L		
16	86259910	8	WHEEL, BATTERY TRAY		
17	86088790	2	TRAY, STANDARD STOP		
18	86276070	4	SCR, 5/16-18 X ¾ CARRIAGE SS		
19	86270830	4	NUT, 5/16-18 HEX NYLOCK SS		
20A	86228410	3	BATTERY, 12V, 205AH		
20B	86283410	3	BATTERY, 12V, 225AH		
21	86284090	1	CHARGER, 36V, 20A, 115V, C175		NOT SHOWN
22	86005810	8	NUT, ¼-20 HEX NYLOCK SS		
23	86233360	1	CLAMP, CABLE KIT SY945		
24	86270890	1	NUT, ACORN 10-32		
25	86010650	1	WASHER, #10 X 9/16 OD		
26	86273980	1	SCREW, 10-32 X ¾ PPHMS S		

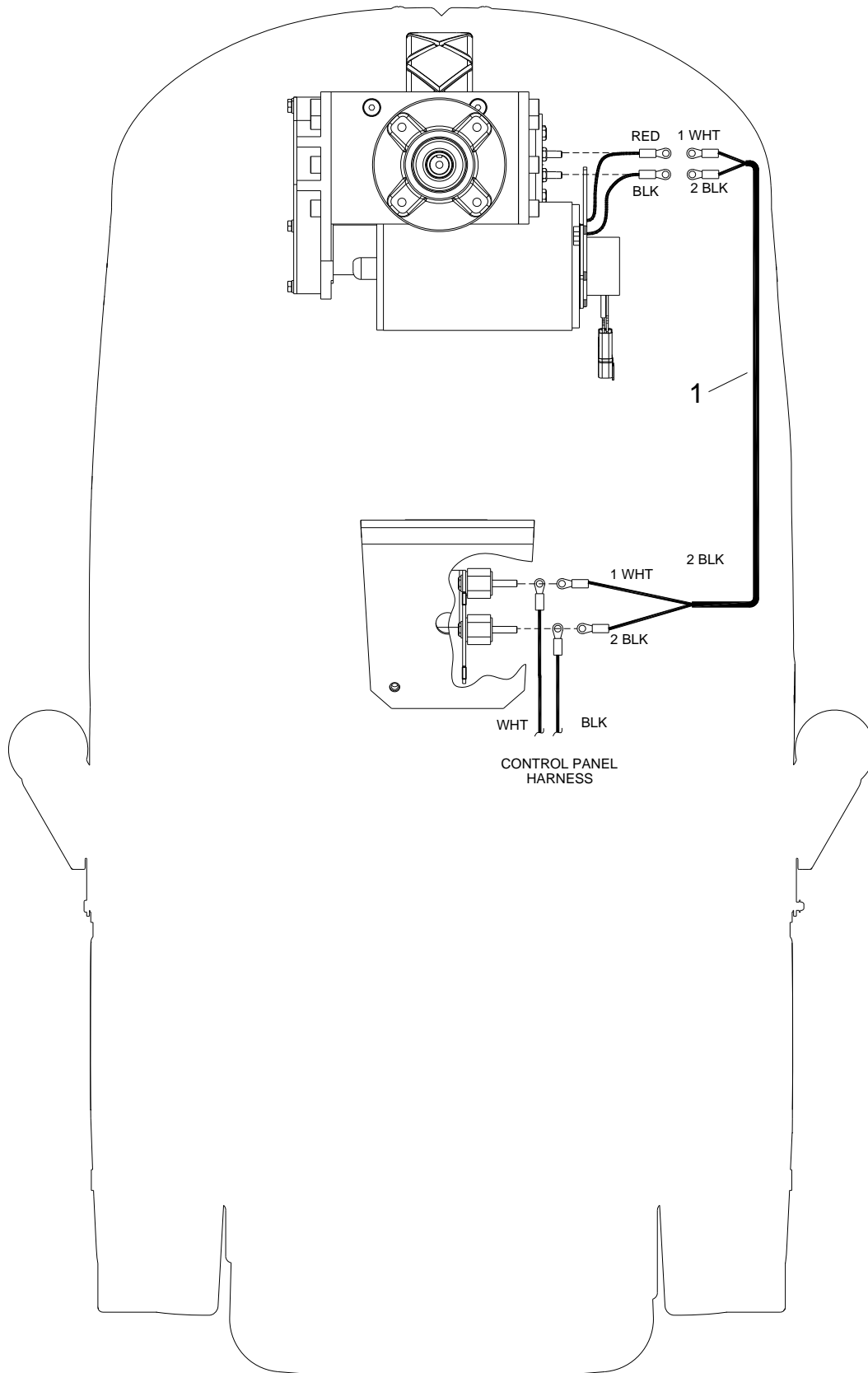


REF	PART NO.	QTY	DESCRIPTION	SERIAL NO. FROM	NOTES:
1	86010780	2	WASHER, 1/4 SPLIT LOCK PLTD		
2	86273830	2	SCR, 1/4-20 X 1/2 HHCS SS NP		
3	86255910	2	STANDOFF, 1/4-20 X 1.0 HEX INS		
4	86005710	4	NUT, 1/4-20 HEX W/STAR WASHER		
5	86010630	2	WASHER, 1/4 ID X 5/8 OD SS		
6	86006850	2	SET SCR, 1/4-20 1.25L		
7	86008920	2	BOOT, RUBBER TERM. ISOLATOR		
8	86238500	2	GROMMET, 1.703IDX2.5ODX.125GRV		
9	86276070	1	SCR, 5/16-18 X 3/4 CARRIAGE SS		
10	86239720	1	HORN, 108DB MINIATURE PIEZO		
11	86233410	1	CLAMP, 3/4 DIA CUSHION .406DIA		
12	86270830	1	NUT, 5/16-18 HEX NYLOCK SS		
13	86010670	1	WASHER, 5/16 FLAT SS		

* SEE SERIAL NUMBER PAGE

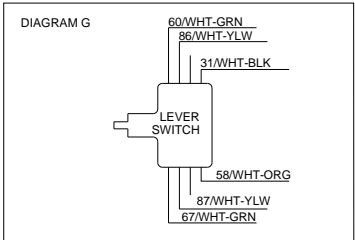
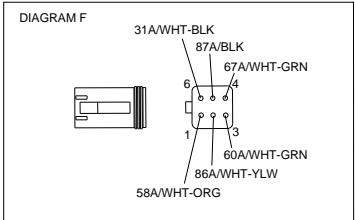
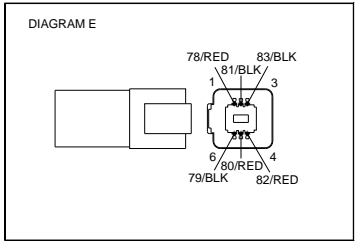
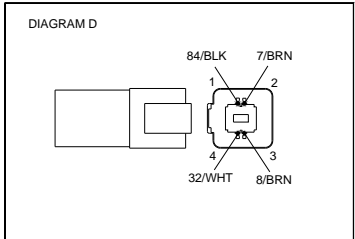
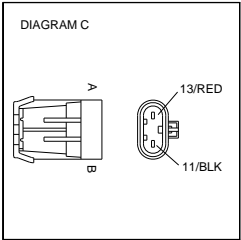
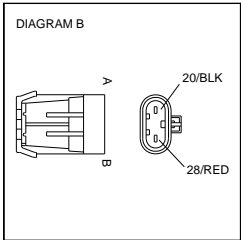
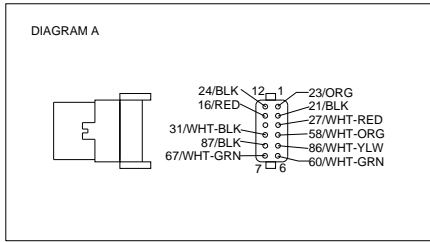
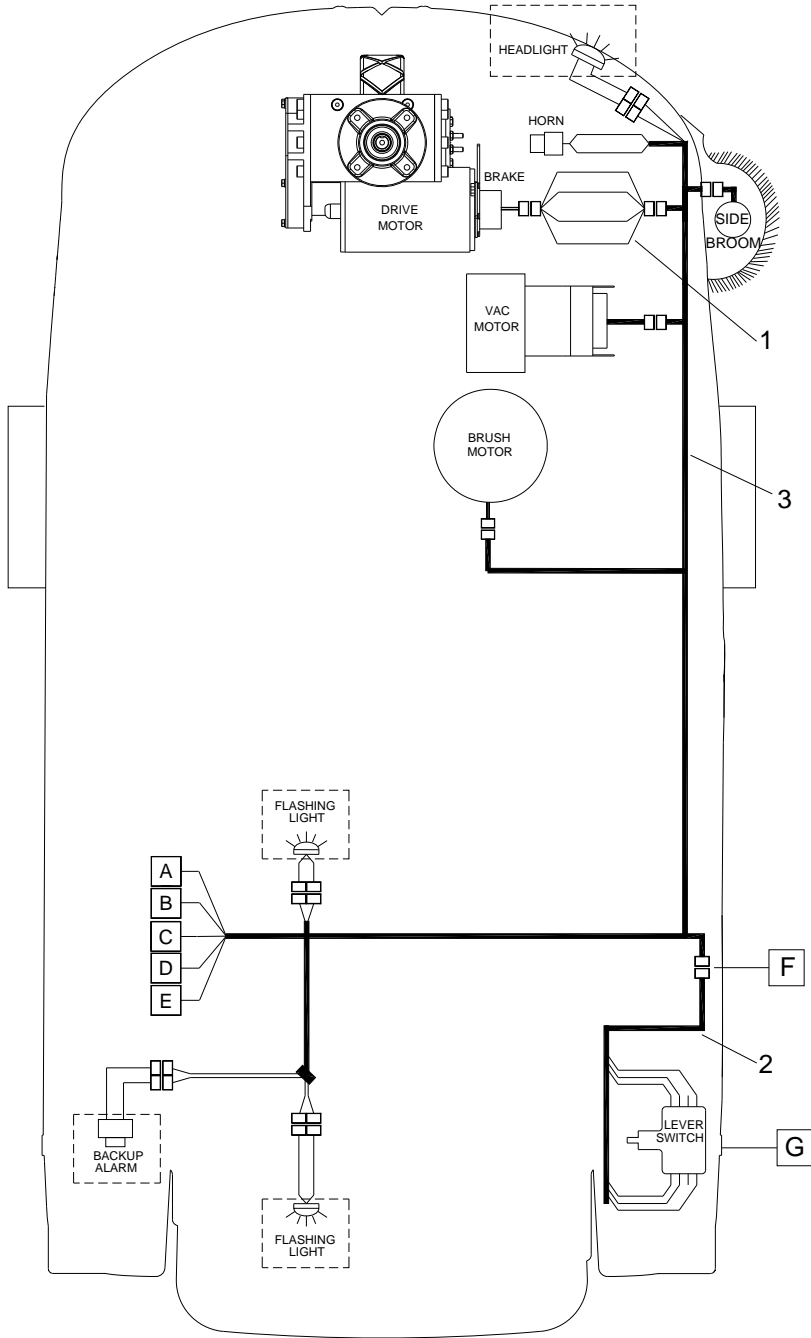


REF	PART NO.	QTY	DESCRIPTION	SERIAL NO. FROM	NOTES:
1	86239230	1	HARNESS, CONTROL PANEL		
2	86260540	1	WIRE, 4X13 RD C.TERM X 5/16RING		
3	86010860	1	WIRE, 4X20 BL CTERM X5/16RING		
4	86261210	4	DIODE ASM, 76008, 79008		
5	86261250	1	DIODE ASM, FAST RECOVERY		
6	86251490	1	RESISTOR ASM, 1/2 WATT 33 OHM		
7	86311210	1	LIGHT ASM, INDICATOR, COD		



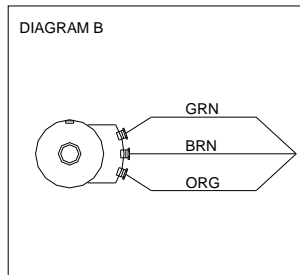
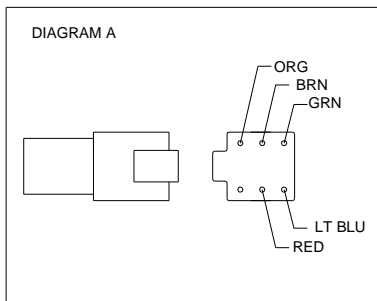
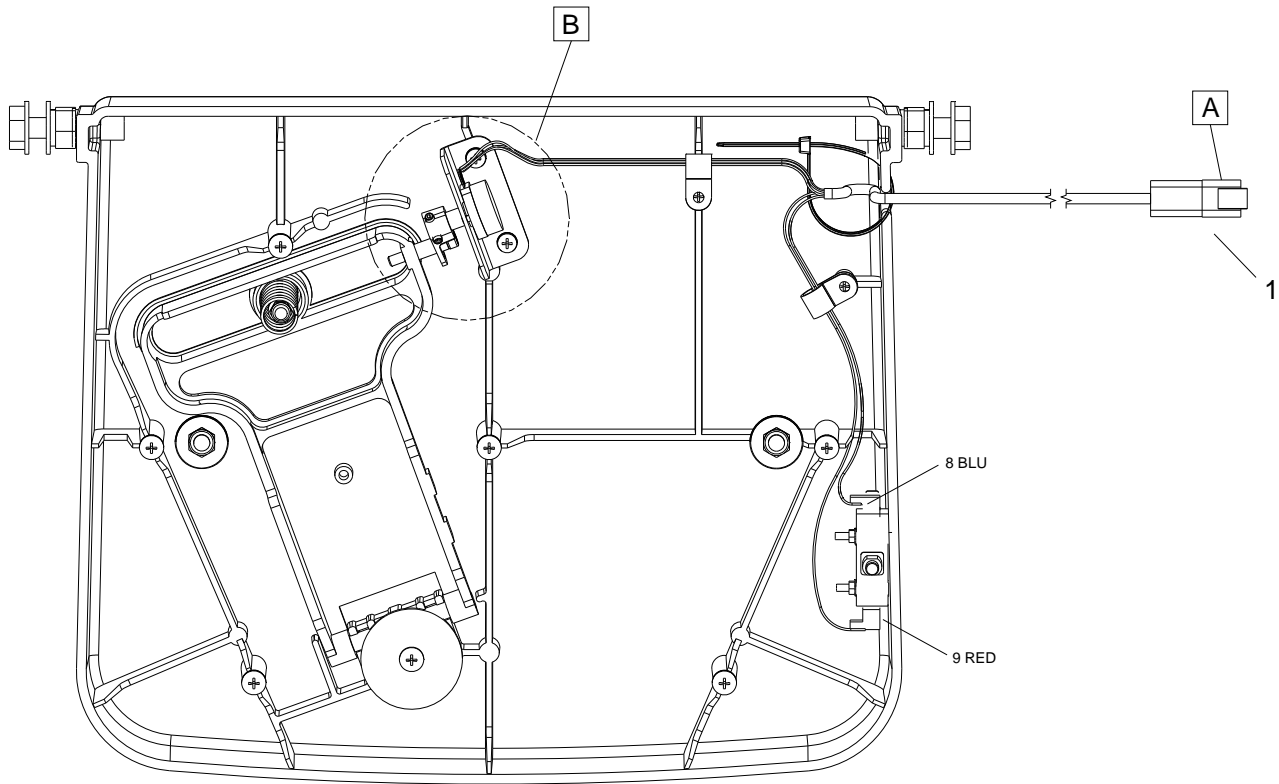
REF	PART NO.	QTY	DESCRIPTION	SERIAL NO. FROM	NOTES:
1	86239120	1	HARNESS, CHARIOT PROPEL		

Wiring-Main Harness



--- DENOTES OPTIONAL EQUIPMENT

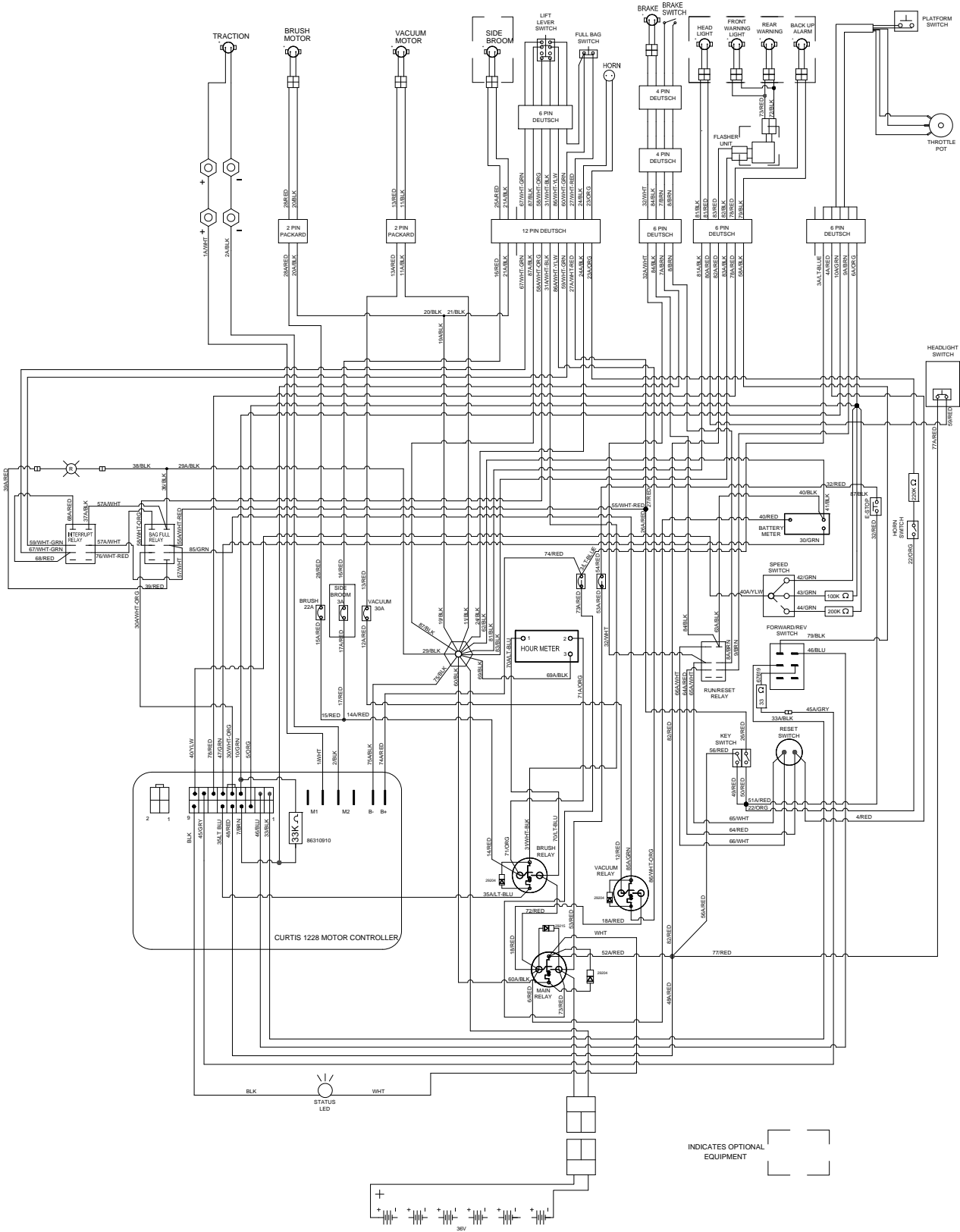
REF	PART NO.	QTY	DESCRIPTION	SERIAL NO. FROM	NOTES:
1	86239170	1	HARNESS, BRAKE		
2	86239240	1	HARNESS, LEVER SWITCH		
3	86348450	1	HARNESS, CHARIOT I VAC, MAIN		



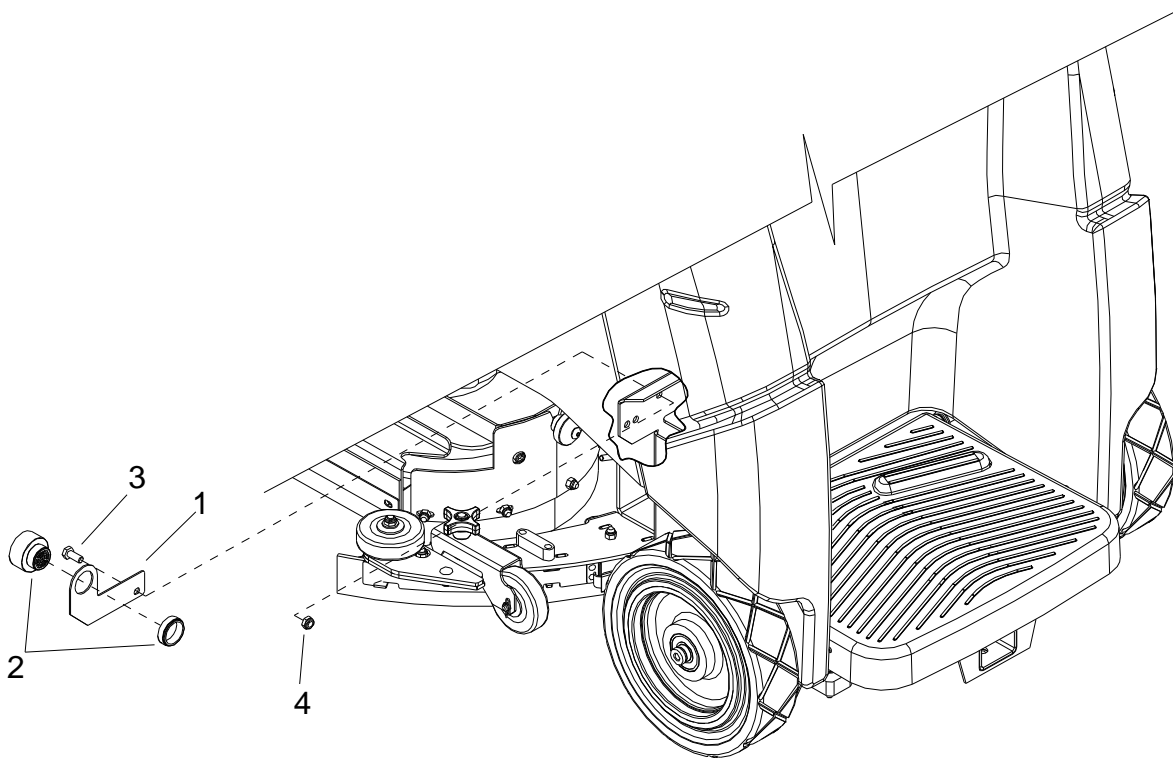
REF	PART NO.	QTY	DESCRIPTION	SERIAL NO. FROM	NOTES:
1	86315100	1	HARNESS, PEDAL		

Wiring Diagram - From Serial Number (4*)

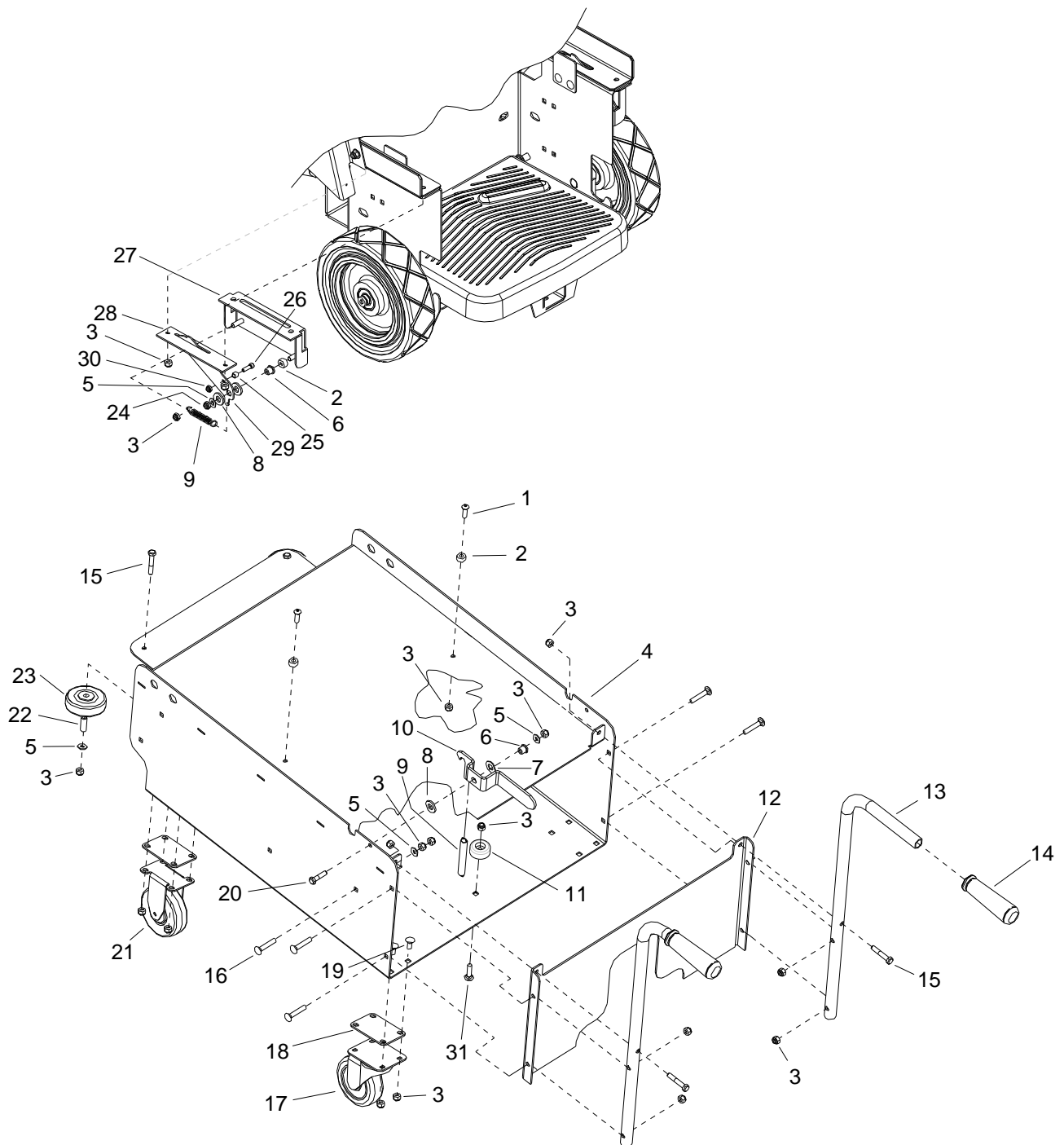
* SEE SERIAL NUMBER PAGE



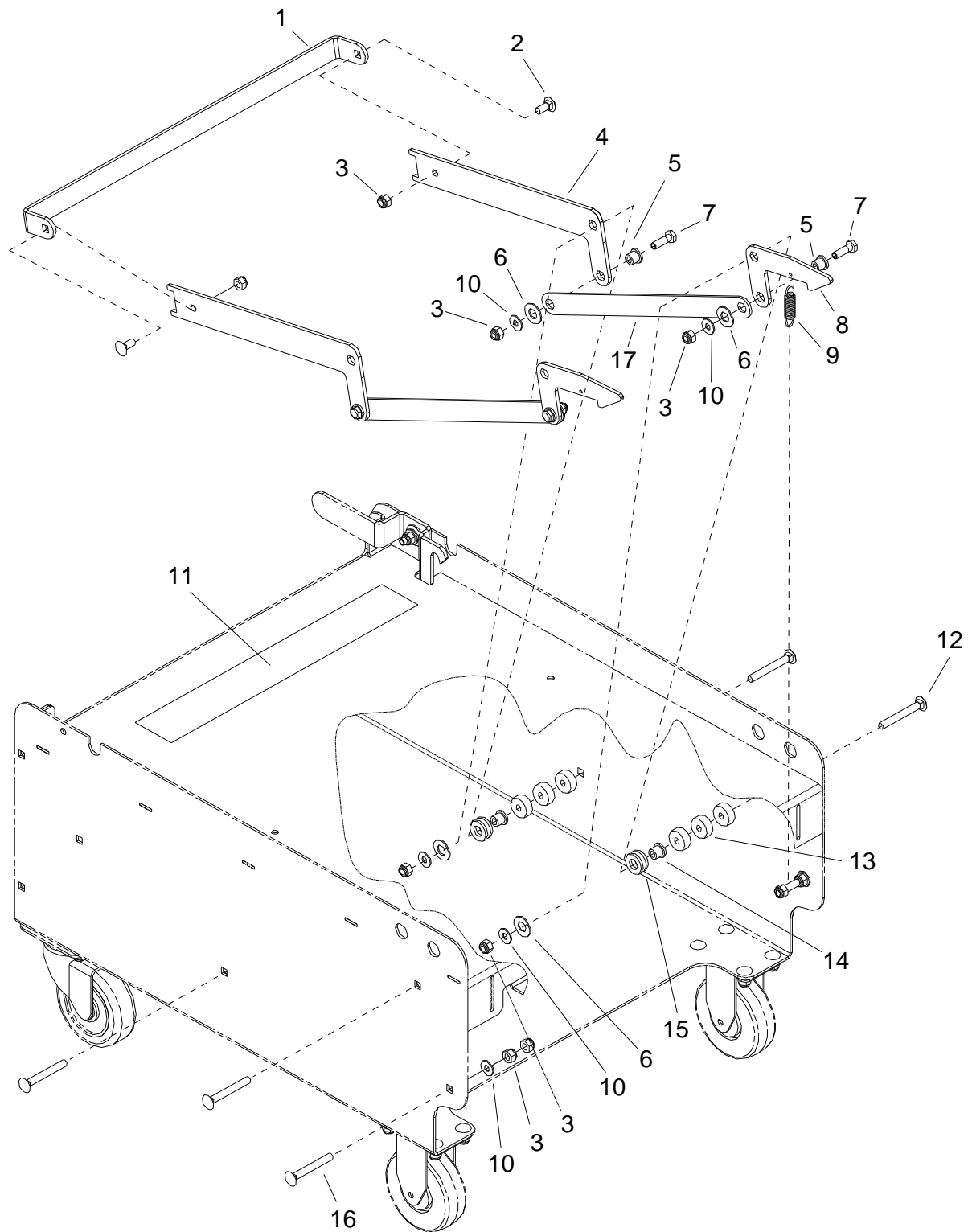
PART NO.	DESCRIPTION	SERIAL NO. FROM	NOTES:
86001910	BREAKER, 30A 50VDC CIRCUIT		
86002000	BREAKER, 3 AMP 1681-090-300		
86002010	BOOT, 3/8 CIRCUIT BREAKER		
86232130	CAP, 2.75 ID X 1.0 L BLACK VINYL		
86004860	KEY, SWITCH		
86251410	RELAY, 15A 36V MINI		
86007140	SWITCH, SPST 2-POSITION ROCKER		
86007190	SWITCH, DPST KEY		
86001740	BRAKE, 36 VDC W/CONNECTOR		
86002730	CHAIN, ISO 08B 12.7 MM PITCH		
86332010	BRUSH SET FOR MOTOR 53275		
86332020	BRUSH SET FOR CIM MOTOR 8.632-247.0		
86332030	BRUSH SET FOR MOTOR 53276		



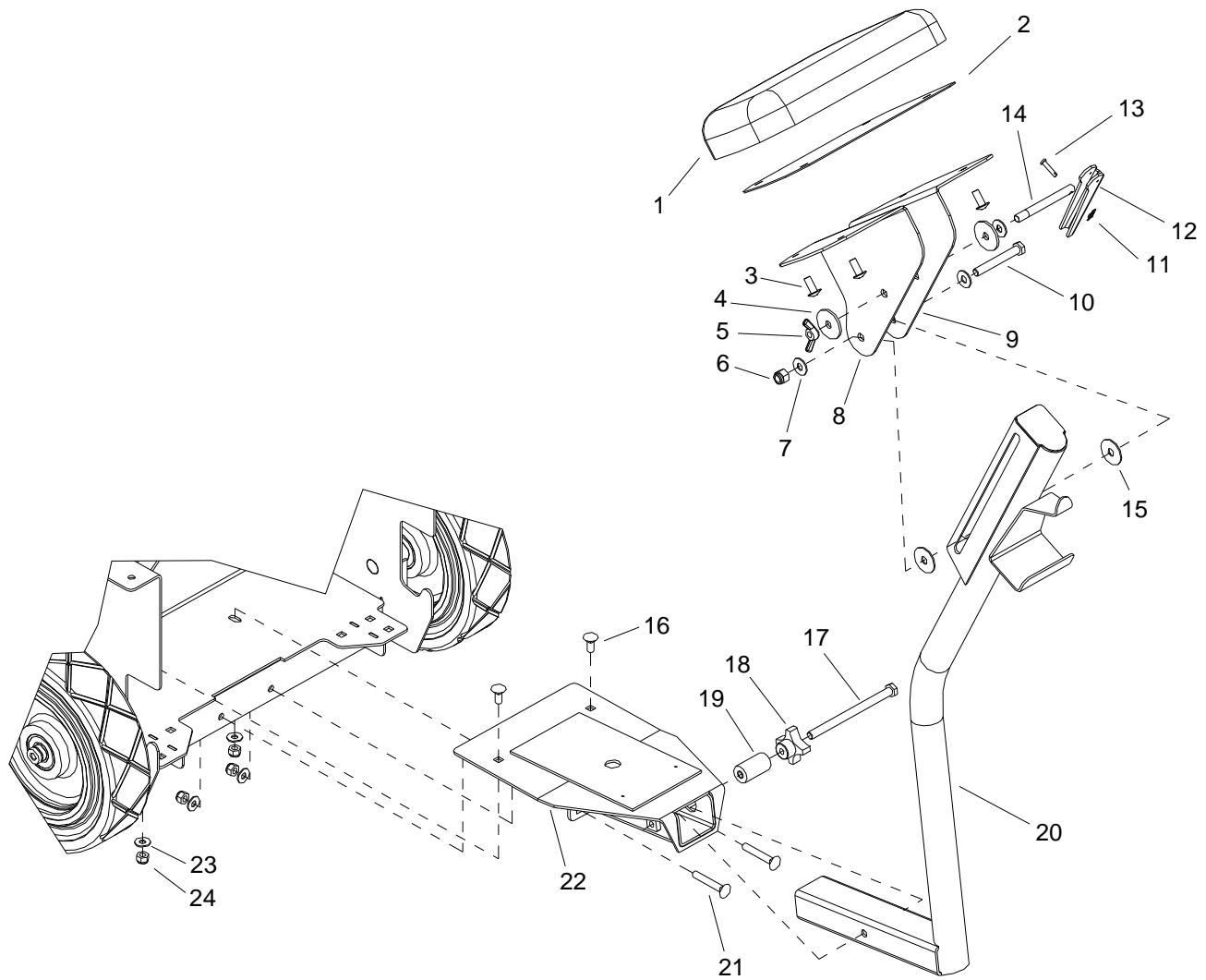
REF	PART NO.	QTY	DESCRIPTION	SERIAL NO. FROM	NOTES:
1	86071140	1	BRKT, BACK UP ALARM		
2	86231500	1	BUZZER, PIEZO 6-28VCD		
3	86276780	1	SCR, 5/16-18 X 3/4 HHCS SS		
4	86271840	1	NUT, 5/16-18 HEX NYLOCK THIN		



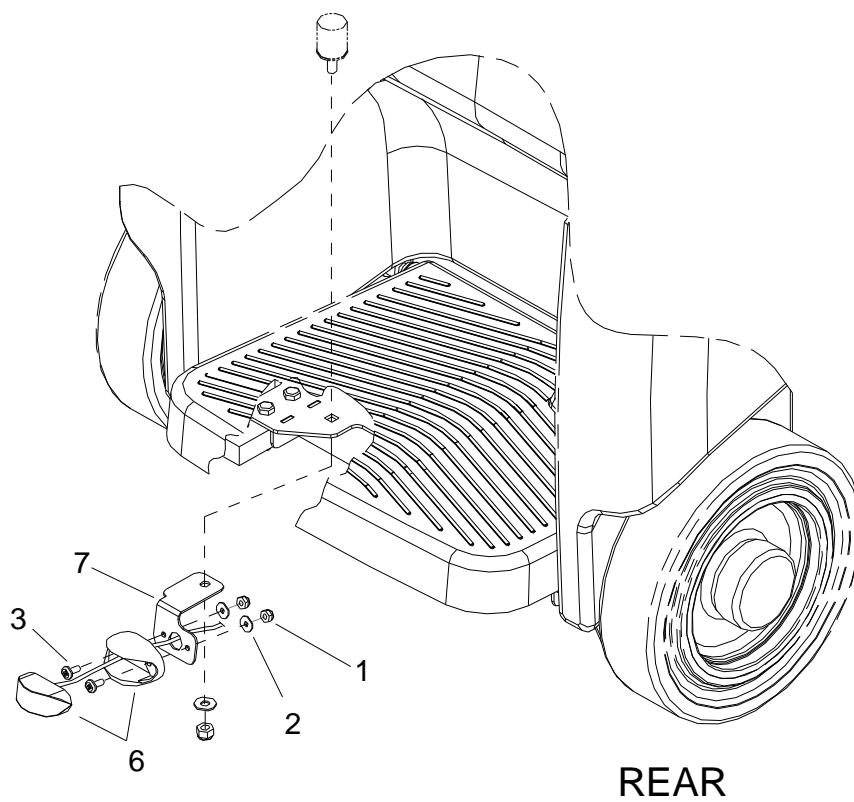
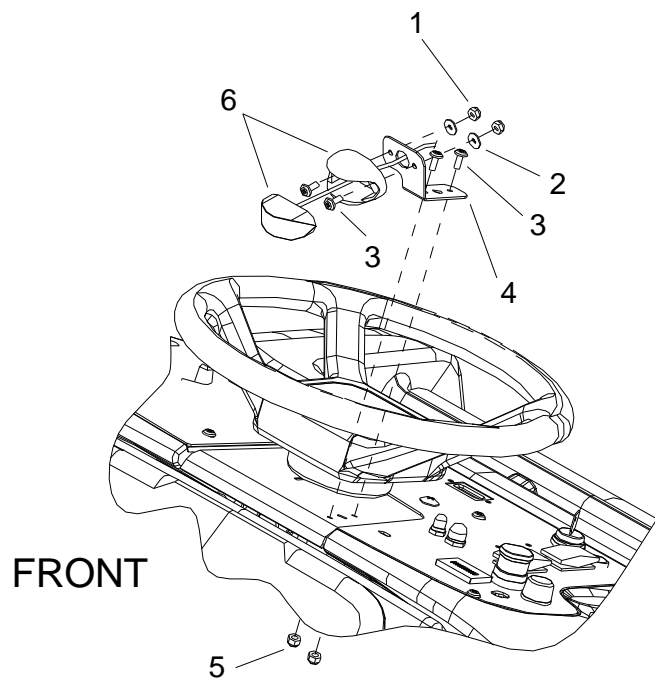
REF	PART NO.	QTY	DESCRIPTION	SERIAL NO. FROM	NOTES:
1	86006930	2	SCR, 5/16-18 X 1.00 BSHCS SS		
2	86254290	4	SPACER, 10D X .343ID, .5 LG		
3	86270830	33	NUT, 5/16-18 HEX NYLOCK SS		
4	86077010	1	HOUSING, BATTERY CART		
5	86010670	7	WASHER, 5/16 FLAT SS		
6	86228840	3	BEARING, FLANGED .314D X .502OD		
7	86259410	1	WASHER, THRUST, .51 ID X 1 OD X .063		
8	86259400	4	WASHER, THRUST .51 ID X 1 OD		
9	86254890	3	SPRING, EXT, .50D X 4.0L		
10	86068490	1	BRKT, TRAY CATCH		
11	86231090	1	BUMPER, RUBBER 5/16" ID X 1.50		
12	86083120	1	PLATE, BATTERY CART BACK		
13	86076600	2	HANDLE, BATTERY CART		
14	86004070	2	GRIP, POLISHER HANDLE		
15	86276790	4	SCR, 5/16-18 X 1.75 HHCS SS		
16	86276690	7	SCR, 5/16-18 X 1.75 CARR SS		
17	86199430	2	CASTER SWIVEL 4" 250# CPCTY		
18	86078890	8	PLATE, CASTER SPACER		
19	86277130	16	SCR, 5/16-18 X 1.00 CARRIAGE SS		
20	86274910	1	SCR, 5/16-18 X 1.25HHCS GR5PLT		
21	86232590	2	CASTER, 4" HARD RUBBER RIGID		
22	86001350	2	BUSHING, SPANNER .435 X 1.10		
23	86011020	2	WHEEL, 3" DIA CUSHION RUBBER		
24	86271840	2	NUT, 5/16-18 HEX NYLOCK THIN SS		
25	86008130	2	SPACER, 3/8OD X .62W X .312L, AL		
26	86274730	2	SCR, 1/4-20 X 3/4 SHCS PLTD		
27	86070790	2	BRKT, BATTERY LOCK MOUNT		
28	86087340	2	SPACER, LATCH GUIDE		
29	86070800	2	BRKT, BATTERY TRAY LOCK		
30	86271870	2	NUT, 1/4-20 HEX NYLOCK THIN SS		
31	86276070	1	SCR, 5/16-18 X 3/4 CARRIAGE SS		



REF	PART NO.	QTY	DESCRIPTION	SERIAL NO. FROM	NOTES:
1	86078330	1	PEDAL, BATTERY CART		
2	86276070	2	SCR, 5/16-18 X 3/4 CARRIAGE SS		
3	86270830	12	NUT, 5/16-18 HEX NYLOCK SS		
4	86087800	2	STIFFENER, PEDAL, BATTERY CART		
5	86228840	4	BEARING, FLANGED .314ID X .502OD		
6	86259410	6	WASHER, THRUST .51 ID X 1 OD X .063		
7	86275760	4	SCR, 5/16-18 X 1 HHCS GR8 PLTD		
8	86077140	2	LATCH, BATTERY CART		
9	86226830	2	SPRING, EXT .68D X 3.00L X .098W		
10	86010670	10	WASHER, 5/16 FLAT SS		
11	86244280	1	LABEL, BATTERY CAR OPERATION		
12	86276060	4	SCR, 5/16-18 X 2.5 CARR GR5		
13	86254280	12	SPACER, 1.00 ODX .32ID X .375		
14	86231150	4	BUSHING FLANGE, .314 X .502 OD		
15	86259400	8	WASHER, THRUST .51 ID X 1 OD BRO		
16	86276690	16	SCR, 5/16-18 X 1.75 CARR SS		
17	86077530	2	LINKAGE, LATCH, BATT CART		



REF	PART NO.	QTY	DESCRIPTION	SERIAL NO. FROM	NOTES:
1	86248390	1	PAD, REAR REST		
2	86082640	1	PLATE, SEAT COVER		
3	86276890	4	SCR, 5/16-18 X 3/4 PTHMS SS		
4	86279460	2	WASHER, 1/2 SPLIT LOCK PLTD		
5	86270710	1	NUT, WING 3/8-16		
6	86271930	1	NUT, 3/8-16 HEX NYLOCK SS		
7	86278910	3	WASHER, 3/8 ID X 7/8 OD SS		
8	86070830	1	BRKT, LEFT REAR SEAT		
9	86070840	1	BRKT, RIGHT REAR SEAT		
10	86277710	1	SCR, 3/8-16 X 2.75 HHCS SS		
11	86008650	1	COTTER, 1/4" RING		
12	86246320	1	LEVER, HANDLE LOCK		
13	86272300	1	PIN, CLEVIS 3/16 X .88 PLTD		
14	86251860	1	ROD, ARM HANDLE LOCK 4" LG		
15	86279620	2	WASHER, .41D X 1.3OD NYLON		
16	86276070	2	SCR, 5/16-18 X 3/4 CARRIAGE SS		
17	86277510	1	SCR, 3/8-16 X 5.0 HHCS SS FT		
18	86009200	1	KNOB, 3/8-16 4 PRONG ALUM		
19	86254300	1	SPACER, SEAT LOCK		
20	86094000	1	SEAT MOUNT POST		
21	86276710	2	SCR, 5/16-18 X 2.0 CARRIAGE SS		
22	86093790	1	RECEIVER ASSY, SEAT MOUNT		
23	86010670	4	WASHER, 5/16 FLAT SS		
24	86270830	4	NUT, 5/16-18 HEX NYLOCK SS		



REF	PART NO.	QTY	DESCRIPTION	SERIAL NO.FROM	NOTES:
1	86270990	4	NUT, 10-32 HEX NYLOCK SS		
2	86010650	4	WASHER, #10 X 9/16 OD		
3	86276820	4	SCR, 10-32 X 1/2 PTHMS BLK NP		
4	86071490	1	BRKT, UPPER WARNING LIGHT		
5	86270990	2	NUT, 10-32 HEX NYLOCK SS		
6	86246200	2	LED AMBER LIGHT, 12V		
7	86071500	1	BRKT, LOWER WARNING LIGHT		

Serial Numbers

REF. NO.	MODEL: SERIAL #
1	10125650000020, 10125790000001
2	10125650000038, 10125790000001
3	10125650000259, 10125790000030
4	10125650000356, 10125790000057
5	10125650000379, 10125790000057
6	10125650000410, 10125790000062



Kärcher North America Machine Warranty

Effective on all products shipped *AFTER* January 1st, 2015

Limited Warranty

Kärcher North America warrants new machines against defects in material and workmanship under normal use and service to the original purchaser. Any statutory implied warranties, including any warranty of merchantability or fitness for a particular purpose, are expressly limited to the duration of this written warranty. Kärcher North America will not be liable for any other damages, including but not limited to indirect or special consequential damages arising out of or in connection with the furnishing, performance, use or inability to use the machine. This remedy shall be the exclusive remedy of the buyer. This warranty gives you specific legal rights and you may also have other rights which vary from state-to-state. The warranty period is subject to the conditions stated below.

10 / 3 Warranty: 10 Years Polyethylene (PE) Housings, 3 Years Parts, and Service Labor

Subject to conditions outlined below, Kärcher North America warrants rotationally molded PE housings and parts on all of its machines to be free from defects in material and workmanship, under normal use and service for ten (10) years to the original owner.

Under this warranty we guarantee the performance of non-polyethylene parts and components to be free from defects for up to three (3) years to the original end user. Parts replaced or repaired under this warranty are guaranteed for the remainder of the original warranty period. (See table below)

Service labor charges are covered for up to three (3) years from the date of purchase through authorized service provider. No travel coverage for cord-electric models. See table below for each general product model warranty coverage.

Upright Vacuums:

Exceptions and Exclusions:

Normal wear items not limited to brushes, foot pedal, cords, clutches, filters, gaskets, hoses, and bearings will be warranted for manufacturing defects for 90 days from the purchase date. All other items are 1 year parts and labor.

Product	Non- PE Parts	Service Labor
Versamatic®/Axxess/CV300/CV380	Belts (as long as the original user owns the product)	Lifetime
	Vacuum Motor, Swivel Neck and Chassis	3 years
	Brush Motor, and Bag Housing	5 years
Sensor®Xp/Sensor S/UPV12	Belts (as long as the original user owns the product)	Lifetime
	Vacuum Motor and Chassis	2 years
	Bag Housing	5 years

**All other parts 3 years except: Brush strip, cord, filter & gaskets.

Product	Non-PE Parts	Service Labor
Sensor 2, CVU 30/1, 36/1, 46/1**	Belts	Lifetime
	Vacuum motor and chassis	3 years
	Bag housing	5 years

All Other Products:

Product	PE Housing & Parts	Non- PE Parts	Service Labor	Travel
Rider / Stand up Scrubbers, Extractors	10 years	3 years or 2000 hours	3 years or 2000 hours	6 Months
Rider/ Stand-up Vacuum, Burnishers	10 years	3 years or 2000 hours	3 years or 2000 hours	6 Months
Rider Sweepers	10 years	3 years	3 years	6 Months
Walk Behind Scrubbers / Escalator Cleaner	10 years	3 years or 2500 hours	3 years or 2500 hours	6 Months
Walk Behind Sweepers	10 years	3 years	3 years	6 Months
Battery/ Burnishers/ Extractors	10 years	3 years	3 years	6 Months
Extractors / Compass	10 years	3 years	3 years	-
Interim Cleaners	10 years	3 years	3 years	-
Wide Areas Vacuums	10 years	3 years	3 years	-
Auto Mop	10 years	3 years	3 years	-
Air Movers/ Canister/ Wet/Dry Vacuum	10 years	1 year	1 year	-
Microscrubbers	3 years	3 years	3 years	-
Trek Vac	1 year	1 year	1 year	-
Spotter Extractors	1 year	1 year	1 year	-
Broom/Steamer/SG2 C BP	1 year	1 year	1 year	-
Propane Burnishers / Strippers	-	2 years	1 year	-

Kärcher North America reserves the right to change its warranty policy without notice.

Kärcher North America • 1351 West Stanford Avenue • Englewood, CO 80110 USA
Tel 800-444-7654 • Financial Service 800-804-6804 • Fax 866-271-0520 • email: Warrantyregistration@karcherna.com

Kärcher North America Machine Warranty

Effective on all products shipped *AFTER* January 1st, 2015

Product Exceptions & Exclusions

- Mini Pro & BR 30/15 brush motors, one year coverage
- Pump & pump motors one year coverage (excludes non-electric pumps which have three year coverage)
- Electrical components, one year coverage
- Tank bags carry a one year parts and service labor warranty.
- Vacuum motors: Scrubbers/extractors/compass/wet & dry machines one year.
- Trojan and Discover batteries and Lester Electrical chargers are handled directly with the manufacturer.
- Kawasaki® engines have two (2) year manufacturer's warranty. **NOTE:** The engine warranty is administered through the engine manufacturer and must be repaired at an authorized service center.

Normal wear items and accessories including, but not limited to, belts, brushes, carbon brushes, clutches, cords, filters, finishes, gaskets, hoses, light bulbs, squeegees, bearings, actuating cables, tires, and propane tanks will be warranted for manufacturing defects for 90-days from the purchase date.

The warranty commences on the purchase date by the original end user from an authorized agent, subject to proof of purchase. If proof of purchase cannot be identified, the warranty start date is 90 days after the date of sale to an authorized Kärcher North America distributor. Parts replaced or repaired under warranty are guaranteed for the remainder of the original warranty period.

90 Day Warranty Extension Available

Upon receipt of the Machine Registration, Kärcher North America will extend by 90 days, from the date of purchase, by the original end user, all items included under the one-year provision. This applies only to one-year items and does not include 90-day wear items.

This Warranty Shall Not Apply To:

1. Any product that has been subject to abuse, misuse, neglect or unauthorized alteration (including the use of incompatible or corrosive chemicals or overloading of capacity).
2. Products that have experienced shipping or freight damage.
3. Repairs necessary to correct any failure due to improper pre-delivery service and inspection by the selling dealer.
4. Excessive time for cleaning units in preparation for repair.
5. Any repairs resulting from poor initial service work or improper diagnosis.
6. Tune-up parts such as plugs, plug wires and condensers.
7. Any design alterations performed by an organization not authorized or specified by Kärcher North America.
8. Trojan and Discover batteries and Lester Electrical chargers are handled directly with the manufacturer.
9. High-pressure washing.
10. Electrical components exposed to moisture.

If difficulty develops during the warranty period, contact the authorized agent from whom the product was purchased. Kärcher North America may elect to require the return of components to validate a claim. Any defective part to be returned must be shipped freight prepaid to Returns department.

Use of Parts Not Approved By Kärcher North America Will Void All Warranties

To insure a valid vacuum warranty, optimal performances, and improved indoor air quality, use genuine Windsor Kärcher group/ Kärcher Professional filters and bags.

A product sold before January 1st, 2015 shall be covered by the limited warranty in effect at the date of sale to the original purchaser.

Kärcher North America reserves the right to change its warranty policy without notice.

Kärcher North America • 1351 West Stanford Avenue • Englewood, CO 80110 USA
Tel 800-444-7654 • Financial Service 800-804-6804 • Fax 866-271-0520 • email: Warrantyregistration@karcherna.com