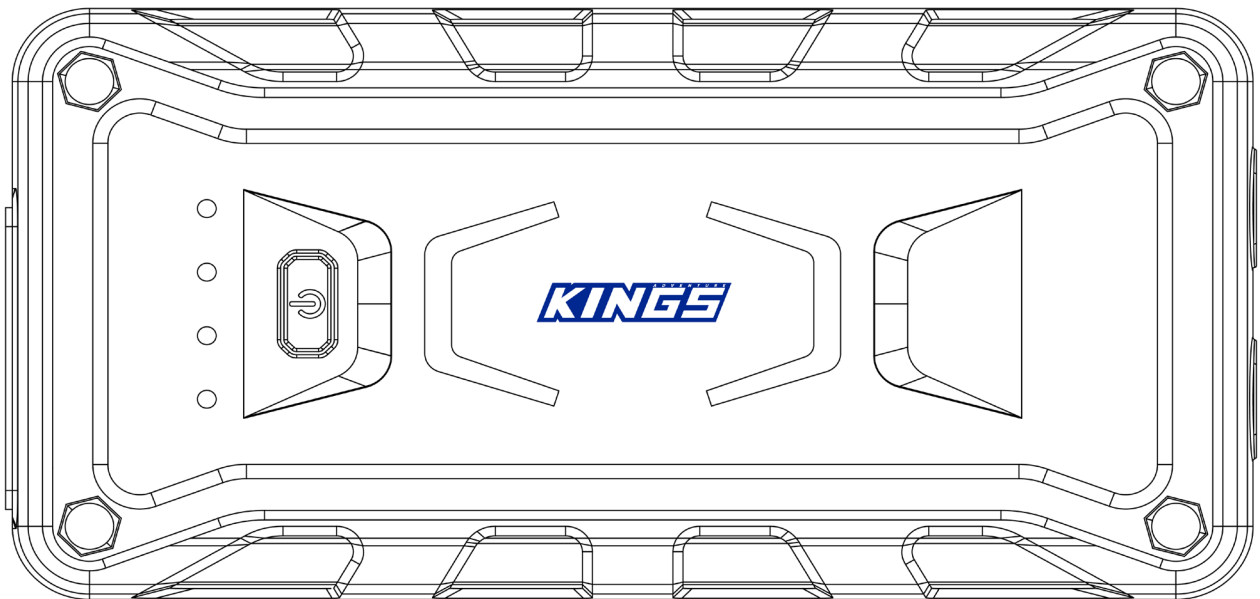




1000A Jump Starter **USER MANUAL**

AKEP-LJS1000A_01



V1.6

**PLEASE READ AND UNDERSTAND THIS MANUAL
COMPLETELY BEFORE USING THIS PRODUCT.**



WARNING: FAILURE TO FOLLOW SAFETY INFORMATION MAY RESULT IN FIRE OR EXPLOSION!

SAFETY INFORMATION

Always follow safety precautions when using electrical equipment.

Please keep this instruction manual with the jump starter at all times.

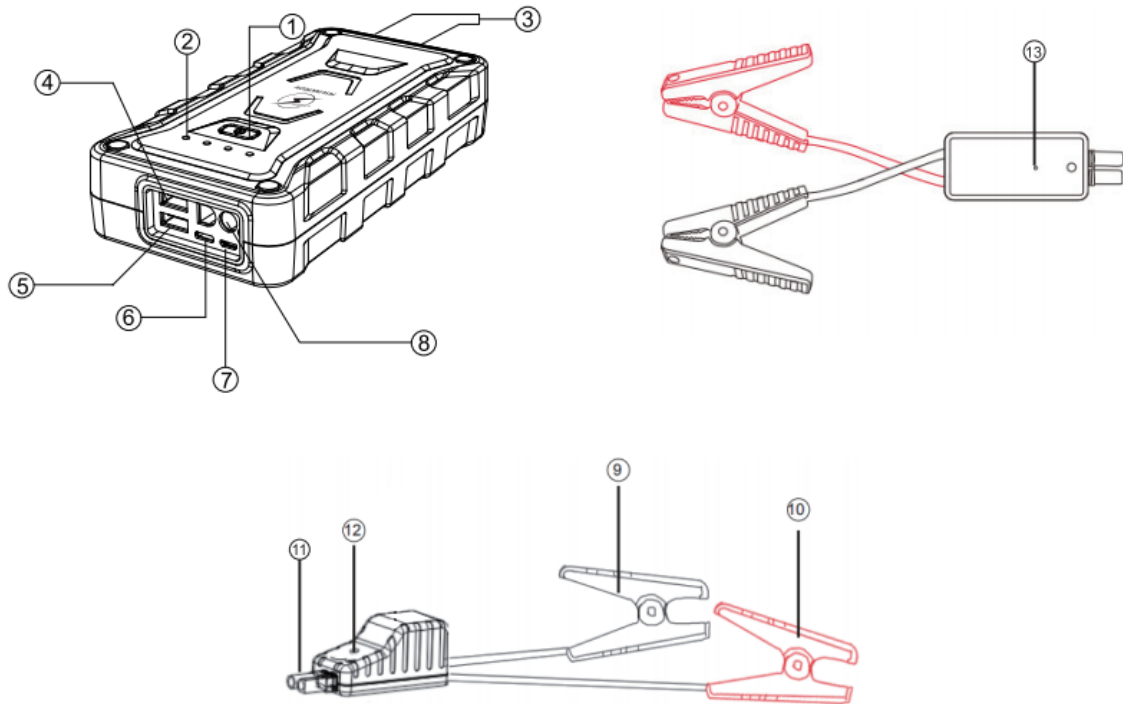
Ensure the jump starter and all accessories are in good working order before each use. This product is designed for 12V vehicles only.

Once vehicle is started, remove the jump starter as soon as possible to prevent possible damage to the unit.

- DO NOT connect the two clamps together.
- DO NOT modify or disassemble the jump starter.
- DO NOT operate near flames or flammable objects.
- DO NOT expose the unit to extreme heat.
- DO NOT allow overheating.
- DO NOT overcharge.
- DO NOT expose to heat or fire. Avoid storage in direct sunlight.
- DO NOT short-circuit. Do not store haphazardly in a box or drawer where damage and/or short-circuiting may occur.
- DO NOT subject cells or battery to mechanical shocks or damage.
- In the event of battery leakage, do not allow liquid to contact skin or eyes. If contact made, wash affected area with copious amounts of water and seek medical advice.
- DO NOT use any charger or electrical cables/clamps other than those specifically provided.
- In use, make sure cables are fully inserted into sockets, and make sure clamps are properly connected to battery terminals.
- Provide a two-minute cool-down break between attempts at starting a vehicle.
- Although water-resistant (IP67), do not wet, soak or submerge the product.

KEEP PRODUCT AWAY from children.

OVERVIEW



1 ON/OFF Button

4 USB Output Port 1 (QC3.0)

7 Micro USB Input Port

10 Positive Clamp Indicator Light

2 Charge Indicator Lights

5 USB Output Port 2 (QC3.0)

8 Starting Clamp Port

11 Starting Clamp Plug

13 Force Start Button

3 LED Flashlight

6 USB C Input

9 Negative Clamp

12 Battery Clamp Indicator

OPERATION

CHARGING YOUR JUMP STARTER

You can charge your jump starter by:

1. Using the supplied 240V AC charger OR 2. Using the supplied 12V Cigarette plug lead.

STARTING YOUR VEHICLE

Ensure that 3 to 4 indicator lights are illuminated, or you may not be able to jump start the vehicle.

Insert the battery clamp plug completely into the jump starters starting port. The green and red indicator lights will start to flash alternately.

Connect the RED (positive) clamp to the vehicle's positive (+) terminal and connect the BLACK (negative) clamp to the vehicle's negative (-) terminal. The green and red flashes will continue signalling. If only the red indicator light is on; check the clamps are connected correctly.

Once the indicator light flashes green and red while the clamps are connected to the vehicles battery the car is now ready to be jump started.

Once the vehicle has started, disconnect the jump starter from the battery as soon as possible.

If the vehicle failed to start 3 times you can use the force start function by pressing and holding the force start button on the clamps for 3 seconds. The indicator light will become a solid green, attempt to start the vehicle within 30 seconds.

Once the car has started, remove the battery clamps from the car battery as soon as possible.

CHARGING MOBILE PHONES

Use either the provided or your own USB charging cable.

Connect the cable to either USB ports whilst connecting the other end to your device. If you are using the provided USB charging lead ensure you select the correct connection for your device.

- **DO NOT** charge more than 1 device at a time with the provided USB break out charging cable.
- **DO USE** both USB outlets at the same time if required.

Press the power button on the jump starter unit to begin charging your device

USING THE LED TORCH

Press and hold the power button for 3 seconds. The LED torch will then turn on.

Press the power button again to activate the strobe, SOS & off.

USING THE LED TORCH

The Jump Starter features a smart clamp system to provide Low Voltage, Reverse Polarity, Short Circuit, Reverse Charge and Automatic Power Shut off Protection.

LED INDICATOR	SITUATIONS
The red/green light will flash when connected to the car battery	Ready to jump start
The red light is always on	-Check whether the clamp is reverse connected. Check the clamp is not short-circuiting -Check if the two clamps are connected together or if both clamps are connected to the same piece of metal.
The red light is always on	Reverse charging protection, the voltage of the car battery is higher than 12.6V.
The red light flashes quickly	The temperature of the clamp exceeds 65(+/-5) degrees. -Remove the clamp until the red/green light flash
The green light flashes slowly	The voltage of the jump starter is too low. -Charge the jump starter

FAQ

Q: How do you turn off the jump starter?

A: This product will power off automatically when no load is detected or when charging is complete.

Q: How long does it take to fully charge the jump starter?

A: Around 7 hours

Q: How many times can this jump starter charge my phone?

A: Dependent on the phones battery capacity this jump starter can charge most smart phones 3 to 4 times.

TROUBLESHOOTING

ISSUE	CAUSE	SOLUTION
No response when pressing the power button	Low voltage protection is preventing the device from turning on	1. Charge the device

SPECIFICATIONS

Dimensions:	188 x 83 x 36mm
Weight:	580g
Internal Battery:	Lithium Ion
Battery Capacity:	12,000mAh / 44.4Wh
Starting Current:	500A
Peak Current:	1000A
USB Output:	5V / 3A
Input:	Type - C Plug 5V / 2A
Safe Operating Temperature:	0°C ~ 50°C

12 MONTH LIMITED WARRANTY

WARRANTY PERIOD:

Full 12 month warranty from date of purchase against all manufacturing defects.

WHAT DOES THE WARRANTY COVER?

Under normal usage conditions, this warranty covers:

- a. Any defect in design or manufacture which results in the product failing to perform substantially as described in authorised advertising or literature.
- b. We will either repair or replace the product at our discretion providing that the fault is found to have been caused by a design or manufacturing defect and not misuse or tampering.

Our goods come with guarantees that cannot be excluded under the Australian Consumer Law. You are entitled to a replacement or refund for a major failure and for compensation for any other reasonably foreseeable loss or damage. You are also entitled to have the goods repaired or replaced if the goods fail to be of acceptable quality and the failure does not amount to a major failure. The benefits provided to you as the consumer by this warranty are in addition to other rights and remedies available to you under the law.

THE WARRANTY DOES NOT COVER:

- a. Any damage resulting from improper use
 - b. Faulty installation or modification made during installation
 - c. The cost of removing and reinstalling the product
 - d. Travel and /or other expenses due to customer's remote location
 - e. Transport charges and damage in transit. It is your responsibility to deliver and pick up your product, including any costs associated with the postage of your repair or replacement product. If you do freight your product we recommend that you insure against loss or damage.
 - f. Any loss directly or indirectly associated with the product failing to operate.
 - g. Damage caused by mould, insects, animals, misuse, incorrect operation, adverse weather, accidents and fair wear and tear
-

TO MAKE A CLAIM, PLEASE ENSURE YOU RETAIN YOUR SALES RECEIPT OF PURCHASE

1800 88 39 64



OUTDOOR SUPACENTRE PTY LTD
2 Stanley St Silverwater NSW, 2128
PHONE: 1800 88 39 64
www.4wdsupacentre.com.au