



WR-1.5 US Version

WR-1.5

SINGLE-VOLUME CONTROL AND ROTARY PRESET RECALL SWITCH DECORA WALL REMOTE

Control your system from any location with our remote controls. These devices fit in standard wall boxes and use low gauge wire for hook-up. The **WR-1.5** remote has a single potentiometer for remote level control, plus a 4-position rotary switch for preset recall. The remote level control uses DC voltage provided by the host unit to attenuate one channel of that unit. The preset recall switch selects presets 1-4 on the host unit. The **WR-1.5e** is the European wall box version.

WR-1.5 Features:

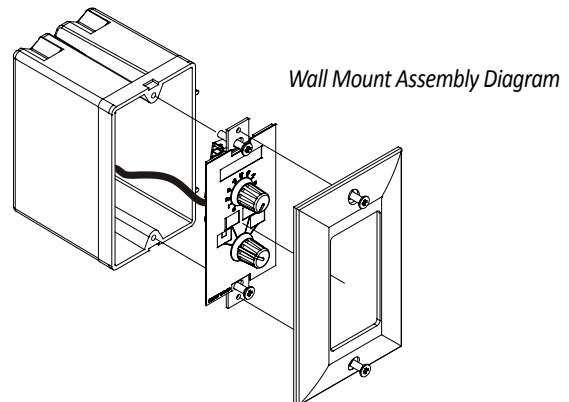
- Instant real-time remote level control and preset recall
- Visual indication verifies changes
- Connects directly to host unit
- No network or power supply required
- Window for user-defined labels
- Shipping weight: 1lbs (1kg)
- Safety/compliance: CE, FCC, RoHS

Compatible Ashly products include:

- nX amplifiers (level only)
- nXe and nXp amplifiers
- Pema amplifiers
- NE multi-channel amplifiers (with DSP)
- NE two-channel amplifiers (level only, with DSP)
- ne24.24M matrix processor
- NE8800/4800/4400 network processors (level only)



WR-1.5e European Version





WR-1.5

ARCHITECT & ENGINEERING SPECS

The remote control unit shall use a four position rotary switch to select Presets 1-4 on an Ashly product. The unit shall have a rotary potentiometer for adjusting DC level control on an Ashly product. The unit shall connect to the host device using low gauge wire. The unit shall have clear windows for insertion of user-defined labels. The unit shall mount in a standard US electrical wall box. No other unit shall be acceptable unless all specifications herein are verified through an independent agent.

The unit shall be an Ashly **WR-1.5**.

