



XFW7800 Leg Press



Model # XFW7800
Revision 020720

OWNER'S MANUAL

IMPORTANT:

All products shown are prototype. Actual product delivered may vary.
Product specifications, features & software are subject to change without notice.
For the most up-to-date owner's manual please visit www.truefitness.com.
For documents in additional languages please visit www.truefitness.com/resources/document-library/

IMPORTANTE:

Todos los productos mostrados son prototipos. La realidad el producto suministrado puede diferir.
Especificaciones de productos, características y software están sujetas a cambios sin previo aviso.
Para la más actualizada de este manual del propietario, por favor visite www.truefitness.com
Para los documentos en otros idiomas, por favor visite www.truefitness.com/resources/document-library/

IMPORTANT: Tous les produits présentés sont prototype. Le produit réel livré peut varier. Spécifications du produit, caractéristiques et logiciels sont sujettes à modification sans préavis. Pour la plus à jour le manuel du propriétaire s'il vous plaît visitez www.truefitness.com. Pour documents dans des langues supplémentaires, veuillez www.truefitness.com/resources/document-library/ de visite

重要提示: 显示所有产品的原型。实际交付的产品可能有所不同产品规格,功能和软件如有更改,恕不另行通知迄今为止对于大多数的使用说明书,请访问www.truefitness.com 对于其他语言的文档,请访问www.truefitness.com/resources/document-library/

اهم:
اهمى لست يلى عفا لجت نمل ا فل ت تخت دق . ج ذوم نل ا ي ه ضرور عمل ا تاجت نمل ا عى م ج .
راعش ا نود رى غت ل ل فل باق ج اربل او تازى مل او ، جت نمل ا تافص او م .
www.truefitness.com قرأى زى جى جرى ل كل امل ا لى ل د نأ ل ا ت ح ل صى ا م مطع مل .
www.truefitness.com/resources/document-library/ قرأى زى جى جرى ، عى فاض ا تاغل ي ف تادن ت سمل ل

WICHTIG: Alle hier gezeigten Produkte sind Prototypen. Das tatsächliche Produkt ausgeliefert wird, kann variieren. Produkt-Spezifikationen, Funktionen und Software können sich ohne vorherige Ankündigung ändern. In den meisten Fällen bis zu Bedienungsanleitung Bisher besuchen Sie bitte www.truefitness.com. Für Dokumente in weiteren Sprachen finden Sie unter www.truefitness.com/resources/document-library/

BELANGRIJK: Alle getoonde producten zijn prototype. Daadwerkelijke product geleverd kan verschillen. Product specificaties, eigenschappen & software zijn onderhevig aan verandering zonder kennisgeving. Voor de meest actuele handleiding van de eigenaar kunt u terecht www.truefitness.com. Voor documenten in andere talen kunt u terecht op www.truefitness.com/resources/document-library/

ВАЖНО: Все товары указаны прототипа. Фактический продукт, поставляемый могут отличаться. Технические характеристики, особенности и программного обеспечения могут быть изменены без предварительного уведомления. Для получения самой последней на сегодняшний день руководство по эксплуатации пожалуйста, посетите www.truefitness.com
.Для документов на другие языки, пожалуйста, посетите www.truefitness.com/resources/document-library/

A MESSAGE TO OUR CUSTOMERS

Frank Trulaske began TRUE Fitness® over thirty-five year ago with the simple philosophy of delivering superior fitness products, service, and support. Today, TRUE is the global leader in premium fitness equipment for the commercial and residential markets. Our goal is to be the leader in technology, innovation, performance, safety and style. TRUE has received many awards for its product over the years and remains the benchmark for the industry. Fitness facilities and consumers invest in TRUE products for their durable commercial platforms used in all its products, both commercial and residential alike.

The proud manufacturing tradition of quality and the culture of innovation at TRUE have given rise to a full line of extraordinary cardio and strength equipment. As a result, people all over the world are benefiting from the TRUE experience. Innovation across the full product line has made TRUE successful and is a trademark of the TRUE heritage. TRUE's patented Heart Rate Control technology is just one of the remarkable ways we deliver simple and superior performance every user can enjoy, and most importantly, use to achieve personal health and fitness goals.

At the heart of our success is the relentless and systematic life testing of both our products and their components. We have dedicated employees who understand our philosophy is to deliver the best products in the world.

Our goal is to deliver the world's best premium equipment for our customers' health and fitness solutions.

Table of Contents

CHAPTER 1: SAFETY INSTRUCTIONS	5
• COMMERCIAL MAINTENANCE SCHEDULE:	9
CHAPTER 2: ASSEMBLY GUIDE	10
• MACHINE SPECIFICATIONS:	10
• REQUIRED TOOLS:.....	11
• COMPLIANCES:	11
• PRE-ASSEMBLY CHECKLIST:.....	12
• ASSEMBLY STEPS:	15
CHAPTER 3: CARE & MAINTENANCE	26
• DAILY INSPECTION & MAINTENANCE:.....	26
• WEEKLY INSPECTION & MAINTENANCE:.....	26
• OTHER SCHEDULED PREVENTIVE MAINTENANCE:	27
• CLEANING THE EQUIPMENT:	27
• CABLE INSPECTION & MAINTENANCE:.....	28
CHAPTER 4: CUSTOMER SERVICE.....	30
• CONTACTING SERVICE:.....	30
• CONTACTING SALES:.....	30
• REPORTING FREIGHT OR PARTS DAMAGE:.....	31
CHAPTER 5: ADDITIONAL INFORMATION:.....	32

CHAPTER 1: SAFETY INSTRUCTIONS



FACILITY AND USER SAFETY PRECAUTIONS

1. Review and understand all of the warning labels affixed to this machine and on the facility safety sign.
2. Be certain that the machine operation is understood before it is used. Refer to the instructional procedure label affixed to the machine.
3. Make sure all users are properly trained on how to use this equipment. If this machine is being used in a commercial setting, end users may not have access to this owners manual. It is the responsibility of the facility to instruct users as to the proper usage of the equipment as well as making them aware of potential hazards. Maximum user weight is 300 lbs (136 kg) unless otherwise stated in the manual.
4. Use each machine only for the intended exercise. Do not allow anyone to invent exercises not included on the instructional procedure label or the intended use Label.
5. Do not modify the machine.
6. This equipment meets industry safety standards for stability when used for the intended exercise. Do not allow straps, resistance bands or other means to be attached to the framework of this machine to perform stretching or body weight exercises. This can result in machine instability and lead to serious crushing injuries.
7. Keep children away from this equipment. Adults should closely supervise use by teenagers.
8. It is recommended that users receive a thorough medical exam before commencing an exercise program. All medical issues should be reviewed to ensure that weight training will not aggravate pre-existing medical conditions.
9. If the machine appears damaged or inoperable, contact a facility staff member to place an "OUT OF ORDER, DO NOT USE" sign on the machine until it is repaired. Only use TRUE supplied replacement components to service this machine.
10. Instruct users not to wear loose or dangling clothes or have headphone wires hanging when using this equipment.
11. Do not attempt to free any jammed assemblies by yourself as this may cause injury.
12. On Plate Loaded and Free Weight machines:
 - 12a. Use of spotter(s). Instruct users to seek the advice of the facility staff as to the appropriate use of spotters when lifting. More than one spotter may be required depending upon the amount of weight being lifted.
 - 12b. Instruct users to load weight plates evenly and carefully to avoid tipping equipment and crushing injuries.
 - 12c. If the machine is equipped with safety stops or catches, inspect them and verify their proper operation before use and make sure they are securely in place before using or exiting the machine. Be certain members are instructed on how to operate and adjust

CHAPTER 1: SAFETY INSTRUCTIONS

- 12d. This equipment is designed for standard olympic size weight plates with a 50mm bore (1.9").
- 12e. Do not exceed the maximum weight capacity of the machine. Maximum plate size is 45 lbs. (25 kg.).
13. On Selectorized and Cable equipped machines:
- 13a. Do not allow users to perform any exercise by holding the end of the cable and/or the cable end fitting. Use only appropriate handles or attachments properly connected to the cable end.
- 13b. Do not high-pin or double-pin the weight stack. Do not allow the machine to be used if the top plate or weight stack is pinned in a raised position. Use an assistant and carefully return the machine to the proper position with the cap plate resting on the top weight. Inspect the entire length of the cable to ensure that it is properly seated in all of the pulley grooves.
- 13c. Do not allow the use of weight plates or dumbbells to be used as a means to add additional weight to the weight stacks. Use only the TRUE adder weight system specifically designed for the machine.



INSTALLATION SAFETY PRECAUTIONS

1. Read this installation manual entirely before assembling this equipment.
2. Verify that there is adequate space surrounding this piece of equipment for safe access and operation. Installation must meet ADA requirements for accessibility.
3. Install this piece of equipment on a solid level surface that does not deviate more than 1/8" over a 10' distance (or as defined and required by local building and architectural codes.)
4. TRUE strongly recommends that all equipment be anchored to the floor to prevent movement and increase stability.
 - Due to the wide variation of flooring on which the unit can be installed, contact a qualified contractor to determine an appropriate fastening system for your floor.
 - Use 3/8" diameter hardware (10 mm) to anchor the machine. Anchors should have a minimum pull out force of 220 lb (110 kg) for each position.
 - When attaching the machine to the floor, if there is a gap between the machine foot and the floor, do not use the anchor to remove the gap as this can cause the machine frame to deform. Instead, place a shim between the bottom of the foot and the floor, then tighten the anchor.
 - Anchoring holes are provided on the feet of the frame. All anchoring locations must be used when anchoring the equipment to the floor.
5. DO NOT install any fitness equipment near a pool, hot tub or other damp locations. Corrosion caused by installation in these locations can lead to premature failure of components.
6. Be sure all hardware is tight before using this machine.
7. Some assembly materials may come preassembled in the carton. Refer to Chapter 2: Assembly Guide for instructions on disassembling assembly materials where appropriate before beginning assembly.

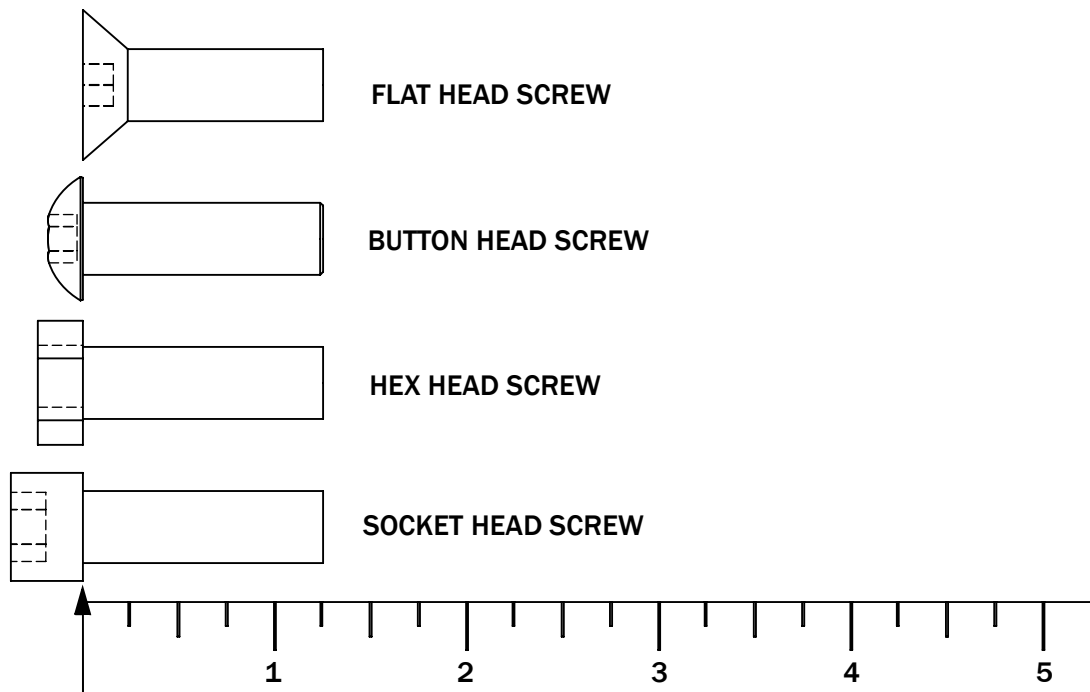
CHAPTER 1: SAFETY INSTRUCTIONS



MAINTENANCE SAFETY PRECAUTIONS

1. Refer to the maintenance schedule table in this manual for when to perform maintenance.
2. Check the function of your machine DAILY by verifying the following:
 - If equipped with cables, inspect cables and end fittings for any signs of wear. Replace if worn, frayed, or damaged with TRUE replacement components.
 - Verify that all adjustments are possible and carried out with ease. Make sure that each adjustment pin inserts completely into each position without binding.
 - Verify that safety catches and stops are in proper working order and engaged.
 - Verify that the exercise is performed smoothly, free of noise, and/or binding.
 - If equipped with a weight stack, verify that the proper weight selector pin is in place.
3. Check the function of your machine WEEKLY by verifying the following:
 - Nuts, Bolts, and Fasteners: check tightness weekly. If any hardware has become loose, retighten it, use Loctite™ Threadlocker 242, or both.
 - Frames and Lifting Arms: Inspect weekly for integrity and function. Replace any component at first signs of wear. Use only TRUE supplied components.
4. Replace any warning label at the first sign of wear. Labels and the facility safety sign may be obtained from TRUE.

BOLT LENGTH MEASURING GUIDE



CHAPTER 1: SAFETY INSTRUCTIONS



IMPORTANT

Preventative maintenance is crucial to maintaining the function and safety of this equipment. Your facility must establish written guidelines for preventative maintenance and keep written or online records of the maintenance performed on these products. As a minimum, the items presented in the SAFETY section of this document and the items that follow here, should be included in your maintenance program.

1. **Cables (If equipped):** inspect end fittings daily for wear. Inspect the entire length of the cable weekly. Replace cables at the first sign of wear and on an annual basis. If the cable tension has been adjusted, be certain that the cable nut is tight.
2. **Nuts, Bolts, and Fasteners:** check tightness weekly. If any hardware has become loose, retighten and/or use Loctite[™] brand Threadlocker 242. Be sure all hardware is tight before using the machine.
3. **Safety Catches:** inspect catches, stop rods and their associated fasteners weekly. Tighten any loose hardware and replace any components at first signs of wear.
4. **Frames:** sweat, disinfecting sprays and spills can lead to corrosion which may lead to premature failure of components. Wipe all machines down with a damp cloth and dry completely each day. This includes painted parts, chrome parts and upholstered pads.
5. **Painted and chrome plated parts:** use Simple Green with a dilution of 32:1 or similar cleaner for light dirt and grime. Use Turtle Wax Polishing Compound or a good car polish to remove heavier dirt and grease as well as for polishing. **DO NOT** use solvents, lacquer thinner, acetone or finger nail polish remover. For scuffs and marks that are not removed by the above methods use a soft scrub cleanser. Make sure all parts are dry upon completion.
6. **Weight stack enclosures (shrouds)(If Equipped):** wipe down with a damp cloth as needed.
7. **Exercise instruction labels:** clean with soap and water as needed.
8. **Guide rods (If equipped):** wipe all dirt and dust from the guide rods before applying a light application of Tri-Flow[™] or other teflon spray lubricant. Spray the Tri-Flow[™] on a rag and then wipe the guide rods with the rag. **DO NOT** use oil lubricants such as WD-40. Caution: Tri-Flow[™] will stain carpet and clothing.
9. **Bronze bushings:** check monthly for signs of wear and replace as needed.
10. **Linear Bearing Shafts:** wipe any accumulation of dust or other contaminants from the shafts on a weekly basis. Apply a thin layer of a Teflon[®] (PTFE) grease on a weekly basis. TRUE recommends Magnalube[®] brand.
11. **When replacing any component, use only TRUE supplied parts.**
12. **Be sure all hardware is tight before using the machine.**

Retain these instructions for future reference.

If you have any questions, do not hesitate to contact your TRUE dealer or TRUE Fitness Technology at (800)883-8783 or service@truefitness.com.

CHAPTER 1: SAFETY INSTRUCTIONS

COMMERICAL MAINTENANCE SCHEDULE

	DAILY	WEEKLY	MONTHLY	6 MONTHS	ANNUALLY
INSPECT: Cables for wear, tension, and proper connection if equipped.	X				
INSPECT: All nuts and bolts and tighten if needed.		X			
INSPECT: All anti-slip surfaces and replace as needed.		X			
INSPECT: All adjustment pins, weight stack pins, set screws, gas shocks, snap links, and pulleys if equipped.	X				
INSPECT: All accessory bars and handles.		X			
INSPECT: All safety and instructional decals.	X				
INSPECT: All weight stack shields if equipped.	X				
CLEAN: Guide rods and lubricate with a teflon lubricant if equipped.			X		
CLEAN: Upholstery	X				
LUBRICATE: Pivot bearings and linear bearings.				X	
REPLACE: Cables if equipped.					X

COMPLIANCES:

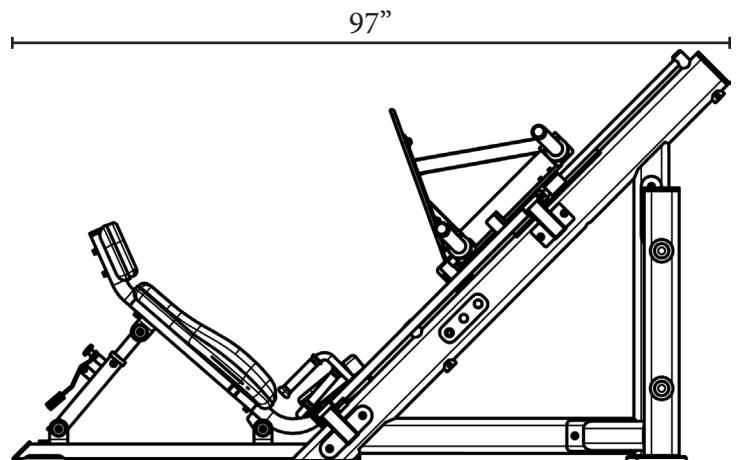
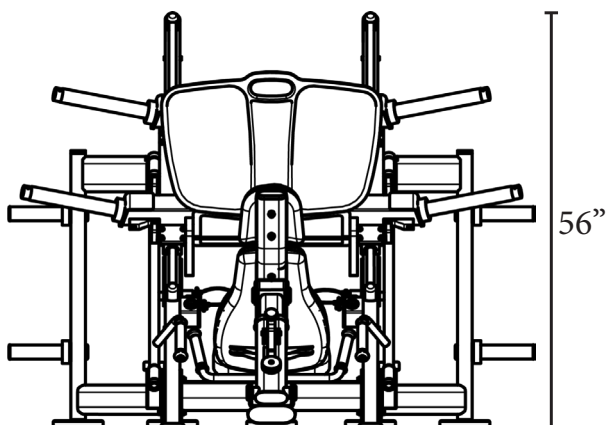
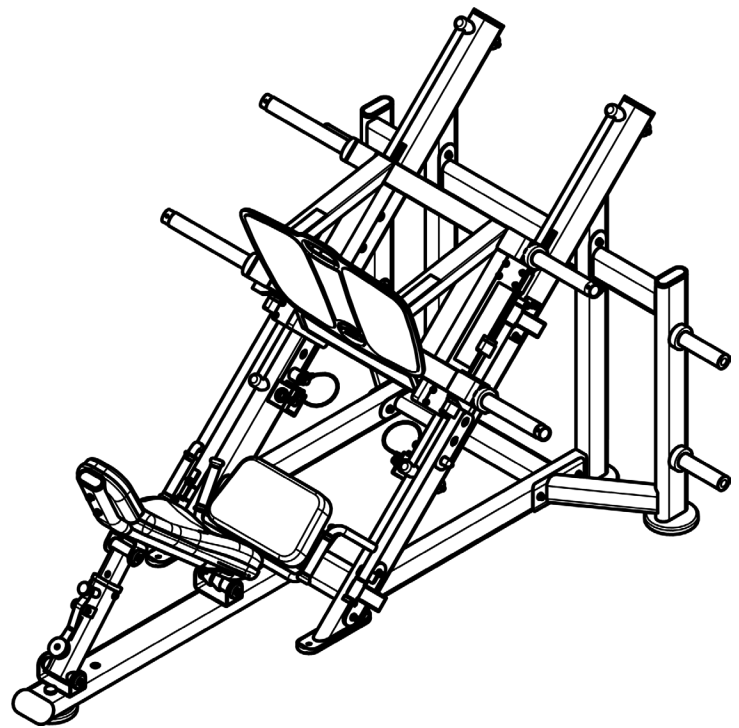
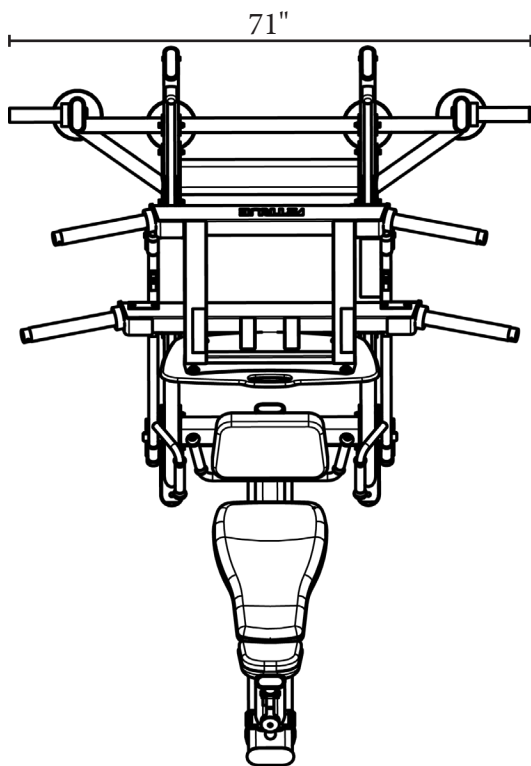
This equipment complies with all fitness product standards. For a complete list of compliances, please visit www.TrueFitness.com.

CHAPTER 2: ASSEMBLY GUIDE

MACHINE SPECIFICATIONS:

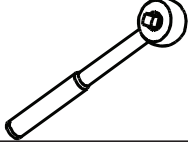

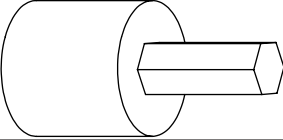

Features

- Weight of assembled machine: 608 lbs. (276 kg.), but without free weights.
- Floor loading:
 - For machine weight with max free weights capacity of 1868 lbs. it is 39 lb/ft² (191 kg/m²)
- Maximum user weight is 400 lb. (182 kg.)
- Maximum free weight per weight horn is 7 x 45 lb. (25 kg.) weight plates.





CHAPTER 2: ASSEMBLY GUIDE

REQUIRED TOOLS:

	Ratchet Handle
	9/16", 3/4" Socket Head
	7/32", 5/16", 3/16" Hex Bit Socket
	7/32", 5/16", 3/16" Allen Wrench (supplied)

LABELS:

 WARNING	<p>SERIOUS CRIPPLING INJURY CAN OCCUR IF THE LIFTING CARRIAGE DROPS SUDDENLY. TO AVOID INJURY FOLLOW THESE PRECAUTIONS.</p> <ol style="list-style-type: none"> 1. BEFORE USING: Read all of the warnings and obtain instruction on the use of this machine. 2. BEFORE making any adjustments or changing the weight on this machine make certain that the catch plates are completely engaged under the carriage. 3. INSPECT the machine before use. DO NOT use if the machine appears damaged or is not functioning properly. DO NOT attempt to fix. Seek assistance from staff. 4. Get a medical exam before beginning any exercise program. 5. Keep body and clothing clear of all moving parts. 6. INSPECT MACHINE DAILY for loose worn or damaged parts. Tighten and adjust all loose parts. Replace any part or label at first signs of wear. If you are in doubt about any part, DO NOT use the machine until the part is replaced. 7. NEVER allow children near this machine. Supervise use by teenagers. 8. ALWAYS use spotters. 9. ALWAYS set both stop rods when using this machine. 10. Load weight onto the machine evenly. Load one weight on one side and then the other. DO NOT exceed the maximum weight of 1260 lbs. (573 kg). Maximum weight plate size is 45 lb or 25kg. 11. Leg press and calf lifting movements can be performed on this machine. Adjust the seat back to a comfortable position and then determine the proper placement of the stop rods by performing the exercise with no or minimal weight and determining the lowest point of comfortable carriage travel. Insert the stop rod into the closest hole to this position. UPON COMPLETION OF THE EXERCISE, VISUALLY ENSURE THAT THE CARRIAGE CATCH PLATES ARE VERTICAL AND IN COMPLETE CONTACT WITH THE CARRIAGE. 12. DO NOT REMOVE this label. Replace when worn or damaged. <p style="font-size: small;">LBL-WRN-XFW78 ASTM 1749</p>
--	---

 WARNING
<p>TO PREVENT THE POSSIBILITY OF SERIOUS INJURY, BE CERTAIN TO LOAD AND UNLOAD WEIGHT PLATES ONTO THE BARS EVENLY. ALTERNATIVE SIDES, LOAD OR UNLOAD ONE WEIGHT FROM ONE SIDE AND THEN LOAD OR UNLOAD ONE WEIGHT FROM THE OPPOSITE SIDE.</p>
<p>ASTM 1749 LBL-WRN-0007 9/17</p>

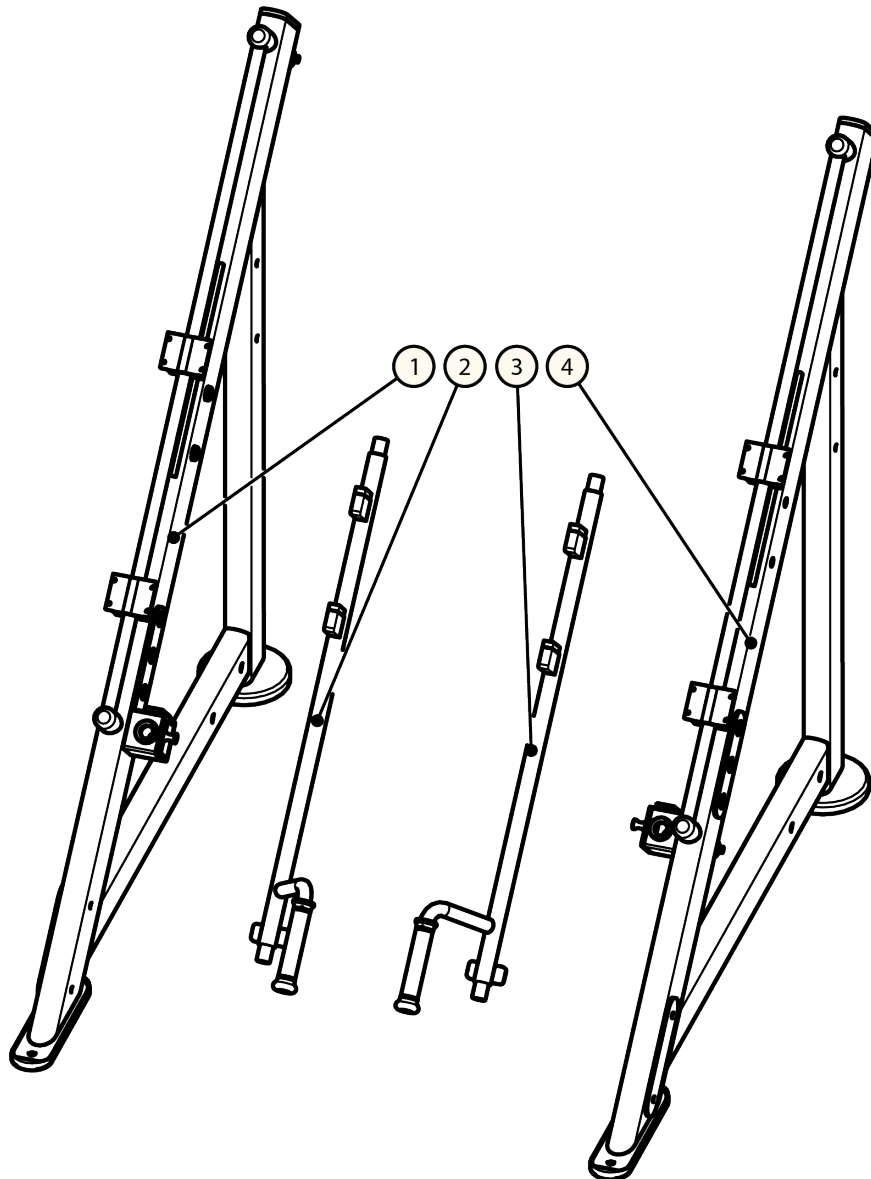
CHAPTER 2: ASSEMBLY GUIDE

PRE-ASSEMBLY CHECKLIST:

Carton One Contents

Note: Hardware item numbers on the tooling card may not match the hardware item numbers shown in the owner's manual.

Item	Part Number	Description	Quantity
1	XFW78-MFR-20XBK	MAIN FRAME LEFT	1
2	XFW78-CAT-10XBK	LEFT, CATCH BAR ASSY	1
3	XFW78-CAT-00XBK	RIGHT, CATCH BAR ASSY	1
4	XFW78-MFR-00XBK	MAIN FRAME RIGHT	1



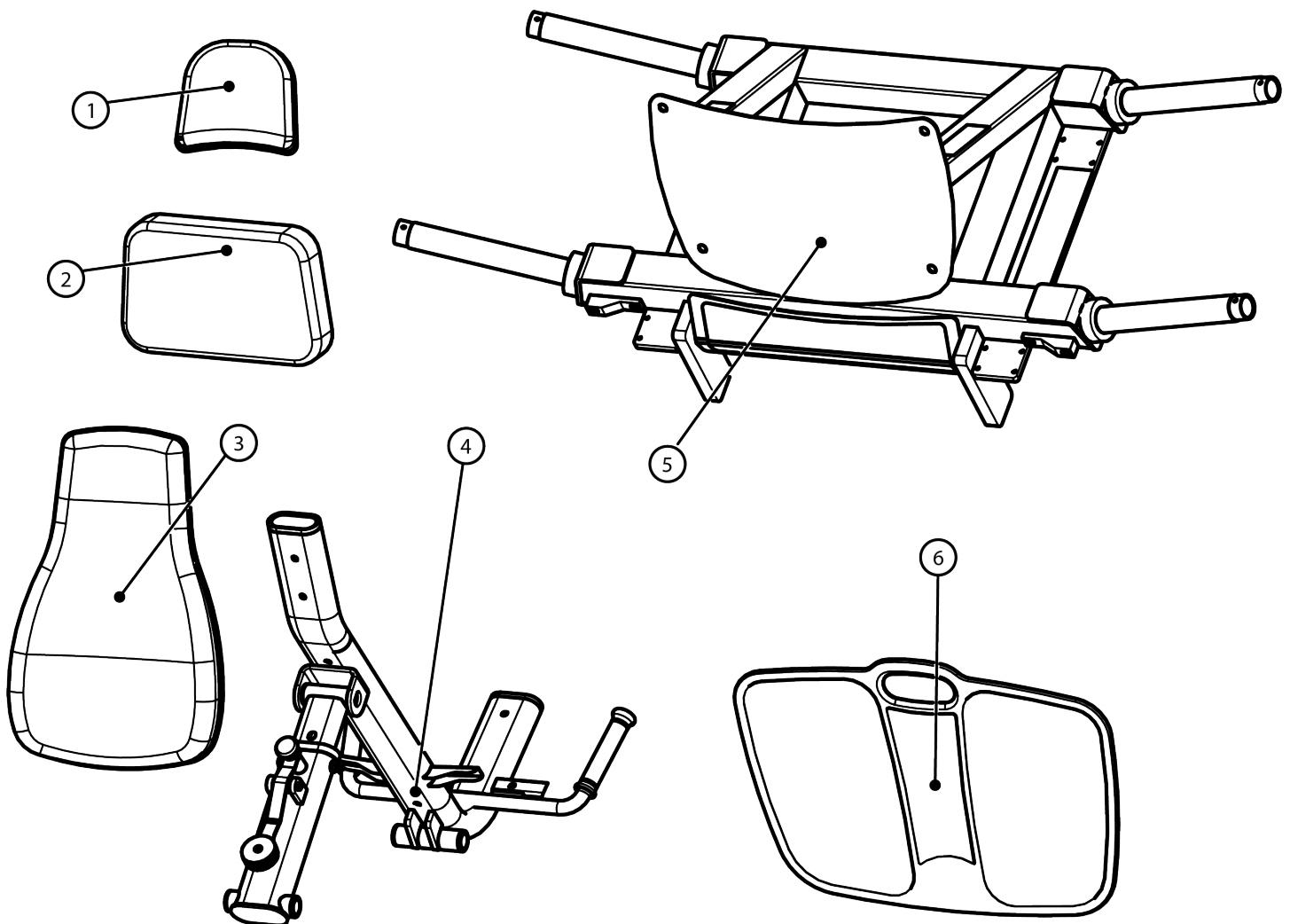
CHAPTER 2: ASSEMBLY GUIDE

PRE-ASSEMBLY CHECKLIST:

Carton Two Contents

Note: Hardware item numbers on the tooling card may not match the hardware item numbers shown in the owner's manual.

Item	Part Number	Description	Quantity
1	S 562	ASSY, HEAD PAD	1
2	XFW78-PAD-10X	ASSY, SEAT PAD	1
3	9005BPD000X	ASSY, BACK PAD	1
4	XFW78-SFR-20XBK	SEAT BACK TUBE ASSY	1
5	XFW78-PLT-00XBK	TROLLEY ASSEMBLY	1
6	S 540BK	ASSEMBLY, LEG PRESS FOOT PLATE	1



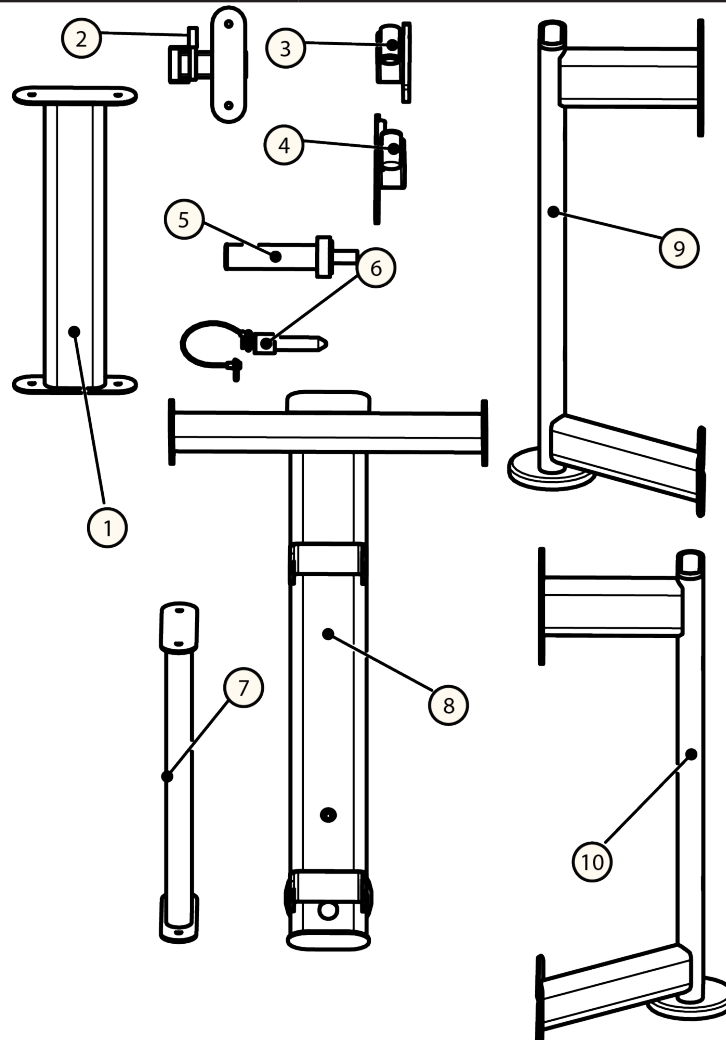
CHAPTER 2: ASSEMBLY GUIDE

PRE-ASSEMBLY CHECKLIST:

Carton Three Contents

Note: Hardware item numbers on the tooling card may not match the hardware item numbers shown in the owner's manual.

Item	Part Number	Description	Quantity
1	XFW78-CBR-00BK	LOWER MAIN FRAME CROSSBAR (REAR)	1
2	XFW78-BRC-30XBK	LOWER CATCH PIVOT TUBE ASSY (LEFT)	1
3	XFW78-BRC-00XBK	UPPER CATCH PIVOT TUBE ASSY	2
4	XFW78-BRC-20XBK	LOWER CATCH PIVOT TUBE ASSY (RIGHT)	1
5	XFW78-WTS-20X	WEIGHT HORN	4
6	XFW78-STP-00X	STOP ROD ASSEMBLY	2
7	XFW78-CBR-00BK	LOWER MAIN FRAME CROSSBAR (FRONT)	1
8	XFW78-SFR-00XBK	SEAT FRAME	1
9	XFW78-WTS-10XBK	SIDE FRAME LEFT	1
10	XFW78-WTS-00XBK	SIDE FRAME RIGHT	1

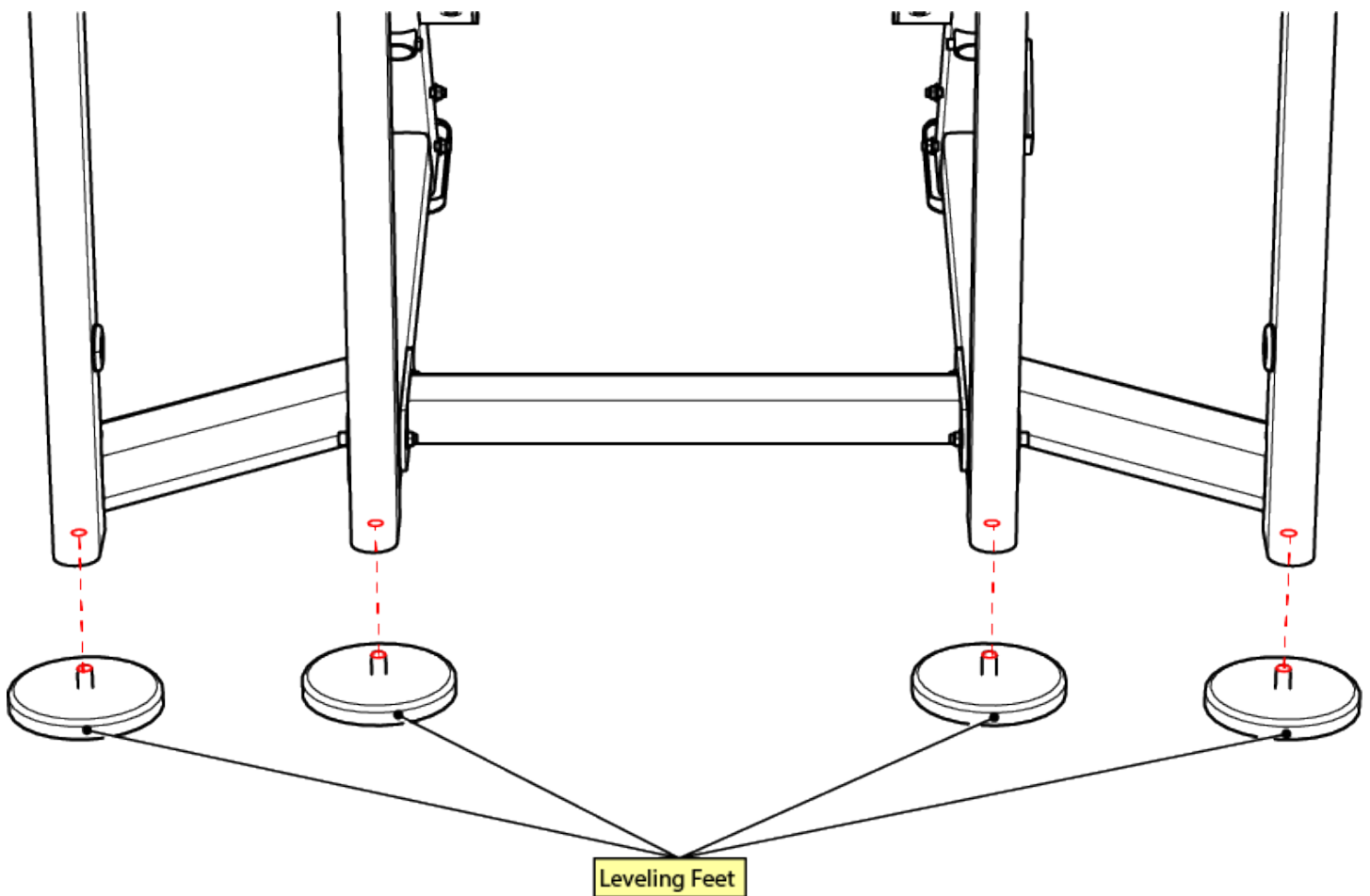


CHAPTER 2: ASSEMBLY GUIDE

ASSEMBLY STEPS:

Step 1 (Leveling Feet):

Secure the leveling feet to the left and right main and side frames.



CHAPTER 2: ASSEMBLY GUIDE

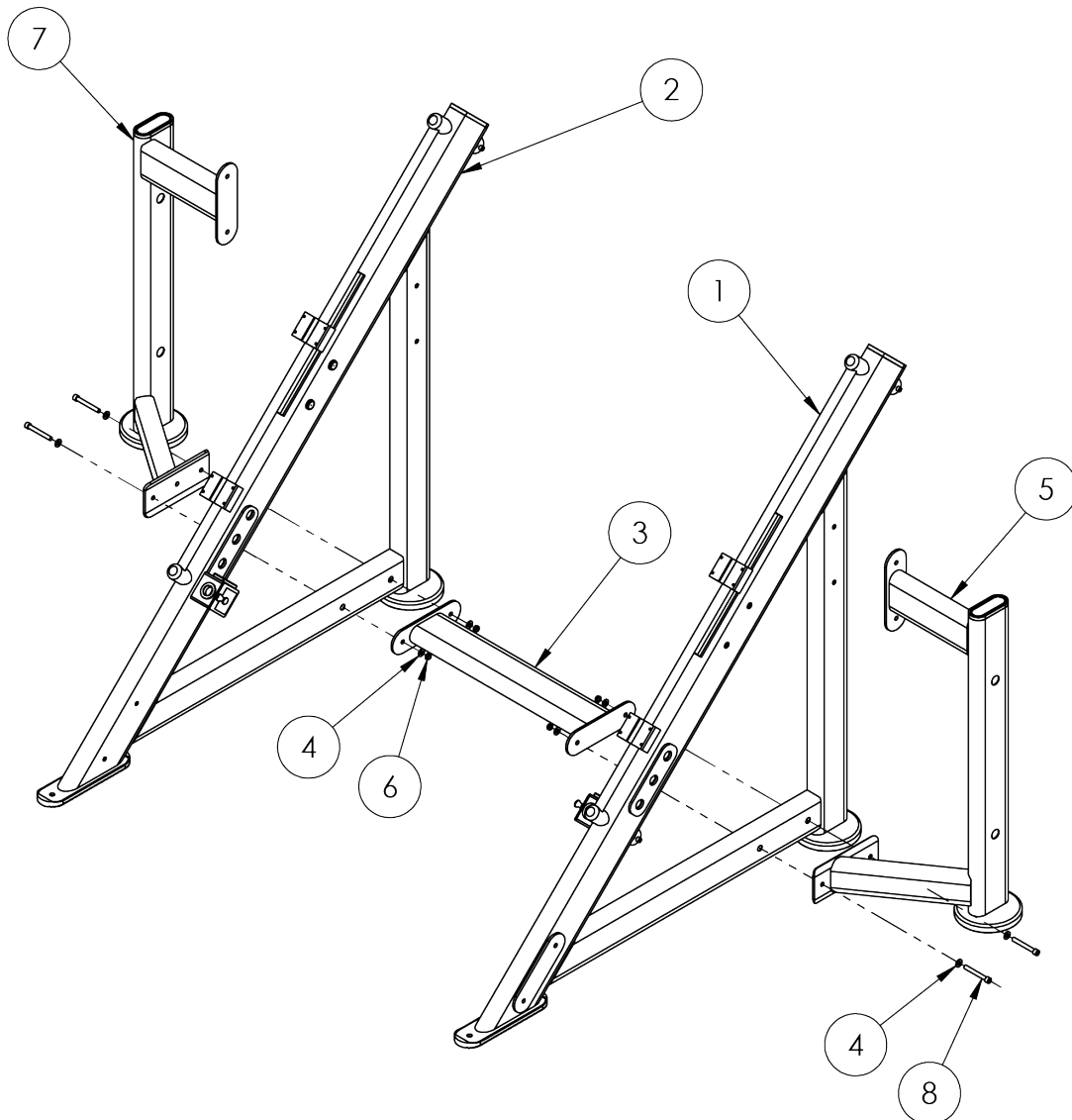
ASSEMBLY STEPS:

Step 2 (Main Frame):

Secure the lower main frame crossbar and left and right side frames to the left and right main frames using the identified hardware.

Note: Do not fully tighten main frame hardware until after completing Step 6 (Right Catch Bar Assembly).

Item	Part Number	Description	Quantity
1	XFW78-MFR-00XBK	MAIN FRAME RIGHT	1
2	XFW78-MFR-20XBK	MAIN FRAME LEFT	1
3	XFW78-CBR-00BK	LOWER MAIN FRAME CROSSBAR	1
4	C-754C	WASHER, FLAT, 3/8" SAE, ZP	8
5	XFW78-WTS-00XBK	SIDE FRAME RIGHT	1
6	C-766A	LOCK NUT, 3/8"-16, NYL INS JAM NUT	4
7	XFW78-WTS-10XBK	SIDE FRAME LEFT	1
8	C-631	SH SCREW, 3/8"-16, 3"	4



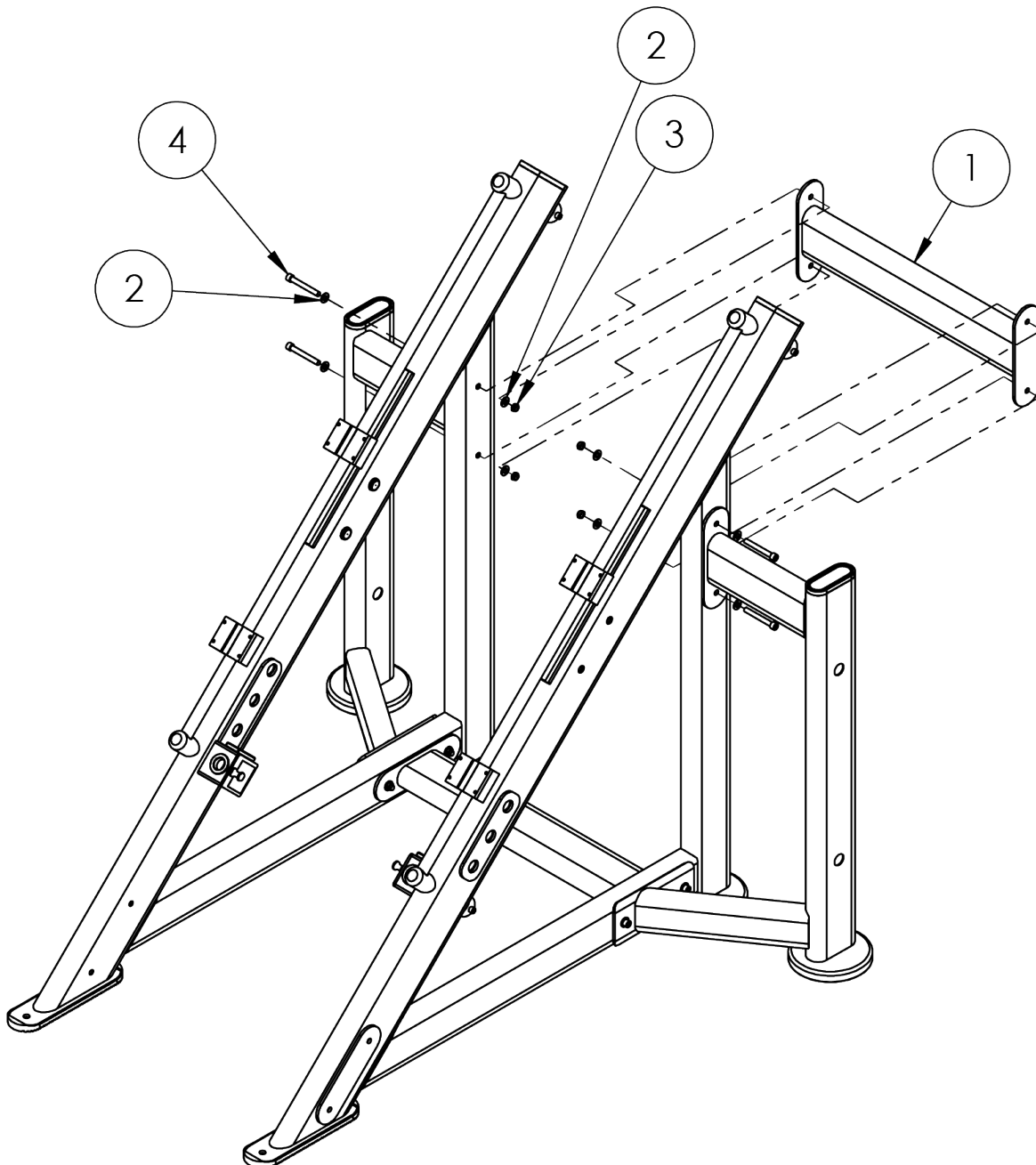
CHAPTER 2: ASSEMBLY GUIDE

ASSEMBLY STEPS:

Step 3 (Upper Main Frame Crossbar):

Secure the upper main frame crossbar to the left and right main frames using the identified hardware.

Item	Part Number	Description	Quantity
1	XFW78-CBR-00BK	UPPER MAIN FRAME CROSSBAR	1
2	C-754C	WASHER, FLAT, 3/8" SAE, ZP	8
3	C-766A	LOCK NUT, 3/8"-16, NYL INS JAM NUT	4
4	C-631	SH SCREW, 3/8"-16, 3"	4



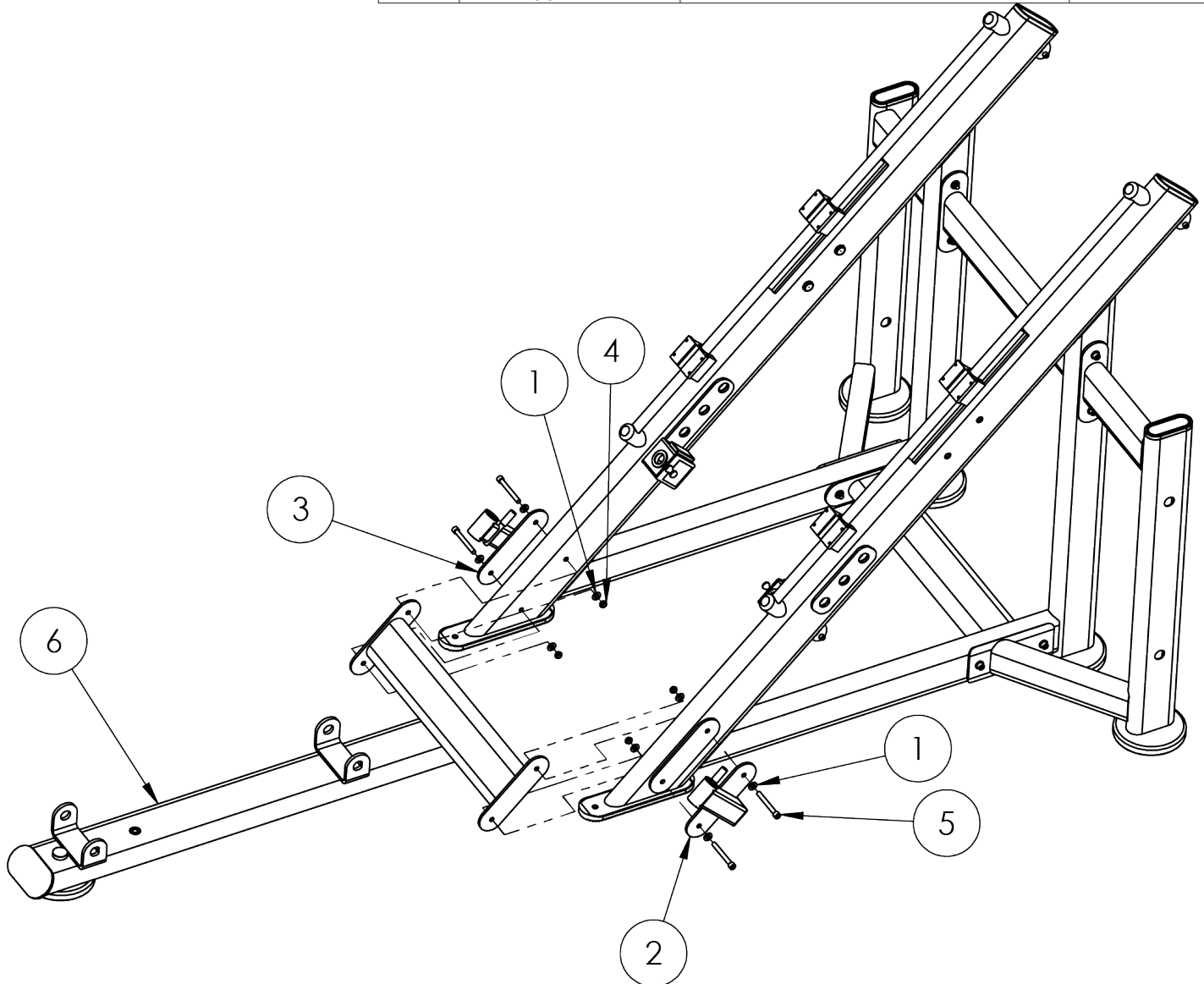
CHAPTER 2: ASSEMBLY GUIDE

ASSEMBLY STEPS:

Step 4 (Seat Frame):

Secure the seat frame to the left and right main frames using the identified hardware.

Item	Part Number	Description	Quantity
1	C-754C	WASHER, FLAT, 3/8" SAE, ZP	8
2	XFW78-BRC-20XBK	LOWER CATCH PIVOT TUBE ASSEMBLY	1
3	XFW78-BRC-30XBK	LOWER CATCH PIVOT TUBE ASSEMBLY	1
4	C-766A	LOCK NUT, 3/8"-16, NYL INS JAM NUT	4
5	C-632	SH SCREW, 3/8"-16, 3-1/4"	4
6	XFW78-SFR-00XBK	SEAT FRAME	1



CHAPTER 2: ASSEMBLY GUIDE

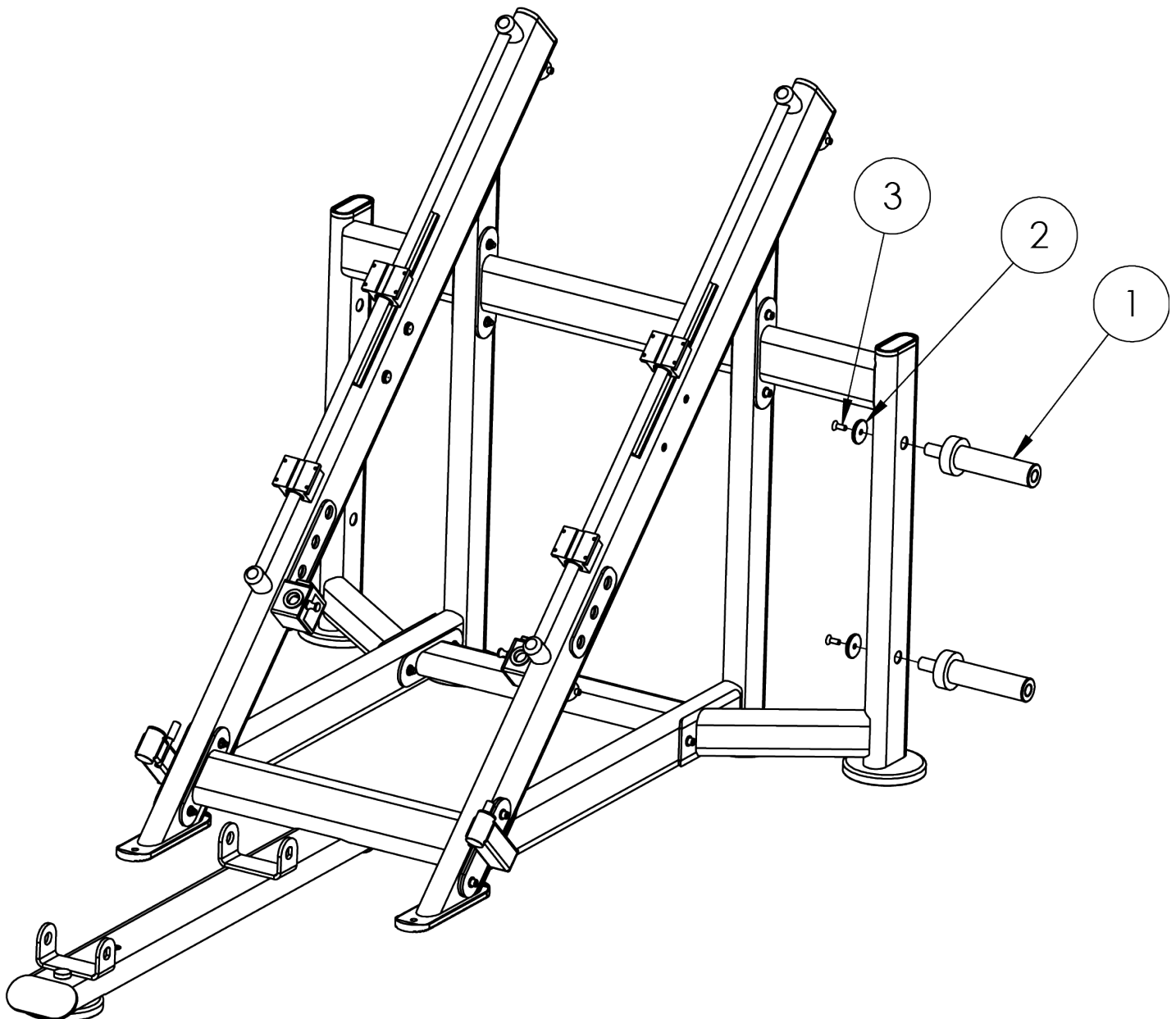
ASSEMBLY STEPS:

Step 5 (Weight Horns):

Secure the right weight horns to the right side frame using the identified hardware.

Item	Part Number	Description	Quantity
1	XFW78-WTS-20X	WEIGHT HORN	2
2	IN-S51102100	AXLE COVER	2
3	C-658	FH SCREW, 3/8"-16, 1"	2

Note: Repeat the same assembly process for the left weight horns.



CHAPTER 2: ASSEMBLY GUIDE

ASSEMBLY STEPS:

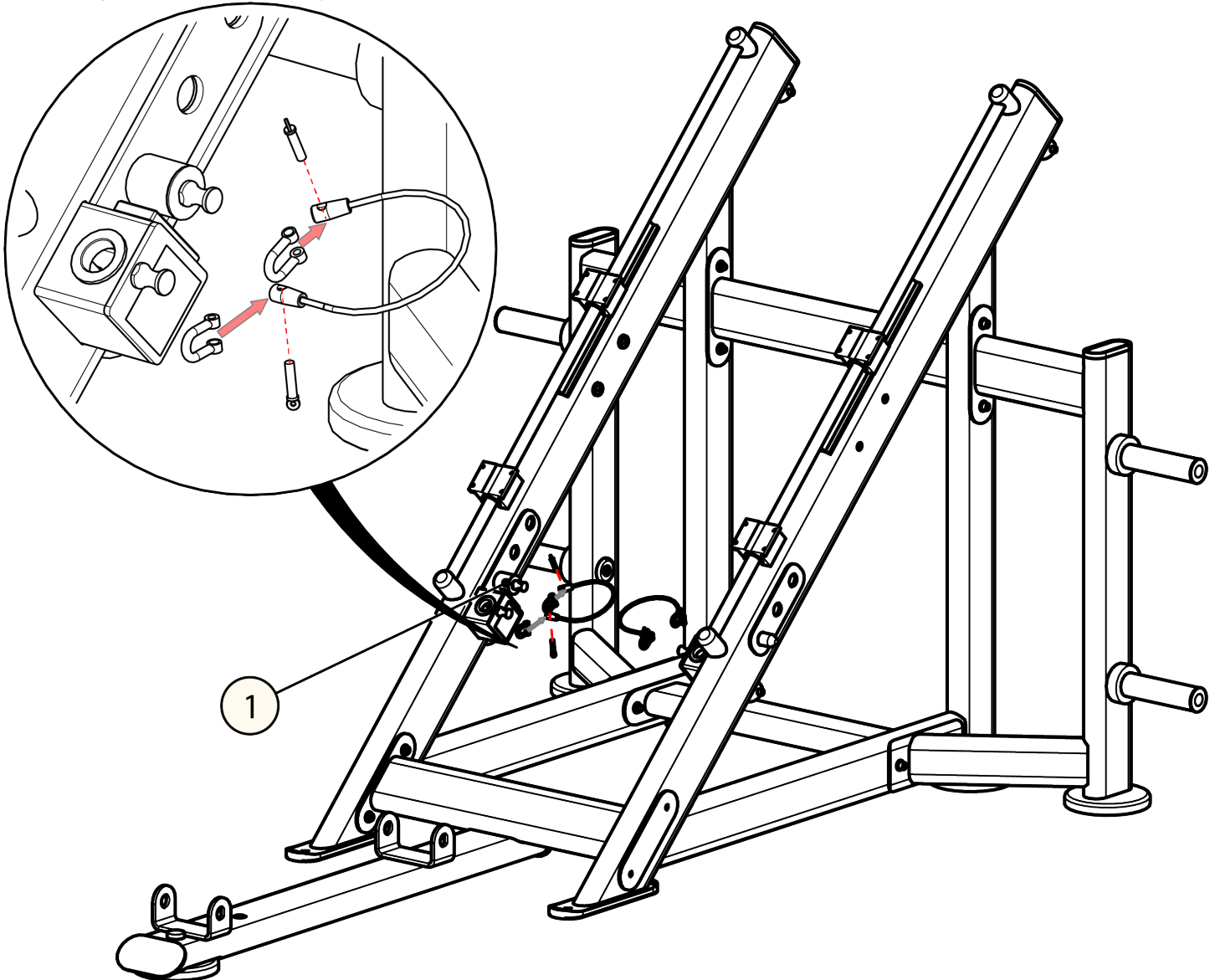
Step 6 (Stop Rod Assembly):

Position both U-hooks around the main frame stop bar knobs.

Item	Part Number	Description	Quantity
1	XFW78-STP-00X	STOP ROD ASSEMBLY	1

Position the stop rod cable ends between the U-hook hardware holes and secure in place using the identified hardware.

Note: Repeat the same assembly process for the right stop rod assembly.



CHAPTER 2: ASSEMBLY GUIDE

ASSEMBLY STEPS:

Step 7 (Right Catch Bar Assembly):

Insert the right catch bar assembly into the lower catch pivot tube assembly as oriented below.

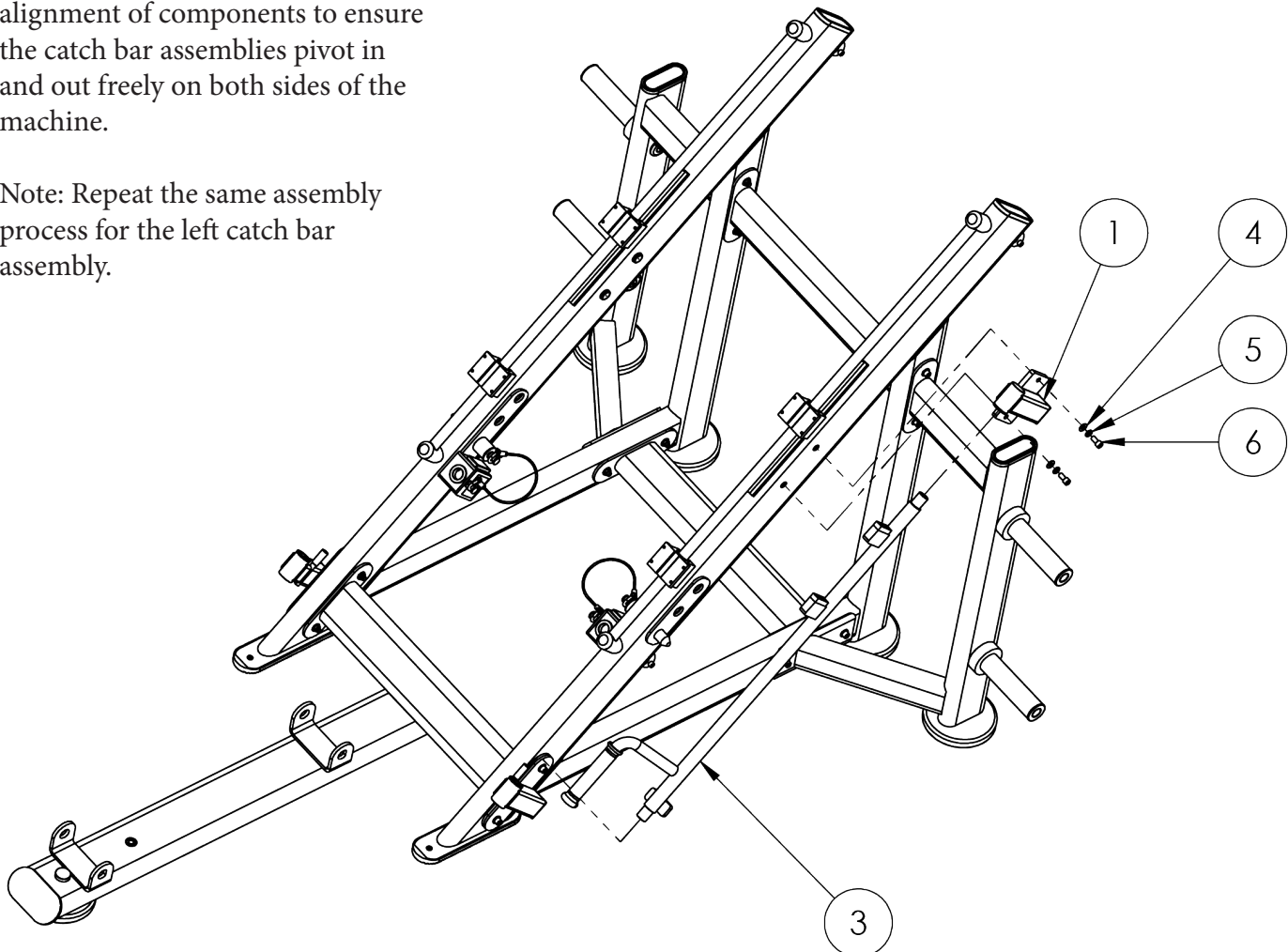
Position the upper catch pivot tube assembly over the right catch bar assembly.

Item	Part Number	Description	Quantity
1	XFW78-BRC-00XBK	UPPER CATCH PIVOT TUBE ASSY	1
3	XFW78-CAT-00XBK	RIGHT, CATCH BAR ASSY	1
4	C-754C	WASHER, FLAT, 3/8" SAE, ZP	2
5	C-749	WASHER, LOCK, 3/8", ZP	2
6	C-622	SH SCREW, 3/8"-16, 3/4"	2

Secure the upper catch pivot tube assembly to the right main frame using the identified hardware.

Note: Adjust the hardware and alignment of components to ensure the catch bar assemblies pivot in and out freely on both sides of the machine.

Note: Repeat the same assembly process for the left catch bar assembly.



CHAPTER 2: ASSEMBLY GUIDE

ASSEMBLY STEPS:

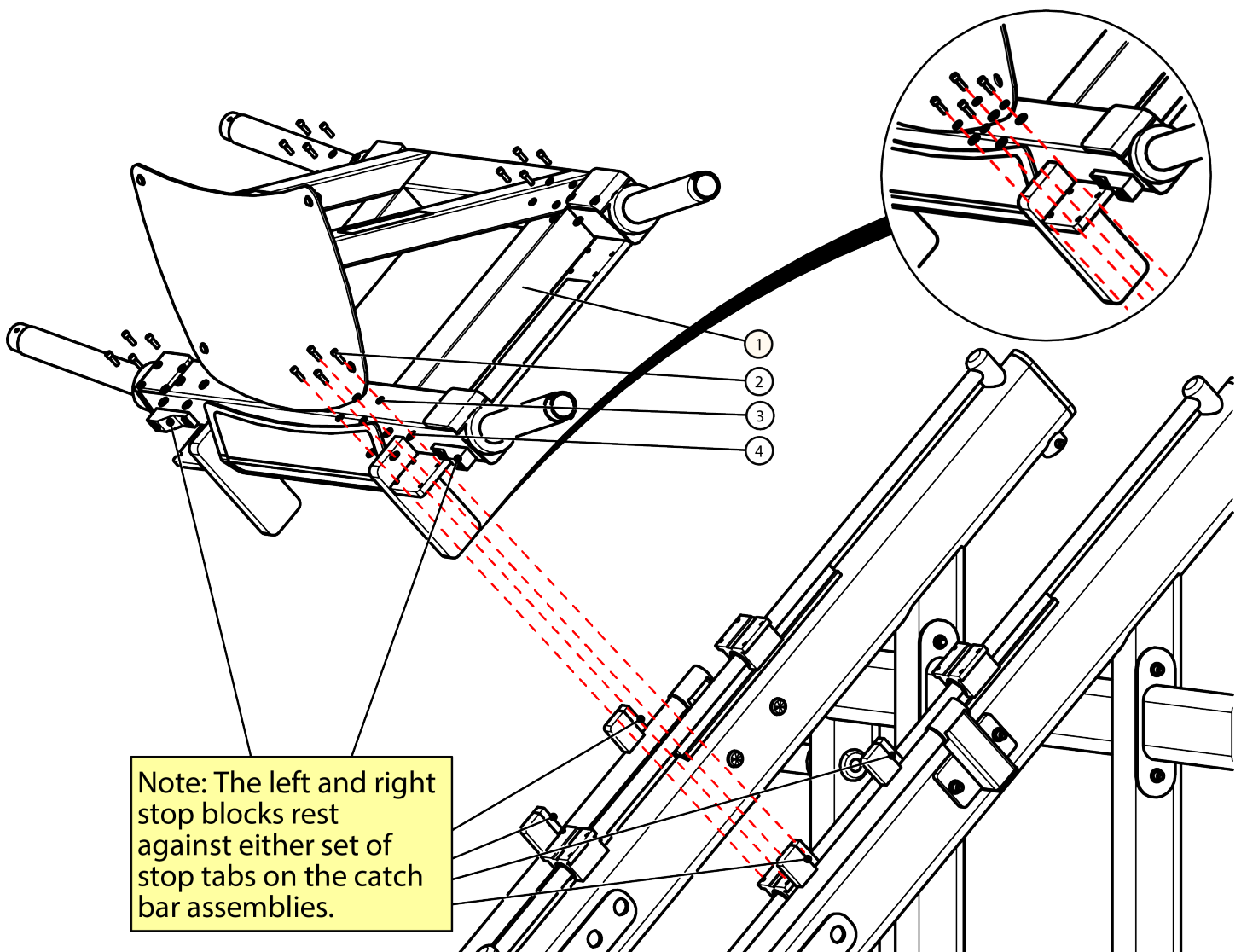
Step 8A (Trolley Assembly):

Position the trolley assembly onto the left and right main frames using the hardware holes on the four bearing blocks to achieve proper alignment.

Ensure the stop tabs are supporting the trolley assembly weight while securing the identified hardware alternating between top and bottom bearing blocks.

Note: Do not fully tighten trolley assembly hardware until after Step 7B (Trolley Assembly).

Item	Part Number	Description	Quantity
1	XFW78-PLT-00XBK	TROLLEY ASSY	1
2	C 608	SH SCREW, 5/8"-18, 1-1/4"	16
3	C 747	LOCK WASHER	16
4	C 752	FLAT WASHER	16



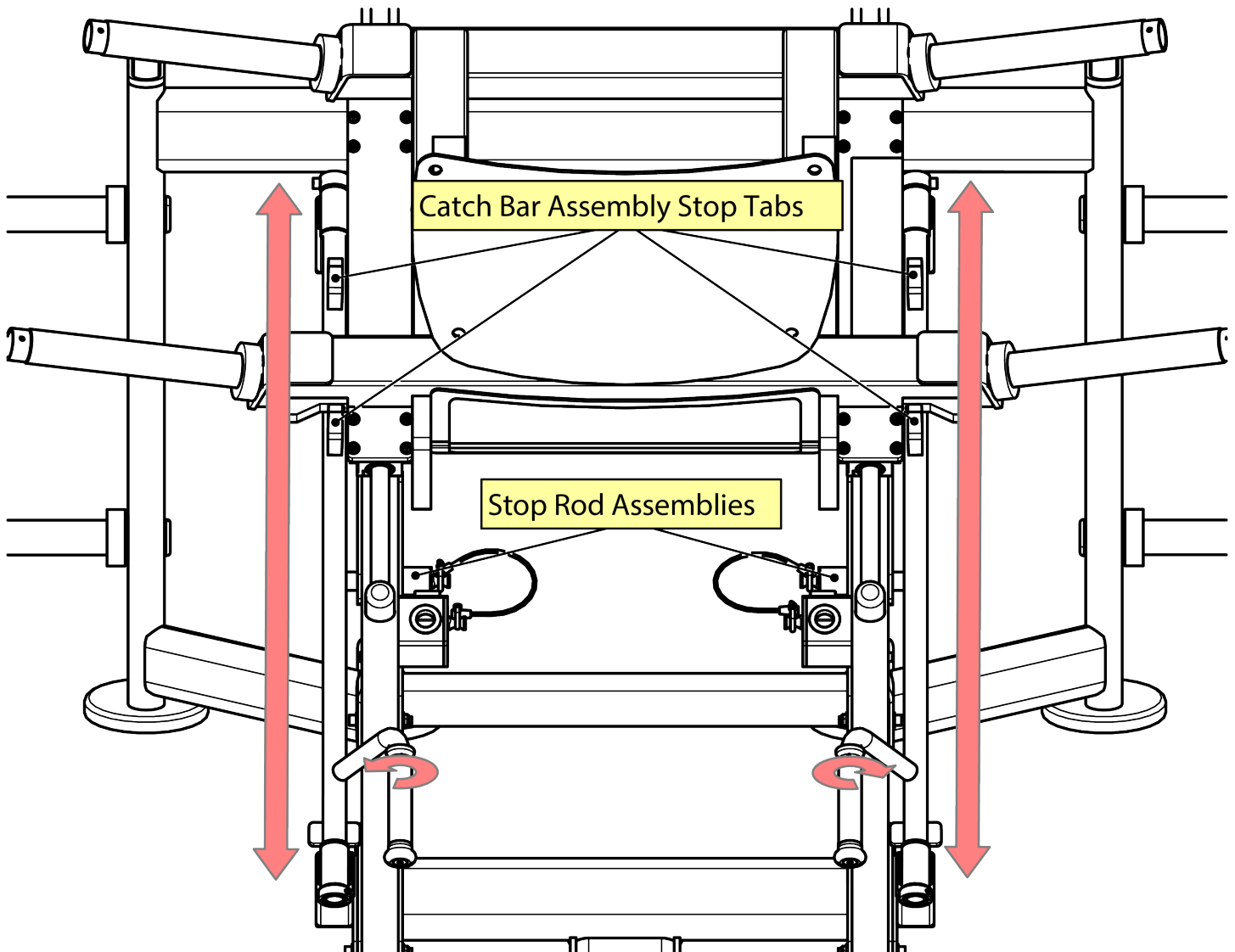
CHAPTER 2: ASSEMBLY GUIDE

ASSEMBLY STEPS:

Step 8B (Trolley Assembly):

Confirm the following before fully tightening trolley assembly hardware identified in Step 8A (Trolley Assembly):

- Free range of motion of the trolley assembly along the full catch bar assemblies' lengths
- Rotation of the catch bar assemblies for engaging and disengaging the stop tabs to hold the trolley assembly in place while in the disengaged position.
- The stop rod assemblies can engage all 3 stopping positions to hold the trolley assembly in place while in the engaged position.



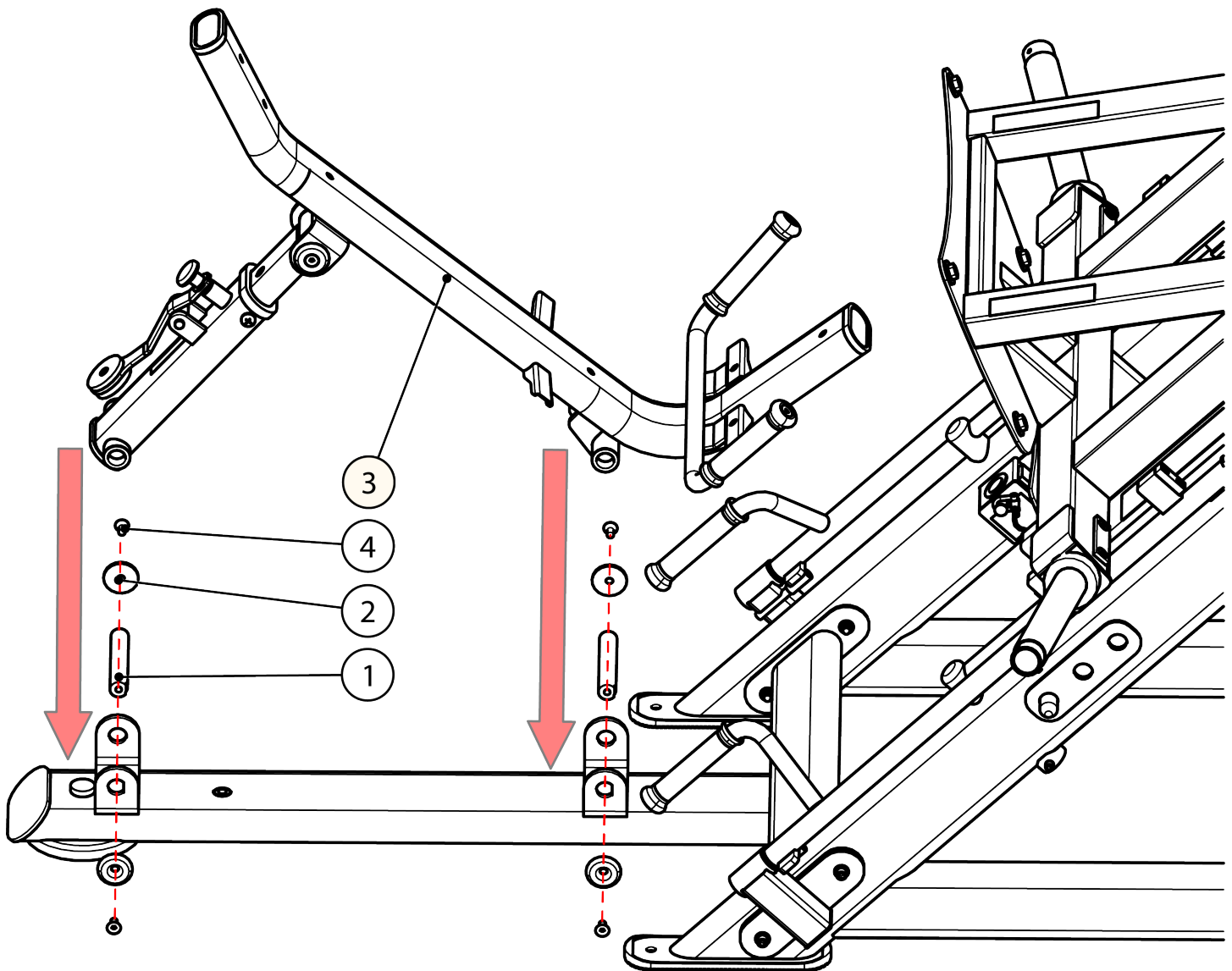
CHAPTER 2: ASSEMBLY GUIDE

ASSEMBLY STEPS:

Step 9 (Seat Back Tube Assembly):

Secure the seat back tube assembly to the seat frame using the identified hardware.

Item	Part Number	Description	Quantity
1	TRXL2-03AX501	LOWER SEAT BACK ADJ AXLE, 149 mm	1
2	IN-S51102100	AXLE COVER	2
3	XFW78-SFR- 20XBK	SEAT BACK TUBE ASSY	1
4	C-657A	FH SCREW, 3/8"-16, 3/4"	2



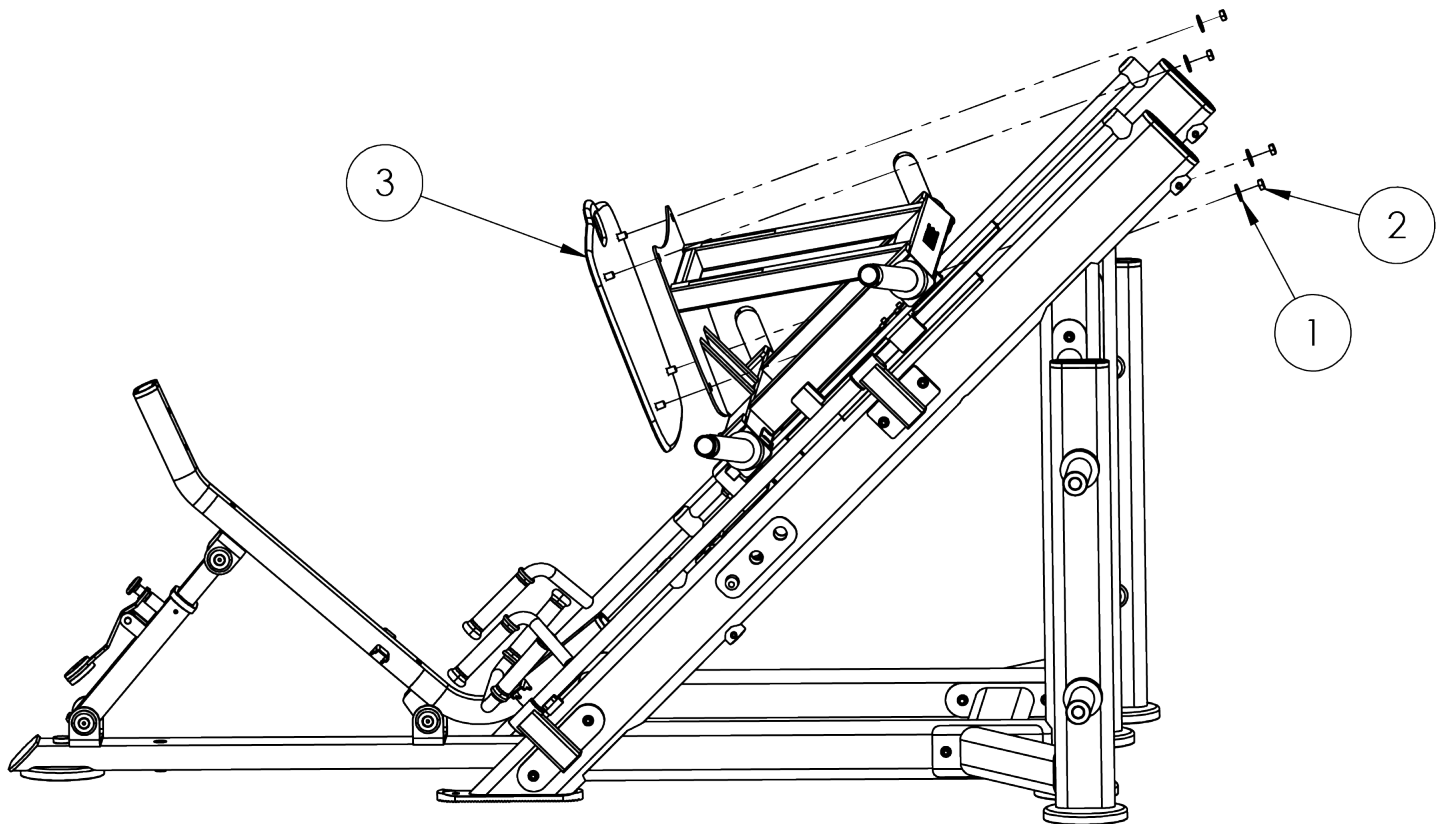
CHAPTER 2: ASSEMBLY GUIDE

ASSEMBLY STEPS:

Step 10 (Leg Press Footplate):

Secure the leg press foot plate to the trolley assembly using the identified hardware.

<u>Item</u>	<u>Part Number</u>	<u>Description</u>	<u>Quantity</u>
1	C 755A	WASHER, FLAT, 1/2" USS, BLK	4
2	C 766	LOCK NUT, 1/2"-13, NYL INS JAM NUT	4
3	S 540BK	ASSEMBLY, LEG PRESS FOOT PLATE	1



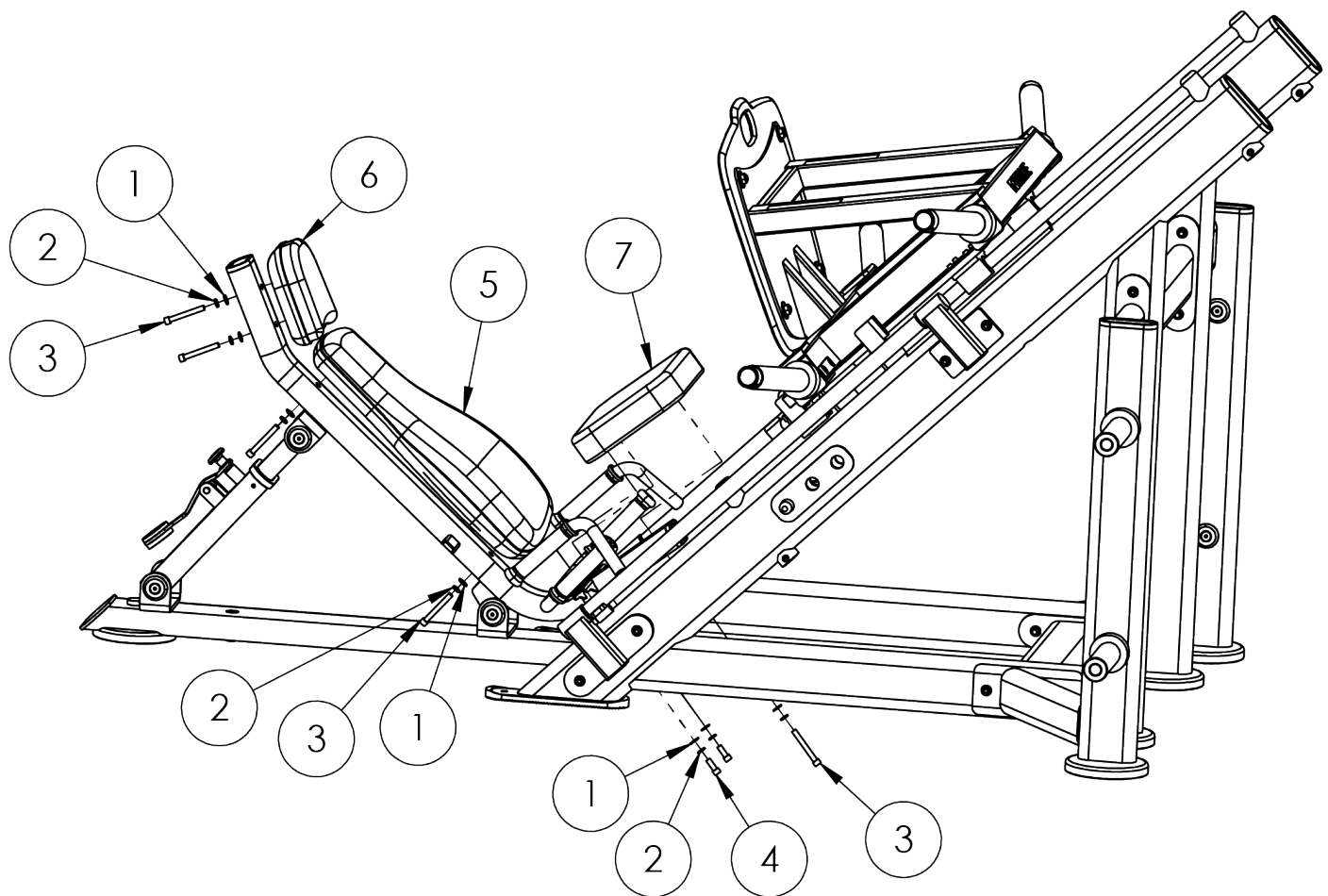
CHAPTER 2: ASSEMBLY GUIDE

ASSEMBLY STEPS:

Step 11 (Pads):

Secure the head, back, and seat pads to the seat back tube assembly using the identified hardware.

Item	Part Number	Description	Quantity
1	C 754C	WASHER, FLAT, 3/8" SAE, ZP	7
2	C 749	WASHER, LOCK, 3/8", ZP	7
3	C 631	SH SCREW, 3/8"-16, 3"	5
4	C 623	SH SCREW, 3/8"-16, 1"	2
5	9005BPD000X	ASSY, BACK PAD	1
6	S 562	ASSY, HEAD PAD	1
7	XFW78-PAD-10X	ASSY, SEAT PAD	1



CHAPTER 3: CARE & MAINTENANCE

CARE & MAINTENANCE:

Preventative maintenance is crucial to maintaining the function and safety of this equipment. Your facility must establish written guidelines for preventative maintenance and keep written or online records of the maintenance performed on these products. As a minimum, the items presented in the Safety Instructions section of this document and the items that follow here, should be included in your maintenance program.

IMPORTANT: Always purchase replacement parts from TRUE Fitness. Many parts are tested and manufactured specifically for TRUE Fitness equipment. Use of unapproved parts may cause serious injury and/or void the limited warranty.

DAILY INSPECTION & MAINTENANCE:

The following items are critical to the safety of users and maintenance staff as well as ensuring the optimum performance of the machines. These inspections should be performed each day before the equipment is subject to use. TRUE Fitness is not responsible for performing or scheduling regular maintenance or inspections.

- Inspect cables for wear, tension, and proper connection (as described in the cable inspection section below) if equipped.
- Inspect all adjustment pins, weight stack pins, set screws, gas shocks, snap links, and pulleys if equipped.
- Inspect all safety and instructional decals.
- Inspect all weight stack shields if equipped.
- Verify that rubber hand grips are intact and secure.
- Verify that anti-skid foot grips are intact and secure
- Verify that the weight stack selector pin is attached with the coiled lanyard to the top plate if equipped.

WEEKLY INSPECTION & MAINTENANCE:

The following items are critical to the safety of users and maintenance staff as well as ensuring the optimum performance of the machines. These inspections should be performed each week. TRUE Fitness is not responsible for performing or scheduling regular maintenance or inspections.

- Check entire length of cable & end fittings for any signs of wear if equipped. Replace immediately as required. (Refer to Daily Maintenance Section).
- Verify that a minimum of 1/2 inch (12.7mm) of the threaded portion of the cable bolt is threaded into the top plate and that the nut is tight if equipped with a cable. (See Cable Inspection & Maintenance Section).
- Perform a function test by placing the selector pin in the top plate and cycling the machine through the intended motion if equipped with a cable. Verify that the machine operates smoothly without binding. Select a moderate weight and repeat.
- Verify that each pulley rotates freely when performing the exercise if equipped with pulleys. A pulley that does not rotate will cause extreme cable wear and could lead to cable failure. Determine cause and remedy immediately.
- Verify that the adjustment pop pins retract easily and fully engage (when released) into each adjustment disc hole/slot. The pop pins are spring loaded so they should return to the engaged position when you release the knob.
- Verify that the adjustment pin disengages and engages freely when actuating the adjustment mechanism. Be sure that the adjustment pin inserts fully into the adjustment disc.
- Verify that all hardware is tight and that associated frame members are secure. Apply a few small drops of a thread locking compound such as Loctite on any loose bolts.
- Inspect frame for integrity and function. Replace any components at the first sign of wear with only TRUE supplied parts.

CHAPTER 3: CARE & MAINTENANCE

OTHER SCHEDULED PREVENTIVE MAINTENANCE:

TRUE recommends that scheduled maintenance be performed by a qualified service technician. Please contact your dealer or visit www.truefitness.com to contact a local TRUE authorized service technician.

Monthly:

Clean guide rods and lubricate with a Teflon grease if equipped with guide rods.

Every 6 months:

Lubricate pivot bearing and linear bearings with lithium grease.

CLEANING THE EQUIPMENT:

Daily Cleaning:

Wipe all machines with a water dampened cloth and dry completely. This includes painted parts, chrome plated parts (except guide rods), plastic parts, and upholstered pads. It is important not to leave parts damp. This will increase the potential for corrosion to occur.

CAUTION:

Certain anti-bacterial cleaners and other harsh cleaning agents can induce corrosion on the machine components. These solutions can also dry out and cause cracking and splitting on the upholstery.

Heavy Duty Cleaning:

Guide Rods (If Equipped): Clean and lubricate with a Teflon Spray. Be sure to coat the entire guide rod. Spraying lubricant into the cap plate bushings is also recommended.

Chromed Adjustment Tubes: Wipe away dust and dirt before applying a Teflon spray lubricant. TRUE Fitness recommends using TriFlow or a similar brand.

Linear Bearings: Clean the linear shaft and lubricate (as required) with Teflon based grease. Keeping linear bearings clean and lubricated is critical to long life and good performance.

Painted Frames: If you have scuff marks, grease or a heavy dirt buildup on frame components, start with a mild soap solution or a diluted solution of a product such as Simple Green with a dilution of 32:1. If you cannot remove the marks using those methods, use a car polish/cleaner. DO NOT use solvents such as lacquer thinner, mineral spirits or acetone. For deeper scuff marks, use an automobile finish rubbing compound.

Upholstery: For heavy duty cleaning, use a mild soap solution. This method should be sufficient in the majority of instances. In severe stain cases, you can use a solution of 5-10% household bleach diluted with water. Be sure to test an inconspicuous area first. DO NOT use chemical cleaners on the vinyl upholstery. You can also use a lanolin based hand cleaner to clean your upholstery. Wipe off after cleaning with a damp cloth and thoroughly dry. **Plastic Parts:** use a mild soap solution to clean dirt and grease marks. **Labels:** use a mild soap solution to clean dirt and grease marks. **Shrouds:** use a mild soap solution to clean dirt and grease marks.

CAUTION:

Do not use any acidic cleaners. Doing so will weaken the paint or powder coatings and may void the TRUE Fitness Warranty. Never pour or spray liquids on any part of the equipment. Allow the equipment to dry completely before using.

CHAPTER 3: CARE & MAINTENANCE

⚠ CAUTION:

If you determine that the equipment needs service, make sure that the equipment cannot be used inadvertently and ensure other users know that the machine needs service.

*To order parts or to contact a TRUE Authorized Service representative, please visit www.truefitness.com

CABLE INSPECTION & MAINTENANCE:







One of the most critical areas that require frequent inspection on any weight machine is the cable or belt system that lifts the weight stack if the machine is equipped with those items. Sudden failure of a worn cable can, in some instances, result in injury to the user. It is the responsibility of the facility to inspect the cables frequently.

Cables are components that wear over time. This means that the more often a piece of equipment is used, the greater the likelihood that cable wear will occur. This holds true for equipment made by any manufacturer and applies to urethane belts as well as wire rope cables. Listed below are the areas of the cable that require inspection.

*TRUE Fitness recommends that all cables be replaced on an annual basis to maintain the safety of all users.

Cable Wear:

Inspect all cables for any signs of wear. Pay close attention to the cable in the area of the end fittings and attachment points. Inspect the areas around the pulleys and/or cams. Shown below are examples of cables that exhibit signs of potential failure. If any of these conditions are apparent, the machine should immediately be taken out of service and repaired. Be sure to use only cables supplied by TRUE Fitness. DO NOT use cables that have fittings attached with hand-crimp tools.

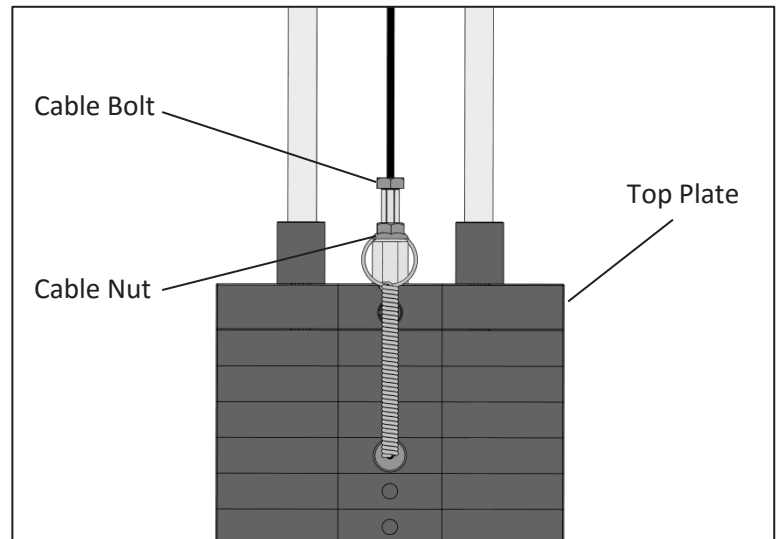
<p>Twisted Cable (Zig-Zag pattern):</p> 	<p>Break in the Cable Cover:</p> 
<p>Break/Bend in Cable:</p> 	<p>Tear in the Cable Cover:</p> 
<p>Stretched Cable Covering:</p> 	<p>Crimp Connector Dislodged:</p> 

CHAPTER 3: CARE & MAINTENANCE

Cable Tension:

Ensure that the cables are adjusted to remove any slack using the threaded end fittings. These are normally located at the weight stack connection. Depending upon the machine, there may be multiple threaded fitting on multiple cables. You can determine if there is too much slack by performing the exercise. As you start to move a load arm or handle, the weight stack should lift immediately. If not, the cable tension needs to be adjusted.

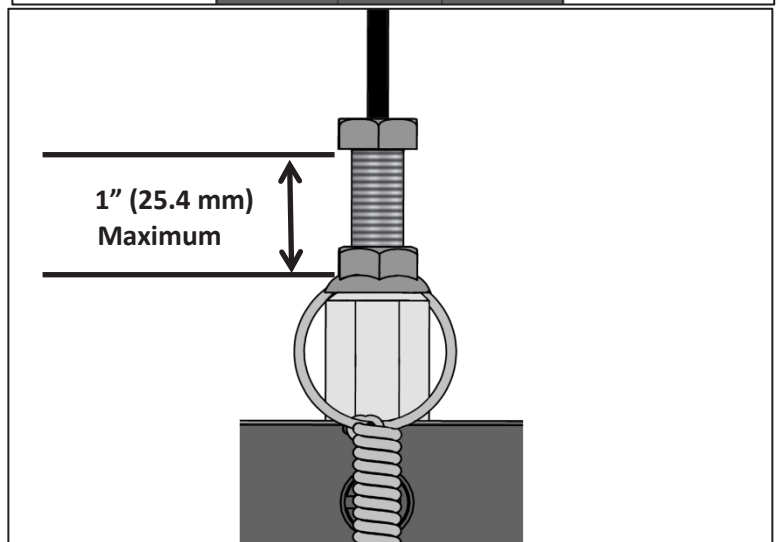
To adjust the cable tension, loosen the cable nut that is located on the cable bolt connected to the top plate. Tighten the cable bolt until the top plate is barely lifted off of the first weight plate and then re-tighten the cable nut.



▲ CAUTION:

A minimum of 1/2 inch (12.7mm) of the threaded portion of the cable bolt must be threaded into the top plate.

*No more than 1 inch (25.4 mm) of the threaded portion of the cable bolt should be visible.



Handle Fittings (if applicable):

Inspect the cable fittings where any handles are attached to the end of the cable. The fittings supplied with this machine are load rated snap-links. Ensure that the snap-link opens and closes easily and is fully engaged when closed. Replace the snap-link as needed.



CHAPTER 4: CUSTOMER SERVICE

CONTACTING SERVICE:

TRUE Fitness recommends that you gather the serial number, model number, and a brief description of the reason for the request. After information has been gathered you may choose to contact your selling dealer or local service company to set an appointment. (If you are not familiar with who is in your area, you may visit our website at www.truefitness.com and use our dealer locator to obtain the contact information for the closest dealer).

You may also contact TRUE Fitness' customer support team by calling 800-883-8783 or emailing us at service@truefitness.com Monday — Friday during normal hours of operation.

TRUE FITNESS SERVICE DEPARTMENT
865 HOFF ROAD
ST. LOUIS, MO 63366
1.800.883.8783
HOURS OF OPERATION: 8:30 A.M. - 5:00 P.M. CST
E-MAIL: service@truefitness.com

CONTACTING SALES:

Interested in TRUE products? Please contact us with any sales or product inquires so that we may direct you to the appropriate sales representative to answer your questions.

TRUE FITNESS HOME OFFICE
865 HOFF ROAD
ST. LOUIS, MO 63366
1.800.426.6570
HOURS OF OPERATION: 8:30 A.M. - 5:00 P.M. CST
E-MAIL: sales@truefitness.com

CHAPTER 4: CUSTOMER SERVICE

REPORTING FREIGHT OR PARTS DAMAGE:

Unfortunately, sometimes materials can be damaged during shipment. If materials are damaged during shipment, please follow the guidelines below to determine the appropriate process for you to follow in case of damages.

Severe Damage:

Obvious damage to external packaging / internal product. Please refuse the shipment and it will be returned to TRUE Fitness by the carrier. Contact the TRUE Fitness customer support team by calling 800.883.8783 or sales support team by calling 800.426.6570 Monday-Friday during normal hours of operation to notify us that the shipment has been refused. Once we have received the damaged shipment, a replacement shipment will be sent to you. Only refuse the damaged piece if the shipment is multiple boxes.

Slight Damage:

The box may have minimal damages and you are not sure if the actual product is damaged or not. You must sign the bill of lading as damaged when accepting the shipment. Once you have opened the box and you have determined something is indeed damaged please gather the serial number, model number, description and photos of damages. Please make sure the photos include the damaged product as well as the damaged box the product arrived in. Contact the TRUE Fitness customer support team by calling 800.883.8783 or sales support team by calling 800.426.6570 Monday-Friday during normal hours of operation.

Concealed Damage:

You may receive a shipment that looks intact and discover once the box has been opened that there are hidden damages. Please notify the carrier immediately. We will not be able to file a claim if the carrier is not notified in a timely manner. Once you have called the carrier you will need to gather the serial number, model number, description and photos of damages. Contact the TRUE Fitness customer support team by calling 800.883.8783 or sales support team by calling 800.426.6570 Monday-Friday during normal hours of operation.

CHAPTER 5: ADDITIONAL INFORMATION

Save Time and Register Online!
Activate Multiple Warranties at truefitness.com

All TRUE® Fitness products are distributed by TRUE and are warranted to the original registered product purchaser and the parts of the TRUE product (the "Product") listed below, under normal use and service, shall be free of manufacturing defects in workmanship and materials only for the period of time beginning from the original date of purchase set forth below:

Frame*	10 Years
Parts	
Bearings, Bushings, and Weight Plates	5 Years
Guide Rods and Pulleys	5 Years
Cables and Belts	1 Year
Cosmetics, Coatings, Grips, and Upholstery	3 Months
Labor	
Frame	1 Year
Bearings, Bushings, Weight Plates	1 Year
Guide Rods and Pulleys	1 Year
Cables and Belts	1 Year
Cosmetics, Coatings, Grips, and Upholstery	3 Months

NOTE: Warranty valid for USA and Canada only.

NOTE: Failure to register this product will result in no servicing or authorization of parts to be shipped.

NOTE: Buying after-market products from a 3rd party will result in voided warranty.

NOTE: This product is intended for Commercial use. If this product will not be used in this particular setting, please contact TRUE as is warranty is void.

Frame: The frame is warranted for defects in material and workmanship for a 10 years. The frame is warranted for labor and freight (for parts shipped from TRUE) for one year from date of purchase. * This limited warranty on structural frame does not include paint or coatings.

Parts: The XFW Strength Line's mechanical parts are warranted for defects in material and workmanship for five years with one year labor warranty. Cables and belts are warranted for defects in material and workmanship for one year with one year labor warranty. This limited warranty does not cover damage or equipment failure resulting from or caused by improper assembly/installation, failure to follow instructions and warnings in owner's manual, accident, misuse, abuse, unauthorized modification, or failure to provide reasonable and necessary maintenance.

Cosmetics: The XFW Strength Line's cosmetic parts, coatings, grips and upholstery are warranted for defects in material and workmanship for three months with labor warranty to match the parts warranty period. This limited warranty does not cover damage or equipment failure resulting from or caused by improper assembly/installation, failure to follow instructions and warnings in owner's manual, accident, misuse, abuse, unauthorized modification, or failure to provide reasonable and necessary maintenance. This limited warranty will apply to, but may not be limited to, plastic covers, shrouds, caps, badges, overlays, paint, coatings, soft step inserts, and grips.

Labor: Labor is covered for a period of one year from the date of purchase unless otherwise expressed within this limited warranty as long as a TRUE authorized service provider performs the service. Service that requires over 50 miles of travel may be subject to additional charges. Reasonable and necessary maintenance guidelines can be found in the owner's manual.

Claims Procedure: TRUE Limited Warranty service may be obtained by contacting the authorized TRUE dealer from whom the Product was purchased. If the dealer from whom the Product was purchased is no longer an authorized TRUE dealer, then TRUE Limited Warranty service may be obtained by contacting TRUE directly using the following contact information:

TRUE Fitness, Service Department
865 Hoff Road, St. Louis, MO 63366
1.800.883.8783
Hours of operation 8:30am - 5:00 pm CST

CHAPTER 5: ADDITIONAL INFORMATION

Save Time and Register Online!
Activate Multiple Warranties at truefitness.com

The above Limited Warranty is subject to and will be in accordance with the conditions set forth below:

- 1. THIS LIMITED WARRANTY GIVES YOU SPECIAL LEGAL RIGHTS AND YOU MAY ALSO HAVE OTHER RIGHTS, WHICH VARY FROM STATE TO STATE.**
2. This Limited Warranty can be processed only if the Warranty Registration Form is completed online, or if the attached form is filled in, signed by the original purchaser, and mailed to TRUE within 30 days of purchaser's receipt of this Product. The serial number must be intact on the Product for this Limited Warranty to be valid.
3. This Limited Warranty applies to the product only while the Product remains in the possession of the original purchaser and is not transferable
4. This Limited Warranty becomes VALID ONLY if the Product is initially assembled/installed by a TRUE authorized dealer/ technician (if anyone other than a TRUE authorized dealer/ technician initially assembles and installs the Product, this Limited Warranty will be void unless the written authorization of TRUE is first obtained).
5. This Limited Warranty does not cover damage or equipment failure resulting from or caused by improper assembly/ installation, failure to follow instructions and warnings in owner's manual, accident, misuse, abuse, unauthorized modification, or failure to provide reasonable and necessary maintenance (as referenced in the owner's manual.)
6. This Limited Warranty applies only to the cost of repair or replacement of parts and does not include labor (beyond the above warranty period), transportation, service, return and freight charges associated therewith except as expressly specified herein.
7. This Limited Warranty shall not apply to: Service calls to correct installation of the equipment or instruction to owners on how to use the equipment; or any labor costs incurred beyond the applicable labor warranty period.
8. This Limited Warranty, which is given expressly and in lieu of all other express warranties, constitutes the only warranty made by TRUE.
- 9. ANY IMPLIED WARRANTY, INCLUDING WITHOUT LIMITATION THE WARRANTIES OF MERCHANTABILITY AND FITNESS FOR A PARTICULAR PURPOSE, IS LIMITED IN DURATION AND REMEDY TO THE TIME PERIOD COVERED BY THE LIMITED WARRANTY. SOME STATES DO NOT ALLOW LIMITATIONS ON HOW LONG AN IMPLIED WARRANTY LASTS, SO THE ABOVE LIMITATION MAY NOT APPLY TO YOU.**
- 10. THE REMEDIES DESCRIBED ABOVE ARE YOUR SOLE AND EXCLUSIVE REMEDIES AND TRUE'S ENTIRE LIABILITY**

FOR ANY BREACH OF THIS LIMITED WARRANTY. TRUE'S LIABILITY SHALL UNDER NO CIRCUMSTANCES EXCEED THE ACTUAL AMOUNT PAID BY YOU FOR THE PRODUCT, NOR SHALL TRUE UNDER ANY CIRCUMSTANCES BE LIABLE FOR ANY CONSEQUENTIAL, INCIDENTAL, SPECIAL, OR PUNITIVE DAMAGES OR LOSSES, WHETHER DIRECT OR INDIRECT. SOME STATES DO NOT ALLOW THE EXCLUSION OR LIMITATION OF INCIDENTAL OR CONSEQUENTIAL DAMAGES, SO THE ABOVE LIMITATION OR EXCLUSION MAY NOT APPLY TO YOU.

NOTE TO AUTHORIZED WARRANTY LABOR PROVIDERS:
Warranty labor reimbursement or warranty parts rights may not be transferred to, reassigned to, a third party without the express written consent of TRUE. Even jobbing out warranty labor requires TRUE's written approval.

XFW7800 SERIAL NUMBER:

The XFW7800 comes with one serial number on the base of the machine. Please write down your serial number below and keep for your records.

SERIAL NUMBER:

SAMPLE SERIAL NUMBER STICKER:



Keep this page for your records

CHAPTER 5: ADDITIONAL INFORMATION

Thank you for purchasing a TRUE product. To validate the TRUE product warranty the fast and easy way, please go on-line now to truefitness.com/support and register your product. The information you provide will never be distributed to any other individuals or agencies for any purpose. If you prefer to mail your warranty card, have the owner of the product complete the information below and return it to TRUE Fitness within 30 days from the date of equipment installation.

To mail your warranty information, please fill in the information below and mail to: Service Dept., TRUE Fitness, 865 Hoff Road, St. Louis, MO 63366 (or save postage and register online at truefitness.com)

Commercial Warranty Registration

**PLEASE PROVIDE YOUR SERIAL NUMBER BELOW.
REQUIRED FOR WARRANTY REGISTRATION:**

SERIAL NUMBER:

Model Type _____

Date of Purchase _____

Your Company Name _____

Contact First Name _____

Contact Last Name _____

Address _____

City _____ State _____ ZIP _____

Email Address _____ Website _____

Phone _____ Fax _____

1. Where did you first learn about TRUE?

- a. Dealer b. Website
 c. Advertisement d. Referral
 e. Current Customer f. Other _____

2. Why did you purchase a TRUE product?

- a. Design/Appearance b. Dealer Suggestion
 c. Price/Value d. Quality Construction
 e. Performance f. TRUE Reputation
 g. Other _____

3. Please indicate your type of facility:

- a. Apartment/Condo b. Corporate Fitness Center
 c. Municipality d. Health Club/Gym/Spa
 e. Hotel/Resort f. Military Base
 g. Student Rec Center h. Other

4. What other types of equipment does your company ly own?

- a. Treadmill Brand _____
 b. Bike Brand _____
 c. Elliptical Brand _____
 d. Free Weights/Gym Brand _____

5. How many people use your facility on a daily basis?

- a. <25 b. 25-75
 c. 76-150 d. 150+

6. Do you plan to purchase more fitness equipment in the next 6-12 months?

- Yes No

7. If you answered "yes" to question 6, what type do you plan to purchase?

- a. Treadmill b. Elliptical
 c. Stationary Bike d. Free Weights
 e. Gym f. Other _____

8. Would you recommend TRUE to other club owners?

- Yes No

9. You are a valued TRUE customer and your suggestions allow us to continually improve your experience. Is there anything else you would like us to know? Please explain: