



Vestil Manufacturing Corp.
 2999 North Wayne Street, P.O. Box 507, Angola, IN 46703
 Telephone: (260) 665-7586 -or- Toll Free (800) 348-0868
 Fax: (260) 665-1339
 Website: www.vestilmfg.com e-Mail: info@vestil.com

LAD-series Portable Warehouse Ladders, 1-5 Steps Instruction Manual



Receiving Instructions

After delivery, remove the packaging from the product. Inspect the product closely to determine whether it sustained damage during transport. If damage is discovered, record a complete description of it on the bill of lading. If the product is undamaged, discard the packaging.

NOTE: The end-user is solely responsible for confirming that product design, use, and maintenance comply with laws, regulations, codes, and mandatory standards applied where the product is used.

Technical Service & Replacement Parts

For answers to questions not addressed in these instructions and to order replacement parts, labels, and accessories, call our Technical Service and Parts Department at (260) 665-7586. The department can also be contacted online at http://www.vestilmfg.com/parts_info.htm.

Electronic Copies of Instruction Manuals

Additional copies of this instruction manual may be downloaded from <https://www.vestil.com/page-manuals.php>.

Table of Contents

Signal Words.....	2
Safety Instructions.....	2
Specifications, Exploded Views, and Bills of Materials.....	3, 4, 5, 6, 7
Assembling the Ladder.....	8
Record of Satisfactory Condition.....	9
National Standards.....	9
Using the Ladder.....	9
Inspections & Maintenance.....	9 - 10
Labeling Diagram.....	10
Limited Warranty.....	11

SIGNAL WORDS

This manual uses SIGNAL WORDS to indicate the likelihood of personal injuries, as well as the probable seriousness of those injuries, if the product is misused in the ways described. Other signal words call attention to uses of the product likely cause property damage. The signal words used appear below along with the meaning of each word:



Identifies a hazardous situation which, if not avoided, WILL result in DEATH or SERIOUS INJURY. Use of this signal word is limited to the most extreme situations.



Identifies a hazardous situation which, if not avoided, COULD result in DEATH or SERIOUS INJURY.



Identifies practices likely to result in product/property damage, such as operation that might damage the crane.

SAFETY INSTRUCTIONS

Vestil strives to identify foreseeable hazards associated with the use of its products. However, no manual can address every conceivable risk. The most effective way to avoid injury is to exercise sound judgment when assembling, using, inspecting, and maintaining this ladder. **Keep a copy of this manual with the ladder at all times.** For example, put the copy inside a plastic pouch and attach the pouch to the frame. **Anyone who uses this ladder must be made aware that a copy of the manual is available and where to find it.**



Improper or careless use could result in serious personal injuries or death.

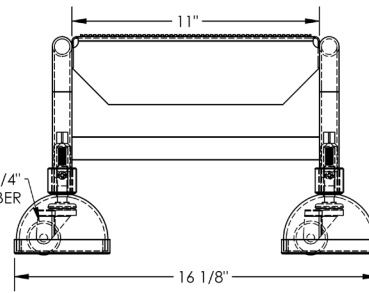
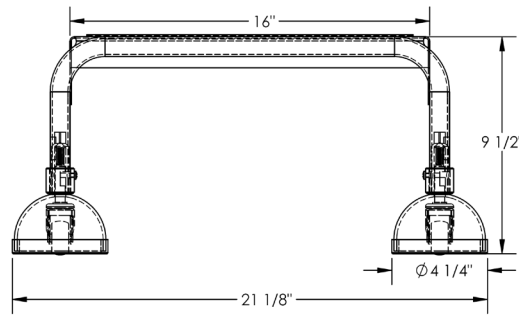
- **Read and understand the entire manual before assembling, using, inspecting, or servicing the ladder.**
- **DO NOT use this ladder unless you are in good health. NEVER use the ladder while under the influence of alcohol or drugs, including prescription medication that affects balance, perception, or judgment.**
- DO NOT exceed the capacity/rated load. The total weight applied to the ladder (weight of the user plus tools, etc.) must not be greater than the capacity. The capacity is provided on label 287. See [Labeling Diagram](#) on p. 10.
- Wear appropriate footwear. DO NOT wear high-heeled shoes or footwear with smooth soles.
- DO NOT use the ladder on uneven, sloped, or unstable surfaces. **ONLY use the ladder on even, level, improved surfaces (concrete or asphalt).**
- Make sure that you will not contact overhead objects with either your body or with the ladder during use.
- Avoid electrical shock! Take precautions to prevent any contact, or possible contact, with an energized, insulated conductor (electrical line).
- Remove foreign matter, e.g. mud, from your shoes *before* walking on the ladder. Only wear slip-resistant shoes.
- Only stand on the steps. DO NOT climb on the railing. DO NOT slide on the railing.
- DO NOT access, or egress from, any step from another elevated surface unless the ladder is positively secured against movement.
- ALWAYS face the stairs and use the handrails while ascending and descending the ladder.
- DO NOT increase the height of a step by standing on other objects placed on the ladder.
- Inspect the ladder as described in [Inspections & Maintenance](#) on p. 9-10. DO NOT use the ladder unless it is in [Satisfactory Condition](#). ONLY use manufacturer-approved replacement parts when repairs are necessary.
- DO NOT use the ladder if the caster guards are significantly worn. See applicable [Exploded View](#) on p. 3-7. Guards should prevent the ladder from sliding. Replace worn and damaged guards before using the ladder.
- ONLY use the ladder to access elevated working positions. DO NOT use the ladder for any other purpose. DO NOT store materials and/or equipment on the steps. Always unload the ladder before leaving it unattended.
- DO NOT position an occupied ladder in front of a door unless that door is secured in an open position, is locked, is attended, or is barricaded.
- DO NOT lean, or reach, over the side rails or handrails of the ladder. Position the ladder as close to the work as possible. Reposition the ladder to prevent overreaching. Overreaching could cause instability and result in a fall.
- Avoid sudden shifts while on the ladder.
- DO NOT push, pull, or lean on the handrails.
- DO NOT skip steps. Climb the ladder one step at a time.
- DO NOT attempt to move the ladder while someone is using it. The ladder must be unoccupied before it is moved.
- DO NOT use the ladder to transport people or objects. DO NOT ride on the ladder.
- DO NOT remove or obscure any label. Each label must be readable, undamaged, and present in the appropriate location. See [Labeling Diagram](#) on p. 10.
- DO NOT modify this ladder! Unauthorized modifications automatically void the [Limited Warranty](#) (p. 11) and might make the ladder unsafe to use.
- While assembling this ladder, confirm that only locking fasteners are provided, i.e. only locking nuts. Contact [Technical Service](#) (p. 1) if you find non-locking nuts. Only lock nuts should be used. However, lock nuts can only safely be used once. Discard the used lock nut and install a new lock nut after unfastening a connection.

SPECIFICATIONS, EXPLODED VIEWS, AND BILLS OF MATERIALS (P. 3-7)

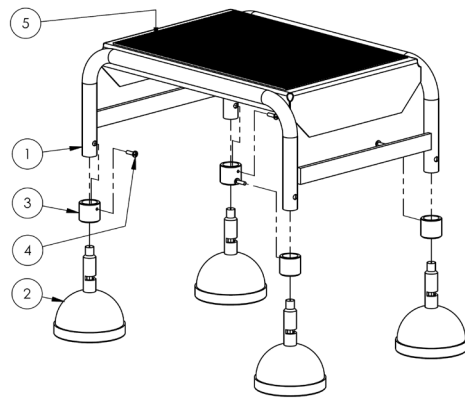
Documents that provide specifications for LAD series mobile ladder stands are available online to anyone who visits the Vestil website. Specifications include dimensions, net weight, and capacity information. Acquire the appropriate specifications document by opening this webpage: <https://www.vestil.com/product.php?FID=607>. Click the “Specifications” tab. Scroll the page to the entry for the product you purchased. Click the button in the “PDF” column that looks like a pencil inside a blue-bordered box. A PDF file will open. This file is the specifications document. Print a copy of the document and keep it with your copy of this manual.

Information that appears on p. 3-7 is subject to change, so you should print the specifications document from the website as soon as your ladder is delivered. If information in the specifications document differs with any information on p. 3-7, or if you cannot access and/or print the specifications document, contact [Technical Service](#). Contact information is provided on the cover page of this manual.

LAD-1-B/Y/W

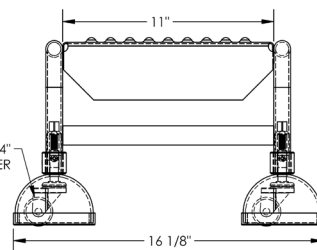
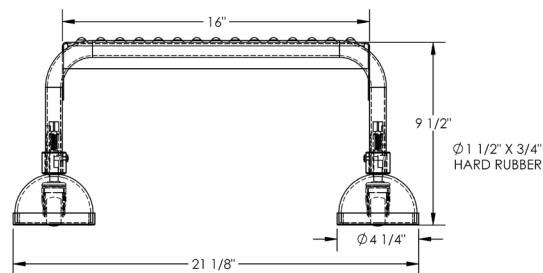


Model	Net weight	Capacity
LAD-1-B	19 lb.	300 lb.
LAD-1-Y	8.5 kg	136.4 kg
LAD-1-W		

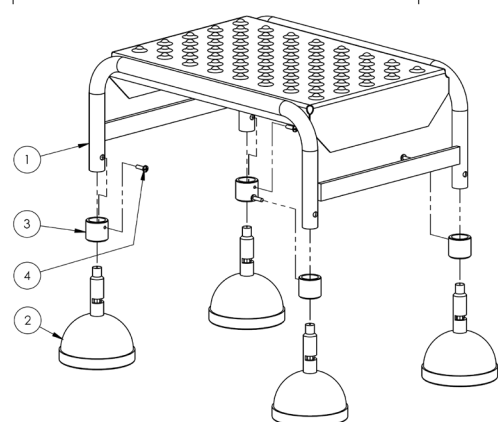


Item	Part no.	Description	Qty.
1	44-514-041	Step weldment	1
2	16-632-001	Assembly, caster guard/cover	4
3	44-016-035	Caster collar	4
4	28963	10-24 x ⁵ / ₈ ” Phillips machine screw	4
5	44-147-027	Rubber grip matting (top step)	1

LAD-1-B/Y/W-P

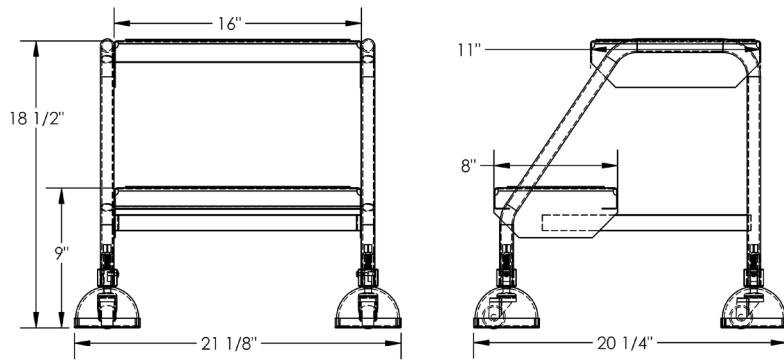


Model	Net weight	Capacity
LAD-1-B-P	20 lb.	300 lb.
LAD-1-Y-P	8.7 kg	136.4 kg
LAD-1-W-P		

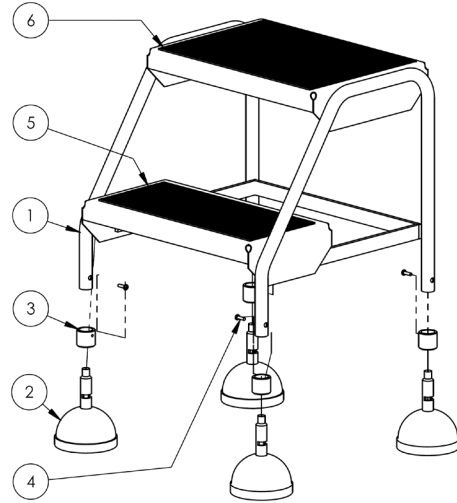


Item	Part no.	Description	Qty.
1	44-514-200	Step weldment	1
2	16-632-001	Assembly, caster guard/cover	4
3	44-016-035	Caster collar	4
4	28963	10-24 x ⁵ / ₈ ” Phillips machine screw	4

LAD-2-B/Y/W

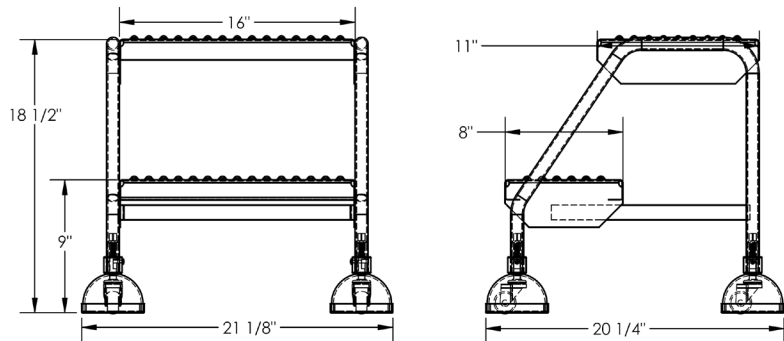


Model	Net weight	Capacity
LAD-2-B	26 lb.	300 lb.
LAD-2-Y	11.8 kg	136.4 kg
LAD-2-W		

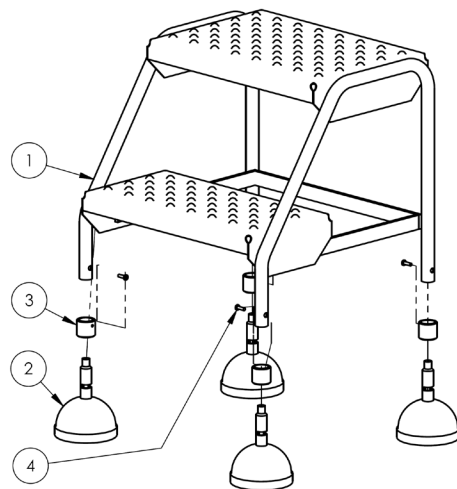


Item	Part no.	Description	Qty.
1	44-514-042	Step weldment	1
2	16-632-001	Assembly, caster guard/cover	4
3	44-016-035	Caster collar	4
4	28963	10-24 x ⁵ / ₈ " Phillips machine screw	4
5	44-147-026	Rubber grip matting	1
6	44-147-027	Rubber grip matting (top step)	1

LAD-2-B/Y/W-P



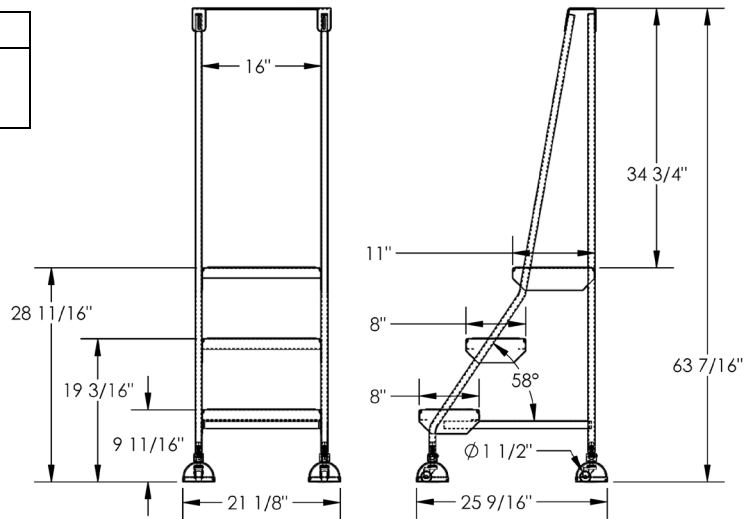
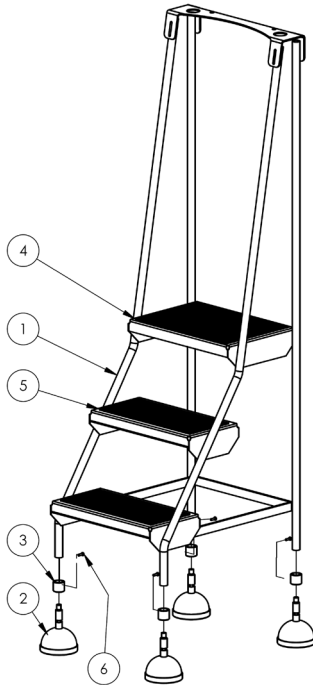
Model	Net weight	Capacity
LAD-2-B-P	27 lb.	300 lb.
LAD-2-Y-P	12.2 kg	136.4 kg
LAD-2-W-P		



Item	Part no.	Description	Qty.
1	44-514-201	Step weldment	1
2	16-632-001	Assembly, caster guard/cover	4
3	44-016-035	Caster collar	4
4	28963	10-24 x ⁵ / ₈ " Phillips machine screw	4

LAD-3-B/Y/W

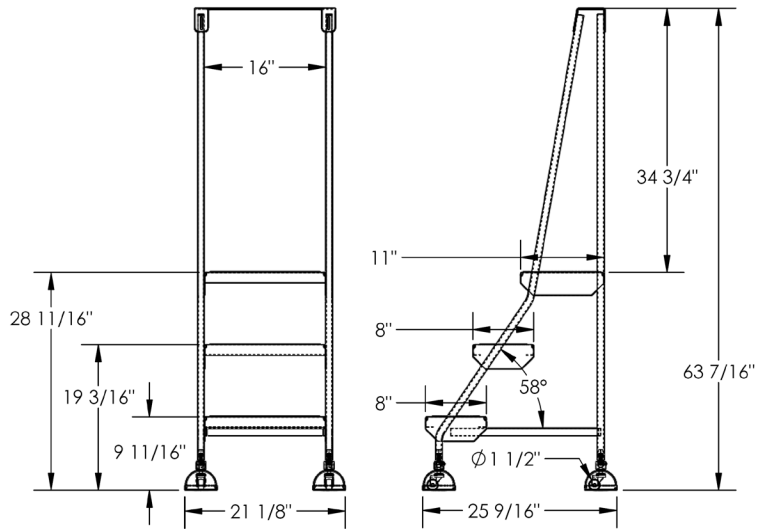
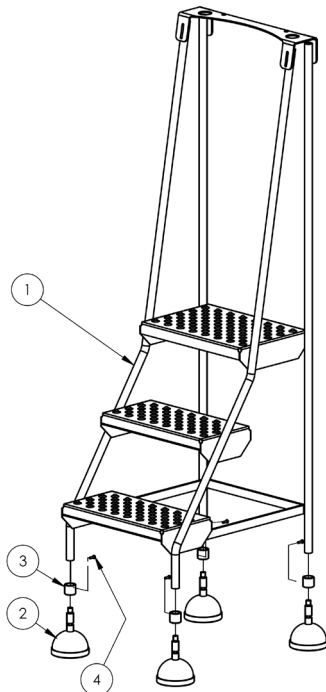
Model	Net weight	Capacity
LAD-3-B	45 lb.	300 lb.
LAD-3-Y	20.3 kg	136.4 kg
LAD-3-W		



Item	Part no.	Description	Qty.
1	44-514-043	Step weldment	1
2	16-632-008	Assembly, caster guard/cover	4
3	44-016-035	Caster collar	4
4	44-147-027	Rubber grip matting (top step)	1
5	44-147-026	Rubber grip matting	2
6	28963	10-24 x 5/8" Phillips machine screw	4

LAD-3-B/Y/W-P

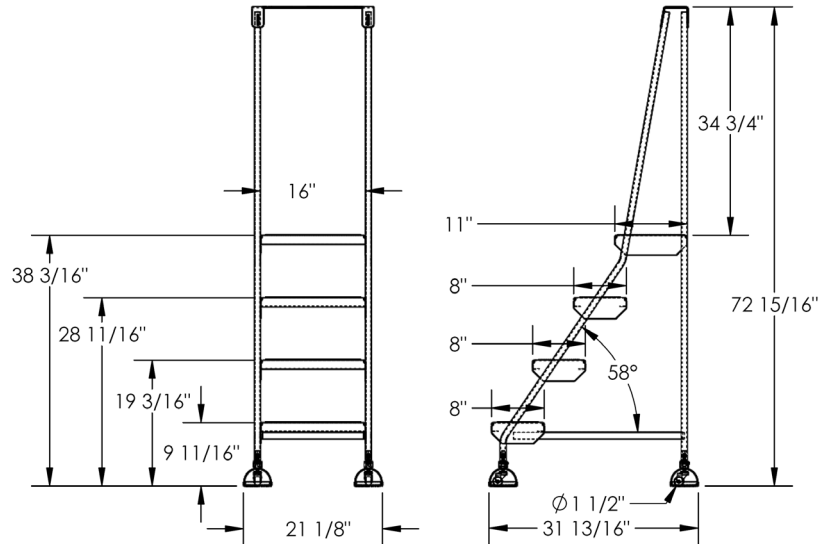
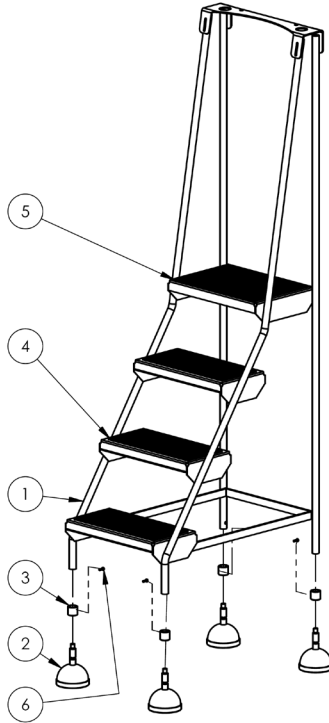
Model	Net weight	Capacity
LAD-3-B-P	46 lb.	300 lb.
LAD-3-Y-P	20.7 kg	136.4 kg
LAD-3-W-P		



Item	Part no.	Description	Qty.
1	44-514-202	Step weldment	1
2	16-632-008	Assembly, caster guard/cover	4
3	44-016-035	Caster collar	4
4	28963	10-24 x 5/8" Phillips machine screw	4

LAD-4-B/Y/W

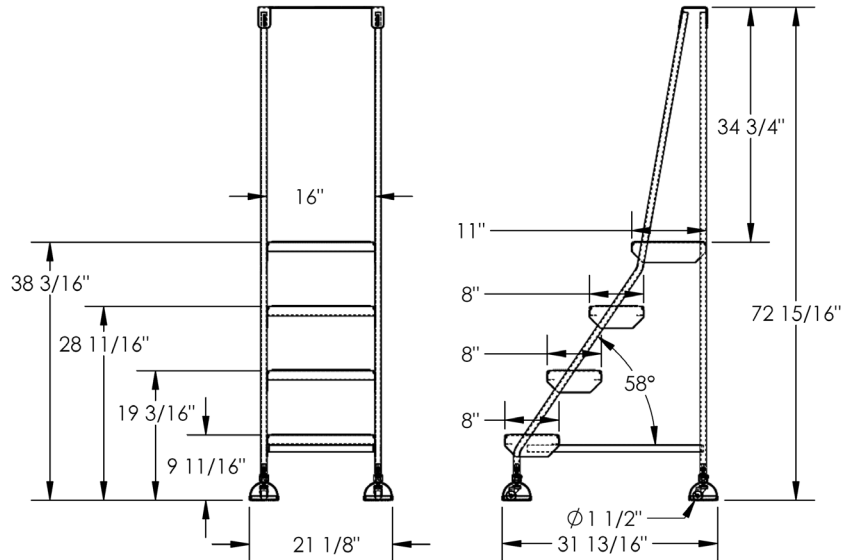
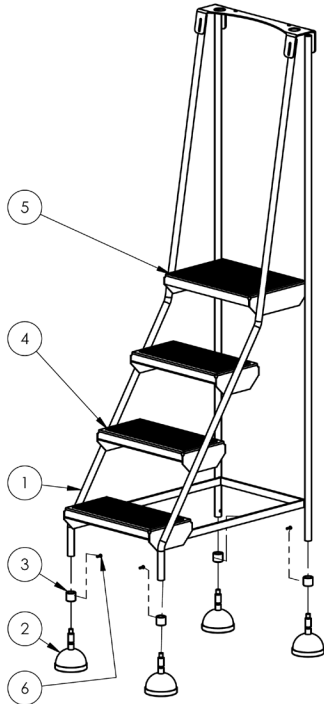
Model	Net weight	Capacity
LAD-4-B	53 lb.	300 lb.
LAD-4-Y	23.9 kg	136.4 kg
LAD-4-W		



Item	Part no.	Description	Qty.
1	44-514-044	Step weldment	1
2	16-632-008	Assembly, caster guard/cover	4
3	44-016-035	Caster collar	4
4	44-147-026	Rubber grip matting	3
5	44-147-027	Rubber grip matting (top step)	1
6	28963	10-24 x 5/8" Phillips machine screw	4

LAD-4-B/Y/W-P

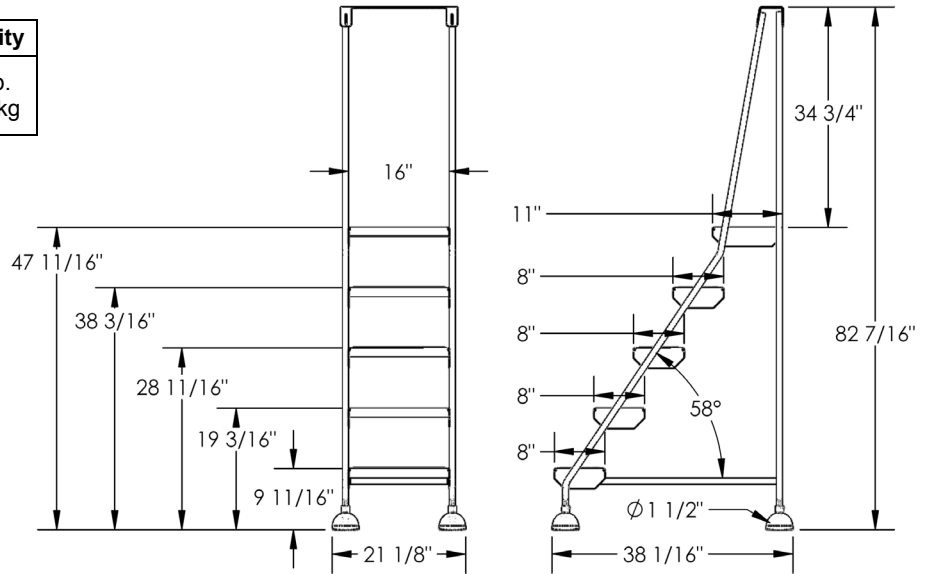
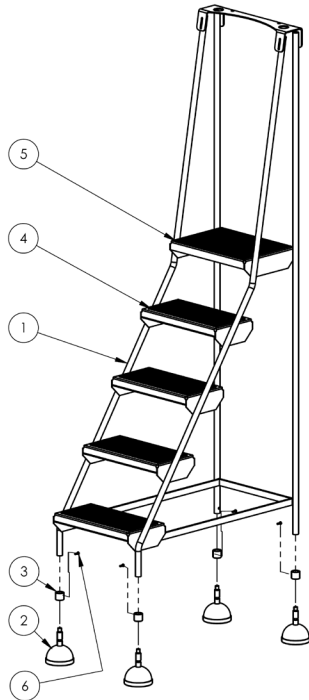
Model	Net weight	Capacity
LAD-4-B-P	54 lb.	300 lb.
LAD-4-Y-P	24.4 kg	136.4 kg
LAD-4-W-P		



Item	Part no.	Description	Qty.
1	44-514-203	Step weldment	1
2	16-632-008	Assembly, caster guard/cover	4
3	44-016-035	Caster collar	4
4	28963	10-24 x 5/8" Phillips machine screw	4

LAD-5-B/Y/W

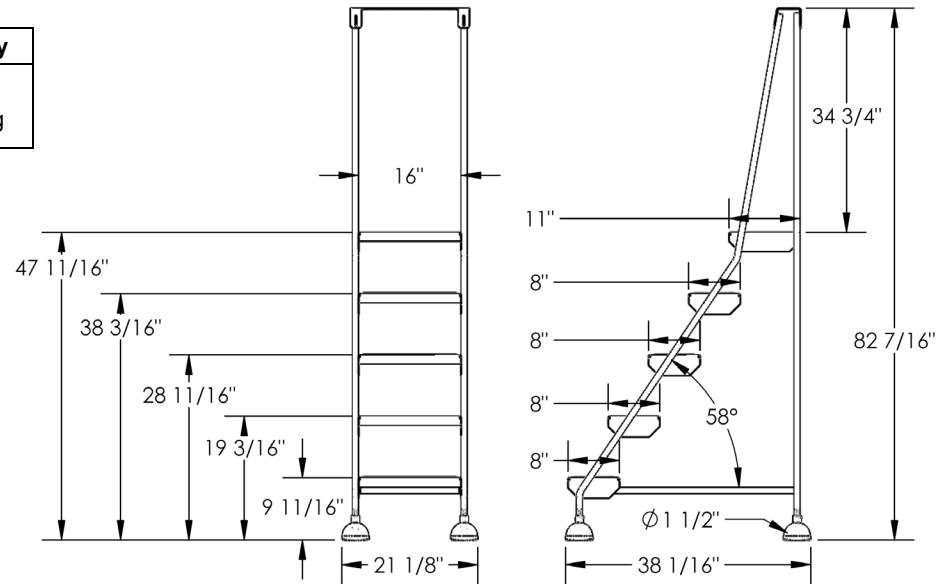
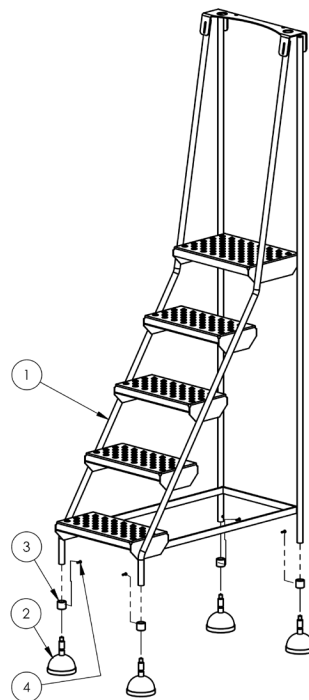
Model	Net weight	Capacity
LAD-5-B	61 lb.	300 lb.
LAD-5-Y	27.5 kg	136.4 kg
LAD-5-W		



Item	Part no.	Description	Qty.
1	44-514-045	Step weldment	1
2	16-632-008	Assembly, caster guard/cover	4
3	44-016-035	Caster collar	4
4	44-147-026	Rubber grip matting	3
5	44-147-027	Rubber grip matting (top step)	1
6	28963	10-24 x 5/8" Phillips machine screw	4

LAD-5-B/Y/W-P

Model	Net weight	Capacity
LAD-5-B-P	lb.	300 lb.
LAD-5-Y-P	kg	136.4 kg
LAD-5-W-P		



Item	Part no.	Description	Qty.
1	44-514-204	Step weldment	1
2	16-632-008	Assembly, caster guard/cover	4
3	44-016-035	Caster collar	4
4	28963	10-24 x 5/8" Phillips machine screw	4

ASSEMBLING THE LADDER (AT LEAST 2 PEOPLE ARE NEEDED)

WARNING

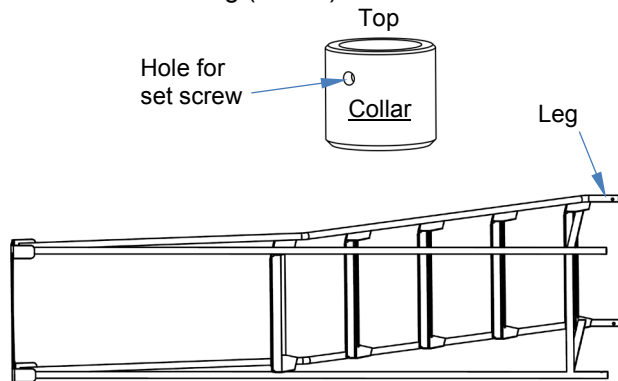
Improper assembly might make this ladder unsafe to use.

- Visually inspect all ladder components immediately after delivery and *before* assembling the ladder. Look for damage that might have occurred during shipping. DO NOT assemble or use the ladder if you notice any damage to one or more of the steps or to other frame elements of the ladder such as the handrails, side rails, rear rails, and legs. These features are identified in the diagrams on this page. Using the ladder despite weakness of a frame member could result in serious personal injuries.
- DO NOT assemble the ladder by yourself. Work with at least 1 other person to assemble the ladder.
- **Read the entire instruction manual before assembling this ladder.**

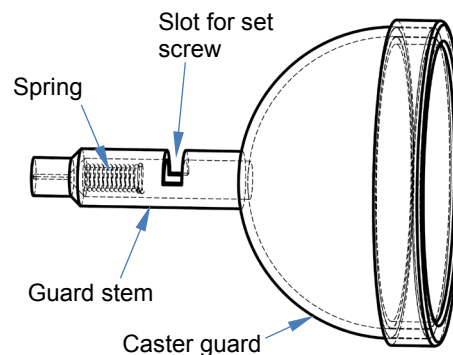
The following tools are necessary to assemble the ladder: #2 Phillips screwdriver.

Numbers in the diagrams and in parentheses () refer to part numbers or item numbers from the bills of materials on pages 3, 4, 5, 6, & 7. Refer to the appropriate exploded view and bill of materials for your ladder.

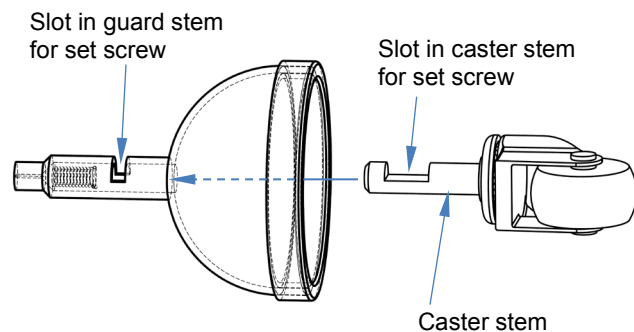
Step 1: Lay the ladder on its side. Slide a collar—top first—onto each leg (4 total).



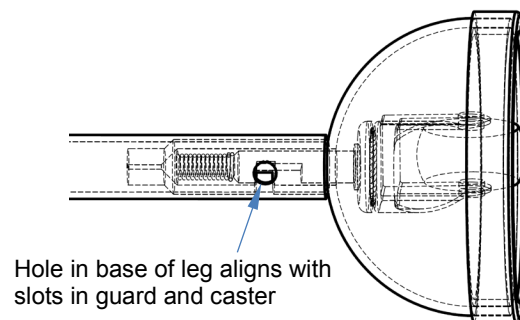
Step 2: Insert a spring into the stem of each caster guard.



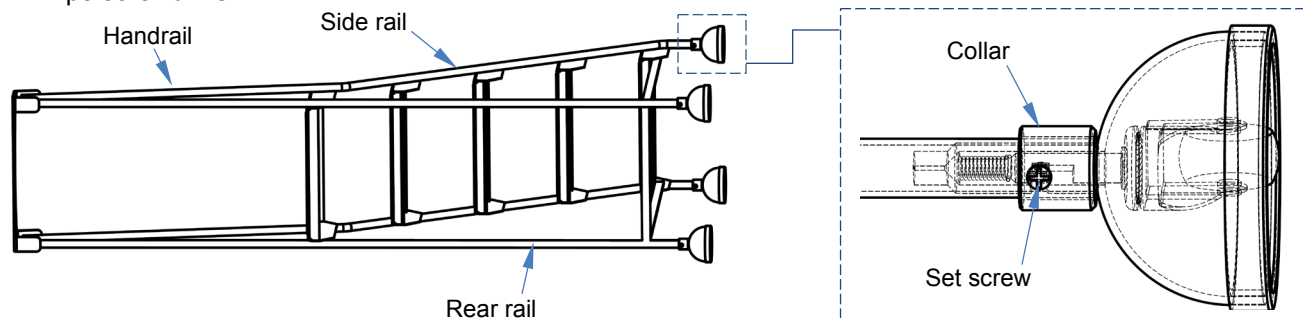
Step 3: Insert a caster into each caster guard. Press the caster stem against the spring until the slot in the caster stem aligns with the slot in the guard stem.



Step 4: Insert a caster assembly (caster guard, spring, and caster) into each leg. Notice that there is a hole near the base of each leg. The slots in the caster stem and guard stem need to align with the holes in the legs. Press the caster against the spring to align the slots with these holes.



Step 5: On each leg, slide the collar (installed in step 1) to the end of the leg and align the set screw hole with the hole in the leg. Wind a set screw through the holes in the collar and leg and into the slots. Tighten the screw with a Phillips screwdriver.



RECORD OF SATISFACTORY CONDITION (THE “RECORD”)

After assembling the ladder and before putting it into service, visually inspect the ladder. Record the condition and appearance of each of the frame elements, the handrails, casters, and all fasteners (bolts, nuts, etc.). Thoroughly photograph the ladder from multiple angles. Turn the ladder on its side. Photograph each caster assembly and caster guard. Set the ladder upright. Apply a 150 lb. (68.2kg) test weight to the 2nd to bottom step of the ladder. Apply the test weight to the only step of 1 step ladders. Springs should compress and retract all 4 casters. The ladder should firmly settle on all 4 caster guards. Take photographs of the ladder with the test weight applied. Photos must clearly show all 4 caster guards in contact with the ground. Include close range photographs of welds, the casters and caster guards, and all labeling. Add the photographs to the record. Collate all photographs and writings into a single file. This file is a record of the ladder in satisfactory condition. Compare the results of all inspections to this Record to determine whether the ladder is in satisfactory condition. Do not use the ladder unless it is in satisfactory condition. Purely cosmetic changes, like damaged paint or powdercoat, are not changes from satisfactory condition. However, touchup paint should be applied as soon as damage occurs.

NATIONAL STANDARDS

This product is a “mobile ladder stand” (MLS). [ANSI standard A14.7](#) (the “Standard”) applies to MLS’s. You *should* acquire a copy of the latest version of the standard. Follow all use and maintenance/care instructions provided in the Standard as well as all provisions directed towards MLS owners and users. If any content in this manual conflicts with any provision(s) in the Standard, apply the provision(s) from the Standard. Vestil encourages you to immediately contact [Technical Service](#) if you discover any inconsistencies.

USING THE LADDER

Review all warnings in [SAFETY INSTRUCTIONS](#) on p. 3 before using the ladder. **ONLY use the ladder on even, level, improved surfaces (concrete or asphalt). ONLY use this ladder if you weigh 150-300lb. (68-136kg). User weight of at least 150 pounds (68kg) is required to properly compress the caster springs.**

Inspect the ladder before each use for sustained damage, such as unusual wear, deterioration, or corrosion. Tighten loose fasteners. Whenever a lock nut has to be unfastened, it must be replaced with a new lock nut.

Make sure there are no children in the area where the ladder is used or stored.

ONLY use this ladder on solid, level ground. Never use the ladder on angled surfaces. The ladder must not wobble or lean while in use. Before climbing the ladder, either press down firmly, or stand, on the bottom step. All 4 casters should automatically retract and the caster guards should contact the ground. This safety feature ensures that the ladder rests on the caster guards rather than the casters whenever adequate weight is applied (150 pounds). If the casters do not all automatically retract, do not use the ladder until it is repaired.

Face the ladder. Grasp the handrails while ascending or descending the steps. Do not lean against the handrails. Do not lean over the handrails or side rails. Only climb the ladder when the steps and handrails are clean and dry.

Moving the ladder

To move the ladder (3-5 steps models), make sure that it is unloaded. Stand behind it, grasp the rear rails, and push the ladder to your destination. The 1 and 2 step models can be carried.

Storing the ladder

The ladder stand is suitable for use both indoors and outdoors. However, it should only be stored indoors. The ladder should be considered in storage whenever it has been unused for 30 minutes or more.

INSPECTIONS & MAINTENANCE

Regular maintenance is required for the ladder to function properly for as long as possible. Inspect the unit as instructed. Inspections and all necessary repairs should be performed by qualified persons. Compare the results of each inspection to the [Record of Satisfactory Condition](#). Do not use the ladder unless every part is in satisfactory condition. If you have any questions about the condition of your ladder, contact the [Technical Service](#) department. The phone number is provided on the cover page of this manual. *Never make temporary repairs of damaged or missing parts.* Only use manufacturer-approved replacement parts to restore the ladder to satisfactory condition.

Before each use, inspect the ladder for any sustained damage, such as unusual wear, deterioration, and corrosion. Look for loose connections. Tighten all loose connections. Whenever a lock nut is partially or completely unfastened, it must be replaced with a new lock nut.

Frequent inspections

- **Casters and caster guards:** At least once per week, turn the ladder on its side. Press on each caster to compress its spring. Approximately the same amount of force should compress all 4 springs/casters. Each caster should be able to spin freely about its stem. Examine the wheels for cracks, breaks, and wear. Wheels should be round and undamaged. Wheels should rotate easily. Caster guards should be undamaged (e.g. not worn, cracked, broken, etc.). Examine the set screws. Make sure that all 4 screws are firmly fastened. Stand the ladder upright. Push it a short distance (~10 ft.; ~3m). The ladder should roll smoothly and without wobbling. Every 3 months, apply a 150lb. (68.2kg) test weight to the second-to-bottom step of the ladder; apply the weight to the only step of 1-step models. Confirm that all 4 casters retract properly. The ladder should firmly rest on all 4 caster guards. Remove the test

[Continued from p. 9]

weight. All 4 casters should immediately extend and lift the ladder off of the caster guards.

- **All frame pieces (steps and rails):** Inspect weekly for damage including but not limited to wear, warps, and cracks. Replace all parts that are damaged before using the ladder again. The frame should be square, rigid, and free of rust and corrosion. Remove rust and corrosion and apply touch-up paint.

Maintenance: In addition to correcting issues discovered during inspections, maintain the ladder by

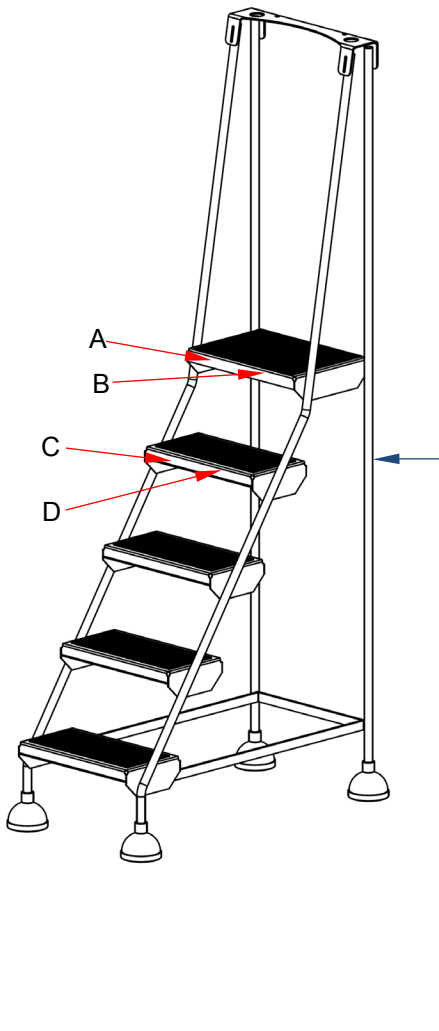
- Cleaning it with a damp cloth to remove dirt and grime, especially from step surfaces. Let the ladder dry completely before returning it to service AND
- Applying touchup paint wherever the finish is damaged as soon as damage occurs.

LABELING DIAGRAM

Each unit should be labeled as shown in the diagram. Label content and location are subject to change so your product might not be labeled exactly as shown. Compare the diagram below to your *Record of Satisfactory Condition*. If there are any differences between actual labeling and this diagram, contact *Technical Service*.

Replace all labels that are damaged, missing, or not easily readable (e.g. faded). To order replacement labels or to inquire whether your unit is properly labeled, contact the technical service and parts department online at http://www.vestilmfg.com/parts_info.htm or by calling (260) 665-7586 and asking for the Parts Department.

NOTE: 1 and 2 step models lack label 904.



A: Label 821 (on nosing of a step)



B: Label 287

MODEL/MODÉLO/MODÈLE _____
STATIC CAPACITY (evenly distributed) _____ lbs.
LA CAPACIDAD CONSTANTE (distribuida uniformemente) _____ kgs.
CAPACITÉ STATIQUE (distribuée régulièrement) _____ kgs.
SERIAL/SERIE/SÉRIE _____
287 REV 0812

C: Label 740

⚠ WARNING	⚠ ADVERTENCIA	⚠ AVERTISSEMENT
<ul style="list-style-type: none"> • Do not use near live electric lines • Do not climb rails or lean over rails • Do not use if damaged or worn • Use ladder on level, smooth surfaces only 	<ul style="list-style-type: none"> • No use cerca de líneas eléctricas • No se suba o se asome en la barandilla • No use si está dañado o gastado • Use la escalera en superficies a nivel y lisas 	<ul style="list-style-type: none"> • Ne pas utiliser près des lignes électriques sous tension • Ne pas grimper sur ou vous pencher des rails • Ne pas utiliser si endommagée ou usagée • Utiliser l'échelle seulement sur des surfaces plates et lisses

D: Label 904



NOTE: Attach a protected copy of this manual to the ladder to provide access to this manual to all persons who use the ladder. For example, a copy of the manual can be placed inside a transparent plastic pouch or folder that is tied to the ladder frame. An appropriate place to tie the folder is the rear frame.

LIMITED WARRANTY

Vestil Manufacturing Corporation (“Vestil”) warrants this product to be free of defects in material and workmanship during the warranty period. Our warranty obligation is to provide a replacement for a defective, original part covered by the warranty after we receive a proper request from the Warrantee (you) for warranty service.

Who may request service?

Only a warrantee may request service. You are a warrantee if you purchased the product from Vestil or from an authorized distributor AND Vestil has been fully paid.

Definition of “original part”?

An original part is a part used to make the product as shipped to the Warrantee.

What is a “proper request”?

A request for warranty service is proper if Vestil receives: 1) a photocopy of the Customer Invoice that displays the shipping date; AND 2) a written request for warranty service including your name and phone number. Send requests by one of the following methods:

<u>US Mail</u>	<u>Fax</u>	<u>Email</u>
Vestil Manufacturing Corporation	(260) 665-1339	info@vestil.com
2999 North Wayne Street, PO Box 507	<u>Phone</u>	Enter “Warranty service request”
Angola, IN 46703	(260) 665-7586	in subject field.

In the written request, list the parts believed to be defective and include the address where replacements should be delivered. After Vestil receives your request for warranty service, an authorized representative will contact you to determine whether your claim is covered by the warranty. Before providing warranty service, Vestil will require you to send the entire product, or just the defective part (or parts), to its facility in Angola, IN.

What is covered under the warranty?

The warranty covers defects in the following original, dynamic parts: motors, hydraulic pumps, motor controllers, and cylinders. It also covers defects in original parts that wear under normal usage conditions (“wearing parts”), such as bearings, hoses, wheels, seals, brushes, and batteries.

How long is the warranty period?

The warranty period for original dynamic components is 90 days. For wearing parts, the warranty period is 90 days. Both warranty periods begin on the date Vestil ships the product to the Warrantee. If the product was purchased from an authorized distributor, the periods begin when the distributor ships the product. Vestil may, at its sole discretion, extend a warranty period for products shipped from authorized distributors by up to 30 days to account for shipping time.

If a defective part is covered by the warranty, what will Vestil do to correct the problem?

Vestil will provide an appropriate replacement for any *covered* part. An authorized representative of Vestil will contact you to discuss your claim.

What is not covered by the warranty?

The Warrantee (you) is responsible for paying labor costs and freight costs to return the product to Vestil for warranty service.

Events that automatically void this Limited Warranty.

- Misuse;
- Negligent assembly, installation, operation or repair;
- Installation/use in corrosive environments;
- Inadequate or improper maintenance;
- Damage sustained during shipping;
- Collisions or other accidents that damage the product;
- Unauthorized modifications: Do not modify the product IN ANY WAY without first receiving written authorization from Vestil.

Do any other warranties apply to the product?

Vestil Manufacturing Corp. makes no other express warranties. All implied warranties are disclaimed to the extent allowed by law. Any implied warranty not disclaimed is limited in scope to the terms of this Limited Warranty. Vestil makes no warranty or representation that this product complies with any state or local design, performance, or safety code or standard. Noncompliance with any such code or standard is not a defect in material or workmanship.

