

Pure Clean\*



*PUCRC850*

Smart Vacuum Cleaner

Automatic Robot Cleaning Vacuum  
with App Download and Remote Control

**USER MANUAL**

**Mop function only available with purchase of Water Tank Mopping Kit  
Pure Clean Model: P RTPUCRC8505 (Sold Separately)**

## **1. Safety Instruction**

## **2. Product Components**

2.1 Name of Parts

2.3 Product Characteristics

## **3. Instructions for Use**

3.1 WiFi Setup Instructions

3.2 Remote Controller Instructions

3.3 Operating Instructions

## **4. Product Maintenance**

4.1 Side Brush Cleaning and Replacement

4.2 Cleaning of Dust Box and Filter

4.3 Cleaning of Water Tank and Mop

4.4 Maintenance of Other Components

## **5. Common Faults**

5.1 Faults Description

5.2 Warning Code

5.3 Replaceable Modules

## **6. Product Specifications**

*The document is subject to the object. Our company reserves the right to update products. Products shall be subject to any changes without additional notices.*

## • SAFETY INSTRUCTION

**Before using this product, please read the safety instructions below and follow all the routine safety precautions.**

Please read the instructions carefully and keep them for future reference.

Any operation that does not conform to the instructions may cause damage to the product.

## SAFETY CONSIDERATIONS OF MAIN BODY AND ACCESSORIES

### ⚠ Warning

1. Do not disassemble, repair or refit the product without authorization; otherwise it may damage the product or pose a hazard.
2. Do not use the product in an environment with risk of fire or explosion.
3. This product can only use the original power adapter; otherwise the product may be damaged or catch on fire.
4. Do not stand or sit on this product; doing so could damage the product or cause it to fall over.
5. When the metal part of the power plug is dusty, please wipe it with a dry cloth.
6. The power adapter is applied to a 100-240V AC voltage. Please plug into the socket properly and keep away from children.
7. Do not wash or soak the main body and electronic accessories in the water; otherwise the product may be damaged by a short circuit.
8. Do not damage, load weight on, heat, pull, or bend it.
9. During cleaning, please pay attention to the safety of toddlers and elders at home to avoid injury. (Please pay special attention to toddlers).
10. This product is for home use. Please do not use it outdoors.
11. Do not allow metal and conductive materials to come in contact with the battery; doing so may cause a short circuit.

### ⚠ Attentions

1. Do not touch the product with wet hands; doing so may cause an electric shock.
2. Please do not place the product in places where it could easily fall, such as tables, chairs, high platforms in room, etc.
3. The product has a sophisticated design and should be protected from long-term exposure to sunlight.
4. Please do not use the product in humid environments, such as bath-rooms.
5. Please do not place the product near cigarette butts, lighters or other open fires.
6. Please clean the product after finishing charging.
7. Please turn off the power switch on the side of the robot when the product is out of service for a long time.

8. Please check carefully to see if the power adapter is connected to the socket prior to use, to avoid damage to the robot.
9. Before using the product, please remove all vulnerable items on the floor, such as glass, lamps, and items such as wires and curtains that may entangle with the side brush and suction passages.
10. When the dust box is full, please empty it before using again.
11. Please do not use the robot to clean the construction waste.
12. The operating temperature of the product ranges from 32 degrees Fahrenheit to 104 degrees Fahrenheit; please do not use it in a high temperature environment.
13. Before the product is scrapped, please remove the battery from the robot. When you remove the battery, please ensure that the product is not connected to a power supply. Please recycle the battery safely for environmental protection.

## **SAFETY CONSIDERATIONS FOR RECHARGEABLE BATTERY**

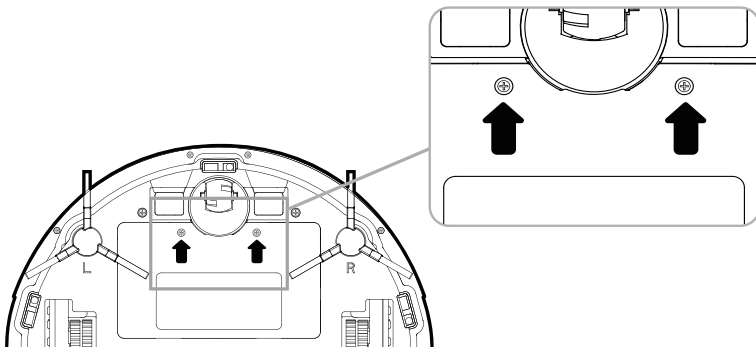
### **⚠ Danger**

1. Always use a dedicated battery adapter to avoid leakage, heating or rupture.
2. Do not short-circuit the battery or remove the battery; doing so may cause leakage, heating or rupture.
3. Do not transport or preserve with necklaces, hairpins, and other metal objects; doing so may lead to short circuit, resulting in leakage, heating or rupture.
4. Do not burn or heat the battery; doing so may cause leakage, heating or rupture.

### **⚠ Attention**

1. If abnormal overheating is discovered during charging, stop using it immediately to avoid leakage, heating or rupture.
2. To prolong the service life of the battery, please remove the battery and place it in a cool, dry environment if it is out of service for a long time; this will avoid leakage, heating or rupture.
3. Do not soak in water or let it come into contact with any liquid; otherwise it may cause leakage, heating and rupture.
4. Be sure to stop using it immediately in case of any exception (e.g. discoloration or deformation), to avoid leakage, heating and rupture.
5. Always use tape to insulate the battery's electrode when recycling or disposing of it.

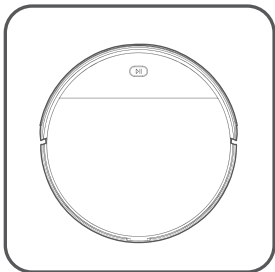
5. Do not disassemble the battery pack; doing so may cause battery rupture and electrolyte outflow, leading to fire, explosion and other dangers.
6. This appliance can be used by children aged from 8 years and above and persons with reduced physical, sensory or mental capabilities or lack of experience and knowledge if they have been given supervision or instruction concerning use of the appliance in a safe way and understand the hazards involved.
7. Children shall not play with the appliance.
8. Cleaning and user maintenance shall not be made by children without supervision.
9. This appliance contains batteries that are only replaceable by skilled persons.
10. **WARNING:** For the purposes of recharging the battery, only use the detachable supply unit provided with this appliance.
11. The power supply must be removed from the socket-outlet before cleaning or maintaining the appliance.
12. The battery must be removed from the appliance before it is scrapped.
13. The appliance must be disconnected from the supply mains when removing the battery.
14. The battery should be safety disposed off.
15. **How to remove the battery:**



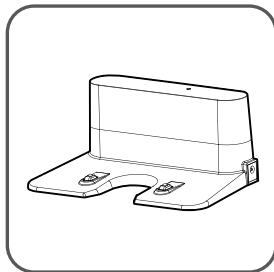
1. Take out two screws on the battery cover with a screw driver.
2. Take out the battery cover.
3. Take out the battery and unplug the electric wires to remove the battery.

• **PRODUCT COMPONENTS**

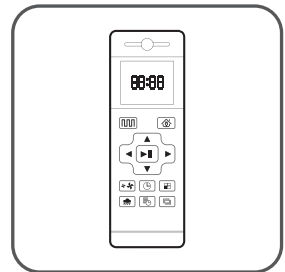
**NAME OF PARTS**



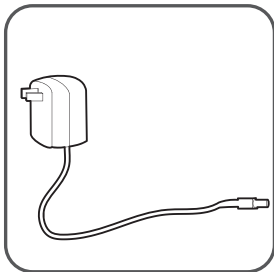
**Main Body**



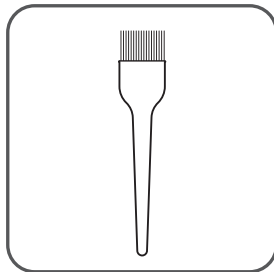
**Charging Dock**



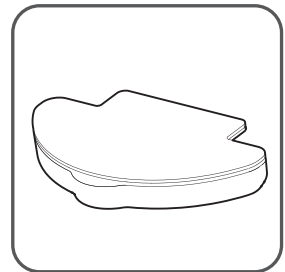
**Remote Controller  
(excluding 2XAAA batteries)**



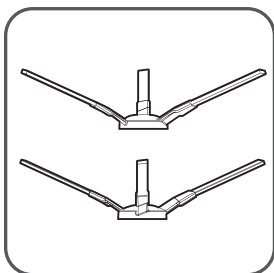
**Power Adapter**



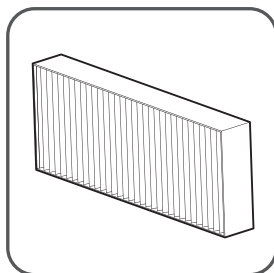
**Cleaning Tool**



**Water Tank Component**



**Side Brushes**



**High-efficient Filter**

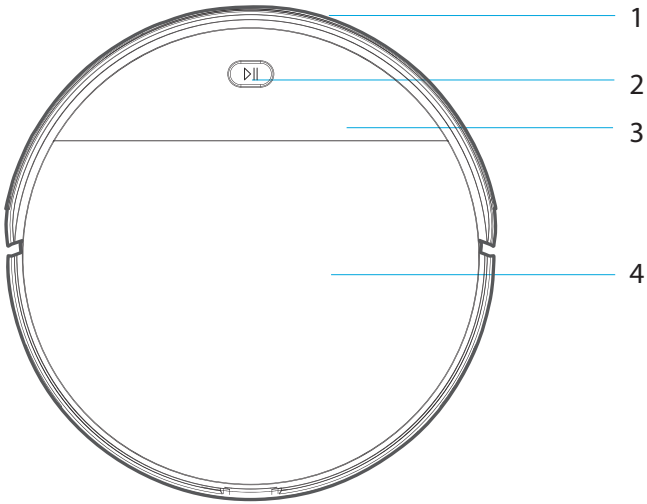


**Magnetic Strip**

Accessories of some models may be slightly different and they are subject to the actual received products.

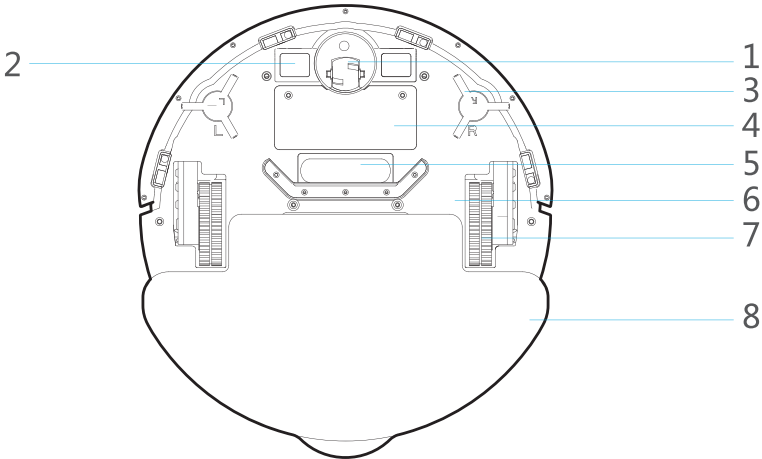
**Mop function only available with purchase of Water Tank Mopping Kit  
Pure Clean Model: PRTPUCRC8505 (Sold Separately)**

## MAIN BODY



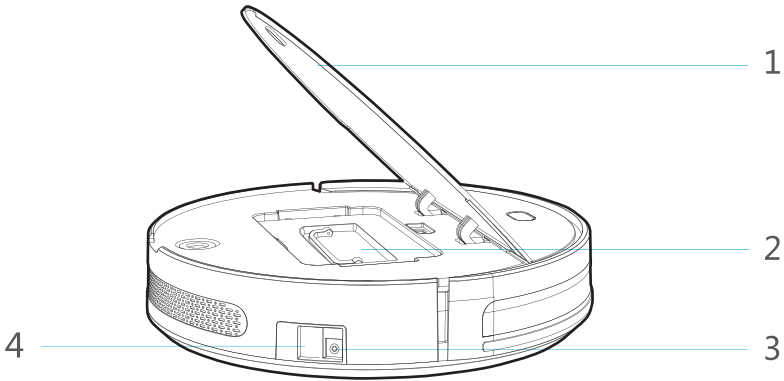
1. Bumper    2. Control Button    3. Decoration Panel    4. Middle cover

## MAIN BODY



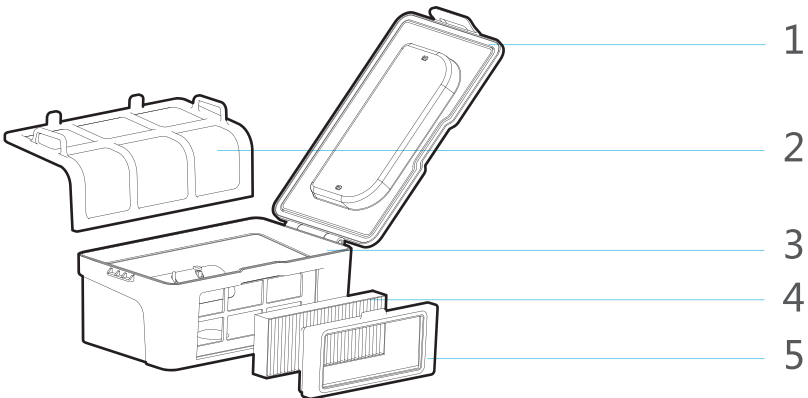
1. Universal Wheel    2. Electrode Slice    3. Side Brush    4. Battery Cover  
5. Suction Port    6. Chassis    7. Side Wheel    8. Water Tank with Mop

## MAIN BODY



1. Middle cover    2. Dust bin    3. DC power jack    4. Power switch

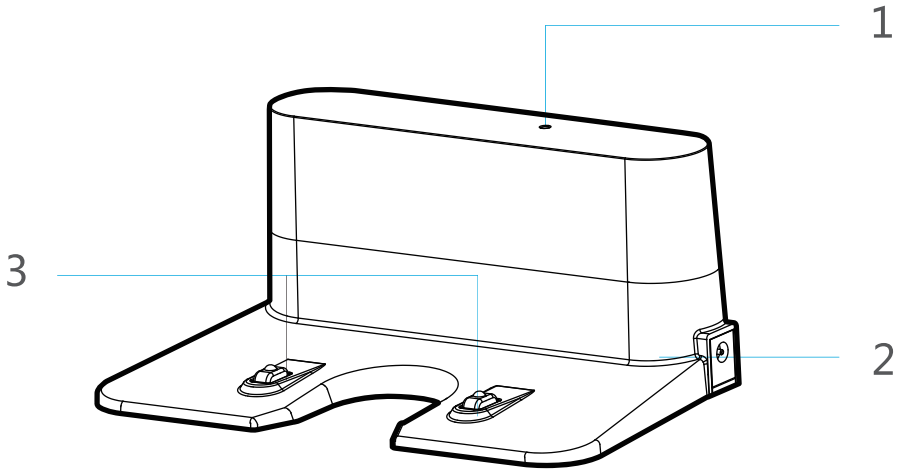
## DUST BOX



1. Dust Box Cover    2. Pre-filter    3. Dust Box  
4. High-efficient Filter    5. Dust Box Gasket



## CHARGING DOCK



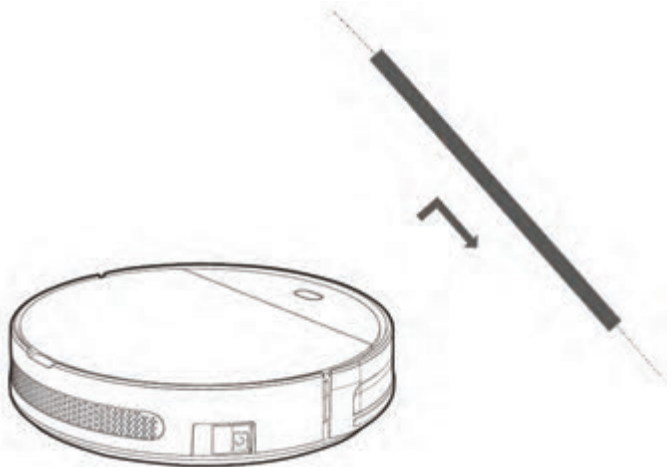
1. Charging indicator

2. DC power jack

3. Charging terminal

## MAGNETIC STRIP - Define the area to be vacuumed

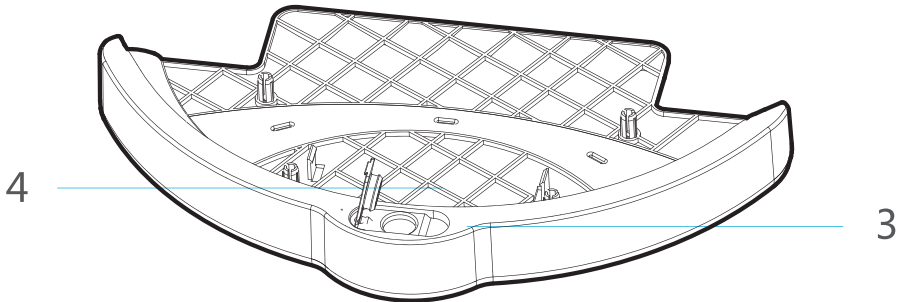
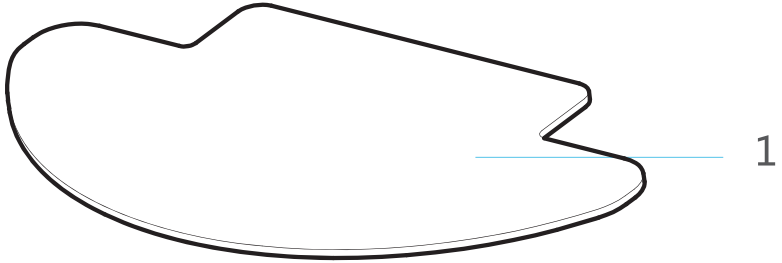
You can define any areas which the robot vacuum cleaner should not have access to.



This **Magnetic strips**, as a barrier can help you to effectively prevent your smart vacuum across the region you don't need to clean. When you put it on a place, the Vacuum will recognize this strip and avoid this area.

**Mop function only available with purchase of Water Tank Mopping Kit  
Pure Clean Model: PRTPUCRC8505 (Sold Separately)**

## **WATER TANK COMPONENT**



1. Mop

2. Velcro

3. Water input hole

4. Tank sealing cap

## PRODUCT FEATURES

**Powerful Suction:** The Robot suction is powerful, even the allergens, pollens and particles can be vacuumed.

**Intelligent Suction Adjustment:** The Robot can adjust suction power automatically in different cleaning mode, which improve efficiency grealy and save 30% power, the suction can be remote controlled.

**Humanized Design:** It is simple to operate, press the **Control Button** to start cleaning.

### • **INSTRUCTIONS FOR USE**

#### WIFI SETUP INSTRUCTIONS

1. Scan the QR code in Figure 1 to download and install "WeBack" APP, or download and install from other APP stores



Figure 1

2. Open App, directly log in if you have a "WeBack" account; if not, you can select "New User" to sign up, and click on "add device" after login.



Figure 2



Figure 3

3. Scan the QR code on the device or the QR code on the right side, or manually enter Device name to confirm the device model, turn on the "Power switch" by following APP instructions and go to the next step.



Figure 4



4. Confirm the family WIFI as shown in Figure 5 and enter the WIFI password.
5. Confirm the family WIFI as shown in Figure 5 and enter the WIFI password. Voice prompt "**Robot is networking**" and Wi-Fi light flashes. Enter "**Networking mode**". The App confirms to be activated. Enter the device connection interface. Depending on the WIFI signal strength, it may take few seconds or more.
- a. If Binding successfully, enter the device management interface. Click on the device to enter device control as shown in figure 7, or click the option in the upper right corner for device remarks, reservation, sharing and other operations.
- b. If binding unsuccessfully, please confirm whether the WIFI password is entered correctly; confirm whether your home router wireless network frequency is 2.4G.
6. Device control interface is shown in figure 8 for multi-mode control of device or display of device status and other information



Figure 5



Figure 6



Figure 8

7. How to control your device with Authorized Smart Speaker (Google home, Alexa, Siri)? Please select "**Third-party connection**" in WeBack as shown in Figure 9 and Figure 10.

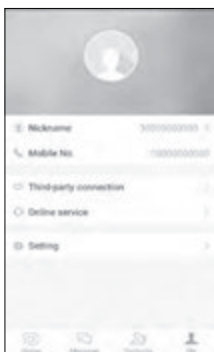


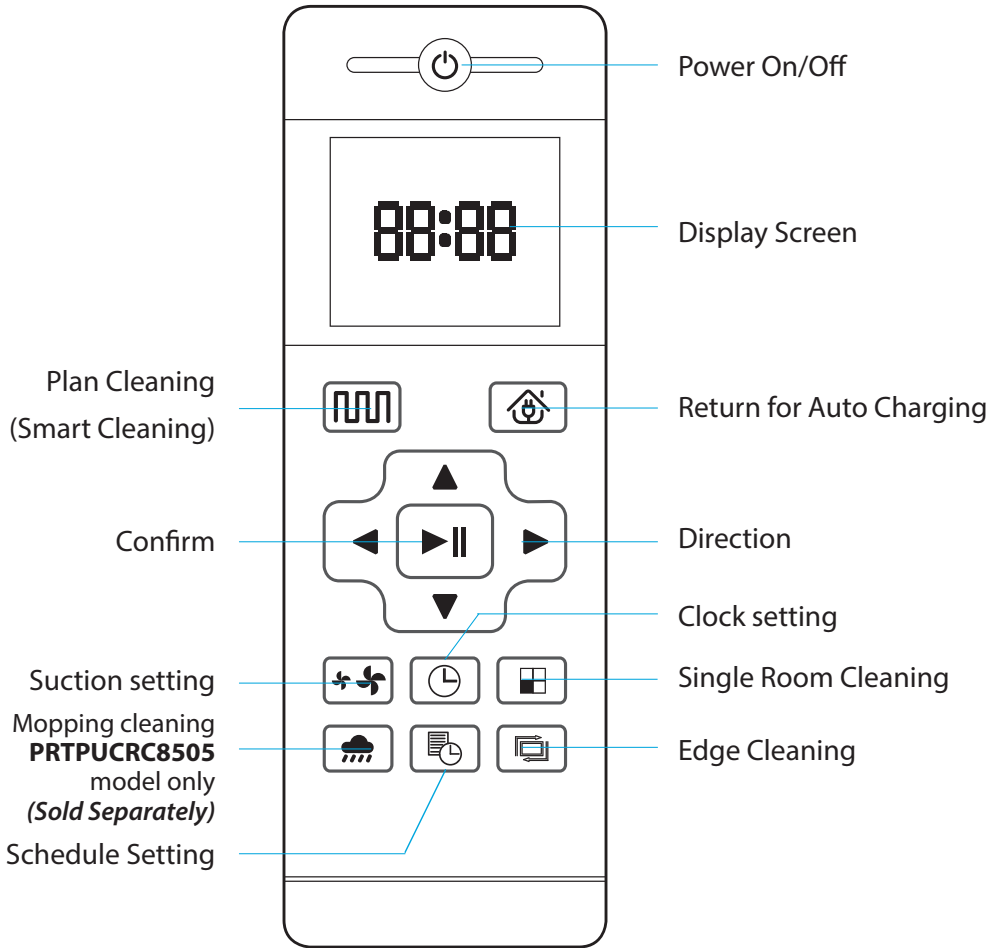
Figure 9



Figure 10

• **INSTRUCTIONS FOR USE**

**REMOTE CONTROLLER INSTRUCTION**



**Mop function only available with purchase of Water Tank Mopping Kit  
Pure Clean Model: P RTPUCRC8505 (Sold Separately)**

## • **INSTRUCTIONS FOR USE**

### **Plan Cleaning button**

No matter what mode the robot is in, this button will bring it to the plan cleaning mode.

### **Return for Auto Charging**

Pressing this button to shift the mode as recharging, and the logo will be displayed on the screen of the remote controller.

### **Forward**

At the standby mode, press this button to continue moving forwards, and release it to return to standby mode. At the Preset mode or the Schedule setting mode, press this button to increase the number.

### **Backward**

At the standby mode, press this button to continue moving backwards, and release it to return to standby mode. At the Preset mode or the Schedule setting mode, press this button to decrease the number.

### **Left Arrow**

At the standby mode, press this button to continue turning left, and release it to return to standby mode. At the Preset mode or the Schedule setting mode, press this button to switch from minute to hour.

### **Right Arrow**

At the standby mode, press this button to continue turning right, and release it to return to standby mode. At the Preset mode or the Schedule setting mode, press this button to switch from hour to minute.

### **Confirm button**

During operation, press this button to stop the robot, and it is still working at the pause. In the Preset or Clock setting mode, this button can save all settings.

### **Suction Setting button**

At any cleaning mode, press this button to adjust the suction power. There are Normal suction and Powerful Suction for your option.

### **Clock Setting button**

Press this button to enter the Clock Setting mode and press the Confirm button to exit.

### **Single Room Cleaning button**




Close the door of the single room, press this button to enter the Plan Cleaning mode with powerful suction.

### **Mopping Setting button**

Press this button to mop the floor.

## • INSTRUCTIONS FOR USE

### **Schedule Setting button**

At the standby mode, press this button to enter the Schedule Setting mode, and the display flashes icon . At the Schedule Setting mode, press this button to save the data and exit the Schedule Setting mode, and the display will always display the icon . At the Preset mode, Schedule Setting this button for 3S to cancel the Schedule Setting function, and the displayed icon  will disappear.

### **Edge Cleaning button**

Press this button to enter the Edge Cleaning mode.



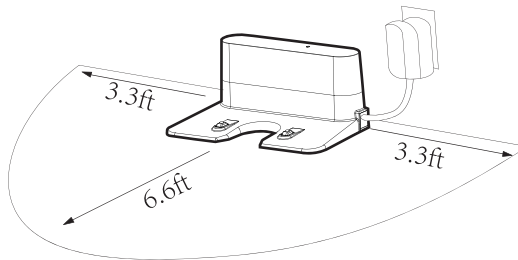
**Display preset time**



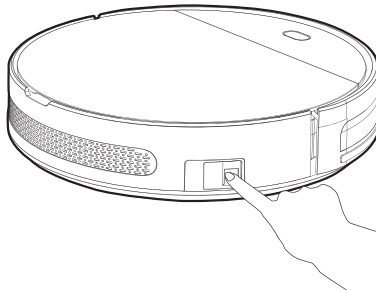
**Display clock time**

## • OPERATING INSTRUCTIONS

### PLACEMENT OF THE CHARGING BASE

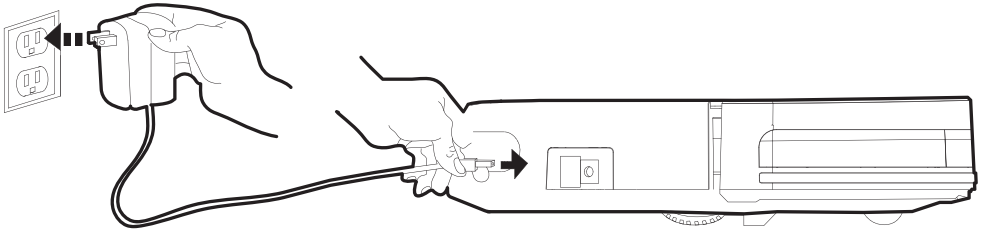


Place the charging base against the wall. Do not place any objects within 3.3 ft to the left / right and 6.6 ft to the front, and do not place any mirrors or other reflective objects in this area.



Switch on the robot, which makes the Control button green, and enter the Select mode. If the robot is not activated within 10 minutes, the robot will enter Sleep mode.

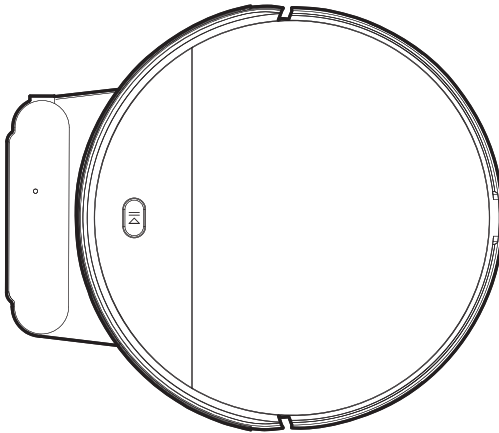
## CHARGING MODES



Please keep the power switch turned **ON** before charging the machine.

### Charge mode A:

Fix the charging pin into the DC power jack of the robot and plug in the power supply.



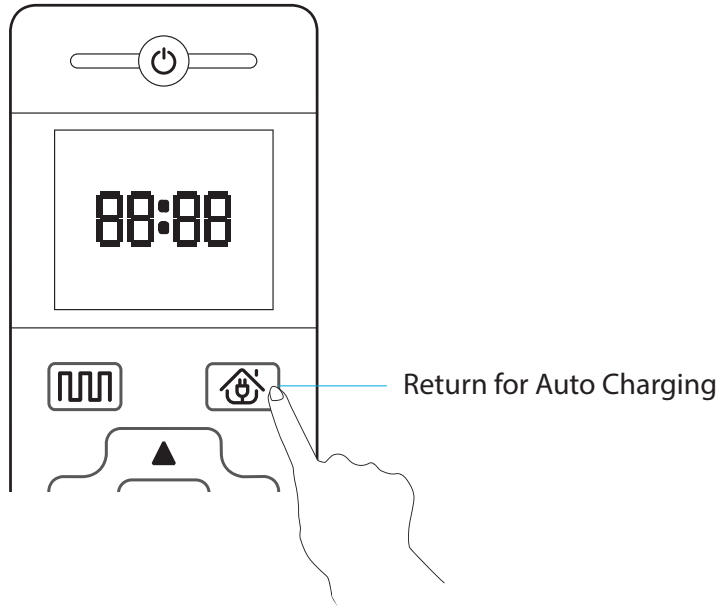
Please keep the power switch turned on before charging the machine.

### Charge mode B:

Dock the Robot with the charging dock for charging  
When the control button flashes orange, the robot is charging;  
when the control button in green or light off, the robot is fully-charged.



## AUTOMATIC CHARGING



- Pressing the Return for Auto Charging on the remote controller to make the robot return for charging.
- When Cleaning is completed or the battery is too low, the robot will automatically start finding the charging base to charge itself.
- Please keep the charging dock energized, otherwise the machine will not be able to find the charging dock.

## CHARGING INSTRUCTIONS

1. The battery should be repaired and replaced by the after-sales service center.
2. For the very first operation, please let the robot run out of power.
3. When the robot is charged, the Control button will flash a green lamp in a circular manner.
4. If the robot is out of service for a long time, please turn off the power switch.
5. Please charge the robot as soon as possible after the battery is used up.
6. The product can only use the power adapter and charger provided by the factory.
7. Please charge the robot for 12 hours for the first time of operation.  
When the charging is done, the Control button light turns off.

## SWITCHING MODES

### ▶|| Standby Mode:

The power is turned on, the indicator light flashes green, and the robot is standby.

### ▶|| Sleep Mode:

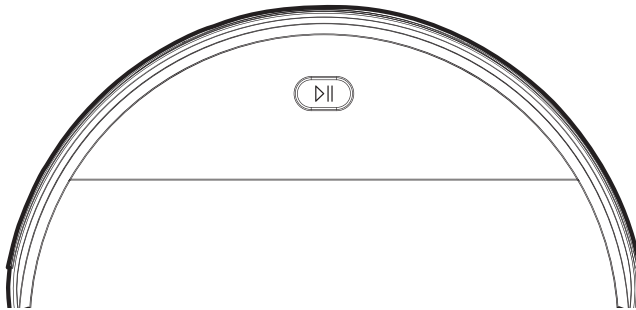
The power is turned on, Control button is off, and the robot is at rest.

### ▶|| Working Mode:

The robot is working; indicator light is in green all the time, enter cleaning mode.

### Operating Procedure:

Sleep mode-Standby mode-Working mode



### Startup:

1. Make sure the power switch on the side of the robot is turned **ON**.
2. Press the Control button or the Cleaning mode on the remote controller to start the robot.

### Pause:

The pause function is to switch the robot from the operating mode to the selected mode, and the robot can be paused by the following operations:

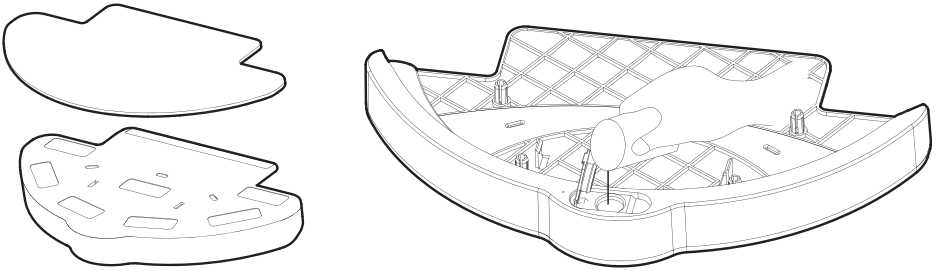
1. Press the Control button on the robot to pause the robot.
2. Press the power **ON/OFF** button on the remote controller to pause the robot.

### Sleep:

Sleep mode means that the robot is stopped and the indicator light is off. If the Robot is not active within 3 minutes, the robot will enter Sleep mode automatically.

**Note:** If the robot is out of service for a long time, pls turn off the power switch.

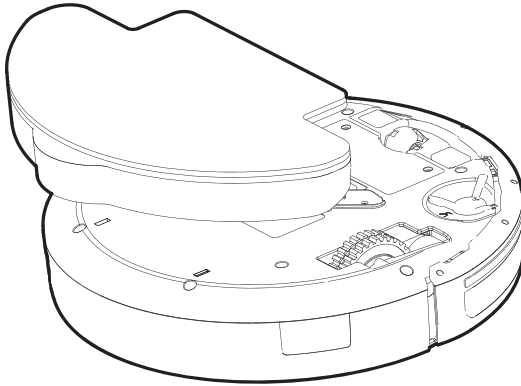
## WATER TANK USAGE



When charging, please remove the water tank to avoid danger.

## WATER TANK ASSEMBLY

There is corresponding velcro under the tank, fix the absorbent mop to the bottom of the water tank according to the corresponding part, open the tank sealing cap, fill it with 1/2 or 2/3 clean water, and seal the lid of the water tank.

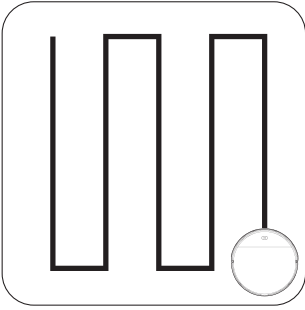


When charging, please remove the water tank to avoid danger.

## TANK INSTALLATION

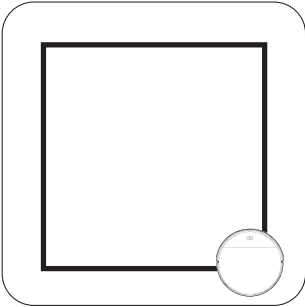
Hang the water tank component on the bottom of the Main Body according to the direction like the picture. Fix the two columns of the water tank into the two holes of the Main Body so that the water tank component combine with Main Body tightly.

## CLEANING MODE



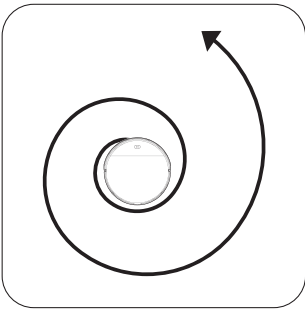
### **Plan Cleaning (Smart Cleaning)**

The robot will perform the smart Plan Cleaning according to the room environment.



### **Edge Cleaning**

The robot will clean along the longest edge of the room.

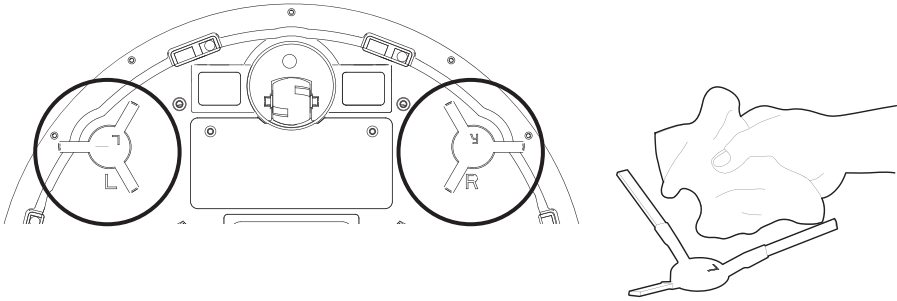


### **Spot Cleaning**

The robot will perform the concentrated cleaning on a special dirty area. (APP controlled only)

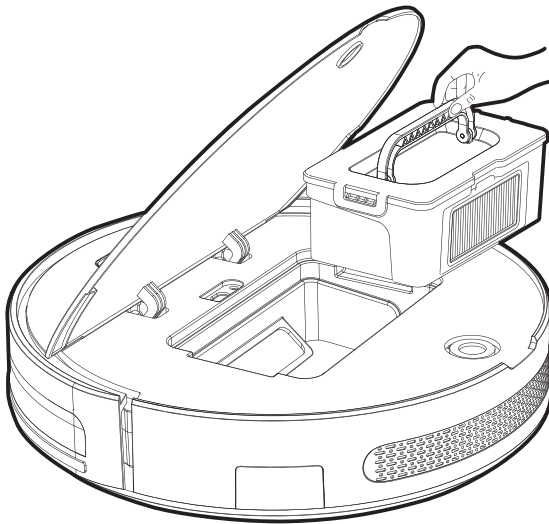
## • **PRODUCT MAINTENANCE**

### **SIDE BRUSH CLEANING AND REPLACEMENT**



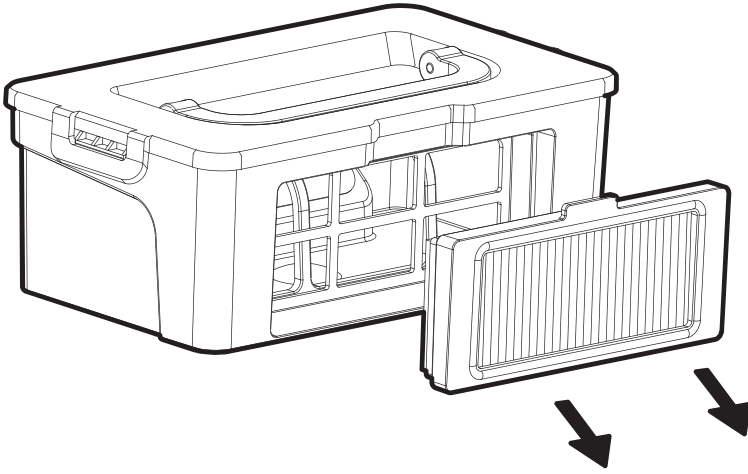
Check the side brush's condition frequently to see if it has been damaged or entangled with other objects. Clean the side brush with a cleaning tool or cloth. When the side brush is damaged and can not be used, please replace it as soon as possible. L and R correspond to each other.

### **CLEANING OF DUST BOX AND FILTER**

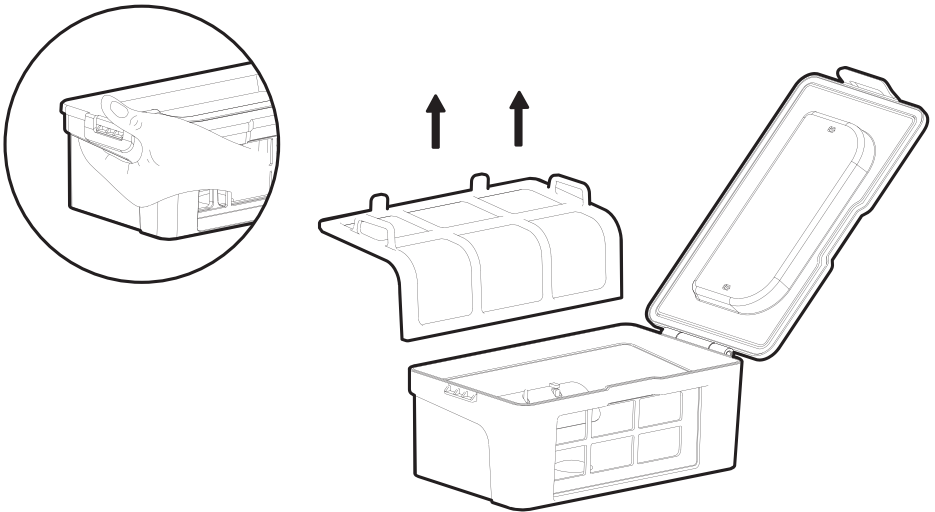


Flip the cover of the Main Body, and take out the dust box, check the suction port and clean it.

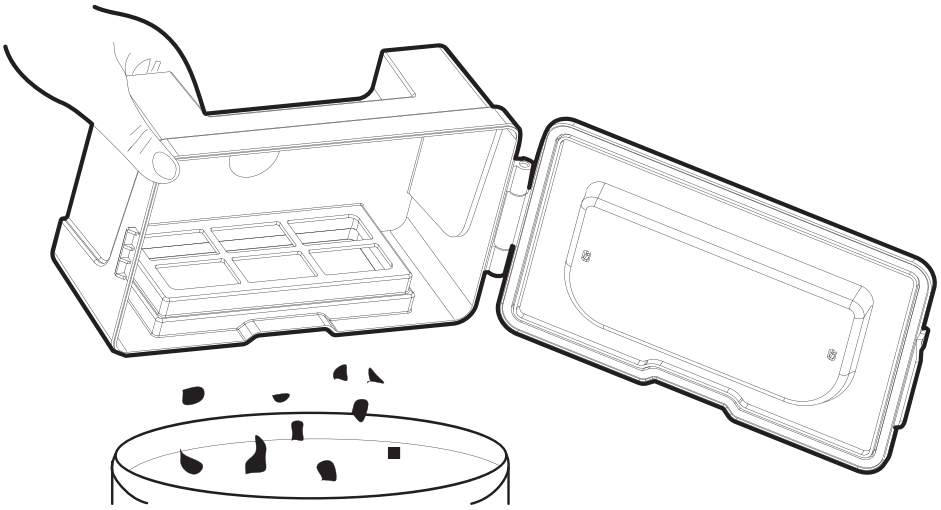
• **PRODUCT MAINTENANCE**



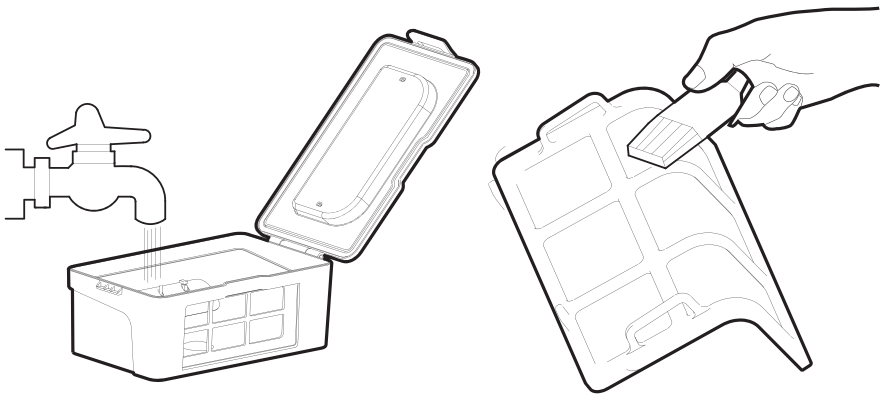
Take out the High-efficient Filter



Open the dust box cover and take out the pre-filter

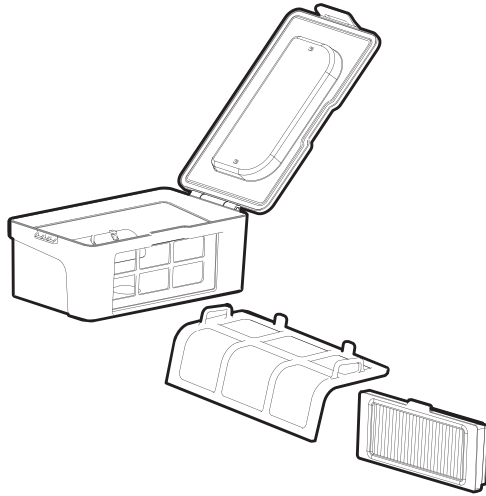
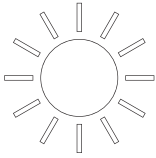


Dump all debris from the dust box into the garbage

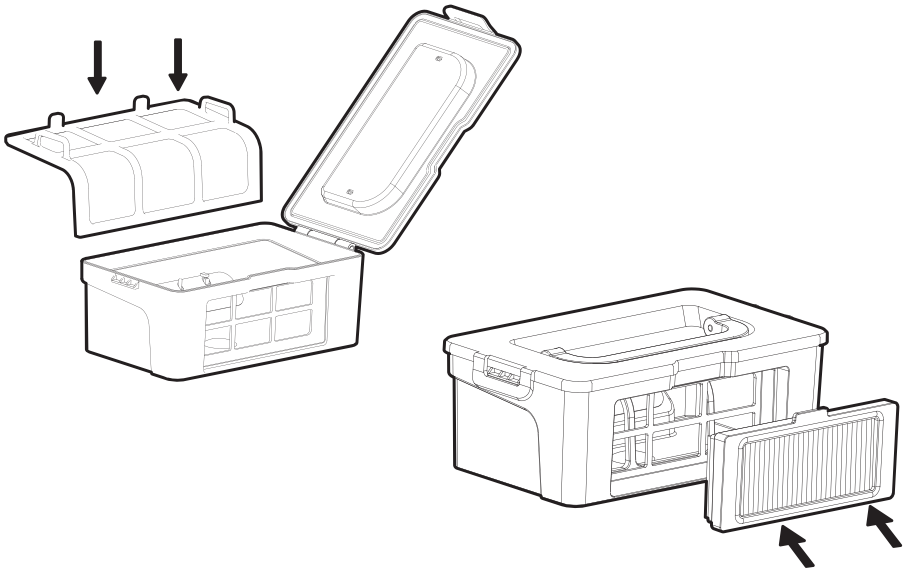


1. Clean the dust box, high-efficient filter and pre-filter completely.
2. Dry the dust box and filter components.  
Keep them dry to ensure a longer service life.
3. After the pre-filter is used for 15-30days, it should be washed once.
4. The maximum service life of the high-efficient filter is 3months.

• **PRODUCT MAINTENANCE**



Air all components till they are dry completely.

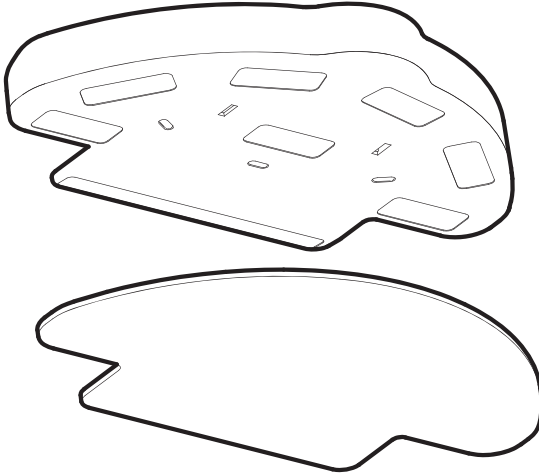


Assemble the pre-filter and high-efficient filter in the dust box



**Mop function only available with purchase of Water Tank Mopping Kit  
Pure Clean Model: PRTPUCRC8505 (Sold Separately)**

## **CLEANING OF WATER TANK AND MOP**

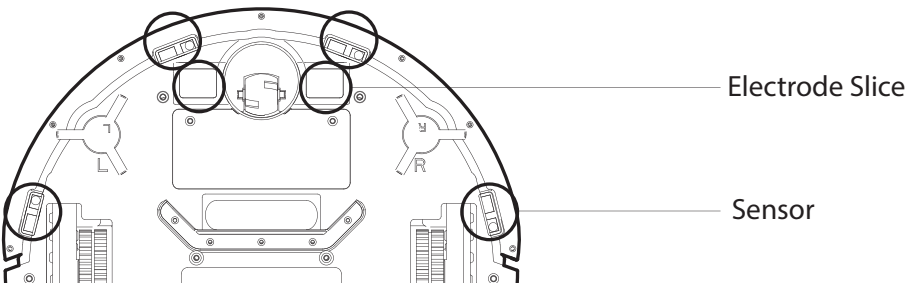


Remove the mop like the picture. Rinse it thoroughly and lay it out for airing. Please do not use the dripping mop directly, so as to avoid the product slipping and causing danger.

### **Applicable Environment of Water Tank with Mop Component:**

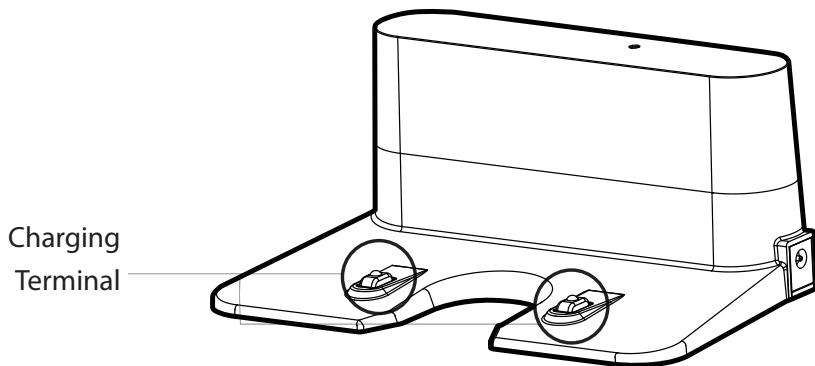
Wooden floor, tile floor, marble floor and painted hard floor, etc.

## **MAINTENANCE OF OTHER COMPONENTS**

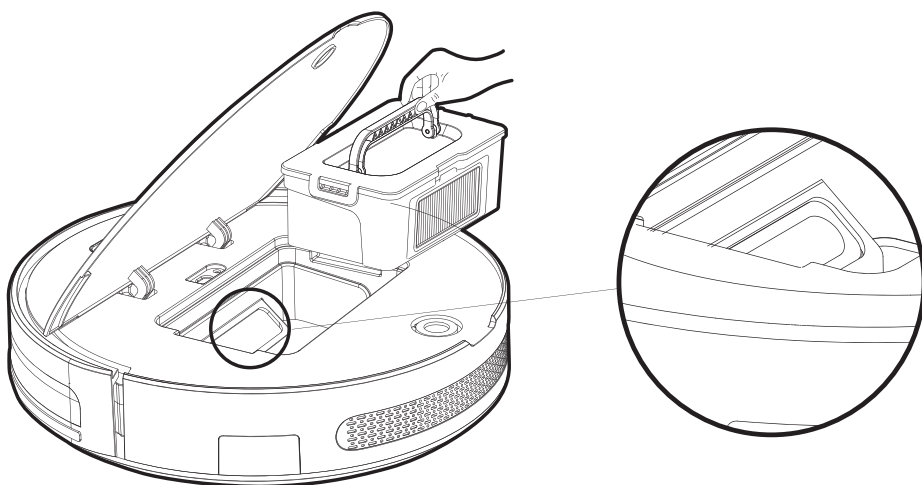


Use the cleaning tools or a dry soft cloth to periodically clean the charging plate of robot chassis and the sensor window

• **PRODUCT MAINTENANCE**



Use a cleaning tool or soft cloth to clean the charging base terminal



Use a cleaning tool or soft cloth to clean the suction port periodically

• **COMMON FAULTS**

**FAULTS DESCRIPTION**

<b>Faults</b>	<b>Possible Reasons</b>	<b>Solutions</b>
The robot can not be charged.	The electrodes between the main body and the charging base are not contacted properly.	Make sure that the electrodes between the main body and the charging base are properly contacted.
	The charging base is switched off while the robot is switched on, which leads to the loss of power.	Keep charging the robot when it is not working to better prepare for next cleaning assignment.
The robot is stuck during work.	The robot may be stuck by wires/cables on the ground, hanging curtains or obstacles around the carpets.	The robot will try to get itself out automatically. However, please help it manually if it failed.
The robot goes back to recharge without finishing the cleaning work.	The robot detects that the power may be not enough and automatically goes back to recharge.	Charge the robot.
	The robot works at different speeds on different floor types. For example, it works longer on the wood floors than on carpets	The length of working time varies because of the complexities of room environments, the amount of garbage and different cleaning modes.
The robot does not perform cleaning work automatically as scheduled	The robot is not switched on and the robot can not perform cleaning work as scheduled when it is powered off.	Turn on the robot.
	The power level of the robot is too low to work.	Keep charging the robot when it is not working to better prepare for next cleaning assignment.
	The robot is stuck or twined by obstacles.	Turn off the robot and clean the dust box. Then turn over the robot to clean its components, such as wheels and side brushes.
Remote control malfunctions (effective range is 16.3ft)	The remote controller is short of or out of power.	Change the batteries and install the batteries correctly.
	The robot is short of or out of power.	Make sure that the robot is switched on with enough power for operation.
	The infrared ray is blocked because the infrared emitter on the remote controller or the infrared receiver in the robot is contaminated.	Wipe the infrared emitter on the remote controller or the infrared receiver on the robot with a clean cotton cloth.
	Interference emitted by other devices that exist nearby.	Avoid using the remote controller near other infrared devices.

**Note:** If the above methods can not solve the problem, please reboot the robot. If the problem can not be solved by reboot, please send to the after-sales service center.

## WARNING CODE

When the machine occurs some common faults, the red light is always on and robot beeps. (• times of the beep)

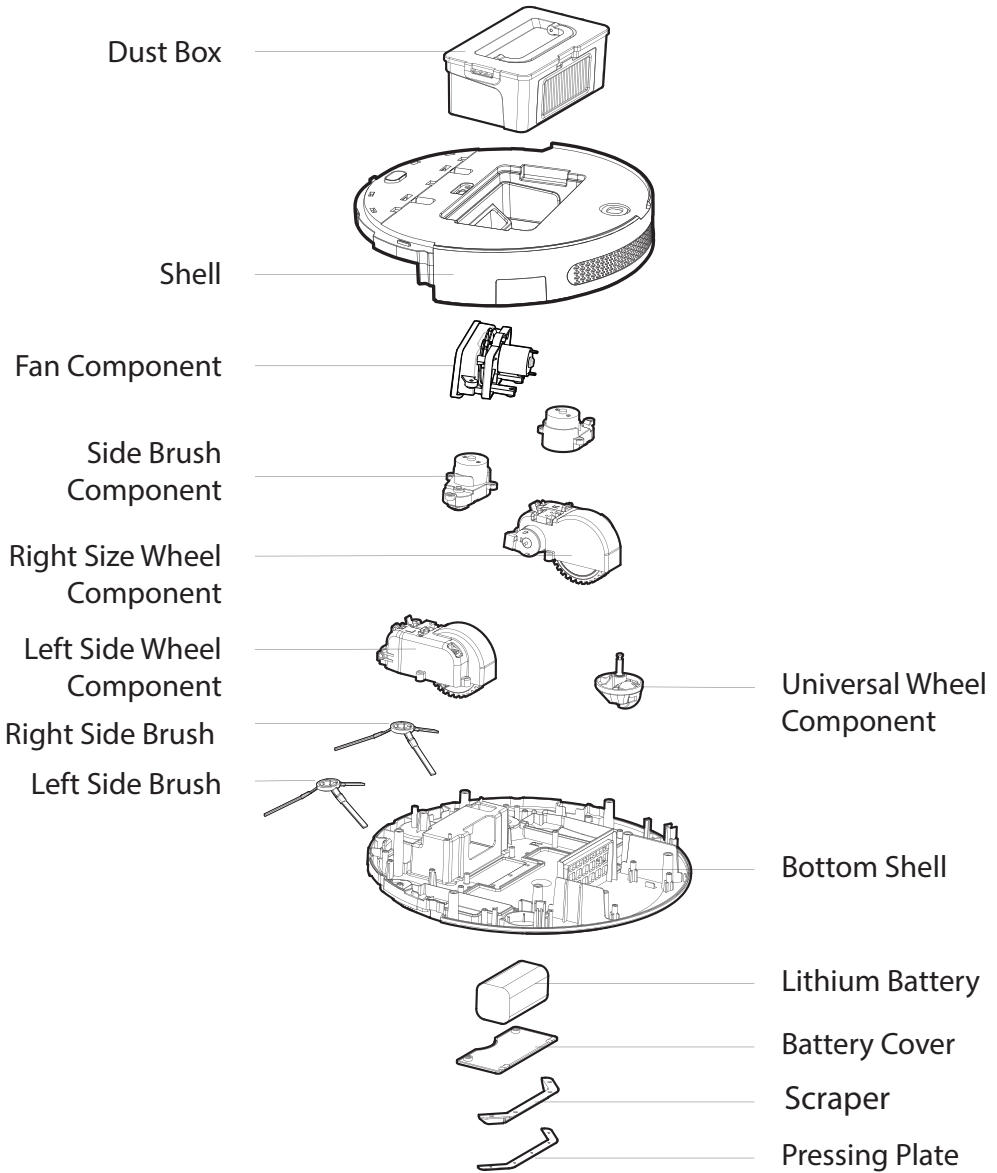
Item	Warning	Faults	Solution
01	•	driving wheel or side brush error	Check driving wheel and side brush.
02	• •	ground detection sensor or bumper error	Clean the ground detection sensor, check the bumper
03	• • •	The Robot is trapped	Move the robot to empty location and reboot

### Kindly Reminder

If the above solutions can not solve the problem, please try the following operations:

1. Reboot the Robot.
2. If the problem cannot be solved by reboot, pls send the robot to after-sales service center for maintenance.

# REPLACEABLE MODULES



**Mop function only available with purchase of Water Tank Mopping Kit  
Pure Clean Model: PRTPUCRC8505 (Sold Separately)**

## • **PRODUCT SPECIFICATIONS**

### **PUCRC850 Smart Vacuum Cleaner**

**Automatic Robot Cleaning Vacuum with App Download and Remote Control**

#### **Features:**

- Keep it Clean: Sweep, Dust & Vacuum
- Versatile & Convenient Floor Clean Ability
- Smart, Self-Programmed Cleaning Path Navigation
- Take Control of the Vacuum via Remote Control or App
- Features Gyroscope Technology to Optimize Cleaning Routes
- Preset Multi-Clean Modes: Zigzag, Spot, Edge
- Built-in Rechargeable Battery
- Automatic Return to Dock Base for Self-Charging
- One Button Operation & Auto-Start Activation
- 'Bag-less' Waste Bin Integrated HEPA Filter
- Anti-Fall / Anti-Collision Sensors
- Dual Spinning Side Brushes Captures Dirt & Lifts Debris
- Works on Hardwood, Tile, Marble & Hard Carpet Floors
- Slim Low-Profile Housing Slides Underneath Furniture
- Perfect for the Home or Office
- \*Unlock Wet Mop Floor Clean Ability with the Water Tank Mopping Kit, Pure Clean Model: 'PRTPUCRC8505' (Sold Separately)

#### **What's in the Box:**

- Smart Robot Vacuum
- Charging Dock Base
- Digital Remote Control
- Removable Dust Bin
- (4) Sweep Brushes
- (2) HEPA Filters
- Magnetic Strips

### **The 'WeBack' App:**

- Selection of Cleaning Modes
- Ability to Set Cleaning Schedule Timer
- Monitors Battery Level & Cleaning Status
- Simple Pairing via QR Code
- Free to Download
- Available for iOS & Android

### **Technical Specs:**

- Cleaning Area Coverage: Up to 120-180 Sq. Meter
- Dust Bin Capacity: 600 mL
- Noise Level: <65dB
- Construction Material: Engineered ABS Housing
- Robot Vac Rechargeable Battery: 14.8V Li-ion, 2000mAh
- Battery Operated Remote: (2) x 'AAA'; Not Included
- Power: 100-240V (19V Power Adapter)
- Dimensions (L x W x H): 12.5" x 12.5" x 3.1" –inches

**Mop function only available with purchase of Water Tank Mopping Kit  
Pure Clean Model: PRTPUCRC8505 (Sold Separately)**

*Pure Clean\**