

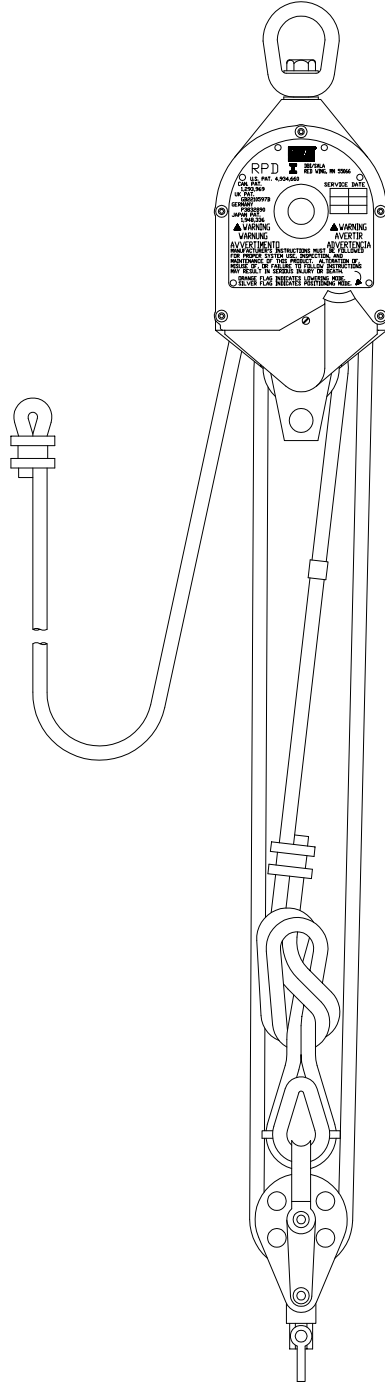


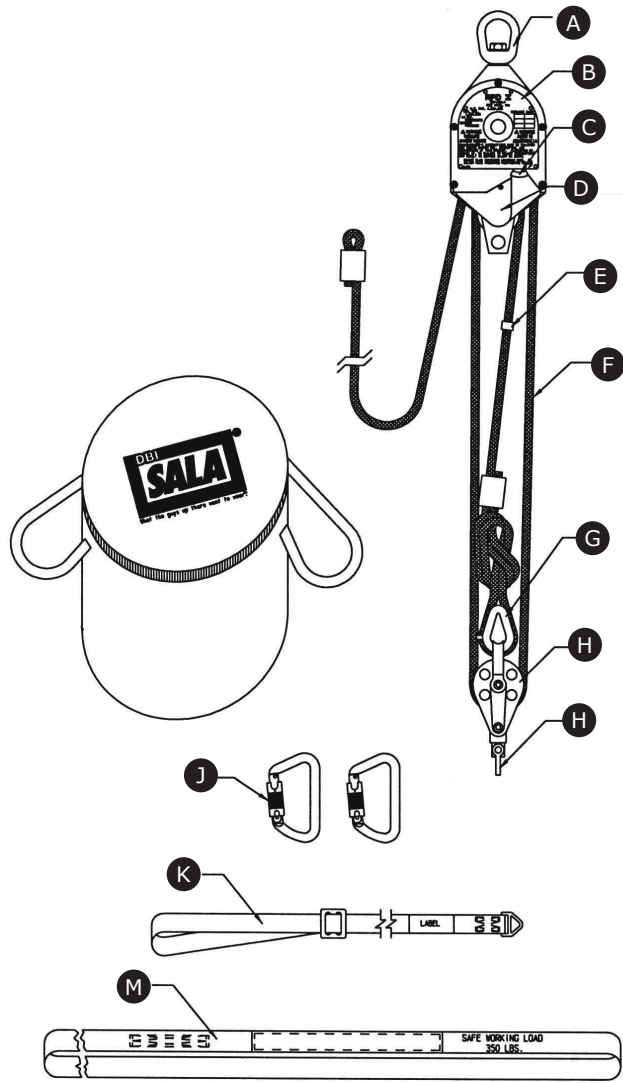
Fall Protection

ANSI Z359.4 - 2013

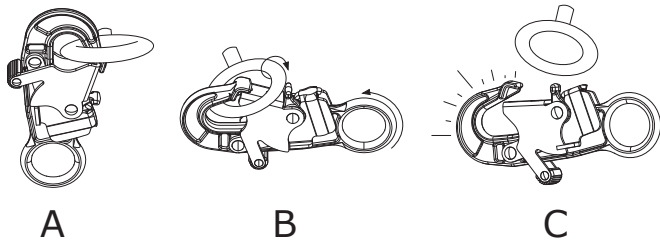
ROLLGLISS™
Rescue-Positioning Device

USER INSTRUCTIONS
5902114 Rev. F

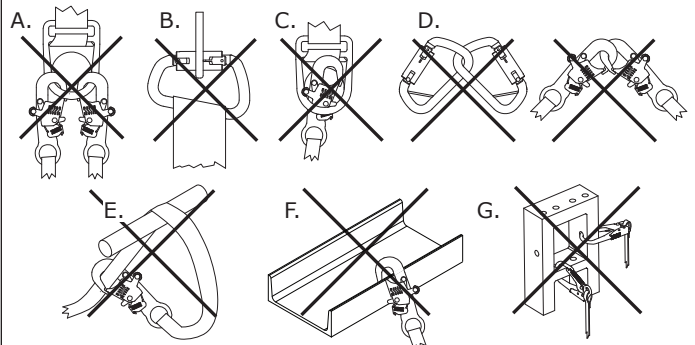




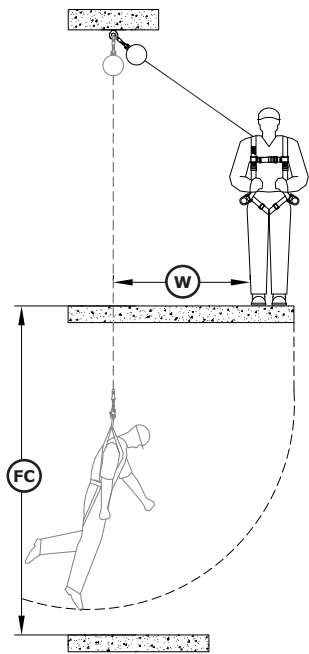
3



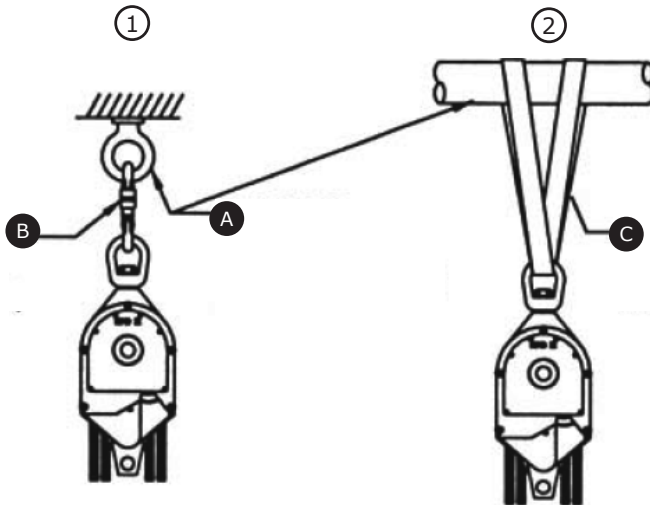
4



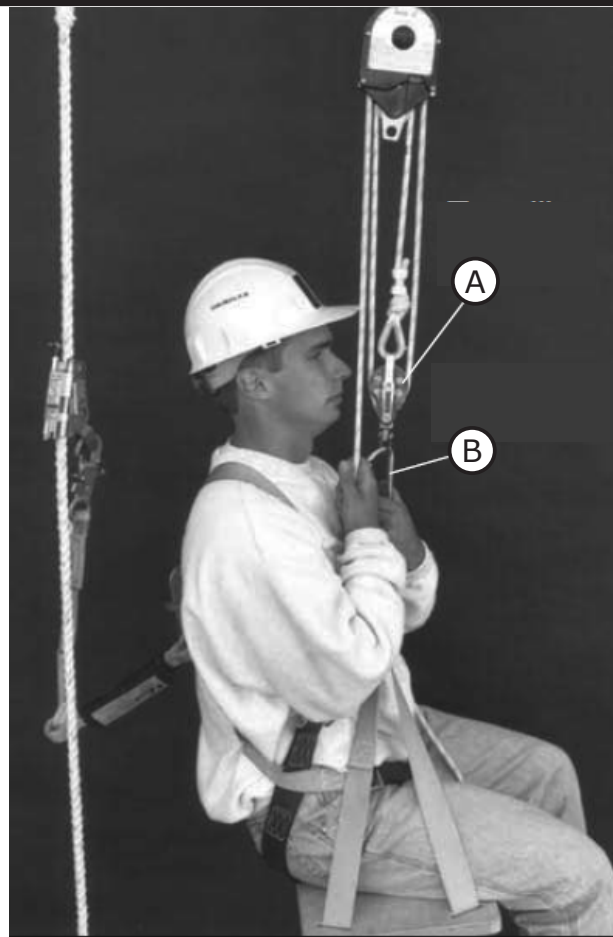
5



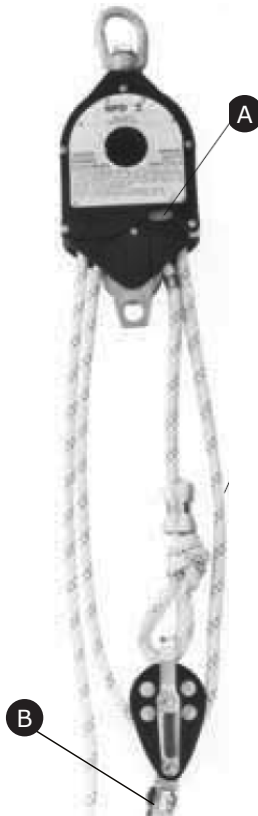
6



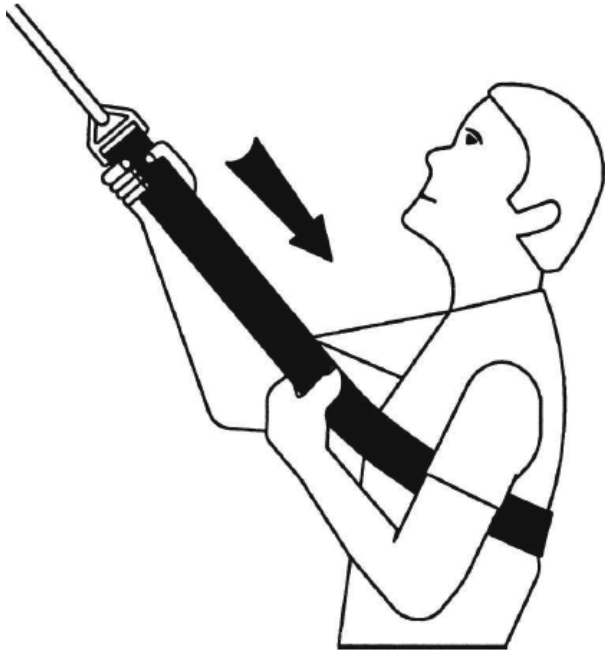
7



8



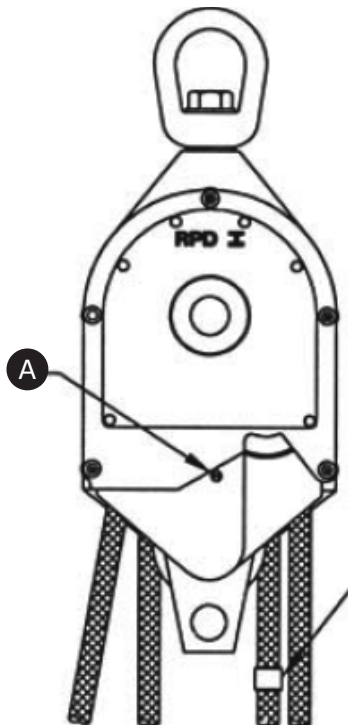
9



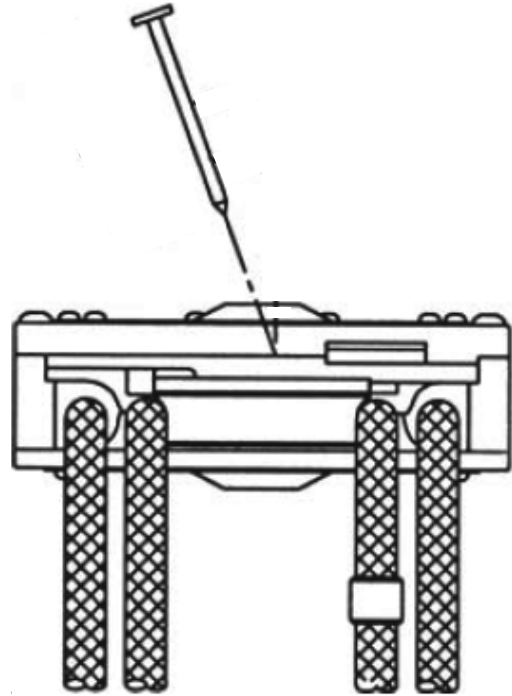
10

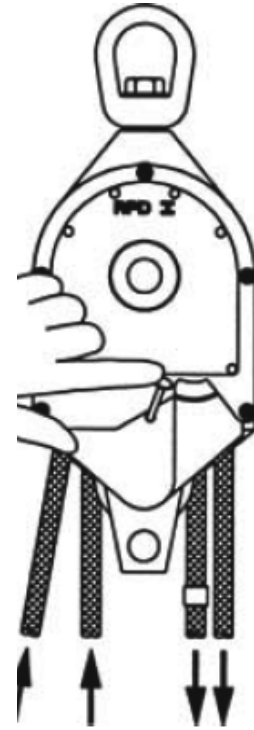
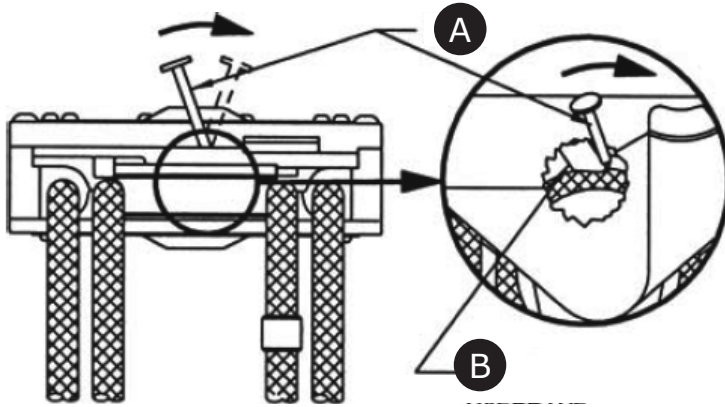


11



12





RATED LOAD: 350 lb. (160 Kg)
SERIAL NO:

WARNING: READ AND UNDERSTAND OWNER'S MANUAL BEFORE USING THIS PRODUCT. USE OF THIS EQUIPMENT IS UNSAFE AND UNLAWFUL WITHOUT USE OF A SECONDARY FALL PROTECTION SYSTEM IN ACCORDANCE WITH THE REQUIREMENTS OF OSHA. KNOW THIS PRODUCT AND USE IT CORRECTLY. MAINTAIN A SAFE SPEED WHEN LOWERING. GUARD AGAINST ELECTRICAL HAZARDS AND CHEMICAL CORROSION. INSPECT BEFORE EACH USE. REMOVE UNIT FROM SERVICE IF ANY PART IS DAMAGED, WORN, OR NOT FUNCTIONING PROPERLY. SEE INSTRUCTION MANUAL.

MFRD (YR/MO) /LOT: MODEL NO: LENGTH:

9502088 Rev F

SALA

RPD I

U.S. PAT. 4,934,660
CAN. PAT. 1,293,969
UK PAT. GB2210597B
GERMANY P3832890
JAPAN PAT. 1,948,336

SERVICE DATE

| | |
|--|--|
| | |
| | |
| | |

⚠ WARNING
⚠ WARNING
⚠ AVVERTIMENTO

⚠ WARNING
⚠ AVERTIR
⚠ ADVERTENCIA

MANUFACTURER'S INSTRUCTIONS MUST BE FOLLOWED FOR PROPER SYSTEM USE, INSPECTION, AND MAINTENANCE OF THIS PRODUCT. ALTERATION OF, MISUSE OF, OR FAILURE TO FOLLOW INSTRUCTIONS MAY RESULT IN SERIOUS INJURY OR DEATH.

ORANGE FLAG INDICATES LOWERING MODE.
SILVER FLAG INDICATES POSITIONING MODE.

SALA
www.capitalsafety.com
(800) 328-6146

THIS PRODUCT IS DESIGNED TO MEET THE REQUIREMENTS OF ANSI Z359.4 AND RETRIEVAL EQUIPMENT REQUIREMENTS OF ANSI Z117.1

INSPECTION: Inspect device monthly in accordance with user manual. Check for loose fasteners, and bent or damaged parts. Inspect the housing and anchorage point for distortion, cracks or other damage. Inspect the rope for cuts, severe abrasion or wear. Inspect the compression sleeves for cracks, check the pulleys for signs of wear, strain, or deformation. The rope should fully pass through each sleeve twice. If inspection reveals an unsafe condition, remove device from service and contact Capital Safety or an authorized service center. Not user repairable. Do not remove this label.

SPECIFICATIONS:

| | Capacity (ANSI Z359.4) (*) |
|-----------|-----------------------------|
| 1 person | 130 - 310 lbs (59 - 140 kg) |
| 2 persons | 130 - 620 lbs (59 - 280 kg) |

(*) Refer to user instruction manual →

Rope: 3/8 in. (9.5 mm) diameter static kernmantle polyester cover braided over a nylon core

9504292 Rev. D

SAFETY INFORMATION

Please read, understand, and follow all safety information contained in these instructions, prior to the use of this product. **FAILURE TO DO SO COULD RESULT IN SERIOUS INJURY OR DEATH.**

These instructions must be provided to the user of the equipment. Retain these instructions for future reference.

Intended Use:

This product is used as part of a complete Fall Protection system.

Use in any other application including, but not limited to, material handling, recreational or sports-related activities, or other activities not described in these instructions, is not approved by 3M and could result in serious injury or death.

This product is only to be used by trained users in workplace applications.



WARNING

This product is used as part of a complete Fall Protection system. All users must be fully trained in the safe installation and operation of their complete Fall Protection system. **Misuse of this product could result in serious injury or death.** For proper selection, operation, installation, maintenance, and service, refer to all instruction manuals and manufacturer recommendations. For more information, see your supervisor or contact 3M Technical Services.

- **To reduce the risks associated with working with a Rescue Device which, if not avoided, could result in serious injury or death:**
 - Inspect the product before each use and after any fall event, in accordance with the procedures defined in these instructions.
 - If inspection reveals an unsafe or defective condition, remove the product from service immediately and clearly tag it "DO NOT USE". Destroy or repair the product as required by these instructions.
 - Any product that has been subject to fall arrest or impact force must be immediately removed from service. Destroy or repair the product as required by these instructions.
 - Ensure that Fall Protection systems assembled from components made by different manufacturers are compatible and meet the requirements of applicable Fall Protection regulations, standards, or requirements. Always consult a Competent or Qualified Person before using these systems.
 - Always maintain 100% tie-off.
 - Ensure the lifeline is kept free from all hazards, including, but not limited to: entanglement with users, other workers, moving machinery, other surrounding objects, or impact from overhead objects that could fall onto the lifeline or users.
 - Use appropriate edge protection when the lifeline may contact sharp edges or abrasive surfaces.
 - Do not twist, tie, knot, or allow slack in the lifeline.
 - Do not touch parts of the system exposed to friction during or after a descent; these parts become hot and may cause burns.
 - Follow all manufacturer recommendations when connecting a lifeline.
 - Always follow your workplace rescue plan when performing rescue operations.
 - Do not use this product unless you have received technical rescue training.
 - Use caution when installing, using, or moving the product as moving parts may create pinch points.
 - Always record descents as specified by these instructions and remove product from service as necessary in accordance with listed usage limits.
 - The operator must always maintain control of the hand wheel while the system is under load.
 - Always maintain control of the connecting device and descend at a controlled rate.

- **To reduce the risks associated with working at height which, if not avoided, could result in serious injury or death:**
 - Your health and physical condition must allow you to safely work at height and to withstand all forces associated with a fall arrest event. Consult your doctor if you have questions regarding your ability to use this equipment.
 - Never exceed allowable capacity of your Fall Protection equipment.
 - Never exceed the maximum free fall distance specified for your Fall Protection equipment.
 - Do not use any Fall Protection equipment that fails inspection, or if you have concerns about the use or suitability of the equipment. Contact 3M Technical Services with any questions.
 - Some subsystem and component combinations may interfere with the operation of this equipment. Only use compatible connections. Contact 3M Technical Services before using this equipment in combination with components or subsystems other than those described in these instructions.
 - Use extra precautions when working around moving machinery, electrical hazards, extreme temperatures, chemical hazards, explosive or toxic gases, sharp edges, abrasive surfaces, or below overhead materials that could fall onto you or your Fall Protection equipment.
 - Ensure use of your product is rated for the hazards present in your work environment.
 - Ensure there is sufficient fall clearance when working at height.
 - Never modify or alter your Fall Protection equipment. Only 3M, or persons authorized in writing by 3M, may make repairs to 3M equipment.
 - Before using Fall Protection equipment, ensure a written rescue plan is in place to provide prompt rescue if a fall incident occurs.
 - If a fall incident occurs, immediately seek medical attention for the fallen worker.
 - Only use a Full Body Harness for Fall Arrest applications. Do not use a body belt.
 - Minimize swing falls by working as directly below the anchorage point as possible.
 - A secondary Fall Protection system must be used when training with this product. Trainees must not be exposed to an unintended fall hazard.
 - Always wear appropriate Personal Protective Equipment when installing, using, or inspecting the product.
 - Never work below a suspended load or worker.

Prior to installation and use of this equipment, record the product identification information from the ID label in the Inspection and Maintenance Log (Table 2) at the back of this manual.

The user must read and follow the manufacturer's instructions for each component of the complete system.

PRODUCT DESCRIPTION:

Figure 1 illustrates the 3M™ DBI-SALA® Rollgliss™ Rescue-Positioning Device. DBI-SALA rescue and positioning devices are designed to be components of a rescue-positioning system. This equipment is used for applications where personnel need to be raised or lowered over a vertical distance.

Figure 2 illustrates components of the Device. See Table 1 for Component Specifications.

Table 1 – Specifications

| System Specifications: | | | | | | | |
|---|---|---|---|---|------------------|---|------------------|
| Capacity: | <input checked="" type="checkbox"/> A maximum of one user can connect to a single Rescue-Positioning Device for rescue or personnel riding applications. In emergency situations, a maximum of two users is allow with a maximum capacity of 620 lb. (281.2 kg). See below. | | | | | | |
| | <table border="1"> <thead> <tr> <th>Number of Users</th> <th>Total Weight (including tools, clothing, etc.)</th> </tr> </thead> <tbody> <tr> <td>1</td> <td>310 lb. (140 kg)</td> </tr> <tr> <td>2</td> <td>620 lb. (280 kg)</td> </tr> </tbody> </table> | Number of Users | Total Weight (including tools, clothing, etc.) | 1 | 310 lb. (140 kg) | 2 | 620 lb. (280 kg) |
| | Number of Users | Total Weight (including tools, clothing, etc.) | | | | | |
| 1 | 310 lb. (140 kg) | | | | | | |
| 2 | 620 lb. (280 kg) | | | | | | |
| | | | | | | | |
| Lifting Ratio | 3:1 - Models 3600000-3601410 4:1 - Models 3602000-3603560 | | | | | | |
| Locking Speed | 3 ft./second | | | | | | |
| Anchorage Strength: | Anchorage selected for rescue or personnel riding systems shall have a strength capable of sustaining static loads applied in the directions permitted by the Rescue Positioning Device of at least 3,100 lbf (13.8 kN). When more than one Rescue Positioning Device is attached to an anchorage, the strengths stated above must be multiplied by the number of devices attached to the anchorage. | | | | | | |
| Service Temperature | Do not use where air temperatures exceed 300° F (145°C) or where the rope may come into contact with material that is above 250° F (120°C). | | | | | | |
| Anchorage Connector Breaking Strength: | 5,000 lbf (22.2 kN) | | | | | | |
| Standards: | The Rescue-Positioning Device has been tested in accordance with the standards identified on the front cover of these instructions. | | | | | | |

Table 1 – Specifications

| Component Specifications: | | |
|----------------------------------|---|---|
| Figure 2 Reference | Component | Specifications |
| (A) | Swivel | Material: Aluminum/Steel |
| (B) | Labels | |
| (C) | Indicator Flag | Material: Plastic Width: 1/2 in. (1.27 cm) |
| (D) | Housing | Material: Aluminum |
| (E) | Override Ferrule | Material: Stainless steel |
| (F) | Rope 9502091 | Material: Kernmantle rope lifeline, braided polyester cover with nylon filament core Diameter: 3/8 in. (9.5 mm) Calculating rope length: (3:1): Multiply working travel length by 4 and add 10 ft. (3 m) for total. (4:1): Multiply working travel length by 5 and add 10 ft. (3 m) for total. Tensile Strength: 5,600 lbf (25 kN) |
| (G) | Teardrop Thimble | Material: Plastic Width: 1/2 in. (1.27 cm) |
| (H) | Pulley | |
| (J) | Carabiner 2000523 | Material: Zinc plated Tensile Strength: 5,000 lbf (22 kN) |
| (K) | Rescue Sling | Material: Wide polyester web construction, drop forged alloy steel hardware Width: 1.75 in. (4.4 cm) |
| (L) | Connection Sling 3620001 | Material: Wide latex treated polyester web Width: 1 in. (2.54 cm) Length: 3 ft. (0.9 m) Tensile Strength: 9,800 lbf. (43.6 kN) |
| (M) | Anchorage Strap | Material: Polyester Webbing Tensile Strength: 9,800 lbf (43.6 kN) |
| (N) | Rope Gripping Handle 9503008 - Optional (Right hand) 9503037 - Optional (Left Hand) | Material: Aluminum body, stainless steel pivots and springs, tempered steel cam, insulated grip Weight: 0.43 lb. (0.19 kg) |
| (P) | Rescue Cradle 3610000 - Optional | Material: Treated canvas with polyester web Capacity: 350 lb. (160 kg) |

1.0 PRODUCT APPLICATION

- 1.1 **PURPOSE:** The Rescue-Positioning Device is designed to be a component of a rescue-positioning system. The device is intended to lower one or two people simultaneously from an elevated height to a lower level in a positioning operation or rescue situation.
- 1.2 **STANDARDS:** Your device conforms to the national or regional standard(s) identified on the front cover of these instructions. If this product is resold outside the original country of destination, the re-seller must provide these instructions in the language of the country in which the product will be used.
- 1.3 **SUPERVISION:** Use of this equipment must be supervised by a Competent Person¹.
- 1.4 **TRAINING:** This equipment must be installed and used by persons trained in its correct application. These instructions are to be used as part of an employee training program as required by national, regional, or local standards. It is the responsibility of the users and installers of this equipment to ensure they are familiar with these instructions, trained in the correct care and use of this equipment, and are aware of the operating characteristics, application limitations, and consequences of improper use of this equipment.
- 1.5 **RESCUE PLAN:** When using this equipment and connecting subsystem(s), the employer must have a written rescue plan and the means to implement and communicate that plan to users², authorized persons³, and rescuers⁴. A trained, on-site rescue team is recommended. Team members should be provided with the equipment and techniques necessary to perform a successful rescue. Training should be provided on a periodic basis to ensure rescuer proficiency. Rescuers should be provided with these instructions.
- 1.6 **AFTER A FALL:** If the device is subjected to the forces of arresting a fall, it must be removed from service immediately, clearly tag it "DO NOT USE", and then either destroyed or forwarded to 3M for replacement or repair.

2.0 SYSTEM REQUIREMENTS

- 2.1 **CAPACITY:** The user capacity of a complete Fall Protection system is limited by its lowest rated maximum capacity component. For example, if your connecting subsystem has a capacity that is less than your harness, you must comply with the capacity requirements of your connecting subsystem. See the manufacturer instructions for each component of your system for capacity requirements.
- 2.2 **DESCENT PATH AND LANDING AREA CLEARANCE:** The planned descent path must be unobstructed. The landing area must be clear of obstructions to permit safe landing of the user. Failure to provide an unobstructed descent path and landing area may result in serious injury. Maintain a minimum distance of 1 ft. (31 cm) away from any vertical surface to ensure safe descent.
- 2.3 **ENVIRONMENTAL HAZARDS:** Use of this equipment in areas with environmental hazards may require additional precautions to prevent injury to the user or damage to the equipment. Hazards may include, but are not limited to: heat, chemicals, corrosive environments, high voltage power lines, explosive or toxic gases, moving machinery, sharp edges, or overhead materials that may fall and contact the user or device. Contact 3M Technical Services for further clarification.
- 2.4 **SHARP EDGES:** Avoid using this equipment where system components will be in contact with, or scrape against, sharp edges and abrasive surfaces. All sharp edges and abrasive surfaces must be covered with protective material when contact is unavoidable.
- 2.5 **SWING FALLS:** Swing Falls occur when the anchorage point is not directly above the point where a fall occurs (see Figure 5). The force of striking an object in a swing fall may cause serious injury or death. Do not permit a swing fall if injury could occur. Minimize swing falls by working as directly below the anchorage point as possible. The required Fall Clearance (FC) of the user increases as User Work Radius (W) increases, since the total fall distance will be greater than if the user had fallen directly below the anchorage point.
- 2.6 **COMPONENT COMPATIBILITY:** 3M equipment is designed for use with 3M approved components and subsystems only. Substitutions or replacements made with non-approved components or subsystems may jeopardize compatibility of equipment and may affect the safety and reliability of the complete system.
- 2.7 **CONNECTOR COMPATIBILITY:** Connectors are compatible with connecting elements when the size and shape of either component does not cause the connector to inadvertently open, regardless of orientation. Connectors must comply with applicable standards. Connectors must be fully closed and locked during use. 3M Connectors (snap hooks and carabiners) are designed to be used only as specified in each instruction manual. Ensure connectors are compatible with the system components to which they are connected. Do not use equipment that is non-compatible. Use of non-compatible components may cause the connector to unintentionally disengage (see Figure 3). If the connecting element to which a connector attaches is undersized or irregular in shape, a situation could occur where the connecting element applies a force to the gate of the connector (A). This force could then cause the gate to open (B), disengaging the connector from the connecting element (C).

1 Competent Person: One who is capable of identifying existing and predictable hazards in the surroundings or working conditions which are unsanitary, hazardous, or dangerous to employees, and who has authorization to take prompt corrective measures to eliminate them.

2 User: A person who performs activities while protected by a Fall Protection system.

3 Authorized Person: A person assigned by the employer to perform duties at a location where the person will be exposed to a fall hazard

4 Rescuer: A person using the Rescue system to perform an assisted rescue.

- 2.8 MAKING CONNECTIONS:** All connections must be compatible in size, shape, and strength. See Figure 4 for examples of inappropriate connections. Do not attach snap hooks and carabiners:
- A. To a D-ring to which another connector is attached.
 - B. In a manner that would result in a load on the gate. Large-throat snap hooks should not be connected to standard-size D-Rings or other connecting elements, unless the snap hook has a gate strength of 3,600 lbf (16 kN) or greater.
 - C. In a false engagement, where size or shape of the connector or connecting element is not compatible and, without visual confirmation, would seem to be fully engaged.
 - D. To each other.
 - E. Directly to webbing or rope lanyard or tie-back material, unless the instruction manuals for both the lanyard and connector specifically allow such a connection.
 - F. To any object whose size or shape does not allow the connector to fully close and lock, or that could cause connector roll-out.
 - G. In a manner that does not allow the connector to align properly while under load.

3.0 INSTALLATION

Installation of the Device must be supervised by a Qualified Person¹. The installation must be certified by a Competent Person as meeting the criteria for a Certified Anchorage, or that it is capable of supporting the potential forces that could be encountered during a fall.

3.1 PLANNING: Plan your Device and how it will be used before starting your work. Account for all factors that may affect your safety before, during, and after a fall. Consider all requirements, limitations, and specifications defined in Section 2 and Table 1.

3.2 INSTALLING THE RESCUE-POSITIONING DEVICE: The anchorage point for the Rescue-Positioning Device must be capable of supporting a 2,500 lb. minimum static load in the direction of operational pull. The anchor may be a tripod, building structure, or other suitable anchoring point. The unit may be attached in the following manner:

- **Through the top loop in the Rescue-Positioning Device housing using the connection hook.** The hook (A) can be connected directly to the anchor point (B) or to the connection sling which has been attached to the anchorage via a straight loop, choker, or basket loop. See Figure 6.1.
- **Through the top loop in the Rescue-Positioning Device housing using the connection sling.** Use a choker or basket loop to connect the sling to the Rescue-Positioning Device. Attachment can be made directly through the top loop in the Rescue-Positioning Device housing using the connection sling provided. Use a choker or basket loop to connect the sling to the Rescue-Positioning Device. See Figure 6.2.
- **Rig the Rescue-Positioning Device system directly above the intended working area.** If the Rescue-Positioning Device is not rigged directly overhead, a swing fall situation could occur. Swing falls occur when a worker swings and strikes an immovable object. See Figure 5.
- After attaching the Rescue-Positioning Device onto the proper anchorage over the working area, attach the travelling pulley (A) to the personnel support device using a self-locking carabiner (B). See Figure 7.

An independent fall protection system is required by law (OSHA) when using this system during normal work positioning operations. Do not connect fall protection equipment directly to the Rescue-Positioning Device system. Fall protection systems must be connected to an independent anchor with a minimum tensile strength of 5,000 lbf (22 kN), measured in direction of possible fall.

4.0 USE

4.1 BEFORE EACH USE: Verify that your work area and Fall Arrest System meet all criteria defined in Section 2 and that a formal Rescue Plan is in place. Inspect the Rescue-Positioning Device per the 'User' inspection points defined on the "Inspection and Maintenance Log" (Table 2). If inspection reveals an unsafe or defective condition, do not use the device. Remove the device from service and destroy, or contact 3M regarding replacement or repair.

4.2 BODY SUPPORT: When using the Rescue-Positioning Device, it is recommended that a work-seat or boatswain's chair be used. A full body harness should also be worn for connection to the independent Fall Protection system. The D-ring on the back between the shoulders (dorsal D-ring) should be used to connect the personal fall protection system.

Do not use a body belt with this equipment. Body belts do not support your entire body, which may result in serious injury.

4.3 ANCHORAGE: Anchorage connections shall be stabilized to prevent unwanted movement or disengagement of the Rescue System from the anchorage. Verify the system connection by pretensioning the system before applying the intended load. Anchorage connectors must not be attached to anchorages where such attachment would reduce the anchorage system strength below the anchorage specifications in Table 1.

Anchorage requirements vary with the fall protection application. The mounting structure on which the equipment is placed must meet the Anchorage specifications defined in Table 1. A suitable anchorage connector shall be used for rigging the connection of lanyards and lifelines to structural members. A lanyard shall not be connected back onto itself for use as an anchorage connector unless designed for this purpose.

Anchorage used in fall arrest applications must conform to ANSI Z359.2. When an anchorage is used for both fall arrest and rescue applications, the greater load requirements shall apply.

4.4 FALL CLEARANCE: Should the operator release the line while in the free mode, there must be sufficient clearance in the area below to avoid hitting an obstruction or a lower level. Fall clearance is the measure of distance between a user and the next obstruction below them. Before use of this product, the user should determine how much Fall Clearance is necessary to prevent them from striking an obstruction should they fall. With the anchorage located directly overhead, it is recommended that a minimum of 2 ft. (0.6 m) of clearance be maintained between the work level and the nearest obstruction in the fall path.

4.4 APPLICATIONS: The Device may be used in the following methods:

A. Positioning: In this application, the Rescue-Positioning Device is used as part of a complete positioning and personnel riding system. Such systems typically include a full body harness, boatswain's chair or work-seat, independent personal fall protection system, and the Rescue-Positioning Device.

B. Rescue: In this application, the Rescue-Positioning Device is used as part of a complete rescue system. Such systems typically include a full body harness or rescue sling, anchorage connector (i.e. carabiner, etc.) and the Rescue-Positioning Device.

When using this equipment for personnel, federal law (OSHA) requires a secondary or back-up Fall Protection system be used. The back-up or secondary fall protection system is not required in applications where the Rescue-Positioning Device is only used to retrieve personnel (i.e. emergency rescue operations).

4.5 OPERATION OF THE RESCUE-POSITIONING DEVICE:

- A.** Before securing the Rescue-Positioning Device system, operate the unit so the silver indicator flag (A) is showing and the unit is in a locked position. Pull down the connector (B) to ensure the device is locked. See Figure 8.
- B.** Connect yourself or other worker to the personnel support device. If the rescue sling is used, slip it over the shoulders. Position the rescue sling below the arms and move the adjuster buckle to tighten. See Figure 9. If a work-seat, accident cradle (3610000), or other support device is used, follow the instructions for that equipment.
- C.** To raise, pull on the free end of the rope with a smooth hand-over-hand action or use the optional rope gripping handle. To lock it in position, raise until the silver indicator flag is showing. Gradually release the rope. See Figure 10.
- D.** To lower, grasp the free rope and raise it slightly until the orange indicator flag appears. This will occur approximately every two inches (5 cm) of personnel travel. When the orange indicator appears, lowering may begin. Lower by using a hand-over-hand action or the optional gripping handle. To position, raise slightly until the indicator flag is showing silver. The unit will now be locked in position. Always maintain safe speeds when raising or lowering. See Figure 10.

An optional rope gripping handle (9503008 right hand, 9503037 left hand) may be used to aid in raising or lowering operations. To operate, pull back on the spring loaded jaw and insert the rope. Raise or lower as required. To reposition, release the jaw and move it to the desired location. Release the jaw to lock it in place. See Figure 10. An optional method to aid in lowering yourself can be used; the free rope end can be passed through a D-ring and/or connecting hook and then controlled easily by hand. Raising or lowering may be done by the user or an assistant.

If rope tension eases during lowering, the person being lowered may have reached a work level or obstruction. Do not continue operation without communicating with the person being lowered. Always maintain tension on the personnel line. Slack line could cause a free fall situation.

Do not use the Rescue-Positioning Device for lifting or lowering more than one person per trip.

Operate the device by manual power only. Do not use power winches or other similar devices to operate this system.

4.6 AFTER A RESCUE: The Rescue-Positioning Device must be removed from service following use in a rescue event. The Rescue-Positioning Device should then be destroyed or sent to an authorized service center for inspection and repair.

4.7 USE WITH A HORIZONTAL SYSTEM: In applications where the Rescue-Positioning Device is used in conjunction with a horizontal system, compatibility between the Rescue-Positioning Device and horizontal system components must be achieved. Horizontal systems must be designed and installed under the supervision of a qualified person.

5.0 INSPECTION

Inspection criteria must be set by the user or manufacturer and cannot be less than what is specified in these instructions.

5.1 INSPECTION FREQUENCY: The Rescue-Positioning Device shall be inspected by the user before each use and, additionally, by a Competent Person other than the user monthly and annually. Extreme working conditions (harsh environment, prolonged use, etc.) may require increasing the frequency of inspections. Annual servicing shall include, but not be limited to, an intensive inspection and cleaning of all internal and external components. Failure to provide proper service may considerably shorten product life and could endanger performance. A record of annual service dates can be found on the face label of the Rescue-Positioning Device. Inspection procedures are described in the "Inspection and Maintenance Log" (Table 2). Results of each User and Competent Person inspection should be recorded on copies of the "Inspection and Maintenance Log".

5.2 DEFECTS: If inspection reveals an unsafe or defective condition, remove the Rescue-Positioning Device from service immediately and tag it "DO NOT USE". Do not attempt to repair the device. Only 3M or parties authorized in writing by 3M may make repairs to this equipment.

5.3 PRODUCT LIFE: The functional life of the Rescue-Positioning Device is determined by work conditions and maintenance. As long as the product passes inspection criteria, it may remain in service.

6.0 MAINTENANCE, SERVICING, STORAGE

6.1 CLEANING: Periodically clean the exterior of the device with water and mild detergent. Position the device so excess water will drain out. Clean labels as required.

- **Rope:** Clean rope with water and mild detergent. Rinse and thoroughly air dry. Do not force dry with heat. Immediately wash the entire rope assembly if it has been exposed to acidic vapors.

If the rope comes in contact with liquid or solid acids, remove it from service and wash it with a water and mild detergent solution. Do not return the system to service without it first being inspected by a qualified inspector. Acids in contact with rope for extended periods of time can weaken the rope without visible evidence of damage. Only a qualified inspector can determine rope status.

- 6.2 SERVICE:** Only 3M or parties authorized in writing by 3M may make repairs to this equipment. If the Rescue-Positioning Device has been subject to fall force or inspection reveals an unsafe or defective conditions, remove the system from service and destroy. Rope replacement, as well as additional maintenance and servicing procedures, must be completed by a factory authorized service center.
- 6.4 EMERGENCY RELEASE OF JAMMED ROPE:** If the load has been raised very close to the Rescue-Positioning Device unit, it may not appear possible to reach the lowering mode (orange indicator). However, an override system consisting of an override ferrule and lever (see steps 1 & 3) is provided to release the brake. To override the brake, continue raising the load and then lower it. Repeat as required until lowering mode is reached. If this does not work, remove the load and use the procedure below:
- Step 1:** Remove the load and the screw or plug (A). See Figure 11.
- Step 2:** Insert a nail or similar object at an angle into the screw hole. The nail should be 2 in. (2.54 cm) long with 1/8 in. (.32 cm) diameter. See Figure 12.
- Step 3:** Tip the nail (A) as shown to activate the brake over-ride lever. The brake override lever (B) is located internally on the side opposite the nail. The override lever may be partially visible through the screw hole. Some force may be required to move the override lever. See Figure 13.
- Step 4:** While maintaining pressure on the nail, pull down on the line as shown. Pull out enough line to easily allow the lowering mode to be reached. Replace the screw or plug. See Figure 14.
- 6.3 STORAGE AND TRANSPORT:** Store and transport the Rescue Positioning Device in a cool, dry, clean environment out of direct sunlight. Avoid areas where chemical vapors may exist. Thoroughly inspect the device after extended storage.
- 6.4 CHEMICAL HAZARDS:** Solutions containing acids, alkali or other caustic chemicals, particularly at elevated temperatures, may damage the Rescue-Positioning Device. When working with such chemicals, frequent inspection of the Rescue-Positioning Device must be completed. Contact 3M if doubt exists concerning use of this equipment around chemical hazards.
- 6.5 HEAT:** The Rescue-Positioning Device is not intended for use in environments where incendiary sparking could cause an explosion or fire. Use of this equipment is prohibited where there the rope could come in contact with power lines, live cables, etc. See Table 1 for maximum service temperature.

7.0 LABELS

Figure 15 illustrates labels present on the Device. Figure 2 (B) shows where the labels are located. Labels must be replaced if they are not present and fully legible.

Table 2 – Inspection and Maintenance Log

| Inspection Date: | | Inspected By: | |
|--|---|--------------------------|--------------------------|
| Component: | Inspection: (See Section 5 for <i>Inspection Frequency</i>) | User | Competent Person |
| Rescue-Positioning Device (Figure 2) | Inspect hardware for cracks, sharp edges, deformation, corrosion, chemical attack, excessive heating, alternation, or excessive wear. Inspect loose fasteners and bent or damaged parts. | <input type="checkbox"/> | <input type="checkbox"/> |
| | Inspect the housing for distortion, cracks or other damage. Ensure the anchorage point is not damaged or distorted in any way (the RPD has a swiveling anchorage point). | <input type="checkbox"/> | <input type="checkbox"/> |
| | Inspect the rope for fraying, unsplicing, unlaying, kinking, knotting, roping, broken or pulled stitches, excessive elongation, excessive soiling, abrasion, alteration, needed or excessive lubrication, excessive aging or wear. Check for contact with acids or other chemicals. | <input type="checkbox"/> | <input type="checkbox"/> |
| | Inspect the compression sleeves on both ends of the rope. The rope should fully pass through each sleeve twice. Ensure the compression sleeve is not cracked. | <input type="checkbox"/> | <input type="checkbox"/> |
| | Check the pulleys for any sign of wear or strain. Check for distortion in the connecting loops. | <input type="checkbox"/> | <input type="checkbox"/> |
| | Do not disassemble the Rescue-Positioning Device block. It is not user serviceable. See section 6. | <input type="checkbox"/> | <input type="checkbox"/> |
| | Inspect the entire unit for signs of corrosion. | <input type="checkbox"/> | <input type="checkbox"/> |
| | With the unit properly mounted from a sturdy structure, test the over-speed protection system: 1. Position the travelling pulley approximately 4 ft. (1.2 m) below the Rescue-Positioning block. 2. Position the system so the orange indicator flag can be seen and is to the side nearest you. 3. With the right hand, grasp the rope exiting the right side of the Rescue-Positioning Device. Grip it near the bottom of the housing. 4. With the left hand, lightly restrain the free end of the rope. 5. Pull down sharply with the right hand to engage the over-speed brake. The unit should lock up. If the brake fails to engage, immediately remove the unit from service. | <input type="checkbox"/> | <input type="checkbox"/> |
| Operate the system in both directions. Keep a moderate back pressure on the rope. A. The indicator flag should cycle between the locking mode (silver) and the lowering mode (orange) as the system is being raised. B. The orange flag should be visible when the system is in lowering mode. C. The silver flag should be visible when the system is in a locking (positioning) mode. | <input type="checkbox"/> | <input type="checkbox"/> | |
| Labels (Figure 15) | Ensure that all labels are present and fully legible. | <input type="checkbox"/> | <input type="checkbox"/> |
| Fall Arrest System and Other Equipment | Additional Fall Arrest System equipment (harness, SRD, etc.) that are used with the Rescue-Positioning Device should be installed and inspected per the manufacturer’s instructions. | <input type="checkbox"/> | <input type="checkbox"/> |

| | |
|--------------------------|---------------------------|
| Serial Number(s): | Date Purchased: |
| Model Number(s): | Date of First Use: |

| | | |
|---------------------------------------|--------------|----------------------|
| Corrective Action/Maintenance: | Approved By: | Next inspection due: |
| | Date: | |
| Corrective Action/Maintenance: | Approved By: | Next inspection due: |
| | Date: | |
| Corrective Action/Maintenance: | Approved By: | Next inspection due: |
| | Date: | |
| Corrective Action/Maintenance: | Approved By: | Next inspection due: |
| | Date: | |
| Corrective Action/Maintenance: | Approved By: | Next inspection due: |
| | Date: | |

| | | |
|---------------------------------------|--------------|----------------------|
| Corrective Action/Maintenance: | Approved By: | Next inspection due: |
| | Date: | |
| Corrective Action/Maintenance: | Approved By: | Next inspection due: |
| | Date: | |
| Corrective Action/Maintenance: | Approved By: | Next inspection due: |
| | Date: | |
| Corrective Action/Maintenance: | Approved By: | Next inspection due: |
| | Date: | |
| Corrective Action/Maintenance: | Approved By: | Next inspection due: |
| | Date: | |
| Corrective Action/Maintenance: | Approved By: | Next inspection due: |
| | Date: | |
| Corrective Action/Maintenance: | Approved By: | Next inspection due: |
| | Date: | |

Model numbers:

| 3:1 | | 4:1 | |
|------------|----------|------------|---------|
| 3600000 | 3600100F | 3602000 | 3602282 |
| 3600001 | 3600110 | 3602006 | 3602300 |
| 3600002 | 3600115 | 3602008 | 3602310 |
| 3600008 | 3600120 | 3602010 | 3602325 |
| 3600009 | 3600120F | 3602012 | 3602340 |
| 3600010 | 3600123 | 3602013 | 3602358 |
| 3600012 | 3600125 | 3602014 | 3602068 |
| 3600015 | 3600130 | 3602015 | 3602070 |
| 3600016 | 3600140 | 3602016 | 3602074 |
| 3600018 | 3600140F | 3602017 | 3602075 |
| 3600019 | 3600150 | 3602018 | 3602078 |
| 3600020 | 3600160 | 3602020 | 3602080 |
| 3600022 | 3600165 | 3602021 | 3602082 |
| 3600023 | 3600170 | 3602022 | 3602085 |
| 3600025 | 3600170F | 3602023 | 3602087 |
| 3600026 | 3600175 | 3602024 | 3602090 |
| 3600029 | 3600180 | 3602025 | 3602093 |
| 3600030 | 3600190 | 3602026 | 3602098 |
| 3600032 | 3600200 | 3602027 | 3602099 |
| 3600035 | 3600210 | 3602028 | 3602100 |
| 3600039 | 3600230 | 3602029 | 3602101 |
| 3600040 | 3600250 | 3602030 | 3602102 |
| 3600041 | 3600264 | 3602031 | 3602108 |
| 3600043 | 3600265 | 3602032 | 3602110 |
| 3600045 | 3600275 | 3602033 | 3602112 |
| 3600050 | 3600280 | 3602034 | 3602118 |
| 3600050F | 3600290 | 3602035 | 3602120 |
| 3600055 | 3600300 | 3602037 | 3602125 |
| 3600057 | 3600312 | 3602038 | 3602128 |
| 3600060 | 3600330 | 3602040 | 3602130 |
| 3600065 | 3600350 | 3602042 | 3602132 |
| 3600068 | 3600400 | 3602045 | 3602135 |
| 3600070 | 3600410 | 3602048 | 3602138 |
| 3600072 | 3600450 | 3602049 | 3602140 |
| 3600075 | 3600500 | 3602050 | 3602150 |
| 3600080 | 3600501 | 3602051 | 3602151 |
| 3600085 | 3600503 | 3602052 | 3602160 |
| 3600090 | 3600504 | 3602055 | 3602165 |
| 3600094 | 3600505 | 3602058 | 3602170 |
| 3600098 | 3600506 | 3602060 | 3602172 |
| 3600099 | 3600507 | 3602063 | 3602175 |
| 3600100 | 3600508 | 3602051 | 3602180 |
| | 3600509 | 3602052 | 3602190 |
| | | 3602055 | 3602200 |
| | | 3602058 | 3602210 |
| | | 3602060 | 3602215 |
| | | 3602063 | 3602228 |
| | | 3602064 | 3602240 |
| | | 3602065 | 3602250 |
| | | 3602066 | 3602260 |
| | | | 3602275 |
| | | | 3602280 |

GLOBAL PRODUCT WARRANTY, LIMITED REMEDY AND LIMITATION OF LIABILITY

WARRANTY: THE FOLLOWING IS MADE IN LIEU OF ALL WARRANTIES OR CONDITIONS, EXPRESS OR IMPLIED, INCLUDING THE IMPLIED WARRANTIES OR CONDITIONS OF MERCHANTABILITY OR FITNESS FOR A PARTICULAR PURPOSE.

Unless otherwise provided by local laws, 3M fall protection products are warranted against factory defects in workmanship and materials for a period of one year from the date of installation or first use by the original owner.

LIMITED REMEDY: Upon written notice to 3M, 3M will repair or replace any product determined by 3M to have a factory defect in workmanship or materials. 3M reserves the right to require product be returned to its facility for evaluation of warranty claims. This warranty does not cover product damage due to wear, abuse, misuse, damage in transit, failure to maintain the product or other damage beyond 3M's control. 3M will be the sole judge of product condition and warranty options.

This warranty applies only to the original purchaser and is the only warranty applicable to 3M's fall protection products. Please contact 3M's customer service department in your region for assistance.

LIMITATION OF LIABILITY: TO THE EXTENT PERMITTED BY LOCAL LAWS, 3M IS NOT LIABLE FOR ANY INDIRECT, INCIDENTAL, SPECIAL OR CONSEQUENTIAL DAMAGES INCLUDING, BUT NOT LIMITED TO LOSS OF PROFITS, IN ANY WAY RELATED TO THE PRODUCTS REGARDLESS OF THE LEGAL THEORY ASSERTED.



Fall Protection

USA

3833 SALA Way
Red Wing, MN 55066-5005
Toll Free: 800.328.6146
Phone: 651.388.8282
Fax: 651.388.5065
3Mfallprotection@mmm.com

Brazil

Rodovia Anhanguera, km 110
Sumaré - SP
CEP: 13181-900
Brasil
Phone: 0800-013-2333
falecoma3m@mmm.com

Mexico

Av. Santa Fe No. 190
Col. Santa Fe, Ciudad de Mexico
CP 01219, Mexico
Phone: 01 800 120 3636
3msaludocupacional@mmm.com

Canada

600 Edwards Blvd, Unit #2
Mississauga, ON L5T 2V7
Phone: 905.795.9333
Toll-Free: 800.387.7484
Fax: 888.387.7484
3Mfallprotection-ca@mmm.com

EMEA (Europe, Middle East, Africa)

EMEA Headquarters:
Le Broc Center
Z.I. 1re Avenue - BP15
06511 Carros Le Broc Cedex
France
Phone: + 33 04 97 10 00 10
Fax: + 33 04 93 08 79 70
informationfallprotection@mmm.com

Australia & New Zealand

137 McCredie Road
Guildford
Sydney, NSW, 2161
Australia
Toll-Free : 1800 245 002 (AUS)
Toll-Free : 0800 212 505 (NZ)
3msafetyau@mmm.com

Asia

Singapore:
1 Yishun Avenue 7
Singapore 768923
Phone: +65-6450 8888
Fax: +65-6552 2113
TotalFallProtection@mmm.com

China:

38/F, Maxdo Center, 8 Xing Yi Rd
Shanghai 200336, P R China
Phone: +86 21 62753535
Fax: +86 21 52906521
3MFallProtection-CN@mmm.com

Korea:

3M Korea Ltd
20F, 82, Uisadang-daero,
Yeongdeungpo-gu, Seoul
Phone: +82-80-033-4114
Fax: +82-2-3771-4271
TotalFallProtection@mmm.com

Japan:

3M Japan Ltd
6-7-29, Kitashinagawa, Shinagawa-ku, Tokyo
Phone: +81-570-011-321
Fax: +81-3-6409-5818
psd.jp@mmm.com

WEBSITE:
3M.com/FallProtection



EU DECLARATION OF CONFORMITY:
3M.com/FallProtection/DOC