



GENERAL INSTRUCTIONS
Round Pool

for regular installation

preference

ABOVE GROUND POOL SAFETY

PLEASE READ BEFORE INSTALLATION

FAILURE TO HEED THESE WARNINGS CAN RESULT IN PERMANENT INJURY, PARALYSIS FROM A BROKEN NECK, ELECTROCUTION OR DROWNING. THIS POOL IS NOT DESIGNED FOR DIVING OR JUMPING! DANGEROUS INJURY CAN RESULT, SHALLOW WATER!

Your pool contains a large quantity of water, and is deep enough to present inherent dangers to life and health unless the follow-ing safety rules are strictly observed. First-time users run the highest risk of injury. Make sure everyone under-stands. To insure your pool is used safely you must observe the following safety precautions:

1. NO JUMPING OR DIVING

The top rail of your pool is not a walkway and must not be used for jump-ing or diving. Do not permit jumping or diving into the pool from a deck or the top rail of the pool. Diving or jumping into the pool can result in serious injury.

2. NEVER USE THE POOL ALONE

Never permit the pool to be used unless it is attended by at least one person other than the bather. Someone should always be available to lend assistance in an emergency.

3. NEVER LEAVE CHILDREN UNATTENDED

Never leave a child alone and unsupervised in or near the pool—not even for a second. There is no substitute for constant adult supervision.

4. NO ROUGH PLAY

Do not permit “rough-playin” in and around your pool. Surfaces can become slippery and hazardous when wet.

5. LIGHT THE POOL AT NIGHT

If the pool is used after dusk, adequate lighting must be provided. Illumina-tion in the pool area must be sufficient to clearly judge pool depth and all features in and around the pool. For light-ing recommendations, consult your local licensed electrical contractor

6. RESTRICT ACCESS TO THE POOL

Do not leave chairs or other furniture beside the pool that could be used by a child to climb up into the pool. Ladders must be removed whenever the pool is unattended. A fence with a lockable gate around the pool or yard is strongly recommended and may be required by law in some jurisdictions.

7. NO ALCOHOL OR DRUGS

Never drink alcoholic beverages or use any intoxicants which could hinder your judgment and reflexes.

8. KEEP YOUR POOL CLEAN AND SANITARY

Your filter system will remove suspended particles from the water and the surface skimmer will remove insects, leaves and other debris from the wa-ter surface. Use the correct pool chemicals as directed to destroy harmful bacteria and prevent formation of algae. Remember, unsanitary water is a serious health hazard.

9. KEEP OFF TOP LEDGES

Do not walk on top ledges. They can be slippery and they are not a walk-way.

10. POOL COVER SAFETY

The cover must have a tamperproof locking retainer cable that positions the cover around the pool wall and keeps it securely in place. Never allow anyone, especially small children on the cover. Asphyxiation or drowning could result. When purchasing any pool cover, please consult a swimming pool professional.

11. ELECTRICAL HAZARD

Never touch or attempt to service electrical equipment, including the filter when your body and/ or the ground is wet. Electrocution or permanent injury due to high voltage (120V AC) could result. The pool should be bonded in accordance with Section 680-26 of the National Electrical Code. For further assistance contact your dealer or a local licensed electrician. Do not use pool during electrical or rain storms.

12. SAFETY ROPE & POLE

Keep a safety rope 1/4” by 50” with a flotation buoy with an outside diamter of 15”. Have ac-cessible in a prominent area by your pool. Keep a pole not less that 16 feet (4.88m) long with a blunt or hook end available at pool side in case of emergencies.

13. POOL CHEMICALS

Do not place chlorine, chlorine tablets or sticks directly into skimmer, or winterize your pool with liquid chlorine. Damage to the skimmer, pool liner and filter will result. Failure to obey this in-struction will void all compo-nent warranties. Always follow Chemical Manufacturer’s insturctions when storing, handling and dispensing pool chemicals.

14. CHECK FOR DAMAGE

Periodically check your pool and ladder components for damage and wear. Be sure all screws are in place. Replace all damaged or worn components and tighten all screws before you use the pool, deck or ladders. At first sign remove rust and touch up immediately.

15. POOL PARTS

Never modify the pool or accessories, or remove or drill holes in the pool, deck or ladder com-ponents unless instructed. Your pool wall is made of thin metal, there is an inherent cut hazard with metal so use gloves during installation. Always use Original Equipment Manufactured parts

FOLLOW ALL SAFETY INSTRUCTIONS

Read and follow all safety instructions packaged with pool, ladder, deck or any other accessory. Additional pool safety publications can be obtained by contacting: The Association of Pool & Spa Professionals (www.apsp.org)

Important notice read before installation!

The safety stickers must be installed as per following instructions. Failure to properly install warning labels will void warranty. Failure to mount these safety labels may subject you to substantial liability in case of injury. These warning are not to be removed under any circumstances! If they become discolored or fall off please request replacements which will be sent at no charge.


TABLE OF CONTENTS

GENERAL INSTRUCTIONS - ROUND POOLS

 / **01**
SECTION
PARTS
LISTING

 / **02**
SECTION
GROUND
PREPARATION

 / **03**
SECTION
ASSEMBLING
THE POOL BASE

 / **04**
SECTION
ASSEMBLING
THE POOL WALL

 / **05**
SECTION
INSTALLING
THE LINER

 / **06**
SECTION
ASSEMBLING
THE POOL FRAME

TOOLS & MATERIAL NEEDED

Compactor

Hammer

Water Hose

Carpenter Level

File

Vacuum cleaner

Pliers

Rake

Lawn roller

Metal snips

Screwdriver

Wheelbarrow

Shovel

Mallet

Measuring tape

Duct tape

Trowel

Wrench

Straight wood

plank

Crushed stone

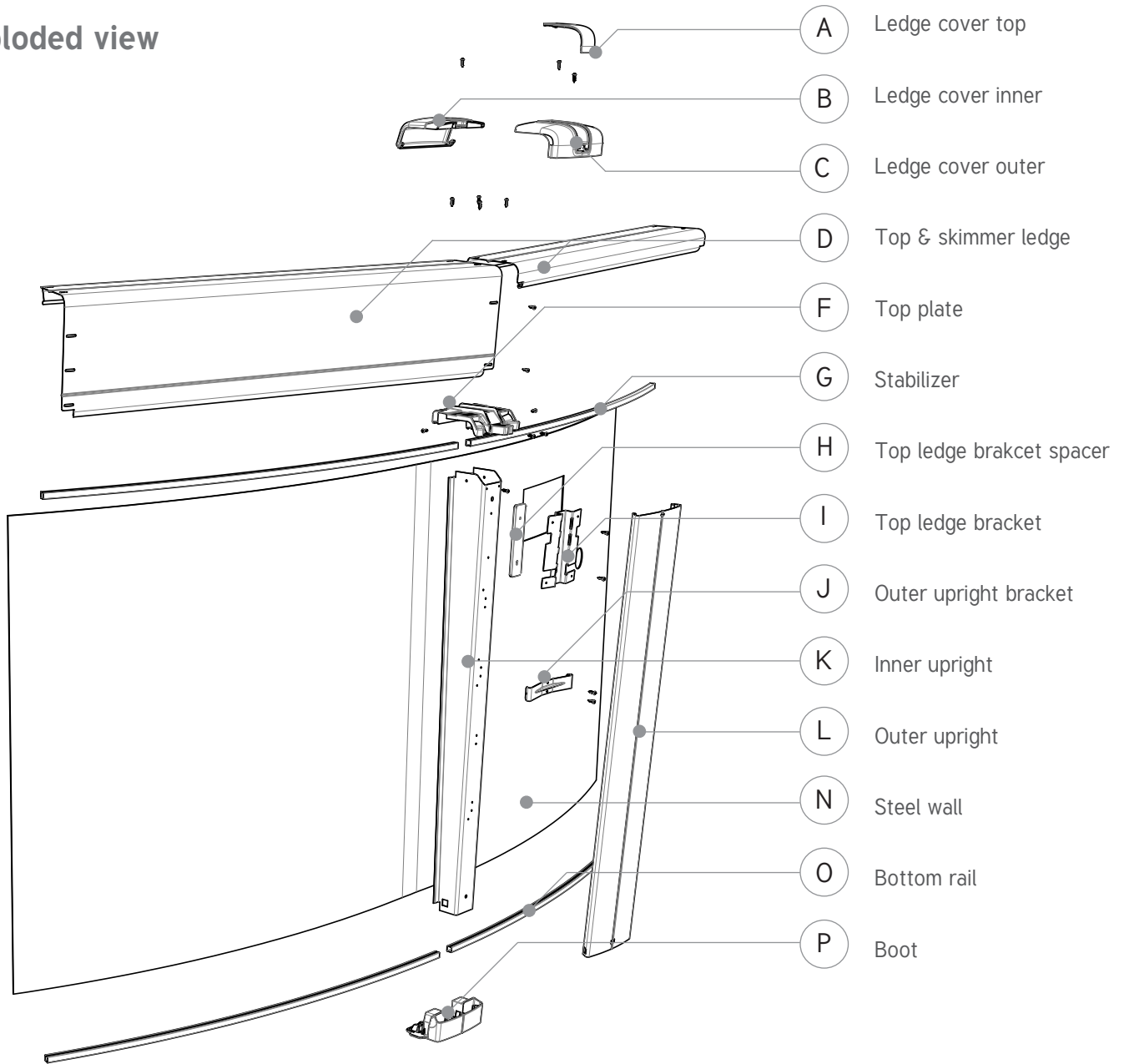
2x Plywood

Vinyl covered hooks

String and stakes

 **01 PARTS LISTING**
SECTION

Exploded view





01 PARTS LISTING

SECTION

GENERAL INSTRUCTIONS – ROUND POOLS

Parts listing

Index	Description	Part #	15'	18'	21'	24'	27'	30'	33'
A	Ledge cover top	38626	10	12	14	16	18	20	22
B	Ledge cover inner	38625	10	12	14	16	18	20	22
C	Ledge cover outer	38624	10	12	14	16	18	20	22
D	Top ledge	3858 _	9	11	13	15	17	19	21
E	Skimmer top ledge	38585	1	1	1	1	1	1	1
F	Top plate	38594	10	12	14	16	18	20	22
G	Stabilizer (variable sizes)	385 _ _	11	13	15	18	20	23	24
H	Top ledge brakcet spacer	38787	10	12	0	0	0	0	0
I	Top ledge bracket	38592	10	12	14	16	18	20	22
J	Outer upright bracket	38593	10	12	14	16	18	20	22
K	Inner upright 51-1/2" (52" high)	22131	10	12	14	16	18	20	22
K	Inner upright 53-1/2" (54" high)	22132	10	12	14	16	18	20	22
L	Outer upright 49-1/2" (52" high)	22129	10	12	14	16	18	20	22
L	Outer upright 51-1/2" (54" high)	22130	10	12	14	16	18	20	22
M	Vinyl liner (overlap)		1	1	1	1	1	1	1
M	Vinyl liner (hook)	WCRS52/54	1	1	1	1	1	1	1
N	Steel wall	38736	47'1"	56'7"	66'	75'5"	84'10"	94'3"	104'
O	Bottom rail	38627	10	12	14	16	18	20	22
P	Boot	99-0085	10	12	14	16	18	20	22
Q	Screw #12 x 1 18-8SS PHIL TRUSS-A	99-0090	80	96	112	128	144	160	176
R	Screw #10 x 3/4 410SS Hex Washer Self Drill J600	10607	120	144	168	192	216	240	264
S	HDW SS #37 Bolt set wall 48/52/54"		1	1	1	1	1	1	1

**SPECIAL
NOTICE WILL
BE DELIVERED
BY YOUR
LOCAL DEALER
FOR EVERY
INSTALLATION
OUT OF THE
MANUFACTURER
STANDARDS.**

Plan your installation first

Check local laws on construction and electrical installation. Also make sure that you meet security standards related to fences and pool cover. Select an appropriate site for your swimming pool by considering the following points:

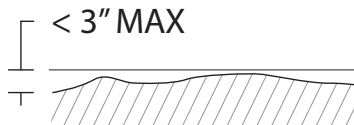
- + Distance from the fence
- + Overhead electrical wires
- + Predominant winds
- + Accessory location (filter, decking, ...)
- + Appropriate electrical outlets
- + Surrounding trees (falling leaves and roots)
- + Underground cables and gas conduits
- + Do not install your pool on concrete, asphalt, wood, grass turf, top of grass, gravel or chemically treated soil. Avoid also weed and nut grass area.
- + Avoid areas with poor drainage.
- + Do not install on windy days
- + Sun reflection in your yard
- + Install with 2 or 3 helpers

Be careful

Ground surface and levelness: it is very important that the ground surface be firm and solid. Pool area must be free of grass, rocks roots or other sharp edges objects. Any parcel of grass left under the pool will rot and release unpleasant odors. Avoid installing your pool on surface which has been treated with oil weed-killer or chemical products. This could affect the vinyl liner among other things.

The entire pool surface must be completely levelled when preparing your site. DO NOT FILL LOWER GROUND AREA because any added ground won't give the needed strength to support pools weight. Pour une dénivellation supérieure à 3" (10 cm), veuillez contacter votre piscinier pour obtenir des instructions spécifiques à votre cas.

Before you start your installation: make sure you have all the parts for complete assembling (see your parts lists). If irregularities such as missing part(s) or defect(s) ever occur, go to your dealer to get new pieces.



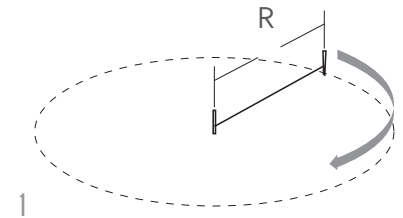
Be careful

Above ground pools are not designed to be installed below ground level. Outside ground forces can collapse pool wall. **If you have an irregular terrain, contact your dealer for appropriate advice. Pools install on irregular terrain ARE NOT COVERED BY THE MANUFACTURER WARRANTY.**

1. Mark out the area

Drive a peg into the ground at the center of the area where you want your pool.

Use a length of sting tied between the peg and a can of spray can, and mark a circle on the ground (a tape measure can also be used). The circle will be 12" (30 cm) bigger all round than the pool. **(image 1)** See radius length below.



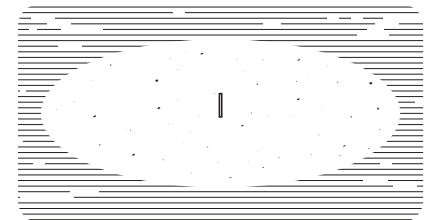
Pool diameter	Radius
15' (4,5m)	8' (2,4m)
18' (5,5m)	9'6" (2,9m)
21' (6,4m)	11' (3,3m)
24' (7,3m)	12'6" (3,8m)
27' (8,2m)	14' (4,3m)
30' (9,1m)	15'6" (4,8m)
33' (10m)	17' (5,2m)

2. Remove the sod

Remove all sod and plants from the circle. **(image 2)**

Remove any sticks, stones and roots from the circle using rake.

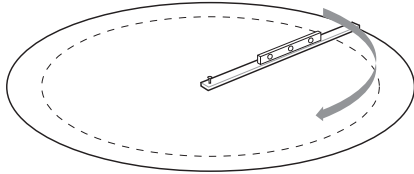
To make sure your pool is stable, compact the ground well, use compactor, before adding the sand.



IMPORTANT NOTE:

Your pool must be perfectly level. Take the time you need to be sure your foundation is perfectly level.

3. Levelling your pool site



3

The entire pool area must be completely levelled. Level it using carpenter's level and a straight plank.

Nail one end of a straight 2-by-4 (5cm x 10cm) wood plank to the top of the stake. Use a nail long enough to hold the end of the 2-by-4 (5cm x 10cm) wood plank to the stake while you rotate it in a circle.

Put a carpenter's level on the wood plank and swing the board in a circle to level the area. **(image 3)**

DO NOT ADD GROUND FOR LEVELLING YOUR POOL SITE. You must dig down to the lowest point of your pool site. Any added ground won't give the needed strength to support pool's weight.

Take material such as rock dust or fine mortar that can conform a solid, permanent base and deposit this material around the rim of the basin. The material used should be spread around the perimeter of the pool to a width of 24" (60cm) and a thickness of 2" (5cm).

Note: Bottom rails will be placed in the center of the perimeter of the pool see the dashed line.

Lay out the bottom rails and bottom plates around the circle.

Patio stones installation (OPTIONAL)

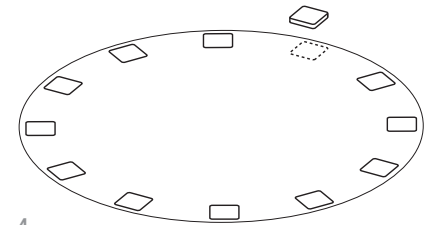
Concrete patio stones may be placed at the base of each upright of your pool.

Each bottom plate will show the location for a patio stone. Make a mark in the ground at each base plate.

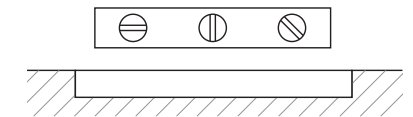
Remove the bottom rails and bottom plates and lay out the patio stones around the circle where the bottom plates were.

The patio stones must be sunk into the ground so the tops are flush with the soil around them (**image 4**). Use the carpenter's level to make sure the patio stones are perfectly level and flush with the ground. Use either the carpenter's level and a 2-by-4 (5cm x 10cm) wood plank, or the optical level between patio stones to make sure the stones are level with each other. (**image 5**)

Do not install blocks or rails on loose sifted soil or sand. There must be no space between the ground and the bottom of the rails. All patio blocks must be flush with the ground, solid and level with each other in all directions



4



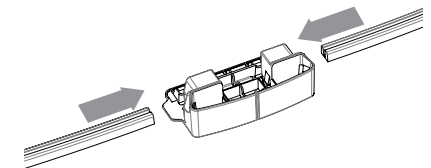
5

4. Wall Channels and post base assembly

Place all the wall channels and the post bases over the traced circle.

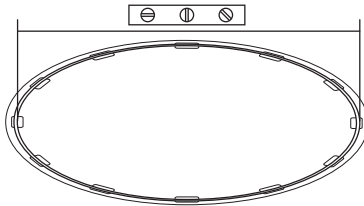
Insert the bottom wall channel on both sides of the post bases and allow a space of 2" (60 mm) between each wall channels ends. Make complete circle using all the bottom channels. (**image 6**)

Check the roundness of your circle, by measuring the diameter across in several locations. Since the bottom rails do not automatically form a true circle, DO NOT SKIP THIS STEP! Otherwise you might end up with a slightly oval shape, which can cause problems later on. (**image 7**)



6

Round pool footprint – All sizes

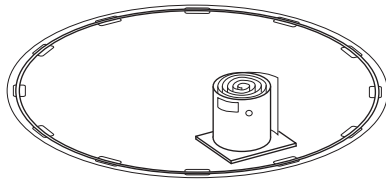


7

Size	15'	18'	21'	24'	27'	30'	33'
Uprights	10	12	14	16	18	20	22
Rails	20	24	28	32	36	40	44
Radius of rails	7'6"	9'0"	10'6"	12'0"	13'6"	15'0"	16'6"
Wall perimeter	566	680	793	906	1019	1132	1245

5. Putting up the wall

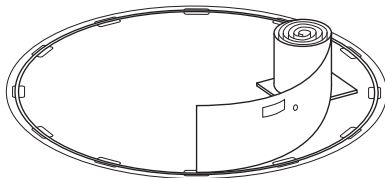
Bring the following items into the middle of the pool foundation before you start uncoiling the pool wall: plywood, some extra sand or fine dirt to make the cove, the liner and a ladder to climb out after the wall is assembled.



8

Make sure the skimmer and water return holes are located where you need them to be. The skimmer and water return holes are positioned towards the end of the wall.

Unpackage the coiled pool wall and stand it on the plywood at the place close to where you need to install skimmers. **(image 8)**



9

Start uncoiling the wall, guiding the bottom edge into the curved bottom rail. The starting end of the wall must be positioned in the centre of a bottom plate and the skimmer and return holes should be positioned where the pump and filter will be. **(image 9)**

Set lengths of stabilizer onto the top ledge of the wall as you uncoil it.

IMPORTANT NOTE:



If you use a skimmer, you should consider putting the pre-punched slots not too far from the planned location of the filter. If you don't use a skimmer, the pre-punched holes must be covered with heavy fabric tape. It prevents the lining from being cut.

04 ASSEMBLING THE POOL WALL

SECTION

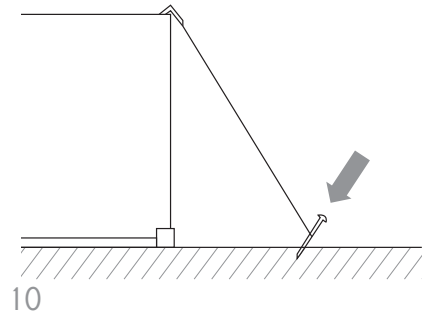


IMPORTANT NOTE:

It is preferable to use very fine sand that is easily compacted. Be careful not to spill sand on the bottom rails.

We also suggest installing vinyl-covered hooks and rope to hold the wall steady (**image 10**). Ideally the help of several people should be solicited to hold the wall in place. Work around the foundation until the entire pool wall is uncoiled into the bottom rails.

When uncoiling the wall, the skimmer and return holes are positioned toward the end of the wall.



Adjusting the wall circumference

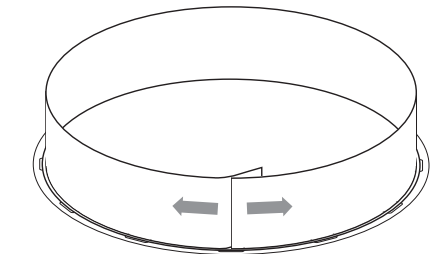
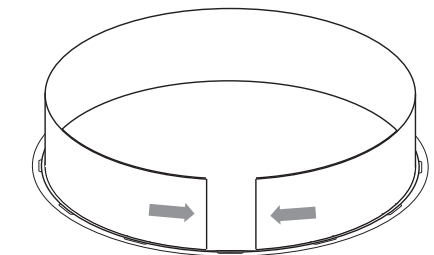
Now that you have installed the wall you can be faced with three scenarios:

- + The wall joints align perfectly, if so move on to the next step 6.
- + Your wall appears to be too short. IT IS NOT. However the space between the bottom rails must be decreased by lightly tapping the bottom plates towards the inside of the pool. You can also tap the wall lightly with both hands in the desired direction. (**image 11**)

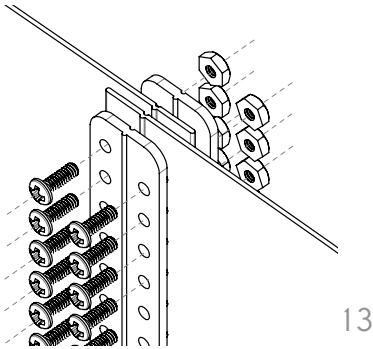
You must recheck the gaps at each and every one of the bottom rails so that they are equal in gap size.

- + Your wall appears to be too long. IT IS NOT. However the space between the bottom rails must be increased by lightly tapping the bottom plates towards the outside of the pool. You can also tap the wall lightly with both hands in the desired direction. (**image 12**)

You **MUST** recheck the gaps at each and every one of the bottom rails so that they are equal in gap size.



6. Fasten and seal the wall



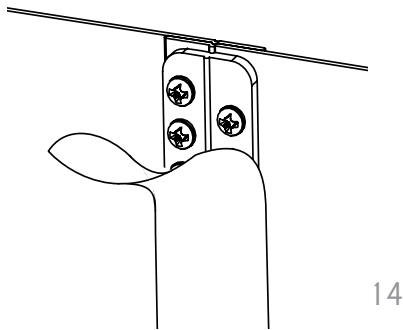
When tightening the screws start from either the top and go down or vice versa. Do not start a few screws from top and a few from the bottom to meet in the middle, this can cause problems later on. **(image 13)**



IMPORTANT NOTE:

Stick a screwdriver through two of the holes to help line up the ends of the walls.

Cover the seam and bolt heads on the inside/interior of the pool wall completely with 2' (50 cm) duct tape. **(image 14)**



Using a tape measure, measure across the circle at each bottom plate. The pool wall must be round. Adjust the circle by nudging the base plates in or out with your foot. **(image 15)**

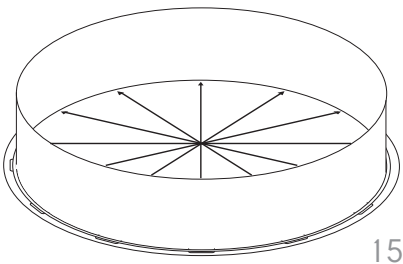


IMPORTANT NOTE:

Due to the enormous pressure exerted against the steel wall, it is absolutely essential to screw ALL THE BOLT TIGHTLY. DO NOT LEAVE ANY EMPTY HOLES. Bolt heads must be inside and washers outside. Remove all particles of steel from the bolts inside the pool.

- + Make sure that the steel wall is securely resting at the bottom of the wall channels.
- + Make sure the steel wall is leaning on the inward edge of the wall channels.
- + Make sure that all bottom wall channels are properly joined inside the post bases.
- + Make sure the wall makes a perfect circle by measuring the ropes again.

Remove center stake.



7. Making the cove

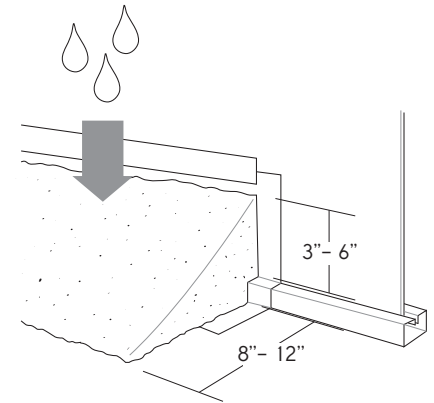
You can now spread approximately 2" (5cm) of screened earth or mason's sand all around the inside of the pool wall. Build a cove of 3" (7,5cm) high, and not less, of well packed screened earth or mason's sand. **(image 16)**

Water the sand to compact it and use a trowel to spread it evenly.

DO NOT USE THIN SAND. GRASSTURF OR ANY OTHER MATERIAL SO CALLED "POOL BASE" THAT CAN CAUSE DAMAGES TO YOUR POOL. THE LINER COULD EVENTUALLY RUPTURE.

The cove is very important. THE MANUFACTURER WILL NOT BE RESPONSIBLE FOR DAMAGES CAUSED BY OMISSION OF THIS STEP.

If you are using Styrofoam cove pieces instead of sand, insert them in the bottom rail and refer to the installation instructions that are provided with them.

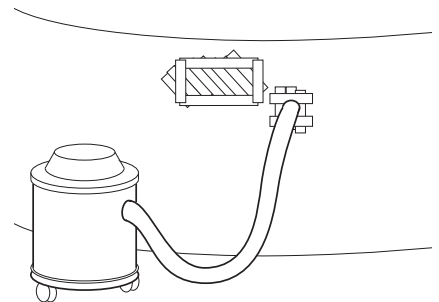


16

8. Vinyl liner installation

A vacuum cleaner can later be used to remove the air from between the liner and the wall **(image 17)**. This technique enables you to remove folds on the liner. However the following precautions should be taken:

- + Do not use an industrial vacuum cleaner which could be too powerful.
- + Tape the end of the vacuum hose before inserting it into the wall so as not damage the liner.
- + Insert the nozzle until it is about 4" (10cm) above the cove (insert through the water return outlet or the skimmer depending on the diameter of your hose.) Make sure you will be able to remove the hose later on.
- + Tape the hose to the wall.



17

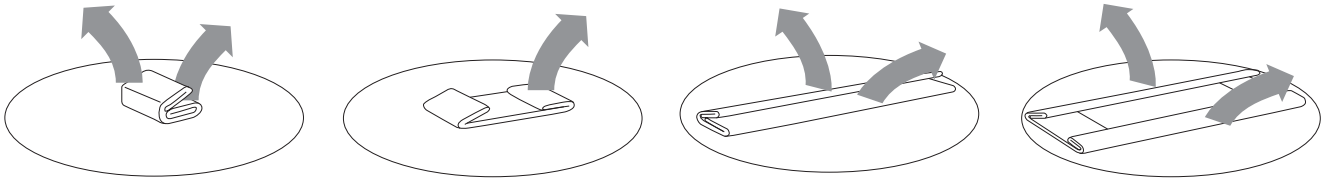
05 INSTALLING THE LINER

SECTION

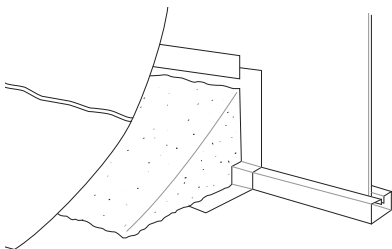
Close the skimmer opening with cardboard and adhesive tape so that the suction of air works better.

Set the liner in place

- + Open the carton. Do not use anything sharp to open the carton.
- + Unpack and unfold the liner and spread it out in the sun to warm it up. Inspect all the seams and surfaces for holes.



- + Remove your shoes to avoid damaging the base or tearing the liner.
- + Spread out the liner, smooth side down. The curved seam should be centred on the cove at the base of the wall (**image 18**). The other seams will form straight lines across the bottom of the pool.
- + Smooth out all the wrinkles in the bottom.



18

IMPORTANT NOTE:

If possible, unfold the liner on the grass one to two hours before installation. Be careful not to leave the liner too long or you may damage the grass.



IMPORTANT NOTE:

The liner is generally smaller than the support structure of the pool. It will stretch more easily when warm. It is important that the liner is installed on a warm sunny day.



TYPE 1 – overlap

Starting at the liner wall seam, hang the liner over the wall making sure that the seam is straight up and down, perpendicular to the floor. (remove stabilizers gradually as you fold the liner over the top of the wall.) This will assure you that the liner begins going over the wall straight.

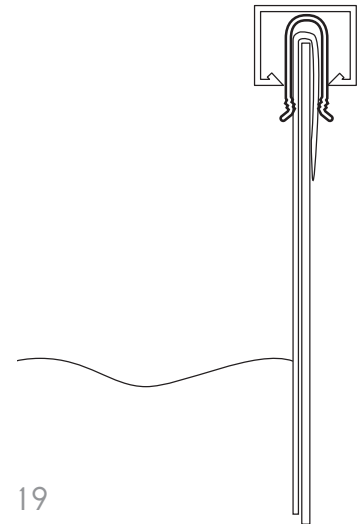
As you put the liner over the wall you can secure it by using the plastic coping strips to keep it in place. If you end up with excess material, continue around the pool, pulling excess liner evenly, and distribute over the wall until the excess is gone.

Fasten liner to the top of the wall with plastic coping. Let liner hang slack for now. Do not pull liner tight. **(image 19)**



IMPORTANT NOTE:

Some liners may fit very tightly, it is better to install uprights, top plate and rail before going onto next step.



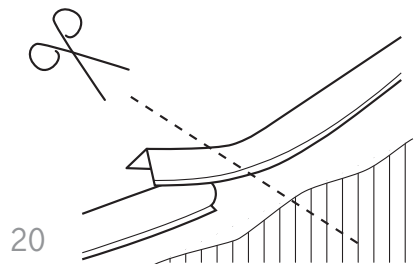
Turn the vacuum cleaner on and push the liner outward with your feet to iron out any wrinkles. Once finished, turn off vacuum cleaner.

Start filling the pool with water. As the pool fills, work out all the wrinkles and smooth the liner to the wall. Remove the plastic coping around the top edge of the wall one piece at a time and adjust the liner. Keep smoothing out the wrinkles.



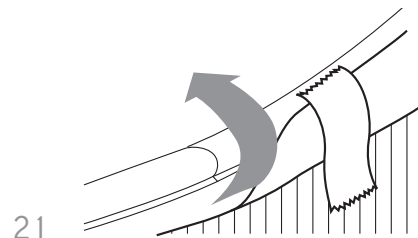
IMPORTANT NOTE:

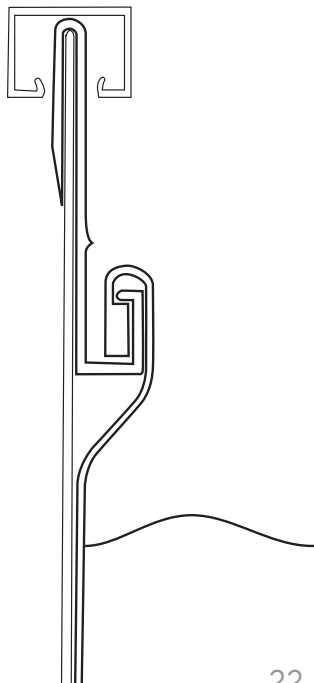
Do not trim off the excess liner. (if the liner ever needs to be removed, trimming the liner will make re-installation very difficult.) Instead, roll up any excess liner and tape it in place near the top of the wall.



After all the wrinkles in the liner are removed, trim any extra length of plastic coping so there is no overlap. **(image 20)**

Roll up any excess liner hanging below the plastic coping and tape it in place near the top of the pool wall. Do not trim off the excess liner. **(image 21)**





22

TYPE 2 – bead/snap bead liner

With a snap bead liner you will not use the plastic coping strips that are packed in the parts carton of many pools. You can discard those pieces (if they are included). Instead, you should have received a beaded liner track (referred to as a “coping bead receiver”). **(image 22)**

The beaded liner track should be installed onto the pool wall all of the way around the pool. These pieces should be as close together as possible. Leaving spaces between bead tracks can cause liner problems later on.

Once all of the beaded liner track is on the wall, you can snap the liner bead into the beaded liner track at four random points around the pool. After that is done, and you are satisfied with how the liner is situated within the pool, you can continue snapping the remainder of the liner into place around the pool.

Go around the entire pool again making certain that the liner is securely snapped into the track. This is important to confirm so that the liner does not pull out while under pressure of being filled with water.

Go around the liner pool again making certain that the liner is securely snapped into the track. This is important to confirm so that the liner does not pull out while under the pressure of being filled with water.

TYPE 3 – hung/J or V-bead line

With a V-Bead liner you will not see the plastic coping strips that are packed in the parts carton of your pool. You can discard those pieces, if they are included, as they only apply to pools with overlap liners.

The top of the wall of the liner has what is called a “V-Bead” welded onto it. Simply open up the bead with your fingers and hang it directly on top of the pool wall. **(image 23)** When this is done properly, the only portion on the outside of the pool wall is approximately 1” of the V-Bead. No printed liner material is actually going over the top of the wall to the outside of the wall.

Make sure the bead is on evenly around the entire pool, and that the liner is hanging straight down from the top of the wall. The liner should not have creases in it because it is twisting around the pool. If the liner is twisting, it is because it is not sitting properly in the pool. Make necessary adjustments before proceeding.



IMPORTANT NOTE:

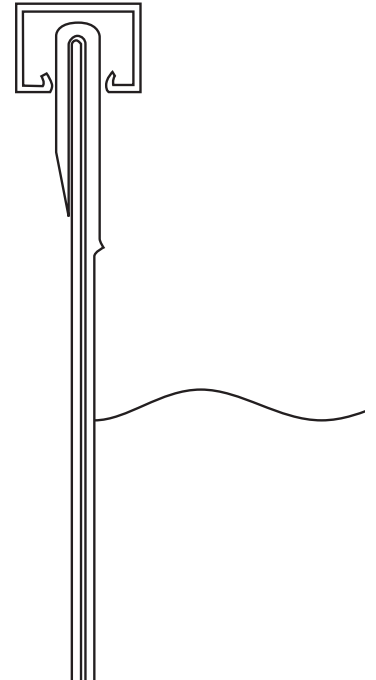
Some liners may fit very tightly, it is better to install uprights, top plate and rail before going onto next step.



IMPORTANT NOTE:

Do not trim off the excess liner. (if the liner ever needs to be removed, trimming the liner will make re-installation very difficult.) Instead, roll up any excess liner and tape it in place near the top of the wall.

23





06

SECTION

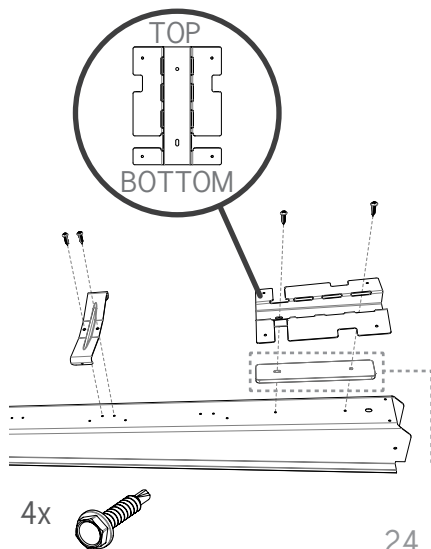
ASSEMBLING THE POOL FRAME

GENERAL INSTRUCTIONS – ROUND POOLS

9. Install upright bracket

Lay the uprights on the floor and position and place the top bracket on the top of the upright. Make sure the bracket is in the correct position. The holes of the bracket must align with the holes on the top of the front face of the upright. Insert two screws in the center holes of the bracket to fix it.

Position and place the middle bracket on the center of the upright. The holes of the bracket must align with the holes of the frontal face of the upright. Insert two hexagonal screws in the center holes of the bracket to fix it. **(image 20)**



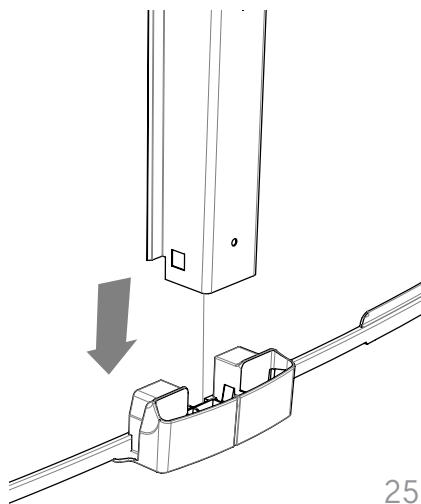
IMPORTANT NOTE:

If you have a 15' or a 18' feet pool YOU HAVE TO PLACE THIS SPACER between the upright and the upright bracket. For other pool sizes YOU MUST NOT INSTALL THIS PLASTIC SHIM.

10. Install the uprights

The wall joints is hidden behind the upright on most pools. This assures that the skimmer and the skimmer return holes are not obstructed.

Insert the upright in the bottom joining plate until the hooks snaps. **(image 25)**



IMPORTANT NOTE:

Use the ridges in the pool wall to make sure the upright column is straight up and down.



IMPORTANT NOTE:

Ensure to leave a gap between the two bottom rails



06 ASSEMBLING THE POOL FRAME

SECTION

GENERAL INSTRUCTIONS – ROUND POOLS

11. Install the stabilizers and top plates

Insert each end of the stabilizers into the other along the length of the wall. Make sure every stabilizers fits on the pool wall. **(image 26)**

Align the top plate on the upright and insert it in. The top plate slides into the top of the upright by applying pressure thus securing the wall and the upright together. Secure it with four screws: two on the sides and two on top. **(image 27)**. Apply pressure on the rear part of the top plate while you insert the side screws.



IMPORTANT NOTE

If you have some LED lights, you should install them now. Refer to the LED instruction manual to install them properly

12. Install top ledges

Position and place the top ledge on the upright. The top ledge must be pushed toward the inside part of the pool and the screw holes on the top ledge must align with the holes on the top of the upright. **(image 28)**

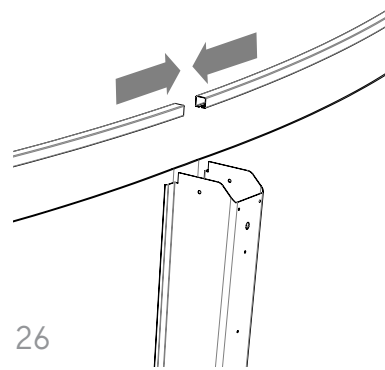
Insert partially the four Phillips screws on the top and the six hexagonal screws on the front. Distribute evenly the space between the



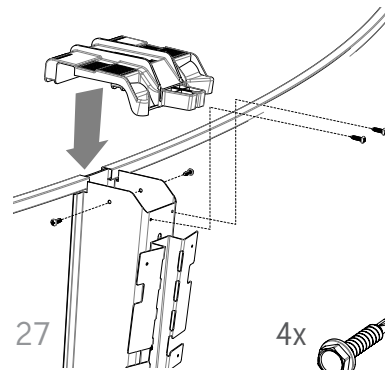
IMPORTANT NOTE

Ensure to leave a gap between the two stabilizers.

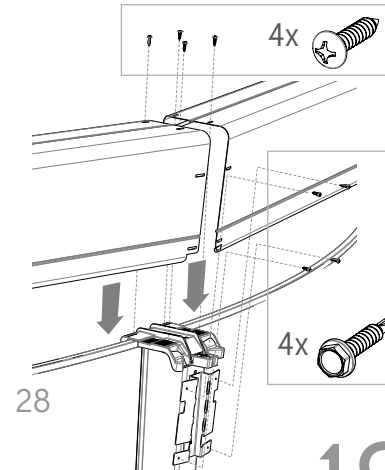
Make sure to level the two axes of the uprights by pushing slightly inwards before tightening the screws permanently.



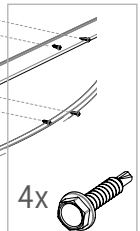
26



27



28



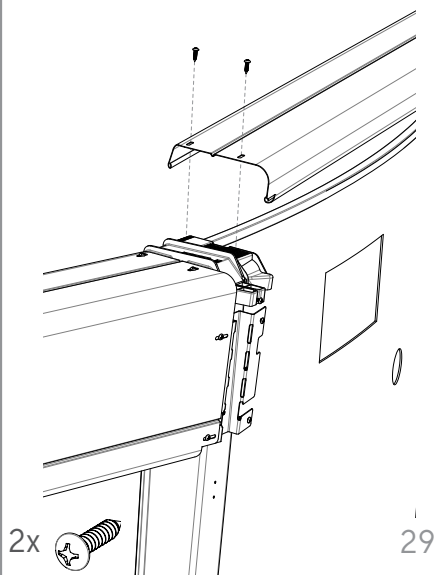


06

SECTION

ASSEMBLING THE POOL FRAME

GENERAL INSTRUCTIONS – ROUND POOLS



Skimmer top ledge

Position and place the skimmer top ledge on the upright above the top plates. Make sure the skimmer top ledge is align with the skimmer and water return holes. The skimmer top ledge must be pushed toward the inside part of the pool. **(image 29)**

Partially insert 2 Phillips screw and evenly distribute the space between the two extrimities. Then, tight up the screws.



IMPORTANT NOTE

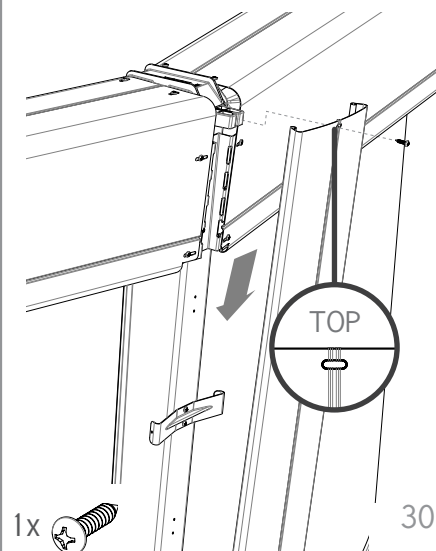
We suggest that you install all the top ledges on the wall before attaching them.

13. Install the outer upright

Insert the outer upright in the bottom joining plate

Snap the outer upright onto the middle bracket of the upright.

Secure the outer upright with a Phillips screw at the top of it. **(image 30)**



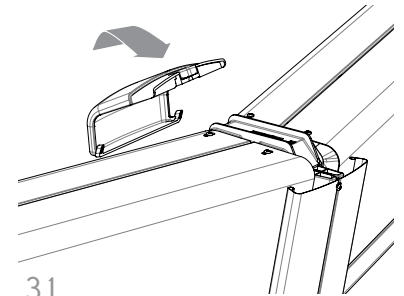
14. Install the ledge covers

Take the rear part of the ledge cover and insert the hooks underneath the top ledge.

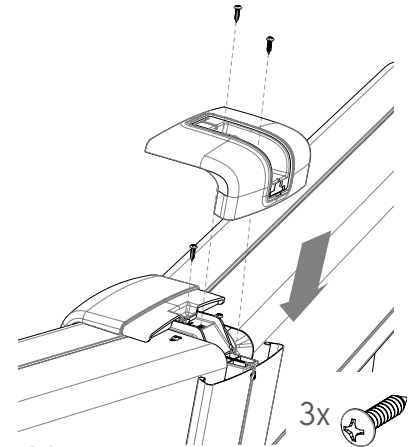
Toggle over the rear part of the ledge cover and align the screw hole with the one on the top plate. Attach with a Phillips screw. **(image 31)**

Take the front part (outside of the pool) and slide it on the top ledges and ensure that the rear part ends are inserted in the front part. Attach with two Phillips inch screws. **(image 32)**

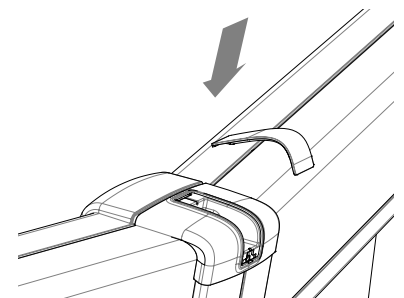
Align the top part on the front part and insert the top part rear clips. The top part front clips snap onto the front of the front part by applying pressure. **(image 33)**



31



32



33



06

SECTION

ASSEMBLING THE POOL FRAME

GENERAL INSTRUCTIONS – ROUND POOLS

15. Finish filling the pool

Turn off the vacuum and carefully remove it from the pool

Fill the pool with water to 2" (5cm) below the lowest opening. Make sure you remove any creases from the liner in the bottom of the pool before the water level gets too high.

Your pool is now installed. You must now install the filter and pump, the skimmer and water return inlet. Please follow the installation instructions that come with these products.



IMPORTANT NOTE

Before making any openings in the liner, fill the pool with 24" (60cm) of water to stretch the liner fully. When filling your pool, begin with a garden hose until there is about 12" (30cm) of water in the pool. This will allow the liner to stretch gradually. You can then use a heavier flow to finish filling it up.

16. Rules for safe pool use

NECESSARY SAFETY EQUIPMENT:

- + A light and strong pole not less than 12 ft (3,66m) long with blunt ends.
- + A ring type life preserver with a throwing rope attached to it.
- + Have emergency numbers near the pool and also at the telephone nearest to the pool. (Avialbe police, fire and rescue unit, available physician, ambulance service and hospital).

WHEN YOU BECOME OWNER OF A POOL, HERE ARE SOME REASONABLE RULES YOU SHOULD BE FAMILIAR WITH:

- + You should not dive or jump from the top rail of the wading not for diving.
- + You should never allow your children or neighbour's children to swim undergirded.
- + You should never swim alone.
- + You should always remove pool ladder, or raise safety ladder when the pool is not in use.
- + If you eat, you should wait at least one hour before you go swimming.
- + You should not allow any family pet in the pool.
- + There shouldn't be any horseplaying or roughhousing around the pool.
- + You should keep all electrical appliances away from the pool.
- + You should keep all glass or metal objects away from the pool.
- + You should not swim when there are risk of lightning : Thunderstorm endanger swimmer

Unfortunately, pool owners wait for some accidents before setting guidelines. Establish your rules before the first person steps into the pool. If possible, make sure that everyone using the pool has some basic training in the water safety and basic rescue method. Some associations publish booklets about "Basic rescue and water safety" which gives information on assisting a swimmer in difficulty, artificial respiration, first aid for swimmers, family water safety and several other subjects. We strongly recommend you to get one.

preference