



Braukmann BA095 miniBA

Backflow Preventer

APPLICATION

Backflow preventers of this type are suitable for the protection of drinking water systems against back pressure, backflow and back syphonage.

They are used mainly for OEM-applications, but can also be used for commercial and industrial purposes within the scope of their specification.

Fluids up to and including liquid category 4 to EN 1717 are protected.

APPROVALS

- DVGW
- NF

SPECIAL FEATURES


- Optimal protection of the drinking water supply system
- Integrated inlet strainer
- Inlet check valve and discharge valve are combined in one cartridge
- Minimal maintenance required, because the valve cartridge is completely replaceable
- Optimized design prevents water stagnation in normal operation
- Compact construction
- Low pressure loss and high flow rate
- ACS certified
- All materials are KTW approved
- Approved by TÜV LGA for low noise, Group 1 without limitations



TECHNICAL DATA

Media	
Medium:	Drinking water
Connections/Sizes	
Connection size:	1/2", 3/4"
Nominal size diameter:	DN10
Discharge pipe connection:	DN40
Pressure values	
Inlet pressure:	1.5 bar - 10 bar
Operating temperatures	
Max. operating temperature medium:	65°C
Specifications	
Installation position:	Horizontal with discharge valve downwards

CONSTRUCTION

Overview	Components	Materials	
	1	Housing	Brass
	2	Discharge connection	High-quality synthetic material
	Not depicted components:		
		Valve cartridge with integral check valve and discharge valve	High-quality synthetic material
		Check ball valves	-
		Outlet check valve	High-grade synthetic material
		Integral sieve on inlet	Stainless steel
	Sealing elements	Elastomer materials suitable for drinking water	

METHOD OF OPERATION

BA type backflow preventers are divided into three pressure zones. The pressure in zone ① is higher than in zone ②, which in turn is higher than in zone ③. A discharge valve is connected to zone ② which opens at the latest when the differential pressure between zones ① and ② drops to 0.14 bar. The water from zone ② discharges to atmosphere, both check valves close and therefore separate zone ② from zone ① and ③. In this way the danger of back pressure or back syphonage into the supply network is prevented. The pipework connection is interrupted and the drinking water network is protected.

TRANSPORTATION AND STORAGE

Keep parts in their original packaging and unpack them shortly before use.

The following parameters apply during transportation and storage:

Parameter	Value
Environment:	clean, dry and dust free
Min. ambient temperature:	5 °C
Max. ambient temperature:	55 °C
Min. ambient relative humidity:	25 % *
Max. ambient relative humidity:	85 % *

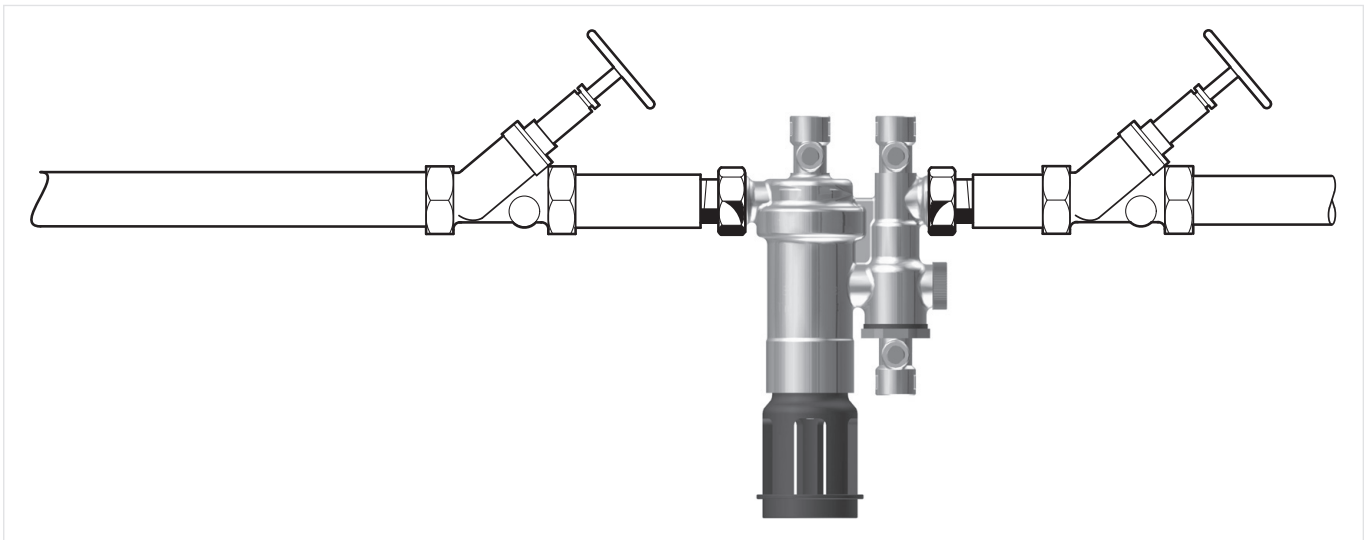
*non condensing

INSTALLATION GUIDELINES

Setup requirements

- Install shut-off valves before and after backflow preventer
- Install in horizontal pipework with the discharge valve downwards
- Ensure good access
 - Simplifies maintenance and inspection
- If a fine filter is not installed in the drinking water system, the installation of a filter with a mesh width of 100 µm is recommended in front of the backflow preventer
- In the case of fluctuating pre-pressure or an input pressure over 10 bar, we recommend the insertion of a pressure regulator in front of the backflow preventer
- Do not install in places where flooding can occur
- The installation environment should be protected against frost and ventilated well
- Install discharge pipework which has adequate capacity
- Thoroughly flush pipework
- In order to avoid flooding, it is recommended to arrange a permanent, professionally dimensioned wastewater connection
- These armatures need to be maintained regularly

Installation Example



TECHNICAL CHARACTERISTICS

Pressure drop characteristics

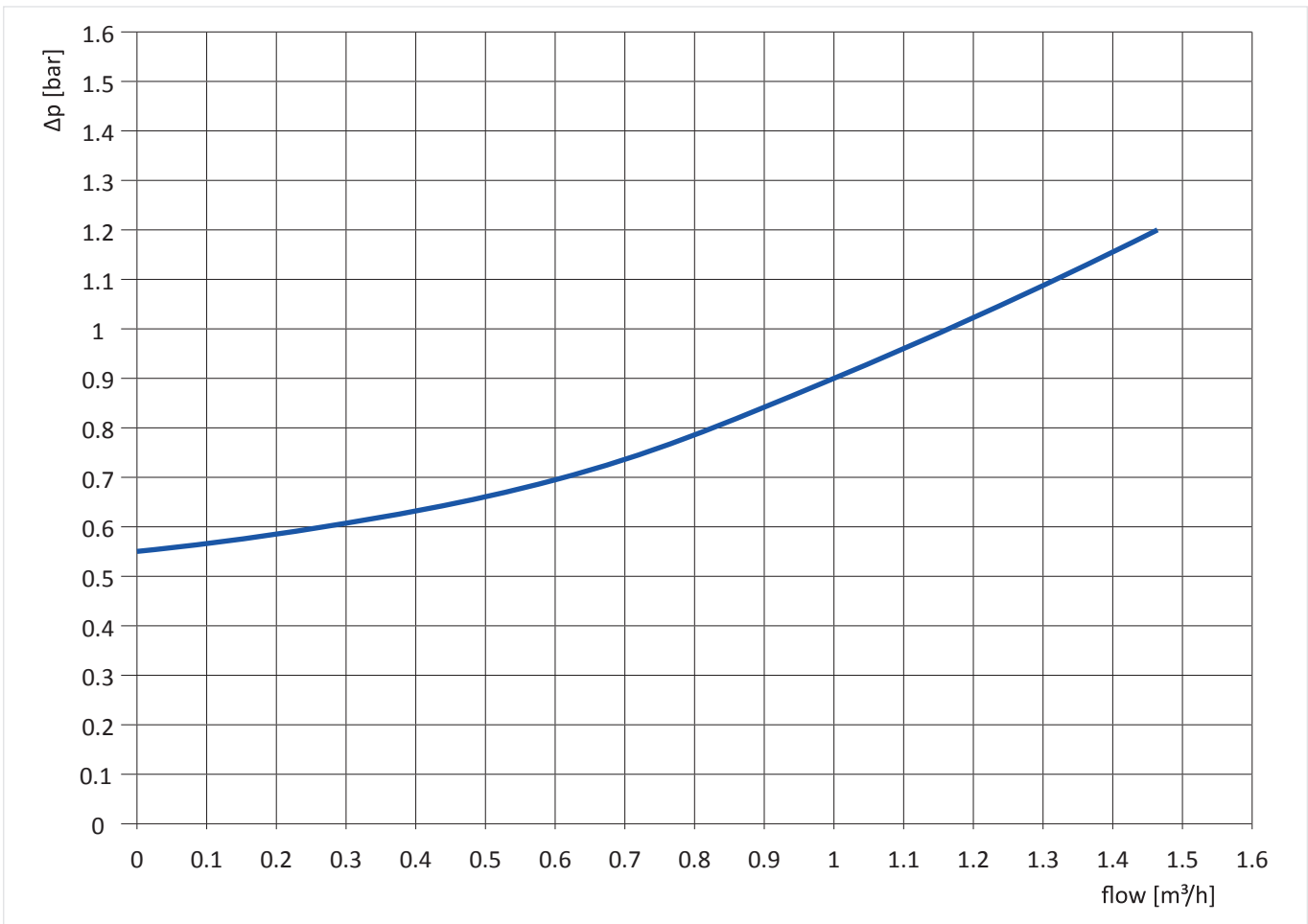
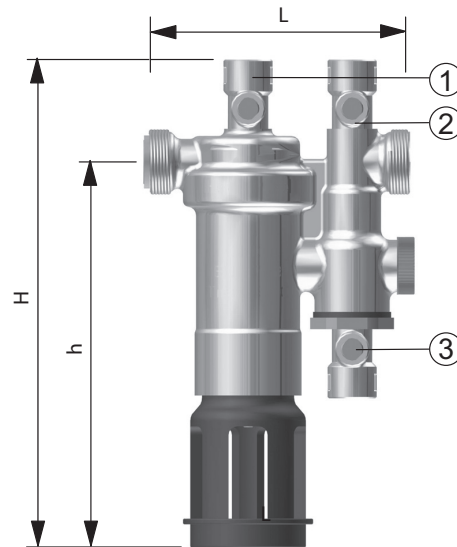


Fig. 1 Pressure drop within the valve in dependency of the flow rate and the used connection size

DIMENSIONS

Overview



Parameter		BA095 - 3/8E	BA095-3/8EZ
Connection size:	R	1/2"	3/4"
Nominal size diameter:	R	3/8"	3/8"
Weight:	kg	0.7	0.7
Dimensions:	L	90	100
	H	169	169
	h	134	134
DVGW registration number:	NW-6305C00320		
NF Approval number:	413 - 16/1		

Note: All dimensions in mm unless stated otherwise.

Note: 1 to 3 see chapter Method of operation

ORDERING INFORMATION

The following tables contain all the information you need to make an order of an item of your choice. When ordering, please always state the type, the ordering or the part number.


Options

The backflow preventer is available in the following sizes: 3/8" and 1/2".

- standard
- not available

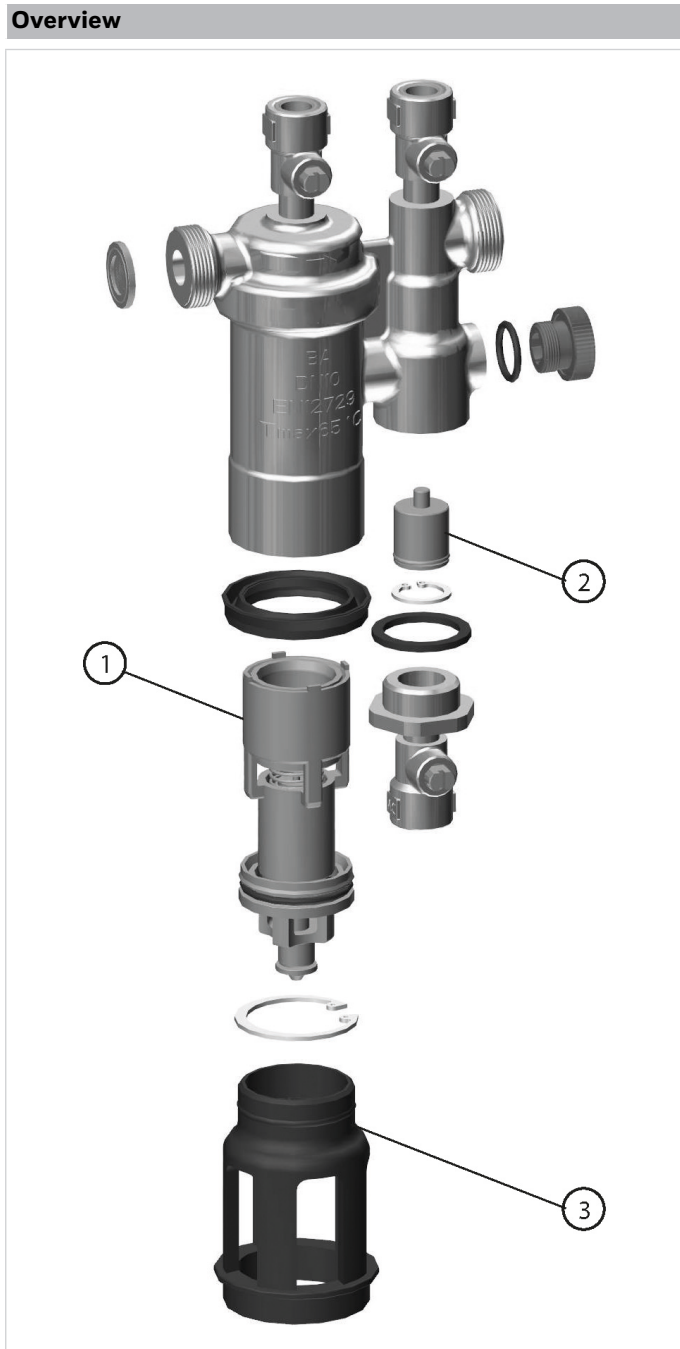
		BA095-3/8EZ	BA095-3/8E
Connection type:	Special version with external thread 3/4" on housing	•	-
	Standard version with external threads 1/2" on housing	-	•

Accessories

	Description	Dimension	Part No.
	TKA295 Test kit Analogue pressure measuring device with differential pressure display. With case and accessories, ideal for inspection and maintenance of backflow preventer type BA.		TKA295
	WS195 Maintenance Set Maintenance Set for backflow preventers for use with Test kit TK295 resp. TKA295		WS195

Spare Parts

Backflow preventer BA095, from 2012 onwards



	Description	Dimension	Part No.
1	Cartridge insert complete		
		3/8"	KE195
2	Check valve insert complete		
		3/8"	RVE095
3	Discharge connection		
			AT095



Manufactured for
and on behalf of
Pittway Sàrl, Z.A., La Pièce 4,
1180 Rolle, Switzerland
by its authorised representative
Ademco 1 GmbH

For more information
homecomfort.resideo.com/europe
Ademco 1 GmbH, Hardhofweg 40,
74821 MOSBACH, GERMANY
Phone: +49 6261 810
Fax: +49 6261 81309