

Model 65779

HELPING HANDS WITH LED LIGHT

INSTRUCTIONS AND PRECAUTIONS



Distributed exclusively by Harbor Freight Tools®.
3491 Mission Oaks Blvd., Camarillo, CA 93011
Visit our website at: <http://www.harborfreight.com>



SAVE THESE INSTRUCTIONS. READ ALL PRECAUTIONS AND INSTRUCTIONS.

Copyright© 2008 by Harbor Freight Tools®. All rights reserved. No portion of this document or any artwork contained herein may be reproduced in any shape or form without the express written consent of Harbor Freight Tools. Diagrams within this document may not be drawn proportionally. Due to continuing improvements, actual product may differ slightly from the product described herein. Tools required for assembly and service may not be included.

For technical questions or replacement parts, please call 1-800-444-3353.

SPECIFICATIONS

Magnification	1. Magnifying Lens - 2x 2. Zoom Lens - 6x
---------------	--

UNPACKING

When unpacking, make sure that the item is intact and undamaged. If any parts are missing or broken, please call Harbor Freight Tools at the number shown on the cover of this document as soon as possible.

IMPORTANT SAFETY INFORMATION

Assembly Precautions

1. Assemble only according to these instructions. Improper assembly can create hazards.

2. Wear ANSI-approved safety goggles during assembly.
3. Keep assembly area clean and well lit.
4. Keep bystanders out of the area during assembly.
5. Do not assemble when tired or when under the influence of drugs or medication.

Use Precautions

1. This product is not a toy. Do not allow children to play with this item.
2. Use for intended purpose(s) only.
3. Inspect before use; do not use if parts are loose or damaged.
4. Maintain product labels and nameplates. These carry important safety information. If unreadable or missing, contact Harbor Freight Tools for a replacement.

ASSEMBLY INSTRUCTIONS



Read the **ENTIRE IMPORTANT SAFETY INFORMATION** section at the beginning of this document including all text under subheadings therein before set up or use of this product.

Assembly

1. Pop the back of the Battery Compartment Cover up, and remove.
2. Insert the three AAA batteries supplied; the correct polarity is shown in the compartment. When batteries are installed, close cover.
3. Insert the Coil Spring Soldering Iron Holder (9) into the hole on the right side of Base (1) and tighten the Lock Screw. (See Fig. 1.)
4. Insert the Vertical Rod (2) into the Base and tighten the Lock Screw. (See Fig. 1.)
5. Slide the Horizontal Rod (3) and Bracket down onto the Vertical Rod.
 - a. Slide down about half way and tighten the knob. This position can be adjusted later. (See Fig. 1.)
6. Slide the Magnifying Lens (4) and Bracket onto the Vertical Rod (2) and tighten knob. (See Fig. 1.)
7. Adjust as required.

Lighting

8. The LED lights are not designed to be replaced.

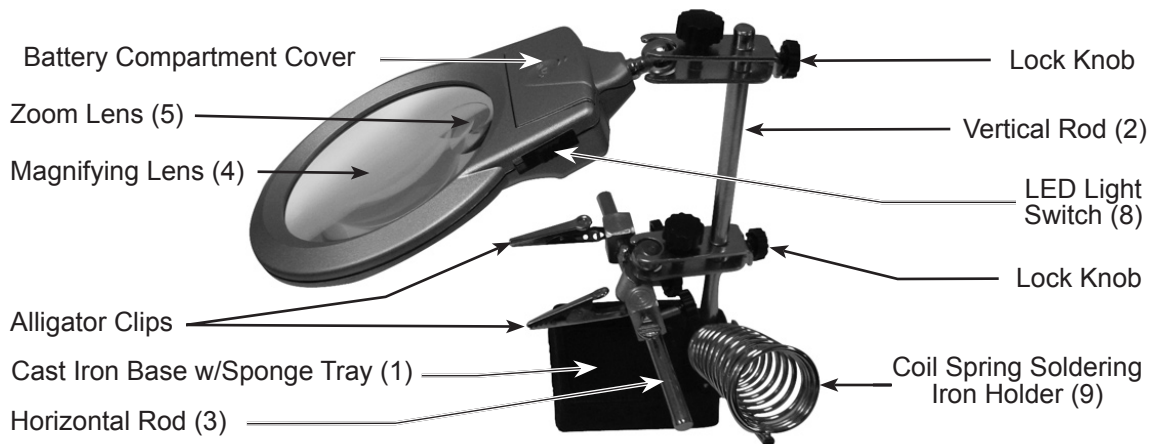


Fig 1

PLEASE READ THE FOLLOWING CAREFULLY

THE MANUFACTURER AND/OR DISTRIBUTOR HAS PROVIDED THE PARTS LIST AND ASSEMBLY DIAGRAM IN THIS DOCUMENT AS A REFERENCE TOOL ONLY. NEITHER THE MANUFACTURER OR DISTRIBUTOR MAKES ANY REPRESENTATION OR WARRANTY OF ANY KIND TO THE BUYER THAT HE OR SHE IS QUALIFIED TO MAKE ANY REPAIRS TO THE PRODUCT, OR THAT HE OR SHE IS QUALIFIED TO REPLACE ANY PARTS OF THE PRODUCT. IN FACT, THE MANUFACTURER AND/OR DISTRIBUTOR EXPRESSLY STATES THAT ALL REPAIRS AND PARTS REPLACEMENTS SHOULD BE UNDERTAKEN BY CERTIFIED AND LICENSED TECHNICIANS, AND NOT BY THE BUYER. THE BUYER ASSUMES ALL RISK AND LIABILITY ARISING OUT OF HIS OR HER REPAIRS TO THE ORIGINAL PRODUCT OR REPLACEMENT PARTS THERETO, OR ARISING OUT OF HIS OR HER INSTALLATION OF REPLACEMENT PARTS THERETO.

PARTS LIST & ASSEMBLY DIAGRAM

Part	Description	Qty.
1	Cast Iron Base	1
2	Vertical Rod	1
3	Horizontal Rod	1
4	Magnifying Lens	1
5	Zoom Lens	1
6	LED Bulb (Beneath Battery Compartment)	2
7	AAA Batteries	3
8	LED Light Switch	1
9	Coil Spring Soldering Iron Holder	1

Note: Replacement parts are not available.

Record Serial Number Here: _____

Note: If product has no serial number, record month and year of purchase instead.

Note: Some parts are listed and shown for illustration purposes only, and are not available individually as replacement parts.