



A TEREX BRAND

Parts Manual

Serial Number Range

Z-45/25

from SN 21179 to 26999

Z-45/25J

IC Power

Part No. 94356

Rev D3

November 2018

Technical Publications

Genie has endeavored to deliver the highest degree of accuracy possible. However, continuous improvement of our products is a Genie policy. Therefore, product specifications are subject to change without notice.

Readers are encouraged to notify Genie of errors and send in suggestions for improvement. All communications will be carefully considered for future printings of this and all other manuals.

Contact Us:

Internet: www.genielift.com
e-mail: awp.techpub@terex.com

Find a Manual for this Model


Go to <http://www.genielift.com>

Use the links to locate Operator's, Parts, Maintenance, and Service and Repair Manuals.

Copyright © 1998 by Terex Corporation

94356 Rev D February 2018
Third Edition, Fourth Printing

Genie is a registered trademark of Terex South Dakota, Inc. in the USA and many other countries. "Z" is a trademark of Terex South Dakota, Inc.

 Printed on recycled paper



Model: Z-45/25
Serial number: Z452598-12345
Model year: 1998 **Manufacture date:** 01/01/98
Electrical schematic number: ES0274
Machine unladen weight:

Rated work load (including occupants): 500 lb / 227 kg
Maximum number of platform occupants: 2
Maximum allowable side force : 150 lb / 670 N
Maximum allowable inclination of the chassis:
0 deg
Maximum wind speed : 28 mph / 12.5 m/s
Maximum platform height : 45 ft 6 in / 13.8 m
Maximum platform reach : 25 ft 3 in / 7.7 m
Gradeability: N/A
Country of manufacture: USA
This machine complies with:
ANSI A92.5
CAN B.354.4

Genie Industries
18340 NE 76th Street
Redmond, WA 98052
USA



11101111

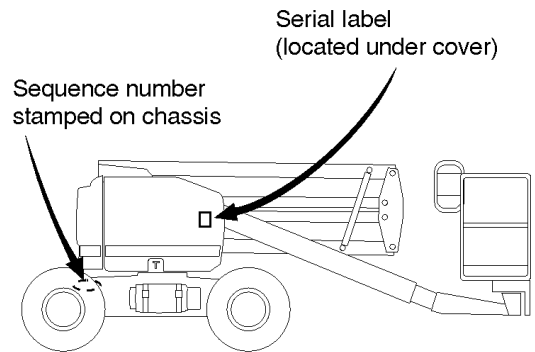
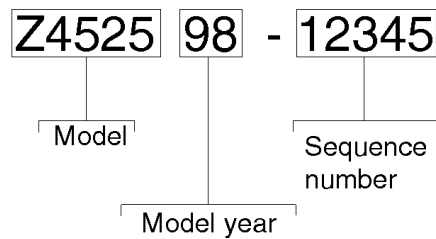


Table of Contents

This manual is updated frequently. If you have a printed manual, you can keep it up to date by downloading new figures from the Genie website at www.genielift.com. For the most up-to-date parts information, visit the Parts Lookup System on the Genie website at www.genielift.com.

How to Read Your Serial Number.....	3
Parts Stocking List.....	7
How to Order Parts.....	8
Service Parts Fax Order Form.....	9

Electronic Version

Click on any page number to view the figure.

100 Decals

101.1 Decals with Words.....	10
102.1 Decals with Symbols.....	14

200 Drive Chassis Components

201.1 Steer Axle Linkage - Oscillate Models.....	16
202.1 Steer Axle Linkage - Non-oscillate Models.....	18
203.1 Steer Axle Wheels, Motors and Hubs.....	20
204.1 Non-steer Axle Wheels and Hubs.....	24
205.1 Oscillate Valve.....	30
205.2 Oscillate Valve.....	32

300 Turntable Components

301.1 Turntable Rotator.....	34
302.1 Fuel and Hydraulic Tanks.....	36
303.1 Function Manifold and Ground Control Box Placement.....	38
304.1 Ground Control Box - View 1.....	40
305.1 Ground Control Box - View 2.....	44
306.1 Turntable Covers, Engine Side.....	46
307.1 Turntable Covers, Tank Side.....	48
308.1 Wire Harness Diagram.....	50

400 Engine Components

401.1 Ford LRG-425 EFI Engine - View 1 (to SN 23189).....	52
401.2 Ford LRG-425 EFI Engine - View 1 (from SN 23190).....	54
402.1 Ford LRG-425 EFI Engine - View 2 (to SN 23189).....	56
402.2 Ford LRG-425 EFI Engine - View 2 (from SN 23190).....	58
403.1 Ford LRG-425 EFI Engine - View 3 (to SN 23189).....	60
404.1 Deutz F3L 1011F Engine - View 1 (to SN 23040).....	62

404.2 Deutz F3L 2011 Engine - View 1 (from SN 23041).....	64
405.1 Deutz F3L 1011F Engine - View 2 (to SN 23040).....	66
405.2 Deutz F3L 2011 Engine - View 2 (from SN 23041).....	68
406.1 Perkins 104-22 Engine - View 1 (to SN 23008).....	70
406.2 Perkins 404-22 Engine - View 1 (from SN 23009).....	72
407.1 Perkins 104-22 Engine - View 2 (to SN 23008).....	74
407.2 Perkins 404-22 Engine - View 2 (from SN 23009).....	76
408.1 Perkins 104-22 Engine - View 3 (to SN 23008).....	78
409.1 Perkins 104-22 Engine - View 4 (to SN 23008).....	80
410.1 Engine Tray and Battery.....	82

500 Boom Components

501.1 Boom Pins and Bearings.....	84
502.1 Boom Linkage.....	86
503.1 Upper Pivot Components.....	88
504.1 Primary and Extension Booms.....	90
505.1 Cable Track (from SN 21179 to 24285).....	92
505.2 Cable Track (from SN 24286).....	94
506.1 Non-Jib Platform Leveling and Rotation.....	96
507.1 Jib Platform Leveling.....	98
508.1 Jib Platform Rotation.....	100
509.1 Jib Detail.....	102

600 Platforms

601.1 Platform Configuration.....	104
602.1 Platform Components.....	106
603.1 Platform Control Box - View 1.....	108
604.1 Platform Control Box - View 2.....	112
605.1 Single and Multi-axis Joystick.....	114
606.1 Steer Joystick.....	116

700 Manifolds and Pumps

701.1 2WD Drive Manifold.....	118
702.1 4WD Drive Manifold.....	120
703.1 Function Manifold (to SN 22050).....	124
703.2 Function Manifold (from SN 22051).....	128
704.1 Jib and Platform Rotate Manifolds.....	130
705.1 Pumps.....	132

800 Hydraulic Hoses and Fittings

801.1 2WD Drive and Steer (to SN 24689).....	134
801.2 2WD Drive and Steer (from SN 24690).....	136
802.1 2WD Drive and Steer - Narrow Models (to SN 24689).....	138
802.2 2WD Drive and Steer - Narrow Models (from SN 24690).....	140
803.1 4WD Drive and Steer System (to SN 23811).....	142
803.2 4WD Drive and Steer System (from SN 23812).....	144
804.1 Oscillate System.....	146

805.1 Turntable Components (to SN 22050).....	148
805.2 Turntable Components (from SN 22051).....	150
806.1 Boom Components.....	152
807.1 Boom Components.....	154

900 Accessories

901.1 Alarm and Beacon Package.....	156
902.1 Platform Options.....	158
903.1 Half-height Mesh, Swing Gate and Pipe Cradle.....	160
904.1 Airline to Platform.....	162
905.1 Cold Start Package - Ford and Deutz Engines.....	164
906.1 Generator Option.....	166
907.1 Platform Overload Option.....	168
908.1 Boom Hydraulic Hoses and Fittings, Arctic Hose Option.....	170
909.1 Boom Hydraulic Hoses and Fittings, Arctic Hose Option.....	172
910.1 Belt Driven Generator - Diesel Models.....	174
911.1 Fall Arrest Bar.....	176

Indices

Part Number Index.....	178
Part Description Index.....	184

Cross References

Fittings Cross Reference.....	194
-------------------------------	-----

Required Parts

The following parts are required to perform maintenance procedures as outlined in the Genie Z-45/25 and Z-45/25J Service Manual.

All Models:

Description	Part No.
Plug and Cap Kit (for ORFS Fittings).....	49613
Hydraulic Tank Filter Element.....	77353
High and Medium Pressure Filter Element.....	60857
Wheel Lug Nuts	54627
Lithium Based Grease	(source locally)
Dielectric Grease	66399
Drive Hub Oil (refer to service manual) ...	(source locally)

Perkins 404-22 Models:

Description	Part No.
Air Filter Element	62420
Fuel/water Separator Element.....	62433
Engine Oil Filter	94762
V-belt	89765
Fuel Filter.....	72346

Deutz F3L-2011 Models:

Description	Part No.
Air Filter	27916
Fuel/water Separator Element.....	29560
Engine Oil Filter	49924
V-belt	32698

Ford LRG-425 EFI Models (to SN 30141):

Description	Part No.
Fuel Pre-Filter	52179
Fuel Pressure Regulator/Filter.....	58967
Engine Oil Filter	28656
Air Filter Element	77295
Serpentine Belt	52580
PCV Valve.....	33957
Spark Plug	106490

Ford DSG-423 EFI Models (from SN 30142):

Description	Part No.
Fuel Pre-Filter	52761
Fuel Pressure Regulator/Filter.....	119491
Engine Oil Filter	119139
Air Filter Element	77295
Serpentine Belt	119138
PCV Valve.....	119474
Spark Plug	119495

Recommended Parts

Description	Part No.
Genie Blue Paint, 1 Gallon	32150
Genie Blue Paint, 12 Ounce Aerosol.....	1484
Genie Gray Paint, 1 Gallon.....	32151
Genie Gray Paint, 12 Ounce Aerosol	1268
Plug and Cap Kit (for ORFS fittings).....	49613

Manuals

Genie Industries offers the following support documents for these models:

Title	Part No.
EMI Safety Manual	27581
Manual of Responsibilities ANSI A92.5.....	31779

How To Order Parts

How to Order Parts

Please be prepared with the following information when ordering replacement parts for your Terex or Genie product.

- Machine model number
- Machine serial number
- Part number
- Part description and quantity
- Purchase order number
- "Ship to" address
- Desired method of shipment
- Name and telephone number of the authorized distributor in your area.

Use the Service Parts Fax Order Form on the next page and fax your order to our Parts Department.

If you don't know the name of your authorized distributor, or if your area is not currently serviced by an authorized distributor, please call Terex or Genie Industries.

Machine Information

Model

Serial Number

Date of Purchase

Authorized Genie Distributor

Phone Number

North America

Telephone (425)881-1800
 Toll Free (800)536-1800 in US and Canada
 Fax (425)556-8659
 Toll Free fax (888)274-6192
 Email AWP.PartsSalesPO@terex.com
<http://genielift.com/en>

EMEAR (Europe, Middle East, Africa and Russia)

Telephone (31)(165)519 313
 Fax (31)(165)511 148
<http://genielift.co.uk>

Asia Pacific (Genie Singapore)

Telephone +65 6692 7777
 Fax +65 6261 8893
<http://genielift.com.sg/>

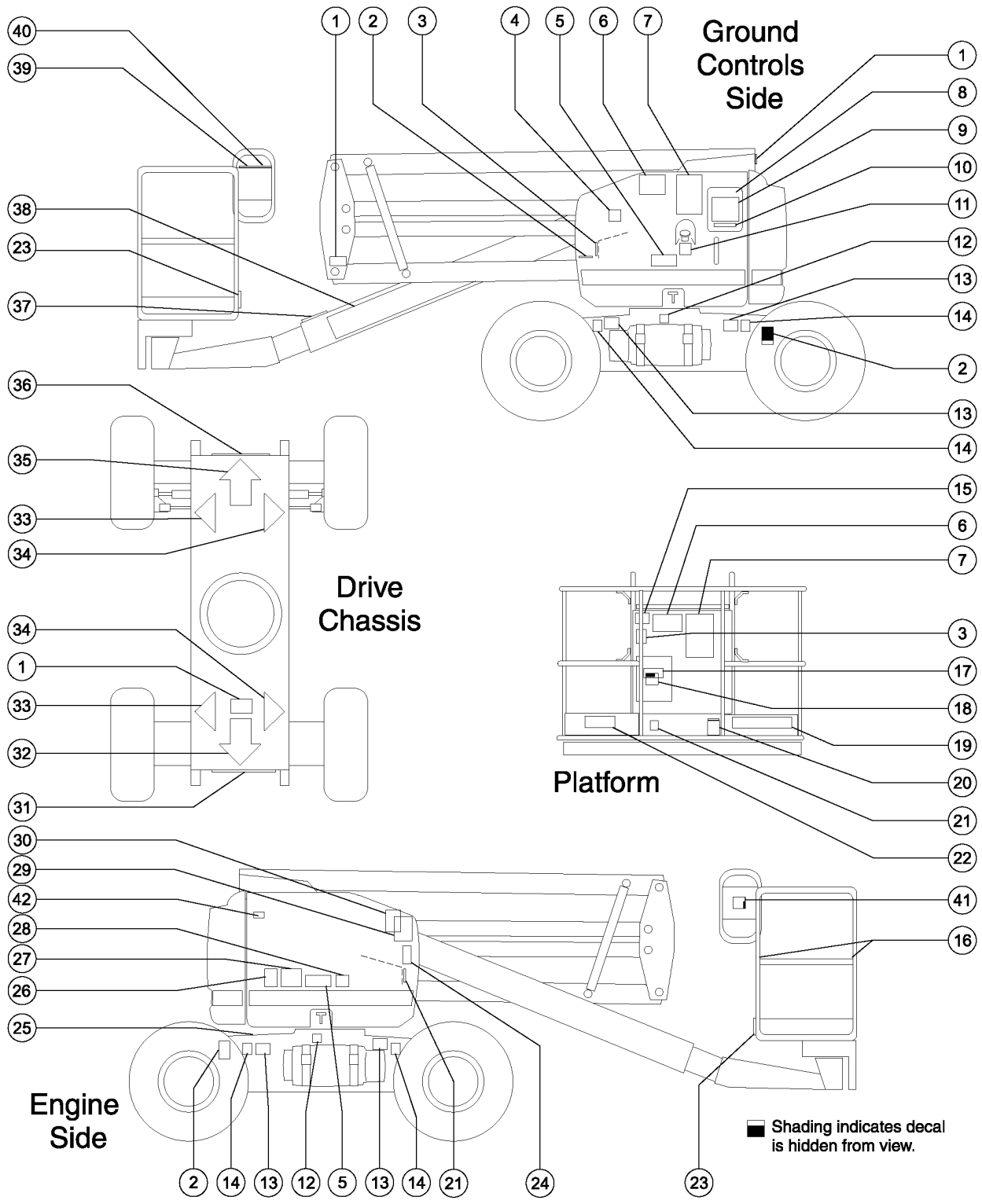
Australia

Telephone (61)(7)3456 4444
 Fax (61)(7)3456 4466
<http://genielift.com.au>

South America

Telephone (55)(11)4082 5600
 Fax (55)(11)4082 5630

101.1 Decals with Words



101.1 Decals with Words

Item	Part No.	Description	Qty.	Item	Part No.	Description	Qty.
A	77523GT	DECAL KIT,SFTY/INSTR Z45IC <i>kit does not include 3, 8, 11, 12, 15, 22, 23, 24, 29, 30, and 36-38</i>		--	82918GT	DECAL,NOTICE, TIRE SPECS.....4 <i>from SN 22431</i>	4
B	162235GT	DECAL KIT,Z45IC PLAT,WORD,ANSI <i>from SN Z452507-33971 to Z452513A-47000 and from Z452507B-101 to Z452513B-330 from z452513D-101</i>		15	33952GT	DECAL,DANGER,TILT ALARM.....1	1
C	162343GT	DECAL KIT,Z45IC PLAT,WRD,AUST <i>from SN Z452507-33971 to Z452511A-40599 and from Z452507B-101 to Z452511B-1725</i>		16	40434GT	DECAL,LANYARD ANCHORAGE POINT.....8	8
1	31060GT	DECAL,DANGER DO NOT ALTER SWTC.....3	3	17	28236GT	DECAL,WARN,IMPROPER OPERATION.....1	1
2	28161GT	DECAL,WARN,CRUSH HAZARD HAND.....3	3	18	28176GT	DECAL,LABEL,MANUAL NOT HERE.....1	1
3	28174GT	DECAL, POWER TO PLATFORM 230V**.....2	2	19	30080GT	DECAL,NOTICE,MAX LOAD 500 LBS....1	1
3	28235GT	DECAL,POWER TO PLATFORM 115V...2	2	20	28165GT	DECAL,INSTRUCT,FOOTSWITCH OPER.....2	2
--	28174GT	DECAL, POWER TO PLATFORM 230V**.....2	2	21	44981GT	DECAL,LABEL, AIR LINE 110 PSI.....2	2
4	82366GT	DECAL,CHEVRON RANDO HD.....1	1	22	44986GT	DECAL,INSTR,SIDE FRC/WIND,AUS....2 <i>Australian models</i>	2
5	27564GT	DECAL,DANGER,ELEC.HAZ.STAY CLR.....2	2	22	97887GT	DECAL,INSTR,MAX SIDE FRC,ANSI....2 <i>ANSI and CSA models</i>	2
6	82283GT	DECAL,NOTICE,OPER INST.IC***.....2	2	--	44986GT	DECAL,INSTR,SIDE FRC/WIND,AUS....2 <i>Australian models</i>	2
7	97890GT	DECAL,DANGER,GEN SAFETY RULES.....2	2	23	28177GT	DECAL,WARN,CRUSH HAZARD PLAT.....1	1
8	52607GT	DECAL,LABEL,TEST***.....1 <i>Ford models</i>	1	24	49741GT	DECAL,NOTICE,FORD EFI ENG SPEC to SN 23189	
9	72442GT	DECAL, GROUND CONTROL PANEL....1	1	24	52784GT	DECAL,NOTICE,DEUTZ ENG SPEC*** to SN 23040	
10	43663GT	DECAL,NOTICE, FUNCTION ENABLE*.....1	1	24	72085GT	DECAL,NOTICE,PERKINS ENG SPEC to SN 23008	
11	28158GT	DECAL,LABEL,UNLEADED GAS ONLY.....1	1	24	82644GT	DECAL, ENGINE SPEC, PERKINS from SN 23009	
11	28159GT	DECAL,DIESEL.....1	1	24	97571GT	DECAL,NOTICE,FORD ENG SPECS T2 from SN 23190	
--	28159GT	DECAL,DIESEL.....1	1	--	52784GT	DECAL,NOTICE,DEUTZ ENG SPEC*** to SN 23040	
12	28160GT	DECAL,LABEL,LIQUID PROPANE.....2 <i>Ford models</i>	2	--	72085GT	DECAL,NOTICE,PERKINS ENG SPEC to SN 23008	
13	43595GT	DECAL,DANGER,TIP-OVER,TIRES***...4 <i>Narrow models</i>	4	--	82644GT	DECAL, ENGINE SPEC, PERKINS from SN 23009	
13	52672GT	DECAL,DANGER,TIPOVER HAZARD***.....4	4	--	97571GT	DECAL,NOTICE,FORD ENG SPECS T2 from SN 23190	
14	52447GT	DECAL,NOTICE,TIRE SPECS***.....4 <i>to SN 22430</i>	4	25	25994GT	DECAL,NOTICE,SHUTOFF VALVES.....1 <i>to SN 21375</i>	1
14	65301GT	DECAL,NOTICE,FOAM-FILLED TIRES.....4 <i>Narrow models</i>	4	26	28164GT	DECAL,NOTICE,HAZARDOUS MAT'LS*.....1	1
14	82918GT	DECAL,NOTICE, TIRE SPECS.....4 <i>from SN 22431</i>	4	27	28175GT	DECAL,WARNING-COMPART ACCESS.....1	1
--	65301GT	DECAL,NOTICE,FOAM-FILLED TIRES.....4 <i>Narrow models</i>	4	28	28171GT	DECAL,DANGER,NO SMOKING ***.....1	1
				29	77046GT	SERIAL # LABEL,MYLAR 4X8***.....1	1
				30	77183GT	FILM,POLY,CLEAR,4.5 X 8.75.....1	1
				31	62947GT	DECAL,COSMETIC,IC POWER 4 X 2.....1	1
				31	62948GT	DECAL,COSMETIC,IC POWER 4 X 4.....1	1

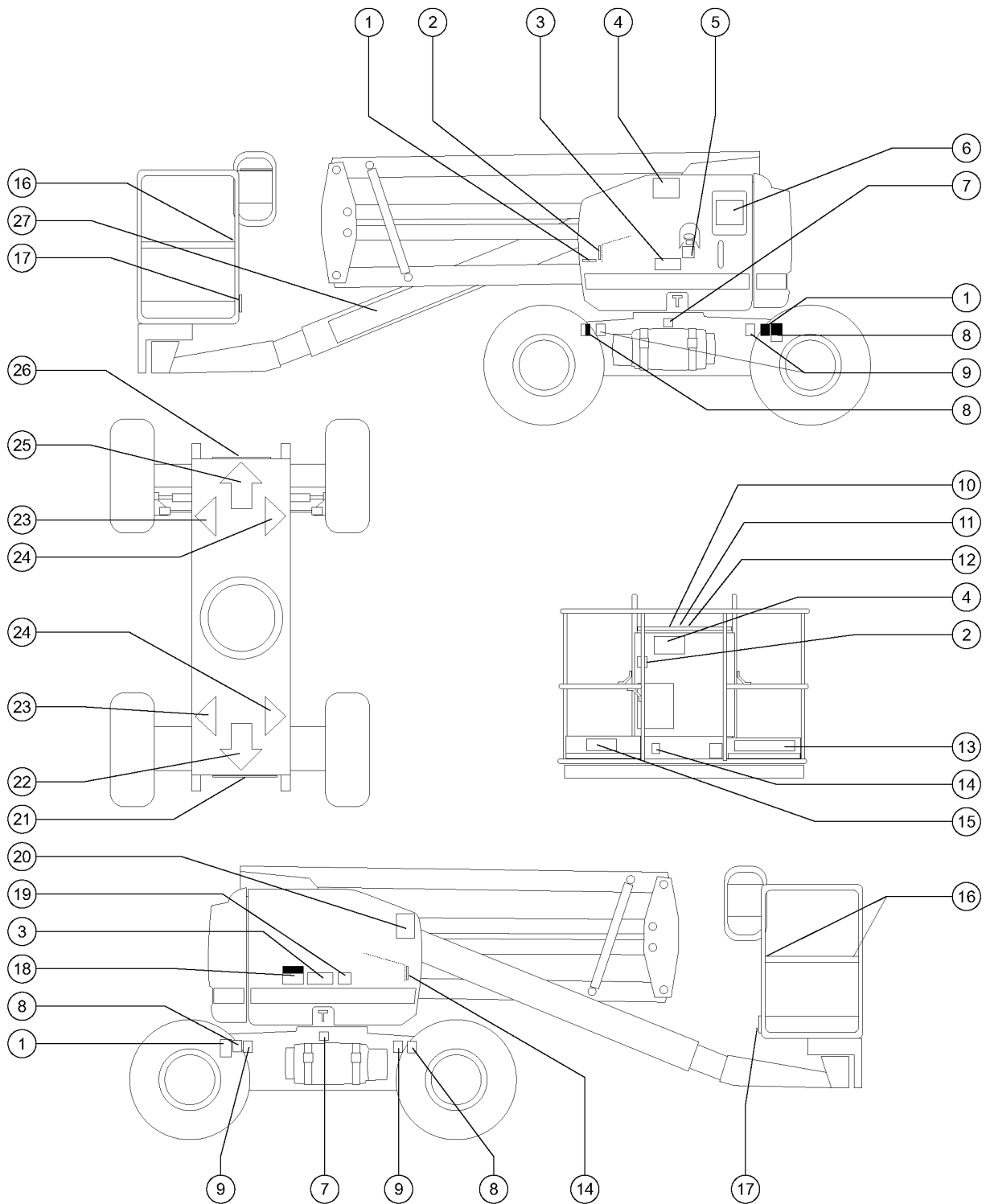


101.1 Decals with Words
(continued)

Item	Part No.	Description	Qty.
--	62947GT	DECAL,COSMETIC,IC POWER 4 X 2.....1	
32	27205GT	DECAL,ARROW YELLOW LRG 9".....1	
33	27206GT	DECAL,TRIANGLE,BLUE.....2	
34	27207GT	DECAL,TRIANGLE,YELLOW.....2	
35	27204GT	DECAL,ARROW BLUE.....1	
36	52969GT	DECAL,COSMETIC,GENIE BOOM,HORZ.....1	
37	28181GT	DECAL,WARN,FALL HAZARD.....1	
38	62926GT	DECAL,COSMETIC,GENIE Z-45/25J.....1	
38	62927GT	DECAL,COSMETIC,GENIE Z-45/25.....1	
39	32728GT	DECAL,OPTION GENERATOR***.....1	
39	72867GT	DECAL,LABEL,LIGHTS***.....1	
39	82238GT	DECAL,PLATFORM CONTROL PANEL.....1	
--	32728GT	DECAL,OPTION GENERATOR***.....1	
--	72867GT	DECAL,LABEL,LIGHTS***.....1	
40	82244GT	DECAL,PROTECTOR,CLEAR***.....1	
41	82243GT	DECAL FAULT CODE.....1	
42	97602GT	DECAL,EXPLOSION HAZARD.....1 <i>Diesel models</i>	

This Page Intentionally Left Blank

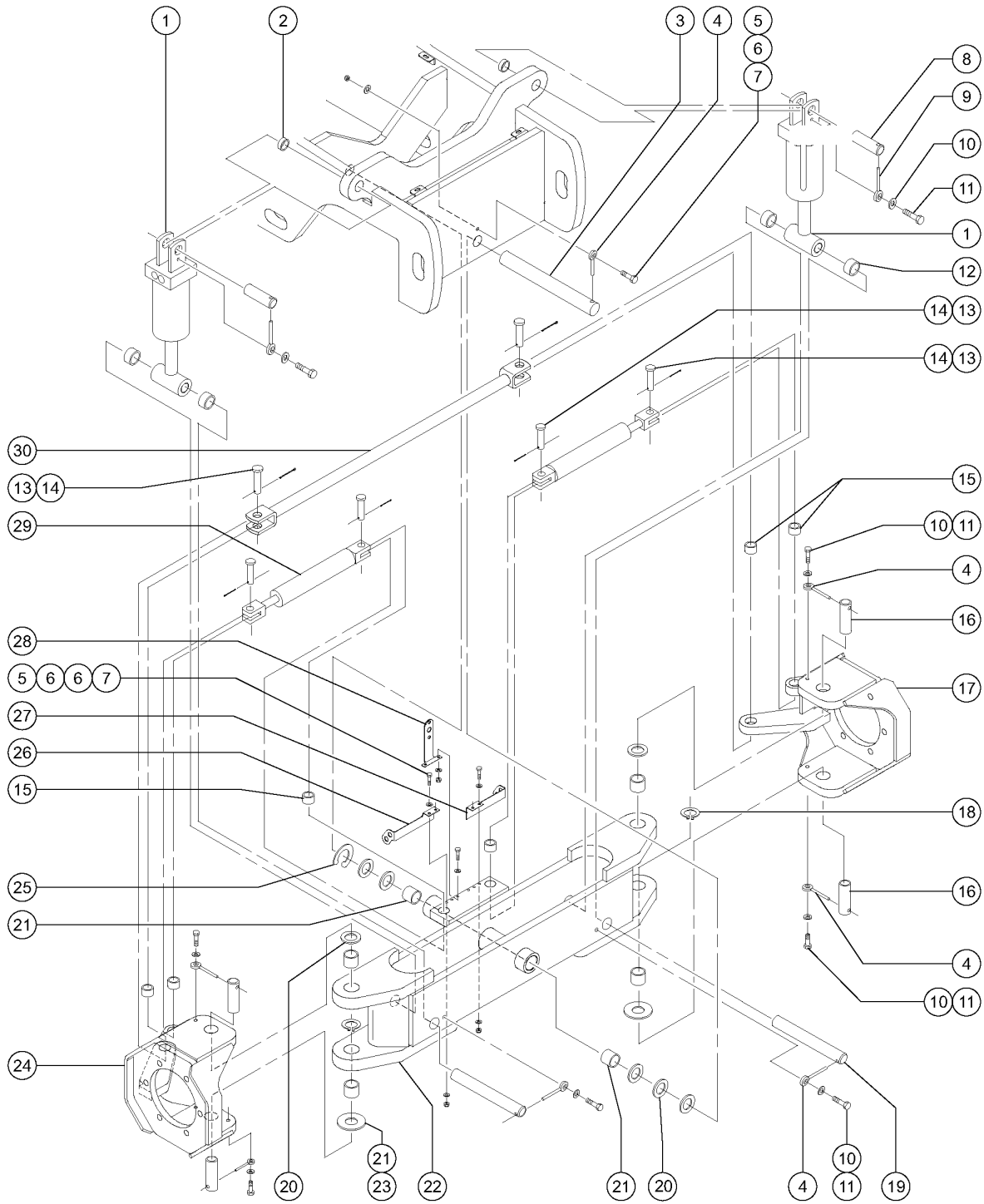
102.1 Decals with Symbols



102.1 Decals with Symbols

Item	Part No.	Description	Qty.	Item	Part No.	Description	Qty.
A	97815GT	DECAL,LABEL,LOWER MIDRAIL.....	1	17	82548GT	DECAL,WARN,CRUSH HAZARD PLAT.....	2
B	33550GT	TAPE,WARNING,BLK/YEL, 50***		18	82473GT	DECAL,SYMBOL-COMP ACCESS.....	1
C	823153GT	DECAL KIT,Z45 PLAT,SYM,ANSI from SN Z452507-33948 to Z452507-34010 and from Z452507A-34011 and from Z452507B-101 and from Z452513D-101		19	28171GT	DECAL,DANGER,NO SMOKING ***.....	1
D	823161GT	DECAL KIT,Z45 PLAT,SYM,CE from SN Z452507-33948 to Z452507-34010 and from Z452507A-34011 and from Z452507B-101 and from Z452513D-101		20	77046GT	SERIAL # LABEL,MYLAR 4X8***.....	1
1	82472GT	DECAL,WARNING,CRUSHING HAZARD.....	3	21	62947GT	DECAL,COSMETIC,IC POWER 4 X 2.....	1
2	28174GT	DECAL, POWER TO PLATFORM 230V**.....	2	21	62948GT	DECAL,COSMETIC,IC POWER 4 X 4.....	1
2	28235GT	DECAL,POWER TO PLATFORM 115V...2		--	62947GT	DECAL,COSMETIC,IC POWER 4 X 2.....	1
--	28174GT	DECAL, POWER TO PLATFORM 230V**.....	2	22	27205GT	DECAL,ARROW YELLOW LRG 9".....	1
3	82544GT	DECAL,DANGER,ELEC.HAZ.STAY CLR.....	2	23	27206GT	DECAL,TRIANGLE,BLUE.....	2
4	82487GT	DECAL, SYMBOL - READ THE MANUAL.....	2	24	27207GT	DECAL,TRIANGLE,YELLOW.....	2
5	28158GT	DECAL,LABEL,UNLEADED GAS ONLY.....	1	25	27204GT	DECAL,ARROW BLUE.....	1
5	28159GT	DECAL,DIESEL.....	1	26	52969GT	DECAL,COSMETIC,GENIE BOOM,HORZ.....	1
--	28159GT	DECAL,DIESEL.....	1	27	62926GT	DECAL,COSMETIC,GENIE Z-45/25J.....	1
6	72442GT	DECAL, GROUND CONTROL PANEL....	1	27	62927GT	DECAL,COSMETIC,GENIE Z-45/25.....	1
7	28160GT	DECAL,LABEL,LIQUID PROPANE..... <i>Ford Models</i>	2				
8	82631GT	DECAL,LABEL,WHEEL LOAD Z4525....	4				
8	82632GT	DECAL,LABEL,WHEEL LOAD Z4525J...4					
9		DECAL,LABEL,TIRE PRESS Z45IND....4 <i>(never used in production)</i>	4				
9	82633GT	DECAL,LABEL,TIRE PRESS Z45RT....4	4				
10	82238GT	DECAL,PLATFORM CONTROL PANEL.....	1				
11	32728GT	DECAL,OPTION GENERATOR***.....	1				
12	82646GT	DECAL,DRIVE ENABLE PATCH.....	1				
13	82545GT	DECAL,DANGER,MAX LOAD 227 KG**.....	1				
14	44981GT	DECAL,LABEL, AIR LINE 110 PSI.....	2				
15	82602GT	DECAL,DANGER,MAX SIDE FRC,667N.....	1				
15	82604GT	DECAL,DANGER,SIDE FRC 400N..... <i>Australian models only</i>	1				
--	82604GT	DECAL,DANGER,SIDE FRC 400N..... <i>Australian models only</i>	1				
16	40434GT	DECAL,LANYARD ANCHORAGE POINT.....	2				

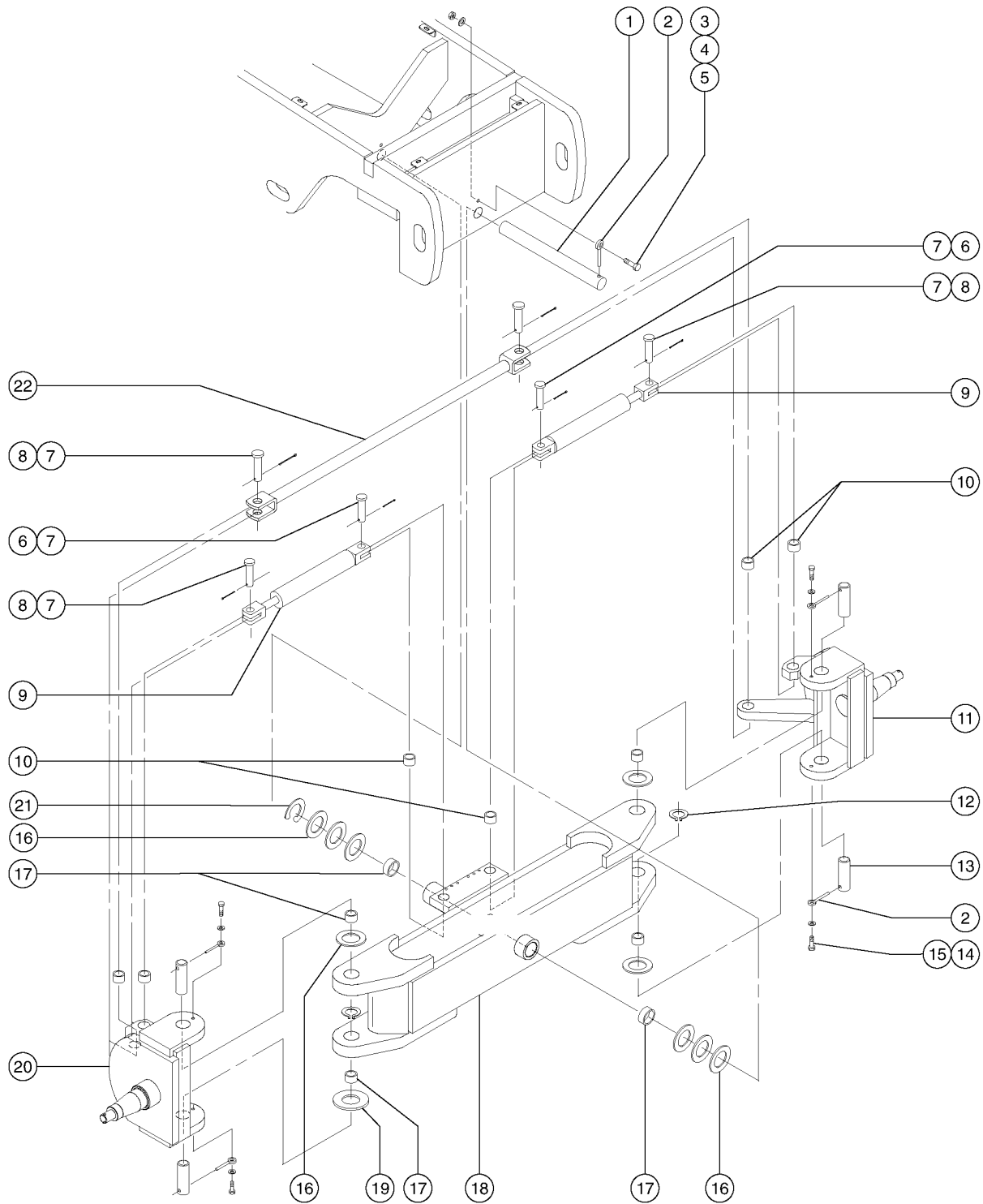
201.1 Steer Axle Linkage - Oscillate Models



201.1 Steer Axle Linkage - Oscillate Models

Item	Part No.	Description	Qty.
1	54567GT	CYLINDER,OSCILLATE,Z45*** <i>includes 2 of of item 12</i>	2
--	65791GT	SEAL KIT,CYL,Z45 (54567)	
--	77409GT	VALVE,COUNTERBALANCE,1000 ATM	
2	50560GT	BEARING,1.25IDX1.50ODX1.50L	2
3	54542GT	PIN,1.50DIAX20.00LG,CHAMFER	1
4	825019GT	ROD END,.375X3.69,ZAG	
5	6708GT	SCREW,HHC,3/8-16 X 2.25	
6	5397GT	WASHER,FLAT,USS,5/16",Y	
7	4828GT	NUT,NYLOCK,3/8-16	
8	50742GT	PIN,1.25DIAX3.75LG,1HOLE	2
9	1255452GT	ROD END,.375 X 2.25,ZAG	
10	6021GT	WASHER,LOCK,.375	
11	6175GT	SCREW,HHC,3/8-16 X 1	
12	25683GT	BEARING,POLYGON,20DU12	4
13	19440GT	PIN,CLEVIS,1 X 2.5 LG	4
14	74389GT	RUE RING,1.00	4
15	25817GT	BEARING,1.00IDX1.25ODX1.00L	4
16	88752GT	PIN,1.50DIAX4.25LG,GR/H	4
17	52704-SGT	YOKE ASSY,LH,4WD,Z45/25,IC <i>4WD models; includes 2 of item 15</i>	1
--	52733-SGT	YOKE ASSY,LH'2WD'Z45IC <i>2WD models; includes 2 of item 15</i>	1
18	825796GT	SNAP RING,EXTERNAL,1.50,ZAG	
19	36198GT	PIN,1.25DIAX8.12LG,1HOLE	2
20	18596GT	WASHER,FLAT,1.56 X 2.5 X .061	
21	45071GT	BEARING,1.5IDX1.75ODX1.5L	2
22	52706-SGT	FRONT AXLE ASSY,WIDE,Z45/25 IC <i>includes 2 of item 15 and 6 of item 21</i>	1
23	45074GT	WASHER,THRUST,1.5 X 3.5 X .187	
24	52705-SGT	YOKE ASSY,RH,4WD,Z45/25,IC <i>4WD models; includes 2 of item 15</i>	1
--	52734-SGT	YOKE ASSY,RH'2WD'Z45IC <i>2WD models; includes 2 of item 15</i>	1
25	54557GT	SHIM,AXLE PIN,1.50"	
26	50947PGT	BRACKET,FRONT DRIVE HOSES,RH,P	1
27	50901PGT	BRACKET,FRONT DRIVE HOSES,LH,P	1
28	50900GT	BRACKET,OSC HOSE BULKHEAD	1
29	88337GT	CYLINDER,STEER	2
--	88338GT	SEAL KIT, 88337	
30	50328-SGT	TIE ROD WELDMENT	1

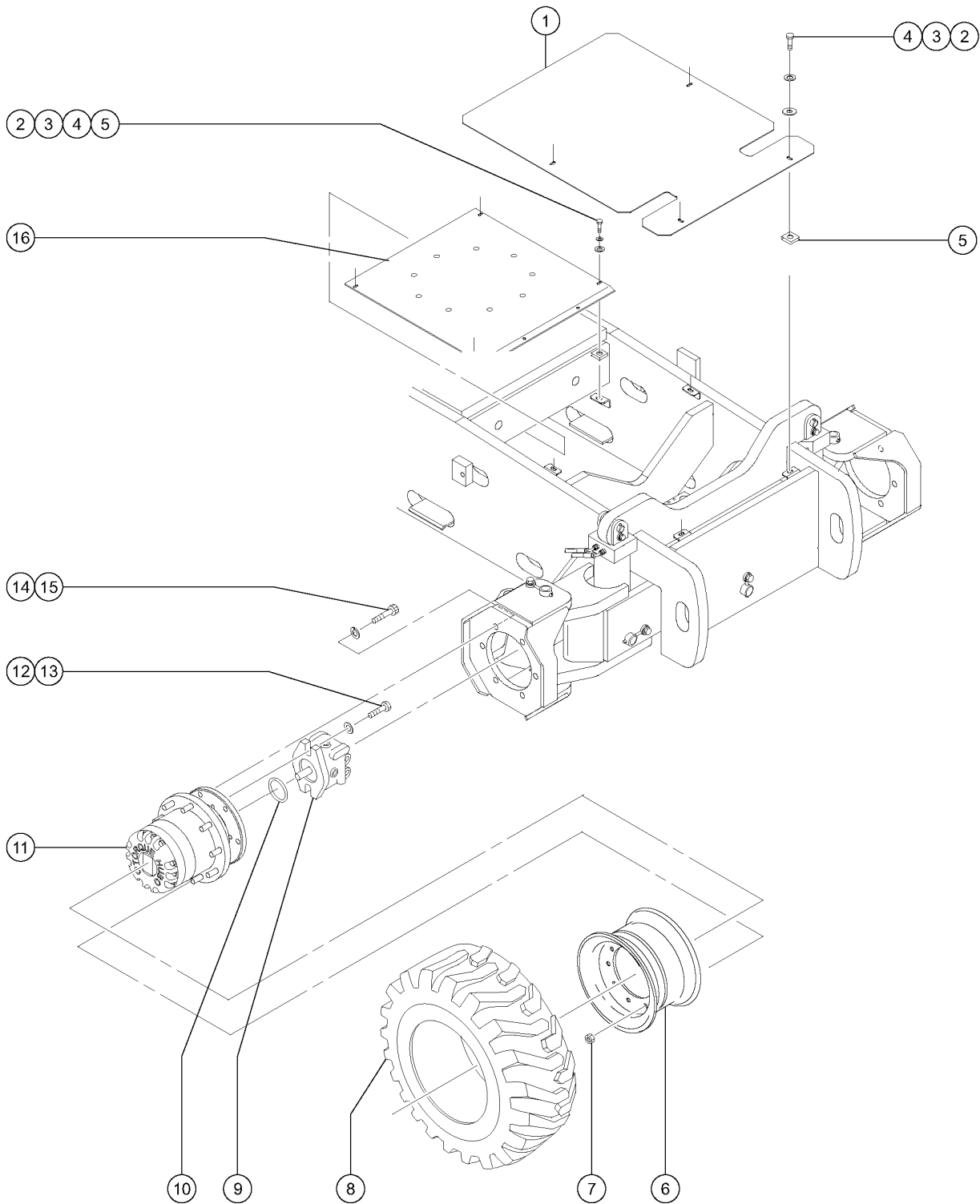
202.1 Steer Axle Linkage - Non-oscillate Models



202.1 Steer Axle Linkage - Non-oscillate Models

Item	Part No.	Description	Qty.
1	54542GT	PIN,1.50DIAX20.00LG,CHAMFER.....1	1
2	825019GT	ROD END,.375X3.69,ZAG	
3	6708GT	SCREW,HHC,3/8-16 X 2.25	
4	5397GT	WASHER,FLAT,USS,5/16",Y	
5	4828GT	NUT,NYLOCK,3/8-16	
6	19440GT	PIN,CLEVIS,1 X 2.5 LG.....4	4
7	74389GT	RUE RING,1.00.....4	4
8	19440GT	PIN,CLEVIS,1 X 2.5 LG.....2	2
9	88337GT	CYLINDER,STEER.....2	2
9	88338GT	SEAL KIT, 88337	
10	25817GT	BEARING,1.00IDX1.25ODX1.00L.....4	4
11	52733-SGT	YOKE ASSY.LH'2WD'Z45IC.....1 <i>includes item 10</i>	1
12	825796GT	SNAP RING,EXTERNAL,1.50,ZAG	
13	88752GT	PIN,1.50DIAX4.25LG,GR/H.....4	4
14	6175GT	SCREW,HHC,3/8-16 X 1	
15	6021GT	WASHER,LOCK,.375	
16	18596GT	WASHER,FLAT,1.56 X 2.5 X .061	
17	45071GT	BEARING,1.5IDX1.75ODX1.5L.....2	2
18	52706-SGT	FRONT AXLE ASSY,WIDE,Z45/25 IC.....1 <i>Wide Models; includes items 10 and 17</i>	1
--	52735GT	FRONT AXLE ASSY,NRRW,Z45/25 <i>Narrow Models; includes items 10 and 17</i>	
19	45074GT	WASHER,THRUST,1.5 X 3.5 X .187	
20	52734-SGT	YOKE ASSY.RH'2WD'Z45IC.....1 <i>includes 2 of item 10</i>	1
21	54557GT	SHIM,AXLE PIN,1.50"	
22	229798GT	TIE ROD WELDMENT, NARROW.....1	1
22	50328-SGT	TIE ROD WELDMENT.....1 <i>Wide Models</i>	1

203.1 Steer Axle Wheels, Motors and Hubs



203.1 Steer Axle Wheels, Motors and Hubs

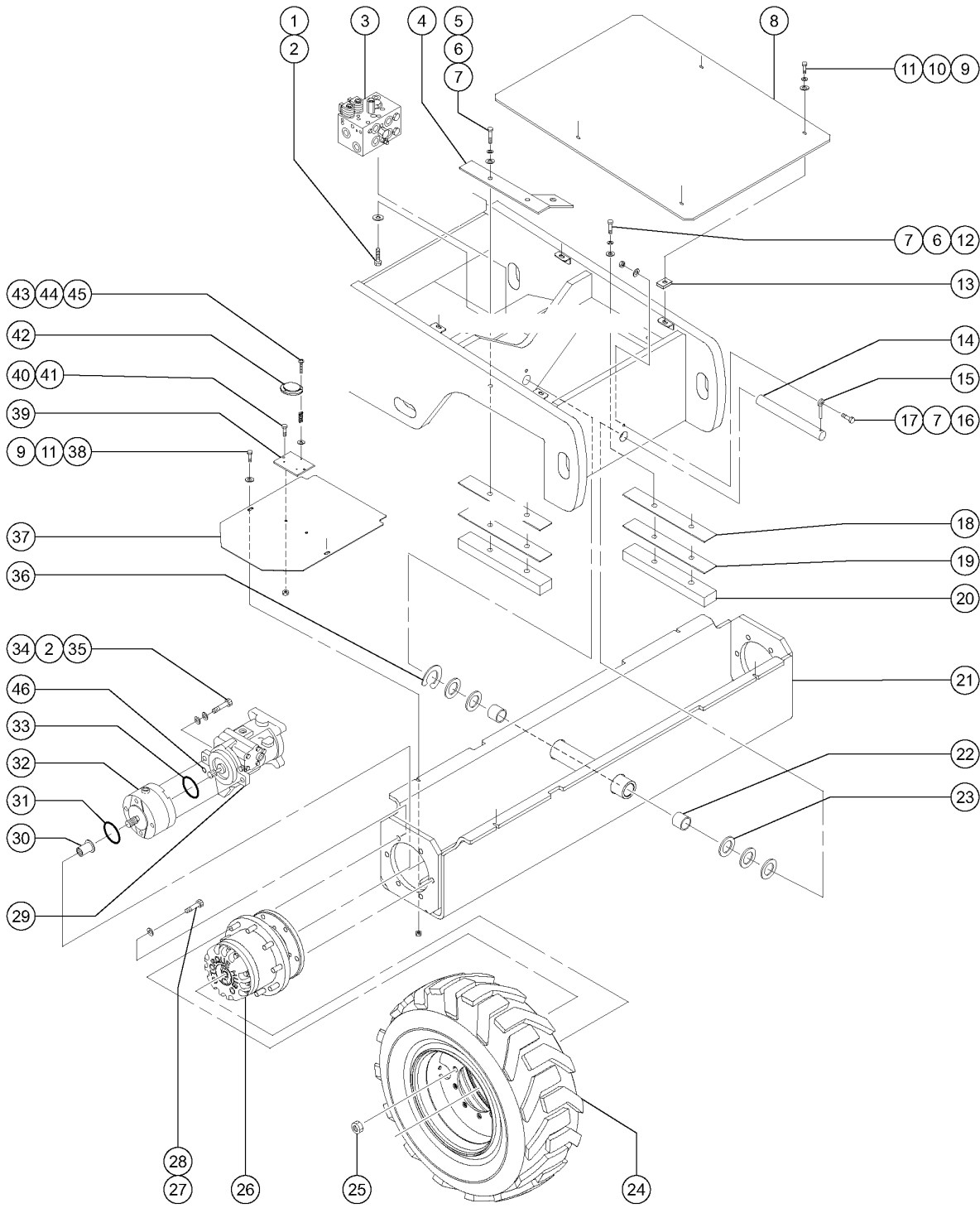
Item	Part No.	Description	Qty.	Item	Part No.	Description	Qty.
1	52731GT	COVER W/DECALS,STEER,OSC,Z45....1 <i>Oscillate Models</i>		--	110713GT	TIRE/WHEEL ASSY,RT W/SEALANT <i>from SN 22431; RT, Low-profile, Air-filled with Sealant (RR/LF)</i>	
2	6888GT	SCREW,HHC,1/4-20 X 1		--	110718GT	TIRE/WHEEL ASSY,RT NM W/SEALANT <i>from SN 22431; RT, Low-profile, Air-filled with Sealant, Non-marking (LR/RF)</i>	
3	6356GT	WASHER,LOCK, .25		--	110719GT	TIRE/WHEEL ASSY,RT NM W/SEALANT <i>from SN 22431; RT, Low-profile, Air-filled with Sealant, Non-marking (RR/LF)</i>	
4	6638GT	WASHER,FLAT,USS,1/4"Y					
5	56912GT	SPRING CLIP,1/4-20,.025-.15X.54,ZAG					
6A	50919GT	WHEEL,17.50 X 10.5(9 HOLES)63#.....2 <i>4WD; to SN 22430</i>		--	88728GT	TIRE,355/55D625	
--	94660GT	WHEEL 24.5X11.75-9 HOLE.....2 <i>4WD; from SN 22431</i>		--	94536GT	TIRE,355/55D625,14 PLY,NM	
6B	50943GT	WHEEL,17.50 X 10.5,8 HOLE/8 BC.....2 <i>2WD; to SN 22430</i>		--	94657GT	WHEEL & TIRE ASSY,LR/RF,AIR <i>from SN 22431; RT, Low-profile, Air-filled</i>	
--	94661GT	WHEEL 24.5X11.75-8 HOLE,AIR.....2 <i>2WD; from SN 22431</i>		--	94662GT	WHEEL & TIRE ASSY,RR/LF,FF <i>from SN 22431; RT, Low-profile, Foam-filled</i>	
7	54627GT	NUT,LUG,5/8-18 X 90 DEGREE,Z45		--	94663GT	WHEEL & TIRE ASSY,LR/RF,FF <i>from SN 22431; RT, Low-profile, Foam-filled</i>	
8A	50920GT	WHEEL/TIRE ASSEMBLY,RR/LF 248#...2 <i>to SN 22430; RT, Air-filled</i>		--	94666GT	WHEEL & TIRE ASSY,RR/LF,AIR,NM <i>from SN 22431; RT, Low-profile, Air-filled, Non-marking</i>	
--	110712GT	TIRE/WHEEL ASSY,RT W/SEALANT <i>to SN 22430; RT, Low-profile, Air-filled with Sealant (LR/RF)</i>		--	94667GT	WHEEL & TIRE ASSY,LR/RF,AIR,NM <i>from SN 22431; RT, Low-profile, Air-filled, Non-marking</i>	
--	110713GT	TIRE/WHEEL ASSY,RT W/SEALANT <i>to SN 22430; RT, Low-profile, Air-filled with Sealant (RR/LF)</i>		--	94670GT	WHEEL & TIRE ASSY,RR/LF,FF,NM <i>from SN 22431; RT, Low-profile, Foam-filled, Non-marking</i>	
--	110718GT	TIRE/WHEEL ASSY,RT NM W/SEALANT <i>to SN 22430; RT, Low-profile, Air-filled with Sealant, Non-marking (LR/RF)</i>		--	94671GT	WHEEL & TIRE ASSY,LR/RF,FF,NM <i>from SN 22431; RT, Low-profile, Foam-filled, Non-marking</i>	
--	110719GT	TIRE/WHEEL ASSY,RT NM W/SEALANT <i>to SN 22430; RT, Low-profile, Air-filled with Sealant, Non-marking (RR/LF)</i>		9	33432GT	MOTOR,HYD,25CC FIXED***.....2	
--	50955GT	WHEEL & TIRE ASSY,LR/RF 248# <i>to SN 22430; RT, Air-filled</i>		--	32675GT	SEAL KIT,SUNSTRAND	
--	54610GT	WHEEL&TIRE,RR/LF,AIR,RT,N/MARK <i>to SN 22430; RT, Air-filled, Non-marking</i>		10	52087GT	O-RING,2-044 BUNA***.....2	
--	54611GT	WHEEL&TIRE,LR/RF,AIR,RT,N/MARK <i>to SN 22430; RT, Air-filled, Non-marking</i>		11A	20193GT	TORQUE HUB,35:1***.....2 <i>4WD models</i>	
--	54612GT	WHEEL&TIRE,RR/LF,FOA,RT,N/MARK <i>to SN 22430; RT, Foam-filled, Non-marking</i>		--	1286606GT	SEAL KIT,TORQUE HUB (20193) <i>for20193</i>	
--	54613GT	WHEEL&TIRE,LR/RF,FOA,RT,N/MARK <i>to SN 22430; RT, Foam-filled, Non-marking</i>		--	1286607GT	BEARING KIT,TORQUE HUB (20193) <i>for 20193</i>	
--	54614GT	TIRE,14-17.5,NHS,N/MARK,14PLY <i>to SN 22430; RT, Non-marking</i>		--	21143GT	BEARING KIT (45553) TORQUE HUB <i>for 20193 (inventory limited to stock on hand as component is no longer available)</i>	
--	60059GT	TIRE,14-17.5 NHS,RT,14PLY,112# <i>to SN 22430; RT</i>		--	21144GT	CAP,DISENGAGE-45553 TORQUE HUB	
--	60084GT	WHEEL & TIRE ASSEMBLY,LR/RF,FM <i>to SN 22430; RT, Foam-filled</i>		--	21145GT	DISCONNECT ROD-45553 TQ.HUB	
--	60085GT	WHEEL & TIRE ASSEMBLY,RR/LF,FM <i>to SN 22430; RT, Foam-filled</i>		--	21146GT	COVER CAP,TORQUE HUB***	
8B	94656GT	WHEEL & TIRE ASSY,RR/LF,AIR.....2 <i>from SN 22431; RT, Low-profile, Air-filled</i>		--	21148GT	WASHER,THRUST,TORQUE HUB	
--	110712GT	TIRE/WHEEL ASSY,RT W/SEALANT <i>from SN 22431; RT, Low-profile, Air-filled with Sealant (LR/RF)</i>		--	21149GT	LUG,WHEEL STUD,5/8-18,W1/4HB**	
				--	37097GT	O-RING, TORQUE HUB	
				--	58438GT	KIT,COVER,TORQUE HUB,45553***	

203.1 Steer Axle Wheels, Motors and Hubs (continued)

Item	Part No.	Description	Qty.
--	58589GT	THRUST CAP (20193)	
11B	54840GT	HUB ASSEMBLY,9 BOLT***2 <i>2WD models</i>	
--	21166GT	LUG BOLT,5/8-18,WHEEL HUB***	
--	45112GT	WASHER,SPINDLE	
--	45113GT	NUT,SPINDLE,1-14	
--	45114GT	PIN,COTTER, .219 X 1.75	
--	45873GT	SEAL/BEARING KIT (45043,54840)	
--	54959GT	CAP,DUST (54840 HUB ASSY)	
--	54960GT	SEAL-GREASE,9-BOLT HUB 54840	
--	54961GT	BEARING,INNER,9 BOLT HUB***	
--	54962GT	BEARING,OUTER,9 BOLT HUB***	
12	22788GT	SCREW,HHC,1/2-13 X 1.75	
13	6033GT	WASHER,LOCK,0.5"	
14	28117GT	SCREW,SHC,5/8-11 X 1.5.....12	
15	13064GT	WASHER,FLAT,.625 HARDENED.....12	
16	50028PGT	FORMING,BELLY PAN,PAINTED.....1 <i>to SN 23331</i>	
--	120269GT	FORMING,BELLY PAN.....1 <i>from SN 23332</i>	

This Page Intentionally Left Blank

204.1 Non-steer Axle Wheels and Hubs



204.1 Non-steer Axle Wheels and Hubs

Item	Part No.	Description	Qty.	Item	Part No.	Description	Qty.
1	10597GT	SCREW,HHC,1/2-13 X 1.25 GR5		--	110719GT	TIRE/WHEEL ASSY,RT NM W/SEALAN from SN 21179 to 22430; RT, Low-profile, Air-filled with Sealant, Non-marking (RR/LF)	
2	6033GT	WASHER,LOCK,0.5"		--	1267780GT	TIRE/WH ASSY,9 LG,FOAM,NS REAR from SN 21179 to 22430; Industrial, Foam-filled (steer end)	
3		Ref. MANIFOLD, 4WD.....1 (refer to 702.1)	1	--	1267782GT	TIRE/WH ASSY,9LG,NM,FOAM,NS RE from SN 21179 to 22430; Industrial, Foam-filled, Non-marking (non-steer end)	
4		Ref. PLATE,BRACKET,OSC VALVE.....1 oscillate models (refer to 205.1)	1	--	50919GT	WHEEL,17.50 X 10.5(9 HOLES)63# from SN 21179 to 22430	
5	14033GT	SCREW,HHC,3/8-16 X 2.75 Oscillate Models		--	50955GT	WHEEL & TIRE ASSY,LR/RF 248# from SN 21179 to 22430; RT, Air-filled	
5	6708GT	SCREW,HHC,3/8-16 X 2.25 Non-oscillate Models		--	54139GT	WHEEL,14.5 X 7 from SN 21179 to 22430	
6	6021GT	WASHER,LOCK,.375		--	54140GT	TUBELESS PNEUMATIC TIRE,9-14LT from SN 21179 to 22430; Industrial	
7	5397GT	WASHER,FLAT,USS,5/16",Y		--	54234GT	TUBELESS TIRE,9-14.5,NON-M 47# from SN 21179 to 22430; Industrial, Non-marking	
8	52707-SGT	COVR W/DECALS,NON-STEER Z45/25.....1	1	--	54610GT	WHEEL&TIRE,RR/LF,AIR,RT,N/MARK from SN 21179 to 22430; RT, Air-filled, Non-marking	
9	6888GT	SCREW,HHC,1/4-20 X 1		--	54611GT	WHEEL&TIRE,LR/RF,AIR,RT,N/MARK from SN 21179 to 22430; RT, Air-filled, Non-marking	
10	6356GT	WASHER,LOCK,.25		--	54612GT	WHEEL&TIRE,RR/LF,FOA,RT,N/MARK from SN 21179 to 22430; RT, Foam-filled, Non-marking	
11	6638GT	WASHER,FLAT,USS,1/4"Y		--	54613GT	WHEEL&TIRE,LR/RF,FOA,RT,N/MARK from SN 21179 to 22430; RT, Foam-filled, Non-marking	
12	6708GT	SCREW,HHC,3/8-16 X 2.25		--	54614GT	TIRE,14-17.5,NHS,N/MARK,14PLY from SN 21179 to 22430; RT, Non-marking	
13	56912GT	SPRING CLIP,1/4-20,.025-.15X.54,ZAG		--	60059GT	TIRE,14-17.5 NHS,RT,14PLY,112# from SN 21179 to 22430; RT	
14	54542GT	PIN,1.50DIAX20.00LG,CHAMFER.....1	1	--	60084GT	WHEEL & TIRE ASSEMBLY,LR/RF,FM from SN 21179 to 22430; RT, Foam-filled	
15	825019GT	ROD END,.375X3.69,ZAG		--	60085GT	WHEEL & TIRE ASSEMBLY,RR/LF,FM from SN 21179 to 22430; RT, Foam-filled	
16	6175GT	SCREW,HHC,3/8-16 X 1		24B	94656GT	WHEEL & TIRE ASSY,RR/LF,AIR.....2 from SN 22431; RT, Low-profile, Air-filled	2
17	4828GT	NUT,NYLOCK,3/8-16		--	110712GT	TIRE/WHEEL ASSY,RT W/SEALANT from SN 22431; RT, Low-profile, Air-filled with Sealant (LR/RF)	
18	50669GT	SHIM,AXLE ROTATION STOP,22GA		--	110713GT	TIRE/WHEEL ASSY,RT W/SEALANT from SN 22431; RT, Low-profile, Air-filled with Sealant (RR/LF)	
19	119210GT	SHIM,AXLE ROTATION STOP,12GA		--	110718GT	TIRE/WHEEL ASSY,RT NM W/SEALAN from SN 22431; RT, Low-profile, Air-filled with Sealant, Non-marking (LR/RF)	
20	50667GT	BAR,AXLE ROTATION STOP,OSC Oscillate Models					
20	50668GT	BAR,AXLE ROTATION STOP,NON-OSC					
21	110185GT	REAR AXLE,ASSY WIDE,W/BEARINGS.....1 includes 2 of item 22	1				
21	77243GT	FORMED AXLE,WIDE,W/BEARINGS.....1 includes 2 of item 22	1				
21	77302GT	AXLE ASSY,NON-STR,NARROW BASE includes 2 of item 22					
22	45071GT	BEARING,1.5IDX1.75ODX1.5L.....2	2				
23	18596GT	WASHER,FLAT,1.56 X 2.5 X .061					
24A	50920GT	WHEEL/TIRE ASSEMBLY,RR/LF 248#...2 from SN 21179 to 22430; RT, Air-filled	2				
--	110712GT	TIRE/WHEEL ASSY,RT W/SEALANT from SN 21179 to 22430; RT, Low-profile, Air-filled with Sealant (LR/RF)					
--	110713GT	TIRE/WHEEL ASSY,RT W/SEALANT from SN 21179 to 22430; RT, Low-profile, Air-filled with Sealant (RR/LF)					
--	110718GT	TIRE/WHEEL ASSY,RT NM W/SEALAN from SN 21179 to 22430; RT, Low-profile, Air-filled with Sealant, Non-marking (LR/RF)					

204.1 Non-steer Axle Wheels and Hubs
(continued)

Item	Part No.	Description	Qty.	Item	Part No.	Description	Qty.
--	110719GT	TIRE/WHEEL ASSY,RT NM W/SEALAN from SN 22431; RT, Low-profile, Air-filled with Sealant, Non-marking (RR/LF)		26A	106148GT	WHEEL DRIVE,4HB,48:1***.....2 4WD; from SN 22502 to 23811; change in wheel drive requires replacement of both drive hubs at first-time replacement; after first-time replacement, refer to 'for 106148' below	
--	88728GT	TIRE,355/55D625		--	106121GT	ROD,DISCONNECT 4HP/4HB*** for 106148	
--	94536GT	TIRE,355/55D625,14 PLY,NM Non-marking		--	106122GT	CAP,DISENGAGE,4HP/4HB*** for 74097 and 106148	
--	94657GT	WHEEL & TIRE ASSY,LR/RF,AIR from SN 22431; RT, Low-profile, Air-filled		--	106123GT	O-RING,END COVER,4HP/4HB*** for 106148	
--	94662GT	WHEEL & TIRE ASSY,RR/LF,FF from SN 22431; RT, Low-profile, Foam-filled		--	1286600GT	SEAL KIT,WHEEL DRIVE (106148/106445/107712) for 106148	
--	94663GT	WHEEL & TIRE ASSY,LR/RF,FF from SN 22431; RT, Low-profile, Foam-filled		--	1286601GT	BEARING KIT,WHEEL DRIVE (106148/106445/107712) for 74097 and 106148	
--	94666GT	WHEEL & TIRE ASSY,RR/LF,AIR,NM from SN 22431; RT, Low-profile, Air-filled, Non-marking		--	128839GT	PIPE PLUG,.563 MAG*** for 106148	
--	94667GT	WHEEL & TIRE ASSY,LR/RF,AIR,NM from SN 22431; RT, Low-profile, Air-filled, Non-marking		--	21149GT	LUG,WHEEL STUD,5/8-18,W1/4HB** for 74097 and 106148	
--	94670GT	WHEEL & TIRE ASSY,RR/LF,FF,NM from SN 22431; RT, Low-profile, Foam-filled, Non-marking		--	37097GT	O-RING, TORQUE HUB for 74097	
--	94671GT	WHEEL & TIRE ASSY,LR/RF,FF,NM from SN 22431; RT, Low-profile, Foam-filled, Non-marking		--	58237GT	PLUG,TORQUE HUB,DRAIN*** for 74097	
25	54627GT	NUT,LUG,5/8-18 X 90 DEGREE,Z45		--	58428GT	DISCONNECT ROD (74097) for 74097	
26	56338GT	TORQUE HUB,47:1 W1 "B" MOUNT**....2		--	58438GT	KIT,COVER,TORQUE HUB,45553*** for 74097	
--	1286606GT	SEAL KIT,TORQUE HUB (20193) for 56338		--	58448GT	KIT,TORQUE HUB COVER (45553)** for 74097	
--	21143GT	BEARING KIT (45553) TORQUE HUB for 56338		--	72307GT	SEAL KIT, TORQUE HUB(74097)* for 74097	
--	21144GT	CAP,DISENGAGE-45553 TORQUE HUB for 56338		--	74375GT	WASHER,THRUST,TORQUE HUB,74097 for 74097	
--	21145GT	DISCONNECT ROD-45553 TQ.HUB to SN 22501		--	74714GT	BEARING KIT-74097 TORQUE HUB** for 74097, 106148 (inventory limited to stock on hand as component is no longer available)	
--	21146GT	COVER CAP,TORQUE HUB*** for 56338		--	83110GT	COVER END,TORQUE HUB (74097) for 74097	
--	21148GT	WASHER,THRUST,TORQUE HUB for 56338		26B	101584GT	WHEEL DRIVE W/BRAKE 57:1.....2 4WD; from SN 23812	
--	21149GT	LUG,WHEEL STUD,5/8-18,W1/4HB** for 56338		--	106119GT	SEAL KIT, GEARBOX, 4HP for 101584	
--	37097GT	O-RING, TORQUE HUB for 56338		--	106120GT	WHEEL STUD, 4HP, 5/8-18*** for 101584	
--	58438GT	KIT,COVER,TORQUE HUB,45553*** for 56338		--	106121GT	ROD,DISCONNECT 4HP/4HB*** for 101584	
--	58448GT	KIT,TORQUE HUB COVER (45553)** for 56338		--	106122GT	CAP,DISENGAGE,4HP/4HB*** for 101584	
--	74099GT	DISCONNECT ROD (56338) for 56338		--	106123GT	O-RING,END COVER,4HP/4HB*** for 101584	

204.1 Non-steer Axle Wheels and Hubs

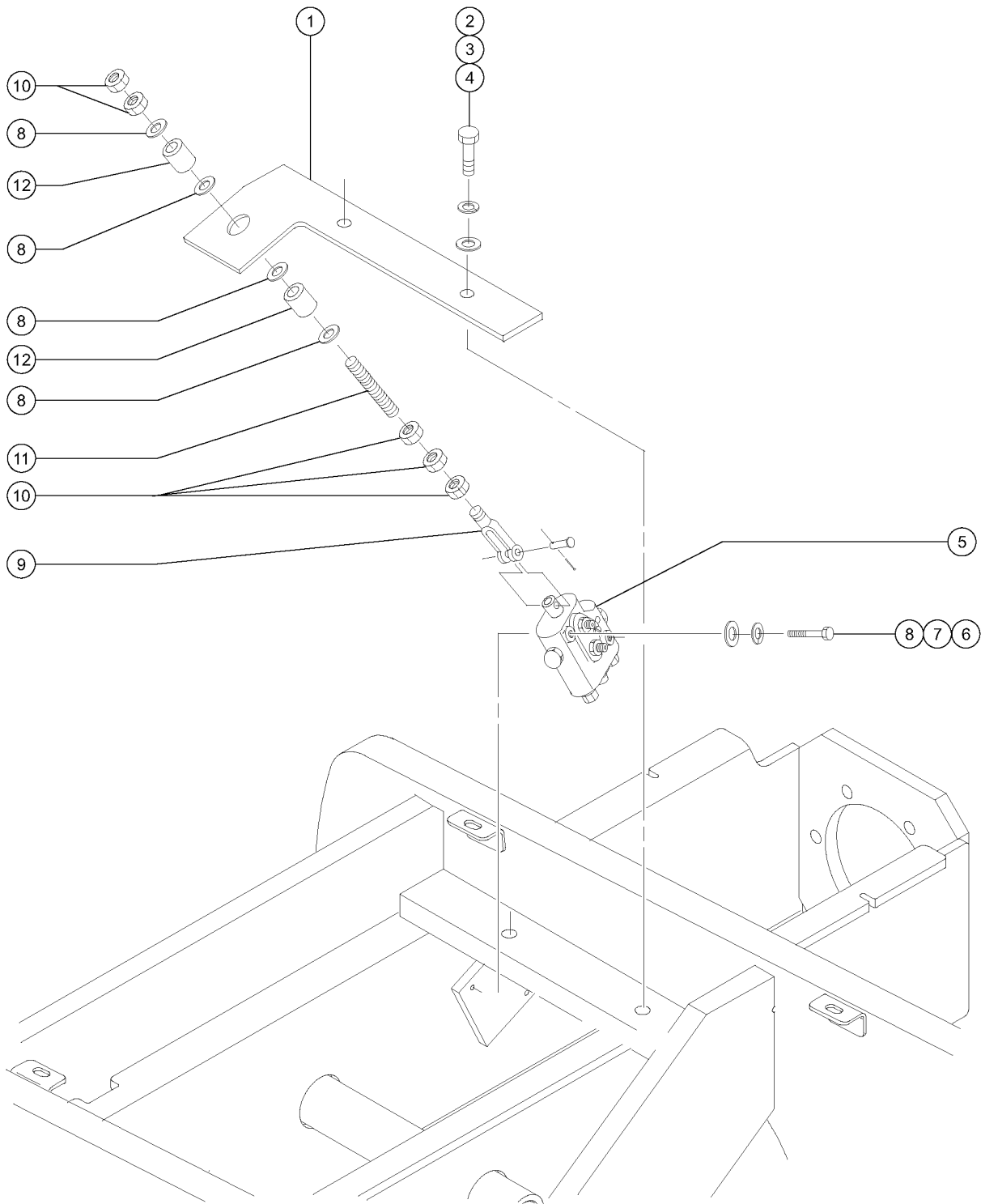
Item	Part No.	Description	Qty.	Item	Part No.	Description	Qty.
--	106124GT	LINING KIT, BRAKE, 4HP*** <i>for 101584</i>		--	9990074GT	COUPLING <i>for 106148 (brake coupler)</i>	
--	106125GT	SEAL KIT, BRAKE, 4HP <i>for 101584</i>		27A	29883GT	SCREW,HHC,5/8-11 X 1.75 GRD.8.....12	
--	106126GT	BEARING KIT,4HP <i>for 101584</i>		27B	19418GT	SCREW,SHC,5/8-11 X 1.75	
--	232486GT	SNAP RING,WHEEL DRIVE		27C	28117GT	SCREW,SHC,5/8-11 X 1.5 2WD	
--	58320GT	KIT,TORQUE HUB COVER(101584)**		28	13064GT	WASHER,FLAT,.625 HARDENED.....12	
26C	106148GT	WHEEL DRIVE,4HB,48:1***.....2 2WD		29A	54412GT	MOTOR,HYD,LV35,VAR,10DEG,2WD.....2 2WD	
--	101584GT	WHEEL DRIVE W/BRAKE 57:1.....2 2WD		--	27067GT	SEAL,SHAFT-SUNDSTRAND***	
--	106117GT	O-RING,2-010,VITON <i>for 106148 (Mating O-ring for Brake Port)(Extremely small)</i>		--	65534GT	SEAL KIT-DRIVE MOTOR <i>(replaced 65609)</i>	
--	106119GT	SEAL KIT, GEARBOX, 4HP <i>for 101584</i>		29B	101587GT	MOTOR,PISTON,LC30,10 DEG,13T.....2 2WD; <i>from SN 24690</i>	
--	106120GT	WHEEL STUD, 4HP, 5/8-18*** <i>for 106148</i>		--	106098GT	SEAL KIT,MOTOR,LC/KC***	
--	106121GT	ROD,DISCONNECT 4HP/4HB*** <i>for 101584</i>		--	27067GT	SEAL,SHAFT-SUNDSTRAND***	
--	106122GT	CAP,DISENGAGE,4HP/4HB*** <i>for 101584</i>		29C	54411GT	MOTOR,HYD,LV35,VAR,1DEG,4WD.....2 4WD; <i>to SN 23811</i>	
--	106123GT	O-RING,END COVER,4HP/4HB*** <i>for 106148</i>		--	27067GT	SEAL,SHAFT-SUNDSTRAND***	
--	106124GT	LINING KIT, BRAKE, 4HP*** <i>for 101584</i>		--	65534GT	SEAL KIT-DRIVE MOTOR	
--	106125GT	SEAL KIT, BRAKE, 4HP <i>for 106148</i>		29D	106151GT	MOTOR,PISTON,LC30,1 DEG,13T.....2 4WD; <i>from SN 23812</i>	
--	106126GT	BEARING KIT,4HP <i>for 106148 (inventory limited to stock on hand as component is no longer available)</i>		--	106098GT	SEAL KIT,MOTOR,LC/KC*** 2WD <i>models</i>	
--	1286600GT	SEAL KIT,WHEEL DRIVE (106148/106445/107712) <i>for 106148</i>		--	106118GT	O-RING,2-157,VITON*** <i>O-ring on motor</i>	
--	1286602GT	SEAL KIT,WHEEL DRIVE W/BRAKE (101584/101585) <i>for 101584</i>		30	38113GT	COUPLER,INTERNAL SPLINE,T-HUB....2 2WD; <i>to SN 24689</i>	
--	1286603GT	BEARING KIT,WHEEL DRIVE W/BRAKE (101584/101585) <i>for 106148</i>		31	52087GT	O-RING,2-044 BUNA***2 2WD; <i>to SN 24689</i>	
--	146051GT	BEARING NUT*** <i>for 101584</i>		32A	106150GT	BRAKE,SAE B-B,900IN LB***2 <i>to SN 23301</i>	
--	146052GT	SET SCREW*** <i>for 146051</i>		--	106403GT	LINING KIT,BRK,WET*** <i>for 106150 Ausco brake</i>	
--	215777GT	INPUT CARRIER, SUB-ASSEMBLY <i>for 106148</i>		--	65608GT	BEARING KIT, AUSCO*** <i>for 74294 Ausco brake</i>	
--	232486GT	SNAP RING,WHEEL DRIVE <i>for 106148</i>		--	65618GT	SEAL KIT,BRAKE*** <i>for 106150 Ausco brake</i>	
--	58320GT	KIT,TORQUE HUB COVER(101584)** <i>for 106148</i>		--	77239GT	LINING KIT,AUSCO BRAKE*** <i>for 74294 Ausco brake</i>	
				--	77240GT	SEAL KIT, AUSCO BRAKE*** <i>for 74294 Ausco brake</i>	
				--	94880GT	BEARING KIT <i>for 106150 Ausco brake</i>	
				32B	106150GT	BRAKE,SAE B-B,900IN LB***2 4WD; <i>from SN 23302 to SN 23811 (brake intergrated into drive hub from SN 23812)</i>	
				--	106403GT	LINING KIT,BRK,WET***	
				--	65618GT	SEAL KIT,BRAKE***	

204.1 Non-steer Axle Wheels and Hubs
(continued)

Item	Part No.	Description	Qty.
--	94880GT	BEARING KIT	
32C	106150GT	BRAKE,SAE B-B,900IN LB***.....2 2WD; from SN 23302 to SN 24689 (brake intergrated into drive hub from SN 24690)	
--	106403GT	LINING KIT,BRK,WET***	
--	65618GT	SEAL KIT,BRAKE***	
--	94880GT	BEARING KIT	
33	102158GT	O-RING,.103 X 4.737,VITON, 75D.....2 2WD; from SN 24690	
33	22811GT	O-RING,MOTOR TO BRAKE***.....2 2WD; to SN 24689	
34	42360GT	SCREW,SHC,1/2-13 X 4 ZINC.....4	
35	13066GT	WASHER,FLAT,.5 HARDENED	
36	54557GT	SHIM,AXLE PIN,1.50"	
37	77153GT	COVER,FORMED REAR AXLE,WIDE....2	
38	6889GT	NUT,LP NYLOCK,1/4-20	
39	77152GT	BRACKET,BUBBLE LEVEL.....1	
40	6090GT	SCREW,HHC,1/4-20 X .75	
41	23404GT	NUTSERT,1/4-20,STEEL CAD PLTD	
42	77026GT	LEVEL,BUBBLE,2 DEGREE *.....1	
43	49817GT	SCREW,PHILLIPS,PHM,10-32 X1.25	
44	77027GT	SPRING,1X.31 ODX.040WIRE,SS	
45	6638GT	WASHER,FLAT,USS,1/4"Y	
46	106117GT	O-RING,2-010,VITON.....2 2WD; from SN 24690	

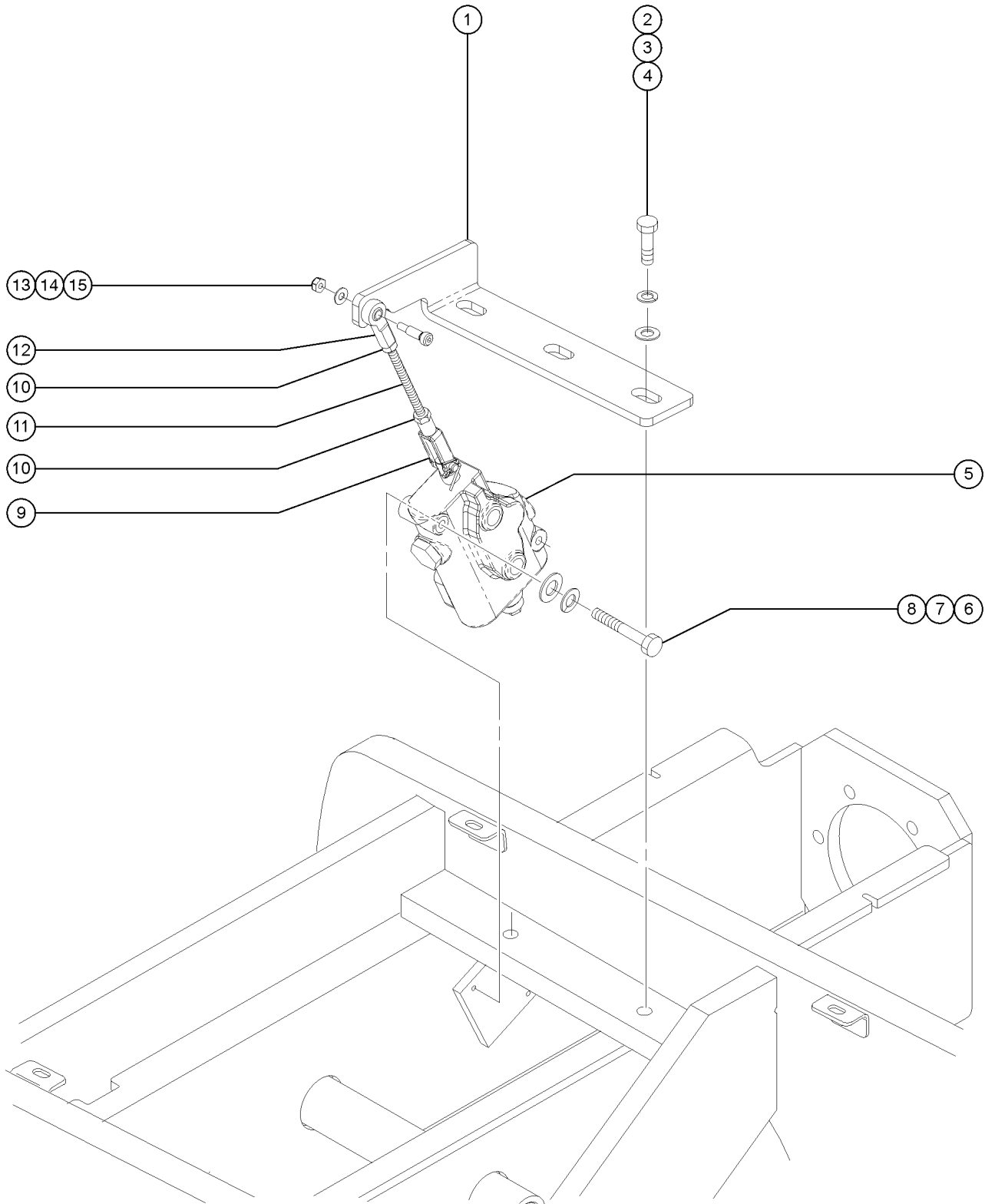
This Page Intentionally Left Blank

205.1 Oscillate Valve



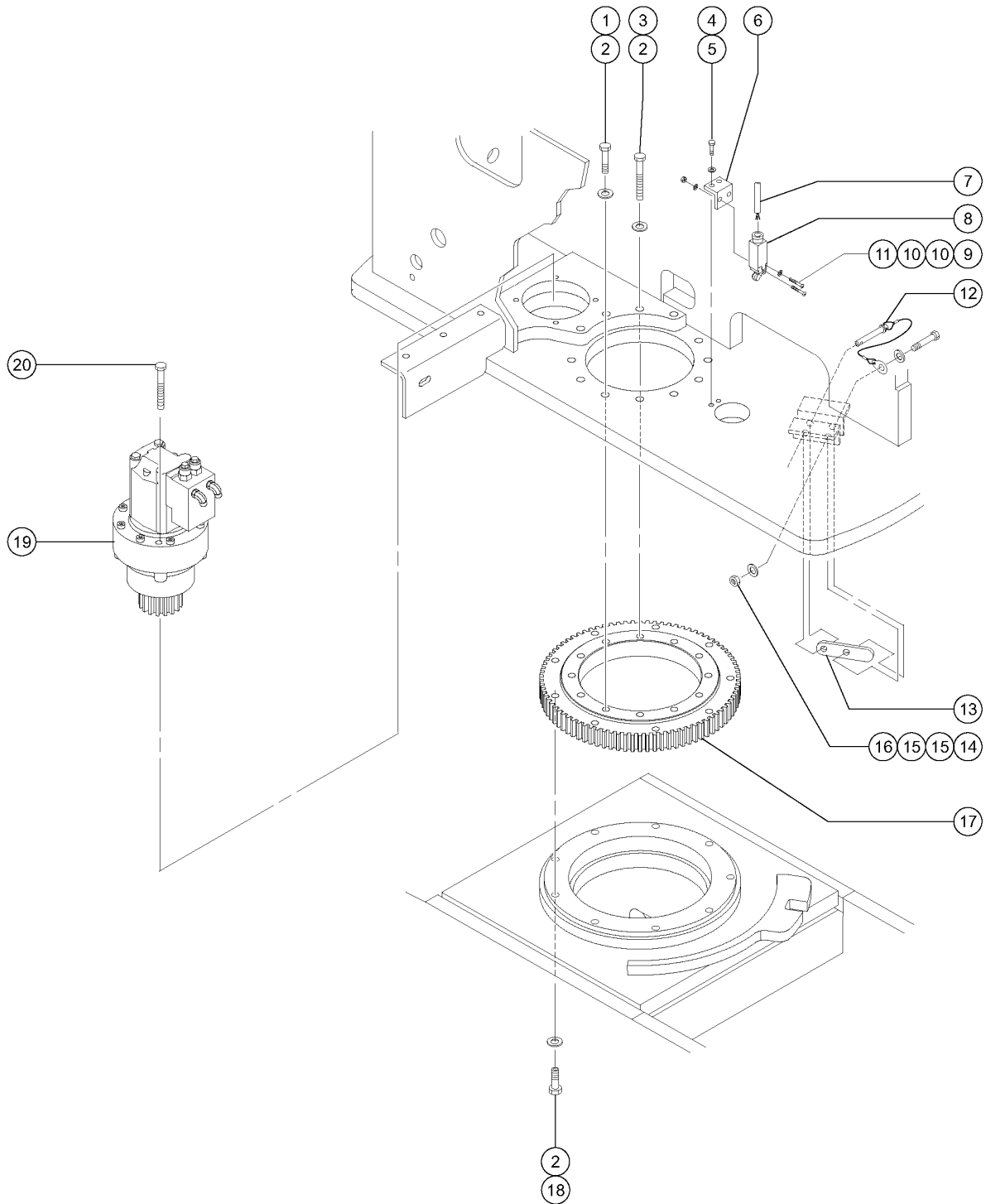
Item	Part No.	Description	Qty.
1		Ref., PLATE,BRACKET,OSC VALVE.....1 <i>refer to 205.2</i>	
2	14033GT	SCREW,HHC,3/8-16 X 2.75	
3	6021GT	WASHER,LOCK, .375	
4	5397GT	WASHER,FLAT,USS,5/16",Y	
5	32681GT	SEAL KIT,CONTROL VALVE	
5	49768GT	VLV,MAN,3 POS/4 WAY,CLOSE CTR*....1	
6	4266GT	SCREW,HHC,1/4-20 X 2	
7	6356GT	WASHER,LOCK, .25	
8	6638GT	WASHER,FLAT,USS,1/4"Y	
9	21130GT	CLEVIS YOKE-1/4-28,PLTD W/PIN <i>includes clevis pin and cotter pin</i>	
10	21496GT	NUT,HEX,1/4-28	
11	30785-600GT	THREADED ROD,1/4-28 X 6 IN***	
12		Ref., SPRING,OSC. LINKAGE,.75"LG.....2 <i>refer to 205.2</i>	

205.2 Oscillate Valve



Item	Part No.	Description	Qty.
--	T111453GT	KIT,OSCILLATE LINKAGE <i>includes items 1 and 9-15</i>	
1	T107284GT	BRACKET,OSCILLATING VALVE.....	1
2	14033GT	SCREW,HHC,3/8-16 X 2.75.....	3
3	6021GT	WASHER,LOCK,,.375.....	3
4	5397GT	WASHER,FLAT,USS,5/16",Y.....	3
5	49768GT	VLV,MAN,3 POS/4 WAY,CLOSE CTR*....	1
--	32681GT	SEAL KIT,CONTROL VALVE <i>for 49768</i>	
6	4266GT	SCREW,HHC,1/4-20 X 2.....	2
7	6356GT	WASHER,LOCK,,.25.....	2
8	6638GT	WASHER,FLAT,USS,1/4"Y.....	2
9	21130GT	CLEVIS YOKE-1/4-28,PLTD W/PIN.....	1
10	21496GT	NUT,HEX,1/4-28.....	2
11	30785-500GT	THREADED ROD,1/4-28 X 5 IN.....	1
12	81691GT	ROD END,BALL JOINT 1/4-28.....	1
13	5365GT	NUT,NYLOCK,10-24.....	1
14	6146GT	WASHER,FLAT,MS,#10,Y.....	1
15	6584GT	SCREW,SHS,10-24 X .625.....	1

301.1 Turntable Rotator

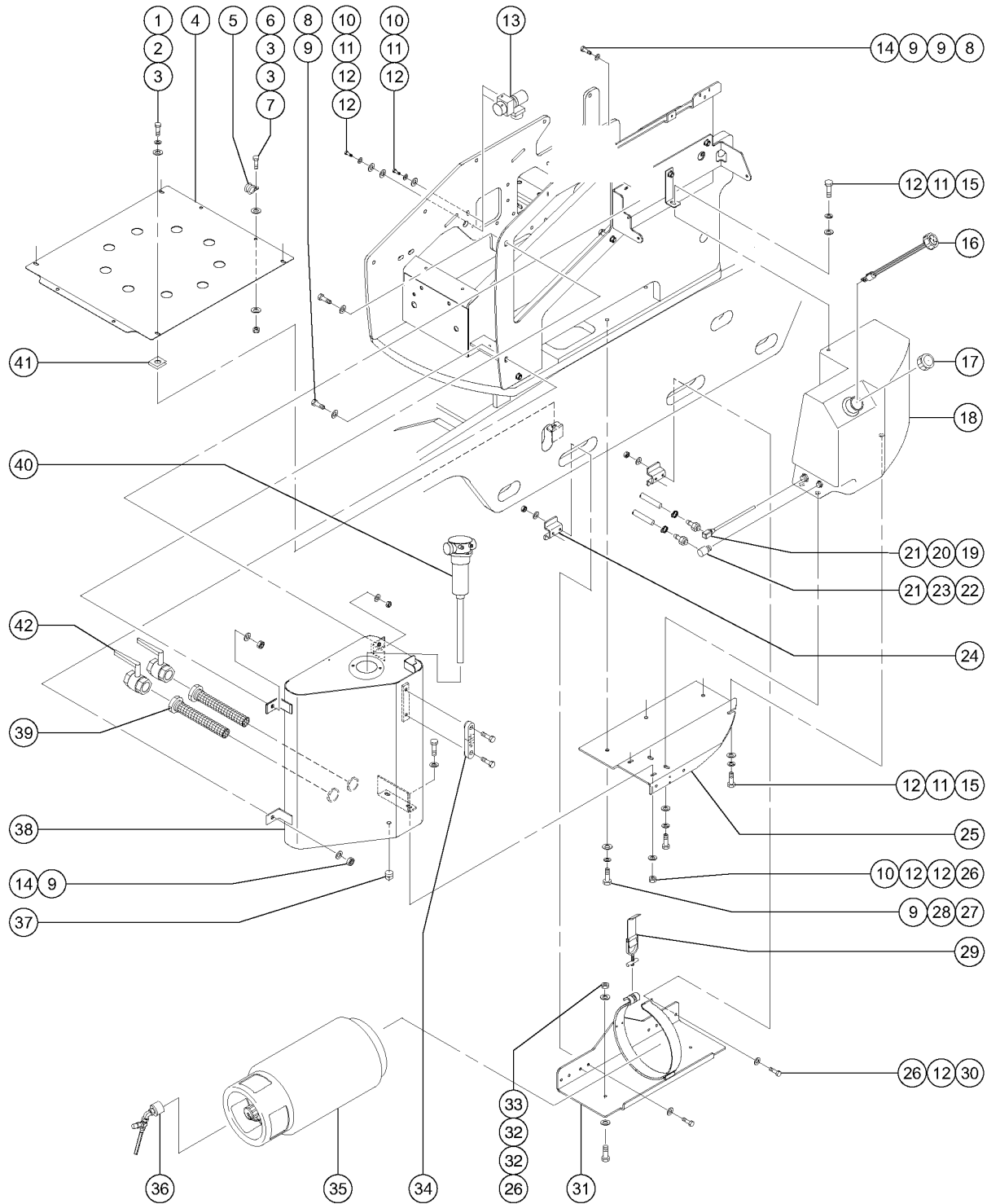


301.1 Turntable Rotator

Item	Part No.	Description	Qty.	Item	Part No.	Description	Qty.
1	56900GT	SCREW,SHC,5/8-11 X 2.5 BLK.....8 to SN 23331	8	19B		SWING DRIVE ASSY*** 147209 is no longer available, order PN 824050	
--	56900GT	SCREW,SHC,5/8-11 X 2.5 BLK.....14 from SN 23332	14	--	147210GT	SEAL KIT,SWING DRIVE*** for 147209	
2	13064GT	WASHER,FLAT,.625 HARDENED.....21 to SN 23331	21	--	147211GT	BRAKE KIT, SWING DRIVE for 147209	
--	13064GT	WASHER,FLAT,.625 HARDENED.....36 from SN 23332	36	--	147212GT	MANIFOLD KIT, SW DRIVE for 147209	
3	21175GT	SCREW,SHC,5/8-11 X 4,A574.....4 to SN 23331	4	--	220255GT	SEAL KIT,MANIFOLD TO MOTOR for 147212	
--	21175GT	SCREW,SHC,5/8-11 X 4,A574.....6 from SN 23332	6	--	48904GT	ELBOW,90D,520220-4-4 not included, must order seperately	
4	8255GT	SCREW,HHC,3/8-16 X .75		19C	824050GT	SWING DRIVE ASSEMBLY.....1 replaces PNs 77082 & 147209, use from SN 18367	1
5	6021GT	WASHER,LOCK,.375		--	48904GT	ELBOW,90D,520220-4-4 not included, must order seperately	
6	50469GT	BRACKET,DRIVE SENSOR,ENABLE.....1	1	--	824051GT	SEAL KIT, SWING DRIVE for 824050	
7	106279GT	HARNESS,LS,D.E. Z45IC		--	824052GT	VALVE BLOCK, SWING DRIVE for 824050	
8	88356 11103GT	SWITCH,LIMIT,W/RLR ARM,NO/NC**		20	56680GT	SCREW,SHC,1/2-13 X 4.50 ZINC.....4	4
--	19491GT	CONTACTOR,LIMIT SWITCH					
--	97128GT	ROLLER ARM,LIMIT SWITCH***					
9	51063GT	SCREW,PHILLIPS,RHM,10-32 X 1.5					
10	6146GT	WASHER,FLAT,MS,#10,Y					
11	6178GT	NUT,NYLOCK,10-32					
12	54145-800GT	RETAINING PIN, ASSY.....1	1				
13	50776PGT	PLATE,SWING LOCK,PAINTED***1	1				
14	6198GT	NUT,NYLOCK,1/2-13					
15	6095GT	WASHER,FLAT,USS,1/2",Y					
16	56680GT	SCREW,SHC,1/2-13 X 4.50 ZINC					
17	50411GT	BEARING,SWING CHASSIS RINGGEAR.....1 to SN 23331	1				
--	101815GT	BEARING,SWING CHASSIS.....1 from SN 23332	1				
--	88635-3424GT	HOSE ASSY 1/4,STR FEM,PIPETHRE..1	1				
18	25068GT	SCREW,SHC,5/8-11 X 4.5,A574.....9 to SN 23331	9				
--	25068GT	SCREW,SHC,5/8-11 X 4.5,A574.....16 from SN 23332	16				
19A		Ref: Swing Drive Assy 77082 is no longer available, order PN 824050					
--	128446GT	MANIFOLD,TURNTABLE ROTATION*** for 77082					
--	220255GT	SEAL KIT,MANIFOLD TO MOTOR for 128446					
--	48904GT	ELBOW,90D,520220-4-4 not included, must order seperately					
--	77246GT	SEAL KIT,SWING MOTOR*** for 77082					



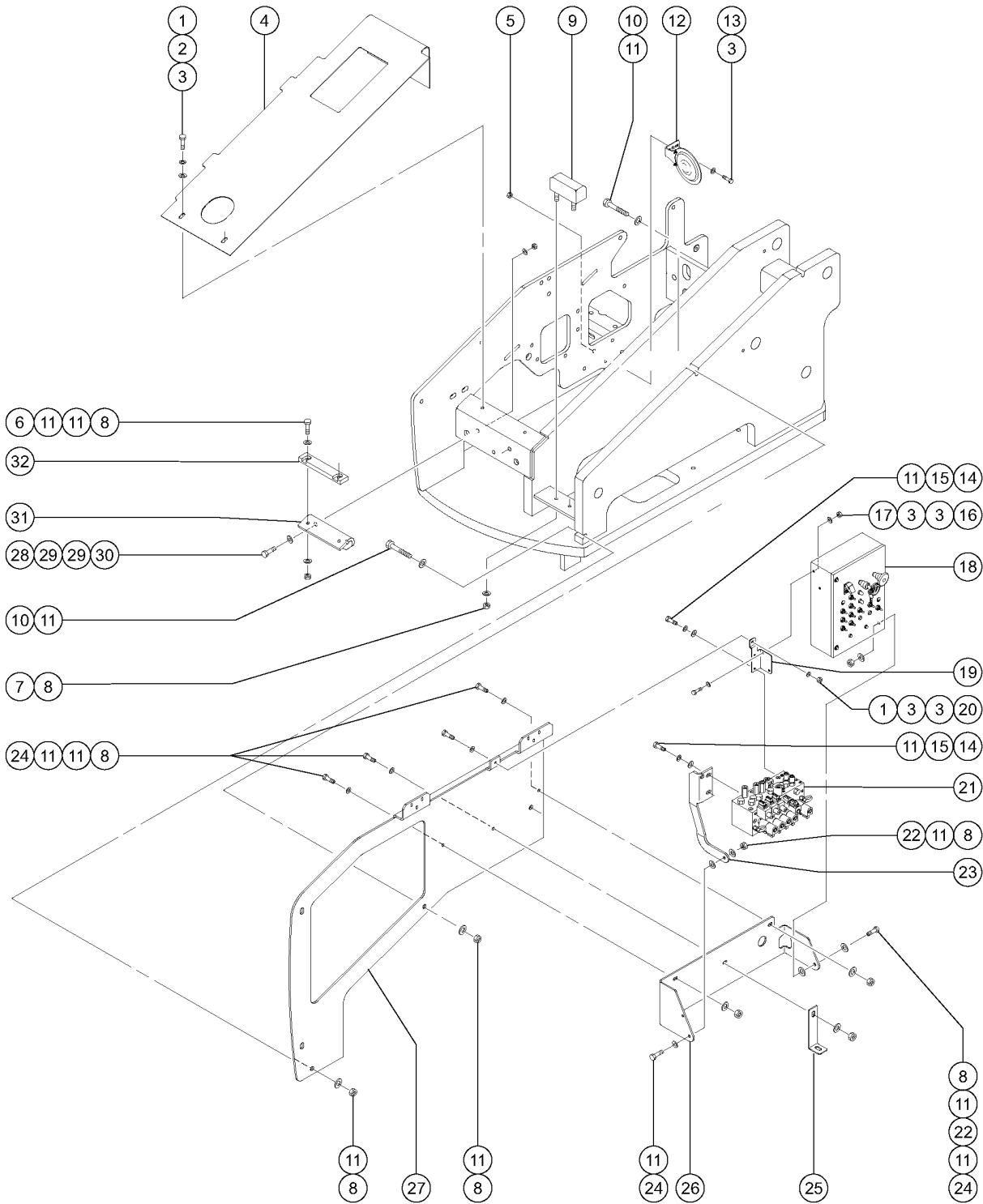
302.1 Fuel and Hydraulic Tanks



302.1 Fuel and Hydraulic Tanks

Item	Part No.	Description	Qty.	Item	Part No.	Description	Qty.
1	6888GT	SCREW,HHC,1/4-20 X 1		30	8516GT	SCREW, HCC, 3/8-16 X 1.50	
2	6356GT	WASHER,LOCK,.25		31	60143-SGT	WELD, LPG TANK MOUNT.....1 <i>Ford models</i>	1
3	6638GT	WASHER,FLAT,USS,1/4"Y		32	6097GT	WASHER,FLAT,USS,3/8",Y	
4	50028PGT	FORMING,BELLY PAN,PAINTED.....1	1	33	39478GT	SCREW,HHC,3/8-16 X 2 FULL THRD	
5	13268GT	CLAMP,0.75,#12 X 1/4,RUB CUSH		34	21141GT	GAUGE-SIGHT,LHA-LGTB***.....1 <i>includes mounting fasteners</i>	1
6	6090GT	SCREW,HHC,1/4-20 X .75		35	53605GT	TANK, 7 GAL/33.5 POUND, LP.....1 <i>Gasoline/LPG models</i>	1
7	6091GT	NUT,NYLOCK,1/4-20		36	119055GT	HOSE ASSY,LP GAS.....1 <i>144 inches</i>	1
8	8177GT	SCREW,HHC,1/2-13 X 1.5		36	73599GT	CAP,PROT.,RED,1.38ID X .75 DP	
9	6095GT	WASHER,FLAT,USS,1/2",Y		37A	54160GT	PLUG,DRAIN,3/8",MAGNETIC.....1 <i>to SN 22050</i>	1
10	6019GT	SCREW,HHC,3/8-16 X 1.25 GRD 5		37B	94612GT	PLUG,MAGNETIC,SAE-6***1 <i>from SN 22051</i>	1
11	6021GT	WASHER,LOCK,.375		38A	88244GT	TANK,HYDRAULIC 24 GAL.....1 <i>to SN 22050</i>	1
12	5397GT	WASHER,FLAT,USS,5/16",Y		38B	88339GT	TANK,HYDRAULIC ASSEMBLY.....1 <i>from SN 22051 to 24152</i>	1
13	77066GT	ASSEMBLY, AUX POWER UNIT, 12VD.....1	1	38C	106065GT	TANK,HYDRAULIC ASSEMBLY***1 <i>from SN 24153</i>	1
--	58490GT	PUMP ASSY (77066) <i>from SN 22199</i>		39A	45161GT	STRAINER ASSEMBLY,1.5" NPT.....2 <i>to SN 22050</i>	2
--	77069GT	MOTOR,12VDC,77066		39B	147419GT	KIT,STRAINER REPLACEMENT.....2 <i>from SN 22051 to 24152</i>	2
--	77070GT	PUMP ASSY.,77066 <i>to SN 22198</i>		39C	147419GT	KIT,STRAINER REPLACEMENT.....2 <i>from SN 24153</i>	2
--	77071GT	SOLENOID,77066		40A	110345GT	FILTER ASSY,INTANK.....1 <i>includes item 40B</i>	1
--	77072GT	CHECK VALVE KIT,77066		--	147223GT	SEAL,FILTER LID	
14	6198GT	NUT,NYLOCK,1/2-13		40B	77353GT	KIT,ELEMENT**	
15	8255GT	SCREW,HHC,3/8-16 X .75		--	77354GT	FILTER LID,RFM165	
16	101727GT	CAP,FUEL,GAS,1/8"VENT(RED).....1	1	--	77365GT	BREATHER CAP,RFM165	
17	101726GT	CAP,FUEL,DIESEL,1/8"VENT(GRN) <i>Diesel models</i>		--	88917GT	FILTER,ELEMENT,BETA(10)=200	
17	101727GT	CAP,FUEL,GAS,1/8"VENT(RED).....1 <i>Ford models</i>	1	--	94526GT	GASKET,RETURN FILTER-77353	
18	119798GT	FUEL TANK ASSY, 17 GAL PLASTIC.....1	1	41	56912GT	SPRING CLIP,1/4-20,.025-.15X.54,ZAG	
19	54437GT	HOSE END,BARB,1/4 MNPTX5/16,ST....1	1	42	48996GT	VALVE,BALL,16 MSAE-16 FSAE***2 <i>from SN 24153</i>	2
20	54124GT	HOSE END,BARB,3/8 MNPT X 5/16.....1	1				
21	54123GT	CLAMP,HOSE,1 EAR, 5/8					
22	54205GT	HOSE END,BARB,1/4 MNPTX5/16,90....1 <i>Ford models</i>	1				
--	107889GT	HOSE END,BARB,3/16 MNPT,90D.....1 <i>Perkins models</i>	1				
--	54204GT	ELBOW,90DEG.1/4MPT-1/4 BARB.....1 <i>Deutz models</i>	1				
23	27586GT	HOSE END,MALE, .313 X .25 MPT.....1	1				
24	60139GT	FORMING,LP BRACKET MOUNT.....1 <i>Gasoline/LPG models</i>	1				
25	50416PGT	PLATE,TANK SIDE,PAINTED.....1	1				
26	4828GT	NUT,NYLOCK,3/8-16					
27	10597GT	SCREW,HHC,1/2-13 X 1.25 GR5					
28	6033GT	WASHER,LOCK,0.5"					
29	49000GT	L.P.TANK LATCH.....1 <i>Gasoline/LPG models</i>	1				

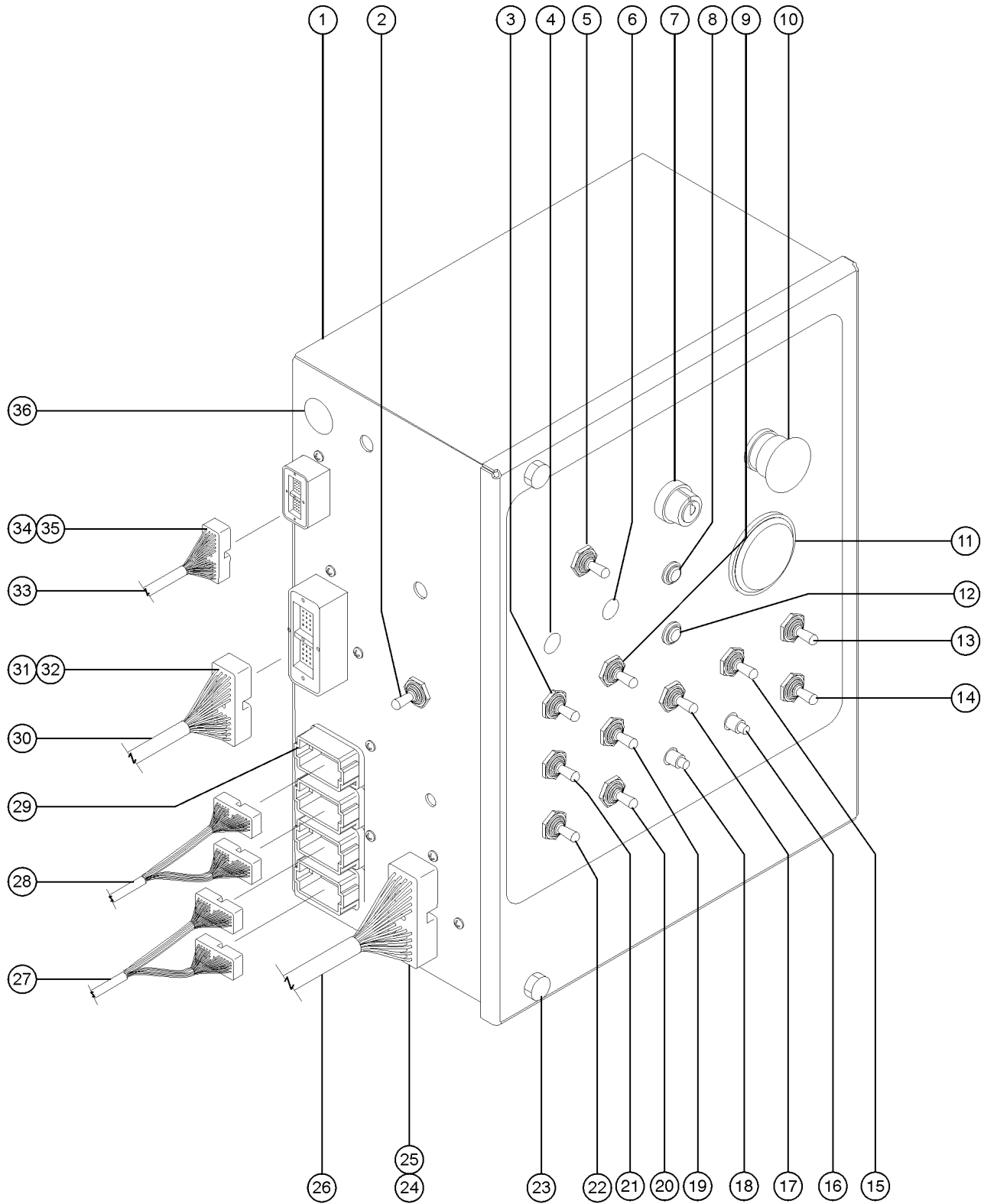
303.1 Function Manifold and Ground Control Box Placement



303.1 Function Manifold and Ground Control Box Placement

Item	Part No.	Description	Qty.	Item	Part No.	Description	Qty.
1	6888GT	SCREW,HHC,1/4-20 X 1		29	6095GT	WASHER,FLAT,USS,1/2",Y	
2	6356GT	WASHER,LOCK,.25		30	6198GT	NUT,NYLOCK,1/2-13	
3	6638GT	WASHER,FLAT,USS,1/4"Y		31	50569PGT	ANGLE,PRIM BOOM REST,NONJIB,PA.....1	
4	54922PGT	COVER,CENTER SWING CHASSIS,PNT.....1		32	50570GT	WEAR PAD,PRIMARY BOOM,NON JIB.....1	
5	6782GT	NUT,NYLOCK,5/16-18					
6	8516GT	SCREW, HCC, 3/8-16 X 1.50					
7	6097GT	WASHER,FLAT,USS,3/8",Y					
8	4828GT	NUT,NYLOCK,3/8-16					
9	56849GT	PAD,REST,1"THICK,W/STUDS*.....1 <i>from SN 22494</i>					
9	56927GT	PAD,REST,2"THICK,W/STUDS*.....1 <i>to SN 22493</i>					
--	56849GT	PAD,REST,1"THICK,W/STUDS*.....1 <i>from SN 22494</i>					
10	14033GT	SCREW,HHC,3/8-16 X 2.75					
11	5397GT	WASHER,FLAT,USS,5/16",Y					
12	81578GT	HORN,12VDC,SPADE TERMINALS***....1					
13	13000GT	SCREW,HHC,5/16-18 X 1.25					
14	6175GT	SCREW,HHC,3/8-16 X 1					
15	6021GT	WASHER,LOCK,.375					
16	6889GT	NUT,LP NYLOCK,1/4-20					
17	6090GT	SCREW,HHC,1/4-20 X .75					
18	77823GT	CONTROL,BOX ASSY-GRND Z45 IC**.....1					
19	54289GT	BRACKET,GROUND CONTROL BOX.....1					
19A	54289GT	BRACKET,GROUND CONTROL BOX.....1 <i>to SN 24342</i>					
19B	101577PGT	BRACKET,GROUND CONTROL BOX,PNT <i>from SN 24343</i>					
20	6091GT	NUT,NYLOCK,1/4-20					
21		Ref. Function Manifold (refer to 703.1 or 703.2).....1					
22	47228GT	WASHER,NYLON,.406 X.750 X.032					
23	50762PGT	BRACKET,MANIFOLD MOUNT,PAINTED.....1					
23	50762-SGT	BRACKET,MANIFOLD MNT.Z45/25.....1					
24	6019GT	SCREW,HHC,3/8-16 X 1.25 GRD 5					
25	50937GT	BRACKET,FUEL TANK STRAP.....1					
26	50754PGT	PLATE,MANIFOLD/CNTRL BOX MOUNT.....1					
27	54288PGT	BULKHEAD,TANKSIDE,PAINTED.....1					
27A	54288PGT	BULKHEAD,TANKSIDE,PAINTED.....1 <i>to SN 24342</i>					
27B	101576PGT	BULKHEAD,TANK SIDE,PAINTED <i>from SN 24343</i>					
28	6096GT	SCREW,HHC,1/2-13 X 2 GR5					

304.1 Ground Control Box - View 1



304.1 Ground Control Box - View 1

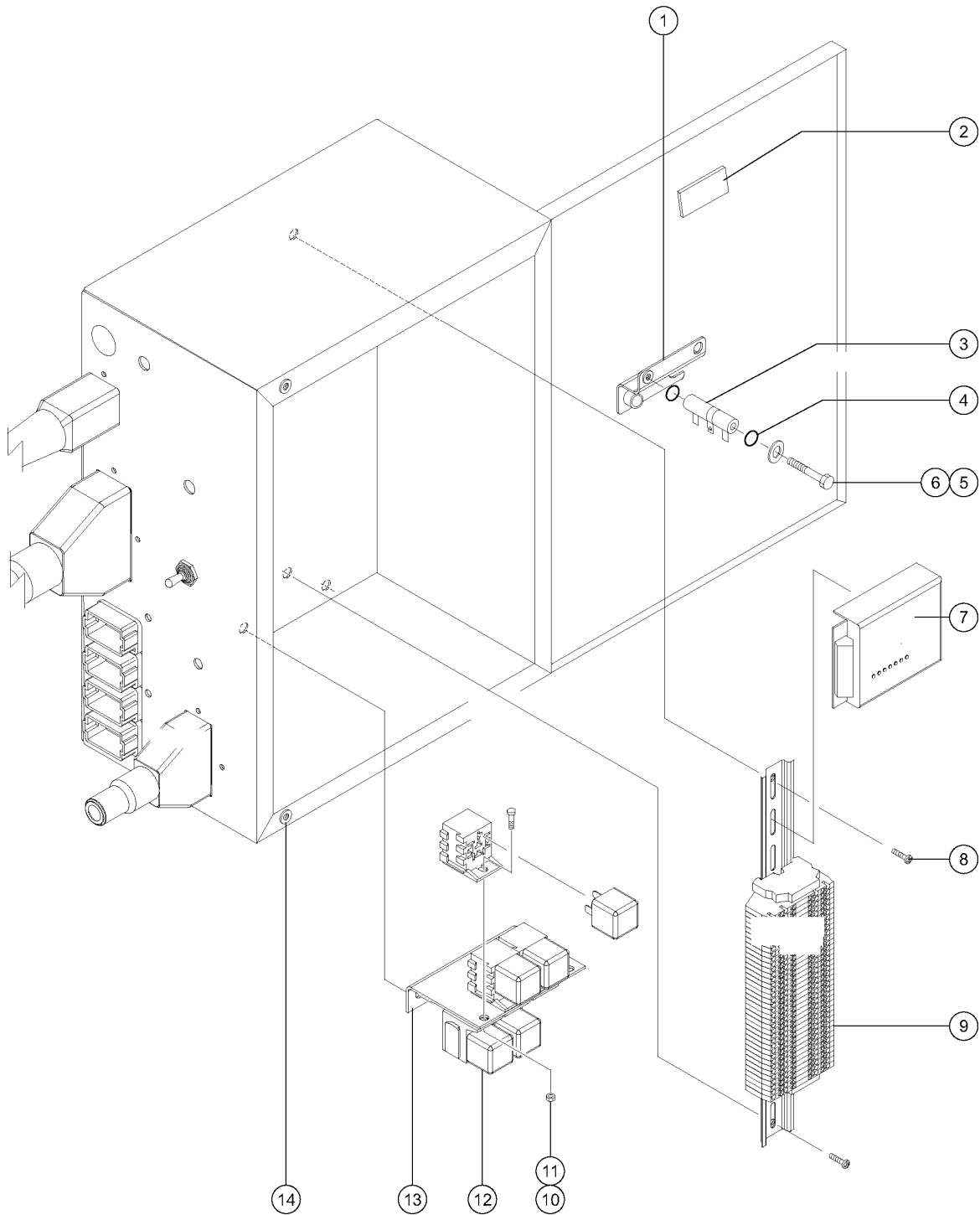
Item	Part No.	Description	Qty.	Item	Part No.	Description	Qty.
1A	77823GT	CONTROL,BOX ASSY-GRND Z45 IC**.....	1	--	56848GT	WASHER,LOCK,IND,LAMP RETAINER	
--	88637GT	GASKET,GROUND CONTROL BOX***		9	128202GT	SWITCH TOGGLE ASSY DPDT 3P MOM.....	1
1B	101844GT	GROUND CONTROL BOX ASSY W/DEC*.....	1	--	128578GT	SCREW T-SWITCH PH/PH 6-32X1/4	
--	88637GT	GASKET,GROUND CONTROL BOX***		--	128582-SGT	SWITCH TOGGLE DPDT 3P MOM SHDR	
2A	128201GT	SWITCH TOGGLE ASSY DPDT 2P MOM.....	1	--	27246GT	BOOT,TOGGLE SWITCH,SHORT*	
--	128578GT	SCREW T-SWITCH PH/PH 6-32X1/4		10	66812GT	BUTTON,PUSH,RED MUSHROOM HEAD.....	1
--	128581-SGT	SWITCH TOGGLE DPDT 2P MOM SHDR		--	66818GT	CONTACT, N.C.	
--	27246GT	BOOT,TOGGLE SWITCH,SHORT*		--	73805GT	BASE,W/2 NC CONTACTS***	
2B	45384GT	PLUG,NYLON .50 BLACK DOMED.....	1	11	19506GT	HOUR METER,10-80 VOLTS***.....	1
3	128200GT	SWITCH TOGGLE ASSY SPDT 3P MOM.....	1	12A	824879GT	LIGHT,LED IND. RED 12V NH.....	1
--	128578GT	SCREW T-SWITCH PH/PH 6-32X1/4		--	56848GT	WASHER,LOCK,IND,LAMP RETAINER	
--	128580-SGT	SWITCH TOGGLE SPDT 3P MOM SHDR		12B	45384GT	PLUG,NYLON .50 BLACK DOMED.....	1
--	27246GT	BOOT,TOGGLE SWITCH,SHORT*		13A	128200GT	SWITCH TOGGLE ASSY SPDT 3P MOM.....	1
4A	824879GT	LIGHT,LED IND. RED 12V NH.....	1	--	128578GT	SCREW T-SWITCH PH/PH 6-32X1/4	
--	56848GT	WASHER,LOCK,IND,LAMP RETAINER		--	128580-SGT	SWITCH TOGGLE SPDT 3P MOM SHDR	
4B	45384GT	PLUG,NYLON .50 BLACK DOMED.....	1	--	27246GT	BOOT,TOGGLE SWITCH,SHORT*	
5	128201GT	SWITCH TOGGLE ASSY DPDT 2P MOM.....	1	13B	45384GT	PLUG,NYLON .50 BLACK DOMED.....	1
--	128578GT	SCREW T-SWITCH PH/PH 6-32X1/4		14	128200GT	SWITCH TOGGLE ASSY SPDT 3P MOM.....	1
--	128581-SGT	SWITCH TOGGLE DPDT 2P MOM SHDR		--	128578GT	SCREW T-SWITCH PH/PH 6-32X1/4	
--	27246GT	BOOT,TOGGLE SWITCH,SHORT*		--	128580-SGT	SWITCH TOGGLE SPDT 3P MOM SHDR	
6A	128205GT	SWITCH TOGGLE ASSY DPDT 2P MNT.....	1	--	27246GT	BOOT,TOGGLE SWITCH,SHORT*	
--	128578GT	SCREW T-SWITCH PH/PH 6-32X1/4		15	128200GT	SWITCH TOGGLE ASSY SPDT 3P MOM.....	1
--	128585GT	SWITCH TOGGLE DPDT 2P MNT SHDR		--	128578GT	SCREW T-SWITCH PH/PH 6-32X1/4	
--	27246GT	BOOT,TOGGLE SWITCH,SHORT*		--	128580-SGT	SWITCH TOGGLE SPDT 3P MOM SHDR	
6B	45384GT	PLUG,NYLON .50 BLACK DOMED.....	1	--	27246GT	BOOT,TOGGLE SWITCH,SHORT*	
7A	66811GT	KEYSWITCH,3POS.MNTND.DR WKEY**.....	1	16	147094GT	ASSY, CIRCUIT BREAKER 15A.....	1
--	21982GT	KEY,SINGLE***		17	128202GT	SWITCH TOGGLE ASSY DPDT 3P MOM.....	1
--	37947GT	KEYS,10 PACK***		--	128578GT	SCREW T-SWITCH PH/PH 6-32X1/4	
--	66816GT	CONTACT,N.O.***		--	128582-SGT	SWITCH TOGGLE DPDT 3P MOM SHDR	
--	88316GT	BASE,W/2 N.C.& 2 N.O.***		--	27246GT	BOOT,TOGGLE SWITCH,SHORT*	
7B	96008-SGT	KEYSWITCH,3 POS. W/KEYS***.....	1	18	147094GT	ASSY, CIRCUIT BREAKER 15A.....	1
--	94506GT	BASE,W/3 NC CONTACTS		19A	128200GT	SWITCH TOGGLE ASSY SPDT 3P MOM.....	1
8	824879GT	LIGHT,LED IND. RED 12V NH.....	1	--	128578GT	SCREW T-SWITCH PH/PH 6-32X1/4	
		Check Engine Light(Gasoline/LPG models); Oil Pressure Light (Diesel Models)					

304.1 Ground Control Box - View 1 (continued)

Item	Part No.	Description	Qty.
--	128580-SGT	SWITCH TOGGLE SPDT 3P MOM SHDR	
--	27246GT	BOOT,TOGGLE SWITCH,SHORT*	
19B	45384GT	PLUG,NYLON .50 BLACK DOMED.....1 (Z-45/25NJ)	
20	128200GT	SWITCH TOGGLE ASSY SPDT 3P MOM.....1 <i>Platform level</i>	
--	128578GT	SCREW T-SWITCH PH/PH 6-32X1/4	
--	128580-SGT	SWITCH TOGGLE SPDT 3P MOM SHDR	
--	27246GT	BOOT,TOGGLE SWITCH,SHORT*	
21	128202GT	SWITCH TOGGLE ASSY DPDT 3P MOM.....1 <i>Turntable rotate</i>	
--	128578GT	SCREW T-SWITCH PH/PH 6-32X1/4	
--	128582-SGT	SWITCH TOGGLE DPDT 3P MOM SHDR	
--	27246GT	BOOT,TOGGLE SWITCH,SHORT*	
22	128202GT	SWITCH TOGGLE ASSY DPDT 3P MOM.....1 <i>Platform rotate</i>	
--	128578GT	SCREW T-SWITCH PH/PH 6-32X1/4	
--	128582-SGT	SWITCH TOGGLE DPDT 3P MOM SHDR	
--	27246GT	BOOT,TOGGLE SWITCH,SHORT*	
23	6090GT	SCREW,HHC,1/4-20 X .75.....1	
24	73749GT	CONN,PLUG 24 WAY,DRC SERIES.....1	
--	60757GT	PLUG,SEAL,12-18 GA	
--	73714GT	TERM,NI SOC,S&F,16-18GA,REEL	
25	73753GT	CONN,RECEP 24 WAY,W/FLANGE.....1	
26		Ref. Engine Wire Harness (refer to 308.1)	
27		Ref. Boom Cable Wire Harness #2 (refer to 308.1)	
28		Ref. Boom Cable Wire Harness #1 (refer to 308.1)	
29	73736GT	CONN,RECEP 48 WAY,4 X 12.....1	
--	54255GT	LOCK,RECEP 12 WAY, 14-18GA	
30		Ref. Functio Manifold Wire Harness (refer to 308.1).....1	
31	73751GT	CONN,PLUG 40 WAY,DRC SERIES.....1	
32	73754GT	CONN,RECEP 40 WAY,W/FLANGE.....1	
33		Ref. Platform Controls to 12V DC Wire Harness (refer to 308.1)	
34	60527GT	CONN,PLUG 4 WAY,12-14GA.....1	
--	60528GT	LOCK,PLUG 4 WAY,12-14GA	
35	73754GT	CONN,RECEP 40 WAY,W/FLANGE.....1	
36	15243GT	PLUG,NYLON .875 BLACK DOMED	

This Page Intentionally Left Blank

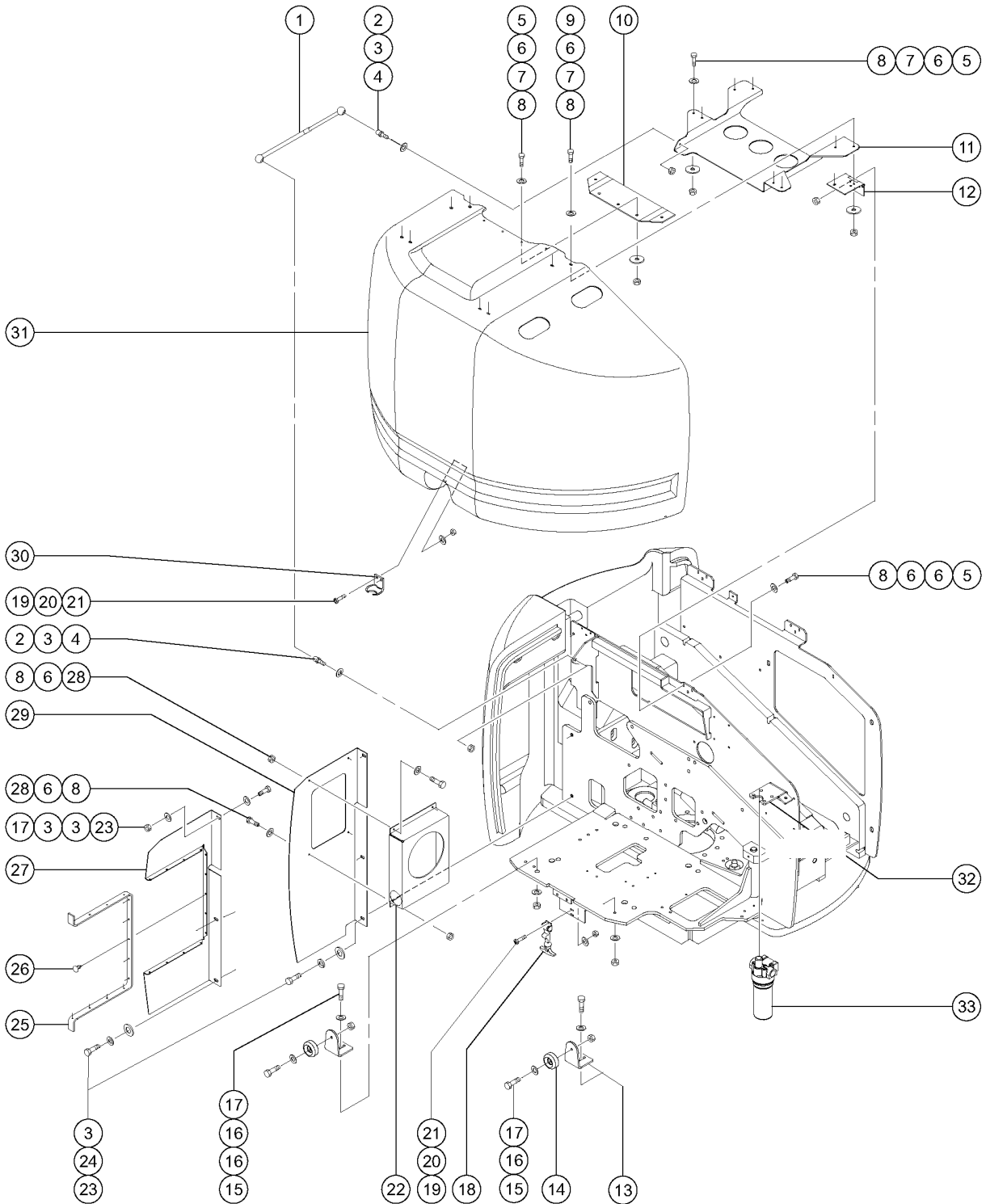
305.1 Ground Control Box - View 2



305.1 Ground Control Box - View 2

Item	Part No.	Description	Qty.	Item	Part No.	Description	Qty.
1	54525GT	BRACKET-PANEL-WIRE MOUNTING 99.....	1	13	54534GT	ANGLE,RELAY MNT,W/NUTSERTS,PNT.....	1
2	30997GT	CORROSION INHIBITOR,FOAM.....	1	14	23404GT	NUTSERT,1/4-20,STEEL CAD PLTD	
3A	54516GT	RESISTOR,10 OHMS,25W,ADJ*** to SN 22413	1				
3B	101010GT	RESISTOR,20 OHMS,25W,ADJ*** from SN 22414	1				
4	42646GT	GROMMET,RUBBER .25 X .50"OD.....	1				
5	12343GT	SCREW,HHC,1/4-20 X 3					
6	6638GT	WASHER,FLAT,USS,1/4"Y					
7	56057GT	MODULE,IGNITION/START,12/24V.....	1				
8	6090GT	SCREW,HHC,1/4-20 X .75					
9A	88623GT	ASSEMBLY,TERMINAL RAIL,Z45IC2K... to SN 22050	1				
--	216793GT	TERMINAL BLOCK END PLATE.....	1				
--	74911GT	TERMINAL BLOCK, WIELAND***.....	33				
--	74913GT	END STOP, DIN RAIL,SCREW CLAMP.....	1				
--	74917GT	JUMPER COMB, 2-WAY,WIELAND.....	1				
--	74920GT	MARKING TAGS,# 1-10,WIELAND					
--	74921GT	MARKING TAGS,# 11-20,WIELAND					
--	74922GT	MARKING TAGS,# 21-30,WIELAND					
--	74923GT	MARKING TAGS,# 31-40,WIELAND					
--	74924GT	MARKING TAGS,# 41-50,WIELAND**					
9B		ASSEMBLY,TERMINAL RAIL..... <i>((94593 no longer available) from SN 22051</i>	1				
--	216793GT	TERMINAL BLOCK END PLATE..... <i>(for 94593) from 22051</i>	1				
--	74911GT	TERMINAL BLOCK, WIELAND***..... <i>(for 94593) from 22051</i>	34				
--	74913GT	END STOP, DIN RAIL,SCREW CLAMP..... <i>(for 94593) from 22051</i>	1				
--	74917GT	JUMPER COMB, 2-WAY,WIELAND..... <i>(for 94593) from 22051</i>	1				
9C	217046GT	KIT, TERMINAL BLOCK <i>from SN 22051</i>					
--	216791GT	TERMINAL BLOCK,WIELAND <i>(for kit 21746) from SN 22051</i>					
--	74917GT	JUMPER COMB, 2-WAY,WIELAND <i>(for kit 21746) from SN 22051</i>					
10	6178GT	NUT,NYLOCK,10-32					
11	49826GT	SCREW,PHILLIPS,PHM,10-32 X.625					
12	34052GT	RELAY,SPDT,12V(AUTO) PLUG IN**.....	8				
--	34053GT	ASSY,RELAY SOCKET, AUTO					
--	34054GT	TERM,RELAY N-INSULATED 10-12 G					
--	34055GT	TERM RELAY,N-INSULATE 14-16 GA					

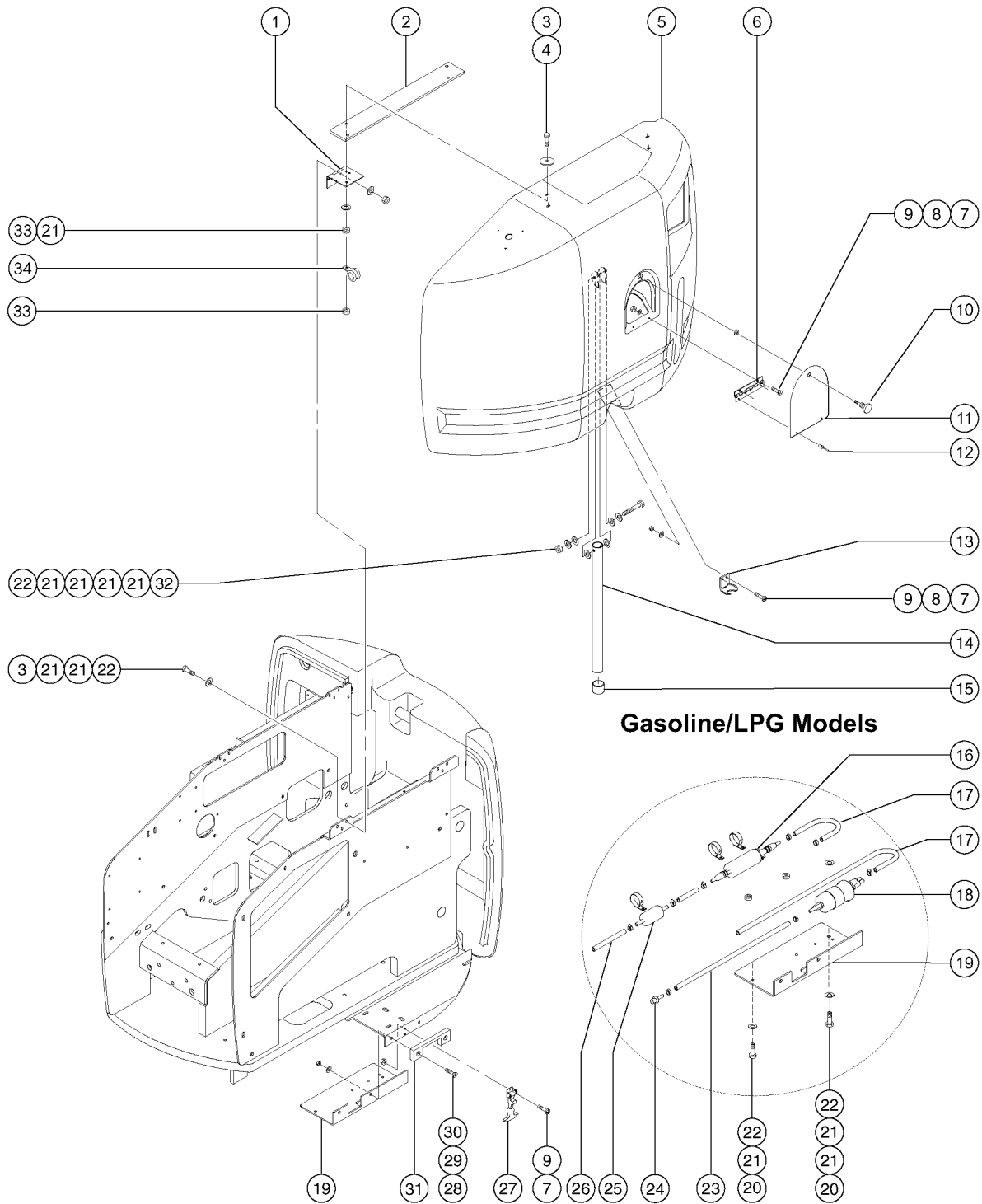
306.1 Turntable Covers, Engine Side



306.1 Turntable Covers, Engine Side

Item	Part No.	Description	Qty.	Item	Part No.	Description	Qty.
1	28301GT	GAS STRUT,250 LBS FORCE***.....2 to SN 24864	2	31	52773GT	COVER ASSY.ENGINE SIDE,Z45/25.....1 to SN 24864	1
--	106069GT	STRUT,GAS,200 LB***.....2 from SN 24865	2	--	101573GT	COVER,TRNTBL,LH,W/SYM DECALS...1 to SN 24864	1
--	27377GT	RETAINER,GAS SPRING***.....2	2	--	107871GT	COVER,TRNTBL,LH,W/WORD DECALS*.....1 from SN 24865	1
--	33555GT	BALL STUD**.....2	2	--	107872GT	COVER,TRNTBL,LH,W/SYM DECALS...1 from SN 24865	1
--	72256GT	GAS STRUT,CONNECTOR (28301)		32	101043GT	WELDMNT,BULKHEAD,ENG SIDE IC.....1 to SN 24864	1
2	33555GT	BALL STUD**.....2	2	--	119628GT	WELDMNT,BULKHEAD,ENG SIDE IC.....1 from SN 24865	1
3	5397GT	WASHER,FLAT,USS,5/16",Y		33	88269GT	BRACKET,HIGH PRESSURE FILTER.....1	1
4	6782GT	NUT,NYLOCK,5/16-18		34	60334GT	FILTER ASSY,HIGH PRESS SAE-12*.....1	1
5	6888GT	SCREW,HHC,1/4-20 X 1		--	58222GT	O-RING,FILTER ASSY (60334)***	
6	6638GT	WASHER,FLAT,USS,1/4"Y		--	58223GT	SEAL,FILTER ASSY (60334)***	
7	12906GT	WASHER,FENDER,.25 X 1.25 X.062		--	60857GT	FILTER,ELEMENT,BETA(5)=1000	
8	6091GT	NUT,NYLOCK,1/4-20					
9	8915GT	SCREW,HHC,1/4-20 X 1.25					
10	54146GT	FLAP,RUBBER,ENGINE COVER HOOD.....1 to SN 24864	1				
--	106676GT	FORMING,COVER PLATE.....1 from SN 24865	1				
11	50789PGT	FORMING,ENGINE COVER,PTD.....1 to SN 24864	1				
--	106807PGT	FORMING,ENGINE COVER,IC, PTD.....1 from SN 24865	1				
12	75073GT	HINGE,.375X.120THK.,SLOTTED.....2	2				
13	54363GT	BRACKET,RUBBER BUMPER,ENGCOVER.....2	2				
14	50974GT	BUMPER,RUBBER,COVERS.....2	2				
15	8516GT	SCREW, HCC, 3/8-16 X 1.50					
16	6097GT	WASHER,FLAT,USS,3/8",Y					
17	4828GT	NUT,NYLOCK,3/8-16					
18	45363GT	LATCH,FLEXIBLE DRAW W/O KEEPER.....2	2				
19	49816GT	SCREW,PHILLIPS,PHM,10-32 X .75					
20	6146GT	WASHER,FLAT,MS,#10,Y					
21	6178GT	NUT,NYLOCK,10-32					
22	50580-SGT	DUCT,AIR INTAKE,DEUTZ,Z45/25**.....1 Deutz models	1				
23	6175GT	SCREW,HHC,3/8-16 X 1					
24	6021GT	WASHER,LOCK,.375					
25	54616GT	SEAL,RUBBER,BAFFLE,PERKIN/FORD.1	1				
26	54723GT	PLUG,1/4 X .400",BLK					
27	54608PGT	PLATE,AIR BAFFLE,FORD,PAINTED.....1	1				
28	6090GT	SCREW,HHC,1/4-20 X .75					
29	50581PGT	PLATE,AIR INTAKE ADAPTER,PAINT.....1 Deutz models	1				
30	75076GT	KEEPER,LATCH (45363).....1	1				

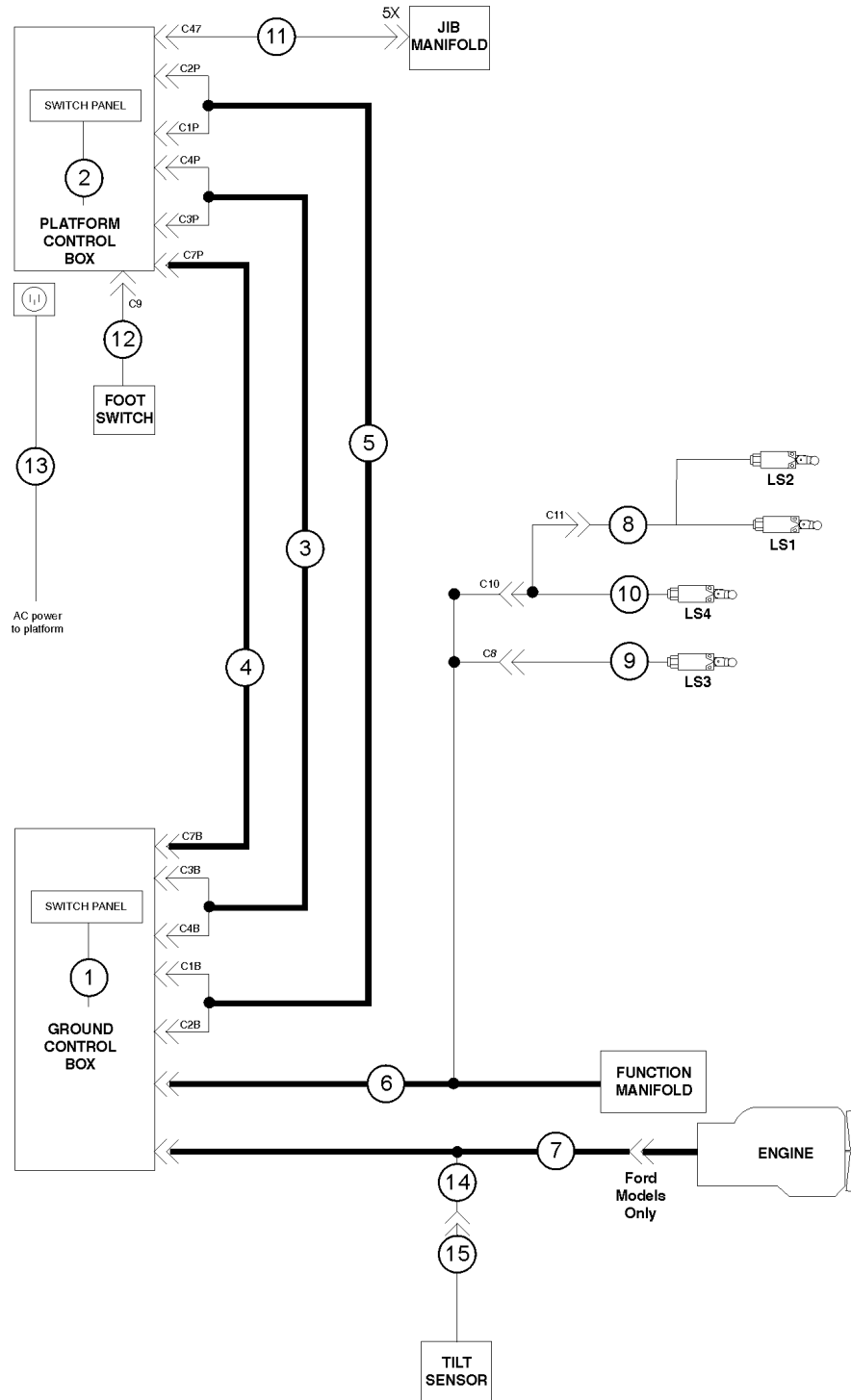
307.1 Turntable Covers, Tank Side



307.1 Turntable Covers, Tank Side

Item	Part No.	Description	Qty.	Item	Part No.	Description	Qty.
1	75073GT	HINGE,,375X.120THK.,SLOTTED.....	2	34	6833GT	CLAMP,0.50,#8 X 1/4,RUB CUSH	
2	50965PGT	PLATE,COVER SPACER,PAINTED.....	1				
3	6145GT	SCREW,HHC,1/4-20 X 1.5					
4	12906GT	WASHER,FENDER,.25 X 1.25 X.062					
5	52774-SGT	COVER ASSY.HYD.TANKSIDE,Z45/25.....	1				
--	101574GT	COVER,TRNTBL,RH,W/SYM DECALS...	1				
6	50971GT	HINGE,FUEL DOOR.....	1				
7	49816GT	SCREW,PHILLIPS,PHM,10-32 X .75					
8	6146GT	WASHER,FLAT,MS,#10,Y					
9	6178GT	NUT,NYLOCK,10-32					
10	54233GT	LATCH,FUEL DOOR.....	1				
11	54230PGT	FUEL DOOR,IC TANK SIDE,PNTD***	1				
12	54486GT	RIVET,ALUM,ALUM,3/16BUTTONHEAD					
13	75076GT	KEEPER,LATCH (45363).....	1				
14	77524GT	TUBE,PROP ROD,18.63",W/CAP..... <i>includes item 15</i>	1				
15	55753GT	BUMPER, PLASTIC, 1.25 O.D.....	1				
16	77219GT	PUMP, FUEL, LRG425, WALBRO.....	1				
--	65887GT	CLAMP,HOSE,1 EAR,1/2					
--	65892GT	CONN. ASSY,7.9 TUBE X6.35 HOSE					
17	71909GT	HOSE,FUEL,5/16 HIGH PRESSURE**...	1				
18	58967GT	FUEL PRESSURE REG,425EFI***	1				
--	21465GT	CLAMP,HOSE,.25" - .63" X .3125					
--	65887GT	CLAMP,HOSE,1 EAR,1/2					
--	77356GT	CONN. ASSY,9.5 TUBE X6.35 HOSE					
19	77328PGT	PLATE,FUEL PUMP,FORD/WALBRO.....	1				
20	6090GT	SCREW,HHC,1/4-20 X .75					
21	6638GT	WASHER,FLAT,USS,1/4"Y					
22	6091GT	NUT,NYLOCK,1/4-20					
23	27089GT	HOSE,5/16 FUEL,SAE 30R7.....	1				
24	65888GT	CONN. BODY, 6.35 X 14.1, FORD.....	1				
25	52179GT	FILTER, FUEL LRG 425/423 EFI.....	1				
--	21465GT	CLAMP,HOSE,.25" - .63" X .3125					
--	27089GT	HOSE,5/16 FUEL,SAE 30R7					
26	27089GT	HOSE,5/16 FUEL,SAE 30R7					
27	45363GT	LATCH,FLEXIBLE DRAW W/O KEEPER.....	1				
28	17712GT	SCREW,FHS,3/8-16 X 1.75					
29	5397GT	WASHER,FLAT,USS,5/16",Y					
30	4828GT	NUT,NYLOCK,3/8-16					
31	54073GT	WEAR PAD,TANK SIDE BUMPER.....	1				
32	6884GT	SCREW,HHC,1/4-20 X 2.5					
33	6889GT	NUT,LP NYLOCK,1/4-20					

308.1 Wire Harness Diagram

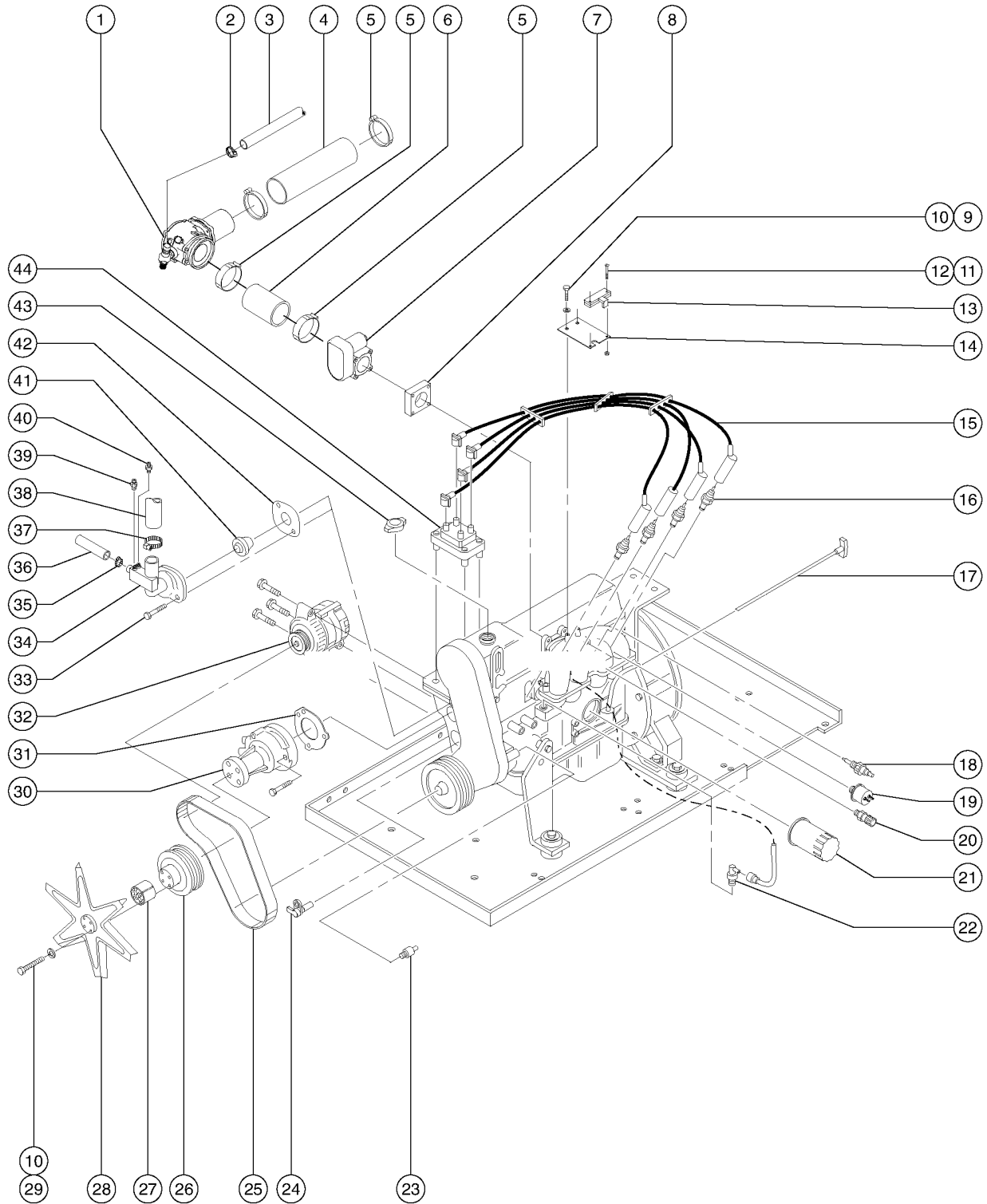


308.1 Wire Harness Diagram

Item	Part No.	Description	Qty.	Item	Part No.	Description	Qty.
--	77067GT	HARNESS,ALARM OPTION,Z45		15	1264947GT	KIT, LEVEL SENSOR, 6 PIN CONN.....1 for CSA models with 6-pin connectors from SN 21179	
1	94679GT	HARNESS,GC BOX					
2	T108153GT	HARNESS KIT,Z45/51 PLAT BOX <i>includes three adapter cables</i>					
--	119611GT	HARNESS,PBOX JOYSTICKS <i>(for use after 1st time replacement of p/n T108153)</i>					
--	119612GT	HARNESS,PBOX WIRING*** <i>(for use after 1st time replacement of p/n T108153)</i>					
--	122125GT	ADAPTER CABLE, JS100 JOYSTICK <i>(for use after 1st time replacement of p/n T108153)</i>					
3	88721-7200GT	HARNESS,18/19 BOOM CABLE #1 <i>Green and brown plug (Z-45/25J)</i>					
--	88721-7300GT	HARNESS,18/19 BOOM CABLE #1 <i>Green and brown plug (Z-45/25NJ)</i>					
4	88723-7270GT	HARNESS,12/3,12V TO PLAT <i>(Z-45/25NJ)</i>					
--	88723-7100GT	HARNESS,12/3,12V TO PLAT <i>(Z-45/25J)</i>					
5	88722-7300GT	HARNESS,18/19,BOOM CABLE #2 <i>Gray and black plug (Z-45/25NJ)</i>					
--	88722-7200GT	HARNESS,18/19,BOOM CABLE #2 <i>Gray and black plug (Z-45/25J)</i>					
6	77424GT	HARNESS,FUNCTION Z45/25 IC **					
--	94774GT	HARNESS,FUNCTION					
7	77420GT	HARNESS,ENGINE,FORD					
--	101849GT	HARNESS,PERKINS ENGINE***					
--	101886GT	HARNESS,ENGINE,DEUTZ					
--	101887GT	HARNESS,FORD ENGINE EFI					
--	77426GT	HARNESS,ENGINE,DEUTZ*****					
--	77429GT	HARNESS,ENGINE,PERKINS**8					
8	88725GT	HARNESS,LS,PRIM/EXT					
9	106279GT	HARNESS,LS,D.E. Z45IC					
10	88724GT	HARNESS,LS,PRIM/EXT/SEC					
11	101080GT	HARNESS,JIB SELECT MANIFOLD					
11A	119867GT	WIRING KIT,JIB TIME DELAY IC					
--	19274GT	RELAY,SPDT,12V(AUTO)**					
--	43181GT	CAPACITOR,TIME DELAY					
12		REF: Foot Switch Assembly <i>(reference 601.1)</i>					
13A	43956GT	WIRE CABLE,14/3 CON.TPE JKT*740-inches Z-45/25					
13B	43956GT	WIRE CABLE,14/3 CON.TPE JKT*810-inches Z-45/25J					
14	1260218GT	HARNESS,TILT ALARM,12V1 <i>for CSA models from SN 21179</i>					



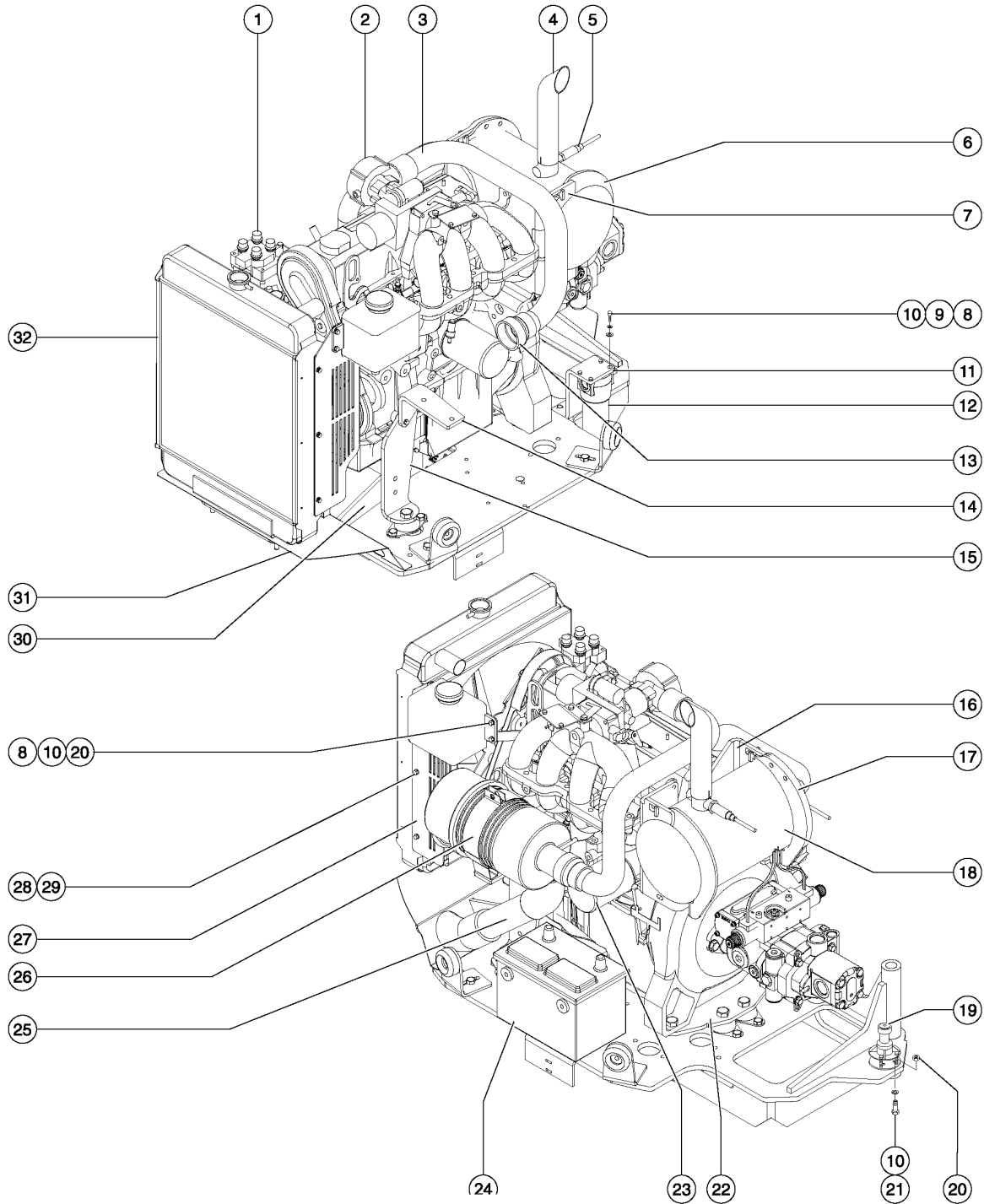
401.1 Ford LRG-425 EFI Engine - View 1 (to SN 23189)



401.1 Ford LRG-425 EFI Engine - View 1 (to SN 23189)

Item	Part No.	Description	Qty.	Item	Part No.	Description	Qty.
--	49735GT	ENGINE,FORD LRG 425,EFIZ45 <i>(remanufactured long block only, does not include starter, alternator, radiator or fuel system)</i>		24	33968GT	SENSOR, CRANK POSITION.....	1
--	50574GT	BRACKET,RELAY PANEL.....1 <i>mounts on front engine (spark plug side)</i>	1	25	52580GT	BELT,SERPENTINE,LRG425 EFI***.....	1
--	52592GT	RELAY - LRG425 EFI.....3 <i>mounts on Bracket 50574GT</i>	3	26	52078GT	PULLEY,FORD ENGINE,LRG-423***.....	1
--	65770GT	BELT,TIMING,FORD LRG423/425EFI		27	52077GT	SPACER,FAN TO WATERPUMP LRG423.....	1
--	88457GT	ENGINE PERFORMANCE MODULE T1**.....1 <i>from SN 21180 to 23213</i>	1	28	52076GT	FAN, LSG423/LRG425.....	1
1	58598GT	AIR VALVE MIXER.....	1	29	32309GT	SCREW,HHC,M8 X 60MM X 1.25	
--	106144GT	AIR HORN,NOLFF MIXER,ALUMINUM*		30	33963GT	PUMP, WATER, WITH GASKET.....1 <i>includes item 31</i>	1
--	119203GT	GASKET,NOLFF AIR HORN(106144)*		31	33964GT	GASKET, WATER PUMP.....	1
--	58599GT	DIAPHRAGM,AIR VALVE MIXER		32	33960GT	ALTERNATOR,LRG-423 RE-BUILT*.....	1
2	46131GT	CLAMP,HOSE,.63" - 1.0" X .5".....	1	--	71910GT	TERMINAL KIT, FORD ALTERNATOR	
3	81631GT	HOSE,VAPOR,LP SPECIFIC.....	1	33	65454GT	BOLT-FLANGE,M6 X 22MM(52573)	
4	77166GT	HOSE,AIR CLEANER,FORD/NOLFF.....	1	34	52573GT	THERMOSTAT HOUSING, LRG425 EFI.....	1
5	30971GT	CLAMP,HOSE,3.00".....	2	35	36208GT	CLAMP,HOSE,1.25***.....	1
6	27211-0250GT	HOSE,AIR INTAKE,2.625"IDX2.50".....	1	36	52762GT	HOSE,WATER INLET,LRG425 EFI.....	1
7	88451GT	THROTTLE ACTUATOR*(BOSCH).....	1	37	22672GT	CLAMP,HOSE,1.75.....	1
--	88452GT	GASKET,THROTTLE ACTUATOR***		38	54862GT	HOSE,UPPER RADIATOR,Z45.....	1
8	52579GT	GASKET,ADAPTER PLATE,425EFI***		39	65456GT	SENDING UNIT-H20TMP LRG425EFI*...1	1
8	88455GT	ADAPTER,THROTTLE ACTUATOR***.....1 <i>no longer available</i>	1	40	33972GT	SENSOR,COOLANT TEMP*.....	1
9	23057GT	SCREW,HHC,M8 X 20MM		41	33966GT	THERMOSTAT, FORD LRG.....	1
10	49408GT	WASHER,LOCK,M8		42	52575GT	GASKET,THERM.HSNG O-RING.....	1
11	49817GT	SCREW,PHILLIPS,PHM,10-32 X1.25		43	49881GT	OIL FILLER CAP FOR LRG ENGINE.....	1
12	6178GT	NUT,NYLOCK,10-32		44	33970GT	COIL, ELECTRONIC IGN., FORD.....	1
13	49898GT	MAP SENSOR, EFI.....	1				
14	53821PGT	BRACKET,MAP SENSOR,PAINTED.....	1				
15	52570GT	SPARK PLUG WIRE SET, LRG425EFI....	1				
16	28647GT	SPARK PLUG,FORD.....	1				
16	52656GT	FUEL INJECTOR, LRG-425 EFI <i>not shown</i>					
17	52566GT	DIPSTICK, OIL LEVEL,LRG425 EFI.....	1				
18	33972GT	SENSOR,COOLANT TEMP*.....	1				
19	30810GT	SENDING UNIT,OIL PRESSURE***.....1 <i>dual-terminal sender</i>	1				
20	88450GT	SENSOR,OXYGEN LRG425EFI.....	1				
21	28656GT	FILTER,OIL,FORD.....1 <i>Genie genuine part</i>	1				
--	1259054GT	FILTER, OIL, FORD <i>Genie aftermarket part</i>					
22	33957GT	VALVE,PCV-FORD LRG***.....	1				
23	58900GT	SENSOR,CAM,EFI***.....	1				

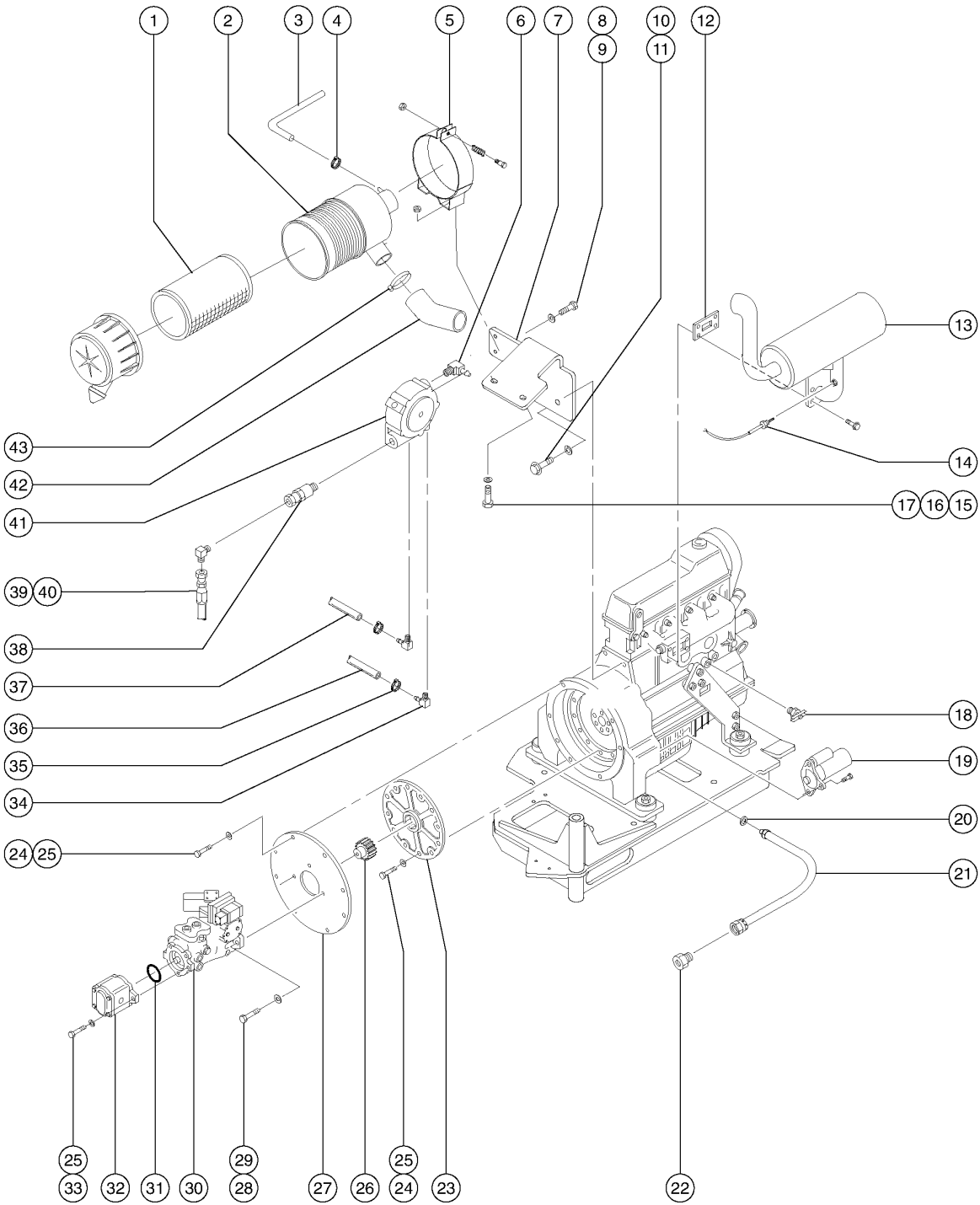
401.2 Ford LRG-425 EFI Engine - View 1 (from SN 23190)



401.2 Ford LRG-425 EFI Engine - View 1 (from SN 23190)

Item	Part No.	Description	Qty.	Item	Part No.	Description	Qty.
--	106487GT	ENGINE PERFORMANCE MODULE T2**.....1 <i>from SN 23214</i>	1	24	36872GT	BATTERY, 12V,900 CCA.....1	1
--	65770GT	BELT,TIMING,FORD LRG423/425EFI		--	T107827GT	BATTERY HOLD DOWN.....1	1
--	77114GT	SWITCH,OIL PRES.FORD,NORM.OPEN.....1 <i>single terminal</i>	1	25	33361GT	ELBOW,45 DEGR,RUBBER,2.5" I.D.....1	1
1	33970GT	COIL, ELECTRONIC IGN., FORD.....1	1	25	94324-800GT	TUBE,RD,STL,ALUMIZD,2.5 X .065.....1	1
--	28647GT	SPARK PLUG,FORD.....4 <i>not shown</i>	4	--	60036GT	HOSE,AIR INTAKE,FORD EFI***.....1	1
--	52570GT	SPARK PLUG WIRE SET, LRG425EFI....1 <i>not shown</i>	1	26	111634GT	AIR CLEANER,FORD,T3.....1	1
2	106485GT	MIXER,AIR VALVE,TIER II FORD**.....1	1	--	1277991GT	CLIP,AIR CLEANER COVER (58247) <i>for 58247</i>	
3	101063GT	TUBE,CLEAN AIR.....1	1	--	227988GT	VACUATOR VALVE	
4	94936GT	TAILPIPE,FORD.....1	1	--	38922GT	ELBOW,90DEG.1/8MPT-5/16 BARB	
5	106486GT	SENSOR,AIR,CAT MONITOR***.....1	1	--	53952GT	BRKT,AIR CLEANER ORIENTATION**.....1	1
6	101128PGT	FORMING,MUFFLER CLAMP, PAINTED.....1	1	--	58247GT	AIR CLEANER CAP/ FORD/NOLFF***	
7	101127PGT	FORMING,LH MUFFLER SUPPORT PNT.....1	1	--	77295GT	FILTER ELEMENT,AIR,NOLFF LPG.....1	1
8	6888GT	SCREW,HHC,1/4-20 X 1		27	101151PGT	GUARD,FAN,FORD GAS** PNTD.....1	1
9	6356GT	WASHER,LOCK,.25		28	21019GT	SCREW,PHIL,PHM,10-24 X.5,SEMS	
10	6638GT	WASHER,FLAT,USS,1/4"Y		29	6146GT	WASHER,FLAT,MS,#10,Y	
11	50696PGT	BRACKET,MID PRES OIL FILTER,PA.....1	1	30	101121PGT	FORMING,RADIATOR SUP PNTD.....1	1
12		FILTER ASY,M PRESS,SAE8,WOIND* (77139).....1 <i>component no longer available</i>	1	31	101124GT	FORMING,AIR BAFFLE,LOWER,FORD.....1	1
--	60857GT	FILTER,ELEMENT,BETA(5)=1000.....1 <i>for 77139</i>	1	32	110304GT	RADIATOR,FORD/PERKINS***.....1	1
12A	1267807GT	ASSY, MED. PRESS. FILTER, SAE8					
--	1268229GT	ELEMENT-5 MIC, PAPER, W/ BYPASS <i>for 1267807</i>					
13	70488GT	REDUCER,RUBBER 2.5 - 2.....1	1				
14	101064PGT	BRACKET,AIR CLEANER MOUNT PNTD.....1	1				
15	101118PGT	ENGINE MOUNT FOOT,LH PNTD.....1	1				
16	101126PGT	FORMING,RH MUFFLER SUP PAINTED.....1	1				
17	106271PGT	CLAMP,FORD MUFFLER,PAINTED.....1	1				
18	106178GT	WELDMENT,MUFFLER,FORD TIER2.....1	1				
19		SENSOR,LEVEL,4.5 DEG.....1 <i>refer to 410.1</i>	1				
20	6091GT	NUT,NYLOCK,1/4-20					
21	6888GT	SCREW,HHC,1/4-20 X 1					
22	101593PGT	MOUNT,REAR ENGINE PNTD.....1	1				
23	28656GT	FILTER,OIL,FORD.....1 <i>Genie genuine part</i>	1				
--	1259054GT	FILTER, OIL, FORD <i>Genie aftermarket part</i>					

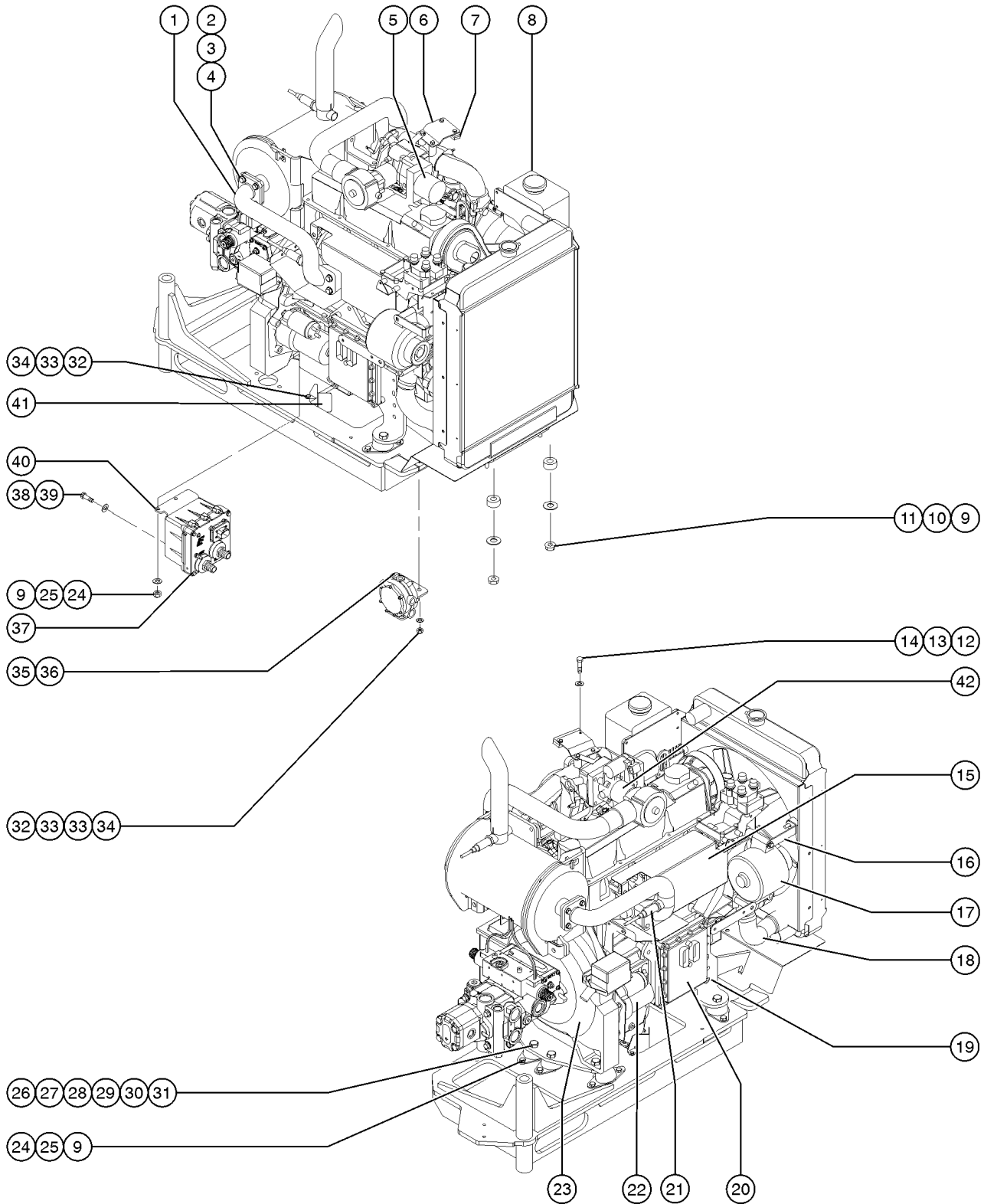
402.1 Ford LRG-425 EFI Engine - View 2 (to SN 23189)



402.1 Ford LRG-425 EFI Engine - View 2 (to SN 23189)

Item	Part No.	Description	Qty.	Item	Part No.	Description	Qty.
1	77295GT	FILTER ELEMENT,AIR,NOLFF LPG.....1		30		Ref. Drive Pump Assembly (refer to 705.1).....1	
2	111634GT	AIR CLEANER,FORD,T3.....1 <i>includes item 1</i>		31	43683GT	O-RING,2-042 N674-70***.....1	
--	1277991GT	CLIP,AIR CLEANER COVER (58247) <i>for 58247</i>		32		Ref. Lift/Steer Pump (refer to 705.1).....1	
--	227988GT	VACUATOR VALVE		33	33988GT	SCREW,SHC,3/8-16 X 1.....2	
--	38922GT	ELBOW,90DEG.1/8MPT-5/16 BARB		34	37017GT	HOSE END,90DEG.,.63 HS X.25 MPT.....1	
--	58247GT	AIR CLEANER CAP/ FORD/NOLFF***		35	24165GT	PLATE,HINGE BACK-UP	
3	54209GT	HOSE,1/2" X 24" LG.....1		36	53832GT	HOSE,FIRE RES.,5/8 ID,BULK.....1	
4	46131GT	CLAMP,HOSE,.63" - 1.0" X .5".....1		37	52762GT	HOSE,WATER INLET,LRG425 EFI.....1	
5	53952GT	BRKT,AIR CLEANER ORIENTATION**.....1		38	27010GT	VALVE,LOCK OFF,BEAM #FL-418.....1	
6	36203GT	ELBOW,90DEG.3/8MPT-5/8 BARB.....1		39	119055GT	HOSE ASSY,LP GAS.....1 <i>144 inches</i>	
7	77165PGT	BRACKET,AIR CLEANER MNT,PAINT....1		40	19859GT	ELBOW,010202-6-4.....1	
8	6090GT	SCREW,HHC,1/4-20 X .75		41		REGULATOR,LP,MODEL J NOLFF.....1 <i>81630GT no longer available from supplier</i>	
9	6356GT	WASHER,LOCK,.25		--	75471GT	REGULATOR DIAPH.KIT NOLFF,MDLJ.....1	
10	25548GT	SCREW,HHC,M10 X 40MM,GRD8		41A	102119GT	HOSE,3/4,LP.....as needed <i>from regulator to mixer</i>	
11	22700GT	WASHER,LOCK,M10		42	34162-800GT	HOSE,AIR INTAKE 2.5 ID 8.00LG.....1	
12	27142GT	GASKET,EXHAUST***.....1		43	30971GT	CLAMP,HOSE,3.00".....1	
13	50446GT	MUFFLER,FORD LRG EFI,Z45.....1					
14	88450GT	SENSOR,OXYGEN LRG425EFI.....1					
15	13002GT	SCREW,HHC,5/16-18 X 1 GR5					
16	6638GT	WASHER,FLAT,USS,1/4"Y					
17	18503GT	NUT,LOCKING-LG.FLANGE,5/16-18					
18	28717GT	VALVE,DRAIN,FORD,BLOCK,RAD.....1					
19	29606GT	RING GEAR,FORD***.....1					
19	29616GT	STARTER,ENGINE,FORD LSG/LRG***.....1					
20	53910GT	GASKET, FORD OIL DRAIN.....1					
21	63427GT	HOSE ASSY,FORD OIL DRAIN 1/2".....1					
22	63426GT	PLUG,070109-8.....1					
23	33024GT	FLYWHEEL FLANGE,GREEN PLASTIC.....1					
24	6175GT	SCREW,HHC,3/8-16 X 1					
25	6021GT	WASHER,LOCK,.375 <i>to SN 22050</i>					
--	5397GT	WASHER,FLAT,USS,5/16",Y <i>from SN 22051</i>					
26	37002GT	COUPLER,HUB,15 TOOTH 7/16BOLT*.....1					
27	25571P-SGT	PLATE,PUMP MOUNT,FORD,PAINTED.....1					
28	22788GT	SCREW,HHC,1/2-13 X 1.75 <i>to SN 22050</i>					
--	8177GT	SCREW,HHC,1/2-13 X 1.5 <i>from SN 22051</i>					
29	6033GT	WASHER,LOCK,0.5"					

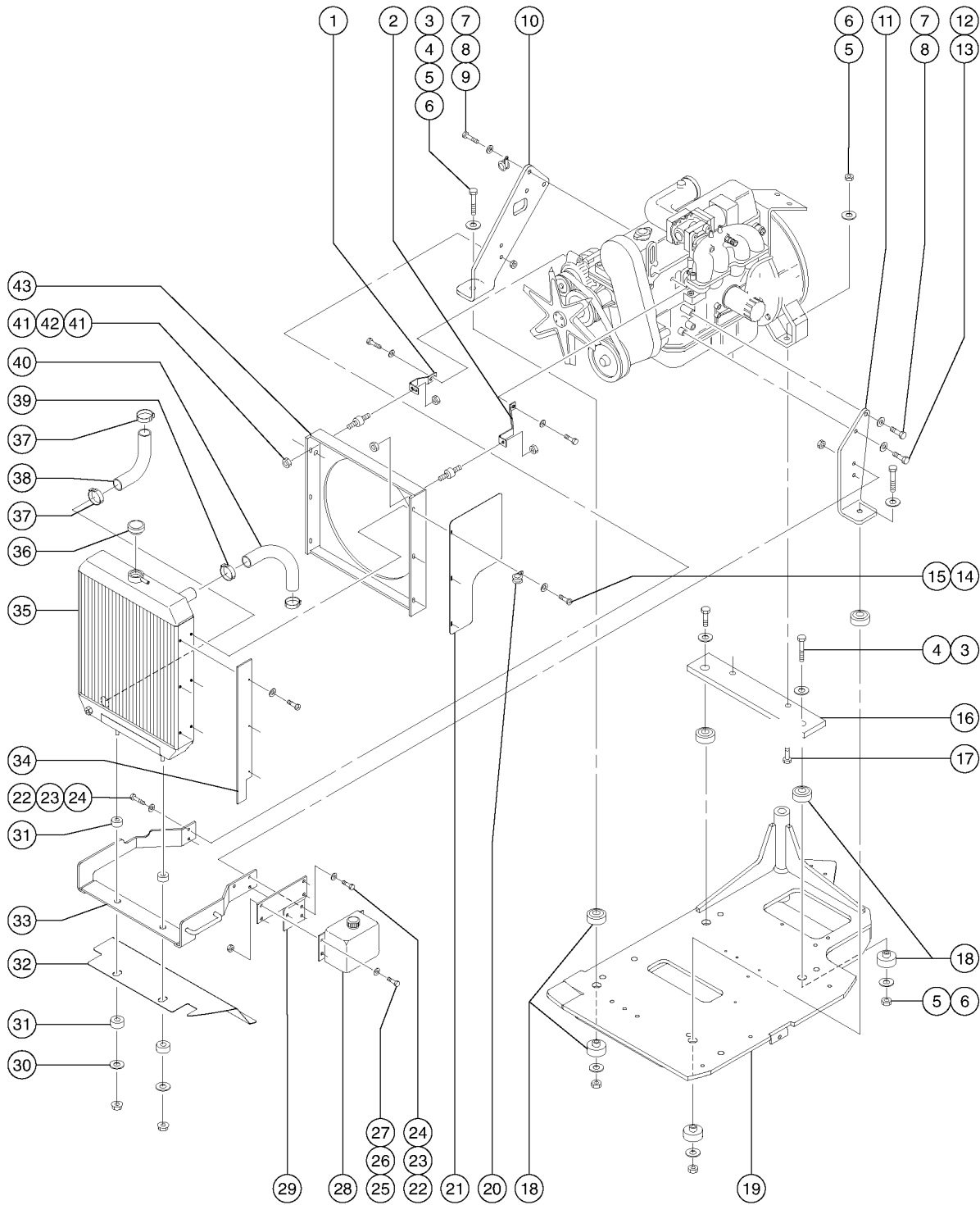
402.2 Ford LRG-425 EFI Engine - View 2 (from SN 23190)



402.2 Ford LRG-425 EFI Engine - View 2 (from SN 23190)

Item	Part No.	Description	Qty.	Item	Part No.	Description	Qty.
1	94931GT	WELDMENT,HEADER PIPE.....	1	24	6019GT	SCREW,HHC,3/8-16 X 1.25 GRD 5	
2	13000GT	SCREW,HHC,5/16-18 X 1.25		25	5397GT	WASHER,FLAT,USS,5/16",Y	
3	72343GT	GASKET,EXH FLANGE-FORD/PERKINS.....	1	26	8357GT	SCREW,HHC,1/2-13 X 3.5	
4	18503GT	NUT,LOCKING-LG.FLANGE,5/16-18		27	6095GT	WASHER,FLAT,USS,1/2",Y	
5	88451GT	THROTTLE ACTUATOR*(BOSCH).....	1	28	101730GT	SPACER,ENGINE MOUNT.....	2
--	88452GT	GASKET,THROTTLE ACTUATOR***.....	1	29	101729GT	WASHER,VIBRATION ISOLATING.....	2
6	54531PGT	BRACKET,MAP SENSOR,PAINTED.....	1	30	24040GT	WASHER, 1/2 PLATE (1/2 X 2.25 X 3/16)	
7	49898GT	MAP SENSOR, EFI.....	1	31	6198GT	NUT,NYLOCK,1/2-13	
8	1279268GT	BOTTLE, COOLANT RECOVERY, 2QT.....	1	32	6091GT	NUT,NYLOCK,1/4-20	
8	72327GT	CAP, COOLANT RET SYS(54071).....	1	33	6638GT	WASHER,FLAT,USS,1/4"Y	
9	4828GT	NUT,NYLOCK,3/8-16		34	6888GT	SCREW,HHC,1/4-20 X 1	
10	15086GT	WASHER,FLAT,375 X 1.5 X .125		35	70525GT	REGULATOR,LPG.....	1
11	24038GT	SHOCK MOUNT,SMALL.....	4	35A	102119GT	HOSE,3/4,LP.....as needed <i>from regulator to mixer</i>	
12	49817GT	SCREW,PHILLIPS,PHM,10-32 X1.25		36	101999PGT	FORMING,LP REGULATOR PNTD.....	1
13	6146GT	WASHER,FLAT,MS,#10,Y		37	70527GT	MEGAJECTOR,FUEL KIT.....	1
14	6178GT	NUT,NYLOCK,10-32		38	49376GT	SCREW,HHC,M6 X 25	
15	101998GT	HEAT SHIELD,EXHAUST MANIFOLD**.....	1	39	25926GT	WASHER,FLAT,M6 PLTD.	
16	101123PGT	FORMING,STRUT,RH RADIATOR PNTD.....	1	40	101295GT	BRACKET,REG/MJ CONNECTOR MOUNT.....	1
--	101122PGT	FORMING,STRUT,LH RADIATOR PNTD.....	1	41	106197PGT	DEFLECTOR,OIL DRAIN PAINTED.....	1
--	219437GT	ISOLATOR, VIBRATION.....	1	42	80825-200GT	HOSE,2.0"ID X 2.0" LG.....	2
17	33960GT	ALTERNATOR,LRG-423 RE-BUILT*.....	1				
18A	77170GT	HOSE,LOWER RADIATOR,Z45.....	1				
18B	54862GT	HOSE,UPPER RADIATOR,Z45					
18C	22672GT	CLAMP,HOSE,1.75.....	1				
19	101119PGT	ENGINE MOUNT FOOT,RH PNTD.....	1				
20	106487GT	ENGINE PERFORMANCE MODULE T2**.....	1				
--	106605GT	HARNESS,ENGINE W/RELAY BOX T2 <i>from SN 23214</i>					
--	128903GT	JUMPER,THROTTLE BODY,FORD 2.5L <i>from SN 23214</i>					
--	88448GT	HARNESS,FORD LRG 425 EFI***** <i>to SN 23213</i>					
21	88450GT	SENSOR,OXYGEN LRG425EFI.....	1				
22	29606GT	RING GEAR,FORD***.....	1				
22	29616GT	STARTER,ENGINE,FORD LSG/LRG***.....	1				
23	64079GT	BELL HOUSING KIT, FORD 425EFI..... <i>kit includes; 89811 Pump Mount Housing, 89813 Flex Plate, 37003 15 tooth Hub Coupler, and 102136 Screws 7/16-14 X 1.25</i>	1				

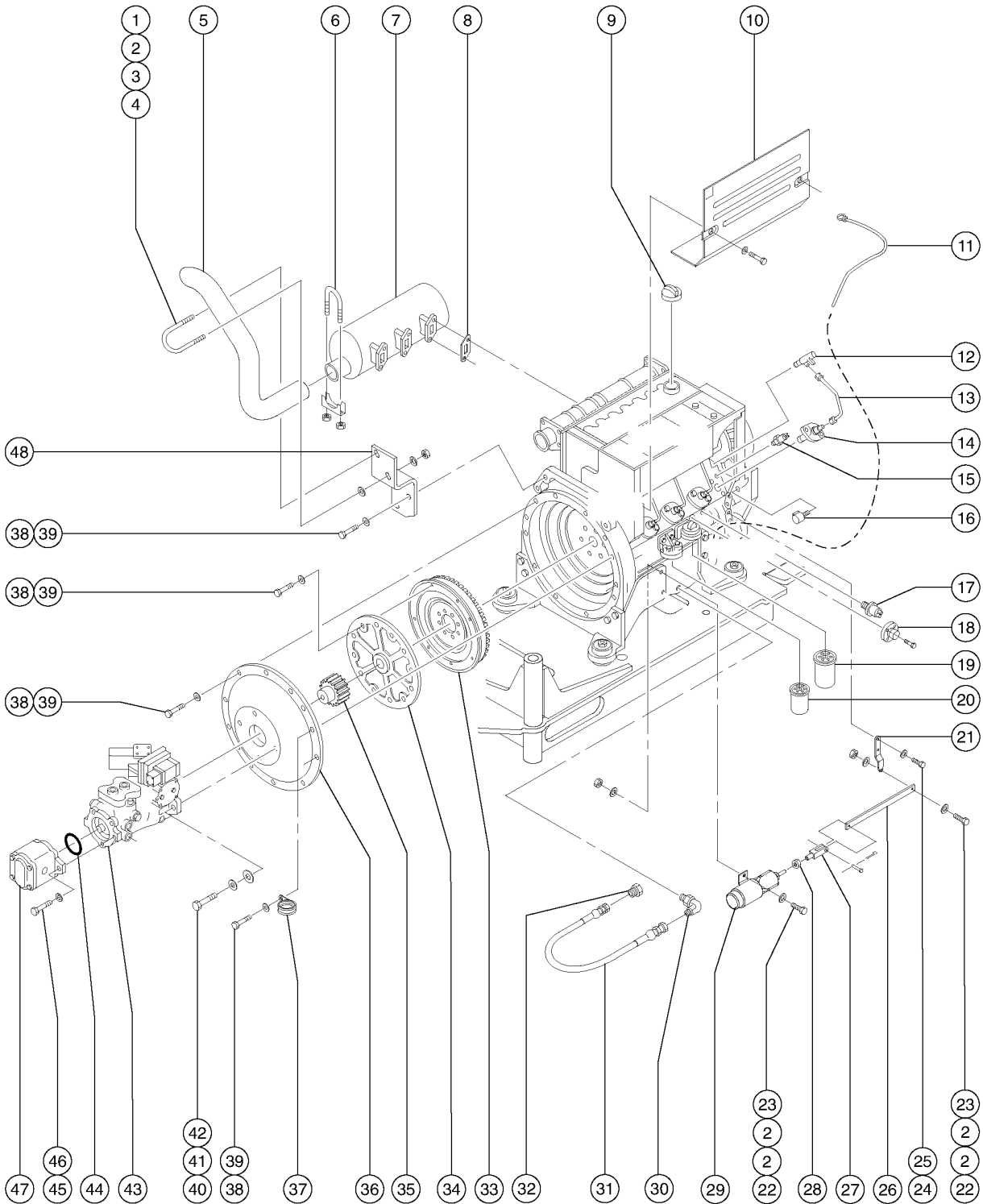
403.1 Ford LRG-425 EFI Engine - View 3 (to SN 23189)



403.1 Ford LRG-425 EFI Engine - View 3 (to SN 23189)

Item	Part No.	Description	Qty.	Item	Part No.	Description	Qty.
1	54691GT	STRUT,RADIATOR RH,FORD EFI.....	1	37	13014GT	CLAMP,HOSE,2.25" DIA.....	2
2	54690GT	STRUT,RADIATOR LH,FORD EFI.....	1	38	77170GT	HOSE,LOWER RADIATOR,Z45.....	1
3	8357GT	SCREW,HHC,1/2-13 X 3.5		39	45171GT	CLAMP,HOSE,1.75,LINED.....	2
4	24040GT	WASHER, 1/2 PLATE (1/2 X 2.25 X 3/16)		40	54862GT	HOSE,UPPER RADIATOR,Z45.....	1
5	6095GT	WASHER,FLAT,USS,1/2",Y		41	18506GT	SCREW 5/16-18 X .75 LG.FLG.LCK.	
6	6198GT	NUT,NYLOCK,1/2-13		42	219437GT	ISOLATOR, VIBRATION.....	1
7	27034GT	SCREW,HHC,M10 X 25MM,GR 8.8		43	54598PGT	SHROUD,RADIATOR,FORD LGR425,PA.....	1
8	22700GT	WASHER,LOCK,M10					
9	45454GT	CLAMP,RUB CUSH,0.75,#12 X 3/8*					
10	50709PGT	ENGINE MOUNT FOOT,R.H.,PAINTED.....	1				
11	50710PGT	ENGINE MOUNT FOOT,L.H.,PAINTED.....	1				
12	23057GT	SCREW,HHC,M8 X 20MM					
13	6886GT	WASHER,LOCK,.313					
14	57075GT	SCREW,PHIL,8-32X.50,SELF TAP					
15	6146GT	WASHER,FLAT,MS,#10,Y					
16	50437PGT	PLATE,ENG MT BELL HOUSE,PAINTE.....	1				
17	6096GT	SCREW,HHC,1/2-13 X 2 GR5					
18	24037GT	SHOCK MOUNT,LARGE**.....	2				
19	107807GT	ASSEMBLY, ENGINE TRAY.....	1				
--	25817GT	BEARING,1.00IDX1.25ODX1.00L.....	2				
20	6833GT	CLAMP,0.50,#8 X 1/4,RUB CUSH					
21	54487PGT	GUARD,FAN,FORD/PERKINS,PAINTED.1					
22	8516GT	SCREW, HCC, 3/8-16 X 1.50					
23	5397GT	WASHER,FLAT,USS,5/16",Y					
24	4828GT	NUT,NYLOCK,3/8-16					
25	6090GT	SCREW,HHC,1/4-20 X .75					
26	6638GT	WASHER,FLAT,USS,1/4"Y					
27	6091GT	NUT,NYLOCK,1/4-20					
28	1279268GT	BOTTLE, COOLANT RECOVERY, 2QT.....	1				
--	72327GT	CAP, COOLANT RET SYS(54071).....	1				
29	50976PGT	BRACKET,COOLANT TANK MOUNT.....	1				
30	15086GT	WASHER,FLAT,.375 X 1.5 X .125					
31	24038GT	SHOCK MOUNT,SMALL.....	4				
32	54599PGT	PLATE,RADIATOR BAFFLE,PAINTED....	1				
33	54591GT	WELDMENT,RADIATOR MOUNT,FORD.....	1				
34	54189GT	SEAL,RUBBER,BAFFLE,FORD.....	1				
35	110304GT	RADIATOR,FORD/PERKINS***.....	1				
--	54608GT	PLATE,AIR BAFFLE,FORD					
--	54616GT	SEAL,RUBBER,BAFFLE,PERKIN/FORD					
36	27943GT	CAP,RADIATOR,FORD***.....	1				

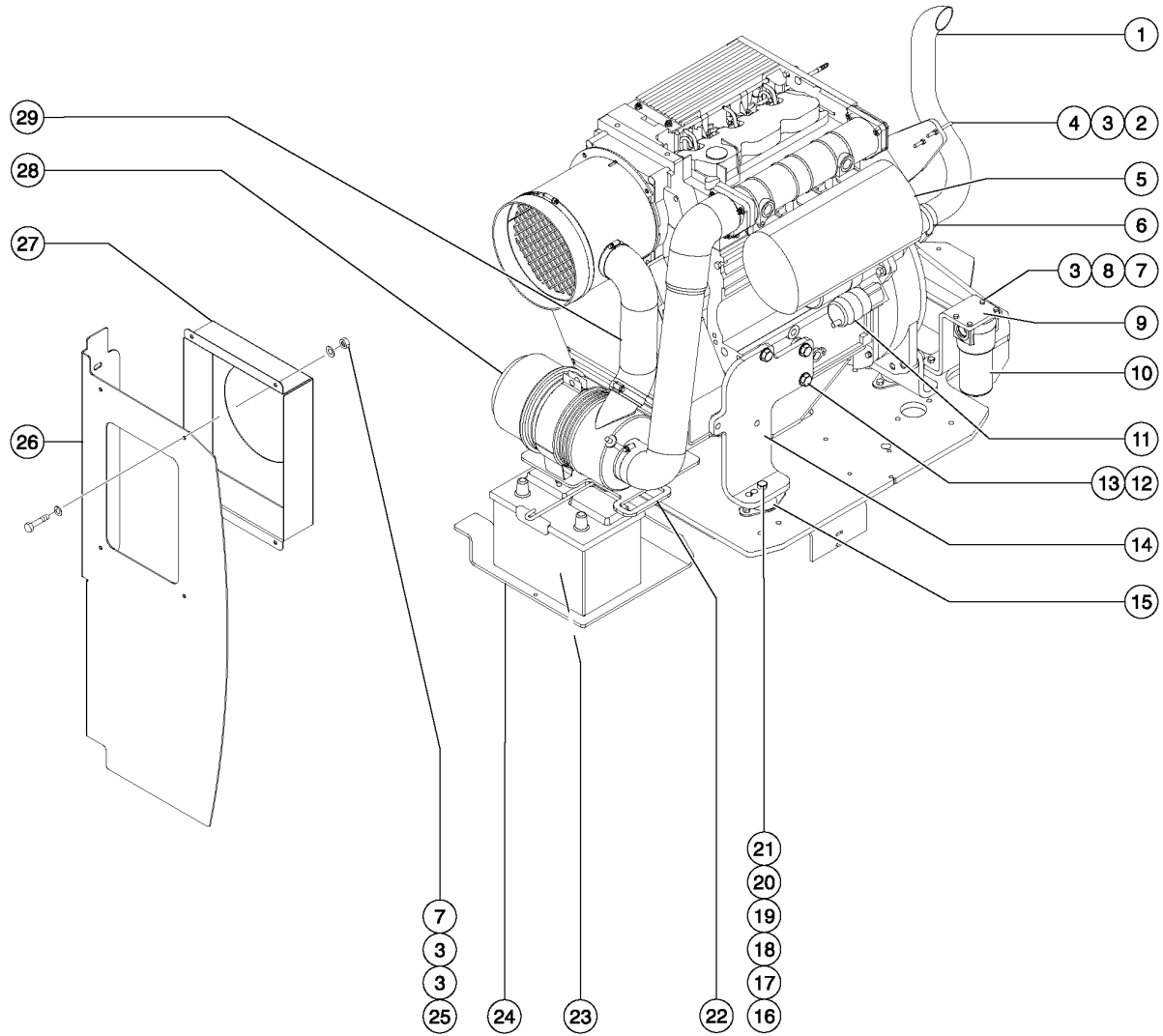
404.1 Deutz F3L 1011F Engine - View 1 (to SN 23040)



404.1 Deutz F3L 1011F Engine - View 1 (to SN 23040)

Item	Part No.	Description	Qty.	Item	Part No.	Description	Qty.
--	1 (please verify ring gear thickness) 0.46 inches		24	22578GT	SCREW,HHC,M6 X 20MM,GR8.8	
--	70453GT	ENGINE,DEUTZ D2011L031 F3L1011 AND F3L1011F Engines only		25	49407GT	WASHER,LOCK,M6	
1	16584GT	U-BOLT, KIT 5/16-18 X 2.5 ***		26	94485GT	THROTTLE LINKAGE,DIESEL ***1	
2	6638GT	WASHER,FLAT,USS,1/4"Y		27	21130GT	CLEVIS YOKE-1/4-28,PLTD W/PIN includes clevis pin and cotter pin	
3	6886GT	WASHER,LOCK,.,313		28	21496GT	NUT,HEX,1/4-28	
4	6037GT	NUT,HEX,5/16-18,GR5		29	77402GT	SOLENOID,THROTTLE ACTUATOR DSL.....1	
5	50761GT	EXHAUST PIPE,DEUTZ 3 CYL DSL.....1		30	77379GT	FITTING,M18X8,C87OMX.....1	
6	30438GT	CLAMP,MUFFLER,2 1/4" ID.....1		31	49177-2094GT	HOSE ASSEMBLY,1/2****.....1	
7	32695GT	MUFFLER,DEUTZ.....1 includes items 6 and 8		32	63426GT	PLUG,070109-8.....1	
8	29559GT	GASKET,EXHAUST.....3		33	49917GT	RING GEAR,DEUTZ F3 & F4L1011F*.....1 (please verify ring gear thickness) 0.46 inches	
9	29557GT	CAP,OIL FILLER,DEUTZ,DIESEL***.....1		--	33729GT	RING GEAR,DEUTZ F3 & F4L1011*.....1 (please verify ring gear thickness) 0.365 inches	
10	52353GT	COVER,ENGINE SIDE (F30-1011F).....1		--	89785GT	RING GEAR,DEUTZ F3L2011F.....1 (please verify ring gear thickness) 0.6 inches	
11	54790GT	DIPSTK &TUBE ASSY,DEUTZ 3CYL.*...1 includes tube		34	33024GT	FLYWHEEL FLANGE,GREEN PLASTIC.....1	
--	54301GT	O-RING,NEOPRENE,.,469IDX.094THK...1		35	37003GT	COUPLER,HUB,15 TOOTH 7/16BOLT*.....1	
12	49919GT	INJECTOR - DEUTZ F4L1011F.....4		36	30806GT	FLYWHEEL COVER,CASTING***1	
13	49921GT	FUEL LINE INJ. DEUTZ F4L1011F.....4		37	49863GT	CLAMP,1.13,#18 X 3/8,RUB CUSH*.....1	
14	49929GT	INJECTOR PUMP - DEUTZ F4L1011F...4		38	44064GT	SCREW,HHC,M10 X 30MM,	
15	34059GT	SENDING UNIT,OIL TEMP.....1		39	22700GT	WASHER,LOCK,M10	
16	T114678GT	SHUTDOWN SOLENOID,12V, DEUTZ....1 (must order cable assembly, 58256, if replacing 32752) (includes o-ring)		40	8177GT	SCREW,HHC,1/2-13 X 1.5	
--	45782GT	DIODE,6 AMP,200 PIV,BULK		41	6033GT	WASHER,LOCK,0.5"	
--	58256GT	SOLENOID CABLE ASSY***		42	13066GT	WASHER,FLAT,5 HARDENED	
--	72255GT	CONNECTOR, DEUTZ FUEL SHUTOFF* (does not include diode, 45782)		43		Ref. Drive Pump Assembly (refer to 705.1).....1	
17	37033GT	SENDING UNIT,OIL PRESS.,DEUTZ*....1 single-terminal sender		44	43683GT	O-RING,2-042 N674-70***1	
18	49923GT	PUMP, FUEL LIFT, F4L1011F.....1		45	33988GT	SCREW,SHC,3/8-16 X 1	
19	49924GT	FILTER,OIL,DEUTZ F4L1011F.....1 Genie Genuine Part. See PN 1255653 for compatible aftermarket replacement.		46	5397GT	WASHER,FLAT,USS,5/16",Y	
--	1255653GT	FILTER,OIL,DEUTZ,REPLACEMENT....1 Genie Aftermarket Part. Compatible with Genie Genuine Part 49924.		47		Ref. Lift/Steer Pump (refer to 705.1).....1	
20	29560GT	FILTER,FUEL/WTR SEP, DTZ 1008.....1 Genie Genuine Part. See PN 1254826 for compatible aftermarket replacement.		48	50564GT	BRACKET,MUFFLER,DEUTZ 3 CYL.....1	
--	1254826GT	FUEL FILTER W/SEP,DEUTZ,1008.....1 Genie Aftermarket Part. Filter for Deutz F3L 1011F Engine.					
21	50787-SGT	LEVER, GOVERNOR ACTUATOR.....1					
22	6888GT	SCREW,HHC,1/4-20 X 1					
23	6091GT	NUT,NYLOCK,1/4-20					

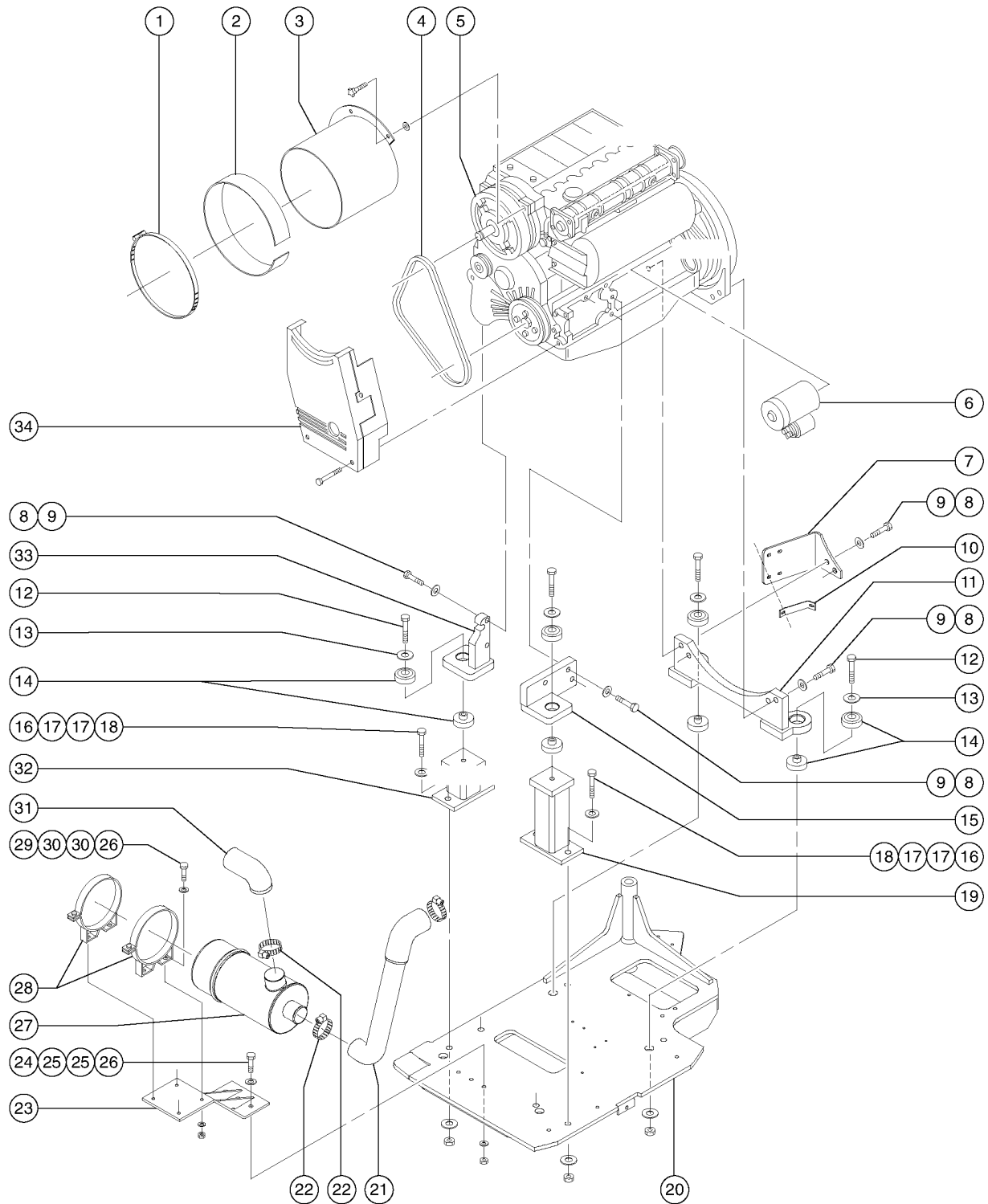
404.2 Deutz F3L 2011 Engine - View 1 (from SN 23041)



404.2 Deutz F3L 2011 Engine - View 1 (from SN 23041)

Item	Part No.	Description	Qty.	Item	Part No.	Description	Qty.
1	50761GT	EXHAUST PIPE,DEUTZ 3 CYL DSL.....1		28A	27915GT	AIR CLEANER.....1 <i>metal housing</i>	
2	16584GT	U-BOLT, KIT 5/16-18 X 2.5 ***		--	27916GT	FILTER,AIR,ELEMENT*** <i>for 27915</i>	
3	6638GT	WASHER,FLAT,USS,1/4"Y		--	52658GT	NUT - WING, AIR FILTER, 425EFI <i>for 27915</i>	
4	6037GT	NUT,HEX,5/16-18,GR5		--	58917GT	END CAP,AIR FILTER-27915&49740 <i>for 27915</i>	
5	32695GT	MUFFLER,DEUTZ.....1		--	65810GT	BAFFLE, AIR CLEANER (27915)** <i>for 27915</i>	
6	30438GT	CLAMP,MUFFLER,2 1/4" ID.....1		--	65815GT	CLAMP, AIR CLEANER (27915)** <i>for 27915</i>	
7	6888GT	SCREW,HHC,1/4-20 X 1		28B	63463GT	AIR CLEANER,NELSON***.....1 <i>plastic housing</i>	
8	6356GT	WASHER,LOCK,.25		--	52866GT	EVACUATOR VALVE-AIR CLEANER	
9	50696PGT	BRACKET,MID PRES OIL FILTER,PA.....1		--	58415GT	CLIP,AIR CLEANER END CAP*** <i>end cap not available separately</i>	
10		FILTER ASY,M PRESS,SAE8,WOIND* (77139).....1 <i>component no longer available</i>		--	62420GT	FILTER,AIR***	
--	60857GT	FILTER,ELEMENT,BETA(5)=1000 <i>for 77139</i>		--	65810GT	BAFFLE, AIR CLEANER (27915)**	
10A	1267807GT	ASSY, MED. PRESS. FILTER, SAE8		29	101006GT	TUBE,AIR CLEANER INLET.....1	
--	1268229GT	ELEMENT-5 MIC, PAPER, W/ BYPASS <i>for 1267807</i>					
11	139709GT	STARTER, 12V <i>9 tooth; inspect old starter before ordering</i>					
11	37950GT	STARTER,DEUTZ,F4L1011F/F3L1011...1 <i>11 tooth; inspect old starter before ordering</i>					
--	49915GT	SOLENOID-STARTR DEUTZF4L1011F*.....1					
12	22558GT	SCREW,HHC,M14 X 40MM,GR 8.8					
13	49411GT	WASHER,FLAT,M14					
14	70461PGT	FORMING,ENGINE MOUNT,FL PAINT*.....1					
15	70452GT	ISOLATOR,ENGINE VIBRATION***.....2					
16	8357GT	SCREW,HHC,1/2-13 X 3.5					
17	6095GT	WASHER,FLAT,USS,1/2",Y					
18	101730GT	SPACER,ENGINE MOUNT.....2					
19	101729GT	WASHER,VIBRATION ISOLATING.....2					
20	24040GT	WASHER, 1/2 PLATE (1/2 X 2.25 X 3/16)					
21	6198GT	NUT,NYLOCK,1/2-13					
22	101130PGT	Air Cleaner Bracket.....1					
23	36872GT	BATTERY, 12V,900 CCA.....1					
--	101909GT	BATTERY CABLE.....1					
--	101911GT	BATTERY CABLE.....1					
--	101912GT	BATTERY CABLE.....1					
--	70645GT	BATTERY CABLE,RED#2,5/16,5/16.....1					
24	54207PGT	BRACKET,GENERATOR MOUNT,PAINT.....1					
25	6091GT	NUT,NYLOCK,1/4-20					
26	50581PGT	PLATE,AIR INTAKE ADAPTER,PAINT....1					
--	34619GT	BUMPER,RUBBER***.....2					
27	101137PGT	DUCT,AIR INTAKE PAINTED.....1					

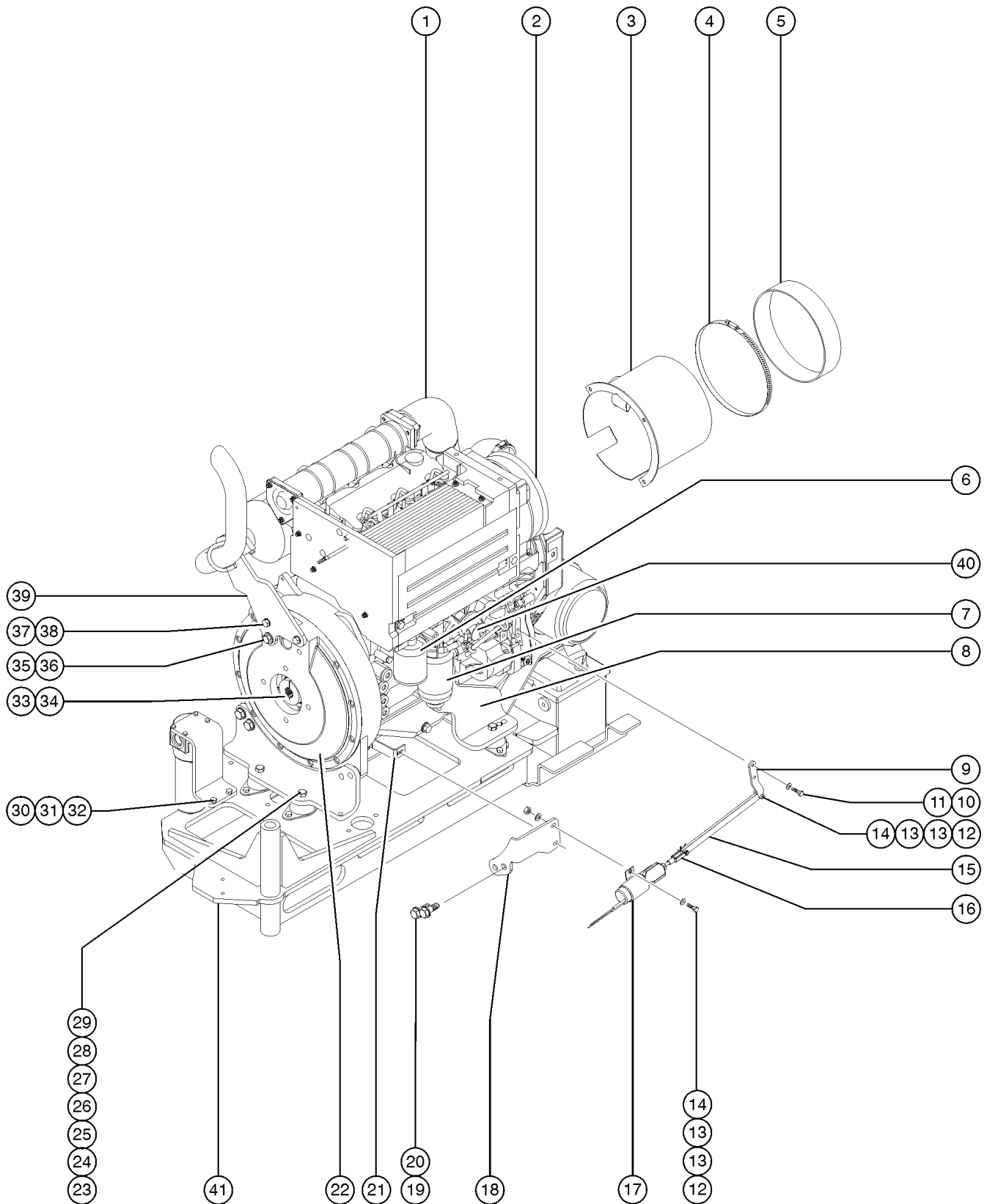
405.1 Deutz F3L 1011F Engine - View 2 (to SN 23040)



405.1 Deutz F3L 1011F Engine - View 2 (to SN 23040)

Item	Part No.	Description	Qty.	Item	Part No.	Description	Qty.
--	139624GT	SWITCH, OIL PRESSURE 1.5 BAR.....1 <i>(replaced 65765)</i>	1	--	52658GT	NUT - WING, AIR FILTER, 425EFI	
--	139666GT	KIT,OP SWITCH,DEUTZ <i>(oil pressure kit for models with ALC-500 control system. replaces 65765. includes item 139624 and instructions)</i>		--	58917GT	END CAP,AIR FILTER-27915&49740	
--	58176GT	BELT,TIMING,DEUTZ F3L1011F		--	65810GT	BAFFLE, AIR CLEANER (27915)**	
1	31523GT	CLAMP,HOSE,8.50 DIA***.....1	1	--	65815GT	CLAMP, AIR CLEANER (27915)**	
2	33239GT	SHEET,RUBBER,AIR INTAKE.....1	1	28	53952GT	BRKT,AIR CLEANER ORIENTATION**.....1	1
3	50579PGT	WELDMENT,AIR INTAKE TUBE,PAINT.....1	1	29	6175GT	SCREW,HHC,3/8-16 X 1	
4	32698GT	BELT,V, DEUTZ DIESEL ENGINE.....1	1	30	5397GT	WASHER,FLAT,USS,5/16",Y	
5	35586GT	ALTERNATOR, DEUTZ F3L10/F4L10*....1	1	31	50941GT	HOSE,90DEG 2.5" AIR INTAKE.....1	1
--	77426GT	HARNES,ENGINE,DEUTZ*****.....1	1	32	50996GT	MOUNT POST,RH.....1	1
6	139709GT	STARTER, 12V <i>9 tooth; inspect old starter before ordering</i>		33	50985GT	WELDMENT,RH ENGINE MOUNT,DTZ.....1	1
6	37950GT	STARTER,DEUTZ,F4L1011F/F3L1011...1 <i>11 tooth; inspect old starter before ordering</i>	1	34	29555GT	COVER,FRONT DEUTZ ENGINE.....1	1
--	49915GT	SOLENOID-STARTR DEUTZF4L1011F*.....1	1				
7	77233PGT	BRACKET,SOLENOID MOUNT,PAINTED.....1	1				
8	34265GT	SCREW,HHC,M14 X 55					
9	37505GT	WASHER,LOCK,M14					
10	77245PGT	BRACKET,SOLEN.MOUNT BRACE,PNTD.....1	1				
11	54280GT	WELDMENT,ENGINE MOUNT,REAR....1	1				
12	47186GT	SCREW,HHC,5/8-11 X 4.5					
13	33418GT	WASHER,FLAT,.625 X 2.25 X.15					
14	28076GT	ISOLATOR,VIBRATION,LG,RD&WH***...4	4				
15	50989GT	WELDMENT,LH ENGINE MOUNT,DTZ.....1	1				
16	51131GT	SCREW,HHC,5/8-11 X 2.5					
17	13064GT	WASHER,FLAT,.625 HARDENED					
18	6024GT	NUT,NYLOCK,5/8-11					
19	50995GT	MOUNT POST,LH.....1	1				
20	107807GT	ASSEMBLY, ENGINE TRAY.....1	1				
--	25817GT	BEARING,1.00IDX1.25ODX1.00L.....2	2				
21	70375GT	HOSE,AIR CLEANER.....1	1				
22	30971GT	CLAMP,HOSE,3.00".....2	2				
23	60077GT	WELDMENT,AIR CLEANER BRACKET.....1	1				
24	8516GT	SCREW, HCC, 3/8-16 X 1.50					
25	6097GT	WASHER,FLAT,USS,3/8",Y					
26	4828GT	NUT,NYLOCK,3/8-16					
27	27915GT	AIR CLEANER.....1	1				
--	27916GT	FILTER,AIR,ELEMENT***					

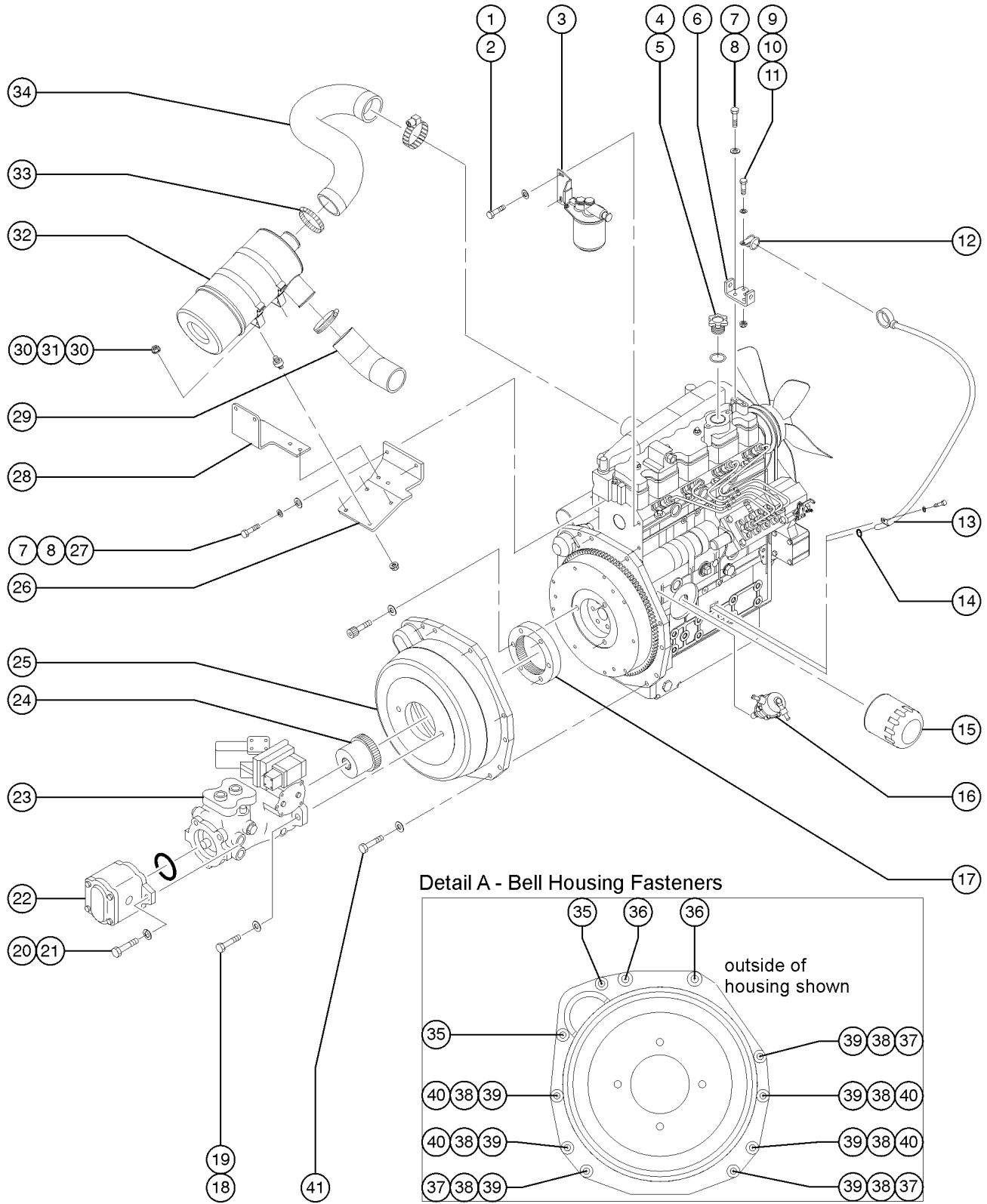
405.2 Deutz F3L 2011 Engine - View 2 (from SN 23041)



405.2 Deutz F3L 2011 Engine - View 2 (from SN 23041)

Item	Part No.	Description	Qty.	Item	Part No.	Description	Qty.
--	102588GT	OIL TEMP SENSOR, DEUTZ F4L2011		19	22558GT	SCREW,HHC,M14 X 40MM,GR 8.8	
--	119344GT	KIT,PRIMER BULB		20	49411GT	WASHER,FLAT,M14	
--	1288561GT	O-RING,FUEL INJECTOR,DEUTZ (89792) <i>for 89792</i>		21	77245PGT	BRACKET,SOLE.N MOUNT BRACE,PNTD.....1	
--	139595GT	DIPSTICK,INDICATOR,DEUTZ,Z45 <i>for use only after installation of 139596</i>		22	70381GT	COVER,FLYWHEEL CASTING.....1	
--	139596GT	SERVICE KIT,DEUTZ DIPSTICK,Z45 <i>over-engine dipstick accessory kit</i>		23	10598GT	SCREW,HHC,1/2-13 X 3	
--	139624GT	SWITCH, OIL PRESSURE 1.5 BAR.....1 <i>(replaced 65765)</i>		24	6095GT	WASHER,FLAT,USS,1/2",Y	
--	139666GT	KIT,OP SWITCH,DEUTZ <i>(oil pressure kit for models with ALC-500 control system. replaces 65765. includes item 139624 and instructions)</i>		25	70452GT	ISOLATOR,ENGINE VIBRATION***4	
--	52352GT	DIPSTICK-F3L1011F (DEUTZ) <i>verify letter code (A, B, C or D) before ordering</i>		26	101730GT	SPACER,ENGINE MOUNT.....4	
--	89780GT	FUEL LINE, DEUTZ F3L 2011F,1 METER LG		27	101729GT	WASHER,VIBRATION ISOLATING.....4	
--	89792GT	INJECTOR, FUEL(DEUTZ F3L2011F)		28	24040GT	WASHER, 1/2 PLATE (1/2 X 2.25 X 3/16)	
--	T114678GT	SHUTDOWN SOLENOID,12V, DEUTZ <i>(includes o-ring)</i>		29	6198GT	NUT,NYLOCK,1/2-13	
1	70375GT	HOSE,AIR CLEANER.....1		30	8516GT	SCREW, HCC, 3/8-16 X 1.50	
2	35586GT	ALTERNATOR, DEUTZ F3L10/F4L10*....1		31	6097GT	WASHER,FLAT,USS,3/8",Y	
--	32698GT	BELT,V, DEUTZ DIESEL ENGINE.....1		32	4828GT	NUT,NYLOCK,3/8-16	
3	101140P-SGT	AIR INTAKE TUBE ASSY.....1		33	33024GT	FLYWHEEL FLANGE,GREEN PLASTIC.....1	
4	31523GT	CLAMP,HOSE,8.50 DIA***1		34	37003GT	COUPLER,HUB,15 TOOTH 7/16BOLT*.....1	
5	33239GT	SHEET,RUBBER,AIR INTAKE.....1		35	8177GT	SCREW,HHC,1/2-13 X 1.5	
6	49924GT	FILTER,OIL,DEUTZ F4L1011F.....1 <i>Genie Genuine Part. See PN 1255653 for compatible aftermarket replacement.</i>		36	6033GT	WASHER,LOCK,0.5"	
--	1255653GT	FILTER,OIL,DEUTZ,REPLACEMENT.....1 <i>Genie Aftermarket Part. Compatible with Genie Genuine Part 49924.</i>		37	85053GT	SCREW,HHC,M10 X 1.5 X70,GR 8.8	
7	29560GT	FILTER,FUEL/WTR SEP, DTZ 1008.....1		38	22700GT	WASHER,LOCK,M10	
8	70460PGT	FORMING,ENGINE MOUNT,FR PAINT*1		39	101138PGT	BRACKET,MUFFLER,DEUTZ 3 CYL PN.....1	
9	50787-SGT	LEVER, GOVERNOR ACTUATOR.....1		40	111668GT	PUMP,FUEL 2011 DEUTZ ***1	
10	22578GT	SCREW,HHC,M6 X 20MM,GR8.8		41	107807GT	ASSEMBLY, ENGINE TRAY.....1	
11	49407GT	WASHER,LOCK,M6		--	25817GT	BEARING,1.00IDX1.25ODX1.00L.....2	
12	6584GT	SCREW,SHS,10-24 X .625					
13	85054GT	WASHER,FLAT,M10					
14	25625GT	NUT,HEX,10-24					
15	94485GT	THROTTLE LINKAGE,DIESEL ***1					
16	21130GT	CLEVIS YOKE-1/4-28,PLTD W/PIN <i>includes clevis pin and cotter pin</i>					
17	77402GT	SOLENOID,THROTTLE ACTUATOR DSL.....1					
18	101129PGT	BRACKET,SOLENOID MOUNT PAINT....1					

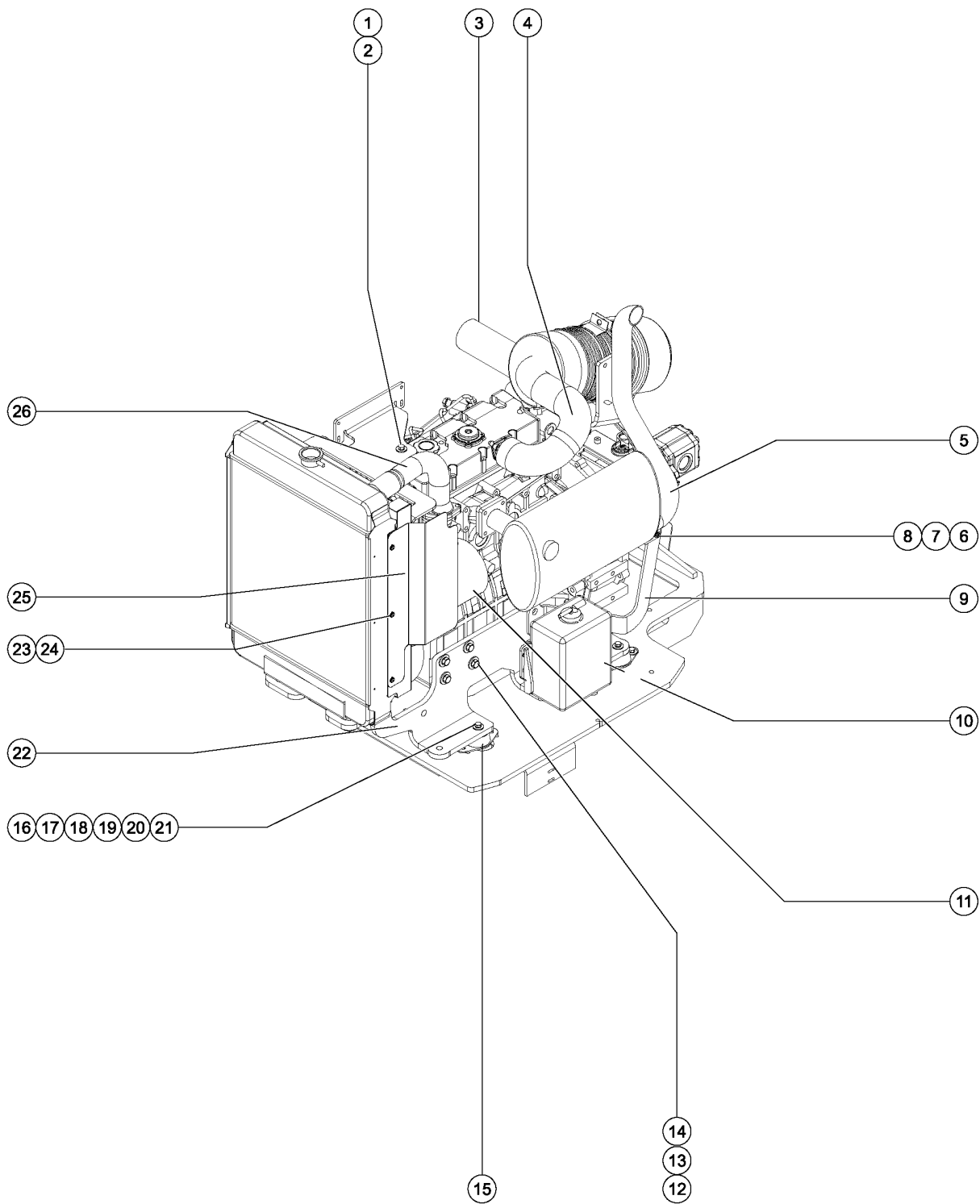
406.1 Perkins 104-22 Engine - View 1 (to SN 23008)



406.1 Perkins 104-22 Engine - View 1 (to SN 23008)

Item	Part No.	Description	Qty.	Item	Part No.	Description	Qty.
1	25929GT	SCREW,HHC,M8 X 30MM,GRD 8.8		--	52658GT	NUT - WING, AIR FILTER, 425EFI for 27915	
2	49408GT	WASHER,LOCK,M8		--	53952GT	BRKT,AIR CLEANER ORIENTATION** for 27915	
3	65542GT	FILTER, ELEMENT/FUEL PERKINS**1 to SN 21522		--	58917GT	END CAP,AIR FILTER-27915&49740 for 27915	
--	62421GT	FILTER,FUEL,PERKINS.....1 from SN 21523		--	65810GT	BAFFLE, AIR CLEANER (27915)** for 27915	
4	65636GT	CAP, OIL FILLER.....1		--	65815GT	CLAMP, AIR CLEANER (27915)**1 for 27915; clamp for end cap	
5	65638GT	SEAL, OIL FILLER CAP.....1		32B	63463GT	AIR CLEANER,NELSON***1 plastic housing	
6	54582PGT	BRACKET,STRUT MOUNT,PAINTED.....1		--	52866GT	EVACUATOR VALVE-AIR CLEANER	
7	23057GT	SCREW,HHC,M8 X 20MM		--	58415GT	CLIP,AIR CLEANER END CAP*** end cap not available separately	
8	6886GT	WASHER,LOCK, .313		--	62420GT	FILTER,AIR***	
9	6090GT	SCREW,HHC,1/4-20 X .75		--	65810GT	BAFFLE, AIR CLEANER (27915)**	
10	6638GT	WASHER,FLAT,USS,1/4"Y		33	30971GT	CLAMP,HOSE,3.00"2	
11	6091GT	NUT,NYLOCK,1/4-20		34	54547GT	HOSE,AIR INTAKE,PERKINS.....1	
12	6833GT	CLAMP,0.50,#8 X 1/4,RUB CUSH		35	128061GT	SCREW, HHC, M10 X 1.5 X 50.....2	
13	54556GT	DIPSTICK TUBE,PERKINS 104-22**1		36	60868GT	SCREW,HHC,M12 X 45.....2	
14	65639GT	O-RING,DIPSTICK TUBE(Z45 PERK).....1		37	85059GT	SCREW,HHC,M10 X 1.5 X 35.....3	
15	94762GT	OIL FILTER - PERKINS.....1		38	22699GT	WASHER,FLAT,M10,ZINC PLTD.....7	
16	72348GT	PUMP,LIFT(FUEL) PERKINS(54555).....1		39	22736GT	NUT,NYLOCK,M10X1.50.....7	
17	65637GT	FLEX PLATE, FLYWHEEL (54573).....1		40	85053GT	SCREW,HHC,M10 X 1.5 X70,GR 8.8.....4	
18	22788GT	SCREW,HHC,1/2-13 X 1.75		41		Refer to Detail A	
19	6033GT	WASHER,LOCK,0.5"					
20	6175GT	SCREW,HHC,3/8-16 X 1					
21	6021GT	WASHER,LOCK, .375					
22		Ref. Lift/Steer Pump.....1 (refer to 705.1)					
23		Ref. M46 Drive Pump Assembly).....1 (refer to 705.1)					
24	29749GT	COUPLER,SMALL METAL,15T,***1					
25A	128022GT	KIT,FBA STYLE COUPLER,PERKINS....1 includes 15-tooth coupler (128003), fastener kit (1263209) and grease					
--	29749GT	COUPLER,SMALL METAL,15T,***					
--	89771GT	HOUSING,PUMP MOUNT (54573)					
--	89772GT	FLEX PLATE (54573)***					
25B	89773GT	KIT, HARDWARE (54573)					
26	54535PGT	BRACKET,AIR CLEANER,PAINTED.....1					
27	33277GT	WASHER,FLAT,M8,YELLOW ZINC					
28	54583PGT	BRACKET,PERKINS TAILPIPE,PNTD.....1					
29	34162-800GT	HOSE,AIR INTAKE 2.5 ID 8.00LG.....1					
30	18503GT	NUT,LOCKING-LG.FLANGE,5/16-18					
31	219437GT	ISOLATOR, VIBRATION.....4					
32A	27915GT	AIR CLEANER.....1 metal housing					
--	27916GT	FILTER,AIR,ELEMENT*** for 27915					

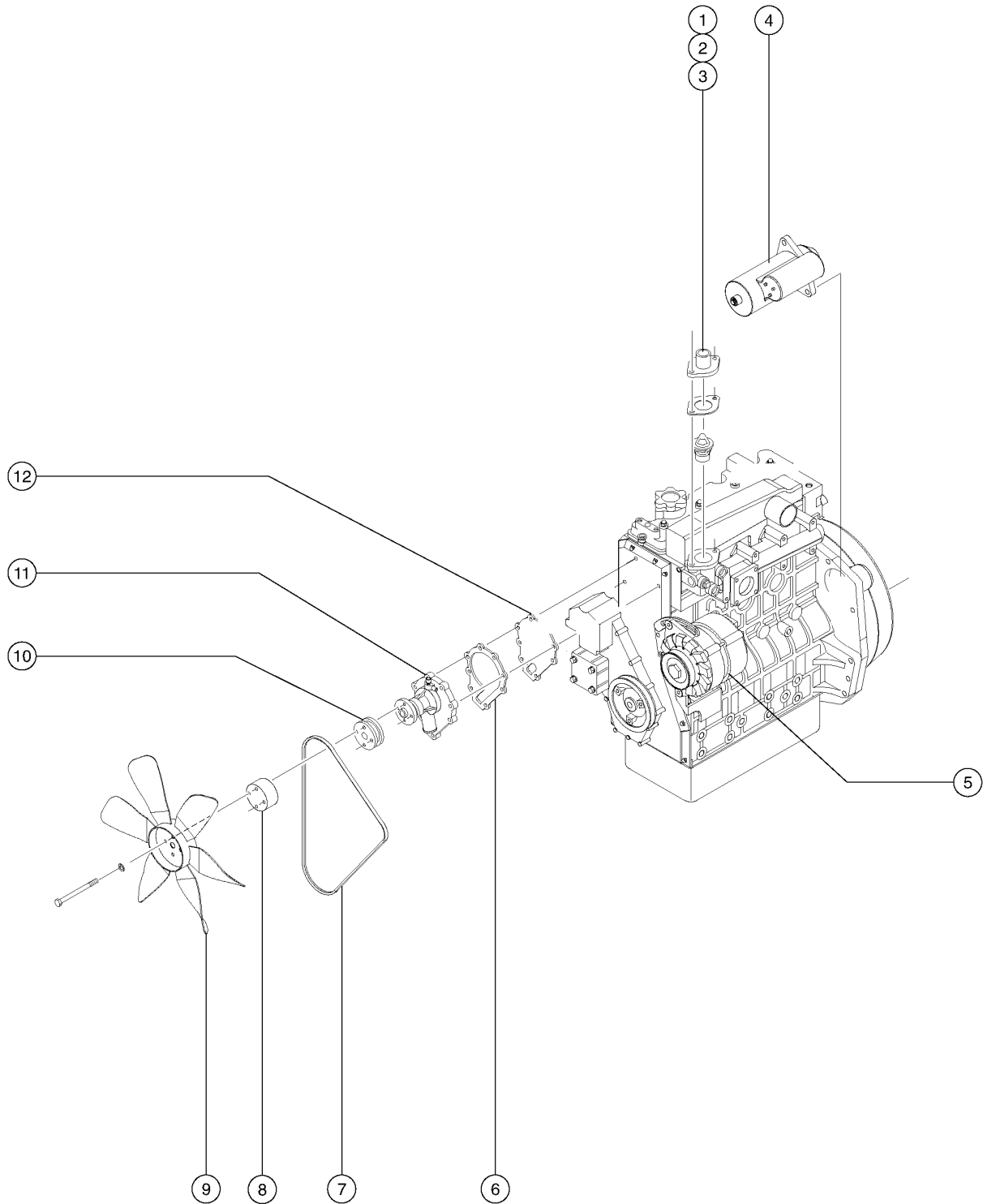
406.2 Perkins 404-22 Engine - View 1 (from SN 23009)



406.2 Perkins 404-22 Engine - View 1 (from SN 23009)

Item	Part No.	Description	Qty.	Item	Part No.	Description	Qty.
--	147348GT	SEAL-VALVE SYSTEM (A) <i>(for 70253 engine)</i>		26	54578GT	HOSE,UPPER RADIATOR,PERKINS.....1	
--	147349GT	SEAL-VALVE SYSTEM (B) <i>(for 70253 engine)</i>					
--	147350GT	GASKET-CYLINDER HEAD <i>(for 70253 engine)</i>					
--	147351GT	SEAL-ROCKER BOX <i>(for 70253 engine)</i>					
--	147352GT	SEAL-INJECTOR <i>(for 70253 engine)</i>					
--	147353GT	SEAL-INJECTOR <i>(for 70253 engine)</i>					
--	147355GT	GASKET-THERMOSTAT HSG <i>(for 70253 engine)</i>					
--	228457GT	STARTER, PERKINS, 404D					
--	89765GT	BELT, V (PERKINS 404).....1 <i>not pictured</i>					
1	23057GT	SCREW,HHC,M8 X 20MM					
2	33277GT	WASHER,FLAT,M8,YELLOW ZINC					
3	34162-800GT	HOSE,AIR INTAKE 2.5 ID 8.00LG.....1					
4	94927GT	HOSE,AIR INTAKE,PERKINS***.....1					
5	54543GT	MUFFLER,PERKINS 404-22DSL.....1					
6	6019GT	SCREW,HHC,3/8-16 X 1.25 GRD 5					
7	6097GT	WASHER,FLAT,USS,3/8",Y					
8	4828GT	NUT,NYLOCK,3/8-16					
9	94914PGT	BRACKET,PERKINS MUFFLER PAINTD.....1					
10	70367GT	BOTTLE,COOLANT RECOVERY,3.7***.....1					
--	115431GT	CAP ASSY, COOLANT BOTTLE					
11	72342GT	ALTERNATOR, PERKINS (54555).....1					
12	54687GT	SCREW,HHC,M14 X 1.5X40MM,GR8.8					
13	37505GT	WASHER,LOCK,M14					
14	49411GT	WASHER,FLAT,M14					
15	70452GT	ISOLATOR,ENGINE VIBRATION***.....4					
16	8357GT	SCREW,HHC,1/2-13 X 3.5					
17	6095GT	WASHER,FLAT,USS,1/2",Y					
18	101730GT	SPACER,ENGINE MOUNT.....4					
19	101729GT	WASHER,VIBRATION ISOLATING.....4					
20	24040GT	WASHER, 1/2 PLATE (1/2 X 2.25 X 3/16)					
21	6198GT	NUT,NYLOCK,1/2-13					
22	88987PGT	FORMING,ENGINE MOUNT,LH PAINTE.....1					
23	21019GT	SCREW,PHIL,PHM,10-24 X.5,SEMS					
24	6146GT	WASHER,FLAT,MS,#10,Y					
25	101773PGT	GUARD,FAN,PERKINS PAINTED.....1					
26	13014GT	CLAMP,HOSE,2.25" DIA.....1					

407.1 Perkins 104-22 Engine - View 2 (to SN 23008)

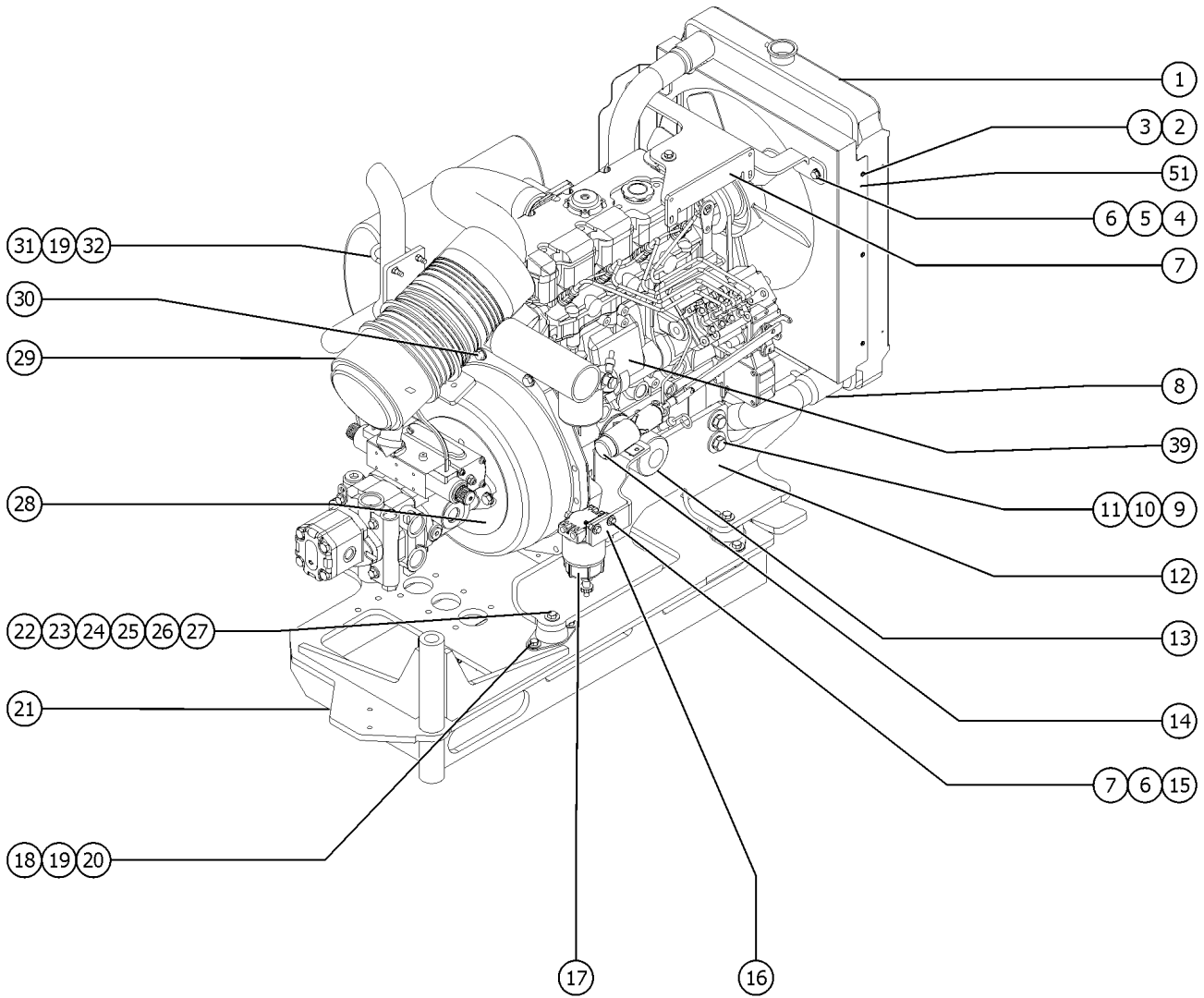
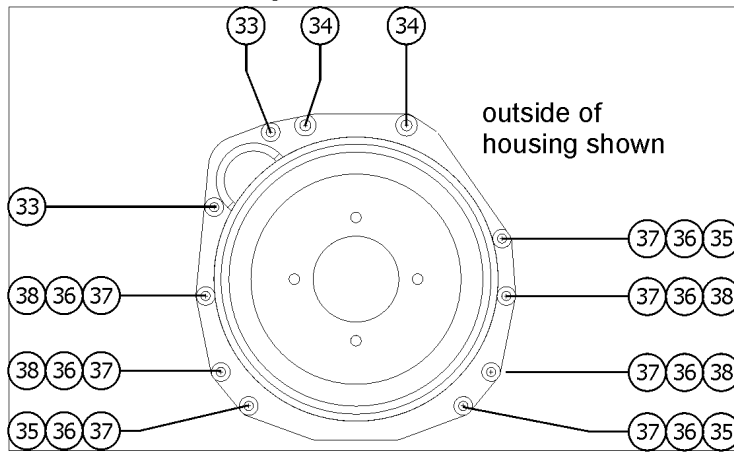


407.1 Perkins 104-22 Engine - View 2 (to SN 23008)

Item	Part No.	Description	Qty.
1	77476GT	HOUSING,THERMOSTAT,PERKINS 104.....	1
2	147355GT	GASKET-THERMOSTAT HSG.....	1
3	77478GT	THERMOSTAT (PERKINS 104-22).....	1
4	228457GT	STARTER, PERKINS, 404D.....	1
5	72342GT	ALTERNATOR, PERKINS (54555).....	1
6	58354GT	GASKET,WATER PUMP.....	1
7	77481GT	FAN BELT (104-22) PERKINS.....	1
8	77484GT	EXTENSION, FAN (104-22).....	1
9	77483GT	FAN, ENGINE (104-22)(404-22)*.....	1
10	77482GT	PULLEY, WATER PUMP.....	1
11	89763GT	PUMP WATER (PERKINS 404)***.....	1
--	72339GT	SWITCH,WATER TEMP-PERKINS54555.....	1
--	72340GT	OUTLET,WATER, PERKINS (54555).....	1
12	77485GT	PLATE,WATER PUMP (104-22).....	1

407.2 Perkins 404-22 Engine - View 2 (from SN 23009)

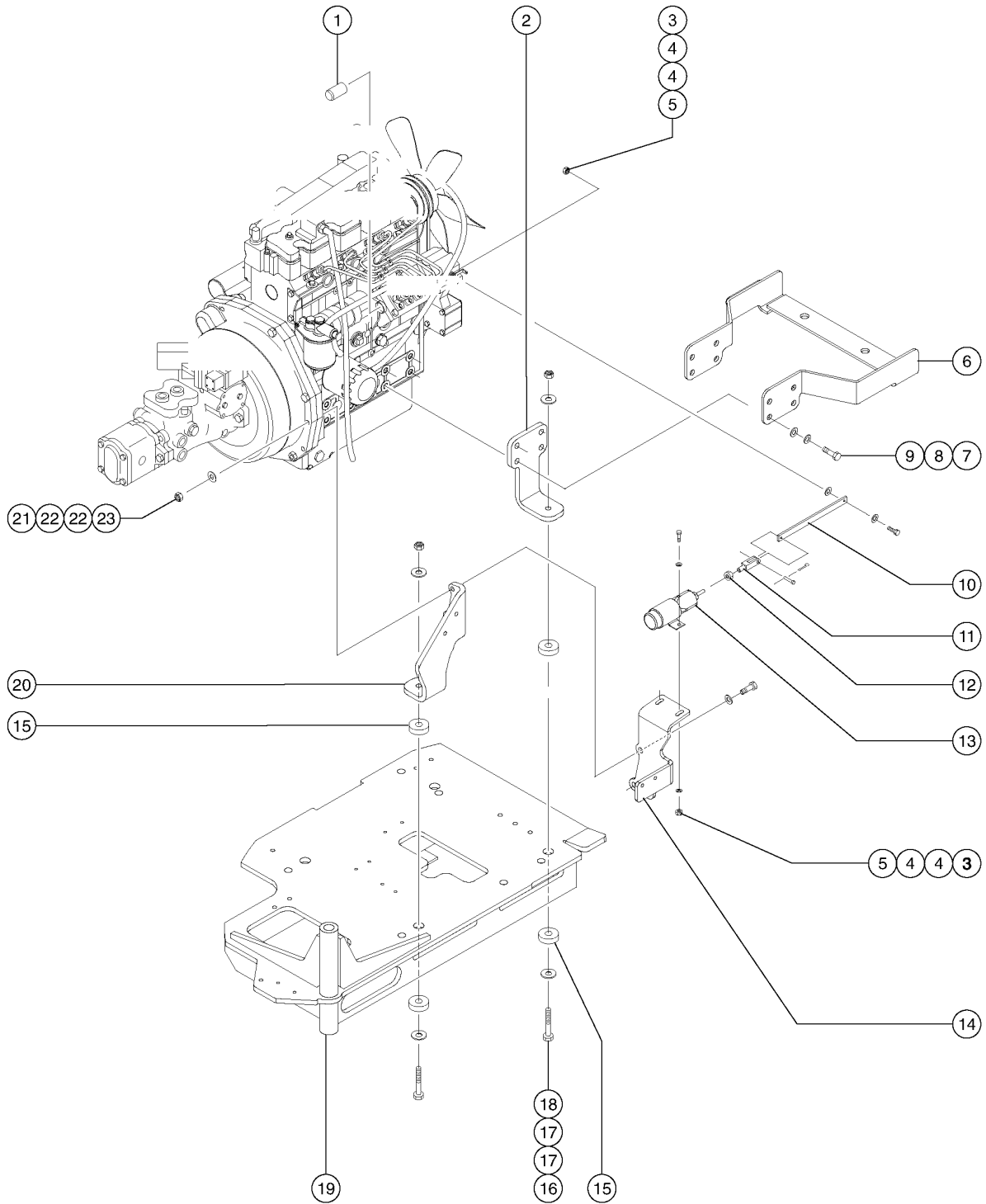
Detail A - Bell Housing Fasteners



407.2 Perkins 404-22 Engine - View 2 (from SN 23009)

Item	Part No.	Description	Qty.	Item	Part No.	Description	Qty.
--				--	89773GT	KIT, HARDWARE (54573)	
1	110304GT	RADIATOR,FORD/PERKINS***.....1	1	29A	63463GT	AIR CLEANER,NELSON***.....1 <i>plastic housing</i>	1
--	1252943GT	SPACER,FAN,PERKINS 404F.....1	1	--	52866GT	EVACUATOR VALVE-AIR CLEANER	
--	24038GT	SHOCK MOUNT,SMALL.....1	1	--	53952GT	BRKT,AIR CLEANER ORIENTATION** <i>for 63463</i>	
--	65473GT	CAP,RADIATOR,PERKINS/FORD.....1	1	--	58415GT	CLIP,AIR CLEANER END CAP*** <i>end cap not available separately</i>	
--	77483GT	FAN, ENGINE (104-22)(404-22)*.....1	1	--	62420GT	FILTER,AIR***	
2	21019GT	SCREW,PHIL,PHM,10-24 X.5,SEMS		--	65810GT	BAFFLE, AIR CLEANER (27915)**	
3	6146GT	WASHER,FLAT,MS,#10,Y		--	88846GT	HOSE,AIR INLET <i>for 63463</i>	
4	6888GT	SCREW,HHC,1/4-20 X 1		--	88847GT	HOSE,AIR CLEANER TO INTAKE <i>for 63463</i>	
5	6638GT	WASHER,FLAT,USS,1/4"Y		29B	27915GT	AIR CLEANER.....1 <i>metal housing</i>	1
6	6091GT	NUT,NYLOCK,1/4-20		--	27916GT	FILTER,AIR,ELEMENT*** <i>for 27915</i>	
7	88989PGT	FORMING,UPPER RAD SUPPORT PNTD.....1	1	--	52658GT	NUT - WING, AIR FILTER, 425EFI <i>for 27915</i>	
8	54579GT	HOSE,LOWER,RADIATOR,PERKINS.....1	1	--	58917GT	END CAP,AIR FILTER-27915&49740 <i>for 27915</i>	
--	13014GT	CLAMP,HOSE,2.25" DIA.....1	1	--	65810GT	BAFFLE, AIR CLEANER (27915)** <i>for 27915</i>	
9	54687GT	SCREW,HHC,M14 X 1.5X40MM,GR8.8		--	65815GT	CLAMP, AIR CLEANER (27915)**.....1 <i>for 27915; clamp for end cap</i>	1
10	37505GT	WASHER,LOCK,M14		30	60868GT	SCREW,HHC,M12 X 45	
11	49411GT	WASHER,FLAT,M14		31	80391GT	U-BOLT,5/16 -18 X 2IN**	
12	88988PGT	FORMING,ENGINE MOUNT RH PAINTE.....1	1	32	18503GT	NUT,LOCKING-LG.FLANGE,5/16-18	
13	94762GT	OIL FILTER - PERKINS.....1	1	33	128061GT	SCREW, HHC, M10 X 1.5 X 50.....2	2
14	77402GT	SOLENOID,THROTTLE ACTUATOR DSL.....1	1	34	60868GT	SCREW,HHC,M12 X 45.....2	2
15	8915GT	SCREW,HHC,1/4-20 X 1.25		35	85059GT	SCREW,HHC,M10 X 1.5 X 35.....3	3
16	94378PGT	FORMING,SOLENOID MOUNT PAINTED.....1	1	36	22699GT	WASHER,FLAT,M10,ZINC PLTD.....7	7
17	75020GT	SEPRTR/FLTR,FUEL DSL,15GPH,,30....1	1	37	22736GT	NUT,NYLOCK,M10X1.50.....7	7
--	62433GT	FILTER,ELEMENT,30 MIC,75020.....1	1	38	85053GT	SCREW,HHC,M10 X 1.5 X70,GR 8.8.....4	4
18	6019GT	SCREW,HHC,3/8-16 X 1.25 GRD 5		39A	236426GT	SOLENOID KIT,SHUT DN,PERKINS <i>for engine serial nuymbers ending in L, or before</i>	
19	5397GT	WASHER,FLAT,USS,5/16",Y		39B	106663GT	SOLENOID,SHUT DOWN PERKIN40422 <i>for engine serial numbers ending in M, or later</i>	
20	4828GT	NUT,NYLOCK,3/8-16		51	88990PGT	SHROUD,FAN PAINTED.....1	1
21	107807GT	ASSEMBLY, ENGINE TRAY.....1	1				
--	25817GT	BEARING,1.00IDX1.25ODX1.00L.....1	1				
22	8357GT	SCREW,HHC,1/2-13 X 3.5					
23	6095GT	WASHER,FLAT,USS,1/2",Y					
24	101730GT	SPACER,ENGINE MOUNT.....2	2				
25	101729GT	WASHER,VIBRATION ISOLATING.....2	2				
26	24040GT	WASHER, 1/2 PLATE (1/2 X 2.25 X 3/16)					
27	6198GT	NUT,NYLOCK,1/2-13					
28	128022GT	KIT,FBA STYLE COUPLER,PERKINS....1 <i>includes 15-tooth coupler (128003), fastener kit (1263209) and grease</i>	1				
--	29749GT	COUPLER,SMALL METAL,15T,***					
--	89771GT	HOUSING,PUMP MOUNT (54573)					
--	89772GT	FLEX PLATE (54573)***					

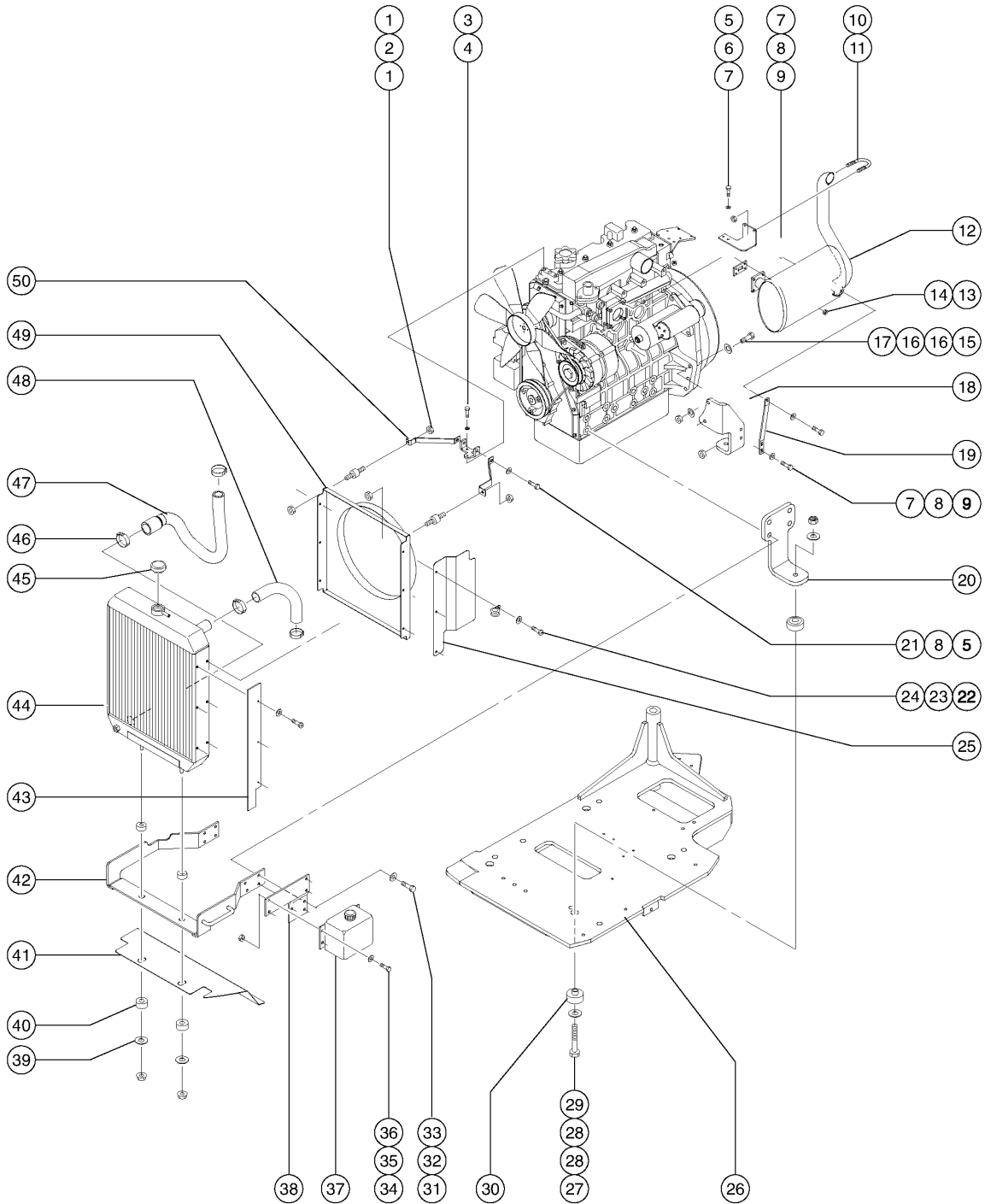
408.1 Perkins 104-22 Engine - View 3 (to SN 23008)



408.1 Perkins 104-22 Engine - View 3 (to SN 23008)

Item	Part No.	Description	Qty.
1	72350GT	SOLENOID,SHUT DN,PERKINS(54555.....1	1
2	54517PGT	FORMING,FRONT FOOT,PAINTED.....1	1
3	6889GT	NUT,LP NYLOCK,1/4-20	
4	6638GT	WASHER,FLAT,USS,1/4"Y	
5	6090GT	SCREW,HHC,1/4-20 X .75	
6	54538GT	WELDMNT,RADIATOR MNT.,PERKINS.....1	1
7	54687GT	SCREW,HHC,M14 X 1.5X40MM,GR8.8	
8	37505GT	WASHER,LOCK,M14	
9	49411GT	WASHER,FLAT,M14	
10	94485GT	THROTTLE LINKAGE,DIESEL ***1	1
11	21130GT	CLEVIS YOKE-1/4-28,PLTD W/PIN <i>includes clevis pin and cotter pin</i>	
12	21496GT	NUT,HEX,1/4-28	
13	77402GT	SOLENOID,THROTTLE ACTUATOR DSL	
14	94378PGT	FORMING,SOLENOID MOUNT PAINTED.....1	1
15	24037GT	SHOCK MOUNT,LARGE**.....2	2
16	8357GT	SCREW,HHC,1/2-13 X 3.5	
17	6095GT	WASHER,FLAT,USS,1/2",Y	
18	6198GT	NUT,NYLOCK,1/2-13	
19	101044GT	PLATE,ENGINE TRAY***.....1	1
20	54519PGT	FORMING,REAR FOOT RT,PAINTED.....1	1
21	22736GT	NUT,NYLOCK,M10X1.50	
22	22699GT	WASHER,FLAT,M10,ZINC PLTD.	
23	44064GT	SCREW,HHC,M10 X 30MM,	

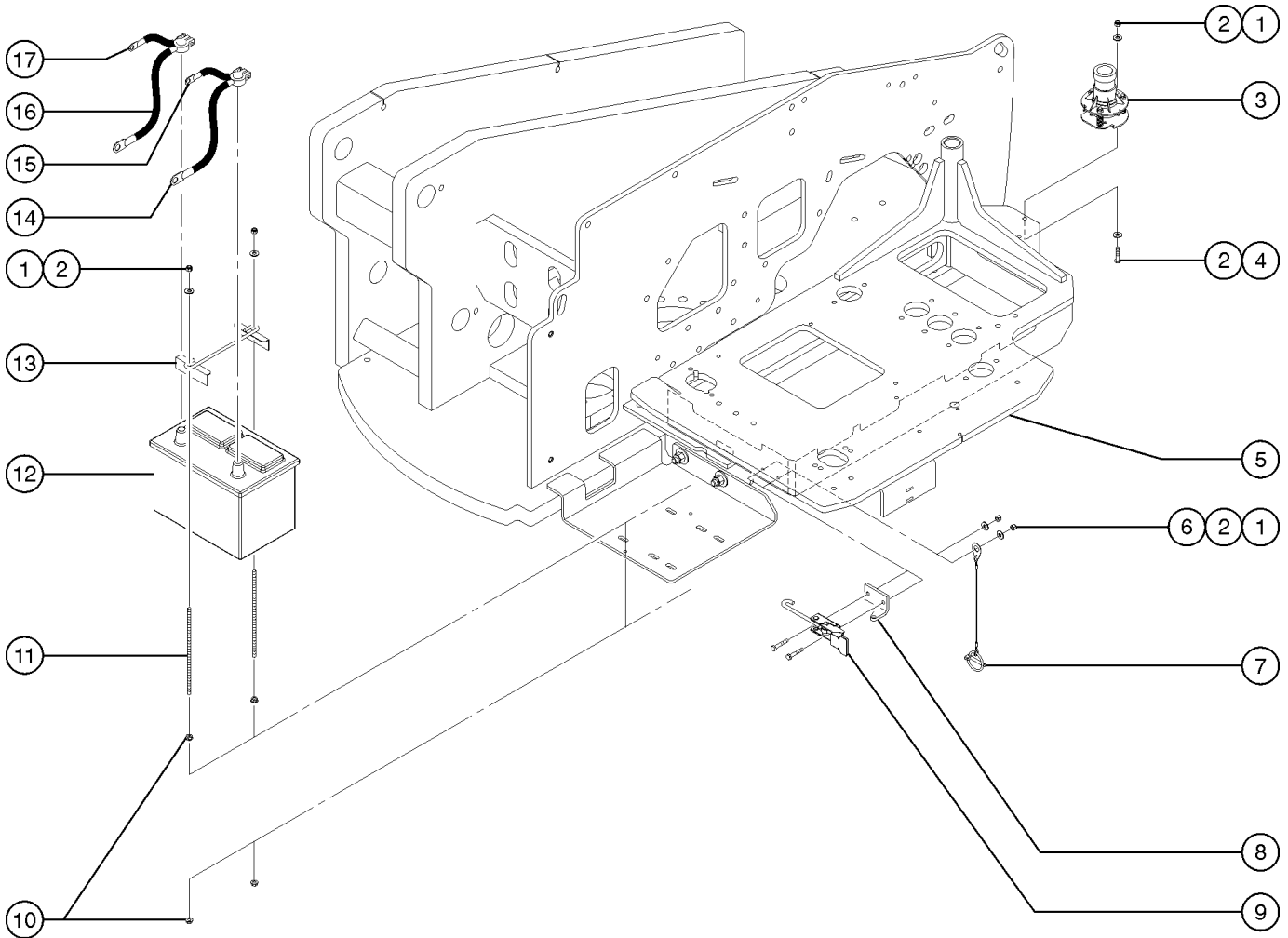
409.1 Perkins 104-22 Engine - View 4 (to SN 23008)



409.1 Perkins 104-22 Engine - View 4 (to SN 23008)

Item	Part No.	Description	Qty.	Item	Part No.	Description	Qty.
1	18506GT	SCREW 5/16-18 X .75 LG.FLG.LCK.		41	54602PGT	PLATE,LOWER AIR BAFFLE,PAINTED.....	1
2	219437GT	ISOLATOR, VIBRATION.....	2	42	54538GT	WELDMNT,RADIATOR MNT.,PERKINS.....	1
3	23057GT	SCREW,HHC,M8 X 20MM		43	54189GT	SEAL,RUBBER,BAFFLE,FORD.....	1
4	49408GT	WASHER,LOCK,M8		44	110304GT	RADIATOR,FORD/PERKINS***.....	1
5	6175GT	SCREW,HHC,3/8-16 X 1		45	27943GT	CAP,RADIATOR,FORD***.....	1
6	6097GT	WASHER,FLAT,USS,3/8",Y		46	13014GT	CLAMP,HOSE,2.25" DIA.....	2
7	4828GT	NUT,NYLOCK,3/8-16		47	54579GT	HOSE,LOWER,RADIATOR,PERKINS.....	1
8	5397GT	WASHER,FLAT,USS,5/16",Y		--	66031GT	CLAMP,1.88,#30 X 3/8,RUB CUSH.....	1
9	6019GT	SCREW,HHC,3/8-16 X 1.25 GRD 5		48	54578GT	HOSE,UPPER RADIATOR,PERKINS.....	1
10	16584GT	U-BOLT, KIT 5/16-18 X 2.5 ***		49	54546PGT	SHROUD,FAN,PERKINS DSL,PAINTED.....	1
11	6037GT	NUT,HEX,5/16-18,GR5		50	54581PGT	STRUT,PERKINS RADIATOR,PAINTED.....	1
12	54543GT	MUFFLER,PERKINS 404-22DSL.....	1				
13	59579GT	NUT, HEX FLANGE M 8 X 1.25					
14	72343GT	GASKET,EXH FLANGE-FORD/PERKINS.....	1				
15	44064GT	SCREW,HHC,M10 X 30MM,					
16	22699GT	WASHER,FLAT,M10,ZINC PLTD.					
17	22736GT	NUT,NYLOCK,M10X1.50					
18	54518PGT	FORMING,REAR FOOT LT,PAINTED.....	1				
19	54584GT	BRACKET,PERKINS MUFFLER.....	1				
20	54517PGT	FORMING,FRONT FOOT,PAINTED.....	1				
21	7713GT	NUT, LP NYLOCK, 3/8-16					
22	57075GT	SCREW,PHIL,8-32X.50,SELF TAP					
23	6146GT	WASHER,FLAT,MS,#10,Y					
24	6833GT	CLAMP,0.50,#8 X 1/4,RUB CUSH					
25	54585GT	GUARD,FAN,PERKINS,PAINTED.....	1				
26	107807GT	ASSEMBLY, ENGINE TRAY.....	1				
--	25817GT	BEARING, 1.00IDX1.25ODX1.00L.....	2				
27	8357GT	SCREW,HHC,1/2-13 X 3.5					
28	6095GT	WASHER,FLAT,USS,1/2",Y					
29	6198GT	NUT,NYLOCK,1/2-13					
30	24037GT	SHOCK MOUNT,LARGE**.....	2				
31	54687GT	SCREW,HHC,M14 X 1.5X40MM,GR8.8					
32	37505GT	WASHER,LOCK,M14					
33	49411GT	WASHER,FLAT,M14					
35	6638GT	WASHER,FLAT,USS,1/4"Y					
36	6091GT	NUT,NYLOCK,1/4-20					
37	1279268GT	BOTTLE, COOLANT RECOVERY, 2QT.....	1				
--	72327GT	CAP, COOLANT RET SYS(54071).....	1				
38	54601PGT	BRACKET,COOLANT TANK MNT,PNTD.....	1				
39	15086GT	WASHER,FLAT,.375 X 1.5 X .125					
40	24038GT	SHOCK MOUNT,SMALL.....	4				

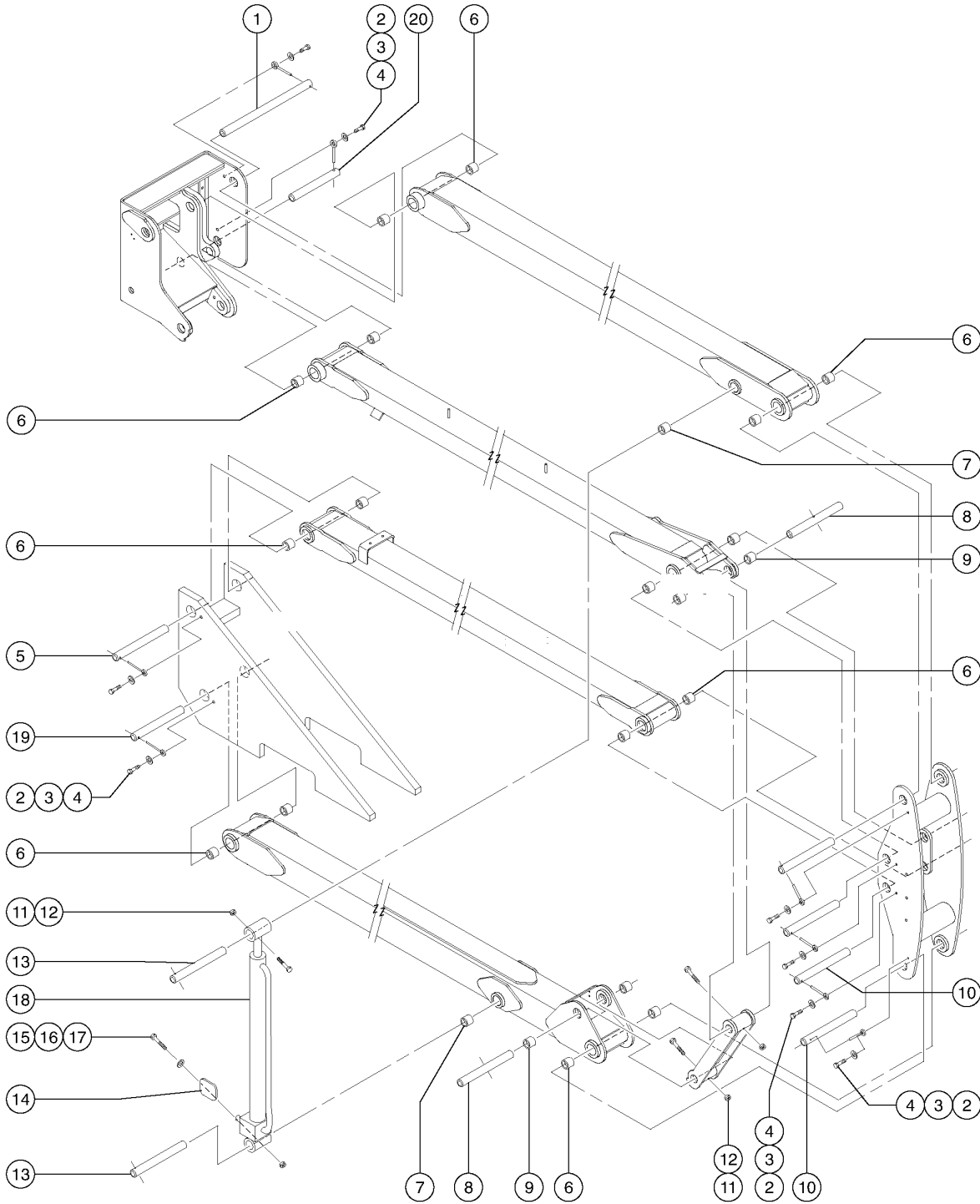
410.1 Engine Tray and Battery



410.1 Engine Tray and Battery

Item	Part No.	Description	Qty.
1	6091GT	NUT,NYLOCK,1/4-20	
2	6638GT	WASHER,FLAT,USS,1/4"Y	
3A	94077GT	SENSOR,LEVEL,4.5 DEG.....1 <i>ANSI/CSA models. PN 1261449 may be required, see below.</i>	
3B	110382GT	LEVEL SENSOR,LS60,YL,2.5X4.5 <i>European models; from SN 28840</i>	
3C	42439GT	SENSOR,LEVEL 3 DEG** <i>Australian models; from SN 28840</i>	
3D	1264947GT	KIT, LEVEL SENSOR, 6 PIN CONN. <i>For ANSI/CSA models with 6-pin wire harness connector</i>	
4	8915GT	SCREW,HHC,1/4-20 X 1.25	
5	107807GT	ASSEMBLY, ENGINE TRAY.....1	
--	25817GT	BEARING,1.00IDX1.25ODX1.00L	
6	6145GT	SCREW,HHC,1/4-20 X 1.5	
7	54432GT	LANYARD,LYNCH PIN ASSY.....1	
8	54244-SGT	BRACKET,LATCH MOUNT,RH**.....1	
9	27126GT	LATCH,DRAW,ADJUSTABLE.....1	
10	18504GT	NUT,LOCKING-LG.FLANGE,1/4-20	
11	27506GT	THREADED ROD,(1/4-20),8.5"	
12	36872GT	BATTERY, 12V,900 CCA.....1	
13	T107827GT	BATTERY HOLD DOWN.....1	
14	70608GT	BATTERY CABLE,1/0,RED,105****1 <i>to SN 39857</i>	
--	119802GT	BATTERY CABLE,1/0,RED,94" <i>from SN 39858</i>	
15	70645GT	BATTERY CABLE,RED#2,5/16,5/16.....1	
16	70609GT	BATTERY CABLE,1/0,BLK,91****1 <i>to SN 39857</i>	
--	119803GT	BATTERY CABLE,1/0,BLACK,102" <i>from SN 39858</i>	
17	70646GT	BATTERY CABLE,BLK,#2,5/16,3/8*1	

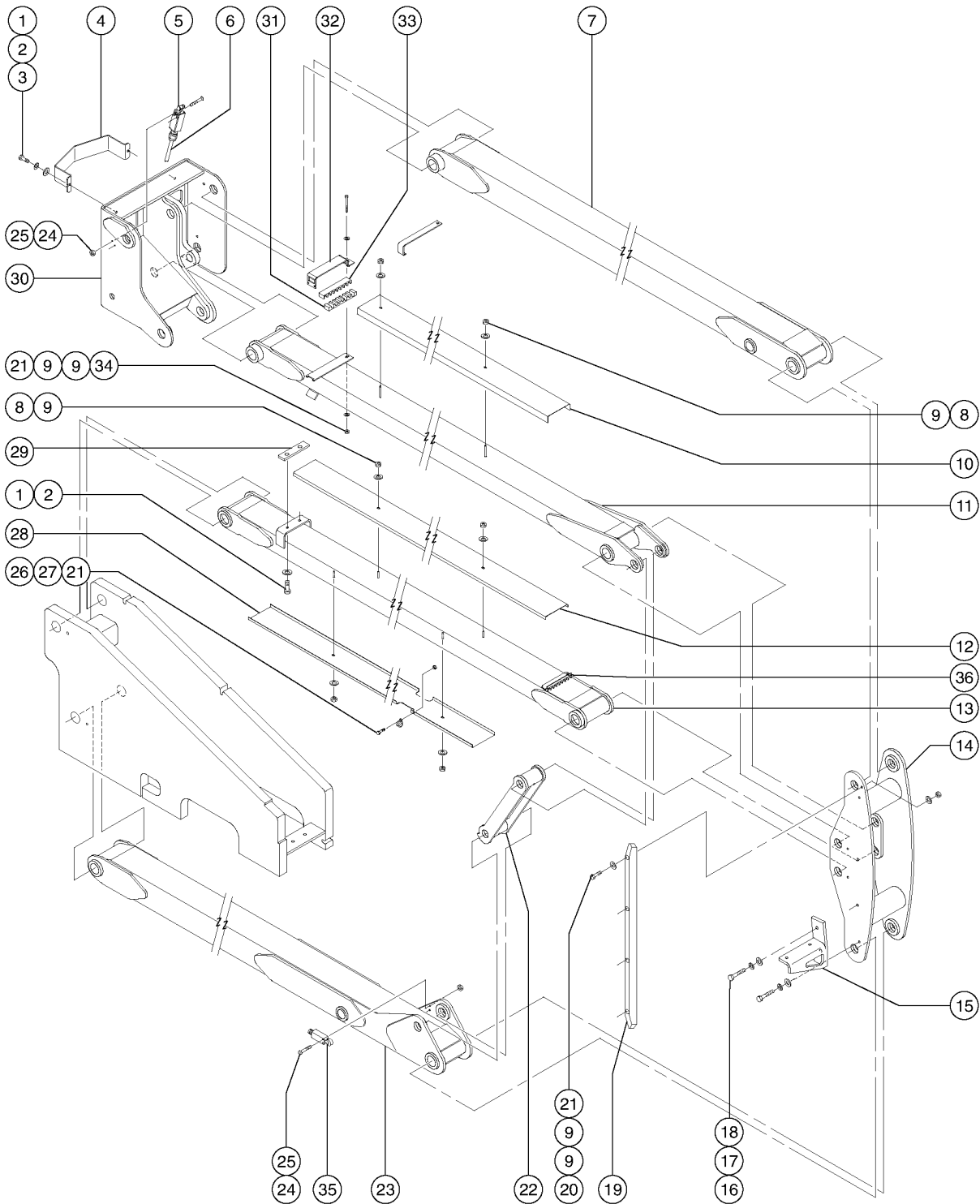
501.1 Boom Pins and Bearings



501.1 Boom Pins and Bearings

Item	Part No.	Description	Qty.
1	54331GT	PIN,1.75DIAX23.57LG,CHAMFER***.....1	
2	8177GT	SCREW,HHC,1/2-13 X 1.5	
3	6033GT	WASHER,LOCK,0.5"	
4	1256267GT	ROD END,.5 X 3.75,ZAG	
5	101948GT	PIN,1.75 X 12.25 CHAMFER.....1	
6	30221GT	BEARING,1.75IDX2.OODX1.50LG.....16	
7	45071GT	BEARING,1.5IDX1.75ODX1.5L.....2	
8	107727GT	PIN,1.50DIAX7.50LG,1HOLE***.....2	
9	54156GT	BEARING,FL,1.5IDX1.75ODX1.10LG....4	
10	54302GT	PIN,1.75DIAX11.63LG,CHAMFER.....4	
11	4828GT	NUT,NYLOCK,3/8-16	
12	6326GT	SCREW,HHC,3/8-16 X 3	
13	50455GT	PIN,1.50DIAX13.88LG,2HOLE.....2	
14	54726GT	WEAR PAD,SECONDARY CYL,NON/JIB.....1	
15	6605GT	SCREW,HHC,3/8-16 X 3.5,GR5	
16	5397GT	WASHER,FLAT,USS,5/16",Y	
17	7713GT	NUT, LP NYLOCK, 3/8-16	
18	77303GT	VALVE, CNTRBAL 3500 PSI, ATM VEN.....2	
18	77521GT	SEAL KIT,ELEVATE (88203).....2	
18	88203GT	CYLINDER,ELEVATE,Z45/25***.....2	
--	77303GT	VALVE, CNTRBAL 3500 PSI, ATM VEN.....2	
--	77521GT	SEAL KIT,ELEVATE (88203).....2	
19	50460GT	PIN,1.75DIAX12.13LG,CHAMFER.....1	
20	54738GT	PIN,1.75DIAX12.25LG,CHAMFER.....1	

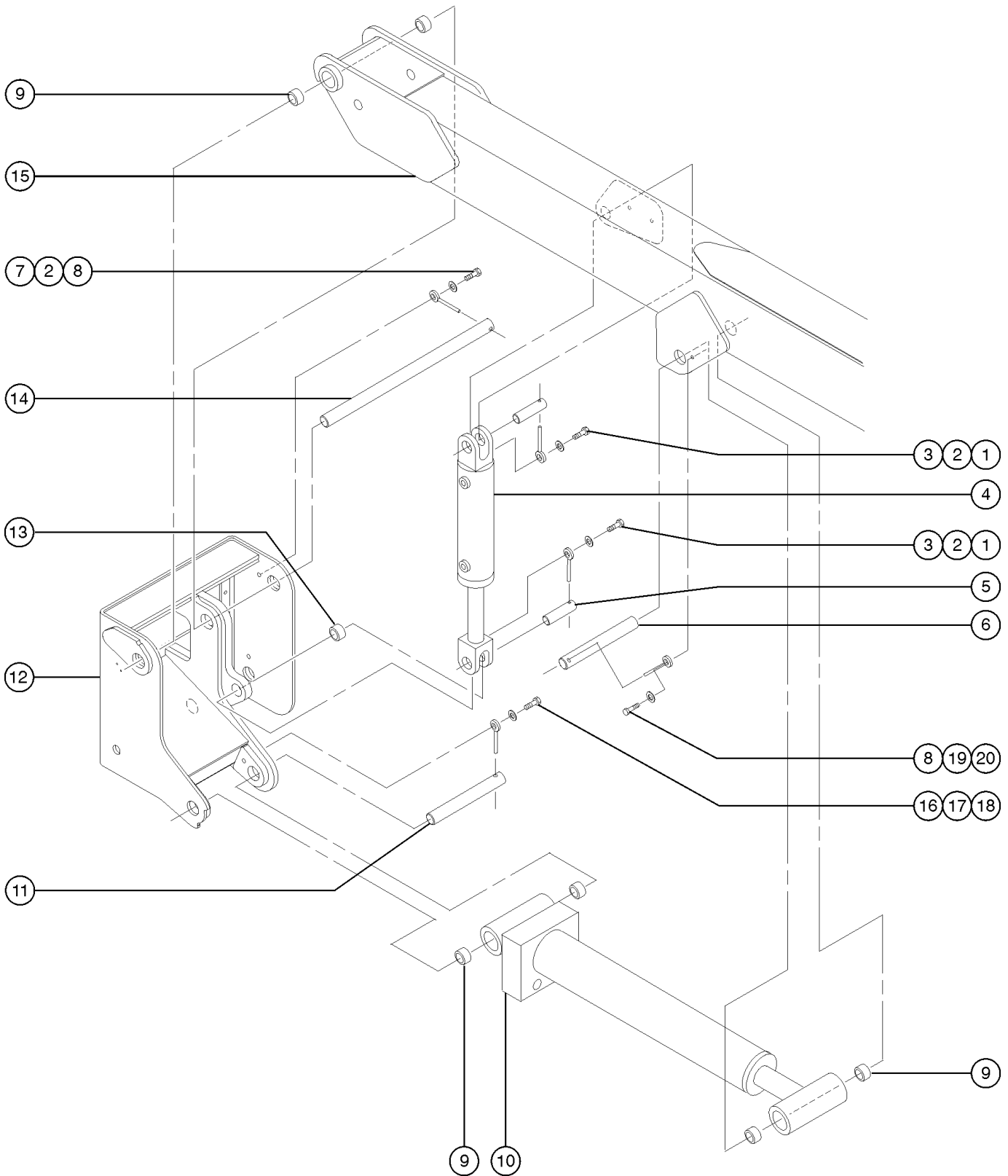
502.1 Boom Linkage



502.1 Boom Linkage

Item	Part No.	Description	Qty.	Item	Part No.	Description	Qty.
1	6175GT	SCREW,HHC,3/8-16 X 1		26	7339GT	SCREW,HHC,1/4-20 X .5	
2	6021GT	WASHER,LOCK,.375		27	6833GT	CLAMP,0.50,#8 X 1/4,RUB CUSH	
3	6097GT	WASHER,FLAT,USS,3/8",Y		28	50548PGT	HOSE COVER,LOWER LEVEL,BOT,PAI.....1	
4	60074PGT	COVER BRACE,UPPER PIVOT,REAR,P.....1		29	49772GT	WEAR PAD,6 X 1.5 X.50,W/INSERT.....1	
5	60442GT	CONN,RECEP 4 WAY, 14-18GA.....1		30	52728GT	UPPER PIVOT W/BEARING-Z45/25	
5	60443GT	LOCK,RECEP 4 WAY,14-18GA.....1		31	107896GT	CLAMP, ARCTIC HOSE	
5	73713GT	TERM,NI PIN,S&F,16-18GA,REEL.....1		31	94529GT	CLAMPING BLOCK,HOSE***.....2 from SN 22175	
5	73725GT	BOOT,DTSCH,DTP4-BT.....1		31	94530GT	CLAMPING BLOCK,CABLE.....1 to SN 22174	
5	88356-11163GT	SWITCH,LIMIT,W/RLLR ARM,NO/NC*...1		--	107896GT	CLAMP, ARCTIC HOSE	
5	97128GT	ROLLER ARM,LIMIT SWITCH***.....1		--	94529GT	CLAMPING BLOCK,HOSE***.....2 from SN 22175	
--	60442GT	CONN,RECEP 4 WAY, 14-18GA.....1		32	94531PGT	BRACKET,HOSE CLAMP PAINTED***...1	
--	60443GT	LOCK,RECEP 4 WAY,14-18GA.....1		--	94531PGT	BRACKET,HOSE CLAMP PAINTED***...1	
--	73713GT	TERM,NI PIN,S&F,16-18GA,REEL.....1		33	94529GT	CLAMPING BLOCK,HOSE***.....1 to SN 22174	
--	73725GT	BOOT,DTSCH,DTP4-BT.....1		33	94530GT	CLAMPING BLOCK,CABLE.....1 from SN 22175	
--	97128GT	ROLLER ARM,LIMIT SWITCH***.....1		--	94530GT	CLAMPING BLOCK,CABLE.....1 from SN 22175	
6	43960GT	WIRE CABLE,16/4 CON.TPE JKT.....396-inches		34	6888GT	SCREW,HHC,1/4-20 X 1 from SN 22175	
7	52729GT	UPPER SECONDARY ARM ASSY-Z45.....1		34	8179GT	SCREW,HHC,1/4-20 X 2.25 to SN 22174	
8	7713GT	NUT, LP NYLOCK, 3/8-16		--	6888GT	SCREW,HHC,1/4-20 X 1 from SN 22175	
9	6097GT	WASHER,FLAT,USS,3/8",Y		35	60428GT	CONN,PLUG 4 WAY,14-18GA.....1	
10	88370PGT	HOSE COVER,UPPER ARM,PAINTED		35	60429GT	LOCK,PLUG 4 WAY,14-18GA.....1	
11	52740GT	UPPER LEVEL ARM ASSY,SERV.....1		35	60442GT	CONN,RECEP 4 WAY, 14-18GA.....1	
12	50517-SGT	HOSE COVER,LOWER LEVEL,TOP,PAI.....1		35	60443GT	LOCK,RECEP 4 WAY,14-18GA.....1	
13	52741GT	LOWER LEVEL ARM ASSY.....1		35	73713GT	TERM,NI PIN,S&F,16-18GA,REEL.....1	
14	50266GT	WELDMENT,MID PIVOT,MACHINED.....1 CE/Asia/South American models		35	73714GT	TERM,NI SOC,S&F,16-18GA,REEL.....1	
14	52738GT	MIDPIVOT ASSY Z45IC.....1 USA/Canada/Australian models		35	73725GT	BOOT,DTSCH,DTP4-BT.....1	
--	50266GT	WELDMENT,MID PIVOT,MACHINED.....1 CE/Asia/South American models		35	88356-11103GT	SWITCH,LIMIT,W/RLLR ARM,NO/NC**...1	
15	50952-SGT	BOOM REST WELDMENT.....1		35	97128GT	ROLLER ARM,LIMIT SWITCH***	
16	10587GT	SCREW,HHC,1/2-13 X.75		--	60428GT	CONN,PLUG 4 WAY,14-18GA.....1	
16	8177GT	SCREW,HHC,1/2-13 X 1.5		--	60429GT	LOCK,PLUG 4 WAY,14-18GA.....1	
17	6033GT	WASHER,LOCK,0.5"		--	60442GT	CONN,RECEP 4 WAY, 14-18GA.....1	
18	6095GT	WASHER,FLAT,USS,1/2",Y		--	60443GT	LOCK,RECEP 4 WAY,14-18GA.....1	
19	54168GT	WEAR PAD,MID PIVOT,PERIMETER.....1		--	73713GT	TERM,NI PIN,S&F,16-18GA,REEL.....1	
20	4266GT	SCREW,HHC,1/4-20 X 2		--	73714GT	TERM,NI SOC,S&F,16-18GA,REEL.....1	
21	6091GT	NUT,NYLOCK,1/4-20		--	73725GT	BOOT,DTSCH,DTP4-BT.....1	
22	50479-SGT	CONNECTING LINK, Z45/25.....1		--	97128GT	ROLLER ARM,LIMIT SWITCH***	
23	52742GT	LOWER SECONDARY ARM ASSY.....1 includes bearings		36	70685PGT	FORMING, HOSE CLAMP, PAINTED.....1	
24	54239GT	SCREW,PHILLIPS,PHM,10-32 X 2.0					
25	6178GT	NUT,NYLOCK,10-32					

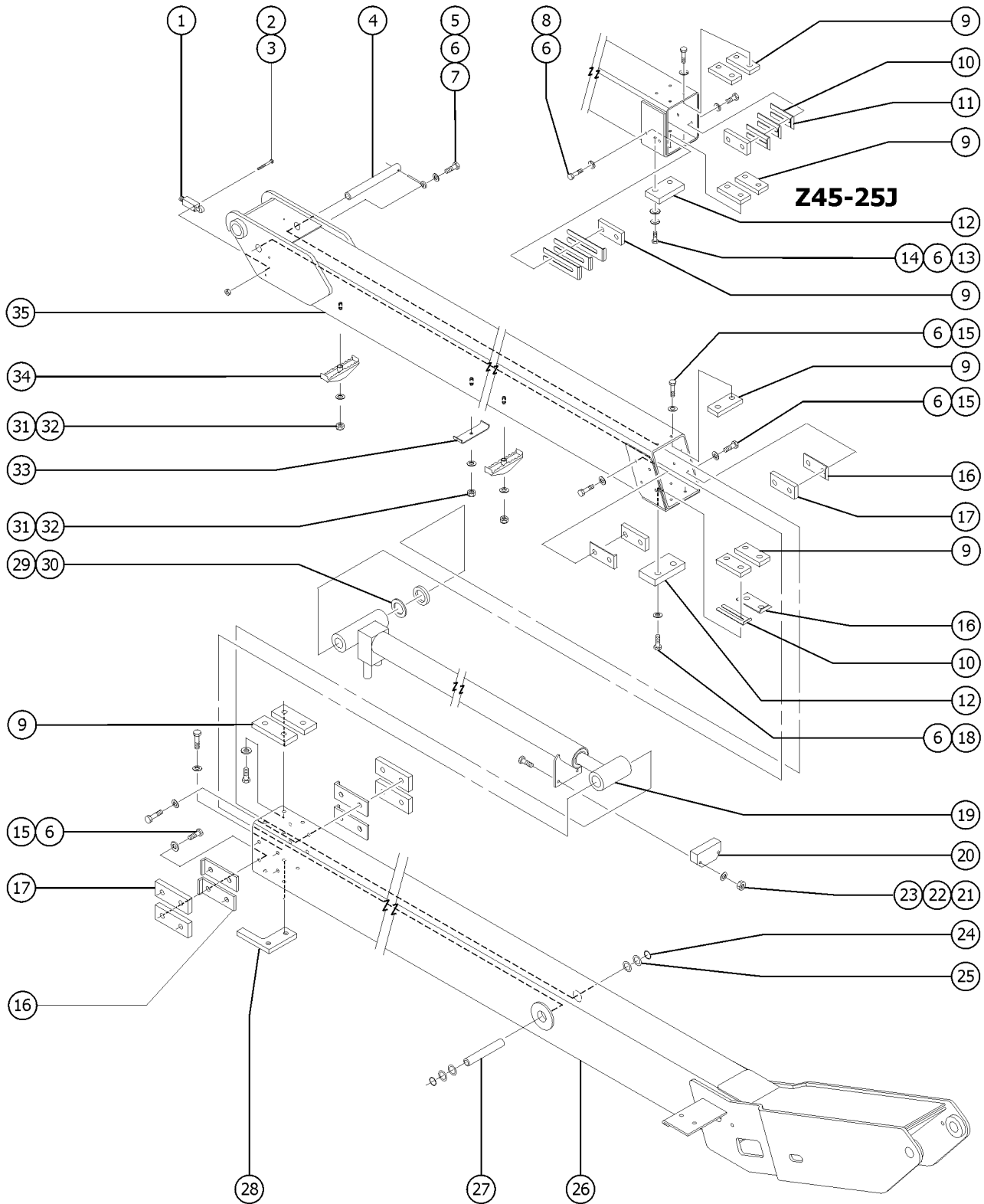
503.1 Upper Pivot Components



503.1 Upper Pivot Components

Item	Part No.	Description	Qty.	Item	Part No.	Description	Qty.
1	6175GT	SCREW,HHC,3/8-16 X 1		17	8177GT	SCREW,HHC,1/2-13 X 1.5	
2	6021GT	WASHER,LOCK,.375		18	6033GT	WASHER,LOCK,0.5"	
3	1255452GT	ROD END,.375 X 2.25,ZAG		19	8516GT	SCREW, HCC, 3/8-16 X 1.50	
4	77362GT	CYLINDER,MASTER,Z45***.....1		20	4828GT	NUT,NYLOCK,3/8-16	
--	77364GT	SEAL KIT,MASTER & SLAVE CYL.....1					
5	34276GT	PIN,1.25DIAX3.37LG,1HOLE.....2					
6	50542GT	PIN,1.75DIAX9.25LG,1HOLE.....1					
7	6175GT	SCREW,HHC,3/8-16 X 1					
8	825019GT	ROD END,.375X3.69,ZAG					
9	1262633GT	BEARING,POLYGON,BM5120.....6					
10A	1263056GT	CYLINDER,PRIM LIFT NON JIB,Z45.....1 <i>includes item 18 (from SN 19887 to SN 40637 and from SN 42132)</i>					
--	77014GT	VALVE,COUNTERBALANCE,3800 PSI <i>for 77187, 1263056 (from SN 19887 to SN 40637 and from SN 42132) (identify part number on cylinder before ordering)</i>					
--	77189GT	SEAL KIT,CYL,Z45 (77187&77188) <i>for 77187, 1263056 (from SN 19887 to SN 40637 and from SN 42132) (identify part number on cylinder before ordering)</i>					
10B	1263057GT	CYLINDER,PRIM LIFT JIB,Z45.....1 <i>includes item 9 (used in production from SN 19887 to SN 40637 and from SN 42132)</i>					
--	77014GT	VALVE,COUNTERBALANCE,3800 PSI.....1 <i>for 77188, 1263057 (from SN 19887 to SN 40637 and from SN 42132) (identify part number on cylinder before ordering)</i>					
--	77189GT	SEAL KIT,CYL,Z45 (77187&77188).....1 <i>for 77188, 1263057 (from SN 19887 to SN 40637 and from SN 42132) (identify part number on cylinder before ordering)</i>					
10C	50480GT	VALVE,COUNTERBALANCE,3800 PSI* <i>for 147260 (from SN 40638 to SN 42131) (identify part number on cylinder before ordering)</i>					
10D	147284GT	SEAL KIT,147260*** <i>for 147260 (from SN 40638 to SN 42131) (identify part number on cylinder before ordering)</i>					
11	54738GT	PIN,1.75DIAX12.25LG,CHAMFER.....1					
--	70534GT	PIN,1.75DIAX11.88LG,CHAMFER					
12	52728GT	UPPER PIVOT W/BEARING-Z45/25.....1 <i>includes 1 of item 13</i>					
13	30370GT	BEARING,1.25IDX1.5ODX1.00L.....1					
14	54331GT	PIN,1.75DIAX23.57LG,CHAMFER***.....1					
15		Ref. Primary Boom Tube Assembly (refer to 504.1).....1					
16	1256267GT	ROD END,.5 X 3.75,ZAG					

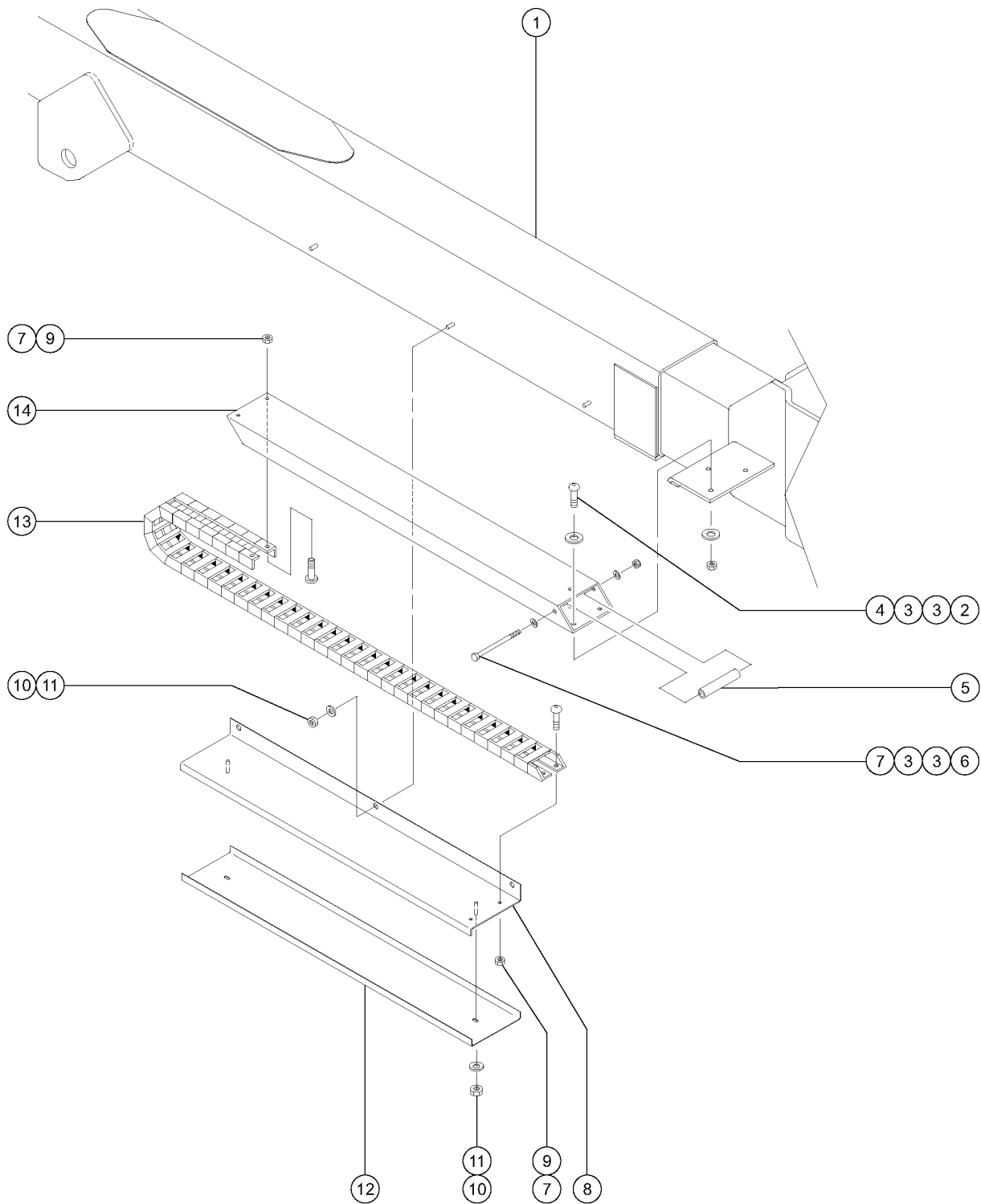
504.1 Primary and Extension Booms



504.1 Primary and Extension Booms

Item	Part No.	Description	Qty.	Item	Part No.	Description	Qty.
--	150103GT	WIRE LOOM,1.25"NYLON,HIGH TEMP.....103-inches		26	50315GT	EXTENSION BOOM WELDMNT,NON-JIB.....1	
1A	88356-11103GT	SWITCH,LIMIT,W/RLR ARM,NO/NC**....1 to SN 23764		27	50546GT	PIN,1.25DIAX6.36LG,2RING.....1	
--	19491GT	CONTACTOR,LIMIT SWITCH		28	50552GT	WEAR PAD,EXTENSION BOOM.....1	
--	97128GT	ROLLER ARM,LIMIT SWITCH***		29	77375GT	SPACER,NYLON,2.01 X 1.28 X.135.....1	
1B	88356-11205GT	SWITCH,LIMIT,W/RLLR ARM NO/NC.....1 from SN 23765		30	77376GT	SPACER,NYLON,2.00 X 1.33 X.310.....1	
--	19491GT	CONTACTOR,LIMIT SWITCH		31	4828GT	NUT,NYLOCK,3/8-16	
--	97128GT	ROLLER ARM,LIMIT SWITCH***.....1		32	6097GT	WASHER,FLAT,USS,3/8",Y	
2	49775GT	SCREW,PHILLIPS,PHM,10-32X 1.75		33	54530GT	CLAMP,HOSE,ALUMINUM.....1	
3	6178GT	NUT,NYLOCK,10-32		34	77106GT	CLAMP,CABLE & HOSE,PLASTIC.....2	
4	50584GT	PIN,1.25DIAX9.38LG,THREADED.....1		35	65633GT	PRIMARY BOOM ASSY,STD,Z45/25**....1	
5	6019GT	SCREW,HHC,3/8-16 X 1.25 GRD 5					
6	6021GT	WASHER,LOCK,.375					
7	825019GT	ROD END,.375X3.69,ZAG					
8	94195GT	SCREW,HHC,3/8-16 X .75,GR 8					
9A	34125GT	WEAR PAD,5 X 1.5 X .75 W/NUTS.....8 jib models					
9B	54131GT	WEAR PAD,PRIMARY BOOM, TOP 6.25X1.5X1.13.....7 non jib models					
10	29080GT	SHIM,WEAR PAD,5X 1.5 16GA.....9					
11	42502GT	SHIM,SIDE PAD 22GA					
12	54157GT	WEAR PAD,PRIMARY BOOM,JIB.....1 Z-45/25J					
13	13918GT	SCREW,HHC,3/8-16 X 1.75,GRD.8 (Z-45/25)					
14	5397GT	WASHER,FLAT,USS,5/16",Y					
15	8255GT	SCREW,HHC,3/8-16 X .75					
16	38620GT	SHIM,WEAR PAD,5 X 1.5,14GA					
17	30138GT	WEAR PAD,5 X 1.5 X .625 W/NUTS.....8					
18A	8516GT	SCREW, HCC, 3/8-16 X 1.50					
18B	54570GT	CYLINDER,EXTEND,Z45 NON JIB					
19A	54570GT	CYLINDER,EXTEND,Z45 NON JIB.....1					
--	54063GT	VALVE,CB.CBBC-LHN@1000***.....1					
--	65788GT	SEAL KIT CYL Z45 (54570).....1					
--	77410GT	VALVE,COUNTERBALNCE,1500 PSI*.....1					
20	50698GT	WEAR PAD,EXTENSION CYLINDER.....1					
21	6091GT	NUT,NYLOCK,1/4-20					
22	6638GT	WASHER,FLAT,USS,1/4"Y					
23	6637GT	SCREW,HHC,1/4-20 X 1.75					
24	824164GT	SNAP RING,EXTERNAL,1.25,ZAG					
25	30255GT	WASHER,SHIM,1.27 X 2.13 X .062					

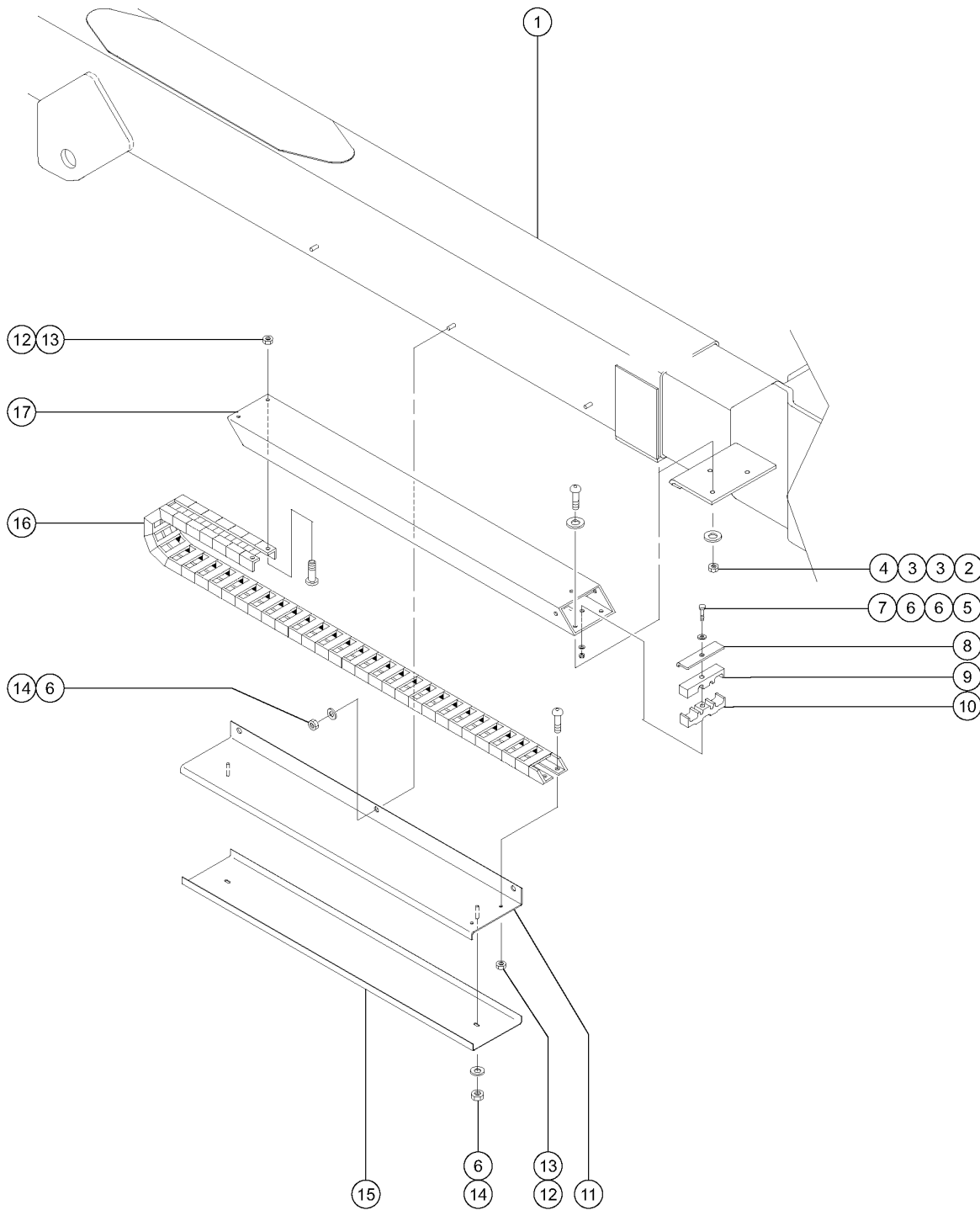
505.1 Cable Track (from SN 21179 to 24285)



505.1 Cable Track (from SN 21179 to 24285)

Item	Part No.	Description	Qty.
1		Ref. Primary Boom Tube Assembly (refer to Figure 504.1) to SN 24285	
2	54830GT	SCREW,BHSC,1/4-20 X .88,Y/ZINC to SN 24285	
3	6638GT	WASHER,FLAT,USS,1/4"Y to SN 24285	
4	18504GT	NUT,LOCKING-LG.FLANGE,1/4-20 to SN 24285	
5	48751-463GT	HOSE,1/4" HIGH PRESSURE,4.63LG....1 to SN 24285	
6	77036GT	SCREW,HHC,1/4-20 X 5.50,G5,CLZ to SN 24285	
7	6091GT	NUT,NYLOCK,1/4-20 to SN 24285	
8	54981GT	WELDMNT,CABLE TRACK TRAY,NJIB.....1 to SN 24285	1
8	54983GT	WLDMNT,CABLE TRACK TRAY,JIB.....1 to SN 24285	1
9	12011GT	SCREW,BHHS,1/4-20 X .5,Y/ZINC to SN 24285	
10	7713GT	NUT, LP NYLOCK, 3/8-16 to SN 24285	
11	5397GT	WASHER,FLAT,USS,5/16",Y to SN 24285	
12	54984PGT	CHANNEL,CABLE TRK COVER,JIB,PA.....1 to SN 24285	1
12	54985PGT	CHANNEL,CABLE TRACK COV,NONJ,P.....1 to SN 24285	1
13	50451GT	CABLE TRACK,PLASTIC,26 LINK*.....1 to SN 24285; (Z-45/25J)	1
13	50452GT	CABLE TRACK,PLASTIC,35 LINK.....1 to SN 24285; (Z-45/25)	1
--	58919GT	REPAIR LINK,7 LINKS***.....1 to SN 24285	1
--	58920GT	REPAIR LINK END SET (42763)*.....1 to SN 24285	1
--	58927GT	LINK,NYLATRAC KS6-5.4***.....1 to SN 24285	1
14A	54460GT	TUBE,CABLE TRACK ARM NON-JIB.....1 to SN 24285	1
14B	54461GT	TUBE,CABLE TRACK ARM,JIB.....1 to SN 24285	1

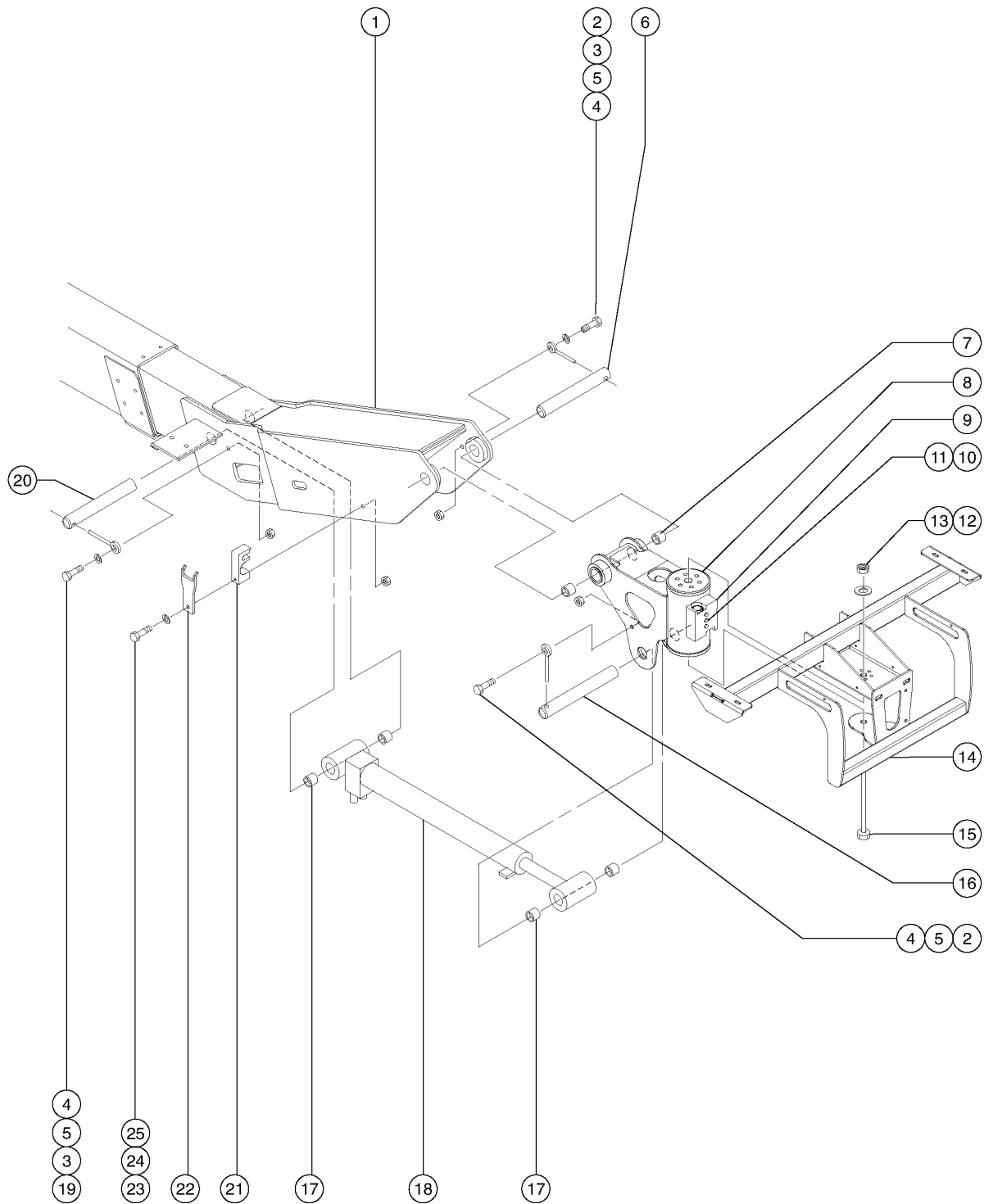
505.2 Cable Track (from SN 24286)



505.2 Cable Track (from SN 24286)

Item	Part No.	Description	Qty.	Item	Part No.	Description	Qty.
1		Ref. Primary Boom Tube Assembly (refer to Figure 504.1) <i>from SN 24286</i>		17	54461GT	TUBE,CABLE TRACK ARM,JIB.....1 <i>from SN 24286</i>	
2	18504GT	NUT,LOCKING-LG.FLANGE,1/4-20 <i>from SN 24286</i>					
3	6638GT	WASHER,FLAT,USS,1/4"Y <i>from SN 24286</i>					
4	54830GT	SCREW,BHSC,1/4-20 X .88,Y/ZINC <i>from SN 24286</i>					
5	6326GT	SCREW,HHC,3/8-16 X 3 <i>from SN 24286</i>					
6	5397GT	WASHER,FLAT,USS,5/16",Y <i>from SN 24286</i>					
7	4828GT	NUT,NYLOCK,3/8-16 <i>from SN 24286</i>					
8	106804PGT	BACKING, HOSE CLAMP PTD.....2 <i>from SN 24286</i>					
9	106585GT	CLAMP,HOSE Z-45 PRIMARY.....2 <i>from SN 24286</i>					
10	106581GT	CLAMP,JIB HOSE Z45.....2 <i>from SN 24286</i>					
--	107901GT	CLAMP, ARCTIC HOSE <i>from SN 24286</i>					
11	54981GT	WELDMNT,CABLE TRACK TRAY,NJIB.....1 <i>from SN 24286</i>					
11	54983GT	WLDMNT,CABLE TRACK TRAY,JIB.....1 <i>from SN 24286</i>					
12	6091GT	NUT,NYLOCK,1/4-20 <i>from SN 24286</i>					
13	12011GT	SCREW,BHHS,1/4-20 X .5,Y/ZINC <i>from SN 24286</i>					
14	7713GT	NUT, LP NYLOCK, 3/8-16 <i>from SN 24286</i>					
15A	54985PGT	CHANNEL,CABLE TRACK COV,NONJ,P.....1 <i>from SN 24286</i>					
15B	54984PGT	CHANNEL,CABLE TRK COVER,JIB,PA.....1 <i>from SN 24286</i>					
16	50451GT	CABLE TRACK,PLASTIC,26 LINK*.....1 <i>from SN 24286; (Z-45/25J)</i>					
16	50452GT	CABLE TRACK,PLASTIC,35 LINK.....1 <i>from SN 24286; (Z-45/25)</i>					
--	58919GT	REPAIR LINK,7 LINKS***1 <i>from SN 24286</i>					
--	58920GT	REPAIR LINK END SET (42763)*1 <i>from SN 24286</i>					
--	58927GT	LINK,NYLATRAC KS6-5.4***1 <i>from SN 24286</i>					
17	54460GT	TUBE,CABLE TRACK ARM NON-JIB.....1 <i>from SN 24286</i>					

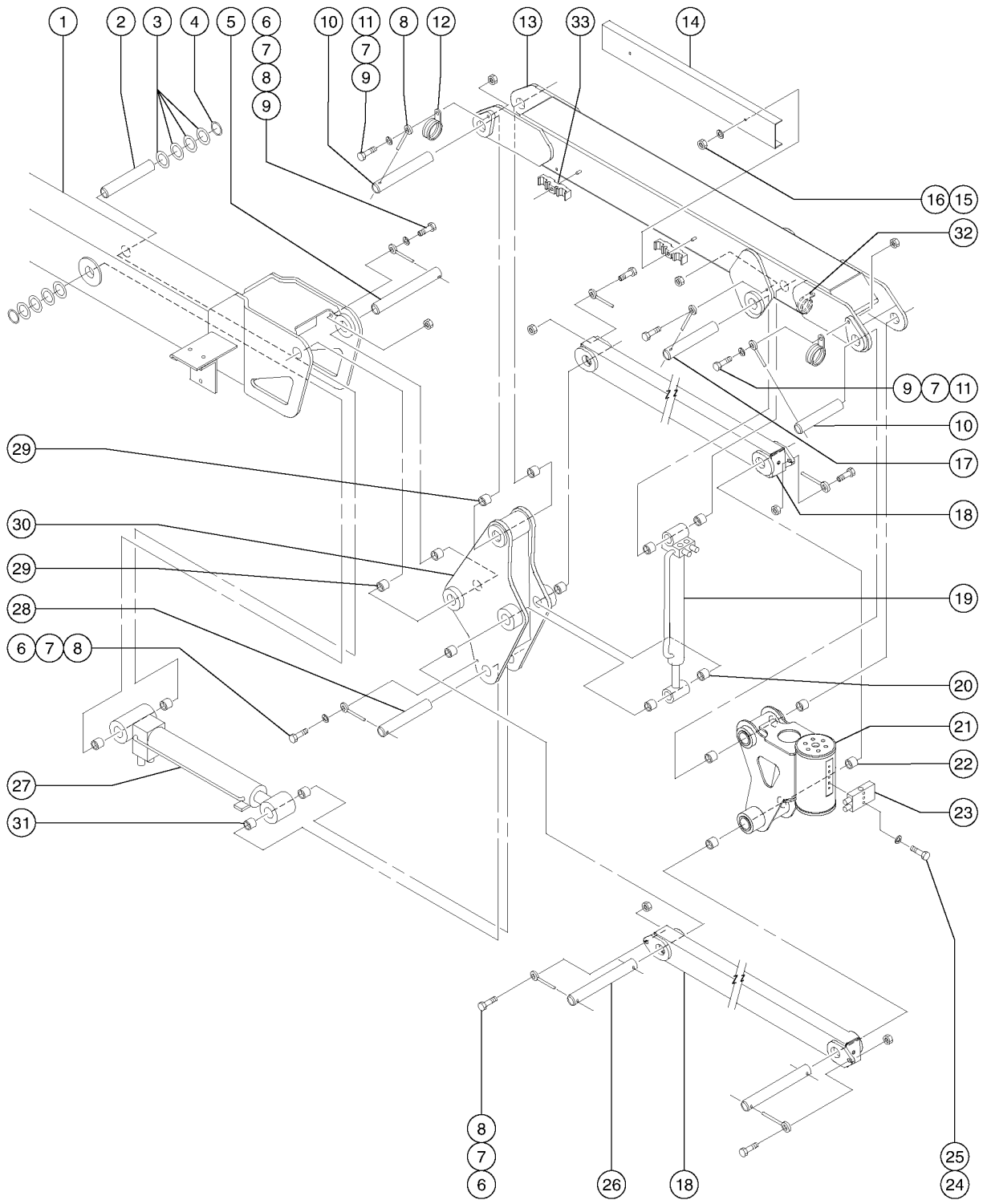
506.1 Non-Jib Platform Leveling and Rotation



506.1 Non-Jib Platform Leveling and Rotation

Item	Part No.	Description	Qty.
--	150103GT	WIRE LOOM,1.25"NYLON,HIGH TEMP.....103-inches	
1		Ref. Primary Extension Boom (refer to Figure 504.1)	
2	8516GT	SCREW, HCC, 3/8-16 X 1.50	
3	5397GT	WASHER,FLAT,USS,5/16",Y	
4	7713GT	NUT, LP NYLOCK, 3/8-16	
5	825019GT	ROD END,.375X3.69,ZAG	
6	50543GT	PIN,1.25DIAX8.88LG,1HOLE.....1	
7	30219GT	BEARING,FL,1.25ID X 1.41OD X 1.....2	
8A	233716GT	ROTATOR,PLAT,Z45.....1 <i>includes item 7; non-jib units</i>	
--	147369GT	SEAL AND BRG KIT,4.5K ROTATOR* <i>for rotator 94402 (no longer available)</i>	
--	233745GT	SEAL AND BRG KIT,4.5K ROTATOR <i>for rotator 233716</i>	
--	62509GT	SEAL KIT,ROTATOR*** <i>for rotator 94402 (no longer available)</i>	
8B	13852GT	VALVE ASSY,BLEED***	
8B	77892GT	SEAL KIT,ARCTIC,ROTATOR 4.5K** <i>Arctic Option</i>	
8B	83042GT	BEARING KIT,ROTATOR,4.5K***	
9		Ref. Counterbalance Manifold (refer to 704.1).....1	
10	6145GT	SCREW,HHC,1/4-20 X 1.5	
11	6356GT	WASHER,LOCK,.25	
12	77051GT	NUT,NYLOCK,3/4-10,GRD.8.....1	
13	33278GT	WASHER,FLAT,.75 HARDENED.....1	
14	54520-SGT	WELDMNT,PLATFRM SUPPORT,NJIB**.....1 <i>non-jib models</i>	
15	56925GT	SCREW,HHC,3/4-10 X 9.5 GR 8 YE.....1	
16	T108075GT	PIN,1.25DIAX5.25LG,1HOLE.....1	
17	25683GT	BEARING,POLYGON,20DU12.....4	
18	77363GT	CYLINDER,SLAVE,Z45***.....1 <i>includes item 17</i>	
--	54065GT	VALVE,COUNTERBALANCE,3500***.....1	
--	77364GT	SEAL KIT,MASTER & SLAVE CYL.....1	
19	6019GT	SCREW,HHC,3/8-16 X 1.25 GRD 5	
20	T107884GT	PIN,1.25DIAX7.00LG,1HOLE.....1	
21	106526GT	CLAMP,HOSE ROUTE,2X#4,LOOM.....1	
22	107595GT	BRACKET,HOSE CLAMP SUPPORT.....1	
23	36294GT	SCREW,HHC,1/4-20 X 2.75	
24	6638GT	WASHER,FLAT,USS,1/4"Y	
25	6091GT	NUT,NYLOCK,1/4-20	

507.1 Jib Platform Leveling

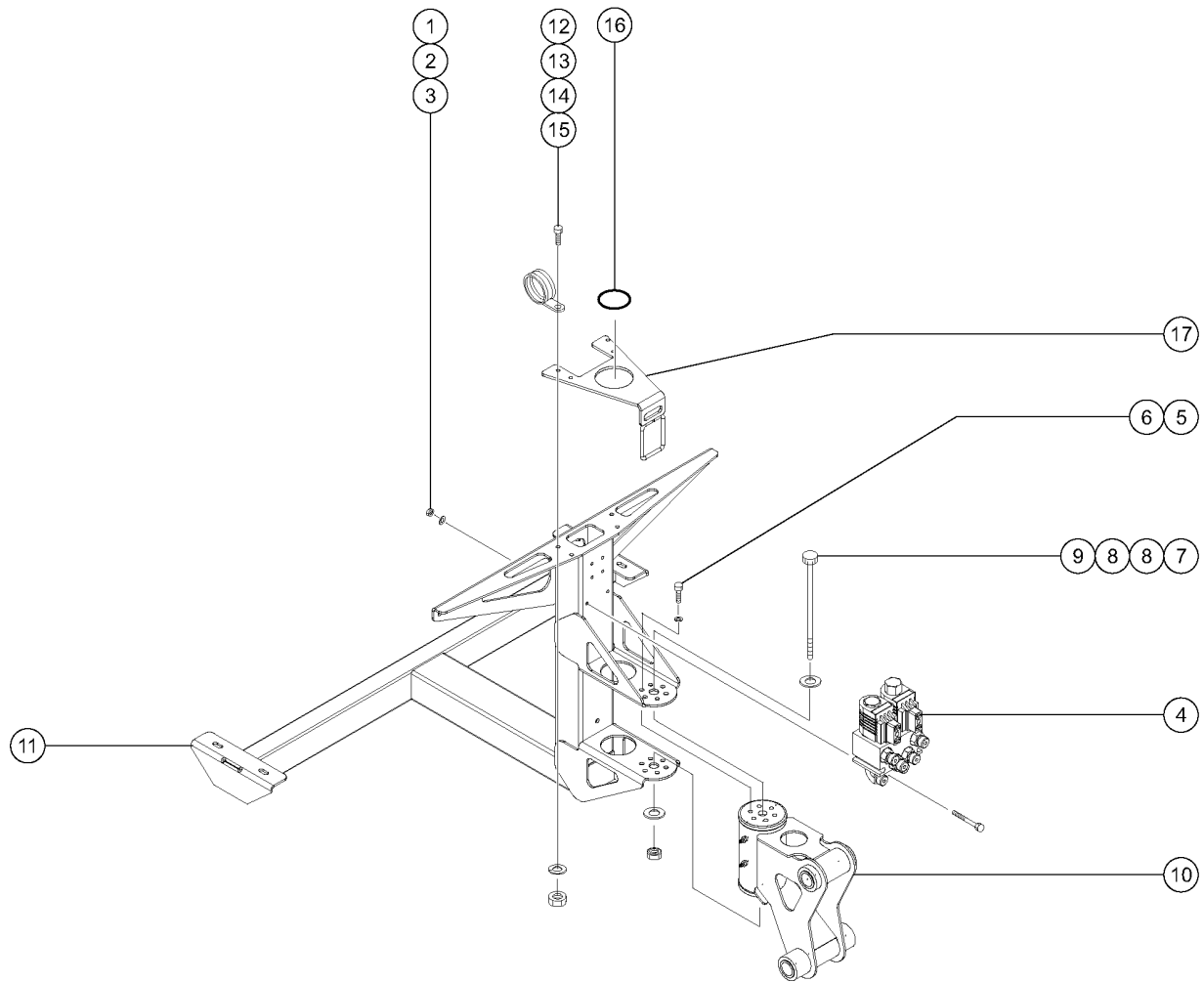


507.1 Jib Platform Leveling

Item	Part No.	Description	Qty.	Item	Part No.	Description	Qty.
--	150103GT	WIRE LOOM,1.25"NYLON,HIGH TEMP.....103-inches		--	83042GT	BEARING KIT,ROTATOR,4.5K***.....1 <i>for 54368</i>	
1		Ref. Primary and Extension Booms (refer to Figure 504.1)		21B	233715GT	ROTATOR,PLAT,Z45J/Z51J.....1 <i>includes item 6 & 22; from SN 24304</i>	
2	50546GT	PIN,1.25DIAX6.36LG,2RING.....1		--	147369GT	SEAL AND BRG KIT,4.5K ROTATOR*.....1 <i>for 94401</i>	
3	30255GT	WASHER,SHIM,1.27 X 2.13 X .062		--	233745GT	SEAL AND BRG KIT,4.5K ROTATOR <i>for 233715</i>	
4	824164GT	SNAP RING,EXTERNAL,1.25,ZAG		--	88516GT	SCREW,BLEEDER,M5X0.8.....2 <i>for 94401 and 233715</i>	
5	50543GT	PIN,1.25DIAX8.88LG,1HOLE.....1		22	30222GT	BEARING,FL,1.25IDX1.41ODX1.50L.....2	
6	6019GT	SCREW,HHC,3/8-16 X 1.25 GRD 5		23		Ref. Counterbalance Manifold (refer to 704.1).....2	
7	5397GT	WASHER,FLAT,USS,5/16",Y		24	8915GT	SCREW,HHC,1/4-20 X 1.25	
8	825019GT	ROD END,.375X3.69,ZAG		25	6356GT	WASHER,LOCK,.25	
9	4828GT	NUT,NYLOCK,3/8-16		26	81175GT	PIN,1.25DIAX14.45LG,2HOLE.....2	
10	T107883GT	PIN,1.25DIAX7.88LG,1HOLE.....2		27	77363GT	CYLINDER,SLAVE,Z45***.....1 <i>includes item 31</i>	
11	8516GT	SCREW, HCC, 3/8-16 X 1.50		--	54065GT	VALVE,COUNTERBALANCE,3500***.....1	
12	27497GT	CLAMP,RUBBER CUSHIONED-2 5/32....2		--	77364GT	SEAL KIT,MASTER & SLAVE CYL.....1	
13		SERVICE KIT, 5FT JIB.....1 <i>refer to section 509.1 for jib detail</i>		28	T108075GT	PIN,1.25DIAX5.25LG,1HOLE.....1	
14A	54527-SGT	CABLE COVER,JIB***.....1 <i>to SN Z452505-24286</i>		--	34245GT	BEARING,1.25IDX1.50X1.25L.....6 <i>to SN 25193</i>	
14B	106589GT	KIT,CABLE COVER,Z45 JIB*** <i>use to replace 54527-S, to SN Z452505-24286</i>		--	35675GT	BEARING,FL,1.25IDX1.50DX1.25L.....6 <i>from SN 25194</i>	
14C	106540GT	CABLE COVER,JIB <i>from SN Z452505-24287</i>		30	50466-SGT	BELLCRANK,JIB,WELD/Z45/25***.....1 <i>includes item 29</i>	
--	106581GT	CLAMP,JIB HOSE Z45.....2 <i>sold seperately or with kit 106589</i>		31	25683GT	BEARING,POLYGON,20DU12.....2	
15	6091GT	NUT,NYLOCK,1/4-20		32	49863GT	CLAMP,1.13,#18 X 3/8,RUB CUSH*.....1	
16	6638GT	WASHER,FLAT,USS,1/4"Y		33	106581GT	CLAMP,JIB HOSE Z45.....2	
17	T107884GT	PIN,1.25DIAX7.00LG,1HOLE.....1		--	107901GT	CLAMP, ARCTIC HOSE	
18	61306-SGT	COMPR.LINK,MACHINED,GND CONTR*.....2					
19	54994GT	CYLINDER,JIB,Z45,#4 PORTS***.....1 <i>includes item 20</i>					
--	147283GT	SEAL KIT,147259 <i>for 147259</i>					
--	43018GT	SEAL KIT (39345) <i>for 50480</i>					
--	50480GT	VALVE,COUNTERBALANCE,3800 PSI*.....1					
--	65789GT	SEAL KIT (54994).....1 <i>for 54994</i>					
20	25683GT	BEARING,POLYGON,20DU12.....4					
21A	54368GT	ROTATOR,PLAT,JIB,Z45/25J.....1 <i>includes item 6; to SN 24303</i>					
--	13852GT	VALVE ASSY,BLEED***.....1 <i>for 54368</i>					
--	62509GT	SEAL KIT,ROTATOR***.....1 <i>for 54368</i>					



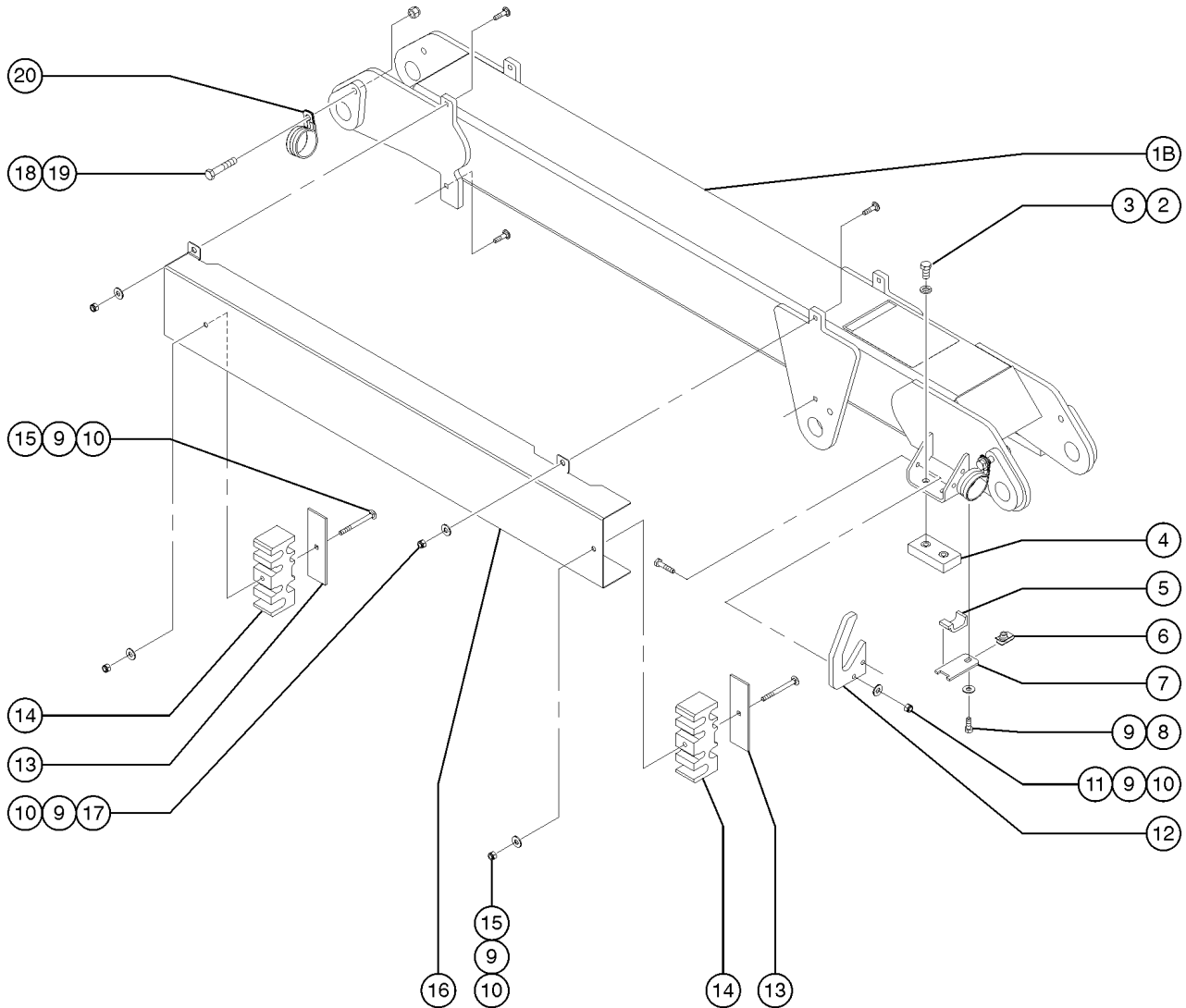
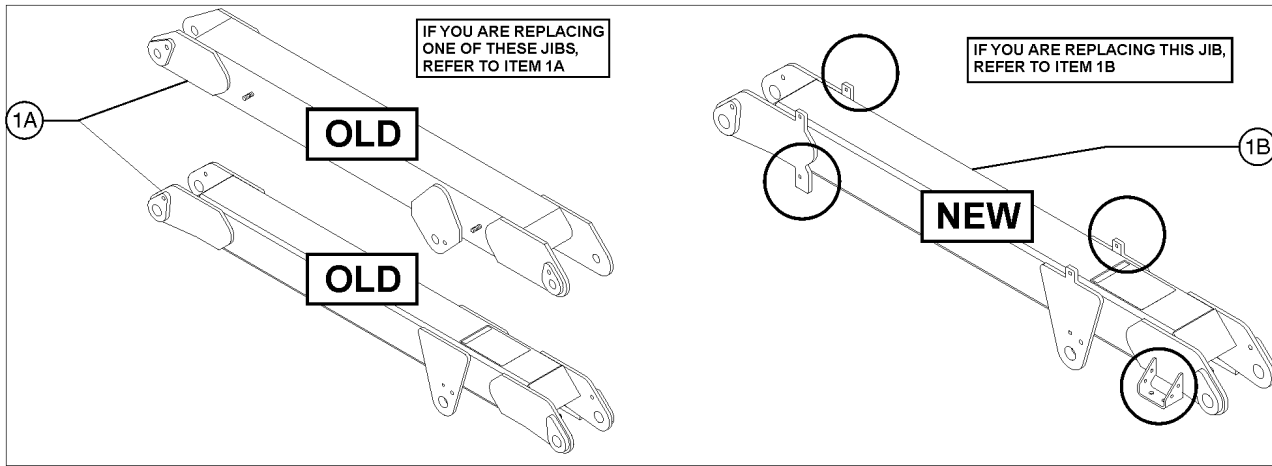
508.1 Jib Platform Rotation



508.1 Jib Platform Rotation

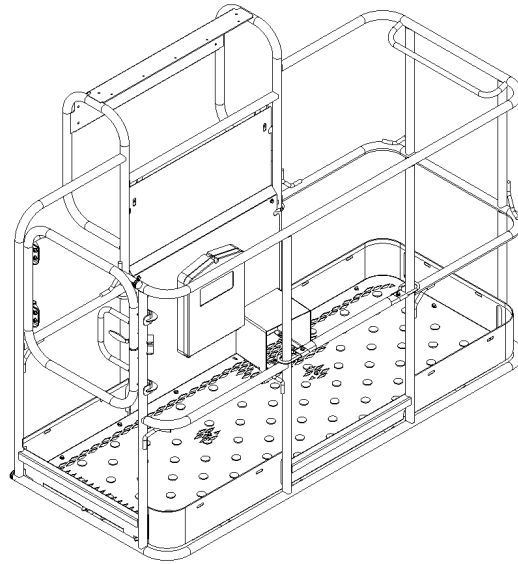
Item	Part No.	Description	Qty.
1	6091GT	NUT,NYLOCK,1/4-20	
2	6638GT	WASHER,FLAT,USS,1/4"Y	
3	36294GT	SCREW,HHC,1/4-20 X 2.75	
4		Ref Jib Manifold (refer to 704.1)	
5	77692GT	SCREW,HHC,3/8-16 X 1 GRD 8.....8	
6	6021GT	WASHER,LOCK,,.375	
7	56925GT	SCREW,HHC,3/4-10 X 9.5 GR 8 YE.....1	
8	33278GT	WASHER,FLAT,.75 HARDENED	
9	77051GT	NUT,NYLOCK,3/4-10,GRD.8	
10		Ref: Jib Platform Rotator.....1 (refer to 507.1)	
11	54510-SGT	WELDMENT,PLATFORM SUPPORT.....1 <i>for models with the Load Sense option, refer to 907.1</i>	
12	13002GT	SCREW,HHC,5/16-18 X 1 GR5.....4	
13	49863GT	CLAMP,1.13,#18 X 3/8,RUB CUSH*.....1	
14	5397GT	WASHER,FLAT,USS,5/16",Y	
15	6782GT	NUT,NYLOCK,5/16-18	
16	55067GT	GROMMET,RUBBER 3 X .19 X 3.5.....1	
17	110531GT	KIT, CABLE GUIDE.....1	

509.1 Jib Detail

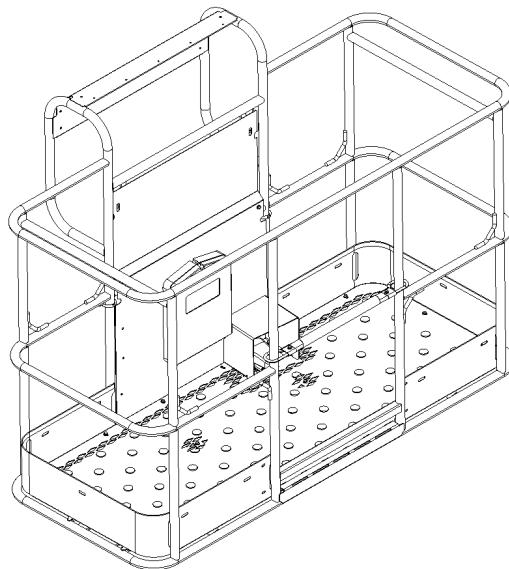


Item	Part No.	Description	Qty.
1A	128513GT	SERVICE KIT,5FT JIB <i>required for first time replacement (includes part number 128534)</i>	
1B	128534GT	JIB BOOM ASSY W/WORD DECAL.....1 <i>use ONLY if service kit 128513 has been installed on the machine</i>	
2	8255GT	SCREW,HHC,3/8-16 X .75	
3	6021GT	WASHER,LOCK,.375	
4	81640GT	WEAR PAD,3 X 1.5 X.625 W/NUTS.....1	
5	119542GT	CLAMP,TWO HOSE.....1	
6	56912GT	SPRING CLIP,1/4-20,.025-.15X.54,ZAG.....1	
7	119536PGT	BRACKET,HOSE CLAMP,PAINTED.....1	
8	6090GT	SCREW,HHC,1/4-20 X .75	
9	6638GT	WASHER,FLAT,USS,1/4"Y	
10	6091GT	NUT,NYLOCK,1/4-20	
11	8915GT	SCREW,HHC,1/4-20 X 1.25	
12	128482GT	HOSE GUIDE, JIB.....1	
13	128483GT	BACKING PLATE, HOSE BLOCK, JIB....2	
14	128510GT	CLAMP,JIB HOSE/CABLE,Z45/51.....2	
15	128724GT	BOLT,CARRIAGE,1/4-20 X 2.75,G2	
16	128454PGT	COVER, JIB HOSES/CABLES.....1	
17	79456GT	BOLT,CARRIAGE,1/4-20 X 1.00,G2	
18	5224GT	SCREW,HHC,3/8-16 X 2	
19	4828GT	NUT,NYLOCK,3/8-16	
20	77181GT	CLAMP,1.63,#26 X 3/8,RUB CUSH.....2	

601.1 Platform Configuration



(1) Side Swing Gate Platform

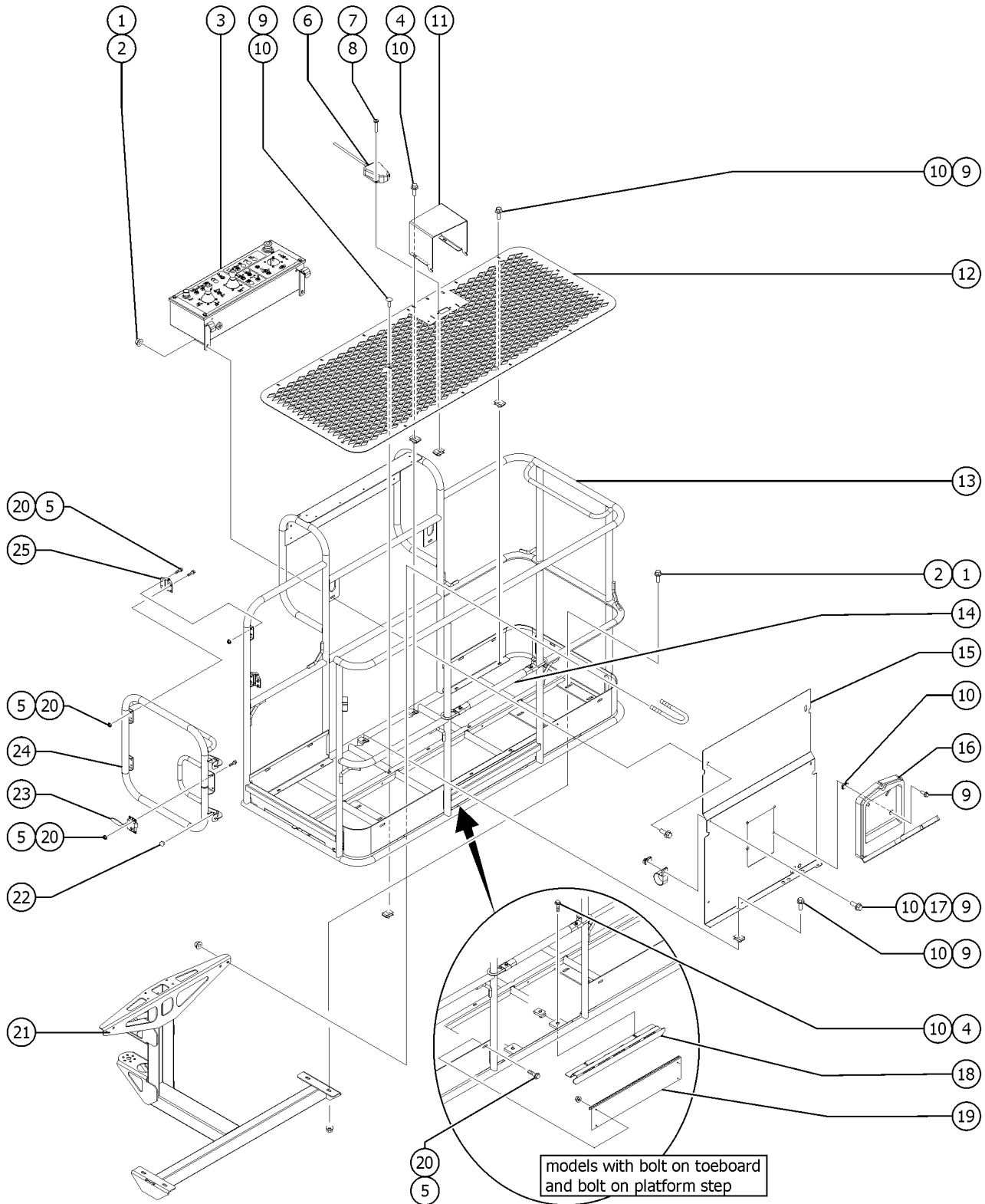


(2) Front Single Entry Platform

601.1 Platform Configuration

Item	Part No.	Description	Qty.
A		<i>Complete Platform Assemblies with Decals</i>	
--			
--	1275395GT	PLAT ASSY,6' W/SIDE GATE,Z45/51 CE <i>European models</i>	
--	1275396GT	PLAT ASSY,6' W/SIDE GATE,Z45/51 ANSI SYM <i>Asia/South America models</i>	
--	1275398GT	PLAT ASSY,6' W/SIDE GATE,Z45IC/Z51 ANSI WORD <i>USA and Canadian models</i>	
--	1275399GT	PLAT ASSY,6' W/SIDE GATE,Z45IC/Z51 AUS <i>Australian models (to SN a-405549)(from SN B-101 to B-1725)</i>	
B		<i>Complete Platform Assemblies and Platform Weldments without Decals (Warning tape & decals not included, refer to section 100 for decals)</i>	
--			
1A	1272303GT	ASSY,6FT PLAT DUAL LG,BLANK W/SIDE SWING GATE	
--	1274858GT	ASSY,6' PLAT WELDMENT W/SIDE GATE <i>flooring and decal plate not included</i>	
2A	161541GT	ASSY,4FT PLATFORM, NO DECALS <i>Single entry</i>	
--	60042GT	WELDMENT,4 FT PLATFORM <i>flooring and decal plate not included</i>	
2B	161542GT	ASSY,5FT PLATFORM, NO DECALS <i>Single entry</i>	
--	50294GT	WELDMENT,5 FT PLATFORM <i>flooring and decal plate not included</i>	
2C	160809GT	ASSY,6FT PLATFORM,NO DECALS <i>Single entry</i>	
--	73900GT	WELDMNT,6 FT PLATFORM <i>flooring and decal plate not included</i>	

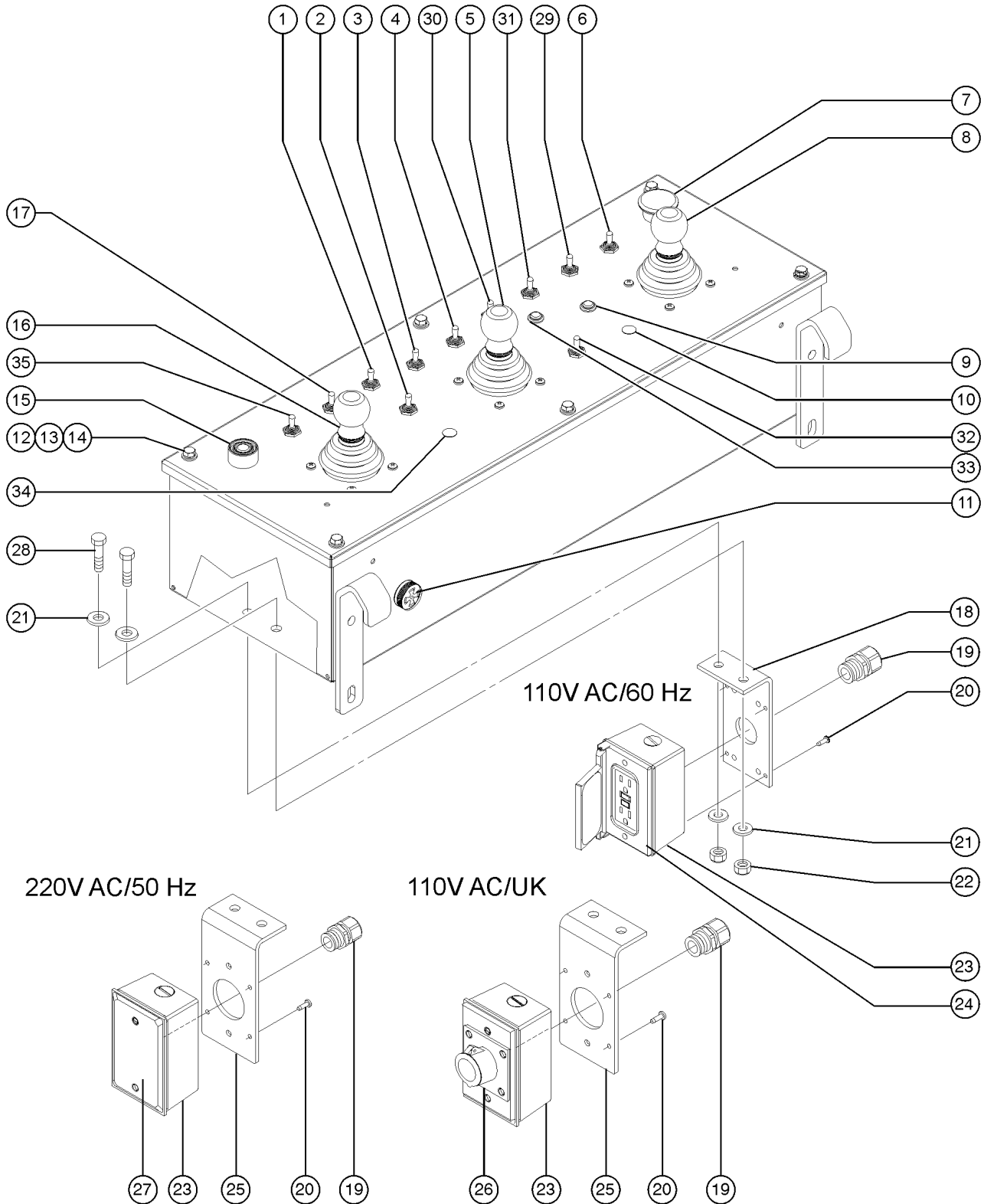
602.1 Platform Components



602.1 Platform Components

Item	Part No.	Description	Qty.	Item	Part No.	Description	Qty.
1	824029GT	NUT,TL FLG,3/8-16,G,ZAG		20	1256855GT	SCREW,HHF,1/4-20X.625,8,ZAG	
2	824090GT	SCREW,HHF,3/8-16X1,8,ZAG		21A	54520-SGT	WELDMNT,PLATFRM SUPPORT,NJIB**1	1
3		Ref. Platform Control Box (refer to 602.1 and 603.1)		21B		Ref. Platform Support.....1 (refer to 506.1, 508.1, or 907.1)	1
4	824079GT	SCREW,HHF,1/4-20X1,8,ZAG		22	43392GT	BUMPER,BATTERY BOX & RAILS.....2	2
5	824027GT	NUT,TL FLG,1/4-20,G,ZAG.....2	2	23	1267747GT	LATCH, SWING GATE.....1	1
6A	73233GT	ASSEMBLY,FOOT SWITCH***.....1 (to SN 41836)	1	24	1272307GT	ASSY,SIDE SWING GATE.....1	1
--	119058GT	CONN PLUG 4 WAY ENDCAP DT (for PN 73233)		25	104804GT	HINGE, SPRING, LONG LEG.....2	2
--	20262GT	MICROSWITCH,13482 FOOTSWITCH (for PN 73233)					
--	43960GT	WIRE CABLE,16/4 CON.TPE JKT.....66-inches (for PN 73233)					
--	73739GT	BOOT,PLUG 4 WAY (for PN 73233)					
6B	228468GT	KIT, FOOTSWITCH, Z45 & Z51.....1 (upgrade kit) (to SN 41836)	1				
--	227617GT	ASSEMBLY,FOOT SWITCH (for PN 228468)					
6C	227617GT	ASSEMBLY,FOOT SWITCH.....1 (from SN 41837)	1				
7	1256460GT	SCREW,PHPM,10-24X1,ZAG.....2	2				
8	73575GT	SPRING CLIP,10-24,.025-.125X.468,ZAG.....2	2				
9	824078GT	SCREW,HHF,1/4-20X.75,8,ZAG					
10	824091GT	SCREW,HHF,3/8-16X1.25,8,ZAG					
11	147121GT	COVER, FOOT SWITCH, LARGE.....1	1				
12A	1267746GT	FLOORING, 6FT PLAT,SIDE.....1	1				
12B	73477PGT	FLOORING, 6'FT PLATFORM.....1 (for single entry)	1				
12C	54247PGT	FLOORING,5 FT PLATFORM,PAINTED.....1	1				
12D	60160PGT	FLOORING,4 FT PLATFORM,PAINTED.....1	1				
13		Ref. Platform Weldment.....1 (refer to 601.1)	1				
14	102992GT	SLIDING MIDRAIL KIT,PTD.....1 (includes fasteners)	1				
15	73574-SGT	DECAL PLATE ASSEMBLY.....1 (decals not included, refer to section 100)	1				
16	24514GT	BOX,INSTRUCTION STORAGE.....1 (decals not included, refer to section 100)	1				
17	56424GT	CLAMP,1.25X.5 RUBBER-CUSHION.....2	2				
18	73610PGT	STEP PLATFORM ENTRY PAINTED***1	1				
19	94745GT	TOEBOARD,ENTRY EUROPEAN PNTD**1	1				

603.1 Platform Control Box - View 1



603.1 Platform Control Box - View 1

Item	Part No.	Description	Qty.	Item	Part No.	Description	Qty.
--	110388GT	PLAT. CONTROL BOX W/DECAL***.....1		--	128578GT	SCREW T-SWITCH PH/PH 6-32X1/4	
--	122125GT	ADAPTER CABLE, JS100 JOYSTICK <i>required for new (Detsch) style Joysticks only</i>		--	128584-SGT	SWITCH TOGGLE SPDT 2P MNT SHDR	
--	81488GT	GASKET,PLATFORM CONTROL BOX		--	27246GT	BOOT,TOGGLE SWITCH,SHORT*	
--		Ref. HARNESS,PLATFORM,Z45/25 IC <i>(refer to 308.1)</i>		7	66812GT	BUTTON,PUSH,RED MUSHROOM HEAD.....1	
--	T108153GT	HARNESS KIT,Z45/51 PLAT BOX <i>includes three adapter cables</i>		--	66818GT	CONTACT, N.C.	
--	119613GT	HARN JOYSTICK ADAPTOR JS100 <i>6-pin to 7-pin adapter (for 101174, 101175, 101005)</i>		--	94506GT	BASE,W/3 NC CONTACTS <i>includes 3 N.C. contacts</i>	
1A	45384GT	PLUG,NYLON .50 BLACK DOMED.....1 <i>(Z-45/25)</i>		8	101174GT	JOYSTICK,2 AXIS,DEUTSCH.....1 <i>(OEM joystick) dual axis joystick controls drive/steer functions</i>	
1B	128200GT	SWITCH TOGGLE ASSY SPDT 3P MOM.....1 <i>Jib boom up/down</i>		8	101174HGT	JOYSTICK,DUAL AXIS W/KNOB <i>(aftermarket joystick) dual axis joystick controls drive/steer functions</i>	
--	128578GT	SCREW T-SWITCH PH/PH 6-32X1/4		8A	101005GT	JOYSTICK,1 AXIS ROCKER,DEUTSCH <i>(OEM joystick) single axis joystick with rocker switch controls drive/steer functions</i>	
--	128580-SGT	SWITCH TOGGLE SPDT 3P MOM SHDR		8A	101005HGT	JOYSTICK,SINGLE AXIS W/STEER <i>(aftermarket joystick) single axis joystick with rocker switch controls drive/steer functions</i>	
--	27246GT	BOOT,TOGGLE SWITCH,SHORT*		9A	45384GT	PLUG,NYLON .50 BLACK DOMED.....1	
2	128200GT	SWITCH TOGGLE ASSY SPDT 3P MOM.....1 <i>Primary boom ext/ret</i>		9B	824879GT	LIGHT,LED IND. RED 12V NH.....1 <i>platform overload indicator</i>	
--	128578GT	SCREW T-SWITCH PH/PH 6-32X1/4		--	56848GT	WASHER,LOCK,IND,LAMP RETAINER	
--	128580-SGT	SWITCH TOGGLE SPDT 3P MOM SHDR		10A	45384GT	PLUG,NYLON .50 BLACK DOMED.....1	
--	27246GT	BOOT,TOGGLE SWITCH,SHORT*		10B	824879GT	LIGHT,LED IND. RED 12V NH.....1 <i>machine level sensor</i>	
3	128201GT	SWITCH TOGGLE ASSY DPDT 2P MOM.....1 <i>Auxiliary power</i>		--	56848GT	WASHER,LOCK,IND,LAMP RETAINER	
--	128578GT	SCREW T-SWITCH PH/PH 6-32X1/4		11	45383GT	ALARM,WARBLE TONE 5-30 VDC***.....1 <i>does not include 72326 nut</i>	
--	128581-SGT	SWITCH TOGGLE DPDT 2P MOM SHDR		--	72326GT	NUT - PLASTIC,RING FOR ALARMS	
--	27246GT	BOOT,TOGGLE SWITCH,SHORT*		12	8914GT	SCREW,HHC,1/4-20 X .625	
4	128204GT	SWITCH TOGGLE ASSY SPDT 2P MNT.....1 <i>Drive speed select</i>		13	6356GT	WASHER,LOCK,.25	
--	128578GT	SCREW T-SWITCH PH/PH 6-32X1/4		14	6638GT	WASHER,FLAT,USS,1/4"Y	
--	128584-SGT	SWITCH TOGGLE SPDT 2P MNT SHDR		15	66813GT	BUTTON,PUSH,BLACK W/SEAL***.....1	
--	27246GT	BOOT,TOGGLE SWITCH,SHORT*		--	66815GT	BASE, W/1 N.O. CONTACTS*** <i>includes 1 N.O. contact</i>	
5	101175GT	JOYSTICK,1 AXIS,DEUTSCH.....1 <i>(OEM joystick) secondary boom up/down</i>		--	66816GT	CONTACT,N.O.***.....1	
5	101175HGT	JOYSTICK,SINGLE AXIS W/KNOB <i>(aftermarket joystick) secondary boom up/down</i>		16	101174GT	JOYSTICK,2 AXIS,DEUTSCH <i>(OEM joystick) primary boom up/down, turntable rotate</i>	
--	119613GT	HARN JOYSTICK ADAPTOR JS100		16	101174HGT	JOYSTICK,DUAL AXIS W/KNOB <i>(aftermarket joystick) primary boom up/down, turntable rotate</i>	
6A	45384GT	PLUG,NYLON .50 BLACK DOMED.....1 <i>Diesel models</i>		17	128202GT	SWITCH TOGGLE ASSY DPDT 3P MOM.....1 <i>Platform rotate</i>	
6B	128204GT	SWITCH TOGGLE ASSY SPDT 2P MNT.....1 <i>Fuel Select, Gasoline/LPG models</i>		--	128578GT	SCREW T-SWITCH PH/PH 6-32X1/4	

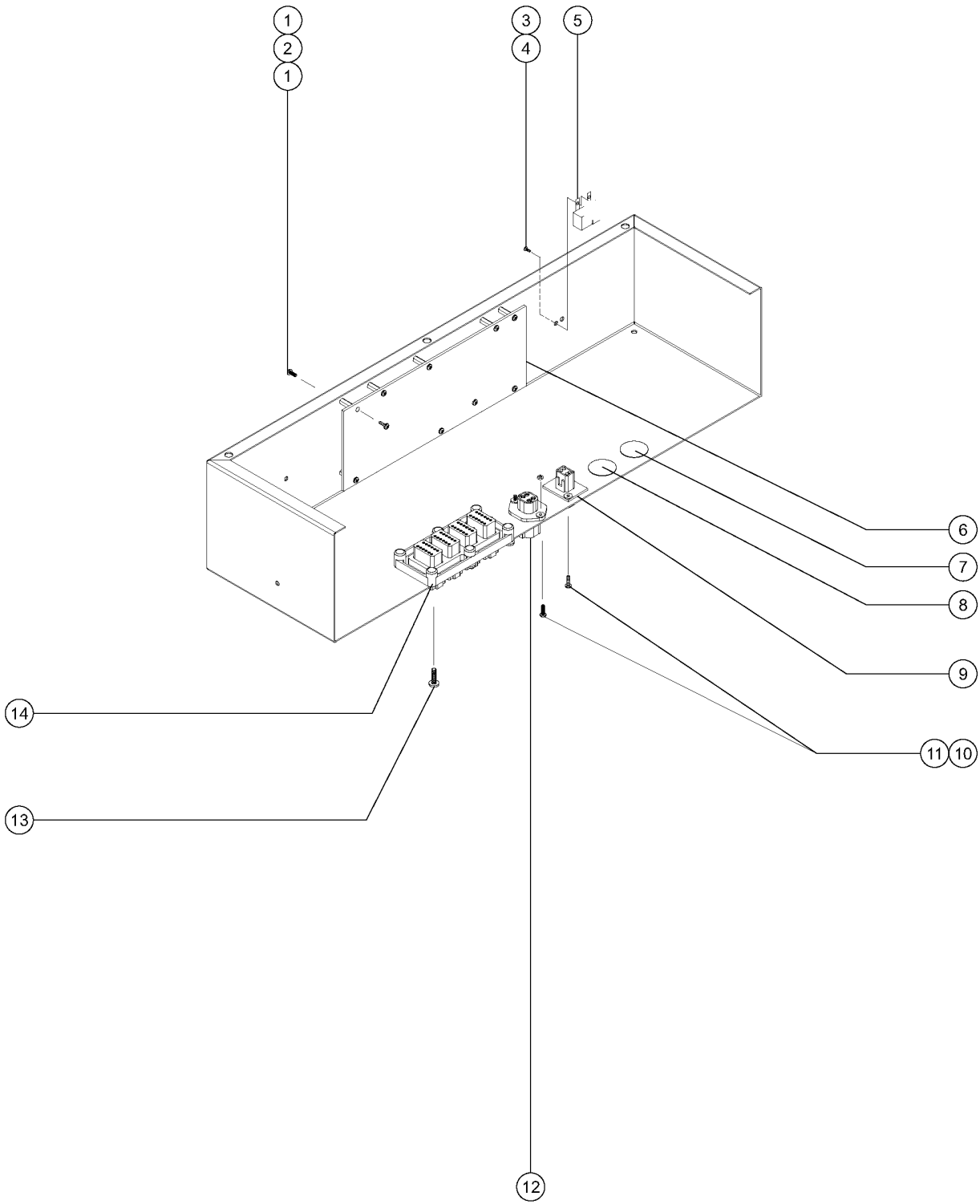
603.1 Platform Control Box - View 1
(continued)

Item	Part No.	Description	Qty.	Item	Part No.	Description	Qty.
--	128582-SGT	SWITCH TOGGLE DPDT 3P MOM SHDR		--	128578GT	SCREW T-SWITCH PH/PH 6-32X1/4	
--	27246GT	BOOT,TOGGLE SWITCH,SHORT*		--	128580-SGT	SWITCH TOGGLE SPDT 3P MOM SHDR	
18	81096GT	BRACKET,POWER TO PLAT, DOM.....1		--	27246GT	BOOT,TOGGLE SWITCH,SHORT*	
19	7056GT	CONN,SQUEEZE,1/2NPT .38-.50,SM....2		32	128200GT	SWITCH TOGGLE ASSY SPDT 3P MOM.....1 <i>Drive enable</i>	
--	6935GT	LOCKNUT,ELEC,1/2"		--	128578GT	SCREW T-SWITCH PH/PH 6-32X1/4	
20	57075GT	SCREW,PHIL,8-32X.50,SELF TAP		--	128580-SGT	SWITCH TOGGLE SPDT 3P MOM SHDR	
21	5397GT	WASHER,FLAT,USS,5/16",Y		--	27246GT	BOOT,TOGGLE SWITCH,SHORT*	
22	4828GT	NUT,NYLOCK,3/8-16		33	824879GT	LIGHT,LED IND. RED 12V NH.....1 <i>Drive enable indicator</i>	
23	10775GT	T-BOX,2.75 X 4.5 X 2.0.....1		--	56848GT	WASHER,LOCK,IND,LAMP RETAINER	
24	74006GT	COVER,GFCI,HORIZONTAL,WEATHER.1		34	45384GT	PLUG,NYLON .50 BLACK DOMED.....1 <i>used for optional equipment</i>	
--	13585GT	OUTLET, 110V <i>USA/Canada</i>		35	128200GT	SWITCH TOGGLE ASSY SPDT 3P MOM.....1 <i>Platform level</i>	
--	80543GT	RECEPTACLE, 120VAC, 20A, GFCI <i>USA/Canada</i>		--	128578GT	SCREW T-SWITCH PH/PH 6-32X1/4	
25	81570GT	BRACKET,POWER TO PLAT, UK.....1		--	128580-SGT	SWITCH TOGGLE SPDT 3P MOM SHDR	
26	T112563GT	SVC KIT,UK RECEPT.REPLACEMENT.....1 <i>Europe (need for first time replacement)</i>		--	27246GT	BOOT,TOGGLE SWITCH,SHORT*	
--	33724GT	KIT,GASKET,UK POWER TO PLAT.					
--	81458GT	GASKET, UK POWER TO PLAT					
--	T112560GT	RECEPTACLE,UK, 110V					
--	T112561GT	PLATE,UK,POWER TO PLAT					
27	10777GT	COVER,BLANK.....1					
--	33724GT	KIT,GASKET,UK POWER TO PLAT.					
--	81458GT	GASKET, UK POWER TO PLAT					
28	6019GT	SCREW,HHC,3/8-16 X 1.25 GRD 5					
29A	128204GT	SWITCH TOGGLE ASSY SPDT 2P MNT.....1 <i>Diesel models</i>					
--	128578GT	SCREW T-SWITCH PH/PH 6-32X1/4					
--	128584-SGT	SWITCH TOGGLE SPDT 2P MNT SHDR					
--	27246GT	BOOT,TOGGLE SWITCH,SHORT*					
29B	128495GT	SWITCH TOGGLE ASSY SPDT 3P MNT.....1 <i>Gasoline/LPG models</i>					
--	128578GT	SCREW T-SWITCH PH/PH 6-32X1/4					
--	128579GT	SWITCH TOGGLE SPDT 3P MNT SHDR					
--	27246GT	BOOT,TOGGLE SWITCH,SHORT*					
30	128200GT	SWITCH TOGGLE ASSY SPDT 3P MOM.....1 <i>Glow plug</i>					
--	128578GT	SCREW T-SWITCH PH/PH 6-32X1/4					
--	128580-SGT	SWITCH TOGGLE SPDT 3P MOM SHDR					
--	27246GT	BOOT,TOGGLE SWITCH,SHORT*					
31	128200GT	SWITCH TOGGLE ASSY SPDT 3P MOM.....1 <i>Engine start</i>					



This Page Intentionally Left Blank

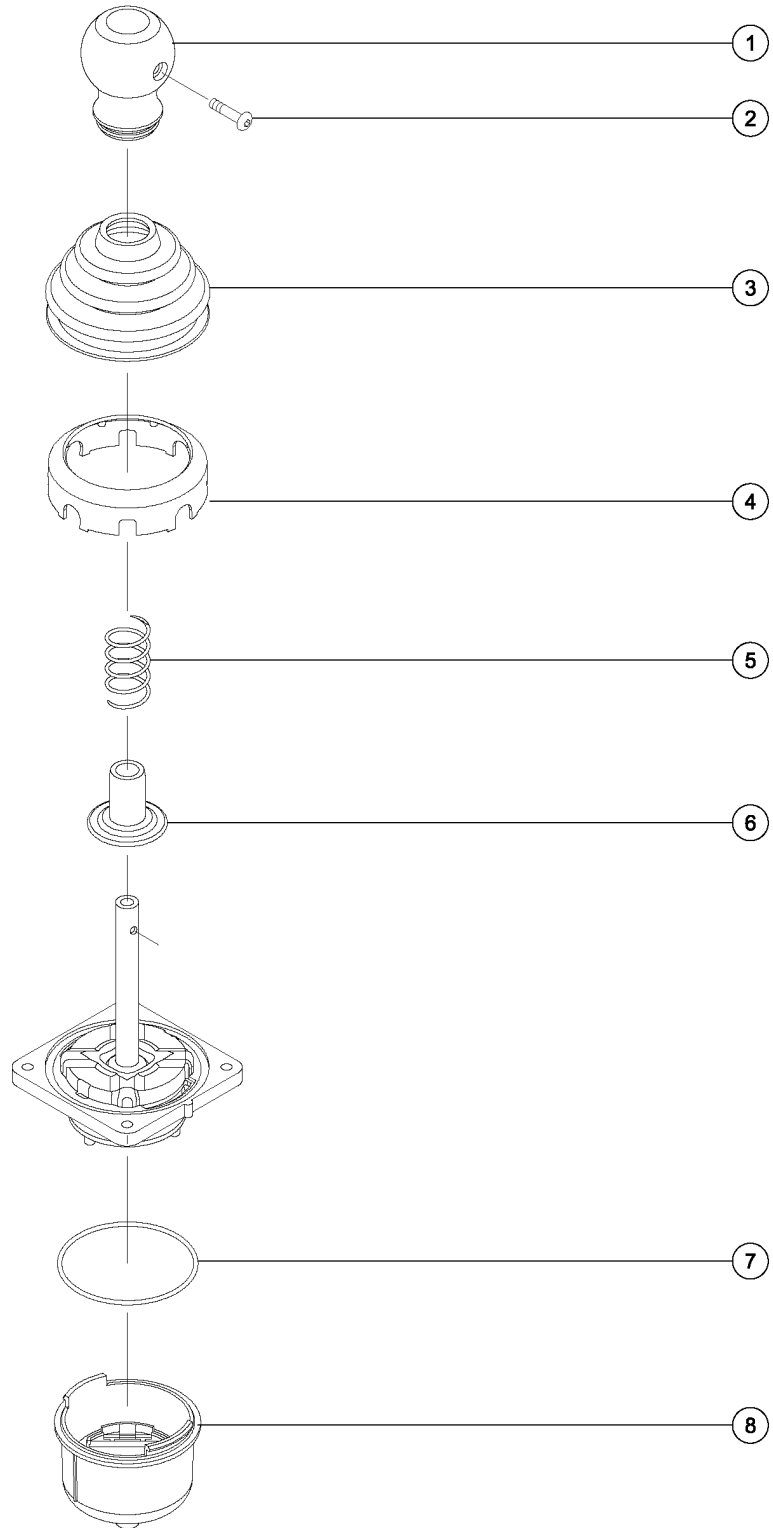
604.1 Platform Control Box - View 2



604.1 Platform Control Box - View 2

Item	Part No.	Description	Qty.	Item	Part No.	Description	Qty.
--				12	73717GT	CONN,RECEP 4 WAY,12-14GA FL***.....1	
--	77351GT	LANYARD,PLATFORM CONTROL BOX		--	60526GT	LOCK,RECEP 4 WAY,12-14GA	
--	81487PGT	PLATFORM CONTROL BOX,PAINTED		--	73711GT	TERM,DEUTSCH, PIN #12-14	
--	81488GT	GASKET,PLATFORM CONTROL BOX		--	88723-71000GT	HARNESS,12/3,12V TO PLAT	
1	81551GT	SCREW,PHIL,PHM,6-32 X 1/4 SS		--	88723-72700GT	HARNESS,12/3,12V TO PLAT	
2	81550GT	STANDOFF,6-32 X 3/8L X 1/4 HEX		13	73803GT	SCREW,SHM,PHP, #12 X .75	
3	54365GT	SCREW,PHIL,PHM,10-32 X .5,SSTL <i>European models</i>		14	73736GT	CONN,RECEP 48 WAY,4 X 12.....1	
4	6178GT	NUT,NYLOCK,10-32 <i>European models</i>		--	54255GT	LOCK,RECEP 12 WAY, 14-18GA	
5	19274GT	RELAY,SPDT,12V(AUTO)**2 <i>European models</i>		--	73713GT	TERM,NI PIN,S&F,16-18GA,REEL	
6A	236812GT	Ref. PCB,ASSY,ALC500,Z45,Z60,S80* <i>(from SN 21179 to 22050) (machine model and serial number required to order)</i>		--	88721-72000GT	HARNESS,18/19 BOOM CABLE #1 <i>jib models; Black and grey connectors</i>	
6B	235473GT	ASSY,PCB ALC500 GENII Z45 V201.....1 <i>(from SN 22051) (machine model and serial number required to order)</i>		--	88721-73000GT	HARNESS,18/19 BOOM CABLE #1 <i>Brown and green connectors</i>	
--	56029GT	CONNECTOR,MOLEX 24-WAY**		--	88722-73000GT	HARNESS,18/19,BOOM CABLE #2 <i>Black and grey connectors (non-jib)</i>	
--	56030GT	TERMINAL,MOLEX 16 GAUGE***					
--	56561GT	TOOL,TERMINAL CRIMPER,MOLEX***					
--	56562GT	TOOL,TERMINAL EXTRACTOR,MOLEX					
6C	T111107GT	ASSY,ALC500 BOARD HEATER					
--	114246GT	DECAL,OPTION CONTROL BOX HEATR.....1					
--	119534GT	STANDOFF,1/4X1/4 M-F 6-32 S/S.....5					
--	119641GT	SWITCH,THERMOSTAT 85F OPEN.....1					
--	128204GT	SWITCH TOGGLE ASSY SPDT 2P MNT.....1					
--	147661GT	PLATE,PLAT HEAT,ALC500 GEN II.....1					
--	218180GT	HARNESS,CONTROL BOX HEATER.....1					
--	27287GT	RESISTOR,10 OHM,25 WATT.....2 <i>for 119560</i>					
7	45385GT	PLUG,NYLON 1.12 BLACK DOMED					
--	94549GT	SWITCH,LOAD LIMIT <i>European models</i>					
8	45385GT	PLUG,NYLON 1.12 BLACK DOMED.....1					
8	7056GT	CONN,SQUEEZE,1/2NPT .38-.50,SM					
--	101080GT	HARNESS,JIB SELECT MANIFOLD <i>includes squeeze connector and locknut</i>					
--	6935GT	LOCKNUT,ELEC,1/2"					
9	60443GT	LOCK,RECEP 4 WAY,14-18GA.....1					
--	54259GT	TERM,NI PIN, 14-16GA,BULK					
--	73233GT	ASSEMBLY,FOOT SWITCH***					
--	73723GT	CONN RECEP,FLANGED					
10	49820GT	SCREW,PHILLIPS,PHM,6-32 X .5					
11	12344GT	NUT,NYLOCK,6-32					

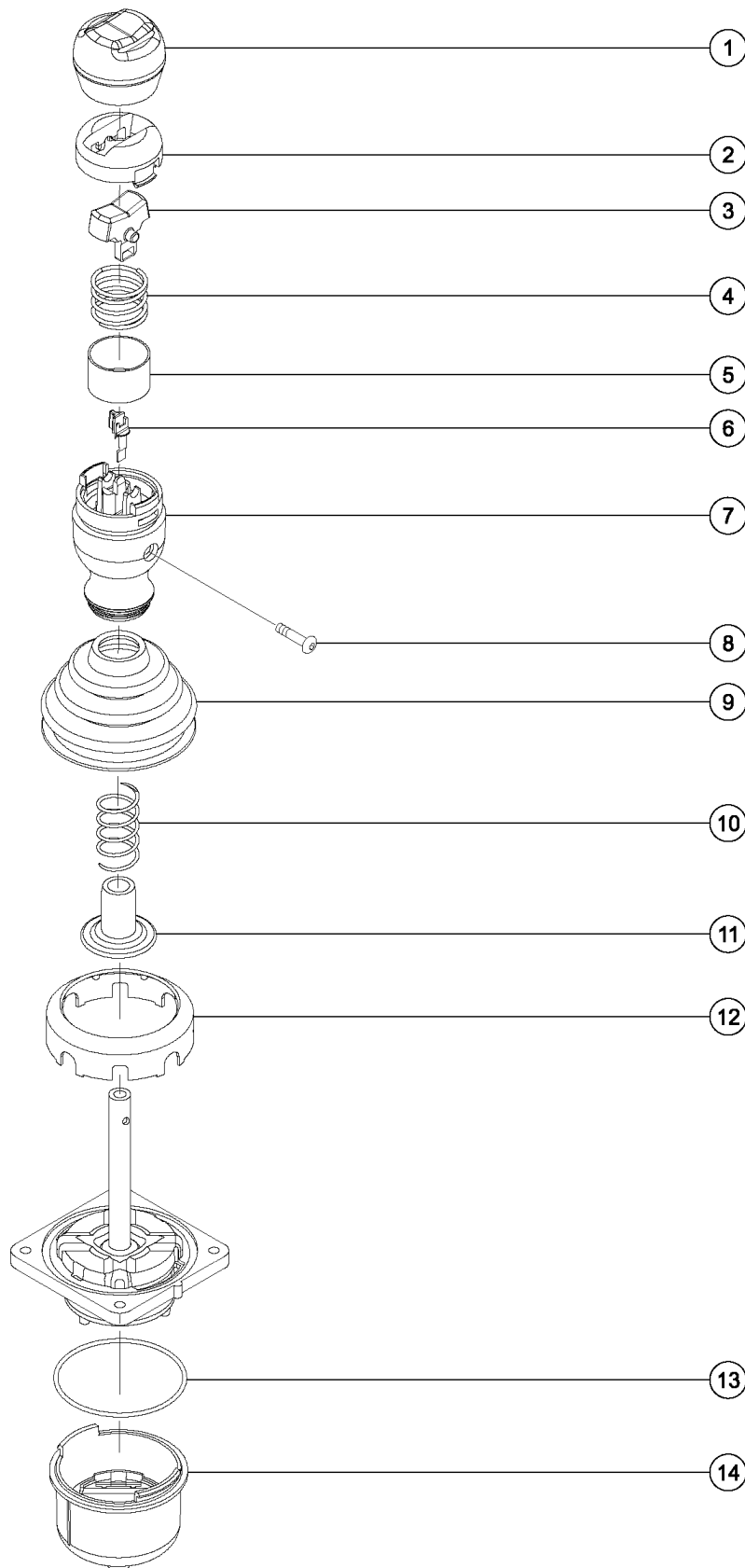
605.1 Single and Multi-axis Joystick



605.1 Single and Multi-axis Joystick

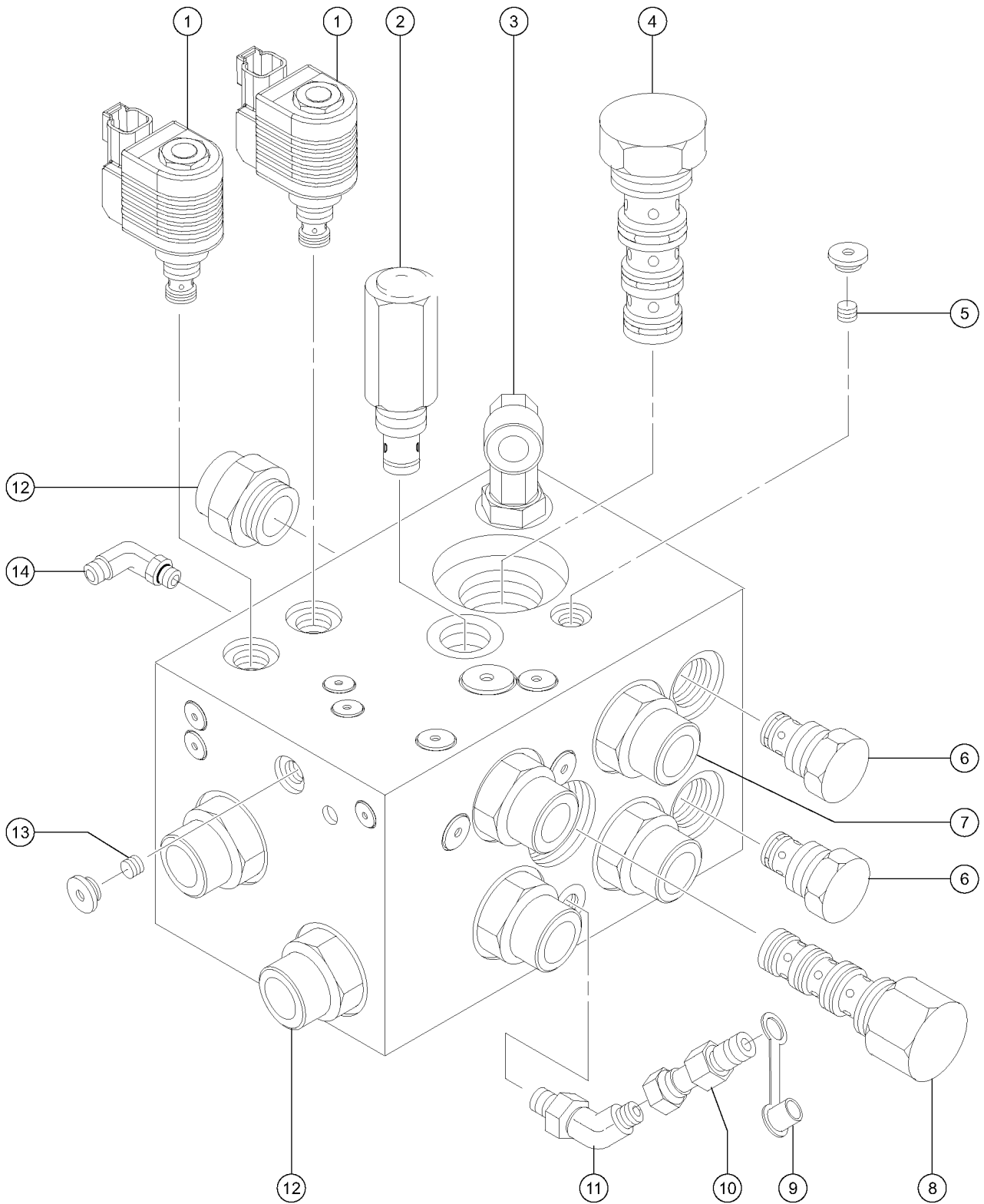
Item	Part No.	Description	Qty.
--	101174GT	JOYSTICK,2 AXIS,DEUTSCH <i>(OEM joystick) for first time replacement use kit 111417</i>	
--	101174HGT	JOYSTICK,DUAL AXIS W/KNOB <i>(aftermarket joystick) for first time replacement use kit 111417</i>	
--	101175GT	JOYSTICK,1 AXIS,DEUTSCH <i>(OEM joystick) for first time replacement use kit 111415</i>	
--	101175HGT	JOYSTICK,SINGLE AXIS W/KNOB <i>(aftermarket joystick) for first time replacement use kit 111415</i>	
--	119613GT	HARN JOYSTICK ADAPTOR JS100	
Z	1269501GT	KIT, ISOLATION, 3 JOYSTICK	
1	62392GT	KNOB,JOYSTICK, 62390/62391.....1	
2	T112626GT	SCREW, PHM, #6-32 X .625 ZINC	
3	139598GT	BOOT,JOYSTICK.....1	
4	75143GT	BOOT GUARD, JOYSTICK 62390/91.....1	
5		SPRING,JOYSTK CENTR,62390/91.....1 <i>no longer available from supplier</i>	
6	119915GT	COLLAR,JOYSTICK,CENTER.....1	
7		O-RING,JOYSTICK, 62390/62391.....1 <i>no longer available from supplier</i>	
8	62398GT	HOUSING,JOYSTICK, 62390/62391.....1	

606.1 Steer Joystick



Item	Part No.	Description	Qty.
Z	1269501GT	KIT, ISOLATION, 3 JOYSTICK	
--	101005GT	JOYSTICK,1 AXIS ROCKER,DEUTSCH <i>(OEM joystick) for first time replacement use kit 111416</i>	
--	101005HGT	JOYSTICK,SINGLE AXIS W/STEER <i>(aftermarket joystick) for first time replacement use kit 111416</i>	
1	75443GT	BOOT, ROCKER JOYSTICK 75565.....1	
2	75444GT	ROCKER,RETAINER, 75565.....1	
3	75445GT	ROCKER ASSY.,MAGNETIC 75565.....1	
4	75446GT	SPRING,SWITCH CENTERING,75565...1	
5	75447GT	SWITCH SHIELD,ROCK JOYSTK75565.....1	
6	75448GT	SUPPORT,SENSOR,JOYSTICK.....1	
7	75449GT	KNOB,ROCKER JOYSTICK 75565.....1	
8	T112626GT	SCREW, PHM, #6-32 X .625 ZINC	
9	139598GT	BOOT,JOYSTICK.....1	
10		SPRING,JOYSTK CENTR,62390/91.....1 <i>no longer available from supplier</i>	
11	119915GT	COLLAR,JOYSTICK,CENTER.....1	
12	75143GT	BOOT GUARD, JOYSTICK 62390/91.....1	
13		O-RING,JOYSTICK, 62390/62391.....1 <i>no longer available from supplier</i>	
14	62398GT	HOUSING,JOYSTICK, 62390/62391.....1	

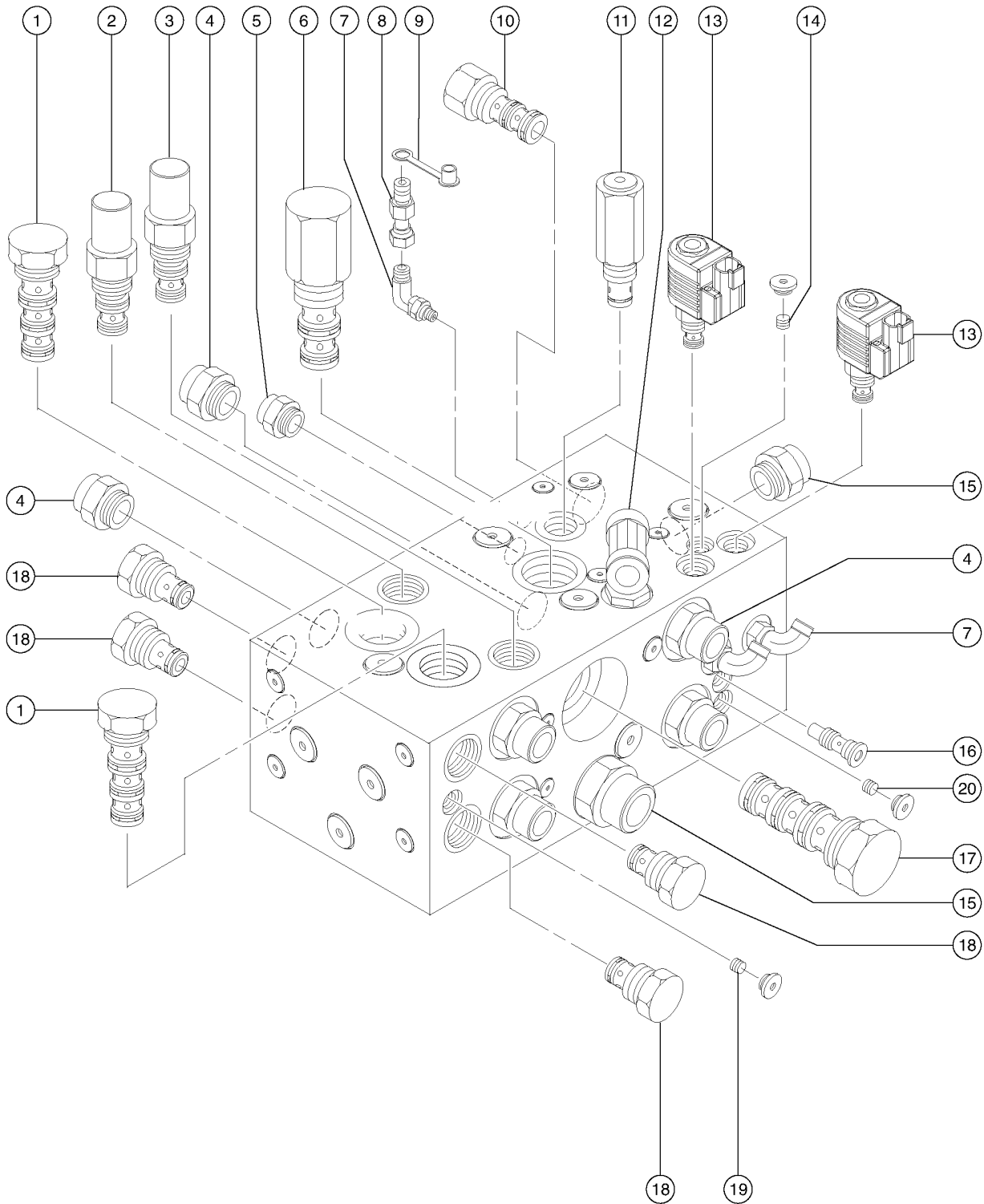
701.1 2WD Drive Manifold



701.1 2WD Drive Manifold

Item	Part No.	Description	Qty.
--	101590GT	MANIFOLD,2WD TRACT W/O FIT*** <i>from SN 22791</i>	
--	49612GT	O-RING KIT (ORFS FITTINGS)	
--	49613GT	PLUG AND CAP KIT-SERVICE,ORFS*	
1	52943GT	NUT,SOLENOID VALVE COIL.....	2
1	62263GT	VALVE,SOLENOID, 2 POS, 3 WAY.....	2
1	62273GT	COIL, GREEN W/ 2 PIN CONNECTOR*	2
1	72043GT	SEAL KIT,SOLENOID VALVE	
2	110194GT	SEAL KIT, VALVE, #10	
2	43597GT	VALVE,RELIEF,210 PSI.....	1
3	48932GT	FITTING,ELBOW,90D,520220-8***	1
4	52726GT	VALVE,FLOW DIVIDER/COMBINER.....	1
4	84135GT	SEAL KIT, VALVE	
5	77163GT	PLUG-ORIFICE,0.067 INCH.....	1
6	110194GT	SEAL KIT, VALVE, #10	
6	27836GT	VALVE,CHECK,5 PSI.....	2
7	48933GT	CONN,520120-8***	1
8	54572GT	VALVE.....	1
9	48880GT	CAP,DIAGNOSTIC NIPPLE.....	1
10	20224GT	DIAGNOSTIC FEMALE Q-DSCNT.....	1
10	49207GT	NIPPLE,DIAGNOSTIC,ORFS,FM,SWIV..	1
11	48907GT	ELBOW,45D,520320-4.....	1
12	48948GT	CONN,520120-8-12..... <i>from SN 22051</i>	2
12	48960GT	FITTING,CONN,520120-12***	2
		<i>to SN 22050</i>	
13	77162GT	PLUG-ORIFICE 0.031 INCH	
14	48904GT	ELBOW,90D,520220-4-4.....	1

702.1 4WD Drive Manifold



702.1 4WD Drive Manifold

Item	Part No.	Description	Qty.	Item	Part No.	Description	Qty.
--		Ref. MANIFOLD,4WD TRACT W/O FIT*** (to SN Z452510A-39750 and to SN Z452511B-1606) (replaced by 139391, the old valves are still available, see below)		--	139515GT	SEAL KIT, VALVE (for manifold 139391, from SN Z452510A-39751 and from SN Z452511B-1607)	
--	139391GT	MANIFOLD ASSY, Z45/Z51 4WD (replaced 101589) (from SN Z452510A-39751 and from SN Z452511B-1607)		4	48933GT	CONN,520120-8***.....	3
--	49612GT	O-RING KIT (ORFS FITTINGS)		5	48905GT	CONN,520120-4***.....	1
--	49613GT	PLUG AND CAP KIT-SERVICE,ORFS*		6A	52720GT	VALVE-DIRECT. CONTRL-2POS. 2WA.....	1
1A	52726GT	VALVE,FLOW DIVIDER/COMBINER.....2 (for manifold 101589, to SN Z452510A-39750 and to SN Z452511B-1606)		--	84135GT	SEAL KIT, VALVE (for manifold 101589, to SN Z452510A-39750 and to SN Z452511B-1606)	
--	84135GT	SEAL KIT, VALVE (for manifold 101589, to SN Z452510A-39750 and to SN Z452511B-1606)		6B	139509GT	VALVE, DIRECTION CONTROL, 2X2.....1 (for manifold 139391, from SN Z452510A-39751 and from SN Z452511B-1607)	
1B	139508GT	VALVE, FLOW DIVIDE/COMBINE 1:1.....2 (for manifold 139391, from SN Z452510A-39751 and from SN Z452511B-1607)		--	139512GT	SEAL KIT, VALVE (for manifold 139391, from SN Z452510A-39751 and from SN Z452511B-1607)	
--	139512GT	SEAL KIT, VALVE (for manifold 139391, from SN Z452510A-39751 and from SN Z452511B-1607)		7	48904GT	ELBOW,90D,520220-4-4.....	2
2A	52723GT	VALVE-FLOW REGULATOR 2 GPM.....1 (for manifold 101589, to SN Z452510A-39750 and to SN Z452511B-1606)		8A	20224GT	DIAGNOSTIC FEMALE Q-DSCNT.....	1
--	89310GT	SEAL KIT, SOLENOID VALVE (for manifold 101589, to SN Z452510A-39750 and to SN Z452511B-1606)		8B	49207GT	NIPPLE,DIAGNOSTIC,ORFS,FM,SWIV..	1
2B	139513GT	VALVE,PRES CMP/FLW CTRL,2.6GPM.....	1	9	48880GT	CAP,DIAGNOSTIC NIPPLE.....	1
--	139515GT	SEAL KIT, VALVE (for manifold 139391, from SN Z452510A-39751 and from SN Z452511B-1607)		10A	54572GT	VALVE.....	1
3A	54815GT	VALVE-FLOW REGULATOR 1.0GPM.....1 (for manifold 101589, to SN Z452510A-39750 and to SN Z452511B-1606)				(for manifold 101589, to SN Z452510A-39750 and to SN Z452511B-1606)	
--	89310GT	SEAL KIT, SOLENOID VALVE (for manifold 101589, to SN Z452510A-39750 and to SN Z452511B-1606)		10B	139510GT	VALVE, SHUTTLE, 3X3.....	1
3B	139514GT	VALVE,PRES CMP/FLW CTRL,1.0GPM.....	1	--	139512GT	SEAL KIT, VALVE (for manifold 139391, from SN Z452510A-39751 and from SN Z452511B-1607)	
				11A	31406GT	VALVE,RELIEF 250 PSI***.....	1
				--	110194GT	SEAL KIT, VALVE, #10 (for manifold 101589, to SN Z452510A-39750 and to SN Z452511B-1606)	
				11B	139516GT	VALVE, RELIEF, 250PSI (for manifold 139391, from SN Z452510A-39751 and from SN Z452511B-1607)	
				--	139517GT	SEAL KIT, VALVE (for manifold 139391, from SN Z452510A-39751 and from SN Z452511B-1607)	

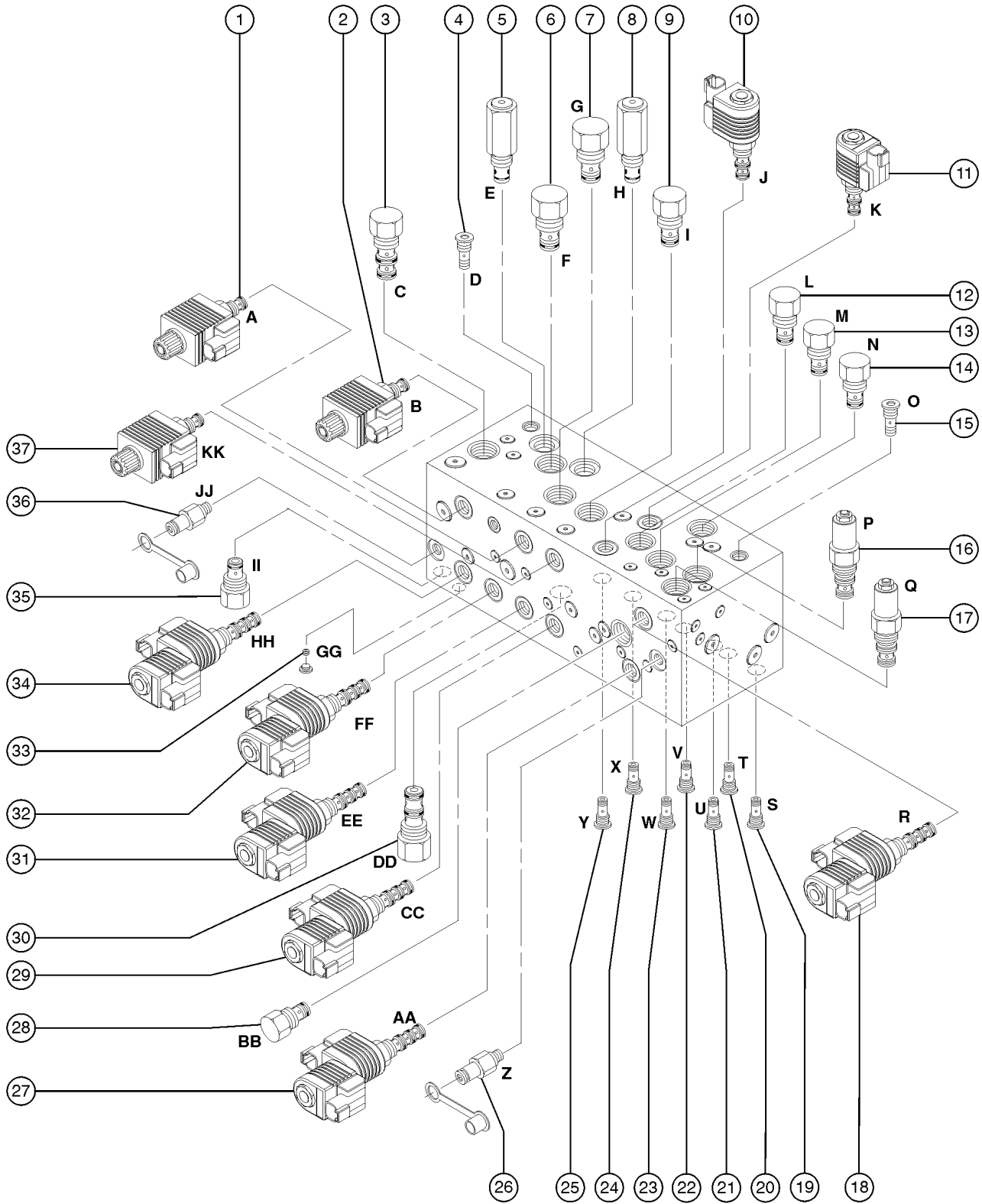


702.1 4WD Drive Manifold
(continued)

Item	Part No.	Description	Qty.	Item	Part No.	Description	Qty.
12	48936GT	TEE,BRANCH,520429-8.....	1	--	139526GT	SEAL KIT, VALVE (for manifold 139391, from SN Z452510A-39751 and from SN Z452511B-1607)	
13A	62263GT	VALVE,SOLENOID, 2 POS, 3 WAY.....	2				
		(for manifold 101589, to SN Z452510A-39750 and to SN Z452511B-1606)					
--	52943GT	NUT,SOLENOID VALVE COIL.....	2	17A	33521GT	VALVE,FLOW DIVIDER/COMBINER.....	1
		(for manifold 101589, to SN Z452510A-39750 and to SN Z452511B-1606)				(for manifold 101589, to SN Z452510A-39750 and to SN Z452511B-1606)	
--	62273GT	COIL,GREEN W/ 2 PIN CONNECTOR*.....	2	--	84135GT	SEAL KIT, VALVE (for manifold 101589, to SN Z452510A-39750 and to SN Z452511B-1606)	
		(for manifold 101589, to SN Z452510A-39750 and to SN Z452511B-1606)					
13B	139518GT	VALVE, SOLENOID, 2X3, 12V.....	2	17B	139511GT	VALVE, FLOW DIVIDE/COMBINE 2:1.....	1
		(for manifold 139391, from SN Z452510A-39751 and from SN Z452511B-1607)				(for manifold 139391, from SN Z452510A-39751 and from SN Z452511B-1607)	
--	139519GT	COIL, SOLENOID VALVE, 12V 2PIN (for manifold 139391, from SN Z452510A-39751 and from SN Z452511B-1607)		--	139512GT	SEAL KIT, VALVE (for manifold 139391, from SN Z452510A-39751 and from SN Z452511B-1607)	
--	139520GT	NUT, SOLENOID VALVE (for manifold 139391, from SN Z452510A-39751 and from SN Z452511B-1607)		--	139515GT	SEAL KIT, VALVE (for manifold 139391, from SN Z452510A-39751 and from SN Z452511B-1607)	
--	139521GT	SEAL KIT, VALVE (for manifold 139391, from SN Z452510A-39751 and from SN Z452511B-1607)		18A	27836GT	VALVE,CHECK,5 PSI.....	3
						(for manifold 101589, to SN Z452510A-39750 and to SN Z452511B-1606)	
14A	52724GT	PLUG,ORIFICE,0.030 (50684).....	1	--	110194GT	SEAL KIT, VALVE, #10 (for manifold 101589, to SN Z452510A-39750 and to SN Z452511B-1606)	
		(for manifold 101589, to SN Z452510A-39750 and to SN Z452511B-1606)					
14B	139522GT	ORIFICE, 0.030".....	1	18B	139527GT	VALVE, CHECK, 5PSI.....	3
		(for manifold 139391, from SN Z452510A-39751 and from SN Z452511B-1607)				(for manifold 139391, from SN Z452510A-39751 and from SN Z452511B-1607)	
15A	48960GT	FITTING,CONN,520120-12***	2	19A	65449GT	PLUG,ORIFICE, 0.052 (40033).....	1
		to SN 22050				(for manifold 101589, to SN Z452510A-39750 and to SN Z452511B-1606)	
15B	48948GT	CONN,520120-8-12.....	2	19B	139524GT	ORIFICE, 0.052".....	1
		from SN 22051				(for manifold 139391, from SN Z452510A-39751 and from SN Z452511B-1607)	
16A	43599GT	VALVE,CHECK.....	1	20A	74990GT	ORIFICE, 0.025"(74129)*.....	1
		(for manifold 101589, to SN Z452510A-39750 and to SN Z452511B-1606)				(for manifold 101589, to SN Z452510A-39750 and to SN Z452511B-1606)	
--	110200GT	SEAL KIT, VALVE, #4 (for manifold 101589, to SN Z452510A-39750 and to SN Z452511B-1606)		20B	139523GT	ORIFICE, 0.025".....	1
						(for manifold 139391, from SN Z452510A-39751 and from SN Z452511B-1607)	
16B	139525GT	VALVE, CHECK.....	1				
		(for manifold 139391, from SN Z452510A-39751 and from SN Z452511B-1607)					

This Page Intentionally Left Blank

703.1 Function Manifold (to SN 22050)



703.1 Function Manifold (to SN 22050)

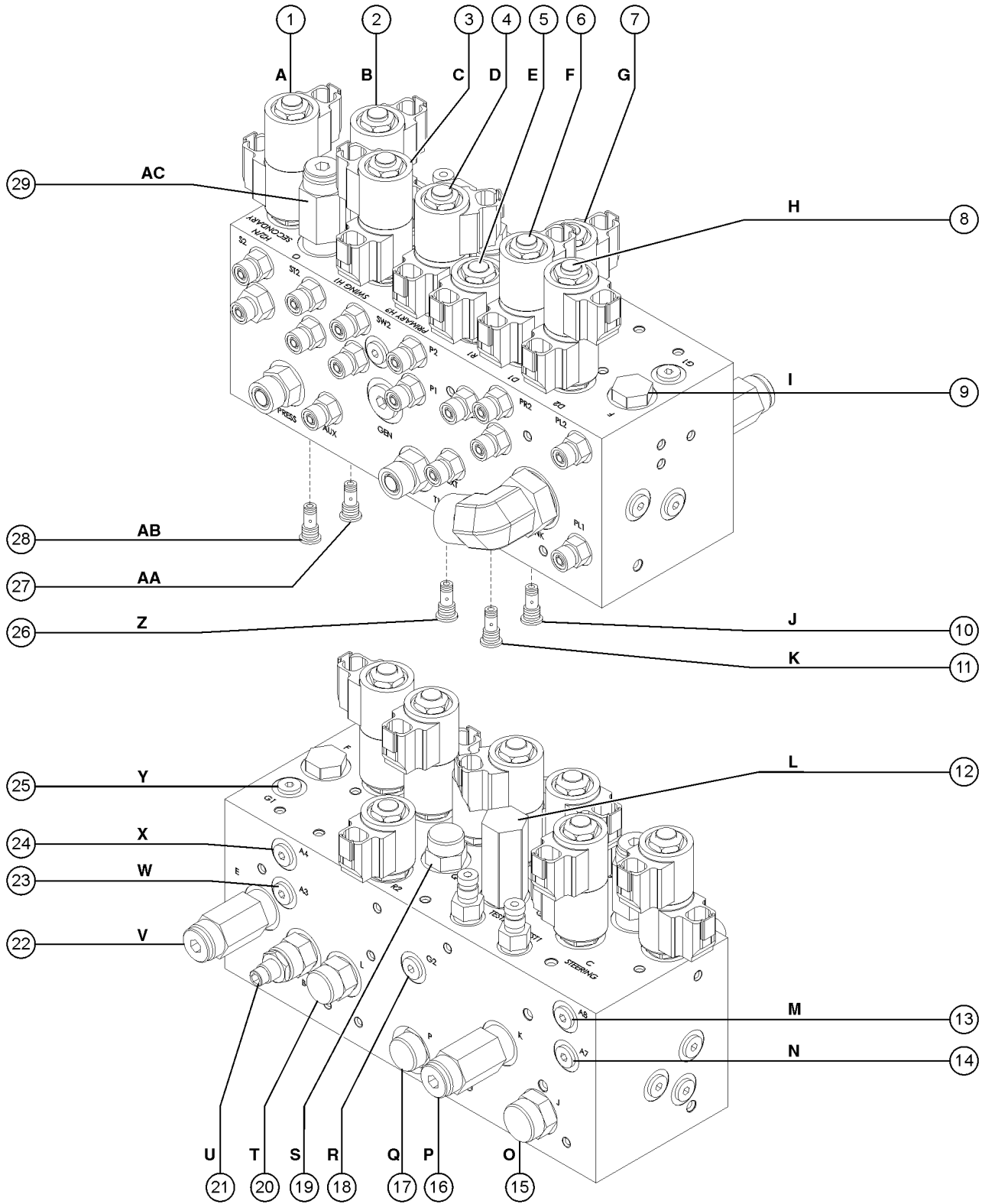
Item	Part No.	Description	Qty.	Item	Part No.	Description	Qty.
--				17	77411GT	VALVE,COUNTERBALANCE <i>Platform level up</i>	
--	88700GT	MANIFOLD,FUNC.IC DEUTSCH***		18	89307GT	VALVE,SOLENOID 3POS 4WAY* <i>Platform level up/down</i>	
1	62255GT	VALVE,PROPORTIONAL*** <i>Turntable rotate left/right</i>		--	45912GT	NUT,SOLENOID VALVE 2P3W	
--	52718GT	NUT-VALVE,PROP. SOLENOID-50683		--	62273GT	COIL,GREEN W/ 2 PIN CONNECTOR*	
--	62274GT	COIL,12V		19	27807GT	VALVE,CHECK*** <i>Differential sensing circuit, platfrom level up</i>	
--	89312GT	SEAL KIT, SOLENOID VALVE		--	110200GT	SEAL KIT, VALVE, #4	
2	62255GT	VALVE,PROPORTIONAL*** <i>Secondary Boom up/down</i>		20	27807GT	VALVE,CHECK*** <i>Differential sensing circuit, Jib Boom up and Platform rotate left</i>	
--	52718GT	NUT-VALVE,PROP. SOLENOID-50683		--	110200GT	SEAL KIT, VALVE, #4	
--	62274GT	COIL,12V		21	27807GT	VALVE,CHECK*** <i>Differential sensing circuit, Jib Boom down and Platform rotate right</i>	
3	27802GT	VALVE,DIFFERENTIAL SENSING*** <i>Secondary Boom up/down (prevents overflowing the proportional valve)</i>		--	110200GT	SEAL KIT, VALVE, #4	
4	27807GT	VALVE,CHECK*** <i>Differential sensing circuit, Secondary Boom up/down</i>		22	27807GT	VALVE,CHECK*** <i>Differential sensing circuit, Primary Boom extend</i>	
--	110200GT	SEAL KIT, VALVE, #4		--	110200GT	SEAL KIT, VALVE, #4	
5	40412GT	VALVE,RELIEF 1400PSI <i>Secondary Boom down</i>		23	27807GT	VALVE,CHECK*** <i>Differential sensing circuit, Primary Boom retract</i>	
6	19207GT	VALVE,FLOW REGULATOR <i>Steer left/right circuit</i>		--	110200GT	SEAL KIT, VALVE, #4	
7	65600GT	VALVE,DIFF SENSING (54490) <i>Turntable rotate left/right (prevents overflowing the proportional valve)</i>		24	27807GT	VALVE,CHECK*** <i>Differential sensing circuit, Primary Boom up/down</i>	
8	52715GT	VALVE,RELIEF 3200 PSI <i>System relief</i>		--	110200GT	SEAL KIT, VALVE, #4	
9	27802GT	VALVE,DIFFERENTIAL SENSING*** <i>Primary Boom up/down (prevents overflowing the proportional valve)</i>		25	27807GT	VALVE,CHECK*** <i>Differential sensing circuit, Turntable rotate left/right</i>	
10	62263GT	VALVE,SOLENOID, 2 POS, 3 WAY <i>Primary Boom retract</i>		--	110200GT	SEAL KIT, VALVE, #4	
--	45912GT	NUT,SOLENOID VALVE 2P3W		26	48997GT	NIPPLE,DIAGNOSTIC,#4 <i>Testing</i>	
--	62273GT	COIL,GREEN W/ 2 PIN CONNECTOR*		--	20224GT	DIAGNOSTIC FEMALE Q-DSCNT	
11	62263GT	VALVE,SOLENOID, 2 POS, 3 WAY <i>Primary Boom extend</i>		27	89307GT	VALVE,SOLENOID 3POS 4WAY* <i>Jib Boom up/down and Platform rotate left/right</i>	
--	45912GT	NUT,SOLENOID VALVE 2P3W		--	45912GT	NUT,SOLENOID VALVE 2P3W	
--	62273GT	COIL,GREEN W/ 2 PIN CONNECTOR*		--	62273GT	COIL,GREEN W/ 2 PIN CONNECTOR*	
12	52716GT	VALVE-FLOW REGULATOR 2.0 GPM <i>Primary Boom extend/retract circuit</i>		28	31100GT	VALVE,FLOW REGULATOR 0.6GPM <i>Jib Boom up/down and Platform rotate left/right</i>	
13	62258GT	VALVE,NEEDLE*** <i>Platform level circuit</i>		29	89307GT	VALVE,SOLENOID 3POS 4WAY* <i>Primary Boom up/down</i>	
14	32975GT	VALVE,FLOW REGULATOR 0.1 GPM <i>Bleeds off check valves in differential sensing circuits to tank</i>		--	45912GT	NUT,SOLENOID VALVE 2P3W	
15	89301GT	VALVE,CHECK*** <i>Differential sensing circuit, Platform level down</i>		--	62273GT	COIL,GREEN W/ 2 PIN CONNECTOR*	
16	77411GT	VALVE,COUNTERBALANCE <i>Platform level down</i>		30	27804GT	VALVE,DIFFERENTIAL SENSING*** <i>Meters flow to functions</i>	

703.1 Function Manifold (to SN 22050)
(continued)

Item	Part No.	Description	Qty.
31	89307GT	VALVE,SOLENOID 3POS 4WAY* <i>Turntable rotate left/right</i>	
--	45912GT	NUT,SOLENOID VALVE 2P3W	
--	62273GT	COIL,GREEN W/ 2 PIN CONNECTOR*	
32	52713GT	VALVE,SOLENOID,3 POS 4 WAY,10V <i>Steer left/right</i>	
--	43601GT	COIL,SOLENOID VLV,10V W/ DIODE <i>single spade coil</i>	
--	45912GT	NUT,SOLENOID VALVE 2P3W	
--	62273GT	COIL,GREEN W/ 2 PIN CONNECTOR* <i>Deutch connector</i>	
--	72047GT	SEAL KIT, SOLENOID VALVE <i>for 52713</i>	
--	81403GT	COIL,SOLENOID,8 DSD 10V,W/DIO* <i>dual spade coil</i>	
33	77186GT	PLUG,ORIFICE,1.00MM(.039IN) <i>Secondary Boom circuit</i>	
34	89307GT	VALVE,SOLENOID 3POS 4WAY* <i>Secondary Boom up/down</i>	
--	45912GT	NUT,SOLENOID VALVE 2P3W	
--	62273GT	COIL,GREEN W/ 2 PIN CONNECTOR*	
35	27759GT	VALVE,CHECK <i>Secondary Boom circuit</i>	
36	48997GT	NIPPLE,DIAGNOSTIC,#4 <i>Testing</i>	
--	20224GT	DIAGNOSTIC FEMALE Q-DSCNT	
37	62255GT	VALVE,PROPORTIONAL*** <i>Primary Boom up/down</i>	
--	52718GT	NUT-VALVE,PROP. SOLENOID-50683	
--	62274GT	COIL,12V	

This Page Intentionally Left Blank

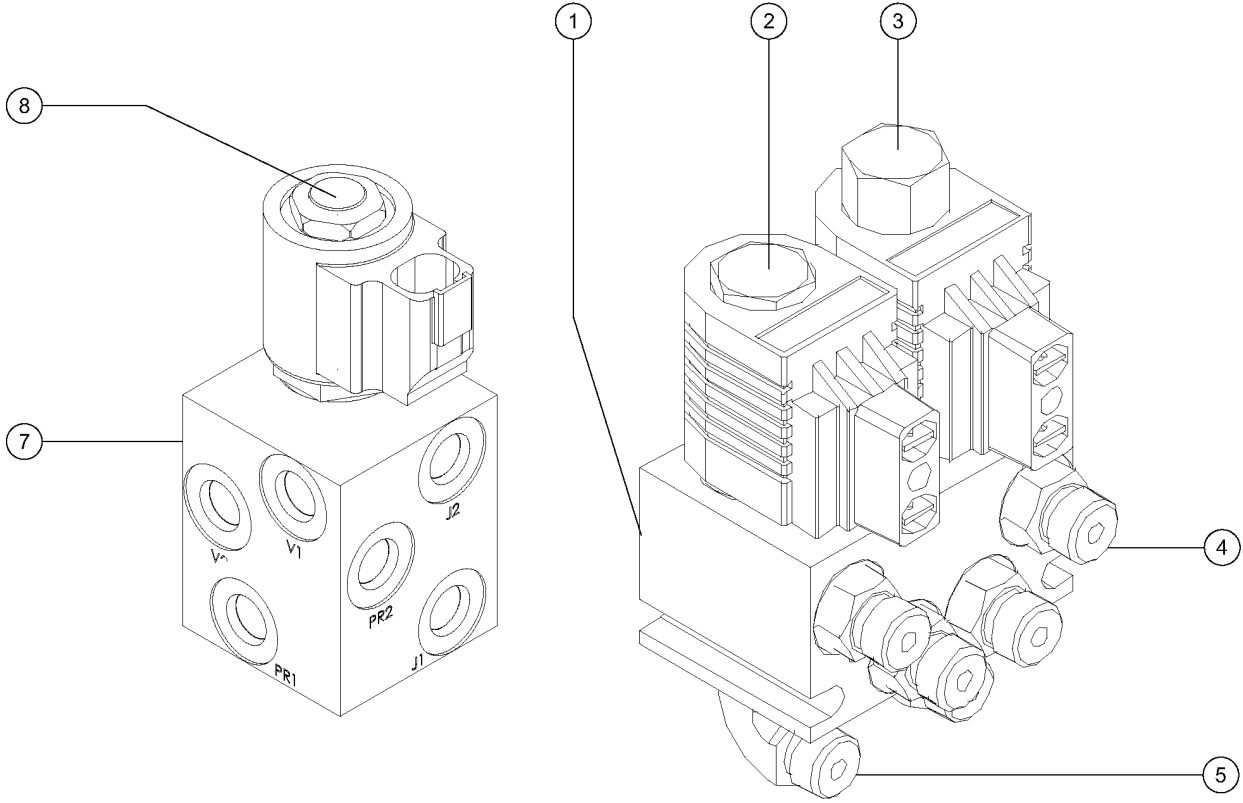
703.2 Function Manifold (from SN 22051)



703.2 Function Manifold (from SN 22051)

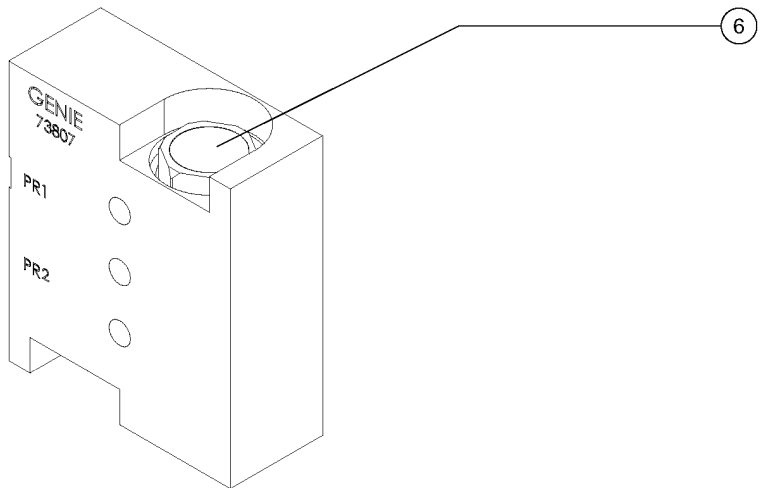
Item	Part No.	Description	Qty.	Item	Part No.	Description	Qty.
--	129021GT	ORIFICE PLATE,0.037" <i>(in port S1)</i>		--	62341GT	SEAL KIT,52907,SIZE 4, 2 WAY	
--	88513GT	MANIFOLD,FUNCTION DEUTSCH***		14	52907GT	VALVE-CHECK, #4 SAE, 5 PSI*.....1 <i>Differential sensing circuit, Secondary Boom up</i>	
1	94614GT	VALVE,PROP,3 POS,4-WAY***.....1 <i>Secondary Boom up/down, valve with nut and spacer only</i>		--	62341GT	SEAL KIT,52907,SIZE 4, 2 WAY	
1A	89863GT	COIL,10V DC,DEUTCH W/DIODE***		15	94617GT	VALVE,PRIO FLOW REG,1.5 GPM.....1 <i>Steer circuit</i>	
2	44168GT	VALVE,SOLENOID,3POS 4WAY.....1 <i>Steer right, valve with nut and space only</i>		16	52906GT	VALVE-RELIEF,3200 PSI.....1 <i>System relief</i>	
2A	89863GT	COIL,10V DC,DEUTCH W/DIODE***		17	62324GT	VALVE,FLOW CONTROL, 0.1GPM*.....1 <i>Primary Boom load sense circuit</i>	
3	94614GT	VALVE,PROP,3 POS,4-WAY***.....1 <i>Turntable rotate left/right, valve with nut and spacer only</i>		--	44228GT	SEAL KIT, VALVE	
3A	89863GT	COIL,10V DC,DEUTCH W/DIODE***		18	44216GT	VALVE,SHUTTLE.....1 <i>Primary Boom circuit</i>	
4	94614GT	VALVE,PROP,3 POS,4-WAY***.....1 <i>Primary Boom up/down, valve with nut and spacer only</i>		--	44235GT	SEAL KIT-FOR PN.44216 & 826779	
4A	89863GT	COIL,10V DC,DEUTCH W/DIODE***		19	62346GT	VALVE,FLOW REGULATOR, 2.0 GPM*.....1 <i>Primary Boom extend/retract circuit</i>	
5	62815GT	VALVE,SOLENOID,2POS 3 WAY***.....1 <i>Primary Boom retract (does not include a coil)</i>		--	44228GT	SEAL KIT, VALVE	
5A	89863GT	COIL,10V DC,DEUTCH W/DIODE*** <i>(not a component of 62815)</i>		20	94618GT	VALVE,FLOW CONTROL,.4 GPM.....1 <i>Jib Boom and Platform rotate circuit</i>	
6	39346GT	VALVE,SOLENOID 3 POS.4 WAY***.....1 <i>Platform rotate left/right and Jib Boom up/down (Z-45/25J) valve with nut and spacer only</i>		21	101055GT	VALVE,NEEDLE,FINE ADJUSTMENT**.....1 <i>Platform level flow control</i>	
6A	89863GT	COIL,10V DC,DEUTCH W/DIODE***		22	52376GT	VALVE,RELIEF,3500PSI***.....1 <i>Platform level circuit</i>	
7	62815GT	VALVE,SOLENOID,2POS 3 WAY***.....1 <i>Primary Boom retract (does not include a coil)</i>		23	52907GT	VALVE-CHECK, #4 SAE, 5 PSI*.....1 <i>Differential sensing circuit, Platform level up</i>	
7A	89863GT	COIL,10V DC,DEUTCH W/DIODE*** <i>(not a component of 62815)</i>		--	62341GT	SEAL KIT,52907,SIZE 4, 2 WAY	
8	39346GT	VALVE,SOLENOID 3 POS.4 WAY***.....1 <i>Platform level up/down, valve with nut and spacer only</i>		24	52907GT	VALVE-CHECK, #4 SAE, 5 PSI*.....1 <i>Differential sensing circuit, Platform level down</i>	
8A	89863GT	COIL,10V DC,DEUTCH W/DIODE***		--	62341GT	SEAL KIT,52907,SIZE 4, 2 WAY	
9	75453GT	VALVE,CHECK,DUAL PILOT***.....1 <i>Platform level circuit</i>		25	44216GT	VALVE,SHUTTLE.....1 <i>Platform level circuit</i>	
10	52907GT	VALVE-CHECK, #4 SAE, 5 PSI*.....1 <i>Differential sensing circuit, Platform rotate right and Jib Boom up/down (Z-45/25J0)</i>		--	44235GT	SEAL KIT-FOR PN.44216 & 826779	
--	62341GT	SEAL KIT,52907,SIZE 4, 2 WAY.....1		26	52907GT	VALVE-CHECK, #4 SAE, 5 PSI*.....1 <i>Differential sensing circuit, Primary Boom retract</i>	
11	52907GT	VALVE-CHECK, #4 SAE, 5 PSI*.....1 <i>Differential sensing circuit, Platform rotate left and Jib Boom up/down (Z-45/25J0)</i>		--	62341GT	SEAL KIT,52907,SIZE 4, 2 WAY	
--	62341GT	SEAL KIT,52907,SIZE 4, 2 WAY		27	52907GT	VALVE-CHECK, #4 SAE, 5 PSI*.....1 <i>Differential sensing circuit, Turntable rotate right</i>	
12	94616GT	VALVE,DIFF SENSING,160 PSI.....1 <i>Meters flow to functions</i>		--	62341GT	SEAL KIT,52907,SIZE 4, 2 WAY	
13	52907GT	VALVE-CHECK, #4 SAE, 5 PSI*.....1 <i>Differential sensing circuit, Secondary Boom down</i>		28	52907GT	VALVE-CHECK, #4 SAE, 5 PSI*.....1 <i>Differential sensing circuit, Turntable rotate left</i>	
				--	62341GT	SEAL KIT,52907,SIZE 4, 2 WAY	
				29	101277GT	VALVE,RELIEF,2100 PSI***.....1 <i>Secondary Boom down</i>	

704.1 Jib and Platform Rotate Manifolds



Jib Manifolds

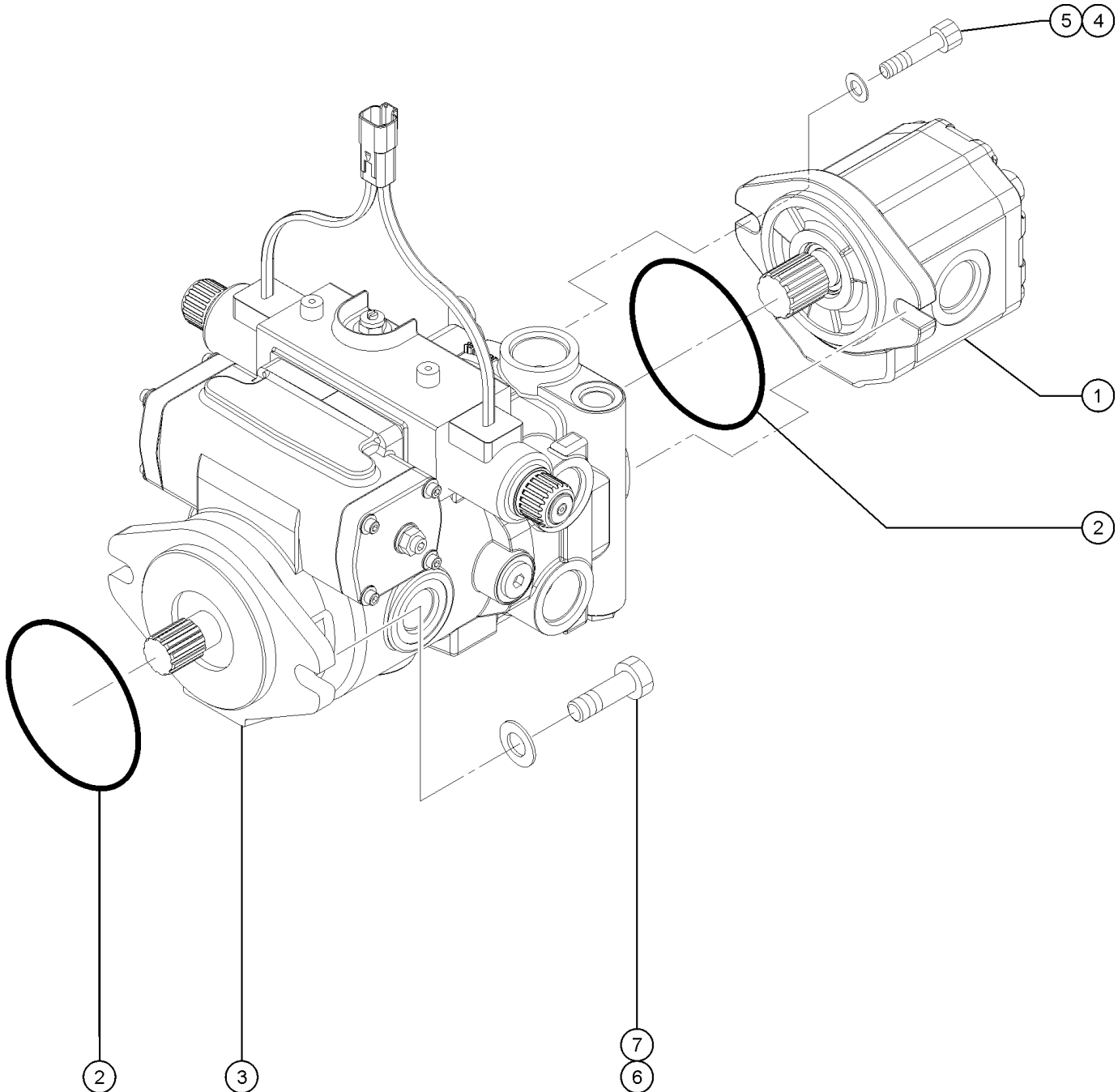
Platform Rotate Manifold



704.1 Jib and Platform Rotate Manifolds

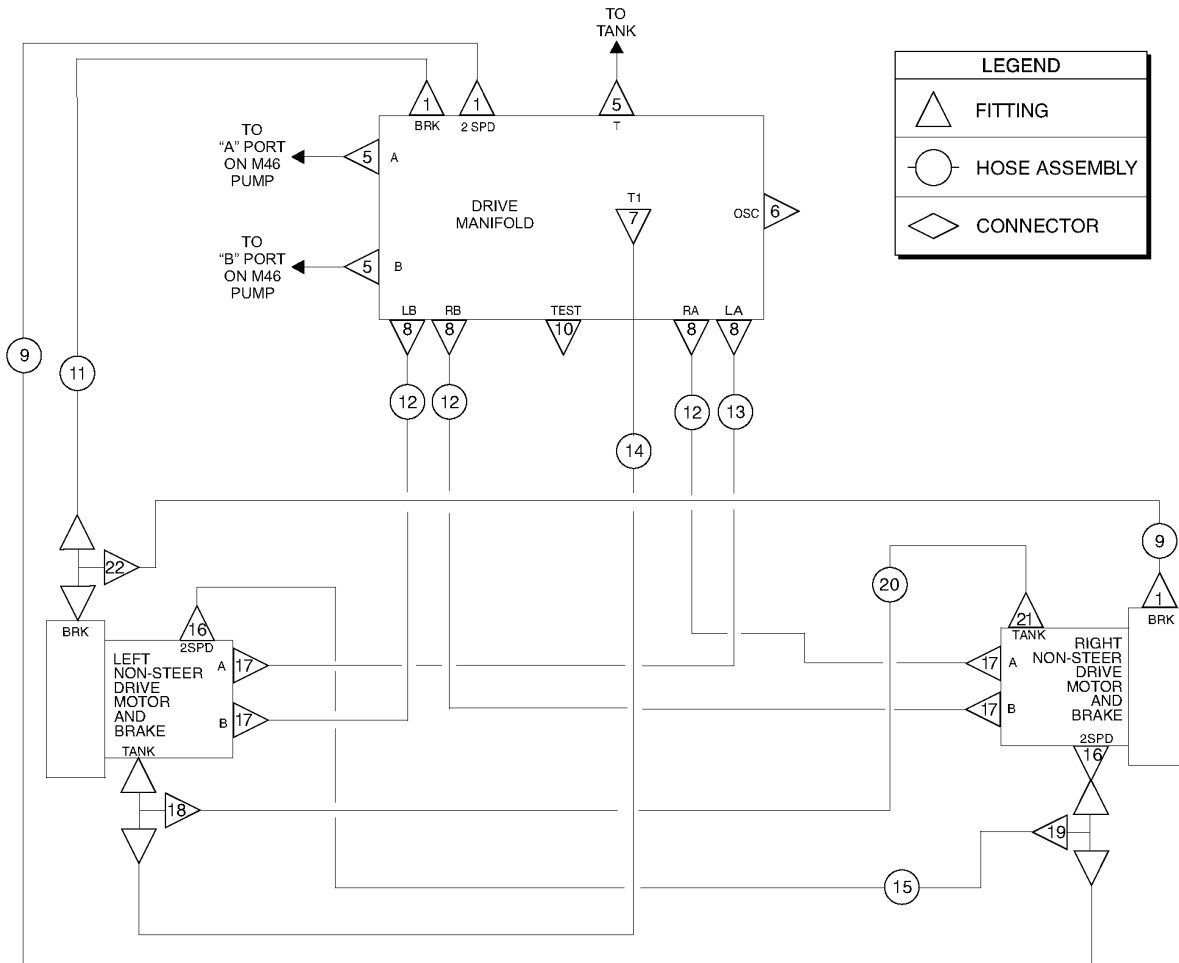
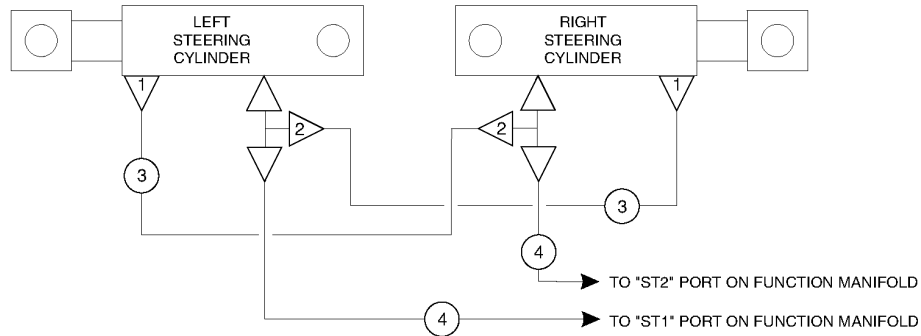
Item	Part No.	Description	Qty.
--	43018GT	SEAL KIT (39345)	
--	62507GT	O-RING, ROTATOR MANIFOLD	
--	73807GT	MANIFOLD,ROTATOR,CB*** <i>includes item 6</i>	
1	77250GT	MANIFOLD,JIB,ROTATE 10V,W/FIT*.....1 <i>includes items 2-5; to SN 22565</i>	
2	52943GT	NUT,SOLENOID VALVE COIL.....1	
2	77264GT	COIL,SOLENOID,8 DSD 20V,W/DIOD....1	
2	83005GT	VALVE, SOLENOID (73616)-SHORT.....1	
2	89312GT	SEAL KIT, SOLENOID VALVE	
3	45912GT	NUT,SOLENOID VALVE 2P3W.....1	
3	77264GT	COIL,SOLENOID,8 DSD 20V,W/DIOD....1	
3	83006GT	VALVE, SOLENOID (73616)-LONG**.....1	
3	89312GT	SEAL KIT, SOLENOID VALVE	
4	48905GT	CONN,520120-4***.....1	
5	48904GT	ELBOW,90D,520220-4-4.....1	
6	43018GT	SEAL KIT (39345)	
6	62506GT	VALVE - COUNTERBALANCE**.....2	
--	104759GT	COIL,12VDC #8 DTSCH IP69 ECOIL	
--	44174GT	NUT-COIL SHORT	
--	52371GT	SEAL KIT, VALVE	
--	52897GT	VALVE,SOLENOID, 2POS/3WAY***	
7A	1256670GT	MANIFOLD,JIB SELECT W/QD PLUG <i>includes item 1, replaced 88786</i>	
7B		MANIFOLD,JIB SELECT W/QD PLUG* (88786) <i>replaced by 1256670</i>	
8A	89862GT	VALVE-SOLENOID,2POS 3WAY,JIB**.....1 <i>G, Platform rotate left/right and jib boom up/down, for 88786, does not include the coil or nut, 104759 or 44174</i>	
--	104759GT	COIL,12VDC #8 DTSCH IP69 ECOIL	
--	44174GT	NUT-COIL SHORT	
--	89864GT	SEAL KIT,SOLENOID VALVE, SV07	
8B	52897GT	VALVE,SOLENOID, 2POS/3WAY***.....1 <i>G, Platform rotate left/right and jib boom up/down, for 1256670, does not include the coil or nut, 104759 or 44174</i>	
--	104759GT	COIL,12VDC #8 DTSCH IP69 ECOIL	
--	44174GT	NUT-COIL SHORT	
--	52371GT	SEAL KIT, VALVE	

705.1 Pumps



Item	Part No.	Description	Qty.
1A	54222GT	PUMP,PIGGY BACK,.67 C.I.,Z45IC.....1 <i>to SN 22050</i>	1
--	77990GT	KIT,SEAL,3CC PUMP***.....1	1
1B	81013GT	PUMP,PIGGBACK,11CC,11 TOOTH***.....1 <i>from SN 22051</i>	1
--	81669GT	SEAL KIT,11 TOOTH PUMP***.....1	1
2	43683GT	O-RING,2-042 N674-70***.....2	2
3A	77387GT	PUMP,M46/GEAR,2.8/.67.....1 <i>includes items 1 and 2; to SN 22050</i>	1
--	27067GT	SEAL,SHAFT-SUNDSTRAND***.....1	1
--	29739GT	SEAL KIT,SAUER-DANFOSS M46***.....1	1
--	32611GT	SHAFT,M46 15 TOOTH.....1	1
--	54217GT	PUMP,VAR PISTON,Z45 IC.....1	1
--	58290GT	VALVE,EDC,PILOT,SAUER,M46***.....1	1
--	72292GT	O-RING KIT,EDC CONTROLLER.....1	1
--	77819GT	EDC ASSY,SAUER M46***.....1	1
3B	77788GT	PUMP,PISTON,49CC***.....1 <i>from SN 22051</i>	1
--	101294GT	KIT,CHARGE PUMP	
--	106835GT	CONTROLLER W/O COILS (77788) <i>(first time replacement requires 1285505GT)</i>	
--	106836GT	O-RING,STEM,EATON	
--	106837GT	NUT,STEM,EATON***	
--	107813GT	SPACER,EATON PUMP SHAFT SEAL** <i>check pump date code, for pumps after 031505</i>	
--	107814GT	SEAL,SHAFT,EATON PUMP***	
--	107815GT	SNAP RING,PUMP SHAFT SEAL***	
--	107842GT	KIT,PUMP SHAFT SEAL W/INST*** <i>includes PNs 107813, 107814, 107815</i>	
--	128423GT	KIT,CHARGE PUMP HOUSING	
--	1285505GT	KIT,SOLENOID CONTROL SERVICE <i>includes two coils</i>	
--	1285506GT	SEAL RING,SOLENOID CONTROL <i>(for 1285505GT)</i>	
--	43683GT	O-RING,2-042 N674-70***	
--	58431GT	SEAL KIT,PUMP SHAFT (EATON)*** <i>check pump date code, if after 031505, must also order 107813 qty 1</i>	
--	82431GT	HOSE ASM-JCAF310-06-41	
4	33988GT	SCREW,SHC,3/8-16 X 1	
5	57201GT	WASHER,FLAT,313, HARDENED	
6	22788GT	SCREW,HHC,1/2-13 X 1.75	
7	13066GT	WASHER,FLAT,.5 HARDENED	

801.1 2WD Drive and Steer (to SN 24689)

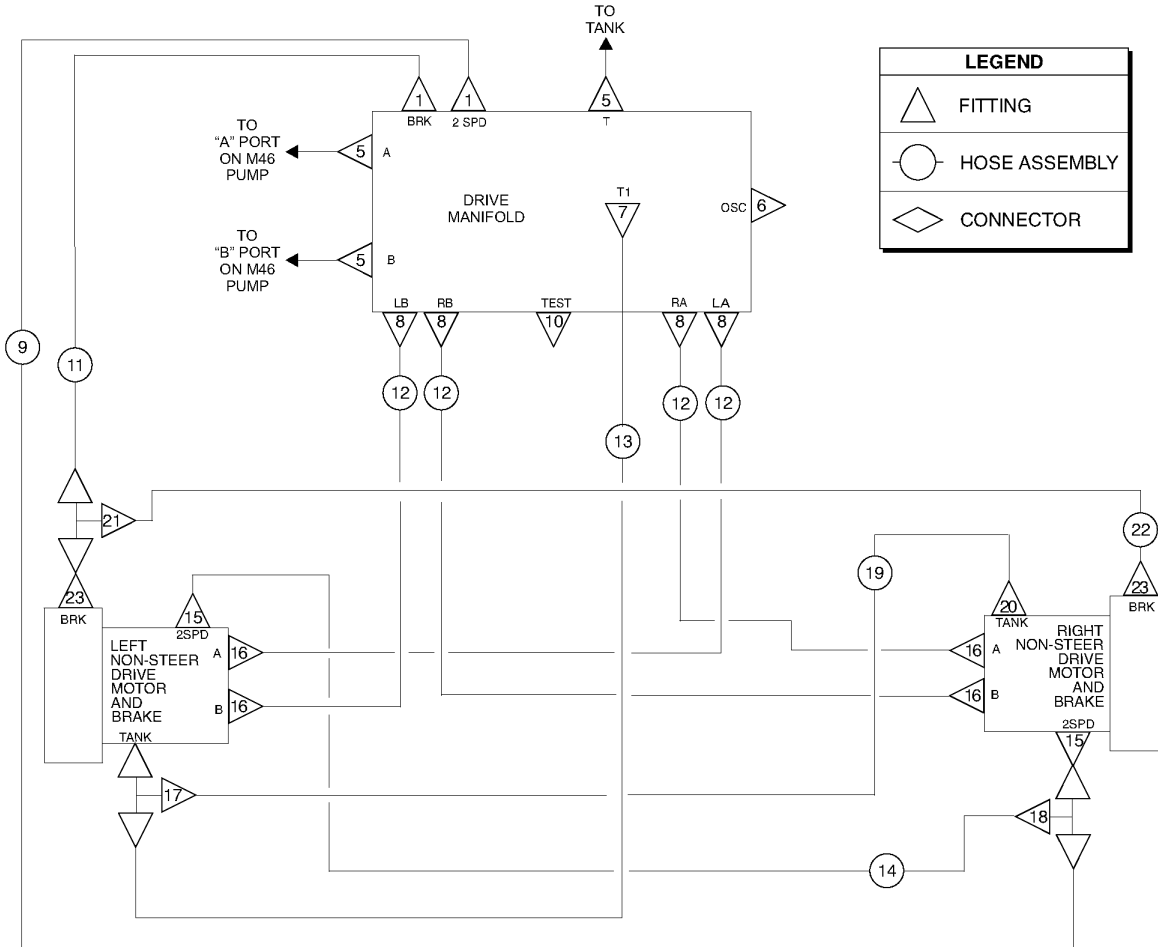
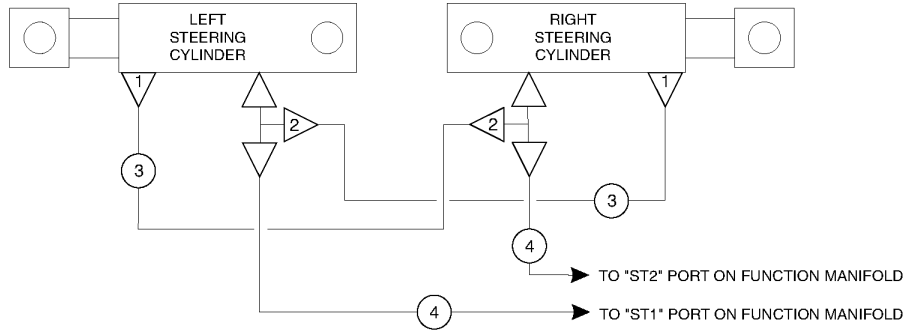


801.1 2WD Drive and Steer (to SN 24689)

Item	Part No.	Description	Qty.	Item	Part No.	Description	Qty.
--	49612GT	O-RING KIT (ORFS FITTINGS) to SN 24689		21	48935GT	TEE,RUN,520428-8.....1 oscillating models; to SN 24689	1
--	49613GT	PLUG AND CAP KIT-SERVICE,ORFS* to SN 24689		22	48890GT	FITTING,TEE,BRANCH,520429-4***.....1 to SN 24689	1
1	48904GT	ELBOW,90D,520220-4-4.....5 to SN 24689	5				
2	48906GT	TEE,RUN,520428-4.....2 to SN 24689	2				
3	49119-3078GT	HOSE ASSY 1/4, STR FEM,STR FEM....2 to SN 24689	2				
4	49117-14391GT	HOSE ASSY,1/4,90 FEM,STR FEM.....2 to SN 24689	2				
5	48960GT	FITTING,CONN,520120-12***.....3 to SN 24689	3				
6	48904GT	ELBOW,90D,520220-4-4.....1 oscillating models; to SN 24689	1				
6	49859GT	PLUG,HEX,090109A-4.....1 non-oscillating models; to SN 24689	1				
7	48932GT	FITTING,ELBOW,90D,520220-8***.....1 to SN 24689	1				
8	48933GT	CONN,520120-8***.....4 to SN 24689	4				
9	49117-5891GT	HOSE ASSY,1/4,90 FEM,STR FEM.....2 to SN 24689	2				
10	48907GT	ELBOW,45D,520320-4.....1 to SN 24689	1				
11	49117-5091GT	HOSE ASSY,1/4,90 FEM,STR FEM.....1 to SN 24689	1				
12	49110-3392GT	HOSE ASSEMBLY-1/2" 100R2.....3 to SN 24689	3				
13	49107-3863GT	HOSE ASSY,DMANIF/LR DRV MOTOR.....1 to SN 24689	1				
14	49143-3729GT	HOSE ASSY,1/2,90 FEM,STR FEM.....1 to SN 24689	1				
15	49117-4391GT	HOSE ASSY,1/4,90 FEM,STR FEM.....1 to SN 24689	1				
16	48912GT	CONN,520120-4-6***.....2 to SN 24689	2				
17	48948GT	CONN,520120-8-12.....4 to SN 24689	4				
18	48935GT	TEE,RUN,520428-8.....1 to SN 24689	1				
19	48891GT	FITTING,TEE,BRANCH,520433-4.....1 to SN 24689	1				
20	49143-4229GT	HOSE ASSY,1/2,90 FEM,STR FEM.....1 oscillate models; to SN 24688	1				
20	49183-4092GT	HOSE ASSY,1/2,STR FEM,STR FEM.....1 non-oscillating models; to SN 24689	1				
21	48933GT	CONN,520120-8***.....1 non-oscillating models; to SN 24689	1				



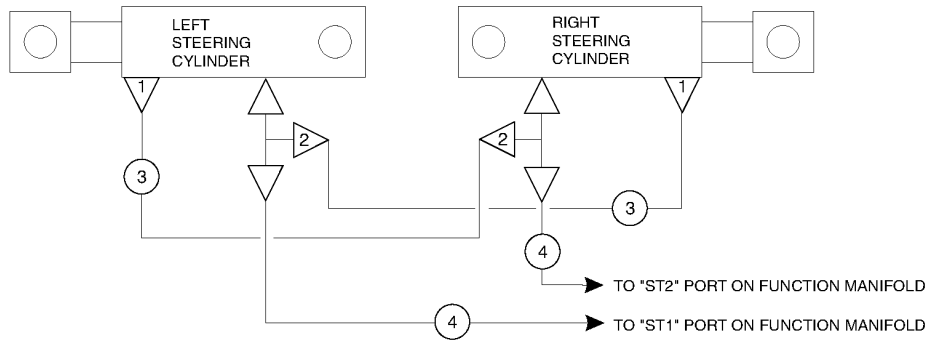
801.2 2WD Drive and Steer (from SN 24690)



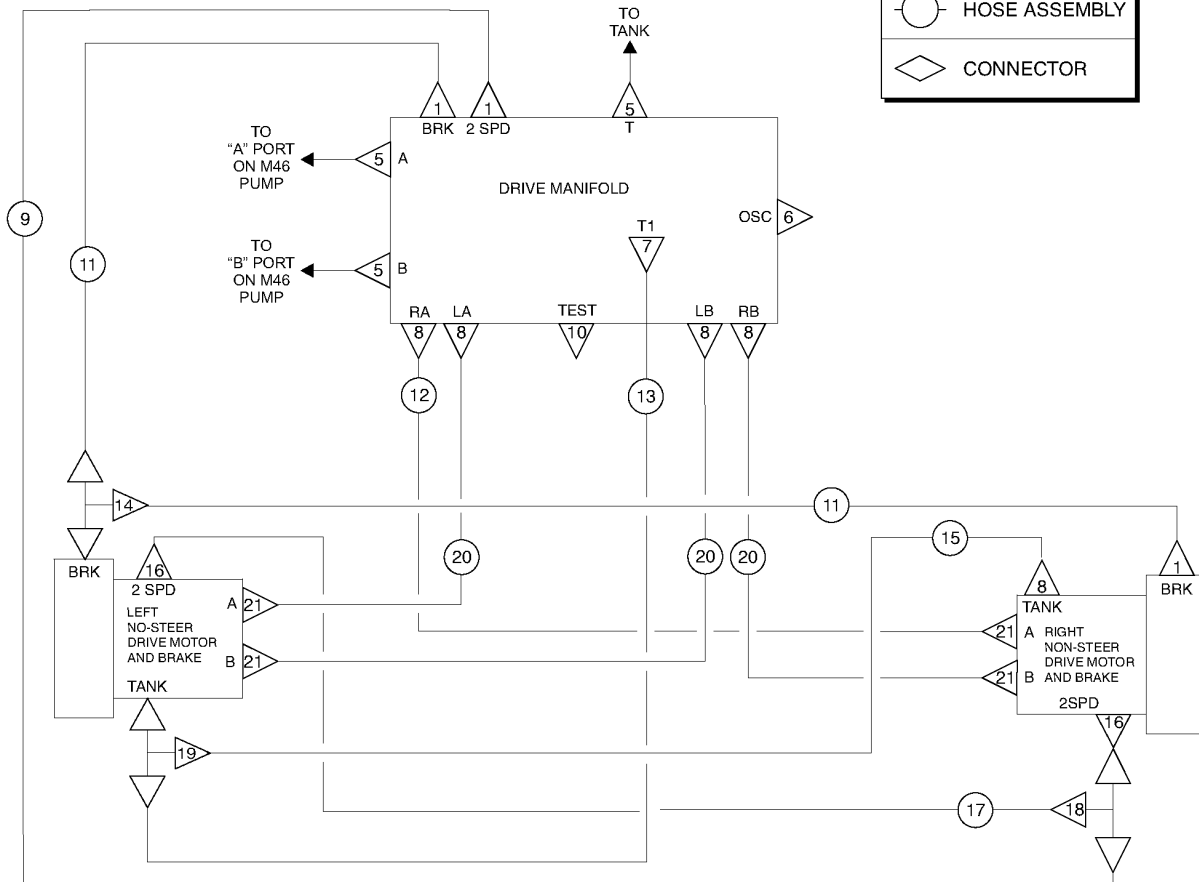
801.2 2WD Drive and Steer (from SN 24690)

Item	Part No.	Description	Qty.
--	49612GT	O-RING KIT (ORFS FITTINGS) <i>from SN 24690</i>	
--	49613GT	PLUG AND CAP KIT-SERVICE,ORFS* <i>from SN 24690</i>	
1	48904GT	ELBOW,90D,520220-4-4.....4 <i>from SN 24690</i>	4
2	48906GT	TEE,RUN,520428-4.....2 <i>from SN 24690</i>	2
3	49119-3078GT	HOSE ASSY 1/4, STR FEM,STR FEM....2 <i>from SN 24690</i>	2
4	49117-14391GT	HOSE ASSY,1/4,90 FEM,STR FEM.....2 <i>from SN 24690</i>	2
5	48960GT	FITTING,CONN,520120-12***3 <i>from SN 24690</i>	3
6	48904GT	ELBOW,90D,520220-4-4.....1 <i>oscillating models; from SN 24690</i>	1
6	49859GT	PLUG,HEX,090109A-4.....1 <i>non-oscillating models; from SN 24690</i>	1
7	48932GT	FITTING,ELBOW,90D,520220-8***1 <i>from SN 24690</i>	1
8	48933GT	CONN,520120-8***4 <i>from SN 24690</i>	4
9	49117-6091GT	HOSE ASSY,1/4,90 FEM,STR FEM**1 <i>from SN 24690</i>	1
10	48907GT	ELBOW,45D,520320-4.....1 <i>from SN 24690</i>	1
11	49117-5091GT	HOSE ASSY,1/4,90 FEM,STR FEM.....1 <i>from SN 24690</i>	1
12	81812-3992GT	HOSE ASSY,1/2,STR FEM,STR FEM....4 <i>from SN 24690</i>	4
13	94464-4986GT	HOSE ASSY,1/2"****1 <i>from SN 24690</i>	1
14	49117-5091GT	HOSE ASSY,1/4,90 FEM,STR FEM.....1 <i>from SN 24690</i>	1
15	48911GT	ELBOW,90D,520220-4-6***2 <i>from SN 24690</i>	2
16	48947GT	ELBOW,90D,520220-8-12.....4 <i>from SN 24690</i>	4
17	48936GT	TEE,BRANCH,520429-8.....1 <i>from SN 24690</i>	1
18	48891GT	FITTING,TEE,BRANCH,520433-4.....1 <i>from SN 24690</i>	1
19	94464-6286GT	HOSE ASSY,1/2,STR FEM,STR FEM....1 <i>from SN 24690</i>	1
20	48936GT	TEE,BRANCH,520429-8.....1 <i>from SN 24690</i>	1
21	48908GT	FITTING,TEE,RUN,SWIVEL520432-4.....1 <i>from SN 24690</i>	1
22	49119-5378GT	HOSE ASSY,1/4,STR FEM,STR FEM.....1 <i>from SN 24690</i>	1
23	48905GT	CONN,520120-4***2 <i>from SN 24690</i>	2

802.1 2WD Drive and Steer - Narrow Models (to SN 24689)



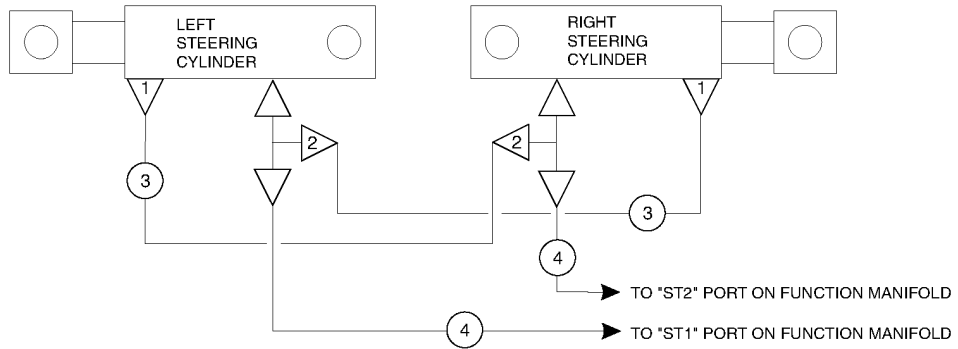
LEGEND	
	FITTING
	HOSE ASSEMBLY
	CONNECTOR



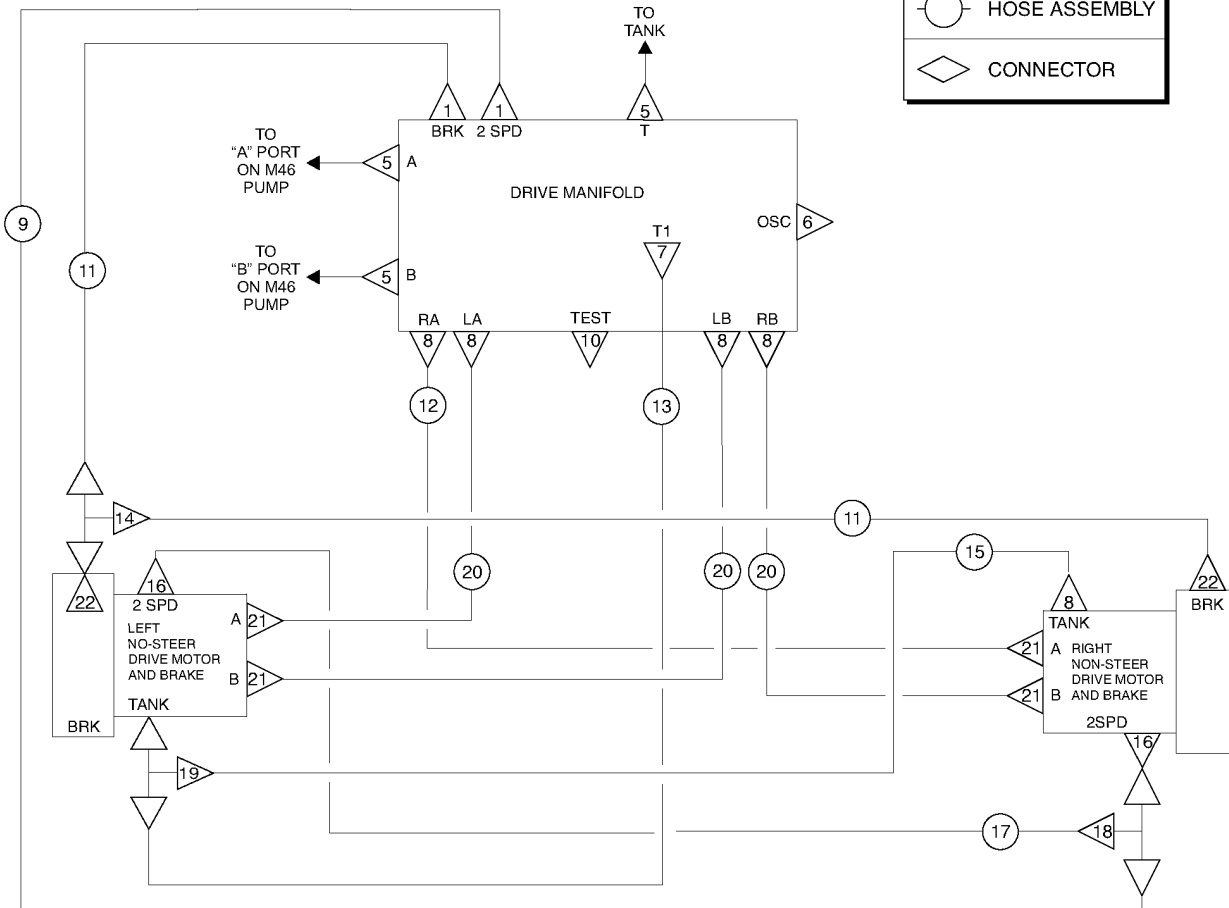
802.1 2WD Drive and Steer - Narrow Models (to SN 24689)

Item	Part No.	Description	Qty.
--	49612GT	O-RING KIT (ORFS FITTINGS) to SN 24689	
--	49613GT	PLUG AND CAP KIT-SERVICE,ORFS* to SN 24689	
1	48904GT	ELBOW,90D,520220-4-4.....5 to SN 24689	
2	48906GT	TEE,RUN,520428-4.....2 to SN 24689	
3	49119-2078GT	HOSE ASSY,1/4,STR FEM,STR FEM*1 to SN 24689	
4	49117-11091GT	HOSE ASSY,1/4,90 FEM,STR FEM.....1 to SN 24689	
5	48960GT	FITTING,CONN,520120-12***3 to SN 24689	
6	49859GT	PLUG,HEX,090109A-4.....1 to SN 24689	
7	48932GT	FITTING,ELBOW,90D,520220-8***1 to SN 24689	
8	48933GT	CONN,520120-8***5 to SN 24689	
9	49117-5191GT	HOSE ASSY,1/4,90 FEM,STR FEM**1 to SN 24689	
10	48907GT	ELBOW,45D,520320-4.....1 to SN 24689	
11	49117-4291GT	HOSE ASSY,1/4,90 FEM,STR FEM.....2 to SN 24689	
12	49107-3063GT	HOSE ASSY,DMANIF/LR&RR BRAKE...1 to SN 24689	
13	49143-3029GT	HOSE ASSY,1/2,90 FEM,STR FEM.....1 to SN 24689	
14	48890GT	FITTING,TEE,BRANCH,520429-4***1 to SN 24689	
15	49183-2692GT	HOSE ASSY,1/2,STR FEM,STR FEM*1 to SN 24689	
16	48912GT	CONN,520120-4-6***2 to SN 24689	
17	49117-2591GT	HOSE ASSY,1/4,90 FEM,STR FEM**1 to SN 24689	
18	48891GT	FITTING,TEE,BRANCH,520433-4.....1 to SN 24689	
19	48935GT	TEE,RUN,520428-8.....1 to SN 24689	
20	49110-2992GT	HOSE ASSY,DMANIF/LR&RR DMOTOR.....3 to SN 24689	
21	48948GT	CONN,520120-8-12.....4 to SN 24689	

802.2 2WD Drive and Steer - Narrow Models (from SN 24690)



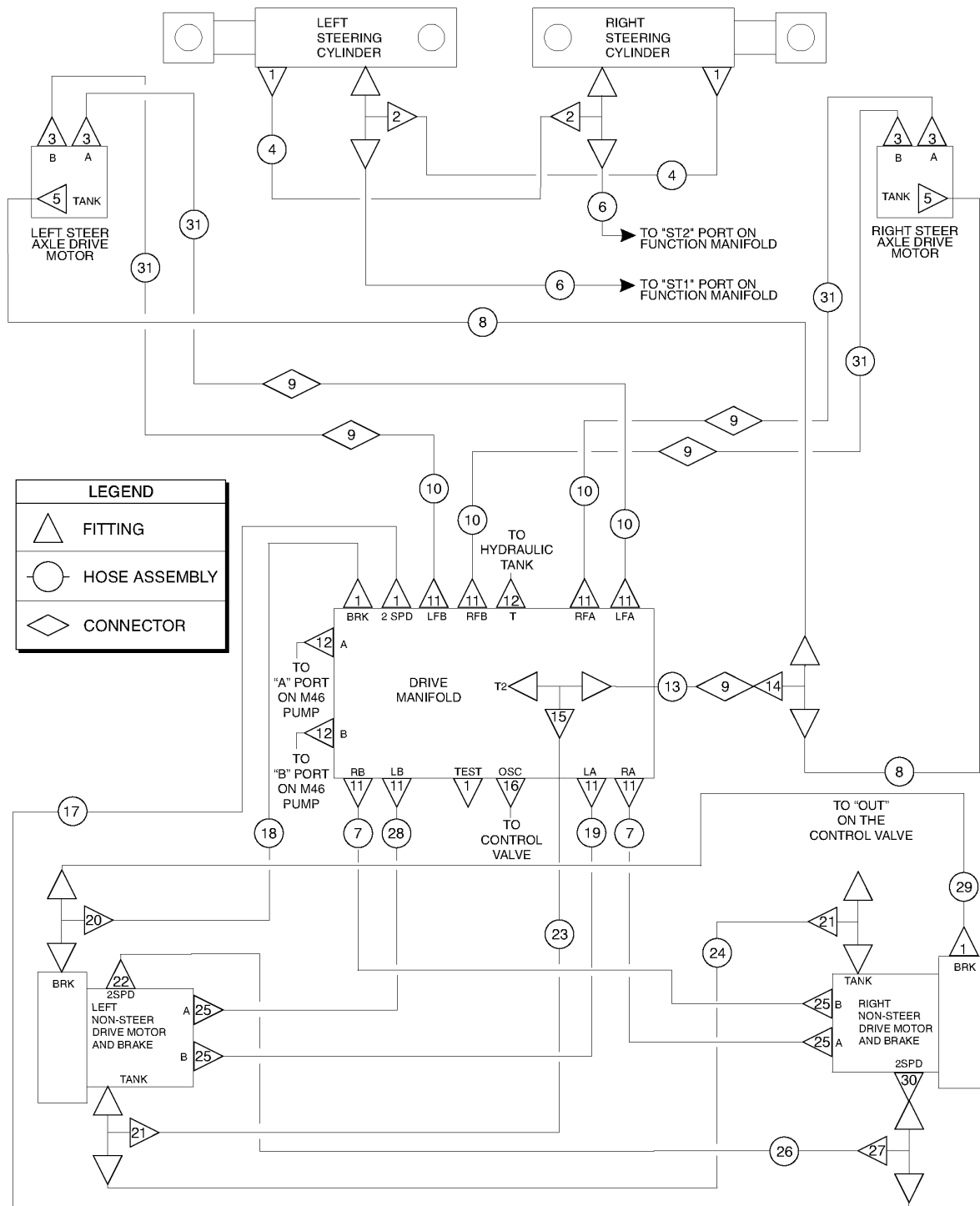
LEGEND	
	FITTING
	HOSE ASSEMBLY
	CONNECTOR



802.2 2WD Drive and Steer - Narrow Models (from SN 24690)

Item	Part No.	Description	Qty.
--	49612GT	O-RING KIT (ORFS FITTINGS) <i>from SN 24690</i>	
--	49613GT	PLUG AND CAP KIT-SERVICE,ORFS* <i>from SN 24690</i>	
1	48904GT	ELBOW,90D,520220-4-4.....4 <i>from SN 24690</i>	4
2	48906GT	TEE,RUN,520428-4.....2 <i>from SN 24690</i>	2
3	49119-2078GT	HOSE ASSY,1/4,STR FEM,STR FEM*1 <i>from SN 24690</i>	1
4	49117-11091GT	HOSE ASSY,1/4,90 FEM,STR FEM.....1 <i>from SN 24690</i>	1
5	48960GT	FITTING,CONN,520120-12***3 <i>from SN 24690</i>	3
6	49859GT	PLUG,HEX,090109A-4.....1 <i>from SN 24690</i>	1
7	48932GT	FITTING,ELBOW,90D,520220-8***1 <i>from SN 24690</i>	1
8	48933GT	CONN,520120-8***5 <i>from SN 24690</i>	5
9	49117-5291GT	HOSE ASSY,1/4,90 FEM,STR FEM.....1 <i>from SN 24690</i>	1
10	48907GT	ELBOW,45D,520320-4.....1 <i>from SN 24690</i>	1
11	49119-3778GT	HOSE ASSY,1/4,STR FEM,STR FEM.....2 <i>from SN 24690</i>	2
12	81812-3592GT	HOSE ASSY,1/2,STR FEM,STR FEM.....1 <i>from SN 24690</i>	1
13	94464-4386GT	HOSE ASSY,1/2".....1 <i>from SN 24690</i>	1
14	48908GT	FITTING,TEE,RUN,SWIVEL520432-4.....1 <i>from SN 24690</i>	1
15	94464-4886GT	HOSE ASSY,1/2 STR FEM,STR FEM.....1 <i>from SN 24690</i>	1
16	48912GT	CONN,520120-4-6***2 <i>from SN 24690</i>	2
17	49117-3291GT	HOSE ASSY,1/4,90 FEM,STR FEM**1 <i>from SN 24690</i>	1
18	48891GT	FITTING,TEE,BRANCH,520433-4.....1 <i>from SN 24690</i>	1
19	48936GT	TEE,BRANCH,520429-8.....1 <i>from SN 24690</i>	1
20	81812-3592GT	HOSE ASSY,1/2,STR FEM,STR FEM.....3 <i>from SN 24690</i>	3
21	48947GT	ELBOW,90D,520220-8-12.....4 <i>from SN 24690</i>	4
22	48905GT	CONN,520120-4***2 <i>from SN 24690</i>	2

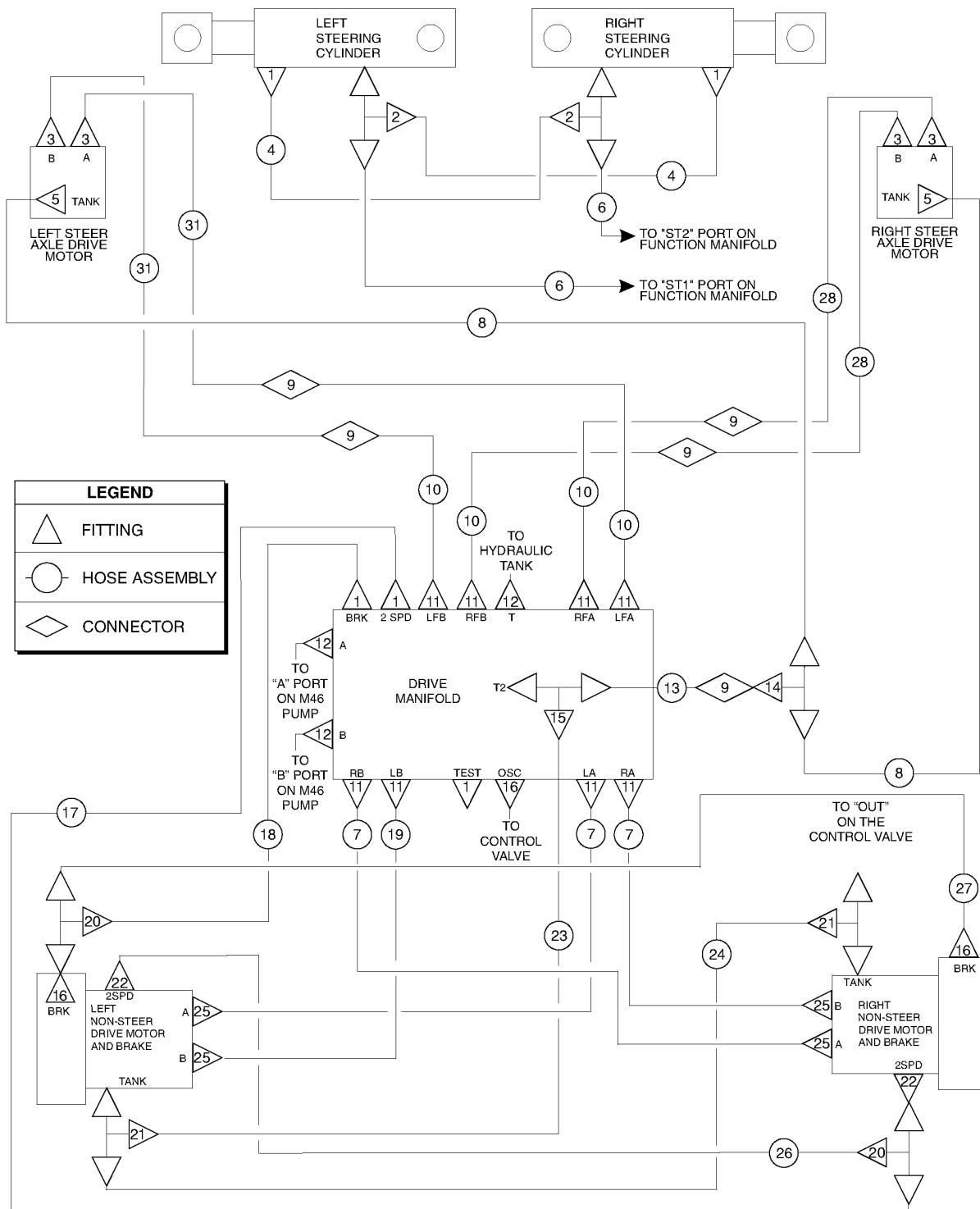
803.1 4WD Drive and Steer System (to SN 23811)



803.1 4WD Drive and Steer System (to SN 23811)

Item	Part No.	Description	Qty.	Item	Part No.	Description	Qty.
--	49612GT	O-RING KIT (ORFS FITTINGS) to SN 23811		24	49143-4229GT	HOSE ASSY,1/2,90 FEM,STR FEM.....1 oscillate models; to SN 23811	1
--	49613GT	PLUG AND CAP KIT-SERVICE,ORFS* to SN 23811		24	49183-4092GT	HOSE ASSY,1/2,STR FEM,STR FEM.....1 non-oscillate models; to SN 23811	1
1	48904GT	ELBOW,90D,520220-4-4.....3	3	25	48948GT	CONN,520120-8-12.....4	4
2	48906GT	TEE,RUN,520428-4.....2	2	26	49117-4391GT	HOSE ASSY,1/4,90 FEM,STR FEM.....1 to SN 23811	1
3	48946GT	CONN,520120-8-10.....4	4	27	48891GT	FITTING,TEE,BRANCH,520433-4.....1 to SN 23811	1
4	49119-3078GT	HOSE ASSY 1/4, STR FEM,STR FEM....2 to SN 23811	2	28	49110-3392GT	HOSE ASSEMBLY-1/2" 100R2.....1 to SN 23811	1
5	48930GT	CONN,520120-6-8.....2	2	29	49117-5891GT	HOSE ASSY,1/4,90 FEM,STR FEM.....1 to SN 23811	1
6	49117-14391GT	HOSE ASSY,1/4,90 FEM,STR FEM.....2 to SN 23811	2	30	48912GT	CONN,520120-4-6***.....1 to SN 23811	1
7	49107-3463GT	HOSE ASSY,DMANIF/LR&RR BRAKE...2 to SN 23811	2	31	77312-3577GT	HOSE ASSY,DMANIF/LR&RR BRAKE...4 to SN 23811	4
8	49133-5140GT	HOSE ASSY,T FITTING/DRIVEMOTOR.....2 to SN 23811	2				
9	77309GT	NUT,BULKHEAD,520118-8.....5 to SN 23811	5				
10	49110-7592GT	HOSE ASSY,D.MANIF/FR D.MOTORS...4 to SN 23811	4				
11	48933GT	CONN,520120-8***.....8 to SN 23811	8				
12	48948GT	CONN,520120-8-12.....3	3				
13	77311-5906GT	HOSE ASSY,BRKT./D.MANIFOLD.....1 to SN 23811	1				
14	48939GT	TEE,BRANCH,520433-8.....1 to SN 23811	1				
15	48936GT	TEE,BRANCH,520429-8.....1 to SN 23811	1				
16	48905GT	CONN,520120-4***.....1 to SN 23811	1				
17	49117-5891GT	HOSE ASSY,1/4,90 FEM,STR FEM.....1 to SN 23811	1				
18	49117-5091GT	HOSE ASSY,1/4,90 FEM,STR FEM.....1 to SN 23811	1				
19	49107-3863GT	HOSE ASSY,DMANIF/LR DRV MOTOR.....1 to SN 23811	1				
20	48890GT	FITTING,TEE,BRANCH,520429-4***.....1 to SN 23811	1				
21	48935GT	TEE,RUN,520428-8.....2 to SN 23811	2				
22	48912GT	CONN,520120-4-6***.....1 to SN 23811	1				
23	49143-3729GT	HOSE ASSY,1/2,90 FEM,STR FEM.....1 to SN 23811	1				

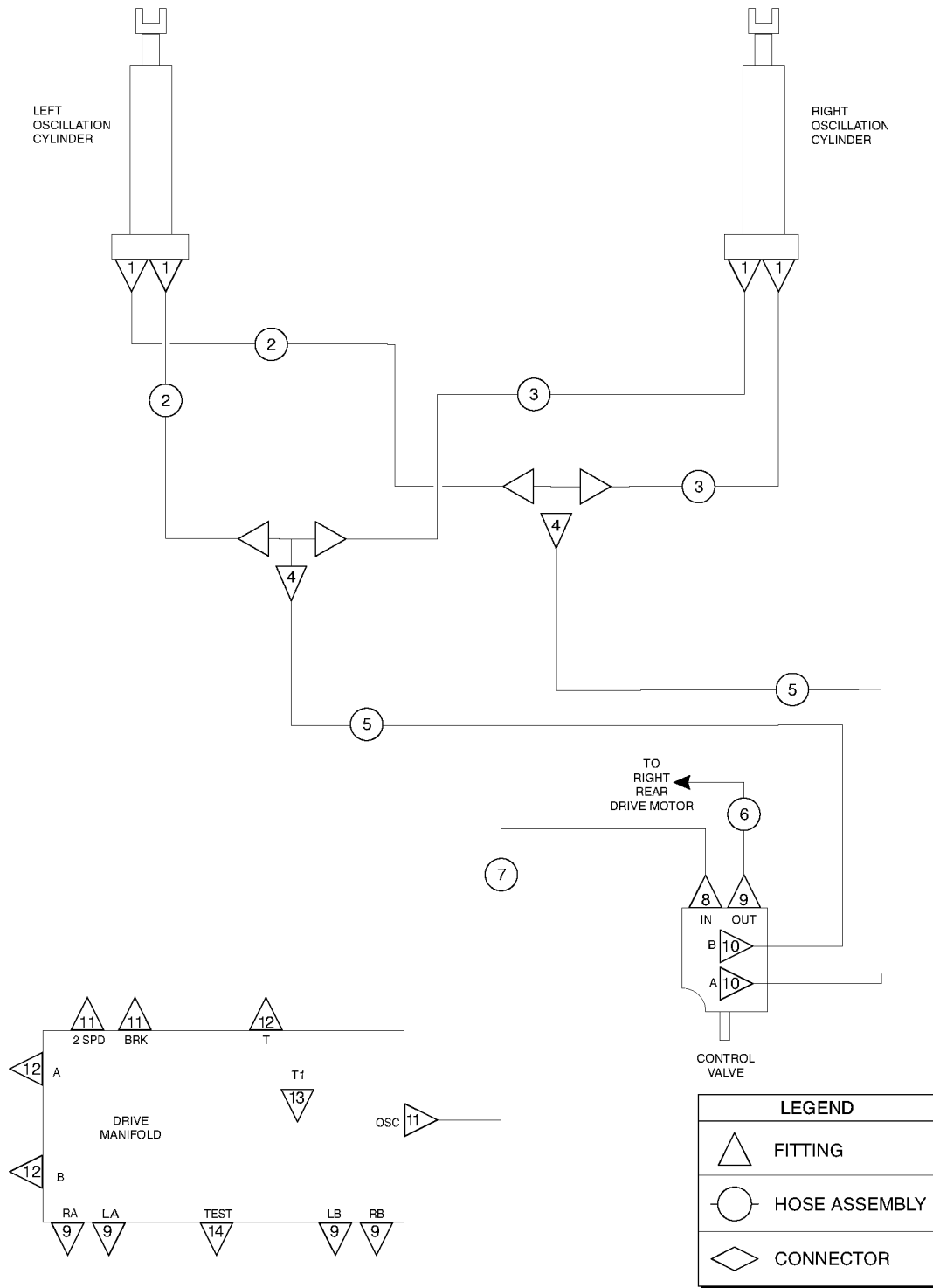
803.2 4WD Drive and Steer System (from SN 23812)



803.2 4WD Drive and Steer System (from SN 23812)

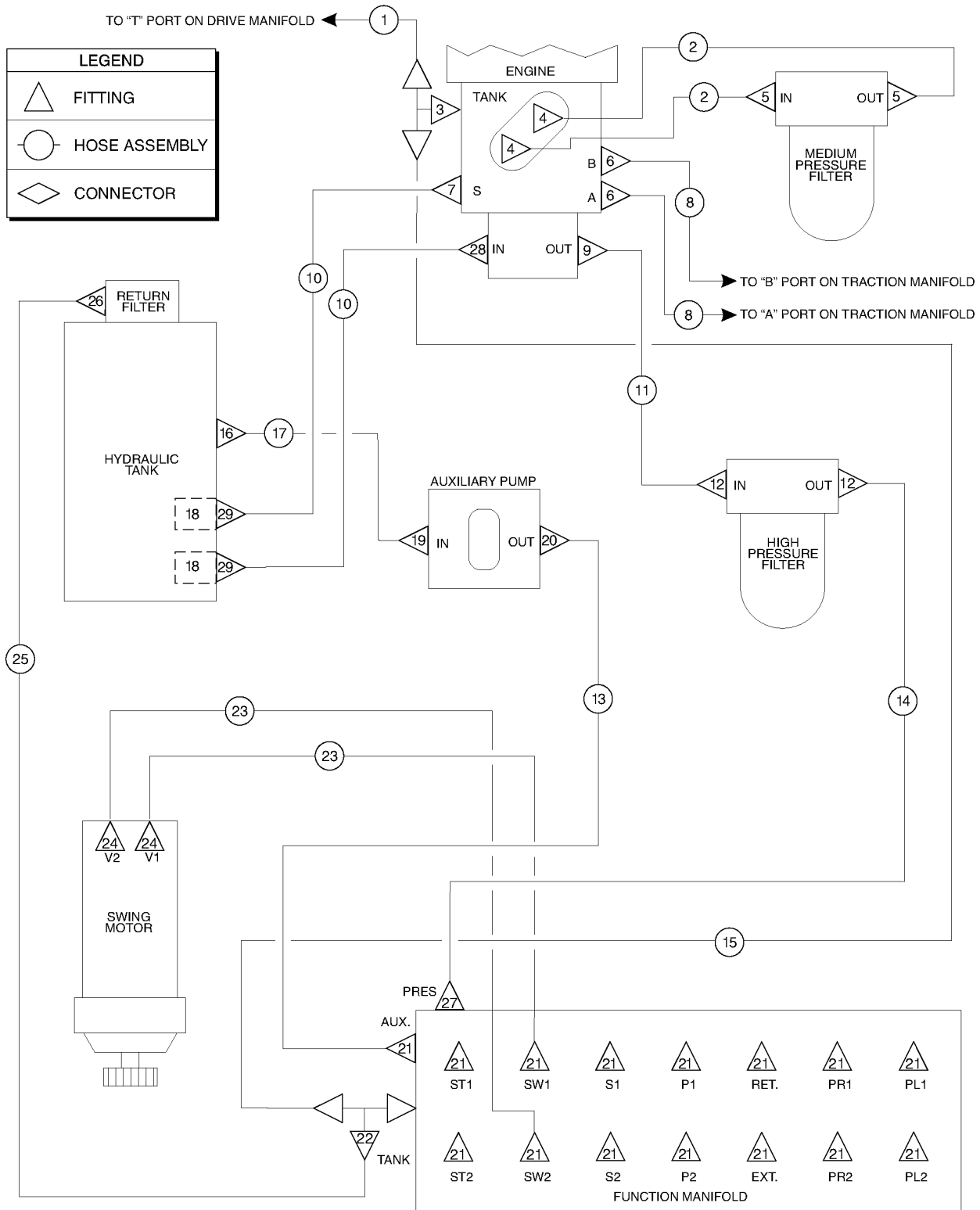
Item	Part No.	Description	Qty.	Item	Part No.	Description	Qty.
--	49612GT	O-RING KIT (ORFS FITTINGS) <i>from SN 23812</i>		24	94464-5086GT	HOSE ASSY,1/2".....1 <i>from SN 23812</i>	1
--	49613GT	PLUG AND CAP KIT-SERVICE,ORFS* <i>from SN 23812</i>		25	48947GT	ELBOW,90D,520220-8-12.....4 <i>from SN 23812</i>	4
1	48904GT	ELBOW,90D,520220-4-4.....2 <i>from SN 23812</i>	2	26	49119-5078GT	HOSE ASSY,1/4,STR FEM,STR FEM*....1 <i>from SN 23812</i>	1
2	48906GT	TEE,RUN,520428-4.....2 <i>from SN 23812</i>	2	27	49117-5891GT	HOSE ASSY,1/4,90 FEM,STR FEM.....1 <i>from SN 23812</i>	1
3	48946GT	CONN,520120-8-10.....4 <i>from SN 23812</i>	4	28	77312-3577GT	HOSE ASSY,DMANIF/LR&RR BRAKE...4 <i>from SN 23812</i>	4
4	49119-3078GT	HOSE ASSY 1/4, STR FEM,STR FEM....2 <i>from SN 23812</i>	2				
5	48930GT	CONN,520120-6-8.....2 <i>from SN 23812</i>	2				
6	49117-14391GT	HOSE ASSY,1/4,90 FEM,STR FEM.....2 <i>from SN 23812</i>	2				
7	61143-3963GT	HOSE ASSY,1/2,45 FEM STR FEM.....3 <i>from SN 23812</i>	3				
8	49133-5140GT	HOSE ASSY,T FITTING/DRIVEMOTOR.....2 <i>from SN 23812</i>	2				
9	77309GT	NUT,BULKHEAD,520118-8.....5 <i>from SN 23812</i>	5				
10	49110-7592GT	HOSE ASSY,D.MANIF/FR D.MOTORS...4 <i>from SN 23812</i>	4				
11	48933GT	CONN,520120-8***8 <i>from SN 23812</i>	8				
12	48948GT	CONN,520120-8-12.....3 <i>from SN 23812</i>	3				
13	77311-5906GT	HOSE ASSY,BRKT./D.MANIFOLD.....1 <i>from SN 23812</i>	1				
14	48939GT	TEE,BRANCH,520433-8.....1 <i>from SN 23812</i>	1				
15	48936GT	TEE,BRANCH,520429-8.....1 <i>from SN 23812</i>	1				
16	48905GT	CONN,520120-4***3 <i>from SN 23812</i>	3				
17	49117-5891GT	HOSE ASSY,1/4,90 FEM,STR FEM.....1 <i>from SN 23812</i>	1				
18	49117-5091GT	HOSE ASSY,1/4,90 FEM,STR FEM.....1 <i>from SN 23812</i>	1				
19	81812-3892GT	HOSE ASSY,1/2".....1 <i>from SN 23812</i>	1				
20	48908GT	FITTING,TEE,RUN,SWIVEL520432-4.....2 <i>from SN 23812</i>	2				
21	48935GT	TEE,RUN,520428-8.....2 <i>from SN 23812</i>	2				
22	48911GT	ELBOW,90D,520220-4-6***2 <i>from SN 23812</i>	2				
23	94464-4386GT	HOSE ASSY,1/2".....1 <i>from SN 23812</i>	1				

804.1 Oscillate System



Item	Part No.	Description	Qty.
--	49612GT	O-RING KIT (ORFS FITTINGS)	
--	49613GT	PLUG AND CAP KIT-SERVICE,ORFS*	
1	48912GT	CONN,520120-4-6***.....	4
2	49117-2091-SGT	HOSE ASSY,1/4,90 FEM,STR FEM.....	2
3	49117-3191GT	HOSE ASSY,1/4,90 FEM,STR FEM.....	2
4	48891GT	FITTING,TEE,BRANCH,520433-4.....	2
5	75574GT	NUT,BULKHEAD,520118-4..... <i>(item sold seperately)</i>	2
5	88636-9073GT	HOSE ASSY 1/4,STR FEM,STR BULK...	2
6	49143-3729GT	HOSE ASSY,1/2,90 FEM,STR FEM..... <i>to SN 23811</i>	1
6	94464-5086GT	HOSE ASSY,1/2"..... <i>from SN 23812</i>	1
7	49117-3791GT	HOSE ASSY,1/4,90 FEM,STR FEM**..... <i>to SN 24689</i>	1
7	94464-5086GT	HOSE ASSY,1/2"..... <i>from SN 24690</i>	1
8	48914GT	CONN,520120-4-8.....	1
9	48933GT	CONN,520120-8***.....	5
10	48911GT	ELBOW,90D,520220-4-6***.....	2
11	48904GT	ELBOW,90D,520220-4-4.....	3
12	48960GT	FITTING,CONN,520120-12***.....	3
13	48932GT	FITTING,ELBOW,90D,520220-8***.....	1
14	48905GT	CONN,520120-4***.....	1



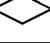
805.1 Turntable Components (to SN 22050)

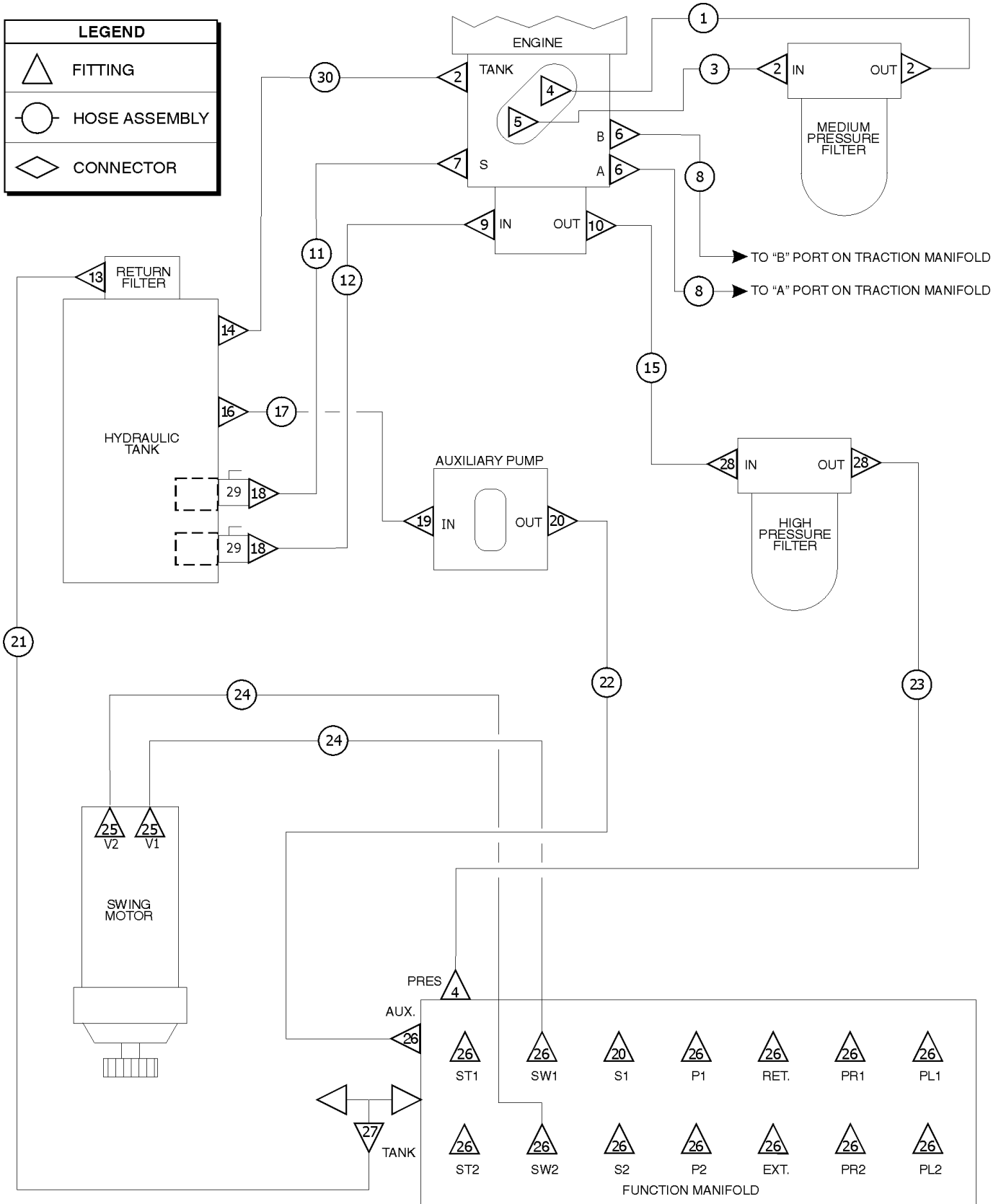


805.1 Turntable Components (to SN 22050)

Item	Part No.	Description	Qty.
--	49612GT	O-RING KIT (ORFS FITTINGS)	
--	49613GT	PLUG AND CAP KIT-SERVICE,ORFS*	
1	49149-10826GT	HOSE ASSY,3/4,45 FEM,STR FEM.....1	
2	49141-2463GT	HOSE ASSY,1/2,45 FEM,STR FEM**.....2	
3	48962GT	TEE,BRANCH,520429-12.....1	
4	48946GT	CONN,520120-8-10.....2	
5	48932GT	FITTING,ELBOW,90D,520220-8***.....2	
6	48978GT	ELBOW,45D,520320-12-16.....2	
7	48985GT	ELBOW,45D,520320-16.....1	
8	49156-10856GT	HOSE ASSY,3/4,90 FEM,STR FEM.....2	
9	48899GT	VALVE,CHK,#10PORT-#10MALEORFS..1	
10A	49159-4618GT	HOSE ASSEMBLY, 1".....2	
10B	88942-4854GT	HOSE ASSY,1",90 FEM,STR FEM**.....2 <i>from SN 21376 to SN 22050</i>	
11	49108-2329GT	HOSE ASSY,1/2,90 FEM,STR FEM**.....1	
12	48948GT	CONN,520120-8-12.....2	
13	49119-5178GT	HOSE ASSY,1/4,STR FEM,STR FEM.....1	
14	49109-7729GT	HOSE ASSY,1/2,90 FEM,STR FEM.....1	
15	49151-8248GT	HOSE ASSY,3/4,STR FEM,STR FEM.....1	
16	48922GT	CONN,520102-6-6.....1	
17	49126-2733GT	HOSE ASSY,3/8,45 FEM,STR FEM.....1	
18A	48994GT	VALVE,BALL,16 MPT-16 FPT***.....2	
18B	45161GT	STRAINER ASSEMBLY,1.5" NPT.....2 <i>from SN 21376 to SN 22050</i>	
19	48916GT	CONN, 520120-6.....1	
20	48907GT	ELBOW,45D,520320-4.....1	
21	48905GT	CONN,520120-4***.....15	
22	48961GT	TEE,RUN,520428-12.....1	
23	49119-5078GT	HOSE ASSY,1/4,STR FEM,STR FEM*....2	
24	48904GT	ELBOW,90D,520220-4-4.....2	
25	49149-1726GT	HOSE ASSY,3/4,45 FEM,STR FEM.....1	
26	48977GT	CONN,520120-12-16.....1	
27	48933GT	CONN,520120-8***.....1	
28	48922GT	CONN,520102-6-6.....1	
29	48986GT	CONN,520102-16.....2	

805.2 Turntable Components (from SN 22051)

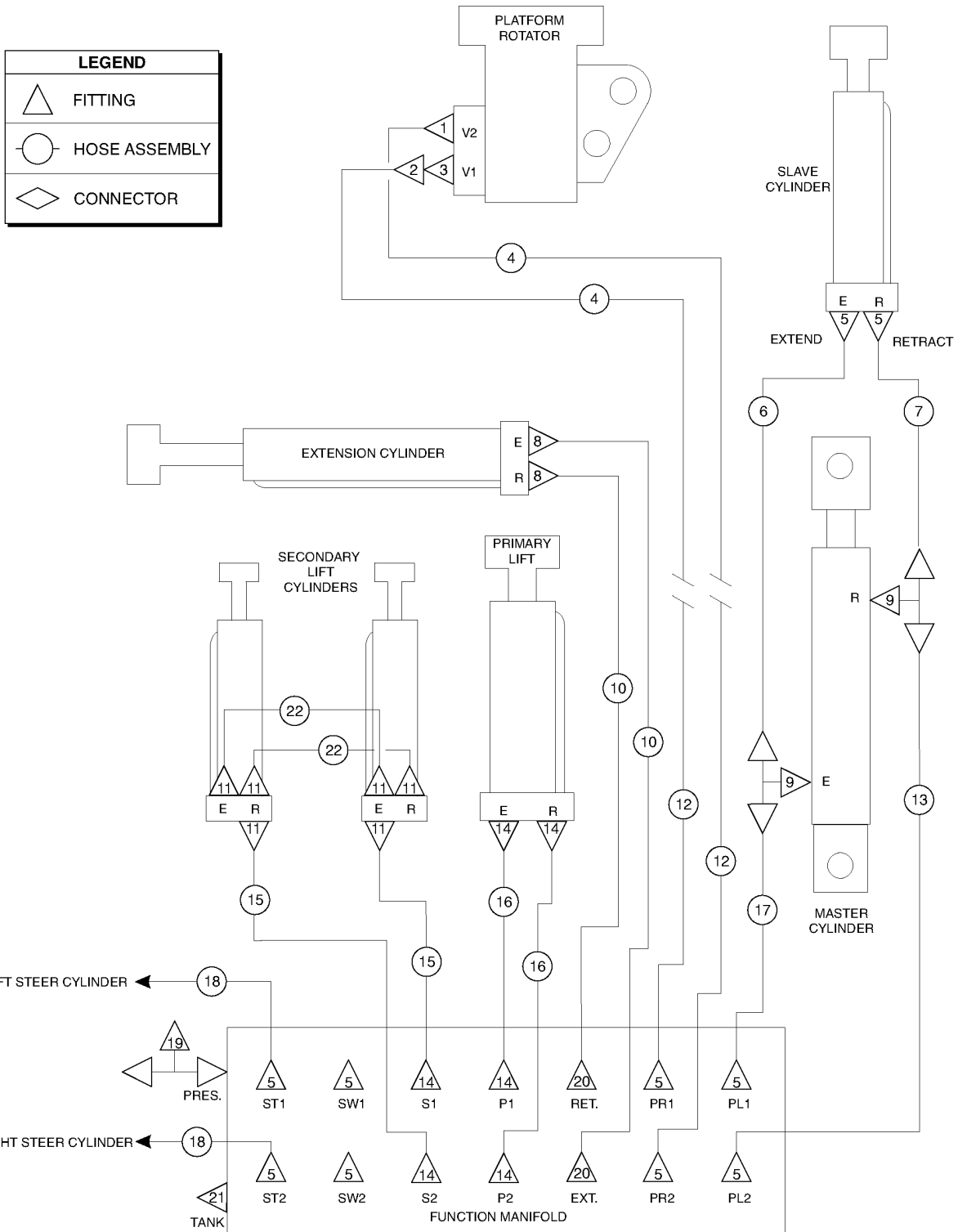
LEGEND	
	FITTING
	HOSE ASSEMBLY
	CONNECTOR



805.2 Turntable Components (from SN 22051)

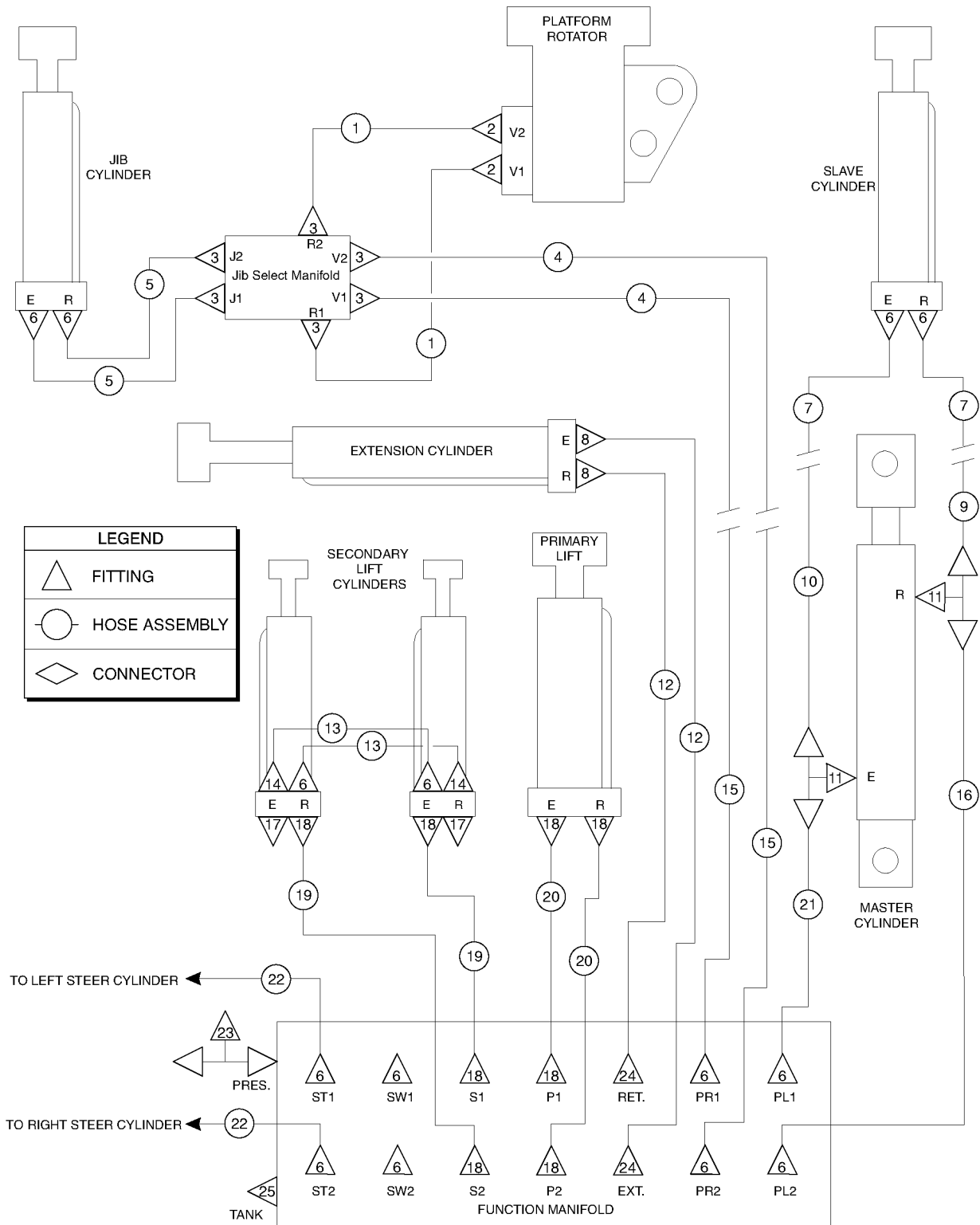
Item	Part No.	Description	Qty.
--	49612GT	O-RING KIT (ORFS FITTINGS)	
--	49613GT	PLUG AND CAP KIT-SERVICE,ORFS*	
1	49143-3329GT	HOSE ASSY,1/2,90 FEM,STR FEM.....1	
2	48948GT	CONN,520120-8-12.....3	
3	49143-2729GT	HOSE ASSY,1/2,90 FEM,STR FEM.....1	
4	48946GT	CONN,520120-8-10.....2	
5	48949GT	CONN,520120-8-16.....1	
6	48978GT	ELBOW,45D,520320-12-16.....2	
7	48985GT	ELBOW,45D,520320-16.....1	
8	94374-10830GT	HOSE ASSY,3/4,90 FEM,STR FEM.....2	
9	48983GT	ELBOW,90D,520220-16.....1	
10	48999GT	VALVE,CHK,#8PORT-#8MALEORFS.....1	
11A	88942-4854GT	HOSE ASSY,1",90 FEM,STR FEM**.....1 <i>from SN 22051 to SN 24152</i>	
11B	88949-3828GT	HOSE ASSY 1",STR FEM,STR FEM.....1 <i>from SN 24153</i>	
12A	88942-4854GT	HOSE ASSY,1",90 FEM,STR FEM**.....1 <i>from SN 22051 to SN 24152</i>	
12B	88949-4928GT	HOSE ASSY 1",STR FEM,STR FEM.....1	
13	48977GT	CONN,520120-12-16.....1	
14	48932GT	FITTING,ELBOW,90D,520220-8***.....1	
15	75278-2329GT	HOSE ASSY,1/2,90 FEM,STR FEM.....1	
16	48930GT	CONN,520120-6-8.....1	
17	94619-3038GT	HOSE ASSY,3/8,STR FEM,STR FEM.....1	
18	147419GT	KIT,STRAINER REPLACEMENT.....2	
19	48916GT	CONN, 520120-6.....1	
20	48912GT	CONN,520120-4-6***.....1	
21	49150-3630GT	HOSE ASSY,3/4,90 FEM,STR FEM.....1	
22	49119-5878GT	HOSE ASSY,1/4,STR FEM,STR FEM.....1	
23	75278-8229GT	HOSE ASSY,1/2,90 FEM,STR FEM.....1	
24	49119-5078GT	HOSE ASSY,1/4,STR FEM,STR FEM*....2	
25	48904GT	ELBOW,90D,520220-4-4.....2	
26	48905GT	CONN,520120-4***.....15	
27	48959GT	FITTING,ELBOW,90D,520220-12.....1	
28	48933GT	CONN,520120-8***.....2	
29	48996GT	VALVE,BALL,16 MSAE-16 FSAE***.....2 <i>from SN 24153</i>	
30	49141-5863SGT	HOSE ASSY,1/2,45 FEM,STR FEM**.....1	

806.1 Boom Components



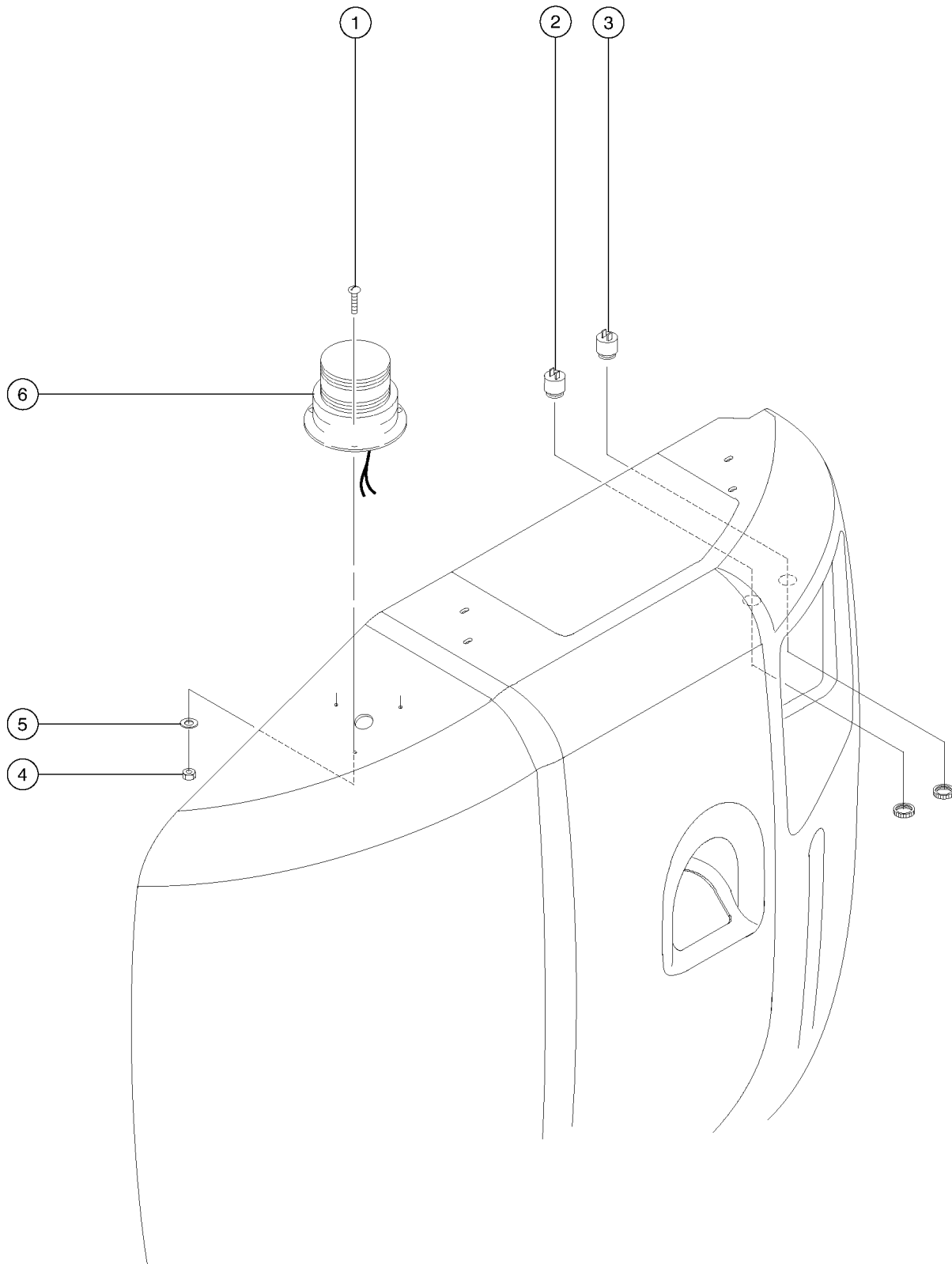
Item	Part No.	Description	Qty.
--	49612GT	O-RING KIT (ORFS FITTINGS)	
--	49613GT	PLUG AND CAP KIT-SERVICE,ORFS*	
1	48907GT	ELBOW,45D,520320-4.....1	1
2	54132GT	ELBOW,SWIVEL 90D, 520221-4.....1	1
3	48904GT	ELBOW,90D,520220-4-4.....1	1
4	49121-25688GT	HOSE ASSY 1/4,STR FEM,STR MALE..2	2
5	48912GT	CONN,520120-4-6***.....10	10
6	49119-26478GT	HOSE ASSY,1/4,STR FEM,STR FEM.....1	1
7	49119-27978GT	HOSE ASSY,1/4,STR FEM,STR FEM.....1	1
8	48917GT	CONN,LONG,520122-6.....2	2
9	48890GT	FITTING,TEE,BRANCH,520429-4***.....2	2
10	49120-35381GT	HOSE ASSY 1/4, STR FEM,STR FEM....2	2
11	48905GT	CONN,520120-4***.....6	6
12	49119-39378GT	HOSE ASSY,1/4,STR FEM,STR FEM....2	2
13	49119-36178GT	HOSE ASSY,1/4,STR FEM,STR FEM.....1	1
14	48916GT	CONN, 520120-6.....6	6
15	49119-16178GT	HOSE ASSY,1/4,STR FEM,STR FEM.....2	2
16	49119-38578GT	HOSE ASSY,1/4,STR FEM,STR FEM....2	2
17	49119-37678GT	HOSE ASSY,1/4,STR FEM,STR FEM.....1	1
18	49117-14391GT	HOSE ASSY,1/4,90 FEM,STR FEM.....2	2
19	48935GT	TEE,RUN,520428-8.....1	1
20	48930GT	CONN,520120-6-8.....2	2
21	48933GT	CONN,520120-8***.....1	1
22	49119-2278GT	HOSE ASSY,1/4,STR FEM,STR FEM.....2	2

807.1 Boom Components



Item	Part No.	Description	Qty.
--	49612GT	O-RING KIT (ORFS FITTINGS)	
--	49613GT	PLUG AND CAP KIT-SERVICE,ORFS*	
1	139099GT	HOSE ASSY, 1/4", 22.00.....	2
2	48904GT	ELBOW,90D,520220-4-4.....	2
3	48905GT	CONN,520120-4***.....	6
4	49121-27788GT	HOSE ASSY 1/4,STR FEM,STR MALE..	2
5	49119-3778GT	HOSE ASSY,1/4,STR FEM,STR FEM.... <i>to SN 22565</i>	2
5	49119-5378GT	HOSE ASSY,1/4,STR FEM,STR FEM.... <i>from SN 22566</i>	2
6	48912GT	CONN,520120-4-6***.....	14
7	49121-2088GT	HOSE ASSY 1/4,STR FEM,STR MALE..	2
8	48917GT	CONN,LONG,520122-6.....	2
9	49119-23478GT	HOSE ASSY,1/4,STR FEM,STR FEM....	1
10	49119-21978GT	HOSE ASSY,1/4,STR FEM,STR FEM....	1
11	48919GT	TEE,BRANCH,520429-6.....	2
12	49120-35381GT	HOSE ASSY 1/4, STR FEM,STR FEM....	2
13	139099GT	HOSE ASSY, 1/4", 22.00.....	2
14	48918GT	TEE,RUN,520428-6.....	2
15	49119-39378GT	HOSE ASSY,1/4,STR FEM,STR FEM....	2
16	49119-36178GT	HOSE ASSY,1/4,STR FEM,STR FEM....	1
17	48923GT	PLUG,090109A-6.....	2
18	48916GT	CONN, 520120-6.....	8
19	49119-16178GT	HOSE ASSY,1/4,STR FEM,STR FEM....	2
20	49119-38578GT	HOSE ASSY,1/4,STR FEM,STR FEM....	2
21	49119-37678GT	HOSE ASSY,1/4,STR FEM,STR FEM....	1
22	49117-14391GT	HOSE ASSY,1/4,90 FEM,STR FEM....	2
23	48935GT	TEE,RUN,520428-8.....	1
24	48930GT	CONN,520120-6-8.....	2
25	48933GT	CONN,520120-8***.....	1

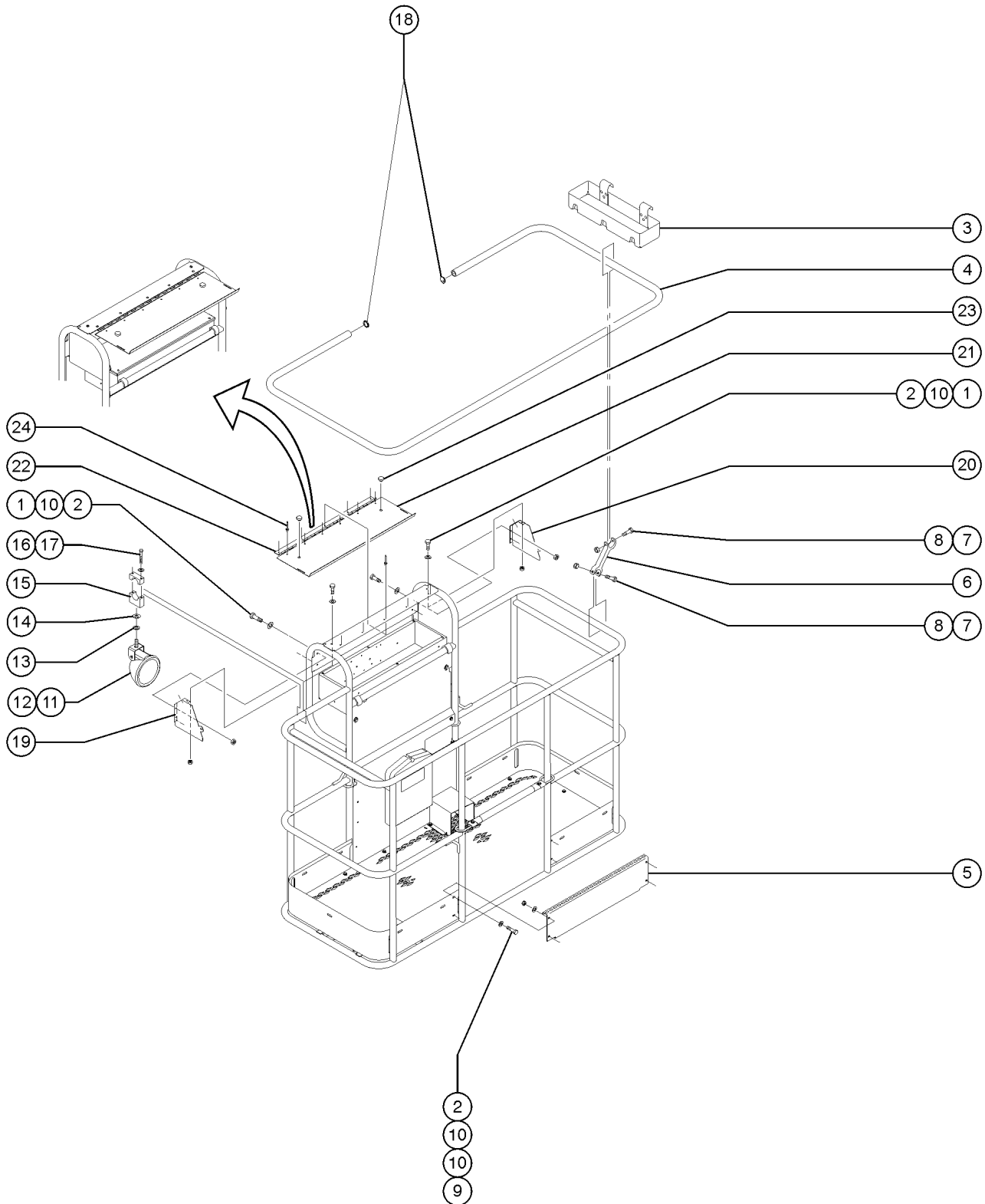
901.1 Alarm and Beacon Package



901.1 Alarm and Beacon Package

Item	Part No.	Description	Qty.
--	60047-SGT	ALARM PKG,ACC.Z45 IC	
1	75041GT	SCREW,PHILLIPS,PHM,10-32 X 1	
2	45462GT	ALARM,CHIME TONE 5-25VDC***1 <i>Does not include 72326 nut</i>	
--	72326GT	NUT - PLASTIC,RING FOR ALARMS.....1	
3	18963GT	ALARM,INTERMITTENT TONE 6-30V*...1 <i>Does not include 72326 nut</i>	
--	72326GT	NUT - PLASTIC,RING FOR ALARMS.....1	
4	6178GT	NUT,NYLOCK,10-32	
5	6146GT	WASHER,FLAT,MS,#10,Y	
6	56704GT	STROBE,FIREBOLT,12-80VDC,AMB**...1 <i>(replaced 20189)</i>	
--	122019GT	FLASHTUBE,U SHAPED,360DEG,BULB	
--	226393GT	FLASHTUBE,STRAIGHT,360DEG,BULB	
--	72282GT	LENS,AMBER,STROBE,FIREBOLT	

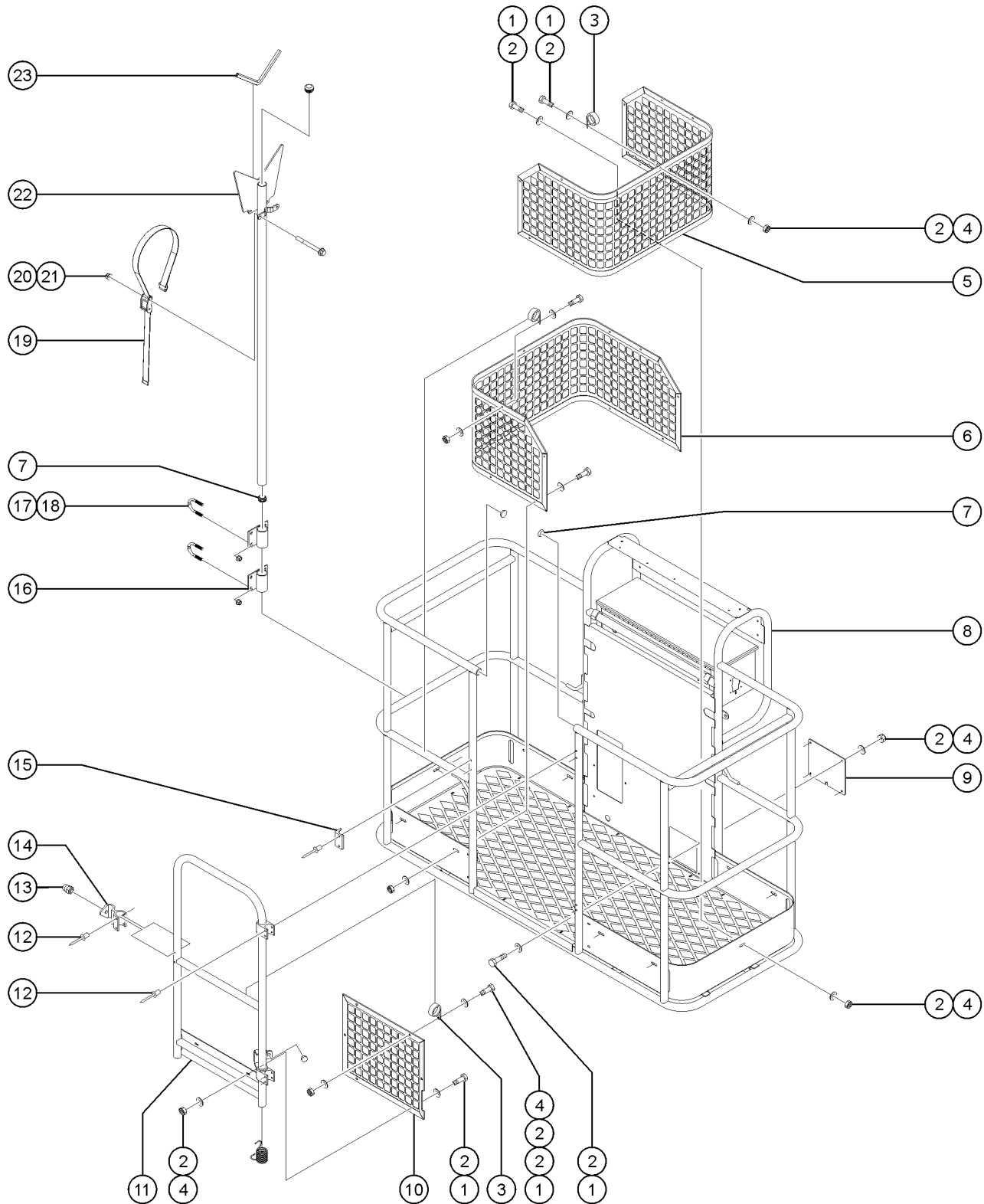
902.1 Platform Options



902.1 Platform Options

Item	Part No.	Description	Qty.
--	28322GT	OPTION,PLAT.PINCH GUARD,5 FT.	
--	28323GT	OPTION,PLAT.PINCH GUARD,4 FT.	
--	34321-SGT	OPTION,WORKLIGHT,12 VOLT	
--	53157-SGT	PINCH GUARD,6'(1.31")SERVICE**	
--	53808GT	AUX TOP RAIL,6' PLATFORM	
--	119795GT	KIT,CONTROL BOX COVER to SN 21290	
--	88609-SGT	CONTROL BOX COVER ASSY*** from SN 21291	
--	T109328GT	ACC,PLAT CONTROL COVER, SERV (cover assembly with latch)	
--	60922GT	OPTION,EURO TOEBOARD (includes item 5)	
1	7339GT	SCREW,HHC,1/4-20 X .5	
2	6091GT	NUT,NYLOCK,1/4-20	
3	9599-SGT	TOOL TRAY ACCESSORY***.....1	
--	7746PGT	TOOL TRAY BRACKET (GRAY) **.....2	
4	28328GT	RAILING,PINCH GAURD,5 FT.....1	
--	28329GT	RAILING,PINCH GAURD,4 FT.....1	
--	53808-SGT	AUX TOP RAIL,6'(1.25")SERVICE.....1	
5	94745PGT	TOEBOARD,ENTRY EUROPEAN PNTD**.....1	
6	28807GT	SUPPORT,RAILING.....6	
7	4266GT	SCREW,HHC,1/4-20 X 2	
8	6889GT	NUT,LP NYLOCK,1/4-20	
9	8914GT	SCREW,HHC,1/4-20 X .625	
10	6638GT	WASHER,FLAT,USS,1/4"Y	
11	107858GT	WORKLIGHT,48 VOLT.....2	
11A	35960GT	BULB,WORKLIGHT,12V 35W.....2	
12	13002GT	SCREW,HHC,5/16-18 X 1 GR5	
13	6886GT	WASHER,LOCK,.313	
14	5397GT	WASHER,FLAT,USS,5/16",Y	
15	35956GT	BRACKET,WORK LIGHT MOUNT 5/16".....2	
16	6145GT	SCREW,HHC,1/4-20 X 1.5	
17	6356GT	WASHER,LOCK,.25	
18	45385GT	PLUG,NYLON 1.12 BLACK DOMED.....2	
19	88607PGT	COVER,CONTROL BOX LEFT SIDE***	
20	88606PGT	COVER,CONTROL BOX RIGHT SIDE**	
21	102785PGT	CONTROL BOX COVER,LID,PTD	
--	30468GT	LATCH,SLIDE, FLUSH MOUNT STYLE.....2 (not included - sold seperately)	
22	111526GT	HINGE,PLAT CONTROL BOX COVER	
23	34619GT	BUMPER,RUBBER***	
24	54486GT	RIVET,ALUM,ALUM,3/16BUTTONHEAD	

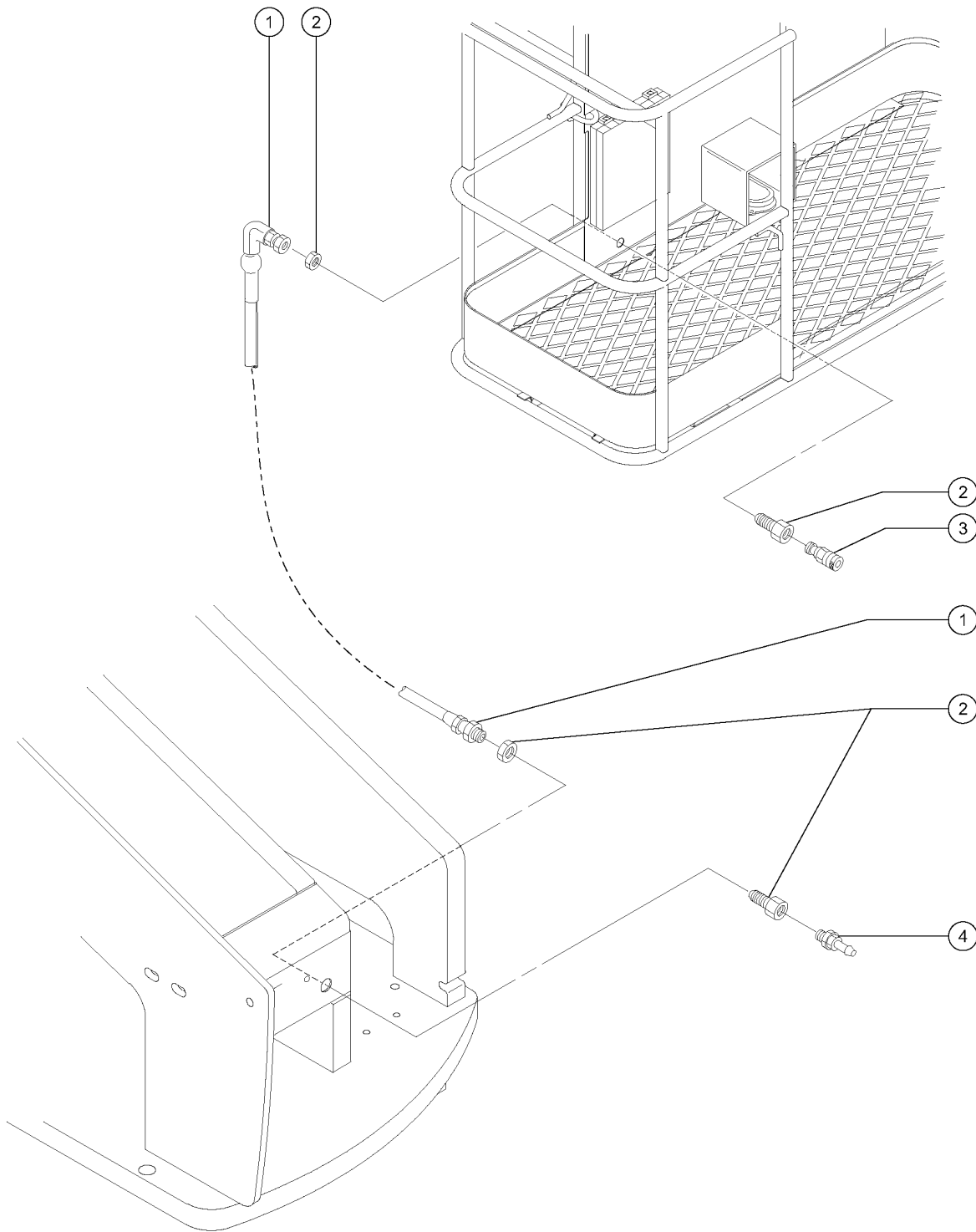
903.1 Half-height Mesh, Swing Gate and Pipe Cradle



903.1 Half-height Mesh, Swing Gate and Pipe Cradle

Item	Part No.	Description	Qty.
A	85300GT	PIPE CRADLE ASSY. SERV (ONE)** (ANSI & CE only) (This is a single assembly. Qty 2 of 85300GT required to complete a set)	
--	65630GT	INSTRUCTIONS-PIPE CRADLE,BOOMS	
B	52752-SGT	PLATFORM,1/2 MESH W/GATE,ANSI*	
C	52753-SGT	PLAT.ASSY,6FT,1/2 MESH, CE	
D	73956-SGT	6' HALF MESH PLAT/GATE KIT***	
1	8914GT	SCREW,HHC,1/4-20 X .625	
2	6638GT	WASHER,FLAT,USS,1/4"Y	
3	54932GT	CLAMP,1.25,#20 X 1/4,RUB CUSH	
4	6091GT	NUT,NYLOCK,1/4-20	
5A	101852GT	MESH,HALF,LH 5' PLATFORM.....1 from SN 22738	
5B	54458GT	MESH,HALF,LH,6'PLATFORM.....1 to SN 22737	
6A	101853GT	MESH,HALF,RH 5' PLATFORM.....1 from SN 22738	
6B	54465GT	MESH,HALF,RH,6'PLATFORM.....1 to SN 22737	
7	55753GT	BUMPER, PLASTIC, 1.25 O.D.....8	
8A	52752-SGT	PLATFORM,1/2 MESH W/GATE,ANSI*.....1	
8B	52753-SGT	PLAT.ASSY,6FT,1/2 MESH, CE.....1	
9	54165GT	PLATE,FOOT SWITCH COVER.....1	
10	54457GT	MESH,HALF,SWING GATE***.....1	
11A	128368GT	KIT,SWING GATE W/SPRING.....1	
--	128374GT	WELDMENT,SWING GATE,ALUMINUM	
--	42104GT	SPRING,SHORT PLATFORM GATE	
--	43392GT	BUMPER,BATTERY BOX & RAILS	
11B	119950GT	KIT,FIELD INSTALL,SWING GATE includes 128368, 1487 and 1488	
12	7265GT	RIVET,STEEL,P, .25 X .375	
13	63311GT	SNAP PIN	
14	1487GT	GATE LATCH CASTING--DRILLED	
15	1488GT	RAILING CATCH CASTING--DRILLED	
16	81368GT	WELDMENT,PIPE CRADLE MOUNT....4	
17	1251600GT	U-BOLT, FLATTENED, 1.5 X 3/8 UNC,ZAG.....8	
18	1274322GT	NUT,NYLOCK FLG,3/8-16,F,ZAG.....16	
19	56570GT	STRAP, CONDUIT HOLDER 60"***.....2	
20	1277924GT	NUT,NYLOCK FLG,1/4-20,F,ZAG.....4	
21	824083GT	SCREW,HHF,1/4-20X2.5,8,ZAG.....4	
22	56525GT	WELDMENT, PIPE CRADLE.....2	
23	19018-1100GT	TRIMLOCK,BLACK,5/32".....2	

904.1 Airline to Platform

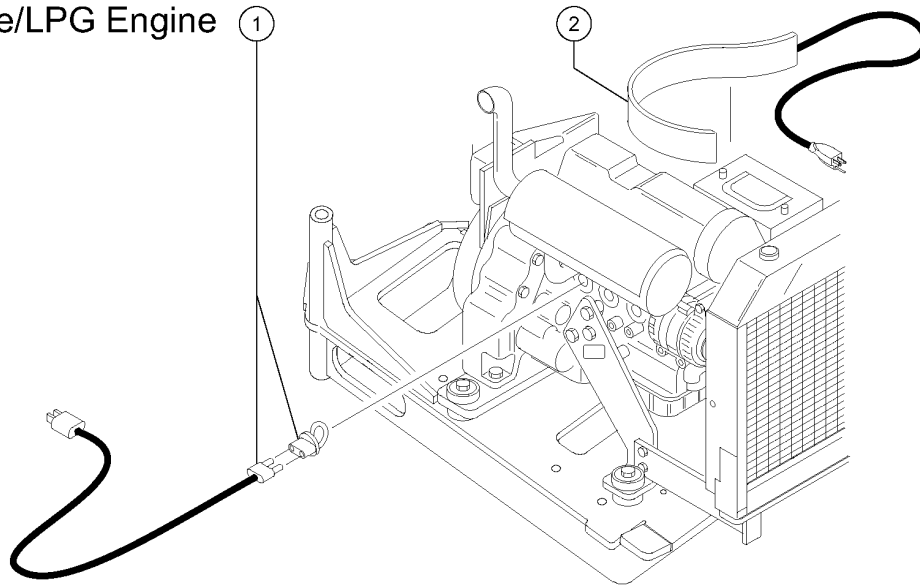


904.1 Airline to Platform

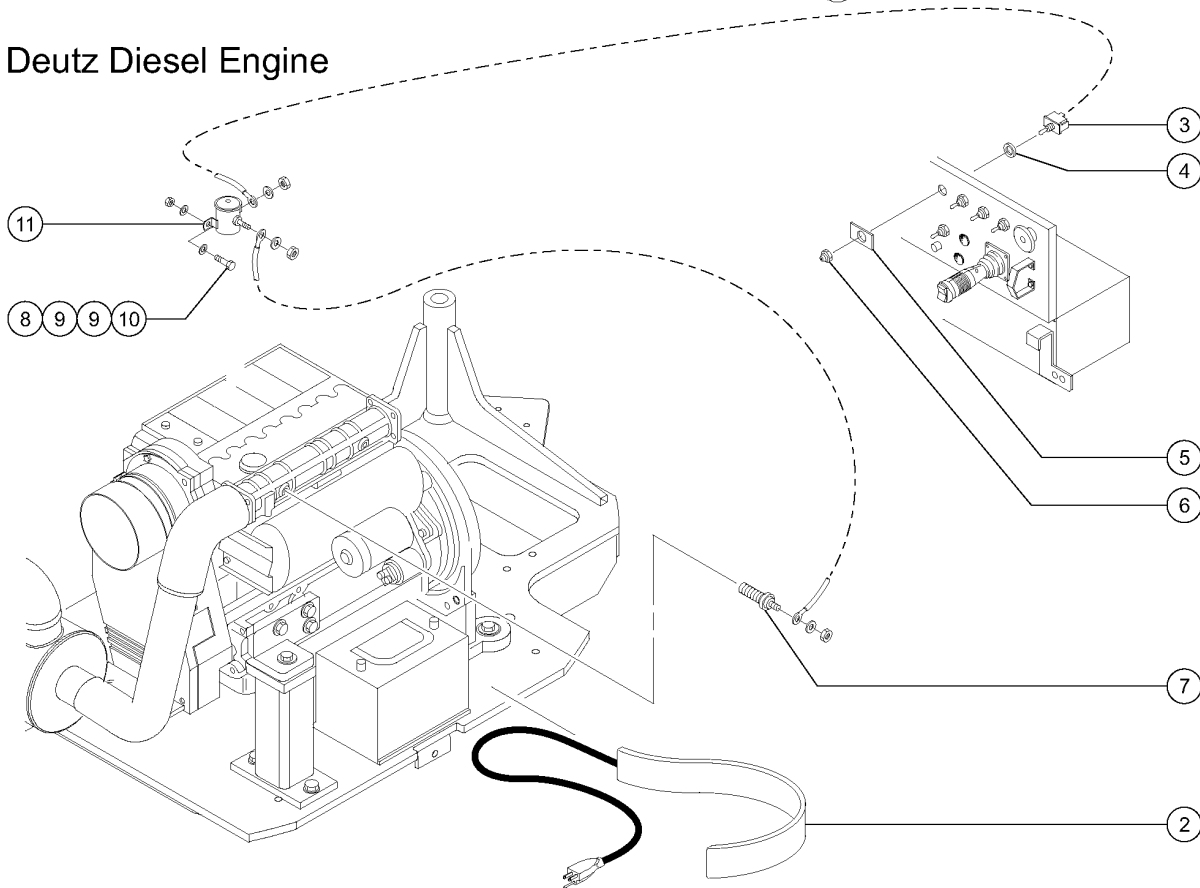
Item	Part No.	Description	Qty.
--	27887GT	OPTION,AIRLINE TO PLATFORM	
1	16073GT	CLAMP,0.63,#10 X 1/4,RUB CUSH.....1	1
1	27890GT	KIT,FITTING,AIRLINE TO PLATFRM.....1	1
2	27900GT	BULKHEAD,FEMALE X 6 X 6.....1	1
3	27895GT	COUPLER,1/4"SERIES 3/8 MPT.....1	1
4	27894GT	PLUG,1/4"SERIES,3/8 MPT.....1	1

905.1 Cold Start Package - Ford and Deutz Engines

Ford Gasoline/LPG Engine



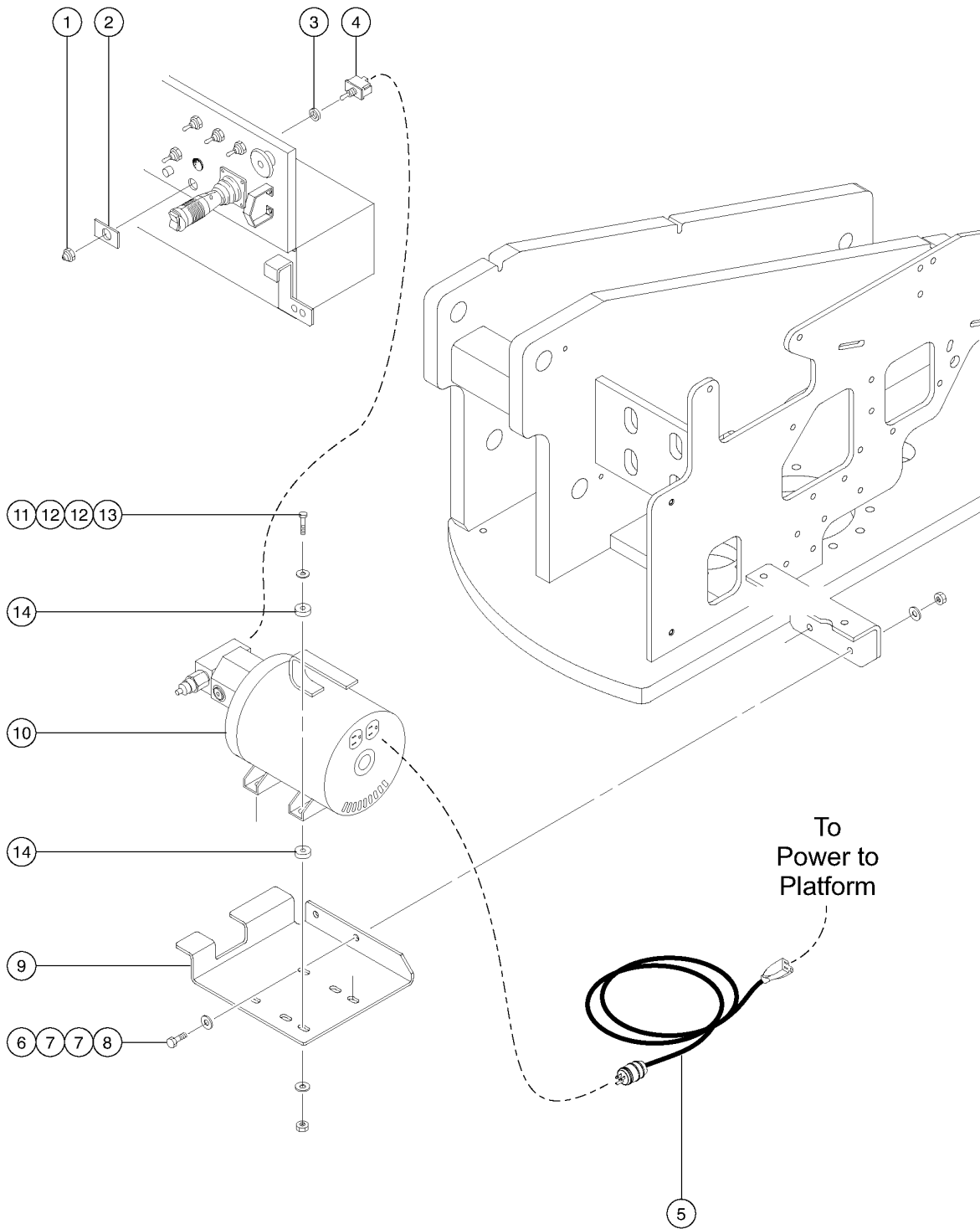
Deutz Diesel Engine



905.1 Cold Start Package - Ford and Deutz Engines

Item	Part No.	Description	Qty.
--	30502-SGT	COLD START PKG,DIESEL	
--	35609GT	COLD START PKG,FORD LRG	
1	35610GT	HEATER,FREEZE PLUG,FORD LRG423.....1 <i>Ford models</i>	
2	28853GT	BLANKET,BATTERY.....1 <i>Ford and Deutz models</i>	
3	13037-SGT	SWITCH,TOGGLE,SPDT,3POS MOMEN*.....1 <i>includes mounting fasteners; Deutz models</i>	
4	54692GT	SPACER,NYLON,.718 X .526 X.219.....1	
5	32726GT	DECAL,OPTION GLOW PLUGS***1 <i>Deutz models</i>	
6	27246GT	BOOT,TOGGLE SWITCH,SHORT*1 <i>Deutz models</i>	
7	31408GT	GLOW PLUG,L1011.....1 <i>Deutz models</i>	
8	6090GT	SCREW,HHC,1/4-20 X .75 <i>Deutz models</i>	
9	6638GT	WASHER,FLAT,USS,1/4*Y <i>Deutz models</i>	
10	6091GT	NUT,NYLOCK,1/4-20 <i>Deutz models</i>	
11	27155GT	SOLENOID,12V CONTINUOUS***1 <i>Deutz models</i>	

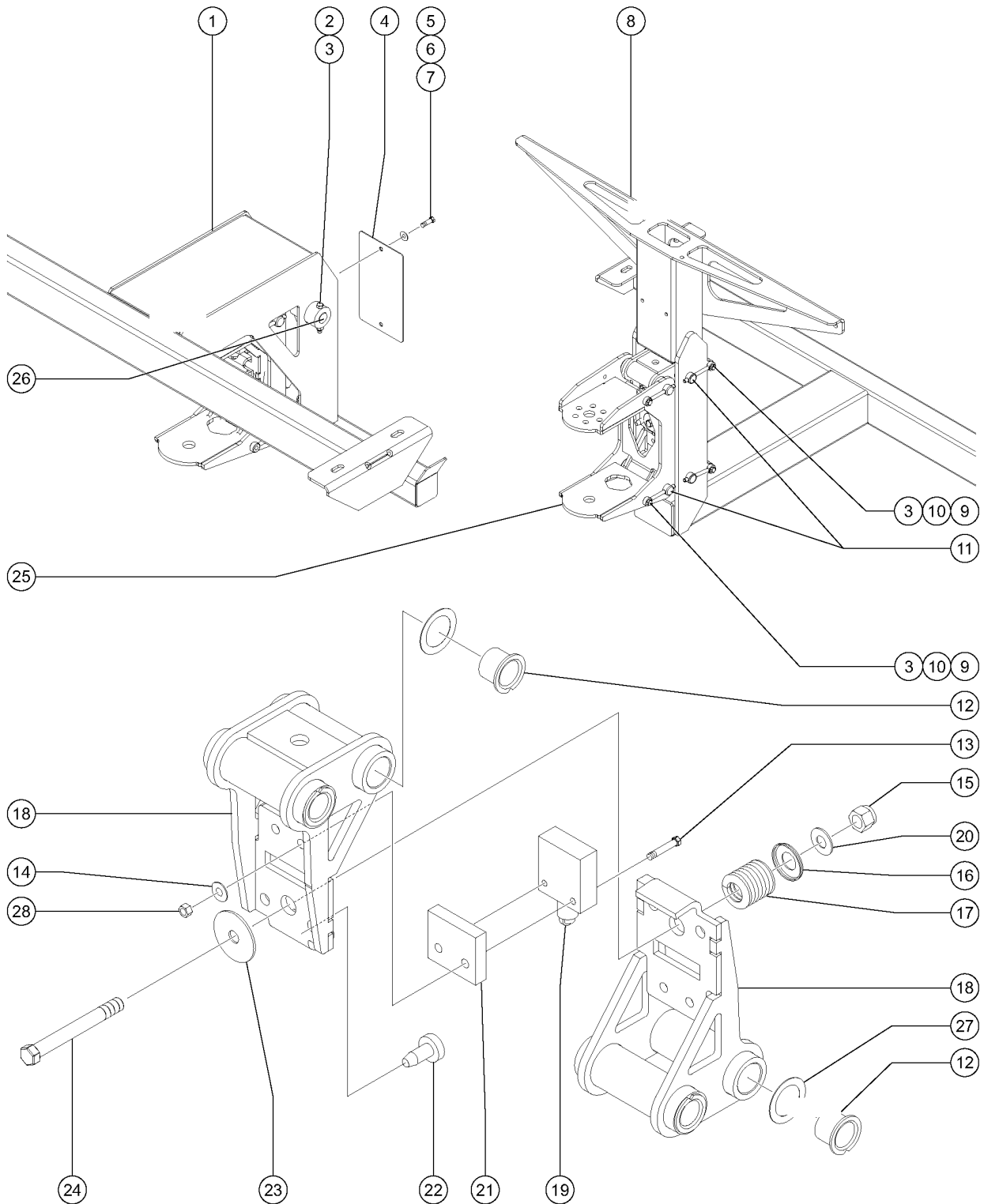
906.1 Generator Option



906.1 Generator Option

Item	Part No.	Description	Qty.
1	27246GT	BOOT,TOGGLE SWITCH,SHORT*.....1	1
2	32728GT	DECAL,OPTION GENERATOR***.....1	1
3	54692GT	SPACER,NYLON,.718 X .526 X.219	
4	56457-SGT	SWITCH,TOGGLE,SPDT,2 POS MAINT.....1 <i>includes mounting fasteners</i>	1
5	119403GT	CONN,PLUG 120 AC/15A DOMESTIC...1	1
5	119404GT	CONN,RECEP 120AC/15A DOMESTIC.....1	1
5	43956-7200GT	WIRE CABLE,14GA/3 CON.TPE JKT.....1	1
5	77247GT	POWER TO PLAT,CORD ASSY.....1	1
6	22788GT	SCREW,HHC,1/2-13 X 1.75	
7	6095GT	WASHER,FLAT,USS,1/2",Y	
8	6198GT	NUT,NYLOCK,1/2-13	
9	54207GT	BRACKET,MOUNTING	
10	110393-SGT	GEN.OPT.FORD,110V/3000W Z45***.....1 <i>includes rubber isolators</i>	1
10	110394-SGT	GEN.OPT.FORD,220V/2500W Z45.....1 <i>includes rubber isolators</i>	1
11	13918GT	SCREW,HHC,3/8-16 X 1.75,GRD.8.....4	4
12	5397GT	WASHER,FLAT,USS,5/16",Y	
13	4828GT	NUT,NYLOCK,3/8-16	
14	84080GT	ISOLATR KIT,RUBBR,2KW GENERATR.....4	4

907.1 Platform Overload Option

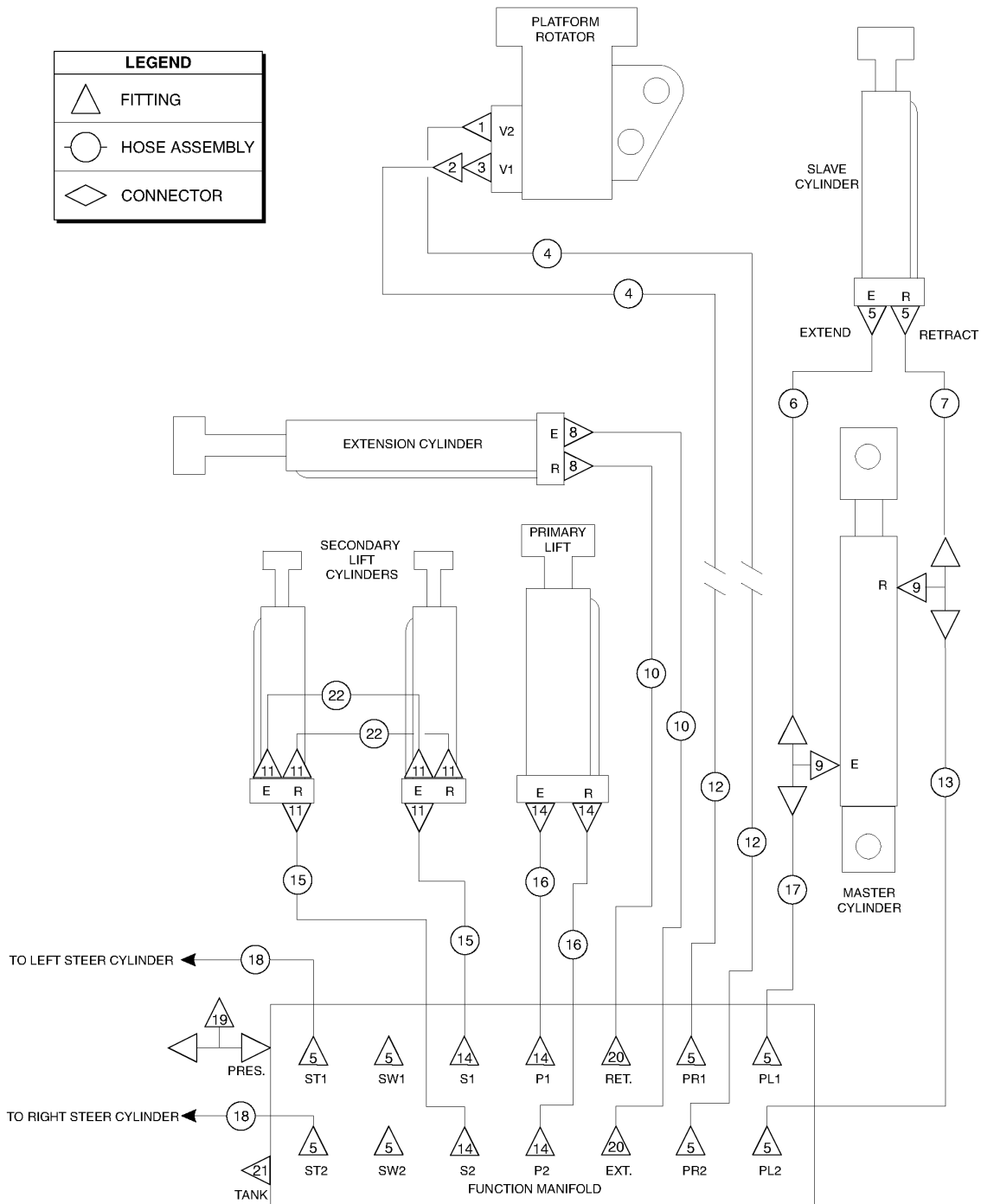


907.1 Platform Overload Option

Item	Part No.	Description	Qty.
--	128045GT	MODULE,LOAD SENSE 2007	
1	98154GT	WELDMENT,PLAT SUPPORT,LS.....1 <i>non-jib models with platform overload option</i>	
--	61998GT	WELDMENT,PLATFORM SUPPORT <i>jib models with platform overload option</i>	
2	4266GT	SCREW,HHC,1/4-20 X 2	
3	6091GT	NUT,NYLOCK,1/4-20	
4	94492PGT	PANEL,ACCESS PAINTED.....1	
5	6090GT	SCREW,HHC,1/4-20 X .75	
6	6638GT	WASHER,FLAT,USS,1/4"Y	
7	56912GT	SPRING CLIP,1/4-20,.025-.15X.54,ZAG	
8	61998GT	WELDMENT,PLATFORM SUPPORT.....1	
9	6888GT	SCREW,HHC,1/4-20 X 1	
10	45748GT	ROD END,.250 X 2.75 LG	
11	61726GT	PIN,0.75DIAX5.75LG,CHAMFER.....4	
--	94643GT	ZERK,GREASE,5/16-24,STRAIT	
12	25685GT	BEARING,GARLOCK,12FDU12.....8	
13	73634GT	SCREW,PHIL,PHM,10-24X1.5 ZINC	
14	6146GT	WASHER,FLAT,MS,#10,Y	
15	4828GT	NUT,NYLOCK,3/8-16	
16	61975GT	RETAINER,SPRING,1.21 X .375.....1	
17	61974GT	SPRING,COMP,1" OD,232 LB/IN.....1	
18	101512GT	LOAD SUPPORT WITH BEARINGS.....2 <i>includes item 12</i>	
19	94549GT	SWITCH,LOAD LIMIT.....1	
19	94642GT	SWITCH,LOAD LIMIT	
20	6097GT	WASHER,FLAT,USS,3/8",Y	
21	61972GT	MOUNT,SWITCH.....1	
22	34619GT	BUMPER,RUBBER***.....1	
23	15086GT	WASHER,FLAT,.375 X 1.5 X .125	
24	21604GT	SCREW,HHC,3/8-16 X 3.25	
25	61987GT	WELDMENT,ROTATOR MOUNT.....1	
26	99174GT	PIN,0.75DIAX8.75LG,CHAMFER.....2	
--	94643GT	ZERK,GREASE,5/16-24,STRAIT	
27	110789GT	WASHER,SHIM .0151 THK.....as needed	
28	5365GT	NUT,NYLOCK,10-24	

908.1 Boom Hydraulic Hoses and Fittings, Arctic Hose Option

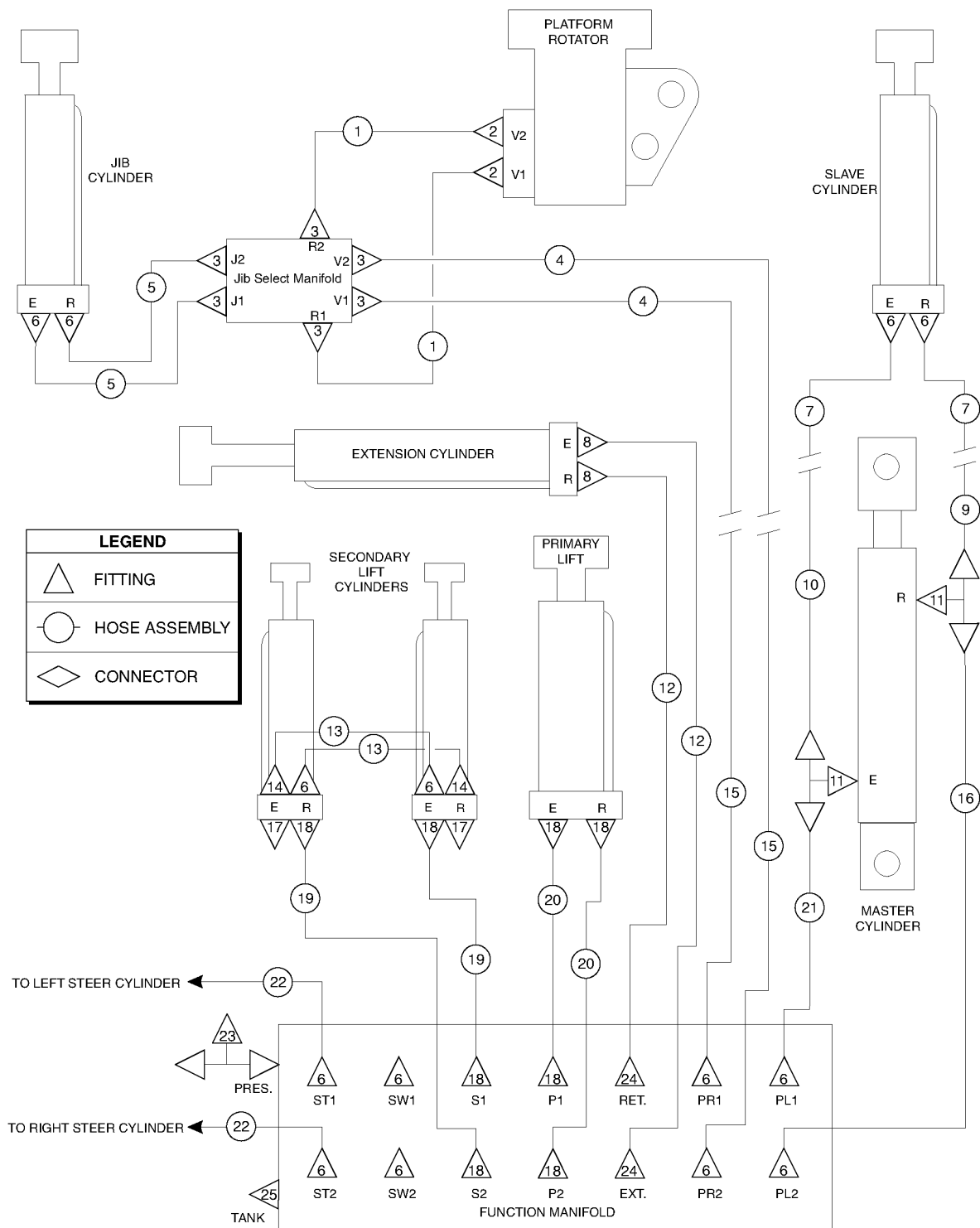
LEGEND	
	FITTING
	HOSE ASSEMBLY
	CONNECTOR



908.1 Boom Hydraulic Hoses and Fittings, Arctic Hose Option

Item	Part No.	Description	Qty.
--	49612GT	O-RING KIT (ORFS FITTINGS)	
--	49613GT	PLUG AND CAP KIT-SERVICE,ORFS*	
1	48907GT	ELBOW,45D,520320-4.....	1
2	54132GT	ELBOW,SWIVEL 90D, 520221-4.....	1
3	48904GT	ELBOW,90D,520220-4-4.....	1
4	102233-2588 GT	HOSE ASSY 1/4,STR FEM,STR MALE..	2
5	48912GT	CONN,520120-4-6***.....	10
6	101792-2647 GT	HOSE ASSY,1/4,STR FEM,STR FEM....	1
7	101792-2797 GT	HOSE ASSY,1/4,STR FEM,STR FEM....	1
8	48917GT	CONN,LONG,520122-6.....	2
9	48890GT	FITTING,TEE,BRANCH,520429-4***	2
10	102261-3531 GT	HOSE ASSY,1/4 STR FEM,STR FEM....	2
11	48905GT	CONN,520120-4***.....	6
12	101792-3937 GT	HOSE ASSY,1/4.STR FEM,STR FEM....	2
13	101792-3617 GT	HOSE ASSY,1/4.STR FEM,STR FEM....	1
14	48916GT	CONN, 520120-6.....	6
15	101792-1617 GT	HOSE ASSY,1/4,STR FEM,STR FEM....	2
16	101792-3857 GT	HOSE ASSY,1/4.STR FEM,STR FEM....	2
17	101792-3767 GT	HOSE ASSY,1/4,STR FEM,STR FEM....	1
18	49117-14391GT	HOSE ASSY,1/4,90 FEM,STR FEM.....	2
19	48935GT	TEE,RUN,520428-8.....	1
20	48930GT	CONN,520120-6-8.....	2
21	48933GT	CONN,520120-8***.....	1
22	49119-2278GT	HOSE ASSY,1/4,STR FEM,STR FEM....	2

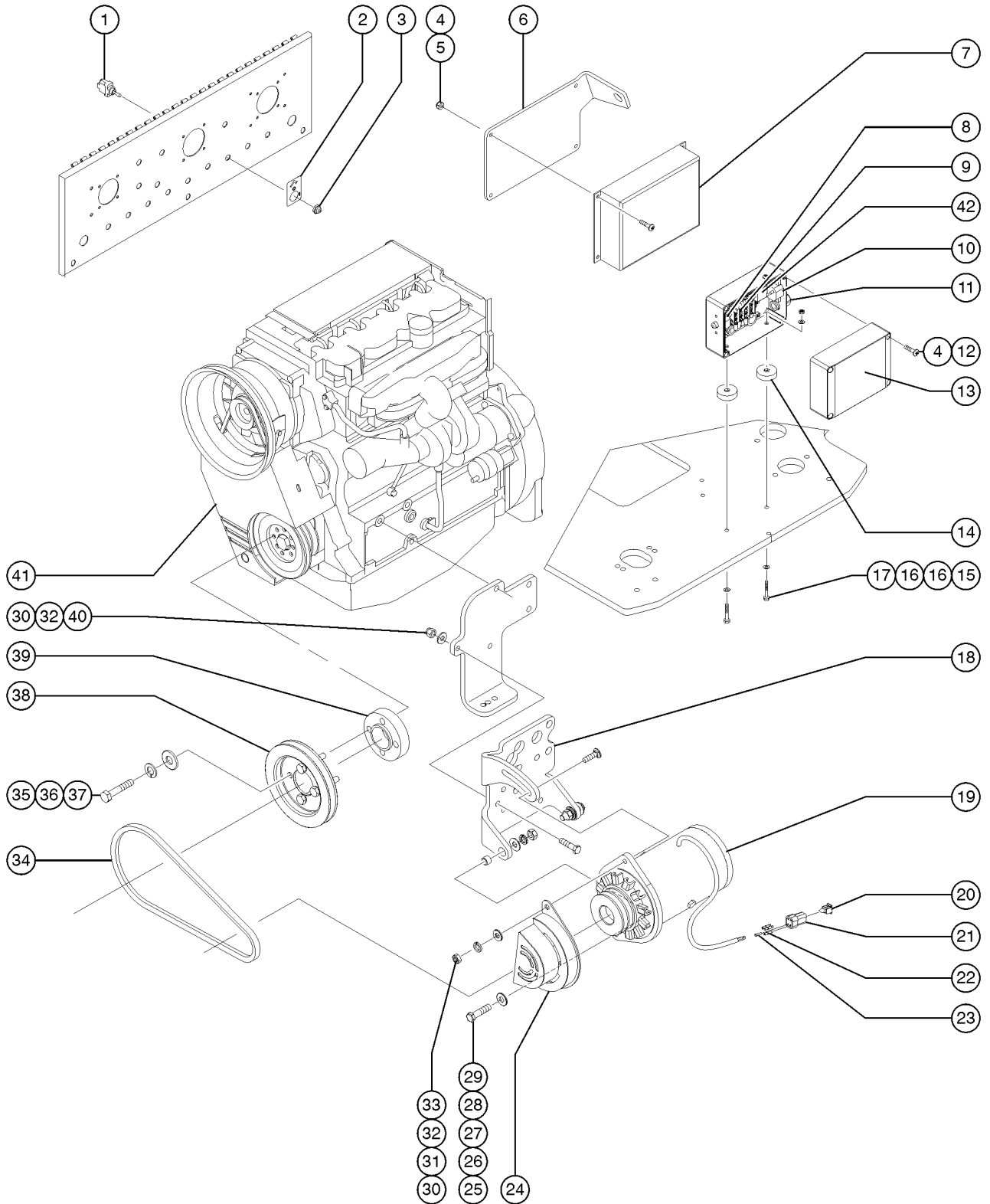
909.1 Boom Hydraulic Hoses and Fittings, Arctic Hose Option



909.1 Boom Hydraulic Hoses and Fittings, Arctic Hose Option

Item	Part No.	Description	Qty.
--	49612GT	O-RING KIT (ORFS FITTINGS)	
--	49613GT	PLUG AND CAP KIT-SERVICE,ORFS*	
1	101792-2178GT	HOSE ASSY,1/4,STR FEM,STR FEM.....2	
2	48904GT	ELBOW,90D,520220-4-4.....2	
3	48905GT	CONN,520120-4***.....6	
4	102233-2778GT	HOSE ASSY 1/4,STR FEM,STR MALE..2	
5	101792-5378GT	HOSE ASSY,1/4,STR FEM,STR FEM	
6	48912GT	CONN,520120-4-6***.....14	
7	102233-2088GT	HOSE ASSY 1/4,STR FEM,STR MALE..2	
8	48917GT	CONN,LONG,520122-6.....2	
9	101792-23478GT	HOSE ASSY,1/4,STR FEM,STR FEM.....1	
10	101792-21978GT	HOSE ASSY,1/4,STR FEM,STR FEM.....1	
11	48919GT	TEE,BRANCH,520429-6.....2	
12	102261-35381GT	HOSE ASSY,1/4 STR FEM,STR FEM.....2	
13	101792-2278GT	Hose Assembly - Components: Genie part numbers 48800, 48800 and 101697 @ 20 inches.....2	
14	48918GT	TEE,RUN,520428-6.....2	
15	101792-39378GT	HOSE ASSY,1/4.STR FEM,STR FEM.....2	
16	101792-36178GT	HOSE ASSY,1/4.STR FEM,STR FEM.....1	
17	48923GT	PLUG,090109A-6.....2	
18	48916GT	CONN, 520120-6.....8	
19	101792-16178GT	HOSE ASSY,1/4,STR FEM,STR FEM.....2	
20	101792-38578GT	HOSE ASSY,1/4.STR FEM,STR FEM.....2	
21	101792-37678GT	HOSE ASSY,1/4,STR FEM,STR FEM.....1	
22	49117-14391GT	HOSE ASSY,1/4,90 FEM,STR FEM.....2	
23	48935GT	TEE,RUN,520428-8.....1	
24	48930GT	CONN,520120-6-8.....2	
25	48933GT	CONN,520120-8***.....1	

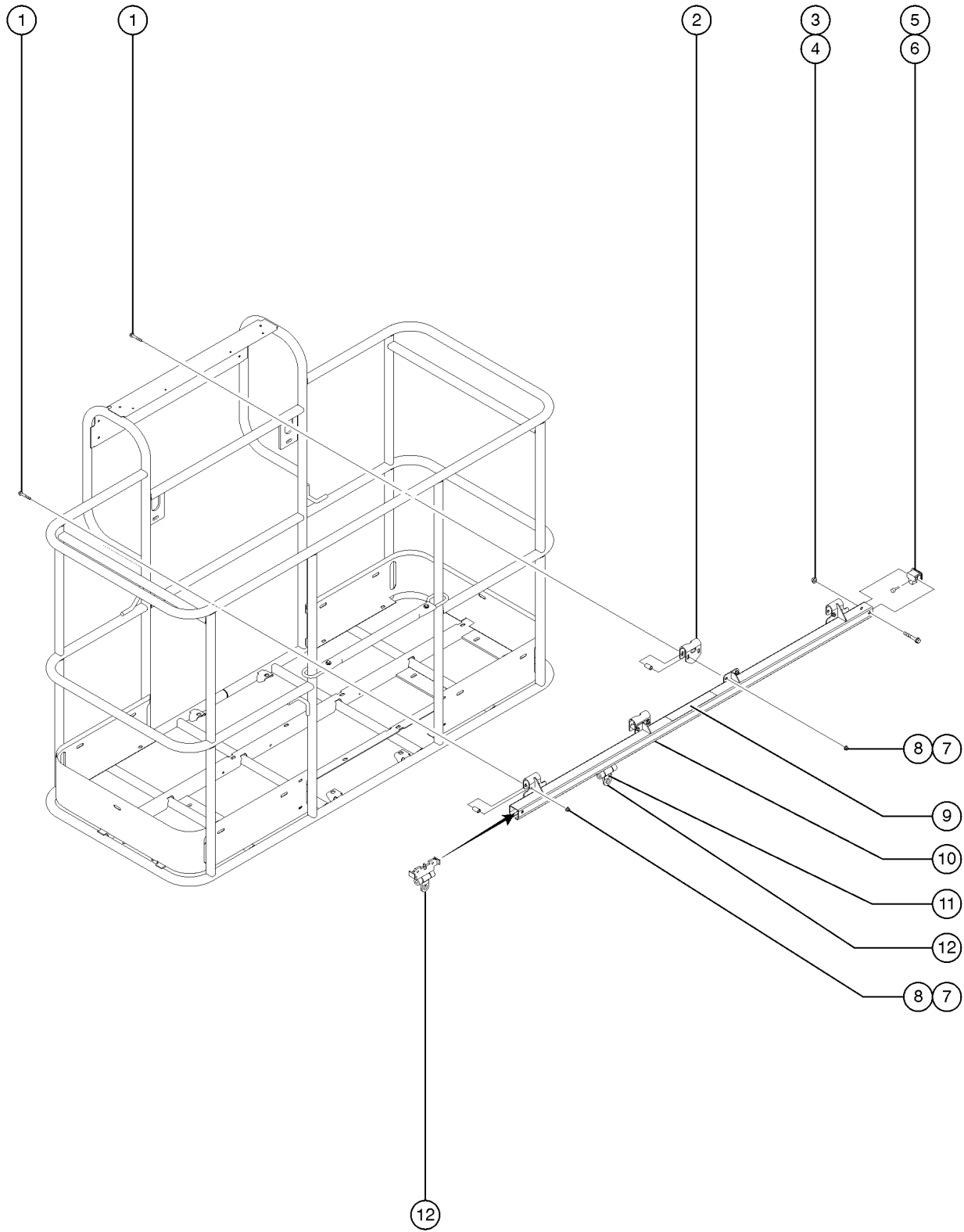
910.1 Belt Driven Generator - Diesel Models



910.1 Belt Driven Generator - Diesel Models

Item	Part No.	Description	Qty.	Item	Part No.	Description	Qty.
--	101939GT	HARNESS, BD GEN.110V/60HZ Z45P		31	6021GT	WASHER,LOCK,.375	
--	106030GT	HARNESS, BD GEN.110V/60HZ Z45D		32	5397GT	WASHER,FLAT,USS,5/16",Y	
--	106565GT	HARNESS, BD GEN.220V/50HZ Z45P		33	60790GT	BOLT, CARRIAGE, 3/8-16 X 1.50, G5	
--	106566GT	HARNESS, BD GEN.220V/50HZ Z45D		34	106535GT	BELT,AX33***.....1	
1	128204GT	SWITCH TOGGLE ASSY SPDT 2P MNT.....1		35	25927GT	SCREW,HHC,M10 X 55MM,GRD 8.8	
2	32728GT	DECAL,OPTION GENERATOR***.....1		36	22700GT	WASHER,LOCK,M10	
3	27246GT	BOOT,TOGGLE SWITCH,SHORT*.....1		37	22699GT	WASHER,FLAT,M10,ZINC PLTD.	
4	6178GT	NUT,NYLOCK,10-32		38	70389GT	PULLEY,DEUTZ.....1	
5	49826GT	SCREW,PHILLIPS,PHM,10-32 X.625		39	81069GT	SPACER,PULLEY,DEUTZ GEN.....1	
6	70648PGT	BRACKET,GEN.REGULATOR MT PAINT.....1		40	13918GT	SCREW,HHC,3/8-16 X 1.75,GRD.8.....2	
7	60738GT	VOLTAGE REGULATOR,110V.....1		41	106740GT	COVER,REWORK,DEUTZ GENERATOR.....1	
7	60739GT	VOLTAGE REGULATOR,220V					
8	60887GT	CIRCUIT BREAKER, 30 AMP.....1					
9	69776GT	TERMINAL,STRIP,4-POLE,600V***.....1					
10	61195GT	CIRCUIT BREAKER, 12.5 AMP.....1					
11	7056GT	CONN,SQUEEZE,1/2NPT .38-.50,SM....1					
12	75041GT	SCREW,PHILLIPS,PHM,10-32 X 1					
13	8425GT	ENCLOSURE,FG ELEC.,STOCK,7X5X4.....1					
14	56093GT	WEAR PAD ROUND.....2					
15	6637GT	SCREW,HHC,1/4-20 X 1.75					
16	6638GT	WASHER,FLAT,USS,1/4"Y					
17	6889GT	NUT,LP NYLOCK,1/4-20					
18	119533PGT	FORMING,GENERATOR MOUNT,PTD.....1					
19A	60707GT	GENERATOR,3500W,120V,60HZ**1					
--	146062GT	PULLY,GNRTR,120V,60HZ(60707) for 60707 generator					
19B	89908GT	GENERATOR,3000W,220V,50HZ***					
--	102681GT	PULLY, GNRTR,220V,50HZ(89908) for 89908 generator					
20	60528GT	LOCK,PLUG 4 WAY,12-14GA.....1					
21	60527GT	CONN,PLUG 4 WAY,12-14GA.....1					
22	73712GT	TERM,SOCKET,DEUTSCH,12-14GA....3					
23	60757GT	PLUG,SEAL,12-18 GA.....1					
24	106531GT	WELDMENT,GENERATOR FAN GUARD.....1					
25	128364GT	SCREW, HHC, 7/16-14 X 2, GR 5					
26	45400GT	SPACER TUBE,.50 LG.....1					
27	6097GT	WASHER,FLAT,USS,3/8",Y					
28	20912GT	WASHER,LOCK,.437,PLTD.					
29	11210GT	NUT,NYLOCK,7/16-14					
30	4828GT	NUT,NYLOCK,3/8-16					

911.1 Fall Arrest Bar



911.1 Fall Arrest Bar

Item	Part No.	Description	Qty.
1	1256856GT	SCREW,HHF,3/8-16X2.5,8,ZAG.....	4
2	1256389GT	FORMING,INNER HANGER.....	2
3	1251997GT	NUT,TL FLG,1/2-13,G,ZAG.....	2
4	1256851GT	SCREW,HHF,1/2-13X3.5,8,ZAG.....	2
5	1260892GT	END STOP,TRACK,FALL ARREST BAR.....	2
6	36388GT	BUMPER,RUBBER,.75 X .50H,STUD....	2
7	1274322GT	NUT,NYLOCK FLG,3/8-16,F,ZAG.....	8
8	1256481GT	SPACER, HANGER BRACKET.....	8
9A	1256400GT	DECAL,TRACK,FALL ARREST BAR,WORD.....	1
9B	1260910GT	DECAL,TRACK,FALL ARREST BAR,SYMBOL.....	1
9C	1256400FRGT	DECAL,TRACK,FALL ARREST BAR,WORD FR.....	1
10A	1256378GT	ACC,FALL ARREST BAR,6FT WORD..... <i>includes instructions and decals</i>	1
--	1256380GT	ASSY,TRACK,FALL ARREST BAR,6FT WORD <i>includes decals</i>	
10B	1261023GT	ACC,FALL ARREST BAR,6FT SYM..... <i>includes instructions and decals</i>	1
--	1261025GT	ASSY,TRACK,FALL ARREST BAR,6FT SYM <i>includes decals</i>	
10C	1261019GT	ACC,FALL ARREST BAR,6FT FR..... <i>includes instructions and decals</i>	1
--	1261021GT	ASSY,TRACK,FALL ARREST BAR,6FT FR <i>includes decals</i>	
11	40434GT	DECAL,LANYARD ANCHORAGE POINT.....	1
12	1256439GT	TROLLEY, TRACK, FALL ARREST BAR.....	1

Part Number Index

The Part Number Index is a numeric index of all part numbers included in this manual. The index shows what page(s) the part is used on.

Part Number	Page	Part Number	Page	Part Number	Page	Part Number	Page
101005GT	109–110, 117	102233-25688GT	171	110304GT	55, 61, 77, 81	1263056GT	89
101005HGT	109–110, 117	102233-27788GT	173	110345GT	37	1263057GT	89
101006GT	65	102261-35381GT	171, 173	110382GT	83	1264947GT	51, 83
101010GT	45	102588GT	69	110388GT	109–110	1267746GT	107
101043GT	47	102681GT	175	110393-SGT	167	1267747GT	107
101044GT	79	102785PGT	159	110394-SGT	167	1267780GT	25–28
101055GT	129	102992GT	107	110531GT	101	1267782GT	25–28
101063GT	55	104759GT	131	110712GT	21–22, 25–28	1267807GT	55, 65
101064PGT	55	104804GT	107	110713GT	21–22, 25–28	1268229GT	55, 65
101080GT	51, 113	10587GT	87	110718GT	21–22, 25–28	1269501GT	115, 117
101118PGT	55	10597GT	25–28, 37	110719GT	21–22, 25–28	1272303GT	105
101119PGT	59	10598GT	69	110789GT	169	1272307GT	107
101121PGT	55	106030GT	175	111526GT	159	1274322GT	161, 177
101122PGT	59	106065GT	37	111634GT	55, 57	1274858GT	105
101123PGT	59	106069GT	47	111668GT	69	1275395GT	105
101124GT	55	106098GT	27–28	11210GT	175	1275396GT	105
101126PGT	55	106117GT	27–28	114246GT	113	1275398GT	105
101127PGT	55	106118GT	27–28	115431GT	73	1275399GT	105
101128PGT	55	106119GT	26–28	119055GT	37, 57	1277924GT	161
101129PGT	69	106120GT	26–28	119058GT	107	1277991GT	55, 57
101130PGT	65	106121GT	26–28	119203GT	53	1279268GT	59, 61, 81
101137PGT	65	106122GT	26–28	119210GT	25–28	128022GT	71, 77
101138PGT	69	106123GT	26–28	119344GT	69	128045GT	169
101140P-SGT	69	106124GT	27–28	119403GT	167	128061GT	71, 77
101151PGT	55	106125GT	27–28	119404GT	167	128200GT	41–42, 109–110
101174GT	109–110, 115	106126GT	27–28	119533PGT	175	128201GT	41–42, 109–110
101174HGT	109–110, 115	106144GT	53	119534GT	113	128202GT	41–42, 109–110
101175GT	109–110, 115	106148GT	26–28	119536PGT	103	128204GT	109–110, 113, 175
101175HGT	109–110, 115	106150GT	27–28	119542GT	103	128205GT	41–42
101277GT	129	106151GT	27–28	119611GT	51	128364GT	175
101294GT	133	106178GT	55	119612GT	51	128368GT	161
101295GT	59	106197PGT	59	119613GT	109–110, 115	128374GT	161
101512GT	169	106271PGT	55	119628GT	47	128423GT	133
101573GT	47	106279GT	35, 51	119641GT	113	128446GT	35
101574GT	49	106403GT	27–28	119795GT	159	128454PGT	103
101576PGT	39	106485GT	55	119798GT	37	128482GT	103
101577PGT	39	106486GT	55	119802GT	83	128483GT	103
101584GT	26–28	106487GT	55, 59	119803GT	83	128495GT	110
101587GT	27–28	106526GT	97	119867GT	51	128510GT	103
101590GT	119	106531GT	175	119915GT	115, 117	128513GT	103
101593PGT	55	106535GT	175	119950GT	161	128534GT	103
101726GT	37	106540GT	99	12011GT	93, 95	1285505GT	133
101727GT	37	106565GT	175	120269GT	22	1285506GT	133
101729GT	59, 65, 69, 73, 77	106566GT	175	122019GT	157	128578GT	41–42, 109–110
101730GT	59, 65, 69, 73, 77	106581GT	95, 99	122125GT	51, 109–110	128579GT	110
101773PGT	73	106585GT	95	12343GT	45	128580-SGT	41–42, 109–110
101792-16178GT	171, 173	106589GT	99	12344GT	113	128581-SGT	41–42, 109–110
101792-2178GT	173	106605GT	59	1251600GT	161	128582-SGT	41–42, 110
101792-21978GT	173	106663GT	77	1251997GT	177	128584-SGT	109–110
101792-2278GT	173	106676GT	47	1252943GT	77	128585GT	41–42
101792-23478GT	173	106740GT	175	1254826GT	63	1286600GT	26–28
101792-26478GT	171	106804PGT	95	1255452GT	17, 89	1286601GT	26–28
101792-27978GT	171	106807PGT	47	1255653GT	63, 69	1286602GT	27–28
101792-36178GT	171, 173	106835GT	133	1256267GT	85, 89	1286603GT	27–28
101792-37678GT	171, 173	106836GT	133	1256378GT	177	1286606GT	21–22, 26–28
101792-38578GT	171, 173	106837GT	133	1256380GT	177	1286607GT	21–22
101792-39378GT	171, 173	107595GT	97	1256389GT	177	128724GT	103
101792-5378GT	173	107727GT	85	1256400FRGT	177	128839GT	26–28
101815GT	35	10775GT	110	1256400GT	177	1288561GT	69
101844GT	41–42	10777GT	110	1256439GT	177	128903GT	59
101849GT	51	107807GT	61, 67, 69, 77, 81, 83	1256460GT	107	129021GT	129
101852GT	161			1256481GT	177	12906GT	47, 49
101853GT	161	107813GT	133	1256670GT	131	13000GT	39, 59
101886GT	51	107814GT	133	1256851GT	177	13002GT	57, 101, 159
101887GT	51	107815GT	133	1256855GT	107	13014GT	61, 73, 77, 81
101909GT	65	107842GT	133	1256856GT	177	13037-SGT	165
101911GT	65	107858GT	159	1259054GT	53, 55	13064GT	22, 27–28, 35, 67
101912GT	65	107871GT	47	1260218GT	51	13066GT	28, 63, 133
101939GT	175	107872GT	47	1260892GT	177	13268GT	37
101948GT	85	107889GT	37	1260910GT	177	13585GT	110
101998GT	59	107896GT	87	1261019GT	177	13852GT	97, 99
101999PGT	59	107901GT	95, 99	1261021GT	177	139099GT	155
102119GT	57, 59	110185GT	25–28	1261023GT	177	13918GT	91, 167, 175
102158GT	28	110194GT	119, 121–122	1261025GT	177	139391GT	121–122
102233-2088GT	173	110200GT	122, 125–126	1262633GT	89		

Part Number	Page	Part Number	Page	Part Number	Page	Part Number	Page
139508GT	121-122	20224GT	119, 121-122,	27155GT	165	30810GT	53
139509GT	121-122		125-126	27204GT	12, 15	30971GT	53, 57, 67, 71
139510GT	121-122	20262GT	107	27205GT	12, 15	30997GT	45
139511GT	122	20912GT	175	27206GT	12, 15	31060GT	11-12
139512GT	121-122	21019GT	55, 73, 77	27207GT	12, 15	31100GT	125-126
139513GT	121-122	21130GT	31, 33, 63, 69, 79	27211-0250GT	53	31406GT	121-122
139514GT	121-122	21141GT	37	27246GT	41-42, 109-110,	31408GT	165
139515GT	121-122	21143GT	21-22, 26-28		165, 167, 175	31523GT	67, 69
139516GT	121-122	21144GT	21-22, 26-28	27287GT	113	32309GT	53
139517GT	121-122	21145GT	21-22, 26-28	27377GT	47	32611GT	133
139518GT	122	21146GT	21-22, 26-28	27497GT	99	32675GT	21-22
139519GT	122	21148GT	21-22, 26-28	27506GT	83	32681GT	31, 33
139520GT	122	21149GT	21-22, 26-28	27564GT	11-12	32695GT	63, 65
139521GT	122	21166GT	22	27586GT	37	32698GT	67, 69
139522GT	122	21175GT	35	27759GT	126	32726GT	165
139523GT	122	21465GT	49	27802GT	125-126	32728GT	12, 15, 167, 175
139524GT	122	21496GT	31, 33, 63, 79	27804GT	125-126	32975GT	125-126
139525GT	122	21577GT	27-28	27807GT	125-126	33024GT	57, 63, 69
139526GT	122	21604GT	169	27836GT	119, 122	33239GT	67, 69
139527GT	122	216791GT	45	27887GT	163	33277GT	71, 73
139595GT	69	216793GT	45	27890GT	163	33278GT	97, 101
139596GT	69	217046GT	45	27894GT	163	33361GT	55
139598GT	115, 117	218180GT	113	27895GT	163	33418GT	67
139624GT	67, 69	219437GT	59, 61, 71, 81	27900GT	163	33432GT	21-22
139666GT	67, 69	21982GT	41-42	27915GT	65, 67, 71, 77	33521GT	122
139709GT	65, 67	220255GT	35	27916GT	65, 67, 71, 77	33550GT	15
14033GT	25-28, 31, 33, 39	22558GT	65, 69	27943GT	61, 81	33556GT	47
146051GT	27-28	22578GT	63, 69	28076GT	67	33724GT	110
146052GT	27-28	226393GT	157	28117GT	22, 27-28	33729GT	63
146062GT	175	22672GT	53, 59	28158GT	11-12, 15	33952GT	11-12
147094GT	41-42	22699GT	71, 77, 79, 81,	28159GT	11-12, 15	33957GT	53
147121GT	107		175	28160GT	11-12, 15	33960GT	53, 59
147210GT	35	22700GT	57, 61, 63, 69,	28161GT	11-12	33963GT	53
147211GT	35		175	28164GT	11-12	33964GT	53
147212GT	35	22736GT	71, 77, 79, 81	28165GT	11-12	33966GT	53
147223GT	37	227617GT	107	28171GT	11-12, 15	33968GT	53
147283GT	99	22788GT	22, 57, 71, 133,	28174GT	11-12, 15	33970GT	53, 55
147284GT	89		167	28175GT	11-12	33972GT	53
147348GT	73	227988GT	55, 57	28176GT	11-12	33988GT	57, 63, 133
147349GT	73	22811GT	28	28177GT	11-12	34052GT	45
147350GT	73	228457GT	73, 75	28181GT	12	34053GT	45
147351GT	73	228468GT	107	28235GT	11-12, 15	34054GT	45
147352GT	73	229798GT	19	28236GT	11-12	34055GT	45
147353GT	73	23057GT	53, 61, 71, 73, 81	28301GT	47	34059GT	63
147355GT	73, 75	232486GT	27-28	28322GT	159	34125GT	91
147369GT	97, 99	233715GT	99	28323GT	159	34162-800GT	57, 71, 73
147419GT	37, 151	233716GT	97	28328GT	159	34245GT	99
147661GT	113	233745GT	97, 99	28329GT	159	34265GT	67
1487GT	161	23404GT	28, 45	28647GT	53, 55	34276GT	89
1488GT	161	235473GT	113	28656GT	53, 55	34321-SGT	159
150103GT	91, 97, 99	236426GT	77	28717GT	57	34619GT	65, 159, 169
15086GT	59, 61, 81, 169	236812GT	113	28807GT	159	35586GT	67, 69
15243GT	42	24037GT	61, 79, 81	28853GT	165	35609GT	165
16073GT	163	24038GT	59, 61, 77, 81	29080GT	91	35610GT	165
160809GT	105	24040GT	59, 61, 65, 69,	29555GT	67	35675GT	99
161541GT	105		73, 77	29557GT	63	35956GT	159
161542GT	105	24165GT	57	29559GT	63	35960GT	159
162235GT	11-12	24514GT	107	29560GT	63, 69	36198GT	17
162343GT	11-12	25068GT	35	29606GT	57, 59	36203GT	57
16584GT	63, 65, 81	25548GT	57	29616GT	57, 59	36208GT	53
17712GT	49	25571P-SGT	57	29739GT	133	36294GT	97, 101
18503GT	57, 59, 71, 77	25625GT	69	29749GT	71, 77	36388GT	177
18504GT	83, 93, 95	25683GT	17, 97, 99	29883GT	27-28	36872GT	55, 65, 83
18506GT	61, 81	25685GT	169	30080GT	11-12	37002GT	57
18596GT	17, 19, 25-28	25817GT	17, 19, 61, 67,	30138GT	91	37003GT	63, 69
18963GT	157		69, 77, 81, 83	30219GT	97	37017GT	57
19018-1100GT	161	25926GT	59	30221GT	85	37033GT	63
19207GT	125-126	25927GT	175	30222GT	99	37097GT	21-22, 26-28
19274GT	51, 113	25929GT	71	30255GT	91, 99	37505GT	67, 73, 77, 79, 81
19418GT	27-28	25994GT	11-12	30370GT	89	37947GT	41-42
19440GT	17, 19	27010GT	57	30438GT	63, 65	37950GT	65, 67
19491GT	35, 91	27034GT	61	30468GT	159	38113GT	27-28
19506GT	41-42	27067GT	27-28, 133	30502-SGT	165	38620GT	91
19859GT	57	27089GT	49	30785-500GT	33	38922GT	55, 57
20193GT	21-22	27126GT	83	30785-600GT	31	39346GT	129
		27142GT	57	30806GT	63	39478GT	37

Part Number Index (continued)

Part Number	Page	Part Number	Page	Part Number	Page	Part Number	Page
40412GT	125–126	48906GT	135, 137, 139,	49117-3291GT	141	49826GT	45, 175
40434GT	11–12, 15, 177		141, 143, 145	49117-3791GT	147	49859GT	135, 137, 139,
42104GT	161	48907GT	119, 135, 137,	49117-4291GT	139		141
42360GT	28		139, 141, 149,	49117-4391GT	135, 143	49863GT	63, 99, 101
42439GT	83		153, 171	49117-5091GT	135, 137, 143,	49881GT	53
42502GT	91	48908GT	137, 141, 145		145	49898GT	53, 59
42646GT	45	48911GT	137, 145, 147	49117-5191GT	139	49915GT	65, 67
4266GT	31, 33, 87, 159,	48912GT	135, 139, 141,	49117-5291GT	141	49917GT	63
	169		143, 147, 151,	49117-5891GT	135, 143, 145	49919GT	63
43018GT	99, 131		153, 155, 171,	49117-6091GT	137	49921GT	63
43181GT	51		173	49119-16178GT	153, 155	49923GT	63
43392GT	107, 161	48914GT	147	49119-2078GT	139, 141	49924GT	63, 69
43595GT	11–12	48916GT	149, 151, 153,	49119-21978GT	155	49929GT	63
43597GT	119		155, 171, 173	49119-2278GT	153, 171	50028PGT	22, 37
43599GT	122	48917GT	153, 155, 171,	49119-23478GT	155	50266GT	87
43601GT	126		173	49119-26478GT	153	50294GT	105
43663GT	11–12	48918GT	155, 173	49119-27978GT	153	50315GT	91
43683GT	57, 63, 133	48919GT	155, 173	49119-3078GT	135, 137, 143,	50328-SGT	17, 19
43956-7200GT	167	48922GT	149		145	50411GT	35
43956GT	51	48923GT	155, 173	49119-36178GT	153, 155	50416PGT	37
43960GT	87, 107	48930GT	143, 145, 151,	49119-37678GT	153, 155	50437PGT	61
44064GT	63, 79, 81		153, 155, 171,	49119-3778GT	141, 155	50446GT	57
44168GT	129		173	49119-38578GT	153, 155	50451GT	93, 95
44174GT	131	48932GT	119, 135, 137,	49119-39378GT	153, 155	50452GT	93, 95
44216GT	129		139, 141, 147,	49119-5078GT	145, 149, 151	50455GT	85
44228GT	129		149, 151	49119-5178GT	149	50460GT	85
44235GT	129	48933GT	119, 121–122,	49119-5378GT	137, 155	50466-SGT	99
44981GT	11–12, 15		135, 137, 139,	49119-5878GT	151	50469GT	35
44986GT	11–12		141, 143, 145,	49120-35381GT	153, 155	50479-SGT	87
45071GT	17, 19, 25–28, 85		147, 149, 151,	49121-2088GT	155	50480GT	89, 99
45074GT	17, 19		153, 155, 171,	49121-25688GT	153	50517-SGT	87
45112GT	22		173	49121-27788GT	155	50542GT	89
45113GT	22	48935GT	135, 139, 143,	49126-2733GT	149	50543GT	97, 99
45114GT	22		145, 153, 155,	49133-5140GT	143, 145	50546GT	91, 99
45161GT	37, 149		171, 173	49141-2463GT	149	50548PGT	87
45171GT	61	48936GT	122, 137, 141,	49141-5863-SGT	151	50552GT	91
45363GT	47, 49		143, 145	49143-2729GT	151	50560GT	17
45383GT	109–110	48939GT	143, 145	49143-3029GT	139	50564GT	63
45384GT	41–42, 109–110	48946GT	143, 145, 149,	49143-3329GT	151	50569PGT	39
45385GT	113, 159		151	49143-3729GT	135, 143, 147	50570GT	39
45400GT	175	48947GT	137, 141, 145	49143-4229GT	135, 143	50574GT	53
45454GT	61	48948GT	119, 122, 135,	49149-10826GT	149	50579PGT	67
45462GT	157		139, 143, 145,	49149-1726GT	149	50580-SGT	47
45748GT	169		149, 151	49150-3630GT	151	50581PGT	47, 65
45782GT	63	48949GT	151	49151-8248GT	149	50584GT	91
45873GT	22	48959GT	151	49156-10856GT	149	50667GT	25–28
45912GT	125–126, 131	48960GT	119, 122, 135,	49159-4618GT	149	50668GT	25–28
46131GT	53, 57		137, 139, 141,	49177-2094GT	63	50669GT	25–28
47186GT	67		147	49183-2692GT	139	50696PGT	55, 65
47228GT	39	48961GT	149	49183-4092GT	135, 143	50698GT	91
4828GT	17, 19, 25–28,	48962GT	149	49207GT	119, 121–122	50709PGT	61
	37, 39, 47, 49,	48977GT	149, 151	49376GT	59	50710PGT	61
	59, 61, 67, 69,	48978GT	149, 151	49407GT	63, 69	50742GT	17
	73, 77, 81, 85,	48983GT	151	49408GT	53, 71, 81	50754PGT	39
	89, 91, 95, 99,	48985GT	149, 151	49411GT	65, 69, 73, 77,	50761GT	63, 65
	103, 110, 167,	48986GT	149		79, 81	50762-SGT	39
	169, 175	48994GT	149	49612GT	119, 121–122,	50762PGT	39
48751-463GT	93	48996GT	37, 151		135, 137, 139,	50776PGT	35
48880GT	119, 121–122	48997GT	125–126		141, 143, 145,	50787-SGT	63, 69
48890GT	135, 139, 143,	48999GT	151		147, 149, 151,	50789PGT	47
	153, 171	49000GT	37		153, 155, 171,	50900GT	17
48891GT	135, 137, 139,	49107-3063GT	139		173	50901PGT	17
	141, 143, 147	49107-3463GT	143	49613GT	119, 121–122,	50919GT	21–22, 25–28
48899GT	149	49107-3863GT	135, 143		135, 137, 139,	50920GT	21–22, 25–28
48904GT	35, 119, 121–	49108-2329GT	149		141, 143, 145,	50937GT	39
	122, 131, 135,	49109-7729GT	149		147, 149, 151,	50941GT	67
	137, 139, 141,	49110-2992GT	139		153, 155, 171,	50943GT	21–22
	143, 145, 147,	49110-3392GT	135, 143		173	50947PGT	17
	149, 151, 153,	49110-7592GT	143, 145	49735GT	53	50952-SGT	87
	155, 171, 173	49117-11091GT	139, 141	49741GT	11–12	50955GT	21–22, 25–28
48905GT	121–122, 131,	49117-14391GT	135, 137, 143,	49768GT	31, 33	50965PGT	49
	137, 141, 143,		145, 153, 155,	49772GT	87	50971GT	49
	145, 147, 149,		171, 173	49775GT	91	50974GT	47
	151, 153, 155,	49117-2091-SGT	147	49816GT	47, 49	50976PGT	61
	171, 173	49117-2591GT	139	49817GT	28, 53, 59	50985GT	67
		49117-3191GT	147	49820GT	113	50989GT	67

Part Number	Page	Part Number	Page	Part Number	Page	Part Number	Page
50995GT	67		95, 97, 99, 101,	54572GT	119, 121-122	58320GT	27-28
50996GT	67		110, 159, 167,	54578GT	73, 81	58354GT	75
51063GT	35		175	54579GT	77, 81	58415GT	65, 71, 77
51131GT	67	54063GT	91	54581PGT	81	58428GT	26-28
52076GT	53	54065GT	97, 99	54582PGT	71	58431GT	133
52077GT	53	54073GT	49	54583PGT	71	58438GT	21-22, 26-28
52078GT	53	54123GT	37	54584GT	81	58448GT	26-28
52087GT	21-22, 27-28	54124GT	37	54585GT	81	58490GT	37
52179GT	49	54131GT	91	54591GT	61	58589GT	22
5224GT	103	54132GT	153, 171	54598PGT	61	58598GT	53
52352GT	69	54139GT	25-28	54599PGT	61	58599GT	53
52353GT	63	54140GT	25-28	54601PGT	81	58900GT	53
52371GT	131	54145-800GT	35	54602PGT	81	58917GT	65, 67, 71, 77
52376GT	129	54146GT	47	54608GT	61	58919GT	93, 95
52447GT	11-12	54156GT	85	54608PGT	47	58920GT	93, 95
52566GT	53	54157GT	91	54610GT	21-22, 25-28	58927GT	93, 95
52570GT	53, 55	54160GT	37	54611GT	21-22, 25-28	58967GT	49
52573GT	53	54165GT	161	54612GT	21-22, 25-28	59579GT	81
52575GT	53	54168GT	87	54613GT	21-22, 25-28	60036GT	55
52579GT	53	54189GT	61, 81	54614GT	21-22, 25-28	60042GT	105
52580GT	53	54204GT	37	54616GT	47, 61	60047-SGT	157
52592GT	53	54205GT	37	54627GT	21-22, 26-28	60059GT	21-22, 25-28
52607GT	11-12	54207GT	167	54687GT	73, 77, 79, 81	60074PGT	87
52656GT	53	54207PGT	65	54690GT	61	60077GT	67
52658GT	65, 67, 71, 77	54209GT	57	54691GT	61	60084GT	21-22, 25-28
52672GT	11-12	54217GT	133	54692GT	165, 167	60085GT	21-22, 25-28
52704-SGT	17	54222GT	133	54723GT	47	60139GT	37
52705-SGT	17	54230PGT	49	54726GT	85	60143-SGT	37
52706-SGT	17, 19	54233GT	49	54738GT	85, 89	60160PGT	107
52707-SGT	25-28	54234GT	25-28	54790GT	63	6019GT	37, 39, 59, 73, 77, 81, 91, 97, 99, 110
52713GT	126	54239GT	87	54815GT	121-122	6021GT	17, 19, 25-28, 31, 33, 35, 37, 39, 47, 57, 71, 87, 89, 91, 101, 103, 175
52715GT	125-126	54244-SGT	83	54830GT	93, 95	6024GT	67
52716GT	125-126	54247PGT	107	54840GT	22	60334GT	47
52718GT	125-126	54255GT	42, 113	54862GT	53, 59, 61	6033GT	22, 25-28, 37, 57, 63, 69, 71, 85, 87, 89
52720GT	121-122	54259GT	113	54922PGT	39	6037GT	63, 65, 81
52723GT	121-122	54280GT	67	54932GT	161	60428GT	87
52724GT	122	54288PGT	39	54959GT	22	60429GT	87
52726GT	119, 121-122	54289GT	39	54960GT	22	60442GT	87
52728GT	87, 89	54301GT	63	54961GT	22	60443GT	87, 113
52729GT	87	54302GT	85	54962GT	22	60526GT	113
52731GT	21-22	54331GT	85, 89	54981GT	93, 95	60527GT	42, 175
52733-SGT	17, 19	54363GT	47	54983GT	93, 95	60528GT	42, 175
52734-SGT	17, 19	54365GT	113	54984PGT	93, 95	60707GT	175
52735GT	19	54368GT	99	54985PGT	93, 95	60738GT	175
52738GT	87	54411GT	27-28	54994GT	99	60739GT	175
52740GT	87	54412GT	27-28	55067GT	101	60757GT	42, 175
52741GT	87	54432GT	83	55753GT	49, 161	60790GT	175
52742GT	87	54437GT	37	56029GT	113	60857GT	47, 55, 65
52752-SGT	161	54457GT	161	56030GT	113	60868GT	71, 77
52753-SGT	161	54458GT	161	56057GT	45	60887GT	175
52762GT	53, 57	54460GT	93, 95	56093GT	175	6090GT	28, 37, 39, 42, 45, 47, 49, 57, 61, 71, 79, 103, 165, 169
52773GT	47	54461GT	93, 95	56338GT	26-28	6091GT	37, 39, 47, 49, 55, 59, 61, 63, 65, 71, 77, 81, 83, 87, 91, 93, 95, 97, 99, 101, 103, 159, 161, 165, 169
52774-SGT	49	54465GT	161	56424GT	107	60922GT	159
52784GT	11-12	54486GT	49, 159	56457-SGT	167	6095GT	35, 37, 39, 59, 61, 65, 69, 73, 77, 79, 81, 87, 167
52866GT	65, 71, 77	54487PGT	61	56525GT	161	6096GT	39, 61
52897GT	131	54510-SGT	101	56561GT	113		
52906GT	129	54516GT	45	56562GT	113		
52907GT	129	54517PGT	79, 81	56570GT	161		
52943GT	119, 122, 131	54518PGT	81	56680GT	35		
52969GT	12, 15	54519PGT	79	56704GT	157		
53157-SGT	159	54520-SGT	97, 107	56848GT	41-42, 109-110		
53605GT	37	54525GT	45	56849GT	39		
5365GT	33, 169	54527-SGT	99	56900GT	35		
53808-SGT	159	54530GT	91	56912GT	21-22, 25-28, 37, 103, 169		
53808GT	159	54531PGT	59	56925GT	97, 101		
53821PGT	53	54534GT	45	56927GT	39		
53832GT	57	54535PGT	71	57075GT	61, 81, 110		
53910GT	57	54538GT	79, 81	57201GT	133		
53952GT	55, 57, 67, 71, 77	54542GT	17, 19, 25-28	58176GT	67		
5397GT	17, 19, 25-28, 31, 33, 37, 39, 47, 49, 57, 59, 61, 63, 67, 77, 81, 85, 91, 93,	54543GT	73, 81	58222GT	47		
		54546PGT	81	58223GT	47		
		54547GT	71	58237GT	26-28		
		54556GT	71	58247GT	55, 57		
		54557GT	17, 19, 28	58256GT	63		
		54567GT	17	58290GT	133		
		54570GT	91				

Part Number Index (continued)

Part Number	Page	Part Number	Page	Part Number	Page	Part Number	Page
6097GT	37, 39, 47, 67, 69, 73, 81, 87, 91, 169, 175	65789GT	99	72350GT	79	7713GT	81, 85, 87, 93, 95, 97
61143-3963GT	145	65791GT	17	72442GT	11-12, 15	77152GT	28
61195GT	175	65810GT	65, 67, 71, 77	7265GT	161	77153GT	28
61306-SGT	99	65815GT	65, 67, 71, 77	72867GT	12	77162GT	119
6145GT	49, 83, 97, 159	6584GT	33, 69	73233GT	107, 113	77163GT	119
6146GT	33, 35, 47, 49, 55, 59, 61, 73, 77, 81, 157, 169	65887GT	49	7339GT	87, 159	77165PGT	57
61726GT	169	65888GT	49	73477PGT	107	77166GT	53
6175GT	17, 19, 25-28, 39, 47, 57, 67, 71, 81, 87, 89	65892GT	49	73574-SGT	107	77170GT	59, 61
6178GT	35, 45, 47, 49, 53, 59, 87, 91, 113, 157, 175	66031GT	81	73575GT	107	77181GT	103
61972GT	169	6605GT	85	73599GT	37	77183GT	11-12
61974GT	169	6637GT	91, 175	73610PGT	107	77186GT	126
61975GT	169	6638GT	21-22, 25-28, 31, 33, 37, 39, 45, 47, 49, 55, 57, 59, 61, 63, 65, 71, 77, 79, 81, 83, 91, 93, 95, 97, 99, 101, 103, 109-110, 159, 161, 165, 169, 175	73634GT	169	77189GT	89
61987GT	169	66811GT	41-42	73711GT	113	77219GT	49
6198GT	35, 37, 39, 59, 61, 65, 69, 73, 77, 79, 81, 167	66812GT	41-42, 109-110	73712GT	175	77233PGT	67
61998GT	169	66813GT	109-110	73713GT	87, 113	77239GT	27-28
62255GT	125-126	66815GT	109-110	73714GT	42, 87	77240GT	27-28
62258GT	125-126	66816GT	41-42, 109-110	73717GT	113	77243GT	25-28
62263GT	119, 122, 125-126	66818GT	41-42, 109-110	73723GT	113	77245PGT	67, 69
62273GT	119, 122, 125-126	6708GT	17, 19, 25-28	73725GT	87	77246GT	35
62274GT	125-126	6782GT	39, 47, 101	73736GT	42, 113	77247GT	167
62324GT	129	6833GT	49, 61, 71, 81, 87	73739GT	107	77250GT	131
62341GT	129	6884GT	49	73749GT	42	77264GT	131
62346GT	129	6886GT	61, 63, 71, 159	73751GT	42	77295GT	55, 57
62392GT	115	6888GT	21-22, 25-28, 37, 39, 47, 55, 59, 63, 65, 77, 87, 169	73753GT	42	77302GT	25-28
62398GT	115, 117	6889GT	28, 39, 49, 79, 159, 175	73754GT	42	77303GT	85
62420GT	65, 71, 77	6935GT	110, 113	73803GT	113	77309GT	143, 145
62421GT	71	69776GT	175	73805GT	41-42	77311-5906GT	143, 145
62433GT	77	70367GT	73	73807GT	131	77312-3577GT	143, 145
62506GT	131	70375GT	67, 69	73900GT	105	77328PGT	49
62507GT	131	70381GT	69	73956-SGT	161	77351GT	113
62509GT	97, 99	70389GT	175	74006GT	110	77353GT	37
62815GT	129	70452GT	65, 69, 73	74099GT	26-28	77354GT	37
62926GT	12, 15	70453GT	63	74375GT	26-28	77356GT	49
62927GT	12, 15	70460PGT	69	74389GT	17, 19	77362GT	89
62947GT	11-12, 15	70461PGT	65	74714GT	26-28	77363GT	97, 99
62948GT	11-12, 15	70488GT	55	74911GT	45	77364GT	89, 97, 99
6326GT	85, 95	70525GT	59	74913GT	45	77365GT	37
63311GT	161	70527GT	59	74917GT	45	77375GT	91
63426GT	57, 63	70534GT	89	74920GT	45	77376GT	91
63427GT	57	7056GT	110, 113, 175	74921GT	45	77379GT	63
63463GT	65, 71, 77	70608GT	83	74922GT	45	77387GT	133
6356GT	21-22, 25-28, 31, 33, 37, 39, 55, 57, 65, 97, 99, 109-110, 159	70609GT	83	74923GT	45	77402GT	63, 69, 77, 79
64079GT	59	70645GT	65, 83	74924GT	45	77409GT	17
65301GT	11-12	70646GT	83	74925GT	122	77410GT	91
65449GT	122	70648PGT	175	75020GT	77	77411GT	125-126
65454GT	53	70685PGT	87	75041GT	157, 175	77420GT	51
65456GT	53	71909GT	49	75073GT	47, 49	77424GT	51
65473GT	77	71910GT	53	75076GT	47, 49	77426GT	51, 67
65534GT	27-28	72043GT	119	75143GT	115, 117	77429GT	51
65542GT	71	72047GT	126	75278-2329GT	151	7746PGT	159
65600GT	125-126	72085GT	11-12	75278-8229GT	151	77476GT	75
65608GT	27-28	72255GT	63	75443GT	117	77478GT	75
65618GT	27-28	72256GT	47	75444GT	117	77481GT	75
65630GT	161	72282GT	157	75445GT	117	77482GT	75
65633GT	91	72292GT	133	75446GT	117	77483GT	75, 77
65636GT	71	72307GT	26-28	75447GT	117	77484GT	75
65637GT	71	72326GT	109-110, 157	75448GT	117	77485GT	75
65638GT	71	72327GT	59, 61, 81	75449GT	117	77521GT	85
65639GT	71	72339GT	75	75453GT	129	77523GT	11-12
65770GT	53, 55	72340GT	75	75471GT	57	77524GT	49
65788GT	91	72342GT	73, 75	75574GT	147	77692GT	101
		72343GT	59, 81	77014GT	89	77782GT	133
		72348GT	71	77026GT	28	77819GT	133
				77027GT	28	77823GT	39, 41-42
				77036GT	93	77892GT	97
				77046GT	11-12, 15	7790GT	133
				77051GT	97, 101	79456GT	103
				77066GT	37	80391GT	77
				77067GT	51	80543GT	110
				77069GT	37	80825-200GT	59
				77070GT	37	81013GT	133
				77071GT	37	81069GT	175
				77072GT	37	81096GT	110
				77106GT	91	81175GT	99
				77114GT	55	81368GT	161

Part Number	Page	Part Number	Page	Part Number	Page
81403GT	126	88337GT	17, 19	94526GT	37
81458GT	110	88338GT	17, 19	94529GT	87
81487PGT	113	88339GT	37	94530GT	87
81488GT	109–110, 113	88356-11103GT	35, 87, 91	94531PGT	87
81550GT	113	88356-11163GT	87	94536GT	21–22, 26–28
81551GT	113	88356-11205GT	91	94549GT	113, 169
81570GT	110	88370PGT	87	94612GT	37
81578GT	39	88448GT	59	94614GT	129
81631GT	53	88450GT	53, 57, 59	94616GT	129
81640GT	103	88451GT	53, 59	94617GT	129
81669GT	133	88452GT	53, 59	94618GT	129
81691GT	33	88455GT	53	94619-3038GT	151
8177GT	37, 57, 63, 69, 85, 87, 89	88457GT	53	94642GT	169
8179GT	87	88513GT	129	94643GT	169
81812-3592GT	141	88516GT	99	94656GT	21–22, 25–28
81812-3892GT	145	88606PGT	159	94657GT	21–22, 26–28
81812-3992GT	137	88607PGT	159	94660GT	21–22
82238GT	12, 15	88609-SGT	159	94661GT	21–22
82243GT	12	88623GT	45	94662GT	21–22, 26–28
82244GT	12	88635-3424GT	35	94663GT	21–22, 26–28
82283GT	11–12	88636-9073GT	147	94666GT	21–22, 26–28
823153GT	15	88637GT	41–42	94667GT	21–22, 26–28
823161GT	15	88700GT	125–126	94670GT	21–22, 26–28
82366GT	11–12	88721-72000GT	51, 113	94671GT	21–22, 26–28
824027GT	107	88721-73000GT	51, 113	94679GT	51
824029GT	107	88722-72000GT	51	94745GT	107
824050GT	35	88722-73000GT	51, 113	94745PGT	159
824051GT	35	88723-71000GT	51, 113	94762GT	71, 77
824052GT	35	88723-72700GT	51, 113	94774GT	51
824078GT	107	88724GT	51	94880GT	27–28
824079GT	107	88725GT	51	94914PGT	73
824083GT	161	88728GT	21–22, 26–28	94927GT	73
824090GT	107	88752GT	17, 19	94931GT	59
824091GT	107	88846GT	77	94936GT	55
824164GT	91, 99	88847GT	77	9599-SGT	159
82431GT	133	88917GT	37	96008-SGT	41–42
82472GT	15	88942-4854GT	149, 151	97128GT	35, 87, 91
82473GT	15	88949-3828GT	151	97571GT	11–12
824879GT	41–42, 109–110	88949-4928GT	151	97602GT	12
82487GT	15	88987PGT	73	97815GT	15
825019GT	17, 19, 25–28, 89, 91, 97, 99	88988PGT	77	97887GT	11–12
82544GT	15	88989PGT	77	97890GT	11–12
82545GT	15	88990PGT	77	98154GT	169
82548GT	15	8914GT	109–110, 159, 161	99174GT	169
8255GT	35, 37, 91, 103	8915GT	47, 77, 83, 99, 103	9990074GT	27–28
825796GT	17, 19	89301GT	125–126	T107284GT	33
82602GT	15	89307GT	125–126	T107827GT	55, 83
82604GT	15	89310GT	121–122	T107883GT	99
82631GT	15	89312GT	125–126, 131	T107884GT	97, 99
82632GT	15	89763GT	75	T108075GT	97, 99
82633GT	15	89765GT	73	T108153GT	51, 109–110
82644GT	11–12	89771GT	71, 77	T109328GT	159
82646GT	15	89772GT	71, 77	T111107GT	113
82918GT	11–12	89773GT	71, 77	T111453GT	33
83005GT	131	89780GT	69	T112560GT	110
83006GT	131	89785GT	63	T112561GT	110
83042GT	97, 99	89792GT	69	T112563GT	110
83110GT	26–28	89862GT	131	T112626GT	115, 117
8357GT	59, 61, 65, 73, 77, 79, 81	89863GT	129	T114678GT	63, 69
84080GT	167	89864GT	131		
84135GT	119, 121–122	89908GT	175		
8425GT	175	94077GT	83		
85053GT	69, 71, 77	94195GT	91		
85054GT	69	94324-800GT	55		
85059GT	71, 77	94374-10830GT	151		
8516GT	37, 39, 47, 61, 67, 69, 89, 91, 97, 99	94378PGT	77, 79		
85300GT	161	94464-4386GT	141, 145		
88203GT	85	94464-4886GT	141		
88244GT	37	94464-4986GT	137		
88269GT	47	94464-5086GT	145, 147		
88316GT	41–42	94464-6286GT	137		
		94485GT	63, 69, 79		
		94492PGT	169		
		94506GT	41–42, 109–110		

Part Description Index

The Part Description Index is an alphabetical index of all part descriptions included in this manual. The index shows what page(s) the part is used on.

6

6' HALF MESH PLAT/GATE KIT***.....161

A

ACC,FALL ARREST BAR,6FT FR.....177
 ACC,FALL ARREST BAR,6FT SYM.....177
 ACC,FALL ARREST BAR,6FT WORD.....177
 ACC,PLAT CONTROL COVER, SERV.....159
 ADAPTER CABLE, JS100 JOYSTICK.....51,
 109-110
 ADAPTER,THROTTLE ACTUATOR***.....53
 AIR CLEANER.....65, 67, 71, 77
 Air Cleaner Bracket.....65
 AIR CLEANER CAP/ FORD/NOLFF***.....55,
 57
 AIR CLEANER,FORD,T3.....55, 57
 AIR CLEANER,NELSON***.....65, 71, 77
 AIR HORN,NOLFF MIXER,ALUMINUM*.....53
 AIR INTAKE TUBE ASSY.....69
 AIR VALVE MIXER.....53
 ALARM PKG,ACC.Z45 IC.....157
 ALARM,CHIME TONE 5-25VDC***.....157
 ALARM,INTERMITTENT TONE 6-30V*.....157
 ALARM,WARBLE TONE 5-30 VDC***.....109-
 110
 ALTERNATOR, DEUTZ F3L10/F4L10*.....67,
 69
 ALTERNATOR, PERKINS (54555).....73, 75
 ALTERNATOR,LRG-423 RE-BUILT*.....53, 59
 ANGLE,PRIM BOOM REST,NONJIB,PA.....39
 ANGLE,RELAY MNT,W/NUTSERTS,PNT.....45
 ASSEMBLY, AUX POWER UNIT, 12VD.....37
 ASSEMBLY, ENGINE TRAY.....61, 67, 69, 77,
 81, 83
 ASSEMBLY,FOOT SWITCH.....107
 ASSEMBLY,FOOT SWITCH***.....107, 113
 ASSEMBLY,TERMINAL RAIL.....45
 ASSEMBLY,TERMINAL RAIL,Z45IC2K.....45
 ASSY, CIRCUIT BREAKER 15A.....41-42
 ASSY, MED. PRESS. FILTER, SAE8.....55, 65
 ASSY,4FT PLATFORM, NO DECALS.....105
 ASSY,5FT PLATFORM, NO DECALS.....105
 ASSY,6' PLAT WELDMNT W/SIDE
 GATE.....105
 ASSY,6FT PLAT DUAL LG,BLANK W/SIDE
 SWING GATE.....105
 ASSY,6FT PLATFORM,NO DECALS.....105
 ASSY,ALC500 BOARD HEATER.....113
 ASSY,PCB ALC500 GENII Z45 V201.....113
 ASSY,RELAY SOCKET, AUTO.....45
 ASSY,SIDE SWING GATE.....107
 ASSY,TRACK,FALL ARREST BAR,6FT
 FR.....177
 ASSY,TRACK,FALL ARREST BAR,6FT
 SYM.....177
 ASSY,TRACK,FALL ARREST BAR,6FT
 WORD.....177
 AUX TOP RAIL,6' PLATFORM.....159
 AUX TOP RAIL,6'(1.25")SERVICE.....159
 AXLE ASSY,NON-STR,NARROW BASE.....25-
 28

B

BACKING PLATE, HOSE BLOCK, JIB.....103

BACKING, HOSE CLAMP PTD.....95
 BAFFLE, AIR CLEANER (27915)*.....65, 67,
 71, 77
 BALL STUD**.....47
 BAR,AXLE ROTATION STOP,NON-OSC.....25-
 28
 BAR,AXLE ROTATION STOP,OSC.....25-28
 BASE, W/1 N.O. CONTACTS***.....109-110
 BASE,W/2 N.C.& 2 N.O.***.....41-42
 BASE,W/2 NC CONTACTS***.....41-42
 BASE,W/3 NC CONTACTS.....41-42, 109-110
 BATTERY CABLE.....65
 BATTERY CABLE,1/0,BLACK,102".....83
 BATTERY CABLE,1/0,BLK,91"***.....83
 BATTERY CABLE,1/0,RED,105"***.....83
 BATTERY CABLE,1/0,RED,94".....83
 BATTERY CABLE,BLK,#2,5/16,3/8*.....83
 BATTERY CABLE,RED#2,5/16,5/16.....65, 83
 BATTERY HOLD DOWN.....55, 83
 BATTERY, 12V,900 CCA.....55, 65, 83
 BEARING KIT.....27-28
 BEARING KIT (45553) TORQUE HUB.....21-
 22, 26-28
 BEARING KIT, AUSCO***.....27-28
 BEARING KIT,4HP.....27-28
 BEARING KIT,ROTATOR,4.5K***.....97, 99
 BEARING KIT,TORQUE HUB (20193).....21-22
 BEARING KIT,WHEEL DRIVE
 (106148/106445/107712).....26-28
 BEARING KIT,WHEEL DRIVE W/BRAKE
 (101584/101585).....27-28
 BEARING KIT-74097 TORQUE HUB*.....26-
 28
 BEARING NUT***.....27-28
 BEARING,1.00IDX1.25ODX1.00L.....17, 19, 61,
 67, 69, 77, 81, 83
 BEARING,1.25IDX1.50ODX1.50L.....17
 BEARING,1.25IDX1.50X1.25L.....99
 BEARING,1.25IDX1.50DX1.00L.....89
 BEARING,1.5IDX1.75ODX1.5L.....17, 19, 25-
 28, 85
 BEARING,1.75IDX2.00ODX1.50LG.....85
 BEARING,FL,1.25ID X 1.41OD X 1.....97
 BEARING,FL,1.25IDX1.41ODX1.50L.....99
 BEARING,FL,1.25IDX1.50DX1.25L.....99
 BEARING,FL,1.5IDX1.75ODX1.10LG.....85
 BEARING,GARLOCK,12FDU12.....169
 BEARING,INNER,9 BOLT HUB***.....22
 BEARING,OUTER,9 BOLT HUB***.....22
 BEARING,POLYGON,20DU12.....17, 97, 99
 BEARING,POLYGON,BM5120.....89
 BEARING,SWING CHASSIS.....35
 BEARING,SWING CHASSIS RINGGEAR.....35
 BELL HOUSING KIT, FORD 425EFI.....59
 BELLCRANK,JIB,WELD/Z45/25***.....99
 BELT, V (PERKINS 404).....73
 BELT,AX33***.....175
 BELT,SERPENTINE,LRG425 EFI***.....53
 BELT,TIMING,DEUTZ F3L1011F.....67
 BELT,TIMING,FORD LRG423/425EFI.....53, 55
 BELT,V, DEUTZ DIESEL ENGINE.....67, 69
 BLANKET,BATTERY.....165
 BOLT, CARRIAGE, 3/8-16 X 1.50, G5.....175
 BOLT,CARRIAGE,1/4-20 X 1.00,G2.....103
 BOLT,CARRIAGE,1/4-20 X 2.75,G2.....103
 BOLT-FLANGE,M6 X 22MM(52573).....53
 BOOM REST WELDMNT.....87

BOOT GUARD, JOYSTICK 62390/91.....115,
 117
 BOOT, ROCKER JOYSTICK 75565.....117
 BOOT,DTSCH,DTP4-BT.....87
 BOOT,JOYSTICK.....115, 117
 BOOT,PLUG 4 WAY.....107
 BOOT,TOGGLE SWITCH,SHORT*.....41-42,
 109-110, 165, 167, 175
 BOTTLE, COOLANT RECOVERY, 2QT.....59,
 61, 81
 BOTTLE,COOLANT RECOVERY,3.7***.....73
 BOX,INSTRUCTION STORAGE.....107
 BRACKET,AIR CLEANER MNT,PAINT.....57
 BRACKET,AIR CLEANER MOUNT PNTD.....55
 BRACKET,AIR CLEANER,PAINTED.....71
 BRACKET,BUBBLE LEVEL.....28
 BRACKET,COOLANT TANK MNT,PNTD.....81
 BRACKET,COOLANT TANK MOUNT.....61
 BRACKET,DRIVE SENSOR,ENABLE.....35
 BRACKET,FRONT DRIVE HOSES,LH,P.....17
 BRACKET,FRONT DRIVE HOSES,RH,P.....17
 BRACKET,FUEL TANK STRAP.....39
 BRACKET,GEN.REGULATOR MT PAINT...175
 BRACKET,GENERATOR MOUNT,PAINT.....65
 BRACKET,GROUND CONTROL BOX.....39
 BRACKET,GROUND CONTROL
 BOX,PNT.....39
 BRACKET,HIGH PRESSURE FILTER.....47
 BRACKET,HOSE CLAMP PAINTED***.....87
 BRACKET,HOSE CLAMP SUPPORT.....97
 BRACKET,HOSE CLAMP,PAINTED.....103
 BRACKET,LATCH MOUNT,RH**.....83
 BRACKET,MANIFOLD MNT,Z45/25.....39
 BRACKET,MANIFOLD MOUNT,PAINTED.....39
 BRACKET,MAP SENSOR,PAINTED.....53, 59
 BRACKET,MID PRES OIL FILTER,PA.....55,
 65
 BRACKET,MOUNTING.....167
 BRACKET,MUFFLER,DEUTZ 3 CYL.....63
 BRACKET,MUFFLER,DEUTZ 3 CYL PN.....69
 BRACKET,OSC HOSE BULKHEAD.....17
 BRACKET,OSCILLATING VALVE.....33
 BRACKET,PERKINS MUFFLER.....81
 BRACKET,PERKINS MUFFLER PAINTD.....73
 BRACKET,PERKINS TAILPIPE,PNTD.....71
 BRACKET,POWER TO PLAT, DOM.....110
 BRACKET,POWER TO PLAT, UK.....110
 BRACKET,REG/MJ CONNECTOR
 MOUNT.....59
 BRACKET,RELAY PANEL.....53
 B R A C K E T , R U B B E R
 BUMPER,ENGCOVER.....47
 B R A C K E T , S O L E N . M O U N T
 BRACE,PNTD.....67, 69
 BRACKET,SOLENOID MOUNT PAINT.....69
 BRACKET,SOLENOID MOUNT,PAINTED.....67
 BRACKET,STRUT MOUNT,PAINTED.....71
 BRACKET,WORK LIGHT MOUNT 5/16".....159
 BRACKET-PANEL-WIRE MOUNTING 99.....45
 BRAKE KIT, SWING DRIVE.....35
 BRAKE,SAE B-B,900IN LB***.....27-28
 BREATHER CAP,RFM165.....37
 BRKT,AIR CLEANER ORIENTATION**.....55,
 57, 67, 71, 77
 BULB,WORKLIGHT,12V 35W.....159
 BULKHEAD,FEMALE X 6 X 6.....163
 BULKHEAD,TANK SIDE,PAINTED.....39

BULKHEAD,TANKSIDE,PAINTED.....39	CLAMP,RUB CUSH,0.75,#12 X 3/8*.....61	CONTROL,BOX ASSY-GRND Z45 IC**.....39, 41-42
BUMPER, PLASTIC, 1.25 O.D.....49, 161	CLAMP,RUBBER CUSHIONED-2 5/32.....99	CONTROLLER W/O COILS (77788).....133
BUMPER,BATTERY BOX & RAILS.....107, 161	CLAMP,TWO HOSE.....103	CORROSION INHIBITOR,FOAM.....45
BUMPER,RUBBER***.....65, 159, 169	CLAMPING BLOCK,CABLE.....87	COUPLER,1/4"SERIES 3/8 MPT.....163
BUMPER,RUBBER,.75 X .50H,STUD.....177	CLAMPING BLOCK,HOSE***.....87	COUPLER,HUB,15 TOOTH 7/16BOLT*.....57, 63, 69
BUMPER,RUBBER,COVERS.....47	CLEVIS YOKE-1/4-28,PLTD W/PIN.....31, 33, 63, 69, 79	COUPLER,INTERNAL SPLINE,T-HUB.....27-28
BUTTON,PUSH,BLACK W/SEAL***109-110	CLIP,AIR CLEANER COVER (58247).....55, 57	COUPLER,SMALL METAL,15T,***.....71, 77
BUTTON,PUSH,RED MUSHROOM HEAD.....41-42, 109-110	CLIP,AIR CLEANER END CAP***.....65, 71, 77	COUPLING.....27-28
C		
CABLE COVER,JIB.....99	COIL, ELECTRONIC IGN., FORD.....53, 55	COVER ASSY.ENGINE SIDE,Z45/25.....47
CABLE COVER,JIB***.....99	COIL, SOLENOID VALVE, 12V 2PIN.....122	COVER ASSY.HYD.TANKSIDE,Z45/25.....49
CABLE TRACK,PLASTIC,26 LINK*.....93, 95	COIL,10V DC,DEUTCH W/DIODE***.....129	COVER BRACE,UPPER PIVOT,REAR,P.....87
CABLE TRACK,PLASTIC,35 LINK.....93, 95	COIL,12V.....125-126	COVER CAP,TORQUE HUB***.....21-22, 26-28
CAP ASSY, COOLANT BOTTLE.....73	COIL,12VDC #8 DTSCH IP69 ECOIL.....131	COVER END,TORQUE HUB (74097).....26-28
CAP, COOLANT RET SYS(54071).....59, 61, 81	COIL,GREEN W/ 2 PIN CONNECTOR*.....119, 122, 125-126	COVER W/DECALS,STEER,OSC,Z45.....21-22
CAP, OIL FILLER.....71	COIL,SOLENOID VLV,10V W/ DIODE.....126	COVER, FOOT SWITCH, LARGE.....107
CAP,DIAGNOSTIC NIPPLE.....119, 121-122	COIL,SOLENOID,8 DSD 10V,W/DIO*.....126	COVER, JIB HOSES/CABLES.....103
CAP,DISENGAGE,4HP/4HB***.....26-28	COIL,SOLENOID,8 DSD 20V,W/DIOD.....131	COVER,BLANK.....110
CAP,DISENGAGE-45553 TORQUE HUB.....21-22, 26-28	COLD START PKG,DIESEL.....165	COVER,CENTER SWING CHASSIS,PNT...39
CAP,DUST (54840 HUB ASSY).....22	COLD START PKG,FORD LRG.....165	COVER,CONTROL BOX LEFT SIDE***.....159
CAP,FUEL,DIESEL,1/8"VENT(GRN).....37	COLLAR,JOYSTICK,CENTER.....115, 117	COVER,CONTROL BOX RIGHT SIDE***.....159
CAP,FUEL,GAS,1/8"VENT(RED).....37	COMPR.LINK,MACHINED,GND CONTR*...99	COVER,ENGINE SIDE (F30-1011F).....63
CAP,OIL FILLER,DEUTZ,DIESEL***.....63	CONN PLUG 4 WAY ENDCAP DT.....107	COVER,FLYWHEEL CASTING.....69
CAP,PROT.,RED,1.38ID X .75 DP.....37	CONN RECEPT,FLANGED.....113	COVER,FORMED REAR AXLE,WIDE.....28
CAP,RADIATOR,FORD***.....61, 81	CONN, 520120-6.....149, 151, 153, 155, 171, 173	COVER,FRONT DEUTZ ENGINE.....67
CAP,RADIATOR,PERKINS/FORD.....77	CONN,520102-16.....149	COVER,GFCI,HORIZONTAL,WEATHER...110
CAPACITOR,TIME DELAY.....51	CONN,520102-6-6.....149	COVER,REWORK,DEUTZ GENERATOR...175
CHANNEL,CABLE TRACK COV,NONJ,P.....93, 95	CONN,520120-12-16.....149, 151	COVER,TRNTBL,LH,W/SYM DECALS.....47
CHANNEL,CABLE TRK COVER,JIB,PA.....93, 95	CONN,520120-4***.....121-122, 131, 137, 141, 143, 145, 147, 149, 151, 153, 155, 171, 173	COVER,TRNTBL,LH,W/WORD DECALS*...47
CHECK VALVE KIT,77066.....37	CONN,520120-4-6***.....135, 139, 141, 143, 147, 151, 153, 155, 171, 173	COVER,TRNTBL,RH,W/SYM DECALS.....49
CIRCUIT BREAKER, 12.5 AMP.....175	CONN,520120-4-8.....147	COVR W/DECALS,NON-STEER Z45/25.....25-28
CIRCUIT BREAKER, 30 AMP.....175	CONN,520120-6-8.....143, 145, 151, 153, 155, 171, 173	CYLINDER,ELEVATE,Z45/25***.....85
CLAMP, AIR CLEANER (27915)**.....65, 67, 71, 77	CONN,520120-8***.....119, 121-122, 135, 137, 139, 141, 143, 145, 147, 149, 151, 153, 155, 171, 173	CYLINDER,EXTEND,Z45 NON JIB.....91
CLAMP, ARCTIC HOSE.....87, 95, 99	CONN,520120-8-10.....143, 145, 149, 151	CYLINDER,JIB,Z45,#4 PORTS***.....99
CLAMP,0.50,#8 X 1/4,RUB CUSH.....49, 61, 71, 81, 87	CONN,520120-8-12...119, 122, 135, 139, 143, 145, 149, 151	CYLINDER,MASTER,Z45***.....89
CLAMP,0.63,#10 X 1/4,RUB CUSH.....163	CONN,520120-8-16.....151	CYLINDER,OSCILLATE,Z45***.....17
CLAMP,0.75,#12 X 1/4,RUB CUSH.....37	CONN,LONG,520122-6.....153, 155, 171, 173	CYLINDER,PRIM LIFT JIB,Z45.....89
CLAMP,1.13,#18 X 3/8,RUB CUSH*.....63, 99, 101	CONN,PLUG 120 AC/15A DOMESTIC.....167	CYLINDER,PRIM LIFT NON JIB,Z45.....89
CLAMP,1.25,#20 X 1/4,RUB CUSH.....161	CONN,PLUG 24 WAY,DRC SERIES.....42	CYLINDER,SLAVE,Z45***.....97, 99
CLAMP,1.25X.5 RUBBER-CUSHION.....107	CONN,PLUG 4 WAY,12-14GA.....42, 175	CYLINDER,STEER.....17, 19
CLAMP,1.63,#26 X 3/8,RUB CUSH.....103	CONN,PLUG 4 WAY,14-18GA.....87	
CLAMP,1.88,#30 X 3/8,RUB CUSH.....81	CONN,PLUG 40 WAY,DRC SERIES.....42	D
CLAMP,CABLE & HOSE,PLASTIC.....91	CONN,RECEP 120AC/15A DOMESTIC.....167	DECAL FAULT CODE.....12
CLAMP,FORD MUFFLER,PAINTED.....55	CONN,RECEP 24 WAY,W/FLANGE.....42	DECAL KIT,SFTY/INSTR Z45IC.....11-12
CLAMP,HOSE ROUTE,2X#4,LOOM.....97	CONN,RECEP 4 WAY, 14-18GA.....87	DECAL KIT,Z45 PLAT,SYM,ANSI.....15
CLAMP,HOSE Z-45 PRIMARY.....95	CONN,RECEP 4 WAY,12-14GA FL***.....113	DECAL KIT,Z45 PLAT,SYM,CE.....15
CLAMP,HOSE,.25" - .63" X .3125.....49	CONN,RECEP 40 WAY,W/FLANGE.....42	DECAL KIT,Z45IC PLAT,WRD,ANSI.....11-12
CLAMP,HOSE,.63" - 1.0" X .5".....53, 57	CONN,RECEP 48 WAY,4 X 12.....42, 113	DECAL KIT,Z45IC PLAT,WRD,AUST.....11-12
CLAMP,HOSE,1 EAR, 5/8.....37	CONN,SQUEEZE,1/2NPT .38-.50,SM.....110, 113, 175	DECAL PLATE ASSEMBLY.....107
CLAMP,HOSE,1 EAR,1/2.....49	CONN. ASSY,7.9 TUBE X6.35 HOSE.....49	DECAL, ENGINE SPEC, PERKINS.....11-12
CLAMP,HOSE,1.25***.....53	CONN. ASSY,9.5 TUBE X6.35 HOSE.....49	DECAL, GROUND CONTROL PANEL.....11-12, 15
CLAMP,HOSE,1.75.....53, 59	CONN. BODY, 6.35 X 14.1, FORD.....49	DECAL, POWER TO PLATFORM 230V**...11-12, 15
CLAMP,HOSE,1.75,LINED.....61	CONNECTING LINK, Z45/25.....87	DECAL, SYMBOL - READ THE MANUAL.....15
CLAMP,HOSE,2.25" DIA.....61, 73, 77, 81	CONNECTOR, DEUTZ FUEL SHUTOFF*...63	DECAL,ARROW BLUE.....12, 15
CLAMP,HOSE,3.00".....53, 57, 67, 71	CONNECTOR,MOLEX 24-WAY**.....113	DECAL,ARROW YELLOW LRG 9".....12, 15
CLAMP,HOSE,8.50 DIA***.....67, 69	CONTACT,N.C.....41-42, 109-110	DECAL,CHEVRON RANDO HD.....11-12
CLAMP,HOSE,ALUMINUM.....91	CONTACT,N.O.***.....41-42, 109-110	D E C A L , C O S M E T I C , G E N I E BOOM,HORZ.....12, 15
CLAMP,JIB HOSE Z45.....95, 99	CONTACTOR,LIMIT SWITCH.....35, 91	DECAL,COSMETIC,GENIE Z-45/25.....12, 15
CLAMP,JIB HOSE/CABLE,Z45/51.....103	CONTROL BOX COVER ASSY***.....159	DECAL,COSMETIC,GENIE Z-45/25J.....12, 15
CLAMP,MUFFLER,2 1/4" ID.....63, 65	CONTROL BOX COVER,LID,PTD.....159	DECAL,COSMETIC,IC POWER 4 X 2.....11-12, 15

Part Description Index (continued)

DECAL,COSMETIC,IC POWER 4 X 4.....11-12, 15	DECAL,SYMBOL-COMP ACCESS.....15	ENGINE,FORD LRG 425,EFIZ45.....53
DECAL,DANGER DO NOT ALTER SWTC.....11-12	DECAL,TRACK,FALL ARREST BAR,SYMBOL.....177	EVACUATOR VALVE-AIR CLEANER.....65, 71, 77
DECAL,DANGER,ELEC.HAZ.STAY CLR.....11-12, 15	DECAL,TRACK,FALL ARREST BAR,WORD.....177	EXHAUST PIPE,DEUTZ 3 CYL DSL.....63, 65
DECAL,DANGER,GEN SAFETY RULES.....11-12	DECAL,TRACK,FALL ARREST BAR,WORD FR.....177	EXTENSION BOOM WELDMNT,NON-JIB.....91
DECAL,DANGER,MAX LOAD 227 KG**.....15	DECAL,TRIANGLE,BLUE.....12, 15	EXTENSION, FAN (104-22).....75
DECAL,DANGER,MAX SIDE FRC,667N.....15	DECAL,TRIANGLE,YELLOW.....12, 15	
DECAL,DANGER,NO SMOKING ***.....11-12, 15	DECAL,WARN,CRUSH HAZARD HAND.....11-12	F
DECAL,DANGER,SIDE FRC 400N.....15	DECAL,WARN,CRUSH HAZARD PLAT.....11-12, 15	FAN BELT (104-22) PERKINS.....75
DECAL,DANGER,TILT ALARM.....11-12	DECAL,WARN,FALL HAZARD.....12	FAN, ENGINE (104-22)(404-22)*.....75, 77
DECAL,DANGER,TIP-OVER,TIRES***.....11-12	DECAL,WARN,IMPROPER OPERATION...11-12	FAN, LSG423/LRG425.....53
DECAL,DANGER,TIPOVER HAZARD***.....11-12	DECAL,WARNING,CRUSHING HAZARD.....15	FILM,POLY,CLEAR,4.5 X 8.75.....11-12
DECAL,DIESEL.....11-12, 15	DECAL,WARNING-COMPART ACCESS.....11-12	FILTER ASSY,HIGH PRESS SAE-12*.....47
DECAL,DRIVE ENABLE PATCH.....15	DEFLECTOR,OIL DRAIN PAINTED.....59	FILTER ASSY,INTANK.....37
DECAL,EXPLOSION HAZARD.....12	DIAGNOSTIC FEMALE Q-DSCNT....119, 121-122, 125-126	FILTER ASY,M PRESS,SAE8,WOIND* (77139).....55, 65
DECAL,INSTR,MAX SIDE FRC,ANSI.....11-12	DIAPHRAGM,AIR VALVE MIXER.....53	FILTER ELEMENT,AIR,NOLFF LPG.....55, 57
DECAL,INSTR,SIDE FRC/WIND,AUS.....11-12	DIODE,6 AMP,200 PIV,BULK.....63	FILTER LID,RFM165.....37
DECAL,INSTR,FOOTSWITCH OPER.....11-12	DIPSTICK TUBE,PERKINS 104-22**.....71	FILTER, ELEMENT/FUEL PERKINS**.....71
DECAL,LABEL, AIR LINE 110 PSI.....11-12, 15	DIPSTICK, OIL LEVEL,LRG425 EFI.....53	FILTER, FUEL LRG 425/423 EFI.....49
DECAL,LABEL,LIGHTS***.....12	DIPSTICK,INDICATOR,DEUTZ,Z45.....69	FILTER, OIL, FORD.....53, 55
DECAL,LABEL,LIQUID PROPANE.....11-12, 15	DIPSTICK-F3L1011F (DEUTZ).....69	FILTER,AIR***.....65, 71, 77
DECAL,LABEL,LOWER MIDRAIL.....15	DIPSTK & TUBE ASSY,DEUTZ 3CYL.*.....63	FILTER,AIR,ELEMENT***.....65, 67, 71, 77
DECAL,LABEL,MANUAL NOT HERE.....11-12	DISCONNECT ROD (56338).....26-28	FILTER,ELEMENT,30 MIC,75020.....77
DECAL,LABEL,TEST***.....11-12	DISCONNECT ROD (74097).....26-28	FILTER,ELEMENT,BETA(10)=200.....37
DECAL,LABEL,TIRE PRESS Z45IND.....15	DISCONNECT ROD-45553 TQ.HUB.....21-22, 26-28	FILTER,ELEMENT,BETA(5)=1000.....47, 55, 65
DECAL,LABEL,TIRE PRESS Z45RT.....15	DUCT,AIR INTAKE PAINTED.....65	FILTER,FUEL,PERKINS.....71
DECAL,LABEL,UNLEADED GAS ONLY.....11-12, 15	DUCT,AIR INTAKE,DEUTZ,Z45/25**.....47	FILTER,FUEL/WTR SEP, DTZ 1008.....63, 69
DECAL,LABEL,WHEEL LOAD Z4525.....15		FILTER,OIL,DEUTZ F4L1011F.....63, 69
DECAL,LABEL,WHEEL LOAD Z4525J.....15		FILTER,OIL,DEUTZ,REPLACEMENT.....63, 69
DECAL,LANYARD ANCHORAGE POINT...11-12, 15, 177		FILTER,OIL,FORD.....53, 55
DECAL,NOTICE, FUNCTION ENABLE*.....11-12		FITTING,CONN,520120-12***...119, 122, 135, 137, 139, 141, 147
DECAL,NOTICE, TIRE SPECS.....11-12		FITTING,ELBOW,90D,520220-12.....151
DECAL,NOTICE,DEUTZ ENG SPEC***.....11-12		FITTING,ELBOW,90D,520220-8***.....119, 135, 137, 139, 141, 147, 149, 151
DECAL,NOTICE,FOAM-FILLED TIRES.....11-12		FITTING,M18X8,C87OMX.....63
DECAL,NOTICE,FORD EFI ENG SPEC.....11-12		FITTING,TEE,BRANCH,520429-4***.....135, 139, 143, 153, 171
DECAL,NOTICE,FORD ENG SPECS T2.....11-12		FITTING,TEE,BRANCH,520433-4.....135, 137, 139, 141, 143, 147
DECAL,NOTICE,HAZARDOUS MAT'LS*.....11-12		FITTING,TEE,RUN,SWIVEL520432-4.....137, 141, 145
DECAL,NOTICE,MAX LOAD 500 LBS.....11-12		FLAP,RUBBER,ENGINE COVER HOOD.....47
DECAL,NOTICE,OPER INST.IC***.....11-12		FLASHTUBE,STRAIGHT,360DEG,BULB....157
DECAL,NOTICE,PERKINS ENG SPEC.....11-12		FLASHTUBE,U SHAPED,360DEG,BULB...157
DECAL,NOTICE,SHUTOFF VALVES.....11-12		FLEX PLATE (54573)***.....71, 77
DECAL,NOTICE,TIRE SPECS***.....11-12		FLEX PLATE, FLYWHEEL (54573).....71
DECAL,OPTION CONTROL BOX HEATR.....113		FLOORING, 6'FT PLATFORM.....107
DECAL,OPTION GENERATOR***.....12, 15, 167, 175		FLOORING, 6FT PLAT,SIDE.....107
DECAL,OPTION GLOW PLUGS***.....165		FLOORING,4 FT PLATFORM,PAINTED.....107
DECAL,PLATFORM CONTROL PANEL.....12, 15		FLOORING,5 FT PLATFORM,PAINTED.....107
DECAL,POWER TO PLATFORM 115V.....11-12, 15		FLYWHEEL COVER,CASTING***.....63
DECAL,PROTECTOR,CLEAR***.....12		FLYWHEEL FLANGE,GREEN PLASTIC.....57, 63, 69
		FORMED AXLE,WIDE,W/BEARINGS.....25-28
		FORMING, HOSE CLAMP, PAINTED.....87
		FORMING,AIR BAFFLE,LOWER,FORD.....55
		FORMING,BELLY PAN.....22
		FORMING,BELLY PAN,PAINTED.....22, 37
		FORMING,COVER PLATE.....47
		FORMING,ENGINE COVER,IC, PTD.....47
		FORMING,ENGINE COVER,PTD.....47
		FORMING,ENGINE MOUNT RH PAINTE.....77
		FORMING,ENGINE MOUNT,FL PAINT*.....65
		FORMING,ENGINE MOUNT,FR PAINT*.....69
		FORMING,ENGINE MOUNT,LH PAINTE.....73
		FORMING,FRONT FOOT,PAINTED.....79, 81
		FORMING,GENERATOR MOUNT,PTD.....175

FORMING, INNER HANGER.....177	HARNESS, BD GEN.110V/60HZ Z45D.....175	HOSE ASSY,1/4,90 FEM,STR FEM**.....137,
FORMING,LH MUFFLER SUPPORT PNT.....55	HARNESS, BD GEN.110V/60HZ Z45P.....175	139, 141, 147
FORMING,LP BRACKET MOUNT.....37	HARNESS, BD GEN.220V/50HZ Z45D.....175	HOSE ASSY,1/4,STR FEM,STR FEM.....137,
FORMING,LP REGULATOR PNTD.....59	HARNESS, BD GEN.220V/50HZ Z45P.....175	141, 149, 151, 153, 155, 171, 173
FORMING,MUFFLER CLAMP, PAINTED.....55	HARNESS,12/3,12V TO PLAT.....51, 113	HOSE ASSY,1/4,STR FEM,STR FEM*.....139,
FORMING,RADIATOR SUP PNTD.....55	HARNESS,18/19 BOOM CABLE #1.....51, 113	141, 145, 149, 151
FORMING,REAR FOOT LT,PAINTED.....81	HARNESS,18/19,BOOM CABLE #2.....51, 113	HOSE ASSY,1/4,STR FEM,STR FEMM.....153
FORMING,REAR FOOT RT,PAINTED.....79	HARNESS,ALARM OPTION,Z45.....51	HOSE ASSY,1/4.STR FEM,STR FEM.....171,
FORMING,RH MUFFLER SUP PAINTED.....55	HARNESS,CONTROL BOX HEATER.....113	173
FORMING,SOLENOID MOUNT	HARNESS,ENGINE W/RELAY BOX T2.....59	HOSE ASSY,3/4,45 FEM,STR FEM.....149
PAINTED.....77, 79	HARNESS,ENGINE,DEUTZ.....51	HOSE ASSY,3/4,90 FEM,STR FEM....149, 151
FORMING,STRUT,RH RADIATOR PNTD.....59	HARNESS,ENGINE,DEUTZ*****.....51, 67	HOSE ASSY,3/4,STR FEM,STR FEM.....149
FORMING,STRUT,LH RADIATOR PNTD.....59	HARNESS,ENGINE,FORD.....51	HOSE ASSY,3/8,45 FEM,STR FEM.....149
FORMING,UPPER RAD SUPPORT PNTD...77	HARNESS,ENGINE,PERKINS**8.....51	HOSE ASSY,3/8,STR FEM,STR FEM.....151
FRONT AXLE ASSY,NRRW,Z45/25.....19	HARNESS,FORD ENGINE EFI.....51	HOSE ASSY,BRKT./D.MANIFOLD.....143, 145
FRONT AXLE ASSY,WIDE,Z45/25 IC.....17, 19	HARNESS,FORD LRG 425 EFI*****.....59	HOSE ASSY,D.MANIF/FR D.MOTORS.....143,
FUEL DOOR,IC TANK SIDE,PNTD***.....49	HARNESS,FUNCTION.....51	145
FUEL FILTER W/SEP,DEUTZ,1008.....63	HARNESS,FUNCTION Z45/25 IC **.....51	HOSE ASSY,DMANIF/LR DRV MOTOR.....135,
FUEL INJECTOR, LRG-425 EFI.....53	HARNESS,GC BOX.....51	143
FUEL LINE INJ. DEUTZ F4L1011F.....63	HARNESS,JIB SELECT MANIFOLD.....51, 113	HOSE ASSY,DMANIF/LR&RR BRAKE.....139,
FUEL LINE, DEUTZ F3L 2011F,1 METER	HARNESS,LS,D.E. Z45IC.....35, 51	143, 145
LG.....69	HARNESS,LS,PRIM/EXT.....51	HOSE ASSY,DMANIF/LR&RR DMOTOR....139
FUEL PRESSURE REG,425EFI***.....49	HARNESS,LS,PRIM/EXT/SEC.....51	HOSE ASSY,FORD OIL DRAIN 1/2".....57
FUEL TANK ASSY, 17 GAL PLASTIC.....37	HARNESS,PBOX JOYSTICKS.....51	HOSE ASSY,LP GAS.....37, 57
	HARNESS,PBOX WIRING***.....51	HOSE ASSY,T FITTING/DRIVEMOTOR...143,
	HARNESS,PERKINS ENGINE***.....51	145
	HARNESS,TILT ALARM,12V.....51	HOSE COVER,LOWER LEVEL,BOT,PAI.....87
	HEAT SHIELD,EXHAUST MANIFOLD**.....59	HOSE COVER,LOWER LEVEL,TOP,PAI.....87
	HEATER,FREEZE PLUG,FORD LRG423...165	HOSE COVER,UPPER ARM,PAINTED.....87
	HINGE, SPRING, LONG LEG.....107	HOSE END,90DEG.,63 HS X.25 MPT.....57
	HINGE,.375X.120THK.,SLOTTED.....47, 49	HOSE END,BARB,1/4 MNPTX5/16,90.....37
	HINGE,FUEL DOOR.....49	HOSE END,BARB,1/4 MNPTX5/16,ST.....37
	HINGE,PLAT CONTROL BOX COVER.....159	HOSE END,BARB,3/16 MNPT,90D.....37
	HORN,12VDC,SPADE TERMINALS***.....39	HOSE END,BARB,3/8 MNPT X 5/16.....37
	HOSE ASM-JCAF310-06-41.....133	HOSE END,MALE,.313 X .25 MPT.....37
	Hose Assembly - Components: Genie part	HOSE GUIDE, JIB.....103
	numbers 48800, 48800 and 101697 @ 20	HOSE,1/2" X 24" LG.....57
	inches.....173	HOSE,1/4" HIGH PRESSURE,4.63LG.....93
	HOSE ASSEMBLY, 1".....149	HOSE,2.0"ID X 2.0" LG.....59
	HOSE ASSEMBLY,1/2"***.....63	HOSE,3/4,LP.....57, 59
	HOSE ASSEMBLY-1/2" 100R2.....135, 143	HOSE,5/16 FUEL,SAE 30R7.....49
	HOSE ASSY 1",STR FEM,STR FEM.....151	HOSE,90DEG 2.5" AIR INTAKE.....67
	HOSE ASSY 1/4, STR FEM,STR FEM.....135,	HOSE,AIR CLEANER.....67, 69
	137, 143, 145, 153, 155	HOSE,AIR CLEANER TO INTAKE.....77
	HOSE ASSY 1/4,STR FEM,PIPETHRE.....35	HOSE,AIR CLEANER,FORD/NOLFF.....53
	HOSE ASSY 1/4,STR FEM,STR BULK.....147	HOSE,AIR INLET.....77
	HOSE ASSY 1/4,STR FEM,STR MALE.....153,	HOSE,AIR INTAKE 2.5 ID 8.00LG.....57, 71, 73
	155, 171, 173	HOSE,AIR INTAKE,2.625"IDX2.50".....53
	HOSE ASSY, 1/4", 22.00.....155	HOSE,AIR INTAKE,FORD EFI***.....55
	HOSE ASSY,1",90 FEM,STR FEM**.....149, 151	HOSE,AIR INTAKE,PERKINS.....71
	HOSE ASSY,1/2 STR FEM,STR FEM.....141	HOSE,AIR INTAKE,PERKINS***.....73
	HOSE ASSY,1/2".....141, 145, 147	HOSE,FIRE RES.,5/8 ID,BULK.....57
	HOSE ASSY,1/2"***.....137	HOSE,FUEL,5/16 HIGH PRESSURE**.....49
	HOSE ASSY,1/2,45 FEM STR FEM.....145	HOSE,LOWER RADIATOR,Z45.....59, 61
	HOSE ASSY,1/2,45 FEM,STR FEM**.....149,	HOSE,LOWER,RADIATOR,PERKINS.....77, 81
	151	HOSE,UPPER RADIATOR,PERKINS.....73, 81
	HOSE ASSY,1/2,90 FEM,STR FEM.....135,	HOSE,UPPER RADIATOR,Z45.....53, 59, 61
	139, 143, 147, 149, 151	HOSE,VAPOR,LP SPECIFIC.....53
	HOSE ASSY,1/2,90 FEM,STR FEM**.....149	HOSE,WATER INLET,LRG425 EFI.....53, 57
	HOSE ASSY,1/2,90 FEM,STR FEMM.....151	HOUR METER,10-80 VOLTS***.....41-42
	HOSE ASSY,1/2,STR FEM,STR FEM.....135,	HOUSING,JOYSTICK, 62390/62391.....115,
	137, 141, 143	117
	HOSE ASSY,1/2,STR FEM,STR FEM*.....139	HOUSING,PUMP MOUNT (54573).....71, 77
	HOSE ASSY,1/4 STR FEM,STR FEM.....171,	HOUSING,THERMOSTAT,PERKINS 104.....75
	173	HUB ASSEMBLY,9 BOLT***.....22
	HOSE ASSY,1/4,90 FEM,STR FEM.....135,	
	137, 139, 141, 143, 145, 147, 153, 155, 171,	
	173	
		I
		INJECTOR - DEUTZ F4L1011F.....63
		INJECTOR PUMP - DEUTZ F4L1011F.....63

G

GAS STRUT,250 LBS FORCE***.....47
 GAS STRUT,CONNECTOR (28301).....47
 GASKET, FORD OIL DRAIN.....57
 GASKET, UK POWER TO PLAT.....110
 GASKET, WATER PUMP.....53
 GASKET,ADAPTER PLATE,425EFI***.....53
 GASKET,EXH FLANGE-FORD/PERKINS...59,
 81
 GASKET,EXHAUST.....63
 GASKET,EXHAUST***.....57
 GASKET,GROUND CONTROL BOX***.....41-
 42
 GASKET,NOLFF AIR HORN(106144)*.....53
 GASKET,PLATFORM CONTROL BOX.....109-
 110, 113
 GASKET,RETURN FILTER-77353.....37
 GASKET,THERM.HSNG O-RING.....53
 GASKET,THROTTLE ACTUATOR***.....53, 59
 GASKET,WATER PUMP.....75
 GASKET-CYLINDER HEAD.....73
 GASKET-THERMOSTAT HSG.....73, 75
 GATE LATCH CASTING--DRILLED.....161
 GAUGE-SIGHT,LHA-LGTB***.....37
 GEN.OPT.FORD,110V/3000W Z45***.....167
 GEN.OPT.FORD,220V/2500W Z45.....167
 GENERATOR,3000W,220V,50HZ***.....175
 GENERATOR,3500W,120V,60HZ**.....175
 GLOW PLUG,L1011.....165
 GROMMET,RUBBER .25 X .50"OD.....45
 GROMMET,RUBBER 3 X .19 X 3.5.....101
 GROUND CONTROL BOX ASSY
 W/DEC*.....41-42
 GUARD,FAN,FORD GAS** PNTD.....55
 GUARD,FAN,FORD/PERKINS,PAINTED.....61
 GUARD,FAN,PERKINS PAINTED.....73
 GUARD,FAN,PERKINS,PAINTED.....81

H

HARN JOYSTICK ADAPTOR JS100.....109-
 110, 115
 HARNESS KIT,Z45/51 PLAT BOX.....51, 109-
 110

Part Description Index (continued)

INJECTOR, FUEL(DEUTZ F3L2011F).....69
 INPUT CARRIER, SUB-ASSEMBLY.....27-28
 INSTRUCTIONS-PIPE CRADLE,BOOMS...161
 ISOLATOR, VIBRATION.....59, 61, 71, 81
 ISOLATOR,ENGINE VIBRATION***65, 69,
 73
 ISOLATOR,VIBRATION,LG,RD&WH***67
 ISOLATR KIT,RUBBR,2KW GENERATR.....167

J

JIB BOOM ASSY W/WORD DECAL.....103
 JOYSTICK,1 AXIS ROCKER,DEUTSCH...109-
 110, 117
 JOYSTICK,1 AXIS,DEUTSCH.....109-110, 115
 JOYSTICK,2 AXIS,DEUTSCH.....109-110, 115
 JOYSTICK,DUAL AXIS W/KNOB.....109-110,
 115
 JOYSTICK,SINGLE AXIS W/KNOB...109-110,
 115
 JOYSTICK,SINGLE AXIS W/STEER.....109-
 110, 117
 JUMPER COMB, 2-WAY,WIELAND.....45
 JUMPER,THROTTLE BODY,FORD 2.5L.....59

K

KEEPER,LATCH (45363).....47, 49
 KEY,SINGLE***41-42
 KEYS,10 PACK***41-42
 KEYSWITCH,3 POS. W/KEYS***41-42
 KEYSWITCH,3POS.MNTND.DR WKEY**...41-
 42
 KIT, CABLE GUIDE.....101
 KIT, FOOTSWITCH, Z45 & Z51.....107
 KIT, HARDWARE (54573).....71, 77
 KIT, ISOLATION, 3 JOYSTICK.....115, 117
 KIT, LEVEL SENSOR, 6 PIN CONN.....51, 83
 KIT, TERMINAL BLOCK.....45
 KIT,CABLE COVER,Z45 JIB***99
 KIT,CHARGE PUMP133
 KIT,CHARGE PUMP HOUSING.....133
 KIT,CONTROL BOX COVER.....159
 KIT,COVER,TORQUE HUB,45553***.....21-22,
 26-28
 KIT,ELEMENT**.....37
 KIT,FBA STYLE COUPLER,PERKINS.....71, 77
 KIT,FIELD INSTALL,SWING GATE.....161
 KIT,FITTING,AIRLINE TO PLATFRM.....163
 KIT,GASKET,UK POWER TO PLAT.....110
 KIT,OP SWITCH,DEUTZ.....67, 69
 KIT,OSCILLATE LINKAGE.....33
 KIT,PRIMER BULB.....69
 KIT,PUMP SHAFT SEAL W/INST***133
 KIT,SEAL,3CC PUMP***133
 KIT,SOLENOID CONTROL SERVICE.....133
 KIT,STRAINER REPLACEMENT.....37, 151
 KIT,SWING GATE W/SPRING.....161
 KIT,TORQUE HUB COVER (45553)**.....26-28
 KIT,TORQUE HUB COVER(101584)**.....27-
 28
 KNOB,JOYSTICK, 62390/62391.....115
 KNOB,ROCKER JOYSTICK 75565.....117

L

L.P.TANK LATCH.....37
 LANYARD,LYNCH PIN ASSY.....83
 LANYARD,PLATFORM CONTROL BOX.....113
 LATCH, SWING GATE.....107
 LATCH,DRAW,ADJUSTABLE.....83

LATCH,FLEXIBLE DRAW W/O KEEPER....47,
 49
 LATCH,FUEL DOOR.....49
 LATCH,SLIDE, FLUSH MOUNT STYLE.....159
 LENS,AMBER,STROBE,FIREBOLT.....157
 LEVEL SENSOR,LS60,YL,2.5X4.5.....83
 LEVEL,BUBBLE,2 DEGREE *.....28
 LEVER, GOVERNOR ACTUATOR.....63, 69
 LIGHT,LED IND. RED 12V NH.....41-42, 109-
 110
 LINING KIT, BRAKE, 4HP***.....27-28
 LINING KIT,AUSCO BRAKE***27-28
 LINING KIT,BRK,WET***27-28
 LINK,NYLATRAC KS6-5.4***93, 95
 LOAD SUPPORT WITH BEARINGS.....169
 LOCK,PLUG 4 WAY,12-14GA.....42, 175
 LOCK,PLUG 4 WAY,14-18GA.....87
 LOCK,RECEP 12 WAY, 14-18GA.....42, 113
 LOCK,RECEP 4 WAY,12-14GA.....113
 LOCK,RECEP 4 WAY,14-18GA.....87, 113
 LOCKNUT,ELEC,1/2".....110, 113
 LOWER LEVEL ARM ASSY.....87
 LOWER SECONDARY ARM ASSY.....87
 LUG BOLT,5/8-18,WHEEL HUB***22
 LUG,WHEEL STUD,5/8-18,W1/4HB**21-
 22, 26-28

M

MANIFOLD ASSY, Z45/Z51 4WD.....121-122
 MANIFOLD KIT, SW DRIVE.....35
 MANIFOLD,2WD TRACT W/O FIT***119
 MANIFOLD,FUNC.IC DEUTSCH***125-126
 MANIFOLD,FUNCTION DEUTSCH***129
 MANIFOLD,JIB SELECT W/QD PLUG.....131
 MANIFOLD,JIB SELECT W/QD PLUG*
 (88786).....131
 MANIFOLD,JIB,ROTATE 10V,W/FIT*131
 MANIFOLD,ROTATOR,CB***131
 MANIFOLD,TURNTABLE ROTATION***35
 MAP SENSOR, EFI.....53, 59
 MARKING TAGS,# 1-10,WIELAND.....45
 MARKING TAGS,# 11-20,WIELAND.....45
 MARKING TAGS,# 21-30,WIELAND.....45
 MARKING TAGS,# 31-40,WIELAND.....45
 MARKING TAGS,# 41-50,WIELAND**.....45
 MEGAJECTOR,FUEL KIT.....59
 MESH,HALF,LH 5' PLATFORM.....161
 MESH,HALF,LH,6'PLATFORM.....161
 MESH,HALF,RH 5' PLATFORM.....161
 MESH,HALF,RH,6'PLATFORM.....161
 MESH,HALF,SWING GATE***161
 MICROSWITCH,13482 FOOTSWITCH.....107
 MIDPIVOT ASSY Z45IC.....87
 MIXER,AIR VALVE,TIER II FORD**.....55
 MODULE,IGNITION/START,12/24V.....45
 MODULE,LOAD SENSE 2007.....169
 MOTOR,12VDC,77066.....37
 MOTOR,HYD,25CC FIXED***21-22
 MOTOR,HYD,LV35,VAR,10DEG,2WD.....27-
 28
 MOTOR,HYD,LV35,VAR,1DEG,4WD.....27-28
 MOTOR,PISTON,LC30,1 DEG,13T.....27-28
 MOTOR,PISTON,LC30,10 DEG,13T.....27-28
 MOUNT POST,LH.....67
 MOUNT POST,RH.....67
 MOUNT,REAR ENGINE PNTD.....55
 MOUNT,SWITCH.....169
 MUFFLER,DEUTZ.....63, 65
 MUFFLER,FORD LRG EFI,Z45.....57

MUFFLER,PERKINS 404-22DSL.....73, 81

N

NIPPLE,DIAGNOSTIC,#4.....125-126
 NIPPLE,DIAGNOSTIC,ORFS,FM,SWIV.....119,
 121-122
 NUT - PLASTIC,RING FOR ALARMS.....109-
 110, 157
 NUT - WING, AIR FILTER, 425EFI.....65, 67,
 71, 77
 NUT, HEX FLANGE M 8 X 1.25.....81
 NUT, LP NYLOCK, 3/8-16.....81, 85, 87, 93, 95,
 97
 NUT, SOLENOID VALVE.....122
 NUT,BULKHEAD,520118-4.....147
 NUT,BULKHEAD,520118-8.....143, 145
 NUT,HEX,1/4-28.....31, 33, 63, 79
 NUT,HEX,10-24.....69
 NUT,HEX,5/16-18,GR5.....63, 65, 81
 NUT,LOCKING-LG.FLANGE,1/4-20.....83, 93,
 95
 NUT,LOCKING-LG.FLANGE,5/16-18.....57, 59,
 71, 77
 NUT,LP NYLOCK,1/4-20...28, 39, 49, 79, 159,
 175
 NUT,LUG,5/8-18 X 90 DEGREE,Z45...21-22,
 26-28
 NUT,NYLOCK FLG,1/4-20,F,ZAG.....161
 NUT,NYLOCK FLG,3/8-16,F,ZAG.....161, 177
 NUT,NYLOCK,1/2-13.....35, 37, 39, 59, 61, 65,
 69, 73, 77, 79, 81, 167
 NUT,NYLOCK,1/4-20.....37, 39, 47, 49, 55, 59,
 61, 63, 65, 71, 77, 81, 83, 87, 91, 93, 95, 97,
 99, 101, 103, 159, 161, 165, 169
 NUT,NYLOCK,10-24.....33, 169
 NUT,NYLOCK,10-32.....35, 45, 47, 49, 53, 59,
 87, 91, 113, 157, 175
 NUT,NYLOCK,3/4-10,GRD.8.....97, 101
 NUT,NYLOCK,3/8-16.....17, 19, 25-28, 37, 39,
 47, 49, 59, 61, 67, 69, 73, 77, 81, 85, 89, 91,
 95, 99, 103, 110, 167, 169, 175
 NUT,NYLOCK,5/16-18.....39, 47, 101
 NUT,NYLOCK,5/8-11.....67
 NUT,NYLOCK,6-32.....113
 NUT,NYLOCK,7/16-14.....175
 NUT,NYLOCK,M10X1.50.....71, 77, 79, 81
 NUT,SOLENOID VALVE 2P3W.....125-126,
 131
 NUT,SOLENOID VALVE COIL.....119, 122, 131
 NUT,SPINDLE,1-14.....22
 NUT,STEM,EATON***133
 NUT,TL FLG,1/2-13,G,ZAG.....177
 NUT,TL FLG,1/4-20,G,ZAG.....107
 NUT,TL FLG,3/8-16,G,ZAG.....107
 NUT-COIL SHORT.....131
 NUT-VALVE,PROP. SOLENOID-50683.....125-
 126
 NUTSERT,1/4-20,STEEL CAD PLTD.....28, 45

O

O-RING KIT (ORFS FITTINGS).....119, 121-
 122, 135, 137, 139, 141, 143, 145, 147, 149,
 151, 153, 155, 171, 173
 O-RING KIT,EDC CONTROLLER.....133
 O-RING, ROTATOR MANIFOLD.....131
 O-RING, TORQUE HUB.....21-22, 26-28
 O-RING,.103 X 4.737,VITON, 75D.....28
 O-RING,2-010,VITON.....27-28

O-RING,2-042 N674-70***.....57, 63, 133
 O-RING,2-044 BUNA***.....21-22, 27-28
 O-RING,2-157,VITON***.....27-28
 O-RING,DIPSTICK TUBE(Z45 PERK).....71
 O-RING,END COVER,4HP/4HB***.....26-28
 O-RING,FILTER ASSY (60334)***.....47
 O-RING,FUEL INJECTOR,DEUTZ (89792)..69
 O-RING,JOYSTICK, 62390/62391.....115, 117
 O-RING,MOTOR TO BRAKE***.....28
 O-RING,NEOPRENE, .469IDX.094THK.....63
 O-RING,STEM,EATON.....133
 OIL FILLER CAP FOR LRG ENGINE.....53
 OIL FILTER - PERKINS.....71, 77
 OIL TEMP SENSOR, DEUTZ F4L2011.....69
 OPTION,AIRLINE TO PLATFORM.....163
 OPTION,EURO TOEBOARD.....159
 OPTION,PLAT.PINCH GUARD,4 FT.....159
 OPTION,PLAT.PINCH GUARD,5 FT.....159
 OPTION,WORKLIGHT,12 VOLT.....159
 ORIFICE PLATE,0.037".....129
 ORIFICE, 0.025".....122
 ORIFICE, 0.025"(74129)*.....122
 ORIFICE, 0.030".....122
 ORIFICE, 0.052".....122
 OUTLET, 110V.....110
 OUTLET,WATER, PERKINS (54555).....75

P

PAD,REST,1"THICK,W/STUDS*.....39
 PAD,REST,2"THICK,W/STUDS*.....39
 PANEL,ACCESS PAINTED.....169
 PIN,0.75DIA X5.75LG,CHAMFER.....169
 PIN,0.75DIA X8.75LG,CHAMFER.....169
 PIN,1.25DIA X14.45LG,2HOLE.....99
 PIN,1.25DIA X3.37LG,1HOLE.....89
 PIN,1.25DIA X3.75LG,1HOLE.....17
 PIN,1.25DIA X5.25LG,1HOLE.....97, 99
 PIN,1.25DIA X6.36LG,2RING.....91, 99
 PIN,1.25DIA X7.00LG,1HOLE.....97, 99
 PIN,1.25DIA X7.88LG,1HOLE.....99
 PIN,1.25DIA X8.12LG,1HOLE.....17
 PIN,1.25DIA X8.88LG,1HOLE.....97, 99
 PIN,1.25DIA X9.38LG,THREADED.....91
 PIN,1.50DIA X13.88LG,2HOLE.....85
 PIN,1.50DIA X20.00LG,CHAMFER.....17, 19,
 25-28
 PIN,1.50DIA X4.25LG,GR/H.....17, 19
 PIN,1.50DIA X7.50LG,1HOLE***.....85
 PIN,1.75 X 12.25 CHAMFER.....85
 PIN,1.75DIA X11.63LG,CHAMFER.....85
 PIN,1.75DIA X11.88LG,CHAMFER.....89
 PIN,1.75DIA X12.13LG,CHAMFER.....85
 PIN,1.75DIA X12.25LG,CHAMFER.....85, 89
 PIN,1.75DIA X23.57LG,CHAMFER***.....85, 89
 PIN,1.75DIA X9.25LG,1HOLE.....89
 PIN,CLEVIS,1 X 2.5 LG.....17, 19
 PIN,COTTER,,219 X 1.75.....22
 PINCH GUARD,6"(1.31")SERVICE***.....159
 PIPE CRADLE ASSY. SERV (ONE)**.....161
 PIPE PLUG,,563 MAG***.....26-28
 PLAT ASSY,6' W/SIDE GATE,Z45/51 ANSI
 SYM.....105
 PLAT ASSY,6' W/SIDE GATE,Z45/51 CE....105
 PLAT ASSY,6' W/SIDE GATE,Z45IC/Z51 ANSI
 WORD.....105
 PLAT ASSY,6' W/SIDE GATE,Z45IC/Z51
 AUS.....105
 PLAT. CONTROL BOX W/DECAL***.....109-
 110

PLAT.ASSY,6FT,1/2 MESH, CE.....161
 PLATE,AIR BAFFLE,FORD.....61
 PLATE,AIR BAFFLE,FORD,PAINTED.....47
 PLATE,AIR INTAKE ADAPTER,PAINT.....47,
 65
 PLATE,COVER SPACER,PAINTED.....49
 PLATE,ENG MT BELL HOUSE,PAINTE.....61
 PLATE,ENGINE TRAY***.....79
 PLATE,FOOT SWITCH COVER.....161
 PLATE,FUEL PUMP,FORD/WALBRO.....49
 PLATE,HINGE BACK-UP.....57
 PLATE,LOWER AIR BAFFLE,PAINTED.....81
 PLATE,MANIFOLD/CNTRL BOX MOUNT.....39
 PLATE,PLAT HEAT,ALC500 GEN II.....113
 PLATE,PUMP MOUNT,FORD,PAINTED.....57
 PLATE,RADIATOR BAFFLE,PAINTED.....61
 PLATE,SWING LOCK,PAINTED***.....35
 PLATE,TANK SIDE,PAINTED.....37
 PLATE,UK,POWER TO PLAT.....110
 PLATE,WATER PUMP (104-22).....75
 PLATFORM CONTROL BOX,PAINTED.....113
 PLATFORM,1/2 MESH W/GATE,ANSI*.....161
 PLUG AND CAP KIT-SERVICE,ORFS*.....119,
 121-122, 135, 137, 139, 141, 143, 145, 147,
 149, 151, 153, 155, 171, 173
 PLUG,070109-8.....57, 63
 PLUG,090109A-6.....155, 173
 PLUG,1/4 X .400",BLK.....47
 PLUG,1/4"SERIES,3/8 MPT.....163
 PLUG,DRAIN,3/8",MAGNETIC.....37
 PLUG,HEX,090109A-4.....135, 137, 139, 141
 PLUG,MAGNETIC,SAE-6***.....37
 PLUG,NYLON .50 BLACK DOMED.....41-42,
 109-110
 PLUG,NYLON .875 BLACK DOMED.....42
 PLUG,NYLON 1.12 BLACK DOMED.....113,
 159
 PLUG,ORIFICE, 0.052 (40033).....122
 PLUG,ORIFICE,0.030 (50684).....122
 PLUG,ORIFICE,1.00MM(.039IN).....126
 PLUG,SEAL,12-18 GA.....42, 175
 PLUG,TORQUE HUB,DRAIN***.....26-28
 PLUG-ORIFICE 0.031 INCH.....119
 PLUG-ORIFICE,0.067 INCH.....119
 POWER TO PLAT,CORD ASSY.....167
 PRIMARY BOOM ASSY,STD,Z45/25**.....91
 PULLEY, WATER PUMP.....75
 PULLEY,DEUTZ.....175
 PULLEY,FORD ENGINE,LRG-423***.....53
 PULLY,GNRTR,220V,50HZ(89908).....175
 PULLY,GNRTR,120V,60HZ(60707).....175
 PUMP ASSY (77066).....37
 PUMP ASSY,,77066.....37
 PUMP WATER (PERKINS 404)***.....75
 PUMP, FUEL LIFT, F4L1011F.....63
 PUMP, FUEL, LRG425, WALBRO.....49
 PUMP, WATER, WITH GASKET.....53
 PUMP,FUEL 2011 DEUTZ ***.....69
 PUMP,LIFT(FUEL) PERKINS(54555).....71
 PUMP,M46/GEAR,2.8/.67.....133
 PUMP,PIGGBACK,11CC,11 TOOTH***.....133
 PUMP,PIGGY BACK,.67 C.I.,Z45IC.....133
 PUMP,PISTON,49CC***.....133
 PUMP,VAR PISTON,Z45 IC.....133

R

RADIATOR,FORD/PERKINS***.....55, 61, 77,
 81
 RAILING CATCH CASTING--DRILLED.....161

RAILING,PINCH GAURD,4 FT.....159
 RAILING,PINCH GAURD,5 FT.....159
 REAR AXLE,ASSY WIDE,W/BEARINGS....25-
 28
 RECEPTACLE, 120VAC, 20A, GFCI.....110
 RECEPTACLE,UK,110V.....110
 REDUCER,RUBBER 2.5 - 2.....55
 Ref Jib Manifold (refer to 704.1).....101
 REF: Foot Switch Assembly.....51
 Ref: Jib Platform Rotator.....101
 Ref: Swing Drive Assy.....35
 Refer to Detail A.....71
 REGULATOR DIAPH.KIT NOLFF,MDLJ.....57
 REGULATOR,LP,MODEL J NOLFF.....57
 REGULATOR,LPG.....59
 RELAY - LRG425 EFI.....53
 RELAY,SPDT,12V(AUTO) PLUG IN**.....45
 RELAY,SPDT,12V(AUTO)**.....51, 113
 REPAIR LINK END SET (42763)*.....93, 95
 REPAIR LINK,7 LINKS***.....93, 95
 RESISTOR,10 OHM,25 WATT.....113
 RESISTOR,10 OHMS,25W,ADJ***.....45
 RESISTOR,20 OHMS,25W,ADJ***.....45
 RETAINER,GAS SPRING***.....47
 RETAINER,SPRING,1.21 X .375.....169
 RETAINING PIN, ASSY.....35
 RING GEAR,DEUTZ F3 & F4L1011*.....63
 RING GEAR,DEUTZ F3 & F4L1011F*.....63
 RING GEAR,DEUTZ F3L2011F.....63
 RING GEAR,FORD***.....57, 59
 RIVET,ALUM,ALUM,3/16BUTTONHEAD....49,
 159
 RIVET,STEEL,P .25 X .375.....161
 ROCKER ASSY.,MAGNETIC 75565.....117
 ROCKER,RETAINER, 75565.....117
 ROD END,.250 X 2.75 LG.....169
 ROD END,.375 X 2.25,ZAG.....17, 89
 ROD END,.375X3.69,ZAG.....17, 19, 25-28,
 89, 91, 97, 99
 ROD END,.5 X 3.75,ZAG.....85, 89
 ROD END,BALL JOINT 1/4-28.....33
 ROD,DISCONNECT 4HP/4HB***.....26-28
 ROLLER ARM,LIMIT SWITCH***.....35, 87, 91
 ROTATOR,PLAT,JIB,Z45/25J.....99
 ROTATOR,PLAT,Z45.....97
 ROTATOR,PLAT,Z45J/Z51J.....99
 RUE RING,1.00.....17, 19

S

SCREW 5/16-18 X .75 LG.FLG.LCK.....61, 81
 SCREW T-SWITCH PH/PH 6-32X1/4....41-42,
 109-110
 SCREW, HCC, 3/8-16 X 1.50.....37, 39, 47, 61,
 67, 69, 89, 91, 97, 99
 SCREW, HHC, 7/16-14 X 2, GR 5.....175
 SCREW, HHC, M10 X 1.5 X 50.....71, 77
 SCREW, PHM, #6-32 X .625 ZINC.....115, 117
 SCREW,BHHS,1/4-20 X .5,Y/ZINC.....93, 95
 SCREW,BHSC,1/4-20 X .88,Y/ZINC.....93, 95
 SCREW,BLEEDER,M5X0.8.....99
 SCREW,FHS,3/8-16 X 1.75.....49
 SCREW,HHC,1/2-13 X 1.25 GR5.....25-28, 37
 SCREW,HHC,1/2-13 X 1.5.....37, 57, 63, 69,
 85, 87, 89
 SCREW,HHC,1/2-13 X 1.75.....22, 57, 71, 133,
 167
 SCREW,HHC,1/2-13 X 2 GR5.....39, 61
 SCREW,HHC,1/2-13 X 3.....69

Part Description Index (continued)

SCREW,HHC,1/2-13 X 3.5.....59, 61, 65, 73, 77, 79, 81	SCREW,PHIL,8-32X.50,SELF TAP.....61, 81, 110	SEAL KIT,WHEEL DRIVE (106148/106445/107712).....26-28
SCREW,HHC,1/2-13 X.75.....87	SCREW,PHIL,PHM,10-24 X.5,SEMS.....55, 73, 77	SEAL KIT,WHEEL DRIVE W/BRAKE (101584/101585).....27-28
SCREW,HHC,1/4-20 X .5.....87, 159	SCREW,PHIL,PHM,10-24X1.5 ZINC.....169	SEAL KIT-DRIVE MOTOR.....27-28
SCREW,HHC,1/4-20 X .625.....109-110, 159, 161	SCREW,PHIL,PHM,10-32 X .5,SSTL.....113	SEAL KIT-FOR PN.44216 & 826779.....129
SCREW,HHC,1/4-20 X .75.....28, 37, 39, 42, 45, 47, 49, 57, 61, 71, 79, 103, 165, 169	SCREW,PHIL,PHM,6-32 X 1/4 SS.....113	SEAL RING,SOLENOID CONTROL.....133
SCREW,HHC,1/4-20 X 1.....21-22, 25-28, 37, 39, 47, 55, 59, 63, 65, 67, 87, 169	SCREW,PHILLIPS,PHM,10-32 X .75.....47, 49	SEAL, OIL FILLER CAP.....71
SCREW,HHC,1/4-20 X 1.25.....47, 77, 83, 99, 103	SCREW,PHILLIPS,PHM,10-32 X 1.....157, 175	SEAL,FILTER ASSY (60334)***.....47
SCREW,HHC,1/4-20 X 1.5.....49, 83, 97, 159	SCREW,PHILLIPS,PHM,10-32 X 2.0.....87	SEAL,FILTER LID.....37
SCREW,HHC,1/4-20 X 1.75.....91, 175	SCREW,PHILLIPS,PHM,10-32 X.625.....45, 175	SEAL,RUBBER,BAFFLE,FORD.....61, 81
SCREW,HHC,1/4-20 X 2.....31, 33, 87, 159, 169	SCREW,PHILLIPS,PHM,10-32 X1.25.....28, 53, 59	SEAL,RUBBER,BAFFLE,PERKIN/FORD.....47, 61
SCREW,HHC,1/4-20 X 2.25.....87	SCREW,PHILLIPS,PHM,10-32X 1.75.....91	SEAL,SHAFT,EATON PUMP***.....133
SCREW,HHC,1/4-20 X 2.5.....49	SCREW,PHILLIPS,PHM,10-32 X .5.....113	SEAL,SHAFT-SUNDSTRAND***.....27-28, 133
SCREW,HHC,1/4-20 X 2.75.....97, 101	SCREW,PHILLIPS,RHM,10-32 X 1.5.....35	SEAL-GREASE,9-BOLT HUB 54840.....22
SCREW,HHC,1/4-20 X 3.....45	SCREW,PHPM,10-24X1,ZAG.....107	SEAL-INJECTOR.....73
SCREW,HHC,1/4-20 X 5.50,G5,CLZ.....93	SCREW,SHC,1/2-13 X 4 ZINC.....28	SEAL-ROCKER BOX.....73
SCREW,HHC,3/4-10 X 9.5 GR 8 YE.....97, 101	SCREW,SHC,1/2-13 X 4.50 ZINC.....35	SEAL-VALVE SYSTEM (A).....73
SCREW,HHC,3/8-16 X .75.....35, 37, 91, 103	SCREW,SHC,3/8-16 X 1.....57, 63, 133	SEAL-VALVE SYSTEM (B).....73
SCREW,HHC,3/8-16 X .75,GR 8.....91	SCREW,SHC,5/8-11 X 1.5.....22, 27-28	SEAL/BEARING KIT (45043,54840).....22
SCREW,HHC,3/8-16 X 1.....17, 19, 25-28, 39, 47, 57, 67, 71, 81, 87, 89	SCREW,SHC,5/8-11 X 1.75.....27-28	SENDING UNIT,OIL PRESS.,DEUTZ*.....63
SCREW,HHC,3/8-16 X 1 GRD 8.....101	SCREW,SHC,5/8-11 X 2.5 BLK.....35	SENDING UNIT,OIL PRESSURE***.....53
SCREW,HHC,3/8-16 X 1.25 GRD 5.....37, 39, 59, 73, 77, 81, 91, 97, 99, 110	SCREW,SHC,5/8-11 X 4,A574.....35	SENDING UNIT,OIL TEMP.....63
SCREW,HHC,3/8-16 X 1.75,GRD.8.....91, 167, 175	SCREW,SHC,5/8-11 X 4.5,A574.....35	SENDING UNIT-H20TMP LRG425EFI*.....53
SCREW,HHC,3/8-16 X 2.....103	SCREW,SHM,PHP, #12 X .75.....113	SENSOR, CRANK POSITION.....53
SCREW,HHC,3/8-16 X 2 FULL THRD.....37	SCREW,SHS,10-24 X .625.....33, 69	SENSOR,AIR,CAT MONITOR***.....55
SCREW,HHC,3/8-16 X 2.25.....17, 19, 25-28	SEAL AND BRG KIT,4.5K ROTATOR.....97, 99	SENSOR,CAM,EFI***.....53
SCREW,HHC,3/8-16 X 2.75.....25-28, 31, 33, 39	SEAL AND BRG KIT,4.5K ROTATOR*.....97, 99	SENSOR,COOLANT TEMP*.....53
SCREW,HHC,3/8-16 X 3.....85, 95	SEAL KIT (39345).....99, 131	SENSOR,LEVEL 3 DEG**.....83
SCREW,HHC,3/8-16 X 3.25.....169	SEAL KIT (54994).....99	SENSOR,LEVEL,4.5 DEG.....55, 83
SCREW,HHC,3/8-16 X 3.5,GR5.....85	SEAL KIT CYL Z45 (54570).....91	SENSOR,OXYGEN LRG425EFI.....53, 57, 59
SCREW,HHC,5/16-18 X 1 GR5.....57, 101, 159	SEAL KIT, 88337.....17, 19	SEPRTR/FLTR,FUEL DSL,15GPH,30.....77
SCREW,HHC,5/16-18 X 1.25.....39, 59	SEAL KIT, AUSCO BRAKE***.....27-28	SERIAL # LABEL,MYLAR 4X8***.....11-12, 15
SCREW,HHC,5/8-11 X 1.75 GRD.8.....27-28	SEAL KIT, BRAKE, 4HP.....27-28	SERVICE KIT, 5FT JIB.....99
SCREW,HHC,5/8-11 X 2.5.....67	SEAL KIT, GEARBOX, 4HP.....26-28	SERVICE KIT,5FT JIB.....103
SCREW,HHC,5/8-11 X 4.5.....67	SEAL KIT, SOLENOID VALVE...121-122, 125-126, 131	SERVICE KIT,DEUTZ DIPSTICK,Z45.....69
SCREW,HHC,M10 X 1.5 X 35.....71, 77	SEAL KIT, SWING DRIVE.....35	SET SCREW***.....27-28
SCREW,HHC,M10 X 1.5 X70,GR 8.8.....69, 71, 77	SEAL KIT, TORQUE HUB(74097)*.....26-28	SHAFT,M46 15 TOOTH.....133
SCREW,HHC,M10 X 25MM,GR 8.8.....61	SEAL KIT, VALVE.....119, 121-122, 129, 131	SHEET,RUBBER,AIR INTAKE.....67, 69
SCREW,HHC,M10 X 30MM.....63, 79, 81	SEAL KIT, VALVE, #10.....119, 121-122	SHIM,AXLE PIN,1.50".....17, 19, 28
SCREW,HHC,M10 X 40MM,GRD8.....57	SEAL KIT, VALVE, #4.....122, 125-126	SHIM,AXLE ROTATION STOP,12GA.....25-28
SCREW,HHC,M10 X 55MM,GRD 8.8.....175	SEAL KIT,11 TOOTH PUMP***.....133	SHIM,AXLE ROTATION STOP,22GA.....25-28
SCREW,HHC,M12 X 45.....71, 77	SEAL KIT,147259.....99	SHIM,SIDE PAD 22GA.....91
SCREW,HHC,M14 X 1.5X40MM,GR8.8.....73, 77, 79, 81	SEAL KIT,147260***.....89	SHIM,WEAR PAD,5 X 1.5,14GA.....91
SCREW,HHC,M14 X 40MM,GR 8.8.....65, 69	SEAL KIT,52907,SIZE 4, 2 WAY.....129	SHIM,WEAR PAD,5X 1.5 16GA.....91
SCREW,HHC,M14 X 55.....67	SEAL KIT,ARCTIC,ROTATOR 4.5K**.....97	SHOCK MOUNT,LARGE**.....61, 79, 81
SCREW,HHC,M6 X 20MM,GR8.8.....63, 69	SEAL KIT,BRAKE***.....27-28	SHOCK MOUNT,SMALL.....59, 61, 77, 81
SCREW,HHC,M6 X 25.....59	SEAL KIT,CONTROL VALVE.....31, 33	SHROUD,FAN PAINTED.....77
SCREW,HHC,M8 X 20MM.....53, 61, 71, 73, 81	SEAL KIT,CYL,Z45 (54567).....17	SHROUD,FAN,PERKINS DSL,PAINTED.....81
SCREW,HHC,M8 X 30MM,GRD 8.8.....71	SEAL KIT,CYL,Z45 (77187&77188).....89	SHROUD,RADIATOR,FORD LGR425,PA.....61
SCREW,HHC,M8 X 60MM X 1.25.....53	SEAL KIT,ELEVATE (88203).....85	SHUTDOWN SOLENOID,12V, DEUTZ.....63, 69
SCREW,HHF,1/2-13X3.5,8,ZAG.....177	SEAL KIT,MASTER & SLAVE CYL.....89, 97, 99	SLIDING MIDRAIL KIT,PTD.....107
SCREW,HHF,1/4-20X.625,8,ZAG.....107	SEAL KIT,MOTOR,LC/KC***.....27-28	SNAP PIN.....161
SCREW,HHF,1/4-20X.75,8,ZAG.....107	SEAL KIT,PUMP SHAFT (EATON)***.....133	SNAP RING,EXTERNAL,1.25,ZAG.....91, 99
SCREW,HHF,1/4-20X1.8,ZAG.....107	SEAL KIT,ROTATOR***.....97, 99	SNAP RING,EXTERNAL,1.50,ZAG.....17, 19
SCREW,HHF,1/4-20X2.5,8,ZAG.....161	SEAL KIT,SAUER-DANFOSS M46***.....133	SNAP RING,PUMP SHAFT SEAL***.....133
SCREW,HHF,3/8-16X1.8,ZAG.....107	SEAL KIT,SOLENOID VALVE.....119	SNAP RING,WHEEL DRIVE.....27-28
SCREW,HHF,3/8-16X1.25,8,ZAG.....107	SEAL KIT,SOLENOID VALVE, SV07.....131	SOLENOID CABLE ASSY***.....63
SCREW,HHF,3/8-16X2.5,8,ZAG.....177	SEAL KIT,SUNSTRAND.....21-22	SOLENOID KIT,SHUT DN,PERKINS.....77
	SEAL KIT,SWING DRIVE***.....35	SOLENOID,12V CONTINUOUS***.....165
	SEAL KIT,SWING MOTOR***.....35	SOLENOID,77066.....37
	SEAL KIT,TORQUE HUB (20193)...21-22, 26-28	SOLENOID,SHUT DN,PERKINS(54555).....79
		SOLENOID,SHUT DOWN PERKIN40422.....77
		SOLENOID,THROTTLE ACTUATOR DSL.....63, 69, 77, 79
		SOLENOID-STARTR DEUTZF4L1011F*.....65, 67

YOKE ASSY.LH'2WD'Z45IC.....17, 19
YOKE ASSY.RH'2WD'Z45IC.....17, 19

Z

ZERK,GREASE,5/16-24,STRAIT.....169

Fitting Cross References

Genie PN	Parker PN	Description	Genie PN	Parker PN	Description
12342	6-4 F5OX-S	CONNECTOR,STRAIGHT THREAD TO FLARE TUBE	42794	1 CR-S	ELBOW,90°,MALE PIPE
13757	4 R6X-S	RUN TEE,SWIVEL NUT,ORFS	42795	BV-0839	BALL VALVE
19685	12-10 C5OX-S	ELBOW,90°,STRAIGHT THREAD TO FLARE TUBE	42796	BV-0838	BALL VALVE
22664	12-10 C5OX	ELBOW,90°,STRAIGHT THREAD TO FLARE TUBE	42874	6-8 CLO-S	ELBOW,90°,MALE PIPE TO ORFS
27431	8-12 F5OX-S	CONNECTOR,STRAIGHT THREAD TO FLARE TUBE	42912	13943-6-4	HOSE END,90° FEMALE SWIVEL,JIC
28678	AS-B-33	SLEEVE,NYLON,1.81" ID	42920	BV-0840	BALL VALVE,90°
39871	6 WETX-WLN-S	UNION,90° BULKHEAD W/NUT,FLARE TUBE	42932	AS-B-17	SLEEVE,NYLON,1.22" ID
39872	4 R5OX-S	RUN TEE,STRAIGHT THREAD	42936	10243-2-4	HOSE END,FEMALE PIPE
39873	6 C5OX-S	ELBOW,90°,STRAIGHT THREAD TO FLARE TUBE	42953	1/2 DD-S	ELBOW,90°,FEMALE PIPE
39874	8-6 C5OX-S	ELBOW,90°,STRAIGHT THREAD TO FLARE TUBE	42956	6 WELO-WLNL-S	UNION,90° BULKHEAD W/NUT,ORFS
39875	4-6 C5OX-S	ELBOW,90°,STRAIGHT THREAD TO FLARE TUBE	45349	8 V5OX-S	ELBOW,45°,STRAIGHT THREAD TO FLARE TUBE
39876	6-8 C5OX-S	ELBOW,90°,STRAIGHT THREAD TO FLARE TUBE	45351	4 V5OX-S	ELBOW,45°,STRAIGHT THREAD TO FLARE TUBE
39877	4 F5OX-S	CONNECTOR,STRAIGHT THREAD TO FLARE TUBE	47223	10343-6-6	HOSE END,MALE,JIC
39878	6 F5OX-S	CONNECTOR,STRAIGHT THREAD TO FLARE TUBE	47419	PS690503-6-6	SWIVEL,90°,STRAIGHT THREAD TO 37° FLARE
39879	4-8 F5OX-S	CONNECTOR,STRAIGHT THREAD TO FLARE TUBE	48750	421-4	HOSE,1/4 INCH ID
39880	6-10 F5OX-S	CONNECTOR,STRAIGHT THREAD TO FLARE TUBE	48751	481TC-4	HOSE,1/4 INCH ID
39881	4-6 F5OX-S	CONNECTOR,STRAIGHT THREAD TO FLARE TUBE	48752	482TC-4	HOSE,1/4 INCH ID
39882	4-HP5ON-S	PLUG,STRAIGHT THREAD	48753	451TC-6	HOSE,3/8 INCH ID
39883	8-8 FTX-S	CONNECTOR,MALE PIPE TO FLARE TUBE	48754	482TC-6	HOSE,3/8 INCH ID
39885	269HB 12-12	ELBOW,90°,BEADED HOSE BARB TO MALE PIPE	48755	381-6	HOSE,3/8 INCH ID
39886	431-6	HOSE,3/8 INCH ID	48756	451TC-8	HOSE,1/2 INCH ID
39887	540N-2	HOSE,1/8 INCH ID	48757	482TC-8	HOSE,1/2 INCH ID
39888	801-8	HOSE,1/2 INCH ID	48758	381-8	HOSE,1/2 INCH ID
39889	801-12	HOSE,3/4 INCH ID	48759	381-10	HOSE,5/8 INCH ID
39890	10643-6-6	HOSE END,FEMALE SWIVEL,JIC	48760	451TC-10	HOSE,5/8 INCH ID
39891	13943-6-6	HOSE END,90° FEMALE SWIVEL,JIC	48761	482TC-12	HOSE,3/4 INCH ID
39892	13743-6-6	HOSE END,45° FEMALE SWIVEL,JIC	48762	451TC-12	HOSE,3/4 INCH ID
39894	30682-8-8	HOSE END,FEMALE SWIVEL,JIC	48763	772-12	HOSE,3/4 INCH ID
39895	30682-10-12	HOSE END,FEMALE SWIVEL,JIC	48764	881-16	HOSE,1 INCH ID
42286	8-8 CTX-S	ELBOW,90°,MALE PIPE TO FLARE TUBE	48765	772-16	HOSE,1 INCH ID
42756	8-12 CLO-S	ELBOW,90,MALE PIPE TO ORFS	48766	AS-B-15	SLEEVE,NYLON,1.06" ID
42757	8-12 FLO-S	CONNECTOR,MALE PIPE TO ORFS	48767	AS-B-22	SLEEVE,NYLON,1.42" ID
42758	4 JLO-S	UNION TEE,ORFS	48770	881-8	HOSE,1/2 INCH ID
42759	4-4 FLO-S	CONNECTOR,MALE PIPE TO ORFS			
42760	6-8 FLO-S	CONNECTOR,MALE PIPE TO ORFS			
42761	1J143-6-4	HOSE END,90° FEMALE SWIVEL,SEAL LOK			
42762	1J743-6-4	HOSE END,45° FEMALE SWIVEL,SEAL LOK			
42768	1JO43-4-4	HOSE END,MALE,SEAL LOK			
42776	601-8	HOSE,1/2 INCH ID			
42777	1J743-16-16	HOSE END,45° FEMALE SWIVEL,SEAL LOK			
42786	16 CLO-S	ELBOW,90°,MALE PIPE TO ORFS			
42787	16 R6LO-S	RUN TEE,SWIVEL NUT,ORFS			
42788	16-8 TRLO-BL-S	REDUCER,TUBE END TO SWIVEL,ORFS			
42789	6-6 CLO-S	ELBOW,90°,MALE PIPE TO ORFS			
42790	8-10 V5OLO-S	ELBOW,45°,STRAIGHT THREAD TO ORFS			
42791	3/4 CD-S	ELBOW,90°,MALE TO FEMALE PIPE			
42792	3/4 X 1/2 PTR-S	REDUCER,MALE TO FEMALE PIPE			
42793	1/2 CR-S	ELBOW,90°,MALE PIPE			

Fitting Cross References (Continued)

Genie PN	Parker PN	Description	Genie PN	Parker PN	Description
48771	881-10	HOSE,5/8 INCH ID	48847	13943-12-12	HOSE END,90° FEMALE SWIVEL,JIC
48772	381-4	HOSE,1/4 INCH ID	48848	10543-12-12	HOSE END,MALE,STRAIGHT THREAD
48773	AS-B-13	SLEEVE,NYLON,.86" ID	48849	1JC71-12-12	HOSE END,FEMALE SWIVEL,SEAL LOK
48800	1JC43-4-4	HOSE END,FEMALE SWIVEL,SEAL LOK	48850	1JS71-12-12	HOSE END,FEMALE SWIVEL,SEAL LOK
48801	1J743-4-4	HOSE END,45° FEMALE SWIVEL,SEAL LOK	48851	1J171-12-12	HOSE END,90° FEMALE SWIVEL,SEAL LOK
48802	1J943-4-4	HOSE END,90° FEMALE SWIVEL,SEAL LOK	48852	1J771-12-12	HOSE END,45° FEMALE SWIVEL,SEAL LOK
48804	1JM43-4-4	HOSE END,MALE,SEAL LOK, NO O-RING	48853	1J971-12-12	HOSE END,90° FEMALE SWIVEL,SEAL LOK
48805	10643-4-4	HOSE END,FEMALE SWIVEL,JIC	48854	1JC43-16-16	HOSE END,FEMALE SWIVEL,SEAL LOK
48806	13943-4-4	HOSE END,90° FEMALE SWIVEL,JIC	48855	1J943-16-16	HOSE END,90° FEMALE SWIVEL,SEAL LOK
48807	1JS43-4-4	HOSE END,FEMALE SWIVEL,SEAL LOK	48856	1J171-16-16	HOSE END,90° FEMALE SWIVEL,SEAL LOK
48808	3JC82-8-8	HOSE END,FEMALE SWIVEL,SEAL LOK	48857	1J971-16-16	HOSE END,90° FEMALE SWIVEL,SEAL LOK
48809	3JC82-12-12	HOSE END,FEMALE SWIVEL,SEAL LOK	48859	1JS43-8-4	HOSE END,FEMALE SWIVEL,SEAL LOK
48810	1JC43-6-4	HOSE END,FEMALE SWIVEL,SEAL LOK	48867	PD36BTL	DIAGNOSTIC NIPPLE,SEAL-LOK SWIVEL
48811	1J943-6-4	HOSE END,90° FEMALE SWIVEL,SEAL LOK	48873	6 PNLO-S	PLUG,TUBE END,ORFS
48812	1JC43-6-6	HOSE END,FEMALE SWIVEL,SEAL LOK	48874	6 PNTX-S	PLUG,FLARE TUBE
48813	1J143-6-6	HOSE END,90° FEMALE SWIVEL,SEAL LOK	48875	6 R6LO-S	RUN TEE,SWIVEL NUT,ORFS
48814	1J543-6-6	HOSE END,90° FEMALE SWIVEL,SEAL LOK	48877	4 F5OLO-SW/.025	CONNECTOR,STRAIGHT THREAD TO ORFS, W/.025 ORI
48815	1J743-6-6	HOSE END,45° FEMALE SWIVEL,SEAL LOK	48878	16-12 C5OLO-S	ELBOW,90°,STRAIGHT THREAD TO ORFS
48816	1J943-6-6	HOSE END,90° FEMALE SWIVEL,SEAL LOK	48879	8 C6LO-S	ELBOW,90°,SWIVEL NUT ORFS
48817	1JS43-6-8	HOSE END,FEMALE SWIVEL,SEAL LOK	48880	PD6-285	CAP,DIAGNOSTIC NIPPLE
48818	1J943-8-4	HOSE END,90° FEMALE SWIVEL,SEAL LOK	48881	6 HLO-S	UNION,ORFS
48819	1JC43-8-6	HOSE END,FEMALE SWIVEL,SEAL LOK	48883	8 P5ON-S	PLUG,STRAIGHT THREAD
48820	1J743-8-6	HOSE END,45° FEMALE SWIVEL,SEAL LOK	48884	8M18F87OMLO-S	CONNECTOR,METRIC,STRAIGHT THREAD TO ORFS
48821	1J943-8-6	HOSE END,90° FEMALE SWIVEL,SEAL LOK	48885	4 WGTX-WLN-S	CONNECTOR,BULKHEAD,FEMALE PIPE TO FLARE TUBE
48822	1JC43-8-8	HOSE END,FEMALE SWIVEL,SEAL LOK	48886	4 F5OLO-SW/2MM	CONNECTOR,MACHINED STRAIGHT THREAD TO ORFS
48823	1JS43-8-8	HOSE END,FEMALE SWIVEL,SEAL LOK	48887	4 CTX-S	ELBOW,90°,MALE PIPE TO FLARE TUBE
48824	1J143-8-8	HOSE END,90° FEMALE SWIVEL,SEAL LOK	48888	10-12 V5OLO-S	ELBOW,45°,STRAIGHT THREAD TO ORFS
48825	1J543-8-8	HOSE END,90° FEMALE SWIVEL,SEAL LOK	48890	4 S5OLO-S	BRANCH TEE,STRAIGHT THREAD TO ORFS
48826	1J743-8-8	HOSE END,45° FEMALE SWIVEL,SEAL LOK	48891	4 S6LO-S	BRANCH TEE,SWIVEL NUT TO ORFS
48827	1J943-8-8	HOSE END,90° FEMALE SWIVEL,SEAL LOK			
48828	1JC43-10-8	HOSE END,FEMALE SWIVEL,SEAL LOK			
48829	1JS43-10-8	HOSE END,FEMALE SWIVEL,SEAL LOK			
48830	1J743-10-8	HOSE END,45° FEMALE SWIVEL,SEAL LOK			
48831	1J943-10-8	HOSE END,90° FEMALE SWIVEL,SEAL LOK			
48833	1JC43-10-10	HOSE END,FEMALE SWIVEL,SEAL LOK			
48834	1J943-10-10	HOSE END,90° FEMALE SWIVEL,SEAL LOK			
48835	1JS43-10-12	HOSE END,FEMALE SWIVEL,SEAL LOK			
48836	1JC43-12-8	HOSE END,FEMALE SWIVEL,SEAL LOK			
48837	1JS43-12-8	HOSE END,FEMALE SWIVEL,SEAL LOK			
48838	1J743-12-8	HOSE END,45° FEMALE SWIVEL,SEAL LOK			
48839	1J943-12-8	HOSE END,90° FEMALE SWIVEL,SEAL LOK			
48840	1J943-12-10	HOSE END,90° FEMALE SWIVEL,SEAL LOK			
48841	1JC43-12-12	HOSE END,FEMALE SWIVEL,SEAL LOK			
48842	1JO43-12-12	HOSE END,MALE,SEAL LOK			
48843	1J143-12-12	HOSE END,90° FEMALE SWIVEL,SEAL LOK			
48844	1J543-12-12	HOSE END,90° FEMALE SWIVEL,SEAL LOK			
48845	1J743-12-12	HOSE END,45° FEMALE SWIVEL,SEAL LOK			
48846	1J943-12-12	HOSE END,90° FEMALE SWIVEL,SEAL LOK			

Fitting Cross References (Continued)

Genie PN	Parker PN	Description	Genie PN	Parker PN	Description
48892	6 C6LO-S	ELBOW,90°,SWIVEL NUT ORFS	48938	8 R6LO-S	RUN TEE,SWIVEL NUT,ORFS
48893	6 F5OHAO-S	UNION,STRAIGHT THREAD	48939	8 S6LO-S	BRANCH TEE,SWIVEL NUT TO ORFS
48894	8 WLO-WLNL-S	UNION,BULKHEAD,ORFS	48940	8 WJLO-WLNL-S	RUN TEE, BULKHEAD,ORFS
48895	DT-370-MSMO-5	VALVE,CHECK	48941	8-4 TRLO-S	REDUCER,TUBE END TO SWIVEL,ORFS
48896	6 JLO-S	UNION,TEE,ORFS	48942	8-6 C5OLO-S	ELBOW,90°,STRAIGHT THREAD TO ORFS
48897	DT-750-MSMS-5	VALVE,CHECK	48943	8-6 F5OLO-S	CONNECTOR,STRAIGHT THREAD TO ORFS
48898	DT-750-MOMS-5	VALVE,CHECK	48944	8-8 FLO-S	CONNECTOR,MALE PIPE TO ORFS
48899	DT-620-MOMS-5	VALVE,CHECK	48945	8 FTX-S	CONNECTOR,MALE PIPE TO FLARE TUBE
48900	4-6 F5OLO-SW/.035	CONNECTOR,STRAIGHT THREAD TO ORFS, W/.035 ORI	48946	8-10 F5OLO-S	CONNECTOR,STRAIGHT THREAD TO ORFS
48902	16-1 AOE4G-S	ELBOW,90° LONG,FEMALE PIPE TO STRAIGHT THREAD	48947	8-12 C5OLO-S	ELBOW,90°,STRAIGHT THREAD TO ORFS
48903	1 FF-S	NIPPLE,PIPE	48948	8-12 F5OLO-S	CONNECTOR,STRAIGHT THREAD TO ORFS
48904	4 C5OLO-S	ELBOW,90°,STRAIGHT THREAD TO ORFS	48949	8-16 F5OLO-S	CONNECTOR,STRAIGHT THREAD TO ORFS
48905	4 F5OLO-S	CONNECTOR,STRAIGHT THREAD TO ORFS	48950	10 C5OLO-S	ELBOW,90°,STRAIGHT THREAD TO ORFS
48906	4 R5OLO-S	RUN TEE,STRAIGHT THREAD	48951	10 CC5OLO-S	ELBOW,90° LONG,STRAIGHT THREAD TO ORFS
48907	4 V5OLO-S	ELBOW,45°,STRAIGHT THREAD TO ORFS	48952	10 F5OLO-S	CONNECTOR,STRAIGHT THREAD TO ORFS
48908	4 R6LO-S	RUN TEE,SWIVEL NUT,ORFS	48953	10 R5OLO-S	RUN TEE,STRAIGHT THREAD
48909	4 WJLO-WLNL-S	RUN TEE, BULKHEAD,ORFS	48954	10 S5OLO-S	BRANCH TEE,STRAIGHT THREAD TO ORFS
48910	4 GTX-S W/.030	CONNECTOR,FEMALE PIPE TO FLARE TUBE	48955	10 R6LO-S	RUN TEE,SWIVEL NUT,ORFS
48911	4-6 C5OLO-S	ELBOW,90°,STRAIGHT THREAD TO ORFS	48956	10-4 TRLO-BL-S	REDUCER,TUBE END TO SWIVEL,ORFS
48912	4-6 F5OLO-S	CONNECTOR,STRAIGHT THREAD TO ORFS	48957	10-6 TRLO-BL-S	REDUCER,TUBE END TO SWIVEL,ORFS
48913	4-6 F5OLO-SW/.030	CONNECTOR,STRAIGHT THREAD TO ORFS, W/.030 ORI	48958	10-12 F5OLO-S	CONNECTOR,STRAIGHT THREAD TO ORFS
48914	4-8 F5OLO-S	CONNECTOR,STRAIGHT THREAD TO ORFS	48959	12 C5OLO-S	ELBOW,90°,STRAIGHT THREAD TO ORFS
48915	6 C5OLO-S	ELBOW,90°,STRAIGHT THREAD TO ORFS	48960	12 F5OLO-S	CONNECTOR,STRAIGHT THREAD TO ORFS
48916	6 F5OLO-S	CONNECTOR,STRAIGHT THREAD TO ORFS	48961	12 R5OLO-S	RUN TEE,STRAIGHT THREAD
48917	6 FF5OLO-S	CONNECTOR,LONG,STRAIGHT THREAD TO ORFS	48962	12 S5OLO-S	BRANCH TEE,STRAIGHT THREAD TO ORFS
48918	6 R5OLO-S	RUN TEE,STRAIGHT THREAD	48963	12 V5OLO-S	ELBOW,45°,STRAIGHT THREAD TO ORFS
48919	6 S5OLO-S	BRANCH TEE,STRAIGHT THREAD TO ORFS	48964	12 R6LO-S	RUN TEE,SWIVEL NUT,ORFS
48920	6 V5OLO-S	ELBOW,45°,STRAIGHT THREAD TO ORFS	48965	12 CLO-S	ELBOW,90°,MALE PIPE TO ORFS
48921	6 FLO-S	CONNECTOR,MALE PIPE TO ORFS	48966	12 FLO-S	CONNECTOR,MALE PIPE TO ORFS
48922	6-6 FLO-S	CONNECTOR,MALE PIPE TO ORFS	48967	12 JLO-S	UNION TEE,ORFS
48923	6 P5ON-S	PLUG,STRAIGHT THREAD	48968	12 WLO-WLNL-S	UNION,BULKHEAD,ORFS
48925	6 WELO-S	UNION,90° BULKHEAD,ORFS	48969	12 WJLO-WLNL-S	RUN TEE, BULKHEAD,ORFS
48926	6-4 C5OLO-S	ELBOW,90°,STRAIGHT THREAD TO ORFS	48970	12 WELO-WLNL-S	UNION,90° BULKHEAD W/NUT,ORFS
48927	6-4 F5OLO-S	CONNECTOR,STRAIGHT THREAD TO ORFS			
48928	6-4 V5OLO-S	ELBOW,45°,STRAIGHT THREAD TO ORFS			
48929	6-8 C5OLO-S	ELBOW,90°,STRAIGHT THREAD TO ORFS			
48930	6-8 F5OLO-S	CONNECTOR,STRAIGHT THREAD TO ORFS			
48931	6-10 F5OLO-S	CONNECTOR,STRAIGHT THREAD TO ORFS			
48932	8 C5OLO-S	ELBOW,90°,STRAIGHT THREAD TO ORFS			
48933	8 F5OLO-S	CONNECTOR,STRAIGHT THREAD TO ORFS			
48934	8 FF5OLO-S	CONNECTOR,LONG,STRAIGHT THREAD TO ORFS			
48935	8 R5OLO-S	RUN TEE,STRAIGHT THREAD			
48936	8 S5OLO-S	BRANCH TEE,STRAIGHT THREAD TO ORFS			
48937	8 V5OLO-S	ELBOW,45°,STRAIGHT THREAD TO ORFS			

Fitting Cross References (Continued)

Genie PN	Parker PN	Description	Genie PN	Parker PN	Description
48971	12 G5G5JG5-S	TEE,FEMALE STRAIGHT THREAD	49612	PKT02586	O-RING KIT (ORFS FITTINGS)
48972	12 XHL6-S	ADAPTER, 37° MALE TO SWIVEL ORFS	49613	PKT06276	PLUG AND CAP KIT-SERVICE,ORFS
48973	12-1/2 F5OG-S	ADAPTER,FEMALE PIPE TO STRAIGHT THREAD	49728	10143-12-12	HOSE END, MALE PIPE
48974	12-10 C5OLO-S	ELBOW,90°,STRAIGHT THREAD TO ORFS	49729	16-1 F5OG-S	ADAPTER,FEMALE PIPE TO STRAIGHT THREAD
48975	12-10 F5OLO-S	CONNECTOR,STRAIGHT THREAD TO ORFS	49814	12-8 FLO-S	CONNECTOR,MALE PIPE TO ORFS
48976	12-16 C5OLO-S	ELBOW,90°,STRAIGHT THREAD TO ORFS	49829	DT-500-MOMF-5	VALVE,CHECK
48977	12-16 F5OLO-S	CONNECTOR,STRAIGHT THREAD TO ORFS	49831	881-12	HOSE,3/4 INCH ID
48978	12-16 V5OLO-S	ELBOW,45°,STRAIGHT THREAD TO ORFS	49834	16 JLO-S	UNION TEE,ORFS
48980	12-16 FLO-S	CONNECTOR,MALE PIPE TO ORFS	49838	12-8 TRLO-BL-S	REDUCER,TUBE END TO SWIVEL,ORFS
48983	16 C5OLO-S	ELBOW,90°,STRAIGHT THREAD TO ORFS	49840	8 JLO-S	UNION TEE,ORFS
48984	16 F5OLO-S	CONNECTOR,STRAIGHT THREAD TO ORFS	49844	10-8 TRLO-BL-S	REDUCER,TUBE END TO SWIVEL,ORFS
48985	16 V5OLO-S	ELBOW,45°,STRAIGHT THREAD TO ORFS	49854	8 P5ON-S	PLUG,STRAIGHT THREAD
48986	16 FLO-S	CONNECTOR,MALE PIPE TO ORFS	49855	1JC43-16-12	HOSE END,FEMALE SWIVEL,SEAL LOK
48988	16 CD45-S	ELBOW,45°,MALE TO FEMALE PIPE	49859	4 P5ON-S	PLUG,STRAIGHT THREAD
48989	12 CD45-S	ELBOW,45°,MALE TO FEMALE PIPE	49861	4 FF5OLO-S	CONNECTOR,LONG,STRAIGHT THREAD TO ORFS
48990	8 CD45-S	ELBOW,45°,MALE TO FEMALE PIPE	49867	12-3/4 F5OG-S	ADAPTER,FEMALE PIPE TO STRAIGHT THREAD
48991	16-12 FLO-S	CONNECTOR,MALE PIPE TO ORFS	51152	6 R6X-S	RUN TEE,SWIVEL NUT,ORFS
48992	16-12 V5OLO-S	ELBOW,45°,STRAIGHT THREAD TO ORFS	51153	6-4 TRTX-S	REDUCER,TUBE END TO SWIVEL,ORFS
48993	XV501-12	BALL VALVE	51154	4-4 GTX	CONNECTOR,FEMALE PIPE TO FLARE TUBE
48994	XV501-16	BALL VALVE	51264	881-12	HOSE,3/4 INCH ID
48995	XV510P-12	BALL VALVE	51265	8 JLO-S	UNION TEE,ORFS
48996	XV510P-16	BALL VALVE	51508	6 BTX-S	NUT,FLARE TUBE
48997	PD341	DIAGNOSTIC NIPPLE, STRAIGHT THREAD	51580	12-8 TRLO-BL-S	TUBE END REDUCER,ORFS
48998	PD 361	DIAGNOSTIC NIPPLE, STRAIGHT THREAD	51628	6 R6X-S	RUN TEE,SWIVEL NUT,ORFS
48999	DT-500-MOMS-5	VALVE,CHECK	51735	3/8 HHP	PLUG,PIPE THREAD
49201	10 V5OLO-S	ELBOW,45°,STRAIGHT THREAD TO ORFS	51803	1J943-6-8	HOSE END,90° FEMALE SWIVEL,SEAL LOK
49202	1JC43-12-10	HOSE END,FEMALE SWIVEL,SEAL LOK	53023	125HBL-5-4	FITTING,HOSE BARB TO MALE PIPE
49203	10-8 V5OLO-S	ELBOW,45°,STRAIGHT THREAD TO ORFS	53497	PKT02585	O-RING KIT
49205	6 F5OHAO-S	UNION,STRAIGHT THREAD	53499	1JC71-16-16	HOSE END,FEMALE SWIVEL,SEAL LOK
49207	PD34BTL	DIAGNOSTIC NIPPLE,SEAL-LOK SWIVEL	53500	3-904	O-RING,STRAIGHT THREAD,-4
49209	8M18F870MX-S	CONNECTOR,METRIC,STRAIGHT THREAD TO FLARE TUBE	53501	3-906	O-RING,STRAIGHT THREAD,-6
49212	8 WGTX-WLN-S	CONNECTOR,BULKHEAD,FEMALE PIPE TO FLARE TUBE	53502	3-908	O-RING,STRAIGHT THREAD,-8
49213	30682-8-8	HOSE END,FEMALE SWIVEL,JIC	53503	3-910	O-RING,STRAIGHT THREAD,-10
49216	831-8	HOSE,1/2 INCH ID			
49217	33982-8-8	HOSE END,90° FEMALE SWIVEL,JIC			
49219	PS-B-35	SLEEVE,NYLON,2.19" ID			
49418	4-6 V5OLO-S	ELBOW,45°,STRAIGHT THREAD TO ORFS			
49511	DT370-MOMS-5	VALVE,CHECK			
49512	1 DD-S	ELBOW,90°,FEMALE PIPE			
49513	1 FF-S	NIPPLE,PIPE			
49514	10 HP5ON-S	PLUG,STRAIGHT THREAD			
49515	12-16 CLO-S	ELBOW,90°,MALE PIPE TO ORFS			
49517	6 HP5ON-S	PLUG,STRAIGHT THREAD			
49519	16-12 F5OLO-S	CONNECTOR,STRAIGHT THREAD TO ORFS			
49520	4 VTX-S	ELBOW,45°,MALE PIPE TO FLARE TUBE			
49530	16 C6LO-S	ELBOW,90°,SWIVEL NUT ORFS			

Fitting Cross References (Continued)

Genie PN	Parker PN	Description	Genie PN	Parker PN	Description
53535	3-912	O-RING, STRAIGHT THREAD, -12	61083	24 F5OLO-S	CONNECTOR, STRAIGHT THREAD TO ORFS
53536	4-PNLO-S	PLUG, TUBE END, ORFS	61086	20 R5OLO-S	RUN TEE, STRAIGHT THREAD
53537	6 PNLO-S	PLUG, TUBE END, ORFS	61090	24-20 F5OLO-S	CONNECTOR, STRAIGHT THREAD TO ORFS
53538	8 PNLO-S	PLUG, TUBE END, ORFS	61091	1J943 24-24	HOSE END, 90° FEMALE SWIVEL, SEAL LOK
53539	10 PNLO-S	PLUG, TUBE END, ORFS	61093	1J978-12-12	HOSE END, 90° FEMALE SWIVEL, JIC
53540	12 PNLO-S	PLUG, TUBE END, ORFS	61095	1JS43-20-16	HOSE END, FEMALE SWIVEL, SEAL LOK
53946	129HB-5-4	FITTING, 90° HOSE BARB TO MALE PIPE	61100	811-24	HOSE, 1 1/2 INCH ID
53951	8-1/4F50G-S	ADAPTER, FEMALE PIPE TO STRAIGHT THREAD	61130	1JS43-24-24	HOSE END, FEMALE SWIVEL, SEAL LOK
53980	6 S6LO-S	BRANCH TEE, SWIVEL NUT TO ORFS	61131	1JS78 12-12	HOSE END, FEMALE SWIVEL, SEAL LOK
54132	4 C6LO-S	ELBOW, 90°, SWIVEL NUT ORFS	61132	1J778-12-12	HOSE END, 45° FEMALE SWIVEL, JIC
54135	11343-16-16	HOSE END, MALE SWIVEL, PIPE	61152	139HB-6-4	ELBOW, 45°, BARB TO MALE PIPE
54283	8-10 C5OLO-S	ELBOW, 90°, STRAIGHT THREAD TO ORFS	61251	BV-0750	BALL VALVE
54428	8M18C870MLO-S	ELBOW, 90° METRIC, STRAIGHT THREAD TO ORFS	61259	4 CC5OLO-S	ELBOW, 90° LONG, STRAIGHT THREAD TO ORFS
54803	FS-F-16-10	SLEEVE, FIRE, .96" ID	61260	20-12 TRLO-BL	REDUCER, TUBE END TO SWIVEL, ORFS
54954	10143-2-4	HOSE END, MALE PIPE	61262	12 C6LO-S	ELBOW, 90°, SWIVEL NUT ORFS
55190	3/8 HP-S	PLUG, PIPE THREAD	61263	20 F5OHAO-S	UNION, STRAIGHT THREAD
55448	8 HLO-S	UNION, ORFS	61264	6-10 C5OLO-S	ELBOW, 90°, STRAIGHT THREAD TO ORFS
55839	6 F65OX-S	CONNECTOR, STRAIGHT THREAD TO 37° SWIVEL	61265	6 WNLO-WLNL-S	UNION, BULKHEAD 45°, ORFS
55968	10 C5OX-S	ELBOW, 90°, STRAIGHT THREAD TO FLARE TUBE	61268	4 WNLO-WLNL-S	UNION, BULKHEAD 45°, ORFS
56003	6 CC5OLO-S	ELBOW, 90° LONG, STRAIGHT THREAD TO ORFS	61269	4 WLO-WLNL-S	UNION, BULKHEAD, ORFS
56166	BV-0837	BALL VALVE, 90°	61272	12 AOEL6	ELBOW, 90°, STRAIGHT THREAD TO ORFS SWIVEL
56188	10143-8-6	HOSE END, MALE PIPE	61316	482TC-16	HOSE, 1 INCH ID
56233	2-011	O-RING, ORFS, -4	61321	6 JLO-S	UNION TEE, ORFS
56234	2-012	O-RING, ORFS, -6	61327	782-12	HOSE, 3/4 INCH ID
56235	2-014	O-RING, ORFS, -8	61328	881-24	HOSE, 1 1/2 INCH ID
56236	2-016	O-RING, ORFS, -10	61336	11943-20-24	HOSE END, 90° FLANGE HEAD
56237	2-018	O-RING, ORFS, -12	61345	12 WJLO-WLNL-S	RUN TEE, BULKHEAD, ORFS
56238	2-021	O-RING, ORFS, -16	61346	8 WNLO-WLNL-S 4	UNION, BULKHEAD 45°, ORFS
56352	6 WLNL-S	LOCKNUT, BULKHEAD	61569	33782-8-8	HOSE END, 45° FEMALE SWIVEL, JIC
56353	3J782-12-12	HOSE END, 45° FEMALE SWIVEL, SEAL LOK	61610	12 FF5OLO-S	CONNECTOR, LONG, STRAIGHT THREAD TO ORFS
56354	3J982-12-12	HOSE END, 90° FEMALE SWIVEL, SEAL LOK	61742	1/8 X 1.5 FFF	NIPPLE, PIPE
56604	10-8 F5OLO-S	CONNECTOR, STRAIGHT THREAD TO ORFS	63426	8 PNTX-S	PLUG, FLARE TUBE
56639	3JC82-10-10	HOSE END, FEMALE SWIVEL, SEAL LOK			
56640	3J982-10-10	HOSE END, 90° FEMALE SWIVEL, SEAL LOK			
56655	3JC82-8-10	HOSE END, FEMALE SWIVEL, SEAL LOK			
56676	10-8 C5OLO-S	ELBOW, 90°, STRAIGHT THREAD TO ORFS			
56776	471TC-6	HOSE, 3/8 INCH ID			
56777	471TC-8	HOSE, 1/2 INCH ID			
56789	811-16	HOSE, 1 INCH ID			
57884	3/8 FF	NIPPLE, PIPE			
59335	6 FNL-S	CAP, TUBE END			
59342	4 FNL-S	CAP, TUBE END			
59371	8 HP5ON-S	PLUG, STRAIGHT THREAD			
60653	BV-0751	BALL VALVE			
60806	125HB-3-4	FITTING, HOSE BARB TO MALE PIPE			
61064	5-1/4 F50G-S	ADAPTER, FEMALE PIPE TO STRAIGHT THREAD			
61079	4 WELO-WLNL-S	UNION, 90° BULKHEAD W/NUT, ORFS			
61080	6 WLO-WLNL-S	UNION, BULKHEAD, ORFS			

Fitting Cross References (Continued)

Genie PN	Parker PN	Description	Genie PN	Parker PN	Description
64271	4 WLO-WLNL-S	UNION,BULKHEAD,ORFS	75631	801-6	HOSE,3/8 INCH ID
64272	6 WLO-WLNL-S	UNION,BULKHEAD,ORFS	75654	20 F5OLO-S	CONNECTOR,STRAIGHT THREAD TO ORFS
65776	8 F65OL-S	CONNECTOR,STRAIGHT THREAD TO ORFS SWIVEL	75655	1J943-20-20	HOSE END,90° FEMALE SWIVEL,SEAL LOK
65880	6001012	O-RING KIT	75656	881-20	HOSE,1-1/4 INCH ID
66154	6 WTX-WLNS	UNION,BULKHEAD,FLARE TUBE	75971	8 F5OHAO-S	UNION,STRAIGHT THREAD
66155	6 WETX-S	UNION,BULKHEAD 90°,FLARE TUBE	77307	1JB43-8-8	HOSE END,BULKHEAD,SEAL LOK
66156	6 WLN-S	BULKHEAD LOCKNUT	77309	8 WLNL-S	BULKHEAD LOCKNUT
66389	6-8 F5OX-S	CONNECTOR,STRAIGHT THREAD TO FLARE TUBE	77379	8M18C87OMX-S	ELBOW,90° METRIC,STRAIGHT THREAD TO FLARE TUBE
66392	6 R5OX-S	RUN TEE,STRAIGHT THREAD	77703	3J982-8-8	HOSE END,90° FEMALE SWIVEL,SEAL LOK
66396	811-12	HOSE,3/4 INCH ID	77711	801-10	HOSE,5/8 INCH ID
66829	H3174PP	CLAMP,TUBE	77758	12 WNLO-WLNL-S	UNION,BULKHEAD 45°,ORFS
67217	4 KLO-S	UNION,CROSS,ORFS	78091	6 C6X-S	ELBOW,90°,SWIVEL NUT TO FLARE TUBE
67339	10-6 F5OX-S	CONNECTOR,STRAIGHT THREAD TO FLARE TUBE	78684	30582-8-8B	HOSE END,PUSH LOK,MALE
67357	13943-8-6	HOSE END,90° FEMALE SWIVEL,JIC	78852	549-2	HOSE,1/8 INCH ID
67358	10 HP5ON-S	PLUG,STRAIGHT THREAD	78855	10657-4-2	HOSE END,FEMALE SWIVEL,JIC
67371	12 S6LO-S	BRANCH TEE,SWIVEL NUT TO ORFS	79138	PS-B-37	SLEEVE,NYLON,2.38" ID
67498	4 FNL-S	CAP, TUBE END	79476	1JS43-6-8	HOSE END,FEMALE SWIVEL,SEAL LOK
67906	DC-370-F0F0-5	VALVE,CHECK	79847	12-3/4 A0EG-S	ELBOW,90°,STRAIGHT THREAD TO FEMALE PIPE
69316	8 FLO-S	CONNECTOR,MALE PIPE TO ORFS	80044	8 CLO-S	ELBOW,90°,MALE PIPE TO ORFS
69333	H3174PP	CLAMP,HYDRAULIC HOSE	80502	8 F5OX-S	CONNECTOR,STRAIGHT THREAD TO FLARE TUBE
69503	4 F65OX-S	CONNECTOR,STRAIGHT THREAD TO 37° SWIVEL	80503	8 C5OX-S	ELBOW,90°,STRAIGHT THREAD TO FLARE TUBE
69775	8 FNL-S	CAP, TUBE END	81010	AS-B-27	SLEEVE,NYLON,1.63" ID
71038	1/4X1/4F3HG-S	ADAPTER,CONVERSION	83052	821-6	HOSE,3/8 INCH ID
71196	12-8 F5OLO-S	CONNECTOR,STRAIGHT THREAD TO ORFS	83053	821-8	HOSE,1/2 INCH ID
71383	1/4 CD45-S	ELBOW,45°,MALE TO FEMALE PIPE	83054	821-12	HOSE,3/4 INCH ID
72270	12FNL-S	CAP, TUBE END	83055	30682-6-6	HOSE END,FEMALE SWIVEL,JIC
73436	60C-4	SLEEVE,COMPRESSION	83056	30682-12-12	HOSE END,FEMALE SWIVEL,JIC
73437	61C-4	NUT,COMPRESSION	83057	33782-6-6	HOSE END,45° FEMALE SWIVEL,JIC
73438	33482-4-4B	HOSE END,PUSH LOK,MALE	83058	33982-6-6	HOSE END,90° FEMALE SWIVEL,JIC
73767	1CD-S	ELBOW,90°,MALE TO FEMALE PIPE	83060	33982-12-12	HOSE END,90° FEMALE SWIVEL,JIC
73768	20-16-F5OG5-S	ADAPTER,FEMALE PIPE TO STRAIGHT THREAD	83063	13743-4-4	HOSE END,45° FEMALE SWIVEL,JIC
73769	16-20 F5OLO-S	CONNECTOR,STRAIGHT THREAD TO ORFS			
74660	6-8 F42EDMLO-S	CONNECTOR,MALE BSPP TO ORFS			
74661	8-8 F42EDMLO-S	CONNECTOR,MALE BSPP TO ORFS			
75007	4 FLO-S	CONNECTOR,MALE PIPE TO ORFS			
75008	1/8 HP-S	PLUG,PIPE THREAD			
75014	1/2 HP-S	PLUG,PIPE THREAD			
75042	8 WELO-WLNL-S	UNION,90° BULKHEAD W/NUT,ORFS			
75043	3/4 FF-S	NIPPLE,PIPE			
75254	24 F5OHAO-S	UNION,STRAIGHT THREAD			
75255	12 F5OHAO-S	UNION,STRAIGHT THREAD			
75256	XV506P-24	BALL VALVE			
75574	4 WLNL-S	BULKHEAD LOCKNUT			
75612	8 WJLO-WLNL-S	RUN TEE, BULKHEAD,ORFS			
75613	12-8 F5OG5-S	ADAPTER,FEMALE PIPE TO STRAIGHT THREAD			
75614	8 CC5OLO-S	ELBOW,90° LONG,STRAIGHT THREAD TO ORFS			
75628	1JB43-4-4	HOSE END,BULKHEAD,SEAL LOK			

Fitting Cross References (Continued)

Genie PN	Parker PN	Description	Genie PN	Parker PN	Description
83064	13743-8-8	HOSE END,45° FEMALE SWIVEL,JIC	89449	6 WJLO-WLNL-S	RUN TEE, BULKHEAD,ORFS
83065	13743-12-12	HOSE END,45° FEMALE SWIVEL,JIC	89489	4 WJMLO-S	BRANCH TEE,BULKHEAD,ORFS
83066	13943-8-8	HOSE END,90° FEMALE SWIVEL,JIC	89551	1JB43-6-6	HOSE END,BULKHEAD,SEAL LOK
83067	14143-6-6	HOSE END,90° FEMALE SWIVEL,JIC	89552	1JB43-8-8	HOSE END,BULKHEAD,SEAL LOK
83068	14143-8-8	HOSE END,90° FEMALE SWIVEL,JIC	89593	20 C5OLO-S	ELBOW,90°,STRAIGHT THREAD TO ORFS
83069	14143-12-12	HOSE END,90° FEMALE SWIVEL,JIC	94161	8-8 CLO-S	ELBOW,90°,MALE PIPE TO ORFS
83070	772-8	HOSE,1/2 INCH ID	94358	351TC-12	HOSE,3/4 INCH ID
83071	10671-8-8	HOSE END,FEMALE SWIVEL,JIC	94418	20 FLO-S	CONNECTOR,MALE PIPE TO ORFS
83072	10671-12-12	HOSE END,FEMALE SWIVEL,JIC	96358	12 TX-S	SLEEVE,FLARE TUBE
83073	13771-8-8	HOSE END,45° FEMALE SWIVEL,JIC	96359	12 BTX-S	NUT,FLARE TUBE
83074	13771-12-12	HOSE END,45° FEMALE SWIVEL,JIC	96397	8 F5OX-S	CONNECTOR,STRAIGHT THREAD TO FLARE TUBE
83075	13971-8-8	HOSE END,90° FEMALE SWIVEL,JIC	96398	12-8 F5OX-S	CONNECTOR,STRAIGHT THREAD TO FLARE TUBE
83076	13971-12-12	HOSE END,90° FEMALE SWIVEL,JIC	96402	10343-6-6	HOSE END,MALE,JIC
83077	14171-8-8	HOSE END,90° FEMALE SWIVEL,JIC	96407	30382-6-6B	HOSE END,MALE,JIC
83078	14171-12-12	HOSE END,90° FEMALE SWIVEL,JIC			
83080	13943-16-16	HOSE END,90° FEMALE SWIVEL,JIC			
83103	10671-16-12	HOSE END,FEMALE SWIVEL,JIC			
83104	10671-10-12	HOSE END,FEMALE SWIVEL,JIC			
83112	1JC71-8-8	HOSE END,FEMALE SWIVEL,SEAL LOK			
83113	1JS71-16-12	HOSE END,FEMALE SWIVEL,SEAL LOK			
83114	1JS71-10-12	HOSE END,FEMALE SWIVEL,SEAL LOK			
83115	1J971-8-8	HOSE END,90° FEMALE SWIVEL,SEAL LOK			
83116	1J171-8-8	HOSE END,90° FEMALE SWIVEL,SEAL LOK			
83117	1J771-8-8	HOSE END,45° FEMALE SWIVEL,SEAL LOK			
83127	1J543-6-8	HOSE END,90° FEMALE SWIVEL,JIC			
83128	1JC43-6-8	HOSE END,FEMALE SWIVEL,SEAL LOK			
87033	12-6 TRLO-S	REDUCER,TUBE END TO SWIVEL,ORFS			
87034	3J782-8-8	HOSE END,45° FEMALE SWIVEL,SEAL LOK			
87172	12 HP5ON-S	PLUG,STRAIGHT THREAD			
87185	8 WNLO-WLNL-S	UNION,BULKHEAD 45°,ORFS			
87246	4 C6X-S	ELBOW,90°,SWIVEL NUT TO FLARE TUBE			
87679	6 LHP-S	FLANGE SEAL FITTING, MALE			
87681	6PLS N0702	BONDED SEAL			
88100	SR88100	ADAPTER,OIL DRAIN,GM 3.0L			
88311	1JS43-20-20	HOSE END,FEMALE SWIVEL,SEAL LOK			
88353	20 V5OLO-S	ELBOW,45°,STRAIGHT THREAD TO ORFS			
88474	10081-20	Crimp Shell, 1.25"			
88475	1988-20-24	HOSE END,90° FLANGE HEAD			
88476	JS88-24-24	HOSE END,FEMALE SWIVEL,SEAL LOK			
88477	1JC88-20-20	HOSE END,FEMALE SWIVEL,SEAL LOK			
88478	811-20	HOSE,11/4 INCH ID			
88936	20-16 F5OLO-S	CONNECTOR,STRAIGHT THREAD TO ORFS			
88937	20-16 FLO-S	CONNECTOR,MALE PIPE TO ORFS			
88938	1JC88-16-16	HOSE END,FEMALE SWIVEL,SEAL LOK			
88939	1J988-16-16	HOSE END,90° FEMALE SWIVEL,ORFS			
88940	811-16	HOSE,1 INCH ID			
88944	1J988-20-20	HOSE END,90° FEMALE SWIVEL,ORFS			
89403	16 VLO-S	ELBOW,45°,MALE PIPE TO ORFS			

California Proposition 65



WARNING

Operating, servicing and maintaining this equipment can expose you to chemicals including engine exhaust, carbon monoxide, phthalates, and lead, which are known to the State of California to cause cancer and birth defects or other reproductive harm. These chemicals can be emitted from or contained in other various parts and systems, fluids and some component wear by-products. To minimize exposure, avoid breathing exhaust, do not idle the engine except as necessary, service your equipment and vehicle in a well-ventilated area and wear gloves or wash your hands frequently when servicing your equipment or vehicle and after operation. For more information go to www.P65Warnings.ca.gov/passenger-vehicle.

Breathing diesel engine exhaust exposes you to chemicals known to the State of California to cause cancer and birth defects or other reproductive harm.

- Always start and operate the engine in a well-ventilated area.
- If in an enclosed area, vent the exhaust to the outside.
- Do not modify or tamper with the exhaust system.
- Do not idle the engine except as necessary.

For more information go to www.P65warnings.ca.gov/diesel.

Parts Manual

Z-45/25, Z-45/25J, IC Power

from SN 21179 to 26999

Part No.
94356

Rev D3

Genie
A TEREX BRAND