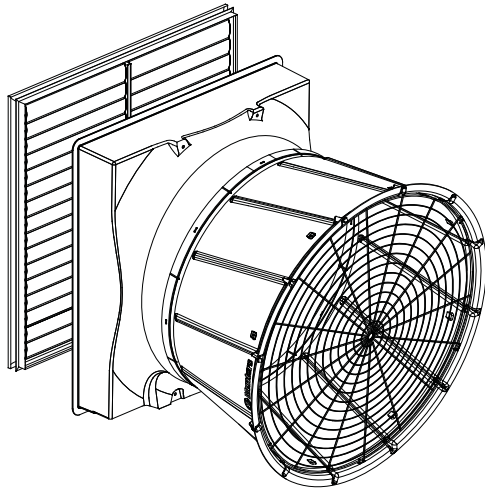


# Vortex® Fans

51" and 55"



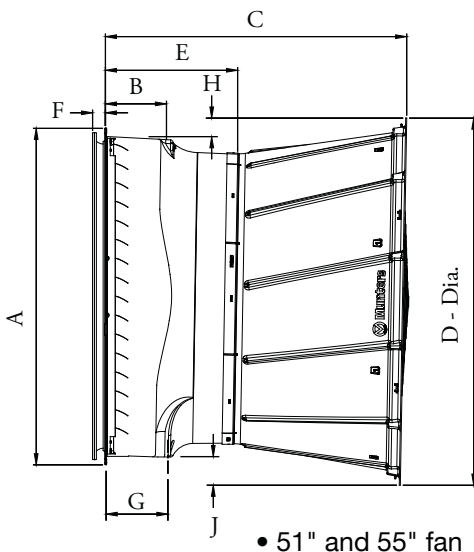
## Technical Specifications

- Cast aluminum 3-blade airfoil propeller
- Streamlined fiberglass housing
- Rifled™ discharge cone  
51" - One piece plastic  
55" - 4 section, Fiberglass
- Aircraft design drive support
- Stainless steel hardware and fasteners
- 51" & 55" features high quality pillow block bearings
- 51" & 55" includes advanced drive system, premium belt construction and high quality belt tensioner
- Fans available with variety of single and 3 phase motors.
- Contact your Munters office for more information

Protected by U.S. Patent Nos. 6386828; 6616404; 6953320

### Dimensional Data:

Size	A	B	C	D - Dia.	E	F	G	H above W.O.	J below W.O.	Wall Openings
51"	60 <sup>1</sup> / <sub>2</sub> "H. x 59"W.	11"	54 <sup>3</sup> / <sub>16</sub> "	65"	23 <sup>3</sup> / <sub>16</sub> "	2 <sup>5</sup> / <sub>16</sub> "	10 <sup>1</sup> / <sub>2</sub> "	3 <sup>3</sup> / <sub>8</sub> "	5 <sup>1</sup> / <sub>8</sub> "	56 <sup>1</sup> / <sub>4</sub> "W. x 57 <sup>3</sup> / <sub>4</sub> "H.
55"	63 <sup>5</sup> / <sub>8</sub> "H. x 62 <sup>3</sup> / <sub>4</sub> "W.	11 <sup>3</sup> / <sub>4</sub> "	50 <sup>7</sup> / <sub>32</sub> "	63 <sup>3</sup> / <sub>4</sub> "	25 <sup>15</sup> / <sub>16</sub> "	2 <sup>5</sup> / <sub>16</sub> "	11 <sup>3</sup> / <sub>4</sub> "	0"	3"	60"W. x 61 <sup>1</sup> / <sub>4</sub> "H.



# Technical Specifications

**Technical Data:** 60Hz (50Hz available for most fans)

Size	Drive	Speed	HP	Phase	Voltage	SF	SF Amps	Prop.RPM
51"	Belt	SS	¾	1	208-230/110-115	1.4	6.6-6.0/13.2-11.9	470
51"	Belt	SS or FQ	¾	3	460/200-230	1.3	2.0/4.2-2.0	470
51"	Belt	SS	1	1	208-230/110-115	1.4	6.6-6.0/13.2-11.9	525
51"	Belt	SS or FQ	1	3	460/200-230	1.3	2.0/4.2-4.0	525
51"	Belt	2 Speed	1	1	230	1.0	5.3	500
51"	Belt	SS	1-½	1	230/115	1.0	8.5/17.0	575
51"	Belt	SS or FQ	1-½	3	460/200-230	1.15	2.4/4.8-4.7	575
51"	Belt	SS	2	1	208-230	1.2	11.7-10.1	625
51"	Belt	SS or FQ	2	3	460/200-230	1.2	3.3/7.1-6.6	625
55"	Belt	SS	1-½	1	230/115	1.0	8.5/17.0	515
55"	Belt	SS or FQ	1-½	3	460/200-230	1.15	2.4/4.8-4.7	515
55"	Belt	SS	2	1	208-230	1.2	11.7-10.1	565
55"	Belt	SS or FQ	2	3	460/200-230	1.2	3.3/7.1-6.6	565

Abbreviations:  
 SS = Single Speed  
 SF = Service Factor  
 VR = Variable Speed  
 SF Amps = Service Factor Amps  
 FQ = Frequency Drive Control

<sup>1</sup> Recommended for static pressure levels of 0.10" or less.

<sup>2</sup> Performance values of these fans at lower static pressures exceed the lab test capabilities and were calculated through regression analysis of CFM and CFM/Watt measurements for higher static pressures.

**Note:** BHP values were not measured in the lab. The BHP values shown were derived from actual Watt measurements using motor efficiency values supplied by the motor manufacturers.

**Performance Data:** Fan complete with Discharge Cone, Guard and Shutter

Performance Information: Belt Drive Fan complete with <b>belled inlet plastic shutter</b> , discharge cone and outlet guard																
Catalog No.	Prop Dia.	Motor HP	Prop RPM	Max. BHP	0.0" sp		0.05" sp		0.10" sp		0.15" sp		0.20" sp		AFR	BESS Lab Test
					CFM	CFM/Watt	CFM	CFM/Watt	CFM	CFM/Watt	CFM	CFM/Watt	CFM	CFM/Watt		
Single Phase Motors																
VX511F1CT	51"	1	535	1.35	28,900	26.5	27,000	23.4	25,000	20.9	22,600	18.3	19,900	15.8	0.74	11359
VX5115F1CT	51"	1.5	575	1.68	31,400	23.3	29,800	21.2	28,100	19.2	26,100	17.3	23,700	15.3	0.80	11362
VX512F1CT	51"	2	620	2.02	33,600	20.3	32,200	18.8	30,500	17.2	28,600	15.7	26,500	14.4	0.82	11363
VX5515F1CT	55"	1.5	490	1.72	32,800	22.7	30,900	20.7	28,600	18.5	26,000	16.4	23,000	14.5	0.74	11379
VX552F1CT	55"	2	540	2.37	35,400	17.6	34,100	16.5	32,400	15.3	30,800	14.3	28,300	13.1	0.83	-
Three Phase Motors																
VX511F3CT	51"	1	535	1.36	29,400	27.0	27,600	23.9	25,500	21.1	23,100	18.5	20,200	15.9	0.73	11366
VX5115F3CT	51"	1.5	575	1.72	31,200	23.1	29,700	21.1	27,700	19.0	25,600	17.0	23,300	15.1	0.78	11370
VX512F3CT	51"	2	630	2.13	34,100	20.1	32,700	18.6	31,200	17.2	29,500	15.7	27,800	14.5	0.85	11371
VX5515F3CT	55"	1.5	490	1.80	33,000	22.5	31,200	20.6	28,900	18.5	26,600	16.6	23,900	14.8	0.77	10154
VX552F3CT	55"	2	545	2.35	36,800	18.8	35,300	17.7	33,400	16.3	31,400	15.0	29,100	13.8	0.82	10150

Performance Information: Belt Drive Fan complete with <b>standard plastic shutter</b> , discharge cone and outlet guard																
Catalog No.	Prop Dia.	Motor HP	Prop RPM	Max. BHP	0.0" sp		0.05" sp		0.10" sp		0.15" sp		0.20" sp		AFR	BESS Lab Test
					CFM	CFM/Watt	CFM	CFM/Watt	CFM	CFM/Watt	CFM	CFM/Watt	CFM	CFM/Watt		
Single Phase Motors																
VX511F1CP	51"	1	535	1.36	27,800	24.8	26,000	22.2	24,000	19.9	21,600	17.4	18,600	14.7	0.72	11360
VX5115F1CP	51"	1.5	575	1.68	30,500	21.7	29,100	20.0	27,200	18.2	25,100	16.5	22,900	14.8	0.79	11361
VX512F1CP	51"	2	620	2.05	32,700	19.3	31,200	17.7	29,500	16.3	27,700	15.0	25,600	13.7	0.82	11364
VX5515F1CP	55"	1.5	490	1.76	31,400	21.1	29,600	19.2	27,700	17.5	25,300	15.8	22,200	13.7	0.75	-
VX552F1CP	55"	2	540	2.39	33,900	16.9	32,600	15.7	31,100	14.7	29,400	13.7	27,200	12.5	0.83	-
Three Phase Motors																
VX511F3CP	51"	1	535	1.37	28,500	25.2	26,700	22.6	24,700	20.2	22,100	17.6	18,700	14.6	0.70	11367
VX5115F3CP	51"	1.5	575	1.72	30,300	21.8	28,800	20.0	27,000	18.2	24,900	16.4	22,600	14.6	0.78	11369
VX512F3CP	51"	2	630	2.15	33,200	19.1	31,900	17.7	30,400	16.4	28,800	15.2	26,900	13.9	0.84	11372
VX5515F3CP	55"	1.5	490	1.81	31,700	21.6	29,900	19.8	28,000	17.9	25,700	16.1	22,900	14.1	0.77	10152
VX552F3CP	55"	2	545	2.36	35,200	18.1	33,700	16.8	32,100	15.7	30,000	14.4	28,000	13.2	0.83	10148

VX-TS r7 © Copyright March 2012

