



# Custom INSERT HOODS

**SAFETY INFORMATION** ..... 3

**USING THE HOOD**

Controls ..... 5

Chef Connect ..... 6

Wi-Fi Connect..... 6

**CARE AND CLEANING**

Filters ..... 7

Surfaces ..... 8

Lights ..... 8

**INSTALLATION INSTRUCTIONS**.. 9

**TROUBLESHOOTING TIPS**..... 17

**LIMITED WARRANTY** ..... 18

**ACCESSORIES** ..... 19

**CONSUMER SUPPORT** .....20

## OWNER'S MANUAL & INSTALLATION INSTRUCTIONS

UVC9300  
UVC9360

Write the model and serial numbers here:

Model # \_\_\_\_\_

Serial # \_\_\_\_\_

You can find them on a label on the inside of the hood.

### ESPAÑOL

Para consultar una version en español de este manual de instrucciones, visite nuestro sitio de internet [GEAppliances.com](http://GEAppliances.com).

## **THANK YOU FOR MAKING GE APPLIANCES A PART OF YOUR HOME.**

---

Whether you grew up with GE Appliances, or this is your first, we're happy to have you in the family.

We take pride in the craftsmanship, innovation and design that goes into every GE Appliances product, and we think you will too. Among other things, registration of your appliance ensures that we can deliver important product information and warranty details when you need them.

Register your GE appliance now online. Helpful websites and phone numbers are available in the Consumer Support section of this Owner's Manual. You may also mail in the pre-printed registration card included in the packing material.



**GE APPLIANCES**

# IMPORTANT SAFETY INFORMATION

## READ ALL INSTRUCTIONS BEFORE USING

**⚠ WARNING** TO REDUCE THE RISK OF FIRE, ELECTRIC SHOCK OR INJURY TO PERSONS, OBSERVE THE FOLLOWING:

- A. Use this unit only in the manner intended by the manufacturer. If you have questions, contact the manufacturer.
- B. Before servicing or cleaning unit, switch power off at service panel and lock the service disconnecting means to prevent power from being switched on accidentally. When the service disconnecting means cannot be locked, securely fasten a prominent warning device, such as a tag, to the service panel.
- C. Do not use this unit with any solid-state speed control device.
- D. This unit must be grounded.

**⚠ CAUTION** FOR GENERAL VENTILATING USE ONLY. DO NOT USE TO EXHAUST HAZARDOUS OR EXPLOSIVE MATERIALS AND VAPORS.

**⚠ CAUTION** TO REDUCE RISK OF FIRE AND TO PROPERLY EXHAUST AIR, BE SURE TO DUCT AIR OUTSIDE. DO NOT VENT EXHAUST AIR INTO SPACES WITHIN WALLS OR CEILINGS OR INTO ATTICS, CRAWL SPACES OR GARAGES.

**⚠ WARNING** TO REDUCE THE RISK OF INJURY TO PERSONS IN THE EVENT OF A RANGE TOP GREASE FIRE, OBSERVE THE FOLLOWING\*:

- A. SMOTHER FLAMES with a close-fitting lid, cookie sheet or metal tray, then turn off the burner. BE CAREFUL TO PREVENT BURNS. If the flames do not go out immediately, EVACUATE AND CALL THE FIRE DEPARTMENT.
- B. NEVER PICK UP A FLAMING PAN—You may be burned.
- C. DO NOT USE WATER, including wet dishcloths or towels—a violent steam explosion will result.
- D. Use an extinguisher ONLY if:
  1. You know you have a Class ABC extinguisher, and you already know how to operate it.
  2. The fire is small and contained in the area where it started.
  3. The fire department is being called.
  4. You can fight the fire with your back to an exit.

\*Based on "Kitchen Fire Safety" published by NFPA.

## READ AND SAVE THESE INSTRUCTIONS

# IMPORTANT SAFETY INFORMATION

## READ ALL INSTRUCTIONS BEFORE USING

### **▲WARNING** TO REDUCE THE RISK OF A RANGE TOP GREASE FIRE:

- A. Never leave surface units unattended at high settings. Boilovers cause smoking and greasy spillovers that may ignite. Heat oils slowly on medium settings.
- B. Always turn hood ON when cooking at high heat or when flambéing food (i.e. Crepes Suzette, Cherries Jubilee, Peppercorn Beef Flambé).
- C. Clean ventilating fans frequently. Grease should not be allowed to accumulate on fan or filter.
- D. Use proper pan size. Always use cookware appropriate for the size of the surface element.

### **▲WARNING** TO REDUCE THE RISK OF FIRE, ELECTRIC SHOCK OR INJURY TO PERSONS, OBSERVE THE FOLLOWING:

- A. Installation work and electrical wiring must be done by qualified person(s) in accordance with all applicable codes and standards, including fire-rated construction.
- B. Sufficient air is needed for proper combustion and exhausting of gases through the flue (chimney) of fuel burning equipment to prevent back drafting. Follow the heating equipment manufacturer's guidelines and safety standards such as those published by the National Fire Protection Association (NFPA), the American Society for Heating, Refrigeration and Air Conditioning Engineers (ASHRAE) and the local code authorities.

- C. When cutting or drilling into wall or ceiling, do not damage electrical wiring and other hidden utilities.
- D. Ducted fans must always be vented to the outdoors.
- E. When applicable, install any makeup (replacement) air system in accordance with local building code requirements. Visit [GEAppliances.com](http://GEAppliances.com) for available makeup air solutions.
- F. Turn off breaker to adjacent rooms while working.

### **▲WARNING** TO REDUCE THE RISK OF FIRE, USE ONLY METAL DUCTWORK.

- Do not attempt to repair or replace any part of your hood unless it is specifically recommended in this manual. All other servicing should be referred to a qualified technician.

## How to Remove Protective Shipping Film and Packaging Tape

Carefully grasp a corner of the protective shipping film with your fingers and slowly peel it from the appliance surface. Do not use any sharp items to remove the film. Remove all of the film before using the appliance for the first time.

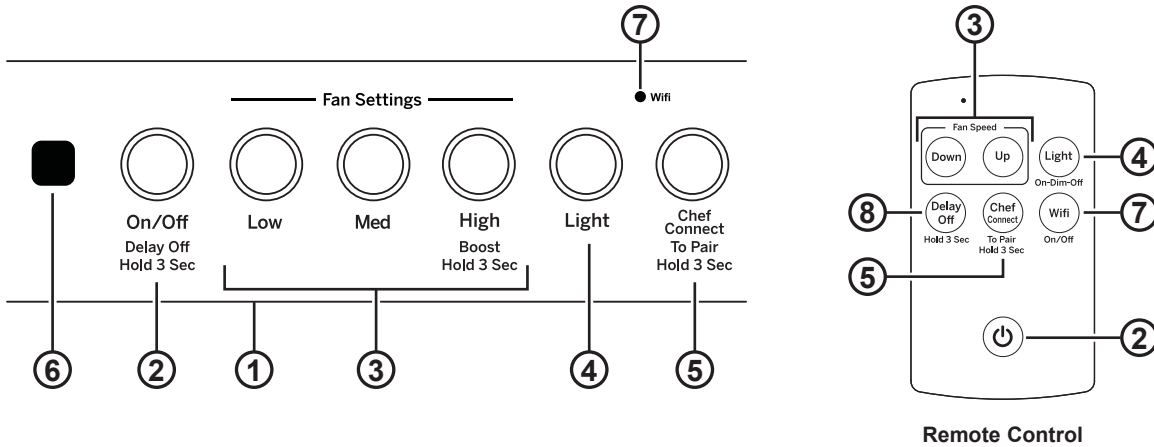
To assure no damage is done to the finish of the product, the safest way to remove the adhesive from packaging tape on new appliances is an application of a household liquid dishwashing detergent. Apply with a soft cloth and allow to soak.

**NOTE:** The adhesive must be removed from all parts.

**NOTE:** For further cleaning instructions/suggestions, please refer to the Care and Cleaning section.

## READ AND SAVE THESE INSTRUCTIONS

# Controls



- 1. Rangehood Control Panel:** The control panel is located on the front of the canopy. The position and function of each control button are noted below.
- 2. Fan On/Off Button:** On/Off switch for the fan. The fan can be operated by pressing any of the fan setting buttons. Hold for 3 seconds to activate Delay Off feature, which automatically turns the fan off after 15 minutes.
- 3. Fan Setting Button:** Speed control for the fan. Press the **Low** button for LOW speed, **Med** for MEDIUM speed, and **High** for HIGH speed. Hold down the **High** button for 3 seconds to activate the BOOST speed that will run for 10 minutes. On Remote, press **Up** to increase fan speed, press **Down** to decrease fan speed, including Boost.
- 4. Light Button:** On/Dim/Off switch for the LED lights. Press the **Light** button to turn the lights on, again to set the lights to dim setting, and again to turn the lights off.
- 5. Chef Connect:** This is a Bluetooth® pairing feature for use with other compatible Chef Connect enabled products on a cooktop or range. When the device is paired, the light and fan will turn ON at the Default Sync Settings upon receiving a command from the range or cooktop. It will remain ON at that setting until the user changes it. To pair devices, hold down the **Chef Connect** button for 3 seconds. To turn it back off, hold the button down for another 3 seconds, see the Chef Connect section for details.
- 6. IR Sensor:** Remote control receiver when used with Remote Control Kit (UXRC1).
- 7. Wi-Fi:** Hold down the **Light** and **Chef Connect** buttons for 3 seconds to activate the Wi-Fi. The Wi-Fi light turns on when connected, see the Wi-Fi Connect section for details. On Remote, press **Wi-Fi** to toggle Wi-Fi function.
- 8. Delay Off (Remote only):** Press and hold **Delay Off** to toggle Delay Off function.

## Heat Sensor

Your hood is equipped with a HEAT SENSOR thermostat. This thermostat is a device that will turn on or speed up the blower if it senses excessive heat above the cooking surface.

- If blower is Off - it turns blower On to Med speed.
- If blower is On at a lower speed setting - it turns blower up to Med speed.

When the temperature level drops to normal, the blower will return to its original setting.

# Chef Connect

## Chef Connect Operation Bluetooth® Connection

### To pair with another device:

To start the pairing process on the hood, press and hold the **Chef Connect** button for 3 seconds. The backlight for the Low-Med-High-Light-Chef Connect buttons will flash in that sequence until the hood is paired with the range or other device. If the pairing is successful, all five backlights (Low, Med, High, Light, Chef Connect) will flash simultaneously three times and then turn off and the backlight for the Chef Connect button will turn on.

It will time out after 2 minutes if the pairing is not completed, after which the pairing sequence will need to be restarted.

### To cancel pairing:

To cancel the pairing, hold the **Chef Connect** button down for 3 seconds and then turn off the hood.

### Default Sync Settings:

The factory default setting for the light will be the brightest.

The factory default setting for the fan sync will be OFF.

The user can change the Default Sync Settings by pressing and holding the **Low** button for 3 seconds. This will enter the Default Settings Mode. Once in this mode, the backlights for all buttons (Low, Med, High, Light, Chef Connect) will blink On/Off indefinitely and the fan and light will switch to the current Default Sync Setting, so the user knows what the current default value is. At this time, set the light and fan to the desired default levels. Once the user is satisfied with the selection, press and hold the **On/Off** button for 3 seconds. This will exit this mode. At that time the backlights will stop blinking and the state of the fan and light will change back to their prior state before entering the Default Settings Mode.

## Wi-Fi Connect

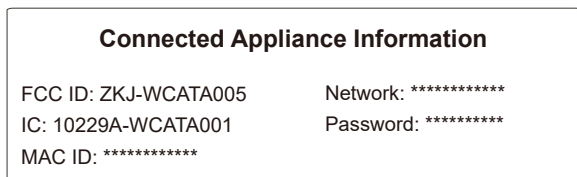
### Connecting your Wi-Fi Connect Enabled hood (on some models)

Your GE Appliances hood is designed to provide you with two-way communication between your appliance and smart device. By using the GE Appliances Wi-Fi Connect features, you will be able to control essential hood operations such as fan speed, light functions, timer/clock function, delay off and filter reset using your smartphone or tablet.\*

#### What you will need

Your GE Appliances hood uses your existing home Wi-Fi network to communicate between the appliance and your smart device. In order to setup your GE Appliances hood, you will need to gather some information:

1. Each GE Appliances hood has a connected appliance information label that includes an Appliance Network Name and Password. These are the two important details that you will need to connect to the appliance. The label is located on the side of the unit behind the filters.



Sample Label

2. Have your smart phone or tablet ready with the ability to access the internet and download apps.
3. You will need to know the password of your home Wi-Fi router. Have this password ready while you are setting up your GE Appliances hood.

#### Connect your GE Appliances hood

1. On your smart phone or tablet visit **GEAppliances.com/connect** to learn more about connected appliance features and to download the appropriate app.
2. Follow the app onscreen instructions to connect your GE Appliances hood.
3. Once the process is complete, the connection light located on your GE Appliances hood display will stay on solid and the app will confirm you are connected.
4. If the connection light does not turn on or is blinking, follow the instructions on the app to reconnect. If issues continue please call 800.220.6899 and ask for assistance regarding hood wireless connectivity.

To connect additional smart devices, repeat steps 1 and 2.

Note that any changes or modifications to the remote enable device installed on this hood that are not expressly approved by the manufacturer could void the user's authority to operate the equipment.

\* Compatible Apple or Android devices and home Wi-Fi network required.

# Filters

Be sure the circuit breaker is off and all surfaces are cool before cleaning or servicing any part of the vent hood.

The metal baffles channel grease released by foods on the cooktop into the drip trays. The baffles also help prevent flaming foods on the cooktop from damaging the inside of the hood.

The baffles must ALWAYS be in place when the hood is in use. The grease baffles and drip trays are dishwasher-safe and should be cleaned every month, depending on usage of the hood.

## Grease Drip Tray

### To install:

Place and seat the drip trays into the designated hood track. Slide them left or right until all trays are side-by-side in place in the track.

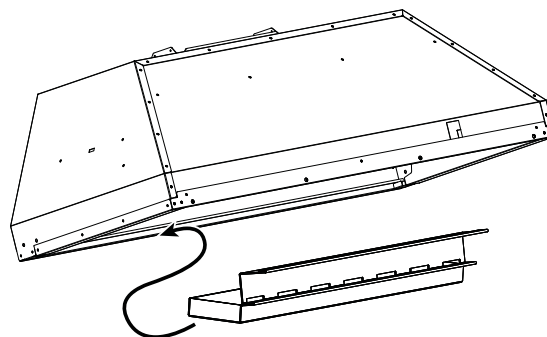
### To remove:

Carefully, use the grease tray lip to lift the tray upwards and out. The tray will be free of the designated hood track.

### To clean:

Swish the drip tray in hot soapy water and rinse in clean water or wash it in the dishwasher. Do not use abrasive cleaners.

**NOTE:** Some discoloration of the filter may occur in the dishwasher.



Drip Tray Replacement

## Baffle Metal Grease Filter

### To install:

Insert the top of the baffle into the track behind the control panel. The arrows on the side of the baffle should be pointing towards the front of the unit. Slide the baffle up and push the bottom end back until it firmly seats into place.

### To remove:

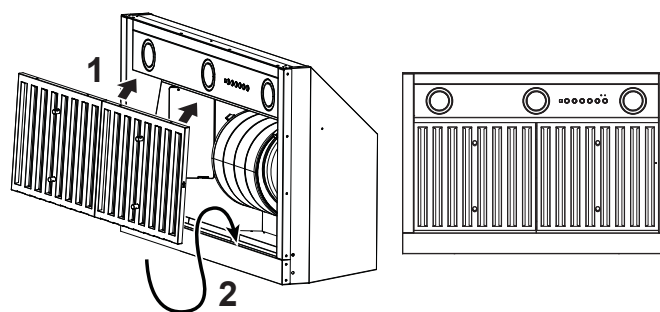
Use front knob to pull filter forward, towards the control panel. The bottom of the filter becomes free of the grease drip tray. Use back knob to pull the baffle away from the track behind the control panel.

**It is important for baffles to be placed correctly with arrows on the side pointing towards the front of the unit to channel grease to the drip trays and avoid grease accumulation in the baffles.**

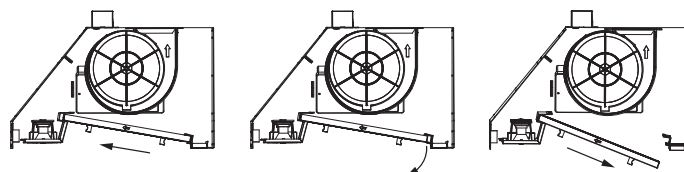
### To clean:

Swish the filter in hot soapy water and rinse in clean water or wash it in the dishwasher. Do not use abrasive cleansers.

**NOTE:** Some discoloration of the filter may occur in the dishwasher.



Baffle Replacement



Baffle Removal



## Filters (Cont.)

### Charcoal Filter (for recirculation installation only)

**NOTE:** DO NOT rinse, or put charcoal filter in an automatic dishwasher.

The charcoal filter is included with the unit. It cannot be cleaned; it must be replaced. It is recommended that the charcoal filter be replaced every 6 months or if it is noticeably dirty or discolored.

#### Order Charcoal Filter UXCF91

To inquire about purchasing replacement charcoal filters or to find the location of a dealer nearest you, please call our toll-free number:

**National Parts Center 800.626.2002**

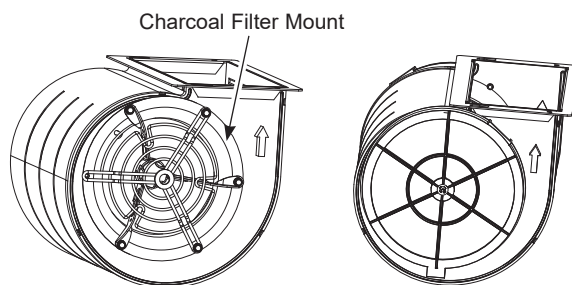
#### To Install

1. Remove the grease filters. See Filters section.
2. Install the charcoal filter mounts to either side of the motor using three screws per side.
3. Insert the tab on the charcoal filter into the triangular slot on the mount.

4. Clip the charcoal filter in until it is locked
5. Repeat with second filter on the other side of the motor.
6. Reattach the metal filters. See Filters section.

#### To Remove

1. Remove grease filters-See Filters section
2. Unclip the charcoal filter by pressing the release clip.
3. Carefully remove charcoal filter from tab.



## Surfaces

### Stainless Steel Surfaces (on some models)

Do not use a steel wool pad; it will scratch the surface.

To clean the stainless steel surface, use warm sudsy water or a stainless steel cleaner or polish. Always wipe the surface in the direction of the brush line. Follow the cleaner instructions for cleaning the stainless steel surface. Cleaners with oxalic acid such as **Bar Keepers Friend Soft Cleanser™** will remove surface rust, tarnish, and small blemishes. To receive a coupon for a trial sample of **Bar Keepers Friend Soft Cleanser™** follow the link below or scan the QR Code.



[barkeepersfriend.com/ge](http://barkeepersfriend.com/ge)

Use only a liquid cleanser free of grit and rub in the direction of the brush lines with a damp soft sponge.

To inquire about purchasing stainless steel appliance cleaner or polish, or to find the location of a dealer nearest you, please call our toll-free number:

**National Parts Center  
800.626.2002**

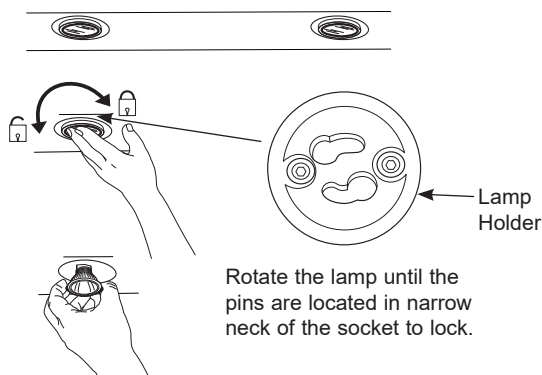
[GEApplianceParts.com](http://GEApplianceParts.com)

## Lights

**CAUTION** Allow lights to cool before touching.

1. Before attempting to replace the lights, make sure that the light switch is turned off.
2. Rotate light counterclockwise to unlock and pull out. Wearing latex gloves may offer a better grip.
3. Replace with new light of same type, making sure pins are inserted properly into the sockets of the lamp holder and turn clockwise to lock.

**All lamps need to be GU10 compatible.**



Rotate the lamp until the pins are located in narrow neck of the socket to lock.



# Installation Instructions

## Custom Insert Hood UVC9300, UVC9360

? "If you have questions, call GE Appliances at 800.GE.CARES (800.432.2737) or visit our website at: [GEAppliances.com](http://GEAppliances.com)"

### BEFORE YOU BEGIN

Read these instructions completely and carefully.

- **IMPORTANT** — Save these instructions for local inspector's use.
- **IMPORTANT** — Observe all governing codes and ordinances.
- **Note to Installer** – Be sure to leave these instructions with the Consumer.
- **Note to Consumer** – Keep these instructions for future reference.
- **Skill level** – Installation of this vent hood requires basic mechanical and electrical skills.
- **Completion time** – Approximately 1 to 3 hours
- Proper installation is the responsibility of the installer.
- Product failure due to improper installation is not covered under the Warranty.

**⚠ CAUTION** Due to the weight and size of these vent hoods and to reduce the risk of personal injury or damage to the product, **TWO PEOPLE ARE REQUIRED FOR PROPER INSTALLATION.**

### FOR YOUR SAFETY

**⚠ WARNING** Before beginning the installation, switch power off at service panel and lock the service disconnecting means to prevent power from being switched on accidentally. When the service disconnecting means cannot be locked, securely fasten a prominent warning device, such as a tag, to the service panel.

**⚠ WARNING** TO REDUCE THE RISK OF FIRE, ELECTRIC SHOCK OR INJURY TO PERSONS, OBSERVE THE FOLLOWING:

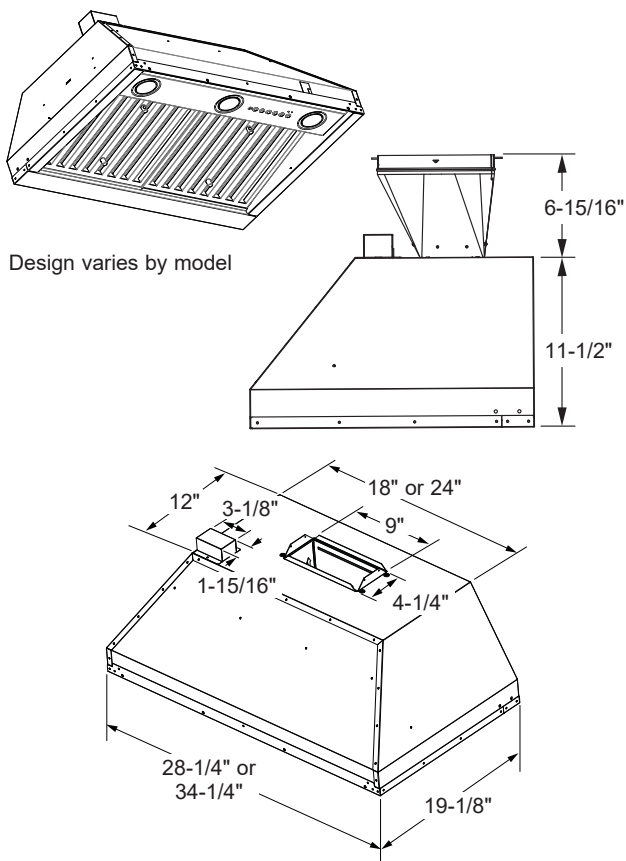
- A. Installation work and electrical wiring must be done by qualified person(s) in accordance with all applicable codes and standards, including fire-rated construction.
- B. Sufficient air is needed for proper combustion and exhausting of gases through the flue (chimney) of fuel burning equipment to prevent back drafting. Follow the heating equipment manufacturer's guidelines and safety standards such as those published by the National Fire Protection Association (NFPA), the American Society for Heating, Refrigeration and Air Conditioning Engineers (ASHRAE) and the local code authorities.
- C. When cutting or drilling into wall or ceiling, do not damage electrical wiring and other hidden utilities.
- D. Ducted fans must always be vented to the outdoors.
- E. Turn off breaker to adjacent rooms while working.

**⚠ WARNING** TO REDUCE THE RISK OF FIRE, USE ONLY METAL DUCT WORK.

**⚠ WARNING** Disconnect all electrical power at the main circuit breaker or fuse box before installing.

# Installation Preparation

## PRODUCT DIMENSIONS



## INSTALLATION CLEARANCES

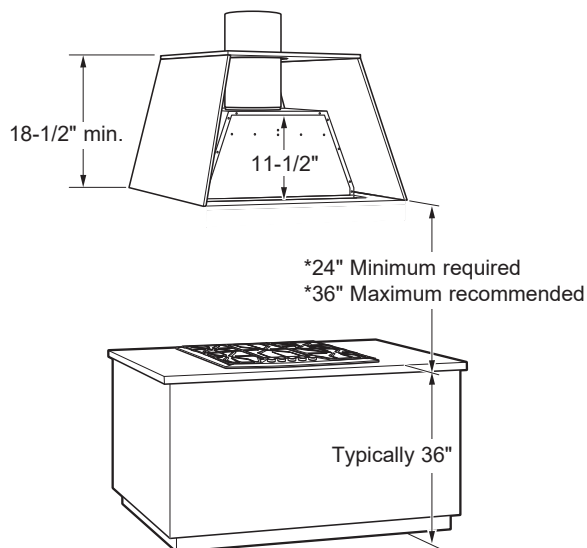
This vent hood must be installed between the 24" required minimum and 36" recommended maximum above the cooking surface.

- Always refer to the cooktop or range installation instructions for product-specific clearances.

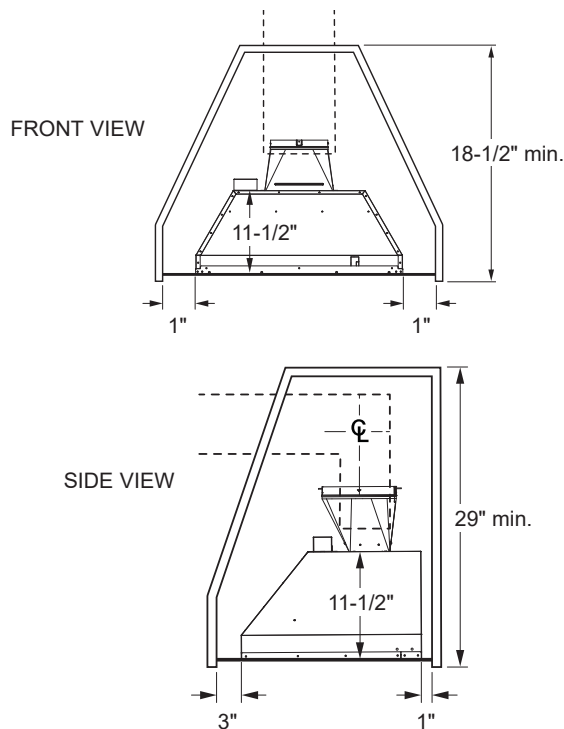
**NOTE:** Installation height should be measured from the cooking surface to the bottom edge of the cabinet surface.

**NOTE:** UL requires any combustible surface to be a minimum of 30" above the cooking surface. Lower combustible surfaces may be covered to meet requirements.

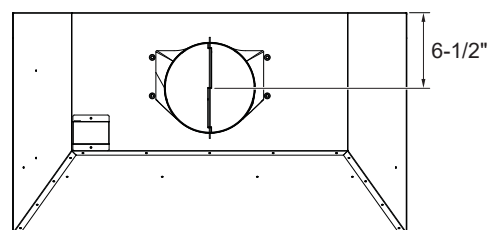
- The custom cabinet internal height must be 18-1/2" minimum for vertical venting and 29" minimum for recirculation.
- This hood can be vented to the outdoors, or it can be installed for recirculating operation. For recirculating operation, refer to Recirculating Installation Planning.
- This hood may be mounted in a wall cabinet or installed over an island.



## CABINET PREPARATION

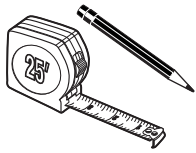


**NOTE:** The exhaust duct on the hood is closer to the rear of the hood. It is important to plan for the alignment to the connection point of the hood.



# Installation Preparation

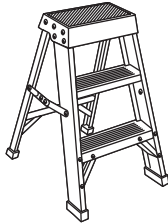
## TOOLS AND MATERIALS REQUIRED (NOT SUPPLIED)



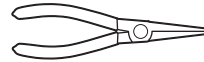
Pencil and tape measure



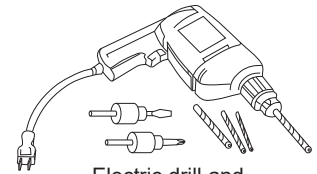
Aluminized duct tape



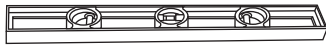
Step ladder



Needle-nose pliers



Electric drill and appropriate bits



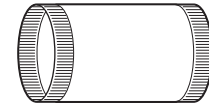
Level



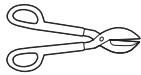
Flashlight



Safety glasses



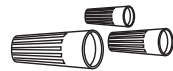
8" ducting and caps as needed



Tin snips



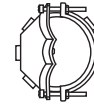
Wire cutter/stripper



UL listed wire nuts



Phillips and flat-blade screwdrivers



Strain relief for junction box



Gloves

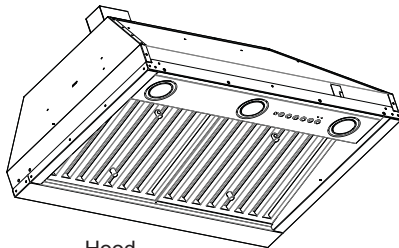
## PARTS PROVIDED

Locate the parts packed with the hood.

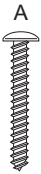
**NOTE:** The hardware bag may contain extra pieces to accommodate a variety of installation methods for various models.



Hardware Bag



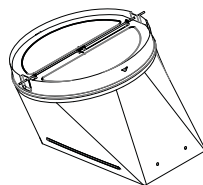
Hood



Phillips Head Wood Screws  
3/16" x 1-1/2"  
(QTY: 4)



Phillips Head Machine Screw  
1/8" X 3/8"  
(QTY: 16)



Damper Assembly



Phillips Head Wood Screws  
1/8" X 3/8" (QTY: 4)



Phillips Head Wood Screws  
3/16" x 1"  
(QTY: 8)

## PLAN THE INSTALLATION

**CAUTION** To reduce risk of fire and to properly exhaust air, be sure to duct the air outside – Do not vent exhaust air into spaces within walls or ceilings or into attics, crawl spaces, or garages.

**WARNING**  
**PERSONAL INJURY HAZARD**

It is recommended that 2 people are used to install the range hood. Failure to properly lift rangehood could result in damage to the product or personal injury.

**NOTE:** This rangehood can be installed as either ducted or recirculation. In a ducted application, this rangehood can be vented through the wall or ceiling. When installed for recirculation, the rangehood vents back into the room.

## REMOVE THE PACKAGING

**CAUTION** Wear gloves to protect against sharp edges.

- Remove the hardware bag, literature package and other boxed parts.
- Remove and properly discard the protective plastic wrapping and other packaging materials.

# Installation Preparation

## ADVANCE PLANNING

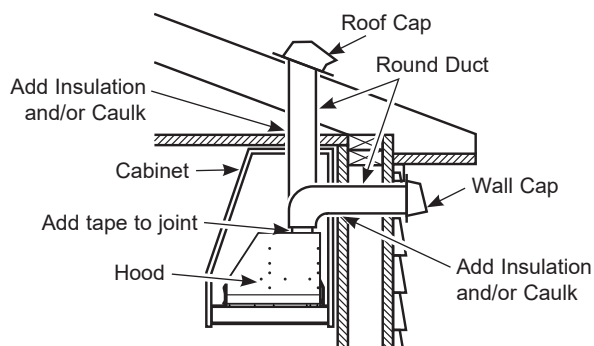
### Duct Install Planning

- This hood is designed to be vented vertically through the ceiling. Use a 8" round duct. Use locally supplied elbows to vent horizontally through the rear wall.
- Use metal ductwork only.
- Determine the exact location of the vent hood.
- Plan the route for venting exhaust to the outdoors. To maximize the ventilation performance of the vent system:
  1. Minimize the duct run length and number of transitions and elbows.
  2. Maintain a constant duct size.
  3. Seal all joints with duct tape to prevent any leaks.

**NOTE:** Flexible vent is not recommended. Flexible vent creates back pressure and air turbulence that greatly reduces performance.

- Maximum equivalent duct length for 100 CFM: 150 foot for vent hoods.
- Install a wall cap or roof cap with damper at the exterior opening. Purchase the wall or roof cap and any transition and length of duct needed in advance.
- When applicable, install any makeup (replacement) air system in accordance with local building code requirements. Visit [GEAppliances.com](http://GEAppliances.com) for available makeup air solutions.

Vent system can terminate either through the roof or the wall. To vent through a wall, a 90° elbow is needed and installed immediately above the hood.



### Wall and Ceiling Framing for Adequate Support

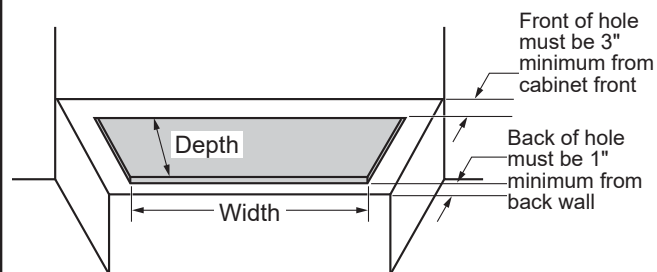
This vent hood is heavy and the cabinet structure needs to support the weight of the loaded insert sleeve. Adequate structural support must be provided in all types of installations.

- Installation will be easier if the vent hood is installed before the cooktop is installed.

## ADVANCE PLANNING (CONT.)

### Custom Cabinet Frame Planning

- The custom canopy or cabinet should have a rectangular hole to accommodate the custom hood insert by itself. This hole is the same size for both a wall installation and an island installation. Ensure parallelism and levelness of the cabinet so that it doesn't affect flushness of the hood with the cabinet.



	UVC9300	UVC9360
Width (in.)	28-1/4	34-1/4
Depth (in.)	19-1/8	19-1/8

## RECIRCULATION INSTALL PLANNING

This hood may be installed in recirculation mode. The charcoal filter is necessary for recirculation installation and is included with the unit.

# Installation Preparation

## POWER SUPPLY

**IMPORTANT – (Please read carefully)**

### ⚠ WARNING

FOR PERSONAL SAFETY, THIS APPLIANCE MUST BE PROPERLY GROUNDED.

Remove house fuse or open circuit breaker before beginning installation.

Do not use an extension cord or adapter plug with this appliance. Follow National Electrical Codes or prevailing local codes and ordinances.

### Electrical supply

These vent hoods must be supplied with 120V, 60Hz, and connected to an individual, properly grounded branch circuit, and protected by a 15 or 20 amp circuit breaker or time delay fuse.

- Wiring must be 2 wire with ground.
- If the electrical supply does not meet the above requirements, call a licensed electrician before proceeding.
- Route house wiring as close to the installation location as possible in the ceiling or wall.
- Connect the wiring to the house wiring in accordance with local codes.

### Grounding instructions

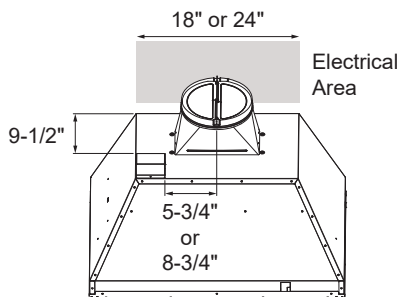
The grounding conductor must be connected to a ground metal, permanent wiring system, or an equipment-grounding terminal or lead on the hood.

### ⚠ WARNING

The improper connection of the equipment-grounding conductor can result in a risk of electric shock. Check with a qualified electrician or service representative if you are in doubt whether the appliance is properly grounded.

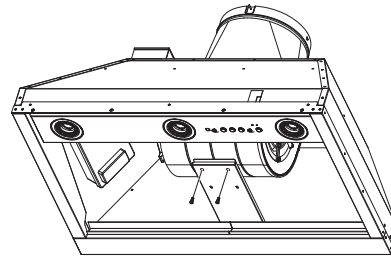
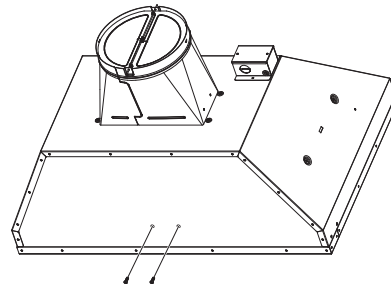
## PREPARE HOUSE ELECTRICAL WIRING

The custom cabinet must allow spacing for house wiring to reach junction box located in diagram below. If unit is installed over an island, the wiring must come from ceiling. If power cord is needed, accessory is available.

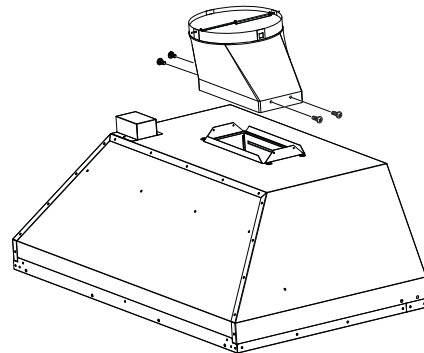


## PREPARE FOR CABINET INSTALLATION

**NOTE:** This bracket must be removed prior to installation. Remove 2 back (rear) and 2 bottom screws per illustration below.



1. Securely press the damper on top of the exhaust opening. Check that the damper opens freely. Attach damper to hood using screws (B) provided.

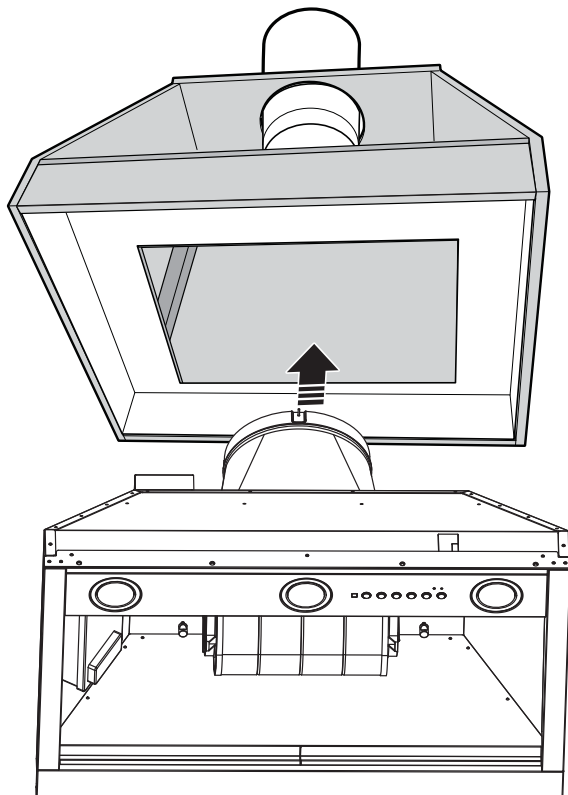


2. The hood should be centered left to right over the cooktop.
3. Remove and properly discard the protective plastic wrapping from the hood.
4. The back surface of the hood must be 1" minimum from the back wall. The front surface of the hood must be 3" minimum from the front custom cabinet panel.
5. **The custom cabinet should provide for removal of panels to provide access to the electrical wiring and to the ducting and its connections to the hood in case of any need for servicing or other reasons.**

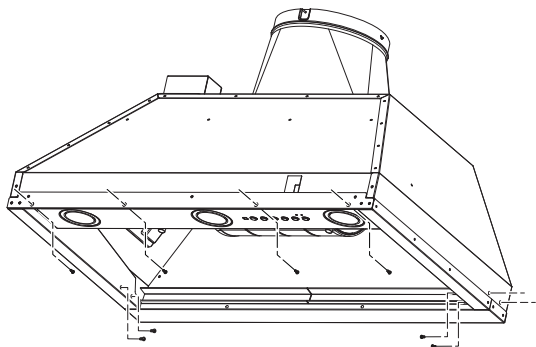
# Installation

## STEP 1 INSTALL THE HOOD

1. Confirm the damper is in place in the hood exhaust opening, see previous page for instructions.
2. Insert the hood into the cabinet opening.



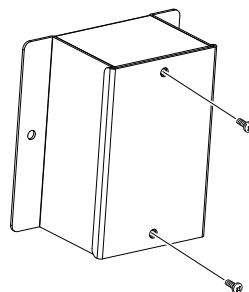
3. Fasten with 8 screws [(A), (L) or (D) as needed], 4 in the front and 2 on each side, toward the back of the hood. It is recommended to start with one corner and fasten screws diagonally to ensure unit flushness with cabinet.



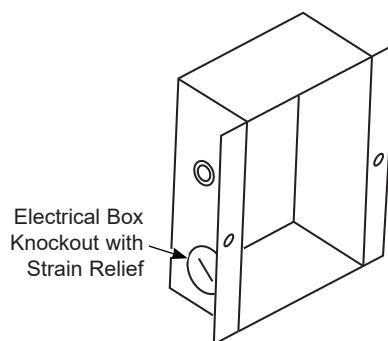
4. Once the hood is in place, seal the duct to the hood with duct tape (**Do not use screws**).

## ELECTRICAL CONNECTION

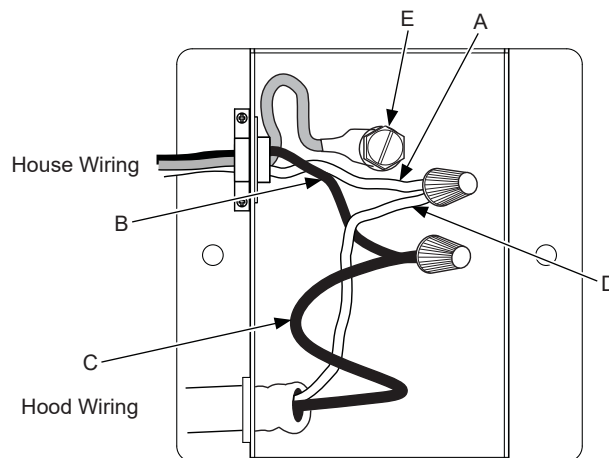
1. Remove the electrical junction box cover.



2. Remove the electrical box knockout.



3. Feed the Power Supply Cable through the hole and secure with a strain relief.
4. Attach the white lead of the power supply (A) to the white lead of the range hood (D) with a wire nut. Attach the black lead of the power supply (B) to the black lead of the range hood (C) with a wire nut. Connect the house ground wire under the green grounding screw (E).



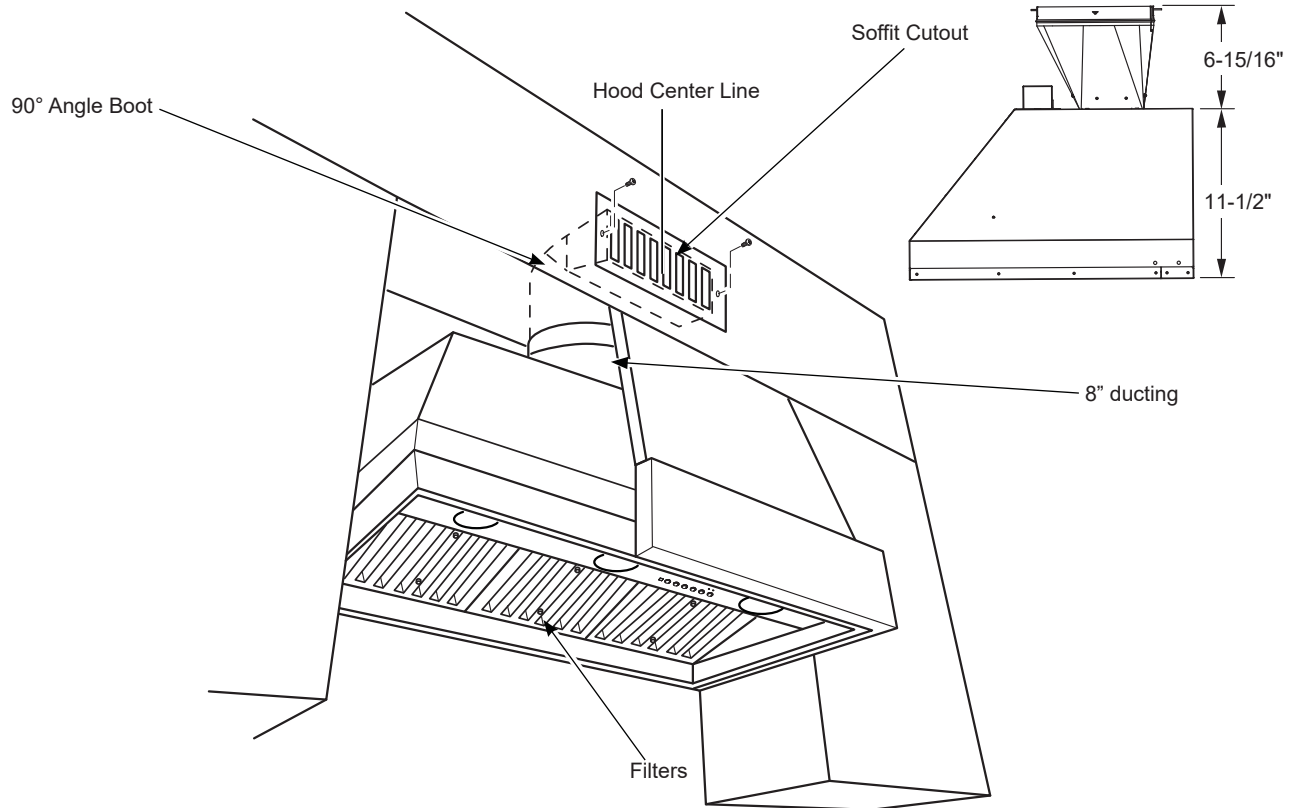
5. Reattach the electrical junction box cover.

# Installation

## STEP 2 RECIRCULATION OPTION (IF USED)

1. Cut a hole into the soffit for the exhaust duct.
2. Install the vent grill over the exhaust duct.
3. Seal the duct joints with duct tape.

Visit [GEAppliances.com](http://GEAppliances.com) to order the optional recirculation kit.



## STEP 3 FINALIZE INSTALLATION

1. Insert filters, see the Filters section.
2. Check operation of the lights and blower.
3. Finish the custom cabinetry.



# Installation

## MAKE UP AIR TECHNOLOGY

**Note to Installers and Inspectors:** This product comes equipped with a simple installation feature that limits maximum CFM levels in order to comply with certain local codes or regulations. This installation method may not be necessary for all installations, please refer to your local codes for further guidelines.

**⚠ CAUTION** Hood must be disconnected from main power prior performing the conversion instructions listed below. Failure to do so could result in personal injury or damage to the product.

**To modify unit (if needed for local codes):**

### 390CFM or 290CFM

By design, the maximum blower speed is greater than 400 CFM. For local codes requiring reduced CFM, modify the wiring as described below:

1. Remove the baffles, see Filters section.
2. Remove the control board box cover.
3. Locate the motor harness plugged into the control board.

**4. A - For a maximum of 390 CFM  
Unit can operate with 4 speeds  
(Low, Medium, High, Boost).**

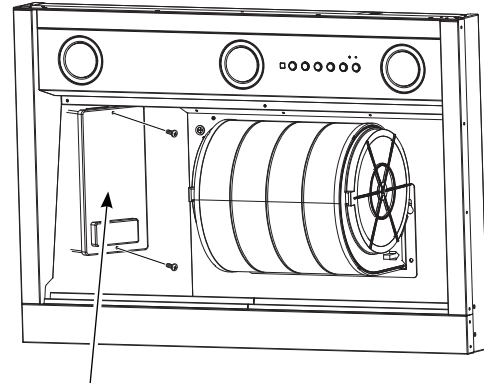
1. Disconnect the connector of the blue wire from the red wire.
2. Connect the 2 red wires together.
3. Cut off the blue unused connector and crimp the end if desired.

**B - For a maximum of 290 CFM  
Unit can operate with 3 speeds  
(Low, Medium, High).**

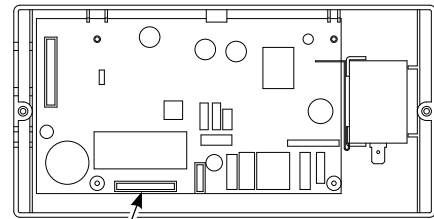
1. Disconnect the connector of the blue wire from the red wire.
2. Cut off the blue unused connector and crimp the end if desired.

5. Reattach the control board box cover and install baffles.

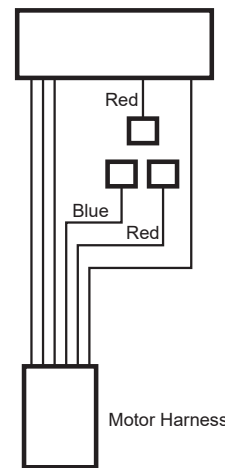
**Note to Inspectors:** To verify this product was installed in either configuration, check motor wiring connections as described above.



Control Board Box Cover



Motor Harness Connector



# Troubleshooting tips ... Before you call for service

Save time and money! Review the charts on the following pages first and you may not need to call for service.

Problem	Possible Cause	What To Do
Fan/Light does not operate when button is turned ON	A house fuse may be blown or a circuit breaker tripped.	Replace fuse or reset circuit breaker.
Loud or abnormal airflow noise	Wrong duct size used in installation.	This hood requires 8" ducting to perform optimally. Using smaller duct pipe will cause reduced venting. Minimize the duct run length and number of transitions and elbows. GE Appliances service technicians cannot correct this issue if installed improperly.
Fan fails to circulate air or moves air slower than normal and/or fan is making loud or abnormal airflow noise	Obstructions in duct work.	Make sure nothing is blocking the vent. Make sure your wall or roof cap has a blade or door.
	Damper blade on wall or roof cap may not be open.	Make sure damper swings freely. Damper blades may flip over and will not fully open when this happens. Adjust to original position.
	Metal grease filter and charcoal filter (if present) may be dirty.	Clean the metal grease filter and replace charcoal filter (if present). See Care and Cleaning of the Vent Hood.
	Insufficient makeup (replacement) air	Sufficient makeup (replacement) air is required for exhausting appliances to operate to rating. Check with local building codes, which may require or strongly advise the use of makeup air. Visit <a href="http://GEAppliances.com">GEAppliances.com</a> for available makeup air solutions.
Early light failure	Light wattage is too high.	Replace with correct wattage.
Fan automatically turns on and can not be turned off.	This is normal.	The sensor feature will automatically turn the fan on if cooking temperature becomes too hot. The fan will then turn off when temperatures cool to an appropriate level.
Fan keeps going off and on	The motor is probably overheating and turning itself off. This can be harmful to the motor.	Check to be sure the filters are clean. If off and on cycling continues, call for service.
Lights not functioning	Wrong bulbs are used. Must use GU10 compatible dimmable bulbs.	Visit <a href="http://GEAppliances.com">GEAppliances.com</a> for replacement bulbs.
No grease captured in the drip trays	No grease captured in the drip trays	Install the baffles properly making sure the arrows on the sides of the baffles are pointing towards the front of the unit so that the grease openings on the bottom of the baffles are inserted in the drip trays, see the Filters section.
Hood will not work remotely	Router issues, no wireless signal, etc.	For assistance with hood wireless network connectivity, please call 800.220.6899.
	Hood is not connected.	

# GE Appliances Vented Range Hood Limited Warranty

## GEAppliances.com

All warranty service is provided by our Factory Service Centers, or an authorized Customer Care® technician. To schedule service online, visit us at [geappliances.com/service\\_and\\_support/](http://geappliances.com/service_and_support/), or call GE Appliances at 800.GE.CARES (800.432.2737). Please have your serial number and your model number available when calling for service.

Servicing your appliance may require the use of the onboard data port for diagnostics. This gives a GE Appliances factory service technician the ability to quickly diagnose any issues with your appliance and helps GE Appliances improve its products by providing GE Appliances with information on your appliance. If you do not want your appliance data to be sent to GE Appliances, please advise your technician not to submit the data to GE Appliances at the time of service.

For the period of	GE Appliances will replace
<b>One year</b> From the date of the original purchase	<b>Any part</b> of the cooking product which fails due to a defect in materials or workmanship. During this <b>limited one-year warranty</b> , GE Appliances will provide, <b>free of charge</b> , all labor and related service costs to replace the defective part.

### What GE Appliances will not cover:

- Service trips to your home to teach you how to use the product.
- Improper installation, delivery, or maintenance.
- Failure of the product if it is abused, misused, modified, or used for other than the intended purpose or used commercially.
- Replacement of house fuses or resetting of circuit breakers.
- Damage to the product caused by accident, fire, floods, or acts of God.
- Damage to finish, such as surface rust, tarnish, or small blemishes not reported within 48 hours of delivery.
- Incidental or consequential damage caused by possible defects with this appliance.
- Damage caused after delivery.
- Product not accessible to provide required service.
- Service to repair or replace light bulbs, except for LED lamps.

### EXCLUSION OF IMPLIED WARRANTIES

Your sole and exclusive remedy is product repair as provided in this Limited Warranty. Any implied warranties, including the implied warranties of merchantability or fitness for a particular purpose, are limited to one year or the shortest period allowed by law.

Staple your receipt here. Proof of the original purchase date is needed to obtain service under the warranty.

This limited warranty is extended to the original purchaser and any succeeding owner for products purchased for home use within the USA. If the product is located in an area where service by a GE Appliances Authorized Servicer is not available, you may be responsible for a trip charge or you may be required to bring the product to an Authorized GE Appliances Service location for service. In Alaska, the limited warranty excludes the cost of shipping or service calls to your home.

Some states do not allow the exclusion or limitation of incidental or consequential damages. This limited warranty gives you specific legal rights, and you may also have other rights which vary from state to state. To know what your legal rights are, consult your local or state consumer affairs office or your state's Attorney General.

**Warrantor: GE Appliances, a Haier company**  
**Louisville, KY 40225**

**Extended Warranties:** Purchase a GE Appliances extended warranty and learn about special discounts that are available while your warranty is still in effect. You can purchase it online anytime at

[geappliances.com/service\\_and\\_support/shop-for-extended-service-plans.htm](http://geappliances.com/service_and_support/shop-for-extended-service-plans.htm)

or call 800.626.2224 during normal business hours. GE Appliances Service will still be there after your warranty expires.

# Accessories

---

## Looking For Something More?

**GE Appliances offers a variety of accessories to improve your cooking and maintenance experiences!**

Refer to the Consumer Support page for phone numbers and website information.

The following products and more are available:

### Parts

---

Power Cord Kit

---

Make-up Air Kit

---

Charcoal Filter

---

Recirculation Kit

---

Remote Control

### Cleaning Supplies

---

CitruShine™ Stainless Steel Wipes

---

CERAMA BRYTE® Stainless Steel Appliance Cleaner

---

Bar Keepers Friend Soft Cleanser™

---

# Consumer Support

---

## GE Appliances Website

Have a question or need assistance with your appliance? Try the GE Appliances Website 24 hours a day, any day of the year! You can also shop for more great GE Appliances products and take advantage of all our on-line support services designed for your convenience. In the US: **GEAppliances.com**

---

## Register Your Appliance

Register your new appliance on-line at your convenience! Timely product registration will allow for enhanced communication and prompt service under the terms of your warranty, should the need arise. You may also mail in the pre-printed registration card included in the packing material. In the US: **GEAppliances.com/register**

---

## Schedule Service

Expert GE Appliances repair service is only one step away from your door. Get on-line and schedule your service at your convenience any day of the year. In the US: **GEAppliances.com/service** or call 800.432.2737 during normal business hours.

---

## Extended Warranties

Purchase a GE Appliances extended warranty and learn about special discounts that are available while your warranty is still in effect. You can purchase it on-line anytime. GE Appliances Services will still be there after your warranty expires. In the US: **GEAppliances.com/extended-warranty** or call 800.626.2224 during normal business hours.

---

## Remote Connectivity

For assistance with wireless network connectivity (for models with remote enable), visit our website at **GEAppliances.com/connected-home-smart-appliances/** or call 800.220.6899 in the US.

---

## Parts and Accessories

Individuals qualified to service their own appliances can have parts or accessories sent directly to their homes (VISA, MasterCard and Discover cards are accepted). Order on-line today 24 hours every day. In the US: **GEApplianceparts.com** or by phone at 877.959.8688 during normal business hours.

**Instructions contained in this manual cover procedures to be performed by any user. Other servicing generally should be referred to qualified service personnel. Caution must be exercised, since improper servicing may cause unsafe operation.**

---

## Contact Us

If you are not satisfied with the service you receive from GE Appliances, contact us on our Website with all the details including your phone number, or write to:

In the US: General Manager, Customer Relations | GE Appliances, Appliance Park | Louisville, KY 40225  
**GEAppliances.com/contact**



# CAMPANAS DE INSERCIÓN Estándares

**INFORMACIÓN DE SEGURIDAD** .... 3

**USO DE LA CAMPANA**

Controles ..... 5

Chef Connect ..... 6

Conexión Wi-Fi..... 6

**CUIDADO Y LIMPIEZA**

Filtros..... 7

Superficies..... 8

Lámparas..... 8

**INSTRUCCIONES DE INSTALACIÓN** ..... 9

**CONSEJOS PARA LA SOLUCIÓN DE PROBLEMAS** ..... 17

**GARANTÍA LIMITADA** ..... 18

**ACCESORIOS** ..... 19

**SOPORTE PARA EL CONSUMIDOR**.....20

## MANUAL DEL PROPIETARIO E INSTALACIÓN

UVC9300  
UVC9360

Escriba los números de modelo y de serie aquí:

Nº de Modelo \_\_\_\_\_

Nº de Serie \_\_\_\_\_

Los encontrará en una etiqueta dentro de la campana.

## **GRACIAS POR HACER QUE GE APPLIANCES SEA PARTE DE SU HOGAR.**

---

Ya sea que haya crecido usando GE Appliances, o que ésta es su primera vez, nos complace tenerlo en la familia.

Sentimos orgullo por el nivel de arte, innovación y diseño de cada uno de los electrodomésticos de GE Appliances, y creemos que usted también. Entre otras cosas, el registro de su electrodoméstico asegura que podamos entregarle información importante del producto y detalles de la garantía cuando los necesite.

Registre su electrodoméstico GE ahora a través de Internet. Sitios Web y números telefónicos útiles están disponibles en la sección de Soporte para el Consumidor de este Manual del Propietario.

También puede enviar una carta en la tarjeta de inscripción preimpresa que se incluye con el material embalado.



**GE APPLIANCES**



# INFORMACIÓN IMPORTANTE DE SEGURIDAD

## LEA TODAS LAS INSTRUCCIONES ANTES DE USAR

**⚠ADVERTENCIA** PARA REDUCIR EL RIESGO DE INCENDIO, DESCARGA ELÉCTRICA O LESIONES A PERSONAS, CUMPLA CON LOS SIGUIENTES PUNTOS:

- A. Utilice esta unidad sólo de la manera concebida por el fabricante. Si tiene alguna pregunta, comuníquese con el fabricante.
- B. Antes de realizar reparaciones o limpiar la unidad, desconecte la energía del panel de servicio y bloquee los medios de desconexión para evitar el accionamiento de la energía de manera accidental. Cuando los medios de desconexión de servicio no pueden bloquearse, coloque sobre el panel de servicio un dispositivo de advertencia bien visible, como una etiqueta.
- C. No utilice esta unidad con ningún dispositivo de control de velocidad de estado sólido.
- D. Esta unidad debe estar conectada a tierra.

**⚠PRECAUCIÓN** SÓLO PARA USO DE VENTILACIÓN GENERAL. NO LO UTILICE PARA ELIMINAR MATERIALES Y VAPORES PELIGROSOS O EXPLOSIVOS.

**⚠PRECAUCIÓN** PARA REDUCIR EL RIESGO DE INCENDIO Y PARA ELIMINAR EL AIRE DE ESCAPE CORRECTAMENTE, ASEGÚRESE DE DIRIGIR EL AIRE DEL CONDUCTO HACIA EL EXTERIOR. NO VENTILE EL AIRE DE ESCAPE EN ESPACIOS DENTRO DE PAREDES O CIELORRASOS O EN ÁTICOS, HUECOS SANITARIOS O GARAJES.

**⚠ADVERTENCIA** PARA REDUCIR EL RIESGO DE LESIONES A PERSONAS EN CASO DE UN INCENDIO DE GRASA SOBRE UNA ESTUFA, CUMPLA CON LOS SIGUIENTES PUNTOS\*:

- A. APAGUE LAS LLAMAS con una tapa que ajuste bien, una plancha para galletas o una bandeja de metal, y luego apague el quemador. TENGA MUCHO CUIDADO A FIN DE EVITAR QUEMADURAS. Si las llamas no se apagan de inmediato, SALGA DE LA VIVIENDA Y LLAME AL DEPARTAMENTO DE BOMBEROS.
- B. NUNCA LEVANTE UNA SARTÉN EN LLAMAS—Usted puede quemarse.
- C. NO UTILICE AGUA, incluyendo repasadores o toallas húmedos—se provocará una violenta explosión de vapor.
- D. Utilice un extintor SÓLO si:
  - 1. Usted sabe que cuenta con un extintor Clase ABC y ya sabe cómo utilizarlo.
  - 2. El incendio es pequeño y se contuvo en el área donde comenzó.
  - 3. Se está llamando al departamento de bomberos.
  - 4. Usted puede combatir el incendio con su espalda dirigida hacia una salida.

\*Basado en "[Kitchen Fire Safety](#)" publicado por NFPA.

## LEA Y GUARDE ESTAS INSTRUCCIONES

# INFORMACIÓN IMPORTANTE DE SEGURIDAD LEA TODAS LAS INSTRUCCIONES ANTES DE USAR

## **⚠ ADVERTENCIA** PARA REDUCIR EL RIESGO DE UN INCENDIO DE GRASA SOBRE UNA ESTUFA:

- A. Nunca deje unidades de superficie desatendidas en configuraciones de calor elevadas. Los alimentos que hierven y se derraman provocan humo y derrames grasosos que pueden prenderse fuego. Caliente los aceites lentamente en configuraciones bajas o medias.
- B. Siempre encienda el sistema de ventilación cuando cocine con configuraciones de calor elevadas o cuando flambee alimentos (por ej., Crepes Suzette, cerezas Jubilee, carne flambeada a la pimienta en grano).
- C. Limpie los ventiladores con frecuencia. No debe permitirse la acumulación de grasa en el ventilador o en el filtro.
- D. Utilice el tamaño de recipiente adecuado. Siempre utilice recipientes de cocción apropiados para el tamaño del elemento de superficie.

## **⚠ ADVERTENCIA** A FIN DE REDUCIR EL RIESGO DE INCENDIOS, DESCARGAS ELÉCTRICAS O LESIONES PERSONALES, CUMPLA CON LO SIGUIENTE:

- A. El trabajo de instalación y el cableado eléctrico deben ser realizados por una persona(s) calificada de acuerdo con todos los códigos y estándares aplicables, incluyendo construcciones resistentes al fuego.
- B. Es necesario contar con suficiente cantidad de aire para una combustión y salida de gases adecuadas a través del conducto (chimenea) del equipo de consumo de combustible, a fin de evitar ráfagas de aire. Siga las pautas del fabricante del equipo de calefacción y los estándares de seguridad, tales como aquellos publicados por la Asociación Nacional de Protección contra Incendios (National Fire Protection Association, NFPA), la Sociedad Estadounidense para la Calefacción (American Society for Heating), los Ingenieros de Refrigeración y Acondicionadores de Aire (Refrigeration and Air Conditioning Engineers, ASHRAE) y las autoridades de los códigos locales.

- C. Al cortar o perforar una pared o un cielorraso, no dañe el cableado eléctrico y de otros servicios ocultos.
- D. Los ventiladores con conducto siempre deben contar con ventilación hacia el exterior.
- E. Cuando corresponda, instale un sistema de reposición (reemplazo) de aire de acuerdo con los requisitos del código local de construcción. Para acceder a soluciones relacionadas con la reposición de aire, visite **GEAppliances.com**.
- F. Desconecte el disyuntor de habitaciones adyacentes mientras esté trabajando.

## **⚠ ADVERTENCIA** A FIN DE REDUCIR EL RIESGO DE INCENDIOS, USE SÓLO CONDUCTOS DE METAL.

- No intente reparar o reemplazar ninguna parte de la cocina, a menos que esto se recomiende específicamente en este manual. Cualquier otra reparación deberá ser realizada por un técnico calificado.

## Cómo Retirar la Película Protectora de Envío y la Cinta de Embalaje

Con cuidado tome un extremo de la película protectora de envío con los dedos y lentamente retire la misma de la superficie del electrodoméstico. No utilice ningún producto filoso para retirar la película. Retire toda la película antes de usar el electrodoméstico por primera vez.

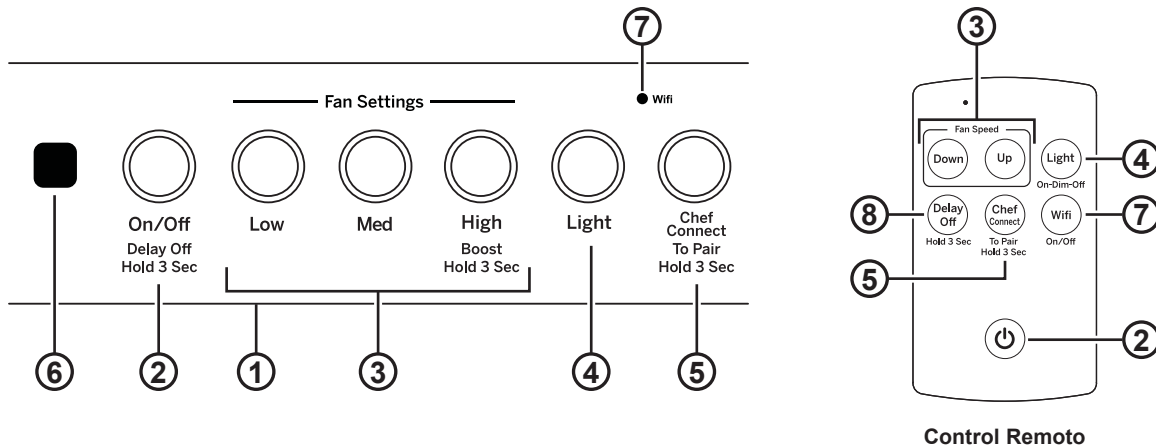
Para asegurar que no haya daños sobre el acabado del producto, la forma más segura de retirar el adhesivo de la cinta

de embalaje en electrodomésticos nuevos es aplicando un detergente líquido hogareño para lavar platos. Aplique con una tela suave y deje que se seque.

**NOTA:** El adhesivo deberá ser eliminado de todas las partes. No se puede retirar si se hornea con éste dentro.

**NOTA:** Para acceder a más instrucciones/ sugerencias, por favor consulte la sección de Cuidado y Limpieza.

# LEA Y GUARDE ESTAS INSTRUCCIONES



1. **Panel de Control de la Campana Extractora:** El panel de control está ubicado en el frente de la base. La posición y función de cada botón del control aparece escrito debajo.
2. **Botón Fan On/Off (Ventilador Encendido/ Apagado):** Interruptor de Encendido/Apagado del ventilador. El ventilador puede ser usado presionando cualquiera de los botones de configuración del ventilador. Mantenga presionado el botón durante 3 segundos para activar la función Delay Off (Retraso Apagado), el cual apaga de forma automática el ventilador durante 15 minutos.
3. **Botones de la Configuración del Ventilador:** Control de velocidad del ventilador. Presione el botón **Low (Baja)** para usar la velocidad BAJA, **Med** para MEDIUM (Media) y **High** para HIGH (Alta). Mantenga presionado el botón **High (Alto)** durante 3 segundos para activar la función BOOST speed (Aumento de Velocidad), la cual funcionará durante 10 minutos. En la función Remote (Remoto), presione **Up (Arriba)** para incrementar la velocidad del ventilador, y **Down (Abajo)** para reducir la velocidad del ventilador, incluyendo Boost (Aumentado).
4. **Botón de Luz:** Interruptor de Encendido/ Atenuado/ Apagado de las luces LED. Presione la tecla **LIGHT (Luz)** para encender las luces, nuevamente para ajustar las luces en la configuración atenuada, y una vez más para apagar las luces.
5. **Chef Connect:** Ésta es una función de emparejamiento de Bluetooth® para uso con otros productos compatibles con Chef Connect en una superficie de cocción o una cocina. Cuando el dispositivo es emparejado, la luz y el ventilador se encenderán en Default Sync Settings (Configuraciones de Sincronización por Omisión), al recibir una orden desde la cocina o la superficie de cocción. Permanecerá en ON (Encendido) en esa configuración hasta que el usuario la modifique. Para emparejar dispositivos, mantenga presionado el botón **Chef Connect** durante 3 segundos. Para volver a apagarlo, mantenga presionado el botón durante otros 3 segundos; para más detalles, consulte la sección de Chef Connect.
6. **Sensor IR:** Receptor del Control Remoto cuando es usado con el Kit del Control Remoto (UXRC1).
7. **Wi-Fi:** Mantenga presionados los botones **Light (Luz)** y **Chef Connect** durante 3 segundos para activar el Wi-Fi. La luz del Wi-Fi se enciende cuando se encuentra conectada; para más detalles, consulte la sección Wi-Fi Connect. En la función Remote (Remoto), presione **Wi-Fi** para pasar a esta función.
8. **Delay Off (Retraso Apagado) (Sólo Remoto):** Mantenga presionada la tecla **Delay Off (Retraso Apagado)** para pasar a esta función.

## Sensor de Calor

Su campana está equipada con un termostato con SENSOR DE CALOR. Este termostato es un dispositivo que se enciende o acelera el calefactor si siente calor excesivo sobre la superficie de cocción.

- Si el calefactor está en Off (Apagado) – enciende el calefactor en velocidad Media.
- Si el calefactor está en On (Encender) en una configuración de velocidad baja – sube el calefactor a velocidad Media.

Cuando el nivel de temperatura baja hasta el nivel normal, el calefactor regresa a su configuración original.

# Chef Connect

## Conexión de Bluetooth® al Funcionamiento de Chef Connect

### Para emparejar con otro dispositivo:

A fin de iniciar el proceso de emparejamiento, mantenga presionado el botón **Chef Connect** durante 3 segundos. La luz de fondo de los botones Low-Med-High-Light-Chef Connect (Baja-Media-Alta-Luz-Chef Connect) parpadeará en dicha secuencia hasta que la campana esté emparejada con la cocina u otro dispositivo. Si el emparejamiento es exitoso, las cinco luces de fondo (Baja, Media, Alta, Luz, Chef Connect) parpadearán de forma simultánea tres veces y luego se apagarán y la luz de fondo del botón Chef Connect se encenderá.

Se desactivará luego de 2 minutos si el emparejamiento no es completado. Luego de esto, la secuencia de emparejamiento deberá ser reiniciada.

### Para cancelar el emparejamiento:

Para cancelar el emparejamiento, mantenga presionada la tecla **Chef Connect** durante 3 segundos y luego apague la campana.

### Configuraciones de Sincronización por Omisión:

La configuración por omisión de fábrica de la luz será la más brillante.

La configuración por omisión de fábrica de la sincronización del ventilador estará APAGADA.

El usuario podrá modificar las Configuraciones de Sincronización por Omisión manteniendo presionado el botón **Low (Baja)** durante 3 segundos. Esto permitirá ingresar a Default Settings Mode (Modo de Configuraciones por Omisión). Una vez en este modo, las luces de fondo de todos los botones (Baja, Media, Alta, Luz, Chef Connect) parpadearán encendiéndose y apagándose de forma indefinida, y el ventilador y la luz pasarán a la Configuración de Sincronización por Omisión actual, de modo que el usuario sepa cuál es el valor por omisión actual. En este momento, configure la luz y el ventilador en los niveles por omisión deseados. Una vez que el usuario se encuentre satisfecho con la selección, se deberá mantener presionado el botón **On/Off (Encendido/ Apagado)** durante 3 segundos. Esto hará que se abandone este modo. En este momento, las luces de fondo dejarán de parpadear y el estado del ventilador y de la luz volverán a cambiar a su estado anterior, antes de entrar en Default Settings Mode (Modo de Configuraciones por Omisión).

## Conexión Wi-Fi

### Conecte su campana con Conexión Habilitada de Wi-Fi (en algunos modelos)

Su campana de GE Appliances está diseñado para brindarle una comunicación recíproca entre su electrodoméstico y el dispositivo inteligente. Al usar las funciones de la conexión Wi-Fi de GE Appliances, usted podrá controlar funciones esenciales de su campana tales como las configuraciones de velocidad del ventilador, función de la luz, función del temporizador/ reloj, retraso apagado y reinicio del filtro utilizando su teléfono inteligente o tableta\*.

#### Qué necesitará

Su campana de GE Appliances utiliza su red de Wi-Fi hogareña existente para realizar la comunicación entre el electrodoméstico y su dispositivo inteligente. A fin de configurar su campana de GE Appliances, usted necesitará reunir cierta información:

1. Cada campana de GE Appliances cuenta con una etiqueta informativa del electrodoméstico conectado, que incluye un Nombre y Contraseña de Red del Electrodoméstico. Estos son los dos detalles importantes que necesitará para conectar el electrodoméstico. La etiqueta está ubicada al costado de la unidad, detrás de los filtros.

Connected Appliance Information	
FCC ID: ZKJ-WCATA005	Network: *****
IC: 10229A-WCATA001	Password: *****
MAC ID: *****	

Ejemplo de Etiqueta

2. Su teléfono inteligente o tableta deben estar preparados con la capacidad de acceder a Internet y descargar aplicaciones.
3. Usted deberá conocer la contraseña del enrutador Wi-Fi de su hogar. Tenga esta contraseña a mano al configurar el campana de GE Appliances.

#### Conexión de su campana de GE Appliances

1. A través de su teléfono inteligente o tableta, visite **GEAppliances.com/connect** para aprender más sobre las funciones del electrodoméstico conectado y para descargar la aplicación correspondiente.
2. Siga las instrucciones en pantalla de la aplicación para conectar su campana de GE Appliances.
3. Una vez que el proceso se haya completado, la luz de conexión ubicada en la pantalla de su campana GE Appliances, permanecerá en sólido y la aplicación confirmará que usted está conectado.
4. Si la luz de conexión no se enciende o está titilando, siga las instrucciones en la aplicación para volver a realizar la conexión. Si continúan los problemas, comuníquese al 800.220.6899 y solicite asistencia en relación a la conectividad inalámbrica del campana.

Para conectar dispositivos inteligentes adicionales, repita los pasos 1 y 2.

Observe que todos los cambios o modificaciones al dispositivo de acceso remoto instalado en este campana que no están expresamente aprobados por el fabricante podrían anular la autoridad del usuario para operar el equipamiento.

\* Se requiere el uso de dispositivos y de una red Wi-Fi hogareña que sean compatibles con Apple o Android.

# Filtros

Asegúrese de que la energía eléctrica esté apagada y que todas las superficies estén frías antes de limpiar o arreglar cualquier pieza de la campana de ventilación.

Los deflectores metálicos hacen circular la grasa liberada por las comidas en la superficie de cocción sobre las bandejas de goteo. Los deflectores también evitan que las llamas de las comidas en la superficie de cocción dañen el interior de la campana.

Los deflectores SIEMPRE deberán ser colocados cuando la campana se encuentre en uso. Los deflectores de grasa y las bandejas de goteo son de uso seguro en lavavajillas y deberán ser limpiados cada mes, dependiendo del uso de la campana.

## Bandeja de Goteo de Grasa

### Para instalar:

Coloque e instale las bandejas de goteo en los espacios designados de la campana. Deslice las mismas sobre la izquierda o derecha hasta que todas las bandejas estén posicionadas sobre sus espacios una al lado de la otra.

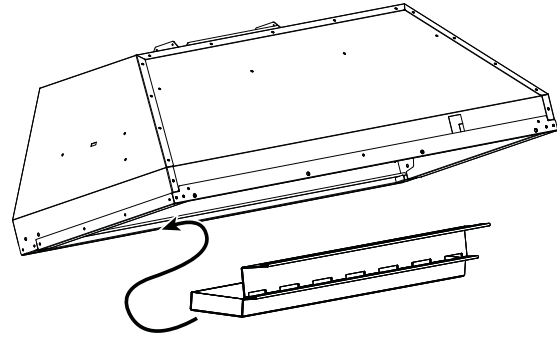
### Para quitar:

Con cuidado, use el borde de la bandeja de grasa para levantar la bandeja hacia arriba y afuera. La bandeja estará libre del espacio designado en la campana.

### Para limpiar:

Coloque la bandeja de goteo en agua caliente con jabón y enjuague la misma con agua limpia o lávela en el lavavajillas. No use limpiadores abrasivos.

**NOTA:** Cierta descoloración del filtro podrá producirse en el lavavajillas.



Reemplazo de la Bandeja de Goteo

## Filtro de Grasa Metálico con Deflector

### Para instalar:

Inserte la parte superior del deflector en el espacio detrás del panel de control. Las flechas que están al costado del deflector deberán apuntar hacia el frente de la unidad. Deslice el deflector hacia arriba y empuje el extremo hacia atrás hasta que se ajuste de manera firme en su posición.

### Para quitar:

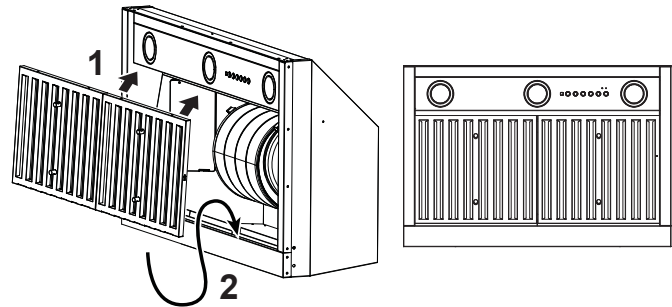
Use la perilla frontal para empujar el filtro hacia adelante, hacia el panel de control. La parte inferior del filtro se libera de la grasa de la bandeja de goteo. Use la perilla trasera para retirar el deflector de su espacio detrás del panel de control.

**Es importante que los deflectores sean colocados de forma correcta con las flechas laterales apuntando hacia el frente de la unidad, a fin de dirigir la grasa hasta las bandejas de goteo y evitar su acumulación en los deflectores.**

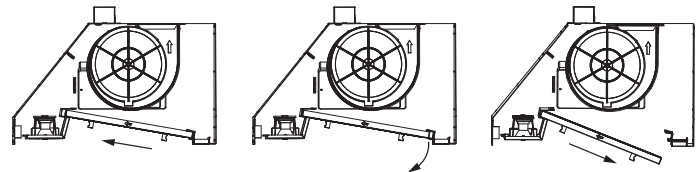
### Para limpiar:

Coloque el filtro en agua caliente con jabón y enjuague el mismo con agua limpia o lávelo en el lavavajillas. No use limpiadores abrasivos.

**NOTA:** Cierta descoloración del filtro podrá producirse en el lavavajillas.



Reemplazo del Deflector



Retiro del Deflector



## Filtros (Cont.)

### Filtro de carbón (Sólo Para Instalación con Recirculación)

**NOTA:** NO enjuague o coloque el filtro de carbón en el lavavajillas automático.

**El filtro de carbón no puede ser limpiado. Debe ser reemplazado. Se recomienda que el filtro de carbón sea reemplazado cada entre 6 meses, o si se encuentra notoriamente sucio o descolorido.**

**Solicite el filtro de carbón UXCF91.**

Para consultar sobre la compra de filtros de carbón de repuesto o para encontrar la ubicación del distribuidor más cercano a su domicilio, llame a nuestro número gratuito:

**Centro nacional de piezas 800.626.2002**

#### Para instalar

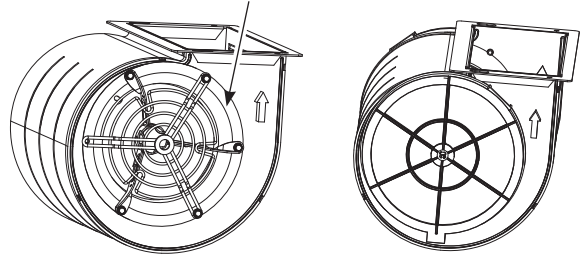
1. Retire los filtros de grasa. Consulte la sección de Filtros.
2. Instale los montajes del filtro de carbón sobre cada lado del motor, usando tres tornillos por lado.
3. Inserte la lengüeta que se encuentra en el filtro de carbón dentro de la ranura triangular del montaje.

4. Enganche el filtro de carbón hasta que quede bloqueado.
5. Repita esto con el segundo filtro del otro lado del motor.
6. Vuelva a adherir los filtros metálicos. Consulte la sección de Filtros.

#### Para retirar

1. Retire los filtros de grasa – Consulte la sección de Filtros
2. Desenganche el filtro de carbón presionando el sujetador para liberarlo.
3. Con cuidado retire el filtro de carbón de la lengüeta.

Montaje del Filtro de Carbón



## Superficies

### Superficies de acero inoxidable (en algunos modelos)

**No utilice almohadillas de acero porque rayan la superficie.**

Para limpiar la superficie de acero inoxidable, utilice agua tibia jabonosa o un limpiador o lustrador de acero inoxidable. Siempre limpie la superficie en dirección de la veta. Siga las instrucciones del producto para limpiar la superficie de acero inoxidable. Los limpiadores con ácido oxálico tales como **Bar Keepers Friend Soft Cleanser™** eliminarán el óxido sobre la superficie, deslustres y pequeñas manchas. Para recibir un cupón para una muestra de **Bar Keepers Friend Soft Cleanser™**, ingrese al siguiente link o escanee el Código QR.

[barkeepersfriend.com/ge](http://barkeepersfriend.com/ge)



Use sólo un limpiador líquido libre de material abrasivo y frote en la dirección de las líneas del cepillo con una esponja suave y húmeda.

Para consultar sobre la compra de limpiadores o lustradores de aparatos de acero inoxidable, o para encontrar la ubicación del distribuidor más cercano, llame a nuestro número gratuito:

**Centro nacional de piezas  
800.626.2002**

[GEApplianceParts.com](http://GEApplianceParts.com)

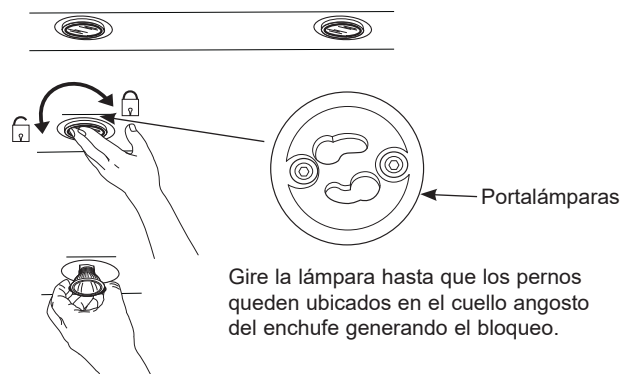
## Lámparas

### ⚠ PRECAUCIÓN

**Espera a que las lámparas se enfrien antes de tocar las mismas.**

1. Antes de intentar reemplazar una lámpara, asegúrese de que su interruptor esté apagado.
2. Gire la lámpara en dirección contraria a las agujas del reloj para desbloquear y extraer la misma. Colocarse guantes de látex puede brindar un mejor agarre.
3. Reemplace por una lámpara nueva del mismo tipo, asegurándose de que las clavijas queden correctamente insertadas en las fichas del portalámparas y gire en dirección de las agujas del reloj para bloquear la lámpara.

**Todas las lámparas deben ser compatibles con GU10.**



# Instrucciones de instalación

Campana de Inserción Estándar  
UVC9300, UVC9360

? “Ante cualquier duda, llame a GE Appliances al 800.GE.CARES (800.432.2737) o visite nuestro sitio Web en: [GEAppliances.com](http://GEAppliances.com)”

## ANTES DE COMENZAR

Lea estas instrucciones por completo y con detenimiento.

- **IMPORTANTE** — Guarde estas instrucciones para el uso de inspectores locales.
- **IMPORTANTE** — Cumpla con todos los códigos y ordenanzas vigentes.
- **Nota al instalador** – Asegúrese de dejar estas instrucciones con el Consumidor.
- **Nota al consumidor** – Conserve estas instrucciones para referencia futura.
- **Nivel de capacidad** – La instalación de esta campana de ventilación requiere capacidades mecánicas y eléctricas básicas.
- **Tiempo de compleción** – Aproximadamente entre 1 y 3 horas
- El instalador tiene la responsabilidad de efectuar una instalación adecuada.
- La Garantía no cubre las fallas del producto debido a una instalación incorrecta.

## ⚠PRECAUCIÓN

Debido al peso y tamaño de estas campanas de ventilación, y a fin de reducir el riesgo de lesiones personales o daños sobre el producto - **SE DEBERÁ CONTAR CON DOS PERSONAS PARA UNA INSTALACIÓN ADECUADA.**

## PARA SU SEGURIDAD

### ⚠ADVERTENCIA

Antes de comenzar la instalación, desconecte la energía del panel de servicio y bloquee los medios de desconexión para evitar el accionamiento de la energía de manera accidental. Cuando los medios de desconexión de servicio no pueden bloquearse, coloque sobre el panel de servicio un dispositivo de advertencia bien visible, como una etiqueta.

### ⚠ADVERTENCIA

**PARA REDUCIR EL RIESGO DE INCENDIO, DESCARGA ELÉCTRICA O LESIONES A PERSONAS, CUMPLA CON LOS SIGUIENTES PUNTOS:**

- A. El trabajo de instalación y el cableado eléctrico deben ser realizados por una persona(s) calificada de acuerdo con todos los códigos y estándares aplicables, incluyendo construcciones resistentes al fuego.
- B. Es necesario contar con suficiente cantidad de aire para una combustión y salida de gases adecuadas a través del conducto (chimenea) del equipo de consumo de combustible, a fin de evitar ráfagas de aire. Siga las pautas del fabricante del equipo de calefacción y los estándares de seguridad, tales como aquellos publicados por la Asociación Nacional de Protección contra Incendios (National Fire Protection Association, NFPA), la Sociedad Estadounidense para la Calefacción (American Society for Heating), los Ingenieros de Refrigeración y Acondicionadores de Aire (Refrigeration and Air Conditioning Engineers, ASHRAE) y las autoridades de los códigos locales.
- C. Al cortar o perforar una pared o un cielorraso, no dañe el cableado eléctrico y de otros servicios ocultos.
- D. Los ventiladores con conducto siempre deben contar con ventilación hacia el exterior.
- E. Desconecte el disyuntor de habitaciones adyacentes mientras esté trabajando.

### ⚠ADVERTENCIA

**A FIN DE REDUCIR EL RIESGO DE INCENDIOS, USE SÓLO CONDUCTOS DE METAL.**

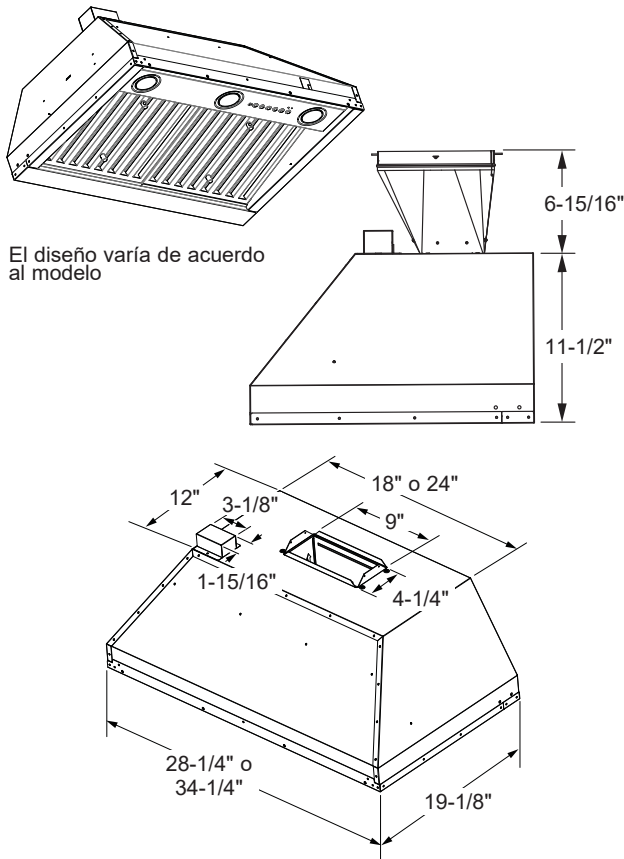
### ⚠ADVERTENCIA

Desconecte toda la corriente eléctrica del disyuntor principal o de la caja de fusibles antes de la instalación.

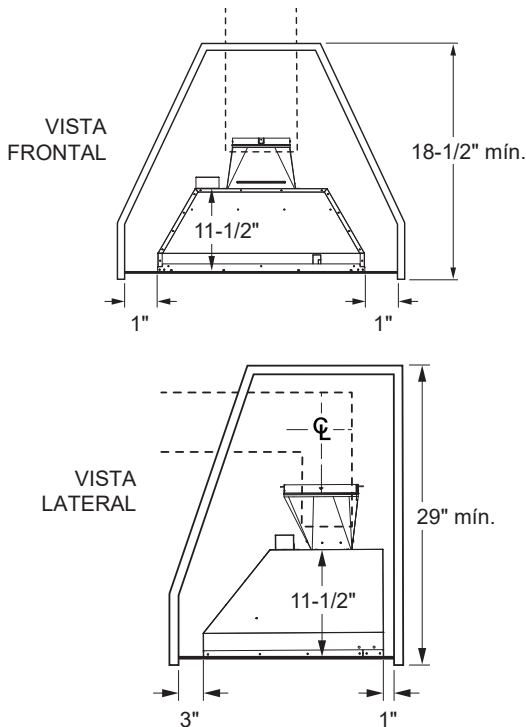


# Preparación para la instalación

## DIMENSIONES DEL PRODUCTO



## PREPARACIÓN DEL GABINETE



## ESPACIOS PARA LA INSTALACIÓN

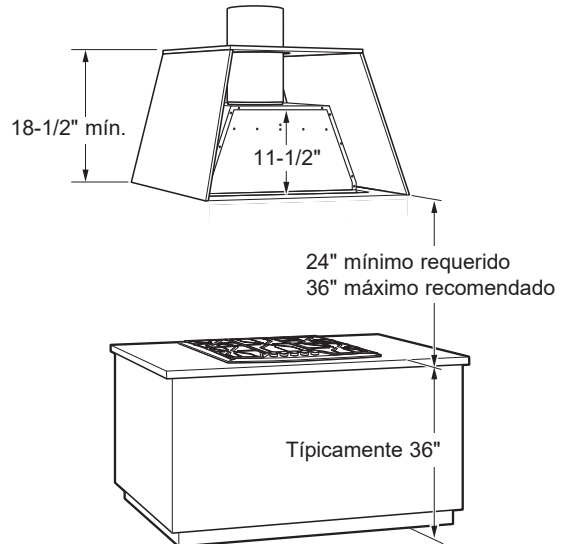
Esta campana de ventilación deberá ser instalada entre el mínimo requerido de 24" y el máximo recomendado de 36" sobre la superficie de cocción.

- Siempre consulte las instrucciones de instalación de la estufa o cocina en relación a los espacios específicos del producto.

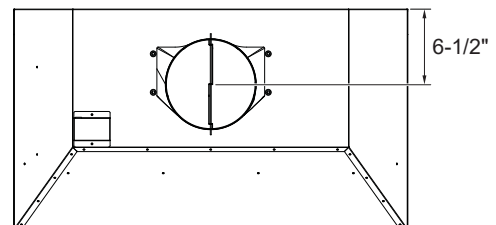
**NOTA:** La altura de instalación debe medirse desde la superficie de cocción hasta el lado inferior de la superficie del gabinete

**NOTA:** UL requiere que cualquier superficie combustible se halle a un mínimo de 30" sobre la superficie de cocción. Las superficies combustibles inferiores podrán estar cubiertas para cumplir con los requisitos.

- La altura interna del gabinete estándar deberá poseer un mínimo de 18 1/2" para la ventilación vertical, y un mínimo de 29" para la recirculación.
- Esta campana puede contar con ventilación hacia el exterior, o puede ser instalada para un funcionamiento con recirculación. Para un funcionamiento con recirculación, consulte la Planificación de la Instalación para Funcionamiento con Recirculación.
- Esta campana podrá ser montada en un gabinete de pared o ser instalada sobre una isla.

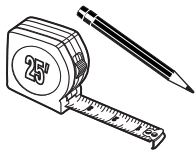


**NOTA:** El conducto de salida de la campana está más cerca de la parte trasera de la campana. Es importante planificar la alineación sobre el punto de conexión de la campana.



# Preparación para la instalación

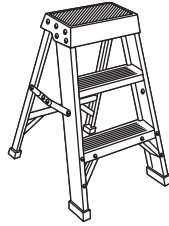
## HERRAMIENTAS Y MATERIALES REQUERIDOS (NO SUMINISTRADOS)



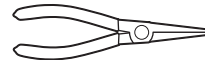
Lápiz y cinta métrica



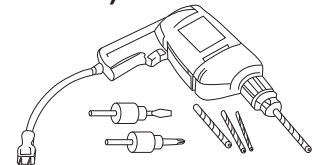
Cinta aislante de aluminio



Escalera de mano



Alicates de punta larga



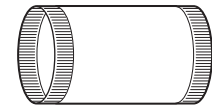
Perforadora eléctrica y brocas correspondientes



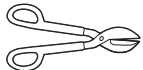
Nivel



Gafas de seguridad



Conductos de 8" y tapas según sea necesario



Tijeras para hojalata



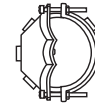
Alicate pelacables



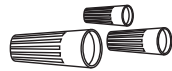
Linterna



Destornilladores de estrella y de lados planos



Alivio de tensión para la caja de conexiones



Tapones de alambre aprobados por UL

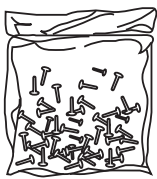


Guantes

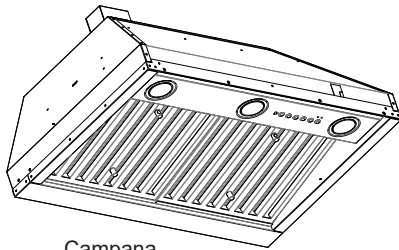
## PIEZAS PROVISTAS

Ubique las piezas empacadas con la campana.

**NOTA:** Es posible que la valija de herramientas contenga piezas adicionales para realizar una serie de métodos de instalación para diferentes modelos.

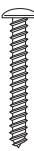


Valija de Herramientas



Campana

A

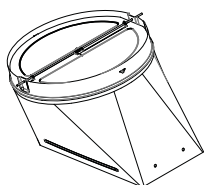


Tornillos de Madera con Cabeza Phillips 3/16" x 1-1/2" (QTY: 4)

B



Tornillos para Máquina con Cabeza Phillips 1/8" X 3/8" (QTY: 16)



Ensamble del Regulador

D



Tornillos de Madera con Cabeza Phillips 1/8" X 3/8" (QTY: 4)

L



Tornillos de Madera con Cabeza Phillips 3/16" x 1" (QTY: 8)

## PLAN DE INSTALACIÓN

### ⚠ PRECAUCIÓN

A fin de reducir riesgos de incendios y para que el aire salga de forma apropiada, asegúrese de que el aire sea conducido hacia fuera - No ventile el aire de la salida hacia espacios dentro de paredes o cielorrasos o áticos, espacios muy bajos o garajes.

### ⚠ ADVERTENCIA

#### ! RIESGO DE LESIONES PERSONALES

Es recomendable que la campana extractora sea instalada por 2 personas. Si la campana no es elevada de forma correcta, se podrán producir daños sobre el producto o lesiones personales.

**NOTA:** Esta campana puede ser instalada con conducto o con recirculación. En una aplicación con conducto, esta campana puede ser ventilada a través de la pared o del cielorraso. Al ser instalada por recirculación, la campana ventila hacia afuera los costados de la cubierta del conducto.

## QUITE EL ENVOLTORIO

### ⚠ PRECAUCIÓN

Se guantes para protegerse de los bordes afilados.

- Quite la bolsa de piezas, el paquete de instrucciones y otras piezas en cajas.
- Quite y descarte adecuadamente el envoltorio plástico de protección y otros materiales de empaque.

# Preparación para la instalación

## PLANIFICACIÓN PREVIA

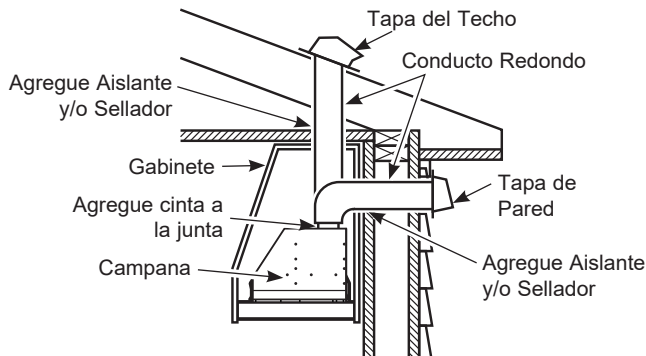
### Planificación para la Instalación con Conducto

- Esta campana está diseñada para ventilarse en forma vertical a través del cielorraso. Use un conducto circular de 8". Utilice codos suministrados en forma local para ventilación horizontal a través de la pared trasera.
- Use tuberías metálicas únicamente.
- Determine la ubicación exacta de la campana de ventilación.
- Planifique el recorrido de la salida de ventilación hacia el exterior. A fin de maximizar el rendimiento de la ventilación del sistema de ventilación:
  1. Minimice la longitud del conducto y el número de transiciones y codos.
  2. Mantenga un tamaño de conducto constante.
  3. Selle todas las juntas con cinta para conductos a fin de evitar pérdidas.

**NOTA:** No se recomienda una ventilación flexible. La ventilación flexible crea una presión trasera y turbulencia del aire que reduce el rendimiento significativamente.

- Longitud máxima equivalente del conducto para 100 CFM: 150 pies para campanas de ventilación.
- Instale una tapa de pared o una tapa de techo con regulador en la abertura externa. Solicite por adelantado la cubierta de pared o el casquete de techo y cualquier transición o longitud de conducto necesarios.
- Cuando corresponda, instale un sistema de reposición (reemplazo) de aire de acuerdo con los requisitos del código local de construcción. Para acceder a soluciones de aire disponibles, visite **GEAppliances.com**.

El sistema de ventilación puede desembocar a través del techo o de la pared. Para ventilar a través de una pared, es necesario un codo de 90° que se encuentre instalado inmediatamente sobre la campana.



### Marco de Pared y Cielo Raso para un Soporte Adecuado

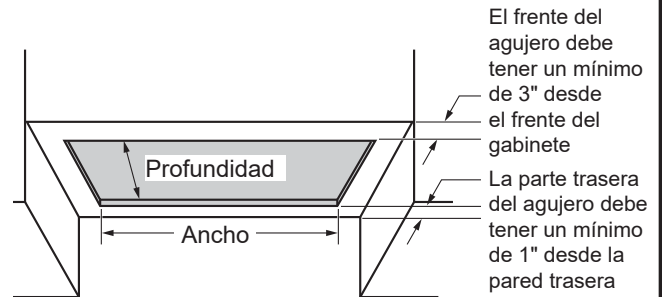
Esta campana de ventilación es pesada y la estructura del gabinete necesita soportar el peso de la carcasa de inserción cargada. Se deberá proveer un soporte estructural adecuado en todos los tipos de instalación.

- La instalación será más fácil si la campana de ventilación es instalada antes que la superficie de cocción.

## PLANIFICACIÓN PREVIA (CONT.)

### Planificación de la Estructura del Gabinete Estándar

- El techo o gabinete estándar debe contar con un agujero rectangular para ubicar por sí sola la inserción de la campana estándar, o con el cobertor. Este agujero es del mismo tamaño tanto para una instalación de pared como de una isla. Asegure el paralelismo y la nivelación del gabinete, de modo que no afecte la nivelación de la campana con el gabinete.



	UVC9300	UVC9360
Ancho (pulg.)	28-1/4	34-1/4
Profundidad (pulg.)	19-1/8	19-1/8

## PLANIFICACIÓN DE INSTALACIÓN CON RECIRCULACIÓN

Esta campana podrá ser instalada en el modo de recirculación. El filtro de carbón es necesario para la instalación con recirculación y está incluido con la unidad.

# Preparación para la instalación

## SUMINISTRO DE ENERGÍA

**IMPORTANTE – (Tenga a bien leer cuidadosamente)**

### ⚠ADVERTENCIA

PARA SEGURIDAD PERSONAL, ESTE APARATO DEBE CONECTARSE A TIERRA DE MANERA ADECUADA.

Quite el fusible o abra el interruptor de circuitos antes de comenzar la instalación.

No utilice un cable de extensión o un enchufe adaptador con este artefacto. Siga los Códigos Eléctricos Nacionales o códigos y ordenanzas locales vigentes.

### Suministro eléctrico

Estas campanas de ventilación deben contar con un suministro de 120V, 60Hz, deben estar conectadas a un circuito derivado individual con una adecuada conexión a tierra y deben contar con la protección de un interruptor de circuitos o un fusible con retraso de 15 o 20 amperios.

- El cableado debe ser de 2 hilos con conexión a tierra.
- Si el suministro eléctrico no cumple con los requisitos anteriores, llame a un electricista con licencia antes de continuar.
- Dirija el cableado doméstico lo más cerca posible a la ubicación de la instalación, en el cielorraso o pared trasera. Ver página 14 para más detalles.
- Conecte el cableado al cableado doméstico en cumplimiento con los códigos locales.

### Instrucciones de conexión a tierra

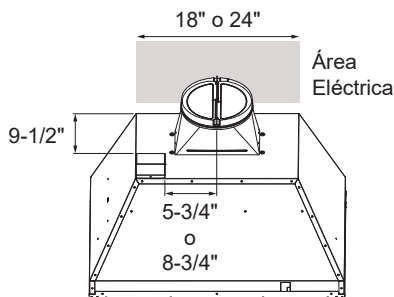
El conductor a tierra debe conectarse a un metal con conexión a tierra, un sistema de cableado permanente o una terminal o conductor de conexión a tierra del equipamiento en la campana.

### ⚠ADVERTENCIA

Una conexión inadecuada del conductor de conexión a tierra del equipamiento puede provocar un riesgo de descarga eléctrica. Consulte a un electricista calificado o representante de servicio técnico si tiene dudas sobre la correcta conexión a tierra del artefacto.

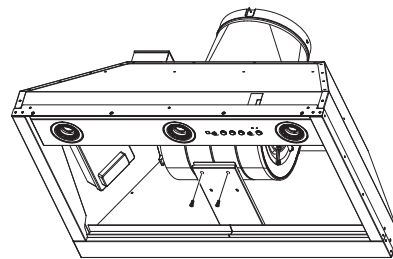
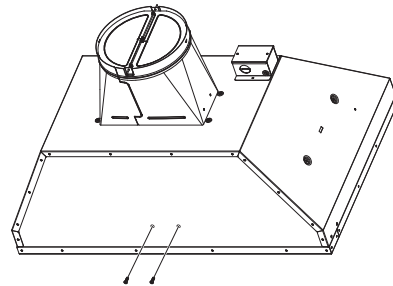
## PREPARACIÓN DEL CABLEADO ELÉCTRICO HOGAREÑO

El gabinete estándar deberá permitir que quede espacio para el cableado hogareño, a fin de llegar a la caja de empalmes ubicada en el siguiente diagrama. Si la unidad es instalada sobre una isla, el cableado deberá llegar desde el cielorraso. Si es necesario un cable de corriente, el accesorio está disponible.

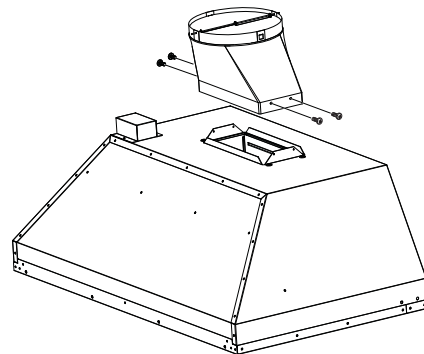


## PREPARACIÓN PARA LA INSTALACIÓN DEL GABINETE

**NOTA:** Este soporte deberá ser retirado antes de la instalación. Retire los 2 tornillos traseros y los 2 inferiores, de acuerdo con la siguiente ilustración.



1. De forma segura, presione el regulador ubicado en la parte superior de la abertura del extractor. Controle que el regulador se abra libremente. Adhiera el regulador a la campana, usando los tornillos (B) provistos.

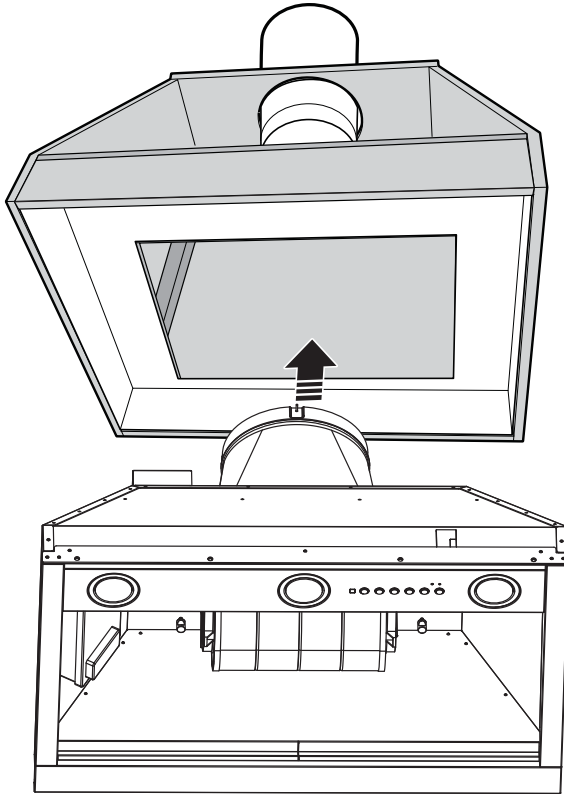


2. La campana debe estar centrada de izquierda a derecha sobre la superficie de cocción.
3. Retire y descarte de forma adecuada el envoltorio plástico protector de la campana.
4. La superficie trasera de la campana debe estar a un mínimo de 1" desde la pared trasera. La superficie frontal de la campana debe estar a un mínimo de 3" desde el panel del gabinete estándar frontal.
5. **El gabinete estándar deberá permitir el retiro de los paneles, a fin de brindar acceso al cableado eléctrico y al conducto y sus conexiones a la campana en caso de que sea necesario realizar el servicio técnico o por otras razones.**

# Instalación

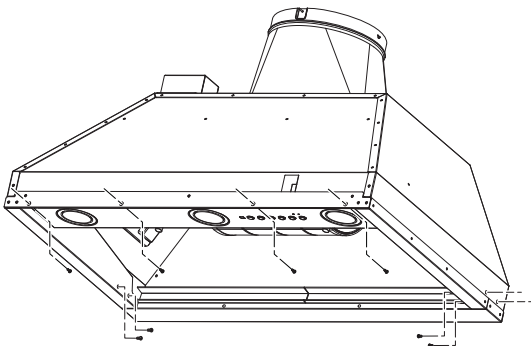
## STEP 1 INSTALACIÓN DE LA CAMPANA

1. Confirme que el regulador esté en su posición en la abertura de la salida de la campana, para acceder a instrucciones, consulte la página anterior.
2. Inserte la campana en la abertura del gabinete.



3. Ajuste con 8 tornillos [(A) (L) o (D) según sea necesario), 4 en el frente y 2 a cada lado, hacia la parte trasera de la campana. Un resorte está bloqueando el perno a cada lado de la campana, el cual ayuda a sostener la unidad mientras los tornillos son instalados.

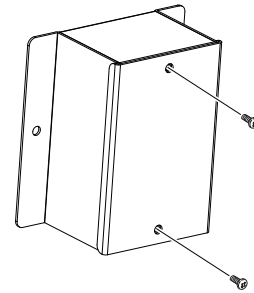
**NOTA:** No se aleje de la campana mientras la campana está siendo sostenida sólo por los pernos.



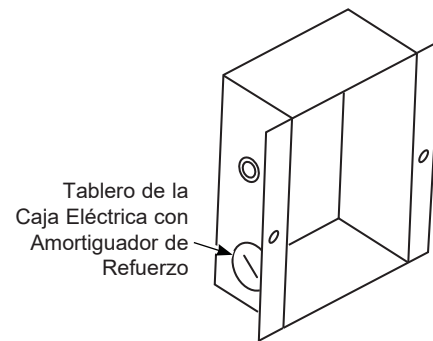
4. Una vez ubicada la campana, selle el conducto de la campana con cinta para conductos (No use tornillos).

## CONEXIÓN ELÉCTRICA

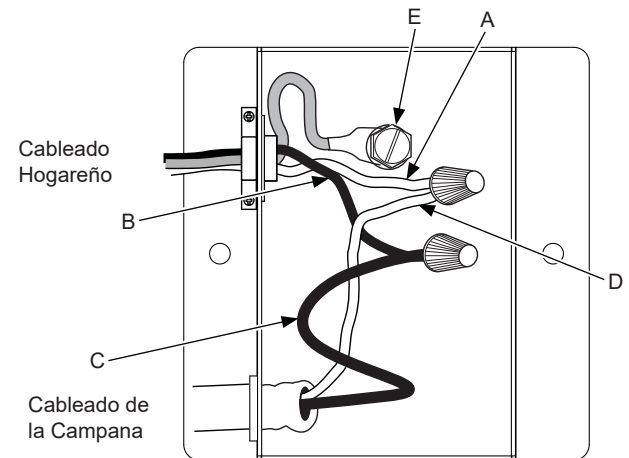
1. Retire la tapa de la caja de empalmes eléctricos.



2. Retire el tablero de la caja eléctrica.



3. Alimente el Cable de Suministro Eléctrico a través del agujero y asegure el mismo con un amortiguador de refuerzo.
4. Adhiera el cable blanco del suministro de corriente (A) al cable blanco de la campana extractora (D) con una tuerca para cable. Adhiera el cable negro del suministro de corriente (B) al cable negro de la campana extractora (C) con una tuerca para cable. Conecte el cable a tierra verde (E) (verde y amarillo) debajo del tornillo de conexión a tierra verde.

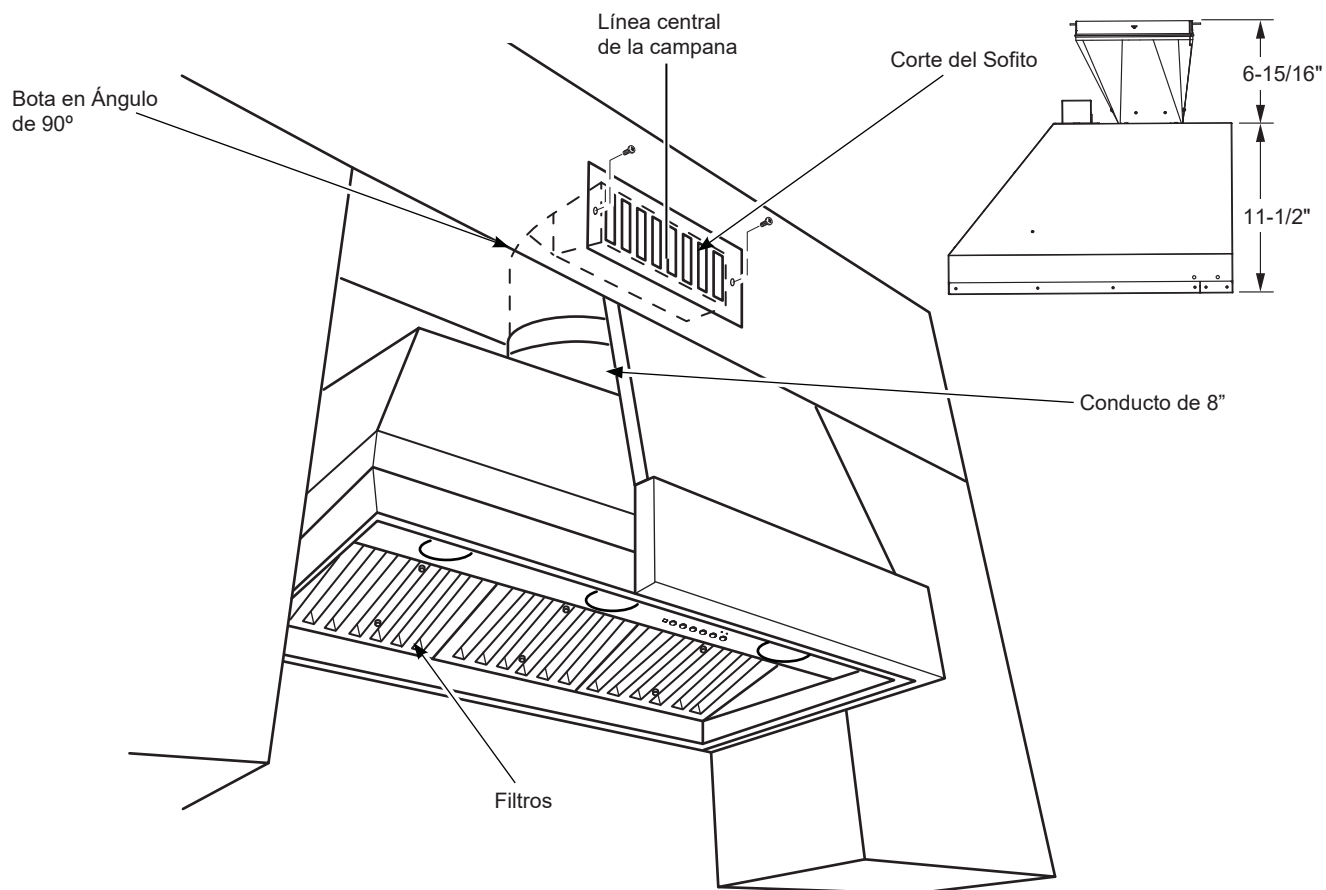


5. Vuelva a colocar la tapa de la caja de empalmes eléctricos.

## STEP 2 OPCIÓN DE RECIRCULACIÓN (PIEZAS SUMINISTRADAS LOCALEMENTE)

1. Haga un agujero en el soffito para el conducto de salida.
2. Instale la parrilla de ventilación sobre el conducto de salida.
3. Selle las uniones del conducto con cinta para conductos.

Para ordenar el kit de recirculación opcional, visite [GEAppliances.com](http://GEAppliances.com).



## STEP 3 FINALICE LA INSTALACIÓN

1. Inserte los filtros; consulte la sección de Filtros.
2. Controle el funcionamiento de las luces y del calefactor.
3. Finalice los gabinetes estándares.



# Instalación

## TECNOLOGÍA DE REPOSICIÓN DE AIRE

**Nota para los Instaladores e Inspectores:** Este producto está equipado con una función de instalación simple que limita los niveles máximos de CFM, a fin de cumplir con ciertos códigos o regulaciones locales. Es posible que este método de instalación no sea necesario en todas las instalaciones; para acceder a más pautas, por favor consulte sus códigos locales.

### ⚠️ PRECAUCIÓN

La campana deberá ser desconectada de la alimentación de corriente principal siguiendo las instrucciones de conversión que figuran a continuación. Si no se siguen estos pasos, se podrán producir lesiones personales o daños sobre el producto.

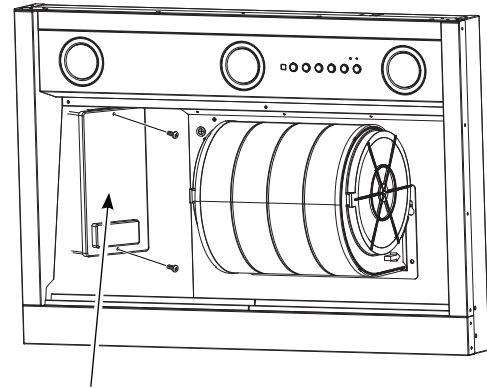
**A fin de modificar la unidad (si es necesario para cumplir con los códigos locales):**

#### 390CFM o 290CFM

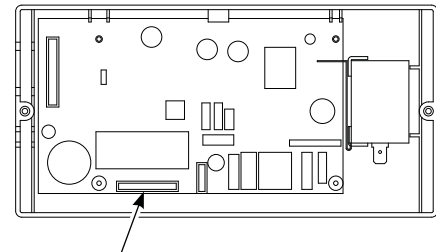
Por diseño, la velocidad máxima del calefactor es superior a los 400 CFM. Si los códigos locales requieren una reducción de los CFM, modifique el cableado como se describe a continuación:

1. Retire los deflectores; consulte la sección de Filtros.
2. Retire la tapa de la caja del tablero de control.
3. Ubique el arnés del motor enchufado al tablero de control.
4. **A - Para un máximo de 390 CFM, la unidad puede funcionar en 4 velocidades (Baja, Media, Alta, Aumentada).**
  1. Desconecte el conector del cable azul del cable rojo.
  2. Conecte los 2 cables rojos juntos.
  3. Desconecte el conector azul no utilizado y ondule el extremo si así lo desea.
- B - Para un máximo de 290 CFM, la unidad puede funcionar en 3 velocidades (Baja, Media, Alta).**
  1. Desconecte el conector del cable azul del cable rojo.
  2. Desconecte el conector azul no utilizado y ondule el extremo si así lo desea.
5. Vuelva a adherir la tapa de la caja del tablero de control e instale los deflectores.

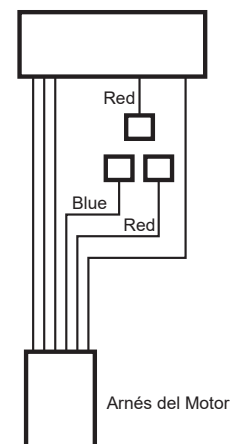
**Nota para los Inspectores:** A fin de verificar que este producto fue instalado en una de estas configuraciones, controle las conexiones del cableado del motor de acuerdo con la descripción previa.



Tapa de la Caja del Tablero de Control



Conector del Arnés del Motor





## Consejos para la Solución de Problemas... Antes de solicitar el servicio técnico

¡Ahorre tiempo y dinero! Primero revise los cuadros que aparecen en las siguientes páginas y es posible que no necesite solicitar reparaciones.

Problema	Causas posibles	Qué hacer
El Ventilador/ la Luz no funciona cuando el botón está en ON (Encendido)	El fusible puede haberse quemado o el interruptor de circuitos puede haber saltado.	Cambie los fusibles o reconfigure el interruptor de circuitos.
Ruido de flujo de aire muy elevado o anormal	Tamaño de conducto incorrecto utilizado en la instalación.	Esta campana requiere un conducto de 8" para funcionar de manera óptima. El uso de un conducto más pequeño hará que la ventilación se reduzca. Minimice la longitud del conducto y el número de transiciones y codos. Los técnicos de GE Appliances no pueden corregir este problema si hay una instalación inadecuada.
El ventilador no hace circular aire o desplaza el aire más despacio que lo normal y/o hace ruido de flujo de aire elevado o anormal	Obstrucciones en el conducto.	Verifique que no haya obstrucciones en la ventilación. Controle que la cubierta de pared o casquete de techo tengan una hoja o puerta.
	La hoja del regulador de tiro de la cubierta de pared o casquete de techo puede estar cerrada.	Asegúrese de que el regulador de tiro se mueva libremente. Las hojas del regulador de tiro pueden darse vuelta y no se abrirán por completo cuando esto suceda. Ajustela con la posición original.
	El filtro de grasa metálico y el filtro de carbón (si lo hubiera) pueden estar sucios.	Limpie el filtro de grasa metálico y vuelva a colocar el filtro de carbón (si lo hubiera). Ver Cuidado y limpieza de la campana de ventilación.
	Insuficiente reposición (reemplazo) de aire	Se requiere suficiente reposición (reemplazo) de aire para que los artefactos con salida de aire funcionen de acuerdo con sus calificaciones energéticas. Controle los códigos locales de construcción, que podrán requerir o aconsejar enfáticamente el uso de reposición de aire. Para acceder soluciones de aire disponibles, visite <b>GEAppliances.com</b> .
Falla temprana de la lámpara	El voltaje de la lámpara es demasiado alto.	Reemplace la misma por una con el voltaje correcto.
El ventilador se enciende automáticamente y no puede ser apagado.	Esto es normal.	La función del sensor encenderá el ventilador de forma automática si la temperatura de cocción se eleva demasiado. El ventilador luego se apagará cuando las temperaturas desciendan a un nivel apropiado.
El ventilador continúa encendiéndose y apagándose.	Es posible que el motor se esté sobrecalentando y apagando solo. Esto puede ser nocivo para el motor.	Asegúrese de que los filtros estén limpios. Si el ciclo de encendido y apagado continúa, comuníquese al servicio técnico.
Las luces no funcionan	Se usaron lámparas incorrectas. Se deberán usar lámparas regulables que sean compatibles con GU10.	Para solicitar lámparas de reemplazo, visite <b>GEAppliances.com</b> .
No quedó grasa capturada en las bandejas de goteo	No quedó grasa capturada en las bandejas de goteo.	Instale los deflectores de forma adecuada asegurándose de que la flechas a ambos lados de los mismos estén apuntando hacia el frente de la unidad, de modo que las aberturas para la grasa en la parte inferior de los deflectores sean insertadas en las bandejas de goteo; consulte la sección de Filtros.
La campana no funciona de forma remota	Problemas en el enrutador, no hay señal inalámbrica, etc.	Para solicitar asistencia para la conectividad de la red inalámbrica de la campana, por favor comuníquese al 800.220.6899.
	La campana no se encuentra conectada.	

# Garantía Limitada de la Cocina Eléctrica de GE Appliances

## GEAppliances.com

Todo el servicio de garantía es provisto por nuestros Centros de Servicio de Fabricación, o un técnico autorizado de Customer Care®. Para programar una visita del servicio técnico a través de Internet, visítenos en [geappliances.com/service\\_and\\_support/](http://geappliances.com/service_and_support/), o llame al 800.GE.CARES (800.432.2737). Cuando llame para solicitar el servicio, tenga los números de serie y modelo disponibles.

Para realizar el servicio técnico de su electrodoméstico, se podrá requerir el uso de datos del puerto de abordaje para su diagnóstico. Esto da al técnico del servicio de fábrica de GE Appliances la habilidad de diagnosticar de forma rápida cualquier problema con su electrodoméstico, y de ayudar a GE Appliances a mejorar sus productos al brindarle a GE Appliances la información sobre su electrodoméstico. Si no desea que los datos de su electrodoméstico sean enviados a GE Appliances, solicitamos que le indique a su técnico no entregar los datos a GE Appliances en el momento del servicio.

Por el Período de	GE Appliances reemplazará
<b>Un Año</b> Desde la fecha de la compra original	<b>Cualquier pieza</b> del producto de cocción que falle debido a un defecto en los materiales o la fabricación. Durante esta <b>garantía limitada de un año</b> , GE Appliances también proveerá, <b>sin costo</b> , todo el trabajo y costos del servicio relacionados con el reemplazo de la pieza defectuosa.

### Qué no cubrirá GE Appliances:

- Viajes del técnico del servicio a su hogar para enseñarle sobre cómo usar el producto.
- Instalación, entrega o mantenimiento inadecuados.
- Fallas del producto en caso de abuso, mal uso, modificación o uso para propósitos diferentes al original o uso comercial.
- Reemplazo de fusibles de la casa o reinicio de disyuntores.
- Daños ocasionados sobre el producto por accidente, incendio, inundaciones o catástrofes naturales.
- Daños incidentales o consecuentes causados por posibles defectos sobre este producto.
- Daños sobre el acabado, tales como óxido sobre la superficie, deslustres o manchas pequeñas no informadas dentro de las 48 horas luego de la entrega.
- Daño causado después de la entrega.
- Producto no accesible para brindar el servicio requerido.
- Marcas o manchas (incluyendo manchas de óxido sobre la superficie) que pueden ser eliminadas siguiendo las instrucciones de limpieza.
- Solicite el servicio técnico para reparar o reemplazar las lámparas, excepto las lámparas LED.

### EXCLUSIÓN DE GARANTÍAS IMPLÍCITAS

Su única y exclusiva alternativa es la reparación del producto, como se indica en la Garantía Limitada. Las garantías implícitas, incluyendo garantías implícitas de comerciabilidad o conveniencia sobre un propósito particular, se limitan a un año o al período más corto permitido por la ley.

Esta garantía limitada se extiende al comprador original y a cualquier dueño subsiguiente de productos comprados para uso hogareño dentro de EE.UU. Si el producto está en un área donde no se encuentra disponible un Proveedor Autorizado del Servicio Técnico de GE Appliances, usted será responsable por el costo de un viaje o se podrá requerir que traiga el producto a una ubicación del Servicio Técnico de GE Appliances autorizado para recibir el servicio. En Alaska, la garantía limitada excluye el costo de envío o llamadas del servicio a su hogar. Algunos estados no permiten la exclusión o limitación de daños fortuitos o consecuentes. Esta garantía limitada le da derechos legales específicos y es posible que tenga otros derechos legales que varían entre un estado y otro. Para conocer cuáles son sus derechos legales, consulte a la oficina de asuntos del consumidor local o estatal o al Fiscal de su estado.

**Garante: GE Appliances, a Haier company**  
**Louisville, KY 40225**

**Garantías Extendidas:** Adquiera una garantía extendida de GE Appliances y conozca los descuentos especiales que están disponibles mientras su garantía aún está vigente. Puede acceder a la misma a través de Internet en cualquier momento en

[geappliances.com/service\\_and\\_support/shop-for-extended-service-plans.htm](http://geappliances.com/service_and_support/shop-for-extended-service-plans.htm)

o llamando al 800.626.2224 durante el horario comercial. Los Servicios para los GE Appliances aún estarán disponibles cuando su garantía caduque.

Abroche su recibo aquí. Para acceder al servicio técnico de acuerdo con la garantía deberá contar con la prueba de la fecha original de compra.

# Accesorios

---

## ¿Busca Algo Más?

**GE Appliances ofrece una variedad de accesorios para mejorar sus experiencias de cocción y mantenimiento!**

Para acceder a números telefónicos e información de sitios Web, consulte la página de Soporte para el Consumidor.

Estos y otros productos están disponibles:

### **Piezas**

---

Kit del Cable de Corriente

---

Kit de Aire de Reposición

---

Filtro de Carbón

---

Kit de Recirculación

---

Control Remoto

### **Suministros de Limpieza**

---

Limpiadores de Acero Inoxidable CERAMA BRYTE®

---

Limpiador para Electrodomésticos de Acero Inoxidable CERAMA BRYTE®

---

Bar Keepers Friend Soft Cleanser™

---

# Soporte para el Consumidor

---

## Sitio Web de GE Appliances

¿Desea realizar una consulta o necesita ayuda con su electrodoméstico? ¡Intente a través del Sitio Web de GE Appliances las 24 horas del día, cualquier día del año! Usted también puede comprar más electrodomésticos maravillosos de GE Appliances y aprovechar todos nuestros servicios de soporte a través de Internet, diseñados para su conveniencia.

En EE.UU.: [GEAppliances.com](http://GEAppliances.com)

---

## Registre su Electrodoméstico

¡Registre su electrodoméstico nuevo a través de Internet, según su conveniencia! Un registro puntual de su producto permitirá una mejor comunicación y un servicio más puntual de acuerdo con los términos de su garantía, en caso de surgir la necesidad. También puede enviar una carta en la tarjeta de inscripción preimpresa que se incluye con el material embalado.

En EE.UU.: [GEAppliances.com/register](http://GEAppliances.com/register)

---

## Servicio Programado

El servicio de reparación de expertos de GE Appliances está a sólo un paso de su puerta. Conéctese a través de Internet y programe su servicio a su conveniencia cualquier día del año. En EE.UU.: [GEAppliances.com/service](http://GEAppliances.com/service) o comuníquese al 800.432.2737 durante el horario de atención comercial.

---

## Garantías Extendidas

Adquiera una garantía extendida de GE Appliances y conozca los descuentos especiales que están disponibles mientras su garantía aún está vigente. La puede adquirir en cualquier momento a través de Internet. Los servicios de GE Appliances aún estarán allí cuando su garantía caduque.

En EE.UU.: [GEAppliances.com/extended-warranty](http://GEAppliances.com/extended-warranty)

o comuníquese al 800.626.2224 durante el horario de atención comercial.

---

## Conectividad Remota

Para solicitar asistencia para la conectividad de red inalámbrica (para modelos con acceso remoto), visite nuestro sitio web en [GEAppliances.com/connected-home-smart-appliances/](http://GEAppliances.com/connected-home-smart-appliances/) o comuníquese al 800.220.6899 en EE.UU.

---

## Piezas y Accesorios

Aquellos individuos calificados para realizar el servicio técnico de sus propios electrodomésticos podrán solicitar el envío de piezas o accesorios directamente a sus hogares (se aceptan las tarjetas VISA, MasterCard y Discover). Ordene hoy a través de Internet durante las 24 horas, todos los días. En EE.UU.: [GEApplianceparts.com](http://GEApplianceparts.com) o de forma telefónica al 877.959.8688 durante el horario de atención comercial.

**Las instrucciones que figuran en este manual cubren los procedimientos que serán realizados por cualquier usuario. Otros servicios técnicos generalmente deben ser derivados a personal calificado del servicio. Se deberá tener cuidado, ya que una reparación indebida podrá hacer que el funcionamiento no sea seguro.**

---

## Contáctenos

Si no se encuentra satisfecho con el servicio que recibió de GE Appliances, comuníquese con nosotros a través de nuestro sitio Web con todos los detalles, incluyendo su número telefónico, o escriba a:

En EE.UU.: General Manager, Customer Relations | GE Appliances, Appliance Park | Louisville, KY 40225

[GEAppliances.com/contact](http://GEAppliances.com/contact)