



U  
V  
N  
I  
N  
C  
I

The  
Moving  
Standard  
for

City  
Trekking  
Sportive  
Cargo  
Commercial  
bikes.

# Table of Contents

<b>Introduction</b>	<b>3</b>	- System Functionality	22
		- Set-Up	22
<b>For Your Safety</b>	<b>4</b>	• Automatic Mode	22
Designated Use	5	- Calibration	22
Safety Notices	5		
<b>Components of Groupsets</b>	<b>6</b>	<b>Care and Maintenance</b>	<b>25</b>
Manual	9	Cleaning and Lubrication	26
- enviolo CT	9	- Cleaning	26
- enviolo TR	9	- Lubrication	26
- enviolo CO	9	Transport and Storage	26
- enviolo CA	10	Wear Pants and Repair Work	27
- enviolo SP	10	- General	27
Automatic	12	• Disconnecting the rear wheel for manual variants	27
Automatic+	12	• Installing the rear wheel for manual variants	28
		• Disconnecting the rear wheel for automatic variants	29
		• Installing the rear wheel for automatic variants	30
		• Installing the sprocket	31
		• Resetting the internal gear hub to full overdrive (only applicable to manual variants)	32
		• Servicing or replacing the freewheel	34
		- Automatic and Automatic+	35
<b>Technical Data</b>	<b>13</b>	<b>Troubleshooting</b>	<b>37</b>
Manual	14	General	37
- Internal gear hub Specifications	14		
- Manual Shifter Specifications	15	<b>Warranty</b>	<b>38</b>
Automatic	16	Warranty, Misuse and Exclusion of Liability	39
		Minimum Sprocket Ratios Based on Drive System Torque	40
		Terms and Conditions	42
<b>Quick Start Guide</b>	<b>17</b>	<b>Accessories</b>	<b>44</b>
Manual	18		
- Shifting	18	<b>enviolo Help Center</b>	<b>45</b>
• Shifting While Riding	18		
• Shifting While Stopped	18	<b>Intellectual Property Notice</b>	<b>46</b>
- Adjusting Cable Slack	19		
- Upgrading the System	19		
Automatic	20		
- System Functionality	20		
- Setup	20		
• 3-button	20		
• Grip Shifter	20		
- Calibration	21		
• 3-button	21		
• Grip Shifter	21		
- Upgrading the System	21		
Automatic+	22		

# enviolo

## The Moving Standard.

### Introduction

---

We are excited to see that you have decided on the new moving standard with our enviolo shifting solution containing the NuVinci® technology. By selecting this internal gear hub solution, you are ensuring a low maintenance product life cycle combined with an unrivalled ease of use controls functionality to give you the best ride performance available.

This owner's manual will quickly guide you through the initial steps of setting up your bike (or eBike), offers you tips and tricks in case of required maintenance, and ensures you know all the features, in order to get the most out of your ride experience.

Our stepless technology offers an infinite number of ratios inside its wide ratio range and will enable you to focus on the important aspects of a ride, like inner-city traffic or the scenery, while being able to shift under load in any ride condition.

**Enjoy your ride with enviolo, the new moving standard!**



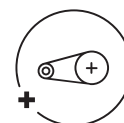
Near Silent



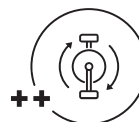
Stepless shifting



Effortless shifting,  
even under load



Greater gear ratio range  
than many conventional  
shifting systems\*



Comfortable pedaling  
at your desired  
preset cadence\*\*



Full integration with  
eBike drive and no  
additional shifter\*\*\*

\* available with enviolo manual

\*\* available with enviolo automatic

\*\*\* available with enviolo automatic integrated

# For Your Safety

Please read the entire manual and pay special attention to all safety warnings before use, replacement of components or installation of enviolo components. Failure to follow the warnings or improper installation, set up, modification, or maintenance may result in material damage or in personal injury. Save all safety warnings and instructions for future reference.

## Designated Use

Our 5 groupsets are designed specifically towards the rider needs and meet the attributes of the specific segments as highlighted in the chart below.

Product	Type of Bicycle	Type of Use	Allowable Ride Conditions	Minimum Sprocket Ratio Limit (Pedal/eBike)	Max Motor Torque (Continuous/peak) at Bottom Bracket	Max Nominal Power	Max Gross Vehicle Weight
enviolo <b>CT</b>	City, Urban, Commuter		Riding on paved surface with the tires always on the ground.	1.8/(250W) 2.1	50 Nm/75 Nm	250W	160kg
enviolo <b>TR</b>	Trekking, Urban, Cross, Commuter		Riding on paved surface or gravel roads or groomed trails with low-angle grades.	1.8/(250W) 2.0	75 Nm/90 Nm	250W	180kg
enviolo <b>SP</b>	Cross, Sportive, Cross-Country Hardtail		Riding on paved surface or gravel roads or forest paths and smooth technical trails including small obstacles with low-angle grades and drop offs less than 12" (30cm). It is not intended for steep or rough terrain. Can be used for commercial application.	1.8/(250W) 2.0	100 Nm/100 Nm	250W	160kg
enviolo <b>SP</b>	Speed Pedelec		Riding on paved surface or gravel roads or groomed trails with low-angle grades.	1.8/(up to 350W) 2.0	75 Nm/75 Nm	350W	160kg
enviolo <b>SP</b>	Speed Pedelec		Riding on paved surface or gravel roads without any drop offs. Can be used for commercial application.	1.8/(up to 500W) 2.0	50 Nm/50 Nm	500W	160kg
enviolo <b>CO</b>	City, Urban, Commuter		Riding on paved surface with the tires always on the ground. Can be used for commercial applications.	1.8/(250W) 2.1	50 Nm/75 Nm	250W	160kg
enviolo <b>CA</b>	Cargo, Delivery, Transport		Riding on paved surface or gravel roads without any drop offs. Can be used for commercial application.	1.8/(250W) 2.0	75 Nm/75 Nm	250W	240kg
enviolo <b>CA</b>	Cargo, Delivery, Transport		Riding on paved surface or gravel roads without any drop offs. Can be used for commercial application.	1.8/(350W) 2.0	75 Nm/75 Nm	350W	200kg

Check the proper setup of the system before every ride to ensure a safe ride. If you discover any defects, these must be immediately corrected by your bicycle dealer. If any parts need to be replaced, make sure only original parts are used to ensure your own safety and to maintain the high level product quality.

We recommend to follow a customer service inspection, which can identify material fatigue at an early stage and ensures your safety.

## Safety Notices

The following safety symbols identify the levels of danger and must be observed throughout this document:

Attention	Caution	Danger	Warning
This notice warns you about potential damage to material.	This notice warns you about a dangerous situation which can lead to minor or slight injury if not avoided.	This notice warns you about a dangerous situation which can lead to slight injury if not avoided.	This notice warns you about a dangerous situation which can lead to serious or fatal injury if not avoided.

Do not open our components yourself. All components have to be maintained by trained service staff.

# Components of Groupsets

Our high-tech components, designed specifically for their use cases, offer unrivaled possibilities.





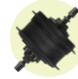







## City, Trekking, Sportive, Cargo, Commercial

	CT	TR	SP	CA	CO
Internal gear hub					
MANUAL	<p>Each manual system is comprised of an internal gear hub with the NuVinci® internal gear hub technology, a front shifter, a hub interface, and the according mounting hardware.</p>				
AUTOMATIC	<p>Each automatic system is comprised of an internal gear hub with the NuVinci® internal gear hub technology, a hub interface, a power cable, two sensor discs and the according mounting hardware.</p>				
AUTOMATIC+					

# Components of Groupsets

City, Trekking, Sportive,  
Cargo, Commercial

## Compatibility Matrix

						
MANUAL		✓ ✓	○ ○	○ ×	○ ×	○ ○
		○ ○	✓ ✓	○ ×	○ ×	○ ○
		○ ×	○ ×	✓ ✓	○ ○	○ ×
		○ ×	○ ×	○ ○	✓ ✓	○ ×
		○ ○	○ ○	○ ×	○ ×	✓ ✓
AUTOMATIC		✓	✓	✓	✓	✓
AUTOMATIC+		✓	✓	✓	✓	✓

○ Compatible    ✓ Recommended    × Not Compatible

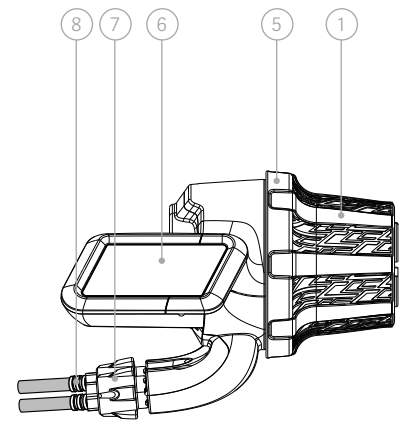
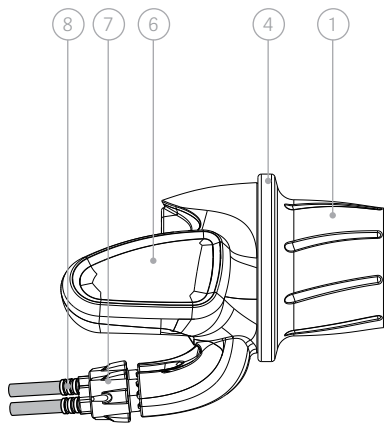
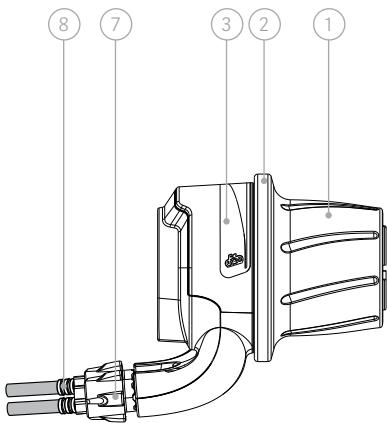


# Manual System Components

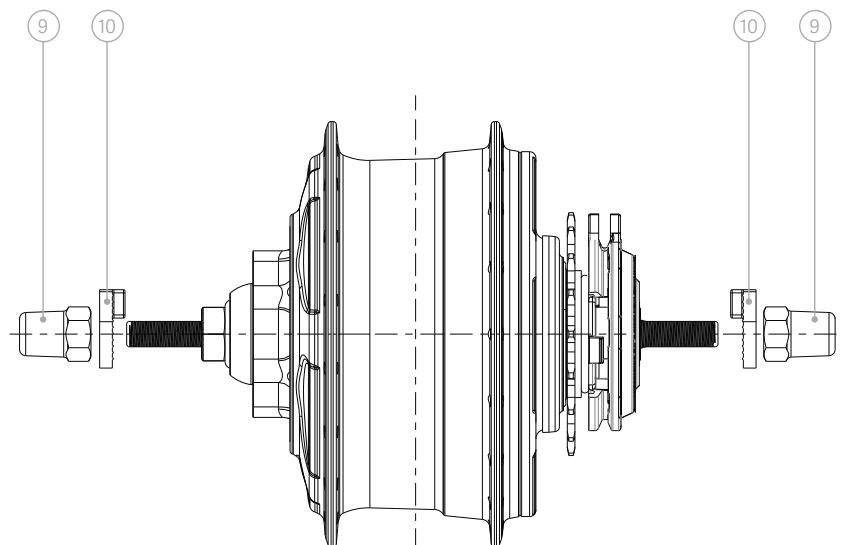
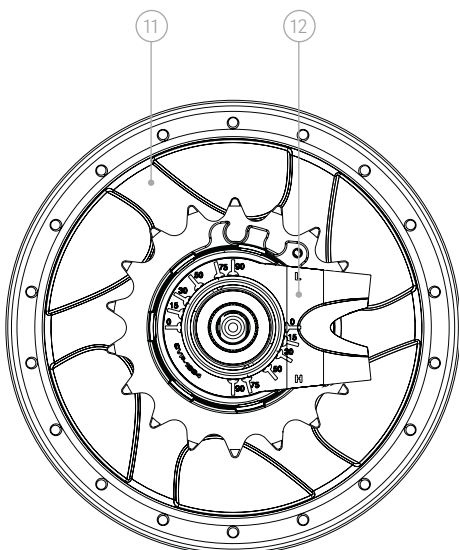
enviolo

Each manual system is comprised of an internal gear hub with the NuVinci® internal gear hub technology, a front shifter, a hub interface, and the according mounting hardware.

- |                     |                         |
|---------------------|-------------------------|
| 1 Controller grip   | 7 Barrel adjuster       |
| 2 enviolo CT/CA/CO  | 8 Cable housing         |
| 3 Indicator graphic | 9 Axle nuts             |
| 4 enviolo TR        | 10 No-turn washer       |
| 5 enviolo SP        | 11 CT/TR/CO hub         |
| 6 Display           | 12 Manual Hub Interface |

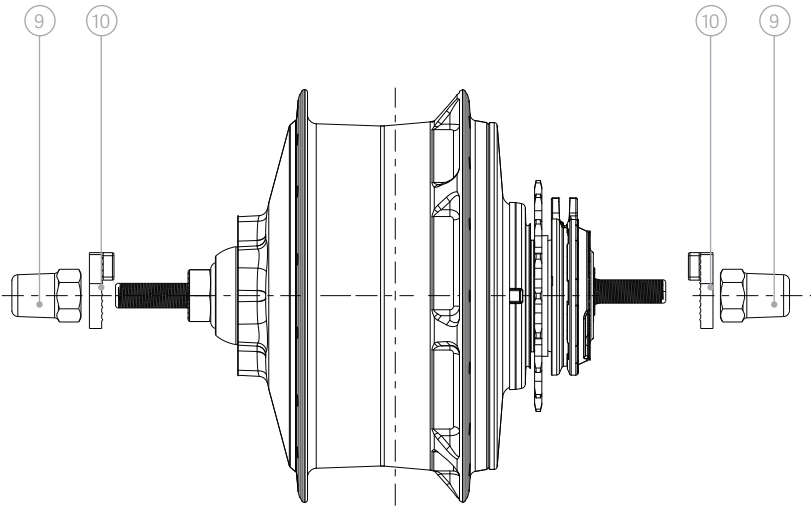
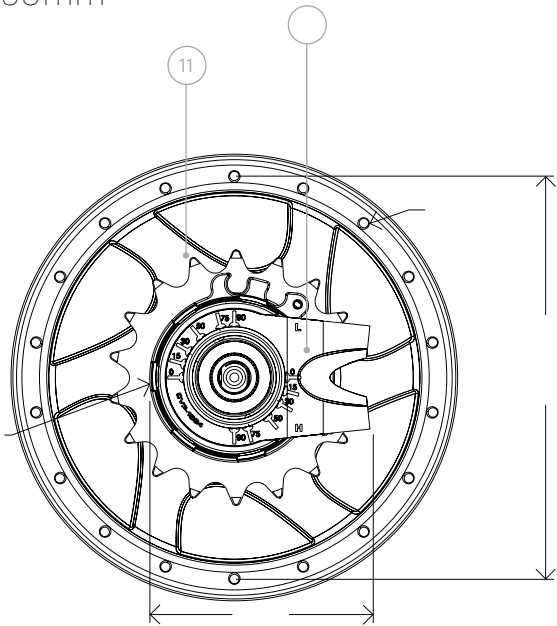


## enviolo CT/TR/CO Internal Gear Hub



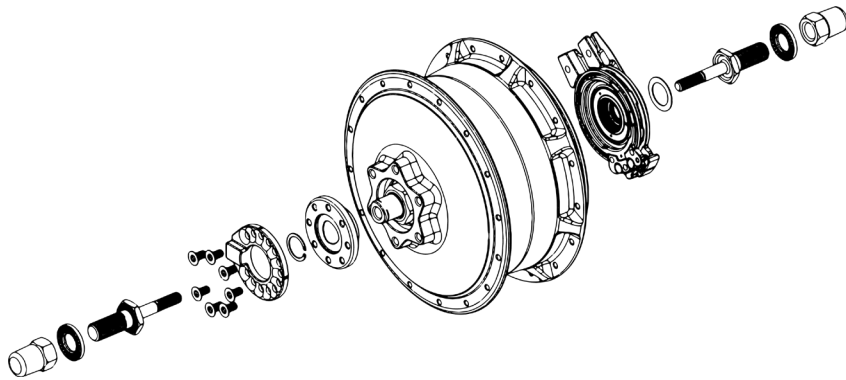
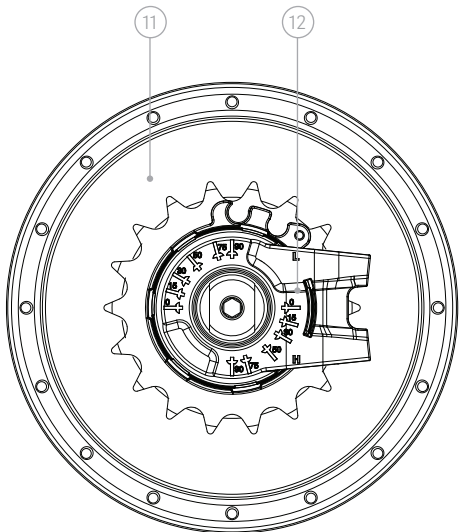
## enviolo CA Internal Gear Hub

135mm



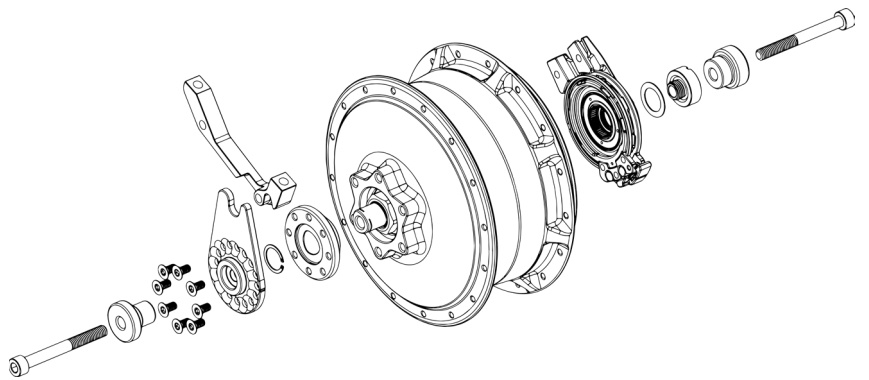
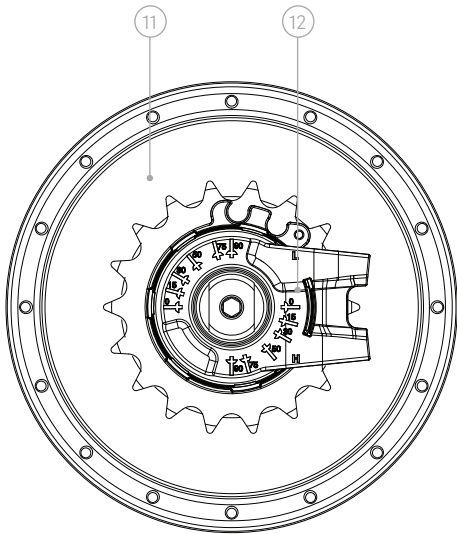
## enviolo SP Internal Gear Hub

135mm



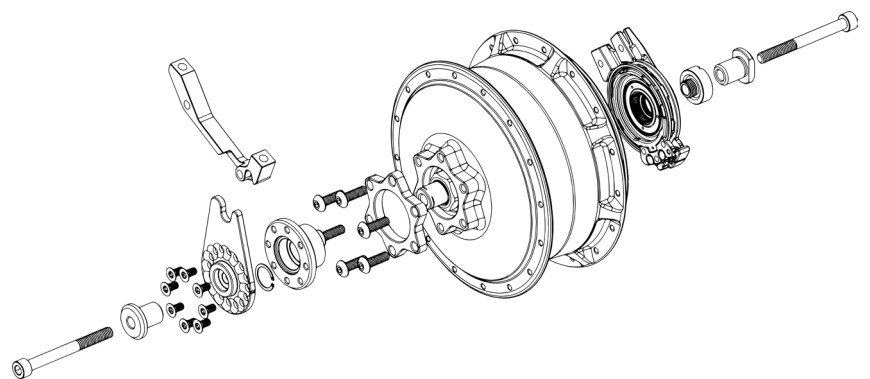
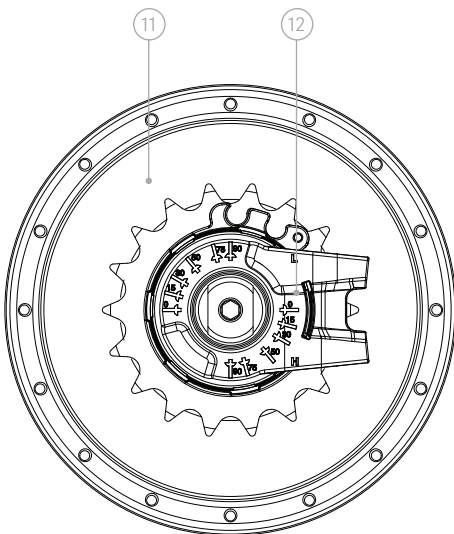
## enviolo SP Internal Gear Hub

142mm



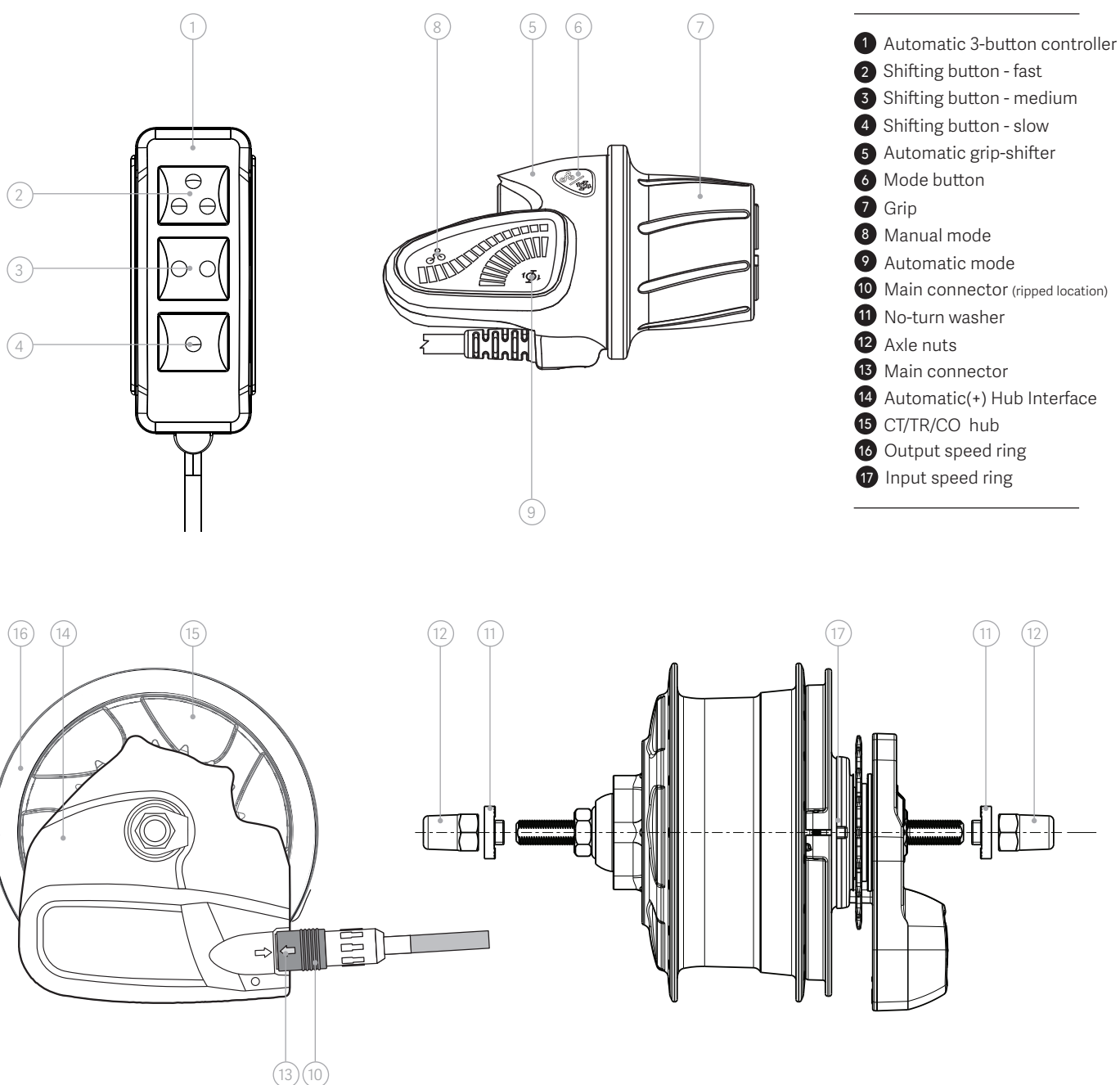
## enviolo SP Internal Gear Hub

148mm



# Automatic System Components

Each automatic system is comprised of an internal gear hub with the NuVinci® internal gear hub technology, a controller, a hub interface, a power cable, two sensor discs and the according mounting hardware. Depending on if you use the Automatic+ (without) or Automatic system (with), you will have an additional handlebar controller.

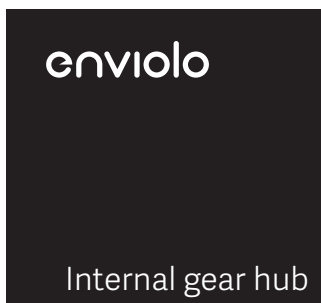


# Technical Data

To make sure you use the best system possible for your application, you will find our product attributes on the next pages in this section.

# Internal gear hub Specifications

City, Trekking, Sportive, Cargo, Commercial



Nominal ratio range	310% (0.55 - 1.7)
Max. continuous torque	50 Nm*
Max. peak torque	80 Nm*
Max. nominal power	250 W*
Max. vehicle weight	160 kg*
Chainline	49.0 +/- 0.5 mm
Beltline (Gates)	45.5 +/- 0.5 mm
Beltline (Continental)	46.6 +/- 0.5 mm
Sprocket sizes (chain)	16 - 22 T
Sprocket sizes (belt)	20 - 28 T
Spoke options	32/36
Weight	2450 g
IP classification	Hub = IP65, freewheel = IP54, Hub interface = IP54

Nominal ratio range	380% (0.5 - 1.90)
Max. continuous torque	75 Nm*
Max. peak torque	90 Nm*
Max. nominal power	250 W*
Max. vehicle weight	180 kg*
Chainline	49.0 +/- 0.5 mm
Beltline (Gates)	45.5 +/- 0.5 mm
Beltline (Continental)	46.6 +/- 0.5 mm
Sprocket sizes (chain)	16 - 22 T
Sprocket sizes (belt)	20 - 28 T
Spoke options	32/36
Weight	2450 g
IP classification	Hub = IP65, freewheel = IP54, rear shifter = IP54

Nominal ratio range	310% (0.55 - 1.7)
Max. continuous torque	50 Nm*
Max. peak torque	80 Nm*
Max. nominal power	250 W*
Max. vehicle weight	160 kg*
Chainline	49.0 +/- 0.5 mm
Beltline (Gates)	45.5 +/- 0.5 mm
Beltline (Continental)	46.6 +/- 0.5 mm
Sprocket sizes (chain)	16 - 22 T
Sprocket sizes (belt)	20 - 28 T
Spoke options	32/36
Weight	2450 g
IP classification	Hub = IP65, freewheel = IP54, rear shifter = IP54



Nominal ratio range	380% (0.5 - 1.90)
Max. continuous torque	120 Nm*
Max. peak torque	120 Nm*
Max. nominal power	500 W*
Max. vehicle weight	280 kg*
Chainline	135 & 142 mm = 49.0 +/- 0.5 mm 148 mm = 52.0 +/- 0.5 mm
Beltline (Gates)	135 & 142 mm = 45.5 +/- 0.5 mm 148 mm = 48.7 +/- 0.5 mm
Beltline (Continental)	135 & 142 mm = 46.6 +/- 0.5 mm 148 mm = 49.4 +/- 0.5 mm
Sprocket sizes (chain)	16 - 22 T
Sprocket sizes (belt)	20 - 28 T
Spoke options	32/36
Weight	2450 g
IP classification	Hub = IP65, freewheel = IP54, rear shifter = IP54

Nominal ratio range	380% (0.5 - 1.90)
Max. continuous torque	80 Nm*
Max. peak torque	100 Nm*
Max. nominal power	250 W*
Max. vehicle weight	180 kg*
Chainline	135 mm = 49.0 +/- 0.5 mm
Beltline (Gates)	135 mm = 45.5 +/- 0.5 mm
Beltline (Continental)	135 mm = 46.6 +/- 0.5 mm
Sprocket sizes (chain)	16 - 22 T
Sprocket sizes (belt)	20 - 28 T
Spoke options	32/36
Weight	2450 g
IP classification	Hub = IP65, freewheel = IP54, rear shifter = IP54

# Controller Specifications

City, Trekking, Sportive, Cargo, Commercial

**enviolo**  
Manual  
Controller



enviolo CT



enviolo CA



enviolo CO

Shift cable length	2250 or 3300 mm	2250 mm	2250 mm
Grip rotation options*	240°	270°	240°
Handlebar diameter	22.2 mm	22.2 mm	22.2 mm
Cable housing	Full cable housing recommended, dual cable route	Full cable housing recommended, dual cable route	Full cable housing recommended, dual cable route
Shift cable diameter	1.1 - 1.2 mm (original 1.2 mm)	1.1 - 1.2 mm (original 1.1 mm)	1.1 - 1.2 mm (original 1.1 mm)
Compatible with all hubs	Yes	Yes	Yes
IP classification	IP54	IP54	IP54
Grip Material	Standard	Extended Durability	Extended Durability

**enviolo**  
Manual  
Controller



enviolo TR



enviolo SP

Shift cable length	2250 or 3300 mm	2250 or 3300 mm
Grip rotation options*	123°	123°
Handlebar diameter	22.2 mm	22.2 mm
Cable housing	Full cable housing recommended, dual cable route	Full cable housing recommended, dual cable route
Shift cable diameter	1.1 - 1.2 mm (original 1.1 mm)	1.1 - 1.2 mm (original 1.1 mm)
Compatible with all hubs	Yes	Yes
IP classification	IP54	IP54
Grip Material	Standard	Standard

# Automatic Hub Interface

City, Trekking, Sportive, Cargo, Commercial

**enviolo**  
AUTOMATIC



Automatic

Automatic+

Compatible with all internal gear hubs  
IP classification

Yes  
IP54

Yes  
IP54

**Electrical specifications:**

Nominal voltage range  
Max. voltage  
Min. voltage  
Built-in fuse protection  
In-rush current at startup  
Average power consumption  
Peak power consumption  
Shut-down protection  
Sleep mode  
Power consumption Sleep mode  
Power consumption Non-shifting

18 - 40 V  
48 V  
18 V  
5 A  
2.5 A (36 V system)  
2 - 5 W  
50 W for max. 750 ms  
Data is saved at shutdown  
Time can be pre-set using desktop software  
0.4 W (36 V system)  
0.4 W (36 V system)

18 - 40 V  
48 V  
18 V  
5 A  
2.5 A (36 V system)  
2 - 5 W  
50 W for max. 750 ms  
Data is saved at shutdown  
Time can be pre-set using desktop software  
0.4 W (36 V system)  
0.4 W (36 V system)

**Wiring:**

Wire diameter  
Connector Ø on HHI  
Connector Ø to controller  
Connector Ø to power source

Y-Harness = 6.6 mm  
10 pin = 15.5 mm, 6 pin  
8.6 mm X 11.1 mm  
10.2 X 14.2 mm

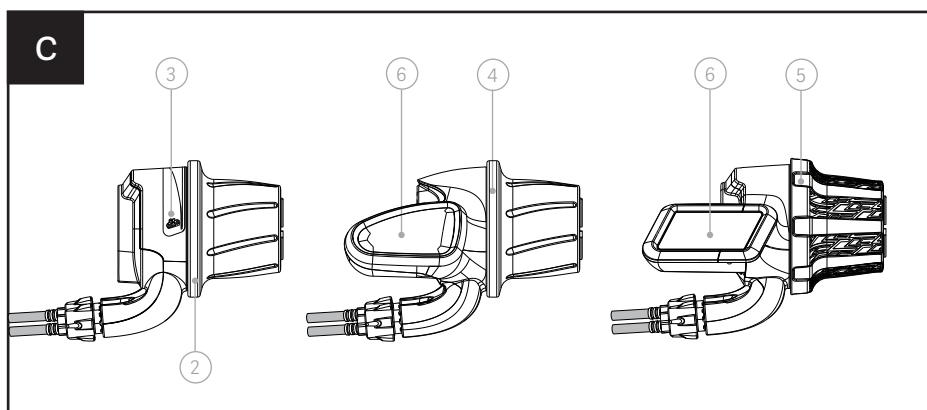
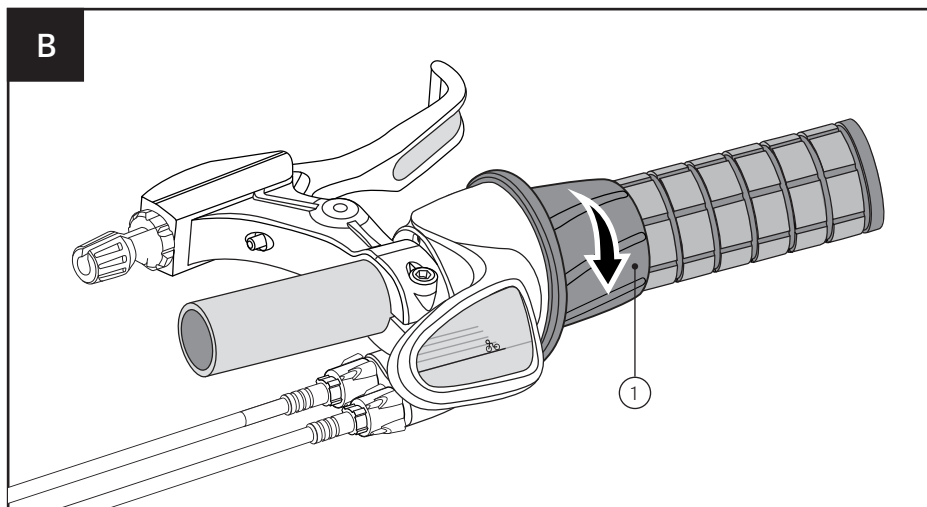
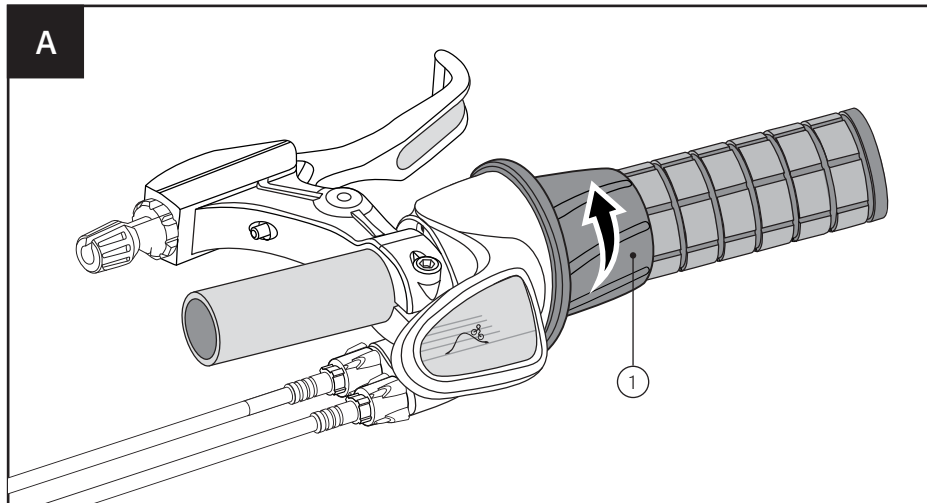
I-Harness = 6.6 mm  
6 pin = 12.6 mm  
8.6 mm X 11.1 mm  
10.2 X 14.2 mm



# Quick Start Guide

To get you on the bike quickly and let you experience our technology first hand, we have condensed the most important information on the next several pages.

Enjoy the ride!



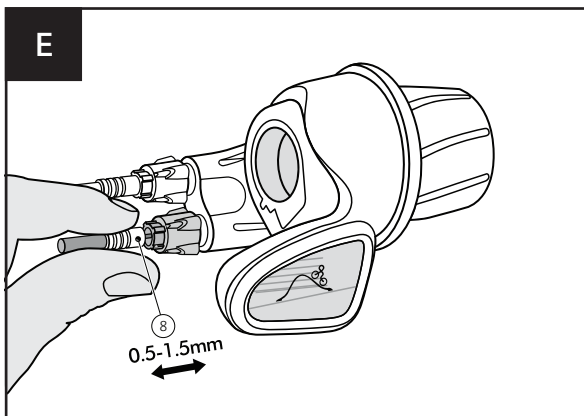
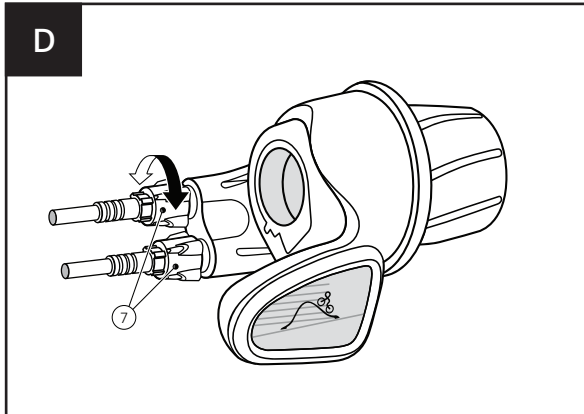
## 1. Shifting

### SHIFTING WHILE RIDING

- [A] Shift into low ratios for starting or climbing, rotate the controller grip (1) clockwise.
- [B] Shift into high ratios for higher speeds rotate the controller grip (1) counterclockwise.
- [C] Orientation:
  - enviolo CT/CO/CA controller (2) simplified indicator graphic (3) on the housing for your orientation.
  - enviolo TR (4)/enviolo SP (5) controller display (6) with a unique shift indicator, which shows the chosen ratio.

### SHIFTING WHILE STOPPED

- enviolo's hubs with NuVinci® technology cannot be shifted completely through the ratio range while stopped.
- 50-70% of the shift range is typically accessible, with the remainder accessible with very little pedal rotation.



## 2. Adjusting Cable Slack

- [D] Cable slack can be adjusted with the barrel adjusters (7) at the controller.
- [E] Cable slack can be determined by pulling lightly on the cable housing (8) at the controller and noticing any slack. ~0.5mm of slack is ideal.
- Cable slack of more than 2.0mm may cause decreased shift performance and shift cable durability.
- For rear wheel removal, additional cable slack may be desired to ease shift cable hardware removal, which can be obtained with the barrel adjusters (7).

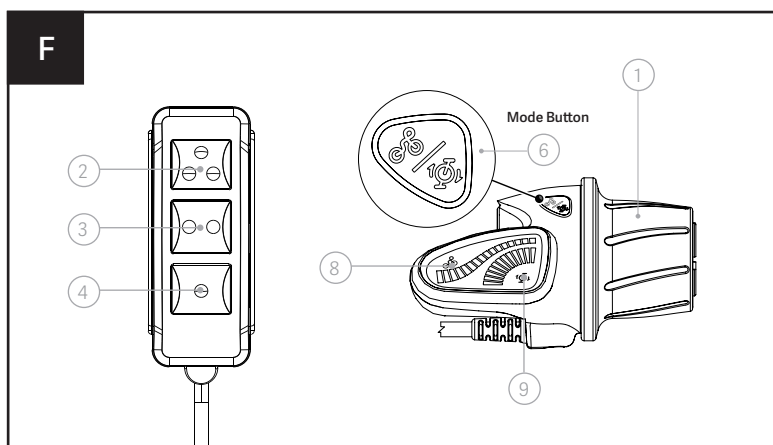
## 3. Upgrading the system

Alternative controllers and manual hub interface solutions are available, as all controllers can be used for all internal gear hub variants (see overview on page 8). In addition the manual hub interface offers multi-turn or one-turn options based on your desires to have more direct or more fine-tuned ratio shift steps. Contact your local retailer or enviolo Service & Support for more details.

## 1. System Functionality

The Automatic system provides automatic shifting for the rider at all times. It can be utilized with either the 3-button option, which makes automatic shifting as simple as pressing a button (2,3,4) to choose your pedal cadence or the grip shifter, which offers both fully automatic and manual shifting options. With the grip shifter the rider has the option to switch between “manual” and “automatic” modes by pressing the “mode” button (6) on the controller housing.

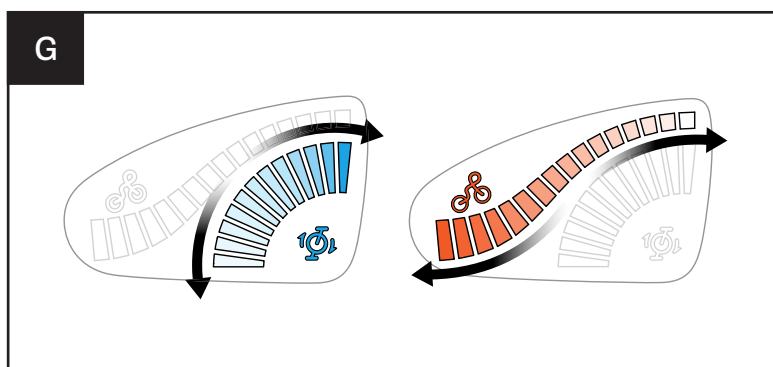
The NuVinci Optimized™ internal gear hub can not be shifted completely through the ratio range while stationary. The Automatic system will intelligently wait for pedaling or wheel movement if wide ratio ranges are commanded while stationary.



## 2. Setup

### [F] 3-BUTTON CONTROLLER

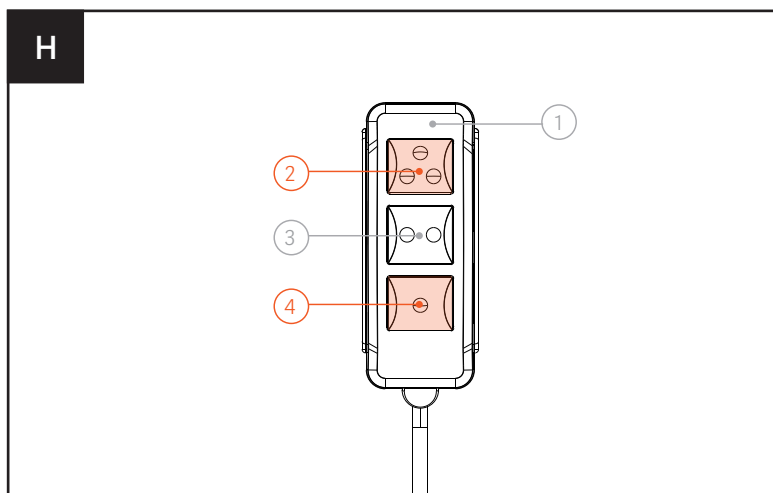
On the 3-button controller the pre-settings are completed through the desktop software at the retailer. Typically the 3-buttons are assigned (slow (4), medium (3), and (2) fast (2)) according to the bike type and gearing specification.



### [F] + [G] GRIP SHIFTER

In automatic mode the system automatically adjusts the ratio to maintain the rider’s preferred cadence. The rider can choose their ideal cadence setting by rotating the grip (1). The blue LED “RPM” display indicates the cadence setting (9).

In manual mode the rider is able to shift on their own electronically. Like the manual controller the steeper the “hill” on the LED display (8), the lower the ratio for climbing.

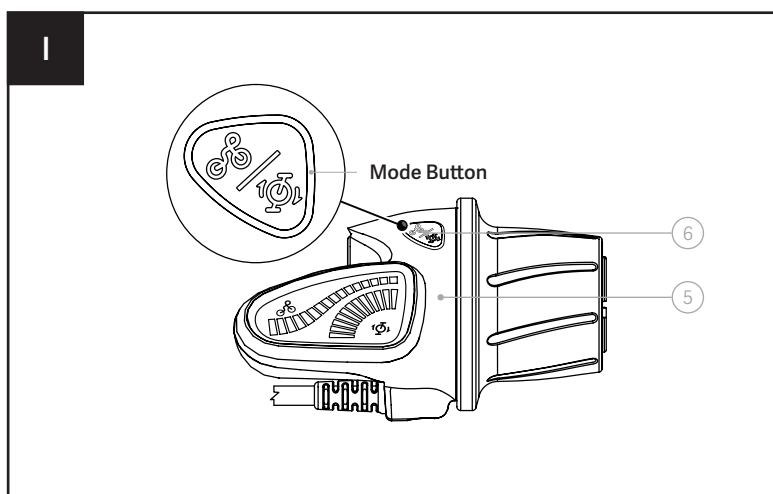


### 3. Calibration

On the first set up or after system maintenance or incorrect functionality the system has to be calibrated.

#### [H] 3-BUTTON CONTROLLER

1. Turn system power on.
2. Pedal the bicycle lightly through the entire calibration process (preferable on a stand with the rear wheel off the ground).
3. On the 3-button controller (1), press and hold the top (2) and bottom (4) buttons simultaneously until the rear hub begins shifting (5-7 seconds), then release the buttons.
4. Continue to pedal lightly through the entire calibration procedure, while the system shifts from "low" to "high" ratio multiple times and completes calibration.



#### [I] GRIP SHIFTER

1. Turn system power on.
2. On the Grip shifter controller (5), press and hold the "mode" button (6) until the rear hub begins shifting (5-7 seconds), then release the button.
3. Pedal the bicycle lightly through the entire calibration procedure (preferable on a stand with the rear wheel off the ground), while the system shifts from "low" to "high" ratio multiple times and completes calibration.

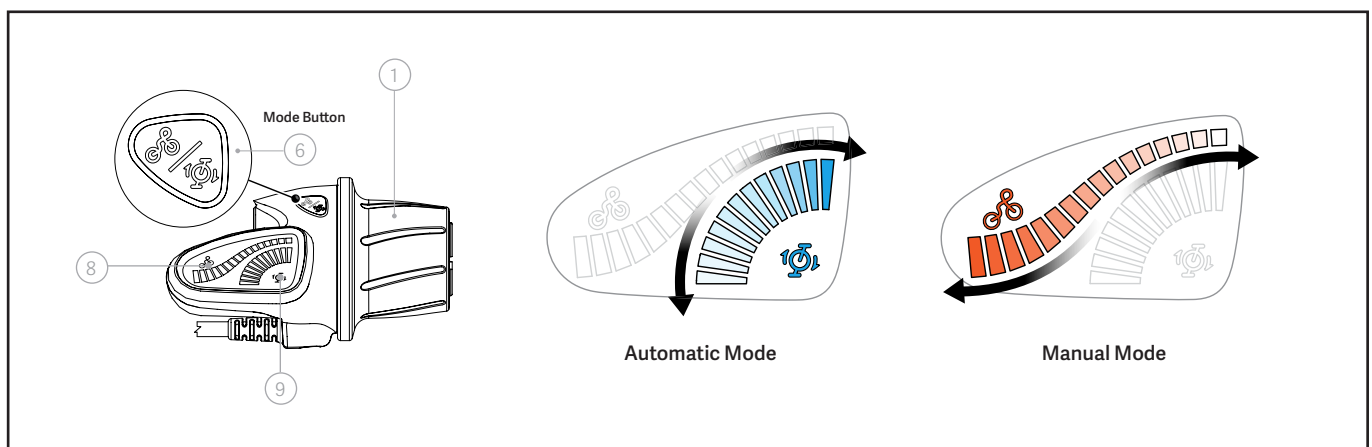
### 4. Upgrading the system

Alternative controllers are available, as all controllers can be used for all hub variants. Based on your desires to have a cleaner handlebar or more flexibility while riding you can switch to either the 3-button or the grip shift solutions. Contact your local retailer or enviolo Service & Support for more details.

## 1. System Functionality

The Automatic+ system is integrated within the eBike drive system and provides automatic shifting for the rider at all times. It can be utilized with the drive system remote controller, which usually offers both fully automatic and manual shifting options. If supported by the drive system, the rider has the option to switch between “manual” and “automatic” modes by pressing the “mode” button (6) on the controller housing. For details, please look at your drive system manual, since the integration is handled differently by type of drive system.

The NuVinci Optimized™ internal gear hub can not be shifted completely through the ratio range while stationary. The Automatic system will intelligently wait for pedaling or wheel movement if wide ratio ranges are commanded while stationary.



## 2. Setup

### Automatic Mode

In automatic mode the system automatically adjusts the ratio to maintain the rider’s preferred cadence. The rider can choose their ideal cadence setting through selection in the eBike drive system menu.

### Manual Mode

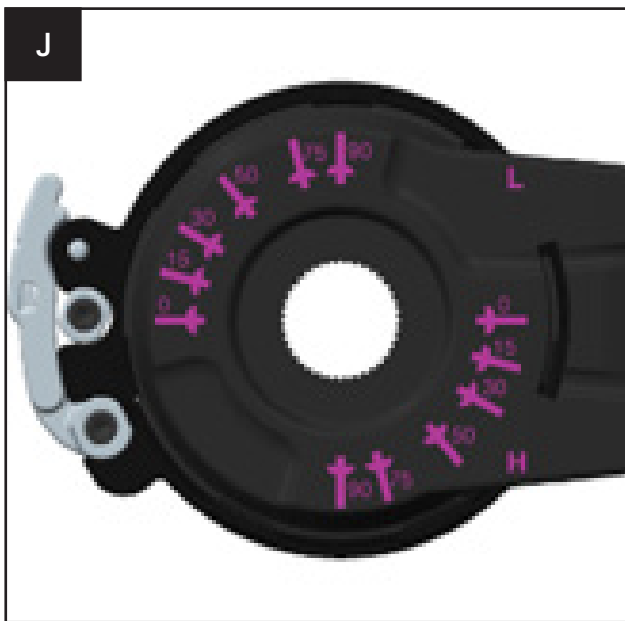
In manual mode the rider is able to shift on their own electronically. The eBike drive system usually integrated this functionality by simulating gears.

## 3. Calibration

**On the first set up or after system maintenance or incorrect functionality the system has to be calibrated.**

1. Turn system power on.
2. Initiate the calibration process through the drive system menu. For details review the eBike drive system manual.
3. Pedal the bicycle lightly through the entire calibration procedure (preferable on a stand with the rear wheel off the ground), while the system shifts from “low” to “high” ratio multiple times and completes calibration.

### 3. Calibration continued



#### [J] enviolo automatic+ calibration - Bosch Intuvia

##### When

- After enviolo automatic+ assembly;
- After firmware update;
- When system functions are not appropriate.

##### How to - for Intuvia

- Turn on the Bosch Intuvia system.
- Activate the "configuration mode" through simultaneous push and hold of [RESET] and [i] buttons (A).
- Push the [i] button, until you can see "gear calibration" on the screen.
- Lift up the rear wheel and pedal fast and easy.
- While pedaling, press the "Light" button (B) to start calibration
- Continue to pedal while the system shifts from full overdrive to full underdrive several times to complete the calibration process.
- After completion of the calibration process, the system returns to the ride mode automatically.



#### [K] enviolo automatic + calibration - Bosch Nyon

##### When

- After enviolo automatic + assembly;
- After firmware update;
- When system functions are not appropriate.

##### How to - for Nyon

- Turn on the Bosch Nyon system.
- Enter the menu by moving the joystick to the left.
- Select "Settings" and confirm by pressing the joystick.
- Select "My eBike" and confirm by pressing the joystick.
- Select "eShift (NuVinci)" and confirm by pressing the joystick.
- Select "Gear calibration" and confirm by pressing the joystick.
- Lift up the rear wheel and pedal fast and easy.
- While pedaling, select "Continue" by pressing the joystick to start the calibration.
- Continue to pedal while the system shifts from full overdrive to full underdrive several times to complete the calibration process and the screen indicates "Gear calibration successful".
- After completion of the calibration process exit the menu.



### [L] enviolo automatic+ Calibration - Flyer FIT

#### When

- After enviolo automatic+ assembly;
- After firmware update;
- When system functions are not appropriate.

#### How

- Turn on the Flyer system.
- Enter the setup menu using the joystick.
- Select "Calibration" and confirm by pressing the joystick.
- Select "Calibrate NuVinci" and confirm by pressing the joystick.
- Lift up the rear wheel and pedal fast and easy.
- Start calibration by pressing the joystick again.
- Continue to pedal while the system shifts from full overdrive to full underdrive several times to complete the calibration process and the screen indicates "Calibration succeeded".



# Care and Maintenance

## 1. Cleaning

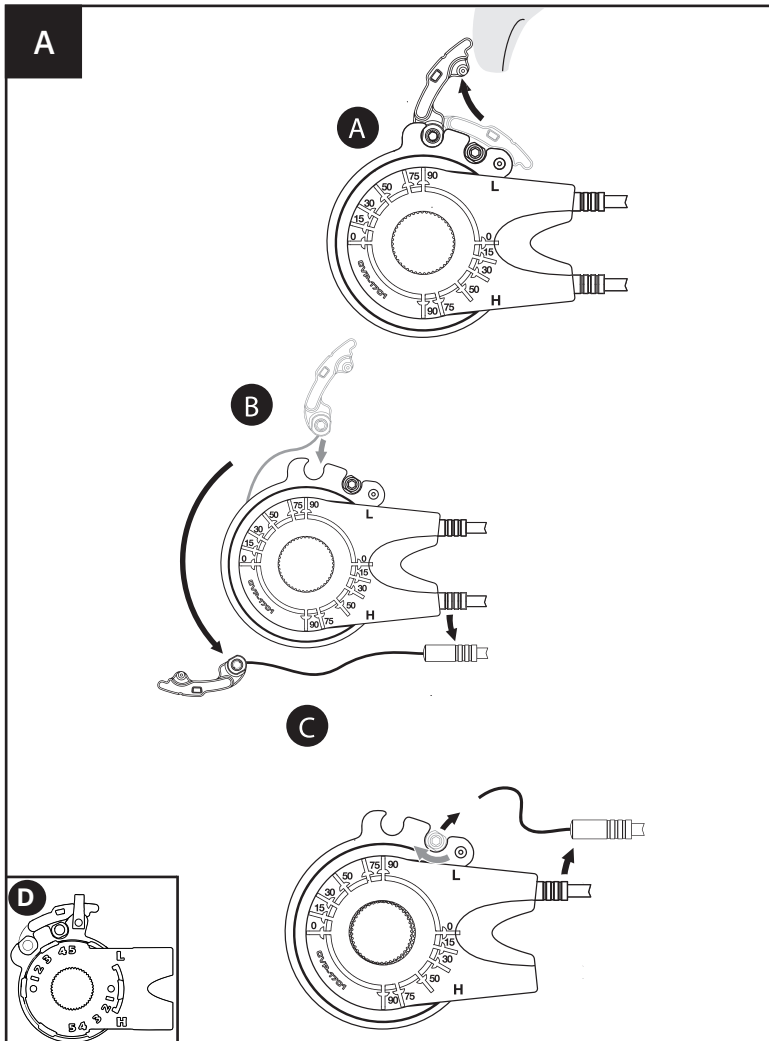
- Your enviolo components are sealed and well protected from the external environment. However do not use water under pressure (such as pressure washers or water jets) for cleaning to prevent malfunctions due to water penetration.
- During the winter season, you should clean your bicycle in shorter intervals, so that winter road salt cannot cause any damage.
- Do not use aggressive cleaners.
- Check the mounting bolts from time to time.

## 2. Lubrication

- The enviolo internal gear hubs are provided with permanent lubrication and the internal gear hub is maintenance-free for the life of the product.
- The internal freewheel mechanism is serviceable. Regular lubrication will extend the chain's service life.

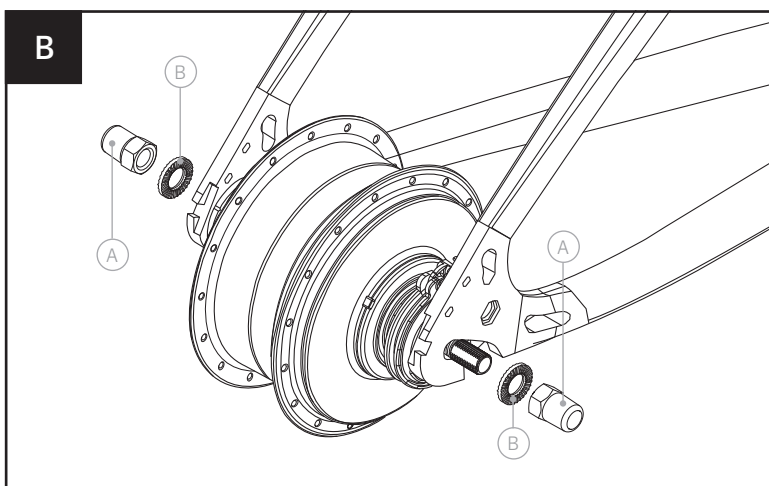
## 3. Transport & Storage

- Do not store your enviolo components at ambient temperatures below -20°C or above 48°C.

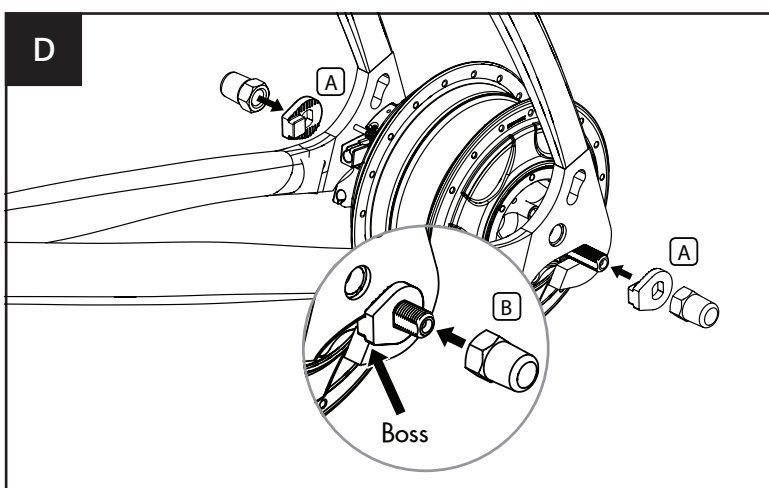
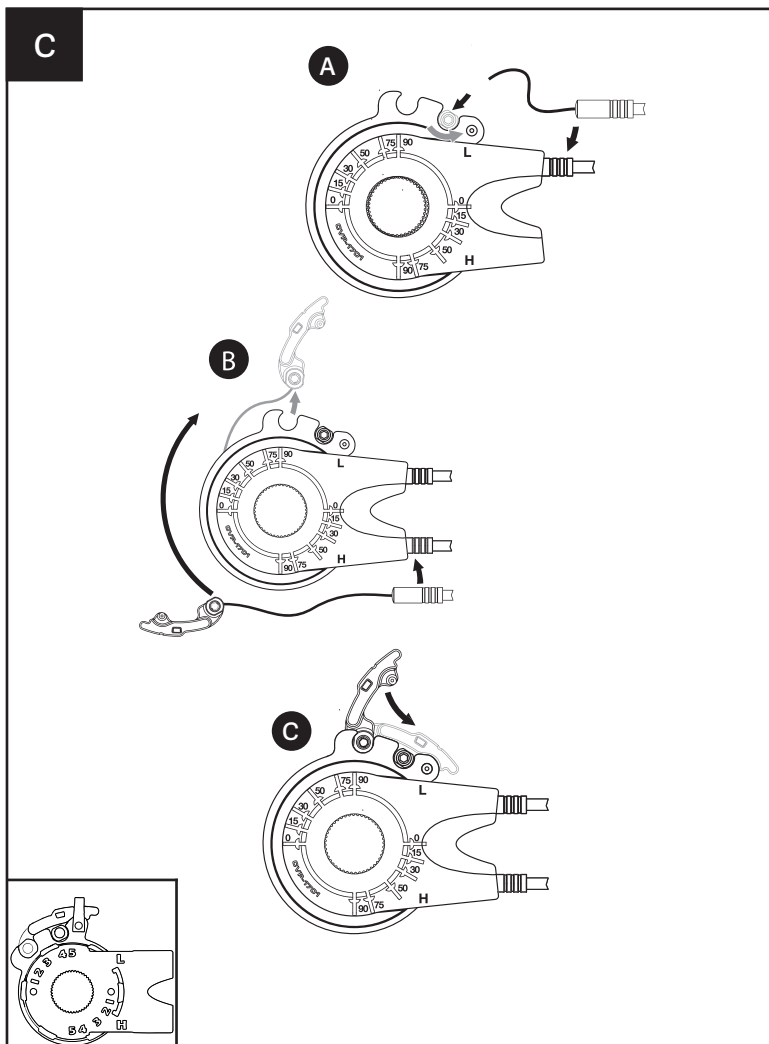


## 4. Disconnecting the Rear Wheel for Manual Variants

1. Shift to a position that allows easy access to the shift cable hardware.
2. **[A]** Remove shift cable hardware following steps (A, B and C). Using the one-turn interface (D) you have to carefully push aside the snap feature to remove the shift cable hardware.
- 3a. **[B]** For the variants **enviolo CT/TR/CO/CA**  
Loosen and/or remove the axle nuts (A), followed by the no turn washers.  
For rim and roller applications follow the manufacturer's instructions.
- 3b. For the variants **enviolo SP:**
  1. *135mm variants:* Loosen and remove the axle bolts and washers.  
For rim brake applications follow the manufacturer's instructions.
  2. *142/148mm variants:* Loosen and remove the axle bolts and left side adapter.  
For rim brake applications follow the manufacturer's instructions.



4. Remove the rear wheel.  
In some cases, it is easiest to remove the chain from the front chainring to ease the rear wheel removal.



## 5. Installing the Rear Wheel for Manual Variants

1. Place the rear wheel into the rear frame, making sure not to obstruct shift cables.

2a. [C] **For the variants enviolo CT/TR/CO/CA:**  
Slide one no-turn washer (A) each onto each axle end. The serrations of the no-turn washer must bear against the dropout of the frame. The rectangular boss must engage in the dropout of the frame.

[D] Mount the axle nuts (B) and tighten to 30-40Nm (266-350 in-lbs).

2b. [C] **For the variants enviolo SP:**

*For 135mm variants:*

1. Place the rear wheel in the frame, the rectangular boss must engage in the dropout of the frame.
2. Install the washer and axle nuts and tighten to 30-40 Nm (266-350 in-lbs).

*For 142/148mm variants:*

1. Place the rear wheel in the frame, make sure the torque adapter plate slides into the boss on the brake adapter or dropout.
2. Install the left side adapter and axle bolts and tighten to 10-15 Nm (89-133 in-lbs).

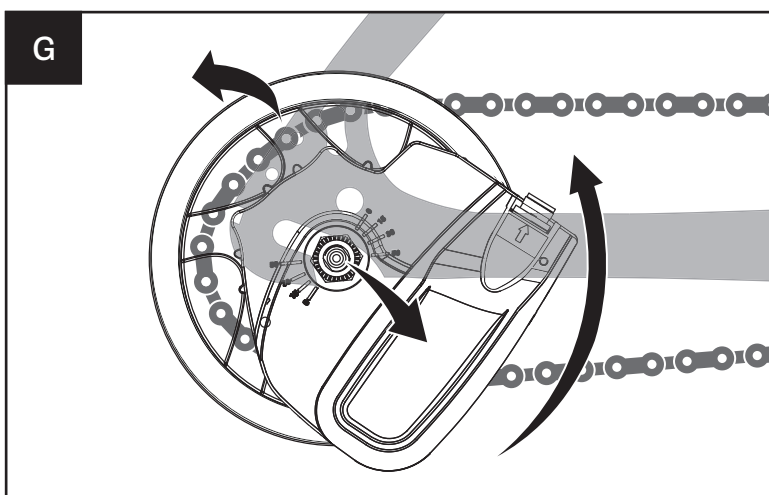
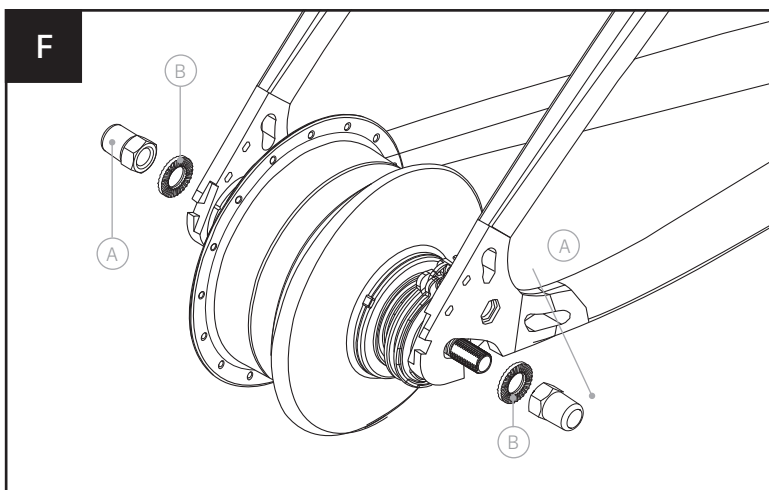
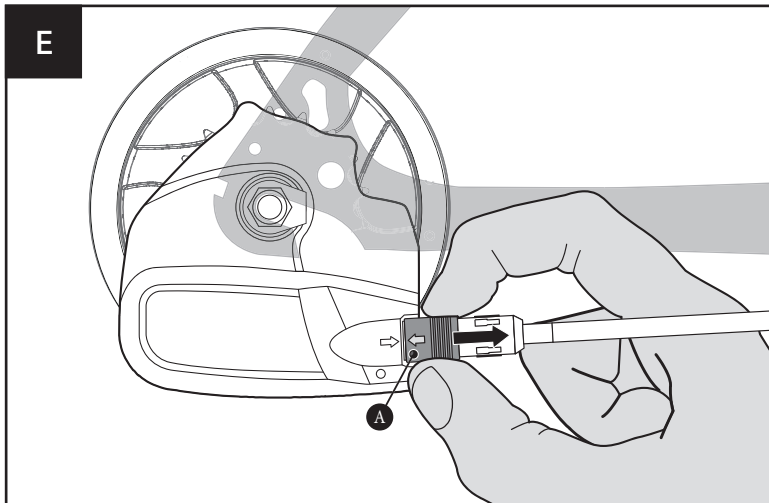
For rim and roller brake applications, connect the rear brake according to the manufacturer's instructions.



Improper installation of the no-turn washer may result in damage to the dropout and the hub.



Over-tightening may damage parts. Under-tightening can result in the axle sliding in the dropouts.



## 6. Disconnecting the Rear Wheel for Automatic Variants

1. Switch eBike power "off" and disconnect the eBike battery (if possible).

2. [E] **Remove the Automatic main connector at the rear wheel**

Grab the connector at the ribbed location (A) and pull lightly away from the Automatic hub interface the frame.



Do not pull on the cable, only at the ribbed connector hall as shown.



The connector supplies electrical power to the Automatic Hub Interface. Protect the connector from water or other conductive elements when disconnected, as shock or damage to the system could result.

3a. **For the variants enviolo CT/TR/CO/CA:**

[F] Loosen and/or remove the axle nuts (A), followed by the no turn washers.

For rim and roller applications follow the manufacturer's instructions.

3b. **For the variants enviolo SP:**

1. *135mm variants:* Loosen and remove the axle nuts and washers.

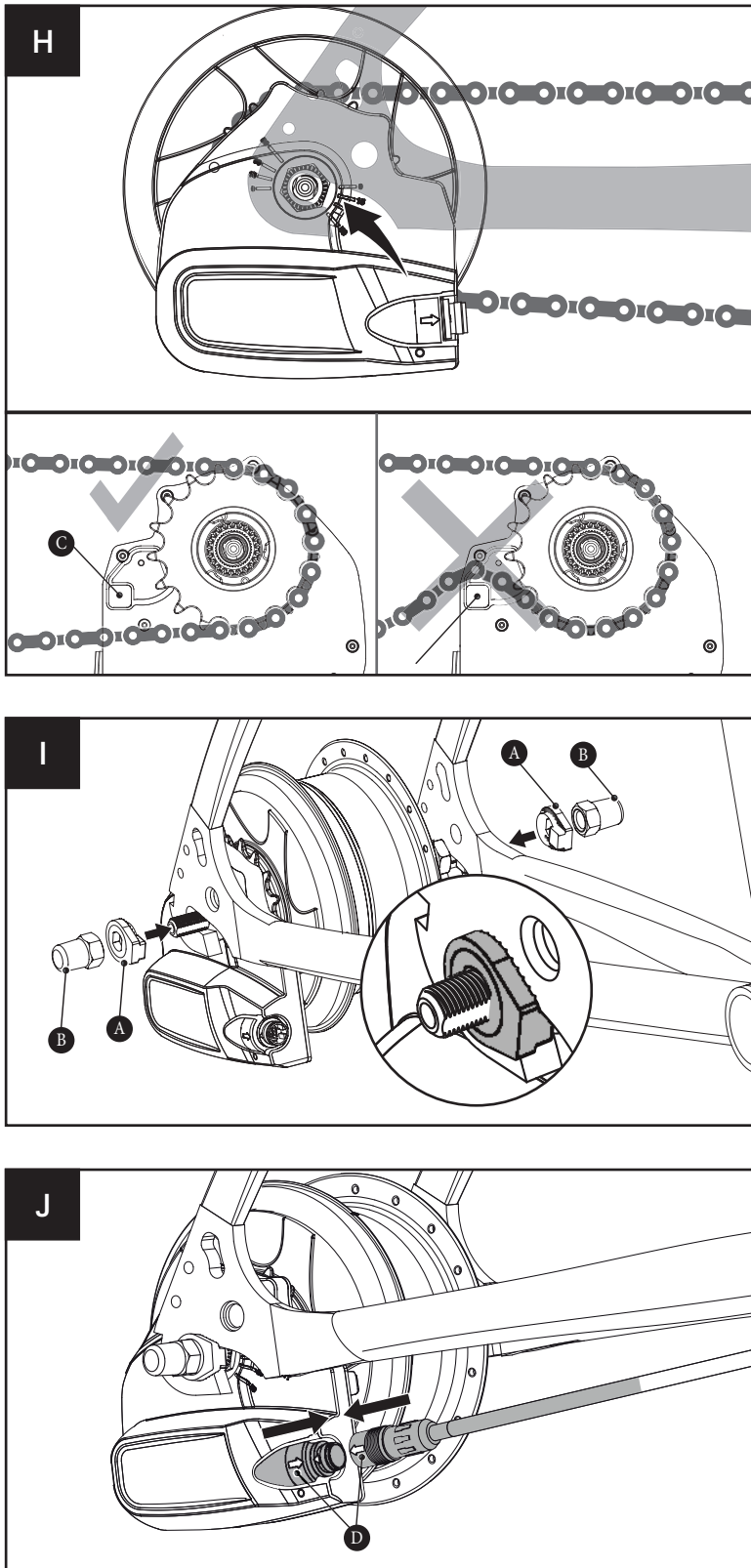
For rim brake applications follow the manufacturer's instructions.

2. *142/148mm variants:* Loosen and remove the axle bolts and left side adapter.

For rim brake applications follow the manufacturer's instructions.

4. [G] **Remove the rear wheel**

Some eBikes may require rotating the hub axle and automatic hub interface to allow removal of the bicycle chain. In some cases, it is easiest to remove the chain from the front chainring to ease the rear wheel removal.



## 7. Installing the Rear Wheel for Automatic Variants

1. [H] Place the rear wheel into the rear frame, making sure not to obstruct or pinch the Automatic wire harness and main connector.

**1A. Orient the chain around the automatic hub interface and onto the sprocket.**

**1B. In some cases, it is easiest to remove the chain from the front chainring to ease rear wheel installation.**



Locate the rear wheel speed sensor boss (C) on the Automatic Hub Interface. The chain should not catch on this sensor when fitting the wheel.

**2a. [I] For the variants enviolo CT/TR/CO/CA:**

1. Slide one no-turn washer (A) each onto each axle end. The serrations of the no-turn washer must bear against the dropout of the frame. The rectangular boss must engage in the dropout of the frame.
2. [I] Mount the axle nuts (B) and tighten to 30-40 Nm (266-350 in-lbs).

**2b. [II] For the variants enviolo SP:**

*For 135mm variants:*

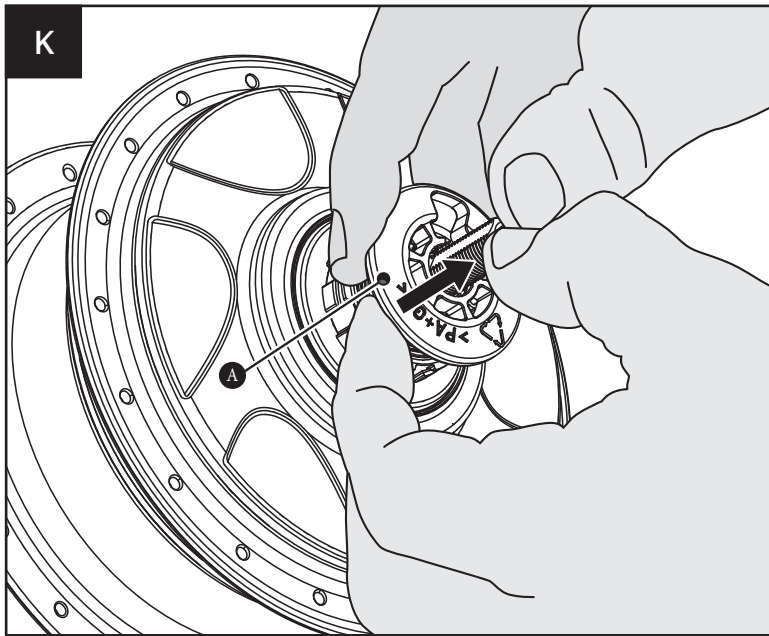
1. The rectangular boss must engage in the dropout of the frame.
2. Install the washers and axle nuts and tighten to 30-40 Nm (266-350 in-lbs).

*For 142/148mm variants:*

1. Make sure the torque adapter plate slides into the boss on the brake adapter or dropout.
2. Install the left side adapter and axle nuts and tighten to 10-15 Nm (89-133 in-lbs).

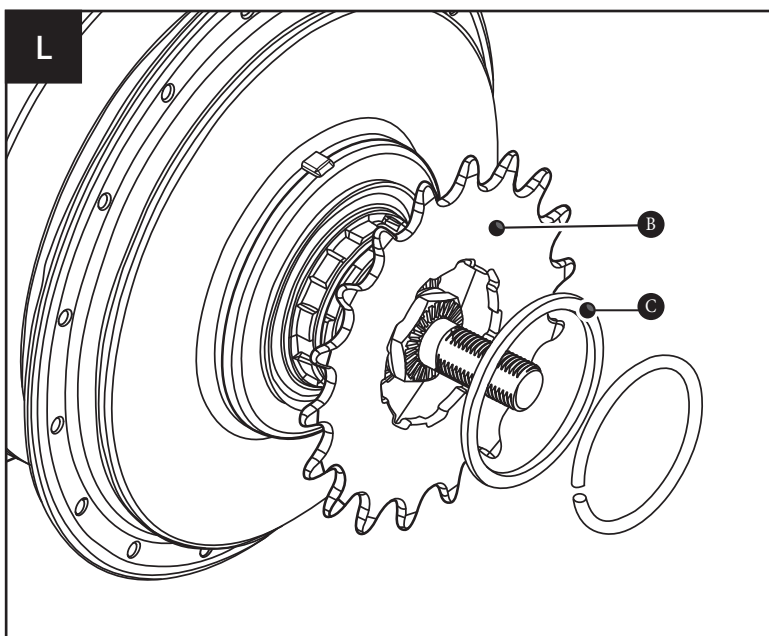
For rim and roller brake applications, connect the rear brake according to the manufacturer's instruction.

4. [J] Install the automatic main connector by lining up the arrows (D) and carefully pressing together.



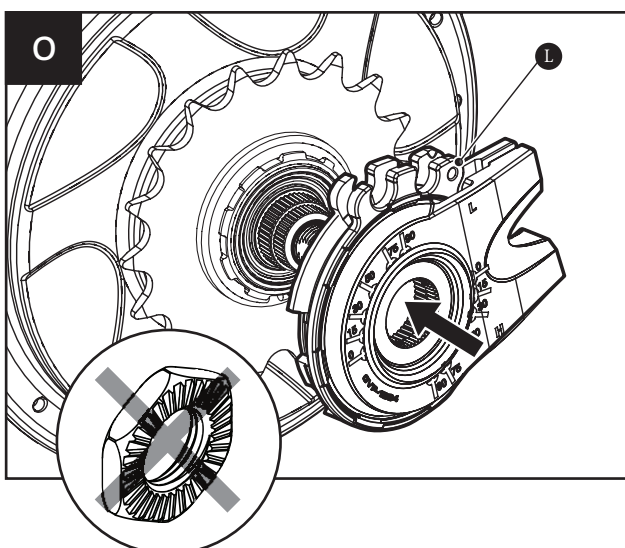
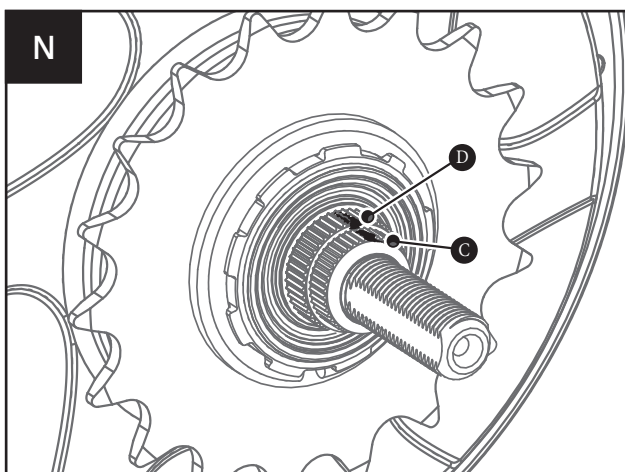
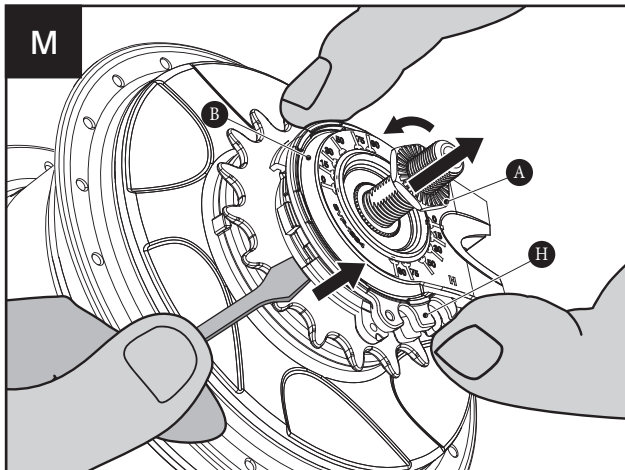
## 8. Installing the Sprocket

1. [K] Remove the anti-shift retainer (A) by pulling firmly away from the enviolo internal gear hub.
2. [L] Install a standard 9-spline 3/32 inch (2.3mm) sprocket (B) with the flat side facing the hub, followed by the supplied sprocket spacer (C, if required), and secure with the sprocket snap ring.
3. The sprocket spacer is intended for sprockets that are 3/32 inch (2.3mm) thick at the inner diameter. If the inner diameter is 0.17-0.18 inch (4.3-4.5mm) thick, like belt cogs, the spacer should not be used.
4. **If you are using the enviolo CO hub you can also use a 3mm offset sprocket for single speed chains. The offset is facing inward, moving the chain closer to the internal gear hub.**



All other enviolo hubs should only use 3/32 inch sprockets that are flat on at least one side. If you use incompatible chains this can lead to interference with the hub interface and damage to hub components and may result in dangerous ride conditions for the rider.

5. The enviolo hubs are compatible with 16 to 28 tooth sprockets.
6. If a hub interface is not installed immediately following the sprocket, replace the anti-shift retainer (A).



## 9. Resetting the internal gear hub to full overdrive

(only applicable to manual variants)

1. If the manual hub interface is incorrectly installed, full ratio range of the internal gear hub may be unavailable and full overdrive will need to be reset.
2. If installed on the bicycle, shift the hub into overdrive "H" as far as possible and remove the rear wheel per chapter 4.

### 3. [M] For enviolo CT/TR/CO/CA internal gear hubs

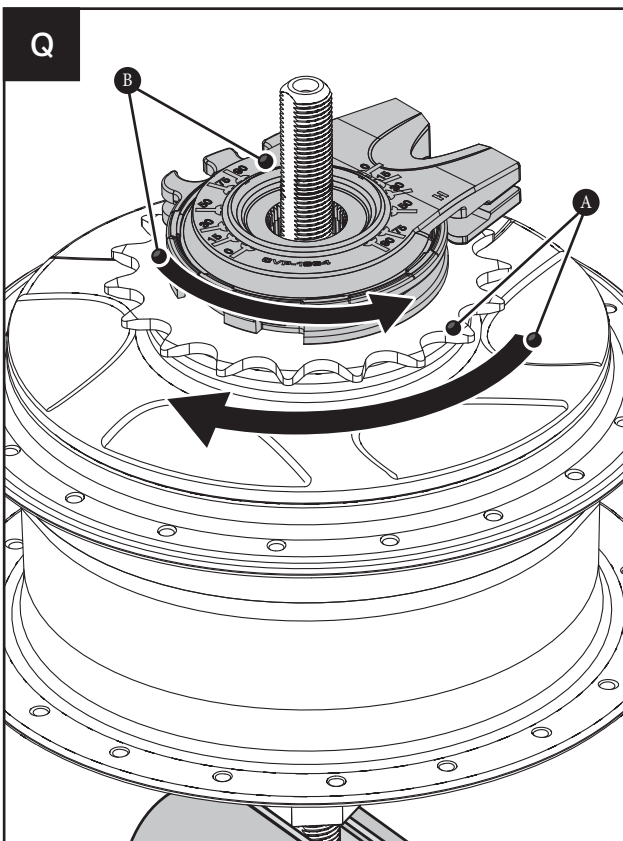
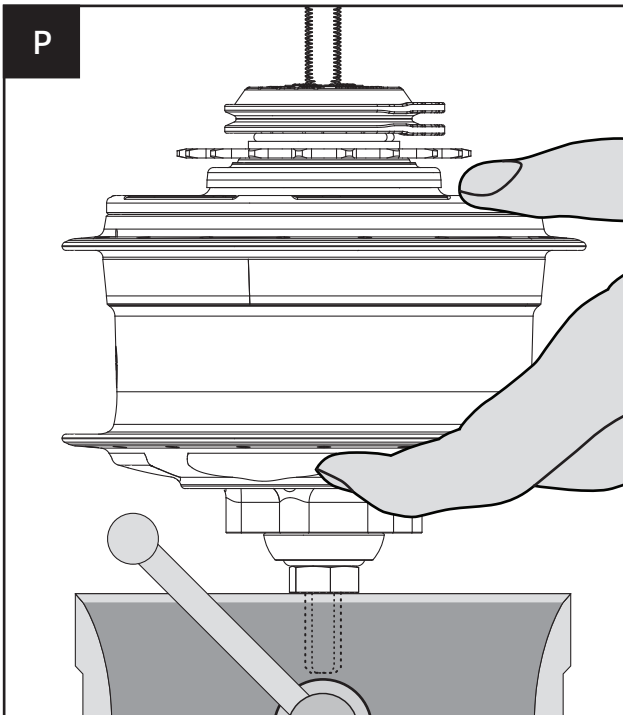
Remove the right hand nut (A) that secures the manual hub interface, then remove the manual hub interface (B) by lifting carefully from underneath.

### For enviolo SP Internal gear hub

Remove the right hand nut and axle screw that secure the manual hub interface, then remove the manual hub interface (B) by lifting carefully from underneath.

4. [N] If the spline nut (C) and shift drive (D) markings are not aligned, full overdrive will need to be reset.
5. If the markings are not obvious, full overdrive depending on the internal gear hub should result in the hub/wheel rotating ~1.6-2 times for every rotation of the sprocket. Also see your internal gear hub specification for the corresponding full overdrive ratio.
6. [O] Set the manual hub interface to the full underdrive "L" position (note this is opposite of normal installation). Reinstall the manual hub interface (angular position is unimportant), leaving the right hand nut uninstalled.

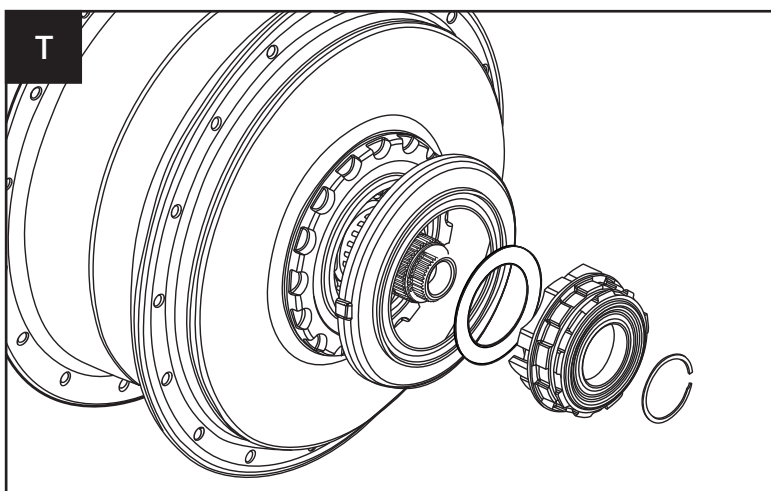
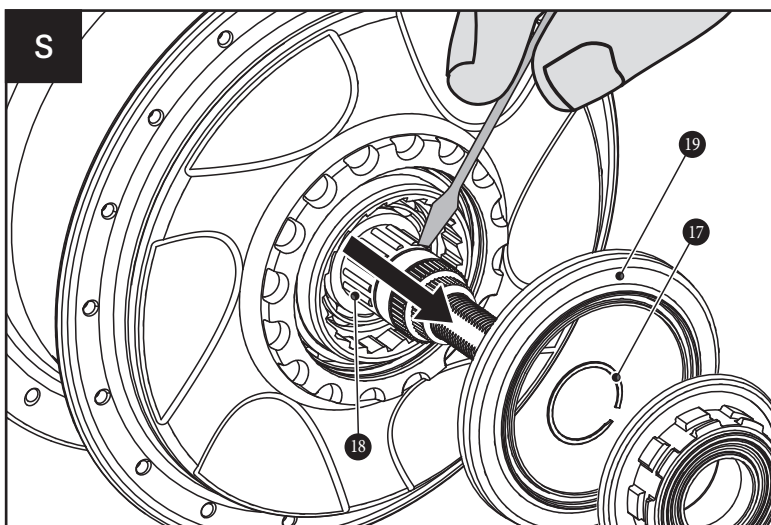
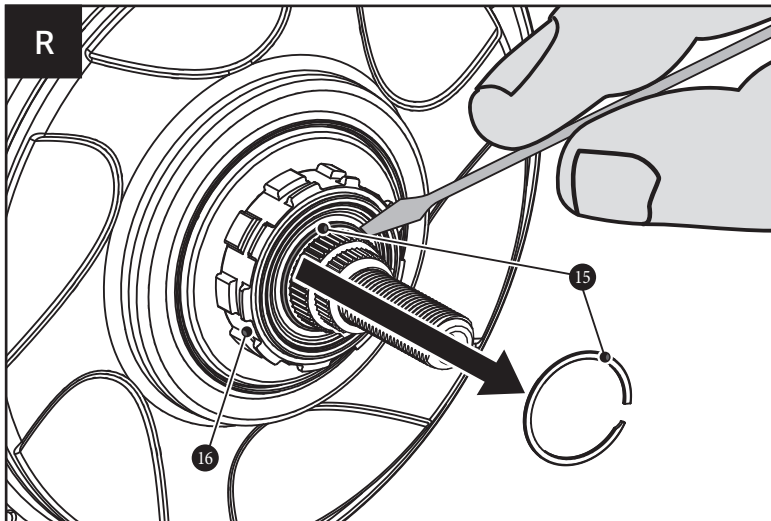




## 9. Resetting the internal gear hub to full overdrive continued

(only applicable to manual variants)

8. The manual hub interface will be used to shift the hub into full overdrive in the following steps.
9. [P] **Install the enviolo hub into a vice or fixture as shown, clamping on the left hand axle flats.**  
If a vice is not available, installation in the bicycle frame is possible, tightening only the left hand no-turn washer and axle nut to allow rotation of the manual hub interface.
10. [Q] While driving hub clockwise with the sprocket (A), rotate the manual hub interface (B) counter-clockwise toward the full overdrive "H" position until a firm stop is felt. Repeat this rotation 2-3 times by driving the hub clockwise and rotating the manual hub interface back and forth, ending at a firm stop toward (but likely not at) the full overdrive "H" position.
11. The indicated position of the manual hub interface is unimportant in this step.
12. When in full overdrive, the hub/wheel should rotate approximately 1.6-2 times for every rotation of the sprocket.
13. When full overdrive is found, remove the manual hub interface per step 4 in this chapter.
14. Check to make sure the mark on the spline nut and shift driver align per step 5 in this chapter.
15. Install the manual hub interface per chapter 5.



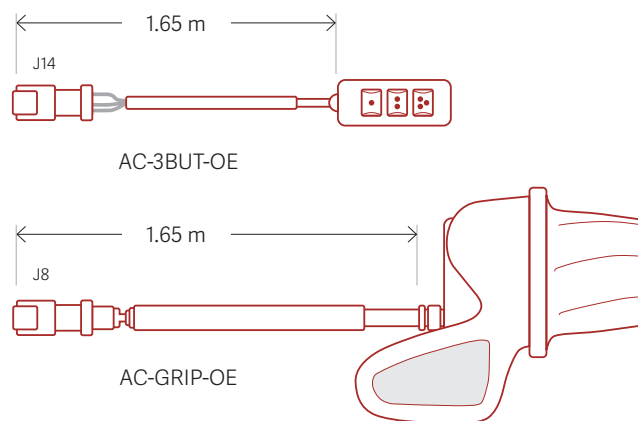
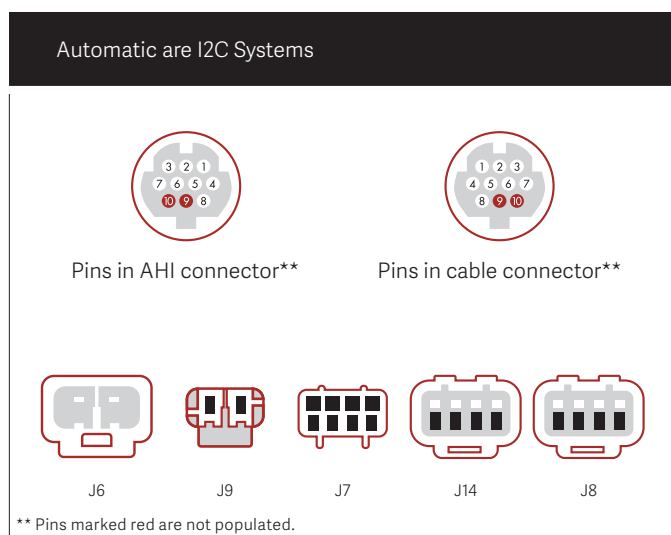
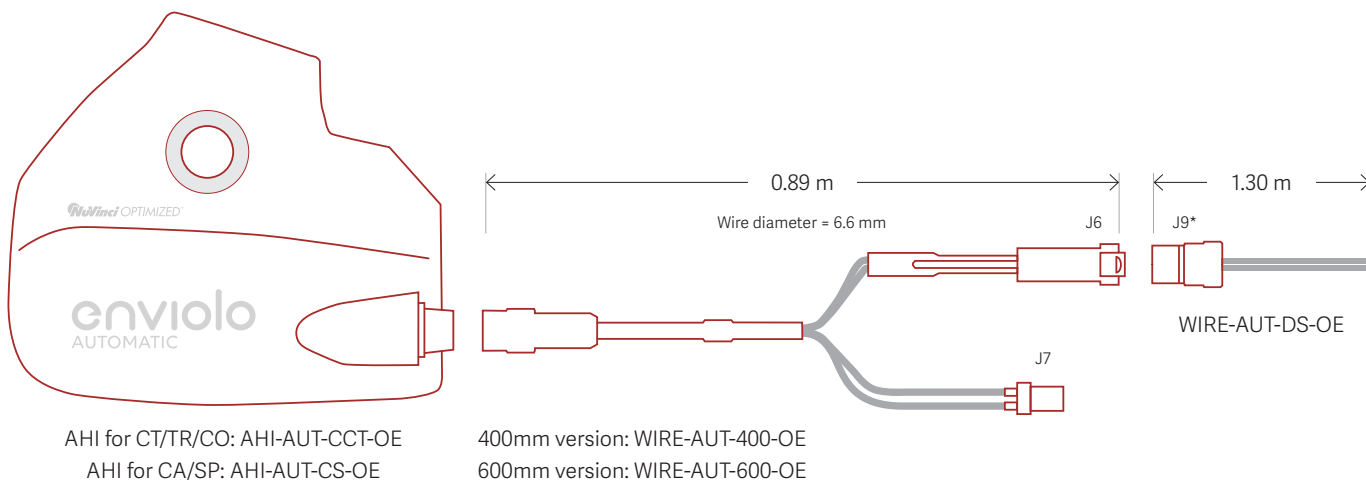
## 10. Servicing or replacing the freewheel

1. Remove the rear wheel.
2. Remove the hub interface.
3. Reference the exploded view in chapter 8, page 30. Remove the sprocket snap ring (12), sprocket spacer (13, if installed) and sprocket (14).
4. [R] Remove the snap ring (15) on the shift driver, and remove the freewheel assembly (16).
5. If servicing or replacing, use a medium-weight oil or very lightweight water-resistant grease and check pawl and spring function.
6. [S] Remove the interior snap ring (17), needle bearing (18), and right hand shield (19) if these components are being replaced.
7. [T] Install the serviced/new freewheel components .
8. Install the sprocket and hub interface.
9. Install the rear wheel.



Set the enviolo hub in full overdrive with the controller or manual hub interface prior to removal.

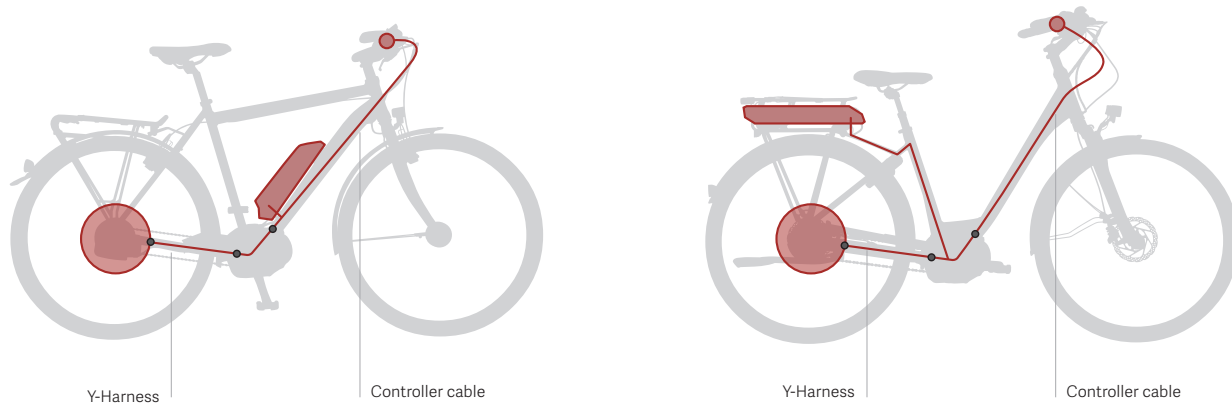
# enviolo Automatic Care and Maintenance WIRE HARNESS



\* This connector is only required if the counterplug is not provided by the drive system manufacturer. Bafang, Bosch, Brose and Continental have their own cable solution and therefore don't require this cable. Please contact the drive system manufacturer for further information. For Yamaha we offer an alternative cable. Please contact the sales team for further information.

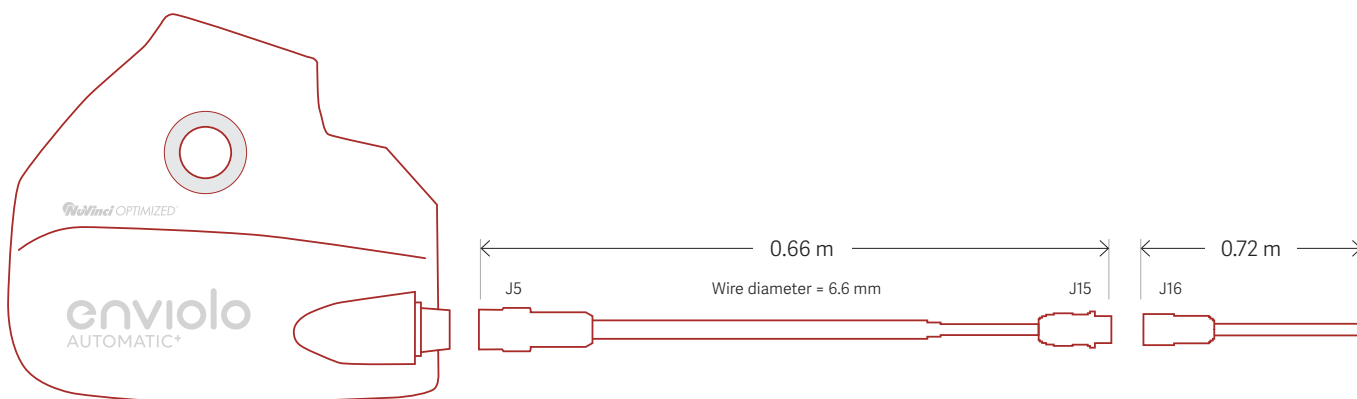
## Automatic Wire Harness

This diagram provides you an overview of the system connections.



# enviolo Automatic+ Care and Maintenance AUTOMATIC+ WIRE HARNESS

**enviolo**  
AUTOMATIC+



enviolo CT/TR/CO: AHI-AUT+-CCT-OE  
enviolo CA/SP: AHI-AUT+-CS-OE

Hirose connector: WIRE-AUT+-HR-OE  
Mini B connector: WIRE-AUT+-MB-OE

Available from drive system manufacturer.

## Automatic Integrated is CAN system



Pins in AH1 connector



Pins in cable connector



J15

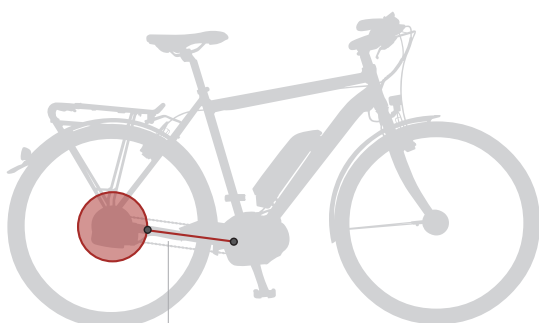


J16

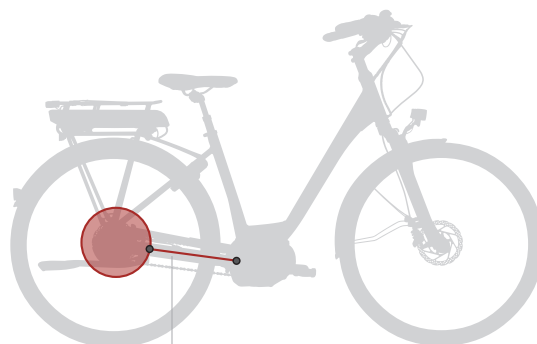
\*Pins marked red are not populated

## Automatic Integrated Wire Harness

This diagram provides you an overview of the system connections.



I-Harness



I-Harness

# Troubleshooting

## Assembly Torque Specifications

Torque Specs <i>enviolo CT, enviolo TR, enviolo CO, enviolo CA</i>		Other Parts	
Axle nuts	30 - 40 Nm	Cable hardware	1.5 - 2.0 Nm
Brake adapter + Loctite® 277 or similar	55 - 65 Nm	Controller	2.0 - 2.5 Nm
Interface locknut	10 - 15 Nm	Output speed ring	1.0 Nm
Spline nut	9 - 10 Nm	Controller cable cover screw	0.2 - 0.3 Nm (handtight)

Torque Specs <i>enviolo SP (135 mm),</i>		<i>enviolo SP (142/148 mm)</i>	
Torque adapter screws	2.5 - 3 Nm	Torque adapter screws	2.5 - 3 Nm
Double threaded axle adapters	10 - 15 Nm	Interface adapter	10 - 15 Nm
Axle nuts	30 - 40 Nm	Dropout adapter (not threaded in all cases)	5 - 10 Nm
		Axle bolts	10 - 15 Nm

# Warranty

## Basic Repair Work

---

Please check before every ride that all parts are not damaged, properly connected and correctly tightened with the recommended torque including axle nuts, hub interfaces controllers and brake discs.

Shift cables, cable housing, handlebar grips, sprockets, and bike chains are wear parts. Please check these parts regularly and replace them as necessary.

Only a qualified bike dealer should perform any necessary work on the enviolo manual and automatic systems.

Unauthorized work on your enviolo systems could endanger you and your warranty may become void.

Please contact your qualified dealer regarding any question or problem you may have.

In case of disposal, please note that all components, accessories and packaging should be disposed of in an environmentally correct manner and not into household waste.

- According to the European guideline 2012/19/EU, electrical components that are no longer usable must be collected separately.

Refer to our website for additional service information at [www.support.enviolo.com](http://www.support.enviolo.com).

## Warranty, Misuse and Exclusion of Liability

**Failure to use your enviolo shift solution as intended or to follow safety-relevant instructions can lead to an exclusion of liability for any material defects. Any misuse must therefore be avoided! Warranty will therefore not be covered if:**



A product has been modified or where the serial # or date codes have been altered, defaced or removed.



Our hubs enviolo CT and enviolo TR are not to be used for commercial purposes without written pre-authorization from enviolo. Only enviolo CO, enviolo SP, enviolo CA hubs may be used for reasonable commercial purposes and this warranty will be limited to one (1) year for such reasonable commercial use.



### Damage to the product occurs:

- determined by enviolo to be caused by crash, impact, or abuse of the product;
- resulting from use of the product in what enviolo, in its sole discretion, considers extreme applications such as, but not limited to, downhill, freeride, "North Shore" style, and BMX;
- resulting from powering of the enviolo CT, enviolo CO, and enviolo TR hubs with electric motors rated over 250W, or any powering of the product with internal combustion engines;
- resulting from running of the hubs with electric motors at continuous torques at the bottom bracket over the defined limits in the table on page 7;
- occurring during the shipment of the product;
- resulting from use of total weight (rider, cargo, and bike higher than 160kg for the enviolo CT and enviolo CO hubs, 180kg for the enviolo TR hubs, and defined limits in the table on page 8 for enviolo SP and enviolo CA;
- resulting from use of the product outside the defined cog ratio limits at 1.8 to 1 on standard bikes and 2.1 to 1 (enviolo CT/enviolo CO) or 2.0 to 1 (enviolo TR/ enviolo CA /enviolo SP) on eBikes;
- resulting from use of the product at nominal voltages of over 36V or peak voltages of over 50V;
- caused by the use of parts that are not compatible, suitable and/or authorized by enviolo for use with the product;



Do not make any modifications (including software) to your enviolo system, which could lead to an increased performance of your bike or eBike.



Please observe all national regulations on registering and using bikes and eBikes.

## Minimum Sprocket Ratios Based on Drive System Torque

### 250 W

#### enviolo Sportive Groupset ● SP

Continuous Motor Torque at BB	Weight				
	160 kg	180 kg	200 kg	240 kg	280 kg
50 Nm	2.00	2.00	2.00	2.00	2.00
55 Nm	2.00	2.00	2.00	2.00	2.00
60 Nm	2.00	2.00	2.00	2.00	2.00
65 Nm	2.00	2.00	2.00	2.00	2.00
70 Nm	2.00	2.00	2.00	2.00	2.15
75 Nm	2.00	2.00	2.00	2.00	2.31
80 Nm	2.00	2.00	2.13	2.13	2.46
85 Nm	2.00	2.13	2.27	2.27	
90 Nm	2.00	2.25	2.40	2.40	
95 Nm	2.00	2.38			
100 Nm	2.00	2.50			
105 Nm	2.10				
110 Nm	2.20				
115 Nm	2.30				
120 Nm	2.40				

#### enviolo Cargo Groupset ● CA

Continuous Motor Torque at BB	Weight				
	160 kg	180 kg	200 kg	240 kg	280 kg
50 Nm	2.00	2.00	2.00	2.00	2.00
55 Nm	2.00	2.00	2.00	2.00	2.00
60 Nm	2.00	2.00	2.00	2.00	2.00
65 Nm	2.00	2.00	2.00	2.00	2.00
70 Nm	2.00	2.00	2.00	2.00	2.15
75 Nm	2.00	2.00	2.00	2.00	2.31
80 Nm	2.00	2.00	2.13	2.13	2.46
85 Nm	2.13	2.13	2.27	2.27	
90 Nm	2.25	2.25	2.40	2.40	
95 Nm	2.38	2.38			
100 Nm	2.50	2.50			

#### enviolo Trekking Groupset ● TR

Continuous Motor Torque at BB	Weight	
	160 kg	180 kg
50 Nm	2.00	2.00
55 Nm	2.00	2.00
60 Nm	2.00	2.00
65 Nm	2.00	2.00
70 Nm	2.00	2.00
75 Nm	2.00	2.00
80 Nm	2.13	2.13
85 Nm	2.27	2.27
90 Nm	2.40	2.40

#### enviolo City/Commercial Groupset ● CT ● CO

Continuous Motor Torque at BB	Weight
	160 kg
50 Nm	2.10
55 Nm	2.31



## Minimum Sprocket Ratios Based on Drive System Torque

### 350 W

#### enviolo Sportive Groupset SP

Continuous Motor Torque at BB	Weight 160 kg	180 kg	200 kg
50 Nm	2.00	2.00	2.00
55 Nm	2.00	2.00	2.00
60 Nm	2.00	2.00	2.00
65 Nm	2.00	2.00	2.00
70 Nm	2.00	2.00	2.00
75 Nm	2.00	2.00	2.00
80 Nm	2.00	2.00	2.13
85 Nm	2.13	2.13	2.27
90 Nm	2.25	2.25	2.40
95 Nm	2.38	2.38	
100 Nm	2.50	2.50	

#### enviolo Cargo Groupset CA

Continuous Motor Torque at BB	Weight 160 kg	180 kg	200 kg
50 Nm	2.00	2.00	2.00
55 Nm	2.00	2.00	2.00
60 Nm	2.00	2.00	2.00
65 Nm	2.00	2.00	2.00
70 Nm	2.00	2.00	2.00
75 Nm	2.00	2.00	2.00
80 Nm	2.00	2.00	2.13
85 Nm	2.13	2.13	2.27
90 Nm	2.25	2.25	2.40
95 Nm	2.38	2.38	
100 Nm	2.50	2.50	

### 500 W

#### enviolo Sportive Groupset SP

Continuous Motor Torque at BB	Weight 160 kg
50 Nm	2.00
55 Nm	2.20
60 Nm	2.40

#### enviolo Cargo Groupset CA

Continuous Motor Torque at BB	Weight 160 kg
50 Nm	2.00
55 Nm	2.20
60 Nm	2.40

The following warranty is a voluntary two-year limited warranty offered by Fallbrook Technologies Inc. ("Fallbrook"). It is offered to all purchasers of the NuVinci Optimized™ enviolo CT, enviolo CO, enviolo TR, enviolo CA, enviolo SP (collectively, the "enviolo products").

Under the laws in certain countries (for example, Germany, and the Netherlands), a purchaser is entitled to statutory rights with respect to products that are defective or do not conform with the contract of sale. These rights allow a purchaser to demand, free of charge, repair, replacement, or under certain conditions, discount or refund by the seller of such products. This voluntary warranty does not affect your statutory rights. If you live in one of these countries, when you purchase enviolo products, in addition to your statutory rights, you are also entitled to claims out of enviolo's limited warranty described below. These claims exist concurrently with your statutory rights so that, should your product be defective or if it does not conform with the contract of sale, while the limited warranty is in place, you can choose to make a claim under your country's law or enviolo's limited warranty.

## What does this warranty cover?

Fallbrook Technologies Inc. (Fallbrook) warrants any enviolo product that is defective in materials or workmanship. This warranty only extends to the original purchaser and is not transferable. (Some states or countries do not allow restriction of warranty coverage to the original buyer, so this restriction may not apply to you). If you purchased your enviolo product as part of another product, this warranty in no way replaces or is an extension of the warranty of the manufacturer of that product, which warranty is the sole responsibility of that product's manufacturer.

## How long does this warranty last?

The warranty period lasts two years from the date of original purchase.

## What will enviolo do?

Fallbrook will, at Fallbrook's sole option, repair, replace or refund the cost of the defective unit.

## What does this warranty not cover?

This warranty does not apply to any of the following:

- Normal wear and tear to components subject to wear, such as, for example, rubber seals and rings, jockey wheels on chain tensioner (if applicable), twist grip rubber, and shifter cables.
- Damage to parts not manufactured by Fallbrook or its related entities (such as dropouts and chains).
- Labor required to remove, re-fit or re-adjust the product within the bicycle assembly.
- A product used in any installation other than a single rider bicycle. Tandems are not covered unless expressly allowed under a specific enviolo product owner's manual.
- A product that has been incorrectly installed and/or not adjusted according to the enviolo product owner's or technical manual, which can be found at [www.support.enviolo.com](http://www.support.enviolo.com).
- A product that has been disassembled into its components beyond the scope of service documentation (Owner's Manuals for NuVinci Optimized™ internal gear hub with enviolo manual or automatic systems).

This limited warranty is the sole and exclusive warranty made by Fallbrook with respect to the product and is given in lieu of any other warranty. To the extent allowed by applicable law, and all express or implied warranties not set forth herein are waived and disclaimed, including any implied warranty of merchantability or fitness for a particular use. Fallbrook liability under this limited warranty is limited solely to those liabilities set forth above. In the event that any provision of this limited warranty should be or become invalid or unenforceable under applicable law, the remaining terms and conditions hereof shall remain in full force and effect and such invalid or unenforceable provision shall be construed in such a manner as to be valid and enforceable.

enviolo reserves the right to revise this limited warranty without notice.

## How to get warranty service?

Claims under this warranty must be made through the retailer where the vehicle or the enviolo component was purchased, or through an authorized dealer of enviolo components. Please return the enviolo component to the retailer together with the original, dated invoice or receipt.

The retailer will contact enviolo customer service to handle your warranty claim. Retailers requesting a warranty claim should contact enviolo customer service to obtain a Warranty Return Authorization. The retailer will then need to return the product to enviolo together with satisfactory proof of the date of purchase.

Groupsets	Part Number	Product	RRP
-----------	-------------	---------	-----

## Sprockets

SPKT-16T-FLAT-OE	Sprocket, 16 Tooth, 2.2 mm/2.2 mm, flat, nickel plated cog	€4.99
SPKT-17T-FLAT-OE	Sprocket, 17 Tooth, 2.2 mm/2.2 mm, flat, nickel plated cog	€4.99
SPKT-18T-FLAT-OE	Sprocket, 18 Tooth, 2.2 mm/2.2 mm, flat, nickel plated cog	€4.99
SPKT-19T-FLAT-OE	Sprocket, 19 Tooth, 2.2 mm/2.2 mm, flat, nickel plated cog	€4.99
SPKT-20T-FLAT-OE	Sprocket, 20 Tooth, 2.2 mm/2.2 mm, flat, nickel plated cog	€4.99
SPKT-20T-3OFF-OE	Sprocket, 20 Tooth, 2.2 mm/3.0 mm, offset 3 mm, nickel plated cog	€5.99
SPKT-21T-FLAT-OE	Sprocket, 21 Tooth, 2.2 mm/2.2 mm, flat, nickel plated cog	€7.99
SPKT-22T-FLAT-OE	Sprocket, 22 Tooth, 2.2 mm/2.2 mm, flat, nickel plated cog	€7.99

## enviolo Manual Controllers

enviolo	MC-CT-2200-OE	enviolo CT Manual Controller, black, 2200 mm	€21.99
enviolo	MC-CT-3300-OE	enviolo CT Manual Controller, black, 3300 mm	€22.99
enviolo	MC-TR-2200-OE	enviolo TR Manual Controller, grey, 2200 mm	€32.99
enviolo	MC-TR-3300-OE	enviolo TR Manual Controller, grey, 3300 mm	€33.99
enviolo	MC-SP-2200-OE	enviolo SP Manual Controller, black, 2200 mm	€54.99
enviolo	MC-SP-3300-OE	enviolo SP Manual Controller, black, 3300 mm	€55.99
enviolo	MC-CO-2200-OE	enviolo CO Manual Controller, black, 2200 mm	€34.99
enviolo	MC-CA-2200-OE	enviolo CA Manual Controller, black, 2200 mm	€34.99
enviolo	MC-CA-3300-OE	enviolo CA Manual Controller, black, 3300 mm	€35.99

## enviolo Manual Hub Interface

enviolo	MHI-CT-OE	enviolo CA Manual Hub Interface, Black/Grey, Multi-turn	€8.50
enviolo	MHI-TR-OE	enviolo CO Manual Hub Interface, Black, Multi-turn	€8.50
enviolo	MHI-SP-OE	enviolo SP Manual Hub Interface, Black/Grey, One-turn	€8.50
enviolo	MHI-CO-OE	enviolo TR Manual Hub Interface, Black, One-turn	€8.50
enviolo	MHI-CA-OE	enviolo CT Manual Hub Interface, Black, Multi-turn	€8.50

## enviolo Automatic Controllers

AC-3BUT-OE	enviolo Automatic 3-button Controller, black, 1400 mm	€44.99
AC-GRIP-OE	enviolo Automatic Grip Shifter Controller, grey, 1400 mm	€89.99

enviolo dedicated materials on: images and logos, presentations and brochures, manuals and technical documentation service and warranty.

How can we help you?

## Most Read Articles

### Resolve Stuck CVP

Manuals & Technical Documentation

Article created 4 mins ago 0

### Resetting the CVP to Full Overdrive

Manuals & Technical Documentation

Article created 4 mins ago 0

### Installation of Freewheel

Manuals & Technical Documentation

Article created 4 mins ago 0

See More

# Intellectual Property Notice

The NuVinci Optimized™, enviolo CT, enviolo CO, enviolo TR,  
enviolo CA, enviolo SP control units

## The NuVinci Optimized™, enviolo CT, enviolo CO, enviolo TR, enviolo CA, enviolo SP control units

By purchasing and/or using these NuVinci® Technology components and/or the bicycle incorporating them, you agree to the following terms and conditions. If you do not want to be bound by these terms and conditions, you must return the NuVinci® Technology components to your vendor within three (3) days for a full refund.

The NuVinci® Technology components sold herewith are to be used only in the rear wheel of a bicycle for usual and customary rear hub purposes and in accordance with the accompanying instructions. You agree not to use the NuVinci® Technology components for any other use or purpose, including without limitation reverse engineering or reproduction. Any unauthorized use of the NuVinci® Technology components is not recommended, will void any applicable warranties and, to the extent such use leads to any improvements to or inventions from those components, and as allowed under applicable law, Fallbrook Technologies Inc. shall have a royalty free, worldwide, perpetual, non-exclusive license (with right to grant sublicenses) to all rights in any such inventions or improvements.

The NuVinci® Technology components sold herewith, including, but not limited to the rear hub and gear shifter, are protected by patents in the U.S., Europe, China, Japan, South Korea, and Canada, as well as other countries and a current list of applicable patents can be found at [www.enviolo.com/patentnotice](http://www.enviolo.com/patentnotice). Other U.S. and foreign patent applications are pending for Fallbrook Technologies Inc. and its subsidiary Fallbrook Intellectual Property Co. LLC.

The enviolo Automatic products also include software, firmware and other digital information (collectively the "Software") that may be embedded or is available from Fallbrook Technologies or its authorized representatives for use with the products.

The Software is protected by copyright laws in each jurisdiction or country and any unauthorized reproduction, display, use, publication or adaptation is strictly prohibited.

Fallbrook, *NuVinci Optimized*, enviolo CT, enviolo CO, enviolo TR, enviolo CA, enviolo SP and their stylized logos and associated elements are trademarks or registered trademarks of Fallbrook Technologies Inc., Bosch, Intuvia and Nyon are trademarks of Robert Bosch GmbH, FLYER is a trademark of Biketec AG - FLYER.

All rights reserved. © 2018



# enviolo

The Moving Standard.