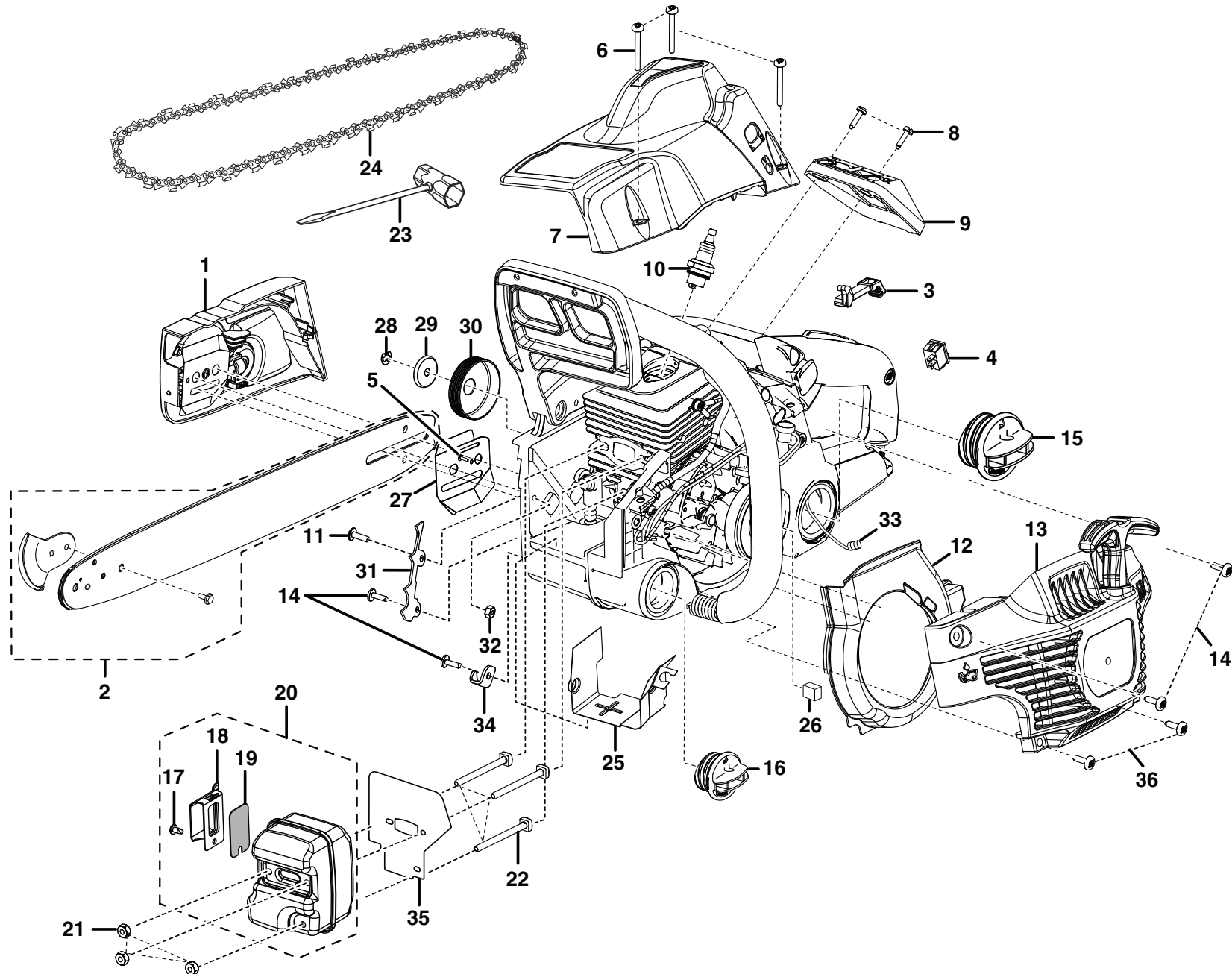


For Parts Call 606-678-9623 or 606-561-4983

HOMELITE
46cc CHAIN SAW
MODEL NO. UT10519, UT10522, UT10526
(All Versions)
REPAIR SHEET

For Parts Call 606-678-9623 or 606-561-4983

HOMELITE 46cc CHAIN SAW – MODEL No. UT10519, UT10522, UT10526



HOMELITE 46cc CHAIN SAW – MODEL No. UT10519, UT10522, UT10526

The model number will be found on a plate attached to the engine housing. Always mention the model number in all correspondence regarding your **CHAIN SAW** or when ordering repair parts.

PARTS LIST

KEY NO.	PART NUMBER	DESCRIPTION	QTY	KEY NO.	PART NUMBER	DESCRIPTION	QTY
1	310508002	Chain Cover Assembly	1	21	671079001	Lock Nut (10-32).....	3
2	310629001	Guide Bar (20 in. with SAFE-T-TIP) – UT10522, UT10526.....	1	22	660626001	Muffler Bolt (Square Hd.).....	3
3	10628001	Guide Bar (18 in. with SAFE-T-TIP) – UT10519.....	1	23	631055001	Combination Wrench (UT10526 only).....	1
3	511709012	Choke Lever	1	24	900920027	Chain (.325 x 78 link, 20 in.) – UT10522, UT10526	1
4	760338001	Ignition Switch	1		901430001	Chain (.325 x 72 link, 18 in.) – UT10519	1
5	T660619001	Screw (6-19 x 1/2 in. T.F.)	1	25	638455001	Heat Shield	1
6	660636001	Screw (10-16 x 1-1/2 in. Special)	3	26	900844001	Pre-Filter	1
7	518042010	Top Cover	1	27	631036001	Inner Guide Plate	1
8	660617001	Screw (8-16 x 16 mm Torx T.F.)	2	28	671103001	E-Ring.....	1
9	518049002	Air Filter Cover.....	1	29	631060001	Cupped Washer.....	1
10	870174001	Spark Plug (Champion RCJ6Y)	1	30	300958002	Sprocket Drum and Bearing Assembly (.325 chain).....	1
11	660625001	Screw (10-24 x 5/8 in. Torx Pan Hd.).....	1	31	631039001	Spike Bar	1
12	518055002	Fan Housing Baffle	1	32	678027002	Lock Nut (10-24).....	1
13	308067004	Starter Cover Assembly.....	1	33	300759005	Fuel Filter	1
14	660632001	Screw (10-14 x 5/8 in. Torx Pan Hd.).....	4	34	631035001	Chain Catcher.....	1
15	300948002	Fuel Cap Assembly.....	1	35	900894001	Muffler Gasket	1
16	300949002	Oil Cap Assembly	1	36	660629001	Screw (10-14 x 3/4 in.).....	2
17	660624001	Screw (8-32 x 5/16 in.).....	1	NOT SHOWN			
18	638467002	Muffler Deflector	1	518061001	Scabbard.....	1	
19	638673001	Spark Screen	1	987000393	Operator's Manual (960970013).....	1	
20	309310001	Muffler Assembly (Includes Key Nos. 17-19).....	1	1-22-10 (Rev:03)			

HOMELITE 46cc CHAIN SAW – MODEL No. UT10519, UT10522, UT10526

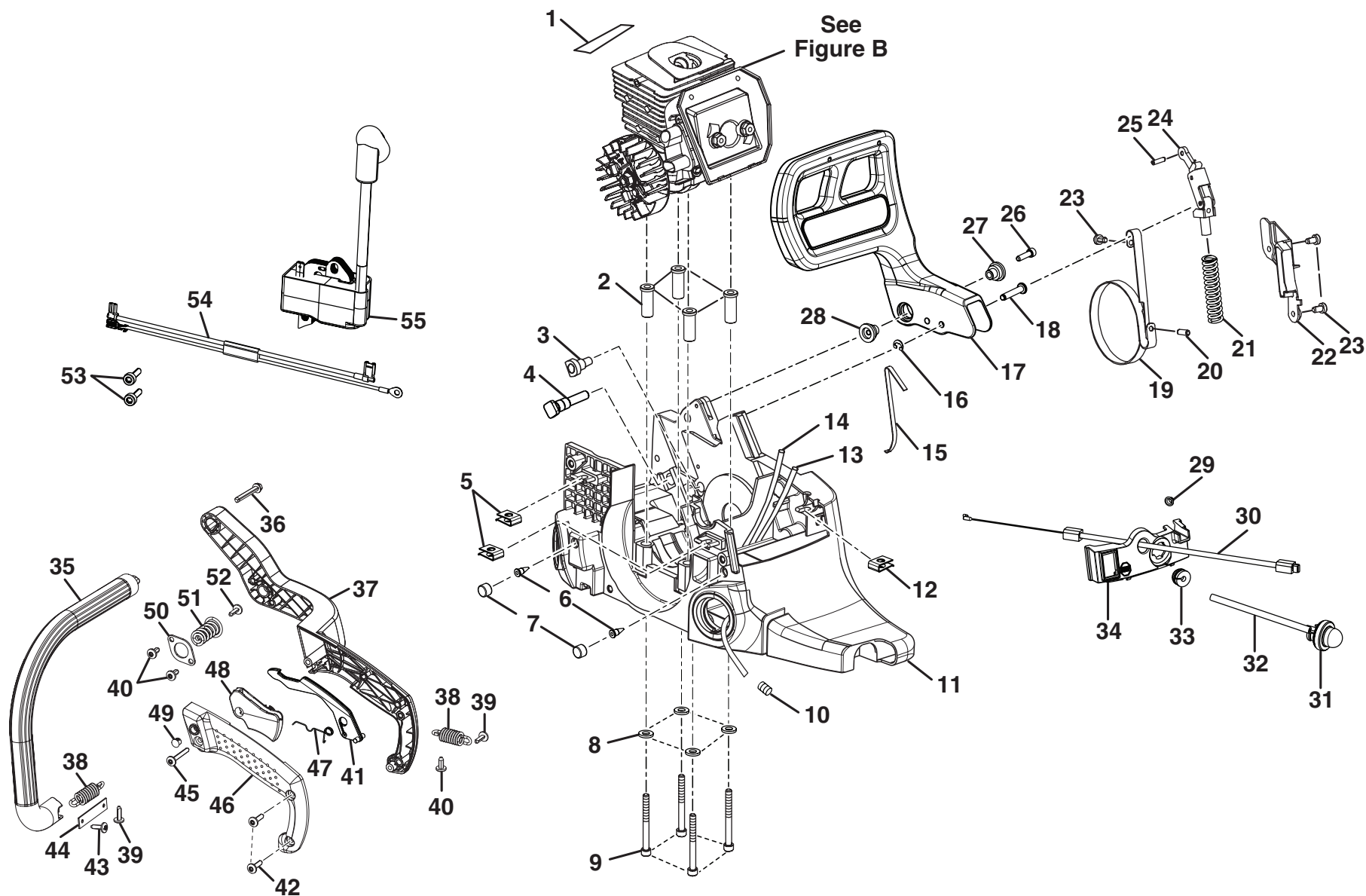


Figure A

HOMELITE 46cc CHAIN SAW – MODEL No. UT10519, UT10522, UT10526

The model number will be found on a plate attached to the engine housing. Always mention the model number in all correspondence regarding your **CHAIN SAW** or when ordering repair parts.

PARTS LIST (FIGURE A)

KEY NO.	PART NUMBER	DESCRIPTION	QTY	KEY NO.	PART NUMBER	DESCRIPTION	QTY
1	700106001	Heat Reflector Tape.....	1	29	631034002	Hair Pin.....	1
2	671087001	Spacer Insert.....	4	30	900885001	Throttle Cable.....	1
3	570226001	Oil Outlet Grommet.....	1	31	308088001	Primer Bulb.....	1
4	660503002	Guide Bar Bolt (M8 x 1 1/2 in.).....	1	32	570247004	Rubber Tubing.....	1
5	671077001	Speed Nut ("U"-type).....	2	33	570227001	Split Grommet.....	1
6	560955001	Duck Bill Valve.....	2	34	518044012	Control Panel, Gray.....	1
7	671088001	Element.....	2	35	511724011	Front Handle, Gray.....	1
8	671080001	Washer.....	4	36	660631001	Screw (12-14 x 1 1/2 in.).....	1
9	660622001	Screw (10-24 x 2 in.).....	4	37	511721014	Rear Handle, Gray.....	1
10	690765001	Hose Clamp.....	1	38	671101001	Extension Spring.....	2
11	300951015	Chassis Assembly.....	1	39	660632001	Screw (10-14 x 5/8 in.).....	2
12	671077002	Speed Nut ("U"-type).....	1	40	660618001	Screw (10-14 x 1/2 in.).....	3
13	570247002	Rubber Tubing.....	1	41	518051013	Lockout Throttle, Black.....	1
14	570247004	Rubber Tubing.....	1	42	660629001	Screw (10-14 x 3/4 in.).....	2
15	638024001	Spring.....	1	43	660719001	Screw (10-14 Thread Twin Helix).....	1
16	671075001	Retaining Ring.....	1	44	631050001	Spring Retainer.....	1
17	511723111	Hand guard, Gray.....	1	45	660633001	Screw (10-14 x 1 3/8 in.).....	1
18	620282001	Handguard Actuating Pin.....	1	46	511722013	Handle Cover, Gray.....	1
19	631063002	Brake Band.....	1	47	678037001	Torsion Ring.....	1
20	671095001	Spring Pin.....	1	48	518052011	Trigger, Black.....	1
21	678113001	Spring.....	1	49	518050011	Plug, Gray.....	1
22	511720002	Chain Brake Cover.....	1	50	631051001	Isolator Plate.....	1
23	660634001	Screw (8-16 x 5/16 in.).....	3	51	671098001	Isolator Spring.....	1
24	300954001	Chain Brake Link Assembly.....	1	52	660630001	Screw (10-24 x 5/8 in.).....	1
25	671099001	Spring Pin (Small).....	1	53	660639001	Screw (8-32 x 5/8 in.).....	2
26	660635001	Screw (8-32 x 5/8 in.).....	1	54	290195003	Ignition Switch Harness.....	1
27	671096001	Pivot (Right Hand).....	1	55	300953001	Ignition Kit.....	1
28	671097001	Pivot (Left Hand).....	1				

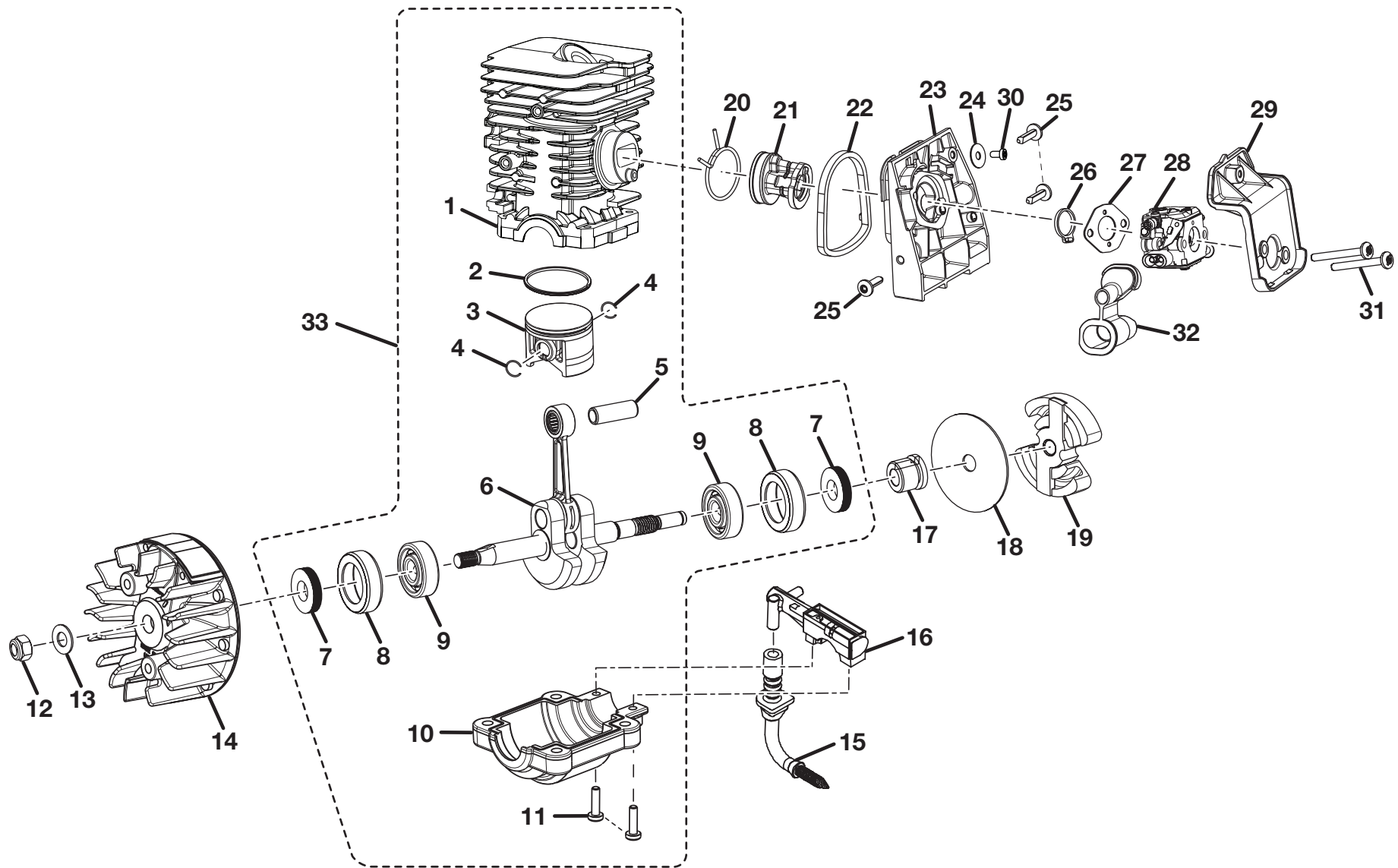


Figure B

HOMELITE 46cc CHAIN SAW – MODEL No. UT10519, UT10522, UT10526

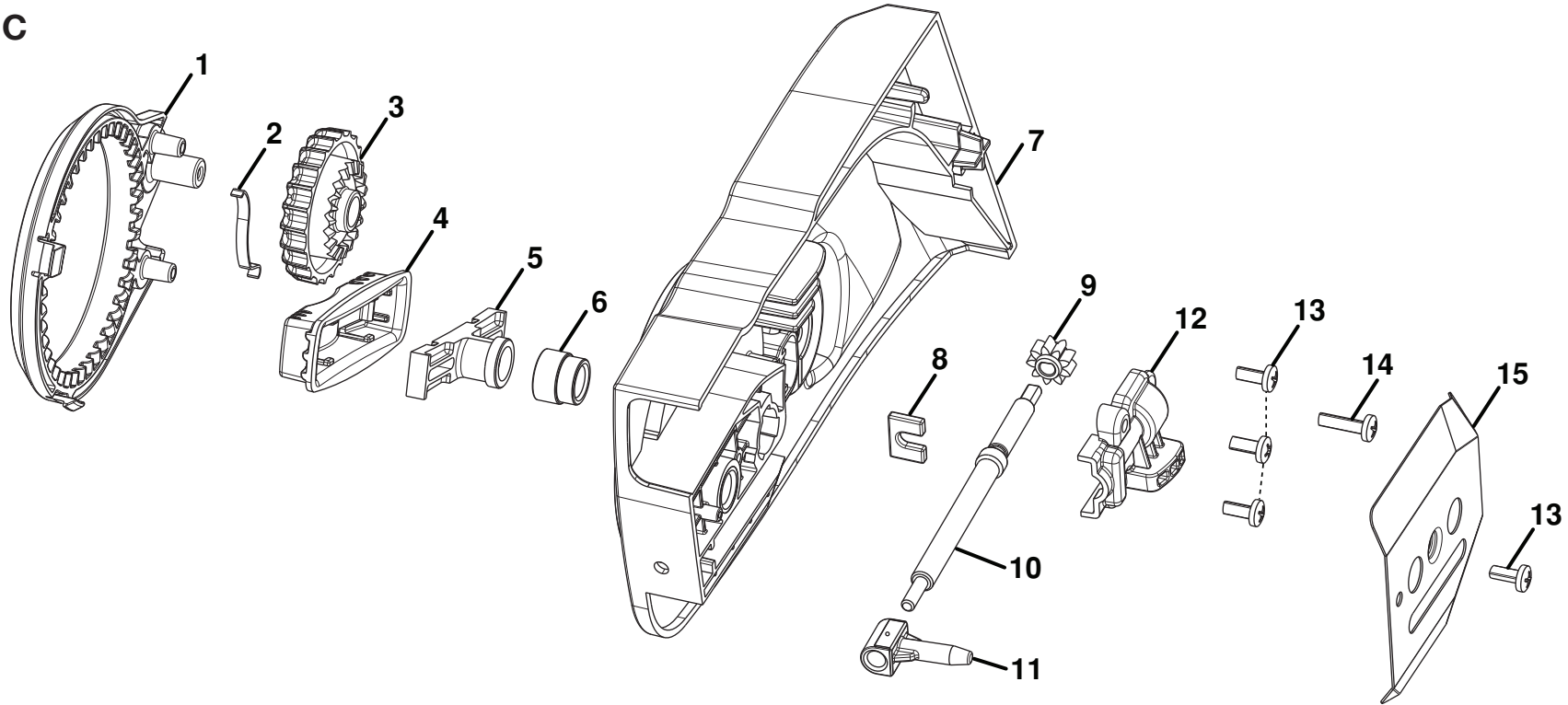
The model number will be found on a plate attached to the engine housing. Always mention the model number in all correspondence regarding your **CHAIN SAW** or when ordering repair parts.

PARTS LIST (FIGURE B)

KEY NO.	PART NUMBER	DESCRIPTION	QTY	KEY NO.	PART NUMBER	DESCRIPTION	QTY
1	640200007	Cylinder	1	18	631061001	Thrust Washer	1
2	678747001	Piston Ring	1	19	300960003	Clutch Assembly	1
3	640350003	Piston	1	20	671267001	Wire Clamp.....	1
4	678183001	Retaining Ring	2	21	570243001	Intake Boot.....	1
5	620392001	Piston Pin	1	22	518047001	Carburetor Adaptor Seal	1
6	309160001	Crankshaft Assembly	1	23	308081001	Carburetor Adapter	1
7	570220001	Shaft Seal	2	24	671072001	Flat Washer.....	1
8	570221001	Bearing Case.....	2	25	660629001	Screw (10-14 x 3/4 in.)	3
9	671089002	Ball Bearing	2	26	518045001	Carburetor Plate	1
10	640843001	Crankcase	1	27	900886002	Carburetor Gasket.....	1
11	660627001	Screw (8-32 x 5/8 in.)	2	28	309364001	Carburetor Assembly.....	1
12	678123001	Nut (5/16-24)	1	29	518048001	Air Filter Base	1
13	631049001	Flat Washer.....	1	30	660634001	Screw (8-16 x 5/16 in.)	1
14	308084001	Flywheel Assembly.....	1	31	660655001	Screw (10-32 x 1 3/4 in.)	2
15	300950001	Oil Intake Tube Assembly	1	32	570242001	Grommet	1
16	300945001	Oil Pump Assembly	1	33	309890003	Short Block Assembly (Inc. Key Nos. 1-11)	1
17	610389001	Left Hand Worm	1				

HOMELITE 46cc CHAIN SAW – MODEL No. UT10519, UT10522, UT10526

Figure C



PARTS LIST (FIGURE C)

KEY NO.	PART NUMBER	DESCRIPTION	QTY	KEY NO.	PART NUMBER	DESCRIPTION	QTY
1	518796001	Clutch Cover Ring	1	9	610711001	Chain Adjustment Gear	1
2	638246002	Lock Spring Plate	1	10	678072002	Adjustment Rod.....	1
3	518767002	Adjustment Knob.....	1	11	678071001	Adjustment Pin	1
4	518769002	Cover Knob	1	12	518857002	Gear Cover	1
5	678618002	Tension Nut.....	1	13	660507001	Screw (6-19 x 8 mm)	4
6	678056002	Bushing	1	14	660619001	Screw (6-19 x 1/2 in.)	1
7	518669001	Clutch Cover	1	15	631038002	Guide Bar Plate	1
8	678616001	Thrust Washer	1				