



Thinkfun

# MakerStudio™

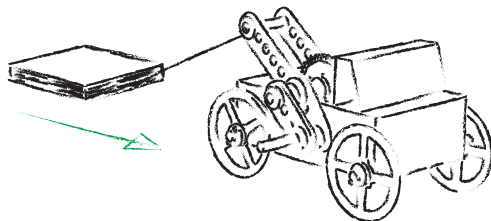
Winches Set

## Engineering Challenges

Use contents of this set and items from around your house to solve this challenge:

### ENGINEERING CHALLENGE #1

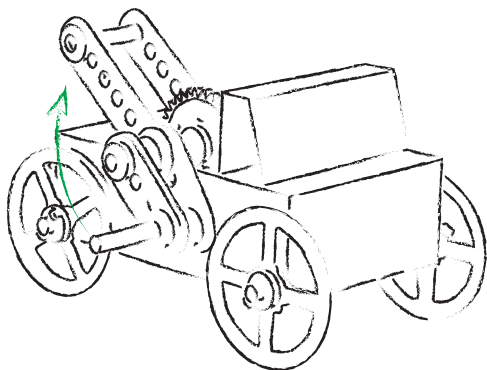
Use the tow truck's winch to drag a book across a flat table.



Use contents of this set and items from around your house to solve this challenge:

### ENGINEERING CHALLENGE #2

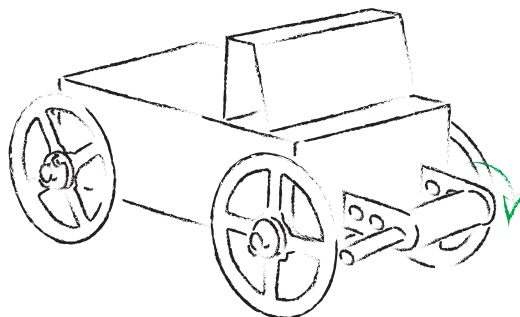
Make the tow truck's winch easier to turn when pulling an object.



Use contents of this set and items from around your house to solve this challenge:

### ENGINEERING CHALLENGE #3

Make it easier to wind and unwind the winch.

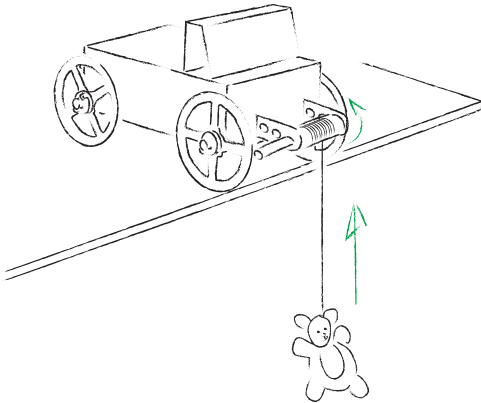


This work is licensed under a Creative Commons Attribution-NonCommercial 4.0 International License. You are free to share and build upon these files in your new creations, but you may not use these files for commercial purposes. For a complete copy of the license, visit [creativecommons.org/licenses/by-nc/4.0/](https://creativecommons.org/licenses/by-nc/4.0/).

Use contents of this set and items from around your house to solve this challenge:

### ENGINEERING CHALLENGE #4

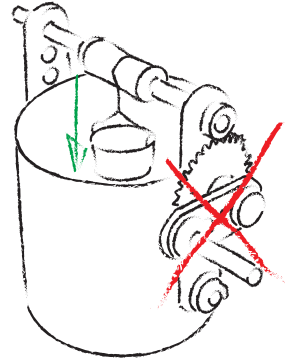
Use the jeep's winch to lift a stuffed animal from the floor to a tabletop.



Use contents of this set and items from around your house to solve this challenge:

### ENGINEERING CHALLENGE #5

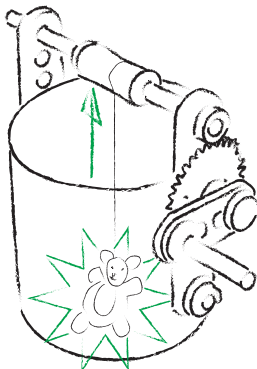
Create a bucket, and lower it into the well without using the winch.



Use contents of this set and items from around your house to solve this challenge:

### ENGINEERING CHALLENGE #6

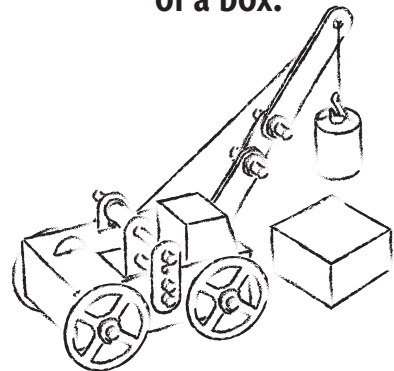
Rescue a toy or game piece that has fallen into the well!



Use contents of this set and items from around your house to solve this challenge:

### ENGINEERING CHALLENGE #7

Use the crane to lift a can of soup off the floor and release it on top of a box.

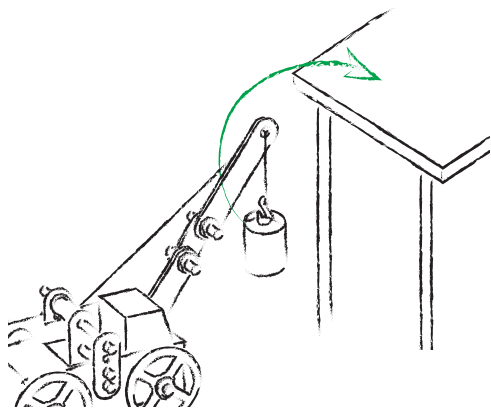


This work is licensed under a Creative Commons Attribution-NonCommercial 4.0 International License. You are free to share and build upon these files in your new creations, but you may not use these files for commercial purposes. For a complete copy of the license, visit [creativecommons.org/licenses/by-nc/4.0/](https://creativecommons.org/licenses/by-nc/4.0/).

Use contents of this set and items from around your house to solve this challenge:

## ENGINEERING CHALLENGE #8

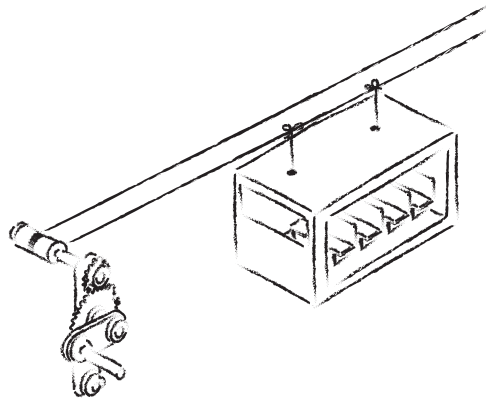
Lift an object higher than the top of the initial crane build.



Use contents of this set and items from around your house to solve this challenge:

## ENGINEERING CHALLENGE #9

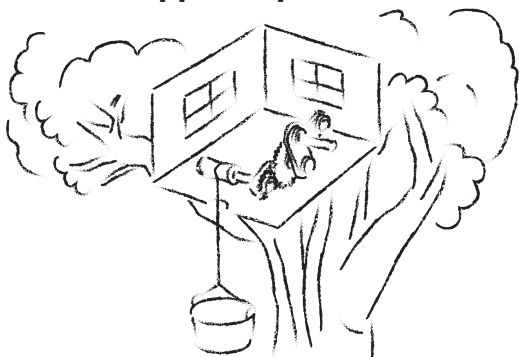
Make a cable car using the winch.



Use contents of this set and items from around your house to solve this challenge:

## ENGINEERING CHALLENGE #10

Build a miniature tree-house fort and use the winch to haul supplies up into it.



Visit:

[www.ThinkFun.com/MakerStudio](http://www.ThinkFun.com/MakerStudio)  
to see all the Maker Studio sets  
and combine them for more  
building fun!



© 2014 ThinkFun Inc. All Rights Reserved. MADE IN CHINA, 104. #1702. CH01.



This work is licensed under a Creative Commons Attribution-NonCommercial 4.0 International License. You are free to share and build upon these files in your new creations, but you may not use these files for commercial purposes. For a complete copy of the license, visit [creativecommons.org/licenses/by-nc/4.0/](http://creativecommons.org/licenses/by-nc/4.0/).