

# General Illumination Hyperbolic Wall Mount Cylinder 2"



OVERVIEW

### Feature Set

- Smooth distribution with feathered edges provides even illumination on horizontal and vertical surfaces
- 45° Cutoff to source and source image
- Driver and LED light engine fully serviceable from room side.
- 70% lumen maintenance at 60,000 hours
- 2.5 SDCM; 85 CRI typical, 90+ CRI optional
- ENERGY STAR® Certified product
- 20 standard colors in textured and gloss finish; custom or RAL colors also available
- Can be paired with complementary hyperbolic recessed downlight and recessed adjustable luminaires

### Distribution



### Superior Performance

Nominal lumens	250	500	750	1000	1500	2000
Delivered	195	397	590	789	1131	1541
Wattage	3.2	5.9	9.0	11.9	19.8	29.6
Efficacy	62	67	65	66	57	52

\*Based on 3500K 80CRI AR LSS

COMPLEMENTARY PRODUCTS

### Coordinated Apertures | Multiple Layers of Light



General Illumination Layer | EVO



High Center Beam Layer | Incito



EVO + Incito — Multiple Layers of Light

<b>Core</b>	Downlight	Adjustable	Open Wallwash	Lensed Wallwash	Cylinder	Pinhole	Bevel	Hyperbolic
<b>Healthcare</b>	MRI	Surgical Suite	Patient Room					
<b>Special Applications</b>	Dynamic	Food Service	Vandal/Tamper	Clean Room	Shower	Steam Room		

A+ Capable options indicated by this color background.

**PS** Design2Ship Quick Ship Program: Options in green text qualify for Design2Ship — 5 business days from order entry to ship. Refer to Design2Ship Brochure for complete program details. **Maximum Order Quantity: 50 units.**

Luminaire Type:

Catalog Number:

EXAMPLE: EVO2WCHYP 35/10 AR LSS MVOLT UGZ RGH DWHG

Series	Color Temperature	Lumens	Reflector Color	Reflector Finish	Voltage
EVO2WCHYP EVO 2in Round Wall Mount Cylinder Hyperbolic Downlight	27/ 2700 K	02 250 lumens	AR Clear	LSS Semi-specular	MVOLT 120V - 277V
	30/ 3000 K	05 500 lumens	PR Pewter	LD Matte diffuse	120 120V
	35/ 3500 K	07 750 lumens	WTR Wheat		277 277V
	40/ 4000 K	10 1000 lumens	GR Gold		
	50/¹ 5000 K	15 1500 lumens 20 2000 lumens	WR² White painted BR² Black painted BZR² Dark Bronze painted		

Driver	Mounting	Control Interface⁵
UGZ³ Universal dimming to 1% (0-10V, 120V TRIAC or ELV)	RGH⁴ Recessed Gear Housing SGB Surface Gear Box	(blank) NLT nLight® dimming pack. NLTER⁶ nLight® dimming pack for fixtures on emergency circuit NLTAIR2 nLight® AIR dimming pack. NLTAIRER2⁶ nLight® AIR dimming pack for fixtures on emergency circuit NLTAIREM2 nLight® AIR dimming pack for fixtures on emergency circuit

Options	Architectural Colors - Powder Paint⁸																				
90CRI¹ High CRI (90+) N80⁷ nLight Lumen Compensation	<table border="0"> <tr> <td>DDB Gloss Dark Bronze</td> <td>DBBT Textured Dark Bronze</td> </tr> <tr> <td>DBL Matte Black</td> <td>DBLB Textured Black</td> </tr> <tr> <td>DWH Gloss White</td> <td>DWHG Textured White</td> </tr> <tr> <td>DMB Matte Medium Bronze</td> <td>DBNH Textured Bronze</td> </tr> <tr> <td>DNA Gloss Natural Aluminum</td> <td>DNAT Textured Natural Aluminum</td> </tr> <tr> <td>DSS Gloss Sandstone</td> <td>DSST Textured Sandstone</td> </tr> <tr> <td>DGC Gloss Charcoal Grey</td> <td>DSPD Textured Dark Grey</td> </tr> <tr> <td>DTG Gloss Tennis Green</td> <td>DSPE Textured Green</td> </tr> <tr> <td>DBR Gloss Bright Red</td> <td>DSPH Textured Light Red</td> </tr> <tr> <td>DSB Gloss Steel Blue</td> <td>DWHAMF Gloss White with Anti-microbial finish</td> </tr> </table>	DDB Gloss Dark Bronze	DBBT Textured Dark Bronze	DBL Matte Black	DBLB Textured Black	DWH Gloss White	DWHG Textured White	DMB Matte Medium Bronze	DBNH Textured Bronze	DNA Gloss Natural Aluminum	DNAT Textured Natural Aluminum	DSS Gloss Sandstone	DSST Textured Sandstone	DGC Gloss Charcoal Grey	DSPD Textured Dark Grey	DTG Gloss Tennis Green	DSPE Textured Green	DBR Gloss Bright Red	DSPH Textured Light Red	DSB Gloss Steel Blue	DWHAMF Gloss White with Anti-microbial finish
DDB Gloss Dark Bronze	DBBT Textured Dark Bronze																				
DBL Matte Black	DBLB Textured Black																				
DWH Gloss White	DWHG Textured White																				
DMB Matte Medium Bronze	DBNH Textured Bronze																				
DNA Gloss Natural Aluminum	DNAT Textured Natural Aluminum																				
DSS Gloss Sandstone	DSST Textured Sandstone																				
DGC Gloss Charcoal Grey	DSPD Textured Dark Grey																				
DTG Gloss Tennis Green	DSPE Textured Green																				
DBR Gloss Bright Red	DSPH Textured Light Red																				
DSB Gloss Steel Blue	DWHAMF Gloss White with Anti-microbial finish																				

**ACCESSORIES — order as separate catalog numbers (shipped separately)**

G COLORS KIT	Architectural colors chip kit, consisting of powder-coat and plated finishes.
HS234FL	Hole saw for RGH option
SDT 347/120 75VA	347V/120V, 75VA step down transformer. Must be remote mounted.

**ORDERING NOTES**

- 5000K CCT not available with 90CRI.
- Not available with Reflector Finish.
- Refer to [Tech 240](#) for compatible dimmers.
- RGH with 2000LM option requires 120 or 277 (non-IC).
- Field installed. Access required to location of remote mounted device.
- ER for use with generator supply power. Will require an emergency hot feed and normal hot feed.
- Requires NLT or NLTER.
- For details on RAL and Custom colors please see [Architectural colors](#).

**Optical and Trim Assembly**

Fully serviceable and upgradeable lensed LED light engine suitable for field maintenance or service from room side.

**Electrical**

The luminaire shall operate from a 50 or 60 Hz ±3 Hz AC line over a voltage ranging from 120 VAC to 277 VAC. Support 347V via remote-mounted stepdown transformer. The fluctuations of line voltage shall have no visible effect on the luminous output.

The luminaire shall have a power factor of 90% or greater at all standard operating voltages and full luminaire output.

Sound Rated A+. Driver shall be >80% efficient at full load across all input voltages. THD @ Full Load is >20%. Inrush current meets NEMA-410 requirements. Surge Protection +/- 1kV DM, +/- 2kV CM.

**Controls**

Luminaire shall be equipped with interface for nLight wired or nLight AIR networks with integral power supply as per specification.

**Dimming**

The luminaire shall be capable of continuous dimming without perceivable stroboscopic flicker as measured by flicker index (ANSI/IES RP-16-10) over a range of 100 – 1.0% of rated lumen output with a smooth shut off function to step to 0%.

Driver is inaudible in 24dB environment, and stable when input voltage conditions fluctuate over what is typically experienced in a commercial environment.

**Construction**

Surface Gear Box (SGB) for direct installation to 4" recessed or surface octagonal (by others).

Recessed Gear Housing (RGH) ships with driver box for recessed or surface installation.

Die cast with flangeless reflector allows flow-through passive thermal management.

Accommodates between 3/8" to 3"-thick wall surfaces.

**Listings**

Fixtures are UL Certified to meet US and Canadian Standards: All fixtures manufactured in strict accordance with the appropriate and current requirements of the "Standards for Safety" to UL, damp location listed.

RGH option is IC rated up to 1500LM

Luminaire configurations are Energy Star certified through testing in EPA-recognized laboratories, with the results reviewed by an independent, accredited certification organization. Visit [www.energystar.gov](http://www.energystar.gov) for specific configurations listed

**Buy American**

This product is assembled in the USA and meets the Buy America(n) government procurement requirements under FARS, DFARS and DOT. Please refer to [www.acuitybrands.com/buy-american](http://www.acuitybrands.com/buy-american) for additional information.

**Photometrics**

LEDs tested to LM-80 standards. Measured by IESNA Standard LM-79-08 in an accredited lab. Lumen output shall not decrease by more than 30% over the minimum operational life of 60,000 hours.

Color appearance from luminaire to luminaire of the same type and in all configurations, shall be consistent both initially and at 6,000 hours and operate with a tolerance of <2.5 MacAdam ellipse as defined by the center of the quadrangles defined in ANSI C78.377-2015.

**Warranty**

5-year limited warranty. Complete warranty terms located at: [www.acuitybrands.com/support/warranty/terms-and-conditions](http://www.acuitybrands.com/support/warranty/terms-and-conditions)

**Note:**

Actual performance may differ as a result of end user environment and application.

All values are design or typical values, measured under laboratory conditions at 25 °C.

**A+ Capable Luminaire**

This item is an A+ capable luminaire, which has been designed and tested to provide consistent color appearance and out-of-the-box control compatibility with simple commissioning.

- All configurations of this luminaire meet the Acuity Brands' specification for chromatic consistency
- This luminaire is part of an A+ Certified solution for nLight® control networks when ordered with drivers marked by a shaded background\*
- This luminaire is part of an A+ Certified solution for nLight® control networks, providing advanced control functionality at the luminaire level, when selection includes driver and control options marked by a shaded background\*

To learn more about A+, visit [www.acuitybrands.com/aplus](http://www.acuitybrands.com/aplus).

\*See ordering tree for details

Lumen Output Multiplier		
CRI	CCT	Multiplier
80	2700K	0.910
	3000K	0.946
	3500K	1.000
	4000K	1.027
	5000K	1.054
90	2700K	0.784
	3000K	0.847
	3500K	0.874
	4000K	0.946

Reflector Finish Multiplier	
Reflector Finish	Multiplier
LSS - Semi Specular	1.00
LD - Matte Diffuse	1.06
Reflector Color	Multiplier
WR - White	1.05
BR - Black	0.65
BZR - Bronze	0.61
AR - Clear	1.00
GR - Gold	0.93
PR - Pewter	0.98
WTR - Wheat	0.99

Driver		Control Provided				
Nomenclature	Description	NLT	NLTER	NLTAIR2	NLTAIREM2	NLTAIRER2
UGZ	0-10V driver dims to 1%	nPP16 D EFP	nPP16 D ER EFP	RPP20 D 24V G2	RPP20 D 24V EM G2	RPP20 D 24V ER G2

J-box Compatibility Matrix	Cylinder Configurations		
	SGB	RGH	
Recommended J-box (by others)	4" Octagonal 4x4x1.5 deep (by others)	✓	✗
	4" Octagonal 4x4x2.125 deep (by others)	✓	✗
	Factory Provided Gear Box (4" Square 4x4x1.5 deep)	✗	✓

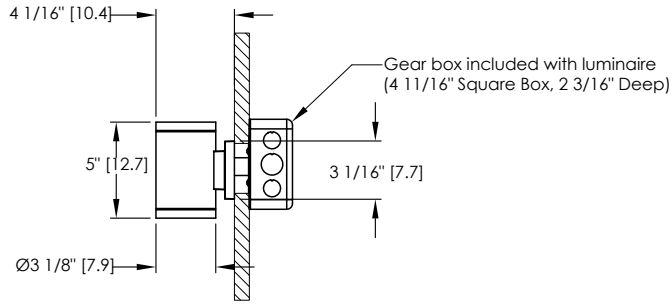
Standard Architectural Color Options for Cylinder Bodies



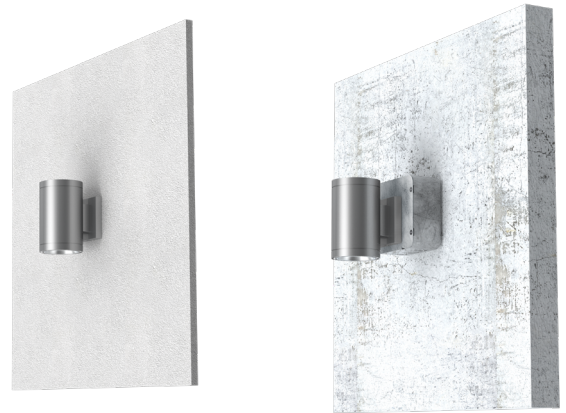
NOTE: These colors were carefully reproduced to give as true a depiction as possible of finished product color. Some colors, however, may vary slightly from actual appearance due to display/printing variations and limitations. Please always contact a Gotham representative for an accurate paint chip sample.

DIMENSIONAL DATA

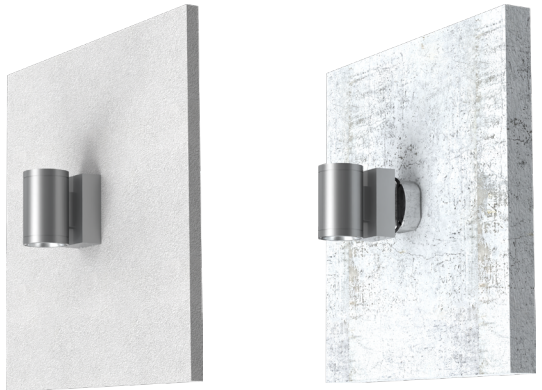
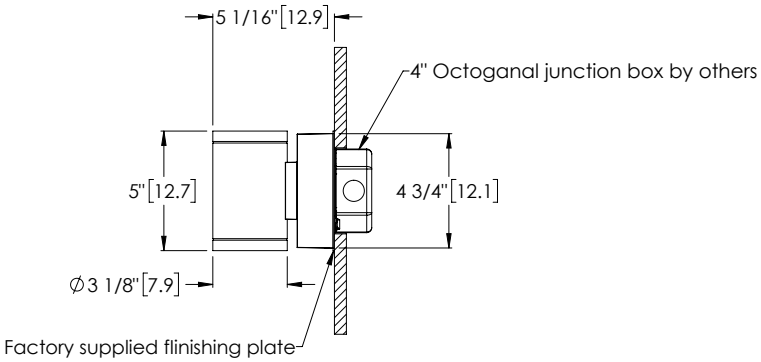
**RGH - Recessed Gear Housing**



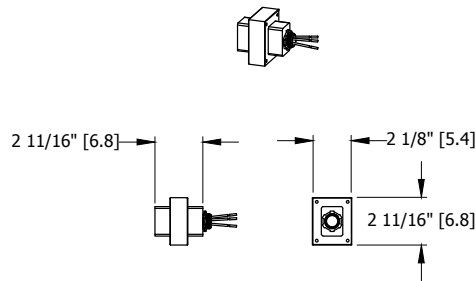
Wall cutout: Ø2 3/4" [7]  
 Wall thickness range: 1/2" [1.3] to 3" [7.6]  
 Luminaire can be mounted as uplight or downlight



**SGB - Surface Gear Box**



**347V Transformer**



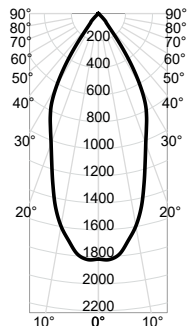
347 Transformer:  
 Install to accessible  
 junction box by others

\*Dimensions in inches [centimeters]

Photometry

CONSULT [WWW.GOTHAMLIGHTING.COM](http://WWW.GOTHAMLIGHTING.COM) FOR ADDITIONAL PHOTOMETRY

EVO2WCHYP 35/15 AR LSS Input Watts: 19.8, Delivered Lumens: 1131, LPW: 57.1, S/MH: 0.68, Test No: 19-538-02P497



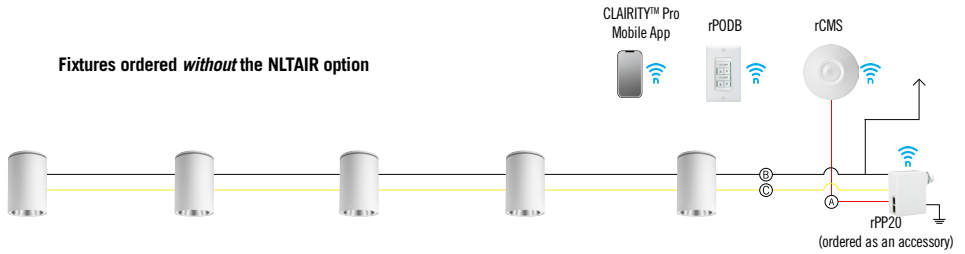
CP Summary		Zonal Lumen Summary		Coefficients of Utilization								Cone of Light			Luminance (cd/sq.m)				
0°	Zone	Lumens	% Fixture	pf	80%		20%		50%		Mounting Height	Initial FC Center Beam	Beam Diameter	Average Luminance					
				pc	50%	30%	10%	50%	30%	10%									
0°	1,817	0° - 30°	906	80%	0	119	119	119	116	116	111	111	111	6.0	50.5	5.1	0°	861,473	
5°	1,786	0° - 40°	1,098	97%	1	111	109	107	109	107	105	105	104	102	8.0	28.4	6.8	45°	27,363
15°	1,303	0° - 60°	1,131	100%	2	104	101	98	103	99	97	100	97	94	10.0	18.2	8.5	55°	413
25°	843	0° - 90°	1,131	100%	3	98	94	90	97	93	89	94	91	88	12.0	12.6	10.2	65°	112
35°	298	90° - 180°	0	0%	4	92	87	83	91	87	83	89	85	82	14.0	9.3	11.9	75°	0
45°	41	0° - 180°	1,131	100%	5	87	82	78	86	81	78	85	80	77				85°	544
55°	1				6	82	77	73	82	77	73	80	76	72					
65°	0				7	78	73	69	77	72	69	76	72	68					
75°	0				8	74	69	65	74	68	65	73	68	64					
85°	0				9	70	65	61	70	65	61	69	64	61					
90°	0				10	67	62	58	67	62	58	66	61	58					

Beam Angle: 45.9°  
Field Angle: 74.0°

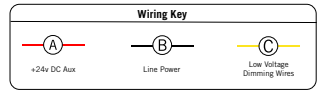
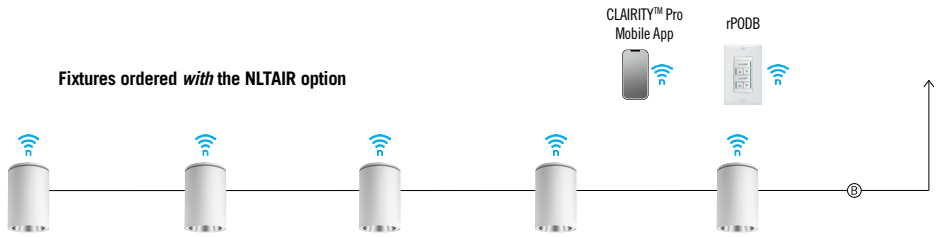
**nLight® AIR** is the ideal solution for retrofit or new construction spaces where adding communication wiring is cost prohibitive. The integrated nLight AIR rPP20 Power Pack is part of each EVO Luminaire ordered with the NLTAIR option. These individually addressable controls offer the ultimate in flexibility during initial setup and for space repurposing.

**Possibilities for nLight® AIR**

Fixtures ordered *without* the NLTAIR option



Fixtures ordered *with* the NLTAIR option



**nLight® AIR Control Accessories**  
Order as separate catalog number. Visit [nLight AIR](#).

Wall Switches	Model Number
On/Off single pole	rPODB (color) G2
On/Off two pole	rPODB 2P (color) G2
On/Off & raise/lower single pole	rPODB DX (color) G2
On/Off & raise/lower two pole	rPODB 2P DX (color) G2

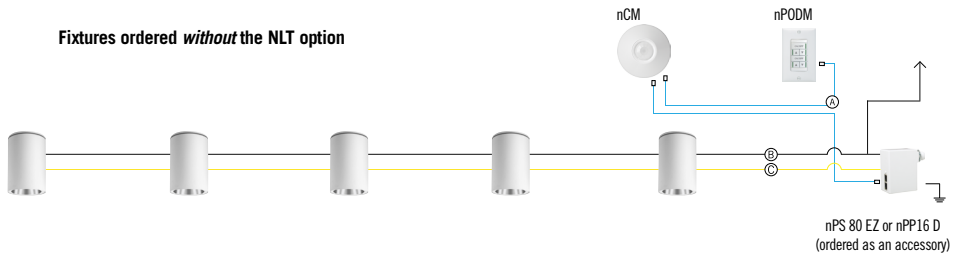
**nLight® AIR Control Accessories (cont.)**

Occupancy Sensors (PIR/dual tech)	Model Number
Small motion 360°, ceiling	rCMS 9 / rCMS PDT 9
Large motion 360°, ceiling	rCMS 10 / rCMS PDT 10

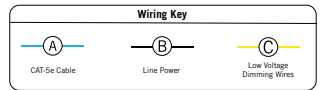
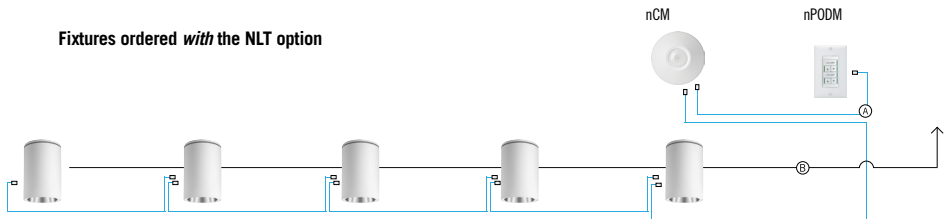
**nLight® Wired** The nLight® solution is a digital networked lighting control system that provides both energy savings and increased user configurability by cost effectively integrating time-based, daylight-based, sensor-based and manual lighting control schemes.

**Possibilities for nLight® wired**

Fixtures ordered *without* the NLT option



Fixtures ordered *with* the NLT option



**nLight® Wired Control Accessories**  
Order as separate catalog number. Visit [nLight](#).

Wall Switches	Model Number
On/Off single pole	nPODM (XX)
On/Off two pole	nPODM 2P (XX)
On/Off & raise/lower single pole	nPOD DX (XX)
On/Off & raise/lower two pole	nPODM 2P DX (XX)
Graphic touchscreen	nPOD GFX (XX)

Photocell Controls	Model Number
Dimming	nCM ADCX

**nLight® Wired Control Accessories (cont.)**

Occupancy Sensors (PIR/dual tech)	Model Number
Small motion 360°, ceiling	nCM 9 / nCM PDT 9
Large motion 360°, ceiling	nCM 10 / nCM PDT 10
Wide View	nWV 16 / nWV PDT 16
Wall switch with raise/lower	nWSX LV DX / nWSX PDT LV DX

Cat-5 Cables (plenum rated)	Model Number
10', CAT5	CAT5 10FT J1
15', CAT5	CAT5 15FT J1