

INSTALLATION GUIDE

GOVERNMENT SOLUTIONS for Physical Access

R10-H, RP10-H, R40-H, RP40-H, RK40-H,
RPK40-H, RKCL40-P, RPKCL40-P, RKCLB40-P

pivCLASS® Reader

PLT-01134 A.8



Parts

- 1 - Reader and base plate assembly
- 1 - Installation guide
- 2 - Terminal connector - terminal readers only

RKCL40, RPKCL40 & RKCLB40

- 4 - M3.5 mm x 12 mm Phillips machine screw
- 4 - #6-32 x .375" Phillips self-tapping machine screw
- 4 - #6 x 1.5" Phillips sheet metal screw
- 3 - #6-32 x .4375" Spanner security screw, anti-tamper (black)
- 3 - #6-32 x .4375 Phillips security screw (black)
- 1 - Mounting gasket

R10, RP10, R40, RK40, RP40 & RPK40

- 2 - M3.5 mm x 12 mm Phillips machine screw
- 3 - #6-32 x .375" Phillips self-tapping machine screw
- 2 - #6 x 1.5" Phillips sheet metal screw
- 1 - #6-32 x .375" Spanner security screw, anti-tamper
- 1 - Mounting gasket (optional, recommended for outdoor installation)

Recommended

- Cable, 6 conductor, 22 or 24 AWG [65 mm or 51 mm] Twisted Pair, Over-All Shield (Belden 3108A or equivalent) - RS-485-FDX + power
- Cable, 4 conductor, 22 or 24 AWG [65 mm or 51 mm] Twisted Pair, Over-All Shield and UL approved (Belden 3107A, or equivalent) - RS-485-HDX + power
- Cable, 6 to 9 conductor, 22 or 24 AWG [65 mm or 51 mm] Over-All Shield, (Alpha 1296C or equivalent) - Wiegand + power
- DC power supply
- Metal or plastic double-gang junction box - **RPKCL40 / RPKCL40 / RKCLB40**
- Metal or plastic single-gang junction box - **R10 / RP10 / R40 / RP40 / RK40 / RPK40**
- Reader spacer when using metal junction boxes - see pivCLASS How to Order Guide
- Security tool (for spanner security screw, anti-tamper) HID 04-0001-03

Specifications

pivCLASS Protocol

PRODUCT	BASE PART NUMBER	INPUT VOLTAGE (VDC)	CURRENT			OPERATING TEMPERATURE	CABLE LENGTH	UL REF NUMBER	
			Standby AVG ¹	Maximum AVG ²	PEAK ³				
R10-H	900NHR	12VDC	60mA	100mA	200mA	-30° to 150° F (-35° to 65° C)	RS-485 = 500 ft - 22 AWG (152 m) 300 ft - 24 AWG (91 m)	R10E _{X₁X₂X₃}	
RP10-H	900PHR		75mA					110mA	RP10E _{X₁X₂X₃}
R40-H	920NHR		65mA	125mA					R40E _{X₁X₂X₃}
RP40-H	920PHR		85mA					R40E _{X₁X₂X₃}	
RK40-H	921NHR		85mA	220mA	RK40E _{X₁X₂X₃}				
RPK40-H	921PHR		95mA		RPK40E _{X₁X₂X₃}				
RKCL40-P	923NPR		150mA	185mA	250mA			-4° to 122° F (-20° to 50° C)	RKCL40E _{X₁X₂X₃}
RPKCL40-P	923PPR		165mA	215mA	275mA			14° to 122° F (-10° to 50° C)	RPKCL40E _{X₁X₂X₃}
RKCLB40-P	924NPR								RKCLB40E _{X₁X₂X₃}

¹ Standby AVG - RMS current draw without a card in the RF field.

² Maximum AVG - RMS current draw during continuous PIV card reads. Not evaluated by UL.

³ Peak - highest instantaneous current draw during RF communication.

UL Reference Number Deciphering

- X₁ Reader Colors: K = Black
- X₂ Wiring: N = Pigtail, T = Terminal
- X₃ Communications: N = No Module, R = RS-485

Wiegand and OSDP Protocol

PRODUCT	BASE PART NUMBER	INPUT VOLTAGE (VDC)	CURRENT ¹			OPERATING TEMPERATURE	CABLE LENGTH ⁵	UL REF NUMBER
			Standby AVG ²	Maximum AVG ³	PEAK ⁴			
R10-H	900N	5-16VDC 12VDC for RS-485	60mA	100mA	200mA	Communication Lines Wiegand = 500 ft - 22 AWG (152 m) 300 ft - 24 AWG (91 m) RS-485 = Max. bus length 4000 ft - 24 AWG (1,219 m)	R10E _{x₁x₂x₃}	
RP10-H	900P		75mA				110mA	RP10E _{x₁x₂x₃}
R40-H	920N		65mA					R40E _{x₁x₂x₃}
RP40-H	920P		85mA	125mA	RP40E _{x₁x₂x₃}			
RK40-H	921N		85mA		RK40E _{x₁x₂x₃}			
RPK40-H	921P		95mA	RPK40E _{x₁x₂x₃}				
RKCL40-P	923N	12VDC	150mA	185mA	250mA	Max length between nodes: 1,640 ft - 24 AWG (500m)	RKCL40E _{x₁x₂x₃}	
RPKCL40-P	923P						RPKCL40E _{x₁x₂x₃}	

¹ Communication protocols other than Wiegand or Clock & Data require an additional hardware module which increases current by 30 mA.

² Standby AVG - RMS current draw without a card in the RF field.

³ Maximum AVG - RMS current draw during continuous PIV card reads. Not evaluated by UL.

⁴ Peak - highest instantaneous current draw during RF communication.

⁵ Wiegand Cable Lengths: 100 ft (30.5 m) 22 AWG @ 5 - 6.4VDC
500 ft (152 m) 22 AWG @ 6.5 - 16VDC

UL Reference Number Deciphering

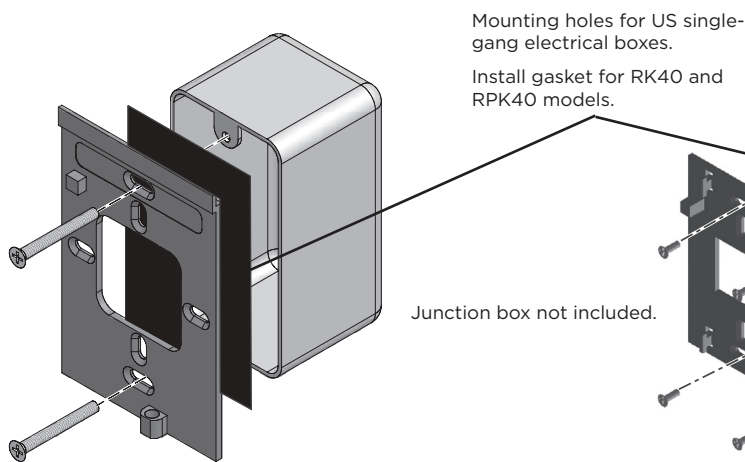
- x₁ Reader Colors: K = Black
- x₂ Wiring: N = Pigtail
T = Terminal
- x₃ Communications: N = No Module,
R = RS-485 (OSDP)

Installation

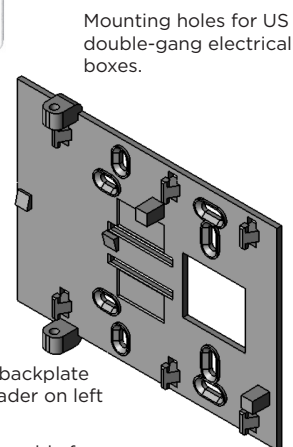
1 Mounting

Attach Backplate and Mounting Gasket to Junction Box.

Contactless Models



Contact Models



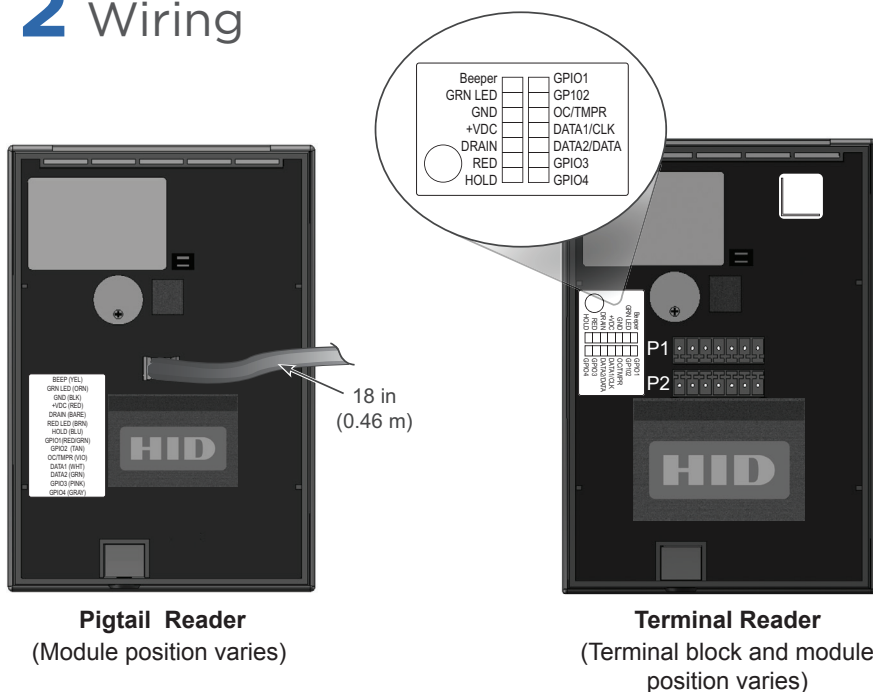
Reverse Configuration Rotating the backplate 180° allows for placing the Contact reader on left and the Keypad reader on right.

See Section B Reconfigure Reader Assembly for instructions, before proceeding to Section 2.

This Installation Guide is for informational purposes only. HID makes no warranties, expressed or implied, in this summary. Company, product names and data used in sample output are fictitious. Specifications are subject to change without notice.

© 2012 - 2018 HID Global Corporation/ASSA ABLOY AB. All rights reserved. HID GLOBAL, HID, the HID Brick logo, the Chain Design, and PIVCLASS are trademarks or registered trademarks of HID Global, ASSA ABLOY AB, or its affiliate(s) in the U.S. and other countries and may not be used without permission. All other trademarks, service marks, and product or service names are trademarks or registered trademarks of their respective owners.

2 Wiring



ATTENTION
Observe precautions for handling
ELECTROSTATIC SENSITIVE DEVICES

Notes:

1. Previous iCLASS readers had reversed RS-485 wiring (P2-7 & P2-6 - A & B). When upgrading to a pivCLASS reader, ensure proper connections as defined below.
2. Wiring the reader incorrectly may permanently damage the reader.
3. For cable lengths greater than 200 ft. (61 m) or EMF interference, install 120Ω +/- 2Ω resistor across RS-485 termination ends.
4. It is possible to reuse existing Wiegand wiring for OSDP, however, using simple stranded cable (typical of Wiegand access control readers) usually does not meet RS-485 twisted pair recommendations.

Pigtail	Terminal	Description	Pigtail	Terminal	Description
Yellow	P1-1	Beeper Input	Red / Green	P2-7	*GPIO1/OSDP (RS485-FDX/HDX-A)
Orange	P1-2	LED Input (GRN)	Tan	P2-6	*GPIO2/OSDP (RS485-FDX/HDX-B)
Black	P1-3	Ground (RTN)	Violet	P2-5	**Open Collector Output / Tamper
Red	P1-4	+VDC	White	P2-4	***Wiegand Data 1 / Clock
Drain	P1-5	Unused	Green	P2-3	***Wiegand Data 0 / Data
Brown	P1-6	LED Input (RED)	Pink	P2-2	*GPIO3 (RS485-FDX-Z)
Blue	P1-7	Hold Input	Gray	P2-1	*GPIO4 (RS485-FDX-Y)

*RS-485 applicable for pivCLASS readers.

**Tamper Output - When activated, output synchronizes to ground (default).

***Dependent upon reader configuration. See the HTOG for Wiegand and Clock-in-Data configurations.

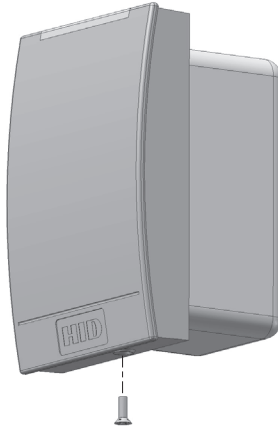
3 Attach to Backplate

Contactless Models

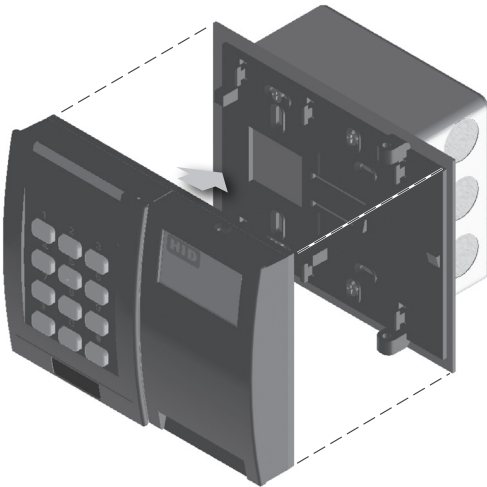
Attach Reader



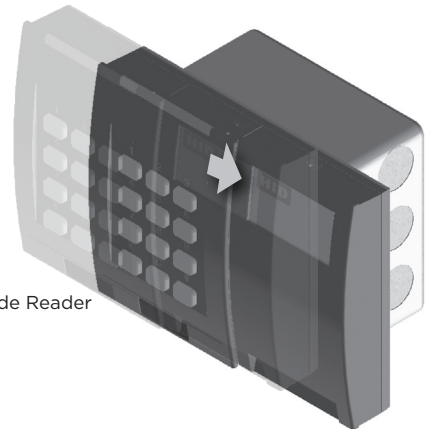
Install Security Screw



Contact Models



Default: Slide Reader Assembly towards the right to lock.



Reversed Configuration: Slide Reader Assembly to the left to lock.

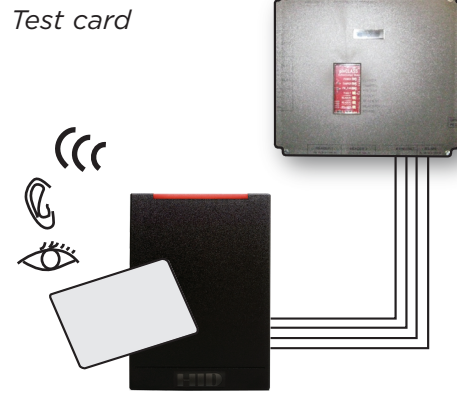


This Installation Guide is for informational purposes only. HID makes no warranties, expressed or implied, in this summary. Company, product names and data used in sample output are fictitious. Specifications are subject to change without notice.

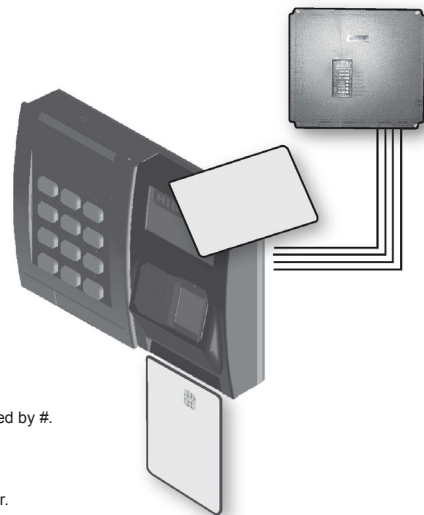
© 2012 - 2018 HID Global Corporation/ASSA ABLOY AB. All rights reserved. HID GLOBAL, HID, the HID Brick logo, the Chain Design, and PIVCLASS are trademarks or registered trademarks of HID Global, ASSA ABLOY AB, or its affiliate(s) in the U.S. and other countries and may not be used without permission. All other trademarks, service marks, and product or service names are trademarks or registered trademarks of their respective owners.

4 Power & Testing

Contactless Models



Contact Models



Note:

With a keypad reader operating as 26 bit emulation, upon power up you have 5 seconds to enter the Facility Code followed by #. If unsuccessful, the reader LED displays solid Red. Power-cycle the reader and retry entering the Facility Code.

The Facility Code needs to be manually entered as 3 digits (for example, if the Facility Code is 10, enter 0-1-0-#). SE readers only use Facility Codes between 1-255. There is no default Facility Code.

Once the Facility Code has been entered, the LED will display Violet and then to a final Red. Then power-cycle the reader.

When using a keypad, if there are 2 short beeps after entering your PIN, the reader does not have a Facility Code configured yet. In this event, an Administrator will need to power-cycle the reader and enter the Facility Code before the reader will accept your PIN.

This Installation Guide is for informational purposes only. HID makes no warranties, expressed or implied, in this summary. Company, product names and data used in sample output are fictitious. Specifications are subject to change without notice.

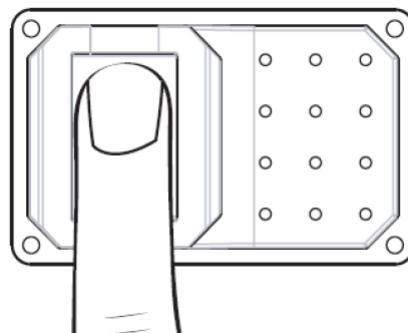
© 2012 - 2018 HID Global Corporation/ASSA ABLOY AB. All rights reserved. HID GLOBAL, HID, the HID Brick logo, the Chain Design, and PIVCLASS are trademarks or registered trademarks of HID Global, ASSA ABLOY AB, or its affiliate(s) in the U.S. and other countries and may not be used without permission. All other trademarks, service marks, and product or service names are trademarks or registered trademarks of their respective owners.

A Biometric Reader

Proper Usage

Ensure a good quality Contact:

- Do not press too hard
- Do not move during image acquisition
- Leave your finger on the sensor at least 2 seconds
- Do not slide or roll your finger across the sensor



Cleaning

For optimum performance, it is recommended that the user clean the bio-reader periodically. The use of a dry cloth is recommended to clean the acquisition surface.

Caution: Acidic liquids, alcohol or abrasive materials are prohibited.

In order not to scratch the surface, remove all dust and residue with gentle movements.



Acquisition Surface

This Installation Guide is for informational purposes only. HID makes no warranties, expressed or implied, in this summary. Company, product names and data used in sample output are fictitious. Specifications are subject to change without notice.

© 2012 - 2018 HID Global Corporation/ASSA ABLOY AB. All rights reserved. HID GLOBAL, HID, the HID Brick logo, the Chain Design, and PIVCLASS are trademarks or registered trademarks of HID Global, ASSA ABLOY AB, or its affiliate(s) in the U.S. and other countries and may not be used without permission. All other trademarks, service marks, and product or service names are trademarks or registered trademarks of their respective owners.

B Reconfigure Reader Assembly

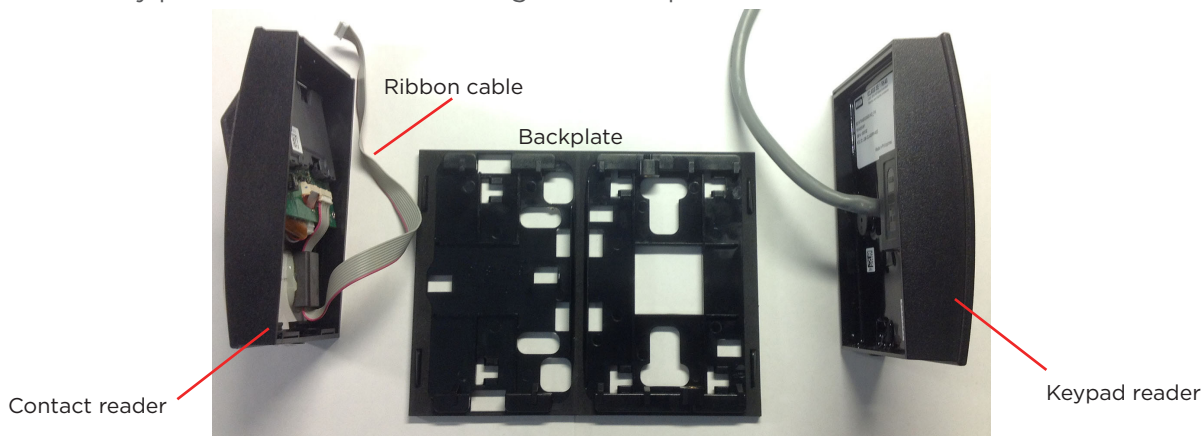
The following steps reconfigure the reader assembly to position the Contact reader component on the left side of the assembly.

1. Disassemble the reader.
 - Remove the Keypad reader from the backplate
 - Carefully unplug the ribbon cable from the module in the back of the Keypad reader. Caution: Do not pull on the ribbon cable as this may damage the connection to the connector.
 - Remove the Contact reader from the backplate
 - Gently pull the ribbon cable through the backplate

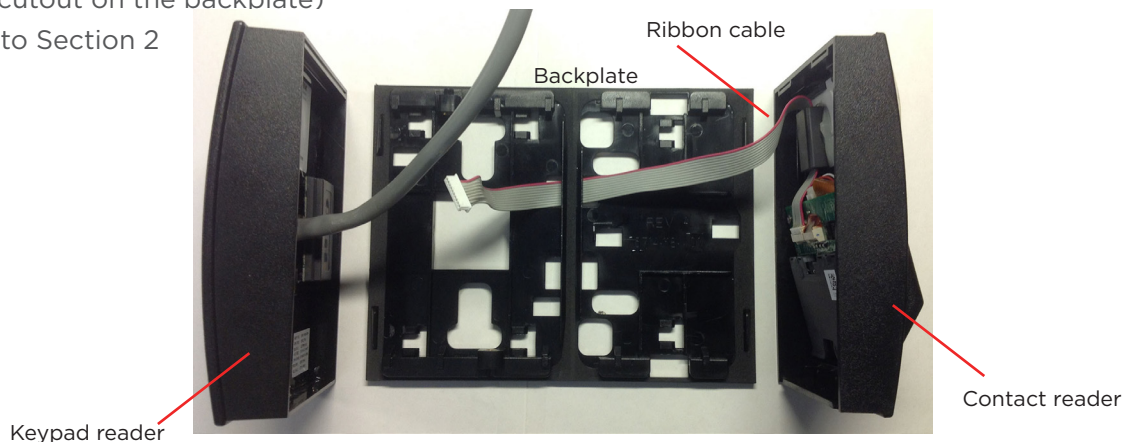


Contact reader

Keypad reader



2. Reassemble with the Contact reader on the left side of the assembly.
 - Rotate the backplate so that the large cutout for the power cable is on the left
 - Gently route the ribbon cable back through the backplate slots, as shown below
 - Plug the ribbon cable back into the module (back of Keypad reader) and ensure module is fully seated into the reader
 - Attach the Contact reader to the backplate (this must be installed first, as the Keypad Reader will fit slightly over the Contact reader)
 - Attach the Keypad reader to the backplate (power cable must be threaded through the large square cutout on the backplate)
 - Return to Section 2



This Installation Guide is for informational purposes only. HID makes no warranties, expressed or implied, in this summary. Company, product names and data used in sample output are fictitious. Specifications are subject to change without notice.

© 2012 - 2018 HID Global Corporation/ASSA ABLOY AB. All rights reserved. HID GLOBAL, HID, the HID Brick logo, the Chain Design, and PIVCLASS are trademarks or registered trademarks of HID Global, ASSA ABLOY AB, or its affiliate(s) in the U.S. and other countries and may not be used without permission. All other trademarks, service marks, and product or service names are trademarks or registered trademarks of their respective owners.

C Credential Presentation Best Practices

To ensure a successful read of a PIV card:

1. Hold card between the thumb and index finger.
2. Present the card so that the index finger creates a spacing between the card and the reader face. Do not place the card flat on the reader.
3. Place the card parallel to the reader form factor. Do not angle to the right or left
4. Place the card parallel to the reader face. Do not angle the card up or down from the reader face.



UL

Connect only to a Listed Access Control / Burglary power-limited power supply. These readers are intended to be used with listed (UL294) control equipment.

All models are suitable for outdoor use.

Evaluated for use over Wiegand and RS-485 communications.

Evaluated for use with the M2000 pivCLASS Authentication Module as well as Standard Wiegand and OSDP panels.

FCC CERTIFICATION

CAUTION: Any changes or modifications to this device not explicitly approved by manufacturer could void your authority to operate this equipment.

This device complies with part 15 of the FCC Rules. Operation is subject to the following two conditions: (1) This device may not cause harmful interference, and (2) this device must accept any interference received, including interference that may cause undesired operation.

HID Global

Americas & Corporate

611 Center Ridge Drive
Austin, TX 78758
USA
Support: 866 607 7339
Fax: 949 732 2120

Asia Pacific

19/F 625 King's Road
North Point, Island East
Hong Kong
Support: 852 3160 9833
Fax: 852 3160 4809

Europe, Middle East & Africa

Phoenix Road
Haverhill, Suffolk CB9 7AE
England
Support: 44 (0) 1440 711 822
Fax: 44 (0) 1440 714 840

For additional offices around the world, see www.hidglobal.com corporate offices.
HID Global Customer Support: www.hidglobal.com/customer-service



Equipment
8129
ACC Control Reader



General Signalling
Equipment