



INSTALLER SERIES METAL RACKS

INSTALLATION MANUAL
ROY2212 | ROY2213 | ROY2214

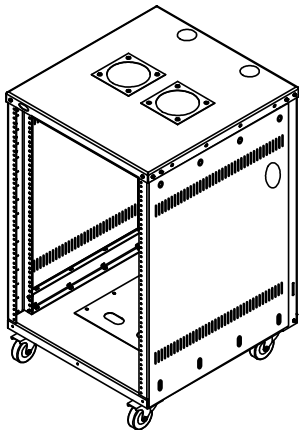
CONGRATULATIONS

Congratulations on purchasing your new Royal™ Installer Series Metal Rack. The new 2200 Series of metal cabinets are made from strong steel with a black, powder coat finish and come jam packed with custom features you'll love. Available in 12u, 16u, and 21u models these racks ship with our new and improved assembly screws to make installation easy and include several carefully placed knock-outs for equipments cables and thermal management units. The Installer Series Racks are designed with style and built for any size install.

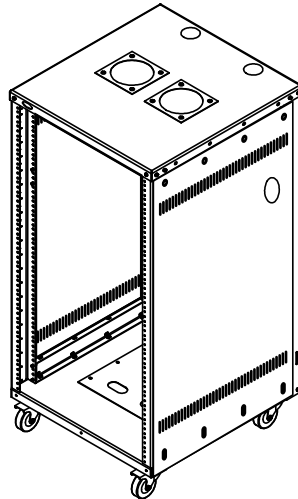
RACK SIZES

Available in 3 sizes:

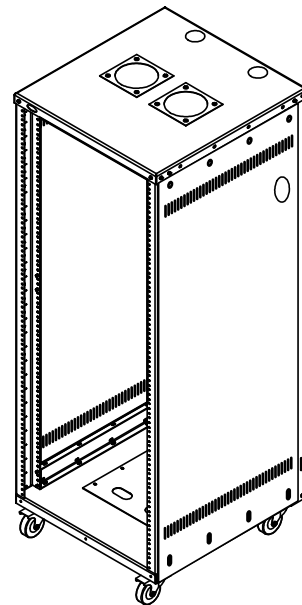
- » ROY2212 - 12u
- » ROY2213 - 16u
- » ROY2214 - 21u



ROY2212



ROY2213



ROY2214

DIMENSIONS

With casters

	Height	Width	Depth
ROY2212	27.5	20	18
ROY2213	34	20	18
ROY2214	44	20	18

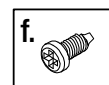
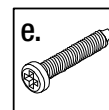
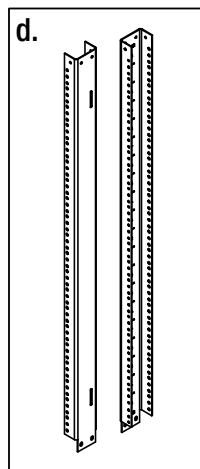
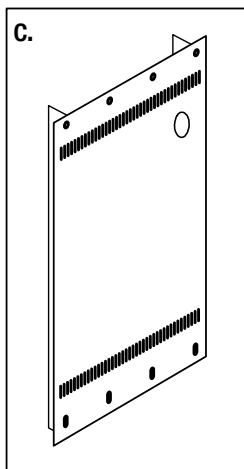
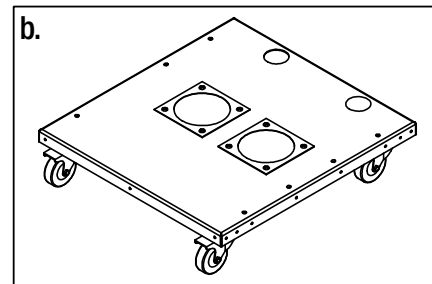
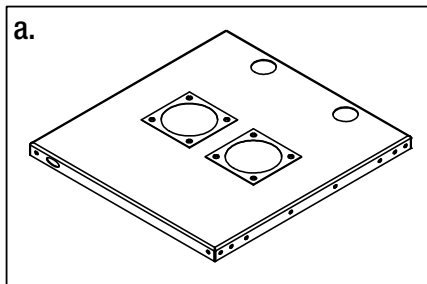
Without casters

	Height	Width	Depth
ROY2212	23.5	20	18
ROY2213	30.5	20	18
ROY2214	39.3	20	18

IN THE BOX

Included:

- a. Top Plate
- b. Bottom Plate w/ Pre-installed Casters
- c. Side Panels
- d. Vertical Support Bars
- e. Accessory Screws
- f. Assembly Screws



PLEASE NOTE:

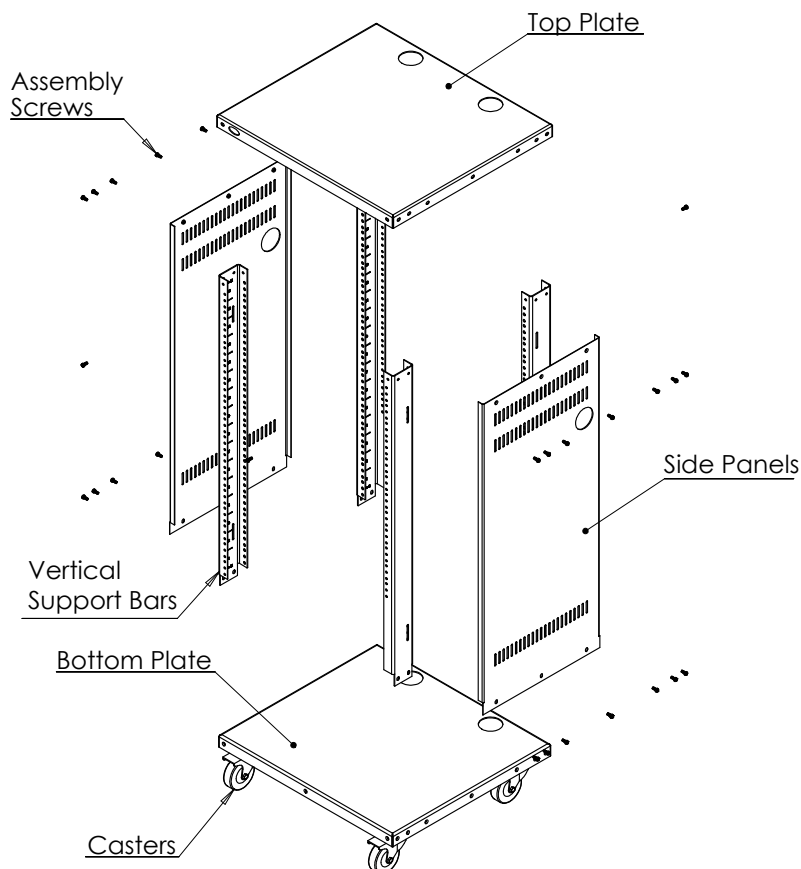
Maximum load capacity for these racks is 600lbs. Using a combined equipment weight that is heavier than the max load indicated may result in instability causing possible injury.

ASSEMBLY

Lock the casters before starting assembly.

Make sure all knock-out holes are aligned along the back side of your rack.

1. Attach the vertical support bars (d) to the bottom plate (b) with the pre-installed casters using the assembly screws (f).
2. Place the side panels (c) between the vertical support bars (d) and attach from the bottom.
3. Attach the top plate (a).
4. Customize your rack by adding accessories (sold separately) that fit your components. Be sure to use the accessory screws (e).



KNOCK-OUTS

We've included several carefully placed knock-outs within our new line of racks! Unlike others, we've laced our racks with (2) 2-inch holes at the top, on the base, and along the sides enabling you to easily run wires/cables to your equipment. We've also added (2) 120mm knock-outs at the top & bottom of the rack, which allow you to easily add the proper thermal management system. You can also use them for running wires within the rack which is especially handy when stacking two of our racks together using our ROY1232 Rack Stax.

ADDING ACCESSORIES

Customize your rack by adding accessories to fit your components. Choose from vented or blank shelves and plates, locking drawers, power strips, keystone panels, and more.

1. Start by planning the arrangement of your rack and the placement of your components.
2. Assemble your rack accessories and components from bottom to top. Make sure to place your heavier components near the bottom when possible.
3. Consider ventilation and thermal management solutions to produce maximum airflow. This will help keep your equipment working better for longer.

NEED MORE SCREWS?

Accessory screws are included with all of our racks and accessories but, in the event you need more, additional screws are available. Our ROY2250 jar of screws contains 200 black screws featuring Phillips head with pre-installed washers.

LIMITED LIFETIME WARRANTY



This Royal product carries a LIMITED LIFETIME WARRANTY on both parts and labor. Should your Royal Rack fail to perform properly at any time during the warranty period, Royal will repair or replace (at our option) the item barring any indication of misuse or abuse. Freight to a Royal authorized facility is paid by the customer. Return freight is paid by Royal. Warranty registration occurred automatically at the time your order was placed. There is no need to complete or mail in additional paperwork. If you have any questions about the operation or installation of this product, please call our distributor, Skywalker Communications at (800) 844-9555 or (636) 272-8025. Skywalker Communications hours of operation are from 8am to 5pm, Central Standard Time.