



Residential Transfer Switches Catalogue



Powering Business Worldwide

Residential Transfer Switches

Contents

<i>Description</i>	<i>Page</i>
Manual Transfer Switches / Generator Panels	05
Enclosed Service Entrance Rated Circuit Breakers	07
Residential Automatic Transfer Switches	
50, 100 and 200 Ampere	08
100 and 200 Ampere Service Entrance Rated	10
400 Ampere Service Entrance Rated	12
Specialty Metering Products	
Metered Manual Transfer Switches	14
Metered Service Entrance Rated Automatic Transfer Switches	16
Catalogue Number Index	19

Residential Transfer Switches

Product description

A transfer switch panel is a device that is mounted next to or incorporated within the loadcentre (distribution panel) in the home or small business. The transfer switch panel is used in conjunction with an emergency generator (usually supplied by others) and serves the purpose of turning selected circuits on and off during a power outage. The transfer switch panel allows the owner to start up a generator and then restore power to critical circuits when utility power is not available.

The owner designates which circuits are critical such as their refrigerator, furnace, and certain lighting loads. Sometimes called emergency power panels, emergency generator panels, gen. panels, transfer switches or emergency panels; transfer switch panels provide the homeowner or small business owner with a safe and easy way to continue using essential electrical loads when utility power is not available.

Application description

Transfer switch panels are most often used in residential, agricultural and light commercial applications. Comfort and safety are key concerns of many homeowners who are dependent on an uninterrupted supply of electricity.

The increase in our dependence on power is due in part to the popularity of home business and in-home care. In addition, various rural and urban regions in North America experience periodic power outages due to extreme weather conditions such as ice and snowstorms, heat waves, tornadoes or hurricanes. Regions such as Pacific, Atlantic, and Central are the strongest markets for portable generators and transfer switch panels.

Features, functions, and benefits

Eaton offers two unique manual transfer switch emergency power solutions.

- Manual transfer switches or a generator sub-panel
- Combination service entrance loadcentre with generator sub-panel

IMPORTANT

BEFORE INSTALLATION, CONSULT APPROPRIATE ELECTRICAL CODES. INSTALLATION INFORMATION IS INCLUDED IN THE CARTON.

Manual transfer switches/generator panels

- Main utility and emergency (generator) breaker factory installed
- Available in 30 and 60 A design
- Utility breaker and generator breakers are mechanically interlocked to protect equipment and personnel by preventing dangerous dual-source feeding
- Critical loads permanently connected to allow for quick and convenient switching from utility power to stand-by generator power
- Designed for switched neutral applications. Can be reconfigured in field for non-switched neutral applications
- Sturdy and reliable 125 A rated aluminum bus design
- Type BR/DNPL branch breakers sold separately
- Ideal for new and retrofit installations
- EEMAC 1 indoor enclosure design

Standards and certifications

- CSA approved

Product specifications

- 10,000 AIC rating
- Switching devices must be circuit breakers
- Transfer switch panel must be supplied with neutral and ground



Combination service entrance loadcentre generator panel CBRPM236GEN

- Single enclosure (EEMAC 1) to house both loadcentre and generator breakers
- Factory installed main breakers
- Available in 200 A designs
- Utility and emergency transfer switch breaker factory installed
- Utility breaker and generator breakers are mechanically interlocked to protect equipment and personnel by preventing dangerous dual-source feeding
- Critical loads permanently connected to allow for quick and convenient switching from utility power to stand-by generator power
- Designed for switched neutral applications. Can be reconfigured in field for non-switched neutral applications
- Type BR/DNPL branch breakers sold separately
- Ideal for new and retrofit installations
- EEMAC 1 indoor enclosure design

Standards and certifications

- CSA approved

Product specifications

- 25,000 AIC rating for CBRPM236GEN
- Switching devices must be circuit breakers
- Transfer switch panel must be supplied with neutral and ground

Residential Transfer Switches

Manual Transfer Switches and Generator Panels



Product selection

Table 1. Manual transfer switches/generator panels

Bus rating (A)	Generator breaker (A)	Switched neutral	Enclosure rating	Max. total branch circuits (1-inch/½-inch)	Inlet receptacle type	Height branch circuits in inches (mm)	Width in inches (mm)	Depth in inches (mm)	Catalogue number
125	30	Yes	EEMAC 1	6/12	—	16.75 (425.5)	14.38 (365.1)	3.88 (98.4)	CBRPL112G3
125	60	Yes	EEMAC 1	6/12	—	16.75 (425.5)	14.38 (365.1)	3.88 (98.4)	CBRPL112G6
125	60	Yes	EEMAC 1	14/28	—	21.00 (533.4)	14.38 (365.1)	3.88 (98.4)	CBRPL120G6
125	60	Yes	EEMAC 1	24/48	—	29.13 (739.8)	14.38 (365.1)	3.88 (98.4)	CBRPL130G6

Table 2. Combination service entrance loadcentre generator panel

Bus rating (A)	Loadcentre main breaker (A)	Max. total branch circuits (1-inch/½-inch)	Generator breaker (A)	Switched neutral	Max. generator branch circuits	Height in inches (mm)	Width in inches (mm)	Depth in inches (mm)	Catalogue number
200	200	36/72	60	Yes	6/12	49.00 (1244.6)	14.38 (365.1)	3.88 (98.4)	CBRPM236GEN

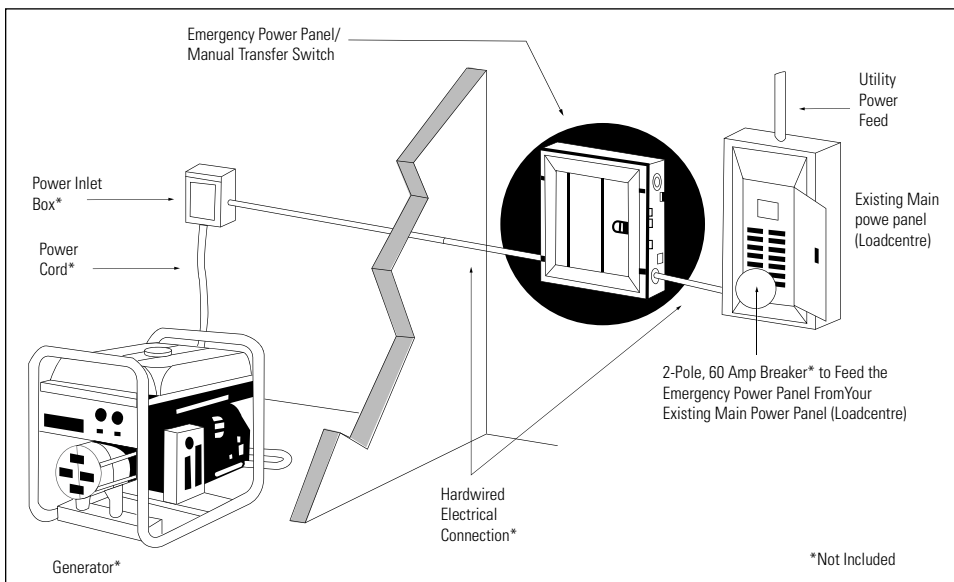


Figure 1. Typical installation diagram

Notes:

- Combination service entrance loadcentre generator panels come complete with an integrated emergency generator panel
- Combination service entrance loadcentre generator panels come complete with factory installed utility feeder breaker for emergency generator panel section



ECCSEGEN20R

Product description

In applications where a whole house transfer is being performed a separate service entrance rated disconnect means is required. Figures 2 and 3 on this guide show a typical whole house transfer configuration. The difference

between these two configurations is the mounting location of the service entrance disconnect and residential automatic transfer switch. Eaton offers both an indoor NEMA® 1 and outdoor NEMA 3R rated enclosed circuit breaker in either a 100 ampere or 200 ampere rating.

Product selection

Table 3. Enclosed Service Entrance Rated Breakers

Description	Catalogue Number			
	ECSEGEN100	ECCSEGEN200	ECSEGEN10R	ECCSEGEN20R
Voltage (V)	120 / 240	120 / 240	120 / 240	120 / 240
Amperes (A)	100	200	100	200
Poles	2	2	2	2
CSA Approved	Yes	Yes	Yes	Yes
Withstand Rating (kAIC)	10	25	10	25
Circuit Breaker Type	BR	CCV	BR	CCV
Wire Size	#14 - 1/0	#2 - 300kcmil	#14 - 1/0	#2 - 300kcmil
Enclosure ^{a b}	Type 1	Type 1	Type 3R (outdoor)	Type 3R (outdoor)
Depth (Inches / mm)	3- ³ / ₄ / 82.55	4- ¹ / ₂ / 114.30	4 / 101.60	5-7/16 / 138.11
Width (Inches / mm)	6- ³ / ₄ / 171.45	8-7/8 / 225.42	6- ¹ / ₂ / 165.10	9-5/16 / 236.54
Height (Inches / mm)	11- ¹ / ₂ / 292.10	23- ¹ / ₄ / 590.55	11- ¹ / ₂ / 292.10	23-11/16 / 601.66
Weight (lbs / kg)	3.2 / 1.45	15 / 6.8	3.3 / 1.5	15 / 6.8

Notes:

^a NEMA is a registered trademark and service mark of the National Electrical Manufacturers' Association

^b 100A Units use the DS***HI conduit hubs and 200A units use the DS***H2 conduit hubs. Please refer to Table 7 on Page 13

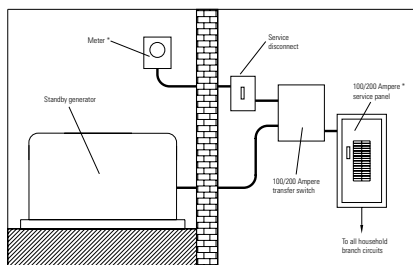


Figure 2. Whole House Wiring Configuration

Indoor Installation

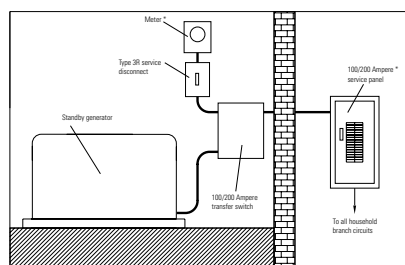


Figure 3. Whole House Wiring Configuration

Outdoor Installation

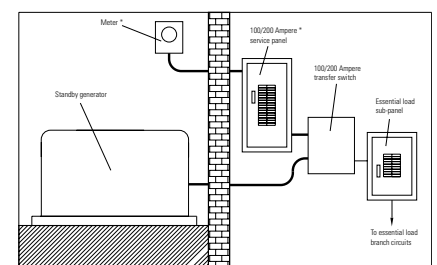


Figure 4. Essential Load Wiring Configuration

Indoor Installation

Residential Transfer Switches

50 100 200 Ampere Automatic Transfer Switches



EGSX100A and EGSX200A

Product description

All the below switches are “utility sense” type of switches and automatically transfer to the appropriate source of power when signalled from the generator. 100 and 200 ampere (A) switches are capable of ‘whole house’ power transfer 50, 100, and 200 Ampere Automatic Transfer Switches in residential/small business applications. 100 and 200A switches can also be used in conjunction with a sub-panel where switching of critical loads is desired. The 50 and 100A combination critical load panel and transfer switch models provide a clean

and convenient single enclosure solution for critical load applications. The 12 or 24 circuit loadcentre incorporated into these models utilize the 3/4” width Type CH circuit breakers.

Standards and certifications

CSA approved

Product selection

Table 4. Residential Automatic Transfer Switches

Description	Catalogue Number			
	EGSX50L12R ^f	EGSX100L24RA ^f	EGSX100A ^f	EGSX200A ^f
Voltage (V)	120/240	120/240	120/240	120/240
Circuits	12 ^e	24 ^e	Whole house or essential loads	Whole house or essential loads
Amperes (A)	50	100	100	200
Poles	2	2	2	2
Frequency (Hz)	50/60	50/60	50/60	50/60
CSA Listed	Yes	Yes	Yes	Yes
Withstand Rating (AIC)	5,000	10,000 ^b	10,000 ^c	10,000 ^d
Switch Type	Electrically held contactor	Electrically held contactor	Electrically held contactor	Electrically held contactor
Enclosure^a	Type 3R (outdoor)	Type 3R (outdoor)	Type 3R (outdoor)	Type 3R (outdoor)
Depth (Inches / mm)	5 / 127	5.32 / 135.13	5.32 / 135.13	5.32 / 133.35
Width (Inches / mm)	14.25 / 361.95	14.46 / 367.28	14.46 / 367.28	14.46 / 367.28
Height (Inches / mm)	21 / 533.40	29.33 / 744.98	16.87 / 428.50	25.08 / 637.03
Weight (lbs / kg)	30.7 / 13.92	38 / 17.24	35 / 15.88	40 / 18.14
Breaker Packs Available	CHGENPAK12R -	Contains Qty 4 CHF115, Qty 1 CHF220 and qty 1 CHF240		
	CHGENPAK24R -	Contains Qty 8 CHF115, Qty 1 CHF220 and qty 1 CHF240		

Notes:

- ^a Can be used for Indoor applications
- ^b When protected by one of the following circuit breakers rated not more than 150 amperes (Eaton/Cutler-Hammer BR, CH, FDC, CSR, CSH, BW, BWH; Siemens CED6, ED6, ED4, HED6, HED4), the withstand rating can go up to 25000
- ^c When protected by one of the following circuit breakers rated not more than 150 amperes (Eaton/Cutler-Hammer BR, CH, FDC, CSR, CSH, BW, BWH; Siemens CED6, ED6, ED4, HED6, HED4), the withstand rating can go up to 22000
- ^d When protected by one of the following circuit breakers rated not more than 400 amperes. (Eaton/Cutler-Hammer DK, KD, KDB, HKD, JDC, KDC, LCL, LA, JDB, JD, HJD, CSR, BW, BWH, FD, FDC; Siemens FD6-A, FXD6-A, HFD6, CFD6; Square D KI, LE, LX, LXI; General Electric SF, SFL, SFP), the withstand rating can go up to 25000
- ^e Utilize the 3/4” width Type CH Circuit breakers found in the Residential Distribution Products Guide.
- ^f Standard ATS Series compatible with Generac generators only

Residential Transfer Switches

50, 100, and 200 Ampere Automatic Transfer Switches

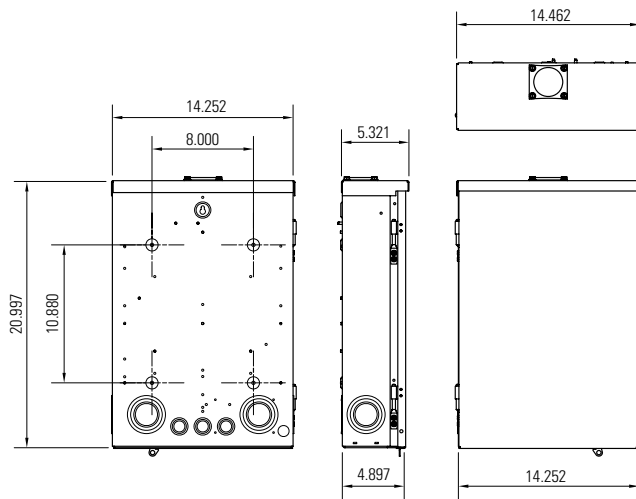


Figure 5. EGSX50L12R 50A

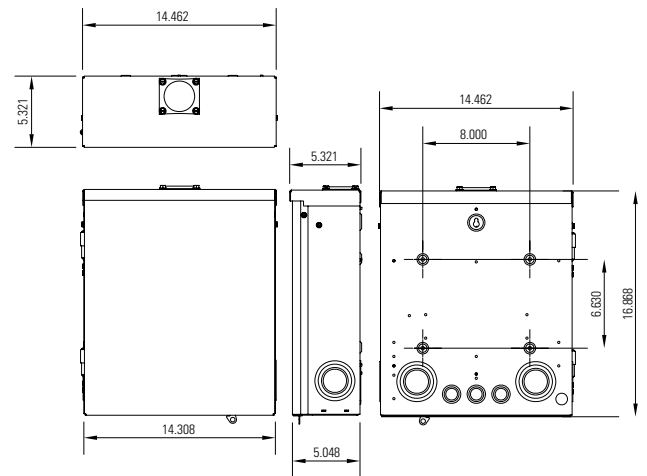


Figure 7. EGSX100A 100A

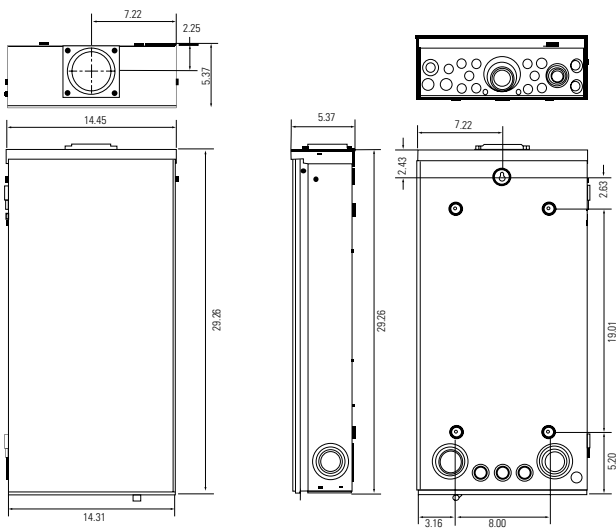


Figure 6. EGSX100L24RA

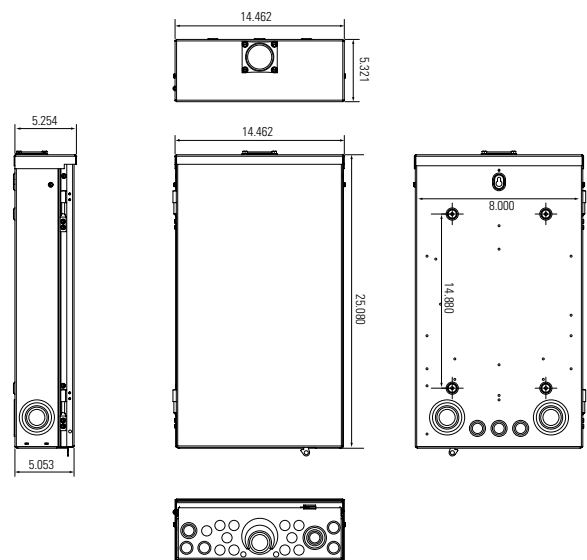


Figure 8. EGSX200A

Residential Transfer Switches

100 and 200 Ampere SE Residential Automatic Transfer Switches



EGSCA200ASE
(Cover removed)

Product description

Our Service Entrance (SE) Rated switches combine the SE Disconnect and ATS in one convenient enclosure. They are available in two styles; Basic (EGSC line) and Advanced (EGSCA line). The basic line relies on the generator to monitor utility and generator voltages and will automatically transfer to the appropriate source of power when signalled from the generator. The Advanced line of switches are compatible with utility sense and engine start type generators, and do not require a transfer signal from the generator. They also feature LED position indicators and source availability indicators.

The Advanced units have the load management capabilities of the RTC-100 control board. Separate

Current Transformer's (CT's) needs to be purchased for this functionality, quantity 1 PN CS200. CS200 contains 3 200 ampere CTs. Two sets of contacts are available to control large connected loads based on available generator capacity.

Standards and certifications

- CSA approved

Product specifications

- 10,000 Symmetrical Amperes withstand rating
- 120/240 VAC 60Hz 2-pole
- -20°C to +40°C (-4°F to +104°F) Operating temperature

Product selection

Table 5. 100 and 200 Ampere SE Residential Automatic Transfer Switches

Description	Catalogue Number			
	EGSC100ASE ^c	EGSC200ASE ^c	EGSCA100ASE	EGSCA200ASE
Type	Basic - relay	Basic - relay	Advanced - RTC100	Advanced - RTC100
Voltage (V)	120/240	120/240	120/240	120/240
Circuits	Whole house or essential loads	Whole house or essential loads	Whole house or essential loads	Whole house or essential loads
Amperes (A)	100	200	100	200
Poles	2	2	2	2
Frequency (Hz)	50/60	50/60	50/60	50/60
CSA listed	Yes	Yes	Yes	Yes
Withstand rating (AIC)	10,000	10,000	10,000	10,000
Switch type	Mechanically held contactor	Mechanically held contactor	Mechanically held contactor	Mechanically held contactor
Enclosure^{a,b}	Type 3R (outdoor)	Type 3R (outdoor)	Type 3R (outdoor)	Type 3R (outdoor)
Depth (Inches / mm)	5.32 / 135.13	5.32 / 135.13	5.32 / 135.13	5.32 / 135.13
Width (Inches / mm)	14.46 / 367.28	14.46 / 367.28	14.46 / 367.28	14.46 / 367.28
Height (Inches / mm)	29.33 / 744.98	29.33 / 744.98	29.33 / 744.98	29.33 / 744.98
Weight (lbs / kg)	29.33/744.98	29.33/744.98	29.33/744.98	29.33/744.98

Notes:

- ^a Can be used for indoor applications
- ^b These products use the DS***H2 style hubs. Please refer to Table 7 on Page 13
- ^c Standard ATS Series compatible with Generac generators only

Residential Transfer Switches

100 and 200 Ampere SE Residential Automatic Transfer Switches

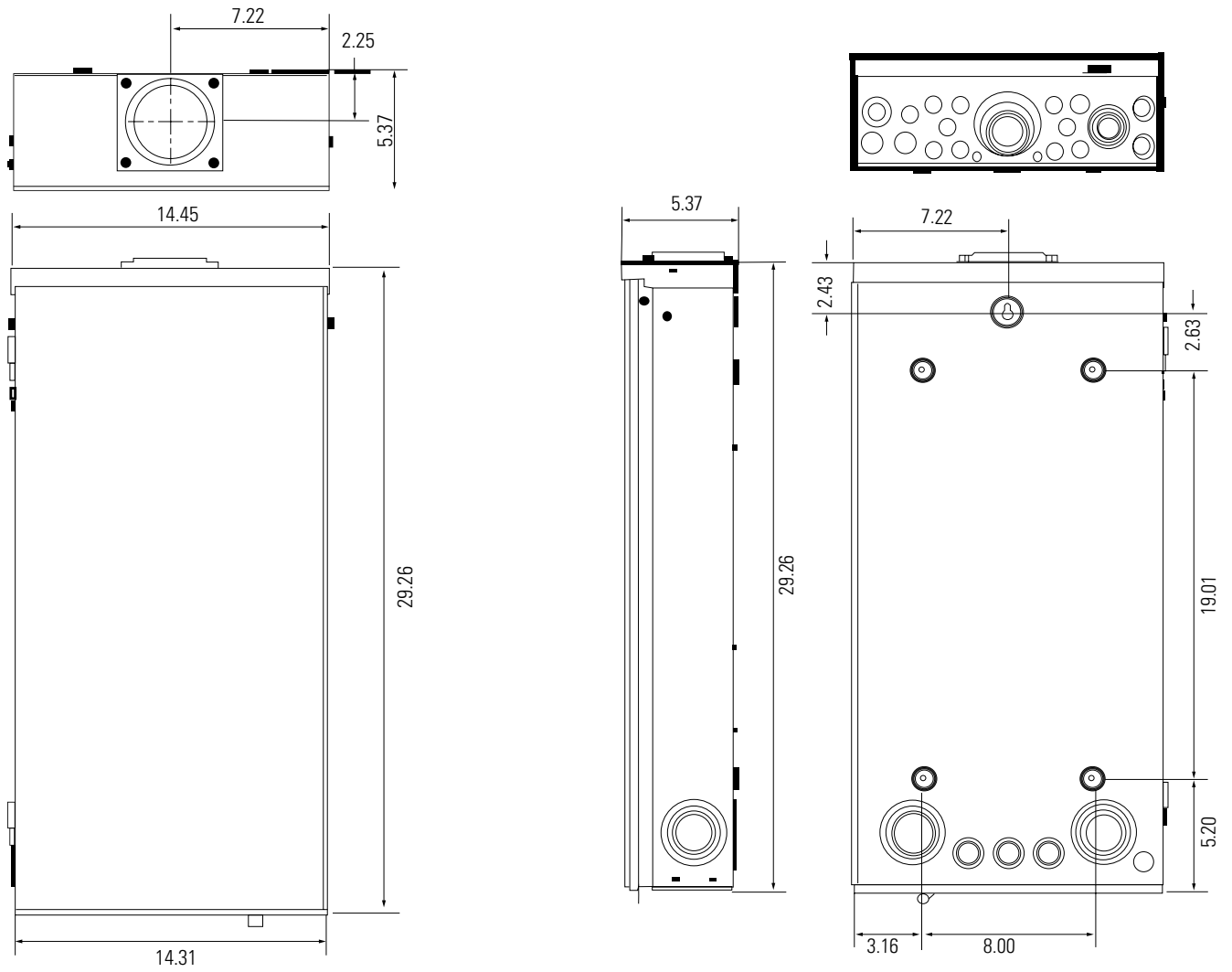


Figure 9. EGSC100ASE, EGSC200ASE, EGSCA100ASE and EGSCA200ASE

Residential Transfer Switches

400 Ampere Service Entrance Automatic Transfer Switches



EGSCA400ASE
(Cover removed)

Product description

Our Service Entrance (SE) Rated switches combine the SE Disconnect and ATS in one convenient enclosure. They are available in two styles; Basic (EGSC line) and Advanced (EGSCA line). The basic line relies on the generator to monitor utility and generator voltages and will automatically transfer to the appropriate source of power when signalled from the generator. The Advanced line of switches are compatible with utility sense and engine start type generators, and do not require a transfer signal from the generator. Both types feature LED position indicators and source availability indicators.

The Advanced units have the load management capabilities of the RTC-100 control board. Separate Current Transformer's (CT's) needs to be

purchased for this functionality, quantity 1 PN CS400. CS400 contains 3 400 ampere CTs. Two sets of contacts are available to control large connected loads based on available generator capacity.

Standards and certifications

- CSA approved.

Product specifications

- 35,000 Symmetrical Amperes withstand rating
- 120/240 VAC 60Hz 2-pole
- -20°C to +40°C (-40°F to +104°F)

Operating temperature when used with optional heater kit HEATKIT400

- -40°C to +40°C (-40°F to +104°F)

Product selection

Table 6. 400 Ampere SE Residential Automatic Transfer Switches

Description	Catalogue number	
	EGSC400ASE ^c	EGSCA400ASE
Voltage (V)	120/240	120/240
Amperes (A)	400	400
Poles	2	2
Frequency (Hz)	50/60	50/60
CSA listed	Yes	Yes
Withstand rating (AIC)	35,000	35,000
Switch type	Mechanically held contactor	Mechanically held contactor
Enclosure^{a,b}	Type 3R (outdoor)	Type 3R (outdoor)
Depth (Inches / mm)	11.14 / 283	11.14 / 283
Width (Inches / mm)	26.5 / 673	26.5 / 673
Height (Inches / mm)	45.11 / 1146	45.11 / 1146
Weight (lbs / kg)	156 / 71	156 / 71
Options available	HEATKIT400 Heater and thermostat kit	HEATKIT400 Heater and thermostat kit CS400 Current sensors to use load management

Notes:

- ^a Can be used for indoor applications
- ^b These products use the DS***H2 style hubs. Please refer to Table 7 on Page 13
- ^c Standard ATS Series compatible with Generac generators only

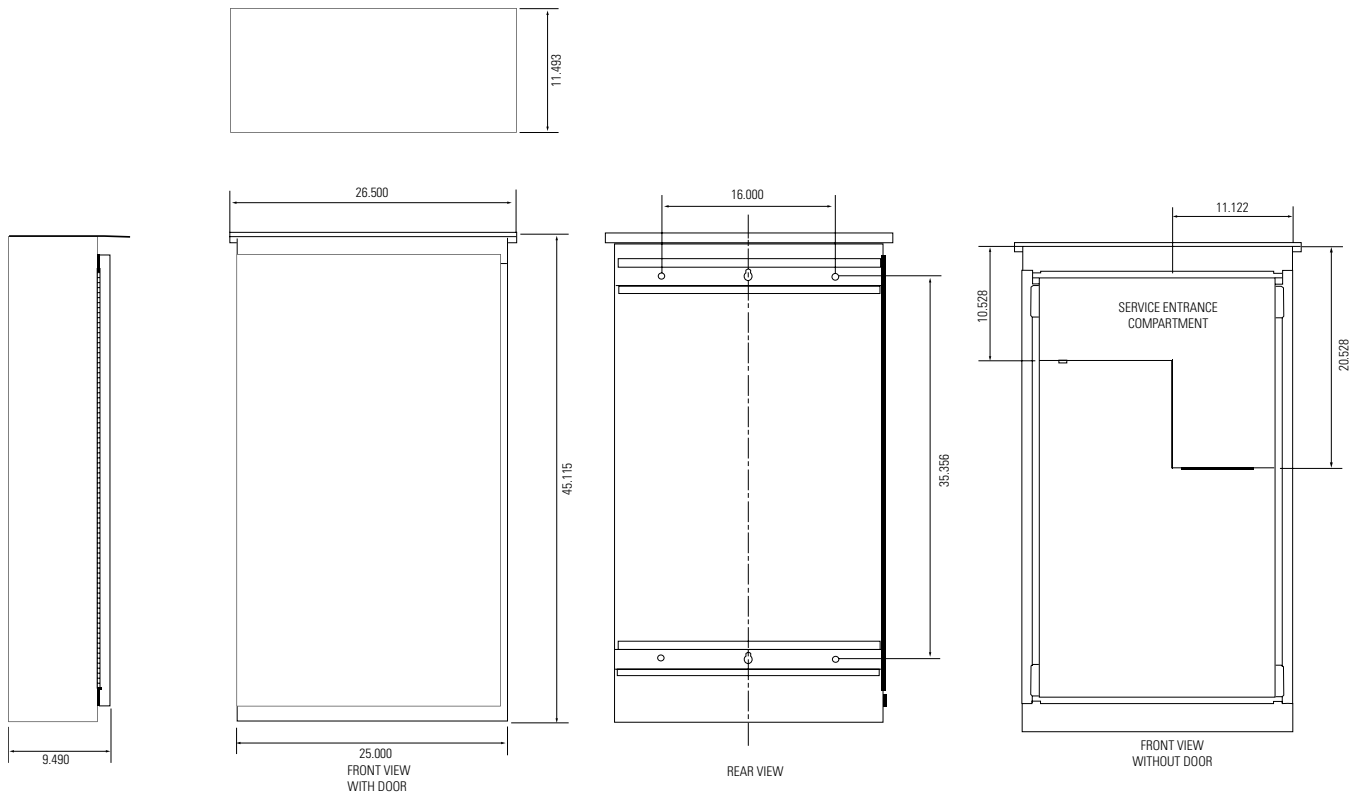


Figure 10. EGSC400ASE

Table 7. Transfer Switch Conduit Hub Selection

Catalogue Number	Description	Transfer switch application
DS075H1	3/4" Conduit Hub	EGSX50L12R, EGSX100L24RA, and EGSX100A
DS100H1	1" Conduit Hub	EGSX50L12R, EGSX100L24RA, and EGSX100A
DS125H1	1-1/4" Conduit Hub	EGSX50L12R, EGSX100L24RA, and EGSX100A
DS150H1	1-1/2" Conduit Hub	EGSX50L12R, EGSX100L24RA, and EGSX100A
DS200H1	2" Conduit Hub	EGSX50L12R, EGSX100L24RA, and EGSX100A
DS100H2	1" Conduit Hub	EGSX200A, EGSC Line and EGSCA Line
DS125H2	1-1/4" Conduit Hub	EGSX200A, EGSC Line and EGSCA Line
DS150H2	1-1/2" Conduit Hub	EGSX200A, EGSC Line and EGSCA Line
DS200H2	2" Conduit Hub	EGSX200A, EGSC Line and EGSCA Line
DS250H2	2-1/2" Conduit Hub	EGSX200A, EGSC Line and EGSCA Line
DS300H2	3" Conduit Hub	EGSX200A, EGSC Line and EGSCA Line

Speciality Metering Products

Metered Manual Transfer Switches



RCJ1SN1GEN

Product description

A metered manual transfer switch is service entrance equipment that consists of a single meter socket and a manual transfer switch. The manual transfer switch is comprised of a service entrance rated utility breaker and an emergency generator breaker that are mechanically interlocked to prevent dangerous dual source feeding.

Metered manual transfer switches are increasing in popularity as the socket and manual transfer switch are located in one easy to install location, thus providing the contractor with a labour and material savings when being installed.

Application description

Metered manual transfer switches are typically installed in rural residential and agricultural service entrance applications where utility power outages are more frequent.

Features, functions, and benefits

- Includes 200A rated meter socket
- Main utility and emergency (generator) breaker factory installed
- Available in 100 and 200A design
- Utility breaker and generator breakers are mechanically interlocked to protect equipment and personnel by preventing dangerous dual-source feeding
- Switched neutral design
- 50, 100, and 200A Generator circuit breaker models
- Type 3R outdoor design

Standards and certifications

- CSA approved

Product specifications

- 25,000 AIC rating switched neutral models
- Switching devices must be circuit breakers

Product selection

Table 8. Metered Manual Transfer Switches

Description	Catalogue number				
	RCJ1SN05GEN	RCJ1SN1GEN	RCJ2SN05GEN	RCJ2SN1GEN	RCJ2SN2GEN
Voltage (V)	120/240	120/240	120/240	120/240	120/240
Amperes (A)	100	100	200	200	200
Poles	2	2	2	2	2
Frequency (Hz)	60	60	60	60	60
Main breaker (A)	100	100	200	200	200
Generator breaker	50	100	50	100	200
Switched neutral	Yes	Yes	Yes	Yes	Yes
CSA listed	Yes	Yes	Yes	Yes	Yes
Withstand rating	22,000	22,000	22,000	22,000	22,000
Switch type	ED Type Moulded Case Circuit Breaker				
Enclosure	Type 3R (outdoor)	Type 3R (outdoor)	Type 3R (outdoor)	Type 3R (outdoor)	Type 3R (outdoor)
Height (Inches / mm)	32.375 / 822.3	32.375 / 822.3	32.375 / 822.3	32.375 / 822.3	32.375 / 822.3
Width (Inches / mm)	14.4375 / 366.7	14.4375 / 366.7	14.4375 / 366.7	14.4375 / 366.7	14.4375 / 366.7
Depth (Inches / mm)	5.375 / 136.5	5.375 / 136.5	5.375 / 136.5	5.375 / 136.5	5.375 / 136.5

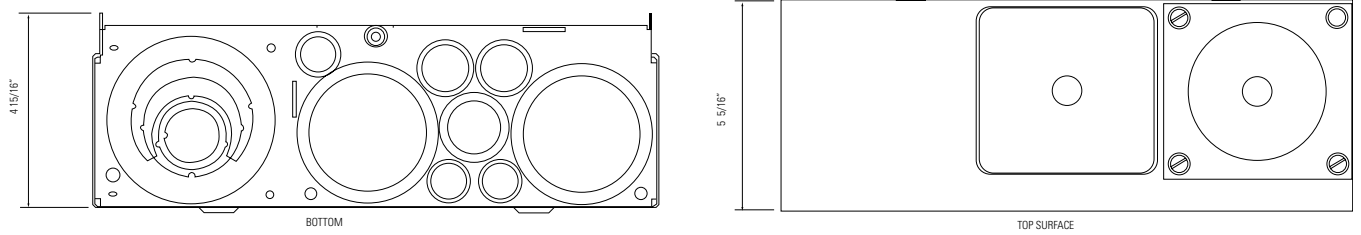


Figure 11. Switched Neutral Metered Manual Transfer Switch Knockout Locations

Table 9. Switched Neutral Metered Manual Transfer Switch Knockout Locations and Sizes

Location	Knockout size (Inches (mm))	Quantity
Bottom	.31 (7.9)	3
Bottom	.50 (12.7)	3
Bottom	.50 . .75 (12.7, 19.1)	2
Bottom	.75, 1.00 (12.7, 25.4)	1
Bottom	1.25, 1.50, 2.00, 2.50 (31.8, 38.1, 50.8, 63.5)	2
Bottom	1.50, 2.00, 2.50, 3.00 (38.1, 50.8, 63.5, 76.2)	1
Top endwall	Provision for hub (e.g. DS200H2, DS250H2, DS300H2)	2
Backplane	1.00, 1.25, 1.50, 2.00, 2.50 (25.4, 31.8, 38.1, 50.8, 63.5)	2
Right sidewall	1.00, 1.25, 1.50, 2.00, 2.50 (25.4, 31.8, 38.1, 50.8, 63.5)	1
Left sidewall	1.00, 1.25, 1.50, 2.00, 2.50 (25.4, 31.8, 38.1, 50.8, 63.5)	1

Speciality Metering Products

Metered Service Entrance Rated Automatic Transfer Switch Engine Start Type



EGS200AMSE
(Cover removed)

Product description

Combined in a single enclosure and factory wired is a 200A meter socket, service entrance rated circuit breaker disconnect, and an automatic transfer switch (ATS). The single enclosure assembly saves the installing contractor time and money while leaving the home owner with a cleaner and more attractive installation on the outside of their home.

Designed to work with standby generators that use a two wire start signal configuration. To use with utility sense configuration, purchase and Install EGSUSKIT separately.

Application description

- New or retrofit residential standby generator installations
- Farm or rural properties

Features, functions, and benefits

- Combined functionality in a single enclosure.

- Saves installation time and cost
- Service entrance approved for Canada
- 100 and 200A models
- Overhead and underground service entrance
- NEMA 3R indoor/outdoor enclosure
- Mechanically and electrically interlocked contactor assembly
- 200A Meter socket
- Factory wired circuit breaker service disconnect
- Generator start signal terminal strip
- 1-Pole 15A Generator accessory circuit breaker
- ATC-100 Controller

Product specifications

- 10,000 Symmetrical Amperes withstand rating
- 120/240 VAC 60Hz 2-pole
- -20°C to +40°C (-4°F to +104°F) Operating temperature

Product selection

Table 10. Metered Service Entrance Rated Automatic Transfer Switches

Description	Catalogue number			
	EGS100AMSE	EGS100AMSECLX	EGS200AMSE	EGS200AMSECLX
Voltage (V)	120/240	120/240	120/240	120/240
Withstand rating (Symmetrical amperes at 240VAC maximum)	10,000	10,000	10,000	10,000
Amperage (A)	100	100	200	200
Poles	2	2	2	2
Frequency (Hz)	60	60	60	60
Meter socket amperage (A)	200 TUNNEL type	200 STUD type	200 TUNNEL type	200 STUD type
Service entrance disconnect means	Type BWH/CSR circuit breaker	Type BWH/CSR circuit breaker	Type BWH/CSR Circuit Breaker	Type BWH/CSR Circuit Breaker
Service entrance disconnect amperage (A)	100	100	200	200
Transfer switch type	Mechanically and electrically interlocked contactor	Mechanically and electrically interlocked contactor	Mechanically and electrically interlocked contactor	Mechanically and electrically interlocked contactor
Contactor amperage (A)	100	100	200	200
Switched neutral	No	No	No	No
Controller	ATC-100	ATC-100	ATC-100	ATC-100
Generator application	Two wire start signal generators	Two wire start signal generators	Two wire start signal generators	Two wire start signal generators
Accessory circuit breaker	1-pole 15A	1-pole 15A	1-pole 15A	1-pole 15A
CSA listed	Yes	Yes	Yes	Yes
Enclosure^a	Type 3R (outdoor)	Type 3R (outdoor)	Type 3R (outdoor)	Type 3R (outdoor)
Height (Inches / mm)	36.19 / 919	42.19/1072	36.19 / 919	42.19/1072
Width (Inches / mm)	18.04 / 458	18.04 / 458	18.04 / 458	18.04 / 458
Depth (Inches / mm)	7.25 / 184	7.25 / 184	7.25 / 184	7.25 / 184
Weight (lbs/kg)	64 / 29.03	64 / 29.03	66 / 29.94	66 / 29.94

Notes:

^a This product uses the 2 -1/2" conduit hub openings, ex: H2. Please refer to Table 7 on Page 13

Metered Service Entrance Rated Automatic Transfer Switch Utility Sense Type



EGSC100AMSE
(Covers removed)

Product description

Combined in a single enclosure and factory wired is a 200A meter socket, service entrance rated circuit breaker disconnect, and an automatic transfer switch (ATS). The single enclosure assembly saves the installing contractor time and money while leaving the home owner with a cleaner and more attractive installation on the outside of their home.

Designed to work with standby generators that use a "utility sense" configuration and transfer signal from the generator

Application description

- New or retrofit residential standby generator installations
- Farm or rural properties

Features, functions, and benefits

- Combined functionality in a single enclosure
- Saves installation time and cost

- Service entrance approved for Canada
- 100 and 200 Ampere models
- Overhead and underground service entrance
- NEMA 3R indoor/outdoor enclosure
- Mechanically and electrically interlocked contactor assembly
- 200A Meter socket
- Factory wired N1 and N2 fuse block
- LED contactor position and Utility/GEN available indicators

Product specifications

- 10,000 Symetrical Amperes withstand rating
- 120/240 VAC 60Hz 2-pole
- -20°C to +40°C (-4°F to +104°F) Operating temperature

Product selection

Table 11. Metered Service Entrance Rated Automatic Transfer Switches

Description	Catalogue number			
	EGSC100AMSE ^a	EGSC100AMSECLX ^b	EGSC200AMSE ^b	EGSC200AMSECLX ^b
Voltage (V)	120/240	120/240	120/240	120/240
Withstand rating (Symetrical amperes at 240VAC maximum)	10,000	10,000	10,000	10,000
Amperage (A)	100	100	200	200
Poles	2	2	2	2
Frequency (Hz)	60	60	60	60
Meter socket amperage (A)	200 TUNNEL Type	200 STUD Type	200 TUNNEL Type	200 STUD Type
Service entrance disconnect means	Type BWH/CSR circuit breaker	Type BWH/CSR circuit breaker	Type BWH/CSR circuit breaker	Type BWH/CSR circuit breaker
Service entrance disconnect amperage (A)	100	100	200	200
Transfer switch type	Mechanically and electrically interlocked contactor	Mechanically and electrically interlocked contactor	Mechanically and electrically interlocked contactor	Mechanically and electrically interlocked contactor
Contactor amperage (A)	100	100	200	200
Switched neutral	No	No	No	No
Controller	RELAY	RELAY	RELAY	RELAY
Generator application	UTILITY SENSE generators	UTILITY SENSE generators	UTILITY SENSE generators	UTILITY SENSE generators
CSA listed	Yes	Yes	Yes	Yes
Enclosure^a	Type 3R (outdoor)	Type 3R (outdoor)	Type 3R (outdoor)	Type 3R (outdoor)
Height (Inches / mm)	36.19 / 919	42.19/1072	36.19 / 919	42.19/1072
Width (Inches / mm)	18.04 / 458	18.04 / 458	18.04 / 458	18.04 / 458
Depth (Inches / mm)	7.25 / 184	7.25 / 184	7.25 / 184	7.25 / 184
Weight (lbs/kg)	64 / 29.03	64 / 29.03	66 / 29.94	66 / 29.94

Notes:

^a This product uses the 2 -1/2" conduit hub openings, ex: H2

^b Standard ATS Series compatible with Generac generators only

Speciality Metering Products

Metered Service Entrance Rated Automatic Transfer Switch

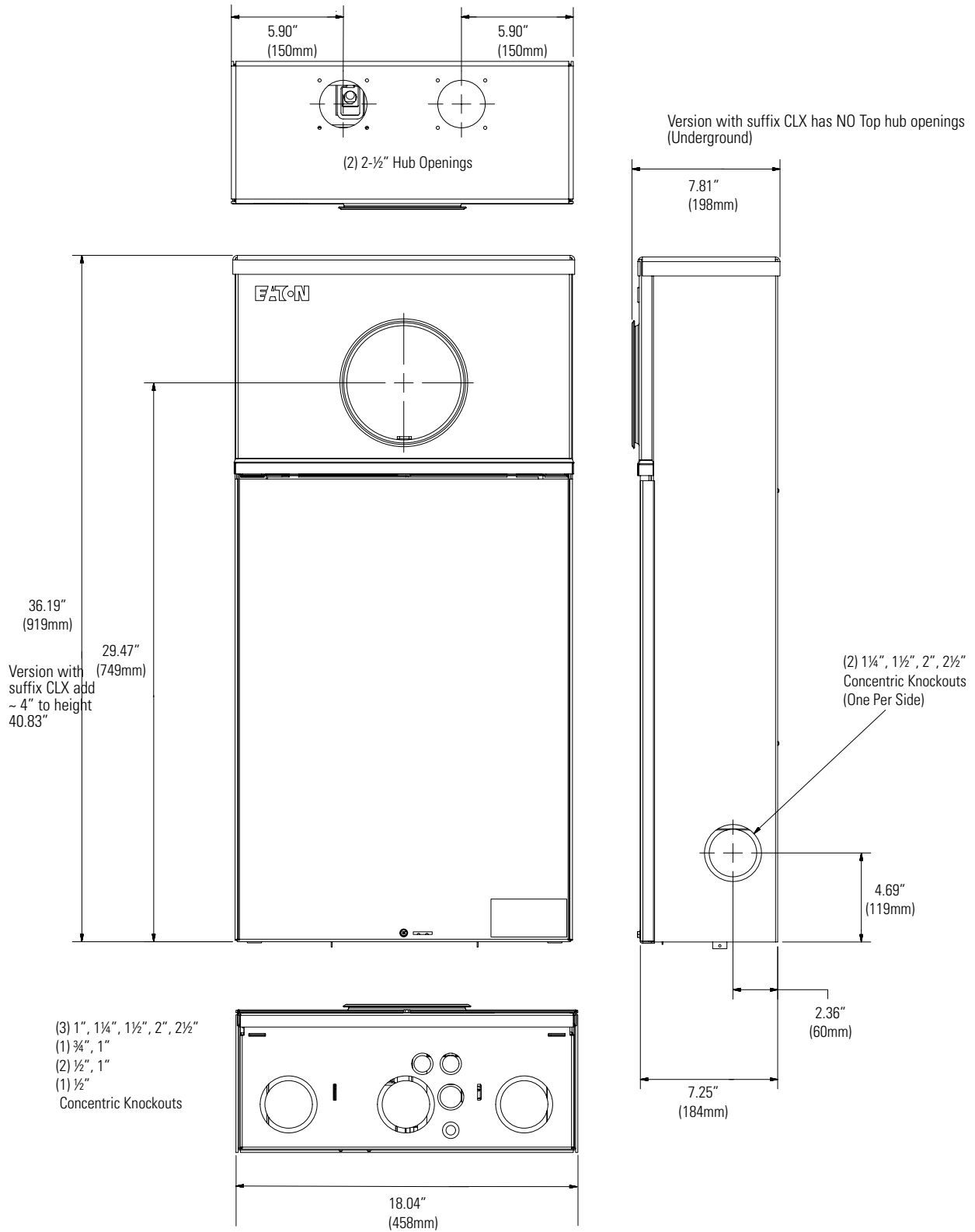


Figure 12. Metered Service Entrance Rated Automatic Transfer Switch Dimensions

Index

C

CBRPM236GEN	5
CBRPL112G3	6
CBRPL112G6	6
CBRPL120G6	6
CBRPL130G6	6

D

DS075H1	13
DS100H1	13
DS125H1	13
DS150H1	13
DS200H1	13
DS100H2	13
DS125H2	13
DS150H2	13
DS200H2	13
DS250H2	13
DS300H2	13

E

ECSEGEN100	7
ECCSEGEN200	7
ECSEGEN10R	7
ECCSEGEN20R	7
EGSX50L12R	8
EGSX100L24RA	8
EGSX100A	8
EGSX200A	8
EGSC100ASE	10
EGSC200ASE	10
EGSCA100ASE	10
EGSCA200ASE	10
EGSC400ASE	12
EGSCA400ASE	12
ECSEGEN100	7
ECCSEGEN200	7
ECSEGEN10R	7
ECCSEGEN20R	7
EGSX50L12R	8
EGSX100L24RA	8
EGSX100A	8
EGSX200A	8
EGSC100ASE	10
EGSC200ASE	10
EGSCA100ASE	10
EGSCA200ASE	10
EGSC400ASE	12
EGSCA400ASE	12

R

RCJ1SN05GEN	14
RCJ1SN1GEN	14
RCJ2SN05GEN	14
RCJ2SN1GEN	14
RCJ2SN2GEN	14



Eaton
5050 Mainway
Burlington, ON L7L 5Z1
Canada
EatonCanada.ca

© 2020 Eaton
All Rights Reserved
Publication No. CA016001EN
October 2020

Eaton is a registered trademark.

All other trademarks are property
of their respective owners.

Follow us on social media to get the
latest product and support information.

