

INSTANT HOT WATER TAP

SKU Code: BU1001
EAN Code: 7103352068254

Instant Hot Water Tap with Adjustable Temperature



ENER-J's Instant Water Tap gives you the flexibility of heating element inside so no separate line required for hot water. Just the cold water feed is enough. If you don't have combi-boiler or have to heat the water separately, then this is the perfect product. Stylish design and amazing finish, this tap will improve the look of your kitchen.

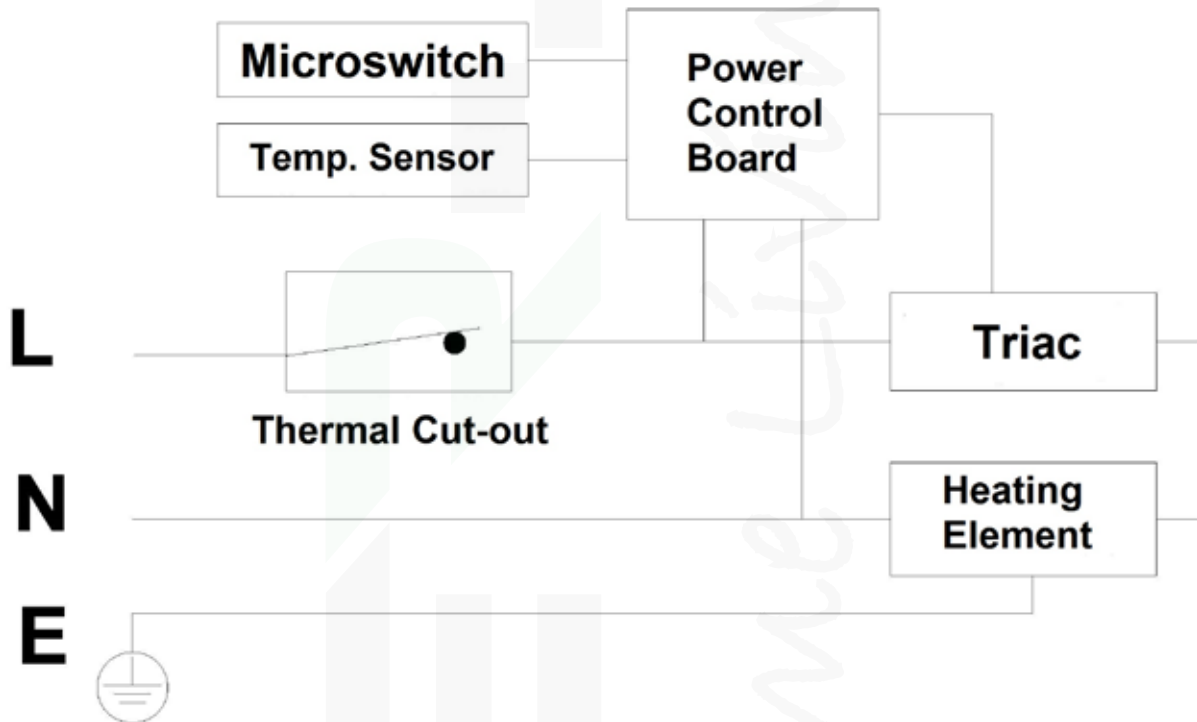
Important Safety Instructions

1. For your satisfaction and safety, read all instructions before installing or using this instant hot water tap.
2. This particular unit is not intended for commercial use.
3. This appliance should be connected to mains water feed.
4. This appliance can be used by children aged from 3 years and above and persons with reduced physical, sensory or mental capabilities or lack of experience and knowledge if they have been given supervision or instruction concerning use of the appliance in a safe way and understand the hazards involved. Children shall not play with the appliance. Cleaning and user maintenance shall not be made by children without supervision.
5. Make sure that all electrical wiring, plug and connections confirm to local codes. Means for disconnection must be incorporated in the fixed wiring in accordance with the wiring rules. This appliance must be installed in accordance with the national wiring regulations.
6. If you suspect there is too much chlorine in your water, it is recommended to use a water filtration system.
7. This appliance is forbidden to be switched on hot water if you think it may be frozen. Wait until you are sure that it has completely thawed out before you switch it on.
8. This appliance is forbidden to be switched on hot water without inlet water supply.
9. Filter screen is required to be fixed at the water inlet. filter screen should be regularly cleared. The outlet nozzle must be descaled regularly.
10. Rated pressure of the tap is 0 Pa, the gate of water inlet & outlet mustn't be blocked. The out-let must not be connected to any tap or fitting other than those specified.
11. In cold winter, if the hot water temperature is not hot enough, the hand shank can be adjusted the water flow to increase or decrease the hot water temperature.
12. All the appliances was processed water test and energization test before leaving factory, if there is a little water at the water inlet and water outlet while you use it for the first time, it is a normal phenomenon, please feel at ease to use it.
13. If there is damage to the wire, you must contact qualified electrician to replace it with dedicated wire from our authorized dealers.

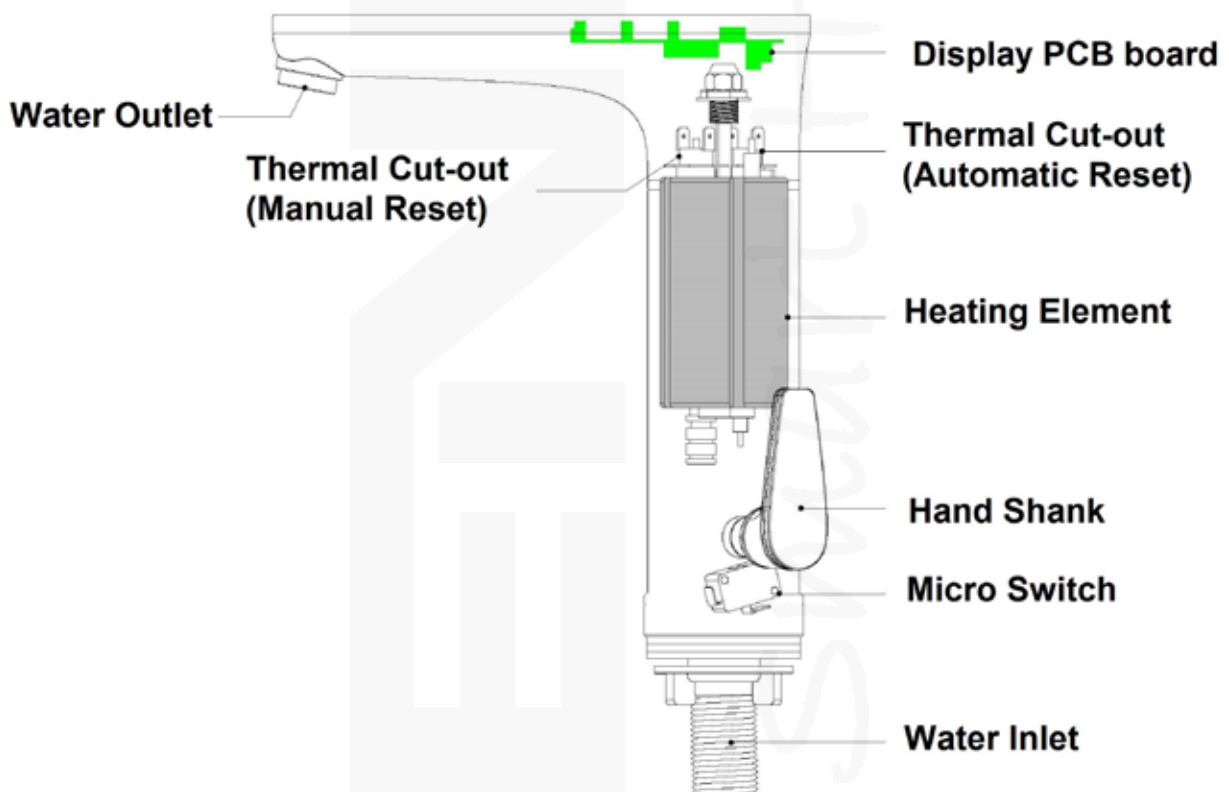
Application

This electric hot water tap is for household use and public. It can be used for kitchen sink basin, It is not suitable for shower.

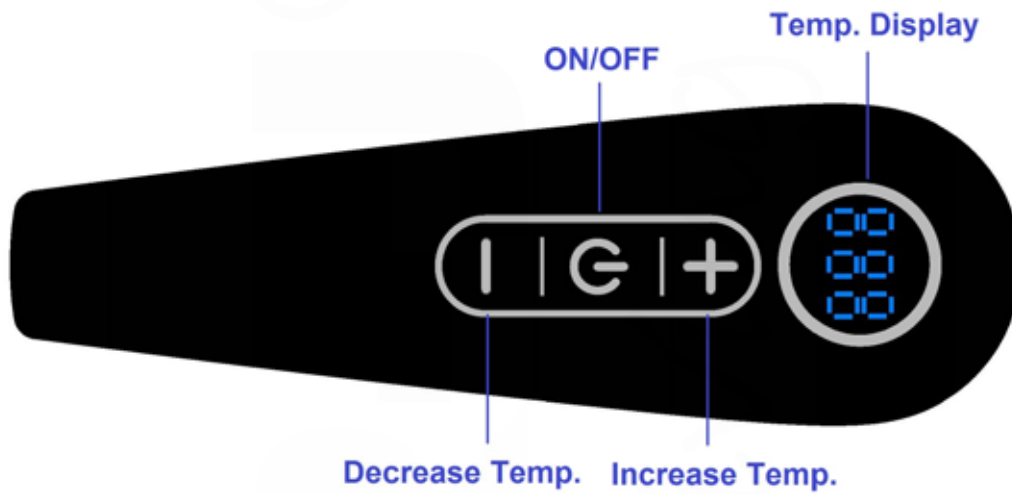
Electrical diagram



Product Inner Structure



Display Screen



| Technical Data | |
|---------------------|---|
| Model No | BW1001 |
| Voltage | 220-240v |
| Rated frequency | 50/60Hz |
| Power | 3300W |
| Temp. Setting Range | 30-50°C |
| Overheat protection | 55°C |
| Thermal Cut-out | 65°C (Automatic Reset) 90°C (Manual Reset) |
| Rated Pressure | 0MPa |
| Water Pressure | 0.02-0.6MPa |
| Hot Water Flow | 1L-5L |
| Inlet Connector | G1/2° |

Installation guideline

The installation must be in compliance with the National Electrical Code, your local electrical and plumbing codes.

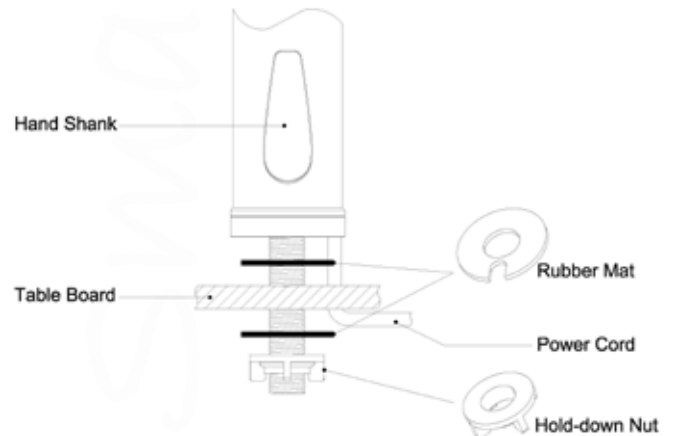
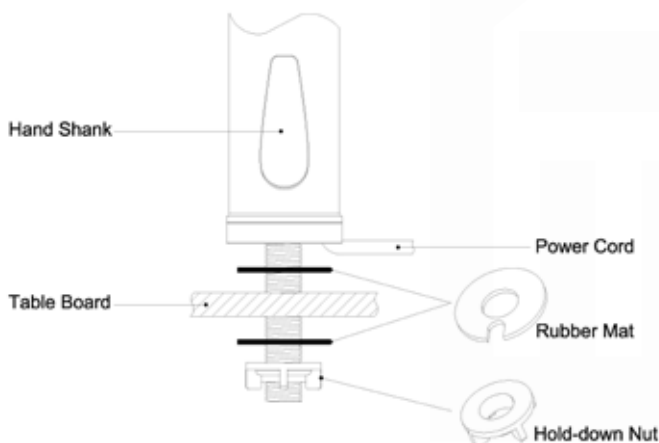
1. Make sure the appliance is intact, and the fittings are complete.
2. Please make sure the main power supply, water pressure, grounding condition, ammeter and wire reach the standard of installation requirement.
3. The appliance must be connected to properly grounded dedicated branch circuits of proper voltage rating.
4. If you will not use the tap for long time, please switch off the leakage protection plug.
5. Position the unit upright with all plumbing connections at the bottom of the unit.
6. During the installation, water supply must be test before the power supply.

Installation Method

1 → The appliance can fit 2 different mode of power connection, 1) power connection is above the table-board; 2) power connection is below the table-board; Please confirm the power connection mode first. Below are the installed assembly drawing

Fig 1-A power cord connect above the table-board

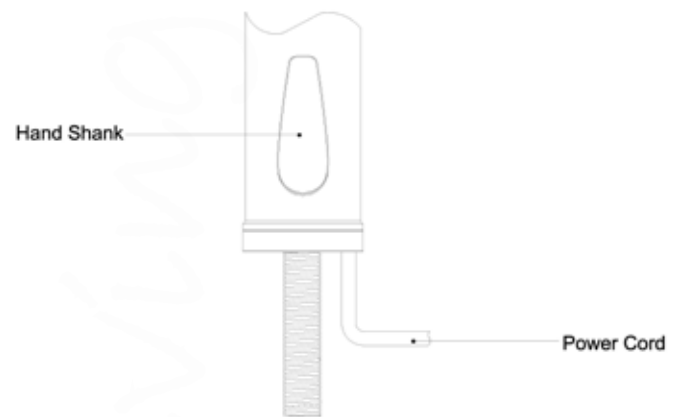
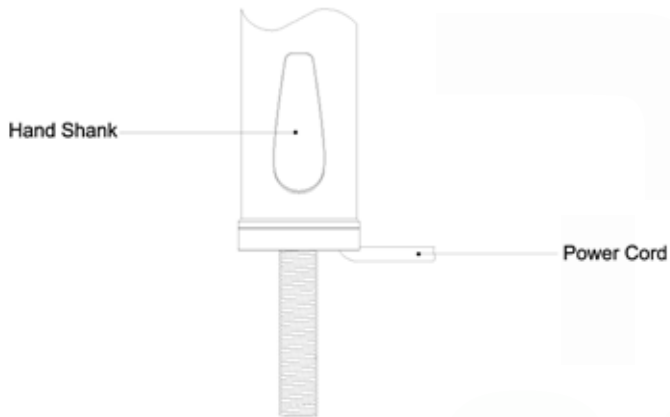
Fig 1-B Power cord under table-board



2 → Make the water inlet connection pass through the pedestal, place the power cord into the cavity of pedestal. Please refer below Fig 1-A and Fig 1-B

Fig 2-A power cord connect above the table-board

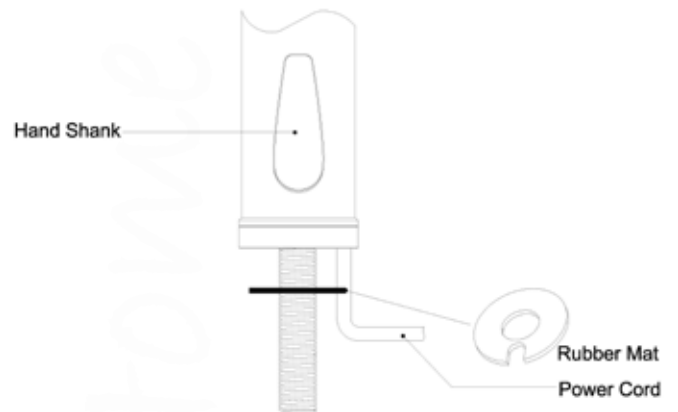
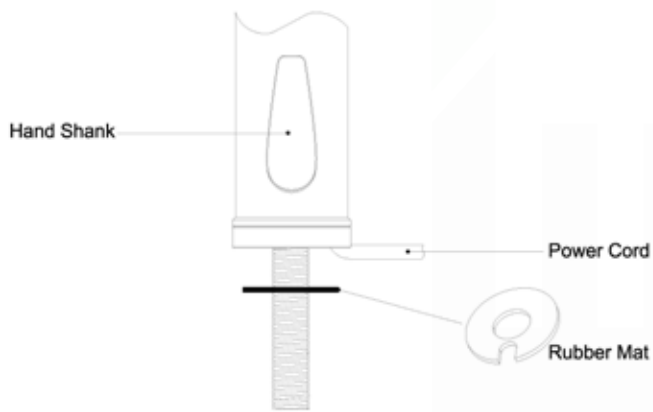
Fig 2-B Power cord under table-board



3 → Make the water connection pass through the rubber mat, please notice there is a cavity at the rubber mat to fit the power cord.

Fig 3-A power cord connect above the table-board

Fig 3-B Power cord under table-board

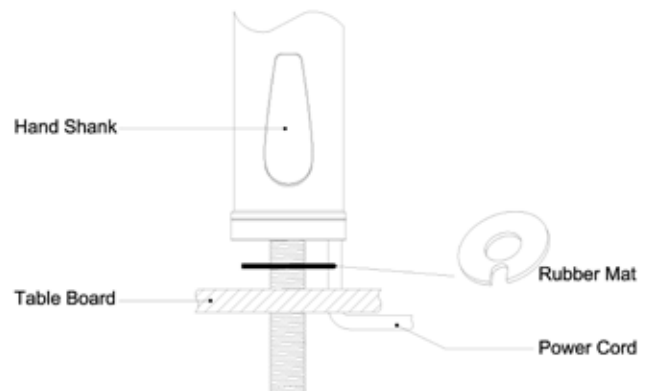
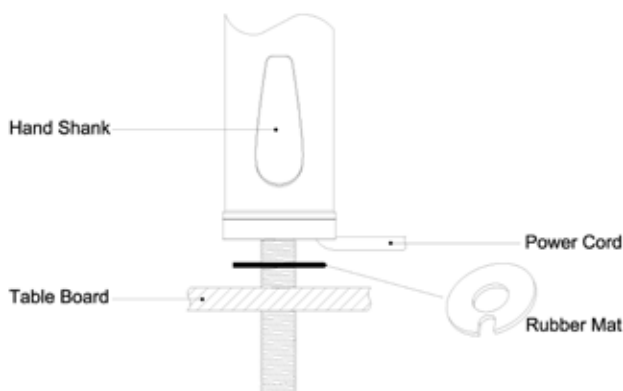


4 → Make the water inlet connection pass through the hole in table-board,
If the power cord need to be connect above the table-board, please keep the cable above the table; please refer to Fig4-A;

If the power cord need to be connected under the table-board, please make the cable pass through the hole in table-board. Please refer to Fig4-B;

Fig 4-A power cord connect above the table-board

Fig 4-B Power cord under table-board



5 → Fix another rubber mat to the inlet connection under table-board, make sure the rubber mat completely touch the back surface of the table-board.

Fig 5-A power cord connect above the table-board

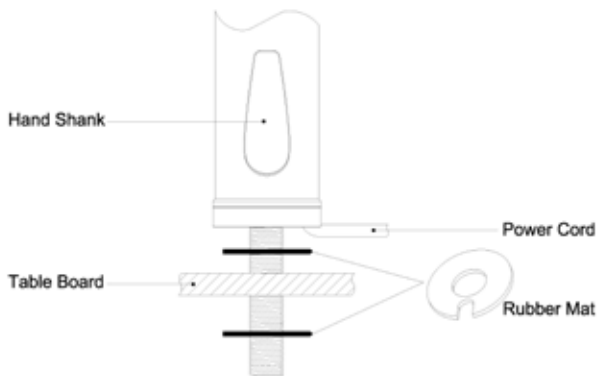
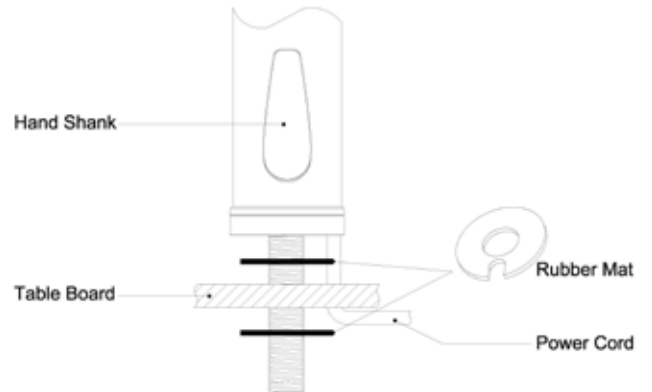


Fig 5-B Power cord under table-board



6 → Fix the hold-down nut to further fasten the tap under the table-board.

Fig 6-A power cord connect above the table-board

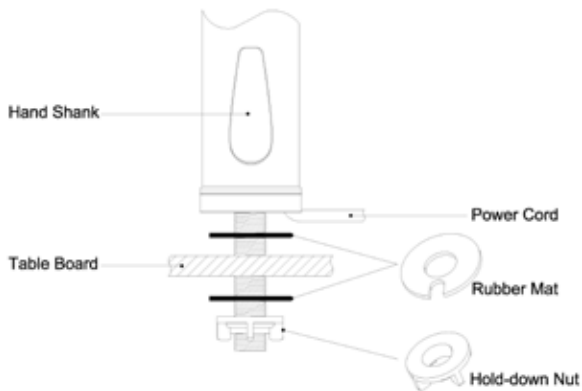
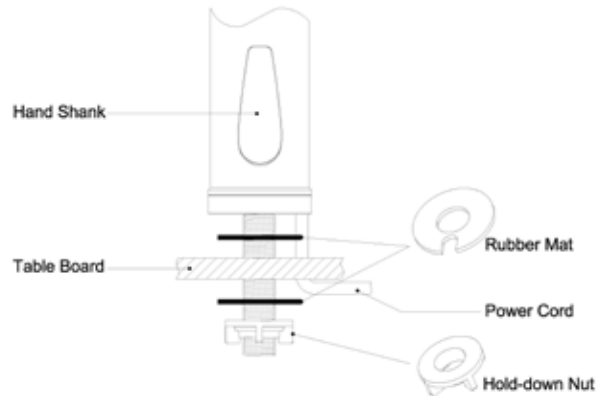


Fig 6-B Power cord under table-board



7 → Connect the inlet water pipe, please remember to fix a filter net inside the nut of water pipe, please make sure the water is turned off.

Fig 7-A power cord connect above the table-board

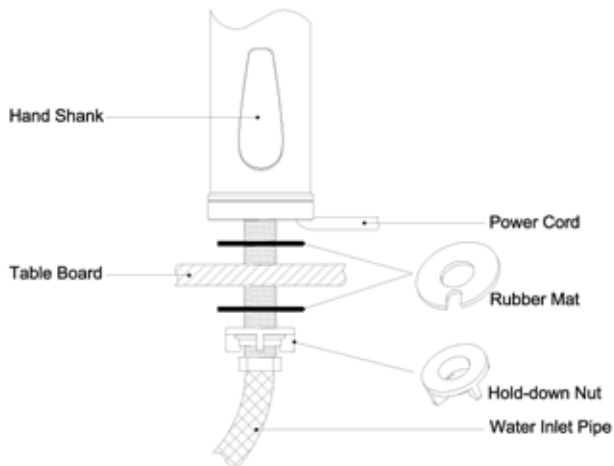
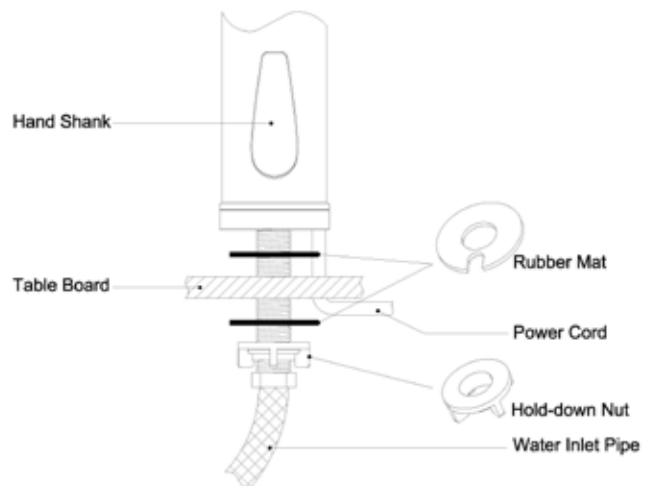


Fig 7-B Power cord under table-board



Installation Method

1. For the first time to operate the appliance, please fill with the water before bringing power to the appliance.
2. Turn on the circuit breaker or plug in the socket to bring power to the electric hot water tap.
3. In standby mode, the LED display screen light on and display the setting outlet temperature, after 2 seconds, it will display the outlet temperature.
4. Touch **⏻** to turn on/off the power of the power of appliance. Press + and - to increase or decrease the outlet temperature.
5. While rotate handle toward to **⊕** the appliance keep closed mode,
6. While you rotate the hand shank toward to **❄️** the cold water will come out; Rotate the knob anti-clockwise, the cold water flow will be larger & larger.
7. Rotate the handle shank to **🔥** the hot water comes out, Rotate the knob clockwise, the hot water flow will be larger & larger, meanwhile the program will mini adjust the working power to reach the setting temperature.
8. The nozzle is rotatable in 180°

WARNING: if the outlet temperature can not reach the setting temperature, maybe because the water flow is too high, please reduce the hot water flow.

Trouble-Shooting

| Problems | Possible Causes | Corrective Actions |
|---|--|--|
| 1. Inlet and outlet fittings leaking | A. Fittings not tight B. Rubber washer worn-out | A. Tighten fittings B. Replace rubber seal ring |
| 2. Keep the hand shank in close mode, but there is still water come out | A. Valve core failure B. Valve body failure | A. Contact local service B. Contact local service |
| 3. Outlet water flow bifurcate / Outlet water flow is too small | A. Filter net of bubbler scale or blocked by impurity B. Inlet water pressure is too low | A. Disconnect the bubbler and clean the filter net. B. Increase the water pressure |
| 4. There is noisy while turn off the water flow | A. Water pressure is too high B. Turn off the hand shank too fast C. The water pipe wasn't fixed well | A. Turn down the water flow B. Turn off the hand shank again C. Reconnect the pipe |
| 5. While touch the hot water, hands feel a little tingling. | A. The appliance is not properly earthed. | A. Connect the earth line properly |
| 6. No heating | A. No power supply B. The knob didn't toward to hot water position C. The power board keep off mode D. Manual Reset thermal cut-out cut off E. Heating element failure | A. Correct power supply B. Toward the knob to hot water position C. Press *** to turn on the power board D. Contact local service |
| 7. Too high outlet temperature | A. Setting temperature is too high B. Thermal Cut-out cut off | A. Touch "-" to decrease the temperature B. Contact local service |
| 8. Outlet water flow gest smaller & smaller | A. Inlet strainer or bubbler was blocked B. Inlet water pressure become lower | A. Clean strainer or bubbler B. Increase the inlet water pressure |
| 9. Display E1 | A. Outlet temperature $\geq 58^{\circ}\text{C}$ | A. Please make sure there is water supply, shut off the power supply then power on again, the E1 will disappear |
| 10. Display E3 | A. Outlet temperature sensor failure | A. Replace outlet temperature sensor |

Normal Maintenance

Note: Always turn off the power supply before servicing your unit.

It is not required any regular maintenance. However, to ensure consistent water flow, the following maintenance is recommended.

1. Install a filter in the front-end of water inlet of the electric hot water tap.
2. Periodically remove scale and dirt that may build up at the sprayer of the tap.
3. The filter net at the water inlet should be cleaned from time to time. Please turn off the water flow before doing this.
4. If you will not use this appliance for long time, please disconnect the plug.

Correct disposal of this product



This symbol on the product, or in its packing, indicates that this product may not be treated as household waste. Instead, it should be taken to the appropriate waste collection point for the recycling of electronic equipment. By ensuring this product is disposed of correctly, you will help prevent potential negative consequences for the environment and human health, which could otherwise be caused by the inappropriate waste handling of this product. For more detailed information about the recycling of this product, please contact your local council, your household waste disposal service, or the shop where you purchased the product.

Packing List

| Item | Unit | Quantity | Actions |
|---------------------------------|-------|----------|---------|
| Electric Hot Water Tap | Unit | 1 | |
| User Manual | Copy | 1 | |
| Rubber Mat | Piece | 2 | |
| Hold-down Nut | 1 | 1 | |
| Rubber Ring & Rubber filter net | Set | 1 | |