



## Read This First

Manuals Provided with This Machine	1
Safety Information for This Machine	2
Other Information for This Machine	3
Appendix	4

For information not found in paper manuals, see the online manuals available on our web site (<http://www.ricoh.com/downloads/>) or via Smart Operation Panel.



Read this manual carefully before you use this machine and keep it handy for future reference. For safe and correct use, be sure to read the Safety Information in this manual before using the machine.



# TABLE OF CONTENTS

---

- How to Read the Manuals..... 2
  - Symbols Used in the Manuals..... 2
  - Disclaimer..... 2
  - Notes..... 3
  - Machine Types..... 3

## 1. Manuals Provided with This Machine

---

- Manuals for This Machine..... 5
  - Manuals List..... 7
- How to Use the Operating Instructions..... 9
  - Formats of the Operating Instructions..... 9

## 2. Safety Information for This Machine

---

- Safety Information..... 11
  - Safety During Operation..... 11
  - Safety Precautions to Be Followed..... 11
- Safety Labels of This Machine..... 20
  - Positions of WARNING and CAUTION labels on Type 1..... 20
  - Positions of WARNING and CAUTION labels on Type 2..... 21
  - Power Switch Symbols..... 23

## 3. Other Information for This Machine

---

- Laws and Regulations..... 25
  - Duplication and Printing Prohibited..... 25
  - Laser Safety..... 25
  - Notes to USA Users of FCC Requirements..... 25
  - Important Safety Instructions for Facsimile Unit..... 28
  - Notes to Canadian Users of IC Rules..... 29
  - Notes to Canadian Users of Facsimile Unit..... 30

## 4. Appendix

---

- Trademarks..... 31

---

# How to Read the Manuals

---

## Symbols Used in the Manuals

---

This manual uses the following symbols:

 **Important**

Indicates points to pay attention to when using the machine, and explanations of likely causes of paper misfeeds, damage to originals, or loss of data. Be sure to read these explanations.

 **Note**

Indicates supplementary explanations of the machine's functions, and instructions on resolving user errors.

 **Reference**

This symbol is located at the end of sections. It indicates where you can find further relevant information.

[ ]


Indicates the names of keys on the machine's display or control panels.




Indicates instructions displayed on the Smart Operation Panel.



Indicates instructions in sheet form.

 **Region A** (mainly Europe)

 **Region B** (mainly North America)

Differences in the functions of Region A and Region B models are indicated by two symbols. Read the information indicated by the symbol that corresponds to the region of the model you are using. For details about which symbol corresponds to the model you are using, see "Model-Specific Information", Getting Started .

---

## Disclaimer

---

To the maximum extent permitted by applicable laws, in no event will the manufacturer be liable for any damages whatsoever arising out of failures of this machine, losses of the registered data, or the use or non-use of this product and operation manuals provided with it.

Make sure that you always copy or have backups of the data registered in this machine. Documents or data might be erased due to your operational errors or malfunctions of the machine.

---

In no event will the manufacturer be responsible for any documents created by you using this machine or any results from the data executed by you.

---

## Notes

---

Contents of this manual are subject to change without prior notice.

The manufacturer shall not be responsible for any damage or expense that might result from the use of parts other than genuine parts from the manufacturer with your office products.

For good output quality, the manufacturer recommends that you use genuine toner from the manufacturer.

Some illustrations in this manual might be slightly different from the machine.

Colors on color keys or the color circle may differ slightly from the colors of actual copies.

The color samples in this manual may differ slightly from the colors of actual copies.

---

## Machine Types

---

Check the type of your machine before reading the manuals.

- Type 1: MP C401SP
- Type 2: MP C401SRSP

Certain types might not be available in some countries. For details, please contact your local dealer.

Certain options might not be available in some countries. For details, please contact your local dealer.

Depending on which country you are in, certain units may be optional. For details, please contact your local dealer.



# 1. Manuals Provided with This Machine

This chapter explains manuals for this machine.

## Manuals for This Machine

Read this manual carefully before you use this machine.

Refer to the manuals that are relevant to what you want to do with the machine.

### ★ Important

- Media differ according to manual.
- Adobe® Reader® must be installed in order to view the manuals as PDF files.
- A Web browser must be installed in order to view the html manuals.

### User Guide

Regarding the basic usage of this machine, frequently used functions, troubleshooting when an error message appears, etc., summaries are provided below for each user manual.

### Read This First

Before using the machine, be sure to read the section of this manual entitled Safety Information. It also describes each regulation and environmental conformance.

### Start Guide

Describes how to read manuals on the Smart Operation Panel. It also describes how to log in to the machine.

### Easy Search

You can search for a description by what you want to do. Also, this machine's distinctive functions are explained.

### Getting Started

Describes preparations for using the machine, operating instructions, and character input methods.

### Paper Specifications and Adding Paper

Describes how to load originals and sheets and about their specifications.

### Convenient Functions

Describes how to register frequently used settings, customize the Home Screen, and display a Web page on the control panel. It also describes how to manage a job.

### Maintenance and Specifications

Describes how to replace supplies and how to install and clean this machine. It also describes the specifications of the main unit and options.

## Troubleshooting

Provides a guide for resolving common usage-related problems.

## Copy/ Document Server

Explains Copier and Document Server functions and operations. Also refer to this manual for explanations on how to specify the settings for originals.

## Fax

Explains Facsimile functions and operations.

## Print

Describes how to print using the printer driver. It also describes the functions available for printing.

## Scan

Describes how to scan paper data using this machine and how to send the scanned data to a computer and store the data.

## Connecting the Machine/ System Settings

Explains how to connect the machine to a network, and configure and operate the machine in a network environment. Also explains how to change User Tools settings and how to register information in the Address Book.

## PostScript 3

Explains how to set up and use PostScript® 3™.

## Extended Feature Settings

Describes how to configure the extended features using the control panel or Web Image Monitor.

## Security Guide

This manual is for administrators of the machine. It explains security functions that you can use to prevent unauthorized use of the machine, data tampering, or information leakage. For enhanced security, we recommend that you first make the following settings:

- Install the Device Certificate.
- Enable SSL (Secure Sockets Layer) Encryption.
- Change the user name and password of the administrator.

For details, see "Before Using This Machine", Security Guide .

Be sure to read this manual when setting the enhanced security functions, or user and administrator authentication.

## Driver Installation Guide

Describes how to install and configure each driver. This manual is included in the drivers CD.

## Other Manuals

- Quick Reference Copy Guide
- Quick Reference FAX Guide



- Quick Reference Scanner Guide
- Appendix

### ↓ Note

- Manuals provided are specific to machine types.
- You can download information about the machine's certification, which is based on an IT security certification system (hereafter CC Certification), from [http://support-download.com/services/device/ccmanual/mp\\_c401/en/download\\_admin.html](http://support-download.com/services/device/ccmanual/mp_c401/en/download_admin.html) and [http://support-download.com/services/device/ccmanual/mp\\_c401/en/download\\_user.html](http://support-download.com/services/device/ccmanual/mp_c401/en/download_user.html). This information is about how to set up the machine. If you have purchased a CC Certified machine, be sure to read it before operating the machine so you can make the correct settings before using it.
- The following software products are referred to using general names:

Product name	General name
ScanRouter EX Professional <sup>*1</sup> and ScanRouterEX Enterprise <sup>*1</sup>	the ScanRouter delivery software

\*1 ScanRouter EX Professional and ScanRouterEX Enterprise are no longer sold or supported.

## Manuals List

Manual Name	Printed Manuals Provided	HTML Manuals Provided	Manuals displayed on the Smart Operation Panel	PDF Manuals Provided
User Guide	Yes	No	No	Yes
Read This First	Yes	No	No	No
Start Guide	Yes	No	No	No
Easy Search	No	Yes <sup>*1</sup>	Yes <sup>*1</sup>	No
Getting Started	No	Yes <sup>*1</sup>	Yes <sup>*1</sup>	No
Paper Specifications and Adding Paper	No	Yes <sup>*1</sup>	Yes <sup>*1</sup>	No
Convenient Functions	No	Yes <sup>*1</sup>	Yes <sup>*1</sup>	No
Maintenance and Specifications	No	Yes <sup>*1</sup>	Yes <sup>*1</sup>	No

Manual Name	Printed Manuals Provided	HTML Manuals Provided	Manuals displayed on the Smart Operation Panel	PDF Manuals Provided
Troubleshooting	No	Yes <sup>*1</sup>	Yes <sup>*1</sup>	No
Copy/ Document Server	No	Yes <sup>*1</sup>	Yes <sup>*1</sup>	No
Fax	No	Yes <sup>*1</sup>	Yes <sup>*1</sup>	No
Print	No	Yes <sup>*1</sup>	Yes <sup>*1</sup>	No
Scan	No	Yes <sup>*1</sup>	Yes <sup>*1</sup>	No
Connecting the Machine/ System Settings	No	Yes <sup>*1</sup>	Yes <sup>*1</sup>	No
PostScript 3	No	Yes <sup>*1</sup>	Yes <sup>*1</sup>	No
Extended Feature Settings	No	Yes <sup>*1</sup>	Yes <sup>*1</sup>	No
Security Guide	No	Yes	Yes	No
Driver Installation Guide	No	No	No	Yes <sup>*1</sup>
Quick Reference Copy Guide	No	No	No	Yes
Quick Reference FAX Guide	No	No	No	Yes
Quick Reference Scanner Guide	No	No	No	Yes

\*1 These manuals are available in English, German, French, Italian, Spanish, Dutch, and Russian.

# How to Use the Operating Instructions

This chapter describes the operating instructions of this machine.

1


## Formats of the Operating Instructions

The operating instructions of this machine are provided in the following formats:

- Printed manuals
- HTML manuals
- Manuals displayed on the Smart Operation Panel
- PDF manuals

For details about the contents of each manual, see page 5 "Manuals for This Machine". The various manuals are available in different formats. For details about availability, see page 7 "Manuals List".

For details about how to read HTML and PDF manuals, please visit our Web site or consult an authorized dealer.

For details about how to read the manuals on the Smart Operation Panel, see Start Guide .

### Note

- Recommended browsers:
  - Internet Explorer 8 or 9
  - Firefox 22
  - Safari 5.1.7
  - Chrome 28
- If JavaScript is disabled or unavailable in your browser, you will not be able to search or use certain buttons in the HTML documentation.
- Required display resolution is 1024 × 768 pixel or greater.
- To view the PDF manuals, you need to have Adobe Reader installed on your computer.



# 2. Safety Information for This Machine

This chapter describes the safety precautions.

## Safety Information

### Safety During Operation

In this manual, the following important symbols are used:

- ⚠ WARNING**  
Indicates a potentially hazardous situation which, if instructions are not followed, could result in death or serious injury.
- ⚠ CAUTION**  
Indicates a potentially hazardous situation which, if instructions are not followed, may result in minor or moderate injury or damage to property.

### Safety Precautions to Be Followed

This section explains safety precautions that should always be followed when using this machine.

#### Environments where the machine can be used

This section explains safety precautions about environments where the machine can be used.

- ⚠ WARNING**
  - Do not use flammable sprays or solvents in the vicinity of this machine. Doing so could result in fire or electric shock.
- ⚠ WARNING**
  - Do not place vases, plant pots, cups, toiletries, medicines, small metal objects, or containers holding water or any other liquids, on or close to this machine. Fire or electric shock could result from spillage or if such objects or substances fall inside this machine.
- ⚠ CAUTION**
  - Keep the machine away from humidity and dust. Otherwise a fire or an electric shock might occur.

**⚠ CAUTION**

- Do not place the machine on an unstable or tilted surface. If it topples over, an injury might occur.

**⚠ CAUTION**

- Do not place heavy objects on the machine. Doing so can cause the machine to topple over, possibly resulting in injury.

**⚠ CAUTION**

- Make sure the room where you are using the machine is well ventilated and spacious. Good ventilation is especially important when the machine is used heavily.

**⚠ CAUTION**

- Do not obstruct the machine's vents. Doing so risks fire caused by overheated internal components.

**Handling power cords and power cord plugs**

---

This section explains safety precautions about handling power cords and power cord plugs.

**⚠ WARNING**

- Do not use any power sources other than those that match the specifications shown. Doing so could result in fire or electric shock.

**⚠ WARNING**

- Do not use any frequencies other than those that match the specifications shown. Doing so could result in fire or electric shock.

**⚠ WARNING**

- Do not use multi-socket adaptors. Doing so could result in fire or electric shock.

**⚠ WARNING**

- Do not use extension cords. Doing so could result in fire or electric shock.

**⚠ WARNING**

- Do not use power cords that are damaged, broken, or modified. Also, do not use power cords that have been trapped under heavy objects, pulled hard, or bent severely. Doing so could result in fire or electric shock.

**⚠ WARNING**

- Touching the prongs of the power cable's plug with anything metallic constitutes a fire and electric shock hazard.

**⚠ WARNING**

- The supplied power cord is for use with this machine only. Do not use it with other appliances. Doing so could result in fire or electric shock.

**⚠ WARNING**

- It is dangerous to handle the power cord plug with wet hands. Doing so could result in electric shock.

**⚠ WARNING**

- If the power cord is damaged and its inner wires are exposed or broken, contact your service representative for a replacement. Use of damaged power cords could result in fire or electric shock.

**⚠ WARNING**

- Be sure to disconnect the plug from the wall outlet at least once a year and check for the following:
  - There are burn marks on the plug.
  - The prongs on the plug are deformed.
- If any of the above conditions exist, do not use the plug and consult your dealer or service representative. Use of the plug could result in fire or electric shock.

## **WARNING**

- Be sure to disconnect the power cord from the wall outlet at least once a year and check for the following:
  - The power cord's inner wires are exposed, broken, etc.
  - The power cord's coating has a crack or dent.
  - When bending the power cord, the power turns off and on.
  - Part of the power cord becomes hot.
  - The power cord is damaged.
- If any of the above conditions exist, do not use the power cord and consult your dealer or service representative. Use of the power cord could result in fire or electric shock.

## **CAUTION**

- Be sure to push the plug of the power cord fully into the wall outlet. Partially inserted plugs create an unstable connection that can result in unsafe buildup of heat.

## **CAUTION**

- If this machine is not going to be used for several days or longer at a time, disconnect its power cord from the wall outlet.

## **CAUTION**

- When disconnecting the power cord from the wall outlet, always pull the plug, not the cord. Pulling the cord can damage the power cord. Use of damaged power cords could result in fire or electric shock.

## **CAUTION**

- Be sure to disconnect the plug from the wall outlet and clean the prongs and the area around the prongs at least once a year. Allowing dust to build up on the plug constitutes a fire hazard.

## **CAUTION**

- When performing maintenance on the machine, always disconnect the power cord from the wall outlet.

## **Handling the main machine**

---

This section explains safety precautions about handling the main machine.



**⚠ WARNING**

- Be sure to locate the machine as close as possible to a wall outlet. This will allow easy disconnection of the power cord in the event of an emergency.

**⚠ WARNING**

- If the machine emits smoke or odours, or if it behaves unusually, you must turn off its power immediately. After turning off the power, be sure to disconnect the power cord plug from the wall outlet. Then contact your service representative and report the problem. Do not use the machine. Doing so could result in fire or electric shock.

**⚠ WARNING**

- If metal objects, or water or other fluids fall inside this machine, you must turn off its power immediately. After turning off the power, be sure to disconnect the power cord plug from the wall outlet. Then contact your service representative and report the problem. Do not use the machine. Doing so could result in fire or electric shock.

**⚠ WARNING**

- Do not touch this machine if a lightning strike occurs in the immediate vicinity. Doing so could result in electric shock.

**⚠ WARNING**

- The following explains the warning messages on the plastic bag used in this product's packaging.
  - Keep the polythene materials (bags, etc.) supplied with this machine away from babies and small children at all times. Suffocation can result if polythene materials are brought into contact with the mouth or nose.

**⚠ CAUTION**

- Unplug the power cord from the wall outlet before you move the machine. While moving the machine, take care that the power cord is not damaged under the machine. Failing to take these precautions could result in fire or electric shock.

**⚠ CAUTION**

- Before moving the machine, be sure to pull all four handles fully out. If not, an injury might occur. After moving the machine, return the four handles to their original positions.

### CAUTION

- If you have to move the machine when the optional paper tray unit is attached, do not push on the main unit's top section. Doing so can cause the optional paper tray unit to detach, possibly resulting in injury.

### CAUTION

- After you move the machine, use the caster fixture to fix it in place. Otherwise the machine might move or come down to cause an injury.

### CAUTION

- If the lower paper tray is installed, do not pull out more than one tray at a time when you are changing or replenishing paper or resolving paper jams. Pressing down forcefully on the machine's upper surfaces can result in malfunctions and/or user injury.

### CAUTION

- Contact your service representative if you need to lift the machine (such as when relocating it to another floor). Do not attempt to lift the machine without the assistance of your service representative. The machine will be damaged if it topples or is dropped, resulting in malfunction and risk of injury to users.

### CAUTION

- Do not look into the lamp. It can damage your eyes.

### CAUTION

- Do not hold the control panel while moving the machine. Doing so may damage the control panel, cause a malfunction, or result in injury.

### CAUTION

- Keep your hands away from the hinges and exposure glass when lowering the ADF. Not doing so result in an injury if your hands or fingers are pinched.

## Handling the machine's interior

---

This section explains safety precautions about handling the machine's interior.

**⚠ WARNING**

- Do not remove any covers or screws other than those explicitly mentioned in this manual. Inside this machine are high voltage components that are an electric shock hazard and laser components that could cause blindness. Contact your sales or service representative if any of the machine's internal components require maintenance, adjustment, or repair.
- Do not attempt to disassemble or modify this machine. Doing so risks burns and electric shock. Note again that exposure to the laser components inside this machine risks blindness.

**⚠ CAUTION**

- Some of this machine's internal components get very hot. For this reason, take care when removing misfed paper. Not doing so could result in burns.

**⚠ CAUTION**

- When removing jammed paper, make sure not to trap or injure your fingers.

**⚠ CAUTION**

- When loading paper, take care not to trap or injure your fingers.

**⚠ CAUTION**

- While safety measures have been installed to prevent accidents, you must not touch the machine's rollers while it is operating. Doing so could cause injury.

**⚠ CAUTION**

- If the machine's interior is not cleaned regularly, dust will accumulate. Fire and breakdown can result from heavy accumulation of dust inside this machine. Contact your sales or service representative for details about and charges for cleaning the machine's interior.

**Handling the machine's supplies**

This section explains safety precautions about handling the machine's supplies.

**⚠ WARNING**

- Do not incinerate toner (new or used) or toner containers. Doing so risks burns. Toner will ignite on contact with naked flame.

**⚠ WARNING**

- Do not store toner (new or used) or toner containers anywhere near naked flames. Doing so risks fire and burns. Toner will ignite on contact with naked flame.

**⚠ WARNING**

- Do not use a vacuum cleaner to remove spilled toner (including used toner). Absorbed toner may cause a fire or explosion due to electrical contact flickering inside the vacuum cleaner. However, it is possible to use a vacuum cleaner that is explosion-proof and dust ignition-proof. If toner is spilled on the floor, remove the spilled toner slowly using a wet cloth, so that the toner is not scattered.

**⚠ CAUTION**

- Do not crush or squeeze toner containers. Doing so can cause toner spillage, possibly resulting in dirtying of skin, clothing, and floor, and accidental ingestion.

**⚠ CAUTION**

- Store toner (new or used), toner containers, and components that have been in contact with toner out of reach of children.

**⚠ CAUTION**

- If toner or used toner is inhaled, gargle with plenty of water and move into a fresh air environment. Consult a doctor if necessary.

**⚠ CAUTION**

- If toner or used toner gets into your eyes, flush immediately with large amounts of water. Consult a doctor if necessary.

**⚠ CAUTION**

- If toner or used toner is swallowed, dilute by drinking a large amount of water. Consult a doctor if necessary.

**⚠ CAUTION**

- When removing jammed paper or replacing toner, avoid getting toner (new or used) on your clothing. If toner comes into contact with your clothing, wash the stained area with cold water. Hot water will set the toner into the fabric and make removing the stain impossible.

**⚠ CAUTION**

- When removing jammed paper or replacing toner, avoid getting toner (new or used) on your skin. If toner comes into contact with your skin, wash the affected area thoroughly with soap and water.

**⚠ CAUTION**

- When replacing a toner or waste toner container or consumables with toner, make sure that the toner does not splatter. Put the waste consumables in a bag after they are removed. For consumables with a lid, make sure that the lid is shut.

**⚠ CAUTION**

- Do not attempt to print on stapled sheets, aluminum foil, carbon paper, or any kind of conductive paper. Doing so risks fire.

**⚠ CAUTION**

- Keep SD cards or USB flash memory devices out of reach of children. If a child accidentally swallows an SD card or USB flash memory device, consult a doctor immediately.

# Safety Labels of This Machine

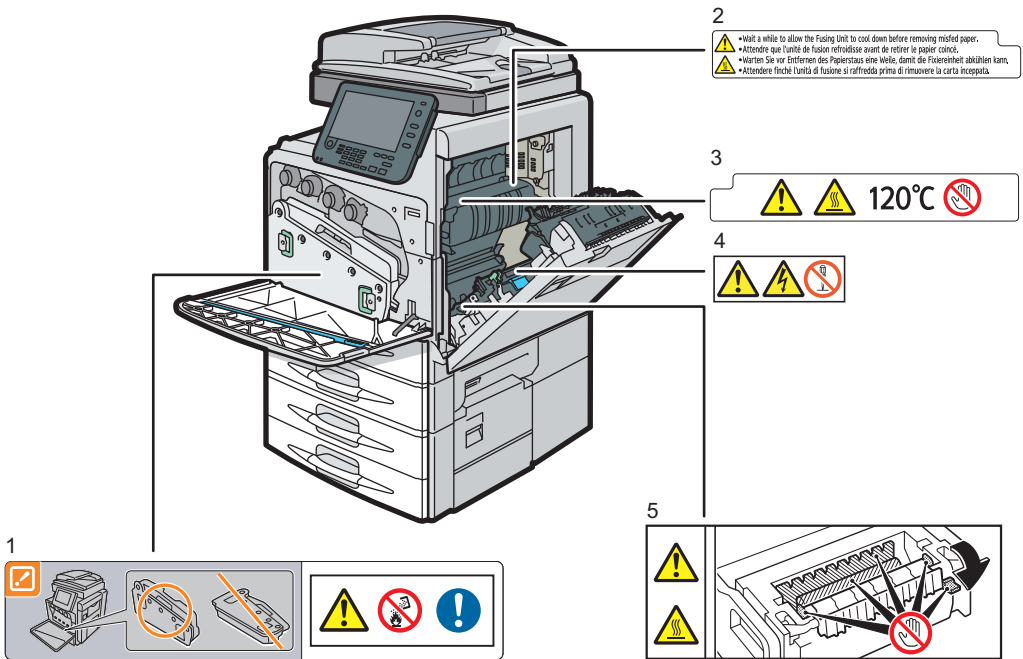
This section explains the machine's safety information labels.

## Positions of WARNING and CAUTION labels on Type 1

2

This machine has labels for ⚠WARNING and ⚠CAUTION at the positions shown below. For safety, please follow the instructions and handle the machine as indicated.

### Main unit

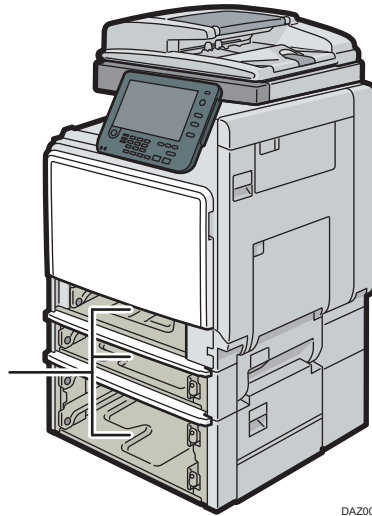


DAZ001

1.  
Do not incinerate spilled toner or used toner. Toner dust might ignite when exposed to an open flame.
- 2, 3, and 5.  
The inside of the machine could be very hot. Do not touch the parts which a label is put on. Otherwise, an injury might occur.
4.  
The inside of the machine could be very high in voltage. Do not touch the parts which a label is put on. Otherwise, an electric shock occurs.

## Paper trays

2



DAZ002

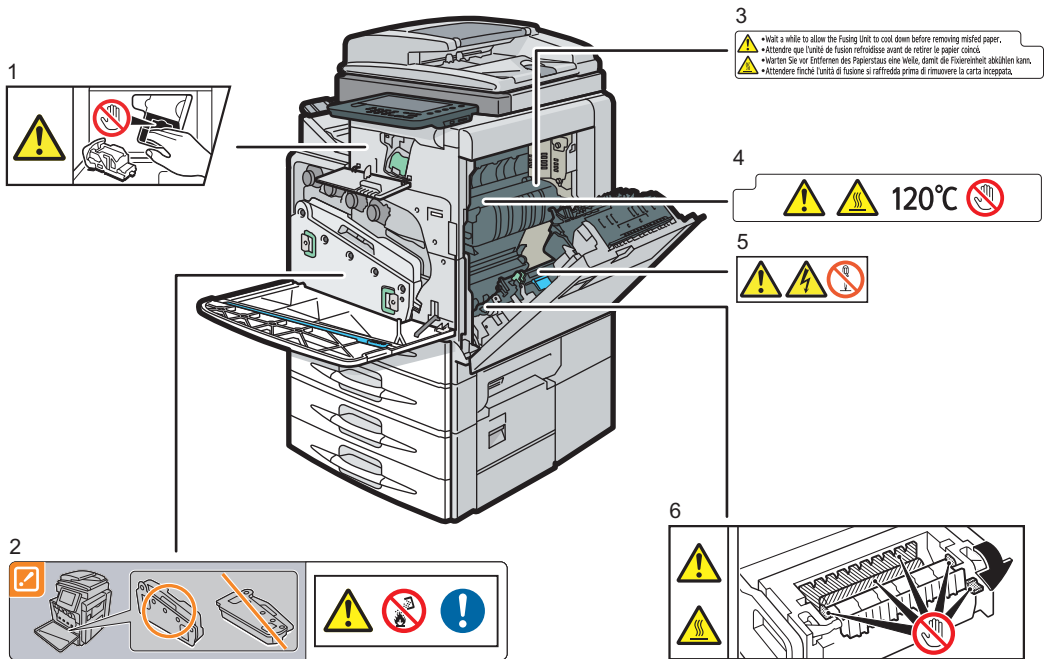
1.

The inside of the machine could be very hot. Do not touch the parts which a label is put on. Otherwise, an injury might occur.

## Positions of WARNING and CAUTION labels on Type 2

This machine has labels for ⚠WARNING and ⚠CAUTION at the positions shown below. For safety, please follow the instructions and handle the machine as indicated.

## Main unit



DAZ003

1.

Keep your hands clear of the finisher when removing the staple cartridge. You might trap your fingers if you do not.

2.

Do not incinerate spilled toner or used toner. Toner dust might ignite when exposed to an open flame.

3, 4, and 6.

The inside of the machine could be very hot. Do not touch the parts which a label is put on. Otherwise, an injury might occur.

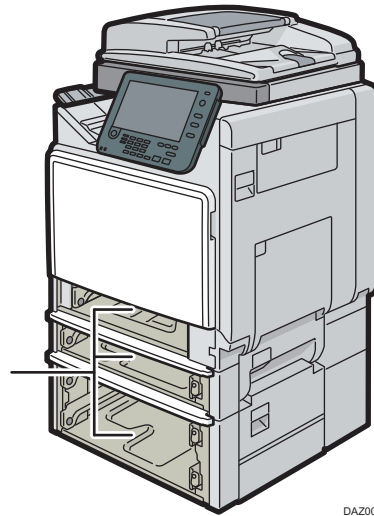
5.

The inside of the machine could be very high in voltage. Do not touch the parts which a label is put on. Otherwise, an electric shock occurs.



## Paper trays

2



DAZ004

1.

The inside of the machine could be very hot. Do not touch the parts which a label is put on. Otherwise, an injury might occur.

## Power Switch Symbols

The meanings of the symbols for the switches on this machine are as follows:

- I : POWER ON
- ⏻ : STANDBY



# 3. Other Information for This Machine

This chapter describes laws and regulations related to this machine.

## Laws and Regulations

### Duplication and Printing Prohibited

Do not copy or print any item for which reproduction is prohibited by law.

Copying or printing the following items is generally prohibited by local law:

bank notes, revenue stamps, bonds, stock certificates, bank drafts, checks, passports, driver's licenses.

The preceding list is meant as a guide only and is not inclusive. We assume no responsibility for its completeness or accuracy. If you have any questions concerning the legality of copying or printing certain items, consult with your legal advisor.

This machine is equipped with a function that prevents making counterfeit bank bills. Due to this function the original images similar to bank bills may not be copied properly.

### Laser Safety

#### CDRH Regulations

This equipment complies with requirements of 21 CFR Subchapter J for class I laser product. This equipment contains two AlGaInP laser diodes, 653-665 nanometer wavelength. The beam divergence angle is 16 degrees (minimum) and 22 degrees (maximum) in the vertical direction, and 7 degrees (minimum) and 11 degrees (maximum) in the horizontal direction, and laser beams are generated in Continuous Wave (CW) mode. The maximum output power of the light source is 15 milliwatt.

#### Caution:

Use of controls or adjustments or performance of procedures other than those specified in the manuals might result in hazardous radiation exposure.

### Notes to USA Users of FCC Requirements

#### Part 15 of the FCC Rules

#### Note:

This equipment has been tested and found to comply with the limits for a Class B digital device, pursuant to Part 15 of the FCC Rules. These limits are designed to provide reasonable protection against harmful interference in a residential installation. This equipment generates, uses and can

radiate radio frequency energy and, if not installed and used in accordance with the instructions, may cause harmful interference to radio communications. However, there is no guarantee that interference will not occur in a particular installation. If this equipment does cause harmful interference to radio or television reception, which can be determined by turning the equipment off and on, the user is encouraged to try to correct the interference by one or more of the following measures:

- Reorient or relocate the receiving antenna.
- Increase the separation between the equipment and receiver.
- Connect the equipment into an outlet on a circuit different from that to which the receiver is connected.
- Consult the dealer or an experienced radio /TV technician for help.

**Caution:**

Changes or modifications not expressly approved by the party responsible for compliance could void the user's authority to operate the equipment.

This transmitter must not be co-located or operated in conjunction with any other antenna or transmitter.

This equipment complies with FCC radiation exposure limits set forth for an uncontrolled environment and meets the FCC radio frequency (RF) Exposure Guidelines. This equipment should be installed and operated keeping the radiator at least 20 cm or more away from person's body (excluding extremities: hands, wrists, feet and ankles).

**Declaration of Conformity**

This device complies with Part 15 of the FCC Rules.

Operation is subject to the following two conditions:

- (1) This device may not cause harmful interference, and
- (2) this device must accept any interference received, including interference that may cause undesired operation.

Responsible party: Ricoh Americas Corporation

Address: 5 Dedrick Place, West Caldwell, NJ 07006

Telephone number: 973-882-2000

Product Name: Multi Function Peripheral

Model Number:

- MP C401 SP
- MP C401 SRSP

**Installing the Ferrite Core**

The Ethernet interface cable and a telephone line cable with a ferrite core must be used for RF interference suppression.

## For User

This device complies with part 15 of the FCC Rules.

Operation is subject to the following two conditions:

- (1) This device may not cause harmful interference, and
- (2) This device must accept any interference received, including interference that may cause undesired operation.

Changes or modifications not expressly approved by the party responsible for compliance could void the user's authority to operate the equipment.

## Part 68 of the FCC Rules regarding Facsimile Unit

1. This equipment complies with Part 68 of the FCC rules and requirements adopted by the ACTA. On the cover of this equipment is a label that contains, among other information, a product identifier in the format US:AAAEQ##TXXXXX. If requested, this number must be provided to the telephone company.
2. This equipment uses the RJ11C USOC jack.
3. A plug and jack used to connect this equipment to the premises wiring and telephone network must comply with the applicable FCC Part 68 rules and requirements adopted by the ACTA. A compliant telephone cord and modular plug is provided with this product. It is designed to be connected to a compatible modular jack that is also compliant. See installation instructions for detail.
4. The REN is used to determine the number of devices that may be connected to a telephone line. Excessive RENs on a telephone line may result in the devices not ringing in response to an incoming call. In most but not all areas, the sum of RENs should not exceed five (5.0). To be certain of the number of devices that may be connected to a line, as determined by the total RENs, contact the local telephone company. The REN for this product is part of the product identifier that has the format US:AAAEQ##TXXXXX. The digits represented by ## are the REN without a decimal point (e.g., 03 is a REN of 0.3).
5. If this equipment causes harm to the telephone network, the telephone company will notify you in advance that temporary discontinuance of service may be required. But if advance notice is not practical, the telephone company will notify the customer as soon as possible. Also, you will be advised of your right to file a complaint with the FCC if you believe it is necessary.
6. The telephone company may make changes in its facilities, equipment, operations or procedures that could affect the operation of the equipment. If this happens the telephone company will provide advance notice in order for you to make necessary modifications to maintain uninterrupted service.
7. If trouble is experienced with this equipment, for repair or warranty information, please contact Ricoh Americas Corporation Customer Support Department at 1-800-FASTFIX. If this device is

causing problems with your telephone network, the telephone company may request that you disconnect the equipment until the problem is resolved.

8. In the event of operation problems (document jam, copy jam, communication error indication), see the manual provided with this machine for instruction on resolving the problem.
9. Connection to party line service is subject to state tariffs. Contact the state public utility commission, public service commission or corporation commission for information.
10. If your home has specially wired alarm equipment connected to the telephone line, ensure the installation of this equipment does not disable your alarm equipment. If you have questions about what will disable alarm equipment, consult your telephone company or a qualified installer.

3

### **WHEN PROGRAMMING EMERGENCY NUMBERS AND/OR MAKING TEST CALLS TO EMERGENCY NUMBERS:**

1. Remain on the line and briefly explain to the dispatcher the reason for the call before hanging up.
2. Perform such activities in the off-peak hours, such as early morning hours or late evenings.

The Telephone Consumer Protection Act of 1991 makes it unlawful for any person to use a computer or other electronic device, including FAX machines, to send any message unless such message clearly contains in a margin at the top or bottom of each transmitted page or on the first page of the transmission, the date and time it is sent and an identification of the business or other entity, or other individual sending the message and the telephone number of the sending machine or such business, other entity, or individual. (The telephone number provided may not be a 900 number or any other number for which charges exceed local or long-distance transmission charges.)

In order to program this information into your FAX machine, you should complete the following steps: Follow the FAX HEADER programming procedure in the Programming chapter of the operating instructions to enter the business identification and telephone number of the terminal or business. This information is transmitted with your document by the FAX HEADER feature. In addition to the information, be sure to program the date and time into your machine.

---

### **Important Safety Instructions for Facsimile Unit**

---

When using your telephone equipment, basic safety precautions should always be followed to reduce the risk of fire, electric shock and injury to persons, including the following:

- Do not use this product near water, for example, near a bath tub, wash bowl, kitchen sink or laundry tub, in a wet basement or near a swimming pool.
- Avoid using a telephone during an electrical storm. There may be a remote risk of electric shock from lightning.
- Do not use a telephone in the vicinity of a gas leak to report the leak.
- Use only the power cord and batteries indicated in this manual. Do not dispose of batteries in a fire. They may explode. Check with local codes for possible special disposal instructions.

Save these instructions.

## IMPORTANTES MESURES DE SÉCURITÉ de l'unité Fax

Certaines mesures de sécurité doivent être prises pendant l'utilisation de matériel téléphonique afin de réduire les risques d'incendie, de choc électrique et de blessures. En voici quelques-unes:

- Ne pas utiliser l'appareil près de l'eau, p.ex., près d'une baignoire, d'un lavabo, d'un évier de cuisine, d'un bac à laver, dans un sous-sol humide ou près d'une piscine.
- Éviter d'utiliser le téléphone (sauf s'il s'agit d'un appareil sans fil) pendant un orage électrique. Ceci peut présenter un risque de choc électrique causé par la foudre.
- Ne pas utiliser l'appareil téléphonique pour signaler une fuite de gaz s'il est situé près de la fuite.
- Utiliser seulement le cordon d'alimentation et le type de piles indiqués dans ce manuel. Ne pas jeter les piles dans le feu: elles peuvent exploser. Se conformer aux règlements pertinents quant à l'élimination des piles.

Conserver ces instructions.

3

## Notes to Canadian Users of IC Rules

### Notes to users in Canada

This device complies with Industry Canada licence-exempt RSS standard(s).

Operation is subject to the following two conditions:

- (1) this device may not cause interference, and
- (2) this device must accept any interference, including interference that may cause undesired operation of the device.

This equipment complies with IC radiation exposure limits set forth for an uncontrolled environment and meets RSS-102 of the IC radio frequency (RF) Exposure rules. This equipment has very low levels of RF energy that it is deemed to comply without maximum permissive exposure evaluation (MPE). But it is desirable that it should be installed and operated keeping the radiator at least 20 cm or more away from person's body (excluding extremities: hands, wrists, feet and ankles).

### Remarques à l'attention des utilisateurs canadiens

Le présent appareil est conforme aux CNR d'Industrie Canada applicables aux appareils radio exempts de licence.

L'exploitation est autorisée aux deux conditions suivantes :

- (1) l'appareil ne doit pas produire de brouillage, et
- (2) l'utilisateur de l'appareil doit accepter tout brouillage radioélectrique subi, même si le brouillage est susceptible d'en compromettre le fonctionnement.

Cet équipement est conforme aux limites d'exposition aux rayonnements énoncées pour un environnement non contrôlé et respecte les règles d'exposition aux fréquences radioélectriques (RF) CNR-102 de l'IC. Cet équipement émet une énergie RF très faible qui est considérée conforme sans évaluation de l'exposition maximale autorisée. Cependant, cet équipement doit être installé et utilisé en gardant une distance de 20 cm ou plus entre le dispositif rayonnant et le corps (à l'exception des extrémités : mains, poignets, pieds et chevilles).

---

### Notes to Canadian Users of Facsimile Unit

---

3

This product meets the applicable Industry Canada technical specifications.

The Ringer Equivalence Number is an indication of the maximum number of devices allowed to be connected to a telephone interface. The termination on an interface may consist of any combination of devices subject only to the requirement that the sum of the RENs of all the devices does not exceed five.

---

### Remarques à l'attention des utilisateurs canadiens de l'unité Fax

---

Le présent matériel est conforme aux spécifications techniques applicables d'Industrie Canada.

L'indice d'équivalence de la sonnerie (IES) sert à indiquer le nombre maximal de terminaux qui peuvent être raccordés à une interface téléphonique. La terminaison d'une interface peut consister en une combinaison quelconque de dispositifs, à la seule condition que la somme d'indices d'équivalence de la sonnerie de tous les dispositifs n'excède pas 5.



# 4. Appendix

---

This appendix describes trademarks for the machine.

## Trademarks

Adobe, PostScript, PostScript 3, and Reader are either registered trademarks or trademarks of Adobe Systems Incorporated in the United States and/or other countries.

Macintosh is trademarks of Apple Inc., registered in the United States and other countries.

The SD is a trademark of SD-3C, LLC.

Firefox is a registered trademark of the Mozilla Foundation.

Google and Chrome™ browser are trademarks of Google Inc.

Safari is a trademark of Apple Inc., registered in the United States and other countries.

Microsoft, Windows, and Internet Explorer are either registered trademarks or trademarks of Microsoft Corporation in the United States and/or other countries.

The proper names of Internet Explorer 8 and 9 are as follows:

- Windows® Internet Explorer® 8
- Windows® Internet Explorer® 9

Other product names used herein are for identification purposes only and might be trademarks of their respective companies. We disclaim any and all rights to those marks.

---

MEMO



