



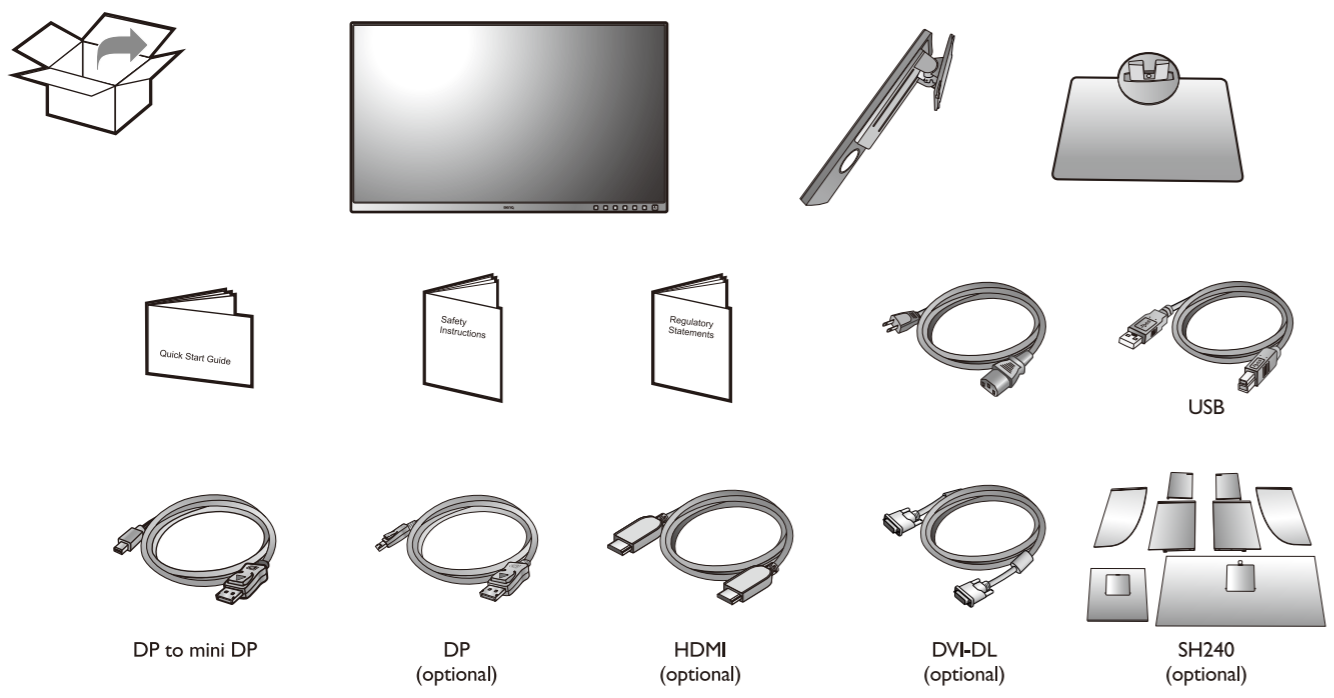
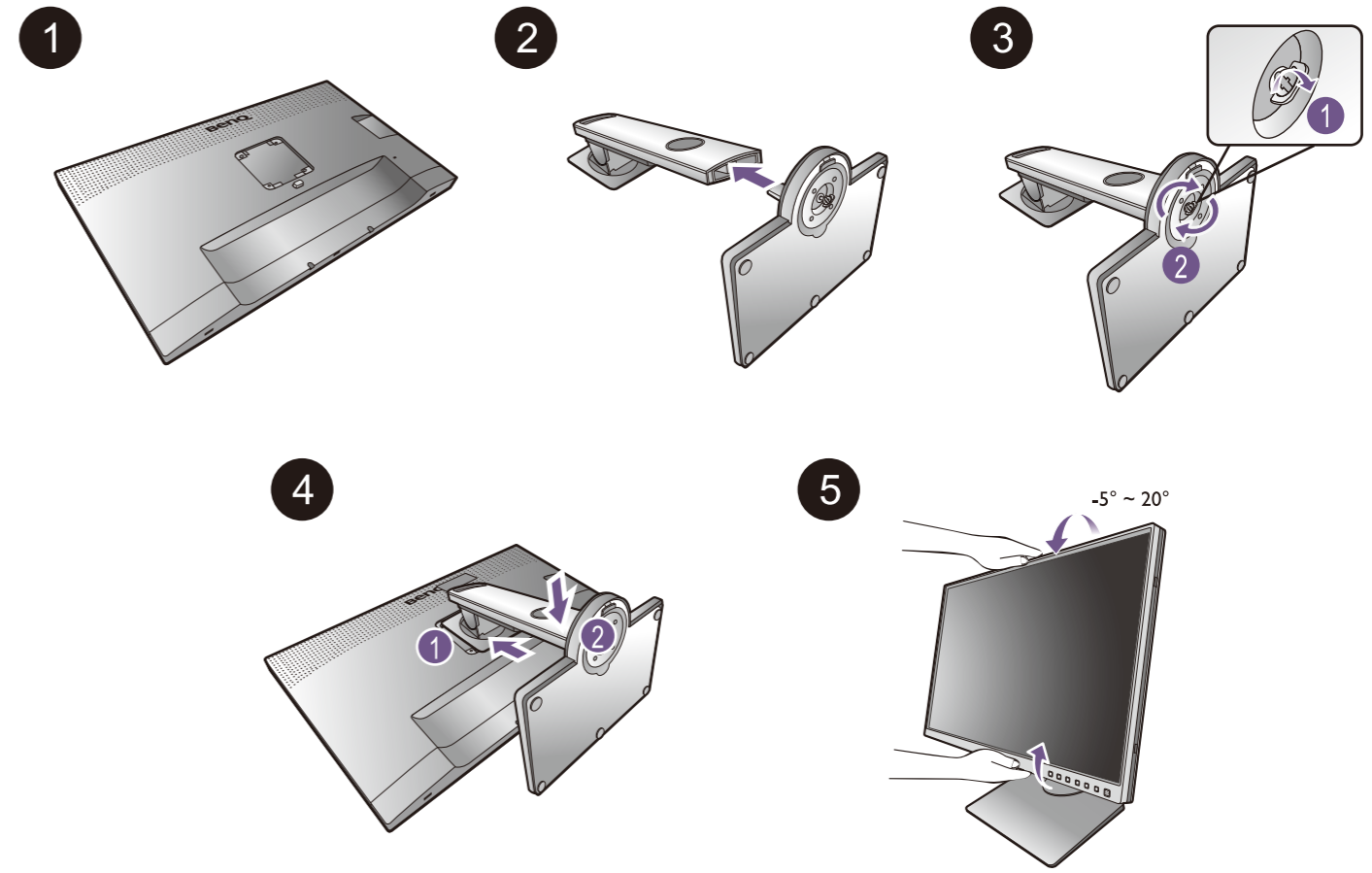
LCD Monitor Quick Start Guide

PhotoVue Photographer Monitor | SW Series

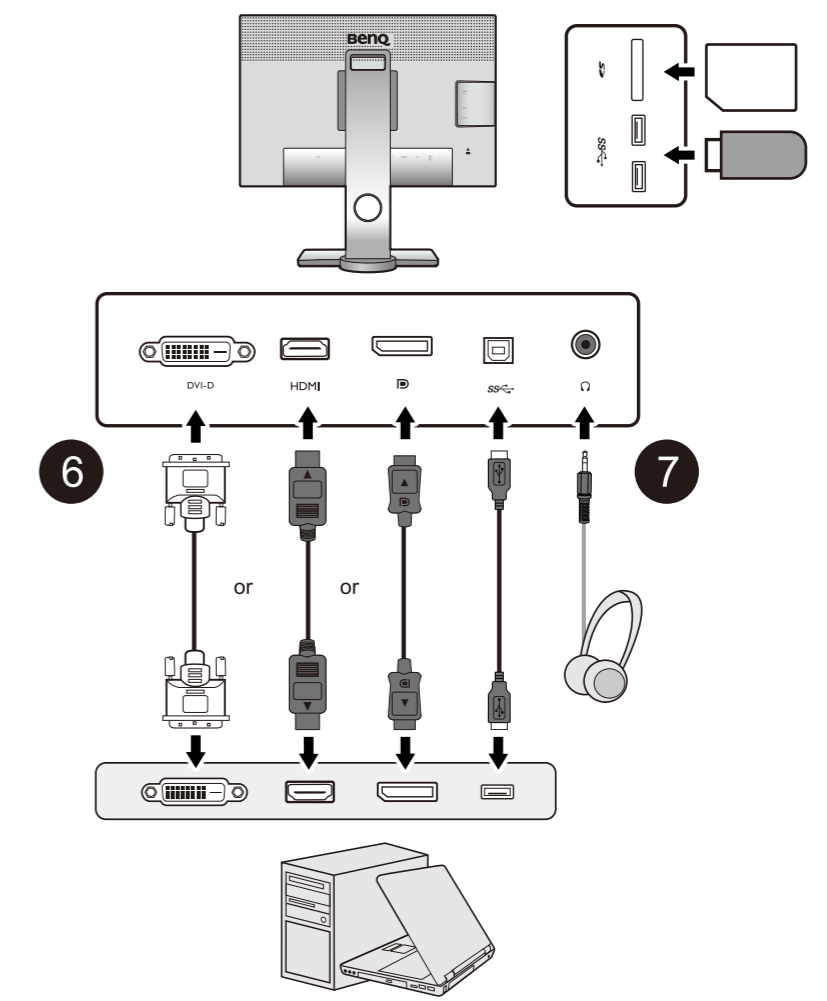


DN: SW240-EQ-V2

© 2011 BenQ Corporation. All rights reserved. Rights of modification reserved.



- 6 Video
- 7 Audio



0-40°C 10-90% 0-3000m

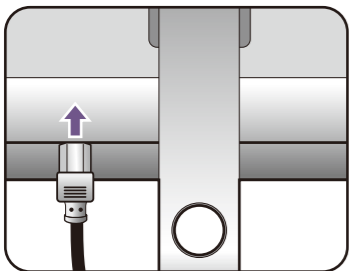
-20-60°C 10-60% 0-12000m

ecoFACTS
csr.BenQ.com

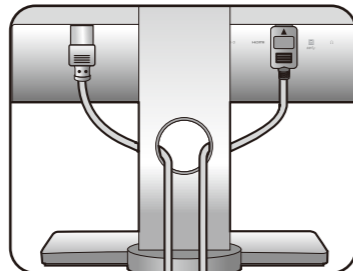
HDMI™
HIGH-DEFINITION MULTIMEDIA INTERFACE
(For models with HDMI inputs)

P/N: 4J.XXXXX.XXX

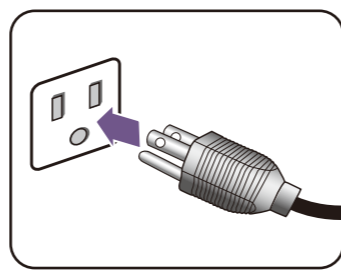
8



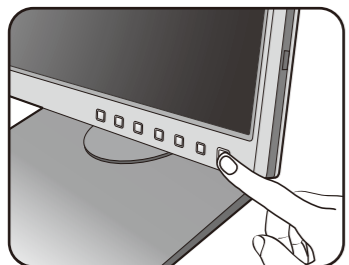
9



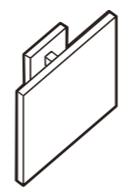
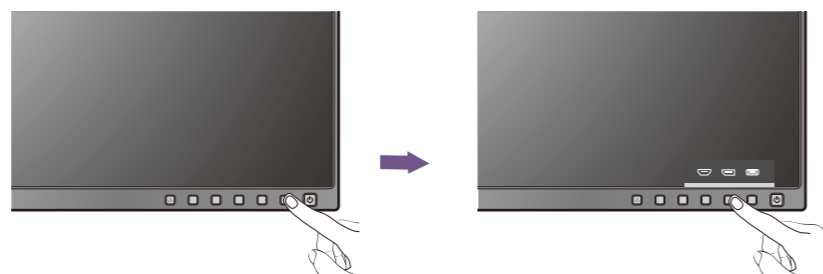
10



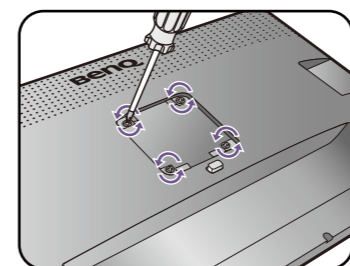
11



12

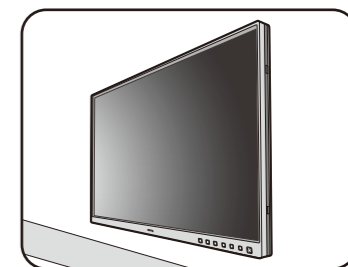


1



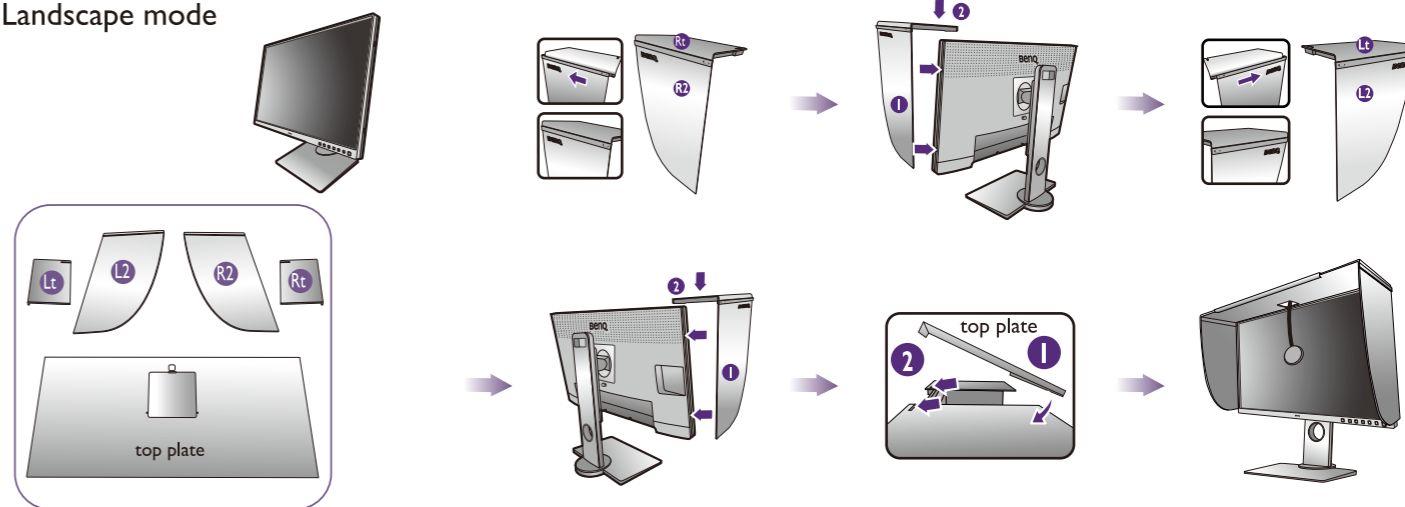
M4 x 10 mm

2

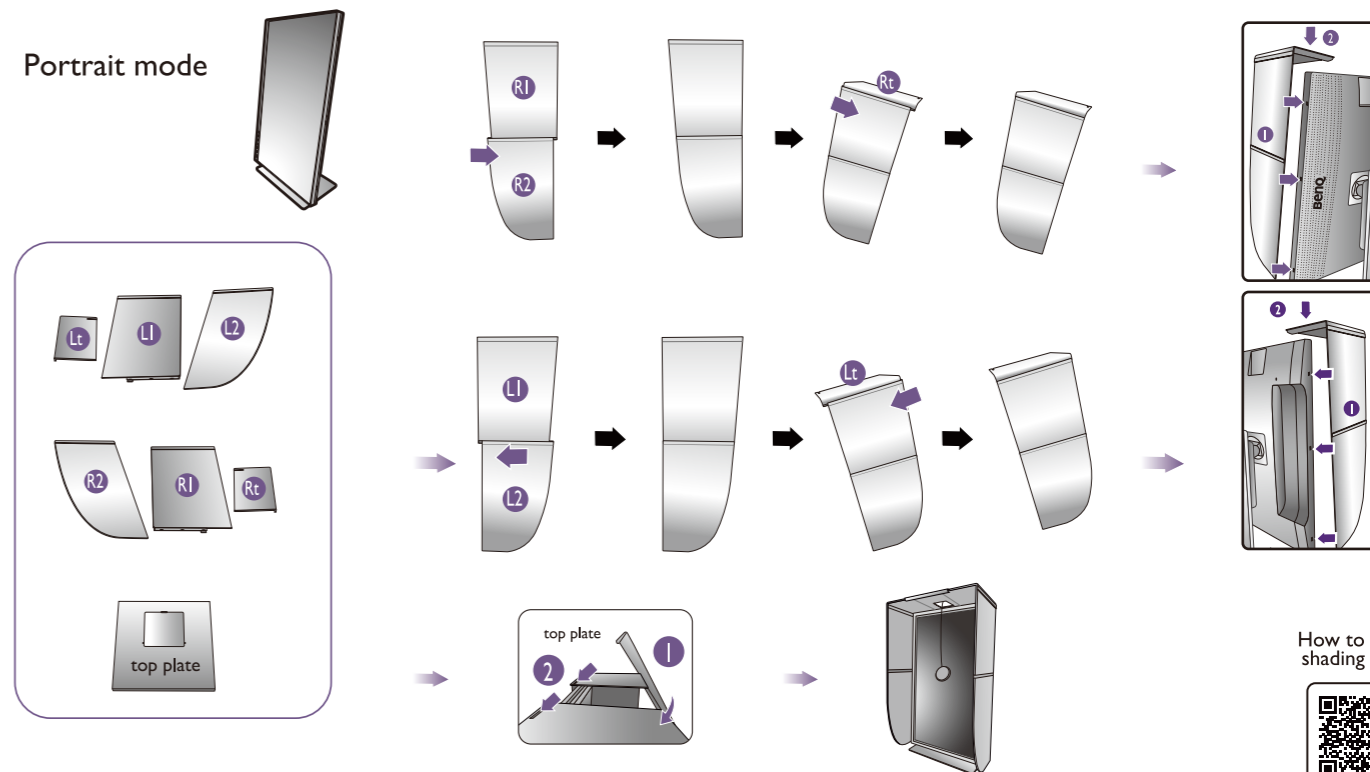


How to install the shading hood (optional step)

Landscape mode



Portrait mode

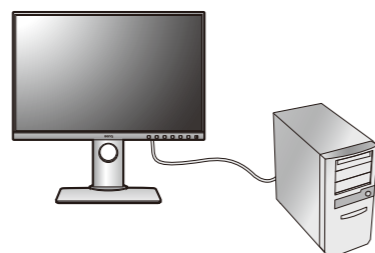


How to install shading hood

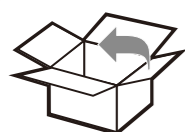


Software installation

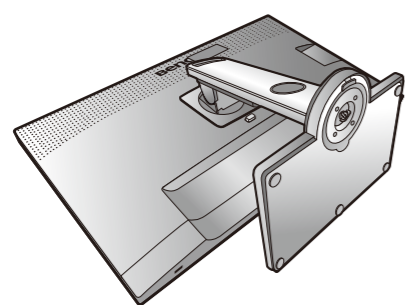
Calibration software: Palette Master Element



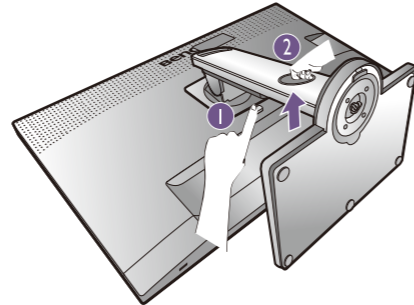
Support.BenQ.com



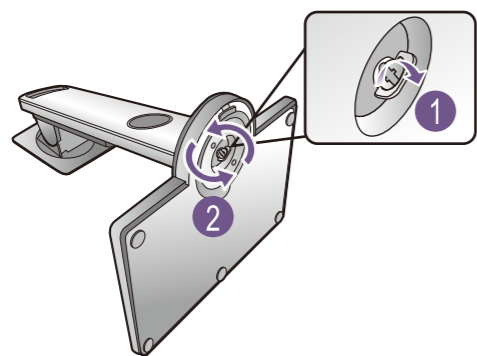
1



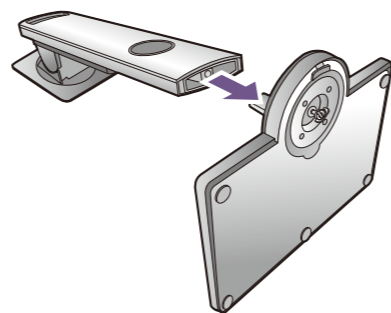
2



3



4



Support.BenQ.com



Online Manual



Product Support



Software Download