



SANLI

INSTRUCTION MANUAL



LAWN MOWER

Bull Ant

PCS355 Push Mower
PCS355S Self-Propelled Mower



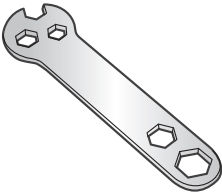
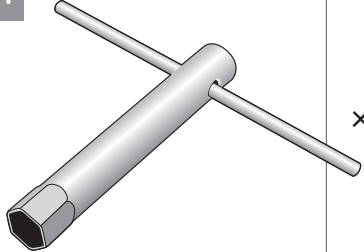


**CONSUMER
HELPLINE**
1800 466 068



PLEASE READ THE INSTRUCTIONS IN THIS MANUAL BEFORE OPERATION.

PCS 355 Push Mower
 PCS 355 S Self-Propelled Mower

What you get with your mower

<p>1.</p> 	<p>×1</p>	<p>2.</p> 	<p>×1</p>	<p>3.</p> 	<p>×2</p>
<p>4.</p> 	<p>×1</p>	<p>5.</p> 	<p>×1</p>	<p>6.</p> 	<p>×4</p>
<p>7.</p> 	<p>×1</p>	<p>8.</p> 	<p>×1</p>	<p>9.</p> 	<p>×1</p>

1. Petrol Engine Mower

4. Grass Catcher

7. Spark Plug Socket 21mm

2. Instruction Manual

5. Spanner

8. Cable Clip

3. Handle Knobs and Bolts

6. Bolt and Nut Assembly

9. Spring Cord Guide



1. Drive Lever (PCS355S only)

2. Throttle Control Lever

3. Rear Flap

4. Fuel Tank

5. Air Filter

6. Spark Plug

7. Muffler/Exhaust

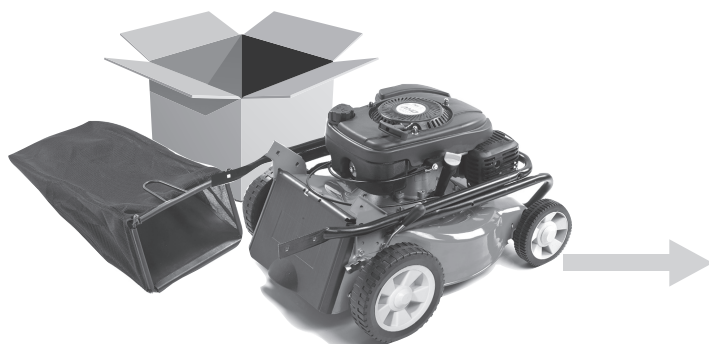
8. Oil Sump

9. Height Adjustment Lever

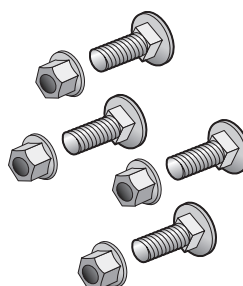
10. Grass Catcher

11. Lower Loop Handle

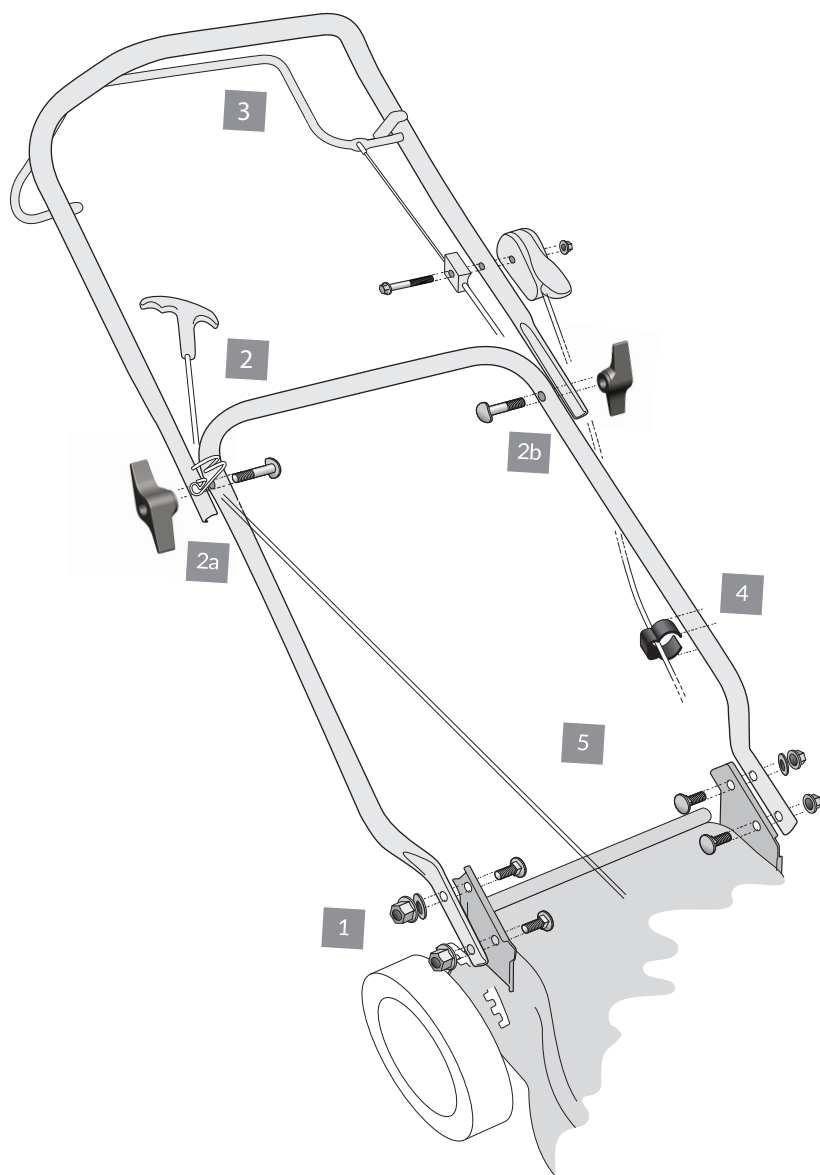
12. Spring Cord Guide



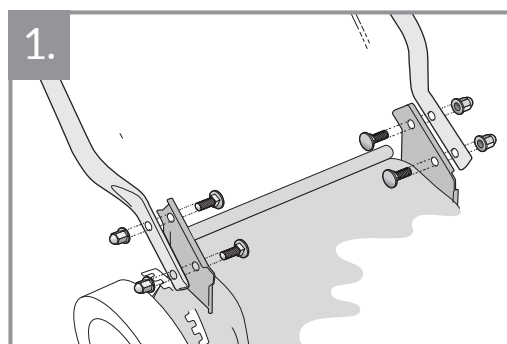
Remove and ensure you have all the parts required for assembly (see page 2 for reference)



Parts required:
4 x Round cap nuts
and 4 cm length bolts



1. LOWER LOOP HANDLE ASSEMBLY



1. Lower Loop Handle Assembly

Attach lower handle bar bolts. Take the weight off the handle bar and fit the lower bolt first.

Please make sure to place throttle cable and driving cable outside of lower loop handle

2a. Locate the Starter Cord

Pull the starter cord up to the spring and hold the cord at the lower side of the spring. Rotate the string clockwise around the spring.

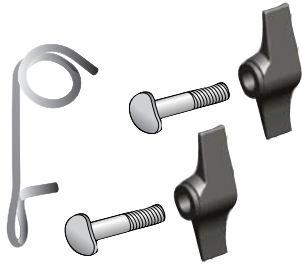
2b. Upper Handle Assembly

Fit the right side Handle Knobs and Bolts. When assembling, please take care to place cable above lower loop handle.

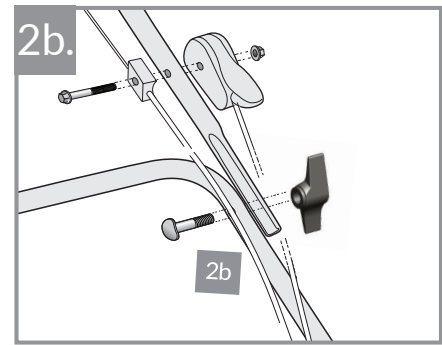
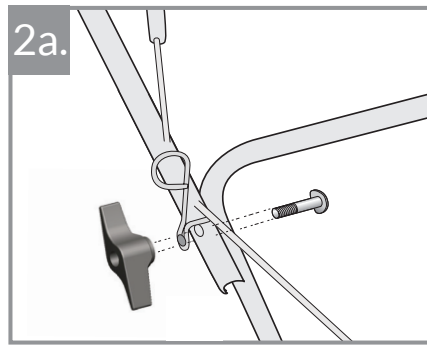
ASSEMBLY GUIDELINES

LAWN MOWER PCS355S/PCS355

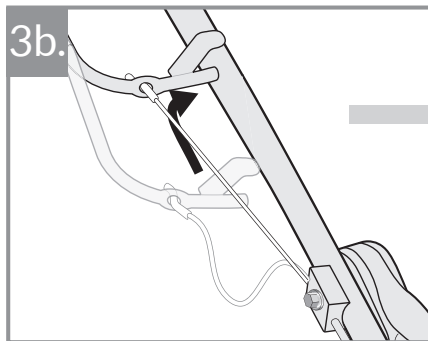
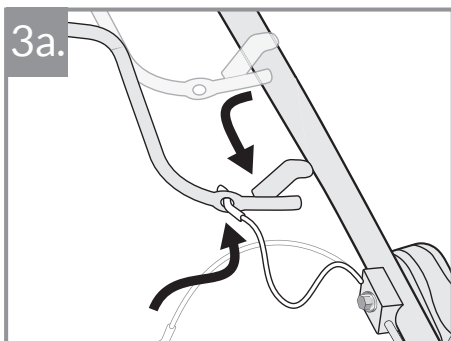
2. UPPER HANDLE ASSEMBLY



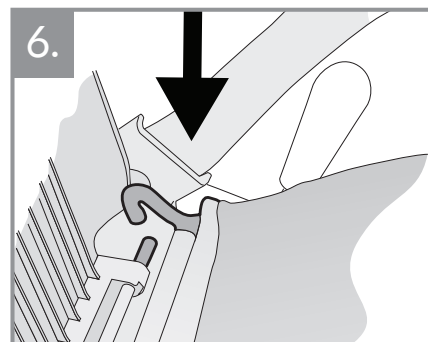
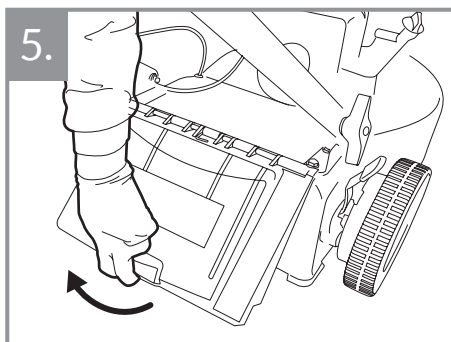
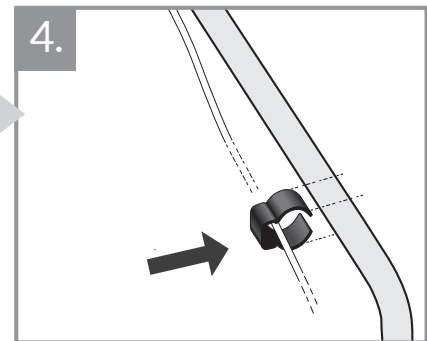
Parts required:
 2 x Handle Knobs
 2 x 8 cm length Bolts
 1 x Spring Cord Guide



3. ATTACHING THE DRIVE CABLE (PCS350S ONLY)



4. FIT THE CABLE CLIP



3. Attaching the Drive Cable

3a. Pull the drive lever out of the left side hole and lower towards the mower.

3b. Refit the lever into the hole in the mower handle

4. Fit the Cable Clip

Push the cable Clip into place.

5. Attach the Grass Catcher

Lift the Rear Flap with one hand.

6. Attach the Grass Catcher

Lower the Grass Catcher hook onto bar.

7. Machine is now assembled.

BEFORE YOU BEGIN

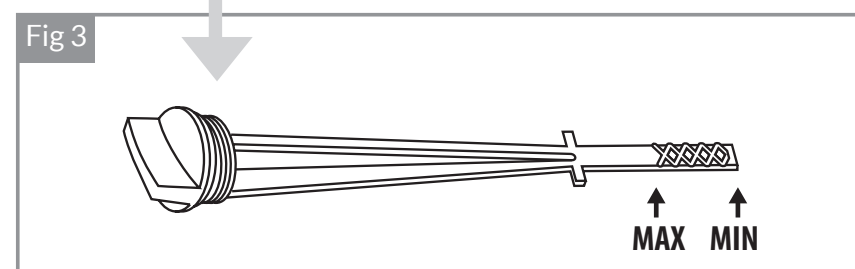
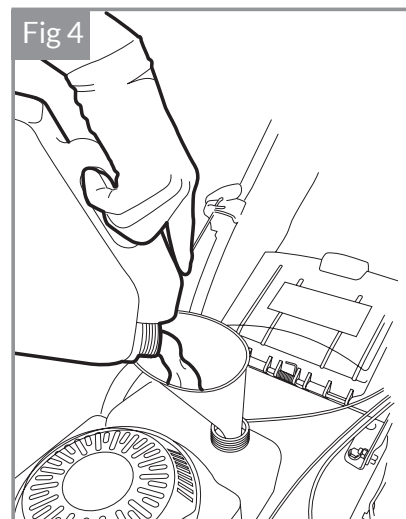
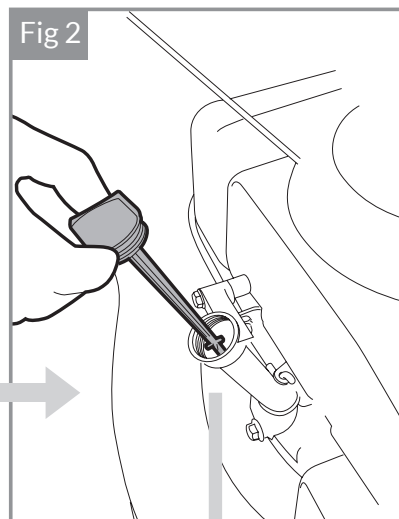
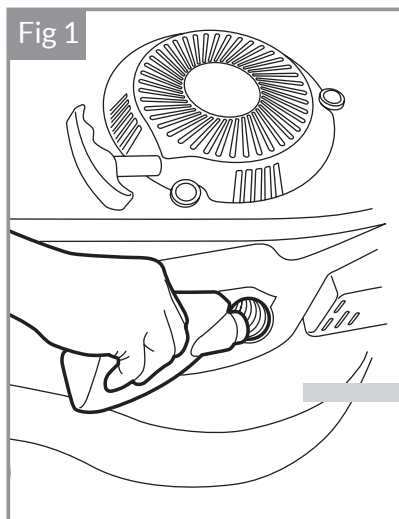
⚠ WARNING! The following procedures must be carried out before you start the engine of your lawnmower.



FILL OIL SUMP WITH 600ml of
SAE 30 Oil



FILL FUEL TANK WITH
PREMIUM PETROL (NO E10
PETROL)



Filling oil sump with oil

You have to add 600ml oil before starting the engine for the first time.

1. Firstly, remove the warning label from under the dipstick, then remove the dipstick and slowly pour 600ml of SAE30 lawnmower grade engine oil into the engine via the oil filler (Fig. 1). Replace the dipstick and tighten.

2. Before you use the mower each time, check the oil level (Fig. 2) and if necessary top up with SAE30 engine oil. To check the oil level, unscrew the yellow dipstick, wipe with a rag and dip into the oil filler (do not screw back in place), remove the dipstick again and check the level.

3. The oil level must be between the min and max marks on the dipstick (Fig. 3). Replace the dipstick and screw into place.

Fill Fuel tank with min 95 octane premium unleaded petrol (Do not use Ethanol petrol ie. E10).

Petrol is highly flammable so extreme caution must be taken when handling it. Always store petrol in approved containers and you must ensure that you use fresh petrol that is less than 4-6 weeks old. Do not mix oil with petrol.

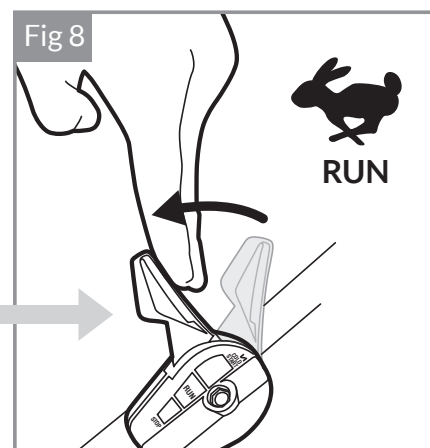
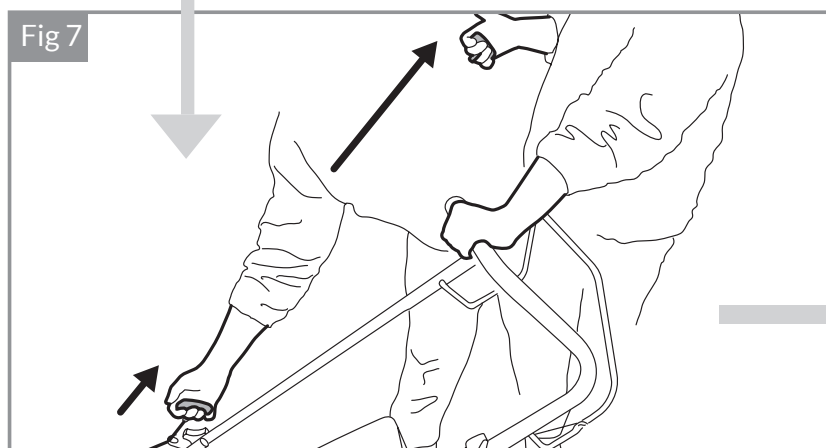
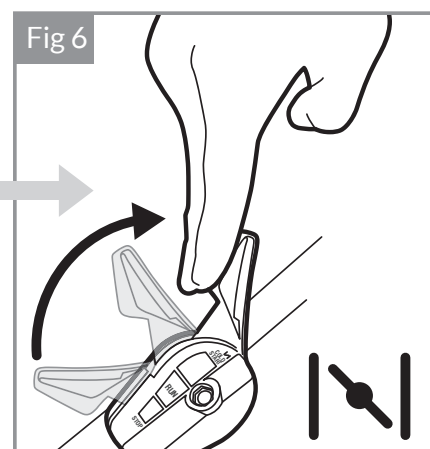
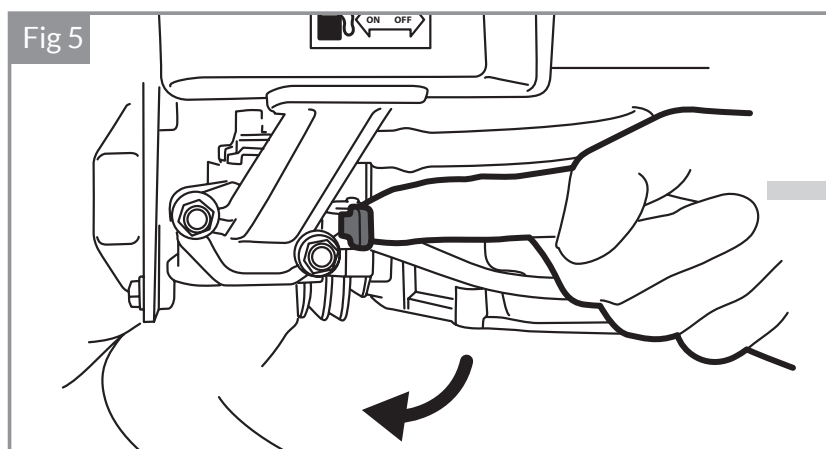
4. To put petrol in the fuel tank, firstly remove the warning label from under the petrol cap. It's best to fill the tank using a clean funnel, but never fill it completely (Fig. 4). Instead, leave at least 13mm from the bottom of the filler neck to allow for expansion. Ensure that you securely tighten the petrol cap after filling. (Funnel & Fuel not supplied).

BEFORE YOU BEGIN/START THE ENGINE

LAWN MOWER PCS355S/PCS355

STARTING THE ENGINE

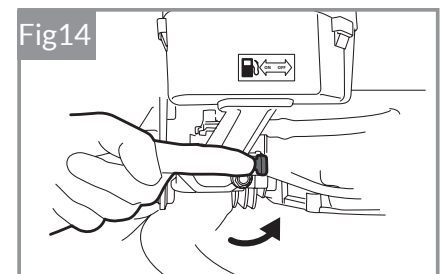
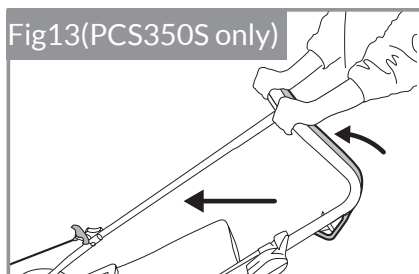
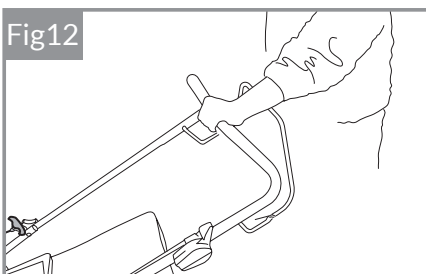
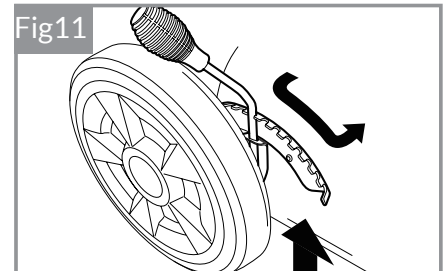
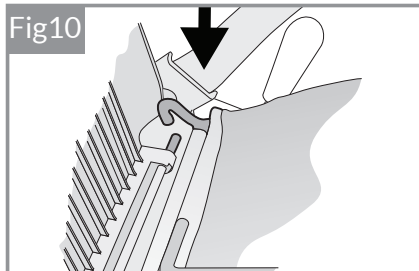
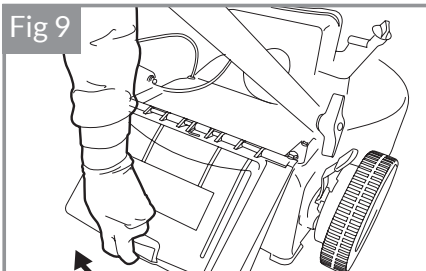
⚠ WARNING! The following procedures must be carried out before you start the engine of your lawnmower.



Starting the engine

1. Make sure that your mower is on a safe, flat area (a paved area or path is ideal - avoid thick wet grass and gravel surfaces) away from fuel or fueling area to make starting safe.
2. Slide the 'Red' petrol tap lever to the left 'On' position (Fig. 5).
3. Move the throttle control lever located on the handle to the 'Cold Start' position (Fig. 6).
4. Firmly hold the top handle with one hand, and then with your other hand pull the cord slowly until you feel resistance. Then pull vigorously with one steady action (Fig. 7). Guide the cord back to its rest position (do not release).
5. When the engine has been running for at least 15 seconds (more time on cold days) (Fig. 8) adjust the throttle control lever to the 'Run' position.
6. To restart a hot engine, move the throttle control lever to the 'Run' position and then refer to 'Point 4'.
7. To turn off your mower, slide the throttle control lever down to the 'Stop' position. After it has stopped, slide the 'Red' petrol tap lever to the right 'Off' position.

USING YOUR MOWER



Attach the Grass Catcher

The grass catcher attaches easily by lifting the mower's Rear Flap with one hand (Fig. 9) and locking the Grass Catcher into position (Fig. 10).

Cutting Height Adjustment

⚠ WARNING! Turn mower off before adjusting cutting height lever

For best results adjust the cutting height of your mower to suit the mowing conditions (Fig. 11). Do not try to remove too much grass in one pass.

Adjustment of the cutting height is made centrally. Turn off the mower and take the weight of the mower by lifting. Take hold of the cut height adjustment lever, positioned on the mower's right hand rear wheel.

Move the lever outwards to release it from its locating notch. Move the lever towards the front of the machine to increase the cutting height and towards the rear to reduce the cutting height. Return the lever to the locating notch to set the desired cutting height.

Make sure the handle fits snugly and securely into its serrated holder.

Mowing your Lawn

Start your mower (see: Starting the engine).

For PCS350S only: To power the mower forward, move the Drive Lever up and forward (Fig 13). The mower can be pushed with the drive disengaged for more precise handling.

After mowing and emptying the Grass Catcher ensure the engine is turned off.

Cleaning your Mower

⚠ WARNING! Turn mower off before cleaning

Regular cleaning after each use will ensure better functioning of the mower and reduce the risk of corrosion or seizure.

Having finished mowing, allow the engine to cool then remove accumulated grass clippings from and around the engine with a brush. Clean the grass collection bag annually with a brush or gentle spray of water and allow to dry.

Clean underneath regularly - disconnect the spark plug cap and tilt the mower backwards. Remove cut grass from the cutting system with a scraper and a brush.

Do not use a pressure washer or hot water to clean the mower. Dry off the machine before storing by leaving it running for a few minutes on a flat, clear surface to prevent corrosion or seizure.

Storing your Mower

⚠ WARNING! Store your mower in a dry, well-ventilated area, away from flames, sparks or heat sources.

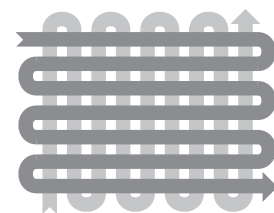
Store your mower in a dry, well-ventilated area, away from sparks or heat sources. Disconnect the spark plug cap. Avoid storing beneath a tarpaulin or similar cover as it may cause condensation resulting in corrosion.

Transporting your Mower

Ensure the fuel tank is empty. Run the engine until any remaining fuel is consumed. Allow the engine to cool. Turn fuel tap to OFF position (Fig. 14).

How to cut for best results

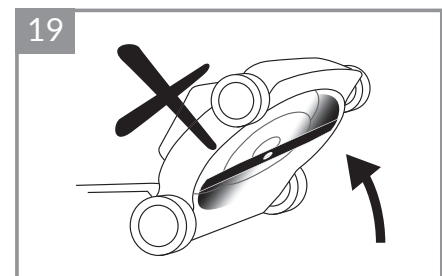
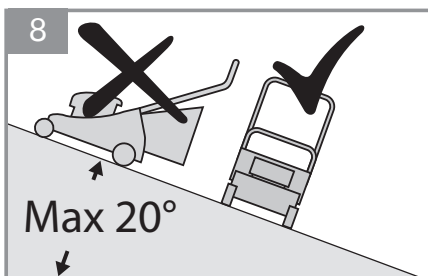
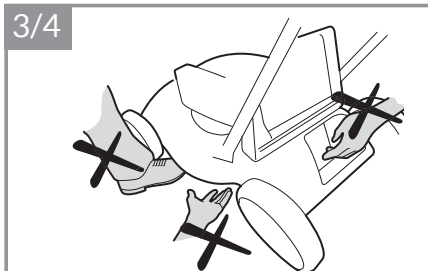
For best results cut your lawn in alternative directions switching direction each time you cut. Cut your lawn at an equal and same height. Slightly overlap your cutting lines.



USING YOUR MOWER/SAFETY TIPS

LAWN MOWER PCS355S/PCS355

TIPS ON MOWER SAFETY



1. Before starting your mower inspect it carefully to ensure that there are no loose parts and that it is in good working order.
2. Be sure of your footing. Always walk, never run, when operating the lawnmower.
3. Keep hands, feet and clothing away from the mower's moving parts. Always wear appropriate footwear (avoid sandals or open shoes).
4. Never put your hands or feet underneath the chassis of the lawnmower while the engine is running.
5. Clear the area to be mowed of any stones, sticks, wire and debris before beginning. Always ensure that you mow a safe distance away from adults, children and animals.
6. Turn off the engine and disconnect the spark plug cap before cleaning, transporting or making adjustments. Never leave the mower unattended.
7. Never open the fuel filler cap, or fill the tank, if the engine is still hot after use. Please ensure that you securely tighten the petrol cap after filling.

8. Mow across the face of slopes, not up and down. Avoid mowing on very steep slopes. We recommend you avoid mowing when it is raining, after nightfall or in poor light conditions.
9. Do not operate the machine by pulling it towards you as you risk pulling it onto your feet. Instead, always push and walk behind your lawnmower.
10. Do not fill the tank, or start the lawnmower indoors, or in a poorly ventilated area, as exhaust gases contain poisonous substances and petrol fumes are flammable and dangerous.
11. Do not alter engine governing settings or over-rev the engine, as excessive speed is dangerous and can reduce engine life.
12. Do not smoke when filling the fuel tank, using the machine, or when petrol is in the immediate area. Never use or store the mower near a naked flame.
13. Always use fresh 95 octane premium unleaded petrol that is not more than 4-6 weeks old. Fill the tank using a funnel, but never completely. Clean up any overflow or splashes before starting.

14. Do not transport the mower in a vehicle if there is any petrol in the tank.
15. Be aware that the machine's exhaust area and other parts of the lawnmower get very hot during and right after use.
16. Turn off the engine before emptying the grass-catcher and before clearing any grass caught in the rear flap where the catcher fits.
17. Store fuel and oil in a cool well-ventilated place, away from direct sunlight and gas cylinders or hot water heater systems.
18. It is recommended that you wear ear protection, safety goggles and safety boots when using a lawnmower.
19. To inspect the underside of your mower, only tilt the lawnmower to your right or back, when standing behind it (this is the side where the exhaust is near the ground) otherwise oil may leak into inappropriate areas of the engine. Never tilt the lawnmower when the engine is running.
20. All servicing and repair work under warranty must be carried out by an Authorised Dealer.

MAINTENANCE SCHEDULE

⚠ WARNING! The following procedures must be carried out before you start the engine of your lawnmower.

SUMMARY OF REGULAR MAINTENANCE REQUIRED BY THE MOWER

Frequency Components	Before each mowing	After 5 hours	Every 25 hours or once a year minimum before winter lay-up
Cutting system	Check and verify its condition		Sharpen and balance blade. Replace worn or damaged blade.
Spark plug		Check	Clean and check the clearance of the electrodes. Replace if necessary.
Air Filter		Check	Clean the filter. Replace if necessary.
Oil	Check the level	Drain and renew	Drain and renew

Cutting System

Before and after each mowing session, check that the blade, its attachment bolts and drive shaft are not damaged or excessively worn. Never try to straighten a bent blade. Replace a damaged, worn or bent blade as soon as possible. Use only genuine SANLI parts or those approved by SANLI.

Excessive vibration when mowing is a good indication of a problem with the cutting system.



WARNING!

Vibration from a bent or damaged blade can cause costly damage to the mower. Working with an excessively worn blade wastes fuel and can lead to injury if the blade becomes detached from the machine.

Removing the blade

Wear appropriate protective gloves to prevent possible injury when handling the blade. Disconnect the spark plug cap (Fig.14) and tilt the mower on its side with air filter and carburettor side up.

Holding the blade firmly in one hand, use a spanner or socket to loosen the blade screw.

Sharpening the blade

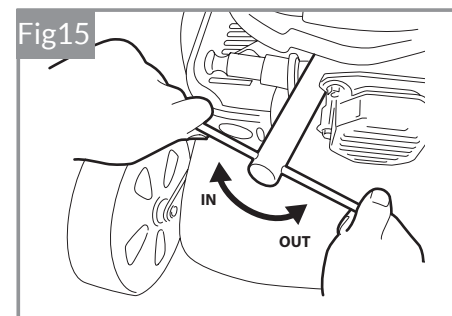
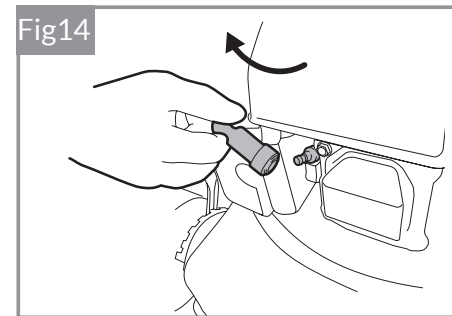
For best mowing results, have the edges sharpened and the blade balanced at least once a year by a specialist service dealer or agent.

Mounting the blade

Wear appropriate protective gloves to prevent possible injury when handling the blade. Disconnect the spark plug cap and tilt the mower on its side with air filter side up.

Check that all components (the blade, key, blade holder, screws and washers) are present, clean and in good condition. Position the blade with the cooling fins facing the engine.

Tighten the screws connecting all of the components. Make a final visual check that all parts are present and aligned before tightening the fixing bolt very firmly with a wrench while holding the blade tightly in one hand (NB wear suitable gloves).



Spark Plug

Check the spark plug initially after the first five hours of mower use. Thereafter, maintenance of the spark plug should take place every 25 hours.

Remove the spark plug cap (Fig.14) using a rotary motion and then remove the spark plug with the wrench provided (Fig.15).

Clean off any carbon deposits using a copper brush and check the electrode gap with a feeler gauge (the gap should be ≈ 0.7 mm). Replace and tighten the serviced spark plug and replace the cap.

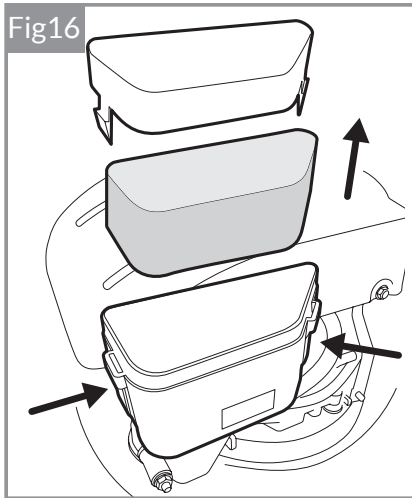
If the spark plug is worn or damaged, replace with a new spark plug of the same or suitable type for the engine.

We recommend to use NGK BPR6ES or Torch F6RTC for Sanli mowers.

If in doubt, contact your point of purchase or local dealer.

BASIC MAINTENANCE

LAWN MOWER PCS355S/PCS355



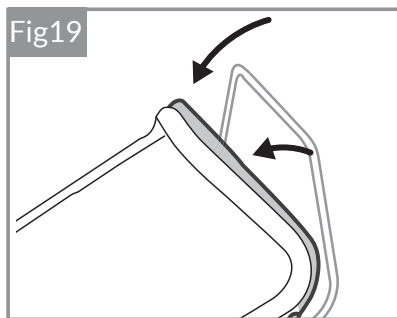
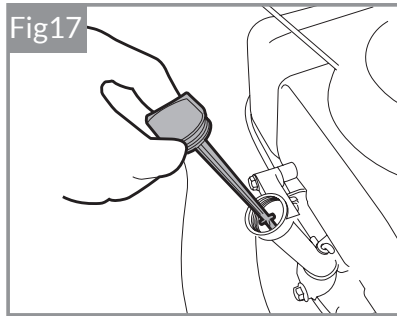
Do not twist the foam cartridge to clean it as this could cause damage. If your mower is not serviced correctly, you could reduce your mower's ability to operate and void warranty.

Air Filter

An air filter in poor condition will reduce the performance and life of the engine while making it harder to start. Regular checks are therefore essential, especially when using the mower in dusty conditions. Check and clean the air filter every 25 hours of use or more often if the engine is used in a dusty environment.

Remove the air filter cover lid and carefully remove the foam filter cartridge. Clean the cartridge in a small bowl of warm water containing a few drops of washing-up liquid until it is perfectly clean and free from all traces of grease and dust. Rinse the filter cartridge in clean water and then squeeze gently to remove most of the water. Let it air dry until it is completely dry.

Clean the cover and inside of the air filter box with a clean lint-free cloth. Apply a uniform layer of oil to the outside of the cartridge filter with a brush (you can use clean engine oil for this). Insert the filter cartridge into its housing and replace the filter lid, ensuring that each component is in place and properly installed. If the filter cartridge is damaged or is very dirty, replace it using a genuine part.



Adjusting the transmission cable

In its transmission engaged position (Fig. 19), the mower's Brake Lever is pushed fully towards the handlebar. An incorrectly adjusted transmission cable can cause premature wear to the mower's drive system.

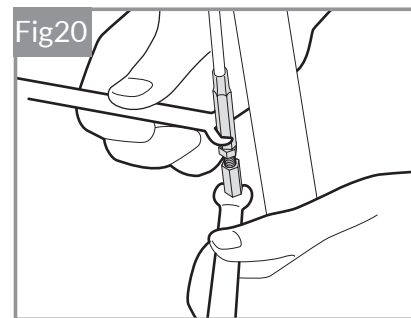
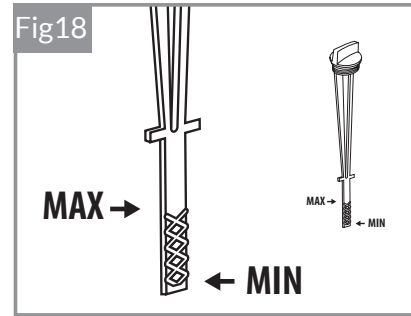
If the transmission cable is too tight, it will be difficult to move the drive lever towards the handlebars. Conversely, if the transmission cable is not tight enough, the transmission will function poorly and will lack power.

To adjust the tension of the cable transmission, increase or reduce the length of the adjustment device using the spanner (Fig. 20). Check the effectiveness of the transmission and the resistance of the lever.

Once proper adjustment has been reached, secure the adjustment device by tightening the lock nuts.

Checking the oil level

Position the mower on a firm, level surface. Unscrew the oil level dipstick (Fig.17) and wipe dry. Insert the dipstick until it reaches the filler neck, but do not screw



in. Remove the dipstick and check the oil level holding the dipstick horizontal.

The oil level should be between the minimum and maximum oil level marks on the dipstick (Fig.18). Add oil if necessary and repeat the above checking process. Running the engine without oil or with too little oil can cause serious engine damage.

Note: Dispose of used engine oil carefully, responsibly and in accordance with local or national regulations

Changing the oil (use SAE30 oil)

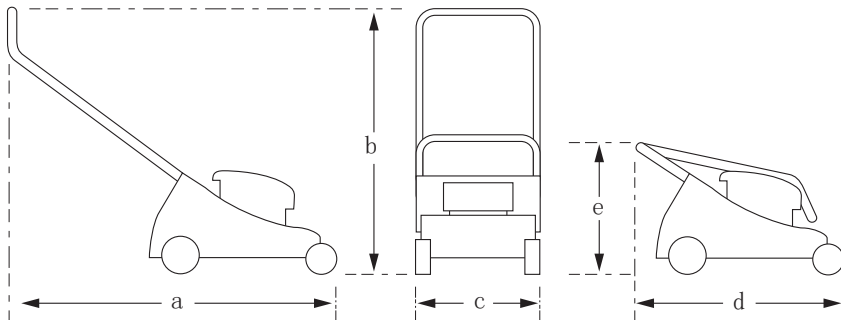
The first oil change should be carried out after the first 5 hours of mower use. Thereafter, change the oil after every 25 hours use or at least once a year. Leave the engine running outdoors for several minutes to warm the oil and make it more fluid.



Parts of the engine will become very hot and can cause severe burns.

Remove the spark plug cap and unscrew the oil level dipstick. Use a suitable oil suction pump and follow its instructions, then fill the engine with new oil.

TECHNICAL SPECIFICATION



Consistent with our policy of continuous improvement, SANLI reserves the right to change the design and configuration of any of its products without notice or obligation.

Therefore, please treat the text and images in this manual as being for illustrative purposes only. They may not, in any case, serve as a basis for any legal claim.

Model	PCS355S/PCS355	Engine oil capacity	0.6 L	Grass collection capacity	50 L
Engine	SL1P64F-A/SL1P60F-A	Maximum operating speed	3100 rpm	Noise level	75 dB
Displacement	135 cm ³ /118cm ³	Cutting width	400 mm	Chassis	Heavy duty steel
Maximum pow	2.75 kw/2.6kw	Adjustable cutting heights	7	Dimensions:	a = 136, b = 102,
Tank capacity	1.0 L	Cutting height	25-60mm / 20-68 mm	(cms)	c = 54, d = 88, e = 56

Problem	Likely cause	Suggested remedy
Engine does not start	Throttle lever not set properly	Set to 'Cold Start' for cold or a little lower when warm
	Out, or almost out, of fuel	Fill tank with min 95 octane premium unleaded petrol
	Spark plug depleted	Replace with a suitable new spark plug
	Spark plug dirty	Clean or replace with a new spark plug
	Spark plug not connected	Press firmly on the terminal cover
	Flooded engine	Turn fuel 'off' then pull starter rope until the mower starts, then turn the fuel on
	Old petrol in the tank (older than 4-6 weeks)	Contact an authorised dealer
	Water in the fuel tank	Contact an authorised dealer
Engine stops often	Blocked fuel supply	Ensure the fuel line is not pinched or blocked
	Fuel cap is not venting	You may need to slightly loosen the fuel cap
	Wrong type of fuel	Drain petrol tank and fill with new min 95 octane premium unleaded petrol
Engine loses power	Dirty air cleaner filter	Clean or replace with a new air-filter
	Incorrect height adjustment	Raise the mower's cutting height lever
	Blocked fuel cap vent holes	Ensure the 3 holes in the fuel tank cap are clear
Mower vibrates too much	Loose cutting blade	Check and tighten bolts and nuts
	Bent or broken disc/blades	Replace disc or blades
	Excessive grass/dirt build-up	Clean and ensure underside clear of build up
	Disc or blades worn/damaged	Replace blades
Poor cutting or catching	Catcher not fitted correctly	Reattach carefully and also check for damage
	Incorrect cutting height set	Adjust the cutting height
	Blocked grass catcher vents	Clear and clean the vents

5 YEAR WARRANTY CONDITIONS

LAWN MOWER PCS355S/PCS355

Please note that your warranty is affected by terms and conditions. Read on to fully understand what is covered by the warranty and what is not. Those items not covered by the warranty are the responsibility of the owner and any repairs will be at the owner's expense.

Defective parts will be replaced or repaired by an Authorised Sanli Dealer without charge for labour or materials subject to conditions. Repairs or adjustments required by failure to follow the manufacturer's instructions are chargeable to the owner.

The warranty does not affect your statutory rights or remedies as outlined in applicable consumer legislation.

The warranty is not transferable and is only applicable to the original purchaser that can provide the original proof of purchase.

Sanli provides a **Premium Warranty Cover** for this product for a period of **5 years** from your original purchase date with the exception of commercial use.

To qualify for the Sanli Premium Warranty Cover, you must comply with our servicing requirements:

1. Register your product warranty with Sanli Australia
2. Mower serviced and the service log updated by Sanli Authorised Dealers
3. Use genuine Sanli parts

Sanli warranty does not cover

- Intentional or unintentional misuse, abuse or breakages
- Normal wear and tear
- Oiled air cleaner or starting difficulty caused by mower incorrectly tipped on its side
- Consumable items, such as oil, blades, air filter element, spark plug and grass catcher bag
- Defects or faults caused by an act or omission after leaving manufacture
- Incorrect, contaminated or poor quality fuel (older than 3 months or E10 petrol)
- Incorrect, contaminated or poor quality engine oil
- Incorrect maintenance or storage of the product
- Water damage or environmental conditions
- Failure to observe safety requirements

The warranty will become void if any unauthorised person dismantles, repairs, or modifies the product.

Sanli Product Service Schedule

To validate your 5 year warranty, you must

- * Register your mower with Sanli Australia
- * Maintain your mower and update this service log by Authorised Sanli Dealers
- * Use fresh 95 Octane premium petrol (Not older than 3 months)
- * Change the Engine Oil every 25 hours or once a year using SAE30 (Details refer to page 11)
- * Use and maintain your mower as per instruction manual

Product Code		Serial No.		Purchase Date	
--------------	--	------------	--	---------------	--

Proof of service 1 (After 5 hours of usage)	
Clean the machine to remove any grass build up and oil residue	Yes <input type="checkbox"/> No <input type="checkbox"/>
Change the Engine Oil (SAE30)	Yes <input type="checkbox"/> No <input type="checkbox"/>
Clean air filter (Details refer to page 11)	Yes <input type="checkbox"/> No <input type="checkbox"/>
Check Spark Plug (Details refer to page 10)	Yes <input type="checkbox"/> No <input type="checkbox"/>
Notes	

Proof of service 2 (25 hours usage after initial service or one year after purchase)	
Clean the machine to remove any grass build up and oil residue	Yes <input type="checkbox"/> No <input type="checkbox"/>
Flush the fuel tank to remove any stale fuel and contamination	Yes <input type="checkbox"/> No <input type="checkbox"/>
Check engine running speed and tune carburetor	Yes <input type="checkbox"/> No <input type="checkbox"/>
Replace starter cord and re-wind the return spring and lubricate all moving parts	Yes <input type="checkbox"/> No <input type="checkbox"/>
Run and test all machine functions (safety inspection)	Yes <input type="checkbox"/> No <input type="checkbox"/>
Lubricate height adjuster mechanism, all control levers and cables	Yes <input type="checkbox"/> No <input type="checkbox"/>
Check driving belt and cables and make any necessary adjustment	Yes <input type="checkbox"/> No <input type="checkbox"/>
Change the Engine Oil (SAE30)	Yes <input type="checkbox"/> No <input type="checkbox"/>
Check the air gap on the ignition coil and fit a new spark plug	Yes <input type="checkbox"/> No <input type="checkbox"/>
Check air filter element and replace it (if required)	Yes <input type="checkbox"/> No <input type="checkbox"/>
Sharpen and balance blade. Replace worn or damaged blade	Yes <input type="checkbox"/> No <input type="checkbox"/>
Check fuel line and clean carburettor	Yes <input type="checkbox"/> No <input type="checkbox"/>
Notes	
Service carried out by: _____	(Sanli Dealer's Stamp)
Invoice No/Job No: _____	Service Date: ____ / ____ / ____

Proof of service 3 (25 hours usage after second service or two years after purchase)

- | | | |
|---|------------------------------|-----------------------------|
| Clean the machine to remove any grass build up and oil residue | Yes <input type="checkbox"/> | No <input type="checkbox"/> |
| Flush the fuel tank to remove any stale fuel and contamination | Yes <input type="checkbox"/> | No <input type="checkbox"/> |
| Check engine running speed and tune carburetor | Yes <input type="checkbox"/> | No <input type="checkbox"/> |
| Replace starter cord and re-wind the return spring and lubricate all moving parts | Yes <input type="checkbox"/> | No <input type="checkbox"/> |
| Run and test all machine functions (safety inspection) | Yes <input type="checkbox"/> | No <input type="checkbox"/> |
| Lubricate height adjuster mechanism, all control levers and cables | Yes <input type="checkbox"/> | No <input type="checkbox"/> |
| Check driving belt and cables and make any necessary adjustment | Yes <input type="checkbox"/> | No <input type="checkbox"/> |
| Change the Engine Oil (SAE30) | Yes <input type="checkbox"/> | No <input type="checkbox"/> |
| Check spark plug and replace if need | Yes <input type="checkbox"/> | No <input type="checkbox"/> |
| Check air filter element and replace (if required) | Yes <input type="checkbox"/> | No <input type="checkbox"/> |
| Sharpen and balance blade. Replace worn or damaged blade | Yes <input type="checkbox"/> | No <input type="checkbox"/> |
| Clean fuel line and carburettor | Yes <input type="checkbox"/> | No <input type="checkbox"/> |

Notes

Service carried out by: _____ (Sanli Dealer's Stamp)

Invoice No/Job No: _____ Service Date: ____ / ____ / ____

Proof of service 4 (25 hours usage after third service or three years after purchase)

- | | | |
|---|------------------------------|-----------------------------|
| Clean the machine to remove any grass build up and oil residue | Yes <input type="checkbox"/> | No <input type="checkbox"/> |
| Flush the fuel tank to remove any stale fuel and contamination | Yes <input type="checkbox"/> | No <input type="checkbox"/> |
| Check engine running speed and tune carburetor | Yes <input type="checkbox"/> | No <input type="checkbox"/> |
| Replace starter cord and re-wind the return spring and lubricate all moving parts | Yes <input type="checkbox"/> | No <input type="checkbox"/> |
| Run and test all machine functions (safety inspection) | Yes <input type="checkbox"/> | No <input type="checkbox"/> |
| Lubricate height adjuster mechanism, all control levers and cables | Yes <input type="checkbox"/> | No <input type="checkbox"/> |
| Check driving belt and cables and make any necessary adjustment | Yes <input type="checkbox"/> | No <input type="checkbox"/> |
| Change the Engine Oil (SAE30) | Yes <input type="checkbox"/> | No <input type="checkbox"/> |
| Check spark plug and replace if need | Yes <input type="checkbox"/> | No <input type="checkbox"/> |
| Check air filter element and replace (if required) | Yes <input type="checkbox"/> | No <input type="checkbox"/> |
| Sharpen and balance blade. Replace worn or damaged blade | Yes <input type="checkbox"/> | No <input type="checkbox"/> |
| Clean fuel line and carburettor | Yes <input type="checkbox"/> | No <input type="checkbox"/> |

Notes

Service carried out by: _____ (Sanli Dealer's Stamp)

Invoice No/Job No: _____ Service Date: ____ / ____ / ____

Proof of service 5 (25 hours usage after fourth service or four years after purchase)

- | | | |
|---|------------------------------|-----------------------------|
| Clean the machine to remove any grass build up and oil residue | Yes <input type="checkbox"/> | No <input type="checkbox"/> |
| Flush the fuel tank to remove any stale fuel and contamination | Yes <input type="checkbox"/> | No <input type="checkbox"/> |
| Check engine running speed and tune carburetor | Yes <input type="checkbox"/> | No <input type="checkbox"/> |
| Replace starter cord and re-wind the return spring and lubricate all moving parts | Yes <input type="checkbox"/> | No <input type="checkbox"/> |
| Run and test all machine functions (safety inspection) | Yes <input type="checkbox"/> | No <input type="checkbox"/> |
| Lubricate height adjuster mechanism, all control levers and cables | Yes <input type="checkbox"/> | No <input type="checkbox"/> |
| Check driving belt and cables and make any necessary adjustment | Yes <input type="checkbox"/> | No <input type="checkbox"/> |
| Change the Engine Oil (SAE30) | Yes <input type="checkbox"/> | No <input type="checkbox"/> |
| Check spark plug and replace if need | Yes <input type="checkbox"/> | No <input type="checkbox"/> |
| Check air filter element and replace it (if required) | Yes <input type="checkbox"/> | No <input type="checkbox"/> |
| Sharpen and balance blade. Replace worn or damaged blade | Yes <input type="checkbox"/> | No <input type="checkbox"/> |
| Clean fuel line and carburettor | Yes <input type="checkbox"/> | No <input type="checkbox"/> |

Notes _____

Service carried out by: _____ (Sanli Dealer's Stamp)

Invoice No/Job No: _____ Service Date: ____ / ____ / ____

Proof of service 6 (25 hours usage after fifth service or five years after purchase)

- | | | |
|---|------------------------------|-----------------------------|
| Clean the machine to remove any grass build up and oil residue | Yes <input type="checkbox"/> | No <input type="checkbox"/> |
| Flush the fuel tank to remove any stale fuel and contamination | Yes <input type="checkbox"/> | No <input type="checkbox"/> |
| Check engine running speed and tune carburetor | Yes <input type="checkbox"/> | No <input type="checkbox"/> |
| Lubricate height adjuster mechanism, all control levers and cables | Yes <input type="checkbox"/> | No <input type="checkbox"/> |
| Run and test all machine functions (safety inspection) | Yes <input type="checkbox"/> | No <input type="checkbox"/> |
| Lubricate height adjuster mechanism and all control levers and cables | Yes <input type="checkbox"/> | No <input type="checkbox"/> |
| Check driving belt and cables and make any necessary adjustment | Yes <input type="checkbox"/> | No <input type="checkbox"/> |
| Change the Engine Oil (SAE30) | Yes <input type="checkbox"/> | No <input type="checkbox"/> |
| Check spark plug and replace if need | Yes <input type="checkbox"/> | No <input type="checkbox"/> |
| Check air filter element and replace it (if required) | Yes <input type="checkbox"/> | No <input type="checkbox"/> |
| Sharpen and balance blade. Replace worn or damaged blade | Yes <input type="checkbox"/> | No <input type="checkbox"/> |
| Clean fuel line and carburettor | Yes <input type="checkbox"/> | No <input type="checkbox"/> |

Notes _____

Service carried out by: _____ (Sanli Dealer's Stamp)

Invoice No/Job No: _____ Service Date: ____ / ____ / ____



INSTRUCTION MANUAL

Notes.

Notes.



Telephone: 02 97710088
Address: 1/61-71 Rookwood Road, Yagoona NSW 2199
Email: support@sanli.com.au