

Hobie® Mirage®
Inflatable Kayak
Manual



In 1950, Hobie's dream was born in his parents' garage when he decided to apply his love of woodworking to the sport of surfing. Dad backed out the Buick... Hobie carved out his very first surfboard...

Hobie's business of fun had begun.

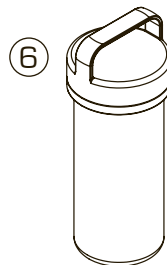
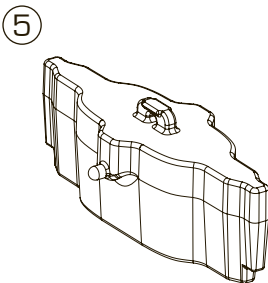
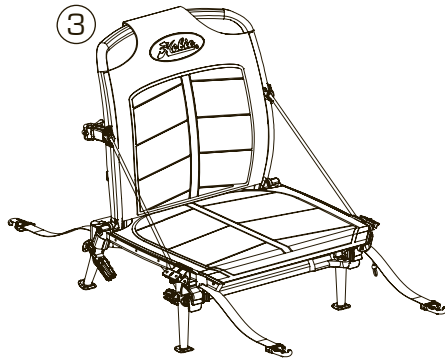
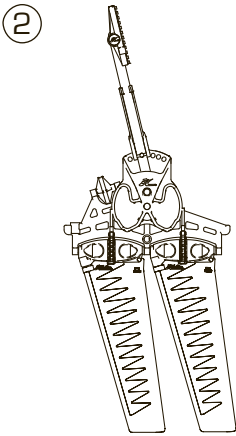
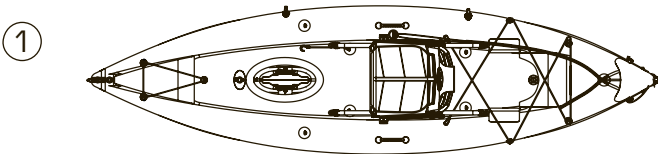
Anatomy	5
Assembly	6
MirageDrive®	9
Vantage CT	11
On the Water	16
Maintenance and Care	19
Storage and Transport.....	21
Safety	24
Warranty.....	26



Look for this icon. Online video is available at
www.hobiecat.com/support/products

Please read through the instruction manual before using this product

1. Hull
2. MirageDrive
3. Vantage CT Seat
4. Paddle
5. Cassette Plug
6. Repair Kit



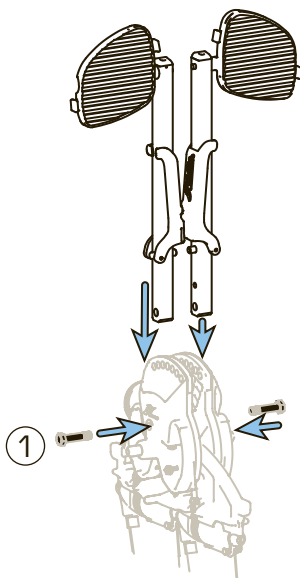
Items not shown to scale

MirageDrive Cranks

Depending on the Mirage kayak model, cranks may or may not require assembly.

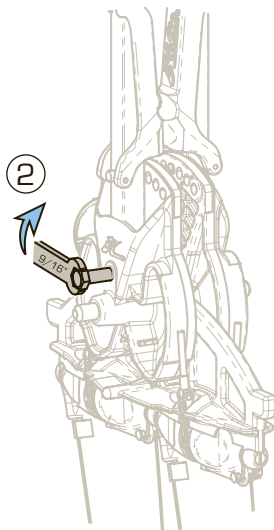
①

Insert cranks into drums.



②

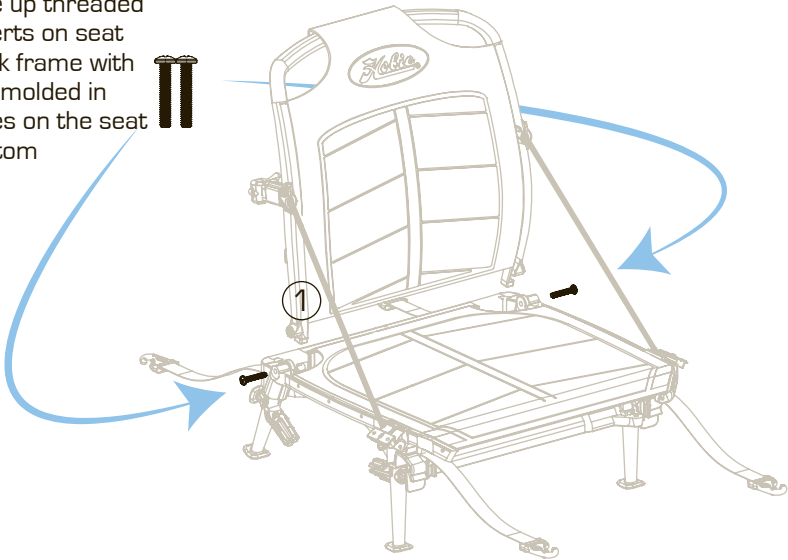
Tighten crank bolt using a 9/16" or 15mm wrench until the bolt is flush with the drum.



Vantage CT Assembly

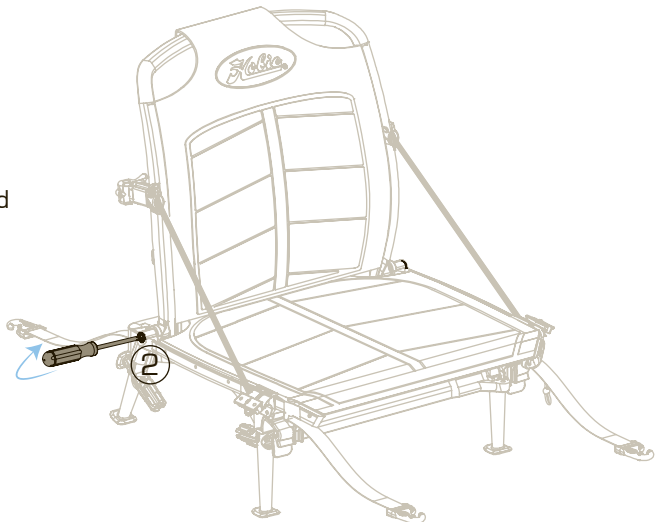
①

Line up threaded inserts on seat back frame with the molded in holes on the seat bottom



②

Once aligned, insert screws and tighten.



Inflating the Kayak

①

Locate the three air valves on your kayak. There is one valve for each of the side tubes and one valve for the floor. The valves are located near the back of the kayak.

②

Unscrew the cover of the valve and make sure the pin is “up”. You should be able to press down the pin and it will automatically spring up.

If it does not spring up it is in the “down” position. To unlock the pin from the “down” position push down on the pin and turn it counterclockwise until it pops up.

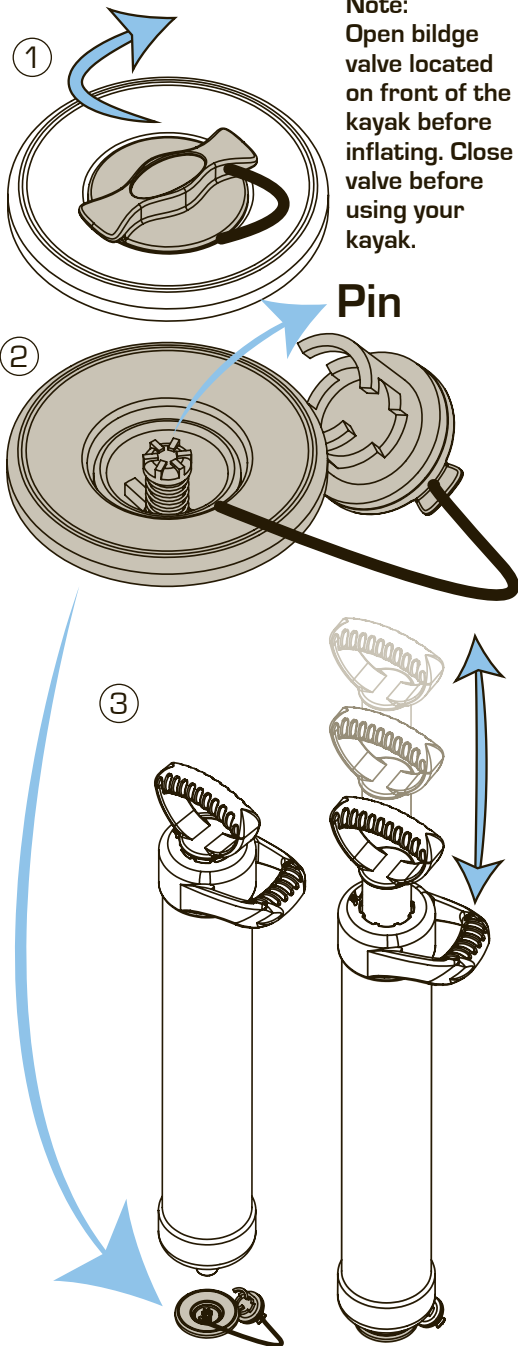
③

Line up the pump with the valve. Make sure the pin is in the “up” position. Plug in the pump and begin inflating your kayak. Continue pumping until tubes and floor are firm.

Deflating the Kayak

To deflate your kayak make sure the pin is in the “down” position. To lock the pin in the “down” position, push down the pin while turning it clockwise.

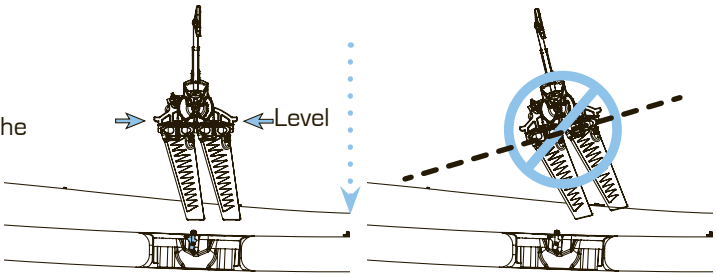
Note:
Open bildge valve located on front of the kayak before inflating. Close valve before using your kayak.



Installation

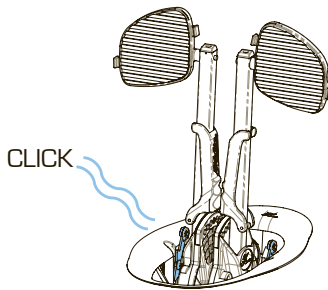
①

Lower drive straight down making sure the spine is level.



②

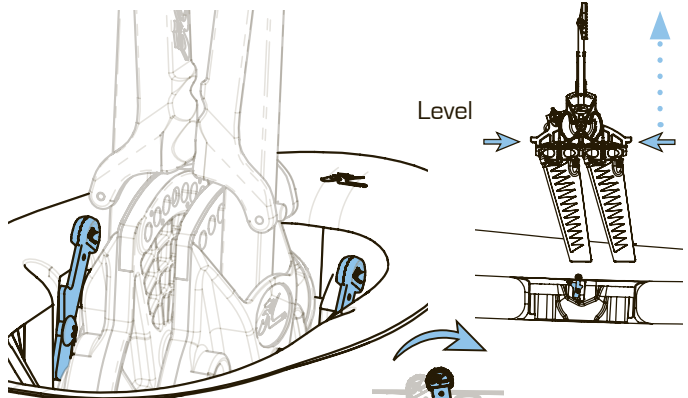
Press down and lock drive into Click and Go's. The drive locks automatically when installed.



Removal

①

Pull back each Click and Go lever in unison.



②

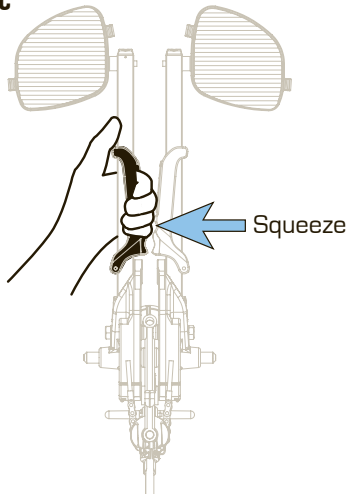
Lift drive straight up.



Pedal Adjustment

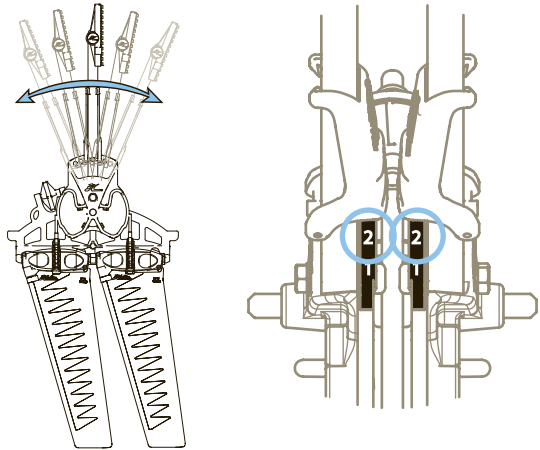
①

Squeeze adjuster handle.



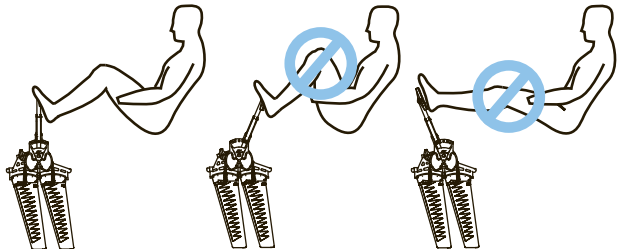
②

Adjust cranks to desired position by rotating and clicking them into the desired position. Make sure both cranks are aligned at the same number.

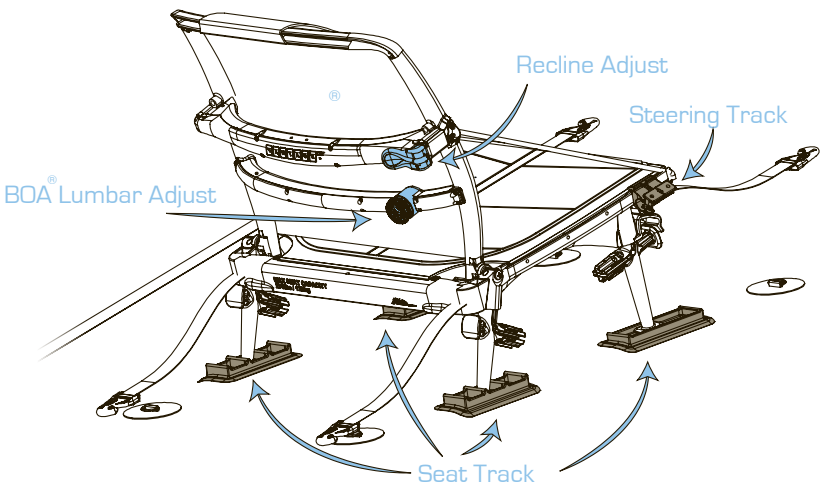
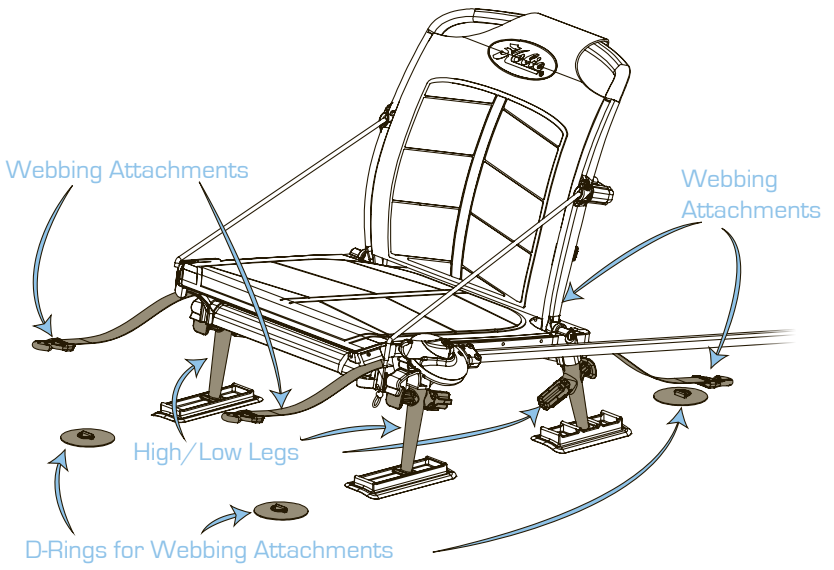


③

With both feet on the pedals and together (fins straight down), your knees should be comfortably bent and not over crunched or extended.



Anatomy

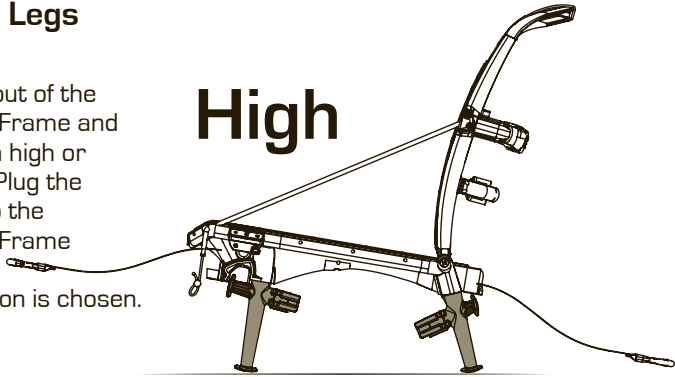


Items not shown to scale

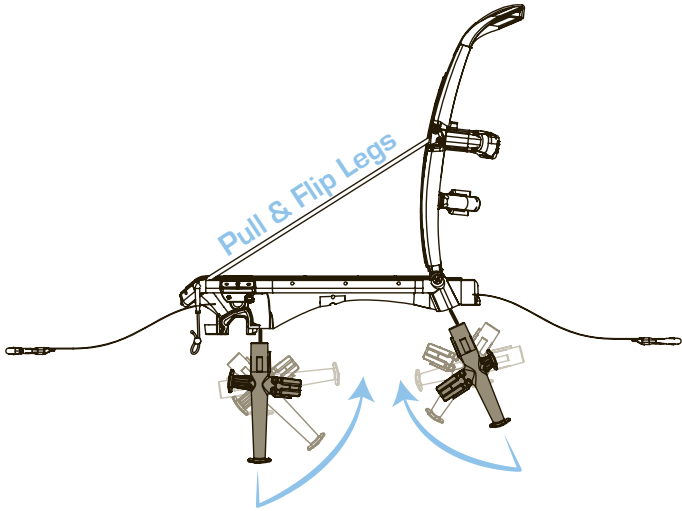
High/Low Legs

Pull the legs out of the Seat Bottom Frame and flip to either a high or low position. Plug the legs back into the Seat Bottom Frame when the desired position is chosen.

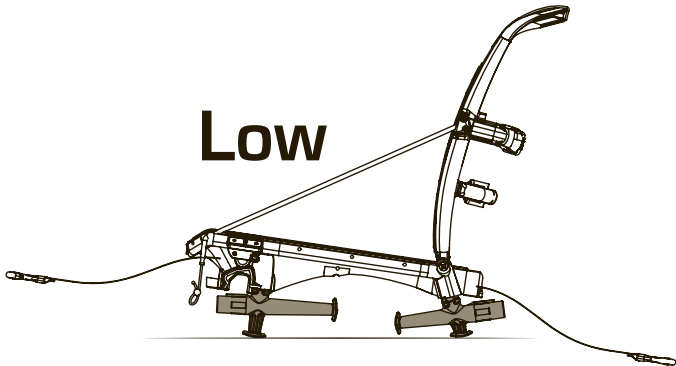
High



Pull & Flip Legs



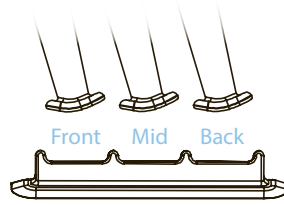
Low



Seat Installation

①

Before installing the Vantage CTi, choose the front, middle or back position in the Seat Tracks.



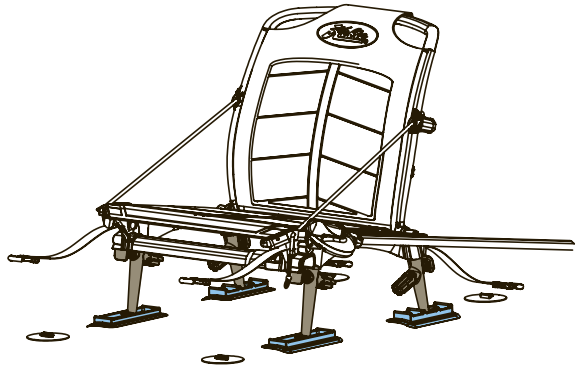
②

Line up the legs on the Vantage CTi with the Seat Tracks mounted on the kayak.



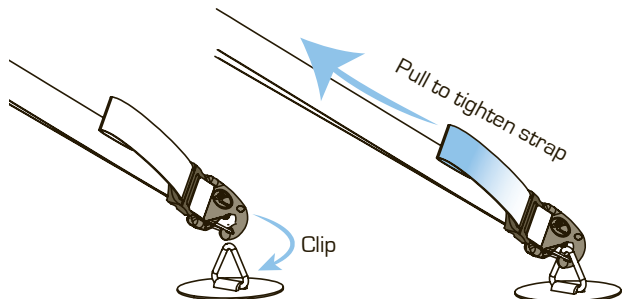
③

Set the Vantage CTi in the desired location in the Seat Tracks.

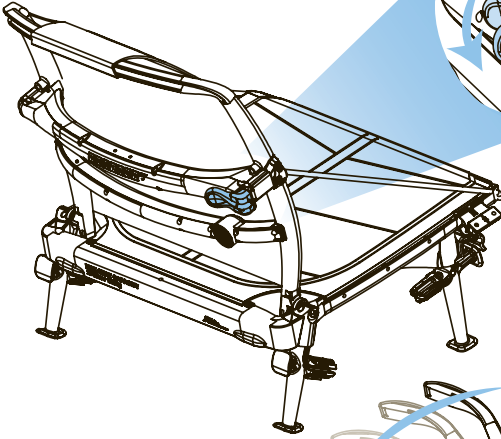


④

Clip the Webbing Attachments on the Vantage CTi to the D-Rings mounted on the kayak. Pull to tighten the webbing and cinch the Vantage CTi to the kayak.

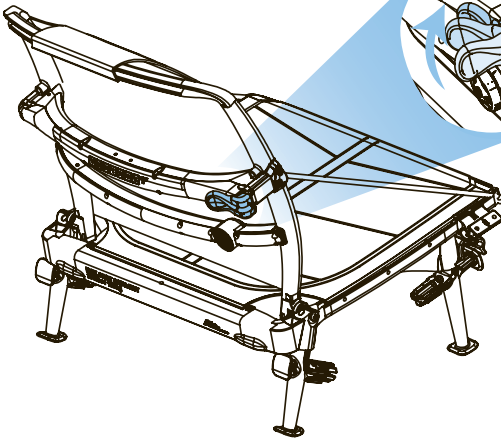
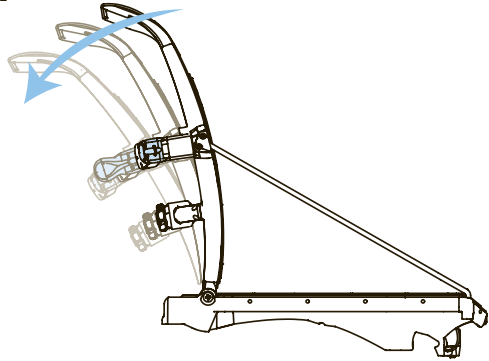


Recline Adjustment



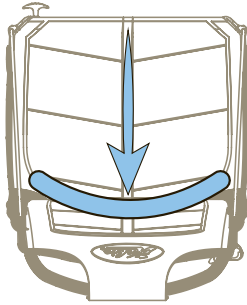
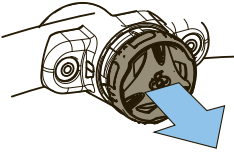
Pull lever out to activate the seat back to recline.

While holding the lever out, push on the seat back to recline.

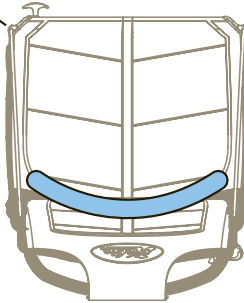
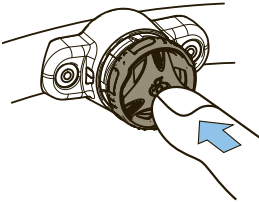


Release lever to lock seat into position.

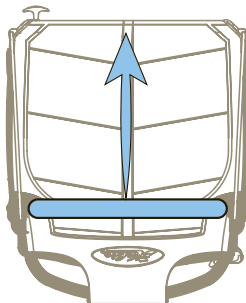
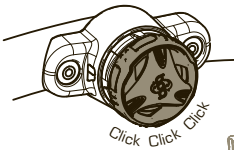
Lumbar Adjustment



Pull knob to release lumbar.

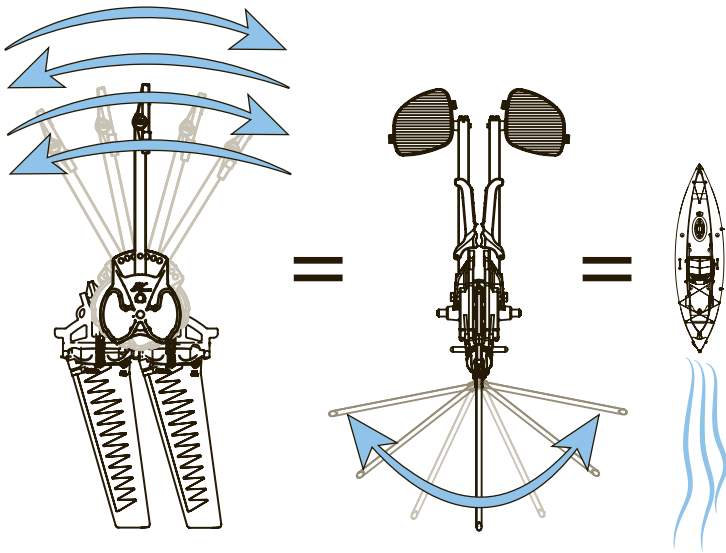


Press knob to lock lumbar.

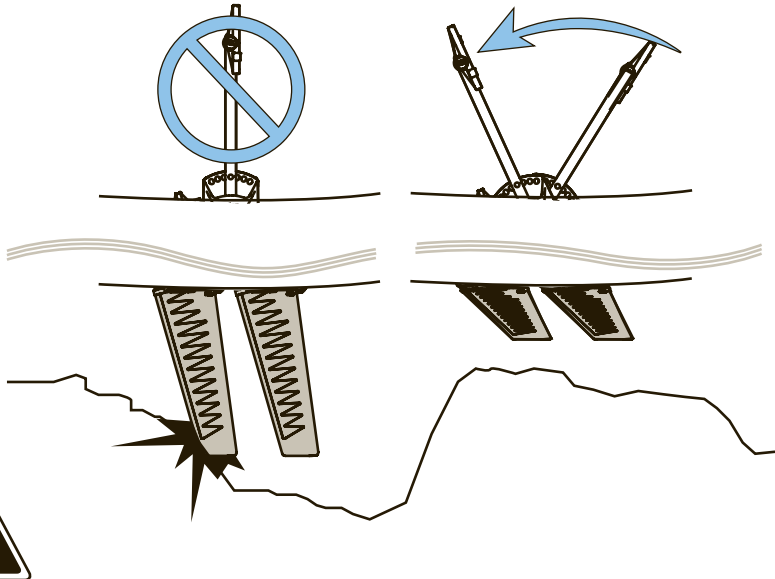


Rotate knob clockwise to tension lumbar.

MirageDrive Operation



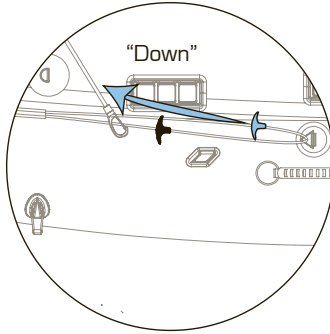
Shallow Water + Beaching



Press either pedal forward in shallow water to raise fins. Pressing one pedal fully forward will flatten the fins underneath the kayak to allow beaching.

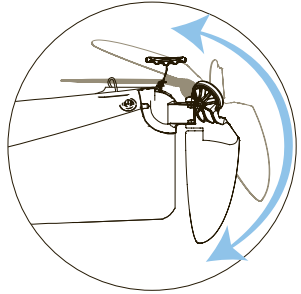
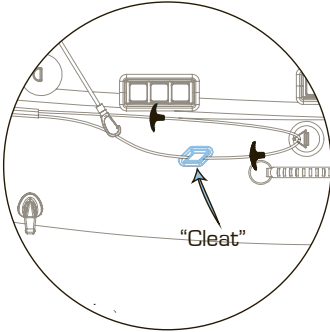
Rudder DOWN

Pull on "down" "T" Handle fully to engage rudder.



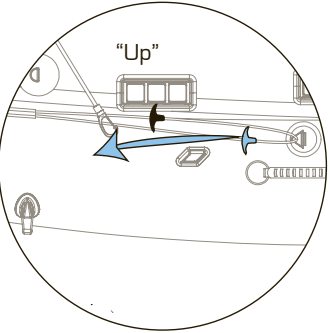
Cleat

Once rudder is engaged in the "down" position, cleat the line to hold the rudder in place.



Rudder UP

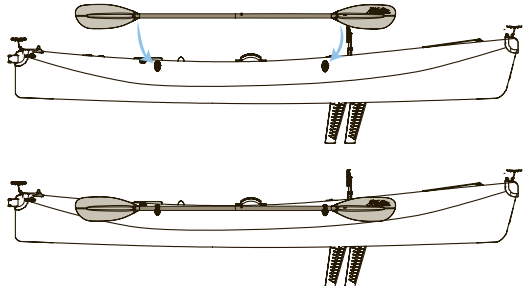
Uncleat "down" "T" Handle line before retracting rudder.



Pull on "up" "T" Handle to retract rudder.

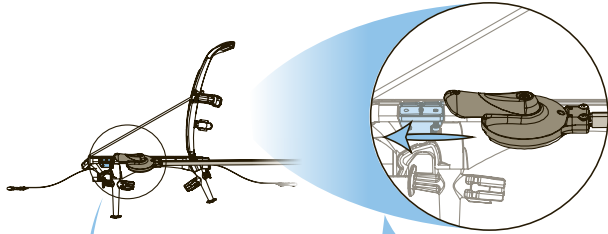
Paddle Storage

Push the paddle into the paddle clips on the side of the kayak.

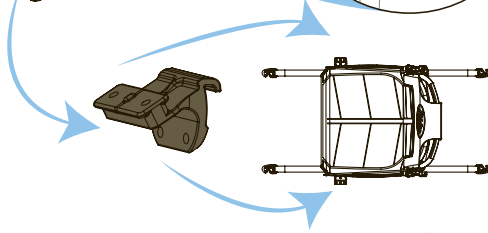


Steering

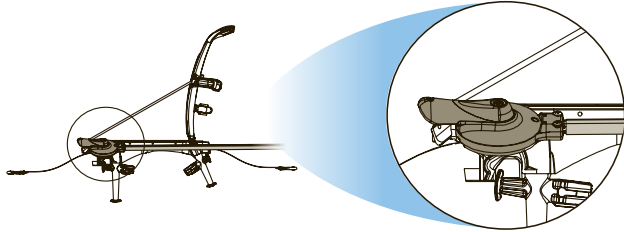
There are steering tracks located on both sides of the seat. Choose what side is best for you.



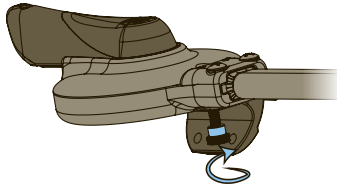
Slide the steering handle onto the track over the detent.



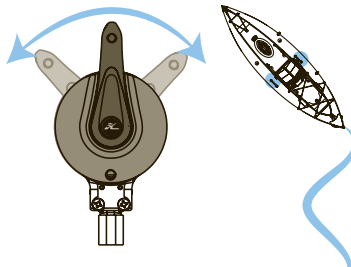
Turn thumbscrew located on the underside of the steering track to lock the steering system in place.



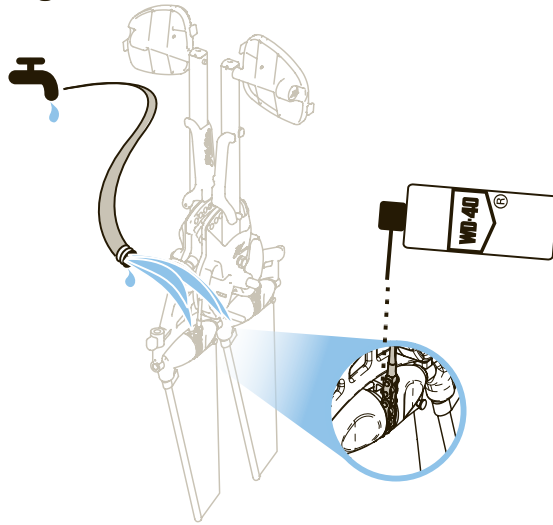
Reverse these steps to remove the detachable steering from the seat.



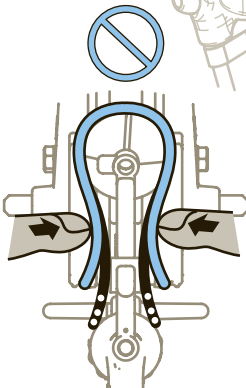
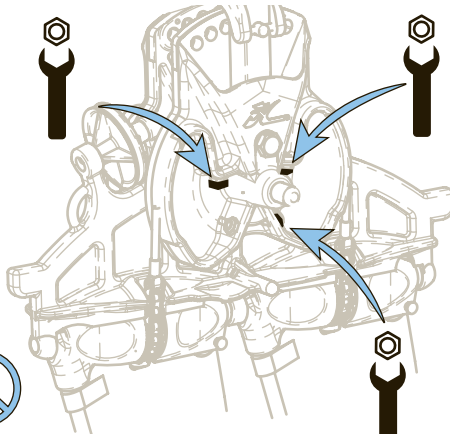
Point the steering handle in the direction you would like to travel.



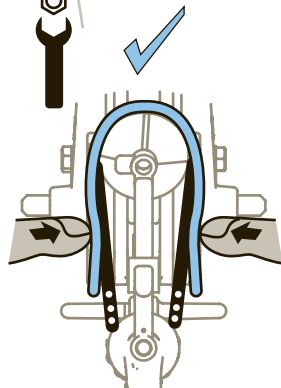
MirageDrive Regular Maintenance



Checking Cable Tension



Cables should be tight enough so they can only be slightly squeezed in under firm finger pressure.

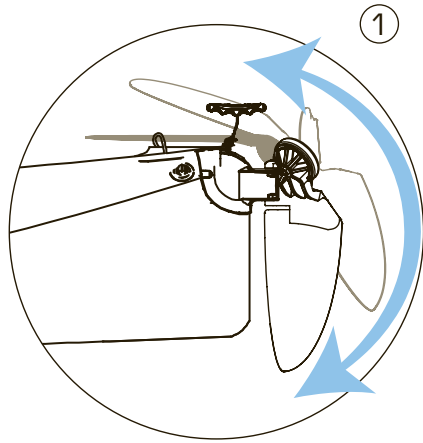


Visit the "support" section at hobiecat.com for information on the MirageDrive.
hobiecat.com

Rudder Tuning

①

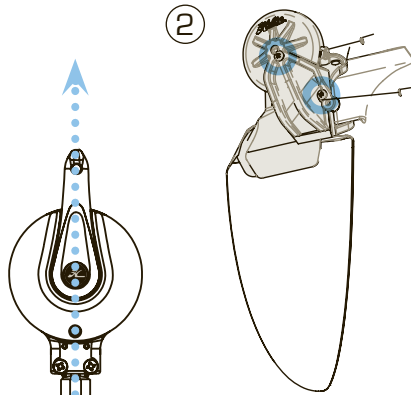
Pull down rudder.



②

Locate screws that clamp the rudder line.

②

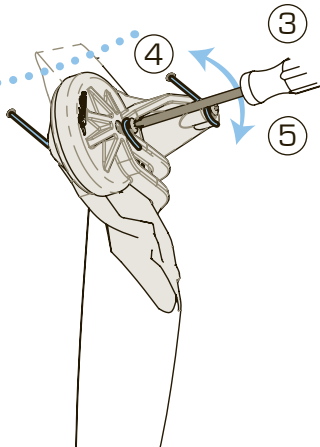


③

Loosen the screw clamping the rudder line.

④

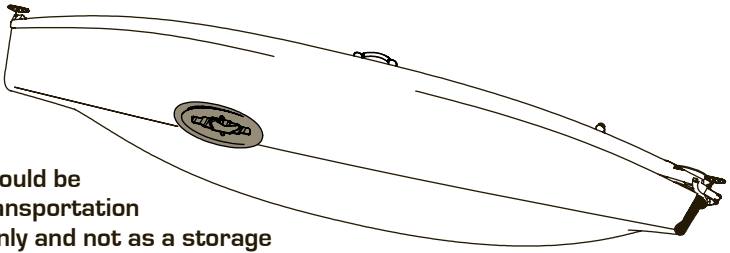
Pull the slack out of the rudder line making sure the steering handle and the rudder is still straight. If it is not straight, adjust the lines accordingly.



⑤

Tighten the screw to clamp the line and hold it in place.

Cart

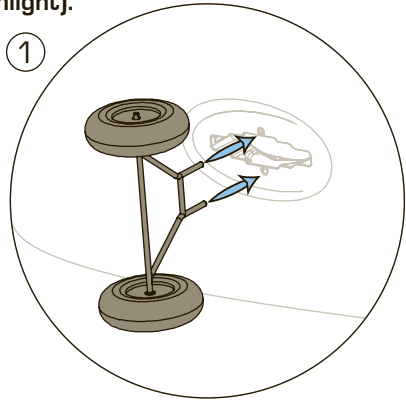


The cart should be used for transportation purposes only and not as a storage platform. Do not leave your boat on the cart for more than one hour (less time in warmer temperatures or direct sunlight).

①

Turn kayak on its side and line up the two prongs on the cart and the two receivers on the bottom of the Mirage well.

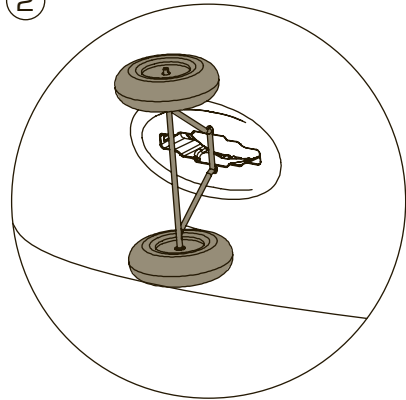
①



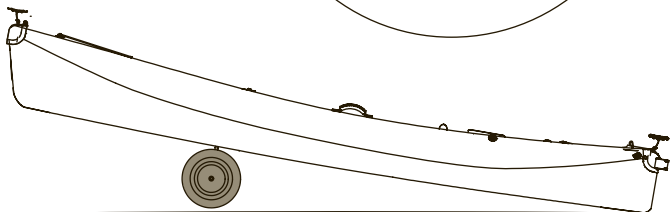
②

Plug the cart into the well once the cart is lined up with the receivers.

②

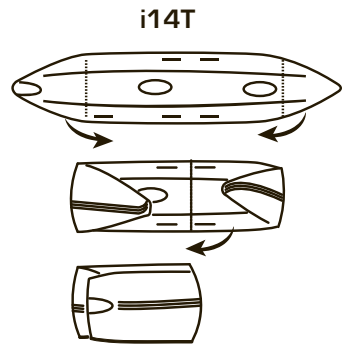
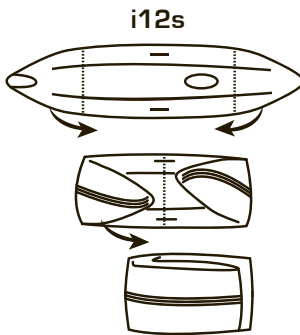
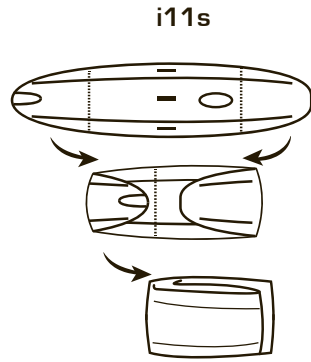
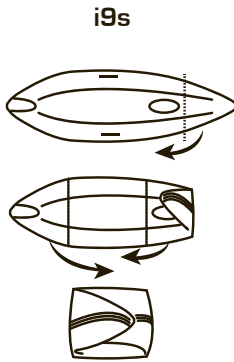


Note:
Rough terrain and jumping over curbs could result in damaging the Mirage well and plug-in cart.



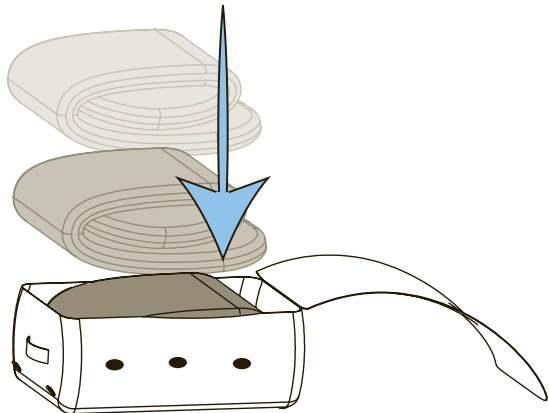
Folding

Note:
Open bidge valve located on front of the kayak before deflating.



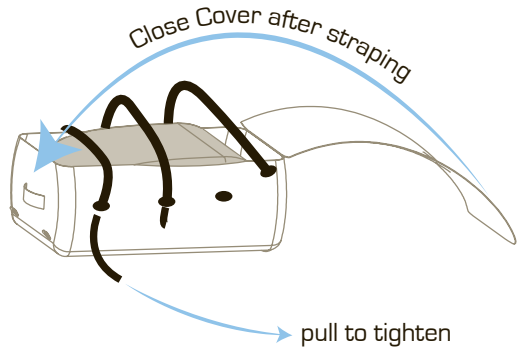
Storage/Travel Bag

Once the kayak is deflated and folded, place in the bag. Pull the corners of the bag up and around the side of the kayak.

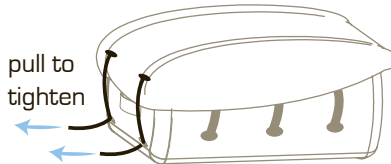


Storage/Travel Bag

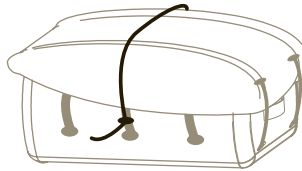
Clip the three buckles with the webbing and cinch up the straps to compress the bag around the kayak



Flip the cover of the bag over the three webbing straps once they are tightened. Buckle and cinch the two straps that run over the front flap.

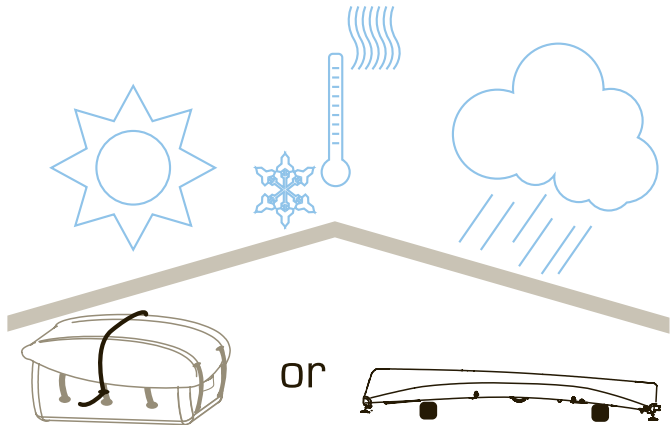


There is an optional buckle that allows users to strap the MirageDrive over the top flap when in transit.



Store out of Weather

Store your kayak in the rolling bag or inflated in a cool, dry environment out of the elements.



Checklist

Please read through the owner's information package and manual prior to using this product.

The user of this product acknowledges both an understanding and assumption of risk involved in paddle/pedal sports. Consult your physician prior to beginning.

Always:

- Wear a Coast Guard approved personal flotation device (lifejacket).
- Dress appropriately for weather conditions; cold water and/or weather can result in hypothermia; apply sunscreen and other sun protective clothing.
- Check your equipment prior to each use for signs of wear or failure.
- Tie a safety leash to your paddle, MirageDrive and Vantage CTi seat.
- Scout unfamiliar waters.
- Be aware of river water levels, tidal changes, wind conditions, obstacles in and above the water and weather changes.
- Always make sure that your hatches are secure and closed.
- Carry a pump and/or bailing device.
- Always carry the paddle provided with the boat.

Never:

- Never go alone and always file a float plan.
- Never go in flood and/or fast moving water conditions. Hobie kayaks are not designed for fast moving water.
- Never exceed your ability and be aware of your limitations.
- Never use alcohol or mind-altering drugs prior to or while using this product.
- Never open your hatches in unstable water conditions.
- Never remove the foam pieces inside the hull. They are installed for structure, additional flotation and safety.

Shakedown Cruise

As with any new product, it is important that you become familiar with the boat and all its features. It is also important to determine that the boat is sound before long trips. We recommend that you do what we call a “shake-down cruise” when the boat is new, after shipping or transport, before long trips. This test is typically done in shallow, calm conditions where you can familiarize yourself with or test the boat before taking any long trips into open water. Things you should check or practice are:

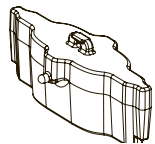
- MirageDrive installation, adjustment and removal
- Rudder operation
- Inflating and Deflating the kayak
- Getting in and out of the boat from a capsized state
- Taking the optional kayak sail down on the water (if applicable)

Getting into your Boat

If you fall out of your boat, stay with the boat. You should be properly wearing a life jacket/PFD which will keep you afloat. If the boat is upside-down, it will need to be turned over. To do this, reach across the bottom of the boat and grab the Hobie MirageDrive and pull the boat upright. Position yourself so your head is near the cockpit area of the boat and you are facing the boat. You will want to be between the seat and the footwell areas of the boat. Reach across the boat to the far edge with one hand. Place the other hand on the near-side rail, then kick with your feet, pulling yourself up and onto the boat. Roll over onto your backside toward the seat, which should place your backside in the seat. Sit up, swing your feet into the footwells and you’re ready to go.

Mirage Inflatable Cassette Plug

Your Hobie is shipped with a Mirage Cassette Plug. The plug is provided as standard equipment in the Mirage Kayak package. Insert the plug into the Mirage well when the MirageDrive is removed to provide added safety and to “fair” the bottom of the hull when paddling.



Kayak Sail Safety

The kayak sail is a very popular optional accessory that works really well with Hobie Mirage kayaks. It is important to familiarize yourself with the use of the sail and how wind power affects the stability of the boat. The sail is not recommended to be used in wind conditions over 10 MPH.

It is very important that you complete and send us your Warranty Registration Card as soon as possible.

This information enables Hobie Cat Company to contact you should there be important product information that needs to be shared with you in a timely manner. Please complete the Warranty Registration Card in your Owner's Packet, or take advantage of our online option at:

<http://www.hobiecat.com/support/warranty-registration/>

or

Scan this QR code with your smart phone



If you have a question or issue with your Hobie product, please see your Authorized Hobie Kayak Dealer. They will assess the problem, assist with a repair and/or file a warranty claim with Hobie Cat Company if needed. All warranty claims must go through your Authorized Hobie Kayak Dealer. The Warranty Registration Card and Warranty Policies are included with each model in the Owner's Packet. Type in the address below to go to our dealer finder webpage.

<http://www.hobiecat.com/support/dealers/search/>

All specs, colors, graphics and features are subject to change without notice. Please refer to the website for complete details.

Enjoy the Ride!



Hobie Cat Company

Holding Company
Oceanside, California, USA
1-800-HOBIE-49
hobiecat.com

Hobie Cat Australasia

Subsidiary
Huskisson, New South Wales, Australia
1-800-4-HOBIE
hobiecat.com.au

Hobie Cat Europe

Subsidiary
Toulon, France
+33(0)494 08 78 78
hobie-cat.net

Hobie Kayak Europe

Independent Distributor
Stellendam, The Netherlands
+31(0)187 499 440
hobie-kayak.com

Hobie Cat Brasil

Independent Distributor
Porto Belo, Santa Catarina, Brazil
+55 (21) 3942 6815
hobiecat.com.br