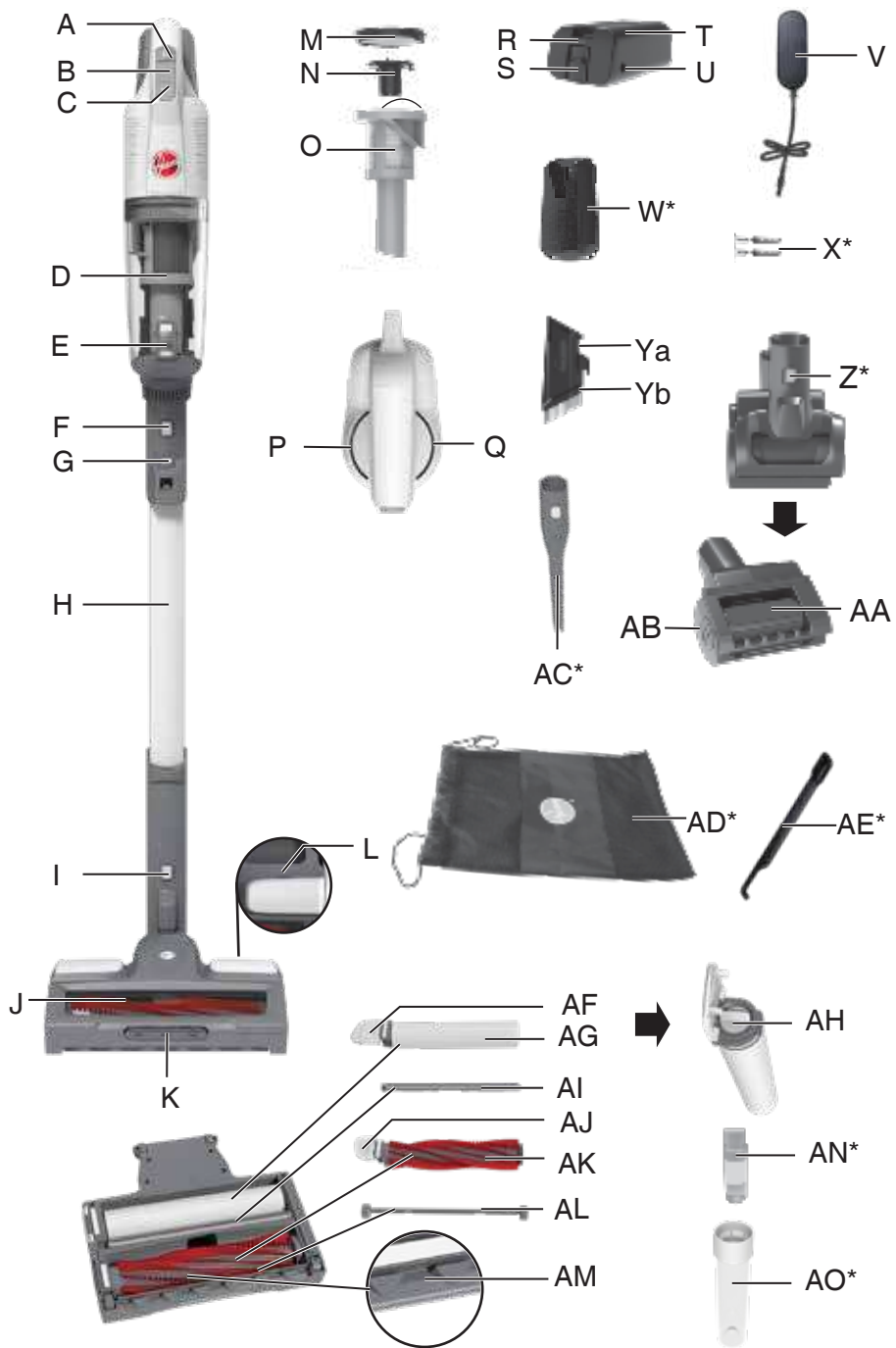


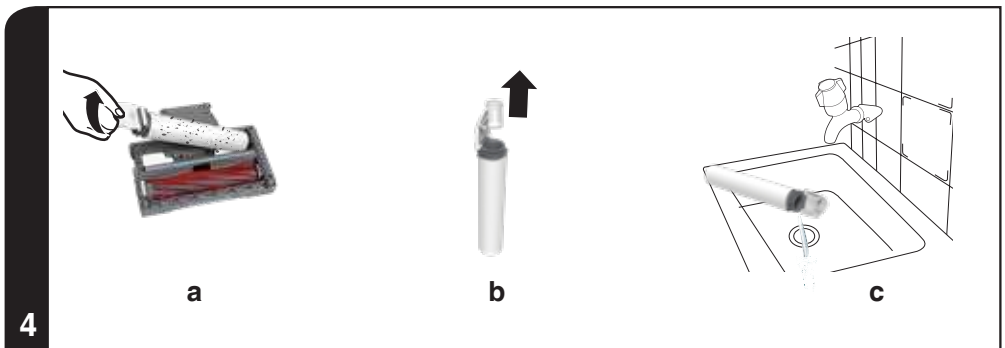
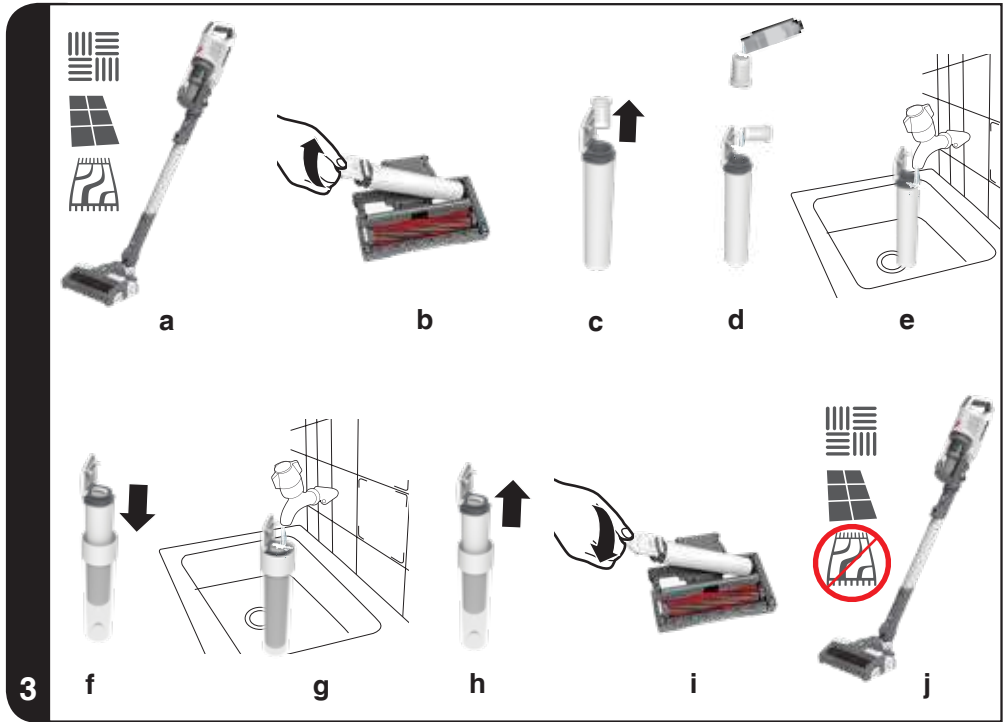
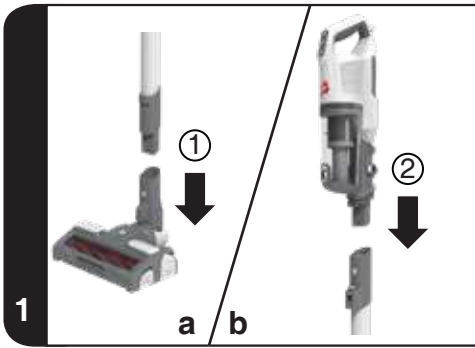


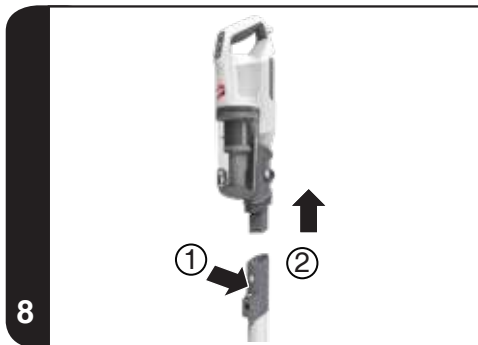
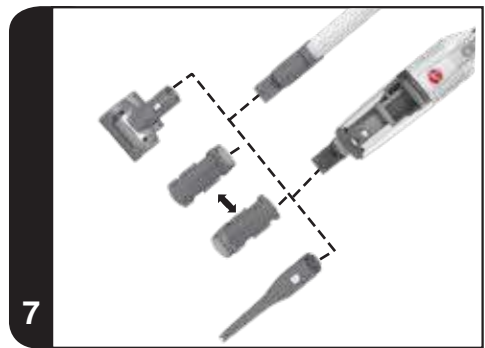
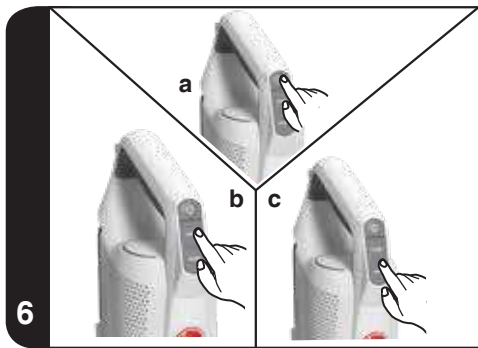
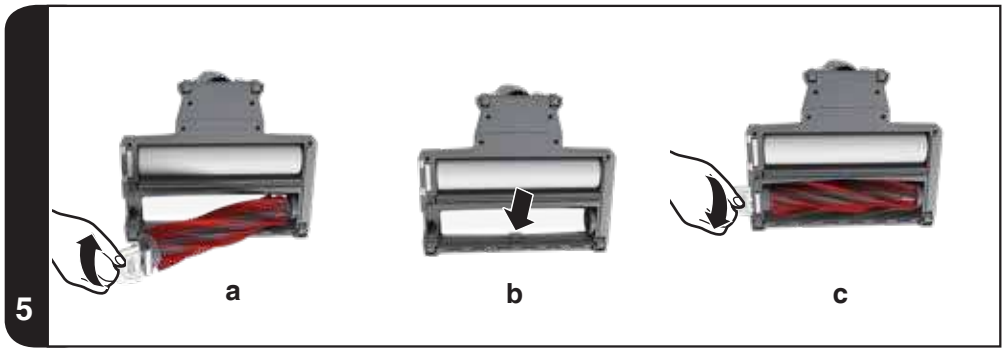
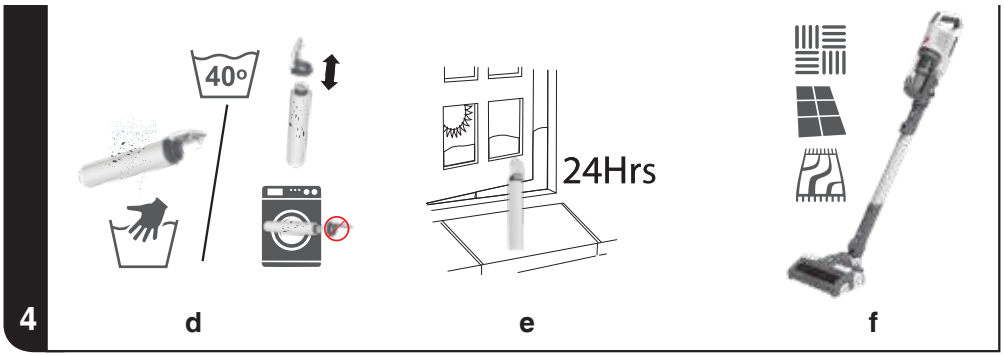
USER MANUAL (GB)	P 01
MANUEL D'UTILISATION (FR)	P 09
BEDIENUNGSANLEITUNG (DE).....	P 17
MANUALE D'ISTRUZIONI (IT).....	P 25
MANUAL DE INSTRUÇÕES(PT).....	P 33
MANUAL DE INSTRUCCIONES(ES).....	P 41
GEBRUIKERSHANDLEIDING(NL).....	P 49
BRUGERVEJLEDNING(DK).....	P 57
BRUKSANVISNING(NO).....	P 65
INSTRUKTIONSMANUAL(SE).....	P 73
ΚΑΥΤΤÖΟΗJΕ(FI).....	P 81
ΟΔΗΓΙΕΣ ΧΡΗΣΕΩΣ(GR).....	P 89
РУКОВОДСТВО ПОЛЬЗОВАТЕЛЯ(RU)...	P 97
INSTRUKCJA OBSŁUGI(PL).....	P 105
NÁVOD K OBSLUZE(CZ).....	P 113
NAVODILA ZA UPORABO(SI).....	P 121
KULLANIM KILAVUZU(TR).....	P 129

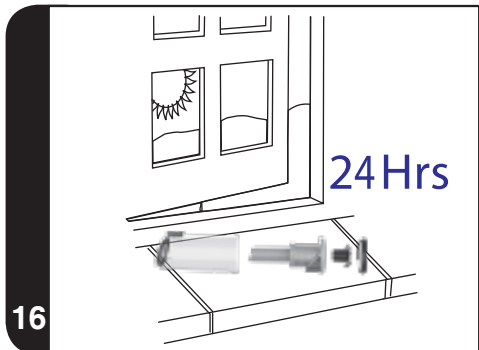
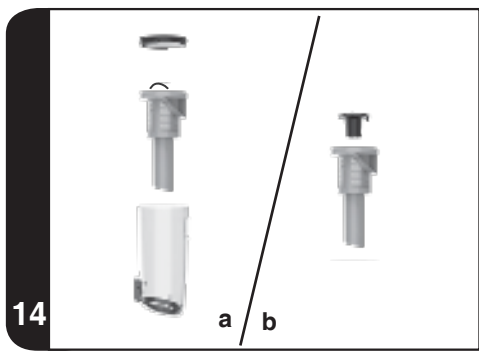
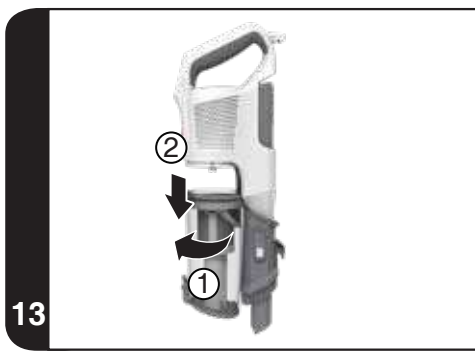
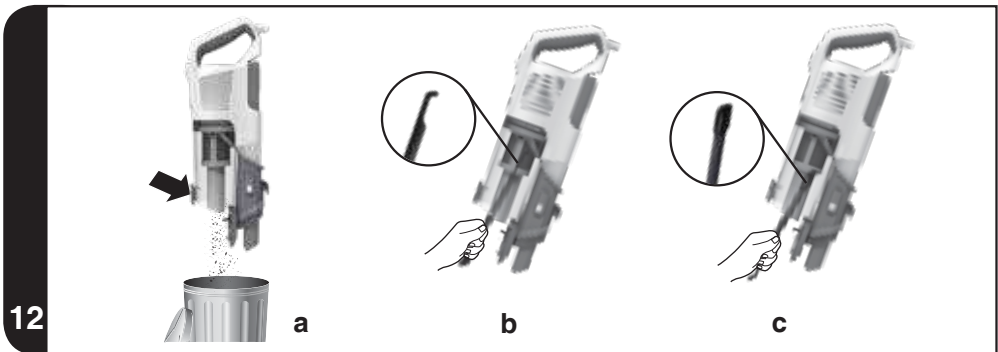
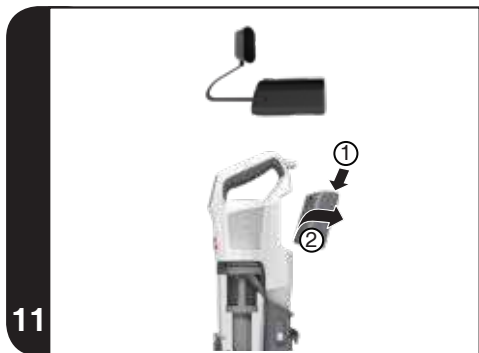




* Certain models only, accessories may vary according to model



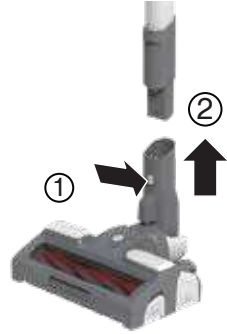




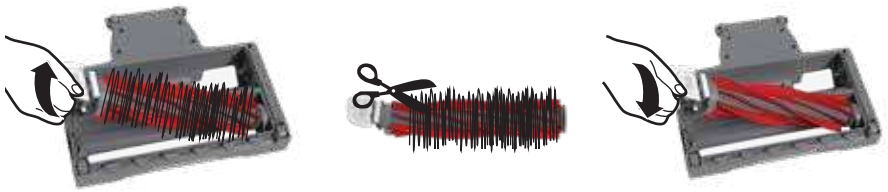
17



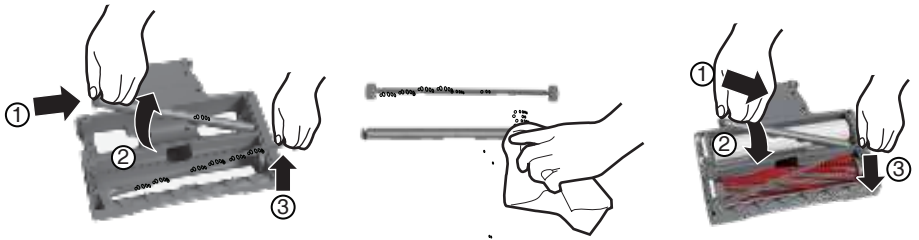
18



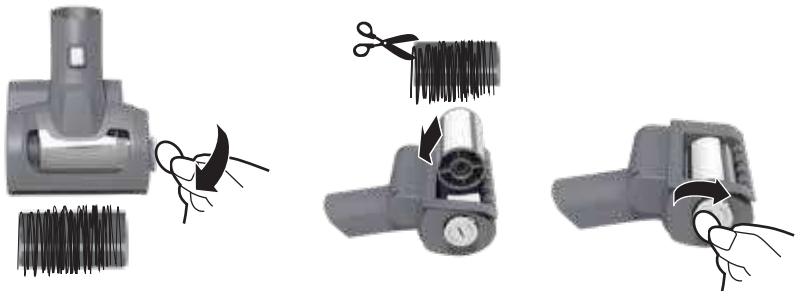
19



20



21



INSTRUCTIONS FOR SAFE USE

This appliance should only be used for domestic cleaning, as described in this user guide. Please ensure that this guide is fully understood before operating the appliance.

Always switch off and remove the charger from the socket before cleaning the appliance or any maintenance task.

This appliance can be used by children aged from 8 years and above and persons with reduced physical, sensory or mental capabilities or lack of experience and knowledge if they have been given supervision or instruction concerning use of the appliance in a safe way and understand the hazards involved. Children shall not play with the appliance. Cleaning and user maintenance shall not be made by children without supervision.

If the power cord is damaged stop using the appliance immediately. To avoid a safety hazard, an authorised Hoover service engineer must replace the power cord.

Keep hands, feet, loose clothing and hair away from rotating brushes.

Use only the original charger supplied with the appliance.

Check that your supply voltage is the same as that stated on the charger.

This appliance is supplied with a double insulated battery charger which is only suitable for insertion in a 230V (UK 240V) socket outlet.

Plug the charger in to suitable socket outlet and connect the charger jack plug to the appliance.

Never touch the charger with wet hands.

Switch off the appliance before charging.

The battery pack LED light will illuminate RED during charging and will turn WHITE when fully charged.

Re-connect the appliance to the charger after use to recharge the battery.

Never charge the batteries in temperatures above 37°C or below 0°C.

It is normal for the charger to become warm to the touch when charging.

Do not unplug the charger by pulling on the power cord.

Unplug the charger in the event of prolonged absence (holidays, etc.). Recharge appliance again before use as batteries may self discharge over increased periods of storage.

If the appliance is to be disposed of the batteries must first be removed. The appliance must be disconnected from the supply mains when removing the battery. Dispose of the batteries safely. Run the appliance until it stops because the batteries are fully discharged. Used batteries should be taken to a recycling station and not disposed of with household waste. To remove the batteries, please contact the Hoover Customer Centre or proceed according to the following instructions.

IMPORTANT: Always fully discharge the batteries before removal.

Run the cleaner until the batteries are completely empty.

Remove the charger jack plug from the appliance.

Press the battery pack release button to remove.

NOTE: Should you experience any difficulty in dismantling the unit or for more detailed information on treatment, recovery and recycling of this appliance, please contact your local city office or your household waste disposal service.

Use only attachments, consumables or spares recommended or supplied by Hoover.

Static electricity: Some carpets can cause a small build up of static electricity. Any static discharge is not hazardous to health.

Do not use your appliance out of doors or on any wet surface or for wet pick up.

Do not pick up hard or sharp objects, matches, hot ashes, cigarette ends or other similar items. Do not spray with or pick up flammable liquids, cleaning fluids, aerosols or their vapours.

Do not run over the power cord when using your appliance or remove the plug by pulling on the power cord. Do not continue to use your appliance or charger if it appears faulty.

Hoover service: To ensure the continued safe and efficient operation of this appliance we recommend that any servicing or repairs are only carried out by an authorised Hoover service engineer.

Do not use the appliance to clean animals or people.

Do not replace the batteries with non-rechargeable batteries.

The Environment:

This appliance is marked according to the European directive 2011/65/EC on Waste Electrical and Electronic Equipment (WEEE). By ensuring this product is disposed of correctly, you will help prevent potential negative consequences for the environment and human health, which could otherwise be caused by inappropriate waste handling of this product. The symbol on the product indicates that this product may not be treated as household waste. Instead it shall be handed over to the applicable collection point for the recycling of electrical and electronic equipment. Disposal must be carried out in accordance with local environmental regulations for waste disposal. For more detailed information about treatment, recovery and recycling of this product, please contact your local city office, your household waste disposal service or the shop where you purchased the product.



This product complies with the European Directives 2014/35/EU, 2014/30/EU and 2011/65/EU.

CANDY HOOVER GROUP S.r.l. Via Privata Eden Fumagalli, 20861 Brugherio (MB) Italy

PRODUCT COMPONENTS

- | | |
|---------------------------------|---|
| A. ON/OFF Button | V. Charger |
| B. Turbo Button | W. Wall Mount* |
| C. Silent Button | X. Wall Mount Screws* |
| D. Dust Cup | Ya. Integrated 2in1 Furniture Tool |
| E. Dust Bin Flap Release Button | Yb. Integrated 2in1 Dusting Brush |
| F. Handheld Release Button | Z. Mini Power Nozzle* |
| G. Storage Release Button | AA. Mini Power Nozzle Agitator |
| H. Tube | AB. Mini Power Nozzle Agitator Release Flap |
| I. Nozzle Release Button | AC. Long Crevice Tool* |
| J. Nozzle | AD. Accessories Bag* |
| K. Nozzle Front LED Lights | AE. Dust Bin Cleaning Tool* |
| L. Brush Bar Status LED* | AF. 360° Hydro Roller Release Flap |
| M. Pre-Motor Filter | AG. 360° Hydro Roller |
| N. Single Cyclone Vortex Finder | AH. 360° Hydro Roller Sealing Cap |
| O. Single Cyclone | Al. Removable Nozzle Rear Wiper Blade |
| P. Maintenance Status LED Light | AJ. Hybrid Care Roller Release Flap |
| Q. Battery Status LED Light | AK. Hybrid Care Roller |
| R. Battery Charging Light | Al. Nozzle Front Wiper |
| S. Battery Release Button | AM. Nozzle Front Wiper Fixing Button |
| T. Battery Pack | AN. Concentrated Cleaning Detergent* |
| U. Battery Charging Inlet | AO. Pre-Wet Container* |

PREPARING YOUR CLEANER

Carefully remove your product from the packaging.

1. Pick up the nozzle and the tube, assemble one end of the tube into the nozzle neck until you hear it 'click' into location. **[1a]**
2. Pick up the handheld unit and assemble onto the tube until you hear it 'click' into location. **[1b]**
3. Fix the wall mount to your wall using the screws and screw plugs provided. **[2]**
4. To fully charge the appliance, connect the charger jack plug to the battery pack. It will take around 2.5 Hrs. **[10,11]**

NOTE: To remove the nozzle, press the nozzle release button and pull away from the tube.

NOTE: Use only the charger supplied with your cleaner to recharge. It is normal for the charger to become warm to touch when charging.

* Certain Models Only

VACUUM AND INTEGRATED WASH FUNCTION

IMPORTANT: The integrated wash function should only be used on Hard Floors and Parquet.

This cleaner has a Hybrid Care roller at the front of the nozzle, and a 360° Hydro roller at the rear of the nozzle to allow vacuuming and wash of hard floors and parquet. [3a]

Before using the double function, it is important to fully wet the 360° Hydro roller.

1. Detach the 360° Hydro roller release flap. It is positioned on the lateral side of the nozzle. [3b]
2. Hold the 360° Hydro roller release flap and remove it.
3. Remove the sealing cap, and using the sealing cap as a measuring cup, fill with the provided concentrated detergent and pour into the 360° Hydro roller. [3c, 3d]
4. Fill in the 360° Hydro roller with water without filling to the brim. [3e]
5. Then re-fit the sealing cap.
6. Insert the 360° Hydro roller into the Pre-wet container, pour water into the Pre-wet container without filling to the brim. Keep the 360° Hydro roller within the container for around 30 seconds ensuring all areas are wet then remove it. [3f, 3g, 3h]
7. Re-fit the 360° Hydro roller into the nozzle to its original position and close the release flap to the nozzle. [3i]

IMPORTANT: Do not use the 360° Hydro roller on carpets when it's wet.

IMPORTANT: This is a dry DC stick, do not vacuum any water or liquids.

NOTE: It is possible to use alternative gentle cleaning detergents but do not use disinfectant.

NOTE: It is recommended to refill the tank and ensure the 360° Hydro roller is fully wet after covering an area of around 40m² for optimal cleaning of surfaces.

NOTE: When you need to refill the water tank and the 360° Hydro roller is already dirty, it is recommended to wash it in lukewarm water with a gentle detergent by squeezing it.

IMPORTANT: It is recommended to wash the 360° Hydro roller after every use and to dry in an upright position for at least 24 hours. [4]

IMPORTANT: Do not leave the wet 360° Hydro roller in the nozzle.

VACUUM FUNCTION

IMPORTANT: The vacuum function should only be used when the Hydro roller is completely dry.

This cleaner has a Hybrid Care roller on the front side of the nozzle and allows pick up of dust and debris from hard floors, parquet and carpets. [4f]

Before using your product on carpet, remove the 360° Hydro roller from the nozzle, empty the contents and leave to dry for 24Hrs before refitting. [4a, 4b, 4c, 4d, 4e]

Alternatively, if you do not want to wait, simply remove the wet 360° Hydro roller and vacuum your carpet. [4a]

USING YOUR CLEANER

USER INTERFACE

There are 4 working modes.

- **STANDARD MODE:** When you press ON-OFF button, the cleaner is ready to clean thoroughly with the main motorized nozzle. [6a]
- **TURBO MODE:** Press the Turbo button to fully power the product for hard cleaning tasks. [6b]
- **SILENT MODE:** Press the Silent Mode button to clean thoroughly at the lowest noise level of this product. [6c]
- **AUTO MODE:** When you remove the nozzle or the tube, the product automatically adapts to lower power for above floor cleaning, with non-motorized tools.

NOTE: When in this mode, if you require higher power, press the Turbo Button: once to get extra power or twice to get full power. If you want to go back to Auto Mode, press Silent Button.

BRUSH BAR STATUS

The brush bar status LED on the nozzle will stay illuminated white during all floor cleaning modes and will turn red if the safety protection system is activated. [17]

* Certain Models Only

FRONT WIPER BLADE FIXING

To obtain the best crevice and carpet performance, it is recommended to fix the front wiper blades vertical and don't turn forward and backward during using.

1. Detach the Hybrid Care roller release flap and remove it. [5a]
2. Push down the nozzle front wiper fixing button. [5b]
3. Re-fit the Hybrid Care roller in position. [5c]

STORAGE FUNCTION

After use, your cleaner has 2 convenient storage methods.

1. WALL MOUNT STORAGE

Your product is supplied with a wall mount for convenient easy storage. Using the screws provided, fix the Wall mount to your wall. After product use, simply place your cleaner into location. [2]

2. COMPACT STORAGE/PARKING MODE

To store the product on the tube, remove the handheld unit by pressing the handheld release button. [8]

Ensure the integrated 2in1 tool is returned to its original position as supplied ensuring the tool is located fully home with the dusting brush and locating hook in the downward position.

Assemble the locating hook into the lower slot on the tube, and push the rear handle fully home into the locking mechanism located at the top of the tube. [9]

SAFETY PROTECTION SYSTEM

To ensure the reliability of the product is not affected if used under arduous conditions, the product features two integrated safety protection systems. One on the cleaner and one on the nozzle.

NOTE: The Safety protection system will action in two conditions:

1. If there are obstructions in the air inlet or in the tube, the cleaner will be protected and turn OFF, and the LED light on the main unit turns to red. If this happens simply check if there are any obstructions in the tube or in the air inlet of the handheld. Remove it and switch ON again.

2. If the agitator has a blockage or is locked, once actioned, the agitator will stop rotating and the WHITE LED light on the nozzle will turn to RED. [17] If this happens, simply turn off your product and clear the agitator obstruction. To resume cleaning, press the on/off button and the product will start working again.

BATTERY

This cleaner is equipped with a battery status LED Light. When the product is ON, the LED light illuminates in two colors to show the battery level:

BATTERY LEVEL:

White color: 100% - 10% charge

Red color blinking: <10% charge

There are 2 methods of charging:

Charge the battery when fitted to the product.

Insert the battery charger jack to the battery. The LED status indicator will illuminate RED when charging. When charging is complete, the LED status indicator will illuminate WHITE for 1 min then switch off. [10]

Charge the battery when removed from the product.

Remove the battery from the product by pressing the battery release button.

Insert the battery charger jack to the battery. The battery pack LED will illuminate RED when charging. Once charging is complete, the LED indicator will illuminate WHITE. [11]

NOTE: It is normal for the charger to become warm to touch when charging. Use only the charger supplied with your product.

ACCESSORIES

CREVICE TOOL INTEGRATED ON THE HANDHELD, CREVICE TOOL INTEGRATED ON THE TUBE, 2IN1 FURNITURE TOOL& DUSTING BRUSH, LONG CREVICE TOOL*, MINI POWER NOZZLE* AND DUST BIN CLEANING TOOL*.

Integrated Crevice Tools - Ideal for accessing tight spaces.

Integrated Dusting Brush - Ideal for cleaning surfaces without damaging or scratching.

Integrated Furniture Tool - Ideal for cleaning surfaces like sofa.

Mini power nozzle* - Ideal for deep cleaning textile surfaces (i.e. sofas) and pet hair removal. The working angle can be adjusted when move backwards and forwards.

NOTE: After use, rotate the agitator release flap anti-clockwise with a coin to take out the agitator, and remove any hair / threads collected on the brush. [21]

Long Crevice Tool* - Ideal for tight and difficult areas.

All the accessories except dust bin cleaning tool can be fitted on the main product and on the tube. [7]

Dust Bin Cleaning Tool*- Ideal to remove the dust, debris and hairs inside of dust bin. [12]

Accessory Bag*

Accessories can be stored in the accessory bag.

Wall Mount*

If required, fix the wall mount to the wall, using the two screws and plugs provided. [2]

CLEANER MAINTENANCE

Emptying the Dust Cup

1. Press the main body release button and remove the tube. [8]
2. Press the dust cup empty button to release the bin flap and empty the contents. [12a]
3. Close the dust cup flap, you will hear a click when fully locked.

NOTE: It is recommended to empty the dust cup after each use or when dust is up to the max fill line.

Quick Daily Cleaning of Dust Cup

Just open the dust bin flap and remove the dust with the help of the dust bin cleaning tool.

1. Use the hook end to pull out the dust collected inside the dust bin. [12b]
2. Use the brush end to clean the fine dust stuck around the metal mesh filter. [12c]

Cleaning the Dust Cup and Filter

Pre-filter maintenance reminder. If the pre-filter needs maintenance, the LED light on the cleaner starts to blink in red colour.

1. Press the handheld release button and remove the handheld unit from the tube. [8]
2. Press the battery release button and remove the battery. [11]
3. Remove the dust bin assembly by turning it clockwise and pulling away from the unit. [13]
4. Remove the Pre-Motor filter pulling the support from the bin assembly. [14a]
5. Remove the single cyclone system pulling the metal ring from the bin assembly.
6. Remove vortex finder by rotating clockwise and pull from the cyclone system. [14b]
7. Wash the filter and single cyclone system in lukewarm water and leave to dry for 24 hours. [15,16]
8. Reassemble once completely dry and refit to the product.

NOTE: Do not use hot water or detergents when cleaning the pre-motor filter. In the unlikely event of the pre-motor filter becoming damaged, fit a genuine Hoover replacement. Please ensure you refit the pre-motor filter before assembling dust bin to cleaner main body as filter protection mechanism will be activated.

IMPORTANT: For optimum performance, always keep your filter clean. We recommend that the filter should be washed at least once a month.

NOZZLE MAINTENANCE

Cleaning the 360° Hydro roller, Hybrid Care roller, rear wiper blade and front wiper blade

IMPORTANT: Always switch off the cleaner before cleaning the 360° Hydro roller, Hybrid Care roller, rear wiper blade and front wiper blade.

Cleaning the 360° Hydro roller:

1. Remove the nozzle from the tube. [18]
2. Detach the 360° Hydro roller release flap. It is positioned on the lateral side of the nozzle. [4a]
3. Remove the sealing cap and ensure the water tank is empty. [4b, 4c]
4. Wash the 360° Hydro roller and the sealing cap in lukewarm water with a gentle detergent by squeezing it or wash it in washing machine using gentle cycle without the 360° Hydro roller release flap. [4d]
5. Leave it to dry in upright position for at least 24 hours. [4e]
6. Re-fit 360° Hydro roller on the nozzle to its starting position.
7. Close the 360° Hydro roller release flap to the nozzle.

* Certain Models Only

IMPORTANT: It is recommended to wash the 360° Hydro roller after every cleaning and to leave to dry in upright position for at least 24 hours.

IMPORTANT: Do not leave the wet 360° Hydro roller in the nozzle

IMPORTANT: The vacuum function on carpets should only be used when the Hydro roller is completely dry.

NOTE: If you prefer to wash it in the washing machine, it is recommended to use a gentle cycle below 40° and to remove the 360° Hydro roller release flap. [20d]

Cleaning the Hybrid Care roller:

1. Remove the nozzle from the tube. [18]
2. Detach the Hybrid Care roller release button flap. It is positioned on the lateral side of the nozzle. [19]
3. Hold the Hybrid Care roller release flap and remove it from the nozzle.
4. To clean the Hybrid Care roller, remove excess debris using scissors. [19]
5. Re-fit the Hybrid Care roller. It can be fitted only in one direction. [19]
6. Close the Hybrid Care roller release flap to the nozzle.

Cleaning the rear wiper blade:

1. Remove the nozzle from the tube. [18]
2. Push the end side release flap and remove the rear wiper blade. [20]
3. To clean the rear wiper blade, you can clean it with wet cloth.
4. Re-fit the rear wiper blade in position.

Cleaning front wiper blade:

1. Remove the nozzle from the tube. [18]
2. Pull out the front wiper blade from slot. [20]
3. To clean the front wiper blade, you can clean it with wet cloth.
3. Re-fit the front wiper blade in position.

Replacing the Batteries

This cleaner is fitted with a rechargeable lithium ion battery pack which is replaceable.

WARNING: Only use approved replacement parts for your cleaner. Using parts not validated by Hoover are dangerous and will invalidate your guarantee.

WARNING: Do not try to open the battery pack and repair it by yourself.

1. Press the battery release button and pull the battery outside. [11]
2. Removed the old battery pack and replace with the new battery pack.
3. Dispose of the batteries safely. Used batteries should be taken to a recycling station and not disposed of with household waste.

TROUBLE SHOOTING

Should you have any problem with your cleaner, follow this simple check list before calling the Hoover Customer Service Centre:

A. Cleaner does not switch on

Check if the cleaner is charged

Check if the battery pack is assembled in place.

B. Cleaner stop working

Check if there is an obstruction in air inlet or in the tube, clear it and ensure the product is OFF. Once this is done simply press the on/off button, the product will start working again.

C. Loss of suction or no suction

Empty the dust cup and wash the pre-motor filter and separator.

Remove nozzle and check for any blockages in the duct.

D. Batteries cannot be charged

This may be a result of very long storage periods (over half year).

Contact Hoover customer service to arrange battery replacement.

If the problem persists, contact the Hoover customer service center.

E. Floors do not dry evenly.

Check the 360° Hydro roller is fully wet and add one measuring cup of detergent.

F. The nozzle smells badly.

Simply wash the 360° Hydro roller and leave to dry in an upright position for 24 hours.

G. The push force on carpets is high.

Check the 360° Hydro roller is fully dry. If your carpet has a very long pile, simply remove the 360° Hydro roller and vacuum your carpet.

HOOVER SPARES AND CONSUMABLES

Always replace parts with genuine Hoover spares. These are available from your local Hoover dealer or direct from Hoover. When ordering parts always quote your model number.

YOUR GUARANTEE

The guarantee conditions for this appliance are as defined by our representative in the country in which it is sold. Details regarding these conditions can be obtained from the dealer from whom the appliance was purchased. The bill of sale or receipt must be produced when making any claim under the terms of this guarantee.

IMPORTANT: The battery in this cleaner is guaranteed for 2 year from the date of purchase. After 2 year the customer is liable for the cost of a new battery.

Subject to change without notice.

INSTRUCTIONS DE SÉCURITÉ D'UTILISATION

Cet appareil ne doit être utilisé que pour un nettoyage domestique, conformément à ce guide d'utilisation. Veuillez vous assurer que ces instructions sont parfaitement comprises avant d'utiliser l'appareil.

Il convient de toujours éteindre et mettre le chargeur hors tension avant d'entreprendre des opérations de nettoyage ou d'entretien de l'appareil.

Cet appareil peut être utilisé par des enfants âgés d'au moins 8 ans et par des personnes ayant des capacités physiques, sensorielles ou mentales réduites, ou n'ayant pas d'expérience ou de connaissances en la matière. Ces dernières doivent recevoir des instructions sur l'utilisation de l'appareil en toute sécurité et comprendre les risques impliqués. Les enfants ne doivent pas jouer avec l'appareil. Le nettoyage et l'entretien ne devraient pas être effectués par des enfants sans supervision.

Si le cordon d'alimentation est endommagé, arrêtez immédiatement d'utiliser l'appareil. Pour éviter les risques d'accident, un réparateur Hoover agréé doit remplacer le cordon d'alimentation.

Maintenez les mains, pieds, vêtements et cheveux à distance des brosses rotatives.

Utilisez uniquement le chargeur d'origine qui vous a été fourni avec l'appareil.

Vérifiez que la tension de l'alimentation est la même que celle indiquée sur le chargeur.

Cet appareil Hoover est fourni avec un chargeur de batterie doublement isolé qui n'est adapté qu'à une prise de 230 V (240 V Grande-Bretagne).

Branchez le chargeur dans une prise adaptée et connectez la prise jack du chargeur dans l'appareil.

Ne manipulez jamais le chargeur avec des mains mouillées.

Éteignez l'appareil avant de le charger.

Le voyant LED du bloc batterie s'illumine en ROUGE lors de la charge et deviendra BLANC lorsque l'appareil est entièrement chargé.

Rebranchez l'appareil au chargeur après l'utilisation pour recharger les batteries.

Ne rechargez jamais les batteries dans des températures de plus de 37°C ou en-dessous de 0°C.

Il est normal pour le chargeur de devenir chaud au toucher lorsqu'il est en train de charger.

Ne pas débrancher en tirant sur le cordon d'alimentation.

Débranchez le chargeur en cas d'absence prolongée (vacances,

etc.). Rechargez l'appareil de nouveau avant de l'utiliser car les batteries peuvent se décharger toutes seules si elles sont stockées pendant longtemps.

Si vous mettez l'appareil à la poubelle, il convient de retirer les batteries d'abord. L'appareil ne doit pas être branché à la prise lorsque vous retirez les batteries. Mettez les batteries à la poubelle, dans un endroit sûr. Laissez fonctionner l'appareil jusqu'à l'arrêt total de l'appareil provoqué par le déchargement complet des batteries. Des batteries usées doivent être amenées à un point de recyclage et non pas être éliminées avec les ordures ménagères. Pour retirer les batteries, veuillez contacter le centre d'assistance Hoover ou suivez les instructions suivantes.

IMPORTANT : Déchargez toujours complètement les piles avant de les retirer.

Faites fonctionner le nettoyeur jusqu'à ce que les batteries soient complètement vides.

Retirez la prise jack du chargeur de l'appareil.

Appuyer sur le bouton de dégagement du bloc de batterie pour le retirer.

REMARQUE : Si vous rencontrez des difficultés en démontant l'unité ou si vous souhaitez obtenir de plus amples informations concernant le traitement, la récupération et le recyclage de cet appareil, veuillez contacter les services de votre ville locale ou un service de traitement des ordures ménagères.

N'utilisez que les accessoires, les consommables et les pièces de rechange recommandés ou fournis par Hoover.

Electricité statique : Certains tapis/moquettes peuvent entraîner une petite accumulation d'électricité statique. Les décharges d'électricité statique ne sont pas dangereuses pour la santé.

N'utilisez pas votre appareil à l'extérieur, sur une surface humide ou pour un ramassage humide.

N'aspirez pas d'objets durs ou tranchants, d'allumettes, de cendres chaudes, de mégots de cigarettes ou d'autres objets similaires. Ne pulvérisez ou n'aspirez pas des liquides inflammables, des produits d'entretien liquides, des aérosols ou leurs vapeurs.

Ne marchez pas sur le cordon d'alimentation lorsque vous utilisez votre appareil et ne le débranchez pas de la prise en tirant sur le cordon d'alimentation. Ne continuez pas à utiliser votre appareil ou votre chargeur s'il semble défectueux.

Service Hoover : Pour assurer l'utilisation sûre et efficace de cet appareil, nous recommandons de n'en confier l'entretien et les réparations qu'à un réparateur Hoover agréé.

N'utilisez pas l'appareil sur des personnes ou des animaux. Ne remplacez pas les batteries avec des batteries non rechargeables.

Environnement :

Cet appareil porte des marques conformes à la directive européenne 2011/65/EC relative aux déchets d'équipements électriques et électroniques (DEEE). Si vous jetez ce produit convenablement, vous contribuerez à éviter des conséquences potentiellement nuisibles pour l'environnement et pour la santé. Le symbole figurant sur le produit indique qu'il ne peut pas être mis à la poubelle avec les ordures ménagères. Vous devez le déposer dans un centre de recyclage des déchets électriques et électroniques. La déposition doit être effectuée conformément à la réglementation locale en matière de déchets. Pour obtenir des compléments d'information sur le traitement, la récupération et le recyclage de ce produit, merci de contacter votre municipalité, le service local des ordures ménagères ou le lieu d'achat du produit.



Cet appareil est conforme aux Directives européennes 2014/35/UE, 2014/30/EUE et 2011/65/UE.

CANDY HOOVER GROUP S.r.l. Via Privata Eden Fumagalli, 20861 Brugherio (MB) Italy

COMPOSANTS DU PRODUIT

- | | |
|---|---|
| A. Bouton Marche/Arrêt | W. Support mural* |
| B. Bouton turbo | X. Vis de montage mural* |
| C. Bouton silencieux | Ya. Accessoire de meuble 2en1 intégré |
| D. Bac à poussière | Yb. Brosse de dépolluissage 2en1 intégrée |
| E. Bouton de déverrouillage du volet du bac à poussière | Z. Buse à puissance mini* |
| F. Bouton de déverrouillage du manche du balai. | AA. Brossette rotative à puissance mini |
| G. Bouton de déverrouillage du stockage | AB. Volet de dégagement de la brosse rotative de la buse à puissance mini |
| H. Tube | AC. Suceur long* |
| I. Bouton pour détacher la brosse | AD. Sac d'accessoires* |
| J. Brosse | AE. Outil de nettoyage du bac à poussière* |
| K. Voyants LED avant de la brosse | AF. Volet de dégagement du rouleau Hydro Roller 360° |
| L. Voyant LED d'état de la barre de brosse* | AG. Rouleau Hydro Roller 360° |
| M. Filtre pré-moteur | AH. Capuchon d'étanchéité du rouleau Hydro Roller 360° |
| N. Détecteur Vortex à cyclone unique | AI. Lame de nettoyage arrière buse retirable |
| O. Simple Cyclone | AJ. Volet de dégagement du rouleau Hybrid Care |
| P. Voyant LED d'état d'entretien | AK. Rouleau Hybrid Care |
| Q. Voyant LED d'état de la batterie | Al. Chiffon avant buse |
| R. Voyant de charge de la batterie | AM. Bouton de fixation du chiffon avant de la buse |
| S. Bouton de déverrouillage de la batterie | AN. Détergent de nettoyage concentré* |
| T. Bloc batterie | AO. Récipient de pré-humidification* |
| U. Entrée de charge de la batterie | |
| V. Chargeur | |

PREPARATION DE L'APPAREIL

Enlevez soigneusement le produit de l'emballage.

- Ramassez la brosse et le tube, montez une extrémité du tube dans le col de la brosse jusqu'à ce qu'elle s'enclenche en place. **[1a]**
- Ramassez l'unité portable et montez-la sur le tube jusqu'à entendre un "clic" de mise en place. **[1b]**
- Fixez le support mural au mur à l'aide des vis et des chevilles plastiques. **[2]**
- Pour entièrement charger l'appareil, connectez la prise jack du chargeur à la batterie. Cela prendra environ 2.5 heures. **[10,11]**

REMARQUE : Pour retirer la buse, appuyez sur le bouton de dégagement de la buse et retirez-la du tube.

REMARQUE : N'utilisez que le chargeur fourni avec votre nettoyeur pour recharger. Il est normal pour le chargeur de devenir chaud au toucher lorsqu'il est en train de charger.

* Sur certains modèles uniquement

FONCTION D'ASPIRATION ET DE LAVAGE INTÉGRÉ

IMPORTANT : La fonction de lavage intégré doit uniquement être utilisée sur les planchers durs et le parquet.

Ce nettoyeur a un rouleau Hybrid Care sur l'avant de la buse et un rouleau Hydro Roller 360° à l'arrière de la buse pour permettre l'aspiration et le lavage de planchers durs et de parquet. [3a]

Avant d'utiliser la fonction double nettoyage, il est important de mouiller complètement le rouleau Hydro Roller 360°.

1. Détachez le volet de dégagement du rouleau Hydro Roller 360°. Il est positionné sur la partie latérale de la buse. [3b]
2. Tenez le volet de dégagement du rouleau Hydro Roller 360° et retirez-le.
3. Retirez le bouchon d'étanchéité et utilisez-le comme bouchon de mesure, remplissez-le avec le détergent concentré et versez dans le rouleau Hydro Roller 360°. [3c, 3d]
4. Remplissez le rouleau Hydro Roller 360° d'eau sans arriver au bord. [3e]
5. Ensuite, remontez le bouchon d'étanchéité.
6. Insérez le rouleau Hydro Roller 360° dans le récipient d'humidification, versez-y de l'eau sans le remplir à ras bord. Laissez le rouleau Hydro Roller 360° s'imbiber dans le récipient pendant environ 30 secondes en vous assurant que toutes les zones soient mouillées, puis retirez-le. [3f, 3g, 3h]
7. Remontez le rouleau Hydro Roller 360° dans la buse dans sa position originale et fermez le volet de dégagement sur la buse. [3i]

IMPORTANT : N'utilisez pas le rouleau Hydro Roller 360° sur les tapis quand il est mouillé.

IMPORTANT : Il s'agit d'une tige DC sèche, n'aspirez pas d'eau ou d'autres liquides.

REMARQUE : Il est possible d'utiliser des détergents de nettoyage délicats alternatifs mais n'utilisez pas de désinfectants.

REMARQUE : Il est recommandé de remplir le réservoir et de s'assurer que le rouleau Hydro Roller 360° soit entièrement mouillé après avoir couvert une zone d'environ 40 m² pour un nettoyage optimal des surfaces.

REMARQUE : Quand vous avez besoin de remplir le réservoir d'eau et que le rouleau Hydro Roller 360° est déjà sale, il est recommandé de le laver avec de l'eau tiède avec un détergent délicat en le pressant.

IMPORTANT : Il est recommandé de laver le rouleau Hydro Roller 360° après chaque utilisation et de le faire sécher en position verticale pendant au moins 24 heures. [4]

IMPORTANT : Ne laissez pas le rouleau Hydro Roller 360° mouillé dans la buse.

FONCTION ASPIRATEUR

IMPORTANT : La fonction aspirateur doit uniquement être utilisée quand le rouleau Hydro est complètement sec.

Ce nettoyeur a un rouleau Hybrid Care sur l'avant de la buse et permet le ramassage de la poussière et de débris des sols durs, du parquet et des tapis. [4f]

Avant d'utiliser votre appareil sur un tapis, retirez le rouleau Hydro Roller 360° de la buse, videz le contenu et laissez-le sécher pendant 24 heures avant de le remonter. [4a, 4b, 4c, 4d, 4e]

Sinon, si vous ne voulez pas attendre, retirez tout simplement le rouleau Hydro Roller 360° mouillé et passer l'aspirateur sur votre tapis. [4a]

UTILISATION DE L'APPAREIL

INTERFACE UTILISATEUR

Il existe 4 modes de fonctionnement :

- **MODE STANDARD :** Lorsque vous appuyez sur le bouton MARCHÉ-ARRÊT, l'aspirateur est prêt à nettoyer à fond à l'aide de la brosse motorisée principale. [6a]
- **MODE TURBO :** Appuyez sur le bouton Turbo afin d'obtenir la pleine puissance nécessaire pour le nettoyage des sols durs après avoir mis en marche votre aspirateur. [6b]
- **Mode silencieux :** Appuyez sur le bouton silence pour nettoyer au niveau sonore le plus bas après avoir mis en marche votre aspirateur. [6c]
- **MODE AUTOMATIQUE :** Lorsque vous retirez la brosse ou le tube, le produit s'adapte automatiquement à une puissance inférieure destinée au nettoyage en hauteur, à l'aide d'accessoires non motorisés.

REMARQUE : Grâce ce mode, si vous avez besoin de plus de puissance, appuyez sur le bouton TURBO : une fois pour obtenir de la puissance supplémentaire ou deux fois pour obtenir la pleine puissance. Si vous voulez revenir en MODE AUTOMATIQUE, appuyez sur le bouton Silent.

* Sur certains modèles uniquement

ÉTAT DE LA BROSSE

Le voyant LED d'état de l'électrobrosse sur la buse reste illuminé en blanc pendant tous les modes de nettoyage de sol et devient rouge si le système de protection de sécurité s'active. [17]

FIXATION LAME DE NETTOYAGE AVANT

Pour obtenir les meilleures performances dans les fentes et sur les tapis, il est recommandé de fixer les lames de nettoyage avant verticalement et de ne pas tourner en avant et en arrière pendant l'utilisation.

1. Détachez le volet de dégagement du rouleau Hybrid Care et retirez-le. [5a]
2. Poussez vers le bas le bouton de fixation du chiffon avant de la buse. [5b]
3. Remettez le rouleau Hybrid Care en place. [5c]

FONCTION DE STOCKAGE

Après usage, votre aspirateur peut être stocké de 2 manières appropriées.

1. RANGEMENT SUR SUPPORT MURAL

Votre produit est fourni avec un support mural destiné à faciliter son rangement. À l'aide des vis fournies, fixez le support mural à votre mur. Après avoir utilisé le produit, placez simplement votre aspirateur à cet endroit. [2]

2. MODE RANGEMENT COMPACT/PARKING

Pour fixer le produit sur le tube, retirez la partie haute en appuyant sur le bouton de déverrouillage. [8]

Assurez-vous que l'accessoire 2 en 1 intégré est rentré dans sa position initiale tel que fourni, tout en vous assurant que l'accessoire est placé dans sa position d'origine, la brosse de dépoissierage et le crochet de localisation se trouvant dans la position basse.

Montez le crochet de localisation dans la fente inférieure sur le tube, et poussez la poignée arrière pour qu'elle retrouve sa position d'origine dans le mécanisme de verrouillage placé en haut du tube. [9]

SYSTÈME DE PROTECTION DE SÉCURITÉ

Pour vous assurez que la fiabilité de l'appareil ne soit pas affectée si utilisé dans des conditions difficiles, l'appareil offre deux systèmes de protection de sécurité intégrés. Un sur le nettoyeur et un sur la buse.

REMARQUE : Le système de protection de sécurité s'actionne dans deux cas :

1. S'il y a des obstructions de l'arrivée d'air ou dans le tube, l'aspirateur se protège et s'éteint ; le voyant LED sur l'unité principale devient rouge. Si cela se produit, vérifiez simplement s'il y a des obstructions dans le tube ou l'arrivée d'air de l'unité principale. Retirez-les et allumez à nouveau l'appareil.
2. Si la brosette rotative est bloquée ou est verrouillée alors que l'aspirateur est en marche, la brosette rotative arrête de tourner et les voyants LED BLANCS sur la buse deviennent ROUGES. [17] Si cela se produit, éteignez simplement le produit et dégagez l'obstruction de l'agitateur. Pour reprendre le nettoyage, appuyez sur le bouton de marche/arrêt et le produit redémarrera en mode normal.

BATTERIE

Cet aspirateur est équipé d'un voyant LED d'état de la batterie. Quand l'appareil est allumé, le voyant LED s'illumine de deux couleurs pour montrer le niveau de la batterie :

BATTERIE LEVEL:

Couleur blanche : 100% - 10% charge

Rouge clignotant : <10% charge

Il existe 2 procédés de charge :

Chargez la batterie lorsqu'elle est fixée au produit.

Insérez la prise jack du chargeur de batterie dans la batterie. L'indicateur d'état LED s'illumine en ROUGE lors de la charge. Lorsque la charge est complète, l'indicateur d'état LED s'illumine en BLANC pendant 1 min, puis s'éteint. [10]

Chargez la batterie lorsqu'elle est retirée du produit.

Retirez la batterie du produit en appuyant sur le bouton de déverrouillage de la batterie.

Insérez la prise jack du chargeur de batterie dans la batterie. Le voyant LED du bloc batterie s'illumine en ROUGE lors de la charge. Lorsque la charge est complète, l'indicateur LED s'illumine en BLANC. [11]

REMARQUE : Il est normal pour le chargeur de devenir chaud au toucher lorsqu'il est en train de charger. N'utilisez que le chargeur fourni avec votre nettoyeur.

ACCESSOIRES

SUCEUR PLAT INTÉGRÉ À L'ACCESSOIRE PORTABLE, SUCEUR PLAT INTÉGRÉ AU TUBE, ACCESSOIRE DE MEUBLE ET BROSSE DE DÉPOUSSIÉRAGE 2 EN 1, SUCEUR LONG*, BUSE PUISSANCE MINI* ET OUTIL DE NETTOYAGE DU BAC À POUSSIÈRE*.

Suceurs plats intégrés - Idéal pour accéder à des espaces étroits.

Brosse meuble intégrée - idéal pour le nettoyage de surfaces sans dommages ni rayures.

Accessoire de meuble intégré - Idéal pour le nettoyage de surfaces comme le canapé.

Mini power nozzle* - Idéal pour le nettoyage en profondeur des surfaces textiles (ex : canapés) et pour aspirer les poils d'animaux domestiques. L'angle de travail peut être réglé en bougeant en avant et en arrière.

REMARQUE : Après utilisation, tournez le volet de dégagement de la brosette rotative dans le sens anti-horaire à l'aide d'une pièce de monnaie pour retirer la brosette rotative et, ensuite, retirez les cheveux / fils pris dans la brosse. [21]

Suceur long* - Idéal pour les endroits étroits et d'accès difficile.

Tous les accessoires sauf l'outil de nettoyage du bac à poussière peuvent être montés sur l'unité principale et sur le tube. [7]
Outil de nettoyage du bac à poussière*- Idéal pour éliminer la poussière, les débris et les poils à l'intérieur du bac à poussière. [12]

Sac accessoires*

Les accessoires supplémentaires peuvent être rangés dans le sac accessoires.

Support mural*

Si requis, fixez le support mural au mur, à l'aide de deux vis et des chevilles fournies. [2]

ENTRETIEN DE L'ASPIRATEUR

Vider le bac à poussière

1. Appuyez sur le bouton de déverrouillage du corps principal et retirez le tube. [8]
2. Appuyez sur le bouton de vidage du bac à poussière pour ouvrir le clapet du bac et videz-le. [12a]
3. Fermez le clapet du bac à poussière ; vous entendrez un déclic une fois complètement verrouillé.

REMARQUE : Il est recommandé de vider le bac à poussière après chaque usage ou lorsque la poussière atteint la ligne de remplissage maximale.

Nettoyage quotidien rapide du bac à poussière.

Ouvrez juste la trappe du bac à poussière et retirez la poussière à l'aide de l'outil de nettoyage prévu à cet effet.

1. Utilisez l'extrémité du crochet pour faire sortir la poussière collectée à l'intérieur du bac à poussière. [12b]
2. Utilisez l'extrémité de la brosse pour éliminer la poussière fine coincée autour du filtre en toile métallique. [12c]

Nettoyez le bac à poussière et le filtre.

Rappel de maintenance du pré-filtre. Si le pré-filtre a besoin d'entretien, le voyant LED sur le nettoyeur commence à clignoter en rouge.

1. Appuyez sur le bouton de déverrouillage de la partie mobile et retirez l'unité portable du tube. [8]
2. Appuyez sur le bouton de déverrouillage de la batterie et retirez la batterie. [11]
3. Retirez l'ensemble du bac à poussière en le tournant dans le sens horaire et en le tirant de l'unité. [13]
4. Retirez le filtre pré-moteur en tirant le support de l'ensemble bac. [14a]
5. Enlevez le système de cyclone unique en tirant l'anneau métallique de l'ensemble bac.
6. Retirez la protection du filtre en tournant dans le sens horaire et retirez-la du système de cyclone. [14b]
7. Lavez le filtre et le système de cyclone unique dans de l'eau tiède et laissez-les sécher **pendant 24 heures**. [15,16]
8. Remontez-le quand il est complètement sec et remplacez-le sur le produit.

REMARQUE : N'utilisez pas d'eau chaude ou des détergents lorsque vous nettoyez le filtre pré-moteur. Dans le cas peu probable où le filtre pré-moteur s'endommage, fixez une pièce de rechange certifié Hoover. Veuillez-vous assurer de refixer le filtre pré-moteur avant de monter le bac à poussière dans la partie principale de l'aspirateur, dans la mesure où le mécanisme de protection du filtre s'activera.

IMPORTANT : Pour des performances optimales, conservez le filtre propre. Nous recommandons que le filtre soit lavé au moins une fois par mois.

ENTRETIEN BUSE

Nettoyer le rouleau Hydro Roller 360°, le rouleau Hybrid Care, la lame de nettoyage arrière et la lame de nettoyage avant

* Sur certains modèles uniquement

IMPORTANT : Éteignez toujours le nettoyeur avant de nettoyer le rouleau Hydro Roller 360°, le rouleau Hybrid Care, la lame de nettoyage arrière et la lame de nettoyage avant.

Nettoyer le rouleau Hydro Roller 360° :

1. Retirez la brosse du tube. [18]
2. Détachez le volet de dégagement du rouleau Hydro Roller 360°. Il est positionné sur la partie latérale de la buse. [4a]
3. Retirez le bouchon d'étanchéité et assurez-vous que le réservoir d'eau soit vide. [4b, 4c]
4. Lavez le rouleau Rouleau Hydro Roller 360° et le bouchon d'étanchéité avec de l'eau tiède avec un détergent délicat en l'essorant ou lavez-le en machine à laver en utilisant le cycle délicat sans volet de dégagement du rouleau Hydro Roller 360°. [4d]
5. Laissez-le sécher en position verticale pendant au moins 24 heures. [4e]
6. Remontez le rouleau Hydro Roller 360° sur la buse dans sa position initiale.
7. Fermez le volet de dégagement du rouleau Hydro Roller 360° sur la buse.

IMPORTANT : Il est recommandé de laver le rouleau Hydro Roller 360° après chaque nettoyage et de le faire sécher en position verticale pendant au moins 24 heures.

IMPORTANT : Ne laissez pas le rouleau Hydro Roller 360° mouillé dans la buse.

IMPORTANT : La fonction aspirateur doit uniquement être utilisée sur les tapis quand le rouleau Hydro Roller est complètement sec.

REMARQUE : Si vous préférez le laver en machine à laver, il est recommandé d'utiliser un cycle délicat en dessous de 40° et d'enlever le volet de dégagement du rouleau Hydro Roller 360°. [20d]

Nettoyer le rouleau Hybrid Care :

1. Retirez la brosse du tube. [18]
2. Détachez le volet du bouton de dégagement du rouleau Hybrid Care. Il est positionné sur la partie latérale de la buse. [19]
3. Tenez le volet de dégagement du rouleau Hybrid Care et retirez-le de la buse.
4. Pour nettoyer le rouleau Hybrid Care, retirez les débris en excès en utilisant des ciseaux. [19]
5. Remonter le rouleau Hybrid Care. Celui-ci ne peut être placé que dans un seul sens. [19]
6. Fermez le volet de dégagement du rouleau Hybrid Care sur la buse.

Nettoyer la lame de nettoyage arrière :

1. Retirez la brosse du tube. [18]
2. Poussez le volet de dégagement vers l'extérieur et retirez la lame de nettoyage arrière. [20]
3. Pour nettoyer la lame de nettoyage arrière, vous pouvez la nettoyer avec un chiffon mouillé.
4. Remontez la lame de nettoyage arrière en place.

Nettoyez la lame de nettoyage avant :

1. Retirez la brosse du tube. [18]
2. Extrayez la lame de nettoyage avant de la fente. [20]
3. Pour nettoyer la lame de nettoyage avant, vous pouvez la nettoyer avec un chiffon mouillé.
3. Remettez la lame de nettoyage avant en place.

Remplacement des batteries

L'aspirateur est équipé d'un bloc batterie Lithium ion rechargeable qui est remplaçable.

MISE EN GARDE : Utilisez uniquement les pièces de rechange approuvées pour votre aspirateur. L'utilisation de pièces non approuvées par Hoover est dangereuse et invalidera votre garantie.

MISE EN GARDE : N'essayez pas d'ouvrir le bloc batterie pour le réparer vous-même.

1. Appuyez sur le bouton de dégagement de la batterie et extrayez la batterie. [11]
2. Enlevez l'ancienne batterie et remplacez-la par une nouvelle.
3. Mettez les batteries à la poubelle, dans un endroit sûr. Des batteries usées doivent être amenées à un point de recyclage et non pas être éliminées avec les ordures ménagères.

DEPANNAGE

Si vous avez des problèmes avec votre nettoyeur, suivez cette simple liste de vérification avant d'appeler le service clientèle Hoover:

A. L'aspirateur ne s'allume pas

Vérifiez que le nettoyeur est chargé

Vérifiez que la batterie est bien en place.

B. L'aspirateur s'arrête de fonctionner

Vérifiez s'il y a une obstruction dans l'entrée d'air ou dans le tube, dégagez-la et assurez-vous que le produit est éteint. Une fois que cela est fait, appuyez simplement sur le bouton marche/arrêt, le produit recommencera à fonctionner.

C. Aspiration insuffisante ou pas d'aspiration du tout

Videz le récipient à poussière et lavez le filtre du pré-moteur et le séparateur. Enlevez la brosse et vérifiez qu'il n'y a pas de blocages dans le conduit.

D. La batterie ne charge pas

Cela peut être dû à de très longues périodes de stockage (plus de 6 mois). Contactez le service clientèle Hoover pour effectuer le changement de batterie. Si le problème persiste, contactez le service clientèle Hoover.

E. Les sols ne sèchent pas tous de la même façon.

Vérifiez que le rouleau Hydro Roller 360° soit entièrement mouillé et ajoutez un bouchon de détergent.

F. La buse sent mauvais.

Lavez simplement le rouleau Hydro Roller 360° et laissez-le sécher en position verticale pendant au moins 24 heures.

G. Les déplacements sur tapis sont difficiles.

Vérifiez que le rouleau Hydro Roller 360° soit complètement sec. Si votre tapis a des poils très long, retirez simplement le rouleau Hydro 360° et passer l'aspirateur sur votre tapis.

PIÈCES DÉTACHÉES ET CONSOMMABLES HOOVER

Toujours remplacer les pièces par des pièces détachées de la marque Hoover. Celles-ci sont disponibles auprès de votre revendeur Hoover. Lors de la commande de pièces, veuillez toujours préciser le numéro de votre modèle.

VOTRE GARANTIE

Les conditions de garantie de cet appareil sont définies par notre représentant dans le pays où il est vendu et peuvent être obtenues auprès de votre revendeur. Les détails concernant ces conditions peuvent être obtenues auprès du revendeur auprès duquel l'appareil a été acheté. La facture d'achat ou le reçu doivent être présentés pour toutes réclamations relevant des conditions de cette garantie.

IMPORTANT : La batterie de cet aspirateur bénéficie d'une garantie de 2 ans à partir de la date d'achat. Passés les deux ans, le client est responsable du coût d'acquisition d'une nouvelle batterie.

Ces conditions peuvent être modifiées sans préavis.

HINWEISE FÜR DIE SICHERE BENUTZUNG

Dieses Gerät ist nur zum Gebrauch im Haushalt und nicht für gewerbliche Zwecke bestimmt. Sie sollten das Gerät ausschließlich gemäß den Angaben in dieser Bedienungsanleitung verwenden. Vor dem Gebrauch des Gerätes muss die vorliegende Bedienungsanleitung vollständig gelesen und verstanden worden sein.

Schalten Sie das Gerät immer aus und ziehen den Stecker des Ladegerätes, bevor Sie das Gerät reinigen oder irgendwelche Wartungsarbeiten durchführen.

Dieses Gerät darf von Kindern ab 8 Jahren, sowie körperlich, geistig oder sensorisch behinderten Personen bzw. Personen ohne Erfahrung und Kenntnisse im Gebrauch nur unter Aufsicht oder unter Anleitung für die sichere Benutzung und den damit verbundenen Gefahren benutzt werden. Kinder sollten nicht unbeaufsichtigt mit dem Gerät spielen. Reinigungs- und Wartungsarbeiten dürfen von Kindern nur unter Aufsicht ausgeführt werden.

Ist das Netzkabel beschädigt, darf das Gerät NICHT mehr benutzt werden. Im Falle eines Defektes, darf das Netzkabel nur durch einen autorisierten Hoover-Kundendiensttechniker ausgetauscht werden.

Hände, Füße, lose Kleidung und Haare von den rotierenden Bürsten fernhalten.

Verwenden Sie nur das Originalladegerät, das mit dem Gerät geliefert wurde.

Stellen Sie sicher, dass die Versorgungsspannung mit der auf dem Ladegerät angegebenen Spannung übereinstimmt.

Dieses Haushaltsgerät von Hoover wird mit einem schutzisolierten Batterieladegerät geliefert, welches ausschließlich für 220-230 V (GB 240 V) Steckdosen geeignet ist.

Stecken Sie das Netzteil in eine geeignete Steckdose und schließen Sie den Stecker am Gerät an.

Berühren Sie das Ladegerät niemals mit nassen Händen.

Schalten Sie das Gerät vor dem Aufladen des Akkus aus.

Die Akku-LED-Leuchte leuchtet während des Ladevorgangs ROT und nach dem Aufladen WEISS.

Schließen Sie das Gerät nach der Benutzung wieder an das Netzteil an, um die Akkus wieder aufzuladen.

Akkus niemals bei Temperaturen über 37°C oder unter 0°C aufladen!

Es ist normal, dass sich das Ladegerät während des Ladevorgangs erwärmt.

Ziehen Sie den Netzstecker des Ladegerätes NIEMALS durch Ziehen am Kabel heraus.

Ziehen Sie im Fall einer längeren Abwesenheit, z.B. Urlaub usw. den Stecker des Ladegerätes aus der Steckdose. Laden Sie nach einer längeren Zeit der Lagerung/Nichtbenutzung das Gerät vor der erneuten Benutzung wieder komplett auf, da sich die Akkus von selber entladen können.

Wenn das Gerät entsorgt wird, müssen zuvor die Akkus entfernt werden. Das Gerät muss von der Stromnetz getrennt sein, wenn die Akkus entnommen werden. Entsorgen Sie die Akkus ordnungsgemäß. Lassen Sie das Gerät laufen, bis die Akkus leer sind und es von selber stoppt. Gebrauchte Akkus sollten zum Recycling zurückgegeben und nicht mit dem Hausmüll entsorgt werden. Um die Akkus herauszunehmen, wenden Sie sich bitte an das Hoover-Kundendienst oder führen Sie folgende Schritte aus.

WICHTIG: Entladen Sie die Akkus zunächst vollständig, bevor Sie diese herausnehmen und vergewissern sich, dass das Ladegerät nicht angeschlossen ist.

Lassen Sie dafür das Gerät laufen, bis die Akkus vollständig entladen sind. Ziehen Sie den Stecker des Ladegeräts aus dem Gerät.

Drücken Sie die Freigabetaste des Akkus um ihn zu entnehmen.

HINWEIS: Sollten Sie irgendwelche Schwierigkeiten beim Auseinandernehmen des Gerätes haben oder detailliertere Informationen zur Behandlung, Reparatur oder zum Recycling des Geräts benötigen, kontaktieren Sie bitte Ihre Stadtverwaltung oder den lokalen Entsorgungsdienst für Haushaltsabfälle.

Verwenden Sie nur Zubehör, Verbrauchsmaterial oder Ersatzteile, die von Hoover empfohlen oder geliefert werden.

Statische Aufladung: Manche Teppiche können die Bildung statischer Elektrizität verursachen. Diese ist jedoch sehr gering und bei Entladung nicht gesundheitsschädlich.

Benutzen Sie das Gerät nicht im Freien, auf nassen Oberflächen oder zur Aufnahme von feuchtem Schmutz.

Vermeiden Sie es, harte oder scharfe Gegenstände, Streichhölzer, heiße Asche, Zigarettenkippen oder Ähnliches aufzusaugen. Niemals entzündliche Flüssigkeiten, Reinigungsmittel, Aerosole oder deren Dämpfe auf das Gerät sprühen oder damit aufsaugen.

Während des Betriebs nicht über das Netzkabel fahren. Nicht am Kabel ziehen, um den Gerätestecker aus der Steckdose zu ziehen. Stellen Sie die Verwendung des Gerätes oder des Ladegerätes ein, wenn ein Defekt vermutet wird.

Hoover-Kundendienst: Um auf Dauer den sicheren und effizienten Betrieb dieses Gerätes zu gewährleisten, empfehlen wir, Wartungs- und Reparaturarbeiten ausschließlich von einem zugelassenen Hoover-

Kundendiensttechniker durchführen zu lassen. Benutzen Sie das Gerät nicht zur Reinigung von Menschen oder Tieren. Ersetzen Sie die Akkus nicht durch Einwegbatterien.

Umweltschutz:

Dieses Elektrohaushaltsgerät ist entsprechend der EU-Richtlinie 2011/65/EC über Elektro- und Elektronik-Altgeräte (WEEE) gekennzeichnet. Durch die sichere und umweltgerechte Entsorgung dieses Produkts tragen Sie dazu bei, mögliche negative Auswirkungen auf die Umwelt und die Gesundheit des Menschen zu verhindern. Das am Produkt angebrachte Symbol gibt an, dass dieses Produkt nicht als Hausmüll behandelt werden darf, sondern an einer entsprechenden Sammelstelle für das Recycling von elektrischen und elektronischen Geräten zu entsorgen ist. Die Entsorgung ist in Übereinstimmung mit allen geltenden Vorschriften für die umweltgerechte Abfallentsorgung vorzunehmen. Ausführlichere Informationen über die Müllbehandlung und das Recycling dieses Produktes erhalten Sie von der zuständigen Umweltbehörde, der Müllentsorgungsstelle Ihrer Kommune oder dem Händler, bei dem Sie das Produkt erworben haben.



Dieses Gerät erfüllt die Europäischen Richtlinien 2014/35/EG, 2014/30/EG und 2011/65/EG.

CANDY HOOVER GROUP S.r.l. Via Privata Eden Fumagalli, 20861 Brugherio (MB) Italy

PRODUKTBESTANDTEILE

- | | |
|---------------------------------------|---|
| A. Ein/Aus-Taste | V. Ladegerät |
| B. Taste für Turbo-Betriebsmodus | W. Wandhalterung* |
| C. Taste für Silent-Betriebsmodus | X. Wandbefestigungsschrauben* |
| D. Staubbehälter | Ya. Integrierter 2in1-Möbelpinsel |
| E. Staubbehälterklappen-Freigabetaste | Yb. Integrierte 2in1-Staubbürste |
| F. Handgerät-Freigabetaste | Z. Mini-Turbodüse* |
| G. Freistellfunktionstaste | AA. Bürstwalze für Mini-Turbodüse |
| H. Rohr | AB. Freigabe für Mini-Turbodüse-Bürstwalzenklappe |
| I. Taste zum Entfernen der Bodendüse | AC. Lange Fugendüse* |
| J. Bodendüse | AD. Zubehörtasche* |
| K. LED-Leuchten vordere Düsen | AE. Staubbehälter-Reinigungszubehör* |
| L. Status-LED Bürstwalzen* | AF. 360° Hydro-Walzen-Entriegelungsklappe |
| M. Vormotorfilter | AG. 360° Hydro-Walze |
| N. Einzel-Zyklon Vortex Finder | AH. 360° Hydro-Walzen-Verschlusskappe |
| O. Einzel-Zyklon | AI. Abnehmbarer hinterer Düsenwischer |
| P. LED-Leuchte Wartungsstatus | AJ. Hybrid-Pflege-Walzen-Entriegelungsklappe |
| Q. LED-Leuchte Akku-Status | AK. Hybrid-Pflegewalze |
| R. Anzeigeleuchte Akku-Laden | AL. Düse, vorderer Wischer |
| S. Akkupack-Freigabetaste | AM. Düse, Befestigungsknopf vorderer Wischer |
| T. Akku | AN. Reinigungskonzentrat* |
| U. Anschluss zum Laden des Akkus | AO. Vorbefeuchtungsbehälter* |

VORBEREITUNG DES STAUBSAUGERS

Nehmen Sie Ihr Gerät vorsichtig aus der Verpackung.

- Nehmen Sie die Düse und das Verlängerungsrohr in die Hand und stecken Sie ein Ende des Rohrs in den Düsenstutzen. Sie werden ein Klicken hören, wenn es eingerastet ist. **[1a]**
- Nehmen Sie das Handgerät in die Hand und schieben Sie sie auf das Rohr, bis sie hörbar einrastet. **[1b]**
- Befestigen Sie die Wandhalterung mit den mitgelieferten Schrauben und Dübeln an der Wand. **[2]**
- Um das Gerät vollständig aufzuladen, stecken Sie den Stecker des Ladegeräts in das Akkupack. Dies dauert ungefähr 2,5 Stunden. **[10,11]**

HINWEIS: Zum Abnehmen der Bodendüse, drücken Sie auf die Düsenfreigabetaste und ziehen diese vom Rohr ab.

* Geräteausstattung ist modellabhängig

HINWEIS: Verwenden Sie zum Aufladen nur das mit dem Gerät mitgelieferte Ladegerät. Es ist normal, dass sich das Ladegerät während des Ladevorgangs erwärmt.

SAUGFUNKTION MIT INTEGRIERTER WISCHFUNKTION

WICHTIG: Die integrierte Wischfunktion darf nur auf Hartböden und Parkett verwendet werden.

Dieser Staubsauger verfügt über eine Hybrid-Pflegewalze an der Vorderseite der Düse und eine 360° Hydro-Walze hinten an der Düse, die das Staubsaugen und Wischen von Hartböden und Parkett ermöglichen. [3a]

Vor Verwendung der Doppelfunktion ist es wichtig, dass die 360° Hydro-Walze vollständig nass ist.

1. Nehmen Sie 360° Hydro-Walzen-Entriegelungsklappe ab. Sie befindet sich auf dem Seitenteil der Düse. [3b]
2. Halten Sie 360° Hydro-Walzen-Entriegelungsklappe fest und entfernen Sie sie.
3. Entfernen Sie die Verschlusskappe und nehmen Sie sie als Dosierbecher, um das mitgelieferte konzentrierte Reinigungsmittel in die 360° Hydro-Walze zu gießen. [3c, 3d]
4. Füllen Sie die 360° Hydro-Walze mit Wasser auf bis kurz vorm Rand auf. [3e]
5. Setzen Sie danach die Verschlusskappe wieder ein.
6. Legen Sie die 360° Hydro-Walze in den Vorbefeuchtungsbehälter und füllen Sie Wasser in den Vorbefeuchtungsbehälter bis kurz vorm Rand auf. Legen Sie die 360° Hydro-Walze für etwa 30 Sekunden in den Behälter, um sicherzustellen, dass die komplett nass ist und nehmen Sie sie wieder heraus. [3f, 3g, 3h]
7. Setzen Sie die 360° Hydro-Walze wieder in die ursprüngliche Position in der Düse ein und schließen Sie die Entriegelungsklappe an der Düse. [3i]

WICHTIG: Verwenden Sie die 360° Hydro-Walze nicht auf nassen Teppichböden.

WICHTIG: Dies ist ein DC-Trocken-Stielstaubsauger. Saugen Sie damit kein Wasser oder Flüssigkeiten auf.

HINWEIS: Es ist möglich, alternative Reinigungsmittel zu verwenden, jedoch kein Desinfektionsmittel.

HINWEIS: Es wird empfohlen, den Behälter wieder aufzufüllen und sicherzustellen, dass die 360° Hydro-Walze nach der Reinigung von ca. 40 m² wieder vollständig nass ist, damit die Oberfläche optimal gereinigt wird.

HINWEIS: Wenn Sie den Wasserbehälter wieder auffüllen müssen und die 360° Hydro-Walze bereits verschmutzt ist, wird empfohlen, sie in lauwarmem Wasser mit einem milden Reinigungsmittel zu waschen.

WICHTIG: Es wird empfohlen die 360° Hydro-Walze nach jeder Benutzung zu waschen und für 24 Stunden in einer vertikalen Position trocknen zu lassen. [4]

WICHTIG: Lassen Sie die nasse 360° Hydro-Walze nicht in der Düse.

SAUGFUNKTION

WICHTIG: Die Saugfunktion darf nur verwendet werden, wenn die Hydro-Walze vollständig trocken ist.

Dieser Staubsauger verfügt an der Vorderseite der Düse über eine Hybrid-Pflegewalze. Sie ermöglicht die Aufnahme von Staub und Schmutz von Hartböden, Parkett und Teppichböden. [4f]

Bevor Sie Ihr Produkt auf einem Teppichböden verwenden, nehmen Sie die 360° Hydro-Walze von der Düse ab, entleeren Sie ihren Inhalt und lassen Sie ihn 24 Stunden lang trocknen, bevor Sie sie wieder einsetzen. [4a, 4b, 4c, 4d, 4e]

Wenn Sie nicht warten möchten, entfernen Sie alternativ einfach die nasse 360° Hydro-Walze und saugen Sie Ihren Teppichboden ab. [4a]

GEBRAUCH DES GERÄTES

BENUTZERBEREICH

Es gibt 4 Betriebsarten:

- **STANDARD MODUS:** Wenn Sie die EIN-/AUS-Taste drücken, ist der Staubsauger bereit, um mit der angetriebenen Hauptdüse gründlich zu reinigen. [6a]
- **TURBO MODUS:** Drücken Sie die Turbo-Taste für volle Leistung für anspruchsvolle Reinigungsarbeiten. [6b]
- **SILENT MODUS:** Drücken Sie die Taste für Silent-Modus, um mit diesem Gerät so leise wie möglich zu reinigen. [6c]
- **AUTO MODUS:** Wenn Sie die Düse oder das Rohr abnehmen, passt sich das Gerät bei der Reinigung von Fußböden mit nicht motorisiertem Zubehör automatisch an eine niedrigere Leistungsstufe an.

HINWEIS: Wenn Sie in diesem Modus eine höhere Leistung benötigen, drücken Sie die TURBO-Taste: Einmal, um zusätzliche Leistung zu erhalten, oder zweimal, um die volle Leistung zu erhalten. Wenn Sie zum AUTO MODUS zurückkehren möchten, drücken Sie die Taste für Silent-Modus.

* Geräteausstattung ist modellabhängig

BÜRSTENSTATUSANZEIGE

Die Bürstwalzen-Status-LED auf der Düse leuchtet während aller Fußbodenreinigungsarten weiß und leuchtet rot, wenn das Sicherheitsschutzsystem aktiviert ist. [17]

BEFESTIGUNG VORDERER WISCHER

Um die beste Fugen- und Teppichbodenleistung zu erzielen, empfohlen wir, die vorderen Wischer vertikal zu befestigen und während des Gebrauchs nicht vorwärts und rückwärts zu bewegen.

1. Nehmen Sie die Hybrid-Pflege-Walzen-Entriegelungsklappe ab und entfernen Sie sie. [5a]
2. Drücken Sie den Befestigungsknopf des vorderen Wischers nach unten. [5b]
3. Setzen Sie die Hybrid-Pflegewalze wieder in ihrer Position ein. [5c]

AUFBEWAHRUNGSFUNKTION

Nach dem Gebrauch verfügt Ihr Staubsauger über zwei praktische Aufbewahrungsmethoden.

1. AUFBEWAHRUNG IN WANDHALTERUNG

Ihr Produkt wird mit einer Wandhalterung zur einfachen und bequemen Aufbewahrung geliefert. Befestigen Sie die Wandhalterung mit den mitgelieferten Schrauben an Ihrer Wand. Hängen Sie Ihren Staubsauger nach dem Gebrauch einfach an ihr auf. [2]

2. KOMPAKTE AUFBEWAHRUNG/LAGER-MODUS

Um das Gerät auf dem Rohr aufzubewahren, nehmen Sie das Handgerät ab. Drücken Sie hierzu auf die Freigabetaste des Handgeräts. [8]

Stellen Sie sicher, dass sich das integrierte 2in1-Zubehör wieder in der ursprünglichen Position (wie geliefert) befindet und dass das Zubehör mit dem Möbelpinsel und dem Aufbewahrungshaken nach unten zeigen.

Stecken Sie den Aufbewahrungshaken in den unteren Schlitz des Rohrs und drücken Sie den hinteren Griff oben am Rohr vollständig in den Verriegelungsmechanismus. [9]

SICHERHEITSSCHUTZSYSTEM

Um zu gewährleisten, dass die Zuverlässigkeit des Geräts bei Gebrauch unter schwierigen Bedingungen nicht beeinträchtigt wird, wurde das Gerät mit einem integrierten Sicherheitsschutzsystem ausgestattet. Eines am Staubsauger und eines an der Düse.

HINWEIS: Das Sicherheitsschutzsystem funktioniert unter zwei Bedingungen:

1. Wenn der Lufteinlass oder das Rohr verstopft ist, wird der Staubsauger geschützt und schaltet sich AUS und die LED-Anzeige am Hauptgerät leuchtet rot. Überprüfen Sie in diesem Fall einfach, ob sich Hindernisse im Rohr oder im Lufteinlass des Handgeräts befinden. Entfernen Sie diese und schalten Sie das Gerät wieder ein.
2. Einmal aktiviert, hört die Bürstwalze, wenn sie verstopft oder blockiert ist, auf zu rotieren und die WEISSE LED auf der Düse schaltet auf ROT um. [17] Wenn dies geschieht, schalten Sie einfach Ihr Gerät aus und beseitigen Sie das Hindernis an der Bürstwalze. Um weiter zu reinigen, drücken Sie die Ein-/Aus-Taste und das Gerät startet wieder im Normalbetrieb.

BATTERIE

Der Staubsauger ist mit einer Akku-Status LED-Leuchte ausgestattet. Wenn das Gerät eingeschaltet ist, leuchtet die LED-Leuchte in zwei Farben und zeigt den Ladezustand des Akkus an:

BATTERIE LEVEL:

Weiß: 100% - 10% Laden

Rot blinkend: <10% Laden

Es gibt 2 Lademethoden:

Laden Sie den Akku auf, wenn er am Gerät befestigt ist.

Stecken Sie den Stecker des Ladegeräts in den Akku. Die LED-Statusanzeige leuchtet während des Ladevorgangs ROT. Nach Abschluss des Ladevorgangs leuchtet die LED-Statusanzeige 1 Minute lang WEISS und erlischt dann. [10]

Laden Sie den Akku auf, wenn Sie ihn aus dem Gerät genommen haben.

Nehmen Sie den Akku aus dem Gerät. Drücken Sie hierzu Akkufreigabetaste.

Stecken Sie den Stecker des Ladegeräts in den Akku. Die Akku-LED leuchtet beim Laden ROT. Nach Abschluss des Ladevorgangs leuchtet die LED-Anzeige WEISS. [11]

HINWEIS: Es ist normal, dass sich das Ladegerät während des Ladevorgangs erwärmt. Verwenden Sie zum Aufladen nur das mit dem Staubsauger mitgelieferte Ladegerät.

ZUBEHÖR

INTEGRIERTE FUGENDÜSE AUF DEM HANDGERÄT, INTEGRIERTE FUGENDÜSE AUF DEM ROHR, 2IN1-MÖBELPINSSEL UND STAUBBÜRSTE, LANGE FUGENDÜSE*, MINI-TURBODÜSE* UND STAUBBEHÄLTER-REINIGUNGSZUBEHÖR*.

Integrierte Fugendüse - Ideal für den Zugang zu engen Räumen.

Integrierter Möbelpinsel - Ideal zum Reinigen von Oberflächen, ohne sie zu beschädigen oder Kratzer zu hinterlassen.

Integriertes-Möbelzubehör - Ideal zum Reinigen von Oberflächen wie Polstermöbel.

Mini power nozzle* - Ideal für die Reinigung von Textiloberflächen (z.B. Sofas) und zum Entfernen von Tierhaaren. Der Arbeitswinkel kann, wenn Sie sich vorwärts und rückwärts bewegen, eingestellt werden.

HINWEIS: Drehen Sie nach dem Gebrauch die Bürstwalzenklappe mit einer Münze gegen den Uhrzeigersinn, um die Bürstwalze herauszunehmen, und entfernen Sie dann die auf der Bürste angesammelten Haare/Fäden. **[21]**

Lange Fugendüse* - Ideal für enge und schwer zugängliche Bereiche.

Das gesamte Zubehör mit Ausnahme des Staubbehälter-Reinigungszubehörs kann am Hauptprodukt und am Rohr befestigt werden. **[7]**

Staubbehälter-Reinigungszubehör* - Ideal, um Staub, Schmutz und Haare im Staubbehälter zu entfernen. **[12]**

Zubehörtasche*

Alles weitere Zubehör kann in der Zubehörtasche aufbewahrt werden.

Wandhalterung*

Bei Bedarf befestigen Sie die Wandhalterung mit den mitgelieferten zwei Schrauben und Dübeln an der Wand. **[2]**

WARTUNG DES GERÄTES

Entleeren des Staubbehälters

1. Drücken Sie die Freigabetaste auf dem Gerätekorpus und nehmen Sie das Rohr ab. **[8]**
2. Drücken Sie die Staubfangbehälter-Entleerungstaste nach unten, um die Behälterklappe zu entriegeln und den Behälter zu entleeren. **[12a]**
3. Schließen Sie die Staubfangbehälterklappe. Sie werden ein "Klicken" hören, wenn diese vollständig verschlossen ist.

HINWEIS: Es wird empfohlen den Staubbehälter nach jedem Gebrauch, oder wenn der Staub bis zur maximalen Fülllinie reicht, zu entleeren.

Schnelle tägliche Reinigung des Staubbehälters

Öffnen Sie einfach die Staubbehälterklappe und entfernen Sie den Staub mit Hilfe des Staubbehälter-Reinigungszubehörs.

1. Verwenden Sie das Hakenende, um den im Staubbehälter gesammelten Staub herauszuziehen. **[12b]**
2. Verwenden Sie das Bürstenende, um den feinen Staub zu reinigen, der um den Metallmaschenfilter herum haftet. **[12c]**

Reinigen Sie den Staubbehälter und den Filter.

Erinnerung Vorfilterreinigung. Wenn der Vorfilter gewartet werden muss, beginnt die LED-Leuchte vom Staubsauger rot zu blinken.

1. Drücken Sie die Freigabetaste auf dem Handgerät und nehmen Sie das Handgerät vom Rohr ab. **[8]**
2. Drücken Sie die Akku-Freigabetaste und nehmen Sie den Akku ab. **[11]**
3. Entfernen Sie die Staubbehälterbaugruppe, indem Sie sie im Uhrzeigersinn drehen und vom Gerät abziehen. **[13]**
4. Entfernen Sie den Vormotorfilter, indem Sie sie drehen und vom Gerät abziehen. **[14a]**
5. Nehmen Sie danach das Zyklonsystem heraus und ziehen Sie den Metallring aus der Behälterbaugruppe.
6. Entfernen Sie zum Schluss den Vortex Finder. Drehen Sie es hierzu im Uhrzeigersinn und ziehen Sie es vom Zyklonsystem ab. **[14b]**
7. Waschen Sie den Filter und den Einzel-Zyklon mit lauwarmem Wasser und lassen Sie beide **24 Stunden lang trocknen**. **[15,16]**
8. Setzen Sie den Filter, nachdem er vollständig getrocknet ist, wieder in das Gerät ein.

HINWEIS: Verwenden Sie kein heißes Wasser oder Reinigungsmittel zum Reinigen des Vormotorfilters. Im unwahrscheinlichen Fall, dass der Vormotorfilter beschädigt ist, tauschen Sie ihn nur gegen einen Hoover-Originalfilter aus. Bitte stellen Sie sicher, dass Sie den Vormotorfilter wieder einbauen, bevor Sie den Staubbehälter am Staubsaugergehäuse befestigen, da sonst der Filterschutzmechanismus aktiviert wird.

WICHTIG: Halten Sie den Filter für optimale Leistung immer sauber. Wir empfehlen, den Filter je nach Nutzungshäufigkeit mindestens einmal pro Monat zu reinigen.

* Geräteausstattung ist modellabhängig

WARTUNG DER DÜSE

Reinigen der 360° Hydro-Walze, der Hybrid-Pflegewalze, des hinteren und des vorderen Wischers

WICHTIG: Schalten Sie vor dem Reinigen der 360° Hydro-Walze, der Hybrid-Pflegewalze, des hinteren und des vorderen Wischers den Staubsauger immer aus.

Reinigen der 360° Hydro-Walze:

1. Nehmen Sie die Düse vom Rohr ab. [18]
2. Nehmen Sie 360° Hydro-Walzen-Entriegelungsklappe ab. Sie befindet sich auf dem Seitenteil der Düse. [4a]
3. Entfernen Sie die Verschlusskappe und stellen Sie sicher, dass der Wasserbehälter leer ist. [4b, 4c]
4. Waschen Sie die 360° Hydro-Walze und die Verschlusskappe in lauwarmem Wasser mit einem milden Reinigungsmittel, indem Sie sie zusammendrücken, oder waschen Sie sie ohne die 360° Hydro-Walzen-Entriegelungsklappe in der Waschmaschine im Schonwaschgang. [4d]
5. Lassen Sie sie mindestens 24 Stunden in vertikaler Position trocknen. [4e]
6. Setzen Sie die 360° Hydro-Walze wieder in die ursprüngliche Position der Düse ein.
7. Schließen Sie die 360° Hydro-Walzen-Entriegelungsklappe auf der Düse.

WICHTIG: Wir empfehlen, die 360° Hydro-Walze nach jeder Reinigung zu waschen und mindestens 24 Stunden in vertikaler Position trocknen zu lassen.

WICHTIG: Lassen Sie die nasse 360° Hydro-Walze nicht in der Düse.

WICHTIG: Die Saugfunktion auf Teppichböden sollte nur verwendet werden, wenn die Hydro-Walze absolut trocken ist.

HINWEIS: Wenn Sie sie lieber in der Waschmaschine waschen möchten, empfehlen wir einen Schonwaschgang unter 40° C zu verwenden und die 360° Hydro-Walzen-Entriegelungsklappe zu entfernen. [20d]

Die Hybrid-Pflegewalze reinigen:

1. Nehmen Sie die Düse vom Rohr ab. [18]
2. Nehmen Sie die Hybrid-Pflegewalzen-Entriegelungsklappe ab. Sie befindet sich auf dem Seitenteil der Düse. [19]
3. Halten Sie die Hybrid-Pflegewalzen-Entriegelungsklappe fest und entfernen Sie sie von der Düse.
4. Sie können die Hybrid-Pflegewalze reinigen, indem Sie mithilfe einer Schere übermäßigem Schmutz entfernen. [19]
5. Setzen Sie die Hybrid-Pflegewalze wieder ein. Sie passt nur in einer Richtung. [19]
6. Schließen Sie die Hybrid-Pflegewalzeklappe auf der Düse.

Hinteren Wischer reinigen:

1. Nehmen Sie die Düse vom Rohr ab. [18]
2. Drücken Sie auf die Seiten-Entriegelungsklappe am Ende und entfernen Sie den hinteren Wischer. [20]
3. Sie können den hinteren Wischer mit einem feuchten Tuch reinigen.
4. Befestigen Sie den hinteren Wischer wieder in seiner Position.

Vorderen Wischer reinigen:

1. Nehmen Sie die Düse vom Rohr ab. [18]
2. Ziehen Sie den vorderen Wischer aus dem Schlitz. [20]
3. Sie können den vorderen Wischer mit einem feuchten Tuch reinigen.
3. Befestigen Sie den vorderen Wischer wieder in seiner Position.

Batterien auswechseln

Dieser Staubsauger ist mit einem wiederaufladbaren, austauschbaren Lithium-Ionen-Akku ausgestattet.

WARNUNG: Verwenden Sie nur Hoover Originalersatzteile für Ihren Staubsauger. Das Verwenden von Teilen, die nicht von Hoover zugelassen wurden, ist gefährlich und führt eventuell dazu, dass Ihre Garantie erlischt.

WARNUNG: Versuchen Sie nicht den Akku zu öffnen und selbst zu reparieren.

1. Drücken Sie die Akku-Freigabetaste und ziehen Sie den Akku nach außen. [11]
2. Entfernen Sie den alten Akku und ersetzen Sie ihn durch einen neuen.
3. Entsorgen Sie die Akkus ordnungsgemäß. Gebrauchte Akkus sollten zum Recycling zurückgegeben und nicht mit dem Hausmüll entsorgt werden.

FEHLERBEHEBUNG

Falls Sie ein Problem mit Ihrem Gerät haben, befolgen Sie, bevor Sie den Hoover-Kundendienst kontaktieren, bitte folgende einfache Checkliste:

A. Das Gerät lässt sich nicht einschalten

Überprüfen Sie, ob die Akkus aufgeladen sind

Überprüfen Sie, ob der Akku richtig eingesetzt ist.

B. Der Staubsauger funktioniert nicht mehr

Überprüfen Sie, ob der Lufteinlass oder das Rohr verstopft ist. Überprüfen Sie, dass das Gerät ausgeschaltet ist und beseitigen Sie die Verstopfung. Drücken Sie danach einfach die Ein-/Aus-Taste, damit das Gerät wieder neu startet.

C. Niedrige Saugleistung oder das Gerät saugt überhaupt nichts an.

Entleeren Sie den Staubbehälter und waschen Sie den Vormotorfilter und die Filteranlage.
Entfernen Sie die Düse und überprüfen Sie diese auf Verstopfungen.

D. Die Akkus können nicht aufgeladen werden

Dies ist nach einem langen Zeitraum (über ein halbes Jahr) der Nichtbenutzung/Lagerung möglich.
Wenden Sie sich bitte an den Hoover-Kundendienst, um einen Austausch der Akkus zu veranlassen.
Wenn das Problem weiterhin besteht, wenden Sie sich bitte an den Hoover-Kundendienst.

E. Die Fußböden trocken nicht gleichmäßig.

Überprüfen Sie, ob die 360° Hydro-Walze vollständig nass ist und fügen Sie einen Dosierbecher Reinigungsmittel hinzu.

F. Die Düse riecht schlecht.

Waschen Sie die 360° Hydro-Walze und lassen Sie sie für 24 Stunden in einer vertikalen Position trocknen.

G. Die Druckkraft auf Teppichböden ist hoch.

Überprüfen Sie, ob die 360° Hydro-Walze vollständig trocken ist. Wenn Ihr Teppichboden sehr langes Flor hat, entfernen Sie einfach die 360° Hydro-Walze und saugen Sie Ihren Teppichboden ab.

HOOVER ORIGINAL-ERSATZTEILE UND VERBRAUCHSARTIKEL

Verwenden Sie stets Originalersatzteile von Hoover. Diese sind über den Hoover-Kundendienst erhältlich. Geben Sie bei der Bestellung von Ersatzteilen bitte stets die komplette 16stellige Artikelnummer (Typenplakette auf der Rückseite des Gerätes) Ihres Gerätemodells an.

GARANTIEERKLÄRUNG

Die Garantiebestimmungen für dieses Gerät entsprechen den Richtlinien des Landes, in dem Sie das Gerät erworben haben. Weitere Einzelheiten dazu erhalten Sie vom Händler, bei dem Sie das Gerät erworben haben oder aus dem roten Garantieheft, das der Verpackung beiliegt. Bitte bewahren Sie den Kaufbeleg sorgfältig auf, denn er wird für eventuell auftretende Garantieansprüche benötigt.

WICHTIG: Die Garantie des Akkus beträgt 2 Jahre ab Kaufdatum. Nach Ablauf der 2 Jahre trägt der Kunde die Kosten für einen neuen Akku.

Änderungen vorbehalten.

ISTRUZIONI PER UN USO SICURO

Questo apparecchio deve essere utilizzato esclusivamente in ambito domestico per interventi di pulizia, secondo le istruzioni riportate nel presente documento. Accertarsi di aver compreso le istruzioni prima di mettere in funzione l'apparecchio.

Prima di procedere alla pulizia dell'apparecchio o effettuare qualsiasi operazione di manutenzione, spegnerlo sempre e rimuovere il caricatore dalla presa.

Questo elettrodomestico non è destinato a essere utilizzato da persone dalle ridotte capacità fisiche, sensoriali o mentali (bambini inclusi), senza una adeguata assistenza o controllo da parte di una persona adulta responsabile della loro sicurezza. Controllare che i bambini non giochino con l'apparecchio. Pulizia e manutenzione non possono essere eseguite da bambini senza sorveglianza da parte di una persona responsabile.

Se il cavo di alimentazione è danneggiato, interrompere immediatamente l'utilizzo dell'apparecchio. Per evitare pericoli, il cavo di alimentazione dovrà essere sostituito da un tecnico del servizio assistenza autorizzato Hoover.

Tenere le mani, i piedi, i capi di abbigliamento non attillati e i capelli lontani dalle spazzole rotanti.

Per ricaricare l'apparecchio, usare solo il caricatore in dotazione. Controllare che i dati indicati sul caricatore corrispondano alla vostra tensione di alimentazione.

Questo prodotto Hoover è dotato di un caricabatteria doppio isolato che può essere collegato unicamente a una presa 230V (UK 240V). Inserire la spina del caricatore in una presa adatta e collegare il connettore jack del caricatore all'apparecchio.

Non toccare mai il caricatore con le mani bagnate.

Spegnerlo prima della ricarica.

Durante la ricarica il LED della batteria si illumina di colore ROSSO e ritornerà di colore BIANCO a carica completamente terminata.

Dopo l'uso, ricollegare l'apparecchio al caricatore per ricaricare le batterie.

Mai caricare le batterie a temperature superiori ai 37 °C o inferiori a 0 °C. È normale che il caricatore si scaldi mentre è in funzione.

Non scollegare il caricatore tirando il cavo.

Scollegare il caricatore in caso di assenza prolungata (ferie, ecc.). Dopo lunghi periodi di inutilizzo ricaricare l'apparecchio perchè le batterie potrebbero essersi scaricate automaticamente.

Se l'apparecchio è da smaltire, le batterie devono prima essere rimosse. Rimuovere la batteria solo quando l'apparecchio è scollegato dalla rete di alimentazione. Smaltire le batterie in sicurezza. Far funzionare l'apparecchio fino al suo arresto ed assicurarsi che le batterie siano completamente scariche. Le batterie usate devono essere riposte in un centro di riciclaggio e non smaltite con i rifiuti domestici. Per rimuovere le batterie, si prega di contattare il Centro Servizi per Assistenza Clienti Hoover o procedere in base alle seguenti istruzioni.

IMPORTANTE: Scaricare sempre completamente le batterie prima della rimozione ed assicurarsi che il caricatore sia scollegato.

Procedere con la pulizia fino a quando le batterie sono completamente scariche.

Rimuovere il connettore jack per la ricarica dall'apparecchio.

Premere il pulsante di rilascio batteria per estrarla.

NOTA: Se si riscontrano difficoltà a smantellare l'unità o per informazioni più dettagliate sul trattamento, recupero e riciclaggio di questo apparecchio, si prega di contattare l'ufficio comunale per il servizio smaltimento rifiuti.

Utilizzare solo accessori o parti di consumo e di ricambio consigliati o forniti da HOOVER.

Elettricità statica: alcuni tappeti possono produrre un accumulo di elettricità statica. Le cariche di elettricità statica non sono pericolose per la salute.

Non utilizzare l'apparecchio all'aperto, su superfici bagnate o per aspirare liquidi.

Non aspirare oggetti solidi o appuntiti, fiammiferi, ceneri calde, mozziconi di sigaretta o simili. Non vaporizzare o aspirare liquidi infiammabili, detersivi, bombolette o i loro vapori.

Non calpestare il cavo di alimentazione durante l'utilizzo dell'apparecchio o scollegare la spina dalla presa tirando il cavo di alimentazione. Non continuare a utilizzare l'apparecchio o il caricatore in caso di presunto guasto.

Assistenza Hoover: per garantire un funzionamento sempre sicuro ed efficiente dell'apparecchiatura, si consiglia di fare eseguire eventuali interventi di assistenza o di riparazione dai tecnici del

servizio assistenza autorizzato Hoover.

Non utilizzare l'apparecchio per l'igiene della persona o degli animali.

Non sostituire le batterie con batterie non ricaricabili

Ambiente:

L'apparecchio è contrassegnato in conformità alla Direttiva Europea 2011/65/EC sulla gestione dei rifiuti da apparecchiature elettriche ed elettroniche. Garantendo il corretto smaltimento del prodotto, il cliente contribuisce alla salvaguardia della salute delle persone e alla protezione dell'ambiente che potrebbero altrimenti essere compromessi da uno smaltimento eseguito in maniera non idonea. Il simbolo apposto sul prodotto indica che lo stesso non può essere smaltito come i normali rifiuti domestici, bensì deve essere portato al punto di raccolta o al centro di riciclaggio delle apparecchiature elettriche ed elettroniche più vicino. Lo smaltimento deve essere eseguito in conformità alle normative locali vigenti per la salvaguardia dell'ambiente e lo smaltimento dei rifiuti. Per ulteriori informazioni sul trattamento, il recupero e il riciclaggio di questo prodotto, contattare l'unità territoriale competente per il servizio di smaltimento o il negozio in cui il prodotto è stato acquistato.



Questo prodotto è conforme alle Direttive Europee 2014/35/EU, 2014/30/EU e 2011/65/EU.

CANDY HOOVER GROUP S.r.l. Via Privata Eden Fumagalli, 20861 Brugherio (MB) Italy

COMPONENTI DELL'APPARECCHIO

- | | |
|---|--|
| A. Pulsante di accensione/spengimento | V. Caricatore |
| B. Pulsante modalità Turbo | W. Supporto a Parete* |
| C. Pulsante modalità Silent | X. Viti per supporto a parete* |
| D. Contenitore raccogli-polvere | Ya. Spazzola integrata 2in1 per mobili e imbottiti |
| E. Pulsante di sblocco dello sportello del contenitore raccogli-polvere | Yb. Spazzola a pennello integrata 2 in 1 |
| F. Pulsante di sblocco impugnatura | Z. Spazzola Mini Power* |
| G. Pulsante di rilascio dallo stazionamento | AA. Agitatore spazzola Mini Power |
| H. Tubo | AB. Leva di rilascio dell'agitatore della spazzola Mini Power |
| I. Pulsante rilascio spazzola | AC. Bocchetta per fessure lunga* |
| J. Spazzola | AD. Borsa accessori* |
| K. Luci led frontali spazzola | AE. Accessorio per la pulizia del contenitore raccogli-polvere* |
| L. LED stato della spazzola* | AF. Leva di rilascio del Rullo 360° Hydro |
| M. Filtro Pre-Motore | AG. Rullo 360° Hydro |
| N. Finder Vortex del ciclone | AH. Tappo di chiusura del Rullo 360° Hydro |
| O. Mono ciclone | AI. Inserto in gomma removibile posteriore della spazzola |
| P. Spia LED per lo stato di manutenzione | AJ. Leva di rilascio del rullo Hybrid Care |
| Q. Spia LED stato della batteria | AK. Rullo Hybrid Care |
| R. Spia carica batteria | Al. Inserto in gomma removibile frontale della spazzola |
| S. Pulsante di rilascio batteria | AM. Bottone di fissaggio dell'inserto in gomma frontale della spazzola |
| T. Batteria | AN. Detergente concentrato per la pulizia* |
| U. Ingresso per la ricarica della batteria | AO. Tanica dell'acqua/detergente* |

PREPARAZIONE DELL'APPARECCHIO

Disimballare con cura l'apparecchio.

- Prendere la spazzola e il tubo, inserire un'estremità del collo della spazzola fino a sentire un "click" di posizionamento. **[1a]**
- Prendere l'unità portatile ed inserirla nel tubo fino a sentire un "click" di posizionamento. **[1b]**
- Fissare il supporto a muro utilizzando le viti e i tasselli forniti. **[2]**
- Inserire il connettore jack del caricatore alla batteria per caricare completamente l'apparecchio. Questo richiederà circa 2.5 ore. **[10,11]**

NOTA: Per rimuovere la spazzola, premere il pulsante di rilascio e staccarla dal tubo.

* Solo su alcuni modelli

NOTA: Per ricaricare l'apparecchio, usare solo il caricatore in dotazione. È normale che il caricatore si scaldi mentre è in funzione.

FUNZIONE DI ASPIRAZIONE E LAVAGGIO INTEGRATA

IMPORTANTE: La funzione di lavaggio deve essere usata solo per pavimenti duri e parquet.

Questo apparecchio ha un rullo Hybrid Care nella parte anteriore della spazzola e un rullo 360° Hydro nella parte posteriore della spazzola per consentire l'aspirazione e il lavaggio di pavimenti duri e parquet. [3a]

Prima di usare la doppia funzione, è importante bagnare completamente il rullo 360° Hydro.

1. Sganciare la leva di rilascio del rullo 360° Hydro. E' posizionata sulla parte laterale della spazzola. [3b]
2. Tenere la leva di rilascio del rullo 360° Hydro e rimuoverlo.
3. Rimuovere il tappo di chiusura e, utilizzandolo come misurino, riempirlo con il detergente concentrato in dotazione e versarlo nel rullo 360° Hydro. [3c, 3d]
4. Riempire il rullo 360° Hybrid con acqua al di sotto dell'orlo. [3e]
5. Quindi rimettere il tappo di chiusura.
6. Inserire il rullo 360° Hydro nel contenitore di pre-lavaggio e riempirlo con acqua al di sotto dell'orlo. Tenere il rullo 360° Hydro dentro il contenitore per circa 30 secondi assicurandosi che tutte le zone siano bagnate, quindi rimuoverlo. [3f, 3g, 3h]
7. Rimontare il rullo 360° Hydro sulla spazzola nella sua posizione originale e chiudere la leva di rilascio. [3i]

IMPORTANTE: Non usare il rullo 360° Hydro su tappeti quando è bagnato.

IMPORTANTE: Questo apparecchio è uno Stick DC a secco, non aspirare acqua o liquidi.

NOTA: È possibile utilizzare in alternativa detersivi delicati per la pulizia ma non usare disinfettanti.

NOTA: Dopo aver passato un'area di circa 40 m² per una pulizia ottimale delle superfici, si raccomanda di riempire il serbatoio assicurandosi che il rullo 360° Hydro sia completamente bagnato.

NOTA: Quando è necessario riempire il serbatoio d'acqua ma il rullo 360° Hydro è già sporco, si consiglia di lavarlo strizzandolo in acqua tiepida con un detergente delicato.

IMPORTANTE: Si consiglia di lavare il rullo 360° Hydro dopo ogni utilizzo e di lasciarlo asciugare in posizione verticale per almeno 24 ore. [4]

IMPORTANTE: Non lasciare il rullo 360° Hydro nella spazzola.

FUNZIONE ASPIRAZIONE

IMPORTANTE: La modalità di aspirazione deve essere usata solo quando il rullo Hydro è completamente asciutto.

Questo apparecchio ha un rullo Hybrid Care sul lato anteriore della spazzola che consente di raccogliere polvere e detriti da pavimenti duri, parquet e tappeti. [4f]

Prima di utilizzare l'apparecchio su tappeti, rimuovere il rullo 360° Hydro dalla spazzola, svuotare il contenuto e lasciarlo asciugare per 24 ore prima di rimontarlo. [4a, 4b, 4c, 4d, 4e]

In alternativa, se non si desidera attendere, è sufficiente rimuovere il rullo 360° Hydro bagnato e aspirare il tappeto. [4a]

UTILIZZO DELL'APPARECCHIO

INTERFACCIA UTENTE

L'apparecchio ha 4 modalità di funzionamento:

- **MODALITÀ STANDARD:** All'accensione del pulsante di accensione-spegnimento ON-OFF, l'apparecchio è pronto per pulire con la spazzola motorizzata principale. [6a]
- **MODALITÀ TURBO:** Premere il tasto Turbo per azionare la piena potenza dell'apparecchio per una pulizia profonda. [6b]
- **MODALITÀ SILENT:** Premere il pulsante Modalità Silent per pulire a fondo con il livello di rumore più basso di questo apparecchio. [6c]
- **MODALITÀ AUTOMATICA:** Se viene rimossa la spazzola o il tubo, l'apparecchio automaticamente diminuisce di potenza per pulire superfici alte con accessori non motorizzati.

NOTA: In questa modalità, premere il pulsante TURBO per aumentare la potenza: una volta per una potenza maggiore e due volte per la massima potenza. Se si desidera ritornare alla MODALITÀ AUTO, premere il pulsante Silent.

* Solo su alcuni modelli

STATO DELLA SPAZZOLA

Il LED della barra sulla spazzola è di colore bianco durante tutte le modalità di pulizia, diventa invece di colore rosso quando si attiva il sistema di protezione di sicurezza. [17]

FISSAGGIO DELL'INSERTO IN GOMMA ANTERIORE

Per ottenere la miglior performance nella pulizia di fessure e tappeti si consiglia di fissare l'inserto in gomma verticale e non farlo ruotare avanti e indietro durante l'uso.

1. Sganciare la leva di rilascio del rullo Hybrid Care e rimuoverlo. [5a]
2. Spingere verso il basso il bottone di fissaggio dell'inserto in gomma anteriore della spazzola. [5b]
3. Rimontare il rullo Hybrid Care in posizione. [5c]

STAZIONAMENTO

Dopo l'uso, l'apparecchio può essere riposto in 2 modi.

1. STAZIONAMENTO CON SUPPORTO A PARETE

L'apparecchio è dotato di supporto a parete per un facile stazionamento. Fissare il supporto a muro utilizzando le viti fornite. Dopo l'uso, riporre semplicemente l'apparecchio nel supporto. [2]

2. MODALITÀ DI STAZIONAMENTO E PARCHEGGIO

Per riporre l'apparecchio sul tubo, rimuovere l'unità portatile premendo il pulsante di rilascio dell'unità stessa. [8]

Accertarsi che l'accessorio 2in1, la bocchetta e la spazzola a pennello siano riposti correttamente nelle loro posizioni originali e che il gancio di stazionamento sia rivolto verso il basso.

Inserire il gancio di stazionamento nella scanalatura inferiore del tubo e spingere completamente la maniglia posteriore nel sistema di blocco nell'estremità superiore del tubo. [9]

SISTEMA DI PROTEZIONE

Al fine di salvaguardare l'affidabilità dell'apparecchio quando utilizzato in condizioni non corrette, il prodotto ha due sistemi di protezione integrati. Uno sull'apparecchio e uno sulla spazzola.

NOTA: Il sistema di protezione entra in funzione al verificarsi di due condizioni:

1. Se vi sono ostruzioni nella presa d'aria o nel tubo, l'apparecchio si spegne e la spia LED sull'unità principale diventa di colore rosso. Se ciò accade, controllare semplicemente se ci sono ostruzioni nel tubo o nella presa d'aria dell'unità portatile. Rimuoverle e riaccendere.
2. Se c'è un blocco sull'agitatore, la rotazione verrà interrotta e la spia LED BIANCA sulla spazzola si illuminerà di colore ROSSO. [17] Se ciò dovesse accadere, spegnere semplicemente l'apparecchio e pulire la spazzola dall'ostruzione. Per riprendere la pulizia, premere il pulsante accensione/spegnimento e l'apparecchio riprenderà a funzionare normalmente.

BATTERIA

Questo apparecchio è dotato di spia LED indicante lo stato della batteria. Quando l'apparecchio è acceso, la spia LED si illumina di 2 colori diversi per indicare il livello di carica della batteria:

BATTERIA LEVEL:

Colore bianco: 100% - 10% di carica

Colore rosso lampeggiante: <10% di carica

Ci sono 2 modalità di ricarica:

Caricare la batteria quando è installata sull'apparecchio.

Inserire il jack del caricabatterie nella batteria. Il LED di stato batteria è di colore ROSSO durante la ricarica. A carica completamente terminata, il LED di stato batteria si illumina di colore BIANCO per un minuto, poi si spegne. [10]

Caricare la batteria separatamente dall'apparecchio.

Estrarre la batteria dall'apparecchio premendo il pulsante di rilascio della batteria stessa.

Inserire il jack del caricabatterie nella batteria. Il LED di stato della batteria è di colore ROSSO durante la ricarica. A ricarica completata, la spia LED si illuminerà di colore BIANCO. [11]

NOTA: È normale che il caricatore si scaldi mentre è in funzione. Usare solo il caricatore in dotazione.

ACCESSORI

BOCCHETTA PER FESSURE INTEGRATA SULL'UNITÀ PORTATILE, BOCCHETTA PER FESSURE INTEGRATA SUL TUBO, SPAZZOLA A PENNELLO E BOCCHETTA PER IMBOTTITI 2IN1, BOCCHETTA LUNGA PER FESSURE*, SPAZZOLA MINI POWER* E ACCESSORIO PER LA PULIZIA DEL CONTENITORE RACCOGLIPOLVERE*.

Bocchetta per fessure integrata - Ideale per pulire spazi ristretti.

Spazzola a pennello integrata - ideale per la pulizia di superfici senza danneggiarle o graffiarle.

Spazzola integrata per mobili e imbottiti - Ideale per la pulizia di superfici imbottite come i divani.

Mini power nozzle* - Ideale per la pulizia profonda di tessuti (come ad esempio divani) e per rimuovere i peli degli animali domestici. L'angolazione è regolabile mentre ci si sposta avanti e indietro.

NOTA: Dopo l'utilizzo, è consigliabile ruotare lo sportello di rilascio dell'agitatore in senso antiorario usando una moneta, per poi estrarre l'agitatore e quindi rimuovere capelli/residui raccolti. [21]

Bocchetta per fessure lunga* - Ideale per accedere a spazi ristretti.

Tutti gli accessori, ad eccezione dell'accessorio per il contenitore raccogli polvere, possono essere inseriti nell'apparecchio principale e nel tubo. [7]

Accessorio per la pulizia del contenitore raccogli polvere*- Ideale per rimuovere polvere, detriti e capelli dal contenitore raccogli polvere. [12]

Borsa Accessori*

Gli altri accessori possono essere riposti nella apposita borsa.

Supporto a Parete*

Se necessario, fissare il supporto a muro utilizzando le 2 viti e i tasselli forniti. [2]

MANUTENZIONE DELL'APPARECCHIO

Svuotamento contenitore raccogli polvere

1. Premere il pulsante di rilascio del corpo principale e staccare il tubo. [8]
2. Premere il pulsante per lo svuotamento del contenitore raccogli polvere per aprirlo e svuotarne il contenuto. [12a]
3. Chiudere lo sportello del contenitore raccogli polvere, si udirà un "click" quando completamente bloccato.

NOTA: Si consiglia di svuotare il contenitore raccogli polvere dopo ogni utilizzo o quando la polvere supera il livello massimo di riempimento.

Pulizia Veloce e Giornaliera del Contenitore Raccogli polvere

È sufficiente aprire lo sportello del contenitore e rimuovere la polvere con l'aiuto dell'apposito accessorio per la pulizia del contenitore raccogli polvere.

1. Utilizzare l'estremità ad uncino per estrarre la polvere accumulata all'interno del contenitore. [12b]
2. Utilizzare l'estremità a spazzola per pulire la polvere più fine intrappolata nel filtro metallico a rete. [12c]

Pulizia del contenitore raccogli polvere e del filtro

Promemoria per la manutenzione del prefiltra. Se il pre-filtro necessita di manutenzione, la spia LED dell'apparecchio inizia a lampeggiare in colore rosso.

1. Premere il pulsante di rilascio dell'unità portatile e staccarla dal tubo. [8]
2. Premere il pulsante di rilascio della batteria per estrarla. [11]
3. Estrarre il gruppo contenitore raccogli polvere ruotandolo in senso orario e tirandolo dall'unità. [13]
4. Rimuovere il filtro pre-motore tirando la levetta del contenitore del gruppo raccogli polvere. [14a]
5. Estrarre l'unità ciclonica tirando l'anello metallico presente sul contenitore del gruppo raccogli polvere.
6. Estrarre il condotto d'uscita dall'unità ciclonica ruotando in senso orario e tirando. [14b]
7. Lavare il filtro e l'unità ciclonica in acqua tiepida e lasciare asciugare per 24 ore. [15,16]
8. Una volta completamente asciutto, rimontarlo e riposizionarlo nell'apparecchio.

NOTA: Non utilizzare acqua bollente o detersivi durante la pulizia del filtro pre-motore. Se accidentalmente il filtro pre-motore viene danneggiato, sostituirlo con ricambio originale Hoover. Assicurarsi di rimontare il filtro pre-motore prima di assemblare il contenitore della polvere sul corpo principale dell'apparecchio, per non attivare il sistema di protezione del filtro.

IMPORTANTE: Per mantenere prestazioni ottimali, tenere sempre il filtro pulito. Si raccomanda di lavare il filtro almeno una volta al mese.

* Solo su alcuni modelli

MANUTENZIONE SPAZZOLA

Pulizia del rullo 360° Hydro, del rullo Hybrid Care, degli inserti in gomma posteriore e anteriore

IMPORTANTE: Spegnerne sempre l'apparecchio prima di pulire il rullo 360° Hydro, il rullo Hybrid Care, gli inserti in gomma anteriore e posteriore.

Pulizia del rullo 360° Hydro:

1. Staccare la spazzola dal tubo. [18]
2. Sganciare la leva di rilascio del rullo 360° Hydro. E' posizionata sulla parte laterale della spazzola. [4a]
3. Rimuovere il tappo di chiusura e assicurarsi che il serbatoio dell'acqua sia vuoto. [4b, 4c]
4. Lavare il rullo 360° Hydro e il tappo di chiusura in acqua tiepida con un detergente delicato strizzandolo o lavarlo in lavatrice con un ciclo delicato senza la leva di rilascio del rullo 360° Hydro. [4d]
5. Lasciare asciugare in posizione verticale per almeno 24 ore. [4e]
6. Rimontare il rullo 360° Hydro sulla spazzola nella posizione iniziale.
7. Chiudere la leva di rilascio del rullo 360° Hydro sulla spazzola.

IMPORTANTE: Si consiglia di lavare il rullo 360° Hydro dopo ogni utilizzo e di lasciarlo asciugare in posizione verticale per almeno 24 ore.

IMPORTANTE: Non lasciare il rullo 360° Hydro bagnato nella spazzola

IMPORTANTE: La funzione aspirazione sul tappeto deve essere usata solo quando il rullo Hydro è completamente asciutto.

NOTA: Se si preferisce lavarlo in lavatrice, si consiglia di utilizzare un ciclo delicato sotto i 40° e di rimuovere la leva di rilascio del rullo 360° Hydro. [20d]

Pulizia del rullo Hybrid Care:

1. Staccare la spazzola dal tubo. [18]
2. Sganciare la leva di rilascio del rullo Hybrid Care. E' posizionata sulla parte laterale della spazzola. [19]
3. Tenere la leva di rilascio del rullo Hybrid Care e rimuoverlo dalla spazzola.
4. Per pulire il rullo Hybrid Care, rimuovere lo sporco in eccesso con delle forbici. [19]
5. Rimontare il rullo Hybrid Care. Questo può essere inserito solo in una direzione. [19]
6. Chiudere la leva di rilascio del rullo Hybrid Care sulla spazzola.

Pulizia dell'inserto in gomma posteriore:

1. Staccare la spazzola dal tubo. [18]
2. Spingere l'estremità della leva di rilascio e rimuovere l'inserto in gomma posteriore. [20]
3. Per pulire l'inserto in gomma posteriore, usare un panno umido.
4. Rimontare l'inserto in gomma in posizione.

Pulizia dell'inserto in gomma anteriore:

1. Staccare la spazzola dal tubo. [18]
2. Estrarre l'inserto in gomma anteriore dalla sua sede. [20]
3. Per pulire l'inserto in gomma anteriore, usare un panno umido.
3. Rimontare l'inserto in gomma anteriore in posizione.

Sostituzione delle batterie

L'apparecchio è dotato di un pacco batterie ricaricabili al litio che possono essere sostituite.

ATTENZIONE: Utilizzare solo parti di ricambio originali per il vostro apparecchio. L'uso di parti non originali Hoover può risultare pericoloso ed invalida la garanzia.

ATTENZIONE: Non tentare di aprire o riparare la batteria.

1. Premere il pulsante di rilascio e tirate per estrarre la batteria. [11]
2. Estrarre il vecchio set batteria e sostituirlo con uno nuovo.
3. Smaltire le batterie in sicurezza. Le batterie usate devono essere riposte in un centro di riciclaggio e non smaltite con i rifiuti domestici.

RISOLUZIONE DEI PROBLEMI

In caso di problemi con l'apparecchio, completare questa semplice checklist utente prima di chiamare il Centro per l'Assistenza Clienti Hoover:

A. L'apparecchio non si accende

Controllare che l'apparecchio sia carico

Controllare che il set di batterie sia posizionato correttamente.

B. L'apparecchio smette di funzionare

Controllare se ci sono ostruzioni nella presa d'aria o nel tubo e nel caso pulirli assicurandosi prima che l'apparecchio sia spento. Quindi premere semplicemente l'interruttore accensione/spengimento e l'apparecchio riprenderà a funzionare.

C. Forza aspirante bassa o nulla

Svuotare il contenitore raccogli-polvere, lavare il filtro pre-motore e l'unità separatrice.
Rimuovere la spazzola e controllare eventuali ostruzioni nel condotto.

D. Le batterie non si caricano

Potrebbe essere a causa di lunghi periodi di inutilizzo (oltre un semestre).
Contattare un Centro per l'Assistenza Clienti Hoover per la sostituzione delle batterie.
Se il problema persiste, contattare il Centro per l'Assistenza Tecnica Hoover più vicino.

E. I pavimenti non si asciugano uniformemente.

Controllare che il rullo 360° Hydro sia completamente bagnato e aggiungere un misurino di detersivo.

F. La spazzola ha un cattivo odore.

Lavare semplicemente il rullo 360° Hydro e lasciarlo asciugare in posizione verticale per 24 ore.

G. La forza di pressione esercitata sui tappeti è alta.

Controllare che il rullo 360° Hydro sia completamente asciutto. Se il tappeto ha un pelo molto lungo, è sufficiente rimuovere il rullo 360° Hydro e aspirare il tappeto.

INFORMAZIONI IMPORTANTI**PARTI DI RICAMBIO E DI CONSUMO HOOVER**

Utilizzare sempre parti di ricambio originali Hoover. È possibile acquistarle dal distributore locale Hoover o direttamente sul sito internet Hoover. Quando si ordinano delle parti di ricambio, ricordarsi sempre di fornire il numero di modello dell'apparecchio utilizzato.

ASSISTENZA E GARANZIA HOOVER

Questo prodotto è garantito, oltre che ai sensi di legge, alle condizioni e nei termini riportati sul certificato di garanzia convenzionale inserito nel prodotto. Il certificato dovrà essere conservato e mostrato al nostro Centro di Assistenza Tecnica Autorizzato, in caso di necessità, insieme allo scontrino comprovante l'acquisto dell'elettrodomestico. Puoi consultare le condizioni di garanzia anche sul nostro sito internet. Per ottenere assistenza compila l'apposito form on-line oppure contattaci al numero che trovi indicato nella pagina di assistenza del nostro sito internet.

Queste condizioni potrebbero venire modificate senza obbligo di preavviso

INSTRUÇÕES PARA UMA UTILIZAÇÃO SEGURA

Este aparelho só deve ser utilizado para limpeza doméstica, conforme descrito neste guia do utilizador. Certifique-se de que este manual é totalmente compreendido antes de utilizar o aparelho.

Desligue sempre o aparelho e retire o carregador da tomada antes de limpar o aparelho ou efectuar qualquer tarefa de manutenção.

Este aparelho pode ser utilizado por crianças com idade igual ou superior a 8 anos e por pessoas com capacidades mentais, sensoriais e físicas reduzidas ou sem experiência e conhecimento caso lhes sejam fornecidas instruções e supervisão relativas à utilização do aparelho de modo seguro e caso compreendam os perigos envolvidos. As crianças não devem brincar com o aparelho. A limpeza e a manutenção não devem ser efectuada por crianças sem supervisão.

Se o cabo de alimentação estiver danificado deixe de utilizar o aparelho imediatamente. Para evitar um risco de segurança, o cabo de alimentação deve ser substituído por um técnico de assistência autorizado da Hoover.

Mantenha as mãos, os pés, as roupas largas e o cabelo longe das escovas rotativas.

Utilize apenas o carregador original fornecido com o aparelho.

Verifique que a tensão de alimentação corresponde à indicada no carregador.

Este electrodoméstico da Hoover vem com um carregador de baterias duplamente isolado que é apenas adequado para alimentação eléctrica de 230 V (240 V no Reino Unido).

Ligue o carregador a uma tomada eléctrica adequada e ligue a ficha do carregador ao eletrodoméstico.

Nunca toque no carregador com as mãos molhadas.

Desligue o aparelho antes do carregamento.

A luz LED do pack de baterias irá acender a VERMELHO durante o carregamento e irá acender a BRANCO quando totalmente carregado.

Volte a ligar o aparelho ao carregador depois da utilização para recarregar a bateria.

Nunca troque as baterias em temperaturas acima de 37°C ou abaixo de 0°C.

É normal que o carregador aqueça enquanto estiver a carregar.

Não desligue o carregador puxando o cabo.

Desligue o carregador em caso de ausência prolongada (férias, etc.). Recarregue novamente o produto antes de utilizar, pois a bateria pode descarregar durante longos períodos de armazenamento.

Se for necessário eliminar o aparelho, primeiro retire as baterias. O aparelho deve ser desligado da fonte de alimentação ao remover a bateria. Elimine as baterias em segurança. Deixe o aparelho em funcionamento até parar devido ao facto de as baterias estarem completamente descarregadas. As pilhas usadas devem ser levadas para uma estação de reciclagem e não devem ser colocadas no lixo doméstico. Para remover as baterias, contacte o centro de apoio ao cliente da Hoover ou prossiga de acordo com as instruções seguintes.

IMPORTANTE: Descarregue, sempre, na totalidade as baterias antes de as remover.

Coloque o aspirador em funcionamento até a bateria estar totalmente descarregada.

Remova a ficha de tomada do carregador do aparelho.

Prima o botão para libertar a bateria e remova-a.

NOTA: Caso experiencie qualquer dificuldade na desmontagem da unidade ou necessite de informações mais detalhadas sobre o trabalho, recuperação e reciclagem deste aparelho, contacte o departamento da sua cidade ou o serviço de eliminação de lixo doméstico.

Utilize apenas acessórios, consumíveis ou peças sobressalentes recomendadas ou fornecidas pela Hoover.

Electricidade estática: Algumas alcatifas podem provocar uma pequena acumulação de electricidade estática. A descarga de electricidade estática não constitui qualquer perigo para a saúde.

Não utilize o aparelho no exterior, em superfícies húmidas ou para aspirar líquidos.

Não aspire objectos duros ou afiados, fósforos, cinzas quentes, pontas de cigarro ou outros itens semelhantes. Não pulverize nem aspire líquidos inflamáveis, líquidos de limpeza, aerossóis ou respectivos vapores.

Não passe por cima do cabo de alimentação ao utilizar o aspirador nem retire a ficha puxando pelo cabo de alimentação. Não continue a utilizar o aparelho ou o carregador caso aparente estar defeituoso.

Assistência da Hoover: Para assegurar o funcionamento seguro e eficiente deste aparelho, recomendamos que todas as intervenções de assistência ou reparação sejam efectuadas apenas por um técnico de assistência autorizado da Hoover.

Não utilize o aparelho para limpar pessoas ou animais.

Não substitua as baterias por baterias não recarregáveis.

Ambiente:

Este electrodoméstico está marcado de acordo com o disposto na directiva europeia 2011/65/EC relativa aos resíduos de equipamentos eléctricos e electrónicos (REEE). Ao garantir que este produto é eliminado de forma correcta, estará a contribuir para evitar potenciais consequências negativas para o ambiente e a saúde humana, o que pode ocorrer devido a um tratamento inadequado dos resíduos deste produto. O símbolo no produto indica que este não pode ser tratado como resíduo doméstico. Pelo contrário, deve ser encaminhado para o ponto de recolha aplicável para reciclagem de equipamento eléctrico e electrónico. A eliminação deve ser realizada em conformidade com as leis ambientais locais relativas à eliminação de resíduos. Para obter informações mais detalhadas sobre o tratamento, recuperação e reciclagem deste produto, contacte as autoridades locais, o serviço de eliminação de resíduos domésticos ou a loja onde adquiriu o produto.



Este aparelho encontra-se em conformidade com as Directivas Europeias 2014/35/UE, 2014/30/UE e 2011/65/UE.

CANDY HOOVER GROUP S.r.l. Via Privata Eden Fumagalli, 20861 Brugherio (MB) Italy

COMPONENTES DO PRODUTO

- | | |
|--|--|
| A. Botão ON/OFF (Ligar/Desligar) | V. Carregador |
| B. Botão Turbo | W. Montagem de parede* |
| C. Botão Silenciar | X. Parafusos de montagem na parede* |
| D. Compartimento para o pó | Ya. Ferramenta para móveis 2 em 1 integrada |
| E. Trínco da aba do depósito de pó | Yb. Escova para pó 2 em 1 integrada |
| F. Botão de libertação manual | Z. Mini escova eléctrica* |
| G. Botão de libertação do armazenamento | AA. Agitador da mini escova eléctrica |
| H. Tubo | AB. Aba de libertação do agitador da mini escova eléctrica |
| I. Botão de libertação da escova | AC. Acessório comprido para fendas* |
| J. Escova | AD. Saco de acessórios* |
| K. Luzes LED dianteiras do bocal | AE. Ferramenta de limpeza do depósito de pó* |
| L. LED de estado da barra da escova* | AF. Aba de libertação do 360° Hydro Roller |
| M. Filtro do pré-motor | AG. 360° Hydro Roller |
| N. Localizador em espiral de ciclone simples | AH. Tampa de vedação do 360° Hydro Roller |
| O. Ciclone simples | AI. Lâmina da escova traseira do bocal amovível |
| P. Luz LED do estado de manutenção | AJ. Aba de libertação do Hybrid Care Roller |
| Q. Luz LED do estado da bateria | AK. Hybrid Care Roller |
| R. Luz de carregamento da bateria | Al. Escova dianteira do bocal |
| S. Botão de libertação da bateria | AM. Botão de fixação da escova dianteira do bocal |
| T. Conjunto de baterias | AN. Detergente de limpeza concentrado* |
| U. Entrada de carregamento da bateria | AO. Depósito antes de humedecer* |

PREPARAR O SEU ASPIRADOR

Retire o produto da embalagem com cuidado.

1. Segure o bocal e o tubo, monte uma extremidade do tubo no gargalo do bocal até ouvir um "clique", que significa que encaixou no lugar. **[1a]**
2. Pegue na unidade portátil e monte no tubo até ouvir um "clique", que significa que encaixou no lugar. **[1b]**
3. Fixe a montagem de parede utilizando os parafusos e tampões com porca fornecidos. **[2]**
4. Para carregar totalmente o aparelho, ligue a ficha de tomada do carregador ao pacote da bateria. Isso irá demorar aproximadamente 2.5 horas. **[10,11]**

NOTA: Para remover a escova, pressione o botão de libertação da escova e puxe ao retirar do tubo.

NOTA: Utilize apenas o carregador fornecido com o aspirador para recarregar. É normal que o carregador aqueça enquanto estiver a carregar.

* Apenas em alguns modelos

FUNÇÃO DE ASPIRAÇÃO E LAVAGEM INTEGRADA

IMPORTANTE: A função de lavagem integrada deve ser utilizada apenas em pavimentos duros e parquet.

O aspirador tem um Hybrid Care Roller na parte dianteira do bocal e um 360º Hydro Roller na parte traseira do bocal para permitir a aspiração e lavagem de pavimentos duros e parquet. **[3a]**

Antes de utilizar a função dupla, é importante humedecer completamente o 360º Hydro Roller.

1. Solte a aba de libertação do 360º Hydro Roller. Posicionada na parte lateral do bocal. **[3b]**
2. Segure na aba de libertação do 360º Hydro Roller e remova-a.
3. Remova a tampa de vedação e utilizando-a como copo de medição, encha com o detergente concentrado fornecido e verta para o 360º Hydro Roller. **[3c, 3d]**
4. Encha o 360º Hydro Roller com água sem encher até à borda. **[3e]**
5. Em seguida, volte a colocar a tampa de vedação.
6. Introduza o 360º Hydro Roller no depósito de pré-lavagem e verta água no depósito de pré-lavagem sem encher até à borda. Mantenha o 360º Hydro Roller dentro do depósito durante cerca de 30 segundos garantindo que todas as áreas estão húmidas e, em seguida, remova-o. **[3f, 3g, 3h]**
7. Volte a colocar o 360º Hydro Roller no bocal na sua posição original e feche a aba de libertação para o bocal. **[3i]**

IMPORTANTE: Não utilize o 360º Hydro Roller em carpetes quando estiver húmido.

IMPORTANTE: Este é um aspirador de vara DC seco; não aspire qualquer água ou líquidos.

NOTA: É possível utilizar detergentes de limpeza delicados alternativos, não utilize desinfetante.

NOTA: É recomendável reabastecer o depósito e garantir que o 360º Hydro Roller está totalmente húmido depois de cobrir uma área de cerca de 40 m² para uma limpeza ideal das superfícies.

NOTA: Quando for necessário reabastecer o depósito de água e o 360º Hydro Roller já estiver sujo, é recomendável lavá-lo em água morna com um detergente delicado ao espreme-lo.

IMPORTANTE: É recomendável lavar o 360º Hydro Roller após cada utilização e secá-lo numa posição vertical durante pelo menos 24 horas. **[4]**

IMPORTANTE: Não deixar o 360º Hydro Roller húmido no bocal.

FUNÇÃO DE ASPIRAÇÃO

IMPORTANTE: A função de aspiração deve ser utilizada apenas quando o Hydro Roller estiver completamente seco.

O aspirador tem um Hybrid Care Roller na parte dianteira do bocal e permite aspirar o pó e resíduos de pavimentos duros, parquet e carpetes. **[4f]**

Antes de utilizar o seu produto em carpetes, remova o 360º Hydro Roller do bocal, esvazie o conteúdo e deixe-o secar durante 24h antes de voltar a encaixar. **[4a, 4b, 4c, 4d, 4e]**

Alternativamente, se não pretender esperar, basta remover o 360º Hydro Roller húmido e aspirar a sua carpete. **[4a]**

UTILIZAR O SEU APARELHO

INTERFACE DE UTILIZADOR

Há 4 modos de trabalho:

- **MODO STANDARD:** Quando prima o botão Ligar/Desligar, o aspirador está pronto para limpar cuidadosamente com o bocal motorizado principal. **[6a]**
- **MODO TURBO:** Prima o botão Turbo para a potência total para tarefas de limpeza a fundo. **[6b]**
- **Modo silencioso** Pressione o botão de silêncio para limpar totalmente no nível de ruído mais baixo do produto. **[6c]**
- **MODO AUTOMÁTICO:** Quando remove o bocal ou o tubo, o produto adapta-se automaticamente a uma energia mais baixa para limpeza acima do solo, com ferramentas não motorizadas.

NOTA: Quando se encontra neste modo, se precisar de mais potência, pressione o botão TURBO: uma vez para obter potência extra ou duas vezes para obter a potência máxima. Se pretende voltar ao MODO AUTO, pressione o botão Silêncio.

ESTADO DA BARRA DE ESCOVA

O LED de estado da barra de escova no bocal permanece iluminado a branco durante todos os modos de limpeza do piso e fica vermelho se o sistema de proteção de segurança estiver ativado. **[17]**

* Apenas em alguns modelos

FIXAÇÃO DA LÂMINA DA ESCOVA DIANTEIRA

Para obter o melhor desempenho em fissuras e carpetes, é recomendável fixar as lâminas da escova na vertical e não as virar para a frente e para trás durante a utilização.

1. Solte a aba de libertação do Hybrid Care Roller e remova-a. [5a]
2. Prima o botão de fixação da escova dianteira do bocal. [5b]
3. Volte a colocar o Hybrid Care Roller na posição. [5c]

FUNÇÃO DE ARMAZENAMENTO

Após a utilização, o aspirador tem 2 modos de armazenamento convenientes.

1. ARMAZENAMENTO POR MONTAGEM NA PAREDE

O produto é fornecido com um modo de montagem na parede para um armazenamento fácil e conveniente. Utilizando os parafusos fornecidos, fixe o suporte de montagem na parede à parede. Após a utilização do produto, basta colocar o aspirador no devido local. [2]

2. MODO DE ARMAZENAMENTO COMPACTO

Para armazenar o produto no tubo, remova a unidade portátil premindo o botão de libertação da unidade portátil. [8]

Certifique-se de que a ferramenta 2 em 1 integrada volta à posição original, conforme fornecida, garantindo que a ferramenta está totalmente no sítio com a escova de pó e o gancho de localização na posição virada para baixo.

Monte o gancho de localização na ranhura inferior do tubo e empurre o manípulo traseiro totalmente para o sítio no mecanismo de bloqueio situado na parte superior do tubo. [9]

SISTEMA DE PROTEÇÃO DE SEGURANÇA

Para garantir que a fiabilidade do produto não é afetada devido a utilização em condições exigentes, o produto possui dois sistemas de proteção de segurança integrados. Um no aspirador e um no bocal.

NOTA: O sistema de proteção de segurança será ativado em duas condições.

1. Se houver obstruções na entrada de ar ou no tubo, o aspirador será protegido e desligado e a luz LED da unidade principal ficará vermelha. Se isto acontecer, basta verificar se há alguma obstrução no tubo ou na entrada de ar da unidade portátil. Remova-a e volte a ligar.
2. se o agitador estiver bloqueado ou travado, assim que for acionado, o agitador irá parar de girar e as luzes LED BRANCAS do bocal ficarão VERMELHAS. [17] Se tal acontecer, deve desligar o produto e remover a obstrução do agitador. Para terminar a limpeza, pressione o botão on/off e o produto reinicia no modo normal.

BATERIA

Este aspirador está equipado com uma luz LED de estado da bateria. Quando o produto está LIGADO, a luz LED acende-se com duas cores para mostrar o nível de bateria.

BATERIA LEVEL:

Branco: 100% - 10% carregar

Vermelho intermitente: <10% carregar

Há 2 métodos de carregamento:

Carregue a bateria quando encaixada no produto.

Insira o conector do carregador da bateria na bateria. O indicador LED de estado irá acender-se a VERMELHO durante o carregamento. Quando o carregamento estiver concluído, o indicador LED de estado irá acender-se a BRANCO durante 1 minuto e depois irá desligar-se. [10]

Carregue a bateria quando removida do produto.

Remova a bateria do produto premindo o botão de libertação da bateria.

Insira o conector do carregador da bateria na bateria. O LED do pack da bateria irá acender-se a VERMELHO durante o carregamento. Quando o carregamento estiver concluído, o indicador LED irá acender-se a BRANCO. [11]

NOTA: É normal que o carregador aqueça enquanto estiver a carregar. Utilize apenas o carregador fornecido com o aspirador.

ACESSÓRIOS

ACESSÓRIO PARA FENDAS INTEGRADO NA UNIDADE PORTÁTIL, ACESSÓRIO PARA FENDAS INTEGRADO NO TUBO, FERRAMENTA 2 EM 1 PARA PÓ E MOBÍLIAS, ACESSÓRIO COMPRIDO PARA FENDAS*, MINI ESCOVA ELÉTRICA* E FERRAMENTA DE LIMPEZA DO DEPÓSITO DE PÓ*.

Acessórios para fendas integrados - Ideais para conseguir chegar a espaços apertados.

Escova para pó integrada - ideais para limpar superfícies sem danificar nem riscar.

Ferramenta para móveis integrada - Ideais para limpar superfícies como sofás.

Mini power nozzle* - Ideal para limpar a fundo superfícies têxteis (por exemplo, sofás) e remover pelos de animais. O ângulo de trabalho pode ser ajustado quando se desloca para trás e para a frente.

NOTA: Após a utilização, rode a aba de libertação do agitador no sentido contrário ao dos ponteiros do relógio com uma moeda para retirar o agitador e, em seguida, remova o cabelo/fios emaranhados capturados na escova. [21]

Acessório comprido para fendas* - Ideal para áreas estreitas e de difícil acesso.

Todos os acessórios, exceto a ferramenta de limpeza do depósito de pó, podem ser encaixados no produto principal e no tubo. [7]

Ferramenta de limpeza do depósito de pó* - Ideal para remover o pó, resíduos e pelos do interior do depósito de pó. [12]

Saco de Acessórios*

Podem ser armazenados acessórios adicionais no saco de acessórios.

Montagem de parede*

Se necessário, fixe o suporte de parede à parede utilizando dois parafusos e as buchas fornecidas. [2]

MANUTENÇÃO DO APARELHO

Esvaziar o depósito de pó

1. Prima o botão de libertação da estrutura principal e remova o tubo. [8]
2. Empurre o botão de esvaziamento do compartimento para pó para soltar a aba do recipiente e esvazie o conteúdo. [12a]
3. Feche a aba do compartimento para pó, ouvirá um clique quando estiver encaixado.

NOTA: É recomendado esvaziar o compartimento para pó depois de cada utilização ou quando o pó estiver até à linha máxima de enchimento.

Limpeza diária rápida do depósito de pó

Abra a aba do depósito de pó e remova o pó com a ajuda da ferramenta de limpeza do depósito de pó.

1. Utilize a extremidade do gancho para extrair o pó recolhido no interior do depósito de pó. [12b]
2. Utilize a extremidade da escova para limpar o pó fino agarrado em redor do filtro de rede metálico. [12c]

Limpe o depósito de pó e o filtro

Lembrete de manutenção do pré-filtro. Se o pré-filtro precisar de manutenção, a luz LED no aspirador começa a piscar a vermelho.

1. Prima o botão de libertação da unidade portátil e remova a unidade portátil do tubo. [8]
2. Prima o botão de libertação da bateria e remova a bateria. [11]
3. Remova o conjunto do depósito de pó, rodando-o para a direita e puxando-o para fora da unidade. [13]
4. Primeiro, remova o filtro do pré-motor, puxando o suporte do conjunto do depósito. [14a]
5. Remova o sistema de ciclone único, retirando o anel de metal do conjunto do depósito.
6. Remova o localizador de vórtice, rodando-o para a direita e puxando-o para fora do sistema de ciclone. [14b]
7. Lave o filtro e o sistema de ciclone simples com água morna e deixe secar durante 24 horas. [15,16]
8. Volte a montar assim que estiver completamente seco e volte a colocar no produto.

NOTA: Não use água quente nem detergentes para limpar o filtro do pré-motor. No caso improvável de o filtro do pré-motor ficar danificado, utilize um sobressalente original da Hoover. Não se esqueça de voltar a instalar o filtro do pré-motor antes de montar o compartimento do pó na estrutura principal do aspirador, pois o mecanismo de proteção do filtro será ativado.

IMPORTANTE: Para um desempenho ideal, mantenha sempre o filtro limpo. Recomendamos lavar o filtro mensalmente.

MANUTENÇÃO DO BOCAL

Limpeza do 360° Hybrid Roller, Hybrid Care Roller, lâmina da escova traseira e lâmina da escova dianteira

IMPORTANTE: Desligue sempre o aspirador antes de limpar o 360° Hybrid Roller, Hybrid Care Roller, lâmina da escova traseira e lâmina da escova dianteira.

Limpeza do 360° Hybrid Roller:

1. Remova o bocal do tubo. [18]
2. Solte a aba de libertação do 360° Hybrid Roller. Posicionada na parte lateral do bocal. [4a]

* Apenas em alguns modelos

3. Remova a tampa de vedação e certifique-se de que o depósito de água está vazio. **[4b, 4c]**
4. Lave o 360° Hybrid Roller e a tampa de vedação em água morna com um detergente delicado ao espremê-lo ou lave numa máquina de lavar utilizando um ciclo delicado sem a aba de libertação do 360° Hybrid Roller. **[4d]**
5. Deixe-o secar na posição vertical durante pelo menos 24 horas. **[4e]**
6. Volte a colocar o 360° Hybrid Roller no bocal na sua posição original.
7. Feche a aba de libertação do 360° Hybrid Roller para o bocal.

IMPORTANTE: É recomendável lavar o 360° Hydro Roller após cada utilização e secá-lo numa posição vertical durante pelo menos 24 horas.

IMPORTANTE: Não deixar o 360° Hydro Roller húmido no bocal

IMPORTANTE: A função de aspiração nas carpetes deve ser utilizada apenas quando o Hydro Roller estiver completamente seco.

NOTA: Se preferir lavá-lo numa máquina de lavar, é recomendável utilizar um ciclo delicado abaixo dos 40° e remover a aba de libertação do 360° Hydro Roller. **[20d]**

Limpeza do Hybrid Care Roller:

1. Remova o bocal do tubo. **[18]**
2. Solte a aba de libertação do Hybrid Care Roller. Posicionada na parte lateral do bocal. **[19]**
3. Segure na aba de libertação do Hybrid Care Roller e remova-o do bocal.
4. Para limpar o Hybrid Care Roller, remova os resíduos em excesso utilizando tesouras. **[19]**
5. Volte a colocar o Hybrid Care Roller. Apenas pode ser encaixado numa direcção. **[19]**
6. Feche a aba de libertação do Hybrid Care Roller para o bocal.

Limpeza da lâmina da escova traseira:

1. Remova o bocal do tubo. **[18]**
2. Empurre a aba de libertação lateral e remova a lâmina da escova traseira. **[20]**
3. Para limpar a lâmina da escova traseira, pode limpar com um pano húmido.
4. Volte a colocar a lâmina da escova traseira na posição.

Limpeza da lâmina da escova dianteira:

1. Remova o bocal do tubo. **[18]**
2. Puxe a lâmina da escova dianteira da ranhura. **[20]**
3. Para limpar a lâmina da escova dianteira, pode limpar com um pano húmido.
3. Volte a colocar a lâmina da escova dianteira na posição.

Substituição das baterias

Este aspirador está equipado com um pack de bateria de iões de lítio recarregável que pode ser substituído.

ATENÇÃO: Utilize apenas peças de substituição aprovadas para o aspirador. A utilização de peças não aprovadas pela Hoover é perigosa e irá tornar a sua garantia inválida.

ATENÇÃO: Não tente abrir o conjunto de baterias e repará-lo.

1. Pressione o botão de libertação da bateria e puxe a bateria para fora. **[11]**
2. Retire a bateria antiga e substitua-a por uma bateria nova.
3. Elimine as baterias em segurança. As pilhas usadas devem ser levadas para uma estação de reciclagem e não devem ser colocadas no lixo doméstico.

RESOLUÇÃO DE PROBLEMAS

Se tiver qualquer problema com o aspirador, siga esta lista de verificação simples antes de contactar o Centro de Assistência ao Cliente da Hoover:

A. O aspirador não liga

Verifique se o aspirador está carregado

Controle se o pacote da bateria está montado no lugar.

B. O aspirador parou de trabalhar.

Verifique se há alguma obstrução na entrada de ar ou no tubo, elimine-a e certifique-se de que o produto está desligado. Depois de fazer isto, basta premir o botão Ligar/Desligar e o produto irá começar a funcionar novamente.

C. Perda de sucção ou sem sucção.

Esvazie o compartimento para pó e lave o pré-filtro do motor e o separador.

Retire a escova e verifique se existe qualquer obstrução na conduta.

D. Não é possível carregar a bateria

Isto pode dever-se a um período de armazenamento muito longo (mais de meio ano).
Contacte o serviço de apoio ao cliente da Hoover para que a bateria seja substituída.
Se o problema persistir, contacte o centro de assistência ao cliente da Hoover.

E. Os pavimentos não secam de forma uniforme.

Verifique se o 360º Hydro Roller está totalmente húmido e adicione um copo de medição de detergente.

F. O bocal cheira mal.

Basta limpar o 360º Hydro Roller e deixá-lo a secar numa posição vertical durante 24 horas.

G. A força de impulsão nas carpetes é elevada.

Certifique-se de que o 360º Hydro Roller está totalmente seco. Se a carpete tiver pelo muito comprido, basta remover o 360º Hydro Roller e aspire a sua carpete.

PEÇAS SOBRESSALENTES E CONSUMÍVEIS HOOVER

Substitua sempre as peças por peças sobressalentes Hoover genuínas. Pode obtê-las junto do seu representante local ou directamente da Hoover. Quando encomendar peças, mencione sempre o número do seu modelo.

A SUA GARANTIA

As condições de garantia para este aparelho são as definidas pelo nosso representante no país onde foi vendido. Pode obter detalhes sobre estas condições junto do agente a quem adquiriu o aparelho. A factura de venda ou o recibo deverão ser entregues quando apresentar uma reclamação ao abrigo dos termos da garantia.

IMPORTANTE: A bateria neste aspirador possui uma garantia de 2 anos a partir da data de compra. Após 2 anos, o cliente é responsável pelo custo de uma nova bateria.

Sujeito a alteração sem aviso prévio.

INSTRUCCIONES PARA UN USO SEGURO

Este aparato solo debe utilizarse para la limpieza doméstica, como se describe en este manual de usuario. Asegúrese de haber comprendido todo el contenido de este manual antes de poner en funcionamiento el aparato.

Apague y quite el cargador de la toma de corriente antes de limpiar el aparato o de efectuar cualquier operación de mantenimiento.

Este aparato puede ser usado por niños de 8 años en adelante y por personas con capacidades físicas, sensoriales o mentales reducidas o con falta de experiencia y conocimiento siempre bajo supervisión y con una explicación previa de las instrucciones de uso del aparato de manera segura y clara para que comprendan los riesgos implicados. Los niños no deben jugar con el aparato. Los niños no deben limpiar ni dar mantenimiento sin supervisión.

Si el cable de alimentación está dañado, deje de utilizar el aparato inmediatamente. Para evitar riesgos de seguridad, el cable de alimentación sólo puede ser cambiado por un especialista del servicio técnico de Hoover.

Mantener lejos de los cepillos rotatorios los pies, manos, ropa suelta y cabellos.

Utilice únicamente el cargador original suministrado con el aparato. Controle que el voltaje de la corriente eléctrica sea el mismo que el indicado en el cargador.

Este aparato Hoover se proporciona con un cargador de baterías con doble aislamiento que sólo se puede conectar en una toma de corriente de 230V (240V en Reino Unido).

Enchufe el cargador en una toma de corriente adecuada y conecte la clavija del cargador al electrodoméstico.

Nunca toque el cargador con las manos húmedas.

Apague el aparato antes de efectuar la carga.

La luz led del paquete de baterías se iluminará de color ROJO durante la carga y se volverá de color BLANCO cuando la carga esté completa.

Conecte el cargador al electrodoméstico después del uso para recargar la batería.

No cargue nunca la batería a temperaturas superiores a los 37°C o inferiores a 0°C.

Es normal que el cargador esté caliente al tacto mientras se está cargando.

No tire del cable para desenchufar el cargador.

Desenchufe el cargador en caso de ausencias prolongadas (vacaciones, etc.). Vuelva a cargar el aparato nuevamente antes de usarlo, ya que la batería se podría descargar durante períodos de almacenamiento prolongados.

Para desechar el aparato, primero es necesario extraer la batería. Cuando extraiga la batería, el electrodoméstico debe estar desconectado de la corriente eléctrica. Extraiga la batería de manera segura. Haga funcionar el electrodoméstico hasta que se detenga cuando la batería esté totalmente descargada. Las baterías usadas deben llevarse a un punto de reciclaje y no deben desecharse con los residuos domésticos. Para quitar la batería, contacte con el Servicio Técnico de Hoover o siga las siguientes instrucciones.

IMPORTANTE: Descargue siempre las baterías completamente antes de desecharlas y asegúrese de que el cargador está desenchufado.

Haga funcionar el aspirador hasta que las baterías estén completamente descargadas.

Quite el conector jack del cargador del electrodoméstico.

Pulse el botón de desenganche del paquete de baterías para la extracción.

NOTA: Si llega a experimentar problemas al desmontar el aspirador o para obtener más información sobre el funcionamiento, la recuperación y el reciclaje de este electrodoméstico, contacte con su Ayuntamiento o con el servicio de recogida de residuos domésticos de su zona.

Utilice únicamente accesorios, consumibles o repuestos recomendados o distribuidos por Hoover.

Electricidad estática: Algunas alfombras pueden provocar una pequeña acumulación de electricidad estática. Las descargas estáticas no son peligrosas para la salud.

No utilice el aparato al aire libre, en superficies húmedas o para recoger líquidos.

No aspire objetos duros o afilados, cerillas, cenizas calientes, colillas de cigarrillo u objetos similares. No acompañe la limpieza con líquidos inflamables o aerosoles.

No pase por encima del cable de alimentación cuando utilice el aparato ni lo desenchufe tirando del cable. No siga utilizando el electrodoméstico o el cargador si parece estar defectuoso.

Servicio Técnico de Hoover: Para garantizar el funcionamiento seguro, eficaz y duradero del aspirador, recomendamos que las tareas de mantenimiento sean realizadas exclusivamente por técnicos autorizados del servicio Técnico de Hoover.

No utilice el aparato sobre personas ni animales.

No sustituya las baterías por baterías no recargables.

El Medio Ambiente:

Este aparato está marcado de acuerdo con la Directiva Europea 2011/65/EC sobre residuos de aparatos eléctricos y electrónicos (RAEE). Al cerciorarse de que este producto se elimine correctamente, usted ayudará a prevenir las posibles consecuencias perjudiciales para el medio ambiente y la salud humana que, de otro modo, podrían producirse en caso de manejo inadecuado de los residuos de este producto. El símbolo que puede verse en el producto indica que éste no puede tratarse como residuo doméstico. En vez de esto debe entregarse en un punto de recogida de electrodomésticos para el reciclaje de equipos eléctricos y electrónicos. La eliminación debe llevarse a cabo según los reglamentos medioambientales locales sobre eliminación de residuos. Para información más detallada sobre el tratamiento, la recuperación y el reciclaje de este producto, póngase en contacto con su Ayuntamiento, su servicio de recogida de residuos domésticos o con el establecimiento donde haya comprado el producto.



Esta aparato cumple con las Directivas europeas 2014/35/EU, 2014/30/EU y 2011/65/EU.

CANDY HOOVER GROUP S.r.l. Via Privata Eden Fumagalli, 20861 Brugherio (MB) Italy

COMPONENTES DEL PRODUCTO

- | | |
|--|---|
| A. Botón de Encendido/Apagado | W. Soporte de pared* |
| B. Botón Turbo | X. Tornillos del soporte de pared* |
| C. Botón Modo Silencio | Ya. Accesorio para muebles integrado 2 en 1 |
| D. Depósito de suciedad | Yb. Cepillo para polvo integrado 2 en 1 |
| E. Pulsador de desbloqueo del depósito de suciedad | Z. Minitobera motorizada* |
| F. Botón de extracción del aspirador de mano. | AA. Rodillo de la minitobera motorizada |
| G. Botón de desbloqueo de almacenamiento | AB. Solapa de desbloqueo del rodillo de la minitobera eléctrica |
| H. Tubo | AC. Accesorio largo para rincones* |
| I. Botón desbloqueo de tobera | AD. Bolsa para accesorios* |
| J. Tobera | AE. Accesorio de limpieza del depósito de suciedad* |
| K. Luces led delanteras de la tobera | AF. Solapa de desbloqueo del rodillo 360° Hydro |
| L. LED de estado de la barra del rodillo* | AG. Rodillo 360° Hydro |
| M. Filtro pre-motor | AH. Tapa de cierre del Rodillo 360° Hydro |
| N. Conducto de salida del monociclón | AI. Rasqueta trasera de la tobera removible |
| O. Monociclón | AJ. Solapa de desbloqueo del rodillo Hybrid Care |
| P. Luz led de estado de mantenimiento | AK. Rodillo Hybrid Care |
| Q. Luz led de estado de la batería | Al. Rasqueta delantera de la tobera |
| R. Luz de carga de la batería | AM. Botón de fijación de la rasqueta delantera de la tobera |
| S. Botón de liberación de la batería | AN. Detergente concentrado para la limpieza* |
| T. Batería | AO. Contenedor de prehumidificación* |
| U. Entrada de carga de la batería | |
| V. Cargador | |

* Sólo para algunos modelos

PREPARACIÓN DEL ASPIRADOR

Extraiga con cuidado el electrodoméstico del embalaje.

1. Agarre la tobera y el tubo, monte un extremo del tubo en el interior del cuello de la tobera hasta que encaje en su lugar y se oiga un "clic". **[1a]**
2. Agarre la unidad portátil y ensamble en el tubo hasta que encaje en su lugar y se oiga un "clic". **[1b]**
3. Fije el soporte de pared a la pared utilizando los tornillos y los tapones de tornillos suministrados. **[2]**
4. Para cargar por completo el electrodoméstico, conecte el jack del cargador al paquete de baterías. El tiempo requerido es de aproximadamente 2.5 horas. **[10,11]**

NOTA: Para extraer la tobera, presione el botón de desbloqueo de la tobera y retírela del tubo.

NOTA: Sólo utilice el cargador proporcionado con su aspirador para recargar la batería. Es normal que el cargador esté caliente al tacto mientras se está cargando.

FUNCIÓN DE ASPIRACIÓN Y FREGADO

IMPORTANTE: La función de fregado integrado debe utilizarse únicamente sobre suelos duros y parqueté.

Este aspirador está dotado de un rodillo Hybrid Care en la parte delantera de la tobera y de un rodillo 360° Hydro en la parte trasera de la tobera para permitir la aspiración y el fregado de suelos duros y parqueté. **[3a]**

Antes de utilizar la doble función, es importante humedecer por completo el rodillo 360° Hydro.

1. Desacople la solapa de desbloqueo del rodillo 360° Hydro. Está colocada en la parte lateral de la tobera. **[3b]**
2. Sostenga la solapa de desbloqueo del rodillo 360° Hydro y extraiga.
3. Extraiga la tapa de cierre y utilícela como taza de medición, llene con el detergente concentrado suministrado y viértalo en el interior del rodillo 360° Hydro. **[3c, 3d]**
4. Llene de agua el rodillo 360° Hydro sin llegar hasta el borde. **[3e]**
5. Luego vuelva a encajar la tapa de cierre.
6. Introduzca el rodillo 360° Hydro en el contenedor de prehumidificación, vierta agua en dicho contenedor de prehumidificación sin llegar hasta el borde. Mantenga el rodillo 360° Hydro en el interior del contenedor por aproximadamente 30 segundos, asegurándose de que todas las zonas estén húmedas y luego extráigalo. **[3f, 3g, 3h]**
7. Vuelva a encajar el rodillo 360° Hydro en el interior de la tobera en su posición original y cierre la solapa de desbloqueo de la tobera. **[3i]**

IMPORTANTE: No use el rodillo 360° Hydro en alfombras cuando está húmedo.

IMPORTANTE: Este es un instrumento CC seco, no aspire agua ni líquidos.

NOTA: Es posible utilizar distintos productos de limpieza suaves, pero no utilice desinfectante.

NOTA: Para obtener una limpieza excelente de las superficies, se recomienda volver a llenar el depósito y asegurarse de que el rodillo 360° Hydro esté completamente húmedo después de limpiar una zona de aproximadamente 40m².

NOTA: Cuando necesite volver a llenar el depósito de agua y el rodillo 360° Hydro ya esté sucio, se recomienda lavarlo con agua tibia con un producto para suelos delicados.

IMPORTANTE: Se recomienda lavar el rodillo 360° Hydro después de cada uso y secarlo en posición vertical durante al menos 24 horas. **[4]**

IMPORTANTE: No deje el rodillo 360° Hydro mojado en la tobera.

FUNCIÓN ASPIRACIÓN

IMPORTANTE: La función de aspiración se debe utilizar únicamente cuando el rodillo Hydro está totalmente seco.

Este aspirador está dotado de un rodillo Hybrid Care en la parte delantera de la tobera y permite recoger polvo y residuos de suelos duros, parqueté y alfombras. **[4f]**

Antes de utilizar el electrodoméstico en alfombras, extraiga el rodillo 360° Hydro de la tobera, vacíe el contenido y deje secar por 24 horas antes de volver a montar. **[4a, 4b, 4c, 4d, 4e]**

Como alternativa, si no desea esperar extraiga el rodillo 360° Hydro mojado y pase el aspirador en la alfombra. **[4a]**

* Sólo para algunos modelos

USO DEL APARATO

INTERFAZ DE USUARIO

Hay 4 modos de funcionamiento:

- **MODO ESTÁNDAR:** Al pulsar el botón de ENCENDIDO-APAGADO, el aspirador está listo para limpiar con la tobera principal motorizada. **[6a]**
- **MODO TURBO:** Pulse el botón Turbo para activar una limpieza profunda sobre superficies duras. **[6b]**
- **MODO SILENCIO** Pulse el botón de modo silencio para limpiar con un nivel de ruido reducido. **[6c]**
- **MODO AUTOMÁTICO:** Al quitar la tobera o el tubo, el aparato se adapta automáticamente a una potencia inferior para limpiar encima del suelo, sin accesorios motorizados.

NOTA: Cuando se encuentre en este modo, si necesita una mayor potencia, pulse el botón TURBO; una vez para obtener potencia extra o dos veces para obtener la máxima potencia. Si desea volver al MODO AUTOMÁTICO, pulse el botón Silencio.

ESTADO DE LA BARRA DEL RODILLO

El led de estado de la barra del rodillo ubicado en la tobera permanecerá iluminado de color blanco durante todos los modos de limpieza del suelo y se volverá rojo si se activa el sistema de protección de seguridad. **[17]**

FIJACIÓN DE LA RASQUETA DELANTERA

Para obtener el mejor resultado en los rincones y las alfombras se recomienda fijar las rasquetas delanteras en vertical y no girar hacia adelante y hacia atrás durante el uso.

1. Desacople la solapa de desbloqueo del rodillo Hybrid Care y extraiga. **[5a]**
2. Pulse el botón de fijación de la rasqueta delantera de la tobera. **[5b]**
3. Vuelva a encajar el rodillo Hybrid Care en su posición. **[5c]**

FUNCIÓN ALMACENAMIENTO

Después del uso, el aspirador tiene dos cómodos métodos de almacenamiento.

1. ALMACENAMIENTO CON EL SOPORTE DE PARED

El aparato se suministra con un soporte de pared para un almacenamiento fácil y cómodo. Fije el soporte de pared a la pared utilizando los tornillos suministrados. Después de utilizar el aspirador, simplemente colóquelo en su lugar. **[2]**

2. MODO ESTACIONAMIENTO/ALMACENAMIENTO COMPACTO

Para guardar el electrodoméstico en el tubo, extraiga la unidad portátil pulsando el botón de desbloqueo de la unidad portátil. **[8]**

Asegúrese de que el accesorio integrado 2 en 1 haya vuelto a la posición original, como se había proporcionado, controlando que dicho accesorio esté perfectamente encajado en el cepillo para polvo y el gancho de fijación esté hacia abajo.

Ensamble el gancho de fijación en la ranura inferior del tubo y empuje el mango trasero hasta que encaje perfectamente en el mecanismo de bloqueo ubicado en la parte superior del tubo. **[9]**

SISTEMA DE PROTECCIÓN DE SEGURIDAD

Para asegurar que el electrodoméstico mantenga su fiabilidad si se usa en condiciones difíciles, el aparato está dotado de dos sistemas de protección de seguridad integrados. Uno en el aspirador y uno en la tobera.

NOTA: El sistema de protección de seguridad se accionará en dos condiciones:

1. Si hay obstrucciones en la entrada del aire o en el tubo el aspirador estará protegido, se apagará y la luz led de la unidad principal se vuelve roja. Si esto sucede, controle si hay una obstrucción en el tubo o en la entrada del aire de la unidad portátil. Elimínala y vuelva a encender.
2. Una vez que el rodillo se pone en marcha, si éste tiene una obstrucción o está bloqueado, dejará de girar y las luces led BLANCAS situadas en la tobera se volverán ROJAS. **[17]** Si esto sucede, apaga el electrodoméstico y elimina la obstrucción del rodillo. Para reanudar la limpieza presione el botón de encendido/apagado y el electrodoméstico volverá a encenderse en modo normal.

BATERÍA

El aspirador está dotado de Luz led de estado de la batería. Cuando el aparato está encendido, la luz led se iluminará de dos colores para indicar el nivel de la batería:

BATERÍA LEVEL:

Color blanco: 100% - 10% carga

Rojo intermitente: <10% carga

Hay 2 métodos de carga:

Cargue la batería cuando esté encajada en el aparato.

Introduzca el conector jack del cargador en la batería. El indicador de estado led se iluminará de color ROJO durante el proceso de carga. Cuando la carga esté completa, el indicador de estado led se iluminará de color BLANCO durante 1 min y luego se apaga. [10]

Cargue la batería cuando se haya extraído del aparato.

Extraiga la batería del aparato presionando el botón de desenganche de la batería.

Introduzca el conector jack del cargador en la batería. El paquete de baterías led se iluminará de color ROJO durante la carga. Cuando la carga esté completa, el indicador led se iluminará de color BLANCO. [11]

NOTA: Es normal que el cargador esté caliente al tacto mientras se está cargando. Sólo utilice el cargador proporcionado con el aspirador.

ACCESORIOS

ACCESORIO PARA RINCONES INTEGRADO EN LA UNIDAD PORTÁTIL, ACCESORIO PARA RINCONES INTEGRADO EN EL TUBO, CEPILLO PARA POLVO INTEGRADO Y ACCESORIO PARA MUEBLES 2 EN 1, ACCESORIO LARGO PARA RINCONES*, MINITOBERA MOTORIZADA* Y ACCESORIO DE LIMPIEZA DEL DEPÓSITO DE SUCIEDAD*.

Accesorios para rincones integrado - Ideal para espacios estrechos.

Cepillo polvo integrado - Ideal para limpiar superficies sin dañarlas o rayarlas.

Accesorio para muebles integrado - Ideal para limpiar superficies como el sofá.

Mini power nozzle* - Ideal para la limpieza profunda de superficies de tejido (por ej. sofás) y la eliminación de pelo de animales domésticos. El ángulo de trabajo se puede regular al mover hacia adelante y hacia atrás.

NOTA: Después del uso, gire la solapa de desbloqueo del rodillo en sentido contrario a las agujas del reloj con una moneda para extraer el rodillo y luego elimine cabello/hilos que se encuentran en el mismo. [21]

Accesorio largo para rincones* - Ideal para zonas estrechas y difíciles.

Todos los accesorios, excepto la pieza de limpieza del depósito de suciedad, se pueden encajar en el aparato principal y en el tubo. [7]

Accesorio de limpieza del depósito de suciedad* - Ideal para eliminar polvo, residuos y cabello del interior del depósito de suciedad. [12]

Bolsa para accesorios*

Los accesorios adicionales se pueden guardar en la bolsa para accesorios.

Soporte de pared*

De ser necesario, fije el soporte de pared a la pared, utilizando los dos tornillos y tapones suministrados. [2]

MANTENIMIENTO DEL APARATO**Vaciado del depósito de suciedad**

1. Pulse el botón de desbloqueo del cuerpo principal y extraiga el tubo. [8]
2. Presione el botón de vaciado del depósito de suciedad para desenganchar la solapa del contenedor y vaciar el contenido. [12a]
3. Cierre la solapa del depósito de suciedad, cuando esté totalmente bloqueada se escuchará un clic.

NOTA: Se recomienda vaciar el depósito de suciedad después de cada uso o cuando la suciedad llegue a la línea de llenado máximo.

Limpieza cotidiana rápida del contenedor de polvo

Simplemente, abra la solapa del depósito de suciedad y elimine el polvo utilizando el accesorio de limpieza del depósito de suciedad.

1. Utilice el extremo del gancho para extraer la suciedad recogida en el interior del depósito de suciedad. [12b]
2. Utilice el extremo del cepillo para limpiar el polvo fino depositado alrededor del filtro de malla metálico. [12c]

Limpieza del depósito y el filtro

Recordatorio del mantenimiento del pre-filtro. Si el pre-filtro necesita mantenimiento, la luz led situada en el aspirador comienza a parpadear de color rojo.

* Sólo para algunos modelos

1. Presione el botón de desbloqueo de la unidad portátil y extraiga la unidad portátil del tubo. [8]
2. Pulse el botón de desbloqueo de la batería y extraiga la batería. [11]
3. Extraiga el depósito de suciedad girando en el sentido de las agujas del reloj y desprendiéndolo de la unidad. [13]
4. Extraiga el filtro pre-motor desprendiendo el soporte del grupo contenedor. [14a]
5. Saque el sistema monociclón, tirando la anilla metálica del grupo contenedor.
6. Extraiga el conducto de salida girando en el sentido de las agujas del reloj y desprenda del sistema ciclón. [14b]
7. Lave el filtro y el sistema monociclón con agua tibia y deje secar durante 24 horas. [15,16]
8. Colóquelo de nuevo en el aspirador una vez esté completamente seco.

NOTA: No utilice agua caliente o detergentes para limpiar el filtro pre-motor. En el caso poco probable de que el filtro pre-motor se dañe, utilice un repuesto original Hoover. Asegúrese de volver a encajar el filtro pre-motor antes de ensamblar el depósito de polvo en el cuerpo principal del aspirador ya que se activará el mecanismo de protección del filtro.

IMPORTANTE: Para obtener un rendimiento óptimo, mantenga siempre limpio el filtro. Le recomendamos que lave el filtro una vez al mes.

MANTENIMIENTO DE LA TOBERA

Limpieza del rodillo 360° Hydro, del rodillo Hybrid Care, de la rasqueta trasera y de la rasqueta delantera

IMPORTANTE: Apague siempre el aspirador antes de limpiar el rodillo 360° Hydro, el rodillo Hybrid Care, la rasqueta trasera y la rasqueta delantera.

Limpieza del rodillo 360° Hydro:

1. Extraiga la tobera del tubo. [18]
2. Desacople la solapa de desbloqueo del rodillo 360° Hydro. Está colocada en la parte lateral de la tobera. [4a]
3. Extraiga la tapa de cierre y asegúrese de que el depósito de agua esté vacío. [4b, 4c]
4. Lave el rodillo 360° Hydro y la tapa de cierre en agua tibia con un detergente suave comprimiéndolo o lávelo en lavadora utilizando un ciclo suave sin la solapa de desbloqueo del rodillo 360° Hydro. [4d]
5. Déjelo secar en posición vertical durante al menos 24 horas. [4e]
6. Vuelva a encajar el rodillo 360° Hydro en la tobera en su posición inicial.
7. Cierre la solapa de desbloqueo del rodillo 360° Hydro de la tobera.

IMPORTANTE: Se recomienda lavar el rodillo 360° Hydro después de cada uso y dejarlo secar en posición vertical durante al menos 24 horas.

IMPORTANTE: No deje el rodillo 360° Hydro mojado en la tobera

IMPORTANTE: La función de aspiración en las alfombras se debe utilizar únicamente cuando el rodillo Hydro esté totalmente seco.

NOTA: Si prefiere lavarlo en la lavadora, se recomienda utilizar un ciclo suave inferior a 40° y extraer la solapa de desbloqueo del rodillo 360° Hydro. [20d]

Limpieza del rodillo Hybrid Care:

1. Extraiga la tobera del tubo. [18]
2. Desacople la solapa del botón de desbloqueo del rodillo Hybrid Care. Está colocada en la parte lateral de la tobera. [19]
3. Sostenga la solapa de desbloqueo del rodillo Hybrid Care y extraígalo de la tobera.
4. Para limpiar el rodillo Hybrid Care, elimine el exceso de residuos utilizando las tijeras. [19]
5. Vuelva a encajar el rodillo Hybrid Care. Éste sólo se puede colocar en una dirección. [19]
6. Cierre la solapa de desbloqueo del rodillo Hybrid Care de la tobera.

Limpieza de la rasqueta trasera:

1. Extraiga la tobera del tubo. [18]
2. Pulse la solapa de desbloqueo situada en el extremo y extraiga la rasqueta trasera. [20]
3. Para limpiar la rasqueta trasera puede utilizar un paño húmedo.
4. Vuelva a encajar la rasqueta trasera en su posición.

Limpieza de la rasqueta delantera:

1. Extraiga la tobera del tubo. [18]
2. Extraiga la rasqueta delantera de la ranura. [20]
3. Para limpiar la rasqueta delantera puede utilizar un paño húmedo.
3. Vuelva a encajar la rasqueta delantera en su posición.

Reemplazar las baterías

Este aspirador está dotado de un paquete de baterías recargables de ion-litio, que es reemplazable.

ADVERTENCIA: Utilice únicamente piezas de repuesto aprobadas para su aspirador. El uso de piezas no homologadas por Hoover es peligroso e invalidará su garantía.

ADVERTENCIA: No trate de abrir la batería ni de repararla por su cuenta.

1. Pulse el botón de desbloqueo de la batería y extraiga la batería. **[11]**
2. Extraiga el viejo paquete de baterías y sustitúyalo con el nuevo.
3. Extraiga la batería de manera segura. Las baterías usadas deben llevarse a un punto de reciclaje y no deben desecharse con los residuos domésticos.

RESOLUCIÓN DE PROBLEMAS

Si tiene algún problema con su aspirador, siga esta simple lista de verificación antes de llamar al Servicio Técnico de Hoover:

A. El aspirador no se enciende

Verifique si el aspirador está cargado.

Verifique si el paquete de baterías está montado correctamente.

B. El aspirador deja de funcionar

Controle si hay una obstrucción en la entrada del aire o en el tubo, elimínela y asegúrese de que el aparato esté apagado.

Una vez que se haya hecho esto, pulse el botón de encendido/apagado, el aparato, comenzará a funcionar nuevamente.

C. Pérdida de aspiración o sin aspiración.

Vacíe el depósito de suciedad y lave el filtro pre-motor y el separador.

Extraiga la tobera y controle si hay obstrucciones en el tubo

D. Las baterías no se pueden cargar

Este puede ser el resultado de periodos de almacenamiento muy prolongados (más de 6 meses).

Contacte con el servicio técnico de Hoover para acordar un reemplazo de baterías.

Si el problema continúa, contacte con el servicio técnico de Hoover.

E. Los suelos no se secan uniformemente.

Controle que el rodillo 360° Hydro esté totalmente húmedo y añada una taza de medición de detergente.

F. La tobera huele mal.

Lave el rodillo 360° Hydro y deje secar en posición vertical durante 24 horas.

G. La potencia de succión en las alfombras es elevada.

Controle que el rodillo 360° Hydro esté totalmente seco. Si su alfombra tiene flecos muy largos, extraiga el rodillo 360° Hydro y pase el aspirador en la alfombra.

PIEZAS DE REPUESTO Y CONSUMIBLES HOOVER

Utilice siempre piezas de repuesto originales de Hoover. Puede adquirirlas a través de un Servicio Técnico Oficial de Hoover. Cuando realice pedidos de piezas, indique siempre el número de modelo que posee.

SU GARANTÍA

Las condiciones de garantía para este aparato vienen definidas por nuestro representante en el país de venta. Puede obtener los detalles acerca de estas condiciones en el establecimiento donde haya comprado este aparato. Debe llevar la factura de compra o el tiquet de compra al hacer alguna reclamación en virtud de las condiciones de garantía.

IMPORTANTE: La batería de este aspirador tiene una garantía de 2 años a partir de la fecha de compra. Después de 2 años el coste de una nueva batería está a cargo del cliente.

Sujeto a cambios sin previo aviso.

INSTRUCTIES VOOR VEILIG GEBRUIK

Dit toestel mag alleen gebruikt worden voor reiniging in het huis, zoals beschreven in deze handleiding. Zorg ervoor dat u de instructies volledig begrijpt voordat u het apparaat in gebruik neemt.

Oplader altijd afzetten en stekker uit het stopcontact halen voor u het toestel schoonmaakt of enige andere onderhoudstaak verricht.

Dit toestel kan gebruikt worden door kinderen vanaf 8 jaar en ouder en personen met verminderde lichamelijke, zintuiglijke of mentale capaciteiten. Ook personen met een gebrek aan ervaring of kennis kunnen dit toestel gebruiken, indien ze toezicht of instructies hebben gekregen betreffende het veilig gebruik van het toestel en de gevaren in kwestie begrijpen. Kinderen mogen niet met het toestel spelen. Reinigings- en gebruiksonderhoud mag niet uitgevoerd worden door kinderen zonder toezicht.

Indien het stroomsnoer beschadigd is, stop dan onmiddellijk met het toestel te gebruiken. Om veiligheidsrisico's te voorkomen, moet het netsnoer worden vervangen door een erkend monteur van Hoover.

Houd handen, voeten, losse kleding en haar uit de buurt van roterende borstels.

Gebruik alleen de oplader die oorspronkelijk bij het toestel geleverd is.

Controleer of uw netspanning dezelfde is als deze vermeld op de lader.

Dit Hoover-apparaat is voorzien van een dubbel geïsoleerde batterijoplader, die alleen geschikt is om in een 230V (UK 240V) stopcontact te steken.

Steek de oplader in een geschikt stopcontact en steek de aansluitingstekker van de oplader in het apparaat.

De oplader nooit aanraken met natte handen.

Schakel het apparaat uit voordat u het oplaadt.

Het LED-lampje van het batterijpakket gaat tijdens het opladen ROOD branden en wordt WIT als het volledig is opgeladen.

Sluit het toestel na gebruik weer aan op de lader om de batterij op te laden.

Laad de batterijen niet op bij temperaturen boven 37°C of onder 0°C.

Het is normaal dat de lader warm wordt bij het opladen.

Haal de oplader niet uit het stopcontact door aan het stroomsnoer te trekken.

Haal bij langere afwezigheid (vakanties, etc.) de oplader uit het

stopcontact. Laad het product opnieuw op voor gebruik, aangezien batterijen uit zichzelf kunnen ontladen tijdens langere opslagperiodes.

In het geval dat u het apparaat weg doet, dienen de batterijen eerst verwijderd te worden. Bij het verwijderen van de batterij moet het apparaat ontkoppeld zijn van het net. Gooi de batterijen veilig weg. Laat het apparaat doorwerken totdat het stopt en de batterijen volledig ontladen zijn. Gebruikte batterijen moeten naar een recyclagecentrum gebracht worden en mogen niet bij het huishoudelijk afval weggegooid worden. Om de batterijen te verwijderen neem contact op met de Hoover klantendienst, of ga verder volgens deze instructies.

BELANGRIJK: Ontlaad de batterijen volledig alvorens deze te verwijderen en ontkoppel de lader.

Laat de reiniger draaien totdat de batterijen helemaal leeg zijn.

Verwijder de stekker van de oplader uit het toestel.

Druk op de ontgrendelingsknop van de batterij en verwijder de batterij.

OPMERKING: Mocht u enige problemen ondervinden met het uit elkaar halen van het voorwerp, of voor meer gedetailleerde informatie over behandeling, herstel en recyclage van dit apparaat, neem contact op met uw lokale gemeente of de afvalreinigingsdienst.

Gebruik enkel toebehoren, gebruiksartikelen of reserveonderdelen die door Hoover aanbevolen of geleverd worden.

Statische elektriciteit: Sommige tapijten kunnen statische elektriciteit veroorzaken. Ontladingen van statische elektriciteit zijn onschadelijk voor uw gezondheid.

Gebruik je toestel nooit buiten of op natte oppervlaktes of om vocht op te nemen.

Raap geen harde of scherpe objecten op zoals lucifers, hete assen, sigaretten of andere gelijkaardige items. Spuit niet met ontvlambare vloeistoffen, reinigingsvloeistoffen, aerosols of hun dampen en zuig ze ook niet op.

Loop niet over het stroomsnoer wanneer je het toestel gebruikt of verwijder de stekker niet door aan het stroomsnoer te trekken. Gebruik uw apparaat of oplader niet als deze defect blijkt te zijn.

Hoover service: Om de veilige en doeltreffende werking van het apparaat te verzekeren, adviseren wij om onderhoud of reparaties alleen door een erkende onderhoudsmonteur van Hoover te laten uitvoeren.

Gebruik het toestel niet om dieren of mensen te reinigen.

Vervang de batterijen niet met onoplaadbare batterijen.

Het milieu:

Dit toestel is gemarkeerd conform de Europese richtlijn 2011/65/EC betreffende afgedankte elektrische en elektronische apparatuur (AEEA). Door dit product aan het einde van de levensduur op verantwoorde wijze weg te gooien, voorkomt u mogelijke negatieve gevolgen voor het milieu en de gezondheid, die zouden kunnen ontstaan door een onverantwoorde afvalverwerking van dit product. Het symbool op dit product geeft aan dat het niet mag worden beschouwd als huishoudelijk afval. In plaats daarvan moet u het inleveren bij een inzamelpunt voor het recyclen van elektrische en elektronische apparatuur. U moet het toestel weggooien in overeenstemming met de lokale voorschriften voor afvalverwerking. Voor meer informatie over verwerking, hergebruik en recyclen van dit product, kunt u contact opnemen met uw lokale overheid, uw afvalverwerkingsbedrijf of de winkel waar u het product heeft gekocht.



Dit toestel voldoet aan de Europese Richtlijnen 2014/35/EU, 2014/30/EU en 2011/65/EU.

CANDY HOOVER GROUP S.r.l. Via Privata Eden Fumagalli, 20861 Brugherio (MB) Italy

PRODUCTONDERDELEN

- | | |
|--|---|
| A. AAN-UITKNOP | V. Oplader |
| B. Turboknop | W. Wandhouder* |
| C. Silent knop | X. Schroeven wandhouder* |
| D. Stofreservoir | Ya. Geïntegreerd 2-in-1-meubelzuigmond |
| E. Knop voor het openen van de klep van de stofbak | Yb. Geïntegreerde 2-in-1-stofborstel |
| F. Vrijgaveknop handgreep | Z. Mini Power mondstuk* |
| G. Vrijgaveknop opslag | AA. Gemotoriseerde Mini Power-mondstuk |
| H. Buis | AB. Ontgrendelklep gemotoriseerde Mini Power-mondstuk |
| I. Ontgrendelingsknop mondstuk | AC. Lang hulpstuk* |
| J. Mondstuk | AD. Zak voor accessoires* |
| K. LED-lichten mondstuk | AE. Reinigingsgereedschap voor stofbak* |
| L. LED-statusbalk borstel* | AF. 360° Ontgrendeling Hydro-roller |
| M. Pre-motor filter | AG. 360° Hydro-roller |
| N. Enkele Cyclonische Vortex Finder | AH. 360° Afsluitdop Hydro-roller |
| O. Enkele cycloon | Al. Achterblad afneembaar mondstuk |
| P. LED-lampje onderhoudsstatus | AJ. Ontgrendeling Hybrid Care-roller |
| Q. Status Batterij LED-lampje | AK. Hybrid Care-roller |
| R. Laadlampje batterij | Al. Voorblad mondstuk |
| S. Ontgrendelingsknop batterij | AM. Vergrendeling voorblad mondstuk |
| T. Batterijpak | AN. Geconcentreerd reinigingsmiddel* |
| U. Laadgang batterij | AO. Natmaakbak* |

UW STOFZUIGER IN ELKAAR ZETTEN

Haal uw product voorzichtig uit de verpakking.

1. Pak het mondstuk en de verlengbuis op en monteer het ene uiteinde van de buis in de hals van het mondstuk totdat u hoort dat het in de locatie 'klikt'. **[1a]**
2. Pak de handgreep op en monteer deze op de buis totdat u hoort dat deze op het apparaat "klikt". **[1b]**
3. Bevestig de wandhouder aan de muur met behulp van de bijgeleverde schroeven en pluggen. **[2]**
4. Verbind de stekker van de oplader met de accu om het apparaat volledig op te laden. Dit zal ongeveer 2.5 uur duren. **[10,11]**

OPMERKING: Om het mondstuk te verwijderen, drukt u op de ontgrendelknop en trekt het van de buis.

OPMERKING: Gebruik uitsluitend de bijgeleverde oplader om de stofzuiger op te laden. Het is normaal dat de lader warm wordt bij het opladen.

* Alleen bepaalde modellen

STOFZUIGEN EN GEÏNTEGREERDE WASFUNCTIE

BELANGRIJK: De geïntegreerde wasfunctie mag alleen worden gebruikt op harde vloeren en parket.

Deze reiniger heeft een Hybrid Care-roller aan de voorkant van het mondstuk en een 360° Hydro-roller aan de achterkant van het mondstuk voor het stofzuigen en wassen van harde vloeren en parket. **[3a]**

Voordat u de dubbele functie gebruikt, moet de 360° Hydro-roller goed nat worden gemaakt.

1. Maak de ontgrendelingsklep van de 360° Hydro-roller los. Deze is aan de zijkant van het mondstuk geplaatst. **[3b]**
2. Houd de ontgrendelingsklep van de 360° Hydro-roller vast en verwijder deze.
3. Verwijder de afsluitdop en gebruik deze als maatbeker. Vul de dop met het meegeleverde geconcentreerde reinigingsmiddel en giet het middel in de 360° Hydro-roller. **[3c, 3d]**
4. Vul de 360° Hydro-roller met water maar niet tot aan de rand. **[3e]**
5. Plaats de afsluitdop weer terug.
6. Plaats de 360° Hydro-roller in de wastafel, giet water in de bak, maar niet tot de rand. Houd de 360° Hydro-roller ongeveer 30 seconden in de bak tot de roller overal nat is en verwijder de roller. **[3f, 3g, 3h]**
7. Plaats de 360° Hydro-roller terug in het mondstuk en sluit de ontgrendelingsklep op het mondstuk. **[3i]**

BELANGRIJK: Gebruik de 360° Hydro-roller niet op tapijt als de roller nat is.

BELANGRIJK: Zuig geen water of andere vloeistoffen op.

OPMERKING: U kunt andere, zachte schoonmaakmiddelen gebruiken, maar gebruik geen desinfectiemiddel.

OPMERKING: Het is raadzaam om het reservoir na het reinigen van een oppervlak van 40m² opnieuw te vullen en de 360° Hydro-roller weer helemaal nat te maken voor een optimale reiniging.

OPMERKING: Als u het waterreservoir moet bijvullen en de 360° Hydro-roller al vuil is, is het raadzaam om de roller in lauw water met een zacht reinigingsmiddel te reinigen door er in te knijpen.

BELANGRIJK: Het is raadzaam om de 360° Hydro-roller na elk gebruik te wassen en minimaal 24 uur rechtop te drogen. **[4]**

BELANGRIJK: Laat de 360° Hydro-roller niet nat in het mondstuk zitten.

STOFZUIGFUNCTIE

BELANGRIJK: De stofzuigfunctie mag alleen worden gebruikt als de Hydro-roller helemaal droog is.

Deze reiniger heeft een Hybrid Care-roller aan de voorkant van het mondstuk, waarmee stof en vuil van harde vloeren, parket en tapijten wordt verwijderd. **[4f]**

Verwijder de 360° Hydro-roller van het mondstuk, maak de inhoud leeg en laat de roller 24 uur drogen voordat u het apparaat product op tapijt gebruikt. **[4a, 4b, 4c, 4d, 4e]**

Als u niet wilt wachten, kunt u ook de natte 360° Hydro-roller verwijderen en vervolgens het tapijt stofzuigen. **[4a]**

UW STOFZUIGER GEBRUIKEN

GEBRUIKSINTERFACE

Er zijn 4 werkwijzen:

- **STANDAARD MODUS:** Wanneer u op de ON-OFF-knop drukt, is de reiniger klaar voor een grondige reiniging met het gemotoriseerde hoofdmondstuk. **[6a]**
- **TURBOMODUS:** Druk op de Turbo knop voor volledig vermogen voor een zware reinigingstaak. **[6b]**
- **SILENT MODUS:** Druk op de silent knop om grondig te reinigen met het laagste geluidsniveau voor dit product. **[6c]**
- **AUTO MODUS:** Wanneer u het mondstuk of de buis verwijderd, past het product zich automatisch aan op een lager vermogen voor reiniging boven de vloer, met niet-gemotoriseerd gereedschap.

OPMERKING: Als u in deze modus meer vermogen nodig heeft, drukt u op de TURBO knop: één keer voor meer vermogen of twee keer voor maximaal vermogen. Als u wilt terugkeren naar AUTO modus, drukt u op de Silent-knop.

STATUSBALK BORSTEL

De LED-statusbalk van de borstel op het mondstuk blijft wit branden tijdens alle soorten reiniging voor de vloer en wordt rood als het veiligheidsbeschermingssysteem geactiveerd is. **[17]**

* Alleen bepaalde modellen

VOORBLAD BEVESTIGEN

Om optimaal te kunnen reinigen in spleten en op tapijt, is het raadzaam om de voorbladen verticaal te bevestigen en niet naar voren en naar achteren te draaien tijdens gebruik.

1. Haal de vergrendeling van de Hybrid Care-roller los en verwijder de roller. **[5a]**
2. Druk op de bevestigingsknop van het voorblad van het mondstuk. **[5b]**
3. Plaats de Hybrid Care-roller weer terug. **[5c]**

OPSLAGMETHODEN

Na gebruik heeft uw reiniger 2 handige opslagmethoden.

1. OPSLAG MET MUURBEVESTIGING

Uw product wordt geleverd met een muurbevestiging voor gemakkelijke opslag. Bevestig de muurbevestiging met behulp van de meegeleverde schroeven aan uw muur. Plaats het apparaat na gebruik gewoon op zijn plaats. **[2]**

2. COMPACTE OPSLAG/PARKEERMODUS

Om het product op de buis op te bergen, verwijdert u de handgehouden eenheid door op de ontgrendelknop in te drukken. **[8]** Zorg ervoor dat het onboard 2-in-1-gereedschap in de oorspronkelijke positie wordt teruggezet, zoals bij levering, en zorg ervoor dat het gereedschap zich volledig op zijn plaats bevindt, met de stofborstel en de plaatsingshaak in naar beneden gericht.

Monteer de plaatsingshaak in de onderste gleuf op de buis en duw de achterste hendel volledig naar binnen in het vergrendelingsmechanisme aan de bovenkant van de buis. **[9]**

VEILIGHEIDSSYSTEEM

Het product heeft twee veiligheidsvoorzieningen om te zorgen dat het goed blijft werken, ook onder zware omstandigheden. Een voorziening zit op het mondstuk, de andere op het apparaat zelf.

OPMERKING: Het beveiligingssysteem werkt in twee omstandigheden:

1. Als er obstructies zijn in de luchtinlaat of in de buis, wordt de reiniger beschermd en uitgeschakeld en gaat het LED-lampje op het mondstuk rood branden. Als dit gebeurt, controleer dan eenvoudigweg of er obstructies zijn in de buis of in de luchtinlaat van de handgehouden eenheid. Verwijder het en zet het opnieuw AAN.
2. Als de vloerroller geblokkeerd is of vergrendeld is, stopt de vloerroller met draaien en worden de witte LED-lampjes op het mondstuk ROOD. **[17]** Indien dit gebeurt, schakel dan eenvoudigweg uw product uit en verwijder de obstructie aan de vloerroller. Om opnieuw te beginnen reinigen, druk op de on/off-knop en het product zal in normale modus terug beginnen werken.

BATTERIJ

Deze reiniger is uitgerust met een batterijstatus LED-lampje. Wanneer het product aanstaat, licht het LED-lampje in twee kleuren op om het niveau van de batterij te tonen:

BATTERIJ LEVEL:

Wit: 100% - 10% opladen

Rood knipperend: <10% opladen

Er zijn 2 oplaadmethodes:

Laad de batterij op wanneer deze op het product is bevestigd.

Steek de stekker van de batterijlader in de batterij. De LED-statusindicator zal tijdens het opladen ROOD oplichten.

Wanneer het opladen voltooid is, gaat de LED-statusindicator 1 minuut WIT branden en schakelt dan uit. **[10]**

Laad de batterij op wanneer ze uit het product verwijderd is.

Verwijder de batterij uit het product door op de ontgrendelingsknop van de batterij te drukken.

Steek de stekker van de batterijlader in de batterij. De LED van het batterijpakket brandt ROOD tijdens het opladen.

Wanneer het opladen voltooid is, gaat de LED-indicator WIT branden. **[11]**

OPMERKING: Het is normaal dat de lader warm wordt bij het opladen. Gebruik alleen de oplader die bij uw stofzuiger is meegeleverd.

ACCESSOIRES

OP HET HANDVAT GEINTEGREERDE KIERENZUIGER, OP DE BUIS GEINTEGREERDE KIERENZUIGER, 2IN1 MEUBELZUIGMOND & STOFBORSTEL, LANGE KIERENZUIGER*, MINI POWER MONDSTUK* EN REINIGINGSGEREEDSCHAP VOOR STOFBAK*.

Geïntegreerde kierenzuiger - Ideaal voor het bereiken van nauwe ruimtes.

Geïntegreerde afstofborstel - ideaal voor het reinigen van oppervlaktes zonder ze te beschadigen of te krassen.

Geïntegreerde meubelzuigmond - Ideaal voor oppervlaktes zoals zetels te reinigen.

Mini power nozzle* - Ideaal voor het grondig reinigen van textielproducten (bv. sofa's) en om haar van huisdieren te verwijderen. De werkhoeek kan worden aangepast bij het achteruit- en vooruitbewegen.

OPMERKING: Na het gebruik draait u de ontgrendelklep van de vloerroller linksom met een geldstuk om de vloerroller te verwijderen en vervolgens verwijdert u het haar / de draden die op de borstel zitten. [21]

Lang hulpstuk* - Ideaal voor nauwe en moeilijk bereikbare plaatsen.

Alle accessoires behalve het reinigingsgereedschap voor de stofbak kunnen op het hoofdproduct en op de buis worden bevestigd. [7]

Reinigingsgereedschap voor stofbak* - Ideaal om stof, vuil en haar in de stofbak te verwijderen. [12]

ACCESSOIRE ZAK*

Overige toebehoren kunnen in de accessoirezak bewaard worden.

Wandhouder*

Bevestig indien nodig de wandhouder aan de wand met behulp van de twee bijgeleverde schroeven en pluggen. [2]

ONDERHOUD STOFZUIGER

Het stofreservoir legen

1. Druk op de ontgrendelingsknop van het hoofdgedeelte en verwijder de buis. [8]
2. Druk de stofreservoir ledigknop in om de klep van de bak te ontgrendelen en de inhoud te ledigen. [12a]
3. Sluit de stofreservoir klep, je hoort een klik als deze volledig vergrendeld is.

OPMERKING: Het is aangeraden om het stofreservoir te legen na elk gebruik of als het stof tot de maximale vullijn komt.

Snelle dagelijkse reiniging van de stofbak

Open de klep van de stofbak gewoon en verwijder het vuil met behulp van het reinigingsgereedschap voor de stofbak.

1. Gebruik het haakuiteinde om het stof dat in de stofbak zit eruit te trekken. [12b]
2. Gebruik het borsteluiteinde om het fijne stof rond het metalen gaasfilter te verwijderen. [12c]

Maak het stofreservoir en de filter schoon

Herinnering onderhoud voor-filter Als het voor-filter onderhoud nodig heeft, begint het LED-lampje op de reiniger rood te knipperen.

1. Druk op de vrijgaveknop van het handvat en verwijder het handvat van de buis. [8]
2. Druk op de ontgrendelingsknop van de batterij en verwijder de batterij. [11]
3. Verwijder het stofreservoir door deze rechtsom te draaien en van het apparaat te trekken. [13]
4. Verwijder het inlaatfilter van de motor door de steun van het stofreservoir te trekken. [14a]
5. Pak vervolgens de single cyclone-eenheid door de metalen ring uit het stofreservoir te trekken.
6. Verwijder de vortex finder door deze rechtsom te draaien en uit het cyclone-systeem te trekken. [14b]
7. Was het filter en het enkele cyclone-systeem in lauw water en laat 24 uur drogen. [15,16]
8. Zet opnieuw in elkaar wanneer deze helemaal droog is en bevestig deze weer aan het product.

OPMERKING: Gebruik geen heet water of reinigingsmiddelen bij het reinigen van het voormotorfilter. In het onwaarschijnlijke geval dat het voormotorfilter wordt beschadigd, gebruikt u een origineel Hoover-reserveonderdeel Zorg ervoor dat u het voormotorfilter opnieuw installeert voordat u de stofbeker in de schonere hoofd-eenheid monteert, omdat het filterbeschermingsmechanisme geactiveerd wordt.

BELANGRIJK: Houd uw filter altijd proper voor optimale prestaties. Wij raden aan de filter eenmaal per maand te wassen.

ONDERHOUD VAN HET MONDSTUK

De 360° Hydro-roller, de Hybrid Care-roller, het achterblad en het voorblad reinigen

BELANGRIJK: Schakel de reiniger altijd uit voordat u de 360° Hydro-roller, de Hybrid Care-roller, het achterblad en het voorblad reinigt.

De 360° Hydro-roller reinigen:

1. Verwijder het mondstuk uit de buis. [18]
2. Maak de ontgrendelingsklep van de 360° Hydro-roller los. Deze is aan de zijkant van het mondstuk geplaatst. [4a]
3. Verwijder de afsluitdop en leeg het waterreservoir. [4b, 4c]
4. Reinig de 360° Hydro-roller en de afsluitdop in lauw water met een zacht reinigingsmiddel door er in te knijpen, of in de wasmachine op een zacht programma zonder de ontgrendelingsklep van de 360° Hydro-roller. [4d]

* Alleen bepaalde modellen

5. Laat minimaal 24 uur rechtop drogen. **[4e]**
6. Plaats de 360° Hydro-roller weer terug op het mondstuk.
7. Zet de ontgrendelingsklep van de 360° Hydro-roller vast op het mondstuk.

BELANGRIJK: Het is raadzaam om de 360° Hydro-roller na elke reiniging te wassen en minstens 24 uur rechtop te laten drogen.

BELANGRIJK: Laat de 360° Hydro-roller niet nat in het mondstuk zitten

BELANGRIJK: De stofzuigfunctie mag alleen op tapijt worden gebruikt als de Hydro-roller helemaal droog is.

OPMERKING: Als u de 360° Hydro-roller in de machine wilt wassen, gebruik dan een zacht programma op minder dan 40° en verwijder de ontgrendelingsknop. **[20d]**

De Hybrid Care-roller reinigen:

1. Verwijder het mondstuk uit de buis. **[18]**
2. Haal de vergrendeling van de Hybrid Care-roller los. Deze is aan de zijkant van het mondstuk geplaatst. **[19]**
3. Houd de ontgrendelingsknop van de Hybrid Care-roller ingedrukt en verwijder de roller van het mondstuk.
4. Verwijder het overtollige vuil met een schaar om de Hybrid Care-roller te reinigen. **[19]**
5. Breng de Hybrid Care-roller weer aan. Deze past slechts in één richting. **[19]**
6. Sluit de ontgrendelingsknop van de Hybrid Care-roller op het mondstuk.

Het achterblad reinigen:

1. Verwijder het mondstuk uit de buis. **[18]**
2. Druk op de ontgrendelingsknop aan de zijkant en verwijder het achterblad. **[20]**
3. Reinig het achterblad met een natte doek.
4. Plaats het achterblad weer terug.

Het voorblad reinigen:

1. Verwijder het mondstuk uit de buis. **[18]**
2. Haal het voorblad los. **[20]**
3. Reinig het voorblad met een natte doek.
3. Plaats het voorblad weer terug.

Batterijen vervangen

Deze reiniger is uitgerust met een oplaadbaar lithium-ionbatterijpak dat kan worden vervangen.

WAARSCHUWING: Gebruik alleen erkende vervangingsonderdelen voor uw toestel. Het gebruik van niet door Hoover gevalideerde onderdelen maakt uw garantie ongeldig.

WAARSCHUWING: Het batterijpak niet openen om het zelf proberen te repareren.

1. Druk op de ontgrendelingsknop van de batterij en trek de batterij naar buiten. **[11]**
2. Verwijder het oude batterijpak en vervang deze met het nieuwe batterijpak.
3. Gooi de batterijen veilig weg. Gebruikte batterijen moeten naar een recyclagecentrum gebracht worden en mogen niet bij het huishoudelijk afval weggegooid worden.

WAT TE DOEN BIJ PROBLEMEN

Mocht u problemen hebben met uw reiniger, volg dan eerst deze eenvoudige checklist voordat u het Hoover-klantenservicecentrum belt:

A. De stofzuiger gaat niet aan.

Controleer of de reiniger is opgeladen.
Controleer of de batterij op zijn plaats zit.

B. Het apparaat werkt niet meer

Controleer of er een obstructie is in de luchtinlaat of in de buis, maak deze schoon en zorg ervoor dat het product UIT staat. Zodra dit is gebeurd, drukt u gewoon op de aan / uitknop, het product zal weer gaan werken.

C. Verminderde of helemaal geen zuigkracht.

Maak de stopbeker leeg en was het pre-motorfilter en de scheider.
Verwijder het mondstuk en kijk of er iets de buis blokkeert.

D. Batterijen kunnen niet worden opgeladen

Dit zou het resultaat kunnen zijn van een zeer lange opberg periode (meer dan 6 maanden).
Neem contact op met de Hoover-klantenservice om vervanging van de accu te regelen.
Indien het probleem aanhoudt, neem contact op met het Hoover-klantenservicecentrum.

E. De vloer droogt niet gelijkmatig op.

Controleer of de 360° Hydro-roller volledig nat is en voeg een maatbeker reinigingsmiddel toe.

F. Het mondstuk stinkt.

Reinig de 360° Hydro-roller laat hem 24 uur rechtop drogen.

G. Het kost veel kracht om het apparaat op tapijt voort te bewegen.

Controleer of de 360° Hydro-roller goed droog is. Op hoogpolig tapijt kunt u de 360° Hydro-roller verwijderen en het tapijt stofzuigen.

HOOVER RESERVEONDERDELEN EN GEBRUIKSARTIKELLEN

Gebruik uitsluitend originele reserveonderdelen van Hoover. Deze zijn verkrijgbaar bij uw Hoover dealer. Als u onderdelen bestelt, vermeld dan altijd het modelnummer.

JOUW GARANTIE

De garantievoorwaarden voor dit toestel worden bepaald door onze vertegenwoordiger in het land waar het toestel wordt verkocht. Details omtrent deze voorwaarden zijn verkrijgbaar bij de dealer waar u het toestel hebt gekocht. Wanneer u aanspraak wilt maken op deze garantie, dan moet u het verkoop- of ontvangstbewijs voorleggen.

BELANGRIJK: De batterij van deze reiniger heeft een garantie van twee jaar vanaf de aankoopdatum. Na 2 jaar moet de klant de kosten van een nieuwe batterij voor zijn rekening nemen.

Wijzigingen zijn zonder voorafgaande kennisgeving mogelijk.

INSTRUKTIONER FOR SIKKER ANVENDELSE

Denne støvsuger må kun anvendes til almindelig husholdningsrengøring, som beskrevet i brugsanvisningen. Du bør sikre dig, at du har forstået indholdet af denne brugervejledning fuldt ud, inden apparatet tages i brug.

Inden du rengør eller foretager nogen som helst vedligeholdelse af apparatet, skal du altid slukke for det og tage stikket ud af stikkontakten.

Dette udstyr kan anvendes af børn, der er 8 år gamle og derover, og af personer med nedsatte fysiske, sensoriske eller mentale evner eller manglende erfaring og viden, hvis de er under opsyn eller vejledning i at bruge udstyret på en sikker måde og forstår de risici, der er involveret. Børn må ikke lege med udstyret. Rengøring og vedligeholdelse må ikke udføres af børn uden en voksen tilstede.

Hvis netledningen er ødelagt, skal du stoppe med at bruge støvsugeren øjeblikkeligt. For at undgå en sikkerhedsrisiko skal en autoriseret Hoover-servicetekniker udskifte strømledningen.

Hold hænder, fødder, løstsiddende tøj og hår væk fra roterende børster.

Brug kun den originale oplader, der blev leveret sammen med apparatet.

Sørg for at stømmen i dit forsyningsnet er den samme som anført på opladeren.

Denne støvsuger er forsynet med en dobbelt isoleret batterioplader, der kun er beregnet til tilslutning til en 220 V stikdåse.

Sæt opladeren i en passende stikkontakt og tilslut opladeren til apparatet.

Rør aldrig ved opladeren med våde hænder.

Sluk for apparatet før opladning.

Batteripakkens LED lys vil lyse RØDT under opladning, og vil skifte til HVID når den er fuldt opladet

Støvsugeren skal tilsluttes opladeren igen efter brug, så batterierne kan blive genopladet.

Oplad aldrig batterierne ved over 37°C eller under 0°C.

Det er normalt for opladeren at blive varm at røre ved under opladning.

Opladeren må ikke trækkes ud af stikdåsen ved at trække i kablet.

Træk opladeren ud af stikket ved længere tids fravær (ferie o.lign.). Genoplad støvsugeren igen før brug, da batterierne kan selvaflade ved længere tids stilstand.

Hvis dit apparat skal kasseres, skal batterierne fjernes inden. Apparatet skal abrydes fra lysnettet når batteriet fjernes. Bortskaf batterierne på en sikker måde. Tænd apparatet, indtil det stopper, fordi batterierne er helt afladet. Brugte batterier skal afleveres på en genbrugsstation og ikke smides ud sammen med husholdningsaffald. Hvis batterierne skal fjernes, bedes du kontakte Hoover-kundeservice eller handle i henhold til følgende anvisninger.

VIGTIGT: Aflad altid batterierne helt, før de fjernes.

Kør med støvsugeren, indtil batterierne er helt tomme.

Fjern opladeren fra apparatet.

Tryk på batteripakkens udløserknap for at fjerne den.

BEMÆRK: Hvis du får problemer med at afmontere enheden eller ønsker mere detaljerede oplysninger om behandling, genanvendelse og genbrug af dette produkt, bedes du kontakte kommunen eller skraldeselskabet.

Anvend kun tilbehør, udstyr og reservedele leveret af Hoover.

Statisk elektricitet: Visse tæpper kan forårsage en mindre akkumulering af statisk elektricitet. Udledning af statisk elektricitet er ikke sundhedsfarligt.

Brug ikke støvsugeren udendørs eller på våde overflader eller til opsugning af væsker.

Undlad at opsuge hårde eller skarpe genstande, tændstikker, varm aske, cigaretstumper eller andre lignende genstande. Undlad at sprøjte med eller opsuge brændbare væsker, rensesvæsker, spraydåser eller spray fra disse.

Undlad at køre over strømkablet når du bruger din støvsuger og undlad at trække stikket ud ved at trække i strømkablet, men hold fast i stikket. Hvis apparatet eller opladeren ser ud til at være beskadigede, skal det tages ud af brug.

Hoover service: For at sikre løbende sikker og effektiv drift af denne støvsuger anbefaler vi, at eftersyn eller reparationer udelukkende udføres af en autoriseret Hoover-servicetekniker.

Undlad at bruge apparatet på at rengøre mennesker eller dyr.

Batterierne må ikke udskiftes med ikke-genopladelige batterier.

Miljøet:

Denne håndstøvsuger er mærket i overensstemmelse med det europæiskedirektiv 2011/65/EC om affald af elektrisk og elektronisk udstyr (WEEE). Ved at sikre at dette produkt bortskaffes korrekt er du med til at forhindre eventuelle negative konsekvenser for miljø og sundhed, som ellers kunne forårsages på grund af forkert bortskaffelse af dette produkt. Symbolet på produktet angiver, at produktet ikke må behandles som husholdningsaffald. Det skal i stedet afleveres til en affaldsstation for genbrug af elektrisk og elektronisk udstyr. Bortskaffelse skal ske i overensstemmelse med de lokale miljøregler vedrørende bortskaffelse af affald. Du kan få flere detaljerede oplysninger om behandling, genvinding og genbrug af dette produkt ved at kontakte din lokale kommune, renovationsfirmaet eller den butik, hvor du købte produktet.



Dette apparat overholder bestemmelserne i EU Direktiverne 2014/35/EU, 2014/30/EU og 2011/65/EU.

CANDY HOOVER GROUP S.r.l. Via Privata Eden Fumagalli, 20861 Brugherio (MB) Italy

PRODUKTKOMPONENTER

- | | |
|--|--|
| A. Tænd/sluk-knap | V. Oplader |
| B. TÆPPE-position | W. Vægholder* |
| C. Knap til lydløs tilstand | X. Vægmonteringsskruer* |
| D. Støvbeholder | Ya. Integreret 2-i-1 møbelmundstykke |
| E. Udløsningsknap til støvbeholderklap | Yb. Integreret 2-i-1 støvbørste |
| F. Håndholdt udløserknap | Z. Mini power-mundstykke* |
| G. Opbevaring udløserknap | AA. Mini power-mundstykke rotator |
| H. Rør | AB. Mini power-mundstykke rotater udløserflap |
| I. Knap til afmontering af mundstykke | AC. Langt Fugemundstykke* |
| J. Baghjul | AD. Etui til tilbehør* |
| K. Mundstykke LED frontlys | AE. Rengøringsværktøj til støvbeholder* |
| L. Børstestangens status LED* | AF. 360° hydrovalse udløserklap |
| M. Præ-Motor Filter | AG. 360° hydrovalse |
| N. Enkel cyklon hvirvelfinder | AH. 360° hydrovalse forsejlingshætte |
| O. Enkel cyklon | AI. Bagerste viskerblad på aftageligt mundstykke |
| P. LED lys for vedligeholdelsesstatus | AJ. Hybrid plejevalse udløserklap |
| Q. Batteristatus LED lys | AK. Hybrid plejevalse |
| R. Lys for batteriopladning | Al. Mundstykets forreste visker |
| S. Udløsningsknap til batteri | AM. Fastgørelsesknap til mundstykets forreste visker |
| T. Batteripakke | AN. Koncentreret rengøringsmiddel* |
| U. Indgang til batteriopladning | AO. Forvådbeholder* |

SÅDAN KLARGØRES STØVSUGEREN

Fjern forsigtigt dit produkt fra emballagen.

1. Tag mundstykket og forlængerrøret, placer en ende af røret i enden af mundstykket, indtil du hører det 'klikker' på plads. **[1a]**
2. Tag den håndholdte enhed op, og placer den på røret, indtil du hører det 'klikker' på plads. **[1b]**
3. Fastgør vægholderen vha. de medfølgende skruer og skruetrækkere. **[2]**
4. For fuld opladning af apparatet, skal opladerens stikkontakt tilsluttes batteripakken. Dette tager ca. 2.5 timer. **[10,11]**

BEMÆRK: For at fjerne mundstykket, skal du trykke på mundstykets udløserknap, og trække det væk fra røret.

BEMÆRK: Brug kun den oplader, der er leveret sammen med støvsugeren, til opladning. Det er normalt for opladeren at blive varm at røre ved under opladning.

* Kun til visse modeller

STØVSUGER OG INTEGRERET VASKEFUNKTION

VIGTIGT: Den integrerede vaskefunktion bør kun bruges på hårde gulve og parketgulve.

Denne støvsuger har en hybrid plejevalse forrest på mundstykket, og en 360° hydrovalse bagerst på mundstykket, så hårde gulve og parketgulve kan støvsuges og vaskes. [3a]

Før denne dobbeltfunktion anvendes, er det nødvendigt at sikre, at den 360° hydrovalse er helt våd.

1. Løsn udløserklappen på 360° hydrovalsen. Den er placeret på den tværgående del af mundstykket. [3b]
2. Hold udløserklappen til 360° hydrovalsen, og fjern den.
3. Fjern forseglingshætten, og brug forseglingshætten som et målebæger, fyld den med det medfølgende koncentrerede rengøringsmiddel, og hæld det i den 360° hydrovalse. [3c, 3d]
4. Fyld den 360° hydrovalse med vand, uden at fylde den til kanten. [3e]
5. Derefter skrues forseglingshætten på igen.
6. Indsæt 360° hydrovalsen i forvådsbeholderen, hæld vand i forvådsbeholderen, uden at fylde den til kanten. Hold 360° hydrovalsen i beholderen i omkring 30 sekunder, sørg for, at alle områder er våde, før den fjernes. [3f, 3g, 3h]
7. Genmonter 360° hydrovalsen i mundstykket i dens oprindelige position, og luk mundstykkets udløserklap. [3i]

VIGTIGT: Anvend ikke 360° hydrovalsen på gulvtæpper når den er våd.

VIGTIGT: Dette er en tør DC-stang, der må ikke støvsuges vand eller væsker.

BEMÆRK: Det er muligt at anvende milde rengøringsmidler, men der må ikke anvendes desinficeringsmidler.

BEMÆRK: Det anbefales at genopfylde tanken, og sørge for, at 360° hydrovalsen er helt våd efter at have dækket et område på omkring 40m², for en optimal rengøring af overfladerne.

BEMÆRK: Når du har behov for at genopfylde vandtanken, og 360° hydrovalsen allerede er beskidt, anbefales det at vaske den i lunket vand med et mildt rengøringsmiddel, ved at klemme den.

VIGTIGT: Det anbefales at vaske 360° hydrovalsen efter hver brug, og tørre den i en oprejst position, i mindst 24 timer. [4]

VIGTIGT: Den våde 360° hydrovalse må ikke efterlades i mundstykket.

STØVSUGNINGSFUNKTION

VIGTIGT: Støvsugningsfunktionen bør kun anvendes når hydrovalsen er helt tør.

Denne støvsuger har en hybrid plejevalse forrest på mundstykket, som tillader støvsugning af støv og snavs fra hårde gulve, parketgulve og gulvtæpper. [4f]

Før du anvender produktet på tæpper, skal du fjerne 360° hydrovalsen fra mundstykket, tømme indholdet, og lade den tørre i 24 timer, før den genmonteres. [4a, 4b, 4c, 4d, 4e]

Som et alternativ, hvis du ikke ønsker at vente, skal du blot fjerne den våde 360° hydrovalse, og støvsuge dit tæppe. [4a]

BRUG AF STØVSUGEREN

BRUGERGRÆNSEFLADE

Der er 4 arbejdstilstande:

- **STANDARD TILSTAND:** Når du trykker på tænd/sluk knappen, er støvsugeren klar til en omhyggelig rengøring med det motoriserede hovedmundstykke. [6a]
- **TURBO INDSTILLING:** Tryk på turbo-knappen for fyld styrke til svære rengøringsopgaver. [6b]
- **Lydløs tilstand:** tryk på lydløsknappen for en omhyggelig rengøring, ved det lavest mulige støjniveau for dette produkt. [6c]
- **AUTO-TILSTAND:** Når du fjerner mundstykket eller røret, vil produktet automatisk tilpasse sig til en lavere effekt for rengøring over gulvet, med ikke-motoriserede rengøringsværktøjer.

BEMÆRK: Når du er i denne tilstand, og hvis du har brug for mere effekt, skal du trykke på TURBO knappen: en gang for mere effekt, og to gange for fuld effekt. Hvis du ønsker at returnere til AUTO TILSTAND, skal du trykke på lydløs knappen.

BØRSTESTANG STATUS

Børstestang status LED på mundstykket vil forblive oplyst i hvidt, under alle gulvrengørings tilstande, og vil skifte til rødt hvis sikkerhedsbeskyttelsessystemet aktiveres. [17]

* Kun til visse modeller

FASTGØRING AF FORRESTE VISKERBLAD

For at opnå den bedste fuge- og tæppefunktion, anbefales det at fastgøre de forreste viskerblade vertikalt, og ikke vende dem fremad og bagud under brug.

1. Løsn hybrid plejevalsens udløserklap, og fjern den. [5a]
2. Tryk ned på fastgørelsesknappen til mundstykkets forreste visker. [5b]
3. Genmonter hybrid plejevalsen i dens position. [5c]

OPBEVARINGSFUNKTION

Efter anvendelse har din støvsuger 2 bekvemme opbevaringsmetoder.

1. VÆGMONTERET OPBEVARING

Dit produkt leveres med vægmontering for en bekvem og nem opbevaring. Anvend de medfølgende skruer, og fastgør vægmonteringen til din væg. Efter produktanvendelse skal du blot placere din støvsuger på dens plads. [2]

2. KOMPAKT OPBEVARING/PARKERINGSTILSTAND

For at opbevare produktet på røret, skal du fjerne den håndholdte enhed, ved at trykke på den håndholdte udløserknop. [8] Sørg for, at det integrerede 2 i 1 værktøj returneres til dets oprindelige position, så det sikres, at rengøringsværktøjet er placeret komplet med støvbørste og placeringskrog i en nedadgående position.

Monter placeringskrogen i den nederste åbning på røret, og skub håndtaget helt på plads, ind i låsemekanismen, som er placeret øverst på røret. [9]

SIKKERHEDSBESKYTTELSESSYSTEM

For at sikre, at produktets pålidelighed ikke påvirkes under vanskelige forhold, kommer produktet med to integrerede sikkerhedsbeskyttelsessystemer. En på støvsugeren og en på mundstykket.

BEMÆRK: Sikkerhedsbeskyttelsessystemet vil reagere under to forhold:

1. Hvis der er forhindringer i luftindgangen eller i røret, vil støvsugeren blive beskyttet ved at slukke, og LED lyset på hovedenheden vil skifte til rødt. Hvis det sker, skal du blot kontrollere om der er tilstopninger i røret, eller i luftindgangen på den håndholdte enhed. Fjern det, og tænd for støvsugeren igen.
2. Hvis agitatoren er blokeret eller låst, og når den er aktiveret, vil agitatoren stoppe med at dreje rundt, og det HVIDE LED lys på mundstykket, vil skifte til RØDT. [17] Hvis dette sker, skal du bare slukke for dit produkt og fjerne tilstopningerne i agitatoren. For at genoptage rengøringen, skal du trykke på tænd/sluk-knappen, og produktet starter igen i normal tilstand.

BATTERI

Denne støvsuger er udstyret med LED lys for batteristatus. Når produkter er ON, vil LED lyset være tændt i to farver, for at vise batteriniveauet:

BATTERI LEVEL:

Hvid farve: 100% - 10% oplad

Blinkende rød: <10% oplad

Der er 2 metoder til opladning:

Oplad batteriet mens det sidder på produktet.

Indsæt batteriopladerens jackstik i batteriet. LED statusindikatoren vil lyse RØDT når der oplades. Når opladning er gennemført, vil LED statusindikatoren lyse HVIDT i 1 min., og derefter slukke. [10]

Oplad batteriet når det ikke er på produktet.

Fjern batteriet fra apparatet ved at trykke på batteriets udløserknop.

Indsæt batteriopladerens jackstik i batteriet. Batteripakkens LED vil lyse RØDT under opladning. Når opladning er gennemført, vil LED indikatoren lyse HVIDT. [11]

BEMÆRK: Det er normalt for opladeren at blive varm at røre ved under opladning. Brug kun den oplader, der leveres sammen med støvsugeren.

TILBEHØR

FUGEMUNDSTYKKE INTEGRERET PÅ DEN HÅNDHOLDTE ENHED, FUGEMUNDSTYKKE INTEGRERET PÅ RØRET, 2-I-1 MØBELRENGØRINGSVÆRKTØJ & STØVBØRSTE, LANGT FUGEMUNDSTYKKE*, MINI POWER-MUNDSTYKKE* OG RENGØRINGSVÆRKTØJ TIL STØVBEHOLDER*.

Integreret fugemundstykke - Ideelt til smalle områder.

Integreret støvbørste - ideel til rengøring af overflader, uden at beskadige eller ridse dem.

Integreret møbelmundstykke - Ideel til rengøring af overflader som en sofa.

Mini power nozzle* - Ideel til grundig rengøring af tekstiloverflader (dvs. sofaer) og til at fjerne hår fra kæledyr. Arbejdsvinklen kan justeres når det bevæges bagud og fremad.

BEMÆRK: Efter brug, skal du dreje rotatorens udløserflap mod uret med en mønt, for at tage rotatoren ud, og derefter fjerne hår/tråde, der har samlet sig på børsten. [21]

Langt Fugemundstykke* - Ideel til mindre og svært tilgængelige områder

Al tilbehøret, undtagen støvbeholderens rensværktøj kan monteres på hovedproduktet og på røret. [7]

Rengøringsværktøj til støvbeholder*- Ideel til at fjerne støv, affald og hår inde i støvbeholderen. [12]

Tilbehørstaske*

Tilbehørsudstyr kan gemmes i tilbehørstasken.

Væggholder*

Hvis påkrævet, fastgøres væggholderen til væggen vha. de to medfølgende skruer og rawplugs. [2]

VEDLIGEHOLDELSE AF STØVSUGEREN

Tømning af støvbeholder

1. Tryk på udløserknappen på hovedproduktet, og fjern røret. [8]
2. Tryk på knappen til tømning af støvbeholderen for at udløse beholderklappen og tømme indholdet. [12a]
3. Luk klappen på støvbeholderen, hvorefter du vil høre en kliklyd, når den er helt lukket i.

BEMÆRK: Det anbefales at tømme støvbeholderen efter hvert brug, eller når støvet når til den maksimale fyldlinje.

Hurtig daglig rengøring af støvbeholder

Du skal blot åbne støvbeholderlåget og fjerne støvet vha. rengøringsværktøjet til støvbeholderen.

1. Brug krogenden til at trække det støv ud, der har samlet sig inde i støvbeholderen. [12b]
2. Brug børsteenheden til at rense det fine støv der sidder fast rundt om metaltrådfilteret. [12c]

Rengør støvbeholderen og filteret

Vedligeholdelse påmindelse for forfilter. Hvis forfilteret kræver vedligeholdelse, vil LED lyset på støvsugeren begynde at blinke rødt.

1. Tryk på udløserknappen på den håndholdte enhed, og fjern den håndholdte enhed fra røret. [8]
2. Tryk på batteriets udløserknop, og fjern batteriet. [11]
3. Fjern støvbeholderenheden ved at dreje den med uret, og trække den væk fra maskinen. [13]
4. Fjern motorens forfilter ved at fjerne støtten fra beholderenheden. [14a]
5. Fjern det enkelte cyklonsystem ved at fjerne metalringen fra beholderenheden.
6. Fjern hvirvelfinderen ved at dreje med uret, og derefter fjerne fra cyklonsystemet. [14b]
7. Vask filteret og det enkelte cyklon system i lunken vand, og lad det tørre i 24 timer. [15,16]
8. Saml filterpakkerne, når de er helt tørre, og monter dem i produktet igen.

BEMÆRK: Anvend ikke varmt vand eller rengøringsmidler, når du rengør motorens forfilter. I tilfælde af, at motorens forfilter blive beskadiget, skal du montere et nyt originalt Hoover filter. Sørg venligst for, at de genmonterer motorens forfilter før du monterer støvbeholderen til støvsugerens hovedenhed, idet filterets beskyttelsesmekanisme vil blive aktiveret.

VIGTIGT: For at opnå optimal effekt skal filtret altid holdes rent. Vi anbefaler, at filtret vaskes en gang om måneden.

VEDLIGEHOLDELSE AF MUNDSTYKKE

Rengøring af 360° hydrovalse, hybrid plejevalse, bagerste viskerblad og forreste viskerblad

VIGTIGT: Sluk altid for støvsugeren før du rengører 360° hydrovalsen, hybrid plejevalse, bagerste viskerblad og forreste viskerblad.

Rengøring af 360° hydrovalse:

1. Fjern mundstykket fra røret. [18]
2. Løsn udløserklappen på 360° hydrovalsen. Den er placeret på den tværgående del af mundstykket. [4a]
3. Fjern forseglingshætten og sørg for at vandtanken er tom. [4b, 4c]
4. Vask 360° hydrovalsen og forseglingshætten i lunken vand med et mildt rengøringsmiddel, ved at klemme den, eller vask den i vaskemaskinen med et mildt vaskeprogram, uden 360° hydrovalsens udløserklap. [4d]

* Kun til visse modeller

5. Lad den tørre i oprejst position i mindst 24 timer. **[4e]**
6. Genmonter 360° hydrovalsen på mundstykket i dens oprindelige position.
7. Luk 360° hydrovalsens udløserklap til mundstykket.

VIGTIGT: Det anbefales at vaske 360° hydrovalsen efter hver rengøring, og lade den tørre i oprejst position i mindst 24 timer.

VIGTIGT: Du må ikke efterlade den våde 360° hydrovalse i mundstykket.

VIGTIGT: Støvsugningsfunktionen på tæpper bør kun anvendes, når hydrovalsen er helt tør.

BEMÆRK: Hvis du foretrækker at vaske den i vaskemaskinen, anbefales det at anvende et mildt vaskeprogram under 40°, og fjerne 360° hydrovalsens udløserklap. **[20d]**

Rengøring af hybrid plejevalsen:

1. Fjern mundstykket fra røret. **[18]**
2. Løsn knappen til hybrid plejevalsens udløserklap. Den er placeret på den tværgående del af mundstykket. **[19]**
3. Hold hybrid plejevalsens udløserklap, og fjern den fra mundstykket.
4. For at rengøre hybrid plejevalsen, fjernes overskyden affald med en saks. **[19]**
5. Genmonter hybrid plejevalsen. Den passer kun den ene vej. **[19]**
6. Luk hybrid plejevalsens udløserklap på mundstykket.

Rengøring af bagerste viskerblad:

1. Fjern mundstykket fra røret. **[18]**
2. Tryk på endesidens udløserklap, og fjern det bagerste viskerblad. **[20]**
3. For at rengøre det bagerste viskerblad, kan du rengøre det med en våd klud.
4. Genmonter det bagerste viskerblad i dets position.

Rengøring af forreste viskerblad:

1. Fjern mundstykket fra røret. **[18]**
2. Træk det forreste viskerblad ud af dens åbning. **[20]**
3. For at rengøre det forreste viskerblad, kan du rengøre den med en våd klud.
3. Genmonter det forreste viskerblad i dets position.

Udskiftning af batterierne

Denne støvsuger er udstyret med en genopladelige litium-ion batteripakke, som kan udskiftes.

ADVARSEL: Brug kun godkendte udskiftningsdele for din støvsuger. Dele, som ikke er godkendt af Hoover, er farlige og gør din garanti ugyldig.

ADVARSEL: Forsøg ikke at åbne batteripakken og reparere den selv.

1. Tryk på batteriets udløserknop, og træk batteriet ud. **[11]**
2. Fjern den gamle batteripakke og udskift med en ny batteripakke.
3. Bortskaf batterierne på en sikker måde. Brugte batterier skal afleveres på en genbrugsstation og ikke smides ud sammen med husholdningsaffald.

FEJLFINDING

Hvis du har problemer med støvsugeren, bedes du følge følgende enkle tjekliste, før du kontakter Hoovers kundeservicecenter:

A. Støvsugeren starter ikke

Kontroller om støvsugeren er opladet

Kontrollér om batteripakken sidder korrekt.

B. Støvsugeren stopper med at fungere

Kontroller om der er en tilstopning i luftindgangen eller i røret, ryd det, og sørg for, at produktet er slukket. Når det er gjort, skal du blot trykke på tænd/sluk knappen, og produktet vil fungere igen.

C. Tab af sugevne eller ingen sugning

Tøm støvbeholderen og vask motorfilteret og adskilleren.

Fjern mundstykket og kontrollér for eventuel tilstopning af kanalen.

D. Batterier kan ikke oplades

Dette kan opstå som følge af lange opbevaringsperioder (over et halvt år).

Kontakt Hoover kundeservice for at bestille udskiftning af batteriet.

Kontakt Hoover kundeservice, hvis problemet bliver ved.

E. Gulve tørrer ikke ens.

Kontroller, at 360° hydrovalsen er helt våd, og tilføj et målebæger med rengøringsmiddel.

F. Mundstykket lugter.

Du skal blot vaske 360° hydrovalsen, og lade den tørre i oprejst position i 24 timer.

G. Trykkraften på tæpper er for høj.

Kontroller, at 360° hydrovalsen er helt tør. Hvis dit tæppe har meget lange tæppefibre, skal du blot fjerne 360° hydrovalsen, og støvsuge dit tæppe.

HOOVER RESERVEDELE OG FORBRUGSSTOFFER

Udskift altid dele med ægte Hoover reservedele. Disse fås fra Hoovers reservedelsforhandler, check www.hoover.dk Når du bestiller dele, skal du altid opgive modelnummer.

DIN GARANTI

Garantibetingelserne for dette apparat er som defineret af vores repræsentant i det land, hvor det er solgt. Oplysninger vedrørende disse betingelser kan indhentes hos den forhandler, apparatet er købt hos. Kvitteringen skal fremvises i forbindelse med ethvert krav under disse garantibetingelser.

VIGTIGT: Garantien til støvsugerens batteri gælder i 2 år fra købsdatoen. Efter 2 år er kunden ansvarlig for omkostningerne til et nyt batteri.

Ret til ændringer uden varsel forbeholdes

INSTRUKSJONER FOR SIKKER BRUK

Dette apparatet må kun brukes til husrengjøring, og slik denne bruksanvisningen beskriver. Sørg for at denne veiledningene er forstått fullstendig før du bruker apparatet.

Slå alltid av og koble laderen fra støpselet før enheten rengjøres eller vedlikeholdes.

Apparatet kan brukes av barn fra 8 år, og av personer med nedsatte fysiske, sanselige eller mentale evner, eller manglende erfaring og kunnskap, dersom de er under oppsyn eller har fått opplæring i sikker bruk av apparatet og forstår farene bruk av apparatet kan medføre. Barn skal ikke leke med apparatet. Rengjøring og vedlikehold skal ikke utføres av barn uten oppsyn.

Bruken av apparatet må opphøre umiddelbart dersom strømledningen er skadet. Av sikkerhetshensyn må en autorisert Hoover-tekniker erstatte strømledningen.

Hold hender, føtter, løse klær og hår unna roterende børster.

Bruk den opprinnelige laderen som fulgte med apparatet.

Kontroller at forsyningsspenningen er den samme som er angitt på laderen.

Dette Hoover-apparatet leveres med dobbeltisolert batterilader, som kun kan settes i et 230V (britisk 240V) strømuttak.

Koble laderen til et egnet strømuttak, og koble laderens kontakt til apparatet.

Rør ikke laderen med våte hender.

Slå av apparatet før lading.

LED-lampen på batteriene lyser RØDT under lading og skifter til hvitt når ladingen er fullført.

Koble apparatet tilbake i laderen etter bruk, slik at batteriet lades opp.

Lad aldri batteriene i temperaturer over 37 °C eller under 0 °C.

Det er vanlig at laderen er varm ved berøring under lading.

Ikke koble fra laderen ved å trekke i ledningen.

Koble fra laderen dersom du er borte over langre tid (f.eks. ferie). Produktet bør lades opp igjen før bruk, da batteriene kan

selvutløses ved lengre tids lagring.

Hvis apparatet skal avhendes, bør batteriene fjernes først. Apparatet må være frakoblet strømmettet når du fjerner batteriet. Kast batteriene på en trygg måte. La apparatet gå til den stopper fordi batteriene er helt tømt. Brukte batterier bør leveres til en gjenbruksstasjon, og ikke kastes sammen med husholdningsavfall. For å fjerne batteriene, bør du kontakte Hoovers kundesenter, eller fortsette som anvist nedenfor:

VIKTIG: Tøm alltid batteriene helt før fjerning, og kontroller at laderen er koblet fra.

La rengjøringsapparatet gå til batteriene er helt tømt.

Ta laderkontakten ut av apparatet.

Trykk på utløserknappen for batteripakken for å fjerne den.

MERK: Hvis du har vanskeligheter med å demontere enheten eller ønsker mer detaljert informasjon om behandling, gjenvinning og resirkulering av apparatet, ta kontakt med kommunen eller renovasjonsselskapet.

Bruk kun tilbehør, forbruksvarer eller reservedeler som anbefales eller leveres av Hoover.

Statisk elektrisitet: Noen tepper kan forårsake små dannelser av statisk elektrisitet. Utladning av statisk elektrisitet er ikke helseskadelig.

Du må ikke bruke apparatet utendørs, på våte overflater eller til å støvsuge væske.

Du må ikke støvsuge harde eller skarpe objekter, varm aske, sigarettneiper eller andre liknende gjenstander. Apparatet må ikke utsettes for eller støvsuge opp brennbare væsker, rengjøringsmidler, aerosoler eller damp fra slike væsker.

Unngå å kjøre over ledningen eller trekke ut støpselet under bruk. Ikke fortsatt å bruke rengjøringsapparatet eller laderen hvis det virker som om det er noe feil med dem.

Hoover-service: For å sikre at apparatet fortsatt virker som det skal, og er trygt å bruke, anbefaler vi at all service og alle reparasjoner blir utført av en autorisert Hoover-tekniker.

Du må ikke bruke apparatet til å rengjøre dyr eller mennesker.

Ikke erstatt batteriene med ikke-oppladbare batterier.

Miljøet:

Dette apparatet er merket i henhold til EU-direktiv 2011/65/EC om elektrisk avfall og elektronisk utstyr (WEEE). Ved å sørge for at dette produktet avhendes på riktig måte, bidrar du til å forhindre eventuelle negative konsekvenser for miljø og menneskelig helse, som ellers kunne ha blitt forårsaket av uriktig avfallshåndtering av dette produktet. Symbolet på produktet angir at dette produktet ikke kan behandles som husholdningsavfall. Det må istedet leveres til passende oppsamlingspunkt for resirkulering av elektrisk og elektronisk utstyr. Avhendingen må gjennomføres i samsvar med lokale miljøforskrifter for avfallshåndtering. For mer informasjon om behandling, gjenvinning og resirkulering av dette produktet, ta kontakt med den kommunale etaten for avfallshåndtering eller butikken der du kjøpte produktet.



Dette produktet overholder EU-direktiv 2014/35/EU, 2014/30/EU og 2011/65/EU.

CANDY HOOVER GROUP S.r.l. Via Privata Eden Fumagalli, 20861 Brugherio (MB) Italy

PRODUKTKOMPONENTER

- | | |
|---|---|
| A. PÅ/AV - Knapp | V. Lader |
| B. Turboknapp | W. Veggmontering* |
| C. Lydløs knapp | X. Skruer til veggfestet* |
| D. Støvbeholder | Ya. Integrert 2-i-1 møbelredskap |
| E. Utløserknapp for støvbeholderklaff | Yb. Integrert 2-i-1 støvtørkingsredskap |
| F. Håndholdt utløserknapp | Z. Mini kraftmunnstykke* |
| G. Knapp for å frigjøre oppsamlingsbeholderen | AA. Agitator til mini kraftmunnstykke |
| H. Rør | AB. Utløserflik til agitatorene til mini kraftmunnstykket |
| I. Utløserknapp for munnstykket | AC. Langt Verktøy for Sprekker* |
| J. Munnstykke | AD. Pose med tilbehør* |
| K. LED-lamper foran på munnstykket. | AE. Redskap for rengjøring av støvbeholderen* |
| L. Statuslampe for børstestangen* | AF. Utløserklaff for 360-graders hydrorulle |
| M. Pre-motor filter | AG. 360-graders hydrorulle |
| N. Enkelsyklon virvelstrømpdager | AH. Tetningshette for 360-graders hydrorulle |
| O. Enkelsyklon | AI. Avtagbar dyse på bakre viskerblad |
| P. Vedlikeholdsstatus LED-lampe | AJ. Utløserklaff for hybridpleierulle |
| Q. Batteristatus LED-lampe | AK. Hybridpleierulle |
| R. Lampe for batterilading | AL. Dyse på frontvisker |
| S. Batteriets utløserknapp | AM. Festeknapp for dyse på frontvisker |
| T. Batteripakke | AN. Konsentrert rengjøringsmiddel* |
| U. Inngang for batterilading | AO. Beholder for forhåndsveiting* |

FORBEREDING AV STØVSUGEREN

Vær forsiktig når du pakker produktet ut av emballasjen.

1. Ta opp munnstykket og forlengerslangen, og sett den ene enden av slangen inn i munnstykket til du hører det klikke på plass. **[1a]**
2. Ta opp den håndholdte rengjøringsdelen og sett den på slangen så langt inn at den klikker på plass. **[1b]**
3. Fest veggmonteringsbraketten til veggen ved bruk av de medfølgende skrueluggene. **[2]**
4. For å lade apparatet helt opp, må du koble ladekontakten til batteripakken. Dette tar omtent 2.5 timer. **[10,11]**

MERK: For å fjerne munnstykket, trykk på munnstykkets utløserknapp og trekk det av røret.

MERK: Bruk kun laderen som ble levert med rengjøringsapparatet. Det er vanlig at laderen er varm ved berøring under lading.

* Bare enkelte modeller

STØVSUGING OG INTEGRERT VASKEFUNKSJON

VIKTIG: Den integrerte vaskefunksjonen skal kun brukes på harde gulv og parkett.

Dette rengjøringsmiddelet har en hybridpleierulle på forsiden av dysen og en 360-graders hydrorulle på baksiden av dysen som muliggjør støvsuging og vask av harde gulv og parkett. **[3a]**

Før du bruker den doble funksjonen er det viktig å vite 360-graders hydrorullen.

1. Ta av utløserklaffen for 360-graders hydrorullen. Den er plassert på den laterale delen av munnstykket. **[3b]**
2. Hold inne utløserklaffen for den 360-graders hydrorullen og ta den av.
3. Ta av tetningshetten og bruk den som en målekopp, fyll med oppgitt konsentrert vaskemiddel og hell i 360-graders hydrorullen. **[3c, 3d]**
4. Fyll 360-graders hydrorullen med vann uten å fylle opp til kanten. **[3e]**
5. Sett på tetningshetten igjen.
6. Sett den 360-graders hydrorullen inn i beholderen for forhåndsveiting og hell vann inn i beholderen uten å fylle opp til kanten. La den 360-graders hydrorullen ligge i beholderen i omtrent 30 sekunder og sørg for at alle områdene er våte når du tar den ut. **[3f, 3g, 3h]**
7. Fest den 360-graders hydrorullen på dysen i opprinnelig posisjon igjen og lukk dysens utløserklaff. **[3i]**

VIKTIG: Ikke bruk 360-graders hydrorullen på tepper når den er våt.

VIKTIG: Dette er en tørr DC-pinne, ikke støvsug noe vann eller andre væsker.

MERK: Du kan eventuelt bruke mildt vaskemiddel, men ikke bruk desinfeksjonsmiddel.

MERK: Det anbefales å fylle opp tanken igjen for å sikre at den 360-graders hydrorullen er helt våt etter at du har dekket et område på omtrent 40 m² for optimal rengjøring av overflater.

MERK: Når du må fylle opp vanntanken igjen og 360-graders hydrorullen allerede er skitten, anbefales det å vaske den med lunkent vann og et mildt vaskemiddel ved å klemme på den.

VIKTIG: Det anbefales å vaske den 360-graders hydrorullen etter hver bruk og la den tørke i stående posisjon i minst 24 timer. **[4]**

VIKTIG: Ikke la den 360-graders hydrorullen stå i dysen når den er våt.

STØVSUGERFUNKSJON

VIKTIG: Støvsugerfunksjonen skal kun brukes når hydrorullen er helt tørr.

Dette rengjøringsmiddelet har en hybridpleierulle på forsiden av dysen og gjør det mulig å hente opp støv og rusk fra harde gulv, parkett og tepper. **[4f]**

Før du bruker produktet på teppet må du fjerne den 360-graders hydrorullen fra dysen, tømme ut innholdet og la den tørke i 24 timer før du tar den på igjen. **[4a, 4b, 4c, 4d, 4e]**

Hvis du ikke vil vente, kan du eventuelt enkelt fjerne den våre 360-graders hydrorullen og støvsuge teppet. **[4a]**

BRUK AV APPARATET

BRUKERGRENSESNITT

Det er finnes 4 driftsmoduser:

- **STANDARD-MODUS** Når du har trykket på PÅ-AV-knappen er rengjøringsmaskinen klar til utføre grundig rengjøring ved hjelp av det motoriserte munnstykket. **[6a]**
- **TURBO-MODUS:** Trykk på Turboknappen for full styrke til en kraftig vask. **[6b]**
- **Lydløs modus:** trykk på den stille effektknappen for å rengjøre grundig med redusert støynivå. **[6c]**
- **AUTO-MODUS:** Når du fjerner slangen eller munnstykket vil produktet automatisk redusere kraften til rengjøring over gulvnivå, med ikke-motoriserte redskaper.

MERK: Hvis du ønsker mer kraft i denne modusen: trykk én gang på TURBO-knappen ekstra kraft eller to ganger for maks kraft. Hvis du ønsker å gå tilbake til AUTO-MODUS, trykk på Lydløs-knappen.

STATUS BØRSTESTANG

Børstestangens LED-statusindikator på munnstykket vil lyse hvitt i alle gulvrenngjøringsmodusene, og skifte til rødt hvis det beskyttende sikkerhetssystemet aktiveres. **[17]**

* Bare enkelte modeller

FESTING AV VISKERBLAD FORAN

For å oppnå best sprek- og teppeytelse, anbefales det å feste viskerbladet foran vertikalt og ikke vende forover og bakover under bruk.

1. Løsne utløserklaffen for hybridpleierullen og ta den av. [5a]
2. Trykk ned festeknappen for dyse på frontviskeren. [5b]
3. Fest hybridpleierullen i riktig posisjon igjen. [5c]

OPPBEVARINGSFUNKSJON

Etter bruk kan rengjøringsmaskinen oppbevares på to praktiske måter.

1. VEGGMONTERT OPPBEVARING

Produktet kommer med et veggfeste for praktisk og enkel oppbevaring. Bruk de medfølgende skruene for å montere veggfestet der du ønsker det. Etter bruk kan rengjøringsmaskinen enkelt settes tilbake på plass. [2]

2. KOMPAKT OPPBEVARING/PARKERINGSMODUS

For å oppbevare produktet på slangen, må den håndholdte delen fjernes ved å trykke på knappen for å frigjøre den håndholdte komponenten. [8]

Påse at to-i-ett-redskapet er satt tilbake til sin opprinnelige plass på produktet for å sikre at redskapet er samlet og at støvbørsten og plasseringskroken peker nedover.

Sett plasseringskroken inn i det nederste sporet på slangen, og trykk håndtaket helt inn i låsemekanismen på toppen av slangen. [9]

BESKYTTELSESYSTEM FOR SIKKERHET

For å sikre at påliteligheten til produktet ikke påvirkes hvis det brukes under tøffe forhold, har produktet to integrerte beskyttelsessystemer for sikkerhet. Ett på rengjøringsapparatet og ett på dysen.

MERK: Det beskyttende sikkerhetssystemet vil gripe inn ved to situasjoner:

1. Hvis det oppstår blokkeringer ved luftinntaket eller i slangen vil rengjøringsmaskinen skru seg AV som en beskyttelsesmekanisme, og LED-lampen på hoveddelen vil lyse rødt. Hvis dette skjer, kontrollere rett og slett om det er blokkeringer i slangen eller ved luftinntaket til den håndholdte delen. Fjern blokkeringen og skru PÅ igjen.
2. Hvis agitatorene er blokkert eller låst, vil agitatorene stoppe å rotere og de HVITE LED-lampene på munnstykket vil skifte til RØDT. [17] Hvis dette skulle skje er det bare å slå av produktet og fjerne det som blokkerer agitatorene. For å gjenoppta rengjøringen trykker man på on/off-knappen og produktet vil gjenstarte i normal modus.

BATTERI

Rengjøringsmaskinen er utstyrt med en LED-lampe som indikerer batteristatus. Når rengjøringsapparatet er PÅ, lyser LED-lampen med to farger for å vise batterinivået:

BATTERI LEVEL:

Hvit farge: 100% - 10% lade

Rød blinking: <10% lade

Lading kan utføres på to metoder:

Batteriet kan lades mens det er montert på produktet.

Sett batteriladeren på batteriet: LED-lampen som indikerer batteristatus lyser RØDT under lading. Når oppladingen er fullført vil LED-statusindikatoren lyse HVITT i ett minutt, og deretter skru seg av. [10]

Opplading av batteriet når det er fjernet fra produktet.

Ta ut batteriet fra produktet ved å trykke på batteriets utløserknapp.

Sett batteriladeren på batteriet: LED-lampen på batteriet vil lyse RØDT under lading. Når oppladingen er fullført vil LED-indikatoren lyse HVITT. [11]

MERK: Det er vanlig at laderen er varm ved berøring under lading. Bruk kun laderen som leveres med rengjøringsapparatet.

TILBEHØR

SPREKK-REDSKAP INTEGRERT I DEN HÅNDHOLDTE ENHETEN, SPREKK-REDSKAP INTEGRERT PÅ SLANGEN, TO-I-ETT-MØBEL- OG STØVBØRSTE, LANGT VERKTØY FOR SPREKKER*, MINI KRAFTMUNNSTYKKE* OG REDSKAP FOR RENGJØRING AV STØVBEBOLDEREN*.

Integrerte redskaper for å komme til i sprekker - Ideelt for å komme til på trange steder.

Integrert støvbørste - ideelle for å rengjøre overflater uten å skade eller ripe.

Integrert møbilverktøy - Ideelle for rengjøre overflater som sofaer.

Mini power nozzle* - Ideell for dypprens av tekstiloverflater (f.eks. sofaer) og fjerning av dyrehår. Arbeidsvinkelen kan justeres ved bevegelse forover og bakover.

MERK: Etter bruk, drei utløserfliken til agitatorens i retningen mot klokken med en mynt, slik at du kan ta ut agitatorens. Fjern deretter hår / tråder som har samlet seg på børsten. **[21]**

Langt Verktøy for Sprekker* - Ideell for trange og vanskelige områder.

Alle redskapene, bortsett fra redskapet for rengjøring av støvbeholderen, kan plasseres på hovedapparatet og på røret. **[7]**

Redskap for rengjøring av støvbeholderen* - Spesielt egnet for å fjerne støv, smuss og hår inne i støvbeholderen **[12]**

Tilbehørpose*

Annet tilbehør kan lagres i tilbehørposen.

Veggmontering*

Dersom nødvendig, fest veggmonteringen til veggen ved å bruke de to skruene og pluggene som følger med. **[2]**

VEDLIKEHOLD AV STØVSUGEREN

Tømme støvbeholderen

1. Trykk på frigjøringsknappen på hoveddelen for å fjerne slangen. **[8]**
2. Skyv ned tømmeknappen for støvsamleren for å løsne støvbeholderklaffen og tømme ut innholdet. **[12a]**
3. Lås støvsamleren fast med klaffen opp. En klikkelyd høres når den er låst fast.

MERK: Det anbefales at du tømmer støvbeholderen etter hver bruk, eller når støvet når opp til makslinjen.

Rask daglig rengjøring av støvbeholderen

Det eneste du behøver å gjøre er å åpne flikene på støvbeholderen og fjerne støvet ved hjelp av redskapet for rengjøring av støvbeholderen.

1. Bruk enden med hake til å dra ut støv som har satt seg fast inne i støvbeholderen. **[12b]**
2. Bruk enden med kost for å fjerne det fine støvet som har satt seg fast i metallnettet på filteret. **[12c]**

Rengjør støvbeholderen og filteret

Påminnelse om vedlikehold av forfilteret. Hvis forfilteret krever vedlikehold, vil LED-lampen på rengjøringsmaskinen begynne å blinke rødt.

1. Trykk på frigjøringsknappen for den håndholdte enheten, og fjern den fra slangen. **[8]**
2. Trykk på frigjøringsknappen for batteriet og fjern det. **[11]**
3. Fjern støvbeholderen ved å dreie den i retningen med klokken samtidig som du trekker den bort fra enheten. **[13]**
4. Fjern formotor-filteret ved å trekke støtten bort fra beholderen. **[14a]**
5. Fjern det enkle syklonsystemet ved å trekke metallringen bort fra beholderen.
6. Fjern virvelvind-søkeren ved å rotere den i retning med klokken og trekk den bort fra syklonsystemet. **[14b]**
7. Vask filteret og enkelt syklonsystemet i lunkent vann og legg til tørk i et døgn. **[15,16]**
8. Sett sammen igjen etter at det har tørket elt, og sett det tilbake på produktet.

MERK: Ikke bruk varmt vann eller såpe for å gjøre rent filteret formotor-filteret. Hvis premotor-filteret, mot formodning, skulle bli ødelagt, må det skiftes ut med en original Hoover-reservedel. Vennligst påse at du monterer formotor-filteret for du setter støvbeholderen tilbake på rengjøringsmaskinens hoveddel, siden dette aktiverer mekanismen som beskytter filteret.

VIKTIG: For å sikre optimal ytelse, bør filteret alltid holdes rent. Vi anbefaler at filteret vaskes én gang i måneden.

DYSEVEDLIKEHOLD

Rengjør 360-graders hydrorullen, hybridpleierullen, bakre viskerblad og fremre viskerblad

VIKTIG: Slå alltid av rengjøringsapparatet før du rengjør 360-graders hydrorullen, hybridpleierullen, bakre viskerblad og fremre viskerblad.

Rengjør den 360-graders hydrorullen:

1. Fjern munnstykket fra slangen. **[18]**
2. Ta av utløserklaffen for 360-graders hydrorullen. Den er plassert på den laterale delen av munnstykket. **[4a]**
3. Ta av tetningshetten og sørg for at vanntanken er tom. **[4b, 4c]**
4. Vask den 360-graders hydrorullen med tetningshetten i lunkent vann med et mildt vaskemiddel ved å klemme på den eller vaske den i vaskemaskinen på mild syklus, uten utløserklaffen for 360-graders hydrorullen. **[4d]**
5. La den tørke i stående posisjon i minst 24 timer. **[4e]**

* Bare enkelte modeller

6. Fest den 360-graders hydrorullen på dysen igjen i startposisjon.
7. Lukk utløserklaffen til dysen for den 360-graders hydrorullen.

VIKTIG: Det anbefales å vaske den 360-graders hydrorullen etter hver rengjøring og la den tørke i stående posisjon i minst 24 timer.

VIKTIG: Ikke la den 360-graders hydrorullen stå i dysen når den er våt

VIKTIG: Støvsugerfunksjonen på tepper skal kun brukes når hydrorullen er helt tørr.

MERK: Hvis du foretrekker å vaske den i vaskemaskinen, anbefales det å bruke en mild syklus under 40° og fjerne utløserklaffen til 360-graders hydrorullen. **[20d]**

Rengjøre hybridpleierullen:

1. Fjern munnstykket fra slangen. **[18]**
2. Løsne utløserklaffen til hybridpleierullen. Den er plassert på den laterale delen av munnstykket. **[19]**
3. Hold utløserklaffen for hybridpleierullen og fjern den fra dysen.
4. For å rengjøre hybridpleierullen må du fjerne overflødig rusk med saks. **[19]**
5. Fest hybridpleierullen igjen. Den passer kun i én retning. **[19]**
6. Lukk utløserklaffen til dysen for den hybridpleierullen.

Rengjør bakre viskerblad:

1. Fjern munnstykket fra slangen. **[18]**
2. Skyv utløserklaffen på endesiden og fjern det bakre viskerbladet. **[20]**
3. Viskerbladet bak kan rengjøres med en våt klut.
4. Fest det bakre viskerbladet i posisjon igjen.

Rengjøre viskerbladet foran:

1. Fjern munnstykket fra slangen. **[18]**
2. Dra viskerbladet foran ut fra sporet. **[20]**
3. Viskerbladet foran kan rengjøres med en våt klut.
3. Fest det fremre viskerbladet i posisjon igjen.

Bytte batteriene

Denne rengjøringsmaskinen er utstyrt med oppladbare litiumsbatterier som kan skiftes ut.

ADVARSEL: Bruk bare godkjente reservedeler til rengjøringsapparatet. Å bruke deler som ikke er godkjent av Hoover er farlig og vil ugyldiggjøre garantien.

ADVARSEL: Ikke prøv å åpne batteripakken og reparere den selv.

1. Trykk på utløserknappen til batteriet og trekk ut batteriet. **[11]**
2. Fjern den gamle batteripakken og erstatt den med den nye batteripakken.
3. Kast batteriene på en trygg måte. Brukte batterier bør leveres til en gjenbruksstasjon, og ikke kastes sammen med husholdningsavfall.

FEILSØKING

Dersom du får problemer med rengjøringsapparatet, kan du følge denne enkle kontrollisten før du tar kontakt med Hoover kundeservice:

A. Støvsugeren slås ikke på

Kontroller at rengjøringsapparatet er ladet opp
Sjekk om batteripakken er montert på plass.

B. Rengjøringsapparatet har sluttet å virke.

Kontroller om det er blokkeringer i luftinntaket eller i slangen, fjern dem og kontroller at produktet er skrudd AV. Når dette er gjort, er det bare å trykke på på/avknappen for å skru på produktet igjen.

C. Tap av sugeeffekt eller ingen sugeeffekt.

Tøm støvbeholderen og vask formotorfilteret og separatoren.
Ta av dysen og se etter blokkasje i røret.

D. Batteriene kan ikke lades

Dette kan skyldes lagring over lenger tid (mer enn et halvt år).
Ta kontakt med Hoover kundeservice for å avtale utskifting av batteri.
Ta kontakt med Hoover kundeservice dersom problemet vedvarer.

E. Gulvet tørker ikke jevnt.

Kontroller at den 360-graders hydrorullen er helt våt og legg til et målebeger med vaskemiddel.

F. Dysen lukter dårlig.

Vask den 360-graders hydrorullen og la den tørke i stående posisjon i 24 timer.

G. Trykkraften på tepper er høy.

Kontroller at 360-graders hydrorullen er helt tørr. Hvis tepper har svært lange hår, må du fjerne den 360-graders hydrorullen og støvsuge teppet.

ORIGINALDELER FRA HOOVER

Bruk alltid originale deler fra Hoover. Disse er tilgjengelige fra din lokale Hoover-forhandler eller direkte fra Hoover. Når du bestiller deler, må du alltid oppgi modellnummeret ditt.

DIN GARANTI

Garantibetingelsene for dette apparatet er som definert av vår representant i det landet der det ble solgt. Detaljer vedrørende disse betingelsene fås fra forhandleren der apparatet ble kjøpt. Salgskvitteringen må fremvises ved fremsetning av krav under betingelsene i denne garantien..

VIKTIG: Batteriet som medfølger dette rengjøringsapparatet har 2 års garanti fra kjøpsdato. Etter 2 år må kunden selv stå for kostnaden av et nytt batteri.

Kan endres uten forvarsel.

INSTRUKTIONER FÖR SÄKER ANVÄNDNING

Som beskrivs i denna bruksanvisning, får denna apparat endast användas vid städning av hemmet. Se till att du förstår anvisningarna helt innan du börjar använda maskinen.

Stäng alltid av och ta bort laddaren från uttaget innan du rengör apparaten eller utför något underhåll.

Den här apparaten kan användas av barn från 8 års ålder och personer med en nedsatt fysisk, sensorisk eller mental förmåga och som inte har den erfarenhet och kunskaper som behövs, förutsatt att de övervakas eller har fått instruktioner om hur apparaten används på ett säkert vis och förstår riskerna som är involverade. Barn får inte leka med apparaten. Rengöring och underhåll som användaren ska utföra, får inte göras av barn utan överinseende.

Om nätsladden är skadad, sluta då omedelbart att använda produkten. För att undvika säkerhetsrisker så måste en behörig Hoover-servicetekniker byta nätsladden.

Håll händer, fötter, lösa klädesplagg och hår borta från roterande borstar.

Använd endast den ursprungliga laddaren som följer med apparaten.

Kontrollera att din nätspänning är samma som är angivet på laddaren.

Denna Hoover ångrengörare levereras med en dubbelisolerad batteriladdare som endast är lämplig i ett 230V (Storbritannien 240V) uttag.

Koppla in laddaren i lämpligt eluttag och anslut laddaren till apparaten.

Rör aldrig laddaren med våta händer.

Stäng av apparaten innan laddning.

Batterilampan kommer att lysa röd under laddning och vit när laddningen är slutförd.

Anslut apparaten till laddaren igen efter användning för att ladda batteriet.

Ladda aldrig batterier i temperaturer över 37°C eller under 0°C.

Det är normalt att laddaren blir varm när laddning pågår.

Dra inte ut kontakten till laddaren genom att dra i kabeln.

Koppla ur laddaren vid långvarig frånvaro (semester, etc.). Ladda produkten igen innan användning då batterierna kan själv laddad ur under förlängda förvaring.

Om maskinen ska kasseras måste batterierna först tas bort. Maskinen måste kopplas bort från elnätet vid borttagning av batterierna. Kassera batterierna på ett säkert sätt. Kör apparaten tills den stannar på grund av att batterierna är helt urladdade. Användna batterier bör tas till en återvinningsstation och inte disponeras med hushållssoporna. För att ta bort batterierna, kontakta kundtjänsten på Hoover eller fortsätt enligt följande instruktioner.

VIKTIGT: Ladda alltid ur batterier helt innan de tas ut.

Kör ångrengöraren till det att batterierna är helt tomma.

Dra ur laddarens stickpropp ur apparaten.

Tryck på batteripaketets lossningsknapp för att ta bort det.

OBS! Om du upplever några svårigheter med att montera ner enheten eller för mer information om hantering eller återvinning av den här maskinen, var god och kontakta dina lokala myndigheter eller din återvinningsstation.

Använd endast tillbehör, förbrukningsvaror och reservdelar som rekommenderas eller levereras av Hoover.

Statisk elektricitet: Vissa mattor kan orsaka att lite statisk elektricitet byggs upp. Elektrostatiske urladdningar är inte hälsofarliga.

Använd inte apparaten ut ur dörrar eller på något vått underlag eller för våtupptagning.

Plocka inte upp hårda eller vassa föremål, tändstickor, het aska, fimpar eller andra liknande föremål. Plocka inte upp eller spraya med brandfarliga vätskor, rengöringsmedel, aerosoler eller ångor.

Kör inte över sladden när du använder apparaten eller dra ut kontakten genom att dra i sladden. Fortsätt inte att använda apparaten eller laddaren om den verkar vara defekt.

Hoover service: För att se till att maskinen fortsätter att vara effektiv fungerar som den ska rekommenderar vi att service och reparationer endast utförs av behöriga servicetekniker från Hoover.

Använd inte apparaten för att rengöra djur eller människor.

Ersätt inte batterierna med icke-uppladdningsbara batterier.

Miljön:

Denna produkt är märkt enligt det europeiska direktivet 2011/65/EC gällande elektroniskt avfall och elektronisk utrustning (WEEE). Genom att se till att produkten avfallshandteras på rätt sätt kan du hjälpa till att hindra möjliga negativa konsekvenser för miljö och hälsa. Symbolen på produkten visar att den inte får hanteras som hushållsavfall. Den ska i stället lämnas in på en samlingsplats för återvinning av elektrisk och elektronisk utrustning. Avfallshanderingen ska utföras enligt de lokala miljöbestämmelserna. Mer utförlig information om hantering och återvinning av produkten kan du få från kommunen, återvinningsanläggningen eller den butik där du köpte produkten.



Denna apparat uppfyller de europeiska direktiven 2014/35/EU, 2014/30/EU och 2011/65/EU.

CANDY HOOVER GROUP S.r.l. Via Privata Eden Fumagalli, 20861 Brugherio (MB) Italy

PRODUKTKOMPONENTER

- | | |
|--|--|
| A. PÅ/AV-knapp | V. Laddare |
| B. Turbo-knappen | W. Väggfäste* |
| C. Tyst knapp | X. Vägghöjningskruvar* |
| D. Dammbehållare | Ya. Integrerad 2 i 1 möbelverktyg |
| E. Frigöringsknapp för dammbehållarklaffen | Yb. Integrerad 2 i 1 dammborste |
| F. Handhållen frigöringsknapp | Z. Mini drivmunstycke* |
| G. Frigöringsknapp förvaring | AA. Mini drivmunstycke omrörare |
| H. Slang | AB. Mini drivmunstycke omrörarklaff |
| I. Knapp för frigörande av munstycke | AC. Långt Fogmunstycke* |
| J. Munstycke | AD. Tillbehörspåse* |
| K. LED-lampor på framsida av munstycke | AE. Rengöringsverktyg för dammbehållare* |
| L. LED-lampa borst status* | AF. 360° Hydro Roller frigöringsknapp |
| M. Förmotorfilter | AG. 360° Hydro Roller |
| N. Enkel cyklon Vortex Finder | AH. 360° Hydro Roller tätninglock |
| O. Enkel cyklon | AI. Avtagbart munstycke bakre torkarblad |
| P. Underhållsstatus LED-lampa | AJ. Hybrid Care-rulle frigöringsknapp |
| Q. LED-lampa batteristatus | AK. Hybrid Care-rulle |
| R. Batteriladdningslampa | Al. Munstycke främre torkare |
| S. Batteriets frigöringsknapp | AM. Munstycke främre torkare justeringsknapp |
| T. Batteripaket | AN. Koncentrerat rengöringsmedel* |
| U. Batteriladdningsuttag | AO. Våt behållare* |

FÖRBEREDA DIN DAMMSUGARE

Avlägsna produkten försiktigt från förpackningen.

1. Ta upp munstycket och förlängningsröret och för in den ena änden av röret i munstyckshalsen tills du hör ett klick. **[1a]**
2. Ta upp den handhållna enheten och montera den på röret tills du hör ett klick. **[1b]**
3. Fäst vägghästet i väggen med skruvar och skruvpluggar som medföljer. **[2]**
4. Anslut laddarens stickpropp till batterisatsen för att ladda upp apparaten. Detta tar ungefär 2.5 timmar. **[10,11]**

OBS! För att ta bort munstycket, tryck på munstyckets lossningsknapp och dra bort det från röret.

OBS! Använd endast laddare som medföljde ångrengöraren. Det är normalt att laddaren blir varm när laddning pågår.

* Endast vissa modeller

DAMMSUGARE OCH INBYGGD TVÄTTFUNKTION

VIKTIGT: Den inbyggda tvättfunktionen får endast användas på hårt golv och parkettgolv.

Denna dammsugare har en Hybrid Care-rulle framför munstycket, och en 360° Hydro-rulle på baksidan av munstycket för att möjliggöra dammsugning och rengöring av hårt golv och parkettgolv. [3a]

Innan du använder dubbelfunktionen är det viktigt att blöta 360° Hydro-rullen helt.

1. Lossa 360° Hydro rollerns frigöringsknapp. Den är placerad på munstyckets sida. [3b]
2. Håll 360° Hydro rollerns frigöringsknapp och ta bort den.
3. Ta bort tätningslocket och använd det som ett mått, fyll med det medföljande koncentrerade rengöringsmedlet och håll i 360° Hydro rollern. [3c, 3d]
4. Fyll 360° Hydro rollern med vatten utan att fylla upp till strecket. [3e]
5. Sätt sedan tillbaka tätningslocket.
6. Sätt i 360° Hydro rollern i den förvåta behållaren, håll vatten i den förvåta behållaren utan att fylla till strecket. Håll 360° Hydro rollern i behållaren i ungefär 30 sekunder och se till att alla fela är blöta, och ta sedan bort den. [3f, 3g, 3h]
7. Sätt tillbaka 360° Hydro rollern i munstycket på sin ursprungliga plats och lås frigöringsknappen till munstycket. [3i]

VIKTIGT: Använd inte 360° Hydro rollern på mattor när den är blöt.

VIKTIGT: Detta är en torr DC-sticka, dammsug inte något vatten eller vätskor.

OBS! Det är möjligt att använda alternativa milda rengöringsmedel men använd inte desinfektionsmedel.

OBS! Det rekommenderas att fylla på tanken och se till att 360° Hydro rollern är helt blöt efter rengöring på 40m² för optimal rengöring av ytor.

OBS! När du behöver fylla på vattentanken och 360° Hydro rollern redan är smutsig, rekommenderas det att rengöra den i ljummet vatten med mildt rengöringsmedel och krama hur den.

VIKTIGT: Det rekommenderas att rengöra 360° Hydro rollern efter varje gång den används och låta den torka i en upprätt position i minst 24 timmar. [4]

VIKTIGT: Lämna inte den våta 360° Hydro rollern i munstycket.

DAMMSUGARFUNKTION

VIKTIGT: Dammsugarfunktionen får endast användas när Hydro rollern är helt torr.

Denna rengörare har en Hybrid Care roller på framsidan av munstycket och tillåter dig att suga upp damm och smuts från hårda golv, parkettgolv och mattor. [4f]

Innan du använder produkten på mattor, ta bort 360° Hydro rollern från munstycket, töm behållarna och låt torka i 24 timmar innan du sätter tillbaka det. [4a, 4b, 4c, 4d, 4e]

Alternativt om du inte vill vänta kan du ta bort 360° Hydro rollern och dammsuga mattan. [4a]

ANVÄNDA PRODUKTEN

ANVÄNDARGRÄNSSNITT

Det finns 4 arbetslägen:

- **STANDARDLÄGE:** När du trycker på På/av-knappen är dammsugaren redo för noggrann dammsugning med det motoriserade huvudmunstycket. [6a]
- **TURBOLÄGE:** Tryck på turboknappen för att full effekt vid tuffa rengöringsuppgifter. [6b]
- **Tyst läge:** tryck på tystnadsknappen för noggrann rengöring med denna produkts lägsta ljudnivå. [6c]
- **AUTOLÄGE:** När du avlägsnar munstycket från röret slår produkten automatiskt om till lägre effekt för dammsugning ovanför golvet, med icke-motoriserade verktyg.

OBS! Om du behöver högre kraft i detta läget, tryck på TURBO-knappen: en gång för extra kraft eller två gånger för full kraft. Om du vill återgå till AUTO LÄGE, tryck på Tystnadsknappen

BORSTHÅLLARSTATUS

Munstyckets LED-lampa för borsthållarstatus lyser vitt vid alla golvdammsugningslägen och kommer att lysa rött om säkerhetssystemet aktiveras. [17]

* Endast vissa modeller

FRÄMRE FÄSTE FÖR TORKARBLAD

För att få bästa sprick- och mattprestanda rekommenderas det att fästa de främre torkarbladen vertikalt och inte vända framåt och bakåt under användning.

1. Lossa Hybrid Care rollerns frigöringsknapp och ta bort den. **[5a]**
2. Tryck ned fästningsknappen på munstyckets främre torkarblad. **[5b]**
3. Sätt tillbaka Hybrid Care rollern i läge. **[5c]**

FÖRVARINGSFUNKTION

Efter användning kan din dammsugare förvaras på två smidiga sätt.

1. FÖRVARING GENOM VÄGGMONTERING

Din produkt är utrustad med ett väggfäste för smidig förvaring. Fäst väggfästet på väggen med hjälp av de medföljande skruvarna. Placera din dammsugare på fästet efter användning. **[2]**

2. KOMPAKT FÖRVARING/PARKERINGSLÄGE

Avlägsna den handhållna enheten genom att trycka på den handhållna enhetens frigöringsknapp, för förvaring av produkten på röret. **[8]**

Se till att det medföljande 2-i-1-verktyget placeras i sitt ursprungliga läge med dammborsten och lokaliseringkroken i nedåtgående läge.

Montera lokaliseringkroken i den lägre springan på röret och tryck det bakre handtaget ända in i låsmekanismen som är placerad längst upp på röret. **[9]**

SÄKERHETSSKYDDSSYSTEM

För att säkerställa att produktens tillförlitlighet inte påverkas om den används under svåra förhållanden har produkten två integrerade säkerhetsskyddssystem. En på rengöraren och en på munstycket.

OBS! Skyddssystemet aktiveras under två förhållanden:

1. Om det finns hinder i luftinloppet eller i röret, kommer dammsugaren att skyddas och stängas av och LED-lampan på huvudenheten lyser rött. Om detta händer kontrollerar du det finns några hinder i röret eller i luftinloppet på den handhållna enheten. Avlägsna dessa och sätt igång dammsugaren igen.
2. Om borsten är blockerad eller låst, kommer den vid aktivering att sluta rotera och de VITA LED-lamporna på munstycket börjar lysa rött. **[17]** Om detta händer måste du stänga av din produkt och ta bort hindret i agitatorn. Tryck på på-/avknappen för att återuppta rengöringen och produkten kommer att starta om i normalt läge.

BATTERI

Dammsugaren är utrustad med en LED-lampa som indikerar batteristatus. När produkten är PÅ lyser LED-lampan i två färger för att visa batterinivån:

BATTERI LEVEL:

Vit färg: 100% - 10% ladda

Röd blinkande: <10% ladda

Det finns två laddningsmetoder:

Ladda batteriet när det monteras i produkten.

Anslut batteriladdarens stickpropp till batteriet. LED-statusindikatorn kommer att lysa RÖTT när batteriet laddas. När laddningen är slutförd lyser LED-lampan VITT i en minut för att sedan stängas av. **[10]**

Ladda batteriet när det inte sitter i produkten.

Avlägsna batteriet från produkten genom att trycka på frigöringsknappen.

Anslut batteriladdarens stickpropp till batteriet. Batteripaketets LED-lampa lyser RÖTT under laddning. När laddningen är slutförd kommer LED-indikatorn att lysa VITT. **[11]**

OBS! Det är normalt att laddaren blir varm när laddning pågår. Använd endast laddare som medföljde produkten.

TILLBEHÖR

INBYGGT FOGMUNSTYCKE I DEN HANDHÅLLNA ENHETEN, INBYGGT FOGMUNSTYCKE I RÖRET, 2-I-1 DAMM- OCH MÖBELBORSTE, LÅNGT FOGMUNSTYCKE*, MINI DRIVMUNSTYCKE* OCH RENGÖRINGSVERKTYG FÖR DAMMBEHÅLLARE*.

Integrerat fogmunstycke - Optimalt för att nå smala utrymmen.

Integrerad dammborste - idealiskt för dammsugning utan att repa eller skada ytorna.

Integrerat möbelverktyg - Idealiskt för dammsugning av soffor och liknande.

Mini power nozzle* - Perfekt för djuprengöring av ytor av textil (t.ex. soffor) och för borttagning av djurhår. Arbetsvinkeln kan justeras när du går bakåt och framåt.

OBS! Efter användning, vänligen rotera borstens klaff moturs med ett mynt för att ta ut agitatorn och ta sedan bort hår/trådar som samlats på borsten. [21]

Långt Fogmunstycke* - Idealisk för trånga och svåråtkomliga ytor.

Alla tillbehör förutom dammbehållaren rengöringsverktyg kan placeras på huvudprodukten och på röret. [7]

Rengöringsverktyg för dammbehållare* - Perfekt för att ta bort damm, skräp och hår i dammbehållaren. [12]

Tillbehörsväska*

Ytterligare tillbehör kan förvaras i tillbehörsväskan.

Väggfäste*

Fäst väggfästet på väggen med hjälp av de två medföljande skruvarna och pluggarna. [2]

UNDERHÅLL AV DAMMSUGAREN

Töm dammbehållaren

1. Tryck på huvudkroppens frigöringsknapp och avlägsna röret. [8]
 2. Tryck ner knappen för tömning av dammupsamlaren för att frigöra klaffen och tömma innehållet. [12a]
 3. Stäng klaffen till dammupsamlaren. Du hör ett klickljud när den är låst.
- OBS!** Du rekommenderas att tömma dammupsamlaren efter varje användning eller när dammet når upp till max-linjen.

Snabb daglig rengöring av dammbehållare

Öppna endast behållarens lock och ta bort dammet med hjälp av rengöringsredskapet.

1. Använd kroken för att få ut det uppsamlade dammet i dammbehållaren. [12b]
2. Använd borsten för att ta bort dammet som fastnat runt metallnätfiltret. [12c]

Rengör dammbehållare och filter

Underhållspåminnelse förfiltret. Om förfiltret behöver underhåll börjar LED-lampan på dammsugaren blinka rött.

1. Tryck på den handhållna enhetens frigöringsknapp för att avlägsna den handhållna enheten från röret. [8]
2. Tryck på batteriets frigöringsknapp för att avlägsna batteriet. [11]
3. Avlägsna dammbehållarenheten genom att vrida den och dra ut den från enheten. [13]
4. Avlägsna förmotorfiltret genom att dra loss stödet från behållarenheten. [14a]
5. Avlägsna enkelcyklonsystemet genom att dra loss metallringen från behållarenheten.
6. Avlägsna vortex finder genom att rotera det medsols och dra loss det från cyklonsystemet. [14b]
7. Rengör filtret och enkelcyklonsystemet i ljummet vatten och låt torka i 24 timmar. [15,16]
8. Montera ihop när det är helt torrt och sätt tillbaka det i produkten.

OBS! Använd inte varmt vatten eller rengöringsprodukter vid rengöring av förmotorfiltret. Om förmotorfiltret mot förmodan skulle skadas, ska det ersättas med ett originalfilter från Hoover. Se till att förmotorfiltret är monterat innan du monterar dammbehållaren i dammsugarens huvudkropp för aktivering av filterskyddsmekanismen.

VIKTIGT: För optimal prestanda bör du alltid hålla filtret rent. Vi rekommenderar att filtret tvättas en gång i månaden.

UNDERHÅLL AV MUNSTYCKE

Rengöring av 360° Hydro roller, Hybrid Care roller, bakre och främre torkblad

VIKTIGT: Stäng alltid av rengöraren innan rengöring av 360° Hydro roller, Hybrid Care roller, bakre och främre torkblad.

Rengöring av 360° Hydro roller:

1. Avlägsna munstycket från röret. [18]
2. Lossa 360° Hydro rollerns frigöringsknapp. Den är placerad på munstyckets sida. [4a]
3. Ta bort tätningslocket och se till att vattentanken är tom. [4b, 4c]
4. Tvätta 360° Hydro rollern och tätningslocket i ljummet vatten med ett mildt rengöringsmedel genom att krama den eller tvätta den i tvättmaskin med mild cykel utan 360° Hydro rollerns rengöringsfläp. [4d]
5. Låt den torka i upprätt position i minst 24 timmar. [4e]
6. Sätt tillbaka 360° Hydro rollern i munstycket i sin ursprungliga position.
7. Lås 360° Hydro rollerns frigöringsknapp i munstycket.

VIKTIGT: Det rekommenderas att rengöra 360° Hydro roller efter varje rengöring och låta den torka i en upprätt position i minst 24 timmar.

* Endast vissa modeller

VIKTIGT: Lämna inte den våta 360° Hydro rollern i munstycket

VIKTIGT: Dammsugarfunktionen på mattor får endast användas om Hydro rollern är helt torr.

OBS! Om du föredrar att rengöra den i tvättmaskin, rekommenderas ett mildt program under 40° och att ta bort 360° Hydro rollerns frigöringsknapp. [20d]

Rengöring av Hybrid Care rollern:

1. Avlägsna munstycket från röret. [18]
2. Lossa Hybrid Care rollerns frigöringsknapp. Den är placerad på munstyckets sida. [19]
3. Håll Hybrid Care rollerns frigöringsknapp och ta bort den från munstycket.
4. För att rengöra Hybrid Care-rollern, ta bort överskott av skräp med sax. [19]
5. Sätt tillbaka Hybrid Care rollern Den kan endast passas in en riktning. [19]
6. Lås Hybrid Care rollerns frigöringsknapp till munstycket.

Rengöring av bakre torkarblad:

1. Avlägsna munstycket från röret. [18]
2. ryck på frigöringsklaffen på ändsidan och ta bort det bakre torkarbladet. [20]
3. För att rengöra bakre torkarblad behöver du en våt trasa.
4. Sätt tillbaka bakre torkblad i position.

Rengöring av främre torkblad:

1. Avlägsna munstycket från röret. [18]
2. Dra ut främre torkblad från sin plats. [20]
3. För att rengöra främre torkblad behöver du en fuktig trasa.
3. Sätt tillbaka främre torkblad i läge.

Byta batterier

Denna dammsugare är utrustad med ett laddningsbart litiumjonbatteri som är utbytbar.

WARNING: Använd endast godkända reservdelar för din dammsugare. Användning av delar som inte är godkända av Hoover är farligt och kan ogiltigförklara din garanti.

WARNING: Försök inte att öppna batteripaketet och reparera det själv.

1. Tryck på batteriets lossningsknapp och dra ut batteriet. [11]
2. Ta bort det gamla batteripaketet och byt ut det med det nya batteripaketet.
3. Kassera batterierna på ett säkert sätt. Användna batterier bör tas till en återvinningsstation och inte disponeras med hushållssoporna.

FELSÖKNING

Om du har något problem med din ångrengörare, följ denna enkla checklista innan du ringer Hoovers kundtjänstcenter:

A. Dammsugare slår inte på

Kontrollera om dammsugaren är laddad
Kontrollera att batterisatsen sitter på plats.

B. Rengöraren slutar fungera

Kontrollera om den finns något hinder i luftinloppet eller i röret, avlägsna eventuella hinder och se till att produkten är avstängd. Tryck därefter på På/Av-knappen för att starta produkten igen.

C. Förlust av insugningstryck eller inget sug alls

Töm dammbehållaren och rengör förmotorfiltret och separatorn.
Ta bort munstycket och kontrollera om det kanalen är igentäppt.

D. Batterierna kan inte laddas

Det kan bero på att den har förvarats under en väldigt lång period (mer än ett halvår).
Kontakta Hoovers kundtjänst för att ordna batteribyte.
Om problemet kvarstår kontakta Hoovers kundtjänstcenter.

E. Golv torkar inte jämnt.

Kontrollera att 360° Hydro rollern är helt våt och håll i ett lock rengöringsmedel.

F. Munstycket luktar illa.

Rengör helt enkelt 360° Hydro rollern och låt den torka i upprätt position i 24 timmar.

G. Tryckkraften på mattor är hög.

Kontrollera att 360° Hydro rollern är helt torr. Om din matta är väldigt hög, ta helt enkelt bort 360° Hydro rollern och dammsug mattan.

HOOVER RESERVDELAR OCH FÖRBRUKNINGSVAROR

Använd alltid originaldelar från Hoover vid byte. Du kan beställa delar från närmaste Hoover-återförsäljare eller direkt från Hoover. Uppge alltid modellnummer när du beställer delar.

DIN GARANTI

Garantivillkoren för produkten definieras av vår representant i det land där produkten säljs. Du kan få uppgifter om aktuella villkor från återförsäljaren. Kvittot måste visas upp när man kräver ersättning enligt garantin.

VIKTIGT: Batteriet i den här rengöraren har en garantitid på 2 år från inköpsdatumet. Efter 2 år måste kunden stå för kostnaden av ett nytt batteri.

Specifikationerna kan ändras utan föregående meddelande.

OHJEET TURVALLISTA KÄYTTÖÄ VARTEN

Tämä laite on tarkoitettu ainoastaan kotikäyttöön tämän käyttöoppaan kuvaamalla tavalla. Tutustu tähän käyttöoppaaseen huolellisesti ennen laitteen käyttöä.

Kytke laturista virta ja irrota laturi virtalähteestä aina käytön jälkeen ja ennen kuin puhdistat laitteen tai teet huoltotoimenpiteitä.

Tätä laitetta voivat käyttää yli 8-vuotiaat lapset ja henkilöt joilla on vähentynyt fyysinen, aistillinen tai henkinen kyky tai joilla ei kokemusta tai tietoja, mikäli heille on annettu ohjausta ja valvontaa koskien laitteen turvallista käyttöä ja ymmärtävät käyttöön liittyvät vaaratekijät. Lapset eivät saa leikkiä laitteella. Käyttäjän suorittamaa puhdistusta ja huoltoa ei tule suorittaa lasten toimesta ilman valvontaa.

Lopeta laitteen käyttö välittömästi, jos virtajohto on vahingoittunut. Virtajohdon saa turvallisuussyistä vaihtaa vain valtuutettu Hoover-huoltoliike.

Pidä kädet, jalat, löysät vaatteet ja hiukset loitolla pyörivistä harjoista.

Käytä vain laitteen mukana toimitettua laturia.

Varmista, että laturiin merkityt arvot vastaavat syöttöjännitettä.

Tämä Hoover-laite on varustettu kaksois-eristetyllä akkulaturilla joka sopii liitettäväksi vain 230V:n (Iso-Britannia 240V) pistorasiaan.

Kytke laturi sopivaan pistorasiaan ja yhdistä laturin jakkiliitinlaitteeseen.

Älä koskaan käsittele laturia märin käsin.

Sammuta laite ennen lataamista.

Akkuyksikön LED-valo on PUNAINEN latauksen aikana, ja se muuttuu VALKOISEKSI kun laite on ladattu täyteen.

Laita laite käytön jälkeen takaisin laturiin akun lataamiseksi.

Älä koskaan lataa akkuja yli 37 °C:n tai alle 0 °C:n lämpötiloissa.

Laturi lämpeneminen latauksen aikana on aivan normaalia.

Älä irrota laturia virtalähteestä johdosta vetämällä.

Irrota laturi mikäli laitetta ei käytetä pitkään aikaan (loma-ajat

jne.). Lataa laite uudelleen ennen käyttöä koska akut voivat purkaa varausta pitkien säilytysjaksojen aikana.

Jos laite hävitetään, akut on ensin poistettava. Laitteen täytyy olla irti verkkovirrasta akkua vaihdettaessa. Hävitä akut turvallisesti. Käytä laitetta kunnes se pysähtyy, jotta akut tyhjentyvät kokonaan. Vie käytetyt akut kierrätyskeskukseen. Älä hävitä niitä kotitalousjätteen mukana. Irrottaaksesi akut ota yhteyttä valtuutettuun Hoover huoltoliikkeeseen tai noudata seuraavia ohjeita.

TÄRKEÄÄ: Tyhjennä paristot aina kokonaan ennen niiden poistamista.

Käytä imuria kunnes akut ovat täysin tyhjä.

Irrota laturin liitin laitteesta.

Paina akun vapautuspainiketta irrottamista varten.

HUOMAA: Jos sinulla on vaikeuksia purkaa laitetta tai tarvitset yksityiskohtaisempaa tietoa laitteen jälkikäsitelystä, talteenotosta ja kierrätyksestä, ota yhteyttä paikallisiin kierrätysviranomaisiin tai kotitalouksien jätehuoltoon.

Käytä ainoastaan Hooverin toimittamia tai suosittelemia kiinnityskappaleita, lisävarusteita tai varaosia.

Staattinen sähkö: Joihinkin mattoihin voi kertyä staattista sähköä. Staattisen sähköön purkaus ei ole vaarallista terveydelle.

Älä käytä laitettasi ulkona tai märällä alustalla. Älä imuroi nesteitä.

Älä imuroi kovia tai teräviä esineitä, tulitikkuja, kuumaa tuhkaa, tupakantumpeja tai muita vastaavia esineitä. Älä ruiskuta laitteelle tai imuroi laitteella syttyviä nesteitä, puhdistusnesteitä, aerosoleja tai näiden höyryjä.

Älä aja laitteella verkkojohdon yli tai irrota pistoketta virtalähteestä johdosta vetämällä. Älä käytä laitetta tai laturia, jos se vaikuttaa vialliselta.

Hoover-huolto: Laitteen käyttöturvallisuuden ja tehokkaan toiminnan varmistamiseksi huolto ja korjaukset kannattaa teettää valtuutetussa Hoover-huollossa.

Älä käytä laitetta ihmisten tai eläinten puhdistamiseen.

Älä vaihda akkuja ei-ladattaviin akkuihin.

Ympäristö:

Tämä laite on merkitty sähkö- ja elektroniikkalaiteromusta annetun direktiivin 2011/65/EY (WEEE) mukaisesti. Hävittämällä tämän laitteen oikein estät mahdollisia ympäristölle ja ihmisterveydelle aiheutuvia haittavaikutuksia, joita saattaa syntyä laitteen vääränlaisen hävittämisen seurauksena. Laitteessa oleva symboli osoittaa, että laitetta ei saa hävittää kotitalousjätteenä. Se täytyy luovuttaa kodinkoneiden keräyspisteeseen sähkölaitteiden kierrätystä varten. Hävittäminen on suoritettava paikallisten jätteiden hävittämistä koskevien ympäristösäännösten mukaisesti. Saat lisätietoja tämän tuotteen käsitlemisestä, hyötykäytöstä ja kierrätyksestä paikallisilta viranomaisilta, kotitalouksien jätehuollosta tai liikkeestä, josta ostit tuotteen.



Tämä tuote on yhdenmukainen Euroopan direktiivien 2014/35/EU, 2014/30/EU ja 2011/65/EU kanssa.

CANDY HOOVER GROUP S.r.l. Via Privata Eden Fumagalli, 20861 Brugherio (MB) Italy

TUOTTEEN OSAT

- | | |
|---|---|
| A. ON/OFF-painike | V. Laturi |
| B. Turbo-painike | W. Seinäasennus* |
| C. Hiiennys-painike | X. Seinätelineen ruuvit* |
| D. Pölysäiliö | Ya. Integroitu 2in1 huonekalusuutin |
| E. Pölysäiliön läpän vapautuspainike | Yb. Integroitu 2in1 pölyharja |
| F. Rikkaimurin vapautuspainike | Z. Pieni tehosuulake* |
| G. Säiliön vapautuspainike | AA. Pienen tehosuulakkeen rulla |
| H. Putki | AB. Pienen tehosuulakkeen rullan vapautusosa |
| I. Suulakkeen vapautus-painike | AC. Pitkä Rakosuutin* |
| J. Suulake | AD. Lisävarustepussi* |
| K. Suulakkeen etumerkkivalot | AE. Pölysäiliön puhdistustyökalu* |
| L. Harjarullan tilan ilmoittava merkkivalo* | AF. 360° vesirullan vapautusläppä |
| M. Moottorin esisuodatin | AG. 360° vesirulla |
| N. Yksinkertaisen pyörrehuuhdistimen putki | AH. 360° vesirullan tiivistekorkki |
| O. Yksinkertainen pyörrehuuhdistin | Al. Irrotettava suuttimen takapyyhkijän keppimäinen osa |
| P. Huollon tilan ilmoittava merkkivalo | AJ. Hybridin puhdistusrullan vapautusosa |
| Q. Akun tilan ilmoittava merkkivalo | AK. Hybridi puhdistusrulla |
| R. Akun latauksen merkkivalo | Al. Suulakkeen etupyyhin |
| S. Akun vapautuspainike | AM. Suulakkeen etupyyhkimen kiinnityspainike |
| T. Akkupaketti | AN. Pesuainetiivistet* |
| U. Akun latausportti | AO. Esikastelusäiliö* |

LAITTEEN KOKOAMINEN

Poista tuote pakkauksesta varovaisesti.

1. Asenna pitenevän putken toinen pää suuttimen päähän niin, että kuulet napsahduksen. **[1a]**
2. Kiinnitä kannettava yksikkö putkeen niin, että kuulet napsahduksen. **[1b]**
3. Kiinnitä seinäasennus seinään toimitetuilla ruuveilla ja seinätulpilla. **[2]**
4. Lataa laite täyteen kiinnittämällä latausliitin akkupakettiin. Tämä vie noin 2,5 tuntia. **[10,11]**

HUOMAA: Voit irrottaa suulakkeen painamalla suulakkeen vapautuspainiketta ja vetämällä sitä ulospäin putkesta.

HUOMAA: Käytä vain imurisi kanssa toimitettua laturia imurin lataukseen. On normaalia, että laturi lämpenee latauksen aikana.

* Vain joissakin malleissa

IMUROINTI JA INTEGROITU PESUTOIMINTO

TÄRKEÄÄ: Integroitua pesutoimintoa tulisi käyttää vain koviin lattiapintojen ja parketin pesemiseen.

Tässä puhdistuslaitteessa on hybridi puhdistusrulla suuttimen etuosassa ja 360° vesirulla suuttimen takaosassa, mitkä mahdollistavat imuroinnin ja koviin lattiapintojen ja parketin pesemisen. [3a]

Ennen tuplatoiminnon käyttöä tulee 360° vesirulla kastella kunnolla.

1. Irrota 360° vesirullan vapautusläppä. Se sijaitsee suulakkeen sivuosassa. [3b]
2. Tartu 360° vesirullan vapautusläpystä ja irrota se.
3. Irrota tiivistekorkki ja tiivistyskorkkia mittakuppina käyttämällä täytä mukana toimitetulla pesuainetiivisteellä, jonka kaadat 360° vesirullaan. [3c, 3d]
4. Täytä 360° vesirulla vedellä, mutta älä ylitä reunaa. [3e]
5. Aseta sitten tiivistekorkki takaisin paikoilleen.
6. Syötä 360° vesirulla esikasteltuun säiliöön ja kaada vettä esikastelusäiliöön, mutta älä ylitä reunaa. Pidä 360° vesirulla säiliössä noin 30 sekunnin ajan varmistaaksesi, että kaikki alueet ovat märkiä ja ota se pois tämän jälkeen. [3f, 3g, 3h]
7. Aseta 360° vesirulla takaisin suulakkeeseen sen alkuperäiseen asentoon ja sulje suulakkeen vapautusläppä. [3i]

TÄRKEÄÄ: Älä käytä 360° vesirullaa matoilla sen ollessa märkä.

TÄRKEÄÄ: Tämä on kuivaimurointiin tarkoitettu tasavirtainen laite. Älä koskaan imuroi sillä vettä tai muita nesteitä.

HUOMAA: Voit käyttää muita vaihtoehtoisia puhdistusaineita, mutta älä käytä desinfiointiainetta.

HUOMAA: Pintojen optimaalista puhdistusta varten on suositeltavaa täyttää säiliö uudelleen ja varmistaa, että 360° vesirulla on kunnolla märkä aina noin 40 m²:n alueen puhdistuksen jälkeen.

HUOMAA: Jos sinun tarvitsee täyttää vesisäiliö ja 360° vesirulla on jo likainen, suositellaan sen puhdistamista haalealla vedellä ja miedolla pesuaineella puristamalla sitä.

TÄRKEÄÄ: Suosittelemme 360° vesirullan pesemistä jokaisen käyttökerran jälkeen sekä sen kuivaamista pystyasennossa vähintään 24 tunnin ajan. [4]

TÄRKEÄÄ: Älä jätä märkää 360° vesirullaa suulakkeeseen.

IMUROINTITOIMINTO

TÄRKEÄÄ: Käytä imuroimintoa vasta sitten, kun vesirulla on täysin kuivunut.

Tämä laite on varustettu suulakkeen etupuolella olevalla hybridillä puhdistusrullalla, jolla voidaan puhdistaa pölyt ja roskat kovilta lattiapinnoilta, parketilta ja matoilta. [4f]

Ennen puhdistusvälineesi käyttöä matolla irrota 360° vesirulla suulakkeesta, tyhjennä sisällöt ja anna kuivua 24 tunnin ajan ennen kuin kiinnität ne takaisin. [4a, 4b, 4c, 4d, 4e]

Vaihtoehtoisesti jos et halua odottaa, voit yksinkertaisesti irrottaa märän 360° vesirullan ja imuroida mattosi. [4a]

LAITTEEN KÄYTTÖ

KÄYTTÖLIITTYMÄ

Laitteella on 4 eri toimintatilaa:

- **VAKIOTILA** Kun painat ON-OFF-painiketta, imuri on valmis puhdistamaan perusteellisesti moottoridulla pääsuulakkeella. [6a]
 - **TURBO-TILA:** Paina turbo-painiketta, jos haluat käyttää laitetta täydellä teholla hankalissa puhdistustehtävissä. [6b]
 - **Hiljainen-tila** Paina hiljainen-painiketta puhdistaksesi perusteellisesti tämän tuotteen alimmalla melutasolla. [6c]
 - **AUTOMAATTINEN TILA:** Kun suutin tai putki poistetaan, tuote mukauttaa tehoansa matalammaksi niin, että lattian yläpuolelta voidaan siivota moottoroimattomilla välineillä.
- HUOMAA:** Jos tarvitset lisätehoa tätä toimintatilaa käyttäessäsi, paina TURBO-painiketta kerran saadaksesi lisätehoa ja kahdesti saadaksesi täyden tehon käyttöösi. Mikäli haluat palata takaisin automaattiseen toimintatilaan, paina hiljainen-painiketta.

HARJARULLAN TILA

Harjarullan tilasta kertova merkkivalo suulakkeessa pysyy valkoisena kaikkia lattianpuhdistukseen tarkoitettuja tiloja käytettäessä, ja se muuttuu punaiseksi, jos turvajärjestelmä käynnistyy. [17]

* Vain joissakin malleissa

ETUPYYHKIJÄN KEPPIMÄISEN OSAN KIINNITYS

Rakojen ja maton puhdistustehokkuuden parhaan tuloksen saamiseksi on suositeltavaa kiinnittää etupyyhkijän suuttimen keppimäisen osat pystysuoraan ja välttää niiden kääntämistä eteen- ja taaksepäin käytön aikana.

1. Tartu hybridin puhdistusrullan vapautusosasta ja irrota se. [5a]
2. Työnnä suulakkeen etupyyhkimen kiinnityspainiketta alaspäin. [5b]
3. Laita hybridi puhdistusrulla takaisin paikoilleen. [5c]

LAITTEEN SÄILYTYS

Käytön jälkeen voit säilyttää laitteesi kahdella kätevällä tavalla.

1. SÄILYTYS SEINÄTELINEESSÄ

Tuotteesi on varustettu seinätelineellä, jossa voit säilyttää sitä kätevästi ja helposti. Voit kiinnittää telineen seinääsi mukana tulleilla ruuveilla. Aseta vain imuri paikoilleen käytön jälkeen. [2]

2. KOMPAKTI SÄILYTYS/PAIKOITUS

Säilyttääksesi tuotetta putkessa, poista rikkaimuri painamalla vapautuspainiketta. [8]

Varmista, että mukana tuleva 2in1 osa palautetaan takaisin sen alkuperäiseen paikkaan, jotta se on pölyharjan ja paikannusriipustimen läheisyydessä, alaspäin olevassa asennossa.

Kiinnitä paikannusriipustin putken alempaan osaan ja paina taempi kahva täysin paikoilleen lukkomekanismiin putken yläosassa. [9]

TURVAJÄRJESTELMÄ

Jotta käyttö hankalissa paikoissa ei vaikuttaisi tuotteen käyttövarmuuteen, tuoteominaisuuksiin kuuluu kaksi integroitua turvajärjestelmää. Yksi niistä on laitteessa ja toinen suulakkeessa.

HUOMAA: Turvajärjestelmä käynnistyy kahdessa eri tapauksessa:

1. Jos ilma-aukossa tai putkessa on tukoksia, imuri sammuu itsestään, ja pääyksikön merkkivalo muuttuu punaiseksi. Jos näin käy, tarkista vain onko putkessa tai rikkaimurin ilma-aukossa tukoksia. Poista se ja paina uudestaan ON-painiketta.
2. Jos rullassa on tukos tai se lukittuu, lakkaa pyörimästä käytettäessä ja suulakkeen VALKOISET merkkivalot muuttuvat PUNAISEKSI. [17] Jos näin tapahtuu, sammuta laite ja poista harjassa oleva tukos. Jatka laitteen käyttöä painamalla on/off-painiketta; laite käynnistyy uudelleen normaalissa toimintatilassa.

AKKU

Tämä imuri on varustettu akun varauksen ilmoittavalla merkkivalolla. Kun laite on käynnissä, kahden eri väriset merkkivalot näyttävät akun varauksen tason:

AKKU LEVEL:

Valkoinen väri: 100% - 10% lataus

Punainen vilkunta: <10% lataus

Laitte voidaan ladata kahdella eri tavalla:

Lataa akku kun se on kiinnitettyä laitteessa.

Aseta akun latausjohto kiinni akkuun. Merkkivalo palaa ladattaessa punaisena. Kun akku on ladattu täyteen, merkkivalo palaa valkoisena yhden minuutin ajan, minkä jälkeen se sammuu. [10]

Lataa akku kun se on irroitettu laitteesta.

Irrota akku laitteesta painamalla akun vapautuspainiketta.

Aseta akun latausjohto kiinni akkuun. Paristoyksikön merkkivalo palaa ladattaessa PUNAISENA. Kun akku on ladattu täyteen, merkkivalo palaa VALKOISENA. [11]

HUOMAA: On normaalia, että laturi lämpenee latauksen aikana. Käytä vain imurin kanssa toimitettua laturia.

LISÄVARUSTEET

RIKKAIMURIIN INTEGROITU RAKOSUUTIN, PUTKEEN INTEGROITU RAKOSUUTIN, 2IN1 HUONEKALUSUUTIN & PÖLYHARJA, PITKÄ RAKOSUUTIN*, PIENI TEHOSUULAKE* JA PÖLYSÄILIÖN PUHDISTUSTYÖKALU*.

Integroidut rakosuuttimet - Ihanteellinen pääsy myös kapeisiin paikkoihin.

Integroitu pölyharja - Ihanteellinen puhdistamaan pintoja vahingoittamatta tai raapimatta niitä.

Integroitu huonekalusuutin - Ihanteellinen puhdistamaan pintoja kuten sohva.

Mini power nozzle* - Ihanteellinen tekstiilipintojen syväpuhdistukseen (esim. sohvat) ja lemmikkieläinten karvojen imurointiin. Voit säätää työskentelykulmaa taakse- ja eteenpäin liikuttamalla.

HUOMAA: Käytön jälkeen kierrä suuttimen vapautusosaa vastapäivään kolikon avulla irrottaaksesi rullan ja poista sitten harjaan kertyneet hiukset/langat. [21]

Pitkä Rakosuutin* - Ihanteellinen ahtaille ja vaikeasti saavutettavissa oleville alueille.

Kaikki lisätarvikkeet pölysäiliön puhdistustyökalua lukuun ottamatta sopivat sekä pääyksikköön että putkeen. [7]

Pölysäiliön puhdistustyökalu* - Sopii ihanteellisesti pölyn, roskien ja hiuksien poistamiseen pölysäiliöstä. [12]

Lisävarustelaukku*

Lisävarusteita voi säilyttää lisävarustelaukussa.

Seinäasennus*

Asenna tarpeen vaatiessa seinäteline seinälle käyttämällä kahta mukana tulevaa ruuvia ja tulppaa. [2]

LAITTEEN KUNNOSSAPITO

Pölysäiliön tyhjennys

1. Paina pääyksikön vapautuspainiketta ja irrota putki. [8]
2. Paina pölysäiliön tyhjennyspainiketta säiliön kannen avaamiseksi ja tyhjennä se. [12a]
3. Sulje pölysäiliön kansi; sen lukituessa kuuluu napsahdus.

HUOMAA: Pölysäiliö kannattaa tyhjentää aina käytön jälkeen tai kun se on täynnä maksimirajaan asti.

Pölysäiliön päivittäinen pikapuhdistus

Avaa pölysäiliön läppä ja poista pöly säiliön puhdistustyökalun avulla.

1. Vedä pölysäiliön kertynyt pöly ulos koukkupäätä käyttämällä. [12b]
2. Poista metallisen verkkosuodattimen ympärille kertynyt hienopöly harjapään avulla. [12c]

Pölysäiliön ja suodattimen puhdistus

Esisuodattimen ylläpitomuistutus. Jos esisuodatin vaatii huoltoa, imurin merkkivalo alkaa vilkkua punaisena.

1. Paina rikkaimurin vapautuspainiketta ja irrota rikkaimuri putkesta. [8]
2. Paina akun vapautuspainiketta ja irrota akku. [11]
3. Irrota pölysäiliö kääntämällä sitä myötäpäivään ja vetämällä se irti laitteesta. [13]
4. Irrota moottorin esisuodatin vetämällä tuki irti pölysäiliöstä. [14a]
5. Irrota yksinkertainen pyörrepuhdistusjärjestelmä vetämällä metallirengasta säiliökokonaisuudesta.
6. Poista pyörresuuntimen putki kääntämällä myötäpäivään ja vedä irti pyörrepuhdistusjärjestelmästä. [14b]
7. Pese suodatin ja yksinkertainen pyörrepuhdistusjärjestelmä haaleassa vedessä ja anna kuivua **24 tunnin ajan**. [15,16]
8. Asenna suodatin takaisin laitteeseen sen olessa täysin kuiva.

HUOMAA: Älä käytä kuumaa vettä tai pesuaineita kun puhdistat moottorin esisuodatinta. Jos moottorin esisuodattimet jostain syystä vahingoittuvat, asenna tilalle Hooverin alkuperäinen varaosa. Varmista, että kiinnität aina moottorin esisuodattimen takaisin paikoilleen ennen kuin kiinnität pölysäiliön pääyksikköön, sillä muuten suodattimen suojausmekanismi menee päälle.

TÄRKEÄÄ: Optimaalisen toimivuuden osalta, pidä suodattimesi aina puhtaana. Suosittelemme että suodatin pestään kerran kuukaudessa.

SUULAKKEEN HUOLTO

360° vesirullan, hybridin puhdistusrullan, taka- ja etupyöykijän keppimäisen osan puhdistus

TÄRKEÄÄ: Sammuta laite aina ennen kuin puhdistusta 360° vesirullalla, hybridillä puhdistusrullalla sekä taka- ja etupyöykijän osilla.

360° vesirullan puhdistus:

1. Irrota suulake putkesta. [18]
1. Irrota 360° vesirullan vapautusläppä. Se sijaitsee suulakkeen sivuosassa. [4a]
3. Irrota tiivistekorkki ja varmista, että vesisäiliö on tyhjä. [4b, 4c]
4. Pese 360° vesirulla ja tiivistekorkki miedolla pesuaineella ja haalealla vedellä niitä puristamalla tai pese pesukoneessa käyttämällä hellävaraista pesuohjelmaa ilman 360° vesirullan vapautusosaa. [4d]
5. Jätä kuivumaan pystyasentoon vähintään 24 tunnin ajaksi. [4e]
6. Laita 360° vesirulla takaisin paikoilleen suulakkeeseen.
7. Lukitse 360° vesipuhdistusrullan vapautusosa kiinni suulakkeeseen.

* Vain joissakin malleissa

TÄRKEÄÄ: Suosittelemme 360° vesirullan pesemistä jokaisen puhdistuskerran jälkeen sekä sen kuivaamista pystyasennossa vähintään 24 tunnin ajan.

TÄRKEÄÄ: Älä jätä märkää 360° vesirullaa suulakkeeseen

TÄRKEÄÄ: Käytä imuroimintoa vasta sitten, kun vesirulla on täysin kuivunut.

HUOMAA: Jos haluat pestä sen pesukoneessa, on suositeltavaa käyttää hellävaraista pesuohjelmaa alle 40° lämpötilassa ja 360° vesirullan vapautusosa tulee irrottaa. [20d]

Hybridin puhdistusrullan puhdistus:

1. Irrota suulake putkesta. [18]
2. Tartu hybridin puhdistusrullan vapautuspainikeläpistä. Se sijaitsee suulakkeen sivuosassa. [19]
3. Pidä kiinni hybridin puhdistusrullan vapautusläpistä ja irrota se suulakkeesta.
4. Irrota ylimääräiset jätteet varovasti saksilla hybridin puhdistusrullan puhdistusta varten. [19]
5. Laita hybridi puhdistusrulla takaisin paikoilleen. Tämä voidaan sovittaa vain yhteen suuntaan. [19]
6. Lukitse hybridin puhdistusrullan vapautusläppä kiinni suulakkeeseen.

Takapyyhkijän keppimäisen osan puhdistus:

1. Irrota suulake putkesta. [18]
2. Työnnä vapautusläpän päätypuolta ja irrota takapyyhkijän keppimäinen osa. [20]
3. Voit puhdistaa takapyyhkijän keppimäisen osan määrällä liinalla.
4. Laita takapyyhkijän keppimäinen osa takaisin paikoilleen.

Etupyyhkijän keppimäisen osan puhdistus:

1. Irrota suulake putkesta. [18]
2. Vedä etupyyhkijän keppimäinen osa pois urasta. [20]
3. Voit puhdistaa etupyyhkijän keppimäisen osan määrällä liinalla.
3. Laita etupyyhkijän keppimäinen osa takaisin paikoilleen.

Akkujen vaihtaminen

Imuriin sopii ladattava litiumioniakkuyksikkö, joka on mahdollista vaihtaa.

VAROITUS: Asenna imuriin vain hyväksytyjä varaosia. Varaosia, jotka eivät ole Hooverin hyväksymiä, käyttäminen on vaarallista ja mitätöi takuun.

VAROITUS: Älä yritä avata ja korjata akkupakettia itse.

1. Paina akun vapautuspainiketta ja vedä akku pois. [11]
2. Poista vanha akkupaketti ja laita tilalle uusi.
3. Hävitä akut turvallisesti. Vie käytetyt akut kierrätyskeskukseen. Älä hävitä niitä kotitalousjätteen mukana.

VIANMÄÄRITYS

Mikäli sinulla on mitään ongelmia imurisi kanssa, noudata seuraavaa yksinkertaista tarkistuslistaa ennen kuin soitat valtuutettuun Hoover huoltoliikkeeseen:

A. Imuri ei käynnisty

Tarkista imurin lataus

Tarkista, onko akkupaketti asennettu paikalleen.

B. Imuri lakkaa toimimasta

Tarkista onko ilma-aukossa tai putkessa tukosta, poista se, ja varmista että laite on pois päältä. Kun tämä on tehty, paina on/off-painiketta, jolloin laite alkaa taas toimia.

C. Imun vähäisyys tai ei imua.

Tyhjennä pölysäiliö ja pese esimoottorin suodatint ja erotin.

Irrota suulake ja tarkista, ettei putkessa ole tukoksia.

D. Akkuja ei voida ladata

Voi johtua pitkästä (yli puolen vuoden) varastointijaksosta.

Ota yhteyttä valtuutettuun Hoover huoltoliikkeeseen, mistä voit ostaa uudet akut.

Mikäli ongelma ei ratkea, ota yhteyttä valtuutettuun Hoover huoltoliikkeeseen.

E. Lattiat eivät kuivu tasaisesti.

Tarkista, että 360° vesirulla on kokonaan märkä ja lisää yksi mittakupillinen pesuainetta.

F. Suulake haisee pahalta.

Pese 360° vesirulla ja anna sen kuivua pystyasennossa 24 tuntia.

G. Työntövoima on kova matoilla.

Varmista, että 360° vesirulla on täysin kuiva. Jos matossasi on pitkät hapsut, voit irrottaa 360° vesirullan ja imuroida näin mattosi.

HOOVER-VARAOSAT JA -TARVIKKEET

Käytä vain alkuperäisiä Hoover-varaosia. Niitä on saatavana paikalliselta Hoover- jälleenmyyjältä tai valtuutetusta huoltoliikkeestä. Mainitse varaosatilauksen yhteydessä laitteen tyyppinumero.

TAKUU

Tämän laitteen takuehdot määrittelee ostomaan Hoover-edustaja. Yksityiskohtaiset tiedot näistä ehdoista saa laitteen myyneeltä jälleenmyyjältä. Tämän takuun mukaisia vaateita esitettäessä on esitettävä myyntitodistus tai ostokuitti.

TÄRKEÄÄ: Tässä imurissa olevalla akulla on 2 vuoden takuu ostopäivästä alkaen. 2 vuoden kuluttua asiakkaan on hankittava uusi akku omalla kustannuksellaan.

Oikeus muutoksiin pidätetään.

ΟΔΗΓΙΕΣ ΑΣΦΑΛΟΥΣ ΧΡΗΣΗΣ

Η συσκευή πρέπει να χρησιμοποιείται αποκλειστικά για οικιακή χρήση, σύμφωνα με τις οδηγίες χρήσης. Πριν δοκιμάσετε να χρησιμοποιήσετε τη συσκευή, βεβαιωθείτε ότι έχετε κατανοήσει τις οδηγίες που περιέχει το βιβλίο που κρατάτε στα χέρια σας.

Πριν από τον καθαρισμό της συσκευής ή οποιαδήποτε εργασία συντήρησης να απενεργοποιείτε πάντα τη συσκευή και να βγάζετε το φορτιστή από την πρίζα.

Η χρήση της συσκευής από παιδιά άνω των 8 ετών, ηλικιωμένους και ΑΜΕΑ προϋποθέτει την παρουσία ενήλικα που θα φέρει την ευθύνη για την ασφαλεία τους. Η χρήση της συσκευής από άτομα που δεν έχουν εξοικειωθεί στη χρήση παρόμοιων συσκευών μπορεί να γίνει μόνο αφού γίνει κατανοητός ο κίνδυνος που ενέχει η χρήση της συσκευής. Μην αφήνετε τα παιδιά να παίζουν με τη συσκευή. Οι εργασίες καθαρισμού και συντήρησης της συσκευής δεν πρέπει να γίνονται από τα παιδιά χωρίς την επίβλεψη ενήλικα που θα φέρει την ευθύνη για την ασφαλεία τους.

Εάν το καλώδιο σύνδεσης με το δίκτυο παροχής εμφανίσει φθορές διακόψτε την λειτουργία της συσκευής αμέσως. Για λόγους ασφαλείας η αντικατάσταση του φθαρμένου καλωδίου της συσκευής πρέπει να γίνεται αποκλειστικά στα σημεία τεχνικής υποστήριξης Hoover.

Μην πλησιάζετε τις περιστρεφόμενες βούρτσες με τα χέρια, τα πόδια, τα μαλλιά ή τα ρούχα σας.

Χρησιμοποιείτε μόνο τον αυθεντικό φορτιστή που παρέχεται με τη συσκευή. Ελέγξτε ότι η τάση τροφοδοσίας είναι η ίδια με αυτή που αναγράφεται στο φορτιστή.

Η συσκευή Hoover διατίθεται με φορτιστή μπαταρίας με διπλή μόνωση, ο οποίος είναι κατάλληλος μόνον για πρίζες με τάση 230 V (240 V - Ηνωμένο Βασίλειο).

Βάλτε τον φορτιστή σε κατάλληλη πρίζα και συνδέστε το βύσμα του φορτιστή στη συσκευή.

Μην αγγίζετε ποτέ το φορτιστή με βρεγμένα χέρια.

Απενεργοποιήστε τη συσκευή πριν τη φόρτιση.

Η LED λυχνία της μπαταρίας θα ανάψει με ΚΟΚΚΙΝΟ χρώμα κατά τη διάρκεια της φόρτισης και θα γίνει ΛΕΥΚΟ όταν φορτιστεί πλήρως.

Μετά τη χρήση, βάλτε τη συσκευή στον φορτιστή για την επαναφόρτιση της μπαταρίας.

Μη φορτίζετε ποτέ τις μπαταρίες σε θερμοκρασία μεγαλύτερη από 37°C ή μικρότερη από 0°C.

Κατά την διάρκεια της φόρτισης ο φορτιστής θερμαίνεται.

Μην αποσυνδέετε το φορτιστή τραβώντας το καλώδιο.

Σε περίπτωση μακράς απουσίας (διακοπές, κλπ) αποσυνδέστε τον φορτιστή από την παροχή. Σε μακροχρόνιες περιόδους αποθήκευσης της συσκευής, επαναφορτίστε την συσκευή πριν την χρησιμοποιήσετε, καθώς οι μπαταρίες μπορεί να έχουν αδειάσει.

Εάν η συσκευή πρόκειται να απορριφθεί, πρώτα πρέπει να αφαιρεθούν οι μπαταρίες. Η συσκευή πρέπει να αποσυνδεθεί από το ηλεκτρικό δίκτυο κατά την αφαίρεση των μπαταριών. Απορρίψτε τις μπαταρίες με ασφαλή τρόπο. Αφήστε τη συσκευή να λειτουργεί μέχρι να σταματήσει λόγω πλήρους αποφόρτισης των μπαταριών. Οι χρησιμοποιημένες μπαταρίες πρέπει να προσκομίζονται σε ένα σταθμό ανακύκλωσης και δεν πρέπει να απορρίπτονται με τα οικιακά απορρίμματα. Για να αφαιρέσετε τις μπαταρίες, επικοινωνήστε με το κέντρο εξυπηρέτησης πελατών της Hoover ή ακολουθήστε τις παρακάτω οδηγίες.

ΕΠΙΣΗΜΑΝΣΗ : Αδειάστε πλήρως τις μπαταρίες πριν τις αφαιρέσετε.

Λειτουργείστε τη σκούπα μέχρι να αδειάσουν πλήρως οι μπαταρίες.

Βγάλτε το βύσμα του φορτιστή από τη συσκευή.

Πατήστε το κουμπί απελευθέρωσης της μπαταρίας για αφαίρεση.

ΣΗΜΕΙΩΣΗ: Εάν συναντήσετε δυσκολίες κατά την αποσυναρμολόγηση της μονάδας ή για περισσότερες πληροφορίες σχετικά με την επεξεργασία, την ανάκτηση ή την ανακύκλωση αυτής της συσκευής, επικοινωνήστε με την αρμόδια δημοτική αρχή ή την υπηρεσία απόρριψης οικιακών απορριμμάτων της περιοχής σας.

Χρησιμοποιείτε μόνο αξεσουάρ, αναλώσιμα ή ανταλλακτικά που συνιστώνται ή παρέχονται από τη Hoover.

Στατικός ηλεκτρισμός: Ορισμένα χαλιά μπορεί να προκαλέσουν μικρή συσσώρευση στατικού ηλεκτρισμού. Τυχόν στατικές εκκενώσεις δεν είναι επικίνδυνες για την υγεία.

Μην χρησιμοποιείτε τη συσκευή σας σε εξωτερικούς χώρους , σε υγρή επιφάνεια ή για τη συλλογή υγρών.

Μην συλλέγετε με τη συσκευή σκληρά ή αιχμηρά αντικείμενα, καυτή στάχτη, αποτσίγαρα ή άλλα παρόμοια αντικείμενα. Μην ψεκάζετε ή συλλέγετε εύφλεκτα υγρά, υγρά καθαρισμού, αερολύματα ή τους ατμούς τους.

Ενόσω χρησιμοποιείτε τη συσκευή δεν πρέπει να πατάτε επάνω στο καλώδιο ,μην τραβάτε το καλώδιο για να αποσυνδέσετε τη συσκευή από την παροχή. Μη συνεχίσετε να χρησιμοποιείτε τη συσκευή ή το φορτιστή αν παρουσιάζουν βλάβη.

Service Hoover: Για τις εργασίες συντήρησης ή αποκατάστασης κακής λειτουργίας ή βλάβης πρέπει να απευθύνεστε αποκλειστικά στα κέντρα τεχνικής υποστήριξης Hoover, έτσι εξασφαλίζετε την ασφαλή και αποτελεσματική λειτουργία της συσκευής

Μην χρησιμοποιείτε τη συσκευή για να καθαρίζετε ζώα ή άτομα. Μην αντικαθιστάτε τις μπαταρίες με μη επαναφορτιζόμενες μπαταρίες.

Περιβάλλον:

Αυτή η συσκευή φέρει σήμανση σύμφωνα με την υπ' αριθμ 2011/65/EK, οδηγία για Απόβλητα Ηλεκτρικού και Ηλεκτρονικού Εξοπλισμού (WEEE). Η σωστή απόσυρση της συσκευής συμβάλλει στην αποφυγή αρνητικών επιπτώσεων για το περιβάλλον και τον άνθρωπο που μπορεί να προκληθούν από την λανθασμένη διαχείριση στην διαδικασία απόσυρσης της συσκευής. Η σήμανση του προϊόντος επισημαίνει ότι το συγκεκριμένο προϊόν δεν πρέπει να απορρίπτεται μαζί με τα οικιακά απορρίμματα. Η συσκευή αυτή πρέπει να αποσύρεται στα ειδικά σημεία συγκέντρωσης για ανακύκλωση ηλεκτρικού και ηλεκτρονικού εξοπλισμού. Η απόρριψη της συσκευής πρέπει να γίνει σύμφωνα με την ισχύουσα κατά τόπο νομοθεσία για την απόρριψη ηλεκτρονικών και ηλεκτρικών αποβλήτων. Για περισσότερες πληροφορίες σχετικά με τη διαχείριση, την ανάκτηση και την ανακύκλωση του προϊόντος, επικοινωνήστε με την αρμόδια τοπική υπηρεσία, την υπηρεσία αποκομιδής οικιακών απορριμμάτων ή το κατάστημα που το αγοράσατε.



Αυτή η συσκευή πληροί τις υπ' αριθμ.2014/35/EU, 2014/30/EU και 2011/65/EU Ευρωπαϊκές Οδηγίες .

CANDY HOOVER GROUP S.r.l. Via Privata Eden Fumagalli, 20861 Brugherio (MB) Italy

ΕΞΑΡΤΗΜΑΤΑ ΤΟΥ ΠΡΟΪΟΝΤΟΣ

- | | |
|--|--|
| A. Πλήκτρο λειτουργίας (On/Off) | W. Επιτοίχια Τοποθέτηση* |
| B. Πλήκτρο λειτουργίας Turbo | X. Βίδες επιτοίχιας τοποθέτησης* |
| C. Κουμπί σίγασης | Ya. Ολοκληρωμένο εργαλείο επίπλων 2 σε 1 |
| D. Δοχείο σκόνης | Yb. Ολοκληρωμένη βούρτσα ξεσκονίσματος 2 σε 1 |
| E. Κουμπί απασφάλισης πτερυγίου κάδου σκόνης | Z. Μίνι ακροφύσιο ισχύος* |
| F. Πλήκτρο Απασφάλισης Χειρολαβής | AA. Αναδευτήρας μίνι ακροφύσιου ισχύος |
| G. Κουμπί απελευθέρωσης αποθήκευσης | AB. Πτερύγιο απελευθέρωσης αναδευτήρα μίνι ακροφύσιου ισχύος |
| H. Σωλήνας | AC. Μακρύ εργαλείο σχισμών* |
| I. Πλήκτρο Απασφάλισης Ακροφυσίου | AD. Σακούλα αεσοούαρ* |
| J. Ακροφύσιο | AE. Εργαλείο καθαρισμού δοχείου σκόνης* |
| K. Εμπρός φώτα Led ακροφυσίου | AF. Πτερύγιο απελευθέρωσης κυλίνδρου Hydro Roller 360° |
| L. LED κατάστασης ράβδου βούρτσας* | AG. Κύλινδρος Hydro Roller 360° |
| M. Φίλτρο πριν το μοτέρ | AH. Καπάκι σφράγισης κυλίνδρου Hydro Roller 360° |
| N. Εντοπιστής στροβίλου μονού κυκλώνα | AI. Λεπίδα πίσω μάκτρο αφαιρούμενου ακροφυσίου |
| O. Μονός κυκλώνας | AJ. Πτερύγιο απελευθέρωσης κυλίνδρου Hydro Care |
| P. Φως LED κατάστασης συντήρησης | AK. Κύλινδρος Hybrid Care |
| Q. Φως LED κατάστασης μπαταρίας | AI. Εμπρός μάκτρο ακροφυσίου |
| R. Φως φόρτισης μπαταρίας | AM. Κουμπί στερέωσης εμπρός μάκτρο ακροφυσίου |
| S. Κουμπί απελευθέρωσης μπαταρίας | AN. Συμπυκνωμένο απορρυπαντικό καθαρισμού* |
| T. Συστοιχία Μπαταριών | AO. Δοχείο μουλιάσματος* |
| U. Στόμιο φόρτισης μπαταρίας | |
| V. Φορτιστής | |

ΠΡΟΕΤΟΙΜΑΣΙΑ ΤΗΣ ΣΚΟΥΠΑΣ

Βγάλτε προσεκτικά το προϊόν από τη συσκευασία

1. Σηκώστε το ακροφύσιο και τον σωλήνα επέκτασης, τοποθετήστε το ένα άκρο του σωλήνα στον λαιμό του ακροφυσίου μέχρι να ακούσετε να “κουμπώσει” στη θέση του. **[1a]**
2. Σηκώστε τη μονάδα χειρός και τοποθετήστε την στον σωλήνα μέχρι να την ακούσετε να “κουμπώσει” στη θέση της. **[1b]**
3. Στερεώστε την επιτοίχια βάση στον τοίχο με τις βίδες και τα ούπα που παρέχονται. **[2]**
4. Για να φορτίσετε πλήρως τη συσκευή, συνδέστε το βύσμα του φορτιστή στην μπαταρία. Αυτό διαρκεί περίπου 2.5 ώρες. **[10,11]**

ΣΗΜΕΙΩΣΗ: Για να αφαιρέσετε το ακροφύσιο, πατήστε το κουμπί απελευθέρωσης του ακροφυσίου και τραβήξτε το από τον σωλήνα

ΣΗΜΕΙΩΣΗ: Για να φορτίσετε τη συσκευή χρησιμοποιείτε αποκλειστικά το φορτιστή που διατίθεται με τη σκούπα σας. Κατά τη φόρτιση, ο φορτιστής θερμαίνεται .

* Μόνο ορισμένα μοντέλα

ΑΝΑΡΡΟΦΗΣΗ ΚΑΙ ΕΝΣΩΜΑΤΩΜΕΝΗ ΛΕΙΤΟΥΡΓΙΑ ΠΛΥΣΙΜΑΤΟΣ

ΕΠΙΣΗΜΑΝΣΗ : Η ενσωματωμένη λειτουργία πλυσίματος πρέπει να χρησιμοποιείται μόνο σε σκληρά δάπεδα και παρκέ.

Αυτή η σκούπα διαθέτει έναν κύλινδρο Hybrid Care στο μπροστινό μέρος του ακροφυσίου και έναν κύλινδρο Hydro roller 360° στο πίσω μέρος του ακροφυσίου ώστε να επιτρέπει το σκούπισμα με αναρρόφηση και το πλύσιμο σκληρών δαπέδων και παρκέ. **[3a]**

Πριν χρησιμοποιήσετε τη διπλή λειτουργία, είναι σημαντικό να βρέξετε πλήρως τον κύλινδρο Hydro roller 360°.

1. Αποσυνδέστε το περύγιο απελευθέρωσης του κυλίνδρου Hydro roller 360°. Βρίσκεται στο πλευρικό μέρος του ακροφυσίου. **[3b]**
2. Κρατήστε το περύγιο απελευθέρωσης του κυλίνδρου Hydro roller 360° και αφαιρέστε το.
3. Αφαιρέστε το καπάκι σφράγισης και χρησιμοποιώντας το καπάκι ως κύπελλο μέτρησης, γεμίστε με το παρεχόμενο συμπυκνωμένο απορρυπαντικό και ρίξτε το στον κύλινδρο Hydro roller 360°. **[3c, 3d]**
4. Γεμίστε τον κύλινδρο Hydro roller 360° με νερό χωρίς να τον γεμίσετε μέχρι πάνω. **[3e]**
5. Στη συνέχεια τοποθετήστε ξανά το καπάκι σφράγισης.
6. Τοποθετήστε τον κύλινδρο Hydro roller 360° στο δοχείο αρχικού βρεξίματος, ρίξτε νερό στο δοχείο χωρίς να γεμίσετε μέχρι πάνω. Κρατήστε τον κύλινδρο Hydro roller 360° μέσα στο δοχείο για περίπου 30 δευτερόλεπτα διασφαλίζοντας ότι βρέχεται παντού και βγάλτε τον. **[3f, 3g, 3h]**
7. Τοποθετήστε ξανά τον κύλινδρο Hydro roller 360° στο ακροφύσιο στην αρχική του θέση και κλείστε το περύγιο απελευθέρωσης στο ακροφύσιο. **[3i]**

ΕΠΙΣΗΜΑΝΣΗ : Μην χρησιμοποιείτε τον κύλινδρο Hydro roller 360° σε χαλιά όταν είναι βρεγμένος.

ΕΠΙΣΗΜΑΝΣΗ : Αυτή είναι μια σκούπα συνεχούς ρεύματος, μην σκουπίζετε νερό ή υγρά.

ΣΗΜΕΙΩΣΗ: Μπορείτε να χρησιμοποιήσετε εναλλακτικά απαλά απορρυπαντικά καθαρισμού, αλλά να μην χρησιμοποιείτε απολυμαντικό.

ΣΗΜΕΙΩΣΗ: Συνιστάται να ξαναγεμίσετε τη δεξαμενή και να βεβαιωθείτε ότι ο κύλινδρος Hydro roller 360° είναι εντελώς υγρός αφού καλύψετε μια περιοχή περίπου 40m² για βέλτιστο καθαρισμό των επιφανειών.

ΣΗΜΕΙΩΣΗ: Όταν πρέπει να ξαναγεμίσετε τη δεξαμενή νερού και ο κύλινδρος Hydro roller 360° είναι ήδη βρώμικος, συνιστάται να τον πλύνετε σε χλιαρό νερό με ένα απαλό απορρυπαντικό πιέζοντάς τον.

ΕΠΙΣΗΜΑΝΣΗ : Συνιστάται να πλένετε τον κύλινδρο Hydro roller 360° μετά από κάθε χρήση και να στεγνώνετε σε όρθια θέση για τουλάχιστον 24 ώρες. **[4]**

ΕΠΙΣΗΜΑΝΣΗ : Μην αφήνετε τον υγρό κύλινδρο Hydro roller 360° στο ακροφύσιο.

ΛΕΙΤΟΥΡΓΙΑ ΑΝΑΡΡΟΦΗΣΗΣ

ΕΠΙΣΗΜΑΝΣΗ : Η λειτουργία αναρρόφησης πρέπει να χρησιμοποιείται μόνο όταν ο κύλινδρος Hydro roller είναι εντελώς στεγνός.

Αυτή η σκούπα διαθέτει έναν κύλινδρο Hybrid Care στην μπροστινή πλευρά του ακροφυσίου και επιτρέπει τη συλλογή σκόνης και υπολειμμάτων από σκληρά δάπεδα, παρκέ και χαλιά. **[4f]**

Πριν χρησιμοποιήσετε το προϊόν σε χαλί, αφαιρέστε τον κύλινδρο Hydro roller 360° από το ακροφύσιο, αδειάστε το περιεχόμενο και αφήστε τον να στεγνώσει για 24 ώρες πριν τον τοποθετήσετε ξανά. **[4a, 4b, 4c, 4d, 4e]**

Εναλλακτικά, εάν δεν θέλετε να περιμένετε, απλώς αφαιρέστε τον υγρό κύλινδρο Hydro roller 360° και σκουπίστε το χαλί σας. **[4a]**

ΟΔΗΓΙΕΣ ΧΡΗΣΕΩΣ

ΔΙΕΠΑΦΗ ΧΡΗΣΤΗ

Υπάρχουν 4 τρόποι λειτουργίας:

- **ΚΑΝΟΝΙΚΟΣ ΤΡΟΠΟΣ:** Όταν πατάτε το κουμπί ON-OFF, η σκούπα είναι έτοιμη για καθαρισμό με το κύριο μηχανοκίνητο ακροφύσιο. **[6a]**
- **ΤΡΟΠΟΣ ΛΕΙΤΟΥΡΓΙΑΣ TURBO:** Πατήστε το κουμπί Turbo για πλήρη ισχύ σε απαιτητικές εργασίες καθαρισμού. **[6b]**
- **Ήσυχη λειτουργία** Πατήστε το κουμπί σίγασης για να καθαρίσετε σε βάθος με τη χαμηλότερη στάθμη θορύβου. **[6c]**
- **ΤΡΟΠΟΣ ΛΕΙΤΟΥΡΓΙΑΣ ΑΥΤΟ:** Όταν αφαιρέτε το ακροφύσιο ή τον σωλήνα, το προϊόν προσαρμόζεται αυτόματα σε χαμηλότερη ισχύ για τον καθαρισμό πάνω από το δάπεδο, χωρίς μηχανοκίνητα εργαλεία.

ΣΗΜΕΙΩΣΗ: Όταν είστε σε αυτήν την λειτουργία, αν χρειάζεστε μεγαλύτερη ισχύ, πατήστε το κουμπί TURBO: μια φορά για επιπλέον ισχύ ή δυο φορές για πλήρη ισχύ. Αν θέλετε να επιστρέψετε στην ΑΥΤΟΜΑΤΗ ΛΕΙΤΟΥΡΓΙΑ, πατήστε το κουμπί σίγασης.

ΚΑΤΑΣΤΑΣΗ ΡΑΒΔΟΥ ΒΟΥΡΤΣΑΣ

Η λυχνία LED της ράβδου βούρτσας στο ακροφύσιο θα παραμείνει φωτεινό λευκό κατά τη διάρκεια όλων των λειτουργιών καθαρισμού δαπέδου και θα γίνει κόκκινη εάν ενεργοποιηθεί το σύστημα προστασίας ασφαλείας. **[17]**

* Μόνο ορισμένα μοντέλα

ΣΤΕΡΕΩΣΗ ΛΕΠΙΔΑΣ ΕΜΠΡΟΣ ΜΑΚΤΡΟΥ

Για να πετύχετε την καλύτερη απόδοση σε σχισμές και χαλιά, συνιστάται να στερεώσετε τις λεπίδες του εμπρός μάκτρου κάθετα και να μην περιστρέφονται προς τα εμπρός και προς τα πίσω κατά τη χρήση.

1. Αποσυνδέστε το περύνιο απελευθέρωσης του κυλίνδρου Hybrid Care και αφαιρέστε το. **[5a]**
2. Πιέστε προς τα κάτω το κουμπί στερέωσης του μάκτρου μπροστινού ακροφυσίου. **[5b]**
3. Βάλτε ξανά τον κύλινδρο Hybrid Care στη θέση του. **[5c]**

ΟΔΗΓΙΕΣ ΑΠΟΘΗΚΕΥΣΗΣ

Μετά τη χρήση, η σκούπα σας μπορεί να αποθηκευθεί με 2 εύκολους τρόπους.

1. ΕΠΙΤΟΙΧΙΑ ΑΠΟΘΗΚΕΥΣΗ

Το προϊόν παρέχεται με επιτοίχια βάση για εύκολη αποθήκευση. Χρησιμοποιώντας τις βίδες που παρέχονται, στερεώστε τη βάση τοίχου στον τοίχο σας. Μετά τη χρήση του προϊόντος, απλά τοποθετήστε τη σκούπα σας στη θέση της. **[2]**

2. ΣΥΜΠΑΓΗΣ ΑΠΟΘΗΚΕΥΣΗ/ΛΕΙΤΟΥΡΓΙΑ ΣΤΑΘΜΕΥΣΗΣ

Για να αποθηκεύσετε το προϊόν στο σωλήνα, αφαιρέστε τη μονάδα χειρός πατώντας το κουμπί απελευθέρωσης μονάδας χειρός. **[8]** Βεβαιωθείτε ότι το ενσωματωμένο εργαλείο 2 σε 1 επιστρέφει στην αρχική του θέση όπως παρέχεται, εξασφαλίζοντας ότι το εργαλείο βρίσκεται καλά στη θέση του με τη βούρτσα ξεσκονίσματος και το άγκιστρο τοποθέτησης στην θέση προς τα κάτω. Συναρμολογήστε το άγκιστρο τοποθέτησης στην κάτω υποδοχή του σωλήνα και σπρώξτε την πίσω λαβή τέρμα στο εσωτερικό του μηχανισμού ασφάλισης που βρίσκεται στο επάνω μέρος του σωλήνα. **[9]**

ΣΥΣΤΗΜΑ ΑΣΦΑΛΕΙΑΣ ΓΙΑ ΠΡΟΣΤΑΣΙΑ

Για να διασφαλιστεί ότι η αξιοπιστία του προϊόντος δεν επηρεάζεται εάν χρησιμοποιείται υπό δύσκολες συνθήκες, το προϊόν διαθέτει δύο ολοκληρωμένα συστήματα προστασίας ασφάλειας. Ένα στην σκούπα και ένα στο ακροφύσιο.

ΣΗΜΕΙΩΣΗ: Το σύστημα προστασίας ασφάλειας θα δράσει σε δύο περιπτώσεις:

1. Αν υπάρχουν εμπόδια στην είσοδο αέρα ή στον σωλήνα, η σκούπα θα προστατευθεί και θα σβήσει και η λυχνία LED στην κεντρική μονάδα θα γίνει κόκκινη. Εάν συμβεί αυτό, ελέγξτε αν υπάρχουν εμπόδια στον σωλήνα ή στην είσοδο αέρα της μονάδας χειρός. Αφαιρέστε τα και ενεργοποιήστε ξανά την σκούπα.
2. εάν ο αναδευτήρας έχει μπλοκαριστεί ή είναι κλειδωμένος θα σταματήσει να περιστρέφεται και το ΛΕΥΚΟ LED στο ακροφύσιο θα αλλάξει σε ΚΟΚΚΙΝΟ. **[17]** Αν συμβεί αυτό, απλώς σβήστε την συσκευή και αφαιρέστε το εμπόδιο από τον αναδευτήρα. Για να συνεχίσετε το καθάρισμα, πατήστε το κουμπί on/off και η συσκευή θα τεθεί σε λειτουργία.

ΜΠΑΤΑΡΙΑ

Αυτή η σκούπα είναι εφοδιασμένη με ένδειξη LED κατάστασης μπαταρίας. Όταν το προϊόν είναι στο ON, το φως LED ανάβει σε δυο χρώματα υποδεικνύοντας το επίπεδο της μπαταρίας:

ΜΠΑΤΑΡΙΑ LEVEL:

- Άσπρο χρώμα: 100% - 10% φόρτιση
- Κόκκινο που αναβοσβήνει: <10% φόρτιση
- Υπάρχουν 2 μέθοδοι φόρτισης:

Φορτίστε τη μπαταρία όταν είναι τοποθετημένη στο προϊόν.

Τοποθετήστε το βύσμα του φορτιστή μπαταρίας στη μπαταρία. Η ένδειξη κατάστασης LED θα ανάψει με ΚΟΚΚΙΝΟ χρώμα κατά τη φόρτιση. Όταν ολοκληρωθεί η φόρτιση, η ενδεικτική λυχνία LED θα ανάψει ΛΕΥΚΟ για 1 λεπτό και στη συνέχεια θα σβήσει. **[10]**

Φορτίστε τη μπαταρία όταν την βγάλετε από το προϊόν.

Βγάλτε την μπαταρία από το προϊόν πατώντας το κουμπί απελευθέρωσης της μπαταρίας.

Τοποθετήστε το βύσμα του φορτιστή μπαταρίας στη μπαταρία. Το ενδεικτικό LED μπαταρίας θα ανάψει με ΚΟΚΚΙΝΟ χρώμα κατά τη φόρτιση. Όταν η φόρτιση ολοκληρωθεί, το LED θα ανάψει ΛΕΥΚΟ. **[11]**

ΣΗΜΕΙΩΣΗ: Κατά τη φόρτιση, ο φορτιστής θερμαίνεται. Χρησιμοποιείτε μόνο τον φορτιστή που συνοδεύει τη συσκευή σας.

ΕΞΑΡΤΗΜΑΤΑ

ΕΡΓΑΛΕΙΟ ΣΧΙΣΜΩΝ ΕΝΣΩΜΑΤΩΜΕΝΟ ΣΤΗ ΜΟΝΑΔΑ ΧΕΙΡΟΣ, ΕΡΓΑΛΕΙΟ ΣΧΙΣΜΩΝ ΕΝΣΩΜΑΤΩΜΕΝΟ ΣΤΟΝ ΣΩΛΗΝΑ, ΕΡΓΑΛΕΙΟ ΕΠΙΠΛΩΝ & ΒΟΥΡΤΣΑ ΞΕΣΚΟΝΙΣΜΑΤΟΣ 2ΣΕΙ1, ΜΑΚΡΎ ΕΡΓΑΛΕΙΟ ΣΧΙΣΜΩΝ*, ΜΙΝΙ ΑΚΡΟΦΥΣΙΟ ΙΣΧΥΟΣ* ΚΑΙ ΕΡΓΑΛΕΙΟ ΚΑΘΑΡΙΣΜΟΥ ΔΟΧΕΙΟΥ ΣΚΟΝΗΣ*.

Ενσωματωμένα εργαλεία γωνιών - Ιδανικό για την πρόσβαση σε στενούς χώρους.

Ενσωματωμένη βούρτσα ξεσκονίσματος - Ιδανικά για τον καθαρισμό επιφανειών χωρίς ζημιές ή γρατζουνιές.

Ενσωματωμένο εργαλείο επίπλων - Ιδανικά για τον καθαρισμό επιφανειών, όπως καναπέδες.

Mini power nozzle* - Ιδανικό για βαθύ καθαρισμό υφασμάτινων επιφανειών (π.χ. καναπέδες) και για να απομακρύνετε τις τρίχες των κατοικίδιων. Η γωνία λειτουργίας μπορεί να προσαρμοστεί όταν την μετακινείτε εμπρός και πίσω.

ΣΗΜΕΙΩΣΗ: Μετά την χρήση περιστρέψτε το περύγιο απελευθέρωσης αναδευτήρα αριστερόστροφα με ένα νόμισμα, και αφαιρέστε τρίχες/κλωστές που μαζέψε η βούρτσα. [21]

Μακρύ εργαλείο σχισμών* - Ιδανικό για στενά και δύσκολα σημεία.

Όλα τα αξεσουάρ εκτός από το εργαλείο καθαρισμού του δοχείου σκόνης μπορούν να προσαρμοστούν στο κυρίως σώμα και στον σωλήνα. [7]

Εργαλείο καθαρισμού δοχείου σκόνης* - Ιδανικό για την αφαίρεση σκόνης, υπολειμμάτων και τριχών από το δοχείο σκόνης. [12]

Τσάντα Αξεσουάρ*

Πρόσθετα αξεσουάρ μπορείτε να τα αποθηκεύσετε στη τσάντα αξεσουάρ.

Επιτοίχια Τοποθέτηση*

Αν χρειαστεί, στερεώστε την επιτοίχια βάση στον τοίχο, με τις δυο βίδες και τα βύσματα που παρέχονται. [2]

ΣΥΝΤΗΡΗΣΗ ΚΑΙ ΚΑΘΑΡΙΣΜΟΣ

Άδειασμα του δοχείου σκόνης

1. Πατήστε το κουμπί απελευθέρωσης του κυρίως σώματος και αφαιρέστε τον σωλήνα. [8]
2. Πατήστε το κουμπί για το άδειασμα δοχείου σκόνης για να απελευθερώσετε το περύγιο κάδου και να αδειάσετε τα περιεχόμενα. [12a]
3. Κλείστε το περύγιο δοχείου σκόνης, θα ακούσετε ένα κλικ όταν κλειδώσει καλά.

ΣΗΜΕΙΩΣΗ: Συνιστάται να αδειάζετε το δοχείο σκόνης μετά από κάθε χρήση ή όταν η σκόνη είναι μέχρι τη γραμμή μέγιστης πλήρωσης.

Γρήγορος καθημερινός καθαρισμός του δοχείου σκόνης

Ανοίξτε απλώς το καπάκι του δοχείου σκόνης και αφαιρέστε τη σκόνη με τη βοήθεια του εργαλείου καθαρισμού του δοχείου σκόνης.

1. Χρησιμοποιήστε το άκρο με το άγκιστρο για να βγάλετε τη σκόνη που μαζεύεται στο δοχείο σκόνης. [12b]
2. Χρησιμοποιήστε το άκρο με τη βούρτσα για να καθαρίσετε την ψιλή σκόνη που κολλάει γύρω από το φίλτρο μεταλλικού πλέγματος [12c]

Καθαρίστε το δοχείο σκόνης και το φίλτρο

Υπενθύμιση συντήρησης προ-φίλτρου. Αν το προφίλτρο χρειάζεται συντήρηση, το φως LED στη σκούπα αρχίζει να αναβοσβήνει με κόκκινο χρώμα.

1. Πατήστε το κουμπί απελευθέρωσης της μονάδας χειρός και αφαιρέστε τη μονάδα από τον σωλήνα. [8]
2. Πατήστε το κουμπί απελευθέρωσης της μπαταρίας και αφαιρέστε την μπαταρία. [11]
3. Αφαιρέστε το σύστημα κάδου σκόνης περιστρέφοντας το δεξιόστροφα και τραβώντας το από τη μονάδα. [13]
4. Αφαιρέστε το φίλτρο πριν τον κινητήρα τραβώντας το στήριγμα από το σώμα του κάδου. [14a]
5. Βγάλετε το μονό σύστημα κυκλώνα, τραβώντας τον μεταλλικό δακτύλιο από το σώμα του κάδου.
6. Αφαιρέστε τον εντοπιστή στροβίλου περιστρέφοντας δεξιόστροφα και τραβώντας το από το σύστημα κυκλώνα. [14b]
7. Πλύνετε το φίλτρο και το σύστημα κυκλώνα σε χλιαρό νερό και αφήστε το να στεγνώσει για 24 ώρες. [15,16]
8. Συναρμολογήστε και πάλι όταν στεγνώσει εντελώς και βάλτε το ξανά στο προϊόν.

ΣΗΜΕΙΩΣΗ: Μην χρησιμοποιείτε ζεστό νερό ή απορρυπαντικά κατά τον καθαρισμό του φίλτρου πριν τον κινητήρα. Στην απίθανη περίπτωση που το φίλτρο προ του κινητήρα καταστραφεί, τοποθετήστε γνήσιο ανταλλακτικό Hoover. Βεβαιωθείτε ότι έχετε τοποθετήσει ξανά το φίλτρο πριν από τη συναρμολόγηση του δοχείου σκόνης στο κύριο σώμα της σκούπας, καθώς θα ενεργοποιηθεί ο μηχανισμός προστασίας φίλτρου.

ΕΠΙΣΗΜΑΝΣΗ : Για μέγιστη απόδοση, φροντίστε το φίλτρο σας να είναι πάντα καθαρό. Συνιστούμε να καθαρίζετε το φίλτρο μια φορά το μήνα.

ΣΥΝΤΗΡΗΣΗ ΑΚΡΟΦΥΣΙΟΥ

Καθαρισμός του κυλίνδρου Hydro roller 360°, του κυλίνδρου Hybrid Care, της λεπίδας πίσω μάκτρου και της λεπίδας εμπρός μάκτρου

ΕΠΙΣΗΜΑΝΣΗ : Σβήνετε πάντα την σκούπα πριν καθαρίσετε τον κύλινδρο Hydro roller 360°, τον κύλινδρο Hybrid Care, την λεπίδα πίσω μάκτρου και την λεπίδα εμπρός μάκτρου.

Καθαρισμός του κυλίνδρου Hydro roller 360°:

1. Αφαιρέστε το ακροφύσιο από τον σωλήνα. [18]

* Μόνο ορισμένα μοντέλα

2. Αποσυνδέστε το πτερύγιο απελευθέρωσης του κυλίνδρου Hydro roller 360°. Βρίσκεται στο πλευρικό μέρος του ακροφυσίου. **[4a]**
3. Αφαιρέστε το καπάκι σφράγισης και βεβαιωθείτε ότι η δεξαμενή νερού είναι άδεια. **[4b, 4c]**
4. Πλύνετε τον κύλινδρο Hydro roller 360° και το καπάκι σφράγισης σε χλιαρό νερό με ένα απαλό απορρυπαντικό στύβοντας το ή πλύνετε το στο πλυντήριο σε απαλό κύκλο χωρίς το πτερύγιο απελευθέρωσης του κυλίνδρου Hydro Roller 360°. **[4d]**
5. Αφήστε το να στεγνώσει σε όρθια θέση για τουλάχιστον 24 ώρες. **[4e]**
6. Τοποθετήστε ξανά τον κύλινδρο Hydro roller 360° στο ακροφύσιο στην αρχική του θέση.
7. Κλείστε το πτερύγιο απελευθέρωσης του κυλίνδρου Hydro roller 360° στο ακροφύσιο.

ΕΠΙΣΗΜΑΝΣΗ : Συνιστάται να πλένετε τον κύλινδρο Hydro roller 360° μετά από κάθε χρήση και να τον αφήνετε να στεγνώσει σε όρθια θέση για τουλάχιστον 24 ώρες.

ΕΠΙΣΗΜΑΝΣΗ : Μην αφήνετε τον υγρό κύλινδρο Hydro roller 360° στο ακροφύσιο

ΕΠΙΣΗΜΑΝΣΗ : Η λειτουργία αναρρόφησης σε χαλιά πρέπει να χρησιμοποιείται μόνο όταν ο κύλινδρος Hydro roller είναι εντελώς στεγνός.

ΣΗΜΕΙΩΣΗ : Εάν προτιμάτε να τον πλύνετε στο πλυντήριο, συνιστάται να χρησιμοποιήσετε έναν απαλό κύκλο κάτω από 40° και να αφαιρέσετε το πτερύγιο απελευθέρωσης του κυλίνδρου Hydro roller 360°. **[20d]**

Καθαρισμός του κυλίνδρου Hybrid Care:

1. Αφαιρέστε το ακροφύσιο από τον σωλήνα. **[18]**
2. Αποσυνδέστε το πτερύγιο του κυλίνδρου απελευθέρωσης Hybrid Care Βρίσκεται στο πλευρικό μέρος του ακροφυσίου. **[19]**
3. Κρατήστε το πτερύγιο απελευθέρωσης του κυλίνδρου Hybrid Care και βγάλτε το από το ακροφύσιο.
4. Για να καθαρίσετε τον κύλινδρο Hybrid Care, αφαιρέστε τα πολλά υπολείμματα χρησιμοποιώντας ψαλίδι. **[19]**
5. Τοποθετήστε ξανά τον κύλινδρο Hybrid Care. Η τοποθέτηση του γίνεται μόνο προς μια κατεύθυνση. **[19]**
6. Κλείστε το πτερύγιο απελευθέρωσης του κυλίνδρου Hybrid Care στο ακροφύσιο.

Καθαρισμός της λεπίδας πίσω μάκτρου:

1. Αφαιρέστε το ακροφύσιο από τον σωλήνα. **[18]**
2. Σπρώξτε το πτερύγιο απελευθέρωσης της τελικής πλευράς και αφαιρέστε την λεπίδα πίσω μάκτρου. **[20]**
3. Μπορείτε να καθαρίσετε την λεπίδα πίσω μάκτρου, με βρεγμένο πανί.
4. Βάλτε ξανά τη λεπίδα πίσω μάκτρου στη θέση της.

Καθαρισμός λεπίδας εμπρός μάκτρου:

1. Αφαιρέστε το ακροφύσιο από τον σωλήνα. **[18]**
2. Βγάλτε την λεπίδα του εμπρός μάκτρου από την υποδοχή. **[20]**
3. Για να καθαρίσετε την λεπίδα του εμπρός μάκτρου, μπορείτε να την καθαρίσετε με βρεγμένο πανί.
3. Βάλτε ξανά τη λεπίδα εμπρός μάκτρου στη θέση της.

Αντικατάσταση μπαταριών

Αυτή η σκούπα είναι εφοδιασμένη με επαναφορτιζόμενη μπαταρία ιόντων λιθίου, η οποία αντικαθίσταται.

ΠΡΟΣΟΧΗ : Χρησιμοποιείτε μόνο εγκεκριμένα ανταλλακτικά για τη σκούπα σας. Η χρήση μη γνήσιων αμταλλακτικών Hoover είναι επικίνδυνη και θα ακυρώσει την εγγύησή της συσκευής

ΠΡΟΣΟΧΗ : Μην ανοίξετε τη συστοιχία μπαταριών για να την επισκευάσετε μόνοι σας.

1. Πατήστε το κουμπί απελευθέρωσης μπαταρίας και τραβήξτε έξω την μπαταρία. **[11]**
2. Αφαιρέστε την παλιά συστοιχία μπαταριών και αντικαταστήστε την με καινούρια.
3. Απορρίψτε τις μπαταρίες με ασφαλή τρόπο. Οι χρησιμοποιημένες μπαταρίες πρέπει να προσκομίζονται σε ένα σταθμό ανακύκλωσης και δεν πρέπει να απορρίπτονται με τα οικιακά απορρίμματα.

ΑΝΤΙΜΕΤΩΠΙΣΗ ΠΡΟΒΛΗΜΑΤΩΝ

Εάν αντιμετωπίσετε οποιοδήποτε πρόβλημα με τη σκούπα σας, πριν καλέσετε το Κέντρο Τεχνικής Υποστήριξης Hoover ακολουθείστε τις οδηγίες που αναγράφονται στον πίνακα :

A. Η σκούπα δεν τίθεται σε λειτουργία

Ελέγξτε αν η σκούπα είναι φορτισμένη

Ελέγξτε αν η μπαταρία έχει τοποθετηθεί στη θέση της.

B. Η σκούπα σταμάτησε να λειτουργεί

Ελέγξτε εάν υπάρχει εμπόδιο στην είσοδο αέρα ή στον σωλήνα, καθαρίστε το και βεβαιωθείτε ότι το προϊόν είναι απενεργοποιημένο. Μόλις γίνει αυτό, απλά πατήστε το κουμπί on/off, το προϊόν θα αρχίσει να λειτουργεί ξανά.

C. Απώλεια απορρόφησης ή καθόλου απορρόφηση.

Αδειάστε το κύπελο σκόνης και πλύνετε το φίλτρο πριν το κινητήρα και τον διαχωριστή.

Αφαιρέστε το ακροφύσιο και ελέγξτε για τυχόν εμπόδια στον αγωγό.

D. Οι μπαταρίες δεν φορτίζονται

Αυτό μπορεί να συμβεί εάν η συσκευή έχει να χρησιμοποιηθεί για μεγάλο διάστημα (πάνω από εξάμηνο). Επικοινωνήστε με το Κέντρο Τεχνικής Υποστήριξης Hoover για να φροντίσετε για την αντικατάσταση των μπαταριών. Εάν το πρόβλημα παραμένει επικοινωνήστε με το Κέντρο Τεχνικής Υποστήριξης Hoover.

E. Τα δάπεδα δεν στεγνώνουν ομοιόμορφα.

Ελέγξτε ότι ο κύλινδρος Hydro roller 360° είναι εντελώς υγρός και προσθέστε μια μεζούρα απορρυπαντικού.

F. Το ακροφύσιο μυρίζει άσχημα.

Απλά πλύνετε τον κύλινδρο Hydro roller 360° και αφήστε τον να στεγνώσει σε όρθια θέση για 24 ώρες.

G. Η δύναμη ώθησης στα χαλιά είναι υψηλή.

Ελέγξτε ότι ο κύλινδρος Hydro roller 360° είναι εντελώς στεγνός. Εάν το χαλί σας έχει πολύ μεγάλο πέλος, απλώς αφαιρέστε τον κύλινδρο Hydro roller 360° και σκουπίστε κανονικά το χαλί σας.

ΑΝΤΑΛΛΑΚΤΙΚΑ ΚΑΙ ΑΝΑΛΩΣΙΜΑ HOOVER

Όταν παραστεί η ανάγκη χρησιμοποιείτε αποκλειστικά γνήσια ανταλλακτικά Hoover . Τα ανταλλακτικά Hoover διατίθενται από τον τοπικό αντιπρόσωπο Hoover ή απευθείας από τη Hoover. Κατά την παραγγελία εξαρτημάτων να αναφέρετε πάντα τον αριθμό μοντέλου.

Η ΕΓΓΥΗΣΗ ΣΑΣ

Οι όροι ισχύος της εγγύησης της συσκευής καθορίζονται από τον αντιπρόσωπο της χώρας στην οποία έχει πραγματοποιηθεί η πώληση. Περισσότερες πληροφορίες σχετικά με τους όρους εγγύησης μπορείτε να ζητήσετε από τον αντιπρόσωπο που αγοράσατε τη συσκευή. Η προσκόμιση του τιμολογίου ή της απόδειξης αγοράς είναι βασική προϋπόθεση για την ισχύ της εγγύησης.

ΕΠΙΣΗΜΑΝΣΗ : Η μπαταρία σε αυτή τη σκούπα διαθέτει εγγύηση 2 ετών από την ημερομηνία αγοράς. Μετά τα 2 έτη το κόστος της νέας μπαταρίας βαρύνει τον πελάτη.

Ο κατασκευαστής διατηρεί το δικαίωμα να επιφέρει αλλαγές χωρίς προγενέστερη ενημέρωση.

ИНСТРУКЦИИ ПО БЕЗОПАСНОМУ ИСПОЛЬЗОВАНИЮ

Данный прибор предназначен только для домашнего использования в соответствии с описанием, приведенным в настоящем Руководстве пользователя. Использование этого устройства в условиях, отличных от домашних, или с функциями, отличными от обычных функций домашнего хозяйства, такое как коммерческое использование исключено. Ненадлежащее использование устройства приводит к снижению срока его службы и прекращает действие гарантии производителя. Производитель не несет ответственности за повреждение устройства, убыток или потери, вызванные ненадлежащим использованием. Прежде чем приступить к эксплуатации данного бытового электроприбора, убедитесь в том, что вы понимаете настоящее руководство.

Перед очисткой или обслуживанием всегда вынимайте вилку из розетки.

Данный прибор не предназначен для использования лицами (включая детей) с пониженными физическими, психическими или умственными способностями или при отсутствии у них опыта или знаний, если они не находятся под контролем или не проинструктированы об использовании прибора лицом, отвечающим за их безопасность. Дети должны находиться под присмотром для недопущения игры с прибором. Все упаковочные материалы должны храниться в недоступном для детей месте (риск удушья).

Если провод питания поврежден, немедленно отключите прибор. Во избежание несчастных случаев замену провода должен осуществлять только специалист авторизованного сервисного центра производителя.

Не приближайте вращающиеся щетки к рукам, ногам, болтающейся одежде и волосам.

Пользуйтесь только оригинальным зарядным устройством, входящим в комплект поставки прибора.

Убедитесь, что напряжение источника питания соответствует параметрам зарядного устройства.

Это пылесос Hoover снабжен зарядным устройством с двойной изоляцией, которое подходит только для розетки 230В (240В в Великобритании).

Вставьте зарядное устройство в подходящую розетку и подсоедините разъем зарядного устройства к пылесосу.

Не касайтесь зарядного устройства мокрыми руками.

Выключите прибор перед зарядкой.

Светодиодный индикатор аккумуляторной батареи будет гореть красным во время зарядки и станет белым, когда батарея полностью зарядится.

После использования всегда устанавливайте прибор на зарядное устройство с целью подзарядки аккумуляторной батареи.

Запрещается зарядка аккумуляторной батареи при температуре выше 37 С или ниже 0 С.

Совершенно нормально, если во время зарядки коснуться зарядного устройства, то оно будет теплым.

Никогда не отключайте зарядное устройство, потянув за провод.

Отключите зарядное устройство в случае длительного отсутствия (отпуск и т.д.) Зарядите пылесос снова перед использованием, так как аккумуляторная батарея может саморазрядиться за период хранения.

При необходимости утилизации прибора выньте из него аккумуляторную батарею. Перед тем, как достать батарею, отключите прибор от электросети. Соблюдайте правила техники безопасности при утилизации аккумуляторной батареи. Используйте прибор до тех пор, пока батарея полностью не разрядится. Использованные аккумуляторные батареи необходимо сдавать в специальный пункт приема и не выбрасывать с обычными бытовыми отходами. Чтобы извлечь батарею, свяжитесь с авторизованным сервисным центром или следуйте приведенным далее инструкциям

ВНИМАНИЕ! Перед тем как извлечь батарею из пылесоса, она должна быть полностью разряжена, а зарядное устройство должен быть отключено от сети.

Для этого используйте пылесос до полной разрядки аккумуляторной батареи.

Выньте вилку зарядного устройства из прибора.

Нажмите на кнопку извлечения аккумуляторной батареи, чтобы вынуть ее.

ПРИМЕЧАНИЕ: В случае возникновения каких-либо сложностей или при необходимости получения более подробной информации об обслуживании, утилизации и переработке данного прибора, обратитесь в местные органы власти или в местную службу по утилизации бытовых отходов.

Используйте только рекомендуемые производителем насадки, расходные материалы или запасные части.

Статическое электричество: В процессе чистки ковров некоторых видов может образовываться статическое электричество. Разряд статического электричества не представляет опасности для здоровья.

Не применяйте прибор вне помещений, на влажных поверхностях или для сбора жидкостей.

Не используйте прибор для сбора острых предметов, спичек, горячего пепла, окурков или аналогичных предметов. Не распыляйте или не собирайте горючие жидкости, чистящие средства, аэрозоли или прочие пары.

Не перевозите пылесос через провод питания и не тяните за провод, вынимая вилку из розетки. Не используйте прибор или зарядное устройство, если они неисправны.

Сервисное обслуживание: Для обеспечения продолжительной, безопасной и эффективной работы данного бытового электроприбора любой вид ремонта рекомендуется производить только специалистом авторизованного сервисного центра производителя.

Не используйте прибор для очистки животных или людей.

Не используйте обычные непerezаряжаемые батареи вместо перезаряжаемых аккумуляторных батарей.

Окружающая среда:

Прибор маркируется согласно Европейской директиве 2011/65/EC по отходам электрического и электронного оборудования (WEEE). Соблюдая правила утилизации данного электроприбора, вы помогаете предотвратить возможные отрицательные последствия для окружающей среды и здоровья человека, которые могли бы иметь место при неправильной утилизации данного устройства. Символ на данном устройстве означает, что его нельзя утилизировать как бытовые отходы. Его необходимо доставить в соответствующий пункт утилизации электрического и электронного оборудования. Утилизация должна проводиться в соответствии с местными правилами по защите окружающей среды и утилизации отходов. Для получения более подробной информации по обращению и переработке данного устройства обратитесь к городским властям, в службу утилизации бытовых отходов или в магазин, в котором было куплено изделие.



Данный прибор отвечает требованиям Европейских Директив 2014/35/EU, 2014/30/EU и 2011/65/EU.

CANDY HOOVER GROUP S.r.l. Via Privata Eden Fumagalli, 20861 Brugherio (MB) Italy

ПОЗНАКОМЬТЕСЬ С КОНСТРУКЦИЕЙ ВАШЕГО ПЫЛЕСОСА

- | | |
|---|--|
| A. Кнопка Вкл./Выкл. | W. Настенное крепление* |
| B. Кнопка включения режима ТУРБО | X. Винт с дюбелем* |
| C. Кнопка включения режима ТИХИЙ | Ya. Встроенная насадка для мебели 2-в-1 |
| D. Контейнер для сбора пыли | Yb. Встроенная щетка для удаления пыли 2-в-1 |
| E. Кнопка открытия контейнера для сбора пыли | Z. Мини насадка* |
| F. Кнопка отсоединения основного устройства | AA. Вращающийся валик мини насадки |
| G. Кнопка перехода в режим хранения | AB. Защелка отсоединения вращающегося валика мини насадки |
| H. Труба | AC. Длинная щелевая насадка* |
| I. Кнопка отсоединения основной насадки | AD. Сумка для аксессуаров* |
| J. Основная насадка | AE. Щетка для очистки контейнера от пыли* |
| K. Светодиодная подсветка насадки | AF. Защелка отсоединения валика для влажной уборки 360° Hydro |
| L. Светодиодный индикатор состояния валика* | AG. Валик для влажной уборки 360° Hydro |
| M. Предмоторный фильтр | AH. Уплотнительная крышка валика для влажной уборки 360° Hydro |
| N. Вихревой уловитель циклонного сепаратора | AI. Съёмная задняя прорезиненная накладка насадки |
| O. Циклоническая система | AJ. Защелка отсоединения валика для комбинированной уборки |
| P. Светодиодный индикатор необходимости обслуживания пылесоса | AK. Валик для комбинированной уборки |
| Q. Светодиодный индикатор уровня заряда батареи | AL. Передняя прорезиненная накладка насадки |
| R. Световой индикатор процесса зарядки батареи | AM. Кнопка крепления передней прорезиненной накладки |
| S. Кнопка извлечения аккумуляторной батареи | AN. Концентрированное чистящее средство* |
| T. Аккумуляторная батарея | AO. Контейнер для предварительного смачивания* |
| U. Разъем зарядного устройства | |
| V. Зарядное устройство | |

* Только у некоторых моделей

ПОДГОТОВКА ПЫЛЕСОСА К РАБОТЕ

Извлеките прибор из упаковки.

1. Вставьте насадку в трубу до щелчка. [1a]
2. Вставьте другую сторону трубы в основной корпус. [1b]
3. Закрепите настенное крепление на стене с помощью винтов с дюбелями, поставляемых в комплекте. [2]
4. Полностью зарядите аккумуляторную батарею, подсоединив к ней зарядное устройство. Это может занять около 2,5 часов. [10,11]

ПРИМЕЧАНИЕ: Чтобы снять насадку, нажмите на кнопку отсоединения насадки и снимите ее с трубы.

ПРИМЕЧАНИЕ: Для зарядки используйте только зарядное устройство, поставляемое с пылесосом. Совершенно нормально, если во время зарядки коснуться зарядного устройства, то оно будет теплым.

КОМБИНИРОВАННАЯ ФУНКЦИЯ СУХОЙ И ВЛАЖНОЙ УБОРКИ

ВНИМАНИЕ! Влажную уборку можно проводить только на твердых напольных покрытиях и паркете.

Этот пылесос оснащен валиком для комбинированной уборки в передней части насадки и валиком для влажной уборки 360° Hydro в ее задней части, что позволяет пылесосить и одновременно мыть твердые полы и паркет. [3a]

Перед использованием пылесоса для влажной уборки важно полностью намочить валик 360° Hydro.

1. Снимите валик для влажной уборки 360° Hydro, отсоединив защелку. Она расположена в боковой части насадки. [3b]
2. Удерживая защелку, снимите валик 360° Hydro.
3. Снимите уплотнительную крышку и, пользуясь ею как мерным стаканом, залейте концентрированное чистящее средство в валик 360° Hydro. [3c, 3d]
4. Заполните валик 360° Hydro водой, не доливая до краев. [3e]
5. Затем верните на место уплотнительную крышку.
6. Вставьте валик 360° Hydro в контейнер предварительного смачивания, залейте в него воду, но не до краев. Подержите валик 360° Hydro в контейнере примерно 30 секунд, чтобы смочить все участки валика, и достаньте его. [3f, 3g, 3h]
7. Установите валик 360° Hydro в насадку обратно в исходное положение и закройте защелку. [3i]

ВНИМАНИЕ! Не используйте валик 360° Hydro для очистки ковров, если он мокрый.

ВНИМАНИЕ! Этот пылесос предназначен для сухой уборки – не используйте его для сбора воды или жидкостей.

ПРИМЕЧАНИЕ: Можно использовать другое мягкое чистящее средство, но нельзя использовать дезинфицирующее средство.

ПРИМЕЧАНИЕ: Для оптимальной уборки рекомендуется доливать воду и проверять, достаточно ли смочен валик для влажной уборки 360° Hydro после уборки каждые 40 м² пола.

ПРИМЕЧАНИЕ: Если вам нужно долить воду, а валик для влажной уборки 360° Hydro уже загрязнился, то рекомендуется промыть его в теплой воде с помощью мягкого чистящего средства, периодически отжимая.

ВНИМАНИЕ! Рекомендуется мыть валик для влажной уборки 360° Hydro после каждого использования и сушить его в вертикальном положении минимум 24 часа. [4]

ВНИМАНИЕ! Не оставляйте мокрый валик 360° Hydro в насадке.

ФУНКЦИЯ СУХОЙ УБОРКИ

ВНИМАНИЕ! Сухую уборку необходимо проводить только с полностью высохшим валиком 360° Hydro.

Этот пылесос оснащается валиком для комбинированной уборки в передней части насадки, что позволяет собирать пыль и мусор с твердых напольных покрытий, паркета и ковров. [4f]

Перед использованием пылесоса для очистки ковра достаньте валик для влажной уборки 360° Hydro из насадки, слейте остатки жидкости и оставьте сохнуть в течение 24 часов перед установкой обратно. [4a, 4b, 4c, 4d, 4e]

Если же вы не хотите ждать, то просто снимите мокрый валик 360° Hydro и пропылесосьте ковер без него. [4a]

ЭКСПЛУАТАЦИЯ ПЫЛЕСОСА

ПОЛЬЗОВАТЕЛЬСКИЙ ИНТЕРФЕЙС

Пылесос может работать в 4 режимах:

- **СТАНДАРТНЫЙ РЕЖИМ** При нажатии кнопки Вкл./Выкл. пылесос начинает работу с использованием основной моторизованной насадки. [6a]

* Только у некоторых моделей

- **РЕЖИМ ТУРБО:** Нажмите кнопку включения режима ТУРБО (TURBO), чтобы запустить пылесос на полную мощность для уборки сильно загрязненных участков. [6b]
 - **РЕЖИМ ТИХИЙ:** Нажмите кнопку включения режима ТИХИЙ (SILENT), чтобы провести уборку при максимально низком уровне шума для данной модели. [6c]
 - **АВТОМАТИЧЕСКИЙ РЕЖИМ:** При снятии насадки или трубы устройство автоматически подстраивается к работе на более низкой мощности для уборки поверхностей при помощи других аксессуаров (кроме моторизованных насадок).
- ПРИМЕЧАНИЕ:** Работая этом режиме, вы можете нажать кнопку ТУРБО (TURBO) один раз для получения дополнительной мощности и два раза для работы на полной мощности. Чтобы перейти обратно в автоматический режим, нажмите кнопку режима ТИХИЙ (SILENT).

ИНДИКАТОР СОСТОЯНИЯ ВАЛИКА

Светодиодный индикатор состояния валика, расположенный на насадке, будет гореть белым во время всех режимов уборки и станет красным при активации системы защиты. [17]

УСТАНОВКА ПЕРЕДНЕЙ ПРОРЕЗИНЕННОЙ НАКЛАДКИ

Для лучшего результата уборки поверхностей, имеющих стыки, щели и углубления, а также ковровых покрытий рекомендуется установить переднюю прорезиненную накладку вертикально и не поворачивать их вперед и назад в процессе уборки.

1. Отсоедините защелку валика для комбинированной уборки и снимите его. [5a]
2. Нажмите на кнопку крепления передней прорезиненной накладки. [5b]
3. Установите валик для комбинированной уборки назад. [5c]

ХРАНЕНИЕ

После эксплуатации вы можете хранить пылесос одним из двух удобных для вас способов:

1. ХРАНЕНИЕ НА СТЕНЕ

Пылесос идет в комплекте с настенным креплением для удобного хранения. Закрепите настенное крепление на стене с помощью винтов с дюбелями, поставляемых в комплекте. После эксплуатации просто установите пылесос на крепление. [2]

2. КОМПАКТНОЕ ХРАНЕНИЕ/ РЕЖИМ ПАРКОВКИ

Для хранения пылесоса в режиме парковки на трубе, нажмите на кнопку отсоединения основного устройства и снимите его. [8]

Убедитесь, что встроенная насадка 2-в-1 установлена на свое исходное место, как было предусмотрено при поставке, при этом щетка для пыли и нижний фиксирующий элемент для вертикальной парковки находятся в положении "вниз".

Установите нижний фиксирующий элемент для вертикальной парковки в нижнюю секцию трубы и защелкните верхний фиксирующий элемент в запирающем механизме, расположенном в верхней части трубы. [9]

СИСТЕМА ЗАЩИТЫ

Для гарантии надежности изделия при использовании в сложных условиях в нем предусмотрены две встроенные системы защиты. Одна на пылесосе и еще одна на насадке.

ПРИМЕЧАНИЕ: Система защиты срабатывает в двух случаях:

1. В случае засора в воздушной системе пылесоса система защиты срабатывает, и пылесос выключится, а светодиодный индикатор на основном устройстве загорится красным. В таком случае следует проверить воздушную систему пылесоса и трубу на наличие засоров. Устраните засор и включите пылесос снова.
2. Если вращающийся валик заблокирован или засорен, он перестанет вращаться, а белый светодиодный индикатор на насадке загорится красным. [17] В этом случае нужно просто отключить пылесос и устранить засор на вращающемся валике. Чтобы продолжить уборку, нажмите кнопку Вкл./Выкл., и прибор возобновит работу в обычном режиме.

АККУМУЛЯТОРНАЯ БАТАРЕЯ

Пылесос оснащен светодиодным индикатором уровня заряда батареи. Когда пылесос включен, то светодиодный индикатор указывает на уровень заряда батареи:

АККУМУЛЯТОРНАЯ БАТАРЕЯ LEVEL:

Белый: 100% - 10% заряда

Мигающий красный: <10% заряда

Вы можете зарядить пылесос двумя способами:

Зарядка батареи, установленной в пылесосе.

Вставьте штекер зарядного устройства в аккумуляторную батарею. Во время зарядки индикатор горит красным цветом. Как только пылесос полностью зарядится, светодиодный индикатор будет гореть белым в течение 1 минуты, а затем выключится. [10]

Вы также можете зарядить аккумуляторную батарею отдельно от пылесоса.

Доставьте батарею из пылесоса, нажав на кнопку извлечения аккумуляторной батареи.

Вставьте штекер зарядного устройства в аккумуляторную батарею. Светодиодный индикатор заряда батареи будет гореть красным во время процесса зарядки. По завершении зарядки светодиодный индикатор загорится белым цветом. [11]

ПРИМЕЧАНИЕ: Совершенно нормально, если во время зарядки коснуться зарядного устройства, то оно будет теплым. Используйте только зарядное устройство, поставляемое в комплекте с пылесосом.

ДОПОЛНИТЕЛЬНЫЕ АКСЕССУАРЫ

ЩЕЛЕВАЯ НАСАДКА, ВСТРОЕННАЯ В ОСНОВНОЕ УСТРОЙСТВО, ЩЕЛЕВАЯ НАСАДКА, ВСТРОЕННАЯ В ТРУБУ, НАСАДКА 2-В-1 ДЛЯ УДАЛЕНИЯ ПЫЛИ И УБОРКИ МЕБЕЛИ, ДЛИННАЯ ЩЕЛЕВАЯ НАСАДКА*, МИНИ НАСАДКА* И ЩЕТКА ДЛЯ ОЧИСТКИ КОНТЕЙНЕРА ОТ ПЫЛИ*.

Встроенная щелевая насадка - Идеально подходит для уборки в труднодоступных местах.

Встроенная щетка для удаления пыли - идеально подходит для уборки поверхностей, не допуская появления царапин и других повреждений.

Встроенная насадка для мебели - Идеально подходит для уборки диванов или другой мебели.

Mini power nozzle* - Идеально подходит для очистки текстильных поверхностей (например, диванов) и удаления шерсти животных. Рабочий угол может быть изменен движением вперед и назад.

ПРИМЕЧАНИЕ: После использования поверните защелку отсоединения валика против часовой стрелки, чтобы снять валик, и удалите собранные волосы/нитки. [21]

Длинная щелевая насадка* - Идеально подходит для уборки труднодоступных мест.

Все насадки, кроме щетки для очистки контейнера от пыли, можно использовать, присоединив их на корпус пылесоса или на трубу. [7]

Щетка для очистки контейнера от пыли* - Идеально подходит для уборки пыли, мусора и волос внутри контейнера для сбора пыли. [12]

Сумка для аксессуаров*

Дополнительные аксессуары можно хранить в специальной сумке.

Настенное крепление*

Закрепите крепление на стене с помощью двух винтов с дюбелями, поставляемых в комплекте. [2]

ТЕХНИЧЕСКОЕ ОБСЛУЖИВАНИЕ ПЫЛЕСОСА

Опустошение контейнера для пыли

1. Нажмите на кнопку отсоединения основного устройства и снимите трубу. [8]
2. Нажмите на кнопку опустошения контейнера для пыли, чтобы открыть откидную крышку и опустошить контейнер. [12a]
3. Закройте откидную крышку; при этом вы услышите щелчок, если крышка закрыта правильно.

ПРИМЕЧАНИЕ: Рекомендуется опустошать контейнер после каждого использования или при его заполнении до максимальной отметки.

Быстрая ежедневная чистка контейнера для сбора пыли

Откройте крышку контейнера и удалите пыль при помощи специальной щетки для чистки контейнера.

1. Используйте крючок для извлечения пыли, накопившейся внутри контейнера. [12b]
2. Используйте щеточку для уборки мелкой пыли, скопившейся вокруг сетчатого фильтра. [12c]

Очистка контейнера для сбора пыли и фильтра.

Обслуживание предмоторного фильтра Если предмоторный фильтр нуждается в обслуживании, светодиодный индикатор пылесоса начинает мигать красным цветом.

1. Нажмите на кнопку отсоединения основного устройства для того, чтобы отсоединить его от трубы. [8]
2. Нажмите на кнопку извлечения аккумуляторной батареи и достаньте ее. [11]
3. Извлеките контейнер для пыли, повернув его по часовой стрелке и потянув его наружу. [13]
4. Достаньте предмоторный фильтр из контейнера. [14a]
5. Извлеките циклонный сепаратор из контейнера, потянув за металлическое кольцо.

* Только у некоторых моделей

- Снимите вихревой уловитель, повернув его по часовой стрелке и потянув его из циклонической системы. [14b]
- Промойте фильтр и циклоническую систему в теплой воде, оставьте сохнуть в течение 24 часов. [15,16]
- Полностью просушив, соберите фильтр и циклонный сепаратор, и установите их обратно в пылесос.

ПРИМЕЧАНИЕ: Не используйте горячую воду или моющие средства, когда моете предмоторный фильтр. Повреждение предмоторного фильтра маловероятно, но если это произошло, то используйте на замену только оригинальный фильтр Hoover. Перед тем, как устанавливать контейнер для сбора пыли в корпус пылесоса, убедитесь, что предмоторный фильтр установлен обратно, иначе сработает система защиты фильтра.

ВНИМАНИЕ! Для обеспечения оптимальной производительности всегда следите, чтобы фильтр был чистым. Мы рекомендуем промывать фильтр хотя бы раз в месяц.

ОБСЛУЖИВАНИЕ НАСАДКИ

Очистка валика для влажной уборки 360° Hydro, валика для комбинированной уборки и прорезиненных накладок.

ВНИМАНИЕ! Обязательно выключите пылесос перед очисткой валика для влажной уборки 360° Hydro, валика для комбинированной уборки и прорезиненных накладок.

Очистка валика для влажной уборки 360° Hydro:

- Снимите насадку с трубы. [18]
- Снимите валик для влажной уборки 360° Hydro, отсоединив защелку. Она расположена в боковой части насадки. [4a]
- Снимите уплотнительную крышку и убедитесь, что в емкости нет воды. [4b, 4c]
- Промойте валик для влажной уборки 360° Hydro и уплотнительную крышку теплой водой с мягким моющим средством, периодически отжимая, или выстирайте его в стиральной машине в щадящем режиме, предварительно сняв защелку. [4d]
- Дайте высохнуть в течение 24 часов. [4e]
- Установите валик для влажной уборки 360° Hydro на насадку в исходное положение.
- Закройте защелку валика 360° Hydro на насадке.

ВНИМАНИЕ! Рекомендуется мыть валик для влажной уборки 360° Hydro после каждой уборки и сушить его в вертикальном положении не менее 24 часов.

ВНИМАНИЕ! Не оставляйте мокрый валик 360° Hydro в насадке.

ПРИМЕЧАНИЕ! Функцию сухой уборки ковров необходимо использовать только с полностью высохшим валиком Hydro.

ПРИМЕЧАНИЕ: Если вы хотите выстирать валик в стиральной машине, рекомендуется использовать щадящий режим с температурой ниже 40°, и перед стиркой снять защелку с валика. [20d]

Очистка валика для комбинированной уборки:

- Снимите насадку с трубы. [18]
- Отсоедините защелку валика для комбинированной уборки. Она расположена в боковой части насадки. [19]
- Удерживая защелку валика для комбинированной уборки, вытащите его из насадки.
- Чтобы очистить валик комбинированной для уборки, срежьте намотавшийся мусор ножницами. [19]
- Установите валик для комбинированной уборки обратно. Он может быть установлен только в одном положении. [19]
- Закройте защелку валика для комбинированной уборки на насадке.

Очистка задней прорезиненной накладки:

- Снимите насадку с трубы. [18]
- Прижмите защелку на торце и снимите заднюю накладку. [20]
- Очистите ее с помощью влажной тряпки.
- Установите накладку обратно.

Очистка передней прорезиненной накладки:

- Снимите насадку с трубы. [18]
- Вытащите переднюю накладку из слота. [20]
- Очистите ее с помощью влажной тряпки.
- Установите переднюю накладку обратно.

Замена аккумуляторной батареи

Пылесос идет в комплекте с заряжаемой литий-ионной аккумуляторной батареей, которая может быть заменена.

ВНИМАНИЕ: Используйте только авторизованные запасные части для вашего пылесоса. Использование запасных частей, которые не одобрены компанией Hoover, является опасным и приводит к аннулированию вашей гарантии.

ВНИМАНИЕ: Не пытайтесь вскрывать аккумуляторную батарею и ремонтировать ее самостоятельно.

- Нажмите на кнопку извлечения батареи и достаньте ее. [11]
- Замените старую аккумуляторную батарею на новую.
- Соблюдайте правила техники безопасности при утилизации аккумуляторной батареи. Использованные

аккумуляторные батареи необходимо сдавать в специальный пункт приема и не выбрасывать с обычными бытовыми отходами.

ПОИСК И УСТРАНЕНИЕ НЕИСПРАВНОСТЕЙ

Если у вас есть какие-либо проблемы с пылесосом, пожалуйста, выполните простую проверку перед звонком в авторизованный сервисный центр:

A. Пылесос не включается

Проверьте, заряжен ли пылесос

Проверьте, правильно ли установлена аккумуляторная батарея.

B. Пылесос перестал работать

Проверьте воздушную систему пылесоса и трубу на наличие засоров, уберите их и убедитесь, что пылесос находится в выключенном состоянии. После совершения этой процедуры, нажмите на кнопку включения, и пылесос будет работать снова.

C. Потеря или отсутствие мощности всасывания

Очистите контейнер для пыли, промойте предмоторный фильтр и сепаратор.

Снимите насадку и проверьте, нет ли засора в трубе.

D. Аккумуляторная батарея не заряжается

Такое может случиться в результате длительного хранения без работы (более полугода).

Свяжитесь с центром обслуживания клиентов для организации замены аккумуляторной батареи.

Если проблема не устранена, обратитесь в авторизованный сервисный центр.

E. Полы высыхают неравномерно.

Убедитесь, что валик для влажной уборки 360° Hydro смочен полностью и добавьте один мерный стакан чистящего средства.

F. В насадке появился неприятный запах.

Просто промойте валик для влажной уборки 360° Hydro и просушите его в вертикальном положении 24 часа.

G. Насадка плохо движется по ковру.

Убедитесь, что валик для влажной уборки 360° Hydro полностью сухой. Если вы чистите ковер с очень длинным ворсом, просто достаньте валик для влажной уборки 360° Hydro из насадки перед уборкой.

ЗАПАСНЫЕ ЧАСТИ И РАСХОДНЫЕ МАТЕРИАЛЫ

При замене частей используйте только оригинальные запасные части и расходные материалы компании Hoover. Их можно приобрести у вашего местного дилера компании Hoover или в официальном интернет-магазине shop.hoover.ru (кроме запасных частей). При оформлении заказа на запасные части обязательно указывайте номер модели пылесоса.

УСЛОВИЯ ГАРАНТИИ

Условия гарантии для данного бытового электрического прибора определяются нашим представительством в стране, где этот электроприбор продан. Более подробную информацию об этих условиях вы можете получить у продавца или из гарантийного сертификата на данный прибор. В случае возникновения ситуации, покрываемой гарантийными обязательствами изготовителя, при обращении в уполномоченную сервисную организацию необходимо предъявить товарно-кассовый чек или иной документ, подтверждающий начало истечения гарантийного срока, предусмотренного условиями гарантии для данного прибора.

ВНИМАНИЕ! Производитель не берет на себя ответственность за ошибки в данной инструкции, возникшие в процессе печати. Производитель имеет право вносить в свои изделия изменения, которые он сочтет полезными для своих изделий, сохраняя при этом основные характеристики.

Вся представленная в инструкции информация, касающаяся комплектации, технических характеристик, функций, цветовых сочетаний и т.д. носит информационный характер и ни при каких условиях не является публичной офертой. Изготовитель не устанавливает условия и положения покупки, они должны соответствовать требованиям регионального и/или национального законодательства страны продажи товаров.

INSTRUKCJE BEZPIECZNEGO UŻYTKOWANIA

Urządzenie to jest przeznaczone wyłącznie do użytku domowego w sposób opisany w niniejszej instrukcji użytkownika. Prosimy o dokładne zapoznanie się z instrukcją przed rozpoczęciem używania odkurzacza.

Należy zawsze wyłączyć i wyjąć ładowarkę z gniazdka przed przystąpieniem do czyszczenia urządzenia lub wykonaniem jakichkolwiek czynności konserwacyjnych.

Urządzenie mogą obsługiwać dzieci w wieku co najmniej 8 lat, osoby o ograniczonych zdolnościach fizycznych, sensorycznych lub mentalnych, a także osoby nieposiadające odpowiedniego doświadczenia oraz wiedzy, jedynie pod warunkiem że odbywać się będzie to pod nadzorem lub po przeszkoleniu na temat bezpiecznego użycia urządzenia oraz związanych z nim zagrożeń. Dzieci nie mogą bawić się urządzeniem. Urządzenia nie powinny czyścić ani konserwować dzieci bez nadzoru.

Jeśli przewód zasilający uległ uszkodzeniu, należy natychmiast zaprzestać korzystania z urządzenia. Ze względów bezpieczeństwa, przewód zasilający powinien zostać wymieniony przez serwisanta autoryzowanego punktu serwisowego firmy Hoover.

Nie zbliżać rąk, stóp, luźnej odzieży ani włosów do obracających się szczotek.

Należy stosować wyłącznie ładowarkę dostarczoną wraz z urządzeniem.

Należy sprawdzić, czy napięcie zasilania w gniazdku jest zgodne z podanym na tabliczce znamionowej ładowarki.

Niniejsze urządzenie Hoover zasilane jest podwójnie izolowaną ładowarką akumulatorów, która może być podłączana do gniazd 230V (UK 240V).

Podłączyć ładowarkę od odpowiedniego gniazdka, a przewód ładowarki do urządzenia.

Nigdy nie dotykać ładowarki mokrymi rękami.

Przed ładowaniem należy wyłączyć urządzenie.

Dioda LED akumulatora zaświeci się na CZERWONO podczas ładowania i zmienia kolor na BIAŁY po całkowitym naładowaniu.

Po użyciu ponownie podłączyć urządzenie do ładowarki, aby doładować akumulator.

Nigdy nie ładować akumulatorów w temperaturze powyżej 37°C lub poniżej 0°C.

Nieznaczne nagrzewanie się ładowarki podczas ładowania jest normalnym zjawiskiem.

NIE wyjmować wtyczki ładowarki z gniazdka, ciągnąc za przewód zasilający.

W razie dłuższej nieobecności (urlop itp.) odłączyć ładowarkę od zasilania. Po dłuższej przerwie w eksploatacji urządzenie należy doładować przed użyciem, ponieważ bezczynność powoduje rozładowanie akumulatorów.

Jeżeli urządzenie ma być złomowane, należy z niego najpierw usunąć akumulatory. Podczas wyjmowania akumulatora urządzenie musi być odłączone od zasilania. Akumulatory należy utylizować w sposób bezpieczny dla środowiska. Włączyć urządzenie i pozwolić, aby pracowało aż do całkowitego wyczerpania akumulatorów. Zużyte akumulatory należy przekazać do recyklingu. Nie należy ich wyrzucać ze śmieciami domowymi. W celu wyjęcia akumulatorów należy skontaktować się z Centrum Serwisowym Hoover lub postępować zgodnie z następującymi instrukcjami.

WAŻNE: Przed usunięciem należy całkowicie rozładować akumulatory. Włączyć odkurzacz i pozwolić, aby pracował aż do pełnego wyczerpania akumulatorów.

Wyjąć wtyczkę przewodu ładowarki z urządzenia.

Naciśnij przycisk zwalniania akumulatora, aby go wyjąć.

UWAGA: W razie napotkania jakichkolwiek problemów z demontażem jednostki lub w razie konieczności uzyskania dodatkowych informacji na temat sposobu utylizacji, złomowania i recyklingu urządzenia należy skontaktować się z lokalnym urzędem gminy lub komunalnym zakładem utylizacji odpadów.

Należy korzystać wyłącznie z końcówek, materiałów eksploatacyjnych oraz części zamiennych zalecanych lub dostarczonych przez firmę Hoover.

Ładunki elektrostatyczne: Odkurzanie niektórych dywanów może powodować niewielkie naelektryzowanie się odkurzacza. Tego rodzaju ładunki elektrostatyczne nie stanowią zagrożenia dla zdrowia.

Nie używać urządzenia na zewnątrz domu, do odkurzania mokrych powierzchni ani do zbierania wody.

Nie wolno wciągać twardych lub ostrych przedmiotów, zapalek, gorącego popiołu, niedopałków papierosów ani innych podobnych przedmiotów. Nie spryskiwać łatwopalnymi cieczami, środkami czyszczącymi w aerozolu ani parą.

Nie stąpać po przewodzie zasilającym podczas korzystania z urządzenia i nie wyjmować wtyczki, ciągnąc za przewód zasilający. Nie wolno kontynuować eksploatacji uszkodzonego urządzenia lub ładowarki.

Serwis firmy Hoover: Aby zapewnić bezpieczne i sprawne działanie tego urządzenia, zalecamy zlecanie prac serwisowych lub napraw wyłącznie serwisantom autoryzowanego punktu serwisowego firmy Hoover.

Nie używać urządzenia do odkurzania ludzi lub zwierząt.

Nie wolno stosować jednorazowych baterii zamiast akumulatorów.

Ochrona środowiska:

Niniejsze urządzenie posiada oznaczenia zgodnie z Dyrektywą Europejską nr 2011/65/WE w sprawie zużytego sprzętu elektrycznego i elektrotechnicznego (WEEE). Zapewniając prawidłowe złomowanie niniejszego urządzenia, przyczyniają się Państwo do ograniczenia ryzyka wystąpienia negatywnego wpływu produktu na środowisko i zdrowie ludzi, które mogłoby zaistnieć w przypadku niewłaściwej utylizacji urządzenia. Symbol umieszczony na produkcie lub na dołączonych do niego dokumentach oznacza, że niniejszy produkt nie jest klasyfikowany jako odpad z gospodarstwa domowego. Urządzenie należy zdać w odpowiednim punkcie utylizacji w celu recyklingu komponentów elektrycznych i elektronicznych. Urządzenie należy złomować zgodnie z lokalnymi przepisami w sprawie utylizacji odpadów. Dodatkowe informacje na temat sposobu utylizacji, złomowania i recyklingu urządzenia można uzyskać w lokalnym urzędzie miejskim, w komunalnym zakładzie utylizacji odpadów lub w sklepie, w którym produkt został zakupiony.



Urządzenie spełnia wymogi dyrektyw europejskich 2014/35/WE, 2014/30/WE oraz 2011/65/WE.

CANDY HOOVER GROUP S.r.l. Via Privata Eden Fumagalli, 20861 Brugherio (MB) Italy

KOMPONENTY URZĄDZENIA

- | | |
|--|---|
| A. Przycisk ON/OFF | W. Wspornik do montażu na ścianie* |
| B. Przycisk Turbo | X. Śruby wspornika do montażu na ścianie* |
| C. Przycisk wyciszania | Ya. Zintegrowane narzędzie do mebli 2w1 |
| D. Pojemnik na kurz | Yb. Zintegrowana szczotka do kurzu 2w1 |
| E. Przycisk zwolnienia kłapy pojemnika na kurz | Z. Mini Turbo Szczotka* |
| F. Ręczny przycisk zwalnający | AA. Rolka Mini Turbo Szczotki |
| G. Przycisk zwalnający blokadę | AB. Kłapka zwalnająca Mini Turbo Szczotki |
| H. Rura | AC. Długa ssawka szczelinowa* |
| I. Przycisk zwalniania końcówki | AD. Worek na akcesoria* |
| J. Końcówka | AE. Narzędzie do czyszczenia pojemnika na kurz* |
| K. Przednie diody led końcówki | AF. Kłapka zwalnająca Wałek Hydro 360° |
| L. Dioda Led statusu wałka szczotki* | AG. Wałek Hydro 360° |
| M. Filtr przed silnikiem | AH. Zatyczka uszczelniająca Wałek Hydro 360° |
| N. Rurka wirowa pojedynczego cyklonu | Al. Zdemowalne tylne pióra wycieraczki szczotki |
| O. Pojedynczy cyklon | AJ. Kłapka zwalnająca Wałek Hybrid Care |
| P. Dioda LED stanu konserwacji | AK. Wałek Hybrid Care |
| Q. Dioda LED statusu akumulatora | Al. Przednie pióro wycieraczki szczotki |
| R. Kontrolka ładowania akumulatora | AM. Przycisk mocujący przedniego pióra wycieraczki szczotki |
| S. Przycisk zwalniania akumulatora | AN. Koncentrat detergentu czyszczącego* |
| T. Zestaw akumulatorów | AO. Wstępnie zwilżony pojemnik* |
| U. Wejście ładowania akumulatora | |
| V. Ładowarka | |

PRZYGOTOWYWANIE ODKURZACZA

Ostrożnie wyjmij produkt z opakowania.

1. Podnieś szczotkę i rurę przedłużającą, zamontuj jeden koniec rury na zwężeniu szczotki. Poprawny montaż potwierdza "kliknięcie". **[1a]**
2. Podnieś urządzenie przenośne i zamontuj je na rurze. Poprawny montaż potwierdza "kliknięcie". **[1b]**
3. Zamocuj wspornik na ścianie wykorzystując dostarczone śruby i wkręty. **[2]**
4. Aby całkowicie naładować urządzenie, podłącz wtyczkę przewodu ładowarki do urządzenia. Trwa to ok. 2.5 godzin. **[10,11]**

UWAGA: Aby zdjąć szczotkę, nacisnąć przycisk zwalnający szczotkę i odłączyć ją od rury.

UWAGA: Do ładowania należy stosować wyłącznie ładowarkę dostarczoną wraz z urządzeniem. Nieznaczne nagrzewanie się ładowarki podczas ładowania jest normalnym zjawiskiem.

* Tylko w niektórych modelach

ODKURZACZ I ZINTEGROWANA FUNKCJA MYCIA

WAŻNE: Zintegrowana funkcja mycia może być stosowana tylko do twardych podłóg i parkietów.

Szczotka tego odkurzacza jest wyposażona w wałek Hybrid Care z przodu oraz wałek Hydro 360° z tyłu, co umożliwia odkurzanie i mycie twardych podłóg oraz parkietu. [3a]

Przed użyciem podwójnej funkcji, należy całkowicie zmoczyć wałek Hydro 360°.

1. Odcłączyć kłapę zwalnającą wałka Hydro 360°. Jest ona umieszczona z boku ssawki. [3b]
2. Przytrzymać kłapę zwalnającą wałek Hydro 360° i zdjąć ją.
3. Zdjąć korek uszczelniający i używając go jako miarki, napełnić go skoncentrowanym detergentem, który został dostarczony wraz z produktem. Następnie wlać detergent do wałka Hydro 360°. [3c, 3d]
4. Napełnić wodą wałek Hydro 360°, uważając, aby nie został on wypełniony wodą aż po same brzegi. [3e]
5. Następnie ponownie założyć kubek uszczelniający.
6. Włożyć wałek Hydro 360° do wstępnie zwilżonego zbiornika, a następnie wlać do niego wodę, uważając, aby nie napełnić go wodą aż po same brzegi. Wałek Hydro 360° powinien znajdować się w pojemniku przez około 30 sekund. Po upewnieniu się, że wszystkie jego części są mokre, można wyjąć wałek. [3f, 3g, 3h]
7. Należy ponownie włożyć wałek Hydro 360° do szczotki, a następnie zamknąć kłapę zwalnającą, która znajduje się na szczotce. [3i]

WAŻNE: Nie stosować mokrego wałka Hydro 360° do czyszczenia dywanów.

WAŻNE: Nie odkurzać wody ani płynów.

UWAGA: Można stosować inne, łagodne środki czyszczące, ale nie należy używać środków dezynfekujących.

UWAGA: Po sprzątnięciu powierzchni około 40m² w celu optymalnego oczyszczenia zaleca się ponowne napełnienie zbiornika i upewnienie się, że cały wałek Hydro 360° jest mokry.

UWAGA: Gdy zajdzie potrzeba uzupełnienia zbiornika na wodę, a okaże się, że wałek Hydro 360° jest już zabrudzony, zaleca się umycie wałka w letniej wodzie z użyciem delikatnego detergentu, a następnie wyciśnięcie wody.

WAŻNE: Zaleca się umycie wałka Hydro 360° po każdym użyciu oraz suszenie go w pozycji pionowej przez co najmniej 24 godziny. [4]

WAŻNE: Nie należy pozostawiać mokrego wałka Hydro 360° w szczotce.

FUNKCJA ODKURZANIA

WAŻNE: Można korzystać z funkcji odkurzania tylko wtedy, gdy wałek Hydro jest całkowicie suchy.

W przedniej części szczotki tego odkurzacza znajduje się wałek Hybrid Care, który umożliwia zbieranie kurzu i zanieczyszczeń z twardych podłóg, parkietów i dywanów. [4f]

Przed użyciem produktu na dywanie, należy wyjąć wałek Hydro 360° ze szczotki, opróżnić zawartość i pozostawić do wyschnięcia na 24 godziny przed ponownym montażem. [4a, 4b, 4c, 4d, 4e]

Jeśli nie chcesz czekać, po prostu zdejmij mokry wałek Hydro 360° i odkurz dywan. [4a]

KORZYSTANIE Z ODKURZACZA

INTERFEJS UŻYTKOWNIKA

Dostępne są 4 tryby pracy:

- **TRYB STANDARDOWY:** Po naciśnięciu przycisku ON-OFF odkurzacz jest gotowy do dokładnego czyszczenia za pomocą głównej końcówki z napędem elektrycznym. [6a]
- **TRYB TURBO:** Naciśnij przycisk Turbo, aby uzyskać pełną moc czyszczenia twardych powierzchni. [6b]
- **Tryb cichy:** Naciśnij przycisk wyciszenia, aby dokładnie odkurzać przy najniższym możliwym poziomie hałasu dla tego produktu. [6c]
- **TRYB AUTO:** Po zdjęciu końcówki lub rurki produkt automatycznie dostosowuje się do niższej mocy czyszczenia podłóg przy użyciu narzędzi bez napędu elektrycznego.

UWAGA: Jeśli urządzenie jest w tym trybie i potrzebujesz większej mocy, naciśnij przycisk TURBO: jednokrotnie, aby uzyskać dodatkową moc lub dwukrotnie, aby uzyskać pełną moc. Jeśli chcesz wrócić do TRYBU AUTO, naciśnij przycisk wyciszania.

STATUS WAŁKA SZCZOTKI

Dioda LED statusu wałka szczotki na końcówce będzie świecić na biało podczas wszystkich trybów czyszczenia podłogi i zmieni kolor na czerwony, jeśli system zabezpieczający jest aktywny. [17]

* Tylko w niektórych modelach

MONTAŻ PRZEDNIEGO PIÓRA

Aby uzyskać najlepszą wydajność czyszczenia szczelin i dywanów, zaleca się mocowanie przednich piór w pozycji pionowej i nie obracanie ich podczas użytkowania do przodu i do tyłu.

1. Odłączyć i usunąć klapę zwalnającą wałka Hydro 360°. [5a]
2. Nacisnąć w dół przycisk mocujący przedniego pióra szczotki. [5b]
3. Ponownie włożyć na miejsce wałek Hybrid Care. [5c]

FUNKCJA PRZECHOWYWANIA

Po użyciu Twój odkurzacz może być przechowywany na 2 wygodne sposoby.

1. PRZECHOWYWANIE NA ŚCIANIE

Do Twojego produktu dołączony jest uchwyt ścienny dla wygodnego i łatwego przechowywania. Za pomocą dołączonych śrub przymocuj uchwyt ścienny do ściany. Po prostu odwieś odkurzacz po zakończeniu jego użytkowania. [2]

2. PRZECHOWYWANIE KOMPAKTOWE/TRYB PRZERWY W PRACY

Aby przechowywać produkt na rurze, należy wyjąć urządzenie przenośne, naciskając przycisk zwalnający. [8]

Upewnij się, że urządzenie do przechowywania 2 w 1 powróciło do pozycji wyjściowej w zestawie, upewniając się, że narzędzie znajduje się w pełni w na swoim miejscu, a szczotka do odkurzania i hak znajduje się w pozycji dolnej. Zamontuj hak w dolnym rowku na rurze i wepchnij całkowicie tylną rączkę do wnętrza mechanizmu blokującego znajdującego się w górnej części rury. [9]

SYSTEM BEZPIECZEŃSTWA

Aby utrzymać niezawodność produktu nawet w przypadku jego użytkowania w trudnych warunkach, produkt posiada dwa zintegrowane systemy zabezpieczenia. Jeden znajduje się na odkurzaczu, a drugi na szczotce.

UWAGA: System zabezpieczający zostanie uruchomiony w dwóch sytuacjach:

1. Jeżeli przy wlocie powietrza lub na rurze znajdują się przeszkody, urządzenie czyszczące będzie chronione i wyłączone, a dioda LED umieszczona na korpusie produktu zmieni kolor na czerwony. Jeśli tak się stanie, należy sprawdzić, czy nie ma żadnych przeszkód w rurze lub na wlocie powietrza urządzenia przenośnego. Należy je usunąć i włączyć ponownie urządzenie.
2. Jeśli wirnik jest zablokowany, to po uruchomieniu przestanie się obracać, a biała dioda LED na szczotce zmieni kolor na CZERWONY. [17] W takim przypadku należy wyłączyć urządzenie i wyczyścić zator na wirniku. Aby zakończyć czyszczenie, należy nacisnąć przycisk ON/OFF; urządzenie wznowi pracę w normalnym trybie.

AKUMULATOR

Ten odkurzacz jest wyposażony w diodę LED stanu akumulatora. Gdy produkt jest włączony, dioda LED świeci się w dwóch kolorach, pokazując poziom naładowania akumulatora:

AKUMULATOR LEVEL:

Kolor biały: 100% - 10% ładowanie

Miganie na czerwono: <10% ładowanie

Istnieją 2 sposoby ładowania:

Można naładować akumulator po jego wcześniejszym zamontowaniu na produkcie.

Włóż wtyczkę ładowarki do akumulatora. Wskaźnik LED statusu świeci się na CZERWONO podczas ładowania. Po zakończeniu ładowania wskaźnik LED statusu zaświeci się na BIAŁO przez 1 minutę, a następnie wyłączy się. [10]

Ładowanie akumulatora po jego wyjęciu z produktu.

Należy wyjąć akumulator z produktu, naciskając przycisk zwalnający akumulator.

Włóż wtyczkę ładowarki do akumulatora. Podczas ładowania dioda LED akumulatora będzie świeciła się na CZERWONO. Po zakończeniu ładowania wskaźnik LED zaświeci się na BIAŁO. [11]

UWAGA: Nieznaczne nagrzewanie się ładowarki podczas ładowania jest normalnym zjawiskiem. Stosować wyłącznie ładowarkę dostarczoną w komplecie z odkurzaczem.

DODATKOWE AKCESORIA

NARZĘDZIE SZCZELINOWE ZINTEGROWANE Z URZĄDZENIEM PRZENOŚNYM, NARZĘDZIE SZCZELINOWE ZINTEGROWANE NA RURZE, 2W1 NARZĘDZIE DO MEBLI & SZCZOTKA DO KURZU, DŁUGA SSAWKA SZCZELINOWA*, MINI SZCZOTKA POWER* I NARZĘDZIE DO CZYSZCZENIA POJEMNIKA NA KURZ*.

Zintegrowana ssawka szczelinowa - Idealna do ciasnych przestrzeni.

Zintegrowana szczotka do kurzu - Idealna do czyszczenia powierzchni bez ryzyka ich uszkodzenia lub zarysowania.

Zintegrowane narzędzie do mebli - Idealna do czyszczenia powierzchni takich jak sofy.

Mini power nozzle* - Idealnie nadaje się do dogłębego czyszczenia powierzchni tapicerowanych (np. sof) oraz do usuwania sierści zwierząt domowych. Kąt nachylenia może być regulowany podczas ruchu do tyłu i do przodu.

UWAGA: Po użyciu należy obrócić kłapkę zwalnającą szczotkę obrotową w kierunku przeciwnym do ruchu wskazówek zegara za pomocą monety, aby wyjąć szczotkę obrotową, a następnie usunąć włosy/nitki ze szczotki. [21]

Długa ssawka szczelinowa* - Idealny do ciasnych i trudno dostępnych miejsc.

Wszystkie akcesoria z wyjątkiem narzędzia do czyszczenia pojemnika na kurz mogą być zamontowane na korpusie oraz na rurze. [7]

Narzędzie do czyszczenia pojemnika na kurz* - Idealny do usuwania kurzu, zanieczyszczeń i włosów wewnątrz pojemnika na kurz. [12]

Worek na akcesoria*

Dodatkowe akcesoria można przechowywać w worku na akcesoria.

Wspornik do montażu na ścianie*

W razie potrzeby przymocuj wspornik do montażu do ściany za pomocą dwóch dostarczonych śrub i wkrętów. [2]

KONSERWACJA URZĄDZENIA

Opróżnianie pojemnika na kurz

1. Wciśnij główny przycisk zwalnający oraz wyjmij rurę. [8]
2. Nacisnąć przycisk opróżniania pojemnika na kurz, aby zwolnić kłapkę pokryw, aby opróżnić pojemnik. [12a]
3. Zamknąć kłapkę pojemnika na kurz. Kiedy zaskoczy, oznacza to, że jest prawidłowo zablokowana.

UWAGA: Zaleca się opróżnianie pojemnika na kurz po każdym użyciu oraz zawsze wtedy, kiedy kurz sięga linii poziomu maksymalnego napełnienia.

Szybkie codzienne czyszczenie pojemnika na kurz

Wystarczy otworzyć kłapkę pojemnika na kurz i usunąć kurz za pomocą narzędzia do czyszczenia pojemnika na kurz.

1. Użyj końcówki haka do wyciągnięcia kurzu zebranego wewnątrz pojemnika. [12b]
2. Użyj końcówki szczotki do czyszczenia drobnego kurzu, który przywarł do metalowej siatki filtracyjnej. [12c]

Czyszczenie pojemnika na kurz i filtra

Przypomnienie o konserwacji filtra wstępnego. Jeśli filtr wstępny wymaga konserwacji, dioda LED na odkurzaczu miga na czerwono.

1. Nacisnąć przycisk ręcznego zwalniania i zdjąć urządzenie przenośne z rury. [8]
2. Nacisnąć przycisk zwalniania akumulatora i wyjąć akumulator. [11]
3. Zdjąć zespół pojemnika na kurz, obracając go w prawo i odsuwając od urządzenia. [13]
4. Najpierw należy usunąć filtr przedsilnikowy, wyciągając wspornik z zespołu pojemnika. [14a]
5. Następnie należy wyjąć system pojedynczego cyklonu, wyciągając metalowy pierścień z zespołu pojemnika.
6. Należy usunąć rurkę wirową, obracając ją w kierunku zgodnym z ruchem wskazówek zegara i wyciągnąć z systemu cyklonowego. [14b]
7. Umyć filtr i system pojedynczego cyklonu w letniej wodzie i pozostawić do wyschnięcia na **24 godziny**. [15,16]
8. Po całkowitym wyschnięciu zamontować ponownie filtr.

UWAGA: Nie używać gorącej wody ani detergentów do czyszczenia filtra przedsilnikowego. W mało prawdopodobnym przypadku uszkodzenia filtra przed silnikiem należy zamontować oryginalną część zamienną Hoovera. Przed zamontowaniem pojemnika na kurz należy upewnić się, że filtr przed silnikiem został ponownie zamontowany w korpusie produktu, ponieważ zostanie aktywowany mechanizm zabezpieczający filtr.

WAŻNE: Aby zapewnić optymalną wydajność odkurzania, należy regularnie czyścić filtry. Zalecamy mycie filtra co najmniej raz na miesiąc.

KONSERWACJA SZCZOTKI

Czyszczenie wałka Hydro 360°, wałka Hybrid Care, tylnego pióra i przedniego pióra wycieraczki

WAŻNE: Przed czyszczeniem wałka Hydro 360°, wałka Hybrid Care, tylnego pióra i przedniego pióra wycieraczki należy zawsze wyłączyć odkurzacz.

Czyszczenie wałka Hydro 360°:

1. Usunąć szczotkę z rury. [18]

* Tylko w niektórych modelach

2. Odłączyć kłapę zwalniającą wałka Hydro 360°. Jest ona umieszczona z boku ssawki. **[4a]**
3. Zdjąć korek uszczelniający i upewnić się, że zbiornik na wodę jest pusty. **[4b, 4c]**
4. Wałek Hydro 360° oraz korek uszczelniający umyć w letniej wodzie z dodatkiem delikatnego detergentu, a następnie go wyschnąć. Wałek oraz korek można uprać też w pralce, ustawiając delikatny cykl (bez kłapki zwalniającej szczotki Hydro 360°). **[4d]**
5. Pozostawić do wyschnięcia w pozycji pionowej przez co najmniej 24 godziny. **[4e]**
6. Ponownie zamontować wałek Hydro 360° na szczotce w jego początkowym położeniu.
7. Zamknąć kłapę zwalniającą wałka Hydro 360° na szczotce.

WAŻNE: Zaleca się mycie wałka Hydro 360° po każdym użyciu i pozostawienie go do wyschnięcia w pozycji pionowej przez co najmniej 24 godziny.

WAŻNE: Nie należy pozostawiać mokrego wałka Hydro 360° w szczotce.

WAŻNE: Można korzystać z funkcji odkurzania dywanów tylko wtedy, gdy wałek Hydro jest całkowicie suchy.

UWAGA: W przypadku prania wałka w pralce zaleca się wybranie delikatnego cyklu poniżej 40° oraz zdjęcie kłapy zwalniającej wałka Hydro 360°. **[20d]**

Czyszczenie wałka Hybrid Care:

1. Usunąć szczotkę z rury. **[18]**
2. Odłączyć kłapkę przycisku zwalniającego wałka Hybrid Care. Jest ona umieszczona z boku ssawki. **[19]**
3. Przytrzymać kłapkę zwalniającą wałka Hybrid Care i wyjąć ją ze szczotki.
4. Aby wyczyścić wałek Hybrid Care, należy usunąć nagromadzone nieczystości za pomocą nożyczek. **[19]**
5. Ponownie zamontować wałek Hybrid Care. Można go zamontować tylko w jednym położeniu. **[19]**
6. Zamknąć kłapę zwalniającą wałka Hybrid Care na szczotce.

Czyszczenie tylnego pióra wycieraczki:

1. Usunąć szczotkę z rury. **[18]**
2. Naciśnąć końcówkę kłapy zwalniającej i wyjąć tylne pióro wycieraczki. **[20]**
3. Tylne pióro wycieraczki można wyczyścić za pomocą wilgotnej szmatki.
4. Ponownie zamontować tylne pióro wycieraczki.

Czyszczenie przedniego pióra wycieraczki:

1. Usunąć szczotkę z rury. **[18]**
2. Wyciągnąć przednie pióro wycieraczki z gniazda. **[20]**
3. Przednie pióro wycieraczki można wyczyścić za pomocą wilgotnej szmatki.
3. Ponownie zamontować przednie pióro wycieraczki.

Wymiana akumulatorów

Ten odkurzacz jest wyposażony w akumulator litowo-jonowy, który można wymieniać.

Ostrzeżenie: W odkurzaczu stosować wyłącznie zatwierdzone części zamienne. Używanie innych części niż te zatwierdzone przez firmę Hoover, jest niebezpieczne i powoduje utratę gwarancji urządzenia.

Ostrzeżenie: Nie próbować otwierać lub samodzielnie naprawiać zestawu akumulatorów.

1. Nacisnąć przycisk zwalniający akumulator i wyjąć ją na zewnątrz. **[11]**
2. Wyjąć stary zestaw akumulatorów i wymienić na nowy.
3. Akumulatory należy utylizować w sposób bezpieczny dla środowiska. Zużyte akumulatory należy przekazać do recyklingu. Nie należy ich wyrzucać ze śmieciami domowymi.

ROZWIĄZYWANIE PROBLEMÓW

W razie wystąpienia jakiegokolwiek problemu z urządzeniem przed skontaktowaniem się z lokalnym serwisem firmy Hoover należy przeprowadzić proste kontrole zgodnie z poniższą listą:

A. Odkurzacz się nie włącza

Sprawdzić, czy odkurzacz jest naładowany

Upewnić się, że zestaw bateryjny jest poprawnie zamocowany.

B. Przerwanie pracy odkurzacza

Należy sprawdzić, czy nie ma przeszkód w dopływie powietrza lub w rurze, oczyścić ją i upewnić się, że produkt jest wylączony. Po wykonaniu tej czynności wystarczy nacisnąć przycisk włączania/wyłączania, a produkt ponownie zacznie działać.

C. Utrata mocy ssania lub brak ssania

Opróżnić pojemnik na kurz, umyć filtr wstępny silnika oraz separator.

Zdjąć końcówkę i sprawdzić, czy wąż lub rura nie są zatkane.

D. Nie można naładować akumulatorów

Może to wynikać z bardzo długiego okresu bezczynności (ponad pół roku).

Skontaktować się z centrum serwisowym firmy Hoover, aby zlecić wymianę akumulatorów.

Jeżeli problem nie znika, skontaktować się z centrum serwisowym firmy Hoover.

E. Podłogi nie wysychają w sposób równomierny.

Należy sprawdzić, czy wałek Hydro 360° jest całkowicie mokry i dodać jedną miarkę detergentu.

F. Szczotka nieprzyjemnie pachnie.

Wystarczy umyć wałek Hydro 360° i pozostawić do wyschnięcia w pozycji pionowej na 24 godziny.

G. Siła nacisku na dywan jest duża.

Sprawdzić, czy wałek Hydro 360° jest całkowicie suchy. W przypadku dywanu z bardzo długim włosiem, wystarczy zdjąć wałek Hydro 360° i odkurzyć dywan.

CZĘŚCI ZAPASOWE I MATERIAŁY EKSPLOATACYJNE MARKI HOOVER

Należy zawsze wymieniać części na oryginalne części zapasowe firmy Hoover. Można je nabyć w lokalnym serwisie firmy Hoover lub bezpośrednio w firmie Hoover. Przy zamawianiu części zawsze należy podać numer danego modelu.

GWARANCJA

Warunki gwarancji na niniejsze urządzenie są określone przez naszego przedstawiciela w kraju, w którym urządzenie jest sprzedawane. Szczegółowe informacje na temat warunków gwarancji można uzyskać w punkcie, w którym urządzenie zostało nabyte. Przy zgłaszaniu wszelkich roszczeń w ramach gwarancji należy przedstawić dowód sprzedaży lub pokwitowanie.

WAŻNE: Bateria w tym odkurzaczu jest objęta gwarancją przez 2 lata od daty zakupu. Po okresie 2 lat użytkownik jest odpowiedzialny za zakup nowego akumulatora.

Zastrzegamy sobie możliwość wprowadzania zmian bez wcześniejszego powiadomienia.

NÁVOD K BEZPEČNÉMU POUŽITÍ

Tento vysavač by měl být používán pouze pro úklid domácnosti a v souladu s touto uživatelskou příručkou. Než začnete spotřebič používat, ujistěte se, že rozumíte tomuto návodu.

Před čištěním nebo jakoukoli údržbou zařízení vždy vypněte a síťovou šňůru vytáhněte ze zásuvky.

Tento přístroj smí používat děti od 8 let výše a osoby se sníženými fyzickými, smyslovými nebo mentálními schopnostmi nebo s nedostatkem zkušeností a znalostí, pokud jsou pod dohledem nebo jim byly dány pokyny týkající se bezpečného používání tohoto přístroje a byly seznámeny s možnými riziky jeho používání. S přístrojem si nesmí hrát děti. Čištění a údržbu nesmí provádět děti bez dohledu.

Jestliže je poškozena síťová šňůra, okamžitě přestaňte zařízení používat. Síťovou šňůru musí vyměnit autorizovaný servisní technik společnosti Hoover, aby se předešlo ohrožení bezpečnosti.

Udržujte dostatečnou vzdálenost rukou, nohou, volného oděvu a vlasů z dosahu otočných kartáčů.

Pro dobíjení používejte pouze nabíječku dodanou se zařízením.

Zkontrolujte, zda údaje na štítku nabíječky odpovídají hodnotám síťového napětí.

Tento vysavač společnosti Hoover je vybaven dvojitě odizolovanou nabíjecí baterií, která je vhodná k zapojení pouze do zástrčky 230V (UK 240V).

Zapojte nabíječku do vhodné zásuvky a konektor nabíječky připojte k vhodnému výstupu na vysavači.

S nabíječkou nemanipulujte máte-li vlhké ruce.

Před nabíjením spotřebič vypněte.

Během nabíjení se rozsvítí LED dioda baterie ČERVENĚ a při plném nabití se rozsvítí BÍLE.

Po použití znovu připojte přístroj k nabíječce k dobití baterie.

Důležité: Nikdy nenabíjejte akumulátor při teplotě vyšší než 37°C nebo nižší než 0°C.

Je běžné, že při nabíjení se nabíječka zahřívá.

Nevytahujte nabíječku ze zásuvky taháním za síťový kabel.

V případě delší nepřítomnosti (dovolená apod.) nabíječku odpojte. Přístroj před použitím znovu dobijte, protože baterie by se při delší

době skladování mohly vybit samy.

Před likvidací vysavače z něj nejprve vyjměte baterie. Před odstraněním baterie se ujistěte, že výrobek je odpojen od elektrické sítě. Zlikvidujte baterie bezpečně a ekologicky. Používejte zařízení dokud baterie nejsou naprosto vybité. Použité baterie by měly být přijaty do recyklační stanice a nesmějí být vyhazované dohromady s domovním odpadem. Pro vyjmutí baterií prosím kontaktujte Zákaznické servisní středisko Hoover, které najdete na internetových stránkách www.hoover.cz nebo postupujte podle následujících pokynů:

DŮLEŽITÉ UPOZORNĚNÍ: Před vyjmutím je nutno baterii zcela vybit.

Nechte vysavač zapnutý, dokud nebudou baterie zcela vybité.

Odpojte nabíječku od spotřebiče.

Stiskněte uvolňovací tlačítko baterie a vyjměte ji.

POZNÁMKA: Budete-li mít při demontáži jednotky jakékoli problémy nebo budete-li požadovat podrobnější informace o manipulaci, využití a recyklaci tohoto výrobku, kontaktujte prosím místní úřad nebo středisko sběrných surovin.

Používejte výhradně příslušenství, spotřební materiály a náhradní díly doporučené nebo dodávané firmou Hoover.

Statická elektřina: Při čištění některých koberců vzniká malé množství statické elektřiny. Výboje statické elektřiny neohrožují zdraví.

Nepoužívejte Vaše zařízení venku, nebo na mokré povrchy a na mokrá vysávání.

Nevysávejte tvrdé nebo ostré předměty, zápalky, žhavý popel, cigaretové nedopalky a podobné předměty. Nestříkejte nebo nevysávejte hořlavé kapaliny, čisticí tekutiny, aerosoly nebo jejich výpary.

Během použití zařízení nepřejíždějte přes síťovou šňůru a nevytahujte síťový kabel ze zásuvky taháním za šňůru. Nepoužívejte zařízení nebo nabíjení, pokud vám připadá vadné.

Servis Hoover najdete na internetových stránkách www.hoover.cz Spolehlivý provoz a vysoká účinnost tohoto spotřebiče jsou zajištěny pouze v případě, že bude prováděn pravidelný servis a opravy, které musí zajišťovat autorizovaný servisní technik společnosti Hoover.

Nepoužívejte zařízení pro čištění zvířat a osob.

Nenahrazujte baterie jinými, které nelze dobíjet.

Životní prostředí:

Tento spotřebič je označen v souladu s Evropskou Směrnicí 2011/65/ES o omezení používání nebezpečných látek v elektrických a elektronických zařízeních (WEEE). Zajištěním správné likvidace tohoto výrobku pomůžete předcházet případným negativním důsledkům pro životní prostředí a lidské zdraví, které mohou být v opačném případě způsobeny nesprávnou likvidací tohoto výrobku. Symbol na výrobku označuje, že tento výrobek nesmí být likvidován jako domovní odpad. Měl by být předán na příslušné místo sběru pro recyklaci elektrických a elektronických zařízení. Likvidace musí proběhnout v souladu s místními ekologickými předpisy pro likvidaci odpadu. Další informace o manipulaci, novém využití a recyklaci tohoto výrobku získáte na místním obecním úřadě, u služby pro sběr domovního odpadu nebo v prodejně, kde jste výrobek zakoupili.



Tento výrobek je v souladu s Evropskými směrnicemi 2014/35/ES, 2014/30/ES a 2011/65/ES.

CANDY HOOVER GROUP S.r.l. Via Privata Eden Fumagalli, 20861 Brugherio (MB) Italy

KOMPONENTY PRODUKTU

- | | |
|--|---|
| A. Tlačítko ON/OFF (ZAP/VYP) | V. Nabíječka |
| B. Tlačítko Turbo | W. Úchytka na zed* |
| C. Tlačítko Tichého chodu | X. Nástěnné montážní šrouby* |
| D. Zásobník na nečistoty | Ya. Integrovaný nástavec na nábytek 2v1 |
| E. Tlačítko uvolnění klapky nádoby na prach | Yb. Integrovaný kartáč na prach 2v1 |
| F. Tlačítko uvolnění ručního parního čističe | Z. Miniturbo hubice* |
| G. Tlačítko pro uvolnění | AA. Kartáč miniturbo hubice |
| H. Trubky | AB. Uvolňovací klapka kartáče miniturbo hubice |
| I. Tlačítko pro uvolnění hubice | AC. Štěrbinová hubice* |
| J. Hubice | AD. Sáček na příslušenství* |
| K. Přední LED diody na hubici | AE. Nástroj na čištění nádoby na prach* |
| L. Kontrolka LED stavu kartáče* | AF. Uvolňovací klapka 360° otočného hydro kartáče |
| M. Vstupní filtr | AG. 360° Otočný hydro kartáč |
| N. Samostatná cyklónová jednotka Vortex Finder | AH. 360° Těsnící uzávěr otočného hydro kartáče |
| O. Samostatná cyklónová jednotka | Al. Odnímatelná lišta zadní stěrky |
| P. Kontrolka LED údržby | AJ. Uvolňovací klapka kartáče Hybrid Care |
| Q. Kontrolka LED stavu baterie | AK. Kartáč Hybrid Care |
| R. Kontrolka nabíjení baterie | Al. Přední stěrka na hubici |
| S. Tlačítko pro uvolnění baterie. | AM. Upevňovací tlačítko přední stěrky trysky |
| T. Baterie | AN. Koncentrovaný čisticí prostředek* |
| U. Vstup pro nabíjení baterie | AO. Nádoba na předmáčení* |

PŘÍPRAVA VYSAVAČE

Produkt opatrně vyjměte z obalu.

1. Zvedněte trysku a prodlužovací trubku, namontujte jeden konec trubice do hrdla trysky, dokud neuslyšíte, jak zapadne na své místo. **[1a]**
2. Zvedněte ruční jednotku a namontujte ji na trubici, dokud neuslyšíte, jak zapadne na své místo. **[1b]**
3. Připevněte nástěnný držák ke zdi pomocí dodaných šroubů a matek. **[2]**
4. Pro úplné nabití připojte k baterii spotřebiče konektor nabíječky. To bude trvat přibližně 2,5 hodiny. **[10,11]**

POZNÁMKA: Chcete-li hubici vyjmout, stiskněte uvolňovací tlačítko trysky a vytáhněte jí z trubice.

POZNÁMKA: Pro dobíjení používejte pouze nabíjecí stanici dodanou k vysavači. Je běžné, že při nabíjení se nabíječka zahřívá.

* Pouze u některých modelů

SÁNÍ A VYTÍRÁNÍ

DŮLEŽITÉ UPOZORNĚNÍ: Funkce vytírání by měla být používána pouze na tvrdých podlahách a parketách.

Tento čistič je vybaven kartáčem Hybrid Care v přední části a 360° otočným hydro kartáčem v zadní části, který umožňuje vysávání a mytí tvrdých podlah a parket. [3a]

Před použitím dvojité funkce (vysávání a vytírání) je důležité otočný hydro kartáč kompletně navlhčit.

1. Pomocí uvolňovací klapky uvolněte 360° otočný hydro kartáč. Naleznete ji na boční straně hubice. [3b]
2. Uchopte uvolňovací klapku 360° otočného hydro kartáče a odeberte jej.
3. Odstraňte těsnicí uzávěr a za jeho použití jako odměrky nalijte koncentrovaný čisticí prostředek do kartáče. [3c, 3d]
4. Naplňte kartáč vodou, ale neplňte jej až po okraj. [3e]
5. Poté nasadte zpět uzávěr.
6. Vložte 360° otočný hydro kartáč do předmáčecí nádoby a nalijte do ní vodu, aniž byste jí naplnili až po okraj. Ponechejte 360° hydro kartáč uvnitř nádoby po dobu asi 30 sekund, ujistěte se, že jsou všechny jeho části mokré, a poté jej vyjměte. [3f, 3g, 3h]
7. Přidělejte 360° otočný hydro kartáč zpět do původní polohy a klapkou zajistěte. [3i]

DŮLEŽITÉ UPOZORNĚNÍ: Nepoužívejte 360° otočný hydro kartáč na mokřých kobercích.

DŮLEŽITÉ UPOZORNĚNÍ: Nevysávejte žádnou vodu ani tekutiny.

POZNÁMKA: Je možné použít alternativní jemné čisticí prostředky, ale není možné používat prostředky dezinfekční.

POZNÁMKA: Doporučuje se doplnit nádrž a ujistit se, že je otočný 360° hydro kartáč celý mokřý po vytírání každých přibližně 40 m², pouze tak je možné dosáhnout optimálních výsledků.

POZNÁMKA: Pokud potřebujete doplnit nádobu na vodu a 360° otočný hydro kartáč je již znečištěný, doporučujeme jej umýt ve vlažné vodě jemným čisticím prostředkem.

DŮLEŽITÉ UPOZORNĚNÍ: Po každém použití se doporučuje umýt 360° hydro válec a nechat jej uschnout ve svislé poloze nejméně 24 hodin. [4]

DŮLEŽITÉ UPOZORNĚNÍ: Nenechávejte mokřý 360° hydro válec připojený k trubce.

FUNKCE SÁNÍ

DŮLEŽITÉ UPOZORNĚNÍ: Funkce sání by se měla používat pouze tehdy, je-li hydro kartáč zcela suchý.

Tento vysavač má na přední straně hubice kartáč Hybrid Care, který umožňuje sání prachu a nečistot z tvrdých podlah, parket a koberců. [4f]

Před použitím produktu na koberci vyjměte z trubky 360° otočný hydro kartáč, vyprázdněte obsah a před opětovným nasazením nechte 24 hodin schnout. [4a, 4b, 4c, 4d, 4e]

Pokud nechcete čekat, jednoduše odstraňte mokřý 360° hydro kartáč a vysajte koberec. [4a]

JAK POUŽÍVAT VYSAVAČ

UŽIVATELSKÉ ROZHRAŇÍ

K dispozici jsou 4 pracovní režimy:

- **STANDARDNÍ REŽIM:** Když stisknete tlačítko VYP-ZAP, je vysavač připraven na vysávání s hlavní motorizovanou hubicí. [6a]
- **TURBO REŽIM:** Stiskněte tlačítko Turbo pro plný výkon při náročném vysávání. [6b]
- **Tichý režim:** Stisknutím tlačítka "tichý režim" můžete důkladně čistit při nejnižší úrovni hluku. [6c]
- **AUTO REŽIM:** Když vyndáte hubici nebo trubici, produkt se automaticky přizpůsobí nižšímu výkonu pro výše uvedené čištění podlahy pomocí nemotorizovaných hubic.

POZNÁMKA: Pokud se nacházíte v tomto režimu a potřebujete vyšší výkon, stiskněte tlačítko TURBO: jedním stiskem zvýšíte na extra výkon, nebo stiskněte dvakrát, čímž zvýšíte na plný výkon. Pokud se chcete vrátit do automatického režimu, stiskněte tlačítko Tichý.

KONTROLKA STAVU KARTÁČE

Kontrolka LED na hubici zůstane svítit bíle během všech režimů čištění podlahy a bude červená, pokud je aktivován bezpečnostní systém. [17]

* Pouze u některých modelů

UPEVNĚNÍ PŘEDNÍ STĚRKY

K dosažení nejlepšího štěrbinového a kobercového výkonu se doporučuje upevnit lišty přední stěrky svíse a během používání se neotáčet dopředu ani dozadu.

1. Odpojte pomocí uvolňovací klapky kartáč Hybrid Care a vyjměte jej. **[5a]**
2. Stiskněte tlačítko pro upevnění přední stěrky trysky směrem dolů. **[5b]**
3. Nasadte kartáč Hybrid Care zpět na své místo. **[5c]**

FUNKCE SKLADOVÁNÍ

Po použití má váš čistič 2 vhodné metody skladování.

1. PŘIPEVNĚNÍ NA STĚNU

Váš výrobek je dodáván s držákem na stěnu pro pohodlné a snadné uskladnění. Pomocí dodaných šroubů upevněte nástěnný držák ke zdi. Po použití výrobku jednoduše umístěte vysavač na místo. **[2]**

2. REŽIM KOMPAKTNÍHO USKLADNĚNÍ/PARKOVÁNÍ

Chcete-li výrobek uskladnit ještě praktičtěji, vyjměte ruční část stisknutím uvolňovacího tlačítka. **[8]**

Zajistěte, aby byl vestavěný nástavec 2 v 1 vrácen do původní polohy, ve které je dodáván, a zajistěte, aby byl nástroj umístěn zcela ve své poloze s kartáčem na prach a háčkem směrem dolů.

Montážní hák namontujte do dolní drážky na trubce a zatlačte zadní rukojeť zcela dovnitř do blokovacího mechanismu umístěného v horní části trubky. **[9]**

OCHRANNÝ BEZPEČNOSTNÍ SYSTÉM

Aby bylo zajištěno, že při použití v náročných podmínkách není ovlivněna spolehlivost výrobku, jsou v produktu zabudované dva bezpečnostní ochranné systémy. Jeden na vysavači a jeden na hubici.

POZNÁMKA: Bezpečnostní ochrana bude aktivována ve dvou případech:

1. Pokud je sání vzduchu nebo trubice zablokovány, vysavač bude chráněn a vypnut a kontrolka LED na hlavní jednotce začne svítit červeně. Pokud k tomu dojde, zkontrolujte, zda v trubici nebo v sání ruční jednotky nejsou překážky. Překážku vyjměte a vysavač znovu zapněte.

2. Pokud je rotační kartáč ucpaný nebo je zablokovaný, přestane se při spuštění otáčet a na hubici se změní BÍLÁ LED kontrolka na ČERVENOU. **[17]** V takovém případě jednoduše vypněte zařízení a vyčistěte otočný kartáč. Pro opětovné spuštění vysavače stiskněte tlačítko zapnutí/vypnutí a zařízení začne znovu pracovat v normálním režimu.

BATERIE

Tento vysavač je vybaven kontrolkou LED stavu baterie. Když je produkt zapnutý, kontrolka LED se rozsvítí ve dvou barvách, čímž zobrazí úroveň nabití baterie:

BATERIE LEVEL:

Bílá barva: 100% - 10% nabití

Červené blikání: <10% nabití

Existují 2 způsoby nabití:

Baterii můžete nabíjet spolu s výrobkem (tedy ji nemusíte vyjmout).

Zapojte konec nabíječky do baterie. Kontrolka LED se při nabíjení rozsvítí ČERVENĚ. Když je nabíjení dokončeno, rozsvítí se BÍLÁ kontrolka LED na dobu 1 minuty a poté se vypne. **[10]**

Nabíjejte baterii samostatně po vyjmutí z přístroje.

Stisknutím tlačítka pro uvolnění baterie vyjměte baterii.

Zapojte konec nabíječky do baterie. LED dioda baterie se při nabíjení rozsvítí ČERVENĚ. Po dokončení nabíjení se rozsvítí kontrolka LED BÍLE. **[11]**

POZNÁMKA: Je běžné, že při nabíjení se nabíječka zahřívá. Používejte pouze nabíječku, která byla k vysavači dodána.

PŘÍSLUŠENSTVÍ

ŠTĚRBINOVÁ HUBICE NA RUČNÍ VYSAVAČ, ŠTĚRBINOVÁ HUBICE NA TRUBKU, NÁSTAVEC 2v1 NA NÁBYTEK A PRACHOVÝ KARTÁČ, DLOUHÁ ŠTĚRBINOVÁ HUBICE*, MINITURBO HUBICE* A NÁSTROJ NA ČIŠTĚNÍ NÁDOBY NA PRACH*.

Zabudované štěrbinové nástavce - Ideální pro přístup do zúžených prostorů.

Integrovaný prachový kartáč - ideální pro čištění choulostivých povrchů bez poškození nebo poškrábání.

Integrovaný nástavec na nábytek - Ideální pro čištění povrchů jako jsou pohovky.

Mini power nozzle* - Ideální pro hloubkové čištění textilních povrchů (například pohovky) a odstranění zvířecích chloupků. Pracovní úhel lze nastavit při pohybu směrem dozadu a dopředu.

POZNÁMKA: Po použití otočte pomocí mince uvolňovací klapku otočného kartáče proti směru hodinových ručiček, abyste otočný kartáč mohli vyjmout, a poté odstraňte vlasy/nitě nahromaděné na kartáči. [21]

Štěrbínová hubice* - Ideální pro těsná a těžko přístupná místa.

Všechna příslušenství, kromě nástroje na čištění nádoby na prach, lze namontovat na hlavní tělo vysavače a trubku. [7]

Nástroj na čištění nádoby na prach* - Ideální pro odstranění prachu, zbytků a vlasů uvnitř nádoby na prach. [12]

Sáček na příslušenství*

V sáčku na příslušenství lze uskladnit dodatečné příslušenství.

Úchytka na zed*

V případě potřeby připevněte držák ke zdi pomocí dvou dodaných šroubů a matic. [2]

ÚDRŽBA VYSAVAČE

Vyprázdnění nádoby na prach

1. Stiskněte tlačítko pro uvolnění z hlavního těla vysavače a trubku vyjměte. [8]
2. Stiskněte tlačítko vyprázdnění nádoby na prach, aby se uvolnila klapka, a vysypte obsah. [12a]
3. Uzavřete klapku nádoby na prach, při zajištění uslyšíte cvaknutí.

POZNÁMKA: Doporučujeme vyprazdňovat nádobu na prach po každém použití, nebo při naplnění po maximální úroveň.

Rychlé každodenní čištění nádoby na prach

Jednoduše otevřete kryt nádoby na prach a odstraňte prach pomocí nástroje pro čištění nádoby na prach.

1. Pomocí háčku vytáhněte prach nahromaděný uvnitř nádoby na prach. [12b]
2. Koncem kartáčku odstraňte jemný prach přilepený na kovové síti filtru. [12c]

Zkontrolujte prachový zásobník a filtr

Připomenutí údržby vstupního filtru. Pokud předfiltr vyžaduje údržbu, kontrolka LED na vysavači začne blikat červeně.

1. Stiskněte uvolňovací tlačítko na ruční jednotce a vyjměte ruční část vysavače z trubky. [8]
2. Stiskněte uvolňovací tlačítko baterie a vyjměte baterii. [11]
3. Odeberte sestavu prachové nádoby otočením ve směru hodinových ručiček a vytažením z jednotky. [14a]
4. Odstraňte předmotorový filtr, zatáhnutím za podpěru nádoby na prach. [14a]
5. Poté, vyjměte samotný cyklonový systém a vytáhněte kovový kroužek z nádoby na prach.
6. Odstraňte přepadovou trubku otáčením ve směru hodinových ručiček a vytáhněte ji z cyklonového systému. [14b]
7. Filtr a samostatný cyklonový systém omyjte vlažnou vodou a nechte schnout po dobu 24 hodin. [15,16]
8. Jakmile je filtr úplně suchý, umístěte jej zpět do vysavače.

POZNÁMKA: Při čištění vstupního filtru motoru nepoužívejte horkou vodu ani čisticí prostředky. V nepravděpodobném případě poškození vstupních filtrů namontujte originální náhradní díly Hoover. Před vrácením prachové nádoby do vysavače vraťte zpět vstupní filtr, jinak se spustí ochranný mechanismus filtru.

DŮLEŽITÉ UPOZORNĚNÍ: Pro optimální výkon udržujte filtr vždy čistý. Doporučujeme, abyste filtr umývali alespoň jednou za měsíc.

ÚDRŽBA HUBICE

Čištění 360° otočného hydro kartáče, Hybrid Care kartáče, lišty zadní a přední stěrky.

DŮLEŽITÉ UPOZORNĚNÍ: Před čištěním 360° otočného hydro kartáče, Hybrid Care kartáče, lišty zadní a přední stěrky vždy vysavač vypněte.

Čištění 360° otočného hydro kartáče:

1. Vyjměte hubici z trubice. [18]
2. Pomocí uvolňovací klapky uvolněte 360° otočný hydro kartáč. Naleznete ji na boční straně hubice. [4a]
3. Odstraňte těsnící uzávěr a ujistěte se, že je nádrž na vodu prázdná. [4b, 4c]
4. Umyjte 360° Hydro válec a těsnící uzávěr ve vlažné vodě jemným čisticím prostředkem a poté vyždímejte. Nebo jej vyperte v pračce pomocí jemného cyklu bez uvolňovací klapky kartáče. [4d]
5. Nechte jej nejméně 24 hodin uschnout ve svislé poloze. [4e]
6. Namontujte 360° otočný hydro kartáč zpět na hubici do výchozí polohy.
7. Přivřete uvolňovací klapku 360° hydro kartáče zpět k hubici.

* Pouze u některých modelů

DŮLEŽITÉ UPOZORNĚNÍ: Po každém čištění se doporučuje umýt 360° otočný hydro kartáč a nechat jej uschnout ve svislé poloze nejméně 24 hodin.

DŮLEŽITÉ UPOZORNĚNÍ: Nenechávejte mokry 360° otočný hydro kartáč připojený k trubce.

DŮLEŽITÉ UPOZORNĚNÍ: Funkci sání na kobercích používejte pouze tehdy, je-li hydro kartáč zcela suchý.

POZNÁMKA: Pokud jej chcete práť v pračce, doporučujeme použít jemný cyklus na 40° a odstranit uvolňovací klapku. [20d]

Čištění Hybrid Care kartáče:

1. Vyměňte hubici z trubice. [18]
2. Odpojte uvolňovacím tlačítkem kartáč Hybrid Care. Naleznete ji na boční straně hubice. [19]
3. Uchopte uvolňovací klapku Hybrid Care kartáče a vyjměte ji z trubky.
4. Chcete-li vyčistit Hybrid Care kartáč, odstraňte přebytečný odpad pomocí nůžek. [19]
5. Znovu Hybrid Care kartáč přidejte. To lze provést pouze jedním směrem. [19]
6. Připevněte uvolňovací klapkou Hybrid Care zpět.

Čištění lišty zadní stěrky:

1. Vyměňte hubici z trubice. [18]
2. Stiskněte konec uvolňovací klapky a odstraňte lištu zadní stěrky. [20]
3. Při čištění lišty zadní stěrky můžete použít vlhký hadřík.
4. Namontujte lištu zadní stěrky zpět na místo.

Čištění lišty přední stěrky:

1. Vyměňte hubici z trubice. [18]
2. Vytáhněte lištu přední stěrky z otvoru. [20]
3. Při čištění lišty přední stěrky použijte vlhký hadřík.
3. Namontujte lištu přední stěrky zpět na místo.

Výměna baterií

Tento vysavač je vybaven dobíjecí lithium-iontovou baterií, která je vyměnitelná.

VAROVÁNÍ: Pro svůj vysavač používejte pouze schválené náhradní díly. Používání dílů neschválených firmou Hoover je nebezpečné a přicházíte tím o záruku.

VAROVÁNÍ: Nepokoušejte se sami rozmontovat nebo opravit baterii.

1. Stiskněte uvolňovací tlačítko baterie a vytáhněte baterii ven. [11]
2. Vyměňte starou baterii a nahraďte ji novou baterií.
3. Zlikvidujte baterie bezpečně a ekologicky. Použití baterie by měly být přijaty do recyklační stanice a nesmějí být vyhazované dohromady s domovním odpadem.

ŘEŠENÍ POTÍŽÍ

Budete-li mít s vysavačem nějaký problém, projděte prosím před zavoláním do Zákaznického servisního střediska Hoover tyto body:

A. Vysavač se nezapíná

Zkontrolujte, zda je nabitý

Zkontrolujte, jestli je baterie na svém místě.

B. Čistič přestal pracovat

Zkontrolujte, zda není v přívodu vzduchu nebo v trubce překážka, vyčistěte ji a zkontrolujte, zda je výrobek vypnutý. Po dokončení tohoto kroku, jednoduše stiskněte tlačítko zapnout/ vypnout, výrobek začne znovu pracovat.

C. Ztráta sacího výkonu nebo žádné sání

Vyprázdněte nádobu na prach a umyjte předmotorový filtr a jeho okolí.

Sundejte hubici a zkontrolujte, zda nejsou průchody trubice zablokované.

D. Baterie nelze nabíjet

To může být následkem velmi dlouhé doby nenabíjení baterií (více než půl rok).

Kontaktujte Zákaznické servisní středisko Hoover a dojednejte si výměnu baterií.

Pokud problém přetrvává, kontaktujte Zákaznické servisní středisko Hoover.

E. Podlahy neschnou rovnoměrně.

Zkontrolujte, zda je 360° hydro váleček zcela mokry a přidejte jednu odměrku čistícího prostředku.

F. Hubice zapáchá.

Jednoduše umyjte 360° otočný hydro kartáč a nechte ho schnout 24 hodin ve svislé poloze.

G. Tlaková síla na koberec je vysoká.

Zkontrolujte, zda je hydro kartáč zcela suchý. Pokud má váš koberec velmi dlouhé vlasy, jednoduše odstraňte 360° hydro kartáč a koberec vysajte .

NÁHRADNÍ DÍLY A SPOTŘEBNÍ MATERIÁLY HOOVER

Vždy používejte originální náhradní díly společnosti Hoover. Získáte je u místního prodejce výrobků Hoover nebo u servisních partnerů. V objednávce dílů vždy uvádějte číslo modelu.

VAŠE ZÁRUKA

Záruční podmínky pro tento spotřebič stanovuje náš zástupce v zemi, v níž je spotřebič prodáván. Přesné znění podmínek vám poskytne prodejce, u něhož jste si zařízení zakoupili. Při reklamaci podle těchto záručních podmínek je nutno předložit doklad o koupi nebo převzetí.

DŮLEŽITÉ UPOZORNĚNÍ: Záruka na baterii v tomto produktu je 2 roky od zakoupení. Po 2 letech zákazník hradí náklady na novou baterii.

Právo změny bez předchozího upozornění vyhrazeno.

NAVODILA ZA VARNO UPORABO

Sesalnik lahko uporabljate le za čiščenje stanovanjskih prostorov, kot je opisano v tem priročniku. Prosimo, da se pred uporabo sesalnika temeljito seznanite s temi navodili.

Pred čiščenjem naprave ali kakršimi koli vzdrževalnimi deli vedno izklopite in odstranite polnilnik iz vtičnice.

Ta aparat lahko uporabljajo otroci, starejši od 8 let, ter osebe z zmanjšanimi telesnimi, zaznavnimi in mentalnimi sposobnostmi ali osebe s pomanjkljivimi izkušnjami in znanjem, če so pod nadzorom ali so bile ustrezno podučene o varni uporabi aparata ter se zavedajo nevarnosti, ki so povezane z njegovo uporabo. Otroci se ne smejo igati z aparatom. Otroci ne smejo čistiti ali vzdrževati aparata brez nadzora.

Če je napajalni kabel poškodovan, nemudoma prenehajte z uporabo sesalnika. Da bi se izognili nevarnosti, mora napajalni kabel zamenjati pooblaščen Hooverjev serviser.

Imejte roke, noge, ohlapna oblačila in lase proč od vrtljivih krtač.

Uporabljajte le originalni polnilnik, ki je priložen napravi.

Preverite, ali je napajalna napetost enaka tisti, ki je navedena na polnilniku.

Ta Hooverjev aparat je dobavljen z dvojno izoliranim polnilcem baterij, ki je primeren samo za priključitev na 230-V (UK 240V) vtičnico.

Polnilec priključite v ustrezno vtičnico in nato drugi del priključite še v napravo.

Polnilnika ne prijemajte nikoli z mokrimi rokami.

Pred polnjenjem ugasnite napravo.

Med polnjenjem bo LED luč za baterijo svetila RDEČE , BELO se bo obarvala, ko bo naprava popolnoma napolnjena.

Po uporabi naprave spet priključite polnilnik in tako vnovič napolnite baterijo.

Nikoli ne polnite baterij pri temperaturah višjih od 37°C ali nižjih od 0°C.

Normalno je, da se polnilnik med polnjenjem segreva.

Ne izklaplajte polnilca tako, da povlečete za kabel.

Polnilec izklopite v primeru daljše odsotnosti (počitnice, itd.). Pred

ponovno uporabo spet napolnite baterije, saj se lahko te izpraznijo samodejno, če sesalnika dlje časa ne uporabljate.

Če boste napravo odvrgli, morate najprej odstraniti baterije. Ko želite odstraniti baterije, mora biti naprava izključena iz električnega toka. Baterije odvrzite na varen način. Pustite delovati napravo do konca, da bodo baterije popolnoma prazne. Uporabljene baterije je treba odnesti v enoto za recikliranje in se ne smejo odvreči v gospodinjne smeti. Za odstranitev baterij vas prosimo, da se obrnete na Hooverjev center za kupce ali nadaljujete po sledečih navodilih.

POMEMBNO: Pred odstranjevanjem baterije vedno popolnoma izpraznite.

Sesalnik naj deluje toliko časa, da se baterije do konca izpraznijo.

Vtikač polnilca odstranite iz naprave.

Za odstranitev baterije pritisnite na gumb za sprostitev baterije.

OPOMBA: V primeru težav z razstavljanjem naprave ali za podrobnejše informacije o ravnanju z izdelkom, obnovi ali ricikliranju izdelka se obrnite na krajevni urad ali komunalno podjetje za odvoz gospodinskih odpadkov.

Uporabljajte le dodatke, potrošni material ali nadomestne dele, ki jih priporoča ali dobavi Hoover.

Statična elektrika: Nekatero preproge lahko ustvarjajo manjšo količino statične elektrike. Kakršen koli statični električni naboj ne ogroža zdravja.

Sesalnika ne smete uporabljati na prostem, na kakršni koli mokri površini ali za sesanje tekočin.

Ne smete sesati trdih ali ostrih predmetov, vžigalic, vročega pepela, cigaretnih ogorkov ali drugih podobnih snovi. Ne smete pršiti ali sesati vnetljivih tekočin, čistil, osvežilcev zraka ali njihovih hlapov

Ne smete zapeljati prek napajalnega kabla med uporabo sesalnika ali izvleči vtikača tako, da bi vlekli za kabel. Ne smete uporabljati naprave ali polnilnika, če ne delujeta pravilno.

Hooverjev servis: Za zagotovitev nenehnega varnega in učinkovitega delovanja naprave priporočamo, da servis ali popravila izvrši le pooblaščen Hooverjev serviser.

Ne smete uporabljati sesalnika za čiščenje živali ali ljudi.

Polnljivih baterij ne smete zamenjati z navadnimi baterijami.

Okolje:

Ta naprava je označena v skladu z evropsko direktivo 2011/65/ES o odpadni električni in elektronski opremi (OEEEO). S pravilnim odstranjevanjem izdelka boste pripomogli k preprečevanju morebitnih negativnih vplivov na okolje in človeško zdravje, do česar bi utegnili priti ob neprimerni odstranitvi tega izdelka. Simbol na izdelku pomeni, da izdelka ne smete odstraniti kot gospodinjski odpadke. Oddati ga morate na zbirnem mestu za recikliranje električne in elektronske opreme. Odstranitev morate izvesti v skladu s krajevnimi okoljskimi predpisi glede odstranjevanja odpadkov. Za podrobnejše informacije o ravnanju z izdelkom, obnovi in recikliranju izdelka se obrnite na krajevni urad, komunalno podjetje za odvoz gospodinjskih odpadkov ali trgovino, kjer ste izdelek kupili.



Ta naprava je v skladu z evropskimi direktivami 2014/35/EU, 2014/30/EU in 2011/65/EU.

CANDY HOOVER GROUP S.r.l. Via Privata Eden Fumagalli, 20861 Brugherio (MB) Italy

SESTAVNI DELI IZDELKA

- | | |
|---|---|
| A. Gumb ON/OFF | U. Vhod za polnjenje baterije |
| B. Gumb Turbo | V. Polnilec |
| C. Gumb za tihi način | W. Stenski nosilec* |
| D. Posoda za prah | X. Vijaki za pritrditev na steno* |
| E. Gumb za sprostitve lopute posode za prah | Ya. Vgrajen pripomoček za pohišstvo 2v1 |
| F. Ročni gumb za sprostitve | Yb. Vgrajena krtača za prah 2v1 |
| G. Gumb za sprostitve prostora za shranjevanje | Z. Mini sesalni nastavek* |
| H. Cev | AA. Mini sesalni nastavek s krtačo |
| I. Gumb za sproščanje nastavkov | AB. Loputa za sprostitve mini sesalnega nastavka s krtačo |
| J. Nastavek | AC. Dolg nastavek za sesanje rež* |
| K. Sprednje led luči krtače | AD. Vrečka za pripomočke* |
| L. LED luč za stanje ščetke* | AE. Izdelek za čiščenje posode za prah* |
| M. Filter pred motorjem | AF. Gumb za sprostitve krtače 360° Hydro |
| N. Pripomoček za ločevanje prašnih delcev
v enojnem ciklonskem sistemu | AG. Krtača 360° Hydro |
| O. Enojni ciklonski sistem | AH. Pokrov za zapiranje krtače 360° Hydro |
| P. Led luč za stanje vzdrževanja | AI. Odstranljiv nastavek za zadnji brisalec |
| Q. LED luč za stanje baterije | AJ. Loputa za sprostitve krtače za hibridno nego |
| R. Luč za polnjenje baterije | AK. Krtača za hibridno nego |
| S. Gumb za sprostitve baterije | AL. Nastavek za sprednji brisalec |
| T. Baterija | AM. Gumb za pritrditev sprednjega nastavka za brisalec |
| | AN. Koncentriran detergent za čiščenje* |
| | AO. Posoda za predhodno močenje* |

PRIPRAVA VAŠEGA SESALNIKA

Svoj proizvod previdno odstranite iz embalaže.

1. Dvignite šobo in cev za podaljšanje, vstavite en konec cevi na odprto šobo, dokler ne zaslišite klika, ki nakazuje, da je na svojem mestu. **[1a]**
2. Dvignite enoto držala in jo nameščajte na tubo, dokler ne zaslišite klika, ki nakazuje, da je na svojem mestu. **[1b]**
3. Stenski nosilec pritrdite na steno, za to pa uporabite priložene vijake in matice. **[2]**
4. Če želite napravo povsem napolniti, polnilnik povežite z baterijo. Polnjenje traja približno 2.5 ur. **[10,11]**

OPOMBA: Za odstranitev nastavka pritisnite na gumb za sprostitve nastavka in ga povlecite stran od cevi.

OPOMBA: Pri ponovnem polnjenju uporabite samo polnilec, ki je dobavljen z vašim sesalcem. Normalno je, da se polnilec med polnjenjem segreva.

* Le pri določenih modelih

FUNKCIJA SESANJA IN VGRAJENA FUNKCIJA POMIVANJA

POMEMBNO: Vgrajeno funkcijo pomivanja lahko uporabljate samo na trdih tleh in parketu.

Ta čistilnik ima krtačo Hybrid Care na sprednjem delu nastavka in krtačo 360° Hydro na zadnjem delu nastavka, kar dovoljuje sesanje in pranje trdih tal in parketa. [3a]

Pred uporabo dvojne funkcije je pomembno, da popolnoma namočite krtačo 360° Hydro.

1. Odstranite loputo za sprostitvev krtače 360° Hydro. Ta se nahaja na stranskem delu krtače. [3b]
2. Držite loputo za sprostitvev krtače 360° Hydro in jo odstranite.
3. Odstranite zamašek za zapiranje in ga uporabite kot pipomoček za merjenje ter ga napolnite s priloženim koncentratom detergenta in ga vlijte v krtačo 360° Hydro. [3c, 3d]
4. Napolnite krtačo 360° Hydro z vodo, ne da bi jo napolnili do roba. [3e]
5. Nato ponovno namestite zamašek.
6. Vstavite krtačo 360° Hydro v posodo za predhodno močenje, nalijte vodo v posodo za predhodno močenje, ne da bi jo nalili do roba. Krtačo 360° Hydro imejte v posodi približno 30 sekund, dokler se ne prepričate, da je v celoti mokra, in jo nato odstranite. [3f, 3g, 3h]
7. Ponovno namestite krtačo 360° Hydro na njegovo izvorno mesto na nastavku in zaprite loputo za sprostitvev nastavka. [3i]

POMEMBNO: Mokre krtače 360° Hydro ne uporabljajte na preprogah.

POMEMBNO: To je suhi sesalnik, ne sesajte vode ali drugih tekočin.

OPOMBA: Možna je uporaba alternativnih nežnih detergentov za čiščenje, ampak ne uporabljajte razkužil.

OPOMBA: Za optimalno čiščenje površin priporočamo, da ponovno napolnete posodo in se prepričate, da je krtača 360° Hydro popolnoma mokra po tem, ko očistite območje v velikosti približno 40 m².

OPOMBA: Ko morate ponovno napolniti posodo za vodo in je krtača 360° Hydro že umazana, priporočamo, da jo operete v mlačni vodi z nežnim detergentom tako, da jo ožamete.

POMEMBNO: Priporočamo, da krtačo 360° Hydro operete po vsaki uporabi in, da jo v navpični legi sušite najmanj 24 ur. [4]

POMEMBNO: Mokre krtače 360° Hydro ne puščajte na nastavku.

FUNKCIJA SESANJA

POMEMBNO: Funkcijo sesanja lahko uporabljate samo, ko je krtača Hydro popolnoma suha.

Ta čistilnik ima krtačo za hibridno nego na sprednji strani nastavka, ki omogoča pobiranje prahu in delcev umazanije s trdih tal, parketa in preprog. [4f]

Pred uporabo svojega proizvoda na preprogi odstranite krtačo 360° Hydro z nastavka, izpraznite njeno vsebino in pustite, da se pred ponovno namestitvijo 24 ur suši. [4a, 4b, 4c, 4d, 4e]

V nasprotnem primeru, če ne želite čakati, enostavno odstranite mokro krtačo 360° Hydro in posesajte preprogo. [4a]

UPORABA SESALNIKA

UPORABNIŠKI VMESNIK

Obstajajo 4 načini delovanja:

- **STANDARDNI NAČIN:** Ko pritisnete gumb ON-OFF, je čistilec pripravljen za temeljito čiščenje z glavno motorizirano šobo. [6a]
- **NAČIN TURBO:** Za težke naloge čiščenja pritisnete na gumb za turbo delovanje. [6b]
- **Tihi način:** Pritisnite na gumb za popolno čiščenje pri zmanjšani ravni hrupa. [6c]
- **NAČIN AUTO:** Ko odstranite šobo ali cev, se izdelek samodejno prilagodi manjši moči za čiščenje nad tlemi z nemotoriziranimi orodji.

OPOMBA: Ko je naprava v tem načinu in želite večjo moč, pritisnite na gumb TURBO; enkrat za več moči ali dvakrat za največjo moč. Če se želite vrniti na SAMODEJNI NAČIN, pritisnite na gumb za Tihi način.

STANJE KRTAČE

LED-lučka stanja ščetke na šobi sveti belo med vsemi načini čiščenja tal in postane rdeča, če je aktiviran varnostni sistem zaščite. [17]

* Le pri določenih modelih

PRITRDITEV SPREDNJEGA BRISALCA

Za doseganje najboljšega rezultata čiščenja rež in preprog priporočamo, da sprednji brisalec namestite navpično in ga med uporabo ne obračate naprej in nazaj.

1. Odmaknite loputo za sprostitvev krtače Hybrid Care in odstranite krtačo. [5a]
2. Gumb za pritrditev nastavka sprednjega brisalca potisnite navzdol. [5b]
3. Krtačo Hybrid care ponovno namestite na položaj. [5c]

FUNKCIJE SHRANJEVANJA

Vaš čistilec ima 2 priročna načina za shranjevanje po uporabi.

1. SHRANJEVANJE Z MONTAŽO NA STENO

Vašemu produktu je dodano ogrodje za montažo na steno za priročno in enostavno shranjevanje. S pomočjo dodanih vijakov pritrdite ogrodje za shranjevanje na steni na steno. Po uporabi enostavno namestite svoj proizvod na temu namenjeni prostor. [2]

2. KOMPAKTNO SHRANJEVANJE/NAČIN ZA PARKIRANJE

Če želite izdelek shraniti na cev, odstranite enoto držala s pritiskom na gumb za sprostitvev na držalu. [8]

Zagotovite, da se orodje 2 v 1 vrne v prvotni položaj, tako, da zagotovite, da je orodje v celoti nameščeno na pravi položaj s krtačo za prah in kljuko v spodnjem položaju.

Pritrdite kljuko v spodnjo režo na cevi in potisnite zadnji ročaj do konca v zaporni mehanizem, ki se nahaja na vrhu cevi. [9]

VARNOSTNI SISTEM

Za zagotavljanje zanesljivosti proizvoda, če je le ta uporabljan v težkih pogojih, ima proizvod dva vgrajena varovalna sistema. Enega na čistilniku in enega na nastavku.

OPOMBA: Varnostni sistem bo deloval v dveh pogojih:

1. Če so ovire na dovodu zraka ali v cevi, bo čistilec zaščiten in izklopljen, LED-lučka na glavni enoti pa bo postala rdeča. Če se to zgodi, enostavno preverite, če so kakšne ovire v cevi ali v dovodu zraka držala. Odstranite ovire in ga ponovno prižgite.
2. Če ima krtača oviro ali je zaklenjena, se krtača preneha vrteti, ko se sproži varnostni sistem, in BELE LED luči na šobi se bodo spremenile v RDEČE. [17] Če se to zgodi, ugasnite napravo in iz agitatorja odstranite oviro. Če želite spet zagnati napravo, pritisnite tipko on/off in naprava bo spet začela delovati v normalnem načinu.

BATERIJA

Ta proizvod je opremljen z led lučjo za stanje baterije. Ko je proizvod VKLOPLJEN (ON), LED luč sveti v dveh barvah, da prikazuje nivo baterije:

BATERIJA LEVEL:

Bela barva: 100% - 10% polnjenje

Utripajoče rdeče: <10% polnjenje

Obstajata 2 metodi polnjenja:

Napolnite baterijo, ko se drži proizvoda.

Vstavite vtič polnilnika baterije v baterijo. Med polnjenjem LED indikator stanja sveti rdeče. Ko je polnjenje končano, LED indikator stanja sveti 1 min, nato pa se ugasne. [10]

Polnite baterijo, ko ni nameščena na izdelek.

Baterijo odstranite s proizvoda tako, da pritisnete na gumb za sprostitvev baterije.

Vstavite vtič polnilnika baterije v baterijo. Med polnjenjem se bo led luč obarvala RDEČE. Ko bo polnjenje dokončano, se bo led luč obarvala belo. [11]

OPOMBA: Normalno je, da se polnilec med polnjenjem segreva. Uporabljajte samo polnilec, dobavljen z vašim sesalcem.

DODATNI PRIKLJUČKI

NASTAVKI ZA ČIŠČENJE ŠPRANJ, VGRAJENI NA DRŽALO, NASTAVKI ZA ČIŠČENJE ŠPRANJ, VGRAJENI NA CEV, 2V1 KRTAČA ZA ČIŠČENJE PRAHU IN POHIŠTVA, DOLG NASTAVEK ZA SESANJE REŽ*, MINI SESALNI NASTAVEK* IN IZDELEK ZA ČIŠČENJE POSODE ZA PRAH*.

Vgrajeni nastavki za čiščenje špranj - Idealen za doseganje ozkih prostorov.

Integrirana krtača za prah - idealna za čiščenje površin brez poškodb in prask.

Vgrajen pripomoček za pohištvo - Idealen za čiščenje površin, podobnih kavču.

Mini power nozzle* - Idealen za globinsko čiščenje tekstilnih površin (na primer naslanjačev) in za odstranjevanje živalskih dlak. Delovni kot lahko prilagajate pri premikanju nazaj in naprej.

OPOMBA: Po uporabi loputo za sprostitev krtače s pomočjo kovanca zavrtite v nasprotni smeri urinega kazalca zato, da odstranite krtačo in nato očistite lase/niti, ki so se zbrali na krtači. **[21]**

Dolg nastavek za sesanje rež* - Idealen za ozka in težko dostopna mesta.

Vsi pripomočki razen pripomočka za čiščenje posode za prah so lahko nameščeni na glavni proizvod in na cev. **[7]**

Izdelek za čiščenje posode za prah*- Idealno za odstranjevanje prahu, delcev umazanije in dlak znotraj posode za prah. **[12]**

Torba za pripomočke*

Dodatne pripomočke lahko shranite v torbo za pripomočke.

Stenski nosilec*

Če je to zahtevano, namestite držalo za steno na steno tako, da uporabite priložena vijaka in stikali **[2]**

VZDRŽEVANJE SESALNIKA

Praznjenje posode za prah

1. Pritisnite gumb za sprostitev glavnega dela in odstranite cev. **[8]**
2. Gumb za izpraznitev posode za prah potisnite navzdol ter tako sprostite pokrov posode in zatem izpraznite vsebino. **[12a]**
3. Zaprite pokrov posode za prah. Ko se pokrov povsem zapre, zaslišite "klik".

OPOMBA: Posodo za prah izpraznite po vsaki uporabi sesalnika ali ko prah doseže zgornjo oznako največje dovoljene količine prahu.

Hitro dnevno čiščenje posode za prah

Enostavno odprete loputo posode za prah in odstranite prah s pomočjo orodja za čiščenje posode za prah.

1. Uporabite stran s kavljem zato, da izvlečete prah, ki se je nabral v posodi za prah. **[12b]**
2. Uporabite stran s krtačo, da očistite fini prah, ki se je zagostil okoli kovinskega mrežnega filtra. **[12c]**

Očistite posodo za prah in filter.

Opomnik za vzdrževanje pred filtra. Če je predhodni filter potreben vzdrževanja, bo LED luč na čistilniku začela utripati rdeče.

1. Pritisnite na gumb za sprostitev na držalu in odstranite enoto držala s cevi. **[8]**
2. Pritisnite gumb za sprostitev baterije in odstranite baterijo. **[11]**
3. Odstranite sklop posode za prah tako, da ga obračate v smeri urinega kazalca in ga povlečete stran od enote. **[13]**
4. Odstranite predmotorni filter tako, da povlečete podporo iz sklopa posode. **[14a]**
5. Izvlecite enojni ciklonski sistem tako, da povlečete kovinski obroč iz sklopa posode.
6. Na koncu odstranite vrtljivo cev tako, da jo obračate v smeri urinega kazalca in jo povlecite iz ciklonskega sistema. **[14b]**
7. Filter in enojni ciklonski sistem operite v mlačni vodi in pustite, da se 24 ur sušita. **[15,16]**
8. Ko je filter povsem suh, ga spet sestavite in vnovič namestite na sesalnik.

OPOMBA: Pri čiščenju predmotornega filtra ne uporabljajte vroče vode ali detergentov. Če se predmotorni filter poškoduje (kar je zelo redko), namestite originalno Hoover zamenjavo. Poskrbite, da boste pred montažo posode za prah na čistilec ponovno namestili predmotorni filter, saj se bo aktiviral zaščitni mehanizem filtra.

POMEMBNO: Za optimalno učinkovitost naj bodo filtri vedno čisti. Priporočamo, da filter operete enkrat na mesec.

VZDRŽEVANJE NASTAVKA

Čiščenje sprednjega in zadnjega brisalca krtače 360° Hydro Care

POMEMBNO: Pred čiščenje sprednjega in zadnjega brisalca krtače 360° Hydro Care vedno ugasnite čistilnik.

Čiščenje krtače 360° Hydro:

1. Odstranite šobo s cevi. **[18]**
2. Odstranite loputo za sprostitev krtače 360° Hydro. Ta se nahaja na stranskem delu krtače. **[4a]**
3. Odstranite zamašek in se prepričajte, da je posoda za vodo prazna. **[4b, 4c]**
4. Krtačo 360° Hydro in njen zamašek operite v mlačni vodi z nežnim detergentom tako, da ju ožamete ali ju operite v pralnem stroju z nežnim pralnim ciklom brez lopute za odstranjevanje krtače 360° Hydro. **[4d]**

* Le pri določenih modelih

5. Pustite, da se najmanj 24 ur suši v navpični legi. **[4e]**
 6. Ponovno namestite krtačo 360° Hydro na njen prvotni položaj na nastavku.
 7. Zaprite loputo za sprostitev krtače 360° Hydro na nastavku.
- POMEMBNO:** Priporočamo, da krtačo 360° Hydro operete po vsaki uporabi in, da jo v navpični legi sušite najmanj 24 ur.
- POMEMBNO:** Mokre krtače 360° Hydro ne puščajte na nastavku
- POMEMBNO:** Funkcijo sesanja lahko uporabljate samo, ko je krtača Hydro popolnoma suha.
- OPOMBA:** Če bi jo raje oprali v pralnem stroju, je priporočljivo, da uporabite nežen cikel pod 40° in, da odstranite loputo za odstranitev krtače 360° Hydro. **[20d]**

Čiščenje krtače Hybrid Care:

1. Odstranite šobo s cevi. **[18]**
2. Odstranite gumb lopute za sprostitev krtače Hybrid Care. Ta se nahaja na stranskem delu krtače. **[19]**
3. Držite loputo za sprostitev krtače Hybrid Care in jo odstranite z nastavka.
4. Za čiščenje krtače Hybrid Care odstranite odvečne delce umazanije s pomočjo škarj. **[19]**
5. Ponovno namestite krtačo Hybrid Care. Namestite jo lahko samo na en način. **[19]**
6. Zaprite loputo na sprostitev krtače Hybrid Care na nastavku.

Čiščenje zadnjega brisalca:

1. Odstranite šobo s cevi. **[18]**
2. Pritisnite na zadnji del lopute za sprostitev in odstranite zadnji brisalec. **[20]**
3. Za čiščenje zadnjega brisalca lahko uporabite mokro krpo.
4. Zadnji brisalec ponovno namestite na položaj.

Čiščenje sprednjega brisalca:

1. Odstranite šobo s cevi. **[18]**
2. Sprednji brisalec izvlecite iz reže. **[20]**
3. Za čiščenje sprednjega brisalca lahko uporabite mokro krpo.
3. Sprednji brisalec ponovno namestite na položaj.

Menjava baterij

Ta naprava za čiščenje je opremljena z litijsko baterijo, ki jo je mogoče ponovno napolniti in jo je mogoče zamenjati.

OPOZORILO: Za svoj sesalnik uporabite samo odobrene nadomestne dele. Uporaba delov, ki jih Hoover ne priporoča, je nevarna in bo razveljavila garancijo.

OPOZORILO: Ne poskušajte sami odpreti in popraviti baterije.

1. Pritisnite na gumb za sprostitev baterije in izvlecite baterijo. **[11]**
2. Odstranite staro baterijo in jo nadomestite z novo.
3. Baterije odvrzite na varen način. Uporabljene baterije je treba odnesti v enoto za recikliranje in se ne smejo odvreči v gospodinjске smeti.

ODPRAVLJANJE TEŽAV

Če boste imeli kakršne koli težave z vašim sesalnikom, preden pokličete Hooverjev servisni center za stranke s pomočjo enostavnega seznama v nadaljevanju preverite naslednje:

A. Sesalnik se ne vklopi

Preverite, če je sesalnik napolnjen

Preverite, ali je baterija pravilno nameščena.

B. Sesalnik ne deluje.

Preverite, ali je prišlo do ovire v dovodu zraka ali v cevi, odstranite jo in se prepričajte, da je izdelek izklopljen. Ko to naredite, enostavno pritisnite na gumb za vklop/izklop, izdelek bo ponovno pričel delati.

C. Sesalna moč je manjša ali pa sesalnik sploh ne vsesava

Izpraznite posodico za prah in operite predmotorni filter in separator.

Odstranite krtačo in preverite, ali se v cevi nahaja kakršenkoli predmet, ki onemogoča prehod.

D. Baterij ne morete napolniti

To je morebitna posledica zelo dolgega obdobja shranjevanja (več kot pol leta).

Kontaktirajte Hooverjev servis za stranke, da se dogovorite za zamenjavo baterij.

Če se težava nadaljuje, kontaktirajte Hooverjev servisni center za stranke.

E. Tla se ne sušijo enakomerno.

Preverite, da je krtača 360° Hydro popolnoma mokra in dodajte eno merilno posodico detergenta.

F. Nastavek ima neprijeten vonj.

Enostavno operite krtačo 360° Hydro in jo pustite, da se v navpični legi suši 24 ur.

G. Moč potiskanja na preprogah je močna.

Prepričajte se, da je krtača 360° Hydro popolnoma suha. Če je vaša preproga zelo puhasta, enostavno odstranite krtačo 360° Hydro in posesajte preprogo.

NADOMESTNI DELI IN POTROŠNI MATERIJAL HOOVER

Vedno uporabljajte originalne nadomestne dele Hoover. Dobite jih pri krajevnem prodajalcu Hooverjevih izdelkov. Pri naročanju delov vedno navedite številko modela.

GARANCIJA

Garancijski pogoji za to napravo so taki, kot jih določi zastopnik v državi, kjer je naprava prodana. Podrobnosti glede garancijskih pogojev lahko dobite od prodajalca, pri katerem ste napravo kupili. Če želite uveljavljati kakršno koli garancijo, potrebujete potrdilo o nakupu ali račun.

POMEMBNO: Baterija tega sesalnika ima dveletno garancijo, ta pa stopi v veljavo na dan nakupa. Po 2 letih kupec nosi stroške nakupa nove baterije.

Garancija se lahko spreminja brez predhodnega obvestila.

GÜVENLİ KULLANIM TALİMATLARI

Bu ürün kullanım kılavuzunda belirtildiği gibi yalnızca ev temizliği için kullanılmalıdır. Lütfen ürünü kullanmadan önce bu kılavuzun tam olarak anlaşıldığından emin olun.

Cihazı temizlemeden ya da herhangi bir bakım işlemi uygulamadan önce daima cihazı kapatın ve şarj aletini prizden çıkarın.

Bu cihaz 8 yaş ve üzeri çocuklar ve yetersiz fiziksel, duyuşsal veya zihinsel kabiliyete sahip kişiler ya da deneyim ve bilgi yoksunu kişiler tarafından bir yetişkinin gözetiminde veya cihazın güvenli bir şekilde kullanımı ile ilgili talimatı ve bulunan tehlikelerin açıkça anlatılması ile kullanılabilir. Çocuklar cihaz ile oynamamalıdır. Temizleme ve bakım işlemi denetimsiz şekilde çocuklar tarafından yapılmamalıdır.

Güç kablosu hasar görürse cihazı kullanmayı derhal bırakın. Herhangi bir yaralanmaya engel olmak için güç kablosunun mutlaka yetkili bir Hoover servisi tarafından değiştirilmesi gereklidir.

Ellerinizi, ayaklarınızı, bol giysileri ve saçlarınızı dönen fırçalardan uzak tutun.

Yalnızca cihazla birlikte verilen şarj aletini kullanın.

Besleme voltajının şarj aleti üzerinde belirtilen değerle aynı olup olmadığını kontrol edin.

Bu Hoover ev aleti sadece 230V (İngiltere: 240V) prize takılması uygun olan çift izolasyonlu bir batarya şarj cihazıyla verilmektedir.

Şarj cihazını uygun bir prize takın ve şarj aleti jakının prizini cihaza takın.

Şarj aletine asla elleriniz ıslakken dokunmayın.

Şarj işlemi öncesinde cihazı kapalı konuma getirin.

Şarj sırasında pil şarj ünitesi KIRMIZI renkte yanar ve şarj tamamlandığında BEYAZA döner.

Pilleri yeniden şarj etmek için kullanım sonrasında cihazı yeniden şarj cihazına bağlayın.

Pilleri kesinlikle 37°C'nin üzerindeki veya 0°C'nin altındaki sıcaklıklarda şarj etmeyin.

Şarj aletinin şarj olurken ısınması doğaldır.

Şarj aletinin fişini kablosundan çekerek çıkarmayın.

Uzun süre evde bulunmayacaksanız (tatil vs. gibi nedenlerle) şarj aletini prizden çekin. Uzun süre kullanılmayan elektrikli süpürge'nin şarjı kendi kendine bitebileceğinden, yeniden kullanmadan önce süpürgeyi iyice şarj edin.

Cihaz atılacağı zaman, öncelikle piller çıkartılmalıdır. Pil çıkartılırken, cihaz şebeke beslemesinden çıkartılmalıdır. Pilleri güvenli bir şekilde imha edin. Pillerin tamamen boşalması için cihazı durana kadar çalıştırın. Kullanılmış piller bir geri dönüştürme istasyonuna götürülmeli ve evsel atıklarla birlikte atılmamalıdır. Pilleri çıkarmak için, lütfen Hoover Müşteri Merkezi ile temasa geçin veya aşağıdaki talimatlara göre devam edin.

ÖNEMLİ: Pilleri çıkarmadan önce daima tamamen boşaltın ve şarj ünitesinin fişten çıkarıldığından emin olun.

Süpürgeyi piller tamamen boşalana kadar çalıştırın.

Şarj cihazı jak fişini cihazdan çıkarın.

Çıkarmak için batarya takımını ayırma düğmesine basın.

NOT: Birimin parçalarına ayrılması ile ilgili zorluk yaşarsanız ya da cihazın tamiri, onarımı ya da geri dönüşümü ile ilgili daha ayrıntılı bilgiye ihtiyaç duyarsanız lütfen belediyeniz ya da ev atıkları imha hizmetleri ile görüşün.

Yalnızca Hoover tarafından önerilen veya sağlanan aparatları, malzemeleri ve yedek parçaları kullanın.

Statik elektrik: Bazı halılar düşük miktarda statik elektrik yüklenmesine sebep olabilir. Statik elektrik deşarjı sağlığa zararlı değildir.

Cihazınızı dış mekanlarda veya ıslak yüzeylerde ya da ıslak toplama için kullanmayın.

Sert veya keskin nesnelere, kibritleri, sıcak külleri, sigara izmaritleri veya diğer benzeri öğeleri toplamayın. Yanıcı sıvıları, temizleme sıvılarını, aerosolleri veya spreyleri püskürtmeyin ya da toplamayın.

Cihazı kullanırken güç kablosu üzerine basmayın veya güç kablosundan çekerek prizden çıkarmayın. Arıza görünürse cihazı veya şarj aletini kullanmayı bırakın.

Hoover teknik servisi: Cihazın uzun süre güvenli ve verimli kullanımını sağlamak için, servis ve bakımlarının yetkili Hoover servisinde yapılmasını tavsiye ederiz.

Cihazı hayvanları veya insanları temizlemek için kullanmayın.

Pilleri şarj edilemeyen pillerle değiştirmeyin.

Çevre:

Bu cihaz Atık Elektrikli ve Elektronik Teçhizat (WEEE) hakkında Avrupa direktifi 2011/65/EC'ye uygunluk işaretine sahiptir. Bu ürünün doğru bir şekilde atılmasını sağlayarak, yanlış atılmasından dolayı çevre ve insan sağlığında oluşabilecek olumsuz etkilerin önlenmesine katkıda bulunacaksınız. Ürünün üzerindeki sembol, bu ürünün ev atığı olarak değerlendirilmeyeceğini gösterir. Bunun yerine ürün, elektrikli ve elektronik cihazların geri dönüşürülmesi için oluşturulan geçerli bir toplama noktasına bırakılmalıdır. İmha, atık imhası için düzenlenen yerel çevre yönetmeliklerine uygun olarak yapılmalıdır. Ürünün nasıl elden çıkarılacağı konusunda daha detaylı bilgi için bağlı bulunduğunuz muhtarlığa, çöp toplama şirketine veya ürünü satın almış olduğunuz mağazaya müracaat edin.



Bu ürün 2014/35/EU, 2014/30/EU ve 2011/65/EU' Avrupa Direktiflerine göre uygundur.

CANDY HOOVER GROUP S.r.l. Via Privata Eden Fumagalli, 20861 Brugherio (MB) Italy

ÜRÜN BİLEŞENLERİ

- | | |
|---|---|
| A. AÇIK/KAPALI Düğmesi | V. Şarj Aleti |
| B. Turbo düğmesi | W. Duvara Montaj* |
| C. Sessiz Düğmesi | X. Duvara Montaj Vidaları* |
| D. Toz haznesi | Ya. Entegre 2'si 1 Arada Mobilya Aparatı |
| E. Toz Haznesi Kanadını Serbest Bırakma Düğmesi | Yb. Entegre 2'si 1 Arada Toz Fırçası |
| F. El Ünitesi Çıkarma Düğmesi | Z. Mini Elektrikli Başlık* |
| G. Saklama Alanı Çıkarma Düğmesi | AA. Mini Elektrikli Başlık Döner Fırçası |
| H. Boru | AB. Mini Elektrikli Başlık Döner Fırçası Çıkarma Kapağı |
| I. Başlık Çıkarma Düğmesi | AC. Uzun destek parçası* |
| J. Başlık | AD. Aksesuar çantası* |
| K. Başlık Ön LED Işıkları | AE. Toz Haznesi Temizleme Aracı* |
| L. Fırça Çubuğu Durum LED'i* | AF. 360° Hidro Rulo Çıkarma Kapağı |
| M. Ön Motor Filtresi | AG. 360° Hidro Rulo |
| N. Siklonik Girdap Bulucu | AH. 360° Hidro Rulo Sızdırmazlık Kapağı |
| O. Siklonik | AI. Çıkarılabilir Başlık Arka Silecek Kanadı |
| P. Bakım durumu LED Işığı | AJ. Hibrit Temizlik Rulosu Çıkarma Kapağı |
| Q. PİL Durumu LED Işığı | AK. Hibrit Temizlik Rulosu |
| R. PİL Şarj Işığı | Al. Başlık Ön Sileceği |
| S. Batarya Serbest Bırakma Düğmesi | AM. Başlık Ön Sileceği Sabitleme Düğmesi |
| T. Batarya Grubu | AN. Konsantre Temizlik Deterjanı* |
| U. PİL Şarj Girişi | AO. Ön İslatma Haznesi* |

SÜPÜRGENİZİN HAZIRLANMASI

Ürününüzü dikkatlice ambalajından çıkarın.

1. Başlığı ve uzatma borusunu alın, borunun bir ucunu yerine oturduğunu gösteren 'tık' sesini duyana kadar başlığın boyun kısmına takın. **[1a]**
2. El ünitesini alın ve yerine oturduğunu gösteren 'tık' sesini duyana kadar boruya takın. **[1b]**
3. Ürünle birlikte verilen vida ve vida tapalarını kullanarak Duvara montaj parçasını duvara sabitleyin. **[2]**
4. Cihazı tamamen şarj etmek için şarj cihazı ucunu batarya takımına bağlayın. Yaklaşık 2.5 saat sürecektir. **[10,11]**

NOT: Başlığı çıkarmak için başlık serbest bırakma düğmesine basın ve başlığı borudan çıkarın.

NOT: Sadece elektrikli süpürgeyle birlikte verilen şarj aletini kullanın. Şarj aletinin şarj olurken ısınması doğaldır.

* Sadece bazı modeller için

SÜPÜRME VE ENTEGRE YIKAMA İŞLEVİ

ÖNEMLİ: Entegre yıkama işlevi, yalnızca Sert Zeminlerde ve Parke üzerinde kullanılmalıdır.

Bu süpürgede, başlığın ön kısmında bir Hibrit Temizlik Rulosu ve arka kısmında sert zeminler ve parkelerde süpürme ve yıkama işlemlerine olanak tanıyan bir 360° Hidro rulo bulunur. **[3a]**

Çift işlev kullanılmadan önce, 360° Hidro rulonun tamamen ıslatılması önemlidir.

- 360° Hidro rulo çıkarma kapağını ayırın. Bu kapak ağızlığını yan kısmında yer alır. **[3b]**
- 360° Hidro rulo çıkarma kapağını tutun ve ayırın.
- Sızdırmazlık kapağını çıkarın ve sızdırmazlık kapağını bir ölçüm kabı olarak kullanarak ürüne birlikte verilen konsantrite deterjanı 360° Hidro rulonun içine dökün. **[3c, 3d]**
- 360° Hidro ruloyu suyla doldurun ancak ağzına kadar doldurmamaya dikkat edin. **[3e]**
- Daha sonra sızdırmazlık kapağını geri takın.
- 360° Hidro ruloyu Ön ıslatma haznesine yerleştirin, Ön ıslatma haznesine su doldurun ancak ağzına kadar doldurmamaya dikkat edin. 360° Hidro ruloyu yaklaşık 30 saniye kadar hazne içinde tutarak tüm alanların ıslak olduğundan emin olun ve sonrasında ruloyu çıkarın. **[3f, 3g, 3h]**
- 360° Hidro ruloyu orijinal konumunda başlığın içine geri takın ve çıkarma kapağını başlığın üzerine kapatın. **[3i]**

ÖNEMLİ: 360° Hidro ruloyu ıslakken halılar üzerinde kullanmayın.

ÖNEMLİ: Bu, kuru bir DC çubuktur; su veya sıvıları emdirmek için kullanmayın.

NOT: Alternatif hafif temizlik deterjanları kullanılabilir ancak dezenfektan kullanmayın.

NOT: En iyi yüzey temizliği için yaklaşık 40m²'lik bir alanı temizledikten sonra haznenin yeniden doldurulması ve 360° Hidro rulonun tamamen ıslatılmasının sağlanması önerilir.

NOT: Su haznesini yeniden doldurmanız gerektiğinde ve 360° Hidro rulosu halihazırda kirlenmiş olduğunda, ruloyu sıkarak hafif bir deterjan ile ılık su altında yıkamanız önerilir.

ÖNEMLİ: 360° Hidro rulonun her kullanımı sonra yıkanması ve en az 24 saat boyunca dik bir konumda tutulması önerilir. **[4]**

ÖNEMLİ: Islak 360° Hidro ruloyu başlık içinde bırakmayın.

SÜPÜRME İŞLEVİ

ÖNEMLİ: Süpürme işlevi yalnızca Hidro rulo tamamen kuru olduğunda kullanılmalıdır.

Bu süpürge'nin başlığını ön kısmında sert zeminler, parke ve halılar üzerindeki toz ve kalıntıların toplanmasını sağlayan bir Hibrit Temizlik rulosu bulunur. **[4f]**

Ürününüzü halı üzerinde kullanmadan önce, 360° Hidro ruloyu başlıktan çıkarın, içeriğini boşaltın ve yeniden takmadan önce 24 saat boyunca kurumaya bırakın. **[4a, 4b, 4c, 4d, 4e]**

Alternatif olarak, beklemek isterseniz, ıslak 360° Hidro ruloyu çıkarın ve halınızı süpürün. **[4a]**

TEMİZLEYİCİNİN KULLANIMI

KULLANICI ARAYÜZÜ

4 çalışma modu vardır:

- STANDART MOD:** AÇMA-KAPAMA düğmesine bastığınızda, süpürge ana motorlu başlık ile temizlik yapmaya hazır olacaktır. **[6a]**
- TURBO MODU:** Zorlu temizlik görevlerinde tam güç vermek için Turbo Düğmesine basın. **[6b]**
- Sessiz Mod:** Bu ürün için en düşük gürültü seviyesinde iyice temizlemek için sessiz düğmesine basın. **[6c]**
- OTOMATİK MOD:** Başlığı veya boruyu çıkardığınızda, ürün, motorlu olmayan araçlar ile zemin üstü temizlik için otomatik olarak daha düşük bir güç düzeyi uygulayacaktır.

NOT: Bu modda iken daha yüksek güce ihtiyaç duyarsanız, ekstra güç için bir defa, tam güç için iki defa TURBO düğmesine basın. OTOMATİK MODA geri dönmek isterseniz, Sessiz düğmesine basın.

FIRÇA ÇUBUĞU DURUMU

Başlık üzerindeki fırça çubuğu durum LED'i tüm zemin temizleme modlarında beyaz renkte yanacak ve sistemin güvenlik koruma sistemi etkinleştirildiğinde kırmızıya dönecektir. **[17]**

* Sadece bazı modeller için

ÖN SİLECEK KANADINI SABİTLEME

Kenarlarda, köşelerde ve halılarda en iyi performansın sağlanması için ön silecek kanatlarının dikey olarak sabitlenmesi ve kullanım sırasında öne veya arkaya dönmemesinin sağlanması önerilir.

1. Hibrit Temizlik rulosu çıkarma kapağını ayırın ve çıkarın. **[5a]**
2. Başlık ön sileceği sabitleme düğmesini aşağı doğru itin. **[5b]**
3. Hibrit Temizlik rulosunu yerine geri takın. **[5c]**

DEPOLAMA İŞLEVİ

Kullanım sonrasında, süpürgenizi depolamanız için 2 rahat yöntem bulunmaktadır.

1. DUVARA MONTE EDEREK DEPOLAMA

Ürününüz, kolay ve rahat depolama için duvara montaj birimi ile birlikte temin edilmektedir. Ürünle birlikte verilen vidaları kullanarak Duvara montaj parçasını duvarınıza sabitleyin. Ürünü kullandıktan sonra, süpürgenizi yerine yerleştirmeniz yeterli olacaktır. **[2]**

2. KOMPAKT DEPOLAMA/PARK MODU

Ürünü boru üzerinde depolamak için el ünitesini çıkarma düğmesine basarak el ünitesini çıkarın. **[8]**

Cihaz üzerindeki 2'si 1 arada aracın temin edildiği zamanki ilk konumuna getirildiğinden emin olun ve toz alma fırçası ile konum kancasının aşağı bakmasını sağlayarak aracın yerine tam oturduğundan emin olun.

Konum kancasını borunun alt yuvasına takın ve arka kolu borunun en üstünde, kilitleme mekanizması içindeki yerine tamamen oturacak şekilde itin. **[9]**

EMNİYETLİ KORUMA SİSTEMİ

Ürün, ağır koşullar altında kullanıldığında ürün güvenilirliğinin olumsuz etki görmemesi için iki emniyetli koruma sistemi ile donatılmıştır. Biri süpürge, biri de başlık üzerindedir.

NOT: Güvenlik koruma sistemi iki koşulda eyleme geçecektir.:

1. Hava girişinde veya boru içinde bir tıkanıklık olması halinde, temizleyici koruma amaçlı olarak KAPALI duruma getirilecek ve ana ünite üzerindeki LED ışık kırmızı renkte yanacaktır. Bunun olması halinde, burada ya da el ünitesinin girişinde herhangi bir tıkanıklık olup olmadığını kontrol edin. Bunu giderin ve ürünü tekrar AÇIK konuma getirin.

2. Döner fırçada takılma veya engel varsa, bu birim eyleme geçtiğinde döner fırça dönmeye son verecek ve başlık üzerindeki BEYAZ LED ışıkları KIRMIZIYA dönecektir. **[17]** Bu durumun oluşması halinde, ürünü kapattın ve döner fırçadaki tıkanmayı giderin. Temizliğe devam etmek için açma/kapama düğmesine basın; ürün normal modda yeniden başlatılacaktır.

PİL

Bu süpürge, Pil Durumu LED ışığı ile donatılmıştır. Ürün AÇIK durumda olduğunda, LED ışığı, pil seviyesini göstermek için iki renkte yanar:

PİL LEVEL:

Beyaz renk: 100% - 10% şarj

Kırmızı yanıp sönen: <10% şarj

2 şarj yöntemi bulunur:

Pili ürüne takılı halde şarj etme.

Pil şarj cihazının fişini pile takın. Şarj sırasında, LED durum göstergesi KIRMIZI renkte yanacaktır. Şarj işlemi tamamlandığında LED durumu göstergesi 1 dakikalığına BEYAZ renkte yanacak ve sönecektir. **[10]**

Pili, üründen çıkarılmış haldeyken şarj etme.

Batarya ayırma düğmesine basarak bataryayı üründen çıkarın.

Pil şarj cihazının fişini pile takın. Şarj sırasında, pil takımı LED'i KIRMIZI renkte yanacaktır. Şarj işlemi tamamlandığında, LED gösterge beyaz renkte yanacaktır. **[11]**

NOT: Şarj aletinin şarj olurken ısınması doğaldır. Sadece elektrikli süpürgenizle birlikte verilen şarj aletini kullanın.

AKSESUARLAR

EL ÜNİTESİNE ENTEGRE KENAR KÖŞE APARATI, BORUYA ENTEGRE KENAR KÖŞE APARATI, 2'Sİ 1 ARADA MOBİLYA APARATI VE TOZ ALMA FIRÇASI, UZUN DESTEK PARÇASI*, MİNİ ELEKTRİKLİ BAŞLIK* VE TOZ HAZNESİ TEMİZLEME ARACI*.

Entegre Kenar Köşe Aparatları - Dar alanlara erişim için idealdir.

Entegre Toz Fırçası - yüzeyleri zarar vermeden veya çizmeden temizlemek için idealdir.

Entegre Mobilya Aparatı - Kanepe gibi yüzeylerin temizlenmesi için idealdir.

Mini power nozzle* - Kumaş yüzeylerin (koltuklar gibi) derinlemesine temizliği ve hayvan tüylerinin giderilmesi için idealdir. İleri ve geri hareket sırasında çalışma açısı ayarlanabilir.

NOT: Kullanım sonrasında lütfen döner fırça çıkarma kapağını bir bozuk para ile saat yönünün tersine çevirerek döner fırçayı çıkarın ve ardından fırçada toplanan tüyleri/iplikleri temizleyin. **[21]**

Uzun destek parçası* - Dar ve erişimi güç alanlar için mükemmeldir.

Toz haznesi temizleme aparatı dışındaki tüm aksesuarlar ana ürüne ve boruya takılabilir. **[7]**

Toz Haznesi Temizleme Aracı* - Toz haznesinin içindeki tozu, kalıntıları ve tüyleri gidermek için idealdir. **[12]**

Aksesuar Çantası*

İlave aksesuarlar aksesuar çantasında saklanabilir.

Duvara Montaj*

Gerekirse, ürünle birlikte verilen vida ve vida tapalarını kullanarak Duvara montaj parçasını duvara sabitleyin. **[2]**

TEMİZLEYİCİNİZİN BAKIMI

Toz Haznesini Boşaltma

1. Ana gövdeyi çıkarma düğmesine basın ve boruyu çıkarın. **[8]**
2. Toz haznesini kapağını açıp içindekileri boşaltmak için toz haznesi boşaltma düğmesine basın. **[12a]**
3. Toz haznesi kapağını kapatın, tam olarak kilitletiğinizde bir tık sesi duyacaksınız.

NOT: Toz haznesinin her kullanım sonrasında veya toz maksimum dolma çizgisine geldiğinde boşaltılması önerilir.

Toz Haznesinin Hızlı Günlük Temizliği

Toz haznesi kapağını açmanız ve toz haznesi temizleme aracı aracılığıyla tozu gidermeniz yeterlidir.

1. Toz haznesinin içinde biriken dozu dışarı çekmek için kanca ucunu kullanın. **[12b]**
2. Metal ağ filtre çevresine yapışan ince tozları temizlemek için fırça ucunu kullanın. **[12c]**

Toz haznesini ve filtreyi temizleyiniz

Ön filtre bakımı için hatırlatma Ön filtrede bakım yapılması gerektiğinde, süpürge üzerindeki LED ışığı kırmızı renkte yanıp sönmeye başlar.

1. El ünitesi çıkarma düğmesine basın ve el ünitesini borudan çıkarın. **[8]**
2. Pili çıkarma düğmesine basın ve pili çıkarın. **[11]**
3. Toz haznesi grubunu saat yönünde çevirerek ve üniteden çekerek çıkarın. **[13]**
4. Hazne grubundan desteği çekerek Ön Motor filtresini çıkarın. **[14a]**
5. Metal halkayı hazne grubundan çekerek tekli siklon sistemi çıkarın.
6. Saat yönünde döndürerek girdap bulucuyu çıkarın ve siklon sisteminden çekin. **[14b]**
7. Filtreyi ve siklonik sistemi ılık suda yıkayın ve 24 saat boyunca kurumaya bırakın. **[15,16]**
8. Tamamen kurduğunda süpürgeye yerine yeniden takınız.

NOT: Motor öncesi filtreyi temizlerken sıcak su veya deterjan kullanmayın. Motor öncesi filtrenin hasar görmesi halinde, orijinal bir Hoover yedek parçası takın. Filtre koruma mekanizması etkinleştirileceğinden, toz haznesini süpürge ana gövdesine takmadan önce motor öncesi filtreyi taktığınızdan lütfen emin olun.

ÖNEMLİ: En yüksek performans için filtreyi her zaman temiz tutun. Filtrenin en az ayda bir kez yıkanmasını öneririz.

BAŞLIK BAKIMI

360° Hidro rulonun, Hibrit Temizlik rulusunun, arka silecek kanadının ve ön silecek kanadının temizlenmesi

ÖNEMLİ: 360° Hidro rulonun, Hibrit Temizlik rulusunun, arka silecek kanadının ve ön silecek kanadının temizlenmesi öncesinde her zaman süpürgeyi kapatın.

360° Hidro rulonun temizlenmesi:

1. Başlığı borudan çıkarın. **[18]**
2. 360° Hidro rulo çıkarma kapağını ayırın. Bu kapak ağızlığın yan kısmında yer alır. **[4a]**
3. Sızdırmazlık kapağını çıkarın ve su haznesinin boş olduğundan emin olun. **[4b, 4c]**
4. 360° Hidro rulonun ve sızdırmazlık kapağını, ruloyu sıkarak hafif bir deterjan ile ılık su altında yıkayın veya hafif bir deterjan kullanarak 360° Hidro rulo çıkarma kapağı olmadan makinede yıkayın. **[4d]**
5. En az 24 saat boyunca dik halde kurumaya bırakın. **[4e]**

* Sadece bazı modeller için

6. 360° Hidro ruloyu başlık üzerinde başlangıçtaki konumuna getirin.
7. 360° Hidro rulo çıkarma kapağını başlığın üzerine kapatın.

ÖNEMLİ: 360° Hidro rulunun her temizlik sonra yıkanması ve en az 24 saat boyunca dik bir konumda kurumaya bırakılması önerilir.

ÖNEMLİ: Islak 360° Hidro ruloyu başlık içinde bırakmayın.

ÖNEMLİ: Süpürme işlevi, halılar üzerinde yalnızca Hidro rulo tamamen kuru olduğunda kullanılmalıdır.

NOT: Çamaşır makinesinde yıkamayı tercih etmeniz durumunda, hafif bir deterjan ile 40° altı bir sıcaklığı seçmeniz ve 360° Hidro rulo çıkarma kapağını çıkarın. **[20d]**

Hibrit Temizlik rulosunun temizlenmesi:

1. Başlığı borudan çıkarın. **[18]**
2. Hibrit Temizlik rulosu çıkarma düğmesi kapağını ayırın. Bu kapak ağızlığını yan kısmında yer alır. **[19]**
3. Hibrit Temizlik rulosu çıkarma kapağını tutarak başlıktan çıkarın.
4. Hibrit Temizlik rulosunu temizlemek için fazla kalıntıları makasla ayırın. **[19]**
5. Hibrit Temizlik rulosunu geri takın. Döner fırça sadece uygun yöne doğru takılabilir. **[19]**
6. Hibrit rulo çıkarma kapağını başlığın üzerine kapatın.

Arka silecek kanadının temizlenmesi:

1. Başlığı borudan çıkarın. **[18]**
2. Uç taraftaki çıkarma kapağını iterek arka silecek kanadını çıkarın. **[20]**
3. Arka silecek kanadını temizlemek için ıslak bir bez kullanabilirsiniz.
4. Arka silecek kanadını yerine geri takın.

Ön silecek kanadının temizlenmesi:

1. Başlığı borudan çıkarın. **[18]**
2. Ön silecek kanadını yuvasından dışarı çekin. **[20]**
3. Ön silecek kanadını temizlemek için ıslak bir bez kullanabilirsiniz.
3. Ön silecek kanadını yerine geri takın.

Pillerin değiştirilmesi

Bu süpürge, değiştirilebilir ve şarj edilebilir bir lityum iyon pil takımı ile donatılmıştır.

UYARI: Yalnızca elektrik süpürge için onaylanmış yedek parçaları kullanın. Hoover tarafından onaylanmamış parçaların kullanılması tehlikelidir ve garantinizi geçersiz kılar.

UYARI: Batarya grubunu açmaya ve kendiniz onarmaya çalışmayın.

1. Pil çıkarma düğmesine basın ve pili dışarı doğru çekin. **[11]**
2. Eski batarya grubunu çıkarın ve yeni batarya grubuyla değiştirin.
3. Pilleri güvenli bir şekilde imha edin. Kullanılmış piller bir geri dönüştürme istasyonuna götürülmeli ve evsel atıklarla birlikte atılmamalıdır.

SORUN GİDERME

Elektrikli süpürgeyle ilgili bir sorun yaşarsanız, Hoover Müşteri Hizmetleri Merkezi'ni aramadan önce aşağıdaki kontrol listesini inceleyin:

A. Elektrikli süpürge açılmıyor

Süpürge'nin şarj olduğundan emin olun

Batarya grubunun yerine monte edilmiş olup olmadığını kontrol edin.

B. Süpürge çalışmayı durdurdu

Girişte veya boruda bir tıkanıklık olup olmadığını kontrol edin, tıkanıklığı giderin ve ürünün KAPALI olduğundan emin olun.

Bu işlem sonrasında, açma/düğme düğmesine bastığınızda ürün tekrar çalışmaya başlayacaktır.

C. Emme zayıf veya emme yapılmıyor.

Toz haznesini boşaltın ve ön motor filtresi ile ayırıcıyı yıkayın.

Başlığı çıkarın ve kanalda tıkanma olup olmadığını kontrol edin.

D. Bataryalar şarj edilemiyor

Bu, çok uzun süre saklamadan dolayı olabilir (altı aydan fazla).

Batarya değişimi için Hoover müşteri hizmetlerine başvurun.

Sorun devam ederse Hoover Müşteri Hizmetleri Merkezi'ne başvurun.

E. Zeminler eşit şekilde kurumuyor.

360° Hidro rulonun tamamen ıslak olduğundan emin olun ve bir ölçü kabı kadar deterjan ekleyin.

F. Başlık kötü kokuyor.

360° Hidro ruloyu yıkayın ve 24 saat boyunca dik konumda kurumaya bırakın.

G. Halılar üzerindeki itme kuvveti yüksek.

360° Hidro rulonun tamamen kuru olduğundan emin olun. Halınızın tüyleri çok uzunsa, 360° Hidro ruloyu çıkarın ve halınızı süpürün.

HOOVER YEDEK PARÇA VE SARF MALZEMELERİ

Parçaları daima orijinal Hoover parçaları ile değiştirin. Bu parçaları Hoover servislerinden tedarik edebilirsiniz. Parça siparişi verirken mutlaka cihazın model numarasını belirtin.

GARANTİNİZ

Bu cihaz için garanti koşulları, cihazın satıldığı ülkedeki temsilcimiz tarafından tanımlanmaktadır. Bu koşullara ilişkin ayrıntılar cihazın satın alındığı bayiden edinilebilmektedir. Bu garanti koşulları altında yapılan talepte satış fişi(faturası) ve makbuzu ibraz edilmiş olmalıdır.

ÖNEMLİ: Bu süpürgebataryası satın alım tarihinden itibaren 2 yıl garantilidir. 2 yıl sonra, müşteri yeni bataryaya maliyetinden sorumlu olacaktır.

Haber verilmeksizin değişiklikler yapılabilir.

