

## Vision Sensor FH Series Vision System

### Hardware Setup Manual

FH-1□□□/FH-1□□□-□□  
FH-2□□□-□□/FH-2□□□-□□  
FH-3□□□/FH-3□□□-□□  
FH-5□□□-□□/FH-5□□□-□□  
FH-L□□□/FH-L□□□-□□



## NOTE

- All rights reserved.
- No part of this publication may be reproduced, stored in a retrieval system, or transmitted, in any form, or by any means, mechanical, electronic, photocopying, recording, or otherwise, without the prior written permission of OMRON.
- No patent liability is assumed with respect to the use of the information contained herein. Moreover, because OMRON is constantly striving to improve its high-quality products, the information contained in this manual is subject to change without notice. Every precaution has been taken in the preparation of this manual. Nevertheless, OMRON assumes no responsibility for errors or omissions.

Neither is any liability assumed for damages resulting from the use of the information contained in this publication.

## Trademarks

- Sysmac and SYSMAC are trademarks or registered trademarks of OMRON Corporation in Japan and other countries for OMRON factory automation products.
- This software is based in part on the work of the Independent JPEG Group.
- Microsoft, Windows, Windows Vista, Excel, and Visual Basic are either registered trademarks or trademarks of Microsoft Corporation in the United States and other countries.
- Intel, Core and Pentium are trademarks of Intel Corporation in the U.S. and/or other countries.
- EtherCAT® is registered trademark and patented technology, licensed by Beckhoff Automation GmbH, Germany.
- ODVA, CIP, CompoNet, DeviceNet, and EtherNet/IP are trademarks of ODVA.
- The SD, SDHC, microSD, and microSDHC logos are trademarks of SD-3C, LLC.



- QR Code is a registered trademark of DENSO WAVE INCORPORATED.
- MELSEC is a registered trademarks of Mitsubishi Electric Corporation.

Other company names and product names in this document are the trademarks or registered trademarks of their respective companies.

## Copyrights

Microsoft product screen shots reprinted with permission from Microsoft Corporation.

# Introduction

---

Thank you for purchasing the FH Series.

This manual contains information that is necessary to use the FH Series.

Please read this manual and make sure you understand the functionality and performance of the FH Series before you attempt to use it in a control system.

Keep this manual in a safe place where it will be available for reference during operation.

## Intended Audience

This manual is intended for the following personnel, who must also have knowledge of electrical systems (an electrical engineer or the equivalent).

- Personnel in charge of introducing FA systems.
- Personnel in charge of designing FA systems.
- Personnel in charge of installing and maintaining FA systems.
- Personnel in charge of managing FA systems and facilities.

## Applicable Products

This manual covers the following products.

- FH-1□□□
- FH-1□□□-□□
- FH-2□□□
- FH-2□□□-□□
- FH-3□□□
- FH-3□□□-□□
- FH-5□□□
- FH-5□□□-□□
- FH-L□□□
- FH-L□□□-□□

Part of the specifications and restrictions are given in other manuals. Refer to *Relevant Manuals* on *Relevant Manuals* on page 2 and *Related Manuals* on page 25.

# Relevant Manuals

The following table provides the relevant manuals for the FH Series.

Read all of the manuals that are relevant to your system configuration and application before you use the FH Series.

| Purpose of use                                       | Manual   |  |   |   |  |  |   |
|--|--|--|---|---|--|--|---|
|  | Basic information                                |  |   | FH Series Vision System<br>Operation Manual for Systemac Studio | FH Series Vision System<br>User's Manual for Communications Settings | FH Series Vision System<br>Macro Customize Functions<br>Programming Manual | FH Series Vision System<br>Processing Item Function<br>Reference Manual |
|  | FH Series Vision System<br>Hardware Setup Manual | FH Series Vision System<br>User's Manual | FHV Series Smart Camera<br>Setup Manual |   |  |  |   |
| Overview of FH series                                | ●  | ●  |   |   |  |  |   |
| Setup and Wiring                                     |  |  |   |   |  |  |   |
| EtherCAT   |  |  |   |   |  |  |   |
| EtherNet/IP  |  |  |   |   |  |  |   |
| PROFINET   |  | ●  | ●                                       |   |  |  |   |
| Ethernet   |  |  |   |   |  |  |   |
| RS-232C  |  |  |   |   |  |  |   |
| Parallel interface                                   |  |  |   |   |  |  |   |
| Setup the communication setting of Sensor Controller |  |  |   |   |  |  | ●   |
| EtherCAT   |  |  |   |   |  |  |   |
| EtherNet/IP  |  |  |   |   |  |  |   |
| PROFINET   | ●  | ●  | ●                                       |   | ●  |  |   |
| Ethernet   |  |  |   |   |  |  |   |
| RS-232C  |  |  |   |   |  |  |   |
| Parallel interface                                   |  |  |   |   |  |  |   |
| Setup the Sensor Controller                          |  |  |   |   |  |  | ●   |
| EtherCAT   |  |  |   |   |  |  |   |
| EtherNet/IP  |  |  |   |   |  |  |   |
| PROFINET   | ●  |  |   |   | ●  |  |   |
| Ethernet   |  |  |   |   |  |  |   |
| RS-232C  |  |  |   |   |  |  |   |
| Parallel interface                                   |  |  |   |   |  |  |   |



| Purpose of use                      | Manual                                    |   |                                      |   |  |   |  |
|-------------------------------------|---|---|--------------------------------------|---|--|---|--|
|                                     | Basic information                         |   |                                      | FH/FHV Series Vision System Processing Item Function Reference Manual | FH Series Vision System Macro Customize Functions Programming Manual | FH/FHV Series Vision System User's Manual for Communications Settings | FH Series Vision System Operation Manual for Sysmac Studio |
|                                     | FH/FHV Series Vision System User's Manual | FH Series Vision System Hardware Setup Manual | FHV Series Smart Camera Setup Manual |   |  |   |  |
| Create and Set the Scene            |   |   |                                      |   |  |   | ●  |
| EtherCAT                            |   |   |                                      |   |  |   |  |
| EtherNet/IP                         |   |   |                                      |   |  |   |  |
| PROFINET                            | ●   |   |                                      | ●   |  |   |  |
| Ethernet                            |   |   |                                      |   |  |   |  |
| RS-232C                             |   |   |                                      |   |  |   |  |
| Parallel interface                  |   |   |                                      |   |  |   |  |
| Optimizing the Scene Flow           |   |   |                                      |   |  |   |  |
| EtherCAT                            |   |   |                                      |   |  |   |  |
| EtherNet/IP                         |   |   |                                      |   |  |   |  |
| PROFINET                            |   |   |                                      | ●   | ●  |   |  |
| Ethernet                            |   |   |                                      |   |  |   |  |
| RS-232C                             |   |   |                                      |   |  |   |  |
| Parallel interface                  |   |   |                                      |   |  |   |  |
| Connecting the Controller           |   |   |                                      |   |  |   | ●  |
| EtherCAT                            |   |   |                                      |   |  |   |  |
| EtherNet/IP                         |   |   |                                      |   |  |   |  |
| PROFINET                            | ●   | ●   | ●                                    |   |  | ●   |  |
| Ethernet                            |   |   |                                      |   |  |   |  |
| RS-232C                             |   |   |                                      |   |  |   |  |
| Parallel interface                  |   |   |                                      |   |  |   |  |
| Using Helpful Functions             |   |   |                                      |   |  |   | ●  |
| EtherCAT                            |   |   |                                      |   |  |   |  |
| EtherNet/IP                         |   |   |                                      |   |  |   |  |
| PROFINET                            | ●   |   |                                      |   |  |   |  |
| Ethernet                            |   |   |                                      |   |  |   |  |
| RS-232C                             |   |   |                                      |   |  |   |  |
| Parallel interface                  |   |   |                                      |   |  |   |  |
| Troubleshooting and Problem Solving | ●   |   |                                      |   |  |   |  |

# Manual Structure

## Page Structure

The following page structure is used in this manual.

The diagram illustrates the structure of a manual page. It shows a page with a main heading '4 Installation and Wiring' at the top right. Below it is a sub-heading '4-3 Mounting Units'. Underneath that is a section heading '4-3-1 Connecting Controller Components'. The page contains two numbered steps: '1 Join the Units so that the connectors fit exactly.' and '2 The yellow sliders at the top and bottom of each Unit lock the Units together. Move the sliders toward the back of the Units as shown below until they click into place.' There are two diagrams: one showing units being joined with labels for 'Hook', 'Connector', and 'Hook holes'; the other showing sliders being moved with labels for 'Release', 'Lock', and 'Slider'. A 'Precautions for Correct Use' section follows, with a warning icon and text: 'The sliders on the tops and bottoms of the Power Supply Unit, CPU Unit, I/O Units, Special I/O Units, and CPU Bus Units must be completely locked (until they click into place) after connecting the adjacent Unit connectors.' At the bottom left is the manual name 'NJ-series CPU Unit Hardware User's Manual (W500)' and at the bottom right is the page number '4-9'. Annotations on the right side identify these elements as Level 1 heading, Level 2 heading, Level 3 heading, a page tab, and special information. Annotations on the left side identify a step in a procedure, special information, and manual name.

Level 1 heading

Level 2 heading

Level 3 heading

Gives the current headings.

Page tab

Gives the number of the main section.

Level 2 heading

Level 3 heading

A step in a procedure

Indicates a procedure.

Special information

Icons indicate precautions, additional information, or reference information.

Manual name

Note This illustration is provided only as a sample. It may not literally appear in this manual.

## Special Information

Special information in this manual is classified as follows:



### **Precautions for Safe Use**

---

Precautions on what to do and what not to do to ensure safe usage of the product.



### **Precautions for Correct Use**

---

Precautions on what to do and what not to do to ensure proper operation and performance.



### **Additional Information**

---

Additional information to read as required.

This information is provided to increase understanding or make operation easier.



# CONTENTS

---

|   |           |
|---|-----------|
| <b>Introduction .....</b>   | <b>1</b>  |
| Intended Audience .....   | 1         |
| Applicable Products .....   | 1         |
| <b>Relevant Manuals.....</b>  | <b>2</b>  |
| <b>Manual Structure.....</b>  | <b>4</b>  |
| Page Structure .....  | 4         |
| Special Information .....   | 5         |
| <b>Terms and Conditions Agreement.....</b>                                      | <b>11</b> |
| Warranty, Limitations of Liability .....  | 11        |
| Application Considerations .....  | 12        |
| Disclaimers .....   | 12        |
| <b>Safety Precautions.....</b>  | <b>14</b> |
| Symbols and the Meanings for Safety Precautions Described in This Manual .....  | 14        |
| Meanings of Alert Symbols .....   | 14        |
| Warning.....  | 15        |
| <b>Precautions for Safe Use .....</b>   | <b>16</b> |
| Condition of the Fitness of OMRON Products .....                                | 16        |
| Installation Environment .....  | 16        |
| Power Supply and Wiring .....   | 17        |
| Grounding .....   | 17        |
| Others .....  | 17        |
| <b>Precautions for Correct Use .....</b>  | <b>19</b> |
| Installation and Storage Sites (FH-1000/2000/3000/5000 series) .....            | 19        |
| Installation and Storage Sites (FH-L series) .....                              | 19        |
| Orientation of Product.....   | 19        |
| Ambient Temperature .....   | 19        |
| Noise Resistance.....   | 20        |
| Component Installation and Handling.....  | 20        |
| Maintenance .....   | 20        |
| Communications with Upper Device .....  | 20        |
| Failsafe Measures .....   | 21        |
| Connecting the Sensor Controller and Monitor with a Switcher and Splitter ..... | 21        |
| <b>Regulations and Standards .....</b>  | <b>22</b> |
| All Series.....   | 22        |
| FH-1000/2000/3000/5000 series .....   | 22        |
| FH-L series .....   | 23        |
| <b>Related Manuals.....</b>   | <b>25</b> |
| <b>Terminology.....</b>   | <b>26</b> |
| <b>Revision History.....</b>  | <b>31</b> |
| <b>Sections in This Manual .....</b>  | <b>33</b> |

## Section 1 Confirm the Package

|            |  |              |
|------------|--|--------------|
| <b>1-1</b> | <b>Sensor Controller.....</b>                              | <b>1 - 2</b> |
| 1-1-1      | FH-1□□□/ FH-2□□□/ FH-3□□□/ FH-5□□□ Series.....             | 1 - 2        |
| 1-1-2      | FH-1□□□-10/ FH-2□□□-10/ FH-3□□□-10/ FH-5□□□-10 Series..... | 1 - 2        |
| 1-1-3      | FH-1□□□-20/ FH-2□□□-20/ FH-3□□□-20/ FH-5□□□-20 Series..... | 1 - 3        |
| 1-1-4      | FH-L□□□ Series .....                                       | 1 - 3        |
| 1-1-5      | FH-L□□□-10 Series .....                                    | 1 - 3        |
| <b>1-2</b> | <b>Sold Separately .....</b>                               | <b>1 - 5</b> |
| 1-2-1      | Cameras and Related .....                                  | 1 - 5        |
| 1-2-2      | Monitor .....  | 1 - 7        |
| 1-2-3      | Lighting and Lighting Controller .....                     | 1 - 8        |
| 1-2-4      | Accessories.....   | 1 - 9        |
| 1-2-5      | Cable.....   | 1 - 10       |
| 1-2-6      | Software.....  | 1 - 12       |

## Section 2 Overview of FH series

|            |   |              |
|------------|---|--------------|
| <b>2-1</b> | <b>Overview of System.....</b>                  | <b>2 - 2</b> |
| 2-1-1      | Basic System of Measurement .....               | 2 - 2        |
| 2-1-2      | FH-1000/ FH-2000/ FH-3000/ FH-5000 Series ..... | 2 - 4        |
| 2-1-3      | FH-L Series .....                               | 2 - 5        |
| <b>2-2</b> | <b>System Configuration.....</b>                | <b>2 - 6</b> |
| 2-2-1      | FH-1000/2000/3000/5000 Series .....             | 2 - 6        |
| 2-2-2      | FH-L Series .....                               | 2 - 7        |
| <b>2-3</b> | <b>Flow of Use Procedure.....</b>               | <b>2 - 8</b> |

## Section 3 Configuration

|            |   |               |
|------------|---|---------------|
| <b>3-1</b> | <b>Sensor Controller.....</b>   | <b>3 - 3</b>  |
| 3-1-1      | FH-1000/2000/3000/5000 Series .....   | 3 - 3         |
| 3-1-2      | FH-L Series .....   | 3 - 14        |
| <b>3-2</b> | <b>Camera.....</b>  | <b>3 - 19</b> |
| 3-2-1      | High-speed digital CMOS Camera (FH-S camera series) .....   | 3 - 19        |
| 3-2-2      | Digital CMOS Camera.....  | 3 - 24        |
| 3-2-3      | Digital CCD Camera: FZ-S Camera Series.....   | 3 - 27        |
| 3-2-4      | High-speed Digital CCD Camera: FZ-SH Camera Series.....   | 3 - 29        |
| 3-2-5      | Small Digital CCD Cameras: FZ-S Camera Series.....  | 3 - 30        |
| 3-2-6      | Intelligent Compact Digital CMOS Camera: FZ-S camera Series.....                                    | 3 - 33        |
| <b>3-3</b> | <b>Camera Cable.....</b>  | <b>3 - 36</b> |
| 3-3-1      | Camera Cable and Right-angle Camera Cable .....   | 3 - 36        |
| 3-3-2      | Bend resistant Camera Cable and Bend resistant Right-angle Camera Cable .....                       | 3 - 37        |
| 3-3-3      | Long-distance Camera Cable and Long-distance Right-angle Camera Cable .....                         | 3 - 38        |
| 3-3-4      | Cable Connection Table .....  | 3 - 39        |
| 3-3-5      | Cable Extension Units.....  | 3 - 43        |
| <b>3-4</b> | <b>Lens.....</b>  | <b>3 - 47</b> |
| 3-4-1      | C-mount Lens for 1/3-inch Image Sensor (SV-V Series) .....  | 3 - 47        |
| 3-4-2      | C-mount Lens for 2/3-inch Image Sensor (SV-H Series) .....  | 3 - 48        |
| 3-4-3      | C-mount Lens for 1-inch Image Sensor (VS-H1 Series) .....   | 3 - 49        |
| 3-4-4      | C-mount Lens for 4/3-inch Image Sensor (VS-LLD Series).....   | 3 - 50        |
| 3-4-5      | M42-mount Lens for Large Image Sensor (VS-L/M42-10 Series).....                                     | 3 - 51        |
| 3-4-6      | Lenses for Small Camera (FZ-LES Series).....  | 3 - 51        |
| 3-4-7      | Vibration and Shock Resistant C-mount Lens for 2/3-inch Image Sensor (VS-MCA Series).....           | 3 - 52        |
| 3-4-8      | Vibration and Shock Resistant C-mount Lens for 1-inch Image Sensor (VS-MCH Series) .....            | 3 - 54        |
| 3-4-9      | Vibration and Shock Resistant C-mount Lens for 1-inch Image Sensor (VS-MCH1 Series) .....           | 3 - 57        |
| 3-4-10     | Vibration and Shock Resistant M42-mount Lens for 1.8-inch Image Sensor (VS-MCL/ M42-10 Series)..... | 3 - 60        |

|            |   |               |
|------------|---|---------------|
| 3-4-11     | High-resolution Telecentric Lens for C-mount Lens for 2/3-inch Image Sensor (VS-TCH Series) ..... | 3 - 62        |
| 3-4-12     | High-resolution Telecentric Lens for C-mount Lens for 1.1-inch Image Sensor (VS-TEV Series).....  | 3 - 64        |
| 3-4-13     | Extension Tubes.....  | 3 - 65        |
| 3-4-14     | Meaning of Optical Chart .....  | 3 - 66        |
| <b>3-5</b> | <b>Touch Panel Monitor and Cable .....</b>  | <b>3 - 82</b> |
| <b>3-6</b> | <b>LCD and Cable .....</b>  | <b>3 - 88</b> |
| <b>3-7</b> | <b>Sysmac Studio .....</b>  | <b>3 - 91</b> |

## Section 4 Handling and Installation Environment

|            |                                       |              |
|------------|---------------------------------------|--------------|
| <b>4-1</b> | <b>All Series.....</b>                | <b>4 - 2</b> |
| <b>4-2</b> | <b>FH-1000/2000/3000 Series .....</b> | <b>4 - 4</b> |
| <b>4-3</b> | <b>FH-L Series .....</b>              | <b>4 - 5</b> |

## Section 5 Setup and Wiring

|            |   |               |
|------------|---|---------------|
| <b>5-1</b> | <b>When turning ON and OFF.....</b>                     | <b>5 - 2</b>  |
| 5-1-1      | All Series .....  | 5 - 2         |
| 5-1-2      | FH-1000/2000/3000/5000 Series .....                     | 5 - 3         |
| 5-1-3      | FH-L Series .....                                       | 5 - 3         |
| <b>5-2</b> | <b>Fail-Safe Measures .....</b>                         | <b>5 - 4</b>  |
| <b>5-3</b> | <b>Sensor Controller Installation.....</b>              | <b>5 - 5</b>  |
| 5-3-1      | All Series .....  | 5 - 5         |
| 5-3-2      | FH-1000/2000/3000/5000 Series .....                     | 5 - 5         |
| 5-3-3      | FH-L Series .....                                       | 5 - 11        |
| <b>5-4</b> | <b>Setup Touch Panel Monitor or Monitor.....</b>        | <b>5 - 20</b> |
| 5-4-1      | All Series .....  | 5 - 20        |
| 5-4-2      | FH-1000/2000/3000/5000 Series .....                     | 5 - 20        |
| 5-4-3      | FH-L Series .....                                       | 5 - 20        |
| <b>5-5</b> | <b>Camera Installation.....</b>                         | <b>5 - 22</b> |
| 5-5-1      | All Series .....  | 5 - 22        |
| 5-5-2      | FH-1000/2000/3000/5000 Series .....                     | 5 - 23        |
| 5-5-3      | FH-L Series .....                                       | 5 - 24        |
| <b>5-6</b> | <b>Insert/Remove SD Memory Card or USB memory .....</b> | <b>5 - 25</b> |
| 5-6-1      | Common in all series.....                               | 5 - 25        |
| <b>5-7</b> | <b>Use by Connecting Software .....</b>                 | <b>5 - 26</b> |
| 5-7-1      | Sysmac Studio FH Tool.....                              | 5 - 26        |
| 5-7-2      | FZ_FH Remote Operation Tool .....                       | 5 - 26        |
| 5-7-3      | Simulation Software .....                               | 5 - 26        |
| <b>5-8</b> | <b>Installation in a Control Panel .....</b>            | <b>5 - 27</b> |
| 5-8-1      | All Series .....  | 5 - 27        |
| 5-8-2      | FH-1000/2000/3000/5000 Series .....                     | 5 - 29        |
| 5-8-3      | FH-L Series .....                                       | 5 - 31        |

## Section 6 I/O Interface

|            |                                       |              |
|------------|---------------------------------------|--------------|
| <b>6-1</b> | <b>Parallel Interface .....</b>       | <b>6 - 2</b> |
| 6-1-1      | All Series .....                      | 6 - 2        |
| 6-1-2      | FH-1000/2000/3000/5000 Series .....   | 6 - 3        |
| 6-1-3      | FH-L Series .....                     | 6 - 12       |
| 6-1-4      | Other (Parallel Converter Cable)..... | 6 - 18       |

|            |                                     |               |
|------------|-------------------------------------|---------------|
| <b>6-2</b> | <b>Encoder Interface</b> .....      | <b>6 - 29</b> |
| 6-2-1      | FH-1000/2000/3000/5000 Series ..... | 6 - 29        |
| <b>6-3</b> | <b>EtherCAT Interface</b> .....     | <b>6 - 32</b> |
| 6-3-1      | FH-1000/2000/3000/5000 Series ..... | 6 - 32        |
| <b>6-4</b> | <b>Ethernet Interface</b> .....     | <b>6 - 34</b> |
| 6-4-1      | FH-1000/2000/3000/5000 Series ..... | 6 - 34        |
| 6-4-2      | FH-L Series .....                   | 6 - 36        |
| <b>6-5</b> | <b>Serial Interface</b> .....       | <b>6 - 38</b> |
| 6-5-1      | All Series .....                    | 6 - 38        |

## Index

---



# Terms and Conditions Agreement

---

## Warranty, Limitations of Liability

### Warranties

---

- **Exclusive Warranty**

Omron's exclusive warranty is that the Products will be free from defects in materials and workmanship for a period of twelve months from the date of sale by Omron (or such other period expressed in writing by Omron). Omron disclaims all other warranties, express or implied.

- **Limitations**

OMRON MAKES NO WARRANTY OR REPRESENTATION, EXPRESS OR IMPLIED, ABOUT NON-INFRINGEMENT, MERCHANTABILITY OR FITNESS FOR A PARTICULAR PURPOSE OF THE PRODUCTS. BUYER ACKNOWLEDGES THAT IT ALONE HAS DETERMINED THAT THE PRODUCTS WILL SUITABLY MEET THE REQUIREMENTS OF THEIR INTENDED USE.

Omron further disclaims all warranties and responsibility of any type for claims or expenses based on infringement by the Products or otherwise of any intellectual property right.

- **Buyer Remedy**

Omron's sole obligation hereunder shall be, at Omron's election, to (i) replace (in the form originally shipped with Buyer responsible for labor charges for removal or replacement thereof) the non-complying Product, (ii) repair the non-complying Product, or (iii) repay or credit Buyer an amount equal to the purchase price of the non-complying Product; provided that in no event shall Omron be responsible for warranty, repair, indemnity or any other claims or expenses regarding the Products unless Omron's analysis confirms that the Products were properly handled, stored, installed and maintained and not subject to contamination, abuse, misuse or inappropriate modification. Return of any Products by Buyer must be approved in writing by Omron before shipment. Omron Companies shall not be liable for the suitability or unsuitability or the results from the use of Products in combination with any electrical or electronic components, circuits, system assemblies or any other materials or substances or environments. Any advice, recommendations or information given orally or in writing, are not to be construed as an amendment or addition to the above warranty.

See <http://www.omron.com/global/> or contact your Omron representative for published information.

### Limitation on Liability; Etc

---

OMRON COMPANIES SHALL NOT BE LIABLE FOR SPECIAL, INDIRECT, INCIDENTAL, OR CONSEQUENTIAL DAMAGES, LOSS OF PROFITS OR PRODUCTION OR COMMERCIAL LOSS IN ANY

WAY CONNECTED WITH THE PRODUCTS, WHETHER SUCH CLAIM IS BASED IN CONTRACT, WARRANTY, NEGLIGENCE OR STRICT LIABILITY.

Further, in no event shall liability of Omron Companies exceed the individual price of the Product on which liability is asserted.

## Application Considerations

### Suitability of Use

Omron Companies shall not be responsible for conformity with any standards, codes or regulations which apply to the combination of the Product in the Buyer's application or use of the Product. At Buyer's request, Omron will provide applicable third party certification documents identifying ratings and limitations of use which apply to the Product. This information by itself is not sufficient for a complete determination of the suitability of the Product in combination with the end product, machine, system, or other application or use. Buyer shall be solely responsible for determining appropriateness of the particular Product with respect to Buyer's application, product or system. Buyer shall take application responsibility in all cases.

NEVER USE THE PRODUCT FOR AN APPLICATION INVOLVING SERIOUS RISK TO LIFE OR PROPERTY OR IN LARGE QUANTITIES WITHOUT ENSURING THAT THE SYSTEM AS A WHOLE HAS BEEN DESIGNED TO ADDRESS THE RISKS, AND THAT THE OMRON PRODUCT(S) IS PROPERLY RATED AND INSTALLED FOR THE INTENDED USE WITHIN THE OVERALL EQUIPMENT OR SYSTEM.

### Programmable Products

Omron Companies shall not be responsible for the user's programming of a programmable Product, or any consequence thereof.

## Disclaimers

### Performance Data

Data presented in Omron Company websites, catalogs and other materials is provided as a guide for the user in determining suitability and does not constitute a warranty. It may represent the result of Omron's test conditions, and the user must correlate it to actual application requirements. Actual performance is subject to the Omron's Warranty and Limitations of Liability.

### Change in Specifications

Product specifications and accessories may be changed at any time based on improvements and other reasons. It is our practice to change part numbers when published ratings or features are changed, or when significant construction changes are made. However, some specifications of the Product may

be changed without any notice. When in doubt, special part numbers may be assigned to fix or establish key specifications for your application. Please consult with your Omron's representative at any time to confirm actual specifications of purchased Product.

## **Errors and Omissions**

---



Information presented by Omron Companies has been checked and is believed to be accurate; however, no responsibility is assumed for clerical, typographical or proofreading errors or omissions.

# Safety Precautions







## Symbols and the Meanings for Safety Precautions Described in This Manual

The following notation is used in this manual to provide precautions required to ensure safe usage of a Sensor Controller. The safety precautions that are provided are extremely important to safety. Always read and heed the information provided in all safety precautions.

The following notation is used.

|  |  |
|--|--|
|  <b>WARNING</b> | <p>Indicates a potentially hazardous situation which, if not avoided, will result in minor or moderate injury, or may result in serious injury or death.</p> <p>Additionally there may be significant property damage.</p> |
|  <b>Caution</b> | <p>Indicates a potentially hazardous situation which, if not avoided, may result in minor or moderate injury or in property damage.</p>  |

## Meanings of Alert Symbols

|   |   |
|---|---|
|  | <p><b>General Prohibition</b><br/>Indicates general prohibitions, including warnings, for which there is no specific symbol</p>   |
|  | <p><b>General Caution</b><br/>Indicates general cautions, including warnings, for which there is no specific symbol.</p>          |
|  | <p><b>Electrical Hazard</b><br/>Indicates the possible danger of electric shock under specific conditions.</p>                    |
|  | <p><b>Explosion Hazard</b><br/>Indicates the possible danger of explosion under specific conditions.</p>                          |
|  | <p><b>LED light Hazard</b><br/>Indicates the possible danger of LED radiation or light.</p>                                       |
|  | <p><b>High Temperature Caution</b><br/>Indicates the possible danger of injury by high temperature under specific conditions.</p> |

**Warning**** WARNING**

This product must be used according to this manual and Instruction Sheet. Failure to observe this may result in the impairment of functions and performance of the product.



This product is not designed or rated for ensuring the safety of persons. Do not use it for such purposes.



Never connect the AC power supply with this product. When the AC power supply is connected, it causes the electric shock and a fire.



A lithium battery is built into the Controller and may occasionally combust, explode, or burn if not treated properly. Dispose of the Controller as industrial waste, and never disassemble, apply pressure that would deform, heat to 100°C or higher, or incinerate the Controller.



If you keep watching the LED light, it may have an adverse effect on the eyes, do not stare directly into the light emitted from the LED. If a specular object is used, take care not to allow reflected light to enter your eyes.



Do not touch the terminals while the power supply is ON. Doing so may result in electrical shock.



Please take external safety measures so that the system as a whole should be on the safe side even if a failure of a Sensor Controller or an error due to an external factor occurred. An abnormal operation may result in serious accident.



Please take fail-safe measures on your side in preparation for an abnormal signal due to signal conductor disconnection and/or momentary power interruption. An abnormal operation may result in a serious accident.

** Caution**

Please take fail-safe measures on your side in preparation for an abnormal signal due to signal conductor disconnection and/or momentary power interruption. An abnormal operation may result in a serious accident.



# Precautions for Safe Use

## Condition of the Fitness of OMRON Products

- Please do not use this product to directly or indirectly use to detect the human body for the purpose of ensuring the safety. In the same application, please use the safety sensor that is published on our sensor catalog.
- *Omron products* are designed and manufactured as general-purpose products for use in general industrial applications. They are not intended to be used in the following critical applications. If you are using *Omron products* in the following applications, *Omron* shall not provide any warranty for such *Omron products*, unless otherwise specifically agreed or unless the specific applications are intended by Omron.
  - a) Applications with stringent safety requirements, including but not limited to nuclear power control equipment, combustion equipment, aerospace equipment, railway equipment, elevator/lift equipment, amusement park equipment, medical equipment, safety devices and other applications that could cause danger/harm to people's body and life.
  - b) Applications that require high reliability, including but not limited to supply systems for gas, water and electricity, etc., 24 hour continuous operating systems, financial settlement systems and other applications that handle rights and property.
  - c) Applications under severe condition or in severe environment, including but not limited to outdoor equipment, equipment exposed to chemical contamination, equipment exposed to electromagnetic interference and equipment exposed to vibration and shocks.
  - d) Applications under conditions and environment not described in specifications.
- (1) In addition to the applications listed from (a) to (d) above, *Omron products* (see definition) are not intended for use in vehicles designed human transport (including two wheel vehicles). Please do NOT use Omron products for vehicles designed human transport. Please contact the Omron sales staff for information on our automotive line of products.
- (2) The above is part of the Terms and Conditions Agreement. Please use carefully read the contents of the guarantee and disclaimers described in our latest version of the catalog, data sheets and manuals.

## Installation Environment

- Do not use the product in the environment with flammable or explosive gases.
- Install the product so that the air can flow freely through its cooling vents.
- Regularly clean the vent holes or fan outlet to prevent dust or particles blocking them. Internal temperature increases when those are blocked, it causes malfunction.
- To secure safety for operation and maintenance, install the product apart from high-voltage devices and power devices.
- Make sure to tighten all screws in mounting.
- When mounting the product using DIN rail mounting brackets, be sure to tighten all screws.
- Make sure to mount the product on DIN-rail securely.

## Power Supply and Wiring

- Make sure to use the product within the power voltage specified by catalog, this manual, or instruction sheet.
- Never connect the product to AC power. If connected, it causes malfunction.
- Select and use the appropriate wire size based on consumption current.
- Keep the power supply wires as short as possible.
- Provide the power from a DC power supply (safety extra-low voltage circuits) that has been taken measures not to generate high-voltage.
- Check the following again before turning on the power.
  - Is the voltage and polarity of the power supply correct? (24 VDC)
  - Is not the load of the output signal short-circuited?
  - Is the load current of the output signal appropriate?
  - Is not the mistake found in wiring?
  - Is the voltage and polarity of the encoder power (ENC0\_VDD/GND ENC1\_VDD/GND) supply? (5VDC)
- The recommended power supply for FH-L series is the S8VS-□□□24 (manufactured by OMRON) or S8VK-G-□□□24 (manufactured by OMRON).

## Grounding

- Since the power supply circuit for the Sensor Controller is described in the manual and instruction sheet, please check it.
- When a base is packed in a camera that will be connected to the Sensor Controller, make sure to mount the camera using the base. Since the enclosure of the camera body is connected to the internal circuits, the circuits may cause short-circuit with FG if the base is not used to mount the camera and result in malfunction or damage.
- Apply Class D grounding (grounding resistance: 100 [ $\Omega$ ] or less) Wire the grounding wire for the Sensor Controller independently. If the grounding wire is shared with other devices or connected to a building beam, the Sensor Controller may be adversely affected.
- Check the wiring again before turning on the power.
- Do not ground the plus (+) terminal when the FH series Sensor Controller is connected to the FH-SC12/FH-SM12. The internal circuits may cause a short-circuit and result in malfunction.
- Do not ground the plus (+) terminal of the 24 VDC power source when the FH series Sensor Controller is connected to the FH-MT12 with a USB cable. The internal circuits may cause a short-circuit and result in malfunction.
- When using the Sensor Controller and the peripheral devices such as a monitor, USB connection devices, RS-232C connection devices, there should be no potential difference in ground level. If not, it may cause malfunction. Take measures that the potential difference does not occur between the grounds for the Sensor Controller and the peripheral devices.

## Others

- Use only the camera and cables designed specifically for the product. Use of other products may result in malfunction or damage of the product.
- Always turn OFF the power of the Sensor Controller and peripheral devices before connecting or disconnecting a camera or cable. Connecting the cable with power supplied may result in damage of the camera or peripheral devices.

- For the cable that is flexed repeatedly, use the robotic cable type (Bend resistant camera cable) to prevent damages.
- Do not apply torsion stress to the cable. It may damage the cable.
- Secure the minimum bending radius of the cable. Otherwise the cable may be damaged.
- Do not apply stress to the connector by pulling or bending the cable. It may damage the connector.
- Do not attempt to dismantle, repair, or modify the product.
- Should you notice any abnormalities, immediately stop use, turn OFF the power supply, and contact your OMRON representative.
- While the power is ON or immediately after the power is turned OFF, the Sensor Controller and camera case are still hot. Do not touch the case.
- When disposing of the product, treat it as an industrial waste.
- Do not drop the product nor apply excessive vibration or shock to the product. Doing so may cause malfunction or burning.
- This product is heavy. Be careful not to drop it while handling.
- A lithium battery is incorporated, so a severe injury may rarely occur due to ignition or explosion.
- Be sure to take fail-safe measures externally when controlling stages and robots by using the measurement results of the Sensor Controller (axis movement output by calibration and alignment measurement).



# Precautions for Correct Use

## Installation and Storage Sites (FH-1000/2000/3000/5000 series)

Install and store the product in a location that meets the following conditions:

- Surrounding temperature of 0 to +50°C\*1 (-20 to +65°C in storage)  
\*1. FH-5000 Series: Surrounding temperature of 0 to 45°C
- No rapid changes in temperature (place where dew does not form)
- Relative humidity of between 35 to 85%
- No presence of corrosive or flammable gases
- Place free of dust, salts and iron particles
- Place free of vibration and shock
- Place out of direct sunlight
- Place where it will not come into contact with water, oils or chemicals
- Place not affected by strong electro-magnetic waves
- Place not near to high-voltage, or high-power equipment

## Installation and Storage Sites (FH-L series)

Install and store the product in a location that meets the following conditions:

- Surrounding temperature of 0 to +55°C (-25 to +70°C in storage)
- No rapid changes in temperature (place where dew does not form)
- Relative humidity of between 10 to 90%
- No presence of corrosive or flammable gases
- Place free of dust, salts and iron particles
- Place free of vibration and shock
- Place out of direct sunlight
- Place where it will not come into contact with water, oils or chemicals
- Place not affected by strong electro-magnetic waves
- Place not near to high-voltage, or high-power equipment

## Orientation of Product

- For efficient heat dissipation, install the product only with the orientation written in this manual or the Instruction Sheet. Install the product so that the air can flow freely through its cooling vents.

## Ambient Temperature

- To secure good ventilation, install the product with clearance written in this manual or the Instruction Sheet.
- Do not install the product immediately above significant heat sources, such as heaters, transformers, or large-capacity resistors.
- Use the product within the operating temperature range based on the specifications of it.
- Install a forced cooling fan or air conditioner not to exceed the operating temperature range when the ambient temperature is close to the upper limit of its range.

### Noise Resistance

- Do not install the Sensor Controller in a cabinet with high-voltage equipment installed.
- Mount the Sensor Controller at 200 [mm] or more from power cables apart.

### Component Installation and Handling

- Touching Signal Lines:  
When touching a terminal part or a signal wire in a connector, take anti-static measures using a wrist strap or another device to prevent damage from static electricity.
- Handling a USB Memory/SD memory card: (Refer to *Using External Storage Device* in the *Vision System FH/FHV Series User's Manual (Cat. No. Z365)*.  
Do not insert an SD memory card in the reverse orientation, at an angle, or in a twisting manner. Before removing a USB memory device, make sure that data is not being read or written to them. Before removing a SD memory card, make sure that data is not being read or written to them. For a USB memory device, the memory device's LED flashes or lights while data is being read or written, so make sure that it is turned OFF before removing the memory. For SD memory card, the SD BUSY LED flashes or lights while data is being read or written, so make sure that it is turned OFF before removing the memory.
- Turning OFF the Power:  
When a message is displayed indicating that a task is in progress, do not turn OFF the power. Doing so causes the data in the memory to be corrupted, resulting in the product not operating properly upon the next start-up.  
Do not turn OFF during saving data to Sensor Controller.  
When turns OFF, conform the followings proceedings have completed. and then operate again.
  - When saves using Sensor Controller: Confirm the save processing is completed and next operation is possible.
  - When saves using communication command: Intended command is completed. BUSY signal is turned OFF.
- Setting of Power Source:  
The power source need to be supplied from DC power source apparatus which is taken a save ultra-low voltage circuit: to protect high voltage.

### Maintenance

- Turn OFF the power and ensure the safety before maintenance.
- Clean the lens with a lens-cleaning cloth or air brush.
- Lightly wipe off dirt with a soft cloth.
- Dirt on the image element must be removed using an air brush.
- Do not use thinners or benzine.
- To secure safety for operation and maintenance, install the product apart from high-voltage devices and power devices.

### Communications with Upper Device

- After confirming that the product is started up, communicate with the high-order device. Since uncertain signals may be output from the high-order interface at the product start-up, take measures such as clearing the reception buffer of your device at the initial stage.

## Failsafe Measures

- Be sure to take fail-safe measures externally when controlling stages and robots by using the measurement results of the Sensor Controller (axis movement output by calibration and alignment measurement).
- On a Sensor Controller side, supplementary use operations and branches of the Sensor Controller to configure a check flow such as “data should not be externally provide if the data is in a range from -XXXXX to XXXXX” based on the stage/robots range of movement.

## Connecting the Sensor Controller and Monitor with a Switcher and Splitter

- Do not use devices that may require re-recognition of the monitor by the Sensor Controller when a switching operation was performed. If such re-recognition processing happens at switching operation, it may cause measurement time to be longer.

# Regulations and Standards

## All Series

### Using Product Outside Japan

If you export (or provide a non-resident with) this product or a part of this product that falls under the category of goods (or technologies) specified by the Foreign Exchange and Foreign Trade Control Law as those which require permission or approval for export, you must obtain permission or approval (or service transaction permission) pursuant to the law.

### U.S. California Notice:

This product contains a lithium battery for which the following notice applies: Perchlorate Material - special handling may apply.

See "[www.dtsc.ca.gov/hazardouswaste/perchlorate](http://www.dtsc.ca.gov/hazardouswaste/perchlorate)".

### Conformance to KC Standards

Observe the following precaution if you use this product in Korea.

사 용 자 안 내 문

이 기기는 업무용 환경에서 사용할 목적으로 적합성평가를 받은 기기로서 가정용 환경에서 사용하는 경우 전파간섭의 우려가 있습니다.

- Guidance for users

This product meets the electromagnetic compatibility requirements for business use. There is a risk of radio interference when this product is used in home.

### WEEE Directive



Dispose of in accordance with WEEE Directive

## FH-1000/2000/3000/5000 series

### Conformance to EC/EU Directives

The product is compliant with the standards below:

- EC Directive 2004/108/EC (Until April 19 2016) / EU Directive 2014/30/EU (After April 20 2016)  
EN61326-1 Electromagnetic environment: Industrial electromagnetic environment (EN/IEC 61326-1 Table 2)
- Also, the following condition is applied to the immunity test of this product.
  - If the level of disturbance of the video is such that characters on the monitor are readable, the test is a pass.
- This product complies with EC/EU Directives. EMC-related performance of the OMRON devices that comply with EC/EU Directives will vary depending on the configuration, wiring, and other conditions of the equipment or control panel on which the OMRON devices are installed.
- The customer must, therefore, perform the final check to confirm that devices and the overall machine conform to EMC standards.
- If there is a need to respond to the EC / EU directive, please use by an analog RGB output.

### **Conformance to UL Standards (FH-1000/FH-3000 series)**

This product complies with UL Standards.

- UL508

### **Conformance to UL Standards (FH-2000/FH-5000 series)**

This product complies with UL Standards.

- UL61010-2-201

## **FH-L series**

### **Conformance to EC/EU Directives**

The product is compliant with the standards below:

- EC Directive 2004/108/EC (Until April 19 2016) / EU Directive 2014/30/EU (After April 20 2016)  
EN61326-1 Electromagnetic environment: Industrial electromagnetic environment (EN/IEC 61326-1 Table 2)
- Also, the following condition is applied to the immunity test of this product.
  - If the level of disturbance of the video is such that characters on the monitor are readable, the test is a pass.
- This product complies with EC/EU Directives. EMC-related performance of the OMRON devices that comply with EC/EU Directives will vary depending on the configuration, wiring, and other conditions of the equipment or control panel on which the OMRON devices are installed.
- The customer must, therefore, perform the final check to confirm that devices and the overall machine conform to EMC standards.
- If there is a need to respond to the EC / EU directive, please use by an analog RGB output.

### **Conformance to UL Standards**

This product complies with UL Standards.

- UL61010-2-201

# Related Manuals

The followings are the manuals related to this manual. Use these manuals for reference.

| Name of Manual   | Cat. No.  | Model  | Purpose  | Contents   |
|--|-----------|--|--|--|
| Vision System<br>FH Instruction Sheet  | 9608337-2 | FH-1□□□<br>FH-1□□□-□□<br>FH-3□□□<br>FH-3□□□-□□   | To confirm the safety and usage precautions of the Vision System FH series Sensor Controller.                              | Describes the definitions of basic terms, meaning of signal words, and precautions for correct use of FH series in the manual.   |
| Vision System<br>FH Instruction Sheet  | 3102269-4 | FH-2□□□<br>FH-2□□□-□□<br>FH-5□□□<br>FH-5□□□-□□   | To confirm the safety and usage precautions of the Vision System FH series Sensor Controller.                              | To confirm the safety and usage precautions of the Vision System FH series Sensor Controller.  |
| Vision System<br>FH-L Instruction Sheet  | 9606631-1 | FH-L□□□<br>FH-L□□□-□□  | To confirm the safety and usage precautions of the Vision System FH-Lite series Sensor Controller.                         | Describes the definitions of basic terms, meaning of signal words, and precautions for correct use of FH-L series in the manual.   |
| Vision System<br>FH/FHV Series<br>User's Manual                                | Z365      | FH-1□□□<br>FH-1□□□-□□<br>FH-2□□□   | When User want to know about the FH/FHV series.  | Describes the soft functions, setup, and operations to use FH/FHV series/  |
| Vision System<br>FH/FHV series<br>Processing Item Function<br>Reference Manual | Z341      | FH-2□□□-□□<br>FH-3□□□<br>FH-3□□□-□□<br>FH-5□□□<br>FH-5□□□-□□<br>FH-L□□□<br>FH-L□□□-□□            | When User confirm the details of each processing items at the create the measurement flow or operate it.                   | Describes the software functions, settings, and operations for using FH/FHV series.  |
| Vision System<br>FH/FHV Series<br>User's manual for Communications Settings    | Z342      |  | When User confirm the setting of communication functions.  | Describes the functions, settings, and communications methods for communication between FH/FHV series and PLCs. The following communications protocol are described. Parallel, PLC Link, EtherNet/IP, EtherCAT, and Non-procedure. |
| Vision System<br>FH series<br>Hardware Setup Manual                            | Z366      | FH-1□□□<br>FH-1□□□-□□<br>FH-2□□□<br>FH-2□□□-□□<br>FH-3□□□<br>FH-3□□□-□□<br>FH-5□□□               | When User want to know about the Hardware specifications or to setup the Sensor Controller of the Vision System FH series. | Describes FH series specifications, dimensions, part names, I/O information, installation information, and wiring information.   |
| Vision System<br>FH series<br>Macro Customize Functions Programming Manual     | Z367      | FH-5□□□-□□<br>FH-L□□□<br>FH-L□□□-□□  | When User operate or programming using Macro Customize functions.  | Describes the functions, settings, and operations for using Macro Customize function of the FH series.   |
| Vision System<br>FH Series<br>Operation Manual for Sysmac Studio               | Z343      | FH-1□□□<br>FH-1□□□-□□<br>FH-2□□□<br>FH-2□□□-□□<br>FH-3□□□<br>FH-3□□□-□□<br>FH-5□□□<br>FH-5□□□-□□ | When User connect to NJ/NX series via EtherCAT communication.  | Describes the operating procedures for setting up and operating FH series Vision Sensors from the Sysmac Studio FH Tools.  |

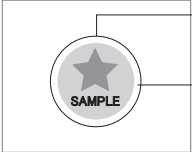
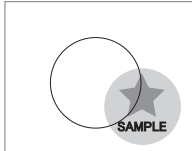
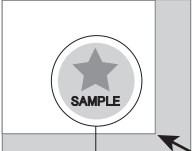
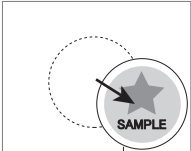
# Terminology

| Term   | Definition  |
|--|---|
| FH Series                                      | All FH series model names as follows:<br>FH-1□□□, FH-1□□□-□□, FH-2□□□, FH-2□□□-□□, FH-3□□□, FH-3□□□-□□, FH-5□□□, FH-5□□□-□□, FH-L□□□, FH-L□□□-□□  |
| FH-1000 series                                 | All FH-1□□□ series model names as follows:<br>FH-1□□□, FH-1□□□-□□   |
| FH-2000 series                                 | All FH-2□□□ series model names as follows:<br>FH-2□□□, FH-2□□□-□□   |
| FH-3000 series                                 | All FH-3□□□ series model names as follows:<br>FH-3□□□, FH-3□□□-□□   |
| FH-5000 series                                 | All FH-5□□□ series model names as follows:<br>FH-5□□□, FH-5□□□-□□   |
| FH-L series                                    | All FH-L□□□ series model names as follows:<br>FH-L□□□, FH-L□□□-□□   |
| FHV Series                                     | All FHV series model names.   |
| FZ5 series                                     | All FZ5 series name shows the following:<br>FZ5-6□□, FZ5-6□□-□□, FZ5-8□□, FZ5-8□□-□□, FZ5-11□□, FZ5-11□□-□□, FZ5-12□□, FZ5-12□□-□□, FZ5-L35□, FZ5-L35□-□□   |
| FZ5-600 series                                 | All FZ5-6□□ series name the following:<br>FZ5-6□□, FZ5-6□□-□□   |
| FZ5-800 series                                 | All FZ5-8□□ series name the following:<br>FZ5-8□□, FZ5-8□□-□□   |
| FZ5-1100 series                                | All FZ5-11□□ series name the following:<br>FZ5-11□□, FZ5-11□□-□□  |
| FZ5-1200 series                                | All FZ5-12□□ series name the following:<br>FZ5-12□□, FZ5-12□□-□□  |
| FZ5-L series                                   | All FZ5-L35□ series name the following:<br>FZ5-L35□, FZ5-L35□-□□  |
| Sensor Controller                              | It is a generic name of FH/FZ5 series. For FHV series, it has the same meaning as <i>Smart Camera</i> .   |
| Measurement flow (abbreviated as <i>flow</i> ) | A continuous flow of measurement processing. A measurement flow consists of a scene created from a combination of processing items.   |
| Measurement processing                         | Executing processing items for inspections and measurements.  |
| Measurement ID                                 | Information of time when the sensor controller receives the measurement trigger and the line no.<br>Format of measurement ID: YYYY-MM-DD_HH-MM-SS-XXXX<br>(YYYY: Year, MM: Month, DD: Date, HH: Hour, MM: Minute, SS: Second, XXXX: Millisecond and Line number.)<br>• Example:<br>Measurement time: 11:10:25.500 AM, December 24, 2007 and Line 0, the measurement ID is "2007-12-24_11-10-25-5000". |



| Term  | Definition   |
|---|--|
| Processing item                               | <p>Any of the individual items for vision inspections that are partitioned and packaged so that they can be flexibly combined.</p> <p>These include the Search, Position Compensation, and Fine Matching items.</p> <p>Processing items can be classified for image input ([Input image]), inspection/measurement ([Measurement]), image correction ([Compensate image]), inspection/measurement support ([Support measurement]), process branching ([Branch]), results external output ([Output result]), resulting image display ([Display result]), etc.</p> <p>You can freely classify processing items to handle a wide range of applications.</p> <p>A scene (i.e., a unit for changing the measurement flow) is created by registering the processing items as units.</p> |
| Scene   | <p>A unit for changing the measurement flow that consists of a combination of processing items.</p> <p>Scene is used because of the correspondence to the scene (i.e., type of measurement object and inspection contents) where measurements are performed.</p> <p>A scene is created for each measurement or measurement contents.</p> <p>You can easily achieve a changeover simply by changing the scene when the measurement object or inspection content changes.</p> <p>Normally you can set up to 128 scenes. If you need more than 128 scenes, you can separate them into different groups or use the Conversion Scene Group Data Tool to create a scene group that contains over 128 scenes.</p>   |
| Processing unit (abbreviated as <i>unit</i> ) | <p>A processing item that is registered in a scene.</p> <p>Numbers are assigned to processing units in order from the top and they are executed in that order.</p> <p>Processing items are registered for the processing units to create a scene (i.e., a unit for changing the measurement flow).</p>   |
| Measurement trigger                           | <p>A trigger for executing measurements.</p> <p>With a parallel interface, the STEP signal is used. With a serial interface, an Execute One Measurement or a Start Continuous Measurement command is used.</p>   |
| Test measurement                              | <p>A measurement that is performed to manually test (check) measurements under the conditions that are set in the currently displayed scene.</p> <p>Test measurements can be executed on an Adjustment Window. Processing is completed inside the Controller and the measurement results are not normally output on an external interface.</p> <p>However, you can select <b>Output</b> in <b>Test measurement</b> to output the measurement results after executing measurements.</p>   |
| Single measurement                            | <p>A measurement that is executed only once in synchronization with the trigger input.</p>   |
| Continuous measurement                        | <p>Measurements are executed repeatedly and automatically without a trigger input.</p>   |

| Term   | Definition   |
|--|--|
| Operation mode   | <ul style="list-style-type: none"> <li>• <b>Double Speed Multi-input:</b><br/>A mode that processes the measurement flow for the first trigger and then processes the measurement flow in parallel for the second trigger to achieve a high-speed trigger input interval. It is used together with the multi-input function.</li> <li>• <b>Multi-line Random-trigger:</b><br/>A trigger mode that allows you to independently processing multiple measurement flows.<br/>With traditional image processing, two or more triggers cannot be acknowledged at the same time. In Multi-line Random-trigger Mode, you can randomly input multiple triggers into one Controller to independently process multiple scenes in parallel.</li> <li>• <b>Non-stop adjustment mode:</b><br/>A mode that allows you to adjust the flow and set parameters while performing measurements.<br/>The enables adjustments without stopping the line or stopping inspections.</li> <li>• <b>Standard:</b><br/>A logging mode that allows complete parallel processing of measurements and logging.<br/>Traditionally, logging was not possible while processing measurements. Either measurements or logging had to be given priority and the other one had to wait. With this mode, you can save the measurement images in external storage without affecting the transaction time.</li> </ul> |
| Parallel processing (an option for any of the above operation modes) | <p>Parallel processing splits part of the measurement flow into two or more tasks, and processes each task in parallel to shorten the transaction time.</p> <p>Processing items for parallel processing are used so that the user can specify the required parallel processing.</p>  |
| Multi-input function   | <p>A function that is used to consecutively and quickly input images. It allows the next STEP signal to be acknowledged as soon as the image input processing is completed. There is no need to wait for measurement processing to be completed.</p> <p>You can check whether image input processing has been completed with the status of the READY signal. Even if the READY signal is ON when measurement processing is being executed, the next STEP signal can be acknowledged.</p>   |

| Term                  | Definition  |
|-----------------------|---|
| Position compensation | <p>When the location and direction of measured objects are not fixed, the positional deviation between reference position and current position is calculated and measurement is performed after correcting.</p> <p>Please select processing items that are appropriate to the measurement object from processing items that are related to position compensation.</p> <ul style="list-style-type: none"> <li>● Reference position<br/>Measurement area and objects to be measured are correctly aligned.</li> </ul>  <ul style="list-style-type: none"> <li>● When position of object to be measured is deflected</li> </ul>  <p>Object to be measured overflows Measurement area.</p> <p>When position deflection correction is set in advance:</p> <div style="display: flex; justify-content: space-around;"> <div style="text-align: center;"> <p>Measurement will be carried out after moving the image for a corresponding deflection and returning to the reference position.</p>  <p>Measurement will be carried out after measured object enters into Measurement area.</p> </div> <div style="text-align: center;"> <p>Measurement will be carried out after moving the Measurement area for a corresponding deflection.</p>  </div> </div> |
| Reference position    | The point that is always the reference. If the location of the registered model is different from the reference position, the setting should be changed in <b>Ref. setting</b> .  |
| Model                 | The image pattern that serves as the inspection target. Characteristics portions are extracted from images of the object and registered as model registration.  |

| Term           | Definition  |
|----------------|---|
| 2's complement | <p>Binary numbers are generally used to represent negative numbers.<br/>           Negative numbers are expressed by <i>Inverting all bits of a positive number and adding 1 to the result.</i><br/>           Ex. -1 is expressed as 2's complement.<br/>           -1 can be calculated by 0-1.</p> $\begin{array}{r} \downarrow \text{(In the case of 1, minus 1)} \\ \square 00000000 (= 0) \\ -) 00000001 (= 1) \\ \hline 11111111 (= -1) \end{array} \leftarrow \text{“-1” expresses with 2's Complement (for 8 bits)}$ <p>There are methods for simple calculation without performing this kind of computation.<br/>           For instance, <i>Negative number = inverting all bits of a positive number and then adding 1 to the result.</i></p> $\begin{array}{r} 00000001 (= 1) \\ \downarrow \text{Invert all bits} \\ 11111110 \\ \downarrow \text{Plus 1} \\ \boxed{11111111} (= -1) \end{array}$ <p>The <i>first digit</i> is used to judge whether the number is positive or negative.</p> <ul style="list-style-type: none"> <li>• When 0: Positive number (or 0)</li> <li>• When 1: Negative number</li> </ul> <p>The advantage of two's complement numbers is that positive and negative numbers can be used as is in calculations.<br/>           Ex. When <math>-1+10=9</math></p> $\begin{array}{r} 11111111 (= -1) \\ +) 00001010 (= 10) \\ \hline 00001001 (= 9) \end{array}$ |

# Revision History

A manual revision code appears as a suffix to the catalog number on the front and back covers of the manual.

|                 |                   |
|-----------------|-------------------|
| <b>Cat. No.</b> | <b>Z366-E1-07</b> |
|-----------------|-------------------|

↑ Revision code

| Rev. Code | Rev. Date | Revision Contents  |
|-----------|-----------|--|
| 01        | Apr. 2016 | Original product   |
| 02        | Aug. 2016 | Corrected mistakes   |
| 03        | Apr. 2017 | Corrected mistakes and revisions for the support of NY series              |
| 04        | Apr. 2017 | Corrected mistakes   |
| 05        | June 2017 | Revisions for the support of FZ5-800 Series, FZ5-1200 Series, and FZ-S□5M3 |
| 06        | July 2018 | Added FH-2000 series, FH-5000 series, and FH-S□21R/FH-S□X12                |
| 07        | July 2019 | Removed FZ5 series, adjusted the layout, and corrected mistakes            |



# Sections in This Manual

---

|          |  |          |
|----------|--|----------|
| <b>1</b> | <b>Confirm the Package</b>                   | <b>1</b> |
| <b>2</b> | <b>Overview of FH series</b>                 | <b>2</b> |
| <b>3</b> | <b>Configuration</b>                         | <b>3</b> |
| <b>4</b> | <b>Handling and Installation Environment</b> | <b>4</b> |
| <b>5</b> | <b>Setup and Wiring</b>                      | <b>5</b> |
| <b>6</b> | <b>I/O Interface</b>                         | <b>6</b> |
| <b>I</b> | <b>Index</b>                                 | <b>I</b> |





# 1

## Confirm the Package

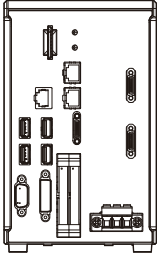
---

|            |  |              |
|------------|--|--------------|
| <b>1-1</b> | <b>Sensor Controller .....</b>                           | <b>1 - 2</b> |
| 1-1-1      | FH-1□□□/FH-2□□□/FH-3□□□/ FH-5□□□ Series .....            | 1 - 2        |
| 1-1-2      | FH-1□□□-10/FH-2□□□-10/FH-3□□□-10/FH-5□□□-10 Series ..... | 1 - 2        |
| 1-1-3      | FH-1□□□-20/FH-2□□□-20/FH-3□□□-20/FH-5□□□-20 Series ..... | 1 - 3        |
| 1-1-4      | FH-L□□□ Series .....                                     | 1 - 3        |
| 1-1-5      | FH-L□□□-10 Series .....                                  | 1 - 3        |
| <b>1-2</b> | <b>Sold Separately .....</b>                             | <b>1 - 5</b> |
| 1-2-1      | Cameras and Related .....                                | 1 - 5        |
| 1-2-2      | Monitor .....  | 1 - 7        |
| 1-2-3      | Lighting and Lighting Controller .....                   | 1 - 8        |
| 1-2-4      | Accessories .....  | 1 - 9        |
| 1-2-5      | Cable .....  | 1 - 10       |
| 1-2-6      | Software .....   | 1 - 12       |

# 1-1 Sensor Controller

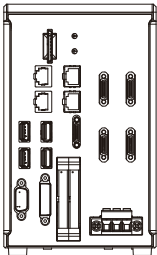
First, please check to see whether the package has all the necessary Sensor Controller parts.

## 1-1-1 FH-1□□□/ FH-2□□□/ FH-3□□□/ FH-5□□□ Series

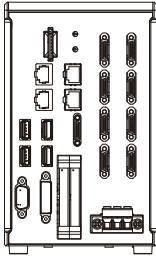


- Sensor Controller: 1  
FH-1□□□/ FH-2□□□/ FH-3□□□/ FH-5□□□: 1
- Instruction sheet: 1
- Instruction Installation Manual for FH series: 1
- General Compliance Information and Instructions for EU: 1
- Membership registration: 1
- Power source: 1 (male)  
FH-XCN: 1
- Ferrite core for camera cable: 2

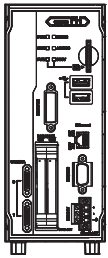
## 1-1-2 FH-1□□□-10/ FH-2□□□-10/ FH-3□□□-10/ FH-5□□□-10 Series



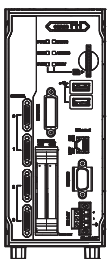
- Sensor Controller: 1  
FH-1□□□-10/ FH-2□□□-10/ FH-3□□□-10/ FH-5□□□-10: 1
- Instruction sheet: 1
- Instruction Installation Manual for FH series: 1
- General Compliance Information and Instructions for EU: 1
- Membership registration: 1
- Power source: 1 (male)  
FH-XCN: 1
- Ferrite core for camera cable: 4

**1-1-3 FH-1□□□-20/FH-2□□□-20/FH-3□□□-20/FH-5□□□-20 Series**

- Sensor Controller: 1  
FH-1□□□-20/FH-2□□□-20/FH-3□□□-20/FH-5□□□-20: 1
- Instruction sheet: 1
- Instruction Installation Manual for FH series: 1
- General Compliance Information and Instructions for EU: 1
- Membership registration: 1
- Power source: 1 (male)  
FH-XCN: 1
- Ferrite core for camera cable: 8

**1-1-4 FH-L□□□ Series**

- Sensor Controller: 1  
FH-L□□□: 1
- Instruction sheet: 1
- Instruction Installation Manual for FH-L series: 1
- General Compliance Information and Instructions for EU: 1
- Membership registration: 1
- Power source: 1 (male)  
FH-XCN-L: 1

**1-1-5 FH-L□□□-10 Series**






- Sensor Controller: 1  
FH-L□□□-10: 1






- Instruction sheet: 1
- Instruction Installation Manual for FH-L series: 1
- General Compliance Information and Instructions for EU: 1
- Membership registration: 1
- Power source: 1 (male)  
FH-XCN-L: 1

# 1-2 Sold Separately

## 1-2-1 Cameras and Related

### Camera

| Appearance  | Type  | Description   | Color/<br>Mono-<br>chrome | Image Ac-<br>quisition<br>Time *1 | Model     |        |
|---|---|---|---------------------------|-----------------------------------|-----------|--------|
|    | High-speed Digital CMOS<br>Cameras<br>(Lens required) | 12 megapixels<br>(Up to four cam-<br>eras can be con-<br>nected to one<br>Controller. <i>Cam-<br/>era</i> on page<br>1 - 5) | Color                     | 24.9 ms *2                        | FH-SCX12  |        |
|   |   |   | Mono-<br>chrome           |                                   | FH-SMX12  |        |
|   |   | 5 megapixels  | Color                     | 10.3 ms *2                        | FH-SCX05  |        |
|   |   |   | Mono-<br>chrome           |                                   | FH-SMX05  |        |
|   |   |    | 0.4 megapixels            | Color                             | 1.9 ms *3 | FH-SCX |
|   |   |   |                           | Mono-<br>chrome                   |           | FH-SMX |
|  | High-speed Digital CMOS<br>Cameras<br>(Lens required) | 12 megapixels<br>(Up to four cam-<br>eras can be con-<br>nected to one<br>Controller. *4)                                   | Color                     | 25.7 ms *2                        | FH-SC12   |        |
|   |   |   | Mono-<br>chrome           |                                   | FH-SM12   |        |
|  | High-speed Digital CMOS<br>Cameras<br>(Lens required) | 4 megapixels  | Color                     | 8.5 ms *2                         | FH-SC04   |        |
|   |   |   | Mono-<br>chrome           |                                   | FH-SM04   |        |
|   |   | 2 megapixels  | Color                     | 4.6 ms *2                         | FH-SC02   |        |
|   |   |   | Mono-<br>chrome           |                                   | FH-SM02   |        |
|   |   |    | 0.3 megapixe              | Color                             | 3.3 ms    | FH-SC  |
|   |   |   |                           | Mono-<br>chrome                   |           | FH-SM  |

| Appearance   | Type   | Description   | Color/<br>Mono-<br>chrome | Image Ac-<br>quisition<br>Time *1 | Model     |
|--|--|---|---------------------------|-----------------------------------|-----------|
|   | Digital CMOS Cameras<br>(Lens required)  | 20.4 megapixels<br>(Up to four cameras can be connected to one Controller. <i>Camera</i> on page 1 - 5) | Color                     | 42.6 ms *2                        | FH-SC21R  |
|  |  |   | Mono-<br>chrome           |                                   | FH-SM21R  |
|  |  |                        | 5 megapixels              | Color                             | 71.7 ms   |
| Mono-<br>chrome  | FH-SM05R   |   |                           |                                   |           |
|   | 5 megapixels   | Color   | 38.2 ms                   | FZ-SC5M3                          |           |
|  |  | Mono-<br>chrome   |                           | FZ-S5M3                           |           |
|   | Digital CCD Cameras<br>(Lens required)   | 2 megapixels  | Color                     | 33.3 ms                           | FZ-SC2M   |
|  |  |   | Mono-<br>chrome           |                                   | FZ-S2M    |
|    |  | 0.3 megapixels  | Color                     | 12.5 ms                           | FZ-SC     |
|  |  |   | Mono-<br>chrome           |                                   | FZ-S      |
|   | High-speed Digital CCD Cameras<br>(Lens required)  | 0.3 megapixels  | Color                     | 4.9 ms                            | FZ-SHC    |
|  |  |   | Mono-<br>chrome           |                                   | FZ-SH     |
|   | Small Digital CCD Cameras<br>(Lenses for small camera required)                                      | 0.3 megapixels<br>flat type   | Color                     | 12.5 ms                           | FZ-SFC    |
|  |  |   | Mono-<br>chrome           |                                   | FZ-SF     |
|   |  | 0.3 megapixels<br>pen type  | Color                     | 12.5 ms                           | FZ-SPC    |
|  |  |   | Mono-<br>chrome           |                                   | FZ-SP     |
| <br><br> | Intelligent Compact Digital<br>CMOS Cameras<br>(Camera + Manual Focus Lens<br>+ High power Lighting) | Narrow view   | Color                     | 16.7 ms                           | FZ-SQ010F |
|  |  | Standard view   | Color                     |                                   | FZ-SQ050F |
|  |  | Wide View (long-<br>distance)   | Color                     |                                   | FZ-SQ100F |
|  |  | Wide View (short-<br>distance)  | Color                     |                                   | FZ-SQ100N |




\*1. The image acquisition time does not include image conversion processing time by the Sensor Controller.

\*2. Frame rate in high speed mode when the camera is connected using two camera cables. For other conditions, please refer to 3-2-1 *High-speed digital CMOS Camera (FH-S camera series)* on page 3 - 19.






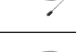

\*3. The value in high speed mode. For other information, refer to 3-2-1 *High-speed digital CMOS Camera (FH-S camera series)* on page 3 - 19.

\*4. Up to eight cameras other than 12 megapixels cameras can be connected to a FH-5050-20, FH-3050-20, FH-2050-20, or FH-1050-20.

## Camera Mounting Bracket

| Appearance  | Description   |   | Model         |
|---|---|---|---------------|
|  | For Intelligent Compact Digital Camera  | Mounting Bracket                                | FQ-XL         |
|  |   | Precise Mounting Brackets                       | FQ-XL2        |
|  |   | Polarizing Filter Attachment<br>(Packaged item) | FQ-XF1        |
| -   | Mounting Base for FZ-S□, FH-S□05R, FH-S□X   |   | FZ-S-XLC      |
|   | Mounting Base for FZ-S□2M   |   | FZ-S2M-XLC    |
|   | Mounting Base for FZ-SH□  |   | FZ-SH-XLC     |
|   | Mounting Base for FH-S□, FZ-S□5M□, FH-S□X05, FH-S□02, FH-S□04, FH-S□X12, FH-S□21R |   | FH-SM-XLC     |
|   | Mounting Base for FH-S□12   |   | FH-SM12-XLC   |
|   | M42 - F Mount Conversion Adapter  |   | FH-ADF/M42-10 |

## Camera Cable

| Appearance  | Description  | Model <sup>*1</sup> |
|---|--|---------------------|
|  | Camera Cable<br>Cable length: 2 m, 3 m, 5 m, or 10 m <sup>*2</sup>   | FZ-V3 □M            |
|  | Bend resistant Camera Cable<br>Cable length: 2 m, 3 m, 5 m, or 10 m <sup>*2</sup>  | FZ-VSB3 □M          |
|  | Right-angle Camera Cable <sup>*3</sup><br>Cable length: 2 m, 3 m, 5 m, or 10 m <sup>*2</sup>                                       | FZ-VSL3 □M          |
|  | Bend resistant Right-angle Camera Cable <sup>*3</sup><br>Cable length: 2 m, 3 m, 5 m, or 10 m <sup>*2</sup>                        | FZ-VSLB3 □M         |
|  | Long-distance Camera Cable<br>Cable length: 15 m <sup>*2</sup>   | FZ-VS4 15M          |
|  | Long-distance Right-angle Camera Cable <sup>*3</sup><br>Cable length: 15 m <sup>*2</sup>   | FZ-VSL4 15M         |
|  | Cable Extension Unit<br>Up to two Extension Units and three Cables can be connected<br>(Maximum cable length: 45 m <sup>*2</sup> ) | FZ-VSJ              |

\*1. Insert the cables length into □ in the model number as follows. 2 m = 2, 3 m = 3, 5 m = 5, 10 m = 10


\*2. The maximum cable length depends on the Camera being connected, and the model and length of the Cable being used. For further information, please refer to 3-3-4 *Cable Connection Table* on page 3 - 39 and 3-3-5 *Cable Extension Units* on page 3 - 43.

When a high-speed digital CMOS camera FH-S□02/-S□04/-S□12 is used in the high speed digital mode of transmission speed, two camera cables are required.




\*3. This Cable has an L-shaped connector on the Camera end.

## 1-2-2 Monitor

## Touch Panel Monitor and Cables

| Appearance  | Description  | Model   |
|---|--|---------|
|  | Touch Panel Monitor 12.1 inches (for FH Sensor Controllers) *1 | FH-MT12 |




\*1. FH Series Sensor Controllers version 5.32 or higher is required.

| Appearance  | Description   | Model               |
|---|---|---------------------|
|  | DVI-Analog Conversion Cable for Touch Panel Monitor<br>Cable length: 2 m, 5 m or 10 m | FH-VMDA □M *1       |
|  | RS-232C Cable for Touch Panel Monitor<br>Cable length: 2 m, 5 m or 10 m               | XW2Z-□□<br>□PP-1 *2 |
|  | USB Cable for Touch Panel Monitor<br>Cable length: 2 m or 5 m                         | FH-VUAB □M *1       |

\*1. Insert the cables length into □ in the model number as follows. 2 m = 2, 5 m = 5, 10 m = 10




\*2. Insert the cables length into □□□ in the model number as follows. 2 m = 200, 5 m = 500, 10 m = 010.

## LCD Monitor and Cable

| Appearance  | Description   | Model                |
|---|---|----------------------|
|  | LCD Monitor 8.4 inches for Box-type Controllers *1  | FZ-M08               |
|  | LCD Monitor Cable<br>When you connect a LCD Monitor FZ-M08 to FH sensor controller, please use it in combination with a DVI-I -RGB Conversion Connector FH-VMRGB. | FZ-VM 2M<br>FZ-VM 5M |
|  | DVI-I -RGB Conversion Connector   | FH-VMRGB             |

\*1. It can be used in FH series.







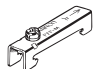
## 1-2-3 Lighting and Lighting Controller

| Appearance  | Description   |                | Model                            |
|---|---|----------------|----------------------------------|
| -   | External Lighting   | -              | FLV Series                       |
| -   | External Lighting   | -              | FL Series                        |
|  | Lighting Controller (Required to control external lighting from a Controller) | For FLV-Series | Camera Mount Lighting Controller |
|  |   |                | Analog Lighting Controller       |
|  |   | For FL-Series  | Camera Mount Lighting Controller |
|   |   |                | FL-TCC Series                    |

For the method of setting the lighting controller, please refer to the respective instruction manual.







## 1-2-4 Accessories

| Appearance  | Description  |   |   |                                | Model          |
|---|--|---|---|--------------------------------|----------------|
|    | USB Memory   |   | 2 GB  |                                | FZ-MEM2G       |
|   |  |   | 8 GB  |                                | FZ-MEM8G       |
|    | SD card  |   | 2 GB  |                                | HMC-SD291      |
|   |  |   | 4 GB  |                                | HMC-SD491      |
|    | USB/Monitor Switcher   |   |   |                                | FZ-DU          |
| -   | Mouse - Driverless wired mouse<br>(A mouse that requires the mouse driver to be installed is not supported.) |   |   |                                | -              |
|    | EtherCAT junction slaves   | 3 ports                                 | Power supply voltage:<br>20.4 VDC to 28.8 VDC<br>(24 VDC -15 % to +20 %)  | Current consumption:<br>0.22 A | GX-JC03        |
|   |  | 6 ports                                 |   |                                | GX-JC06        |
|    | Industrial Switching Hubs for EtherNet/IP and Ethernet   | 3 ports                                 | Failure detection: None   | Current consumption:<br>0.22 A | W4S1-03B       |
|   |  | 5 ports                                 | Failure detection: None   |                                | W4S1-05B       |
|   |  |   | Failure detection: Supported  |                                | W4S1-05C       |
| -   | Calibration Plate  |   |   |                                | FZD-CAL        |
|  | Common items related to DIN rail (for FH-L550/-L550-10)  | DIN rail mounting bracket               |   |                                | FH-XDM-L       |
|   |  | DIN 35 mm rail                          | <ul style="list-style-type: none"> <li>Length: 75.5/95.5/115.5/200 cm</li> <li>Height: 7.5 mm</li> <li>Material: Iron</li> <li>Surface: Conductive</li> </ul> | PHOENIX CONTACT                | NS 35/7.5 PERF |
|   |  |   | <ul style="list-style-type: none"> <li>Length: 75.5/95.5/115.5/200 cm</li> <li>Height: 15 mm</li> <li>Material: Iron</li> <li>Surface: Conductive</li> </ul>  |                                | NS 35/15 PERF  |
|  | End plate  | Need 2 pieces each<br>Sensor Controller | PHOENIX CONTACT   | CLIPFIX 35                     |                |

## 1-2-5 Cable

### Parallel I/O Cables and Encoder Cable

| Appearance  | Description  | Model              |
|---|--|--------------------|
|  | Parallel I/O Cable *1<br>Cable length: 2 m, 5 m or 15 m  | XW2Z-S013-□ *2     |
|  | Parallel I/O Cable for Connector-terminal Conversion Unit *1<br>Cable length: 0.5 m, 1 m, 1.5 m, 2 m, 3 m, 5 m | XW2Z-□□□EE<br>*3   |
|  | Connector-Terminal Block Conversion Units, General-purpose devices   | XW2R-□34GD-T<br>*4 |
|  | Encoder Cable for line-driver<br>Cable length: 1.5 m   | FH-VR 1.5M         |

\*1. 2 Cables are required for all I/O signals.

\*2. Insert the cables length into □ in the model number as follows. 2 m = 2, 5 m = 5, 15 m = 15

\*3. Insert the cables length into □□□ in the model number as follows. 0.5 m = 050, 1 m = 100, 1.5 m = 150, 2 m = 200, 3 m = 300, 5 m = 500



\*4. Insert the wiring method into □ in the model number as follows. Phillips screw = J, Slotted screw (rise up) = E, Push-in spring = P




Refer to the *XW2R Series catalog (Cat. No. G077)* for details.

### Recommended EtherCAT and EtherNet/IP Communications Cables

Use Straight STP (shielded twisted-pair) cable of category 5 or higher with double shielding (braiding and aluminum foil tape) for EtherCAT.

Use Straight or cross STP (shielded twisted-pair) cable of category 5 or higher for EtherNet/IP.

| Appearance  | Description   | Model                  |
|---|---|------------------------|
|  | For Ether-CAT<br>Cable with Standard type Connectors on Both Ends (RJ45/RJ45)<br>• Wire Gauge and Number of Pairs:<br>AWG27, 4-pair Cable<br>• Cable Sheath material:<br>LSZH *1<br>• Cable color:<br>Blue, Yellow, or Green<br>• Cables length:<br>0.2 m, 0.3 m, 0.5 m, 1 m, 1.5 m, 2 m, 3 m, 5 m, 7.5 m, 10 m, 15 m, 20 m | XS6W-6LSZH8S<br>S□CM-Y |
|  | Cable with Rugged type Connectors on Both Ends (RJ45/RJ45)<br>• Wire Gauge and Number of Pairs:<br>AWG22, 2-pair Cable<br>• Cables length:<br>0.3 m, 0.5 m, 1 m, 2 m, 3 m, 5 m, 10 m, 15 m  | XS5W-T421-<br>□MD-K    |

| Appearance  | Description                   |  |   | Model                        |                                      |                           |
|---|-------------------------------|--|---|------------------------------|--------------------------------------|---------------------------|
|    |                               | Cable with Rugged type Connectors on Both Ends (M12/RJ45)  |   | XS5W-T421-<br>□MC-K          |                                      |                           |
|   |                               | <ul style="list-style-type: none"> <li>Wire Gauge and Number of Pairs:<br/>AWG22, 2-pair Cable</li> <li>Cables length:<br/>0.3 m, 0.5 m, 1 m, 2 m, 3 m, 5 m, 10 m, 15 m</li> </ul> |   |                              |                                      |                           |
|    |                               | Cable with Rugged type Connectors on Both Ends (M12 L/RJ45)  |   | XS5W-T422-<br>□MC-K          |                                      |                           |
|   |                               | <ul style="list-style-type: none"> <li>Wire Gauge and Number of Pairs:<br/>AWG22, 2-pair Cable</li> <li>Cables length:<br/>0.3 m, 0.5 m, 1 m, 2 m, 3 m, 5 m, 10 m, 15 m</li> </ul> |   |                              |                                      |                           |
| -   | For Ether-CAT and EtherNet/IP | Wire Gauge and Number of Pairs:<br>AWG24, 4-pair Cable   | Cables  | Hitachi Metals, Ltd.         | NETSTAR-C5E<br>SAB 0.5 x 4P CP<br>*2 |                           |
| -   |                               |  |   | Kuramo Electric Co.          |                                      | KETH-SB *2                |
| -   |                               |  |   | SWCC Showa Cable Systems Co. |                                      | FAE-5004 *2               |
| -   |                               |  |   | JMACS Japan Co.,Ltd.         |                                      | IETP-SB *2                |
| -   |                               |  | RJ45 Connectors                               | Panduit Corporation          | MPS588-C *2                          |                           |
| -   |                               | Wire Gauge and Number of Pairs:<br>AWG22, 2-pair Cable   | Cables  | Kuramo Electric Co.          | KETH-PSB-OMR<br>*3                   |                           |
| -   |                               |  |   | JMACS Japan Co.,Ltd.         |                                      | PNET/B *3                 |
| -   |                               |  |   | SWCC Showa Cable Systems Co. |                                      | FAE-5002 *3               |
|  |                               |  |   | RJ45 Assembly Connector      | OMRON                                | XS6G-T421-1               |
| -   |                               | For Ether-Net/IP   | Wire Gauge and Number of Pairs:<br>0.5mm x 4P | Cables                       | Fujikura Ltd.                        | F-LINK-E 0.5mm<br>x 4P *4 |
| -   | RJ45 Connectors               |  |   |                              | Panduit Corporation                  |                           |

\*1. The lineup features Low Smoke Zero Halogen cables for in-cabinet use and PUR cables for out-of-cabinet use.

\*2. We recommend you to use above cable for EtherCAT and EtherNet/IP, and RJ45 Connector together.

\*3. We recommend you to use above cable for EtherCAT and EtherNet/IP, and RJ45 Assembly Connector together.

\*4. We recommend you to use above cable for EtherNet/IP and RJ45 Connectors together.



### Precautions for Correct Use

Please be careful while cable processing, for EtherCAT, connectors on both ends should be shield connected and for EtherNet/IP, connectors on only one end should be shield connected.

## 1-2-6 Software

| Product                                      | Specifications   | Specifications     |       | Model         |
|--|--|--------------------|-------|---------------|
|  |  | Number of licenses | Media |               |
| Sysmac Studio Standard Edition<br>Ver.1. □□  | The Sysmac Studio is the software that provides an integrated environment for setting, programming, debugging and maintenance of machine automation controllers including CPU units of NJ/NX Series and industrial PCs of NY Series, EtherCat Slave, and the HMI. Sysmac Studio runs on the following OS.<br>• OS:<br>/Windows 7 (32-bit/64-bit version)<br>/Windows 8 (32-bit/64-bit version)<br>/Windows 8.1 (32-bit/64-bit version)<br>/Windows 10 (32-bit/64-bit version)<br>This software also includes the function of the Vision edition. For more details about other compatible models and functions, refer to our product information. | - (Media only)     | DVD*1 | SYSMAC-SE200D |
|  |  | 1 license          | -     | SYSMAC-SE201L |
|  |  | 3 license          | -     | SYSMAC-SE203L |
|  |  | 10 license         | -     | SYSMAC-SE210L |
|  |  | 30 license         | -     | SYSMAC-SE230L |
|  |  | 50 license         | -     | SYSMAC-SE250L |
| Sysmac Studio Vision Edition<br>Ver.1.□□*2*3 | Sysmac Studio Vision Edition is a limited license that provides selected functions required for FH-series/FHV-series/FQ-M-series Vision Sensor settings.   | 1 license          | -     | SYSMAC-VE001L |

## Note:

- Site licenses are available for users who will run Sysmac Studio on multiple computers. Ask your OMRON sales representative for details.
- Sysmac Studio version 1.07 or higher supports the FH Series.

\*1. The same media is used for both the Standard Edition and the Vision Edition.

\*2. With the Vision Edition, you can use only the setup functions for FH-series/FHV-series/FQ-M-series Vision Sensors.

\*3. This product is a license only. You need the Sysmac Studio Standard Edition DVD media to install it.

| Product              | Specifications  |                    |        | Model   |
|----------------------|---|--------------------|--------|---------|
|                      |   | Number of licenses | Media  |         |
| Application Producer | <p>Software components that provide a development environment to further customize the standard controller features of the FH Series.</p> <p>System requirements:</p> <ul style="list-style-type: none"> <li>• CPU: Intel Pentium Processor (SSE2 or higher)</li> <li>• OS: Windows 7 Professional (32/64bit) or Enterprise (32/64bit) or Ultimate (32/64bit), Windows 8 Pro (32/64bit) or Enterprise (32/64bit), Windows 8.1 Pro (32/64bit) or Enterprise (32/64bit) or Windows 10 Pro (32/64bit) or Enterprise (32/64bit)</li> <li>• .NET Framework: .NET Framework 3.5 SP1 or higher</li> <li>• Memory: At least 2 GB RAM<br/>Available disk space: At least 2 GB</li> <li>• Browser: Microsoft® Internet Explorer 6.0 or later</li> <li>• Display: XGA (1024 x 768), True Color (32-bit) or higher</li> <li>• Optical drive: CD/DVD drive</li> <li>• The following software is required to customize the software:<br/>Microsoft® Visual Studio® 2010 Professional or<br/>Microsoft® Visual Studio® 2008 Professional or<br/>Microsoft® Visual Studio® 2012 Professional</li> </ul> | - (Media only)     | CD-ROM | FH-AP1  |
|                      |   | 1 license          | -      | FH-AP1L |



# 2

## Overview of FH series

---

|            |  |              |
|------------|--|--------------|
| <b>2-1</b> | <b>Overview of System .....</b>              | <b>2 - 2</b> |
| 2-1-1      | Basic System of Measurement .....            | 2 - 2        |
| 2-1-2      | FH-1000/FH-2000/FH-3000/FH-5000 Series ..... | 2 - 4        |
| 2-1-3      | FH-L Series .....                            | 2 - 5        |
| <b>2-2</b> | <b>System Configuration .....</b>            | <b>2 - 6</b> |
| 2-2-1      | FH-1000/2000/3000/5000 Series .....          | 2 - 6        |
| 2-2-2      | FH-L Series .....                            | 2 - 7        |
| <b>2-3</b> | <b>Flow of Use Procedure .....</b>           | <b>2 - 8</b> |

## 2-1 Overview of System

---

### 2-1-1 Basic System of Measurement

An FH series Sensor Controller uses pre-built packages that contain all the processing tasks (for image input, measurement processing, displays, outputs, etc.) that are required for vision inspections. You arrange these packaged processes in order of execution of the vision inspection.

An FH series Sensor Controller executes vision inspections according to user-created flows.



#### **Additional Information**

---

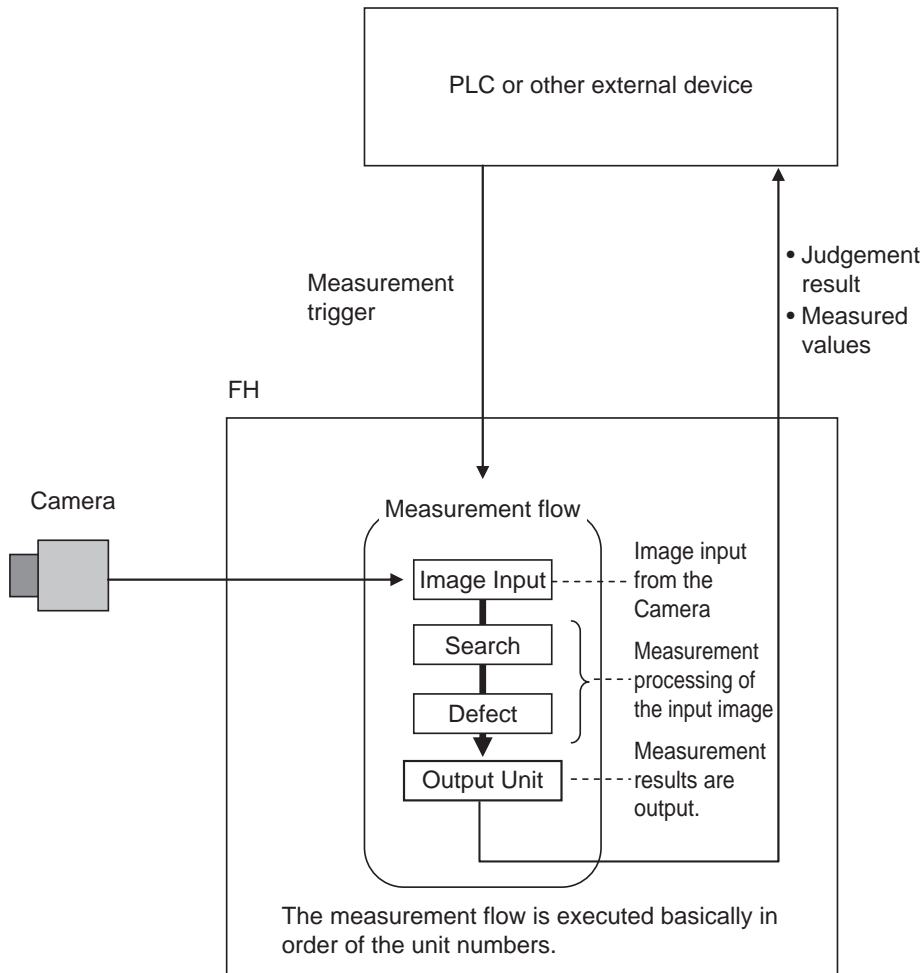
In the FH series Sensor Controller, a flow that contains packaged processes that are arranged in order of execution of processing items and image processing is called a measurement flow. Processing items and measurement flows can have more than one setting. You can switch the setting based on the scene to inspect. (Refer to the *Vision System FH/FHV series User's Manual (Cat. No. Z365)*.)

---



## Concept of Measurement Processing

When the FH receives a measurement trigger from the PLC or other external device, the image input from a Camera, measurement processing, and output of measurement results (e.g., OK/NG judgement results) are executed in the order that those processing items are registered in the measurement flow.



In the measurement flow, you can change the processing to execute based on the inspection results or input conditions of the vision inspection.

You can use macro processing to execute pre-packaged processing items and functions in the FH to create original programs. This allows you to create original measurement processes, display processing, input and output processing, and settings dialog boxes that are custom-tailored to your application.

## 2-1-2 FH-1000/FH-2000/FH-3000/FH-5000 Series

Vision System FH-1000/2000/3000/5000 series is the BOX type Sensor Controller having functions and high-speed needed to incorporate with a machine, and safety, reliability, and maintainability as an industrial controller.

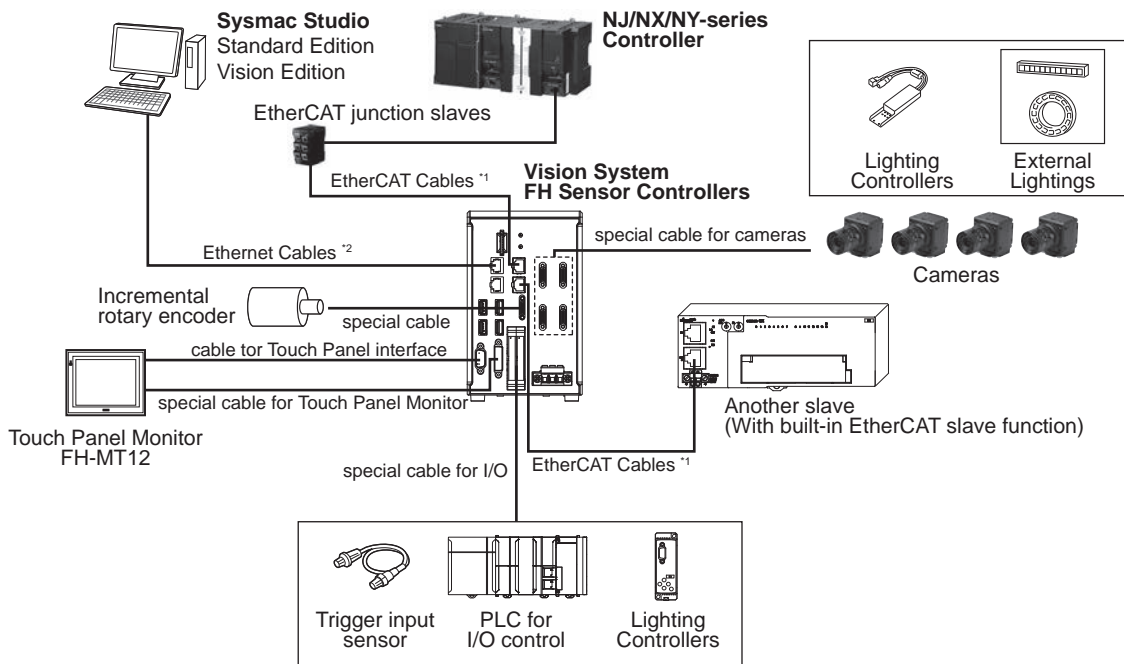
This series includes the conventional image processing functions and added functions needed to incorporate with a machine. As Sensor Controller supporting high-speed communications, with EtherCAT, it enables synchronous control with connecting to input and output devices such and a programmable controller.

This series can connect with up to eight cameras and transmits images faster than that in the conventional models.

OMRON provides Sysmac device designed by unified communication specifications and User Interface Specifications. Vision System FH-1000/2000/3000/5000 series can be easily connected with NJ/NX/NY-series Controller and Sysmac devices such as EtherCAT slaves by using the automation software Sysmac Studio and which are designed to meet the optimum functions and operations. The example of a system configuration is shown below.

### EtherCAT Connection for FH Series

Example of the FH Sensor Controllers (4-camera type)



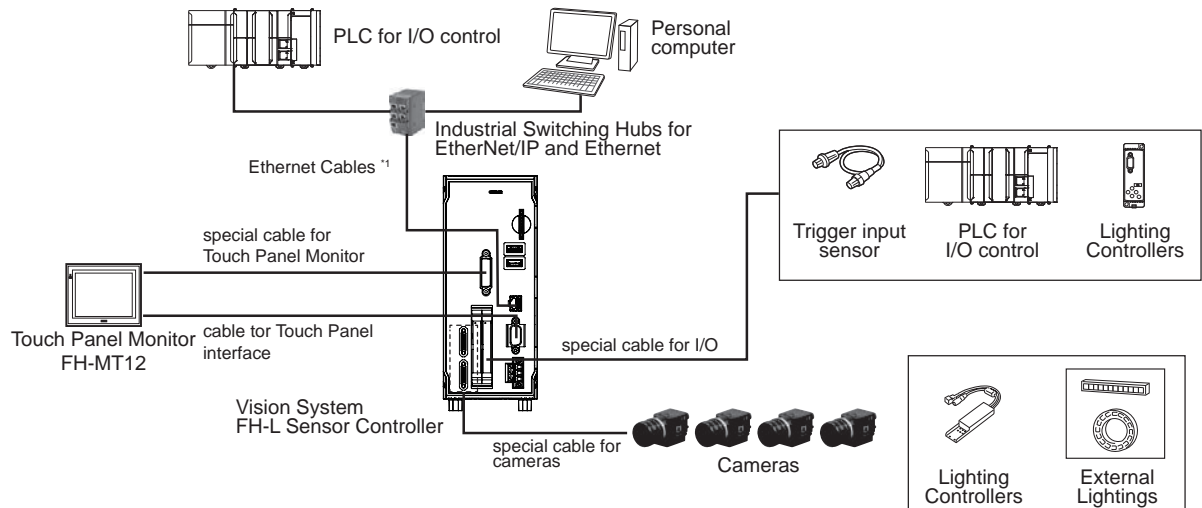
\*1. To use STP (shielded twisted-pair) cable of category 5 or higher with double shielding (braiding and aluminum foil tape) for EtherCAT and RJ45 connector.

\*2. To use STP (shielded twisted-pair) cable of category 5 or higher for Ethernet and RJ45 connector.

### 2-1-3 FH-L Series

Vision System FH-L series is the small and low-cost BOX type Sensor Controller having functions and high-speed needed to be built into a machine, and safety, reliability, and maintainability as an industrial controller.

This series can connect with up to four cameras and transmits images faster than that in the conventional models.

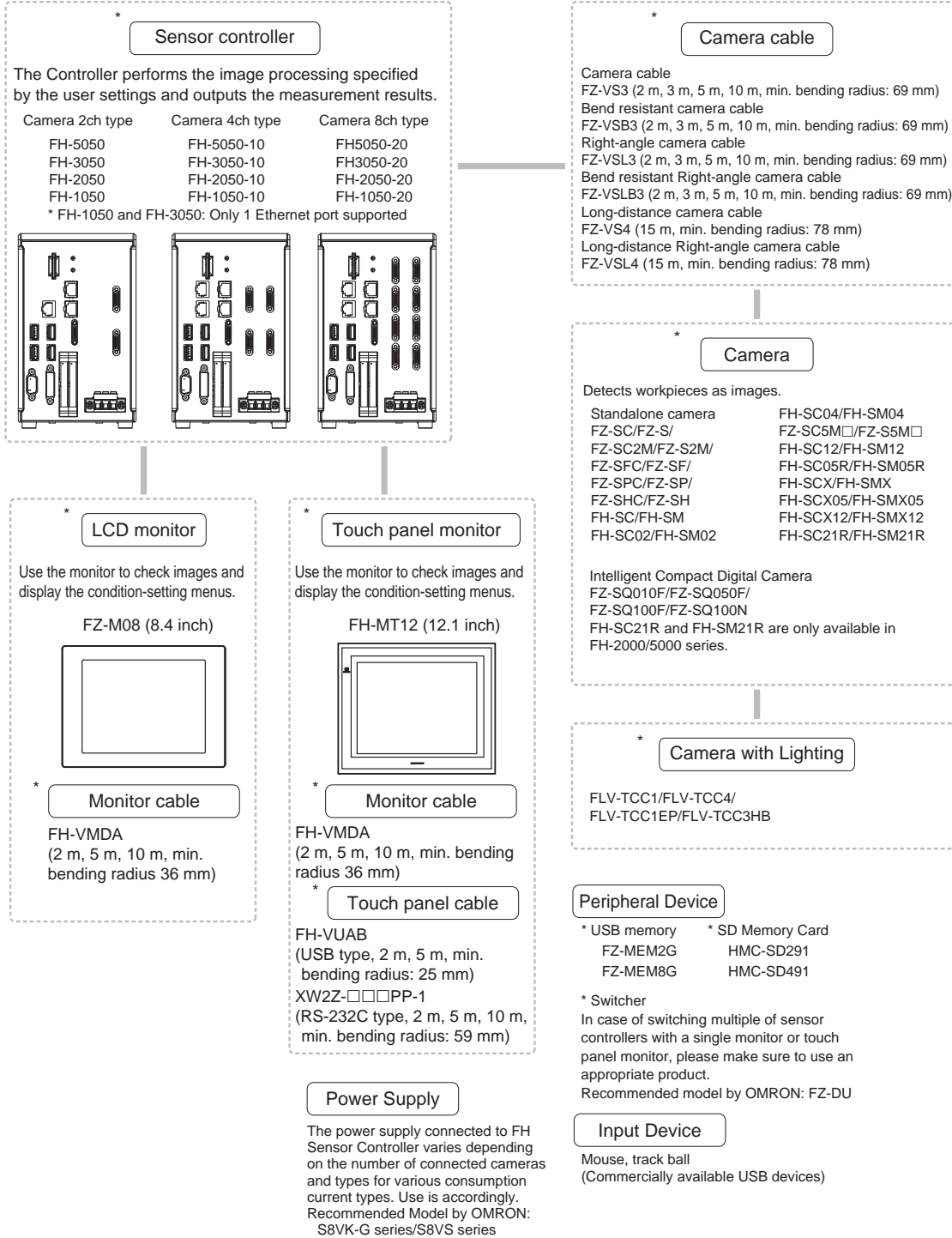


\*1. To use STP (shielded twisted-pair) cable of category 5 or higher for Ethernet and RJ45 connector.

# 2-2 System Configuration

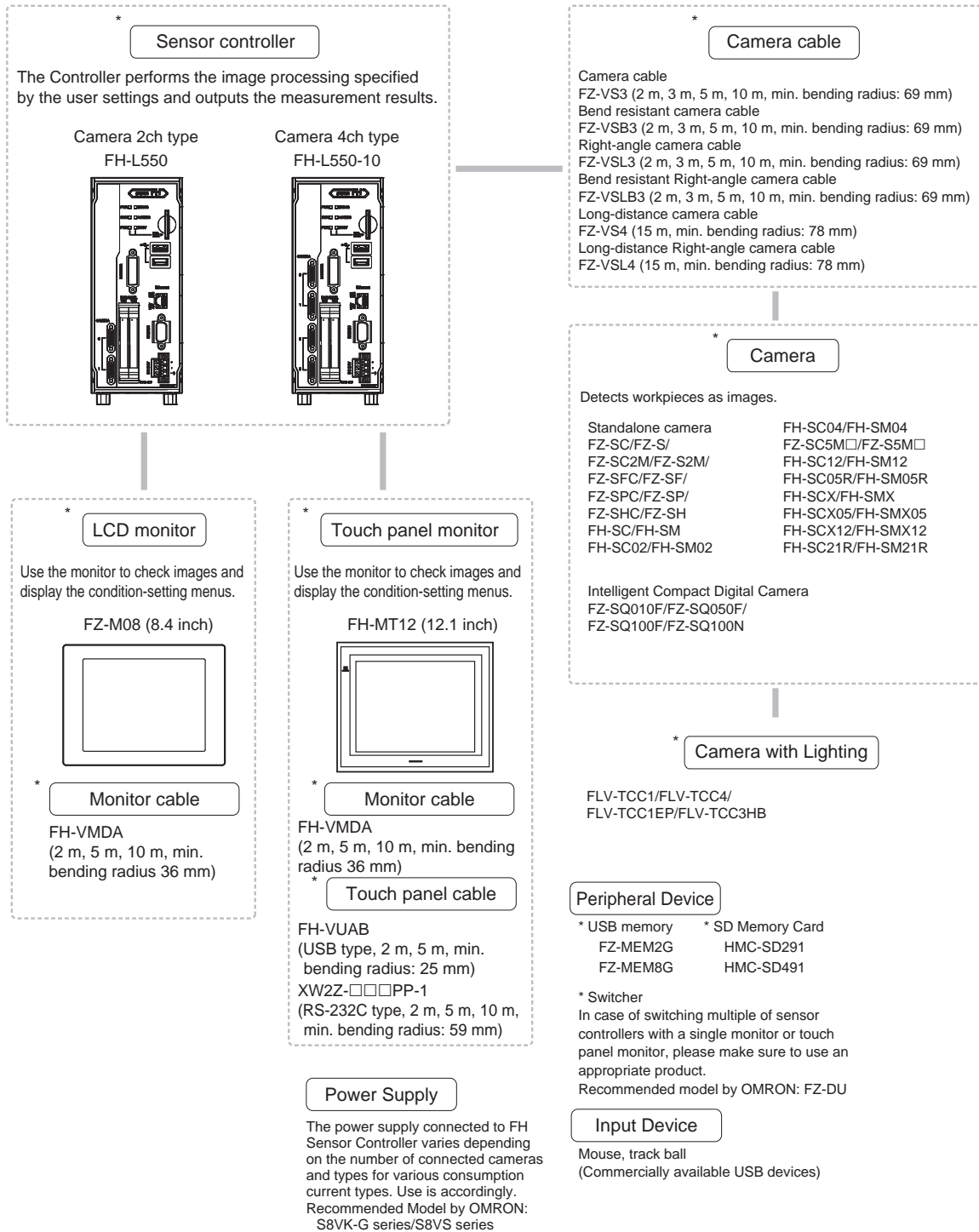
## 2-2-1 FH-1000/2000/3000/5000 Series

\* Items indicated with an asterisk are dedicated items, and cannot be substituted.



2-2-2 FH-L Series

\* Items indicated with an asterisk are dedicated items, and cannot be substituted.



## 2-3 Flow of Use Procedure

The following table shows the flow for using the FH.

| Procedure   | Description  | Reference   |
|---|--|---|
| Preparations  | Installation and Wiring  | <i>Section 4 Handling and Installation Environment</i> on page 4 - 1<br><i>Section 5 Setup and Wiring</i> on page 5 - 1 |
|   | ↓  |   |
|   | Turning ON Power   | <i>5-1 When turning ON and OFF</i> on page 5 - 2  |
|   | ↓  |   |
|   | Language Selection in Dialog Box (only when the Sensor Controller is started for the first time)   | <i>Vision System FH/FHV series User's Manual (Cat.No. Z365)</i>   |
|   | ↓  |   |
|   | Main Window (Layout 0) Display   | <i>Vision System FH/FHV series User's Manual (Cat.No. Z365)</i>   |
|   | ↓  |   |
|   | Camera Adjustments (Display the settings dialog box for a Camera Image Input processing item.)   | <i>Vision System FH/FHV series User's Manual (Cat.No. Z365)</i>   |
|   | ↓  |   |
|   | Select <b>Tool - System settings</b> , and then under <b>Startup setting</b> , set the settings for <i>Basic, Communication, and Operation mode</i> .  | <i>Vision System FH/FHV series User's Manual (Cat.No. Z365)</i>   |
|   | ↓  |   |
|   | Click the <b>Data save</b> button, and then select <b>Function - System restart</b> .  | <i>Vision System FH/FHV series User's Manual (Cat.No. Z365)</i>   |
| ↓   |  |   |
| Select <b>Tool - System settings</b> , and then set the settings for <i>Camera, Communication and Other</i> . | <i>Vision System FH/FHV series User's Manual (Cat.No. Z365)</i>  |   |
| ↓   |  |   |
| Click the <b>Data save</b> button.  | <i>Vision System FH/FHV series User's Manual (Cat.No. Z365)</i>  |   |
| ↓   |  |   |
| Scene Editing   | In the Main Window (layout 0), edit the measurement flow. <ul style="list-style-type: none"> <li>• Register processing items.</li> <li>• Set the properties for each processing item.</li> </ul> | <i>Vision System FH/FHV series User's Manual (Cat.No. Z365)</i>   |
|   | ↓  |   |
|   | Click the <b>Data save</b> button.   | <i>Vision System FH/FHV series User's Manual (Cat.No. Z365)</i>   |
| ↓↑  |  |   |

| Procedure               | Description   | Reference  |
|-------------------------|---|--|
| Testing                 | Execute test measurements.<br>(In the Main Window (layout 0), click the <b>Measure</b> button.)                       | <i>Vision System FH/FHV series User's Manual (Cat.No. Z365)</i>                              |
|                         | ↓   |  |
|                         | Adjust the parameters for each processing item.   | <i>Vision System FH/FHV series Processing Item Function Reference Manual (Cat. No. Z341)</i> |
|                         | ↓   |  |
|                         | Click the <b>Data save</b> button.  | <i>Vision System FH/FHV series User's Manual (Cat.No. Z365)</i>                              |
| ↓                       |   |  |
| Measuring (Operation)   | In the Main Window (layout 0), click the <b>Switch layout</b> button, and then select <i>Main Window (Layout 1)</i> . | <i>Vision System FH/FHV series User's Manual (Cat.No. Z365)</i>                              |
|                         | ↓   |  |
|                         | In the Main Window (layout 1), check the communications with the PLC.   | <i>Vision System FH/FHV series User's Manual for Communications Settings (Cat. No. Z342)</i> |
|                         | ↓   |  |
|                         | In the Main Window (layout 1), execute commands from the PLC, such as measurement trigger commands.                   | <i>Vision System FH/FHV series User's Manual for Communications Settings (Cat. No. Z342)</i> |
| ↓                       |   |  |
| Management and Analysis | Save and analyze measurement data and images.   | <i>Vision System FH/FHV series User's Manual for Communications Settings (Cat. No. Z342)</i> |





# 3

## Configuration

|            |   |               |
|------------|---|---------------|
| <b>3-1</b> | <b>Sensor Controller .....</b>  | <b>3 - 3</b>  |
| 3-1-1      | FH-1000/2000/3000/5000 Series .....   | 3 - 3         |
| 3-1-2      | FH-L Series .....   | 3 - 14        |
| <b>3-2</b> | <b>Camera .....</b>   | <b>3 - 19</b> |
| 3-2-1      | High-speed digital CMOS Camera (FH-S camera series) .....   | 3 - 19        |
| 3-2-2      | Digital CMOS Camera .....   | 3 - 24        |
| 3-2-3      | Digital CCD Camera: FZ-S Camera Series .....  | 3 - 27        |
| 3-2-4      | High-speed Digital CCD Camera: FZ-SH Camera Series .....  | 3 - 29        |
| 3-2-5      | Small Digital CCD Cameras: FZ-S Camera Series .....   | 3 - 30        |
| 3-2-6      | Intelligent Compact Digital CMOS Camera: FZ-S camera Series .....                                   | 3 - 33        |
| <b>3-3</b> | <b>Camera Cable .....</b>   | <b>3 - 36</b> |
| 3-3-1      | Camera Cable and Right-angle Camera Cable .....   | 3 - 36        |
| 3-3-2      | Bend resistant Camera Cable and Bend resistant Right-angle Camera Cable .....                       | 3 - 37        |
| 3-3-3      | Long-distance Camera Cable and Long-distance Right-angle Camera Cable .....                         | 3 - 38        |
| 3-3-4      | Cable Connection Table .....  | 3 - 39        |
| 3-3-5      | Cable Extension Units .....   | 3 - 43        |
| <b>3-4</b> | <b>Lens .....</b>   | <b>3 - 47</b> |
| 3-4-1      | C-mount Lens for 1/3-inch Image Sensor (SV-V Series) .....  | 3 - 47        |
| 3-4-2      | C-mount Lens for 2/3-inch Image Sensor (SV-H Series) .....  | 3 - 48        |
| 3-4-3      | C-mount Lens for 1-inch Image Sensor (VS-H1 Series) .....   | 3 - 49        |
| 3-4-4      | C-mount Lens for 4/3-inch Image Sensor (VS-LLD Series) .....  | 3 - 50        |
| 3-4-5      | M42-mount Lens for Large Image Sensor (VS-L/M42-10 Series) .....                                    | 3 - 51        |
| 3-4-6      | Lenses for Small Camera (FZ-LES Series) .....   | 3 - 51        |
| 3-4-7      | Vibration and Shock Resistant C-mount Lens for 2/3-inch Image Sensor (VS-MCA Series) .....          | 3 - 52        |
| 3-4-8      | Vibration and Shock Resistant C-mount Lens for 1-inch Image Sensor (VS-MCH Series) .....            | 3 - 54        |
| 3-4-9      | Vibration and Shock Resistant C-mount Lens for 1-inch Image Sensor (VS-MCH1 Series) .....           | 3 - 57        |
| 3-4-10     | Vibration and Shock Resistant M42-mount Lens for 1.8-inch Image Sensor (VS-MCL/M42-10 Series) ..... | 3 - 60        |
| 3-4-11     | High-resolution Telecentric Lens for C-mount Lens for 2/3-inch Image Sensor (VS-TCH Series) .....   | 3 - 62        |
| 3-4-12     | High-resolution Telecentric Lens for C-mount Lens for 1.1-inch Image Sensor (VS-TEV Series) .....   | 3 - 64        |
| 3-4-13     | Extension Tubes .....   | 3 - 65        |
| 3-4-14     | Meaning of Optical Chart .....  | 3 - 66        |

|            |   |               |
|------------|---|---------------|
| <b>3-5</b> | <b>Touch Panel Monitor and Cable.....</b> | <b>3 - 82</b> |
| <b>3-6</b> | <b>LCD and Cable.....</b>                 | <b>3 - 88</b> |
| <b>3-7</b> | <b>Sysmac Studio .....</b>                | <b>3 - 91</b> |

# 3-1 Sensor Controller

## 3-1-1 FH-1000/2000/3000/5000 Series

### Specification

#### ● FH-5000/FH-2000

| Series   |                    | FH-5000 Series   |                                     |  | FH-2000 Series                                  |            |  |
|--|--------------------|--|-------------------------------------|--|---|------------|--|
| Type   |                    | High-speed, Large-capacity Controller(4 cores)   |                                     |  | High-speed, Large-capacity Controller(2 cores)  |            |  |
| Model  |                    | FH-5050  | FH-5050-10                          | FH-5050-20   | FH-2050   | FH-2050-10 | FH-2050-20   |
| Controller Type  |                    | Box type   |                                     |  |   |            |  |
| Parallel IO polarity                                   |                    | NPN/PNP (common)   |                                     |  |   |            |  |
| Main Functions   | Operation Mode     | Standard   | Yes                                 |  |   |            |  |
|  |                    | Double Speed Multi-input   | Yes                                 |  |   |            |  |
|  |                    | Non-stop adjustment mode   | Yes                                 |  |   |            |  |
|  |                    | Multi-line random-trigger mode   | Yes (Maximum 8 lines)* <sup>1</sup> |  |   |            |  |
| Parallel Processing                                    |                    | Yes  |                                     |  |   |            |  |
| Number of Connectable Camera                           |                    | 2  | 4                                   | 8  | 2   | 4          | 8  |
| Supported Camera                                       | FH-S series camera | All of the FH-S series cameras are connectable.  |                                     | All of the FH-S series cameras are connectable. * <sup>2</sup> | All of the FH-S series cameras are connectable. |            | All of the FH-S series cameras are connectable. * <sup>2</sup> |
|  | FZ-S series camera | All of the FZ-S series cameras are connectable.  |                                     |  |   |            |  |
| Camera I/F   |                    | OMRON I/F  |                                     |  |   |            |  |
| Possible Number of Captured Images                     |                    | Refer to <i>About Number of Logging Images</i> or <i>About Max. Number of Loading Images during Multi-input</i> in the <i>Vision System FH/FHV series User's Manual (Cat.No. Z365)</i> . |                                     |  |   |            |  |
| Possible Number of Logging Images to Sensor Controller |                    |  |                                     |  |   |            |  |

| Series             |  | FH-5000 Series  |  |            | FH-2000 Series                                 |            |            |
|--------------------|--|---|--|------------|--|------------|------------|
| Type               |  | High-speed, Large-capacity Controller(4 cores)  |  |            | High-speed, Large-capacity Controller(2 cores) |            |            |
| Model              |  | FH-5050   | FH-5050-10                                     | FH-5050-20 | FH-2050  | FH-2050-10 | FH-2050-20 |
|                    | Possible Number of Scenes  | 128   |  |            |  |            |            |
|                    | Operating on UI  | USB Mouse   | Yes (wired USB and driver is unnecessary type) |            |  |            |            |
|                    |  | Touch Panel   | Yes (RS-232C/USB connection: FH-MT12)          |            |  |            |            |
|                    | Setup  | Create the processing flow using Flow editing.  |  |            |  |            |            |
|                    | Language   | Japanese, English, Simplified Chinese, Traditional Chinese, Korean, German, French, Spanish, Italian, Vietnamese, Polish  |  |            |  |            |            |
| External Interface | Serial Communication   | RS-232C x 1   |  |            |  |            |            |
|                    | Ethernet Communication   | Protocol  | Non-procedure (TCP/UDP)                        |            |  |            |            |
|                    |  | I/F   | 1000BASE-T x 2                                 |            |  |            |            |
|                    | EtherNet/IP Communication  | Yes (Target/Ethernet port)  |  |            |  |            |            |
|                    | PROFINET Communication   | <ul style="list-style-type: none"> <li>• Yes (Slave/Ethernet port)</li> <li>• Conformance class A</li> </ul>  |  |            |  |            |            |
|                    | EtherCAT Communication   | Yes (slave)   |  |            |  |            |            |
|                    | Parallel I/O   | 12 inputs/31 outputs: Use 1 Line. Operation mode: Except Multi-line random-trigger mode.<br>17 inputs/37 outputs: Use 2 Line. Operation mode: Multi-line random-trigger mode.<br>14 inputs/29 outputs: Use 3 to 4 Line. Operation mode: Multi-line random-trigger mode.<br>19 inputs/34 outputs: Use 5 to 8 Line. Operation mode: Multi-line random-trigger mode. |  |            |  |            |            |
|                    | Encoder Interface  | Input voltage: 5 V $\pm$ 5%<br>Signal: RS-422A Line Driver Level<br>Phase A/B/Z: 1 MHz  |  |            |  |            |            |
|                    | Monitor Interface  | DVI-I output (Analog RGB & DVI-D single link) x 1   |  |            |  |            |            |
| USB I/F            | USB2.0 host x 2 (BUS Power: 5 V/0.5 A per port)<br>USB3.0 host x 2 (BUS Power: 5 V/0.9 A per port) |   |  |            |  |            |            |
| SD Card I/F        | SDHC x 1   |   |  |            |  |            |            |

| Series              |  | FH-5000 Series  |            |            | FH-2000 Series   |            |            |
|---------------------|--|---|------------|------------|--|------------|------------|
| Type                |  | High-speed, Large-capacity Controller(4 cores)  |            |            | High-speed, Large-capacity Controller(2 cores)                                   |            |            |
| Model               |  | FH-5050   | FH-5050-10 | FH-5050-20 | FH-2050  | FH-2050-10 | FH-2050-20 |
| Indicator Lamps     | Main   | POWER: Green<br>ERROR: Red<br>RUN: Green<br>ACCESS: Yellow  |            |            |  |            |            |
|                     | Ethernet   | NET RUN1: Green<br>LINK/ACT1: Yellow<br>NET RUN2: Green<br>LINK/ACT2: Yellow  |            |            |  |            |            |
|                     | SD Card  | SD POWER: Green<br>SD BUSY: Yellow  |            |            |  |            |            |
|                     | EtherCAT   | ECAT RUN: Green<br>LINK/ACT IN: Green<br>LINK/ACT OUT: Green<br>ECAT ERR: Red   |            |            |  |            |            |
| Supply Voltage      |  | 20.4 VDC to 26.4 VDC  |            |            |  |            |            |
| Current consumption | <ul style="list-style-type: none"> <li>When connecting an intelligent compact digital camera</li> <li>When connecting the following lighting or lighting controllers without an external power supply <ul style="list-style-type: none"> <li>- FLV-TCC1</li> <li>- FLV-TCC4</li> <li>- FLV-TCC3HB</li> <li>- FLV-TCC1EP</li> <li>- FL-TCC1</li> </ul> </li> <li>When connecting the following lighting or lighting controllers <ul style="list-style-type: none"> <li>- FL-TCC1PS</li> <li>- FL-MD□MC</li> </ul> </li> </ul> | 5.6A max.   | 7.7A max.  | 12.2A max. | 4.6A max.  | 6.6A max.  | 11.2A max. |
|                     | Other than above   | 4.5A max.   | 5.5A max.  | 7.3A max.  | 3.5A max.  | 4.3A max.  | 6.3A max.  |
| Built-in FAN        |  | Yes   |            |            |  |            |            |
| Usage Environment   | Ambient temperature range  | Operating: 0°C to +45°C<br>Storage: -20 to +65°C (with no icing or condensation)  |            |            | Operating: 0°C to +50°C<br>Storage: -20 to +65°C (with no icing or condensation) |            |            |
|                     | Ambient humidity range   | Operating and storage: 35 to 85% (with no condensation)   |            |            |  |            |            |
|                     | Ambient atmosphere   | No corrosive gases  |            |            |  |            |            |
|                     | Vibration tolerance  | Oscillation frequency: 10 to 150 Hz, Half amplitude: 0.1 mm, Acceleration: 15 m/s <sup>2</sup><br>Sweep time: 8 minute/count, Sweep count: 10, Vibration direction: up and down/front and behind/left and right |            |            |  |            |            |

| Series            |                      | FH-5000 Series   |               |               | FH-2000 Series                                 |               |               |
|-------------------|----------------------|--|---------------|---------------|--|---------------|---------------|
| Type              |                      | High-speed, Large-capacity Controller(4 cores)   |               |               | High-speed, Large-capacity Controller(2 cores) |               |               |
| Model             |                      | FH-5050  | FH-5050-10    | FH-5050-20    | FH-2050  | FH-2050-10    | FH-2050-20    |
| Shock resistance  |                      | Impact force: 150 m/s <sup>2</sup><br>Test direction: up and down/front and behind/left and right  |               |               |  |               |               |
| Noise immunity    | Fast Transient Burst | <ul style="list-style-type: none"> <li>DC power:<br/>Direct infusion: 2 kV, Pulse rising: 5 ns, Pulse width: 50 ns, Burst continuation time: 15 ms/0.75 ms, Period: 300 ms, Application time: 1 min.</li> <li>I/O line:<br/>Direct infusion: 1 kV, Pulse rising: 5 ns, Pulse width: 50 ns, Burst continuation time: 15 ms/0.75 ms, Period: 300 ms, Application time: 1 min.</li> </ul> |               |               |  |               |               |
| Grounding         |                      | Class D grounding (100 Ω or less grounding resistance) *3  |               |               |  |               |               |
| External Features | Dimensions           | 190 mm x 115 mm x 182.5 mm<br>Note Height: Including the rubber at the base.   |               |               |  |               |               |
|                   | Weight               | Ap-prox.3.4kg  | Ap-prox.3.6kg | Ap-prox.3.6kg | Ap-prox.3.4kg                                  | Ap-prox.3.6kg | Ap-prox.3.6kg |
|                   | Degree of protection | IEC60529 IP20  |               |               |  |               |               |
|                   | Case material        | Cover: zinc-plated steel plate, Side plate: aluminum (A6063)   |               |               |  |               |               |

\*1. According to the CPU performance, FH-2000 series is recommended to use up to two lines in this mode.

\*2. When 12 megapixels/20.4 megapixels cameras: Max. 4 cameras are connectable. When use except 12 megapixels/20.4 megapixels cameras: Max. 8 cameras are connectable.

\*3. Existing the third class grounding

### ● FH-3000/FH-1000

| Series               |                | FH-3000 Series                 |                         |            | FH-1000 Series               |            |            |
|----------------------|----------------|--------------------------------|-------------------------|------------|------------------------------|------------|------------|
| Type                 |                | Standard Controller(4 cores)   |                         |            | Standard Controller(2 cores) |            |            |
| Model                |                | FH-3050                        | FH-3050-10              | FH-3050-20 | FH-1050                      | FH-1050-10 | FH-1050-20 |
| Controller Type      |                | Box type                       |                         |            |                              |            |            |
| Parallel IO polarity |                | NPN/PNP (common)               |                         |            |                              |            |            |
| Main Functions       | Operation Mode | Standard                       | Yes                     |            |                              |            |            |
|                      |                | Double Speed Multi-input       | Yes                     |            |                              |            |            |
|                      |                | Non-stop adjustment mode       | Yes                     |            |                              |            |            |
|                      |                | Multi-line random-trigger mode | Yes (Maximum 8 lines)*1 |            |                              |            |            |
| Parallel Processing  |                | Yes                            |                         |            |                              |            |            |

| Series   |                           | FH-3000 Series   |   |  | FH-1000 Series   |                 |  |  |
|--|---------------------------|--|---|--|--|-----------------|--|--|
| Type   |                           | Standard Controller(4 cores)   |   |  | Standard Controller(2 cores)                               |                 |  |  |
| Model  |                           | FH-3050  | FH-3050-10  | FH-3050-20   | FH-1050  | FH-1050-10      | FH-1050-20   |  |
| Number of Connectable Camera                           |                           | 2  | 4   | 8  | 2  | 4               | 8  |  |
| Supported Camera                                       | FH-S series camera        | FH-S series cameras except FH-SM21R/SC21R are connectable.   |   | FH-S series cameras except FH-SM21R/SC21R are connectable.<br>*2 | FH-S series cameras except FH-SM21R/SC21R are connectable. |                 | FH-S series cameras except FH-SM21R/SC21R are connectable.<br>*2 |  |
|  | FZ-S series camera        | All of the FZ-S series cameras are connectable.  |   |  |  |                 |  |  |
| Camera I/F   |                           | OMRON I/F  |   |  |  |                 |  |  |
| Possible Number of Captured Images                     |                           | Refer to <i>About Number of Logging Images</i> or <i>About Max. Number of Loading Images during Multi-input</i> in the <i>Vision System FH/FHV series User's Manual (Cat.No. Z365)</i> . |   |  |  |                 |  |  |
| Possible Number of Logging Images to Sensor Controller |                           |  |   |  |  |                 |  |  |
| Possible Number of Scenes                              |                           | 128  |   |  |  |                 |  |  |
| Operating on UI  | USB Mouse                 | Yes (wired USB and driver is unnecessary type)   |   |  |  |                 |  |  |
|  | Touch Panel               | Yes (RS-232C/USB connection: FH-MT12)  |   |  |  |                 |  |  |
| Setup  |                           | Create the processing flow using Flow editing.   |   |  |  |                 |  |  |
| Language   |                           | Japanese, English, Simplified Chinese, Traditional Chinese, Korean, German, French, Spanish, Italian, Vietnamese, Polish   |   |  |  |                 |  |  |
| External Interface                                     | Serial Communication      |  | RS-232C x 1   |  |  |                 |  |  |
|  | Ethernet Communication    | Protocol   | Non-procedure (TCP/UDP)   |  |  |                 |  |  |
|  |                           | I/F  | 1000BAS E-T x 1   | 1000BASE-T x 2   |  | 1000BAS E-T x 1 | 1000BASE-T x 2   |  |
|  | EtherNet/IP Communication |  | Yes (Target/Ethernet port)  |  |  |                 |  |  |
|  | PROFINET Communication    |  | <ul style="list-style-type: none"> <li>Yes (Slave/Ethernet port)</li> <li>Conformance class A</li> </ul>  |  |  |                 |  |  |
|  | EtherCAT Communication    |  | Yes (slave)   |  |  |                 |  |  |
|  | Parallel I/O              |  | 12 inputs/31 outputs: Use 1 Line. Operation mode: Except Multi-line random-trigger mode.<br>17 inputs/37 outputs: Use 2 Line. Operation mode: Multi-line random-trigger mode.<br>14 inputs/29 outputs: Use 3 to 4 Line. Operation mode: Multi-line random-trigger mode.<br>19 inputs/34 outputs: Use 5 to 8 Line. Operation mode: Multi-line random-trigger mode. |  |  |                 |  |  |

| Series              |  | FH-3000 Series   |  |  | FH-1000 Series   |            |            |
|---------------------|--|--|--|--|--|------------|------------|
| Type                |  | Standard Controller(4 cores)   |  |  | Standard Controller(2 cores)   |            |            |
| Model               |  | FH-3050  | FH-3050-10   | FH-3050-20                                   | FH-1050  | FH-1050-10 | FH-1050-20 |
|                     | Encoder Interface  | Input voltage: 5 V ± 5%<br>Signal: RS-422A Line Driver Level<br>Phase A/B/Z: 1 MHz |  |  |  |            |            |
|                     | Monitor Interface  | DVI-I output (Analog RGB & DVI-D single link) x 1                                  |  |  |  |            |            |
|                     | USB I/F  | USB2.0 host x 4(BUS Power: 5 V/0.5 A per port)                                     |  |  |  |            |            |
|                     | SD Card I/F  | SDHC x 1   |  |  |  |            |            |
| Indicator Lamps     | Main   | POWER: Green<br>ERROR: Red<br>RUN: Green<br>ACCESS: Yellow                         |  |  |  |            |            |
|                     | Ethernet   | NET<br>RUN:<br>Green<br>LINK/<br>ACT: Yellow                                       | NET RUN1: Green<br>LINK/ACT1: Yellow<br>NET RUN2: Green<br>LINK/ACT2: Yellow | NET<br>RUN:<br>Green<br>LINK/<br>ACT: Yellow | NET RUN1: Green<br>LINK/ACT1: Yellow<br>NET RUN2: Green<br>LINK/ACT2: Yellow |            |            |
|                     | SD Card  | SD POWER: Green<br>SD BUSY: Yellow   |  |  |  |            |            |
|                     | EtherCAT   | ECAT RUN: Green<br>LINK/ACT IN: Green<br>LINK/ACT OUT: Green<br>ECAT ERR: Red      |  |  |  |            |            |
| Supply Voltage      |  | 20.4 VDC to 26.4 VDC   |  |  |  |            |            |
| Current consumption | <ul style="list-style-type: none"> <li>When connecting an intelligent compact digital camera</li> <li>When connecting the following lighting or lighting controllers without an external power supply <ul style="list-style-type: none"> <li>- FLV-TCC1</li> <li>- FLV-TCC4</li> <li>- FLV-TCC3HB</li> <li>- FLV-TCC1EP</li> <li>- FL-TCC1</li> </ul> </li> <li>When connecting the following lighting or lighting controllers <ul style="list-style-type: none"> <li>- FL-TCC1PS</li> <li>- FL-MD□MC</li> </ul> </li> </ul> | 5.0A max.  | 7.0A max.  | 11.5A max.                                   | 4.7A max.  | 6.5A max.  | 10.9A max. |
|                     | Other than above   | 4.1A max.  | 4.8A max.  | 6.8A max.                                    | 3.6A max.  | 4.3A max.  | 6.2A max.  |
| Built-in FAN        |  | Yes  |  |  |  |            |            |
| Usage Environment   | Ambient temperature range  | Operating: 0°C to +50°C<br>Storage: -20 to +65°C (with no icing or condensation)   |  |  |  |            |            |



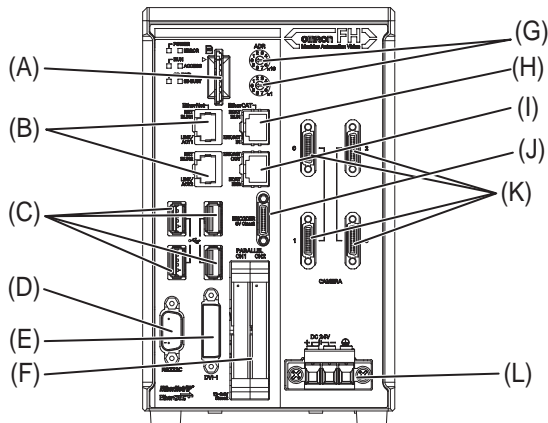
| Series                 |                      | FH-3000 Series   |               |               | FH-1000 Series               |               |               |
|------------------------|----------------------|--|---------------|---------------|------------------------------|---------------|---------------|
| Type                   |                      | Standard Controller(4 cores)   |               |               | Standard Controller(2 cores) |               |               |
| Model                  |                      | FH-3050  | FH-3050-10    | FH-3050-20    | FH-1050                      | FH-1050-10    | FH-1050-20    |
| Ambient humidity range |                      | Operating and storage: 35 to 85% (with no condensation)  |               |               |                              |               |               |
| Ambient atmosphere     |                      | No corrosive gases   |               |               |                              |               |               |
| Vibration tolerance    |                      | Oscillation frequency: 10 to 150 Hz, Half amplitude: 0.1 mm, Acceleration: 15 m/s <sup>2</sup><br>Sweep time: 8 minute/count, Sweep count: 10, Vibration direction: up and down/front and behind/left and right  |               |               |                              |               |               |
| Shock resistance       |                      | Impact force: 150 m/s <sup>2</sup><br>Test direction: up and down/front and behind/left and right  |               |               |                              |               |               |
| Noise immunity         | Fast Transient Burst | <ul style="list-style-type: none"> <li>DC power:<br/>Direct infusion: 2 kV, Pulse rising: 5 ns, Pulse width: 50 ns, Burst continuation time: 15 ms/0.75 ms, Period: 300 ms, Application time: 1 min.</li> <li>I/O line:<br/>Direct infusion: 1 kV, Pulse rising: 5 ns, Pulse width: 50 ns, Burst continuation time: 15 ms/0.75 ms, Period: 300 ms, Application time: 1 min.</li> </ul> |               |               |                              |               |               |
| Grounding              |                      | Class D grounding (100 Ω or less grounding resistance) <sup>*3</sup>   |               |               |                              |               |               |
| External Features      | Dimensions           | 190 mm x 115 mm x 182.5 mm<br>Note Height: Including the rubber at the base.   |               |               |                              |               |               |
|                        | Weight               | Approx. 3.2kg  | Approx. 3.4kg | Approx. 3.4kg | Approx. 3.2kg                | Approx. 3.4kg | Approx. 3.4kg |
|                        | Degree of protection | IEC60529 IP20  |               |               |                              |               |               |
|                        | Case material        | Cover: zinc-plated steel plate, Side plate: aluminum (A6063)   |               |               |                              |               |               |

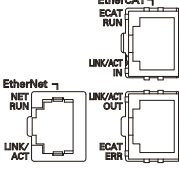
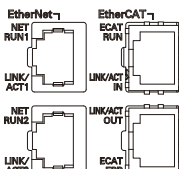
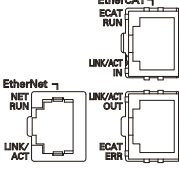
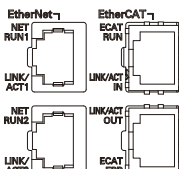
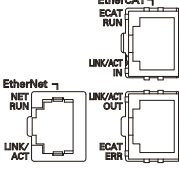
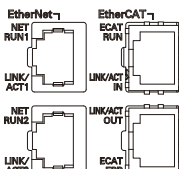
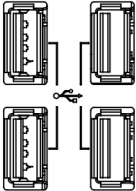
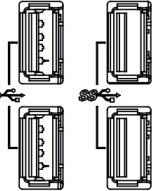
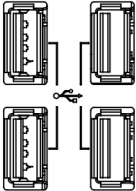
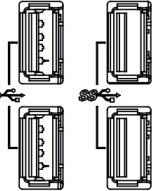
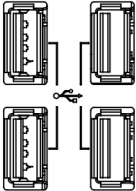
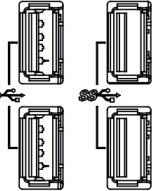
\*1. According to the CPU performance, FH-1000 series is recommended to use up to two lines in this mode.

\*2. When the 12 megapixels camera: Max. 4 cameras are connectable. When use except 12 megapixels cameras: Max. 8 cameras are connectable.

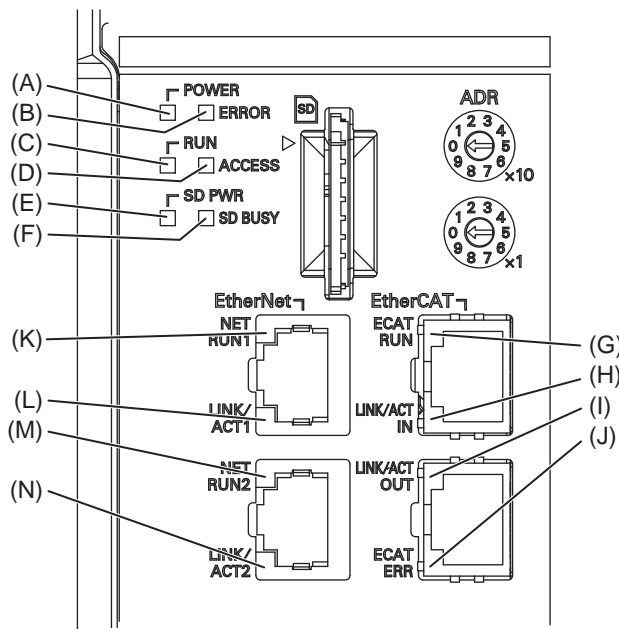
\*3. Existing the third class grounding

## Component Names and Functions



|  | Connector name   | Description   |  |  |  |  |
|--|--|---|--|--|--|--|
| (A)  | SD memory card installation connector  | Install the SD memory card. Do not plug or unplug the SD memory card during measurement operation. Otherwise measurement time may be affected or data may be destroyed.   |  |  |  |  |
| (B)  | Ethernet connector   | <p>Connect an Ethernet device.</p> <table border="1" data-bbox="580 987 1422 1267"> <tr> <td data-bbox="580 987 991 1043">FH-1050/FH-3050</td> <td data-bbox="991 987 1422 1043">FH-1050-10/-20, FH-3050-10/-20<br/>FH-2000/5000 series</td> </tr> <tr> <td data-bbox="580 1043 991 1267"> <p>Ethernet port, EtherNet/IP port, and PROFINET port are sharing use.</p>  </td> <td data-bbox="991 1043 1422 1267"> <p>Upper port : Ethernet port<br/>Lower port : Ethernet port, EtherNet/IP port, and PROFINET port are sharing use.</p>  </td> </tr> </table>   | FH-1050/FH-3050  | FH-1050-10/-20, FH-3050-10/-20<br>FH-2000/5000 series  | <p>Ethernet port, EtherNet/IP port, and PROFINET port are sharing use.</p>  | <p>Upper port : Ethernet port<br/>Lower port : Ethernet port, EtherNet/IP port, and PROFINET port are sharing use.</p>  |
| FH-1050/FH-3050  | FH-1050-10/-20, FH-3050-10/-20<br>FH-2000/5000 series  |   |  |  |  |  |
| <p>Ethernet port, EtherNet/IP port, and PROFINET port are sharing use.</p>  | <p>Upper port : Ethernet port<br/>Lower port : Ethernet port, EtherNet/IP port, and PROFINET port are sharing use.</p>    |   |  |  |  |  |
| (C)  | USB connector  | <p>Connect a USB device.<br/>Do not plug or unplug it during measurement. Otherwise measurement time may be affected or data may be destroyed.</p> <table border="1" data-bbox="580 1402 1422 1738"> <tr> <td data-bbox="580 1402 991 1738"> <p>FH-1000/FH-3000 series</p> <p>All ports: USB2.0</p>  </td> <td data-bbox="991 1402 1422 1738"> <p>FH-2000/FH-5000 series</p> <p>Left ports: USB2.0<br/>Right ports: USB3.0</p> <p>USB3.0 interface is more capable of powering bus power than USB2.0. By combining USB3.0 devices, faster transmission than USB2.0 can be achieved.</p>  </td> </tr> </table> | <p>FH-1000/FH-3000 series</p> <p>All ports: USB2.0</p>  | <p>FH-2000/FH-5000 series</p> <p>Left ports: USB2.0<br/>Right ports: USB3.0</p> <p>USB3.0 interface is more capable of powering bus power than USB2.0. By combining USB3.0 devices, faster transmission than USB2.0 can be achieved.</p>  |  |  |
| <p>FH-1000/FH-3000 series</p> <p>All ports: USB2.0</p>                      | <p>FH-2000/FH-5000 series</p> <p>Left ports: USB2.0<br/>Right ports: USB3.0</p> <p>USB3.0 interface is more capable of powering bus power than USB2.0. By combining USB3.0 devices, faster transmission than USB2.0 can be achieved.</p>  |   |  |  |  |  |
| (D)  | RS-232C connector  | Connect an external device such as a PLC.   |  |  |  |  |
| (E)  | DVI-I connector  | Connect a monitor.  |  |  |  |  |
| (F)  | I/O (Parallel) connector (control lines, data lines)   | Connect the controller to external devices such as a sync sensor and PLC.   |  |  |  |  |
| (G)  | EtherCAT address setup volume  | Used to set a station address (00 to 99) as an EtherCAT communication device.   |  |  |  |  |

|     | Connector name                         | Description  |
|-----|--|--|
| (H) | EtherCAT communication connector (IN)  | Connect the opposed EtherCAT device.   |
| (I) | EtherCAT communication connector (OUT) | Connect the opposed EtherCAT device.   |
| (J) | Encoder connector                      | Connect an encoder.  |
| (K) | Camera connector                       | Connect cameras.   |
| (L) | Power supply terminal connector        | Connect a DC power supply. Wire the FH Sensor Controller independently on other devices.<br>Wire the ground line. Be sure to ground the FH Sensor Controller alone. Use an attachment power terminal (male) for installation. For details, refer to 5-3 <i>Sensor Controller Installation</i> on page 5 - 5. |



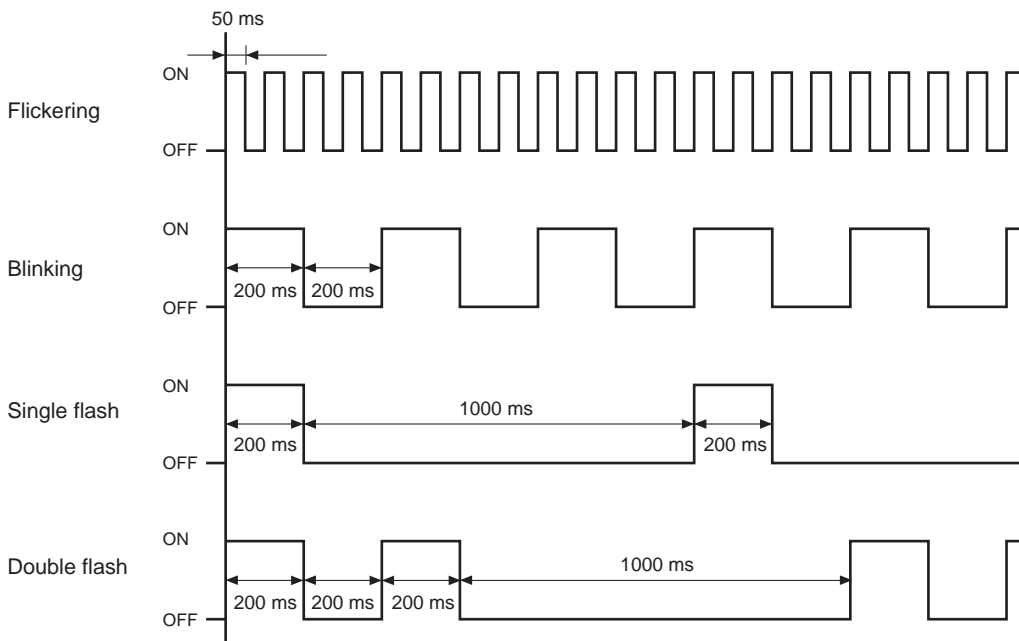
|     | LED name                  | Description   |
|-----|---------------------------|---|
| (A) | POWER LED                 | Lit while power is ON.  |
| (B) | ERROR LED                 | Lit when an error has occurred.   |
| (C) | RUN LED                   | Lit while the layout turned on output setting is displayed.                             |
| (D) | ACCESS LED                | Blinks while the internal nonvolatile memory is accessed.                               |
| (E) | SD POWER LED              | Lit while power is supplied to the SD memory card and the card is usable.               |
| (F) | SD BUSY LED               | Blinks while the SD memory card is accessed.  |
| (G) | EtherCAT RUN LED          | Lit while EtherCAT communications are usable.   |
| (H) | EtherCAT LINK/ACT IN LED  | Lit when connected with an EtherCAT device, and blinks while performing communications. |
| (I) | EtherCAT LINK/ACT OUT LED | Lit when connected with an EtherCAT device, and blinks while performing communications. |
| (J) | EtherCAT ERR LED          | Lit when EtherCAT communications have become abnormal.                                  |

|     | LED name               | Description   |
|-----|------------------------|---|
| (K) | Ethernet NET RUN1 LED  | Lit while Ethernet communications are usable.   |
| (L) | Ethernet LINK/ACT1 LED | Lit when connected with an Ethernet device, and blinks while performing communications. |
| (M) | Ethernet NET RUN2 LED  | Lit while Ethernet communications are usable.   |
| (N) | Ethernet LINK/ACT2 LED | Lit when connected with an Ethernet device, and blinks while performing communications. |

## EtherCAT status indicator LED

Detailed LED specifications are given below.

| LED name          | Color | Status       | Contents   |
|-------------------|-------|--------------|--|
| <b>ECAT RUN</b>   | Green | OFF          | Initialization status                              |
|                   |       | Blinking     | Pre-Operational status                             |
|                   |       | Single flash | Safe-Operational status                            |
|                   |       | ON           | Operational status                                 |
| <b>ECAT ERROR</b> | Red   | OFF          | No error   |
|                   |       | Blinking     | Communication setting error or PDO mapping error   |
|                   |       | Single flash | Synchronization error or communications data error |
|                   |       | Double flash | Application WDT timeout                            |
|                   |       | ON           | PDI WDT timeout                                    |
| <b>L/A IN</b>     | Green | OFF          | Link not established in physical layer             |
|                   |       | Flickering   | In operation after establishing link               |
|                   |       | ON           | Link established in physical layer                 |
| <b>L/A OUT</b>    | Green | OFF          | Link not established in physical layer             |
|                   |       | Flickering   | In operation after establishing link               |
|                   |       | ON           | Link established in physical layer                 |



## Dimensions

### Sensor Controllers

FH-series Box-type

FH-5050/-5050-10/-5050-20

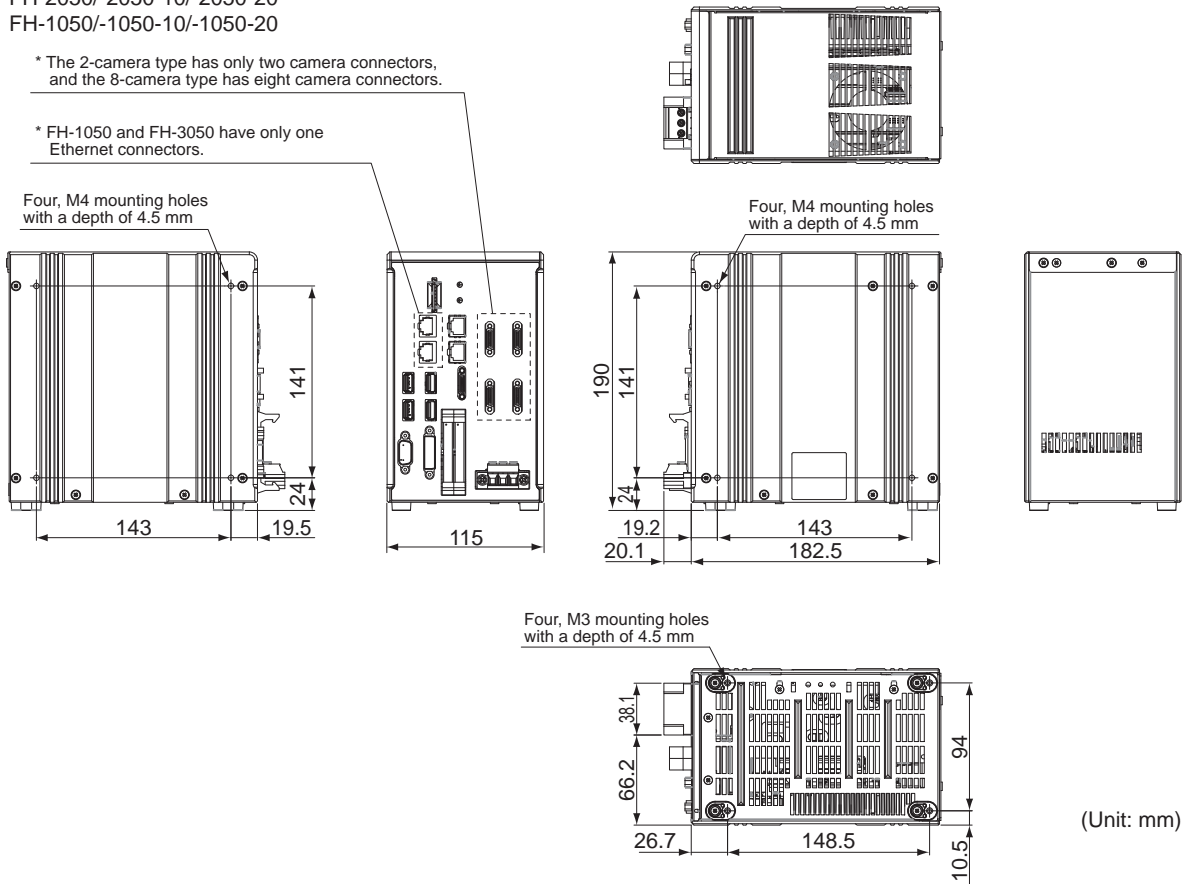
FH-3050/-3050-10/-3050-20

FH-2050/-2050-10/-2050-20

FH-1050/-1050-10/-1050-20

\* The 2-camera type has only two camera connectors,  
and the 8-camera type has eight camera connectors.

\* FH-1050 and FH-3050 have only one  
Ethernet connectors.



### Additional Information

We have the 2D CAD data or 3D CAD data.

You can download CAD data from [www.fa.omron.co.jp](http://www.fa.omron.co.jp).

## 3-1-2 FH-L Series

## Specification

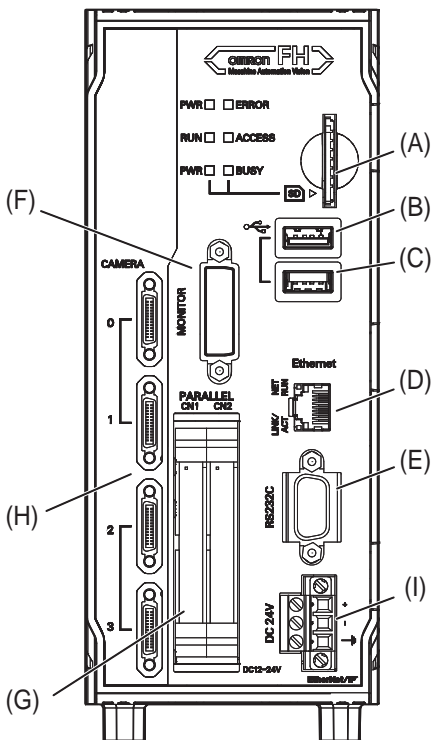
| Series               |  | FH-L Series  |  |   |
|----------------------|--|--|--|---|
| Type                 |  | Lite Controller  |  |   |
| Model                |  | FH-L550  | FH-L550-10   |   |
| Controller Type      |  | Box type   |  |   |
| Parallel IO polarity |  | NPN/PNP (common)   |  |   |
| Main Functions       | Operation Mode   | Standard   | Yes  |   |
|                      |  | Double Speed Multi-input   | Yes  |   |
|                      |  | Non-stop adjustment mode   | Yes  |   |
|                      |  | Multi-line random-trigger mode   | No   |   |
|                      | Parallel Processing                                    |  | Yes  |   |
|                      | Number of Connectable Camera                           |  | 2  | 4 |
|                      | Supported Camera                                       | FH-S series camera   | FH-S series cameras except FH-SM21R/SC21R are connectable.   |   |
|                      |  | FZ-S series camera   | All of the FZ-S series cameras are connectable.  |   |
|                      | Camera I/F   |  | OMRON I/F  |   |
|                      | Possible Number of Captured Images                     |  | Refer to <i>About Number of Logging Images</i> or <i>About Max. Number of Loading Images during Multi-input</i> in the <i>Vision System FH/FHV series User's Manual (Cat.No. Z365)</i> . |   |
|                      | Possible Number of Logging Images to Sensor Controller |  |  |   |
|                      | Possible Number of Scenes                              |  | 128  |   |
|                      | Operating on UI  | USB Mouse  | Yes (wired USB and driver is unnecessary type)   |   |
|                      |  | Touch Panel  | Yes (RS-232C/USB connection: FH-MT12)  |   |
| Setup                |  | Create the processing flow using Flow editing.   |  |   |
| Language             |  | Japanese, English, Simplified Chinese, Traditional Chinese, Korean, German, French, Spanish, Italian |  |   |
| External Interface   | Serial Communication                                   |  | RS-232C x 1  |   |
|                      | Ethernet Communication                                 | Protocol   | Non-procedure (TCP/UDP)  |   |
|                      |  | I/F  | 1000BASE-T x 1   |   |

| Series              |  | FH-L Series  |            |
|---------------------|--|--|------------|
| Type                |  | Lite Controller  |            |
| Model               |  | FH-L550  | FH-L550-10 |
|                     | EtherNet/IP Communication  | Yes (Target/Ethernet port)   |            |
|                     | PROFINET Communication   | <ul style="list-style-type: none"> <li>• Yes (Slave/Ethernet port)</li> <li>• Conformance class A</li> </ul> |            |
|                     | EtherCAT Communication   | None   |            |
|                     | Parallel I/O   | High-speed input: 1<br>Normal speed: 9<br>High-speed output: 4<br>Normal speed: 23                           |            |
|                     | Encoder Interface  | None   |            |
|                     | Monitor Interface  | DVI-I output (Analog RGB & DVI-D single link) x 1  |            |
|                     | USB I/F  | USB2.0 host x 1 (BUS Power: Port 5 V/0.5 A)<br>USB3.0 host x 1 (BUS Power: Port 5 V/0.5 A)                   |            |
|                     | SD Card I/F  | SDHC x 1   |            |
| Indicator Lamps     | Main   | POWER: Green<br>ERROR: Red<br>RUN: Green<br>ACCESS: Yellow   |            |
|                     | Ethernet   | NET RUN: Green<br>LINK/ACT: Yellow   |            |
|                     | SD Card  | SD POWER: Green<br>SD BUSY: Yellow   |            |
|                     | EtherCAT   | None   |            |
| Supply Voltage      |  | 20.4 VDC to 26.4 VDC   |            |
| Current consumption | <ul style="list-style-type: none"> <li>• When connecting an intelligent compact digital camera</li> <li>• When connecting the following lighting or lighting controllers without an external power supply               <ul style="list-style-type: none"> <li>- FLV-TCC1</li> <li>- FLV-TCC4</li> <li>- FLV-TCC3HB</li> <li>- FLV-TCC1EP</li> <li>- FL-TCC1</li> </ul> </li> <li>• When connecting the following lighting or lighting controllers               <ul style="list-style-type: none"> <li>- FL-TCC1PS</li> <li>- FL-MD□MC</li> </ul> </li> </ul> | 2.7A max.  | 4.4A max.  |
|                     | Other than above   | 1.5A max.  | 2.0A max.  |
| Built-in FAN        |  | None   |            |

| Series            |                           | FH-L Series   |  |
|-------------------|---------------------------|---|--|
| Type              |                           | Lite Controller   |  |
| Model             |                           | FH-L550   | FH-L550-10   |
| Usage Environment | Ambient temperature range | Operating: 0°C to +55°C<br>Storage: -25 to +70°C (with no icing or condensation)  |  |
|                   | Ambient humidity range    | Operating and Storage: 10 to 90% (with no condensation)   |  |
|                   | Ambient atmosphere        | No corrosive gases  |  |
|                   | Vibration tolerance       | 5 to 8.4 Hz with 3.5 mm amplitude, 8.4 to 150 Hz, acceleration of 9.8 m/s <sup>2</sup><br>100 min each in X, Y, and Z directions (10 sweeps of 10 min each = 100 min total) |  |
|                   | Shock resistance          | Impact force: 150 m/s <sup>2</sup><br>Test direction: up and down/front and behind/left and right   |  |
|                   | Noise immunity            | Fast Transient Burst  | <ul style="list-style-type: none"> <li>DC power: Direct infusion: 2 kV, Pulse rising: 5 ns, Pulse width: 50 ns, Burst continuation time: 15 ms/0.75 ms, Period: 300 ms, Application time: 1 min.</li> <li>I/O line: Direct infusion: 1 kV, Pulse rising: 5 ns, Pulse width: 50 ns, Burst continuation time: 15 ms/0.75 ms, Period: 300 ms, Application time: 1 min.</li> </ul> |
| Grounding         |                           | Class D grounding (100 Ω or less grounding resistance) <sup>*1</sup>  |  |
| External Features | Dimensions                | 200 mm x 80 mm x 130 mm   |  |
|                   | Weight                    | Approx. 1.5kg   | Approx. 1.5kg  |
|                   | Degree of protection      | IEC60529 IP20   |  |
|                   | Case material             | PC  |  |

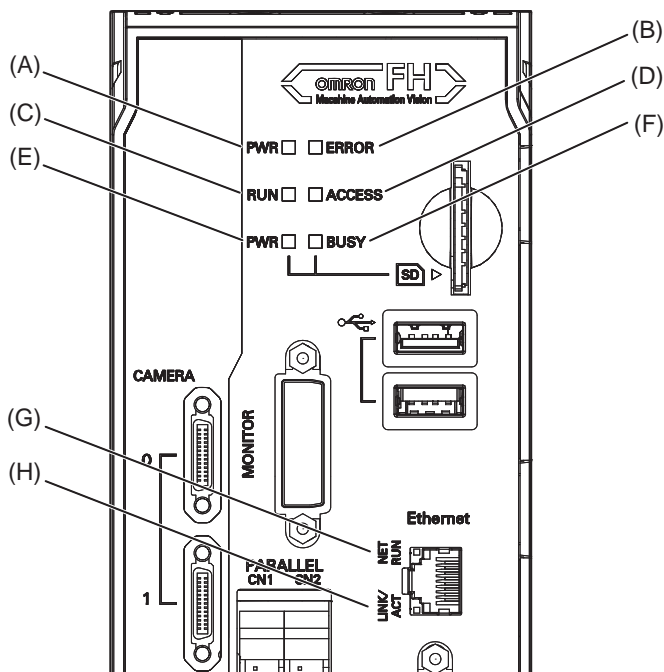
\*1. Existing the third class grounding

## Component Names and Functions





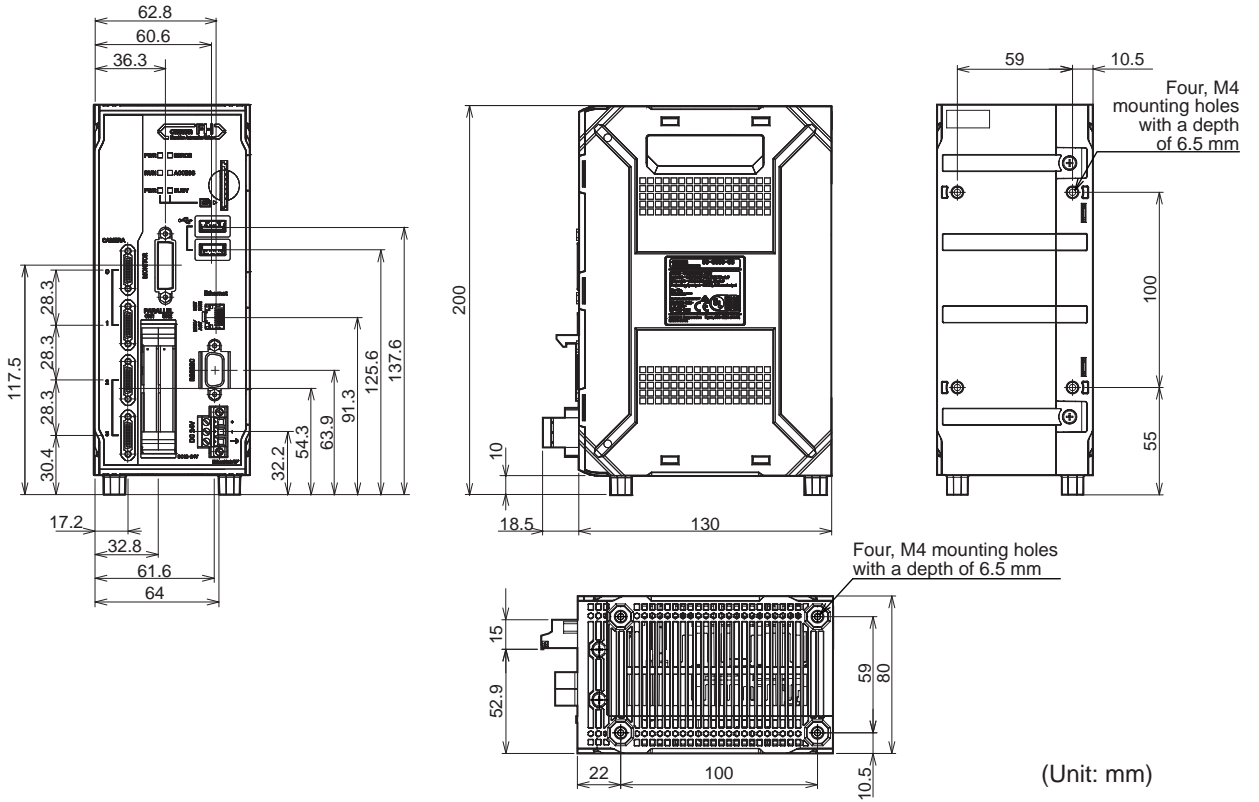
|     | Connector name                                       | Description   |
|-----|--|---|
| (A) | SD memory card installation connector                | Install the SD memory card. Do not plug or unplug the SD memory card during measurement operation. Otherwise measurement time may be affected or data may be destroyed.   |
| (B) | USB2.0 connector                                     | Connects to USB 2.0. Do not plug or unplug it during measurement. Otherwise measurement time may be affected or data may be destroyed.  |
| (C) | USB3.0 connector                                     | Connects to USB 3.0. Do not plug or unplug it during measurement. Otherwise measurement time may be affected or data may be destroyed.USB 3.0 has a high ability to supply the bus power. Use the Sensor Controller by combining USB 3.0, faster transport can be realized.                                     |
| (D) | Ethernet connector                                   | Connect an Ethernet device.Ethernet port, EtherNet/IP port, and PROFINET port are sharing use.  |
| (E) | RS-232C connector                                    | Connect an external device such as a PLC.   |
| (F) | Monitor connector                                    | Connect a monitor.  |
| (G) | I/O (Parallel) connector (control lines, data lines) | Connect the controller to external devices such as a sync sensor and PLC.   |
| (H) | Camera connector                                     | Connect cameras.  |
| (I) | Power supply terminal connector                      | Connect a DC power supply. Wire the FH Sensor Controller independently on other devices.<br>Wire the ground line. Be sure to ground the FH Sensor Controller alone.<br>Use an attachment power terminal (male) for installation. For details, refer to 5-3 <i>Sensor Controller Installation</i> on page 5 - 5. |



|     | LED name    | Description   |
|-----|-------------|---|
| (A) | PWR LED     | Lit while power is ON.  |
| (B) | ERROR LED   | Lit when an error has occurred.   |
| (C) | RUN LED     | Lit while the layout turned on output setting is displayed.               |
| (D) | ACCESS LED  | Blinks while the internal nonvolatile memory is accessed.                 |
| (E) | SD PWR LED  | Lit while power is supplied to the SD memory card and the card is usable. |
| (F) | SD BUSY LED | Blinks while the SD memory card is accessed.                              |

|     | LED name              | Description   |
|-----|-----------------------|---|
| (G) | Ethernet NET RUN LED  | Lit while Ethernet communications are usable.   |
| (H) | Ethernet LINK/ACT LED | Lit when connected with an Ethernet device, and blinks while performing communications. |

## Dimensions



## 3-2 Camera

### 3-2-1 High-speed digital CMOS Camera (FH-S camera series)



#### Precautions for Safe Use

##### About connection of Sensor Controller and FH-SC12/FH-SM12 (12 megapixels camera).

- When you connect the Sensor Controller to the FH-SC12/FH-SM12, do not ground the positive terminal of 24 VDC power source. The internal circuit is possible to be given damage, it can be cause the failure.

### Specification

| Model                                  | FH-SM   | FH-SC          | FH-SM02  | FH-SC02         |
|--|---|----------------|--|-----------------|
| Image elements                         | CMOS image elements (1/3-inch equivalent)   |                | CMOS image elements (2/3-inch equivalent)                              |                 |
| Color/Monochrome                       | Monochrome  | Color          | Monochrome   | Color           |
| Effective pixels                       | 640 (H) x 480 (V)   |                | 2040 (H) x 1088 (V)  |                 |
| Imaging area H x V (opposing corner)   | 4.8 x 3.6 (6.0 mm)  |                | 11.26 x 5.98 (12.76 mm)  |                 |
| Pixel size                             | 7.4 (μm) x 7.4 (μm)   |                | 5.5 (μm) x 5.5 (μm)  |                 |
| Shutter function                       | Electronic shutter:<br>Shutter speeds can be set from 20 μs to 100 ms.  |                | Electronic shutter:<br>Shutter speeds can be set from 25 μs to 100 ms. |                 |
| Partial function                       | 1 to 480 lines  | 2 to 480 lines | 1 to 1088 lines  | 2 to 2088 lines |
| Frame rate (Image Acquisition Time *1) | 308 fps (3.3 ms)  |                | 219 fps (4.6 ms) *2  |                 |
| Lens mounting                          | C mount   |                |  |                 |
| Field of vision, installation distance | Selecting a lens according to the field of vision and installation distance   |                |  |                 |
| Ambient temperature range              | Operating: 0 to +40°C, Storage: -25 to +65°C (with no icing or condensation)  |                |  |                 |
| Ambient humidity range                 | Operating and Storage: 35 to 85% (with no condensation)   |                |  |                 |
| Weight                                 | Approx. 105g  |                | Approx. 110g   |                 |
| Accessories                            | <ul style="list-style-type: none"> <li>• Instruction Sheet</li> <li>• General Compliance Information and Instructions for EU</li> </ul> |                |  |                 |

\*1. This image acquisition time does not include the image conversion processing time of the sensor controller.

\*2. Frame rate in high speed mode when the camera is connected using two camera cables.

| Model            | FH-SM04                                 | FH-SC04 | FH-SM12                                    | FH-SC12 |
|------------------|---|---------|--|---------|
| Image elements   | CMOS image elements (1-inch equivalent) |         | CMOS image elements (1.76-inch equivalent) |         |
| Color/Monochrome | Monochrome                              | Color   | Monochrome                                 | Color   |
| Effective pixels | 2040 (H) x 2048 (V)                     |         | 4084 (H) x 3072 (V)                        |         |

| Model   | FH-SM04   | FH-SC04         | FH-SM12  | FH-SC12 |
|---|---|-----------------|--|---------|
| Imaging area H x V (opposing corner)                | 11.26 x 11.26 (15.93 mm)  |                 | 22.5 x 16.9 (28.14 mm)   |         |
| Pixel size  | 5.5 (μm) x 5.5 (μm)   |                 | 5.5 (μm) x 5.5 (μm)  |         |
| Shutter function                                    | Electronic shutter:<br>Shutter speeds can be set from 25 μs to 100 ms.  |                 | Electronic shutter:<br>Shutter speeds can be set from 60 μs to 100 ms. |         |
| Partial function                                    | 1 to 2048 lines   | 2 to 2048 lines | 4 to 3072 lines (4-line increments)                                    |         |
| Frame rate (Image Acquisition Time * <sup>1</sup> ) | 118 fps (8.5 ms) * <sup>2</sup>   |                 | 38.9 fps (25.7 ms) * <sup>2</sup>                                      |         |
| Lens mounting                                       | C mount   |                 | M42 mount  |         |
| Field of vision, installation distance              | Selecting a lens according to the field of vision and installation distance   |                 |  |         |
| Ambient temperature range                           | Operating: 0 to +40°C, Storage: -25 to +65°C (with no icing or condensation)  |                 |  |         |
| Ambient humidity range                              | Operating and Storage: 35 to 85% (with no condensation)   |                 |  |         |
| Weight  | Approx. 110g  |                 | Approx. 320g   |         |
| Accessories   | <ul style="list-style-type: none"> <li>• Instruction Sheet</li> <li>• General Compliance Information and Instructions for EU</li> </ul> |                 |  |         |

\*1. This image acquisition time does not include the image conversion processing time of the sensor controller.

\*2. Frame rate in high speed mode when the camera is connected using two camera cables.

| Model   | FH-SMX   | FH-SCX | FH-SMX05   | FH-SCX05 | FH-SMX12  | FH-SCX12 |
|---|--|--------|--|----------|---|----------|
| Image elements                                      | CMOS image elements (1/2.9-inch equivalent)                                  |        | CMOS image elements (2/3-inch equivalent)                                    |          | CMOS image elements (1.1-inch equivalent)                               |          |
| Color/Monochrome                                    | Mono-chrome  | Color  | Mono-chrome  | Color    | Mono-chrome   | Color    |
| Effective pixels                                    | 720 (H) x 540 (V)  |        | 2448 (H) x 2048 (V)  |          | 4092 (H) x 3000 (V)   |          |
| Imaging area H x V (opposing corner)                | 4.97 x 3.73 (6.21 mm)  |        | 8.45 x 7.07 (11.01 mm)   |          | 14.12 x 10.35 (17.50 mm)  |          |
| Pixel size  | 6.9 (μm) x 6.9 (μm)  |        | 3.45 (μm) x 3.45 (μm)  |          | 3.45 (μm) x 3.45 (μm)   |          |
| Shutter function                                    | Electronic shutter:<br>Shutter speeds can be set from 1 μs to 100 ms.        |        | Electronic shutter:<br>Shutter speeds can be set from 1 μs to 100 ms.        |          | Electronic shutter:<br>Shutter speeds can be set from 1.5 μs to 100 ms. |          |
| Partial function                                    | 4 to 540 lines (4-line increments)   |        | 4 to 2048 lines (4-line increments)  |          | 4 to 3,072 lines (4-line increments)                                    |          |
| Frame rate (Image Acquisition Time * <sup>1</sup> ) | 523.6 fps (1.9 ms) * <sup>2</sup>  |        | 97.2 fps (10.2 ms) * <sup>3</sup>  |          | 40.1 fps (24.9 ms) * <sup>3</sup>                                       |          |
| Lens mounting                                       | C mount (Recommend 3Z4S-LE SV-V series)                                      |        | C mount (Recommend 3Z4S-LE SV-H series)                                      |          | C mount (Recommend 3Z4S-LE SV-LLD series)                               |          |
| Field of vision, installation distance              | Selecting a lens according to the field of vision and installation distance  |        |  |          |   |          |
| Ambient temperature range                           | Operating: 0 to +50°C, Storage: -25 to +65°C (with no icing or condensation) |        | Operating: 0 to +40°C, Storage: -25 to +65°C (with no icing or condensation) |          |   |          |
| Ambient humidity range                              | Operating and Storage: 35 to 85% (with no condensation)                      |        |  |          |   |          |
| Weight  | Approx. 48g  |        | Approx. 85g  |          | Approx. 85g   |          |

| Model       | FH-SMX  | FH-SCX | FH-SMX05 | FH-SCX05 | FH-SMX12 | FH-SCX12 |
|-------------|---|--------|----------|----------|----------|----------|
| Accessories | <ul style="list-style-type: none"> <li>• Instruction Sheet</li> <li>• General Compliance Information and Instructions for EU</li> </ul> |        |          |          |          |          |

- \*1. This image acquisition time does not include the image conversion processing time of the sensor controller.
- \*2. Frame rate in high speed mode.
- \*3. Frame rate in high speed mode when the camera is connected using two camera cables.

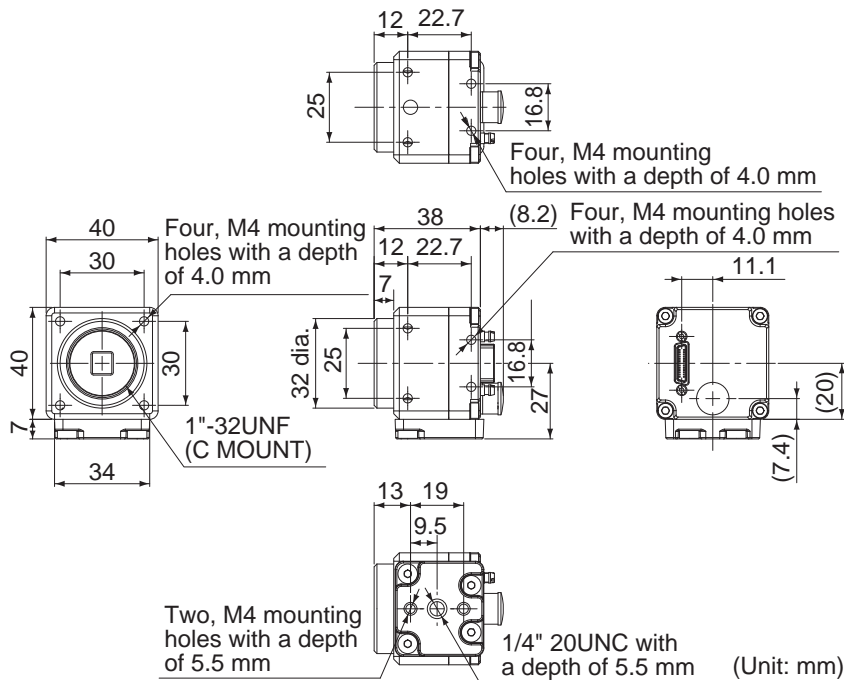
**Image-Acquisition Time\*1**

| Model      |                   | FH-SM02/FH-SC02 | FH-SM04/FH-SC04 | FH-SM12/FH-SC12 | FH-SMX/FH-SCX | FH-SMX05/FH-SCX05 | FH-SMX12/FH-SCX12 | FH-SM21R/FH-SC21R |
|------------|-------------------|-----------------|-----------------|-----------------|---------------|-------------------|-------------------|-------------------|
| 2 Cables*2 | High Speed Mode*3 | 4.6 ms          | 8.5 ms          | 25.7 ms         | -             | 10.3 ms           | 24.9 ms           | 42.6 ms           |
|            | Standard Mode     | 9.7 ms          | 17.9 ms         | 51.3 ms         | -             | 22.1 ms           | 53.5 ms           | 90.1 ms           |
| 1 Cable    | High Speed Mode*3 | 9.2 ms          | 17.0 ms         | 51.3 ms         | 1.9 ms        | 20.6 ms           | 50.0 ms           | 83.3 ms           |
|            | Standard Mode     | 19.3 ms         | 35.8 ms         | 102.0 ms        | 3.8 ms        | 44.1 ms           | 106.4 ms          | 175.4 ms          |

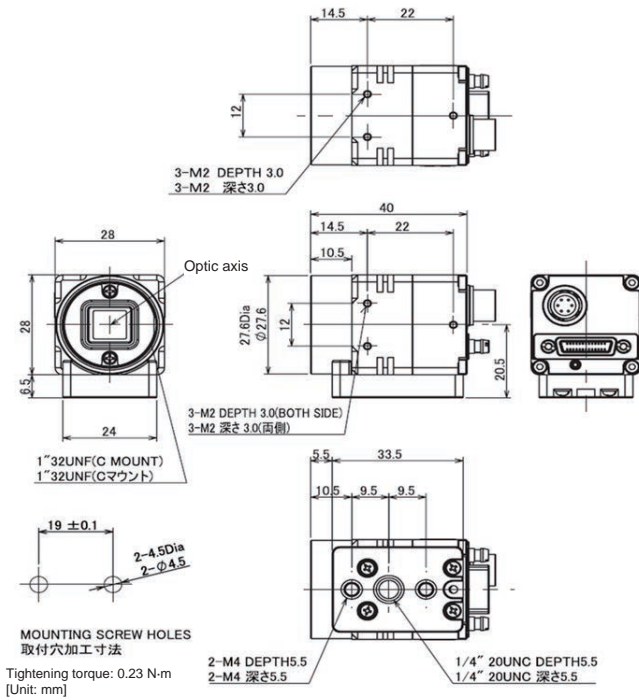
- \*1. This image acquisition time does not include the image conversion processing time of the sensor controller.
- \*2. Two Camera ports of the controller are used per one camera.
- \*3. Up to 5 m Camera Cable length.

**Dimensions**

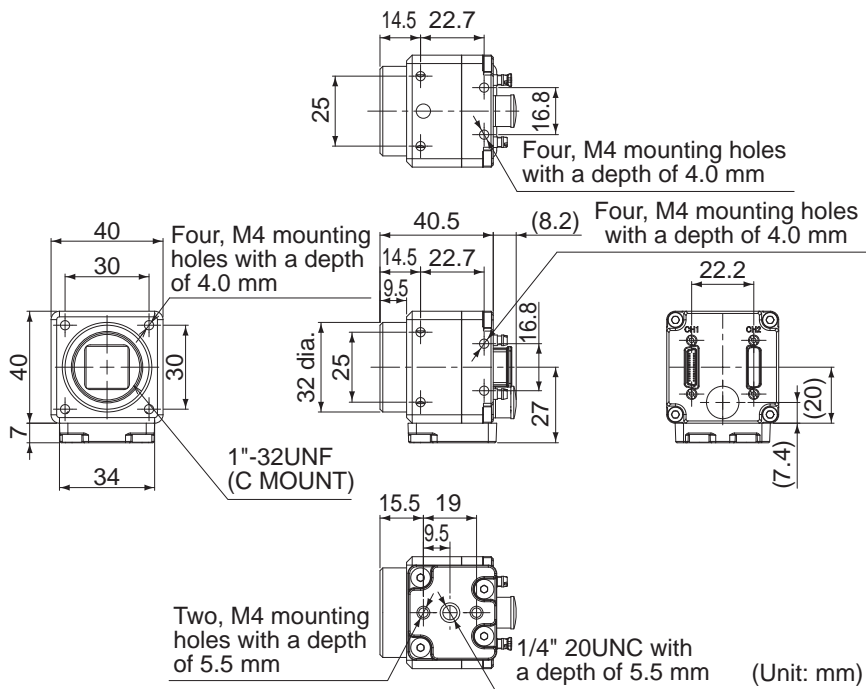
● **0.3 Megapixels Camera: FH-SC/-SM**



● 0.4 Megapixels Camera: FH-SCX/-SMX



● 2 Megapixels Camera: FH-SC02/-SM02 and 4 Megapixels Camera: FH-SC04/-SM04





## 3-2-2 Digital CMOS Camera

### Specification

| Model                                  | FH-SM05R  | FH-SC05R | FH-SM21R  | FH-SC21R | FZ-S5M3  | FZ-SC5M3 |
|--|---|----------|---|----------|--|----------|
| Image elements                         | CMOS image elements (1/2.5-inch equivalent)   |          | CMOS image elements (1-inch equivalent)                                   |          | CMOS image elements (2/3-inch equivalent)                                    |          |
| Color/Monochrome                       | Mono-chrome   | Color    | Mono-chrome   | Color    | Mono-chrome  | Color    |
| Effective pixels                       | 2592 (H) x 1944 (V)   |          | 5544 (H) x 3692 (V)   |          | 2488 (H) x 2048 (V)  |          |
| Imaging area H x V (opposing corner)   | 5.70 x 4.28 (7.13 mm)   |          | 13.31 x 8.86 (16 mm)  |          | 8.4 x 7.1 (11 mm)  |          |
| Pixel size                             | 2.2 (μm) x 2.2 (μm)   |          | 2.4 (μm) x 2.4 (μm)   |          | 3.45 (μm) x 3.45 (μm)  |          |
| Scan Type                              | Progressive   |          |   |          |  |          |
| Shutter Method                         | Rolling shutter   |          |   |          |  |          |
| Shutter function                       | Electronic shutter:<br>Electronic shutter; Shutter speeds can be set from 500 μs to 100 ms in multiples of 50 μs.                       |          | Electronic shutter:<br>Shutter speeds can be set from 50 μs to 100 ms. *1 |          | Electronic shutter:<br>Shutter speeds can be set from 20 μs to 100 ms.       |          |
| Partial function                       | 4 to 1944 lines (2-line increments)   |          | 1848 to 3692 lines  |          | 4 to 2048 lines  |          |
| Frame rate (Image Acquisition Time*2)  | 14 fps (71.7 ms)  |          | 23.5 fps (42.6 ms)  |          | 25.6 fps (38.2 ms)   |          |
| Lens mounting                          | C mount   |          | C mount (Recommend 3Z4S-LE SV-LLD series)                                 |          | C mount (Recommend 3Z4S-LE SV-H series)                                      |          |
| Field of vision, installation distance | Selecting a lens according to the field of vision and installation distance   |          |   |          |  |          |
| Ambient temperature range              | Operating: 0 to +40°C, Storage: -30 to +65°C (with no icing or condensation)  |          |   |          | Operating: 0 to +40°C, Storage: -25 to +65°C (with no icing or condensation) |          |
| Ambient humidity range                 | Operating and Storage: 35 to 85% (with no condensation)   |          |   |          |  |          |
| Weight                                 | Approx. 52g   |          | Approx. 85g (w/base)  |          | Approx. 85g (w/base)   |          |
| Accessories                            | <ul style="list-style-type: none"> <li>• Instruction Sheet</li> <li>• General Compliance Information and Instructions for EU</li> </ul> |          |   |          |  |          |

\*1. When using FH-S□21R in the reset mode and rolling shutter, the actual shutter speed is rounded to the following values for the screen set values and reflected to the real operation.

Note that the reflecting method depends on the number of cables and communication speed setting.

Camera cable: 1, Communication speed: Standard: A multiple of 46.9 μs

Camera cable: 1, Communication speed: High-speed: A multiple of 22.3 μs

Camera cable: 2, Communication speed: Standard: A multiple of 23.5 μs

Camera cable: 2, Communication speed: High-speed: A multiple of 11.2 μs

For example, the actual shutter speed is below when the shutter speed is set to 2,000 μs.

Camera cable: 1, Communication speed: Standard: 1,969.8 μs (42 times of 46.9 μs)

Camera cable: 1, Communication speed: High-speed: 1,984.7 μs (89 times of 22.3 μs)

Camera cable: 2, Communication speed: Standard: 1,997.5 μs (85 times of 23.5 μs)

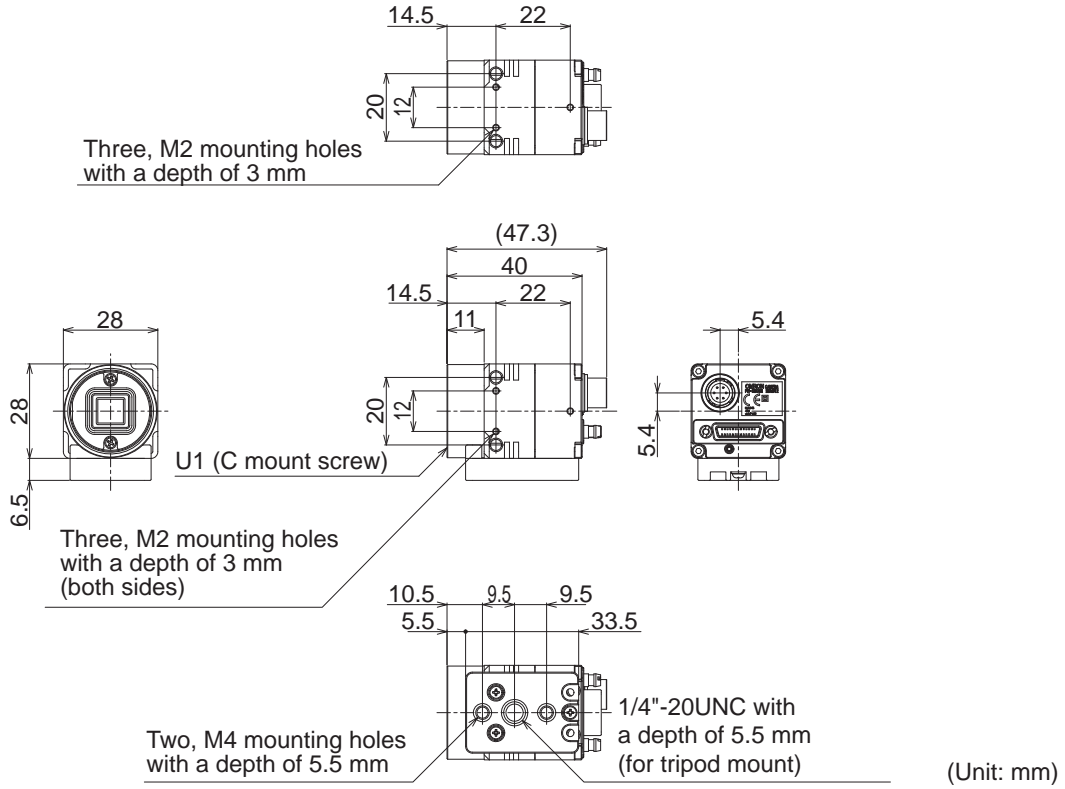
Camera cable: 2, Communication speed: High-speed: 1,993.6 μs (178 times of 11.2 μs)

\*2. This image acquisition time does not include the image conversion processing time of the sensor controller.

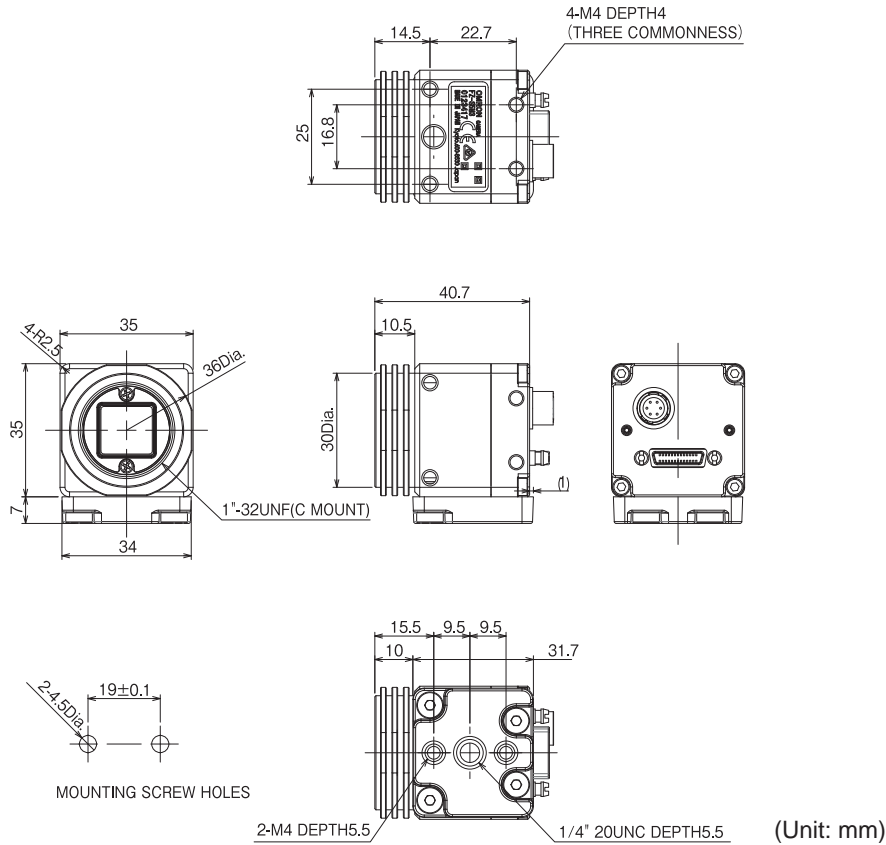


## Dimensions

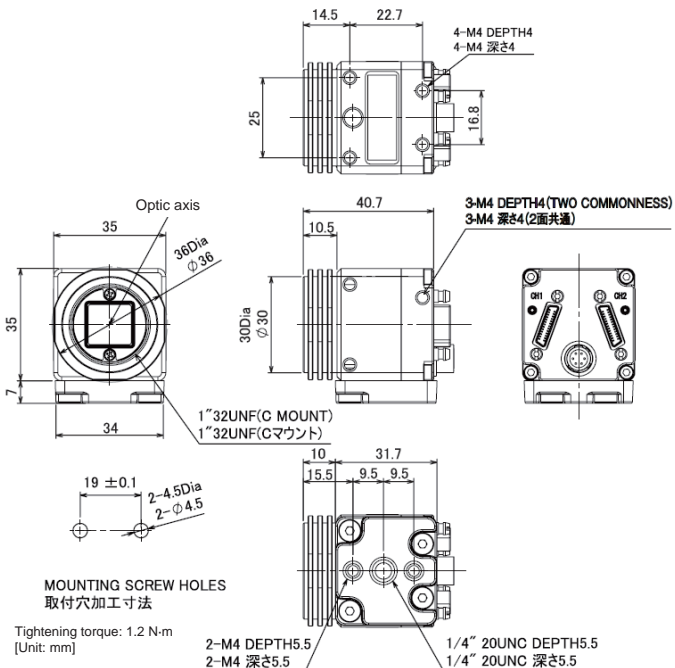
### ● 5 Megapixels Camera: FH-SM05R/-SC05R



● 5 Megapixels Camera: FZ-S5M3/-SC5M3



● 20.4 Megapixels Camera: FH-SM21R/FH-SC21R



**Additional Information**

We have the 2D CAD data or 3D CAD data.  
You can download CAD data from [www.fa.omron.co.jp](http://www.fa.omron.co.jp).

### 3-2-3 Digital CCD Camera: FZ-S Camera Series

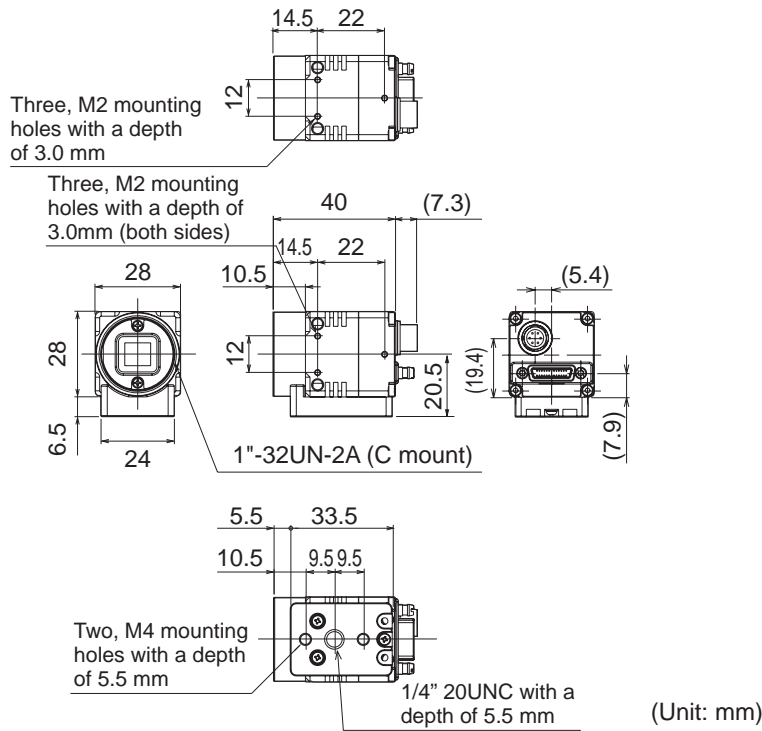
#### Specification

| Model  | FZ-S  | FZ-SC | FZ-S2M  | FZ-SC2M | FZ-S5M2   | FZ-SC5M2 |
|--|---|-------|---|---------|---|----------|
| Image elements                                     | Interline transfer reading all pixels, CCD image elements (1/3-inch equivalent)   |       | Interline transfer reading all pixels, CCD image elements (1/1.8-inch equivalent) |         | Interline transfer reading all pixels, CCD image elements (2/3-inch equivalent) |          |
| Color/Monochrome                                   | Mono-chrome   | Color | Mono-chrome   | Color   | Mono-chrome   | Color    |
| Effective pixels                                   | 640 (H) x 480 (V)   |       | 1600 (H) x 1200 (V)   |         | 2448 (H) x 2044 (V)   |          |
| Imaging area H x V (opposing corner)               | 4.8 x 3.6 (6 mm)  |       | 7.1 x 5.4 (8.9 mm)  |         | 8.4 x 7.1 (11 mm)   |          |
| Pixel size   | 7.4 (μm) x 7.4 (μm)   |       | 4.4 (μm) x 4.4 (μm)   |         | 3.45 (μm) x 3.45 (μm)   |          |
| Shutter function                                   | Electronic shutter:<br>Shutter speeds can be set from 20 μs to 100 ms.  |       |   |         |   |          |
| Partial function                                   | 12 to 480 lines   |       | 12 to 1200 lines  |         | 12 to 2044 lines  |          |
| Frame rate (Image Acquisition Time <sup>*1</sup> ) | 80 fps (12.5 ms)  |       | 30 fps (33.3 ms)  |         | 16 fps (62.5 ms)  |          |
| Lens mounting                                      | C mount   |       |   |         |   |          |
| Field of vision, installation distance             | Selecting a lens according to the field of vision and installation distance   |       |   |         |   |          |
| Ambient temperature range                          | Operating: 0 to +50°C, Storage: -25 to +65°C (with no icing or condensation)  |       | Operating: 0 to +40°C, Storage: -25 to +65°C (with no icing or condensation)      |         | Operating: 0 to +40°C, Storage: -25 to +65°C (with no icing or condensation)    |          |
| Ambient humidity range                             | Operating and Storage: 35 to 85% (with no condensation)   |       |   |         |   |          |
| Weight   | Approx. 55g   |       | Approx. 76g   |         | Approx. 140g  |          |
| Accessories  | <ul style="list-style-type: none"> <li>• Instruction Sheet</li> <li>• General Compliance Information and Instructions for EU</li> </ul> |       |   |         |   |          |

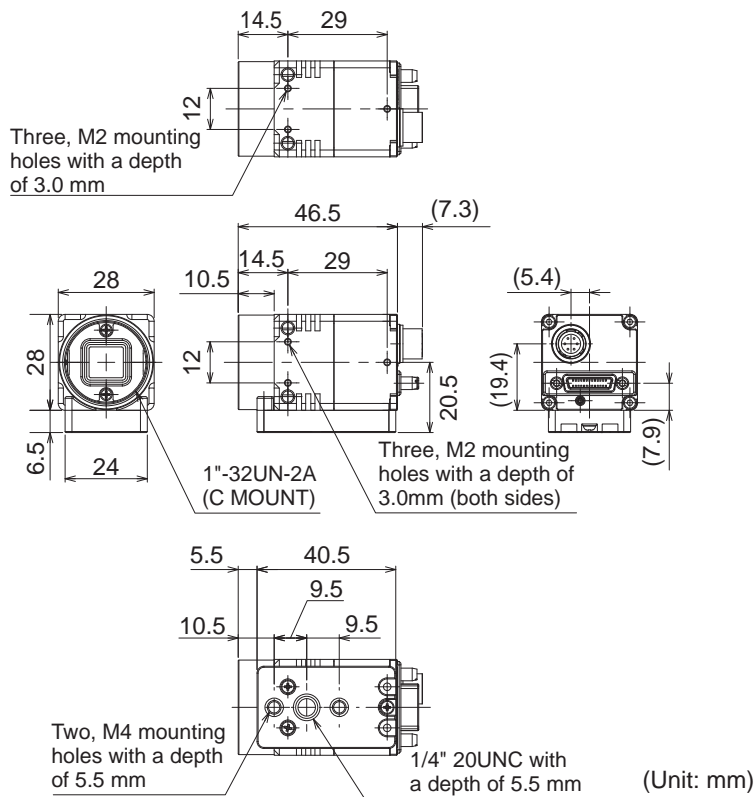
\*1. This image acquisition time does not include the image conversion processing time of the sensor controller.

#### Dimensions

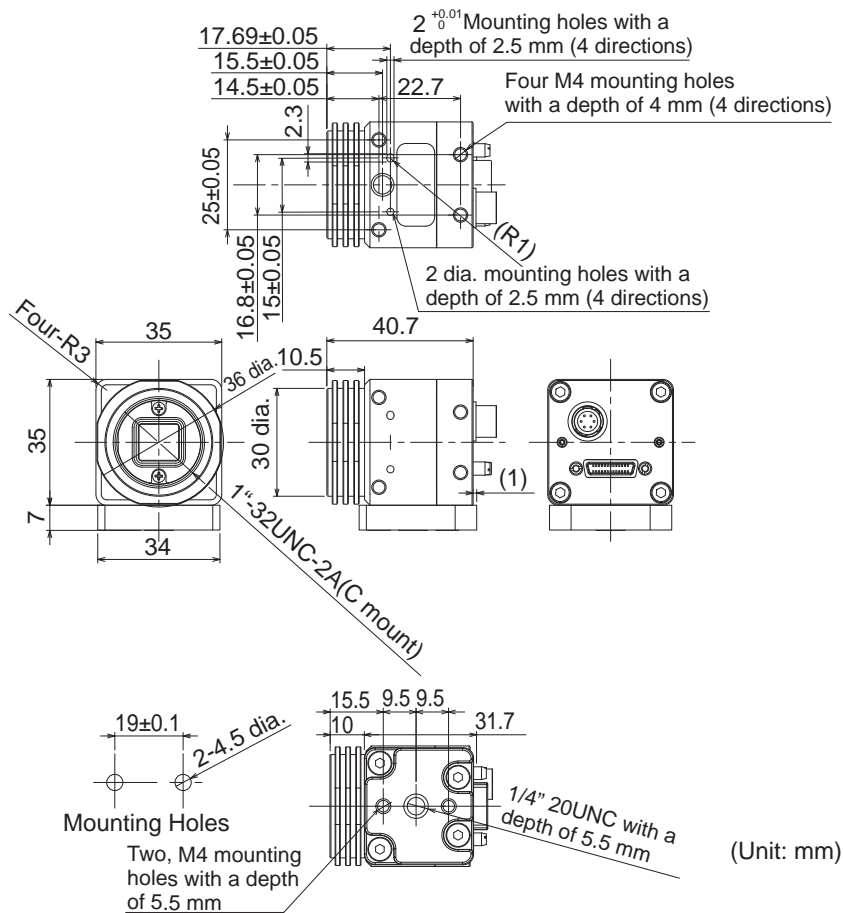
● **0.3 Megapixels Camera: FZ-S/-SC**



● **2 Megapixels Camera: FZ-S2M/-SC2M**



### ● 5 Megapixels Camera: FZ-S5M2/-SC5M2



#### Additional Information

We have the 2D CAD data or 3D CAD data.  
You can download CAD data from [www.fa.omron.co.jp](http://www.fa.omron.co.jp).

## 3-2-4 High-speed Digital CCD Camera: FZ-SH Camera Series

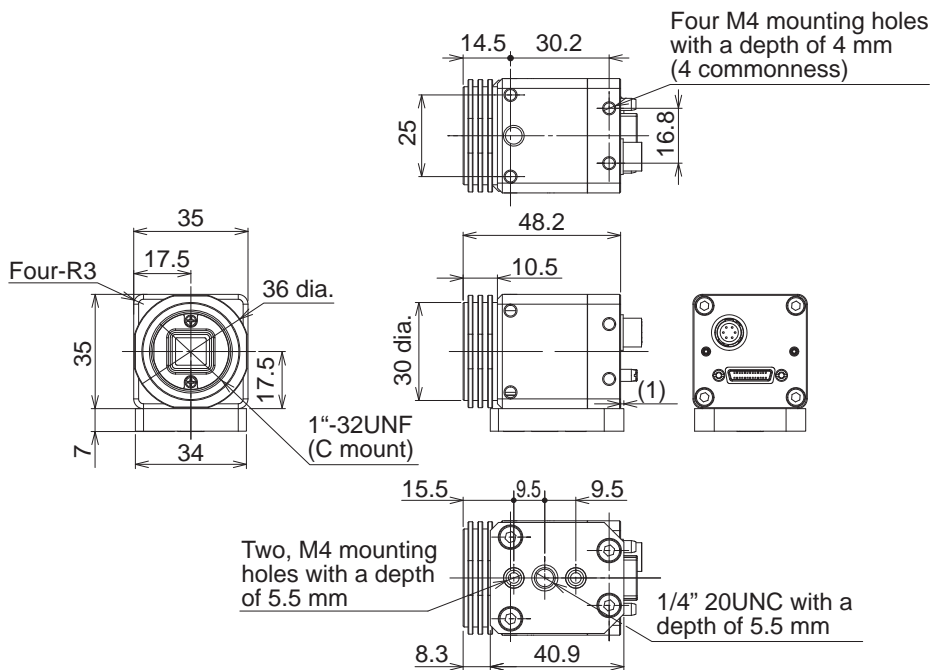
### Specification

| Model                                  | FZ-SH   | FZ-SHC |
|--|---|--------|
| Image elements                         | Interline transfer reading all pixels, CCD image elements (1/3-inch equivalent)           |        |
| Color/Monochrome                       | Monochrome  | Color  |
| Effective pixels                       | 640 (H) x 480 (V)   |        |
| Imaging area H x V (opposing corner)   | 4.8 x 3.6 (6 mm)  |        |
| Pixel size                             | 7.4 (μm) x 7.4 (μm)   |        |
| Shutter function                       | Electronic shutter:<br>Electronic shutter: select shutter speeds from 1/10 to 1/50,000 s. |        |
| Partial function                       | 12 to 480 lines   |        |
| Frame rate (Image Acquisition Time *1) | 204 fps (4.9 ms)  |        |

| Model                                  | FZ-SH   | FZ-SHC |
|--|---|--------|
| Field of vision, installation distance | Selecting a lens according to the field of vision and installation distance   |        |
| Ambient temperature range              | Operating: 0 to +40°C, Storage: -25 to +65°C (with no icing or condensation)  |        |
| Ambient humidity range                 | Operating and Storage: 35 to 85% (with no condensation)   |        |
| Weight                                 | Approx. 105g  |        |
| Accessories                            | <ul style="list-style-type: none"> <li>• Instruction Sheet</li> <li>• General Compliance Information and Instructions for EU</li> </ul> |        |

\*1. This image acquisition time does not include the image conversion processing time of the sensor controller.

## Dimensions



### Additional Information

We have the 2D CAD data or 3D CAD data.  
You can download CAD data from [www.fa.omron.co.jp](http://www.fa.omron.co.jp).

## 3-2-5 Small Digital CCD Cameras: FZ-S Camera Series

### Specification

| Model            | FZ-SF   | FZ-SFC | FZ-SP      | FZ-SPC |
|------------------|---|--------|------------|--------|
| Image elements   | Interline transfer reading all pixels, CCD image elements (1/3-inch equivalent) |        |            |        |
| Color/Monochrome | Monochrome  | Color  | Monochrome | Color  |
| Effective pixels | 640 (H) x 480 (V)   |        |            |        |

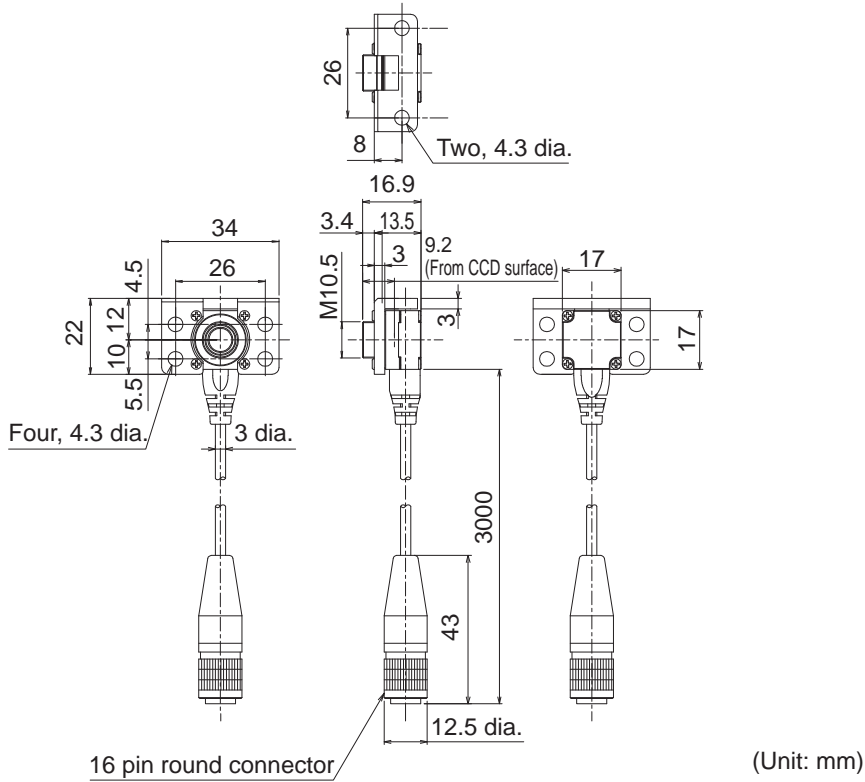
| Model   | FZ-SF  | FZ-SFC | FZ-SP   | FZ-SPC |
|---|--|--------|---|--------|
| Imaging area H x V (opposing corner)                            | 4.8 x 3.6 (6 mm)   |        |   |        |
| Pixel size  | 7.4 (μm) x 7.4 (μm)  |        |   |        |
| Shutter function  | Electronic shutter:<br>Shutter speeds can be set from 20 μs to 100 ms.   |        |   |        |
| Partial function  | 12 to 480 lines  |        |   |        |
| Frame rate (Image Acquisition Time <sup>*1</sup> )              | 80 fps (12.5 ms)   |        |   |        |
| Lens mounting   | Special mount (M10.5 P0.5)   |        |   |        |
| Field of vision, installation distance                          | Selecting a lens according to the field of vision and installation distance  |        |   |        |
| Ambient temperature range                                       | Operating of camera amp: 0 to +50°C, Operating of camera head: 0 to +45°C<br>Storage: -25 to +65°C (with no icing or condensation)   |        |   |        |
| Ambient humidity range  | Operating and Storage: 35 to 85% (with no condensation)  |        |   |        |
| Minimum bending radius between camera head and camera amplifier | 12.7 mm  |        |   |        |
| Weight  | Approx. 150gApprox. 150g   |        |   |        |
| Accessories   | <ul style="list-style-type: none"> <li>• Instruction Sheet</li> <li>• General Compliance Information and Instructions for EU</li> <li>• installation bracket</li> <li>• Four mounting screws (M2 x 4)</li> </ul> |        | <ul style="list-style-type: none"> <li>• Instruction Sheet</li> <li>• General Compliance Information and Instructions for EU</li> </ul> |        |

\*1. This image acquisition time does not include the image conversion processing time of the sensor controller.

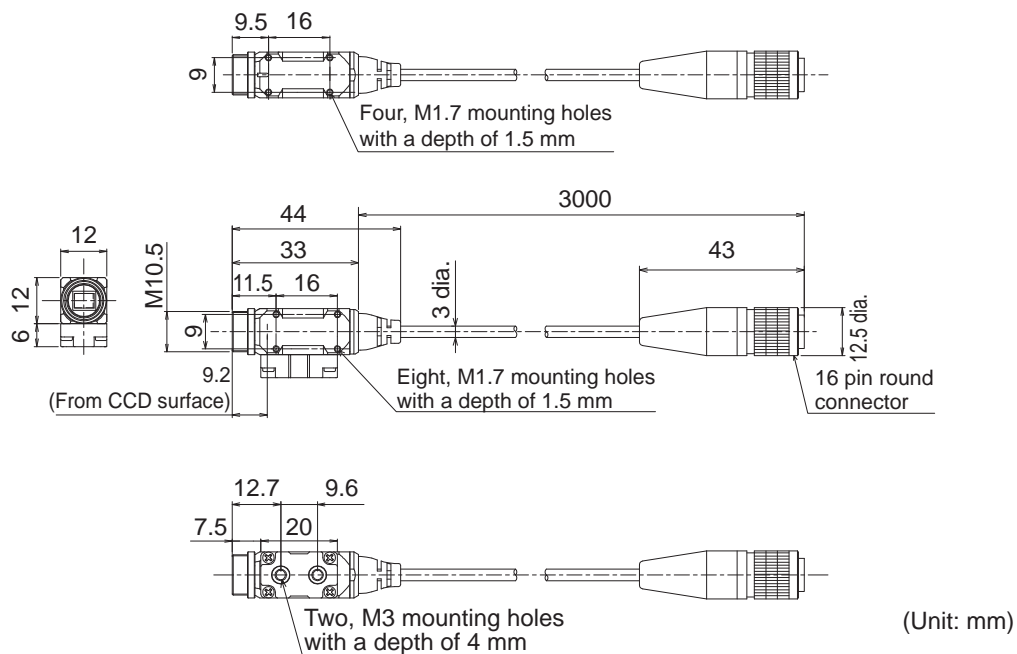
## Dimensions

### ● Camera Head

a) Flat Camera: FZ-SF/-SFC



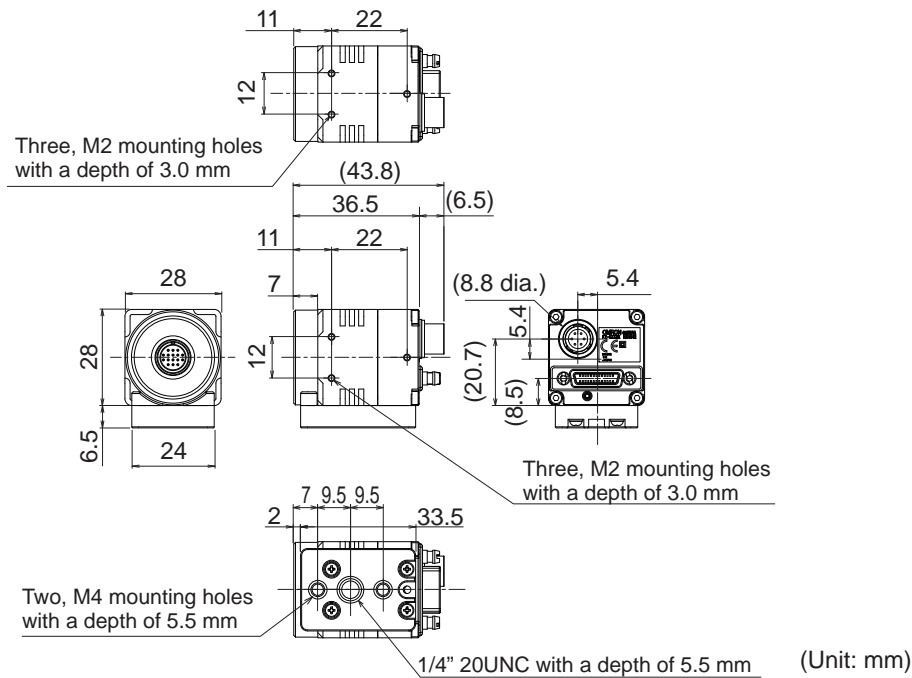
b) Pen-shaped Camera: FZ-SP/-SPC



### ● Camera Amplifier

Flat Camera, Pen-shaped Camera





#### Additional Information

We have the 2D CAD data or 3D CAD data.  
You can download CAD data from [www.fa.omron.co.jp](http://www.fa.omron.co.jp).

## 3-2-6 Intelligent Compact Digital CMOS Camera: FZ-S camera Series

### Specification

| Model                                 | FZ-SQ010F   | FZ-SQ050F              | FZ-SQ100F               | FZ-SQ100N               |
|---------------------------------------|---|------------------------|-------------------------|-------------------------|
| Image elements                        | CMOS color image elements (1/3-inch equivalent)         |                        |                         |                         |
| Color/Monochrome                      | Color   |                        |                         |                         |
| Effective pixels                      | 752 (H) x 480 (V)                                       |                        |                         |                         |
| Imaging area H x V (opposing corner)  | 4.51 x 2.88 (5.35 mm)                                   |                        |                         |                         |
| Pixel size                            | 6.0 (μm) x 6.0 (μm)                                     |                        |                         |                         |
| Shutter function                      | 1/250 to 1/32258  |                        |                         |                         |
| Partial function                      | 8 to 480 lines  |                        |                         |                         |
| Frame rate (Image Acquisition Time*1) | 60 fps (16.7 ms)  |                        |                         |                         |
| Field of vision                       | 7.5 x 4.7 to 13 x 8.2 mm                                | 13 x 8.2 to 53 x 33 mm | 53 x 33 to 240 x 153 mm | 29 x 18 to 300 x 191 mm |
| Installation distance                 | 38 to 60 mm   | 56 to 215 mm           | 220 to 970 mm           | 32 to 380 mm            |
| LED class *2                          | Risk Group2   |                        |                         |                         |
| Ambient temperature range             | Operating: 0 to +50°C, Storage: -25 to +65°C            |                        |                         |                         |
| Ambient humidity range                | Operating and Storage: 35 to 85% (with no condensation) |                        |                         |                         |
| Weight                                | Approx. 150g  |                        | Approx. 140g            |                         |

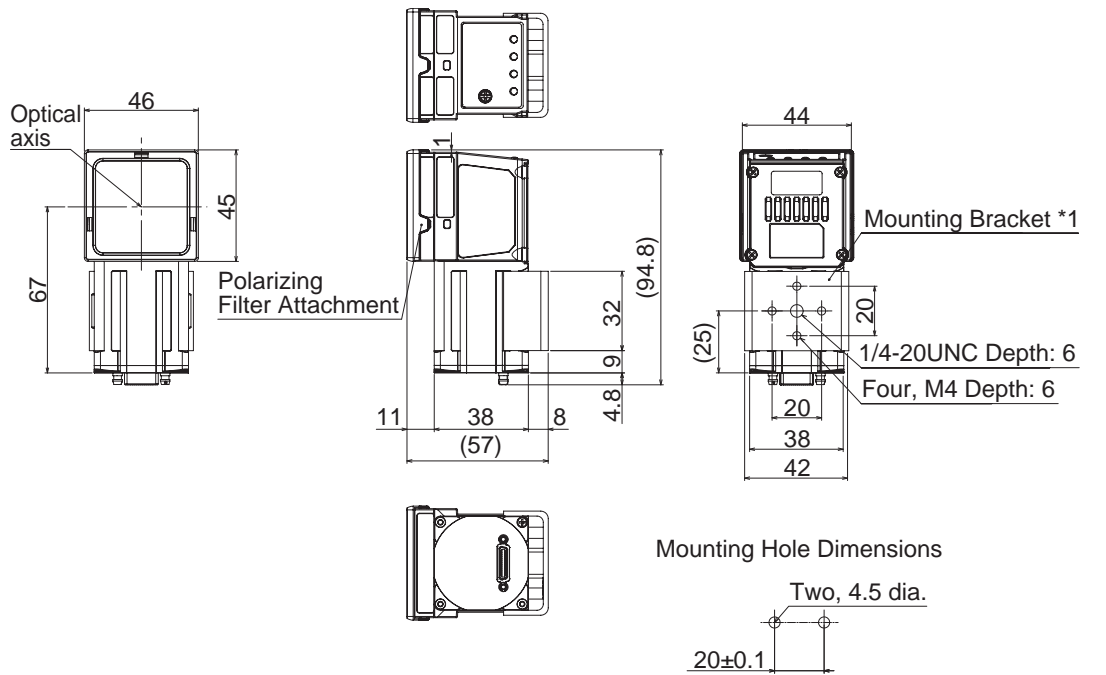
| Model       | FZ-SQ010F   | FZ-SQ050F | FZ-SQ100F | FZ-SQ100N |
|-------------|---|-----------|-----------|-----------|
| Accessories | Mounting bracket (FQ-XL), Polarizing filter attachment (FQ-XF1), Instruction Sheet, Warning label |           |           |           |

\*1. This image acquisition time does not include the image conversion processing time of the sensor controller.

\*2. Applicable standards: IEC62471-2

## Dimensions

### ● Narrow view: FZ-SQ010F and Standard view: FZ-SQ050F

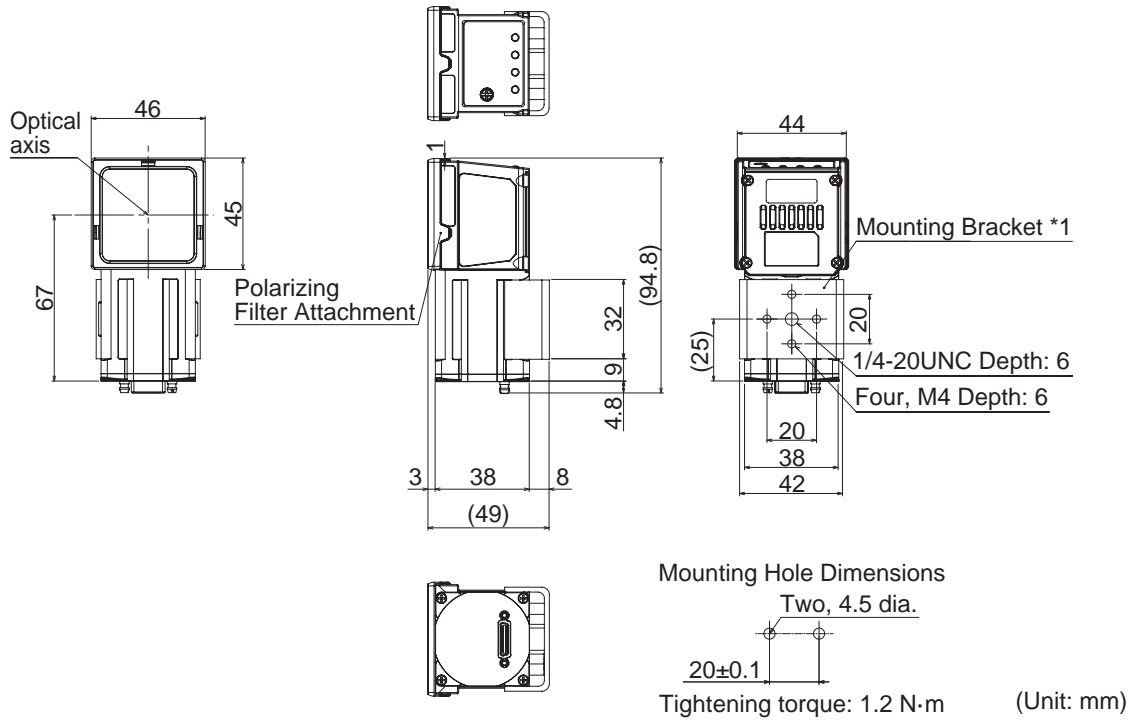


Tightening torque: 1.2 N·m (Unit: mm)

\*1. The mounting brackets can be connected to either side.

### ● Wide View

- Long-distance: FZ-SQ100F
- Short-distance: FZ-SQ100N



\*1. The mounting brackets can be connected to either side.



**Additional Information**

We have the 2D CAD data or 3D CAD data.  
 You can download CAD data from [www.fa.omron.co.jp](http://www.fa.omron.co.jp).

## 3-3 Camera Cable

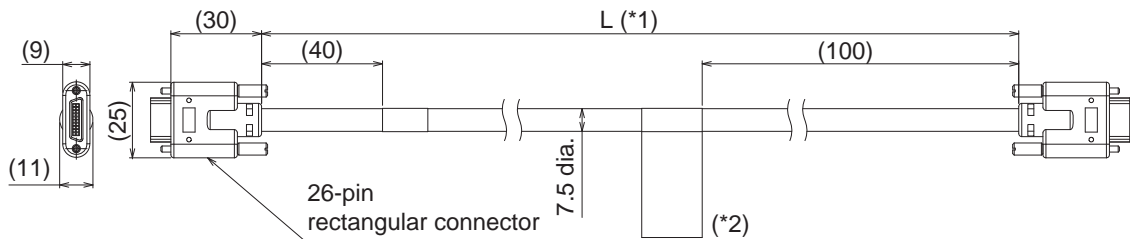
### 3-3-1 Camera Cable and Right-angle Camera Cable

#### Specification

| Model                     | FZ-VS3 (2m)  | FZ-VSL3 (2m) |
|---------------------------|--|--------------|
| Vibration (resistance)    | 10 to 150 Hz, Single amplitude 0.15 mm, 3 directions, 8 strokes, 4 times |              |
| Ambient temperature range | Operation and storage: 0 to +65°C (with no icing or condensation)        |              |
| Ambient humidity range    | Operation and storage: 40 to 70% (with no condensation)                  |              |
| Ambient atmosphere        | No corrosive gases   |              |
| Material                  | Cable sheath, connector: PVC   |              |
| Minimum bending radius    | 69 mm  |              |
| Weight                    | Approx. 170g   |              |

#### Dimensions

##### ● Camera Cable: FZ-VS3

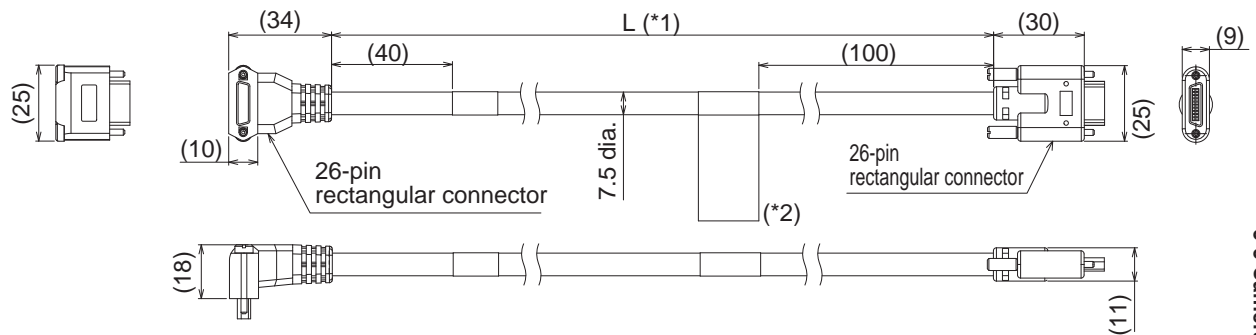


\*1. Cable is available in 2 m/3 m/5 m/10 m.

\*2. Each camera cables has polarity. Please ensure that the name plate side of the cable is connected to the controller.

(Unit: mm)

### ● Right-angle Camera Cable: FZ-VSL3



\*1. Cable is available in 2 m/3 m/5 m/10 m.

\*2. Each camera cables has polarity. Please ensure that the name plate side of the cable is connected to the controller.

(Unit: mm)



#### Additional Information

We have the 2D CAD data or 3D CAD data.  
You can download CAD data from [www.fa.omron.co.jp](http://www.fa.omron.co.jp).

## 3-3-2 Bend resistant Camera Cable and Bend resistant Right-angle Camera Cable

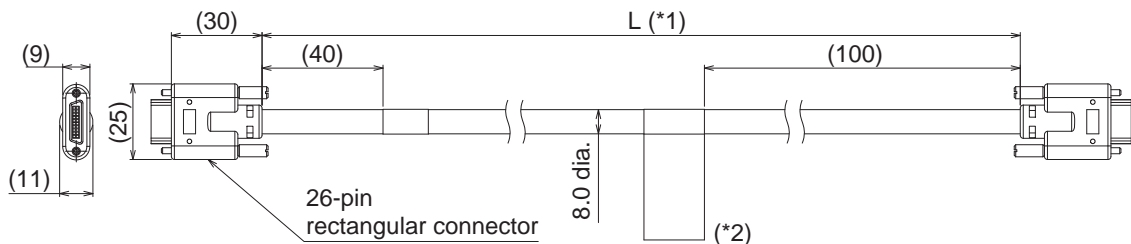
### Specification

| Model                     | FZ-VSB3 (2m)   | FZ-VSLB3 (2m) |
|---------------------------|--|---------------|
| Vibration (resistance)    | 10 to 150 Hz, Single amplitude 0.15 mm, 3 directions, 8 strokes, 4 times                         |               |
| Ambient temperature range | Operation and storage: 0 to +65°C (with no icing or condensation)                                |               |
| Ambient humidity range    | Operation and storage: 40 to 70% (with no condensation)  |               |
| Ambient atmosphere        | No corrosive gases   |               |
| Material                  | Cable sheath, connector: PVC   |               |
| Minimum bending radius    | 69 mm  |               |
| Bend performance *1       | U-bend flexing: 1 million times or more, Bending radius: 50 mm, Stroke: 300 mm, Speed: 30/minute |               |
| Weight                    | Approx. 180g   |               |

\*1. This data values are for reference only and not guaranteed values.

## Dimensions

### ● Bend resistant Camera Cable: FZ-VSB3

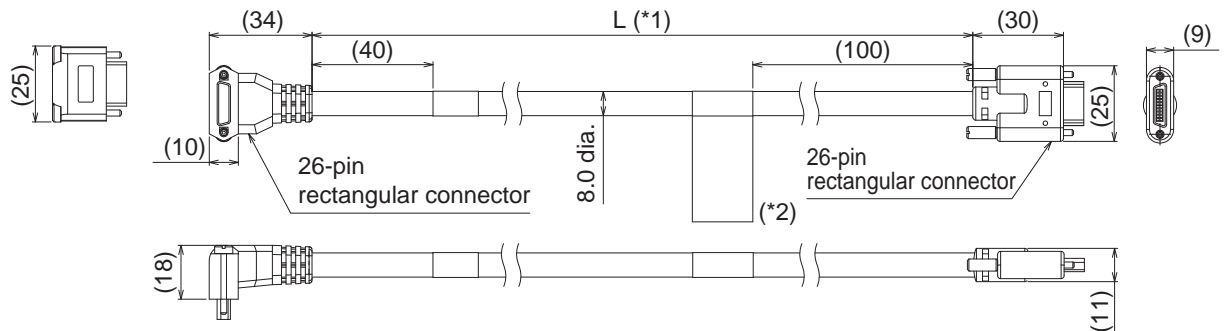


\*1. Cable is available in 2 m/3 m/5 m/10 m.

\*2. Each camera cables has polarity. Please ensure that the name plate side of the cable is connected to the controller.

(Unit: mm)

### ● Bend resistant Right-angle Camera Cable: FZ-VSLB3



\*1. Cable is available in 2 m/3 m/5 m/10 m.

\*2. Each camera cables has polarity. Please ensure that the name plate side of the cable is connected to the controller.

(Unit: mm)



#### Additional Information

We have the 2D CAD data or 3D CAD data.  
You can download CAD data from [www.fa.omron.co.jp](http://www.fa.omron.co.jp).

## 3-3-3 Long-distance Camera Cable and Long-distance Right-angle Camera Cable

## Specification

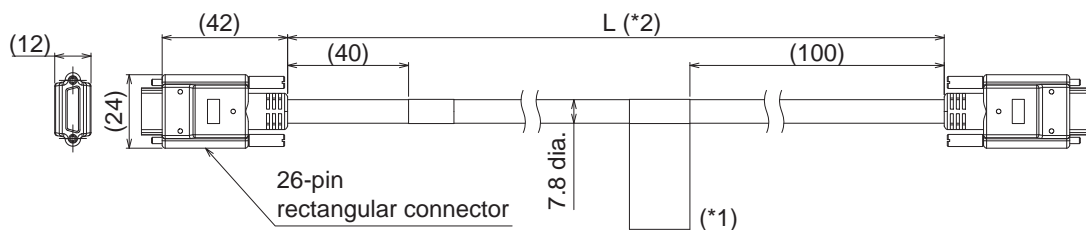
| Model                     | FZ-VS4 (15m)   | FZ-VSL4 (15m) |
|---------------------------|--|---------------|
| Vibration (resistance)    | 10 to 150 Hz, Single amplitude 0.15 mm, 3 directions, 8 strokes, 4 times |               |
| Ambient temperature range | Operation and storage: 0 to +65°C (with no icing or condensation)        |               |
| Ambient humidity range    | Operation and storage: 40 to 70% (with no condensation)                  |               |

| Model                  | FZ-VS4 (15m)                 | FZ-VSL4 (15m) |
|------------------------|------------------------------|---------------|
| Ambient atmosphere     | No corrosive gases           |               |
| Material               | Cable sheath, connector: PVC |               |
| Minimum bending radius | 78 mm                        |               |
| Weight                 | Approx. 1400g                |               |

\*1. This data values are for reference only and not guaranteed values.

## Dimensions

### ● Long-distance Camera Cable: FZ-VS4

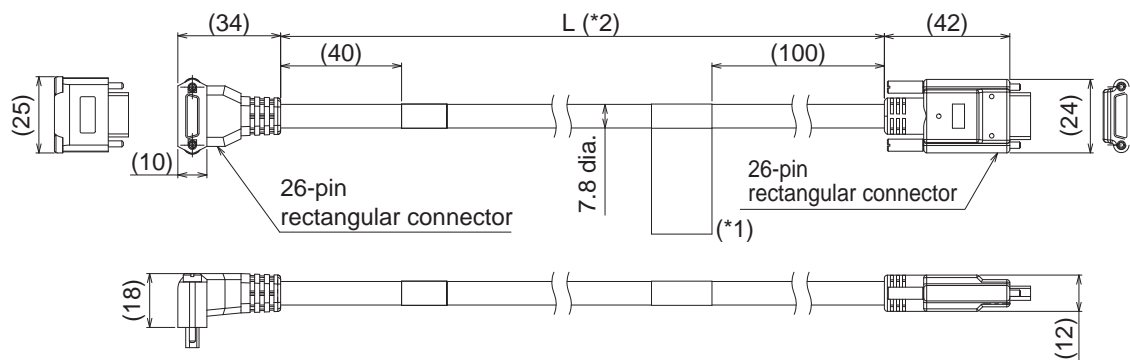


\*1. Each camera cables has polarity. Please ensure that the name plate side of the cable is connected to the controller.

\*2. Cable is available in 15 m.

(Unit: mm)

### ● Long-distance Right-angle Camera Cable: FZ-VSL4



\*1. Each camera cables has polarity. Please ensure that the name plate side of the cable is connected to the controller.

\*2. Cable is available in 15 m.

(Unit: mm)



#### Additional Information

We have the 2D CAD data or 3D CAD data.  
You can download CAD data from [www.fa.omron.co.jp](http://www.fa.omron.co.jp).

## 3-3-4 Cable Connection Table

For connection of camera cables, refer to the following table.

## Camera Cable for FH-S Camera Series

| Name   | Model             | Length | High-speed digital CMOS Camera (Standalone) |                    |          |                    |          |
|--|-------------------|--------|---|--------------------|----------|--------------------|----------|
|  |                   |        | 0.3 megapixel camera                        | 2 megapixel camera |          | 4 megapixel camera |          |
|  |                   |        | FH-SM/SC                                    | FH-SM02/SC02       |          | FH-SM04/SC04       |          |
|  |                   |        | -   | High speed         | Standard | High speed         | Standard |
| Camera cable<br>Right-angle Camera cable                               | FZ-VS3            | 2 m    | OK  | OK                 | OK       | OK                 | OK       |
|  | FZ-VSL3           | 3 m    | OK  | OK                 | OK       | OK                 | OK       |
|  |                   | 5 m    | OK  | OK                 | OK       | OK                 | OK       |
|  |                   | 10 m   | OK  | -                  | OK       | -                  | OK       |
| Bend resistant Camera cable<br>Bend resistant Right-angle Camera cable | FZ-VSB3           | 2 m    | OK  | OK                 | OK       | OK                 | OK       |
|  | FZ-VSLB3          | 3 m    | OK  | OK                 | OK       | OK                 | OK       |
|  |                   | 5 m    | OK  | OK                 | OK       | OK                 | OK       |
|  |                   | 10 m   | OK  | -                  | OK       | -                  | OK       |
| Long-distance Camera cable<br>Long-distance Right-angle Camera cable   | FZ-VS4<br>FZ-VSL4 | 15 m   | OK  | -                  | OK       | -                  | OK       |

| Name   | Model             | Length | High-speed digital CMOS Camera (Standalone) |          | Digital CMOS Camera |
|--|-------------------|--------|---|----------|---------------------|
|  |                   |        | 12 megapixel camera                         |          | 5 megapixel camera  |
|  |                   |        | FH-SM12/SC12                                |          | FH-SM05R/SC05R      |
|  |                   |        | High speed                                  | Standard | -                   |
| Camera cable<br>Right-angle Camera cable                               | FZ-VS3            | 2 m    | OK  | OK       | OK                  |
|  | FZ-VSL3           | 3 m    | OK  | OK       | OK                  |
|  |                   | 5 m    | OK  | OK       | OK                  |
|  |                   | 10 m   | -   | OK       | OK                  |
| Bend resistant Camera cable<br>Bend resistant Right-angle Camera cable | FZ-VSB3           | 2 m    | OK  | OK       | OK                  |
|  | FZ-VSLB3          | 3 m    | OK  | OK       | OK                  |
|  |                   | 5 m    | OK  | OK       | OK                  |
|  |                   | 10 m   | -   | OK       | OK                  |
| Long-distance Camera cable<br>Long-distance Right-angle Camera cable   | FZ-VS4<br>FZ-VSL4 | 15 m   | -   | OK       | OK                  |

| Name                                     | Model   | Length | High-speed digital CMOS Camera (Standalone) |          |                    |            |
|--|---------|--------|---|----------|--------------------|------------|
|  |         |        | 0.4 megapixel camera                        |          | 5 megapixel camera |            |
|  |         |        | FH-SMX/SCX                                  |          | FH-SMX05/SCX05     |            |
|  |         |        | High speed                                  | Standard | Standard           | High speed |
| Camera cable<br>Right-angle Camera cable | FZ-VS3  | 2 m    | OK  | OK       | OK                 | OK         |
|  | FZ-VSL3 | 3 m    | OK  | OK       | OK                 | OK         |
|  |         | 5 m    | OK  | OK       | OK                 | OK         |
|  |         | 10 m   | -   | OK       | -                  | OK         |



| Name                                    | Model    | Length | High-speed digital CMOS Camera (Standalone) |          |                    |            |
|---|----------|--------|---|----------|--------------------|------------|
|   |          |        | 0.4 megapixel camera                        |          | 5 megapixel camera |            |
|   |          |        | FH-SMX/SCX                                  |          | FH-SMX05/SCX05     |            |
|   |          |        | High speed                                  | Standard | Standard           | High speed |
| Bend resistant Camera cable             | FZ-VSB3  | 2 m    | OK  | OK       | OK                 | OK         |
|   |          | 3 m    | OK  | OK       | OK                 | OK         |
| Bend resistant Right-angle Camera cable | FZ-VSLB3 | 5 m    | OK  | OK       | OK                 | OK         |
|   |          | 10 m   | -   | OK       | -                  | OK         |
| Long-distance Camera cable              | FZ-VS4   | 15 m   | -   | OK       | -                  | OK         |
| Long-distance Right-angle Camera cable  | FZ-VSL4  |        |   |          |                    |            |

| Name                                     | Model             | Length | High-speed digital CMOS Camera (Standalone) |          | Digital CMOS Camera (Standalone) |          |
|--|-------------------|--------|---|----------|----------------------------------|----------|
|  |                   |        | 12 megapixel camera                         |          | 20.4 megapixel camera            |          |
|  |                   |        | FH-SMX12/SCX12                              |          | FH-SM21R/SC21R                   |          |
|  |                   |        | High speed                                  | Standard | High speed                       | Standard |
| Camera cable<br>Right-angle Camera cable | FZ-VS3<br>FZ-VSL3 | 2 m    | OK  | OK       | OK                               | OK       |
|  |                   | 3 m    | OK  | OK       | OK                               | OK       |
|  |                   | 5 m    | OK  | OK       | OK                               | OK       |
|  |                   | 10 m   | -   | OK       | -                                | OK       |
| Bend resistant Camera cable              | FZ-VSB3           | 2 m    | OK  | OK       | OK                               | OK       |
|  |                   | 3 m    | OK  | OK       | OK                               | OK       |
| Bend resistant Right-angle Camera cable  | FZ-VSLB3          | 5 m    | OK  | OK       | OK                               | OK       |
|  |                   | 10 m   | -   | OK       | -                                | OK       |
| Long-distance Camera cable               | FZ-VS4            | 15 m   | -   | OK       | -                                | OK       |
| Long-distance Right-angle Camera cable   | FZ-VSL4           |        |   |          |                                  |          |

## Camera Cable for FZ-S Camera Series

| Name                                     | Model    | Length | Digital CCD Camera (Standalone) |                    |                    |
|--|----------|--------|---------------------------------|--------------------|--------------------|
|  |          |        | 0.3 megapixel camera            | 2 megapixel camera | 5 megapixel camera |
|  |          |        | FZ-S/SC                         | FZ-S2M/SC2M        | FZ-S5M3/SC5M3      |
| Camera cable<br>Right-angle Camera cable | FZ-VS3   | 2 m    | OK                              | OK                 | OK                 |
|  | FZ-VSL3  | 3 m    | OK                              | OK                 | OK                 |
|  |          | 5 m    | OK                              | OK                 | OK                 |
|  |          | 10 m   | OK                              | OK                 | -                  |
| Bend resistant Camera cable              | FZ-VSB3  | 2 m    | OK                              | OK                 | OK                 |
|  |          | 3 m    | OK                              | OK                 | OK                 |
| Bend resistant Right-angle Camera cable  | FZ-VSLB3 | 5 m    | OK                              | OK                 | OK                 |
|  |          | 10 m   | OK                              | OK                 | -                  |
| Long-distance Camera cable               | FZ-VS4   | 15 m   | OK                              | OK                 | -                  |
| Long-distance Right-angle Camera cable   | FZ-VSL4  |        |                                 |                    |                    |

| Name                                     | Model    | Length | Small Digital CCD Camera (Standalone) | High-speed digital CCD Camera (Standalone) | Intelligent Compact Digital CMOS Camera |
|--|----------|--------|---------------------------------------|--|---|
|  |          |        | Flat type/pen type                    |  |   |
|  |          |        | FZ-SF/SFC<br>FZ-SP/SPC                | FZ-SH/SHC                                  | FZ-SQ□                                  |
| Camera cable<br>Right-angle Camera cable | FZ-VS3   | 2 m    | OK                                    | OK   | OK                                      |
|  | FZ-VSL3  | 3 m    | OK                                    | OK   | OK                                      |
|  |          | 5 m    | OK                                    | OK   | OK                                      |
|  |          | 10 m   | OK                                    | OK   | OK                                      |
| Bend resistant Camera cable              | FZ-VSB3  | 2 m    | OK                                    | OK   | OK                                      |
|  |          | 3 m    | OK                                    | OK   | OK                                      |
| Bend resistant Right-angle Camera cable  | FZ-VSLB3 | 5 m    | OK                                    | OK   | OK                                      |
|  |          | 10 m   | OK                                    | OK   | OK                                      |
| Long-distance Camera cable               | FZ-VS4   | 15 m   | OK                                    | OK   | OK                                      |
| Long-distance Right-angle Camera cable   | FZ-VSL4  |        |                                       |  |   |

### 3-3-5 Cable Extension Units

You can extend the distance between the Sensor Controller and Camera by using cable extension units.

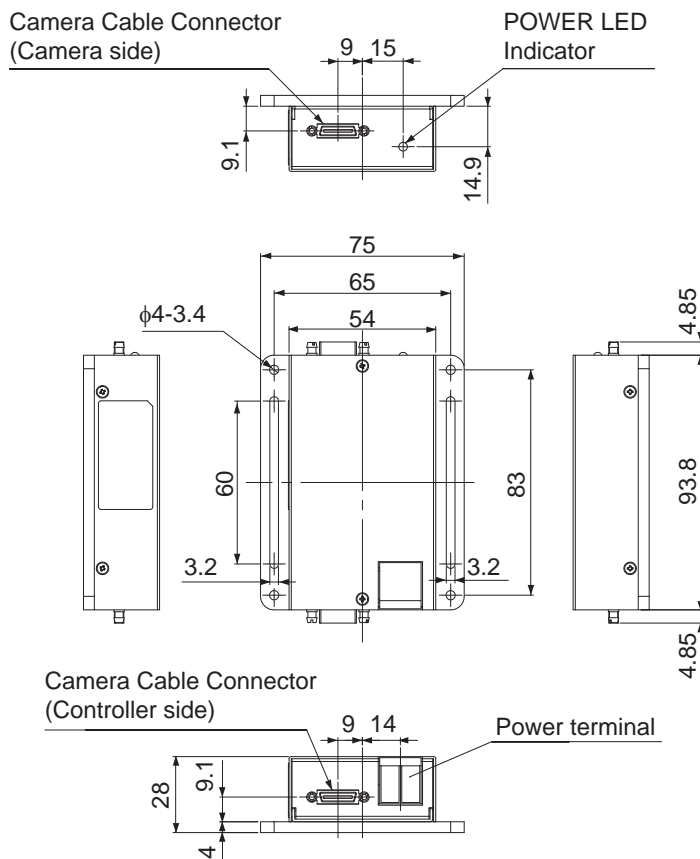
#### Specification

| Model                     | FZ-VSJ   |
|---------------------------|--|
| Supply Voltage *1         | 11.5 to 13.5 VDC   |
| Current consumption *2    | 1.5 A max.   |
| Ambient temperature range | Operating: 0 to +50°C; Storage: -25 to +65°C (with no icing or condensation) |
| Ambient humidity range    | Operating and Storage: 35 to 85% (with no condensation)                      |
| Weight                    | Approx. 240g   |
| Accessories               | Instruction Sheet and 4 mounting screws                                      |

\*1. A 12-VDC power supply must be provided to the Cable Extension Unit when connecting the Intelligent Compact Digital Camera, or the Lighting Controller.

\*2. The current consumption shows when connecting the Cable Extension Unit to an external power supply.

#### Dimensions



(Unit: mm)



### Additional Information

We have the 2D CAD data or 3D CAD data.  
You can download CAD data from [www.fa.omron.co.jp](http://www.fa.omron.co.jp).

## Maximum Extension Length Using Cable Extension Units FZ-VSJ

| Item                            | Model  | Transmission speed<br>*1 | No. of CH used for connection *2 | Maximum cable length using 1 Camera Cable *1 | Max. number of connectable Extension Units | Using Cable Extension Units FZ-VSJ |  |
|---------------------------------|--|--------------------------|----------------------------------|--|--|------------------------------------|--|
|                                 |  |                          |                                  |  |  | Max. cable length                  | Connection configuration   |
| High-speed digital CMOS Cameras | FH-SM/SC   | -                        | -                                | 15 m (Using FZ-VS4/VSL4)                     | 2  | 45 m                               | [Configuration 1]<br>Camera cable: 15 m x 3<br>Extension Unit: 2 |
|                                 | FH-SMX/SCX   | Standard                 | -                                | 15 m (Using FZ-VS4/VSL4)                     | 2  | 45 m                               | [Configuration 1]<br>Camera cable: 15 m x 3<br>Extension Unit: 2 |
|                                 |  | High speed               | -                                | 5 m (Using FZ-VS□/VSL□)                      | 2  | 15 m                               | [Configuration 3]<br>Camera cable: 15 m x 3<br>Extension unit: 2 |
|                                 | FH-SM02/SC02<br>FH-SM04/SC04<br>FH-SM12/SC12<br>FH-SMX05/<br>SCX05<br>FH-SMX12/<br>SCX12 | Standard                 | 1CH                              | 15 m (Using FZ-VS4/VSL4)                     | 2  | 45 m                               | [Configuration 1]<br>Camera cable: 15 m x 3<br>Extension Unit: 2 |
|                                 |  | High speed               | 2CH                              | 15 m (Using FZ-VS4/VSL4)                     | 4 *3                                       | 45 m                               | [Configuration 2]<br>Camera cable: 15 m x 6<br>Extension Unit: 4 |
|                                 |  | Standard                 | 1CH                              | 5 m (Using FZ-VS□/VSL□)                      | 2  | 15 m                               | [Configuration 3]<br>Camera cable: 15 m x 3<br>Extension unit: 2 |
|                                 |  | High speed               | 2CH                              | 5 m (Using FZ-VS□/VSL□)                      | 4 *3                                       | 15 m                               | [Configuration 4]<br>Camera cable: 5 m x 6<br>Extension Unit: 4  |

| Item  | Model                  | Transmission speed<br>*1 | No. of CH used for connection<br>*2 | Maximum cable length using 1 Camera Cable<br>*1 | Max. number of connectable Extension Units | Using Cable Extension Units FZ-VSJ |  |
|---|------------------------|--------------------------|-------------------------------------|---|--|------------------------------------|--|
|   |                        |                          |                                     |   |  | Max. cable length                  | Connection configuration   |
| Digital CMOS Cameras                            | FH-SM21R/SC21R         | Standard                 | 1CH                                 | 15 m (Using FZ-VS4/VSL4)                        | 2  | 45 m                               | [Configuration 1]<br>Camera cable: 15 m x 3<br>Extension Unit: 2 |
|   |                        |                          | 2CH                                 | 15 m (Using FZ-VS4/VSL4)                        | 4 *3                                       | 45 m                               | [Configuration 2]<br>Camera cable: 15 m x 6<br>Extension Unit: 4 |
|   |                        | High speed               | 1CH                                 | 15 m (Using FZ-VS4/VSL4)                        | 2  | 15 m                               | [Configuration 3]<br>Camera cable: 15 m x 3<br>Extension unit: 2 |
|   |                        |                          | 2CH                                 | 5 m (Using FZ-VS□/VSL□)                         | 4 *3                                       | 15 m                               | [Configuration 4]<br>Camera cable: 5 m x 6<br>Extension Unit: 4  |
|   | FH-SM05R/SC05R         | -                        | -                                   | 15 m (Using FZ-VS4/VSL4)                        | 2  | 45 m                               | [Configuration 1]<br>Camera cable: 15 m x 3<br>Extension Unit: 2 |
|   | FZ-S5M3/SC5M3          | -                        | -                                   | 5 m (Using FZ-VS□/VSL□)                         | 2  | 45 m                               | [Configuration 1]<br>Camera cable: 15 m x 3<br>Extension Unit: 2 |
| Digital CCD/CMOS Cameras                        | FZ-S/SC<br>FZ-S2M/SC2M | -                        | -                                   | 15 m (Using FZ-VS4/VSL4)                        | 2  | 45 m                               | [Configuration 1]<br>Camera cable: 15 m x 3<br>Extension Unit: 2 |
| Small Digital CCD Cameras<br>Flat type/pen type | FZ-SF/SFC<br>FZ-SP/SPC | -                        | -                                   | 15 m (Using FZ-VS4/VSL4)                        | 2  | 45 m                               | [Configuration 1]<br>Camera cable: 15 m x 3<br>Extension Unit: 2 |
| High-speed digital CCD Cameras                  | FZ-SH/SHC              | -                        | -                                   | 15 m (Using FZ-VS4/VSL4)                        | 2  | 45 m                               | [Configuration 1]<br>Camera cable: 15 m x 3<br>Extension Unit: 2 |
| Intelligent Compact Digital CMOS Cameras        | FZ-SQ□                 | -                        | -                                   | 15 m (Using FZ-VS4/VSL4)                        | 2  | 45 m                               | [Configuration 1]<br>Camera cable: 15 m x 3<br>Extension Unit: 2 |

\*1. The FH-S□□□ enables switching between standard and high speed modes. In high speed mode, images can be transferred approximately two times faster than in standard mode, but the connectable cable length will be shorter.

- \*2. The FH-S□□□ has two channels to connect Camera Cables. Connection to two channels makes image transfer two times faster than connection to one channel: high speed mode using two channels can transfer approximately four times as many images as standard mode using one channel.
- \*3. Each channel can be used to connect up to two Cable Extension Units: up to four extension units, two units per one channel, can be connected by using two channels.

## Connection Configuration

Connection configuration of FH-1000/2000/3000/5000 Sensor Controller and Camera are the bellows.

| Con-figu-ra-tion | Connection configuration using the maximum length of Camera Cables | Remarks  |
|------------------|--|--|
| 1                |  | -  |
| 2                |  | Camera cable connector CH2<br>Camera cable connector CH1 |
| 3                |  | -  |
| 4                |  | Camera cable connector CH2<br>Camera cable connector CH1 |





- \*1. Select the Camera Cables between the Controller and Extension Unit, between the Extension Units, and between the Extension Unit and Camera according to the connected Camera. Different types or lengths of Camera Cables can be used for (1), (2), and (3) as well as for (4), (5), and (6). However, the type and length of Camera Cable (1) must be the same as those of Camera Cable (4), (2) must be the same as (5), and (3) must be the same as (6).





## 3-4 Lens




### 3-4-1 C-mount Lens for 1/3-inch Image Sensor (SV-V Series)

FH-S, FZ-SH, and FZ-S are recommended.

#### Specification

| Model                                   | 3Z4S-LE<br>SV-03514V  | 3Z4S-LE<br>SV-04514V  | 3Z4S-LE<br>SV-0614V   | 3Z4S-LE<br>SV-0813V   |
|---|---|---|---|---|
| Appearance/<br>Dimensions<br>(Unit: mm) |  |  |  |  |
| Focal length (mm)                       | 3.5   | 4.5   | 6   | 8   |
| Aperture (F No.)                        | 1.4 to Close  | 1.4 to Close  | 1.4 to Close  | 1.3 to Close  |
| Filter size                             | -   | -   | M27.0 P0.5  | M25.5 P0.5  |
| Maximum sensor<br>size                  | 1/3 inch  |   |   |   |
| Mount                                   | C mount   |   |   |   |

| Model                                   | 3Z4S-LE<br>SV-1214V   | 3Z4S-LE<br>SV-1614V   | 3Z4S-LE<br>SV-2514V  | 3Z4S-LE<br>SV-3518V   |
|---|---|---|--|---|
| Appearance/<br>Dimensions<br>(Unit: mm) |  |  |  |  |
| Focal length (mm)                       | 12  | 16  | 25   | 35  |
| Aperture (F No.)                        | 1.4 to Close  | 1.4 to Close  | 1.4 to Close   | 1.8 to Close  |
| Filter size                             | M27.0 P0.5  | M27.0 P0.5  | M27.0 P0.5   | M27.0 P0.5  |
| Maximum sensor<br>size                  | 1/3 inch  |   |  |   |
| Mount                                   | C mount   |   |  |   |

| Model                                   | 3Z4S-LE<br>SV-5018V   | 3Z4S-LE<br>SV-7527V   | 3Z4S-LE<br>SV-10035V   |
|---|---|---|--|
| Appearance/<br>Dimensions<br>(Unit: mm) |  |  |  |
| Focal length (mm)                       | 50  | 75  | 100  |
| Aperture (F No.)                        | 1.8 to Close  | 2.7 to Close  | 3.5 to Close   |
| Filter size                             | M30.5 P0.5  | M30.5 P0.5  | M30.5 P0.5   |
| Maximum sensor<br>size                  | 1/3 inch  |   |  |





| Model | 3Z4S-LE<br>SV-5018V | 3Z4S-LE<br>SV-7527V | 3Z4S-LE<br>SV-10035V |
|-------|---------------------|---------------------|----------------------|
| Mount | C mount             |                     |                      |



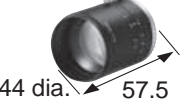

### 3-4-2 C-mount Lens for 2/3-inch Image Sensor (SV-H Series)


FZ-S□2M, FZ-S□5M□, and FH-S□05R are recommended.

3Z4S-LE SV-7525H and 3Z4S-LE SV-10028H are also available to use FH-S□02/FH-S□04.

## Specification

| Model                                   | 3Z4S-LE<br>SV-0614H   | 3Z4S-LE<br>SV-0814H   | 3Z4S-LE<br>SV-1214H  | 3Z4S-LE<br>SV-1614H   |
|---|---|---|--|---|
| Appearance/<br>Dimensions<br>(Unit: mm) |  |  |  |  |
| Focal length (mm)                       | 6   | 8   | 12   | 16  |
| Aperture (F No.)                        | 1.4 to 16   | 1.4 to 16   | 1.4 to 16  | 1.4 to 16   |
| Filter size                             | M40.5 P0.5  | M35.5 P0.5  | M27.0 P0.5   | M27.0 P0.5  |
| Maximum sensor<br>size                  | 2/3 inch  |   |  |   |
| Mount                                   | C mount   |   |  |   |

| Model                                   | 3Z4S-LE<br>SV-2514H   | 3Z4S-LE<br>SV-3514H   | 3Z4S-LE<br>SV-5014H  | 3Z4S-LE<br>SV-7525H   |
|---|---|---|--|---|
| Appearance/<br>Dimensions<br>(Unit: mm) |  |  |  |  |
| Focal length (mm)                       | 25  | 35  | 50   | 75  |
| Aperture (F No.)                        | 1.4 to 16   | 1.4 to 16   | 1.4 to 16  | 2.5 to Close  |
| Filter size                             | M27.0 P0.5  | M35.5 P0.5  | M40.5 P0.5   | M34.0 P0.5  |
| Maximum sensor<br>size                  | 2/3 inch  |   |  | 1 inch  |
| Mount                                   | C mount   |   |  |   |

| Model                                   | 3Z4S-LE<br>SV-10028H  |
|---|---|
| Appearance/<br>Dimensions<br>(Unit: mm) |  |
| Focal length (mm)                       | 100   |
| Aperture (F No.)                        | 2.8 to Close  |
| Filter size                             | M37.5 P0.5  |







| Model               | 3Z4S-LE<br>SV-10028H |
|---------------------|----------------------|
| Maximum sensor size | 1 inch               |
| Mount               | C mount              |




### 3-4-3 C-mount Lens for 1-inch Image Sensor (VS-H1 Series)

FH-S□02 and FH-S□04 are recommended.

When the focal distance is 75 mm or 100 mm, 3Z4S-LE SV-7525H and 3Z4S-LE SV-10028H are also available.


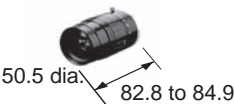


## Specification


| Model                                   | 3Z4S-LE<br>VS-0618H1   | 3Z4S-LE<br>VS-0814H1   | 3Z4S-LE<br>VS-1214H1   | 3Z4S-LE<br>VS-1614H1N  |
|---|--|--|--|--|
| Appearance/<br>Dimensions<br>(Unit: mm) |  64.5 dia. 57.2 |  57 dia. 59 |  38 dia. 48.0[WD:∞] to 48.5[WD:300] |  38 dia. 45.0[WD:∞] to 45.9[WD:300] |
| Focal length (mm)                       | 6  | 8  | 12   | 16   |
| Aperture (F No.)                        | 1.8 to 16  | 1.4 to 16  | 1.4 to 16  | 1.4 to 16  |
| Filter size                             | Can not be used a filter.  | M55.0 P0.75  | M35.5 P0.5   | M30.5 P0.5   |
| Maximum sensor size                     | 1 inch   |  |  |  |
| Mount                                   | C mount  |  |  |  |

| Model                                   | 3Z4S-LE<br>VS-2514H1   | 3Z4S-LE<br>VS-3514H1   | 3Z4S-LE<br>VS-5018H1   |
|---|--|--|--|
| Appearance/<br>Dimensions<br>(Unit: mm) |  38 dia. 33.5[WD:∞] to 35.6[WD:300] |  38 dia. 35.0[WD:∞] to 39.1[WD:300] |  44 dia. 44.5[WD:∞] to 49.5[WD:500] |
| Focal length (mm)                       | 25   | 35   | 50   |
| Aperture (F No.)                        | 1.4 to 16  | 1.4 to 16  | 1.8 to 16  |
| Filter size                             | M30.5 P0.5   | M30.5 P0.5   | M40.5 P0.5   |
| Maximum sensor size                     | 1 inch   |  |  |
| Mount                                   | C mount  |  |  |

### 3-4-4 C-mount Lens for 4/3-inch Image Sensor (VS-LLD Series)

#### Specification





| Model                                   | 3Z4S-LE<br>VS-LLD12.5   | 3Z4S-LE<br>VS-LLD18   | 3Z4S-LE<br>VS-LLD25  | 3Z4S-LE<br>VS-LLD50   |
|---|---|---|--|---|
| Appearance/<br>Dimensions<br>(Unit: mm) |  |  |  |  |
| Focal length (mm)                       | 12.5  | 18  | 25   | 35  |
| Aperture (F No.)                        | 2.5 to 16   | 2.1 to 16   | 2.1 to 16  | 2.2 to 16   |
| Filter size                             | M62.0 P0.75   | M43.0 P0.75   | M43.0 P0.75  | M46.0 P0.75   |
| Maximum sensor<br>size                  | 4/3 inch  |   |  |   |
| Mount                                   | C mount   |   |  |   |



| Model                                   | 3Z4S-LE<br>VS-LLD50   |
|---|---|
| Appearance/<br>Dimensions<br>(Unit: mm) |  |
| Focal length (mm)                       | 50  |
| Aperture (F No.)                        | 2.2 to 16   |
| Filter size                             | M46 P0.75   |
| Maximum sensor<br>size                  | 4/3 inch  |
| Mount                                   | C mount   |

### 3-4-5 M42-mount Lens for Large Image Sensor (VS-L/M42-10 Series)

FH-S□12 is recommended.

#### Specification





| Model                                   | 3Z4S-LE<br>VS-L1828/M42-10  | 3Z4S-LE<br>VS-L2526/M42-10  | 3Z4S-LE<br>VS-L3528/M42-10   | 3Z4S-LE<br>VS-L5028/M42-10  |
|---|---|---|--|---|
| Appearance/<br>Dimensions<br>(Unit: mm) |  |  |  |  |
| Focal length (mm)                       | 18  | 25  | 35   | 50  |
| Aperture (F No.)                        | 2.8 to 16   | 2.6 to 16   | 2.8 to 16  | 2.8 to 16   |
| Filter size                             | M55.0 P0.75   | M55.0 P0.75   | M62.0 P0.75  | M62.0 P0.75   |
| Maximum sensor<br>size                  | 1.8 inch  |   |  |   |
| Mount                                   | M42 mount   |   |  |   |

| Model                                   | 3Z4S-LE<br>VS-L1828/M42-10  | 3Z4S-LE<br>VS-L2526/M42-10  |
|---|---|---|
| Appearance/<br>Dimensions<br>(Unit: mm) |  |  |
| Focal length (mm)                       | 85  | 100   |
| Aperture (F No.)                        | 4.0 to 16   | 2.8 to 16   |
| Filter size                             | M52.0 P0.75   | M52.0 P0.75   |
| Maximum sensor<br>size                  | 1.8 inch  |   |
| Mount                                   | M42 mount   |   |

### 3-4-6 Lenses for Small Camera (FZ-LES Series)

FZ-SF, FZ-SFC, FZ-SP, and FZ-SPC are recommended.

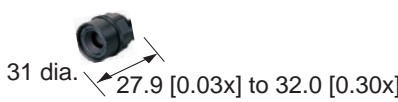
#### Specification

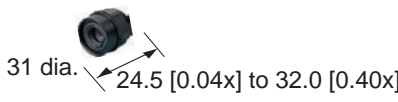
| Model                                   | FZ-LES3   | FZ-LES6   | FZ-LES16   | FZ-LES50  |
|---|---|---|--|---|
| Appearance/<br>Dimensions<br>(Unit: mm) |  |  |  |  |
| Focal length (mm)                       | 3   | 6   | 16   | 30  |
| Aperture (F No.)                        | 2.0 to 16   | 2.0 to 16   | 3.4 to 16  | 3.4 to 16   |

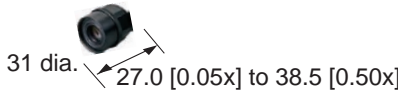
### 3-4-7 Vibration and Shock Resistant C-mount Lens for 2/3-inch Image Sensor (VS-MCA Series)

FZ-S□, FZ-S□2M, FZ-S□5M□, FZ-SH□, and FH-S□□5R are recommended.

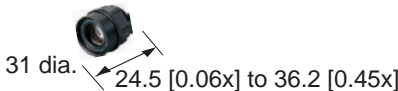
#### Specification

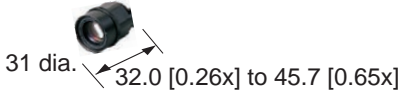
| Model                                   | 3Z4S-LE VS-MCA15-□□□□*1   |       |       |       |      |      |       |     |     |
|---|---|-------|-------|-------|------|------|-------|-----|-----|
| Appearance/<br>Dimensions<br>(Unit: mm) |  |       |       |       |      |      |       |     |     |
| Focal length (mm)                       | 15  |       |       |       |      |      |       |     |     |
| Filter size                             | M27.0 P0.5  |       |       |       |      |      |       |     |     |
| Optical magnification                   | 0.03x   |       |       | 0.20x |      |      | 0.30x |     |     |
| Aperture (fixed F No.)                  | 2   | 5.6   | 8     | 2     | 5.6  | 8    | 2     | 5.6 | 8   |
| Depth of field (mm) *2                  | 186.7   | 515.6 | 728.9 | 4.8   | 13.4 | 19.2 | 2.3   | 6.5 | 9.2 |
| Maximum sensor size                     | 2/3 inch  |       |       |       |      |      |       |     |     |
| Mount                                   | C mount   |       |       |       |      |      |       |     |     |

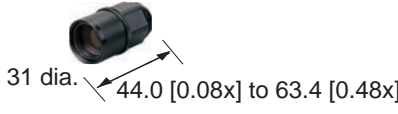
| Model                                   | 3Z4S-LE VS-MCA20-□□□□*1   |       |       |       |     |      |       |     |     |
|---|---|-------|-------|-------|-----|------|-------|-----|-----|
| Appearance/<br>Dimensions<br>(Unit: mm) |  |       |       |       |     |      |       |     |     |
| Focal length (mm)                       | 20  |       |       |       |     |      |       |     |     |
| Filter size                             | M27.0 P0.5  |       |       |       |     |      |       |     |     |
| Optical magnification                   | 0.04x   |       |       | 0.25x |     |      | 0.40x |     |     |
| Aperture (fixed F No.)                  | 2   | 5.6   | 8     | 2     | 5.6 | 8    | 2     | 5.6 | 8   |
| Depth of field (mm) *2                  | 105.0   | 290.0 | 415.0 | 3.2   | 9.0 | 12.8 | 1.5   | 3.9 | 5.6 |
| Maximum sensor size                     | 2/3 inch  |       |       |       |     |      |       |     |     |
| Mount                                   | C mount   |       |       |       |     |      |       |     |     |

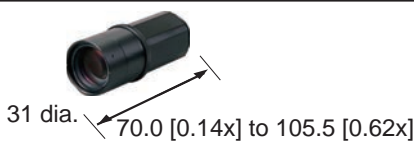
| Model                                   | 3Z4S-LE VS-MCA25-□□□□*1   |  |  |  |  |  |  |  |  |
|---|---|--|--|--|--|--|--|--|--|
| Appearance/<br>Dimensions<br>(Unit: mm) |  |  |  |  |  |  |  |  |  |
| Focal length (mm)                       | 25  |  |  |  |  |  |  |  |  |
| Filter size                             | M27.0 P0.5  |  |  |  |  |  |  |  |  |

| Model                  | 3Z4S-LE VS-MCA25-□□□□*1 |       |       |       |     |      |       |     |     |
|------------------------|-------------------------|-------|-------|-------|-----|------|-------|-----|-----|
| Optical magnification  | 0.05x                   |       |       | 0.25x |     |      | 0.50x |     |     |
| Aperture (fixed F No.) | 2                       | 5.6   | 8     | 2     | 5.6 | 8    | 2     | 5.6 | 8   |
| Depth of field (mm) *2 | 67.2                    | 188.8 | 268.8 | 3.2   | 9.0 | 12.8 | 1.0   | 2.7 | 3.8 |
| Maximum sensor size    | 2/3 inch                |       |       |       |     |      |       |     |     |
| Mount                  | C mount                 |       |       |       |     |      |       |     |     |

| Model                                   | 3Z4S-LE VS-MCA30-□□□□*1   |       |       |       |      |      |       |     |     |
|---|---|-------|-------|-------|------|------|-------|-----|-----|
| Appearance/<br>Dimensions<br>(Unit: mm) |  |       |       |       |      |      |       |     |     |
| Focal length (mm)                       | 30  |       |       |       |      |      |       |     |     |
| Filter size                             | M27.0 P0.5  |       |       |       |      |      |       |     |     |
| Optical magnification                   | 0.06x   |       |       | 0.15x |      |      | 0.45x |     |     |
| Aperture (fixed F No.)                  | 2   | 5.6   | 8     | 2     | 5.6  | 8    | 2     | 5.6 | 8   |
| Depth of field (mm) *2                  | 53.3  | 131.1 | 188.9 | 8.2   | 22.8 | 32.7 | 1.3   | 3.2 | 4.6 |
| Maximum sensor size                     | 2/3 inch  |       |       |       |      |      |       |     |     |
| Mount                                   | C mount   |       |       |       |      |      |       |     |     |

| Model                                   | 3Z4S-LE VS-MCA35-□□□□*1   |     |      |       |     |     |       |     |     |
|---|---|-----|------|-------|-----|-----|-------|-----|-----|
| Appearance/<br>Dimensions<br>(Unit: mm) |  |     |      |       |     |     |       |     |     |
| Focal length (mm)                       | 35  |     |      |       |     |     |       |     |     |
| Filter size                             | M27.0 P0.5  |     |      |       |     |     |       |     |     |
| Optical magnification                   | 0.26x   |     |      | 0.30x |     |     | 0.65x |     |     |
| Aperture (fixed F No.)                  | 2   | 5.6 | 8    | 2     | 5.6 | 8   | 2     | 5.6 | 8   |
| Depth of field (mm) *2                  | 3.0   | 8.4 | 12.0 | 2.2   | 6.5 | 9.2 | 0.7   | 1.7 | 2.5 |
| Maximum sensor size                     | 2/3 inch  |     |      |       |     |     |       |     |     |
| Mount                                   | C mount   |     |      |       |     |     |       |     |     |

| Model                                   | 3Z4S-LE VS-MCA50-□□□□*1   |      |       |       |      |      |       |     |     |
|---|---|------|-------|-------|------|------|-------|-----|-----|
| Appearance/<br>Dimensions<br>(Unit: mm) |  |      |       |       |      |      |       |     |     |
| Focal length (mm)                       | 50  |      |       |       |      |      |       |     |     |
| Filter size                             | M27.0 P0.5  |      |       |       |      |      |       |     |     |
| Optical magnification                   | 0.08x   |      |       | 0.20x |      |      | 0.48x |     |     |
| Aperture (fixed F No.)                  | 2   | 5.6  | 8     | 2     | 5.6  | 8    | 2     | 5.6 | 8   |
| Depth of field (mm) *2                  | 32.5  | 75.0 | 107.5 | 6.0   | 13.4 | 19.2 | 1.3   | 2.9 | 4.1 |
| Maximum sensor size                     | 2/3 inch  |      |       |       |      |      |       |     |     |
| Mount                                   | C mount   |      |       |       |      |      |       |     |     |

| Model                                   | 3Z4S-LE VS-MCA75-□□□□*1  |      |      |       |      |      |       |     |     |
|---|--|------|------|-------|------|------|-------|-----|-----|
| Appearance/<br>Dimensions<br>(Unit: mm) |  |      |      |       |      |      |       |     |     |
| Focal length (mm)                       | 75   |      |      |       |      |      |       |     |     |
| Filter size                             | M27.0 P0.5   |      |      |       |      |      |       |     |     |
| Optical magnification                   | 0.14x  |      |      | 0.20x |      |      | 0.62x |     |     |
| Aperture (fixed F No.)                  | 2  | 5.6  | 8    | 2     | 5.6  | 8    | 2     | 5.6 | 8   |
| Depth of field (mm) *2                  | 16.7   | 28.6 | 41.2 | 9.2   | 13.4 | 19.2 | 1.3   | 2.5 | 3.6 |
| Maximum sensor size                     | 2/3 inch   |      |      |       |      |      |       |     |     |
| Mount                                   | C mount  |      |      |       |      |      |       |     |     |

\*1. Insert the aperture into □□□□ in the model number as follows.

F=2.0: blank

F=5: F5.6


F=8: F8


\*2. When circle of least confusion is 0.04mm.


### 3-4-8 Vibration and Shock Resistant C-mount Lens for 1-inch Image Sensor (VS-MCH Series)

FH-S□04 and FH-S□21R are recommended.

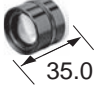
## Specification

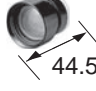
| Model                                   | 3Z4S-LE VS-MCH12-□□□□□*1  |       |        |       |      |      |       |      |      |
|---|---|-------|--------|-------|------|------|-------|------|------|
| Appearance/<br>Dimensions<br>(Unit: mm) | <br>38dia. 48.0[00.25x] to 49.8[0.15x] |       |        |       |      |      |       |      |      |
| Focal length (mm)                       | 12  |       |        |       |      |      |       |      |      |
| Filter size                             | M35.5 P0.5  |       |        |       |      |      |       |      |      |
| Optical magnification                   | 0.025x  |       |        | 0.10x |      |      | 0.15x |      |      |
| Aperture (fixed F No.)*2                | 2   | 5.6   | 8      | 2     | 5.6  | 8    | 2     | 5.6  | 8    |
| Depth of field (mm) *3                  | 262.0   | 735.0 | 1050.0 | 17.6  | 49.3 | 70.4 | 8.2   | 22.9 | 32.7 |
| Maximum sensor size                     | 1 inch  |       |        |       |      |      |       |      |      |
| Mount                                   | C mount   |       |        |       |      |      |       |      |      |


| Model                                   | 3Z4S-LE VS-MCH16N-□□□□□*1   |       |        |       |      |      |       |     |      |
|---|---|-------|--------|-------|------|------|-------|-----|------|
| Appearance/<br>Dimensions<br>(Unit: mm) | <br>38dia. 45.4 [0.025x] to 49.1 [0.15x] |       |        |       |      |      |       |     |      |
| Focal length (mm)                       | 16  |       |        |       |      |      |       |     |      |
| Filter size                             | M34.0 P0.5  |       |        |       |      |      |       |     |      |
| Optical magnification                   | 0.025x  |       |        | 0.10x |      |      | 0.25x |     |      |
| Aperture (fixed F No.)*2                | 2   | 5.6   | 8      | 2     | 5.6  | 8    | 2     | 5.6 | 8    |
| Depth of field (mm) *3                  | 262.0   | 735.0 | 1050.0 | 17.6  | 49.3 | 70.4 | 3.2   | 9.0 | 12.8 |
| Maximum sensor size                     | 1 inch  |       |        |       |      |      |       |     |      |
| Mount                                   | C mount   |       |        |       |      |      |       |     |      |

| Model                                   | 3Z4S-LE VS-MCH25-□□□□□*1  |     |   |       |     |   |       |     |   |
|---|---|-----|---|-------|-----|---|-------|-----|---|
| Appearance/<br>Dimensions<br>(Unit: mm) | <br>38dia. 33.5 [0.025x] to 44.2 [0.35x] |     |   |       |     |   |       |     |   |
| Focal length (mm)                       | 25  |     |   |       |     |   |       |     |   |
| Filter size                             | M34.0 P0.5  |     |   |       |     |   |       |     |   |
| Optical magnification                   | 0.025x  |     |   | 0.10x |     |   | 0.35x |     |   |
| Aperture (fixed F No.)*2                | 2   | 5.6 | 8 | 2     | 5.6 | 8 | 2     | 5.6 | 8 |

| Model                  | 3Z4S-LE VS-MCH25-□□□□□*1 |       |        |      |      |      |     |     |     |
|------------------------|--------------------------|-------|--------|------|------|------|-----|-----|-----|
| Depth of field (mm) *3 | 262.0                    | 735.0 | 1050.0 | 17.6 | 49.3 | 70.4 | 1.8 | 4.9 | 7.1 |
| Maximum sensor size    | 1 inch                   |       |        |      |      |      |     |     |     |
| Mount                  | C mount                  |       |        |      |      |      |     |     |     |

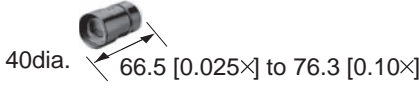
| Model                            | 3Z4S-LE VS-MCH35-□□□□□*1   |       |        |       |      |      |       |     |     |
|----------------------------------|--|-------|--------|-------|------|------|-------|-----|-----|
| Appearance/Dimensions (Unit: mm) |  38dia. 35.0 [0.025x] to 43.8 [0.25x] |       |        |       |      |      |       |     |     |
| Focal length (mm)                | 35   |       |        |       |      |      |       |     |     |
| Filter size                      | M34.0 P0.5   |       |        |       |      |      |       |     |     |
| Optical magnification            | 0.025x   |       |        | 0.10x |      |      | 0.25x |     |     |
| Aperture (fixed F No.) *2        | 2  | 5.6   | 8      | 2     | 5.6  | 8    | 2     | 5.6 | 8   |
| Depth of field (mm) *3           | 262.0  | 735.0 | 1050.0 | 17.6  | 49.3 | 70.4 | 1.8   | 4.9 | 7.1 |
| Maximum sensor size              | 1 inch   |       |        |       |      |      |       |     |     |
| Mount                            | C mount  |       |        |       |      |      |       |     |     |

| Model                            | 3Z4S-LE VS-MCH50-□□□□□*1   |       |        |       |      |      |       |      |      |
|----------------------------------|--|-------|--------|-------|------|------|-------|------|------|
| Appearance/Dimensions (Unit: mm) |  43dia. 44.5 [0.025x] to 52.0 [0.15x] |       |        |       |      |      |       |      |      |
| Focal length (mm)                | 50   |       |        |       |      |      |       |      |      |
| Filter size                      | M40.5 P0.5   |       |        |       |      |      |       |      |      |
| Optical magnification            | 0.025x   |       |        | 0.10x |      |      | 0.15x |      |      |
| Aperture (fixed F No.) *2        | 2  | 5.6   | 8      | 2     | 5.6  | 8    | 2     | 5.6  | 8    |
| Depth of field (mm) *3           | 262.0  | 735.0 | 1050.0 | 17.6  | 49.3 | 70.4 | 8.2   | 22.9 | 32.7 |
| Maximum sensor size              | 1 inch   |       |        |       |      |      |       |      |      |
| Mount                            | C mount  |       |        |       |      |      |       |      |      |

| Model                            | 3Z4S-LE VS-MCH75-□□□□□*1   |  |  |  |  |  |  |  |  |
|----------------------------------|--|--|--|--|--|--|--|--|--|
| Appearance/Dimensions (Unit: mm) |  38dia. 49.5 [0.025x] to 60.7 [0.15x] |  |  |  |  |  |  |  |  |
| Focal length (mm)                | 75   |  |  |  |  |  |  |  |  |
| Filter size                      | M34.0 P0.5   |  |  |  |  |  |  |  |  |



| Model                                | 3Z4S-LE VS-MCH75-□□□□□*1 |       |        |       |      |      |       |      |      |
|--------------------------------------|--------------------------|-------|--------|-------|------|------|-------|------|------|
| Optical magnification                | 0.025x                   |       |        | 0.10x |      |      | 0.15x |      |      |
| Aperture (fixed F No.) <sup>*2</sup> | 2.5                      | 5.6   | 8      | 2.5   | 5.6  | 8    | 2.5   | 5.6  | 8    |
| Depth of field (mm) <sup>*3</sup>    | 262.0                    | 735.0 | 1050.0 | 17.6  | 49.3 | 70.4 | 8.2   | 22.9 | 32.7 |
| Maximum sensor size                  | 1 inch                   |       |        |       |      |      |       |      |      |
| Mount                                | C mount                  |       |        |       |      |      |       |      |      |

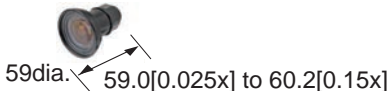
| Model                                | 3Z4S-LE VS-MCH100-□□□□□*1   |       |        |       |       |       |       |      |      |
|--------------------------------------|---|-------|--------|-------|-------|-------|-------|------|------|
| Appearance/Dimensions (Unit: mm)     |  |       |        |       |       |       |       |      |      |
| Focal length (mm)                    | 100   |       |        |       |       |       |       |      |      |
| Filter size                          | M35.5 P0.5  |       |        |       |       |       |       |      |      |
| Optical magnification                | 0.025x  |       |        | 0.05x |       |       | 0.10x |      |      |
| Aperture (fixed F No.) <sup>*2</sup> | 2.8   | 5.6   | 8      | 2.8   | 5.6   | 8     | 2.8   | 5.6  | 8    |
| Depth of field (mm) <sup>*3</sup>    | 262.0   | 735.0 | 1050.0 | 94.1  | 188.2 | 268.8 | 17.6  | 49.3 | 70.4 |
| Maximum sensor size                  | 1 inch  |       |        |       |       |       |       |      |      |
| Mount                                | C mount   |       |        |       |       |       |       |      |      |

- \*1. Insert the aperture into □□□□□ in the model number as follows.  
 F = 2.0 to 2.8: blank  
 F = 5.6: FN056  
 F = 8: FN080
- \*2. F-number can be selected from maximum aperture, 5.6, and 8.0.
- \*3. When circle of least confusion is 40 μm.


### 3-4-9 Vibration and Shock Resistant C-mount Lens for 1-inch Image Sensor (VS-MCH1 Series)


FH-S□02, FH-S□04, or FH-S□21R are recommended.

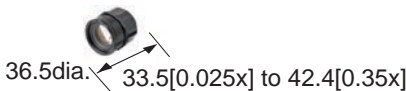
## Specification

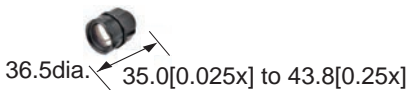
| Model                            | 3Z4S-LE VS-MC08H1-□□□□□*1   |  |  |  |  |  |  |  |  |
|----------------------------------|---|--|--|--|--|--|--|--|--|
| Appearance/Dimensions (Unit: mm) |  |  |  |  |  |  |  |  |  |
| Focal length (mm)                | 8   |  |  |  |  |  |  |  |  |
| Filter size                      | M55.0 P0.75   |  |  |  |  |  |  |  |  |

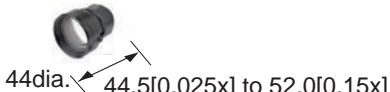
| Model                                | 3Z4S-LE VS-MC08H1-□□□□□*1 |       |        |       |      |      |       |      |      |
|--------------------------------------|---------------------------|-------|--------|-------|------|------|-------|------|------|
| Optical magnification                | 0.025x                    |       |        | 0.10x |      |      | 0.15x |      |      |
| Aperture (fixed F No.) <sup>*2</sup> | 1.4                       | 5.6   | 8      | 1.4   | 5.6  | 8    | 1.4   | 5.6  | 8    |
| Depth of field (mm) <sup>*3</sup>    | 179.0                     | 735.0 | 1050.0 | 12.0  | 49.3 | 70.4 | 5.7   | 22.9 | 32.7 |
| Maximum sensor size                  | 1 inch                    |       |        |       |      |      |       |      |      |
| Mount                                | C mount                   |       |        |       |      |      |       |      |      |

| Model                                | 3Z4S-LE VS-MC12H1-□□□□□*1   |       |        |       |      |      |       |      |      |
|--------------------------------------|---|-------|--------|-------|------|------|-------|------|------|
| Appearance/Dimensions (Unit: mm)     |  |       |        |       |      |      |       |      |      |
| Focal length (mm)                    | 12  |       |        |       |      |      |       |      |      |
| Filter size                          | M35.5 P0.5  |       |        |       |      |      |       |      |      |
| Optical magnification                | 0.025x  |       |        | 0.10x |      |      | 0.15x |      |      |
| Aperture (fixed F No.) <sup>*2</sup> | 1.4   | 5.6   | 8      | 1.4   | 5.6  | 8    | 1.4   | 5.6  | 8    |
| Depth of field (mm) <sup>*3</sup>    | 179.0   | 735.0 | 1050.0 | 12.0  | 49.3 | 70.4 | 5.7   | 22.9 | 32.7 |
| Maximum sensor size                  | 1 inch  |       |        |       |      |      |       |      |      |
| Mount                                | C mount   |       |        |       |      |      |       |      |      |

| Model                                | 3Z4S-LE VS-MC16H1-□□□□□*1   |       |        |       |      |      |       |     |      |
|--------------------------------------|---|-------|--------|-------|------|------|-------|-----|------|
| Appearance/Dimensions (Unit: mm)     |  |       |        |       |      |      |       |     |      |
| Focal length (mm)                    | 16  |       |        |       |      |      |       |     |      |
| Filter size                          | M30.5 P0.5  |       |        |       |      |      |       |     |      |
| Optical magnification                | 0.025x  |       |        | 0.10x |      |      | 0.25x |     |      |
| Aperture (fixed F No.) <sup>*2</sup> | 1.4   | 5.6   | 8      | 1.4   | 5.6  | 8    | 1.4   | 5.6 | 8    |
| Depth of field (mm) <sup>*3</sup>    | 179.0   | 735.0 | 1050.0 | 12.0  | 49.3 | 70.4 | 2.3   | 9.0 | 12.8 |
| Maximum sensor size                  | 1 inch  |       |        |       |      |      |       |     |      |
| Mount                                | C mount   |       |        |       |      |      |       |     |      |

| Model                                   | 3Z4S-LE VS-MC25H1-□□□□□*1   |       |        |       |      |      |       |     |     |
|---|---|-------|--------|-------|------|------|-------|-----|-----|
| Appearance/<br>Dimensions<br>(Unit: mm) |  |       |        |       |      |      |       |     |     |
| Focal length (mm)                       | 25  |       |        |       |      |      |       |     |     |
| Filter size                             | M30.5 P0.5  |       |        |       |      |      |       |     |     |
| Optical magnification                   | 0.025x  |       |        | 0.10x |      |      | 0.35x |     |     |
| Aperture (fixed F No.)*2                | 1.4   | 5.6   | 8      | 1.4   | 5.6  | 8    | 1.4   | 5.6 | 8   |
| Depth of field (mm) *3                  | 179.0   | 735.0 | 1050.0 | 12.0  | 49.3 | 70.4 | 1.2   | 4.9 | 7.1 |
| Maximum sensor size                     | 1 inch  |       |        |       |      |      |       |     |     |
| Mount                                   | C mount   |       |        |       |      |      |       |     |     |

| Model                                   | 3Z4S-LE VS-MC35H1-□□□□□*1  |       |        |       |      |      |       |     |      |
|---|--|-------|--------|-------|------|------|-------|-----|------|
| Appearance/<br>Dimensions<br>(Unit: mm) |  |       |        |       |      |      |       |     |      |
| Focal length (mm)                       | 35   |       |        |       |      |      |       |     |      |
| Filter size                             | M30.5 P0.5   |       |        |       |      |      |       |     |      |
| Optical magnification                   | 0.025x   |       |        | 0.10x |      |      | 0.25x |     |      |
| Aperture (fixed F No.)*2                | 1.4  | 5.6   | 8      | 1.4   | 5.6  | 8    | 1.4   | 5.6 | 8    |
| Depth of field (mm) *3                  | 179.0  | 735.0 | 1050.0 | 12.0  | 49.3 | 70.4 | 2.3   | 9.0 | 12.8 |
| Maximum sensor size                     | 1 inch   |       |        |       |      |      |       |     |      |
| Mount                                   | C mount  |       |        |       |      |      |       |     |      |

| Model                                   | 3Z4S-LE VS-MC50H1-□□□□□*1   |       |        |       |      |      |       |      |      |
|---|---|-------|--------|-------|------|------|-------|------|------|
| Appearance/<br>Dimensions<br>(Unit: mm) |  |       |        |       |      |      |       |      |      |
| Focal length (mm)                       | 50  |       |        |       |      |      |       |      |      |
| Filter size                             | M40.5 P0.5  |       |        |       |      |      |       |      |      |
| Optical magnification                   | 0.025x  |       |        | 0.10x |      |      | 0.15x |      |      |
| Aperture (fixed F No.)*2                | 1.4   | 5.6   | 8      | 1.4   | 5.6  | 8    | 1.4   | 5.6  | 8    |
| Depth of field (mm) *3                  | 179.0   | 735.0 | 1050.0 | 12.0  | 49.3 | 70.4 | 5.7   | 22.9 | 32.7 |
| Maximum sensor size                     | 1 inch  |       |        |       |      |      |       |      |      |

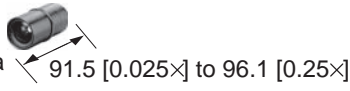
| Model | 3Z4S-LE VS-MC50H1-□□□□□*1 |
|-------|---------------------------|
| Mount | C mount                   |

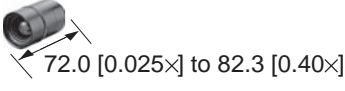
- \*1. Insert the aperture into □□□□□ in the model number as follows.  
 F = 1.4: blank  
 F = 5.6: FN056  
 F = 8: FN080
- \*2. F-number can be selected from maximum aperture, 5.6, and 8.0.
- \*3. When circle of least confusion is 40 μm.

### 3-4-10 Vibration and Shock Resistant M42-mount Lens for 1.8-inch Image Sensor (VS-MCL/M42-10 Series)

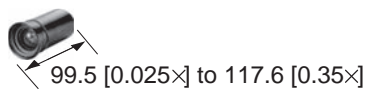
FH-S□12 is recommended.

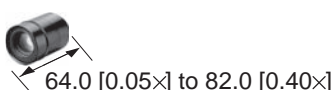
## Specification

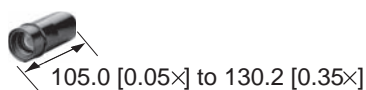
| Model                                   | 3Z4S-LE VS-MCL18-□□□□□/M42-10*1  |       |        |       |      |      |       |     |      |
|---|--|-------|--------|-------|------|------|-------|-----|------|
| Appearance/<br>Dimensions<br>(Unit: mm) | <br>52dia $\swarrow$ 91.5 [0.025×] to 96.1 [0.25×] |       |        |       |      |      |       |     |      |
| Focal length (mm)                       | 18   |       |        |       |      |      |       |     |      |
| Filter size                             | M46.0 P0.75  |       |        |       |      |      |       |     |      |
| Optical magnification                   | 0.025x   |       |        | 0.10x |      |      | 0.25x |     |      |
| Aperture (fixed F No.) <sup>*2</sup>    | 2.8  | 5.6   | 8      | 2.8   | 5.6  | 8    | 2.8   | 5.6 | 8    |
| Depth of field (mm) <sup>*3</sup>       | 367.0  | 735.0 | 1050.0 | 24.6  | 49.3 | 70.4 | 4.5   | 9.0 | 12.8 |
| Maximum sensor size                     | 1.8 inch   |       |        |       |      |      |       |     |      |
| Mount                                   | M42 mount  |       |        |       |      |      |       |     |      |

| Model                                   | 3Z4S-LE VS-MCL25-□□□□□/M42-10*1  |       |        |       |      |      |       |     |     |
|---|--|-------|--------|-------|------|------|-------|-----|-----|
| Appearance/<br>Dimensions<br>(Unit: mm) | <br>52dia. $\swarrow$ 72.0 [0.025×] to 82.3 [0.40×] |       |        |       |      |      |       |     |     |
| Focal length (mm)                       | 25   |       |        |       |      |      |       |     |     |
| Filter size                             | M46.0 P0.75  |       |        |       |      |      |       |     |     |
| Optical magnification                   | 0.025x   |       |        | 0.10x |      |      | 0.40x |     |     |
| Aperture (fixed F No.) <sup>*2</sup>    | 2.6  | 5.6   | 8      | 2.6   | 5.6  | 8    | 2.6   | 5.6 | 8   |
| Depth of field (mm) <sup>*3</sup>       | 367.0  | 735.0 | 1050.0 | 24.6  | 49.3 | 70.4 | 1.8   | 3.9 | 5.6 |
| Maximum sensor size                     | 1.8 inch   |       |        |       |      |      |       |     |     |

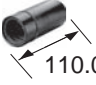
|              |   |
|--------------|---|
| <b>Model</b> | <b>3Z4S-LE VS-MCL25-□□□□□/ M42-10*1</b> |
| Mount        | M42 mount                               |

|   |   |       |        |       |      |      |       |     |     |
|---|---|-------|--------|-------|------|------|-------|-----|-----|
| <b>Model</b>                            | <b>3Z4S-LE VS-MCL35-□□□□□/ M42-10*1</b>   |       |        |       |      |      |       |     |     |
| Appearance/<br>Dimensions<br>(Unit: mm) |  |       |        |       |      |      |       |     |     |
| Focal length (mm)                       | 35  |       |        |       |      |      |       |     |     |
| Filter size                             | M52.0 P0.75   |       |        |       |      |      |       |     |     |
| Optical magnification                   | 0.025x  |       |        | 0.20x |      |      | 0.50x |     |     |
| Aperture (fixed F No.)*2                | 2.8   | 5.6   | 8      | 2.8   | 5.6  | 8    | 2.8   | 5.6 | 8   |
| Depth of field (mm) *3                  | 367.0   | 735.0 | 1050.0 | 6.5   | 13.4 | 19.2 | 2.0   | 3.9 | 5.6 |
| Maximum sensor size                     | 1.8 inch  |       |        |       |      |      |       |     |     |
| Mount                                   | M42 mount   |       |        |       |      |      |       |     |     |

|   |   |       |       |       |      |      |       |     |     |
|---|---|-------|-------|-------|------|------|-------|-----|-----|
| <b>Model</b>                            | <b>3Z4S-LE VS-MCL50-□□□□□/ M42-10*1</b>   |       |       |       |      |      |       |     |     |
| Appearance/<br>Dimensions<br>(Unit: mm) |  |       |       |       |      |      |       |     |     |
| Focal length (mm)                       | 50  |       |       |       |      |      |       |     |     |
| Filter size                             | M46.0 P0.75   |       |       |       |      |      |       |     |     |
| Optical magnification                   | 0.05x   |       |       | 0.20x |      |      | 0.40x |     |     |
| Aperture (fixed F No.)*2                | 2.8   | 5.6   | 8     | 2.8   | 5.6  | 8    | 2.8   | 5.6 | 8   |
| Depth of field (mm) *3                  | 97.6  | 188.0 | 269.0 | 6.5   | 13.4 | 19.2 | 2.0   | 3.9 | 5.6 |
| Maximum sensor size                     | 1.8 inch  |       |       |       |      |      |       |     |     |
| Mount                                   | M42 mount   |       |       |       |      |      |       |     |     |

|   |   |     |   |       |     |   |       |     |   |
|---|---|-----|---|-------|-----|---|-------|-----|---|
| <b>Model</b>                            | <b>3Z4S-LE VS-MCL85-□□□□□/ M42-10*1</b>   |     |   |       |     |   |       |     |   |
| Appearance/<br>Dimensions<br>(Unit: mm) |  |     |   |       |     |   |       |     |   |
| Focal length (mm)                       | 85  |     |   |       |     |   |       |     |   |
| Filter size                             | M46.0 P0.75   |     |   |       |     |   |       |     |   |
| Optical magnification                   | 0.05x   |     |   | 0.30x |     |   | 0.35x |     |   |
| Aperture (fixed F No.)*2                | 4   | 5.6 | 8 | 4     | 5.6 | 8 | 4     | 5.6 | 8 |

| Model                  | 3Z4S-LE VS-MCL85-□□□□□/M42-10*1 |       |       |     |     |     |     |     |     |
|------------------------|---------------------------------|-------|-------|-----|-----|-----|-----|-----|-----|
| Depth of field (mm) *3 | 134.0                           | 188.0 | 269.0 | 4.6 | 6.5 | 9.2 | 3.5 | 4.9 | 7.1 |
| Maximum sensor size    | 1.8 inch                        |       |       |     |     |     |     |     |     |
| Mount                  | M42 mount                       |       |       |     |     |     |     |     |     |

| Model                            | 3Z4S-LE VS-MCL100-□□□□□/M42-10*1   |       |       |       |      |      |       |     |     |
|----------------------------------|--|-------|-------|-------|------|------|-------|-----|-----|
| Appearance/Dimensions (Unit: mm) | <br>52dia. 110.0 [0.05x] to 135.0 [0.30x] |       |       |       |      |      |       |     |     |
| Focal length (mm)                | 100  |       |       |       |      |      |       |     |     |
| Filter size                      | M46.0 P0.75  |       |       |       |      |      |       |     |     |
| Optical magnification            | 0.05x  |       |       | 0.20x |      |      | 0.30x |     |     |
| Aperture (fixed F No.) *2        | 2.8  | 5.6   | 8     | 2.8   | 5.6  | 8    | 2.8   | 5.6 | 8   |
| Depth of field (mm) *3           | 94.1   | 188.0 | 269.0 | 6.5   | 13.4 | 19.2 | 3.2   | 6.5 | 9.2 |
| Maximum sensor size              | 1.8 inch   |       |       |       |      |      |       |     |     |
| Mount                            | M42 mount  |       |       |       |      |      |       |     |     |

\*1. Insert the aperture into □□□□□ in the model number as follows.

F = 2.6 to 4.0: blank

F = 5.6: FN056

F = 8: FN080

\*2. F-number can be selected from maximum aperture, 5.6, and 8.0.

\*3. When circle of least confusion is 40 μm.

### 3-4-11 High-resolution Telecentric Lens for C-mount Lens for 2/3-inch Image Sensor (VS-TCH Series)

FZ-S□, FZ-SH□, FZ-S□2M, FZ-S□5M□, and FH-S□ are recommended.

## Specification

| Model*1                          |               | 3Z4S-LE VS-TCH05 -65□□□□ | 3Z4S-LE VS-TCH05 -110□□□□ | 3Z4S-LE VS-TCH1 -65□□□□ | 3Z4S-LE VS-TCH1 -110□□□□ |
|----------------------------------|---------------|--------------------------|---------------------------|-------------------------|--------------------------|
| Optical magnification (±5 %)     |               | 0.5x                     |                           | 1.0x                    |                          |
| Field of view (±5%) (V x H) (mm) | FH-SC/SM      | 1/3 inch equivalent      | 9.6 x 7.2                 | 4.8 x 3.6               |                          |
|                                  | FH-S□05R      | 1/2.5 inch equivalent    | 11.4 x 10.6               | 5.7 x 4.28              |                          |
|                                  | FZ-SC/S       | 1/3 inch equivalent      | 9.6 x 7.2                 | 4.8 x 3.6               |                          |
|                                  | FZ-SC2M/S2M   | 1/1.8 inch equivalent    | 14.0 x 10.6               | 7.0 x 5.3               |                          |
|                                  | FZ-SC5M□/S5M□ | 2/3 inch equivalent      | 16.8 x 14.2               | 8.4 x 7.1               |                          |

| Model*1                | 3Z4S-LE<br>VS-TCH05<br>-65□□□□ | 3Z4S-LE<br>VS-TCH05<br>-110□□□□ | 3Z4S-LE<br>VS-TCH1<br>-65□□□□ | 3Z4S-LE<br>VS-TCH1<br>-110□□□□ |
|------------------------|--------------------------------|---------------------------------|-------------------------------|--------------------------------|
| WD (mm)*2              | 75.3                           | 110.8                           | 68.8                          | 110.3                          |
| Effective FNO          | 9.42                           | 9.49                            | 9.94                          | 10.49                          |
| Depth of field (mm) *3 | 3                              | 3.04                            | 0.8                           | 0.84                           |
| Resolution (μm) *4     | 12.43                          | 12.9                            | 6.71                          | 6.99                           |
| TV distortion          | 0.02 %                         | 0.02 %                          | 0.01 %                        | 0.02 %                         |
| Maximum sensor size    | 2/3 inch                       |                                 |                               |                                |

| Model*1                                   | 3Z4S-LE<br>VS-TCH1.5<br>-65□□□□ | 3Z4S-LE<br>VS-TCH1.5<br>-110□□□□ | 3Z4S-LE<br>VS-TCH2<br>-65□□□□ | 3Z4S-LE<br>VS-TCH2<br>-110□□□□ |
|---|---------------------------------|----------------------------------|-------------------------------|--------------------------------|
| Optical magnification (±5 %)              | 1.5x                            |                                  | 2.0x                          |                                |
| Field of view<br>(±5%)<br>(V x H)<br>(mm) | FH-SC/SM                        | 1/3 inch equivalent              | 3.2 x 2.4                     |                                |
|   | FH-S□05R                        | 1/2.5 inch equivalent            | 3.8 x 2.85                    |                                |
|   | FZ-SC/S                         | 1/3 inch equivalent              | 3.2 x 2.4                     |                                |
|   | FZ-SC2M/S2M                     | 1/1.8 inch equivalent            | 4.7 x 3.5                     |                                |
|   | FZ-SC5M□/S5M□                   | 2/3 inch equivalent              | 5.6 x 4.7                     |                                |
| WD (mm)*2                                 | 65                              | 110.8                            | 65                            | 110.8                          |
| Effective FNO                             | 11.8                            | 11.97                            | 13.6                          | 13.5                           |
| Depth of field (mm) *3                    | 0.4                             | 0.43                             | 0.3                           | 0.27                           |
| Resolution (μm) *4                        | 5.24                            | 5.33                             | 4.53                          | 4.53                           |
| TV distortion                             | 0.01 %                          | 0.02 %                           | 0.03 %                        | 0.03 %                         |
| Maximum sensor size                       | 2/3 inch                        |                                  |                               |                                |

| Model*1                                   |               | 3Z4S-LE<br>VS-TCH4<br>-65□□□□ | 3Z4S-LE<br>VS-TCH4<br>-110□□□□ |
|---|---------------|-------------------------------|--------------------------------|
| Optical magnification (±5 %)              |               | 4.0x                          |                                |
| Field of view<br>(±5%)<br>(V x H)<br>(mm) | FH-SC/SM      | 1/3 inch equivalent           | 1.2 x 0.9                      |
|   | FH-S□05R      | 1/2.5 inch equivalent         | 1.43 x 1.07                    |
|   | FZ-SC/S       | 1/3 inch equivalent           | 1.2 x 0.9                      |
|   | FZ-SC2M/S2M   | 1/1.8 inch equivalent         | 1.8 x 1.3                      |
|   | FZ-SC5M□/S5M□ | 2/3 inch equivalent           | 2.1 x 1.8                      |
| WD (mm)*2                                 |               | 65                            | 110.8                          |
| Effective FNO                             |               | 17.91                         | 22.2                           |
| Depth of field (mm) *3                    |               | 0.09                          | 0.11                           |
| Resolution (μm) *4                        |               | 3                             | 3.73                           |
| TV distortion                             |               | 0.02 %                        | 0.03 %                         |
| Maximum sensor size                       |               | 2/3 inch                      |                                |

\*1. Insert the shape into □□□□ in the model number as follows.

Straight: -O

Coaxial: CO-O

\*2. The working distance is the distance from the end of the lens to the sensor.

\*3. The depth of field is calculated using a permissible circle of confusion diameter of 0.04 mm.

\*4. The resolution is calculated using a wavelength of 550 nm.



#### Precautions for Correct Use

- (1) Fixing the lens or other reinforcement may be required depending on the installation angle or operating environment (vibration/shock). When fixing the lens, insulate the lens from the fixture.
- (2) The above specifications are values calculated from the optical design and can vary depending on installation conditions.

### 3-4-12 High-resolution Telecentric Lens for C-mount Lens for 1.1-inch Image Sensor (VS-TEV Series)

FH-S□X12, FH-S□21R, FH-S□04, and FH-S□02 are recommended.

#### Specification

| Model | 3Z4S-LE<br>VS-TEV0305 |      | 3Z4S-LE<br>VS-TEV05075 |      | 3Z4S-LE<br>VS-TEV07510 |        |
|-------|-----------------------|------|------------------------|------|------------------------|--------|
|       | Optical magnification | 0.3x | 0.5x                   | 0.5x | 0.75x                  | 0.75xx |



| Model                               |              |                        | 3Z4S-LE<br>VS-TEV0305 |                | 3Z4S-LE<br>VS-TEV05075 |                | 3Z4S-LE<br>VS-TEV07510 |                |
|-------------------------------------|--------------|------------------------|-----------------------|----------------|------------------------|----------------|------------------------|----------------|
| Field of<br>view<br>(V x H)<br>(mm) | FH-S<br>□X12 | 1.1 inch<br>equivalent | 47.1 x<br>34.5        | 28.2 x<br>20.7 | 28.2 x<br>20.7         | 18.8 x<br>13.8 | 18.8 x<br>13.8         | 14.1 x<br>10.4 |
|                                     | FH-S<br>□21R | 1 inch<br>equivalent   | 44.4 x<br>29.6        | 26.6 x<br>17.7 | 26.6 x<br>17.7         | 17.7 x<br>11.8 | 17.7 x<br>11.8         | 13.3 x 8.9     |
|                                     | FH-S□04      | 1 inch<br>equivalent   | 37.5 x<br>37.5        | 22.5 x<br>22.5 | 22.5 x<br>22.5         | 15.0 x<br>15.0 | 15.0 x<br>15.0         | 11.3 x 11.3    |
|                                     | FH-S□02      | 2/3 inch<br>equivalent | 37.5 x<br>19.9        | 22.5 x<br>12.0 | 22.5 x<br>12.0         | 15.0 x 8.0     | 15.0 x 8.0             | 11.3 x 6.0     |
| WD (mm) <sup>*1</sup>               |              |                        | 221.5                 | 125.8          | 173.2                  | 133.9          | 133.9                  | 114.0          |
| Effective FNO                       |              |                        | 4.3                   | 6.2            | 5.0                    | 6.8            | 6.8                    | 8.5            |
| Depth of field (mm) <sup>*2</sup>   |              |                        | 3.8                   | 2.0            | 1.6                    | 1.0            | 1.0                    | 0.7            |
| Resolution (μm) <sup>*3</sup>       |              |                        | 9.59                  | 8.39           | 6.71                   | 6.10           | 6.10                   | 5.69           |
| TV distortion                       |              |                        | 0.03 %                | -0.04 %        | 0.06 %                 | 0.04 %         | 0.04 %                 | 0.02 %         |
| Maximum sensor size                 |              |                        | 1.1 inch              |                |                        |                |                        |                |

\*1. The working distance is the distance from the end of the lens to the sensor.

\*2. The depth of field is calculated using a permissible circle of confusion diameter of 0.04 mm.

\*3. The resolution is calculated using a wavelength of 550 nm.

## 3-4-13 Extension Tubes

### Specification

| Lenses   | For M42 mount Lenses <sup>*1</sup>   | For C mount Lenses <sup>*1</sup>   | For Small Digital CCD Cameras   |
|----------|--|--|---|
| Model    | 3Z4S-LE VS-EXR/M42   | 3Z4S-LE SV-EXR   | FZ-LESR   |
| Contents | Set of 5 tubes (20 mm, 10 mm, 8 mm, 2 mm, and 1 mm)<br>Maximum outer diameter:<br>47.5 mm dia. | Set of 7 tubes (40 mm, 20 mm, 10 mm, 5 mm, 2.0 mm, 1.0 mm, and 0.5 mm)<br>Maximum outer diameter: 30 mm dia. | Set of 3 tubes (15 mm, 10 mm, 5 mm)<br>Maximum outer diameter: 12 mm dia. |

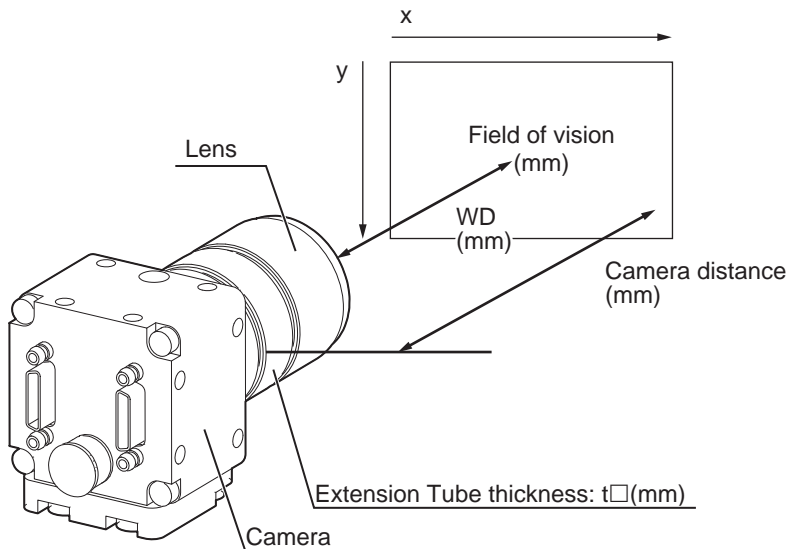
\*1. Do not use the 0.5-mm, 1.0-mm, and 2.0-mm Extension Tubes attached to each other. Since these Extension Tubes are placed over the threaded section of the Lens or other Extension Tube, the connection may loosen when more than one 0.5-mm, 1.0-mm or 2.0-mm Extension Tube are used together. Reinforcement is required to protect against vibration when Extension Tubes exceeding 30 mm are used. When using the Extension Tube, check it on the actual device before using it.

### 3-4-14 Meaning of Optical Chart

Select lens appropriate for the camera. For more details, refer to *Vision Accessory Catalog (Cat. No. Q198)*.

#### How-to View the Optical Chart

The X axis of the optical chart shows the field of vision (mm)<sup>\*1</sup>, The Y axis of the optical chart shows the camera installation distance (mm) or WD<sup>\*2</sup>.



\*1. The lengths of the fields of vision given in the optical charts are the lengths of the Y axis.

\*2. The vertical axis represents WD for small cameras.

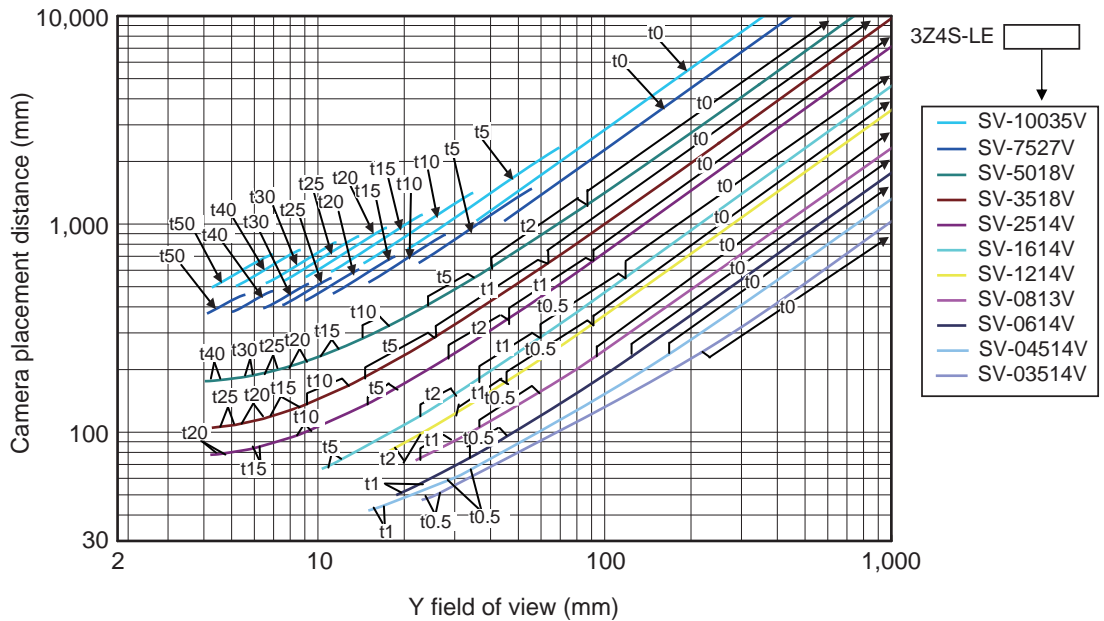
## Optical Chart

### ● Normal Lenses

(a) Digital CCD Camera (Standalone): FZ-S□

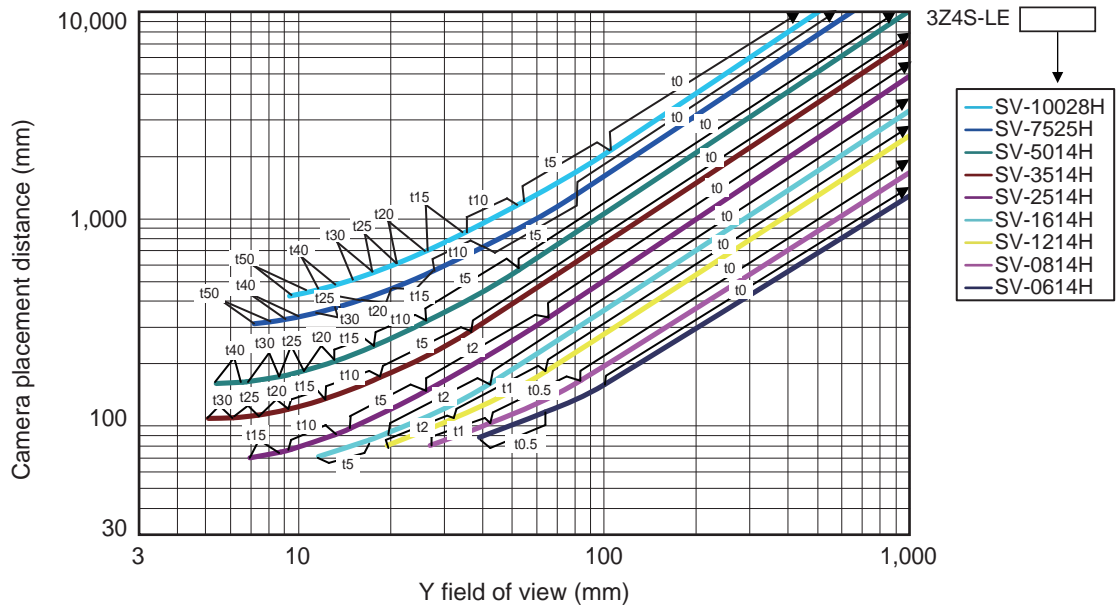
High-speed Digital CCD/CMOS Camera (Standalone): FZ-SH□/ FH-S□

(Using 3Z4S-LE SV-V Series)

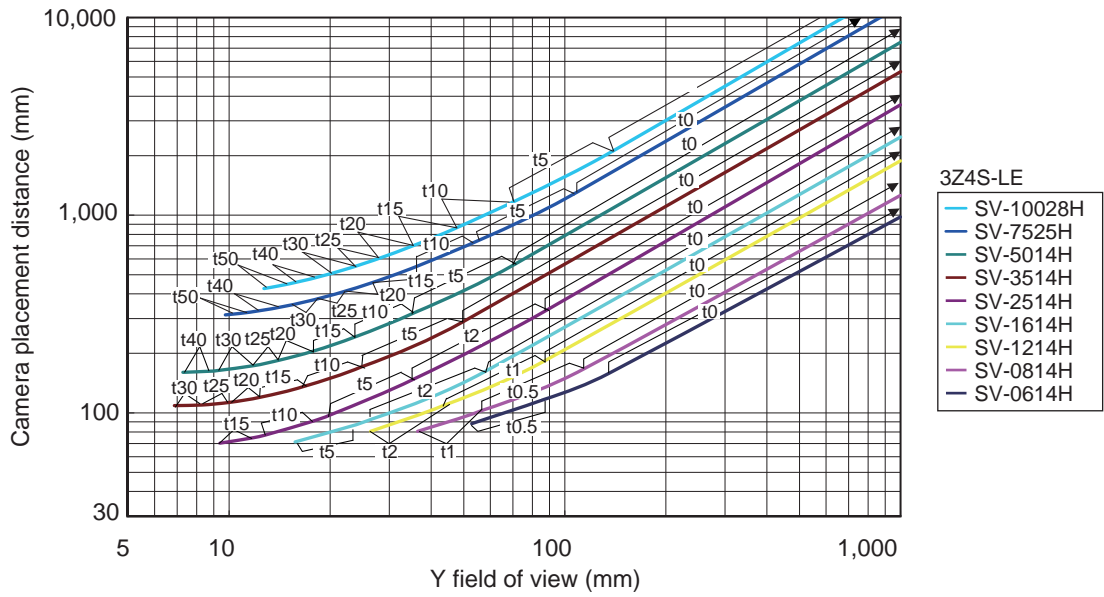


(b) Digital CCD Camera (Standalone): FZ-S□2M

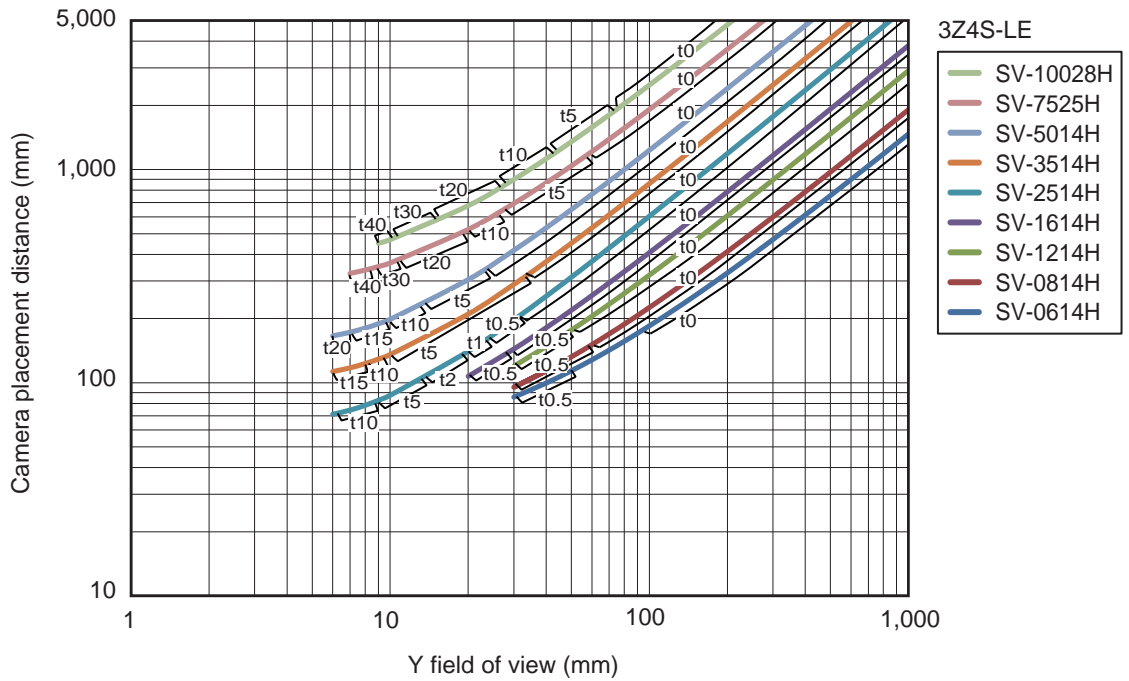
(Using 3Z4S-LE SV-H Series)



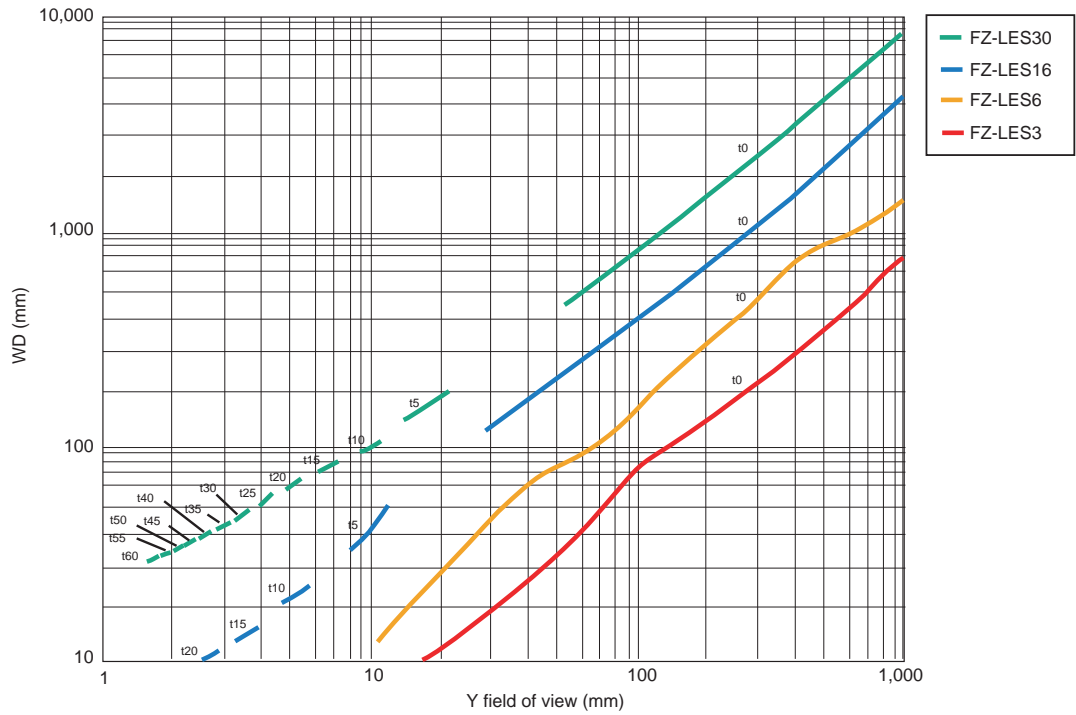
- (c) Digital CCD/CMOS Camera (Standalone): FZ-S5M2/FZ-S□5M3  
 High-speed Digital CMOS Camera (Standalone): FH-S□X05  
 (Using 3Z4S-LE SV-H Series)



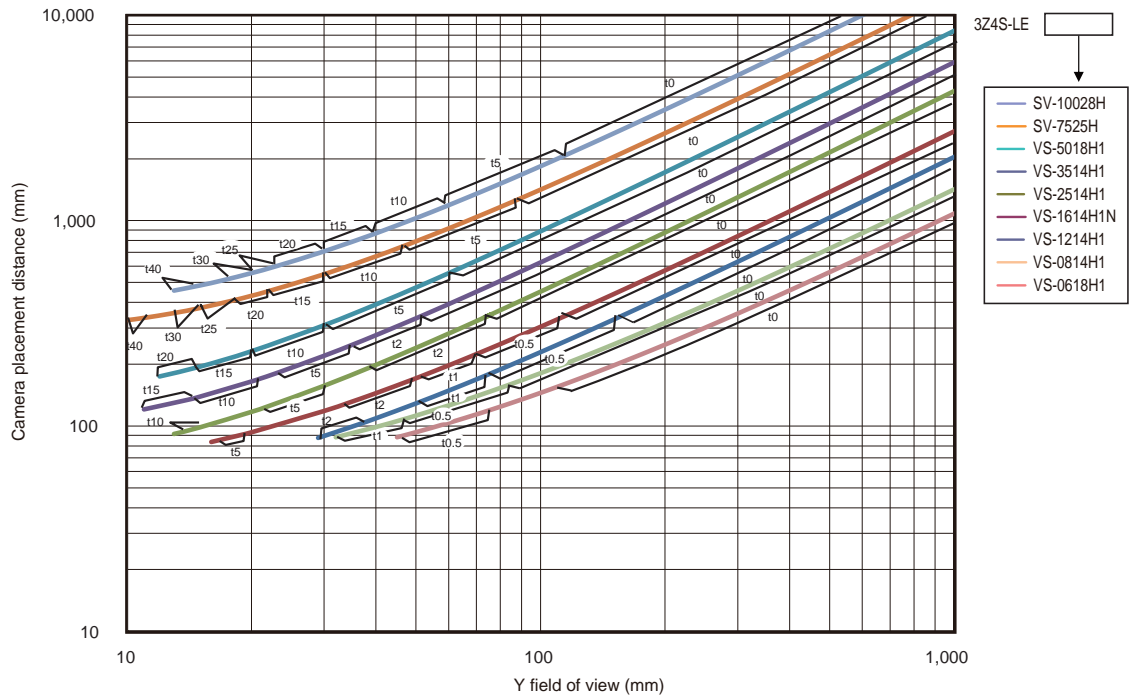
- (d) Digital CMOS Camera (Standalone): FH-S□05R  
 (Using 3Z4S-LE SV-H Series)



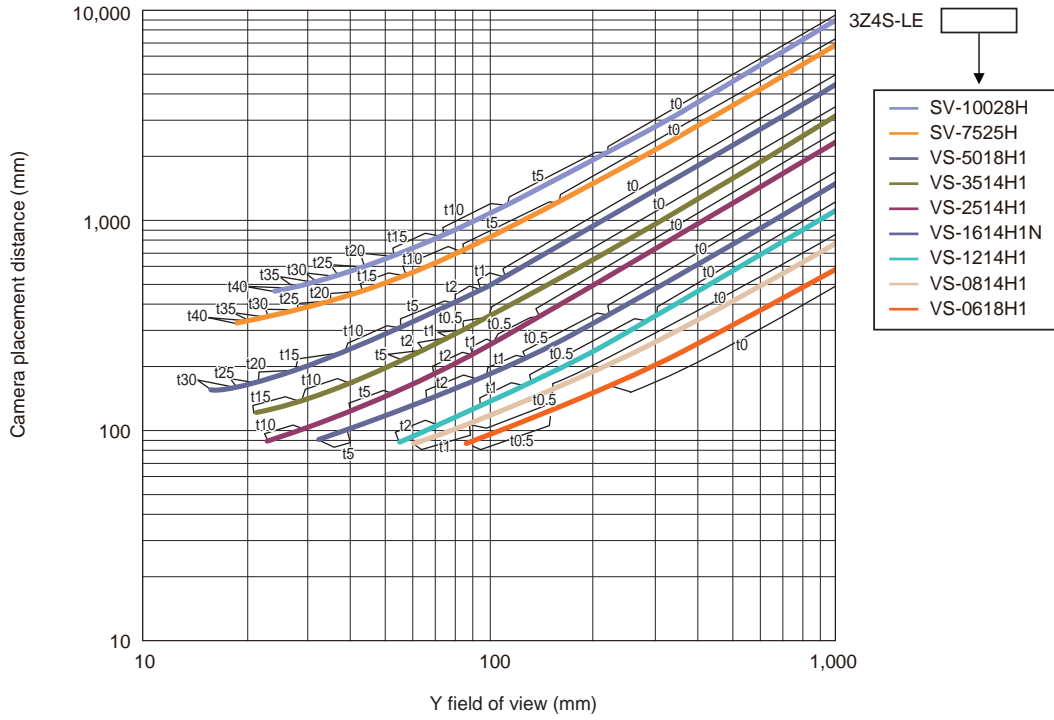
(e) Small Digital CCD Cameras (Standalone): FZ-SF□ or FZ-SP□ (Using FZ-LES Series)



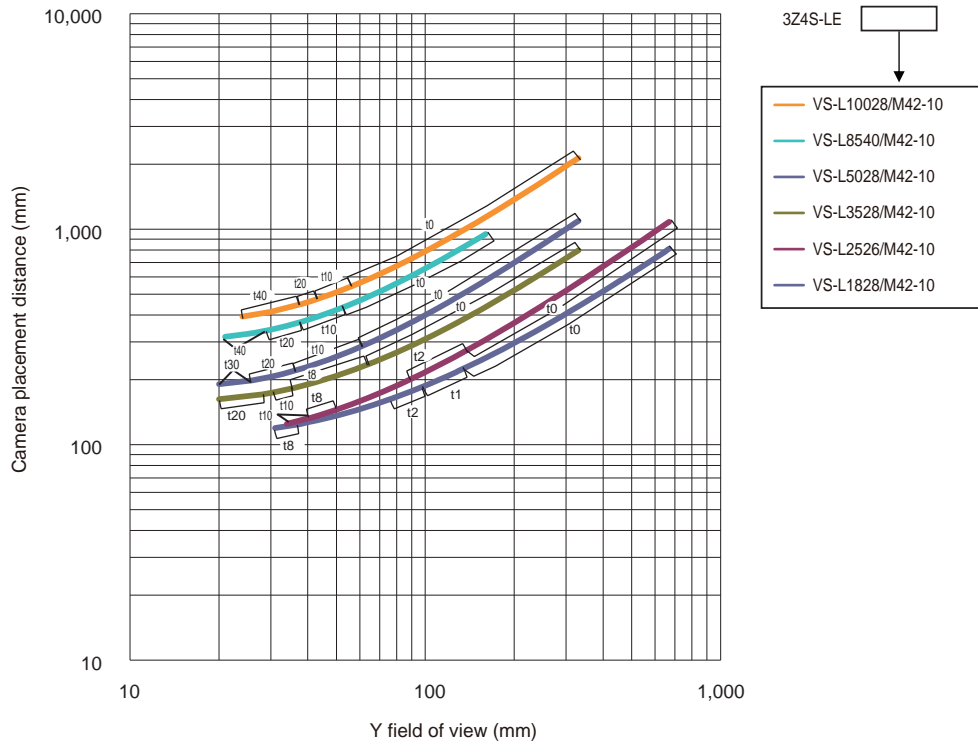
(f) High-speed Digital CMOS Camera (Standalone): FH-S□02 (Using 3Z4S-LE SV-H/VS-H1 Series)



(g) High-speed Digital CMOS Camera (Standalone): FH-S□04  
(Using 3Z4S-LE SV-H/VS-H1 Series)

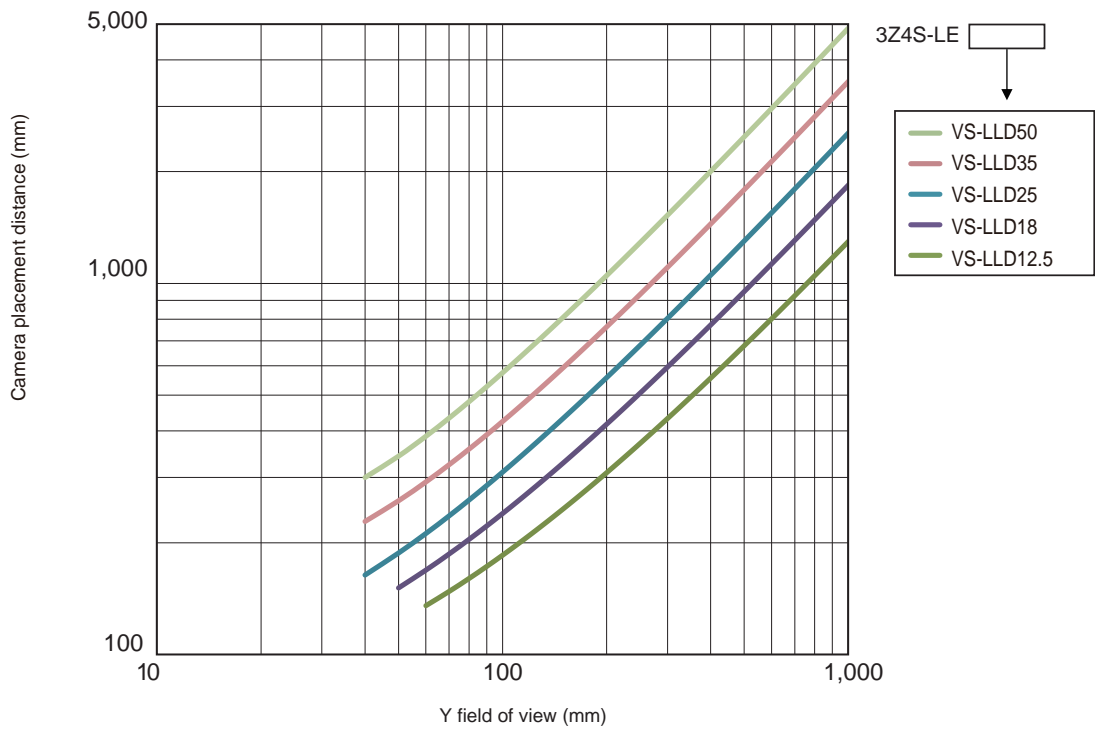


(h) High-speed Digital CMOS Camera (Standalone): FH-S□12  
(Using 3Z4S-LE VS-L/M42-10 Series)



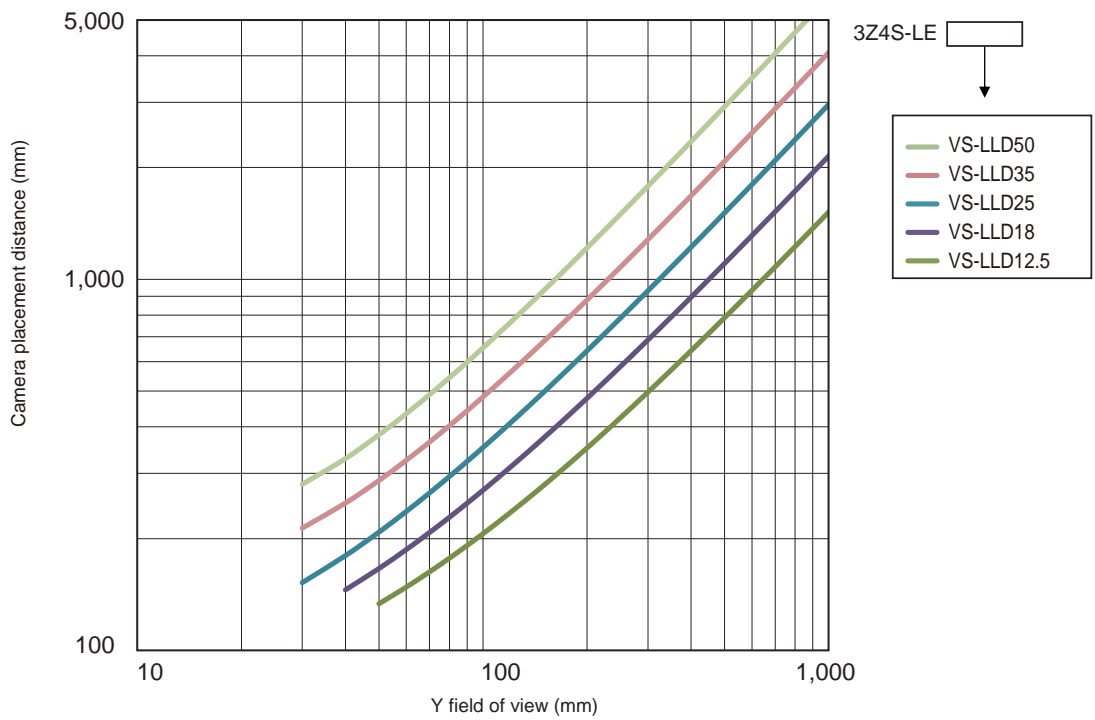
- (i) High-speed Digital CMOS Camera (Standalone): FH-S□X12  
(Using 3Z4S-LE VS-LLD Series)

Note: The 3Z4S-LE VS-LDD Series cannot be used with an extension tube.

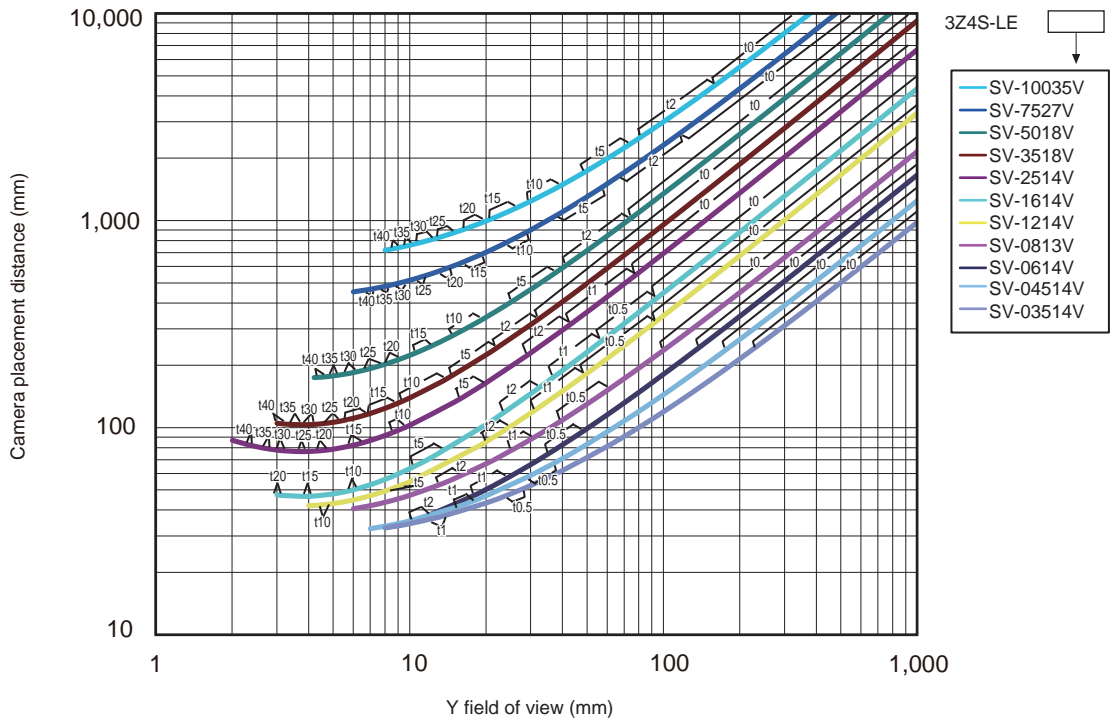


- (j) Digital CMOS Camera (Standalone): FH-S□21R  
(Using 3Z4S-LE VS-LLD Series)

Note: The 3Z4S-LE VS-LDD Series cannot be used with an extension tube.



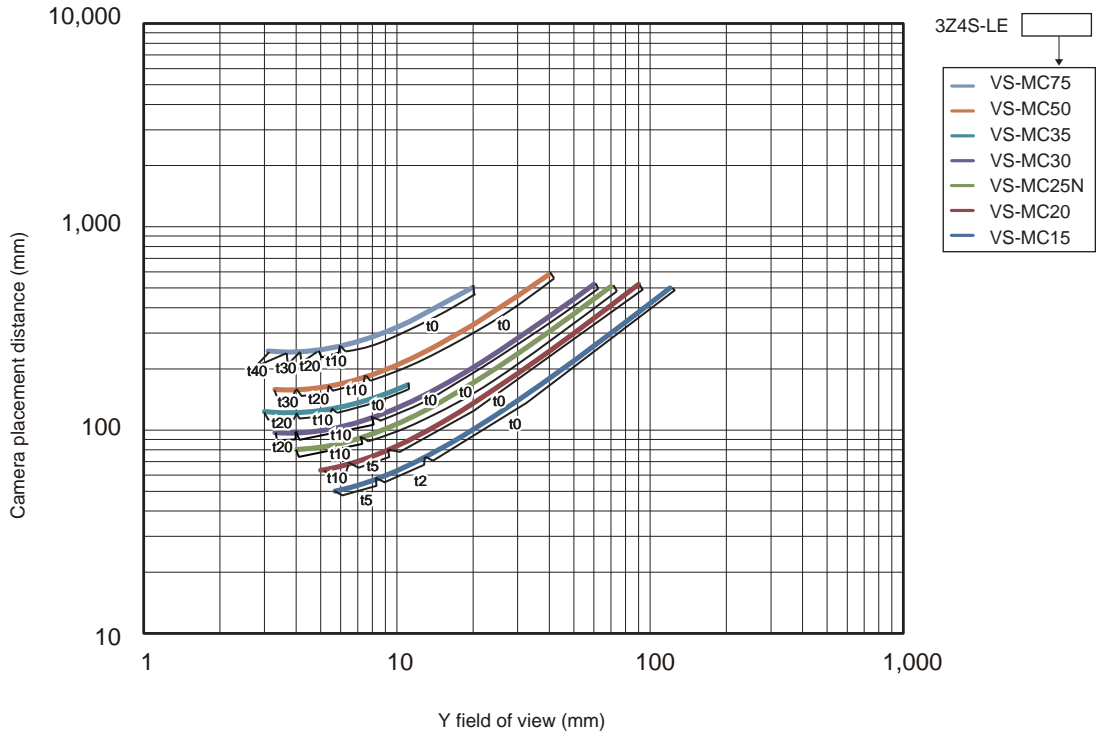
(k) High-speed Digital CMOS Camera (Standalone): FH-S□X  
 (Using 3Z4S-LE SV-V Series)



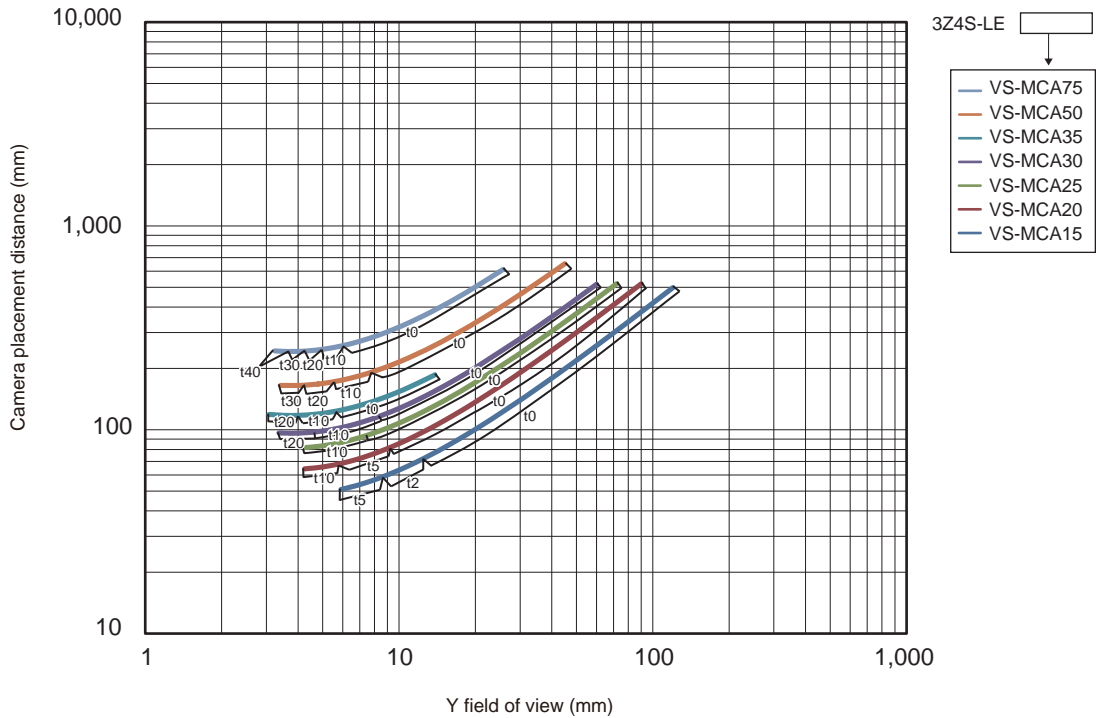




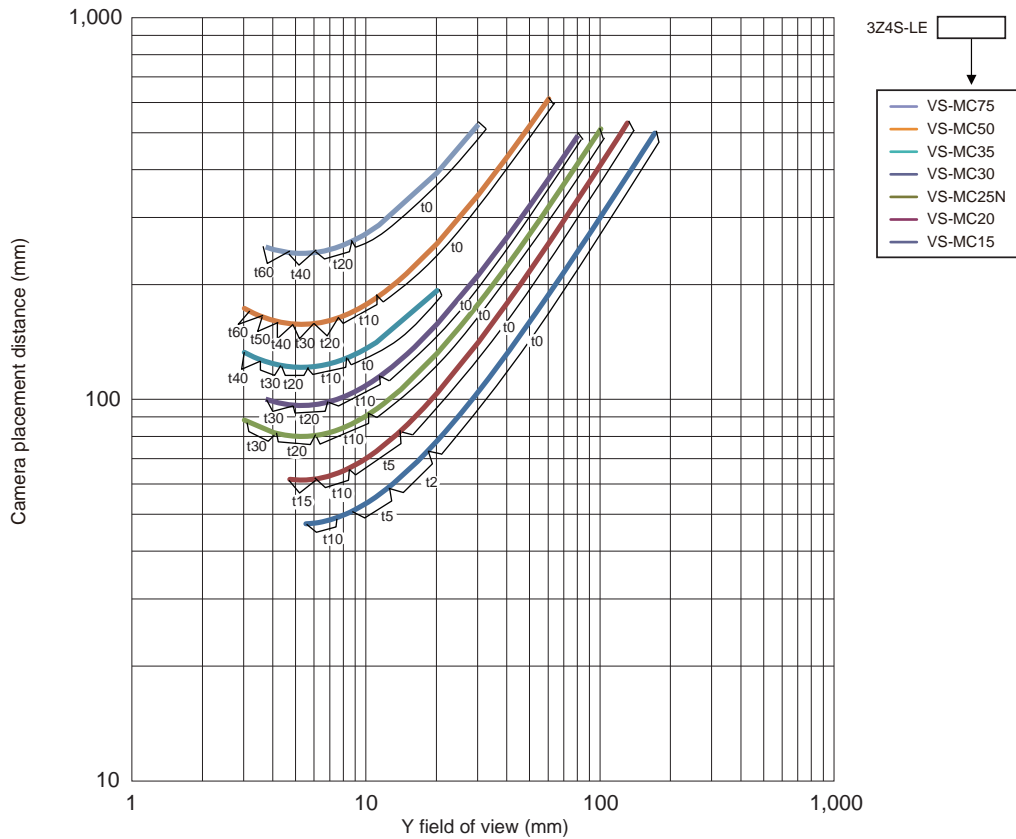
(c) High-speed Digital CMOS Camera (Standalone): FH-S□X  
(Using 3Z4S-LE VS-MC Series)



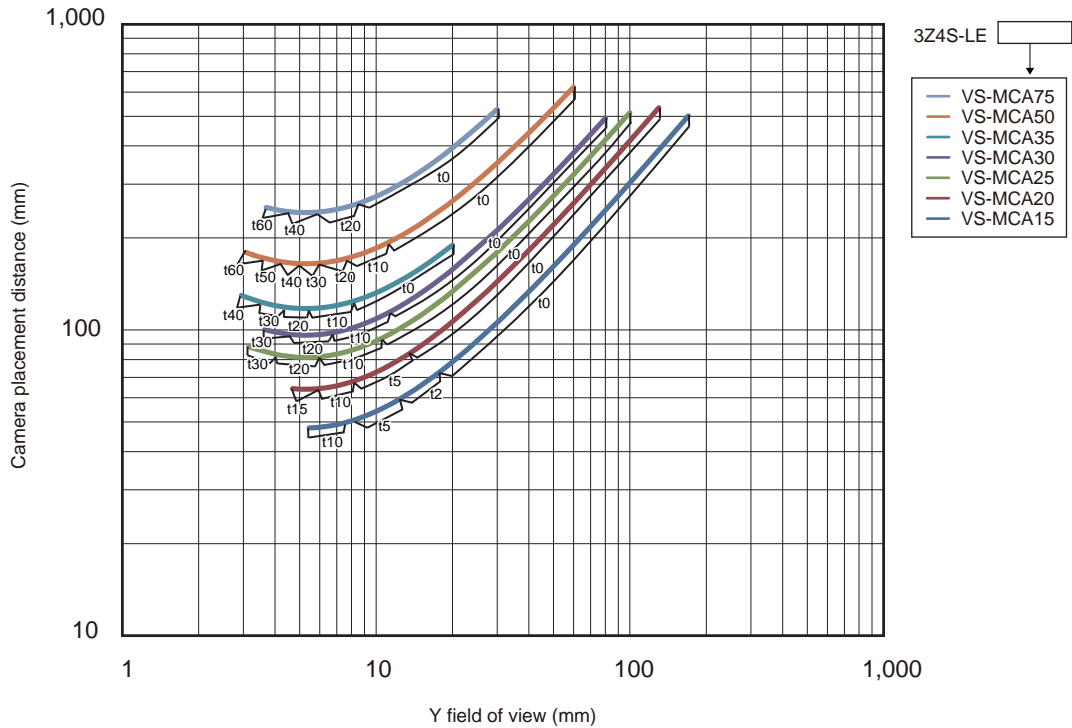
(d) High-speed Digital CMOS Camera (Standalone): FH-S□X  
(Using 3Z4S-LE VS-MCA Series)



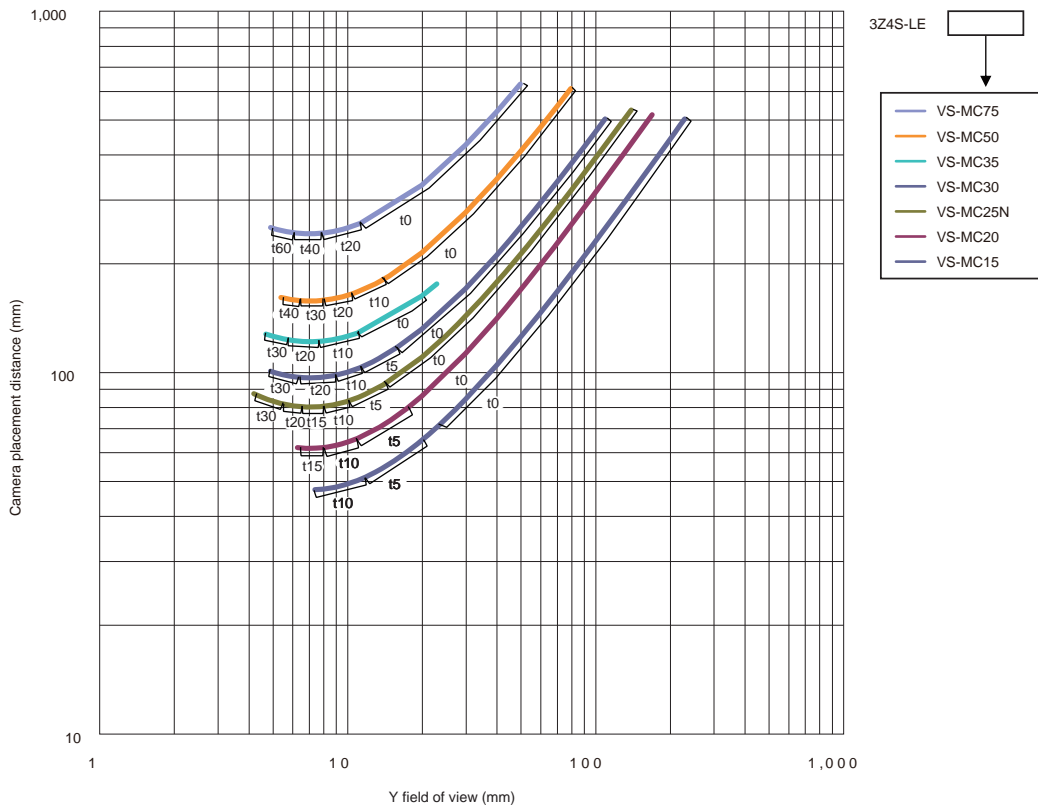
(e) Digital CCD Camera (Standalone): FZ-S□2M  
(Using 3Z4S-LE VS-MC Series)



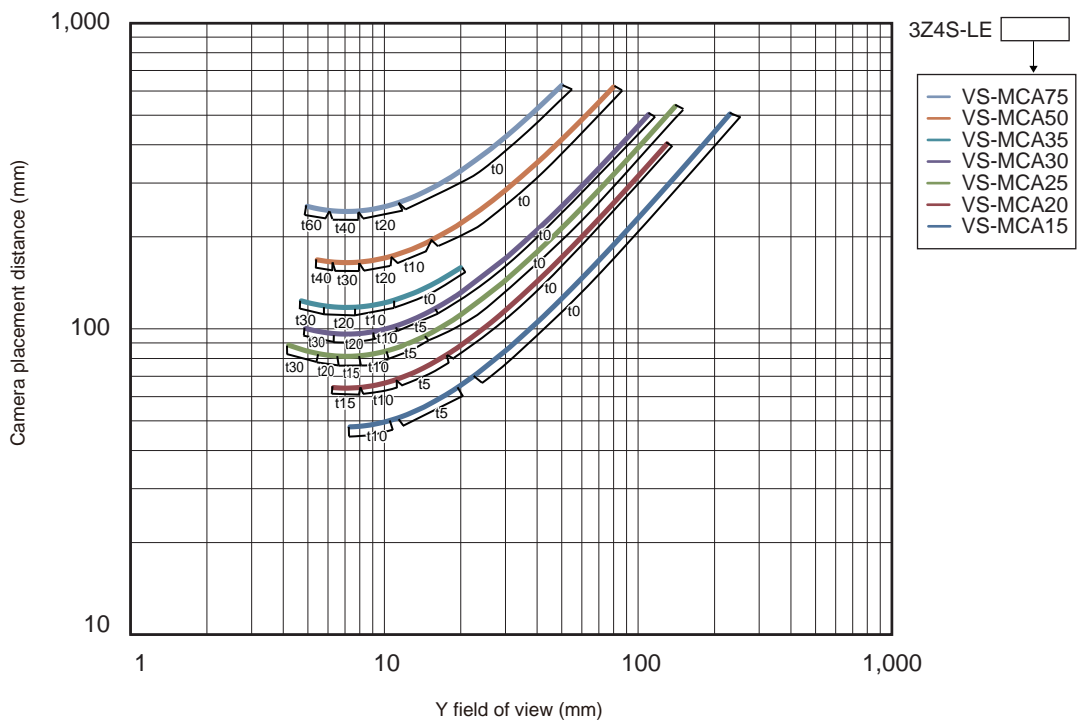
(f) Digital CCD Camera (Standalone): FZ-S□2M  
(Using 3Z4S-LE VS-MCA Series)



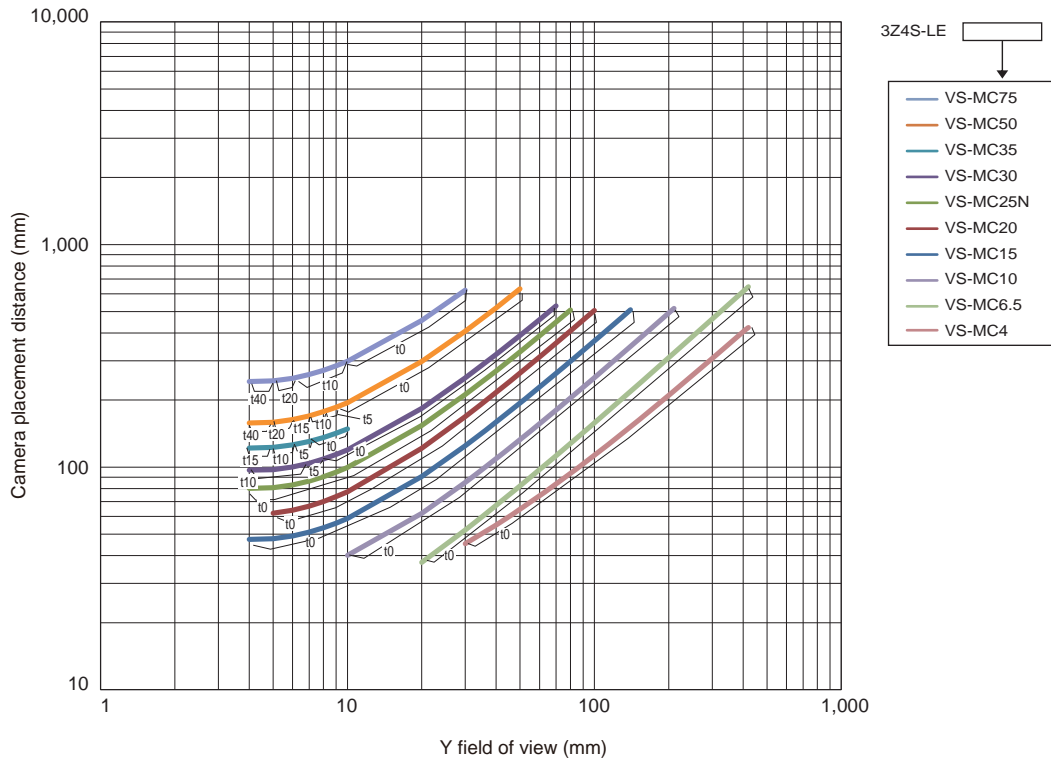
- (g) Digital CCD/CMOS Camera (Standalone): FZ-S5M2/FZ-S□5M3  
 High-speed Digital CMOS Camera (Standalone): FH-S□X05  
 (Using 3Z4S-LE VS-MC Series)



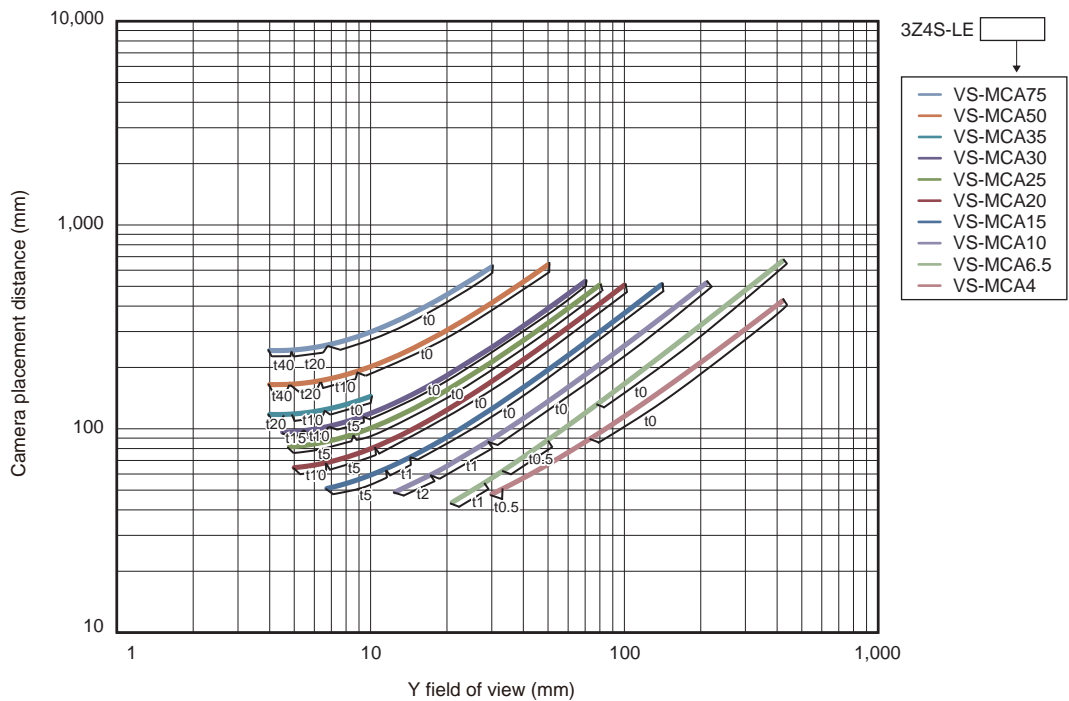
- (h) Digital CCD/CMOS Camera (Standalone): FZ-S5M2/FZ-S□5M3  
 High-speed Digital CMOS Camera (Standalone): FH-S□X05  
 (Using 3Z4S-LE VS-MCA Series)



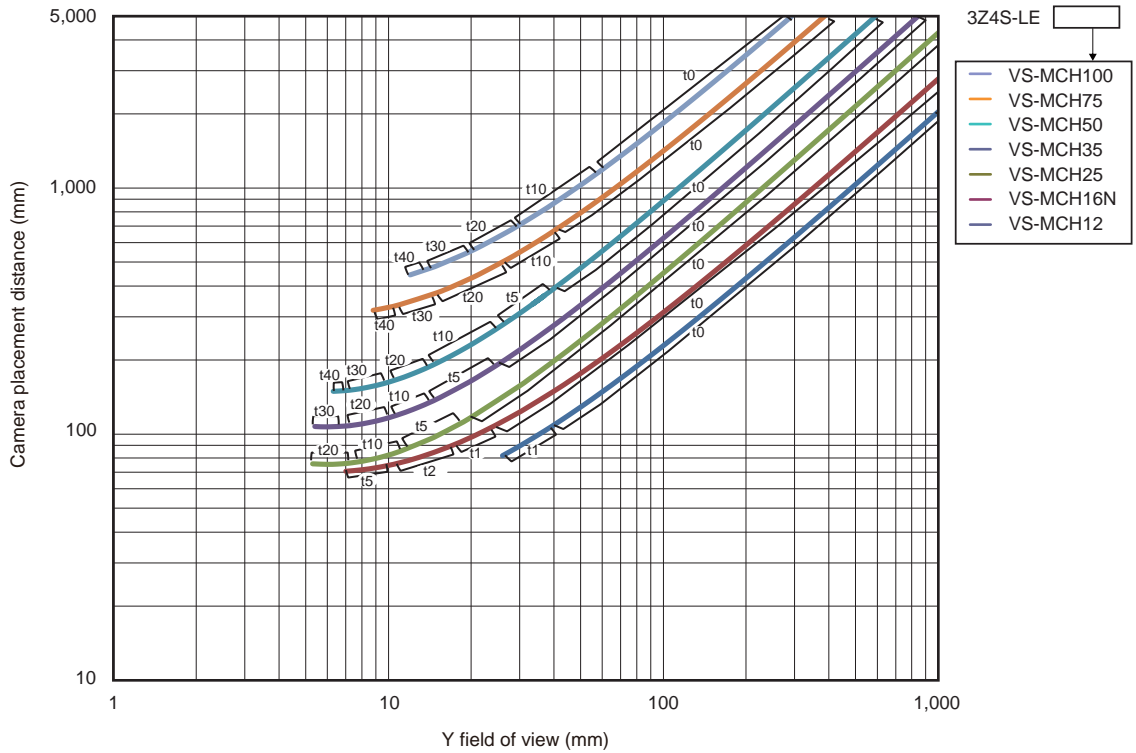
(i) Digital CMOS Camera (Standalone): FH-S□05R  
(Using 3Z4S-LE VS-MC Series)



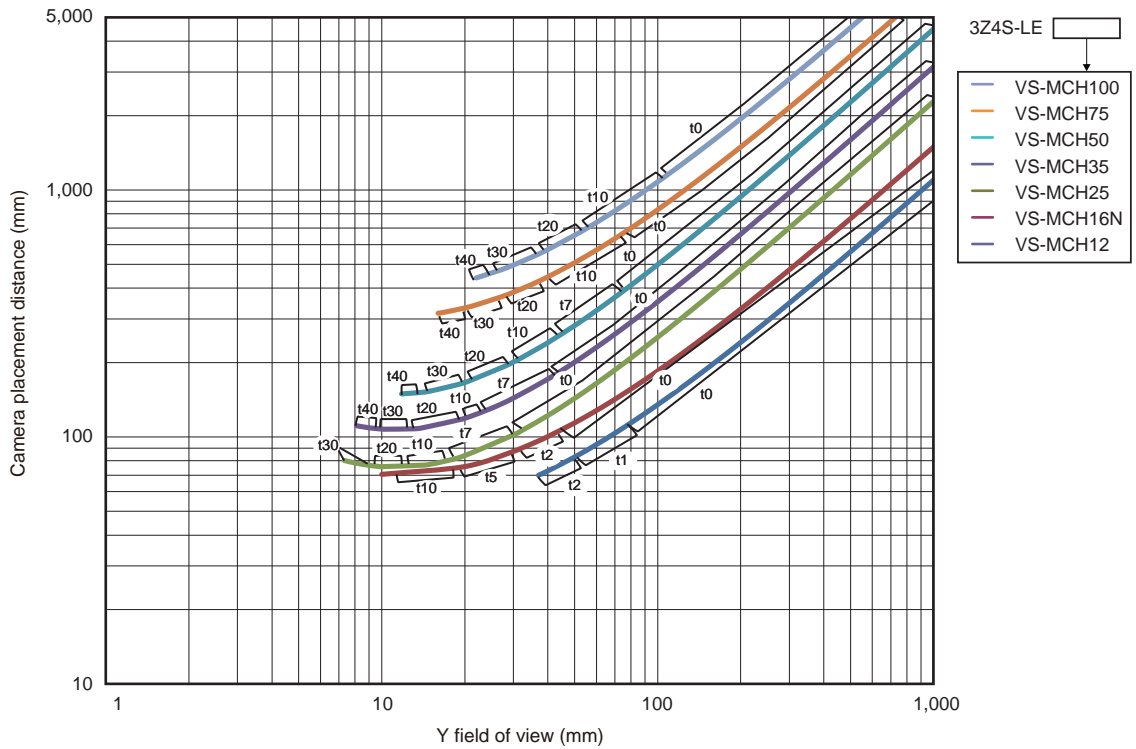
(j) Digital CMOS Camera (Standalone): FH-S□05R  
(Using 3Z4S-LE VS-MCA Series)



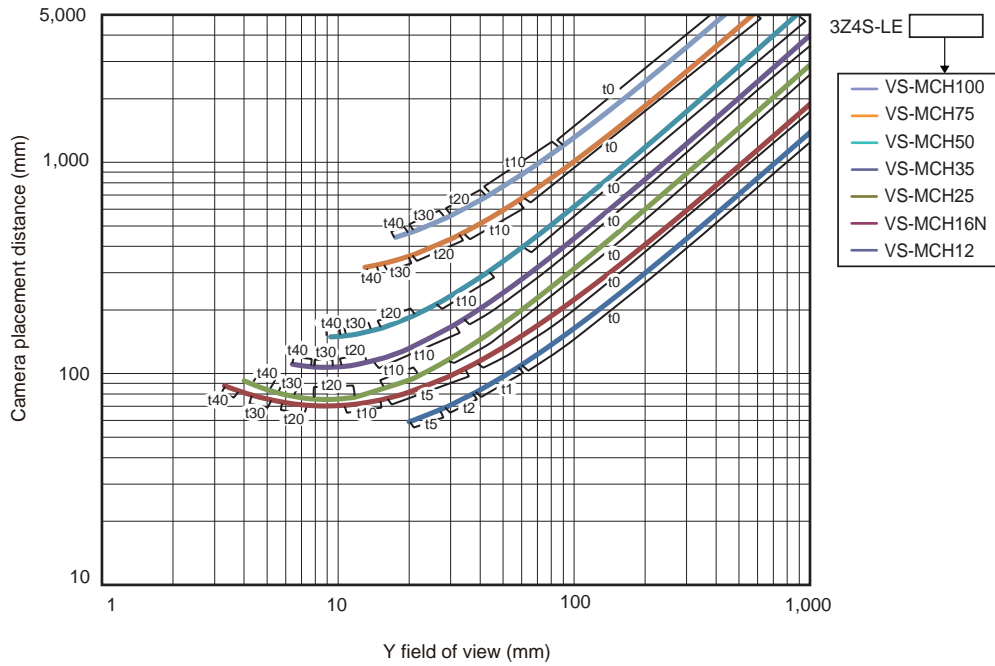
(k) High-speed Digital CMOS Camera (Standalone): FH-S□02  
(Using 3Z4S-LE VS-MCH Series)



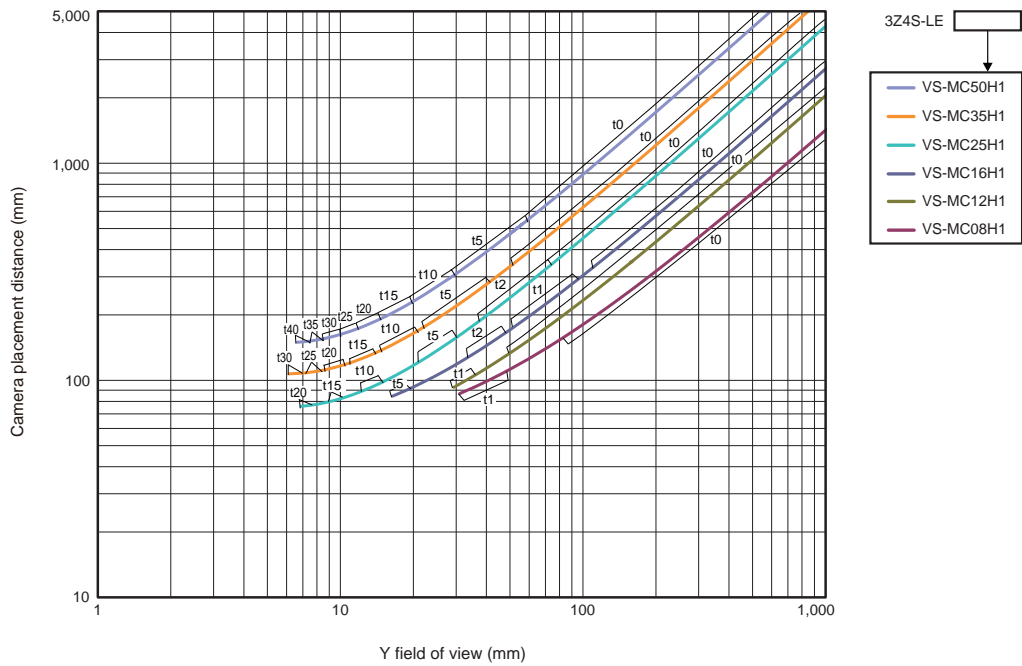
(l) High-speed Digital CMOS Camera: (Standalone): FH-S□04  
(Using 3Z4S-LE VS-MCH Series)



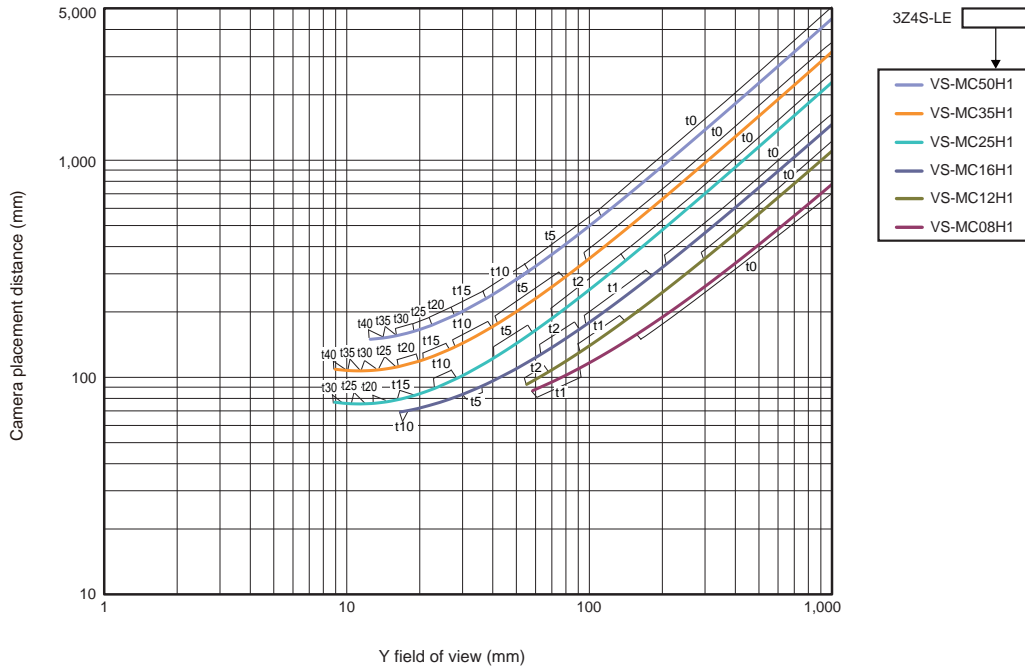
(m) Digital CMOS Camera (Standalone): FH-S□21R  
(Using 3Z4S-LE VS-MCH Series)



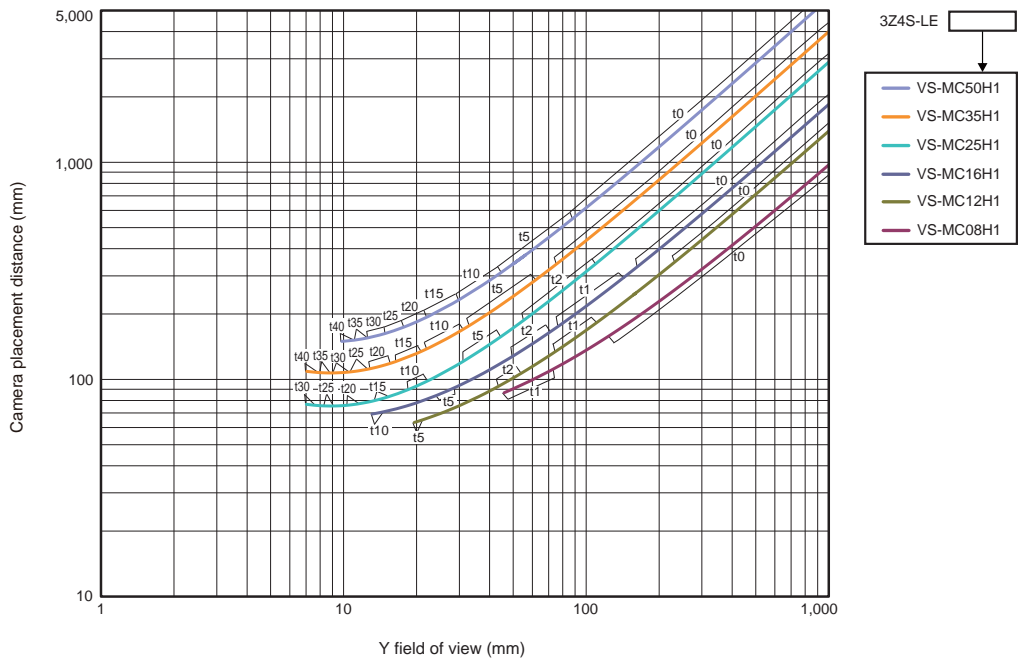
(n) High-speed Digital CMOS Camera (Standalone): FH-S□02  
(Using 3Z4S-LE VS-MCH1 Series)



(o) High-speed Digital CMOS Camera: (Standalone): FH-S□04  
(Using 3Z4S-LE VS-MCH1 Series)



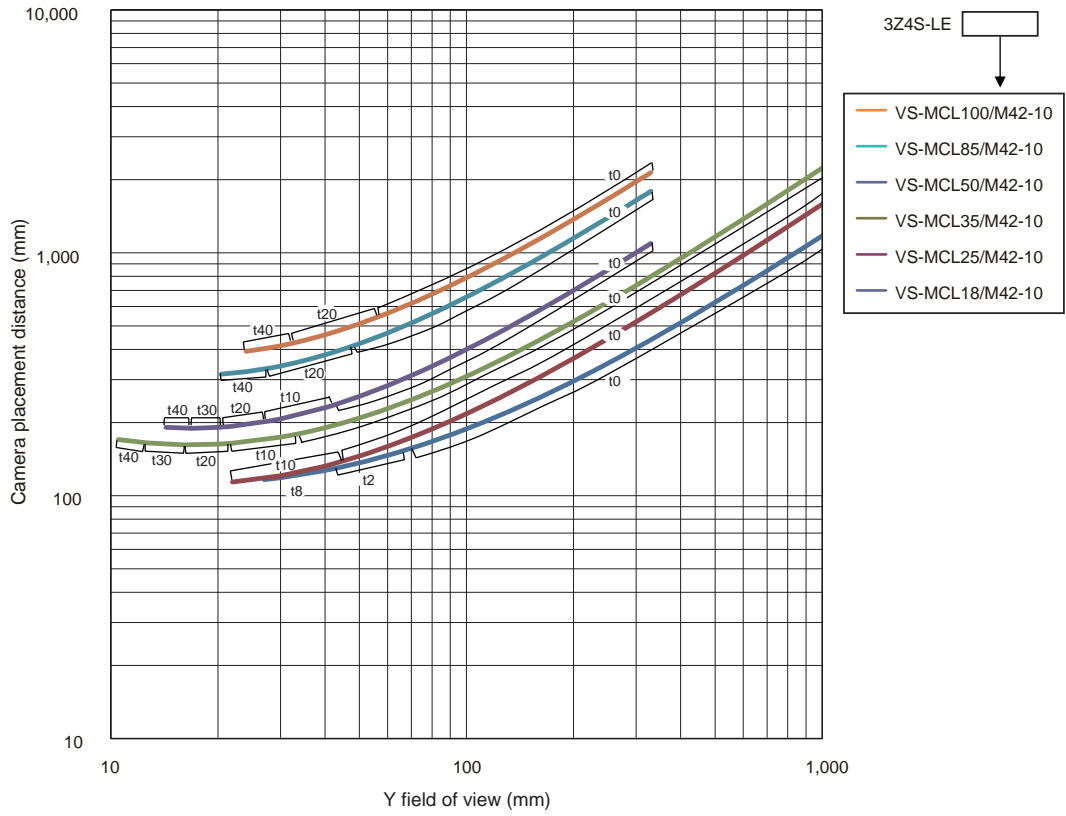
(p) Digital CMOS Camera (Standalone): FH-S□21R  
(Using 3Z4S-LE VS-MCH1 Series)



(q)



(r) High-speed Digital CMOS Camera (Standalone): FH-S□12  
 (Using 3Z4S-LE VS-MCL/M42-10 Series)



## 3-5 Touch Panel Monitor and Cable

Touch Panel Monitor of FH-MT12 is connectable with FH-1000/2000/3000/5000 and FH-L Sensor Controller whose software is Ver. 5.32 or later.

For connection of Touch Panel Monitor and FH Sensor Controller, the monitor cable for video and touch panel cable are necessary.



### Precautions for Safe Use

#### About connection of Sensor Controller and FH-MT12.

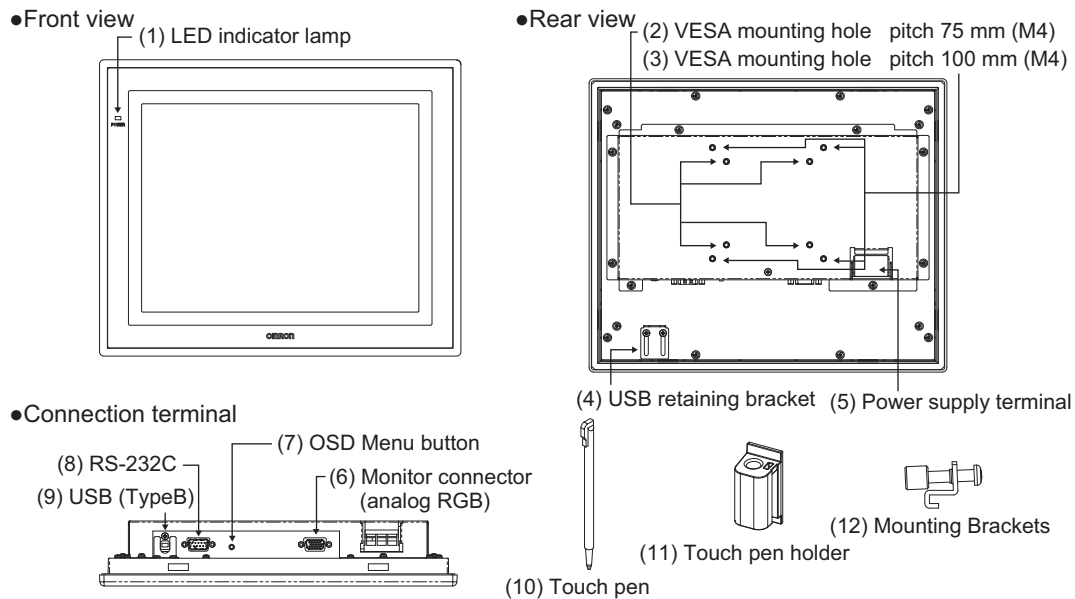
- Do not ground the plus (+) terminal of the 24 VDC power source when the Sensor Controller is connected to the FH-MT12 with a USB cable. Doing so may cause a short circuit of the internal circuit, resulting in a malfunction.

## Touch Panel Monitor

### ● Specification

|                    | Model                     | FH-MT12   |
|--------------------|---------------------------|---|
| Major Function     | Display area              | 12.1 inch   |
|                    | Resolution                | 1024 (V) x 768 (H)  |
|                    | Number of color           | 16,700,000 colors (8 bit/color)   |
|                    | Brightness                | 500 cd/m <sup>2</sup> (Typ)   |
|                    | Contrast Ratio            | 600 : 1 (Typ)   |
|                    | Viewing angle             | Left and right: each 80°, upward: 80°, downward: 60°  |
|                    | Backlight Unit            | LED, edge-light   |
|                    | Backlight lifetime        | About 100,000 hour  |
|                    | Touch panel               | 4 wire resistive touch screen   |
| External interface | Video input               | analog RGB  |
|                    | Touch panel signal        | USB, RS-232C  |
| Ratings            | Supply Voltage            | 24 VDC ±10 %  |
|                    | Current consumption       | 0.5 A   |
|                    | Insulation resistance     | Between DC power supply and Touch Panel Monitor FG: 20 MΩ or higher (rated voltage 250 V)   |
| Usage Environment  | Ambient temperature range | Operating: 0 to +50°C, Storage: -20 to +65°C (with no icing or condensation)  |
|                    | Ambient humidity range    | Operating and Storage: 20 to 85% (with no icing or condensation)  |
|                    | Ambient atmosphere        | No corrosive gases  |
|                    | Vibration tolerance       | 10 to 150 Hz, one-side amplitude 0.1 mm (Max. acceleration 15 m/s <sup>2</sup> ), 10 times for 8 minutes for each three direction |
|                    | Degree of protection      | Panel mounting: IP65 on the front   |
| Operation          |                           | Touch pen   |
| Structure          | Mounting                  | Panel mounting, VESA mounting   |
|                    | Weight                    | Approx. 2.6 kg  |
|                    | Case material             | Front panel: PC/PBT, Front Sheet: PET, Rear case: SUS   |

## Component Names and Functions



|      | Name                           | Description  |
|------|--------------------------------|--|
| (1)  | LED indicator lamp             | Lit up green when power is ON.<br>Lit up orange when video signal is no input.<br>Unlit when power is OFF. |
| (2)  | VESA mounting hole (M4)        | Mounting hole for VESA 75 mm x 75 mm.  |
| (3)  | VESA mounting hole (M4)        | Mounting hole for VESA 100 mm x 100 mm.  |
| (4)  | USB retaining bracket          | Retaining bracket for USB cable.   |
| (5)  | Power supply terminal          | Connect a 24 VDC power supply.   |
| (6)  | Monitor connector (analog RGB) | Connect a monitor cable for analog RGB.  |
| (7)  | OSD Menu button                | The button to activate the OSD menu.   |
| (8)  | RS-232C                        | Connect a serial communication port for touch panel communication.   |
| (9)  | USB (TypeB)                    | Connect a USB port (Type B) for touch panel communication.   |
| (10) | Touch pen                      | Use for operation of touch panel.  |
| (11) | Touch pen holder               | Put touch pen in it when not using.<br>Paste it on the monitor by double-sided tape.                       |
| (12) | Mounting Brackets              | Use them to mount the panel.   |

For operation at launch OSD, refer to the Model FH-MT12 INSTRUCTION SHEET.

## Touch Panel Monitor Cable

Normally, use the USB cable as a connection cable for Touch Panel Monitor.

Use the RS-232C cable as a connection cable for Touch Panel Monitor in the following cases.

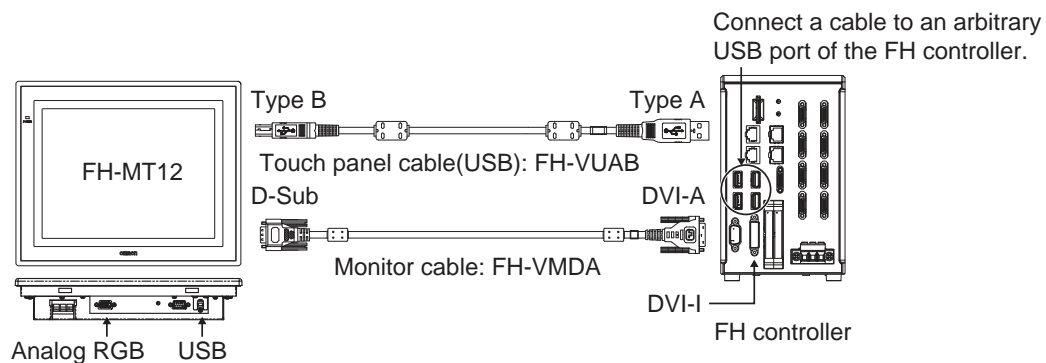
- When Touch Panel Monitor is taken apart 5 m or more from FH Sensor Controller.
- When the USB port of the FH Sensor Controller is used for other I/O connection and cannot be used for Touch Panel communications.

### ● Specification

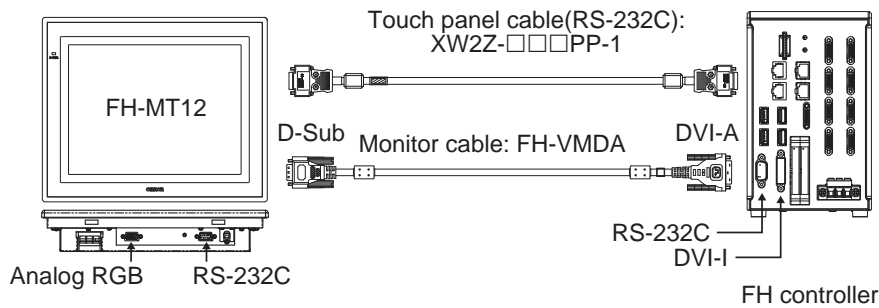
| Model                     | FH-VMDA (2m)   | FH-VUAB (2m) | XW2Z-200PP-1 (2m)                                  |
|---------------------------|--|--------------|--|
| Cable type                | DVI-Analog Conversion Cable  | USB Cable    | RS-232C Cable                                      |
| Vibration (resistance)    | 10 to 150 Hz, Single amplitude 0.1 mm, 10 times for 8 minutes for each three direction           |              |  |
| Ambient temperature range | Operating Condition: 0 to +50°C, Storage Condition: -10 to +60°C (with no icing or condensation) |              |  |
| Ambient humidity range    | Operating and Storage: 35 to 85% (with no condensation)  |              |  |
| Ambient atmosphere        | No corrosive gases   |              |  |
| Material                  | Cable outer sheath, Connector: PVC   |              | Cable outer sheath: PVC, Connector: ABS/Ni Plating |
| Minimum bending radius    | 36 mm  | 25 mm        | 59 mm  |
| Weight                    | Approx. 220g   | Approx. 75g  | Approx. 162g                                       |

## Connection Example

### ● USB Connection (Cable Length Up to 5 m)



### ● RS-232C Connection (Cable Length Up to 10 m)

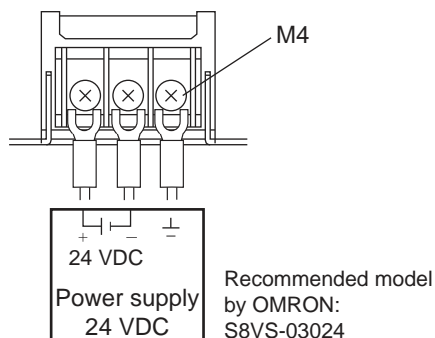


A video signal cable and an operation signal cable are required to connect the Touch Panel Monitor.

| Signal                       | Cable                       | 2 m | 5 m | 10 m |
|------------------------------|-----------------------------|-----|-----|------|
| Video signal                 | DVI-Analog Conversion Cable | OK  | OK  | OK   |
| Touch panel operation signal | USB Cable                   | OK  | OK  | -    |
|                              | RS-232C Cable               | OK  | OK  | OK   |

## Wiring

The power terminal block for the Touch Panel Monitor is located on the back of it. Connect a power supply of 24 VDC there.



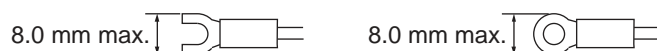
- Wire the power supply wires as short as possible. (Max.2 m)
- If UL's certification is required, use a UL class II power supply.
- Use the cables and crimping terminals with the specified dimensions.

Do not directly connect an electric wire that is simply twisted to the terminal block.

- Recommended wire size: AWG 13 to 22 (0.326 to 2.62 mm<sup>2</sup>)

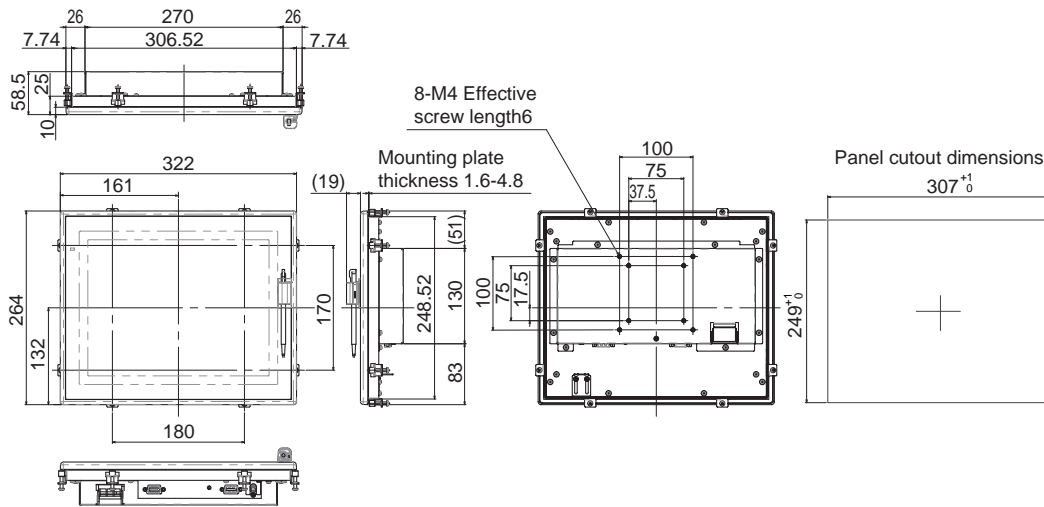
- Terminal screw: M4 (Tightening torque: 1.0 N•m)

- Crimping Terminal



## Dimensions

### ● Touch Panel Monitor

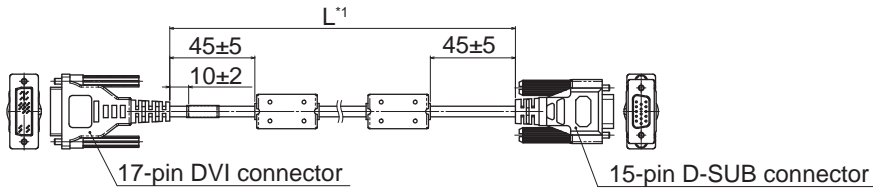


(Unit: mm)

Note:

1. Panel thickness: 1.6 to 4.8 mm
2. No burr allowed

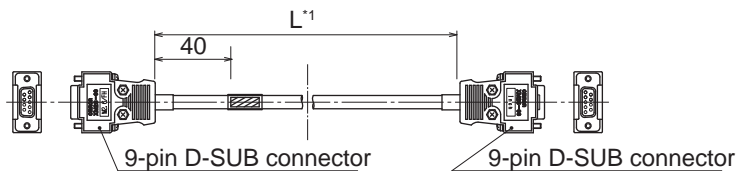
### ● DVI-Analog Conversion Cable for Touch Panel Monitor: FH-VMDA



\*1. Cable is available in 2 m/5 m/10 m.

(Unit: mm)

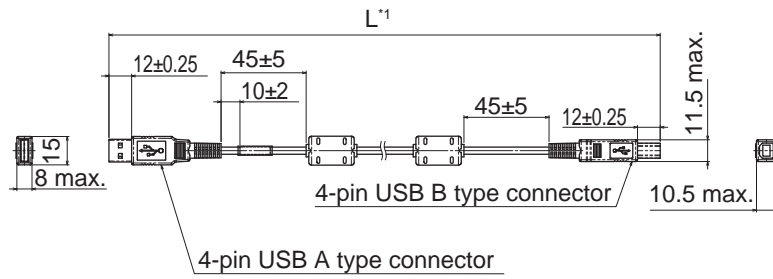
### ● RS-232C Cable for Touch Panel Monitor: XW2Z-□□□PP-1



\*1. Cable is available in 2 m/5 m/10 m.

(Unit: mm)

● **USB Cable for Touch Panel Monitor: FH-VUAB**



\*1. Cable is available in 2 m/5 m.

(Unit: mm)

## 3-6 LCD and Cable

### Specification

#### ● LCD Monitor

| Model                     | FZ-M08   |
|---------------------------|--|
| Size                      | 8.4 inches   |
| Type                      | Liquid crystal color TFT   |
| Resolution                | 1,024 x 768 dots   |
| Input signal              | Analog RGB video input 1 channel   |
| Supply Voltage            | 21.6 to 26.4 VDC   |
| Current consumption       | Approx. 0.7 A max.   |
| Ambient temperature range | Operating: 0 to +50°C, Storage: -25 to +65°C (with no icing or condensation) |
| Ambient humidity range    | Operating and Storage: 35 to 85% (with no condensation)                      |
| Weight                    | Approx. 1.2kg  |
| Accessories               | Instruction Sheet and 4 mounting brackets                                    |

#### ● LCD Monitor Cable

| Model                     | FZ-VM  |
|---------------------------|--|
| Vibration (resistance)    | 10 to 150 Hz, Single amplitude 0.15 mm, 3 directions, 8 strokes, 4 times     |
| Ambient temperature range | Operation: 0 to +50°C, Storage: -20 to +65°C (with no icing or condensation) |
| Ambient humidity range    | Operating and Storage: 35 to 85% (with no condensation)                      |
| Ambient atmosphere        | No corrosive gases   |
| Material                  | Cable sheath: heat-resistant PVC Connector: PVC                              |
| Minimum bending radius    | 75 mm  |
| Weight                    | Approx. 170g   |



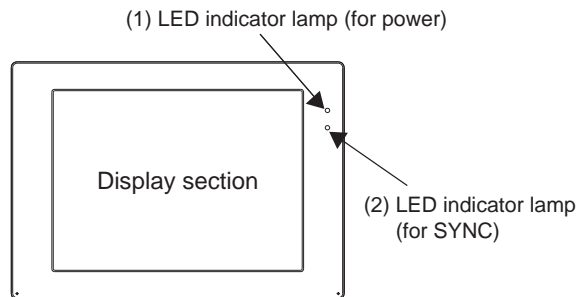
#### Precautions for Correct Use

Use the DVI-Analog Conversion Cable for Touch Panel Monitor: FH-VMDBA when connect the Sensor Controllers to the LCD monitor: FZ-M08. FZ-VM cable can use by combining the DVI-I - RGB Conversion Connector: FH-VMRGB.

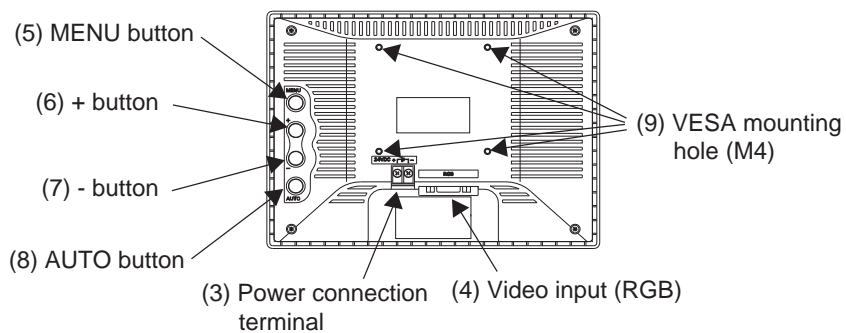


## Component Names and Functions

### ● Front View



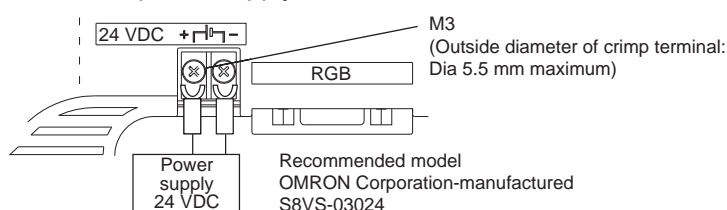
### ● Rear



|     | Name                           | Description                                    |
|-----|--------------------------------|--|
| (1) | LED indicator lamp (for power) | Lit up green when power is ON.                 |
| (2) | LED indicator lamp (for SYNC)  | Lit up orange while the video signal is input. |
| (3) | Power supply terminal          | Connect a 24 VDC power supply.                 |
| (4) | Video input (RGB)              | Video input terminal (RGB)                     |
| (5) | MENU button                    | OSD operating button (MENU button)             |
| (6) | + button                       | OSD operating button (+ button)                |
| (7) | - button                       | OSD operating button (- button)                |
| (8) | AUTO button                    | OSD operating button (AUTO button)             |
| (9) | VESA mounting hole (M4)        | Mounting hole for VESA 75 mm x 75 mm.          |

## Wire

The power terminal block for the Touch Panel Monitor is located on the back of it. Connect a power supply of 24 VDC there.

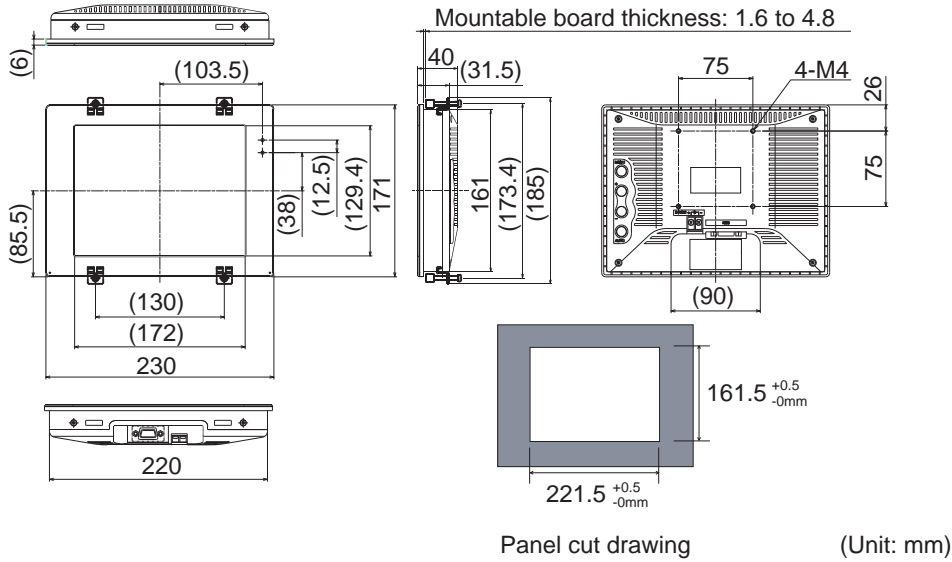


- Keep the power supply wires as short as possible (maximum 10 m).

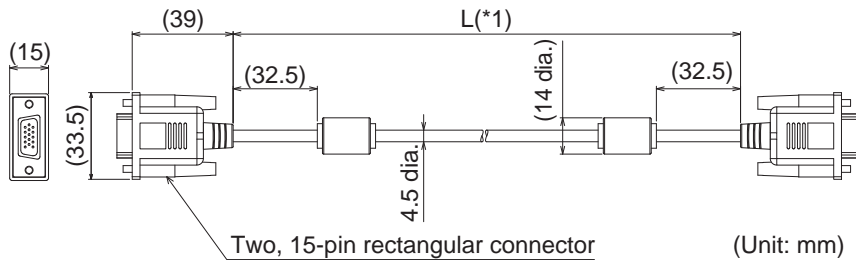
- If UL recognition is required, use a UL class II power supply.  
Regarding installation, do not use the VESA mounting but fix the monitor unit using the board mounting.

## Dimensions

### ● LCD Monitor

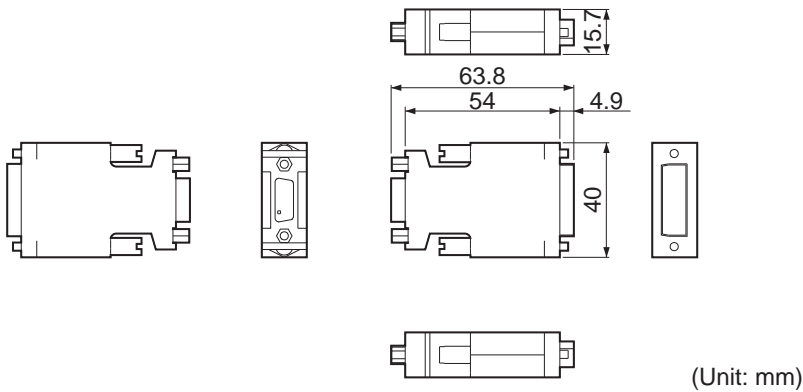


### ● Monitor Cable: FZ-VM



\*1. Cable is available in 2 m/5 m.

### ● DVI-I -RGB Conversion Connector: FH-VMRGB



## 3-7 Sysmac Studio

When you connect the FH-1000/2000/3000/5000 Series and Sysmac Studio Standard Edition/Vision Edition, use the latest version.

| FH Series   | Version of FH Series | Corresponding version of Sysmac Studio Standard Edition/Vision Edition       |
|-------------|----------------------|--|
| FH-5050(-□) | Ver.5.60             | Supported by version 1.15 or higher.   |
| FH-3050(-□) | Version 5.50         | Supported by version 1.14.89 or higher.                                      |
| FH-2050(-□) | Version 5.30         | Supported by version 1.10.80 or higher.                                      |
| FH-1050(-□) | Version 5.20         | Supported by version 1.10 or higher.   |
|             | Version 5.10         | Supported by version 1.07.43 or higher.                                      |
|             | Version 5.00         | Supported by version 1.07 or higher. Not supported by version 1.06 or lower. |



# 4

## Handling and Installation Environment

---

|     |                                |       |
|-----|--------------------------------|-------|
| 4-1 | All Series .....               | 4 - 2 |
| 4-2 | FH-1000/2000/3000 Series ..... | 4 - 4 |
| 4-3 | FH-L Series .....              | 4 - 5 |

## 4-1 All Series

### **WARNING**

This product must be used according to this manual and Instruction Sheet. Failure to observe this may result in the impairment of functions and performance of the product.



This product is not designed or rated for ensuring the safety of persons. Do not use it for such purposes.



A lithium battery is built into the Controller and may occasionally combust, explode, or burn if not treated properly. Dispose of the Controller as industrial waste, and never disassemble, apply pressure that would deform, heat to 100°C or higher, or incinerate the Controller.



#### **Precautions for Safe Use**

##### **Installation Environment**

- Do not use the product in the environment with flammable or explosive gases.
- Install the product so that the air can flow freely through its cooling vents.
- Regularly clean the vent holes or fan outlet to prevent dust or particles blocking them. Internal temperature increases when those are blocked, it causes malfunction.
- To secure safety for operation and maintenance, install the product apart from high-voltage devices and power devices.
- Make sure to tighten all screws in mounting.

##### **Handling of Sensor Controller**

- Do not attempt to dismantle, repair, or modify the product.
- Do not drop the product nor apply excessive vibration or shock to the product. Doing so may cause malfunction or burning.
- This product is heavy. Be careful not to drop it while handling.
- When disposing of the product, treat it as an industrial waste.
- A lithium battery is incorporated, so a severe injury may rarely occur due to ignition or explosion.



## Precautions for Correct Use

---

### Installation and Storage Sites

Install and store the product in a location that meets the following conditions:

- No rapid changes in temperature (place where dew does not form)
- No presence of corrosive or flammable gases
- Place free of dust, salts and iron particles
- Place free of vibration and shock
- Place out of direct sunlight
- Place where it will not come into contact with water, oils or chemicals
- Place not affected by strong electro-magnetic waves
- Place not near to high-voltage, or high-power equipment
- Do not install the product immediately above significant heat sources, such as heaters, transformers, or large-capacity resistors.
- Do not install the Sensor Controller in a cabinet with high-voltage equipment installed. Mount the Sensor Controller at 200 [mm] or more from power cables apart.

### Handling of Sensor Controller

- Touching Signal Lines:  
When touching a terminal part or a signal wire in a connector, take anti-static measures using a wrist strap or another device to prevent damage from static electricity.
- Handling a USB Memory:  
Before removing a USB memory device, make sure that data is not being read or written to them.  
For a USB memory device, the memory device's LED flashes or lights while data is being read or written, so make sure that it is turned OFF before removing the memory.

### Maintenance

- Lightly wipe off dirt with a soft cloth.
  - Do not use thinners or benzine.
  - Clean the lens with a lens-cleaning cloth or air brush.
  - Dirt on the image element must be removed using an air brush.
-

## 4-2 FH-1000/2000/3000 Series



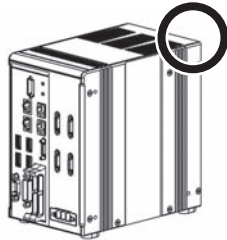
### Precautions for Correct Use

#### Ambient Temperature

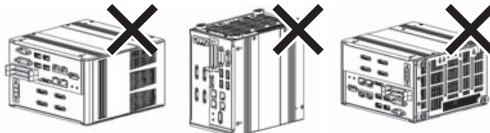
- Install and store the product in a location that meets the following conditions:
  - Surrounding temperature of 0 to +50°C\*<sup>1</sup> (-20 to +65°C in storage)
    - \*1. FH-5000 Series: Surrounding temperature of 0 to 45°C
  - Relative humidity of between 35 to 85%
- Do not let the ambient temperature exceed 50°C (122°F).
- Provide a forced-air fan cooling or air conditioning if the ambient temperature is near 50°C (122°F) so that the ambient temperature never exceeds 50°C (122°F).

#### Orientation of Product

- For good heat dissipation, install the product only in the position shown below so as not to block the ventilation holes. Install the product so that the air can flow freely through its cooling vents.



- Do not install the product in the following positions.



- For good ventilation, provide a clearance of 50 [mm] or more above the Sensor Controller away from other devices in the normal floor mounting. For the right and left sides, provide a clearance of 30 [mm] or more, and for the back side, 15 [mm] or more. These clearances are also required when mounting multiple Sensor Controllers side by side. For the back mounting, the back-side clearance of 15 [mm] is not required.

#### Handling a SD memory card

- Before removing a SD memory card, make sure that data is not being read or written to them.
- For SD memory card, the SD BUSY LED flashes or lights while data is being read or written, so make sure that it is turned OFF before removing the memory.
- Do not insert an SD memory card in the reverse orientation, at an angle, or in a twisting manner.



## 4-3 FH-L Series



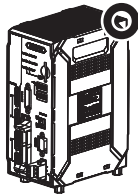
### Precautions for Correct Use

#### Ambient Temperature

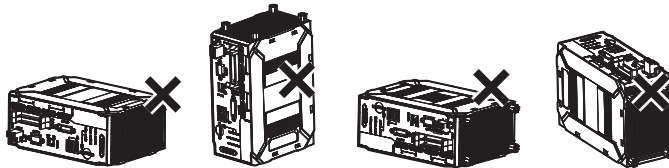
- Install and store the product in a location that meets the following conditions:
  - Surrounding temperature of 0 to +55°C (-25 to +70°C in storage)
  - Relative humidity of between 10 to 90%
- Do not let the ambient temperature exceed 55°C (131°F).
- Provide a forced-air fan cooling or air conditioning if the ambient temperature is near 55°C (131°F) so that the ambient temperature never exceeds 55°C (131°F).

#### Orientation of Product

- For good heat dissipation, install the product only in the position shown below so as not to block the ventilation holes.



- Do not install the product in the following positions.



- For good ventilation, provide a clearance of 50 mm or more above the Sensor Controller away from other devices in the normal floor mounting. For the right and left sides, back side, for other devices, or Sensor Controller 25 mm or more.

#### Handling SD memory card

- Before removing a SD memory card, make sure that data is not being read or written to them.
- For SD memory card, the SD BUSY LED flashes or lights while data is being read or written, so make sure that it is turned OFF before removing the memory.
- Do not insert an SD memory card in the reverse orientation, at an angle, or in a twisting manner.



# 5

## Setup and Wiring

|            |   |               |
|------------|---|---------------|
| <b>5-1</b> | <b>When turning ON and OFF .....</b>                    | <b>5 - 2</b>  |
| 5-1-1      | All Series.....   | 5 - 2         |
| 5-1-2      | FH-1000/2000/3000/5000 Series.....                      | 5 - 3         |
| 5-1-3      | FH-L Series.....  | 5 - 3         |
| <b>5-2</b> | <b>Fail-Safe Measures.....</b>                          | <b>5 - 4</b>  |
| <b>5-3</b> | <b>Sensor Controller Installation.....</b>              | <b>5 - 5</b>  |
| 5-3-1      | All Series.....   | 5 - 5         |
| 5-3-2      | FH-1000/2000/3000/5000 Series.....                      | 5 - 5         |
| 5-3-3      | FH-L Series.....  | 5 - 11        |
| <b>5-4</b> | <b>Setup Touch Panel Monitor or Monitor .....</b>       | <b>5 - 20</b> |
| 5-4-1      | All Series.....   | 5 - 20        |
| 5-4-2      | FH-1000/2000/3000/5000 Series.....                      | 5 - 20        |
| 5-4-3      | FH-L Series.....  | 5 - 20        |
| <b>5-5</b> | <b>Camera Installation .....</b>                        | <b>5 - 22</b> |
| 5-5-1      | All Series.....   | 5 - 22        |
| 5-5-2      | FH-1000/2000/3000/5000 Series.....                      | 5 - 23        |
| 5-5-3      | FH-L Series.....  | 5 - 24        |
| <b>5-6</b> | <b>Insert/Remove SD Memory Card or USB memory .....</b> | <b>5 - 25</b> |
| 5-6-1      | Common in all series .....                              | 5 - 25        |
| <b>5-7</b> | <b>Use by Connecting Software .....</b>                 | <b>5 - 26</b> |
| 5-7-1      | Sysmac Studio FH Tool .....                             | 5 - 26        |
| 5-7-2      | FZ_FH Remote Operation Tool.....                        | 5 - 26        |
| 5-7-3      | Simulation Software .....                               | 5 - 26        |
| <b>5-8</b> | <b>Installation in a Control Panel.....</b>             | <b>5 - 27</b> |
| 5-8-1      | All Series.....   | 5 - 27        |
| 5-8-2      | FH-1000/2000/3000/5000 Series.....                      | 5 - 29        |
| 5-8-3      | FH-L Series.....  | 5 - 31        |

## 5-1 When turning ON and OFF

### 5-1-1 All Series

#### WARNING

Never connect the AC power supply with this product. When the AC power supply is connected, it causes the electric shock and a fire.



Do not touch the terminals while the power supply is ON. Doing so may result in electrical shock.



#### Caution

Please take fail-safe measures on your side in preparation for an abnormal signal due to signal conductor disconnection and/or momentary power interruption. An abnormal operation may result in a serious accident.



#### Precautions for Safe Use

- Check the following again before turning on the power.
  - Are the voltage and polarity of the power supply correct? (24 VDC)
  - Is the load of the output signal not short-circuited?
  - Is the load current for the output signal within the specified range?
  - Are there no wrong wirings?
- While the power is ON or immediately after the power is turned OFF, the Sensor Controller and camera case are still hot. Do not touch the case.
- Make sure to turn off the power when attach or detach cameras or cables. Connecting cables while the power is supplied may cause malfunction or damage to cameras or peripheral devices.
- Illumination is normal immediately after the power supply is turned ON. Do not look directly into the illumination light.
- After confirming that the product is started up, communicate with the high-order device.
- Should you notice any abnormalities, immediately stop use, turn OFF the power supply, and contact your OMRON representative.



### Precautions for Correct Use

---

#### Turning OFF the Power

When a message is displayed indicating that a task is in progress, do not turn OFF the power. Doing so causes the data in the memory to be corrupted, resulting in the product not operating properly upon the next start-up.

Do not turn OFF during saving data to Sensor Controller.

When turns OFF, conform the followings proceedings have completed. and then operate again.

- When saves using Sensor Controller: Confirm the save processing is completed and next operation is possible.
- When saves using communication command: Intended command is completed. BUSY signal is turned OFF.

#### Maintenance

Turn OFF the power and ensure the safety before maintenance.

---

## 5-1-2 FH-1000/2000/3000/5000 Series



### Precautions for Safe Use

---

- Check the following again before turning on the power.  
Are the voltage value and polarity of the power supply that is provided to the encoder cable (ENC0 VDD/GND, ENC1 VDD/GND) correct? (5 VDC)
  - Check the wiring again before turning on the power.
- 

## 5-1-3 FH-L Series



### Precautions for Safe Use

---

Check the following again before turning on the power.

- Is the voltage and polarity of the power source set correctly? (24 VDC for positive terminal. 0 VDC for negative terminal.)
  - Make sure to connect the earth (FG) only to the grounding terminal.
-

## 5-2 Fail-Safe Measures

The fail-safe measures are the same for each series. Confirm the following instructions.

### **WARNING**

Please take external safety measures so that the system as a whole should be on the safe side even if a failure of a Sensor Controller or an error due to an external factor occurred. An abnormal operation may result in serious accident.



Please take fail-safe measures on your side in preparation for an abnormal signal due to signal conductor disconnection and/or momentary power interruption.



#### **Precautions for Safe Use**

- Be sure to take fail-safe measures externally when controlling stages and robots by using the measurement results of the Sensor Controller (axis movement output by calibration and alignment measurement).



#### **Precautions for Correct Use**

##### **Fail-Safe Measures**

- Be sure to take fail-safe measures externally when controlling stages and robots by using the measurement results of the Sensor Controller (axis movement output by calibration and alignment measurement).
- On a Sensor Controller side, supplementary use operations and branches of the Sensor Controller to configure a check flow such as “data should not be externally provide if the data is in a range from -XXXXX to XXXXX” based on the stage/robots range of movement.

##### **Communication with High-order Device**

- After confirming that the product is started up, communicate with the high-order device. Since uncertain signals may be output from the high-order interface at the product start-up, take measures such as clearing the reception buffer of your device at the initial stage.

## 5-3 Sensor Controller Installation

### 5-3-1 All Series



#### Precautions for Safe Use

##### Power Supply and Wiring

- Make sure to use the product with the power supply voltage specified by this manual.
- Provide the power from a DC power supply (safety extra-low voltage circuits) that has been taken measures not to generate high-voltage.
- Make sure to tighten all screws in mounting.

### 5-3-2 FH-1000/2000/3000/5000 Series



#### Precautions for Safe Use

##### Power Supply and Wiring

- Keep the power supply wires as short as possible (Max. 2 m).
- Use the wire of a suitable size (AWG 10 to 16) according to the current consumption.

##### Ground

- The power supply circuit of the FH Sensor Controller is insulated from the internal circuit.
- When a base is packed in a camera that will be connected to the Sensor Controller, make sure to mount the camera using the base. Since the enclosure of the camera body is connected to the internal circuits, the circuits may cause short-circuit with FG if the base is not used to mount the camera and result in malfunction or damage.
- Apply Class D grounding (grounding resistance: 100 [ $\Omega$ ] or less)
- Provide the grounding point as close to the product as possible to shorten the grounding wire.
- Wire the grounding wire for the Sensor Controller independently. If the grounding wire is shared with other devices or connected to a building beam, the Sensor Controller may be adversely affected.

##### Connect the FH-1000/2000/3000/5000 Series to FH-MT12

Do not ground the positive terminal of the 24 VDC power supply when connecting the Sensor Controller and FH-MT12 using a USB cable. The internal circuits may cause a short-circuit and result in malfunction.

##### Connect the FH-1000/2000/3000/5000 Series to FH-SC12/FH-SM12 (12 megapixels camera)

Do not ground the positive terminal of the 24 VDC power supply when connecting the Sensor Controller and a 12 megapixels camera like FH-SC12 or FH-SM12.



#### Precautions for Correct Use

##### When connecting the sensor controller and monitor with a switcher and splitter


Do not use devices that may require re-recognition of the monitor by the Sensor Controller when a switching operation was performed. If such re-recognition processing happens at switching operation, it may cause measurement time to be longer.

## Connection of Terminal Block of FH-1000/2000/3000/5000 Series

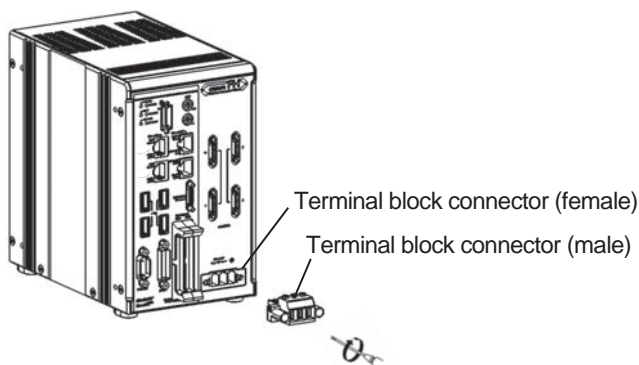
Connecting of Sensor Controller's terminal block in order to connect package the terminal block connector (male; FH-XCN).

Use the specified wire size (AWG10 to 16) and keep the power supply wires as short as possible (Max. 2 m).

- 1** Insert the end of the signal line (electric wire) into the terminal block connector (male), and tighten the three screws on the connector top to fix the wire. Recommended tightening torque: 0.7-0.8 N•m
- 2** Connect the wire and power source to the terminal block connector (male) depending on the indicated terminal block connector.

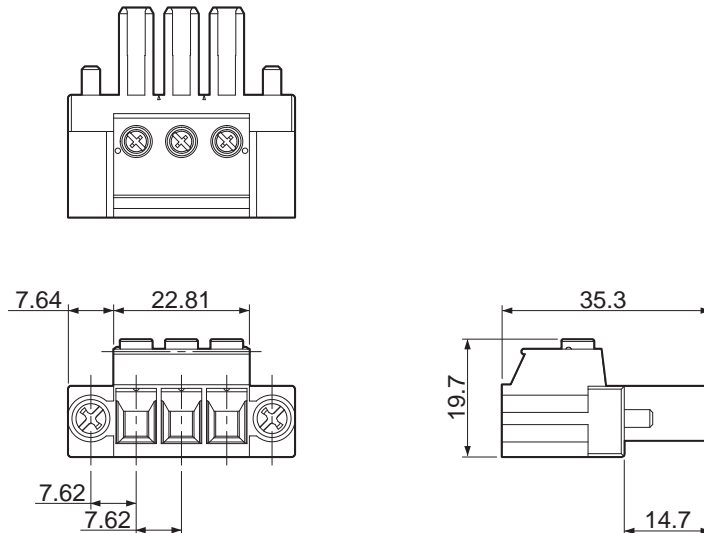
| Indicate of terminal block connector  | Function   |
|---|--|
| +   | Connect the DC output positive (+V) of 24 VDC power. |
| -   | Connect the DC output positive (-V) of 24 VDC power. |
|  | Connect the earth.                                   |

- 3** Insert the terminal block connector (male) to the terminal block connector (female) of Sensor Controller.
- 4** Tightens and fix the left and right screws for the terminal block connector (male). (Recommended tightening torque: 0.7 to 0.8 N•m)





(Unit: mm)



## Recommended Power Source of FH-1000/2000/3000/5000 Series

Power source types for FH series differ depending on the number of cameras due to current consumption differences. Refer to the following table to use the appropriate type.

When you connect your camera to the lighting via Light Controller, the current consumption is same as when the Intelligent Compact Digital camera is connected.

| Item                                       | Connected camera, Lighting controller, and Lighting type  | FH-3050                   | FH-3050-10                | FH-3050-20                |
|--|---|---------------------------|---------------------------|---------------------------|
| Recommended Power Source<br>S8VK-G<br>S8VS | <ul style="list-style-type: none"> <li>When connecting intelligent compact digital cameras:</li> <li>When connecting the following lightings or light controllers without external power supplies: <ul style="list-style-type: none"> <li>FLV-TCC1</li> <li>FLV-TCC4</li> <li>FLV-TCC3HB</li> <li>FLV-TCC1EP</li> <li>FL-TCC1</li> </ul> </li> <li>When connecting the following lighting or light controllers: <ul style="list-style-type: none"> <li>FL-TCC1PS</li> <li>FL-MD□MC</li> </ul> </li> </ul> | S8VK-G12024<br>S8VS-12024 | S8VK-G24024<br>S8VS-18024 | S8VK-G48024<br>S8VS-48024 |
|  | Other than above case   | S8VK-G12024<br>S8VS-12024 | S8VK-G24024<br>S8VS-18024 | S8VK-G24024<br>S8VS-18024 |

| Item                                       | Connected camera, Lighting controller, and Lighting type  | FH-1050                   | FH-1050-10                | FH-1050-20                |
|--|---|---------------------------|---------------------------|---------------------------|
| Recommended Power Source<br>S8VK-G<br>S8VS | <ul style="list-style-type: none"> <li>When connecting intelligent compact digital cameras:</li> <li>When connecting the following lightings or light controllers without external power supplies:                             <ul style="list-style-type: none"> <li>FLV-TCC1</li> <li>FLV-TCC4</li> <li>FLV-TCC3HB</li> <li>FLV-TCC1EP</li> <li>FL-TCC1</li> </ul> </li> <li>When connecting the following lighting or light controllers:                             <ul style="list-style-type: none"> <li>FL-TCC1PS</li> <li>FL-MD□MC</li> </ul> </li> </ul> | S8VK-G12024<br>S8VS-12024 | S8VK-G24024<br>S8VS-18024 | S8VK-G48024<br>S8VS-48024 |
|  | Other than above case   | S8VK-G12024<br>S8VS-09024 | S8VK-G12024<br>S8VS-12024 | S8VK-G24024<br>S8VS-18024 |

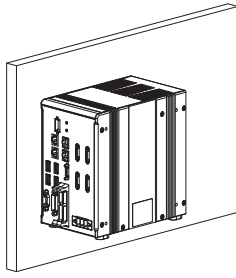
| Item                                       | Connected camera, Lighting controller, and Lighting type  | FH-5050                   | FH-5050-10                | FH-5050-20                |
|--|---|---------------------------|---------------------------|---------------------------|
| Recommended Power Source<br>S8VK-G<br>S8VS | <ul style="list-style-type: none"> <li>When connecting intelligent compact digital cameras:</li> <li>When connecting the following lightings or light controllers without external power supplies:                             <ul style="list-style-type: none"> <li>FLV-TCC1</li> <li>FLV-TCC4</li> <li>FLV-TCC3HB</li> <li>FLV-TCC1EP</li> <li>FL-TCC1</li> </ul> </li> <li>When connecting the following lighting or light controllers:                             <ul style="list-style-type: none"> <li>FL-TCC1PS</li> <li>FL-MD□MC</li> </ul> </li> </ul> | S8VK-G24024<br>S8VS-18024 | S8VK-G24024<br>S8VS-24024 | S8VK-G48024<br>S8VS-48024 |
|  | Other than above case   | S8VK-G12024<br>S8VS-12024 | S8VK-G24024<br>S8VS-18024 | S8VK-G24024<br>S8VS-18024 |

| Item                                       | Connected camera, Lighting controller, and Lighting type  | FH-2050                   | FH-2050-10                | FH-2050-20                |
|--|---|---------------------------|---------------------------|---------------------------|
| Recommended Power Source<br>S8VK-G<br>S8VS | <ul style="list-style-type: none"> <li>When connecting intelligent compact digital cameras:</li> <li>When connecting the following lightings or light controllers without external power supplies: <ul style="list-style-type: none"> <li>FLV-TCC1</li> <li>FLV-TCC4</li> <li>FLV-TCC3HB</li> <li>FLV-TCC1EP</li> <li>FL-TCC1</li> </ul> </li> <li>When connecting the following lighting or light controllers: <ul style="list-style-type: none"> <li>FL-TCC1PS</li> <li>FL-MD□MC</li> </ul> </li> </ul> | S8VK-G12024<br>S8VS-12024 | S8VK-G24024<br>S8VS-18024 | S8VK-G48024<br>S8VS-48024 |
|  | Other than above case   | S8VK-G12024<br>S8VS-09024 | S8VK-G12024<br>S8VS-12024 | S8VK-G24024<br>S8VS-18024 |

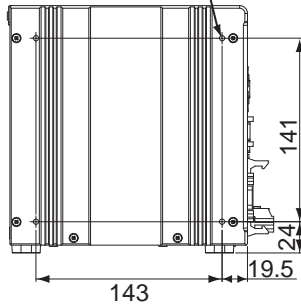
## Mounting of FH-1000/2000/3000/5000 Series

- Make sure to tighten all screws in mounting.
- For good ventilation, provide a clearance of 50 [mm] or more above the Sensor Controller away from other devices in the normal floor mounting. For the right and left sides, provide a clearance of 30 [mm] or more, and for the back side, 15 [mm] or more. These clearances are also required when mounting multiple Sensor Controllers side by side. For the back mounting, the back-side clearance of 15 [mm] is not required.
- Do not install the product immediately above significant heat sources, such as heaters, transformers, or large-capacity resistors.
- Do not install the Sensor Controller in a cabinet with high-voltage equipment installed.
- Mount the Sensor Controller at 200 [mm] or more from power cables apart.

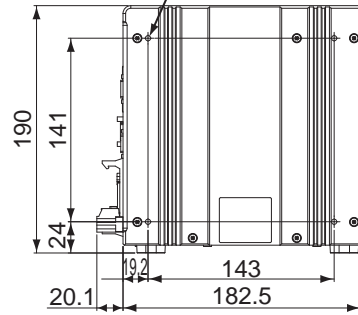
### ● Side Mounting



• Left side  
4-M4 depth 4.5 (mounting screw hole)



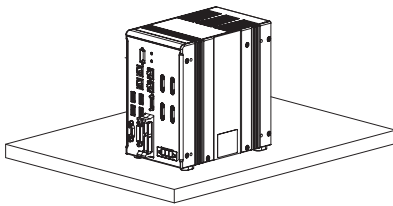
• Right side  
4-M4 depth 4.5 (mounting screw hole)



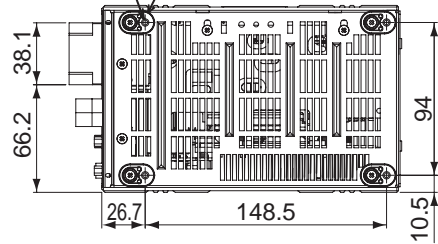
(Unit: mm)

\* Recommended tightening torque: 1.2 N•m to 1.3 N•m  
\* The tolerance is  $\pm 0.2$  mm.

● Bottom Mounting



• Bottom  
4-M3 depth 4.5 (mounting screw hole) Insulating leg: 4



(Unit: mm)

\* Do not remove the Insulating leg. Fix the Insulating leg to secure the ventilation path.  
\* Recommended tightening torque: 0.54 N•m to 0.6 N•m  
\* The tolerance is  $\pm 0.2$  mm.

### 5-3-3 FH-L Series



#### Precautions for Safe Use

##### Power Supply and Wiring

- Keep the power supply wires as short as possible (Max. 2 m).
- Use the wire of a suitable size (AWG 10 to 16) according to the current consumption.
- Recommended power source for FH-L series: OMRON S8VK-G□□□24 or S8VS-□□□24.

##### Ground

- The power supply circuit of the Sensor Controller is not insulated from the internal circuit.
- When a base is packed in a camera that will be connected to the Sensor Controller, make sure to mount the camera using the base. Since the enclosure of the camera main body made of metals is short-circuited with the internal circuit, the internal circuit might be short-circuited with FG if no base is used, so that failures or malfunctions may be caused.
- Apply Class D grounding (grounding resistance: 100 [Ω] or less)
- Provide the grounding point as close to the product as possible to shorten the grounding wire.
- Wire the grounding wire for the Sensor Controller independently. If the grounding wire is shared with other devices or connected to a building beam, the Sensor Controller may be adversely affected.

##### Connect the FH-L series Sensor Controller to the FH-MT12 Touch panel monitor.

Do not ground the positive terminal of the 24 VDC power supply when connecting the Sensor Controller and FH-MT12 using a USB cable. The internal circuits may cause a short-circuit and result in malfunction.

##### When connect the FH-L series Sensor Controller to the FH-SC12/FH-SM12: 12 megapixels camera


Do not ground the positive terminal of the 24 VDC power supply when connecting the Sensor Controller and a 12 megapixels camera like FH-SC12 or FH-SM12.

## Connection of Terminal Block of FH-L Series

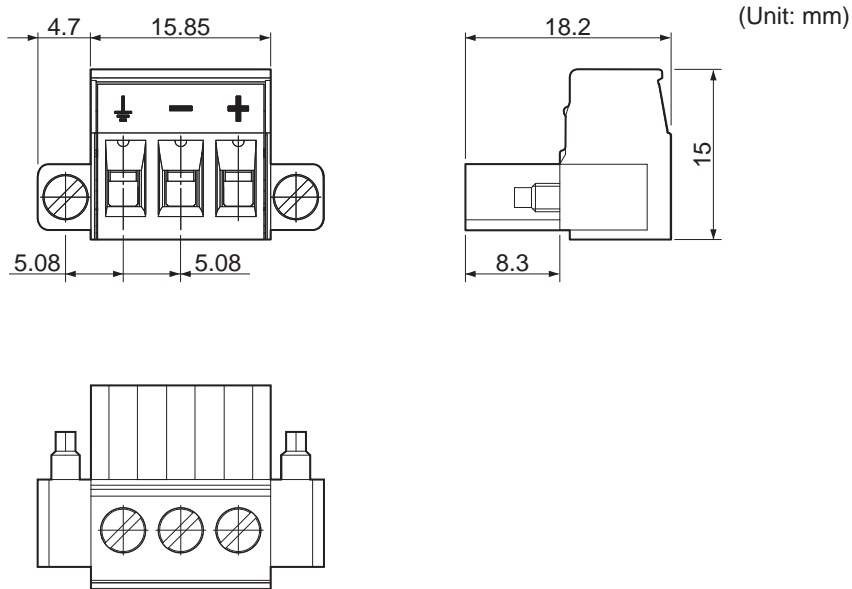
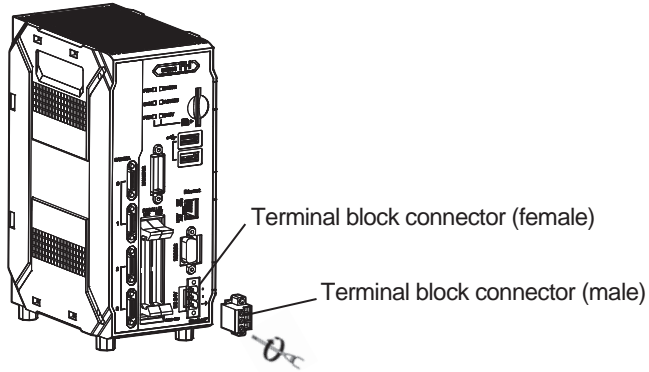
Connect to the terminal block by using the terminal connector, male: FH-XCN-L, which is packaged with Sensor Controller.

Use the wire of a suitable size (AWG 12 to 16) according to the current consumption. Keep the power supply wires as short as possible: Max. 2m.

- 1 Insert the end of the signal line, electric wire, into the terminal block connector (male). Tighten the three screws on the connector top to secure the wire. Recommended tightening torque: 0.5 to 0.6 N•m
- 2 Insert the terminal block connector (male) into the terminal block connector (female) on the FH Sensor Controller side.

| Power Terminal Connector  | Function  |
|---|---|
| +   | Connect to the DC output terminal +V of 24 VDC. |
| -   | Connect to the DC output terminal -V of 24 VDC. |
|  | Connect to the earth.                           |

- 3 Insert the power supply terminal connector (male) into the power supply terminal connector (female) on the sensor controller side.
- 4 Secure the terminal block connector (male) by tightening the screws on the right and left sides of it with a flathead screwdriver. Recommended tightening torque: 0.5 to 0.6 N•m



## Recommended Power Source for FH-L Series

The power source connected to the FH-L series Sensor Controller changes the power consumption depending on the number of camera. Refer to the following table.

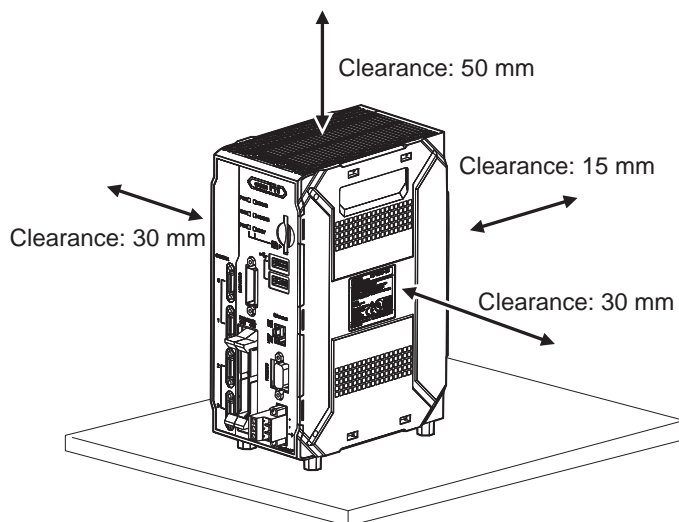
When you connect the camera using lighting Controller, the power consumption is same when connect to the Intelligent Compact Digital Camera.

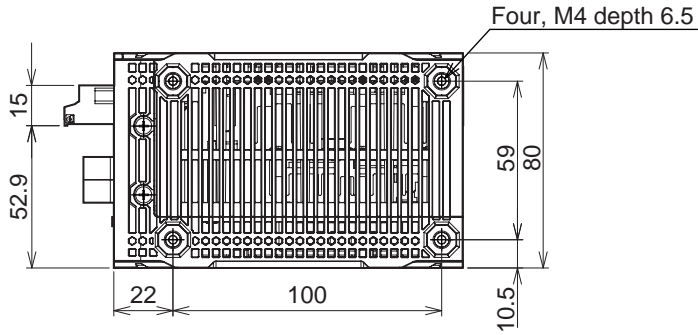
| Item                                       | Camera type                           | No. of camera | FH-L□□□                   | FH-L□□□-□□                |
|--|---------------------------------------|---------------|---------------------------|---------------------------|
| Recommended Power Source<br>S8VK-G<br>S8VS | Intelligent Compact Digital Camera    | 2             | S8VK-G12024<br>S8VS-09024 | S8VK-G12024<br>S8VS-09024 |
|  |                                       | 4             | -                         | S8VK-G12024<br>S8VS-12024 |
|  | Camera of 0.3/2/4/5/12 million pixels | 2             | S8VK-G06024<br>S8VS-06024 | S8VK-G06024<br>S8VS-06024 |
|  |                                       | 4             | -                         | S8VK-G06024<br>S8VS-06024 |

## Mounting of FH-L Series

- Make sure to tighten all screws in mounting.
- For good ventilation, provide a clearance of 50 [mm] or more above the Sensor Controller away from other devices in the normal floor mounting. For the right and left sides, provide a clearance of 30 [mm] or more, and for the back side, 15 [mm] or more. These clearances are also required when mounting multiple Sensor Controllers side by side. For the back mounting, the back-side clearance of 15 [mm] is not required.
- Do not install the product immediately above significant heat sources, such as heaters, transformers, or large-capacity resistors.
- Do not install the Sensor Controller in a cabinet with high-voltage equipment installed.
- Mount the Sensor Controller at 200 [mm] or more from power cables apart.

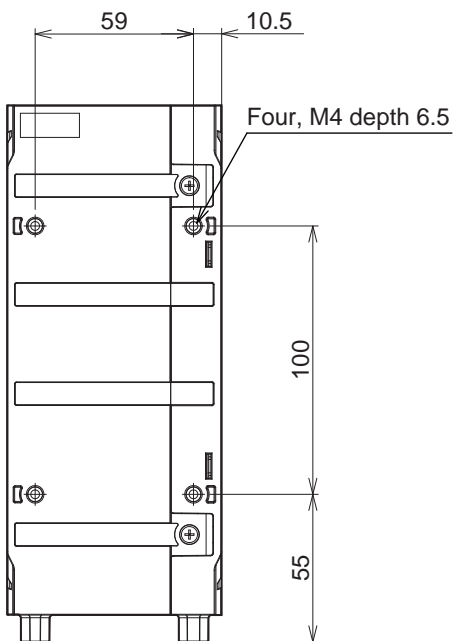
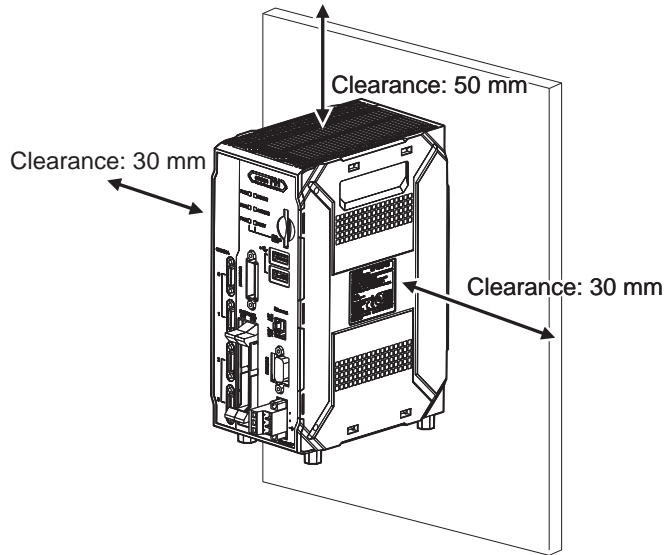
### ● Mounting the base of the Sensor Controller (Floor mounting)





- Recommended tightening torque: 0.54 to 0.6 N•m
- The tolerance:  $\pm 0.2$  mm

● **Mounting of the Back Side**



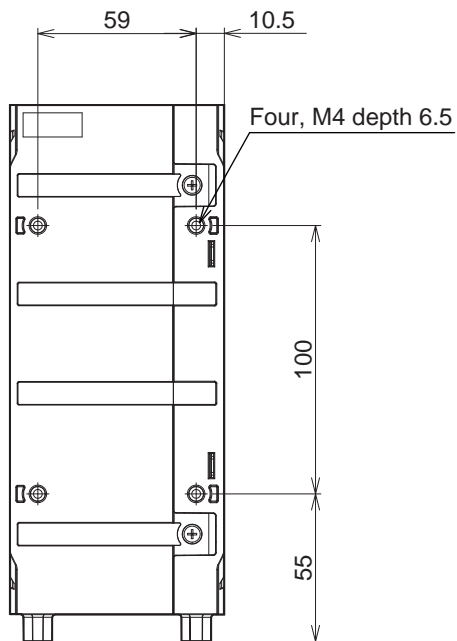
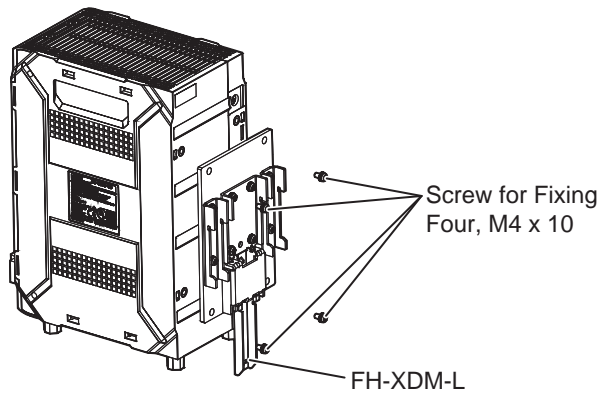
- Recommended tightening torque: 0.54 to 0.6 N•m



- The tolerance:  $\pm 0.2$  mm

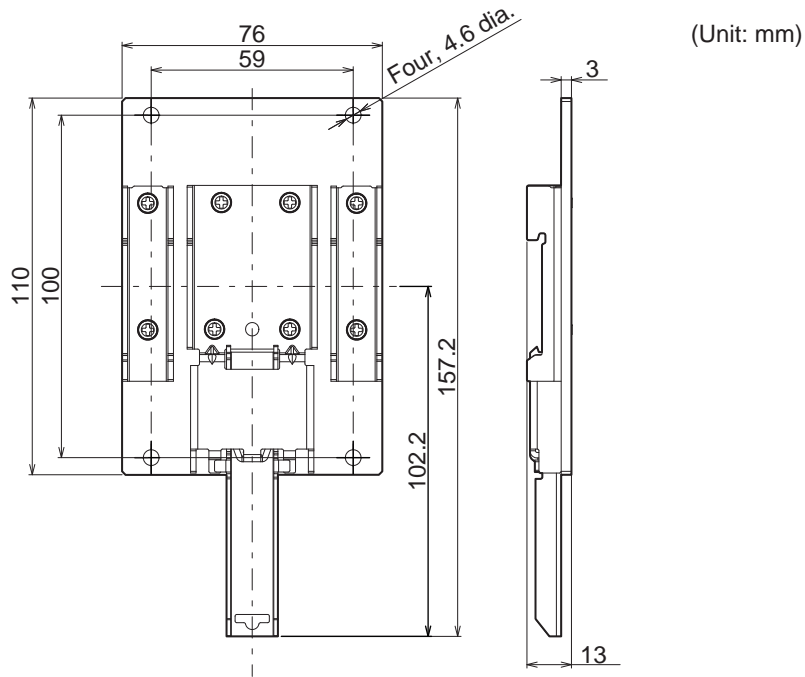
### ● Mounting the DIN rail

Mount DIN rail mounting bracket: FH-XDM-L, to the four mount holes on the back of the Sensor Controller.

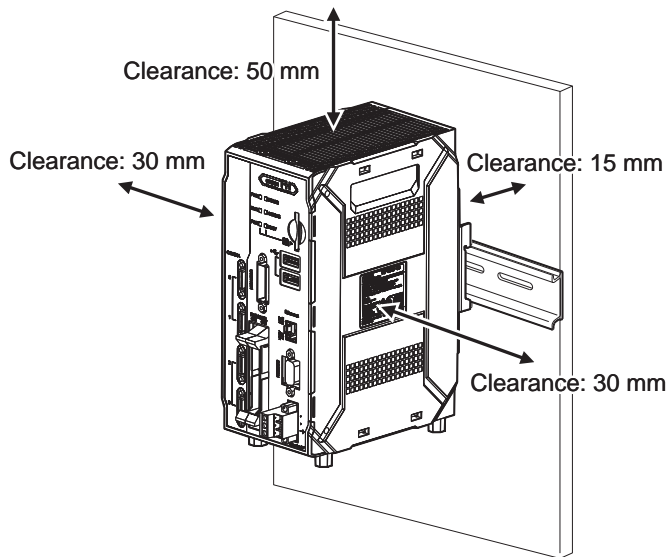


- Recommended tightening torque: 0.54 to 0.6 N•m
- The tolerance:  $\pm 0.2$  mm

- Dimensions of DIN rail mounting bracket: FH-XDM-L

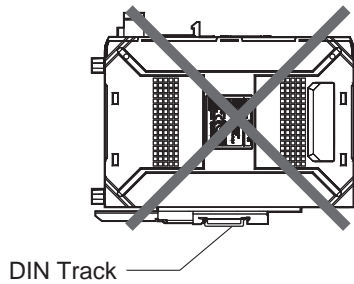


- When mounting the DIN rail, for improvement of heat dissipation, install the product in the following orientation only.

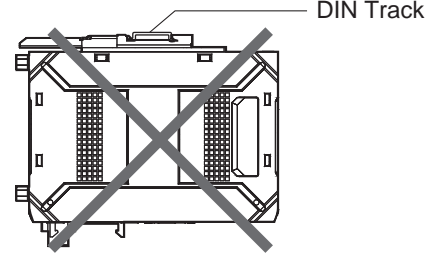


- Do not install in this orientation.

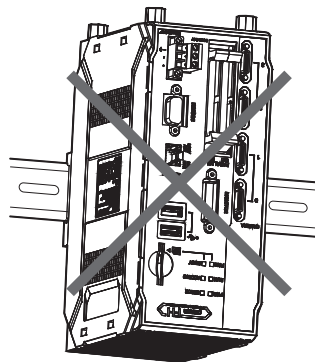
Set DIN rail to the bottom of the Sensor Controller.



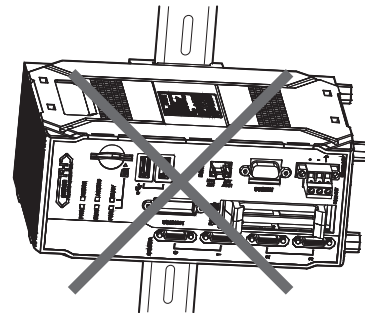
Set DIN rail on the top of the Sensor Controller.



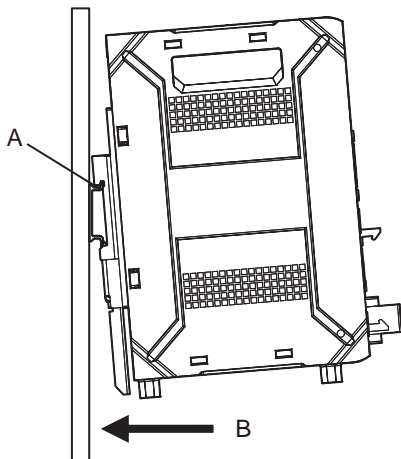
Set DIN rail vertically to the Sensor Controller.



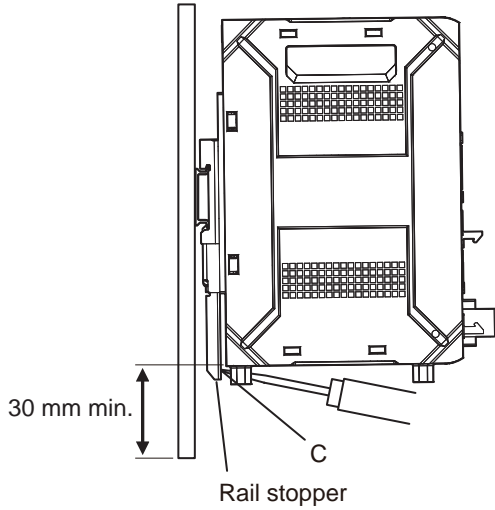
Set DIN rail horizontally to the Sensor Controller.



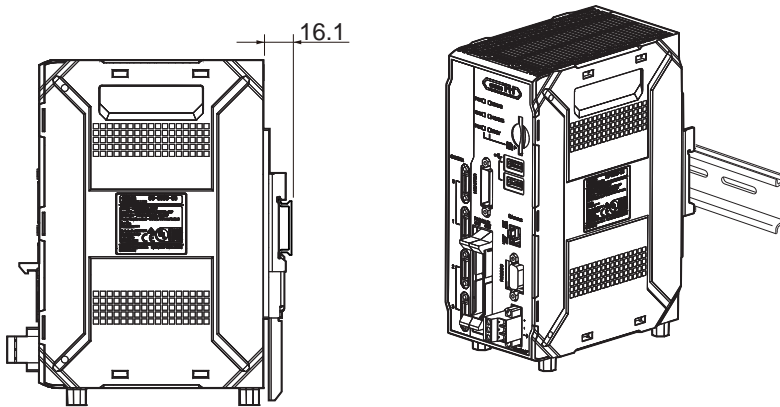
- When mounting the Sensor Controller to the DIN rail, click the rail stoppers, hook the part of A to rail one to the end, and then push up the rail stoppers with pushing to B direction.



- When removing, insert a flat-head screwdriver to the part of C and pull off.



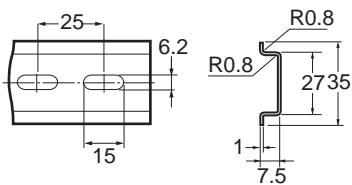
- The back clearance of DIN rail when mount the DIN rail is 16.1 mm.



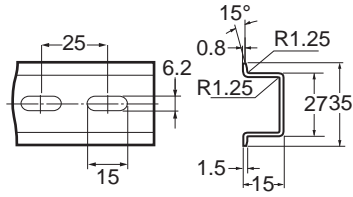
- The following items are recommended for mounting DIN rail.

| Name          | Model           | Manufacturer    | Note  |
|---------------|-----------------|-----------------|---|
| DIN35 mm rail | NS 35/ 7,5 PERF | PHOENIX CONTACT | <ul style="list-style-type: none"> <li>• Length: 75.5/95.5/115.5/200 cm</li> <li>• Material: Iron</li> <li>• Surface: Conductive</li> </ul> |
|               | NS 35/ 15 PERF  |                 |   |
| End plate     | CLIPFIX 35      |                 | Need 2 pieces each Sensor Controller.   |

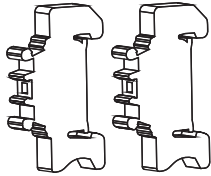
- DIN rail Dimensions:  
NS 35/7.5 PERF



NS 35/165 PERF

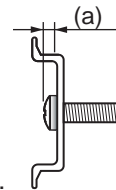


- End plate



For screw or washer, refer to the followings.

| Model           | Screw Diameter | (a)         |
|-----------------|----------------|-------------|
| NS 35/ 7,5 PERF | M6             | 4.6 mm max. |
| NS 35/ 15 PERF  |                | 10 mm max.  |



(a): Length between head of screw and fastening surface.

## 5-4 Setup Touch Panel Monitor or Monitor

Describes the notifications of Sensor Controller when you setup Touch Panel Monitor or Monitor. For handling or functions of monitor, refer to each of instruction sheet.

### 5-4-1 All Series



#### Precautions for Safe Use

- Use specialized cameras and cables for the product. If not, it may cause malfunction or damage.
- Make sure to turn off the power when attach or detach cameras or cables. Connecting cables while the power is supplied may cause malfunction or damage to cameras or peripheral devices.
- Do not apply torsion stress to cables. If not, it may cause damage to cables.
- Secure the minimum bending radius of cables. If not, it may cause damage to cables.

### 5-4-2 FH-1000/2000/3000/5000 Series



#### Precautions for Safe Use

- DVI-I connector: Please insert the connector perpendicularly so that the connector resin part and pin are not rubbing against each other. Damaged pin may cause contact failure due to generation and invasion of resin powder.
- Do not ground the positive terminal of the 24 VDC power supply when connecting the Sensor Controller and FH-MT12 using a USB cable. The internal circuits may cause a short-circuit and result in malfunction.



#### Precautions for Correct Use

##### **When connecting the sensor controller and monitor with a switcher and splitter**

Do not use devices that may require re-recognition of the monitor by the Sensor Controller when a switching operation was performed. If such re-recognition processing happens at switching operation, it may cause measurement time to be longer.

##### **When fix the DVI connector**

If difficult to fix the bilateral screws of DVI connector, once loosen these. Then retry to fix, again.

### 5-4-3 FH-L Series



#### Precautions for Safe Use

- Monitor connector: Please insert the connector perpendicularly so that the connector resin part and pin are not rubbing against each other. Damaged pin may cause contact failure due to generation and invasion of resin powder.
- Do not ground the positive terminal of the 24 VDC power supply when connecting the Sensor Controller and FH-MT12 using a USB cable. The internal circuits may cause a short-circuit and result in malfunction.



### Precautions for Correct Use

---

#### **When connecting the sensor controller and monitor with a switcher and splitter**

Do not use devices that may require re-recognition of the monitor by the Sensor Controller when a switching operation was performed. If such re-recognition processing happens at switching operation, it may cause measurement time to be longer.

#### **When fix the DVI connector**

If difficult to fix the bilateral screws of DVI connector, once loosen these. Then retry to fix, again.

---

## 5-5 Camera Installation

Guidelines and precautions for Sensor Controller installation when cameras are also installed. For handling and function information for specific cameras, refer to the appropriate instruction sheet.

### 5-5-1 All Series

#### **WARNING**

If you keep watching the LED light, it may have an adverse effect on the eyes, do not stare directly into the light emitted from the LED. If a specular object is used, take care not to allow reflected light to enter your eyes.



#### **Caution**

Please take fail-safe measures on your side in preparation for an abnormal signal due to signal conductor disconnection and/or momentary power interruption. An abnormal operation may result in a serious accident.



#### **Precautions for Safe Use**

- Use specialized cameras and cables for the product. If not, it may cause malfunction or damage.
- Make sure to turn off the power when attach or detach cameras or cables. Connecting cables while the power is supplied may cause malfunction or damage to cameras or peripheral devices.
- Since cables to which bending is frequently applied is easily broken, use the robotic cable type (bending resistant cable) to prevent damages.
- Do not apply torsion stress to cables. If not, it may cause damage to cables.
- Secure the minimum bending radius of cables. If not, it may cause damage to cables.
- While the power is ON or immediately after the power is turned OFF, the Sensor Controller and camera case are still hot. Do not touch the case.



#### **Precautions for Correct Use**

##### **Maintenance**

- Turn OFF the power and ensure the safety before maintenance.
- Clean the lens with a lens-cleaning cloth or air brush.
- Lightly wipe off dirt with a soft cloth.
- Dirt on the image element must be removed using an air brush.
- Do not use thinners or benzine.
- When installing / replacing the camera, reset the parameter settings of the corresponding Camera Image Input processing item.



## 5-5-2 FH-1000/2000/3000/5000 Series



### Precautions for Safe Use

- **Ground**

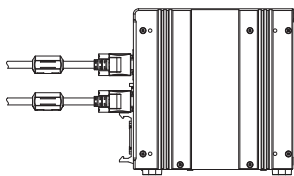
When a base is packed in a camera that will be connected to the Sensor Controller, make sure to mount the camera using the base. Since the enclosure of the camera body is connected to the internal circuits, the circuits may cause short-circuit with FG if the base is not used to mount the camera and result in malfunction or damage.

- **Connect the FH-1000/2000/3000/5000 Series to FH-SC12/FH-SM12 (12 megapixels camera)**

Do not ground the positive terminal of the 24 VDC power supply when connecting the Sensor Controller and a 12 megapixels camera like FH-SC12 or FH-SM12.

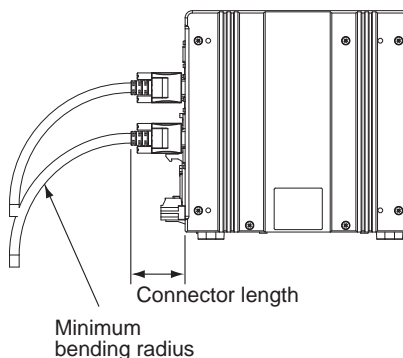
### Mounting of Ferrite core

Mount the ferrite core attached to the camera cable to near the Sensor Controller.



### Camera cable mounting

Connect the cable with securing the connector length and the minimum bending radius to the Sensor Controller.



| Name                                    | Model    | Minimum bending radius | Connector length |
|---|----------|------------------------|------------------|
| Camera Cable                            | FZ-VS3   | 69 [mm]                | 30 [mm]          |
| Right-angle Camera Cable                | FZ-VSL3  |                        |                  |
| Bend resistant Camera Cable             | FZ-VSB3  |                        |                  |
| Bend resistant Right-angle Camera Cable | FZ-VSLB3 |                        |                  |
| Long-distance Camera Cable              | FZ-VS4   | 78 [mm]                | 42 [mm]          |
| Long-distance Right-angle Camera Cable  | FZ-VSL4  |                        |                  |

### 5-5-3 FH-L Series



#### Precautions for Safe Use

- **Ground**

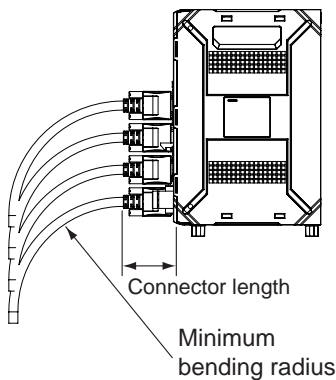
When a base is packed in a camera that will be connected to the Sensor Controller, make sure to mount the camera using the base. Since the enclosure of the camera main body made of metals is short-circuited with the internal circuit, the internal circuit might be short-circuited with FG if no base is used, so that failures or malfunctions may be caused.

- **When connect the FH-L series Sensor Controller to the FH-SC12/FH-SM12: 12 megapixels camera**

Do not ground the positive terminal of the 24 VDC power supply when connecting the Sensor Controller and a 12 megapixels camera like FH-SC12 or FH-SM12.

### Camera cable mounting

Connect the cable with securing the connector length and the minimum bending radius to the Sensor Controller.



| Name                                    | Model    | Minimum bending radius | Connector length |
|---|----------|------------------------|------------------|
| Camera Cable                            | FZ-VS3   | 69 [mm]                | 30 [mm]          |
| Right-angle Camera Cable                | FZ-VSL3  |                        |                  |
| Bend resistant Camera Cable             | FZ-VSB3  |                        |                  |
| Bend resistant Right-angle Camera Cable | FZ-VSLB3 |                        |                  |
| Long-distance Camera Cable              | FZ-VS4   | 78 [mm]                | 42 [mm]          |
| Long-distance Right-angle Camera Cable  | FZ-VSL4  |                        |                  |

## 5-6 Insert/Remove SD Memory Card or USB memory

### 5-6-1 Common in all series



#### Precautions for Correct Use

##### When removing USB memory

- Before removing a USB memory device, make sure that data is not being read or written to them.
- For a USB memory device, the memory device's LED flashes or lights while data is being read or written, so make sure that it is turned OFF before removing the memory.
- When a message is displayed indicating that a task is in progress, do not turn OFF the power. Doing so causes the data in the memory to be corrupted, resulting in the product not operating properly upon the next start-up.

Do not insert or remove USB memory during measurement, loading, and writing. There is the possibility of measurement time or damage of data.



#### Precautions for Correct Use

##### Handling of SD memory card

- When you touch a terminal part of SD memory card, antistatic is required by using a wrist strap or others.
- Do not insert an SD memory card in the reverse orientation, at an angle, or in a twisting manner.

##### Removing SD memory card

- Before removing a SD memory card, make sure that data is not being read or written to them.
- For SD memory card, the SD BUSY LED flashes or lights while data is being read or written, so make sure that it is turned OFF before removing the memory.
- When a message is displayed indicating that a task is in progress, do not turn OFF the power. Doing so causes the data in the memory to be corrupted, resulting in the product not operating properly upon the next start-up.

Do not insert or remove SD memory card during measurement, loading, and writing. There is the possibility of measurement time or damage of data.



#### Additional Information

For external storage device and external drive name, refer to the *Using External Storage Devices and External Drive Name* in the Vision System FH/FHV Series User's Manual (Cat. No. Z365).

## 5-7 Use by Connecting Software

Sysmac Studio FH tool, FZ\_FH Remote Operation tool, and Simulation Software are dedicated software.

### 5-7-1 Sysmac Studio FH Tool

Sysmac Studio FH tool is supported only FH-1000/2000/3000/5000 series.  
When you purchase these series newly, both software DVD and icons are required.



#### Additional Information

For Sysmac Studio FH tool, refer to the *Vision System FH Series Operation Manual for Sysmac Studio (Cat. No. Z343)*.

### 5-7-2 FZ\_FH Remote Operation Tool

FZ\_FH Remote Operation tool is supported all of the series; FH-1000/2000/3000/5000, and FH-L series.

When you purchase these series newly, both software CD-ROM and license are required.



#### Additional Information

For details of FZ\_FH Remote Operation tool, refer to *Remotely Operating the Controller (Remote Operation)* section in the *Vision System FH/FHV series User's Manual (Cat. No. Z365)*.

### 5-7-3 Simulation Software

Using the Simulation Software, you can check the operation or functions of Vision System FH series on a PC.

When you purchase these series newly, both software CD-ROM and license are required.



#### Additional Information

For using the Simulation Software, refer to the description of *How To Use Simulation Software*.

## 5-8 Installation in a Control Panel

When the Sensor Controller is being installed in a cabinet or control panel, be sure to provide proper ambient conditions as well as access for operation and maintenance.

### 5-8-1 All Series



#### Precautions for Safe Use

##### Installation Environment

- Do not use the product in the environment with flammable or explosive gases.
- Install the product so that the air can flow freely through its cooling vents.
- Regularly clean the vent holes or fan outlet to prevent dust or particles blocking them. Internal temperature increases when those are blocked, it causes malfunction.
- To secure safety for operation and maintenance, install the product apart from high-voltage devices and power devices.
- Make sure to tighten all screws in mounting.

##### Accessibility for Operation and Maintenance

- Do not apply torsion stress to cables. If not, it may cause damage to cables.
- Secure the minimum bending radius of cables. If not, it may cause damage to cables.



#### Precautions for Correct Use

##### Installation and Storage Sites

Install and store the product in a location that meets the following conditions:

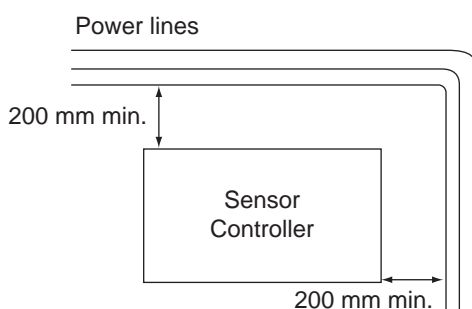
- No rapid changes in temperature (place where dew does not form)
- No presence of corrosive or flammable gases
- Place free of dust, salts and iron particles
- Place free of vibration and shock
- Place out of direct sunlight
- Place where it will not come into contact with water, oils or chemicals
- Place not affected by strong electro-magnetic waves
- Place not near to high-voltage, or high-power equipment

##### Ambient Temperature

- Do not install the product immediately above significant heat sources, such as heaters, transformers, or large-capacity resistors.

##### Noise Resistance

- Do not install the Sensor Controller in a cabinet with high-voltage equipment installed.
- Mount the Sensor Controller at 200 [mm] or more from power cables apart.



### Ambient temperature and humidity

---

- Panels have been reduced in size due to space-saving and miniaturization in devices and systems, and the temperature inside the panel may be at least 10 to 15°C higher than outside the panel. Implement the following measures against overheating at the installation site and in the panel, and allow a sufficient margin for the temperature.
- The Controller may not start normally if the temperature is below 0°C when the power is turned ON. Maintain an air temperature of at least approximately 5°C inside the panel, by implementing measures such as installing a low-capacity space heater in the panel. Alternatively, leave the Controller power ON to keep the Controller warm.
- Rapid temperature changes can cause condensation to occur, resulting in malfunctioning due to short-circuiting. When there is a possibility of this occurring, take measures against condensation, such as leaving the Controller power ON at night or installing a heater in the control panel to keep it warmer.

### Vibration and Shock

---

The Controller is tested for conformity with the sine wave vibration test method (IEC 60068-2-6) and the shock test method (IEC 60068-2-27) of the Environmental Testing for Electrotechnical Products. It is designed so that malfunctioning will not occur within the specifications for vibration and shock. If, however, the Controller is to be used in a location in which it will be directly subjected to regular vibration or shock, then implement the following countermeasures:

- Separate the control panel from the source of the vibration or shock. Or secure the Controller and the panel with rubber padding to prevent vibration.
- Make the building or the floor vibration-resistant.
- To prevent shock when other devices in the panel such as electromagnetic contactors operate, secure either the source of the shock or the Controller with rubber padding.

### Accessibility for Operation and Maintenance

---

- To ensure safe access for operation and maintenance, separate the Controller as much as possible from high-voltage equipment and power machinery.
- Secure the minimum bending radius of the cable. Otherwise the cable may be damaged.
- Consider the physical size of USB memory, or SD memory card as these will be inserted in to the mounted Sensor Controller.

## 5-8-2 FH-1000/2000/3000/5000 Series



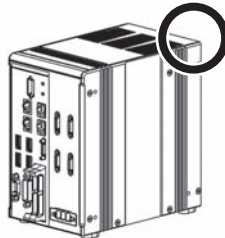
### Precautions for Correct Use

#### Ambient Temperature

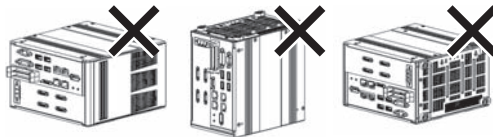
- Install and store the product in a location that meets the following conditions:
  - Surrounding temperature of 0 to +50°C\*1 (-20 to +65°C in storage)
  - \*1. FH-5000 Series: Surrounding temperature of 0 to 45°C
  - Relative humidity of between 35 to 85%
- Do not let the ambient temperature exceed 50°C (122°F).
- Provide a forced-air fan cooling or air conditioning if the ambient temperature is near 50°C (122°F) so that the ambient temperature never exceeds 50°C (122° F).

#### Orientation of Product

- For good heat dissipation, install the product only in the position shown below so as not to block the ventilation holes. Install the product so that the air can flow freely through its cooling vents.



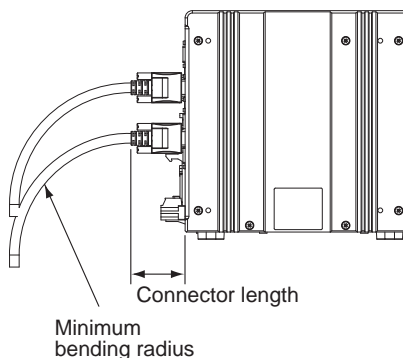
- Do not install the product in the following positions.



- For good ventilation, provide a clearance of 50 [mm] or more above the Sensor Controller away from other devices in the normal floor mounting. For the right and left sides, provide a clearance of 30 [mm] or more, and for the back side, 15 [mm] or more. These clearances are also required when mounting multiple Sensor Controllers side by side. For the back mounting, the back-side clearance of 15 [mm] is not required.

## Accessibility for Operation and Maintenance

Connect the cable with securing the connector length and the minimum bending radius to the Sensor Controller.

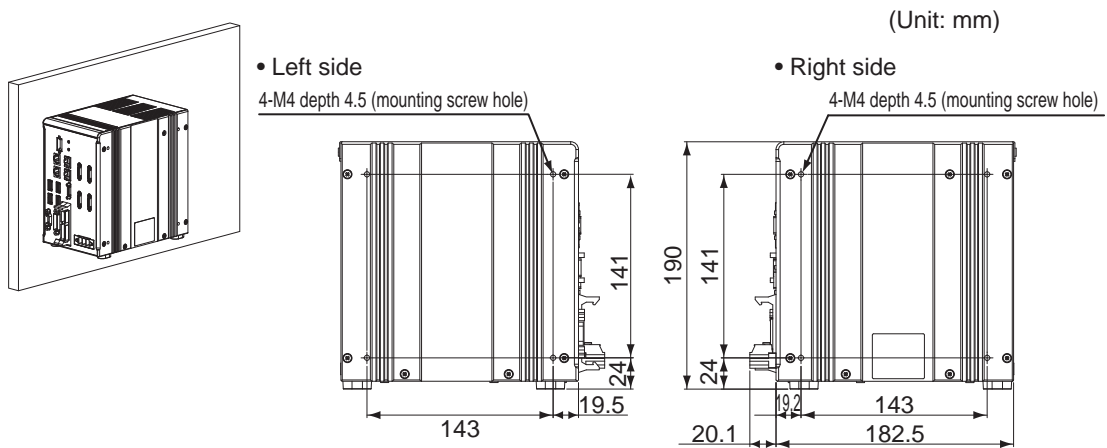


| Name                                    | Model    | Minimum bending radius | Connector length |
|---|----------|------------------------|------------------|
| Camera Cable                            | FZ-VS3   | 69 [mm]                | 30 [mm]          |
| Right-angle Camera Cable                | FZ-VSL3  |                        |                  |
| Bend resistant Camera Cable             | FZ-VSB3  |                        |                  |
| Bend resistant Right-angle Camera Cable | FZ-VSLB3 |                        |                  |
| Long-distance Camera Cable              | FZ-VS4   | 78 [mm]                | 42 [mm]          |
| Long-distance Right-angle Camera Cable  | FZ-VSL4  |                        |                  |

## Installation in a Control Panel

- Make sure to tighten all screws in mounting.
- For good ventilation, provide a clearance of 50 [mm] or more above the Sensor Controller away from other devices in the normal floor mounting. For the right and left sides, provide a clearance of 30 [mm] or more, and for the back side, 15 [mm] or more. These clearances are also required when mounting multiple Sensor Controllers side by side. For the back mounting, the back-side clearance of 15 [mm] is not required.

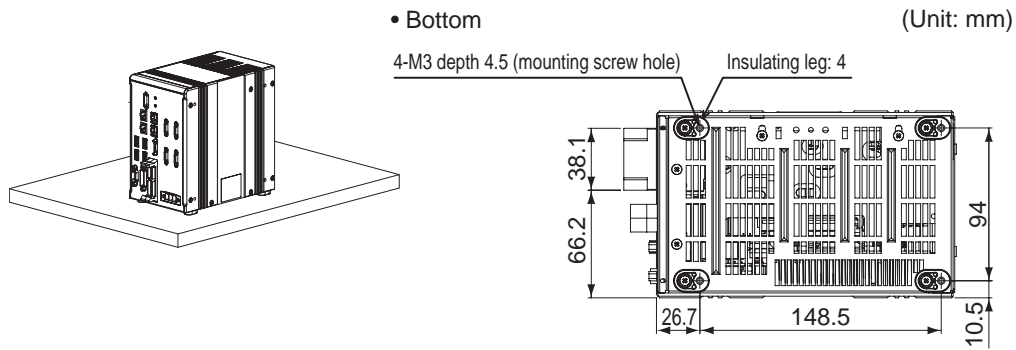
### ● Side Mounting



- \* Recommended tightening torque: 1.2 N•m to 1.3 N•m
- \* The tolerance is  $\pm 0.2$  mm.

### ● Bottom Mounting





- \* Do not remove the Insulating leg. Fix the Insulating leg to secure the ventilation path.
- \* Recommended tightening torque: 0.54 N•m to 0.6 N•m
- \* The tolerance is  $\pm 0.2$  mm.

### 5-8-3 FH-L Series



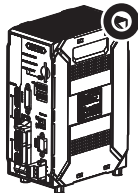
#### Precautions for Correct Use

##### Ambient Temperature

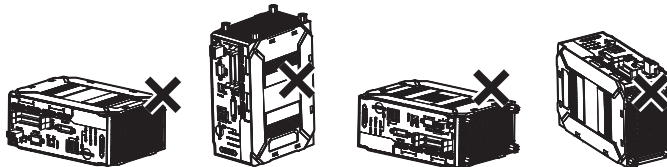
- Install and store the product in a location that meets the following conditions:
  - Surrounding temperature of 0 to +55°C (-25 to +70°C in storage)
  - Relative humidity of between 10 to 90%
- Do not let the ambient temperature exceed 55°C (131°F).
- Provide a forced-air fan cooling or air conditioning if the ambient temperature is near 55°C (131°F) so that the ambient temperature never exceeds 55°C (131°F).

##### Orientation of Product

- For good heat dissipation, install the product only in the position shown below so as not to block the ventilation holes.



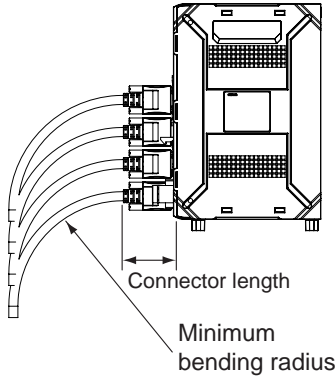
- Do not install the product in the following positions.



- For good ventilation, provide a clearance of 50 mm or more above the Sensor Controller away from other devices in the normal floor mounting. For the right and left sides, back side, for other devices, or Sensor Controller 25 mm or more.

## Accessibility for Operation and Maintenance

Connect the cable with securing the connector length and the minimum bending radius to the Sensor Controller.

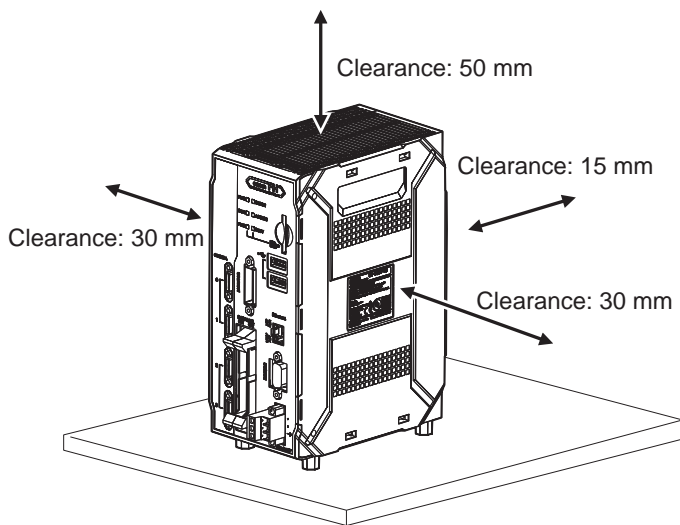


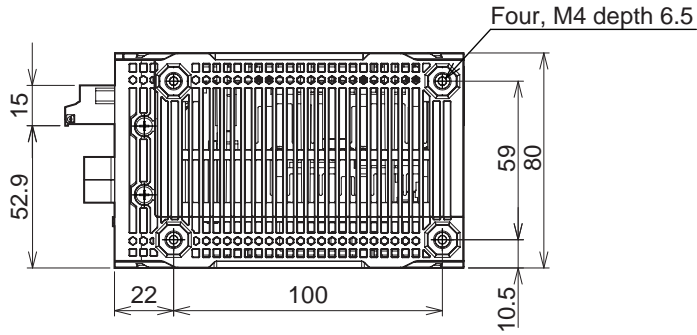
| Name                                    | Model    | Minimum bending radius | Connector length |
|---|----------|------------------------|------------------|
| Camera Cable                            | FZ-VS3   | 69 [mm]                | 30 [mm]          |
| Right-angle Camera Cable                | FZ-VSL3  |                        |                  |
| Bend resistant Camera Cable             | FZ-VSB3  |                        |                  |
| Bend resistant Right-angle Camera Cable | FZ-VSLB3 |                        |                  |
| Long-distance Camera Cable              | FZ-VS4   | 78 [mm]                | 42 [mm]          |
| Long-distance Right-angle Camera Cable  | FZ-VSL4  |                        |                  |

## Installation in a Control Panel

- Make sure to tighten all screws in mounting.
- For good ventilation, provide a clearance of 50 [mm] or more above the Sensor Controller away from other devices in the normal floor mounting. For the right and left sides, provide a clearance of 30 [mm] or more, and for the back side, 15 [mm] or more. These clearances are also required when mounting multiple Sensor Controllers side by side. For the back mounting, the back-side clearance of 15 [mm] is not required.

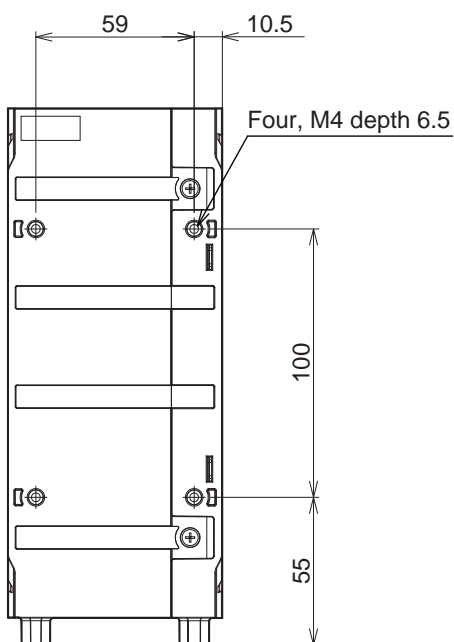
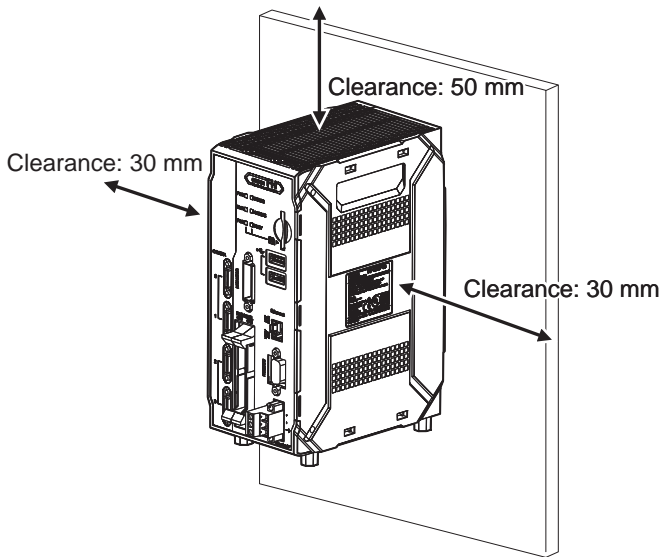
### ● Mounting the base of the Sensor Controller (Floor mounting)





- Recommended tightening torque: 0.54 to 0.6 N•m
- The tolerance:  $\pm 0.2$  mm

● **Mounting of the Back Side**

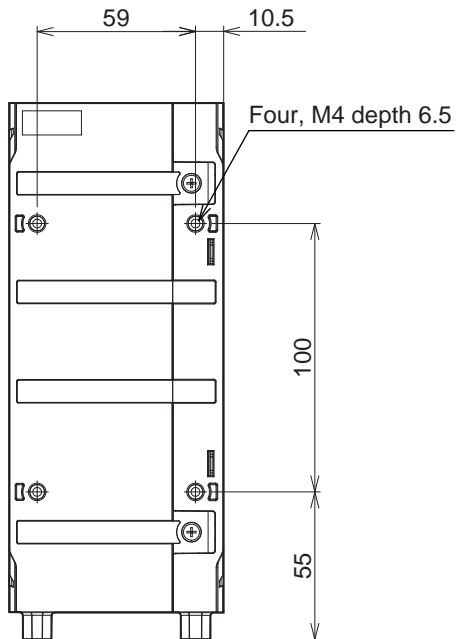
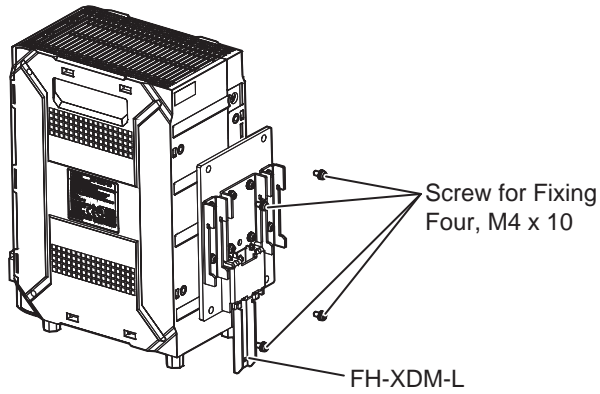


- Recommended tightening torque: 0.54 to 0.6 N•m

- The tolerance:  $\pm 0.2$  mm

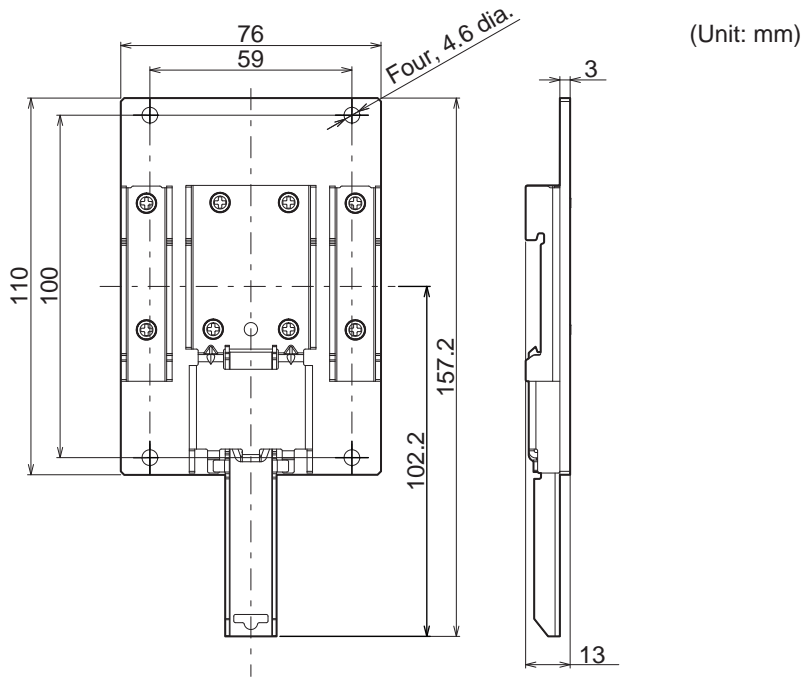
### ● Mounting the DIN rail

Mount DIN rail mounting bracket: FH-XDM-L, to the four mount holes on the back of the Sensor Controller.

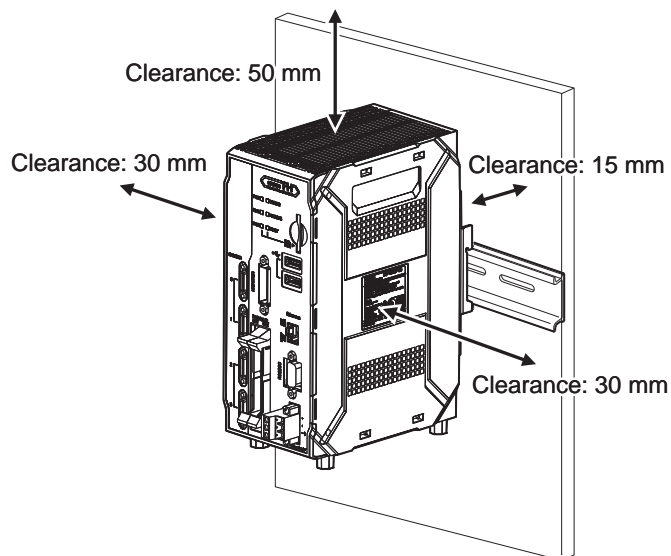


- Recommended tightening torque: 0.54 to 0.6 N·m
- The tolerance:  $\pm 0.2$  mm

- Dimensions of DIN rail mounting bracket: FH-XDM-L

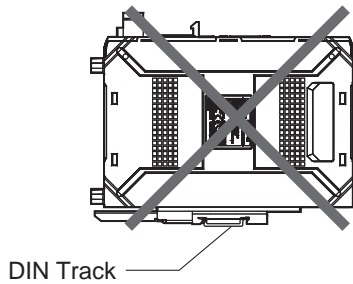


- When mounting the DIN rail, for improvement of heat dissipation, install the product in the following orientation only.

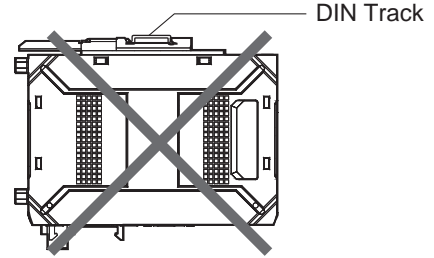


- Do not install in this orientation.

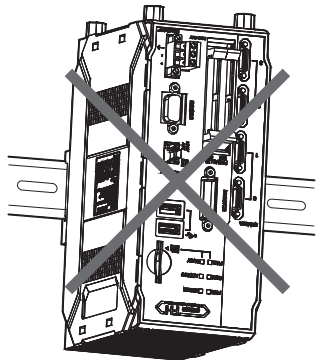
Set DIN rail to the bottom of the Sensor Controller.



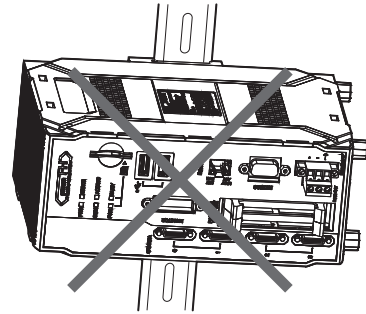
Set DIN rail on the top of the Sensor Controller.



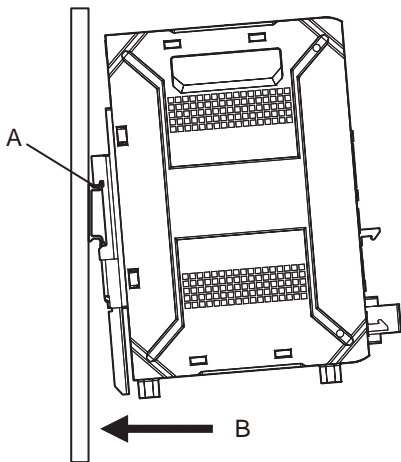
Set DIN rail vertically to the Sensor Controller.



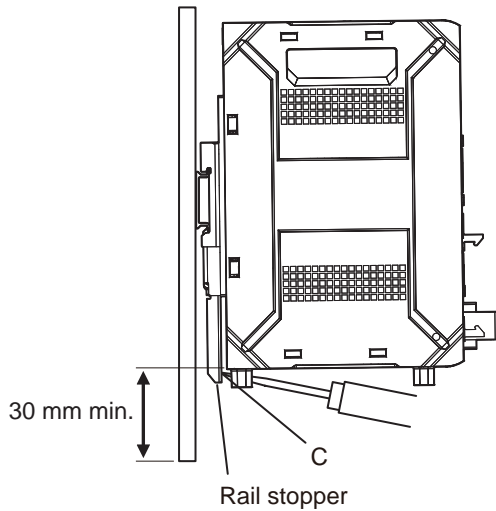
Set DIN rail horizontally to the Sensor Controller.



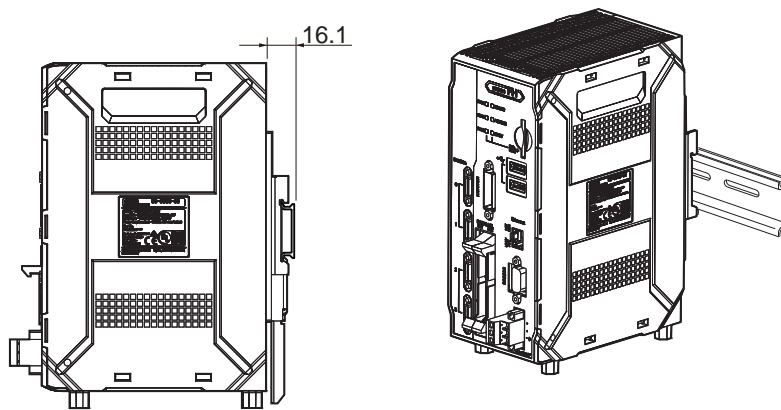
- When mounting the Sensor Controller to the DIN rail, click the rail stoppers, hook the part of A to rail one to the end, and then push up the rail stoppers with pushing to B direction.



- When removing, insert a flat-head screwdriver to the part of C and pull off.



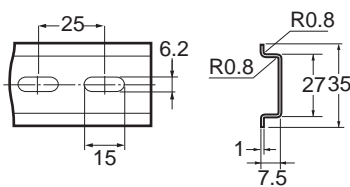
- The back clearance of DIN rail when mount the DIN rail is 16.1 mm.



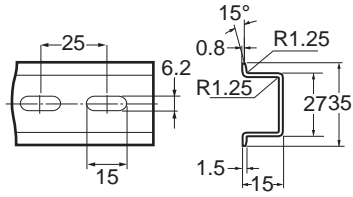
- The following items are recommended for mounting DIN rail.

| Name          | Model           | Manufacturer     | Note  |
|---------------|-----------------|------------------|---|
| DIN35 mm rail | NS 35/ 7,5 PERF | PHOENIX CON-TACT | <ul style="list-style-type: none"> <li>• Length: 75.5/95.5/115.5/200 cm</li> <li>• Material: Iron</li> <li>• Surface: Conductive</li> </ul> |
|               | NS 35/ 15 PERF  |                  |   |
| End plate     | CLIPFIX 35      |                  |   |

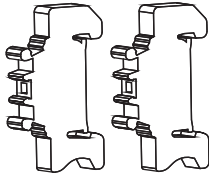
- DIN rail Dimensions:  
NS 35/7.5 PERF



NS 35/165 PERF

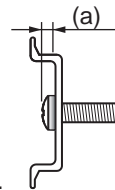


- End plate



For screw or washer, refer to the followings.

| Model           | Screw Diameter | (a)         |
|-----------------|----------------|-------------|
| NS 35/ 7,5 PERF | M6             | 4.6 mm max. |
| NS 35/ 15 PERF  |                | 10 mm max.  |



(a): Length between head of screw and fastening surface.



# 6

## I/O Interface

---

|            |  |               |
|------------|--|---------------|
| <b>6-1</b> | <b>Parallel Interface .....</b>        | <b>6 - 2</b>  |
| 6-1-1      | All Series.....                        | 6 - 2         |
| 6-1-2      | FH-1000/2000/3000/5000 Series.....     | 6 - 3         |
| 6-1-3      | FH-L Series.....                       | 6 - 12        |
| 6-1-4      | Other (Parallel Converter Cable) ..... | 6 - 18        |
| <b>6-2</b> | <b>Encoder Interface .....</b>         | <b>6 - 29</b> |
| 6-2-1      | FH-1000/2000/3000/5000 Series.....     | 6 - 29        |
| <b>6-3</b> | <b>EtherCAT Interface .....</b>        | <b>6 - 32</b> |
| 6-3-1      | FH-1000/2000/3000/5000 Series.....     | 6 - 32        |
| <b>6-4</b> | <b>Ethernet Interface.....</b>         | <b>6 - 34</b> |
| 6-4-1      | FH-1000/2000/3000/5000 Series.....     | 6 - 34        |
| 6-4-2      | FH-L Series.....                       | 6 - 36        |
| <b>6-5</b> | <b>Serial Interface .....</b>          | <b>6 - 38</b> |
| 6-5-1      | All Series.....                        | 6 - 38        |

# 6-1 Parallel Interface

---

Parallel interfaces vary by Sensor Controller series. Refer to the appropriate series for information.

## 6-1-1 All Series



### Precautions for Safe Use

---

- Use only the cables designed specifically for the product. Use of other products may result in malfunction or damage of the product.
  - Always turn OFF the power of the FH-L series Sensor Controller and peripheral devices before connecting or disconnecting a camera or cable. Connecting the cable with power supplied may result in damage of the camera or peripheral devices.
  - Since cables to which bending is frequently applied is easily broken, use the robotic cable type (bending resistant cable) to prevent damages.
  - Do not apply torsion stress to cables. If not, it may cause damage to cables.
  - Secure the minimum bending radius of cables. If not, it may cause damage to cables.
- 



### Precautions for Correct Use

---

- Check the following items on the communications cables that are used in the network.
    - Are there any breaks?
    - Are there any shorts?
    - Are there any connector problems?
  - When you connect the cable to the communications connectors on devices, firmly insert the communications cable connector until it locks in place.
  - Do not lay the communications cables together with high-voltage lines.
  - Do not lay the communications cable near devices that generate noise.
  - Do not lay the communications cables in locations subject to high temperatures or high humidity.
  - Do not lay the communications cables in locations subject to excessive dirt and dust or to oil mist or other contaminants.
-

## 6-1-2 FH-1000/2000/3000/5000 Series

The parallel interface can be used for both NPN and PNP. An appropriate wiring is required according on the external device.

The encoder interface, open collector type, is also included.

The encoder interface, open collector type, is ENCTRIG\_A, ENCTRIG\_B, ENCTRIG\_Z. Connect the corresponding pins to the encoder properly.

### Interface Specification

- Specifications vary depending on the pin's role.
- The pins for the encoder interface, open collector type, are ENCTRIG\_A (No. 8 and 11), ENCTRIG\_B (No. 12 and 13), ENCTRIG\_Z (No. 4 and 5). The response frequency of the encoder is 4 [KHz].

#### ● [Input]

Object signals:

- No.14 pin: Use the COMIN1 terminal when using these signals.
- No.37 to 46 pins: Use the COMIN2 terminal when using these signals.

| Item          | Specifications          |
|---------------|-------------------------|
| Input voltage | 12 to 24 VDC $\pm 10\%$ |
| ON current*1  | 5 mA min.               |
| ON voltage*1  | 8.8 V min.              |
| OFF current*2 | 0.5 mA max.             |
| OFF voltage*2 | 1.1 V max.              |
| ON delay      | 5 ms max.               |
| OFF delay     | 0.7 ms max.             |

\*1. ON current and ON voltage:

These are the current value or voltage value to turn ON from OFF. The value for the ON voltage is the potential difference between COMIN and each input terminal.

\*2. OFF current and OFF voltage:

These are the current value or voltage value to turn OFF from ON. The value for the OFF voltage is the potential difference between COMIN and each input terminal.

#### ● [Input]

Object signals:

- No.4 to 6, 9 to 11 pins: Use the COMIN1 terminal when using these signals.
- No.7, 8, 12, 13 pins: Use the COMIN0 terminal when using these signals.

| Item          | Specifications          |
|---------------|-------------------------|
| Input voltage | 12 to 24 VDC $\pm 10\%$ |
| ON current*1  | 5 mA min.               |
| ON voltage*1  | 8.8 V min.              |
| OFF current*2 | 0.5 mA max.             |
| OFF voltage*2 | 0.8 V max.              |
| ON delay      | 0.1 ms max.             |

| Item                    | Specifications |
|-------------------------|----------------|
| OFF delay               | 0.1 ms max.    |
| Max. response frequency | 4 KHz          |

\*1. ON current and ON voltage:

These are the current value or voltage value to turn ON from OFF. The value for the ON voltage is the potential difference between COMIN and each input terminal.

\*2. OFF current and OFF voltage:

These are the current value or voltage value to turn OFF from ON. The value for the OFF voltage is the potential difference between COMIN and each input terminal.

### ● [Output]

Object signals:

- No.15 to 19 pin, No.28 to 32 pin: Use the COMOUT0 terminal when using these signals.
- No.48 to 57 pins: Use the COMOUT2 terminal when using these signals.
- No.58 to 66 pins: Use the COMOUT3 terminal when using these signals.

| Item                | Specifications          |
|---------------------|-------------------------|
| Output voltage      | 12 to 24 VDC $\pm 10\%$ |
| Load current*1      | 45 mA max.              |
| ON residual voltage | 2 V max.                |
| OFF leakage current | 0.2 mA max.             |

\*1. The load current must be the specified current value or lower. Exceeding the specified current value may cause damage to the output circuit.

### ● [Output]

Object signals:

- No.20 to 27 pins: Connect the COMOUT1 and COMIN0 terminals when using these signals.

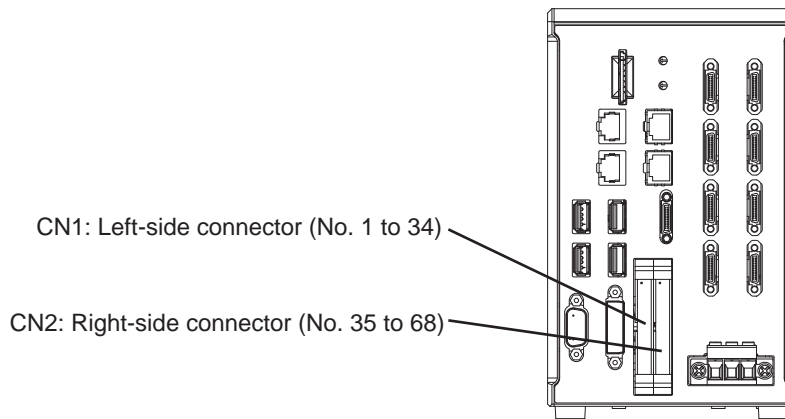
| Item                | Specifications          |
|---------------------|-------------------------|
| Output voltage      | 12 to 24 VDC $\pm 10\%$ |
| Load current*1      | 45 mA max.              |
| ON residual voltage | 2 V max.                |
| OFF leakage current | 0.2 mA max.             |

\*1. The load current must be the specified current value or lower. Exceeding the specified current value may cause damage to the output circuit.

### ● Connection

Connect the parallel I/O cable with more than the minimum bending radius.

### ● Pin Assignment

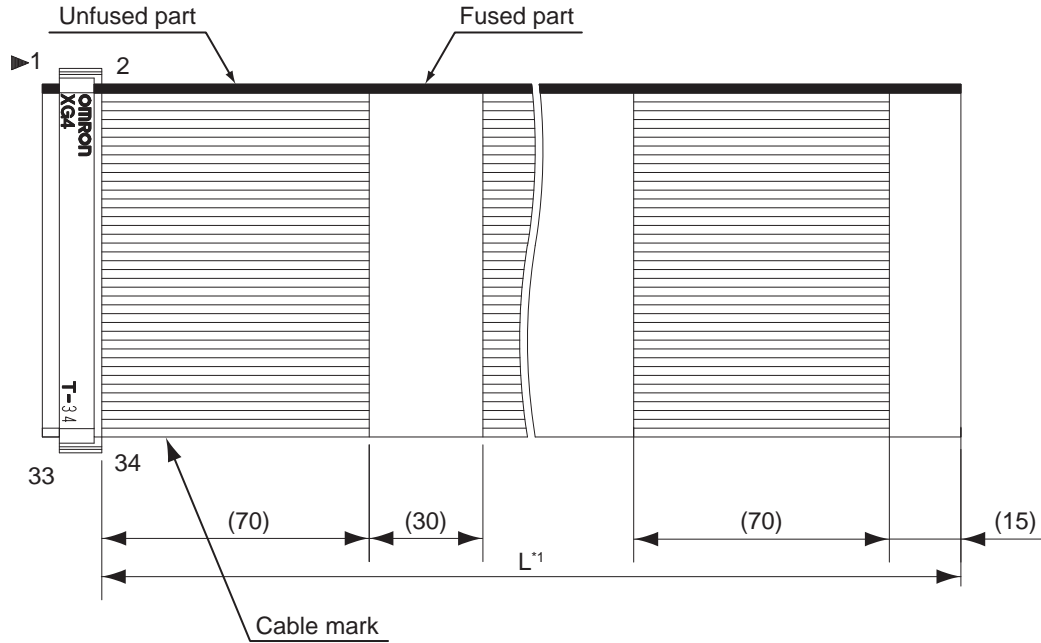


## Cable, I/O connector and Terminal Block

Use the following parallel I/O cable.

| Name  | Model          | Description   | Remark  |
|---|----------------|---|---|
| Parallel I/O cable  | XW2Z-S013-□    | Specialized for FH series<br>Cable length: 2 m, 5 m<br>Min. bending radius: 10 mm                           | <ul style="list-style-type: none"> <li>Two these cables are needed to use all I/O signals.</li> <li>One side of this cable is flat cable and another side of it is a connector.</li> <li>Connect the parallel I/O cable with securing the minimum bending radius and more.</li> <li>Cable length is set to □ in the model number. (2 = 2 m, 5 = 5 m)</li> </ul>   |
| Parallel I/O cable for Connector-Terminal Conversion Unit | XW2Z-□□<br>□EE | Specialized for FH series<br>Cable length: 0.5 m, 1 m, 1.5 m, 2 m, 3 m, 5 m<br>Min. bending radius: 83.2 mm | <ul style="list-style-type: none"> <li>Two these cables are needed to use all I/O signals.</li> <li>One side of this cable is flat cable and another side of it is a connector.</li> <li>Connect the parallel I/O cable with securing the minimum bending radius and more.</li> <li>Cable length is set to □ in the model number. (050 = 0.5 m, 100 = 1 m, 150 = 1.5 m, 2 = 2 m, 300 = 3 m, 500 = 5 m)</li> <li>Connectable Connector-Terminal Block Conversion Unit: : XW2R-□34GD-T</li> </ul> |
| Connector-Terminal Conversion Unit for general-purpose    | XW2R-□34GD-T   | -   | The following is set to □ in the model number. For details, refer to the <i>XW2R Series catalog (Cat. No. G077)</i> .   |

### ● XW2Z-S013-□



\*1. Cable is available in 2 m/5 m.

## Pin Layout

Terminal assignments and signal names should be set according to the FH Sensor Controller's operation mode settings. Verify that the wiring conforms to that.



### Additional Information

For Operation Mode, refer to the *Setting the Operation Mode* in the *Vision Sensor FH/FHV Series User's Manual (Cat. No. Z365)*.

| No. | I/O | XW2Z-S013-□<br>Wire color | XW2R-□34GD-T<br>Connector-Terminal<br>Block Conversion<br>Units, General-purpose<br>devices | Signal name                 |                             |                          |                          |
|-----|-----|---------------------------|---|-----------------------------|-----------------------------|--------------------------|--------------------------|
|     |     |                           |   | 1-line mode                 | 2-line random mode          | 3- to 4-line random mode | 5- to 8-line random mode |
| CN1 |     |                           |   |                             |                             |                          |                          |
| 1   | -   | Red                       | A1  | COMIN0                      |                             |                          |                          |
| 2   | -   | Gray                      | B1  | COMIN1                      |                             |                          |                          |
| 3   | -   | Gray                      | A2  | Vacant                      |                             |                          |                          |
| 4   | IN  | Gray                      | B2  | STEP0/<br>ENC-<br>TRIG_Z0*1 | STEP0/<br>ENC-<br>TRIG_Z0*2 | STEP0                    | STEP0                    |
| 5   | IN  | Green                     | A3  | Not used*3                  | STEP1/<br>ENC-<br>TRIG_Z1*2 | STEP1                    | STEP1                    |
| 6   | IN  | Gray                      | B3  | Not used*3                  | Not used*3                  | STEP2                    | STEP2                    |

| No. | I/O | XW2Z-S013-□ Wire color | XW2R-□34GD-T Connector-Terminal Block Conversion Units, General-purpose devices | Signal name                    |                           |                          |                          |
|-----|-----|------------------------|---|--------------------------------|---------------------------|--------------------------|--------------------------|
|     |     |                        |   | 1-line mode                    | 2-line random mode        | 3- to 4-line random mode | 5- to 8-line random mode |
| 7   | IN  | Gray                   | A4  | Not used <sup>*3</sup>         | Not used <sup>*3</sup>    | STEP3                    | STEP3                    |
| 8   | IN  | Gray                   | B4  | ENC-TRIG_A0 <sup>*1</sup>      | ENC-TRIG_A0 <sup>*1</sup> | Not used <sup>*3</sup>   | Not used <sup>*3</sup>   |
| 9   | IN  | Gray                   | A5  | Not used <sup>*3</sup>         | Not used <sup>*3</sup>    | Not used <sup>*3</sup>   | STEP4                    |
| 10  | IN  | Green                  | B5  | Not used <sup>*3</sup>         | Not used <sup>*3</sup>    | Not used                 | STEP5                    |
| 11  | IN  | Gray                   | A6  | Not used <sup>*3</sup>         | ENC-TRIG_A1               | Not used                 | STEP6                    |
| 12  | IN  | Gray                   | B6  | Not used <sup>*3</sup>         | ENC-TRIG_B1 <sup>*2</sup> | Not used                 | STEP7                    |
| 13  | IN  | Gray                   | A7  | ENC-TRIG_B0 <sup>*1</sup>      | ENC-TRIG_B0 <sup>*2</sup> | Not used <sup>*3</sup>   | Not used <sup>*3</sup>   |
| 14  | IN  | Gray                   | B7  | Not used <sup>*3</sup>         | DILINE0                   |                          |                          |
| 15  | OUT | Green                  | A8  | RUN0                           | RUN0                      | RUN0                     | READY0                   |
| 16  | OUT | Gray                   | B8  | READY0                         | READY0                    | READY0                   | BUSY0                    |
| 17  | OUT | Gray                   | A9  | BUSY0                          | BUSY0                     | BUSY0                    | OR0                      |
| 18  | OUT | Gray                   | B9  | OR0                            | OR0                       | OR0                      | READY1                   |
| 19  | OUT | Gray                   | A10   | ERROR0                         | ERROR0                    | ERROR0                   | BUSY1                    |
| 20  | OUT | Green                  | B10   | STGOUT0 <sup>*4</sup> /SHTOUT0 |                           |                          |                          |
| 21  | OUT | Gray                   | A11   | STGOUT1 <sup>*4</sup> /SHTOUT1 |                           |                          |                          |
| 22  | OUT | Gray                   | B11   | STGOUT2 <sup>*4</sup> /SHTOUT2 |                           |                          |                          |
| 23  | OUT | Gray                   | A12   | STGOUT3 <sup>*4</sup> /SHTOUT3 |                           |                          |                          |
| 24  | OUT | Gray                   | B12   | STGOUT4 <sup>*4</sup> /SHTOUT4 |                           |                          |                          |
| 25  | OUT | Green                  | A13   | STGOUT5 <sup>*4</sup> /SHTOUT5 |                           |                          |                          |
| 26  | OUT | Gray                   | B13   | STGOUT6 <sup>*4</sup> /SHTOUT6 |                           |                          |                          |
| 27  | OUT | Gray                   | A14   | STGOUT7 <sup>*4</sup> /SHTOUT7 |                           |                          |                          |
| 28  | OUT | Gray                   | B14   | Not used <sup>*3</sup>         | RUN1                      | RUN1                     | OR1                      |
| 29  | OUT | Gray                   | A15   | Not used <sup>*3</sup>         | READY1                    | READY1                   | READY2                   |
| 30  | OUT | Green                  | B15   | Not used <sup>*3</sup>         | BUSY1                     | BUSY1                    | BUSY2                    |
| 31  | OUT | Gray                   | A16   | Not used <sup>*3</sup>         | OR1                       | OR1                      | OR2                      |
| 32  | OUT | Gray                   | B16   | Not used <sup>*3</sup>         | ERROR1                    | ERROR1                   | READY3                   |
| 33  | -   | Gray                   | A17   | COMOUT0                        |                           |                          |                          |
| 34  | -   | Gray                   | B17   | COMOUT1                        |                           |                          |                          |
| CN2 |     |                        |   |                                |                           |                          |                          |
| 35  | -   | Red                    | A1  | COMIN2                         |                           |                          |                          |
| 36  | -   | Gray                   | B1  | Vacant                         |                           |                          |                          |
| 37  | -   | Gray                   | A2  | DSA0                           | DSA0                      | DILINE1                  | DILINE1                  |
| 38  | IN  | Gray                   | B2  | Not used <sup>*3</sup>         | DSA1                      | Not used <sup>*3</sup>   | DILINE2                  |

| No. | I/O | XW2Z-S013-□<br>Wire color | XW2R-□34GD-T<br>Connector-Terminal<br>Block Conversion<br>Units, General-purpose<br>devices | Signal name |                    |                          |                          |
|-----|-----|---------------------------|---|-------------|--------------------|--------------------------|--------------------------|
|     |     |                           |   | 1-line mode | 2-line random mode | 3- to 4-line random mode | 5- to 8-line random mode |
| 39  | IN  | Green                     | A3  | DI0         |                    |                          |                          |
| 40  | IN  | Gray                      | B3  | DI1         |                    |                          |                          |
| 41  | IN  | Gray                      | A4  | DI2         |                    |                          |                          |
| 42  | IN  | Gray                      | B4  | DI3         |                    |                          |                          |
| 43  | IN  | Gray                      | A5  | DI4         |                    |                          |                          |
| 44  | IN  | Green                     | B5  | DI5         |                    |                          |                          |
| 45  | IN  | Gray                      | A6  | DI6         |                    |                          |                          |
| 46  | IN  | Gray                      | B6  | DI7         |                    |                          |                          |
| 47  | IN  | Gray                      | A7  | Vacant      |                    |                          |                          |
| 48  | IN  | Gray                      | B7  | ACK         |                    |                          |                          |
| 49  | OUT | Green                     | A8  | GATE0       | GATE0              | RUN2                     | BUSY3                    |
| 50  | OUT | Gray                      | B8  | Not used*3  | GATE1              | READY2                   | OR3                      |
| 51  | OUT | Gray                      | A9  | DO0         | DO0                | BUSY2                    | READY4                   |
| 52  | OUT | Gray                      | B9  | DO1         | DO1                | OR2                      | BUSY4                    |
| 53  | OUT | Gray                      | A10   | DO2         | DO2                | ERROR2                   | OR4                      |
| 54  | OUT | Green                     | B10   | DO3         | DO3                | RUN3                     | READY5                   |
| 55  | OUT | Gray                      | A11   | DO4         | DO4                | READY3                   | BUSY5                    |
| 56  | OUT | Gray                      | B11   | DO5         | DO5                | BUSY3                    | OR5                      |
| 57  | OUT | Gray                      | A12   | DO6         | DO6                | OR3                      | READY6                   |
| 58  | OUT | Gray                      | B12   | DO7         | DO7                | Not used*3               | BUSY6                    |
| 59  | OUT | Green                     | A13   | DO8         | DO8                | Not used*3               | OR6                      |
| 60  | OUT | Gray                      | B13   | DO9         | DO9                | Not used*3               | READY7                   |
| 61  | OUT | Gray                      | A14   | DO10        | DO10               | Not used*3               | BUSY7                    |
| 62  | OUT | Gray                      | B14   | DO11        | DO                 | Not used*3               | OR7                      |
| 63  | OUT | Gray                      | A15   | DO12        | DO12               | Not used*3               | Not used*3               |
| 64  | OUT | Green                     | B15   | DO13        | DO13               | Not used*3               | Not used*3               |
| 65  | OUT | Gray                      | A16   | DO14        | DO14               | Not used*3               | Not used*3               |
| 66  | OUT | Gray                      | B16   | DO15        | DO15               | Not used*3               | ERROR*5                  |
| 67  | -   | Gray                      | A17   | COMOUT2     |                    |                          |                          |
| 68  | -   | Gray                      | B17   | COMOUT3     |                    |                          |                          |

## Remarks:

COMIN0 to 2: Common for input signals, COMOUT0 to 3: Common for output signals,  
 DI0 to 7: Command inputs, DILINE0 to 2: Command inputs (Line specified) ,  
 ENCTRIG\_A0 to 1: Encoder trigger input for phase A, ENCTRIG\_B0 to 1: Encoder trigger input for phase B,  
 ENCTRIG\_Z0 to 1: Encoder trigger input for phase Z, STEP0 to 7: Measurement trigger,  
 ACK: Instruction execution complete flag, BUSY0 to 7: ON during processing,  
 DO0 to 15: Data outputs, ERROR: ON when an error occurs\*5,  
 ERROR0 to 3: ON when an error occurs, GATE0 to 1: ON during set output time,  
 OR0 to 7: Overall judgment results, READY0 to 7: ON when image input is permitted,



RUN0 to 3: ON when switched to output specified layout,  
 SHTOUT0 to 7: Shutter output signals, STGOUT0 to 7: Strobe trigger signals\*<sup>4</sup>

- \*1. Use the STEP signal when using measurement trigger inputs. Use the ENCTRIG\_A0/B0/Z0 when using encoder inputs
- \*2. When using one measurement trigger and one encoder input in the 2-line random mode, use ENCTRIG\_A0/B0/Z0 and STEP1.
- \*3. Do not connect anything for "Not used".
- \*4. This signal is used when the strobe signal is used for the Sensor Controller.
- \*5. The ERROR signal is shared among No.1 to 8 line.

## Internal Specifications for Parallel Interface

The parallel interface can be used for both NPN and PNP. Connect the pins properly according to the specifications of external devices.

### ● [Input]

Object signals:

- No.14 pin: Use the COMIN1 terminal when using these signals.
- No.37 to 46 pins: Use the COMIN2 terminal when using these signals.

a) Internal specifications for NPN connection

| Item                     | Specifications |
|--------------------------|----------------|
| Internal circuit diagram |                |

b) Internal specifications for PNP connection

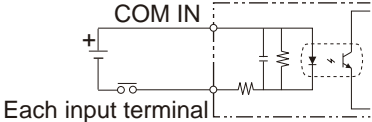
| Item                     | Specifications |
|--------------------------|----------------|
| Internal circuit diagram |                |

### ● [Input]

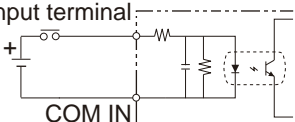
Object signals:

- No.4 to 6, 9 to 11 pins: Use the COMIN1 terminal when using these signals.
- No.7, 8, 12, 13 pins: Use the COMIN0 terminal when using these signals.

a) Internal specifications for NPN connection

| Item                     | Specifications  |
|--------------------------|---|
| Internal circuit diagram |  <p>Each input terminal</p> |

b) Internal specifications for PNP connection

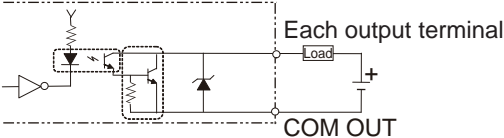
| Item                     | Specifications  |
|--------------------------|---|
| Internal circuit diagram |  <p>Each input terminal</p> |

● [Output]

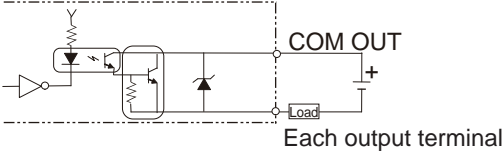
Object signals:

- No.15 to 19 pin, No.28 to 32pin: Use the COMOUT0 terminal when using these signals.
- No.48 to 57 pins: Use the COMOUT2 terminal when using these signals.
- No.58 to 66 pins: Use the COMOUT3 terminal when using these signals.

a) Internal specifications for NPN connection

| Item                     | Specifications   |
|--------------------------|--|
| Internal circuit diagram |  <p>Each output terminal</p> |

b) Internal specifications for PNP connection

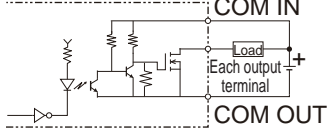
| Item                     | Specifications   |
|--------------------------|--|
| Internal circuit diagram |  <p>Each output terminal</p> |

● [Output]

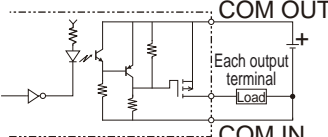
Object signals:

- No.20 to 27 pins: Connect the COMOUT1 and COMIN0 terminals when using these signals.

a) Internal specifications for NPN connection

| Item                     | Specifications   |
|--------------------------|--|
| Internal circuit diagram |  |

b) Internal specifications for PNP connection

| Item                     | Specifications   |
|--------------------------|--|
| Internal circuit diagram |  |

### 6-1-3 FH-L Series

The parallel interface can be used for both NPN and PNP. Connect the pins properly according to the specifications of external devices.

## Interface Specification

Specifications vary depending on the pin's role.

### ● [Input]

Object signals:

- No.37, 39 to 46 pins: Use the COMIN2 terminal when using these signals.

| Item          | Specifications          |
|---------------|-------------------------|
| Input voltage | 12 to 24 VDC $\pm 10\%$ |
| ON current*1  | 5 mA min.               |
| ON voltage*1  | 8.8 V min.              |
| OFF current*2 | 0.5 mA max.             |
| OFF voltage*2 | 1.1 V max.              |
| ON delay      | 5 ms max.               |
| OFF delay     | 0.7 ms max.             |

\*1. ON current and ON voltage:

These are the current value or voltage value to turn ON from OFF. The value for the ON voltage is the potential difference between COMIN and each input terminal.

\*2. OFF current and OFF voltage:

These are the current value or voltage value to turn OFF from ON. The value for the OFF voltage is the potential difference between COMIN and each input terminal.

### ● [Input]

Object signals:

- No.4 pin: Use the COMIN1 terminal when using these signals.

| Item          | Specifications          |
|---------------|-------------------------|
| Input voltage | 12 to 24 VDC $\pm 10\%$ |
| ON current*1  | 5 mA min.               |
| ON voltage*1  | 8.8 V min.              |
| OFF current*2 | 0.5 mA max.             |
| OFF voltage*2 | 0.8 V max.              |
| ON delay      | 0.1 ms max.             |
| OFF delay     | 0.1 ms max.             |

\*1. ON current and ON voltage:

These are the current value or voltage value to turn ON from OFF. The value for the ON voltage is the potential difference between COMIN and each input terminal.

\*2. OFF current and OFF voltage:

These are the current value or voltage value to turn OFF from ON. The value for the OFF voltage is the potential difference between COMIN and each input terminal.

### ● [Output]

Object signals:

- No.15 to 19 pin: Use the COMOUT0 terminal when using these signals.
- No.49, 51 to 57 pins: Use the COMOUT2 terminal when using these signals.
- No.58 to 66 pins: Use the COMOUT3 terminal when using these signals.

| Item                | Specifications          |
|---------------------|-------------------------|
| Output voltage      | 12 to 24 VDC $\pm$ 10 % |
| Load current*1      | 45 mA max.              |
| ON residual voltage | 2 V max.                |
| OFF leakage current | 0.2 mA max.             |

\*1. The load current must be the specified current value or lower. Exceeding the specified current value may cause damage to the output circuit.

## ● [Output]

Object signals:

- No.20 to 23 pins:Use COMOUT1 and COMIN0 when using these signals.

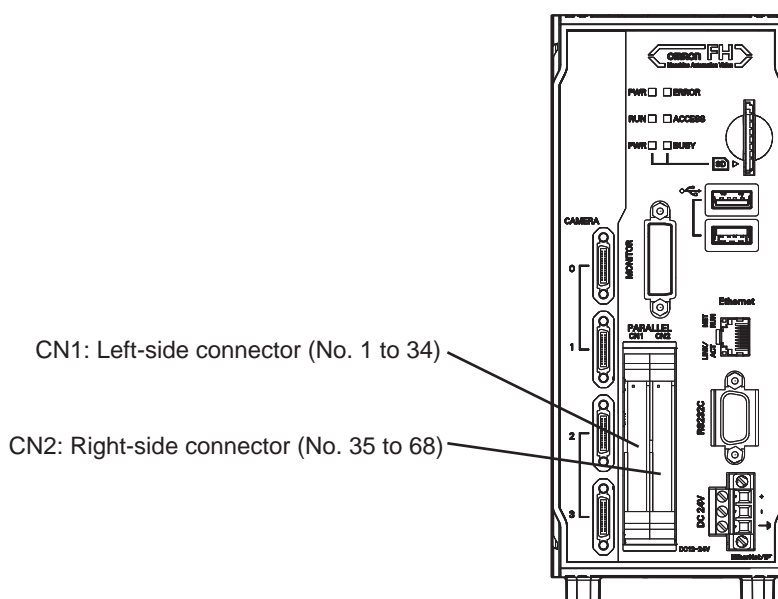
| Item                | Specifications          |
|---------------------|-------------------------|
| Output voltage      | 12 to 24 VDC $\pm$ 10 % |
| Load current*1      | 45 mA max.              |
| ON residual voltage | 2 V max.                |
| OFF leakage current | 0.2 mA max.             |

\*1. The load current must be the specified current value or lower. Exceeding the specified current value may cause damage to the output circuit.

## ● Connection

Connect the parallel I/O cable with more than the minimum bending radius.

## ● Pin AssignmentCN1



CN1: Left-side connector (No. 1 to 34)

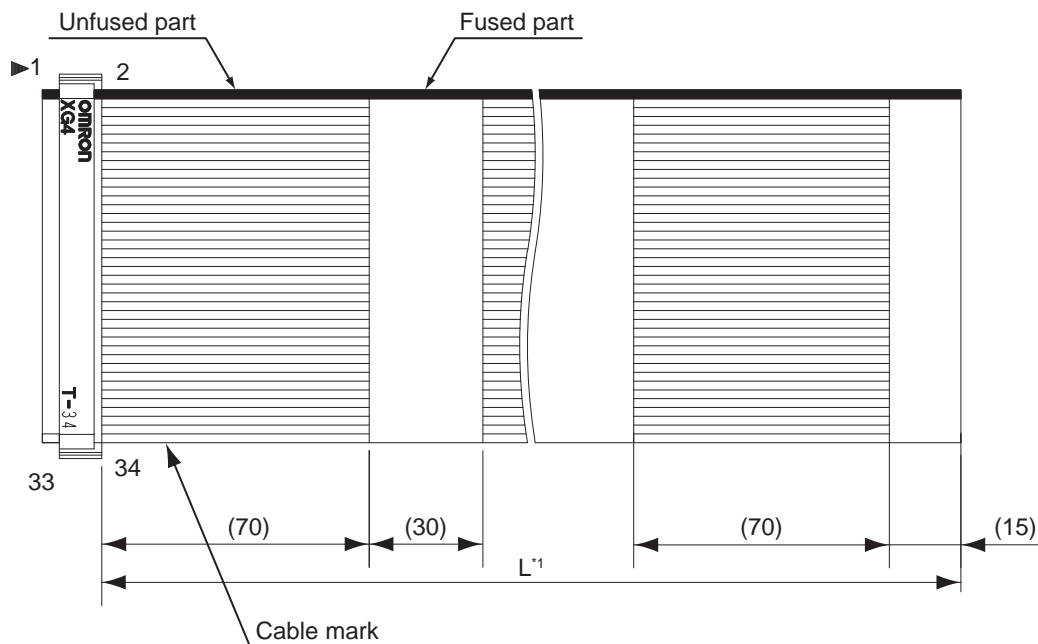
CN2: Right-side connector (No. 35 to 68)

## Cable, I/O connector and Terminal Block

Use the following parallel I/O cable.

| Name  | Model          | Description   | Remark  |
|---|----------------|---|---|
| Parallel I/O cable  | XW2Z-S013-□    | Specialized for FH series<br>Cable length: 2 m, 5 m<br>Min. bending radius: 10 mm                           | <ul style="list-style-type: none"> <li>Two these cables are needed to use all I/O signals.</li> <li>One side of this cable is flat cable and another side of it is a connector.</li> <li>Connect the parallel I/O cable with securing the minimum bending radius and more.</li> <li>Cable length is set to □ in the model number. (2 = 2 m, 5 = 5 m)</li> </ul>   |
| Parallel I/O cable for Connector-Terminal Conversion Unit | XW2Z-□□<br>□EE | Specialized for FH series<br>Cable length: 0.5 m, 1 m, 1.5 m, 2 m, 3 m, 5 m<br>Min. bending radius: 83.2 mm | <ul style="list-style-type: none"> <li>Two these cables are needed to use all I/O signals.</li> <li>One side of this cable is flat cable and another side of it is a connector.</li> <li>Connect the parallel I/O cable with securing the minimum bending radius and more.</li> <li>Cable length is set to □ in the model number. (050 = 0.5 m, 100 = 1 m, 150 = 1.5 m, 2 = 2 m, 300 = 3 m, 500 = 5 m)</li> <li>Connectable Connector-Terminal Block Conversion Unit: : XW2R-□34GD-T</li> </ul> |
| Connector-Terminal Conversion Unit for general-purpose    | XW2R-□34GD-T   | -   | The following is set to □ in the model number. For details, refer to the <i>XW2R Series catalog (Cat. No. G077)</i> .   |

### ● XW2Z-S013-□



\*1. Cable is available in 2 m/5 m.

## Pin Layout

| No. | I/O | XW2Z-S013-□<br>Wire color | XW2R-□34GD-<br>T Connector-<br>Terminal Block<br>Conversion<br>Units, General-<br>purpose devi-<br>ces | Signal name     |
|-----|-----|---------------------------|--|-----------------|
| CN1 |     |                           |  |                 |
| 1   | -   | Red                       | A1   | COMIN0          |
| 2   | -   | Gray                      | B1   | COMIN1          |
| 3   | -   | Gray                      | A2   | Vacant          |
| 4   | IN  | Gray                      | B2   | STEP0           |
| 5   | IN  | Green                     | A3   | Vacant          |
| 6   | IN  | Gray                      | B3   | Vacant          |
| 7   | IN  | Gray                      | A4   | Vacant          |
| 8   | IN  | Gray                      | B4   | Vacant          |
| 9   | IN  | Gray                      | A5   | Vacant          |
| 10  | IN  | Green                     | B5   | Vacant          |
| 11  | IN  | Gray                      | A6   | Vacant          |
| 12  | IN  | Gray                      | B6   | Vacant          |
| 13  | IN  | Gray                      | A7   | Vacant          |
| 14  | IN  | Gray                      | B7   | Vacant          |
| 15  | OUT | Green                     | A8   | RUN0            |
| 16  | OUT | Gray                      | B8   | READY0          |
| 17  | OUT | Gray                      | A9   | BUSY0           |
| 18  | OUT | Gray                      | B9   | OR0             |
| 19  | OUT | Gray                      | A10  | ERROR0          |
| 20  | OUT | Green                     | B10  | STGOUT0/SHTOUT0 |
| 21  | OUT | Gray                      | A11  | STGOUT1         |
| 22  | OUT | Gray                      | B11  | STGOUT2         |
| 23  | OUT | Gray                      | A12  | STGOUT3         |
| 24  | OUT | Gray                      | B12  | Vacant          |
| 25  | OUT | Green                     | A13  | Vacant          |
| 26  | OUT | Gray                      | B13  | Vacant          |
| 27  | OUT | Gray                      | A14  | Vacant          |
| 28  | OUT | Gray                      | B14  | Vacant          |
| 29  | OUT | Gray                      | A15  | Vacant          |
| 30  | OUT | Green                     | B15  | Vacant          |
| 31  | OUT | Gray                      | A16  | Vacant          |
| 32  | OUT | Gray                      | B16  | Vacant          |
| 33  | -   | Gray                      | A17  | COMOUT0         |
| 34  | -   | Gray                      | B17  | COMOUT1         |
| CN2 |     |                           |  |                 |
| 35  | -   | Red                       | A1   | COMIN2          |
| 36  | -   | Gray                      | B1   | Vacant          |
| 37  | IN  | Gray                      | A2   | DSA0            |

| No. | I/O | XW2Z-S013-□<br>Wire color | XW2R-□34GD-<br>T Connector-<br>Terminal Block<br>Conversion<br>Units, General-<br>purpose devi-<br>ces | Signal name |
|-----|-----|---------------------------|--|-------------|
| 38  | IN  | Gray                      | B2   | Vacant      |
| 39  | IN  | Green                     | A3   | DI0         |
| 40  | IN  | Gray                      | B3   | DI1         |
| 41  | IN  | Gray                      | A4   | DI2         |
| 42  | IN  | Gray                      | B4   | DI3         |
| 43  | IN  | Gray                      | A5   | DI4         |
| 44  | IN  | Green                     | B5   | DI5         |
| 45  | IN  | Gray                      | A6   | DI6         |
| 46  | IN  | Gray                      | B6   | DI7         |
| 47  | -   | Gray                      | A7   | Vacant      |
| 48  | OUT | Gray                      | B7   | ACK         |
| 49  | OUT | Green                     | A8   | GATE0       |
| 50  | OUT | Gray                      | B8   | Vacant      |
| 51  | OUT | Gray                      | A9   | DO0         |
| 52  | OUT | Gray                      | B9   | DO1         |
| 53  | OUT | Gray                      | A10  | DO2         |
| 54  | OUT | Green                     | B10  | DO3         |
| 55  | OUT | Gray                      | A11  | DO4         |
| 56  | OUT | Gray                      | B11  | DO5         |
| 57  | OUT | Gray                      | A12  | DO6         |
| 58  | OUT | Gray                      | B12  | DO7         |
| 59  | OUT | Green                     | A13  | DO          |
| 60  | OUT | Gray                      | B13  | DO9         |
| 61  | OUT | Gray                      | A14  | DO10        |
| 62  | OUT | Gray                      | B14  | DO11        |
| 63  | OUT | Gray                      | A15  | DO12        |
| 64  | OUT | Green                     | B15  | DO13        |
| 65  | OUT | Gray                      | A16  | DO14        |
| 66  | OUT | Gray                      | B16  | DO15        |
| 67  | -   | Gray                      | A17  | COMOUT2     |
| 68  | -   | Gray                      | B17  | COMOUT3     |

COMIN0 to 2: Common for input signals, COMOUT0 to 3: Common for output signals,

DI0 to 7: Command inputs, DSA0: Data send request,

STEP0: Measurement trigger 0, ACK: Instruction execution complete flag,

BUSY0: ON during processing, DO0 to 15: Data outputs,

ERROR0: ON when an error occurs, GATE0: ON during set output time,

OR0: Overall judgment result, READY0: ON when image input is permitted,

RUN0: ON when switched to output specified layout,

SHTOUT0: Shutter output signal, STGOUT0 to 3: Strobe trigger signals

Note: When the signal is vacant, do not connect anything.



## Internal Specifications for Parallel Interface

The parallel interface can be used for both NPN and PNP. Connect the pins properly according to the specifications of external devices.

### ● [Input]

Object signals:

- No.37, 39 to 46 pin: Use the COMIN2 terminal when using these signals.

a) Internal specifications for NPN connection

| Item                     | Specifications |
|--------------------------|----------------|
| Internal circuit diagram |                |

b) Internal specifications for PNP connection

| Item                     | Specifications |
|--------------------------|----------------|
| Internal circuit diagram |                |

### ● [Input]

Object signals:

- No.4 pin: Use the COMIN1 terminal when using these signals.

a) Internal specifications for NPN connection

| Item                     | Specifications |
|--------------------------|----------------|
| Internal circuit diagram |                |

b) Internal specifications for PNP connection

| Item                     | Specifications |
|--------------------------|----------------|
| Internal circuit diagram |                |

### ● [Output]

Object signals:

- No. 15 to 19 pin: Use the COMOUT0 terminal when using these signals.

- No. 48, 49, 51 to 57 pins: Use the COMOUT2 terminal when using these signals.
- No.58 to 66 pins: Use the COMOUT3 terminal when using these signals.

a) Internal specifications for NPN connection

| Item                     | Specifications |
|--------------------------|----------------|
| Internal circuit diagram |                |

b) Internal specifications for PNP connection

| Item                     | Specifications |
|--------------------------|----------------|
| Internal circuit diagram |                |

● [Output]

Object signals:

- No.20 to 23 pins: Connect the COMOUT1 and COMIN0 terminals when using these signals.

a) Internal specifications for NPN connection

| Item                     | Specifications |
|--------------------------|----------------|
| Internal circuit diagram |                |

b) Internal specifications for PNP connection

| Item                     | Specifications |
|--------------------------|----------------|
| Internal circuit diagram |                |

**6-1-4 Other (Parallel Converter Cable)**

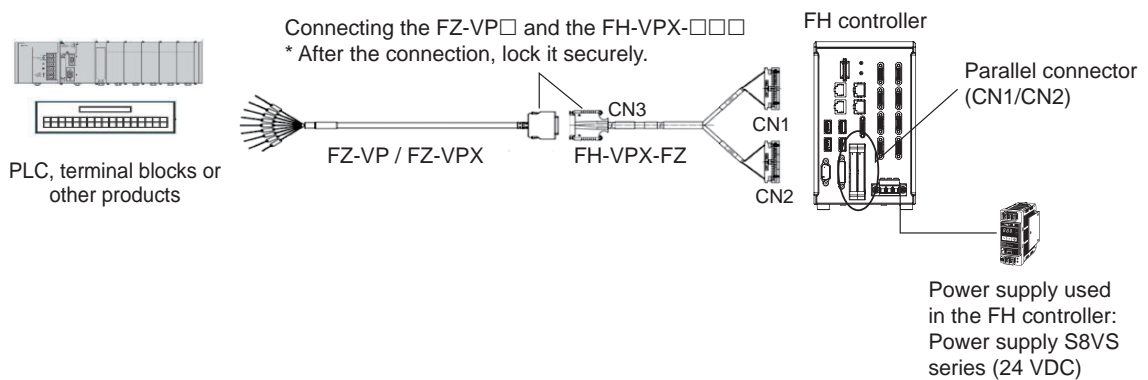
When you change to connect the F series, FZ5 series, or FZ5-L series to FH series Sensor Controller, you can convert by using the appropriate parallel converter cable of FH-VPX series under the usable condition.

| Corresponding model |              | Con-vertible | Applicable parallel conversion cable | Required conditions  |
|---------------------|--------------|--------------|--------------------------------------|--|
| FZ□ series          |              | Yes          | FH-VPX-FZ                            | <ul style="list-style-type: none"> <li>RESET is not used. *1</li> <li>The same power supply is shared in COMIN and COMOUT.</li> </ul>                                  |
| FZ□-L35□ series     |              | Yes          | FH-VPX-FZL                           | <ul style="list-style-type: none"> <li>RESET is not used. *1</li> </ul>  |
| F160 series         | F160-C10     | Yes          | FH-VPX-F160                          | <ul style="list-style-type: none"> <li>RESET is not used. *1</li> <li>The same power supply is shared in COMIN and COMOUT.</li> <li>Do not use DI5 and DI6.</li> </ul> |
|                     | F160-C10CP   | No           | -                                    | -  |
|                     | F160-C10CF   | No           | -                                    | -  |
| F210 series         | F210-C10     | Yes          | FH-VPX-F210                          | <ul style="list-style-type: none"> <li>RESET is not used. *1</li> <li>The same power supply is shared in COMIN and COMOUT.</li> <li>Do not use DI8 and DI9.</li> </ul> |
|                     | F210-C10-ETN | Yes          | FH-VPX-F210                          |  |
| F500 series         | F500-C10     | Yes          | FH-VPX-F210                          |  |
| F250 series         |              | No           | -                                    | -  |
| F270 series         |              | No           | -                                    | -  |

\*1. If the RESET signal becomes unavailable by conversion even though the signal has been used, but it causes no problem, the conversion is possible by satisfying other required conditions.

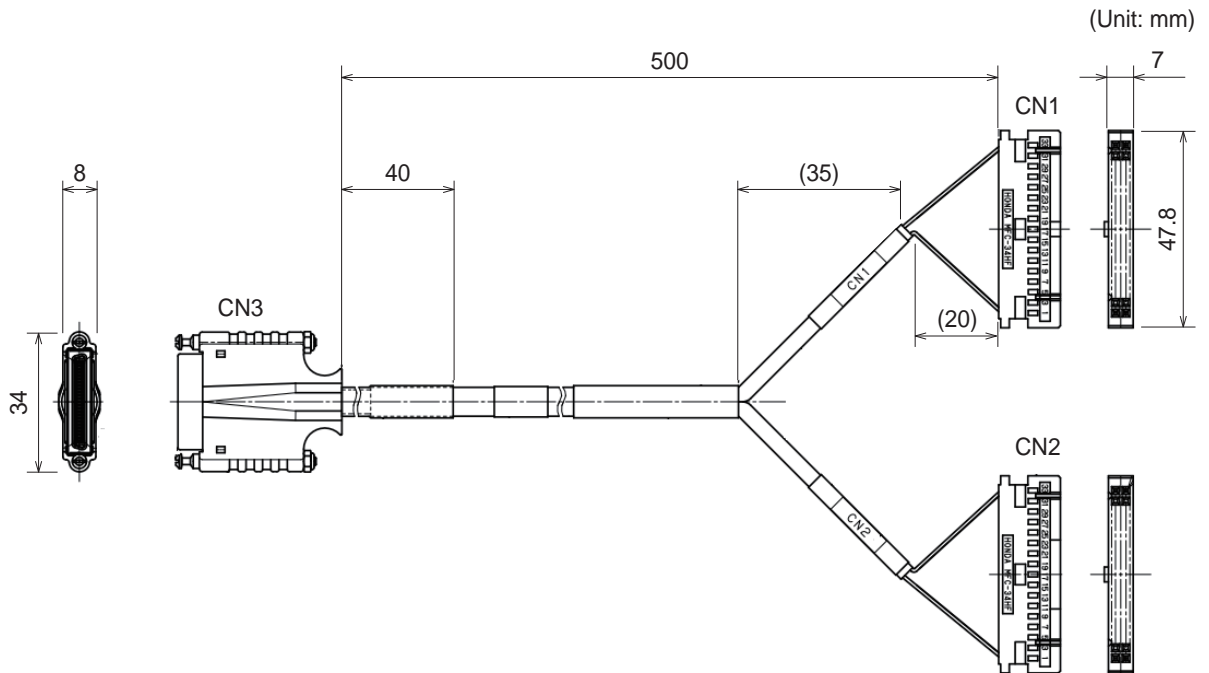
## FH-VPX-FZ

### ● Connection Structure (FH-VPX-FZ)



| Connector No. | Connection destination                                     | Note  |
|---------------|--|---|
| CN1           | Connect to the parallel port CN1 on the Sensor Controller. | Even if you connect the CN1 and CN2 reversely by mistake, it does not work but will not be damaged. |
| CN2           | Connect to the parallel port CN2 on the Sensor Controller. |   |
| CN3           | Connect to the parallel I/O cable, FZ-VP□                  | -   |

### ● Cable (FH-VPX-FZ)



### ● Pin Layout (FH-VPX-FZ)

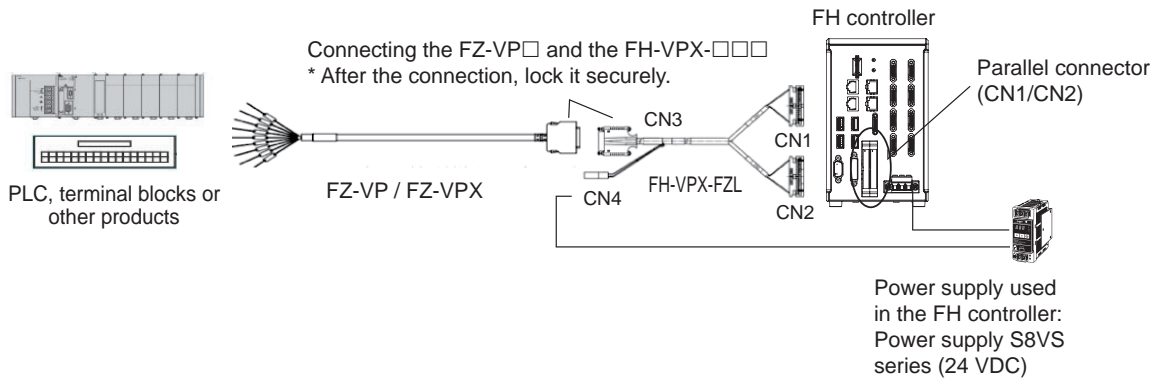
| Connection connector for FZ-VP□ |                  | Connection connector on the Sensor Controller |     |                  |
|---------------------------------|------------------|---|-----|------------------|
| Pin No.                         | Signal name      | Pin No.                                       |     | Signal name      |
| CN3                             |                  | CN1   | CN2 |                  |
| 1                               | COMIN            | 1   | -   | COMIN0           |
|                                 |                  | 2   | -   | COMIN1           |
|                                 |                  | -   | 1   | COMIN2           |
| 2                               | ENCTRIG_A1       | 11  | -   | STEP1/ENCTRIG_A1 |
| 3                               | ENCTRIG_B1       | 12  | -   | STEP1/ENCTRIG_B1 |
| 4                               | STEP1/ENCTRIG_Z1 | 5   | -   | STEP1/ENCTRIG_Z1 |
| 5                               | DSA1             | -   | 4   | DSA1             |
| 6                               | DI1              | -   | 6   | DI1              |
| 7                               | DI3              | -   | 8   | DI3              |
| 8                               | DI5              | -   | 10  | DI5              |
| 9                               | DI7              | -   | 12  | DI7              |
| 10                              | STGOUT1          | 21  | -   | STGOUT1/SHTOUT1  |
| 11                              | STGOUT3          | 23  | -   | STGOUT3          |
| 12                              | ERROR            | 19  | -   | ERROR0           |
| 13                              | COMOUT1          | 33  | -   | COMOUT0          |
|                                 |                  | 34  | -   | COMOUT1          |
| 14                              | GATE1            | -   | 16  | GATE1            |
| 15                              | OR1              | 31  | -   | OR1              |
| 16                              | READY1           | 29  | -   | READY1           |
| 17                              | COMOUT2          | -   | 33  | COMOUT2          |
| 18                              | DO1              | -   | 18  | DO1              |
| 19                              | DO3              | -   | 20  | DO3              |
| 20                              | DO5              | -   | 22  | DO5              |

| Connection connector for FZ-VP□ |                  | Connection connector on the Sensor Controller |     |                  |
|---------------------------------|------------------|---|-----|------------------|
| Pin No.                         | Signal name      | Pin No.                                       |     | Signal name      |
| CN3                             |                  | CN1   | CN2 |                  |
| 21                              | DO7              | -   | 24  | DO7              |
| 22                              | DO9              | -   | 26  | DO9              |
| 23                              | DO11             | -   | 28  | DO11             |
| 24                              | DO13             | -   | 30  | DO13             |
| 25                              | COMOUT3          | -   | 34  | COMOUT3          |
| 26                              | RESET            | -   | -   | -                |
| 27                              | ENCTRIG_A0       | 8   | -   | ENCTRIG_A0       |
| 28                              | ENCTRIG_B0       | 13  | -   | ENCTRIG_B0       |
| 29                              | STEP0/ENCTRIG_Z0 | 4   | -   | STEP0/ENCTRIG_Z0 |
| 30                              | DSA0             | -   | 3   | DSA0             |
| 31                              | DI0              | -   | 5   | DI0              |
| 32                              | DI2              | -   | 7   | DI2              |
| 33                              | DI4              | -   | 9   | DI4              |
| 34                              | DI6              | -   | 11  | DI6              |
| 35                              | STGOUT0          | 20  | -   | STGOUT0          |
| 36                              | STGOUT2          | 22  | -   | STGOUT2          |
| 37                              | RUN0             | 15  | -   | RUN0             |
| 38                              | BUSY0            | 17  | -   | BUSY0            |
| 39                              | GATE0            | -   | 15  | GATE0            |
| 40                              | OR0              | 18  | -   | OR0              |
| 41                              | READY0           | 16  | -   | READY0           |
| 42                              | DO0              | -   | 17  | DO0              |
| 43                              | DO2              | -   | 19  | DO2              |
| 44                              | DO4              | -   | 21  | DO4              |
| 45                              | DO6              | -   | 23  | DO6              |
| 46                              | DO8              | -   | 25  | DO8              |
| 47                              | DO10             | -   | 27  | DO10             |
| 48                              | DO12             | -   | 29  | DO12             |
| 49                              | DO14             | -   | 31  | DO14             |
| 50                              | DO15             | -   | 32  | DO15             |

Note: COMOUT is unified in 1 system with shorting PIN No.13, No.17, and No.25.

## FH-VPX-FZL

● Connection Structure (FH-VPX-FZL)

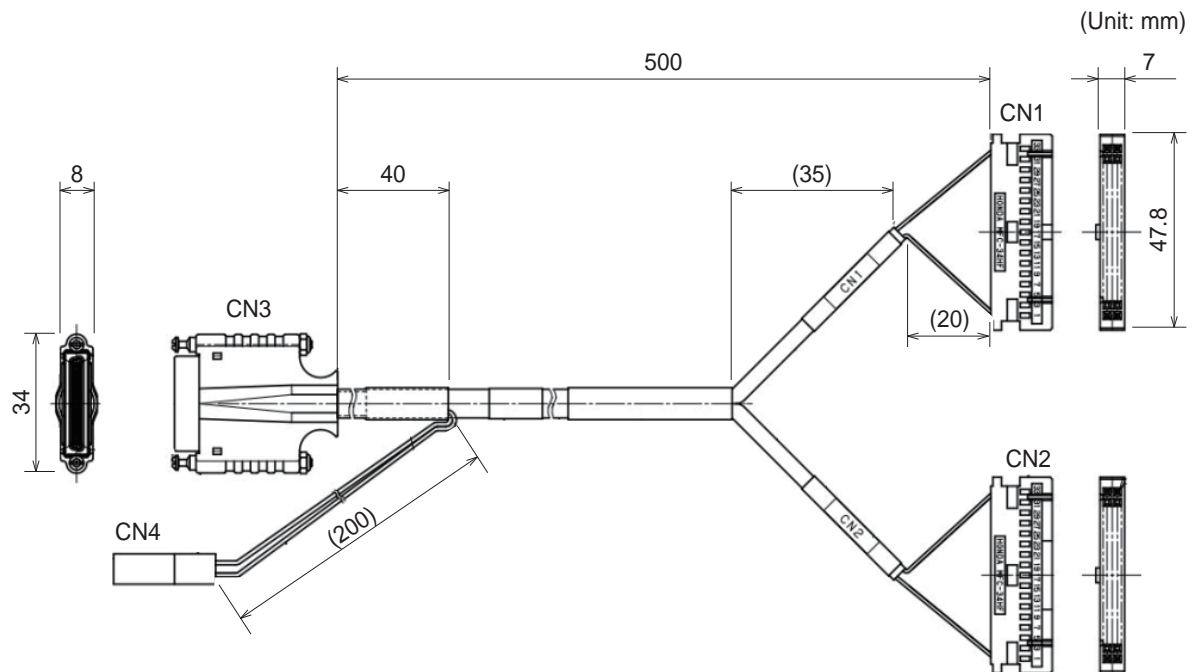


| Connector No. | Connection destination  | Note  |
|---------------|---|---|
| CN1           | Connect to the parallel port CN1 on the Sensor Controller.                        | Even if you connect the CN1 and CN2 reversely by mistake, it does not work but will not be damaged.   |
| CN2           | Connect to the parallel port CN2 on the Sensor Controller.                        |   |
| CN3           | Connect to the parallel I/O cable, FZ-VP□   | -   |
| CN4           | Connect to 24 V power source depending on the NPN/PNP polarity as below table. *1 | <ul style="list-style-type: none"> <li>When the power source and DIO are non-isolated and no problem:<br/>Possible to connect the same power source for the FH series.</li> <li>When you want to isolate the power source and DIO:<br/>The power source for the FH series cannot be used. Use another power source.<br/>Recommendations: S8VS series, 24 VDC</li> </ul> |

\*1. COM terminal polarity in NPN/PNP:

|        | NPN | PNP |
|--------|-----|-----|
| COMIN  | +V  | -V  |
| COMOUT | -V  | +V  |

### ● Cable (FH-VPX-FZL)



### ● Pin Layout (FH-VPX-FZL)

| Connection connector for FZ-VP□ |     |             | Connection connector on the Sensor Controller |     |                 |
|---------------------------------|-----|-------------|---|-----|-----------------|
| Pin No.                         |     | Signal name | Pin No.                                       |     | Signal name     |
| CN3                             | CN4 |             | CN1   | CN2 |                 |
| -                               | 1   | -           | 1   | -   | COMIN0          |
|                                 |     |             | 2   | -   | COMIN1          |
|                                 |     |             | -   | 1   | COMIN2          |
|                                 | 2   | -           | 33  | -   | COMOUT0         |
|                                 |     |             | 34  | -   | COMOUT1         |
|                                 | 2   | -           | -   | 33  | COMOUT2         |
|                                 | 2   | -           | -   | 33  | COMOUT3         |
| A1                              | -   | N/A         | -   | -   | -               |
| A2                              |     | N/A         | -   | -   | -               |
| A3                              |     | N/A         | -   | -   | -               |
| A4                              |     | N/A         | -   | -   | -               |
| A5                              |     | N/A         | -   | -   | -               |
| A6                              |     | DI1         | -   | 6   | DI1             |
| A7                              |     | DI3         | -   | 8   | DI3             |
| A8                              |     | DI5         | -   | 10  | DI5             |
| A9                              |     | DI7         | -   | 12  | DI7             |
| A10                             |     | STGOUT1     | 21  | -   | STGOUT1/SHTOUT1 |
| A11                             |     | STGOUT2     | 23  | -   | STGOUT3         |
| A12                             |     | ERROR       | 19  | -   | ERROR0          |
| A13                             |     | N/A         | -   | -   | -               |
| A14                             |     | N/A         | -   | -   | -               |
| A15                             |     | N/A         | -   | -   | -               |
| A16                             |     | N/A         | -   | -   | -               |

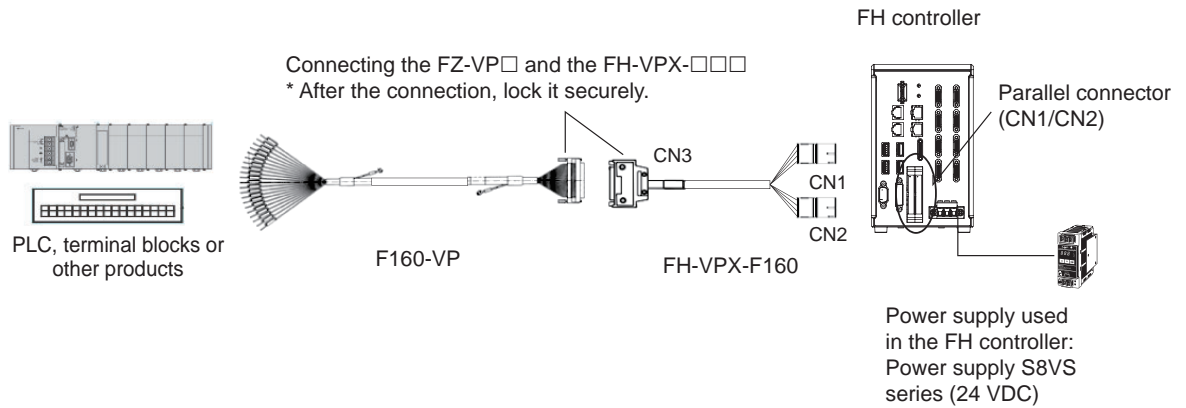
| Connection connector for FZ-VP□ |     |             | Connection connector on the Sensor Controller |     |                  |
|---------------------------------|-----|-------------|---|-----|------------------|
| Pin No.                         |     | Signal name | Pin No.                                       |     | Signal name      |
| CN3                             | CN4 |             | CN1   | CN2 |                  |
| A17                             |     | N/A         | -   | -   | -                |
| A18                             |     | DO1         | -   | 18  | DO1              |
| A19                             |     | DO3         | -   | 20  | DO3              |
| A20                             |     | DO5         | -   | 22  | DO5              |
| A21                             |     | DO7         | -   | 24  | DO7              |
| A22                             |     | DO9         | -   | 26  | DO9              |
| A23                             |     | DO11        | -   | 28  | DO11             |
| A24                             |     | DO13        | -   | 30  | DO13             |
| A25                             |     | N/A         | -   | -   | -                |
| B1                              | -   | RESET       | -   | -   | -                |
| B2                              |     | N/A         | -   | -   | -                |
| B3                              |     | N/A         | -   | -   | -                |
| B4                              |     | STEP0       | 4   | -   | STEP0/ENCTRIG_Z0 |
| B5                              |     | DSA0        | -   | 3   | DSA0             |
| B6                              |     | DI0         | -   | 5   | DI0              |
| B7                              |     | DI2         | -   | 7   | DI2              |
| B8                              |     | DI4         | -   | 9   | DI4              |
| B9                              |     | DI6         | -   | 11  | DI6              |
| B10                             |     | STGOUT0     | 20  | -   | STGOUT0/SHTOUT0  |
| B11                             |     | STGOUT2     | 22  | -   | STGOUT2          |
| B12                             |     | RUN0/BUSY1  | 15  | -   | RUN0             |
| B13                             |     | BUSY0       | -   | -   | BUSY0            |
| B14                             |     | GATE0       | -   | 15  | GATE0            |
| B15                             |     | OR0         | 18  | -   | OR0              |
| B16                             |     | READY0      | 16  | -   | READY0           |
| B17                             |     | DO0         | -   | 17  | DO0              |
| B18                             |     | DO2         | -   | 19  | DO2              |
| B19                             |     | DO4         | -   | 21  | DO4              |
| B20                             |     | DO6         | -   | 23  | DO6              |
| B21                             |     | DO8         | -   | 25  | DO8              |
| B22                             |     | DO10        | -   | 27  | DO10             |
| B23                             |     | DO12        | -   | 29  | DO12             |
| B24                             |     | DO14        | -   | 31  | DO14             |
| B25                             |     | DO15        | -   | 32  | DO15             |

- Note:
1. PIN\_No.1 of CN4 is unified in 1 system with shorting COMIN0-2 of FH series.
  2. PIN\_No.2 of CN4 is unified in 1 system with shorting COMOUT0-3 of FH series.



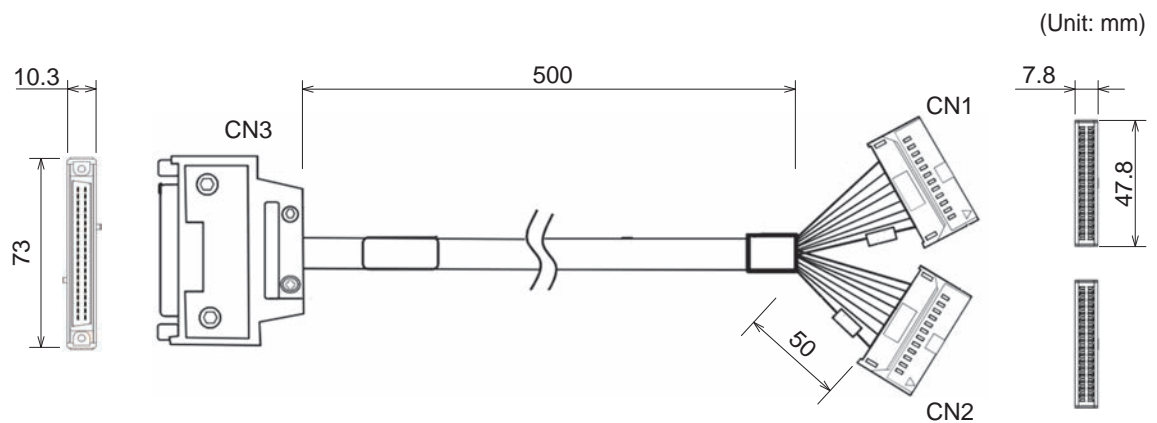
## FH-VPX-F160

### ● Connection Structure (FH-VPX-F160)



| Connector No. | Connection destination                                     | Note  |
|---------------|--|---|
| CN1           | Connect to the parallel port CN1 on the Sensor Controller. | Even if you connect the CN1 and CN2 reversely by mistake, it does not work but will not be damaged. |
| CN2           | Connect to the parallel port CN2 on the Sensor Controller. |   |
| CN3           | Connect to the Parallel I/O cable F160-VP.                 | -   |

### ● Cable (FH-VPX-F160)



### ● Pin Layout (FH-VPX-F160)

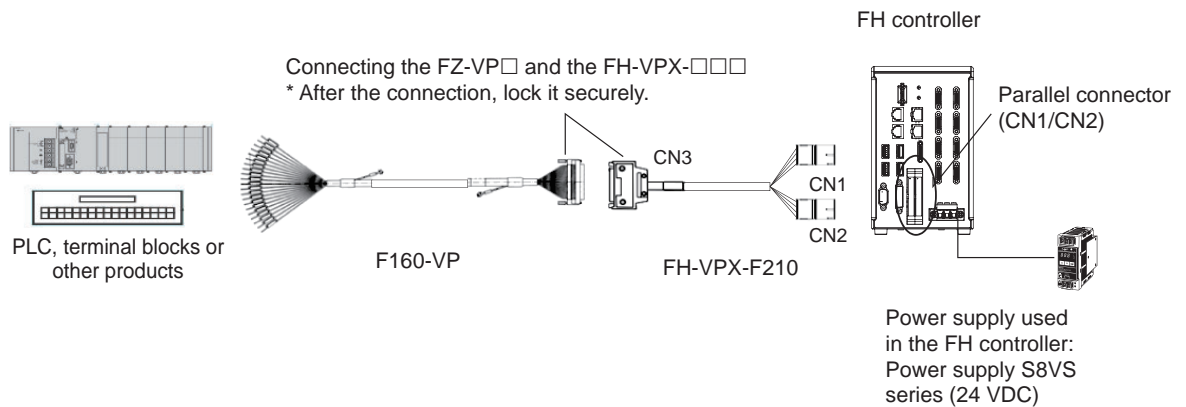
| Connection connector for F160-VP |             | Connection connector on the Sensor Controller |     |                  |
|----------------------------------|-------------|---|-----|------------------|
| Pin No.                          | Signal name | Pin No.                                       |     | Signal name      |
|                                  |             | CN1   | CN2 |                  |
| CN3                              |             |   |     |                  |
| A1                               | RESET       | N/A   |     | -                |
| A2                               | STEP        | 4   | -   | STEP0/ENCTRIG_Z0 |
| A3                               | DI0         | -   | 5   | DI0              |
| A4                               | DI2         | -   | 7   | DI2              |
| A5                               | DI4         | -   | 9   | DI4              |
| A6                               | DI6         | -   | -   | -                |

| Connection connector for F160-VP |             | Connection connector on the Sensor Controller |     |                 |
|----------------------------------|-------------|---|-----|-----------------|
| Pin No.                          | Signal name | Pin No.                                       |     | Signal name     |
| CN3                              |             | CN1   | CN2 |                 |
| A7                               | DI8         | -   | 45  | DI6             |
| A8                               | STGOUT0     | 20  | -   | STGOUT0/SHTOUT0 |
| A9                               | RUN         | 15  | -   | RUN0            |
| A10                              | BUSY        | 17  | -   | BUSY0           |
| A11                              | OR          | 18  | -   | OR0             |
| A12                              | DO0         | -   | 17  | DO0             |
| A13                              | DO2         | -   | 19  | DO2             |
| A14                              | DO4         | -   | 21  | DO4             |
| A15                              | DO6         | -   | 23  | DO6             |
| A16                              | DO8         | -   | 25  | DO8             |
| A17                              | DO9         | -   | 26  | DO9             |
| A18                              | DO11        | -   | 28  | DO11            |
| A19                              | DO13        | -   | 30  | DO13            |
| A20                              | DO15        | -   | 32  | DO15            |
| B1                               | COMIN       | 1   | -   | COMIN0          |
|                                  |             | 2   | -   | COMIN1          |
|                                  |             | -   | 1   | COMIN2          |
| B2                               | DSA         | -   | 3   | DSA0            |
| B3                               | DI1         | -   | 6   | DI1             |
| B4                               | DI3         | -   | 8   | DI3             |
| B5                               | DI5         | -   | -   | -               |
| B6                               | DI7         | -   | 10  | DI5             |
| B7                               | DI9         | -   | 12  | DI7             |
| B8                               | STGOUT1     | 21  | -   | STGOUT1/SHTOUT1 |
| B9                               | ERROR       | 19  | -   | ERROR0          |
| B10                              | GATE        | -   | 15  | GATE0           |
| B11                              | COMOUT1     | 33  | -   | COMOUT          |
| B12                              | DO1         | -   | 18  | DO1             |
| B13                              | DO3         | -   | 20  | DO3             |
| B14                              | DO5         | -   | 22  | DO5             |
| B15                              | DO7         | -   | 24  | DO7             |
| B16                              | COMOUT2     | 34  | -   | COMOUT          |
| B17                              | DO10        | -   | 27  | RUN0            |
| B18                              | DO12        | -   | 29  | BUSY0           |
| B19                              | DO14        | -   | 31  | GATE0           |
| B20                              | COMOUT3     | -   | 33  | COMOUT          |
|                                  |             | -   | 34  |                 |

Note: COMOUT is unified in 1 system with shorting B11, B16, and B20.

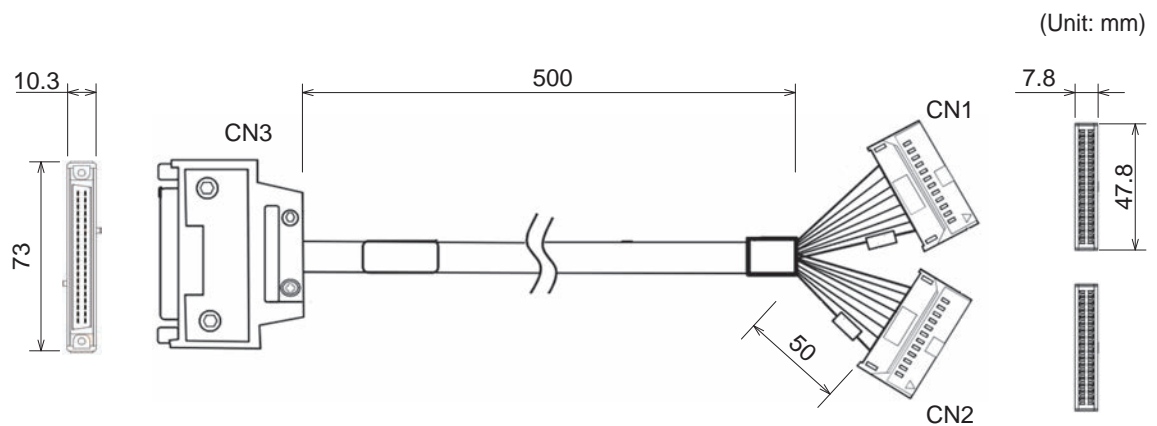
## FH-VPX-F210

## ● Connection Structure (FH-VPX-F210)



| Connector No. | Connection destination                                     | Note  |
|---------------|--|---|
| CN1           | Connect to the parallel port CN1 on the Sensor Controller. | Even if you connect the CN1 and CN2 reversely by mistake, it does not work but will not be damaged. |
| CN2           | Connect to the parallel port CN2 on the Sensor Controller. |   |
| CN3           | Connect to the Parallel I/O cable F160-VP.                 | -   |

## ● Cable (FH-VPX-F210)



## ● PIN Layout (FH-VPX-F210)

| Connection connector for F160-VP |             | Connection connector on the Sensor Controller |     |                  |
|----------------------------------|-------------|---|-----|------------------|
| Pin No.                          | Signal name | Pin No.                                       |     | Signal name      |
| CN3                              |             | CN1   | CN2 |                  |
| A1                               | RESET       | N/A   |     | -                |
| A2                               | STEP        | 4   | -   | STEP0/ENCTRIG_Z0 |
| A3                               | DI0         | -   | 5   | DI0              |
| A4                               | DI2         | -   | 7   | DI2              |
| A5                               | DI4         | -   | 9   | DI4              |
| A6                               | DI6         | -   | 11  | DI6              |
| A7                               | DI8         | N/A   |     | -                |
| A8                               | STGOUT0     | 20  | -   | STGOUT0/SHTOUT0  |

| Connection connector for F160-VP |             | Connection connector on the Sensor Controller |     |                 |
|----------------------------------|-------------|---|-----|-----------------|
| Pin No.                          | Signal name | Pin No.                                       |     | Signal name     |
| CN3                              |             | CN1   | CN2 |                 |
| A9                               | RUN         | 15  | -   | RUN0            |
| A10                              | BUSY        | 17  | -   | BUSY0           |
| A11                              | OR          | 18  | -   | OR0             |
| A12                              | DO0         | -   | 17  | DO0             |
| A13                              | DO2         | -   | 19  | DO2             |
| A14                              | DO4         | -   | 21  | DO4             |
| A15                              | DO6         | -   | 23  | DO6             |
| A16                              | DO8         | -   | 25  | DO8             |
| A17                              | DO9         | -   | 26  | DO9             |
| A18                              | DO11        | -   | 28  | DO11            |
| A19                              | DO13        | -   | 30  | DO13            |
| A20                              | DO15        | -   | 32  | DO15            |
| B1                               | COMIN       | 1   | -   | COMIN0          |
|                                  |             | 2   | -   | COMIN1          |
|                                  |             | -   | 1   | COMIN2          |
| B2                               | DSA         | -   | 3   | DSA0            |
| B3                               | DI1         | -   | 6   | DI1             |
| B4                               | DI3         | -   | 8   | DI3             |
| B5                               | DI5         | -   | 10  | DI5             |
| B6                               | DI7         | -   | 12  | 12              |
| B7                               | DI9         | N/A   |     | -               |
| B8                               | STGOUT1     | 21  | -   | STGOUT1/SHTOUT1 |
| B9                               | ERROR       | 19  | -   | ERROR0          |
| B10                              | GATE        | -   | 15  | GATE0           |
| B11                              | COMOUT1     | 33  | -   | COMOUT0         |
| B12                              | DO1         | -   | 18  | DO1             |
| B13                              | DO3         | -   | 20  | DO3             |
| B14                              | DO5         | -   | 22  | DO5             |
| B15                              | DO7         | -   | 24  | DO7             |
| B16                              | COMOUT2     | 34  | -   | COMOUT1         |
| B17                              | DO10        | -   | 27  | DO10            |
| B18                              | DO12        | -   | 29  | DO12            |
| B19                              | DO14        | -   | 31  | DO14            |
| B20                              | COMOUT3     | -   | 33  | COMOUT2         |
|                                  |             | -   | 34  | COMOUT3         |

Note: COMOUT is unified in 1 system with shorting B11, B16, and B20.

## 6-2 Encoder Interface

Encoder interface (open corrector type) is supported only FH-1000/2000/3000/5000 series.

### 6-2-1 FH-1000/2000/3000/5000 Series



#### Precautions for Safe Use

- Check the following again before turning on the power.  
Are the voltage value and polarity of the power supply that is provided to the encoder cable (ENC0 VDD/GND, ENC1 VDD/GND) correct? (5 VDC)
- Use only the cables designed specifically for the product. Use of other products may result in malfunction or damage of the product.
- Always turn OFF the power of the FH-L series Sensor Controller and peripheral devices before connecting or disconnecting a camera or cable. Connecting the cable with power supplied may result in damage of the camera or peripheral devices.
- Since cables to which bending is frequently applied is easily broken, use the robotic cable type (bending resistant cable) to prevent damages.
- Do not apply torsion stress to cables. If not, it may cause damage to cables.
- Secure the minimum bending radius of cables. If not, it may cause damage to cables.



#### Precautions for Correct Use

- Check the following items on the communications cables that are used in the network.
  - Are there any breaks?
  - Are there any shorts?
  - Are there any connector problems?
- When you connect the cable to the communications connectors on devices, firmly insert the communications cable connector until it locks in place.
- Do not lay the communications cables together with high-voltage lines.
- Do not lay the communications cable near devices that generate noise.
- Do not lay the communications cables in locations subject to high temperatures or high humidity.
- Do not lay the communications cables in locations subject to excessive dirt and dust or to oil mist or other contaminants.

### Interface Specification

| Item                          | Specifications  |
|-------------------------------|---|
| Input voltage                 | Input voltage: 5 VDC $\pm 5\%$ , Signal level: EIA Standard, RS-422-A line driver level |
| Input impedance *1            | 120 $\Omega$ $\pm 5\%$  |
| Differential input voltage    | High-level input voltage: 0.1 V<br>Low-level input voltage: -0.1 V                      |
| Hysteresis voltage            | 60 mV   |
| Maximum response frequency *2 | Phase A/B/Z: 1 MHz<br>(When using an I/O cable, model FH-VR 1.5M)                       |

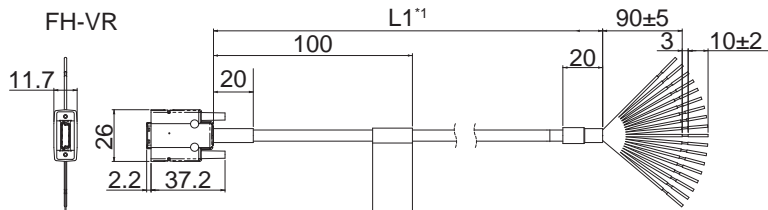
\*1. Value when the terminal resistance function is used.

\*2. Use this interface as paying attention to the cable length and response frequency of the encoder used.

## Cable, I/O Connector and Terminal Block

Use the following Encoder cable: FH-VR 1.5 M (1.5 m, Min. bending radius: 65 mm).

### ● Encoder Cable



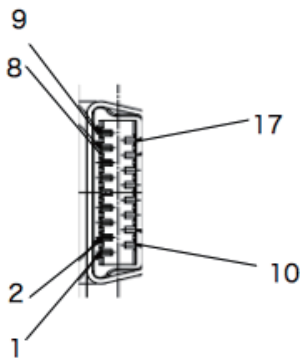
\*1: Cable is available in 1.5 m.



### Additional Information

We have the 2D CAD data or 3D CAD data.  
You can download CAD data from [www.fa.omron.co.jp](http://www.fa.omron.co.jp).

## Pin Layout



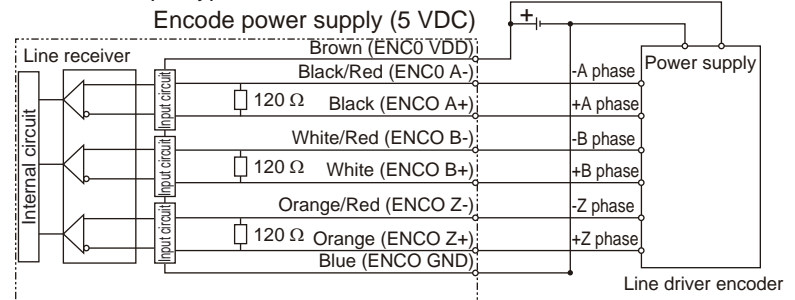
| No. | Signal name | Color      | Remark                      |
|-----|-------------|------------|-----------------------------|
| 1   | ENC0 A+     | Black      | Signal CH1 Phase A (+)      |
| 2   | ENC0 A-     | Black/Red  | Signal CH1 Phase A (-)      |
| 3   | ENC0 VDD    | Brown      | Power CH1 power supply (5V) |
| 4   | ENC0 B+     | White      | Signal CH1 Phase B (+)      |
| 5   | ENC0 B-     | White/Red  | Signal CH1 Phase B (-)      |
| 6   | ENC0 GND    | Blue       | Power CH1 GND (0V)          |
| 7   | ENC0 Z+     | Orange     | Signal CH1 Phase Z (+)      |
| 8   | ENC0 Z-     | Orange/Red | Signal CH1 Phase Z (-)      |
| 9   | NC          | -          | -                           |
| 10  | ENC1 A+     | Purple     | Signal CH2 Phase A (+)      |
| 11  | ENC1 A-     | Purple/Red | Signal CH2 Phase A (-)      |
| 12  | ENC1 VDD    | Brown/Red  | Power CH2 power supply (5V) |
| 13  | ENC1 B+     | Pink       | Power CH2 Phase B (+)       |
| 14  | ENC1 B-     | Pink/Red   | Power CH2 Phase B (-)       |
| 15  | ENC1 GND    | Blue/Red   | Power CH2 GND (0V)          |

| No. | Signal name | Color      | Remark                |
|-----|-------------|------------|-----------------------|
| 16  | ENC1 Z+     | Yellow     | Power CH2 Phase Z (+) |
| 17  | ENC1 Z-     | Yellow/Red | Power CH2 Phase Z (-) |

## Encoder Circuit Schematics

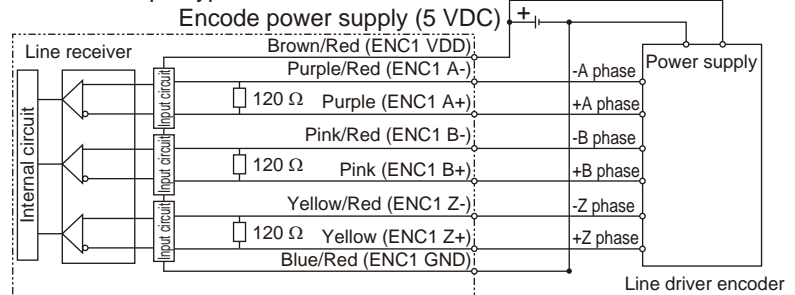
Line driver input type  
CH1 (Line 0)

Line driver input type



Line driver input type  
CH2 (Line 1)

Line driver input type



## 6-3 EtherCAT Interface

EtherCAT interface is supported only FH-1000/2000/3000/5000 series.

### 6-3-1 FH-1000/2000/3000/5000 Series



#### Precautions for Safe Use

- Use only the cables designed specifically for the product. Use of other products may result in malfunction or damage of the product.
- Always turn OFF the power of the FH-L series Sensor Controller and peripheral devices before connecting or disconnecting a camera or cable. Connecting the cable with power supplied may result in damage of the camera or peripheral devices.
- Since cables to which bending is frequently applied is easily broken, use the robotic cable type (bending resistant cable) to prevent damages.
- Do not apply torsion stress to cables. If not, it may cause damage to cables.
- Secure the minimum bending radius of cables. If not, it may cause damage to cables.



#### Precautions for Correct Use

- Check the following items on the communications cables that are used in the network.
  - Are there any breaks?
  - Are there any shorts?
  - Are there any connector problems?
- When you connect the cable to the communications connectors on devices, firmly insert the communications cable connector until it locks in place.
- Do not lay the communications cables together with high-voltage lines.
- Do not lay the communications cable near devices that generate noise.
- Do not lay the communications cables in locations subject to high temperatures or high humidity.
- Do not lay the communications cables in locations subject to excessive dirt and dust or to oil mist or other contaminants.

### Cable

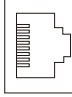
- Connect a straight LAN cable.
- Use an STP cable of category 5e or higher, which is double-shielded with aluminum tape and braided cord.
- The maximum cable length is 100 [m]. Some cables, however, are not guaranteed with 100 [m]. Generally, the transmission performance of conductor twisted cables become worse than that of single cables, so that 100 [m] is not guaranteed. For details, contact your cable manufacturer.

### I/O Connector

- For electrical specifications, complying with IEEE 802.3 standard and use RJ45 8-pin modular connector (complying with ISO 8877) supporting category 5e or higher.
- When selecting connectors, check that it is suitable for the cable to be used. Items to be checked are conductor size, stranded or single, two pairs or four pairs, outer diameter, and so on.



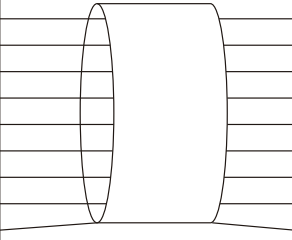
## Pin Layout

| Pin assignment  | Pin No.        | Signal name         | Abbr. | Signal direction |
|---|----------------|---------------------|-------|------------------|
|  | 1              | Transmission data + | TD +  | Output           |
|   | 2              | Transmission data - | TD -  | Output           |
|   | 3              | Reception data +    | RD +  | Input            |
|   | 4              | Not used            | NC    | -                |
|   | 5              | Not used            | NC    | -                |
|   | 6              | Reception data -    | RD -  | Input            |
|   | 7              | Not used            | NC    | -                |
|   | 8              | Not used            | NC    | -                |
|   | Connector hood | Security ground     | FG    | -                |

## Wiring

- Connect both ends of the cable shield to the connector hood.
- Apply the T568A method below.

| Pin No.        | Wire color     | Wire color     | Pin No.        |
|----------------|----------------|----------------|----------------|
| 1              | White-Green    | White-Green    | 1              |
| 2              | Green          | Green          | 2              |
| 3              | White-Orange   | White-Orange   | 3              |
| 4              | Blue           | Blue           | 4              |
| 5              | White-Blue     | White-Blue     | 5              |
| 6              | Orange         | Orange         | 6              |
| 7              | White-Brown    | White-Brown    | 7              |
| 8              | Brown          | Brown          | 8              |
| Connector hood | Shielded cable | Shielded cable | Connector hood |



## 6-4 Ethernet Interface

Ethernet port of Sensor Controller is used for EtherNet/IP or Serial (Ethernet) communication. The Ethernet port can be changed depending on Sensor Controller series. Be sure to check the series you are attempting to use.



### Precautions for Safe Use

- Use only the cables designed specifically for the product. Use of other products may result in malfunction or damage of the product.
- Always turn OFF the power of the FH-L series Sensor Controller and peripheral devices before connecting or disconnecting a camera or cable. Connecting the cable with power supplied may result in damage of the camera or peripheral devices.
- Since cables to which bending is frequently applied is easily broken, use the robotic cable type (bending resistant cable) to prevent damages.
- Do not apply torsion stress to cables. If not, it may cause damage to cables.
- Secure the minimum bending radius of cables. If not, it may cause damage to cables.

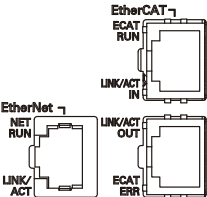
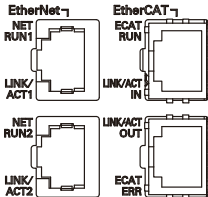


### Precautions for Correct Use

- Check the following items on the communications cables that are used in the network.
  - Are there any breaks?
  - Are there any shorts?
  - Are there any connector problems?
- When you connect the cable to the communications connectors on devices, firmly insert the communications cable connector until it locks in place.
- Do not lay the communications cables together with high-voltage lines.
- Do not lay the communications cable near devices that generate noise.
- Do not lay the communications cables in locations subject to high temperatures or high humidity.
- Do not lay the communications cables in locations subject to excessive dirt and dust or to oil mist or other contaminants.

### 6-4-1 FH-1000/2000/3000/5000 Series

Ethernet port differ depending on the Sensor Controller series. Refer to the followings, and confirm the number of ports. FH-1050/3050 (Camera 2ch type); Ethernet port is 1. FH-2050/5050 (Camera 2ch type) and FH-1050-□0/2050-□0/3050-□0/5050-□0 (Camera 4ch and 8ch type): Ethernet port is 2.

| FH-1050/FH-3050  | FH-1050-10/FH-1050-20/FH-3050-10/FH-3050-20<br>FH-2000/FH-5000 series  |
|--|--|
| <p>Ethernet port and EtherNet/IP port are sharing use.</p>  | <ul style="list-style-type: none"> <li>• Upper port: Ethernet port</li> <li>• Lower port: Ethernet port and EtherNet/IP port are sharing use.</li> </ul>  |

### Cable

- Connect a straight or cross LAN cable.

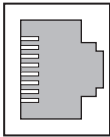
- The transmission rate you use determines available cables and connectors.
- For 100BASE-TX or 10BASE-T, use an STP (shielded twist pair) cable with category 5 or higher.
- For 1000BASE-T, use an STP cable (double-shielded with aluminum tape and braided cord) with category 5e or higher.

## I/O Connector

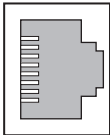
- For electrical specifications, complying with IEEE 802.3 standard and use RJ45 8-pin modular connector (complying with ISO 8877) supporting category 5e or higher.
- When selecting connectors, check that it is suitable for the cable to be used. Items to be checked are conductor size, stranded or single, two pairs or four pairs, outer diameter, and so on.

## Pin Layout

### ● 10Base-T and 100Base-TX

| Pin assignment  | Pin No. | Signal name         | Abbr. | Signal direction |
|---|---------|---------------------|-------|------------------|
|  | 1       | Transmission data + | TD +  | Output           |
|   | 2       | Transmission data - | TD -  | Output           |
|   | 3       | Reception data +    | RD +  | Input            |
|   | 4       | Not used            | -     | -                |
|   | 5       | Not used            | -     | -                |
|   | 6       | Reception data -    | RD -  | Input            |
|   | 7       | Not used            | -     | -                |
|   | 8       | Not used            | -     | -                |

### ● 1000Base-T

| Pin assignment  | Pin No. | Signal name             | Abbr.   | Signal direction |
|---|---------|-------------------------|---------|------------------|
|  | 1       | Communication data DA + | BI_DA + | I/O              |
|   | 2       | Communication data DA - | DI_DA - | I/O              |
|   | 3       | Communication data DB + | BI_DB + | I/O              |
|   | 4       | Communication data DB - | BI_DC + | I/O              |
|   | 5       | Communication data DC + | BI_DC - | I/O              |
|   | 6       | Communication data DC - | BI_DB - | I/O              |
|   | 7       | Communication data DD + | BI_DD + | I/O              |
|   | 8       | Communication data DD - | BI_DD - | I/O              |

## Wire

Describes the connection processing to connector hood of shield as the following. The connection processing is changed according to the transfer speed.

- 10 BASE-T/100 BASE-TX

Connect both ends of the cable shield to the connector hood. Or, connect only the shield of one end of the cable, switching hub side, to the connector hood.

- 1000 BASE-T  
Connect both ends of the cable shield to the connector hood.

## 6-4-2 FH-L Series

### Cable

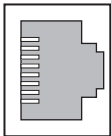
- Connect a straight or cross LAN cable.
- The transmission rate you use determines available cables and connectors.
- For 100BASE-TX or 10BASE-T, use an STP (shielded twist pair) cable with category 5 or higher.
- For 1000BASE-T, use an STP cable (double-shielded with aluminum tape and braided cord) with category 5e or higher.

### I/O Connector

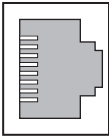
- For electrical specifications, complying with IEEE 802.3 standard and use RJ45 8-pin modular connector (complying with ISO 8877) supporting category 5e or higher.
- When selecting connectors, check that it is suitable for the cable to be used. Items to be checked are conductor size, stranded or single, two pairs or four pairs, outer diameter, and so on.

### Pin Layout

#### ● 10Base-T and 100Base-TX

| Pin assignment  | Pin No. | Signal name         | Abbr. | Signal direction |
|---|---------|---------------------|-------|------------------|
|  | 1       | Transmission data + | TD +  | Output           |
|   | 2       | Transmission data - | TD -  | Output           |
|   | 3       | Reception data +    | RD +  | Input            |
|   | 4       | Not used            | -     | -                |
|   | 5       | Not used            | -     | -                |
|   | 6       | Reception data -    | RD -  | Input            |
|   | 7       | Not used            | -     | -                |
|   | 8       | Not used            | -     | -                |

#### ● 1000BASE-T

| Pin assignment  | Pin No. | Signal name             | Abbr.   | Signal direction |
|---|---------|-------------------------|---------|------------------|
|  | 1       | Communication data DA + | BI_DA + | I/O              |
|   | 2       | Communication data DA - | DI_DA - | I/O              |
|   | 3       | Communication data DB + | BI_DB + | I/O              |
|   | 4       | Communication data DB - | BI_DC + | I/O              |
|   | 5       | Communication data DC + | BI_DC - | I/O              |
|   | 6       | Communication data DC - | BI_DB - | I/O              |
|   | 7       | Communication data DD + | BI_DD + | I/O              |
|   | 8       | Communication data DD - | BI_DD - | I/O              |

## Wiring

Describes the connection processing to connector hood of shield as the following. The connection processing is changed according to the transfer speed.

- 10 BASE-T/100 BASE-TX  
Connect both ends of the cable shield to the connector hood. Or, connect only the shield of one end of the cable, switching hub side, to the connector hood.
- 1000 BASE-T  
Connect both ends of the cable shield to the connector hood.

## 6-5 Serial Interface

Serial interface of Sensor Controller differs by series. Refer to the correct information for the series you are using.

RS-232C interface is used in FH-1000/2000/3000/5000 and FH-L series.

### 6-5-1 All Series



#### Precautions for Safe Use

- Use only the cables designed specifically for the product. Use of other products may result in malfunction or damage of the product.
- Always turn OFF the power of the FH-L series Sensor Controller and peripheral devices before connecting or disconnecting a camera or cable. Connecting the cable with power supplied may result in damage of the camera or peripheral devices.
- Since cables to which bending is frequently applied is easily broken, use the robotic cable type (bending resistant cable) to prevent damages.
- Do not apply torsion stress to cables. If not, it may cause damage to cables.
- Secure the minimum bending radius of cables. If not, it may cause damage to cables.



#### Precautions for Correct Use

- Check the following items on the communications cables that are used in the network.
  - Are there any breaks?
  - Are there any shorts?
  - Are there any connector problems?
- When you connect the cable to the communications connectors on devices, firmly insert the communications cable connector until it locks in place.
- Do not lay the communications cables together with high-voltage lines.
- Do not lay the communications cable near devices that generate noise.
- Do not lay the communications cables in locations subject to high temperatures or high humidity.
- Do not lay the communications cables in locations subject to excessive dirt and dust or to oil mist or other contaminants.

### Cable

- For communication cable, use a shielded twisted-pair cable.
- The maximum cable length is 15 [m].

### How to Connect

- Align the connector to the socket and press it straight into place, then tighten it with the screws on both sides of the connector.

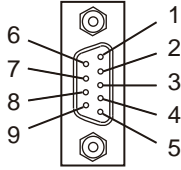
### Input and output Connector

Prepare the suitable connector. Recommended connector is the following table.

| Name    | Manufacturer      | Model     |
|---------|-------------------|-----------|
| Sockets | OMRON Corporation | XM3D-0921 |
| Hood    |                   | XM2S-0911 |

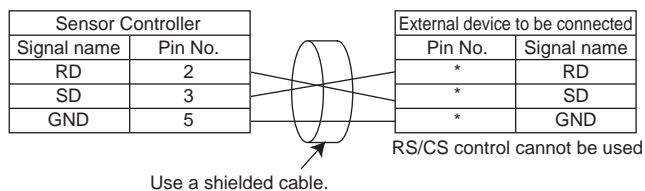
## Pin Layout

D-Sub9 Male type connector is used in Sensor Controller.

| Pin assignment  | Pin No. | Signal name | Description       |
|---|---------|-------------|-------------------|
|  | 1       | NC          | Not used          |
|   | 2       | RD          | Reception data    |
|   | 3       | SD          | Transmission data |
|   | 4       | NC          | Not used          |
|   | 5       | GND         | Signal ground     |
|   | 6       | NC          | Not used          |
|   | 7       | NC          | Not used          |
|   | 8       | NC          | Not used          |
|   | 9       | NC          | Not used          |

## Wiring

- Bundle each cable with SG (signal ground) as a twisted pair cable. Connect the bundled SG cables with the connector on the Sensor Controller and the connector on the other device.
- Connect the communication cable shield to the RS-232C connector shell (FG) on the Sensor Controller.
- The pin numbering will differ depending on type and model of the connected external device.









# Index

---



# Index

## Symbols

|   |               |
|---|---------------|
| 0.3 Megapixels Camera: FH-SC/-SM          |               |
| Dimensions.....                           | 3 - 21        |
| 0.3 Megapixels Camera: FZ-S/-SC           |               |
| Dimensions.....                           | 3 - 28        |
| 0.4 Megapixels Camera: FH-SCX/-SMX        |               |
| Dimensions.....                           | 3 - 22        |
| 1000BASE-T.....                           | 6 - 35,6 - 36 |
| 10Base-T and 100Base-TX.....              | 6 - 35,6 - 36 |
| 12 Megapixels Camera: FH-SC12/-SM12       |               |
| Dimensions.....                           | 3 - 23        |
| 12 Megapixels Camera: FH-SCX12/-SMX12     |               |
| Dimensions.....                           | 3 - 23        |
| 20.4 Megapixels Camera: FH-SM21R/FH-SC21R |               |
| Dimensions.....                           | 3 - 26        |
| 2 Megapixels Camera: FH-SC02/-SM02        |               |
| Dimensions.....                           | 3 - 22        |
| 2 Megapixels Camera: FZ-S2M/-SC2M         |               |
| Dimensions.....                           | 3 - 28        |
| 5 Megapixels Camera: FH-SCX05/-SMX05      |               |
| Dimensions.....                           | 3 - 23        |
| 5 Megapixels Camera: FH-SM05R/-SC05R      |               |
| Dimensions.....                           | 3 - 25        |
| 5 Megapixels Camera: FZ-S5M2/-SC5M2       |               |
| Dimensions.....                           | 3 - 29        |
| 5 Megapixels Camera: FZ-S5M3/-SC5M3       |               |
| Dimensions.....                           | 3 - 26        |

## A

|  |                      |
|--|----------------------|
| Accessibility for Operation and Maintenance..... | 5 - 28,5 - 29,5 - 31 |
| ACCESS LED.....                                  | 3 - 11,3 - 17        |
| Accessories.....                                 | 1 - 9                |
| Ambient Temperature.....                         | 4 - 4,4 - 5          |
| Ambient temperature and humidity.....            | 5 - 28               |
| Analog Lighting Controller.....                  | 1 - 8                |
| Application Producer.....                        | 1 - 13               |

## B

|   |              |
|---|--------------|
| Basic System of Measurement.....                  | 2 - 2        |
| Bend resistant Camera Cable.....                  | 1 - 7,3 - 37 |
| Specification.....                                | 3 - 37       |
| Bend resistant Camera Cable: FZ-VSB3              |              |
| Dimensions.....                                   | 3 - 38       |
| Bend resistant Right-angle Camera Cable.....      | 1 - 7,3 - 37 |
| Specification.....                                | 3 - 37       |
| Bend resistant Right-angle Camera Cable: FZ-VSLB3 |              |
| Dimensions.....                                   | 3 - 38       |

## C

|                          |        |
|--------------------------|--------|
| Cable.....               | 1 - 10 |
| Cable (FH-VPX-F160)..... | 6 - 25 |

|   |               |
|---|---------------|
| Cable (FH-VPX-F210).....  | 6 - 27        |
| Cable (FH-VPX-FZ).....  | 6 - 20        |
| Cable (FH-VPX-FZL).....   | 6 - 23        |
| Cable Connection Table.....   | 3 - 39        |
| Cable Extension Unit.....   | 1 - 7         |
| Cable Extension Units.....  | 3 - 43        |
| Connection Configuration.....   | 3 - 46        |
| Dimensions.....   | 3 - 43        |
| Specification.....  | 3 - 43        |
| Cable with Rugged type Connectors on Both Ends (M12/RJ45).....          | 1 - 11        |
| Cable with Rugged type Connectors on Both Ends (RJ45/RJ45).....         | 1 - 10        |
| Cable with Standard type Connectors on Both Ends (RJ45/RJ45).....       | 1 - 10        |
| Calibration Plate.....  | 1 - 9         |
| Camera.....   | 1 - 5,3 - 19  |
| Camera Amplifier  |               |
| Dimensions.....   | 3 - 32        |
| Camera Cable.....   | 1 - 7,3 - 36  |
| Specification.....  | 3 - 36        |
| Camera Cable: FZ-VS3  |               |
| Dimensions.....   | 3 - 36        |
| Camera Cable for FH-S Camera Series.....                                | 3 - 40        |
| Camera Cable for FZ-S Camera Series.....                                | 3 - 42        |
| Camera cable mounting.....  | 5 - 23,5 - 24 |
| Camera connector.....   | 3 - 11,3 - 17 |
| Camera Head   |               |
| Dimensions.....   | 3 - 32        |
| Camera Installation.....  | 5 - 22        |
| All Series.....   | 5 - 22        |
| FH-1000/2000/3000/5000 Series.....                                      | 5 - 23        |
| FH-L Series.....  | 5 - 24        |
| Camera Mounting Bracket.....  | 1 - 7         |
| Camera Mount Lighting Controller.....                                   | 1 - 8         |
| Cameras and Related.....  | 1 - 5         |
| CLIPFIX 35.....   | 1 - 9         |
| C-mount Lens for 1/3-inch Image Sensor (SV-V Series).....               | 3 - 47        |
| Specification.....  | 3 - 47        |
| C-mount Lens for 1-inch Image Sensor (VS-H1 Series).....                | 3 - 49        |
| Specification.....  | 3 - 49        |
| C-mount Lens for 2/3-inch Image Sensor (SV-H Series).....               | 3 - 48        |
| Specification.....  | 3 - 48        |
| C-mount Lens for 4/3-inch Image Sensor (VS-LLD Series)....              | 3 - 50        |
| Specification.....  | 3 - 50        |
| Common items related to DIN rail.....                                   | 1 - 9         |
| Concept of Measurement Processing.....                                  | 2 - 3         |
| Configuration.....  | 3 - 1         |
| confirm the Package.....  | 1 - 1         |
| Connection configuration using the maximum length of Camera Cables..... | 3 - 46        |

- Connection of Terminal Block of FH-1000/2000/3000/5000 Series..... 5 - 6
- Connection of Terminal Block of FH-L Series..... 5 - 11
- Connection Structure (FH-VPX-F160)..... 6 - 25
- Connection Structure (FH-VPX-F210)..... 6 - 27
- Connection Structure (FH-VPX-FZ)..... 6 - 19
- Connection Structure (FH-VPX-FZL)..... 6 - 22
- Connector-Terminal Block Conversion Units, General-purpose devices..... 1 - 10
- ## D
- Digital CCD Camera: FZ-S Camera Series..... 3 - 27
- Dimensions..... 3 - 27
- Specification..... 3 - 27
- Digital CCD Cameras..... 1 - 6
- Digital CMOS Camera..... 3 - 24
- Dimensions..... 3 - 25
- Specification..... 3 - 24
- Digital CMOS Cameras..... 1 - 6
- DIN 35 mm rail..... 1 - 9
- DIN rail mounting bracket..... 1 - 9
- DVI-Analog Conversion Cable for Touch Panel Monitor.. 1 - 8
- DVI-Analog Conversion Cable for Touch Panel Monitor: FH-VMDA
- Dimensions..... 3 - 86
- DVI-I connector..... 3 - 10
- DVI-I -RGB Conversion Connector..... 1 - 8
- DVI-I -RGB Conversion Connector: FH-VMRGB
- Dimensions..... 3 - 90
- ## E
- ECAT ERROR..... 3 - 12
- ECAT RUN..... 3 - 12
- Encoder Cable..... 1 - 10, 6 - 30
- Encoder Circuit Schematics..... 6 - 31
- Encoder connector..... 3 - 11
- Encoder Interface..... 6 - 29
- FH-1000/2000/3000/5000 Series..... 6 - 29
- Cable, I/O Connector and Terminal Block..... 6 - 30
- Interface Specification..... 6 - 29
- Pin Layout..... 6 - 30
- End plate..... 1 - 9
- ERROR LED..... 3 - 11, 3 - 17
- EtherCAT address setup volume..... 3 - 10
- EtherCAT communication connector (IN)..... 3 - 11
- EtherCAT communication connector (OUT)..... 3 - 11
- EtherCAT Connection for FH Series..... 2 - 4
- EtherCAT ERR LED..... 3 - 11
- EtherCAT Interface..... 6 - 32
- FH-1000/2000/3000/5000 Series..... 6 - 32
- Cable..... 6 - 32
- I/O Connector..... 6 - 32
- Pin Layout..... 6 - 33
- Wring..... 6 - 33
- EtherCAT junction slaves..... 1 - 9
- EtherCAT LINK/ACT IN LED..... 3 - 11
- EtherCAT LINK/ACT OUT LED..... 3 - 11
- EtherCAT RUN LED..... 3 - 11
- EtherCAT status indicator LED..... 3 - 12
- Ethernet connector..... 3 - 10, 3 - 17
- Ethernet Interface..... 6 - 34
- FH-1000/2000/3000/5000 Series..... 6 - 34
- Cable..... 6 - 34
- I/O Connector..... 6 - 35
- Pin Layout..... 6 - 35
- Wire..... 6 - 35
- FH-L Series..... 6 - 36
- Cable..... 6 - 36
- I/O Connector..... 6 - 36
- Pin Layout..... 6 - 36
- Wiring..... 6 - 37
- Ethernet LINK/ACT1 LED..... 3 - 12
- Ethernet LINK/ACT2 LED..... 3 - 12
- Ethernet LINK/ACT LED..... 3 - 18
- Ethernet NET RUN1 LED..... 3 - 12
- Ethernet NET RUN2 LED..... 3 - 12
- Ethernet NET RUN LED..... 3 - 18
- Extension Tubes..... 3 - 65
- Specification..... 3 - 65
- External Lighting..... 1 - 8
- ## F
- FAE-5002..... 1 - 11
- FAE-5004..... 1 - 11
- Ferrite core for camera cable..... 1 - 2, 1 - 3
- FH-1□□□/FH-2□□□/ FH-3□□□/ FH-5□□□ Series.... 1 - 2
- FH-1□□□-10/ FH-2□□□-10/ FH-3□□□-10/ FH-5□□□-10 Series..... 1 - 2
- FH-1□□□-20/ FH-2□□□-20/ FH-3□□□-20/ FH-5□□□-20 Series..... 1 - 3
- FH-1000/ FH-2000/ FH-3000/ FH-5000 Series
- Component Names and Functions..... 3 - 10
- Dimensions..... 3 - 13
- FH-3000/ FH-1000
- Specification..... 3 - 6
- FH-5000/ FH-2000
- Specification..... 3 - 3
- FH-ADF/M42-10..... 1 - 7
- FH-L□□□-10 Series..... 1 - 3
- FH-L□□□ Series..... 1 - 3
- FH-L Series
- Component Names and Functions..... 3 - 16
- Dimensions..... 3 - 18
- Specification..... 3 - 14
- FH-MT12..... 1 - 8
- FH-SC..... 1 - 5
- FH-SC02..... 1 - 5
- FH-SC04..... 1 - 5
- FH-SC05R..... 1 - 6
- FH-SC12..... 1 - 5
- FH-SC21R..... 1 - 6
- FH-SCX..... 1 - 5
- FH-SCX05..... 1 - 5
- FH-SCX12..... 1 - 5
- FH-SM..... 1 - 5
- FH-SM02..... 1 - 5

|  |                      |
|--|----------------------|
| FH-SM04.....   | 1 - 5                |
| FH-SM05R.....  | 1 - 6                |
| FH-SM12.....   | 1 - 5                |
| FH-SM12-XLC.....   | 1 - 7                |
| FH-SM21R.....  | 1 - 6                |
| FH-SMX.....  | 1 - 5                |
| FH-SMX05.....  | 1 - 5                |
| FH-SMX12.....  | 1 - 5                |
| FH-SM-XLC.....   | 1 - 7                |
| FH-VM DA □M.....   | 1 - 8                |
| FH-VM RGB.....   | 1 - 8                |
| FH-VPX-F160.....   | 6 - 25               |
| FH-VPX-F210.....   | 6 - 26               |
| FH-VPX-FZ.....   | 6 - 19               |
| FH-VPX-FZL.....  | 6 - 21               |
| FH-VR 1.5M.....  | 1 - 10               |
| FH-VUAB □M.....  | 1 - 8                |
| FH-XCN.....  | 1 - 2,1 - 3          |
| FH-XCN-L.....  | 1 - 3,1 - 4          |
| FH-XDM-L.....  | 1 - 9                |
| Flat Camera: FZ-SF/SFC   |                      |
| Dimensions.....  | 3 - 32               |
| F-LINK-E 0.5mm x 4P.....   | 1 - 11               |
| Flow of Use Procedure.....   | 2 - 8                |
| FL Series.....   | 1 - 8                |
| FL-TCC Series.....   | 1 - 8                |
| FLV-ATC Series.....  | 1 - 8                |
| FLV Series.....  | 1 - 8                |
| FLV-TCC Series.....  | 1 - 8                |
| FQ-XF1.....  | 1 - 7                |
| FQ-XL.....   | 1 - 7                |
| FQ-XL2.....  | 1 - 7                |
| FZ_FH Remote Operation Tool.....   | 5 - 26               |
| FZD-CAL.....   | 1 - 9                |
| FZ-DU.....   | 1 - 9                |
| FZ-M08.....  | 1 - 8                |
| FZ-MEM2G.....  | 1 - 9                |
| FZ-MEM8G.....  | 1 - 9                |
| FZ-S.....  | 1 - 6                |
| FZ-S2M.....  | 1 - 6                |
| FZ-S2M-XLC.....  | 1 - 7                |
| FZ-S5M3.....   | 1 - 6                |
| FZ-SC.....   | 1 - 6                |
| FZ-SC2M.....   | 1 - 6                |
| FZ-SC5M3.....  | 1 - 6                |
| FZ-SF.....   | 1 - 6                |
| FZ-SFC.....  | 1 - 6                |
| FZ-SH.....   | 1 - 6                |
| FZ-SHC.....  | 1 - 6                |
| FZ-SH-XLC.....   | 1 - 7                |
| FZ-SP.....   | 1 - 6                |
| FZ-SPC.....  | 1 - 6                |
| FZ-SQ010F.....   | 1 - 6                |
| FZ-SQ050F.....   | 1 - 6                |
| FZ-SQ100F.....   | 1 - 6                |
| FZ-SQ100N.....   | 1 - 6                |
| FZ-S-XLC.....  | 1 - 7                |
| FZ-V3 □M.....  | 1 - 7                |
| FZ-VM.....   | 1 - 8                |
| FZ-VS4 15M.....  | 1 - 7                |
| FZ-VSB3 □M.....  | 1 - 7                |
| FZ-VSJ.....  | 1 - 7                |
| FZ-VSL3 □M.....  | 1 - 7                |
| FZ-VSL4 15M.....   | 1 - 7                |
| FZ-VSLB3 □M.....   | 1 - 7                |
| <b>G</b>   |                      |
| General Compliance Information and Instructions for EU.....  | 1 - 2-1 - 4          |
| GX-JC03.....   | 1 - 9                |
| <b>H</b>   |                      |
| Handling and Installation Environment.....   | 4 - 1                |
| All Series.....  | 4 - 2                |
| FH-1000/2000/3000 Series.....  | 4 - 4                |
| FH-L Series.....   | 4 - 5                |
| Handling a SD memory card.....   | 4 - 4                |
| Handling of Sensor Controller.....   | 4 - 2,4 - 3          |
| Handling SD memory card.....   | 4 - 5                |
| High-resolution Telecentric Lens for C-mount Lens for 1.1-<br>inch Image Sensor (VS-TEV Series)..... | 3 - 64               |
| Specification.....   | 3 - 64               |
| High-resolution Telecentric Lens for C-mount Lens for 2/3-<br>inch Image Sensor (VS-TCH Series)..... | 3 - 62               |
| Specification.....   | 3 - 62               |
| High-speed Digital CCD Camera: FZ-SH Camera Series.....  | 3 - 29               |
| Dimensions.....  | 3 - 30               |
| Specification.....   | 3 - 29               |
| High-speed Digital CCD Cameras.....  | 1 - 6                |
| High-speed digital CMOS Camera (FH-S camera series).....   | 3 - 19               |
| Dimensions.....  | 3 - 21               |
| Specification.....   | 3 - 19               |
| High-speed Digital CMOS Cameras.....   | 1 - 5                |
| HMC-SD291.....   | 1 - 9                |
| HMC-SD491.....   | 1 - 9                |
| How-to View the Optical Chart.....   | 3 - 66               |
| <b>I</b>   |                      |
| I/O (Parallel) connector (control lines, data lines).....  | 3 - 10,3 - 17        |
| I/O Interface.....   | 6 - 1                |
| Encoder Interface.....   | 6 - 29               |
| EtherCAT Interface.....  | 6 - 32               |
| Ethernet Interface.....  | 6 - 34               |
| Parallel Interface.....  | 6 - 2                |
| IETP-SB.....   | 1 - 11               |
| Industrial Switching Hubs for EtherNet/IP and Ethernet..   | 1 - 9                |
| Insert/Remove SD Memory Card or USB memory.....  | 5 - 25               |
| Common in all series.....  | 5 - 25               |
| Installation and Storage Sites.....  | 4 - 3                |
| Installation Environment.....  | 4 - 2                |
| Installation in a Control Panel.....   | 5 - 27,5 - 30,5 - 32 |
| All Series.....  | 5 - 27               |
| FH-1000/2000/3000/5000 Series.....   | 5 - 29               |

- FH-L Series..... 5 - 31  
 Instruction Installation Manual for FH-L series..... 1 - 3, 1 - 4  
 Instruction Installation Manual for FH series..... 1 - 2, 1 - 3  
 Instruction sheet..... 1 - 2-1 - 4  
 Intelligent Compact Digital CMOS Camera: FZ-S camera Series..... 3 - 33  
 Dimensions..... 3 - 34  
 Specification..... 3 - 33  
 Intelligent Compact Digital CMOS Cameras..... 1 - 6  
 Internal Specifications for Parallel Interface..... 6 - 9, 6 - 17
- ## K
- KETH-PSB-OMR..... 1 - 11  
 KETH-SB..... 1 - 11
- ## L
- L/A IN..... 3 - 12  
 L/A OUT..... 3 - 12  
 LCD and Cable..... 3 - 88  
 Component Names and Functions..... 3 - 89  
 Dimensions..... 3 - 90  
 Wire..... 3 - 89  
 LCD Monitor  
 Dimensions..... 3 - 90  
 Specification..... 3 - 88  
 LCD Monitor 8.4 inches for Box-type Controllers..... 1 - 8  
 LCD Monitor and Cable..... 1 - 8  
 LCD Monitor Cable..... 1 - 8  
 Specification..... 3 - 88  
 LED indicator lamp..... 3 - 83  
 LED indicator lamp (for power)..... 3 - 89  
 LED indicator lamp (for SYNC)..... 3 - 89  
 Lens..... 3 - 47  
 Lenses for Small Camera (FZ-LES Series)..... 3 - 51  
 Specification..... 3 - 51  
 Lighting..... 1 - 8  
 Lighting Controller..... 1 - 8  
 For FL-Series..... 1 - 8  
 For FLV-Series..... 1 - 8  
 Long-distance Camera Cable..... 1 - 7, 3 - 38  
 Specification..... 3 - 38  
 Long-distance Camera Cable: FZ-VS4  
 Dimensions..... 3 - 39  
 Long-distance Right-angle Camera Cable..... 1 - 7, 3 - 38  
 Specification..... 3 - 38  
 Long-distance Right-angle Camera Cable: FZ-VSL4  
 Dimensions..... 3 - 39
- ## M
- M42 - F Mount Conversion Adapter..... 1 - 7  
 M42-mount Lens for Large Image Sensor (VS-L/M42-10 Series)..... 3 - 51  
 Specification..... 3 - 51  
 Maintenance..... 4 - 3  
 Maximum Extension Length Using Cable Extension Units FZ-VSJ..... 3 - 44
- Meaning of Optical Chart..... 3 - 66  
 Megapixels Camera: FH-SC04/-SM04  
 Dimensions..... 3 - 22  
 Membership registration..... 1 - 2-1 - 4  
 Monitor..... 1 - 7  
 Monitor Cable: FZ-VM  
 Dimensions..... 3 - 90  
 Monitor connector..... 3 - 17  
 Monitor connector (analog RGB)..... 3 - 83  
 Mounting Base for FH-S□, FZ-S□5M□, FH-S□X05, FH-S□02, FH-S□04, FH-S□X12, FH-S□21R..... 1 - 7  
 Mounting Base for FH-S□12..... 1 - 7  
 Mounting Base for FZ-S□, FH-S□05R, FH-S□X..... 1 - 7  
 Mounting Base for FZ-S□2M..... 1 - 7  
 Mounting Base for FZ-SH□2M..... 1 - 7  
 Mounting Bracket for Intelligent Compact Digital Camera..... 1 - 7  
 Mounting of Ferrite core..... 5 - 23  
 Mounting of FH-1000/2000/3000/5000 Series..... 5 - 9  
 Mounting of FH-L Series..... 5 - 13  
 Mounting the DIN rail..... 5 - 15, 5 - 34  
 Mouse..... 1 - 9  
 MPS588..... 1 - 11  
 MPS588-C..... 1 - 11
- ## N
- Narrow view: FZ-SQ010F  
 Dimensions..... 3 - 34  
 NETSTAR-C5E SAB 0.5 x 4P CP..... 1 - 11  
 NS 35/15 PERF..... 1 - 9  
 NS 35/7.5 PERF..... 1 - 9
- ## O
- Optical Chart..... 3 - 67  
 Normal Lenses..... 3 - 67  
 Vibration/Shock-resistance Lens..... 3 - 73  
 Orientation of Product..... 4 - 4, 4 - 5  
 OSD Menu button..... 3 - 83  
 Other (Parallel Converter Cable)..... 6 - 18  
 FH-VPX-F160..... 6 - 25  
 FH-VPX-F210..... 6 - 26  
 FH-VPX-FZ..... 6 - 19  
 FH-VPX-FZL..... 6 - 21  
 Overview of FH series..... 2 - 1  
 Overview of System..... 2 - 2
- ## P
- Parallel I/O Cable..... 1 - 10  
 Parallel I/O Cable for Connector-terminal Conversion Unit..... 1 - 10  
 Parallel Interface..... 6 - 2  
 All Series..... 6 - 2  
 Cable, I/O connector and Terminal Block..... 6 - 5, 6 - 14  
 FH-1000/2000/3000/5000 Series..... 6 - 3  
 Interface Specification..... 6 - 3  
 Pin Layout..... 6 - 6  
 FH-L Series..... 6 - 12

|  |               |
|--|---------------|
| Interface Specification.....   | 6 - 12        |
| Pin Layout.....  | 6 - 15        |
| Other (Parallel Converter Cable).....                                    | 6 - 18        |
| FH-VPX-F160.....   | 6 - 25        |
| FH-VPX-F210.....   | 6 - 26        |
| FH-VPX-FZ.....   | 6 - 19        |
| FH-VPX-FZL.....  | 6 - 21        |
| Pen-shaped Camera: FZ-SP/-SPC  |               |
| Dimensions.....  | 3 - 32        |
| Pin Layout (FH-VPX-F160).....  | 6 - 25        |
| PIN Layout (FH-VPX-F210).....  | 6 - 27        |
| Pin Layout (FH-VPX-FZ).....  | 6 - 20        |
| Pin Layout (FH-VPX-FZL).....   | 6 - 23        |
| PNET/B.....  | 1 - 11        |
| Polarizing Filter Attachment for Intelligent Compact Digital Camera..... | 1 - 7         |
| POWER LED.....   | 3 - 11        |
| Power supply terminal.....   | 3 - 83,3 - 89 |
| Power supply terminal connector.....                                     | 3 - 11,3 - 17 |
| Precise Mounting Brackets for Intelligent Compact Digital Camera.....    | 1 - 7         |
| PWR LED.....   | 3 - 17        |

## R

|  |               |
|--|---------------|
| Recommended EtherCAT Communications Cables.....                  | 1 - 10        |
| Recommended EtherNet/IP Communications Cables.....               | 1 - 10        |
| Recommended Power Source for FH-L Series.....                    | 5 - 12        |
| Recommended Power Source of FH-1000/2000/3000/5000 Series.....   | 5 - 7         |
| Right-angle Camera Cable.....                                    | 1 - 7,3 - 36  |
| Specification.....   | 3 - 36        |
| Right-angle Camera Cable: FZ-VSL3                                |               |
| Dimensions.....  | 3 - 37        |
| RS-232C Cable for Touch Panel Monitor.....                       | 1 - 8         |
| RS-232C Cable for Touch Panel Monitor: XW2Z-□□□PP-1              |               |
| Dimensions.....  | 3 - 86        |
| RS-232C connector.....   | 3 - 10,3 - 17 |
| Rugged type Cable with Connectors on Both Ends (M12 L/RJ45)..... | 1 - 11        |
| RUN LED.....   | 3 - 11,3 - 17 |

## S

|  |               |
|--|---------------|
| SD BUSY LED.....                           | 3 - 11,3 - 17 |
| SD card.....                               | 1 - 9         |
| SD memory card installation connector..... | 3 - 10,3 - 17 |
| SD POWER LED.....                          | 3 - 11        |
| SD PWR LED.....                            | 3 - 17        |
| Sensor Controller.....                     | 3 - 3         |
| Sensor Controller Installation.....        | 5 - 5         |
| All Series.....                            | 5 - 5         |
| FH-1000/2000/3000/5000 Series.....         | 5 - 5         |
| FH-L Series.....                           | 5 - 11        |
| Serial Interface.....                      | 6 - 38        |
| All Series.....                            | 6 - 38        |
| Cable.....                                 | 6 - 38        |
| How to Connect.....                        | 6 - 38        |
| Input and output Connector.....            | 6 - 38        |
| Pin Layout.....                            | 6 - 39        |

|  |               |
|--|---------------|
| Wiring.....  | 6 - 39        |
| Setup and Wiring.....                              | 5 - 1         |
| Setup Touch Panel Monitor or Monitor.....          | 5 - 20        |
| All Series.....                                    | 5 - 20        |
| FH-1000/2000/3000/5000 Series.....                 | 5 - 20        |
| FH-L Series.....                                   | 5 - 20        |
| Simulation Software.....                           | 5 - 26        |
| Small Digital CCD Cameras.....                     | 1 - 6         |
| Small Digital CCD Cameras: FZ-S Camera Series..... | 3 - 30        |
| Dimensions.....                                    | 3 - 32        |
| Specification.....                                 | 3 - 30        |
| Software.....                                      | 1 - 12        |
| Sold Separately.....                               | 1 - 5         |
| Standard view: FZ-SQ050F                           |               |
| Dimensions.....                                    | 3 - 34        |
| Sysmac Studio.....                                 | 1 - 12,3 - 91 |
| Sysmac Studio FH Tool.....                         | 5 - 26        |
| System Configuration.....                          | 2 - 6         |

## T

|   |        |
|---|--------|
| Touch Panel Monitor.....                          | 3 - 82 |
| Component Names and Functions.....                | 3 - 83 |
| Dimensions.....                                   | 3 - 86 |
| Specification.....                                | 3 - 82 |
| Touch Panel Monitor 12.1 inches.....              | 1 - 8  |
| Touch Panel Monitor and Cable.....                | 3 - 82 |
| Connection Example.....                           | 3 - 84 |
| Dimensions.....                                   | 3 - 86 |
| RS-232C Connection (Cable Length Up to 10 m)..... | 3 - 85 |
| USB Connection (Cable Length Up to 5 m).....      | 3 - 84 |
| Wiring.....                                       | 3 - 85 |
| Touch Panel Monitor and Cables.....               | 1 - 8  |
| Touch Panel Monitor Cable.....                    | 3 - 84 |
| Specification.....                                | 3 - 84 |
| Touch Panel Monitor - FH-MT12.....                | 3 - 82 |
| Touch pen.....                                    | 3 - 83 |
| Touch pen holder.....                             | 3 - 83 |

## U

|  |        |
|--|--------|
| USB/Monitor Switcher.....                  | 1 - 9  |
| USB2.0 connector.....                      | 3 - 17 |
| USB3.0 connector.....                      | 3 - 17 |
| USB Cable for Touch Panel Monitor.....     | 1 - 8  |
| USB Cable for Touch Panel Monitor: FH-VUAB |        |
| Dimensions.....                            | 3 - 87 |
| USB connector.....                         | 3 - 10 |
| USB Memory.....                            | 1 - 9  |
| USB retaining bracket.....                 | 3 - 83 |
| Use by Connecting Software.....            | 5 - 26 |

## V

|  |               |
|--|---------------|
| VESA mounting hole.....  | 3 - 83,3 - 89 |
| Vibration and Shock.....   | 5 - 28        |
| Vibration and Shock Resistant C-mount Lens for 1-inch Image Sensor (VS-MCH1 Series)..... | 3 - 57        |
| Specification.....   | 3 - 57        |

|  |        |
|--|--------|
| Vibration and Shock Resistant C-mount Lens for 1-inch Image Sensor (VS-MCH Series).....            | 3 - 54 |
| Specification.....   | 3 - 55 |
| Vibration and Shock Resistant C-mount Lens for 2/3-inch Image Sensor (VS-MCA Series).....          | 3 - 52 |
| Specification.....   | 3 - 52 |
| Vibration and Shock Resistant M42-mount Lens for 1.8-inch Image Sensor (VS-MCL/M42-10 Series)..... | 3 - 60 |
| Specification.....   | 3 - 60 |
| Video input (RGB).....   | 3 - 89 |

## W

---

|                                       |        |
|---------------------------------------|--------|
| W4S1-03B.....                         | 1 - 9  |
| W4S1-05B.....                         | 1 - 9  |
| W4S1-05C.....                         | 1 - 9  |
| When turning ON and OFF.....          | 5 - 2  |
| All Series.....                       | 5 - 2  |
| FH-1000/2000/3000/5000 Series.....    | 5 - 3  |
| FH-L Series.....                      | 5 - 3  |
| Wide View - Long-distance: FZ-SQ100F  |        |
| Dimensions.....                       | 3 - 34 |
| Wide View - Short-distance: FZ-SQ100N |        |
| Dimensions.....                       | 3 - 34 |

## X

---

|                         |                       |
|-------------------------|-----------------------|
| XS5W-T421-□MC-K.....    | 1 - 11                |
| XS5W-T421-□MD-K.....    | 1 - 10                |
| XS5W-T422-□MC-K.....    | 1 - 11                |
| XS6G-T421-1.....        | 1 - 11                |
| XS6W-6LSZH8SS□CM-Y..... | 1 - 10                |
| XW2R-□34GD-T.....       | 1 - 10                |
| XW2Z-□□□EE.....         | 1 - 10                |
| XW2Z-□□□PP-1.....       | 1 - 8                 |
| XW2Z-S013-□.....        | 1 - 10, 6 - 5, 6 - 14 |

**OMRON Corporation** Industrial Automation Company  
Kyoto, JAPAN

Contact: [www.ia.omron.com](http://www.ia.omron.com)

**Regional Headquarters**

**OMRON EUROPE B.V.**

Wegalaan 67-69, 2132 JD Hoofddorp  
The Netherlands  
Tel: (31)2356-81-300/Fax: (31)2356-81-388

**OMRON ELECTRONICS LLC**

2895 Greenspoint Parkway, Suite 200  
Hoffman Estates, IL 60169 U.S.A.  
Tel: (1) 847-843-7900/Fax: (1) 847-843-7787

**OMRON ASIA PACIFIC PTE. LTD.**

No. 438A Alexandra Road # 05-05/08 (Lobby 2),  
Alexandra Technopark,  
Singapore 119967  
Tel: (65) 6835-3011/Fax: (65) 6835-2711

**OMRON (CHINA) CO., LTD.**

Room 2211, Bank of China Tower,  
200 Yin Cheng Zhong Road,  
PuDong New Area, Shanghai, 200120, China  
Tel: (86) 21-5037-2222/Fax: (86) 21-5037-2200

Authorized Distributor:

© OMRON Corporation 2018 All Rights Reserved.  
In the interest of product improvement,  
specifications are subject to change without notice.

Cat. No. Z366-E1-07

0719