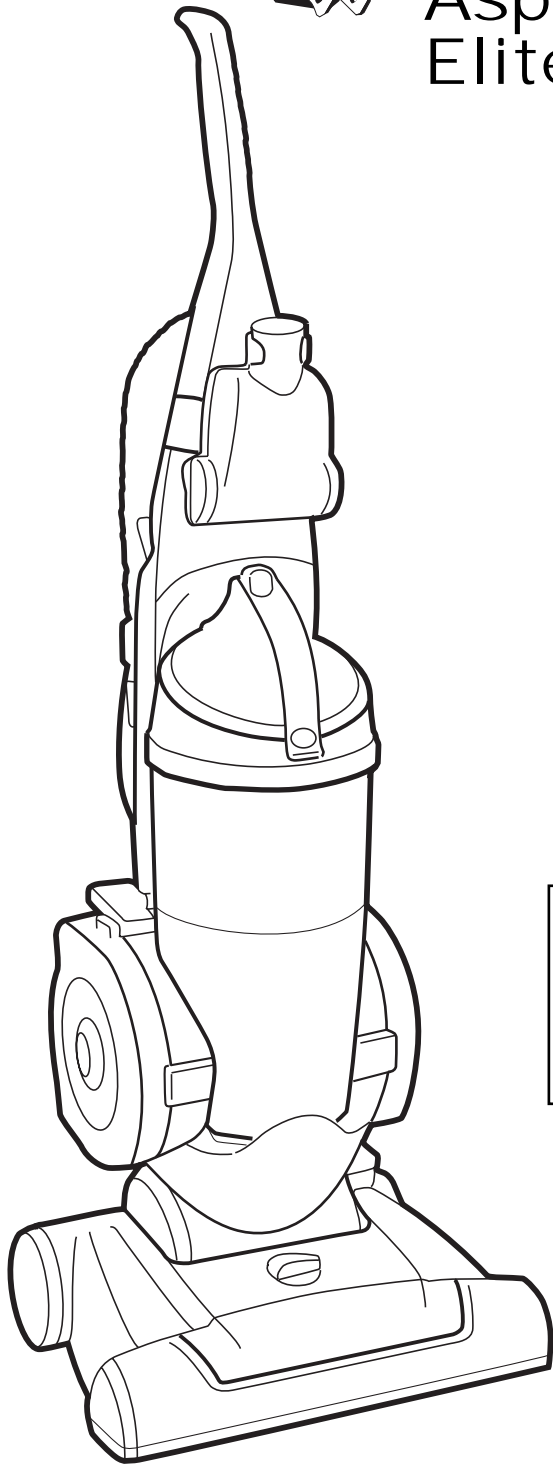




Upright Cleaner



Aspirateur vertical
Elite^{MC} Rewind^{MC}



Owner's Manual
Guide de l'utilisateur

ENGLISH → pp. 1-12

ESPAÑOL → pág 13-19

FRANÇAIS → p. 20-26

Review this manual before
operating the cleaner.

Lire attentivement ces instructions
avant d'utiliser l'appareil.

HOOVER SALES & SERVICE CENTERS

CENTRES DE VENTE ET DE SERVICE HOOVER

ALABAMA

3980B Airport Blvd.
Mobile, AL 36608
(251) 341-0304
(251) 341-0395 fax

ARIZONA

3434 West Bell Rd.
Phoenix, AZ 85053
(602) 439-2751
(602) 564-0938 fax

4881 E. Speedway Blvd.
Tucson, AZ 85712
(520) 795-5612
(520) 322-6016 fax

2136 East Baseline Rd.
Suite B-1
Mesa, AZ 85204
(480) 633-0622
(480) 633-0626 fax

CALIFORNIA

1047 N. State College Blvd.
Anaheim, CA 92806
(714) 635-5710
(714) 635-8432 fax

1803A El Camino Real
Burlingame, CA 94010
(650) 652-7810
(650) 652-7811 fax

1660 Contra Costa Blvd.
Suite C
Pleasant Hill, CA 94523
(925) 674-1206
(925) 674-1304 fax

17498 Hawthorne Blvd.
Torrance, CA 90504
(310) 921-6523
(310) 921-6533 fax

1834 Fulton Ave.
Sacramento, CA 95825
(916) 481-4860
(916) 481-1528 fax

3628 Geary Blvd.
San Francisco, CA 94118
(415) 668-5101
(415) 668-5976 fax

699 Lewelling Blvd
Suite 182
San Leandro, CA 94579
(510) 346-2400
(510) 346-2402 fax

6487 N. Blackstone Ave.
Fresno, CA 93710
(559) 449-8258
(559) 449-0302 fax

230 S. Lake Ave., #2
Pasadena, CA 91101
(626) 229-0636
(626) 229-0638 fax

19030 Ventura Blvd.
Tarzana, CA 91356
(818) 345-7637/7827
(818) 609-1246 fax

1287 Morena Blvd.
San Diego, CA 92110
(619) 276-9560
(619) 276-4359 fax

COLORADO

5142 N. Academy Blvd.
Colorado Springs, CO 80918
(719) 260-9988
(719) 260-8353 fax

2200 S. Monaco Pkwy.
Denver, CO 80222
(303) 757-4904
(303) 757-2723 fax

FLORIDA

303 E. Altamonte Dr
Suite 1100
Altamonte Springs, FL 32701
(407) 831-1444
(407) 831-5444 fax

102 S. Flamingo Rd.
Pembroke Pines, FL 33027
(954) 432-0031
(954) 432-6350 fax

GEORGIA

3655 Roswell Rd. NE
Suite 126
Buckhead, GA 30342
(404) 814-1574
(404) 814-1035 fax

1064 Old Peachtree Rd.
Suite 102
Lawrenceville, GA 30043
(678) 442-9907
(678) 442-9947 fax

2960 Shallowford Rd. #200
Marietta, GA 30066
(678) 560-0066
(678) 560-0068 fax

10779 Alpharetta Hwy.
Suite 170
Roswell, GA 30076
(770) 649-0425
(770) 649-0704 fax

IDAHO

520 S. Meridan Rd
Suite 150
Meridan, ID 83642
(208) 855-4775
(208) 855-4776 fax

ILLINOIS

1372 Winston Plaza
Melrose Park, IL 60160
(708) 344-3800
(708) 344-3853 fax

4328 East New York Street
Aurora, IL 60504
(630) 499-5728
(630) 499-5816 fax

IOWA

3001-100th St.
Urbandale, IA 50322
(515) 331-0550
(515) 331-0545 fax

KENTUCKY

4131 Shelbyville Rd.
Louisville, KY 40207
(502) 895-4775
(502) 895-9874 fax

MARYLAND

7632 Belair Rd.
Baltimore, MD 21236
(410) 668-8100
(410) 668-9228 fax

305 Muddy Branch Rd.
Gaitthersburg, MD 20878
(301) 948-0864
(301) 948-0866 fax

MICHIGAN

19799 West 12 Mile Rd.
Southfield, MI 48076
(248) 552-6253
(248) 552-6256 fax

MINNESOTA

8922 Highway 7
St. Louis Park, MN 55426
(952) 935-0091
(952) 935-0462 fax

1539 W. Larpenteur Ave.
St. Paul, MN 55113
(651) 644-8684
(651) 644-6621 fax

MISSOURI

201 East Gregory
Kansas City, MO 64114
(816) 333-7440
(816) 333-3184 fax

18931 Valley View Pkwy.
Suite F
Independence, MO 64055
(816) 795-5303
(816) 795-5759 fax

NEBRASKA

2449 S. 120th Street
Omaha, NE 68144
(402) 330-2290
(402) 330-7675 fax

NEVADA

2050 East Serene Ave.
Suite 620-3
Las Vegas, NV 89123
(702) 614-0777
(702) 614-0787 fax

7920 W. Tropical Parkway
Suite 110
Las Vegas, NV 89149
(702) 645-4320
(702) 645-7518 fax

NEW MEXICO

4770 Montgomery VC NE
Suite A-103
Albuquerque, NM 87109
(505) 883-0800
(505) 883-4970 fax

NEW YORK

3312 Sheridan Drive
Amherst, NY 14226
(716) 831-0153
(716) 833-2423 fax

3523A Hempstead Turnpike
Levittown, NY 11756
(516) 520-1233
(516) 520-1293 fax

1577 Ridge Rd. West
Rochester, NY 14615
(585) 865-7190
(585) 865-7214 fax

320 Northern Lights Plaza
No. Syracuse, NY 13212
(315) 454-4682
(315) 454-4782 fax

NORTH CAROLINA

6449 Albemarle Rd.
Charlotte, NC 28212
(704) 568-0371
(704) 568-4283 fax

OHIO

4032 Belden Village St.
Canton, OH 44718
(330) 491-0086
(330) 491-0140 fax

101 E. Alex-Bell Rd #109
Centerville, OH 45459
(937) 291-3560
(937) 291-0076 fax

2256 Waycross Rd.
Forest Park, OH 45240
(513) 522-7575
(513) 522-7580 fax

7714 B Montgomery Rd.
Cincinnati, OH 45236
(513) 791-7930
(513) 791-7934 fax

5160 Great Northern Plaza
North Olmsted, OH 44070
(440) 734-2755
(440) 734-2799 fax

5831 Sawmill Rd.
Columbus, OH 43017
(614) 760-9399
(614) 760-9331 fax

104 Boardman-Poland Rd.
Boardman, OH 44512
(330) 758-1828
(330) 758-1332 fax

3109 West Market Street
Fairlawn, OH 44333
(330) 864-6700
(330) 864-6702 fax

OKLAHOMA

3710 NW 50th St.
Oklahoma City, OK 73112
(405) 947-4436
(405) 947-0886 fax

OREGON

4130 SW Lombard Ave.
Suite 110
Beaverton, OR 97005
(503) 574-2696
(503) 574-2762 fax

PENNSYLVANIA

1155 Washington Pike
Bridgeville, PA 15017
(412) 221-4568
(412) 221-0145 fax

245 Lancaster Pike
Frazer, PA 19355
(610) 651-0570
(610) 651-0572 fax

TENNESSEE

2200 N. Germantown Pkwy
Suite 7
Cordova, TN 38016
(901) 266-0333
(901) 226-0811

9309A Kingston Pike
Knoxville, TN 37922
(865) 690-0785
(865) 694-9985 fax

1010 Murfreesboro Rd.
Suite 126
Franklin, TN 37064
(615) 599-2949
(615) 599-9663 fax

TEXAS

13536 Preston Rd
Suite 100
Dallas, TX 75240
(972) 503-9494
(972) 503-9496 fax

2930 Preston Rd.
Frisco, TX 75034
(469) 633-0555
(469) 633-0745 fax

7613 Westheimer
Houston, TX 77063
(713) 334-0199
(713) 334-1341 fax

6900 San Pedro, Suite 137
San Antonio, TX 78216
(210) 829-1906
(210) 805-0612 fax

19507 I-45, Suite #900
Cypresswood Ct.
Spring, TX 77388
(281) 288-5803
(281) 288-5876 fax

1823 West Bay Area Blvd.
Webster, TX 77598
(281) 338-2830
(281) 338-2835 fax

1491 Lee Trevino
Suite D
El Paso, TX 79936
(915) 598-8633
(915) 598-8610

UTAH

6935 Park Centre Drive
Salt Lake City, UT 84121
(801) 304-0516
(801) 304-0546 fax

VIRGINIA

9018 W. Broad Street
Richmond, VA 23294
(804) 747-8249
(804) 747-3395 fax

WASHINGTON

837 NE Northgate Way
Seattle, WA 98125
(206) 367-4425
(206) 367-0632 fax

2911 North Monroe
Spokane, WA 99205
(509) 328-9514
(509) 328-9562 fax

WEST VIRGINIA

35 Riverwalk Plaza
S. Charleston, WV 25303
(304) 744-4748
(304) 744-4779 fax

WISCONSIN

2791 South Oneida St.
Ashwaubenon, WI 53430
(920) 494-9441
(920) 494-5059 fax

505 S. Midvale Blvd.
Madison, WI 53711
(608) 238-3470
(608) 238-0120 fax

10244 W. National Ave.
West Allis, WI 53227
(414) 327-7430
(414) 327-9875 fax

11211 120th Ave.
Suite D-067
Pleasant Prairie, WI 53142
(262) 857-3176
(262) 857-6815 fax

CANADA

Hoover Canada
9012 L'Acadie Blvd.
Montreal, Quebec
H4N 2Y8
(514) 384-8030
(514) 384-5940 fax

Hoover Canada
4151 North Service Rd.
Burlington, Ontario
L7R 4A8
(905) 335-3311
(905) 335-3320 fax

Thank you for choosing a HOOVER® product

Please enter the COMPLETE model and serial numbers in the spaces provided.

Model _____

Serial number _____

Hint: Attach your sales receipt to this owner's manual.

Verification of date of purchase may be required for warranty service of your HOOVER product.

Be sure to fill out and return the product registration card included with your cleaner (see back of manual).



SERIAL NUMBER

Contents

Assembling Cleaner	4
Carton Contents	5
Cleaner Descriptions	6
How To Use	5-7
Cleaning Tools.....	6-7
If You Have a Problem	12
Important Safeguards	3
Lubrication	10
Maintenance	7-12
Authorized Service	11
Cleaning Filters	8-9
Clearing Blockages	12
Emptying Dirt Cup.....	7-8
Replacing Agitator Brush Roll	10
Replacing Belt	9-10
Replacing Powered Hand Tool	
Agitator Brush Roll	10
Replacing Power Hand Tool Belt ..	11
Replacing Headlight.....	9
Thermal Protector	10
Warranty	12
Parts and accessories mail order	
form.....	27

Important Safeguards!

When using an electrical appliance, always follow basic precautions, including the following:

READ ALL INSTRUCTIONS BEFORE USING THIS APPLIANCE

WARNING: To reduce the risk of fire, electric shock, or injury:

- Do not use outdoors or on wet surfaces.
- Close supervision is necessary when any appliance is used by or near children. Do not allow vacuum cleaner to be used as a toy or to run unattended at any time.
- Keep hair, loose clothing, fingers, feet and all parts of body away from openings, rotating agitator and other moving parts. Do not operate cleaner in bare feet or when wearing open toe shoes or sandals.
- Do not pick up anything that is burning or smoking, such as cigarettes, matches, or hot ashes.
- Do not use to pick up flammable or combustible materials such as gasoline or fine wood sandings or use in areas where they may be present.
- Avoid picking up hard, sharp objects with the cleaner. They may damage the cleaner.
- Always turn off this appliance before connecting or disconnecting hose.
- Unplug cleaner before connecting the powered hand tool.
- Do not use without dirt cup or filters in place. Empty cup and clean filters frequently when picking up very fine materials such as powder.
- Use extra care when cleaning on stairs.
- Do not put any object into openings. Do not use with any opening blocked; keep free of dust, lint, hair, or anything that may reduce air flow.
- Do not pull or carry by cord, use cord as a handle, close door on cord or pull cord around sharp edges or corners. Do not run appliance over cord. Keep cord away from heated surfaces.
- Always disconnect cord from electrical outlet before servicing the cleaner.
- Unplug cleaner when not in use. Turn off all controls before unplugging.
- Do not unplug by pulling on cord. To unplug, grasp the plug, not the cord. Never handle plug or appliance with wet hands.
- Hold onto the plug while cord is being rewound to prevent cord from whipping.
- The use of an extension cord is not recommended.
- Do not use with damaged cord or plug. If appliance is not working as it should, has been dropped, damaged, left outdoors, or dropped into water, take it to a Hoover Sales and Service Center or Authorized Hoover Warranty Service Dealer (Depot).
- Use vacuum cleaner only for its intended use as described in the instructions. Use only attachments recommended by Hoover; others may cause hazards.

WARNING: This product contains chemicals known to the State of California to cause cancer. *Wash hands after handling.*



Save these instructions!

If you need any assistance:

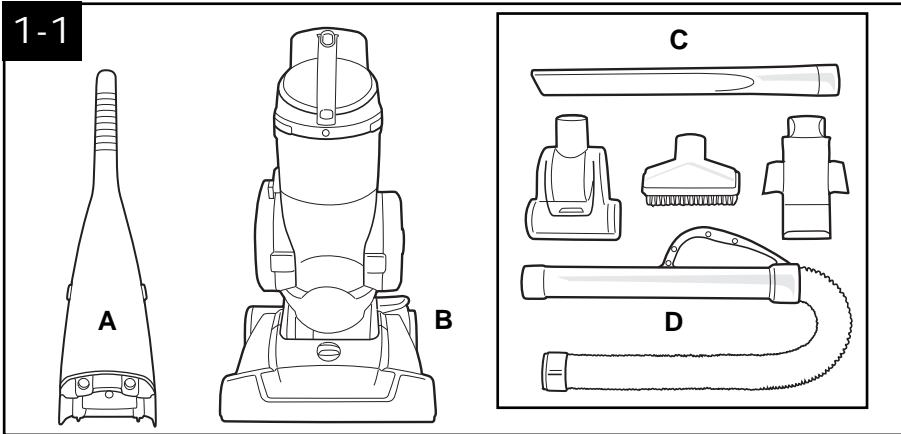
Visit our website at hoover.com. Click on the "Service" button to find the service outlet nearest you OR

Call **1-800-944-9200** for an automated referral of authorized service outlet locations (U.S. only) OR Call 1-330-499-9499 to speak with a representative in our Consumer Response Center.

Please do not return this product to the store.

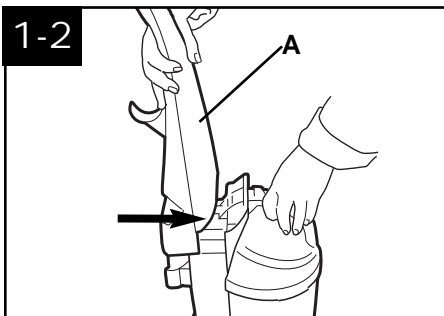
Assembling cleaner

Carton contents

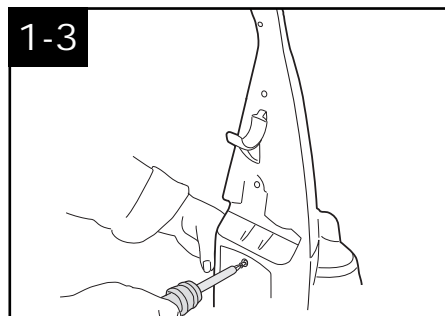


- A. Handle section and screw (taped to handle)
- B. Cleaner body
- C. Cleaning tools
- D. Hose

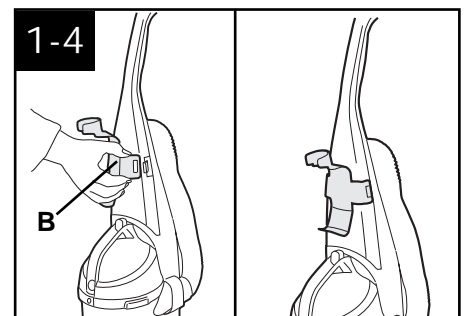
Remove all parts from carton and identify each item shown. Make sure all parts are located before disposing of packing materials.



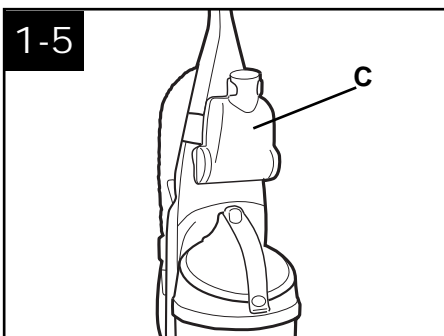
Attach handle
Slide handle section (A) onto back of handle.



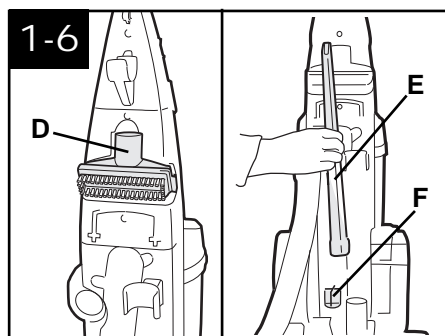
Push screw into hole on back of handle. Tighten screw securely with a Phillips screwdriver.



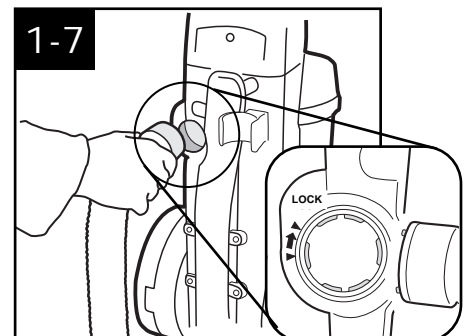
Position tools
The holder (B) for the powered hand tool snaps onto the tabs on the front of the handle. Be sure the holder is properly positioned as shown in the drawing.



Place the powered hand tool (C) into the holder as shown.

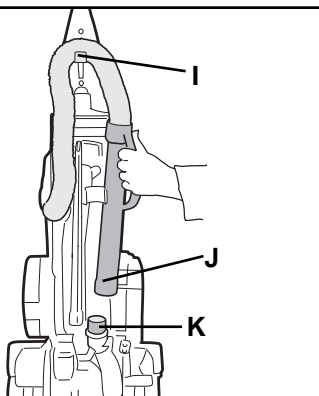


Place combination tool (D) into opening on back of handle. The crevice wand (E) slides over the post (F) on the back of the cleaner.



Position hose
Align end of hose with projections over slots in dirt duct on back of cleaner. Twist to lock in place. The hose connector allows the hose to swivel.

1-8

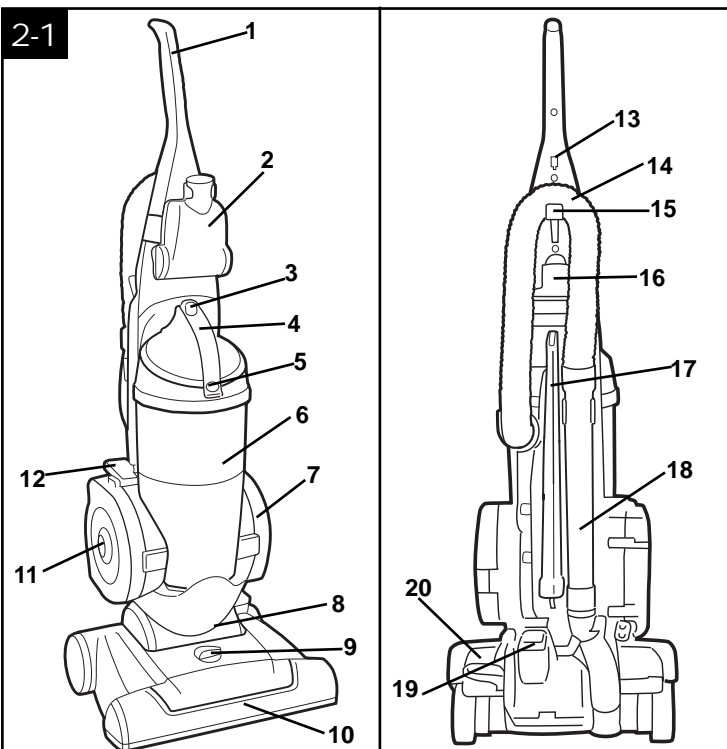


Wrap hose over hook (I).
Push hose end (J) firmly onto tube (K) as shown.

2. How to use

Cleaner description

2-1



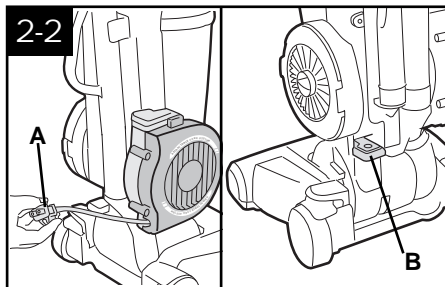
- 1. Handle grip
- 2. Powered hand tool
- 3. Dirt cup release button
- 4. Carrying handle/Dirt cup handle
- 5. Air flow indicator
- 6. Dirt cup assembly
- 7. Long lasting HEPA filter
- 8. Headlight
- 9. Nozzle control knob: turn knob to correct setting for height of carpet being cleaned.
- 10. Furniture nozzle: helps prevent cleaner from marking furniture.
- 11. Cord reel
- 12. Cord rewind button: press button to rewind cord for storage. **Hold plug until cord is rewound.**
- 13. Cord hook
- 14. Hose
- 15. Hose holder
- 16. Combination tool
- 17. Crevice wand
- 18. Hose handle
- 19. ON/OFF pedal
- 20. Handle release pedal: step on pedal to lower handle to operating or low positions.

Operate cleaner only at voltage specified on data plate on back of cleaner.

This cleaner is intended for household use.

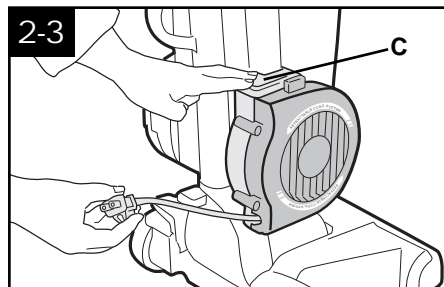
Polarized plug

To reduce the risk of electric shock, this appliance has a polarized plug (one blade is wider than the other). This plug will fit in a polarized outlet only one way. If the plug does not fit fully in the outlet, reverse the plug. If it still does not fit, contact a qualified electrician to install the proper outlet. Do not change the plug in any way.



ON-OFF pedal

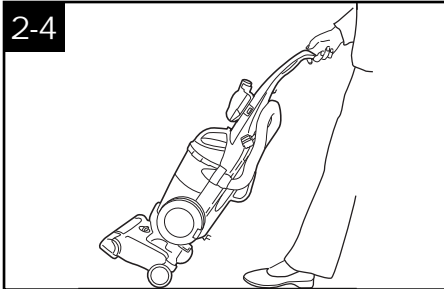
Grasp end of plug (A) and pull to desired cord length. Plug cord into electrical outlet.
To turn cleaner ON, step on ON/OFF pedal (B) once.
To turn cleaner OFF, step on pedal again.



Cord rewind

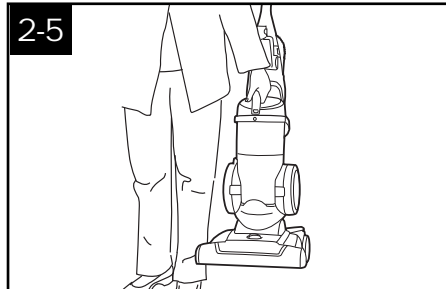
Grasp the end of the plug and pull to release cord from cord reel. After desired cord length is reached, the cord will lock into position.
To return cord for storage, **hold plug** and press on button (C) at top of cord reel. **To prevent cord from whipping, hold plug until cord is rewound.**

Continued → 5



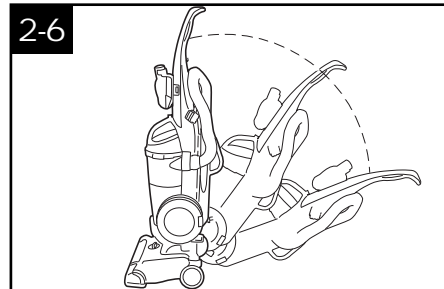
2-4 Transporting cleaner

To move your cleaner from room to room, put handle in upright position, tilt cleaner back on rear wheels and push forward.



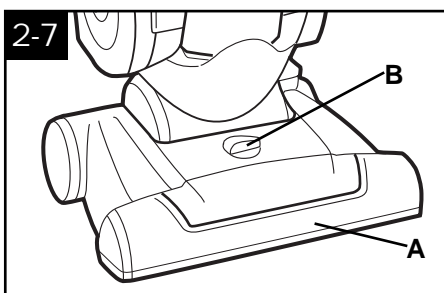
2-5 Carrying cleaner

The cleaner can also be moved by using the carrying handle, located on the top of the dirt cup.



2-6 Handle positions

The handle of your cleaner has three positions; **upright** for storage and when using cleaning tools; **operating position** for general operation on carpet and floors; **low** for reaching under low furniture. Step on handle release pedal to lower handle.

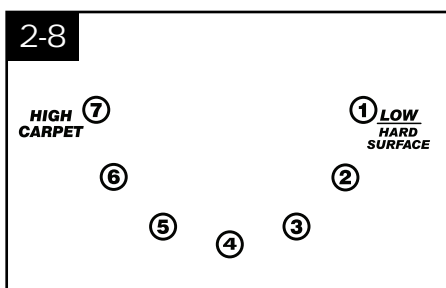


2-7 Carpet height adjustment

The cleaning of carpet and rugs takes place at the nozzle (A).

When it is necessary to raise and lower the nozzle for various carpet pile heights, place handle in upright position and turn the nozzle control knob (B) to the desired setting.

The nozzle will not move into the adjusted position until the cleaner handle is lowered to the operating position.



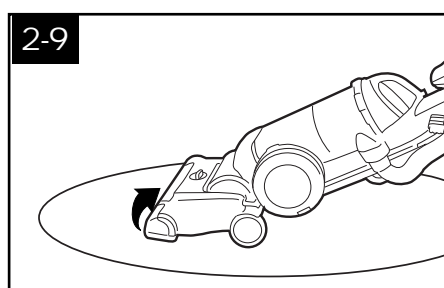
2-8 Settings

For maximum cleaning performance, the following carpet height settings are recommended:

- **Lowest setting:** for all types of carpet and hard surface flooring.

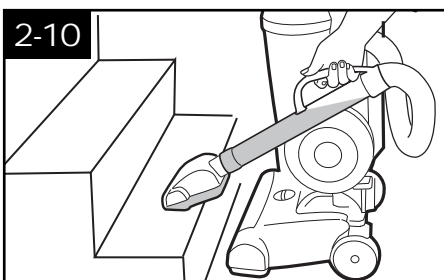
Note: If the cleaner is difficult to push, turn knob to the next higher setting.

- **Higher settings:** for very deep pile carpet, where easier pushing effort is desired, while maintaining good cleaning performance.



2-9 Cleaning lightweight flexible rugs

Stand on one end of rug and move cleaner toward other end or edge. Before reaching edge, push down on handle. This will lift up the nozzle (front of cleaner) as shown and will prevent rug from clinging to cleaner. Continue to lift up nozzle so that when you have reached the edge, it is completely off the rug. Move cleaner back to start again, lower nozzle, and use only forward strokes.



2-10 Stair cleaning

Use the hose and power hand tool for stair cleaning. Clean from bottom to top.

When using cleaning tools, the agitator will continue to rotate.

CAUTION: To avoid personal injury or unnecessary wear to carpet, and to prevent the cleaner from falling, always place it at bottom of stairs.

Cleaning tools

Tools allow for cleaning surfaces above the floor and for reaching hard to clean areas.

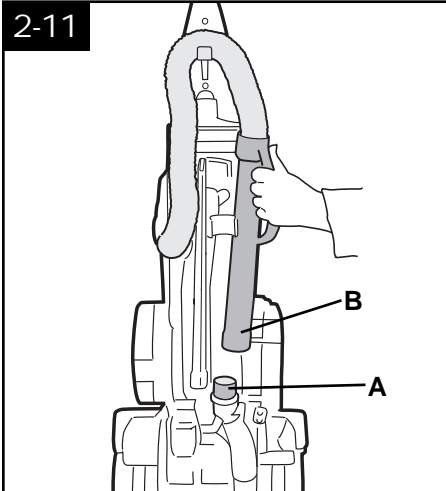
The cleaner is ready for tool use when **handle is in upright position**.

CAUTION: The agitator continues to rotate while cleaner handle is in upright position. Avoid tipping cleaner or setting it on furniture, fringed area rugs or carpeted stairs during tool use.

How to clean tools

To clean the hose and powered hand tool, wipe off dirt with a cloth dampened in a mild detergent. Rinse with a damp cloth. **DO NOT** submerge powered hand tool in water.

Cleaning tools may be washed in warm water with a detergent. Rinse and air dry before using.

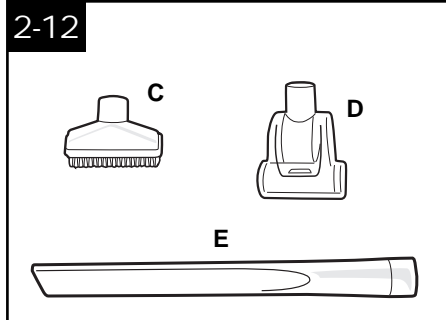


Removing hose

When using cleaning tools, **cleaner handle should be in the upright position**. Also, **turn cleaner OFF before disconnecting and connecting hose to hose tube (A)**.

To use hose, lift hose end (B) as shown.

When you are finished cleaning with the tools, reposition hose end onto tube.

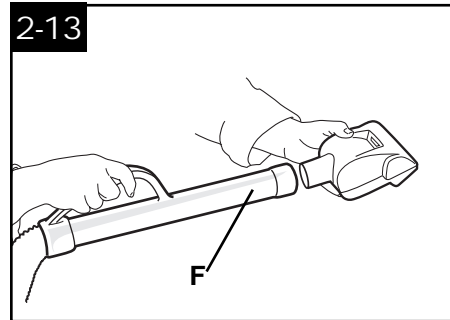


Select proper tool

C. Combination tool use with brush attached for carved furniture, table tops, books, lamps, lighting fixtures, venetian blinds, baseboards, shutters, and registers. Remove brush to clean upholstered furniture, draperies, mattresses, clothing, and carpeted stairs.

D. Powered hand tool may be used for upholstered furniture, draperies, mattresses, clothing, automobile interiors, and carpeted stairs.

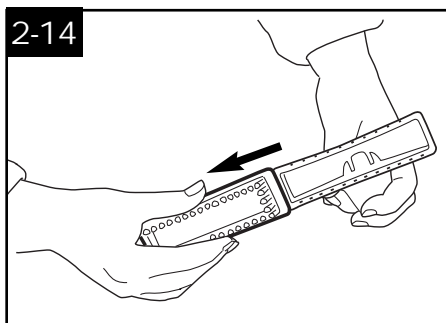
E. Crevice wand may be used in tight spaces, corners and along edges in such places as dresser drawers, upholstered furniture, stairs and baseboards. It can also be used for extra reach with the dusting brush.



Attach wand and tools

Attach tool to the hose (F) by pushing it firmly onto hose.

Twist wand or tool slightly to tighten or loosen the connection.



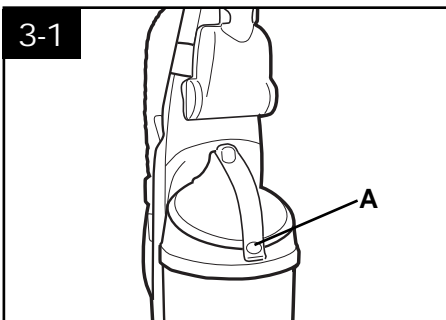
Combination tool

Slide brush to remove.

To replace brushes, align brush with grooves on tool. Slide brush into place.

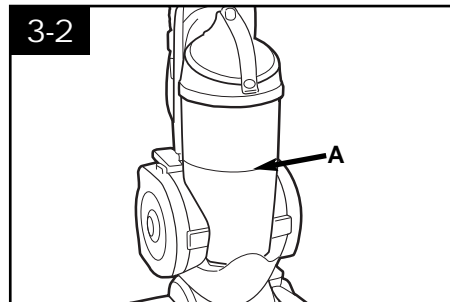
3. Maintenance

Familiarize yourself with these home maintenance tasks as proper use and care of your cleaner will ensure continued cleaning effectiveness.



Air flow indicator

The indicator (A) will show red when the dirt cup is full or there is a blockage or clog in the system. **Turn cleaner OFF and unplug**. Check the dirt cup and empty if necessary. Turn cleaner back on. If the indicator still shows red, follow the instructions under "Clearing blockages".

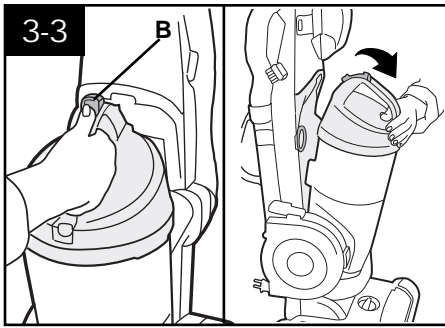


Dirt cup

When to empty

It is recommended that the dirt cup be emptied before the dirt reaches the fill line (A), or after every use if preferred.

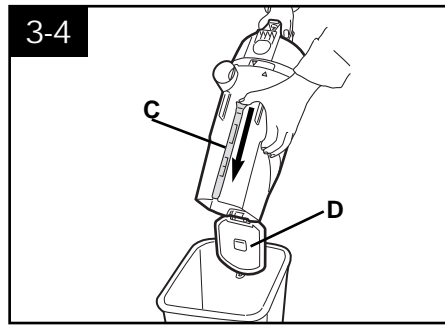
CAUTION: Very fine materials, such as face powder or cornstarch, may seal the filter and cause loss of suction. When using the cleaner for this type of dust, empty the cup and clean the filters often.



How to empty

Disconnect cleaner from electrical outlet. Do not use the cleaner without dirt cup or filters in place.

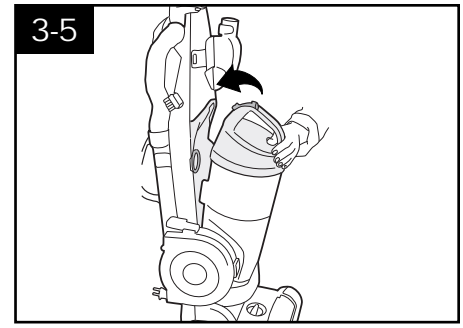
Press dirt cup release button (B) and pivot cup out.



Holding dirt cup over trash receptacle, press dirt cup door release rod (C) on back of dirt cup to open dirt cup door (D).

Empty dirt cup.

Close and snap dirt cup door shut.

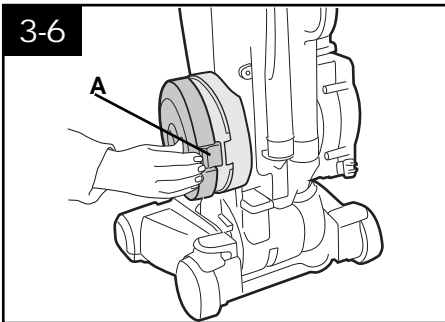


Place bottom of dirt cup in first. Pivot cup into cleaner body. Press dirt cup firmly until you hear a click to ensure that it is locked in place.

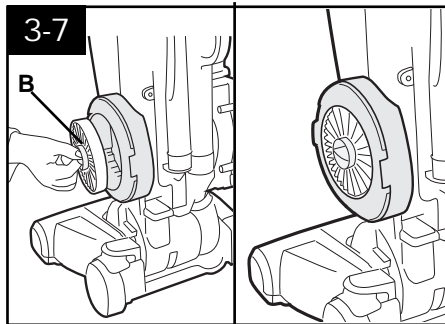
Cleaning filters

Lifetime HEPA filter

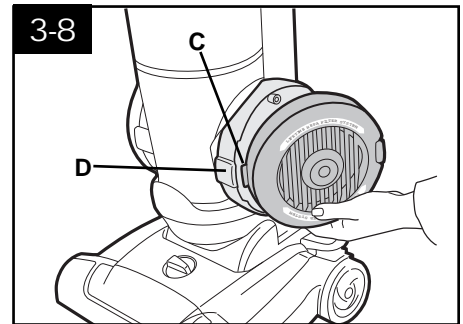
If you wish to clean this filter, it may be removed and cleaned.



Press on the tab (A) located on the side of the filter cover to remove.



Remove the HEPA filter (B) and brush with the combination tool to clean or tap side of filter against a trash receptacle. Return the HEPA filter into the filter cavity.

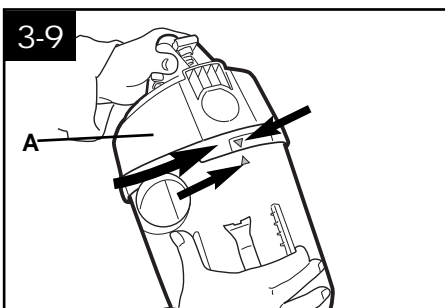


Align tab (C) on filter cover with slot (D). Press cover closed until you hear a snap.

Dirt cup filter assembly

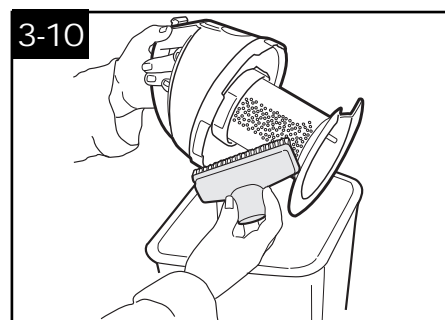
How to clean

Disconnect cleaner from electrical outlet. Do not use cleaner without dirt cup or filters in place.

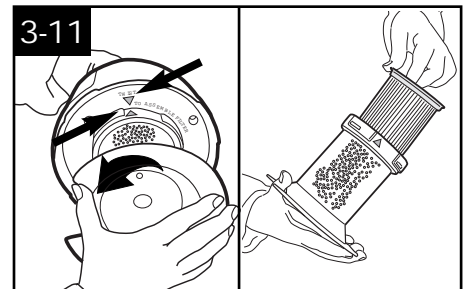


Remove dirt cup as described in Fig. 3-3.

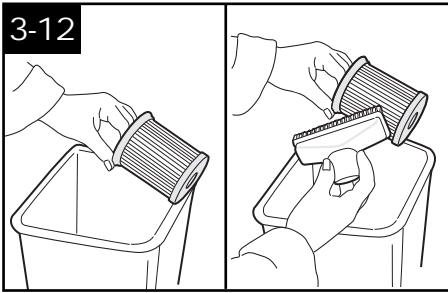
Twist dirt cup lid (A) counterclockwise until arrows on lid and dirt cup align. Remove lid with filter cartridge from dirt cup.



Dirt and debris can then be cleaned from the filter cartridge by brushing with the cleaner's combination tool.

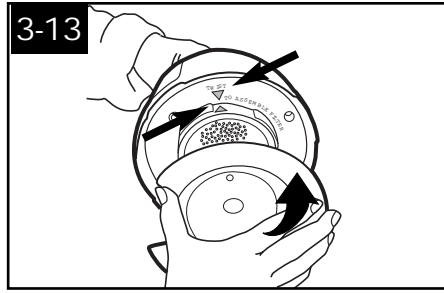


Twist the filter cartridge counterclockwise, aligning arrows on lid and cartridge. Remove pleated filter from inside cartridge.



Tap filter against side of trash container to remove dirt or brush with the cleaner's combination tool.

Return pleated filter to inside the filter cartridge.



Replace the filter assembly in the dirt cup lid, aligning arrows and twisting clockwise to lock into position.

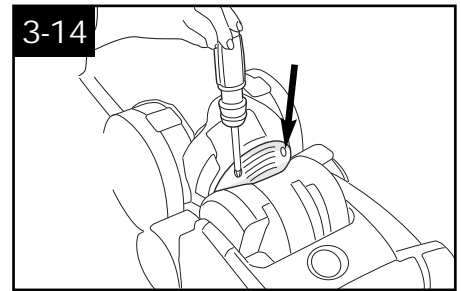
Replace dirt cup lid onto dirt cup by aligning arrows on lid and dirt cup and twisting clockwise.

Replace dirt cup as described in Fig. 3-5.

Headlight replacement

What to buy

This cleaner uses a 13 volt, T-3 114 wedge base bulb, **Hoover part No. 27313-107**.

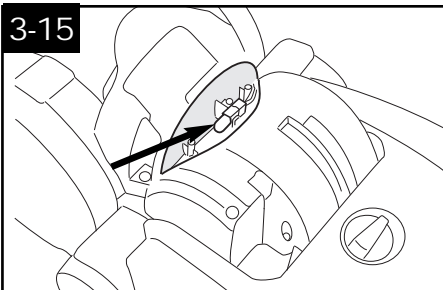


Removing lens

Disconnect cleaner from electrical outlet.

Press handle release pedal and place handle in lowest position.

Using a Phillips screwdriver, remove the two screws as shown and lift off lens.



Installing bulb

Pull old bulb straight out of socket. Push new bulb straight into socket until locked in place.

Excessive force is not required.

Reposition lens and secure with the screws.

Belt replacement

The belt on your Hoover cleaner causes the agitator to rotate and is important for the effective operation of the cleaner. The belt is located under the bottom plate of the cleaner and should be checked from time to time to be sure it is in good condition.

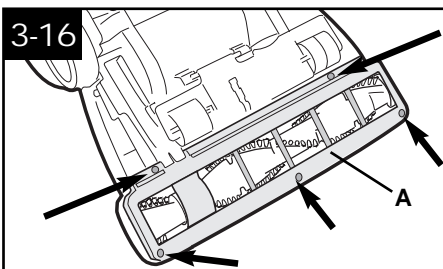
When to replace

Disconnect cleaner from electrical outlet.

To check belt, remove bottom plate as shown in Fig. 3-16. Replace belt if it is stretched, cut or broken.

What to buy

To assure effective operation, use only genuine HOOVER belts with your cleaner. When purchasing a new belt, ask for **HOOVER part No. 38528-040** (belt package part No. 40201-190).

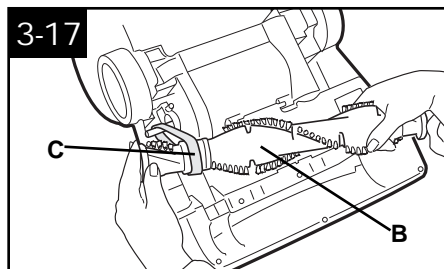


How to replace

Disconnect cleaner from electrical outlet.

Removing bottom plate

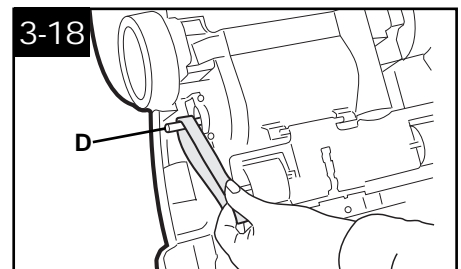
Place handle in lowest position and turn cleaner over so bottom side is up. Remove the 5 screws as shown with a Phillips screwdriver. Lift off bottom plate (A).



Removing belt

Remove agitator brush roll (B) and used belt (C).

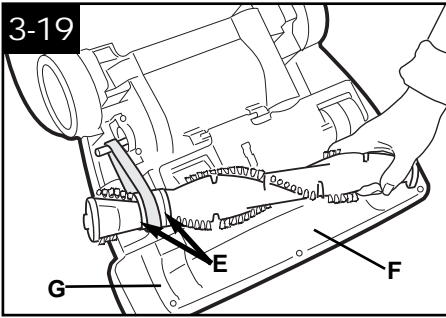
Discard used belt.



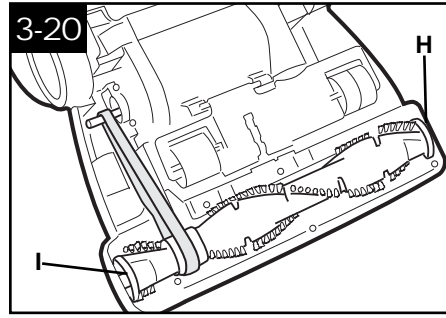
Installing new belt

With lettering on outside of belt, and positioned as shown, slide new belt over motor pulley (D).

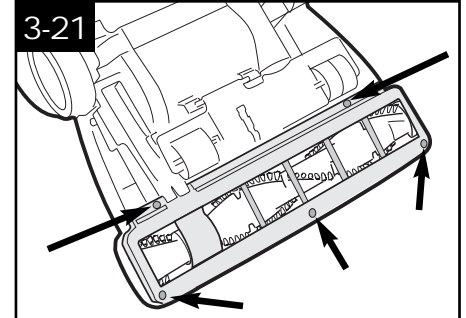
Continued →



Replacing agitator brush roll
 Insert agitator through belt and place belt in belt guide (E) on agitator.
 Should the agitator shield (F) become dislodged while replacing the belt or the agitator, reposition it as shown noting the placement of its belt guide (G).



Securing agitator
 Grasp agitator firmly and fit it into position by first sliding end opposite the belt into the rectangular slot (H) on side of cleaner.
 Pull other side of agitator (I) into place.
 Turn agitator making sure belt turns freely and is not pinched between agitator and bottom of cleaner.



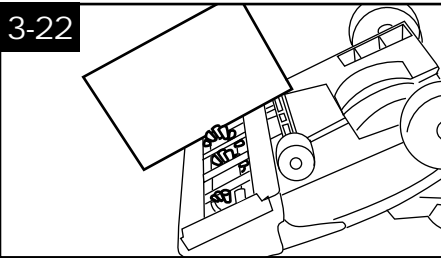
Replacing bottom plate
 Reposition bottom plate and 5 Phillips head screws. Tighten screws securely.

The agitator brush roll

When to replace

When agitator brushes are worn, the agitator should be replaced.

To check condition of brushes, **disconnect cleaner from electrical outlet.**



Move edge of a card across bottom plate while turning agitator. To maintain cleaning effectiveness, replace agitator if brushes do not touch card.

What to buy

When purchasing a new agitator, ask for **HOOVER part No. 48414-113.**

How to replace

Disconnect cleaner from electrical outlet.

Remove bottom plate, belt and agitator following directions in "The belt" section beginning with Fig. 3-16.

Discard old agitator.

Continue following the directions in "The belt" section to reposition belt, new agitator and bottom plate.

Lubrication

The motor is equipped with bearings that contain sufficient lubrication for the life of the motor. The addition of lubricant could cause damage. **Therefore, do not add lubricant to motor bearings.**

Thermal protector

An internal thermal protector has been designed into your cleaner to protect it from overheating.

When the thermal protector activates, the cleaner will stop running. If this happens, proceed as follows:

1. Turn the cleaner OFF and disconnect it from the electrical outlet.

2. Check filters for dirt accumulation.

3. Refer to "Clearing blockages" section.

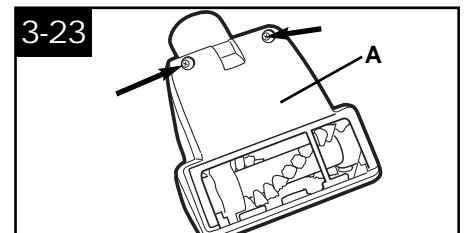
4. When cleaner is unplugged and the motor cools for 30 minutes, the thermal protector automatically resets and cleaning may continue.

If the thermal protector continues to activate after following the above steps, your cleaner may need servicing (see "Service" section).

Powered hand tool

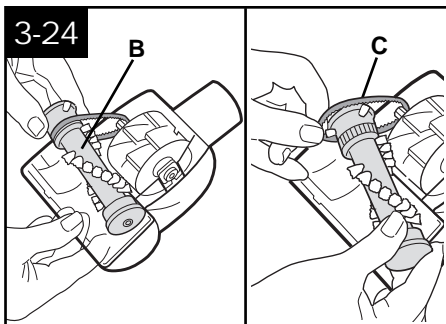
Agitator brush roll replacement

When agitator brushes are worn, the brush roll should be replaced. Ask for **HOOVER part No. 48414-088.**

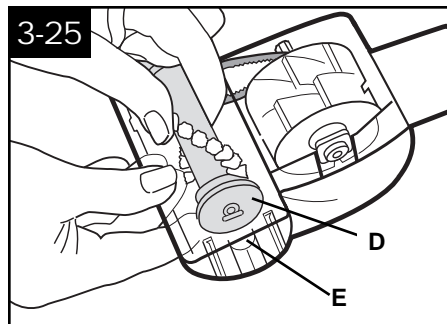


How to replace

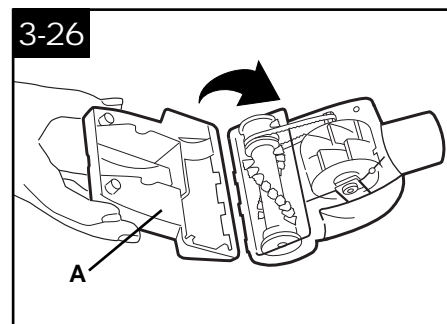
1. **Remove tool from hose** and turn it so bottom faces up. Using a Phillips screwdriver, remove the (2) screws on either side of tool and remove bottom plate (A).



2. Remove agitator (B) and discard.
3. Inspect belt to ensure that it is in good condition. If belt is cracked, gouged or broken, replace it (see following section).
4. Insert brush roll through belt and position belt over gear teeth (C) on brush roll.



6. With curved ends down (arrows pointing up), slide end plates (D) of brush roll into slots (E) on tool.
Turn agitator to make sure it rotates freely.

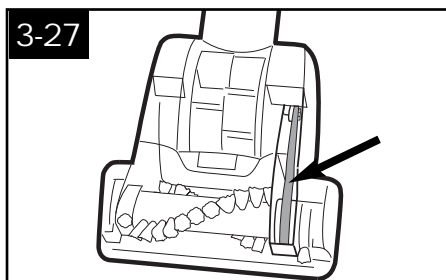


7. To replace bottom plate (A), insert the four tabs on edge of bottom plate into slots on front of tool. Pivot bottom plate down to close. Replace (2) screws on either side of tool.

Powered hand tool

Belt replacement Inspect the belt

The powered hand tool belt is designed to last a long time and is not normally replaced. However, if the belt is cracked, gouged or broken, it should be replaced.

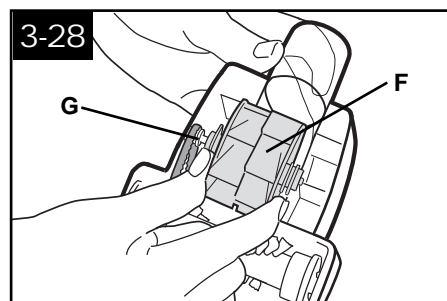


Remove tool from hose. The belt can be seen through the top of the nozzle or by removing the bottom plate (Figs. 3-23).

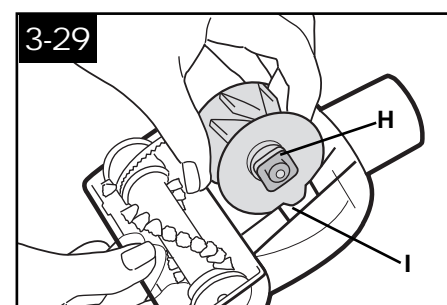
Replace belt

When replacing belt, ask for **HOOVER part No. 38528-037.**

1. **Remove tool from hose.** Remove bottom plate and brush roll as described in Figs. 3-23 and 3-24.



2. Grasp turbine (F) and pull to remove.
3. Remove belt from turbine pulley (G). Replace with new belt.



4. Press turbine retainers (H) into grooves (I) on tool housing.
5. Replace brush roll and bottom plate as described in Figs. 3-24 through 3-26.

Service

To obtain approved HOOVER service and genuine HOOVER parts, locate the nearest **Hoover Sales and Service Center or Authorized Hoover Warranty Service Dealer (Depot)** by:

- checking the Yellow Pages under "Vacuum Cleaners - Household" OR -
- checking the list of Sales and Service Centers provided with this cleaner OR -
- checking the Service section of Hoover on-line at **hoover.com** OR -
- calling 1-800-944-9200 for an automated referral of authorized

service outlet locations (U.S. only).

Do not send your cleaner to Hoover in North Canton, Ohio for service, this will only result in delay.

If further assistance is needed, contact the Hoover Consumer Response Center, Phone: 1-330-499-9499.

In Canada, contact Hoover Canada, Burlington, Ontario L7R 4A8, Phone: 1-800-263-6376.

Always identify your cleaner by the **complete** model number when requesting information or ordering parts. (The model number appears on the back of the cleaner.)

Continued →

4. If you have a problem

If a minor problem occurs, it usually can be solved quite easily when the cause is found by using the checklist below.

Problem: Cleaner won't run

Possible Cause

Possible Solution

- **Not firmly plugged in**
- Plug unit in firmly
- **No voltage in wall receptacle**
- Check fuse or breaker
- **Blown fuse or tripped breaker**
- Replace fuse or reset breaker
- **Thermal protector activated**
- Unplug cleaner and allow cleaner to cool for 30 minutes (this will reset the thermal protector)

Problem: Cleaner/tools won't pick up

Possible Cause

Possible Solution

- **Broken or worn belt**
- Replace belt
- **Agitator brush roll worn**
- Replace brush roll
- **Dirt cup full**
- Empty dirt cup
- **Filters dirty**
- Clean filters
- **Incorrect carpet height setting**
- Move nozzle control knob to lower setting
- **Blockage in air flow passages**
- Clear blockage

Problem: Cleaner hard to push

Possible Cause

Possible Solution

- **Incorrect carpet height setting**
- Move carpet height control to a higher setting

Problem: Smoky/burning smell detected

Possible Cause

Possible Solution

- **Belt broken or stretched**
- Replace agitator brush roll belt as described in Figs. 3-16 through 3-21 in the Maintenance section

Problem: Powered hand tool brush roll won't turn

Possible cause

Possible solution

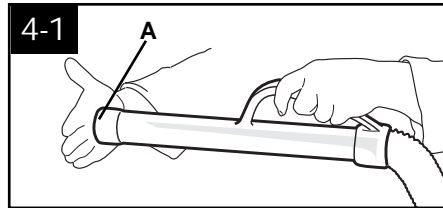
- **Too much pressure being applied to tool**
- Continue using tool applying **light** pressure.
- **Blockage in turbine channel**
- Remove blockage.
- **Broken or worn belt**
- Replace belt
- **Low cleaner suction**
- Check items under "Cleaner won't pick up".

Clearing blockages

Disconnect cleaner from electrical outlet.

Low suction or pick up may be due to a blockage in the system. Refer to the following steps to check for blockages **continuing with each step until the blockage is found:**

1. Check fullness of dirt cup; empty if needed.

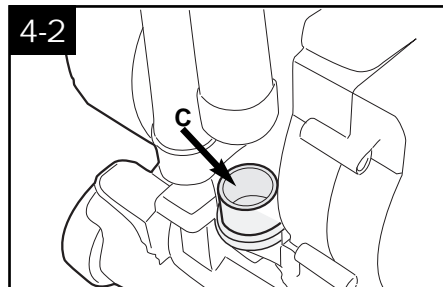


Checking airflow path

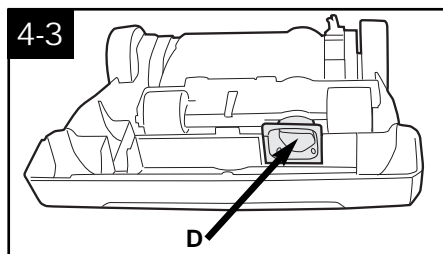
2. Plug cleaner in and turn ON. Check for suction at end of hose (A).

If there is **suction**, continue with step 3.

If there is **no suction**, check for blockage in hose and dirt tube as follows:



3. **Turn cleaner OFF and unplug.** Check connection at hose tube (C); remove any blockage.



Checking under bottom plate

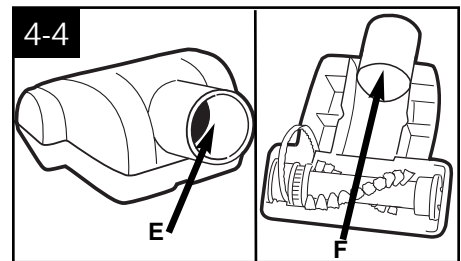
4. **Turn cleaner OFF and unplug.**

5. Remove bottom plate, belt and agitator (Figs. 3-15 and 3-16).

Look into opening (D) for blockages and remove.

6. Remove agitator shield (see Fig. 3-18) and remove any loose debris which may have accumulated under it.

If a blockage occurs during powered hand tool use:



11. **Disconnect powered hand tool from hose.** Check tool connector opening (E) for blockage and remove. Remove bottom plate and turbine as described in Figs. 3-21 and 3-26. Remove any blockage from turbine channel (F). Replace belt, turbine, brush roll, and bottom plate.

Full One Year Warranty (Domestic Use)

Your HOOVER® appliance is warranted in normal household use, in accordance with the Owner's Manual against original defects in material and workmanship for a period of one full year from date of purchase. This warranty provides, at no cost to you, all labor and parts to place this appliance in correct operating condition during the warranted period. This warranty applies when the appliance is purchased in the United States including its territories and possessions, or in Canada or from a U. S. Military Exchange. Appliances purchased elsewhere are covered by a limited one year warranty which covers the cost of parts only. This warranty does not apply if the appliance is used in a commercial or rental application.

This warranty only applies when the product is in use in the country or territory in which it is purchased.

Warranty service can only be obtained by presenting the appliance to one of the following authorized warranty service outlets. Proof of purchase will be required before service is rendered.

1. Hoover Sales and Service Centers.
2. Hoover Authorized Warranty Service Dealers (Depots).

For an automated referral of authorized service outlets in the U.S.A., phone 1-800-944-9200 OR visit Hoover on-line at hoover.com

This warranty does not cover pick up, delivery, or house calls; however, if you mail your appliance to a Hoover Sales and Service Center for warranty service, transportation will be paid one way.

While this warranty gives you specific legal rights, you may also have other rights which vary from state to state.

If further assistance is needed, or if there are questions concerning this warranty or the availability of warranty service outlets, phone the Hoover Consumer Response Center, 1-330-499-9499.

In Canada, contact Hoover Canada, Burlington, Ontario L7R 4A8, 1-800-263-6376.