

INSTALLATION MANUAL

MultiDrive™



AUTOSLIDE™

CONTACT



WEB
autoslide.com



Email
info@autoslide.com



Phone
(833) 337-5433

WELCOME

Congratulations on the purchase of your new MultiDrive automatic door opening system. Please carefully read through these instructions before commencing installation. We hope Autoslide improves your quality of life by providing easy access and convenience throughout your home.

- The MultiDrive is an automatic door opening system for residential and light-use commercial sliding doors.
- Once installed, the MultiDrive mechanism is hidden discretely behind an aluminum cover which blends in with the sliding door frame. This cover comes in a mill finish (unless otherwise ordered) and will need to be powder coated to match the door and/or frame.
- The MultiDrive can be retro-fitted to any framed sliding door, including bi-parting doors (Figure 1) and non-bi-parting doors (Figure 2).

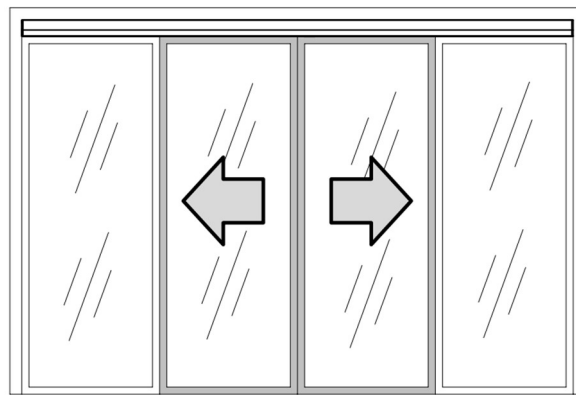


Figure 1: Bi-parting doors with the MultiDrive.

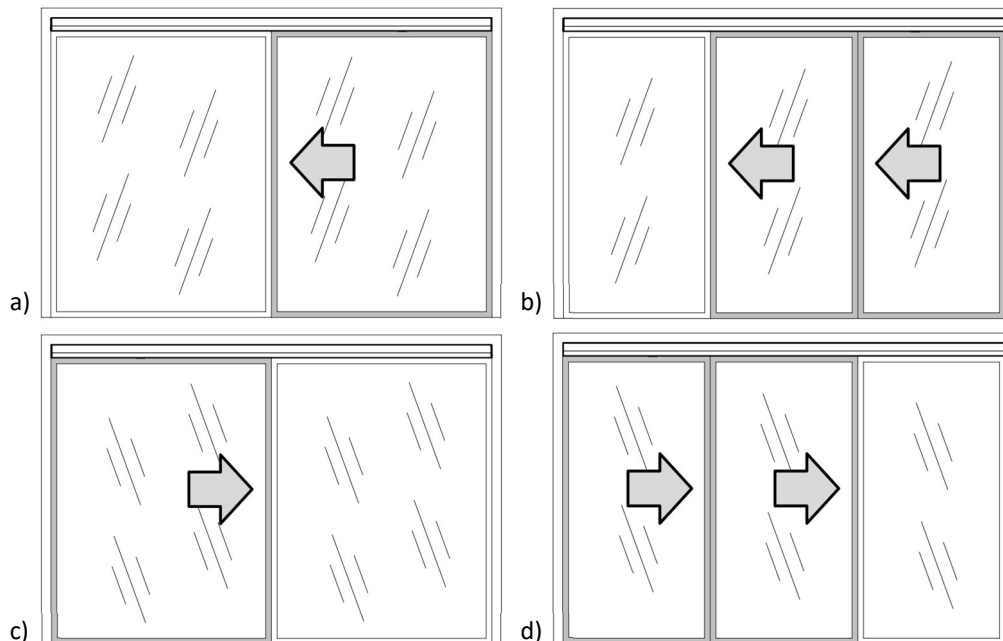


Figure 2: Non-bi-parting doors with the MultiDrive: a) single left-sliding door, b) telescopic left-sliding door, c) single right-sliding door, and d) telescopic right-sliding door.

WARNINGS

- Any manual lock on the sliding door should be removed or deactivated, otherwise the MultiDrive may be damaged if activated while the lock is closed.
- The MultiDrive should not be used in high-traffic environments (such as large office building entrances or bigbox stores).
- The MultiDrive may be used in light commercial environments. Speak with an authorized Autoslide Pty representative about your application prior to purchase and installation.



Hi,

I'm an IT specialist from AutoSlide LLC, California. I've installed thousands of Autoslide units on all types of sliding doors in many different situations.

We've included all the parts you'll need to automate your door and have listed the tools required for easy installation. If you run into any problems, please email us at: support@autoslide.com.

For faster technical support, visit us online at www.autoslide.com/support

We are here to help you.
-AutoSlide LLC



CONTENT

01

IN THE BOX

PAGE 4 - 6

02

OVERVIEW

PAGE 7

03

PREPARE

PAGE 8 - 9

04

INSTALL

PAGE 10 - 29

05

OPERATE

PAGE 30 - 36

06

FINALIZE

PAGE 37

07

TROUBLESHOOTING

PAGE 38 - 39

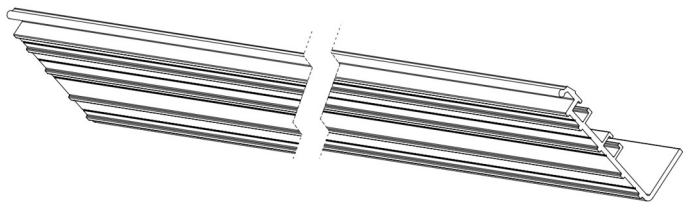
08

POLICY

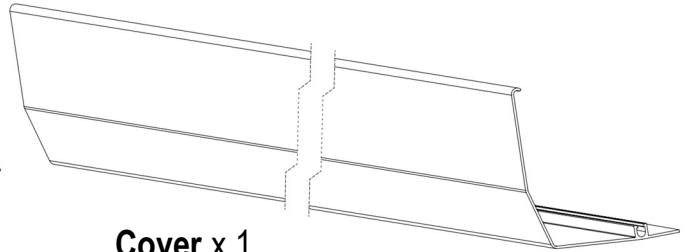
PAGE 40 - 42

IN YOUR BOX

BASE AND COVER

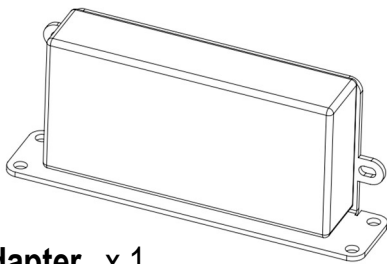


Base x 1

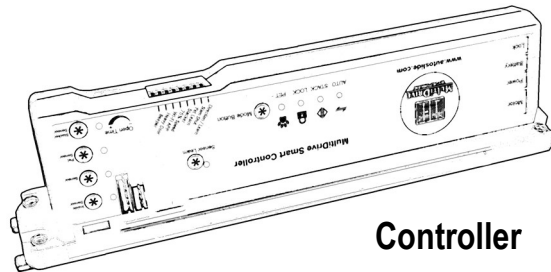


Cover x 1

POWER AND CONTROLLER

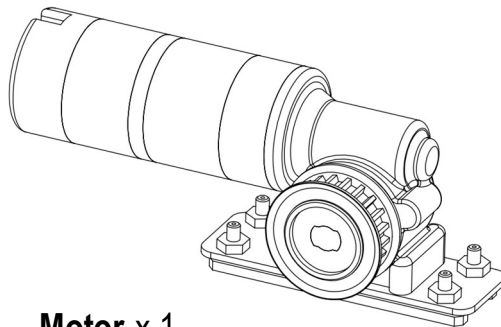


AC Adapter x 1

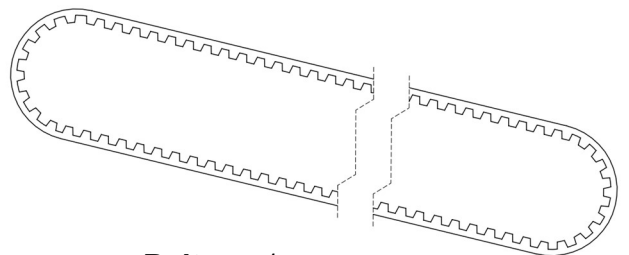


Controller x 1

MOTOR AND BELT

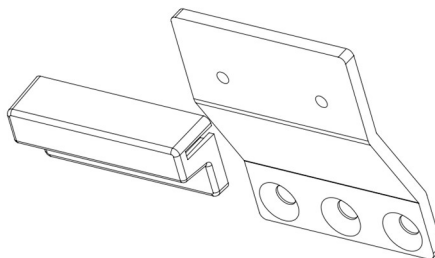


Motor x 1

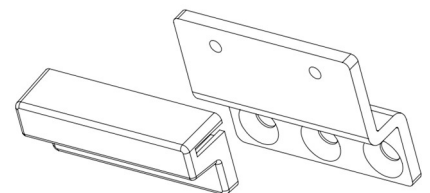


Belt x 1

BELT BRACKETS



Top Bracket x 1



Bottom Bracket x 1

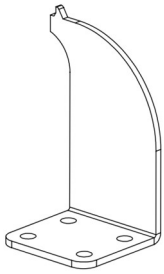
01

IN THE BOX

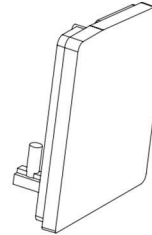
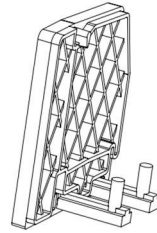
CHECK BEFORE PROCEEDING

IN YOUR BOX

COVER CLIPS AND END CAPS



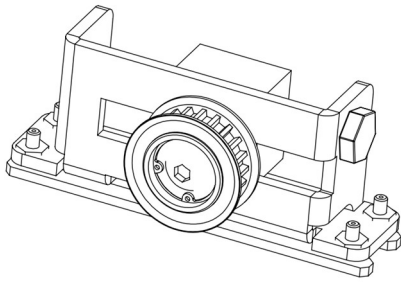
Cover Clip x 2



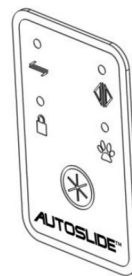
End Cap x 2

BELT TENSIONER

MODE PAD

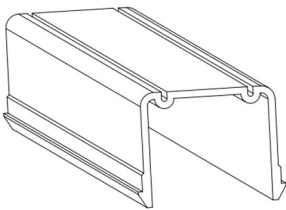


Belt Tensioner
x 1



Mode Pad x 1

CABLE COVERS, SCREWS, TOOLS



Cable Cover x 3



Screw Packet x 1



Tool Packet x 1

WALL PUSH BUTTONS

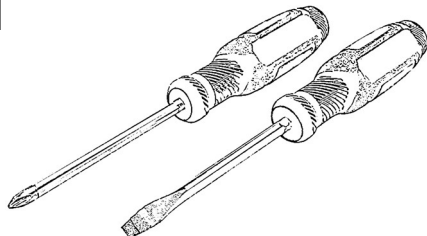
Wall Button x 2



WHAT YOU'LL NEED

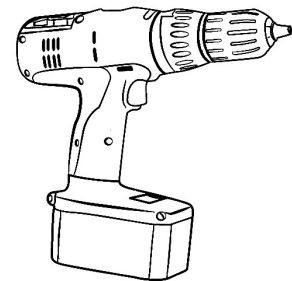
SCREWDRIVER

A No. 2 flat head screwdriver and Phillips head screwdriver are recommended.



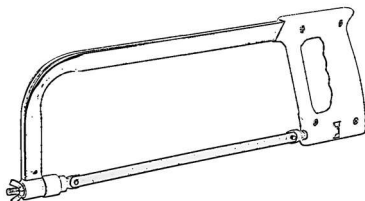
DRILL

The unit will need to be drill mounted to the door. An assortment of drill bits is recommended.



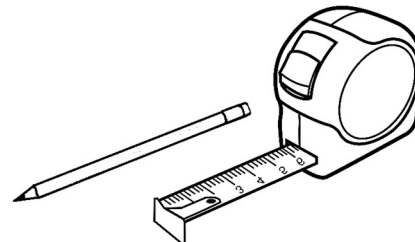
HACK SAW

Needed to cut off any excess base once sized to the door width.



TAPE MEASURE & MARKING PENCIL

Needed for marking and measuring drill holes, base lengths.



Depending on the door and mounting options, additional materials may be needed to fit the system to the door. This may include shims to extend out the mounting bracket or move down the unit, drywall anchors or other material anchors, specialized screws, etc. For mounting assistance, please feel free to contact AutoSlide support staff directly with pictures of the door frame.

MOUNTING MEDIUM	RECOMMENDED FIXING METHOD
DRYWALL	DRYWALL ANCHORS
MASONRY	CONCRETE ANCHORS TAPCONS
VINYL, WOOD	NORMAL SCREWS SELF-TAPPERS
METAL	DRILL PILOT HOLE & SELF-TAPPERS

STAGES OF A STANDARD INSTALL INCLUDE...



Approximately
90 minutes

PREPARE

To prepare for the install, you will need to assess the scenario: check the door readiness, test the drag force of the door, plan how the system will mount, and gather any necessary tools and materials.



INSTALL

During the install you will mount the MultiDrive drive system to the door frame, then attach the belt and brackets to the sliding door panel.



OPERATE

To operate your door, you will need to connect the power and program the Controller. Once connected, you can then synchronize the Wall Push Buttons and/or other sensors to the Controller and test how the door operates.



FINALIZE

Once installed and set up, place the cover back on the drive unit and conceal cables if desired. The unit can also be concealed and covered with a valence, though an access panel is recommended.

02

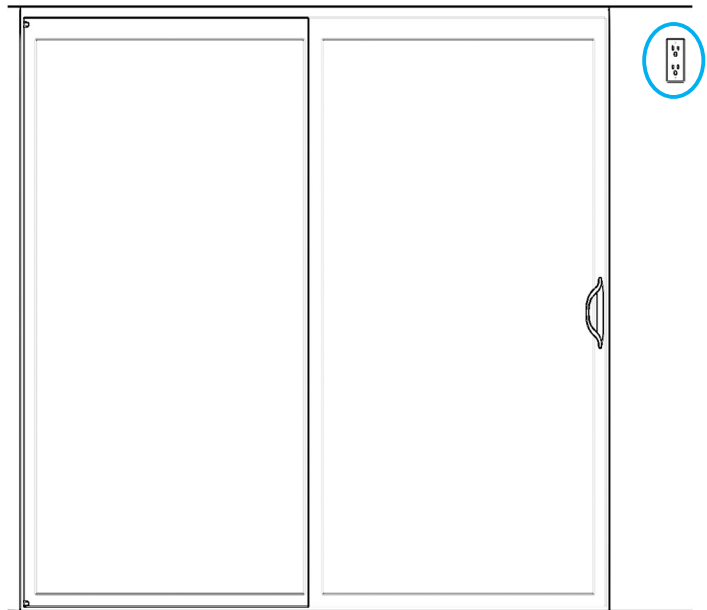
OVERVIEW

STAGES OF A STANDARD INSTALL

BEFORE YOU BEGIN

You will need a power point (outlet) near your door to plug in your Autoslide unit. Confirm a power point is near the installation position and can be reached by the included power cable. Otherwise a *heavy duty* extension cable can be used.

Note: If necessary, contact a professional electrician to install a new outlet or electric cabling.

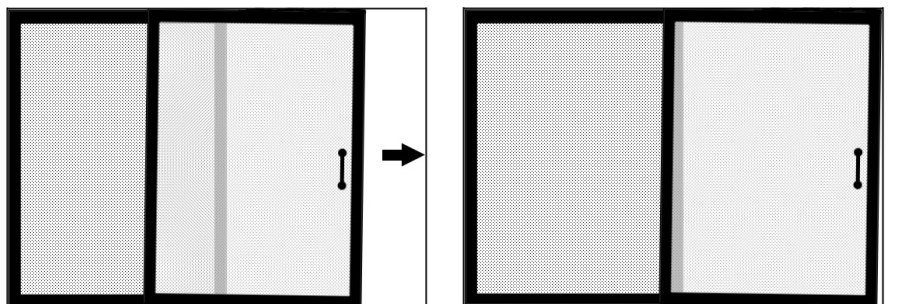


WORKING ORDER

Assess the operating condition of your door before installing the MultiDrive. Check the door:

- Slides smoothly and is level. The easiest way to check if the door is level is to close the door almost all the way and run your finger along the gap between the door and the close jamb. See Figure 3.
- Track is clean and is free of foreign objects. If necessary, use a silicone- or aluminum-based lubricant to reduce resistance.

Note: If the door is not sliding smoothly or level, contact a local professional to perform maintenance prior to installation.



03

PREPARE
WORKING ORDER

Figure 3: Close door completely, then check if edge of door isn't parallel with edge of jamb

DRAG WEIGHT & SLIDING FRICTION

The sliding friction should be low enough that the door opens and closes with a force **less than 35 pound-force plus** (155 newtons) at a steady sliding speed of about **4"/second** (100 mm/second).

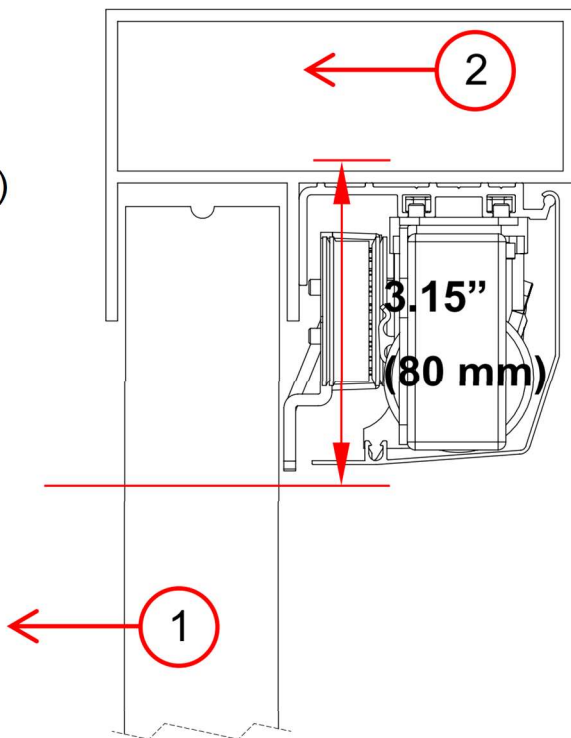
Use a digital scale with a hook to measure the force to open and close the door. If the force is greater than 35 pound-force, speak with an authorized Autoslide Pty representative on how to proceed.

CLEARANCE UNDER TRANSM

The MultiDrive system sits directly below the head space of a sliding door and requires a vertical space of 3.15" (80 mm) – see Figure 4.

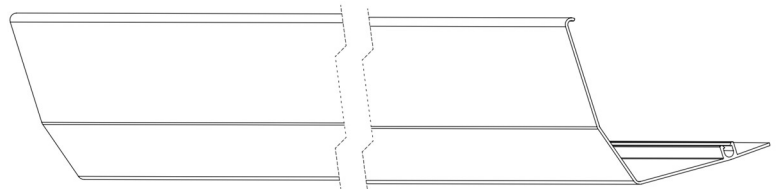
The MultiDrive may also be mounted in a flush mount if the situation arises.

Figure 4: Cross-section of a sliding door (1) with the MultiDrive below the transom (2). The MultiDrive requires a 3.15-inch (80-mm) clearance below the transom



COATING THE COVER

The MultiDrive includes a cover to conceal the motor and other mechanisms.



The cover comes in white, black, clear anodized, or uncoated aluminum mill finish. To make the cover match the sliding door, use a color sample from the door and/or door trim. The painting of the cover should be powder coated for optimal durability and finish.

Leave spare material to hold the ends of the cover during the coating process.

CUT PARTS TO SIZE

1) a) Check the MultiDrive fits in the door frame:

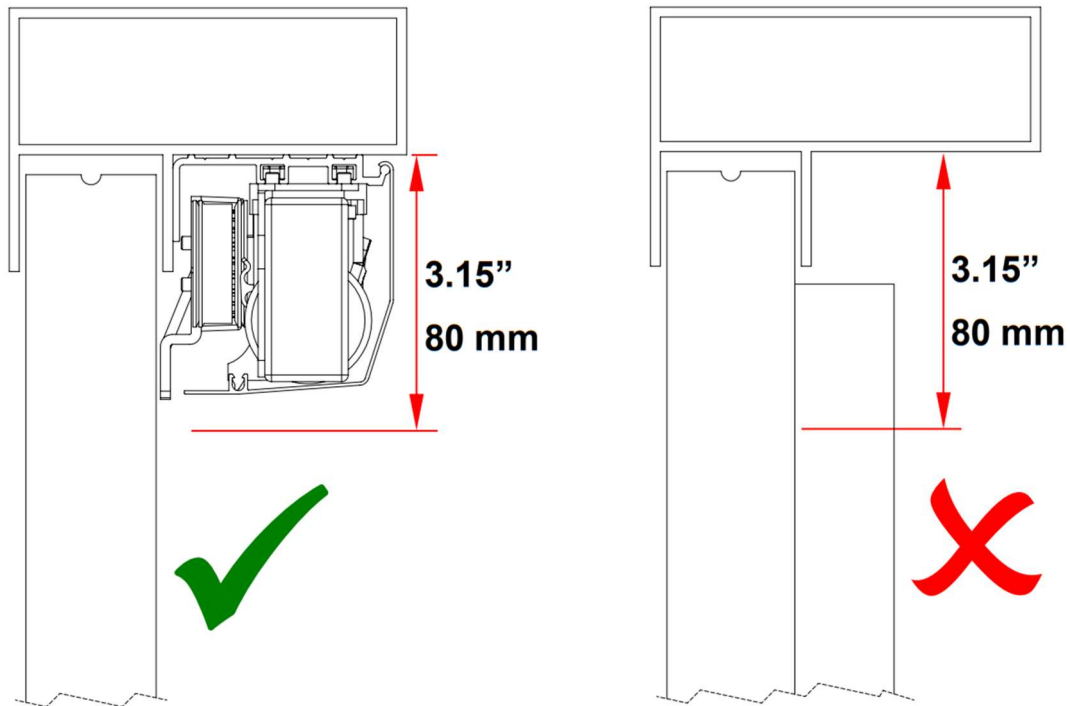
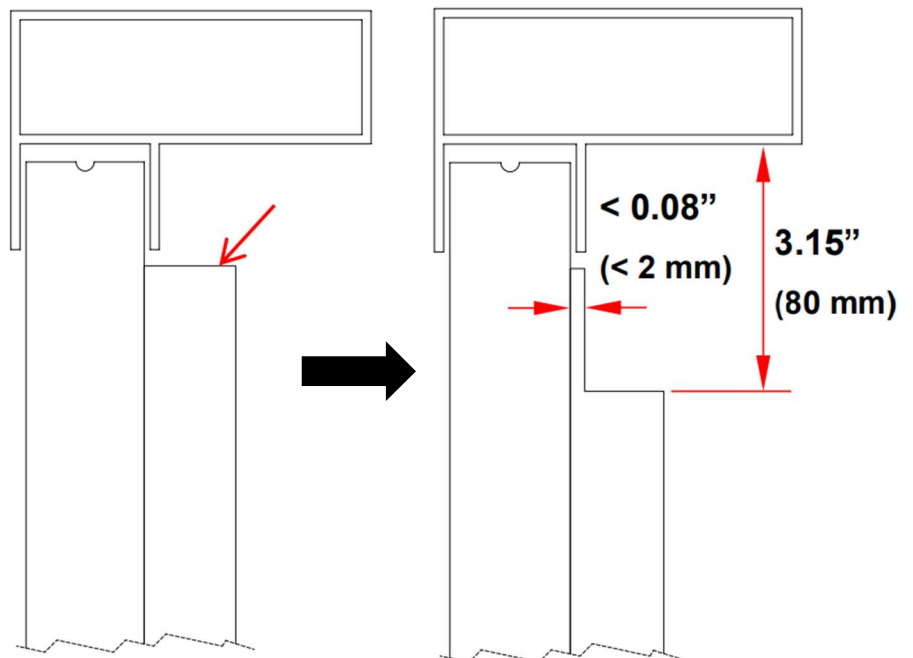


Figure 5: Examples of sufficient space for the Multidrive (left) and insufficient space (right).

See Figure 5. **Is there a 3.15-inch (80-mm) space below the transom?**

- If **yes**, the MultiDrive should fit. Proceed to the next page, step b).
- If **no**, see Figure 6 below before proceeding.

Figure 6:
Cut into the door
panel to create
3.15" (80mm)
vertical clearance
below the transom.



04

INSTALL

INSTALLATION PROCESS

CUT PARTS TO SIZE

1) b) Cut the cover and base to the correct length

- Cut the cover to a length (L) which is **0.51" to 0.59"** (13 to 15 mm) **shorter** than the inside width (W) of the sliding door frame (see Figure 7).

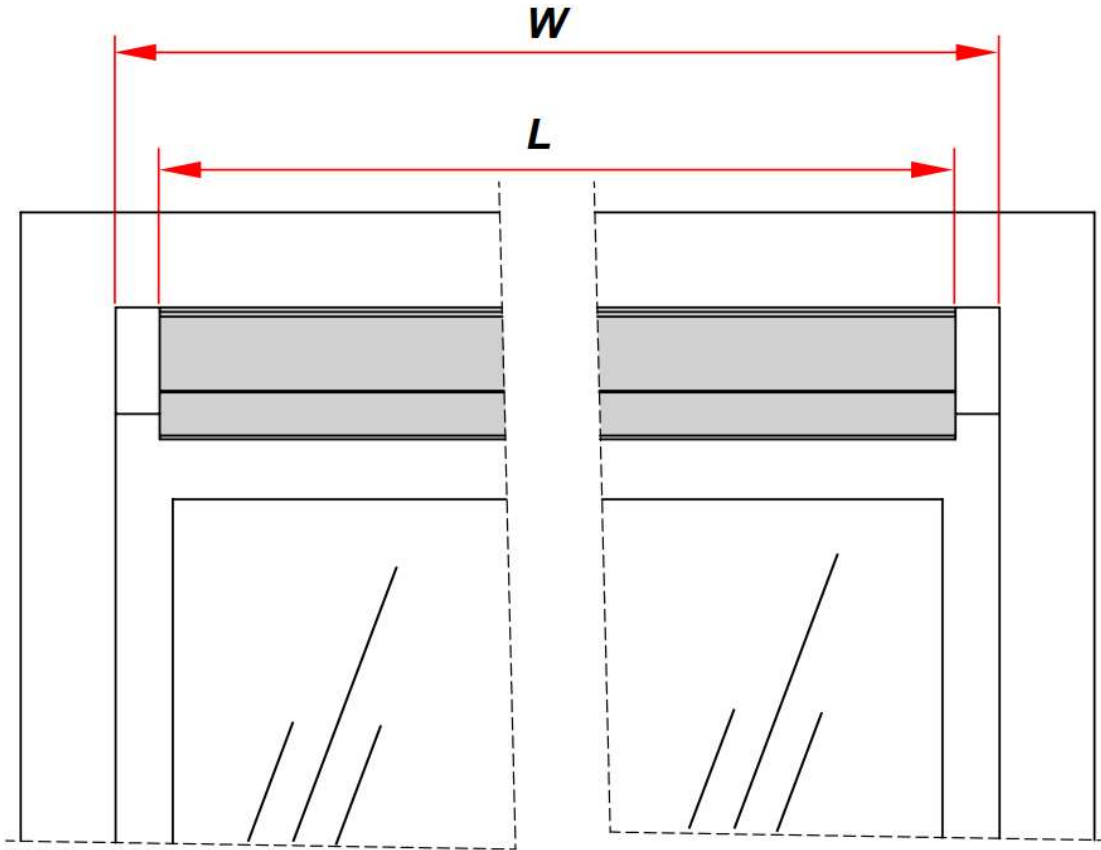


Figure 7: Cut the cover (shown in grey) to a length L which is 0.51" to 0.59" (13-15 mm) shorter than W .

- Cut off any pins or clips used to hold the cover during the coating process.
- Cut the base to the **same length L** as the cover (0.51" to 0.59" or 13 to 15 mm shorter than W).

DRILL MOUNTING HOLES INTO BASE

2) Steps:

Place the base against the transom and measure distance H (Figure 8). H is the distance between the base and the vertical surface below the transom. Save and record this measurement.

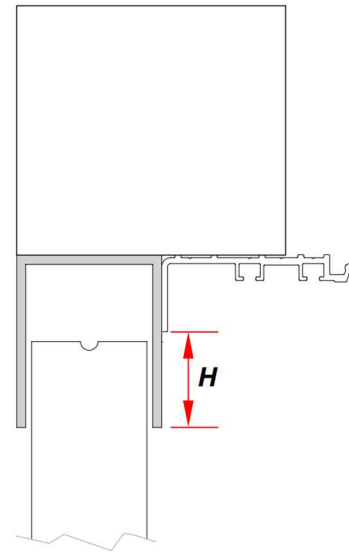


Figure 8: Place the base against the transom and measure H .

If $H < 0.99$ " (25 mm):

If H is less than 0.99" (25 mm), the base can mount to the transom like shown in Figure 9. In preparation, drill holes into the base as described below.

Otherwise, see the steps for $H \geq 0.99$ " (25 mm).

Drill holes for 0.24" (6 mm) screws in the base at the following positions:

- Every 3" (75 mm) for the first 18" (45 cm) of the **left** side (Figure 10a.)
- Every 3" (75 mm) for the first 18" (45 cm) of the **right** side (Figure 10b.)
- Every 12" (30 cm) for the remaining **middle** segment (Figure 10c.)

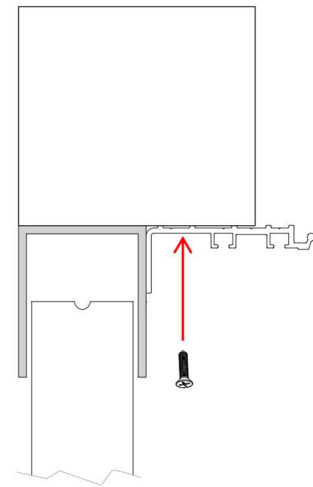


Figure 9 (top): If $H < 0.99$ " (25 mm), the base can mount to the transom.

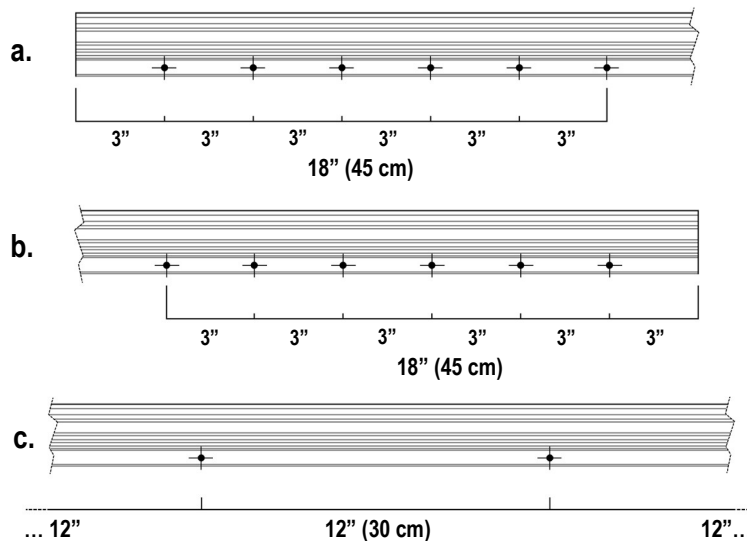


Figure 10 (left): Screw positions in the base if $H < 0.99$ " (25 mm)

- Left side, every 3" for 18"
- Right side, every 3" for 18"
- Middle, every 12"

DRILL MOUNTING HOLES INTO BASE

2) If $H \geq 0.99''$ (25 mm):

If H is 0.99" (25 mm) or more, the base can mount to the **vertical** surface below the transom like shown in Figure 11. In preparation, drill holes into the base as described below.

Drill holes for 0.24" (6 mm) screws into the **vertical flange** of the base at the following positions:

- Every 3" (75 mm) for the first 18" (45 cm) of the **left** side (Figure 12a.)
- Every 3" (75 mm) for the first 18" (45 cm) of the **right** side (Figure 12b.)
- Every 12" (30 cm) for the remaining **middle** segment (Figure 12c.)

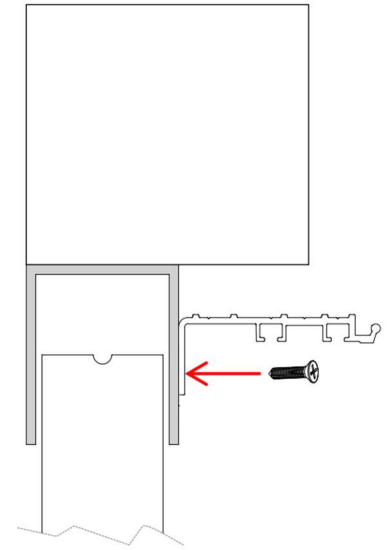


Figure 11 (top): If $H \geq 0.99''$ (25 mm), the base can mount to the vertical surface below the transom.

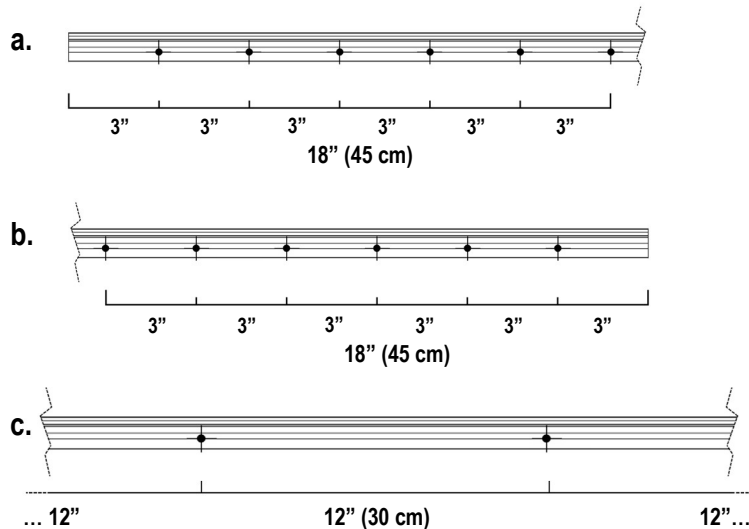


Figure 12 (left): Screw positions in the base if $H < 0.99''$ (25 mm)

- Left side, every 3" for 18"
- Right side, every 3" for 18"
- Middle, every 12"

ATTACH PARTS TO BASE PRIOR TO MOUNTING

- 3)** The base holds the belt tensioner, motor, controller, AC adapter, cover clips, Wi-Fi Module, back up battery (optional accessory), and endcaps. It is recommended to place these parts in the correct positions described below.

If absolutely necessary, the position of the motor, controller, and AC adapter can be switched to the opposite of the recommended position (left vs right). For example, if the door is left opening but the nearest power outlet is at the top right, mount the motor on the right and the belt tensioner on the left. Take this into account before proceeding and while following the below instructions.

a) Preparation

- The layout of parts depends on whether the door is bi-parting, left opening, or right opening. See figures below for recommended mounting positions.

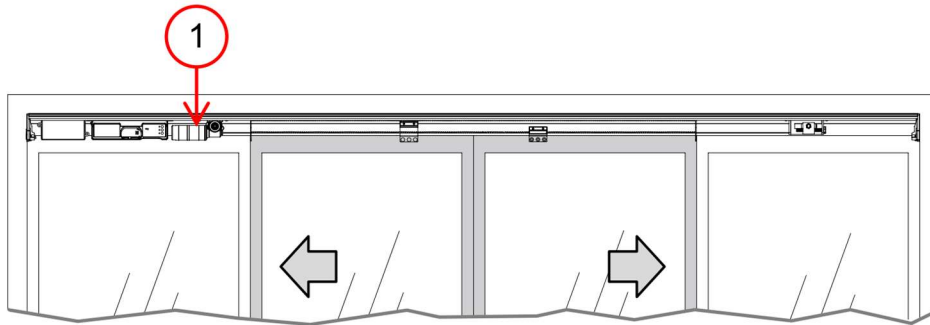


Figure 13: Bi-parting doors: motor (1) is on the left.

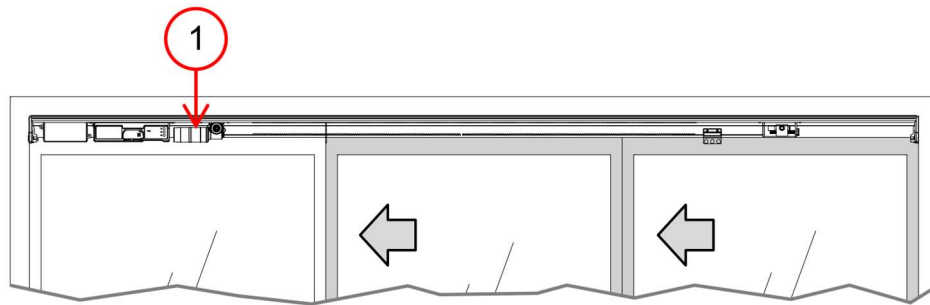


Figure 14: Left opening door: motor (1) is on the left.

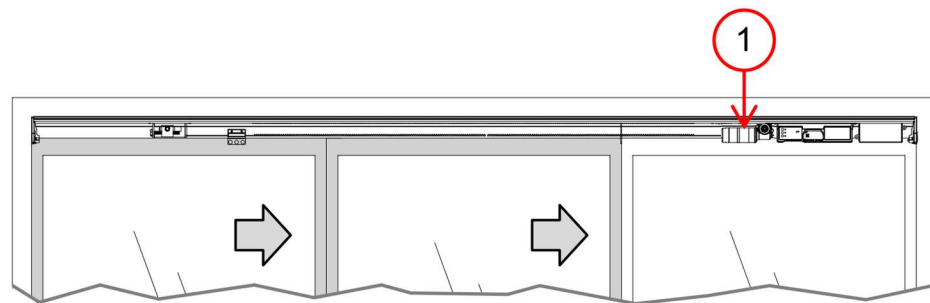


Figure 15: Right opening door: motor (1) is on the right.

ATTACH PARTS TO BASE PRIOR TO MOUNTING

3) a) Preparation (cont.)

- **Steps:**

1. Lay the base on the floor directly in front of the door frame. Align the center of the base with the center of the door frame.
2. Each part attaches to the base with one or two “sliders” (Figure 16), which fit into the tracks on the base. **Remove the nuts from all sliders.**
3. If you are installing optional wired sensors, lay the sensor cable(s) on the base between the two tracks. The sensor cable(s) will pass **underneath** the cover clips and motor.
4. Use the following steps to set the position of each part on the base.

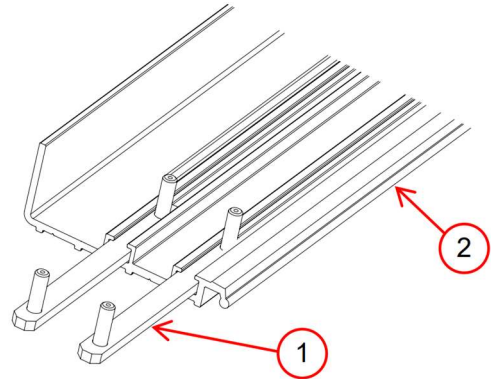


Figure 16: Sliders (1) in the two tracks on the base (2).

b) Cover clips

- **Guidelines for using cover clips:**

- **Don't** use cover clips over the **door opening** because they will be visible from the opposite side of some doors.
- Clips are not needed at the ends of the base because the end caps support the cover there.

- **Steps:**

1. Use a cover clip behind the door frame of each **fixed** (non-sliding) door (Figure 17). The door frame of the fixed door hides the clip from view on the other side of the door.
2. Slide each cover clip onto the base as in Figure 17. Make sure the other end of each cover clip (without sliders) **points towards the door**.

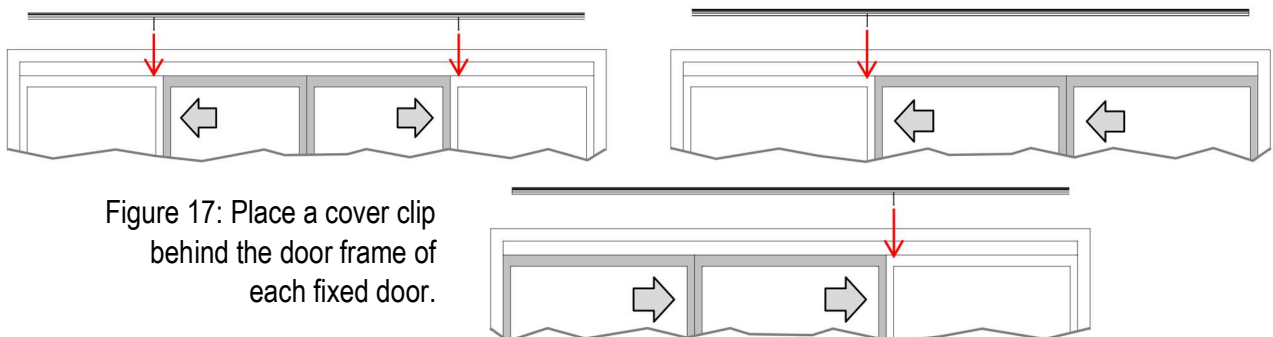


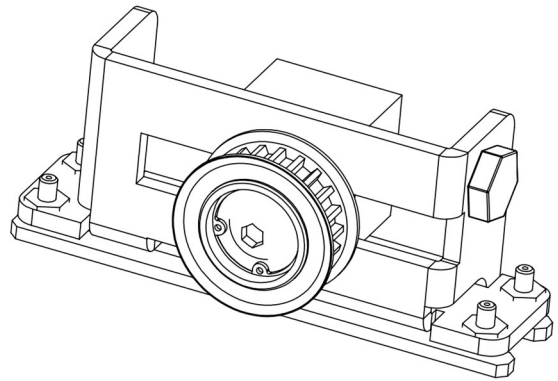
Figure 17: Place a cover clip behind the door frame of each fixed door.

ATTACH PARTS TO BASE PRIOR TO MOUNTING

3) c) Belt tensioner

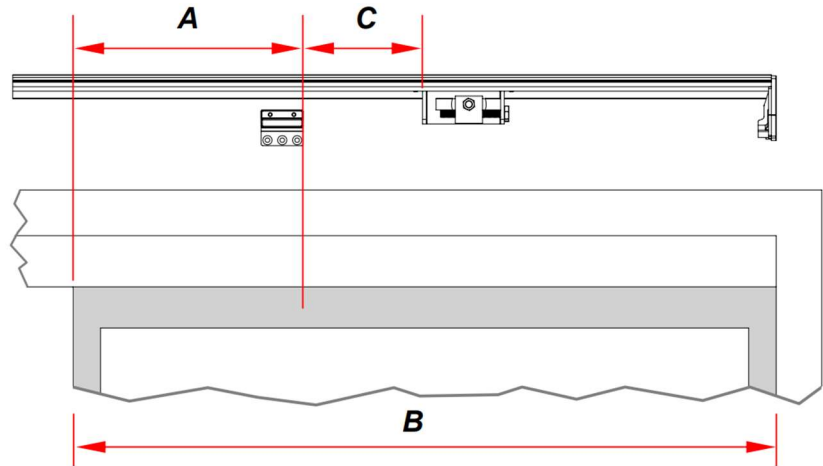
- **For bi-parting doors:**

For bi-parting doors, the belt tensioner sits on the right side of the door frame (viewed from the inside of the door).



1. **Open the doors fully.**
2. Slide the belt tensioner along the base until it is in front of the left-hand door as shown in Figure 18, where:
 - $A = 20\text{-}30\%$ of the width B of that door
 - $C = 1.97''$ (50 mm)
3. Tighten the slider nuts to hold the belt tensioner in place.
4. Mark the position of the bottom bracket on both the **base** and the **door** as in Figure 18.

Figure 18: Bi-parting doors: belt tensioner and bottom bracket. The right side is shown with the right door open.



- **For left opening doors (non-bi-parting):**

For left-opening doors, the belt tensioner sits on the right side of the door frame (viewed from the inside of the door).

1. **Close the door fully.**
2. Slide the belt tensioner along the base until it is in front of **closed sliding door** as shown in Figure 19, where:
 - $A = 20\text{-}30\%$ of the width B of that door
 - $C = 1.97''$ (50 mm)

ATTACH PARTS TO BASE PRIOR TO MOUNTING

3) c) Belt tensioner (cont.)

- **For left opening doors (non-bi-parting) (cont.):**

3. Tighten the slider nuts to hold the belt tensioner in place.
4. Mark the position of the bottom bracket on both the base and the door as in Figure 19.

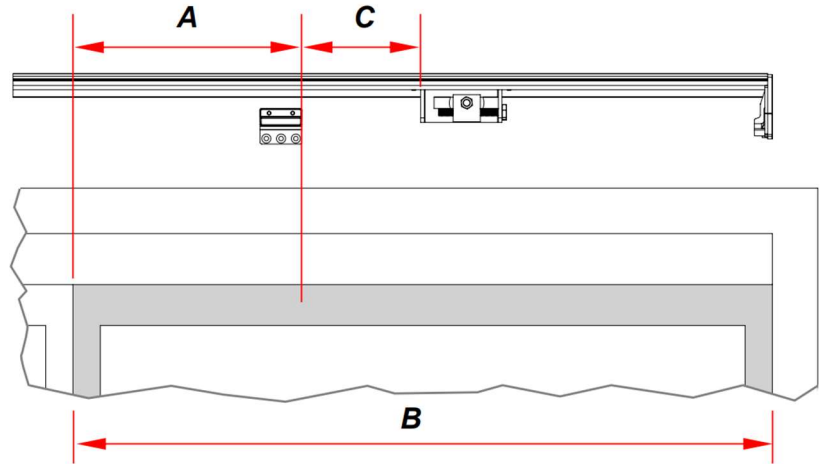


Figure 19: Left-opening sliding door: belt tensioner and bottom bracket. The right side is shown with sliding door closed.

- **For right opening doors (non-bi-parting):**

For right-opening doors, the belt tensioner sits on the left side of the door frame (viewed from the inside of the door).

1. **Close** the door **fully**.
2. Slide the belt tensioner along the base until it is in front of closed sliding door as shown in Figure 20, where:
 - $A = 20\text{-}30\%$ of the width B of that door
 - $C = 1.97''$ (50 mm)

3. Tighten the slider nuts to hold the belt tensioner in place.
4. Mark the position of the bottom bracket on both the **base** and the **door** as in Figure 20.

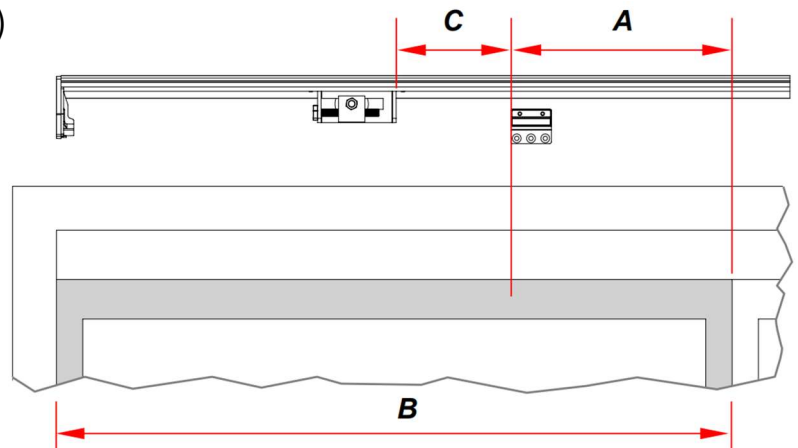


Figure 20: Right-opening sliding door: belt tensioner and bottom bracket. The left side is shown with sliding door closed.

ATTACH PARTS TO BASE PRIOR TO MOUNTING

3) d) Motor

The motor sits at the opposite end of the base to the belt tensioner.

- **For bi-parting doors:**

Bi-parting doors use a top bracket (unlike other types of doors).

1. **Open the doors fully.**
2. Slide the motor along the base until it is in front of left-hand sliding door as shown in Figure 21, where:
 - **A** = 20-30% of the width **B** of that door
 - **C** = 1.97" (50 mm)

Note: If the top bracket does not fit in this position (Figure 16), contact your MultiDrive supplier about obtaining a different style bracket that fits onto the right edge of the door.

3. Tighten the slider nuts to hold the motor in place.
4. Mark the position of the top bracket on both the base and the left-hand sliding door as in Figure 21.

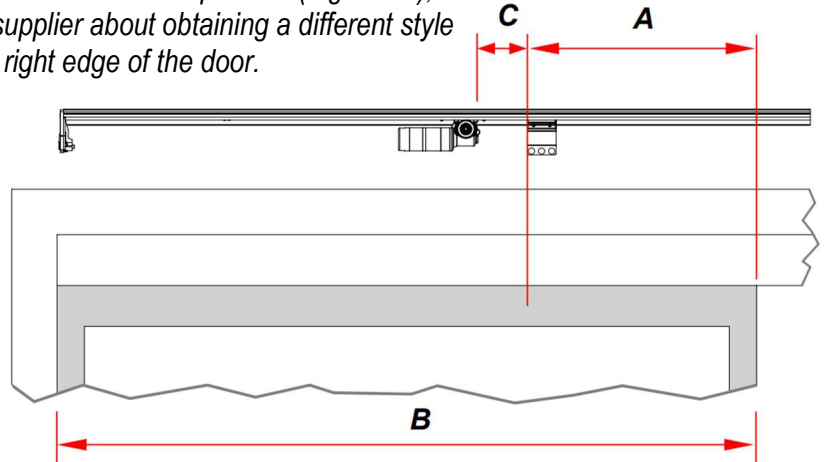


Figure 21: Bi-parting doors: motor and top bracket. The left side is shown with left door open.

- **For left-opening doors (non-bi-parting):**

1. **Open the door fully.**
2. Slide the motor along the base until it is 1.97" (50 mm) from the mark you made on the **door** for the bottom bracket position (Figure 19 and Figure 22, where **C** = 1.97" or 50 mm).

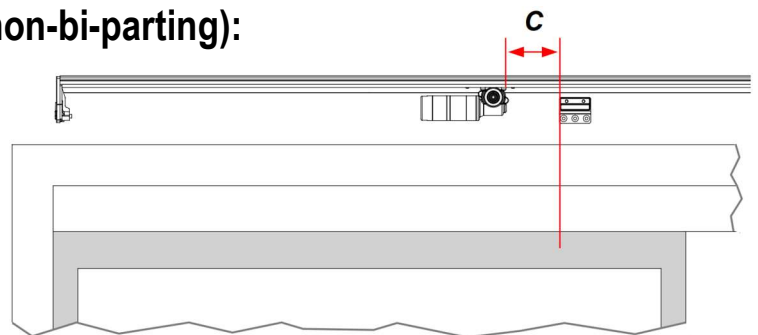


Figure 22: Left-opening sliding door with motor and bottom bracket. The left side is shown with the sliding door

3. Tighten the slider nuts to hold the motor in place. Note that non-bi-parting doors do **not** use a top bracket.

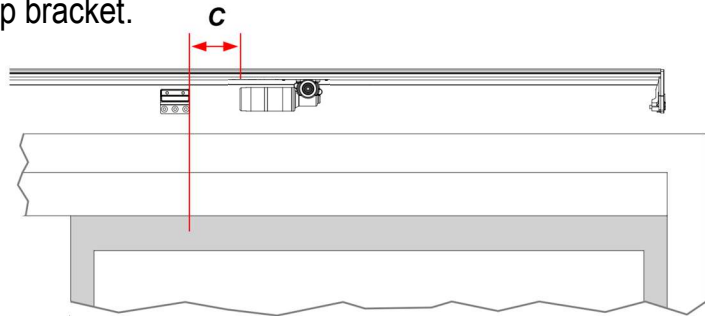
ATTACH PARTS TO BASE PRIOR TO MOUNTING

3) d) Motor (cont.)

- **For right-opening doors (non-bi-parting):**

1. **Open** the door **fully**.
2. Slide the motor along the base until it is **1.97"** (50 mm) from the mark you made on the **door** for the bottom bracket position (Figure 20 and Figure 23, where **C** = 1.97" or 50 mm).
3. Tighten the slider nuts to hold the motor in place. Note that non-bi-parting doors do **not** use a top bracket.

Figure 23: Right-opening sliding door: motor and bottom bracket. The right side is shown with the sliding door open.

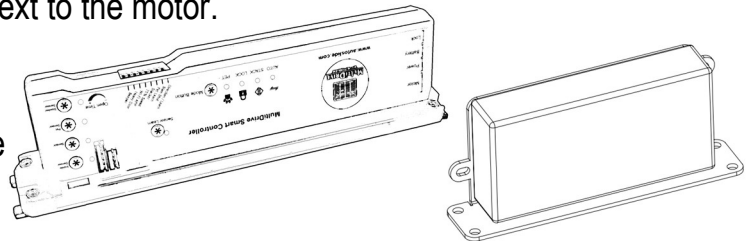


e) Controller and AC adapter

The controller and AC adapter sit next to the motor.

- **Steps:**

1. Lay the motor cable on the base in between the two tracks.
2. Slide the controller along the base (over the motor cable) until it is **1.97"** (50 mm) from the motor (see Figures to 24 to 26, depending on the type of door, where **D** = 1.97" or 50 mm). The slider should be in the track **furthest** from the door.
3. Slide the AC adapter along the base (over the motor cable) until it is **1.97"** (50 mm) from the controller (Figures to 24 to 26 where **D** = 1.97" or 50 mm). The slider should be in the track **furthest** from the door.
4. If you are installing a mode pad on the door jamb, lay the cable connected to the mode pad on the base between the two tracks and **underneath** the AC adapter.
5. Clip the cable cover (cut it if necessary) over exposed cables on the base to prevent cables touching the belt.



ATTACH PARTS TO BASE PRIOR TO MOUNTING

3) e) Controller and AC adapter (cont.)

- **Steps (cont.):**

Figure 24 (right): Bi-parting doors: AC adapter (1), controller (2), and motor (3).

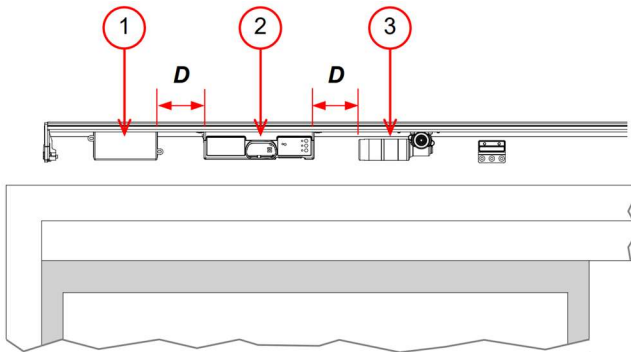
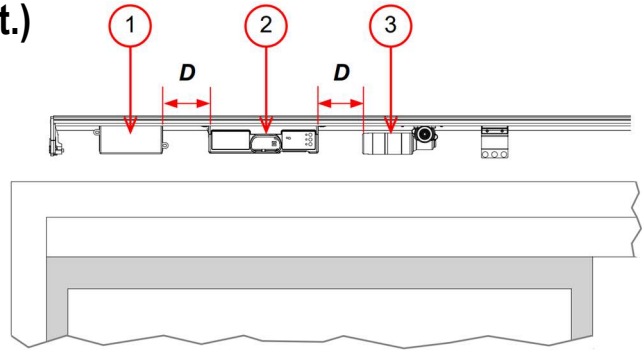


Figure 25: Right-opening door: AC adapter (1), controller (2), and motor (3).

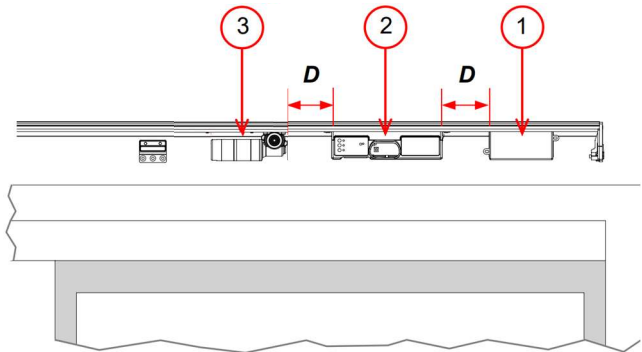


Figure 26: Left-opening door: AC adapter (1), controller (2), and motor (3).

6. Tighten the slider nuts to hold the AC adapter and controller in place.
7. Plug the six-wire motor cable into the controller (Figure 27) in a socket labeled **Motor**.
8. Plug the two-wire motor cable into the controller (Figure 27) in a socket labeled **Lock**.
9. Plug the AC adapter cable into the controller (Figure 27) in a socket labeled **Power**.
10. Fold up any spare cable from the AC adapter and fit it between the AC adapter and base.

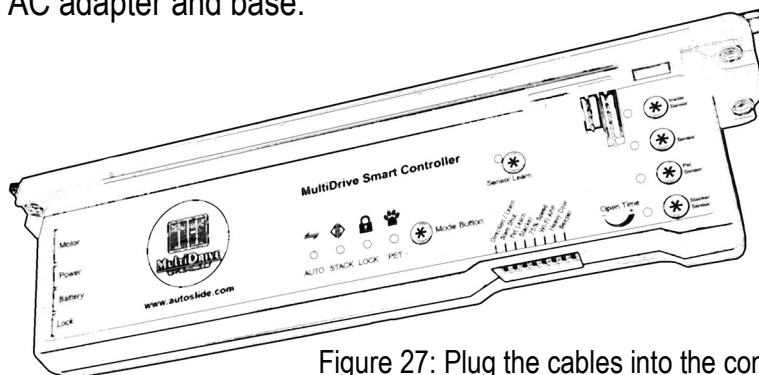


Figure 27: Plug the cables into the controller at the corresponding ports on the left.

ATTACH PARTS TO BASE PRIOR TO MOUNTING

5) f) End caps

- **Steps:**

- Each end cap has two sliders. Loosen the nuts and push the sliders into the two tracks in the base (Figure 28). You may need to use a hammer to gently tap the end caps into position.
- Tighten the nuts on both sliders.

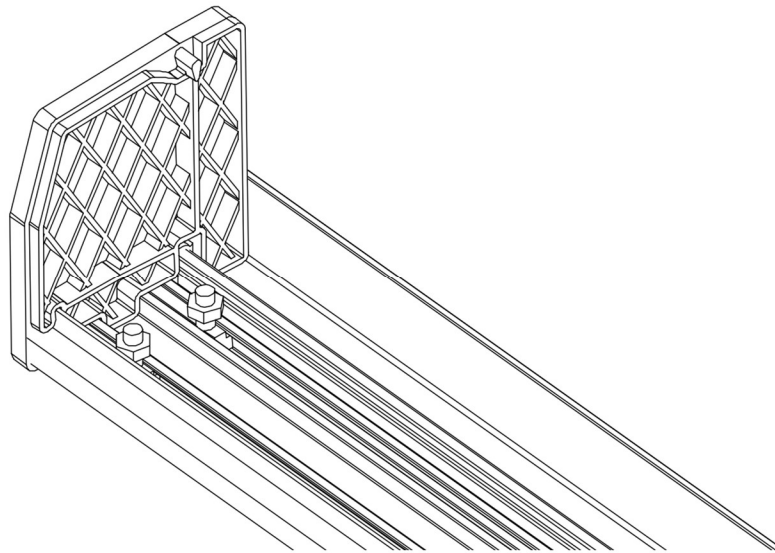


Figure 28: Insert the end caps.

ATTACH THE BASE TO THE DOOR

4) Steps:

Refer back to the measurement H made in Step 2. H is the distance between the base and the vertical surface below the transom (see Figure 29).

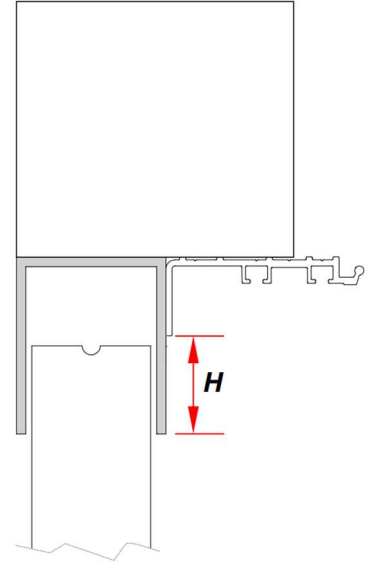


Figure 29: Place the base against the transom and measure H .

If $H < 0.99$ " (25 mm):

If H is less than 0.99" (25 mm), screw the base to the transom (Figure 30) as described below. Otherwise, see the steps for $H \geq 0.99$ " (25 mm) on the next page.

1. Put the base into position under the transom. Leave a gap of **0.12" to 0.2"** (3 to 5 mm) between the back of the base and the vertical frames of the doors.
2. Using the 0.24" (6 mm) holes in the base as a drill guide, drill 0.24" (6 mm) holes in the transom. You may need to clamp the base in position while doing this.
3. Use screws at all available holes (made in Step 2) to hold the base in place.

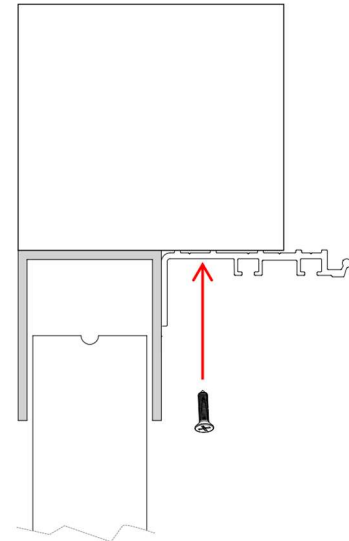


Figure 30: If $H < 0.99$ " (25 mm), screw the base to the transom.

ATTACH THE BASE TO THE DOOR

4) If $H \geq 0.99$ " (25 mm):

If H is 0.99" (25 mm) or more, screw the base to the **vertical** surface below the transom (Figure 31), as described below.

1. Put the base into position under the transom so that:
 - H is **less** than 0.99" (25 mm), and
 - the holes in the base are **clear of the sliding doors**.
2. Using the 0.24" (6 mm) holes in the base as a drill guide, drill 0.24" (6 mm) holes into the vertical surface behind the base. You may need to clamp the base in position while doing this.
3. Use screws at all available holes (made in Step 2) to hold the base in place.

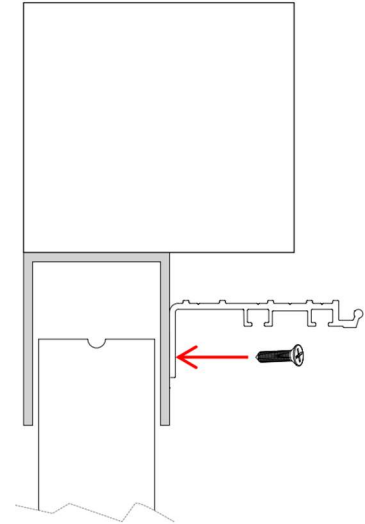


Figure 31: If $H \geq 0.99$ " (25 mm), screw the base to the vertical surface below the transom.

FEED BELT THROUGH MOTOR AND TENSIONER

5) Belt

- **Steps:**

1. Take a length of belt and pass it around the motor pulley and the belt tensioner pulley to form a loop.

One side of the loop will be closer to the base than the other side. Keep the **unjoined** side **furthest** from the base.

Note: In some kits, the motor has a black plastic piece designed to keep the belt from slipping off the wheel. If the **motor** is on the **right** side of the door, this piece will block the belt. Remove this piece by loosening the screw, then put it on the opposite side of the wheel.

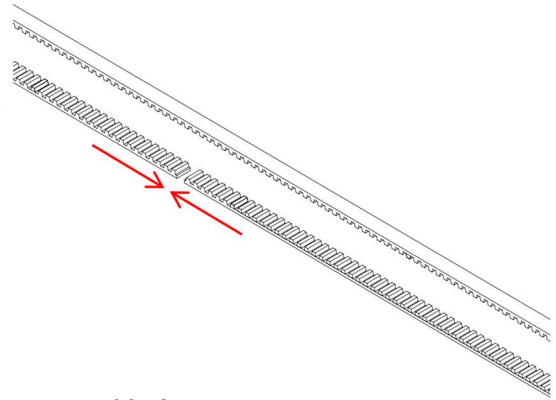


Figure 32: Cut the belt so that the two ends touch without overlapping.

2. Use your hands to gently pull the belt tight. Cut the belt so that the two ends can touch without overlapping (Figure 32).

3. Keep two ends of the belt as close as possible to each other and insert them into the bottom bracket (Figure 33).

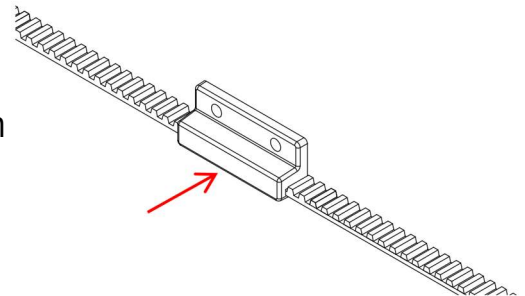


Figure 33: Insert the two ends of the belt into the bottom bracket.

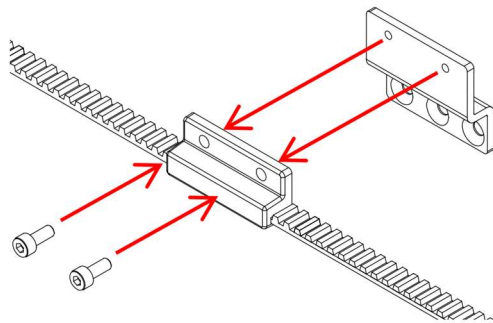


Figure 34: Bolt together the two parts of the bottom bracket.

FEED BELT THROUGH MOTOR AND TENSIONER

5) Belt (cont.)

- **Steps (cont.):**

5. On the belt tensioner, loosen the locking nut (located on the long tensioning bolt – see Figure 35).

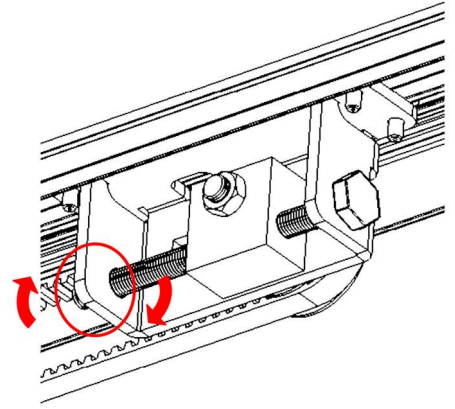


Figure 35: Loosen the locking nut.

6. Turn the tensioning bolt **clockwise** (Figure 36) to put tension on the belt. **Stop when the belt is pulled straight** and does not sag.

Do not keep tensioning the belt after it is pulled straight (or the motor may get damaged).

Note: If the belt **loosens** when the tensioning bolt is turned **clockwise**, then:

- 1) completely unscrew the tensioning bolt until it is removed from the tensioning pulley, then
- 2) insert the tensioning bolt into the **opposite** end of the tensioning pulley (where the locking nut was previously) and screw it into place, then
- 3) screw the locking nut back onto the tensioning bolt.

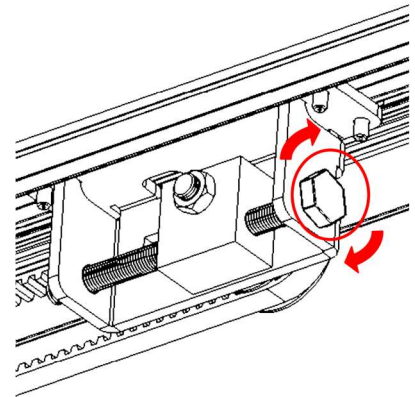


Figure 36: Tighten the belt with the tensioning bolt.

7. Tighten the locking nut (Figure 37).

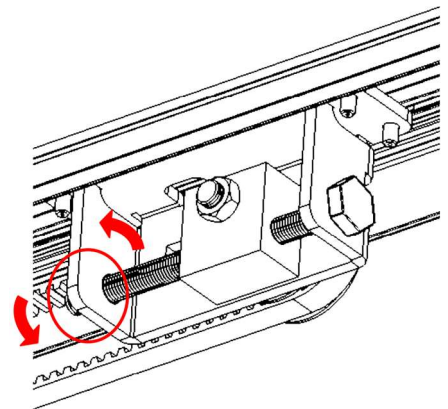


Figure 37: Tighten the locking nut.

ATTACH THE BRACKETS AND COVER

6) a) Bottom bracket

- **For bi-parting doors:**
 1. **Open** the doors fully.
 2. Rotate the belt so that the **bottom bracket** reaches the position you marked on the right-hand door earlier.
- **For non-bi-parting doors:**
 1. **Close** the door fully.
 2. Rotate the belt so that the **bottom bracket** reaches the position you marked on the sliding door earlier.

- **Then, for all door types:**

3. Use the three holes in the **bottom bracket** to mark the positions of those holes on the door (Figure 38).

Note: Keep the holes above the glass in the sliding door to avoid damaging the glass. If necessary, push the belt up to 0.1" (a few millimeters) to avoid the glass.

4. Drill 0.24" (6 mm) holes in the door at those three positions (Figure 38).
5. Hold the bottom bracket against the door. Pack out any gap with **spacers** (each have a thickness of 0.04" or 1 mm). The belt should run parallel with the door. The bracket **must not bend the belt sideways.**
6. Screw the bottom bracket (and any spacers) to the door.

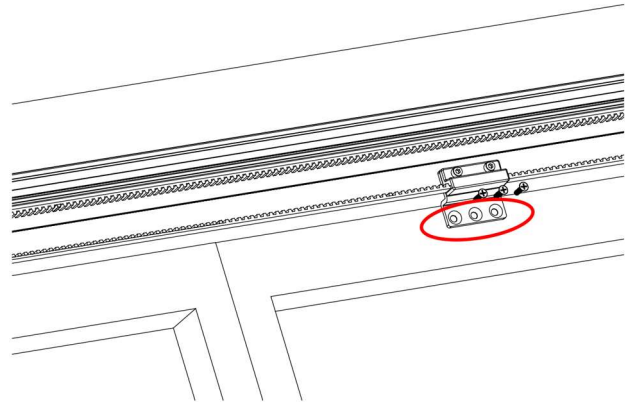


Figure 38: Drill three holes in the door for the bottom bracket.

ATTACH THE BRACKETS AND COVER

6) b) Top bracket (bi-parting doors only)

- **Steps:**

1. **Open** both doors fully. Fit the top bracket onto the top loop of the belt (Figure 39) at the position you marked on the left-hand door earlier.

Note: If the door does not fit the bracket in this position, contact your MultiDrive supplier about obtaining a different style of bracket that fits onto the right edge of the door.

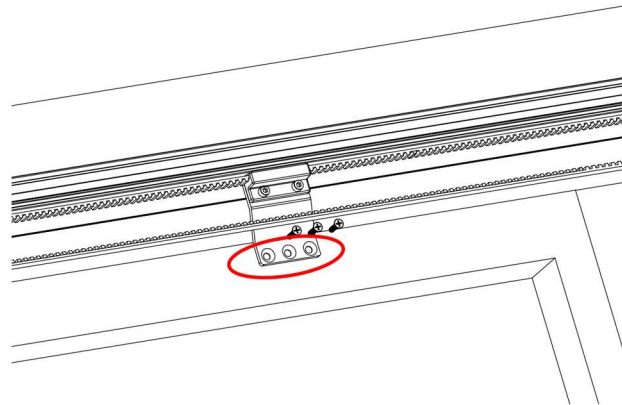


Figure 39: The top bracket position.

2. Bolt the belt clamp to the top loop of the belt (Figure 40).

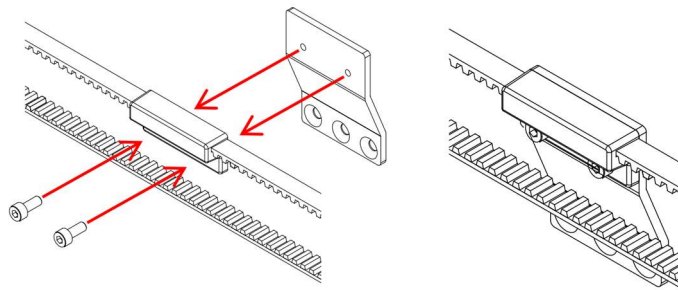


Figure 40: Bolt the top bracket onto the top loop of the belt.

3. Mark the three bracket holes on the door (Figure 39) then drill 0.24" (6 mm) holes in the door at those positions.

Note: Keep the holes above the glass in the sliding door to avoid damaging the glass. If necessary, you can push the belt up 0.1" (a few millimeters) to avoid the glass.

4. Hold the top bracket against the door. Pack out any gap with **spacers** (each have a thickness of 0.04" or 1 mm). The belt should run parallel with the door. The bracket **must not bend the belt sideways**.
5. Screw the top bracket (and any spacers) to the door.

INSTALL THE MODE PAD

7) Mode pad

The mode pad (Figure 41) allows users to cycle between four different modes of operation by pressing the mode button (1). The four modes displayed on the mode pad are:

- **auto mode** (2): the door opens automatically
- **hold-open mode** (3): the door is held open
- **pet mode** (4): the door opens a customized width to allow a pet to pass through
- **lock mode** (5): the door is locked with an electric lock (if fitted).

The back of the mode pad has a 7-pin electrical connector (6).

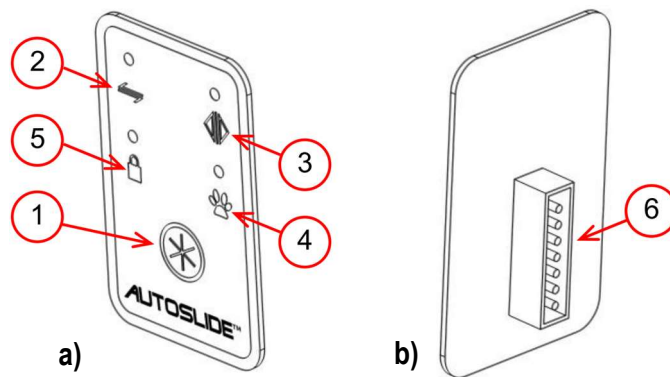


Figure 41: (a) The front of the mode pad, and (b) back of the mode pad with 7-pin connector.

Steps

1. Mark the position of the mode pad on one of the door jambs about 1 meter above the floor. The door jamb must have a cavity behind it to allow a cable to pass through to the controller.
2. Plug one end of the cable connected to the mode pad into the socket of the controller. The cable should pass underneath the AC adapter. Feed the other end of the cable into the cavity behind the door jamb.
3. Cut a hole in the door jamb to fit the 7-pin connector. Feed the cable through the hole (Figure 42).

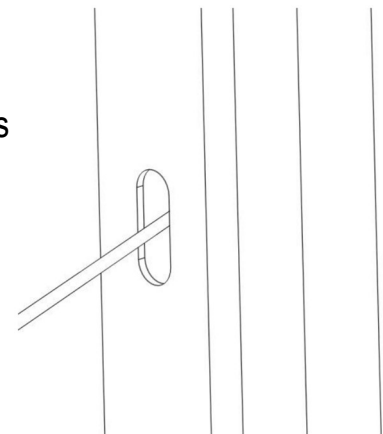


Figure 42: Cut a hole in the door jamb.
Feed the cable through the hole.

INSTALL THE MODE PAD

7) Mode pad (cont.)

4. Peel backing paper from one side of the double-sided foam. Press the sticky side of the foam onto the back of the mode pad (Figure 43).
5. Remove any dust, grease or moisture from the marked position on the door jam.
6. Peel the backing paper from the other side of the double-sided foam. Connect the cable to the 7-pin connector (Figure 44), then firmly press the sticky side of the foam onto the door jamb (Figure 44).

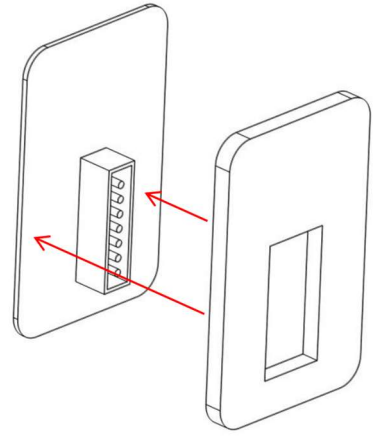


Figure 43: Press the sticky side of the foam onto the back of the mode pad.

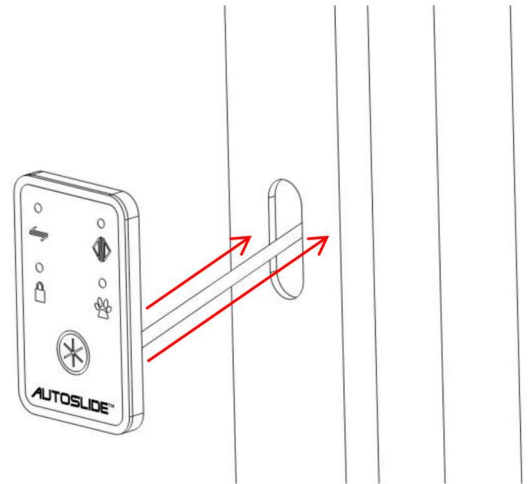


Figure 44: Remove the backing paper, connect the cable and press the sticky foam onto the door jamb.

CONTROL PANEL AND MODE GUIDE

Control panel

The controller (Figure 45) includes:

- 1) **Open-time dial:** Sets the door to stay open anywhere from 0-24 seconds before closing. If the dial is set to the max, the unit will toggle the door open and closed with Inside and Outside Sensor.
- 2) **DIP switches:** Various settings used to program and set up the system. See following page for more details.
- 3) **Power switch:** For switching off power to the controller.
- 4) **Sensor learn button:** For triggering the controller to calibrate input from wireless inputs such as motion sensors and push buttons.
- 5) **Red LED:** For indicating status when calibrating input from a motion sensor.
- 6) **Sensor ports:** For hardwired sensor inputs. See following page for more details.

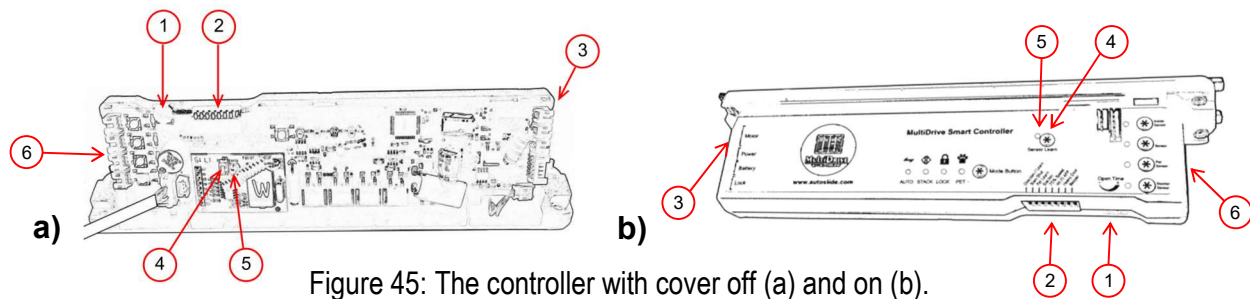
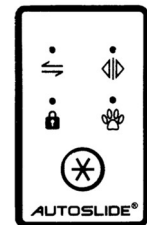


Figure 45: The controller with cover off (a) and on (b).

Modes

The Autoslide system uses four modes of operation. These are indicated by four mode icons on the front of the control panel or mode pad. Pressing the Mode button will cycle through modes. The modes will cycle in the order displayed, though Pet Mode will be skipped if not programmed.



Green / Auto Mode

A mode for everyday human accessibility usage. Pet sensors are disabled, open-assist is enabled, and the door doesn't lock.

Red / Secure Mode

A security lockdown mode. Pet and Outside sensors are disabled, open-assist is disabled, and the door is locked. Inside sensors are enabled.

Blue / Stacker Mode

By default keeps the door fully open. A remote connected to the Stacker Port can operate the door like a garage door, leaving it open partially.

Orange / Pet Mode

Primary mode for pet applications. Pet and Inside sensors are enabled, Outside sensors can be enabled (default) or disabled (DIP switch #4). Door is locked.

SENSOR PORT AND DIP SWITCH SETTINGS GUIDE

Sensor Ports

There are four sensor ports located on the right side of the control panel:

<p>Inside Sensor (top port): A master channel enabled in Green, Red, and Pet Mode. Opens to the programmed auto width.</p>	<p>Outside Sensor (middle upper port): A secondary channel enabled in Green and Pet (if desired) Mode. Opens to programmed auto width.</p>
<p>Pet Sensor (middle lower port): A specialized channel enabled in Pet Mode only. Opens to the programmed partial pet width.</p>	<p>Stacker Sensor (bottom port): A specialized channel enabled in Blue Mode only. Can be used to keep the door open partially or full if desired.</p>

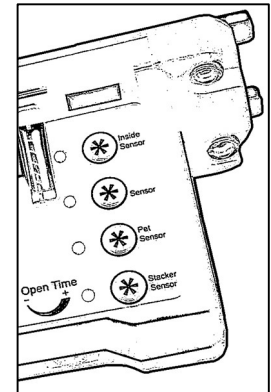


Figure 46: Sensor ports.

DIP Switches

Eight white DIP switches are located at the bottom of the control panel. These are settings used to program the system's opening widths and adjust the unit's operation:

<p>1 Direction/Learn: Used to program the human or stacker width and to set the AutoSlide for a right-opening or left-opening door.</p>	<p>2 Slam Shut: Boosts power at the opening and closing of the door. Designed for tight jambs/seals. Can't be used when DIP #7 is on.</p>
<p>3 Pet Learn: This switch is used to program the pet width of the AutoSlide (flip DIP #3 on and off and brace the door at desired pet open width).</p>	<p>4 Secure Pet: This switch is used to disable the Outside Sensor port in Pet Mode. Designed for security-based pet setups with iLocking units.</p>
<p>5 75% Power: Reduces the power of the motor if the unit opens too fast or if the door is too lightweight.</p>	<p>6 Modbus/App Control: When turned off, enables modbus control of the system. When left on, enables WiFi Module control of the system.</p>
<p>7 Extra Power: Increases the amount of power the motor uses for heavier sliding doors. This cannot be used when DIP #2 is on.</p>	<p>8 Beep: When turned on the AutoSlide will emit an audible beep when the door opens, when it starts to close, and when it changes modes.</p>

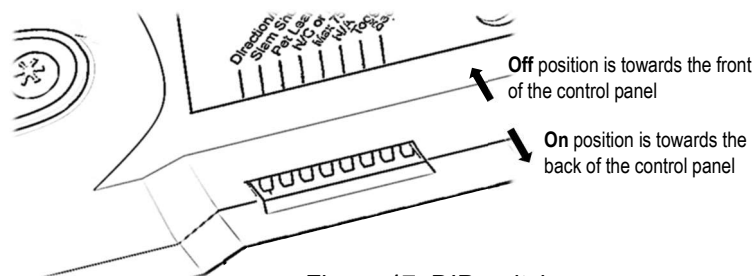


Figure 47: DIP switches.

POWERING ON AND INITIALIZING

1) Steps:

1. Ensure the red power switch (Figure 48) on the side of the control panel is set to off (O down).
2. Configure DIP switch settings as desired if needed. Ensure DIP switch #1 is flipped off (towards the front of the unit's control panel) as depicted in Figure 49.
3. Plug the power cable into the closest available wall outlet.
4. Manually move the door to halfway between open and closed. Use the red power switch to power the unit on:
 - If the unit starts to **close** the door, proceed to step 5.
 - If the unit starts to **open** the door, power off the unit. Turn DIP switch #1 **on** (see Figure 50), then power on the unit. The door should now start to close. Proceed to step 5.
5. The door should close until it hits a jamb or doorstop.
 - Once it closes and stays closed,
 - If the unit has a solid **Green** mode light on the front (depicted in Figure 51), proceed to the next page.
 - If the unit has a solid **Red, Blue, or Yellow** mode light locate the mode button on either the control panel or mode pad. Press the mode button repeatedly to toggle through modes until the **Green** mode light is selected (depicted in Figure 51).

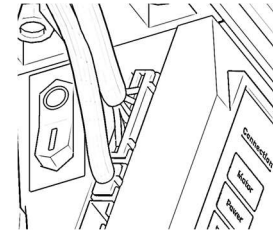


Figure 48: Power switch.

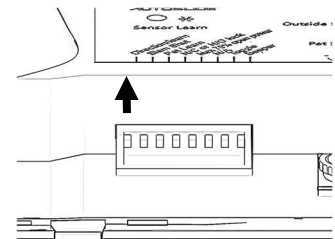


Figure 49: All DIP switches off.

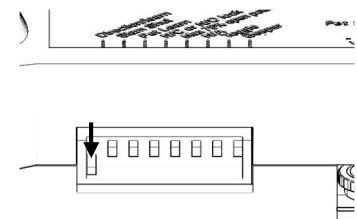


Figure 50: Turn DIP switch #1 on if door starts to open.

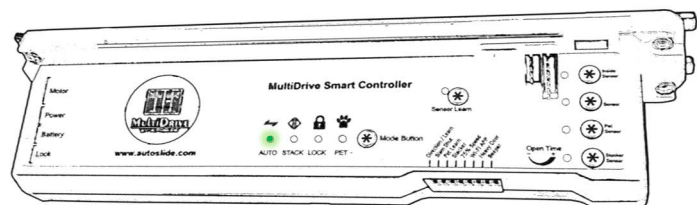


Figure 51: Controller in Green mode.

PROGRAMMING AUTO OPENING WIDTH

2) Steps:

1. To start the programming process, reverse DIP switch #1 from its current position then **immediately** reverse back DIP switch #1 (flip it back and forth).

The door will open until it hits an open jamb or doorstop. **For telescopic doors, manually brace the door when a single panel opens to keep it from opening any further.**

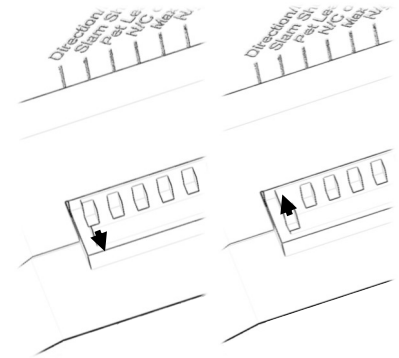


Figure 52: Flip DIP switch #1 back and forth to program the opening width.

2. Once the programming process is started, the door will:
 - a. **open** until it hits the open jamb or a door stop,
 - b. **close** fully,
 - c. **open** partially, and
 - d. **close** fully.
3. Once the door is staying in the fully closed position with a **solid Green** mode light (like in Figure 51), the human opening width is programmed.

To test the door, press the button for **Inside Sensor** located at the top right of the control panel (Figure 53). The door should open. If the OpenTime dial isn't at max, the door will close automatically; otherwise, press Inside Sensor again to close the door.

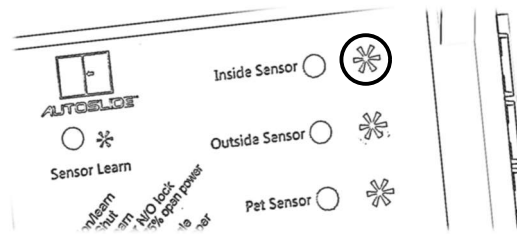


Figure 53: Press Inside Sensor to test the human opening width.

PROGRAMMING STACKER OPENING WIDTH

3) Steps:

1. From Green Mode, press the mode button (on either the control panel or mode pad) one time to place the unit into **Blue/Stacker Mode** like in Figure 54.

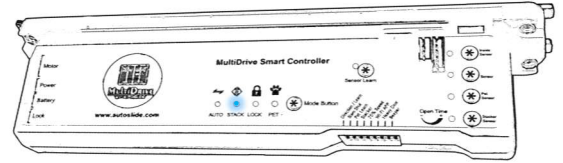


Figure 54: Controller in Blue/Stack mode.

The door will open automatically to a partial factory width.

2. To start the programming process, reverse DIP switch #1 from its current position then **immediately** reverse back DIP switch #1 (flip it back and forth).
 - The door will open until it hits an open jamb or doorstop. If none exist, manually brace the door when it reaches the max opening width to keep it from opening any further.
3. Once the stacker programming process is started, the door will:
 - a. **open** fully, then
 - b. **close** fully.
4. Once the door is staying in the fully closed position with a **solid Blue** mode light, the stacker opening width is programmed.

To test the door, press the mode button (on either the control panel or mode pad) repeatedly until the unit is in Green Mode.

Once the door is in Green Mode, press the mode button once to place the door into Blue Mode. The door should automatically open to the full programmed Stacker width.

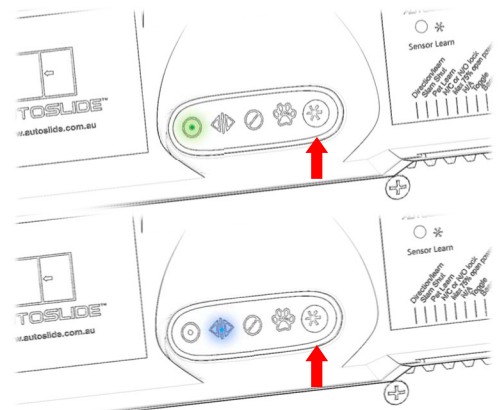


Figure 55: To test, put the unit in Green Mode, then Blue Mode.

PROGRAMMING PET OPENING WIDTH (FOR PET APPLICATION ONLY)

4) Steps:

1. Begin by ensuring the system is in Green mode with the door closed.
If needed, use the mode button (on either the control panel or the mode pad) to place the unit in Green mode.

2. To start the pet programming process, flip DIP switch #3 **on** and back **off** like shown in Figure 56.

The door will immediately open until it hits a doorstop. Manually brace the door when it reaches the desired pet opening width to keep it from opening any further. The pet opening width should be **greater than 17"** (.43m).

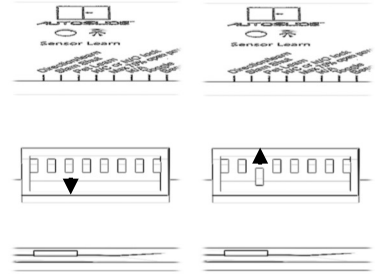


Figure 56: To program Pet width, flip DIP switch #3 on and off.

3. Once the programming process is started, the door will:
 - a) **open** fully or until stopped, then
 - b) **close** fully.

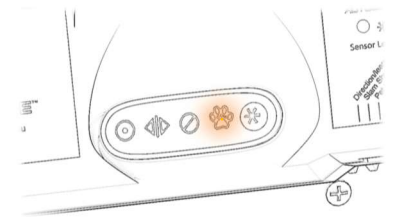


Figure 57: Once programmed the unit will enter Pet Mode.

4. Once the door is staying in the fully closed position with a **solid Orange** mode light (like shown in Figure 57), the pet opening width is programmed.

To test the door, press the button for **Pet Sensor** (Figure 58) located at the bottom right of the control panel. The door should open to the partial pet width and close automatically.

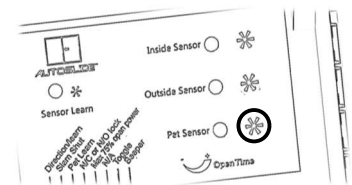


Figure 58: Press Pet Sensor to test the pet opening width.

Once the Auto opening width, Stacker opening width, and Pet opening width (if needed) are programmed the AutoSlide unit setup process is complete.

Note: If power is cut to the system, the motor (locking or nonlocking) will completely disengage for fire safety unless a backup battery is installed and plugged into the Battery port.

Additionally, if power is turned off and back on, all settings are retained. Depending on the position of your door when power resumes, the door will slowly close until it hits the close jamb or doorstop; however, the opening widths will not need to be reprogrammed.

PAIRING WIRELESS WALL BUTTONS AND WIRELESS SENSORS

Steps:

1. Remove both wireless wall-mounted push buttons from the box and remove the plastic tab battery protector from both buttons.
2. Press each wall button to ensure it flashes blue when pressed (Figure 59). If the door opens when the wall button is pressed, the button is already paired and can be set aside.
3. To pair a button to the Autoslide, press and release the “Sensor Learn” button on the Autoslide control panel. A red light should illuminate next to the button once released (Figure 60).
4. Press the wall button once; the red light should blink once. Wait 4 seconds. Press the wall button again; the red light should flash before going out. This indicates the Autoslide has learned the wall button.
5. Test the wall button by pressing it to open the door.

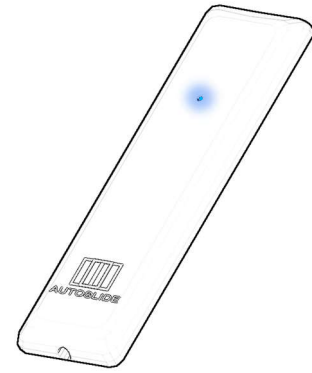


Figure 59: The wall button should flash blue when pressed.

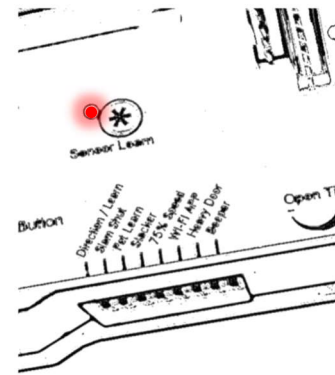


Figure 60: The Sensor Learn LED should turn red.

The same process is used to pair any wireless sensor/remote to the Autoslide system:

1. Press and release the Sensor Learn button once.
2. Trigger the wireless sensor/remote once. Wait about 4 seconds.
3. Trigger the wireless sensor/remote again.
4. Test the sensor/remote to ensure it's paired to the system.

PUTTING THE COVER ON THE SYSTEM

Steps:

1. Clip the cover over the base to cover the MultiDrive mechanism as shown in Figure 61.
 - Make sure the end of the cover clips sits in the track at the edge of the cover.
 - If a cover clip does not fit into the track, use a screwdriver to slightly expand the track until the clip fits.
 - The endcaps each have a tab at the end that sits in the track at the edge of the cover.

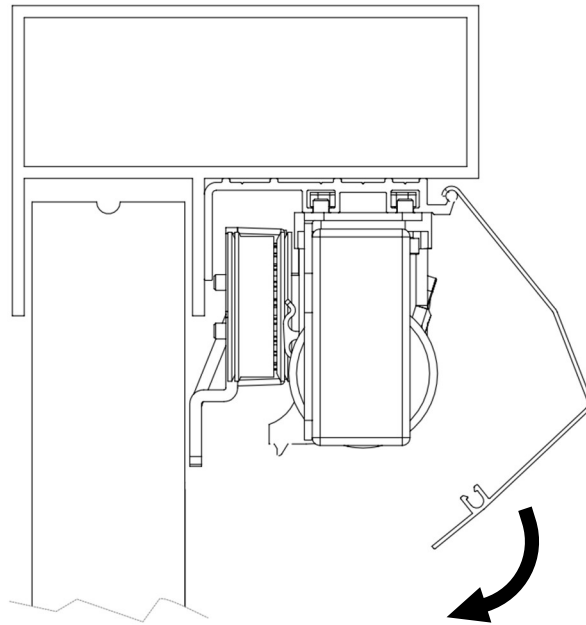


Figure 61: Clip the cover over the base. Endcaps not shown.

06

FINALIZE

COMPLETING THE INSTALL

FREQUENTLY ASKED QUESTIONS

Is there anyone that can install the MultiDrive for me?

We have licensed and qualified installers throughout the United States. Please check our Distributor Page on our website to find an installer near you; otherwise, a licensed electrician, door contractor, or local handyman can install the system.

Can I install the MultiDrive outdoors?

The MultiDrive system can be installed outdoors; it is just advised to keep it covered and out of direct rain or snow. Note that if the ambient temperature of the environment goes below 32F, the motor may experience performance issues. It is always advisable to install indoors when possible.

What if there is a power failure?

If power is lost to the system the motor and lock will completely disengage. The unit will revert back to a fully manual door.

What if the door hits someone?

Every unit has a built-in safety feature where if it hits an object in its closing path, the door will automatically reverse to the opposite direction.

Can I connect this to my home automation system?

Yes – we offer a key switch cable that lets the unit be triggered to open/close by any momentary relay switch. All you'd need is a momentary relay switch that can be triggered by your home automation system on command. Feel free to contact us for more details.

Can I control this with my phone?

Yes – we offer a WiFi module that lets your AutoSlide unit communicate with our app on your phone via your home WiFi network. Please contact a sales representative for more information.

Can I set the pet width to be less than 17"?

Yes – however, setting the door's pet opening width to over 17" allows the system enough time to speed up and slow down. If the pet opening width is less than 17", it will open at a slower pace.

COMMON ISSUES

Issue	Cause	Solution
Door doesn't open to correct width after programming.	Incomplete learn cycle.	Remove the unit cover. Power the system off and back on. Once the door is closed, reprogram the opening width by flipping DIP switch #1 back and forth. Ensure the door opens to the desired width during the programming process.
Both wall buttons trigger Inside or Outside sensor	Wall buttons are both set to same sensor channel internally.	Open a wall button by loosening the screw at the bottom. On the board inside, locate a small switch with the options I/S , O/S , and ST (Stacker). Set the switch to the desired sensor channel.
Door only opens partially and automatically opens after every close.	Unit is off calibration and believes the close jamb is an obstacle.	Power cycle the system to reset the unit's closed position. Ensure the belt isn't too tight to the point where it's bending the motor axel. If this issue continues, contact an AutoSlide representative.
Door only opens partially, or opens fully but closes partially.	Obstruction in the door track.	Power the unit off. Manually slowly open and close the door, feeling for areas of high resistance. Ensure the door track is clean and use a broom to sweep any dust/dirt in the track. Check door rollers to ensure no hardware is damaged. Power unit back on and test.
Door opens/closes very slowly.	System not configured for door's drag weight.	Turn on DIP switch #7 to increase the motor's power output.
Door can't overcome starting friction.	Door is either locked or excess friction in door.	Ensure door isn't manually locked. Power off unit and manually open/close door to investigate any excessive friction. Turn on DIP switch #2 to increase starting power in the motor.
Door labors and excessive noise is produced during operation.	Belt tension may be too high.	Adjust/loosen belt tension as needed. The motor wheel axel should not be bending due to the belt tension.
Door opens at random.	RFID interference or falsely tripping sensor.	Remove unit cover. Press and release the Sensor Learn button on the control panel (a red light will turn on), then press and hold the Sensor Learn button until the red light turns off. This will clear all wireless sensors. Pair wireless sensors back one by one to either eliminate interference or find the falsely tripping sensor.
When programming Stacker mode, door doesn't open fully.	High drag resistance inhibiting programming (common with telescopic doors)	Immediately after starting the Stacker programming process, assist the unit with opening and closing the doors. If it is a telescopic door, try to move the panels so that the motor only has to slide the active (lead) panel. Ensure DIP switch #7 is on.

For additional support or questions regarding the system and installation, please contact us directly at info@autoslide.com

WARRANTY POLICY - TWO YEAR LIMITED MANUFACTURER'S WARRANTY

Autoslide Pty Ltd, the only manufacturer of AUTOSLIDE® branded products, warrants their product to the original retail purchaser to be free of material and/or workmanship defects for a period of two years after the date of original retail purchase. Proof of the original purchase and a Return Merchandise Authorization number is required to obtain a remedy under this limited warranty and the product must be returned to an Autoslide service center at your expense. The Autoslide service centers for the USA are located in California and Florida.

During the limited warranty period, Autoslide Pty Ltd or its authorized service representative will repair or replace at Autoslide Pty Ltd's option, without charge, a materially defective product. We may use new or refurbished replacement parts. If we replace the product, it may be with a new or refurbished product of same or similar design. Autoslide Pty Ltd may keep any removed or defective parts, and/or replaced product. The repaired or replaced product is warranted for the remainder of the original warranty or 90 days, whichever is greater. Repair or replacement of this product at Autoslide Pty Ltd's option is your exclusive remedy.

This limited warranty only applies to products purchased, used and serviced in the United States and its territories, or Canada.

This is the only warranty applicable to this product. ALL OTHER WARRANTIES EXPRESS OR IMPLIED INCLUDING ALL IMPLIED WARRANTIES OF MERCHANTABILITY OF FITNESS FOR A PARTICULAR PURPOSE ARE HEREBY DISCLAIMED. AUTOSLIDE PTY LTD IS NOT LIABLE FOR ANY INDIRECT, INCIDENTAL, CONSEQUENTIAL OR SIMILAR DAMAGES INCLUDING, BUT NOT LIMITED TO, LOST PROFITS OR REVENUE, INABILITY TO USE THE PRODUCT, OR ANY OTHER ASSOCIATED EQUIPMENT, THE COST OF SUBSTITUTE EQUIPMENT, AND ANY CLAIMS BY THIRD PARTIES RESULTING FROM THE USE OF THIS PRODUCT.

This warranty gives you specific legal rights, and you may have other rights that vary from state to state. Some states do not allow the exclusion or limitation of incidental or consequential damages, so the limitations or exclusions stated above may not apply.

What Is NOT Covered Under This Limited Warranty:

- Normal wear and tear or cosmetic damage.
- Damage due to accidents, misuse, physical force, improper installation or operation, mishandling, neglect, fire, heat, water, humidity, liquids, insect infestation, or other intrusion.
- Damage caused by use of non AUTOSLIDE accessories or misapplication.
- Products whose serial numbers have been removed, altered or rendered illegible.
- Batteries.
- Products used for business, commercial or institutional purposes.
- Damage caused by acts of nature such as, but not limited to, lightning damage.
- Products returned without valid proof of purchase or proper Return Merchandise Authorisation (RMA) number.

Call our USA office at 833-337-5433 or email us at info@autoslide.com to leave your contact details for a customer service representative. Please leave your name, US state/territory location you are calling from, contact number and email address for a technical support specialist to return your call within 24 hours. Between the hours of 9 am and 5 pm PST, you can chat with one of our live customer service agents online.

08

POLICY

WARRANTY AND RETURN

RETURN POLICY - STANDARD RETURN POLICY OVERVIEW

You may return merchandise purchased from Autoslide for a refund or a replacement, provided that the procedures and requirements are followed. All returns require a return merchandise authorization (RMA) number. An RMA number must be issued within 30 calendar days after the date of purchase. An RMA number is valid for 14 calendar days after it is issued.

Refunds

Products returned with all original parts in original form will not be charged a processing fee. A processing fee of 20 percent will apply to the value of merchandise returned for a refund if original parts are not in their original form. Refunds are applied to the payment method used at the time of purchase 5-10 days after our receipt of the returned merchandise. We will only refund the value of the merchandise returned, not the shipping cost. On items with free shipping returned for a refund, the original shipping cost that we paid the shipping courier will be deducted from your refund.

Exchanges

If you purchased a product that you wish to exchange for an alternate item, you can return the item for a refund and simply place a new order for the item you desire. We do not apply store credit to your new purchase. If we see a new purchase for equal or greater value of your return, we will waive the 20 percent processing fee if it were to apply to your return.

Defective Merchandise

Merchandise that is discovered to be defective upon receipt will be replaced. You may also return defective merchandise for a refund if done so within 30 days of purchase.

Damaged Merchandise

All packages are inspected for damage prior to leaving our warehouse. If your merchandise is damaged during shipment by the shipping courier, please contact us immediately as we must be informed within 10 calendar days from the date of receipt for all damage/shipping related claims. Damaged merchandise can be replaced with the same model only. You may also return damaged merchandise for a refund if done within 10 calendar days of receipt of shipment.

Return Shipping

Return shipping cost (the cost to send merchandise back to our store) is comparable to your cost of driving to any store for returning an item, which is not reimbursable. Therefore, we do not reimburse any return shipping cost.

If an item you received is defective, we will definitely replace the item with a new one. However, we do not cover or reimburse the shipping cost for returning defective merchandise back to our store. We will ship the replacement product to you at our cost and use every good measure to ensure that the replacement order is processed quickly.

If you received Free Shipping on your order, the cost of the original shipping outbound to the shipping address on the order will be deducted from your refund amount.

RETURN POLICY - STANDARD RETURN POLICY OVERVIEW

Replacement Terms

We will send a product replacement for an authorized return following the completion of receiving and inspection at our facility. The replacement will ship within four business days following our receipt of your return (excluding weekends and national holidays). We do not send advance replacements or replacements before we receive and inspect the returned merchandise.

To receive a replacement quicker, you may place a new order for the same item (shipping not included), and we will issue a refund for the full value of the returned product (including shipping), upon completion of our return process.

Returning Items

Please email us at info@autoslide.com Monday-Friday, 9 AM-5 PM Pacific Standard Time to receive an RMA number.

All returned merchandise must be in original condition, and must include the original factory box (UPC bar codes and serial numbers must be intact) and factory packaging (e.g. foam, plastic, wrappings, etc.), peripherals (e.g. tracks, cords, power pack, etc.), and all instruction booklets and paperwork. The RMA number or any other inscriptions must not be written or printed on the product box or packaging. We will not process the return if any of these conditions are not followed.

To locate the nearest shipping outlet, you may contact the following carriers:

UPS: (800) 742-587 or <http://www.ups.com>

FedEx: (800) 463-3339 or <http://www.fedex.com>

USPS (Post Office): (800) 275-8777 or <http://www.usps.com>

Remember, returned merchandise that is lost or damaged during transit is solely the shipper's responsibility (which is you when you return a product to us). It is important to save the tracking information and to properly insure all merchandise being returned to Autoslide LLC..

Return Exceptions

Although our return policy is quite flexible on most items, there are some exceptions, as written below:

- Any product not purchased from www.autoslide.com
- Any product without a valid, readable serial number, including but not limited to products with missing, damaged, altered, or otherwise unreadable serial number
- Any product that is returned without all original packaging and accessories, including the retail box, manuals, cables, and all other items originally included with the product
- Any product from which the UPC code has been removed from its packaging
- Any product that exhibits physical damage or abuse
- Products that are not eligible for return for any of the above reason(s) will be sent back to you at your cost and expense.