

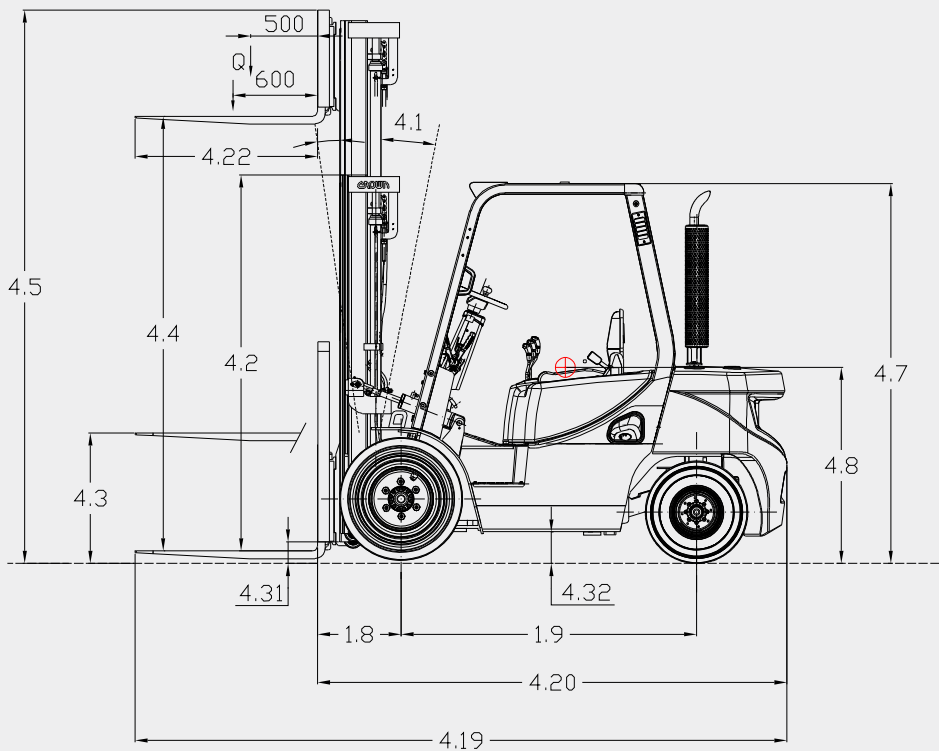
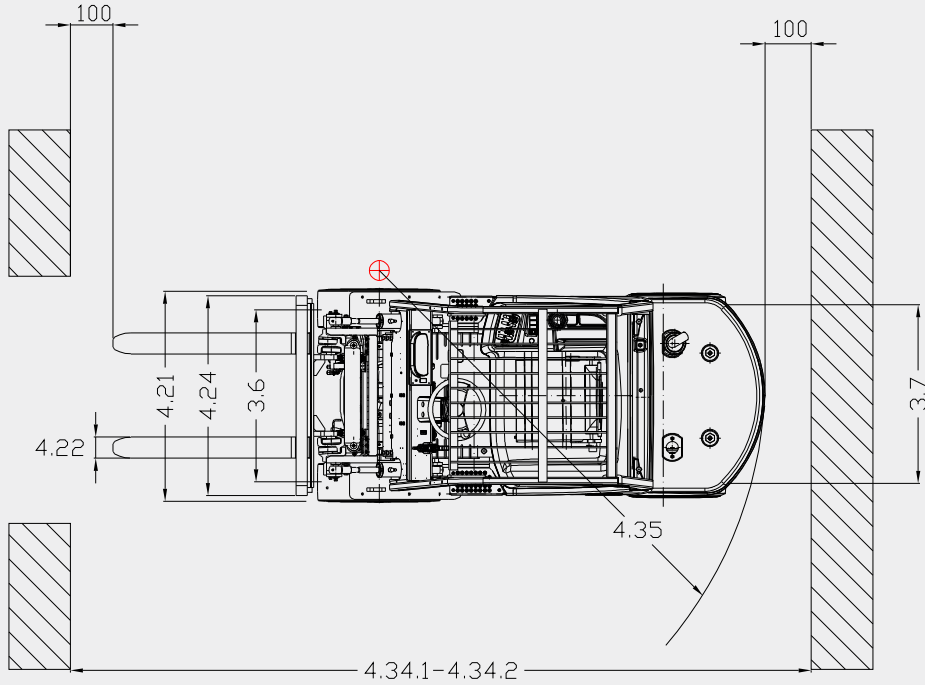
**CROWN**

# **C-G / C-D** **2000-3500**

## **Specifications**



**Pneumatic LPG  
and Diesel  
2000 to 3500 kg**



	1.2	Model Designation			CD20S-7	CD25S-7	CD30S-7	CD33S-7	CD35C-7	
General Information	1.3	Drive			Diesel					
	1.4	Operator Type			Seated					
	1.5	Load Capacity	Q	kg	2,000	2,500	3,000	3,250	3,500	
	1.6	Load Centre	c	mm	500					
	1.8	Load Distance: centre of drive axle to fork	x	mm	485				495	
	1.9	Wheelbase	y	mm	1,625			1,700		
	Weight	2.1	Service Weight		kg	3,690	4,065	4,450	4,630	4,810
2.2		Axle Loading, Laden Front/Rear		kg	4,930/650	5,660/790	6,580/870	6,940/940	7,340/970	
2.3		Axle Loading, Unladen Front/Rear		kg	1,720/1,860	1,650/2,300	1,840/2,610	1,800/2,830	1,780/3,030	
Tyres	3.1	Tyre Type			Pneumatic					
	3.2	Tyre Size, Front			7.00x15-12		28x9x15-12		250x15-18	
	3.3	Tyre Size, Rear			6.50x10-10			6.50x10-12		
	3.5	Wheels, Number Front/Rear (x = driven wheels)			2x/2					
	3.6	Tread, Front	b11	mm	975		982		1,026	
	3.7	Tread, Rear	b12	mm	1,000					
	Dimensions	4.1	Tilt of Mast/Fork Carriage Forward/Backward	$\alpha/\beta$	$^{\circ}$	6/10				
4.2		Height, Mast Lowered	h1	mm	2,175		2,165			
4.3		Free Lift	h2	mm	152					
4.4		Lift	h3	mm	3,230					
4.5		Height, Mast Extended	h4	mm	4,490				4,260	
4.7		Height of Overhead Guard (cabin)	h6	mm	2,183					
4.8		Seat Height	h7	mm	1,026					
4.19		Overall Length	l1	mm	3,565	3,630	3,744	3,774	3,809	
4.23		Fork Carriage ISO 2328, Class/Type A, B			II/A			III/A		
4.24		Fork Carriage Width	b3	mm	1,103			1,115		
4.31		Ground Clearance, Laden, Below Mast	m1	mm	115			105		
4.32		Ground Clearance, Centre of Wheelbase	m2	mm	143					
4.34.1		Aisle Width for Pallets 1,000 X 1,200 Crossways	Ast	mm	3,800	3,845	3,950	3,980	4,015	
4.34.2		Aisle Width for Pallets 800 X 1,200 Crossways	Ast	mm	3,600	3,645	3,750	3,780	3,815	
4.35		Turning Radius	Wa	mm	2,220	2,265	2,365	2,395	2,420	
4.36	Internal Turning Radius	b13	mm	775			761			
Performance	5.1	Travel Speed, Laden/Unladen		km/h	19/19.5		18/18.5		18.5/19	
	5.2	Lift Speed, Laden/Unladen		m/s	0.53/0.55	0.52/0.55	0.50/0.55	0.49/0.55	0.42/0.55	
	5.3	Lowering Speed, Laden/Unladen		m/s	0.51/0.46					
	5.5	Drawbar Pull, Laden/Unladen (@ 1.6Km/h)		N	17,350/17,130	17,160/17,060	17,960/17,620	17,870/17,720	17,220/17,160	
	5.6	Max. Drawbar Pull, Laden/Unladen		N	20,100/19,780	19,920/19,720	21,080/20,510	20,990/20,650	20,150/19,950	
	5.7	Gradeability, Laden/Unladen (@ 1.6Km/h)		%	33.0/55.0	28.2/50.0	25.0/43.5	23.5/42.5	21.5/40.0	
	5.8	Max. Gradeability, Laden/Unladen		%	38.5/66.5	33.0/60.3	29.5/52.0	27.5/50.5	25.0/47.0	
	5.10	Service Brake			Foot/Hydraulic					
Engine	7.1	Engine Manufacturer/Model			YANMAR/4TNE98					
	7.2	Engine Power according to DIN ISO1585		kW	43.7					
	7.3	Rated Speed		min-1	2300					
	7.3.1	Torque at 1/min		N•m	191/1,600					
	7.4	Number of Cylinders/Displacement		n/cm3	4/4/3,319					
	7.1	Battery Voltage/Normal Capacity		V/Ah	12/85					
Misc.	10.1	Operating Pressure for attachments		bar	156					
	10.2	Oil Flow Rate for attachments		l/min	60					
	10.4	Fuel Tank Capacity		l	51					
	10.7	Sound Level at the driver's ear according to EN 12 053		dB(A)	84					

# MAST SPECIFICATIONS & RATED CAPACITIES

## CD20S-7

Mast Type	Maximum Fork Height	Maximum Lowered Height	Fully Extended Height	Free Lift	Rated Load Capacities								
					With Load Backrest	With Load Backrest	Tilt Angle						Load Capacities
			Single Pneu				Double Pneu		Single Solid		Single Pneu	Double Pneu	Single Solid
			FWD	BWD			FWD	BWD	FWD	BWD	LC 500mm	LC 500mm	LC 500mm
mm	mm	mm	mm	deg	deg	deg	deg	deg	deg	kg	kg	kg	
STD	2,030	1,575	3,290	147	6	10	6	10	6	10	2,000	2,000	2,000
	2,580	1,850	3,840	147	6	10	6	10	6	10	2,000	2,000	2,000
	2,950	2,035	4,210	147	6	10	6	10	6	10	2,000	2,000	2,000
	3,230	2,175	4,490	147	6	10	6	10	6	10	2,000	2,000	2,000
	3,500	2,425	4,765	147	6	10	6	10	6	10	2,000	2,000	2,000
	3,800	2,575	5,065	147	6	10	6	10	6	10	2,000	2,000	2,000
	3,950	2,650	5,215	147	6	10	6	10	6	10	2,000	2,000	2,000
	4,350	2,850	5,615	147	6	10	6	10	6	10	2,000	2,000	2,000
	4,960	3,150	6,215	147	6	5	6	10	6	10	1,900	1,925	1,975
FF	2,580	1,850	3,840	645	6	10	6	10	6	10	2,000	2,000	2,000
	2,950	2,035	4,210	830	6	10	6	10	6	10	2,000	2,000	2,000
	3,230	2,175	4,490	970	6	10	6	10	6	10	2,000	2,000	2,000
	3,600	2,425	4,865	1,220	6	10	6	10	6	10	2,000	2,000	2,000
FFT	3,900	1,875	5,165	670	6	8	6	8	6	8	2,000	2,000	2,000
	4,290	2,015	5,570	805	6	8	6	8	6	8	2,000	2,000	2,000
	4,730	2,150	5,990	945	6	8	6	8	6	8	1,950	1,950	2,000
	4,805	2,175	6,065	970	6	5	6	8	6	8	1,950	1,925	2,000
	5,560	2,500	6,815	1,295	6	3	6	8	6	8	1,650	1,825	1,875
	6,010	2,650	7,265	1,445	6	3	6	8	6	5	1,300	1,750	1,825

## CD25S-7

STD	2,030	1,575	3,290	147	6	10	6	10	6	10	2,500	2,500	2,500
	2,580	1,850	3,840	147	6	10	6	10	6	10	2,500	2,500	2,500
	2,950	2,035	4,210	147	6	10	6	10	6	10	2,500	2,500	2,500
	3,230	2,175	4,490	147	6	10	6	10	6	10	2,500	2,500	2,500
	3,500	2,425	4,765	147	6	10	6	10	6	10	2,500	2,500	2,500
	3,800	2,575	5,065	147	6	10	6	10	6	10	2,500	2,500	2,500
	3,950	2,650	5,215	147	6	10	6	10	6	10	2,500	2,500	2,500
	4,350	2,850	5,615	147	6	5	6	10	6	10	2,500	2,500	2,500
	4,960	3,150	6,215	147	6	3	6	10	6	10	2,075	2,450	2,500
FF	2,580	1,850	3,840	645	6	10	6	10	6	10	2,500	2,500	2,500
	2,950	2,035	4,210	830	6	10	6	10	6	10	2,500	2,500	2,500
	3,230	2,175	4,490	970	6	10	6	10	6	10	2,500	2,500	2,500
	3,600	2,425	4,865	1,220	6	10	6	10	6	10	2,500	2,500	2,500
FFT	3,900	1,875	5,165	670	6	8	6	8	6	8	2,500	2,500	2,500
	4,290	2,015	5,570	805	6	8	6	8	6	8	2,500	2,500	2,500
	4,730	2,150	5,990	945	6	3	6	8	6	8	2,450	2,500	2,500
	4,805	2,175	6,065	970	6	3	6	8	6	8	2,350	2,475	2,475
	5,560	2,500	6,815	1,295	6	3	6	8	6	8	1,525	2,325	2,400
	6,010	2,650	7,265	1,445	6	3	6	8	6	5	1,175	2,250	2,300

## CD30S-7

STD	2,030	1,565	3,290	152	6	10	6	10	6	10	3,000	3,000	3,000
	2,580	1,840	3,840	152	6	10	6	10	6	10	3,000	3,000	3,000
	2,950	2,025	4,210	152	6	10	6	10	6	10	3,000	3,000	3,000
	3,230	2,175	4,490	152	6	10	6	10	6	10	3,000	3,000	3,000
	3,500	2,415	4,765	152	6	10	6	10	6	10	3,000	3,000	3,000
	3,800	2,565	5,065	152	6	10	6	10	6	10	3,000	3,000	3,000
	3,950	2,640	5,215	152	6	10	6	10	6	10	3,000	3,000	3,000
	4,350	2,840	5,615	152	6	5	6	10	6	10	3,000	3,000	3,000
	4,960	3,140	6,215	152	6	3	6	10	6	10	2,525	2,900	2,975
FF	2,580	1,840	3,840	640	6	10	6	10	6	10	3,000	3,000	3,000
	2,950	2,025	4,210	825	6	10	6	10	6	10	3,000	3,000	3,000
	3,230	2,165	4,490	965	6	10	6	10	6	10	3,000	3,000	3,000
	3,600	2,415	4,865	1,215	6	10	6	10	6	10	3,000	3,000	3,000
FFT	3,900	1,890	5,165	690	6	8	6	8	6	8	2,900	2,900	2,900
	4,290	2,025	5,570	825	6	5	6	8	6	8	2,900	2,900	2,900
	4,730	2,165	5,990	965	6	3	6	8	6	8	2,900	2,900	2,900
	4,805	2,190	6,065	990	6	3	6	8	6	8	2,825	2,900	2,900
	5,560	2,515	6,815	1,315	6	3	6	8	6	5	1,850	2,750	2,825
	6,010	2,665	7,265	1,465	6	3	6	5	6	3	1,425	2,675	2,750

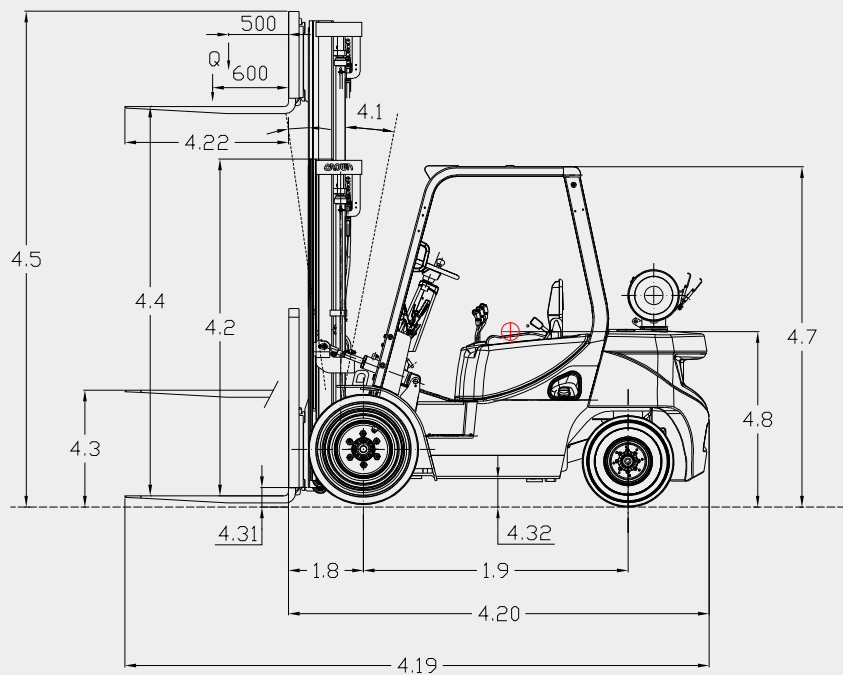
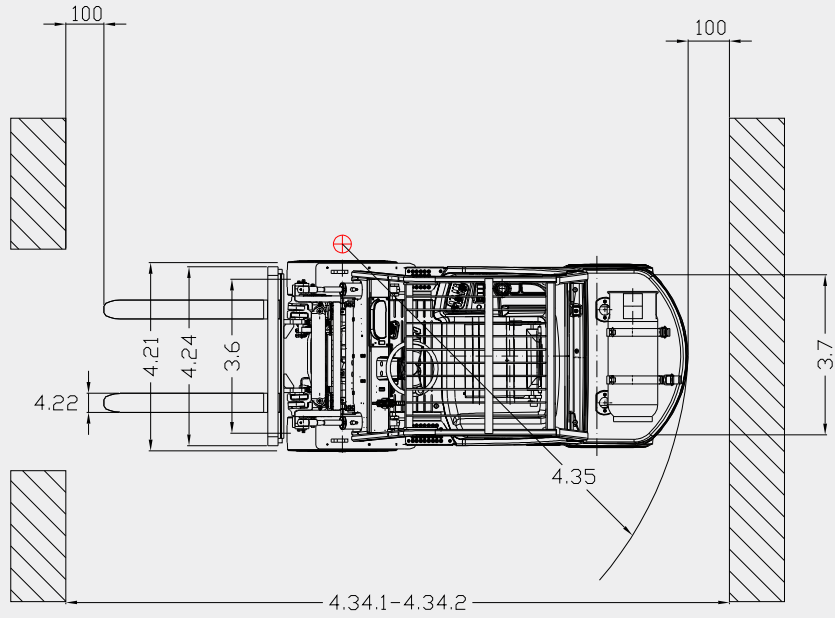
Note : Mast Specifications & Rated Capacities are based on standard chassis with dual pneumatic tyre and without side shifter.

**CD33S-7**

Mast Type	Maximum Fork Height	Maximum Lowered Height	Fully Extended Height	Free Lift	Rated Load Capacities								
			With Load Backrest	With Load Backrest	Tilt Angle						Load Capacities		
					Single Pneu		Double Pneu		Single Solid		Single Pneu	Double Pneu	Single Solid
					FWD	BWD	FWD	BWD	FWD	BWD	LC 500mm	LC 500mm	LC 500mm
mm	mm	mm	mm	deg	deg	deg	deg	deg	deg	kg	kg	kg	
STD	2,030	1,565	3,290	152	6	10	6	10	6	10	3,250	3,250	3,250
	2,580	1,840	3,840	152	6	10	6	10	6	10	3,250	3,250	3,250
	2,950	2,025	4,210	152	6	10	6	10	6	10	3,250	3,250	3,250
	3,230	2,165	4,490	152	6	10	6	10	6	10	3,250	3,250	3,250
	3,500	2,415	4,765	152	6	10	6	10	6	10	3,250	3,250	3,250
	3,800	2,565	5,065	152	6	10	6	10	6	10	3,250	3,250	3,250
	3,950	2,640	5,215	152	6	10	6	10	6	10	3,175	3,250	3,250
	4,350	2,840	5,615	152	6	5	6	10	6	10	3,175	3,250	3,250
	4,960	3,140	6,215	152	6	3	6	10	6	8	2,450	3,125	3,200
FF	2,580	1,840	3,840	640	6	10	6	10	6	10	3,250	3,250	3,250
	2,950	2,025	4,210	825	6	10	6	10	6	10	3,250	3,250	3,250
	3,230	2,165	4,490	965	6	10	6	10	6	10	3,250	3,250	3,250
	3,600	2,415	4,865	1,215	6	10	6	10	6	10	3,250	3,250	3,250
FFT	3,900	1,890	5,165	690	6	8	6	8	6	8	3,250	3,250	3,250
	4,290	2,025	5,570	825	6	8	6	8	6	8	3,250	3,250	3,250
	4,730	2,165	5,990	965	6	3	6	8	6	8	2,900	3,175	3,250
	5,560	2,515	6,815	1,315	6	3	6	8	6	5	1,750	2,975	3,050
	6,010	2,665	7,265	1,465	6	3	6	5	6	3	1,350	2,875	2,950

**CD35C-7**

STD	1,800	1,565	3,290	152	6	10	6	10	6	10	3,500	3,500	3,500
	2,350	1,840	3,610	152	6	10	6	10	6	10	3,500	3,500	3,500
	2,720	2,025	3,980	152	6	10	6	10	6	10	3,500	3,500	3,500
	3,000	2,165	4,260	152	6	10	6	10	6	10	3,500	3,500	3,500
	3,495	2,415	4,760	152	6	10	6	10	6	10	3,500	3,500	3,500
	3,655	2,565	4,915	152	6	10	6	10	6	10	3,500	3,500	3,500
	3,805	2,640	5,065	152	6	10	6	10	6	10	3,500	3,500	3,500
	4,205	2,840	5,465	152	6	8	6	10	6	10	3,425	3,425	3,500
	4,805	3,140	6,065	152	6	3	6	8	6	8	3,250	3,275	3,375
FF	2,350	1,840	3,610	640	6	10	6	10	6	10	3,500	3,500	3,500
	2,720	2,025	3,980	825	6	10	6	10	6	10	3,500	3,500	3,500
	3,000	2,165	4,260	965	6	10	6	10	6	10	3,500	3,500	3,500
	3,495	2,415	4,755	1,215	6	10	6	10	6	10	3,500	3,500	3,500
FFT	3,555	1,890	4,815	690	6	8	6	8	6	8	3,400	3,400	3,400
	3,960	2,025	5,220	825	6	8	6	8	6	8	3,400	3,400	3,400
	4,380	2,165	5,640	965	6	5	6	8	6	8	3,375	3,375	3,400
	4,820	2,335	6,085	1,135	6	3	6	8	6	8	3,250	3,250	3,350
	5,205	2,515	6,465	1,315	6	3	6	8	6	5	2,600	3,150	3,250
	5,655	2,665	6,915	1,465	6	3	6	8	6	3	1,975	3,050	3,150



General Information	1.2	Model Designation			CG20N-7	CG25N-7	CG30N-7	CG33N-7	CG35NC-7
	1.3	Drive			LPG/DF*				
	1.4	Operator Type			Seated				
	1.5	Load Capacity	Q	kg	2,000	2,500	3,000	3,250	3,500
	1.6	Load Centre	c	mm	500				
	1.8	Load Distance: centre of drive axle to fork	x	mm	480		485		495
	1.9	Wheelbase	y	mm	1,625		1,700		
Weight	2.1	Service Weight		kg	3,635	4,010	4,510	4,715	4,800
	2.2	Axle Loading, Laden Front/Rear		kg	4,915/720	5,645/865	6,525/965	6,930/1,035	7,330/970
	2.3	Axle Loading, Unladen Front/Rear		kg	1,725/1,910	1,640/2,370	1,850/2,660	1,815/2,900	1,800/3,000
Tyres	3.1	Tyres			P				
	3.2	Tyre Size, Front			7.00x15-12		28x9x15-12		250x15-18
	3.3	Tyre Size, Rear			6.50x10-10			6.50x10-12	
	3.5	Wheels, Number Front/Rear (x = driven wheels)			2/2				
	3.6	Tread, Front	b11	mm	975		982		1,026
	3.7	Tread, Rear	b12	mm	1,000				
	Dimensions	4.1	Tilt of Mast/Fork Carriage Forward/Backward	$\alpha/\beta$	°	6/10			
4.2		Height, Mast Lowered	h1	mm	2,175		2,165		
4.3		Free Lift	h2	mm	152				
4.4		Lift	h3	mm	3,230			3,000	
4.5		Height, Mast Extended	h4	mm	4,490			4,260	
4.7		Height of Overhead Guard (cabin)	h6	mm	2,183				
4.8		Height of Seat	h7	mm	1,026				
4.19		Overall Length	l1	mm	3,565	3,630	3,744	3,774	3,809
4.20		Length to Forkface	l2	mm	2,530	2,595	2,700	2,730	2,765
4.21		Overall Width	b1/b2	mm	1,170		1,197		1,255
4.22		Fork Dimensions	s/e/l	mm	45x100x1,050		45x125x1,050		
4.23		Fork Carriage ISO 2328, Class/Type A, B			II A		III A		
4.24		Fork Carriage Width	b3	mm	1,103		1,115		
4.31		Ground Clearance, Laden, Below Mast	m1	mm	115		105		
4.32		Ground Clearance, Centre of Wheelbase	m2	mm	143				
4.34.1		Aisle Width for Pallets 1,000 X 1,200 Crossways	Ast	mm	3,905	3,950	4,050	4,080	4,115
4.34.2		Aisle Width for Pallets 800 x 1,200 Crossways	Ast	mm	4,105	4,150	4,250	4,280	4,315
4.35	Turning Radius	Wa	mm	2,220	2,265	2,365	2,395	2,420	
4.36	Internal Turning Radius	b13	mm	775		761			
Performance	5.1	Travel Speed, Laden/Unladen		km/h	19/20		18/19		
	5.2	Lift Speed, Laden/Unladen		m/s	0.55/0.57	0.54/0.57	0.52/0.57	0.54/0.59	0.53/0.59
	5.3	Lowering Speed, Laden/Unladen		m/s	0.51/0.46				
	5.5	Drawbar Pull, Laden/Unladen (@ 1.6Km/h)		N	18,480/18,195	18,265/18,125	19,035/18,795	18,935/18,750	18,385/18,140
	5.6	Max. Drawbar Pull, Laden/Unladen		N	21,075/20,560	20,860/20,500	21,950/21,400	21,850/21,355	21,160/20,570
	5.7	Gradeability, Laden/Unladen (@ 1.6Km/h)		%	36/-	30.5/-	27.5/-	25.5/-	23.5/-
	5.8	Max. Gradeability, Laden/Unladen		%	42/-	35/-	32/-	30/-	27/-
	5.10	Service Brake			Foot/Hydraulic				
Engine	7.1	Engine Manufacturer/Model			GCT/K25				
	7.2	Engine Power according to DIN ISO1585		kW	46.8				
	7.3	Rated Speed		min-1	2,600				
	7.3.1	Torque at 1/min		N•m	190/1,700				
	7.4	Number of Cylinders/Displacement		n/cm3	4/2,488				
	7.10	Battery Voltage/Normal Capacity		V/Ah	12/50				
Additional Data	10.1	Operating Pressure for attachments		bar	156				
	10.2	Oil Flow Rate for attachments		l/min	60				
	10.4	Fuel Tank Capacity		l	51				
	10.7	Sound Level at the driver's ear according to EN 12 053		dB(A)	84				

\*DF = Dual Fuel (LPG &amp; Gasoline)

	1.2	Model Designation			CG20P-7	CG25P-7	CG30P-7	CG33P-7	CG35C-7	
General Information	1.3	Drive			LPG					
	1.4	Operator Type			Seated					
	1.5	Load Capacity	Q	kg	2,000	2,500	3,000	3,250	3,500	
	1.6	Load Centre	c	mm	500					
	1.8	Load Distance: centre of drive axle to fork	x	mm	485				495	
	1.9	Wheelbase	y	mm	1,625			1,700		
	Weight	2.1	Service Weight		kg	3,620	3,990	4,430	4,610	4,800
2.2		Axle Loading, Laden Front/Rear		kg	4,980/640	5,710/780	6,580/850	6,930/930	7,340/960	
2.3		Axle Loading, Unladen Front/Rear		kg	1,750/1,860	1,680/2,310	1,830/2,600	1,820/2,890	1,800/3,000	
Tyres	3.1	Tyres			P					
	3.2	Tyre Size, Front			7.00x15-12		28x9x15-12		250x15-18	
	3.3	Tyre Size, Rear			6.50x10-10			6.50x10-12		
	3.5	Wheels, Number Front/Rear (x = driven wheels)			2/2					
	3.6	Tread, Front	b11	mm	975		982		1,026	
	3.7	Tread, Rear	b12	mm	1,000					
	Dimensions	4.1	Tilt of Mast/Fork Carriage Forward/Backward	$\alpha/\beta$	$^{\circ}$	6/10				
4.2		Height, Mast Lowered	h1	mm	2,175		2,165			
4.3		Free Lift	h2	mm	152					
4.4		Lift	h3	mm	3,230					
4.5		Height, Mast Extended	h4	mm	4,490					
4.7		Height of Overhead Guard (cabin)	h6	mm	2,183					
4.8		Height of Seat	h7	mm	1,026					
4.19		Overall Length	l1	mm	3,565	3,630	3,744		3,809	
4.20		Length to Forkface	l2	mm	2,530	2,595	2,700	2,730	2,765	
4.21		Overall Width	b1/b2	mm	1,170			1,197		1,255
4.22		Fork Dimensions	s/e/l	mm	40x100x1,050					
4.23		Fork Carriage ISO 2328, Class/Type A, B			II A					
4.24		Fork Carriage Width	b3	mm	1,103					
4.31		Ground Clearance, Laden, Below Mast	m1	mm	115					
4.32		Ground Clearance, Centre of Wheelbase	m2	mm	143					
4.34.1		Aisle Width for Pallets 1,000 X 1,200 Crossways	Ast	mm	3,800	3,845	3,950	3,980	4,015	
4.34.2		Aisle Width for Pallets 800 x 1,200 Crossways	Ast	mm	3,600	3,645	3,750	3,780	3,815	
4.35	Turning Radius	Wa	mm	2,220	2,265	2,365	2,395	2,420		
4.36	Internal Turning Radius	b13	mm	775			761			
Performance	5.1	Travel Speed, Laden/Unladen		km/h	19/19.5		18/18.5		18.5/19	
	5.2	Lift Speed, Laden/Unladen		m/s	0.57/0.61	0.56/0.61	0.55/0.61	0.57/0.64	0.55/0.64	
	5.3	Lowering Speed, Laden/Unladen		m/s	0.51/0.46					
	5.5	Drawbar Pull, Laden/Unladen (@ 1.6Km/h)		N	15,810/15,640	15,600/15,570	16,220/16,120	16,120/16,080	15,630/15,550	
	5.6	Max. Drawbar Pull, Laden/Unladen		N	18,260/17,880	18,050/17,810	18,970/18,580	18,870/18,540	18,250/17,850	
	5.7	Gradeability, Laden/Unladen (@ 1.6Km/h)		%	30.5/50.5	25.5/44.0	23.0/40.5	22.0/39.0	20.0/35.5	
	5.8	Max. Gradeability, Laden/Unladen		%	35.5/59.5	30.0/52.0	27.0/48.0	25.5/46.0	23.0/41.5	
	5.10	Service Brake			Foot/Hydraulic					
	Engine	7.1	Engine Manufacturer/Model			MITSU/G242P(E)				
		7.2	Engine Power according to DIN ISO1585		kW	49				
7.3		Rated Speed		min-1	2,600					
7.3.1		Torque at 1/min		N•m	183/2,000					
7.4		Number of Cylinders/Displacement		n/cm3	4/2,351					
7.10		Battery Voltage/Normal Capacity		V/Ah	12/65					
Additional Data	10.1	Operating Pressure for attachments		bar	156					
	10.2	Oil Flow Rate for attachments		l/min	60					
	10.4	Fuel Tank Capacity		l	51					



# MAST SPECIFICATIONS & RATED CAPACITIES

## CG20N-7 & P-7

Mast Type	Maximum Fork Height	Maximum Lowered Height	Fully Extended Height	Free Lift	Rated Load Capacities								
					With Load Backrest	With Load Backrest	Tilt Angle						Load Capacities
			Single Pneu				Double Pneu		Single Solid		Single Pneu	Double Pneu	Single Solid
			FWD	BWD			FWD	BWD	FWD	BWD	LC 500mm	LC 500mm	LC 500mm
mm	mm	mm	mm	deg	deg	deg	deg	deg	deg	kg	kg	kg	
STD	2,030	1,575	3,290	147	6	10	6	10	6	10	2,000	2,000	2,000
	2,580	1,850	3,840	147	6	10	6	10	6	10	2,000	2,000	2,000
	2,950	2,035	4,210	147	6	10	6	10	6	10	2,000	2,000	2,000
	3,230	2,175	4,490	147	6	10	6	10	6	10	2,000	2,000	2,000
	3,500	2,425	4,765	147	6	10	6	10	6	10	2,000	2,000	2,000
	3,800	2,575	5,065	147	6	10	6	10	6	10	2,000	2,000	2,000
	3,950	2,650	5,215	147	6	10	6	10	6	10	2,000	2,000	2,000
	4,350	2,850	5,615	147	6	10	6	10	6	10	2,000	2,000	2,000
	4,960	3,150	6,215	147	6	5	6	10	6	10	1,900	1,925	1,975
FF	2,580	1,850	3,840	645	6	10	6	10	6	10	2,000	2,000	2,000
	2,950	2,035	4,210	830	6	10	6	10	6	10	2,000	2,000	2,000
	3,230	2,175	4,490	970	6	10	6	10	6	10	2,000	2,000	2,000
	3,600	2,425	4,865	1,220	6	10	6	10	6	10	2,000	2,000	2,000
FFT	3,900	1,875	5,165	670	6	8	6	8	6	8	2,000	2,000	2,000
	4,290	2,015	5,570	805	6	8	6	8	6	8	2,000	2,000	2,000
	4,730	2,150	5,990	945	6	8	6	8	6	8	1,950	1,950	2,000
	4,805	2,175	6,065	970	6	5	6	8	6	8	1,950	1,925	2,000
	5,560	2,500	6,815	1,295	6	3	6	8	6	8	1,650	1,825	1,875
	6,010	2,650	7,265	1,445	6	3	6	8	6	5	1,300	1,750	1,825

## CG25N-7 & P-7

STD	2,030	1,575	3,290	147	6	10	6	10	6	10	2,500	2,500	2,500
	2,580	1,850	3,840	147	6	10	6	10	6	10	2,500	2,500	2,500
	2,950	2,035	4,210	147	6	10	6	10	6	10	2,500	2,500	2,500
	3,230	2,175	4,490	147	6	10	6	10	6	10	2,500	2,500	2,500
	3,500	2,425	4,765	147	6	10	6	10	6	10	2,500	2,500	2,500
	3,800	2,575	5,065	147	6	10	6	10	6	10	2,500	2,500	2,500
	3,950	2,650	5,215	147	6	10	6	10	6	10	2,500	2,500	2,500
	4,350	2,850	5,615	147	6	5	6	10	6	10	2,500	2,500	2,500
	4,960	3,150	6,215	147	6	3	6	10	6	10	2,075	2,450	2,500
FF	2,580	1,850	3,840	645	6	10	6	10	6	10	2,500	2,500	2,500
	2,950	2,035	4,210	830	6	10	6	10	6	10	2,500	2,500	2,500
	3,230	2,175	4,490	970	6	10	6	10	6	10	2,500	2,500	2,500
	3,600	2,425	4,865	1,220	6	10	6	10	6	10	2,500	2,500	2,500
FFT	3,900	1,875	5,165	670	6	8	6	8	6	8	2,500	2,500	2,500
	4,290	2,015	5,570	805	6	8	6	8	6	8	2,500	2,500	2,500
	4,730	2,150	5,990	945	6	3	6	8	6	8	2,450	2,500	2,500
	4,805	2,175	6,065	970	6	3	6	8	6	8	2,350	2,475	2,475
	5,560	2,500	6,815	1,295	6	3	6	8	6	8	1,525	2,325	2,400
	6,010	2,650	7,265	1,445	6	3	6	8	6	5	1,175	2,250	2,300

## CG30N-7 & P-7

STD	2,030	1,565	3,290	152	6	10	6	10	6	10	3,000	3,000	3,000
	2,580	1,840	3,840	152	6	10	6	10	6	10	3,000	3,000	3,000
	2,950	2,025	4,210	152	6	10	6	10	6	10	3,000	3,000	3,000
	3,230	2,175	4,490	152	6	10	6	10	6	10	3,000	3,000	3,000
	3,500	2,415	4,765	152	6	10	6	10	6	10	3,000	3,000	3,000
	3,800	2,565	5,065	152	6	10	6	10	6	10	3,000	3,000	3,000
	3,950	2,640	5,215	152	6	10	6	10	6	10	3,000	3,000	3,000
	4,350	2,840	5,615	152	6	5	6	10	6	10	3,000	3,000	3,000
	4,960	3,140	6,215	152	6	3	6	10	6	10	2,525	2,900	2,975
FF	2,580	1,840	3,840	640	6	10	6	10	6	10	3,000	3,000	3,000
	2,950	2,025	4,210	825	6	10	6	10	6	10	3,000	3,000	3,000
	3,230	2,165	4,490	965	6	10	6	10	6	10	3,000	3,000	3,000
	3,600	2,415	4,865	1,215	6	10	6	10	6	10	3,000	3,000	3,000
FFT	3,900	1,890	5,165	690	6	8	6	8	6	8	2,900	2,900	2,900
	4,290	2,025	5,570	825	6	5	6	8	6	8	2,900	2,900	2,900
	4,730	2,165	5,990	965	6	3	6	8	6	8	2,900	2,900	2,900
	4,805	2,190	6,065	990	6	3	6	8	6	8	2,825	2,900	2,900
	5,560	2,515	6,815	1,315	6	3	6	8	6	5	1,850	2,750	2,825
	6,010	2,665	7,265	1,465	6	3	6	5	6	3	1,425	2,675	2,750

Note : Mast Specifications & Rated Capacities are based on standard chassis with dual pneumatic tyre and without side shifter.

## MAST SPECIFICATIONS & RATED CAPACITIES cont

### CG33N-7 & P-7

Mast Type	Maximum Fork Height	Maximum Lowered Height	Fully Extended Height	Free Lift	Rated Load Capacities								
					With Load Backrest	With Load Backrest	Tilt Angle						Load Capacities
			Single Pneu				Double Pneu		Single Solid		Single Pneu	Double Pneu	Single Solid
			FWD	BWD			FWD	BWD	FWD	BWD	LC 500mm	LC 500mm	LC 500mm
mm	mm	mm	mm	deg	deg	deg	deg	deg	deg	kg	kg	kg	
STD	2,030	1,565	3,290	152	6	10	6	10	6	10	3,250	3,250	3,250
	2,580	1,840	3,840	152	6	10	6	10	6	10	3,250	3,250	3,250
	2,950	2,025	4,210	152	6	10	6	10	6	10	3,250	3,250	3,250
	3,230	2,165	4,490	152	6	10	6	10	6	10	3,250	3,250	3,250
	3,500	2,415	4,765	152	6	10	6	10	6	10	3,250	3,250	3,250
	3,800	2,565	5,065	152	6	10	6	10	6	10	3,250	3,250	3,250
	3,950	2,640	5,215	152	6	10	6	10	6	10	3,175	3,250	3,250
	4,350	2,840	5,615	152	6	5	6	10	6	10	3,175	3,250	3,250
	4,960	3,140	6,215	152	6	3	6	10	6	8	2,450	3,125	3,200
FF	2,580	1,840	3,840	640	6	10	6	10	6	10	3,250	3,250	3,250
	2,950	2,025	4,210	825	6	10	6	10	6	10	3,250	3,250	3,250
	3,230	2,165	4,490	965	6	10	6	10	6	10	3,250	3,250	3,250
	3,600	2,415	4,865	1,215	6	10	6	10	6	10	3,250	3,250	3,250
FFT	3,900	1,890	5,165	690	6	8	6	8	6	8	3,250	3,250	3,250
	4,290	2,025	5,570	825	6	8	6	8	6	8	3,250	3,250	3,250
	4,730	2,165	5,990	965	6	3	6	8	6	8	2,900	3,175	3,250
	5,560	2,515	6,815	1,315	6	3	6	8	6	5	1,750	2,975	3,050
	6,010	2,665	7,265	1,465	6	3	6	5	6	3	1,350	2,875	2,950

### CG35NC-7 & C-7

STD	1,800	1,565	3,290	152	6	10	6	10	6	10	3,500	3,500	3,500
	2,350	1,840	3,610	152	6	10	6	10	6	10	3,500	3,500	3,500
	2,720	2,025	3,980	152	6	10	6	10	6	10	3,500	3,500	3,500
	3,000	2,165	4,260	152	6	10	6	10	6	10	3,500	3,500	3,500
	3,495	2,415	4,760	152	6	10	6	10	6	10	3,500	3,500	3,500
	3,655	2,565	4,915	152	6	10	6	10	6	10	3,500	3,500	3,500
	3,805	2,640	5,065	152	6	10	6	10	6	10	3,500	3,500	3,500
	4,205	2,840	5,465	152	6	8	6	10	6	10	3,425	3,425	3,500
	4,805	3,140	6,065	152	6	3	6	8	6	8	3,250	3,275	3,375
FF	2,350	1,840	3,610	640	6	10	6	10	6	10	3,500	3,500	3,500
	2,720	2,025	3,980	825	6	10	6	10	6	10	3,500	3,500	3,500
	3,000	2,165	4,260	965	6	10	6	10	6	10	3,500	3,500	3,500
	3,495	2,415	4,755	1,215	6	10	6	10	6	10	3,500	3,500	3,500
FFT	3,555	1,890	4,815	690	6	8	6	8	6	8	3,400	3,400	3,400
	3,960	2,025	5,220	825	6	8	6	8	6	8	3,400	3,400	3,400
	4,380	2,165	5,640	965	6	5	6	8	6	8	3,375	3,375	3,400
	4,820	2,335	6,085	1,135	6	3	6	8	6	8	3,250	3,250	3,350
	5,205	2,515	6,465	1,315	6	3	6	8	6	5	2,600	3,150	3,250
	5,655	2,665	6,915	1,465	6	3	6	8	6	3	1,975	3,050	3,150

Note : Mast Specifications & Rated Capacities are based on standard chassis with dual pneumatic tyre and without side shifter.





**C-G / C-D**  
2000-3500

Specifications



**crown.com**

**Crown Equipment Pty Ltd Australia**  
15 Cooper Street, Smithfield NSW 2164  
**Tel** +61 2 8788 0000  
**crowninfo@crown.com**

**Crown Equipment Ltd New Zealand**  
18 Andromeda Crescent, East Tamaki  
**Tel (Toll Free)** 0800 802 002  
**contact.newzealand@crown.com**

**Crown Equipment (Singapore) Pte. Ltd.**  
15 Tuas Avenue 8, Singapore 639230  
**Tel** +65 6690 1888  
**contact.singapore@crown.com**

**Crown Equipment (Thailand) Co., Ltd.**  
222 / 6-7 Moo 5, Baan Rakard, Bangboa  
Samutprakarn, 10560  
**Tel** +66 2-118 3222  
**contact.thailand@crown.com**

**Crown Equipment Sdn. Bhd. Malaysia**  
No 9, Persiaran Pasak Bumi, Seksyen U8  
Bukit Jelutong, 40150 Shah Alam  
Selangor Darul Ehsan  
**Tel** +60 3 5033 8500  
**contact.malaysia@crown.com**

Because Crown is continually improving its products, specifications are subject to change without notice.

Notice: Not all products and product features are available in all countries in which this literature is published.

Crown, the Crown logo, the color beige, the Momentum symbol, InfoLink and Integrity Service System are trademarks of Crown Equipment Corporation in the United States and other countries.

Copyright 2017 Crown Equipment Corporation  
Printed in Australia. 1907.2450 ASF0262