

A2 CONNECTOR B02 WP010AG4 B04 WP010AJ2 B05 WP010AJ4 B06 WP010AJ6 B08 WP010AK2 B09 WP010AL6 B10 WP010AM2 B12 WP010AM4 B13 WP010AM6 D02 WP010AD4 D03 WP010AD6 D05 WP010AE2 D06 WP010AE4 D07 WP010AE6 D09 WP010AF2 D10 WP010AF4 D11 WP010AF6 D13 WP010AG2

FP813 1A 1B FP814 1C 1E 1F FP815 1G 1H 1J FP816 1K 1M 1N 1P FP817 1Q 1S 1T FP818 1U 1V 1X FP819 1Y 1Z 20 21 22 23 24 FP820 25 26 27 28 29 30 31 32

A3 CONNECTOR B02 WP010AD2 B04 WP010AM6 B05 WP010AL2 B06 WP010AG5 B08 WP010AH2 B09 WP010AH4 B10 WP010AK4 B12 WP010AK6 B13 WP010AN2 D02 WP010AP2 D03 WP010AP4 D05 WP010AR6 D06 WP010AB2 D07 WP010AB4 D09 WP010AB6 D10 WP010AC2 D11 WP010AC4 D13 WP010AC6

B6 CONNECTOR B04 WP010AJ2 B05 WP010AJ4 B06 WP010AJ6 B08 WP010AK2 C3 SINGLE CARD 8210782 2655

A4 CONNECTOR B02 FP315AG6 B04 FP315AP6 B05 FP315AL6 B06 FP315AS2 B08 FP315CR4 B09 FP315AR6 B10 FP315AL6 B12 FP315AK6 B13 FP315CR6 D02 FP315AY2 D03 FP315AX2 D05 FP315AY2 D06 FP315AZ2 D07 FP315BA2 D09 FP315AU2 D10 FP315AW2 D11 FP315AX2 D13 FP315AZ2

FP222 01 02 03 04 05 06 07 08 09 0A 0C 0D FP221 0E 0F 0G 0H 0I 0J 0K 0L 0M 0N 0P 0Q FP220 0R 0S 0T FP221 0U 0V 0X 0Z

A5 CONNECTOR B02 FP306AUZ B04 FP303AU6 B05 FP303AX2 B06 FP303AZ6 B08 FP301CR2 B13 WP010AL4 D02 FP311CP6 D03 FP311CQ2 D05 FP311AR6 D06 FP311CQ4 D07 FP311CQ6 D09 FP305BK6 D10 FP305BK6 D11 FP311CP2 D13 FP311CP4

C4 DOUBLE CARD 8210782 2655

A6 CONNECTOR D02 WP010AD4 D04 WP010AD6 E02 WP010AD6 B2 QUAD CARD 5850757 0757 B3 B4 B5

FP362 00 01 02 03 04 05 06 07 08 09 0A 0B 0C 0D 0E 0F 0G 0H 0I 0J 0K 0L 0M 0N 0P 0Q 0R 0S 0T 0U 0V 0W 0X 0Y 0Z 10 11 12 13 14 15 16 17 18 19 1A 1B 1C 1D 1E 1F 1G 1H 1I 1J 1K 1L 1M 1N 1P 1Q 1R 1S 1T 1U 1V 1X 1Y 1Z 20 21 22 23 24 25 26 27 28 29 2A 2B 2C 2D 2E 2F 2G 2H 2I 2J 2K 2L 2M 2N 2P 2Q 2R 2S 2T 2U 2V 2W 2X 2Y 2Z

FP811 00 01 02 03 04 05 FP813 06 07 08 09 FP815 0A 0B 0C 0D FP813 0E 0F FP814 0G 0H 0J 0K 0L 0M 0N 0P 0Q 0R FP813 0S 0T 0U FP812 0V FP815 0W 0X 0Y FP812 0Z FP813 10 FP814 11 12 13 FP812 14 15 16 17 18 19

C5 DOUBLE CARD 5858716 2653

C6 CONNECTOR A02 WP010AF2 A04 WP010AL4 B02 WP010AF4 B04 WP010AF6 C02 WP010AF2 D04 WP010AF4 E02 WP010AF2 E04 WP010AF6 D2 QUAD CARD 5853114 2645 D3 D4

D5 FP411 00 01 FP413 02 03 FP411 04 FP413 05 FP412 06 07 08 09 FP411 0A 0B 0C 0D 0E 0F FP413 0G 0H FP412 0J 0K 0L 0M FP414 0N FP413 0P FP414 0Q 0R 0S 0T 0U FP411 0V FP413 0W 0X FP414 0Y 0Z FP413 10 FP414 11 12 13 14 FP412 15 16 17 FP414 18 FP412 19 FP414 1A 1B 1C 1D 1E FP411 1F FP414 1G FP413 1H 1J FP411 1K FP413 1M 1N FP412 1P 1Q 1R FP414 1S FP412 1T FP413 1U FP414 1V 1W FP413 1X FP414 1Y FP412 1Z 20 21 FP414 22 FP413 23 24 25 26 27 28 29 2A 2B 2C 3V 3W FP412 3X 3Y 3Z 40 41 42 FP413 43 FP411 44

E6 D02 WP010AB2 D04 WP010AG6 E02 WP010AB4 F2 QUAD CARD 5857980 2637 F3 F4 F5 FP403 00 01 02 03 04 05 FP402 06 FP403 07 FP402 08 FP401 09 0A 0B 0C 0D FP402 0E 0F 0G 0H FP404 0J 0K FP401 0L 0M 0N 0P FP402 0Q 0R 0S 0T FP401 0U FP404 0V FP403 0W 0X 0Y 0Z FP404 10 11 12 13 14 FP401 15 FP402 16 FP403 17 18 19 FP404 1A FP414 1L FP402 1C 1D FP412 1P 1Q 1R FP401 1F FP402 1G FP401 1H 1J FP402 1K 1L FP404 1M FP401 1N FP404 1P 1Q 1R FP402 1S FP404 1T 1U 1V FP403 1X FP401 1Y FP403 1Z 20 FP404 21 FP401 22 FP402 23 24 25 FP404 26 FP402 27 2A 2B 2C 2D 2E 2F 2G FP404 2H FP402 2J FP404 2K 2L 2M FP402 2U FP401 2V FP404 44 FP401 45 46 47 48 FP404 49 4A 4C 4D 4E 4F FP401 50 51 52 FP404 53 54 55 FP404 56 FP403 57 58 59 5A

D6 CONNECTOR E02 WP010AR2 E04 WP010AD2 E2 DOUBLE CARD 5857395 2652 E3

F6 CONNECTOR A04 WP010AH2 B02 WP010AG6 B04 WP010AH4 C02 WP010AC2 C04 WP010AK4 D02 WP010AC4 E04 WP010AK6 FP351 00 01 02 03 04 05 06 07 FP352 08 09 0A 0B 0C 0D 0E 0F 0G 0H 0J 0K 0L 0M 0N 0P 0Q 0R 0S 0T FP351 0U 0V 0W FP351 0X 0Y 0Z 10 11 12 13 14 15 16 17 18 19 FP352 19 1A 1B 1C 1D 1E 1F 1G 1H 1J 1K FP351 1L 1M 1N FP352 1P FP351 1Q 1R 1S 1T 1U FP351 1V 1W 1X FP352 1Y 1Z 20 21 22 29 33 34

FP323 00 01 02 03 04 FP324 05 FP323 06 07 FP321 08 09 0A 0B 0C 0D 0E 0F 0G 0H 0J 0K 0L 0M 0N 0P 0Q 0R 0S 0T 0U 0V 0W 0X FP323 18 19 1A FP324 1B FP323 1C 1D 1E 1F FP324 1G 1H FP322 1J FP323 1K FP324 1L 1M FP324 1N 1S 1T FP323 1U FP324 1V 1W 1X 1Y 1Z 20 21

F8 CONNECTOR A02 WP010AH2 B02 WP010AG6 B04 WP010AH4 C02 WP010AC2 C04 WP010AK4 D02 WP010AC4 E04 WP010AK6 G2 QUAD CARD 8214298 0758 G3 G4 G5

E4 DOUBLE CARD 8214299 3072 E5

FP824 00 01 02 03 04 05 FP822 06 07 FP826 08 09 FP821 0A 0B 0C 0D 0E 0F FP826 0G 0H FP824 0J 0K FP825 0L FP822 0M FP825 0N FP822 0P 0Q 0R 0S FP823 0T 0U 0V 0W 0X FP821 0Y FP822 0Z 10 11 12 FP821 13 14 FP822 15 FP825 16 FP824 17 FP821 18 FP823 19 FP825 1A FP822 1B FP824 1C 1D

FP861 00 01 02 FP862 03 04 05 06 07 08 FP861 09 0A 0B FP862 0C 0D FP864 0E 0F FP861 0G FP864 0H 0J 0K FP861 0L FP862 0M 0N FP861 0P 0Q 0R 0S 0T 0U 0V 0W 0X 0Y FP862 0Z 10 FP861 11 12 FP862 13 14 15 FP861 19 1A 1B 1C 1D

E5 CONNECTOR D10 FP2213E6 E6 CONNECTOR A02 WP010AD4 B04 WP010AM6 C02 WP010AD6 C04 WP010AL2

FP822 1E 1F 1G FP826 1H 1J FP822 1K FP822 1L FP824 1M FP823 1N FP821 1P FP823 1Q 1R 1S FP821 1T FP823 1U 1V FP821 1W 1X FP821 1Z FP822 20 FP821 21 FP826 22 FP823 23 FP821 24 FP822 25 26 FP824 27 28 FP822 29 FP824 2A FP823 2B 2C FP824 2D FP826 2E FP823 2F FP821 2H FP825 2J 2K FP823 2L 2M FP826 2N FP821 2P 2Q FP822 2R FP823 2S 2T 2U FP824 2V 2W 2X FP826 2Y 2Z 30 31 32 33 FP823 3A

G6 CONNECTOR A02 WP010AC6 A04 WP010AM2 H2 QUAD CARD 5854652 2644 H3 H4 H5

FP351 00 01 02 03 04 05 06 07 FP352 08 09 0A 0B 0C 0D 0E 0F 0G 0H 0J 0K 0L 0M 0N 0P 0Q 0R 0S 0T FP352 0U 0V 0W FP351 0X 0Y 0Z 10 11 12 13 14 15 16 17 18 19 FP352 19 1A 1B 1C 1D 1E 1F 1G 1H 1J 1K FP351 1L 1M 1N FP352 1P FP351 1Q 1R 1S 1T 1U FP351 1V 1W 1X FP352 1Y 1Z 20 21 22 29 33 34

H6 CONNECTOR A02 FP353AY2 A04 FP315AG6 B02 FP351AV2 C04 FP315AP6 D02 FP351AX2 D04 FP315AL6 E02 FP351MY2 E04 FP315MS2 J2 QUAD CARD 5853835 2640 J3 J4 J5

FP314 00 01 02 03 04 05 FP315 06 07 08 FP312 09 0A 0B 0C 0D 0E 0F 0G FP314 0H 0J 0K 0L 0M 0N 0P 0Q FP314 0R 0S 0T FP313 0U FP315 0V

FP311 0W FP314 0X FP315 0Y FP311 0Z 10 11 12 13 14 15 16 17 18 19 FP313 19 FP315 1A FP312 1B FP314 1C 1D FP315 1E FP314 1F FP312 1G FP313 1H FP315 1J 1K FP312 1L FP314 1M FP315 1N 1P FP311 1Q 1R 1S 1T 1U 1V 1W 1X FP311 1Y FP314 1Z 20 21 22 23 24 25 26 27 28 29 30 31 32 33 34 35 36 37 38 39 3A 3B 3C 3D 3E 3F 3G 3H 3J 3K 3L 3M 3N 3P 3Q 3R 3S 3T 3U 3V 3W 3X 3Y 3Z 40 41 42 43 44 45 46 47

L2 DOUBLE CARD 8210792 2638 L3

FP501 00 01 FP502 02 FP501 03 04 05 06 FP502 07 08 FP501 09 FP502 0A 0B 0C FP501 0D FP502 0E 0G 0J 0K 0L FP501 0M 0N FP502 0P 0Q 0R 0S FP501 0T 0U 0V FP502 0W FP501 0X FP504 0Y FP501 0Z 10 FP502 11 12 FP501 13 14 FP502 17 FP501 18 FP502 19 1A 1B 1C 1D 1E FP501 1K 1L 1M 1N 1S 1T 1U 1V FP502 1W FP501 1X FP502 1Y

J6 CONNECTOR A02 FP351BR2 B04 FP911CR4 C02 FP352AU2 C04 FP315AM6 D02 FP352AM6 D04 FP313AL6 E02 FP352AX2 K2 QUAD CARD 8251523 3858 K3 K4 K5

FP345 00 01 02 03 FP346 04 05 FP342 06 FP341 07 FP342 08 09 FP341 0A FP345 0B 0C 0D 0E 0F 0G FP341 0H 0J 0K 0L 0M 0N FP345 0P 0Q 0R 0S FP346 0T 0U 0X 0Y FP341 11 12 13 FP342 14 FP343 15 FP342 16 FP344 17 FP346 18 19 FP343 1A 1B 1C 1D FP342 1E FP341 1F FP345 1G 1H 1J 1K 1L FP344 1M

FP342 1N 1P 1Q FP341 1R FP342 1S FP346 1U FP314 1V 1W 1X FP311 1Y 1Z 20 21 22 23 FP341 24 FP342 25 26 27 28 29 30 31 32 33 34 35 36 37 38 39 40 41 42 43 44 45 46 47 48 49 50 51 52 53 54 55 56 57 58 59 60 61 62 63 64 65 66 67 68 69 70 71 72 73 74 75 76 77 78 79 80 81 82 83 84 85 86 87 88 89 90 91 92 93 94 95 96 97 98 99 100

K6 CONNECTOR A04 FP313AK6 B02 FP352AZ2 B04 FP911CR6 L4 SINGLE CARD 5858714 2644 UCS

FP801 00 01 FP802 02 03 04 05 FP801 06 07 FP802 08 09 FP801 0A 0B 0C 0D 0E 0F 0G 0H 0J 0K 0L 0M 0N 0P 0Q 0R 0S FP801 0T 0U 0V 0W 0X 0Y 0Z 10 11 12 13 14 15 16 17 18 19 1A 1B 1C 1D 1E 1F 1G 1H 1J 1K 1L 1M 1N 1S 1T 1U 1V 1W 1X 1Y 1Z 20 21 22 23 24 25 26 27 28 29 30 31 32 33 34 35 36 37 38 39 40 41 42 43 44 45 46 47 48 49 50 51 52 53 54 55 56 57 58 59 60 61 62 63 64 65 66 67 68 69 70 71 72 73 74 75 76 77 78 79 80 81 82 83 84 85 86 87 88 89 90 91 92 93 94 95 96 97 98 99 100

L4 SINGLE CARD 5858714 2644 UCS

FP801 00 01 FP802 02 03 04 05 FP801 06 07 FP802 08 09 FP801 0A 0B 0C 0D 0E 0F 0G 0H 0J 0K 0L 0M 0N 0P 0Q 0R 0S FP801 0T 0U 0V 0W 0X 0Y 0Z 10 11 12 13 14 15 16 17 18 19 1A 1B 1C 1D 1E 1F 1G 1H 1J 1K 1L 1M 1N 1S 1T 1U 1V 1W 1X 1Y 1Z 20 21 22 23 24 25 26 27 28 29 30 31 32 33 34 35 36 37 38 39 40 41 42 43 44 45 46 47 48 49 50 51 52 53 54 55 56 57 58 59 60 61 62 63 64 65 66 67 68 69 70 71 72 73 74 75 76 77 78 79 80 81 82 83 84 85 86 87 88 89 90 91 92 93 94 95 96 97 98 99 100

L5 SINGLE CARD 5853060 4050 SOCKET LISTING DATE 04-10-72 RACH: 5203-ATT 1A 1B 1C 1D 1E 1F 1G 1H 1I 1J 1K 1L 1M 1N 1O 1P 1Q 1R 1S 1T 1U 1V 1W 1X 1Y 1Z 20 21 22 23 24 25 26 27 28 29 30 31 32 33 34 35 36 37 38 39 40 41 42 43 44 45 46 47 48 49 50 51 52 53 54 55 56 57 58 59 60 61 62 63 64 65 66 67 68 69 70 71 72 73 74 75 76 77 78 79 80 81 82 83 84 85 86 87 88 89 90 91 92 93 94 95 96 97 98 99 100

SOLID LOGIC DESIGN AUTOMATION - SOCKET LISTING

L5

FP601	00	01	02	03	04	05
	06	07	08	09	0A	0B
	0D	0E	0F	0G	0J	0K
	0N	0S	0T	0U	0Y	0Z
	11	12	13	14	15	

L6

CONNECTOR						
D02	FP911CP6					
D04	FP306ALZ					
E02	FP911CQ2					

R2

QUAD CARD						
	8212525	2657				

FP302	00	01	02	03		
FP306	04	05	06			
FP302	07	08	09	0A	0B	0C
FP303	0D	0E	0F	0G	0H	0J
FP305	0K	0L				
FP302	0N					
FP303	0P	0Q				
FP304	0R	0S	0T	0U		
FP303	0V					
FP304	0W	0X	0Y	0Z	10	11
FP305	12					
FP302	13					
FP304	14	15				
FP302	16					
FP304	17					
FP305	18	19				
FP301	1A	1B	1C	1D		
FP305	1E					
FP303	1F					
FP305	1G					
FP302	1H					
FP305	1J					
FP301	1K					
FP305	1L	1M	1N	1P		
FP304	1Q					
FP306	1R	1S	1T			
FP304	1U	1V	1W			
FP305	1X	1Y	1Z	20		
FP306	21	22				
FP305	23					
FP306	24					
FP303	25					
FP305	26					
FP301	27	28	29			
FP306	2A					
FP305	2B					
FP303	2C					
FP305	2D					
FP302	2E					
FP305	2F					
FP306	2G					
FP303	2H					
FP306	2J					
FP305	2K					
FP304	2L					
FP306	2M					
FP304	2N					
FP306	2P					
FP304	2Q					
FP305	2R	2S				
FP306	2T					
FP305	2U	2V	2W			
FP302	2X					
FP303	2Y					
FP304	2Z					
FP306	30					
FP301	31					
FP306	32					
FP302	33					
FP306	34					
FP305	35					
FP303	36					
FP304	37					
FP303	38					
FP306	39					
FP304	3A					
FP306	3B					
FP305	3C	3D	3E			
FP303	3F					
FP305	3G	3H	3J			
FP306	3K					
FP303	3L					
FP306	3M					
FP305	3N					
FP303	3P					
FP305	3Q					
FP303	3R					
FP305	3S					
FP303	3T					
FP305	3U					
FP303	3V					
FP305	3W					
FP302	3X					
FP302	3Y					
FP306	3Z					
FP301	3A					
FP306	3B					
FP302	3C	3D	3E			
FP302	3F	3G	3H			
FP306	3I					

FP302	63	64				
FP306	65	66				

N6

CONNECTOR						
A04	FP303AJ6					
B02	FP314866					
B04	FP303AX2					
C02	FP911CQ4					
C04	FP341AZ6					
D02	FP911CQ6					
E04	FP911CR2					

N2

QUAD CARD						
	5856570	2642				

FP621	00	01	02	03	04	05
FP622	06	07	08	09	0A	0B
FP622	0C	0D	0E	0F	0G	0H
FP623	0J	0K	0L	0M	0N	0P
FP623	0Q	0R	0S			
FP623	0T					
FP625	0U	0V				
FP623	0W	0X	0Y	0Z	10	11
FP621	12					
FP623	13					
FP624	14					
FP625	15					
FP621	16	17				
FP622	18	19				
FP621	1A	1B				
FP622	1C	1D				
FP621	1E	1F				
FP622	1G	1H				
FP624	1J	1K				
FP625	1L	1M				
FP623	1N	1P				
FP625	1Q	1R				
FP624	1S	1T				
FP622	1U					
FP623	1V					
FP625	1W					
FP623	1X					
FP624	1Y	1Z				
FP624	20	21	22			
FP623	23					
FP625	24					
FP621	25					
FP622	26					
FP624	27	28				
FP624	29					
FP625	2A	2B				
FP622	2C					
FP623	2D	2E	2F			
FP625	2G	2H	2J	2K		
FP623	2L					
FP625	2M					
FP624	2N	2P				
FP622	2Q					
FP625	2R					
FP621	2S					
FP625	2T					
FP622	2U					
FP625	2V	2W				
FP623	2X					
FP625	2Y	2Z				
FP624	2A	2B	2C	2D	2E	2F
FP625	2G	2H	2I	2J	2K	2L
FP623	2M					
FP625	2N	2P	2Q	2R	2S	2T
FP622	2U					
FP625	2V	2W	2X	2Y	2Z	30
FP621	31					
FP625	32					
FP621	33					
FP625	34					
FP621	35					
FP625	36					
FP624	37	38				
FP625	39	40	43	44	45	
FP622	46					
FP625	47					
FP621	48	49	4A			

N6

CONNECTOR						
A02	FP305BJ6					
B02	FP305BK6					
C02	FP911CP2					
E02	FP911CP4					
E04	WP01OR4					

R2

QUAD CARD						
	5856570	2642				

N6

FP711	00	01	02	03	04	05
FP712	06	07	08	09	0A	0B
	0C	0D	0E	0F	0G	0H
	0J	0K	0L	0M	0N	0P
FP713	0Q	0R	0S			
FP712	0T					
FP715	0U	0V				
FP713	0W	0X	0Y	0Z	10	11
FP711	12					
FP713	13					
FP714	14					
FP715	15					
FP711	16	17				
FP712	18	19				
FP711	1A	1B				

FP712	1C	1D			
FP711	1E	1F			
FP712	1G	1H			
FP714	1J	1K			
FP715	1L	1M			
FP713	1N	1P			
FP715	1Q	1R			
FP714	1S	1T			
FP712	1U				
FP713	1V				
FP715	1W				
FP713	1X				
FP714	1Y	1Z			
FP715	20				
FP714	21	22			
FP715	23	24			
FP711	25				
FP712	26				
FP715	27	28			
FP714	29				
FP715	2A	2B			
FP712	2C				
FP713	2D	2E	2F		
FP715	2G	2H	2J	2K	
FP713	2L				
FP715	2M				
FP714	2N	2P			
FP712	2Q				
FP711	2R	2S			
FP715	2T				
FP712	2U				
FP715	2V	2W			
FP713	2X				
FP715	2Y				
FP714	2Z	30			
FP715	31	40	43	44	45
FP712	46				
FP715	47				

R2

DOUBLE CARD						
	5857394	2641				

R3

DOUBLE CARD						
	5857394	2641				

FP701	00	01	02	03	04	05
FP702	06	07	08	09	0A	0B
FP702	0C	0D				
FP701	0E					
FP703	0F	0G	0H			
FP702	0J					
FP701	0K					
FP702	0L					
FP703	0M	0N	0P	0Q	0R	0S
FP702	0T					
FP702	0U					
FP703	0V					
FP702	0W					
FP703	0X					
FP702	0Y	0Z				
FP703	10					
FP702	11	12	13	14		
FP701	15	16				
FP702	17	18				
FP703	19					
FP701	1A	1B	1C			
FP703	1D					
FP701	1E	1F				
FP702	1G	1H	1J			
FP703	1K	1L				
FP702	1M					
FP701	1N	1P				
FP703	1Q					
FP702	1S					
FP703	1T	1Z	20	21		
FP701	22					
FP703	23					
FP701	24					

R4

DOUBLE CARD						
	5857394	2641				

THE FOLLOWING BLACK WIRES PN 811695 ARE ADDED WHEN THE SPECIFIED FEATURES ARE INSTALLED
 THE FOLLOWING FEATURES MAY BE WIRED FOR THE 100 LPM FEATURE.

CODE	BOARD PN	LOWEST BOARD EC	NET NUMBER	PIN LOC	PIN LOC
DUAL CARR				A-BIM2B10	TO A-BIM2P03
NOT DUAL CARR				A-BIM2B10	TO A-BIE2J06
NOT DUAL CARR				A-BIS4G13	TO A-BIS4J08
100 LPM				A-BIF2P12	TO A-BIE5B12
96 PRT POS				A-BIG2M09	TO A-BIE2J09
96 PRT POS				A-BIG2S05	TO A-BIC4B10
120 PRT POS				A-BIG2M09	TO A-BIH2G11
120 PRT POS				A-BIG2S05	TO A-BIE5B12
132 PRT POS				A-BIG2M09	TO A-BIH2G11
132 PRT POS				A-BIG2S05	TO A-BIC4B10
DUAL BYTE MODE		(WIRE MUST BE ADDED ON ALL 5412 SYSTEMS)		A-BIN6A04	TO A-BIA5B09

THE FOLLOWING FEATURES MAY BE WIRED FOR THE 200 LPM FEATURE.

200 LPM				A-BIF2P12	TO A-BIF2S11
DUAL CARR				A-BIM2B10	TO A-BIM2P03
NOT DUAL CARR				A-BIM2B10	TO A-BIE2J06
NOT DUAL CARR				A-BIS4G13	TO A-BIS4J08
96 PRT POS				A-BIG2M09	TO A-BIE2J09
96 PRT POS				A-BIG2S05	TO A-BIC4B10
120 PRT POS				A-BIG2M09	TO A-BIH2G11
120 PRT POS				A-BIG2S05	TO A-BIE5B12
132 PRT POS				A-BIG2M09	TO A-BIH2G11
132 PRT POS				A-BIG2S05	TO A-BIC4B10
DUAL BYTE MODE (MUST BE ADDED ON ALL 5412 SYSTEMS)				A-BIN6A04	TO A-BIA5B09

THE FOLLOWING FEATURES MAY BE WIRED FOR THE 300 LPM FEATURE

DUAL CARR				A-BIM2B10	TO A-BIM2P03
NOT DUAL CARR				A-BIM2B10	TO A-BIE2J06
NOT DUAL CARR				A-BIS4G13	TO A-BIS4J08
96 PRT POS				A-BIG2D07	TO A-BIE2J09
96 PRT POS				A-BIG2B02	TO A-BIC4B10
120 PRT POS				A-BIG2D07	TO A-BIH2G11
120 PRT POS				A-BIG2B02	TO A-BIC3B12
132 PRT POS				A-BIG2D07	TO A-BIH2G11
132 PRT POS				A-BIG2B02	TO A-BIC4B10
DUAL BYTE MODE (MUST BE ADDED ON ALL 5412 SYSTEMS)				A-BIN6A04	TO A-BIA5B09

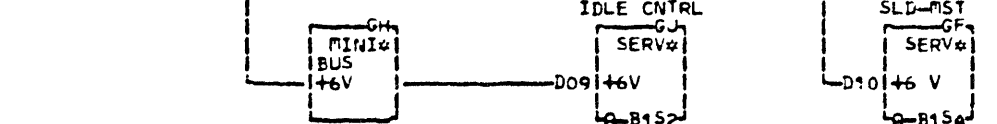
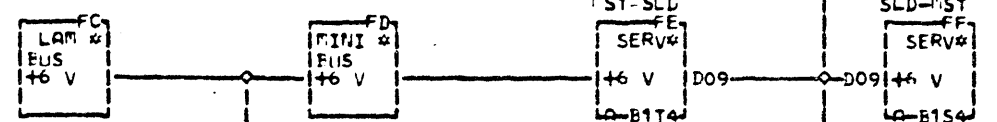
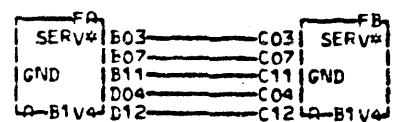
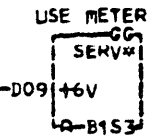
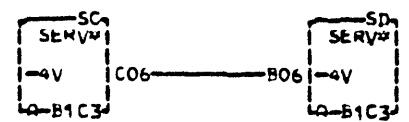
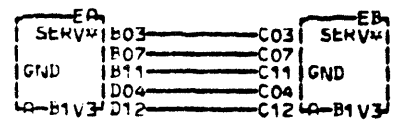
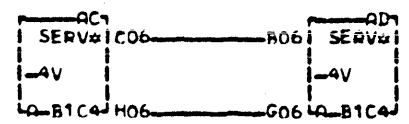
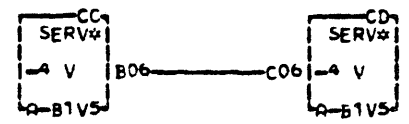
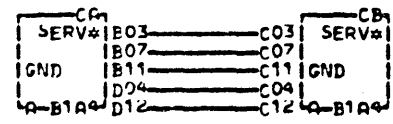
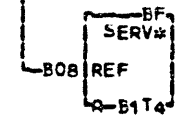
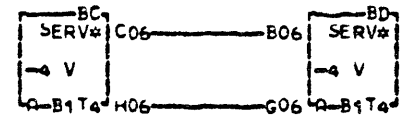
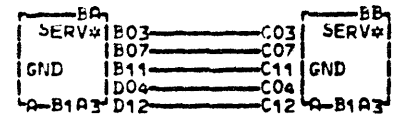
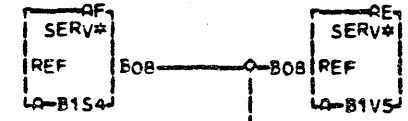
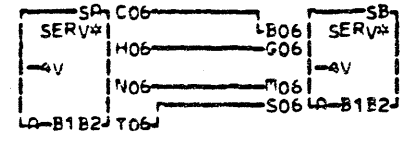
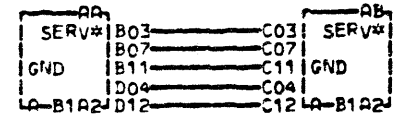
DATE EC NO.
 18 SEPT 75 827767

DATE EC NO.
 01 MAR 76 827876

DATE EC NO.
 4 NOV 76 571931

DATE EC NO.

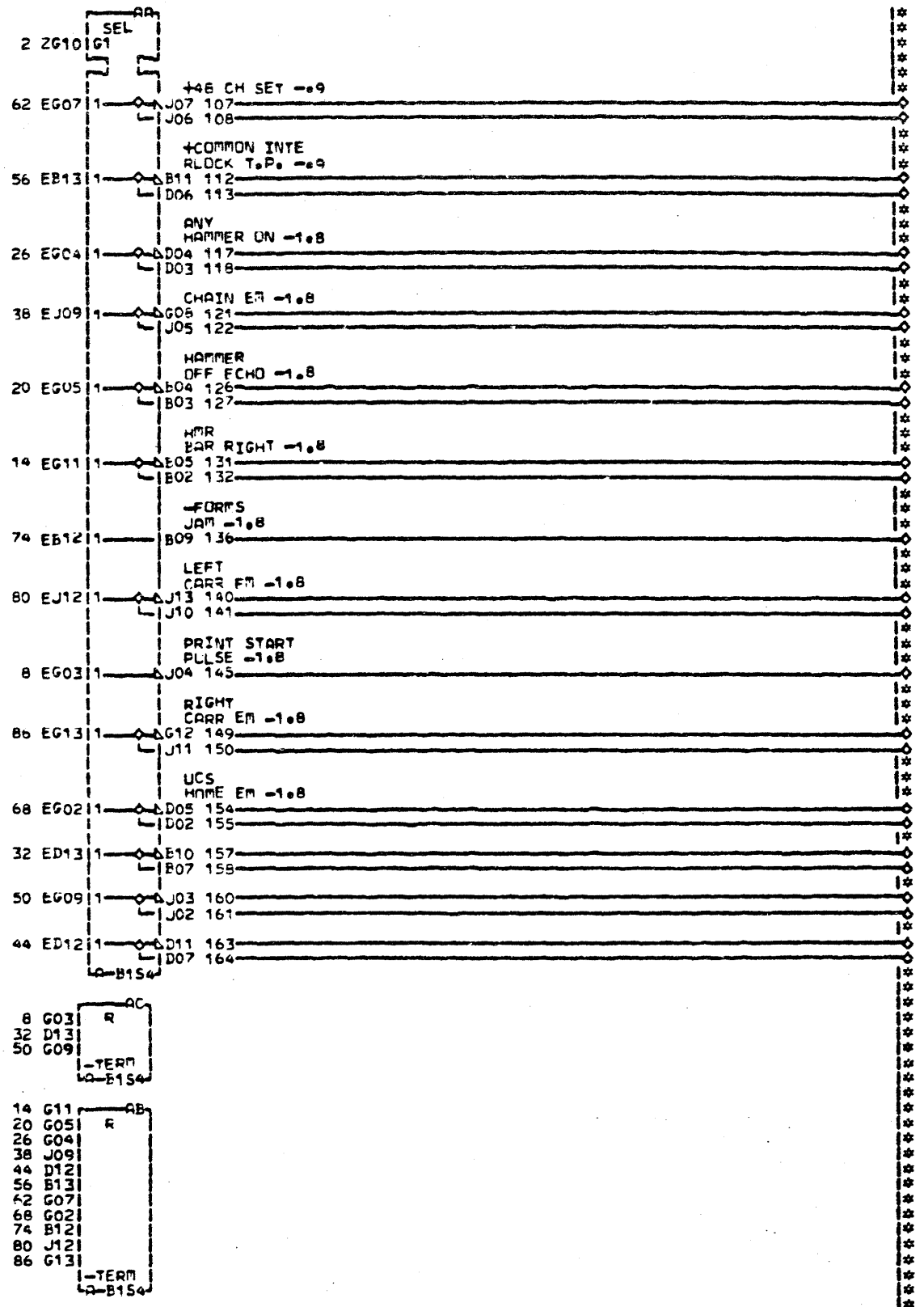
DATE EC NO.



LOC. TYPE

BOARD 01A-B1 SERVICE		F P 1 2 1
VERSION 011		
E.C. HISTORY	R. MACH. 5203-ATT	1 2 1
818912	FRAME 01	
DATE	IBM CORP. SDD	011
07-16-71	P.N. 7369370	

+ MST TIE-UP FP301AK4- 2-1
 + INTF PRINT START PULSE WP121AA2- 8-2
 + INTF HMR BAR RIGHT WP121AA4- 14-2
 + INTF HAMMER OFF ECHO +3 WP121AA6- 20-2
 + INTF ANY HAMMER ON +3 WP121AB1- 26-2
 - INTF END OF FORMS +0 WP121AB3- 32-2
 + INTF CHAIN EM +3 WP121AB5- 38-2
 - INTF DEVICE READY +0 WP121AB7- 44-2
 - INTF HMR UNIT THERMO OVERL WP121AC2- 50-2
 - INTF COMMON INTERLOCK +0 WP121AC4- 56-2
 INTF 48 CH SET +0 WP121AC6- 62-2
 + INTF JCS CHAIN HOME EM +3 WP121AD1- 68-2
 - INTF FORMS JAM +0 WP121AD3- 74-2
 + INTF LEFT CARR EM +3 WP121AE2- 80-2
 + INTF RIGHT CARR EM +3 WP121AE4- 86-2



*** FP201 *** 011 FP201 FP202

131 - HMR BAR RIGHT -1.8 AH2
 LFP346 LFP401 LFP501

132 + HMR BAR RIGHT T.P. -0.9 AH6

126 - HAMMER OFF ECHO -1.8 FP342-AK2

127 + HAMMER OFF ECHO T.P. -0.9 AK6

154 - UCS HOME EM -1.8 FP802-AM2

155 + UCS HOME EM T.P. -0.9 AM6

140 - LEFT CARR EM -1.8 FP612-BB2

141 + LEFT CARR EM -0.9 FP345-BB6

149 - RIGHT CARR EM -1.8 FR702-BD2

150 + RIGHT CARR EM -0.9 FP345-BD6

121 - CHAIN EM -1.8 BF2
 LFP222 LFP343

122 + CHAIN EM T.P. -0.9 BF6

117 - ANY HAMMER ON -1.8 FP342-BH2

118 + ANY HAMMER ON T.P. -0.9 BH6

*** FP202 ***

163 + DEVICE READY T.P. -0.9 AH2

164 - DEVICE READY -1.8 AH6
 LFP349 LFP501

136 - FORMS JAM -1.8 FP342-AK6

107 + 48 CH SET -0.9 AM2
 LFP404 LFP413 LFP502 LFP801
 LFP862

108 - 48 CH SET -1.8 AM6
 LFP346 LFP404 LFP413 LFP501
 LFP502 LFP601 LFP861 LFP862

112 + COMMON INTERLOCK T.P. -0.9 BA2
 LFP818

113 - COMMON INTERLOCK -1.8 FP306-BA6

145 - PRINT START PULSE -1.8 FP221-BC2

160 + HMR UNIT THERMO OVR. T.P. -0.9 BE2

161 - HMR UNIT THERMO OVR. -1.8 BE6
 LFP342 LFP345

157 + END OF FORMS T.P. -0.9 BG2

158 - END OF FORMS -1.8 BG6
 LFP306 LFP111

A. NOTE 1 CARRIAGE OPTION
 SINGLE FEED CARRIAGE
 CONNECT B154G13 TO B154J06
 B. SIM TO PN EC 818671

LOC. TYPE
 A-B154 2649

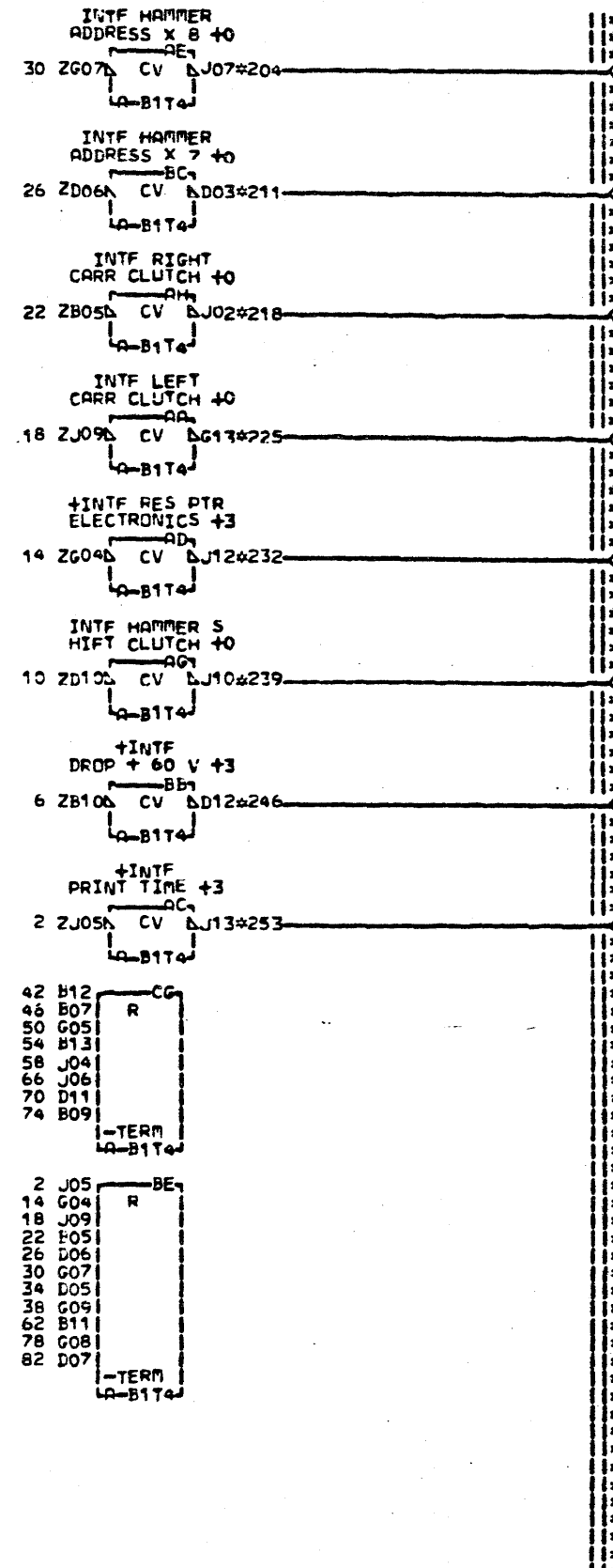
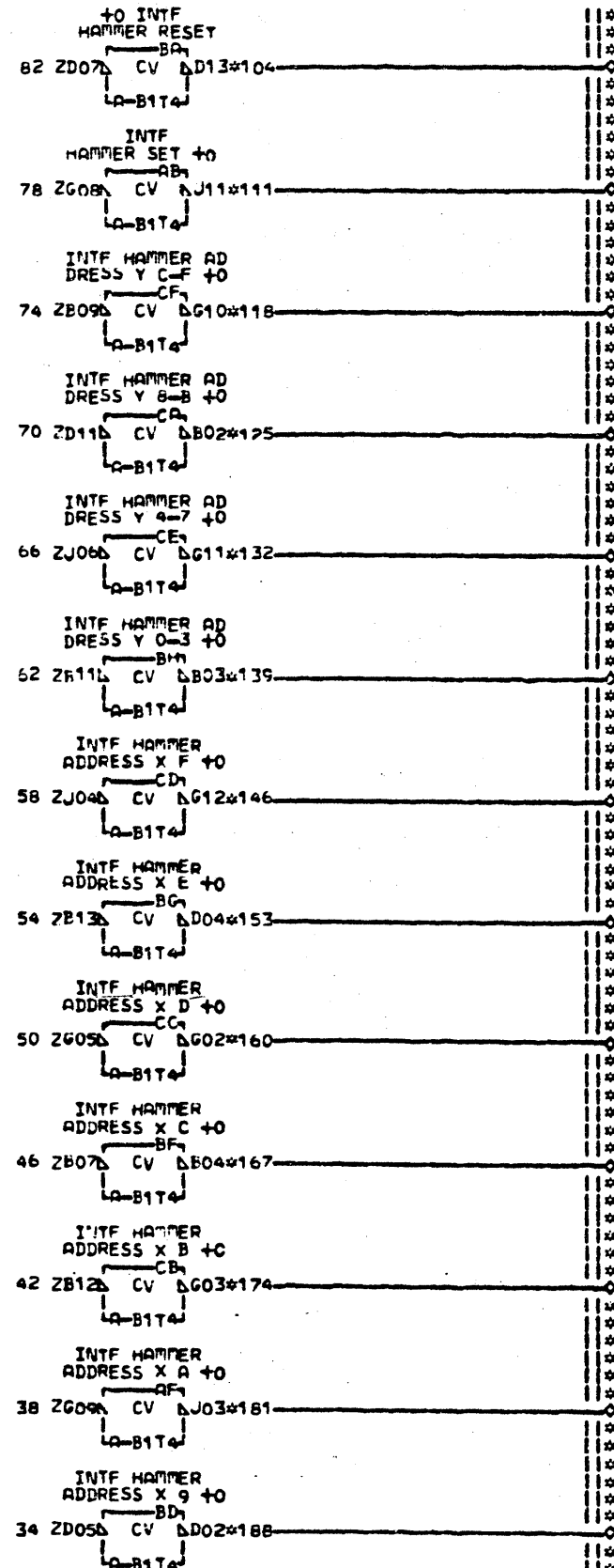
PAGE VER EC LEV
 FP201 000 818671
 FP202 011 818671

FP201
 FP202
 011

MST-5LD CONVERSION

E.C. HISTORY	R. MACH. 5203-ATT
818912	
DATE	LAST EC
07-16-71	818671
FRAME	01
IBN CORP. SDD	FP201
IP. No.	7369371
	011

+ PRINT TIME -09- FP313AR6- 2-2
+ DROP + 60 VOLTS -09- FP342AZ4- 6-1
- HAMMER SHIFT CLUTCH -1.0- FP501AQ6- 10-1
+ RESET PTR ELECTRONICS -09- FP502AT6- 14-2
- LEFT CARR CLUTCH -1.0- FP625AY6- 18-2
- RIGHT CARR CLUTCH -1.0- FP715AY6- 22-2
- HAMMER ADDRESS X7- FP813AU2- 26-2
- HAMMER ADDRESS X8- FP813AV2- 30-2
- HAMMER ADDRESS X9- FP813AW2- 34-11
- HAMMER ADDRESS XA- FP813AX2- 38-11
- HAMMER ADDRESS XB- FP814AU2- 42-11
- HAMMER ADDRESS XC- FP814AX2- 46-11
- HAMMER ADDRESS XD- FP814AY2- 50-11
- HAMMER ADDRESS XE- FP814AZ2- 54-11
- HAMMER ADDRESS XF- FP814BA2- 58-11
- HAMMER ADDRESS Y0- FP815AU2- 62-11
- HAMMER ADDRESS Y4- FP815AX2- 66-11
- HAMMER ADDRESS Y8- FP815AY2- 70-11
- HAMMER ADDRESS YC- FP815AZ2- 74-11
- HAMMER SET- FP823AG6- 78-11
- HAMMER RESET- FP823AX6- 82-11



011 FP211 FP212
*** FP211 ***
225 - INTF LEFT CARR CLUTCH +0- AG4 WP101
111 - INTF HAMMER SET +0- WP101-AH4
253 + INTF PRINT TIME +3- WP101-AJ4
232 + INTF RES PTR ELECTRONICS +3- AK4 WP101
204 - INTF HAMMER ADDRESS X 8 +0- AL4 WP101
181 - INTF HAMMER ADDRESS X A +0- AM4 WP101
239 - INTF HAMMER SHIFT CLUTCH +0- BA4 WP101
218 - INTF RIGHT CARR CLUTCH +0- BB4 WP101
109 - +0 INTF HAMMER RESET- WP101-BC4
246 + INTF DROP + 60 V +3- WP101-BD4
211 - INTF HAMMER ADDRESS X 7 +0- BE4 WP101
188 - INTF HAMMER ADDRESS X 9 +0- BF4 WP101
*** FP212 ***
167 - INTF HAMMER ADDRESS X C +0- AE4 WP101
153 - INTF HAMMER ADDRESS X E +0- AF4 WP101
139 - INTF HAMMER ADDRESS Y 0-3 +0- AG4 WP101
125 - INTF HAMMER ADDRESS Y 8-B +0- AH4 WP101
174 - INTF HAMMER ADDRESS X B +0- AT4 WP101
160 - INTF HAMMER ADDRESS X D +0- AU4 WP101
146 - INTF HAMMER ADDRESS X F +0- AV4 WP101
132 - INTF HAMMER ADDRESS Y 4-7 +0- AW4 WP101
118 - INTF HAMMER ADDRESS Y C-F +0- AX4 WP101

A-SIM TO PN EC 818671
B-SIM TO PN EC 818671

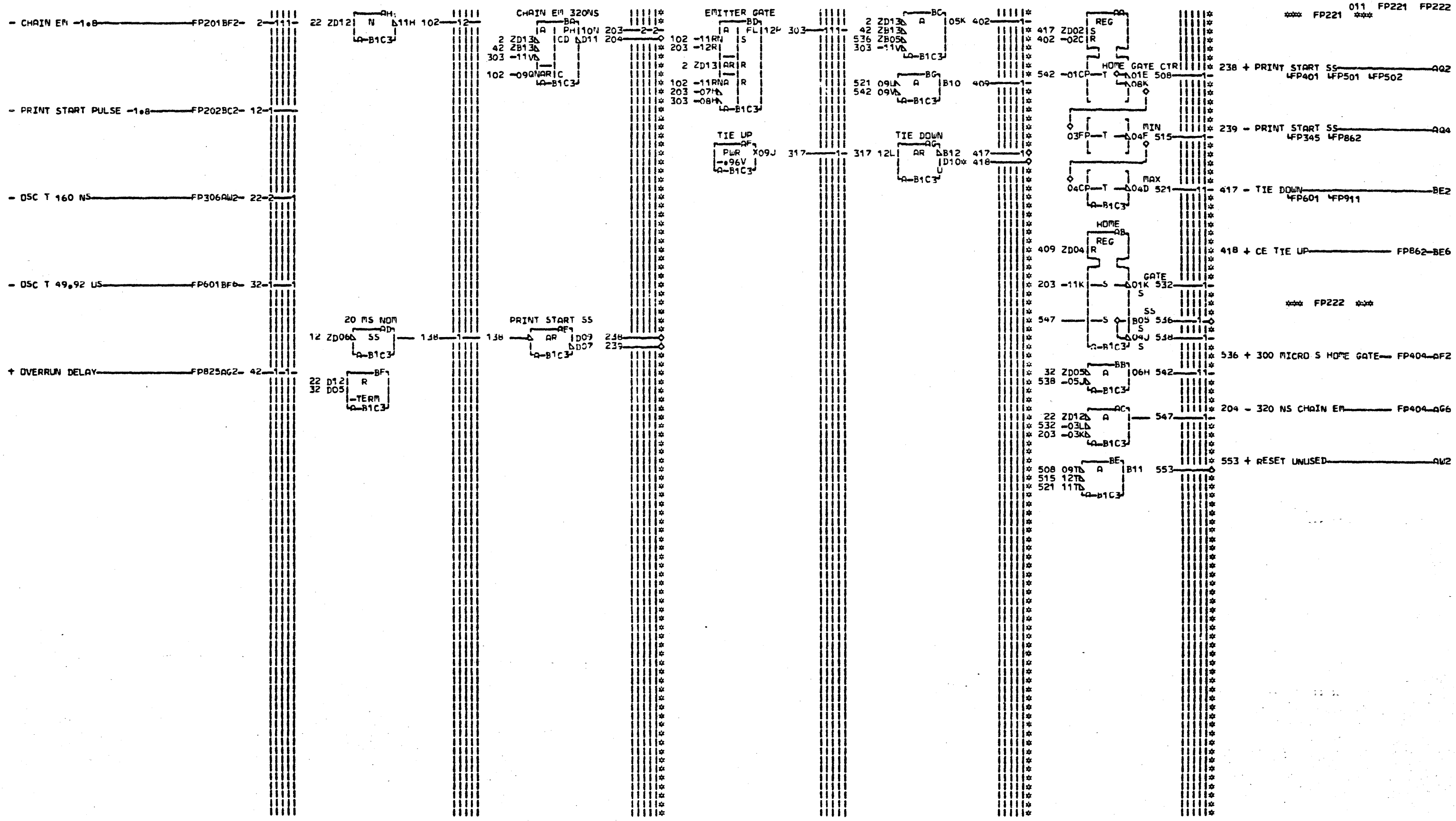
EDGE CONN. 167 A-B1V3B09 246 A-B1V4B02
104 A-B1V3D11 174 A-B1V3B08 253 A-B1V4B05
111 A-B1V3D10 181 A-B1V3B06
118 A-B1V3D09 188 A-B1V3B05
125 A-B1V3D07 204 A-B1V3B04
132 A-B1V3D06 211 A-B1V3B02
139 A-B1V3D05 218 A-B1V4D02
146 A-B1V3D03 225 A-B1V4B13
153 A-B1V3B12 232 A-B1V3D13
160 A-B1V3B10 239 A-B1V4B04

LOC. TYPE
A-B1T4 2650

PAGE VER EC LEV
FP211 011 818671
FP212 011 818671

FP211
FP212
011

MST-SLD CONVERSION
-E.C.-HISTORY- R. MACH. 5203-ATT
818912
DATE LAST EC
07-16-71 818671
FRAME 01 FP211
IBM CORP. SDD FP212
P.No. 7369372 011



011 FP221 FP222
*** FP221 ***

*** FP222 ***

A. SIM TO PN
B. SIM TO PN

EC 818671
EC 818671

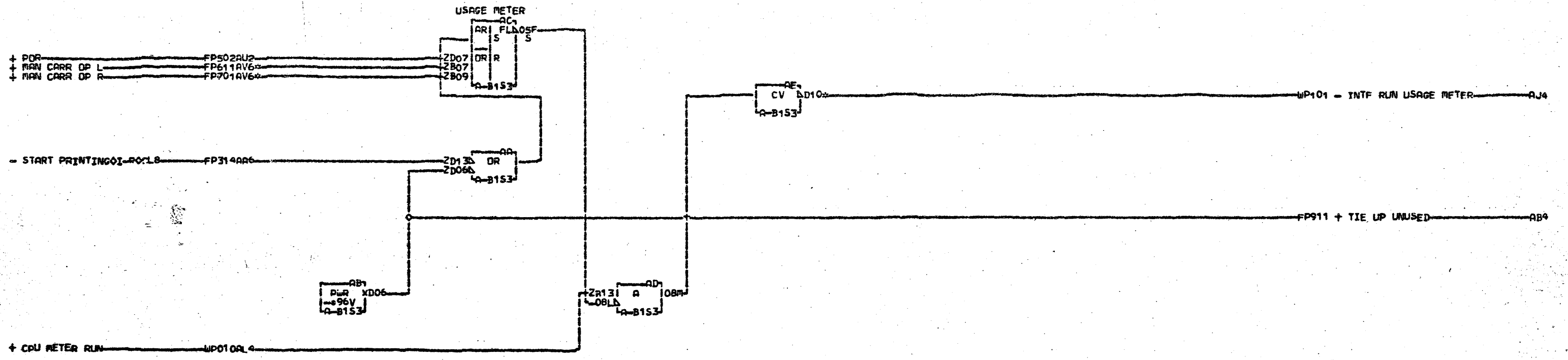
EDGE CONN.
418 A-B1E5D10

LOC. TYPE
A-B1C3 2655

PAGE VER EC LEV
FP221 011 818671
FP222 011 818671

300 CHAIN EMITTER SHAPING			
E.C. HISTORY	R. MACH.	5203-ATT	
818912	FRAME	01	FP221
	IBM CORP.	SDD	FP222
DATE	LAST EC	P.No.	011
07-16-71	818671	7369373	

FP221
FP222



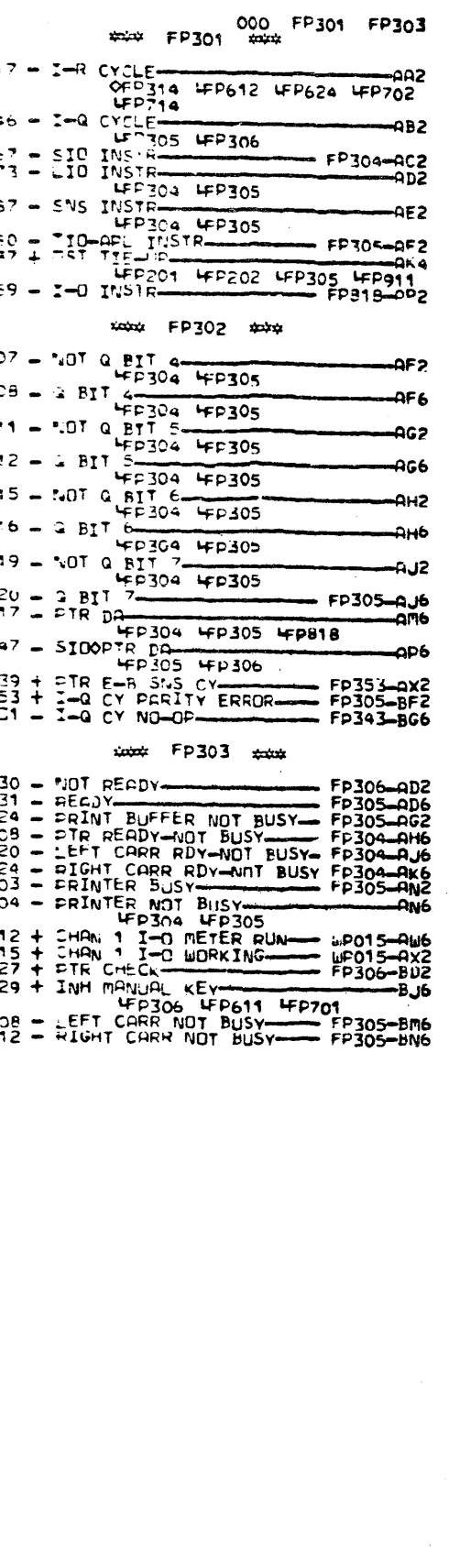
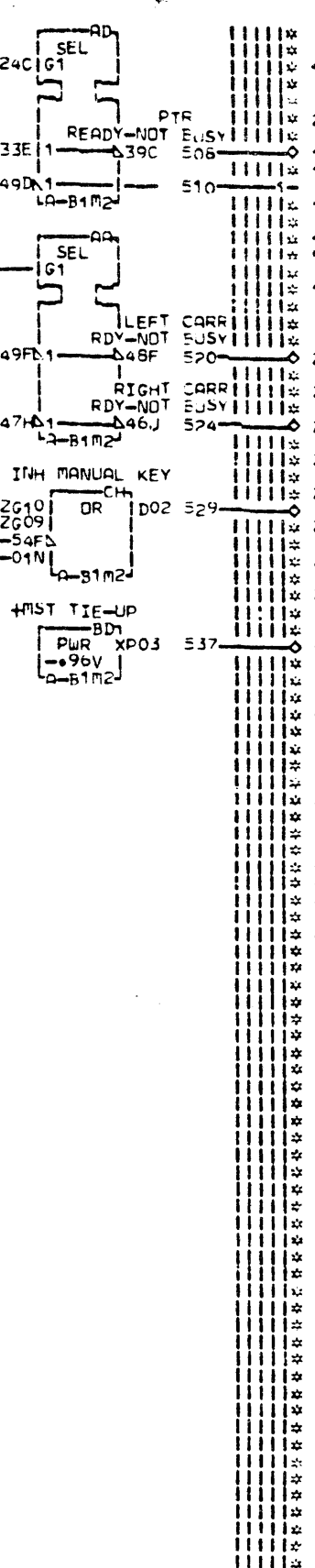
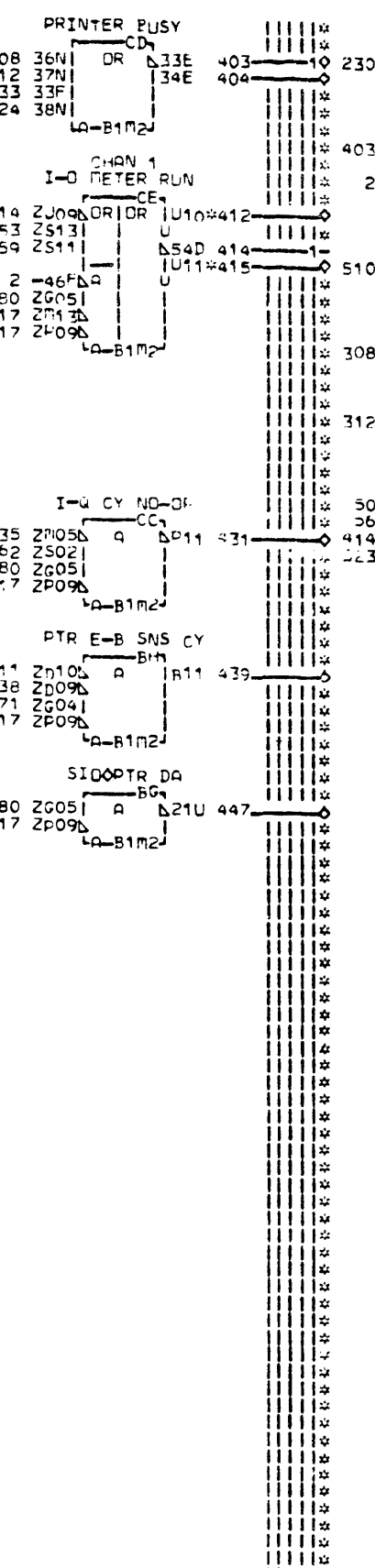
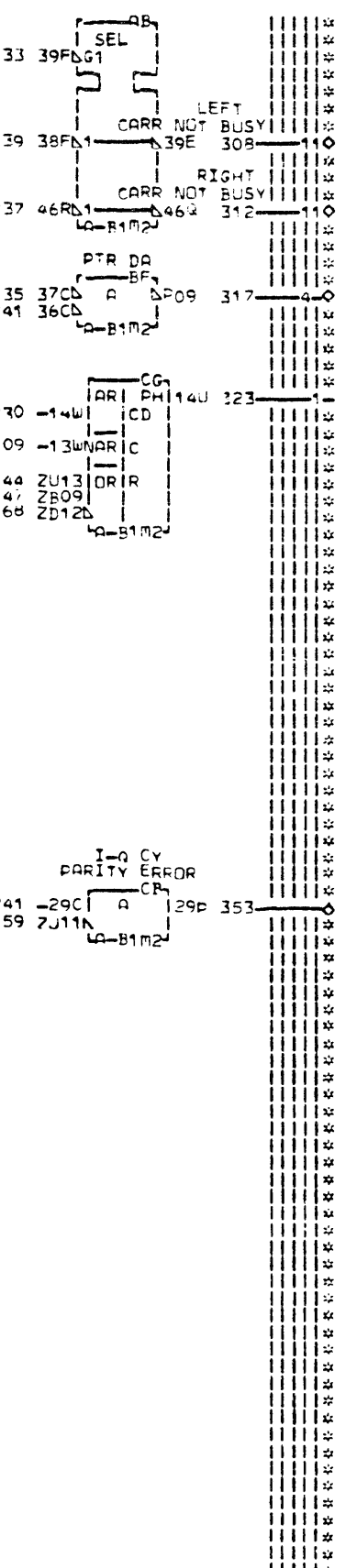
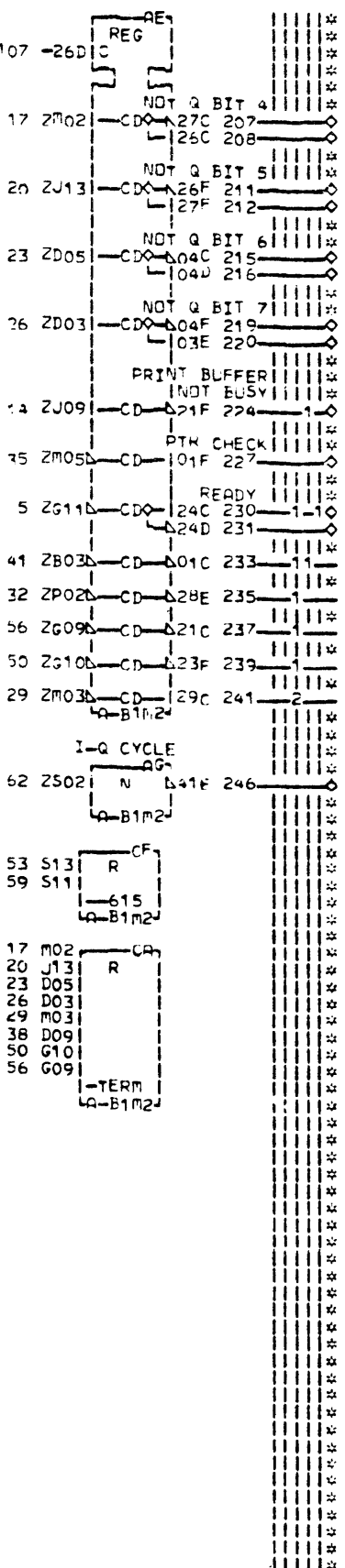
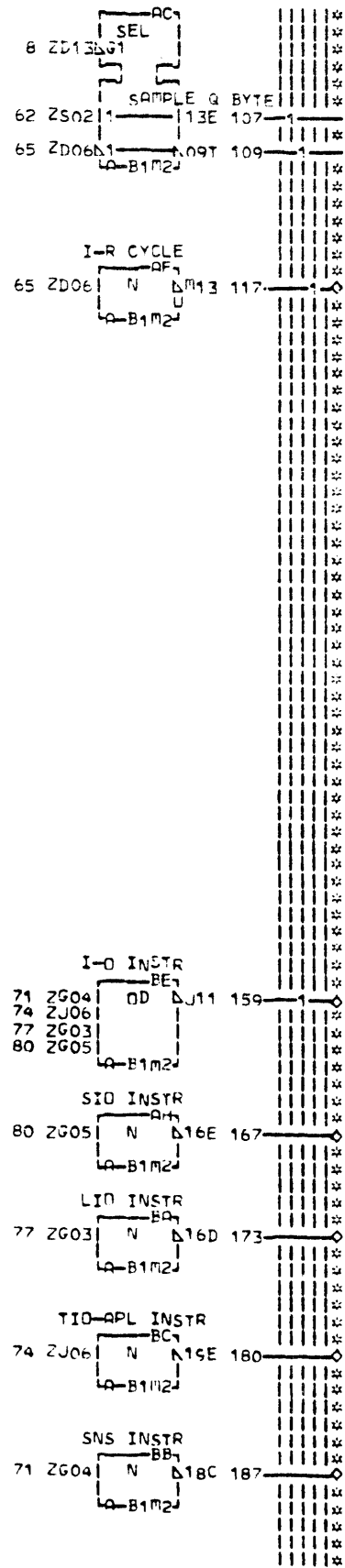
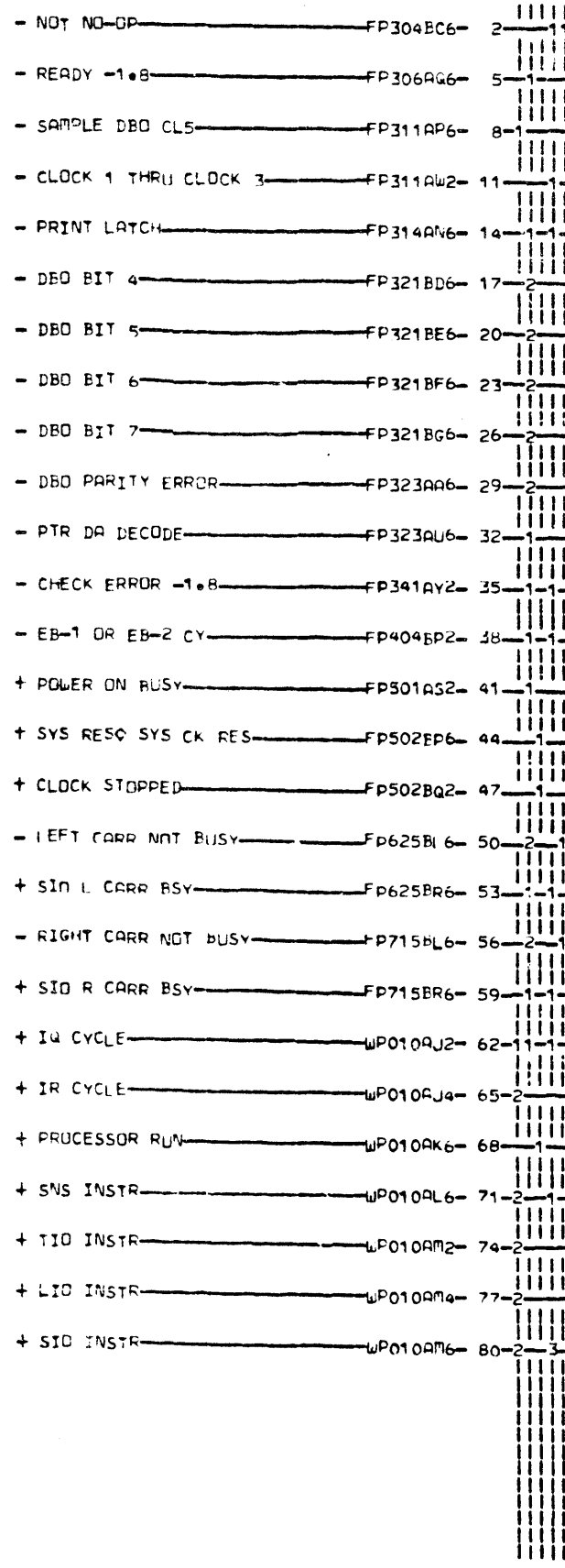
LDNM 1
000

FP611AV6
RESISTOR
A-B153B07
FP701AV6
RESISTOR
A-B153B09
AE2 A-B1V4D13

LOC. TYPE
A-B153 4432

USAGE METER CONTROL	
E ₀ C ₀ -HISTORY 818912	R. MACH. 5203-ATT FRAME 01
DATE 07-16-71	LAST EC 818671
	IBM CORP. SDD P. No. 2589164

FP
1
000



EDGE CONN.
412 A-B1M6A04
01A-B1A5B04
415 A-B1M6B04
01A-B1A5B05

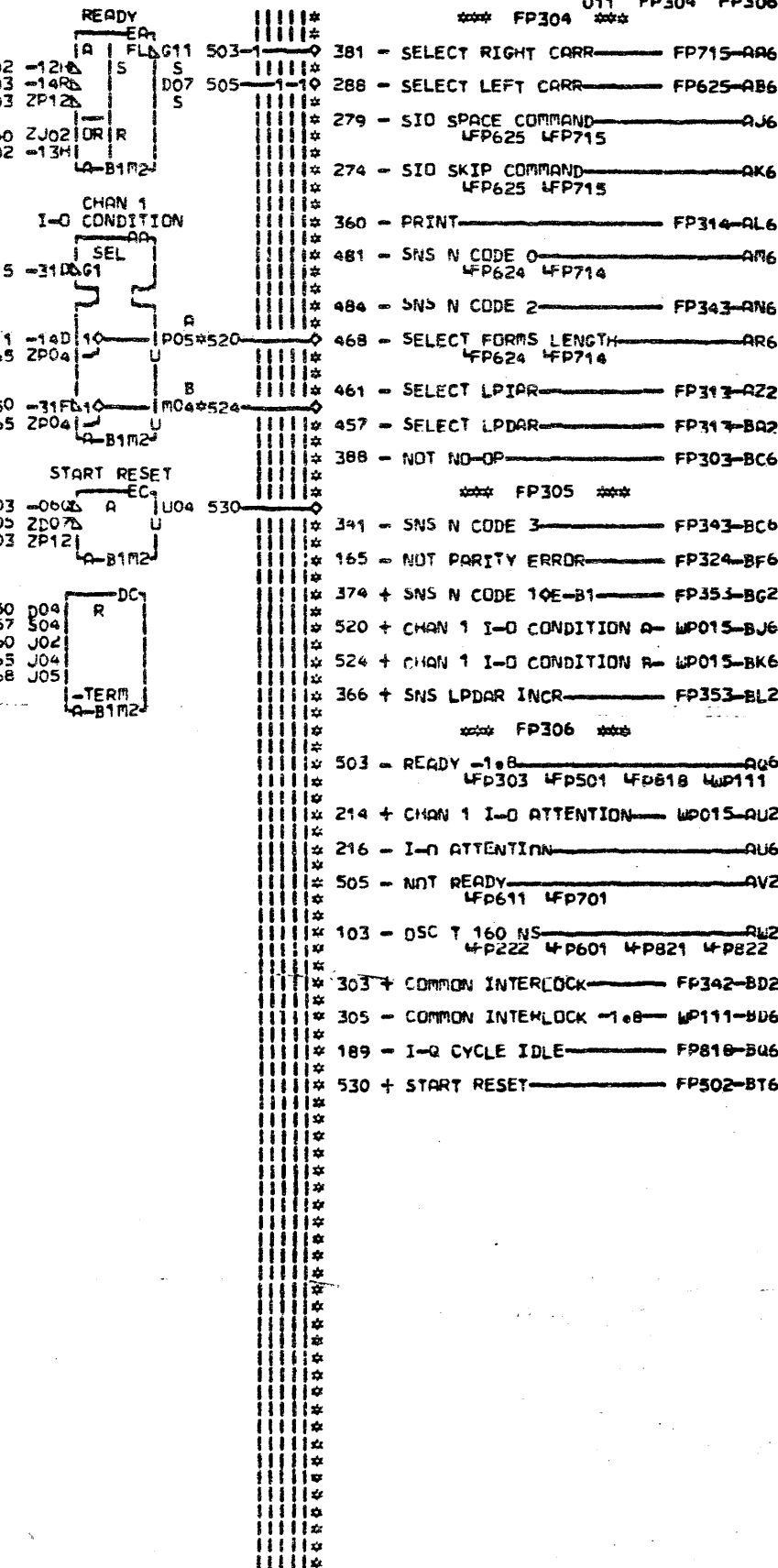
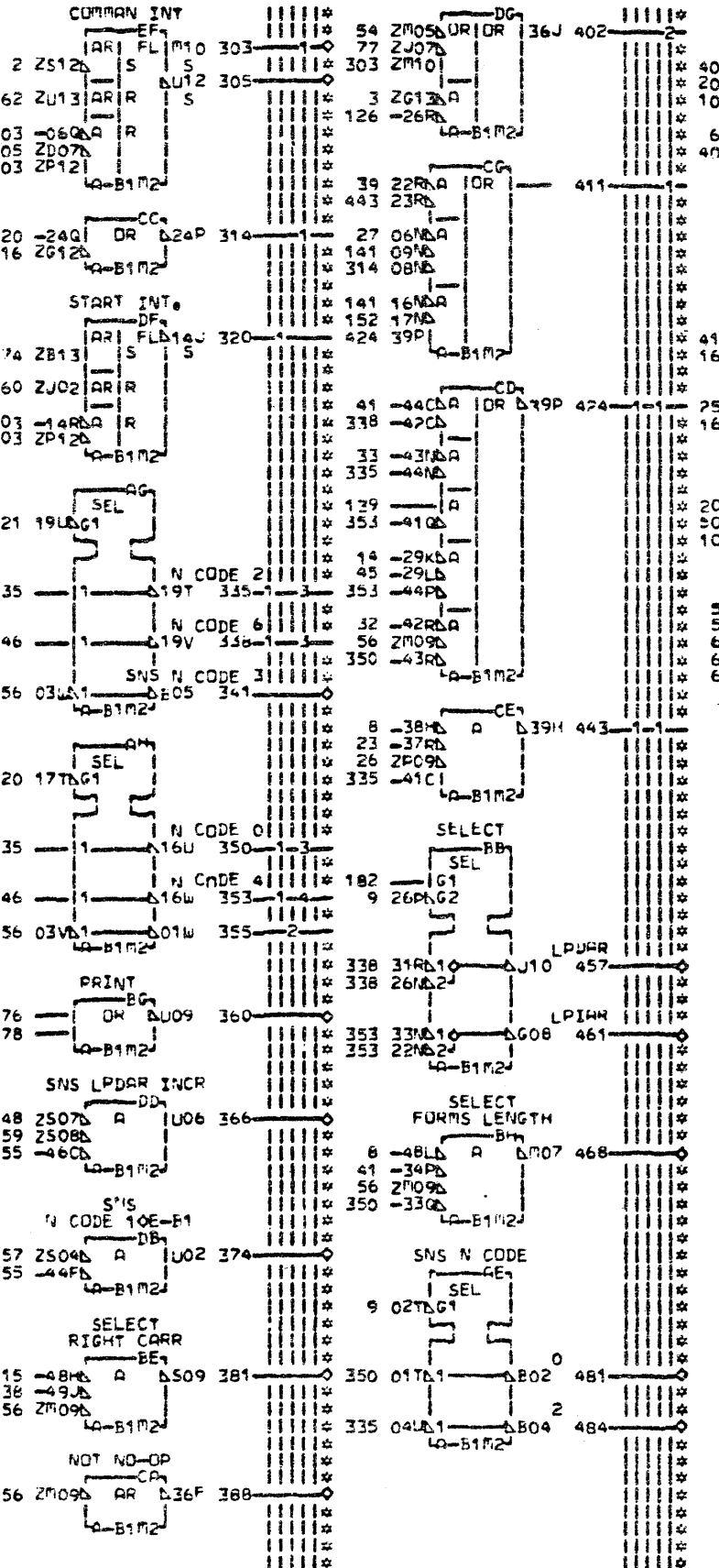
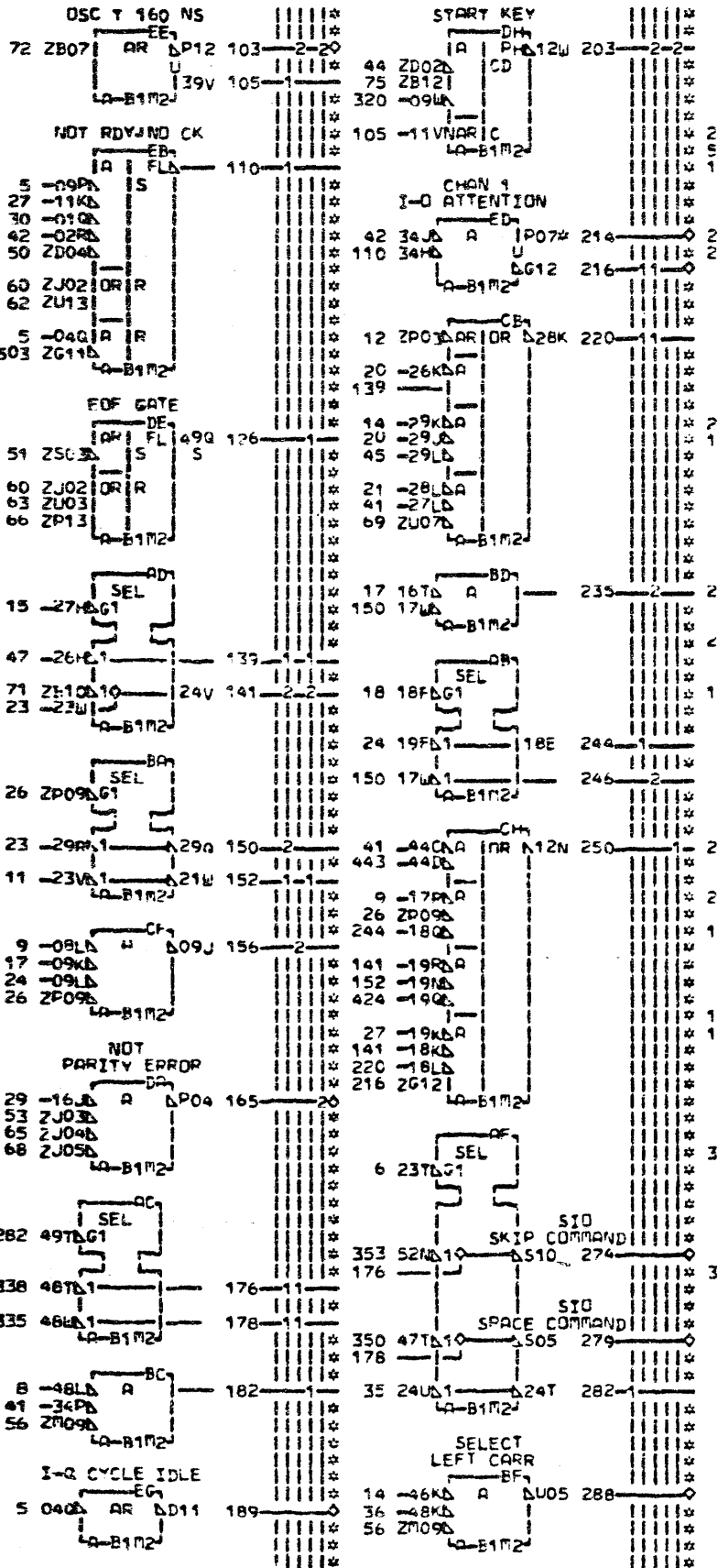
LOC. TYPE
A-B1M2 2657

PAGE VER EC LEV
FP301 000 818671
FP302 000 818671
FP303 000 818671

P301
FP303
000

Q BYTE DECODE	
E.C. HISTORY	R. MACH. 5203-ATT
818912	
FRAME	01 FP301
IBM CORP. SDD	FP303
DATE LAST EC	
07-5-71 818671	
P. No. 7369374	000

- COMMON INTERLOCK -1.8 FP202BA6 2-1-1
 - END OF FORMS -1.8 FP202BG6 3-1-1
 - I-Q CYCLE FP301AB2 5-3-1
 - SID INSTR FP301AC2 6-1-1
 - LIO INSTR FP301AD2 8-1-2
 - SNS INSTR FP301AE2 9-1-1-2
 - TID APL INSTR FP301AF2 11-1-1
 + MST TIE-UP FP301AK4 12-1-1
 - NOT Q BIT 4 FP302AF2 14-2-1
 - Q BIT 4 FP302AF6 15-1-1
 - NOT Q BIT 5 FP302AG2 17-1-1
 - Q BIT 5 FP302AG6 18-1-1
 - NOT Q BIT 6 FP302AH2 20-2-1
 - Q BIT 6 FP302AH6 21-1-1
 - NOT Q BIT 7 FP302AJ2 23-2-1
 - Q BIT 7 FP302AJ6 24-1-1
 - PTR DA FP302AM6 26-2-1-1
 - SIDOPTR DA FP302AP6 27-1-1-1
 + I-Q CY PARITY ERROR FP302BF2 29-1-1
 - NOT READY FP302BH2 30-1-1
 - READY FP303AD6 32-1-1
 - PRINT BUFFER NOT BUSY FP303AG2 33-1-1
 - PTR READY-NOT BUSY FP403AH6 35-1-1
 - LEFT CARR RDY-NOT BUSY FP403AJ6 36-1-1
 - RIGHT CARR RDY-NOT BUSY FP403AK6 38-1-1
 - PRINTER BUSY FP403AL6 39-1-1
 - PRINTER NOT BUSY FP403AN6 41-1-2-2
 + PTR CHECK FP403BD2 42-1-1
 + IMM MANUAL KEY FP403BJ6 44-1-1
 - LEFT CARR NOT BUSY FP403BM6 45-1-1
 - RIGHT CARR NOT BUSY FP403BN6 47-1-1
 - CLOCK 1 FP403AR2 48-1-1
 - CLOCK 6 FP403AG2 50-1-1
 - START PRINTING-IO-ROCL6 FP403AA6 51-1-1
 + I-Q PARITY ERROR FP423AT2 53-1-1
 - CHECK ERROR -1.8 FP441AY2 54-1-1
 - NOT NO-OP FP443AU2 56-1-1-2-2
 - E-B1 CV FP404BM2 57-1-1-1
 - E-B2 CV FP404BN2 59-1-1-1
 + FOX FP502AU2 60-2-1-2
 + SYS RESO SYS CK RES FP502BP6 62-1-1-1
 + L LINE 1 FP623AR2 63-1-1-1
 + L CARR PARITY ERROR FP624BC6 65-1-1-1
 + R LINE 1 FP713AR2 66-1-1-1
 + R CARR PARITY ERROR FP714BC6 68-1-1-1
 + F.E. HOME SYNC FP911BF2 69-1-1-1
 - SINGLE CARR OR + DUAL CARR FP911EF6 71-1-1-1
 + OSCILLATOR FP010AH6 72-1-1-1
 - PRINTER START KEY -1.8 WP111AE4 74-1-1-1
 + PRINTER START KEY -0.9 WP111AF4 75-1-1-1
 - PRINTER STOP KEY -1.8 WP111AM4 77-1-1-1



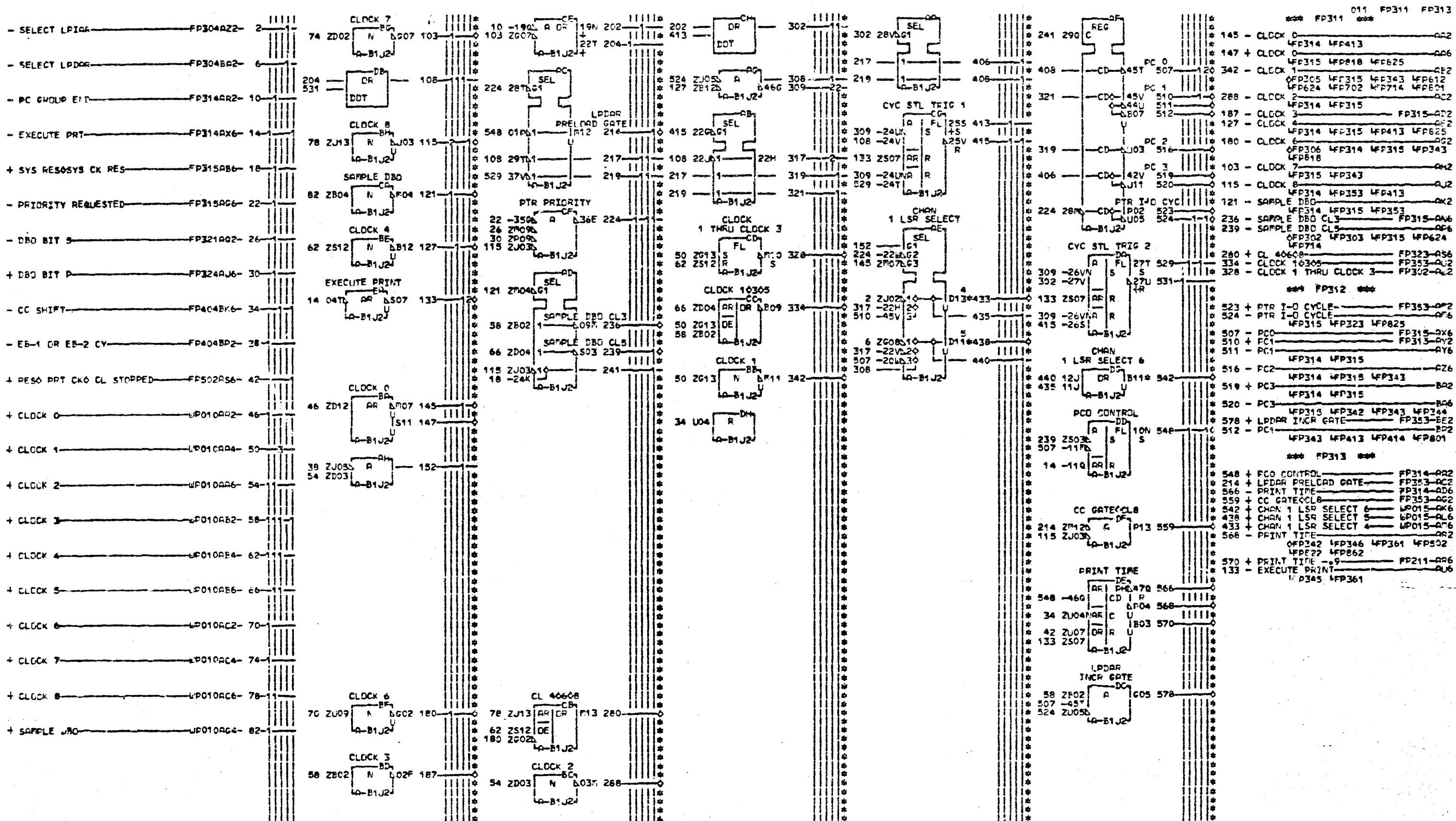
- 381 - SELECT RIGHT CARR FP715-AA6
- 288 - SELECT LEFT CARR FP625-AB6
- 279 - SID SPACE COMMAND AJ6
- 274 - SID SKIP COMMAND WFP625 WFP715
- 360 - PRINT FP314-AL6
- 481 - SNS N CODE 0 WFP624 WFP714
- 484 - SNS N CODE 2 FP343-AN6
- 468 - SELECT FORMS LENGTH WFP624 WFP714
- 461 - SELECT LPDAR FP313-AZ2
- 457 - SELECT LPDAR FP317-BA2
- 388 - NOT NO-OP FP303-BC6
- 341 - SNS N CODE 3 FP343-BC6
- 165 - NOT PARITY ERROR FP324-BF6
- 374 + SNS N CODE 10E-B1 FP353-BG2
- 520 + CHAN 1 I-O CONDITION A WP015-BJ6
- 524 + CHAN 1 I-O CONDITION R WP015-BK6
- 366 + SNS LPDAR INCR FP353-BL2
- 503 - READY -1.8 WFP303 WFP501 WFP618 WFP111
- 214 + CHAN 1 I-O ATTENTION WP015-AU2
- 216 - I-O ATTENTION AU6
- 505 - NOT READY WFP611 WFP701
- 103 - OSC T 160 NS WFP222 WFP601 WFP821 WFP822
- 303 + COMMON INTERLOCK FP342-BD2
- 305 - COMMON INTERLOCK -1.8 WP111-BD6
- 189 - I-Q CYCLE IDLE FP818-BQ6
- 530 + START RESET FP502-BY6

NOTE 1 CARRIAGE OPTIONS
 SINGLE FEED CARRIAGE
 CONNECT B1M2B10 TO B1E2J06
 DUAL FEED CARRIAGE
 CONNECT B1M2B10 TO B1M2P03
 NOTE 2 F.E. HOME SYNC
 CONNECT B1F2J13 TO B1M2U07
 FP304 C.SIM TO PM EC 818671
 FP306 C.SIM TO PM EC 818671

EDGE CONN.
 214 A-B1L6D04
 01A-B1ASB02
 520 A-B1N6A02
 01A-B1A5D09
 524 A-B1N6B02
 01A-B1A5D10

LOC. TYPE
 A-B1M2 2657
 PAGE VER EC LEV
 FP304 000 818671
 FP305 000 818671
 FP306 011 818671

Q BYTE DECODE
 READY CONTROLS
 E.C. HISTORY
 818912
 MACH. 5203-ATT
 FRAME 01 FP304
 IBM CORP. SDD FP306
 DATE LAST EC
 07-16-71 818671
 P.No. 7369376 011



A-SIF TO PN EC 818671
 B-SIF TO PN EC 818671
 C-SIF TO PN EC 818671

EDGE CONV.
 433 A-B1J6C04
 01A-B1A6B09
 436 A-B1J6D04
 01A-B1A6E10
 542 A-B1K6A04
 01P-B1A6E12

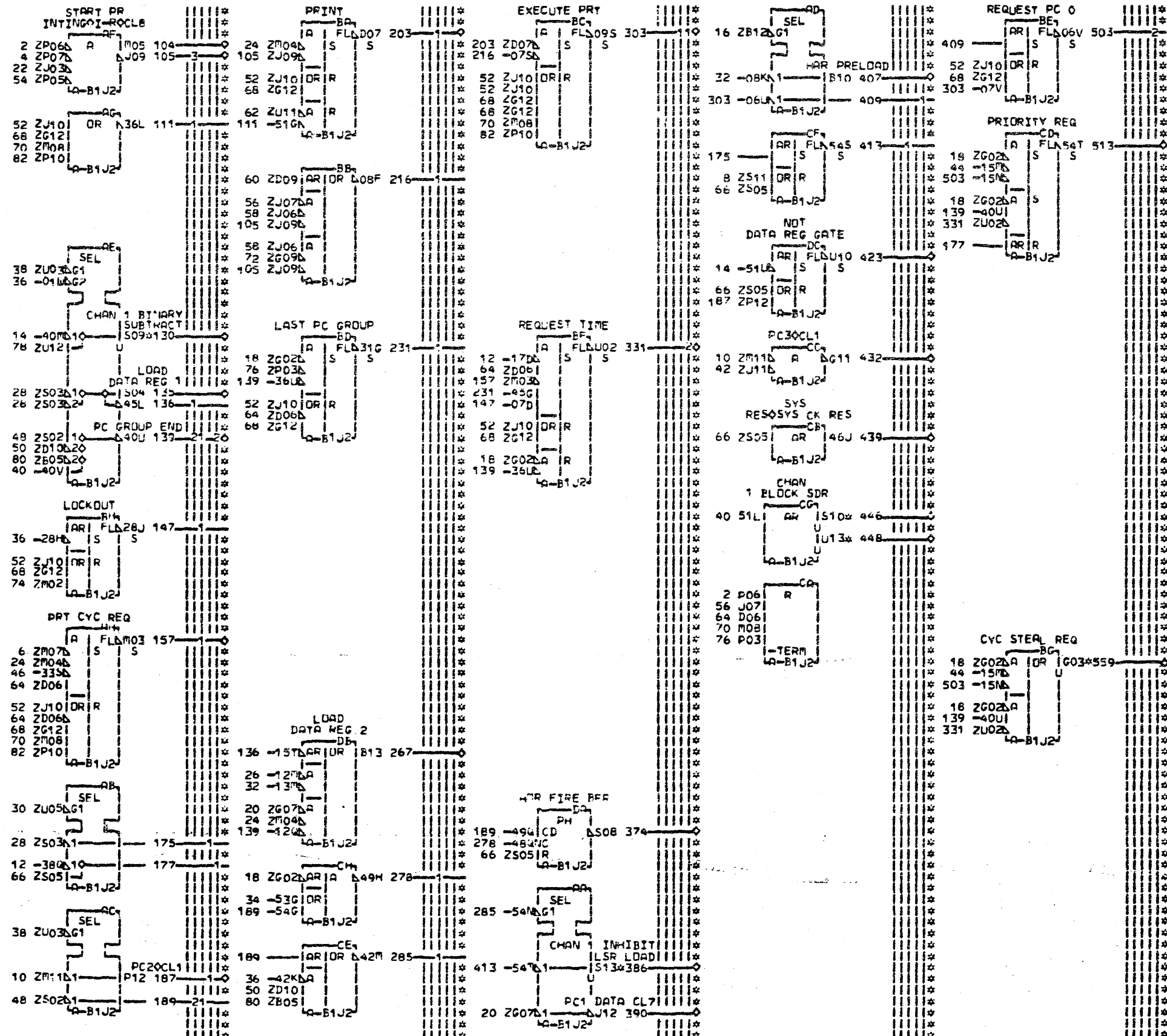
LDC. TYPE
 A-B1J2 2640

PAGE VER EC LEV
 FP211 011 818671
 FP312 011 577022
 FP313 011 818671

CYCLE STEAL CONTROLS			
LSR SELECTION			
-E-C-HISTORY- B, PACH.5203-ATT			
818912	FRAME	01	FP311
818671	TRM CORP. SSB		FP313
DATE	LAST EC		
07-29-72	877022	P.A. 736877	011

FP311
 FP313
 011

- I-R CYCLE FP301AA2- 2-1-1
 - PRINT FP304AL6- 4-1-1
 - CLOCK 0 FP311AA2- 6-1-1
 + CLOCK 0 FP311AA6- 8-1-1
 - CLOCK 1 FP311AB2- 10-1-1
 - CLOCK 2 FP311AC2- 12-1-1
 - CLOCK 3 FP311AD2- 14-1-1
 - CLOCK 4 FP311AE2- 16-1-1
 - CLOCK 6 FP311AG2- 18-1-1
 - CLOCK 7 FP311AH2- 20-1-1
 - CLOCK 8 FP311AJ2- 22-1-1
 - SAMPLE DBD FP311AK2- 24-1-1
 - SAMPLE DBD CL3 FP311AN6- 26-1-1
 - SAMPLE DBD CL5 FP311AP6- 28-1-1
 - PTR I-O CYCLE FP312AM6- 30-1-1
 - PC0 FP312AX6- 32-1-1
 + PC1 FP312AY2- 34-1-1
 - PC1 FP312AY6- 36-1-1
 - PC2 FP312AZ6- 38-1-1
 + PC3 FP312BA2- 40-1-1
 - PC3 FP312BA6- 42-1-1
 + PC0 CONTROL FP313AA2- 44-1-1
 - PRINT TIME FP313AD6- 46-1-1
 - PRINT COMPARE FP323AN6- 48-1-1
 - MN DATA FP323AP6- 50-1-1
 - NNT MROINCR FAILURE CK FP341AL6- 52-1-1
 - NNT NO-OP FP343AU2- 54-1-1
 - A FP402H6- 56-1-1
 + TIE UP FP402AK4- 58-1-1
 + 1ST PRT START IN DWELL FP402AU4- 60-1-1
 - LAST M POS OF LINE FP402BH2- 62-1-1
 - CHAIN EM SS W-O HOME FP404BJ6- 64-1-1
 - SYS RESO SYS CK RES FPS02AQ6- 66-1-1
 + RESY0 PRT CHECK FPS02AQ6- 68-1-1
 + STUP PRINTING LCS FP801AT2- 70-1-1
 - INITIALIZE LPAR BYS 1020304 FP823AE2- 72-1-1
 + LOAD HAR FP823AU6- 74-1-1
 - LAST 12 PRT POSITIONS FP824AP2- 76-1-1
 + PTR SUB FP825AH2- 78-1-1
 - FORCE PC GROUP END FP825AJ2- 80-1-1
 + STUP PRINTING 46 FP861AY2- 82-1-1



*** FP314 ***
 011 FP314 FP315
 104 + START PRINTINGOI-ROCLB AA2
 MFP402 MFP502 MFP601
 105 - START PRINTINGOI-ROCLB AA6
 MFP231 MFP306
 157 - PRT CYC REQ FP413-AK6
 203 = PRINT LATCH AN6
 MFP303 MFP341 MFP501 MFP601
 139 = PC GROUP END FP312-AR2
 303 = EXECUTE PRT FP313-AX6
 331 = REQUEST TIME FP344-BC6
 559 + CHAN 1 CYC STEAL REQ 5- WP015-BG6
 *** FP315 ***
 439 + SYS RESOSYS CK RES FP312-AB6
 432 = PC30CL1 FP351-AD6
 187 + PC20CL1 FP353-AE2
 513 = PRIORITY REQUESTED FP312-AG6
 135 + LOAD DATA REG 1 FP323-AK2
 130 + CHAN 1 BINARY SUBTRACT- WP015-AL6
 446 + CHAN 1 BLOCK SDR WP015-AP6
 448 + CHAN 1 STORE DATA WP015-AQ6
 390 = PC1 DATA CL7 FPS02-AR6
 386 + CHAN 1 INHIBIT LSR LOAD WP015-AS2
 374 = HAMMER FIRE BFR FP811-AW6
 267 + LOAD DATA REG 2 AX4
 MFP322 MFP323
 407 + HAR PRELOAD AV2
 MFP361 MFP823
 423 = NOT DATA REG GATE FP353-AZ6

A-SIM TO PN
 B-SIM TO PN
 EC 818671
 EC 818671

EDGE CONV.
 130 A-B1H6T04
 01A-B1A4B05
 386 A-B1H6E04
 01A-B1A4B06
 446 A-B1H6C04
 01A-B1A4B04
 448 A-B1H6A04
 01A-B1A4B02
 559 A-B1H6B02

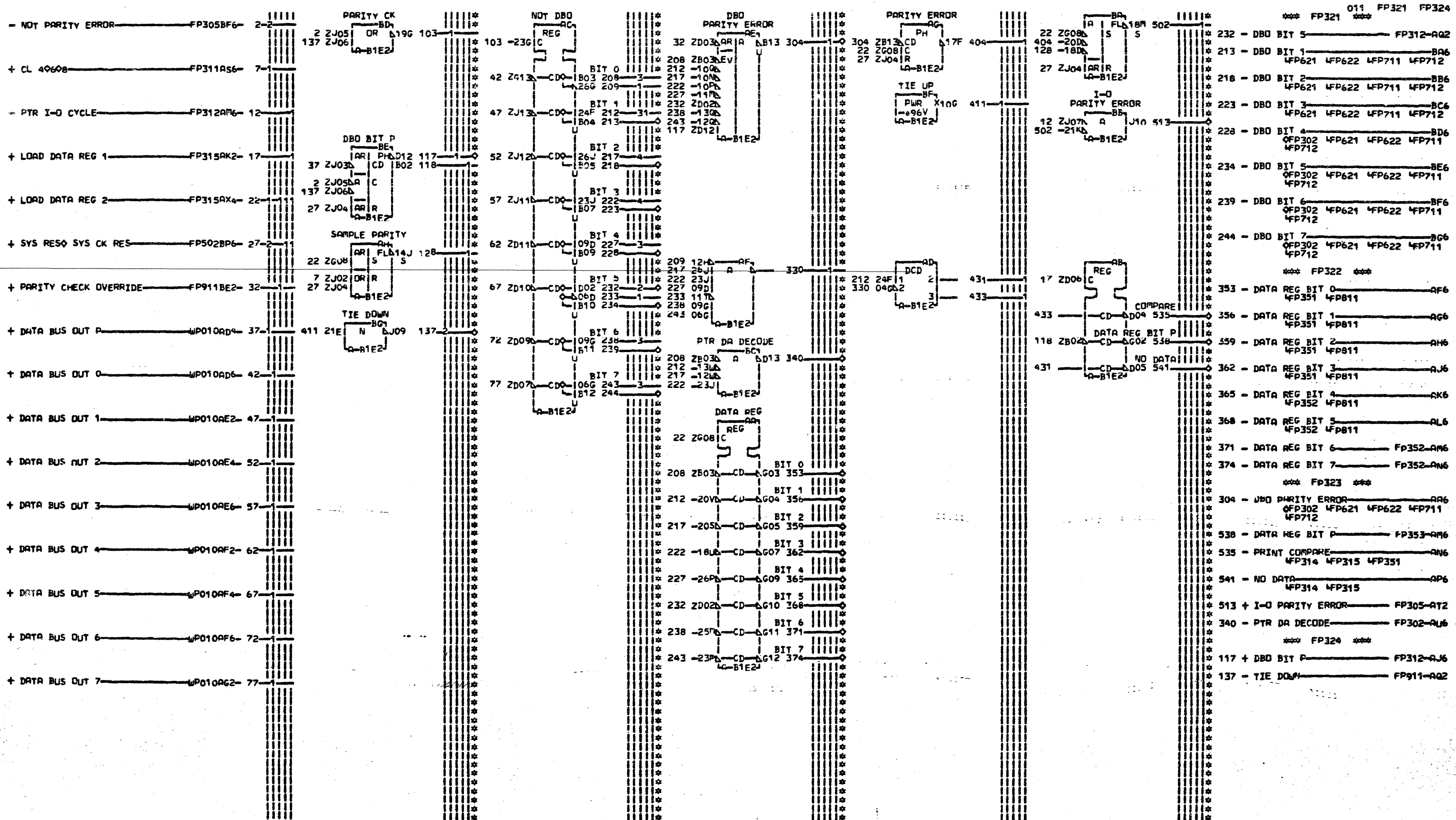
01A-B1A5D05

LOC. TYPE
 A-B1J2 2640

PAGE VER EC LEV
 FP314 011 818671
 FP315 011 818671

FP314
 FP315
 011

CYCLE STEAL CONTROLS	
LSR SELECTION	
E.C. HISTORY	R. MACH. S203-ATT
818912	
DATE	LAST EC
07-16-71	818671
FRAME	01
IBM CORP. SDD	FP315
P.No. 7369378	011



B₅SIM TO PN
D₅SIM TO PN

EC 818671
EC 818671

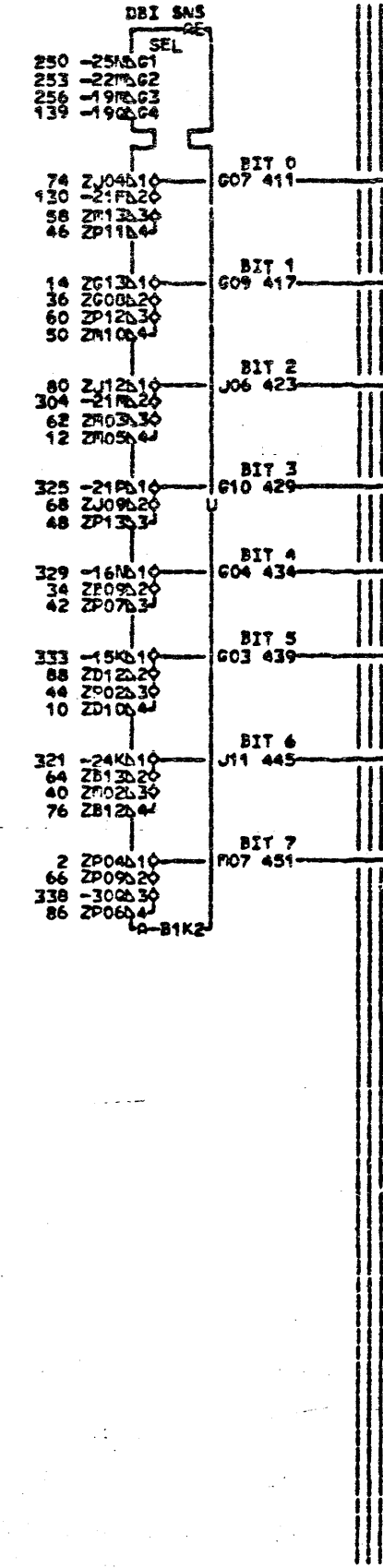
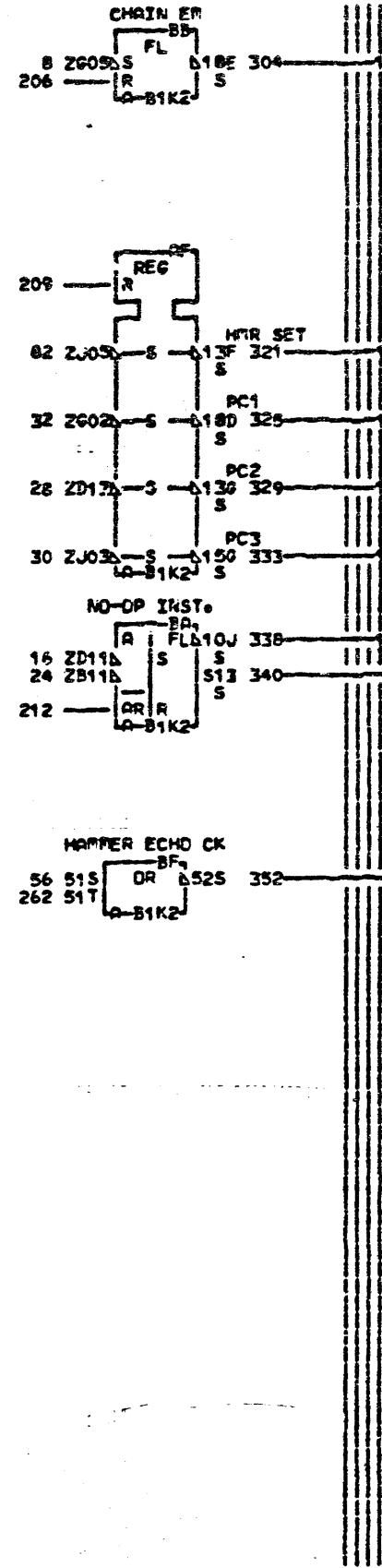
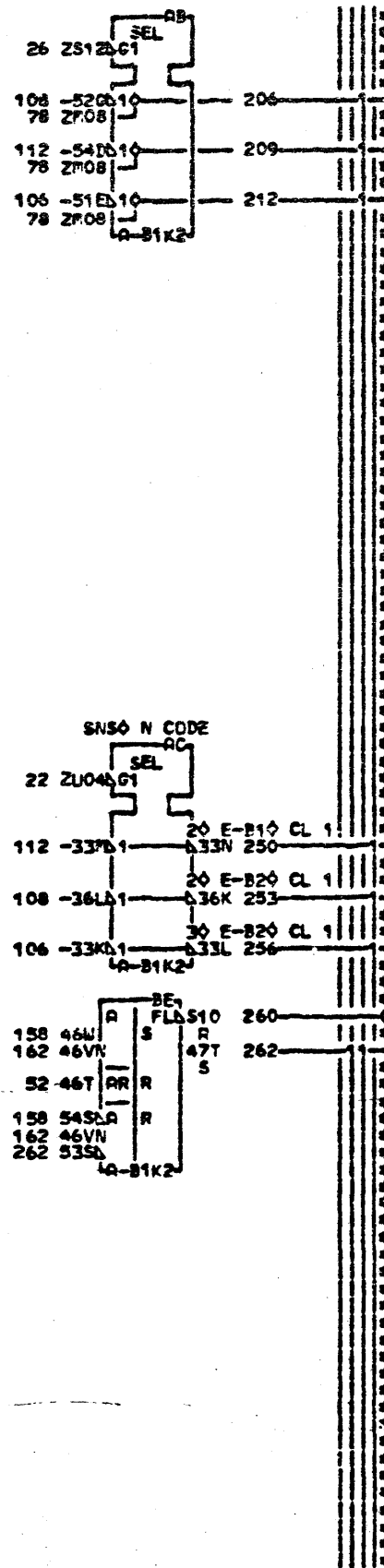
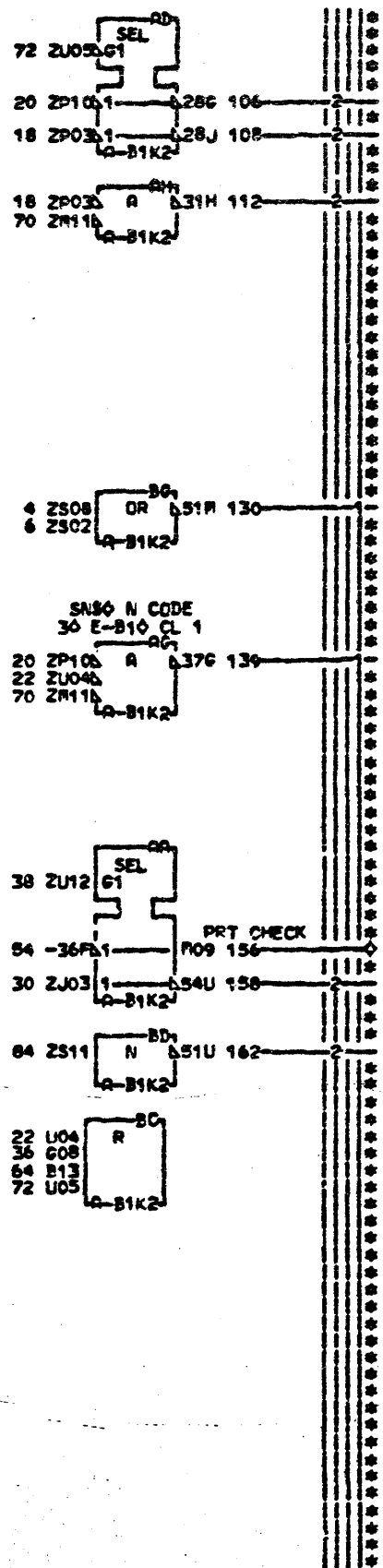
LOC. TYPE
A-B1E2 2652

PAGE VER EC LEV
FP321 000 818671
FP322 011 818671
FP323 000 818671
FP324 011 818671

FP321
FP324
011

DATA REGISTER	
DBO	
E.C. HISTORY	PACK 5203-ATT
818912	
DATE	LAST EC
07-16-71	818671
FRAME	01
IBM CORP.	SDD
P.No.	7369379
	011

- MFR BAR RIGHT -1.0 FP201A2- 2
 + LEFT CARR EM -0.9 FP201BB6- 4
 + RIGHT CARR EM -0.9 FP201BD6- 6
 - CHAIN EM -1.0 FP201BF2- 8
 - 48 CH SET -1.0 FP202AM6- 10
 - MFR UNIT THERMO OVERL -1.0 FP202BE6- 12
 - PRINT START SS FP221A4- 14
 - I-B CY NO-OP FP302BC6- 16
 - SNS N CODE 2 FP304A4- 18
 - SNS N CODE 3 FP305BC6- 20
 - CLOCK 1 FP311A82- 22
 - CLOCK 6 FP311A02- 24
 - CLOCK 7 FP311A42- 26
 - PC2 FP312A26- 28
 - PC3 FP312BA6- 30
 - PC1 FP312EP2- 32
 - PRINT TYPE FP313AR2- 34
 - EXECUTE PRINT FP313AU6- 36
 - REQUEST TIME FP314BC4- 38
 - ANY HAMMER ON CK LATCH TP FP341AC6- 40
 - CoE. SNS BIT LATCHED TP FP341AH6- 42
 - HAMMER ECHO CK LATCH TP FP341AM6- 44
 - CHAIN SYNC CK LATCH TP FP341AP6- 46
 - INCR FAILURE CK LATCH TP FP341AR6- 48
 - INCR SYNC OR SLIP CK TP FP341AU6- 50
 + START RESO SYS CK RES OR POR FP341BC6- 52
 - MFR CHECK LATCH FP341BL2- 54
 + HAMMER ECHO CK FP342AP2- 56
 - CARR SYNC CK0 TP FP342AS6- 58
 - CARR SPACE CK0 TP FP342AT6- 60
 - FORMS JAM0 TP FP342BE6- 62
 - R 1 FP402AC6- 64
 HOME LATCH FP404AF6- 66
 - PSS 1 FP404AT2- 68
 - E-B1 CY FP404BR2- 70
 - E-B2 CY FP404BN2- 72
 - HAMMER SHIFT CLUTCH -1.0 FP501A06- 74
 - UPC FP502AX2- 76
 + SYS RESO SYS CK RES FP502BP6- 78
 - L OR R CARR CL FP601A42- 80
 - HAMMER SET FP823AC6- 82
 + LOAD MFR FP823AU6- 84
 - CoE. SNS BIT 1 FP911BD2- 86
 - CoE. SNS BIT 2 FP911BE4- 88



011 FP343 FP344
 *** FP343 ***
 340 - NOT NO-OP AL2
 LFP304 LFP305 LFP314 LFP341
 *** FP344 ***
 156 + PRT CHECK FP502-AP2
 260 - CYCLE STEAL OVERRUN TP DC6
 352 - HAMMER ECHO CK FP341-ED2
 *** FP345 ***
 429 + DBI SNS BIT 3 FP351-AG2
 411 + DBI SNS BIT 0 FP351-AH4
 417 + DBI SNS BIT 1 FP351-AJ4
 423 + DBI SNS BIT 2 FP351-AK4
 *** FP346 ***
 434 + DBI SNS BIT 4 FP352-AJ4
 439 + DBI SNS BIT 5 FP352-AK4
 445 + DBI SNS BIT 6 FP352-AL4
 451 + DBI SNS BIT 7 FP352-AU4

A-SIM TO PN EC 818671
 B-SIM TO PN EC 818671
 C-SIM TO PN EC 818671
 D-SIM TO PN EC 818671

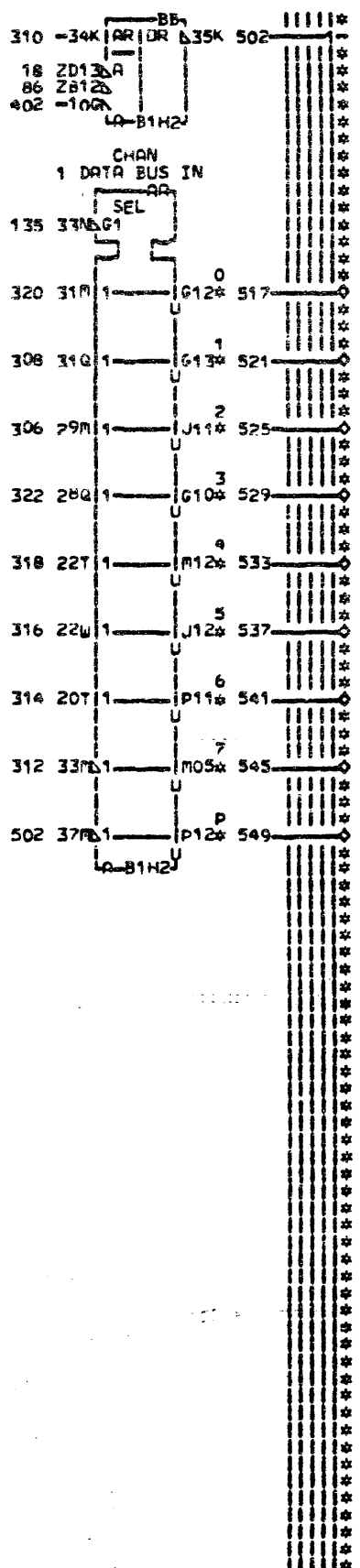
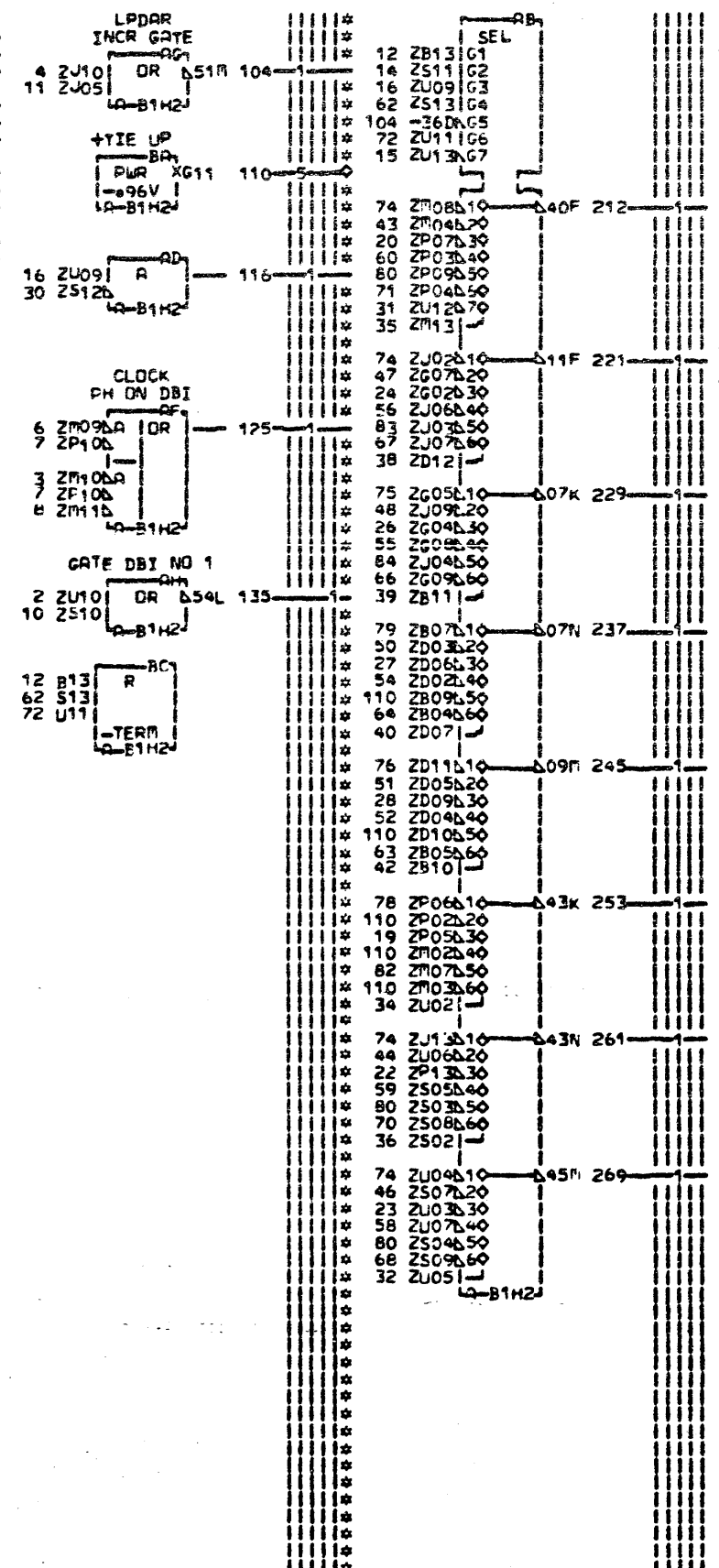
LOC. TYPE
 A-B1K2 3858

PAGE VER EC LEV
 FP343 011 577022
 FP344 011 577022
 FP345 011 577022
 FP346 011 577022

FP343
 FP344
 011

SENSE BIT ASSEMBLER			
E-C-HISTORY		B-PACH-5203-ATT	
A18912	FRAME	01	FP343
B18671	IBM CORP. SDD		FP346
DATE	LAST EC	P.No.	7369383 011
03-29-72	577022		

+ PTR E-B SNS CY FP302AX2 2-1
 + SNS N CODE 10E-B1 FP305BG2 3-1
 + SNS LPDAR INCR FP305BL2 4-1
 - CLOCK 8 FP311AJ2 6-1
 - SAMPLE DBD FP311AK2 7-2
 - CLOCK 10305 FP311AU2 8-1
 + PTR I-D CYCLE FP312AM2 10-1
 + LPDAR INCR GATE FP312BE2 11-1
 + LPDAR PRELOAD GATE FP313AC2 12-1
 + CC GATEOCLB FP313AG2 14-1
 + FC30CL1 FP315AD6 15-1
 + PC20CL1 FP315AE2 16-1
 - NOT DATA REG GATE FP315AZ6 18-1
 - DATA REG BIT 0 FP322AF6 19-1
 - DATA REG BIT 1 FP322AG6 20-1
 - DATA REG BIT 2 FP322AH6 22-1
 - DATA REG BIT 3 FP322AJ6 23-1
 - DATA REG BIT 4 FP322AK6 24-1
 - DATA REG BIT 5 FP322AL6 26-1
 - DATA REG BIT 6 FP322AM6 27-1
 - DATA REG BIT 7 FP322AN6 28-1
 - DATA REG BIT P FP323AM6 30-1
 - PRINT COMPARE FP323AN6 31-1
 + DBI SNS BIT 3 FP345AG2 32-1
 + DBI SNS BIT 0 FP345AH4 34-1
 + DBI SNS BIT 1 FP345AJ4 35-1
 + DBI SNS BIT 2 FP345AK4 36-1
 + DBI SNS BIT 4 FP346AJ4 38-1
 + DBI SNS BIT 5 FP346AK4 39-1
 + DBI SNS BIT 6 FP346AL4 40-1
 + DBI SNS BIT 7 FP346AU4 42-1
 - CC SHIFT BIT 1 FP412AD4 43-1
 - CC SHIFT BIT 2 FP412AM6 44-1
 - CC SHIFT BIT 3 FP412AN6 46-1
 - CC SHIFT BIT 4 FP412AR6 47-1
 - CC SHIFT BIT 5 FP412AV6 48-1
 - CC SHIFT BIT 6 FP412AZ6 50-1
 - CC SHIFT BIT 7 FP412BC6 51-1
 - L CARR LINE BIT 7 FP623AB6 52-1
 - L CARR LINE BIT 6 FP623AE2 54-1
 - L CARR LINE BIT 5 FP623AH2 55-1
 - L CARR LINE BIT 4 FP623AJ2 56-1
 - L CARR LINE BIT 3 FP623AN2 58-1
 - L CARR LINE BIT 2 FP623AP2 59-1
 - L CARR LINE BIT 1 FP623AS2 60-1
 + N CODE 00 E-B20 CL 1 FP624BB6 62-1
 - R CARR LINE BIT 7 FP713AB6 63-1
 - R CARR LINE BIT 6 FP713AE2 64-1
 - R CARR LINE BIT 5 FP713AH2 66-1
 - R CARR LINE BIT 4 FP713AJ2 67-1
 - R CARR LINE BIT 3 FP713AN2 68-1
 - R CARR LINE BIT 2 FP713AP2 70-1
 - R CARR LINE BIT 1 FP713AS2 71-1
 + N CODE 0 E-B1 CL 1 FP714BB6 72-1
 - INITIALIZE LPDAR BITS 1020304 FP823AE2 74-1
 - INITIALIZE LPDAR BIT 5 FP823AL2 75-1
 - INITIALIZE LPDAR BIT 7 FP823AN2 76-1
 - INITIALIZE LPDAR BIT 0 FP823AN2 78-1
 - INITIALIZE LPDAR BIT 6 FP823AP2 79-1
 - LPDAR INCR BITS 10203 FP824AM2 80-1
 - LPDAR INCR BIT 0 FP824AN2 82-1
 - LPDAR INCR BIT 4 FP824AP6 83-1
 - LPDAR INCR BIT 5 FP824AV2 84-1
 UNUSED FP911BG6 86-1



*** FP351 ***
 517 + CHAN 1 DATA BUS IN 0 WP015-AV2
 521 + CHAN 1 DATA BUS IN 1 WP015-AX2
 525 + CHAN 1 DATA BUS IN 2 WP015-AY2
 529 + CHAN 1 DATA BUS IN 3 WP015-BA2
 *** FP352 ***
 533 + CHAN 1 DATA BUS IN 4 WP015-AU2
 537 + CHAN 1 DATA BUS IN 5 WP015-AW2
 541 + CHAN 1 DATA BUS IN 6 WP015-AX2
 545 + CHAN 1 DATA BUS IN 7 WP015-AZ2
 *** FP353 ***
 110 + TIE UP FP911-AU4
 549 + CHAN 1 DATA BUS IN P WP015-AY2

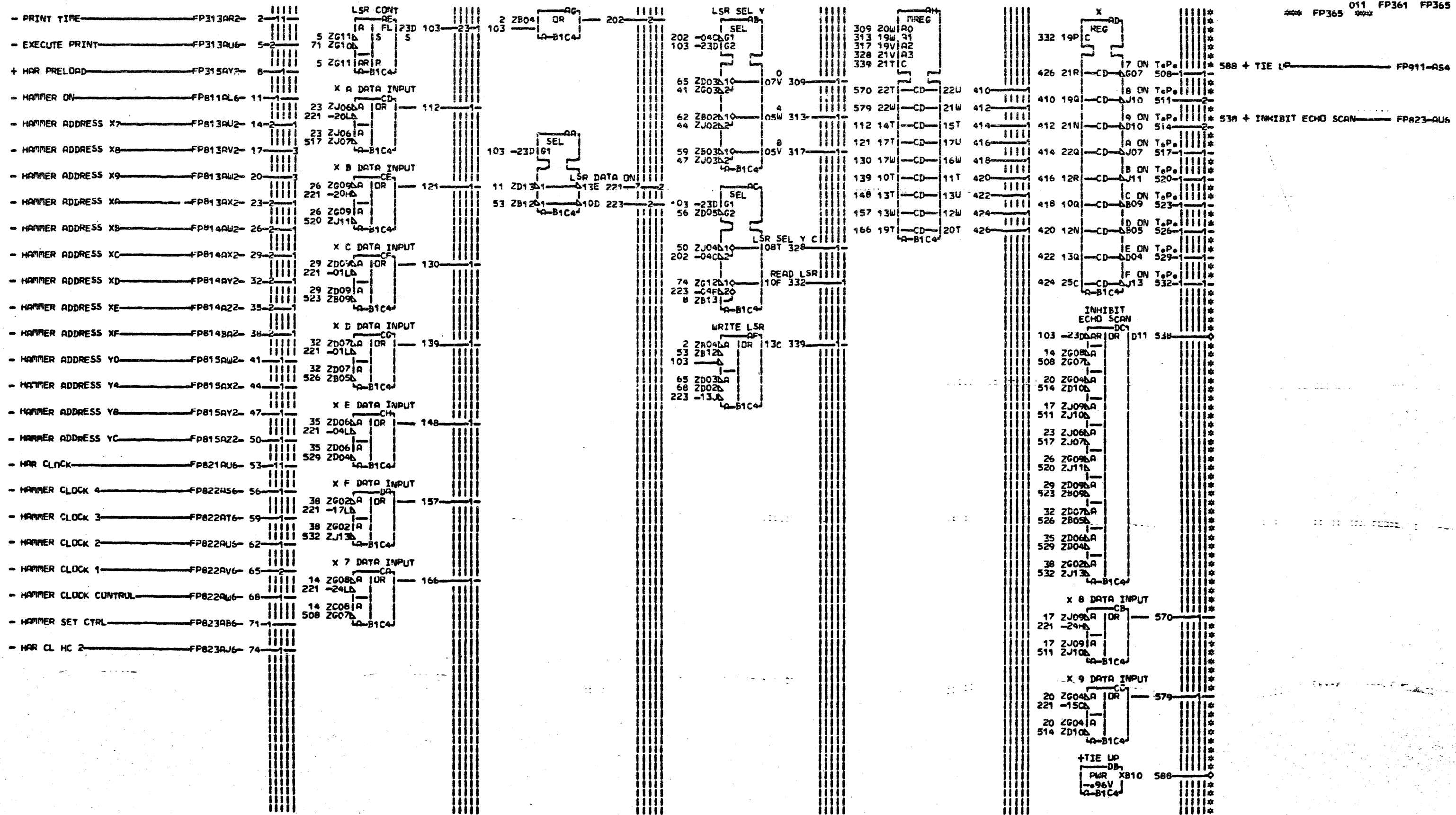
A.SIM TO PN EC 818671
 B.SIM TO PN EC 818671
 FP351
 FP353
 011

EDGE CONN. 01A-B1A4D09
 517 A-B1H6E02 537 A-B1J6D02
 01A-B1A4D03 01A-B1A4D10
 521 A-B1H6D02 541 A-B1J6E02
 01A-B1A4D05 01A-B1A4D11
 525 A-B1H6E02 545 A-B1K6B02
 01A-B1A4D06 01A-B1A4D13
 529 A-B1J6A02 549 A-B1H6A02
 01A-B1A4D07 01A-B1A4D02
 533 A-B1J6C02

LOC. TYPE
 A-B1H2 2646

PAGE VER EC LEV
 FP351 011 818671
 FP352 011 818671
 FP353 000 818671

DBI ASSEMBLER
 E.C. HISTORY R. MACH. 5203-ATT
 818912 FRAME 01 FP351
 IBM CORP. SDD FP353
 DATE LAST EC
 07-16-71 818671 IP.No 7369384 011

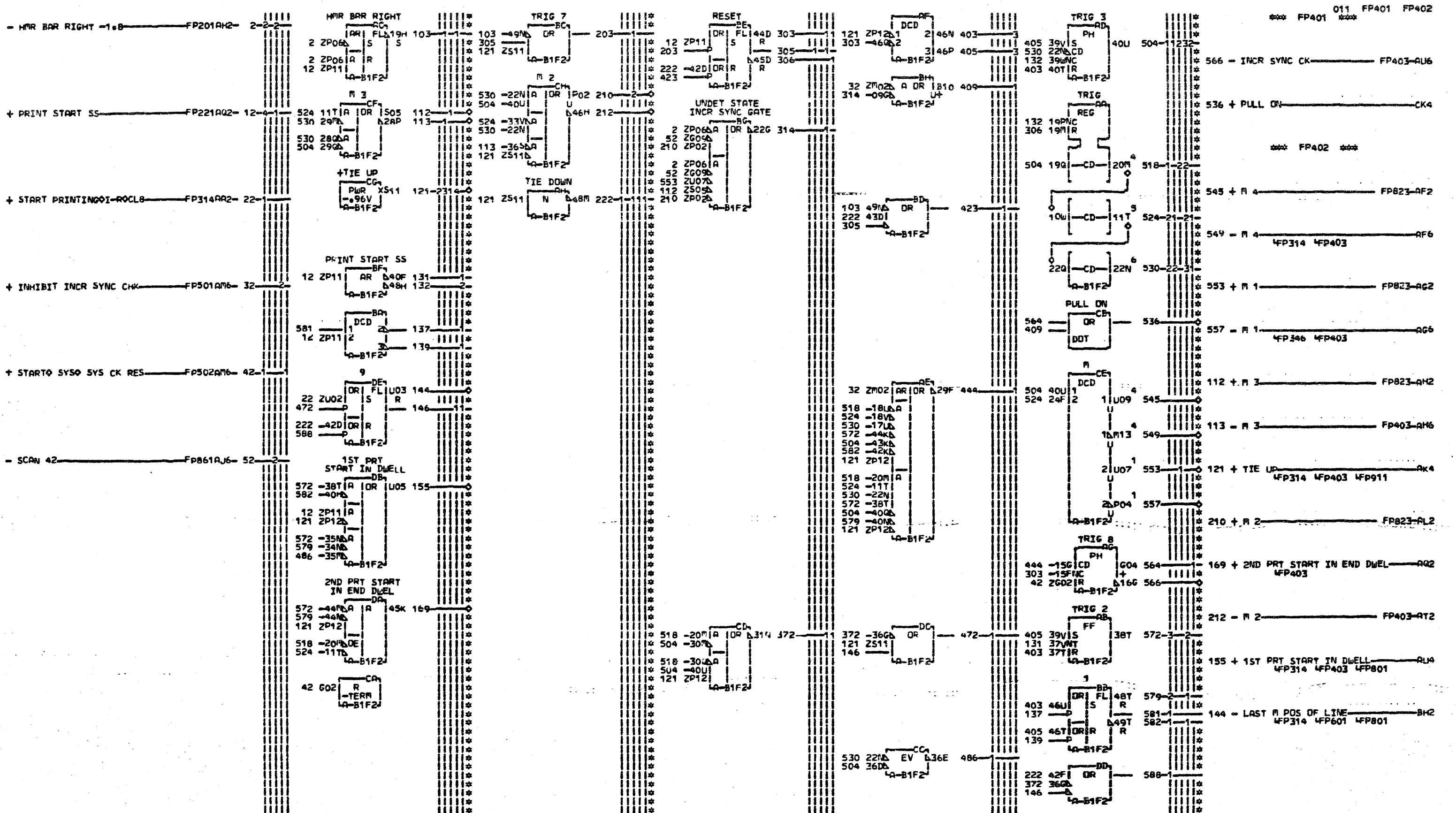


A₀SIR TO PN EC 818671
 C₀SIR TO PN EC 818671
 D₀SIR TO PN EC 818671
 E₀SIR TO PN EC 818671

LOC. TYPE
 A-B1C4 2653

PAGE VER EC LEV
 FP361 011 818671
 FP362 000 818671
 FP363 011 818671
 FP364 011 818671
 FP365 011 818671

HAMMER CHECK LSR			
E ₀ C ₀ HISTORY	A ₀ MACH	S203-ATT	818912
FRAME	01	FP361	
IBM CORP.	SDD	FP365	
DATE	LAST EC	P ₀ N ₀	7369385 011
07-16-71	818671		

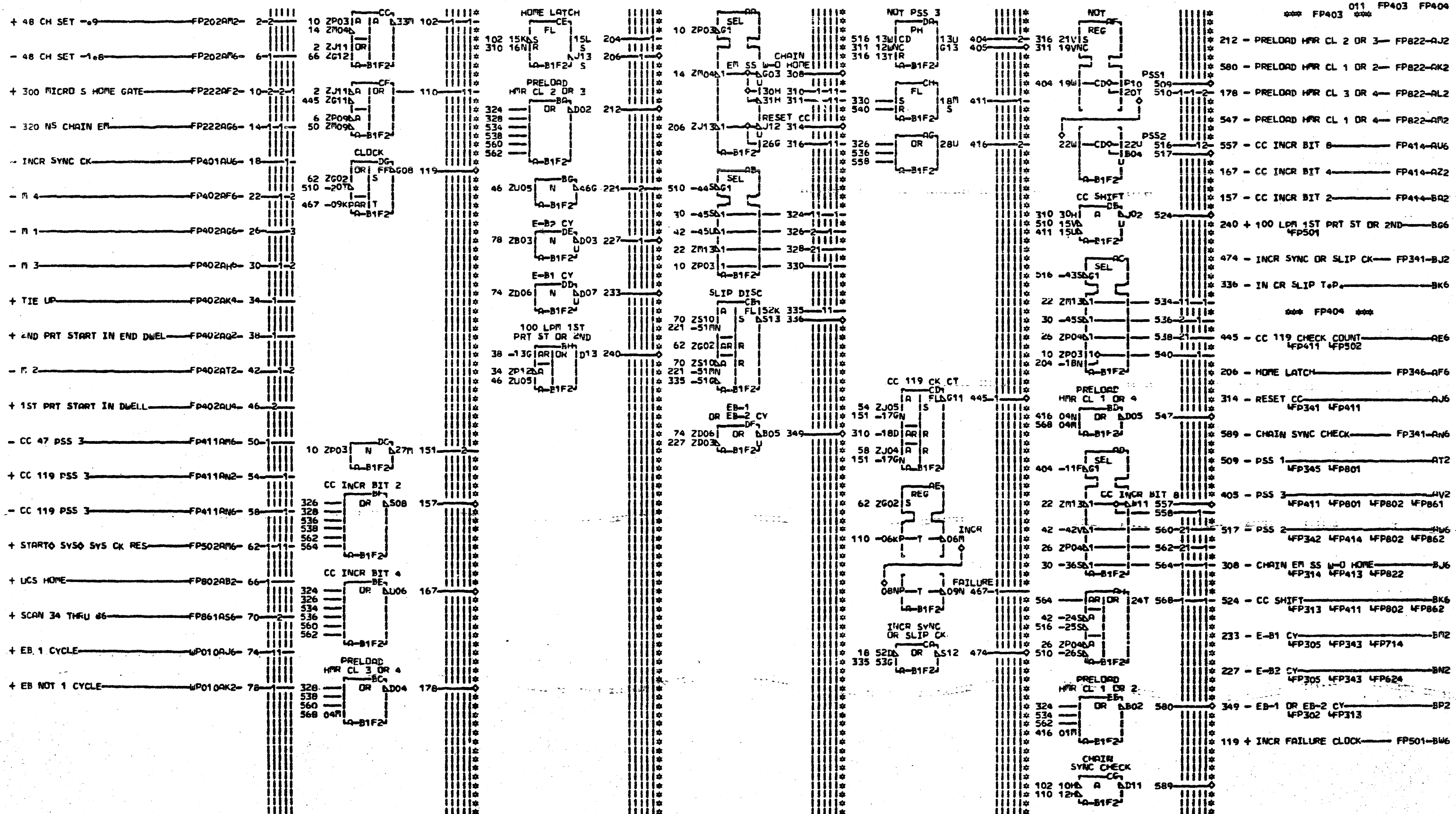


NOTE 1 SPEED OPTIONS
 100 LPM
 CONNECT B1F2P12 TO B1E5B12
 200 LPM
 CONNECT B1F2P12 TO B1F2511
 FP401 SIM TO PN EC 818671
 B SIM TO PN EC 818671
 FP402

LOC. TYPE
 A-B1F2 2637

PAGE VER EC LEV
 FP401 011 818671
 FP402 011 818671

MECHANICAL TIMING			
M POS COUNTER AND DECODE			
E-C-HISTORY - MACH 5203-ATT			
818912			
FRAME	01	FP401	
IBM CORP. SDD		FP402	
DATE	LAST EC		
07-16-71	818671	P.No	7369386 011



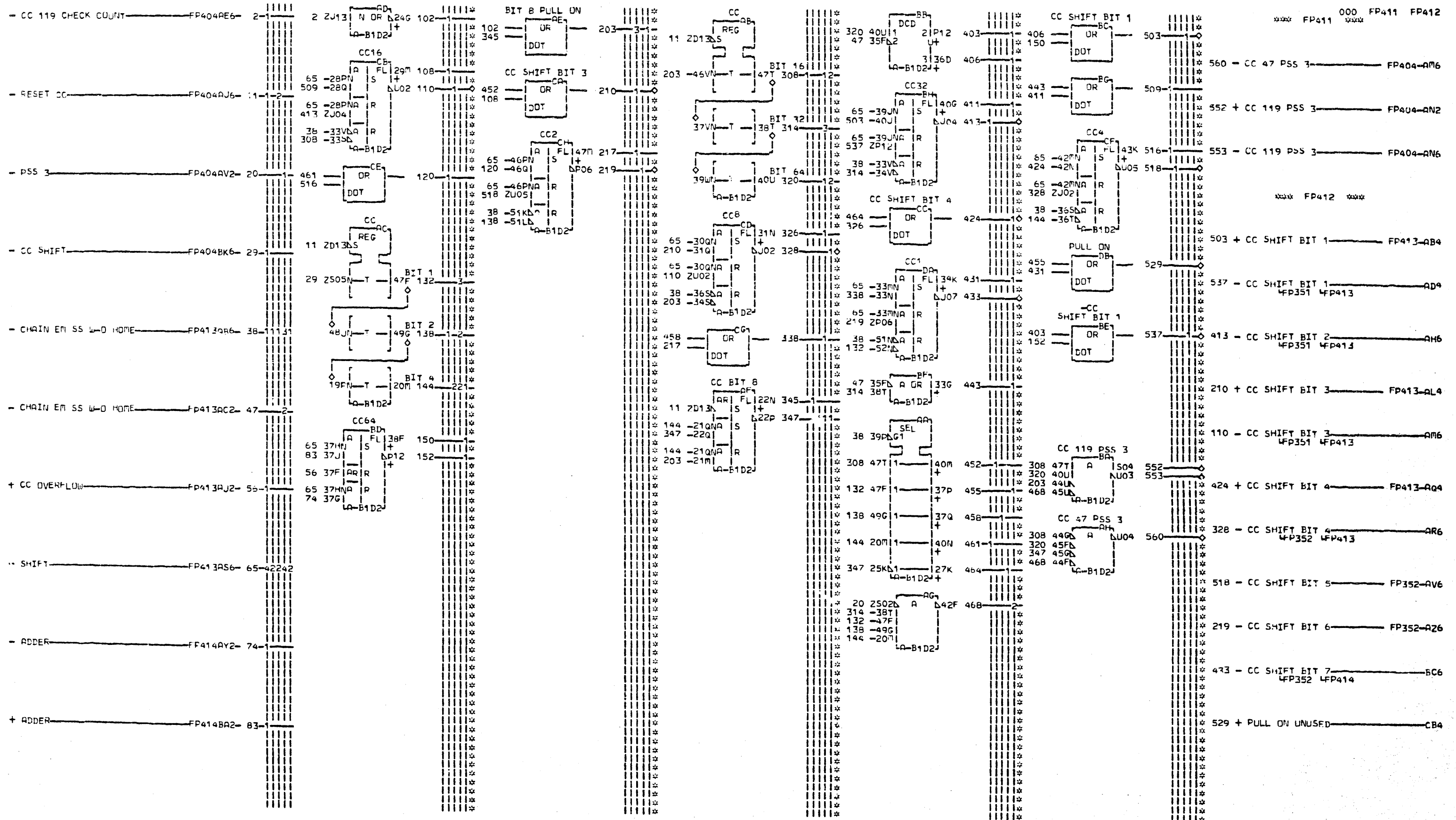
A-SIM TO PN EC 818671
B-SIM TO PN EC 818671

LOC. TYPE
A-B1F2 2637

PAGE VER EC LEV
FP403 011 818671
FP404 011 818671

MECHANICAL TIRING PSS COUNTER AND DECODE E-C-HISTORY RACH, 5203-ATT 818912		
FRAME	01	FP403
DATE	LAST EC	IBN CORP. SDD FP404
07-16-71	818671	P.No. 7369387 011

FP403
FP404
011

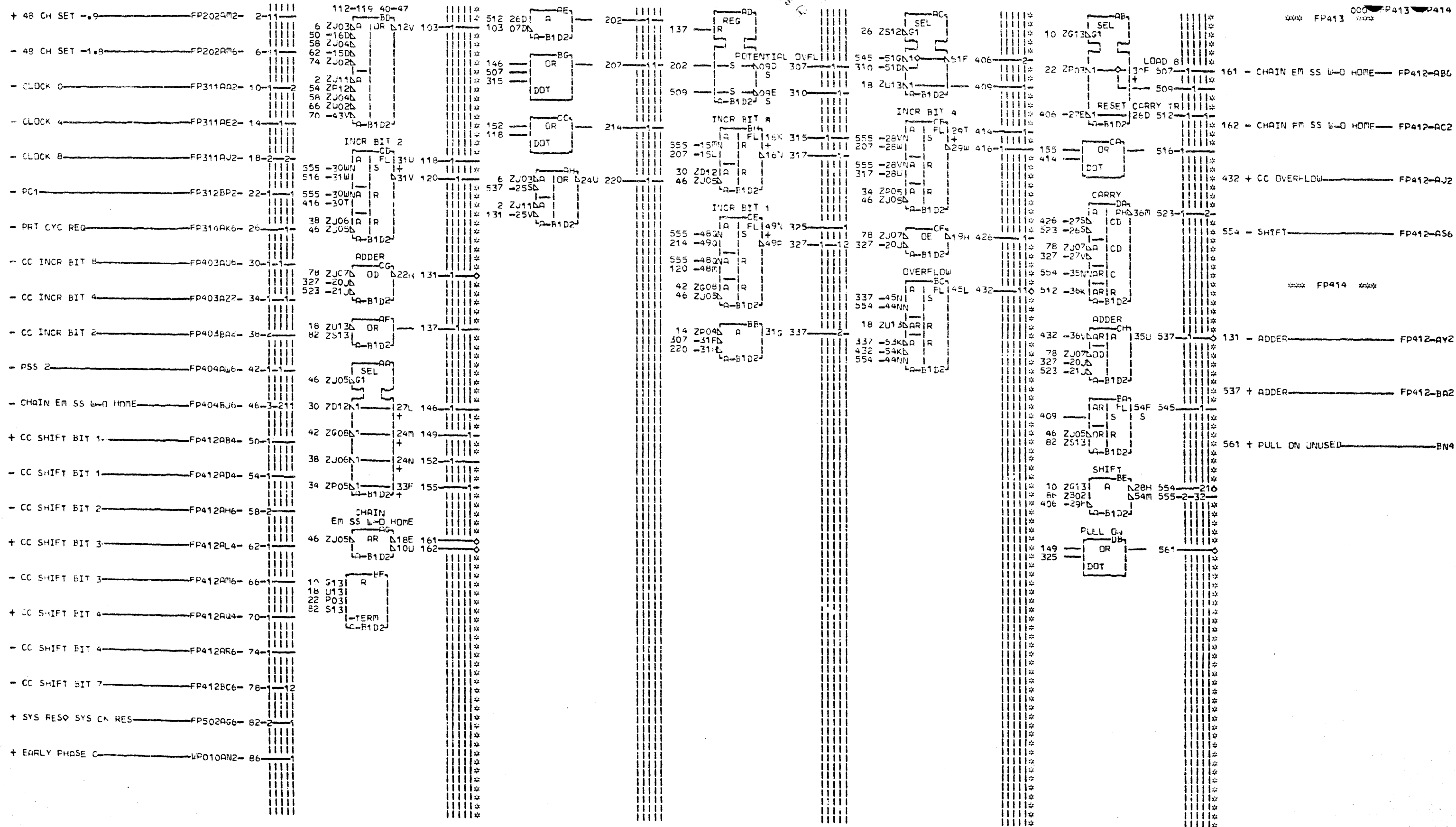


LOC. TYPE
A-B1D2 2645

PAGE VER EC LEV
FP411 000 818671
FP412 000 818671

FP411
FP412
000

CHAIN CHARACTER COUNTER			
E.C. HISTORY	R.FACH.5203-ATT	FRAME	01 FP411
818912		IBM CORP.SDD	FP412
DATE	LAST EC	P.N.	2589178 000
07-16-71	818671		

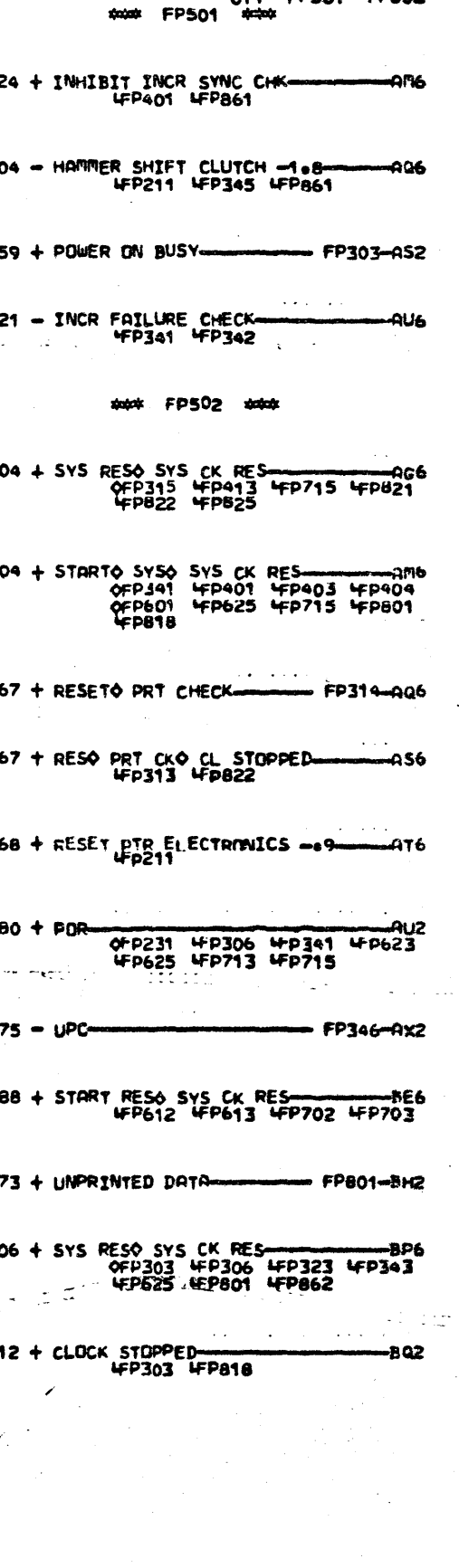
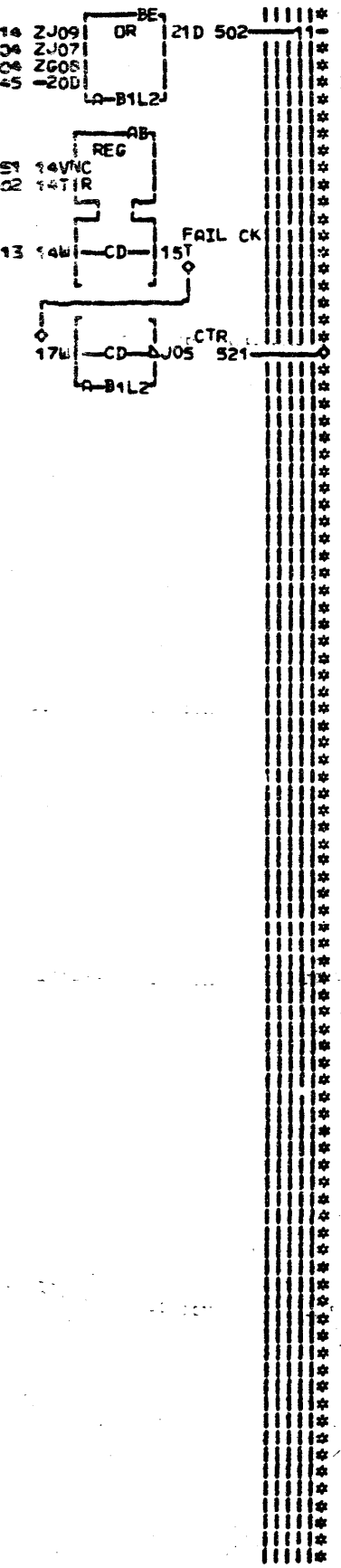
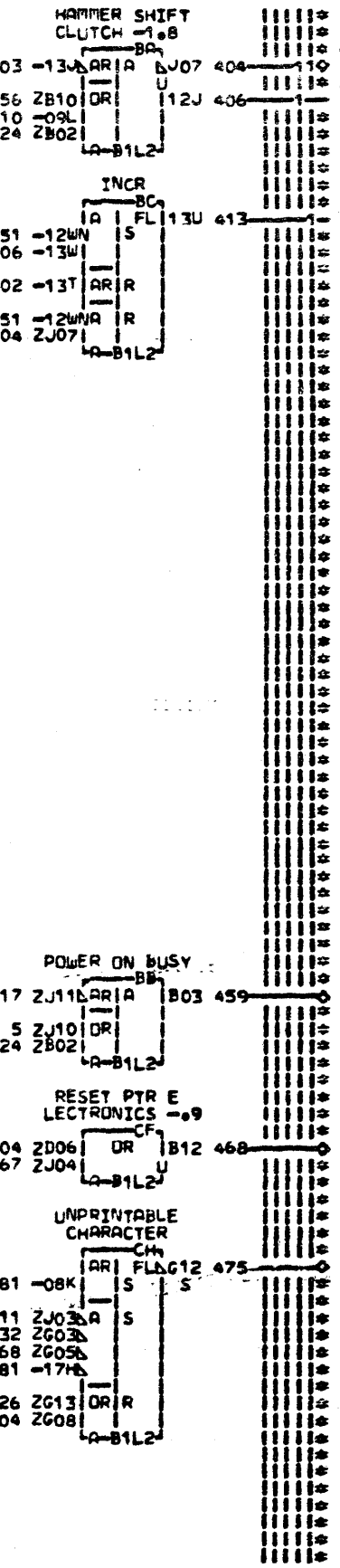
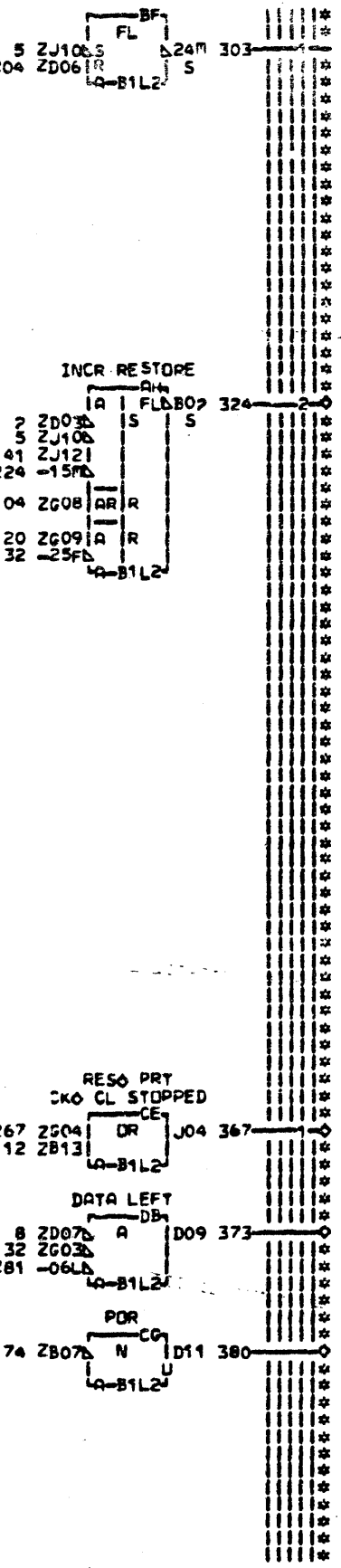
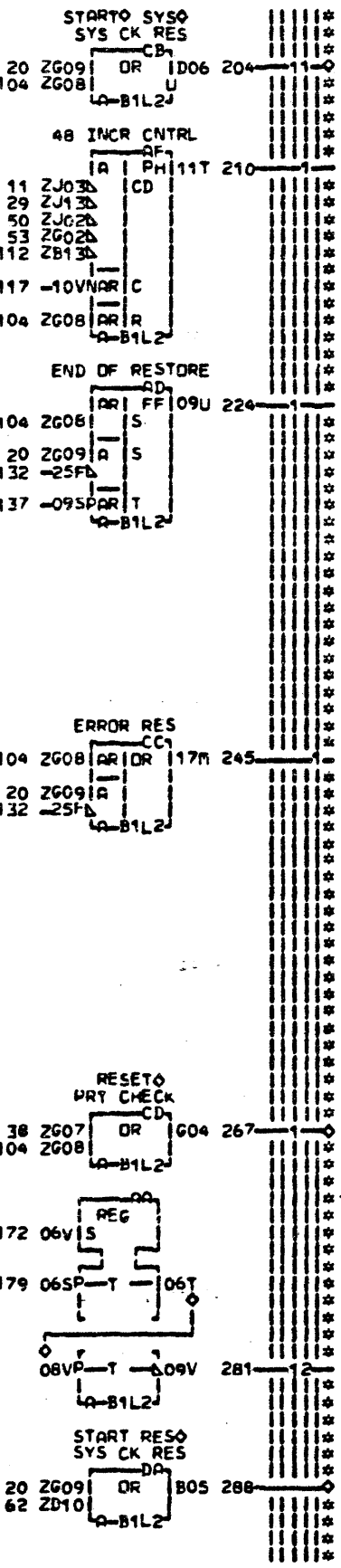
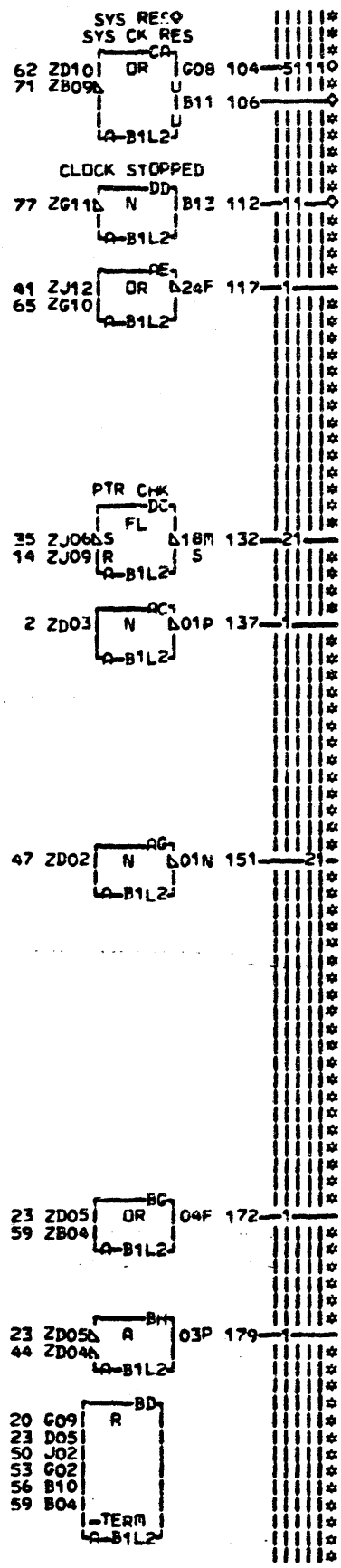
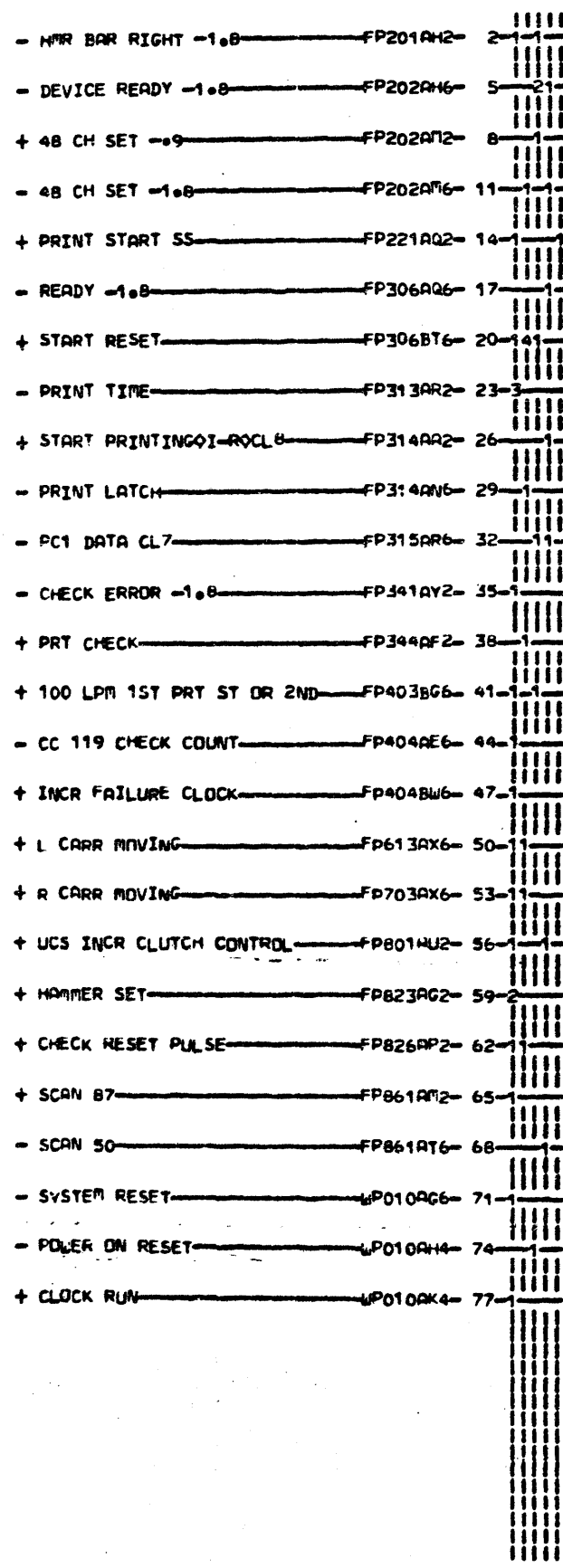


FP413
 FP414
 000

LOC. TYPE
 A-B1D2 2645

PAGE VER EC LEV
 FP413 000 818671
 FP414 000 818671

CHAIN CHARACTER COUNTER			
E.C. HISTORY	R	MACH. 5203-ATT	
818912			
FRAME	01	FP413	
DATE	LAST EC	IBM CORP. SDD	FP414
07-16-71	818671	P.N. 2589179	000



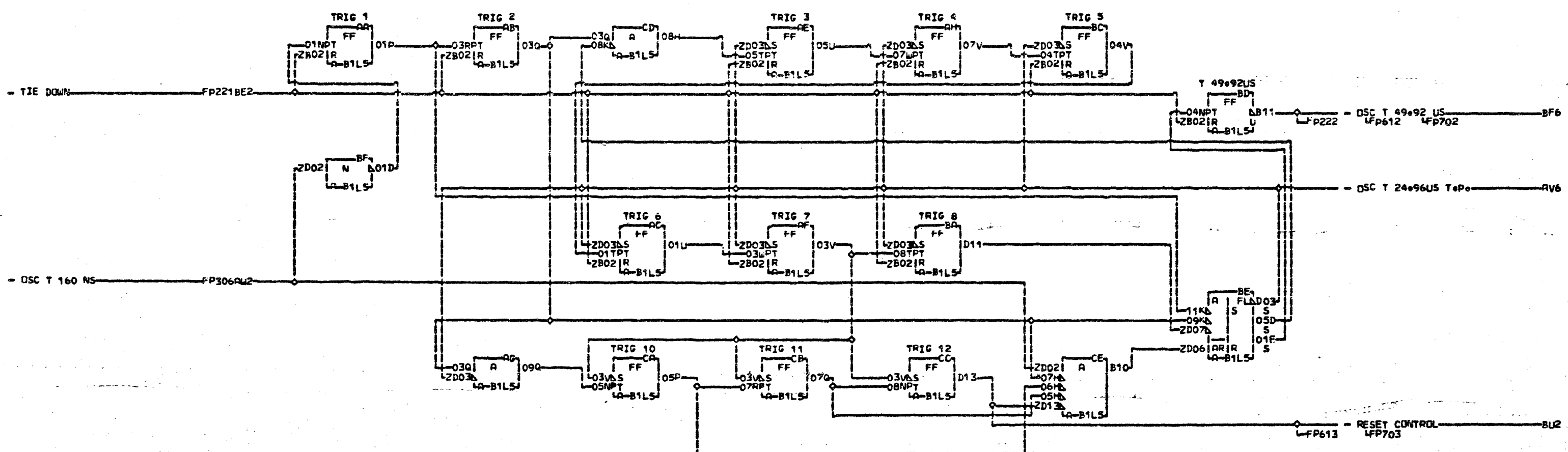
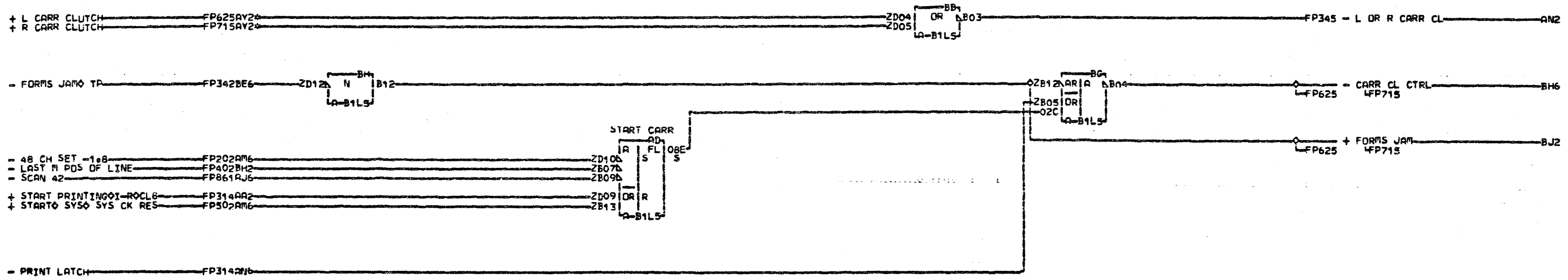
A-SIM TO P1
B-SIM TO PN
EC 818671
EC 818671

LOC. TYPE
A-B1L2 2638

PAGE VER EC LEV
FP501 011 818671
FP502 011 818671

FP501
FP502
011

INCREMENT CLUTCH CONTROL RESET GENERATION E-C-HISTORY		MACH. 5203-ATT 818912	
DATE	LAST EC	FRAME	01
07-16-71	818671	IBR CORP. SDD	FP502
P.No. 7369388		011	

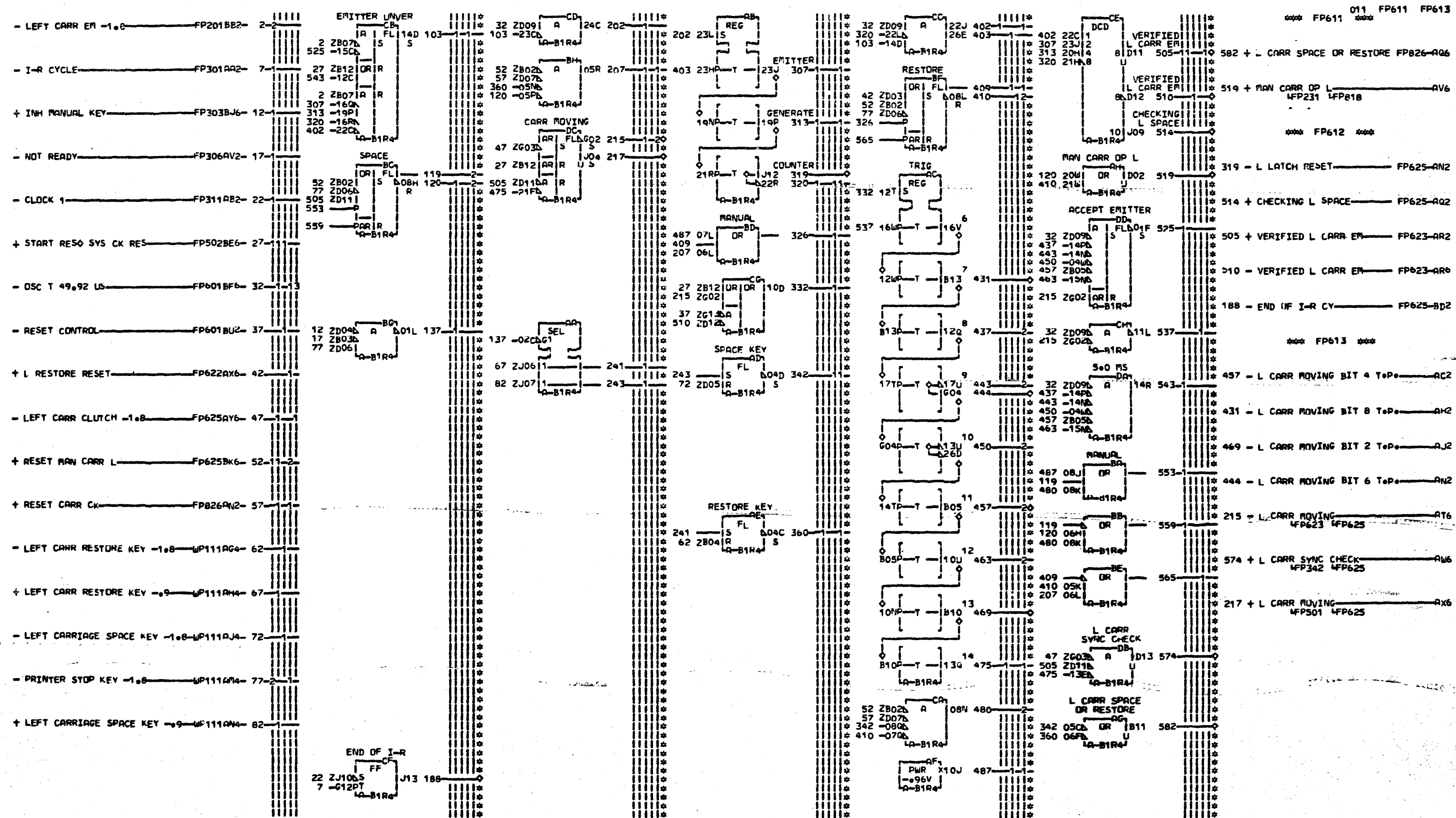


FP601
 011
 SIG TO PH
 EC 818671

FP625AY2
 RESISTOR
 A-B1L5D04
 FP715AY2
 RESISTOR
 A-B1L5D05

LDC TYPE
 A-B1L5 4650

COMMON CARR CONTROLS	
E.C. HISTORY	PACH. 5203-ATT
818912	FRAME 01
DATE	IBM CORP. SDD
LAST EC	P.No. 7369389
07-16-71 818671	



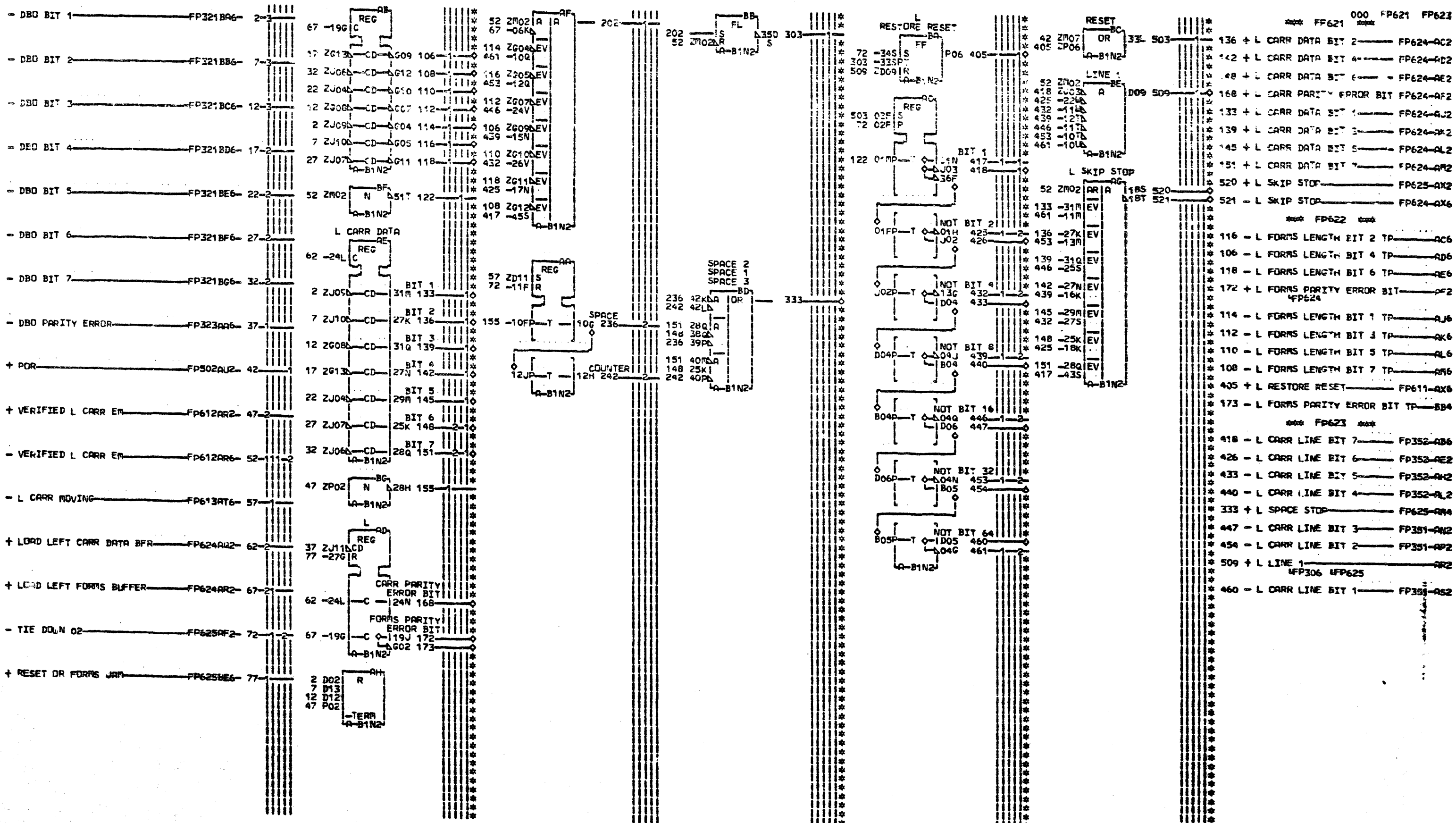
A₅SIA TO PN EC 818671

LOC. TYPE
A-B1R4 2641

PAGE VER EC LEV
 FP611 011 818671
 FP612 000 818671
 FP613 000 818671

FP611
 FP613
 011

LEFT CARRIAGE EMITTER AND MANUAL OPERATION		
E.C. HISTORY - RACH. 5203-ATT 818912		
FRAME	01	FP611
IBM CORP. SDD		FP613
DATE	LAST EC	
07-16-71	818671	
IP. No.	7369390	011

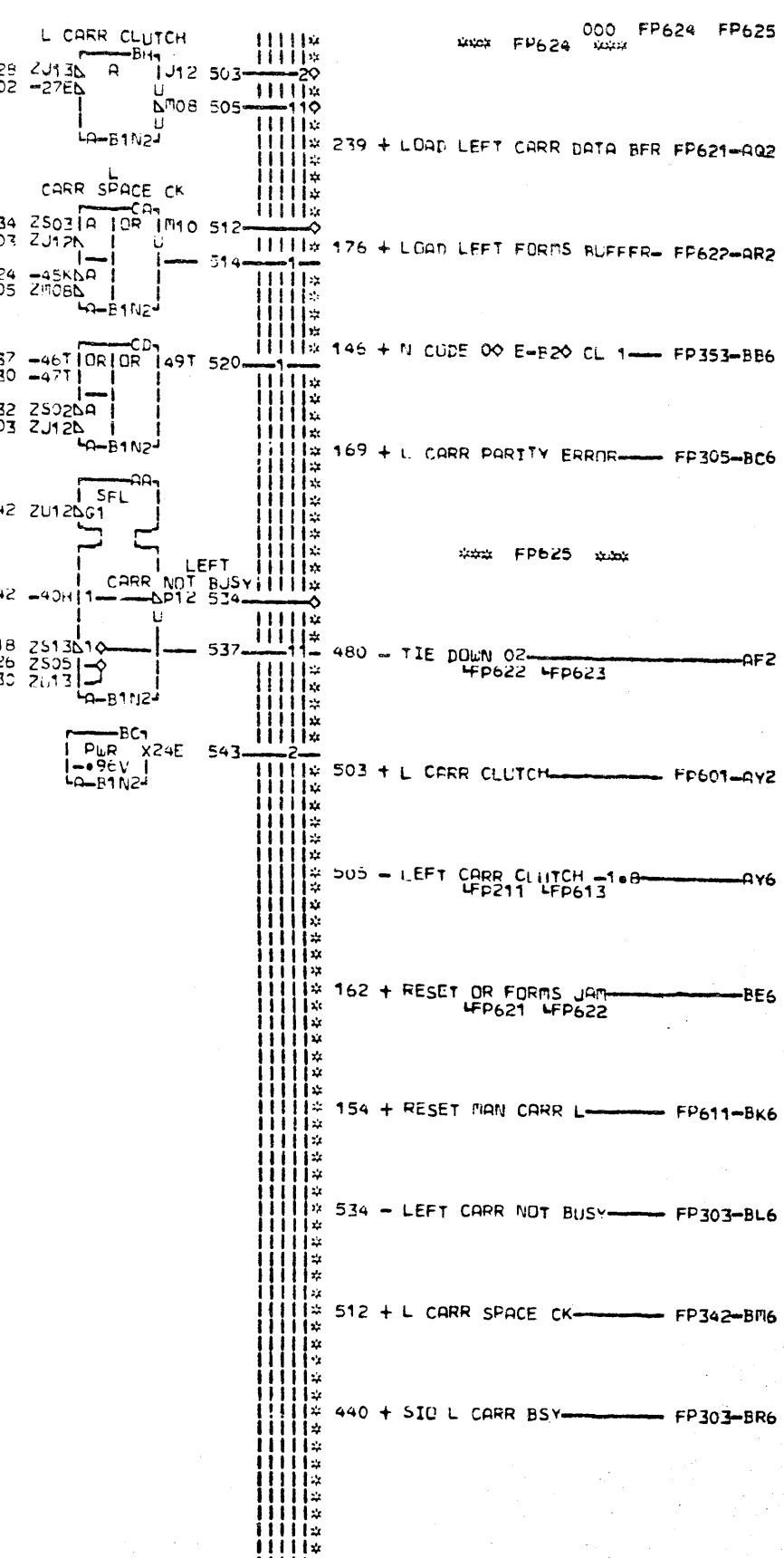
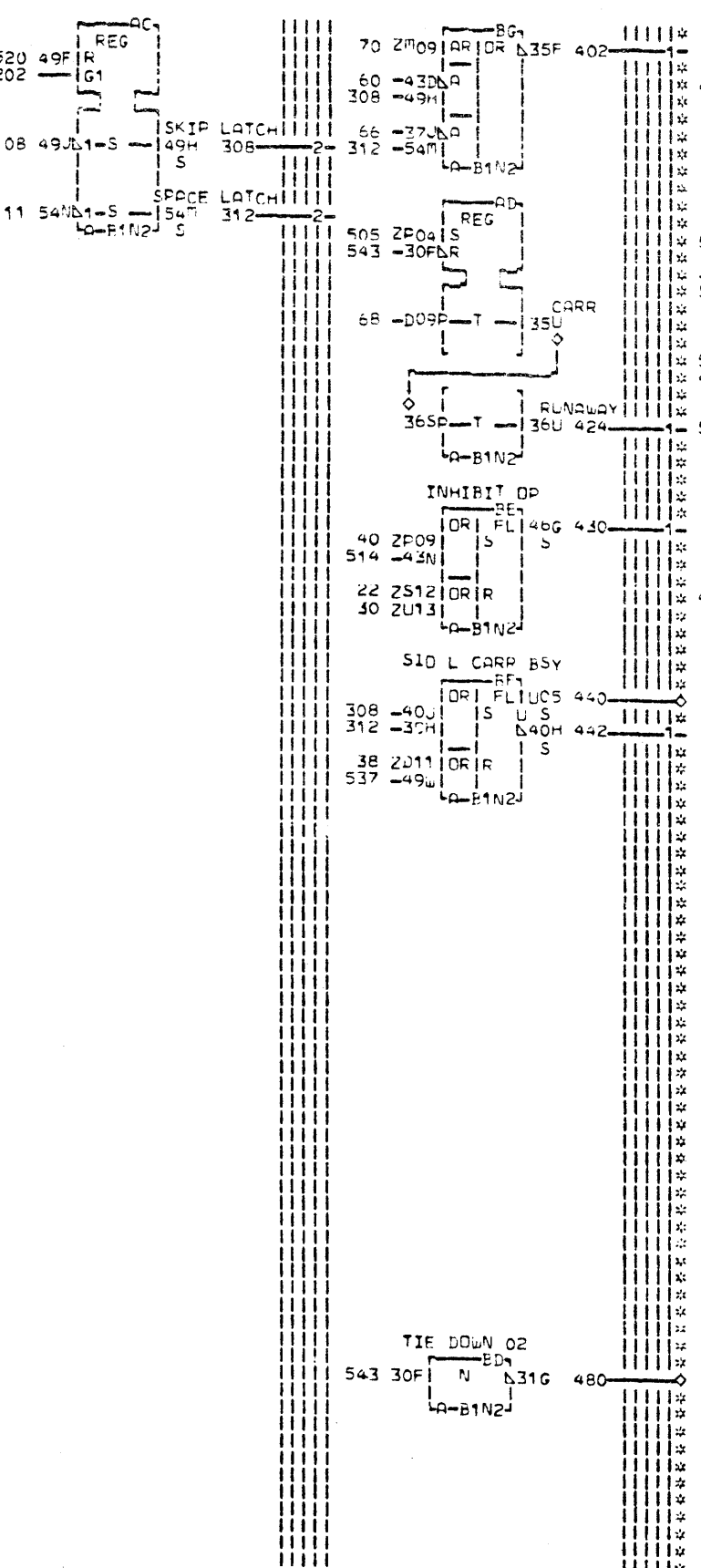
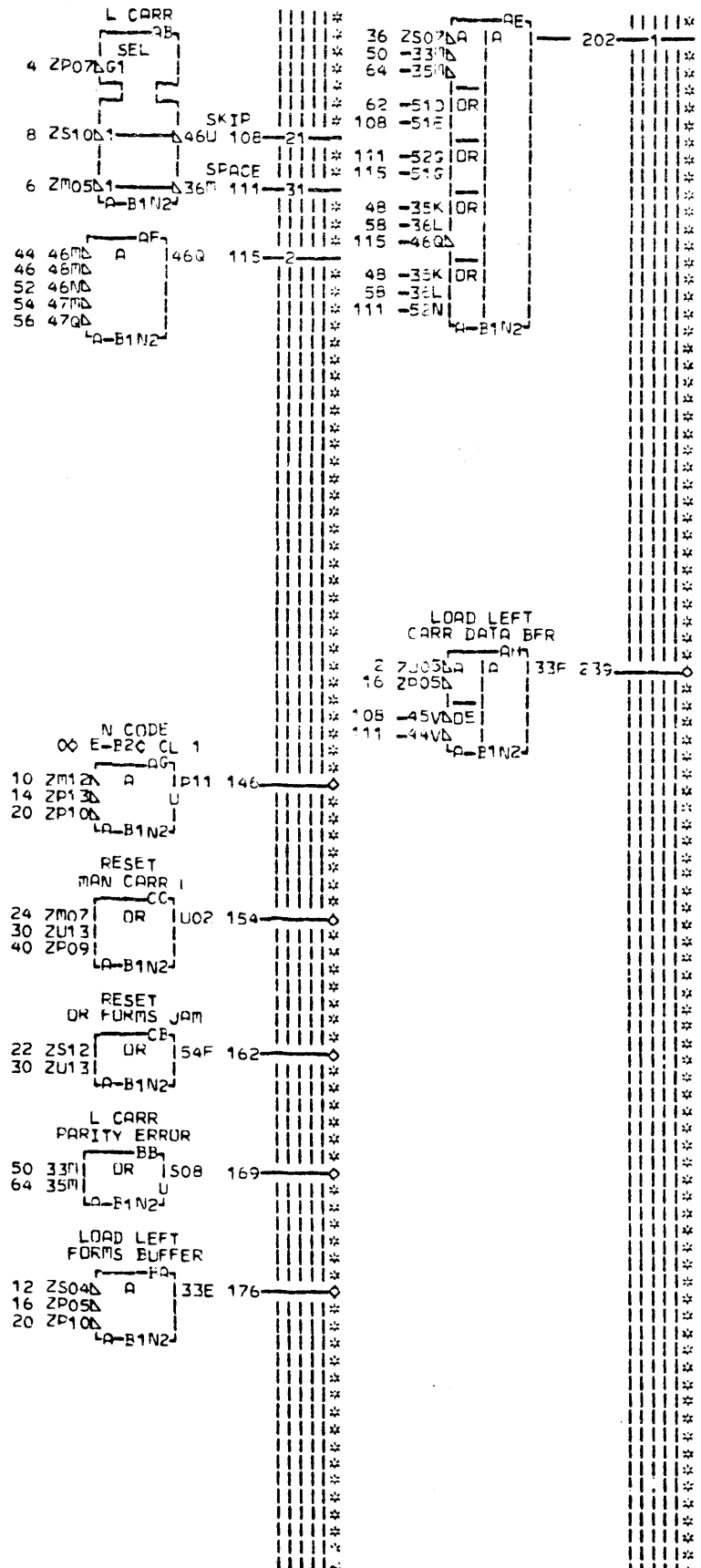
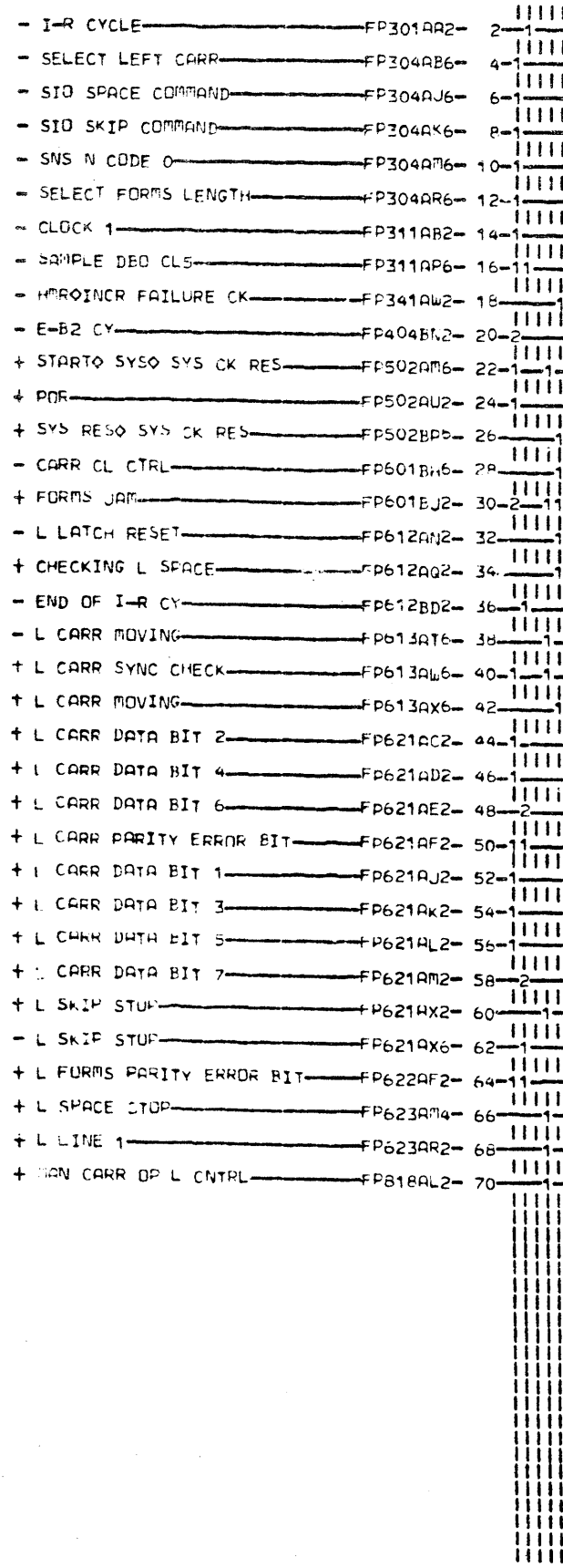


FP621
FP623
300

LOC. TYPE
A-B1N2 2642

PAGE VER EC LEV
FP621 000 818571
FP622 000 818571
FP623 000 818571

LEFT CARRIAGE CONTROLS			
E-C-HISTORY	A-MACH-5203-ATT	818912	
DATE	LAST EC	07-16-71	818571
FRAME	01	FP621	
IBM CORP. SDD			FP623
IP.No	2589183		000

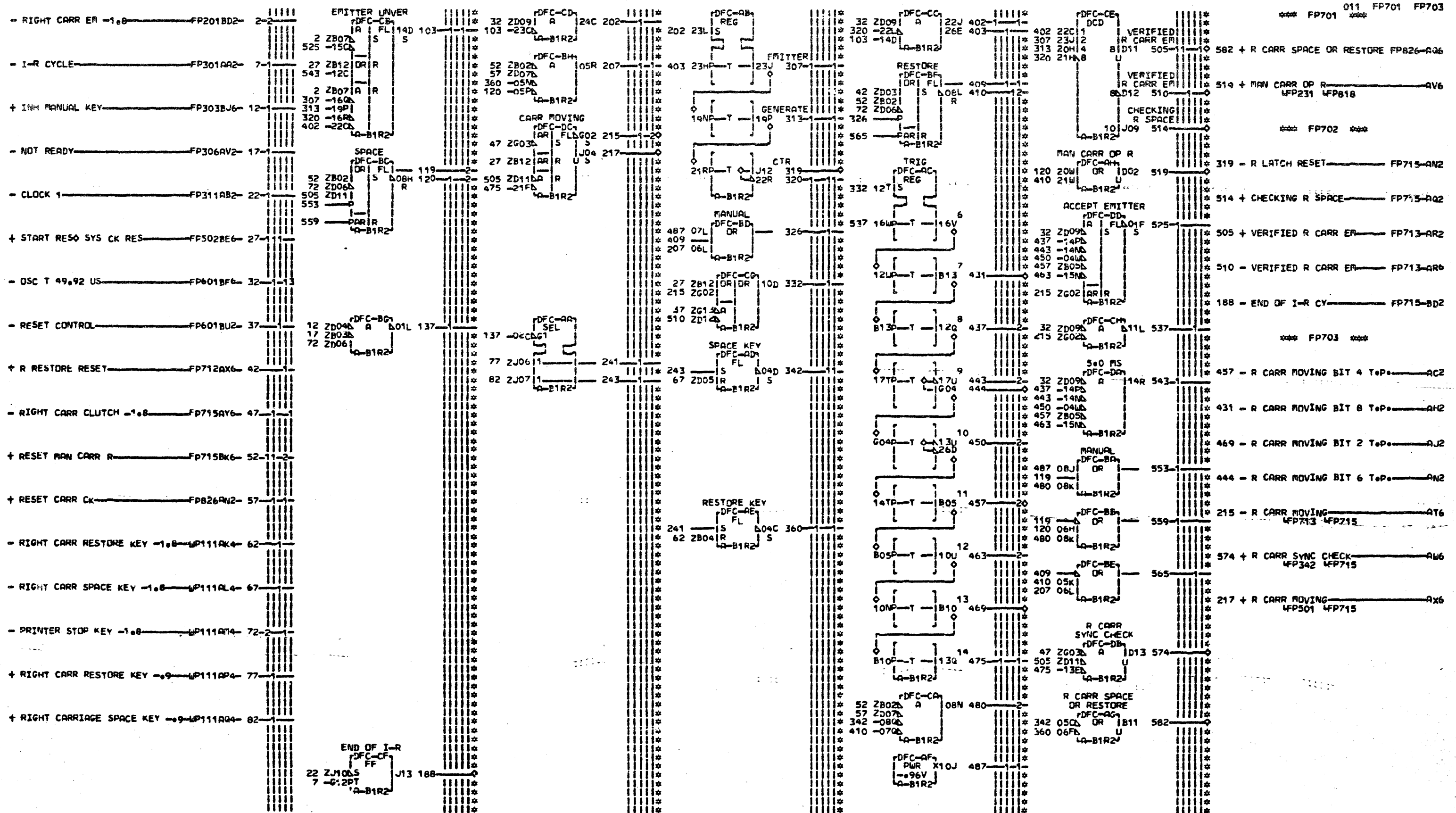


LCC. TYPE
A-B1N2 2642

PAGE VER EC LEV
FP624 000 818671
FP625 000 818671

FP624
FP625
C30

LEFT CARRIAGE CONTROLS			
E.C. HISTORY	R. MACH.	5203-ATT	B18912
FRAME	01	FP624	
DATE	LAST EC	IBM CORP. SDD	FP625
07-16-71	818671	P.N.	2589184 000



NOTE FEATURE CARD FOR DUAL FEED CARRIAGE ONLY.

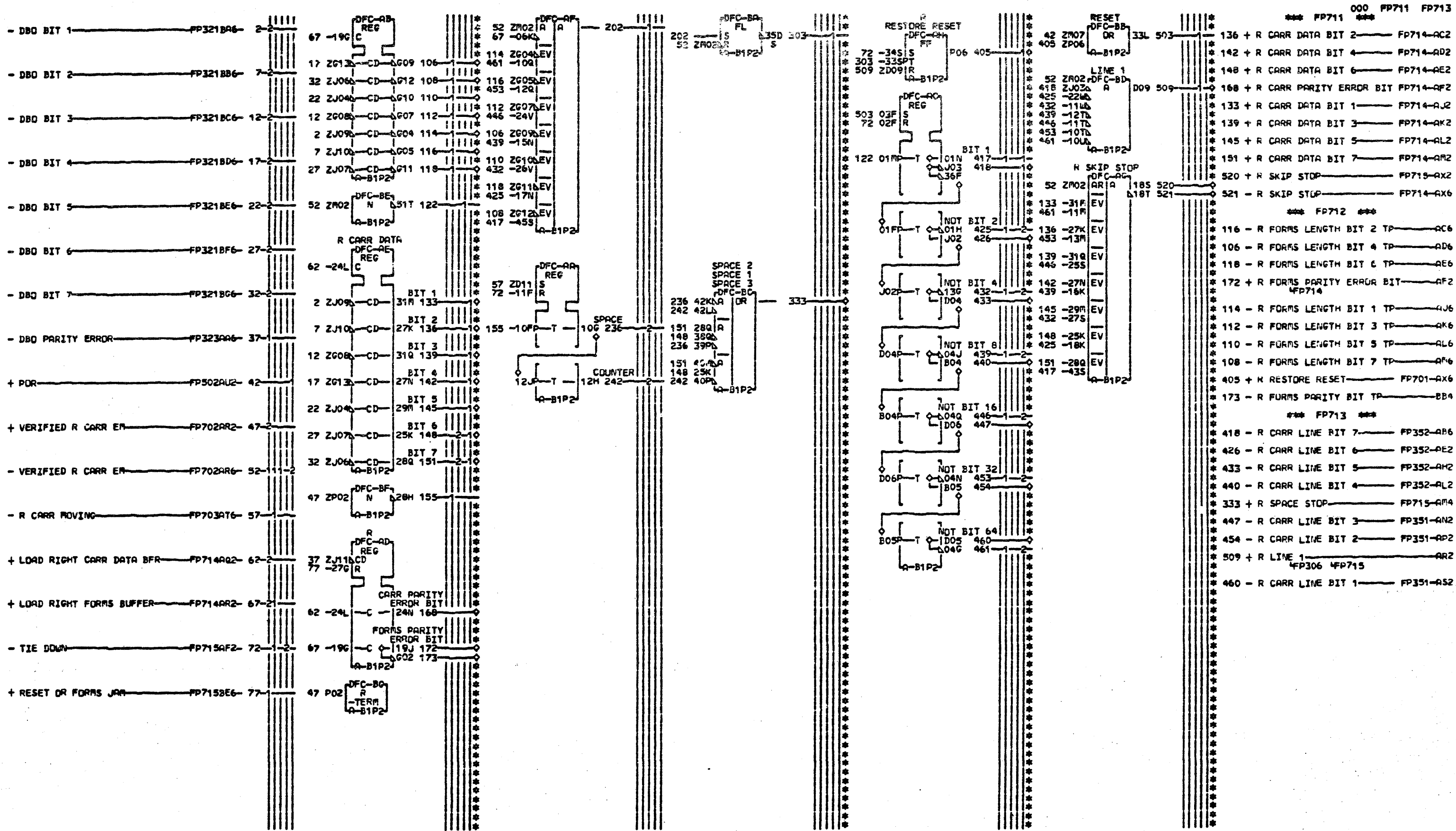
LOC. TYPE
A-B1R2 2641

PAGE VER EC LEV
FP701 011 818671
FP702 000 818671
FP703 000 818671

FP701
FP703

011 SIM TO PN EC 818671

RIGHT CARRIAGE EM. AND MAN. OP MAN CARRIAGE OP. E.C. HISTORY RACH. 5203-ATT 818912		FRAME 01 IBM CORP. SDD P.No. 7369392	FP701 FP703
DATE 07-16-71	LAST EC 818671		011



NOTE FEATURE CARD FOR DUAL FEED CARRIAGE ONLY.

LOC. TYPE A-B1P2 2642

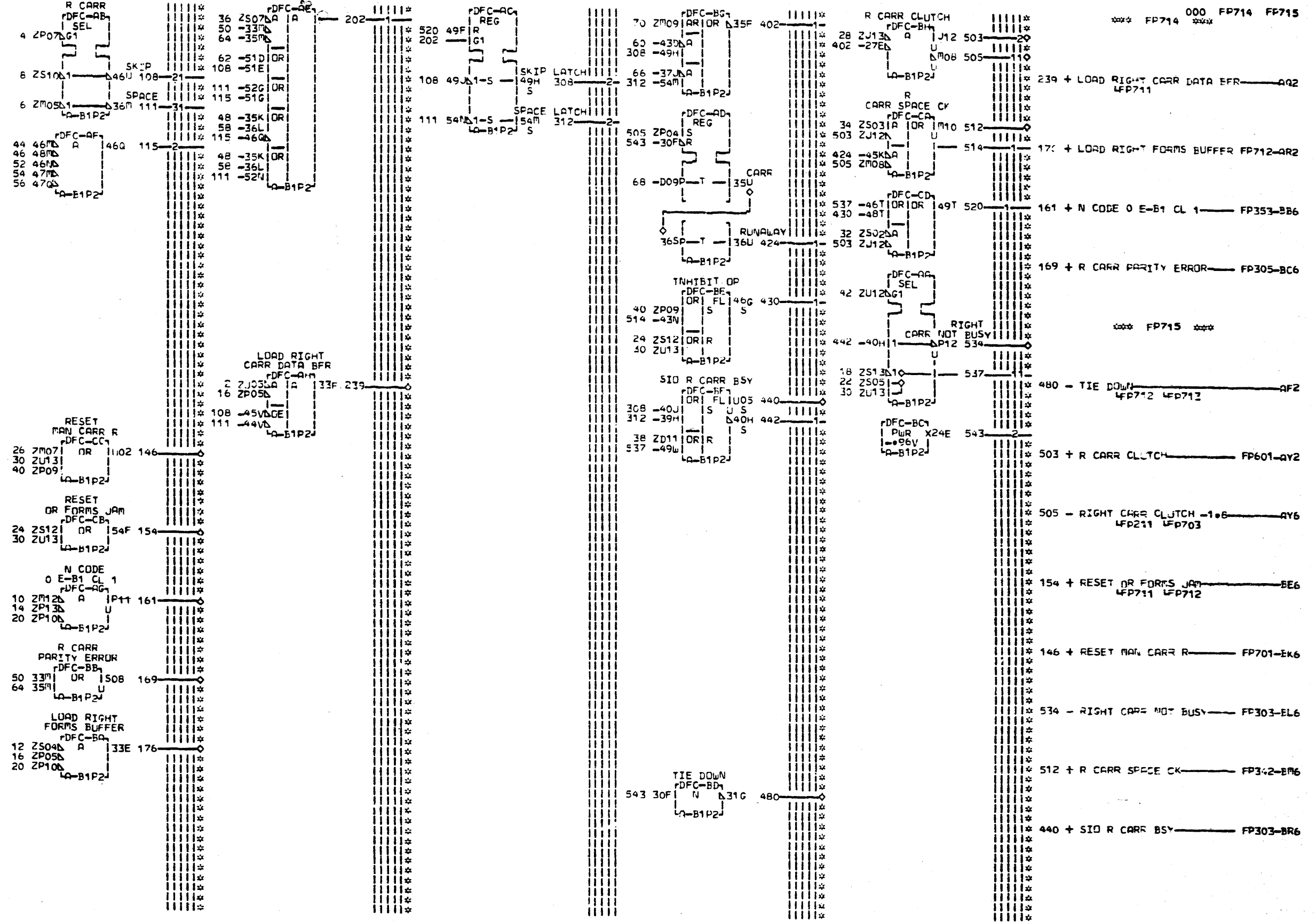
PAGE VER EC LEV
 FP711 000 818671
 FP712 000 818671
 FP713 000 818671

RIGHT CARRIAGE CONTROLS
 CARRIAGE SPACE-SKIP REG
 E.C. HISTORY R. MACH. 5203-ATT
 818912

FRAME 01 FP711
 IBM CORP. SDD FP713
 DATE LAST EC
 07-16-71 818671 P.No. 2589186 000

FP711
 FP713
 000

- I-R CYCLE FP301AA2 2
- SELECT RIGHT CARR FP304AA6 4
- SID SPACE COMMAND FP304AJ6 6
- SID SKIP COMMAND FP304AK6 8
- SNS N CODE 0 FP304AM6 10
- SELECT FORMS LENGTH FP304AR6 12
- CLOCK 1 FP311AB2 14
- SAMPLE DBD CLS FP311AP6 16
- HPROINCX FAILURE CK FP341AW2 18
- E-B1 CY FP404BM2 20
- + SYS RESO SYS CK RES FP502AG6 22
- + STARTO SYSO SYS CK RES FP502AM6 24
- + POR FP502AU2 26
- CARR CL CTRL FP601BH6 28
- + FORMS JAM FP601BJ2 30
- R LATCH RESET FP702AJ2 32
- + CHECKING R SPACE FP702AQ2 34
- END OF I-R CY FP702BD2 36
- R CARR MOVING FP703AT6 38
- + R CARR SYNC CHECK FP703AU6 40
- + R CARR MOVING FP703AX6 42
- + R CARR DATA BIT 2 FP711AC2 44
- + R CARR DATA BIT 4 FP711AD2 46
- + R CARR DATA BIT 6 FP711AE2 48
- + R CARR PARITY ERROR BIT FP711AF2 50
- + R CARR DATA BIT 1 FP711AJ2 52
- + R CARR DATA BIT 3 FP711AK2 54
- + R CARR DATA BIT 5 FP711AL2 56
- + R CARR DATA BIT 7 FP711AM2 58
- + R SKIP STOP FP711AX2 60
- R SKIP STOP FP711AX6 62
- + R FORMS PARITY ERROR BIT FP712AF2 64
- + R SPACE STOP FP713AM4 66
- + R LINE 1 FP713AR2 68
- + MAN CARR OP R CNTRL FP818AR2 70



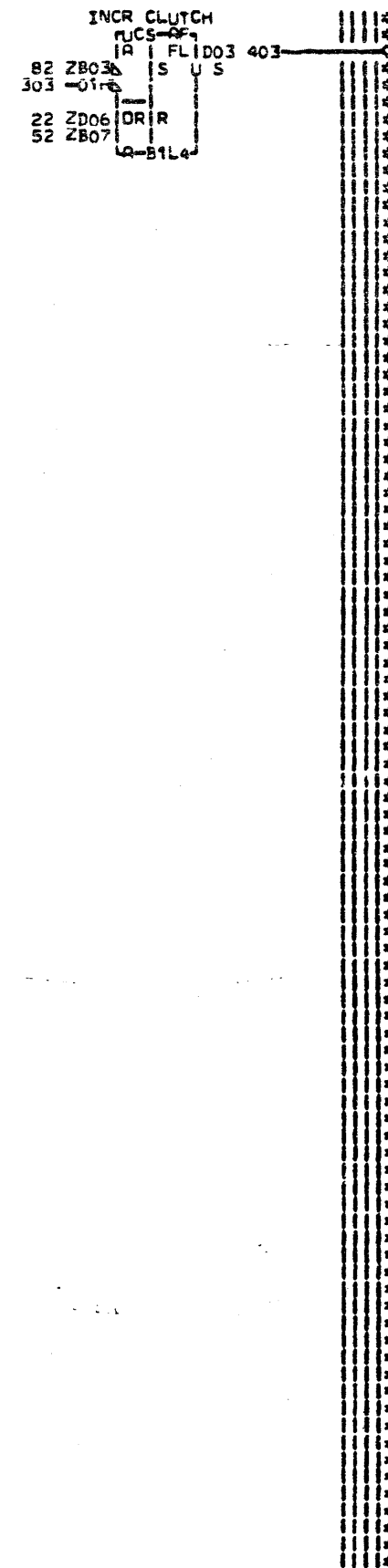
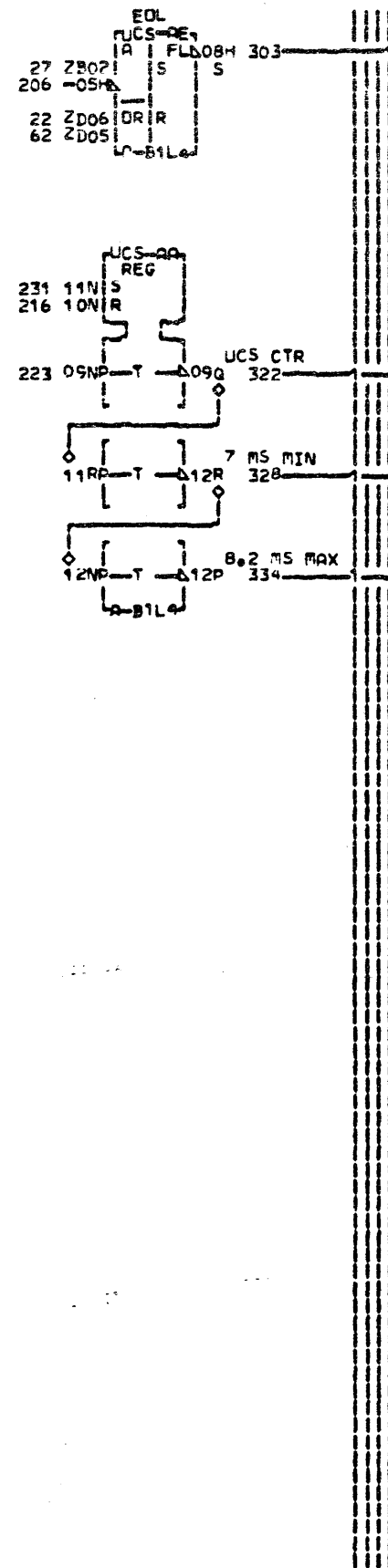
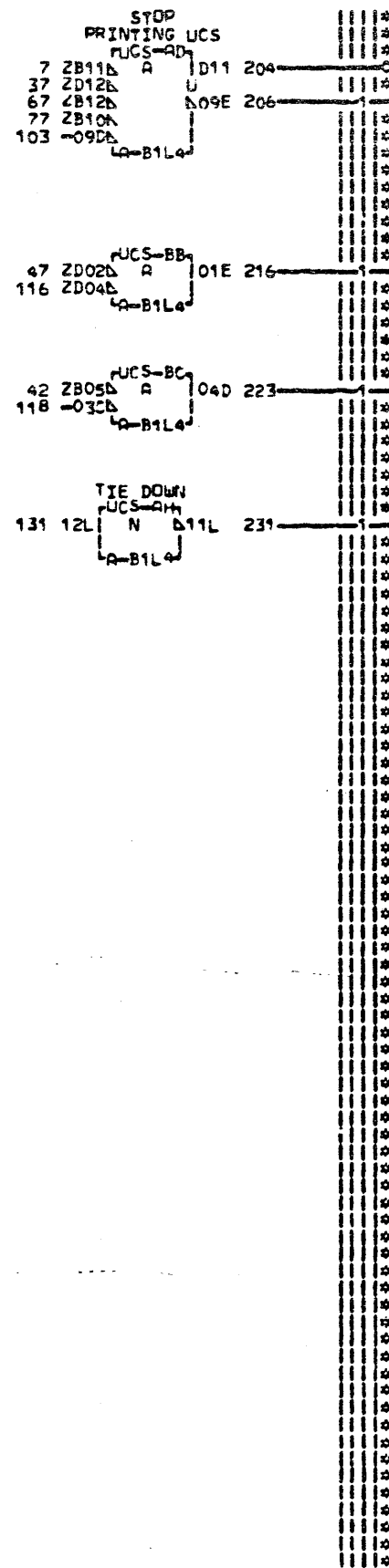
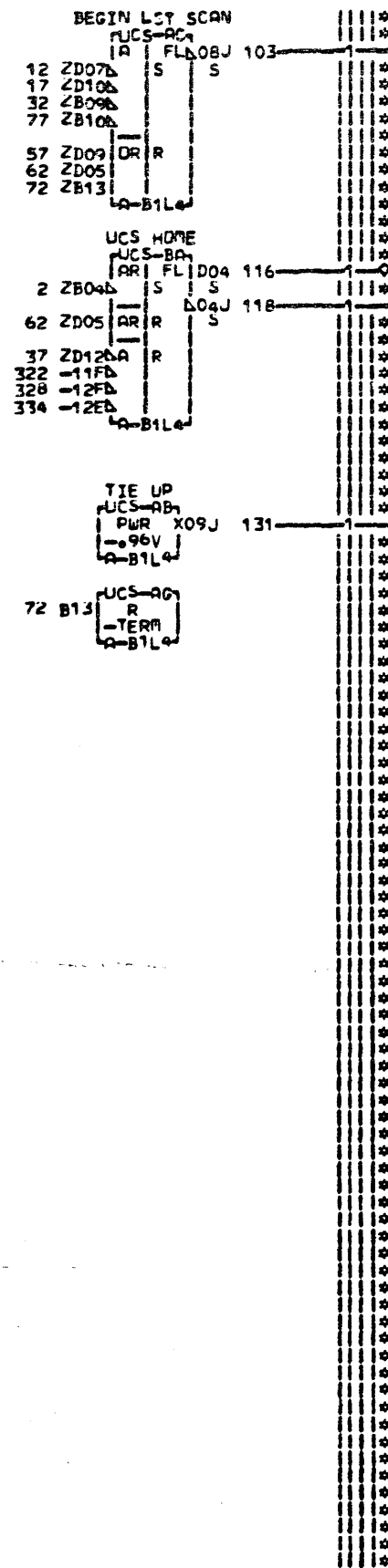
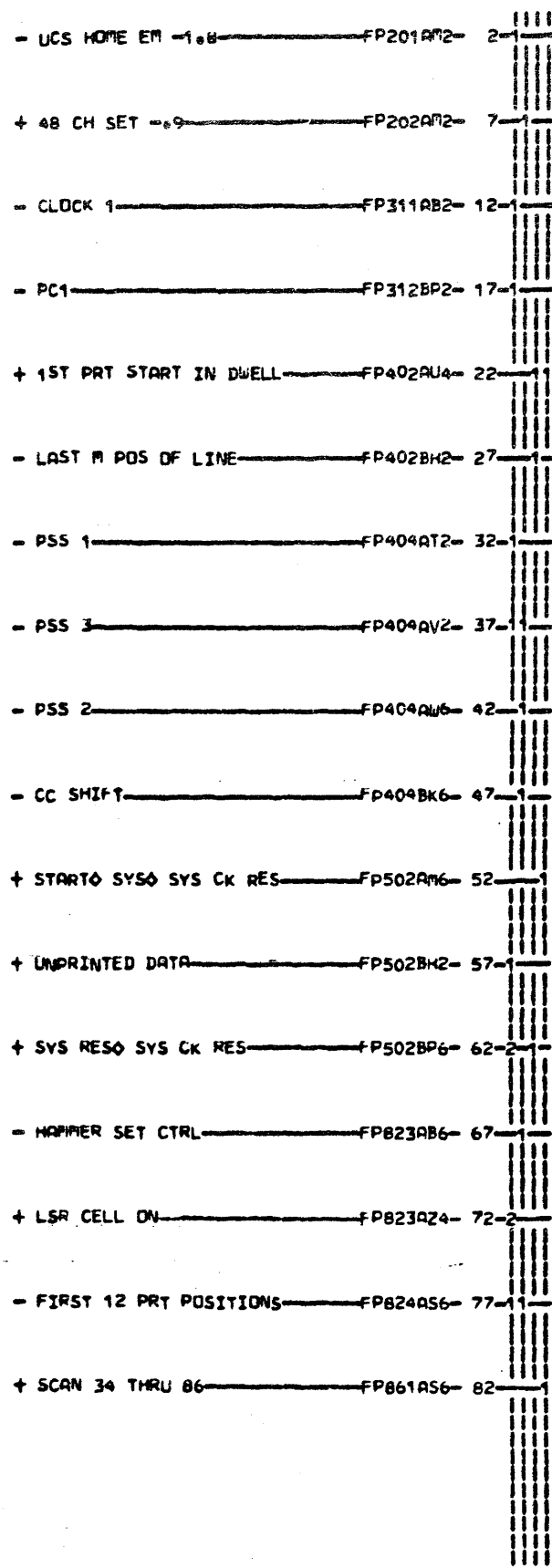
NOTE FEATURE CARD FOR DUAL
FEED CARRIAGE ONLY.

LOC. TYPE
A-B1P2 2642

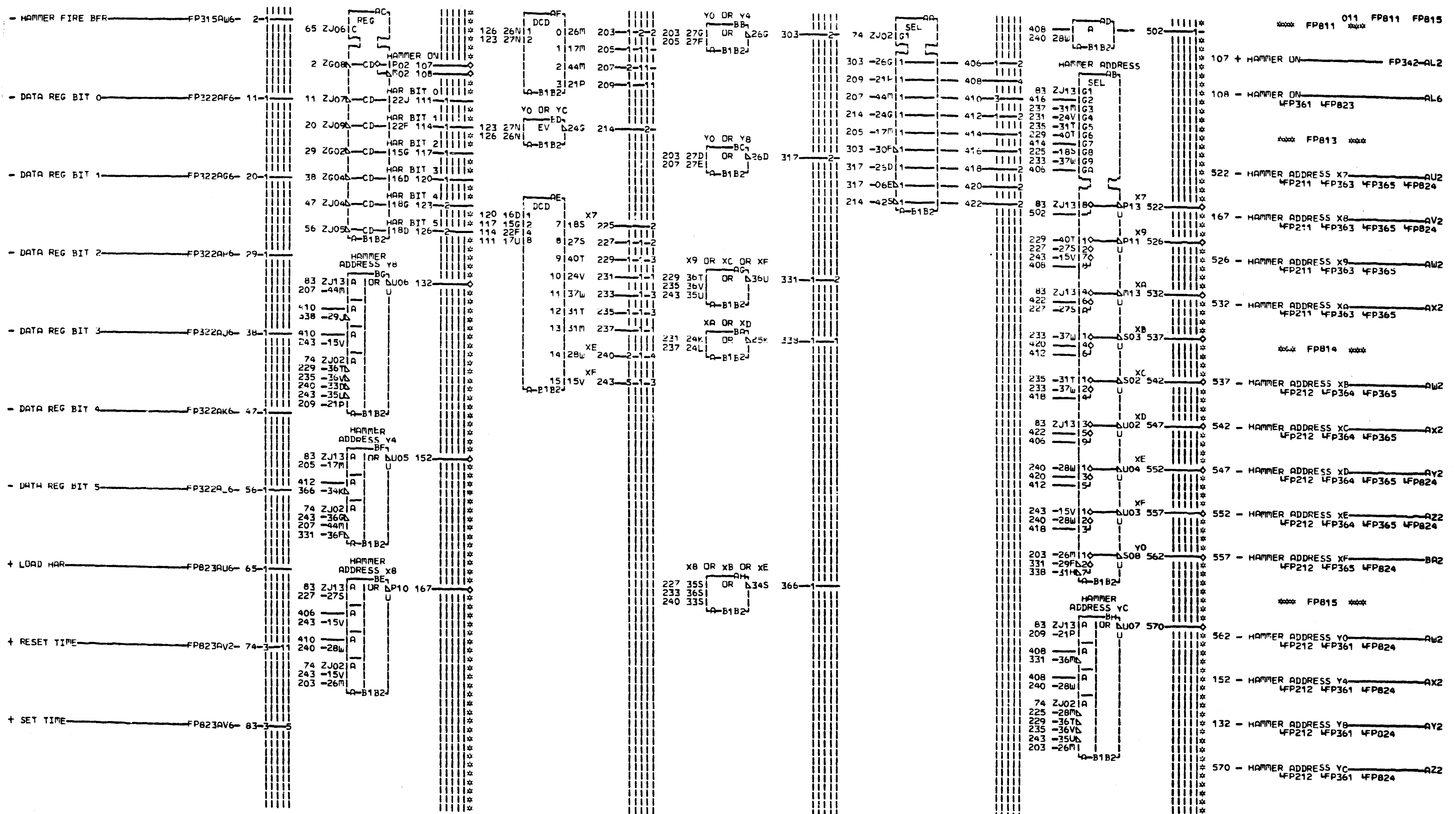
PAGE VER EC LEV
FP714 000 818671
FP715 000 818671

RIGHT CARRIAGE CONTROLS		
BUFFER LOAD AND LATCH CONTROL		
E.C. HISTORY	R. MACH. 5203-ATT	818912
DATE LAST EC	IBM CORP. SDD	FP714
07-16-71 818671	P. No. 2589187	FP715
		000

FP714
FP715
000



011 FP801 FP802
 *** FP801 ***
 204 + STOP PRINTING UCS — FP314-AT2
 403 + UCS INCR CLUTCH CONTROL FP501-AU2
 *** FP802 ***
 116 + UCS HOME — FP404-AB2

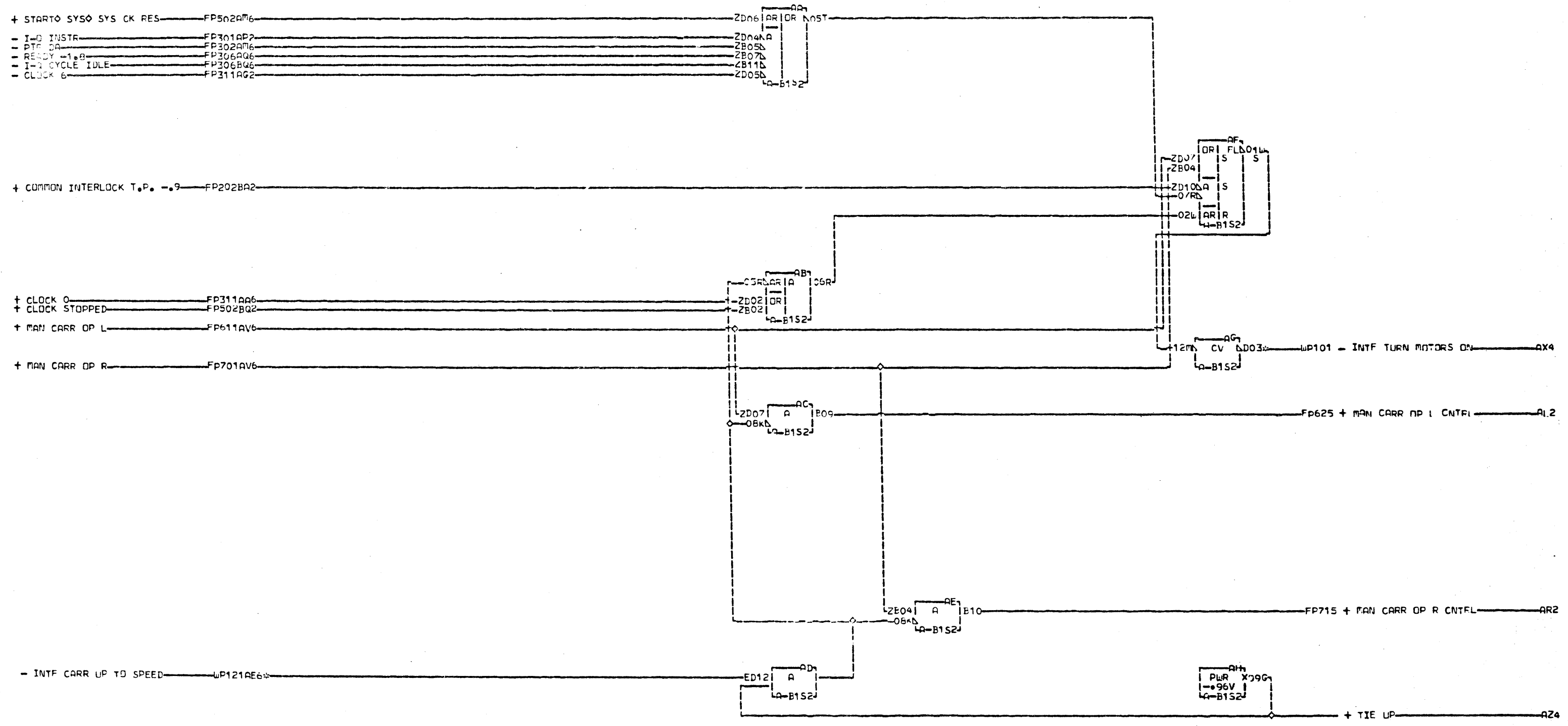


LOC. TYPE
A-B1B2 0757

PAGE VER EC LEV
 FP811 011 818671
 FP812 011 818671
 FP813 011 818671
 FP814 011 818671
 FP815 011 818671

300 LPM HAMMER ADDRESS DECODE			
E.C.	HISTORY	MACH	5203-ATT
818912			
FRAME	01	FP811	
IBM CORP.	SDD	FP815	
DATE	LAST EC	P.No	7369394 011
07-16-71	818671		

FP811
 FP815
 01.



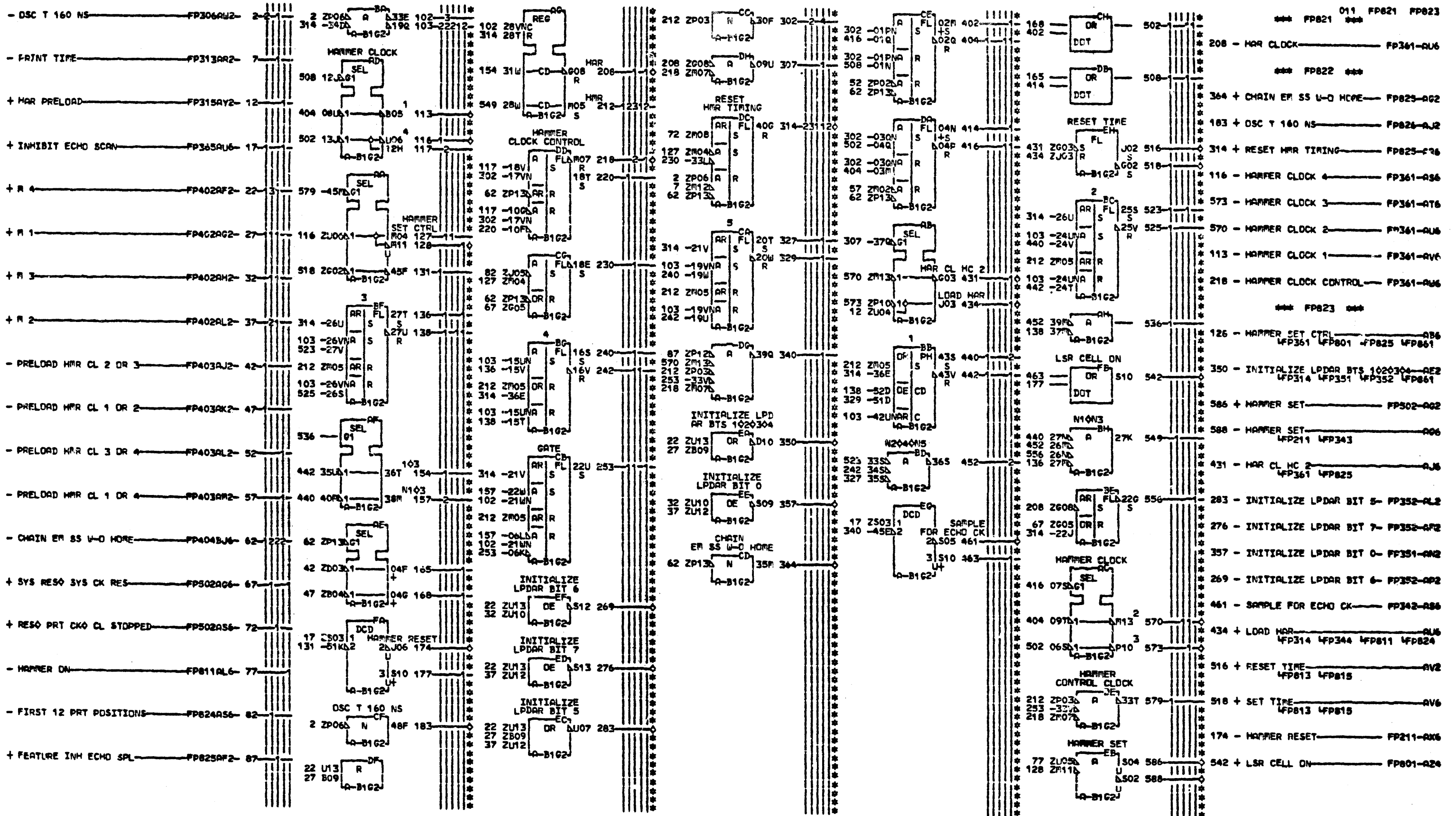
FP318
C30

WP121AE6
RESISTOR
A-B1S2D12
AG2 A-B1V2B10

LOC. TYPE
A-B1S2 0967

IDLE CONTROL			
E.C. HISTORY	R. MACH. 5203-ATT	FRAME	01
818912		IBN CORP. RD	
DATE	LAST EC	P.N.	7369395
07-16-71	818671		

FP318
000

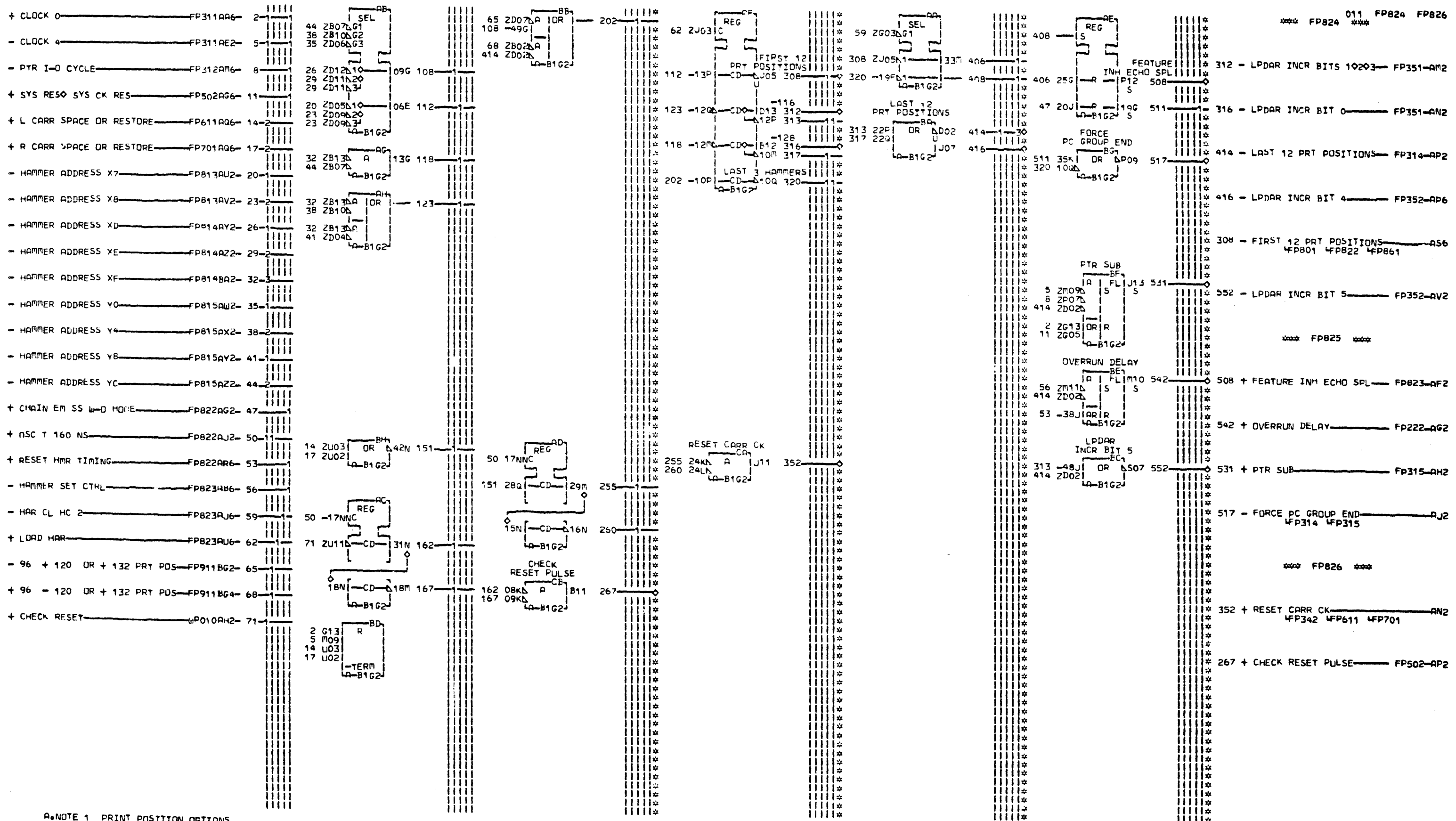


LOC. TYPE
A-B1G2 0758

PAGE VER EC LEV
FPA21 011 818671
FPB22 011 818671
FPB23 011 577022

HAMMER TIMING HAMMER SET/RESET E.C. HISTORY		BACH-5203-ATT	
818912	818671	FRAME 01	FPB21
DATE	LAST EC	IBM CORP. SDD	FPB23
03-29-72	577022	PaNo 7369396	011

FPB21
FPB23
011

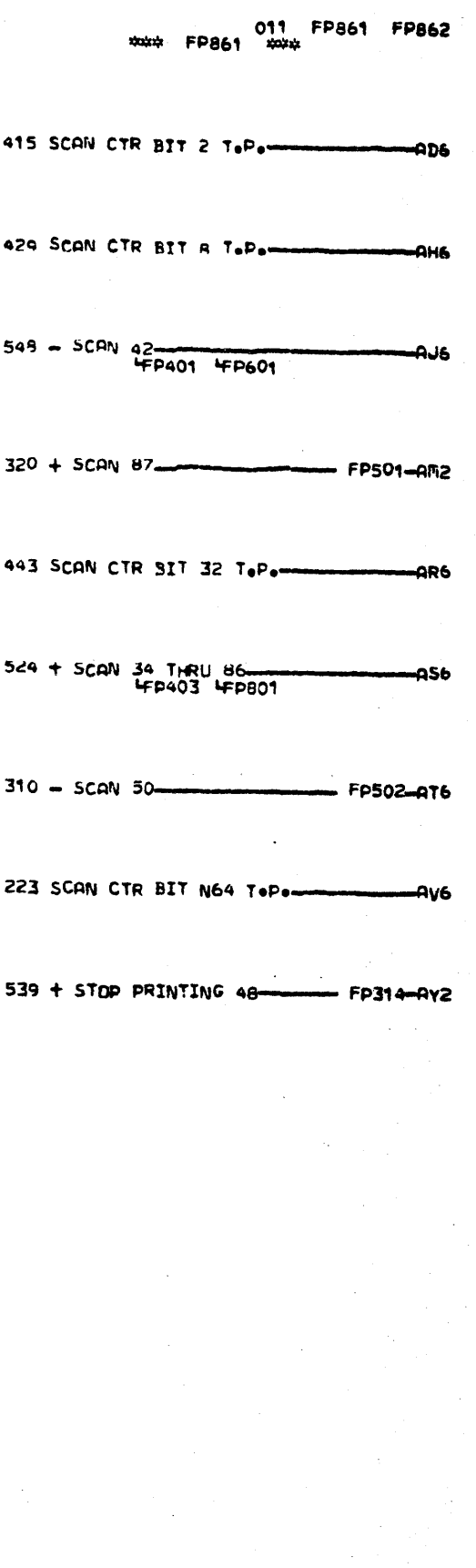
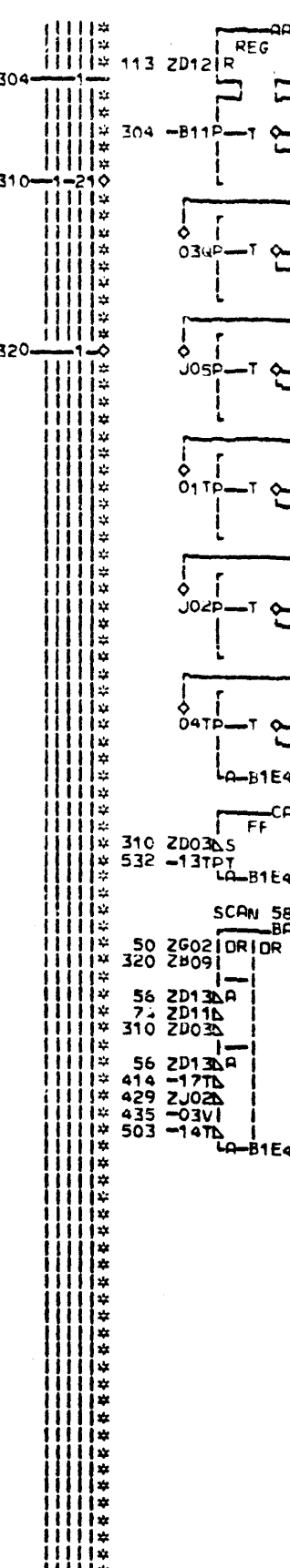
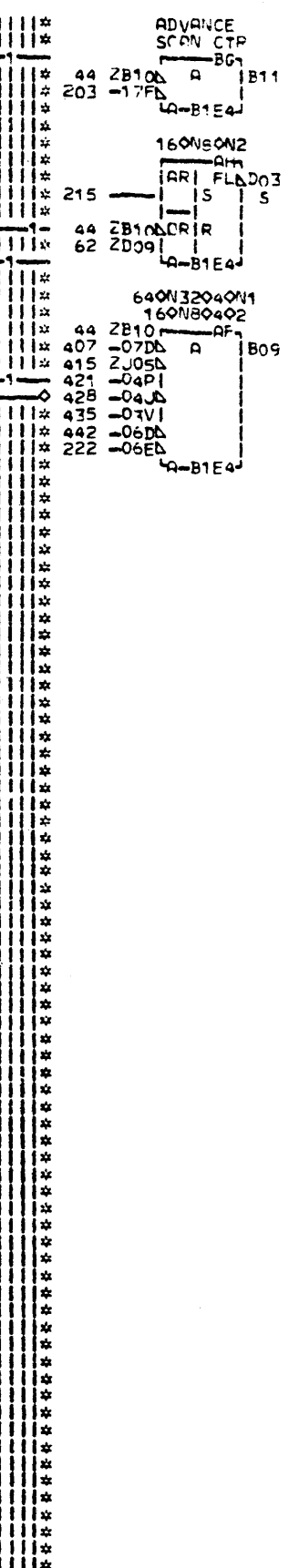
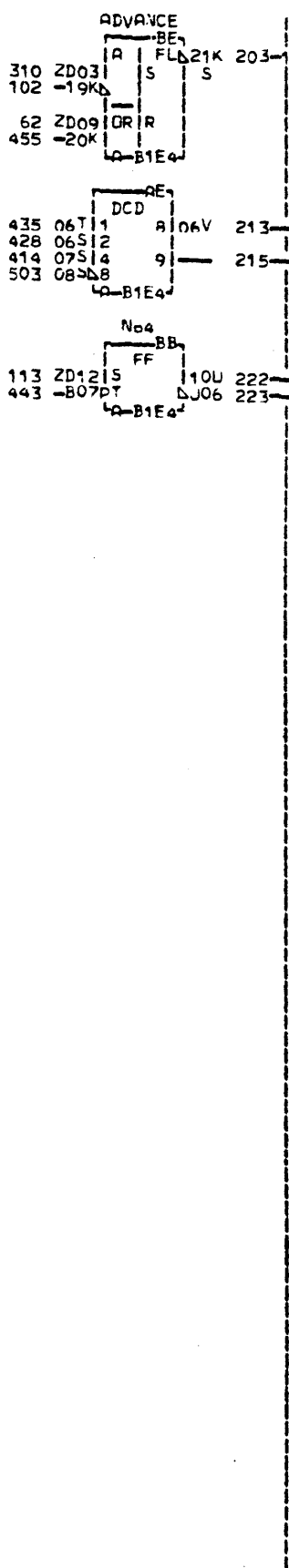
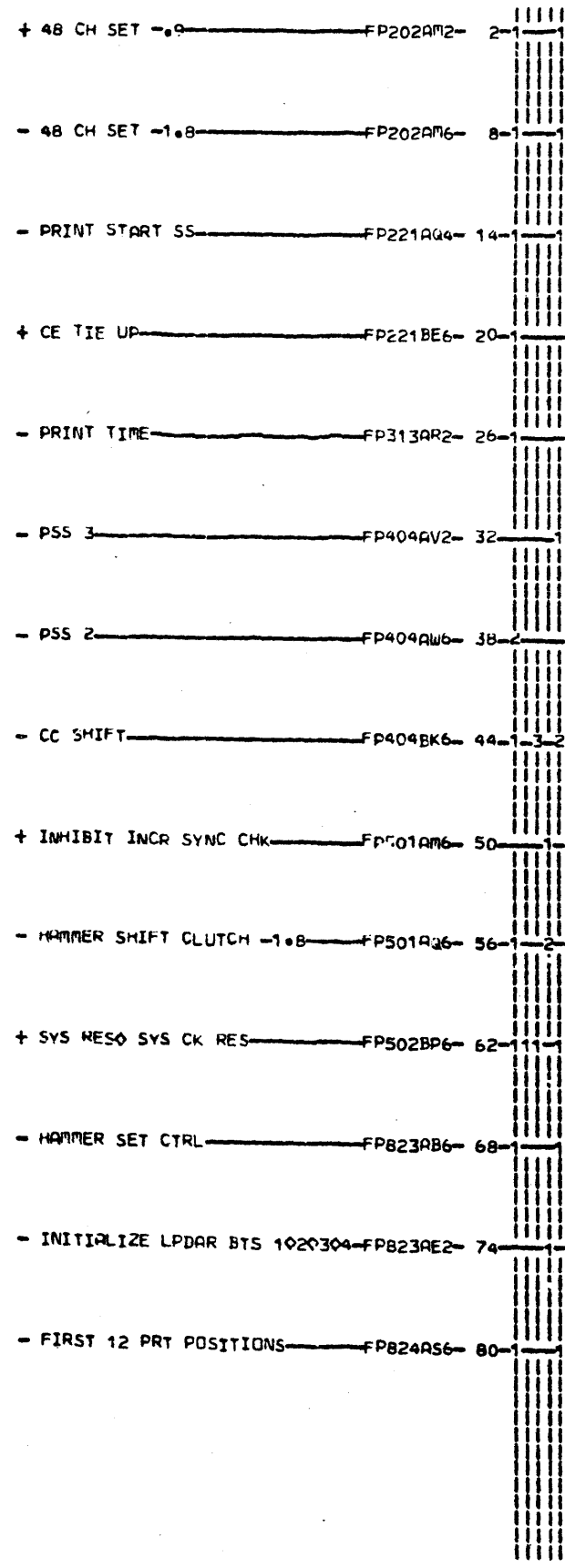


A NOTE 1 PRINT POSITION OPTIONS
 96 PRINT POSITIONS
 CONNECT B1G2D07 TO B1E2J09
 CONNECT B1G2B02 TO B1C4B10
 120 PRINT POSITIONS
 CONNECT B1G2D07 TO B1H2G11
 CONNECT B1G2B02 TO B1E5B12
 132 PRINT POSITIONS
 CONNECT B1G2D07 TO B1H2G11

LOC. TYPE
 A-B1G2 075B

PAGE VER EC LEV
 FP824 011 818671
 FP825 011 818671
 FP826 011 818671

HAMMER TIMING		
CARR RESET CHECK RESET		
E.C. HISTORY R MACH 5203-ATT		
818912	FRAME 01	FP824
IBM CORP. SDD		FP826
DATE LAST EC	P.No. 7369397 011	
07-16-71 818671		



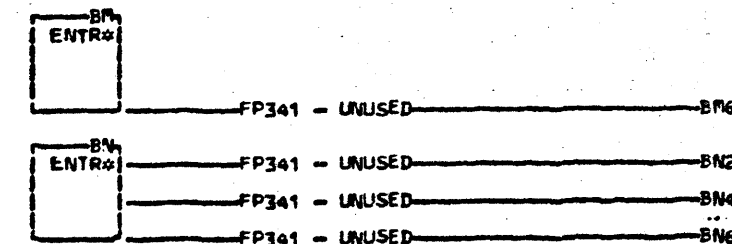
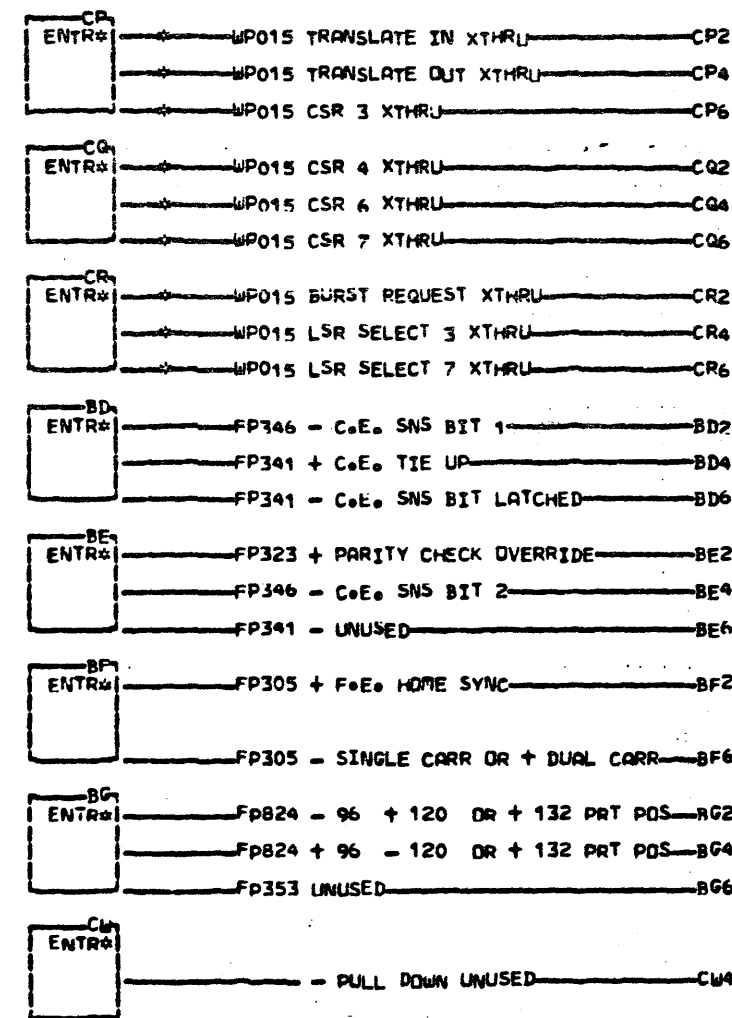
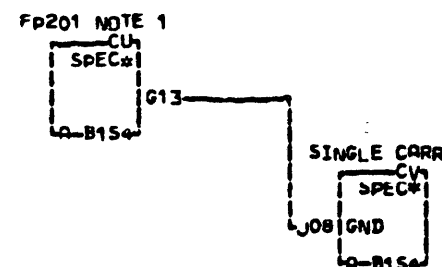
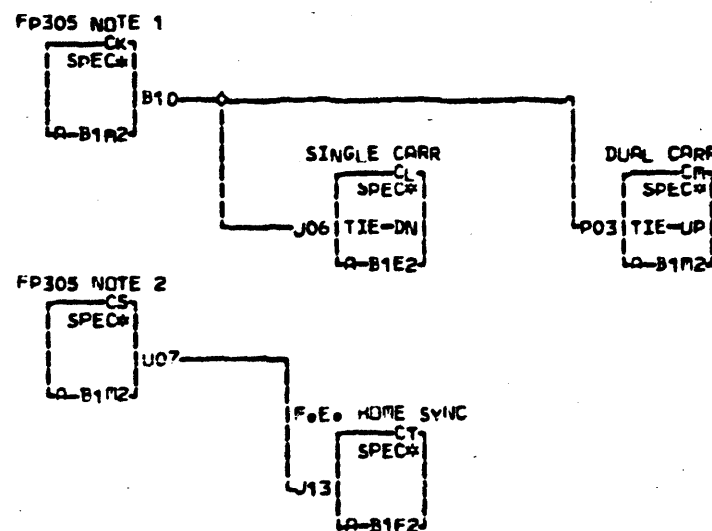
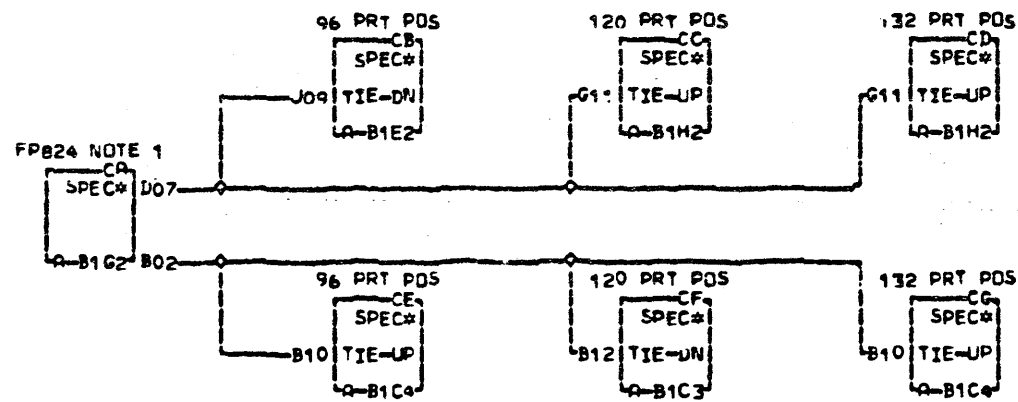
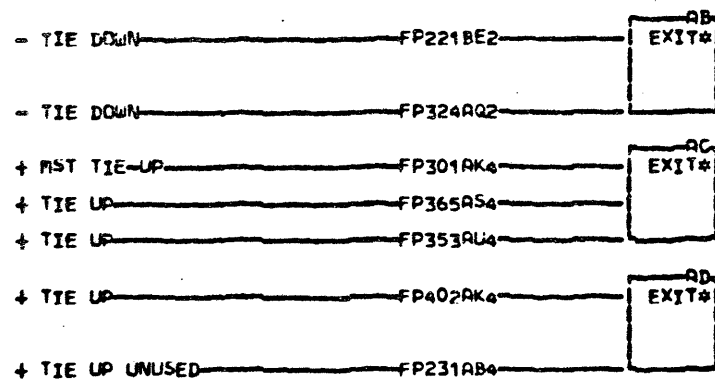
011 FP861 FP862
*** FP861 ***

LOC. TYPE
A-B1E4 3072

PAGE VER EC LEV
FP861 011 818671
FP862 011 818671

FP861
FP862
011

300 LPM SCAN COUNTER		
E.C. HISTORY - R1 MACH. 5203-ATT 818912		
DATE	LAST EC	FRAME 01 FP861
07-16-71	818671	IBM CORP. SDD FP862
P.No. 7369398		011



NOTE SPEC LOGIC BLOCKS.
 SPEC BLOCKS SHOW TIE-UP & TIE-DOWN CONNECTIONS NECESSARY FOR PRINTER OPTIONS.
 1 SEE NOTES REFERENCED ABOVE.
 1 SPEC BLOCKS FOR CLARIFICATION.

CP2 A-B1N6C02	01A-B1A5D06
CP4 A-B1N6E02	01A-B1A5D07
CP6 A-B1L6D02	01A-B1A5B08
CR2 A-B1M6E04	01A-B1A5D02
CR4 A-B1J6B04	01A-B1L6E02
CR6 A-B1K6B04	01A-B1A5D03
01A-B1A5D11	CQ6 A-B1M6D02
01A-B1A5D13	01A-B1A5D07
01A-B1A5D02	01A-B1A5B08
01A-B1L6E02	01A-B1A4B08
01A-B1A5D03	01A-B1A4B13

011 SIM TO PN EC 818671

LOC. TYPE

SYSTEM ENTER EXIT - PTR		F
E.C. HISTORY	R. MACH. 5203-ATT	P
B18912	FRAME 01	9
	IBM CORP. SDD	1
DATE LAST EC	P.No. 7369399	011
107-16-71 818671		

PART NO. 2589214 E.C. NO. 577022 VERSION 011 SIZE SINGLE MACHINE 5203-ATT LOCATION 01A-B1

PIN ID: *-I/O PIN PLANES: 1-CARD SIDE SHALLOW 3-PROBE SIDE SHALLOW WIRE TYPES: YEL-YELLOW, 3G, AG NTR-90 CHM TRI-LEAD *-I/O & LOGIC 2-PROBE SIDE SHALLOW 4-PROBE SIDE SHALLOW TWL-TWIN LEAD WRAP FTW-50 CHM TWIN LEAD T-TERMINATING RES. W-DISCRETE OVERFLOW TH-TWIST PR CONNECT NTH-90 CHM TWIN LEAD V-VOLTAGE/GROUND FTR-5C OHM TRI-LEAD CX-CCAX CONNECTOR

NOTES: WIRE LENGTH IS IN TENTHS OF AN INCH. YELLOW WIRE LENGTH INCLUDES WIRE FOR WRAP.

Table with columns: NET NO., FROM PIN, P L, TO PIN, P L, WIRE TYP, WIRE LNPTH, FROM PIN, P L, TO PIN, P L, WIRE TYP, WIRE LNPTH, FROM PIN, P L, TO PIN, P L, WIRE TYP, WIRE LNPTH. It lists wire connections for various components like FP121AA2, FP202AH6, FP302AX2, etc.

PART NO. 2589214 E.C. NO. 577022 VERSION 011 SIZE SINGLE MACHINE 5203-ATT LOCATION 01A-B1

PIN ID: #-I/O PIN PLANES: 1-CARD SIDE SHALLOW 3-PROBE SIDE SHALLOW WIRE TYPES: YEL-YELLOW, 30, AG
*-I/O & LOGIC 2-PROBE SIDE SHALLOW 4-PROBE SIDE SHALLOW TWL-TWIN LEAD WRAP NTR-90 CHM TRI-LEAD
T-TERMINATING RES. W-DISCRETE OVERFLOW TW-TWIST PR CONNECT FTW-50 CHM TWIN LEAD
V-VOLTAGE/GROUND FTR-50 OHM TRI-LEAD CX-CCAX CONNECTOR

NOTES: WIRE LENGTH IS IN TENTHS OF AN INCH. YELLOW WIRE LENGTH INCLUDES WIRE FOR WRAP.

Table with columns: NET NO., FROM PIN, P L, TO PIN, P L, WIRE TYP, WIRE LNPTH, FROM PIN, P L, TO PIN, P L, WIRE TYP, WIRE LNPTH, FROM PIN, P L, TO PIN, P L, WIRE TYP, WIRE LNPTH. It lists various component connections and wire lengths.

PART NO. 2589214 E.C. NO. 577022 VERSION 011 SIZE SINGLE MACHINE 5203-ATT LOCATION 01A-B1

PIN ID: #-I/O PIN PLANES: 1-CARD SIDE SHALLOW 3-PROBE SIDE SHALLOW WIRE TYPES: YEL-YELLOW, 30, AG *-I/O & LOGIC 2-PROBE SIDE SHALLOW 4-PROBE SIDE SHALLOW TWL-TWIN LEAD WRAP T-TERMINATING RES. W-DISCRETE OVERFLOW TH-TWIST PR CONNECT FTR-50 OHM TRI-LEAD NTR-90 CHM TRI-LEAD FTW-50 CHM TWIN LEAD NTH-90 CHM TWIN LEAD V-VOLTAGE/GROUND CX-CCAX CONNECTOR

NOTES: WIRE LENGTH IS IN TENTHS OF AN INCH. YELLOW WIRE LENGTH INCLUDES WIRE FOR WRAP.

Table with columns: NET NO., FROM PIN, P L, TO PIN, P L, WIRE TYP, WIRE LNPTH. It lists wire connections for various components like FP404AF6, FP502AT6, FP625BL6, etc.

DATE 05-22-75

PART NO. 2589214 E.C. NO. 577022 VERSION 011 SIZE SINGLE MACHINE 5203-ATT LOCATION 01A-B1

PIN ID: #-I/O PIN *-I/O & LOGIC T-TERMINATING RES. V-VOLTAGE/GROUND PLANES: 1-CARD SIDE SHALLOW 2-PROBE SIDE SHALLOW 3-PROBE SIDE SHALLOW 4-PROBE SIDE SHALLOW W-DISCRETE OVERFLOW WIRE TYPES: YEL-YELLOW, 30 GA TWL-TWIN LEAD WRAP TW-TWIST PR CONNECT FTR-50 OHM TRI-LEAD NTR-90 OHM TRI-LEAD FTW-50 OHM TWIN LEAD NTW-90 OHM TWIN LEAD CX-CCAX CONNECTOR

NOTES: WIRE LENGTH IS IN TENTHS OF AN INCH. YELLOW WIRE LENGTH INCLUDES WIRE FOR WRAP.

Table with columns: NET NO., FROM PIN, P, TO PIN, P, WIRE TYP, WIRE LNPTH, FROM PIN, P, TO PIN, P, WIRE TYP, WIRE LNPTH, FROM PIN, P, TO PIN, P, WIRE TYP, WIRE LNPTH. It lists wire connections for various components like FP814BA2, FP815AW2, etc.

DATE 05-22-75

MST-1

BOARD DISCRETE WIRE EQUIVALENT LIST SEQUENCED BY NET NUMBER

PAGE 5

PART NO. 2589214 E.C. NO. 577022 VERSION 011 SIZE SINGLE MACHINE 5203-ATT LOCATION 01A-B1

PIN ID: #-I/O PIN PLANES: 1-CARD SIDE SHALLOW 3-PROBE SIDE SHALLOW WIRE TYPES: YEL-YELLOW, 30, AG NTR-90 CHM TRI-LEAD
 *-I/O & LOGIC 2-PROBE SIDE SHALLOW 4-PROBE SIDE SHALLOW TWL-TWIN LEAD WRAP FTW-50 CHM TWIN LEAD
 T-TERMINATING RES. W-DISCRETE OVERFLOW TW-TWIST PR CONNECT NTW-90 CHM TWIN LEAD
 V-VOLTAGE/GROUND FTR-50 OHM TRI-LEAD CX-CCAX CONNECTOR

NOTES: WIRE LENGTH IS IN TENTHS OF AN INCH. YELLOW WIRE LENGTH INCLUDES WIRE FOR WRAP.

NET NO.	FROM PIN	P L	TO PIN	P L	WIRE TYP	WIRE LNPTH	FROM PIN	P L	TO PIN	P L	WIRE TYP	WIRE LNPTH	FROM PIN	P L	TO PIN	P L	WIRE TYP	WIRE LNPTH
WP121AE2	S5D12	2	V3B13#	2	YEL	9.0												
WP121AE4	V3DC2#	2	S5B13	2	YEL	11.0												
WP121AE6	V2D09#	2	S2D12	2	YEL	5.5												

END OF LIST

PART NO. 2589214

E.C. NO. 577022

VERSION 011

SIZE SINGLE

MACHINE 5203-ATT

LCCATION 01A-B1

PIN ID: #-I/O PIN
*-I/O & LOGIC
V-VOLTAGE/GROUND

NOTE: 'T' FOLLOWING PIN LOCATION INDICATES TERMINATING RESISTOR

PIN	NET NO.	PIN	NET NO.	PIN	NET NO.	PIN	NET NO.	PIN	NET NO.	PIN	NET NO.	PIN	NET NO.
A2B02#	WP010AG4	A4B06#	FP315AS2	B3D04	FP322AK6	C4D03	FP822AV6	D5DC2	FP412AM6	E4DC2	FP861AY2	F4D10	FP404AT2
A2B03	FP121AA2	A4B07	FP121CA3	B3D05	FP322AL6	C4D04	FP362AX2	D5DC3	FP411AN6	E4CC3	FP861AT6	F4D11	FP221AC2
A2B04#	WP010AJ2	A4B08#	FP911CR4	B3D06	FP823AU6	C4D05	FP822AS6	D5DC4	FP411AM6	E4CC4	FP823AP6	F4D12	FP402AK4
A2B05#	WP010AJ4	A4B09#	FP313AM6	B3D07	FP322AF6	C4D06	FP814A72	D5D05	FP412AV6	E4CC6	FP202AN2	F5B05	FP402AH2
A2B06#	WP010AJ6	A4B10#	FP313AL6	B3D09	FP322AG6	C4D07	FP814AY2	D5D13	FP311AJ2	E4CC7	FP313AR2	F5B08	FP403EA2
A2B07	FP121AA3	A4B11	FP121CA4	B3D13	FP823AV6	C4D09	FP814AX2	D6E02#	WP010AA2	E4CC9	FP502BP6	F5B10	FP861AS6
A2B08#	WP010AK2	A4B12#	FP313AK6	B4B02	FP811AL6	C4D10	FP362A72	D6E04#	WP010AD2	E4C10	FP861AJ6	F5B11	FP402AK4
A2B09#	WP010AL6	A4B13#	FP911CR6	B4B06	FP121SA5	C4D11	FP365AU6	E2B02	FP324AN2	E4D11	FP823AE2	F5B12	FP403EJ2
A2B10#	WP010AM2	A4C03	FP121CA2	B4B13	FP121SA2	C4C13	FP811AL6	E2B03	FP321AG2	E4C12	FP862AC2	F5B13	FP403EK6
A2B11	FP121AA4	A4C04	FP121CA5	B4C06	FP121SA5	C5B02	FP814BA2	E2B04	FP321BA6	E4C13	FP501AC6	F5C02	FP314AA2
A2B12#	WP010AM4	A4C07	FP121CA3	B4D02	FP811AL2	C5B03	FP315AW2	E2B05	FP321BB6	E5B02	FP501AF6	F5C03	FP402BH2
A2B13#	WP010AM6	A4C11	FP121CA4	B4D10	FP813AV2	C5B04	FP813AW2	E2B07	FP321BC6	E5B09	FP862AJ6	F5D05	FP402AU4
A2C03	FP121AA2	A4C12	FP121CA6	B4D11	FP813AW2	C5B06	FP121AC6	E2B09	FP321BD6	E5D02	FP861AH6	F5D06	FP403AZ2
A2C04	FP121AA5	A4D02#	FP353AY2	B4D13	FP813AU2	C5B07	FP362AY2	E2B10	FP321BE6	E5C05	FP861AC6	F5D07	FP402AG2
A2C07	FP121AA3	A4D03#	FP351AV2	B5B02	FP814AX2	C5B08	FP813AU2	E2B11	FP321BF6	E5C06	FP861AV6	F5D09	FP402AF2
A2C11	FP121AA4	A4D04	FP121CA5	B5B03	FP814AW2	C5B09	FP814AW2	E2B12	FP321BG6	E5C10#	FP221BE6	F6A04#	WP010AH2
A2C12	FP121AA6	A4D05#	FP351AX2	B5B06	FP121SA7	C5B10	FP823AB6	E2B13	FP321AG6	E6AC2#	WP010AA4	F6B02#	WP010AE6
A2D02#	WP010AD4	A4D06#	FP351AY2	B5B08	FP815AW2	C5B11	FP313AU6	E2D02	FP321AQ2	E6B04#	WP010AH6	F6B04#	WP010AH4
A2D03#	WP010AD6	A4D07#	FP351BA2	B5C06	FP121SA7	C5B12	FP823AJ6	E2D03	FP911BE2	E6C02#	WP010AA6	F6C02#	WP010AC2
A2D04	FP121AA5	A4D09#	FP352AU2	B5D02	FP814AY2	C5C06	FP121AC6	E2D04	FP323AN6	E6C04#	WP010AL2	F6C04#	WP010AK4
A2D05#	WP010AE2	A4D10#	FP352AW2	B5D03	FP814BA2	C5D02	FP815AX2	E2D05	FP323AP6	E6D02#	WP010AB2	F6C02#	WP010AC4
A2D06#	WP010AE4	A4D11#	FP352AX2	B5D04	FP814AZ2	C5D03	FP815AY2	E2D06	FP315AK2	E6D04#	WP010AG6	F6E04#	WP010AK6
A2D07#	WP010AE6	A4D12	FP121CA6	B5D05	FP815AX2	C5D04	FP815AZ2	E2D07	WP010AG2	E6E02#	WP010AB4	G2B02	FP911BG4
A2D09#	WP010AF2	A4D13#	FP352AZ2	B5D06	FP815AY2	C5D06	FP815AX2	E2D09	WP01CAF6	F2B02	FP403AK2	G2B04	FP403AK2
A2D10#	WP01CAF4	A5B02#	FP306AU2	B5D07	FP815AZ2	C5D07	FP362AW2	E2D10	WP01CAF4	F2B03	WP010AK2	G2B05	FP822AV6
A2D11#	WP01JAF6	A5B03	FP121DA2	B6A04#	WP010AJ2	C5D09	FP813AV2	E2D11	WP01CAF2	F2B04	FP404AW6	G2B07	FP815AZ2
A2D12	FP121AA6	A5B04#	FP303AH6	B6B04#	WP010AE2	C5D10	FP362BC2	E2D12	WP01CAF2	F2B05	FP404BP2	G2B09	FP402AG2
A2D13#	WP010AG2	A5B05#	FP303AX2	B6B04#	WP010AJ4	C5D11	FP362BA2	E2C13	FP323AU6	F2B10	FP401CK4	G2B10	FP815AX2
A3B02#	WP010AD2	A5B06#	FP341AZ6	B6C02#	WP010AE4	C5D13	FP362BC2	E3B02	FP323AM6	F2B11	FP403AU6	G2B11	FP826AP2
A3B03	FP121BA2	A5B07	FP121DA3	B6C04#	WP010AJ6	C6A02#	WP010AF2	E3B03	FP322AF6	F2D02	FP403AJ2	G2B12	FP824AN2
A3B04#	WP010AH6	A5B08#	FP911CR2	B6D02#	WP010AE6	C6A04#	WP010AL6	E3B04	FP322AG6	F2D03	FP404BN2	G2B13	FP814EA2
A3B05#	WP010AL2	A5B11	FP121DA4	B6E04#	WP01JAK2	C6B02#	WP010AF4	E3B05	FP322AH6	F2D04	FP403AL2	G2C02	FP824AF2
A3B06#	WP010AG6	A5B13#	WP010AL4	C3B05	FP222AF2	C6B04#	WP010AM2	E3B07	FP322AJ6	F2D05	FP403AM2	G2C03	FP403AJ2
A3B07	FP121BA3	A5C03	FP121DA2	C3B06	FP121SC4	C6C02#	WP010AF6	E3B08	FP315AX4	F2D06	WP010AJ6	G2C04	FP815AY2
A3B08#	WP010AH2	A5C04	FP121DA5	C3B10	FP222BH2	C6D04#	WP010AM4	E3B09	FP322AK6	F2D07	FP404BN2	G2C05	FP813AU2
A3B09#	WP010AH4	A5C07	FP121DA3	C3B11	FP222AW2	C6E02#	WP010AG2	E3B10	FP322AL6	F2D11	FP404AN6	G2C06	FP815AW2
A3B10#	WP010AK4	A5C11	FP121DA4	C3B12	FP221BE2	C6E04#	WP010AM6	E3B11	FP322AM6	F2D13	FP403EG6	G2D07	FP911BG2
A3B11	FP121BA4	A5C12	FP121DA6	C3B13	FP825AG2	D2B02	WP01CAN2	E3B12	FP322AN6	F3B02	FP502AN6	G2C09	FP813AV2
A3B12#	WP010AK6	A5D02#	FP911CP6	C3C06	FP121SC4	D2C12	FP403AU6	E3B13	WP010AD6	F3B03	FP404BJ6	G2C10	FP823AE2
A3B13#	WP010AN2	A5D03#	FP911CP2	C3D02	FP221BE2	D2C13	FP404AJ6	E3C02	FP311AS6	F3B04	FP401CK4	G2C11	FP814AZ2
A3C03	FP121BA2	A5D04	FP121DA5	C3D04	FP222BH2	D3B08	FP404AW6	E3C03	WP01CAD4	F3B08	FP404BW6	G2C12	FP814AY2
A3C04	FP121BA5	A5D05#	FP314BG6	C3D05	FP601BF6	D3B13	FP311AA2	E3C04	FP502BP6	F3B09	FP861AJ6	G2C13	FP824AN2
A3C07	FP121BA3	A5D06#	FP911CQ4	C3D06	FP202BC2	D3C02	FP412AR6	E3C05	FP305BF6	F3B11	FP404AE6	G3B02	FP823AV6
A3C11	FP121BA4	A5D07#	FP911CQ6	C3D07	FP221AC4	D3C03	FP202AM6	E3C06	FP324AQ2	F3B12	FP802AE2	G3B03	FP823AJ6
A3C12	FP121BA6	A5D09#	FP305BJ6	C3D09	FP221AC2	D3C04	FP412AH6	E3C07	FP312AM6	F3B13	FP404AV2	G3B05	FP502AG6
A3D02#	WP010AA2	A5D10#	FP305BK6	C3D10	FP221BE6	D3C05	FP404BJ6	E3C09	FP324AQ2	F3C02	FP404BK6	G3B06	FP821AU6
A3D03#	WP010AA4	A5D11#	FP911CP2	C3D11	FP222AG6	D3C06	FP403BA2	E3C10	FP323AT2	F3C04	FP411AN6	G3B13	FP311AA6
A3D04	FP121BA5	A5D12	FP121DA6	C3D12	FP306AW2	D3C07	FP412BC6	E3C11	WP01CAE6	F3C05	FP411AN2	G3C02	FP823AV2
A3D05#	WP010AA6	A5D13#	FP911CP4	C3D13	FP201BF2	D3C11	FP202AM2	E3D12	WP01JAE4	F3D11	FP202AN2	G3C03	FP823AU6
A3D06#	WP01CAB2	A6D02#	WP010AD4	C4B02	FP822AU6	D3C13	FP404AE6	E3D13	WP010AE2	F3D12	FP404AJ6	G3C05	FP824AS6
A3D07#	WP010AB4	A6D04#	WP010AG4	C4B03	FP822AT6	D4D03	FP312BP2	E4B02	FP202AM6	F3D13	FP404AF6	G3C06	FP823AX6
A3D09#	WP010AB6	A6E02#	WP010AD6	C4B04	FP313AR2	D4D04	FP311AE2	E4B03	FP404AV2	F4B02	FP501AF6	G3C07	FP824AF6
A3D10#	WP010AC2	B2B06	FP121SA1	C4B05	FP362BB2	D4C05	FP403A72	E4B04	FP824AS6	F4B04	FP222AG6	G3C11	FP826AN2
A3D11#	WP010AC4	B2C06	FP121SA1	C4B06	FP121AC2	D4D06	FP412AZ6	E4B05	FP221AQ4	F4B09	FP411AF6	G3E13	FP825AH2
A3D12	FP121BA6	B3B02	FP322AH6	C4B09	FP362BE2	D4D12	FP412AC4	E4B07	FP861AR6	F4B13	FP402AF6	G4B02	FP403AN2
A3D13#	WP010AC6	B3B04	FP322AJ6	C4B10	FP365AS4	C5B02	FP404AV2	E4B09	FP861AM2	F4DC2	FP402AL2	G4B04	FP823AE2
A4B02#	FP315AQ6	B3B06	FP121SA3	C4B12	FP821AU6	D5B04	FP411AN2	E4B10	FP404BK6	F4DC3	FP222AF2	G4B05	FP821AT2
A4B03	FP121CA2	B3B08	FP315AW6	C4B13	FP315AY2	D5B05	FP404BK6	E4B11	FP862AL2	F4DC4	FP402AG6	G4B07	FP822AW6
A4B04#	FP315AP6	B3C06	FP121SA3	C4C06	FP121AC2	L5B12	FP314AK6	E4B12	FP404AW6	F4DC6	FP201AH2	G4B08	FP502AS6
A4B05#	FP315AL6	B3D02	FP823AV2	C4D02	FP822AW6	L5B13	FP502AG6	E4B13	FP861AS6	F4DC9	FP202AN6	G4B09	FP311AE2

DATE 05-22-75

PART NO. 2589214 E.C. NO. 577022 VERSION 011 SIZE SINGLE MACHINE 5203-ATT LOCATION 01A-B1

PIN ID: #-I/O PIN
*-I/O & LOGIC
V-VOLTAGE/GROUND

NOTE: 'T' FOLLOWING PIN LOCATION INDICATES TERMINATING RESISTOR

PIN	NET NO.	PIN	NET NO.	PIN	NET NO.	PIN	NET NO.	PIN	NET NO.	PIN	NET NO.	PIN	NET NO.
G4B10	FP825AG2	H3B12	FP351AV2	H6C04#	FP315AP6	J4D07	FP304AL6	K3B10	FP345AG2	L2B02	FP501AM6	L4C12	FP404AV2
G4B11	FP823AB6	H3B13	FP351AX2	H6D02#	FP351AX2	J4C09	FP324AJ6	K3B11	FP341AZ6	L2B03	FP501AS2	L5B02	FP221BE2
G4B12	FP313AR2	H3D02	FP823AE2	H6D04#	FP315AL6	J4D10	FP861AY2	K3B12	FP823AS6	L2B04	FP823AG2	L5B03	FP601AN2
G4B13	FP822AU6	H3D03	FP824AP6	H6E02#	FP351AY2	J4D12	FP315AE2	K3B13	FP221AQ4	L2B05	FP502BE6	L5B04	FP601BH6
G4D02	FP403AL2	H3D04	FP824AV2	H6E04#	FP315AS2	J4D13	FP313AG2	K3D02	FP404AJ6	L2B07	WP010AH4	L5B05	FP314AN6
G4D03	FP821AT2	H3D05	FP312BE2	J2B02	WP01JAB2	J5B02	FP323AN6	K3D03	FP312BA6	L2B09	WP010AG6	L5B07	FP402BH2
G4D06	FP306AW2	H3D06	FP623AL2	J2B03	FP313AR6	J5B03	FP311AP6	K3D04	FP501AC6	L2B10	FP801AL2	L5309	FP861AJ6
G4D07	FP312AM6	H3D07	FP713AL2	J2B04	WP010AG4	J5B04	FP315AK2	K3D05	FP623AG6	L2B11	FP502BP6	L5B10	FP601BH2
G4D09	FP825AJ2	H3D09	FP412AV6	J2B05	FP625AJ2	J5B05	FP502AG6	K3D06	FP345AK4	L2B12	FP502AT6	L5B11	FP601BF6
G4D10	FP822AT6	H3D10	FP305BL2	J2B07	FP312BP2	J5B07	FP313AU6	K3D09	FP404AT2	L2B13	FP502BC2	L5B12	FP601BJ2
G4D12	FP825AF2	H3D11	FP351AY2	J2B09	FP311AU2	J5B08	FP315AW6	K3D10	FP404AN6	L2C02	FP404BH6	L5B13	FP502AM6
G4D13	FP404BJ6	H3D12	FP352AW2	J2B10	FP315AY2	J5B09	FP315AL6	K3D11	FP346AL4	L2C03	FP201AH2	L5C02	FP306AW2
G5B02	FP823AG6	H3D13	FP823AE2	J2B11	FP313AK6	J5B10	FP315AP6	K3D12	FP601AN2	L2D04	FP404AE6	L5C03	FP601AV6
G5B03	FP365AU6	H4B02	FP353AU4	J2B12	FP311AE2	J5B11	FP311AA6	K3D13	FP202AK6	L2D09	FP313AR2	L5C04	FP625AY2
G5B04	FP823AG2	H4B03	FP353AU4	J2B13	FP315AX4	J5B12	WP010AB4	K4B02	FP341AC6	L2D06	FP502AM6	L5C05	FP715AY2
G5B05	FP823AS6	H4B04	FP412AD4	J2D02	WP010AC4	J5B13	FP315A*2	K4B03	FP342BE6	L2C07	FP2C2AM2	L5D06	FP601BW2
G5B07	FP824AV2	H4B05	FP352AZ2	J2D03	WP010AA6	J5D02	FP314BC6	K4B04	FP306BD2	L2D09	FP502BH2	L5C07	FP601AL2
G5B09	FP823AN2	H4B07	FP824AN2	J2D04	WP010AB6	J5D03	FP312AZ6	K4B05	FP202BE6	L2C10	FP826AP2	L5C09	FP314AA2
G5B10	FP823AZ4	H4B08	FP823AE2	J2D06	FP404BJ6	J5D04	FP404BK6	K4B07	FP346AU4	L2D11	FP502AU2	L5C10	FP202AN6
G5B12	FP823AP2	H4B09	FP311AJ2	J2D07	FP314AN6	J5C05	FP312AM6	K4B08	FP502EP6	L3B02	FP7C3AX6	L5C11	FP601AL2
G5B13	FP823AM2	H4B10	FP3J5BG2	J2D09	FP402AU4	J5C07	FP502AS6	K4B09	FP344AF2	L3B03	FP315AR6	L5D12	FP342BE6
G5D02	FP701AQ6	H4B11	FP311AU2	J2D10	FP323AP6	J5C09	WP010AC2	K4B10	FP341AU6	L3B04	FP502AC6	L5C13	FP601BU2
G5D03	FP611AQ6	H4B12	FP352AU2	J2D11	FP313AL6	J5D10	FP315A76	K4B11	FP404BM2	L3B05	FP861AT6	L6C02#	FP911CP6
C5D04	FP315AY2	H4B13	FP345AJ4	J2D12	WP010AA2	J5D11	FP402BH2	K4B12	FP811AL2	L3B07	FP344AF2	L6C04#	FP306AU2
G5D05	FP811AL6	H4D02	FP353AU4	J2D13	FP313AM6	J5D12	FP825AH2	K4B13	FP342AS6	L3B08	FP502AG6	L6E02#	FP911CG2
G5D06	FP822AS6	H4D03	FP623AS2	J3B02	FP311AC2	J5D13	FP315AC6	K4D02	FP341AM6	L3B09	FP306BT6	M2B02	FP304AM6
G5D07	FP823AL2	H4D04	FP713AS2	J3B03	FP314BG6	J6A02#	FP351BA2	K4D03	FP304AN6	L3B10	FP861AM2	M2B03	FP501AS2
G5D10	FP402AH2	H4D05	FP322AF6	J3B05	FP312BE2	J6B04#	FP911CR4	K4D04	FP201AH2	L3B11	WP010AK4	M2B04	FP304AN6
G5D11	WP010AH2	H4D06	FP823AN2	J3B07	FP311AH2	J6C02#	FP352AU2	K4D05	FP342AZ4	L3B12	FP502AX2	M2B05	FP305EC6
G5D12	FP402AL2	H4D07	FP322AG6	J3B08	FP3U4BA2	J6C04#	FP313AM6	K4D06	FP911BD2	L3B13	FP314AA2	M2B07	WP010AT6
G5D13	FP402AF2	H4D09	FP824AM2	J3B09	FP823AE2	J6D02#	FP352AW2	K4D07	FP341AH6	L3D02	FP613AX6	M2B09	FP502BC6
G6A02#	WP010AC6	H4D10	FP311AK2	J3B11	FP315AD6	J6D04#	FP313AL6	K4D09	FP404AF6	L3C03	FP202AN6	M2B10	FP911BF6
G6A04#	WP01CAN2	H4D11	FP352AX2	J3B12	FP5U2AC6	J6E02#	FP352AX2	K4D10	FP305BC6	L3D04	FP502AS6	M2B11	FP302AX2
H2B04	FP713AE2	H4D12	FP353AY2	J3B13	WP010AA4	K2B02	FP341AW6	K4D11	FP341AP6	L3D05	FP501AU6	M2B12	WP111AF4
H2B05	FP713AB6	H4D13	FP322AH6	J3D02	FP304AZ2	K2B03	FP625B*6	K4C12	FP342AT6	L3C06	FP341AY2	M2B13	WP111AE4
H2B07	FP823AP2	H5B02	FP345AK4	J3D03	FP311AJ2	K2B05	FP826AN2	K4D13	FP341AR6	L3C07	FP501AC6	M2C02	FP303EJ6
H2B09	FP353AU4	H5B03	FP824AM2	J3D05	FP404BP2	K2B07	FP201BF2	K5B02	FP201BD6	L3D09	FP221AC2	M2C03	FP321EG6
H2B10	FP346AU4	H5B04	FP824AM2	J3D06	FP402AK4	K2B09	FP313AR2	K5B03	FP314AN6	L3D10	FP202AH6	M2D04	FP311AG2
H2B11	FP346AK4	H5B05	FP623AP2	J3D07	FP402AF6	K2B10	FP502AU2	K5B04	FP911BN4	L3D11	FP306AC6	M2D05	FP321BF6
H2B12	FP911BG6	H5B07	FP412AM6	J3D09	FP314AA6	K2B11	FP311A*2	K5B05	FP911BD4	L3C12	FP403BG6	M2C06	WP010AJ4
H2B13	FP313AC2	H5B08	FP713AP2	J3D10	FP341AW6	K2B12	FP502AX2	K5B07	FP341AW2	L3D13	FP314AN6	M2C07	FP306AV2
H2C02	FP623AE2	H5B09	FP713AN2	J3D11	FP312BA6	K2B13	FP402AG6	K5B08	FP201BB6	L4B02	FP402BH2	M2C09	FP404EP2
H2C03	FP412AZ6	H5B10	FP312AM2	J3D12	FP315AR6	K2C02	FP403BJ2	K5B09	FP201AK2	L4B03	FP861AS6	M2C10	FP311AH2
H2D04	FP623AB6	H5B11	FP313AG2	J3D13	WP01GAC6	K2C03	FP911BD6	K5B10	FP344CG6	L4B04	FP201AF2	M2C11	FP306EC6
H2D05	FP412BC6	H5B12	FP323AM6	J4B02	FP823AU6	K2D04	FP501AL6	K5B11	FP823AU6	L4B05	FP404AH6	M2C12	WP010AK6
H2D06	FP322AM6	H5B13	FP624BB6	J4B03	FP314AK6	K2D05	FP715PM6	K5B12	FP311AH2	L4B07	FP502AM6	M2C13	FP311AP6
H2D07	FP346AL4	H5D02	FP345AH4	J4B04	FP311AK2	K2D06	FP613AW6	K5B13	FP343AU2	L4B09	FP404AT2	M3B03	WP010AN4
H2D09	FP322AN6	H5D03	FP322AJ6	J4B05	FP314AA2	K2D07	FP703AW6	K5D02	FP911BN6	L4B10	FP824AS6	M3B04	WP010AL6
H2D10	FP353AU4	H5D04	FP823AE2	J4B07	FP311AA2	K2D09	FP502AM6	K5D03	FP911BN2	L4B11	FP202AM2	M3B05	WP010AN6
H2D11	FP823AM2	H5D05	FP345AG2	J4B08	FP8U1AT2	K2C10	FP202AM6	K5D04	FP311AB2	L4B12	FP823AB6	M3B08	FP304AZ2
H2D12	FP346AJ4	H5D06	FP412AH6	J4B09	FP321AC2	K2D11	FP302BG6	K5D05	FP404BN2	L4B13	FP823AZ4	M3B09	FP715BL6
H2D13	FP315AZ6	H5D07	FP623AN2	J4B10	FP311AW2	K2D12	FP911BE4	K5D06	FP404AW6	L4D02	FP404BK6	M3B10	FP625BL6
H3B02	FP322AK6	H5D09	FP315AE2	J4B11	FP311AB2	K2C13	FP312AZ6	K5D07	FP911BM6	L4D03	FP801AU2	M3B11	FP306AC6
H3B04	FP322AL6	H5D10	FP302AX2	J4B12	FP313AC2	K3B02	FP312BP2	K5D09	FP911BE6	L4D04	FP802AB2	M3B12	FP306AU6
H3B05	FP823AL2	H5D11	FP714BB6	J4B13	FP311AS6	K3B03	FP346AK4	K5D10	FP341AY2	L4D05	FP502BP6	M3B13	FP202EC6
H3B07	FP412AR6	H5D12	FP323AN6	J4D02	FP312AM2	K3B04	FP346AJ4	K5D12	FP314BC6	L4D06	FP402AL4	M3C02	FP502AU2
H3B08	FP623AH2	H5D13	FP315AD6	J4D03	FP824AP2	K3B05	FP201BF2	K5D13	FP202AH6	L4D07	FP311AB2	M3C03	FP323AT2
H3B09	FP713AH2	H6A02#	FP353AY2	J4D04	FP313AR2	K3B07	FP345AH4	K6A04#	FP313AK6	L4D09	FP502BF2	M3C04	FP624EC6
H3B10	FP351BA2	H6A04#	FP315AQ6	J4D05	FP343AU2	K3B08	FP313AU6	K6B02#	FP352AZ2	L4D10	FP312BP2	M3C05	FP714EC6
H3B11	FP353AU4	H6B02#	FP351AV2	J4D06	FP3U1AA2	K3B09	FP345AJ4	K6B04#	FP911CR6	L4D11	FP801AT2	M3D06	WP010AM2

DATE 05-22-75

MST-1

BOARD DISCRETE WIRE EQUIVALENT LIST SEQUENCED BY PIN NUMBER

PAGE 3

PART NO. 2589214

E.C. NO. 577022

VERSION 011

SIZE SINGLE

MACHINE 5203-ATT

LCCATICN 01A-E1

PIN ID: #-I/O PIN

*-I/O & LOGIC

V-VOLTAGE/GROUND

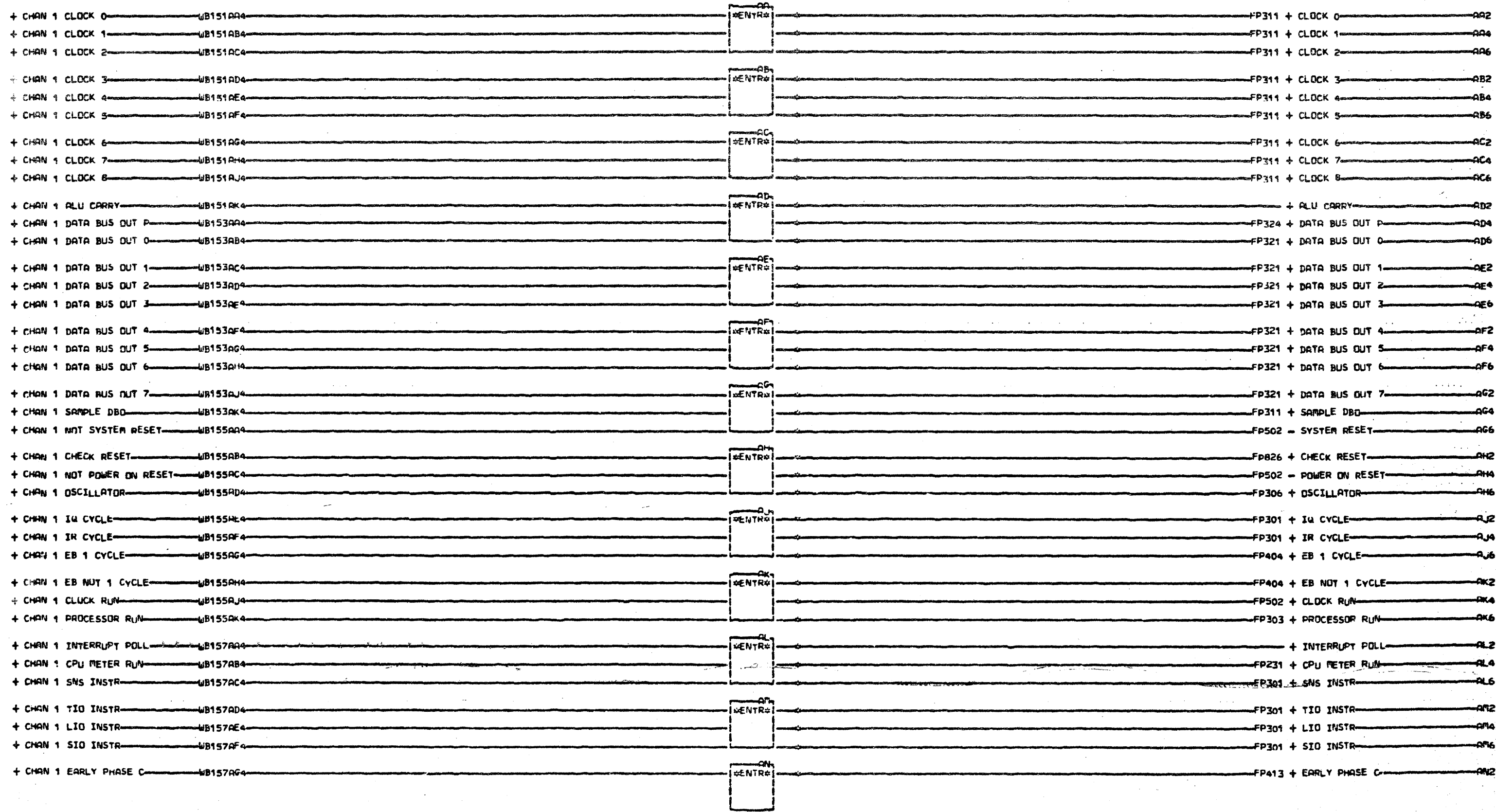
NOTE: *T* FOLLOWING PIN LOCATION INDICATES TERMINATING RESISTOR

PIN	NET NO.	PIN	NET NO.	PIN	NET NO.	PIN	NET NO.	PIN	NET NO.	PIN	NET NO.	PIN	NET NO.
M3D07	WP111AM4	N2D13	FP3218B6	P2D05	FP713AS2	R2B10	FP703AJ2	S2BC7	FP306AQ6	S5D09	WP121AB5	V3B07	FP121EA3
M3D09	FP314AN6	N3B02	FP622BB4	P2D06	FP713AN2	R2B11	FP701AC6	S2BC9	FP818AL2	S5D10	FP201BB6	V3B08#	FP212AT4
M3D10	FP304BA2	N3B04	FP622AJ6	P2D09	FP713AR2	R2B12	FP502BE6	S2B10	FP818AR2	S5D11	FP201BC6	V3B09#	FP212AE4
M3C11	FP301AP2	N3B05	FP622AC6	P2D11	FP703AT6	R2B13	FP703AH2	S2B11	FP306BQ6	S5D12	WP121AE2	V3B10#	FP212AL4
M3D13	FP321BE6	N3B07	FP622AK6	P3B02	FP712BB4	R2D02	FP701AV6	S2CC2	FP311AA6	S5D13	FP201BB2	V3B11	FP121EA4
M4B02	FP321BD6	N3B08	FP321BC6	P3B04	FP712AJ6	R2D03	FP712AX6	S2CC3	FP818AX4	T4BC2	FP212AH4	V3B12#	FP212AF4
M4B03	FP323AA6	N3B09	FP622AD6	P3B05	FP712AC6	R2D04	FP303BJ6	S2CC4	FP301AP2	T4BC3	FP212AG4	V3B13#	WP121AE2
M4B04	FP305BK6	N3B10	FP622AL6	P3B07	FP622AL6	R2D05	WP111AL4	S2CC5	FP311AG2	T4B04	FP212AE4	V3C03	FP121EA2
M4B05	FP341AY2	N3B11	FP622AE6	P3B08	FP321BC6	R2C06	WP111AM4	S2CC6	FP502AM6	T4BC5	FP715AY6	V3C04	FP121EA5
M4B07	FP304AR6	N3B12	FP622AM6	P3B09	FP712AD6	R2C07	FP826AN2	S2CC7	FP611AV6	T4BC6	FP121BC2	V3C07	FP121EA3
M4B09	FP343AU2	N3B13	FP321BD6	P3B10	FP712AL6	R2C09	FP601BF6	S2CC9	FP121GH4	T4BC7	FP814AX2	V3C11	FP121EA4
M4B10	FP306BD2	N3D02	FP623AE2	P3B11	FP712AE6	R2D11	FP702AR2	S2C10	FP202BA2	T4BC8	FP121AF4	V3C12	FP121EA6
M4B13	FP301AA2	N3D03	FP623AB6	P3B12	FP712AM6	R2D12	FP702AR6	S2C12	WP121AE6	T4BC9	FP815AZ2	V3C02#	WP121AE4
M4D02	FP323AU6	N3D04	FP321BE6	P3B13	FP321BD6	R2D13	FP703AW6	S3BC7	FP611AV6	T4B10	FP342AZ4	V3C03#	FP212AV4
M4D03	FP301AK4	N3D05	FP301AA2	P3D02	FP713AE2	R3B02	FP703AT6	S3BC9	FP701AV6	T4B11	FP815AW2	V3C04	FP121EA5
M4C04	FP305BF6	N3D06	FP321BG6	P3D03	FP713AB6	R3B03	FP715AY6	S3B13	WP121IC4	T4B12	FP814AW2	V3C05#	FP212AG4
M4D05	FP305BJ6	N3D07	FP321BF6	P3D04	FP321BE6	R3B04	FP703AN2	S3CC6	FP231AB4	T4B13	FP814AZ2	V3C06#	FP212AW4
M4D07	FP306AU2	N3D09	FP321BA6	P3D05	FP301AA2	R3B12	FP301AA2	S3CC7	FP502AU2	T4CC6	FP121BC2	V3C07#	FP212AT4
M4D09	FP302AM6	N3D10	FP321BB6	P3D06	FP321BG6	R3B13	FP601BU2	S3CC9	FP121FE4	T4DC2	FP211BF4	V3C09#	FP212AX4
M4D11	FP302BG6	N3D11	FP323AA6	P3D07	FP321BF6	R3D04	FP703AX6	S3C10	FP231AJ4	T4DC3	FP211BE4	V3C10#	FP211AT4
M4C12	FP306AW2	N3D12	FP625AY2	P3D09	FP321BA6	R3D06	WP111AP4	S3C13	FP314AA6	T4DC4	FP212AF4	V3C11#	FP211BC4
M4D13	FP713AR2	N3D13	FP601BH6	P3D10	FP321BB6	R3C07	WP111AC4	S4BC2	FP201AH6	T4DC5	FP813AW2	V3C12	FP121EA6
M5B02	WP010AJ2	N4B02	FP612AR6	P3D11	FP323AA6	R3D09	FP702AQ2	S4B03	FP201AK6	T4DC6	FP813AL2	V3C13#	FP211AK4
M5B03	FP314AA6	N4B05	FP304AJ6	P3D12	FP715AY2	R3D10	FP311AB2	S4B04	FP201AK2	T4DC7	FP823AX6	V4B02#	FP211BC4
M5B04	FP404BM2	N4B07	FP502AU2	P3D13	FP601BH6	R3D12	FP702AN2	S4B05	FP201AH2	T4D09	FP121FE4	V4B03	FP121FA2
M5B05	FP304AJ6	N4B08	FP625AY6	P4B02	FP702AR6	R3C13	FP702BC2	S4B07	FP2C2BC6	T4D10	FP501AC6	V4B04#	FP211EA4
M5B07	FP311AB2	N4B09	FP818AL2	P4B05	FP304AJ6	R4B02	FP625BK6	S4B08	FP121AF4	T4D11	FP815AY2	V4B05#	FP211AJ4
M5B08	FP404BN2	N4B10	FP625BM6	P4B07	FP502AU2	R4B03	FP306AV2	S4B09	FP202AK6	T4D12	FP211BC4	V4B06#	WP121AA2
M5B09	FP304AA6	N4B12	FP304AA6	P4B08	FP715AY6	R4B04	WP111AG4	S4B10	FP202BG2	T4D13	FP211BC4	V4B07	FP121FA3
M5B10	FP304AK6	N4D02	FP612AR2	P4B09	FP818AR2	R4B05	FP613AC2	S4B11	FP2C2BA2	T5B02	FP212AL4	V4B08#	WP121AA4
M5B11	FP715BR6	N4D04	FP625AY6	P4B10	FP715BM6	R4B07	FP201BB2	S4B12	WP121AD3	T5B03	FP212AT4	V4B09#	WP121AA6
M5B12	FP202BA6	N4D05	FP311AP6	P4B12	FP304AM6	R4B10	FP213AJ2	S4B13	WP121AC4	T5B04	FP502AT6	V4B10#	FP121AB1
M5B13	FP625BR6	N4D06	FP622AX6	P4D02	FP702AR2	R4B11	FP611AQ6	S4CC2	FP2C1AM6	T5B05	FP814AY2	V4B11	FP121FA4
M5D02	FP305BG2	N4D07	FP304AB6	P4D04	FP715AY6	R4B12	FP502BE6	S4CC3	FP201BH6	T5B06	FP121BC6	V4B12#	FP121AB3
M5D03	FP623AR2	N4D09	FP613AW6	P4D05	FP311AP6	R4B13	FP613AH2	S4CC4	FP201BH2	T5B07	FP813AV2	V4B13#	FP211AG4
M5D04	FP306BT6	N4D10	FP404BN2	P4D06	FP712AX6	R4D02	FP611AV6	S4CC5	FP2C1AM2	T5B08	FP823AG6	V4C03	FP121FA2
M5D05	FP304AB6	N4D11	FP624BB6	P4D07	FP304AA6	R4D03	FP622AX6	S4CC6	FP2C2BA6	T5B09	FP813AX2	V4C04	FP121FA5
M5D06	FP305BL2	N4D12	FP625BL6	P4D09	FP703AW6	R4D04	FP303BJ6	S4D07	FP202AH6	T5B10	FP212AX4	V4C07	FP121FA3
M5D07	FP911BF2	N4C13	FP311AB2	P4D10	FP404BM2	R4D05	WP111AJ4	S4CC9	FP121FE4	T5B11	FP212AW4	V4C11	FP121FA4
M5D09	FP304AL6	N5B02	FP612AN2	P4D11	FP714BB6	R4D06	WP111AM4	S4C10	FP121FE4	T5B12	FP212AV4	V4C12	FP121FA6
M5D10	FP303AW6	N5B03	FP612AQ2	P4D12	FP715BL6	R4D07	FP826AN2	S4C11	FP202AH2	T5B13	FP211AG4	V4C02#	FP211BB4
M5D11	FP303AX2	N5B04	FP304AR6	P4D13	FP311AB2	R4D09	FP601BF6	S4C12	WP121AB7	T5CC6	FP121BC6	V4C03#	WP121AB5
M5D12	FP306BD6	N5B05	FP502BP6	P5B02	FP702AN2	R4D11	FP612AR2	S4C13	WP121AB3	T5C02	FP211BB4	V4C04	FP121FA5
M5D13	FP502BP6	N5B07	FP612BD2	P5B03	FP702AQ2	R4C12	FP612AR6	S5BC2	WP121AC1	T5DC3	FP211AM4	V4C05#	WP121AE7
M6A04#	FP303AW6	N5B08	FP624BC6	P5B04	FP304AR6	R4C13	FP613AW6	S5B03	WP121AA2	T5D04	FP814BA2	V4C06#	WP121AC2
M6B02#	FP314BG6	N5B10	FP304AK6	P5B05	FP502AG6	R5B02	FP613AT6	S5B04	WP121AB1	T5D05	FP313AR6	V4C07#	WP121AC4
M6B04#	FP303AX2	N5B12	FP502AM6	P5B07	FP702BC2	R5B03	FP625AY6	S5B05	WP121AA6	T5D06	FP815AX2	V4C09#	WP121AC6
M6C02#	FP911CQ4	N5B13	FP341AW2	P5B08	FP714BC6	R5B04	FP613AN2	S5B07	WP121AC6	T5D07	FP211AL4	V4C10#	WP121AC1
M6C04#	FP341AZ6	N5D02	FP625BK6	P5B10	FP304AK6	R5B12	FP301AA2	S5B08	FP201BF2	T5D08	FP625AY6	V4C11#	FP121AC3
M6D02#	FP911CQ6	N5D05	FP625BR6	P5B12	FP502AM6	R5B13	FP601BU2	S5B09	WP121AC2	T5D10	FP211BA4	V4C12	FP121FA6
M6E04#	FP911CR2	N5D12	FP613AX6	P5B13	FP341AW2	R5D04	FP613AX6	S5B10	FP301AK4	T5D11	FP211AH4	V4C13#	FP231AJ4
N2B04	FP623AL2	N5D13	FP601BJ2	P5D02	FP715BK6	R5D06	WP111AH4	S5B11	WP121AA4	T5D12	FP211AK4	V5B02	FP341AY2
N2B05	FP623AP2	N6A02#	FP305BJ6	P5D05	FP715BR6	R5D07	WP111AN4	S5B12	FP2C1BC2	T5C13	FP211AJ4	V5B04	WP111BU4
N2D02	FP321BA6	N6B02#	FP305BK6	P5D12	FP703AX6	R5D09	FP612AQ2	S5B13	WP121AE4	V2B10#	FP818AX4	V5B05	WP111AE4
N2D04	FP623AH2	N6C02#	FP911CP2	P5D13	FP601BJ2	R5D10	FP311AB2	S5C02	FP202BE6	V2D09#	WP121AE6	V5B06	FP121CC4
N2D05	FP623AS2	N6E02#	FP911CP4	R2B02	FP715BK6	R5C12	FP612AN2	S5CC3	FP202BE2	V3B02#	FP211BE4	V5B07	FP121GA2
N2D06	FP623AN2	N6E04#	WP010AL4	R2B03	FP306AV2	R5C13	FP612BD2	S5C04	FP202BC2	V3B03	FP121EA2	V5B08	FP121AF4
N2D09	FP623AR2	P2B04	FP713AL2	R2B04	WP111AK4	S2B02	FP502BC2	S5C05	FP201BF6	V3B04#	FP211AL4	V5B09	WP111AH4
N2D11	FP613AT6	P2B05	FP713AP2	R2B05	FP703AC2	S2B04	FP701AV6	S5CC6	FP202AM6	V3B05#	FP211BF4	V5B10	WP111AN4
N2D12	FP321BC6	P2D04	FP713AH2	R2B07	FP201BC2	S2B05	FP302AM6	S5C07	FP202AM2	V3B06#	FP211AM4	V5B11	FP121CA4

PART NO.	2589214	E.C. NO.	577022	VERSION 011	SIZE SINGLE	MACHINE 5203-ATT	LOCATION 01A-B1
P6C05	GND	Q1A13	GND	Q1B11	VCLTAGE PINS	Q1E13	GND
Q3D08	GND	Q4D08	GND	Q5C08	GND	Q6AC4	GND
Q6E04	GND	R1A11	GND	R1C13	GND	R1E11	GND
R3D08	GND	R4D08	GND	R5D08	GND	R6A02	GND
R6E02	GND	S1C10	GND	S1D13	GND	S2D08	GND
S4D08	GND	S5D08	GND	S6C02	GND	S6DC5	GND
T1C11	GND	T2C03	GND	T2C04	GND	T2C07	GND
T2C12	GND	T2D08	GND	T3C03	GND	T3C04	GND
T3C11	GND	T3C12	GND	T3D08	GND	T4C03	GND
T4C07	GND	T4C11	GND	T4C12	GND	T4DC8	GND
T5C04	GND	T5C07	GND	T5C11	GND	T5C12	GND
T6B04	GND	T6C02	GND	U1A13	GND	U1B11	GND
U2C03	GND	U2C04	GND	U2C07	GND	U2C11	GND
U2D08	GND	U2E14	GND	U3A01	GND	U3C03	GND
U3C07	GND	U3C11	GND	U3C12	GND	U3D08	GND
U4A01	GND	U4C03	GND	U4C04	GND	U4C07	GND
U4C12	GND	U4D08	GND	U4E14	GND	U5AC1	GND
U5C04	GND	U5C07	GND	U5C11	GND	U5C12	GND
U6A04	GND	U6B02	GND	U6E04	GND	V1A11	GND
V2C04	GND	V2C07	GND	V2C11	GND	V2C12	GND
V3C03	GND	V3C04	GND	V3C07	GND	V3C11	GND
V3D08	GND	V4C03	GND	V4C04	GND	V4C07	GND
V4C12	GND	V4D08	GND	V5C03	GND	V5C04	GND
V5C11	GND	V5C12	GND	V5D08	GND	V6A02	GND
						Q2D08	GND
						Q6B02	GND
						R2C08	GND
						R6D04	GND
						S3D08	GND
						T1B13	GND
						T2C11	GND
						T3C07	GND
						T4C04	GND
						T5C03	GND
						T5D08	GND
						U1E13	GND
						U2C12	GND
						U3C04	GND
						U3E14	GND
						U4C11	GND
						U5C03	GND
						U5DC8	GND
						V2C03	GND
						V2D08	GND
						V3C12	GND
						V4C11	GND
						V5C07	GND

FOR ANY VOLTAGE PIN NOT INDICATED IN THE VOLTAGE PIN LIST, USE THE NET NUMBER TO LOCATE THE AID PAGE FOR DETERMINING THE VOLTAGE INFORMATION

END OF LIST



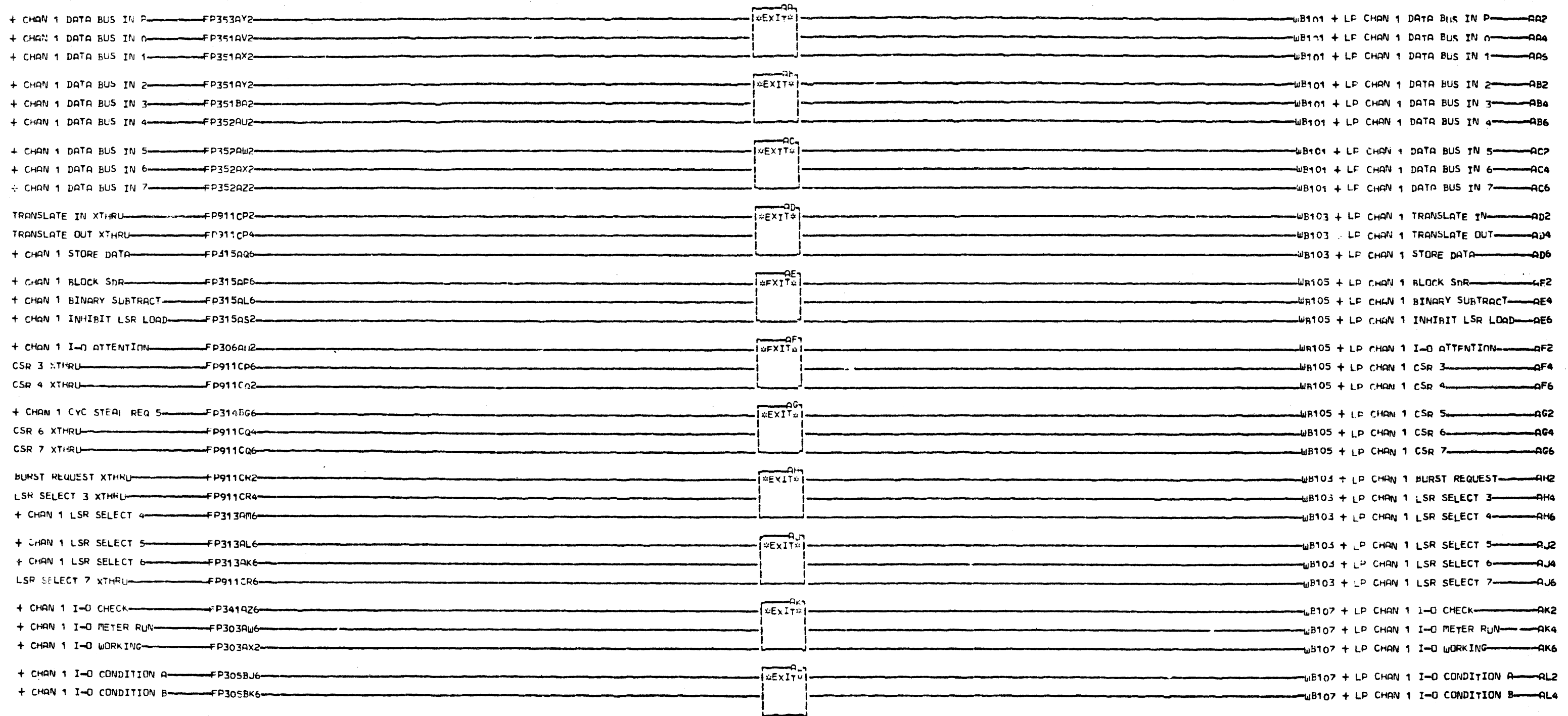
LOC.	TYPE
AA2 A-B1D6E02	01A-B1A3D07
01A-B1A3D02	AB6 A-B1F6B02
AA4 A-B1E6A02	01A-B1A3D09
01A-B1A3D03	AC2 A-B1F6C02
AA6 A-B1E6C02	01A-B1A3D10
01A-B1A3D05	AC4 A-B1F6D02
AB2 A-B1E6D02	01A-B1A3D11
01A-B1A3D06	AC6 A-B1G6A02
ABA A-B1E6E02	01A-B1A3D13
AD2 A-B1D6E04	01A-B1A2D06
01A-B1A2D02	AG2 A-B1C6E02
AE6 A-B1E6D02	01A-B1A2D13
01A-B1A2D07	AG4 A-B1A6D04
AF2 A-B1C6A02	01A-B1A2B02
01A-B1A2D09	AG6 A-B1E6D04
01A-B1C6B02	01A-B1A2B06
01A-B1A2D10	AH2 A-B1F6A04
01A-B1A2D11	AH4 A-B1F6B04
AG2 A-B1C6E02	01A-B1A2B06
01A-B1A2B09	AK2 A-B1E6E04
AH6 A-B1E6B04	01A-B1A2B08
01A-B1A2B04	AL6 A-B1C6A04
AK3 A-B1F6C04	01A-B1A2B09
01A-B1A2B04	AM2 A-B1C6B04
AJ2 A-B1B6A04	01A-B1A2B10
AK6 A-B1F6E04	01A-B1A2B10
01A-B1A2B04	AM4 A-B1C6D04
AJ4 A-B1B6B04	01A-B1A2B12
01A-B1A2B05	AL2 A-B1E6C04
01A-B1A2B05	AM6 A-B1C6E04
AJ6 A-B1B6C04	01A-B1A2B13
01A-B1A2B06	AL4 A-B1N6E04

LOC. TYPE

WP010
011
SIR TO PN

EC B18671

INTERFACE ENTRY PAGE		W
CHANNEL TO 5203 ATTACHMENT		P
818912	FRAME 01	0
DATE LAST EC	IBM CORP. 5DD	0
07-16-71 818671	PeNo 7369400	011

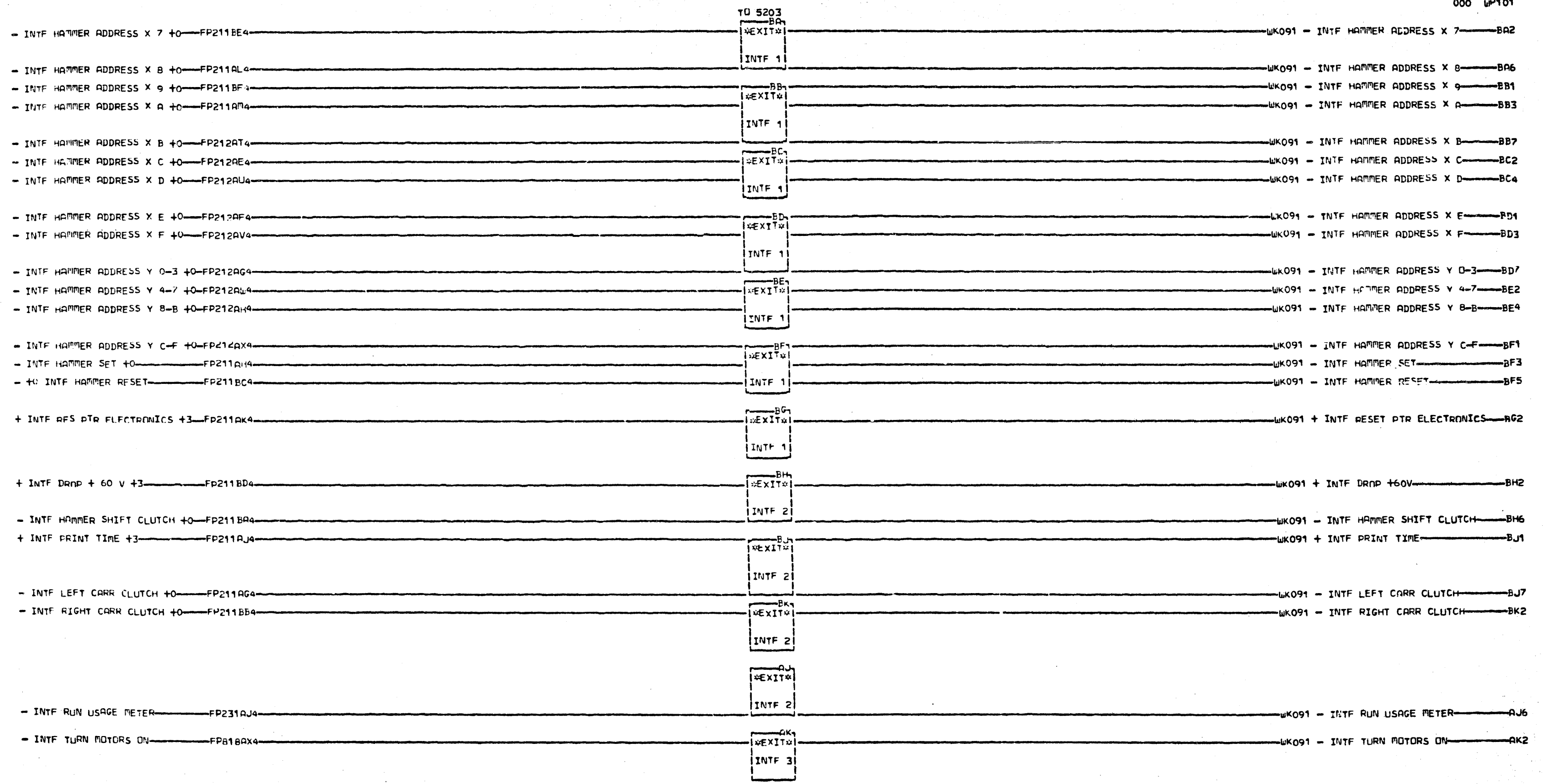


W
P
O
1
5

000

LOC. TYPE

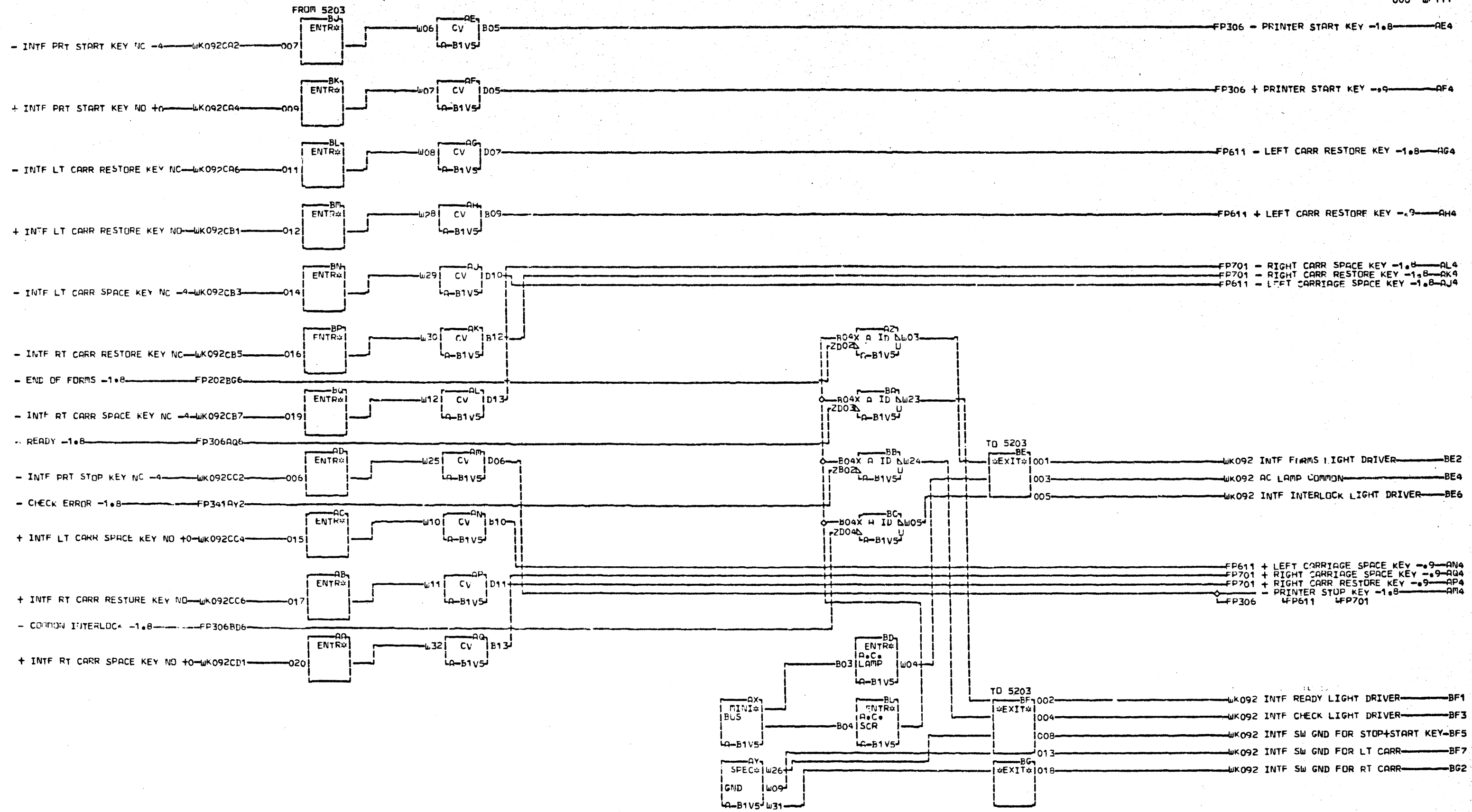
INTERFACE EXIT PAGE		W
5203 ATTACHMENT TO CHANNEL		P
E.C. HISTORY	MACH. 5203 ATT	0
818912	FRAME 01	1
	IBM CORP. SDD	5
DATE LAST EC	P.N. 2589191	000
107-16-71 818671		



LOC. TYPE

WP
101
000

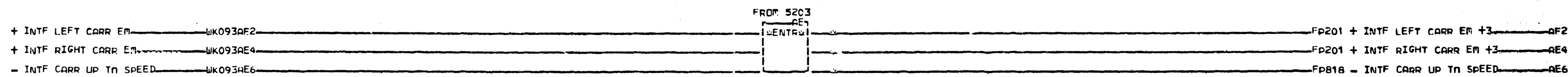
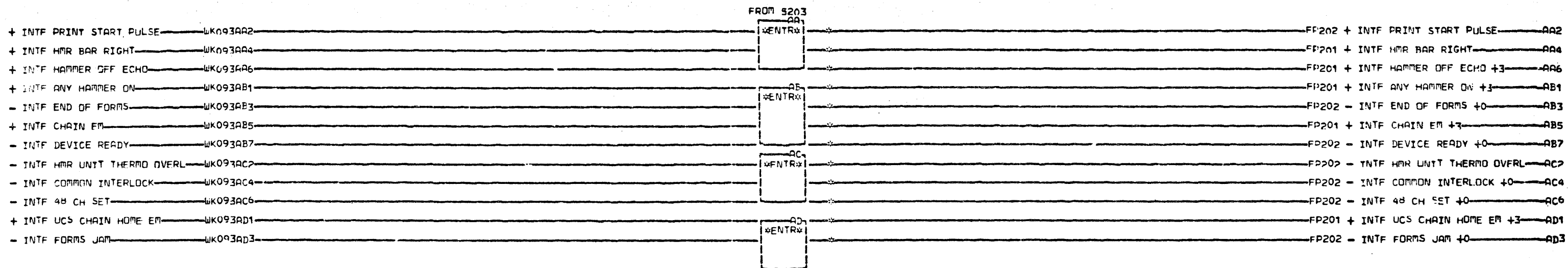
INTERFACE ATTACHMENT EXIT			
E.C. HISTORY	R. MACH. 5203-ATT	WP	1
818912		0	1
	FRAME	01	1
	IBM CORP. SDD		
DATE	LAST EC	P.N.	2589192
107-16-71	818671		000



NOTE PIN NUMBERS 0010
0020...020 REPRESENT THE
INDIVIDUAL WIRES CONNECTED
TO CARD 5652590

LOC. TYPE
A-B1V5 2590

ENTER-EXIT ATTACH. OF CONSOLE LIGHTS AND SWITCHES		W
E.C.-HISTORY	R.MACH. 5203-ATT	P
818912	FRAME	01
	IBM CORP. SDD	000
DATE	LAST EC	
107-16-71	618671	
	P.N. 2589193	



AA2	A-B1V4B06	AC6	T-B1V4D09
AA4	A-B1V4B08	AD1	T-B1V4D10
AA6	A-B1V4B09	AD3	T-B1V4D11
AB1	A-B1V4B10	AE2	T-B1V3B13
AB3	A-B1V4B12	AE4	T-B1V3D02
AB5	A-B1V4D03	AE6	T-B1V2D09
AB7	A-B1V4D05		
AC2	A-B1V4D06		
AC4	A-B1V4D07		

LOC. TYPE

INTERFACE ATTACHMENT ENTER	
E.C. HISTORY	R. MACH. 5203-ATT
818912	
FRAME	01
IBM CORP. SDD	
DATE	LAST EC
07-16-71	818671
P.N.	2589194

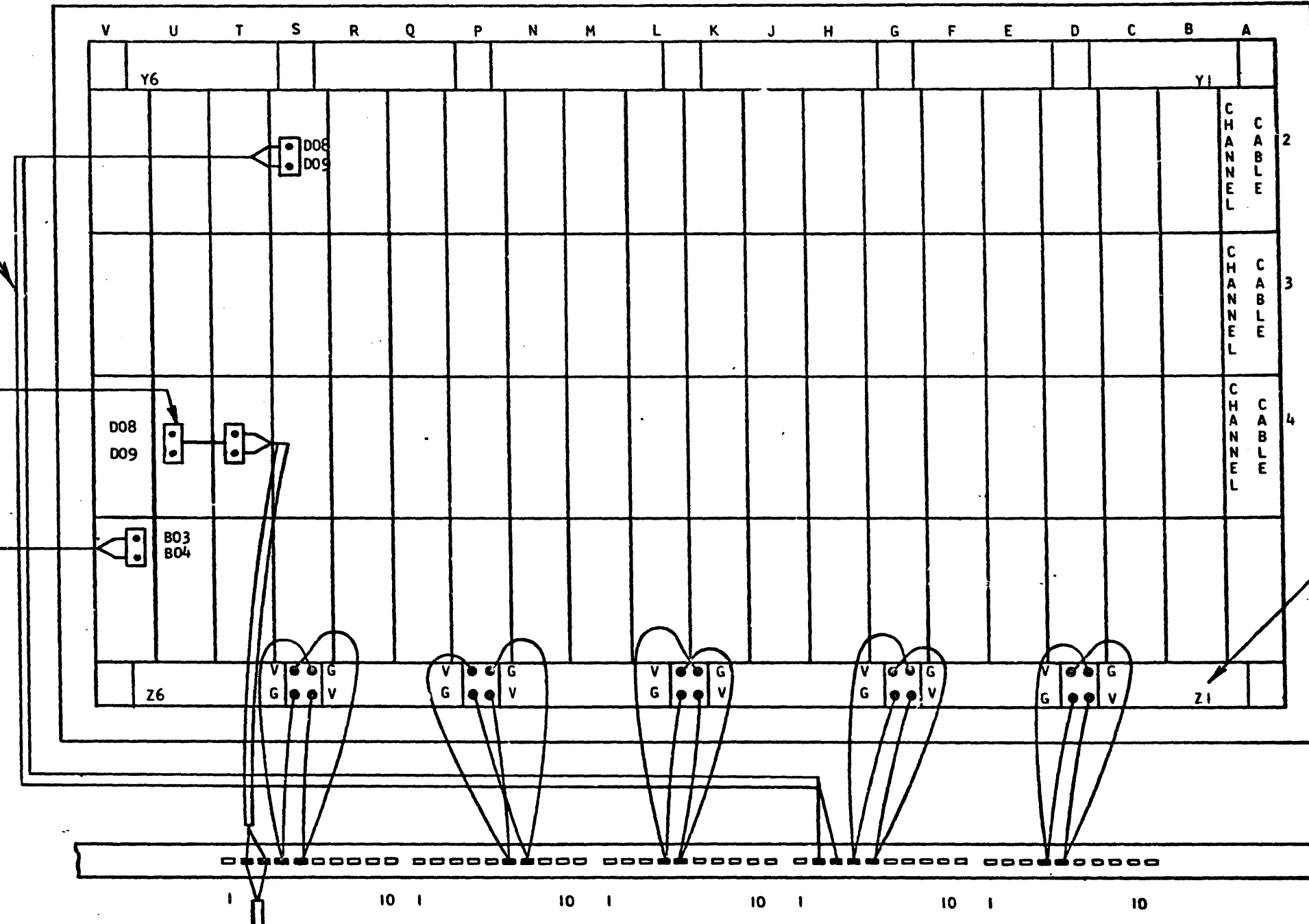
PIN SIDE VIEW

POSITION	CABLE	P/N
V2	2588024	
V3	2588024	
V4	2588024	
V5	2588023	

2454543 CABLE
NOTE 1

2454784 CABLE
NOTE 1.3

2588688 CABLE
2775653 CABLE
NOTE 1



B06 -4VOLTS
B08 REF
D08 GND

NOTE 2

NOTES

- 1 LOCATORS PIN 2588063 TO BE LOCATED UNDER ALL MINIBUS CONNECTION POSITIONS
- 2 CROSSOVER CABLES PLUG IN POSITIONS Z1-Z4
- 3 U04 POSITION NOT USED ON 5203 ATTACHMENT BOARD

EC HISTORY		DRAWING TITLE	
01 MAR 76	827876	CONNECTOR CHART BOARD 01A-B1	
		MACH 5203 ATTACHMENT	
		PART NO 4248383	
C		CLASSIFICATION	
		H&M	2/27/76
		IBM CORP	

Z
A
1
2
1