

Clothing Care System (AIRDRESSER)

User manual

DF60*8****G



SAMSUNG



Contents

Safety information	4
What you need to know about the safety instructions	4
Important safety symbols	4
CALIFORNIA PROPOSITION 65 WARNING	4
Important safety precautions	5
General warnings	7
Electrical warnings	8
Installation warnings	10
Cleaning warnings	10
Before you start	11
Installation	11
Turning on Wi-Fi (for network models only)	13
Product overview	14
Control panel	16
Cycle overview	18
Fabric care guide	20
Fabric care chart	22
Smart control	24
Product and accessory use	28
Using a cycle	28
Using the accessories	30
Cleaning and maintenance	37
Exterior	37
Water tanks	38
Water tray	39
Air filter	40
Lint filter	42
Descaling	43
Moving the product to another location	43



Troubleshooting	44
Notification messages	44
Checkpoint	45
Specifications	47
Specification sheet	47



Safety information

Congratulations on your new Samsung product. This manual contains important information on the installation, use and care of your product. Please take some time to read this manual to take full advantage of your product's many benefits and features.

What you need to know about the safety instructions

Please read this manual thoroughly to ensure that you know how to safely and efficiently operate the extensive features and functions of your new product. Please store the manual in a safe location close to the product for future reference. Use this product only for its intended purpose as described in this instruction manual. Warnings and Important Safety Instructions in this manual do not cover all possible conditions and situations that may occur. It is your responsibility to use common sense, caution and care when installing, maintaining and operating your product. Because the following operating instructions cover various models, the characteristics of your product may differ slightly from those described in this manual and not all warning signs may be applicable. If you have any questions or concerns, contact your nearest service center or find help and information online at www.samsung.com.

Important safety symbols

What the icons and signs in this user manual mean:

 **WARNING**

Hazards or unsafe practices that may result in **severe personal injury, death and/or property damage.**

 **CAUTION**

Hazards or unsafe practices that may result in **personal injury and/or property damage.**

 **CAUTION**

Hot surface

 **NOTE**

Indicates that a risk of personal injury or material damage exists.

These warning signs are here to prevent injury to yourself and others.

Please follow them explicitly.

After reading this manual, store it in a safe place for future reference.

Read all instructions before using the product.

As with any equipment that uses electricity and moving parts, potential hazards exist. To safely operate this product, familiarize yourself with its operation and exercise care when using it.

CALIFORNIA PROPOSITION 65 WARNING

 **WARNING**

Cancer and Reproductive Harm - www.P65Warnings.ca.gov.

SAVE THESE INSTRUCTIONS



⚠ WARNING**Risk of Fire**

- Appliance installation must be performed by a qualified installer.
- Install the appliance according to the manufacturer's instructions and local codes.
- To reduce the risk of severe injury or death, follow all installation instructions.
- Save these instructions.

Important safety precautions**⚠ WARNING**

To reduce the risk of fire, electric shock, or injury to persons when using your appliance, follow basic precautions, including the following:

1. Read all instructions before using this appliance.
2. Do not dry articles that have been previously cleaned in, washed in, soaked in, or spotted with gasoline, dry-cleaning solvents, or other flammable or explosive substances, as they give off vapors that could ignite or explode.
3. Do not use the appliance to dry clothes which have traces of any flammable substance, such as vegetable oil, cooking oil, machine oil, flammable chemicals, paint thinner, etc., or anything containing wax or chemicals, such as mops and cleaning cloths. Flammable substances may cause the fabric to catch fire by itself.
4. Do not store or use gasoline or other flammable vapors and liquids near this or any other appliance.
5. Do not allow children to play on or in the appliance. Close supervision of children is necessary when the appliance is used near children.
6. Before the appliance is removed from service or discarded, remove the door to the drying compartment.
7. Do not install or store this appliance where it will be exposed to the weather.
8. Do not tamper with internal controls.

SAVE THESE INSTRUCTIONS

Safety information

9. Do not repair or replace any part of the appliance or attempt any service unless specifically recommended in the user-maintenance instructions or in published user-repair instructions that you understand and have the skills to carry out.
10. Do not use fabric softeners or products to eliminate static unless recommended by the manufacturer of the fabric softener or product.
11. Clean the lint screen before or after each load.
12. Do not use heat to dry articles containing foam rubber or similarly textured rubberlike materials.
13. Do not place items exposed to cooking oils in your appliance. Items contaminated with cooking oils may contribute to a chemical reaction that could cause a load to catch fire. To reduce the risk of fire due to contaminated loads, the final part of a appliance cycle occurs without heat (cool down period). Avoid stopping a appliance before the end of the drying cycle unless all items are quickly removed and spread out so that the heat is dissipated.
14. Do not insert your hand under the appliance.
 - This may result in injury.
15. Take care that children's fingers are not caught in the door when closing it.
 - This may result in injury.
16. Keep area around the exhaust opening and adjacent surrounding areas free from the accumulation of lint, dust, and dirt.

SAVE THESE INSTRUCTIONS

General warnings

WARNING

- To avoid electric shock, fire, and/or death, make sure the product is properly installed and grounded as described in this manual before using the product.
- Only use the product for its intended purposes. Damage incurred from using the product for purposes other than those specified in this manual are not covered by the warranty.
- To avoid physical injury and/or product damage, do not climb, stand, or hang on the product.
- Do not disassemble or modify the product in any way.
- Do not allow children to play in, on, or around the product. Close supervision of children is necessary at all times.
- To avoid fire, physical injury, and/or death, keep all packaging material away from children and properly remove and dispose all packaging material.
- Do not touch or operate the product with wet hands.
- To avoid electric shock and/or fire, keep all animals or other foreign objects out of the product.
- If you hear strange noises, smell strange odors, and/or detect smoke from the product, immediately unplug the product.
- Do not place heavy or dangerous objects in, on, or around the product.
- To avoid electric shock, fire, and/or death, do not repair or replace any part of the product or attempt any servicing unless specifically recommended in the user manual or in published user-repair instructions that you understand and have the skills to carry out.
- Take out all personal belongings (electric devices, lighters, matchboxes, and so on) from pockets.
- To avoid fire and/or explosions, do not dry items that have been previously cleaned in, washed in, soaked in, or spotted with gasoline, dry-cleaning solvents, cooking oils, or other flammable or explosive substances.
- The product is not intended for use by persons (including children) with reduced physical, sensory, or mental capabilities, or lack of experience and knowledge, unless they have been given supervision or instruction concerning the use of the product by a person responsible for their safety.
- Before disposing of the product, remove the door to the drying compartment, and cut off the power plug to prevent reuse.
- Do not touch or disassemble the electrical outlet of the product. In the event of a gas leak, make sure to ventilate the location and immediately contact a Samsung service center.
- To avoid damaging the glass panel, make sure to protect the front at all times.
- To avoid physical injury and/or product damage, do not step on the tank doors.
- Do not put hands, feet, other body parts, or metal objects under the product.
- Do not use other products to dry the interior. Do not use candles to remove interior odors.
- Do not open the door while the product is operating. Opening the door while the product is operating will affect product performance and may cause condensation to damage flooring.
- Do not drink the water from the Refill or Drain tanks.
- Clean the lint filter before or after each load.

SAVE THESE INSTRUCTIONS

Safety information

- Do not use fabric softeners or other products to eliminate static unless recommended by the manufacturer of the fabric softeners or products.
- Keep fingers out of pinch point areas. Use caution when closing the door when children are nearby.
- Do not use the product to dry items containing foam rubber or other rubber-textured items.
- To avoid product damage, excessive noise, or fire, do not insert objects into the steam nozzle.
- Do not place your hands or body near the steam nozzle during operation. The hot steam can cause an injury.
- Do not open the door during operation. The high internal temperature can cause an injury.
- If a problem occurs during steam process, stop the product immediately and remove all items from the product. If items are not removed immediately, they will stay damp, causing damage to the fabric or smell.
- Before placing the clothing into the product, make sure to empty all pockets.
- Contains fluorinated greenhouse gases.
Hermetically sealed equipment.
Do not vent gases into the atmosphere.
 - Refrigerant (Type): R-134a (GWP = 1430)
 - Refrigerant (Charging): 0.15 kg, 0.214 tCO₂e

Electrical warnings

WARNING

- Regularly remove all foreign substances such as dust or water from the power plug terminals and contact points using a dry cloth.
- Unplug the power plug and clean it with a dry cloth.
- To avoid risk of electric shock, always unplug the product before disassembly or repair.
- Do not pull the power cord when unplugging the power plug. To unplug the power plug, firmly pull the power plug straight out.
- To avoid electric shock, do not use an extension cord.
- Do not use a damaged power cord or power plug. Do not attempt to repair, disassemble, or modify the power cord or power plug. For any repairs, contact your nearest Samsung service center.
- Plug the power cord into a wall socket that meets local electrical specifications. Use the socket for this appliance only, and do not use an extension cord.
- When moving the product, make sure to keep the power cord protected at all times.
- To avoid electric shock, fire, serious injury, product damage, and/or death, the product must be plugged into a properly grounded outlet. Make sure the wall outlet and circuit are checked by a qualified electrician.
- The product must be equipped with a cord having an equipment-grounding conductor and a grounding plug. The plug must be plugged into an appropriate outlet that is properly installed and grounded in accordance with all local codes and ordinances.
- The product must be grounded. In the event of malfunction or breakdown, grounding will reduce the risk of electric shock by providing a path of least resistance for electric current.

SAVE THESE INSTRUCTIONS

- Before using, make sure there is dedicated, grounded electrical-outlet rated for use with this product. It is the owner's responsibility to replace a standard 2-prong wall outlet with a standard 3-prong outlet.
- To avoid electric shock, properly ground the product that conforms to all governing codes and ordinances. Follow the instructions in the user manual.
- The product must be plugged into its own individual electrical outlet which has a voltage rating that matches the rating plate. This provides the best performance and also prevents overloading house wiring circuits which could cause a fire hazard from overheated wires.
- Connect to a properly rated, protected, and sized power circuit to avoid electrical overload. Improper power circuits can melt, creating electric shock or fire.
- Do not, under any circumstances, cut or remove the ground prong from the power cord. To prevent personal injury or product damage, the electrical power cord must be plugged into a properly grounded outlet.
- Do not use a multi socket outlet which is not properly grounded (portable). Upon using a properly-grounded multi socket outlet (portable), use a product with the current capacity of 15 A or higher alone. Failure to do so may result in electric shock or fire due to the heat of multi socket outlet. The power may be shut off when the circuit breaker is operated.
- The product must be connected to a grounded metal, permanent wiring system or an equipment-grounding conductor must be run with the circuit conductors and connected to the equipment-grounding terminal or lead on the appliance. Electric shock can result if the product is not properly grounded.
- Improper connection of the equipment grounding conductor can result in electric shock. Check with a qualified electrician or service person if you are in doubt that the product is properly grounded.

SAVE THESE INSTRUCTIONS

Safety information

Installation warnings

WARNING

- Only install the product in a stable, well-floored location. Do not install the product in locations prone to vibrations or where the product may tip over, such as ships or airplanes. Contact a Samsung service center if you are unsure of the installation location.
- Do not install the product in locations exposed to the weather or temperatures below freezing. If the product was shipped in or at temperatures below freezing, allow the product to warm before installing.
- To avoid electric shock, fire, serious injury, product damage, and/or death, do not install the product in humid locations (such as a bathroom or sauna).
- To avoid fire, smoke, and/or product damage, do not install the product near other heat sources (such as a stove or heater).
- To avoid fire or smoke and/or product damage, do not place candles or other flammables on, in, or around the product.
- To avoid physical injury and/or product damage, contact a Samsung service center before moving the product.
- Install the product where the power plug is easily accessible. To avoid electric shock and/or fire, unplug the product when not in use.
- If the installation location has been flooded, do not go near the product and immediately contact a Samsung service center.
- To avoid fire, smoke, and/or product damage, remove all protective film from the product.
- To prevent product damage and/or physical injury, have at least two people move the product.

Cleaning warnings

WARNING

- To avoid electric shock, do not use sharp objects to operate or clean the product.
- Do not spray water directly onto the product when cleaning it.
- Do not use bleaching agents on the exterior of the product. Bleaching agents may discolor the exterior.
- Wipe the interior with a dry cloth after use.
- After using the product, wipe its inner side with a dry cloth.
 - The product could be stained by contamination such as long hair or due to dust and water drops that may form inside.
- If contamination (detergent, dirt, food residue, etc.) has accumulated in the product or any accessories, unplug the power cable and then wipe the contaminated area with a soft, wet cloth.
 - Do not expose the product or the accessory to cleaning or bleaching agents or apply these to the product or accessory.
 - Otherwise, this may result in discoloration, deformation, damage, or rust.

SAVE THESE INSTRUCTIONS

Before you start

Installation

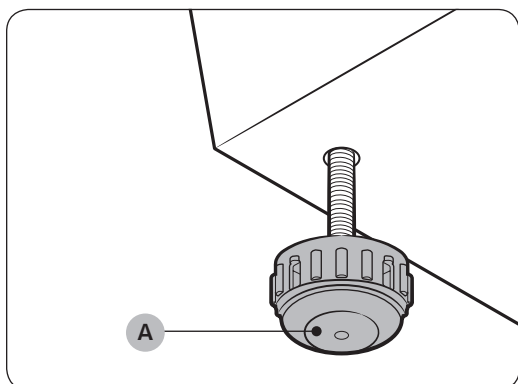
Install the product according to the instructions in this manual and local codes.

Installing the product

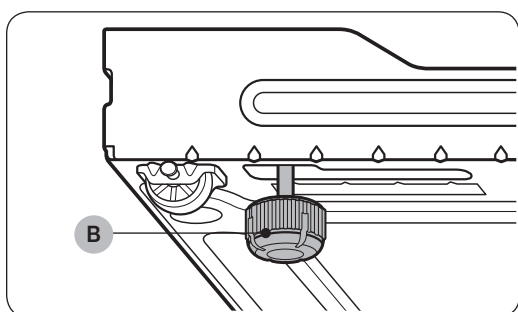
1. Select a solid, level location with adequate space for the following clearances.

Top	25 mm
Sides	14 mm
Rear	15 mm

- If the minimum clearances are not met, performance will decrease due to poor ventilation and condensation may occur on the product exterior.
- Do not install the product in direct sunlight or in an area that is too hot or too cold. The ambient temperature must be between 10 °C - 35 °C. If the ambient temperature is too high or too low, the product may not operate normally, or performance may decrease.



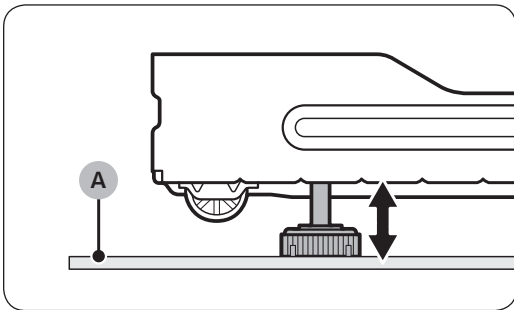
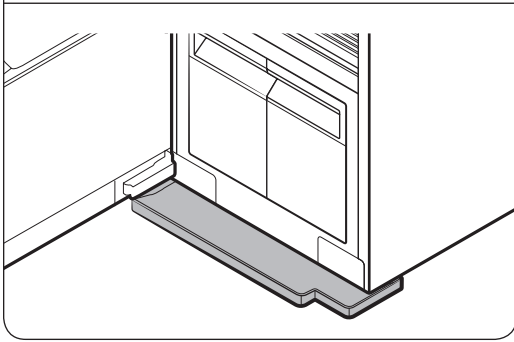
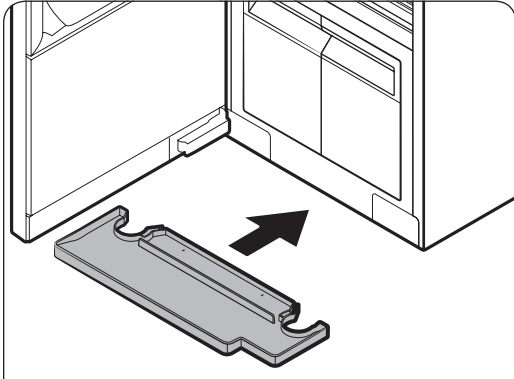
2. Turn the **levelling foot (A)** clockwise or counterclockwise to adjust the height until the product is level.



NOTE

If the product wobbles or if you want to raise the height of the rear side, assemble the provided rear **levelling feet (B)** on the bottom-rear sides of the product.

Before you start



3. Insert the water tray as shown in the figures.
 - Make sure the side marked 'TOP' is facing upward.

NOTE

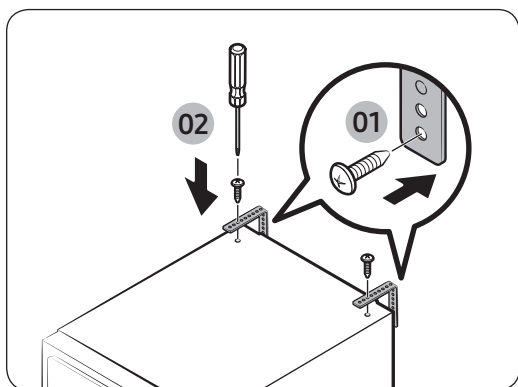
If the AIRDRESSER is placed on a **carpet (A)**, you may not be able to insert the tray. In this case, assemble the provided rear levelling feet on the bottom-rear side of AIRDRESSER to raise it from the **carpet (A)**, and then insert the tray.

4. Plug in the product to a 120 V / 60 Hz grounded outlet.
 - If you do not have grounded outlets, contact a Samsung service center for alternative methods to ground the product.

NOTE

- After installing the product, you must wait at least 2 hours before using it.
- The product consumes more water the first time the product is used. You may have to fill the Refill Tank more than one time.
- Connecting the power cord to a multi socket outlet causes voltage drop which may lead to abnormal operations.

Securing AIRDRESSER with the anti-tip strap (optional)



AIRDRESSER can tip over if it is bumped or knocked by an external force. If necessary, use the anti-tip strap to secure AIRDRESSER and prevent tip-over. (Refer to the figure.)

⚠ CAUTION

You must unplug the product before securing AIRDRESSER with the anti-tip strap.

📄 NOTE

- Use the provided screw to fasten the anti-strap to a wall.
- Use the screws fastened on top of AIRDRESSER to fasten the anti-strap to AIRDRESSER.

Setting the language

When you turn on the product for the first time after the installation, the language selection screen appears on the control panel display. Follow the instructions to select the language.

1. Tap < or > to select a language.
2. Tap and hold ▷|| to save the selected language.

📄 NOTE

- Language setting may not be applicable in some countries.
- To change the language afterward, tap and hold < and > for 3 seconds, and then follow the above instructions.

Turning on Wi-Fi (for network models only)

Turning on Wi-Fi consumes more energy. Under an environment where Wi-Fi is frequently turned on, actual energy consumption can be greater than the values in the specification sheet section.

1. Tap ⏻ to turn on AIRDRESSER.
2. Tap and hold **Smart Control**.
 - a. AIRDRESSER enters AP mode and connects to your smartphone.
 - b. Tap **Smart Control** to authenticate your AIRDRESSER.
 - c. Once the authentication process is complete, your AIRDRESSER is successfully connected to the app.

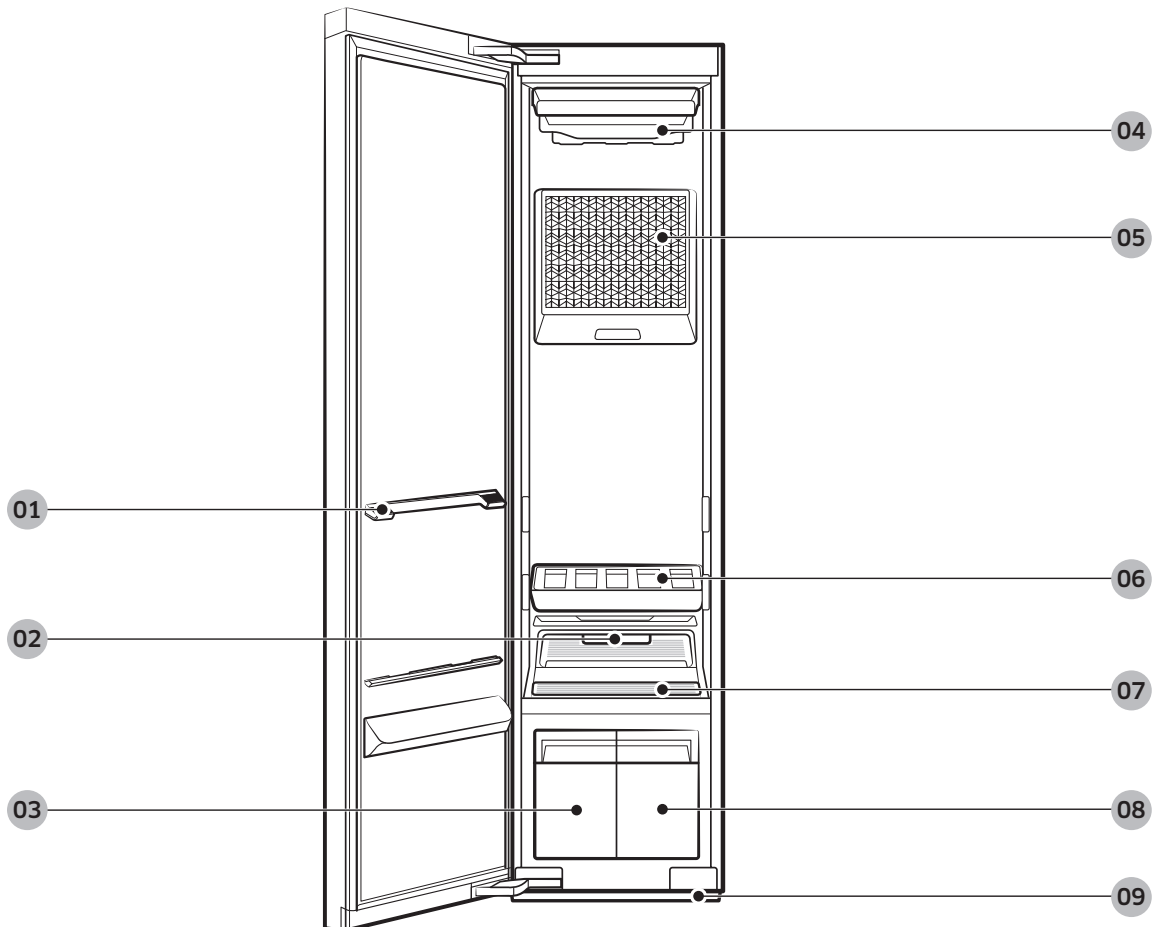
📄 NOTE

You can tap and hold **Sanitize** and **Smart Control** simultaneously for 3 seconds to enter the Wi-Fi screen, and then tap ▷|| to disconnect or re-connect to the Wi-Fi.

Before you start

English

Product overview



01 Shelf holder

02 Fresh Finish™

03 Drain tank

04 Air hole

05 Air filter

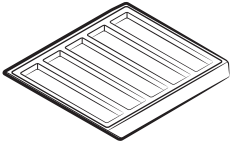
06 Shelf

07 Lint filter

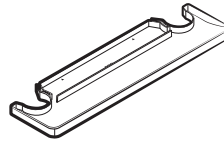
08 Refill tank

09 Water tray

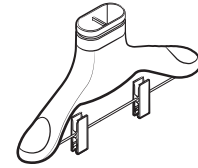
Accessories



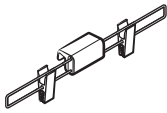
Shelf



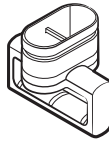
Water tray



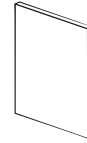
Air hanger



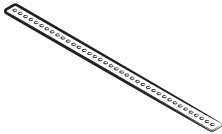
Weight kit
(applicable models only)



Regular hanger kit
(applicable models only)



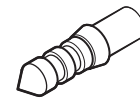
User manual



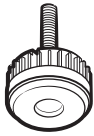
Anti-tip strap



Screw (for anti-tip strap)



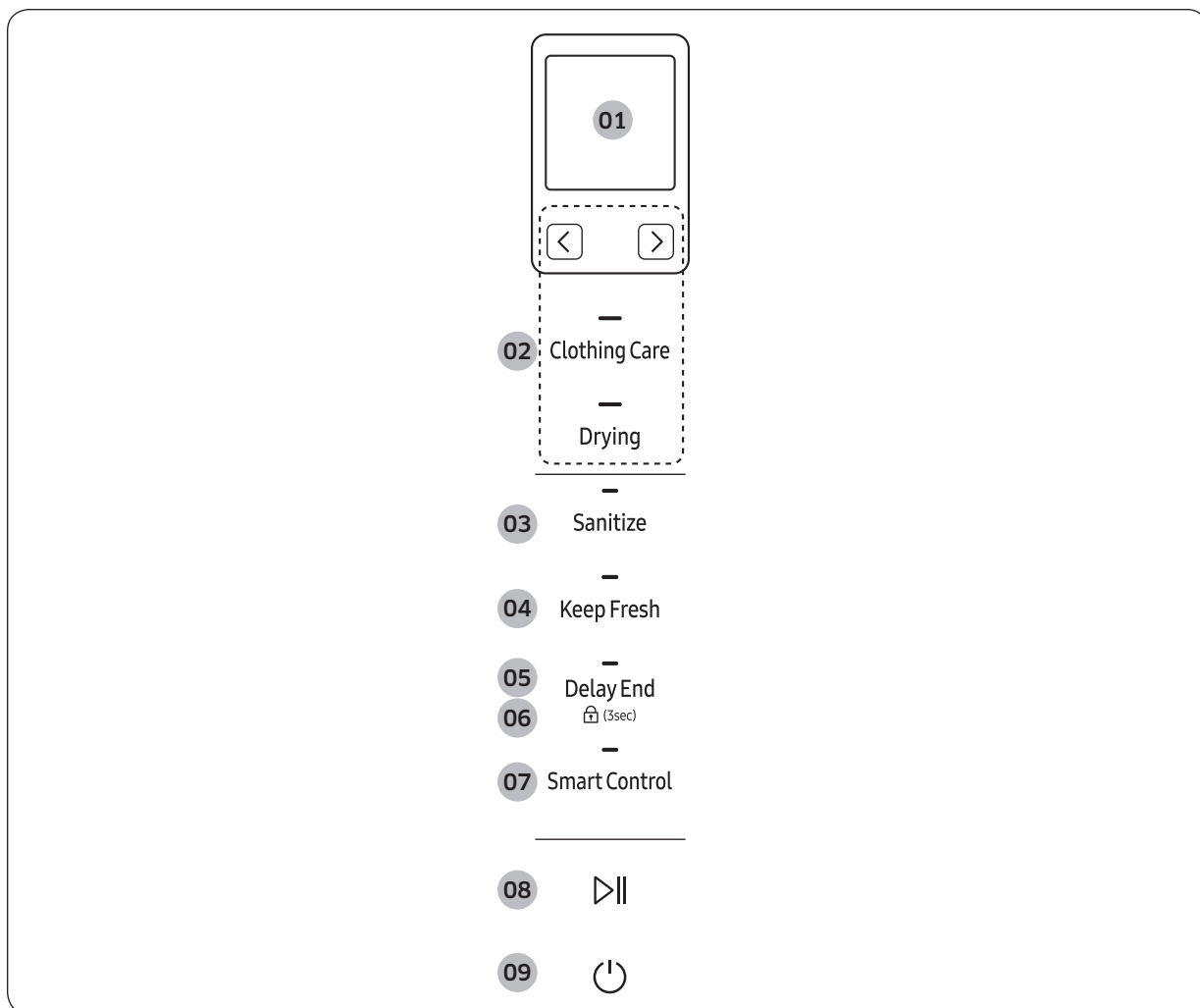
Screw anchor (for anti-tip strap)










Rear levelling feet

Before you start

Control panel



<p>01 Display</p>	<ul style="list-style-type: none"> • Displays the selected cycle and estimated time remaining. • The AI icon appears on the top-left corner of the display for the top three recommended cycles. 	
<p>02 Cycles</p>	<p>Clothing Care</p>	<p>You can select a desired Clothing Care cycle. Tap this button, and then tap < or > to select the specific cycle you want to use.</p>
	<p>Drying</p>	<p>You can select a desired Drying cycle. Tap this button, and then tap < or > to select a desired Drying cycle.</p>
<p>NOTE For more information about the cycles, see page 18.</p>		

03 Sanitize	<ul style="list-style-type: none"> • Use this function to sanitize items more thoroughly. • This option is available for the School Wear, Denim, Babywear, Bedding, Toys, Daily Care cycles.
04 Keep Fresh	<p>Tap to turn Keep Fresh on or off. You can keep items fresh if you will not be able to immediately take items out after a cycle has finished.</p> <p> NOTE</p> <ul style="list-style-type: none"> • Keep Fresh stays on up to 24 hours after a cycle has finished. • Turning off the power or opening the door turns Keep Fresh off. • When Keep Fresh is on, the display will turn off to save energy.
05 Delay End	<p>Tap to turn Delay End on, and then tap < or > to increase the end time (from 1-24 hours).</p> <p> NOTE</p> <ul style="list-style-type: none"> • When Delay End is on, the display will turn off to save energy. • Some end times may not be available depending on the selected cycle. • Depending on the items and environment, the actual end time may be different than the set time.
06 Child Lock  (3sec)	<p>Tap and hold for 3 seconds to turn Child Lock on or off. Child Lock deactivates all buttons except .</p> <p> NOTE</p> <p>When Child Lock is on, it will remain on until you turn it off.</p>
07 Smart Control	<p>Tap to turn Smart Control on or off. For more information about Smart control, see page 24.</p>
08 Start/Pause 	<p>Tap to start or pause the product.</p>
09 Power 	<p>Tap to turn the power on or off.</p>

Before you start

Cycle overview

Clothing Care cycles

Cycle	Description
Daily Care	For refreshing your everyday wear.
School Wear	For school uniforms that cannot be washed or dried daily.
Denim	For refreshing denim items without any concerns about dye bleeding.
Babywear	For refreshing and sanitizing baby clothes.
Bedding	For refreshing and sanitizing lightweight beddings.
Toys	For refreshing and sanitizing toys that cannot be washed in a washing machine.
Winter Coat	For coats made of wool blended fabrics. <ul style="list-style-type: none"> Follow all item care labels. For best results, use with only one item per cycle.
Wool/Knit	For woollen or knit items. <ul style="list-style-type: none"> To avoid deforming items, neatly fold items and lay on the shelf.
Suit	For refreshing woollen suits. <ul style="list-style-type: none"> Put the jacket in the middle air hole and trousers on the right air hole. For best results, use with the weight kit.
Down Jackets	To fluff heavy, down-filled jackets that have been stored for a long time. <ul style="list-style-type: none"> To prevent blocking air circulation, hang only one item in the middle air hole.
Outdoor	For outdoor or active wear.
Delicates	For delicate fabric items such as chiffon, lace, and items with decorations. <ul style="list-style-type: none"> For rayon, you must use this cycle.
Quick	To quickly refresh items with light odors and wrinkles.
Blouses	For refreshing blouses or summer dress (such as sleeveless dress, short sleeve dress with thin fabric).
Fur/Leather	Eliminates moisture and dust from fur and leather items. <ul style="list-style-type: none"> Operating noise may be louder during this cycle. Follow all item care labels. For best results, use for only one item. Make sure fur items are dry before using this cycle.
Accessories	For accessories such as hats and gloves, etc.
Mask Sanitize	For refreshing and sanitizing disposable face masks.
Self Clean	Automatically clean the inside of the product. <ul style="list-style-type: none"> Make sure the product is empty. For best results and optimal cleaning, do not stop the cycle or open the door before Self Clean is complete. This cycle does not eliminate mold.

Drying cycles

CAUTION

Do not use any of the following items for Drying cycles.

- Leather, fur, feather, velvet, silk.
- Any items containing rubber or sponge.
- Items made of wool blended fabrics, water-repellent fabrics, silk-blended, or hemp-blended fabric.
- Fur blankets with fur length exceeding 1 cm, wool blankets, carpets, mattresses.
- Lingerie with laces, pantyhose, stockings.

NOTE

Drying results may vary depending on thickness of the items.

Cycle	Description
AI Dry	AIRDRESSER automatically sets the time to dry items. <ul style="list-style-type: none"> • Using AI Dry causes the Drain Tank to fill quickly. • AI Dry may not dry excessively wet items and large or bulky items well. If items are not dry, run the cycle again.
Quick	For quickly drying lightweight items such as a shirt.
Blouses	For delicate items such as chiffon, lace, and items with decorations. You must use this cycle for the items made of rayon.
Down Jackets	For drying and fluffing heavy, down-filled jackets. <ul style="list-style-type: none"> • To prevent blocking air circulation, hang only one item in the middle air hole.
Time Dry (1/2/3)	You can set the desired time to dry items. <ul style="list-style-type: none"> • Time Dry may not dry excessively wet items and large or bulky items well. If items are not dry, run the cycle again.
Room Care (2/4)	For dehumidifying the surrounding area. You can select 2 or 4 hours. <ul style="list-style-type: none"> • Make sure the product is empty when using Room Care. • The indoor temperature may increase.

Before you start

Fabric care guide

- Fabrics have different care management depending on how they were processed and finished. This fabric care guide does not cover all materials and therefore use it for just a reference. Make sure to check the care label on your clothing before using with AIRDRESSER to prevent any damage.
- Do not put items that are not colorfast, are heat-sensitive, or are not suitable for washing with water in the Clothing Care or Sanitize cycles. Do a water blot test on a small, inconspicuous spot (an inside seam) to determine if the fabric is colorfast. For further assistance, consult the clothing manufacturer, a dry-cleaning professional, or a more detailed fabric care guide.

Cycle category

Refer to the following table to check specific cycles included in each category stated in the Fabric care guide table.

Category	Cycles
Clothing Care cycle	Daily Care, Quick, Wool/Knit, Down Jackets, Winter Coat, Blouses, Fur/Leather
Sanitize cycles	School Wear, Denim, Babywear, Bedding, Toys, Mask Sanitize
Drying cycles	AI Dry, Quick, Delicates, Blouses, Down Jackets, Time Dry (1/2/3), Room Care (2/4)

Fabric care guide table

Natural fibers - vegetable fibers

Fabric	Cycles				Clothes / Remarks
	Clothing Care		Sanitize	Drying	
	Reducing wrinkles	Deodorising			
Cotton		●	●	●	Towels, socks, underwear, jeans, sportswear, t-shirts, blankets Wrinkles on 100 % cotton fabrics may remain. Iron after cycle if desired.
Linen, hemp, ramie		●	●	●	Summer clothes, tablecloths Some wrinkles may remain. Make sure fabrics are washable/hand washable before using the Clothing Care or Sanitize cycles. Lay delicate clothes on shelf. Do not use starched clothes.
Rayon	●	●		●	Suit lining, blouses, neckties, pyjamas

● = Possible / ✖ = Check care label

Natural fibers - animal fibers

Fabric	Cycles				Clothes / Remarks
	Clothing Care		Sanitize	Drying	
	Reducing wrinkles	Deodorising			
Alpaca, camel hair, cashmere	✘	✘			Coats, suits Lay knitwears on the shelf. Alpaca and camel hair shrink in hot water.
		✘			Scarves, knitwear Lay knitwears on the shelf. Alpaca and camel hair shrink in hot water.
Fur, leather					Coats, scarves * Only use Fur/Leather cycle. Leather must be 100 % natural leather (No artificial leather)
Silk					Silk neckties, ribbons, scarves, blouses Silk fabrics are not suitable for AIRDRESSER.
Wool		✘		●	Sweaters, knitwear Lay knitwears on the shelf. Some wool shrinks when washed in hot water. Make sure fabrics are washable/hand washable before using the Clothing Care cycle. * Wool/Knit cycle is recommended.
	●	●	✘	●	Winter coat, suits Lay knitwears on the shelf. Some wool shrinks when washed in hot water. Make sure fabrics are washable/hand washable before using the Clothing Care or Sanitize cycles. * Winter Coat or Suit cycle is recommended.

● = Possible / ✘ = Check care label

Artificial fibers

Fabric	Cycles				Clothes / Remarks
	Clothing Care		Sanitize	Drying	
	Reducing wrinkles	Deodorising			
Acetate	●	●	●	●	Suit lining, blouses, neckties, pyjamas
Acrylic	●	●	●	●	Thermal underwear, knitwear Lay clothes on shelf.
Nylon	●	●	●	●	Stockings, lingerie Lay clothes on shelf.
	●	●	●	●	Sportswear
Polyurethane	●	●	●	●	Stretchable clothing (containing less than 5 %) If the item contains more than 5 % polyurethane (ex. Swimwear), check the care label.
Polyester	●	●	●	●	Outdoor wear, sports wear, T-shirts, shirts, blouses

● = Possible / ✘ = Check care label



Before you start

Fabric care chart

The following table contains some of the symbols that may help you choose appropriate items for AIRDRESSER. The use of symbols ensures consistency among garment manufacturers of domestic and imported items.






Follow care label directions to maximize garment life and reduce laundering problems.

 **NOTE**









* : Some clothing that does not recommend washing (such as fur or leather fabrics) can be used with AIRDRESSER. Please refer to the fabric care guide.

** : Use the rack for items with this symbol on the fabric care label.

Washing

Symbol	Meaning	Use with AIRDRESSER
	Machine wash cycles	Normal
		Permanent press
		Delicate
	Do not wash	0*
	Hand wash	0

Tumble drying






Symbol	Meaning	Use with AIRDRESSER
	Tumble dry heat setting	No heat
		Low
		Medium
		High
	Tumble dry cycles	Normal
		Permanent press
		Delicate
	Do not tumble dry	0

 **NOTE**

- The dots indicate the drying level of the dryer.
- The lines indicate the type and place of the drying.



Drying

Symbol	Meaning	Use with AIRDRESSER
	Hang dry	0
	Drip dry	0
	Dry Flat	0**
	Dry in shade	0
	Do not dry	X



Before you start

Smart control

Wi-Fi connection

- Recommended encryption methods are WPA/TKIP and WPA2/AES. Newly developed Wi-Fi protocols or unapproved Wi-Fi protocols are not supported.
- The reception sensitivity of a wireless network may be affected by surrounding wireless environments.
- If your Internet provider has registered the MAC address of your PC or the modem module for permanent use, your Samsung AIRDRESSER may fail to connect to the Internet. If this is the case, contact your Internet provider
- The Internet firewall may interrupt your Internet connection. If this happens, contact your Internet provider.
- If Internet failure continues after following the measurement of your Internet provider, contact a local Samsung retailer or service center.

Downloading the app

On an app market (Google Play Store, Apple App Store, Samsung Galaxy Apps), search for the SmartThings app, and then download and install the app on your device.

NOTE

- SmartThings may not be compatible on some tablets or smartphones.
 - The recommended Android OS is 6.0 or higher (with minimum 2 GB or RAM).
 - The supported display resolutions for Android are 1280 x 720 (HD), 1920 X 1080 (FHD), 2560 x 1440 (WQHD).
 - The recommended iOS is 10.0 or higher (iPhones must be iPhone 6 or higher).
 - The supported display resolutions for apple devices are 1334 X 750, 1920 x 1080.
- The app is subject to change without notice for improved performance.

Log in

You must first log into SmartThings with your Samsung account. To create a new Samsung account, follow the instructions on the app. You don't need a separate app to create your account.

NOTE

If you have a Samsung account, use the account to log in. A registered Samsung smartphone user automatically logs in.



Registering your appliance to SmartThings

1. Make sure your smartphone is connected to a wireless network. If not, go to **Settings**, turn on the wireless connection, and then select an AP (Access Point).
2. Open **SmartThings** on your smartphone.
3. If you see the message “**A new device is found.**”, select **Add**.
4. If no message appears, select **+** and select your appliance in a list of devices available. If your appliance is not listed, select **Device Type** > **Specific Device Model**, and then add your appliance manually.
5. Follow the onscreen instructions to complete registration.

If you're moving out, we recommend you completely wipe the appliance and do a network reset on it before you leave it behind. If you're moving in, the easiest way to take control and remove the previous user's access is to add it to SmartThings yourself. But if you don't plan on using SmartThings, a network reset should be performed to protect your privacy. In rental properties, there's a regular change of ownership. To ensure resident privacy, Wi-Fi and/or other connectivity settings should be reset at each change of resident. Please refer to factory reset instructions in this manual.

SmartThings overview

Category	Function	Description
Monitoring	Cycle Status	You can check the current cycle and options, and the remaining cycle time.
	Smart Control	The Smart Control status is shown for AIRRESSER.
	Energy Monitoring	You can monitor the energy consumption status.
Control	Start / Pause / Cancel	Select a cycle and necessary options, and then select Start / Pause / Cancel to start an operation, to stop temporarily, or to cancel the current operation.
Notification	Cycle Completed	Notifies you the current cycle is complete.

Before you start

Category	Function	Description
AIRDRESSER functions	Care Recipe	Select the fabric type and options and get recommendations for the most suitable cycle.
	My Closet	By inputting clothing information (such as fabric material), you can add your clothes to the app and get recommended cycles and a care history.
	Special Cycle Management	You can save up to 9 cycles and you can delete or change the order of the cycles.
	HomeCare Manager	Get advice to help you keep your AIRDRESSER in perfect condition. Check your cycle usage patterns, energy consumption, and get alerts for product maintenance.

Open Source Announcement

The software included in this product contains open source software. You may obtain the complete corresponding source code for a period of three years after the last shipment of this product by sending an email to <mailto:oss.request@samsung.com>.

It is also possible to obtain the complete corresponding source code in a physical medium such as a CD-ROM; a minimal charge will be required.

The following URL http://opensource.samsung.com/opensource/SMART_AT_051/seq/0 leads to the download page of the source code made available and open source license information as related to this product. This offer is valid to anyone in receipt of this information.



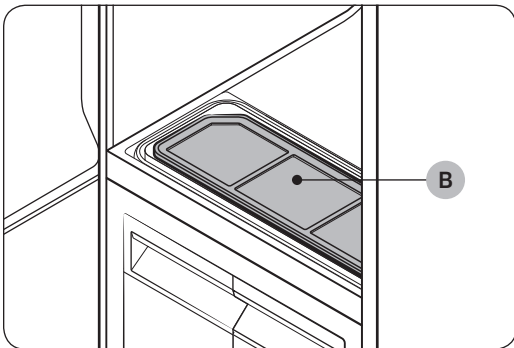
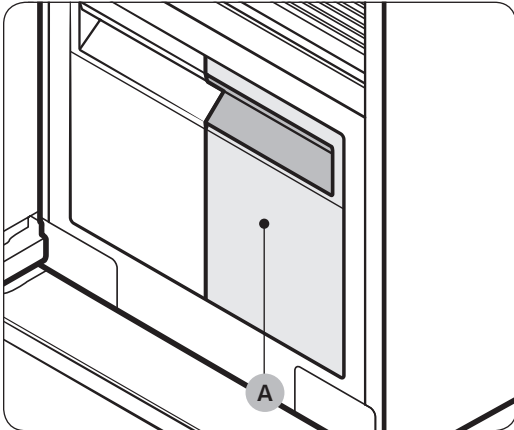
NOTE





Hereby, Samsung declares that this radio equipment is in compliance with Directive 2014/53/EU and with the relevant statutory requirements in the UK. The full text of the EU declaration of conformity and the UK declaration of conformity is available at the following internet address: The official Declaration of conformity may be found at <http://www.samsung.com>, go to Support > Support Home and enter the model name.

Wi-Fi max transmitter power : 20 dBm at 2.412 GHz – 2.472 GHz

Product and accessory use

Using a cycle



1. Make sure the **Refill Tank (A)** is filled with water.
2. Make sure the **lint filter (B)** is clean.
3. Input clothes as instructed in the **Using the accessories** section.
4. Tap .
5. Select a cycle.
 - Tap **Clothing Care** or **Drying**, and then tap  or  to select the desired cycle.
6. Select options if necessary.
 - Sanitize, Keep Fresh, Delay end.
7. Tap and hold  for 3 seconds.

Usage guidelines

Before use

- This product cannot be used to clean items. For best results, wash and dry all items before using the product.
- Before using the product, we recommend washing items with strong odors or items that have been stored for a long time.
- Separate items by odor strength.
- Check all clothing or item labels before using the product.
- Before placing the clothing into the product, make sure to empty all pockets.
- Do not use the product as a storage closet.
- The product may not remove pet hair.

During use

- Make sure items are not touching the bottom of the product. If necessary, use the shelf to stop items that are hung from touching the bottom of the product.
- Hissing noises may occur during a steam process.
- If you need to stop a cycle before it will finish, make sure to run the Drying cycle.
- Operating time depends on the environment and type of items.
- If used consecutively, the product may display a different operating time than what will occur.
- Do not open the door while the product is operating.

After use

- The amount of wrinkles removed may vary depending on the fabric type.
- Remove items immediately after a cycle has finished. If you cannot remove items immediately, use Delay end or Keep Fresh.
- When removing items, hold both the items and the hanger.

Product and accessory use

Using the accessories

Air hangers

Use the provided Air hangers for items such as jackets, sportscoats, and blazers.

NOTE

- Make sure the interior and exterior of the hangers are clean and free of foreign matter.
- Do not use hangers for knits, wools, lingerie.
- The maximum lengths of items must be 110 cm for tops and 100 cm for bottoms.
- Depending on the type or size of the fabric, unwanted wrinkles may form on the neck of your clothing.



To use the Air hangers

1. Hang items on hangers in the same direction.
 - To prevent items from falling off the hangers, make sure to button all buttons and zip all zippers.
 - Make sure all items are hung flatly. Make sure the hanger clips do not protrude outward.
2. Slide the hangers into the air holes until you hear a clicking sound.
 - Make sure hangers are facing the same direction.
 - If the Air hangers are not properly inserted into the air hole, vibrations and noises may occur.

NOTE

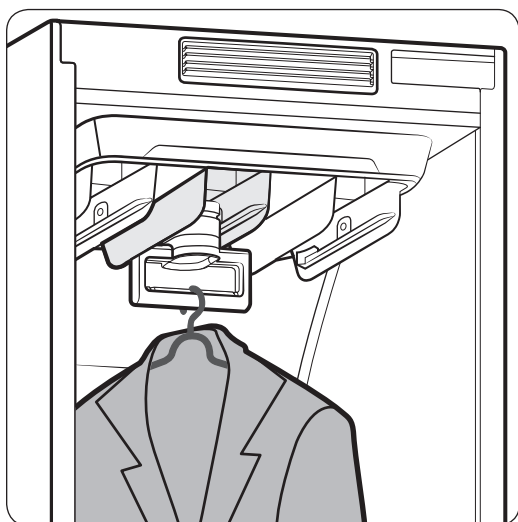
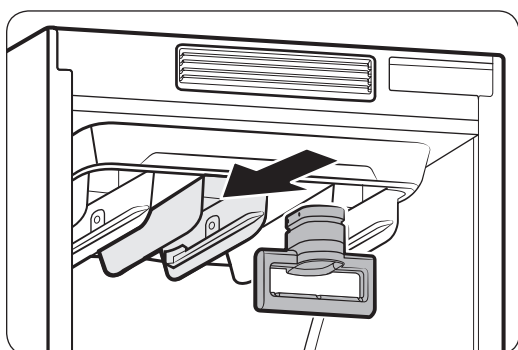
For best results, avoid hanging longer items from the middle hole.

Regular hanger kit (applicable models only)

You can use the regular hanger kit to use regular hangers to hang your items. However, for best results, we recommend using the Air hangers.

NOTE

- Use hangers that will not be deformed by heat.
- Make sure the interior and exterior of the hangers are clean and free of foreign matter.
- Do not use plastic/silicone/wooden hanger and hangers with adhesive.
- Do not use hangers from laundry that may become rusty.



To use the regular hanger kit

1. Hang items on hangers in the same direction.
 - To prevent items from falling off the hangers, make sure to button all buttons and zip all zippers.
 - Make sure all items are hung flatly. Make sure the hanger clips do not protrude outward.
2. Slide the regular-hanger kit into the air holes until you hear a clicking sound, and then hang the hangers on the regular-hanger kit.
 - Make sure hangers are facing the same direction.
 - If the regular-hanger kit is not properly inserted into the air hole, vibrations and noises may occur.

NOTE

For best results, avoid hanging longer items from the middle hole.

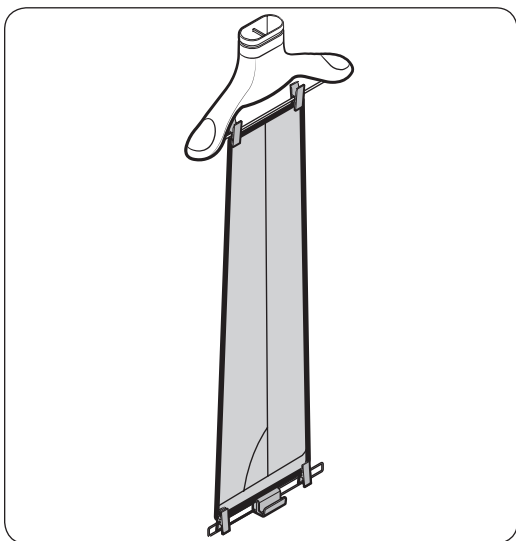


Product and accessory use

Weight kit (applicable models only)

NOTE

- Make sure the trousers or weight kit does not touch the bottom of the product.
- The maximum length of trousers must be 100 cm.



To use the weight kit

1. Clip the bottom of the trousers to the Air hanger.
2. Clip the other end of the trousers to the weight kit.
3. Slide the Air hanger into the air holes until you hear a clicking sound.

NOTE

For sharper creases, spread out the trousers by moving the clips outward.

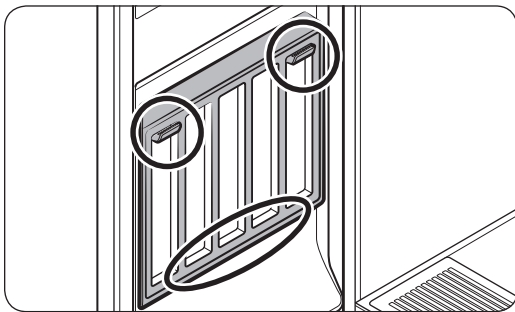
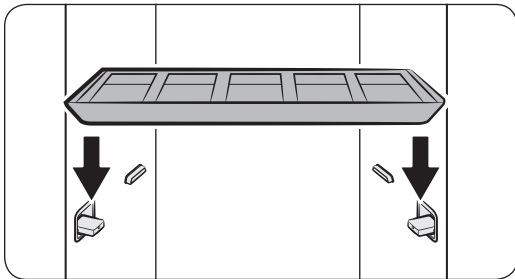
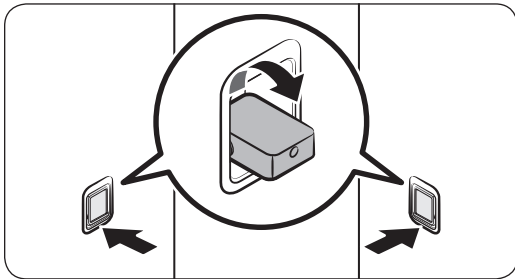


Shelf

Use the provided shelf for items that cannot be used with hangers.

NOTE

- Only place clothes or clothing accessories. Do not put heavy items or use the shelf to store any other objects
- Make sure children do not sit or climb on the shelf.
- Make sure items do not hang off the front, back, or sides of the shelf, or hang through the shelf grates.
- Do not stack items on top of other items.



To use the shelf

1. On the side walls, press the bottom part of the shelf holders to turn them out.

2. Place the shelf on the shelf holders. Make sure the grooves on the shelf are firmly sitting on the holder.

NOTE

A gap between the sides of shelf and the side walls is normal.

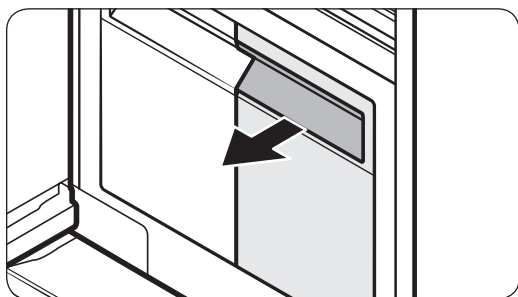
Store the shelf on the door when not in use. Place the shelf on the bottom holder, and then hang it on the top holders.

Product and accessory use

Refill Tank

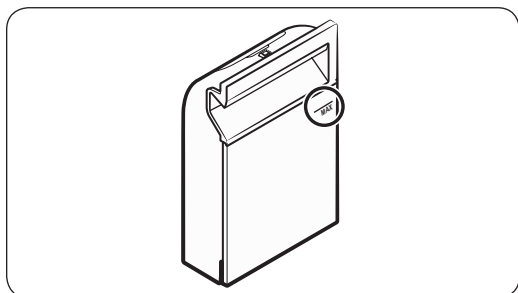
NOTE

- Before using the product, make sure there is water in the Refill Tank.
- The product consumes more water the first time the product is used.
- It is recommended to use filtered water.
- If you are not going to use the product for a long time, empty the Refill Tank.
- A full Refill Tank lasts approximately 4 cycles.
- Fill the Refill Tank with water only. Putting any other liquids, such as detergent or fabric softener, may cause a problem.
- Do not use the water in the Drain Tank to fill the Refill Tank.



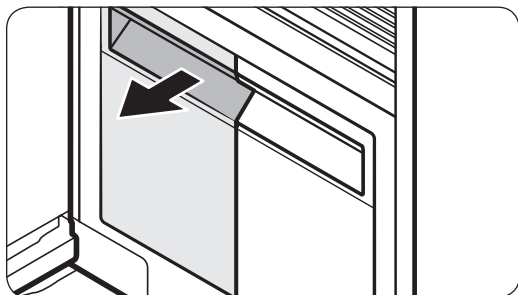
To fill the Refill Tank

1. Pull out the Refill Tank.
2. Open the back cover, fill to the **MAX** line.
3. Reinsert the Refill Tank.



Drain Tank

Before using the product or if you are not going to use the product for a long time, make sure to empty the Drain Tank.



To empty the Drain Tank

1. Pull out the Drain Tank.
2. Empty the tank.
3. Reinsert the Drain Tank.

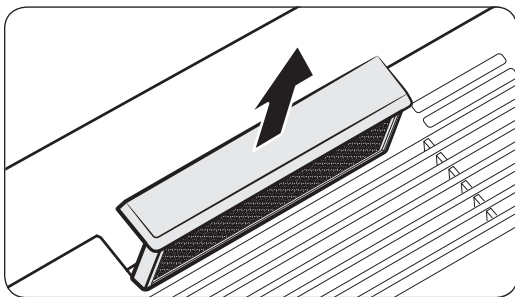
Fresh Finish™

Use the Fresh Finish™ compartment to give your clothes a laundry fresh smell.

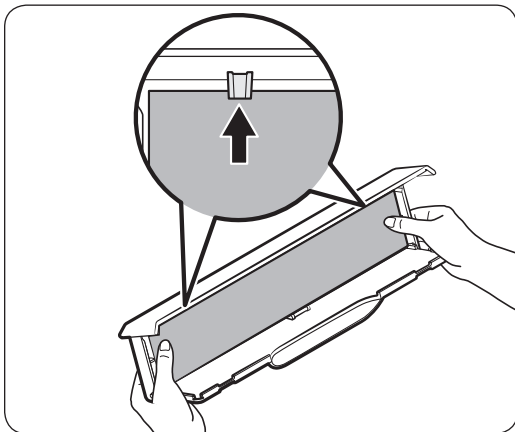
NOTE

- Insert a dryer sheet into the Fresh Finish™ compartment or spray your desired perfume 4-5 times on a cotton pad and insert into the Fresh Finish™ compartment. The strength of the scent diffused will differ depending on what is inserted and the scent may remain inside the AIRDRESSER after the cycle is complete.
- After the cycle is complete, remove the dryer sheet or cotton pad and dispose of it.

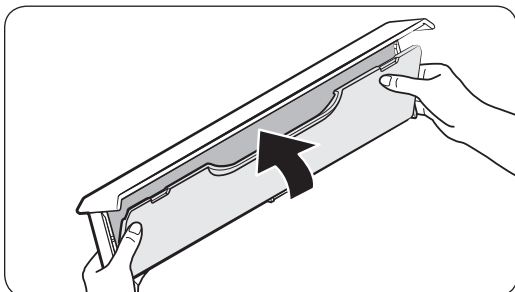
How to use Fresh Finish™



1. Slide out the Fresh Finish™ compartment from the inside of the AIRDRESSER.



2. Insert a dryer sheet or perfumed cotton pad into the Fresh Finish™ compartment.

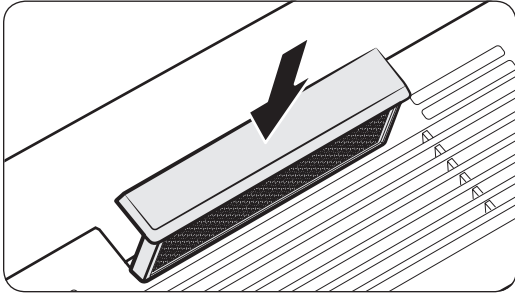


3. Close the cover until you hear it click into place.



Product and accessory use

English



4. Insert back into the AIRDRESSER and run chosen cycle.

NOTE

- If you use a dryer sheet or perfumed cotton pad, the scent may remain inside the AIRDRESSER after the cycle is complete.
- Dryer sheets and cotton pads are not provided with the AIRDRESSER.
- The effectiveness of Fresh Finish™ cannot be guaranteed since it depends on what is inserted into the Fresh Finish™ compartment.

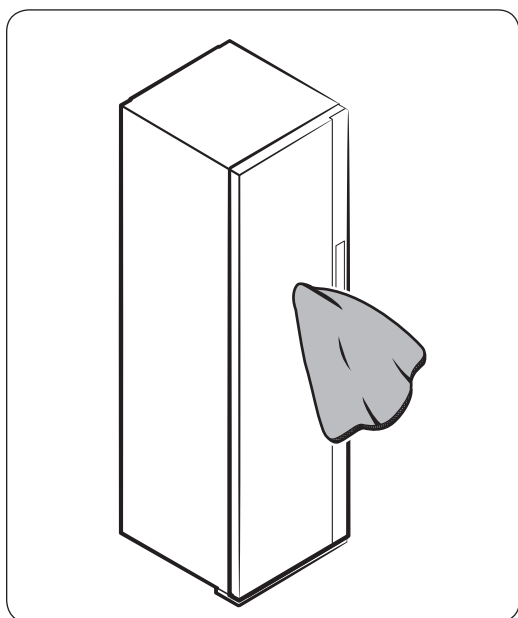


Cleaning and maintenance

CAUTION

- Unplug the product before cleaning it.
- Do not use abrasive or flammable cleaners.
- Do not spray water directly onto the product when cleaning it.

Exterior



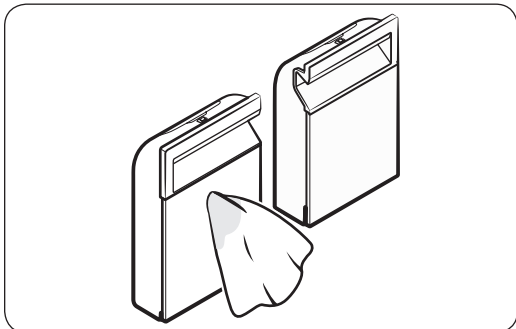
Use a smooth cloth to clean the exterior. For stubborn stains, use a damp cloth and then wipe dry.



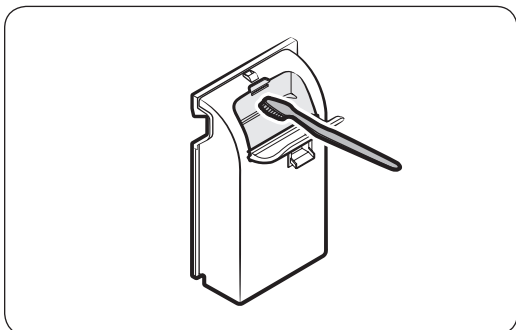
Cleaning and maintenance

Water tanks

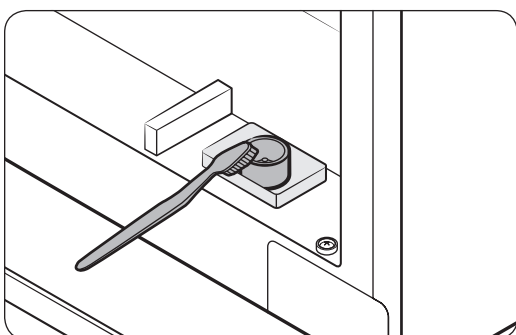
Clean both tanks on a regular basis. Completely dry before reinserting.



Use a damp cloth to clean the exterior.



Use a soft brush to clean the interior.



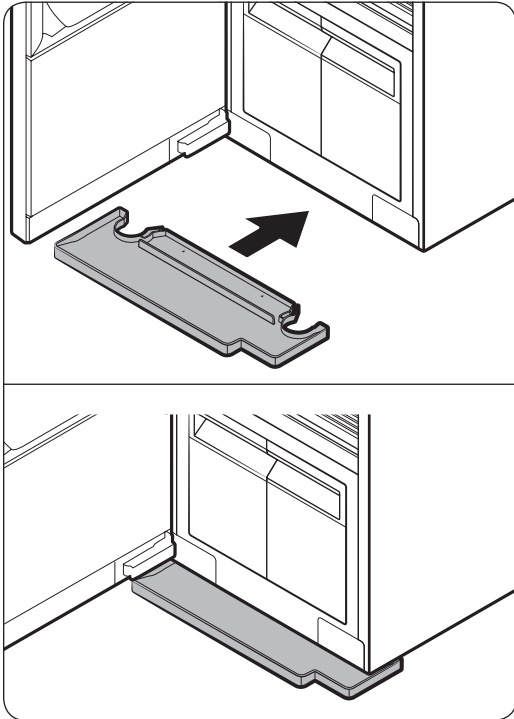
Use a soft brush to clean the tanks' inlet and outlet.



Water tray

NOTE

- Empty the water tray on a regular basis.
- Make sure to reinsert the water tray after emptying the water.



Correctly insert the water tray as shown in the figures.

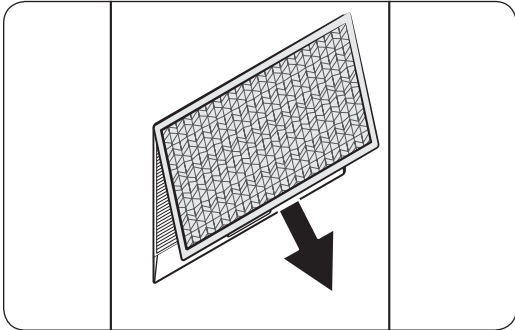
- Make sure the side with 'TOP' is facing up.



Cleaning and maintenance

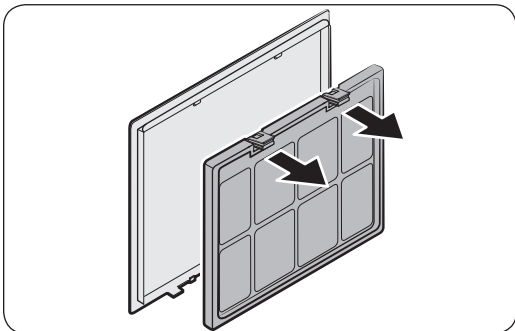
Air filter

If you frequently use the product for heavy items or items that accumulate a large amount of dust, we recommend cleaning the Air Filter frequently.

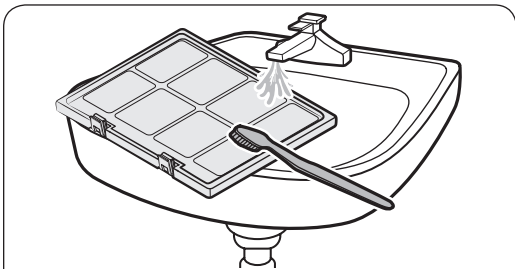


To clean the Air filter

1. Hold the bottom of the cover and pull out.

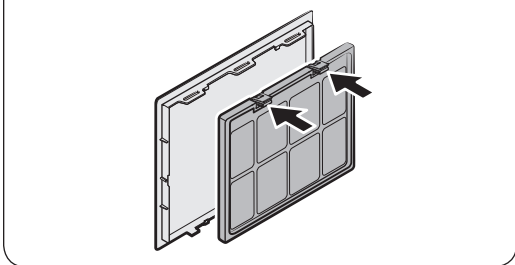


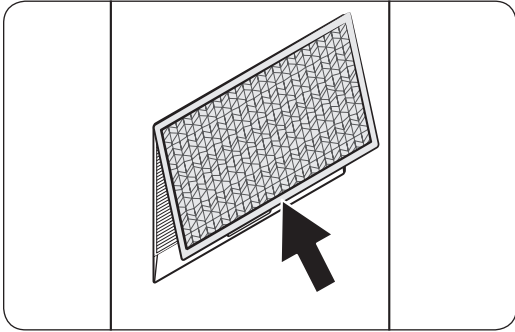
2. While pressing the two hooks on the upper part of the filter, pull to remove.



3. Use a brush and running water to clean the filter.

4. Completely dry the filter in a shaded area and reinsert the filter.





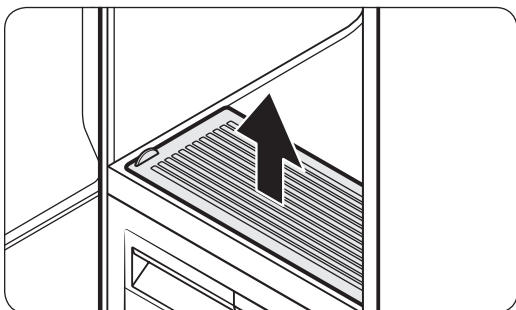
5. Insert the top of the cover into the product, and then push the cover.



Cleaning and maintenance

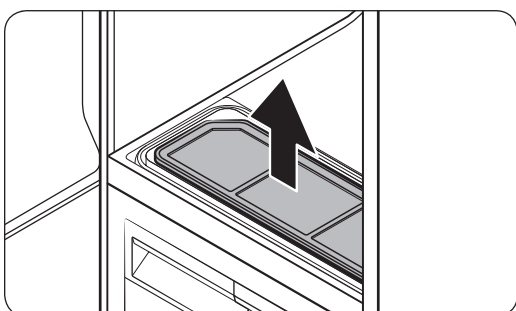
Lint filter

- For best results, clean the lint filter before or after using the product.
- Replace a damaged lint filter with a new lint filter.

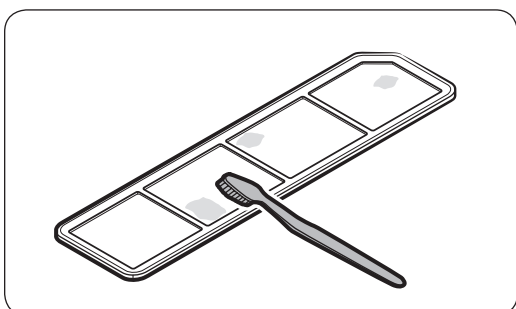


To clean the lint filter

1. Open the cover.



2. Remove the lint filter.



3. Use a brush and running water to clean the lint filter. Completely dry the lint filter in a shaded area.
4. Reinsert the lint filter, and then close the cover.



Descaling

Using the steam function causes limestone accumulation and deposition throughout the internal water circulation system due to calcium contents of water. To prevent this, perform descaling regularly to increase the performance and lengthen the lifespan of the product. If you do not perform descaling immediately after getting the notification message, some functions may be restricted for use and may cause performance decrease or even shortens the lifespan of the product.

1. When the **Descaling Required. Check the manual** message appears on the display, remove all items from the product and then tap and hold **Drying** and **Delay End** for 3 seconds.
2. Empty the Refill Tank and the Drain Tank.
3. Dilute a descaling agent with water as recommended by the manufacturer of a descaling agent.
4. Fill the Refill Tank with the diluted descaling agent up to the **MAX** line.
 - The maximum capacity of the Refill Tank is 1.4 liters.
5. Tap and hold ▷|| to start descaling.
 - If the **Empty the Drain tank** message appears on the display during descaling, empty the Drain Tank.
6. When the **Check the Refill & Drain tanks** message appears on the display, empty both the Refill Tank and the Drain Tank, and then rinse them thoroughly.
7. Fill the Refill Tank with clean water up to the **MAX** line, and then insert the Refill Tank and the Drain Tank. Tap ▷||.
8. When descaling is complete, empty the Drain Tank and fill the Refill Tank with water.
 - You can use AIRDRESSER once you finish all these steps.

NOTE

- Vibration and noise may occur during the descaling process; this is normal, and there is no problem with the product.
- You may see the **Add water to Refill tank** message when you use the product the first time after descaling. This is normal. Fill the Refill Tank with water and tap ▷|| to resume.
- Bubbles may form if the descaling agent is not rinsed thoroughly. Make sure to rinse the Refill Tank and the Drain Tank thoroughly after descaling.
- Use a descaling agent dedicated for coffee machines.
- Do not use a descaling agent for other machines such as washing machine.
- Do not use laundry detergent or fabric softener for descaling.


Moving the product to another location

- There are two wheels underneath the product to assist moving it.
- To prevent the product from tipping over when moving the product, we recommend pushing the middle of the product. Do not push the top or the bottom.
- Empty the Refill Tank and the Drain Tank before moving the product to another location. If the tanks are not emptied, water can spill while moving the product.



Troubleshooting

Notification messages



Message	Action
Add water to Refill tank	<ul style="list-style-type: none"> • Check if the Refill Tank has enough water. <ul style="list-style-type: none"> - Fill the water up to the MAX line, reinsert the Refill Tank, and then tap ▷ to start. • Check if the Refill Tank is properly inserted. <ul style="list-style-type: none"> - Properly insert the Refill Tank, and then tap ▷ to start.
Empty the Drain tank	<ul style="list-style-type: none"> • Check if the Drain Tank is full. <ul style="list-style-type: none"> - Empty the Drain Tank, reinsert the Drain Tank, and then tap ▷ to start. • Check if the Drain Tank is properly inserted. <ul style="list-style-type: none"> - Properly insert the Drain Tank, and then tap ▷ to start.
Close door & start again	<ul style="list-style-type: none"> • Check if the door is open. <ul style="list-style-type: none"> - Make sure the door is closed, and then tap ▷ to start.
Open the door & check inside	<ul style="list-style-type: none"> • Check if the door is open and if Child Lock  (3sec) is on. <ul style="list-style-type: none"> - Make sure the door is closed, and then tap ▷ to start. Make sure children or pets are not in the product. - The control panel is locked when Child Lock is on. - Tap and hold Delay End for 3 seconds to turn off the Child Lock.
Connect to Wi-Fi network or check your router	<ul style="list-style-type: none"> • Check if the router is off. <ul style="list-style-type: none"> - Turn the router on, and then connect to the Internet.

NOTE

If a problem persists, contact a local Samsung service center.



Checkpoint

Problem	Action
The product does not turn on.	<ul style="list-style-type: none"> • Tap  to turn the product on. • Make sure the power cord is properly plugged in. • Make sure the circuit breaker is on. • Make sure the power cord is plugged into a power outlet rated for this product.
The product does not operate.	<ul style="list-style-type: none"> • Make sure the door is closed, and then tap . • If you hear water flowing or boiling sounds, the product is preparing for a steam process. This is normal. • Make sure Child Lock is off. • The product may not operate if you have used any liquid other than water. Please contact a Samsung service center.
The product makes sounds.	<ul style="list-style-type: none"> • The product may generate sounds when the compressor operates. This is normal. • The product may generate sounds when it circulates air. This is normal. • The product may generate sounds before and during a steam process. This is normal. • The product may generate sounds to pump out and drain the water. This is normal. • When opening the door, sounds may come from the Refill Tank when the water is flowing through the pipe. This is normal. • If noises become louder, contact a Samsung service center.
The control panel does not work.	<ul style="list-style-type: none"> • After plugging in the product, wait for a moment and try again. The control panel will respond 10 seconds after the power cord has been plugged in. • Clean the control panel and try again. If the problem continues, contact a Samsung service center.
The product vibrates.	<ul style="list-style-type: none"> • Make sure the product is installed on a solid, level surface. • Make sure the product is level.
The Refill Tank is empty after one use.	<ul style="list-style-type: none"> • The product consumes more water the first time the product is used. This is normal.
Steam or air is coming out from the door.	<ul style="list-style-type: none"> • Make sure there are no items caught in the door. • Make sure the door is properly closed.
Operation time continues to increase.	<ul style="list-style-type: none"> • Wet items may take longer to dry. Operation time can increase depending on the quantity and moisture level of the items.



Troubleshooting

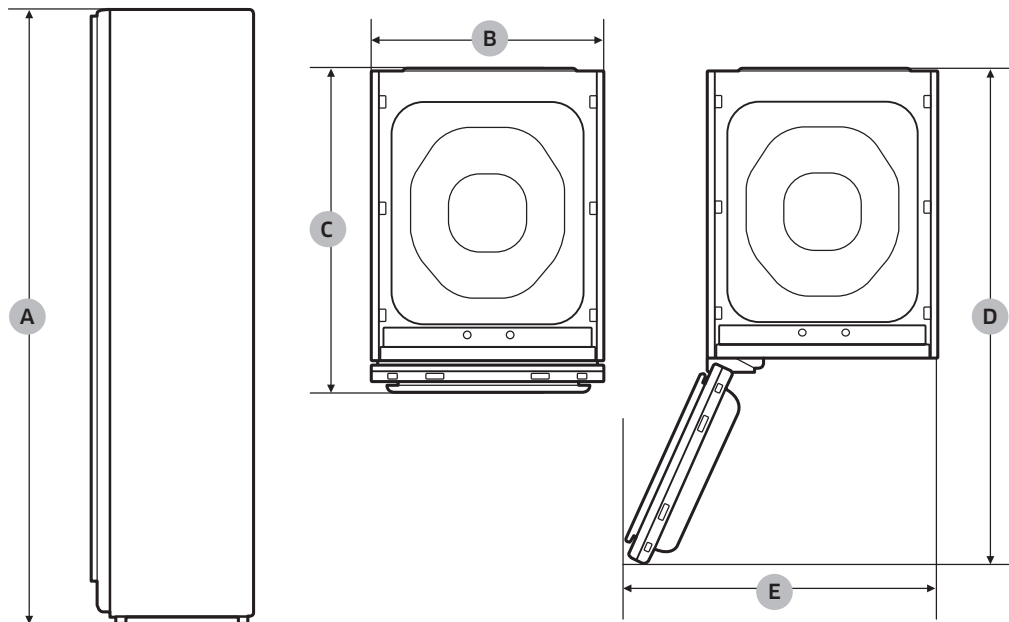
Problem	Action
Items are wet after a cycle.	<ul style="list-style-type: none"> • Make sure the lint filter is clean and properly inserted. • Make sure the door gasket is not damaged or items are not caught on the door. If the door gasket is damaged, unplug the power cord and contact a Samsung service center.
Items are not deodorised.	<ul style="list-style-type: none"> • Wash items with strong odors or items that have been stored for a long time. • Wash items contaminated by oils. • Large items such as down-filled jackets may not be deodorised well. Put large items by themselves and run an additional cycle if necessary. • Do not put items with strong odor with other items. Separate items by odor strength. • Make sure the lint filter and both tanks are clean.
Wrinkles are not removed.	<ul style="list-style-type: none"> • Iron items that have been stored for a long time.
Smoke comes out from the product when the door is opened.	<ul style="list-style-type: none"> • Some cycles generate steam that may appear to be smoke. This is normal.



Specifications

Specification sheet

"*" Asterisk(s) means variant model and can be varied (0-9) or (A-Z).



Type		Clothing Care System (AIRDRESSER)
		DF60A8****G
Dimensions (mm)	A. Height	1850
	B. Width	445
	C. Depth	632
	D. Depth with door open	1001
	E. Width with door open	618
Rated current		120 V / 60 Hz / 12 A
Fuse (Fixed fuse in main PBA)	Tube type	250 V / 15 A
	High breaking capacity type	
Weight (kg)		85.0

LIMITED WARRANTY (U.S.A.)

SAMSUNG AIRDRESSER

LIMITED WARRANTY TO ORIGINAL CONSUMER PURCHASER WITH PROOF OF PURCHASE

This SAMSUNG brand product, as supplied and distributed by SAMSUNG ELECTRONICS AMERICA, INC. (SAMSUNG) and delivered new, in the original carton to the original consumer purchaser, is warranted by SAMSUNG against manufacturing defects in materials and workmanship for the limited warranty period of:

One (1) Year Parts and Labor

This limited warranty is valid only on products purchased and used in the United States that have been installed, operated, and maintained according to the instructions attached to or furnished with the product. To receive warranty service, the purchaser must contact SAMSUNG at the address or phone numbers provided below for problem determination and service procedures. Warranty service can only be performed by a SAMSUNG authorized service center. The original dated bill of sale must be presented upon request as proof of purchase to SAMSUNG or SAMSUNG's authorized service center to receive warranty service.

SAMSUNG will provide in-home service within the contiguous United States during the warranty period at no charge, subject to availability. To receive in-home service, product must be unobstructed and accessible to the service agent.

If in-home service is not available, SAMSUNG may elect, at its option, to provide transportation of the product to and from an authorized service center. If the product is located in an area where service by a SAMSUNG authorized servicer is not available, you may be responsible for a trip charge or required to bring the product to a SAMSUNG authorized service center for service.

During the applicable warranty period, a defective product will be repaired, replaced, or the purchase price refunded, at the sole option of SAMSUNG. SAMSUNG may use new or reconditioned parts in repairing a defective product, or replace the defective product with a new or reconditioned product. Replacement parts and products are warranted for the remaining portion of the original product's warranty or ninety (90) days, whichever is longer. All replaced parts and products become the property of SAMSUNG and must be returned to SAMSUNG.

This limited warranty covers manufacturing defects in materials and workmanship encountered in normal household, noncommercial use of this product and shall not cover the following: damage that occurs in shipment, delivery, installation, and uses for which this product was not intended; damage caused by unauthorized modification or alteration of the product; product where the original factory serial numbers have been removed, defaced, changed in any way, or cannot be readily determined; cosmetic damage including scratches, dents, chips, and other damage to the product's finishes; damage caused by abuse, misuse, pest infestations, accident, fire, floods, or other acts of nature or God; damage caused by use of equipment, utilities, services, parts, supplies, accessories, applications, installations, repairs, external wiring or connectors not supplied or authorized by SAMSUNG; damage caused by incorrect electrical line current, voltage, fluctuations and surges; damage caused by failure to operate and maintain the product according to instructions; in-home instruction on how to use your product; and service to correct installation not in accordance with electrical or plumbing codes or correction of household electrical or plumbing (i.e., house wiring, fuses, or water inlet hoses). The cost of repair or replacement under these excluded circumstances shall be the customer's responsibility.

EXCLUSION OF IMPLIED WARRANTIES

IMPLIED WARRANTIES, INCLUDING THE IMPLIED WARRANTIES OF MERCHANTABILITY OR FITNESS FOR A PARTICULAR PURPOSE, ARE LIMITED TO ONE YEAR OR THE SHORTEST PERIOD ALLOWED BY LAW. Some states do not allow limitations on how long an implied warranty lasts, so the above limitations or exclusions may not apply to you. This warranty gives you specific rights, and you may also have other rights, which vary from state to state.

LIMITATION OF REMEDIES

YOUR SOLE AND EXCLUSIVE REMEDY IS PRODUCT REPAIR, PRODUCT REPLACEMENT, OR REFUND OF THE PURCHASE PRICE AT SAMSUNG'S OPTION, AS PROVIDED IN THIS LIMITED WARRANTY. SAMSUNG SHALL NOT BE LIABLE FOR SPECIAL, INCIDENTAL OR CONSEQUENTIAL DAMAGES, INCLUDING BUT NOT LIMITED TO TIME AWAY FROM WORK, HOTELS AND/OR RESTAURANT MEALS, REMODELING EXPENSES, LOSS OF REVENUE OR PROFITS, FAILURE TO REALIZE SAVINGS OR OTHER BENEFITS REGARDLESS OF THE LEGAL THEORY ON WHICH THE CLAIM IS BASED, AND EVEN IF SAMSUNG HAS BEEN ADVISED OF THE POSSIBILITY OF SUCH DAMAGES. Some states do not allow exclusion or limitation of incidental or consequential damages, so the above limitations or exclusions may not apply to you. This warranty gives you specific rights, and you may also have other rights, which vary from state to state.

SAMSUNG does not warrant uninterrupted or error-free operation of the product. No warranty or guarantee given by any other person, firm, or corporation with respect to this product shall be binding on SAMSUNG.

To obtain warranty service, please contact SAMSUNG at:

Samsung Electronics America, Inc.

85 Challenger Road

Ridgefield Park, NJ 07660

1-800-SAMSUNG (726-7864)

www.samsung.com/us/support

Warranty (CANADA)

SAMSUNG AIRDRESSER

LIMITED WARRANTY TO ORIGINAL PURCHASER

This SAMSUNG brand product, as supplied and distributed by SAMSUNG ELECTRONICS CANADA, INC. (SAMSUNG) and delivered new, in the original carton to the original consumer purchaser, is warranted by SAMSUNG against manufacturing defects in materials and workmanship for a limited warranty period of:

- One (1) year part and labor

This limited warranty begins on the original date of purchase, and is valid only on products purchased and used in the Canada.

To receive warranty service, the purchaser must contact SAMSUNG for problem determination and service procedures.

Warranty service can only be performed by a SAMSUNG authorized service center.

The original dated bill of sale must be presented upon request as proof of purchase to SAMSUNG or SAMSUNG's authorized service center.

SAMSUNG will provide in-home service during the warranty period at no charge, subject to availability within the Canada.

In-home service is not available in all areas.

To receive in-home service, product must be unobstructed and accessible to the service agent.

If service is not available, SAMSUNG may elect to provide transportation of the product to and from an authorized service center.

SAMSUNG will repair, replace, or refund this product at our option and at no charge as stipulated herein, with new or reconditioned parts or products if found to be defective during the limited warranty period specified above.

All replaced parts and products become the property of SAMSUNG and must be returned to SAMSUNG.

Replacement parts and products assume the remaining original warranty, or ninety (90) days, whichever is longer.

This limited warranty covers manufacturing defects in materials and workmanship encountered in normal, noncommercial use of this product and shall not apply to the following: damage that occurs in shipment; delivery and installation; applications and uses for which this product was not intended; altered product or serial numbers; cosmetic damage or exterior finish; accidents, abuse, neglect, fire, water, lightning, or other acts of nature or God; use of products, equipment, systems, utilities, services, parts, supplies, accessories, applications, installations, repairs, external wiring or connectors not supplied or authorized by SAMSUNG that damage this product or result in service problems; incorrect electrical line voltage, fluctuations and surges; customer adjustments and failure to follow operating instructions, maintenance and environmental instructions that are covered and prescribed in the instruction book; product removal and reinstallation; problems caused by pest infestations.

This limited warranty does not cover problems resulting from incorrect electric current, voltage or supply, light bulbs, house fuses, house wiring, cost of a service call for instructions, or fixing installation errors.

SAMSUNG does not warrant uninterrupted or error-free operation of the product.

EXCEPT AS SET FORTH HEREIN, THERE ARE NO WARRANTIES ON THIS PRODUCT EITHER EXPRESS OR IMPLIED, AND SAMSUNG DISCLAIMS ALL WARRANTIES INCLUDING, BUT NOT LIMITED TO, ANY IMPLIED WARRANTIES OF MERCHANTABILITY, INFRINGEMENT OR FITNESS FOR A PARTICULAR PURPOSE. NO WARRANTY OR GUARANTEE GIVEN BY ANY PERSON, FIRM, OR CORPORATION WITH RESPECT TO THIS PRODUCT SHALL BE BINDING ON SAMSUNG.

SAMSUNG SHALL NOT BE LIABLE FOR LOSS OF REVENUE OR PROFITS, FAILURE TO REALIZE SAVINGS OR OTHER BENEFITS, OR ANY OTHER SPECIAL, INCIDENTAL OR CONSEQUENTIAL DAMAGES CAUSED BY THE USE, MISUSE, OR INABILITY TO USE THIS PRODUCT, REGARDLESS OF THE LEGAL THEORY ON WHICH THE CLAIM IS BASED, AND EVEN IF SAMSUNG HAS BEEN ADVISED OF THE POSSIBILITY OF SUCH DAMAGES. NOR SHALL RECOVERY OF ANY KIND AGAINST SAMSUNG BE GREATER IN AMOUNT THAN THE PURCHASE PRICE OF THE PRODUCT SOLD BY SAMSUNG AND CAUSING THE ALLEGED DAMAGE.

WITHOUT LIMITING THE FOREGOING, PURCHASER ASSUMES ALL RISK AND LIABILITY FOR LOSS, DAMAGE, OR INJURY TO PURCHASER AND PURCHASER'S PROPERTY AND TO OTHERS AND THEIR PROPERTY ARISING OUT OF THE USE, MISUSE, OR INABILITY TO USE THIS PRODUCT.

THIS LIMITED WARRANTY SHALL NOT EXTEND TO ANYONE OTHER THAN THE ORIGINAL PURCHASER OF THIS PRODUCT, IS NONTRANSFERABLE AND STATES YOUR EXCLUSIVE REMEDY.

Some provinces do not allow limitations on how long an implied warranty lasts, or the exclusion or limitation of incidental or consequential damages, so the above limitations or exclusions may not apply to you.

This warranty gives you specific rights, and you may also have other rights, which vary from province to province.

To obtain warranty service, please contact SAMSUNG at:

Samsung Electronics Canada Inc.

2050 Derry Road West,

Mississauga, Ontario L5N 0B9 Canada

1-800-SAMSUNG (726-7864)

www.samsung.com/ca/support (English)

www.samsung.com/ca_fr/support (French)

Visits by a Service Engineer to explain functions, maintenance, or installation is not covered by warranty. Please contact the Samsung call center at the number above for help with any of these issues.

QUESTIONS OR COMMENTS?

COUNTRY	CALL	OR VISIT US ONLINE AT
U.S.A	1-800-SAMSUNG (726-7864)	www.samsung.com/us/support
CANADA	1-800-SAMSUNG(726-7864)	www.samsung.com/ca/support (English) www.samsung.com/ca_fr/support (French)



DC68-04297J-00

Systeme d'entretien de vêtements (AIRDRESSER)

Manuel d'utilisation

DF60*8****G



SAMSUNG

Sommaire

Consignes de sécurité	4
Remarques importantes sur les consignes de sécurité	4
Symboles de sécurité importants	4
AVERTISSEMENT DE LA PROPOSITION 65 DE L'ÉTAT DE CALIFORNIE	4
Mesures de sécurité importantes	5
Avertissements généraux	7
Précautions électriques	8
Avertissements relatifs à l'installation	10
Avertissements relatifs au nettoyage	10
Avant de démarrer	12
Installation	12
Activation de la connexion Wi-Fi (pour les modèles en réseau uniquement)	14
Présentation de l'appareil	15
Panneau de commande	17
Présentation des cycles	19
Guide d'entretien des tissus	22
Tableau d'entretien des tissus	25
Smart Control	26
Utilisation de l'appareil et des accessoires	30
Utilisation d'un cycle	30
Utilisation des accessoires	32
Nettoyage et entretien	39
Surface extérieure	39
Réservoirs d'eau	40
Tiroir d'eau	41
Filtre à air	42
Filtre à peluches	44
Détartrage	45
Déplacement de l'appareil à un autre endroit	45
Dépannage	46
Messages de notification	46
Contrôle	47

Caractéristiques techniques

49

Fiche des caractéristiques techniques

49

Consignes de sécurité

Félicitations pour l'achat de votre nouvel appareil Samsung. Ce manuel contient de précieuses informations concernant l'installation, l'utilisation et l'entretien de votre appareil. Prenez le temps de le lire pour tirer pleinement profit de tous les avantages et de toutes les fonctionnalités de votre appareil.

Remarques importantes sur les consignes de sécurité

Veillez lire attentivement ce manuel afin d'utiliser votre nouvel appareil en toute sécurité et de profiter pleinement de toutes ses fonctionnalités. Conservez ce manuel dans un endroit sûr situé à proximité de l'appareil afin de pouvoir facilement vous y reporter en cas de besoin. N'utilisez pas cet appareil autrement que pour l'usage auquel il est destiné, conformément aux consignes du présent manuel. Les consignes de sécurité et les avertissements décrits dans le présent manuel ne sont pas exhaustifs. Il est de votre responsabilité de faire preuve de bon sens, de prudence et de discernement lors de l'installation, de l'entretien ou de l'utilisation de votre appareil. Ces consignes d'utilisation couvrant plusieurs modèles, il se peut que les caractéristiques de votre appareil diffèrent légèrement de celles décrites dans le présent manuel ; ainsi, certains symboles d'avertissement peuvent ne pas s'appliquer à votre machine. Pour toute question ou doute, communiquez avec votre centre de dépannage le plus proche ou allez sur www.samsung.com pour obtenir de l'aide et des informations.

Symboles de sécurité importants

Signification des icônes et symboles utilisés dans le présent manuel d'utilisation :

AVERTISSEMENT

Risques ou pratiques inadaptées susceptibles de causer **des blessures corporelles graves voire mortelles et/ou des dommages matériels.**

ATTENTION

Risques ou pratiques inadaptées susceptibles de causer **des blessures corporelles et/ou des dommages matériels.**

ATTENTION

Surface chaude

REMARQUE

Indique la présence d'un risque de blessures ou de dommages matériels.

Ces symboles d'avertissement ont pour but d'éviter tout risque de blessures corporelles.

Respectez-les en toutes circonstances.

Lisez attentivement le présent manuel puis conservez-le en lieu sûr afin de pouvoir le consulter ultérieurement.

Lisez attentivement toutes les consignes avant d'utiliser l'appareil.

Comme avec tout équipement électrique et comportant des pièces mobiles, il existe un certain nombre de dangers potentiels. Pour utiliser cet appareil en toute sécurité, familiarisez-vous avec son fonctionnement et restez prudent lorsque vous l'utilisez.

AVERTISSEMENT DE LA PROPOSITION 65 DE L'ÉTAT DE CALIFORNIE

AVERTISSEMENT

Risque de cancer et de troubles de la reproduction - www.P65Warnings.ca.gov

CONSERVEZ SOIGNEUSEMENT CES CONSIGNES

 **AVERTISSEMENT****Risque d'incendie**

- L'installation de l'appareil doit être réalisée par un installateur qualifié.
- Installez l'appareil conformément aux instructions du fabricant et aux réglementations locales.
- Pour réduire le risque de blessures graves voire mortelles, suivez toutes les instructions d'installation.
- Conservez ces instructions.

Mesures de sécurité importantes **AVERTISSEMENT**

Pour réduire le risque d'incendie, d'électrocution ou de blessures corporelles lors de l'utilisation de votre appareil, suivez les précautions de base, notamment les suivantes :

1. Lisez attentivement toutes les instructions avant d'utiliser cet appareil.
2. Ne faites sécher aucun article ayant été précédemment taché par ou en contact par nettoyage, lavage ou trempage avec de l'essence, des solvants de nettoyage à sec ou d'autres substances inflammables ou explosives, car ces produits génèrent des vapeurs qui pourraient prendre feu ou exploser.
3. N'utilisez pas l'appareil pour faire sécher des vêtements ayant des traces de substance inflammable, comme de l'huile végétale, de l'huile de cuisson, de l'huile mécanique, des produits chimiques inflammables, du diluant pour peinture, etc. ou toute autre chose contenant de la cire ou des produits chimiques, par exemple des serpillères et des chiffons de nettoyage. Du fait des substances inflammables, le tissu risque de prendre feu par lui-même.
4. Ne rangez pas et n'utilisez pas d'essence ou d'autres vapeurs et liquides inflammables à proximité de cet appareil ou de tout autre.
5. Ne laissez pas les enfants jouer sur ou dans l'appareil. Vous devez surveiller attentivement les enfants lorsque l'appareil est utilisé près d'eux.
6. Avant de mettre l'appareil hors service ou au rebut, retirez la porte du compartiment de séchage.

CONSERVEZ SOIGNEUSEMENT CES CONSIGNES

Consignes de sécurité

7. N'installez ou n'entreposez pas cet appareil à un endroit où il serait exposé aux intempéries.
8. N'altérez pas les commandes internes.
9. Ne procédez pas à la réparation ou au remplacement des pièces de l'appareil et ne tentez pas non plus de le réparer vous-même, sauf si les instructions publiées de maintenance ou de réparation par l'utilisateur contiennent des recommandations spécifiques en la matière que vous comprenez et êtes en mesure d'exécuter.
10. N'utilisez aucun adoucissant ou produit visant à éliminer l'électricité statique, sauf si tel est recommandé par le fabricant de l'adoucissant ou du produit.
11. Nettoyez le filtre à peluches avant ou après chaque utilisation.
12. N'utilisez pas la chaleur pour faire sécher des articles contenant du caoutchouc mousse ou des matières dont la texture est similaire au caoutchouc.
13. Ne mettez dans votre appareil aucun article ayant été exposé à de l'huile de cuisson. Les articles contaminés par de l'huile de cuisson peuvent contribuer à une réaction chimique risquant de provoquer un départ d'incendie. Pour réduire le risque d'incendie dû à du linge contaminé, la partie finale d'un cycle de l'appareil se fait sans chaleur (période de refroidissement). Évitez donc d'arrêter l'appareil avant la fin du cycle de séchage, à moins que tous les articles soient rapidement sortis et étendus de manière à laisser la chaleur se dissiper.
14. Ne placez pas votre main sous l'appareil.
 - Vous risqueriez de vous blesser.
15. Faites attention à ne pas coincer les doigts des enfants dans la porte lors de la fermeture de cette dernière.
 - Vous risqueriez de vous blesser.
16. Veillez à ce qu'il ne s'accumule ni peluches, ni poussières, ni saletés au niveau de l'espace autour de la bouche de sortie d'air et des zones adjacentes environnantes.

CONSERVEZ SOIGNEUSEMENT CES CONSIGNES

Avertissements généraux

AVERTISSEMENT

- Pour éviter tout risque d'électrocution, d'incendie et/ou d'accident mortel, avant d'utiliser l'appareil, assurez-vous que l'appareil est correctement installé et mis à la terre comme décrit dans le présent manuel.
- N'utilisez pas l'appareil autrement que pour l'usage auquel il est destiné. Si l'appareil est utilisé autrement que pour les usages spécifiés dans le présent manuel, les dommages alors subis ne sont pas couverts par la garantie.
- Pour éviter des blessures et/ou des dommages matériels, vous ne devez pas monter, vous mettre debout ou vous suspendre sur l'appareil.
- Ne démontez pas l'appareil et ne l'altérez d'aucune façon.
- Ne laissez pas les enfants jouer dans, sur ou autour de l'appareil. Vous devez surveiller attentivement les enfants en tout temps.
- Pour éviter tout risque d'incendie, de blessures et/ou d'accident mortel, maintenez tous les matériaux d'emballage hors de la portée des enfants. Veillez également à jeter et mettre au rebut tous les matériaux d'emballage.
- Ne touchez pas et ne faites pas fonctionner l'appareil si vous avez les mains mouillées.
- Pour éviter tout risque d'électrocution et/ou d'incendie, assurez-vous qu'aucun animal ou corps étranger n'entre dans l'appareil.
- Si vous entendez des bruits bizarres, sentez des odeurs étranges et/ou voyez de la fumée sortir de l'appareil, débranchez immédiatement ce dernier.
- Ne placez pas d'objets lourds ou dangereux dans, sur ou autour de l'appareil.
- Pour éviter tout risque d'électrocution, d'incendie et/ou d'accident mortel, ne procédez pas à la réparation ou au remplacement des pièces de l'appareil et ne tentez pas non plus de le réparer vous-même, sauf si le manuel d'utilisation ou les instructions de réparation publiées contiennent des recommandations spécifiques en la matière que vous comprenez et êtes en mesure d'exécuter.
- Retirez toutes vos affaires personnelles (appareils électriques, briquets, boîtes d'allumettes, etc.) des poches.
- Pour éviter tout risque d'incendie et/ou d'explosion, ne faites sécher aucun article ayant été précédemment en contact par nettoyage, lavage ou trempage avec de l'essence, des solvants de nettoyage à sec, des huiles de cuisson ou toute autre substance inflammable ou explosive.
- L'appareil n'est pas conçu pour être utilisé par des personnes (y compris les enfants) inexpérimentées ou dont les capacités physiques, sensorielles ou mentales sont réduites, sauf si celles-ci sont sous la surveillance ou ont reçu les instructions d'utilisation appropriées de la personne responsable de leur sécurité.
- Avant de mettre au rebut l'appareil, retirez la porte du compartiment de séchage et débranchez la prise d'alimentation pour empêcher toute réutilisation.
- Ne touchez pas et ne démontez pas la prise électrique de l'appareil. En cas de fuite de gaz, assurez-vous d'aérer la pièce et de communiquer immédiatement avec un centre de dépannage Samsung.
- Pour éviter d'endommager le panneau vitré, veillez à protéger la façade avant en tout temps.
- Pour éviter des blessures et/ou des dommages matériels, ne montez pas sur les portes des réservoirs.
- Ne placez pas vos mains, pieds ou autres parties du corps mouillé(e)s, ou des objets métalliques, sous l'appareil.
- N'utilisez pas d'autres appareils pour sécher l'intérieur de votre appareil. N'utilisez pas de bougies pour éliminer les odeurs à l'intérieur de l'appareil.

CONSERVEZ SOIGNEUSEMENT CES CONSIGNES

Consignes de sécurité

- N'ouvrez pas la porte lorsque l'appareil est en marche. Si vous ouvrez la porte alors que l'appareil est en marche, cela affectera les performances de l'appareil et risque de provoquer de la condensation qui endommagerait le sol.
- Ne buvez pas l'eau présente dans les réservoirs de remplissage ou de vidange.
- Nettoyez le filtre à poussières avant ou après chaque utilisation.
- N'utilisez aucun adoucissant ou autre produit visant à éliminer l'électricité statique, sauf si tel est recommandé par le fabricant de l'adoucissant ou du produit.
- Veillez à ne pas approcher vos doigts des points de pincement. Faites attention lors de la fermeture de la porte si des enfants sont à proximité.
- N'utilisez pas l'appareil pour faire sécher des articles contenant du caoutchouc mousse ou d'autres articles avec une texture similaire au caoutchouc.
- Pour éviter d'endommager l'appareil ou de provoquer un bruit excessif ou un incendie, n'insérez pas d'objets dans la buse à vapeur.
- Si l'appareil est en marche, ne placez pas vos mains ou votre corps près de la buse à vapeur. La vapeur chaude risque de vous blesser.
- N'ouvrez pas la porte quand l'appareil est en marche. La température interne élevée risque de vous blesser.
- Si un problème se produit pendant la production de vapeur, arrêtez immédiatement l'appareil et sortez tous les articles de l'appareil. Si vous ne sortez pas les articles immédiatement, ils resteront humides et le tissu risque de s'abîmer ou de sentir mauvais.
- Avant de placer des vêtements dans l'appareil, assurez-vous de vider toutes les poches.
- Contient des gaz à effet de serre fluorés.
Équipement fermé hermétiquement.
N'évacuez pas les gaz dans l'atmosphère.
 - Réfrigérant (type) : R-134a (PRP = 1 430)
 - Réfrigérant (chargement) : 0,15 kg, 0,214 tCO₂e

Précautions électriques

AVERTISSEMENT

- Retirez régulièrement toutes les substances étrangères, telles que de la poussière ou de l'eau, au niveau des fiches de la prise d'alimentation et des points de contact à l'aide d'un chiffon sec.
- Débranchez la prise d'alimentation et nettoyez-la à l'aide d'un chiffon sec.
- Pour éviter tout risque d'électrocution, débranchez toujours l'appareil avant de le démonter ou le réparer.
- Ne tirez pas sur le cordon d'alimentation pour débrancher la prise d'alimentation. Pour débrancher la prise d'alimentation, tirez fermement sur cette dernière, bien droit.
- Pour éviter tout risque d'électrocution, n'utilisez pas de rallonge.
- N'utilisez pas de cordon ou de prise d'alimentation endommagé(e). Ne tentez pas de réparer, de démonter ou de modifier le cordon ou la prise d'alimentation. Pour toute réparation, communiquez avec le centre de dépannage Samsung le plus proche.
- Branchez le cordon d'alimentation à une prise murale conforme aux spécifications électriques locales. La prise doit être dédiée exclusivement à cet appareil et veuillez ne pas utiliser de rallonge.

CONSERVEZ SOIGNEUSEMENT CES CONSIGNES

- Lorsque vous déplacez l'appareil, veillez à protéger en tout temps le cordon d'alimentation.
- Pour éviter tout risque d'électrocution, d'incendie, de blessures graves, de dommages matériels et/ou d'accident mortel, l'appareil doit être branché à une prise correctement mise à la terre. Veillez à faire vérifier la prise murale et le circuit électrique par un électricien qualifié.
- L'appareil doit être équipé d'un cordon comportant un conducteur de mise à la terre et d'une prise de terre. La prise doit être branchée sur une prise appropriée, correctement installée et mise à la terre conformément à toutes les dispositions et réglementations locales.
- L'appareil doit être mis à la terre. En cas de panne ou de défaillance, la mise à la terre réduit le risque d'électrocution en fournissant au courant électrique un trajet de moindre résistance.
- Avant d'utiliser l'appareil, assurez-vous que la prise électrique utilisée est mise à la terre, dédiée à cet appareil et présente une tension nominale adaptée à l'appareil. Il relève de la responsabilité du propriétaire de remplacer une prise murale classique à 2 broches par une prise classique à 3 broches.
- Pour éviter tout risque d'électrocution, mettez convenablement l'appareil à la terre en respectant toutes les dispositions et réglementations en vigueur. Suivez les instructions figurant dans le manuel d'utilisation.
- L'appareil doit être branché sur une prise électrique individuelle qui lui est réservée, dont la tension nominale correspond à celle stipulée sur la plaque signalétique. Cette précaution permet d'assurer des performances optimales et d'éviter toute surcharge au niveau des circuits électriques de l'habitation, ce qui risquerait de provoquer un incendie dû à la surchauffe des câbles.
- Branchez l'appareil à un circuit électrique adapté en termes de tension nominale, de protection et de puissance afin d'éviter toute surcharge électrique. Des circuits électriques inappropriés risquent de fondre, entraînant ainsi un risque d'électrocution ou d'incendie.
- Vous ne devez sous aucun prétexte couper ou retirer la broche de terre du cordon d'alimentation. Afin d'éviter de vous blesser ou d'endommager l'appareil, le cordon d'alimentation électrique doit être branché sur une prise correctement reliée à la terre.
- N'utilisez pas de multiprise (portable) n'étant pas convenablement mise à la terre. Dès lors que vous utilisez une multiprise (portable) correctement mise à la terre, un appareil ayant une capacité de courant de 15 A ou plus doit être utilisé seul. Le non-respect de cette consigne peut entraîner une électrocution ou un incendie résultant de la chaleur produite par la multiprise. Le courant peut être coupé en actionnant le disjoncteur.
- L'appareil doit être branché à une prise de terre métallique permanente ; ou bien un conducteur de mise à la terre doit être installé avec les autres conducteurs du circuit et branché à la borne de terre de l'appareil. Il y a un risque d'électrocution si l'appareil n'est pas correctement mis à la terre.
- Un branchement incorrect du conducteur de mise à la terre peut créer un risque d'électrocution. Demandez conseil à un électricien ou un réparateur qualifié si vous avez des doutes quant à la mise à la terre correcte de l'appareil.

CONSERVEZ SOIGNEUSEMENT CES CONSIGNES

Consignes de sécurité

Avertissements relatifs à l'installation

AVERTISSEMENT

- Installez l'appareil uniquement à un endroit stable avec un sol solide. N'installez pas l'appareil à des endroits exposés à des vibrations ou à des endroits où il risque de basculer (bateaux ou avions par exemple). Communiquez avec un centre de dépannage Samsung en cas de doute sur l'emplacement d'installation.
- N'installez pas l'appareil à des endroits exposés aux intempéries ou à des températures inférieures à la température de gel. Si l'appareil a été transporté à des températures inférieures à la température de gel, laissez-le monter en température avant de l'installer.
- Pour éviter tout risque d'électrocution, d'incendie, de blessures graves, de dommages matériels et/ou d'accident mortel, n'installez pas l'appareil dans des lieux humides (salle de bains ou sauna par exemple).
- Pour éviter tout risque d'incendie, de fumées et/ou de dommages matériels, n'installez pas l'appareil à proximité d'autres sources de chaleur (four ou radiateur par exemple).
- Pour éviter tout risque d'incendie, de fumées et/ou de dommages matériels, ne placez pas de bougies ou d'autres éléments inflammables sur, dans ou autour de l'appareil.
- Pour éviter des blessures corporelles et/ou des dommages matériels, communiquez avec un centre de dépannage Samsung avant de déplacer l'appareil.
- Installez l'appareil de telle sorte que la prise d'alimentation soit facilement accessible. Pour éviter tout risque d'électrocution et/ou d'incendie, débranchez l'appareil lorsque vous ne l'utilisez pas.
- Si l'emplacement d'installation a été inondé, ne vous approchez pas de l'appareil et communiquez immédiatement avec un centre de dépannage Samsung.
- Pour éviter tout risque d'incendie, de fumées et/ou de dommages matériels, retirez tout le film de protection sur l'appareil.
- Pour éviter des dommages matériels et/ou des blessures, déplacez l'appareil à deux personnes.

Avertissements relatifs au nettoyage

AVERTISSEMENT

- Pour éviter tout risque d'électrocution, n'utilisez pas d'objets pointus pour faire fonctionner ou pour nettoyer l'appareil.
- Ne vaporisez pas d'eau directement sur l'appareil lorsque vous le nettoyez.
- N'utilisez pas de produit de blanchiment sur la surface extérieure de l'appareil. Les produits de blanchiment peuvent décolorer la surface extérieure.
- Après utilisation, essuyez l'intérieur à l'aide d'un chiffon sec.
- Après avoir utilisé l'appareil, essuyez l'intérieur à l'aide d'un chiffon sec.
 - L'appareil risquerait d'être taché par de la contamination, par exemple des cheveux longs, ou par la poussière et les gouttes d'eau qui peuvent se former à l'intérieur.

CONSERVEZ SOIGNEUSEMENT CES CONSIGNES

-
- Si de la contamination (produit de nettoyage, saleté, résidus alimentaires, etc.) s'est accumulée dans l'appareil ou tout accessoire, débranchez le câble d'alimentation puis essuyez la zone contaminée à l'aide d'un chiffon doux et humide.
 - N'exposez pas l'appareil ou l'accessoire à des produits de nettoyage ou de blanchiment, et n'appliquez pas non plus ces produits sur l'appareil ou l'accessoire.
 - En cas de non-respect de cette consigne, cela peut entraîner une décoloration, une déformation, des dommages ou de la rouille.

CONSERVEZ SOIGNEUSEMENT CES CONSIGNES

Avant de démarrer

Installation

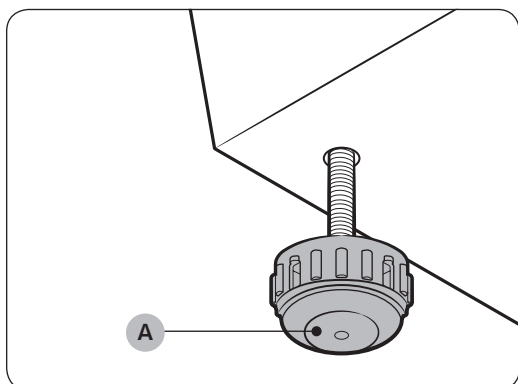
Installez l'appareil conformément aux instructions figurant dans le présent manuel et aux réglementations locales.

Installation de l'appareil

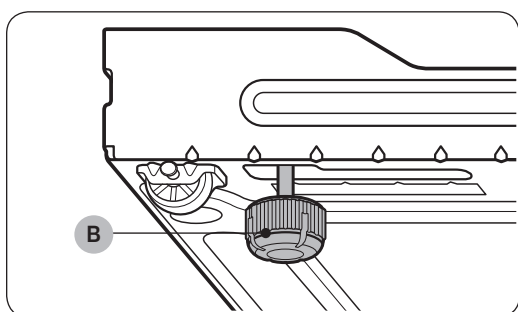
1. Choisissez un emplacement plan et solide avec un espace adéquat pour respecter les dégagements suivants.

Haut	25 mm
Côtés	14 mm
Arrière	15 mm

- Si les dégagements minimum ne sont pas respectés, les performances se dégraderont à cause d'une mauvaise ventilation et de la condensation peuvent se former sur la surface extérieure de l'appareil.
- N'installez pas l'appareil à des endroits chauds, froids ou exposés à la lumière directe du soleil. La température ambiante doit se situer entre 10 °C et 35 °C. Si la température ambiante est trop élevée ou trop faible, l'appareil peut ne pas fonctionner correctement ou la performance peut diminuer.

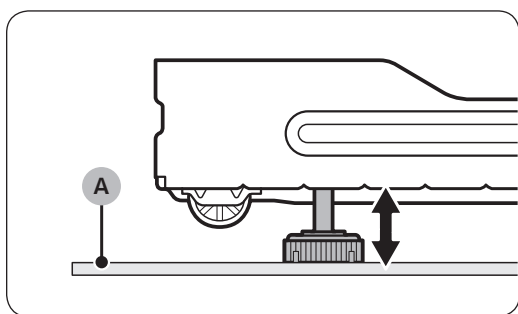
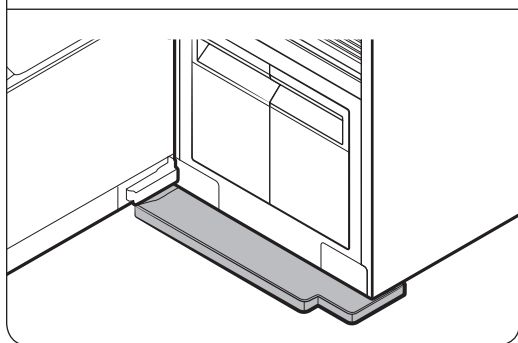
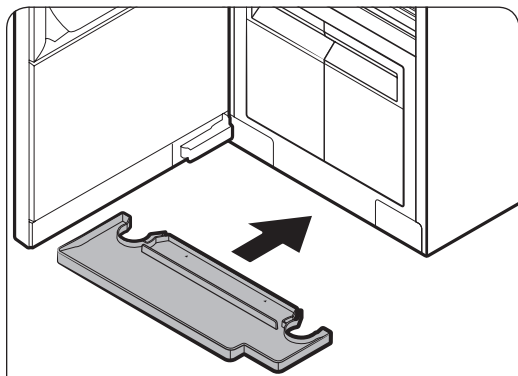


2. Tournez les **pieds réglables (A)** dans le sens horaire ou antihoraire pour régler la hauteur jusqu'à ce que l'appareil soit de niveau.



REMARQUE

Si l'appareil chancelle ou si vous souhaitez relever l'arrière uniquement, installez les **pieds réglables (B)** arrière fournis sur les deux côtés inférieurs à l'arrière de l'appareil.



3. Insérez le tiroir d'eau comme illustré.

- Assurez-vous que le côté portant la marque « TOP » (HAUT) soit face en haut.

REMARQUE

Si votre AIRDRESSER est placé sur un **tapis (A)**, il se peut que vous ne puissiez pas insérer le tiroir. Dans ce cas, installez les pieds réglables arrière fournis sur le côté inférieur à l'arrière de votre AIRDRESSER afin de le relever par rapport au **tapis (A)**, puis insérez le tiroir.

4. Branchez l'appareil à une prise de 120 V / 60 Hz, mise à la terre.

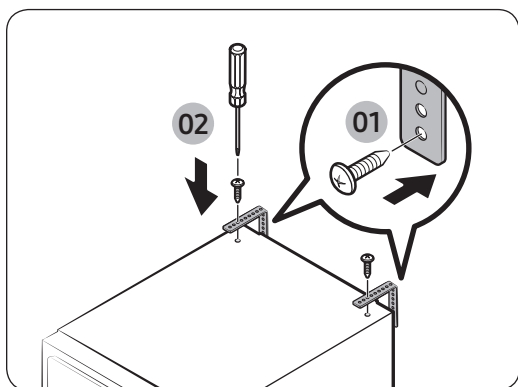
- Si vous n'avez pas de prise mise à la terre, communiquez avec un centre de dépannage Samsung pour connaître d'autres méthodes pour mettre l'appareil à la terre.

REMARQUE

- Après l'installation de l'appareil, vous devez attendre au moins 2 heures avant de l'utiliser.
- L'appareil consomme plus d'eau lors de sa première utilisation. Il se peut que vous deviez remplir le réservoir de remplissage plusieurs fois.
- Si vous raccordez le cordon d'alimentation à une multiprise, cela provoquera une chute de tension pouvant entraîner un dysfonctionnement.

Avant de démarrer

Fixation de votre AIRDRESSER à l'aide de la sangle antibasculement (en option)



Votre AIRDRESSER est susceptible de basculer en cas de coup ou de choc extérieur. Si nécessaire, utilisez la sangle antibasculement pour fixer votre AIRDRESSER et éviter qu'il ne bascule. (Reportez-vous à l'illustration.)

⚠ ATTENTION

Vous devez débrancher l'appareil avant de fixer votre AIRDRESSER à l'aide de la sangle antibasculement.

📖 REMARQUE

- Utilisez la vis fournie pour fixer la sangle antibasculement au mur.
- Utilisez les vis installées sur le haut de votre AIRDRESSER pour fixer la sangle antibasculement sur votre AIRDRESSER.

Réglage de la langue

Lorsque vous allumez l'appareil pour la première fois après son installation, l'écran de sélection de la langue apparaît sur l'écran du panneau de commande. Suivez les instructions pour sélectionner la langue.

1. Appuyez sur < ou sur > pour sélectionner une langue.
2. Maintenez le doigt appuyé sur ▷|| pour enregistrer la langue sélectionnée.

📖 REMARQUE

- Le réglage de la langue peut ne pas concerner certains pays.
- Pour modifier la langue ultérieurement, maintenez le doigt appuyé sur < et sur > pendant 3 secondes, puis suivez les instructions indiquées ci-dessus.

Activation de la connexion Wi-Fi (pour les modèles en réseau uniquement)

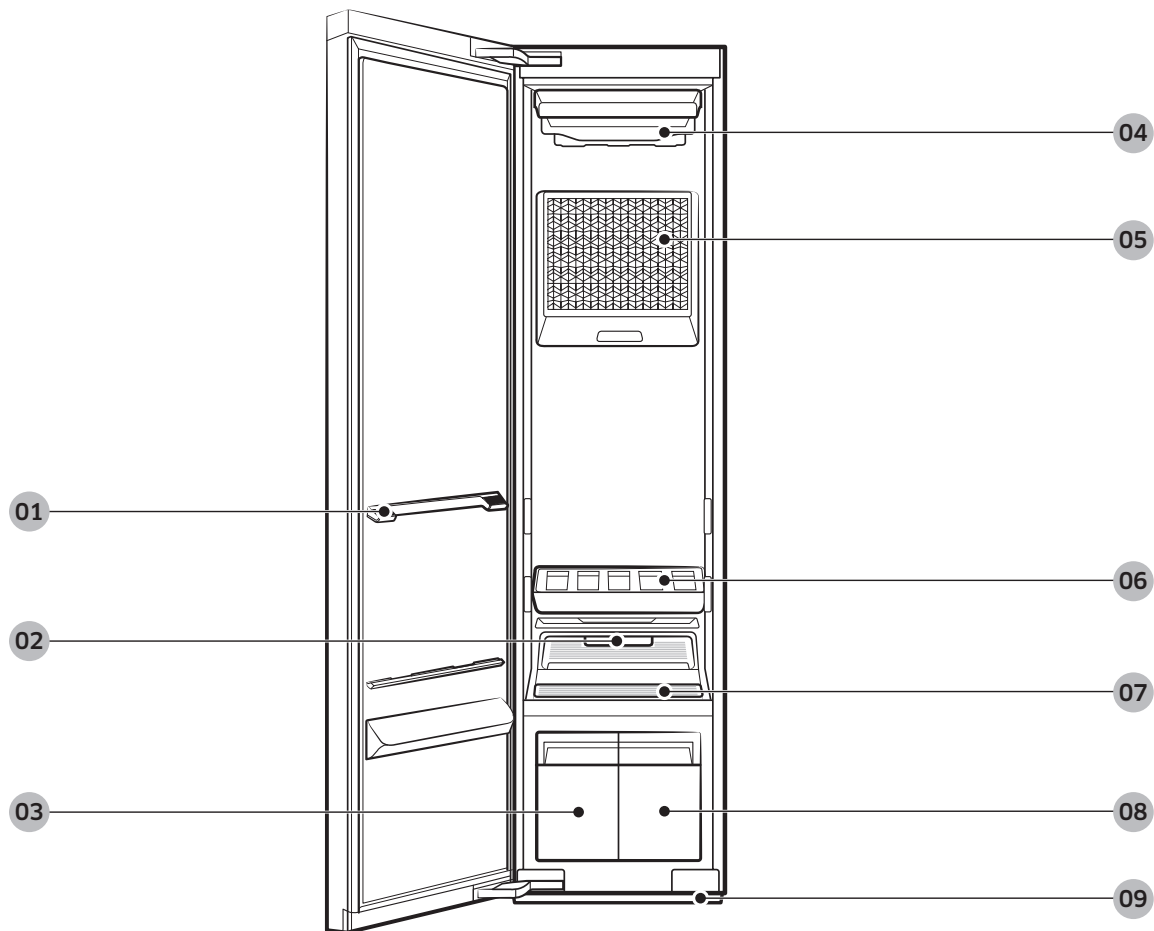
L'activation de la connexion Wi-Fi consomme davantage d'énergie. Dans un environnement où la connexion Wi-Fi est régulièrement activée, la consommation d'énergie réelle peut être supérieure aux valeurs mentionnées dans la section de la fiche de spécifications.

1. Appuyez sur ☺ pour allumer votre AIRDRESSER.
2. Maintenez le bouton **Smart Control** appuyé.
 - a. Votre AIRDRESSER passe en mode AP (Point d'accès) et se connecte à votre smartphone.
 - b. Appuyez sur **Smart Control** pour authentifier votre AIRDRESSER.
 - c. Une fois le processus d'authentification terminée, votre AIRDRESSER est connecté avec succès à l'application.

📖 REMARQUE

Vous pouvez maintenir les boutons **Sanitize (Désinfecter)** et **Smart Control** simultanément appuyés pendant 3 secondes pour accéder à l'écran de la connexion Wi-Fi, puis appuyer sur ▷|| pour déconnecter ou reconnecter l'appareil au réseau Wi-Fi.

Présentation de l'appareil



01 Support d'étagère

02 Fresh Finish™

03 Réservoir de vidange

04 Orifice d'air

05 Filtre à air

06 Étagère

07 Filtre à peluches

08 Réservoir de remplissage

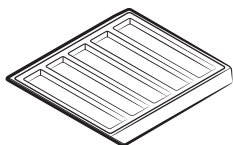
09 Tiroir d'eau



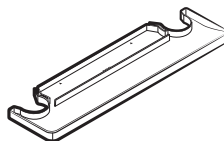
Avant de démarrer

Français

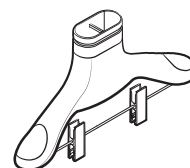
Accessoires



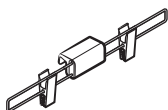
Étagère



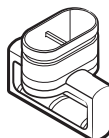
Tiroir d'eau



Cintre à soufflage d'air



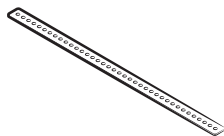
Kit porte-pantalon
(modèles applicables uniquement)



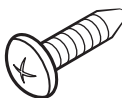
Kit pour cintres classiques
(modèles applicables uniquement)



Manuel d'utilisation



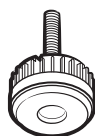
Sangle antibasculement



Vis (pour la sangle
antibasculement)



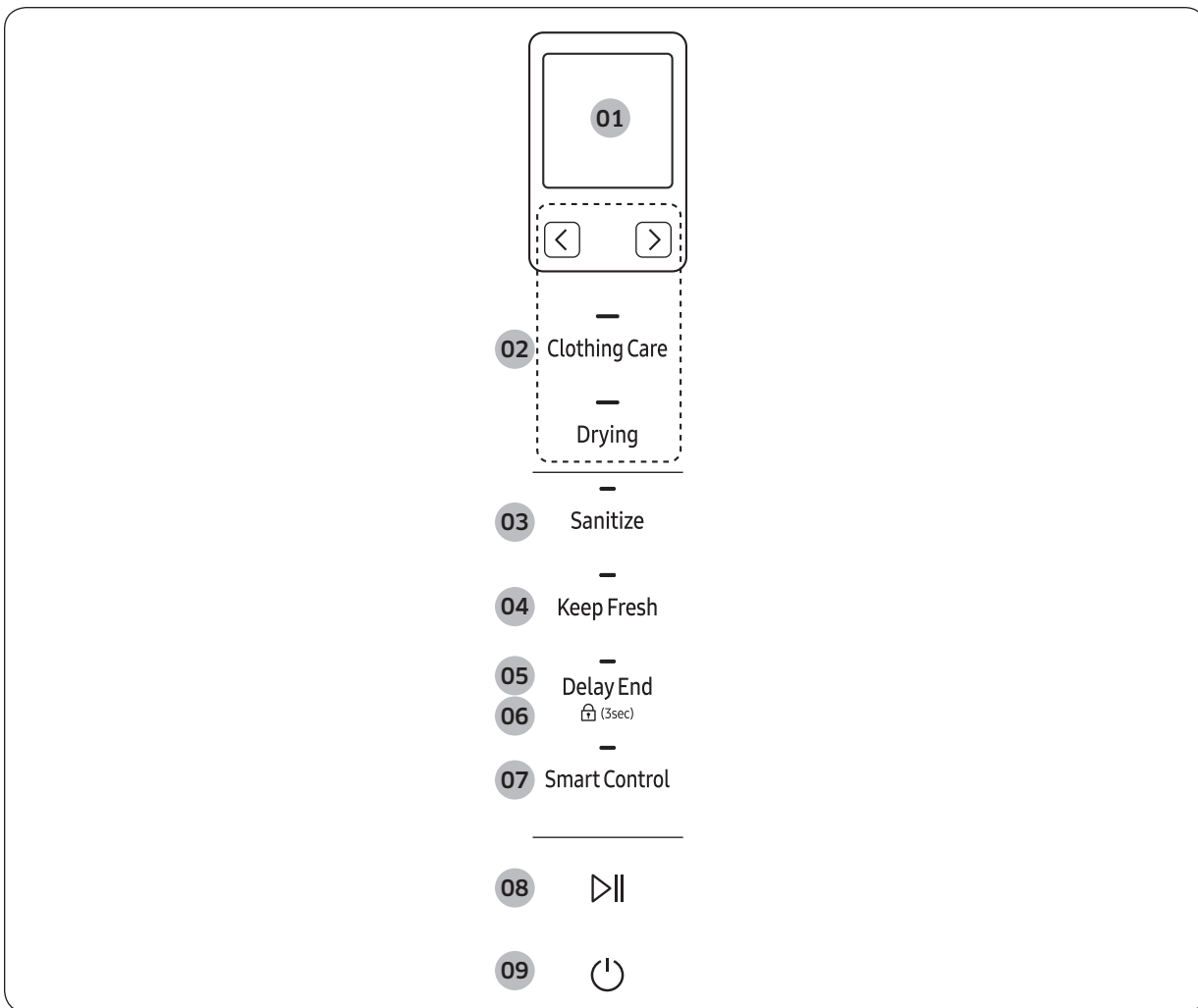
Cheville (pour la sangle
antibasculement)



Pieds réglables arrière









Panneau de commande



<p>01 Écran</p>	<ul style="list-style-type: none">• Affiche le cycle sélectionné et le temps restant estimé.• L'icône AI apparaît dans le coin supérieur gauche de l'écran pour afficher les trois cycles recommandés.
------------------------	--

Avant de démarrer

02 Cycles	<p>Clothing Care (Entretien des vêtements)</p> <p>Vous pouvez sélectionner le cycle Clothing Care (Entretien des vêtements) de votre choix. Appuyez sur ce bouton puis sur < ou sur > pour sélectionner le cycle spécifique que vous souhaitez utiliser.</p>
	<p>Drying (Séchage)</p> <p>Vous pouvez sélectionner le cycle Drying (Séchage) de votre choix. Appuyez sur ce bouton puis sur < ou sur > pour sélectionner le cycle Séchage de votre choix.</p>
<p> REMARQUE</p> <p>Pour obtenir plus d'informations sur les cycles, reportez-vous en page 19.</p>	
03 Sanitize (Désinfecter)	<ul style="list-style-type: none"> Utilisez cette fonction pour désinfecter des articles plus en profondeur. Cette option est disponible pour les cycles Vêtements d'école, Jeans, Vêtements de bébé, Literie, Jouets, Entretien quotidien.
04 Keep Fresh (Fraîcheur)	<p>Appuyez dessus pour activer ou désactiver la fonction Keep Fresh (Fraîcheur). Vous pouvez tenir vos vêtements au frais si vous ne pensez pas pouvoir les sortir tout de suite après la fin d'un cycle.</p> <p> REMARQUE</p> <ul style="list-style-type: none"> La fonction Keep Fresh (Fraîcheur) reste activée jusqu'à 24 heures après la fin d'un cycle. La fonction Keep Fresh (Fraîcheur) se désactive si l'alimentation est coupée ou en cas d'ouverture de la porte. Lorsque la fonction Keep Fresh (Fraîcheur) est activée, l'écran s'éteint pour économiser de l'énergie.
05 Delay End (Arrêt différé)	<p>Appuyez dessus pour activer la fonction Delay End (Arrêt différé), puis appuyez sur < ou sur > pour augmenter l'heure de fin (de 1 à 24 heures).</p> <p> REMARQUE</p> <ul style="list-style-type: none"> Lorsque la fonction Delay End (Arrêt différé) est activée, l'écran s'éteint pour économiser de l'énergie. Certaines heures de fin peuvent ne pas être disponibles en fonction du cycle sélectionné. Selon les articles et l'environnement, l'heure de fin réelle peut être différente de l'heure réglée.
06 Sécurité enfant  (3sec)	<p>Maintenez le doigt dessus pendant 3 secondes pour activer ou désactiver la fonction Sécurité enfant. La fonction Sécurité enfant désactive tous les boutons, à l'exception de .</p> <p> REMARQUE</p> <p>Lorsque la fonction Sécurité enfant est activée, elle reste activée jusqu'à ce que vous la désactiviez.</p>

07 Smart Control	Appuyez dessus pour activer ou désactiver la fonction Smart Control. Pour obtenir plus d'informations sur la fonction Smart Control, reportez-vous en page 26 .
08 Départ/Pause ▷	Appuyez dessus pour démarrer l'appareil ou le mettre en pause.
09 Marche/Arrêt ⏻	Appuyez dessus pour mettre l'appareil sous ou hors tension.

Présentation des cycles

Cycles Entretien des vêtements

Cycle	Description
Entretien quotidien	Pour rafraîchir vos vêtements quotidiens.
Vêtements d'école	Pour les uniformes d'école ne pouvant pas être lavés ou séchés tous les jours.
Jeans	Pour rafraîchir les articles en jean sans craindre des problèmes de décoloration des couleurs.
Vêtements de bébé	Pour rafraîchir et désinfecter les vêtements de bébé.
Literie	Pour rafraîchir et désinfecter le linge de lit léger.
Jouets	Pour rafraîchir et désinfecter les jouets qui ne peuvent pas être passés au lave-linge.
Manteau d'hiver	Pour les manteaux en tissus de laine mélangée. <ul style="list-style-type: none"> Respectez toutes les instructions figurant sur les étiquettes d'entretien. Pour des résultats optimaux, utilisez-le avec un seul article par cycle.
Laine/Tricot	Pour les articles en laine ou en tricot. <ul style="list-style-type: none"> Pour éviter de déformer les articles, pliez-les soigneusement et déposez-les sur l'étagère.
Costume	Pour rafraîchir les costumes en laine. <ul style="list-style-type: none"> Placez la veste dans l'orifice d'air central et le pantalon sur l'orifice d'air de droite. Pour des résultats optimaux, utilisez le kit porte-pantalon.
Vestes en duvet	Pour faire gonfler des vestes lourdes remplies de duvet qui sont restées dans la penderie pendant une période prolongée. <ul style="list-style-type: none"> Pour éviter de bloquer la circulation de l'air, suspendez un seul article dans l'orifice d'air central.
Vêtements d'extérieur	Pour les vêtements d'extérieur ou quotidiens.
Délicat	Pour les articles en tissu délicats comme le crêpe chiffon, la dentelle et les articles avec des ornements. <ul style="list-style-type: none"> Pour la soie artificielle, vous devez utiliser ce cycle.
Rapide	Pour rafraîchir rapidement des articles avec de légères odeurs ou froissés.
Chemisiers	Pour rafraîchir les chemisiers ou les robes d'été (comme les robes sans manches, les robes à manches courtes en tissu fin).

Avant de démarrer

Cycle	Description
Fourrure/Cuir	<p>Élimine l'humidité et la poussière sur les articles en fourrure et en cuir.</p> <ul style="list-style-type: none">• Le bruit de fonctionnement peut être plus intense pendant ce cycle.• Respectez toutes les instructions figurant sur les étiquettes d'entretien.• Pour des résultats optimaux, utilisez cette fonction pour un seul article à la fois.• Assurez-vous que les articles en fourrure sont complètement secs avant d'utiliser ce cycle.
Accessoires	Pour les accessoires tels que les bonnets et gants, etc.
Désinfection de masques	Pour rafraîchir et désinfecter les masques de protection jetables.
Autonettoyage	<p>Pour nettoyer automatiquement l'intérieur de l'appareil.</p> <ul style="list-style-type: none">• Assurez-vous que l'appareil est vide.• Pour des résultats impeccables et un nettoyage optimal, n'arrêtez pas le cycle et n'ouvrez pas la porte tant que la fonction Autonettoyage n'est pas terminée.• Ce cycle n'élimine pas l'humidité.

Cycles Séchage

ATTENTION

N'utilisez aucun des éléments suivants avec des cycles Drying (Séchage).

- Cuir, fourrure, plume, velours, soie.
- Tout article contenant du caoutchouc ou de l'éponge.
- Articles faits à partir de tissus de laine mélangée, de tissus hydrofuges, de tissus de soie mélangée ou de mélange de chanvre.
- Couvertures en fourrure dont la fourrure dépasse 1 cm de longueur, couvertures en laine, tapis, matelas.
- Lingerie avec en dentelle, vêtements moulants, bas.

REMARQUE

Les résultats de séchage peuvent varier selon l'épaisseur des articles.

Cycle	Description
Séchage par IA	<p>Votre AIRRESSER règle automatiquement le temps de séchage des articles.</p> <ul style="list-style-type: none"> • Le réservoir de vidange se remplit rapidement lors de l'utilisation de la fonction Séchage par IA. • La fonction Séchage par IA peut ne pas bien sécher les vêtements trop mouillés et les articles volumineux ou épais. Si des articles ne sont pas secs, relancez le cycle.
Rapide	Pour faire sécher rapidement des articles légers tels qu'une chemise.
Chemisiers	<p>Pour les articles délicats tels que la mousseline de soie, la dentelle ou des vêtements dotés d'ornements.</p> <p>Vous devez utiliser ce cycle pour les articles en soie artificielle.</p>
Vestes en duvet	<p>Pour faire sécher et gonfler des vestes lourdes remplies de duvet.</p> <ul style="list-style-type: none"> • Pour éviter de bloquer la circulation de l'air, suspendez un seul article dans l'orifice d'air central.
Séchage prog. (1/2/3)	<p>Vous pouvez régler le temps souhaité pour le séchage des articles.</p> <ul style="list-style-type: none"> • Avec la fonction Séchage prog., il se peut que les articles très mouillés ou volumineux ne soient pas bien séchés. Si des articles ne sont pas secs, relancez le cycle.
Entretien pièce (2/4)	<p>Cette fonction permet de déshumidifier la zone alentours. Vous pouvez sélectionner 2 ou 4 heures.</p> <ul style="list-style-type: none"> • Assurez-vous que l'appareil est vide avant d'utiliser la fonction Entretien pièce. • La température intérieure peut augmenter.

Avant de démarrer

Guide d'entretien des tissus

- Les tissus nécessitent un entretien différent selon la façon dont ils ont été traités et finis. Ce guide d'entretien des tissus ne mentionne pas toutes les matières, donc veillez à ne l'utiliser qu'à titre de référence. Pour éviter d'abîmer vos vêtements, pensez à vérifier l'étiquette d'entretien de chacun d'entre eux avant de les utiliser avec votre AIRDRESSER.
- N'utilisez pas les cycles Clothing Care (Entretien des vêtements) et Sanitize (Désinfecter) avec des articles grand teint, sensibles à la chaleur ou inadaptés au lavage à l'eau. Faites un test de tache d'eau sur une petite zone cachée (couture intérieure) pour déterminer si le tissu est grand teint ou non. Pour obtenir plus d'aide, adressez-vous au fabricant du vêtement, à un professionnel de nettoyage à sec ou consultez un guide d'entretien des tissus plus détaillé.

Catégorie de cycles

Reportez-vous au tableau suivant pour savoir quels cycles spécifiques sont inclus dans chaque catégorie figurant dans le tableau du Guide d'entretien des tissus.

Catégorie	Cycles
Cycle Clothing Care (Entretien des vêtements)	Entretien quotidien, Rapide, Laine/Tricot, Vestes en duvet, Manteau d'hiver, Chemisiers, Fourrure/Cuir
Cycles Sanitize (Désinfecter)	Vêtements d'école, Jeans, Vêtements de bébé, Literie, Jouets, Désinfection de masques
Cycles Drying (Séchage)	Séchage par IA, Rapide, Délicat, Chemisiers, Vestes en duvet, Séchage prog. (1/2/3), Entretien pièce (2/4)

Tableau du guide d'entretien des tissus

Fibres naturelles - fibres végétales

Tissu	Cycles			Vêtements / Remarques	
	Clothing Care (Entretien des vêtements)		Sanitize (Désinfecter)		Drying (Séchage)
	Réduction des plis	Désodorisation			
Coton		●	●	●	Serviettes, chaussettes, sous-vêtements, jeans, vêtements de sport, T-shirts, couvertures Il peut rester des plis sur les tissus 100 % coton. Repassez après le cycle si vous le souhaitez.
Lin, chanvre, ramie		●	●	●	Vêtements d'été, linge de table Il peut rester quelques plis. Assurez-vous que les tissus sont lavables en machine/à la main avant d'utiliser les cycles Clothing Care (Entretien des vêtements) ou Sanitize (Désinfecter). Déposez les vêtements délicats sur l'étagère. N'utilisez pas de vêtements amidonnés.
Soie artificielle	●	●		●	Doubleure de costumes, chemisiers, cravates, pyjamas

● = Possible / ✖ = Vérifiez l'étiquette d'entretien

Fibres naturelles - fibres animales

Tissu	Cycles			Vêtements / Remarques	
	Clothing Care (Entretien des vêtements)		Sanitize (Désinfecter)		Drying (Séchage)
	Réduction des plis	Désodorisation			
Alpaga, poil de chameau, cachemire	✖	✖			Manteaux, costumes Déposez les tricotés sur l'étagère. L'alpaga et le poil de chameau rétrécissent dans de l'eau chaude.
		✖			Écharpes, tricotés Déposez les tricotés sur l'étagère. L'alpaga et le poil de chameau rétrécissent dans de l'eau chaude.
Fourrure, cuir					Manteaux, écharpes * Utilisez uniquement le cycle Fourrure/Cuir. Le cuir doit être du cuir 100 % naturel (pas artificiel).
Soie					Cravates, rubans, écharpes, chemisiers en soie Les tissus de soie ne conviennent pas à une utilisation avec votre AIRRESSER.

Avant de démarrer

Tissu	Cycles				Vêtements / Remarques
	Clothing Care (Entretien des vêtements)		Sanitize (Désinfecter)	Drying (Séchage)	
	Réduction des plis	Désodorisation			
Laine		✘		●	Pulls, tricot Déposez les tricotés sur l'étagère. Certains types de laine rétrécissent lorsqu'ils sont lavés à l'eau chaude. Assurez-vous que les tissus sont lavables en machine/à la main avant d'utiliser le cycle Clothing Care (Entretien des vêtements). * Nous vous recommandons d'utiliser le cycle Laine/Tricot.
	●	●	✘	●	Manteaux d'hiver, costumes Déposez les tricotés sur l'étagère. Certains types de laine rétrécissent lorsqu'ils sont lavés à l'eau chaude. Assurez-vous que les tissus sont lavables en machine/à la main avant d'utiliser les cycles Clothing Care (Entretien des vêtements) ou Sanitize (Désinfecter). * Nous vous recommandons d'utiliser le cycle Manteau d'hiver ou Costume.

● = Possible / ✘ = Vérifiez l'étiquette d'entretien

Fibres artificielles

Tissu	Cycles				Vêtements / Remarques
	Clothing Care (Entretien des vêtements)		Sanitize (Désinfecter)	Drying (Séchage)	
	Réduction des plis	Désodorisation			
Acétate	●	●	●	●	Doublure de costumes, chemisiers, cravates, pyjamas
Acrylique	●	●	●	●	Sous-vêtements isolants, tricotés Déposez les vêtements sur l'étagère.
Nylon	●	●	●	●	Bas, lingerie Déposez les vêtements sur l'étagère.
	●	●	●	●	Vêtements de sport
Polyuréthane	●	●	●	●	Vêtements élastiques (contenant moins de 5 % de polyuréthane) Si l'article contient plus de 5 % de polyuréthane (par ex. maillots de bain), vérifiez l'étiquette d'entretien.
Polyester	●	●	●	●	Vêtements d'extérieur, vêtements de sport, T-shirts, chemises, chemisiers

● = Possible / ✘ = Vérifiez l'étiquette d'entretien

Tableau d'entretien des tissus

Le tableau suivant répertorie quelques-uns des symboles. Il peut vous aider à choisir des vêtements adaptés à votre AIRRESSER. L'utilisation de symboles garantit la cohérence entre les fabricants de vêtements pour les articles produits localement et importés.






Respectez les instructions figurant sur l'étiquette d'entretien afin d'optimiser la durée de vie du vêtement et réduire les problèmes de nettoyage.

REMARQUE









* : Certains vêtements dont le lavage est déconseillé (comme la fourrure ou le cuir) peuvent être utilisés avec votre AIRRESSER. Veuillez vous reporter au guide d'entretien des tissus.

** : Utilisez le portant pour les articles dont l'étiquette d'entretien des tissus comporte ce symbole.

Lavage

Symbole	Signification	Utilisable avec votre AIRRESSER
	Cycles de lavage en machine	Normal
		Infroissable
		Délicat
	Ne pas laver	0*
	Laver à la main	0

Séchage en machine






Symbole	Signification	Utilisable avec votre AIRRESSER
	Réglage de température du séchage en machine	Pas de chaleur
		Basse température
		Température modérée
		Haute température
	Cycles de séchage en machine	Normal
		Infroissable
		Délicat
	Ne pas faire sécher en machine	0

REMARQUE

- Les points indiquent le niveau de séchage du sèche-linge.
- Les lignes indiquent le type et l'emplacement du séchage en cours.

Avant de démarrer

Séchage

Symbole	Signification	Utilisable avec votre AIRRESSER
	Séchage par suspension	O
	Séchage par égouttement	O
	Séchage à plat	O**
	Séchage à l'ombre	O
	Ne pas faire sécher	X

Smart Control

Connexion Wi-Fi

- Les méthodes de cryptage recommandées sont WPA/TKIP et WPA2/AES. Les nouveaux protocoles Wi-Fi développés ou les protocoles Wi-Fi non approuvés ne sont pas pris en charge.
- La sensibilité de réception d'un réseau sans fil peut être affectée par les environnements sans fil ambiants.
- Si votre fournisseur d'accès Internet a enregistré l'adresse MAC de votre ordinateur ou du modem pour un usage permanent, votre AIRRESSER Samsung peut ne pas parvenir à se connecter à Internet. Si tel est le cas, communiquez avec votre fournisseur d'accès Internet.
- Le pare-feu Internet peut interrompre votre connexion Internet. Si cela se produit, communiquez avec votre fournisseur d'accès Internet.
- Si la coupure de la connexion Internet persiste après avoir suivi les instructions de votre fournisseur d'accès Internet, communiquez avec un revendeur ou un centre de dépannage Samsung local.

Téléchargement de l'application

Sur un marché d'applications (Google Play Store, Apple App Store, Samsung Galaxy Apps), recherchez l'application SmartThings, puis téléchargez-la et installez-la sur votre appareil.

REMARQUE

- L'application SmartThings peut ne pas être compatible avec certaines tablettes ou certains smartphones.
 - Le système d'exploitation Android recommandé est 6.0 ou une version ultérieure (avec 2 Go de RAM minimum).
 - Les résolutions d'affichage prises en charge pour Android sont 1280 x 720 (HD), 1920 x 1080 (FHD), 2560 x 1440 (WQHD).
 - La version iOS recommandée est 10.0 ou ultérieure (les iPhones doivent être un iPhone 6 ou plus récent).
 - Les résolutions d'affichage prises en charge pour les appareils Apple sont 1334 x 750 et 1920 x 1080.
- L'application est susceptible d'être modifiée sans préavis en vue d'en améliorer les performances.

Connexion

Vous devez d'abord vous connecter sur SmartThings avec votre compte Samsung. Pour créer un nouveau compte Samsung, suivez les instructions affichées sur l'application. Vous n'avez pas besoin d'avoir une autre application pour créer votre compte.

REMARQUE

Si vous avez déjà un compte Samsung, utilisez-le pour vous connecter. Un utilisateur ayant un smartphone Samsung enregistré peut se connecter automatiquement.

Enregistrement de votre appareil sur SmartThings.

1. Assurez-vous que votre smartphone est connecté à un réseau sans fil. Si ce n'est pas le cas, allez dans **Settings (Réglages)**, activez la connexion sans fil et sélectionnez un point d'accès.
2. Ouvrez l'application **SmartThings** sur votre smartphone.
3. Si le message « **A new device is found. (Nouvel appareil détecté.)** » s'affiche, sélectionnez **Add (Ajouter)**.
4. Si aucun message n'apparaît, sélectionnez **+** et sélectionnez votre appareil dans la liste des appareils disponibles. Si votre appareil ne figure pas dans la liste, sélectionnez **Device Type (Type d'appareil) > Specific Device Model (Modèle d'appareil spécifique)**, puis ajoutez manuellement votre appareil.
5. Suivez les instructions affichées à l'écran pour procéder à l'enregistrement.

Si vous déménagez, nous vous recommandons d'effacer tout le contenu de l'appareil et d'effectuer une réinitialisation du réseau avant de le laisser derrière vous. Si vous emménagez, le moyen le plus simple pour prendre le contrôle et supprimer l'accès de l'utilisateur précédent est d'ajouter vous-même l'appareil sur SmartThings. Mais si vous ne prévoyez pas d'utiliser SmartThings, une réinitialisation du réseau doit être effectuée afin de protéger votre confidentialité. Dans les logements en location, l'occupant change régulièrement. Pour protéger la confidentialité de l'occupant, la connexion Wi-Fi et/ou les autres paramètres de connectivité doivent être réinitialisés à chaque changement d'occupant dans le logement. Veuillez vous reporter aux instructions de rétablissement des paramètres d'usine dans le présent manuel.

Avant de démarrer

Présentation de l'application SmartThings

Catégorie	Fonction	Description
Surveillance	Cycle Status (État du cycle)	Vous pouvez vérifier le cycle actuel et les options, ainsi que le temps de cycle restant.
	Smart Control	Le statut de la fonction Smart Control est affiché pour votre AIRRESSER.
	Energy Monitoring (Contrôle d'énergie)	Vous pouvez contrôler le statut de consommation d'énergie.
Commande	Start (Départ) / Pause / Cancel (Annulation)	Sélectionnez un cycle et les options nécessaires, puis sélectionnez Start (Départ) / Pause / Cancel (Annuler) pour lancer, arrêter temporairement ou annuler un cycle.
Notification	Cycle Completed (Cycle terminé)	Vous informe que le cycle actuel est terminé.
Fonctions de votre AIRRESSER	Care Recipe (Instructions d'entretien)	Sélectionnez le type de tissu et des options, et obtenez des recommandations quant au cycle le plus adapté.
	My Closet (Ma penderie)	En saisissant des informations concernant les vêtements (notamment la matière du tissu), vous pouvez ajouter vos vêtements sur l'application et obtenir des recommandations de cycles et un historique d'entretien.
	Special Cycle Management (Gestion des cycles spéciaux)	Vous pouvez sauvegarder jusqu'à 9 cycles, les supprimer ou changer leur ordre.
	HomeCare Manager (Gestionnaire HomeCare)	Obtenez des conseils pour garder votre AIRRESSER en parfait état de fonctionnement. Vérifiez vos tendances d'utilisation des cycles, votre consommation d'énergie et recevez des alertes lorsque l'entretien de l'appareil est échu.

Déclaration de logiciel open source

Le logiciel inclus dans cet appareil contient un logiciel de source libre. Vous pouvez obtenir l'intégralité du code source correspondant pendant une période de trois ans après le dernier envoi de cet appareil en adressant un e-mail à <mailto:oss.request@samsung.com>.

Vous pouvez également obtenir l'intégralité du code source correspondant sur un support physique tel qu'un CD-ROM ; un coût minimal sera alors facturé.

L'URL suivante : http://opensource.samsung.com/opensource/SMART_AT_051/seq/0 conduit à la page de téléchargement du code source mis à votre disposition et aux informations de licence de source libre liées à cet appareil. Cette offre est valable pour quiconque reçoit ces informations.



REMARQUE

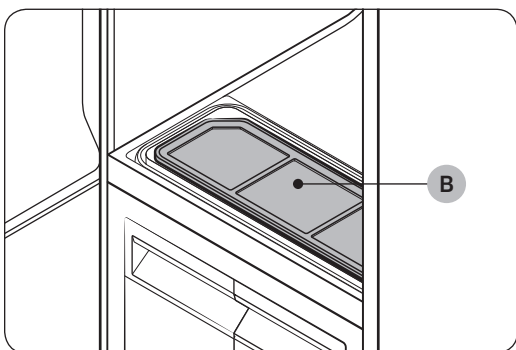
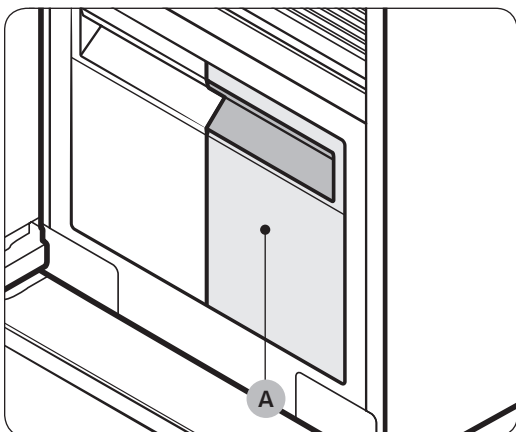
Par la présente, Samsung déclare que cet appareil de type matériel radio est conforme à la Directive 2014/53/UE et aux exigences réglementaires pertinentes en vigueur au Royaume-Uni. L'intégralité du texte de la déclaration de conformité de l'UE ainsi que de la déclaration de conformité du Royaume-Uni est disponible à l'adresse Internet suivante : La déclaration de conformité officielle est disponible sur <http://www.samsung.com> ; rendez-vous dans Support (Assistance) > Support Home (Page d'accueil d'assistance), puis saisissez le nom du modèle.





Puissance maximale de l'émetteur Wi-Fi : 20 dBm entre 2,412 GHz et 2,472 GHz



Utilisation de l'appareil et des accessoires

Utilisation d'un cycle



1. Assurez-vous que le **réservoir de remplissage (A)** est rempli d'eau.
2. Assurez-vous que le **filtre à peluches (B)** est propre.
3. Placez les vêtements tel qu'indiqué dans la section **Utilisation des accessoires**.
4. Appuyez sur .
5. Sélectionnez un cycle.
 - Appuyez sur **Clothing Care (Entretien des vêtements)** ou sur **Drying (Séchage)**, puis sur  ou sur  pour sélectionner le cycle de votre choix.
6. Sélectionnez des options si nécessaire.
 - Sanitize (Désinfecter), Keep Fresh (Fraîcheur), Delay End (Arrêt différé).
7. Laissez le doigt appuyé sur  pendant 3 secondes.



Consignes d'utilisation

Avant l'utilisation

- Cet appareil ne peut pas être utilisé pour laver des articles. Pour des résultats optimaux, lavez et faites sécher tous les articles avant d'utiliser l'appareil.
- Avant d'utiliser l'appareil, nous vous recommandons de laver les articles portant de fortes odeurs ou ceux n'ayant pas été utilisés depuis longtemps.
- Triez les articles selon l'intensité des odeurs.
- Vérifiez les étiquettes de chaque vêtement ou article avant d'utiliser l'appareil.
- Avant de placer des vêtements dans l'appareil, assurez-vous de vider toutes les poches.
- N'utilisez pas l'appareil comme penderie de rangement.
- L'appareil ne peut pas retirer les poils d'animaux.

Pendant l'utilisation

- Assurez-vous que les articles ne touchent pas le sol de l'appareil. Si nécessaire, utilisez l'étagère pour éviter que les articles suspendus ne touchent le sol de l'appareil.
- Vous risquez d'entendre des bruits de sifflement pendant la production de vapeur.
- Si vous devez arrêter un cycle alors qu'il n'est pas encore terminé, assurez-vous de lancer le cycle Drying (Séchage).
- Le temps de fonctionnement dépend de l'environnement et du type d'articles.
- S'il est utilisé consécutivement, l'appareil peut afficher un temps de fonctionnement différent de la réalité.
- N'ouvrez pas la porte lorsque l'appareil est en marche.

Après l'utilisation

- La quantité de plis enlevés peut varier en fonction du type de tissu.
- Sortez les articles dès que le cycle est terminé. Si vous ne pouvez pas sortir les articles immédiatement, utilisez la fonction Delay End (Arrêt différé) ou Keep Fresh (Fraîcheur).
- Lorsque vous sortez des articles, tenez à la fois l'article et le cintre.

Utilisation de l'appareil et des accessoires

Utilisation des accessoires

Cintres à soufflage d'air

Utilisez les cintres à soufflage d'air fournis pour des articles comme des vestes normales, des vestes de sport et des blazers.

REMARQUE

- Assurez-vous que l'intérieur et l'extérieur des cintres sont propres et exempts de corps étrangers.
- N'utilisez pas de cintres pour les articles en tricot, en laine ou de la lingerie.
- Les longueurs maximales des articles doivent être de 110 cm pour les hauts et de 100 cm pour les bas.
- En fonction du type ou de la taille du tissu, des plis indésirables peuvent se former au niveau du col de vos vêtements.



Utilisation des cintres à soufflage d'air

1. Suspendez les articles sur des cintres dans le même sens.
 - Pour éviter que les articles ne tombent des cintres, pensez à attacher tous les boutons et à fermer toutes les fermetures éclair.
 - Assurez-vous que tous les articles sont suspendus bien à plat. Assurez-vous que les pinces des cintres ne ressortent pas vers l'extérieur.
2. Faites glisser les cintres dans leurs orifices d'air jusqu'à entendre un « clic ».
 - Assurez-vous que les cintres sont orientés dans la même direction.
 - Si les cintres à soufflage d'air ne sont pas correctement insérés dans l'orifice d'air, vous pouvez observer des vibrations et des bruits.

REMARQUE

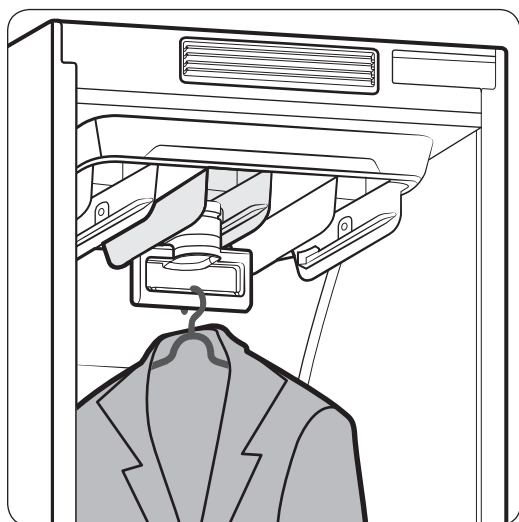
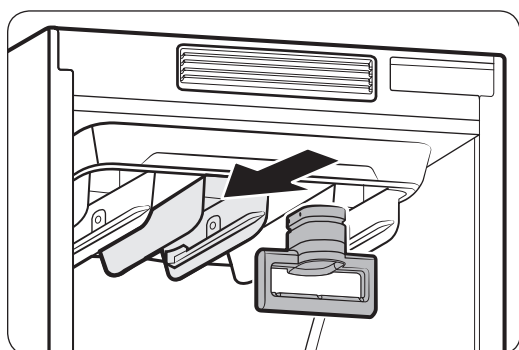
Pour des résultats optimaux, évitez de suspendre des articles trop longs sur l'orifice central.

Kit pour cintres classiques (modèles applicables uniquement)

Vous pouvez utiliser le kit pour cintres classiques pour utiliser des cintres classiques pour suspendre vos articles. Toutefois, pour des résultats optimaux, nous vous recommandons d'utiliser les cintres à soufflage d'air.

REMARQUE

- Utilisez des cintres qui ne se déformeront pas sous l'effet de la chaleur.
- Assurez-vous que l'intérieur et l'extérieur des cintres sont propres et exempts de corps étrangers.
- N'utilisez pas de cintres en plastique/silicone/bois ou des cintres avec de la colle.
- N'utilisez pas de cintres pouvant rouiller.



Utilisation du kit pour cintres classiques

1. Suspendez les articles sur des cintres dans le même sens.
 - Pour éviter que les articles ne tombent des cintres, pensez à attacher tous les boutons et à fermer toutes les fermetures éclair.
 - Assurez-vous que tous les articles sont suspendus bien à plat. Assurez-vous que les pinces des cintres ne ressortent pas vers l'extérieur.
2. Faites glisser le kit pour cintres classiques dans les orifices d'air jusqu'à entendre un « clic », puis accrochez les cintres sur le kit pour cintres classiques.
 - Assurez-vous que les cintres sont orientés dans la même direction.
 - Si le kit pour cintres classiques n'est pas correctement inséré dans l'orifice d'air, vous pouvez observer des vibrations et des bruits.

REMARQUE

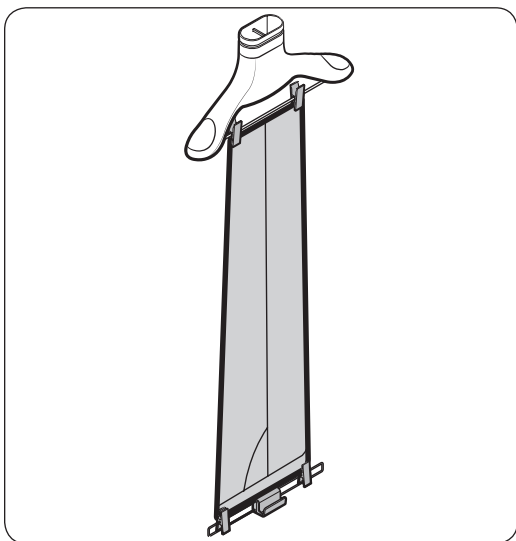
Pour des résultats optimaux, évitez de suspendre des articles trop longs sur l'orifice central.

Utilisation de l'appareil et des accessoires

Kit porte-pantalon (modèles applicables uniquement)

REMARQUE

- Assurez-vous que le pantalon ou le kit porte-pantalon ne touche pas le sol de l'appareil.
- La longueur maximale du pantalon doit être de 100 cm.



Utilisation du kit porte-pantalon

1. À l'aide des pinces, accrochez le bas du pantalon sur le cintre à soufflage d'air.
2. À l'aide des pinces, accrochez l'autre extrémité du pantalon sur le kit porte-pantalon.
3. Faites glisser le cintre à soufflage d'air dans les orifices d'air jusqu'à entendre un « clic ».

REMARQUE

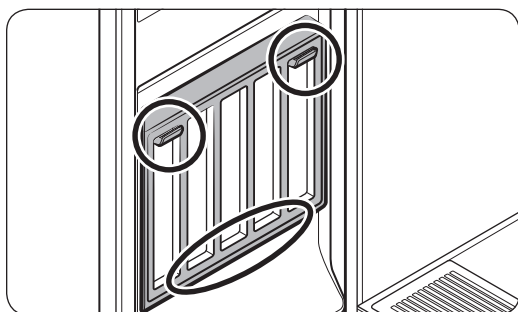
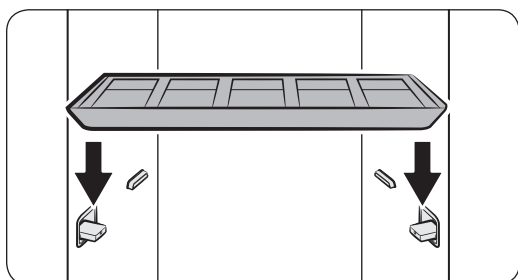
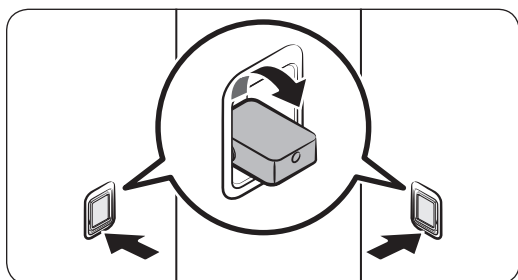
Pour des plis de pantalon plus marqués, écartez bien le pantalon en déplaçant les pinces vers l'extérieur.

Étagère

Utilisez l'étagère fournie pour les articles ne pouvant pas être utilisés avec des cintres.

REMARQUE

- Placez-y uniquement des vêtements ou des accessoires vestimentaires. N'y placez pas d'articles lourds et n'utilisez pas l'étagère pour ranger tout autre objet.
- Assurez-vous que les enfants ne s'assoient pas et ne montent pas sur l'étagère.
- Assurez-vous que les articles ne pendent pas sur le devant, l'arrière ou les côtés de l'étagère et qu'ils ne passent pas entre les grilles de l'étagère.
- N'empilez pas les articles les uns par-dessus les autres.



Utilisation de l'étagère

1. Sur les parois latérales, pressez la partie inférieure des supports d'étagère pour les faire ressortir.
2. Placez l'étagère sur les supports d'étagère. Assurez-vous que les rainures sur l'étagère s'insèrent fermement dans le support.

REMARQUE

Il est normal d'observer un écart entre les côtés de l'étagère et les parois latérales de l'appareil.

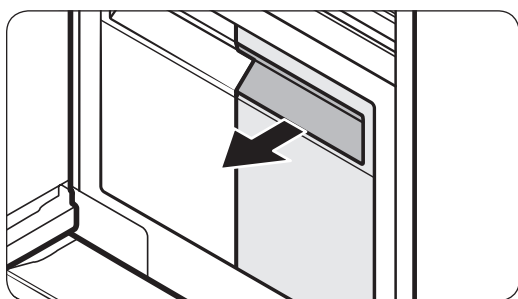
Rangez l'étagère sur la porte lorsque vous ne l'utilisez pas. Placez l'étagère sur le support inférieur, puis suspendez-la sur les supports supérieurs.

Utilisation de l'appareil et des accessoires

Réservoir de remplissage

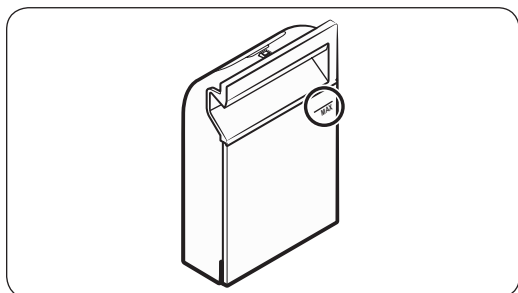
REMARQUE

- Avant d'utiliser l'appareil, assurez-vous qu'il y a de l'eau dans le réservoir de remplissage.
- L'appareil consomme plus d'eau lors de sa première utilisation.
- Nous vous recommandons d'utiliser de l'eau filtrée.
- Si vous ne prévoyez pas d'utiliser l'appareil pendant une période prolongée, videz le réservoir de remplissage.
- Un réservoir de remplissage plein permet d'effectuer environ 4 cycles.
- Remplissez le réservoir de remplissage uniquement avec de l'eau. Si vous y placez d'autres liquides comme du détergent ou de l'adoucissant, cela risque de provoquer un problème.
- N'utilisez pas l'eau présente dans le réservoir de vidange pour remplir le réservoir de remplissage.



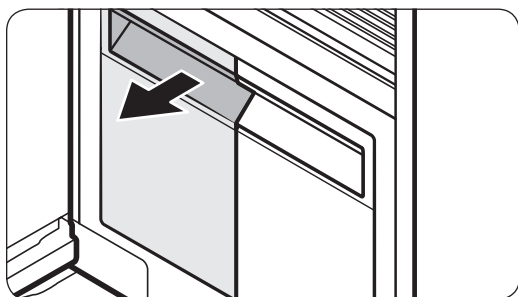
Remplissage du réservoir de remplissage

1. Sortez le réservoir de remplissage en le tirant.
2. Ouvrez le panneau arrière et remplissez jusqu'au trait **MAX**.
3. Réinsérez le réservoir de remplissage.



Réservoir de vidange

Avant d'utiliser l'appareil ou si vous ne prévoyez pas de l'utiliser pendant une période prolongée, assurez-vous de vider le réservoir de vidange.



Vidage du réservoir de vidange

1. Sortez le réservoir de vidange en le tirant.
2. Videz le réservoir.
3. Réinsérez le réservoir de vidange.

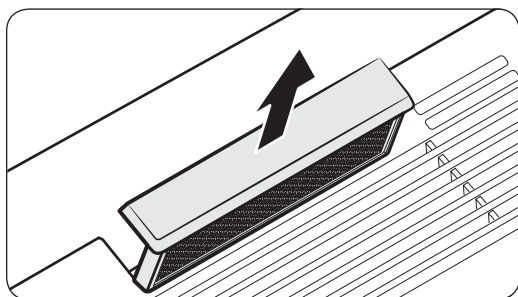
Compartiment Fresh Finish™

Utilisez le compartiment Fresh Finish™ pour donner à vos vêtements une odeur de linge frais.

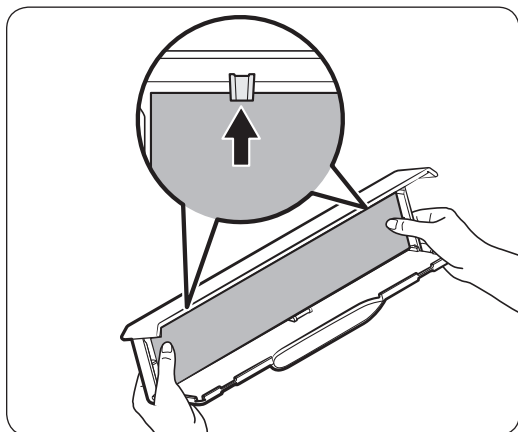
REMARQUE

- Insérez une feuille assouplissante dans le compartiment Fresh Finish™ ou vaporisez le parfum de votre choix 4 à 5 fois sur un disque de coton et insérez ce dernier dans le compartiment Fresh Finish™. L'intensité de la senteur diffusée varie selon ce que vous avez inséré. La senteur peut subsister à l'intérieur de votre AIRDRESSER même une fois le cycle terminé.
- Une fois le cycle terminé, retirez la feuille assouplissante ou le disque de coton et jetez-la/le.

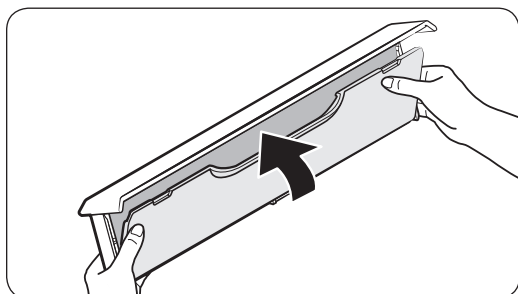
Utilisation du compartiment Fresh Finish™



1. Retirez le compartiment Fresh Finish™ de l'intérieur de votre AIRDRESSER en le faisant glisser.



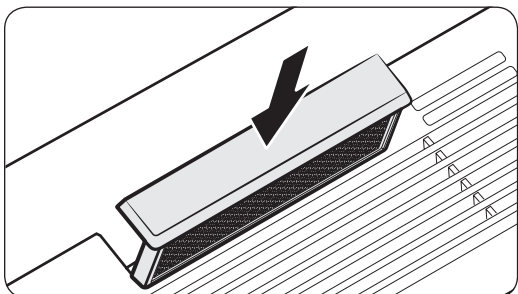
2. Insérez une feuille assouplissante ou un disque de coton parfumé dans le compartiment Fresh Finish™.



3. Refermez le couvercle jusqu'à entendre un « clic ».



Utilisation de l'appareil et des accessoires



4. Réinsérez le compartiment dans votre AIRDRESSER et lancez le cycle de votre choix.

REMARQUE

- Si vous utilisez une feuille pour sèche-linge ou un disque de coton parfumé, la senteur peut subsister dans votre AIRDRESSER une fois le cycle terminé.
- Les feuilles assouplissantes et disques de coton ne sont pas fournis avec votre AIRDRESSER.
- L'efficacité du compartiment Fresh Finish™ ne peut être garantie puisqu'elle dépend de ce que vous insérez dans le compartiment Fresh Finish™.

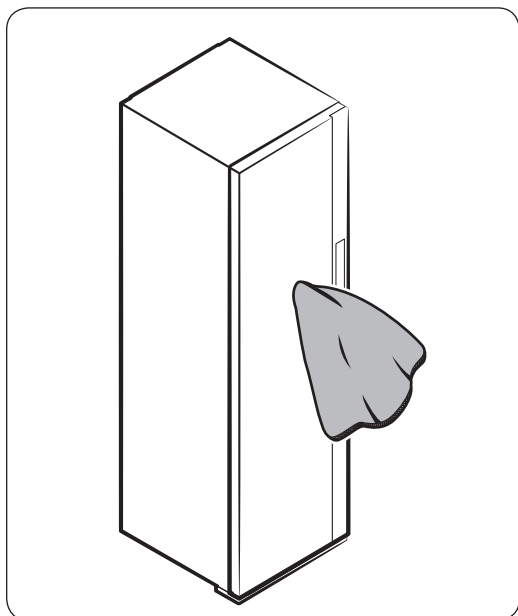


Nettoyage et entretien

⚠ ATTENTION

- Débranchez l'appareil avant de le nettoyer.
- N'utilisez pas de produits de nettoyage abrasifs ou inflammables.
- Ne vaporisez pas d'eau directement sur l'appareil lorsque vous le nettoyez.

Surface extérieure



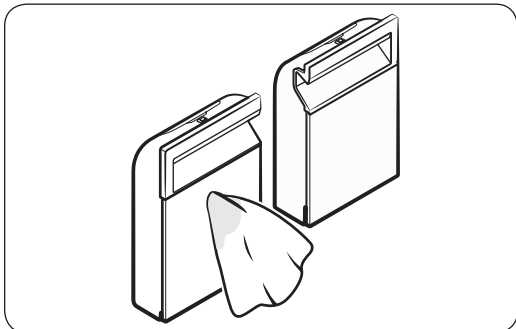
Utilisez un chiffon lisse pour nettoyer la surface extérieure.
Pour les taches tenaces, utilisez un chiffon humide et essuyez pour le sécher.



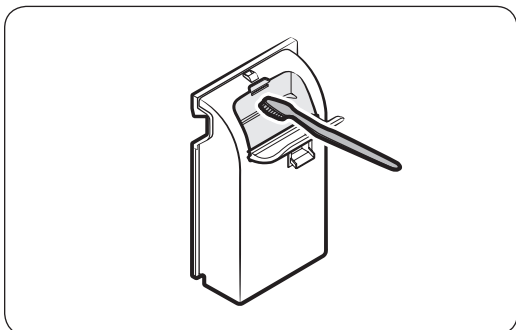
Nettoyage et entretien

Réservoirs d'eau

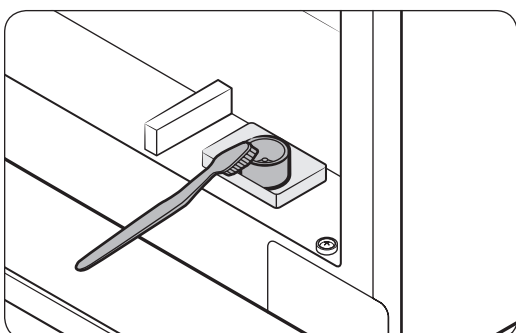
Nettoyez régulièrement les deux réservoirs. Séchez-les complètement avant de les réinsérer.



Utilisez un chiffon humide pour nettoyer la surface extérieure.



Utilisez une brosse souple pour nettoyer la surface intérieure.



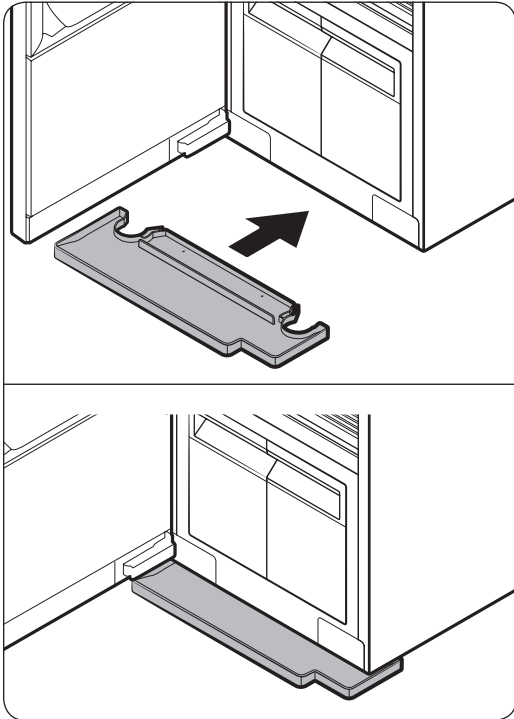
Utilisez une brosse souple pour nettoyer l'entrée et la sortie des réservoirs.



Tiroir d'eau

REMARQUE

- Videz régulièrement le tiroir d'eau.
- Pensez à bien réinsérer le tiroir d'eau après avoir vidé l'eau.



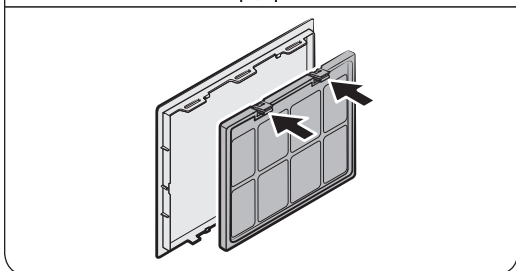
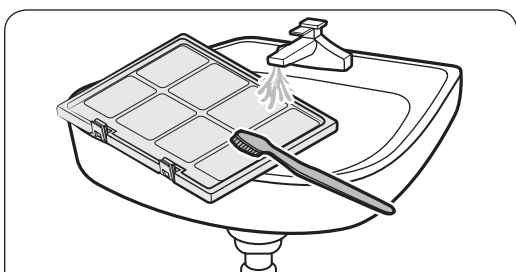
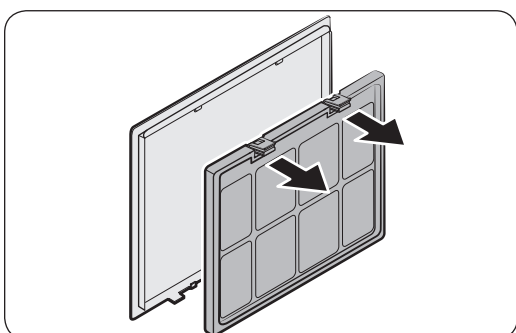
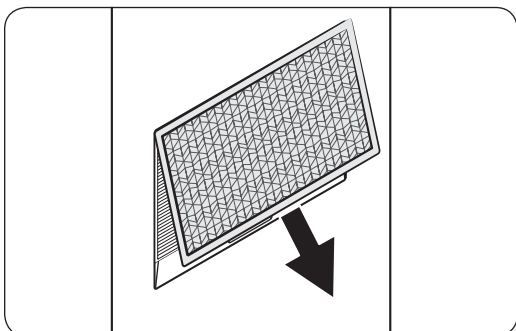
Insérez correctement le tiroir d'eau comme illustré.

- Assurez-vous que le côté portant la marque « TOP » (HAUT) soit face en haut.

Nettoyage et entretien

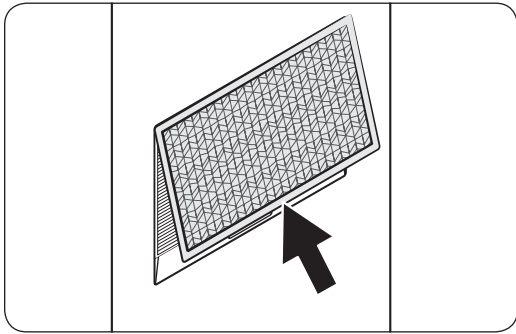
Filtre à air

Si vous utilisez fréquemment l'appareil pour des articles lourds ou des articles attirant fortement la poussière, nous vous recommandons de nettoyer régulièrement le filtre à air.



Nettoyage du filtre à air

1. Saisissez le bas du cache et tirez-le pour le retirer.
2. Tout en appuyant sur les deux crochets de la partie supérieure du filtre, tirez pour l'enlever.
3. Nettoyez le filtre à l'aide d'une brosse et d'eau courante.
4. Faites sécher complètement le filtre à l'ombre, puis réinsérez-le.

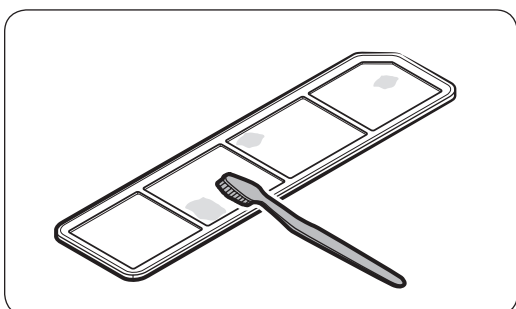
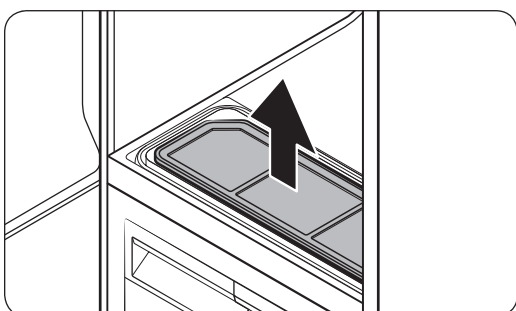
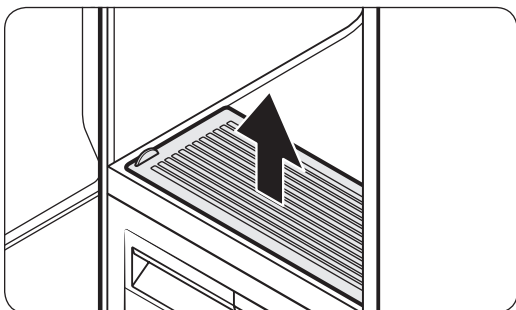


5. Insérez le haut du cache dans l'appareil, puis poussez le cache.

Nettoyage et entretien

Filtre à peluches

- Pour des résultats optimaux, nettoyez le filtre à peluches avant ou après l'utilisation de l'appareil.
- Si un filtre à peluches est endommagé, il doit être remplacé par un filtre à peluches neuf.



Nettoyage du filtre à peluches

1. Ouvrez le cache du filtre.
2. Retirez le filtre à peluches.
3. Nettoyez le filtre à peluches à l'aide d'une brosse et d'eau courante. Laissez sécher soigneusement le filtre à peluches à l'ombre.
4. Réinsérez le filtre à peluches, puis fermez le cache.

Détartrage

L'utilisation de la fonction de vapeur provoque l'accumulation et le dépôt de calcaire dans l'ensemble du système interne de circulation d'eau en raison de la teneur en calcaire de l'eau. Pour éviter cela, effectuez régulièrement un détartrage afin d'accroître les performances et d'allonger la durée de vie de l'appareil. Si vous n'effectuez pas de détartrage immédiatement après l'affichage du message de notification, l'utilisation de certaines fonctions peut être limitée ce qui peut provoquer une dégradation des performances et même un raccourcissement de la durée de vie de l'appareil.

1. Lorsque le message **Détartrage requis. Consultez le manuel** apparaît à l'écran, sortez tous les articles de l'appareil et maintenez le doigt appuyé sur **Drying (Séchage)** et sur **Delay End (Arrêt différé)** pendant 3 secondes.
2. Videz le réservoir de remplissage et le réservoir de vidange.
3. Diluez un agent détartrant dans de l'eau en respectant les recommandations du fabricant de l'agent détartrant.
4. Remplissez le réservoir de remplissage avec l'agent détartrant dilué jusqu'au trait **MAX**.
 - La capacité maximale du réservoir de remplissage est de 1,4 litre.
5. Maintenez le doigt appuyé sur **▶||** pour commencer le détartrage.
 - Si le message **Videz le réservoir de vidange** apparaît à l'écran pendant le détartrage, videz le réservoir de vidange.
6. Si le message **Vérifiez le réservoir de remplissage et le réservoir de vidange** apparaît à l'écran, videz le réservoir de remplissage et le réservoir de vidange, puis rincez-les soigneusement.
7. Remplissez le réservoir de remplissage avec de l'eau propre jusqu'au trait **MAX**, puis réinsérez le réservoir de remplissage et le réservoir de vidange. Appuyez sur **▶||**.
8. Une fois le détartrage terminé, videz le réservoir de vidange et remplissez d'eau le réservoir de remplissage.
 - Vous pouvez à nouveau utiliser votre AIRDRESSER une fois que vous avez effectué toutes ces étapes.

REMARQUE


- Il se peut que vous constatiez des vibrations et du bruit pendant le processus de détartrage. Ceci est tout à fait normal et ne constitue pas un dysfonctionnement de l'appareil.
- Il se peut que le message **Ajoutez de l'eau dans le réservoir de remplissage** s'affiche lorsque vous utilisez l'appareil pour la première fois après le détartrage. Ceci est tout à fait normal. Rajoutez de l'eau dans le réservoir de remplissage et appuyez sur **▶||** pour reprendre le cycle.
- Il est possible que des bulles se forment si l'agent détartrant n'a pas été soigneusement rincé. Veillez à rincer abondamment le réservoir de remplissage et le réservoir de vidange après le détartrage.
- Utilisez un agent détartrant dédié aux machines à café.
- N'utilisez pas d'agent détartrant destiné à d'autres machines comme des lave-linge.
- N'utilisez pas de lessive ou d'adoucissant pour le détartrage.

Déplacement de l'appareil à un autre endroit

- Sous l'appareil, il y a deux roues qui permettent de faciliter son déplacement.
- Pour éviter que l'appareil ne bascule lors de son déplacement, nous vous recommandons d'exercer une pression sur le milieu de l'appareil. Ne le poussez pas en haut ou en bas.
- Videz le réservoir de remplissage et le réservoir de vidange avant de déplacer l'appareil à un autre endroit. Si vous ne videz pas les réservoirs, de l'eau peut se déverser lors du déplacement de l'appareil.

Dépannage



Messages de notification

Message	Action
Ajoutez de l'eau dans le réservoir de remplissage	<ul style="list-style-type: none">• Vérifiez que le réservoir de remplissage contient suffisamment d'eau.<ul style="list-style-type: none">- Ajoutez de l'eau jusqu'au trait MAX, réinsérez le réservoir de remplissage, puis appuyez sur ▷ pour lancer le cycle.• Vérifiez que le réservoir de remplissage est correctement inséré.<ul style="list-style-type: none">- Insérez correctement le réservoir de remplissage, puis appuyez sur ▷ pour lancer le cycle.
Videz le réservoir de vidange	<ul style="list-style-type: none">• Vérifiez si le réservoir de vidange est plein.<ul style="list-style-type: none">- Videz le réservoir de vidange, réinsérez-le, puis appuyez sur ▷ pour lancer le cycle.• Vérifiez que le réservoir de vidange est correctement inséré.<ul style="list-style-type: none">- Insérez correctement le réservoir de vidange, puis appuyez sur ▷ pour lancer le cycle.
Fermez la porte et redémarrez	<ul style="list-style-type: none">• Vérifiez si la porte n'est pas ouverte.<ul style="list-style-type: none">- Vérifiez que la porte est bien fermée, puis appuyez sur ▷ pour lancer le cycle.
Ouvrez la porte et vérifiez l'intérieur	<ul style="list-style-type: none">• Vérifiez si la porte n'est pas ouverte et si la fonction Sécurité enfant  (3sec) n'est pas activée.<ul style="list-style-type: none">- Vérifiez que la porte est bien fermée, puis appuyez sur ▷ pour lancer le cycle. Assurez-vous qu'il n'y a pas d'enfant ni d'animal dans l'appareil.- Le panneau de commande est verrouillé lorsque la fonction Sécurité enfant est activée.- Appuyez sur le bouton Delay End (Arrêt différé) et maintenez-le appuyé pendant 3 secondes pour désactiver la fonction Sécurité enfant.
Connectez-vous au réseau Wi-Fi ou vérifiez votre routeur	<ul style="list-style-type: none">• Vérifiez si le routeur n'est pas éteint.<ul style="list-style-type: none">- Allumez le routeur, puis connectez-vous à Internet.

REMARQUE

Si un problème persiste, communiquez avec un centre de dépannage Samsung local.

Contrôle

Problème	Action
L'appareil ne s'allume pas.	<ul style="list-style-type: none"> Appuyez sur  pour allumer l'appareil. Assurez-vous que le cordon d'alimentation est correctement branché. Assurez-vous que le disjoncteur est actif. Assurez-vous que le cordon d'alimentation est branché à une prise d'alimentation avec une tension nominale adaptée à cet appareil.
L'appareil ne fonctionne pas.	<ul style="list-style-type: none"> Vérifiez que la porte est bien fermée, puis appuyez sur . Si vous entendez de l'eau circuler ou des sons de bouillonnement, l'appareil est en train de se préparer pour la production de vapeur. Ceci est tout à fait normal. Assurez-vous que la fonction Sécurité enfant est désactivée. L'appareil peut ne pas fonctionner si vous avez utilisé un liquide autre que de l'eau. Veuillez communiquer avec un centre de dépannage Samsung.
L'appareil émet des sons.	<ul style="list-style-type: none"> L'appareil peut émettre des sons lorsque le compresseur est en marche. Ceci est tout à fait normal. L'appareil peut émettre des sons lorsqu'il fait circuler l'air. Ceci est tout à fait normal. L'appareil peut émettre des sons avant et pendant la production de vapeur. Ceci est tout à fait normal. L'appareil peut émettre des sons lorsqu'il pompe et vidange l'eau. Ceci est tout à fait normal. Lors de l'ouverture de la porte, des sons peuvent être émis par le réservoir de remplissage lorsque l'eau circule à travers le conduit. Ceci est tout à fait normal. Si les bruits s'amplifient, communiquez avec un centre de dépannage Samsung.
Le panneau de commande ne fonctionne pas.	<ul style="list-style-type: none"> Après avoir branché l'appareil, attendez un moment puis réessayez. Le panneau de commande réagira sous 10 secondes après le branchement du cordon d'alimentation. Nettoyez le panneau de commande puis réessayez. Si le problème persiste, communiquez avec un centre de dépannage Samsung.
L'appareil vibre.	<ul style="list-style-type: none"> Assurez-vous que l'appareil est installé sur une surface plane et solide. Assurez-vous que l'appareil est de niveau.
Le réservoir de remplissage est vide après une seule utilisation.	<ul style="list-style-type: none"> L'appareil consomme plus d'eau lors de sa première utilisation. Ceci est tout à fait normal.
De la vapeur ou de l'air sort par la porte.	<ul style="list-style-type: none"> Assurez-vous qu'aucun vêtement n'est pris dans la porte. Assurez-vous que la porte est correctement fermée.

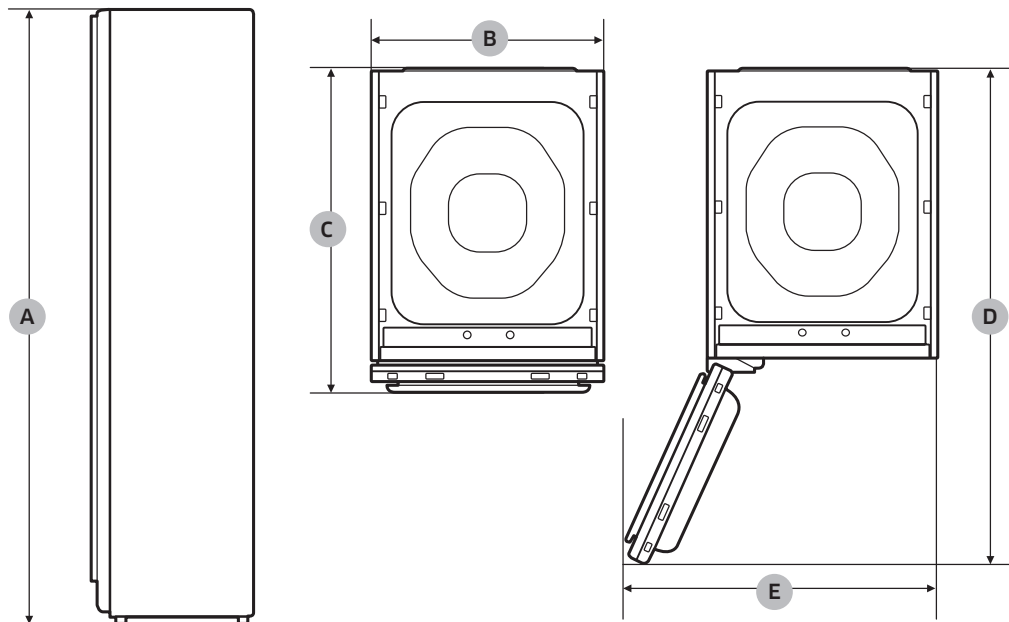
Dépannage

Problème	Action
Le temps de fonctionnement continue d'augmenter.	<ul style="list-style-type: none"> Il peut falloir plus de temps pour sécher des articles mouillés. Le temps de fonctionnement peut augmenter en fonction de la quantité et du niveau d'humidité des articles.
Les articles sont encore mouillés après un cycle.	<ul style="list-style-type: none"> Assurez-vous que le filtre à peluches est propre et correctement inséré. Assurez-vous que le joint de la porte n'est pas endommagé ou qu'aucun article n'est pris dans la porte. Si le joint de la porte est endommagé, débranchez le cordon d'alimentation et communiquez avec un centre de dépannage Samsung.
Les articles n'ont pas été désodorisés.	<ul style="list-style-type: none"> Lavez les articles portant de fortes odeurs ou ceux n'ayant pas été utilisés depuis longtemps. Lavez les articles contaminés par de l'huile. Il se peut que les articles volumineux (par exemple vestes remplies de duvet) ne soient pas bien désodorisés. Placez les articles volumineux seuls dans l'appareil et lancez un cycle supplémentaire si nécessaire. Ne placez pas des articles portant de fortes odeurs avec les autres articles. Triez les articles selon l'intensité des odeurs. Assurez-vous que le filtre à peluches et les deux réservoirs sont propres.
Les plis n'ont pas été enlevés.	<ul style="list-style-type: none"> Repassez les articles n'ayant pas été utilisés depuis longtemps.
De la fumée sort de l'appareil lors de l'ouverture de la porte.	<ul style="list-style-type: none"> Certains cycles peuvent produire de la vapeur pouvant ressembler à de la fumée. Ceci est tout à fait normal.

Caractéristiques techniques

Fiche des caractéristiques techniques

L'astérisque « * » désigne une variante du modèle et peut aller de (0 à 9) et de (A à Z).



Type		Système d'entretien de vêtements (AIRDRESSER)
		DF60A8****G
Dimensions (mm)	A. Hauteur	1850
	B. Largeur	445
	C. Profondeur	632
	D. Profondeur avec porte ouverte	1001
	E. Largeur avec porte ouverte	618
Intensité nominale		120 V / 60 Hz / 12 A
Fusible (fusible fixé sur la carte imprimée équipée principale)	À tube	250 V / 15 A
	À fort pouvoir de coupure	
Poids (kg)		85,0

GARANTIE LIMITÉE (ÉTATS-UNIS)

AIRDRESSER SAMSUNG

GARANTIE LIMITÉE POUR L'ACHETEUR INITIAL AVEC PREUVE D'ACHAT

Cet appareil de la marque SAMSUNG, fourni et distribué par SAMSUNG ELECTRONICS AMERICA, INC. (SAMSUNG) et livré neuf dans l'emballage d'origine à l'acheteur initial, s'accompagne d'une garantie de SAMSUNG contre tout vice de fabrication au niveau des pièces et de la main d'œuvre pendant une période limitée de :

Un (1) an (pièces et main d'œuvre)

La présente garantie limitée ne s'applique qu'aux appareils achetés et utilisés au sein des États-Unis et ayant été installés, utilisés et entretenus conformément aux instructions jointes ou fournies avec l'appareil. Pour se prévaloir du service de garantie, l'acheteur doit communiquer avec SAMSUNG à l'adresse ou aux numéros de téléphone fournis ci-dessous afin d'établir les procédures relatives au diagnostic et à l'intervention nécessaire. Pour bénéficier du service de garantie, l'intervention ne peut être effectuée que par un centre de dépannage agréé SAMSUNG. La facture datée et originale doit être présentée sur demande comme preuve d'achat à SAMSUNG ou au centre de dépannage agréé SAMSUNG pour pouvoir bénéficier du service de garantie.

SAMSUNG vous assure un service de réparation à domicile au sein des États-Unis contigus pendant la période de garantie, et ce gratuitement sous réserve de disponibilité. Pour bénéficier du service de réparation à domicile, vous devez veiller à ce que l'appareil soit dépourvu d'obstacles et facilement accessible par le technicien de dépannage.

Si le service de réparation à domicile n'est pas disponible, SAMSUNG peut organiser, à sa seule discrétion, le transport de l'appareil vers ou depuis un centre de dépannage agréé. Si l'appareil se trouve dans une zone où la réparation par un technicien agréé du centre de dépannage SAMSUNG n'est pas disponible, il se peut que vous deviez vous acquitter de frais de transport ou apporter l'appareil dans un centre de dépannage agréé SAMSUNG pour faire la réparation.

Pendant la période de garantie applicable, l'appareil défectueux sera réparé, remplacé ou remboursé à la valeur de son prix d'achat, à la seule discrétion de SAMSUNG. SAMSUNG peut être amenée à utiliser des pièces neuves ou reconditionnées lors de la réparation d'un appareil défectueux, ou à remplacer l'appareil défectueux par un appareil neuf ou reconditionné. Les pièces et appareils de rechange sont garantis pendant la partie restante de la garantie initiale de l'appareil, ou pendant quatre-vingt-dix (90) jours, selon la période qui est la plus longue. Toute pièce ou tout produit remplacé(e) devient la propriété de SAMSUNG et doit lui être restitué.

La présente garantie limitée couvre les défauts de fabrication au niveau des pièces et de la main-d'œuvre survenant dans le cadre d'un usage domestique normal, non commercial de cet appareil et ne couvre pas les situations suivantes : dommages survenant pendant le transport, la livraison, l'installation et l'utilisation de l'appareil qui serait contraire au but auquel il était destiné ; dommages causés par une modification ou altération non autorisée de l'appareil ; appareils dont le numéro de série initial apposé en usine a été effacé, déformé, modifié d'une quelconque façon ou est illisible ; dommages de nature esthétique notamment les rayures, piqûres, éclats et autres dommages sur la finition de l'appareil ; dommages causés par un abus, un usage inapproprié, une prolifération d'insectes nuisibles, un accident, un incendie, des inondations ou d'autres catastrophes naturelles ; dommages causés par l'utilisation de matériel, utilitaires, services, pièces, fournitures, accessoires, applications, installations, réparations, câblage externe ou connecteurs non fournis ou non autorisés par SAMSUNG ; dommages causés par un courant de phase ou une tension électrique incorrect(e), des fluctuations et surtensions ; dommages causés par le non-respect des instructions d'utilisation et d'entretien de l'appareil ; instructions à domicile sur la bonne utilisation de votre appareil ; et interventions visant à corriger une installation qui n'est pas conforme aux normes d'électricité et de plomberie ou à corriger les raccordements électriques ou de plomberie du domicile (c.-à-d. câblage du domicile, fusibles, ou tuyaux d'arrivée d'eau). Le coût des réparations ou du remplacement dans de telles circonstances exclues sera à la charge du client.

GARANTIE LIMITÉE (ÉTATS-UNIS)

EXCLUSION DE GARANTIES IMPLICITES

LES GARANTIES IMPLICITES, Y COMPRIS LES GARANTIES IMPLICITES DE QUALITÉ MARCHANDE OU D'ADÉQUATION À UN USAGE PARTICULIER, SONT LIMITÉES À UN AN OU À LA PLUS COURTE PÉRIODE AUTORISÉE PAR LA LOI. Certains États et certaines juridictions n'autorisent pas de limitations quant à la durée d'une garantie implicite ; il se peut par conséquent que les limitations et exclusions énoncées ci-dessus ne s'appliquent pas à votre cas. La présente garantie vous confère des droits spécifiques ; il est donc possible que vous bénéficiiez d'autres droits qui varieront d'un État ou d'une juridiction à un(e) autre.

LIMITATION DE RECOURS

VOTRE SEUL ET EXCLUSIF RECOURS EST LA RÉPARATION DE L'APPAREIL, SON REMPLACEMENT, OU LE REMBOURSEMENT DE SON PRIX D'ACHAT À LA SEULE DISCRÉTION DE SAMSUNG, COMME PROPOSÉ DANS LA PRÉSENTE GARANTIE LIMITÉE. SAMSUNG NE SAURA ÊTRE TENUE RESPONSABLE EN CAS DE DOMMAGES ACCESSOIRES, INDIRECTS OU SPÉCIAUX, NOTAMMENT MAIS SANS POUR AUTANT S'Y LIMITER LE TEMPS PRIS SUR LE TEMPS DE TRAVAIL, LES FRAIS D'HÔTELS ET/OU DE RESTAURATION, LES DÉPENSES DE RÉNOVATION, LA PERTE DE BÉNÉFICES OU DE REVENUS OU L'IMPOSSIBILITÉ DE RÉALISER LES ÉCONOMIES OU AUTRES BÉNÉFICES ESCOMPTÉS, QUELLE QUE SOIT LA BASE JURIDIQUE INVOQUÉE POUR JUSTIFIER L'ASSERTION, ET MÊME SI SAMSUNG A ÉTÉ AVISÉE DE LA POSSIBILITÉ DE TELS DOMMAGES. Certains États et certaines juridictions n'autorisent pas l'exclusion ou les limitations pour dommages accessoires ou indirects. Il est donc possible que les limitations ou exclusions ci-dessus ne s'appliquent pas à votre cas. La présente garantie vous confère des droits spécifiques ; il est donc possible que vous bénéficiiez d'autres droits qui varieront d'un État ou d'une juridiction à un(e) autre.

SAMSUNG ne garantit pas un fonctionnement continu ou sans erreur de cet appareil. SAMSUNG ne sera tenue d'honorer aucune autre garantie donnée par toute autre personne, firme ou société quant à cet appareil.

Pour bénéficier du service de garantie, communiquez avec SAMSUNG à l'adresse suivante :

Samsung Electronics America, Inc.

85 Challenger Road

Ridgefield Park, NJ 07660

1-800-SAMSUNG (726-7864)

www.samsung.com/us/support

Garantie (CANADA)

AIRDRESSER SAMSUNG

GARANTIE LIMITÉE POUR L'ACHETEUR INITIAL

Cet appareil de la marque SAMSUNG, fourni et distribué par SAMSUNG ELECTRONICS CANADA, INC. (SAMSUNG) et livré neuf dans l'emballage d'origine à l'acheteur initial, s'accompagne d'une garantie de SAMSUNG contre tout vice de fabrication au niveau des pièces et de la main d'œuvre pendant une période limitée de :

- Un (1) an (pièces et main d'œuvre)

La présente garantie limitée commence à la date d'achat initiale et est valable uniquement sur les appareils achetés et utilisés au Canada.

Pour se prévaloir du service de garantie, l'acheteur doit communiquer avec SAMSUNG afin de déterminer le problème et d'établir les procédures relatives au diagnostic.

Pour bénéficier du service de garantie, l'intervention ne peut être effectuée que par un centre de dépannage agréé SAMSUNG.

La facture datée et originale doit être présentée sur demande comme preuve d'achat à SAMSUNG ou au centre de dépannage agréé SAMSUNG.

SAMSUNG assurera le service de réparation à domicile pendant la période de garantie, et ce gratuitement, sous réserve de disponibilité au sein du Canada.

Le service de réparation à domicile n'est pas disponible dans toutes les régions.

Pour bénéficier du service de réparation à domicile, vous devez veiller à ce que l'appareil soit dépourvu d'obstacles et facilement accessible par le technicien de dépannage.

Si le service n'est pas disponible, SAMSUNG peut organiser le transport de l'appareil vers et depuis un centre de dépannage agréé.

SAMSUNG réparera, remplacera ou remboursera cet appareil à sa discrétion et gratuitement comme stipulé dans la présente, et ce avec des pièces ou appareils neufs ou reconditionnés s'il a été déterminé que la pièce ou l'appareil était défectueux durant la période de garantie limitée spécifiée ci-dessus.

Toute pièce ou tout produit remplacé(e) devient la propriété de SAMSUNG et doit lui être restitué.

Les pièces et appareils de rechange sont garantis pendant la partie restante de la garantie initiale, ou pendant quatre-vingt-dix (90) jours, selon la période qui est la plus longue.

Garantie (CANADA)

La présente garantie limitée couvre les défauts de fabrication au niveau des pièces et de la main-d'œuvre survenant dans le cadre d'un usage normal et non commercial de cet appareil et ne s'applique pas aux situations suivantes : dommages survenant pendant le transport, la livraison, et l'installation ; applications et utilisations de l'appareil qui serait contraire au but auquel il était destiné ; appareils ou numéros de série modifiés ; dommages de nature esthétique ou survenus sur la finition extérieure ; dommages causés par un accidents, un abus, une négligence, un incendie, une inondation, la foudre ou d'autres catastrophes naturelles ; dommages causés par l'utilisation d'appareils, équipements, systèmes, utilitaires, services, pièces, fournitures, accessoires, applications, installations, réparations, câblage externe ou connecteurs non fournis ou non autorisés par SAMSUNG qui endommagent cet appareil ou entraînent des dysfonctionnements ; dommages causés par une tension de ligne électrique incorrecte, des fluctuations et surtensions ; dommages causés par des ajustements effectués par le client ou par le non-respect des instructions d'utilisation et d'entretien de l'appareil et les instructions environnementales qui sont mentionnées et prescrites dans le manuel d'instructions ; retrait et réinstallation de l'appareil ; problèmes dus à une prolifération d'insectes nuisibles.

La présente garantie limitée ne couvre ni les problèmes résultant d'un courant, d'une tension ou d'une alimentation électrique incorrect(e), d'ampoules d'éclairage, de fusibles domestiques et de câblages domestiques inappropriés, ni le coût lié à un appel de dépannage passé pour obtenir des instructions ou pour corriger des erreurs d'installation. SAMSUNG ne garantit pas un fonctionnement continu ou sans erreur de cet appareil.

SAUF INDICATION CONTRAIRE STIPULÉE DANS LA PRÉSENTE, IL N'EXISTE AUCUNE GARANTIE POUR CET APPAREIL, QU'ELLE SOIT EXPRESSE OU IMPLICITE, ET SAMSUNG REJETTE TOUTE GARANTIE NOTAMMENT, MAIS SANS POUR AUTANT S'Y LIMITER, LES GARANTIES IMPLICITES DE QUALITÉ MARCHANDE, DE NON-CONTREFAÇON OU D'ADÉQUATION À UN USAGE PARTICULIER.

SAMSUNG NE SERA TENUE D'HONORER AUCUNE ASSURANCE OU GARANTIE DONNÉE PAR TOUTE PERSONNE, FIRME OU SOCIÉTÉ QUANT À CET APPAREIL.

SAMSUNG NE SAURA ÊTRE TENUE RESPONSABLE DES PERTES DE RECETTES OU BÉNÉFICES, DE L'INCAPACITÉ À RÉALISER DES ÉCONOMIES OU D'AUTRES BÉNÉFICES, OU DE TOUT AUTRE DOMMAGE ACCESSOIRE, INDIRECT OU SPÉCIAL CAUSÉ PAR L'UTILISATION, LA MAUVAISE UTILISATION OU L'INCAPACITÉ À UTILISER CET APPAREIL, QUEL QUE SOIT LE MOTIF LÉGAL INVOQUÉ POUR LA RÉCLAMATION, ET CE MÊME SI SAMSUNG A ÉTÉ INFORMÉE DE LA POSSIBILITÉ D'UN TEL DOMMAGE.

LE RECOUVREMENT, DE QUELQUE NATURE QUE CE SOIT, DÛ PAR SAMSUNG NE DEVRA PAS NON PLUS ÊTRE SUPÉRIEUR AU PRIX D'ACHAT DE L'APPAREIL VENDU PAR SAMSUNG ET ÉTANT À L'ORIGINE DES DOMMAGES SUPPOSÉS.

SANS LIMITATION À CE QUI PRÉCÈDE, L'ACHETEUR ASSUME TOUS LES RISQUES ET LA RESPONSABILITÉ LIÉS AUX PERTES, DOMMAGES OU BLESSURES QUI POURRAIENT ÊTRE INFLIGÉS À L'ACHETEUR ET À SES BIENS, AINSI QU'À D'AUTRES PERSONNES ET À LEURS BIENS, DÉCOULANT DE L'UTILISATION, LA MAUVAISE UTILISATION OU L'INCAPACITÉ À UTILISER CET APPAREIL.

LA PRÉSENTE GARANTIE LIMITÉE NE POURRA S'ÉTENDRE À NULLE PERSONNE AUTRE L'ACHETEUR INITIAL DE CET APPAREIL. ELLE N'EST PAS CESSIBLE ET ELLE STIPULE VOTRE RECOURS EXCLUSIF.

Certaines régions n'autorisent pas de limitations quant à la durée d'une garantie implicite ou à l'exclusion/limitation des dommages accessoires ou indirects ; il se peut donc que les limitations ou exclusions énoncées ci-dessus ne s'appliquent pas à votre cas.

La présente garantie vous confère des droits spécifiques ; il est donc possible que vous bénéficiez d'autres droits qui varieront d'une région à une autre.

Pour bénéficier du service de garantie, communiquez avec SAMSUNG à l'adresse suivante :

Samsung Electronics Canada Inc.

2050 Derry Road West,

Mississauga, Ontario L5N 0B9 Canada

1-800-SAMSUNG (726-7864)

www.samsung.com/ca/support (English)

www.samsung.com/ca_fr/support (French)

Les interventions par un technicien de dépannage visant à expliquer les fonctions, l'entretien ou l'installation de l'appareil ne sont pas couvertes par la garantie.

Veillez communiquer avec le centre d'appels de Samsung au numéro indiqué ci-dessus pour obtenir de l'aide sur l'un de ces problèmes.

DES QUESTIONS OU DES COMMENTAIRES ?

PAYS	APPELEZ LE	OU RENDEZ-VOUS SUR LE SITE
U.S.A	1-800-SAMSUNG (726-7864)	www.samsung.com/us/support
CANADA	1-800-SAMSUNG(726-7864)	www.samsung.com/ca/support (English) www.samsung.com/ca_fr/support (French)



DC68-04297J-00

Sistema para el cuidado de la ropa (AIRDRESSER)

Manual del usuario

DF60*8****G



SAMSUNG



Contenido

Información de seguridad	4
Lo que debe saber acerca de las instrucciones de seguridad	4
Símbolos importantes de seguridad	4
ADVERTENCIA DE ACUERDO CON LA PROPOSICIÓN 65 DE CALIFORNIA	4
Precauciones importantes de seguridad	5
Advertencias generales	7
Advertencias con respecto a la electricidad	8
Precauciones de instalación	10
Precauciones de limpieza	10
Antes de comenzar	11
Instalación	11
Encendido del Wi-Fi (solo para modelos de red)	13
Descripción general del producto	14
Panel de control	16
Descripción general de ciclos	18
Guía sobre el cuidado de las telas	20
Tabla de cuidados para telas	23
Smart Control	24
Uso del producto y de los accesorios	28
Cómo ejecutar un ciclo	28
Uso de los accesorios	30
Limpieza y mantenimiento	37
Parte exterior	37
Tanques de agua	38
Bandeja de agua	39
Filtro de aire	40
Filtro de pelusas	42
Descalcificación	43
Traslado del producto a otro lugar	43
Resolución de problemas	44
Mensajes de notificación	44
Punto de verificación	45



Especificaciones

47

Hoja de especificaciones

47



Información de seguridad

Felicitaciones por la adquisición de su nuevo producto de Samsung. Este manual contiene información importante acerca de la instalación, el uso y el cuidado del producto. Tómese el tiempo necesario para leerlo con el fin de sacarle el mayor provecho a los beneficios y a las características del producto.

Lo que debe saber acerca de las instrucciones de seguridad

Lea el manual con detenimiento para asegurarse de que sepa cómo ejecutar las numerosas características y funciones del producto de un modo seguro y eficiente. Guárdelo en un lugar seguro y cercano al producto para su futura referencia. Utilice este producto solo para el fin previsto tal como se detalla en este manual. En este manual, las advertencias e instrucciones importantes de seguridad no abarcan todas las condiciones y situaciones posibles. Es su responsabilidad usar el sentido común, tener la precaución y el debido cuidado al instalar, realizar el mantenimiento y hacer funcionar el producto. Debido a que las instrucciones de funcionamiento siguientes abarcan varios modelos, las características del producto pueden diferir un poco de aquellas descritas en este manual y, por ende, es probable que no se apliquen todos los signos de advertencia. Si tiene alguna pregunta o inquietud, comuníquese con su centro de servicio más cercano u obtenga ayuda e información en línea en www.samsung.com.

Símbolos importantes de seguridad

El significado de los iconos y signos de este manual:

 **ADVERTENCIA**

Prácticas peligrosas o inseguras que pueden provocar **lesiones personales graves, la muerte y/o daños materiales.**

 **PRECAUCIÓN**

Prácticas peligrosas o inseguras que pueden provocar **lesiones personales graves y/o daños materiales.**

 **PRECAUCIÓN**

Superficie caliente

 **NOTA**

Indica la presencia de riesgo de lesiones personales o daños materiales.

Estos signos de advertencia se incluyen para evitar que usted u otras personas sufran lesiones.

Sígalos con detenimiento.

Luego de leer el manual, guárdelo en un lugar seguro para su futura referencia.

Lea todas las instrucciones antes de utilizar el producto.

Como todo producto eléctrico que contiene piezas móviles, puede ocasionar riesgos de peligros potenciales. Para operarlo de manera segura, familiarícese con el manejo y tenga cuidado al usarlo.

ADVERTENCIA DE ACUERDO CON LA PROPOSICIÓN 65 DE CALIFORNIA

 **ADVERTENCIA**

Cáncer y daños en el sistema reproductivo - www.P65Warnings.ca.gov.

CONSERVE ESTAS INSTRUCCIONES



 **ADVERTENCIA****Riesgo de incendio**

- La instalación del electrodoméstico debe ser realizada por un técnico calificado.
- Instale el electrodoméstico de acuerdo con las instrucciones del fabricante y los códigos locales.
- Con el fin de reducir el riesgo de lesiones graves y de muerte, siga todas las instrucciones de instalación.
- Guarde estas instrucciones.

Precauciones importantes de seguridad **ADVERTENCIA**

Para minimizar los riesgos de incendio, descarga eléctrica o lesiones personales al utilizar este electrodoméstico, tome precauciones básicas, incluidas las siguientes:

1. Lea todas las instrucciones antes de utilizar el electrodoméstico.
2. No seque prendas que ya se hayan limpiado, lavado, puesto en remojo o que se hayan manchado con gasolina, solventes de limpieza en seco u otras sustancias inflamables o explosivas, ya que emiten vapores que podrían encenderse o explotar.
3. No utilice el electrodoméstico para secar ropa que tenga rastros de cualquier sustancia inflamable, como aceite vegetal, aceite de cocina, aceite para máquinas, productos químicos inflamables, diluyente de pintura, etc. o cualquier elemento que contenga cera o productos químicos, como trapeadores y paños de limpieza. Las sustancias inflamables pueden provocar que se prenda fuego la tela.
4. No almacene ni use gasolina u otros vapores y líquidos inflamables cerca de este o cualquier otro electrodoméstico.
5. No permita que los niños jueguen encima del electrodoméstico o en su interior. Se debe supervisar a los niños cuando se utilice el electrodoméstico cerca de ellos.
6. Antes de que deje de usar el electrodoméstico o lo deseche, quite la puerta del compartimento de secado.
7. No instale ni guarde este electrodoméstico en lugares con exposición a la intemperie.
8. No manipule los controles internos.

CONSERVE ESTAS INSTRUCCIONES

Información de seguridad

9. No arregle ni reemplace ninguna pieza de este electrodoméstico ni intente realizarle algún tipo de mantenimiento, salvo que se detalle específicamente en las instrucciones de mantenimiento del usuario o en una publicación de instrucciones de reparación para el usuario que usted comprenda y tenga las habilidades para llevar a cabo.
10. No utilice suavizantes de telas ni productos para eliminar la estática, excepto que lo recomiende el fabricante de dichos artículos.
11. Limpie la pantalla de pelusas antes y después de cada carga.
12. No utilice calor para secar prendas que contengan espuma de caucho o materiales de caucho de textura similar.
13. No coloque en su electrodoméstico prendas expuestas a aceites de cocina. Las prendas contaminadas con aceites de cocina pueden contribuir a una reacción química que podría provocar el incendio de una carga. Con el fin de reducir el riesgo de incendio debido a cargas contaminadas, la parte final del ciclo del electrodoméstico se produce sin calor (período de enfriamiento). Evite detener el electrodoméstico antes del fin del ciclo de secado a menos que todos las prendas se retiren y extiendan rápidamente para que se disipe el calor.
14. No introduzca las manos debajo del electrodoméstico.
 - Esto puede provocar lesiones.
15. Tenga cuidado de que los niños no se agarren los dedos con la puerta al cerrarla.
 - Esto puede provocar lesiones.
16. Mantenga el área alrededor de la abertura de escape y las áreas adyacentes libres de acumulación de pelusa, polvo y suciedad.

CONSERVE ESTAS INSTRUCCIONES

Advertencias generales

ADVERTENCIA

- Antes de utilizar el producto, para evitar descargas eléctricas, incendios o la muerte, asegúrese de que se encuentre correctamente instalado y de que esté conectado a tierra tal como se describe en el manual.
- Utilícelo solo para los fines previstos. La garantía solo cubre los daños derivados de su uso que estén especificados en este manual.
- Para evitar lesiones físicas o daños materiales, no trepe, tampoco se pare ni se sostenga del producto.
- De ninguna forma desarme ni modifique el producto.
- No permita que los niños jueguen dentro del producto o a su alrededor. Los niños siempre deben estar bajo supervisión.
- Para evitar incendios, lesiones físicas o la muerte, mantenga todo el material de empaque fuera del alcance de los niños y retírelo y deséchelo de forma adecuada.
- No toque ni maneje el producto con las manos mojadas.
- Para evitar descargas eléctricas o incendios, mantenga a los animales u otros objetos extraños fuera del alcance del producto.
- Si escucha ruidos raros, percibe olores extraños o detecta humo saliente del producto, desenchúfelo de inmediato.
- No coloque objetos pesados o peligrosos en el producto, dentro de este o a su alrededor.
- Para evitar descargas eléctricas, incendios o la muerte, no arregle ni reemplace ninguna pieza de este producto como tampoco intente realizarle algún tipo de mantenimiento; excepto que esté específicamente detallado en este manual o en una publicación de instrucciones de reparación para el usuario.
- Quite sus efectos personales (dispositivos eléctricos, encendedores, cajas de fósforos, etc.) de los bolsillos.
- Para evitar incendios o explosiones, no seque prendas que ya estén secas, lavadas, en remojo ni manchadas con gasolina, solventes para lavar en seco, aceites de cocina u otras sustancias inflamables o explosivas.
- El producto no está destinado al uso de personas (incluidos niños) con capacidades físicas, sensoriales o mentales reducidas, o faltas de conocimiento y experiencia, a menos que cuenten con la formación pertinente sobre el uso del producto o la supervisión de una persona responsable de su seguridad.
- Antes de desecharlo, quite la puerta del compartimento de secado y corte el enchufe para evitar su reutilización.
- No toque ni desarme el tomacorriente del producto. En caso de una pérdida de gas, asegúrese de ventilar el lugar y comuníquese de inmediato con el centro de servicio de Samsung.
- Para evitar el daño del panel de vidrio, asegúrese de que el frente esté siempre protegido.
- Para evitar lesiones físicas o daños materiales, no camine sobre las puertas del tanque.
- No coloque las manos, los pies, otras partes del cuerpo ni objetos metálicos debajo del producto.
- No utilice otros productos para secar el interior. No utilice velas para sacar olores del interior.
- No abra la puerta mientras funciona el producto. Si abre la puerta mientras está en funcionamiento, esto afectará su rendimiento y puede causar problemas de condensación en el piso.
- No beba el agua de los tanques de suministro o de drenaje.
- Limpie el filtro de pelusas antes y después de cada carga.
- No utilice suavizantes de tela ni otros productos para eliminar la estática, excepto recomendación del fabricante de dichos artículos.

CONSERVE ESTAS INSTRUCCIONES

Información de seguridad

- Mantenga las manos alejadas de las áreas puntiagudas. Si los niños se encuentran cerca, actúe con precaución al cerrar la puerta.
- No utilice el producto para secar prendas que contengan espuma de caucho u otros productos de textura gomosa.
- Para evitar daños en el producto, ruidos excesivos o incendios, no coloque objetos en la boquilla de vapor.
- Durante su funcionamiento, no coloque las manos ni el cuerpo cerca de la boquilla de vapor. El vapor caliente puede provocar lesiones.
- No abra la puerta mientras se encuentra en funcionamiento. Las altas temperaturas internas pueden causar lesiones.
- Si apareciera un problema durante el proceso de vapor, detenga el producto inmediatamente y retire todas las prendas. Si las prendas no se retiran de forma inmediata, tomarán humedad y esto provocará daños a la ropa o a su aroma.
- Antes de colocar la ropa, asegúrese de que todos los compartimentos se encuentren vacíos.
- Contiene gases fluorados de efecto invernadero.
Equipo sellado herméticamente.
No libere gases a la atmósfera.
 - Refrigerante (Tipo): R-134a (GWP = 1430)
 - Refrigerante (Cargando): 0.15 kg, 0.214 tCO₂e

Advertencias con respecto a la electricidad

ADVERTENCIA

- Quite periódicamente con un paño seco todas las sustancias extrañas, por ejemplo, el polvo o el agua de las terminales de enchufe y los puntos de contacto.
- Desconecte el enchufe y límpielo con un paño seco.
- Para evitar el riesgo de descargas eléctricas, siempre desenchufe el producto antes de su desarmado o reparación.
- No tire del cable de alimentación al desconectar el enchufe. Para poder desconectarlo, jale con fuerza.
- Para evitar descargas eléctricas, no utilice un cable prolongador.
- Tampoco use un cable de alimentación o enchufe dañado. No intente arreglar, desarmar o modificar el cable de alimentación o el enchufe. En caso de necesitar alguna reparación, comuníquese con su centro de servicio de Samsung más cercano.
- Enchufe el cable de alimentación en un tomacorriente que cumpla con las especificaciones eléctricas locales. Utilice el tomacorriente solo para este electrodoméstico, y no utilice un cable prolongador.
- Al trasladar el producto, asegúrese de que siempre esté protegido el cable de alimentación.
- Para evitar descargas eléctricas, incendios, lesiones graves, daños materiales o la muerte, conecte el producto a un tomacorriente a tierra adecuado. Asegúrese de que el tomacorriente de la pared y el circuito estén revisados por un electricista calificado.
- El producto debe contar con un cable que tenga un conductor de conexión a tierra y un enchufe a tierra. El enchufe debe conectarse firmemente a un tomacorriente que esté instalado de manera correcta y que disponga de conexión a tierra, de acuerdo con los códigos y ordenanzas locales.

CONSERVE ESTAS INSTRUCCIONES

- El producto debe disponer de conexión a tierra. En el caso de fallas o averías, la conexión a tierra reducirá el riesgo de sufrir descargas eléctricas, ya que le ofrece una ruta de menor resistencia a la corriente eléctrica.
- Antes de su utilización, asegúrese de que haya un tomacorriente a tierra de uso exclusivo para este producto. El dueño es el responsable de reemplazar el tomacorriente estándar de 2 clavijas con conexión a tierra por uno de 3.
- Para evitar descargas eléctricas, conecte correctamente el producto a tierra de modo que se cumpla con todos los códigos y ordenanzas. Siga la instrucciones del manual del usuario.
- Se debe conectar el producto a su propio tomacorriente individual con una capacidad de voltaje que coincida con la placa de datos. De este modo, se obtiene un mejor rendimiento y se evita la sobrecarga de los circuitos de cableado del hogar, lo que podría provocar un riesgo de incendio debido al sobrecalentamiento del cableado.
- Conéctelo a un circuito eléctrico con la correcta clasificación, protección y dimensión para evitar una sobrecarga eléctrica. Un circuito eléctrico inadecuado se puede fundir, y esto puede provocar descargas eléctricas o incendios.
- Bajo ninguna circunstancia, corte o quite las clavijas a tierra del cable de alimentación. Para evitar lesiones personales o daños materiales, el cable eléctrico de alimentación debe estar conectado a un tomacorriente a tierra adecuado.
- No utilice un tomacorriente múltiple que no disponga de una conexión a tierra adecuada (portátil). Cuando se utiliza el tomacorriente adecuado, use un solo producto con la capacidad actual de 15 A o una superior. Si no cumple esta medida, es probable que haya descargas eléctricas o incendios debido al calentamiento del tomacorriente múltiple. Se puede cortar la electricidad durante el funcionamiento del disyuntor.
- Se debe conectar el producto a un sistema de cableado permanente y de metal con conexión a tierra o debe ejecutarse un conductor de conexión a tierra con los conductores del circuito y conectarse a la terminal de conexión a tierra o directamente al electrodoméstico. Es posible la presencia de descargas eléctricas si el producto no dispone de una conexión a tierra adecuada.
- Una conexión inadecuada del conductor de conexión a tierra puede provocar descargas eléctricas. Si tiene dudas acerca de si el producto dispone de una conexión a tierra adecuada, hágalo revisar por un electricista calificado o técnico de servicio.

CONSERVE ESTAS INSTRUCCIONES

Información de seguridad

Precauciones de instalación

ADVERTENCIA

- Instale el producto solamente en un lugar con un piso estable. No lo instale en lugares propensos a la vibración o donde pueda caerse, como por ejemplo, en barcos o aviones. Comuníquese con el centro de servicio de Samsung si tiene dudas acerca del lugar de instalación.
- Tampoco instálelo en lugares con exposición al clima o a temperaturas bajo cero. Si se traslada el producto o está expuesto a esas temperaturas, permita que se caliente antes de la instalación.
- Para evitar descargas eléctricas, incendios, lesiones graves, daños materiales o la muerte, no lo instale en lugares húmedos (por ejemplo, el baño o un sauna).
- Para evitar incendios, humo o daños materiales, tampoco instálelo cerca de otras fuentes de calor (por ejemplo, la estufa o el calefactor).
- Para evitar incendios, humo o daños materiales, no coloque velas u otros artículos inflamables sobre el producto o a su alrededor.
- Para evitar lesiones físicas o daños materiales, comuníquese con el centro de servicio de Samsung antes de trasladar el producto.
- Instálelo en un lugar donde se pueda colocar fácilmente el enchufe. Para evitar descargas eléctricas o incendios, desenchufe el producto cuando no lo utilice.
- Si se inundó el lugar de instalación, no se acerque al producto y comuníquese de inmediato con el centro de servicio de Samsung.
- Para evitar incendios, humo o daños materiales, quite la lámina protectora del producto.
- Para evitar daños en el producto o lesiones físicas, este debería moverse con la ayuda de 2 personas como mínimo.

Precauciones de limpieza

ADVERTENCIA

- Para evitar descargas eléctricas, no utilice objetos punzantes para su funcionamiento o limpieza.
- No rocíe agua directamente sobre el producto cuando lo limpia.
- No utilice agentes de blanqueamiento en su parte exterior. Pueden decolorarlo.
- Séquelo con un paño seco después de su utilización.
- Luego de utilizar el producto, limpie su interior con un paño seco.
 - La contaminación del producto debido, entre otros, a cabellos largos, polvo o gotas de agua que se forman en su interior, pueden producir manchas.
- Si se han acumulado contaminantes (como detergente, suciedad, restos de alimentos, etc.) en el producto o en los accesorios, desenchufe el cable de alimentación y limpie la zona contaminada con un paño suave y húmedo.
 - No exponga el producto o los accesorios a agentes de limpieza o blanqueamiento ni los aplique sobre el producto o los accesorios.
 - De lo contrario, podrían producir decoloración, deformación, daños u óxido.

CONSERVE ESTAS INSTRUCCIONES

Antes de comenzar

Instalación

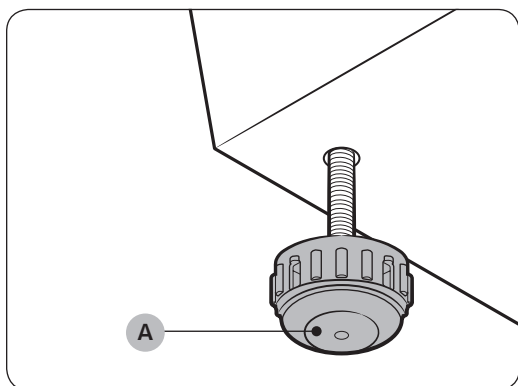
Instale el producto de acuerdo con las instrucciones de este manual y los códigos locales.

Instalación del producto

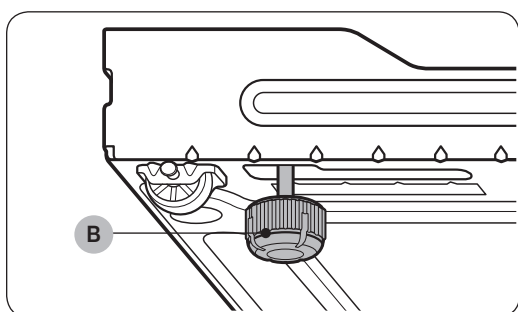
1. Elija un lugar nivelado y sólido con un espacio adecuado para las distancias siguientes:

Parte superior	25 mm
Laterales	14 mm
Parte trasera	15 mm

- Si no se cumplen las distancias mínimas, el rendimiento disminuirá debido a la mala ventilación y esto puede causar problemas de condensación en la parte exterior del producto.
- No instale el producto bajo la luz solar directa o en lugares muy fríos o calientes. La temperatura ambiente debe rondar entre los 10 °C y los 35 °C. Si es muy alta o muy baja, es probable que el producto no funcione con normalidad o que disminuya el rendimiento.



2. Gire las **patas niveladoras (A)** hacia la derecha o la izquierda para regular la altura del producto hasta que quede nivelado.

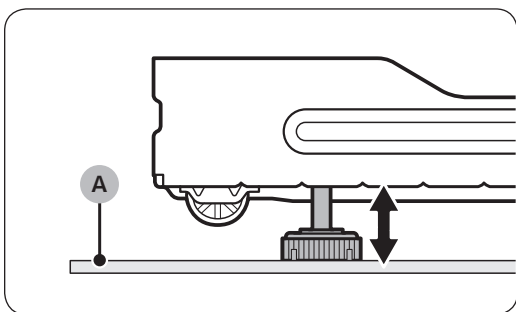
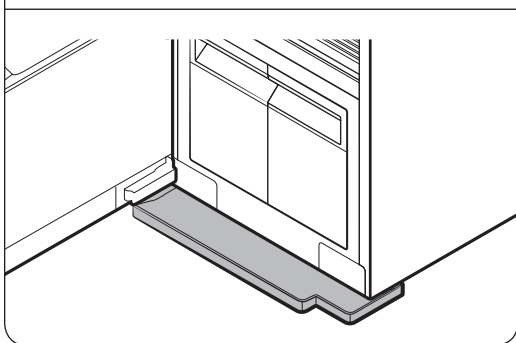
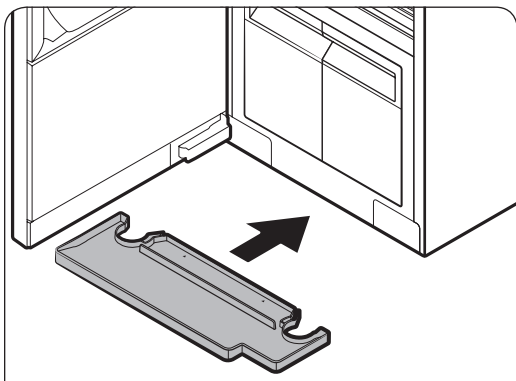


NOTA

Si el producto se tambalea o si desea elevar la altura de la parte trasera, coloque las **patas niveladoras (B)** traseras provistas en los laterales inferiores traseros del producto.



Antes de comenzar



3. Inserte la bandeja de agua tal como se muestra en las imágenes.
 - Asegúrese de que la parte marcada como 'TOP' esté boca arriba.

NOTA

Si coloca el AIRDRESSER sobre una **alfombra (A)**, es posible que no pueda insertar la bandeja. En este caso, coloque las patas niveladoras traseras provistas en la parte inferior trasera del AIRDRESSER para levantarlo de la **alfombra (A)** y, luego, inserte la bandeja.

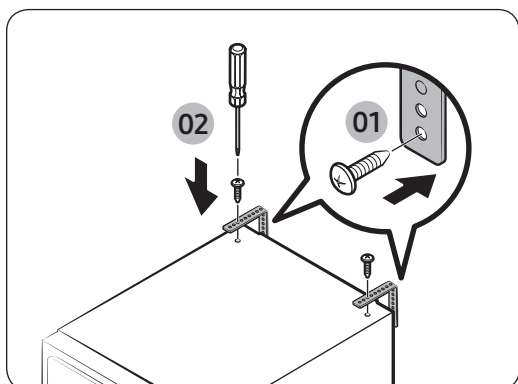
4. Enchufe el producto a un tomacorriente conectado a tierra de 120 V / 60 Hz.
 - Si no tiene tomacorrientes conectados a tierra, comuníquese con un centro de servicio de Samsung para conocer métodos alternativos para realizar la conexión a tierra del producto.

NOTA

- Luego de instalar el producto, debe esperar al menos 2 horas para poder usarlo.
- El producto consume más agua en el primer uso. Es probable que tenga que llenar el tanque de suministro más de una vez.
- La conexión del cable de alimentación a un tomacorriente múltiple provoca una caída de voltaje que podría ocasionar operaciones anormales.



Fijación del AIRDRESSER con la correa antivuelco (opcional)



Es posible que el AIRDRESSER se caiga si se lo golpea o se lo vuelca por acción de una fuerza externa. De ser necesario, utilice la correa antivuelco para fijar el AIRDRESSER y evitar que se caiga. (Consulte la figura).

⚠ PRECAUCIÓN

Debe desenchufar el producto antes de fijar el AIRDRESSER con la correa antivuelco.

📄 NOTA

- Utilice el tornillo provisto para fijar la correa antivuelco a la pared.
- Utilice los tornillos ajustados en la parte superior del AIRDRESSER para fijar la correa antivuelco al AIRDRESSER.

Configuración del idioma

Cuando encienda el producto por primera vez luego de la instalación, aparecerá la pantalla de selección de idioma en el panel de control. Siga las instrucciones para seleccionar el idioma.

1. Presione < o > para seleccionar el idioma.
2. Mantenga presionado ▷|| para guardar el idioma seleccionado.

📄 NOTA

- Es posible que en algunos países no se pueda aplicar la configuración de idioma.
- Para cambiar el idioma más adelante, mantenga presionados < y > durante 3 segundos y, luego, siga las instrucciones anteriores.

Encendido del Wi-Fi (solo para modelos de red)

Al encender el Wi-Fi se consume más energía. En un entorno en el que el Wi-Fi se activa con frecuencia, el consumo de energía real puede superar los valores que figuran en la sección de la hoja de especificaciones.

1. Presione ⏻ para encender el AIRDRESSER.
2. Mantenga presionado **Smart Control**.
 - a. El AIRDRESSER ingresa al modo AP y se conecta a su teléfono inteligente.
 - b. Presione **Smart Control** para autenticar el AIRDRESSER.
 - c. Una vez completado el proceso de autenticación, el AIRDRESSER se conecta correctamente a la aplicación.

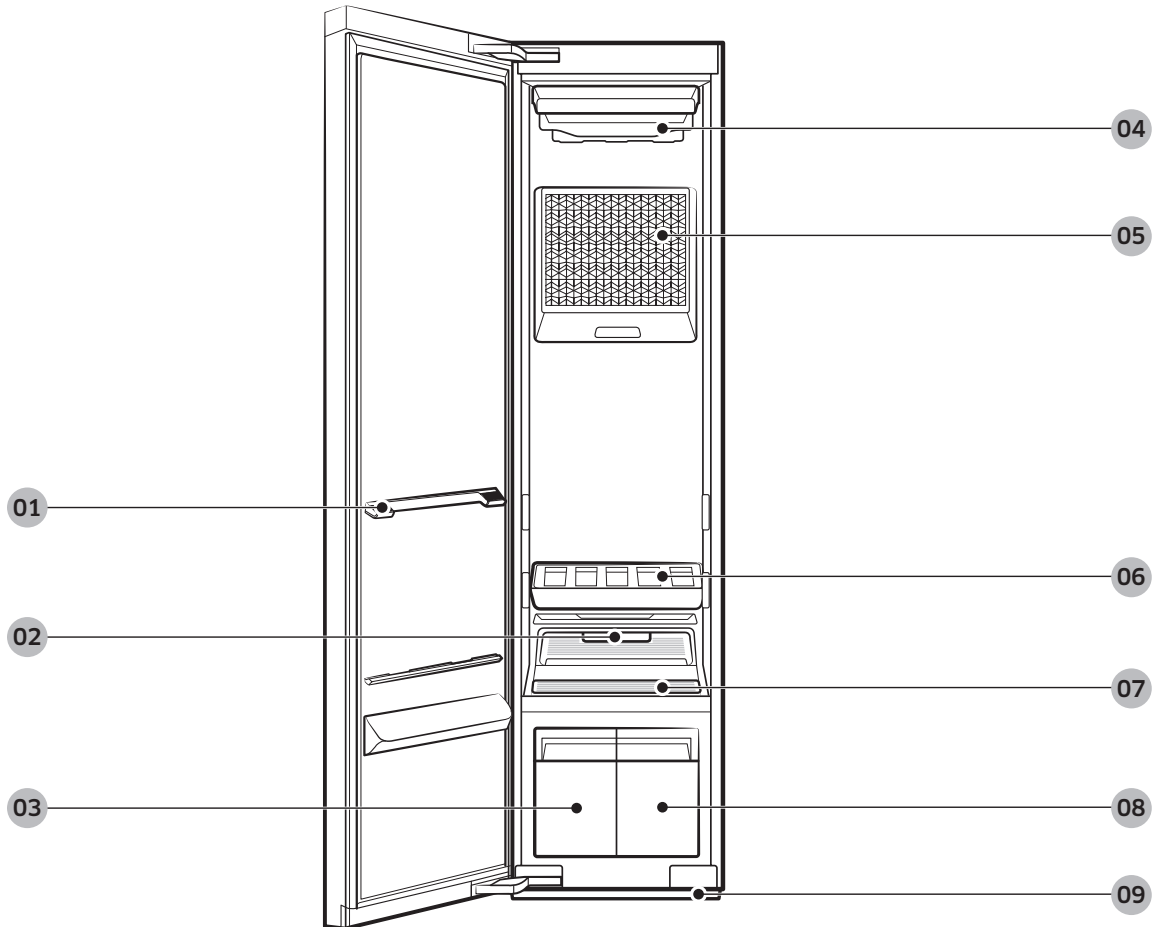
📄 NOTA

Puede mantener presionados **Sanitize (Desinfectar)** y **Smart Control** simultáneamente durante 3 segundos para entrar a la pantalla de Wi-Fi y, luego, presionar ▷|| para desconectar o volver a conectar el Wi-Fi.

Antes de comenzar

Español

Descripción general del producto



01 Sostén del estante

02 Fresh Finish™

03 Tanque de drenaje

04 Abertura de ventilación

05 Filtro de aire

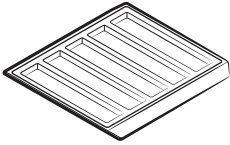
06 Estante

07 Filtro de pelusas

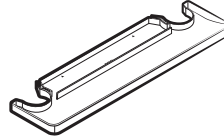
08 Tanque de llenado

09 Bandeja de agua

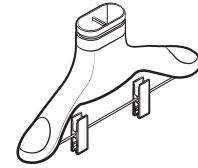
Accesorios



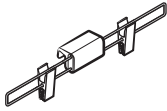
Estante



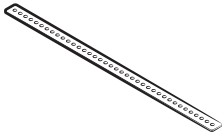
Bandeja de agua



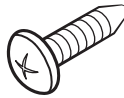
Percha con aire

Conjunto de pesas
(solo modelos aplicables)Conjunto de perchas comunes
(solo modelos aplicables)

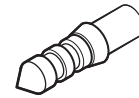
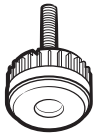
Manual del usuario



Correa antivuelco



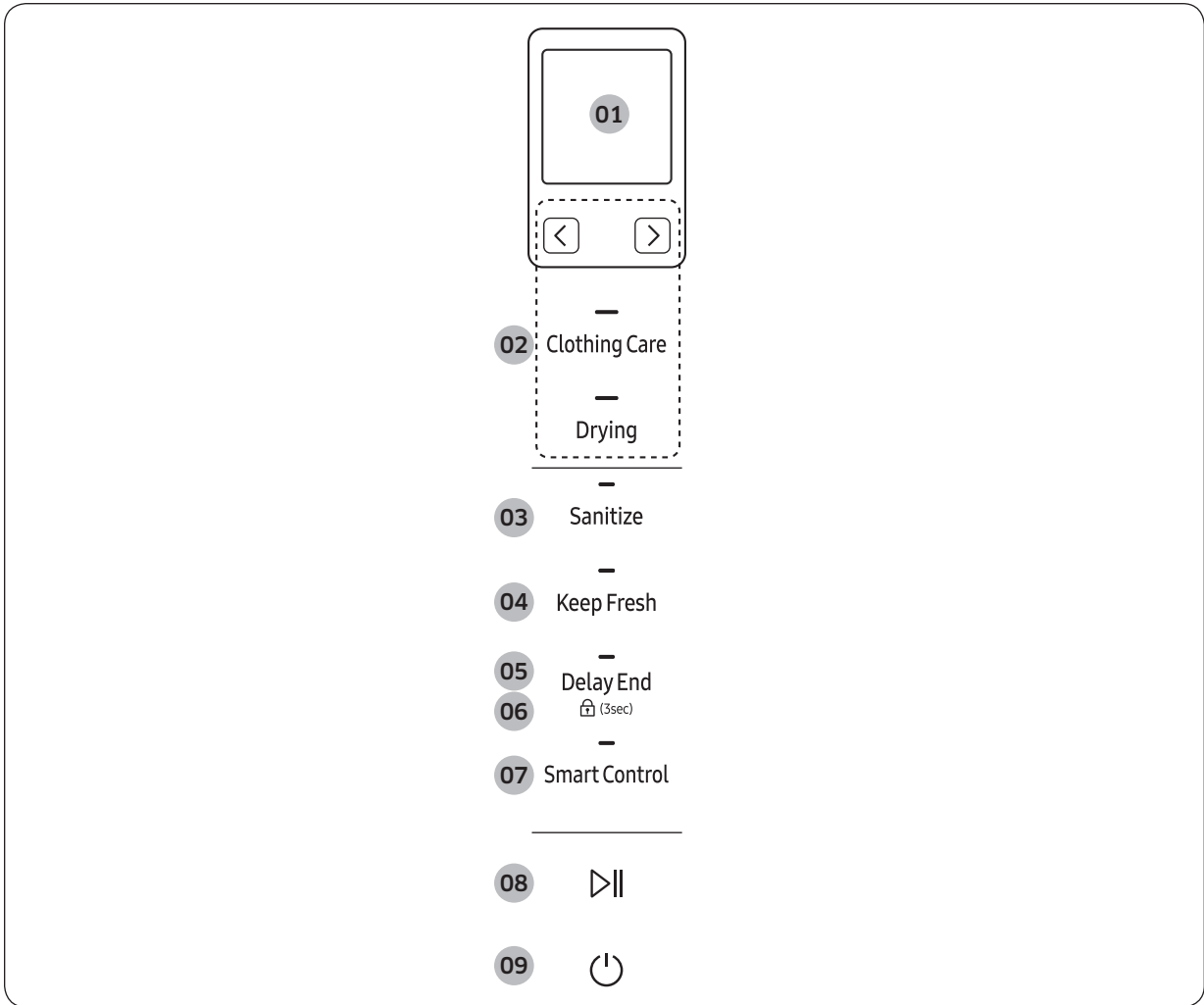
Tornillo (para correa antivuelco)

Anclaje roscado (para correa
antivuelco)

Patillas niveladoras traseras




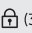



Antes de comenzar

Panel de control



01 Pantalla

- Muestra el ciclo elegido y el tiempo estimado restante.
- El ícono **AI** aparece en el extremo superior izquierdo de la pantalla en los tres ciclos recomendados.

02 Ciclos	Clothing Care (Cuidado de la ropa) Puede seleccionar el ciclo de Clothing Care (Cuidado de la ropa) deseado. Presione este botón y, luego, < o > para seleccionar el ciclo específico que desee utilizar.
	Drying (Secado) Puede seleccionar el ciclo de Drying (Secado) deseado. Presione este botón y, luego, < o > para seleccionar el ciclo de Secado deseado.
 NOTA Para obtener más información sobre los ciclos, consulte la página 18.	
03 Sanitize (Desinfectar)	<ul style="list-style-type: none"> • Use esta función para desinfectar las prendas más exhaustivamente. • Esta opción está disponible para los ciclos Uniforme escolar, Jeans, Ropa de bebé, Ropa de cama, Juguetes, Cuidado diario.
04 Keep Fresh (Mantener Fresco)	<p>Presione para activar o desactivar Keep Fresh (Mantener Fresco). Puede mantener las prendas frescas si no podrá sacarlas inmediatamente después de que finalice un ciclo.</p>  NOTA <ul style="list-style-type: none"> • Keep Fresh (Mantener Fresco) permanece activado hasta 24 horas después de terminado un ciclo. • Si apaga el producto o abre las puertas, Keep Fresh (Mantener Fresco) se desactivará. • Cuando está activado Keep Fresh (Mantener Fresco), la pantalla se apagará para ahorrar energía.
05 Delay End (Final diferido)	<p>Presione para activar Delay End (Final diferido) y, luego, presione < o > para aumentar el tiempo de finalización (de 1 a 24 horas).</p>  NOTA <ul style="list-style-type: none"> • Cuando está activado Delay End (Final diferido), la pantalla se apagará para ahorrar energía. • Es probable que algunos tiempos de finalización no estén disponibles según el ciclo elegido. • Según las prendas y el ambiente, el tiempo de finalización real puede diferir del configurado.
06 Seguro para niños  (3sec)	<p>Mantenga presionado durante 3 segundos para activar o desactivar el Seguro para niños. Seguro para niños desactiva todos los botones excepto .</p>  NOTA Seguro para niños permanecerá activado hasta que lo desactive.
07 Smart Control	<p>Presione para activar o desactivar Smart Control. Para obtener más información sobre Smart Control, consulte la página 24.</p>
08 Iniciar/Pausar 	<p>Presione para iniciar o pausar el producto.</p>



Antes de comenzar

09 Encender/Apagar 	Presione para encender o apagar el producto.
--	--

Descripción general de ciclos

Ciclos para el cuidado de la ropa

Ciclo	Descripción
Cuidado diario	Para refrescar sus prendas de uso diario.
Uniforme escolar	Para los uniformes escolares que no se puedan lavar o secar diariamente.
Jeans	Para refrescar prendas de jean sin preocuparse por el desteñido.
Ropa de bebé	Para refrescar y desinfectar prendas de bebé.
Ropa de cama	Para refrescar y desinfectar ropa de cama liviana.
Juguetes	Para refrescar y desinfectar juguetes que no se pueden lavar en lavadora.
Prendas de invierno	Para abrigos hechos con mezcla de lana. <ul style="list-style-type: none"> • Siga todas las indicaciones de las etiquetas de cuidado de las prendas. • Para obtener un mejor resultado, úselo para una única prenda por ciclo.
Prendas de lana	Para prendas de lana o de tejido. <ul style="list-style-type: none"> • Para evitar que las prendas se deformen, pliéguelas con cuidado y póngalas en el estante.
Traje	Para refrescar trajes de lana. <ul style="list-style-type: none"> • Coloque el saco en la abertura de ventilación del centro y el pantalón en la abertura derecha. Para obtener un mejor resultado, utilice el conjunto de pesas.
Prendas de pluma	Para volver a darle un aspecto esponjoso a chaquetas pesadas y con relleno que se guardaron por mucho tiempo. <ul style="list-style-type: none"> • Para evitar el bloqueo de la circulación del aire, cuelgue solo una prenda en la abertura de ventilación del centro.
Ropa impermeable	Para prendas de uso al aire libre o deportivas.
Delicado	Para prendas delicadas como chifón, encaje y prendas con decoraciones. <ul style="list-style-type: none"> • Utilice este ciclo para telas de rayón.
Rápido	Para refrescar prendas con poco olor y arrugas rápidamente.
Blusas	Para refrescar blusas o vestidos de verano (como vestidos sin mangas, vestidos de manga corta con tela fina).
Prendas de piel	Quita la humedad y el polvo de las prendas de piel y de cuero. <ul style="list-style-type: none"> • El ruido de funcionamiento puede ser mayor durante este ciclo. • Siga todas las indicaciones de las etiquetas de cuidado de las prendas. • Para obtener un mejor resultado, úselo para una única prenda. • Asegúrese de que las prendas de piel estén secas antes de utilizar este ciclo.
Accesorios	Para accesorios como sombreros y guantes, etc.



Ciclo	Descripción
Desinfección de máscaras	Para refrescar y desinfectar máscaras desechables.
Autolimpieza	Para limpiar de manera automática el interior del producto. <ul style="list-style-type: none"> • Asegúrese de que se encuentre vacío. • Para un mejor resultado y una limpieza óptima, no detenga el ciclo ni abra la puerta antes de que se complete Autolimpieza. • Este ciclo no elimina el moho.

Ciclos de secado

PRECAUCIÓN

No utilice ninguno de los siguientes tipos de tela para los ciclos de Drying (Secado).

- Cuero, piel, plumas, seda, terciopelo.
- Prendas que contengan goma o esponja.
- Prendas hechas con lana, tejidos hidrófugos, o con tejidos de seda o cáñamo.
- Mantas cuya piel exceda un largo de 1 cm, mantas de lana, alfombras, colchones.
- Lencería con moños, pantimedias, medias.

NOTA

El resultado del secado puede variar según el grosor de las prendas.

Ciclo	Descripción
Secado IA	El AIRDRESSER configura el tiempo de secado de las prendas automáticamente. <ul style="list-style-type: none"> • Si utiliza el Secado IA, el tanque de drenaje se llenará rápidamente. • Es probable que el Secado IA no seque por completo las prendas muy mojadas ni tampoco las grandes o voluminosas. Si no se secan, ejecute el ciclo nuevamente.
Rápido	Para secar prendas livianas, como camisas, rápidamente.
Blusas	Para prendas delicadas como chifón, encaje y prendas con decoraciones. Utilice este ciclo para prendas hechas con rayón.
Prendas de pluma	Para secar y volver a darle un aspecto esponjoso a chaquetas pesadas y con relleno. <ul style="list-style-type: none"> • Para evitar el bloqueo de la circulación del aire, cuelgue solo una prenda en la abertura de ventilación del centro.
Secado con temporizador (1/2/3)	Puede configurar el tiempo de secado deseado para las prendas. <ul style="list-style-type: none"> • Es probable que el Secado con temporizador no seque por completo las prendas muy mojadas ni tampoco las grandes o voluminosas. Si no se secan, ejecute el ciclo nuevamente.
Zona de cuidado (2/4)	Para deshumidificar el área circundante. Puede elegir 2 o 4 horas. <ul style="list-style-type: none"> • Asegúrese de que el producto esté vacío al usar Zona de cuidado. • La temperatura interior puede aumentar.



Antes de comenzar

Guía sobre el cuidado de las telas

- Las telas requieren distintos tipos de cuidados según su procesamiento y terminación. Esta guía de cuidado de telas se ofrece solo a modo de referencia ya que no abarca todos los materiales. Asegúrese de verificar las etiquetas de cuidado de las prendas antes de utilizar el AIRDRESSER a fin de evitar cualquier daño.
- No coloque prendas que destiñan, sean sensibles al calor o que no sean aptas para el lavado con agua en los ciclos de Clothing Care (Cuidado de la ropa) o Sanitize (Desinfectar). Realice la prueba de la mancha de agua sobre un lugar pequeño y discreto (costura interna) de la prenda para determinar si la tela destiñe. Para obtener ayuda, consulte al fabricante de la prenda, a un profesional de la limpieza en seco o una guía de cuidado de telas más detallada.

Categoría de ciclos

Consulte la siguiente tabla para verificar los ciclos específicos incluidos en cada categoría señalada en la tabla de guía de cuidado de telas.

Categoría	Ciclos
Ciclo de Clothing Care (Cuidado de la ropa)	Cuidado diario, Rápido, Prendas de lana, Prendas de pluma, Prendas de invierno, Blusas, Prendas de piel
Ciclos de Sanitize (Desinfectar)	Uniforme escolar, Jeans, Ropa de bebé, Ropa de cama, Juguetes, Desinfección de máscaras
Ciclos de Drying (Secado)	Secado IA, Rápido, Delicado, Blusas, Prendas de pluma, Secado con temporizador (1/2/3), Zona de cuidado (2/4)

Tabla de guía de cuidado de telas

Fibras naturales - fibras vegetales

Tela	Ciclos				Prendas/Comentarios
	Clothing Care (Cuidado de la ropa)		Sanitize (Desinfectar)	Drying (Secado)	
	Reducción de arrugas	Desodorización			
Algodón		●	●	●	Toallas, medias, ropa interior, jeans, ropa deportiva, camisetas, mantas Pueden quedar arrugas en las prendas 100% algodón. Si lo desea, puede planchar después de cada ciclo.
Lino, cáñamo, ramio		●	●	●	Ropa de verano, manteles Pueden quedar algunas arrugas. Asegúrese de que las prendas sean lavables/lavables a mano antes de utilizar los ciclos Clothing Care (Cuidado de la ropa) o Sanitize (Desinfectar). Coloque las prendas delicadas en un estante. No utilice prendas almidonadas.
Rayón	●	●		●	Forro de trajes, blusas, corbatas, pijamas

● = Posible / ✖ = Verificar etiqueta de cuidados



Fibras naturales - fibras animales

Tela	Ciclos				Prendas/Comentarios
	Clothing Care (Cuidado de la ropa)		Sanitize (Desinfectar)	Drying (Secado)	
	Reducción de arrugas	Desodorización			
Alpaca, pelo de camello, cachemir	×	×			Abrigos, trajes Coloque las prendas tejidas en un estante. La alpaca y el pelo de camello se encogen en agua caliente.
		×			Bufandas, prendas tejidas Coloque las prendas tejidas en un estante. La alpaca y el pelo de camello se encogen en agua caliente.
Prendas de piel, cuero					Abrigos, bufandas * Utilice el ciclo Prendas de piel solamente. El cuero debe ser 100% cuero natural (No cuero artificial)
Seda					Corbatas, moños, bufandas, blusas de seda La seda no es una tela apta para el AIRDRESSER.
Lana		×		●	Suéteres, prendas tejidas Coloque las prendas tejidas en un estante. Algunas prendas de lana se encogen cuando se lavan con agua caliente. Asegúrese de que las prendas sean lavables/lavables a mano antes de utilizar el ciclo Clothing Care (Cuidado de la ropa). * Se recomienda el ciclo Prendas de lana.
	●	●	×	●	Abrigos y chamarras, trajes Coloque las prendas tejidas en un estante. Algunas prendas de lana se encogen cuando se lavan con agua caliente. Asegúrese de que las prendas sean lavables/lavables a mano antes de utilizar los ciclos Clothing Care (Cuidado de la ropa) o Sanitize (Desinfectar). * Se recomiendan los ciclos Prendas de invierno o Traje.

● = Posible / × = Verificar etiqueta de cuidados

Antes de comenzar

Fibras artificiales

Tela	Ciclos				Prendas/Comentarios
	Clothing Care (Cuidado de la ropa)		Sanitize (Desinfectar)	Drying (Secado)	
	Reducción de arrugas	Desodorización			
Acetato	●	●	●	●	Forro de trajes, blusas, corbatas, pijamas
Acrílico	●	●	●	●	Ropa interior térmica, prendas tejidas Coloque las prendas en un estante.
Nailon	●	●	●	●	Medias, lencería Coloque las prendas en un estante.
	●	●	●	●	Ropa deportiva
Poliuretano	●	●	●	●	Ropa elástica (con menos de 5%) Si la prenda contiene más de 5% de poliuretano (p. ej. los trajes de baño), verifique la etiqueta de cuidados.
Poliéster	●	●	●	●	Prendas de uso al aire libre, ropa deportiva, camisetas, camisas, blusas

● = Posible / ✖ = Verificar etiqueta de cuidados

Tabla de cuidados para telas






La siguiente tabla contiene algunos de los símbolos que pueden ayudar a elegir las prendas aptas para el AIRDRESSER. El uso de símbolos garantiza la coherencia entre los fabricantes de prendas nacionales e importadas. Siga las instrucciones de la etiqueta de cuidado para maximizar la vida útil de la prenda y reducir los problemas de lavado.

NOTA









* : Puede utilizar el AIRDRESSER en algunas prendas en las que no se recomienda el lavado (como la piel o el cuero). Consulte la guía sobre el cuidado de las telas.

** : Utilice el tendedero para prendas con este símbolo en la etiqueta de cuidado de la tela.

Lavado

Símbolo	Significado	Uso de AIRDRESSER	
	Ciclos de lavado a máquina	Normal	0
		Plancha permanente	0
		Ropa delicada	0
	No lavar	0*	
	Lavado a mano	0	

Secado en secadora

Símbolo	Significado	Uso de AIRDRESSER	
	Ajuste de calor para secado en secadora	Sin calor	X
		Baja	0
		Media	0
		Alta	0
	Ciclos de secado en secadora	Normal	0
		Plancha permanente	0
		Ropa delicada	0
	No secar en secadora	0	

NOTA

- Los puntos indican el nivel de secado de la secadora.
- Las líneas indican el tipo y lugar del secado.



Antes de comenzar

Secado

Símbolo	Significado	Uso de AIRDRESSER
	Tender	0
	No retorcido	0
	Secar en plano	0**
	Secar a la sombra	0
	No secar	X

Smart Control

Conexión Wi-Fi

- Los métodos de cifrado que se recomiendan son: WPA/TKIP y WPA2/AES. No se admiten los nuevos protocolos desarrollados de Wi-Fi o los que no estuvieren aprobados.
- La sensibilidad de recepción de una red inalámbrica puede verse afectada por los entornos con conexión inalámbrica circundantes.
- Si su proveedor de Internet registró la dirección MAC de su computadora o el módulo del módem para su uso permanente, es probable que exista una falla en la conexión de Internet de su Samsung AIRDRESSER. Si es así, comuníquese con su proveedor de Internet.
- El cortafuegos de Internet puede interrumpir su conexión. Si es el caso, comuníquese con su proveedor de Internet.
- Si persiste la falla de Internet luego de seguir las instrucciones de su proveedor, comuníquese con un minorista o un centro de servicio de Samsung local.

Descargar la aplicación

En algún mercado de aplicaciones (Google Play Store, Apple App Store, Samsung Galaxy Apps), busque la aplicación SmartThings y, luego, descárguela e instálela en su dispositivo.

NOTA

- Es probable que SmartThings no sea compatible con algunas tabletas o teléfonos inteligentes.
 - El sistema operativo que se recomienda de Android OS es el 6.0 o uno superior (con un mínimo de 2 GB o RAM).
 - Las resoluciones de pantalla que se admiten para Android son: 1280 x 720 (HD), 1920 X 1080 (FHD), 2560 x 1440 (WQHD).
 - El sistema operativo que se recomienda de iOS es el 10.0 o uno superior (el modelo de iPhone debe ser 6 o uno superior).
 - Las resoluciones de pantalla que se admiten para los dispositivos Apple son: 1334 X 750, 1920 x 1080.
- La aplicación está sujeta a cambios sin previo aviso con el fin de mejorar su rendimiento.



Iniciar sesión

Inicie sesión en SmartThings con su cuenta de Samsung. Para crear una nueva cuenta de Samsung, siga las instrucciones de la aplicación. No necesita otra aplicación para la creación de la cuenta.

NOTA

Si tiene una cuenta de Samsung, úsela para iniciar sesión. El usuario cuyo teléfono inteligente Samsung ya esté registrado, inicia sesión automáticamente.

Registrar su electrodoméstico en SmartThings

1. Asegúrese de que su teléfono inteligente esté conectado a una red inalámbrica. Si no es así, diríjase a **Settings (Configuración)**, encienda la conexión inalámbrica y, luego, seleccione un PA (Punto de acceso).
2. Abra **SmartThings** en su teléfono inteligente.
3. Si aparece el mensaje “**A new device is found. (Se encontró un nuevo dispositivo.)**”, seleccione **Add (Añadir)**.
4. Si no aparece ningún mensaje, seleccione **+** y, luego, su modelo de dispositivo dentro de la lista de dispositivos disponibles. Si su dispositivo no se encuentra en la lista, seleccione **Device Type (Tipo de dispositivo) > Specific Device Model (Modelo de dispositivo específico)** y, luego, añádalo de forma manual.
5. Siga las instrucciones que aparecen en pantalla para completar el registro.

Si se muda de la casa, le recomendamos que limpie bien el dispositivo y reinicie la red antes de dejarlo. Si se muda a la casa, la forma más fácil de tomar el control y eliminar el acceso del usuario anterior es agregarlo usted mismo a SmartThings. Pero si no planea usar SmartThings, debe restablecer la red para proteger su privacidad. En las propiedades de alquiler, hay un cambio regular de titularidad. Para garantizar la privacidad del residente, el Wi-Fi y/u otras configuraciones de conectividad deben restablecerse en cada cambio de residente. Consulte las instrucciones de restablecimiento a valores de fábrica en este manual.

Antes de comenzar

Descripción general de SmartThings

Categoría	Función	Descripción
Monitoreo	Cycle Status (Estado del ciclo)	Puede revisar el ciclo y las opciones actuales y el tiempo de ciclo restante.
	Smart Control	Se muestra el estado de Smart Control para el AIRDRESSER.
	Energy Monitoring (Monitoreo de energía)	Puede monitorear el estado del consumo de energía.
Control	Start (Iniciar) / Pause (Pausar) / Cancel (Cancelar)	Seleccione un ciclo y las opciones necesarias y, luego, seleccione Start (Iniciar) / Pause (Pausar) / Cancel (Cancelar) para iniciar, detener momentáneamente o cancelar la operación actual.
Notificación	Cycle Completed (Ciclo completo)	Le avisa que se completó el ciclo actual.
Las funciones del AIRDRESSER	Care Recipe (Fórmula de cuidado)	Seleccione los tipos de tela y las opciones y obtenga recomendaciones con respecto al ciclo más apropiado.
	My Closet (Mi armario)	Al introducir la información acerca de la ropa (por ejemplo, el tipo de tela), puede añadir sus prendas a la aplicación y obtener ciclos recomendados y un historial relativo al cuidado.
	Special Cycle Management (Manejo del ciclo especial)	Puede guardar hasta 9 ciclos y borrar o modificar su orden.
	HomeCare Manager (Administrador de HomeCare)	Obtenga consejos para mantener su AIRDRESSER en perfectas condiciones. Revise los patrones de uso del ciclo, el consumo de energía, y obtenga alertas acerca del mantenimiento del producto.

Anuncio de código abierto

El software que incluye este producto contiene software de código abierto. Para obtener el código abierto completo correspondiente para un periodo de tres años luego del último envío de este producto, envíe un correo electrónico a <mailto:oss.request@samsung.com>.

También es posible obtener este código en un soporte físico como un CD-ROM; se requerirá de un cargo mínimo.

La dirección URL siguiente http://opensource.samsung.com/opensource/SMART_AT_051/seq/0 conduce a la página de descarga del código abierto disponible y a la información de la licencia con respecto a este producto. Esta oferta es válida para cualquier destinatario de esta información.



NOTA

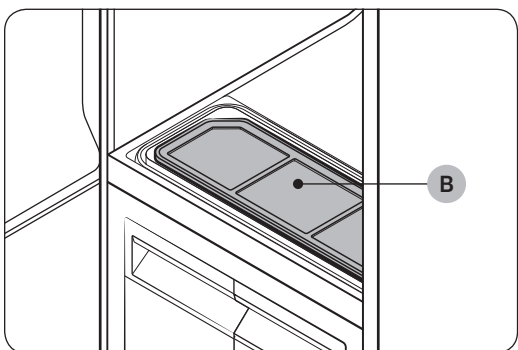
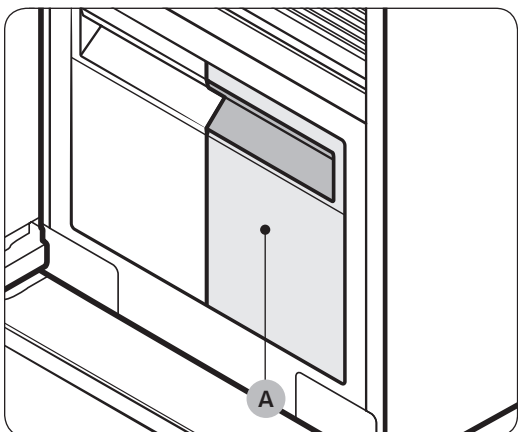
Por medio del presente manual, Samsung declara que este equipo radioeléctrico cumple con la Directiva 2014/53/EU y con los requisitos obligatorios respectivos del RU. El texto completo de la declaración de conformidad de la UE y del RU se encuentra disponible en la dirección de Internet siguiente: La Declaración de conformidad oficial se encuentra en <http://www.samsung.com>. Dentro del sitio, diríjase a Support > Support Home e ingrese el nombre del modelo.



Potencia máxima del transmisor del Wi-Fi: 20 dBm en 2.412 GHz – 2.472 GHz



Uso del producto y de los accesorios

Cómo ejecutar un ciclo



1. Asegúrese de que el **tanque de llenado (A)** esté lleno de agua.
2. Asegúrese de que el **filtro de pelusas (B)** esté limpio.
3. Introduzca las prendas tal como se indica en la sección **Uso de los accesorios**.
4. Presione .
5. Elija un ciclo.
 - Presione **Clothing Care (Cuidado de la ropa)** o **Drying (Secado)** y, luego, **< o >** para seleccionar el ciclo deseado.
6. Puede seleccionar opciones si es necesario.
 - Sanitize (Desinfectar), Keep Fresh (Mantener Fresco), Delay End (Final diferido).
7. Mantenga presionado  durante 3 segundos.



Indicaciones de uso

Antes de usar

- Este producto no puede utilizarse para limpiar las prendas. Para obtener un mejor resultado, lave y seque todas las prendas antes de utilizar el producto.
- Antes del uso, se recomienda lavar las prendas que tengan olores fuertes o aquellas que estuvieron guardadas por mucho tiempo.
- Separe las prendas según la intensidad del olor.
- Revise todas las indicaciones de las etiquetas de las prendas antes de utilizar el producto.
- Antes de colocar la ropa, asegúrese de que todos los compartimentos se encuentren vacíos.
- No use el producto como un armario.
- Es probable que no quite el pelo de mascotas.

Durante el uso

- Asegúrese de que las prendas no toquen la parte inferior del producto. De ser necesario, utilice el estante para lograr que no toquen esa parte.
- Es probable que se escuchen siseos durante el proceso de vapor.
- Si desea detener un ciclo antes de su finalización, asegúrese de ejecutar el ciclo de Drying (Secado).
- El tiempo de funcionamiento depende del ambiente y del tipo de prenda.
- Si se lo usa de manera consecutiva, es probable que el producto muestre un tiempo de funcionamiento distinto al que ocurrirá.
- No abra la puerta mientras el producto esté funcionando.

Después de usar

- La cantidad de arrugas que se eliminen puede variar según el tipo de tela.
- Retire las prendas de inmediato luego de terminado un ciclo. Si no puede hacerlo, use Delay End (Final diferido) o Keep Fresh (Mantener Fresco).
- Al retirarlas, sostenga las prendas y la percha.



Uso del producto y de los accesorios

Uso de los accesorios

Perchas con aire

Utilice las perchas con aire provistas para prendas como chaquetas, chaquetas deportivas y sacos blazer.

NOTA

- Asegúrese de que el interior y el exterior de las perchas estén limpios y libres de cuerpos extraños.
- No las utilice para tejidos, lana, lencería.
- Las longitudes máximas de las prendas deben ser 110 cm para partes superiores y 100 cm para partes inferiores.
- Según el tipo y el tamaño de la tela, es probable que se formen arrugas no deseadas en el cuello de las prendas.



Cómo utilizar las perchas con aire

1. Cuelgue las prendas en las perchas en la misma dirección.
 - Para evitar que se caigan las prendas, asegúrese de abrochar todos los botones y cerrar todas las cremalleras.
 - Asegúrese de que todas las prendas estén bien colgadas. Asegúrese de que los ganchos de la percha no sobresalgan hacia fuera.
2. Deslice las perchas en las aberturas de ventilación hasta escuchar un clic.
 - Asegúrese de que las perchas estén orientadas en la misma dirección.
 - Si las perchas con aire no se insertan correctamente en la abertura, es probable que se produzcan vibraciones y ruidos.

NOTA

Para obtener un mejor resultado, evite colgar prendas más largas desde la abertura del centro.

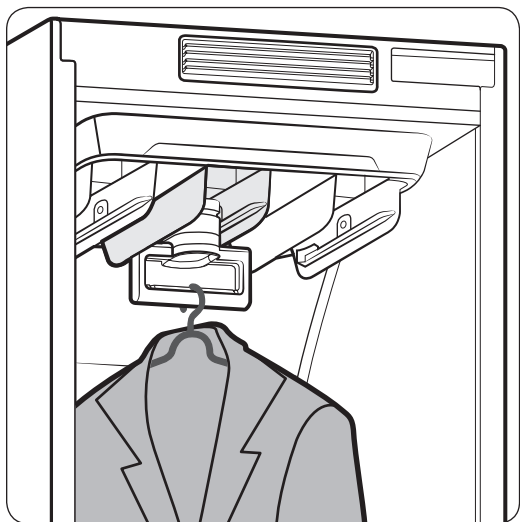
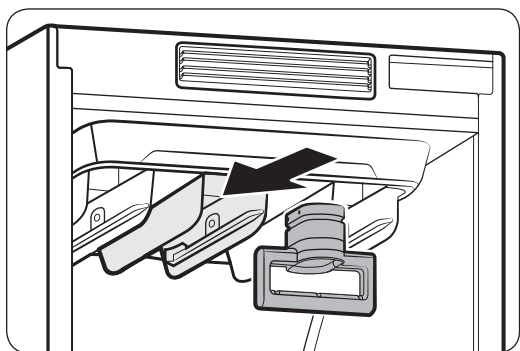


Conjunto de perchas comunes (solo modelos aplicables)

Puede usar este conjunto para colgar las prendas con perchas comunes. No obstante, para obtener un mejor resultado, es recomendable que utilice las perchas con aire.

NOTA

- Use perchas que no se deformen debido al calor.
- Asegúrese de que el interior y el exterior de las perchas estén limpios y libres de cuerpos extraños.
- No utilice perchas de plástico/silicona/lana o que contengan adhesivos.
- No utilice perchas que podrían oxidarse.



Cómo utilizar el conjunto de perchas comunes

1. Cuelgue las prendas en las perchas en la misma dirección.
 - Para evitar que se caigan las prendas, asegúrese de abrochar todos los botones y cerrar todas las cremalleras.
 - Asegúrese de que todas las prendas estén bien colgadas. Asegúrese de que los ganchos de la percha no sobresalgan hacia fuera.
2. Deslice el conjunto de perchas comunes en las aberturas de ventilación hasta escuchar un clic y, luego, cuelgue las perchas en el conjunto.
 - Asegúrese de que las perchas estén orientadas en la misma dirección.
 - Si el conjunto de perchas comunes no se inserta correctamente en la abertura, es probable que se produzcan vibraciones y ruidos.

NOTA

Para obtener un mejor resultado, evite colgar prendas más largas desde la abertura del centro.

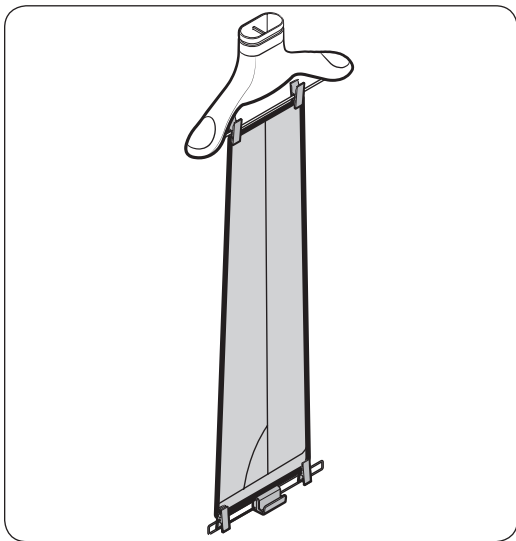


Uso del producto y de los accesorios

Conjunto de pesas (solo modelos aplicables)

NOTA

- Asegúrese de que los pantalones o el conjunto de pesas no toquen la parte inferior del producto.
- El largo máximo de los pantalones debe ser de 100 cm.



Cómo utilizar el conjunto de pesas

1. Abroche la parte inferior de los pantalones en la percha con aire.
2. Abroche el otro extremo de los pantalones en el conjunto de pesas.
3. Deslice la percha con aire en las aberturas de ventilación hasta escuchar un clic.

NOTA

Para arrugas más marcadas, extienda los pantalones moviendo los ganchos hacia afuera.

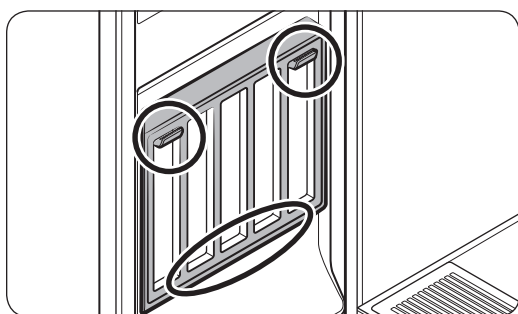
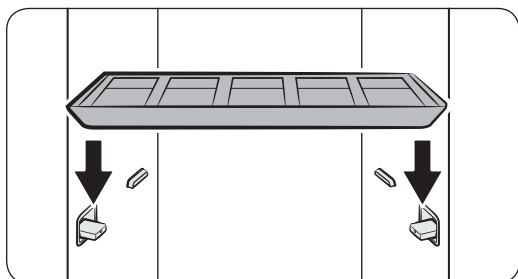
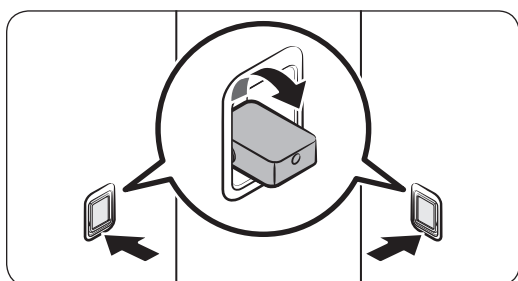


Estante

Utilice el estante provisto para las prendas que no pueden usarse con las perchas.

NOTA

- Coloque solamente ropa o accesorios de ropa. No coloque artículos pesados ni otro tipo de objetos.
- Asegúrese de que los niños no se sienten ni trepen el estante.
- Asegúrese de que las prendas no sobresalgan del frente, de la parte trasera, de los costados o de las rejillas del estante.
- No apile unas prendas sobre otras.



Cómo usar el estante

1. En las paredes laterales, presione la parte inferior de los soportes del estante para que salgan.
2. Coloque el estante en los soportes. Asegúrese de que las ranuras del estante se asienten con firmeza en el soporte.

NOTA

Es normal que haya un espacio entre los costados del estante y las paredes laterales.

Guarde el estante en la puerta si no lo utiliza. Coloque el estante en el soporte inferior y, luego, cuélguelo en los soportes superiores.

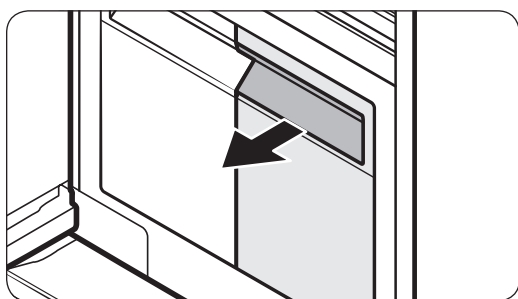


Uso del producto y de los accesorios

Tanque de llenado

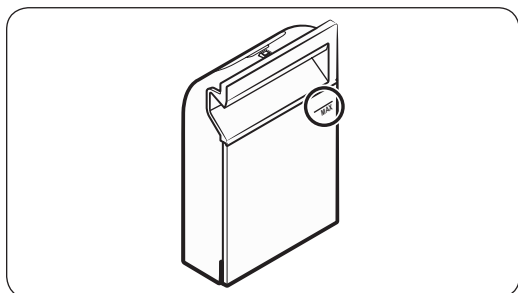
NOTA

- Antes de utilizar el producto, asegúrese de que haya agua en el tanque de llenado.
- El producto consume más agua en el primer uso.
- Se recomienda utilizar agua de filtro.
- Si no va a utilizar el producto por un periodo prolongado, vacíe el tanque de llenado.
- Un tanque lleno dura aproximadamente 4 ciclos.
- Llénelo solamente con agua. Si lo llena con otros líquidos, como detergente o suavizante de tela, puede causar problemas.
- No utilice el agua del tanque de drenaje para el tanque de llenado.



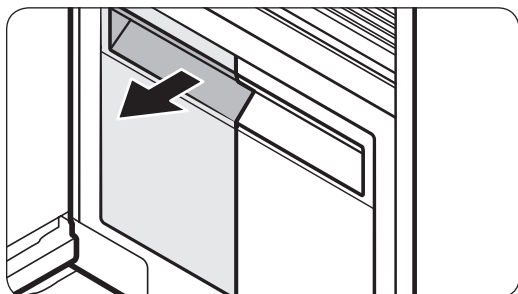
Cómo cargar el tanque de llenado

1. Saque el tanque de llenado.
2. Abra la cubierta trasera, llene hasta la línea **MÁX.**
3. Reinserte el tanque de llenado.



Tanque de drenaje

Antes de usar el producto o si no lo va a utilizar por un periodo prolongado, asegúrese de vaciar el tanque de drenaje.



Cómo vaciar el tanque de drenaje

1. Saque el tanque de drenaje.
2. Vacíelo.
3. Reinserte el tanque de drenaje.



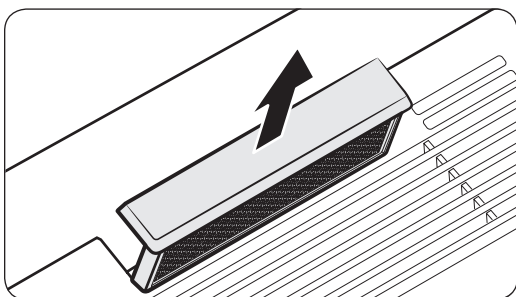
Fresh Finish™

Use el compartimento Fresh Finish™ para perfumar sus prendas limpias.

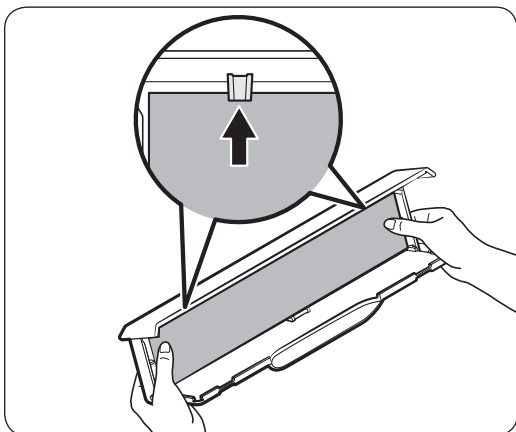
NOTA

- Coloque una hoja para secadora en el compartimento Fresh Finish™ o rocíe su perfume preferido 4 o 5 veces sobre una almohadilla de algodón y colóquela dentro del compartimento Fresh Finish™. La intensidad de la fragancia esparcida variará según lo que se utilice; es posible que la fragancia permanezca dentro del AIRDRESSER una vez finalizado el ciclo.
- Luego, extraiga la hoja para secadora o la almohadilla de algodón y deséchela.

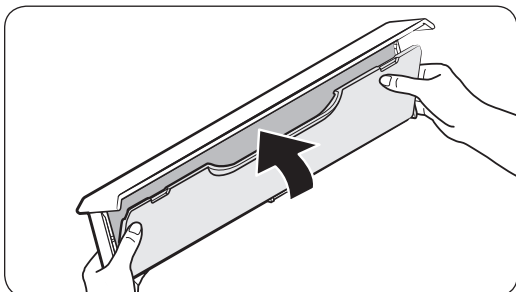
Cómo utilizar Fresh Finish™



1. Quite el compartimento Fresh Finish™ del interior del AIRDRESSER.



2. Coloque una hoja para secadora o una almohadilla de algodón perfumada en el compartimento Fresh Finish™.

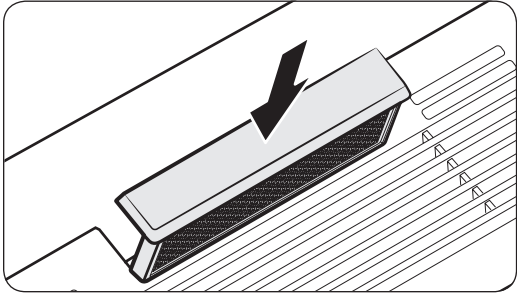


3. Cierre la cubierta hasta oír un clic.



Uso del producto y de los accesorios

Español



4. Colóquela nuevamente en el AIRDRESSER y ejecute el ciclo escogido.

NOTA

- Si utiliza una hoja para secadora o una almohadilla de algodón perfumada, es posible que la fragancia permanezca dentro del AIRDRESSER una vez finalizado el ciclo.
- Las hojas para secadora y las almohadillas de algodón no vienen incluidas con el AIRDRESSER.
- La eficacia del Fresh Finish™ no puede garantizarse ya que depende de lo que se utilice dentro del compartimento Fresh Finish™.

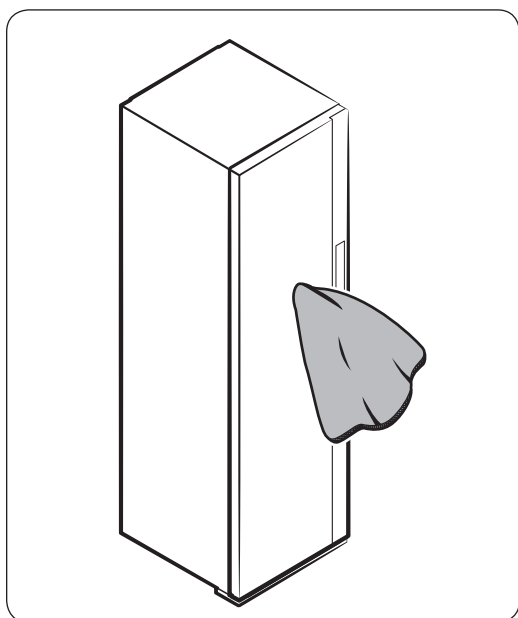


Limpieza y mantenimiento

PRECAUCIÓN

- Desenchufe el producto antes de limpiarlo.
- No utilice productos de limpieza abrasivos o inflamables.
- No rocíe agua directamente sobre el producto al limpiarlo.

Parte exterior



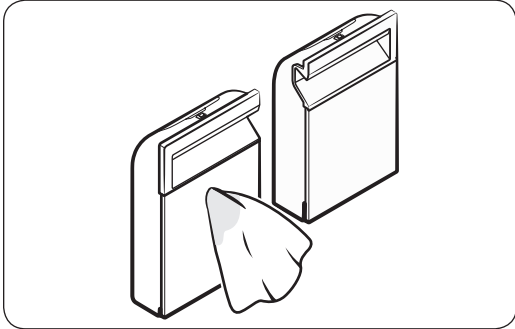
Utilice un paño suave para limpiar la parte exterior. Para manchas difíciles, use un paño húmedo y, luego, seque bien.



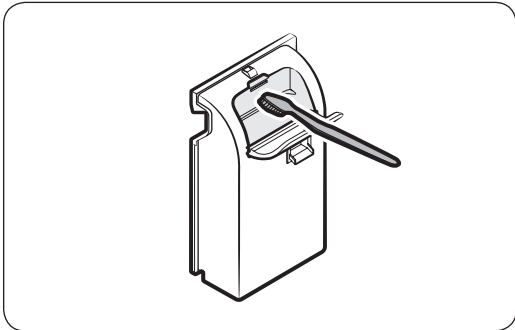
Limpeza y mantenimiento

Tanques de agua

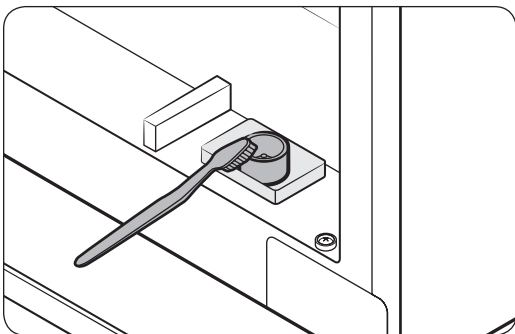
Límpielos diariamente. Séquelos por completo antes de reinsertarlos.



Utilice un paño húmedo para limpiar la parte exterior.



Use un cepillo suave para limpiar la parte interior.



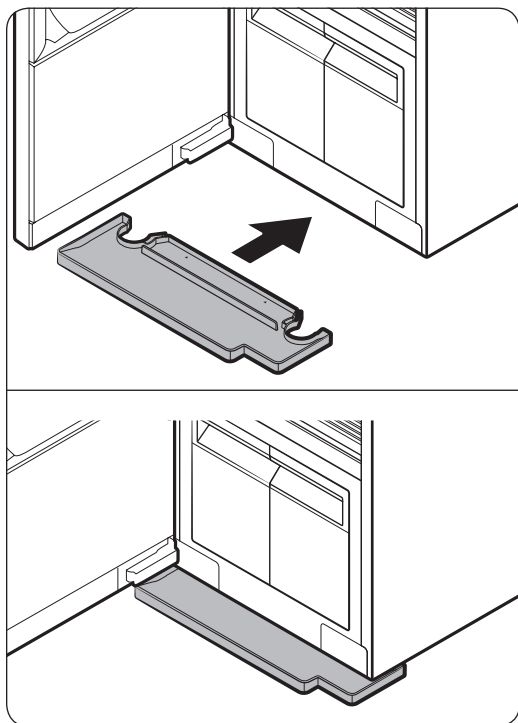
Use un cepillo suave para limpiar la entrada y salida de los tanques.



Bandeja de agua

NOTA

- Vacíela diariamente.
- Asegúrese de reinsertar la bandeja de agua luego de vaciarla.



Insértela correctamente tal como se muestra en las imágenes.

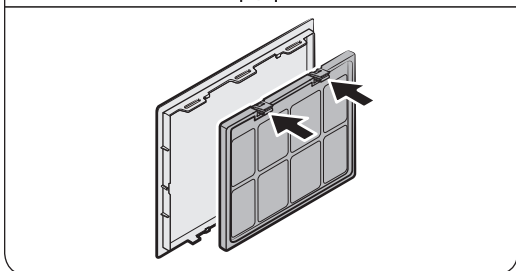
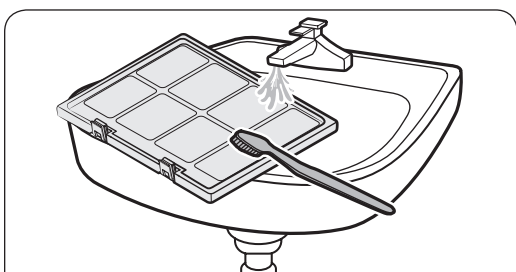
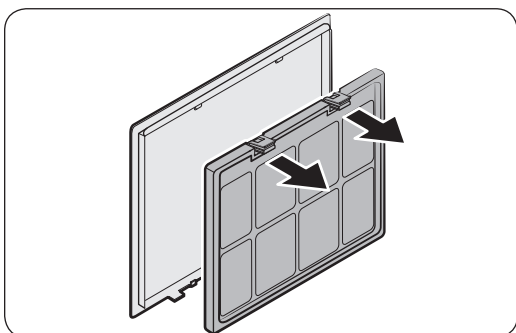
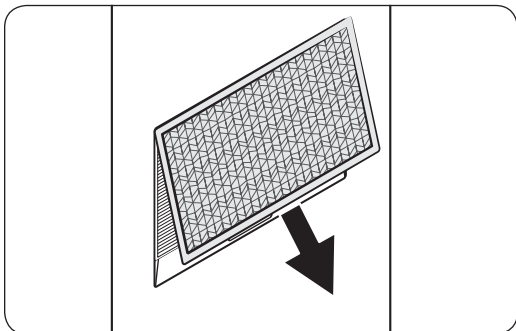
- Asegúrese de que la parte marcada como 'TOP' esté boca arriba.



Limpieza y mantenimiento

Filtro de aire

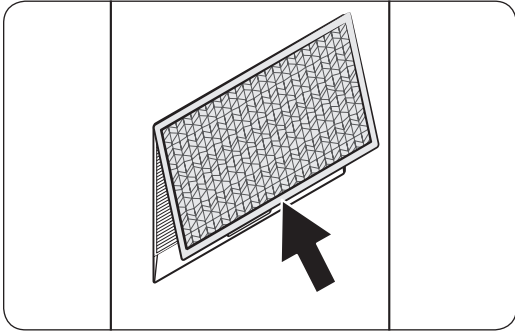
Si usa con frecuencia el producto para prendas pesadas o que acumulan una gran cantidad de polvo, se recomienda limpiar el filtro de aire con regularidad.



Cómo limpiar el filtro de aire

1. Sostenga la parte inferior de la cubierta y jale hacia afuera.
2. Mientras presiona los dos ganchos en la parte superior del filtro, jale para retirarlo.
3. Utilice un cepillo y agua corriente para su limpieza.
4. Deje secar por completo el filtro a la sombra y vuelva a colocarlo.





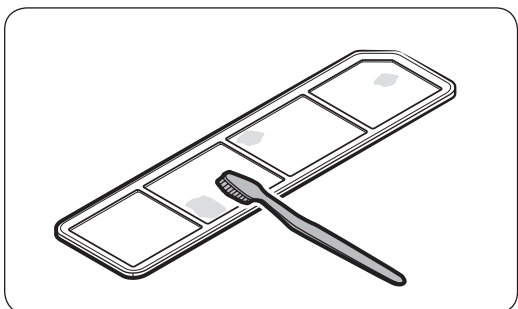
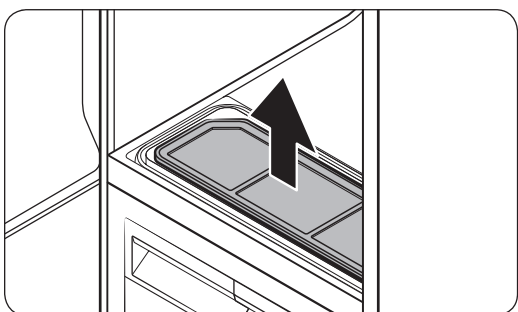
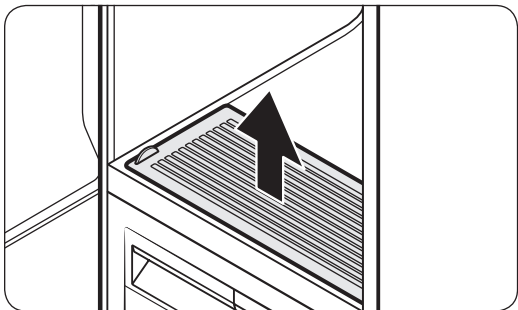
5. Inserte la parte superior de la cubierta en el producto y, luego, empújela.



Limpieza y mantenimiento

Filtro de pelusas

- Para obtener un mejor resultado, límpielo antes o después de utilizar el producto.
- Reemplace el filtro dañado por uno nuevo.



Cómo limpiar el filtro de pelusas

1. Abra la cubierta.
2. Retire el filtro.
3. Utilice un cepillo y agua corriente para la limpieza del filtro. Seque por completo en un lugar con sombra.
4. Reinsértelo y, luego, cierre la cubierta.



Descalcificación

El uso de la función de vapor causa acumulación y sedimentación de piedra caliza por todo el sistema interno de circulación de agua debido al contenido de calcio en el agua. Para evitarlo, realice el proceso de descalcificación con regularidad para aumentar el rendimiento y prolongar la vida útil del producto. Si no realiza la descalcificación inmediatamente después de recibir el mensaje de notificación, es posible que el uso de algunas funciones esté restringido y que disminuya el rendimiento o incluso se acorte la vida útil del producto.

1. Cuando aparezca el mensaje **Descal. requerida Consultar manual** en la pantalla, retire todas las prendas del producto y, luego, mantenga presionados **Drying (Secado)** y **Delay End (Final diferido)** durante 3 segundos.
2. Vacíe el tanque de llenado y el tanque de drenaje.
3. Diluya un agente descalcificador en agua según la recomendación del fabricante del producto.
4. Coloque el agente descalcificador diluido en el tanque de llenado hasta la línea **MÁX.**
 - La capacidad máxima del tanque de llenado es de 1.4 litros.
5. Mantenga presionado ▷|| para comenzar la descalcificación.
 - Si aparece el mensaje **Vacíe el tanque de drenaje** en la pantalla durante el proceso de descalcificación, vacíe el tanque de drenaje.
6. Si aparece el mensaje **Verifique los tanques de llenado y drenado** en la pantalla, vacíe el tanque de llenado y el de drenaje y, luego, enjuáguelos bien.
7. Coloque agua limpia en el tanque de llenado hasta la línea **MÁX** y, luego, inserte los tanques de llenado y de drenaje. Presione ▷||.
8. Cuando se haya completado la descalcificación, vacíe el tanque de drenaje y coloque agua en el tanque de llenado.
 - Cuando haya terminado todos estos pasos, podrá usar el AIRDRESSER.

NOTA

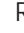
- Durante el proceso de descalcificación, es posible que se produzcan vibraciones y ruidos; esto es normal, el producto no presenta ningún problema.
- Cuando utilice el producto por primera vez después del proceso de descalcificación, es posible que aparezca el mensaje **Agregue agua para el llenado del tanque**. Esto es normal. Coloque agua en el tanque de llenado y presione ▷|| para reanudar la operación.
- Es posible que se formen burbujas si no se enjuaga bien el agente descalcificador. Asegúrese de enjuagar exhaustivamente el tanque de llenado y el de drenaje luego del proceso de descalcificación.
- Utilice un agente descalcificador para cafeteras.
- No utilice agentes descalcificadores para otras máquinas, como lavadoras.
- No utilice detergente para ropa ni suavizante de telas para la descalcificación.

Traslado del producto a otro lugar

- El producto cuenta con dos ruedas debajo para permitir su traslado.
- Para evitar que se caiga al momento de transportarlo, es recomendable que se lo empuje desde la parte del centro. No lo empuje por la parte superior o inferior.
- Vacíe los tanques de llenado y de drenaje antes del traslado. Si no se vacían los tanques, el agua se puede derramar al mover el producto.

Resolución de problemas



Mensajes de notificación

Mensaje	Acción
Agregue agua para el llenado del tanque	<ul style="list-style-type: none">• Revise si el tanque de llenado tiene agua suficiente.<ul style="list-style-type: none">- Llene con agua hasta la línea MÁX, reinserte el tanque de llenado y, luego, presione ▷ para comenzar.• Revise si el tanque de llenado está bien insertado.<ul style="list-style-type: none">- Inserte correctamente el tanque de llenado y, luego, presione ▷ para comenzar.
Vacíe el tanque de drenaje	<ul style="list-style-type: none">• Revise si el tanque de drenaje está lleno.<ul style="list-style-type: none">- Vacíe el tanque de drenaje, reinsértelo y, luego, presione ▷ para comenzar.• Revise si el tanque de drenaje está bien insertado.<ul style="list-style-type: none">- Inserte correctamente el tanque de drenaje y, luego, presione ▷ para comenzar.
Cierre la puerta y comience de nuevo	<ul style="list-style-type: none">• Revise si la puerta está abierta.<ul style="list-style-type: none">- Asegúrese de que la puerta esté cerrada y, luego, presione ▷ para comenzar.
Abra la puerta y revise el interior	<ul style="list-style-type: none">• Revise si la puerta está abierta y si el Seguro para niños  (3sec) está activado.<ul style="list-style-type: none">- Asegúrese de que la puerta esté cerrada y, luego, presione ▷ para comenzar. Asegúrese de que no haya niños ni mascotas dentro del producto.- El panel de control se bloquea cuando el Seguro para niños está activado.- Mantenga presionado Delay End (Final diferido) durante 3 segundos para desactivar el Seguro para niños.
Conéctese a la red Wi-Fi o revise su módem	<ul style="list-style-type: none">• Revise si el enrutador está apagado.<ul style="list-style-type: none">- Encienda el enrutador y, luego, conéctese a Internet.

NOTA

Si el problema persiste, comuníquese con un centro de servicio de Samsung local.

Punto de verificación

Problema	Acción
No se enciende el producto.	<ul style="list-style-type: none"> • Presione  para encender el producto. • Asegúrese de que el cable de alimentación esté bien conectado. • Asegúrese de que el disyuntor esté encendido. • Asegúrese de que el cable de alimentación esté conectado a un tomacorriente específico para este producto.
No funciona el producto.	<ul style="list-style-type: none"> • Asegúrese de que la puerta esté cerrada y, luego, presione . • Si escucha que el agua fluye o sonidos de ebullición, significa que el producto se está preparando para el proceso de vapor. Esto es normal. • Asegúrese de que el Seguro para niños esté desactivado. • Es probable que el producto no funcione si usó cualquier otro líquido que no fuera agua. Comuníquese con un centro de servicio de Samsung.
El producto emite sonidos.	<ul style="list-style-type: none"> • Es probable que emita sonidos cuando funciona el compresor. Esto es normal. • Es probable que emita sonidos cuando circula el aire. Esto es normal. • Es probable que emita sonidos antes y durante el proceso de vapor. Esto es normal. • Es probable que emita sonidos para bombear y drenar agua. Esto es normal. • Al abrir la puerta, es probable que se oigan sonidos provenientes del tanque de llenado cuando el agua está fluyendo por el tubo. Esto es normal. • Si los ruidos se hacen más fuertes, comuníquese con un centro de servicio de Samsung.
No funciona el panel de control.	<ul style="list-style-type: none"> • Luego de enchufar el producto, aguarde un momento y vuelva a intentarlo. El panel de control responderá 10 segundos después de conectado el cable de alimentación. • Limpie el panel de control y vuelva a intentarlo. Si el problema persiste, comuníquese con un centro de servicio de Samsung.
El producto vibra.	<ul style="list-style-type: none"> • Asegúrese de que esté instalado en una superficie sólida y nivelada. • Asegúrese de que esté nivelado.
El tanque de llenado se vacía con tan solo un uso.	<ul style="list-style-type: none"> • El producto consume más agua en el primer uso. Esto es normal.
Vapor o aire sale de la puerta.	<ul style="list-style-type: none"> • Asegúrese de que no haya prendas atrapadas en la puerta. • Asegúrese de que la puerta esté bien cerrada.
El tiempo de funcionamiento sigue aumentando.	<ul style="list-style-type: none"> • Es probable que las prendas mojadas tarden más en secarse. El tiempo de funcionamiento puede aumentar según la cantidad y el grado de humedad de las prendas.



Resolución de problemas

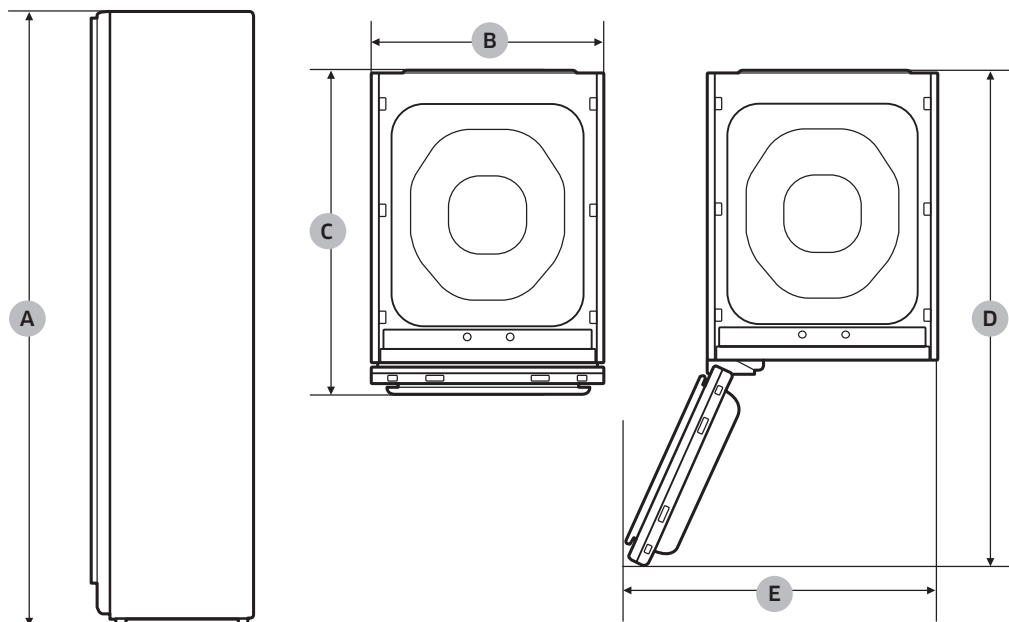
Problema	Acción
<p>Las prendas están húmedas luego de un ciclo.</p>	<ul style="list-style-type: none"> • Asegúrese de que el filtro de pelusas esté limpio y bien insertado. • Asegúrese de que la junta de la puerta no esté dañada o que no haya prendas atrapadas en la puerta. Si la junta está dañada, desconecte el cable de alimentación y comuníquese con un centro de servicio de Samsung.
<p>No se elimina el olor de las prendas.</p>	<ul style="list-style-type: none"> • Lave las prendas que tengan olores fuertes o las que estuvieron guardadas por mucho tiempo. • Lave las que estén contaminadas con aceites. • Es probable que a las prendas grandes, como las chaquetas con relleno, no se les quite bien el olor. Coloque solamente las prendas grandes y ejecute un ciclo adicional de ser necesario. • No coloque prendas que tengan olores fuertes con otra ropa. Separe las prendas según la intensidad del olor. • Asegúrese de que el filtro de pelusas y ambos tanques estén limpios.
<p>No se quitaron las arrugas.</p>	<ul style="list-style-type: none"> • Planche las prendas que estuvieron guardadas por mucho tiempo.
<p>Sale humo del producto al abrir la puerta.</p>	<ul style="list-style-type: none"> • Es probable que el vapor generado por algunos ciclos tenga la apariencia de humo. Esto es normal.



Especificaciones

Hoja de especificaciones

"*" El o los asteriscos significan el modelo de variante y puede variar entre (0-9) o (A-Z).



Tipo		Sistema para el cuidado de la ropa (AIRDRESSER)
		DF60A8****G
Dimensiones (mm)	A. Altura	1850
	B. Ancho	445
	C. Profundidad	632
	D. Profundidad con la puerta abierta	1001
	E. Ancho con la puerta abierta	618
Corriente nominal		120 V / 60 Hz / 12 A
Fusible (Fusible fijo en PBA principal)	Tipo de tubo	250 V / 15 A
	De alta capacidad de ruptura	
Peso (kg)		85.0

GARANTÍA LIMITADA (EE. UU.)

SAMSUNG AIRDRESSER

GARANTÍA LIMITADA AL COMPRADOR ORIGINAL CON PRUEBA DE COMPRA

El presente producto de la marca SAMSUNG, tal como lo provee y distribuye SAMSUNG ELECTRONICS AMERICA, INC. (SAMSUNG) y lo entrega como nuevo, en su caja de cartón original al comprador o consumidor original, está garantizado por SAMSUNG contra defectos de fabricación de los materiales y la mano de obra durante el período limitado de la garantía de:

un (1) año para las piezas y la mano de obra

La presente garantía limitada es válida únicamente para productos comprados y usados en Estados Unidos que fueron instalados, operados y mantenidos de acuerdo con las instrucciones adjuntas o provistas con el producto. Para recibir el servicio técnico en garantía, el comprador debe comunicarse con SAMSUNG en la dirección o los teléfonos que figuran más abajo con el fin de que se determine el problema y los procedimientos del servicio. El servicio técnico de la garantía solo puede ser prestado por un centro de servicio técnico autorizado de SAMSUNG. Para recibir el servicio técnico en garantía debe presentarse la factura original de compra fechada a solicitud de SAMSUNG o del centro de servicio autorizado de SAMSUNG como prueba de compra.

SAMSUNG brindará servicio técnico a domicilio dentro del territorio contiguo de Estados Unidos durante el período de la garantía sin costo, sujeto a la disponibilidad. Para recibir el servicio técnico a domicilio, el producto no debe presentar obstrucciones y debe ser accesible para el agente del servicio técnico.

Si el servicio técnico a domicilio no está disponible, SAMSUNG puede, a su elección, optar por transportar el producto hasta y desde un centro de servicio técnico autorizado. Si el producto está ubicado en una zona en la que no se encuentra disponible ningún centro de servicio autorizado por SAMSUNG, es posible que usted deba pagar un cargo por transporte o que deba llevar el producto a un centro de servicio autorizado de SAMSUNG para la reparación.

Durante el período de garantía aplicable, el producto defectuoso se reparará o se reemplazará, o se devolverá el importe de compra, a la entera discreción de SAMSUNG. SAMSUNG podrá usar piezas nuevas o reacondicionadas para la reparación del producto defectuoso, así como reemplazar el producto defectuoso por uno nuevo o reacondicionado. La vigencia de la garantía de las piezas y los productos reemplazados será por el período restante de la garantía original del producto o por un período de noventa (90) días, el que sea el más largo. Todas las piezas y los productos reemplazados pasan a ser propiedad de SAMSUNG y deben ser devueltos a SAMSUNG.

La presente garantía limitada cubre defectos de fabricación de los materiales y la mano de obra encontrados durante el uso doméstico normal, no comercial, de este producto y no cubrirá lo siguiente: daños que ocurran durante el envío, entrega e instalación y usos para los cuales el presente producto no fue destinado; daños causados por modificación o alteración no autorizada del producto; productos cuyos números de serie originales de fábrica fueron eliminados, desfigurados, alterados en algún modo o que no se puedan determinar fácilmente; daños cosméticos incluyendo rayones, hendiduras, abolladuras y otros daños al acabado del producto; daños causados por abuso o mal uso, plagas, accidente, incendio, inundación u otros casos fortuitos o de fuerza mayor; daños causados por el uso de equipos, utilidades, servicios, piezas, suministros, accesorios, aplicaciones, instalaciones, reparaciones, cableado externo o conectores no provistos ni autorizados por SAMSUNG; daños causados por líneas eléctricas o voltajes incorrectos, fluctuaciones y sobretensión; daños causados por no operar y mantener el producto de acuerdo con las instrucciones; instrucción a domicilio acerca de cómo usar el producto; y servicio técnico para corregir una instalación que no cumpla con los códigos eléctricos o de plomería o corrección de cableado eléctrico o tuberías (es decir, cableado doméstico, fusibles o mangueras de entrada de agua). El costo de reparación o reemplazo bajo estas circunstancias excluidas será responsabilidad del cliente.

GARANTÍA LIMITADA (EE. UU.)

EXCLUSIÓN DE GARANTÍAS IMPLÍCITAS

LAS GARANTÍAS IMPLÍCITAS, INCLUYENDO GARANTÍAS DE COMERCIABILIDAD O APTITUD PARA UN PROPÓSITO EN PARTICULAR, ESTÁN LIMITADAS A UN AÑO O AL PERÍODO MÁS CORTO PERMITIDO POR LA LEY. Algunos estados no permiten limitaciones en cuanto al período de vigencia de una garantía implícita, de tal forma que las limitaciones o exclusiones mencionadas tal vez no se apliquen a usted en particular. Esta garantía le otorga derechos específicos, e incluso puede tener otros derechos que varían de un estado a otro.

LIMITACIÓN DE RECURSOS

EL ÚNICO Y EXCLUSIVO RECURSO ES LA REPARACIÓN DEL PRODUCTO, EL REEMPLAZO DEL PRODUCTO O LA DEVOLUCIÓN DEL IMPORTE DE COMPRA, A DISCRECIÓN DE SAMSUNG, CONFORME A ESTA GARANTÍA LIMITADA. SAMSUNG NO SERÁ RESPONSABLE POR DAÑOS ESPECIALES, IMPREVISTOS O DERIVADOS, INCLUYENDO, ENTRE OTROS, TIEMPO FUERA DEL TRABAJO, HOTELES Y/O COMIDAS EN RESTAURANTES, GASTOS DE REMODELACIÓN, PÉRDIDAS DE INGRESOS O GANANCIAS, INCAPACIDAD DE GENERAR AHORROS U OTROS BENEFICIOS INDEPENDIEMENTE DE LA TEORÍA LEGAL EN LA QUE SE BASE EL RECLAMO, E INCLUSO SI SAMSUNG HA SIDO ADVERTIDO DE LA POSIBILIDAD DE DICHOS DAÑOS. Algunos estados no permiten la exclusión o la limitación de daños imprevistos o derivados, por lo que las limitaciones o exclusiones mencionadas tal vez no se apliquen a usted en particular. Esta garantía le otorga derechos específicos, e incluso puede tener otros derechos que varían de un estado a otro.

SAMSUNG no garantiza el funcionamiento ininterrumpido o sin errores del producto. Ningún aval o garantía otorgados por otra persona, compañía o corporación con respecto al presente producto revestirá carácter vinculante para SAMSUNG.

Para recibir servicio técnico en garantía, comuníquese con SAMSUNG a:

Samsung Electronics America, Inc.

85 Challenger Road

Ridgefield Park, NJ 07660

1-800-SAMSUNG (726-7864)

www.samsung.com/us/support

Garantía (CANADÁ)

SAMSUNG AIRDRESSER

GARANTÍA LIMITADA PARA EL COMPRADOR ORIGINAL

El presente producto de la marca SAMSUNG, tal como lo provee y distribuye SAMSUNG ELECTRONICS CANADA, INC. (SAMSUNG) y lo entrega como nuevo, en su caja de cartón original al comprador o consumidor original, está garantizado por SAMSUNG contra defectos de fabricación de los materiales y la mano de obra durante el período limitado de la garantía de:

- un (1) año para las piezas y la mano de obra

La presente garantía limitada comienza en la fecha original de compra y es válida únicamente para productos comprados y usados en Canadá.

Para recibir el servicio técnico de la garantía, el comprador debe comunicarse con SAMSUNG con el fin de que se determine el problema y los procedimientos del servicio.

El servicio técnico de la garantía solo puede ser prestado por un centro de servicio técnico autorizado de SAMSUNG. Se debe presentar la factura de compra original como prueba de compra a SAMSUNG o al servicio técnico autorizado de SAMSUNG.

SAMSUNG prestará servicio técnico a domicilio durante el período de la garantía sin costo, sujeto a la disponibilidad dentro de Canadá.

El servicio técnico a domicilio no está disponible en todas las áreas.

Para recibir el servicio técnico a domicilio, el producto no debe presentar obstrucciones y debe ser accesible para el agente del servicio técnico.

Si el servicio técnico no está disponible, SAMSUNG puede optar por transportar el producto hasta y desde el servicio técnico autorizado.

SAMSUNG reparará, reemplazará el producto u ofrecerá un reembolso a su criterio y sin cargo adicional, tal como se establece en la presente garantía, con piezas o productos nuevos o reacondicionados si se verifica que es defectuoso durante el período limitado de la garantía especificado anteriormente.

Todas las piezas y los productos reemplazados pasan a ser propiedad de SAMSUNG y deben ser devueltos a SAMSUNG.

Las piezas y los productos reemplazados asumen la garantía original que resta, o noventa (90) días, el período que sea el más prolongado.

La presente garantía limitada cubre defectos de fabricación de los materiales y la mano de obra encontrados durante el uso normal y doméstico de este producto y no será válida para lo siguiente: daños que ocurran durante el envío; entrega e instalación; aplicaciones y usos para los cuales el presente producto no fue destinado; números de serie o de producto alterados; daño cosmético o acabado exterior; accidentes, abuso, descuido, incendio, inundación, caída de rayos, u otros casos fortuitos o de fuerza mayor; uso de productos, equipos, sistemas, utilidades, servicios, piezas, suministros, accesorios, aplicaciones, instalaciones, reparaciones, cableado externo o conectores no provistos ni autorizados por SAMSUNG que dañen este producto o que acarreen problemas en el servicio; voltaje de la línea eléctrica incorrecto, fluctuaciones y sobretensión; ajustes del cliente e incumplimiento de lo establecido en el manual de instrucciones, instrucciones de mantenimiento y ambientales que están cubiertas y recomendadas en el manual de instrucciones; traslado y reinstalación del producto; problemas causados por plagas.

Garantía (CANADÁ)

La presente garantía limitada no cubre problemas derivados de la corriente, el voltaje o el suministro eléctrico incorrectos, las bombillas de luz, los fusibles de la casa, el cableado de la casa, el costo del servicio técnico para recibir instrucciones o corregir errores en la instalación.

SAMSUNG no garantiza el funcionamiento ininterrumpido o sin errores del producto.

SALVO LO ESTABLECIDO EN LA PRESENTE GARANTÍA, NO EXISTEN GARANTÍAS SOBRE EL PRESENTE PRODUCTO, YA SEAN EXPRESAS O IMPLÍCITAS, Y SAMSUNG DESCONOCE TODAS LAS GARANTÍAS QUE INCLUYEN, AUNQUE NO EN CARÁCTER TAXATIVO, CUALQUIER GARANTÍA IMPLÍCITA DE QUE EL PRODUCTO SE ENCUENTRA EN CONDICIONES APTAS PARA LA VENTA, DE DEFRAUDACIÓN DE DERECHOS O DE QUE EL PRODUCTO SE ADECUA A LOS FINES ESPECÍFICOS PARA LOS CUALES SE ADQUIERE.

NINGÚN AVAL O GARANTÍA OTORGADOS POR PERSONA, COMPAÑÍA O CORPORACIÓN ALGUNA CON RESPECTO AL PRESENTE PRODUCTO REVESTIRÁ CARÁCTER VINCULANTE PARA SAMSUNG.

SAMSUNG NO SERÁ RESPONSABLE POR PÉRDIDAS DE INGRESOS O LUCRO CESANTE, IMPOSIBILIDAD DE GENERAR AHORROS U OBTENER OTROS BENEFICIOS, O CUALQUIER DAÑO DERIVADO DE CIRCUNSTANCIAS ESPECIALES, DAÑO IMPREVISTO O DERIVADO CAUSADO POR EL USO, USO INCORRECTO, O INCAPACIDAD PARA USAR EL PRESENTE PRODUCTO, INDEPENDIEMENTE DE LA TEORÍA LEGAL EN QUE SE FUNDE EL RECLAMO Y AUN CUANDO SE LE HAYA NOTIFICADO A SAMSUNG DE LA POSIBILIDAD DE TALES DAÑOS.

NINGÚN RESARCIMIENTO DE NINGUNA ÍNDOLE CONTRA SAMSUNG SUPERARÁ EL MONTO DE COMPRA DEL PRODUCTO VENDIDO POR SAMSUNG Y CAUSANTE DEL PRESUNTO DAÑO.

SIN LIMITAR LO PRECEDENTE, EL COMPRADOR ASUME TODO EL RIESGO Y LA RESPONSABILIDAD POR PÉRDIDA, DAÑO O LESIÓN AL COMPRADOR Y A LOS BIENES DEL COMPRADOR Y A TERCEROS Y A SUS BIENES DERIVADOS DEL USO, USO INCORRECTO O INCAPACIDAD PARA USAR EL PRESENTE PRODUCTO.

LA PRESENTE GARANTÍA LIMITADA NO SE EXTENDERÁ A NINGUNA PERSONA DISTINTA DEL COMPRADOR ORIGINAL DEL PRESENTE PRODUCTO, ES INTRANSFERIBLE Y ESTABLECE SU EXCLUSIVA REPARACIÓN.

Algunas provincias no permiten limitaciones en cuanto al plazo de una garantía implícita, o la exclusión o limitación de daños imprevistos o derivados, por lo que las limitaciones o exclusiones antedichas pueden no aplicarse en su caso.

Esta garantía le otorga derechos específicos, y además puede tener otros derechos que varían según la provincia en la que se encuentre.

Para recibir servicio técnico en garantía, comuníquese con SAMSUNG a:

Samsung Electronics Canada Inc.

2050 Derry Road West,

Mississauga, Ontario L5N 0B9 Canada

1-800-SAMSUNG (726-7864)

www.samsung.com/ca/support (English)

www.samsung.com/ca_fr/support (French)

Las visitas del personal de servicio técnico para explicar funciones, mantenimiento o instalación no están cubiertas por la garantía.

Póngase en contacto con el centro de llamadas Samsung al número anterior para que le asesoren.

Notas

Notas

Notas

¿TIENE PREGUNTAS O COMENTARIOS?

PAÍS	LLAME	O VISÍTENOS EN LÍNEA EN
U.S.A	1-800-SAMSUNG (726-7864)	www.samsung.com/us/support
CANADA	1-800-SAMSUNG(726-7864)	www.samsung.com/ca/support (English) www.samsung.com/ca_fr/support (French)



DC68-04297J-00