

ADD-DELETE REWORK PAGE 1
 MACHINE CARDLESS PRESENT PN 5554842 EC 825077 VERSION 000 RUN 3279
 BOARD 502-W8 PREVIOUS PN 5554842 EC 825057 VERSION 000 09-15-75
 PROBE SIDE SHALLOW DELETE TOOL

DELETE					ADD					
CHECK DEL	DELETE COL	PINS IN NET	NET IMAGE	RELOCATED SUB-NETS	ADD COL	WIRE TYPE	WIRE LGTH	FROM PIN	TO PIN	NET ID

DEFINITION OF PRINT CHARACTERS USED ON THIS PACKAGE
 X IN CHECK COLUMN INDICATES A PIN LOGICALLY DELETED FROM A NET
 OX IN PROBE DELETE COL. DENOTES DISCRETE WIRE CONN. MAY EXIST ON PROBE SIDE
 * FOLLOWING THE PIN LOCATION INDICATES AN I/O PIN
 THE DISCRETE WIRE PNEUMONICS USED IN THE TYPE COLUMN ARE AS FOLLOWS
 WIRE TYPE PNEUMONIC
 YEL

END OF DEFINITIONS FOR THIS PACKAGE

CHECK	PROBE	CARD	PINS	NET IMAGE	NET ID	ADD	TYPE	LGTH	FROM	TO	ID
				FW109DA2		XXX	YEL	5.0	V5B09#	USB09#	001
									USB09#		
				FW109DA4		XXX	YEL	5.0	V5B10#	USB10#	002
									USB10#		
				FW109DA6		XXX	YEL	4.5	USB12#	V5B12#	003
									V5B12#		
TOTALS	0	0				3					

END OF REWORK FOR BOARD 502-W8

END OF REWORK FOR BOARD 502-W8

BOARD ADD-DELETE LIST RUN 3279 09-15-75 PAGE 1
 MACHINE CARDLESS PRESENT PN 5554842 EC 825077 VERS 000 XFER 825077 AA
 BOARD 502-W8 PREVIOUS PN 5554842 EC 825057 VERS 000 XFER 825057 AB

DELETE					ADD				
SOCKET	TYPE	PART NO.	SIZE	ACC	SOCKET	TYPE	PART NO.	SIZE	ACC
NO DELETES					NO ADDS				

END OF LIST

DATE 04-22-74

MST-1

BOARD DISCRETE WIRE EQUIVALENT LIST SEQUENCED BY NET NUMBER

PAGE 1

PART NO. 5554826 E.C. NO. 824774 VERSION 001 SIZE SINGLE MACHINE 32XXSM15 LOCATION 01B-B2

PIN ID: #-I/O PIN PLANES: 1-CARD SIDE SHALLOW 3-PROBE SIDE SHALLOW WIRE TYPES: YEL-YELLOW, 30, AG NTR-90 CHM TRI-LEAD
*-I/O & LOGIC 2-PROBE SIDE SHALLOW 4-PROBE SIDE SHALLOW TWL-TWIN LEAD WRAP FTW-50 CHM TWIN LEAD
T-TERMINATING RES. W-DISCRETE OVERFLOW TW-TWIST PR CCNECT NTW-90 CHM TWIN HEAD
V-VOLTAGE/GROUND FTR-50 OHM TRI-LEAD CX-CCAX CCNECTCR

NOTES: WIRE LENGTH IS IN TENTHS OF AN INCH. YELLOW WIRE LENGTH INCLUDES WIRE FOR WRAP.

Table with columns: NET NO., FROM PIN, P L, TO PIN, P L, WIRE TYP, WIRE LNPTH, FROM PIN, P L, TO PIN, P L, WIRE TYP, WIRE LNPTH, FROM PIN, P L, TO PIN, P L, WIRE TYP, WIRE LNPTH. Contains multiple rows of wire connection data.

DATE 04-22-74

MST-1 BOARD DISCRETE WIRE EQUIVALENT LIST SEQUENCED BY NET NUMBER

PAGE 2

PART NO. 5554826 E.C. NO. 824774 VERSION 001 SIZE SINGLE MACHINE 32XXSM15 LOCATION 018-B2

PIN ID: #-I/O PIN PLANES: 1-CARD SIDE SHALLOW 3-PROBE SIDE SHALLOW WIRE TYPES: YEL-YELLOW, 30, AG NTR-90 CHM TRI-LEAD
 *-I/O & LOGIC 2-PROBE SIDE SHALLOW 4-PROBE SIDE SHALLOW TWL-TWIN LEAD WRAP FTW-50 CHM TWIN LEAD
 T-TERMINATING RES. W-DISCRETE OVERFLOW TW-TWIST PR CONNECT NTW-90 CHM TWIN HEAD
 V-VOLTAGE/GROUND FTR-50 OHM TRI-LEAD CX-COAX CONNECTOR

NOTES: WIRE LENGTH IS IN TENTHS OF AN INCH. YELLOW WIRE LENGTH INCLUDES WIRE FOR WRAP.

NET NO.	FROM PIN	P L	TO PIN	P L	WIRE TYP	WIRE LNPTH	FROM PIN	P L	TO PIN	P L	WIRE TYP	WIRE LNPTH	FROM PIN	P L	TO PIN	P L	WIRE TYP	WIRE LNPTH				
HR640FA2	L3D03	1	J5D11	1	YEL	10.0	HR730DC6	M2D09	2	L2B05	2	YEL	5.0	HR820CF2	K5B13	W	N4D02	W	YEL	8.0		
	Q2D11	2	L3D03	2	YEL	7.0	HR730DC8	M2D06	1	L2B02	1	YEL	5.0		D5B13	W	K5B13	W	YEL	8.0		
	S5D13	2	R5D13	2	YEL	4.5	HR730DE6	L2D04	W	M4D10	W	YEL	8.0	HR820CH2	D3B13	W	N4B07	W	YEL	10.0		
HR640FE2	J5D11	1	R5D13	2	YEL	10.0	HR730EL6	N5D04	2	M4B09	2	YEL	5.0	HR820DE2	N2B10	W	L5D12	W	YEL	10.0		
	R5B07	2	S5B07	2	YEL	4.5	HR740CF2	M4D13	2	K5D12	2	YEL	6.0	HR820CFK6	M5D04	1	N4D05	2	YEL	5.5		
	L2D10	2	Q2B04	2	YEL	6.0	HR740FD6	M4B08	W	M5D06	W	YEL	5.5	HR830AL2	N4B02	2	M4B03	2	YEL	4.5		
	L2D10	2	J5B13	2	YEL	11.0	HR740FM6	M5B10	2	P3B02	2	YEL	9.0	HR830DG6	N5D07	2	M5B12	2	YEL	5.0		
HR640FH2	R5B07	2	J5B13	2	YEL	8.0		S2B02	V	2	R2B02	2	YEL	4.5	HR830FD6	C4B11	W	M3B08	W	YEL	10.0	
	L2D05	2	Q2B12	2	YEL	6.0		T3B02	V	2	S3B02	V	2	YEL	4.5		M3B08	W	N3D03	2	YEL	5.0
	Q2B12	2	S5D03	2	YEL	8.0		S3B02	V	1	R3B02	V	1	YEL	4.5	HR830FF6	C3B05	W	N3B03	W	YEL	10.0
	R5D03	2	J5D06	2	YEL	11.0		R3B02	V	2	P3B02	V	2	YEL	5.0	HR830FJ2	N4B12	2	M5B07	2	YEL	5.5
HR640FM6	R5D03	W	S5D03	W	YEL	4.5		T2B02	V	2	S2B02	V	2	YEL	4.5	HR830GE2	C4B07	W	N2D03	W	YEL	12.0
	J4B04	2	L2B04	1	YEL	10.0		T3B02	V	1	T2B02	V	1	YEL	6.0	HR840FL2	N5D13	1	Q5B11	2	YEL	5.5
	J4B04	2	Q3D12	2	YEL	8.0		R2B02	1	P2B02	1	YEL	5.0		Q5B11	2	K4B12	2	YEL	9.0		
	S4B09	2	R4B09	2	YEL	4.5	HR740GD2	K5D11	1	M4B13	2	YEL	5.5	HR910CC4	S4D07	2	S5D07	1	YEL	5.5		
	Q3D12	2	R4B09	1	YEL	5.0	HR740GJ7	M2D11	W	M5D03	W	YEL	8.0		S4D07	1	P2B11	1	YEL	10.0		
HR640GC2	J5B11	W	R5B09	W	YEL	8.0	HR750CAC4	M2D13	2	P2D12	2	YEL	5.0	HR910FD2	P2D05	2	P2B07	2	YEL	4.0		
	R5B09	2	S5B09	2	YEL	4.5		P3D12	2	R3D12	2	YEL	5.0	HR920DD4	S2D03	V	R2D03	2	YEL	4.5		
	L2D13	2	J5B11	2	YEL	10.0		S2D12	V	2	R2D12	2	YEL	4.5		T2D03	V	S2D03	V	YEL	4.5	
	L2D13	1	Q2B03	1	YEL	8.0		M2D13	2	R2D12	2	YEL	7.0		T2D03	V	P2D03	V	YEL	6.0		
HR650BA2	L5D05	2	K5D13	2	YEL	5.0		T2D12	V	2	S2D12	V	2	YEL	4.5	HR920EJ6	P2D13	1	P2D02	1	YEL	5.0
HR650BA5	L5D09	W	R4D02	W	YEL	8.0		T3D12	V	2	S3D12	V	2	YEL	4.5	HR920FC4	U2D09	#	P2D09	2	YEL	7.0
	R4D02	1	S4D02	1	YEL	4.5		S3D12	V	2	R3D12	V	2	YEL	4.5	HR930CC4	R4D07	2	R5D07	2	YEL	7.0
HR650BA8	L5B09	W	R5D09	W	YEL	7.0		T3D12	V	1	T2D12	V	1	YEL	6.0		P3B11	1	R4D07	2	YEL	7.0
	S5D09	2	R5D09	2	YEL	4.5	HR750CG6	N2D09	W	M5B03	W	YEL	9.0	HR930FD2	P3D05	2	P3B07	2	YEL	4.0		
HR650BD5	L5B10	W	R4B10	W	YEL	8.0	HR750DF6	M3D13	W	N4B05	W	YEL	4.5	HR940DD4	S3D03	V	T3D03	V	YEL	4.5		
	S4B10	2	R4B10	2	YEL	4.5	HR750FD5	M3B09	2	N2B09	2	YEL	7.0		R3D03	2	S3D03	V	YEL	4.5		
HR650BD8	L5D10	W	R4B12	W	YEL	7.0	HR750FD7	M5C13	1	M5D05	1	YEL	4.5		P3D03	2	R3D03	2	YEL	5.0		
	R4B12	2	S4B12	2	YEL	4.5	HR750GM4	M3B04	2	N4B04	2	YEL	6.0	HR940EJ6	P3D13	1	P3D02	1	YEL	5.0		
HR650BG2	R5B03	1	S5B03	1	YEL	4.5		N4B04	1	N4B10	1	YEL	4.5	HR940FC4	P3D09	2	U2D02	#	YEL	9.0		
	L5D11	2	R5B03	2	YEL	8.0	HR810BK4	N5D02	2	Q5B04	2	YEL	5.5	HR951FD2	R2B07	2	R2D05	2	YEL	4.0		
HR650BG5	R5B05	2	S5B05	2	YEL	4.5		M5B05	1	L4D07	2	YEL	5.5	HR952EJ6	R2D13	1	R2D02	1	YEL	5.0		
	L5D13	2	R5B05	2	YEL	8.0		Q5B04	2	M5B05	2	YEL	5.5	HR955FD2	R3B07	2	R3D05	2	YEL	4.0		
HR650BG8	L5B13	W	R5B10	W	YEL	7.0	HR810CM2	L4D05	W	N3B07	W	YEL	5.0	HR956EJ6	R3D13	1	R3D02	1	YEL	5.0		
	S5B10	2	R5B10	2	YEL	4.5	HR810DB2	C2D05	W	N3D05	W	YEL	10.0	HR961CH4	S2B11	V	T2B11	V	YEL	4.5		
HR650BK2	R4D05	2	S4D05	2	YEL	4.5	HR810DE4	K2D12	W	N3B10	W	YEL	6.0		R2B11	2	S2B11	V	YEL	4.5		
	L4D11	2	R4D05	2	YEL	7.0		Q4D12	2	N3B10	2	YEL	8.0	HR961FD2	S2B07	V	S2D05	V	YEL	4.0		
HR650BK5	L5B11	W	R4D10	W	YEL	8.0	HR810DK4	N4B11	1	Q5D11	2	YEL	6.0	HR962EJ6	S2D13	1	S2D02	1	YEL	5.0		
	S4D10	2	R4D10	2	YEL	4.5		L4D03	2	M3D04	1	YEL	5.5	HR965CH4	S3B11	V	T3B11	V	YEL	4.5		
HR650BK8	L5B03	W	R5D05	W	YEL	7.0		M3D04	1	Q5D11	2	YEL	11.0		R3B11	1	S3B11	V	YEL	7.0		
	S5D05	2	R5D05	2	YEL	4.5	HR810DL4	N5D09	W	Q4B13	W	YEL	5.5	HR965FD2	S3B07	V	S3D05	V	YEL	4.0		
HR650CB2	K2D09	W	L5D04	W	YEL	9.0		M3B02	W	N5D09	W	YEL	8.0	HR966EJ6	S3D13	1	S3D02	1	YEL	5.0		
HR650CE2	K2B07	W	L5B04	W	YEL	9.0		L4B04	W	M3B02	W	YEL	6.0	HR971FD2	T2B07	2	T2D05	V	YEL	4.0		
HR650GJ2	K2D02	1	L5B12	1	YEL	11.0	HR810EC6	M2D12	W	N5D10	W	YEL	9.0	HR972EJ6	T2D13	2	T2D02	V	YEL	5.0		
HR660DK6	C2B05	W	L3B03	W	YEL	9.0	HR810EG6	L4B02	W	N2D05	W	YEL	7.0	HR975FD2	T3B07	2	T3D05	V	YEL	4.0		
HR660FK4	K5D02	W	L4B11	W	YEL	4.5	HR810EH6	N2D04	2	M2D10	2	YEL	4.5	HR976EJ6	T3D13	2	T3D02	V	YEL	5.0		
	M2B07	W	K5D02	W	YEL	9.0	HR810EM4	N5C03	W	Q5B12	W	YEL	5.5	HS010AP2	K3D07	2	J4D12	W	YEL	6.0		
HR710DB6	M3D12	W	N5B02	W	YEL	6.0		M3B03	W	L4B05	W	YEL	6.0	HS010BA2	J4B12	2	K3B03	1	YEL	7.0		
HR710DE2	N5B04	1	M3D10	1	YEL	7.0		Q5B12	2	M3B03	2	YEL	10.0	HS020AP6	J4D02	2	K3D02	1	YEL	5.5		
HR710DG6	N4D09	2	M3D06	2	YEL	6.0	HR810FA4	N2D06	W	Q5D03	W	YEL	9.0	HS030AQ6	M3B13	2	J4B03	2	YEL	5.5		
HR710DJ6	M4D02	1	N5B03	2	YEL	5.5		N2C07	W	L4D04	W	YEL	7.0		N5B11	2	M3B13	2	YEL	7.0		
HR710DL6	N4D13	2	M3D03	2	YEL	7.0	HR820RB6	P2D07	2	N2B02	2	YEL	5.0	HS030AR6	N3B13	2	M3B11	1	YEL	4.5		
HR720DA6	K4D09	2	M4B04	2	YEL	5.0		P2D07	2	R2D07	2	YEL	5.0		J4D05	2	M3B11	2	YEL	5.5		
HR720EN6	M3B12	2	K4D11	2	YEL	5.5		S3D07	V	2	R3D07	V	2	YEL	4.5	HS040AC5	K5D04	2	J2B02	2	YEL	10.0
HR730DA0	M2D03	2	L2B10	2	YEL	5.0		S2D07	V	2	R2D07	V	2	YEL	4.5	HS040AC8	J2D03	W	K4B11	W	YEL	9.0
HR730DA4	M2D05	1	L3D02	1	YEL	5.5		T3D07	V	2	S3C07	V	2	YEL	4.5	HS04CAD2	L5B05	W	C4B07	W	YEL	7.0
HR730DA6	M2D04	2	L2D12	2	YEL	5.0		T2D07	V	2	S2D07	V	2	YEL	4.5		J3B07	W	L5B05	W	YEL	7.0
HR730DA8	M2D02	2	L2D11	2	YEL	5.0		T3D07	V	1	T2D07	V	1	YEL	6.0	HS040AD7	L5B07	W	Q4B05	W	YEL	7.0
HR730DC0	M2B09	2	L2D02	2	YEL	4.5		R3D07	2	P3D07	2	YEL	5.0		J3D09	2	L5B07	1	YEL	7.0		
HR730DC4	L2D07	2	M2B10	1	YEL	4.5	HR820BM2	M2D07	W	N4D06	W	YEL	7.0	HS040AH8	J2D05	W	K4B09	W	YEL	8.0		

PART NO. 5554826 E.C. NO. 824774 VERSION 001 SIZE SINGLE MACHINE 32XXSM15 LOCATION 018-82

PIN ID: #-I/O PIN PLANES: 1-CARD SIDE SHALLOW 3-PROBE SIDE SHALLOW WIRE TYPES: YEL-YELLOW, 30, AG NTR-90 CHM TRI-LEAD
*#140 & LOGIC 2-PROBE SIDE SHALLOW 4-PROBE SIDE SHALLOW TWL-TWIN LEAD WRAP FTW-50 CHM TWIN LEAD
T-TERMINATING RES. W-DISCRETE OVERFLOW TW-TWIST PR CONNECT NTW-90 CHM TWIN HEAD
V-VOLTAGE/GROUND NOTES: WIRE LENGTH IS IN TENTHS OF AN INCH. YELLOW WIRE LENGTH INCLUDES WIRE FOR WRAP. FTR-50 OHM TRI-LEAD CX-COAX CONNECTOR

Table with columns: NET NO., FROM PIN, P, TO PIN, P, WIRE TYP, WIRE LENGH, FROM PIN, P, TO PIN, P, WIRE TYP, WIRE LENGH, FROM PIN, P, TO PIN, P, WIRE TYP, WIRE LENGH. Contains multiple rows of wire connection data.

DATE 04-22-74

MST-1 BOARD DISCRETE WIRE EQUIVALENT LIST SEQUENCED BY NET NUMBER

PAGE 4

PART NO. 5554826 E.C. NO. 824774 VERSION 001 SIZE SINGLE MACHINE 32XXSM15 LOCATION 01B-B2

PIN ID: #-I/O PIN PLANES: 1-CARD SIDE SHALLOW 3-PROBE SIDE SHALLOW WIRE TYPES: YEL-YELLOW, 30, AG NTR-90 CHM TRI-LEAD
-I/O & LOGIC 2-PROBE SIDE SHALLOW 4-PROBE SIDE SHALLOW TWL-TWIN LEAD WRAP FTW-50 CHM TWIN LEAD
T-TERMINATING RES. W-DISCRETE OVERFLOW TW-TWIST PR CONNECT NTW-90 CHM TWIN HEAD
V-VOLTAGE/GROUND FTR-50 OHM TRI-LEAD CX-COAX CONNECTOR

NOTES: WIRE LENGTH IS IN TENTHS OF AN INCH. YELLOW WIRE LENGTH INCLUDES WIRE FOR WRAP.

Table with columns: NET NO., FROM PIN, P L, TO PIN, P L, WIRE TYP, WIRE LGTH, and multiple columns for component connections (e.g., WT001BA4, WT001EC4, WT001BE4, etc.) and their respective wire types and lengths.

PART NO. 5554826 E.C. NO. 824774 VERSION 001 SIZE SINGLE MACHINE 32XXSM15 LOCATION 018-B2

PIN ID: #-I/O PIN PLANES: 1-CARD SIDE SHALLOW 3-PRCBE SIDE SHALLOW WIRE TYPES: YEL-YELLOW,30, AG NTR-90 CHM TRI-LEAD
*-I/O & LOGIC 2-PROBE SIDE SHALLOW 4-PROBE SIDE SHALLOW TWL-TWIN LEAD WRAP FTW-50 CHM TWIN LEAD
T-TERMINATING RES. W-DISCRETE OVERFLOW TW-TWIST PR CONNECT NTW-90 CHM TWIN HEAD
V-VOLTAGE/GROUND FTR-50 OHM TRI-LEAD CX -COAX CONNECTOR

NOTES: WIRE LENGTH IS IN TENTHS OF AN INCH. YELLOW WIRE LENGTH INCLUDES WIRE FOR WRAP.

Table with columns: NET NO., FROM PIN, P L, TO PIN, P L, WIRE TYP, WIRE LNPTH. Contains multiple rows of wire connection data for various components like WT2108D1 through WT2108K2.

DATE 04-22-74

PART NO. 5554826 E.C. NO. 824774 VERSION 001 SIZE SINGLE MACHINE 32XXSM15 LOCATION 01B-B2

PIN ID: #-I/O PIN
*-I/O & LOGIC
V-VOLTAGE/GROUND

NOTE: '1' FOLLOWING PIN LOCATION INDICATES TERMINATING RESISTOR

Table with 14 columns: PIN, NET NO., PIN, NET NO., PIN, NET NO., PIN, NET NO., PIN, NET NO., PIN, NET NO., PIN, NET NO. It lists various component identifiers and their corresponding net numbers across multiple rows.

DATE 04-22-74

MST-1

BOARD DISCRETE WIRE EQUIVALENT LIST SEQUENCED BY PIN NUMBER

PAGE 2

PART NO. 5554826

E.C. NO. 824774

VERSION 001

SIZE SINGLE

MACHINE 32XXSM15

LOCATION 01B-B2

PIN ID: #-I/O PIN
*-I/O & LOGIC
V-VOLTAGE/GROUND

NOTE *T FOLLOWING PIN LOCATION INDICATES TERMINATING RESISTOR

PIN	NET NO.	PIN	NET NO.	PIN	NET NO.	PIN	NET NO.	PIN	NET NO.	PIN	NET NO.	PIN	NET NO.
E5B10	WT001FM4	F4B04	HT410BF6	G2D13	WTC40FA3	G5D09	HT14CBL2	H5B03	HT400CF6	J3D13	HR530AG8	K2D06	HR310AM6
E5B11	WT001BJ4	F4B05	HT130HA2	G3B02	HT140FJ2	G5D10	HT140CM2	H5B04	HT40CAF6	J4B02	HR530AG0	K2D07	HR350AN2
E5B12	HT250CC6	F4B07	HT120FE6	G3B03	HT340FK6	G5D11	HT110GA6	H5B05	HT130CG2	J4B03	HS030AC6	K2D09	HR650CB2
E5B13	HT310GE2	F4B08	HT120CD6	G3B05	HT130GF2	G5D12	HT130CK4	H5B07	HT400CG4	J4B04	HR640FM6	K2D12	FR810CE4
E5D02	HT330BF6	F4B09	HT300AB2	G3B07	HT130HA2	G5D13	HT240GH4	H5B08	HT250AB2	J4B05	HR240BE6	K2D13	HR510AM6
E5D03	HT100BK2	F4B10	HT300AA2	G3B08	WTC40FK4	H2B02	HT200AB2	H5B09	HT340FK6	J4B07	WT001FE4	K3B02	FR520PH2
E5D04	HT330BH6	F4B11	HT120FB6	G3B09	HT110EK6	H2B03	HT400BX4	H5B10	HT400AX6	J4B08	HS040AN4	K3B03	FS010BA2
E5D05	HT300AC2	F4B12	HT130CG2	G3B10	HT110AK2	H2B04	HT410AV2	H5B12	HT40CAG6	J4B09	WT001DA4	K3B04	FR510AX6
E5D06	HT240FD6	F4B13	HT240FD6	G3B11	HT100BK2	H2B05	HT260FE6	H5B13	HT210BK3	J4B10	WT001FA4	K3B05	FR510BC4
E5D07	HT330FB6	F4D02	HT2C0GE2	G3B12	HT420AQ6	H2B07	WT001BC4	H5D02	HT420AS6	J4B11	WT001FC4	K3B07	FR510AL6
E5D09	HT410BF6	F4D03	HT230FM2	G3B13	HT330CM6	H2B09	HT140AJ2	H5D03	HT120CF6	J4B12	HS010BA2	K3B08	FR220AU6
E5D10	HT360CA6	F4D04	WT001FG4	G3D02	WTC40FA4	H2B10	WT210BK4	H5D04	WT040FG2	J4B13	HR630GC6	K3B09	FS040AN2
E5D11	HT200GD6	F4D05	WT040FK1	G3D03	WT040FA5	H2B11	WT050AH4	H5D05	HT400CB2	J4D02	HS020AP6	K3B10	FR210AT2
E5D12	HT310GB2	F4D06	WT001FL4	G3D04	HT420FD1	H2B12	HT240CB2	H5D06	HT470AM6	J4D03	HS030AS6	K3B11	FR510AJ6
E5D13	HT350FC2	F4D07	HT320DB6	G3D05	WT040FD2	H2B13	WT001DA4	H5D07	HT110GA6	J4D04	HS030AT6	K3B12	FR520AF6
F2B02	HT230GB6	F4D09	WT210BG4	G3D06	WT040FD3	H2D03	HT240FD6	H5D09	HT420AR6	J4D05	HS030AR6	K3B13	HR210AU2
F2B03	HT200GD6	F4D10	HT220AB6	G3D07	WT040FD4	H2D05	HT140CCR6	H5D10	HT400AH6	J4D06	HR350AN2	K3D02	HS020AP6
F2B04	WT210BG8	F4D11	HT320DJ6	G3D09	WT040FA1	H2D06	HT140EG2	H5D12	HT410BF6	J4D07	HR630FA6	K3D03	HR250GB6
F2B05	HT240BE6	F4D12	HT310AA2	G3D10	HT260CB2	H2D07	WT001FC4	H5D13	HT400AE6	J4D09	HR630EE6	K3D04	FR220AR2
F2B07	HT400AG6	F4D13	WT040FK2	G3D11	HT360CH6	H2D09	HT140BC2	H6C04#	WT120FM5	J4D10	WT001BA4	K3D05	FR210AV2
F2B09	HT400AE6	F5B02	HT330BF6	G3D12	HT200GB6	H2D10	WT001BA4	H6D02#	HT120FM1	J4D11	HR260AM6	K3D06	FR260AB2
F2B10	HT400AH6	F5B03	HT420AM6	G3D13	HT330BF6	H2D11	HT140AA2	H6D04#	WT120FM3	J4D12	HS010AP2	K3D07	HS010AP2
F2B11	WT050AH4	F5B04	HT330DB6	G4B02	HT200AB2	H2D12	WT040FG3	H6E02#	WT120FK5	J4D13	WT001BC4	K3D09	HS040AN6
F2B12	HT250CC6	F5B05	HT340FK6	G4B03	HT330DB6	H2D13	HT330FC6	J2B02	HS040AC5	J5B02	HR230AM4	K3D10	FR510BH6
F2B13	HT260CB2	F5B07	HT360CA6	G4B04	HT230FF2	H3B02	WT001FA4	J2B03	HS040AN2	J5B03	WT001DE4	K3D11	FR250CN2
F2D02	HT110EK6	F5B09	HT260FE6	G4B05	HT360BC2	H3B03	HT140CM2	J2B04	HSC40AC4	J5B04	HR640DH2	K3D12	FR550AV4
F2D03	WT210BG6	F5B10	HT200AC2	G4B07	HT420AR6	H3B04	HT440AH2	J2B05	HS040BA2	J5B05	HR640DM2	K3D13	FR520AZ2
F2D04	WT210BD1	F5B11	HT120CA6	G4B08	HT350DF6	H3B05	WT001DC4	J2B07	HR310AV9	J5B07	HR630EC6	K4B02	FR220AT2
F2D05	WT210BK9	F5B12	HT340CE6	G4B10	HT200GE2	H3B09	HT260EB6	J2B09	FR310AV3	J5B08	HR230AT6	K4B03	HR350AN8
F2D06	HT200GB6	F5B13	HT410AV2	G4B11	HT420AW6	H3B11	WT001DE4	J2B10	HS060BB2	J5B09	HR630GE6	K4B04	FR530AV6
F2D07	HT220GB6	F5D02	HT240GH4	G4B12	HT420AS6	H3B12	WT001BE4	J2B11	HSC6CAZ2	J5B10	HR640DA2	K4B05	FR530AT6
F2C09	HT400AF6	F5D03	HT400CB2	G4B13	HT420AT6	H3B13	HT220AC6	J2B12	HS060BA2	J5B11	HR640GC2	K4B07	FR540FF2
F2D10	HT360CF6	F5D04	HT360CH6	G4D02	HT200AC2	H3D02	HT140FJ2	J2B13	FS060BC2	J5B12	HR640DE2	K4B08	HR530AW6
F2D11	HT260BX4	F5D05	HT200AA2	G4D03	HT310GB2	H3D03	HT140BL2	J2D02	HS040AN6	J5B13	HR640FE2	K4B09	FS040AH8
F2D12	HT320FL6	F5D07	HT250AB2	G4D04	HT330CK6	H3D04	HT430AP2	J2D03	HS040AC8	J5D02	HR230AS6	K4B10	FR520BE2
F2D13	HT130DK4	F5D09	HT310GE2	G4D05	HT120CA6	H3D05	HT140AE2	J2D04	HR310AV7	J5D03	HR630FE6	K4B11	HS040AC8
F3B02	HT120FL6	F5D10	WT040FG4	G4D06	HT120FB6	H3D06	HT300AA2	J2D05	HS040AH8	J5D04	WT0C1DC4	K4B12	FR840FL2
F3B03	HT400CF6	F5D11	WT210BG2	G4D07	HT120CD6	H3D07	WT001FE4	J2D06	HR350BB2	J5D05	HR630GA6	K4B13	FR630EE6
F3B04	HT230FF2	F5D12	HT240BH2	G4D09	HT120FE6	H3D09	HT220HR2	J2D07	HR310AV5	J5D06	HR640FH2	K4D02	FR250GJ6
F3B05	WT001BG4	F5D13	HT220HB2	G4D10	HT120CF6	H3D10	HT330FB6	J2D09	HR310AW5	J5D07	HR230AN4	K4D03	FR350BC4
F3B07	WT210BD3	G2B02	HT100GG2	G4D11	HT120CH6	H3D11	HT220GC6	J2D10	HR520BE2	J5D09	HR630FC6	K4D04	FR530AU6
F3B08	HT200AD2	G2B03	HT100GD2	G4D12	HT120FJ6	H3D12	HT310AA2	J2D11	HR350AG6	J5D10	HR260AE6	K4D05	FR540001
F3B09	HT330FA6	G2B04	HT100GC2	G4D13	HT120FL6	H3D13	HT220AB6	J2D13	HS060AY2	J5D11	HR640FA2	K4D06	FR540EE2
F3B10	WT210BD5	G2B05	HT100GA2	G5B02	HT410BF6	H4B02	HT220GB6	J3B02	HS060BD2	J5D12	HR630EA6	K4D07	FR210AX2
F3B11	WT210BD2	G2B07	HT100GM2	G5B03	HT420AV6	H4B03	HT120CA6	J3B03	HS060BE2	J5D13	HR240DB2	K4D09	FR720DA6
F3B12	HT220GC6	G2B09	HT100GK2	G5B04	HT260FE6	H4B04	HT240BE6	J3B04	HR520BH2	J6C02#	WT120FK7	K4D10	HR630GA6
F3B13	HT220AC6	G2B10	HT100GJ2	G5B05	HT420AU6	H4B09	HT200FA6	J3B05	HR210AZ2	J6C04#	WT120FH3	K4D11	HR720EN6
F3D02	HT250DB2	G2B11	WT050AH4	G5B07	HT240FD6	H4B10	HT200AD2	J3B07	HS040AD2	J6D02#	WT120FM7	K4D12	HR210AQ2
F3D03	HT320DG6	G2B12	HT100GF2	G5B08	WT210BG3	H4B12	HT200AA2	J3B08	HR520AY6	K2B02	HS040AN4	K4D13	HR330AE3
F3D04	WT001FJ4	G2B13	HT100GN2	G5B09	HT130CG2	H4B13	HT320DR6	J3B09	WT001BE4	K2B03	HR520AY6	K5B02	FR530AG8
F3D05	WT040FG5	G2D02	HT300GE2	G5B10	HT130FC6	H4D02	HT240GH4	J3B10	HR230AP6	K2B04	HR630EC6	K5B03	FR630FE6
F3D06	HT440AH2	G2D03	HT300GD2	G5B11	HT110EE6	H4D03	HT420AW6	J3B11	HR520AU6	K2B05	FR210AW2	K5B04	FR530AG0
F3L07	HT310AC6	G2D04	HT300GC2	G5B12	HT330FB6	H4D04	HT420AT6	J3B13	HR520AZ2	K2B07	HR650CE2	K5B05	FR630FC6
F3D09	HT200AB2	G2D05	HT300GB2	G5B13	WT001BL4	H4D05	HT420AV6	J3D02	FS060BH6	K2B09	HS040BA2	K5B07	HR220AS6
F3D10	WT210BD4	G2D06	HT300AD2	G5D02	HT140CB2	H4D06	HT420AU6	J3D03	HR310AW9	K2B10	HR250FN6	K5B08	HR630GC6
F3D11	HT200FA6	G2D07	HT300AC2	G5D03	HT140AA2	H4D09	HT300GP2	J3D04	HR310AW7	K2B13	HR250GF6	K5B09	FR540CA6
F3D12	HT120CH6	G2D09	HT300AB2	G5D04	HT140BC2	H4D10	HT300AD2	J3D05	FR250DF6	K2D02	HR650GJ2	K5B10	FR520AU6
F3D13	HT350BD2	G2D10	HT300AA2	G5D05	HT140AE2	H4D12	HT200AC2	J3D06	HR310AW3	K2D03	HR250DF6	K5B11	FR550001
F4B02	HT120CF6	G2D11	HT310GD2	G5D06	HT140BG2	H4D13	WT210BG1	J3D07	HS060BF2	K2D04	HR350AG2	K5B12	FR540CC6
F4B03	HT260EB6	G2D12	WT040FA2	G5D07	HT140AJ2	H5B02	HT360CA6	J3D09	HS040AD7	K2D05	HR210AY2	K5B13	FR820CF2

DATE 04-22-74

MST-1

BOARD DISCRETE WIRE EQUIVALENT LIST SEQUENCED BY PIN NUMBER

PAGE 3

PART NO. 5554826 E.C. NO. 824774 VERSION 001 SIZE SINGLE MACHINE 32XXSM15 LOCATION 01B-B2

PIN ID: #-I/O PIN
*-I/O & LOGIC
V-VOLTAGE/GROUND

NOTE: *T* FOLLOWING PIN LOCATION INDICATES TERMINATING RESISTOR

Table with 14 columns: PIN, NET NO., PIN, NET NO., PIN, NET NO., PIN, NET NO., PIN, NET NO., PIN, NET NO., PIN, NET NO. It lists various electronic components and their connections across multiple rows.

DATE 04-22-74

MST-1

BOARD DISCRETE WIRE EQUIVALENT LIST SEQUENCED BY PIN NUMBER

PAGE 4

PART NO. 5554826

E.C. NO. 824774

VERSION 001

SIZE SINGLE

MACHINE 32XXSM15

LOCATION 01B-B2

PIN ID: #-I/O PIN
*-I/O & LOGIC
V-VOLTAGE/GROUND

NOTE: 'T' FOLLOWING PIN LOCATION INDICATES TERMINATING RESISTOR

PIN	NET NO.	PIN	NET NO.	PIN	NET NO.	PIN	NET NO.	PIN	NET NO.	PIN	NET NO.	PIN	NET NO.
R5B07	HR640FE2	S4D03	HS100FH4	T3D13 V	HR976EJ6	V4B05	WTC30CG2						
R5B08	HS070BD4	S4D05	HR650BK2	T4B06 V	HR110CCA	V4B06#	HT310FJ2						
R5B09	HR640GC2	S4D06	HR540CA6	T4C06 V	HR110CCA	V4B08#	HT130GF2						
R5B10	HR650BG8	S4D07	HR910CC4	T5B06 V	HR110CFA	V4B09	WT030CG5						
R5B11	HS070BC4	S4D10	HR650BK5	T5C06 V	HR110CFA	V4B10#	HT250DR2						
R5B12	HS070BA4	S4D12	HR640DH2	T6A02	WT050AH4	V4B12#	HT400CG4						
R5B13	HR540EE2	S4D13	HS070BM4	T6A04#	HS920GE4	V4B13	WT030CG7						
R5D02	HS070BG4	S5B02	HS070BJ4	T6E02#	HS920GG4	V4D02	WT030CG2						
R5D03	HR640FH2	S5B03	HR650BG2	T6E04#	HS930GL6	V4D04	WT030CG2						
R5D04	HR240BG6	S5B04	HR640DE2	U2D02#	HR940FC4	V4D05#	HT310FL2						
R5D05	HR650BK8	S5B05	HR650BG5	U2D09#	HR920FC4	V4D06	WT030CG2						
R5D06	HS070BF4	S5B07	HR640FE2	U4B06 V	HR110CEA	V4D08	WT030CG5						
R5D07	HR930CC4	S5B08	HS070BD4	U4C06 V	HR110CEA	V4D09#	HT360FA2						
R5D09	HR650BA8	S5B09	HR640GC2	U5B06 V	HR110CGA	V4D10	WTC30CG5						
R5D10	HR250DN2	S5B10	HR650BG8	U5C06 V	HR110CGA	V4D11#	HT330CN2						
R5D11	HR640DA2	S5B11	HS070BC4	U6C02#	HS930FL6	V4D12	WT030CG7						
R5D12	HS100FH4	S5B12	HS070BA4	U6C04#	HS930EL6	V4D13#	HT310FM2						
R5D13	HR640FA2	S5B13	HR540FF2	U6D02#	HS930FJ6	V5B03	WTC40AD3						
R6B02#	HS940FG6	S5D02	HS070BG4	U6D04#	HS930GJ6	V5B04#	WT040FG2						
R6B04#	HS940FF6	S5D03	HR640FH2	V2B03	WT030CB3	V5B05	WT040AD3						
R6C02#	HS940FD6	S5D04	HR240BG6	V2B04#	HT100GG2	V5B06#	WT040FG4						
R6C04#	HS940FC6	S5D05	HR650BK8	V2B05	WT030CB3	V5B07	WT040AD5						
S2B02 V	HR740FM6	S5D06	HS070BF4	V2B06#	HT100GC2	V5B08#	WT040FG5						
S2B03 V	HR962DG6	S5D07	HR910CC4	V2B07	WT030CB4	V5B09	WT040AD5						
S2B06 V	HR110BH4	S5D09	HR650BA8	V2B08#	HT100GA2	V5B10#	WT040FK2						
S2B07 V	HR961FD2	S5D10	HR250DN2	V2B09	WT030CB4	V5B11	WT040AD7						
S2B11 V	HR961CH4	S5D11	HR640DA2	V2B10#	HT100GK2	V5B12#	WT040FK4						
S2B13 V	HR962001	S5D12	HS100FH4	V2B11	WTC30CB6	V5B13	WT040AD7						
S2D02 V	HR962EJ6	S5D13	HR640FA2	V2B12#	HT100GF2	V5D02	WT040AD2						
S2D03 V	HR920DD4	S6A02#	HS940FB6	V2B13	WTC30CB6	V5D03#	WT040CFG1						
S2D05 V	HR961FD2	S6A04#	HS940FM6	V2D02	WT030CB2	V5D04	WT040AD2						
S2D06 V	HS060BC2	T2B02 V	HR740FM6	V2D03#	HT100GN2	V5D05#	WT040FG3						
S2D07 V	HR820BB6	T2B03 V	HR972DG6	V2D04	WT030CB2	V5D06	WTC40AD2						
S2C09 V	HR962FC4	T2B06 V	HR110BH4	V2D05#	HT100GD2	V5D08	WT040AD6						
S2D10 V	HR961FD6	T2B07 V	HR971FD2	V2D06	WTC30CB2	V5D09#	WT040FK1						
S2D12 V	HR750AC4	T2B11 V	HR961CH4	V2D09#	HT100GM2	V5D10	WT040AD6						
S2D13 V	HR962EJ6	T2B13 V	HR972001	V2D10	WT030CB5	V5D11#	WT040FK3						
S3B02 V	HR740FM6	T2D02 V	HR972EJ6	V2D11#	HT100GJ2	V6B02#	HS920GB6						
S3B03 V	HR966DG6	T2D03 V	HR920DD4	V2D12	WT030CB5	V6B04#	HS930GG6						
S3B06 V	HR110BJ4	T2D05 V	HR971FD2	V3B03	WT040AB3								
S3B07 V	HR965FD2	T2D06 V	HS060BE2	V3B04#	WT040FA2								
S3B11 V	HR965CH4	T2D07 V	HR820BB6	V3B05	WT040AB3								
S3B13 V	HR966001	T2D09 V	HR972FC4	V3B06#	WT040FA4								
S3D02 V	HR966EJ6	T2D10 V	HR971FD6	V3B07	WT040AB6								
S3D03 V	HR940DD4	T2D12 V	HR750AC4	V3B08#	WT040FA5								
S3D05 V	HR965FD2	T2D13 V	HR972EJ6	V3B09	WT040AB6								
S3D06 V	HS060BD2	T3B02 V	HR740FM6	V3B10#	WT040FD2								
S3D07 V	HR820BB6	T3B03 V	HR976DG6	V3B11	WTC40AB7								
S3D09 V	HR966FC4	T3B06 V	HR110BJ4	V3B12#	WT040FD4								
S3D10 V	HR965FD6	T3B07 V	HR975FD2	V3B13	WT040AB7								
S3D12 V	HR750AC4	T3B11 V	HR965CH4	V3D02	WTC40AB2								
S3D13 V	HR966EJ6	T3B13 V	HR976001	V3D03#	WT040FA1								
S4B07	HR540CC6	T3D02 V	HR976EJ6	V3D04	WT040AB2								
S4B08	HS070BN4	T3D03 V	HR940DD4	V3D05#	WT040FA3								
S4B09	HR640FM6	T3D05 V	HR975FD2	V3D06	WTC40AB2								
S4B10	HR650BD5	T3D06 V	HS060BF2	V3D08	WTC40AB5								
S4B11	HR640DM2	T3D07 V	HR820BB6	V3D09#	WT040FD1								
S4B12	HR650BD8	T3D09 V	HR976FC4	V3D10	WTC40AB5								
S4B13	HS070BL4	T3D10 V	HR975FD6	V3D11#	WT040FD3								
S4D02	HR650BA5	T3D12 V	HR750AC4	V4B04#	HT310FK2								

PART NO.	5554826	E.C. NO.	824774	VERSION 001	SIZE SINGLE	MACHINE 32XXSM15	LOCATION 018-B2
B2A14	-4.0	B2C06	-4.0	B3A14	-4.0	B3C06	-4.0
B4A14	-4.0	B4C06	-4.0	B4E01	-4.0	B5C06	-4.0
C2C06	-4.0	C3C06	-4.0	C4C06	-4.0	C5C06	-4.0
D1C10	-4.0	D2B06	-4.0	D3B06	-4.0	D4B06	-4.0
D6B05	-4.0	D6C02	-4.0	E2B06	-4.0	E3B06	-4.0
E5B06	-4.0	F2B06	-4.0	F3B06	-4.0	F4B06	-4.0
G1C13	-4.0	G1D10	-4.0	G2B06	-4.0	G3B06	-4.0
G5B06	-4.0	G6C05	-4.0	G6D02	-4.0	H2B06	-4.0
H4B06	-4.0	H5B06	-4.0	J2B06	-4.0	J3B06	-4.0
J5B06	-4.0	K1E13	-4.0	K2B06	-4.0	K3B06	-4.0
K5B06	-4.0	K6E05	-4.0	L1A10	-4.0	L2B06	-4.0
L4B06	-4.0	L5B06	-4.0	L6A02	-4.0	M2B06	-4.0
M4B06	-4.0	M5B06	-4.0	N2B06	-4.0	N3B06	-4.0
N5B06	-4.0	P1B13	-4.0	P1C10	-4.0	P2B06	-4.0
P4B06	-4.0	P5B06	-4.0	P6B05	-4.0	P6C02	-4.0
Q3B06	-4.0	Q4B06	-4.0	Q5B06	-4.0	R2B06	-4.0
R4B06	-4.0	R5B06	-4.0	S1C13	-4.0	S1D1C	-4.0
S3B06	-4.0	S4B06	-4.0	S5B06	-4.0	S6C05	-4.0
T2C06	-4.0	T3C06	-4.0	T4C06	-4.0	T5C06	-4.0
U2C06	-4.0	U3A14	-4.0	U3C06	-4.0	U3E01	-4.0
U4C06	-4.0	U4E01	-4.0	U5C06	-4.0	U5E01	-4.0
A1E13	GND	A2B03	GND	A2B07	GND	A2B11	GND
A2D08	GND	A2D12	GND	A3B03	GND	A3B07	GND
A3D04	GND	A3D08	GND	A3D12	GND	A4B03	GND
A4B11	GND	A4D04	GND	A4D08	GND	A4D12	GND
A5B07	GND	A5B11	GND	A5D04	GND	A5D08	GND
A6E04	GND	B1A11	GND	B1D13	GND	B1E11	GND
B2C04	GND	B2C07	GND	B2C11	GND	B2C12	GND
B2E14	GND	B3A01	GND	B3C03	GND	B3C04	GND
B3C11	GND	B3C12	GND	B3D08	GND	B3E14	GND
B4C03	GND	B4C04	GND	B4C07	GND	B4C11	GND
B4D08	GND	B4E14	GND	B5A01	GND	B5C03	GND
B5C07	GND	B5C11	GND	B5C12	GND	B5D08	GND
B6D04	GND	B6E02	GND	C1C13	GND	C1D11	GND
C2C04	GND	C2C07	GND	C2C11	GND	C2C12	GND
C3C03	GND	C3C04	GND	C3C07	GND	C3C11	GND
C3D08	GND	C4C03	GND	C4C04	GND	C4C07	GND
C4C12	GND	C4D08	GND	C5C03	GND	C5C04	GND
C5C11	GND	C5C12	GND	C5D08	GND	C6C04	GND
D1B10	GND	D1C13	GND	D2D08	GND	D3D08	GND
D5D08	GND	D6B02	GND	D6C05	GND	E1A13	GND
E1E13	GND	E2D08	GND	E3D08	GND	E4D08	GND
E6A04	GND	E6B02	GND	E6E04	GND	F1A11	GND
F1E11	GND	F2D08	GND	F3D08	GND	F4D08	GND
F6A02	GND	F6D04	GND	F6E02	GND	G1C10	GND
G2D08	GND	G3D08	GND	G4D08	GND	G5D08	GND
G6D05	GND	H1B13	GND	H1C11	GND	H2D08	GND
H4D08	GND	H5D08	GND	H6B04	GND	H6C02	GND
J1B11	GND	J1E13	GND	J2D08	GND	J3D08	GND
J5D08	GND	J6A04	GND	J6B02	GND	J6E04	GND
K1E10	GND	K2D08	GND	K3D08	GND	K4D08	GND
K6A02	GND	K6E02	GND	L1A13	GND	L1E13	GND
L3D08	GND	L4D08	GND	L5D08	GND	L6A05	GND
M1A11	GND	M1D13	GND	M1E11	GND	M2D08	GND
M4D08	GND	M5D08	GND	M6A02	GND	M6D04	GND
N1C13	GND	N1D11	GND	N2D08	GND	N3D08	GND
N5D08	GND	N6C04	GND	N6D02	GND	P1B10	GND
P2D08	GND	P3D08	GND	P4D08	GND	P5D08	GND
P6C05	GND	Q1A13	GND	Q1B11	GND	C1E13	GND
Q3D08	GND	Q4D08	GND	Q5D08	GND	C6A04	GND
B3E01	-4.0	B5E01	-4.0	D1B13	-4.0	D5B06	-4.0
D1B13	-4.0	D5B06	-4.0	E4B06	-4.0	F5B06	-4.0
D5B06	-4.0	E4B06	-4.0	F5B06	-4.0	G4B06	-4.0
E4B06	-4.0	F5B06	-4.0	G4B06	-4.0	H3B06	-4.0
F5B06	-4.0	H3B06	-4.0	J4B06	-4.0	K4B06	-4.0
G4B06	-4.0	J4B06	-4.0	L3B06	-4.0	M3B06	-4.0
H3B06	-4.0	L3B06	-4.0	M3B06	-4.0	N4B06	-4.0
J4B06	-4.0	M3B06	-4.0	N4B06	-4.0	P3B06	-4.0
K4B06	-4.0	P3B06	-4.0	Q2B06	-4.0	R3B06	-4.0
L3B06	-4.0	Q2B06	-4.0	R3B06	-4.0	S2B06	-4.0
M3B06	-4.0	R3B06	-4.0	S2B06	-4.0	S6D02	-4.0
N4B06	-4.0	S2B06	-4.0	S6D02	-4.0	U2A14	-4.0
P3B06	-4.0	S6D02	-4.0	U2A14	-4.0	U4A14	-4.0
Q2B06	-4.0	U4A14	-4.0	A2D04	GND	A3B11	GND
R3B06	-4.0	A2D04	GND	A3B11	GND	A4B07	GND
S2B06	-4.0	A3B11	GND	A4B07	GND	A5B03	GND
S6D02	-4.0	A4B07	GND	A5B03	GND	A5D12	GND
U2A14	-4.0	A5B03	GND	A5D12	GND	B2C03	GND
U4A14	-4.0	A5D12	GND	B2C03	GND	B2D08	GND
A2D04	GND	B2C03	GND	B2D08	GND	B3C07	GND
A3B11	GND	B3C07	GND	B3C07	GND	B4A01	GND
A4B07	GND	B4A01	GND	B4A01	GND	B4C12	GND
A5B03	GND	B4C12	GND	B4C12	GND	B5C04	GND
A5D12	GND	B5C04	GND	B5C04	GND	B6A02	GND
B2C03	GND	B6A02	GND	B6A02	GND	C2C03	GND
B2D08	GND	C2C03	GND	C2C03	GND	C2D08	GND
B3C07	GND	C2D08	GND	C2D08	GND	C3C12	GND
B4A01	GND	C3C12	GND	C3C12	GND	C4C11	GND
B4C12	GND	C4C11	GND	C4C11	GND	C5C07	GND
B5C04	GND	C5C07	GND	C5C07	GND	C6D02	GND
B6A02	GND	C6D02	GND	C6D02	GND	D4D08	GND
C2C03	GND	D4D08	GND	D4D08	GND	E1B11	GND
C2D08	GND	E1B11	GND	E1B11	GND	E5D08	GND
C3C12	GND	E5D08	GND	E5D08	GND	F1D13	GND
C4C11	GND	F1D13	GND	F1D13	GND	F5D08	GND
C5C07	GND	F5D08	GND	F5D08	GND	G1D13	GND
C6D02	GND	G1D13	GND	G1D13	GND	G6C02	GND
D4D08	GND	G6C02	GND	G6C02	GND	H3D08	GND
E1B11	GND	H3D08	GND	H3D08	GND	J1A13	GND
E5D08	GND	J1A13	GND	J1A13	GND	J4D08	GND
F1D13	GND	J4D08	GND	J4D08	GND	K1A11	GND
F5D08	GND	K1A11	GND	K1A11	GND	K5D08	GND
G1D13	GND	K5D08	GND	K5D08	GND	L2D08	GND
G6C02	GND	L2D08	GND	L2D08	GND	L6F04	GND
H3D08	GND	L6F04	GND	L6F04	GND	M3D08	GND
J1A13	GND	M3D08	GND	M3D08	GND	M6E02	GND
J4D08	GND	M6E02	GND	M6E02	GND	N4D08	GND
K1A11	GND	N4D08	GND	N4D08	GND	P1C13	GND
K5D08	GND	P1C13	GND	P1C13	GND	P6B02	GND
L2D08	GND	P6B02	GND	P6B02	GND	Q2D08	GND
L6F04	GND	Q2D08	GND	Q2D08	GND	Q6B02	GND
M3D08	GND	Q6B02	GND	Q6B02	GND		
M6E02	GND						
N4D08	GND						
P1C13	GND						
P6B02	GND						
Q2D08	GND						
Q6B02	GND						

PART NO. 5554826 E.C. NO. 824774 VERSION 001 SIZE SINGLE MACHINE 32XXSM15 LOCATION 01B-82

				VOLTAGE PINS					
Q6E04	GND	R1A11	GND	R1D13	GND	R1E11	GND	R2D08	GND
R3D08	GND	R4D08	GND	R5D08	GND	R6A02	GND	R6D04	GND
R6E02	GND	S1C10	GND	S1D13	GND	S2D08	GND	S3D08	GND
S4D08	GND	S5D08	GND	S6C02	GND	S6D05	GND	T1B13	GND
T1C11	GND	T2C03	GND	T2C04	GND	T2C07	GND	T2C11	GND
T2C12	GND	T2D08	GND	T3C03	GND	T3C04	GND	T3C07	GND
T3C11	GND	T3C12	GND	T3D08	GND	T4C03	GND	T4C04	GND
T4C07	GND	T4C11	GND	T4C12	GND	T4D08	GND	T5C03	GND
T5C04	GND	T5C07	GND	T5C11	GND	T5C12	GND	T5D08	GND
T6B04	GND	T6C02	GND	U1A13	GND	U1B11	GND	U1E13	GND
U2C03	GND	U2C04	GND	U2C07	GND	U2C11	GND	U2C12	GND
U2D08	GND	U2E14	GND	U3A01	GND	U3C03	GND	U3C04	GND
U3C07	GND	U3C11	GND	U3C12	GND	U3D08	GND	U3E14	GND
U4A01	GND	U4C03	GND	U4C04	GND	U4C07	GND	U4C11	GND
U4C12	GND	U4D08	GND	U4E14	GND	U5A01	GND	U5C03	GND
U5C04	GND	U5C07	GND	U5C11	GND	U5C12	GND	U5D08	GND
U6A04	GND	U6B02	GND	U6E04	GND	V1A11	GND	V2B03	GND
V2B07	GND	V2B11	GND	V2D04	GND	V2D08	GND	V2D12	GND
V3B03	GND	V3B07	GND	V3B11	GND	V3D04	GND	V3D08	GND
V3D12	GND	V4B03	GND	V4B07	GND	V4B11	GND	V4D04	GND
V4D08	GND	V4D12	GND	V5B03	GND	V5B07	GND	V5B11	GND
V5D04	GND	V5D08	GND	V5D12	GND	V6A02	GND		

FOR ANY VOLTAGE PIN NOT INDICATED IN THE VOLTAGE PIN LIST, USE THE NET NUMBER TO LOCATE THE AID PAGE FOR DETERMINING THE VOLTAGE INFORMATION

END OF LIST

MST CARD LOCATION LIST

5554842
PAGE 1

PRESENT BOARD P/N 5554842
 RUN DATE 10/23/75
 PRIME BOARD LOCATION 50Z-W8
 CARD PRESENT EC 825077
 PREVIOUS EC 0000825057
 VERSION 000

SOCKET	CARD PT NO	TYPE	ACC	-----ALD REFERENCES-----
C4	8239479	Y658		FW108 FW191 FW192
D4	8239479	Y658		FW188 FW189
E4	8239480	Y659		FW109 FW184 FW185 FW186
F4	8239480	Y659		FW109 FW180 FW181 FW182
L2	5858517	2592		FW170 FW171 FW172 FW173 FW174 FW175
M2	8239481	Y660		FW109 FW160 FW161 FW162 FW163 FW164 FW165 FW166
N4	8234543	Y656		FW150 FW151 FW152
R2	8239482	Y661		FW140 FW141 FW142 FW143 FW144 FW145
S2	8239483	Y662		FW109 FW200 FW201
S4	8210780	2666		FW130 FW131
T2	8250465	Y657		FW108 FW120 FW121 FW122

****END OF LIST****

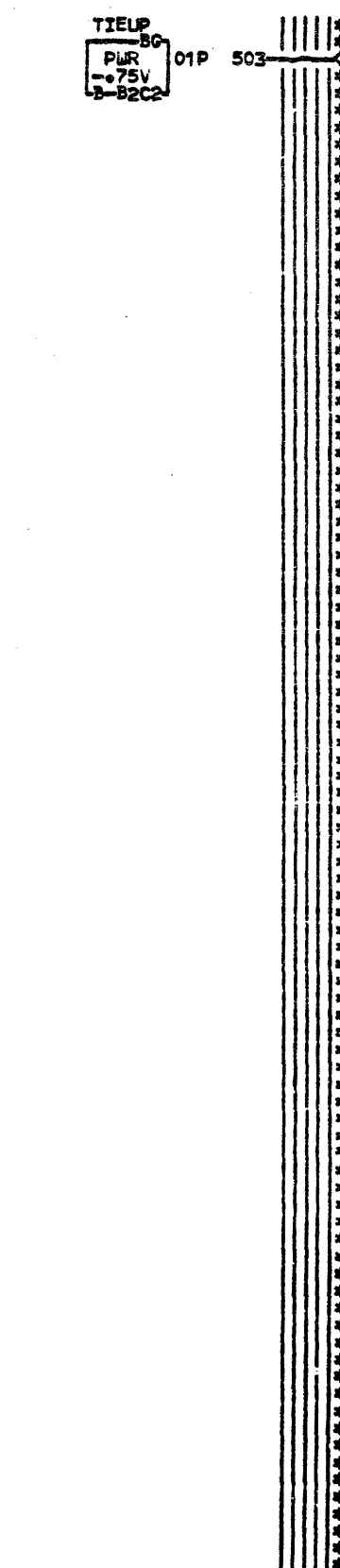
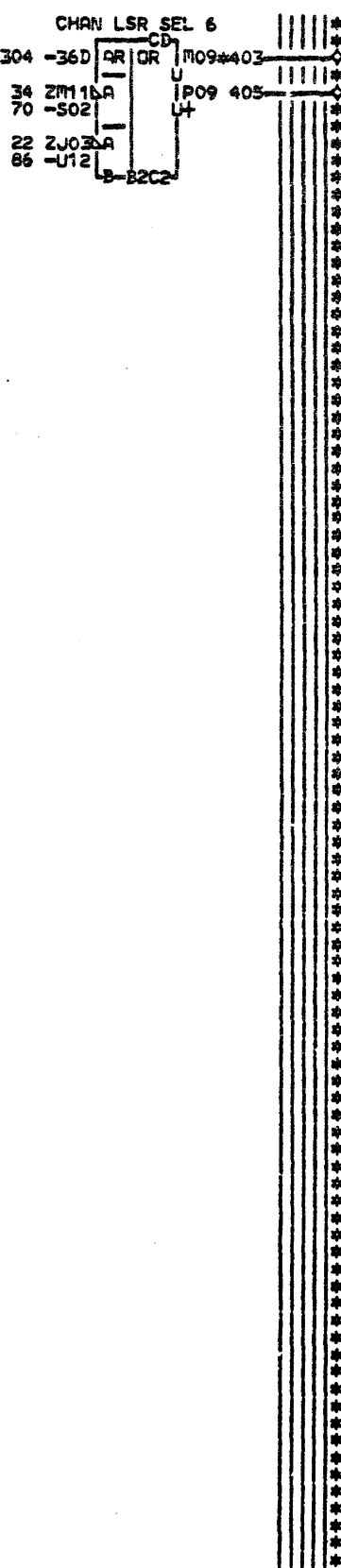
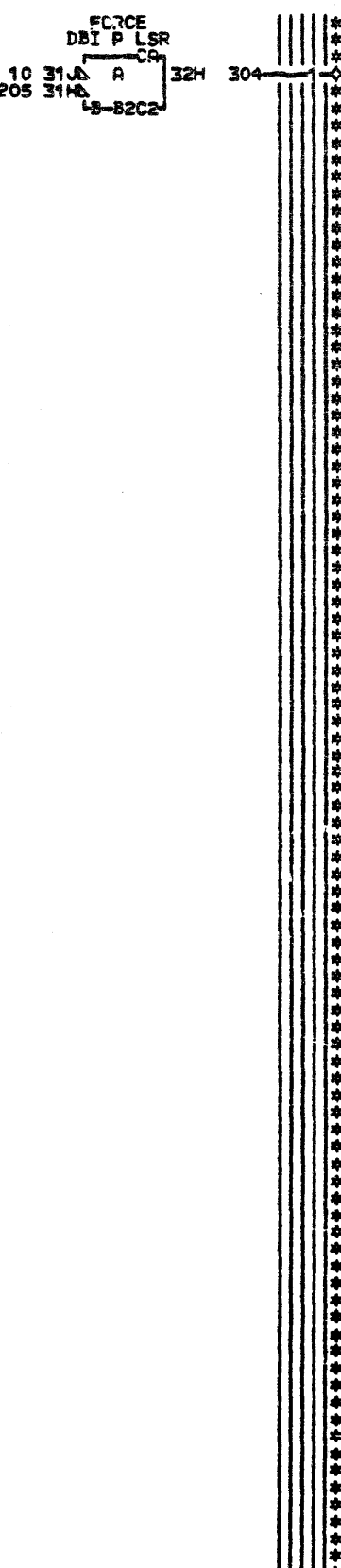
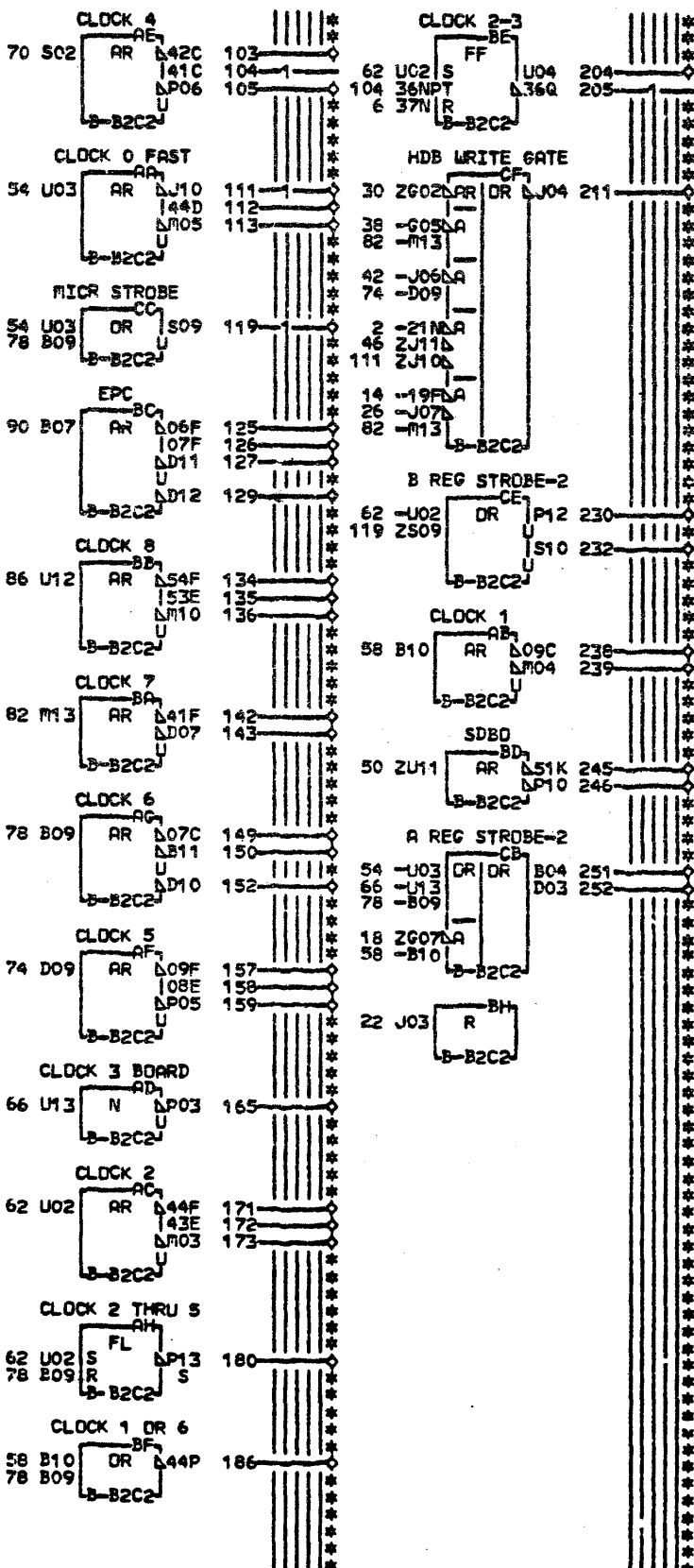
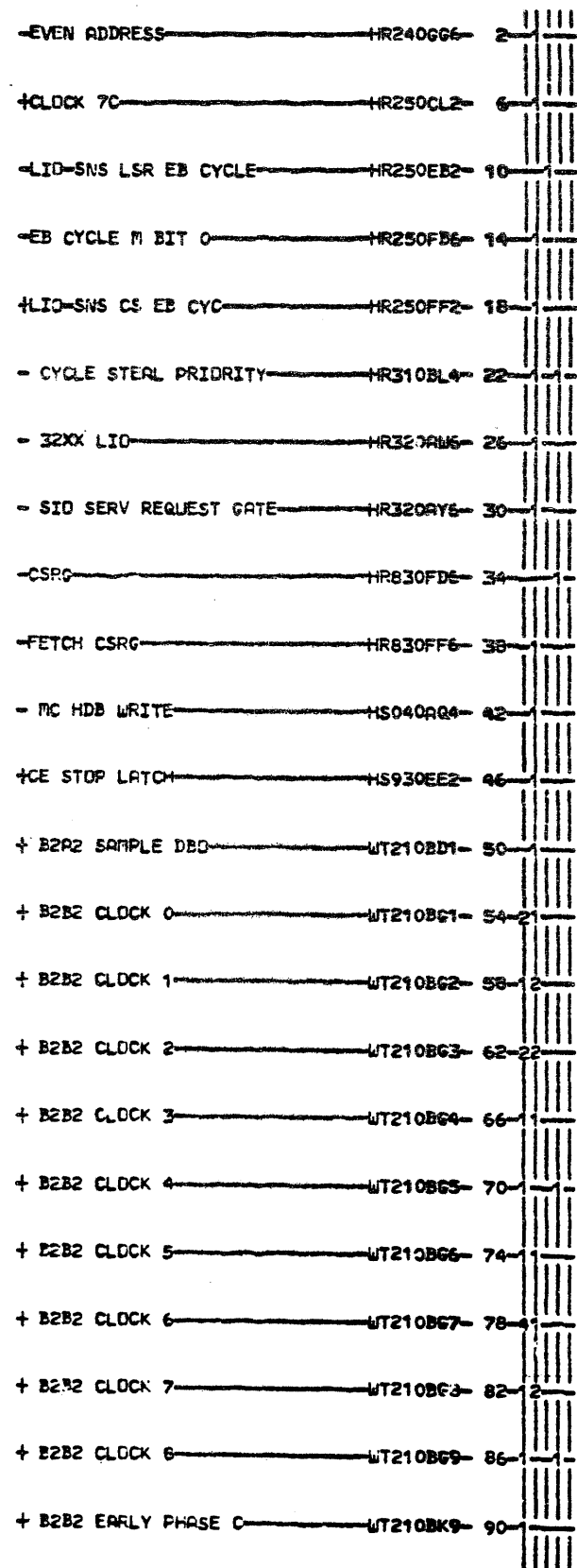
3277 ATTACHMENT TIE UP/TIE DOWN LIST

THE FOLLOWING BLACK WIRES (PN 811695) ARE ADDED TO BOARD 01B-B2 AS SPECIFIED BELOW:

<u>CONDITION</u>	<u>BOARD (01B-B2)</u>	<u>JUMPER</u>	
		<u>FROM</u>	<u>TO</u>
WITH 3277 BOARD LOC 01B-B2 AND WITHOUT ANY OF THE FOL- LOWING FEATURE BOARDS: 01B-A2, 01B-A1 OR 01B-B1		01B-B2D2B06	01B-B2B2B07
		01B-B2D3B06	01B-B2B3B07
WITH 3277 BOARD LOC 01B-B2 AND WITH ONE OR MORE OF THE FOLLOWING FEATURE BOARDS: 01B-A2, 01B-A1 OR 01B-B1		01B-B2D2D08	01B-B2B2B07
		01B-B2D3D08	01B-B2B3B07

DATE	EC NO	DATE	EC NO	DATE	EC NO	DATE	EC NO	DATE	EC NO
22JUN73	821461	16DEC74	824829						

5556178



Signal	Board	Signal	Board
111 - CLOCK 0 FAST	HR240-AM2	111 - CLOCK 0 FAST	HR240-AM2
112 + CLOCK 0	HR240-AM6	112 + CLOCK 0	HR240-AM6
238 - CLOCK 1	HR240-AJ2	238 - CLOCK 1	HR240-AJ2
171 - CLOCK 2	HR240-AK2	171 - CLOCK 2	HR240-AK2
172 + CLOCK 2	HR240-AK6	172 + CLOCK 2	HR240-AK6
103 - CLOCK 4	HR250-AM2	103 - CLOCK 4	HR250-AM2
157 - CLOCK 5	HR240-AM2	157 - CLOCK 5	HR240-AM2
158 + CLOCK 5	HR250-AM6	158 + CLOCK 5	HR250-AM6
149 - CLOCK 6	HR250-AP2	149 - CLOCK 6	HR250-AP2
180 - CLOCK 2 THRU 5	HR250-AM2	180 - CLOCK 2 THRU 5	HR250-AM2
150 - CLOCK 6 ACU	HR520-AM2	150 - CLOCK 6 ACU	HR520-AM2
HR310 HR320 HR330 HR350	HR310-AT2	HR310 HR320 HR330 HR350	HR310-AT2
113 - CLOCK 0 BOARD	HR510 HR530 HR740 HR830	113 - CLOCK 0 BOARD	HR510 HR530 HR740 HR830
239 - CLOCK 1 BOARD	HR510 HR520 HR740	239 - CLOCK 1 BOARD	HR510 HR520 HR740
173 - CLOCK 2 BOARD	HR510-AV2	173 - CLOCK 2 BOARD	HR510-AV2
165 - CLOCK 3 BOARD	HR510-AJ2	165 - CLOCK 3 BOARD	HR510-AJ2
105 - CLOCK 4 BOARD	HR510 HR530 HR740 HR810	105 - CLOCK 4 BOARD	HR510 HR530 HR740 HR810
159 - CLOCK 5 BOARD	HR520 HR550 HR740	159 - CLOCK 5 BOARD	HR520 HR550 HR740
152 - CLOCK 6 BOARD	HR310 HR330 HR510 HR520 HR740 HR810 HR5050 HR5920 HR5930	152 - CLOCK 6 BOARD	HR310 HR330 HR510 HR520 HR740 HR810 HR5050 HR5920 HR5930
*** HR220 ***			
142 - CLOCK 7	HR240-AM2	142 - CLOCK 7	HR240-AM2
134 - CLOCK 8	HR240-AM6	134 - CLOCK 8	HR240-AM6
135 + CLOCK 8	HR250-AJ2	135 + CLOCK 8	HR250-AJ2
125 - EPC	HR240-AM2	125 - EPC	HR240-AM2
126 + EPC	HR250-AJ6	126 + EPC	HR250-AJ6
245 - SDBD	HR240-AK2	245 - SDBD	HR240-AK2
204 + CLOCK 2-3	HR240-AL2	204 + CLOCK 2-3	HR240-AL2
186 - CLOCK 1 OR 6	HR260-AM2	186 - CLOCK 1 OR 6	HR260-AM2
143 - CLOCK 7 BOARD	HR320 HR510 HR520 HR740	143 - CLOCK 7 BOARD	HR320 HR510 HR520 HR740
136 - CLOCK 8 BOARD	HR520 HR740 HR830 HR5930	136 - CLOCK 8 BOARD	HR520 HR740 HR830 HR5930
127 - EARLY PHASE C-1	HR520 HR5920 HR5940	127 - EARLY PHASE C-1	HR520 HR5920 HR5940
246 - SAMPLE DBD	HR310 HR510 HR750	246 - SAMPLE DBD	HR310 HR510 HR750
129 - EARLY PHASE C-2	HR720 HR740 HR750 HR810 HR820 HR830	129 - EARLY PHASE C-2	HR720 HR740 HR750 HR810 HR820 HR830
503 +TIEUP	HR250-AM4	503 +TIEUP	HR250-AM4
*** HR230 ***			
304 +FORCE DBI P LSR	HR260-AK2	304 +FORCE DBI P LSR	HR260-AK2
252 + A REG STROBE-1	HS010-AM4	252 + A REG STROBE-1	HS010-AM4
251 + A REG STROBE-2	HS010-AM4	251 + A REG STROBE-2	HS010-AM4
119 + MICR STROBE	HS040-AP6	119 + MICR STROBE	HS040-AP6
405 + CHAN LSR SEL 7	WT001-AM6	405 + CHAN LSR SEL 7	WT001-AM6
403 + CHAN LSR SEL 6	WT215-AM6	403 + CHAN LSR SEL 6	WT215-AM6
232 + B REG STROBE-1	HS010-AS6	232 + B REG STROBE-1	HS010-AS6
230 + B REG STROBE-2	HS010-AT6	230 + B REG STROBE-2	HS010-AT6
211 - HDB WRITE GATE	HR810-AY2	211 - HDB WRITE GATE	HR810-AY2

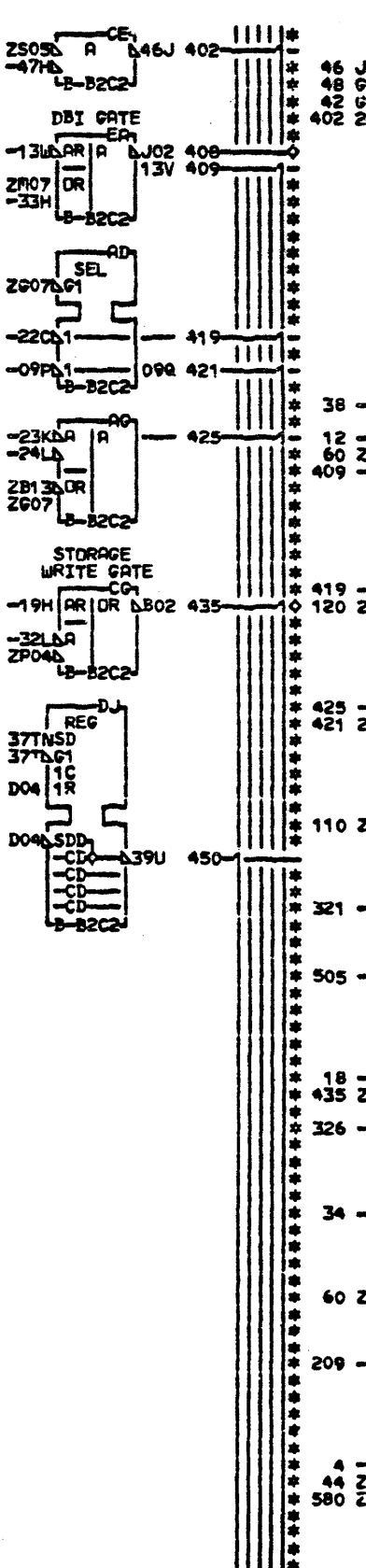
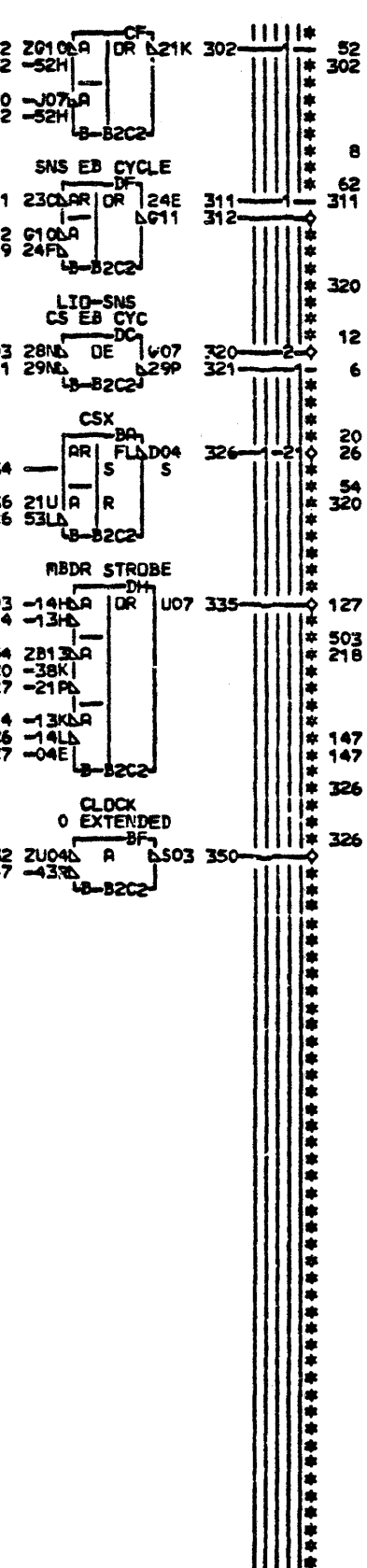
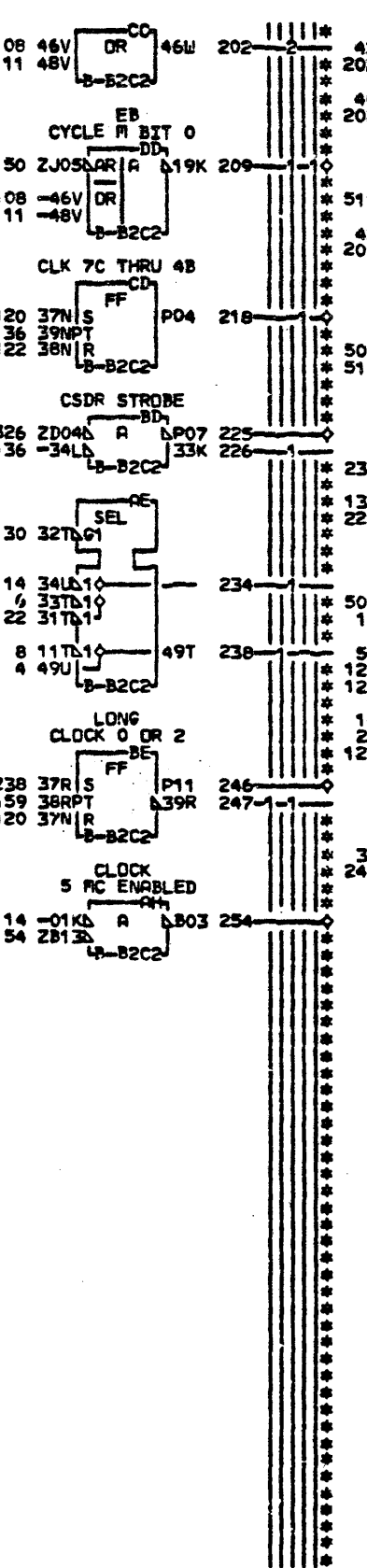
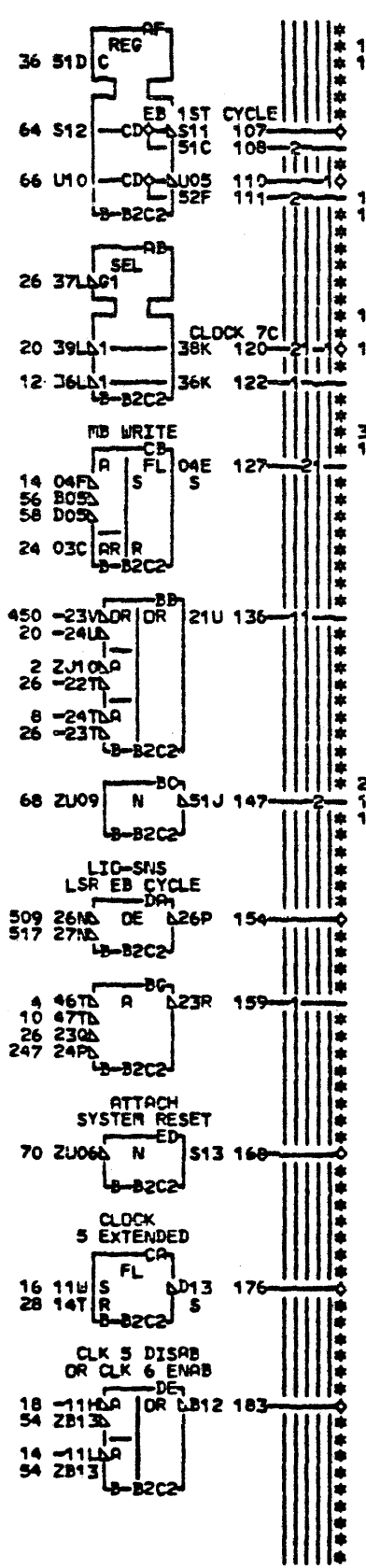
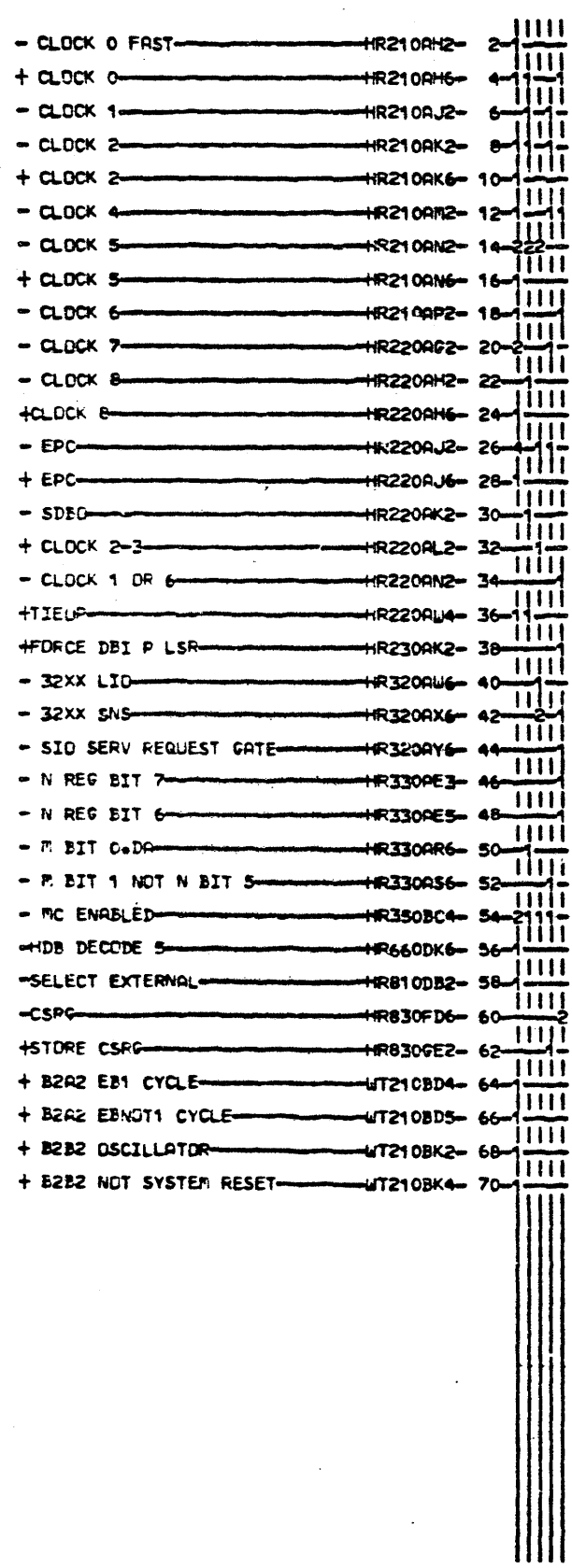
EDGE CONN.
403 B-B2A4B12
01B-B2B4B12

LOC. TYPE
B-B2C2 Y668

PAGE VER EC LEV
HR210 000 821758
HR220 000 821720
HR230 000 824774

HR210
HR230
000

CHANNEL POWERING			
E.C. HISTORY	FRAC#32XXSM5	FRAME	01 HR210
821720		IBM CORP#RD	HR230
821758		P#N#	5558295 000
DATE	LAST EC		
02-25-74	824774		



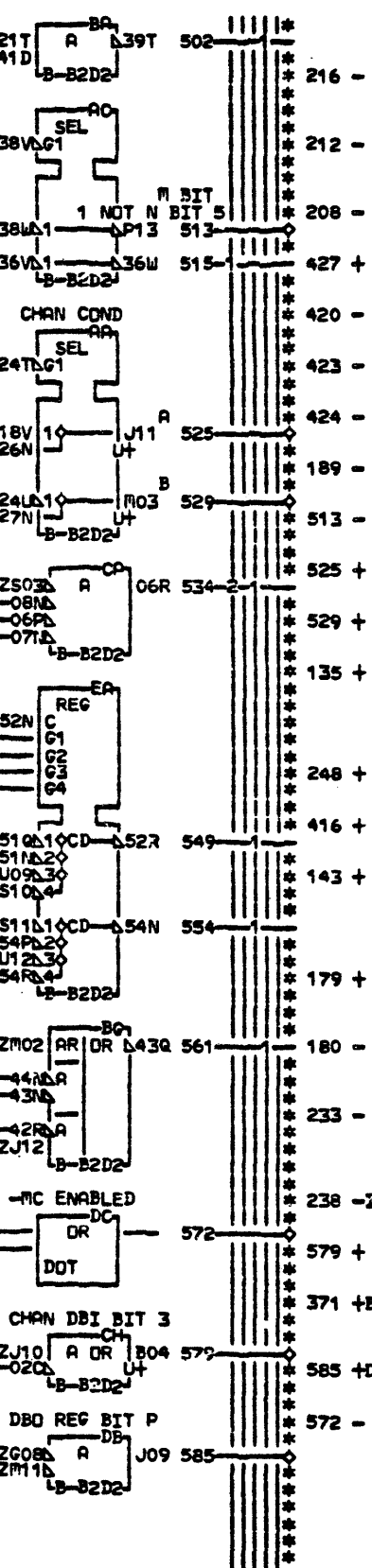
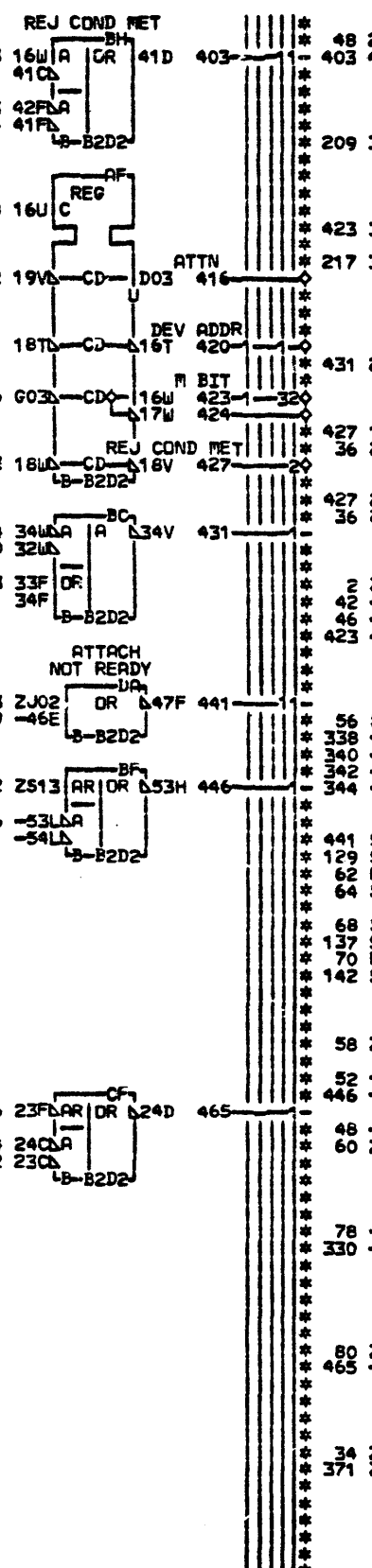
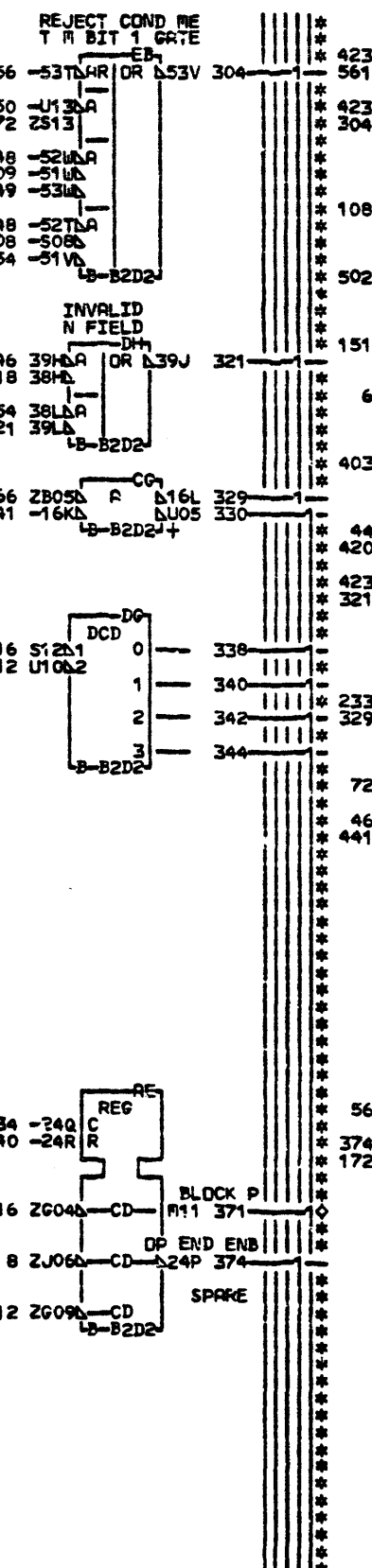
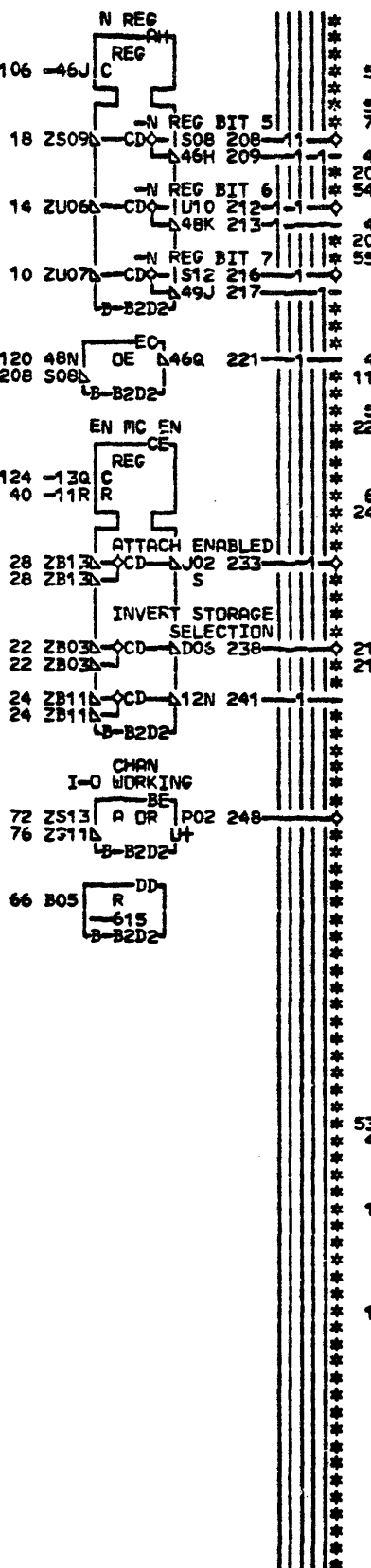
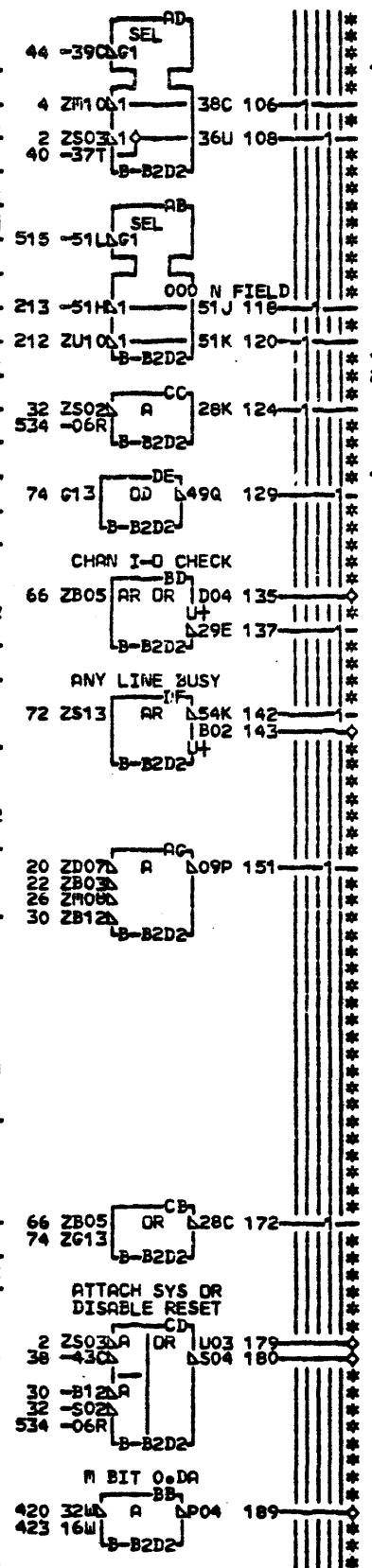
LDC TYPE
B-B2C2 Y668

PAGE VER EC LEV
HR240 000 824774
HR250 000 821758
HR260 000 821720

CHANNEL POWERING			
E.C. HISTORY	C. MACH.	32X0SM15	
821720			
821758	FRAME	01	HR240
DATE	LAST EC	IBR CORP.	HR260
02-25-74	824774	P.No. 5558296	000

HR240
HR260
000

- CLOCK 6 ACU HR210RS2 2-2
 - CLOCK 5 BOARD HR210AY2 4
 + DBD REG BIT 4 HR310AV0 6
 - DBD REG BIT 7 HR310AV3 8
 + DBD REG BIT 7 HR310AV4 10
 - DBD REG BIT 6 HR310AV5 12
 + DBD REG BIT 6 HR310AV6 14
 - DBD REG BIT 5 HR310AV7 16
 + DBD REG BIT 5 HR310AV8 18
 + DBD REG BIT 0 HR310AW0 20
 - DBD REG BIT 3 HR310AW3 22
 - DBD REG BIT 2 HR310AW5 24
 + DBD REG BIT 2 HR310AW6 26
 - DBD REG BIT 1 HR310AW7 28
 + DBD REG BIT 1 HR310AW8 30
 - DBD REG BIT 0 HR310AW9 32
 - DBD REG BIT P HR310AX2 34
 + DBD P CHK INT HR310AY2 36
 - SYSTEM RESET PURD HR310AZ2 38
 + SYSTEM RESET PURD HR310AZ6 40
 - I-R CYCLE HR320AM2 42
 - I-Q I-R CYCLE HR320AQ6 44
 - 32XX SID HR320AL6 46
 - 32XX TID HR320AV6 48
 - 32XX LID HR320AW6 50
 - 32XX LID OR SID HR320AZ2 52
 - 32XX LID OR SNS HR320BA2 54
 + TIEUP HR320BB4 56
 + SPARE 1 HR340001 58
 + SPARE 2 HR340002 60
 + DB EXT P CHECK HR510AL6 62
 - CTRL STORE P CHK HR510AX6 64
 + ATTACH CHECK DOT HR510BC4 66
 - STORAGE ADR P CHK HR510BH6 68
 - STORAGE WRITE DATA P CHK HR510BJ6 70
 + SID SVC REQ ADAPT BUSY HR820CF2 72
 + INT REQUEST HR820CH2 74
 + CE STOP LATCH HS930EE2 76
 + DOT OFF MC ENABLED HS930FE2 78
 + B2B2 INTERRUPT POLL HR210BK3 80



*** HR330 ***
 000 HR330 HR360
 216 - N REG BIT 7 HR250 HR530
 212 - N REG BIT 6 HR250 HR530
 208 - N REG BIT 5 HR530 HR530
 427 + REJ COND MET L HR320 HR530
 420 - DEV ADDRESS INT HR320 HR530
 423 - M BIT 1 HR320 HR530
 424 - M BIT 0 HR320 HR530
 189 - M BIT 0 DA HR250 HR530
 513 - M BIT 1 NOT N BIT 5 HR250 HR530
 525 + CHAN COND A W7001 HR530
 529 + CHAN COND B W7001 HR530
 135 + CHAN I-O CHECK W7001 HR530
 *** HR340 ***
 248 + CHAN I-O WORKING W7001 HR530
 416 + CHAN I-O ATTN NOT USED AP2
 143 + CHAN I-O PIETER RUN W7001 HR530
 *** HR350 ***
 179 + ATTACH SYS OR DISABLE RESET HR520 HR530
 180 - ATTACH SYS OR DISABLE RESET HR520 HR530
 233 - ATTACH ENABLED HR510 HR320 HR510 HR5040
 238 - INVERT STORAGE SELECTION HR540 HR530
 579 + CHAN DBI BIT 3 W7001 HR530
 371 + BLOCK P BIT HR610 HR620
 585 + DBD REG BIT P HS040 HR530
 572 - MC ENABLED HR240 HR250 HR510 HR520 HR5920 HR5930

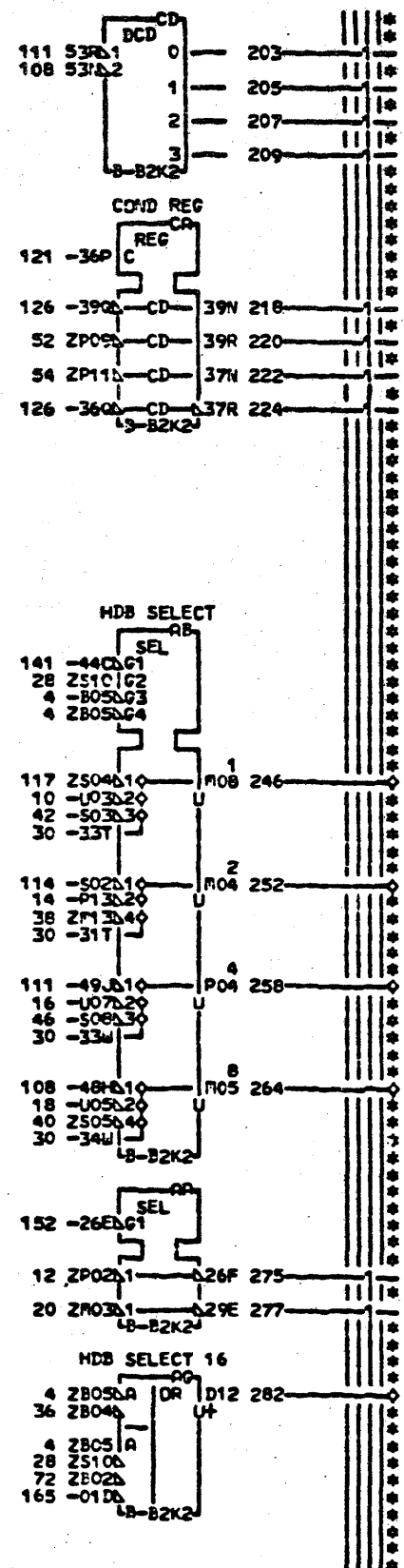
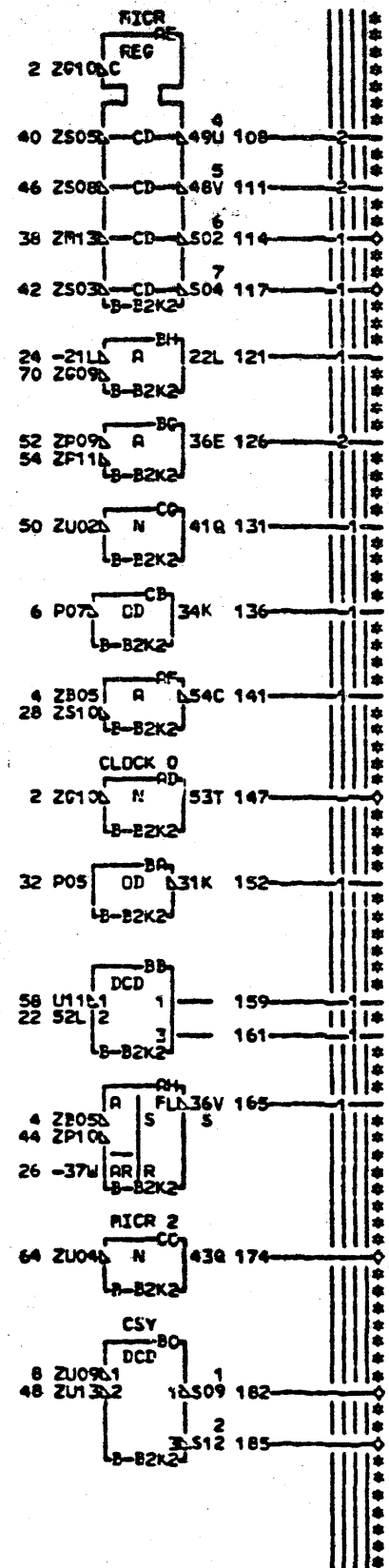
LOC. TYPE
B-82D2 Y604

PAGE VER EC LEV
 HR330 000 821758
 HR340 000 824774
 HR350 000 821758
 HR360 000 821758

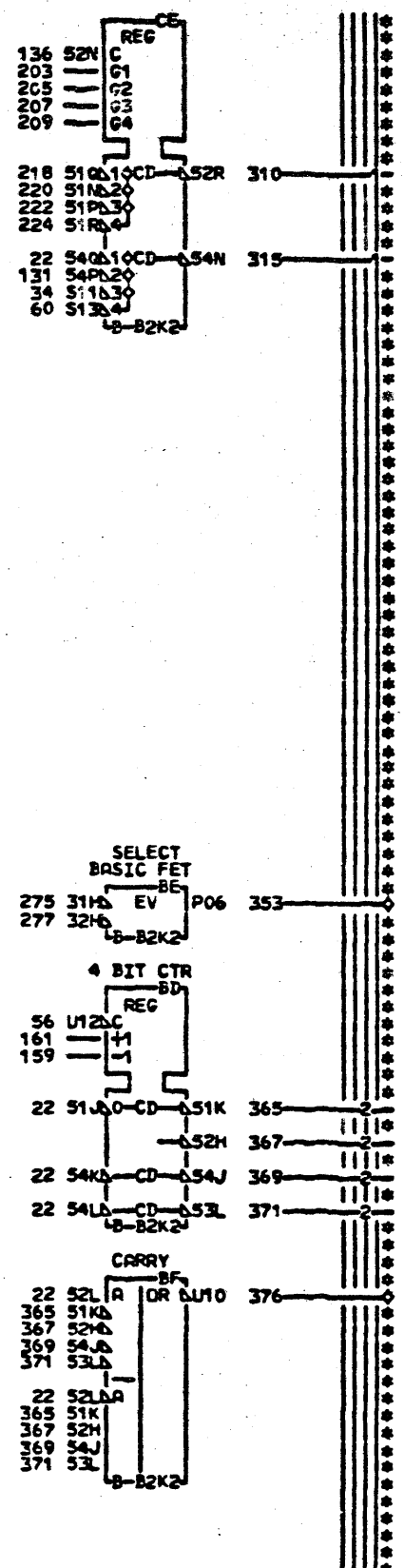
Q BYTE INSTRUCTION DECODE			
E=C	HISTORY	C	MACH 32XXSM15
821720		FRAME	01 HR330
821758		IBM CORP	HR360
DATE	LAST EC	P.No.	5558298 000
02-25-74	824774		

HR330
HR360
000

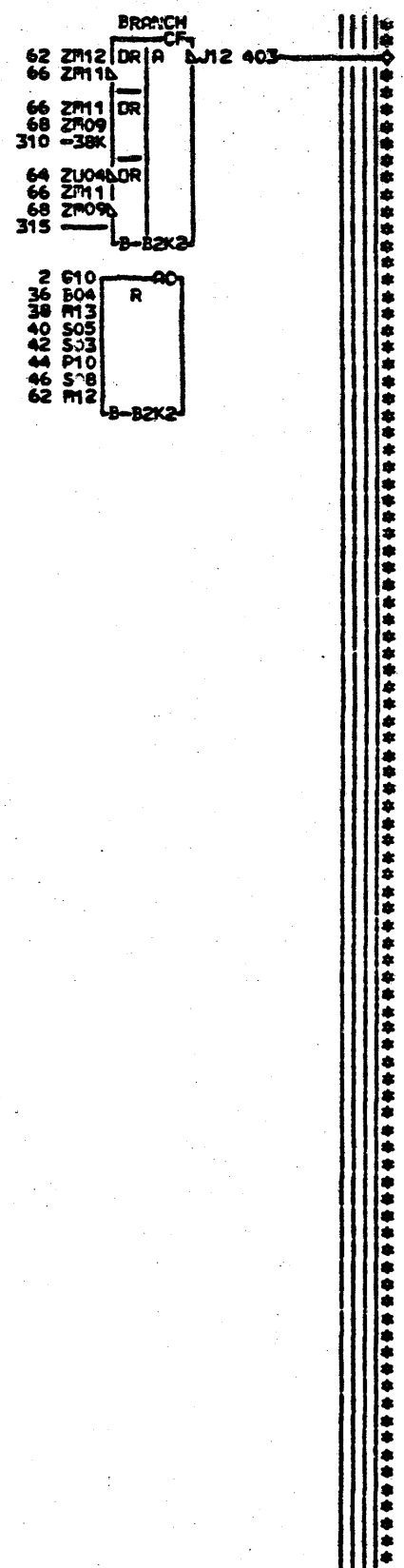
- CLOCK 0 BOARD HR210AT2 2
- CLOCK 3 BOARD HR210AU2 4
- CLOCK 4 BOARD HR210AX2 6
- CSX HR240BC6 8
- EB 1ST CYCLE HR250AB2 10
- GATE MBAR TO SAR HR250AJ6 12
- N REG BIT 7 HR330AE3 14
- N REG BIT 6 HR330AE5 16
- N REG BIT 5 HR330AE7 18
- INVERT STORAGE SELECTION HR350AH8 20
- + TIEUP HR510BE4 22
- CLOCK 5 AND EPC HR520AL6 24
- + CLOCK 5 MC DISAB OR 6 ENAB HR520AQ2 26
- MC RUN CK2 THRU 5 HR520AL6 28
- + FORCE F HR520BD2 30
- + EXPANSION FET INSTALLED HR540001 32
- + SPARE B05 HR550001 34
- CSDR 3 HR630EC6 36
- CSDR 6 HR630EE6 38
- CSDR 4 HR630FC6 40
- CSDR 7 HR630FE6 42
- CSDR 2 HR630GF6 44
- CSDR 5 HR630GC6 46
- SAR HI 5 HR650BR2 48
- COMPARE HR660FK4 50
- ALU HIGH ZERO HR720DA6 52
- ALU LD ZERO HR720EN6 54
- + XMIT LCH HR740CF2 56
- STEP COUNTER HR740GD2 58
- + SID SVC REG ADAPT BUSY HR820CF2 60
- + TSN COND FET HR840FL2 62
- RICR 2 HS040AC5 64
- RICR 3 HS040AC8 66
- RICR 0 HS040AH8 68
- LATCH CONDITIONS HS040AR2 70
- HDB TO A REG AT CK 3 HS040RV4 72



LUC TYPE
B-82K2 Y670

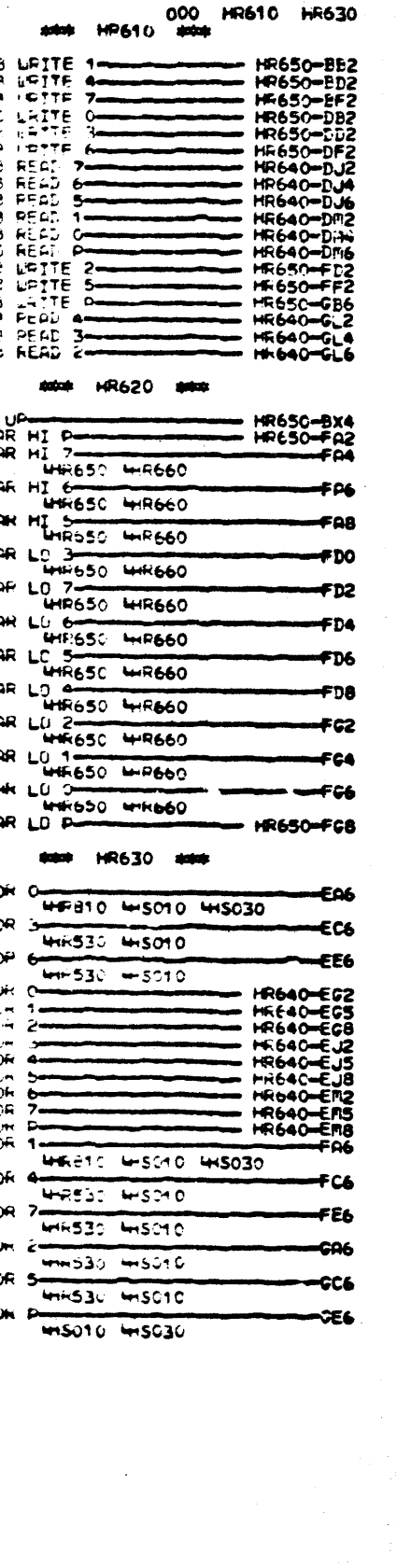
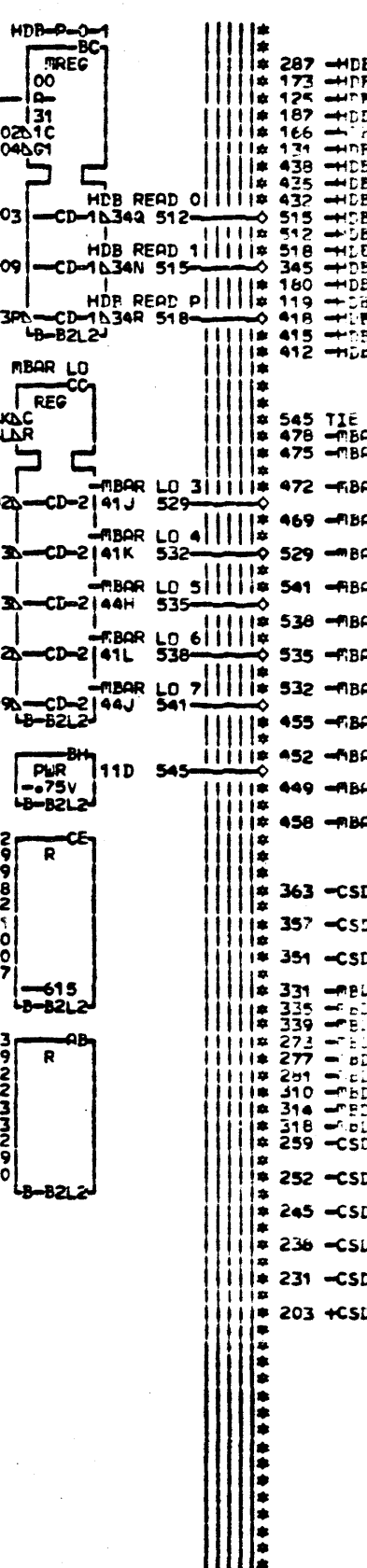
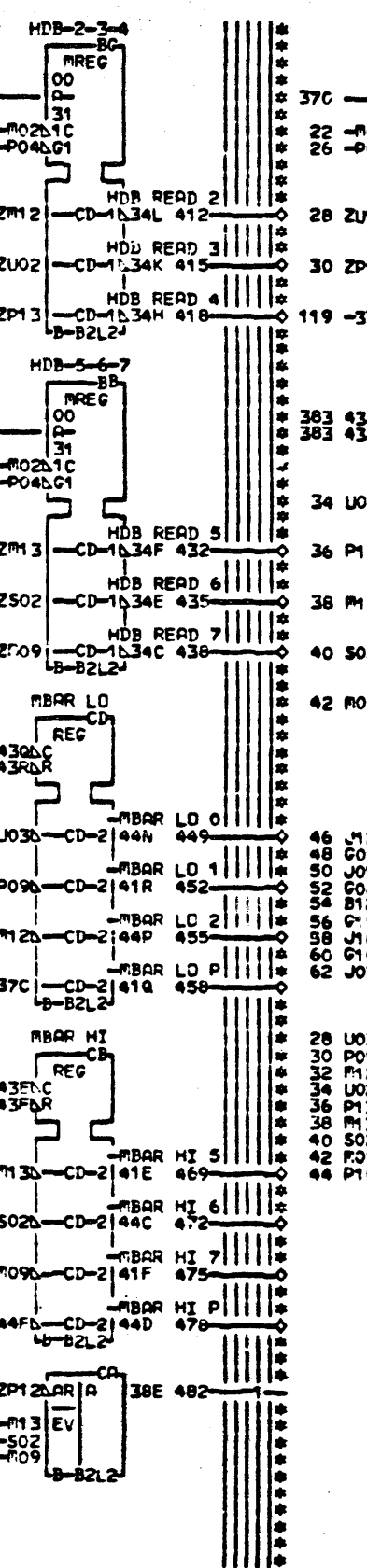
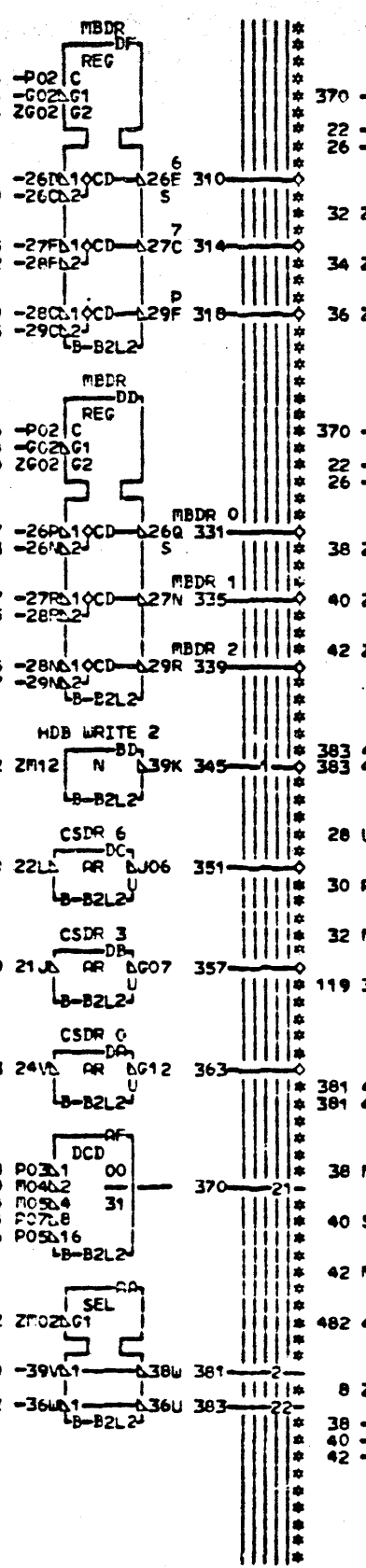
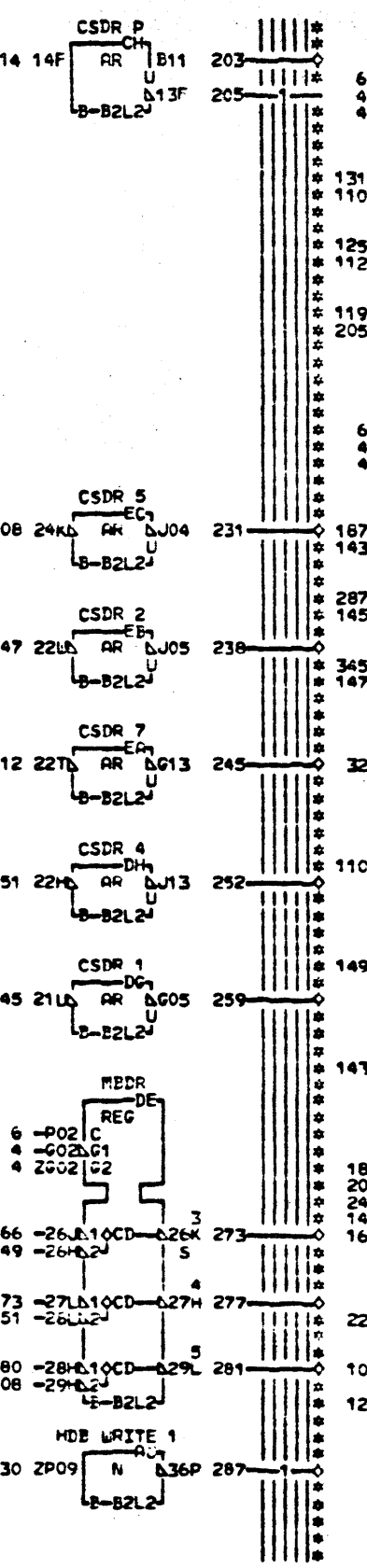
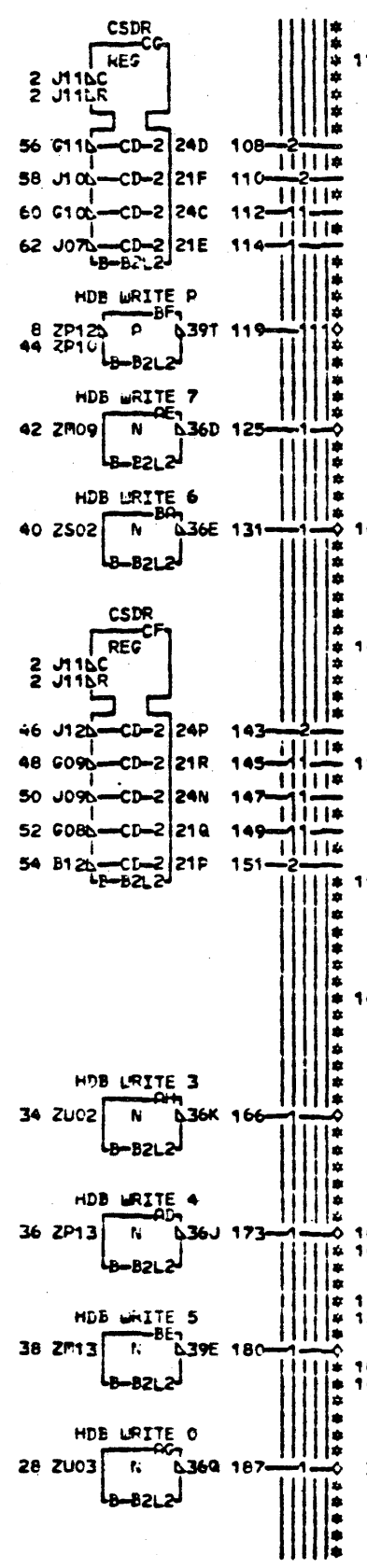
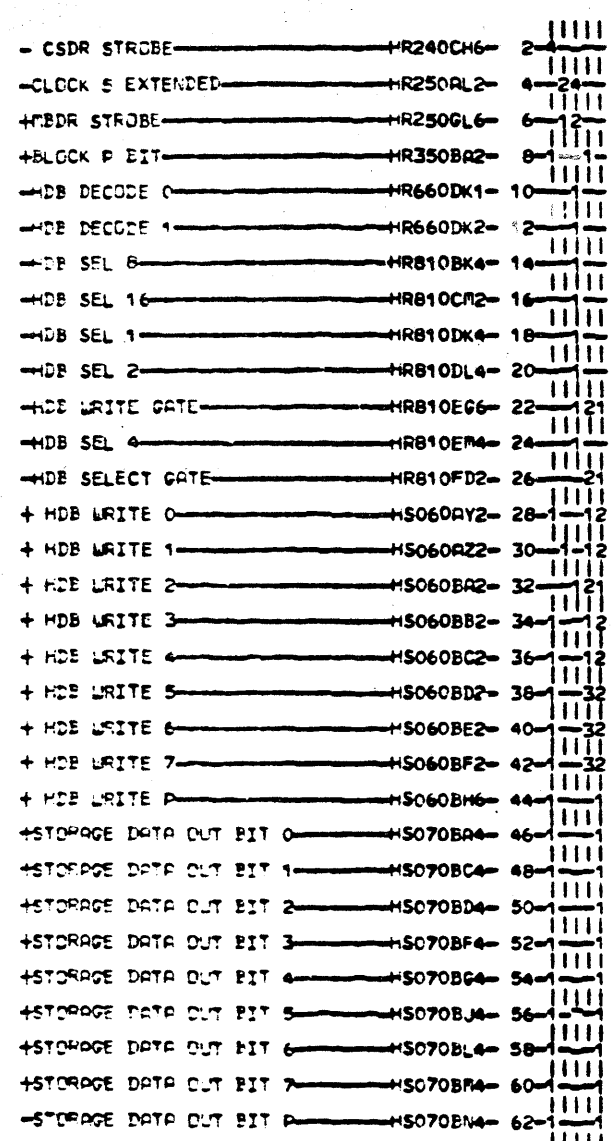


PAGE VER EC LEV
HR530 000 821720
HR540 000 821758
HR550 000 821758



- 147 + CLOCK 0 HR520-DF2
- 117 - RICR 7 HS040-AG0
- 114 - RICR 6 HS040-AG8
- 264 + HDB SELECT 8 HR810-CT6
- 258 + HDB SELECT 4 HR810-CL6
- 252 + HDB SELECT 2 HR810-CL6
- 246 + HDB SELECT 1 HR810-CL6
- 282 + HDB SELECT 16 HR810-CY6
- *** HR540 ***
- 182 - CSY 1 HS100-C26
- 185 - CSY 2 HS100-CC6
- 353 + SELECT BASIC FET HS100-EE2
- 376 - COUNT 13 HR740-F76
- *** HR550 ***
- 174 + RICR 2 HR510-A26
- 403 - BRANCH HR520-A14

HDB SELECT AND BRANCH LOGIC		DATE LAST EC	
TYPE OUT COUNTER		01-06-74 821758	
E.C. - IRTONYAN, DANAHAY, BOSTON		ReNo 5558300	
821720		FR00E 01	HR530
		IBN CORR RD	HR550
		CC	

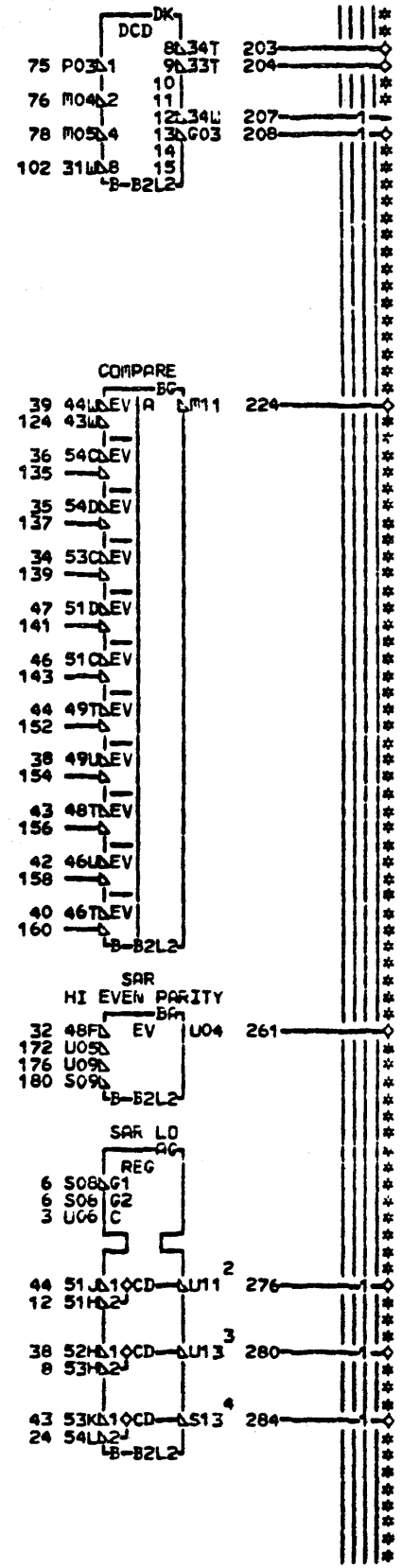
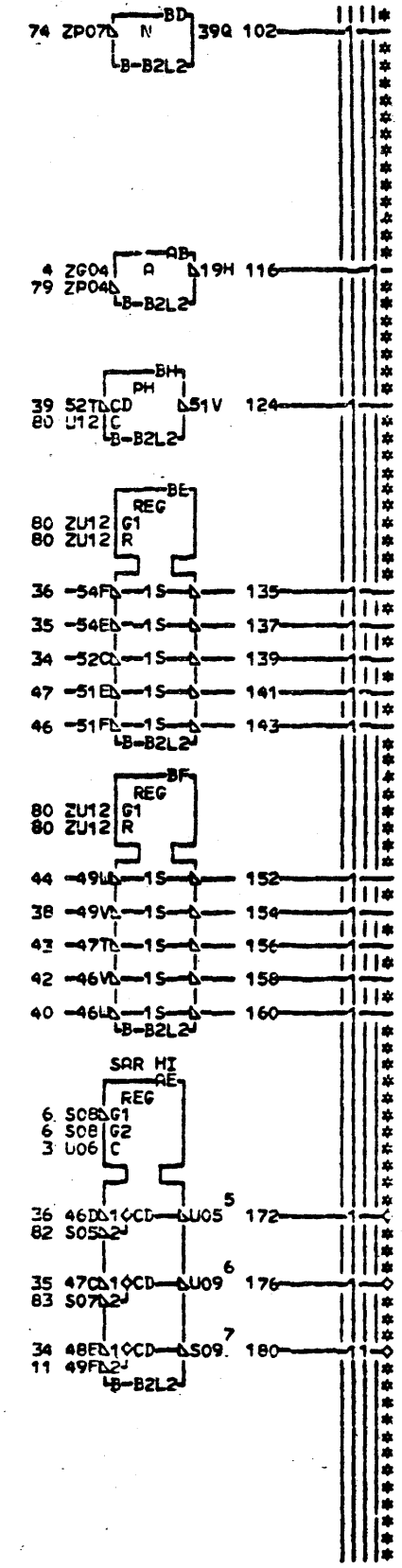
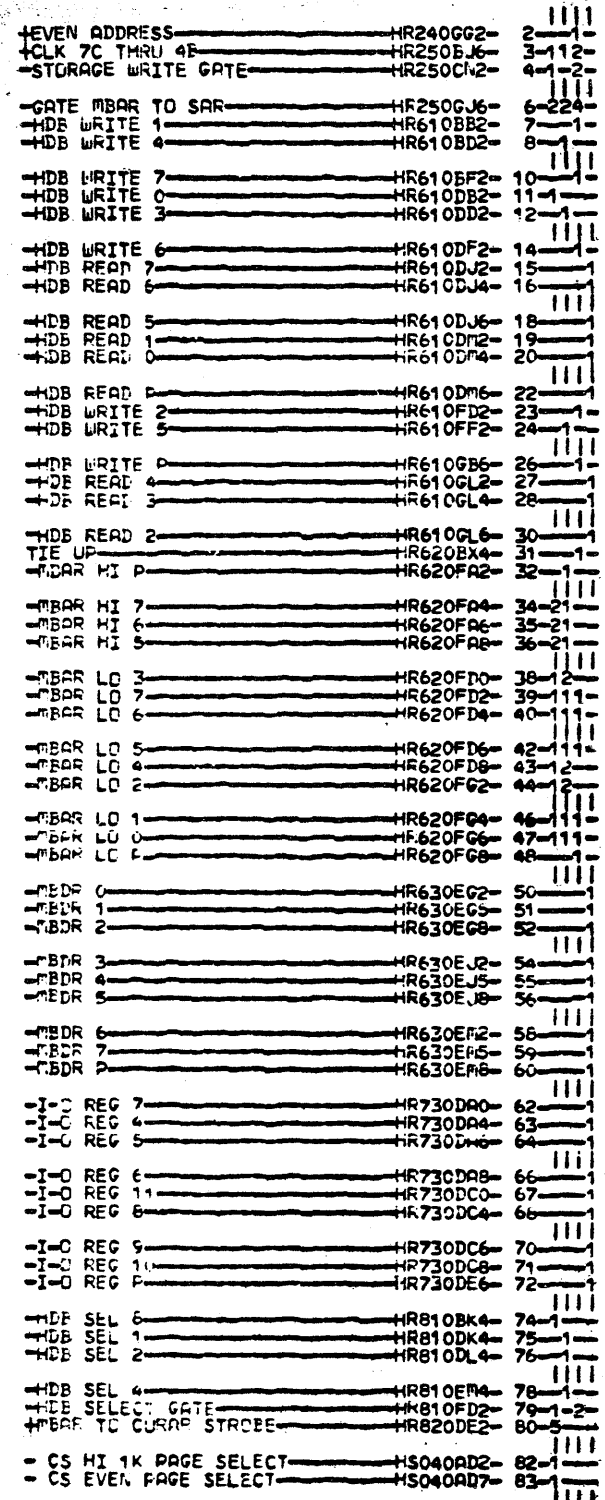


HR610
HR630
000

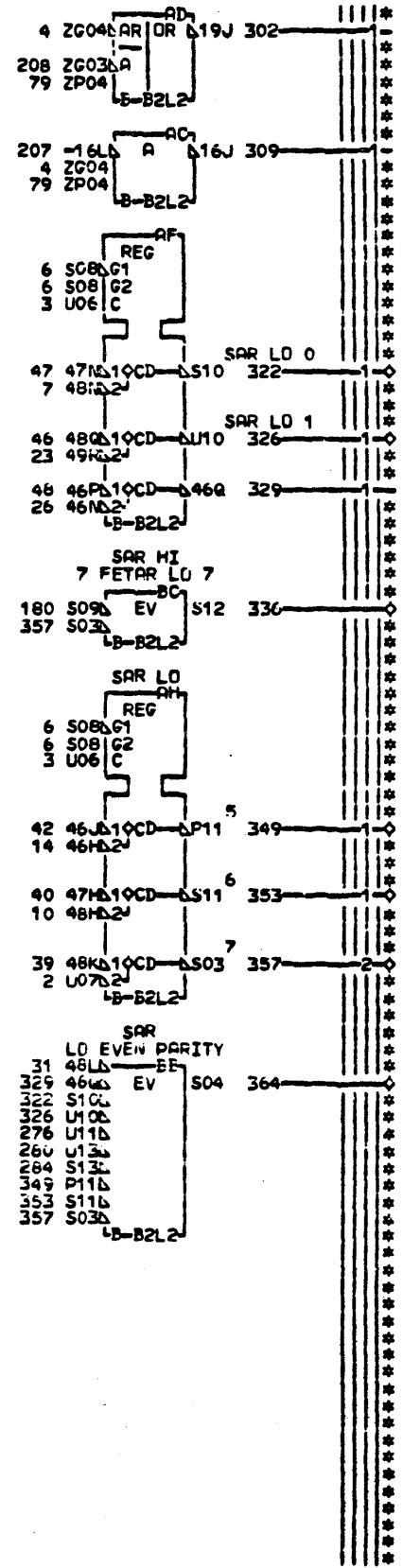
LLC TYPE
B-B2L2 Y669

PAGE VER EC LEV
HR610 000 B21758
HR620 000 B21758
HR630 000 B21758

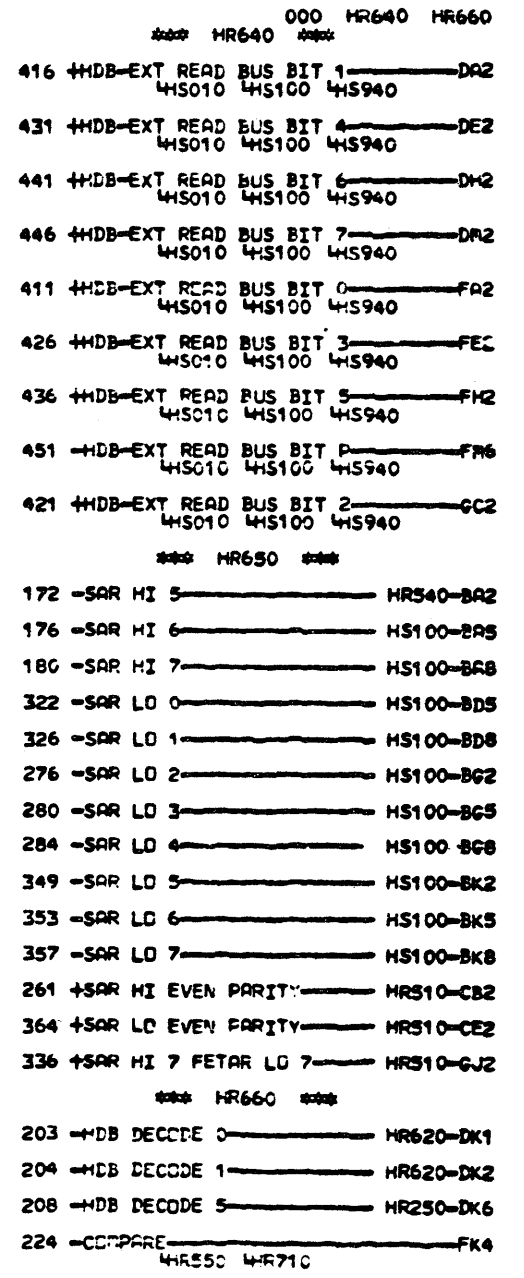
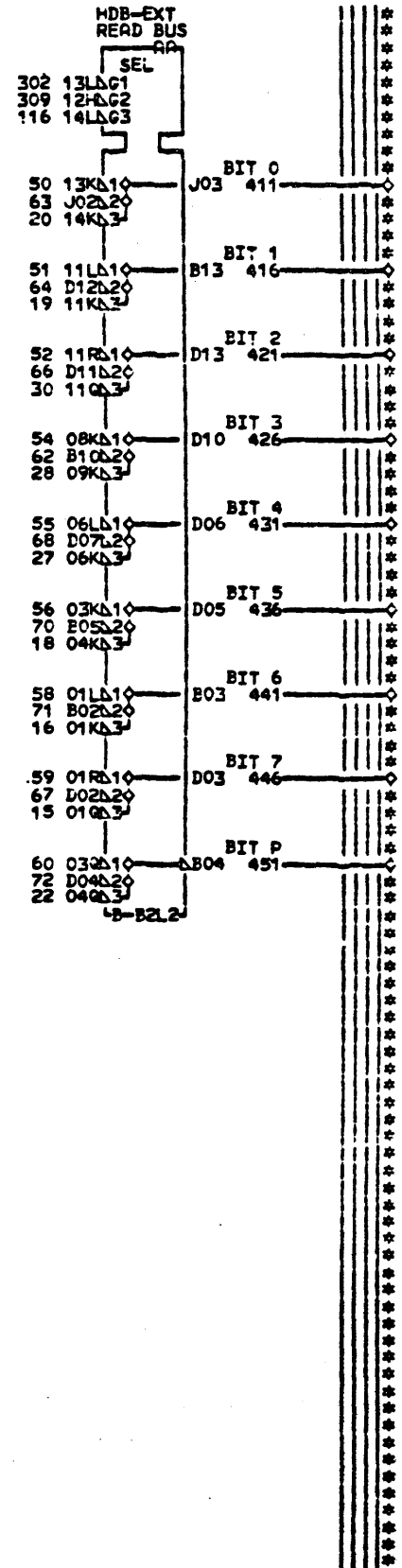
MDB-MBAR-FETAR-CSDR-MDDR	FRAME 01	HR610
MDB REG	IBR CORP GSD	HR630
E-C-HISTORY	PaNo 5558301	000
DATE LAST EC	01-16-74 B21758	



LOC. TYPE
B-B2L2 Y669

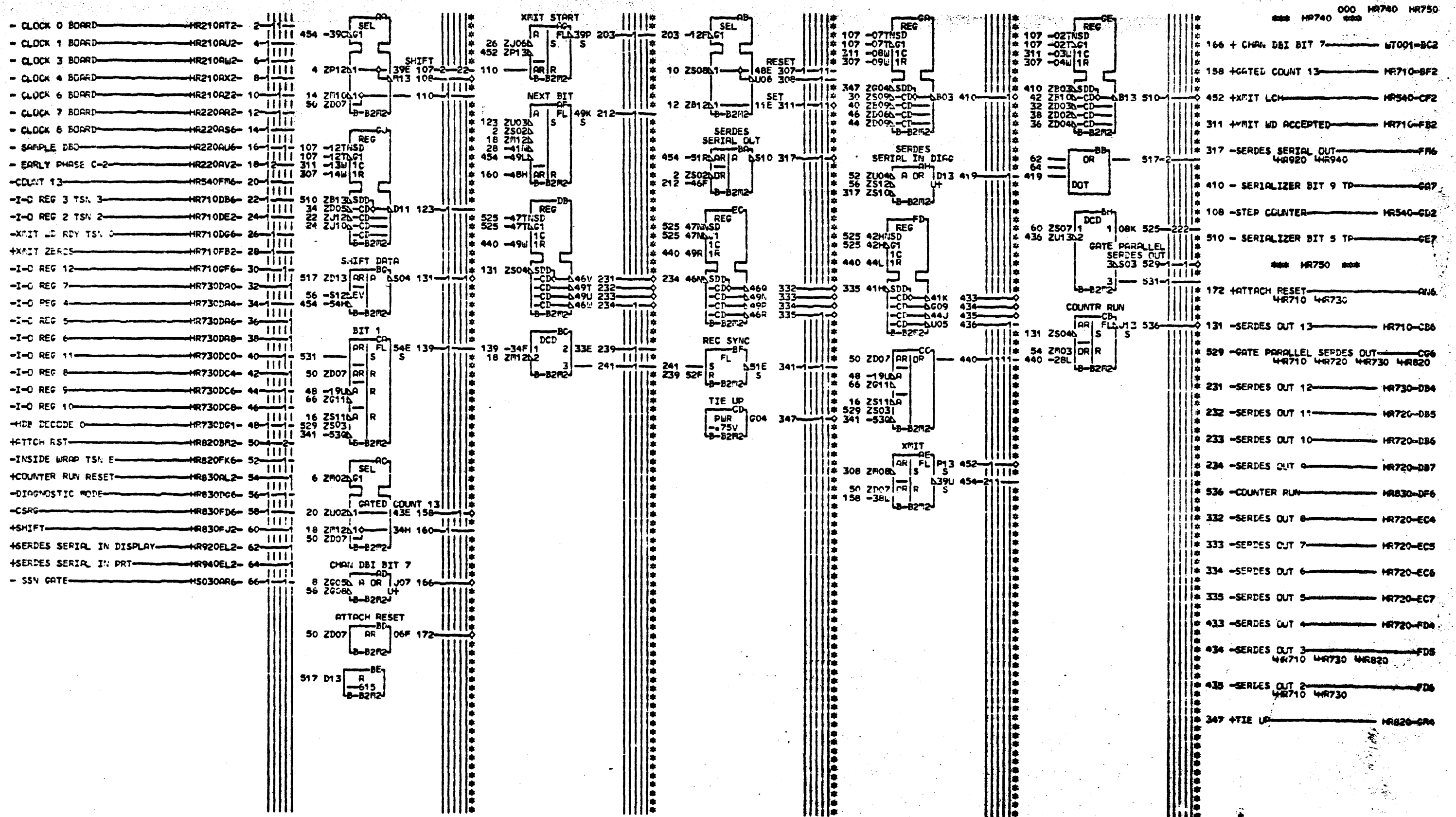


PAGE VER EC LEV
HR640 000 821758
HR650 000 821758
HR660 000 821720



HR640
HR660
000

MDB-MBR-FETAR-MSDR-MDR		M5010 M5100 M5940	
M5010 M5100 M5940		M5010 M5100 M5940	
E-C-M-HISTORY		C-MACH-32XSR15	
821720		821720	
DATE	LAST EC	FRAME	01 HR640
01-08-74	821758	IBF CORP. RD	HR660
		Pa. No. 5558302	000



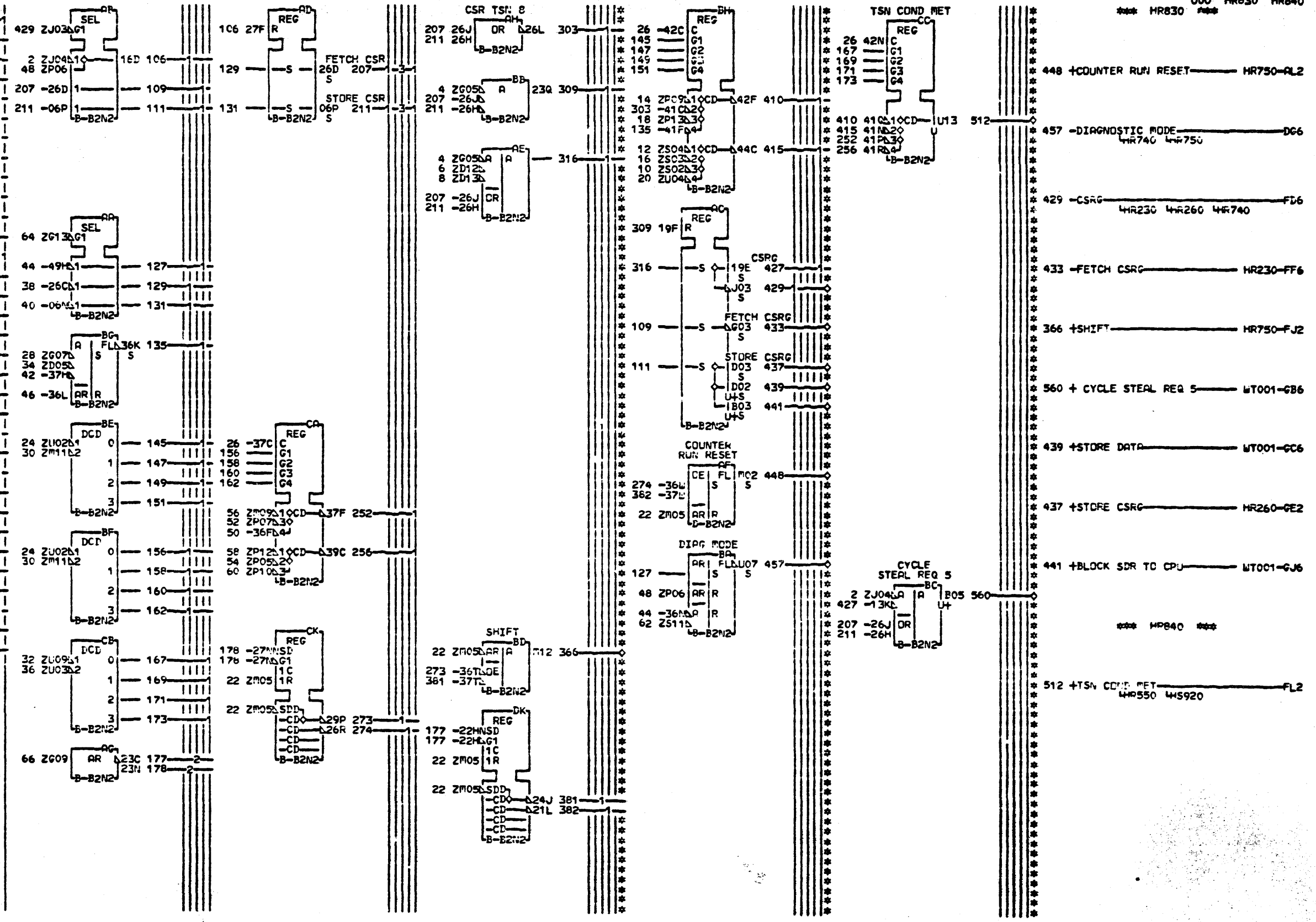
LOC. TYPE
B-B2M2 Y611

PAGE VER EC LEV
HR740 000 821758
HR750 000 821720

HR740
HR750
000

I-O REGISTER		XMIT AND RECEIVE SERDES	
EC	Co	Co	Co
821720	HISTORY	32X13M15	
DATE	LAST EC	IB#	COMP.#GSD
01-07-74	821758	P.No.	5558304
		000	

- CLOCK 0 BOARD HR210AT2- 2-1
- CLOCK 8 BOARD HR220AS6- 4-2
- EARLY PHASE C-2 HR220AV2- 6-1
- CYCLE STEAL PRIORITY HR310BL4- 8-1
- I-O REG 3 TSN 3 HR710DB6- 10-1
- I-O REG 2 TSN 2 HR710DE2- 12-1
- XMIT WD RDY TSN 0 HR710DG6- 14-1
- I-O REG 13 TSN A HR710DJ6- 16-1
- RECEIVE WD RDY TSN 1 HR710DL6- 18-1
- RECEIVE CK TSN F HR730EL6- 20-1
- COUNTER RUN HR750DF6- 22-231
- +HDB SEL 8 HR810BK4- 24-2
- +TIE UP HR810BK4- 26-1
- +HDB SEL 16 HR810CM2- 28-1
- +HDB SEL 1 HR810DK4- 30-2
- +HDB SEL 2 HR810DL4- 32-1
- +HDB WRITE GATE HR810EG6- 34-1
- +HDB SEL 4 HR810EM4- 36-1
- +HDB DECODE 6 HR810FK1- 36-1
- +HDB DECODE 5 HR810FK2- 40-1
- +HDB DECODE A HR810FK3- 42-1
- +HDB DECODE F HR810FK6- 44-1
- +SID SVC REQ FST HR820BG2- 46-1
- +ATTCH RST HR820BM2- 48-1
- INT REQ TSN D HR820CH6- 50-1
- UNUSED TSN 5 HR820CF6- 52-1
- INSIDE WRAP TSN E HR820EK6- 54-1
- +TIE UP TO SUPR RTRY TSN 4 HR840009- 56-1
- TSN 6 T.P. HR840011- 58-1
- TSN 7 T.P. HR840012- 60-1
- SSF GATE HS030AR6- 62-1
- SSN GATE HS030AR6- 64-1
- + B2B2 OSCILLATOR WT210BK2- 66-1

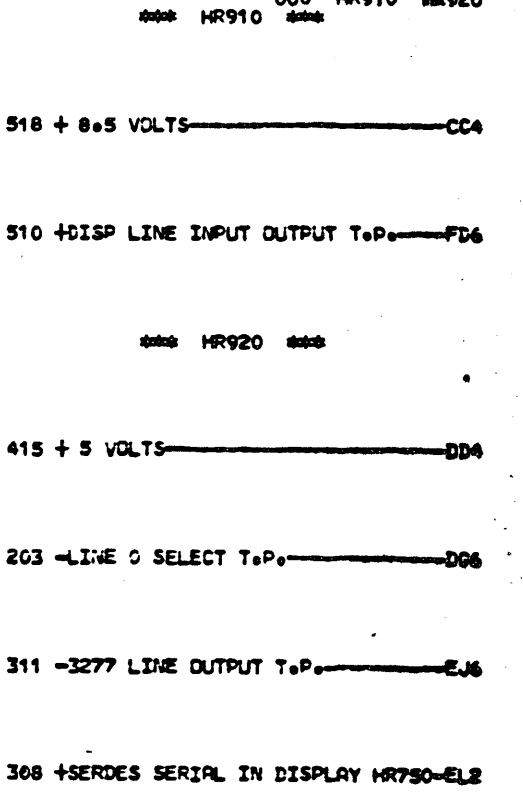
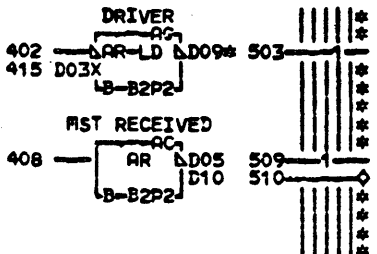
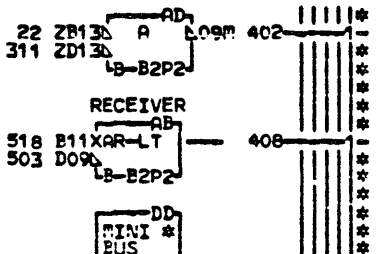
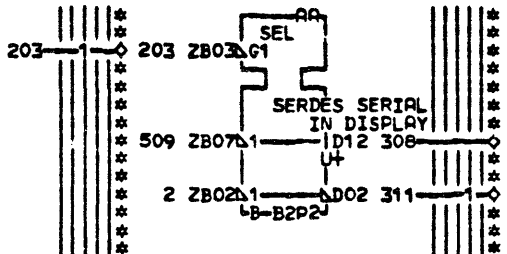
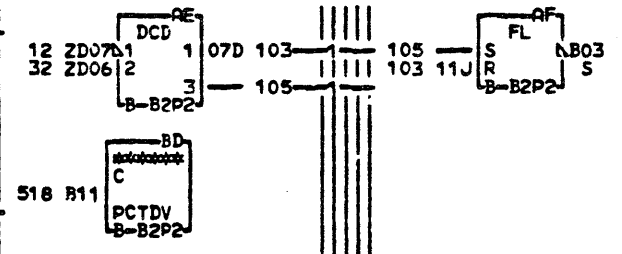
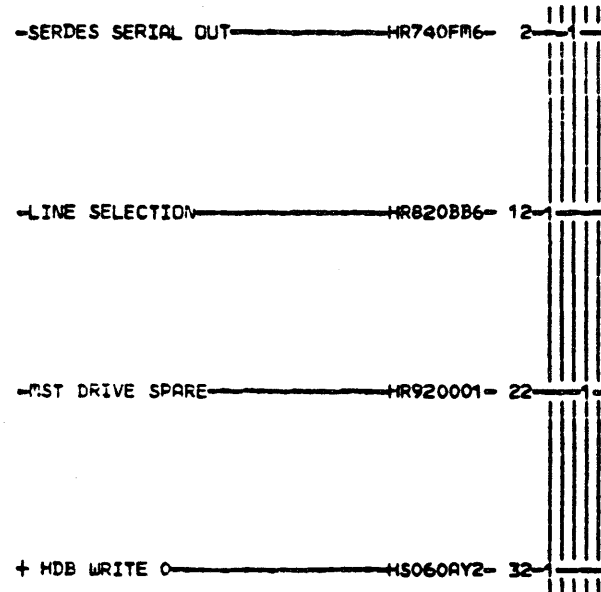


LOC. TYPE
 B-B2N2 Y612

PAGE VER EC LEV
 HR830 000 821720
 HR840 000 821758

GENERAL CONTROLS		CYCLE STEAL AND TSN CONTROLS	
E-C-HISTORY	821720	C-MACH-32XXSM15	
DATE	01-07-74	LAST EC	821758
FRAME	01	HR830	
IBM CORP.	65D	HR840	
PoNo	5558306	000	

HR830
 HR840
 000



000 HR910 HR920
*** HR910 ***

*** HR920 ***

ONLINE NUMBER ORDER OF PRE 000

EDGE CONN.
503 B-B2L2D09

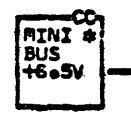
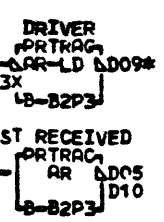
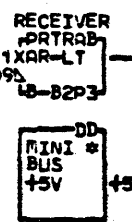
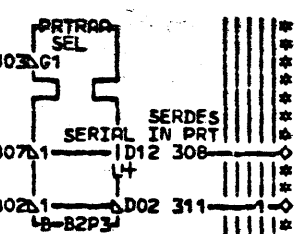
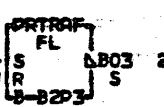
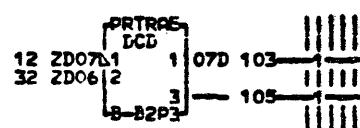
LDC TYPE
B-B2P2 Y610

PAGE VER EC LEV
HR910 000 821720
HR920 000 821720

HR910
HR920
000

DISPLAY-DRIVER AND RECEIVER		
-E.C.-HISTORY-	C, PACH, 32XSR15	
DATE	LAST EC	FRAME 01 HR910
12-06-73	821720	IBR CORP. GSD HR920
		P.No. 5558307 000

SERDES SERIAL OUT — HR74CFN6 — 2
 LINE SELECTION — HR820BB6 — 12
 RST DRIVE SPARE — HR940001 — 22
 + MD2 WRITE 1 — HS060AZ2 — 32



518 + 8.5 VOLTS — HS100-CC4
 510 +PTR LINE INPUT OUTPUT T_{OP} — PD6
 415 + 5 VOLTS — DD4
 203 -LINE 1 SELECT T_{OP} — DG6
 311 -3284 LINE OUTPUT T_{OP} — ZJ6
 308 +SERDES SERIAL IN PRT — HR750-EL2

000 HR930 HR940

HR940

EDGE CONN.
503 B-82U2D02

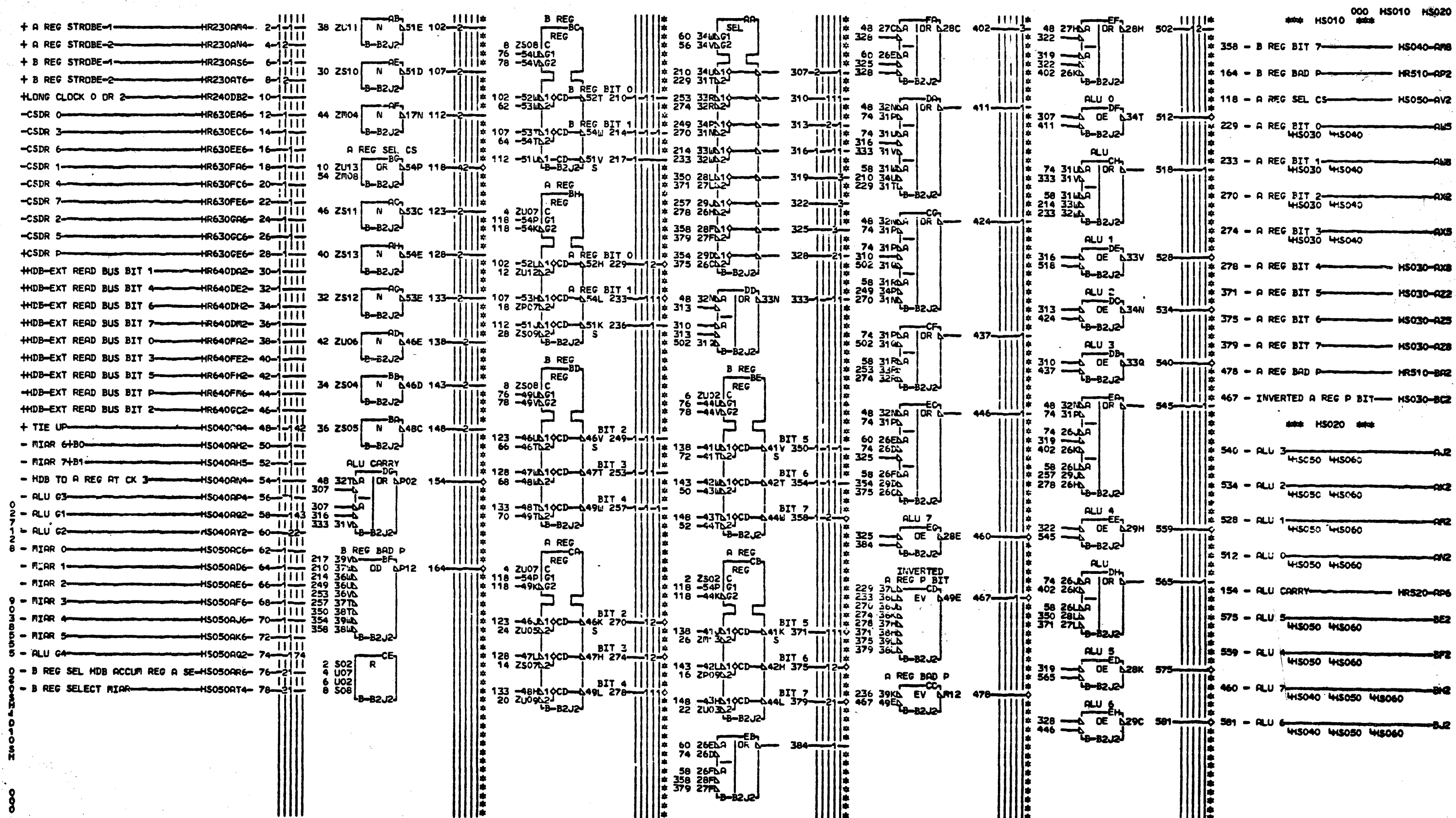
LOC. TYPE
B-82P3 V619

PAGE VER EC LEV
HR930 000 821720
HR940 000 821720

UNP-NN
BURNING DOCUMENT OBSOLETE
000

HR930
HR940
000

PRINTER-DRIVER AND RECEIVER			
—EoCo—HISTORY—	—C—RACH—32XLSR1S		
	PROBE	01	HR930
	IBM CORP.	8SD	HR940
DATE	LAST EC		
12-06-73	821720	PoNo	5558308 000

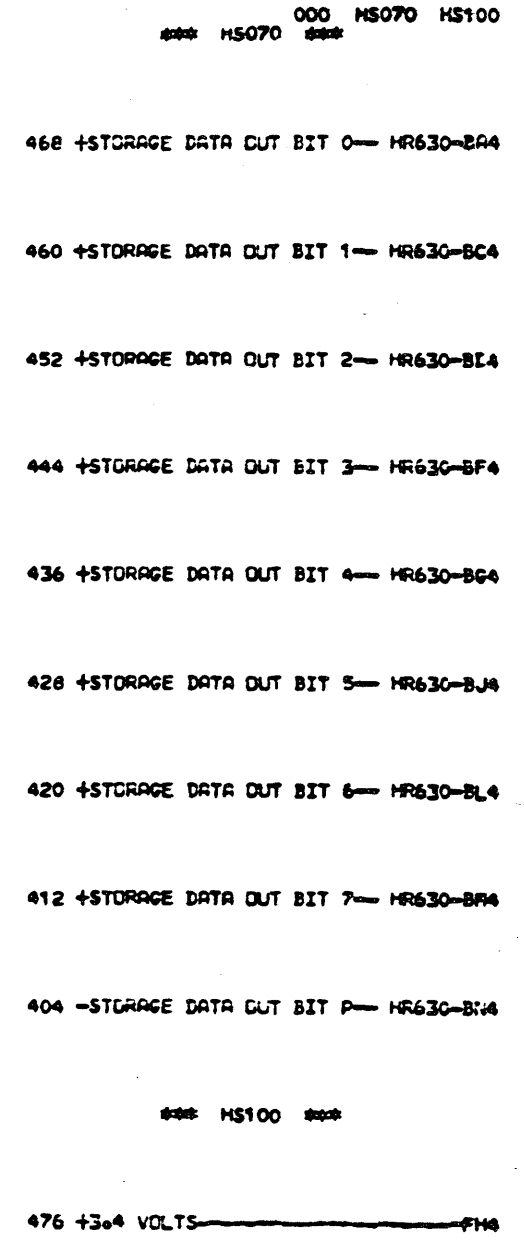
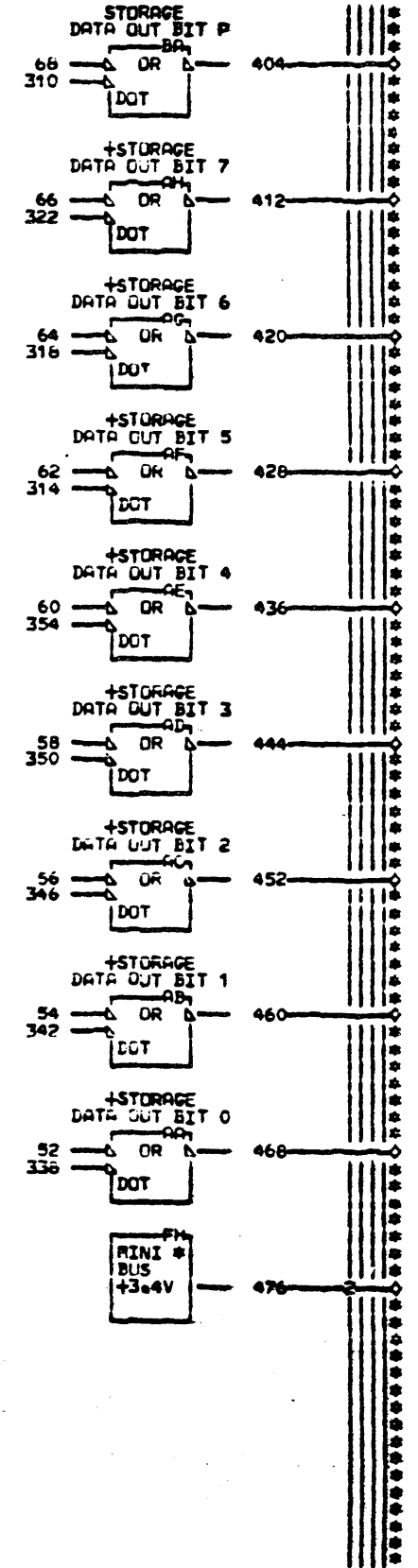
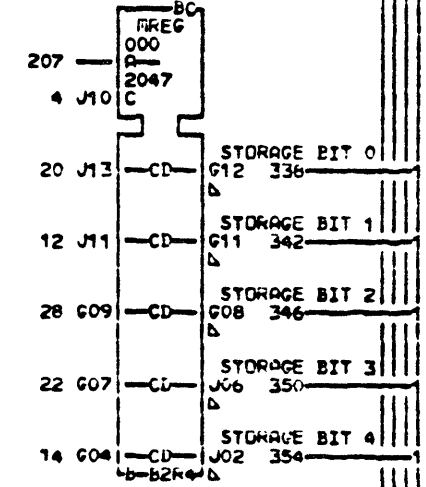
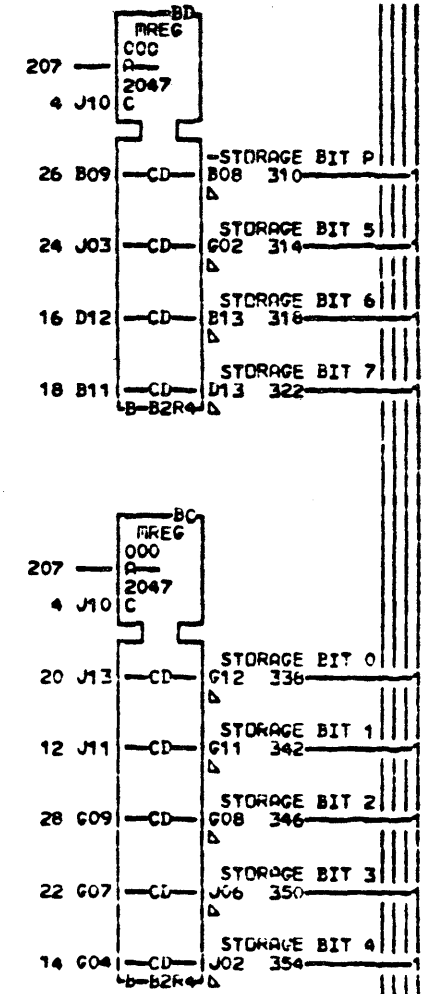
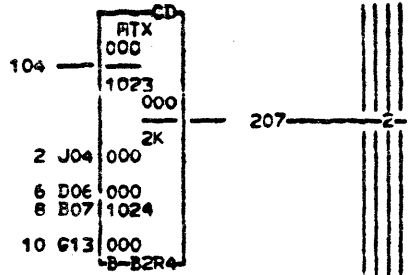
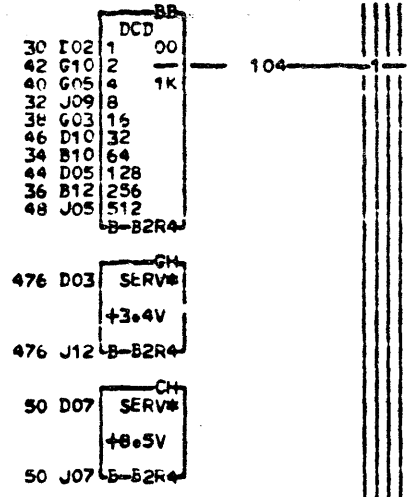
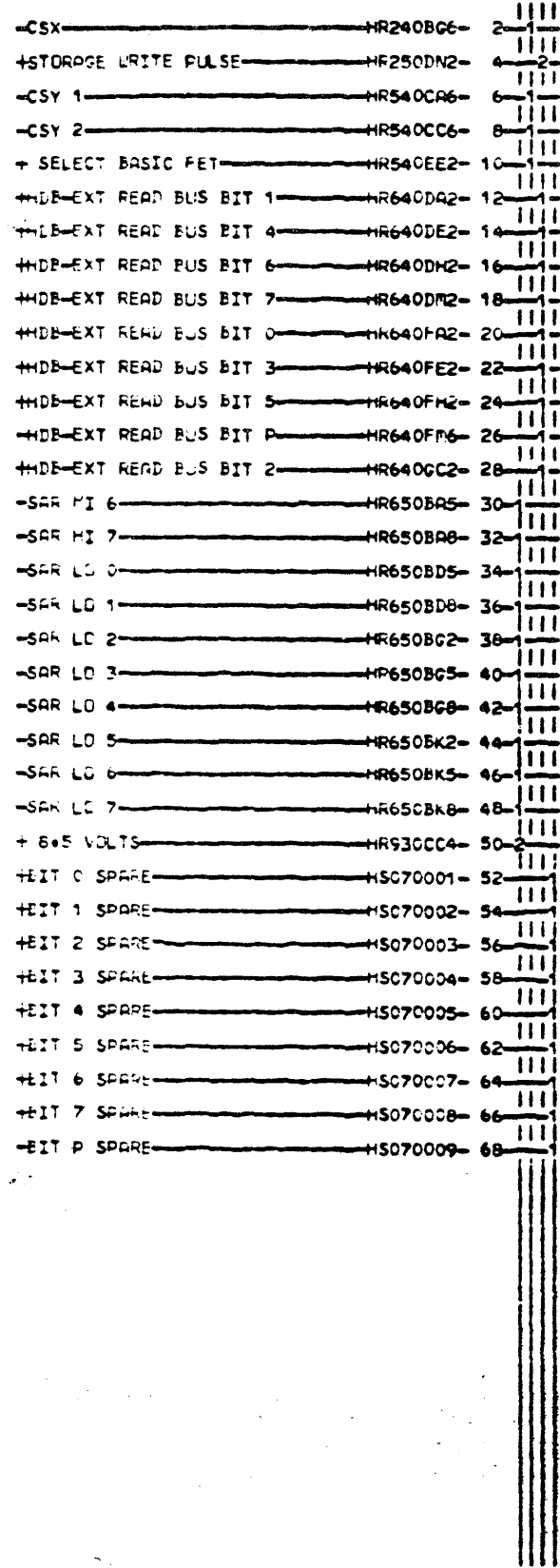


MS010
MS020
000

LOC# TYPE
B-82J2 9257

PAGE VER EC LEV
MS010 000 821720
MS020 000 821720

MICROCONTROLLER A AND B REGISTER		
—EoC—HISTORY—	—C—PACH—32X8X15	
DATE	LAST EC	FRFPE 01 MS010
12-06-73	821720	IBM CORP-68D MS020
		PoN. 5558309 000

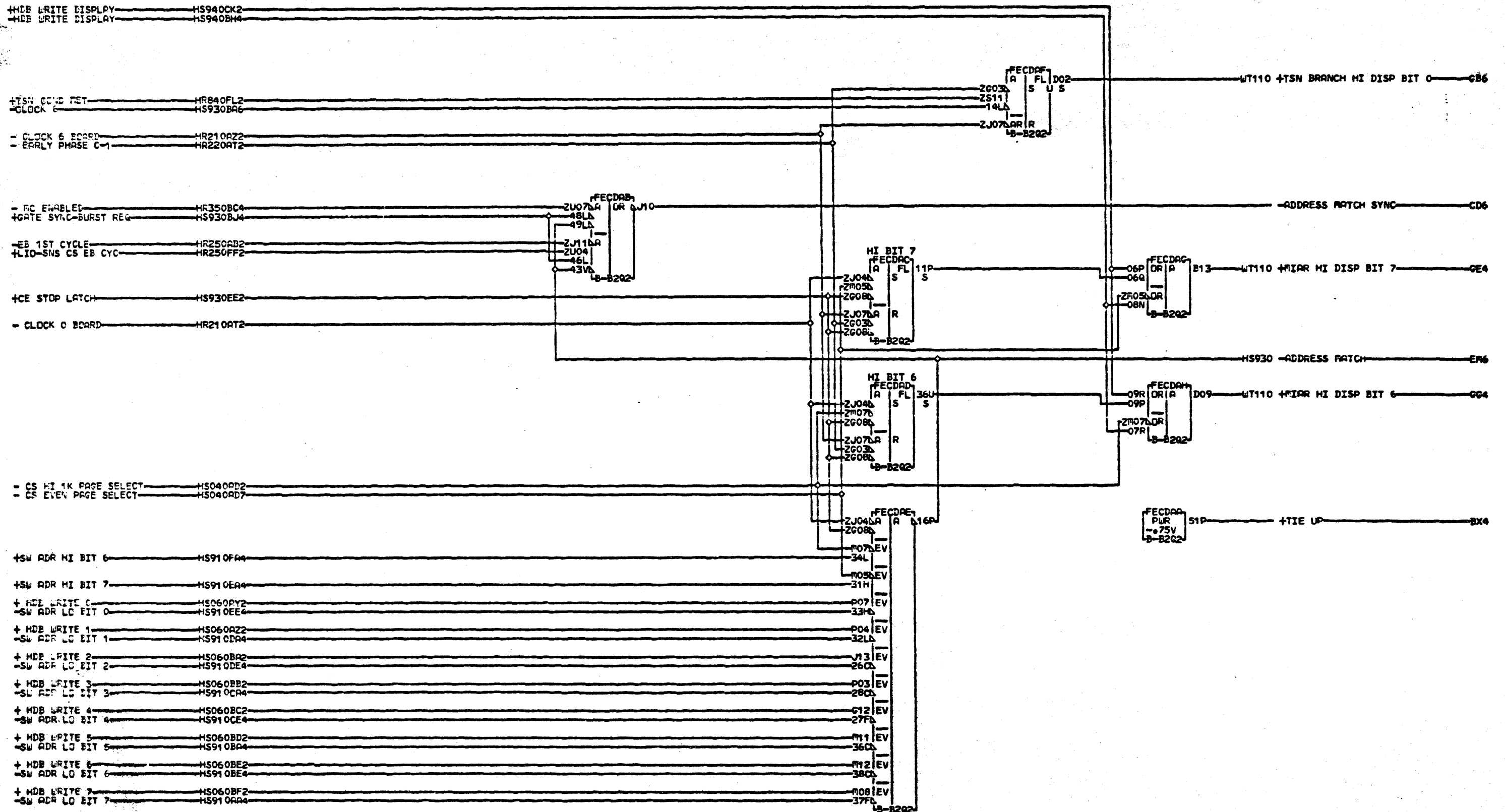


LOC. TYPE
B-82R4 Y823

PAGE VER EC LEV
MS070 000 821738
MS100 000 821738

MS070
MS100
000

FET 2K X 9 BASIC ARRAY CARD			
E.C. HISTORY	C. MACH.	32XXSR13	
821720			
DATE	LAST EC	FRAP	01 MS070
02-13-74	821738	IBM CORP-65D	MS100
		P.N.	5538312 000

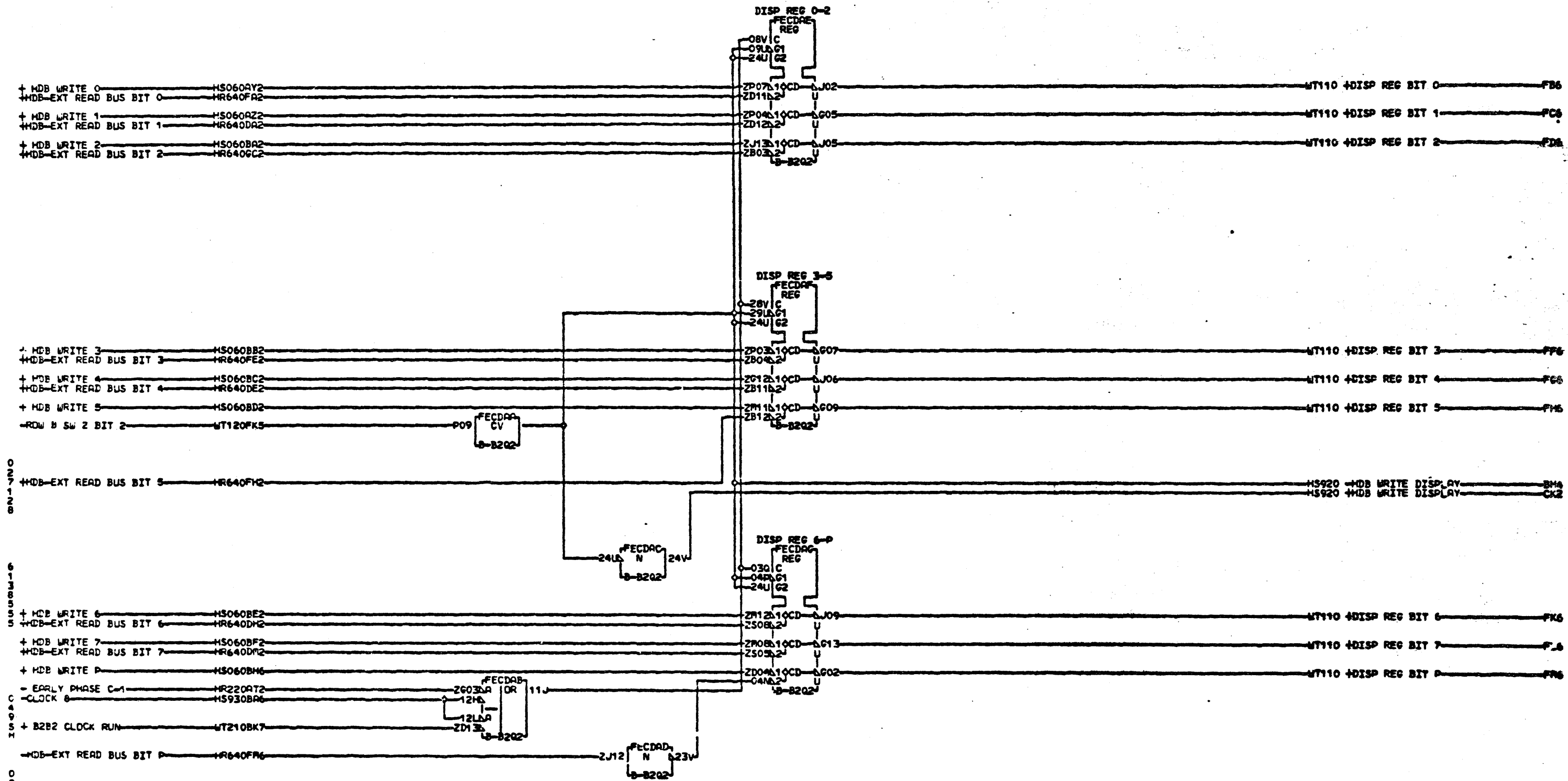


LOC. TYPE
B-8202 Y654

CE CARD		COMPARE AND SYNC	
E.C. HISTORY	821720	C. MACH. 32XXSR15	
DATE	01-07-74	LAST EC	821758
FRAME	01	IBM CORP. GSD	
P.No. 5558314			

HS920
000

HS920
000

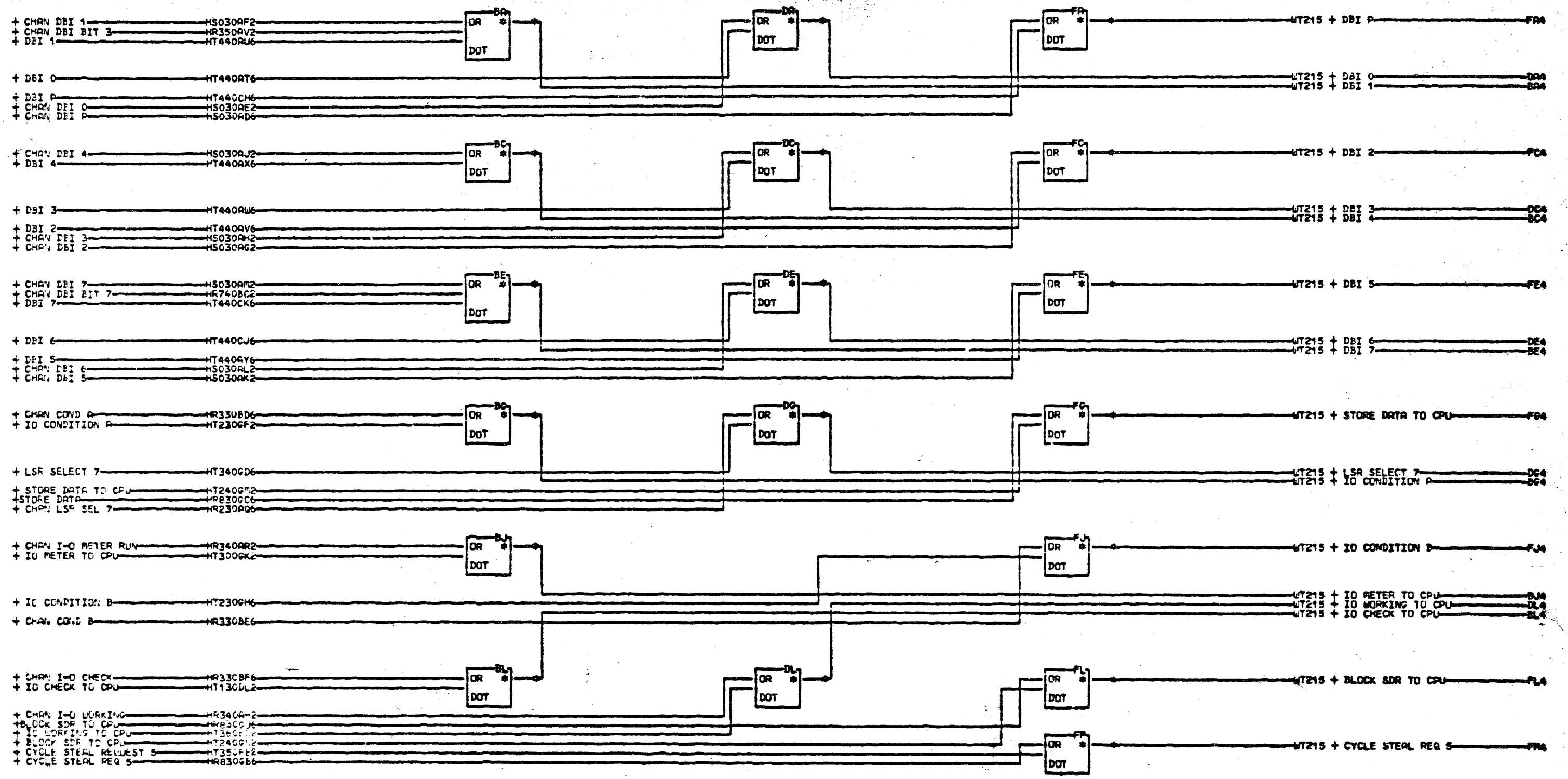


2
 7
 1
 2
 8
 6
 5
 5
 5
 4
 9
 5
 1
 0
 0
 0

2
 1
 5
 3
 1
 4
 8
 0
 0
 0

LOC. TYPE
B-8202 V654

CE CARD		MACH. 320X515	M 5 9 4 0
HDB LO DISPLAY			
E.C. HISTORY		FRAME 01	000
DATE LAST EC		IBM CORP. GSD	
12-06-73 821720		P.No. 5558316	



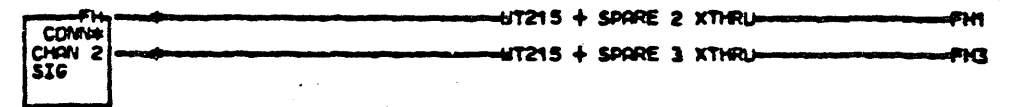
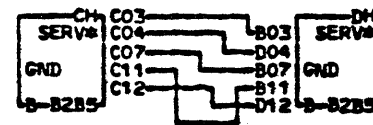
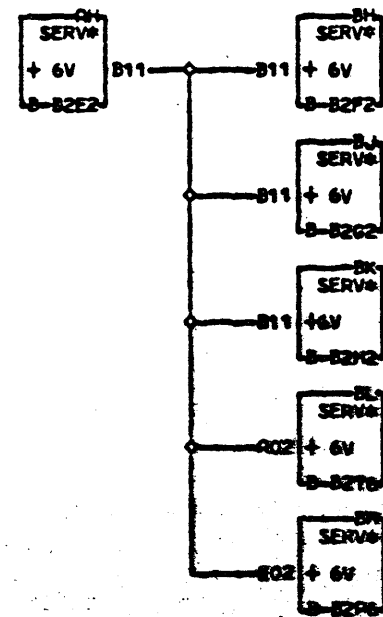
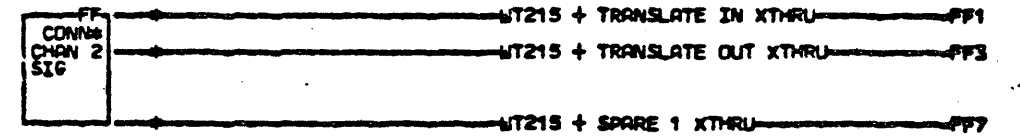
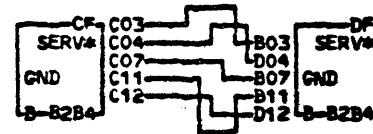
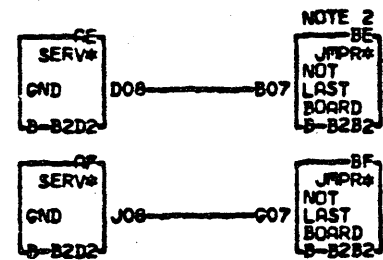
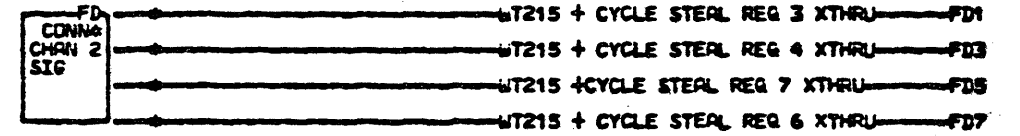
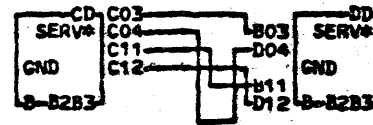
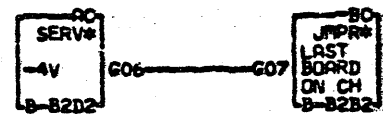
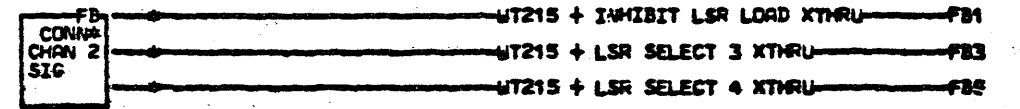
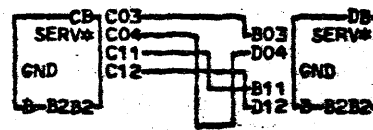
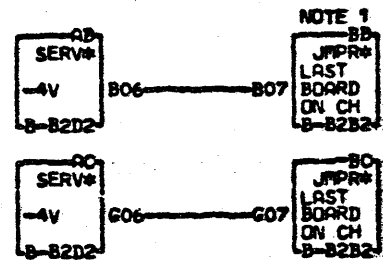
BA2 B-82A4D05	01B-82E5B04	DG2 B-82A4B13	01B-82B4D10
01B-82B4D05	BL2 B-82F5B06	01B-82B4B13	FG2 B-82A4B02
BC2 B-82F4D09	01B-82B5B06	DL2 B-82A5B05	01B-82B4B02
01B-82B4D09	DA2 B-82A4D03	01B-82B5B05	FJ2 B-82A5D10
BE2 B-82F4D13	01B-82B4D03	FA2 B-82A4D02	01B-82B5D10
01B-82E4L13	DC2 B-82A4D07	01B-82B4D02	FL2 B-82A4B04
BG2 B-82A5D09	01B-82B4D07	FC2 B-82A4D06	01B-82B4B04
01B-82B5D09	DE2 B-82A4D11	01B-82B4D06	FF2 B-82A5D05
BJ2 B-82A5B04	01B-82B4D11	FE2 B-82A4D10	01B-82B5D05

LOC. TYPE

CHANNEL IN DOTS	
E-C-HISTORY	C-PACH-32XSR15
821720	
FRARE	01
DATE	LAST EC
02-25-74	824774
IBN CORP. GSD	
PoN	5558325

WT001

WT001



000 WT050

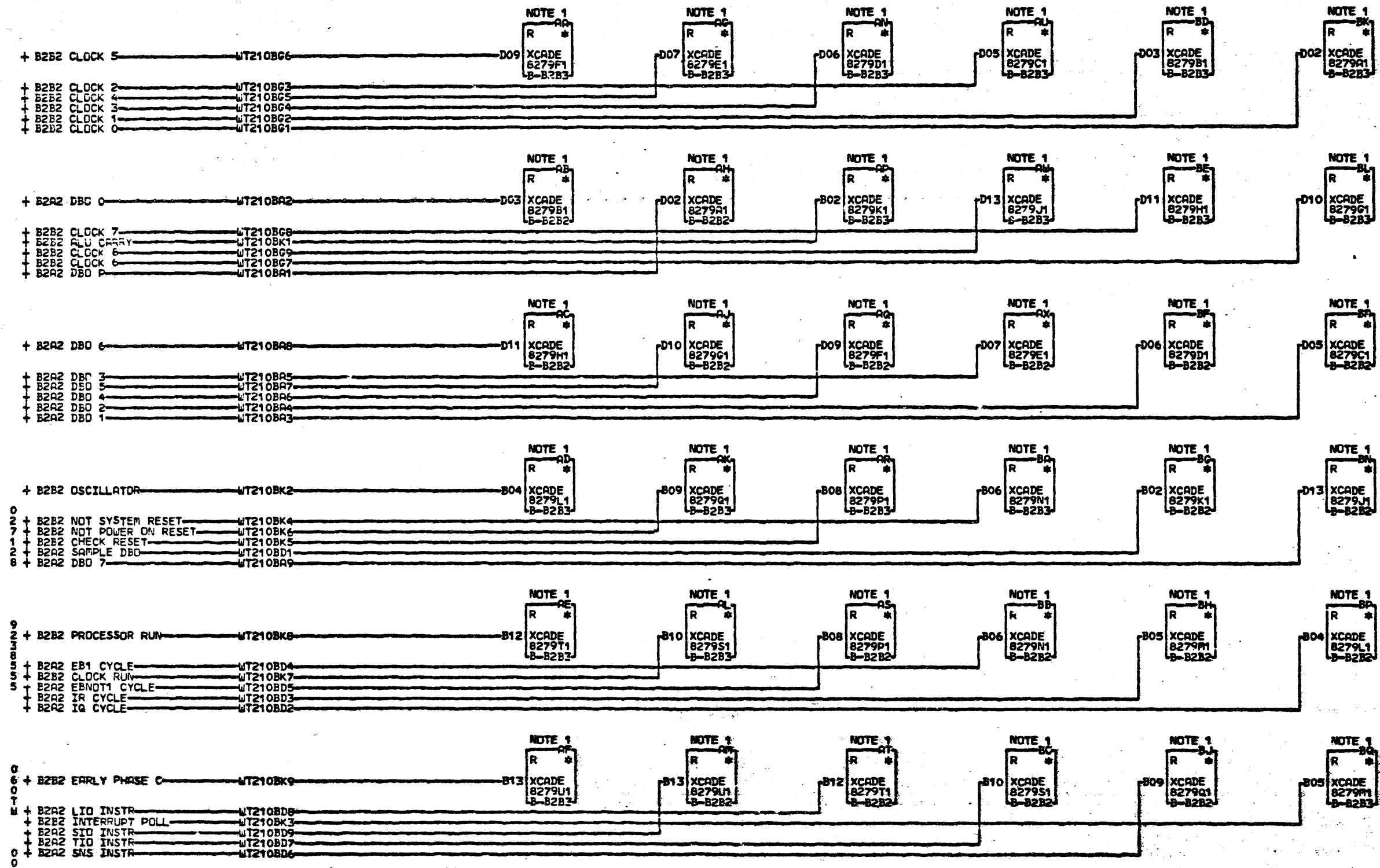
NOTE 1 IF THIS IS LAST BOARD ON CHANNEL WIRE B2B06 TO B2B07 AND B2C06 TO B2C07
NOTE 2 IF THIS IS NOT LAST BOARD ON CHANNEL WIRE B2D08 TO B2D07 AND B2J08 TO B2K07

FB1 B-82A806	FD5 B-82A5D07	FF7 B-82A5B09
FB2 B-82A807	FD6 B-82A5D08	FF8 B-82A5B10
FB3 B-82A808	FD7 B-82A5D06	FF9 B-82A5B11
FB4 B-82A809	FD8 B-82A5D05	FF0 B-82A5B12
FB5 B-82A809	FD9 B-82A5D04	
FD1 B-82A5D02	FD0 B-82A5D11	
FD2 B-82A5D03	FD1 B-82A5D13	
	FD2 B-82A5D13	

LOC. TYPE

CHANNEL BANK 2	
BOARD SERVICE CONNECTIONS	
E-C-HISTORY	C-RACH-32XKSA19
DATE	LAST EC
12-06-73	821720
FRAGE	01
IBR CORP. GSD	
Part No	5356326

000

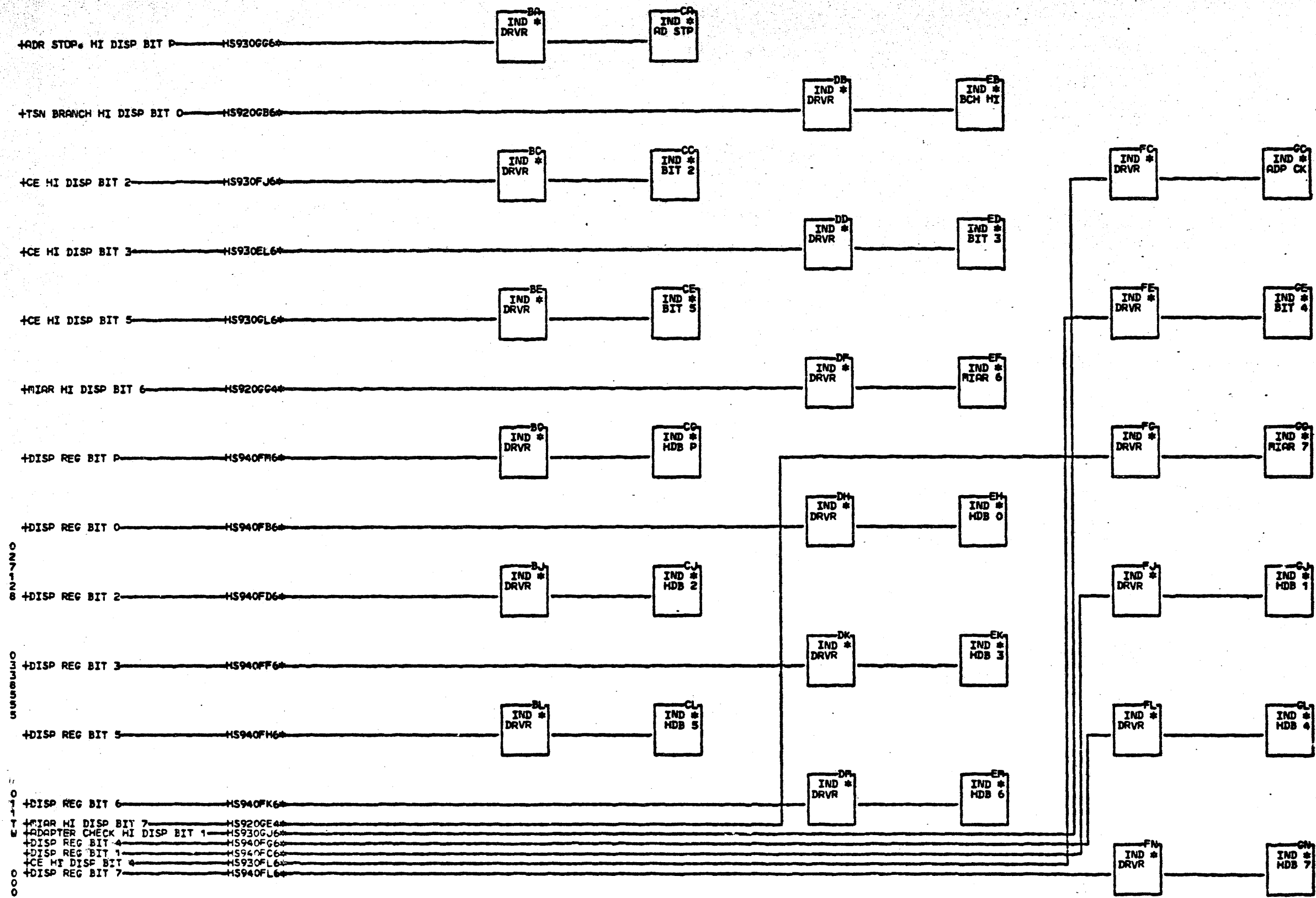


NOTE 1 CARD 5808279 WILL BE IN
 SOCKETS B2 AND B3 WHEN BOARD
 01B-B2 IS THE ONLY OR LAST
 T FEATURE ON CHANNEL 2 WHEN
 0 BOARD 01B-B2 IS NOT ONLY OR
 6 LAST CABLES WILL BE IN SOCKETS
 0 B2-B3-B4-B5

LOC. TYPE

CHANNEL BANK 2 TERMINATORS	
EoC-HISTORY	C1 FACH. 32XSP15
DATE LAST EC	FRAME 01
12-06-73 821720	IBA CORP. GSD
	P.No. 5558329

WT060

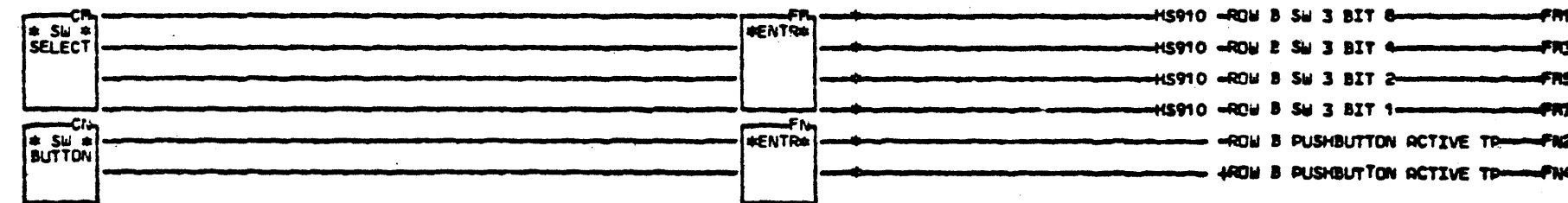
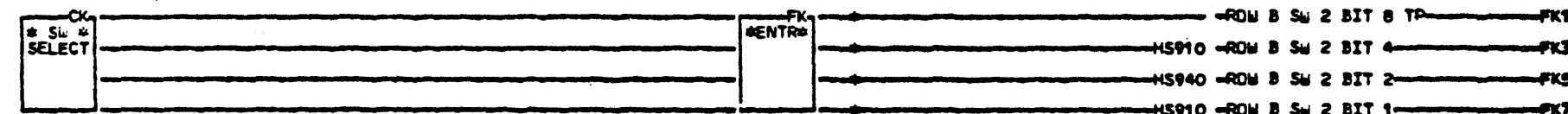
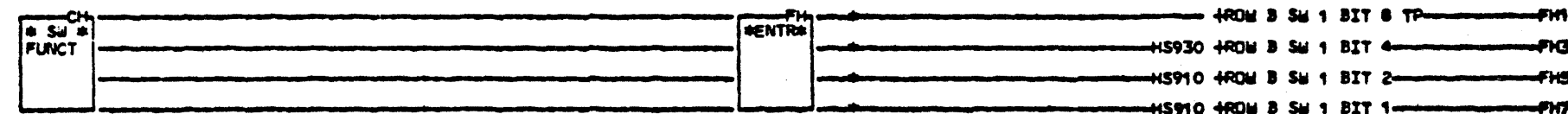
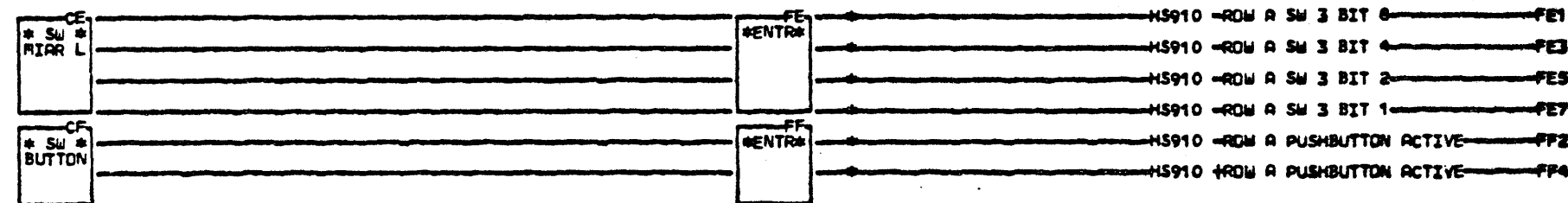
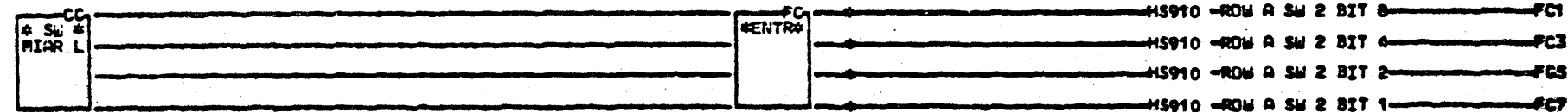
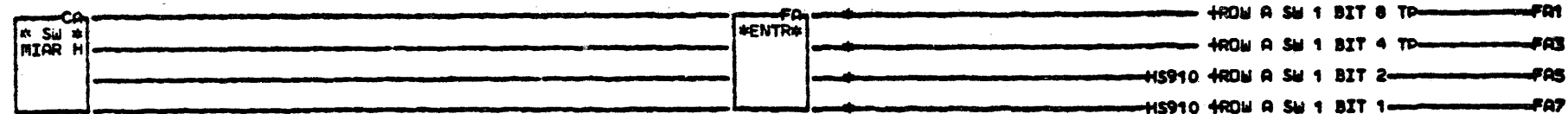


0
 1
 2
 3
 4
 5
 6
 7
 8
 9
 10
 11
 12
 13
 14
 15
 16
 17
 18
 19
 20
 21
 22
 23
 24
 25
 26
 27
 28
 29
 30
 31
 32
 33
 34
 35
 36
 37
 38
 39
 40
 41
 42
 43
 44
 45
 46
 47
 48
 49
 50
 51
 52
 53
 54
 55
 56
 57
 58
 59
 60
 61
 62
 63
 64
 65
 66
 67
 68
 69
 70
 71
 72
 73
 74
 75
 76
 77
 78
 79
 80
 81
 82
 83
 84
 85
 86
 87
 88
 89
 90
 91
 92
 93
 94
 95
 96
 97
 98
 99
 00

HS920GB6	01B-B2U6D02	HS940FB6	01B-B2R6BC2
01B-B2V6S02	HS930FL6	01B-B2S6A02	HS940FH6
HS920GE4	01B-B2U6C02	HS940FC6	01B-B2Q6D04
01B-B2T6A04	HS930GG6	01B-B2R6C04	HS940FK6
HS920GG4	01B-B2V6B04	HS940FD6	01B-B2Q6D02
01B-B2T6EC2	HS930GJ6	01B-B2R6C02	HS940FL6
HS930EL6	01B-B2U6D04	HS940FF6	01B-B2P6E04
01B-B2U6C04	HS930GL6	01B-B2R6B04	HS940FM6
HS930FJ6	01B-B2T6E04	HS940FG6	01B-B2S6A04

LOC. TYPE

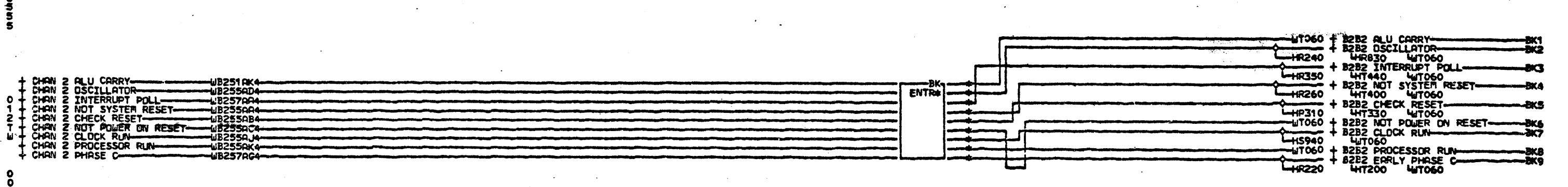
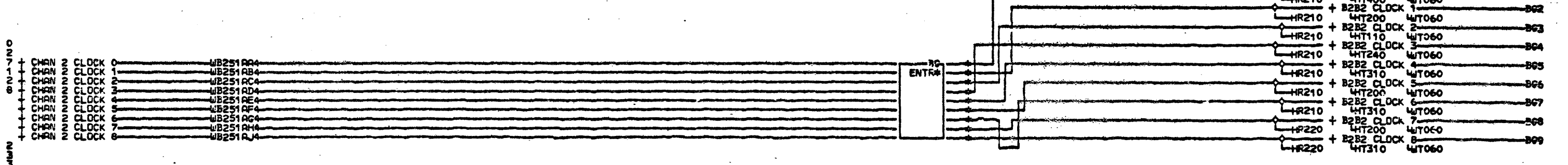
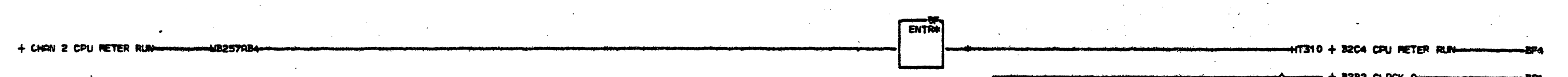
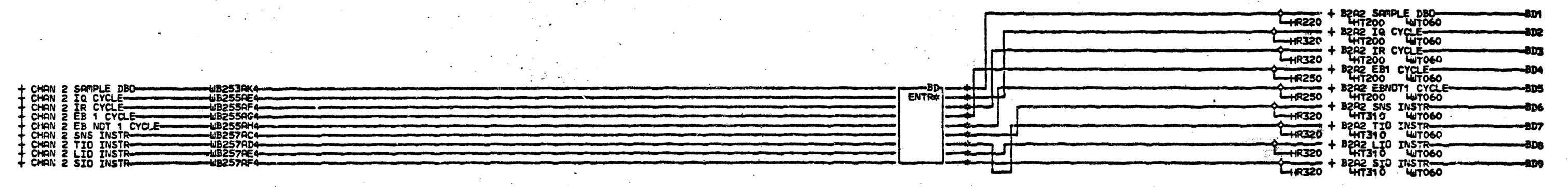
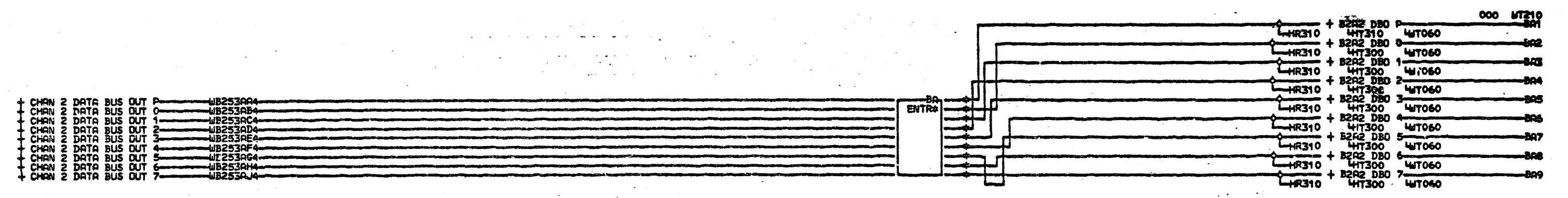
CE LED DRIVERS + INDICATORS			
E-C-HISTORY	0	FRAME	01
		IBR CORP. GSD	000
DATE	LAST EC	P.No.	5558330
12-06-73	821720		



FA1 B-82N6B04 FA3 B-82N6A04 FA5 B-82N6D04 FA7 B-82N6E04
 FE1 B-82N6B04 FE3 B-82N6A04 FE5 B-82N6D04 FE7 B-82N6E04
 FK1 B-82J6B04 FK3 B-82K6B02 FK5 B-82M6E02 FK7 B-82J6C02
 FC1 B-82N6E04 FC3 B-82N6E02 FC5 B-82N6C02 FC7 B-82N6A02
 FE1 B-82N6B02 FE3 B-82N6A04 FE5 B-82N6D02 FE7 B-82N6E02
 FK1 B-82J6B04 FK3 B-82K6B02 FK5 B-82M6E02 FK7 B-82J6C02
 FM1 B-82N6E04 FM3 B-82J6C04 FM5 B-82N6C04 FM7 B-82N6A02
 FN1 B-82N6A02 FN3 B-82K6A04 FN5 B-82J6D02 FN7 B-82N6A02

LOC. TYPE

CE CONTROL SWITCHES
 —E-C-HISTORY— CACH-32XXSM15
 FRAME 01
 IBM CORP. GSD
 P.O. No. 5558331
 DATE 12-06-73 LAST EC 821720



000

BA1 B-B2A2D02	01B-B2B2D07	BD1 B-B2A2B02	01B-B2B2B08	BF4 B-B2A5B13	01B-B2B3D06	BG9 B-B2A3D13	01B-B2B3B06	BK9 B-B2A3B13
01B-B2B2D02	BA6 B-B2A2D09	01B-B2B2B02	BD6 B-B2A2B09	01B-B2B5B13	BG5 B-B2A3D07	01B-B2B3D13	BK5 B-B2A3B08	01B-B2B3B13
BA2 B-B2A2D03	01B-B2A2D09	BD2 B-B2A2B04	01B-B2B2B09	BG1 B-B2A3D02	01B-B2B3D07	BK1 B-B2A3B02	01B-B2B3B08	
01B-B2B2D03	BA7 B-B2A2D10	01B-B2A2B04	BD7 B-B2A2B10	01B-B2B3D02	BG6 B-B2A3D09	01B-B2B3B02	BK6 B-B2A3B09	
BA3 B-B2A2D05	01B-B2A2D10	BD3 B-B2A2B05	01B-B2B2B10	BG2 B-B2A3D03	01B-B2B3D09	BK2 B-B2A3B04	01B-B2B3B09	
01B-B2A2D05	BA8 B-B2A2D11	01B-B2A2B05	BD8 B-B2A2B12	01B-B2A3D03	BG7 B-B2A3D10	01B-B2B3B04	BK7 B-B2A3B10	
BA4 B-B2A2D06	01B-B2A2D11	BD4 B-B2A2B06	01B-B2B2B12	BG3 B-B2A3D05	01B-B2B3D10	BK3 B-B2A3B05	01B-B2B3B10	
01B-B2B2D06	BA9 B-B2A2D13	01B-B2B2B06	BD9 B-B2A2B13	01B-B2B3D05	BG8 B-B2A3D11	01B-B2B3B05	BK8 B-B2A3B12	
BA5 B-B2A2D07	01B-B2B2D13	BD5 B-B2A2B08	01B-B2B2B13	BG4 B-B2A3D06	01B-B2B3D11	BK4 B-B2A3B06	01B-B2B3B12	

LDC. TYPE

000

MINI 000

000

CHANNEL ENTRY	
E-C-HISTORY	PACH-32XKSP15
DATE: LAST EC	FRAME 01
12-06-73 821720	IBA CORP. 650
	P.No. 5558332

W 2 1 0

000

DBI P	WT001FA4	BA	WB201	BDB2 CHAN 2 DATA BUS IN 0	BA1
DBI 0	WT001DA4	#EXIT#	WB201	BDB2 CHAN 2 DATA BUS IN 0	BA2
DBI 1	WT001BA4		WB201	BDB2 CHAN 2 DATA BUS IN 1	BA3
DBI 2	WT001FC4		WB201	BDB2 CHAN 2 DATA BUS IN 2	BA4
DBI 3	WT001DC4		WB201	BDB2 CHAN 2 DATA BUS IN 3	BA5
DBI 4	WT001BC4		WB201	BDB2 CHAN 2 DATA BUS IN 4	BA6
DBI 5	WT001FE4		WB201	BDB2 CHAN 2 DATA BUS IN 5	BA7
DBI 6	WT001DE4		WB201	BDB2 CHAN 2 DATA BUS IN 6	BA8
DBI 7	WT001BE4		WB201	BDB2 CHAN 2 DATA BUS IN 7	BA9

STORE DATA TO CPU	WT001FG4	BD	WB203	BDB2 CHAN 2 STORE DATA	BD1
BLOCK SDR TO CPU	WT001FL4	#EXIT#	WB205	BDB2 CHAN 2 BLOCK SDR	BD2
BINARY SUBTRACT	WT350FC2		WB205	BDB2 CHAN 2 BINARY SUBTRACT	BD3
INHIBIT LSR LOAD XTHRU	WT050FB1		WB205	BDB2 CHAN 2 INHIBIT LSR LOAD	BD4
LSR SELECT 3 XTHRU	WT050FB3		WB203	BDB2 CHAN 2 LSR SELECT 3	BD5
LSR SELECT 4 XTHRU	WT050FB5		WB203	BDB2 CHAN 2 LSR SELECT 4	BD6
LSR SELECT 5	WT340GC6		WB203	BDB2 CHAN 2 LSR SELECT 5	BD7
CHAN LSR SEL 6	WT230AR6		WB203	BDB2 CHAN 2 LSR SELECT 6	BD8
LSR SELECT 7	WT001DG4		WB203	BDB2 CHAN 2 LSR SELECT 7	BD9

CYCLE STEAL REQ 3 XTHRU	WT050FD1	BG	WB205	BDB2 CHAN 2 CSR 3	BG1
CYCLE STEAL REQ 4 XTHRU	WT050FD3	#EXIT#	WB205	BDB2 CHAN 2 CSR 4	BG2
CYCLE STEAL REQ 5	WT001FM4		WB205	BDB2 CHAN 2 CSR 5	BG3
CYCLE STEAL REQ 6 XTHRU	WT050FD7		WB205	BDB2 CHAN 2 CSR 6	BG4
CYCLE STEAL REQ 7 XTHRU	WT050FD5		WB205	BDB2 CHAN 2 CSR 7	BG5
I/O CONDITION A	WT001BG4		WB207	BDB2 CHAN 2 I-O CONDITION A	BG6
I/O CONDITION B	WT001FJ4		WB207	BDB2 CHAN 2 I-O CONDITION B	BG7
TRANSLATE IN XTHRU	WT050FF1		WB203	BDB2 CHAN 2 TRANSLATE IN	BG8
TRANSLATE OUT XTHRU	WT050FF3		WB203	BDB2 CHAN 2 TRANSLATE OUT	BG9

I/O ATTENTION TO CPU	WT230FM2	BK	WB205	BDB2 CHAN 2 I-O ATTENTION	BK1
I/O METER TO CPU	WT001BJ4	#EXIT#	WB207	BDB2 CHAN 2 I-O METER RUN	BK2
I/O WORKING TO CPU	WT001DL4		WB207	BDB2 CHAN 2 I-O WORKING	BK3
I/O CHECK TO CPU	WT001EL4		WB207	BDB2 CHAN 2 I-O CHECK	BK4
BURST REQUEST TO CPU	WT5930FC2		WB203	BDB2 CHAN 2 BURST REQUEST	BK5
SPARE 1 XTHRU	WT050FF7			SPARE 1	BK6
SPARE 2 XTHRU	WT050FH1			SPARE 2	BK7
SPARE 3 XTHRU	WT050FH3			SPARE 3	BK8

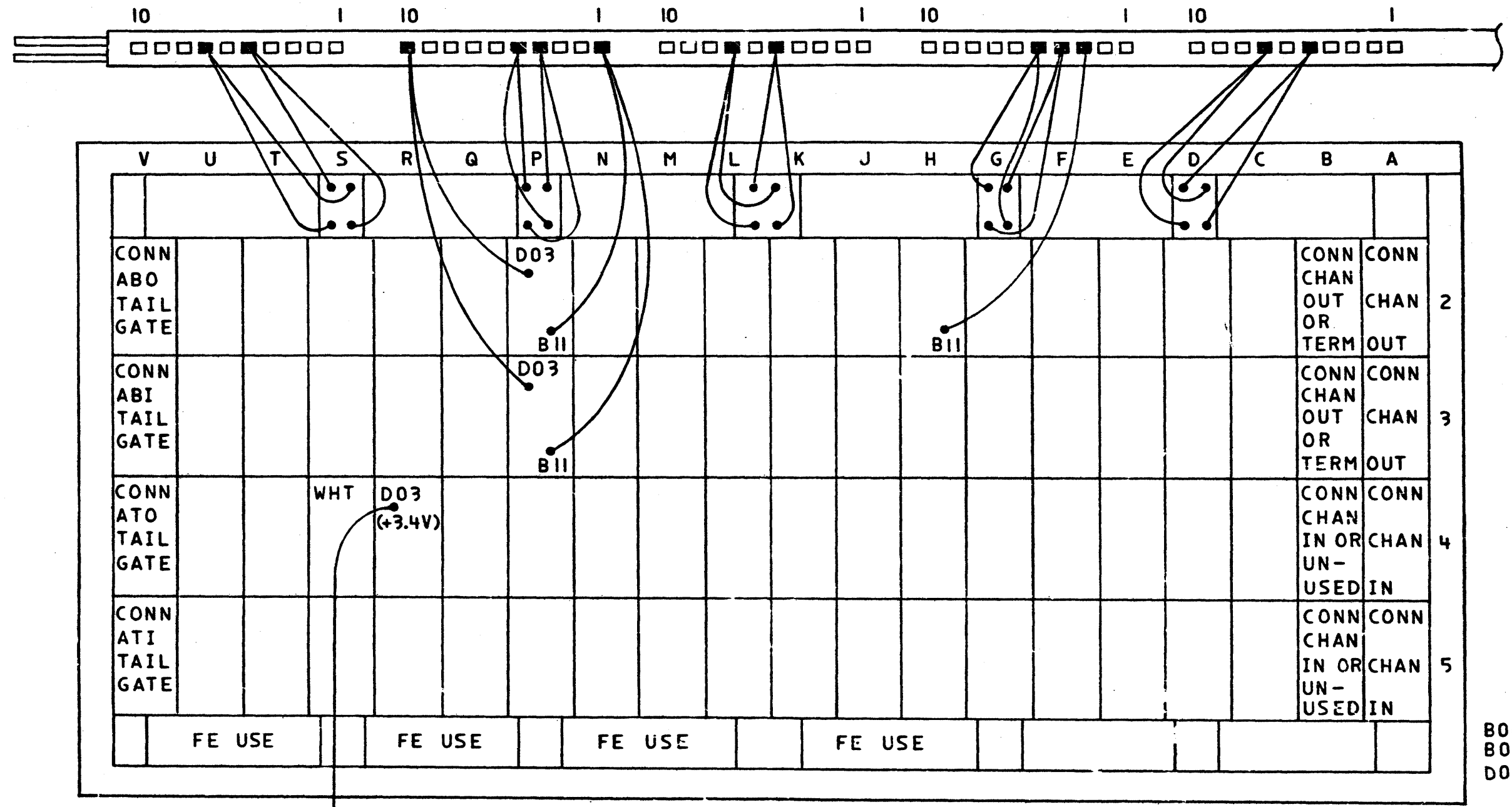
LOC. TYPE

CHANNEL EXIT PAGE	
E.C. HISTORY	C MACH. 32XXSM15
821720	FRAME 01
DATE	LAST EC
02-25-74	824774
PoNo	5550333

5566180

ZA222

PIN SIDE VIEW

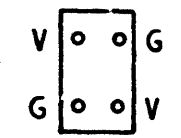


B06 -4 VOLTS
B08 REF
D08 GND

5558425 JUMPER

10 +5V
1 GND
1 -12V
1 GND
1 -4V
1 -4V
1 GND
1 +6V
1 GND
1 +9.5V
REF-VOLTAGE BUS

MINI BUS VOLTAGE (-4V)



EC HISTORY		DRAWING TITLE	
22JUN73	821461	CONN. CHART BOARD 01B - B2	
21NOV73	821678	MACH 32XX SMIS ATTACHMENT	
21DEC73	821746	PART NO 5556180	
26FEB74	821720	CLASSIFICATION	IBM CORP

RED C

ZA222

ZA222

PART NO. 5554844 E.C. NO. 825032 VERSION 000 SIZE SINGLE MACHINE 10A-SM15 LOCATION 018-A3

PIN ID: #-I/O PIN PLANES: 1-CARD SIDE SHALLOW 3-PROBE SIDE SHALLOW WIRE TYPES: YEL-YELLOW, 30, AG NTR-90 OHM TRI-LEAD
#-I/O & LOGIC 2-PROBE SIDE SHALLOW 4-PROBE SIDE SHALLOW TWL-TWIN LEAD WRAP FTW-50 OHM TWIN LEAD
T-TERMINATING RES. W-DISCRETE OVERFLOW TW-TWIST PR CONNECT NTH-50 OHM TWIN LEAD
V-VOLTAGE/GROUND FTR-50 OHM TRI-LEAC CX-COAX CONNECTOR

NOTES: WIRE LENGTH IS IN TENTHS OF AN INCH. YELLOW WIRE LENGTH INCLUDES WIRE FOR WRAP.

Table with columns: NET NO., FROM PIN, P L, TO PIN, P L, WIRE TYP, WIRE LNGTH. It lists wire connections for various components like JR210AQ2, JR210AS2, JR210AT2, etc., including their pin numbers and wire types/lengths.

PART NO. 5554844 E.C. NO. 825032 VERSION 000 SIZE SINGLE MACHINE IDA-SM15 LOCATION 01B-A3

PIN ID: #-I/O PIN *-I/O & LOGIC T-TERMINATING RES. V-VOLTAGE/GROUND PLANES: 1-CARD SIDE SHALLOW 3-PROBE SIDE SHALLOW WIRE TYPES: YEL-YELLOW, 30, AG TWL-TWIN LEAD WRAP TW-TWIST PR CONNECT FTR-50 OHM TRI-LEAC NTR-90 OHM TRI-LEAC FTW-50 OHM TWIN LEAD NTW-90 OHM TWIN HEAD CX-CCAX CONNECTOR NOTES: WIRE LENGTH IS IN TENTHS OF AN INCH. YELLOW WIRE LENGTH INCLUDES WIRE FOR WRAP.

Table with columns: NET NO., FROM PIN, P L, TO PIN, P L, WIRE TYP, WIRE LGTH. It lists wire connections for various components like JR550BC6, JR620FK2, JR630EA6, etc., with their respective pin numbers and wire lengths.

DATE 11-20-75

MST-1

BOARD DISCRETE WIRE EQUIVALENT LIST SEQUENCED BY NET NUMBER

PAGE 3

PART NO. 5554844 E.C. NO. 825032 VERSION 000 SIZE SINGLE MACHINE ICA-SM15 LOCATION 018-A3

PIN ID: #-I/O PIN PLANES: 1-CARD SIDE SHALLOW 3-PROBE SIDE SHALLOW WIRE TYPES: YEL-YELLOW, 30, AG NTR-90 OHM TRI-LEAD
*-I/O & LOGIC 2-PROBE SIDE SHALLOW 4-PROBE SIDE SHALLOW TWL-TWIN LEAD WRAP FTW-50 OHM TWIN LEAD
T-TERMINATING RES. W-DISCRETE OVERFLOW TW-TWIST PR CONNECT NTW-90 OHM TWIN HEAD
V-VOLTAGE/GROUND FTR-50 OHM TRI-LEAD CX-COAX CONNECTOR

NOTES: WIRE LENGTH IS IN TENTHS OF AN INCH. YELLOW WIRE LENGTH INCLUDES WIRE FOR WRAP.

Table with columns: NET NO., FROM PIN, P, TO PIN, P, WIRE TYP, WIRE LNPTH. It lists wire connections for various components like JR750AG4, JR750DF6, JR810CM2, etc., with their respective pin numbers and wire lengths.

DATE 11-20-75

MST-1

BOARD DISCRETE WIRE EQUIVALENT LIST SEQUENCED BY NET NUMBER

PART NO. 5554844

E.C. NO. 825032

VERSION 000

SIZE SINGLE

MACHINE 1DA-SM15

LOCATION 01B-A3

PIN ID: #-I/O PIN
*-I/O & LOGIC
T-TERMINATING RES.
V-VOLTAGE/GROUND

PLANES: 1-CARD SIDE SHALLOW 3-PROBE SIDE SHALLOW
2-PROBE SIDE SHALLOW 4-PROBE SIDE SHALLOW
W-DISCRETE OVERFLOW

WIRE TYPES: YEL-YELLOW, 30, AG
TWL-TWIN LEAD WRAP
TW-TWIST PR CONNECT
FTR-50 OHM TRI-LEAC

NTR-90 CHM TRI-LEAD
FTW-50 CHM TWIN LEAC
NTW-50 CHM TWIN LEAD
CX-COAX CONNECTOR

NOTES: WIRE LENGTH IS IN TENTHS OF AN INCH. YELLOW WIRE LENGTH INCLUDES WIRE FOR WRAP.

Table with columns: NET NO., FROM PIN, P L, TO PIN, P L, WIRE TYP, WIRE LNPTH, FROM PIN, P L, TO PIN, P L, WIRE TYP, WIRE LNPTH, FROM PIN, P L, TO PIN, P L, WIRE TYP, WIRE LNPTH. Contains multiple rows of wire connections between various components like JS070BL4, JS070BM4, etc.

DATE 11-20-75

MST-1

BOARD DISCRETE WIRE EQUIVALENT LIST SEQUENCED BY NET NUMBER

PAGE 5

PART NO. 5554844 E.C. NO. 825032 VERSION 000 SIZE SINGLE MACHINE IDA-SM15 LOCATION 01B-A3

PIN ID: #-I/O PIN PLANES: 1-CARD SIDE SHALLOW 3-PROBE SIDE SHALLOW WIRE TYPES: YEL-YELLOW, 30, AG NTR-90 OHM TRI-LEAD
*-I/O & LOGIC 2-PROBE SIDE SHALLOW 4-PROBE SIDE SHALLOW TWL-TWIN LEAD WRAP FTW-50 OHM TWIN LEAD
T-TERMINATING RES. W-DISCRETE OVERFLOW TW-TWIST PR CONNECT NTW-50 OHM TWIN LEAD
V-VOLTAGE/GROUND FTR-50 OHM TRI-LEAD CX-COAX CONNECTOR

NOTES: WIRE LENGTH IS IN TENTHS OF AN INCH. YELLOW WIRE LENGTH INCLUDES WIRE FOR WRAP.

NET NO.	FROM PIN	P L	TO PIN	P L	WIRE TYP	LNTH	FROM PIN	P L	TO PIN	P L	WIRE TYP	LNTH	FROM PIN	P L	TO PIN	P L	WIRE TYP	LNTH
WD210BK4	U3B06#	W	S2D10	W	YEL	5.5												
	V3B06#	2	S2D10	2	YEL	7.0												
WD210BK5	Q3D02	2	U3B08#	2	YEL	7.0												
	V3B08#	2	Q3D02	2	YEL	7.0												
WD210BK6	U3B09#	2	V3B09#	2	YEL	4.5												
WD210BK7	P2D13	2	U3B10#	2	YEL	8.0												
	V3B10#	2	P2D13	2	YEL	9.0												
WD210BK8	U3B12#	2	V3B12#	2	YEL	4.5												
WD210BK9	T4B13	2	U3B13#	2	YEL	6.0												
	V3B13#	2	T4B13	2	YEL	7.0												

END OF LIST

DATE 11-20-75

MST-1

BOARD DISCRETE WIRE EQUIVALENT LIST SEQUENCED BY PIN NUMBER

PAGE 1

PART NO. 5554844

E.C. NO. 825032

VERSION 000

SIZE SINGLE

MACHINE IDA-SM15

LOCATICN 01B-A3

PIN ID: #-I/O PIN
*-I/O & LOGIC
V-VOLTAGE/GROUND

NOTE: *T* FOLLOWING PIN LOCATION INDICATES TERMINATING RESISTOR

PIN	NET NO.	PIN	NET NO.	PIN	NET NO.	PIN	NET NO.	PIN	NET NO.	PIN	NET NO.	PIN	NET NO.
A2B02#	JR952BF4	D4D02	JR956BF4	E5D06	JR965BG2	G2D02	JR982BF4	H3D06	JR991BG2	J3B05	JR820FM6	K2CC5	JR530AT6
A2D07#	JR953BF4	D4D05	JR958BF4	E5D07	JR965DF6	G2D05	JR984BF4	H3C07	JR991CF6	J3C02	JR720BE2	K2C06	JR810EM4
A2D13#	JR954BF4	D4D09	JR957GD2	E5D09	JR965BE2	G2D09	JR983GC2	H3C09	JR991BE2	J3C03	JR988AH4	K2D07	WC210CB7
A3B02#	JR956BF4	D4D11	JR955DE6	E5D10	JR967BF4	G2D11	JR981DE6	H3C10	JR993BF4	J3D04	JR996EF4	K2C09	JR420BA6
A3D07#	JR957BF4	D4D12	JR956GD2	E5D11	JR968EF4	G2D12	JR982GD2	H3C11	JR994EF4	J3C05	JR995CC6	K2C10	JR310AA9
A3D13#	JR958BF4	D4D13	JR958BF4	E5D13	JR967EF4	G2D13	JR720BC2	H3C13	JR993EF4	J3C06	JR995BG2	K2C11	JR420CE2
A4B02#	JR962BF4	D5B02	JR750AC4	F2B03	JR840FB6	G3B02	JR750AG4	H4B07	JR540CC6	J3C07	JR995DF6	K2C12	JR220AR2
A4D07#	JR963BF4	D5B05	JR820FC2	F2B09	JR971EJ4	G3B05	JR820FF6	H4B08	JS070BN4	J3C09	JR995BE2	K2C13	JR420CC2
A4D13#	JR964BF4	D5D02	JR720BE2	F2B10	JR974GC2	G3D02	JR720AC2	H4B09	JR640FM6	J3D10	JR997BF4	K3B02	JR310AV7
A5B02#	JR966BF4	D5D03	JR956AH4	F2B11	JS200BH4	G3D03	JR983AH4	H4B10	JR650BC5	J3D11	JR998EF4	K3B03	JS030AR6
A5D07#	JR967BF4	D5D04	JR956EF4	F2B12	JR971BC2	G3D04	JR982EF4	H4B11	JR640CM2	J3D13	JR997EF4	K3B04	JR420CH2
A5D13#	JR968BF4	D5D05	JR955DD6	F2B13	JR720BE2	G3D05	JR981DD6	H4B12	JR650BC8	J4B07	JR540CC6	K3B05	JS040BN2
B2B02#	JR972BF4	D5D06	JR955BG2	F2D02	JR972BF4	G3D06	JR981BG2	H4B13	JS070BL4	J4B08	JS070BN4	K3B07	JR620FK4
B2D07#	JR973BF4	D5D07	JR955DF6	F2D05	JR974BF4	G3D07	JR981CF6	H4C02	JR650BA5	J4BC9	JR640FM6	K3B08	JSC40BN7
B2D13#	JR974BF4	D5D09	JR955BE2	F2D09	JR973GD2	G3D09	JR981BE2	H4C03	JS100FH4	J4B10	JR650BC5	K3B09	JR310AA7
B3B02#	JR976BF4	D5D10	JR957BF4	F2D11	JR971DE6	G3D10	JR983BF4	H4C05	JR650BK2	J4B11	JR640CM2	K3B10	JR250GJ6
B3D07#	JR977BF4	D5D11	JR958BF4	F2D12	JR972GD2	G3D11	JR984EF4	H4C06	JR540CA6	J4B12	JR650BC8	K3B11	JR510BC4
B3D13#	JR978BF4	D5D13	JR957EF4	F2D13	JR720AC2	G3D13	JR983EF4	H4D07	JS100BH4	J4B13	JS070BL4	K3B12	JR310AV3
B4B02#	JR982BF4	E2B03	JR740GM6	F3B02	JR750AG4	G4B03	JR840FE6	H4D10	JR650BK5	J4CC2	JR650BA5	K3C02	JR410GJ2
B4D07#	JR983BF4	E2B09	JR961EJ4	F3B05	JR820FA6	G4B09	JR985EJ4	H4D12	JR640CH2	J4DC3	JS100FH4	K3D03	JR420CG2
B4D13#	JR984BF4	E2B10	JR964GD2	F3D02	JR720BN2	G4B10	JR988GD2	H4D13	JS070BM4	J4CC5	JR650BK2	K3C04	JR350AG2
B5B02#	JR986BF4	E2B11	JS200BH4	F3D03	JR956AH4	G4B11	JS100BH4	H5B02	JS070BJ4	J4CC6	JR650BG2	K3C05	WC210BK3
B5D07#	JR987BF4	E2B12	JR961BC2	F3D04	JR972EF4	G4B12	JR985BC2	H5B03	JR650BG2	J4CC7	JR650BK5	K3C06	WC001FC4
B5D13#	JR988BF4	E2B13	JR720BK2	F3D05	JR971DD6	G4B13	JR720BN2	H5B04	JR640CE2	J4CC8	JR650BK5	K3C07	JR620FK2
C2B02#	JR992BF4	E2D02	JR962BF4	F3D06	JR971BG2	G4D02	JR986BF4	H5B05	JR650BG5	J4C12	JR640CH2	K3D09	JS030AQ6
C2D07#	JR993BF4	E2D05	JR964BF4	F3D07	JR971DF6	G4D05	JR988BF4	H5B07	JR640FE2	J4D13	JS070BN4	K3D10	JR420FK6
C2D13#	JR994BF4	E2D09	JR963GD2	F3D09	JR971BE2	G4D09	JR987GD2	H5B08	JS070BC4	J5B02	JSC70BJ4	K3D11	JR420CC2
C3B02#	JR996BF4	E2D11	JR961DE6	F3D10	JR973BF4	G4D11	JR985DE6	H5B09	JR640GC2	J5B03	JR650BG2	K3C12	JR310AV5
C3D07#	JR997BF4	E2D12	JR962GD2	F3D11	JR974EF4	G4D12	JR986GD2	H5B10	JR650EG8	J5B04	JR640CE2	K3C13	JR410CM4
C3D13#	JR998BF4	E2D13	JR720BN2	F3D13	JR973EF4	G4D13	JR720BE2	H5B11	JS070BC4	J5B05	JR650BG5	K4B07	JR540CC6
D2B03	JR740FM6	E3B02	JR750AC4	F4B03	JR840FB6	G5B02	JR750AG4	H5B12	JS070BA4	J5B07	JR640FE2	K4B08	JS070BN4
D2B09	JR951EJ4	E3B05	JR820BB6	F4B09	JR975EJ4	G5B05	JR820FF6	H5B13	JR420CE2	J5B08	JS070BC4	K4B09	JR640FM6
D2B10	JR954GD2	E3D02	JR720AA2	F4B10	JR978GC2	G5D02	JR720BK2	H5C02	JS070EG4	J5B09	JR640GC2	K4B10	JR650BC5
D2B11	JS200BH4	E3D03	JR956AH4	F4B11	JS100BH4	G5D03	JR988AH4	H5D03	JR640FH2	J5B10	JR650BG8	K4B11	JR640CM2
D2B12	JR951BC2	E3D04	JR962EF4	F4B12	JR975BC2	G5D04	JR986EF4	H5C04	JR240EG6	J5B11	JS070BC4	K4B12	JR650BC8
D2B13	JR720BA2	E3D05	JR961DD6	F4B13	JR720AA2	G5D05	JR985DD6	H5C05	JR650BK8	J5B12	JSC70BA4	K4B13	JSC70BL4
D2D02	JR952BF4	E3D06	JR961BG2	F4D02	JR976BF4	G5C06	JR985BG2	H5C06	JS070BF4	J5B13	JR420CG2	K4C02	JR650BA5
D2D05	JR954BF4	E3D07	JR961DF6	F4D05	JR978BF4	G5D07	JR985DF6	H5C07	JS100BH4	J5C02	JS070RG4	K4C03	JS100FH4
D2D09	JR953GD2	E3D09	JR961BE2	F4D09	JR977GD2	G5D09	JR985BE2	H5C09	JR650BA8	J5C03	JR640FH2	K4C05	JR650BK2
D2D11	JR951DE6	E3D10	JR963BF4	F4D11	JR975DE6	G5D10	JR987BF4	H5D10	JR250CN2	J5C04	JR240BG6	K4CC6	JR540CA6
D2D12	JR952GD2	E3D11	JR964EF4	F4D12	JR976GD2	G5D11	JR988EF4	H5D11	JR640DA2	J5C05	JR650BK8	K4D07	JS300BH4
D2D13	JR720AA2	E3D13	JR963EF4	F4D13	JR720BK2	G5D13	JR987EF4	H5D12	JS100FH4	J5C06	JS070BF4	K4D10	JR650BK5
D3B02	JR750AC4	E4B03	JR740GM6	F5B02	JR750AG4	H2B03	JR840FE6	H5D13	JR640FA2	J5C07	JS200BH4	K4C12	JR640CH2
D3B05	JR820FC2	E4B09	JR965EJ4	F5B05	JR820FA6	H2B09	JR991EJ4	H6C04#	WC120FM5	J5C09	JR650BA8	K4C13	JSC70BM4
D3D02	JR720BC2	E4B10	JR968GD2	F5D02	JR720BA2	H2B10	JR994GD2	H6D02#	WC120FM1	J5D10	JR250CA2	K5B02	JS070BJ4
D3D03	JR956AH4	E4B11	JS100BH4	F5D03	JR956AH4	H2B11	JS300BH4	H6C04#	WC120FM3	J5C11	JR640CA2	K5B03	JR650BG2
D3D04	JR952EF4	E4B12	JR965BC2	F5D04	JR976EF4	H2B12	JR991BC2	H6E02#	WC120FK5	J5D12	JS1CCFH4	K5B04	JR640CE2
D3D05	JR951DD6	E4B13	JR720BC2	F5D05	JR975DD6	H2B13	JR720BA2	J2B03	JR840FE6	J5D13	JR640FA2	K5B05	JR650BG5
D3D06	JR951BG2	E4D02	JR966BF4	F5D06	JR975BG2	H2B02	JR992BF4	J2B09	JR995EJ4	J6C02#	WC120FK7	K5B07	JR640FE2
D3D07	JR951DF6	E4D05	JR968BF4	F5D07	JR975DF6	H2D05	JR994BF4	J2B10	JR998GC2	J6C04#	WD120FH3	K5B08	JS070BD4
D3D09	JR951BE2	E4D09	JR967GD2	F5D09	JR975BE2	H2D09	JR993GD2	J2B11	JS300BH4	J6D02#	WC120FM7	K5B09	JR640GC2
D3D10	JR953BF4	E4D11	JR965DE6	F5D10	JR977BF4	H2D11	JR991DE6	J2B12	JR995BC2	K2B04	WD210BC2	K5B10	JR650BG8
D3D11	JR954EF4	E4D12	JR966GD2	F5D11	JR978EF4	H2D12	JR992GD2	J2B13	JR720AC2	K2B05	JR810CL4	K5B11	JS070BC4
D3D13	JR953EF4	E4D13	JR720BA2	F5D13	JR977EF4	H2D13	JR720AA2	J2C02	JR996BF4	K2B07	JR410EJ6	K5B12	JSC70BA4
D4B03	JR740FM6	E5B02	JR750AC4	G2B03	JR840FB6	H3B02	JR750AG4	J2C05	JR998BF4	K2B11	JR410EJ6	K5D02	JS070BG4
D4B09	JR955EJ4	E5B05	JR820BB6	G2B09	JR981EJ4	H3B05	JR820FM6	J2C09	JR997GD2	K2B12	JR320AT6	K5D03	JR640FG2
D4B10	JR958GD2	E5D02	JR720AE2	G2B10	JR984GD2	H3D02	JR820FC2	J2D01	JR995DE6	K2B13	JR320AT6	K5D03	JS070BG4
D4B11	JS100BH4	E5D03	JR956AH4	G2B11	JS300BH4	H3D03	JR988AH4	J2D12	JR996GC2	K2CC2	JR330AJ4	K5D04	JR240BG6
D4B12	JR955BC2	E5D04	JR966EF4	G2B12	JR981BC2	H3D04	JR992EF4	J2D13	JR720AE2	K2CC3	JR420CL2	K5D05	JR650BK8
D4B13	JR720AC2	E5D05	JR965DD6	G2B13	JR720AE2	H3D05	JR991DD6	J3B02	JR750AG4	K2CC4	JR320BF6	K5D06	JSC70BF4

PART NO. 5554844 E.C. NO. 825032 VERSION 000 SIZE SINGLE MACHINE 1DA-SM15 LOCATION 018-A3

PIN ID: #-I/O PIN
*-I/O & LOGIC
V-VOLTAGE/GROUND

NOTE: 'T' FOLLOWING PIN LOCATION INDICATES TERMINATING RESISTOR

Table with 13 columns: PIN, NET NO., PIN, NET NO., PIN, NET NO., PIN, NET NO., PIN, NET NO., PIN, NET NO., PIN, NET NO. It lists various electronic components and their connections across multiple rows.

MST-1 BOARD DISCRETE WIRE EQUIVALENT LIST SEQUENCED BY PIN NUMBER

DATE 11-20-75

PAGE 3

PART NO. 5554844 E.C. NO. 825032 VERSION 000 SIZE SINGLE MACHINE 1DA-SM15 LOCATION 018-A3

PIN ID: #-I/O PIN
*-I/O & LOGIC
V-VOLTAGE/GROUND

NOTE: *T* FOLLOWING PIN LOCATION INDICATES TERMINATING RESISTOR

PIN	NET NO.	PIN	NET NO.	PIN	NET NO.	PIN	NET NO.	PIN	NET NO.	PIN	NET NO.	PIN	NET NO.
Q5B04	JS040AN4	R3D09	JS030AK2	S2B13	JR820CH2	S5D02	JR350AV2	T4B08	JR230AN4	U2C07#	WD210BA5	U5B08#	JS930FG2
Q5B05	JR810DE4	R3D10	JS030AL2	S2D02	JR330BD6	S5D03	WD210BA4	T4B09	JR210AY2	U2C08	WD050CB4	U5B09#	WCC50FF7
Q5B07	JS040AC5	R3D11	JS010B12	S2D04	JS930EE2	S5D04	JR410GJ2	T4B10	JR210AZ2	U2D09#	WC210BA6	U5B10#	WCC50FF1
Q5B08	JS040AP2	R3D12	JS040AN2	S2D05	JR350BC4	S5D05	JR310AY6	T4B11	JR220AT2	U2D10#	WD210BA7	U5B11	WCC50CH4
Q5B09	JR530AV6	R3D13	JR640FA2	S2D06	JR340AH2	S5D06	JR310AW7	T4B12	JR230AM4	U2C11#	WD210BA8	U5B12#	WCC50FH3
Q5B10	JR530AU6	R4B02	JR640DE2	S2D07	JR350AN2	S5D07	WD210BD2	T4B13	WC210BK9	U2D12	WC50CB4	U5B13#	WC210BF4
Q5B11	JR520AU6	R4B03	JR640FE2	S2D08	WD050AE4	S5D09	JR310AV5	T4D02	JR330AE9	U2D13#	WC210BA9	U5D02#	WCC50FC1
Q5B12	JR510AX6	R4B04	JS040AC8	S2D09	JR330AE9	S5D10	JR510BC4	T4D03	JR330BJ7	U3B02#	WC210BK1	U5D03#	WCC50FC3
Q5B13	JR510AM6	R4B05	JS040AH8	S2D10	WD210BK4	S5D11	WD210BA8	T4D04	WC210BD5	U3B03	WD050CC4	U5D04	WCC50CH4
Q5D02	JR330AE5	R4B07	JR310AV3	S2D11	JR320AT6	S5D13	JR360AQ7	T4D05	JR250AE2	U3B04#	WD210BK2	U5CC5#	WCC50FC5
Q5D03	JR630GC6	R4B08	JR630EA6	S2D12	JR320AY6	S6A02#	JS940FB6	T4D06	WC210BG9	U3B05#	WD210BK3	U5CC6#	WCC50FC7
Q5D04	JR530BX6	R4B09	JS040AN6	S3B05	WD210BA3	S6A04#	JS940FM6	T4D07	WD210BG4	U3B06#	WD210BK4	U5D07#	JR830GB6
Q5D05	JR530AT6	R4B10	JS060AQ7	S3B06	WD050CK4	T2B02	JR330AE5	T4D09	JR240BE6	U3B08#	WC210BK5	U5D08	WCC50CH4
Q5D06	JR660FK4	R4B11	JR310AV7	S3B07	JR350AG2	T2B03	JR250GJ6	T4D10	JR240CB2	U3B09#	WD210BK6	U5DC9#	JR330BC6
Q5D07	JR510BC4	R4B12	JS060AF2	S3B08	WD210BD7	T2B04	JR250GF6	T4D11	JR210AX2	U3B10#	WC210BK7	U5D10#	JR330BE6
Q5D09	JR330AE3	R4B13	JR630GA6	S3B09	WD210BD8	T2B05	JR250GE6	T4D12	JR260AM6	U3B11	WD050CC4	U5D11#	WCC50FF1
Q5D10	JR510BR6	R4D02	JR310AV9	S3B10	JR310AV9	T2B06	WD050CJ4	T4D13	JR220AR2	U3B12#	WD210BK8	U5D12	WCC50CF4
Q5D11	JR250AB2	R4D03	JS030AD6	S3B11	WD210BD6	T2B07	JR250CN2	T5B02	WC210BG7	U3B13#	WC210BK9	U5D13#	WCC50FF3
Q5D12	JR530AG8	R4D04	JR630FA6	S3B12	JR310BL4	T2B09	JR660DK6	T5B03	WC210BG2	U3DC2#	WD210BG1	U6CC2#	JS930FL6
Q5D13	JR810DK4	R4D05	JR310AW5	S3B13	JR420BA6	T2B10	JR330AR6	T5B04	JR210AU2	U3C03#	WD210BG2	U6C04#	JS930EL6
Q6D02#	JS940FK6	R4D06	JR310AW3	S3D03	WD210BA2	T2B12	JR250FN6	T5B05	JR220AU6	U3C04	WC050CC4	U6D02#	JS930CFJ6
Q6D04#	JS940FH6	R4D07	JR310AV9	S3D06	WD210BA5	T2B13	JR350BC4	T5B06	WD050CM4	U3D05#	WD210BG3	U6D04#	JS930GJ6
R2B02	JR640DH2	R4D09	WD001FC4	S3D07	JR350AG6	T2D02	JR330AS6	T5B07	JR220AS6	U3CC6#	WD210BG4	V2B02#	WC210BC1
R2B03	JR640DM2	R4D10	JS060AF7	S3D08	WC050AF4	T2D03	JR330AE3	T5B08	WC210BG5	U3D07#	WD210BG5	V2B04#	WC210BC2
R2B04	JR230AP6	R4D11	JR230AT6	S3D09	WD210BD9	T2D04	JR250DF6	T5B09	JR230AT6	U3D08	WDG50CC4	V2B05#	WC210BC3
R2B05	JR230AS6	R4D12	JS020AP6	S3D12	JR360AQ2	T2D05	JR250GL6	T5B10	JR230AQ6	U3C09#	WD210BG6	V2B06#	WC210BC4
R2B06	WD050AB4	R4D13	JR310AV5	S3D13	JR330AR6	T2D06	JR310BL4	T5B11	JR210AQ2	U3D10#	WD210BG7	V2B08#	WC210BC5
R2B07	JR630GC6	R5B02	JR230AN4	S4B02	JR340CB4	T2D07	JR250DN2	T5B12	JR830FC6	U3C11#	WD210BG8	V2B09#	WC210BC6
R2B09	JR230AM4	R5B03	JR630FC6	S4B03	JR420CL2	T2D09	JR230AY2	T5B13	JR240EB6	U3D12	WC050CC4	V2B10#	WC210BC7
R2B10	JR630FE6	R5B04	WD001BE4	S4B04	JR320AW6	T2D10	JR810EK6	T5D02	WC210BG6	U3D13#	WC210BG9	V2B12#	WC210BC8
R2B11	JR520AY6	R5B05	JR530AG4	S4B05	JR330BJ7	T2D11	JR250FF2	T5D03	JR230AP6	U4B02#	JR830GC6	V2B13#	WC210BC9
R2B12	JR530AG8	R5B07	JS040AC5	S4B06	WD050CL4	T2D12	JR250BJ6	T5D04	WC210BG8	U4B03	WC050CF4	V2D02#	WC210CBA1
R2B13	JS030AE2	R5B08	JS040AD2	S4B07	JR330BJ4	T2D13	JR240BG6	T5D05	JR230AS6	U4B04#	JR830GJ6	V2D03#	WC210BA2
R2D02	JS040BN2	R5B09	JR640FM6	S4B08	WD210BA1	T3B02	JS930EE2	T5D06	JR210AV2	U4B05#	WC050FB3	V2D05#	WC210BA3
R2D03	JR640FH2	R5B10	JS060AF7	S4B09	JR510AL6	T3B03	JR320AY6	T5D07	WC210BG3	U4B06#	WD050FB1	V2D06#	WC210BA4
R2D04	JS040BN7	R5B11	JR520BH2	S4B10	JR330AE7	T3B04	JR260BH6	T5D09	WD210BG1	U4B07	WD050CF4	V2D07#	WC210BA5
R2D05	JS030AR6	R5B12	JR250DF6	S4B11	JR330AE5	T3B05	JR830FF6	T5D10	JR210AW2	U4B08#	JR230BC6	V2D09#	WC210BA6
R2D06	JS030AT6	R5B13	JR520AU6	S4B12	JR330AE3	T3B06	WD050CK4	T5D11	JR230AR6	U4B09#	WD050FB5	V2D10#	WC210BA7
R2D07	JR240BE6	R5D02	JS040AD7	S4B13	JR340AR2	T3B07	JR260AB2	T5D12	JR260AD6	U4B10#	WD050FB7	V2D11#	WC210BA8
R2D09	JR630EE6	R5D03	JR630EC6	S4D02	JR320AX6	T3B08	JR420CC2	T5D13	JR220AL2	U4B11	WC050CF4	V2D13#	WC210BA9
R2D10	JS030AS6	R5D04	JR350BB2	S4D03	JR330AS6	T3B09	JR210AH2	T6A02	JR988AH4	U4B12#	JR230AC6	V3B02#	WC210BK1
R2D11	JS030AC5	R5D05	JS040AP2	S4D04	WD210BK3	T3B10	JR230BC6	T6A04#	JS920GE4	U4B13#	WD050FH5	V3B04#	WC210BK2
R2D12	JR630GE6	R5D06	JR350AN2	S4D05	JR420FK6	T3B11	JR240GG2	T6E02#	JS920GG4	U4D02#	JS030AC6	V3B05#	WC210BK3
R2D13	JS030AF2	R5D07	JR530AG6	S4D06	JR350BB2	T3B12	JR210AS2	T6E04#	JS930GL6	U4D03#	JS030AE2	V3B06#	WC210BK4
R3B02	JR520AZ2	R5D09	JS060AG7	S4D07	JR350BA2	T3B13	WD210BC1	U2B02#	WD210BD1	U4D04	WC050CF4	V3B08#	WC210BK5
R3B03	JR520BN2	R5D10	JS060AG2	S4D09	JR510AX6	T3D02	JR830GE2	U2B03	WC050CB4	U4D05#	JS030AF2	V3B09#	WC210BK6
R3B04	JR260AM6	R5D11	JS060AP2	S4D10	JR310AV7	T3D03	JR240CH6	U2B04#	WD210BC2	U4D06#	WD001FC4	V3B1C#	WC210BK7
R3B05	JR260AE6	R5D12	JR210AZ2	S4D11	JR510BJ6	T3D04	JR260AL2	U2B05#	WD210BD3	U4D07#	JS030AH2	V3B12#	WC210BK8
R3B06	WD050AC4	R5D13	JS060AQ2	S4D12	JR310AV3	T3D05	JS030BN2	U2B06#	WC210BD4	U4D08	WD050CF4	V3B13#	WC210BK9
R3B07	JR240DB2	R6B02#	JS940FG6	S4D13	JR510BH6	T3D06	JR320AW6	U2B08#	WD210BD5	U4D09#	JS030AJ2	V3D02#	WC210BG1
R3B08	JR310AV9	R6B04#	JS940FF6	S5B02	JR330BF6	T3D07	JR350AG2	U2B09#	WC210BD6	U4D10#	JS030AK2	V3DC3#	WC210BG2
R3B09	JS030AJ2	R6C02#	JS940FD6	S5B03	WD210BA7	T3D11	JR320AX6	U2B10#	WC210BD7	U4D11#	JS030AL2	V3DC5#	WC210BG3
R3B10	JR310AW7	R6C04#	JS940FC6	S5B04	JR210AW3	T3D12	WD210BK2	U2B11#	WD050CB4	U4D12	WCC50CF4	V3DC6#	WC210BG4
R3B11	JS030AH2	S2B02	JR210AS2	S5B05	JR310AW5	T3D13	JR240GJ2	U2B12#	WC210BC8	U4D13#	WD001BE4	V3D07#	WC210BG5
R3B12	JR640DA2	S2B04	JR330BE6	S5B06	WD050CM4	T4B02	JR250AL2	U2B13#	WD210BC9	U5B02#	WD050FF5	V3CC9#	WC210BG6
R3B13	JR640GC2	S2B05	JR320BF6	S5B07	JR520AF6	T4B03	JR260AE6	U2D02#	WC210BA1	U5B03	WC050CF4	V3D1C#	WC210BG7
R3D02	JR530AG0	S2B06	WD050CJ4	S5B08	JR310AW9	T4B04	JR220AV2	U2D03#	WC210BA2	U5B04#	JR340AR2	V3D11#	WC210BG8
R3D05	JS030BN2	S2B09	JR210AY2	S5B09	JR350AA6	T4B05	JR220AV2	U2D04	WC050CB4	U5B05#	JR340AH2	V3D13#	WC210BG9
R3D06	JS040AN4	S2B10	JR220AU6	S5B10	WD210BA6	T4B06	WD210BD4	U2D05#	WC210BA3	U5B06#	JR330BF6	V4B02#	JR830GC6
R3D07	JS010AP2	S2B12	WD210BD3	S5B13	WD210BA9	T4B07	JR210AT2	U2D06#	WD210BA4	U5B07	WD050CH4	V4B04#	JR830GJ6

PART NO. 5554844 E.C. NO. 825032 VERSION 000 SIZE SINGLE MACHINE IDA-SM15 LOCATION 018-A3

						VOLTAGE PINS			
B2A14	-4.0	B2C06	-4.0	B3A14	-4.0	B3C06	-4.0	B3E01	-4.0
B4A14	-4.0	B4C06	-4.0	B4E01	-4.0	B5C06	-4.0	B5E01	-4.0
C2C06	-4.0	C3C06	-4.0	C4C06	-4.0	C5C06	-4.0	D1B13	-4.0
D1C10	-4.0	D2B06	-4.0	D3B06	-4.0	D4B06	-4.0	D5B06	-4.0
D6B05	-4.0	D6C02	-4.0	E2B06	-4.0	E3B06	-4.0	E4B06	-4.0
F5B06	-4.0	F2B06	-4.0	F3B06	-4.0	F4B06	-4.0	F5B06	-4.0
G1C13	-4.0	G1D10	-4.0	G2B06	-4.0	G3B06	-4.0	G4B06	-4.0
G5B06	-4.0	G6C05	-4.0	G6D02	-4.0	H2B06	-4.0	H3B06	-4.0
H4B06	-4.0	H5B06	-4.0	J2B06	-4.0	J3B06	-4.0	J4B06	-4.0
J5B06	-4.0	K1E13	-4.0	K2B06	-4.0	K3B06	-4.0	K4B06	-4.0
K5B06	-4.0	K6E05	-4.0	L1A10	-4.0	L2B06	-4.0	L3B06	-4.0
L4B06	-4.0	L5B06	-4.0	L6A02	-4.0	M2B06	-4.0	M3B06	-4.0
M4B06	-4.0	M5B06	-4.0	M2B06	-4.0	N3B06	-4.0	N4B06	-4.0
N5B06	-4.0	P1B13	-4.0	P1C10	-4.0	P2B06	-4.0	P3B06	-4.0
P4B06	-4.0	P5B06	-4.0	P6B05	-4.0	P6C02	-4.0	Q2B06	-4.0
Q3B06	-4.0	Q4B06	-4.0	Q5B06	-4.0	R2B06	-4.0	R3B06	-4.0
R4B06	-4.0	R5B06	-4.0	S1C13	-4.0	S1D10	-4.0	S2B06	-4.0
S3B06	-4.0	S4B06	-4.0	S5B06	-4.0	S6C05	-4.0	S6C02	-4.0
T2C06	-4.0	T3C06	-4.0	T4C06	-4.0	T5C06	-4.0	U2A14	-4.0
U2C06	-4.0	U3A14	-4.0	U3C06	-4.0	U3E01	-4.0	U4A14	-4.0
U4C06	-4.0	U4E01	-4.0	U5C06	-4.0	U5E01	-4.0		
A1E13	GND	A2B03	GND	A2B07	GND	A2B11	GND	A2C04	GND
A2D08	GND	A2D12	GND	A3B03	GND	A3B07	GND	A3B11	GND
A3D04	GND	A3D08	GND	A3D12	GND	A4B03	GND	A4B07	GND
A4B11	GND	A4D04	GND	A4D08	GND	A4D12	GND	A5B03	GND
A5B07	GND	A5B11	GND	A5D04	GND	A5D08	GND	A5D12	GND
A6E04	GND	B1A11	GND	B1D13	GND	B1E11	GND	B2C03	GND
B2C04	GND	B2C07	GND	B2C11	GND	B2C12	GND	B2C08	GND
B2E14	GND	B3A01	GND	B3C03	GND	B3C04	GND	B3C07	GND
B3C11	GND	B3C12	GND	B3D08	GND	B3E14	GND	B4A01	GND
B4C03	GND	B4C04	GND	B4C07	GND	B4C11	GND	B4C12	GND
B4D08	GND	B4E14	GND	B5A01	GND	B5C03	GND	B5C04	GND
B5C07	GND	B5C11	GND	B5C12	GND	B5D08	GND	B6A02	GND
B6D04	GND	B6E02	GND	C1C13	GND	C1D11	GND	C2C03	GND
C2C04	GND	C2C07	GND	C2C11	GND	C2C12	GND	C2C08	GND
C3C03	GND	C3C04	GND	C3C07	GND	C3C11	GND	C3C12	GND
C3D08	GND	C4C03	GND	C4C04	GND	C4C07	GND	C4C11	GND
C4C12	GND	C4D08	GND	C5C03	GND	C5C04	GND	C5C07	GND
C5C11	GND	C5C12	GND	C5D08	GND	C6C04	GND	C6C02	GND
D1B10	GND	D1C13	GND	D2D08	GND	D3D08	GND	D4D08	GND
D5D08	GND	D6B02	GND	D6C05	GND	E1A13	GND	E1B11	GND
E1E13	GND	E2D08	GND	E3D08	GND	E4D08	GND	E5D08	GND
E6A04	GND	E6B02	GND	E6E04	GND	F1A11	GND	F1C13	GND
F1E11	GND	F2D08	GND	F3D08	GND	F4D08	GND	F5C08	GND
F6A02	GND	F6D04	GND	F6E02	GND	G1C10	GND	G1D13	GND
G2D08	GND	G3D08	GND	G4D08	GND	G5D08	GND	G6C02	GND
G6D05	GND	H1B13	GND	H1C11	GND	H2D08	GND	H3C08	GND
H4D08	GND	H5D08	GND	H6B04	GND	H6C02	GND	J1A13	GND
J1B11	GND	J1E13	GND	J2C08	GND	J3D08	GND	J4C08	GND
J5D08	GND	J6A04	GND	J6B02	GND	J6E04	GND	K1A11	GND
K1E10	GND	K2D08	GND	K3D08	GND	K4D08	GND	K5C08	GND
K6A02	GND	K6E02	GND	L1A13	GND	L1E13	GND	L2C08	GND
L3D08	GND	L4D08	GND	L5D08	GND	L6A05	GND	L6E04	GND
M1A11	GND	M1D13	GND	M1E11	GND	M2D08	GND	M3D08	GND
M4D08	GND	M5D08	GND	M6A02	GND	M6D04	GND	M6E02	GND
N1C13	GND	N1D11	GND	N2D08	GND	N3D08	GND	N4D08	GND
N5D08	GND	N6C04	GND	N6D02	GND	P1B10	GND	P1C13	GND
P2D08	GND	P3D08	GND	P4D08	GND	P5D08	GND	P6B02	GND
P6C05	GND	Q1A13	GND	Q1B11	GND	Q1E13	GND	Q2C08	GND
Q3D08	GND	Q4D08	GND	Q5D08	GND	Q6A04	GND	Q6B02	GND

PART NO.	5554844	E.C. NO.	825032	VERSION 000	SIZE SINGLE	MACHINE IDA-SM15	LOCATION 01B-A3		
Q6E04	GND	R1A11	GND	R1013	VOLTAGE PINS	R1E11	GND	R2C08	GND
R3D08	GND	R4D08	GND	R5D08	GND	R6A02	GND	R6D04	GND
R6E02	GND	S1C10	GND	S1D13	GND	S2D08	GND	S3C08	GND
S4D08	GND	S5D08	GND	S6C02	GND	S6D05	GND	T1B13	GND
T1C11	GND	T2C03	GND	T2C04	GND	T2C07	GND	T2C11	GND
T2C12	GND	T2D08	GND	T3C03	GND	T3C04	GND	T3C07	GND
T3C11	GND	T3C12	GND	T3D08	GND	T4C03	GND	T4C04	GND
T4C07	GND	T4C11	GND	T4C12	GND	T4D08	GND	T5C03	GND
T5C04	GND	T5C07	GND	T5C11	GND	T5C12	GND	T5C08	GND
T6B04	GND	T6C02	GND	U1A13	GND	U1B11	GND	U1E13	GND
U2C03	GND	U2C04	GND	U2C07	GND	U2C11	GND	U2C12	GND
U2D08	GND	U2E14	GND	U3A01	GND	U3C03	GND	U3C04	GND
U3C07	GND	U3C11	GND	U3C12	GND	U3D08	GND	U3E14	GND
U4A01	GND	U4C03	GND	U4C04	GND	U4C07	GND	U4C11	GND
U4C12	GND	U4D08	GND	U4E14	GND	U5A01	GND	U5C03	GND
U5C04	GND	U5C07	GND	U5C11	GND	U5C12	GND	U5C08	GND
U6A04	GND	U6B02	GND	U6E04	GND	V1A11	GND	V2B03	GND
V2B07	GND	V2B11	GND	V2D04	GND	V2D08	GND	V2D12	GND
V3B03	GND	V3B07	GND	V3B11	GND	V3D04	GND	V3D08	GND
V3D12	GND	V4B03	GND	V4B07	GND	V4B11	GND	V4C04	GND
V4D08	GND	V4D12	GND	V5B03	GND	V5B07	GND	V5B11	GND
V5D04	GND	V5D08	GND	V5D12	GND	V6A02	GND		

FOR ANY VOLTAGE PIN NOT INDICATED IN THE VOLTAGE PIN LIST, USE THE NET NUMBER TO LOCATE THE ALD PAGE FOR DETERMINING THE VOLTAGE INFORMATION

ENC OF LIST

4234396

5415 DISPLAY ADAPTER FEATURE
WIRE LIST

THE FOLLOWING BLACK WIRES P/N 811695 ARE ADDED TO BOARD
P/N 5554844 AT POSITION 01B-A3 UNDER THE SPECIFIED CONDITIONS:

LAST BOARD ON CHANNEL

R2B06 TO U2B07
R3B06 TO U3B07

NOT LAST BOARD ON CHANNEL

S2D08 TO U2B07
S3D08 TO U3B07

KATAKANA FEATURE

Q5B03 TO M2D09

EC HISTORY		DRAWING TITLE	
14 NOV 75	825032	DISPLAY ADAPTER FEATURE	
		MACH 5415 WIRE LIST	
		PART NO 4234396	
B		CLASSIFICATION	
		AKB	11-13-75
		IBM CORP	

A
6
0
0
6

DATE 11-20-75

MST-1 BOARD DISCRETE WIRE EQUIVALENT LIST SEQUENCED BY NET NUMBER

PART NO. 5554844 E.C. NO. 825032 VERSION 000 SIZE SINGLE MACHINE 10A-SM15 LOCATION 01B-A3

PIN ID: #-I/O PIN PLANES: 1-CARD SIDE SHALLOW 3-PROBE SIDE SHALLOW WIRE TYPES: YEL-YELLOW,30, AG NTR-90 OHM TRI-LEAD
 *-I/O & LOGIC 2-PROBE SIDE SHALLOW 4-PROBE SIDE SHALLOW TWL-TWIN LEAD WRAP FTW-50 OHM TWIN LEAD
 T-TERMINATING RES. W-DISCRETE OVERFLOW TW -TWIST PR CONNECT NTW-50 OHM TWIN LEAD
 V-VOLTAGE/GROUND FTR-50 OHM TRI-LEAD CX -COAX CONNECTOR

NOTES: WIRE LENGTH IS IN TENTHS OF AN INCH. YELLOW WIRE LENGTH INCLUDES WIRE FOR WRAP.

NET NO.	FROM PIN	P L	TO PIN	P L	WIRE TYP	LNGLTH	FROM PIN	P L	TO PIN	P L	WIRE TYP	LNGLTH	FROM PIN	P L	TO PIN	P L	WIRE TYP	LNGLTH		
JR210AQ2	Q4D02	W	T5B11	W	YEL	7.0	JR250BJ6	N5D02	W	T2D12	W	YEL	9.0	JR340AH2	S2D06	W	V5B05#	W	YEL	9.0
JR210AS2	L5D04	W	Q4D02	W	YEL	7.0	JR250CN2	N2B03	W	Q3B10	W	YEL	7.0	JR340AR2	U5B05#	W	S2D06	W	YEL	9.0
JR210AT2	S2B02	W	T3B12	W	YEL	7.0	JR250DF6	N2B03	1	T2B07	2	YEL	7.0	JR350AA6	S4B13	2	U5B04#	2	YEL	5.0
JR210AU2	L4D05	W	T4B07	W	YEL	8.0	JR250DN2	T2D04	1	R5B12	2	YEL	10.0	JR350AG2	V5B04#	2	S4B13	2	YEL	16.0
JR210AV2	M3B13	2	P3D04	2	YEL	6.0	JR250FF2	H5D10	2	J5D10	2	YEL	4.5	JR350BA2	L2D10	W	S5B09	W	YEL	10.0
JR210AX2	P3D04	2	Q3B09	2	YEL	4.5	JR250FN6	J5D10	2	K5D10	2	YEL	4.5	JR350BB2	K3D04	2	P3B10	2	YEL	16.0
JR210AY2	L4D05	2	M3B13	2	YEL	4.5	JR250GE6	K5D10	2	T2D07	2	YEL	14.0	JR350BC4	Q2D13	1	P3B10	2	YEL	5.5
JR210AZ2	M4B02	1	Q2D02	1	YEL	10.0	JR250GF6	P5D04	2	T2D11	W	YEL	9.0	JR410CM4	S3B07	2	Q2C13	2	YEL	5.5
JR220AR2	T5B04	2	M4B02	1	YEL	11.0	JR250GJ6	T2B12	2	Q2B05	1	YEL	6.0	JR410EJ6	S3B07	2	T3D07	2	YEL	4.5
JR220AS6	L4B12	2	T5D06	W	YEL	9.0	JR310AV3	Q3D13	2	T2B05	W	YEL	7.0	JR420BA6	L3B02	2	S5D06	2	YEL	8.0
JR220AT2	L4B12	2	Q4B08	W	YEL	7.0	JR310AV5	Q2B09	2	T2B04	2	YEL	5.5	JR420CC2	S5B04	2	R5D06	2	YEL	7.5
JR220AU6	L3B03	2	Q2D03	2	YEL	9.0	JR310AV7	K3B10	1	N5D04	2	YEL	7.0	JR420CE2	L2D07	2	Q3D04	2	YEL	5.5
JR220AV2	M4D07	1	T5D10	1	YEL	10.0	JR310AV9	K3B10	2	T2B03	2	YEL	12.0	JR420CG2	Q3D04	2	R5D06	2	YEL	8.0
JR230AM4	L3B03	1	M4D07	2	YEL	7.0	JR310AW3	N3D05	W	T2D05	W	YEL	8.0	JR420CL2	Q3D04	2	R5D06	2	YEL	8.0
JR230AN4	Q3B05	2	L3B09	2	YEL	8.0	JR310AW5	Q3D11	W	T3B07	W	YEL	5.5	JR420FA6	R5B08	2	N5B08	W	YEL	7.5
JR230AP6	M2B09	W	T4D11	W	YEL	9.0	JR310AW7	Q3D11	2	T3B07	2	YEL	5.5	JR420FB6	JR350BB2	N5B08	R5D04	2	YEL	5.5
JR230AQ6	M2B09	2	Q3B05	2	YEL	7.0	JR310BL4	L5D11	2	T5D12	2	YEL	8.0	JR420FC6	JR350BC4	P5D07	T2B13	2	YEL	9.5
JR230AS6	T4B09	2	S2B09	2	YEL	10.0	JR320AT6	R3B05	2	T4B03	2	YEL	6.0	JR510AL6	P5D07	2	Q3C07	2	YEL	8.0
JR230AT6	S2B09	2	Q3D09	2	YEL	7.0	JR320AW6	JR260AL2	L4D12	T3C04	W	YEL	9.0	JR510AX6	T2B13	2	S2D05	2	YEL	5.5
JR230AY2	P3D07	1	R5D12	W	YEL	8.0	JR320AX6	JR260AH6	R3B04	T4D12	W	YEL	7.0	JR510BC4	L2B05	2	N2B05	2	YEL	5.0
JR230AP6	L3D04	2	M3D10	2	YEL	4.5	JR320AY6	JR260BH6	Q2D12	T3B04	W	YEL	5.5	JR520AF6	K3D13	2	L2B05	2	YEL	5.0
JR230AQ6	T4B10	2	R5D12	1	YEL	7.0	JR320BF6	JR310AV3	Q3B12	R4B07	2	YEL	8.0	JR520AU6	K2B11	2	L2D06	2	YEL	10.0
JR230AS6	M3D10	2	P3D07	2	YEL	5.0	JR330AE3	JR310AV5	R4B07	R4D12	2	YEL	5.0	JR520AY6	K3C02	W	S5C04	W	YEL	10.0
JR230AT6	K2D12	2	Q3D06	2	YEL	8.0	JR330AE5	JR310AV7	R4D13	S5D09	2	YEL	4.5	JR520BH2	JR420BA6	K2D09	H5B13	2	YEL	11.0
JR230AY2	M2B02	2	K2D12	2	YEL	5.5	JR330AE7	JR310AV9	R4D13	S5D09	2	YEL	4.5	JR520BN2	JR420CC2	K3C02	S5C04	W	YEL	9.0
JR230BC6	M3B12	W	L4B07	W	YEL	10.0	JR330AE9	JR310AW3	R4B11	S4D10	2	YEL	9.0	JR530AGC	JR420CE2	K3C02	K5B13	2	YEL	6.0
JR240BE6	P3B11	2	Q4D06	2	YEL	5.5	JR330AR6	JR310AW5	R4B11	K3B02	2	YEL	9.0	JR530AG4	JR420CG2	K3C02	K5B13	2	YEL	10.0
JR240BG6	T5B07	2	L4B07	2	YEL	10.0	JR330AS6	JR310AW7	R4B11	K3B02	2	YEL	9.0	JR530AG6	JR420CL2	K3C02	K5B13	2	YEL	9.0
JR240CH6	M3B12	2	P3B11	2	YEL	8.0	JR330AS6	JR310AW9	R4B11	K3B02	2	YEL	8.0	JR530AG8	JR420FA6	K3C02	K5B13	2	YEL	6.0
JR240DB2	P3B11	2	Q3B04	2	YEL	5.5	JR330BE6	JR310BL4	R3B10	S5D06	1	YEL	7.0	JR530AT6	JR420FB6	K3C02	K5B13	2	YEL	10.0
JR240EB6	S2B10	W	T5B05	W	YEL	9.0	JR330BF6	JR310BL4	R3B10	S5D06	1	YEL	7.0	JR530AU6	JR420FC6	K3C02	K5B13	2	YEL	5.0
JR240GG2	M3B11	2	Q3B07	2	YEL	5.5	JR330BJ4	JR310BL4	R3B10	S5D06	1	YEL	7.0	JR540CA6	JR420FB6	K3C02	K5B13	2	YEL	7.0
JR240GJ2	Q3B07	2	S2B10	1	YEL	7.0	JR330BJ7	JR310BL4	R3B10	S5D06	1	YEL	7.0	JR540CC6	JR420FB6	K3C02	K5B13	2	YEL	4.5
JR250AB2	M3B11	2	Q3B07	2	YEL	5.5	JR330BJ7	JR310BL4	R3B10	S5D06	1	YEL	7.0	JR540CC6	JR420FB6	K3C02	K5B13	2	YEL	8.0
JR250AL2	V4B12#	2	T5B10#	2	YEL	5.5	JR330BJ7	JR310BL4	R3B10	S5D06	1	YEL	7.0	JR540CC6	JR420FB6	K3C02	K5B13	2	YEL	8.0
JR250AS6	R2B05	W	T5D05	W	YEL	9.0	JR330BJ7	JR310BL4	R3B10	S5D06	1	YEL	7.0	JR540CC6	JR420FB6	K3C02	K5B13	2	YEL	8.0
JR250AT6	R4D11	1	T5B09	2	YEL	6.0	JR330BJ7	JR310BL4	R3B10	S5D06	1	YEL	7.0	JR540CC6	JR420FB6	K3C02	K5B13	2	YEL	8.0
JR250AY2	L5B02	2	T2D09	2	YEL	10.0	JR330BJ7	JR310BL4	R3B10	S5D06	1	YEL	7.0	JR540CC6	JR420FB6	K3C02	K5B13	2	YEL	8.0
JR250BC6	T3B10	2	U4B08#	2	YEL	5.5	JR330BJ7	JR310BL4	R3B10	S5D06	1	YEL	7.0	JR540CC6	JR420FB6	K3C02	K5B13	2	YEL	8.0
JR250BE6	V4B08#	2	T3B10	2	YEL	6.0	JR330BJ7	JR310BL4	R3B10	S5D06	1	YEL	7.0	JR540CC6	JR420FB6	K3C02	K5B13	2	YEL	8.0
JR250BG6	R2D07	W	T4D09	W	YEL	8.0	JR330BJ7	JR310BL4	R3B10	S5D06	1	YEL	7.0	JR540CC6	JR420FB6	K3C02	K5B13	2	YEL	8.0
JR250CH6	H5D04	2	J5D04	2	YEL	4.5	JR330BJ7	JR310BL4	R3B10	S5D06	1	YEL	7.0	JR540CC6	JR420FB6	K3C02	K5B13	2	YEL	8.0
JR250DB2	J5D04	2	K5D04	2	YEL	4.5	JR330BJ7	JR310BL4	R3B10	S5D06	1	YEL	7.0	JR540CC6	JR420FB6	K3C02	K5B13	2	YEL	8.0
JR250DB6	T2D13	2	Q2B07	2	YEL	6.0	JR330BJ7	JR310BL4	R3B10	S5D06	1	YEL	7.0	JR540CC6	JR420FB6	K3C02	K5B13	2	YEL	8.0
JR250EB6	K5D04	1	Q2B07	2	YEL	11.0	JR330BJ7	JR310BL4	R3B10	S5D06	1	YEL	7.0	JR540CC6	JR420FB6	K3C02	K5B13	2	YEL	8.0
JR250GG2	N2D09	W	T3D03	W	YEL	7.0	JR330BJ7	JR310BL4	R3B10	S5D06	1	YEL	7.0	JR540CC6	JR420FB6	K3C02	K5B13	2	YEL	8.0
JR250GJ2	R3B07	W	T4D10	W	YEL	7.0	JR330BJ7	JR310BL4	R3B10	S5D06	1	YEL	7.0	JR540CC6	JR420FB6	K3C02	K5B13	2	YEL	8.0
JR250AB2	L5D02	W	T5B13	W	YEL	8.0	JR330BJ7	JR310BL4	R3B10	S5D06	1	YEL	7.0	JR540CC6	JR420FB6	K3C02	K5B13	2	YEL	8.0
JR250AL2	N5B04	W	T3B11	W	YEL	8.0	JR330BJ7	JR310BL4	R3B10	S5D06	1	YEL	7.0	JR540CC6	JR420FB6	K3C02	K5B13	2	YEL	8.0
JR250AM2	N2D02	W	T3D13	W	YEL	8.0	JR330BJ7	JR310BL4	R3B10	S5D06	1	YEL	7.0	JR540CC6	JR420FB6	K3C02	K5B13	2	YEL	8.0
JR250AN2	P3D11	W	T4D05	W	YEL	7.0	JR330BJ7	JR310BL4	R3B10	S5D06	1	YEL	7.0	JR540CC6	JR420FB6	K3C02	K5B13	2	YEL	8.0
JR250AO2	Q5D11	W	P3D11	W	YEL	8.0	JR330BJ7	JR310BL4	R3B10	S5D06	1	YEL	7.0	JR540CC6	JR420FB6	K3C02	K5B13	2	YEL	8.0
JR250AP2	N3D06	W	T4B02	W	YEL	7.0	JR330BJ7	JR310BL4	R3B10	S5D06	1	YEL	7.0	JR540CC6	JR420FB6	K3C02	K5B13	2	YEL	8.0

PART NO. 5554844 E.C. NO. 825032 VERSION 000 SIZE SINGLE MACHINE IDA-SM15 LOCATION 01B-A3

PIN ID: #-I/O PIN *-I/O & LOGIC T-TERMINATING RES. V-VOLTAGE/GROUND PLANES: 1-CARD SIDE SHALLOW 2-PROBE SIDE SHALLOW W-DISCRETE OVERFLOW 3-PROBE SIDE SHALLOW 4-PROBE SIDE SHALLOW WIRE TYPES: YEL-YELLOW, 30, AG TWL-TWIN LEAD WRAP TW-TWIST PR CONNECT FTR-50 OHM TRI-LEAD NTR-50 OHM TRI-LEAD FTW-50 OHM TWIN LEAD NTW-50 OHM TWIN HEAD CX-CCAX CONNECTOR

NOTES: WIRE LENGTH IS IN TENTHS OF AN INCH. YELLOW WIRE LENGTH INCLUDES WIRE FOR WRAP.

Table with columns: NET NO., FROM PIN, P, TO PIN, P, WIRE TYP, WIRE LNPTH. It lists wire connections for various components like JR550BC6, JR620FK2, etc., with their respective pin numbers and wire types.

PART NO. 5554844 E.C. NO. 825032 VERSION 000 SIZE SINGLE MACHINE ICA-SM15 LOCATION 01B-A3

PIN ID: #-I/O PIN *-I/O & LOGIC T-TERMINATING RES. V-VOLTAGE/GROUND PLANES: 1-CARD SIDE SHALLOW 2-PROBE SIDE SHALLOW 3-PROBE SIDE SHALLOW 4-PROBE SIDE SHALLOW W-DISCRETE OVERFLOW WIRE TYPES: YEL-YELLOW, 30, AG TWL-TWIN LEAD WRAP TH-TWIST PR CONNECT FTR-50 OHM TRI-LEAD NTR-90 OHM TRI-LEAD FTW-50 OHM TWIN LEAD NTH-90 OHM TWIN HEAD CX-COAX CONNECTOR

NOTES: WIRE LENGTH IS IN TENTHS OF AN INCH. YELLOW WIRE LENGTH INCLUDES WIRE FOR WRAP.

Table with columns: NET NO., FROM PIN, P, TO PIN, P, WIRE TYP, WIRE LNPTH. It lists wire connections for various components like JR750AG4, JR750DF6, JR810DL4, etc., with their respective pin numbers and wire lengths.

DATE 11-20-75

MST-1

BOARD DISCRETE WIRE EQUIVALENCE LIST SEQUENCED BY NET NUMBER

PART NO. 5554844 E.C. NO. 825032 VERSION 000 SIZE SINGLE MACHINE IDA-SM15 LOCATION 01B-A3

PIN ID: #-I/O PIN PLANES: 1-CARD SIDE SHALLOW 3-PROBE SIDE SHALLOW WIRE TYPES: YEL-YELLOW, 30, AG NTR-90 CHM TRI-LEAD
 *-I/O & LOGIC 2-PROBE SIDE SHALLOW 4-PROBE SIDE SHALLOW TWL-TWIN LEAD WRAP FTW-50 CHM TWIN LEAD
 T-TERMINATING RES. W-DISCRETE OVERFLOW TW-TWIST PR CONNECT NTW-50 CHM TWIN LEAD
 V-VOLTAGE/GROUND FTR-50 OHM TRI-LEAD CX-COAX CONNECTOR

NOTES: WIRE LENGTH IS IN TENTHS OF AN INCH. YELLOW WIRE LENGTH INCLUDES WIRE FOR WRAP.

NET NO.	FROM PIN	P L	TO PIN	P L	WIRE TYP	WIRE LNPTH		FROM PIN	P L	TO PIN	P L	WIRE TYP	WIRE LNPTH		FROM PIN	P L	TO PIN	P L	WIRE TYP	WIRE LNPTH	
JS070BL4	H3B02	W	K4B13	W	YEL	8.0		U3D08	1	U3D04	1	YEL	4.0		WD210BA3	S3B05	2	U2C05#	2	YEL	7.0
	H4B13	1	J4B13	1	YEL	4.5		U3D08	W	U3D12	W	YEL	4.0			V2C05#	2	S3B05	2	YEL	8.0
JS070BM4	J4B13	1	K4B13	2	YEL	4.5		U3B03	W	U3D04	W	YEL	4.0		WD210BA4	V2C06#	W	S5C03	W	YEL	9.0
	K4D13	W	N3D02	W	YEL	8.0	WD050CF4	U4B07	2	U4D08	2	YEL	4.5			S5D03	2	U2C06#	2	YEL	10.0
	J4D13	2	K4D13	2	YEL	4.5		U4B03	2	U4D04	2	YEL	4.0		WD210BA5	U2D07#	2	S3C06	2	YEL	7.0
JS070BN4	K4B08	W	H4D13	2	YEL	4.5		U4B11	2	U4D12	2	YEL	4.0			V2C07#	1	S3CC6	2	YEL	8.0
	H4B08	2	N3D07	W	YEL	7.0		U4D08	W	U4D12	W	YEL	4.0		WD210BA6	S5B10	2	V2DC9#	1	YEL	13.0
	H4B08	2	J4B08	2	YEL	4.5		U4B03	W	U4B07	W	YEL	4.0			U2D09#	1	S5B10	1	YEL	11.0
JS100BH4	J4B08	2	K4B08	2	YEL	4.5	WD050CH4	U5B07	1	U5D08	2	YEL	4.0		WD210BA7	S5B03	2	U2C10#	2	YEL	10.0
	D4B11	2	E4B11	2	YEL	4.5		U5D12	1	U5D08	1	YEL	4.0			S5B03	1	V2C10#	1	YEL	10.0
	E4B11	2	F4B11	2	YEL	4.5		U5B03	2	U5D04	2	YEL	4.0		WD210BA8	V2D11#	W	S5C11	W	YEL	10.0
	F4B11	2	G4B11	2	YEL	4.5		U5B11	2	U5D12	2	YEL	4.0			S5D11	2	U2C11#	2	YEL	10.0
	G4B11	2	H5D07	2	YEL	5.5		U5B03	W	U5B07	W	YEL	4.0		WD210BA9	S5B13	1	U2C13#	1	YEL	10.0
JS100FH4	H5D07	1	H4D07	2	YEL	5.5	WD050CJ4	S2B06	W	T2B06	W	YEL	4.5			V2C13#	2	S5B13	2	YEL	11.0
	J4D03	2	K4D03	2	YEL	4.5	WD050CK4	S3B06	V	T3B06	V	YEL	4.5		WC210BD1	T3B13	1	U2B02#	1	YEL	8.0
	H4D03	2	J4D03	2	YEL	4.5	WD050CL4	S4B06	V	T4B06	V	YEL	4.5			V2B02#	2	T3B13	2	YEL	8.0
	H4D03	1	H5D12	2	YEL	7.0	WD050CM4	T5B06	V	S5B06	V	YEL	4.5		WD210BD2	S5D07	2	U2B04#	2	YEL	10.0
	H5D12	2	J5D12	2	YEL	4.5	WD050FB1	V4B06#	1	U4B06#	1	YEL	6.0			K2B04	2	S5C07	2	YEL	13.0
JS200BH4	K5D12	2	J5D12	2	YEL	4.5	WD050FB3	U4B05#	2	V4B05#	2	YEL	4.5		WD210BD3	V2B04#	2	K2B04	2	YEL	10.0
	D2B11	2	E2B11	2	YEL	4.5	WD050FB5	U4B09#	2	V4B09#	2	YEL	4.5			S2B12	2	U2B05#	2	YEL	6.0
	E2B11	2	F2B11	2	YEL	4.5	WD050FB7	U4B10#	2	V4B10#	2	YEL	4.5		WD210BD4	S2B12	2	V2B05#	2	YEL	6.0
	F2B11	2	J4D07	2	YEL	9.0	WD050FD1	U5D02#	2	V5D02#	2	YEL	4.5			T4B05	1	U2B06#	1	YEL	8.0
JS300BH4	J5D07	1	J4D07	1	YEL	5.5	WD050FD3	U5D03#	2	V5D03#	2	YEL	4.5		WD210BD5	T4B05	1	U2B06#	1	YEL	8.0
	G2B11	2	H2B11	2	YEL	4.5	WD050FD5	V5D05#	2	U5D05#	2	YEL	4.5			T4D04	2	U2B08#	2	YEL	7.0
	H2B11	2	J2B11	2	YEL	4.5	WD050FD7	V5D06#	2	U5D06#	2	YEL	4.5		WC210BD6	T4C04	2	V2B08#	2	YEL	9.0
	J2B11	2	K4D07	2	YEL	8.0	WD050FF1	U5D11#	2	V5D11#	2	YEL	4.5			S3B11	2	U2B09#	2	YEL	7.0
	K5D07	1	K4D07	1	YEL	5.5	WD050FF3	U5D13#	2	V5D13#	2	YEL	4.5		WD210BD7	V2B09#	2	S3B11	2	YEL	8.0
JS920GB6	V6B02#	W	P2D02	W	YEL	12.0	WD050FF5	V5B02#	1	U5B02#	2	YEL	5.5			K2C07	2	U2B10#	2	YEL	9.0
JS920GE4	P2B13	2	T6A04#	2	YEL	12.0	WD050FF7	U5B09#	2	V5B09#	2	YEL	4.5			V2B10#	2	S3B08	2	YEL	7.0
JS920GG4	P2D09	1	T6E02#	1	YEL	13.0	WD050FH1	U5B10#	2	V5B10#	2	YEL	4.5		WD210BD8	K2C07	2	S3B08	2	YEL	10.0
JS930EE2	P3B08	W	T3B02	W	YEL	7.0	WD050FH3	U5B12#	2	V5B12#	2	YEL	4.5			S3B09	2	U2B12#	2	YEL	6.0
	T3B02	2	S2D04	1	YEL	7.0	WD050FH5	U4B13#	2	V4B13#	2	YEL	5.5			V2B12#	2	S3B09	2	YEL	7.0
JS930EL6	P2B07	2	U6C04#	1	YEL	13.0	WD120FA1	N6B04#	1	P2D10	1	YEL	11.0		WD210BD9	S3C09	1	U2B13#	1	YEL	5.5
JS930FG2	P4D13	2	U5B08#	2	YEL	8.0	WD120FA3	N6A04#	1	P2D03	2	YEL	12.0			S3C09	1	V2B13#	1	YEL	7.5
	V5B08#	2	P4D13	2	YEL	9.0	WD120FA5	N6D04#	1	P5B03	2	YEL	5.5		WD210BF4	U5B13#	2	V5B13#	2	YEL	4.5
JS930FJ6	P2D05	2	U6D02#	1	YEL	13.0	WD120FA7	N6E04#	1	P5B02	1	YEL	6.0		WD210BG1	V3C02#	W	T5C09	W	YEL	9.0
JS930FL6	P2D06	1	U6C02#	1	YEL	13.0	WD120FC1	N6E04#	1	P5B07	1	YEL	5.5			T5C09	1	U3C02#	1	YEL	9.0
JS930GG6	P2B02	1	V6B04#	1	YEL	13.0	WD120FC3	N6E02#	2	P5D02	2	YEL	5.5		WD210BG2	T5B03	1	U3C03#	1	YEL	8.0
JS930GJ6	P2B05	2	U6D04#	1	YEL	13.0	WD120FC5	M6C02#	1	P5D09	2	YEL	5.5			T5B03	1	V3C03#	1	YEL	9.0
JS930GL6	P2B09	2	T6E04#	1	YEL	13.0	WD120FC7	N6A02#	1	P5D06	2	YEL	5.5		WD210BG3	T5C07	1	U3C05#	1	YEL	8.0
JS940FB6	P3B02	1	S6A02#	1	YEL	11.0	WD120FE1	M6B02#	1	P5D10	1	YEL	5.5			T5C07	2	V3C05#	2	YEL	9.0
JS940FC6	P3B05	1	R6C04#	1	YEL	10.0	WD120FE3	M6B04#	1	P5B10	2	YEL	5.5		WD210BG4	T4C07	2	U3C06#	2	YEL	6.0
JS940FD6	P3D05	1	R6C02#	1	YEL	10.0	WD120FE5	M6A04#	1	P5B09	2	YEL	6.0			V3C06#	2	T4C07	2	YEL	7.0
JS940FF6	P3B07	1	R6B04#	1	YEL	10.0	WD120FE7	N6B02#	1	P5D05	2	YEL	6.0		WD210BG5	T5B08	2	U3C07#	2	YEL	8.0
JS940FG6	P3D06	1	R6B02#	1	YEL	10.0	WD120FF2	L6D02#	2	P5D13	2	YEL	6.0			T5B08	1	V3C07#	1	YEL	9.0
JS940FH6	P3B09	2	Q6D04#	2	YEL	9.0	WD120FF4	L6D04#	1	P5B13	2	YEL	5.5		WD210BG6	V3C09#	W	T5C02	W	YEL	7.0
JS940FK6	P3D09	2	Q6D02#	1	YEL	9.0	WD120FH3	J6C04#	2	P4B04	2	YEL	10.0			T5C02	2	U3C09#	2	YEL	7.0
JS940FL6	P3B13	2	P6E04#	1	YEL	8.0	WD120FH5	K6A04#	1	P4B03	2	YEL	10.0		WD210BG7	T5B02	2	U3C10#	2	YEL	7.0
JS940FM6	P3B02	2	S6A04#	1	YEL	11.0	WD120FH7	K6B04#	1	P4B02	1	YEL	10.0			V3C10#	2	T5B02	2	YEL	8.0
WD001BE4	M2D09	2	U4D13#	2	YEL	12.0	WD120FK3	K6B02#	2	P4D02	2	YEL	10.0		WD210BG8	T5C04	2	U3C11#	2	YEL	7.0
	V4D13#	2	R5B04	1	YEL	7.0	WD120FK5	H6E02#	1	P4D09	1	YEL	10.0			V3C11#	2	T5C04	2	YEL	8.0
	M2D09	2	R5B04	2	YEL	11.0	WD120FK7	J6C02#	1	P4D06	2	YEL	10.0		WD210BG9	T4C06	2	U3C13#	2	YEL	5.5
WD001FC4	K3D06	2	U4D06#	2	YEL	11.0	WD120FM1	H6D02#	1	P4D10	2	YEL	10.0			T4C06	1	V3C13#	1	YEL	5.5
	R4D09	2	V4D06#	2	YEL	7.0	WD120FM3	H6D04#	1	P4B10	2	YEL	10.0		WD210BK1	U3B02#	2	V3B02#	2	YEL	10.0
	K3D06	2	R4D09	2	YEL	10.0	WD120FM5	H6C04#	2	P4B09	2	YEL	10.0		WD210BK2	L2B09	2	U3B04#	2	YEL	10.0
WD050CB4	U2D08	1	U2D12	1	YEL	4.5	WD120FM7	J6D02#	1	P4D05	1	YEL	10.0			L2B09	2	T3D12	2	YEL	11.0
	U2D12	1	U2B11	1	YEL	5.5	WD210BA1	U2D02#	W	S4B08	W	YEL	9.0		WD210BK3	T3D12	2	V3B04#	2	YEL	5.5
	U2D08	1	U2D04	1	YEL	4.0		S4B08	2	V2D02#	2	YEL	10.0			K3C05	2	S4C04	2	YEL	10.0
	U2B03	2	U2D04	2	YEL	4.0	WD210BA2	S3D03	2	U2D03#	2	YEL	7.0			S4D04	2	V3B05#	2	YEL	7.0
WD050CD4</																					

DATE 11-20-75

MST-1

BOARD DISCRETE WIRE EQUIVALENT LIST SEQUENCED BY NET NUMBER

PAGE 5

PART NO. 5554844 E.C. NO. 825032 VERSION 000 SIZE SINGLE MACHINE IDA-SM15 LOCATION 01B-A3

PIN ID: #-I/O PIN PLANES: 1-CARD SIDE SHALLOW 3-PROBE SIDE SHALLOW WIRE TYPES: YEL-YELLOW,30, AG NTR-90 OHM TRI-LEAD
*-I/O & LOGIC 2-PROBE SIDE SHALLOW 4-PROBE SIDE SHALLOW TWL-TWIN LEAD WRAP FTW-50 OHM TWIN LEAD
T-TERMINATING RES. W-DISCRETE OVERFLOW TW-TWIST PR CONNECT NTW-90 OHM TWIN HEAD
V-VOLTAGE/GROUND FTR-50 OHM TRI-LEAD CX-COAX CONNECTOR

NOTES: WIRE LENGTH IS IN TENTHS OF AN INCH. YELLOW WIRE LENGTH INCLUDES WIRE FOR WRAP.

NET NO.	FROM PIN	P L	TO PIN	P L	WIRE TYP	WIRE LENGTH	FROM PIN	P L	TO PIN	P L	WIRE TYP	WIRE LENGTH	FROM PIN	P L	TO PIN	P L	WIRE TYP	WIRE LENGTH	
WD210BK4	U3B06#	W	S2D10	W	YEL	5.5													
	V3B06#	2	S2D10	2	YEL	7.0													
WD210BK5	Q3D02	2	U3B08#	2	YEL	7.0													
	V3B08#	2	Q3D02	2	YEL	7.0													
WD210BK6	U3B09#	2	V3B09#	2	YEL	4.5													
WD210BK7	P2D13	2	U3B10#	2	YEL	8.0													
	V3B10#	2	P2D13	2	YEL	9.0													
WD210BK8	U3B12#	2	V3B12#	2	YEL	4.5													
WD210BK9	T4B13	2	U3B13#	2	YEL	6.0													
	V3B13#	2	T4B13	2	YEL	7.0													

ENC OF LIST

DATE 11-20-75

MST-1

BOARD DISCRETE WIRE EQUIVALENT LIST SEQUENCED BY PIN NUMBER

PAGE 1

PART NO. 5554844

E.C. NO. 825032

VERSION 000

SIZE SINGLE

MACHINE IDA-SM15

LOCATICN 01B-A3

PIN ID: #-I/O PIN
*-I/O & LOGIC
V-VOLTAGE/GROUND

NOTE: *T* FOLLOWING PIN LOCATION INDICATES TERMINATING RESISTOR

PIN	NET NO.	PIN	NET NO.	PIN	NET NO.	PIN	NET NO.	PIN	NET NO.	PIN	NET NO.	PIN	NET NO.
A2B02#	JR952BF4	D4D02	JR956BF4	E5D06	JR965BG2	G2D02	JR982BF4	H3D06	JR991BG2	J3B05	JR820FM6	K2CC5	JR530AT6
A2D07#	JR953BF4	D4D05	JR958BF4	E5D07	JR965DF6	G2D05	JR984BF4	H3C07	JR991CF6	J3C02	JR720BE2	K2C06	JR810EM4
A2D13#	JR954BF4	D4D09	JR957GD2	E5D09	JR965BE2	G2D09	JR983GC2	H3CC9	JR991BE2	J3CC3	JR988AH4	K2D07	WC210BC7
A3B02#	JR956BF4	D4D11	JR955DE6	E5D10	JR967BF4	G2D11	JR981DE6	H3C10	JR993BF4	J3C04	JR996EF4	K2C09	JR420BA6
A3D07#	JR957BF4	D4D12	JR956GD2	E5D11	JR968EF4	G2D12	JR982GD2	H3C11	JR994EF4	J3CC5	JR995CC6	K2C10	JR310AW9
A3D13#	JR958BF4	D4D13	JR720AE2	E5D13	JR967EF4	G2D13	JR720BC2	H3C13	JR993EF4	J3C06	JR995BG2	K2C11	JR420CE2
A4B02#	JR962BF4	D5B02	JR750AC4	F2B03	JR840FB6	G3B02	JR750AG4	H4B07	JR540CC6	J3C07	JR995DF6	K2C12	JR220AR2
A4D07#	JR963BF4	D5B05	JR820FC2	F2B09	JR971EJ4	G3B05	JR820FF6	H4BC8	JS070BN4	J3CC9	JR995BE2	K2C13	JR420CC2
A4D13#	JR964BF4	D5D02	JR720BE2	F2B10	JR974GC2	G3D02	JR720AC2	H4BC9	JR640FM6	J3D10	JR997BF4	K3B02	JR310AV7
A5B02#	JR966BF4	D5D03	JR956AH4	F2B11	JS200BH4	G3D03	JR983AH4	H4B10	JR640CM2	J3D11	JR998EF4	K3B03	JS030AR6
A5D07#	JR967BF4	D5D04	JR956EF4	F2B12	JR971BC2	G3D04	JR982EF4	H4B11	JR640CM2	J3D13	JR997EF4	K3B04	JR420CH2
A5D13#	JR968BF4	D5D05	JR955DD6	F2B13	JR720BE2	G3D05	JR981DD6	H4B12	JR650BC8	J4B07	JR540CC6	K3B05	JS040BN2
B2B02#	JR972BF4	D5D06	JR955BG2	F2D02	JR972BF4	G3D06	JR981BG2	H4B13	JS070BL4	J4BC8	JS070BN4	K3B07	JR620FK4
B2D07#	JR973BF4	D5D07	JR955DF6	F2D05	JR974BF4	G3D07	JR981CF6	H4C02	JR650BA5	J4BC9	JR640FM6	K3B08	JSC40BN7
B2D13#	JR974BF4	D5D09	JR955BE2	F2D09	JR973GD2	G3D09	JR981BE2	H4C03	JS100FH4	J4B10	JR650BC5	K3B09	JR310AV7
B3B02#	JR976BF4	D5D10	JR957BF4	F2D11	JR971DE6	G3D10	JR983BF4	H4D05	JR650BK2	J4B11	JR640CM2	K3B10	JR250GJ6
B3D07#	JR977BF4	D5D11	JR958EF4	F2D12	JR972GD2	G3D11	JR984EF4	H4C06	JR650CA6	J4B12	JR650BC8	K3B11	JR510BC4
B3D13#	JR978BF4	D5D13	JR957EF4	F2D13	JR720AC2	G3D13	JR983EF4	H4D07	JS100BH4	J4B13	JS070BL4	K3B12	JR310AV3
B4B02#	JR982BF4	E2B03	JR740GM6	F3B02	JR750AG4	G4B03	JR840FE6	H4D10	JR650BK5	J4CC2	JS070BM4	K3D02	JR410GJ2
B4D07#	JR983BF4	E2B09	JR961EJ4	F3B05	JR820FA6	G4B09	JR985EJ4	H4D12	JR640CH2	J4D03	JS100FH4	K3D03	JR420CC2
B4D13#	JR984BF4	E2B10	JR964GD2	F3D02	JR720BN2	G4B10	JR988GD2	H4D13	JS070BM4	J4D06	JR650BK2	K3D05	JR350AG2
B5B02#	JR986BF4	E2B11	JS200BH4	F3D03	JR956AH4	G4B11	JS100BH4	H5BC2	JS070BJ4	J4D08	JR540CA6	K3D05	WC210BK3
B5D07#	JR987BF4	E2B12	JR961BC2	F3D04	JR972EF4	G4B12	JR985BC2	H5B03	JR650BG2	J4D07	JS200BH4	K3D06	WC001FC4
B5D13#	JR988BF4	E2B13	JR720BK2	F3D05	JR971DD6	G4B13	JR720BN2	H5B04	JR640CE2	J4D10	JR650BK5	K3D07	JR620FK2
C2B02#	JR992BF4	E2D02	JR962BF4	F3D06	JR971BG2	G4D02	JR986BF4	H5B05	JR650BG5	J4D12	JR640CH2	K3D09	JS030AQ6
C2D07#	JR993BF4	E2D05	JR964BF4	F3D07	JR971DF6	G4D05	JR988BF4	H5B07	JR640FE2	J4D13	JS070BM4	K3D10	JR420FK6
C2D13#	JR994BF4	E2D09	JR963GD2	F3D09	JR971BE2	G4D09	JR987GD2	H5B08	JS070BC4	J5B02	JSC70BJ4	K3D11	JR420CC2
C3B02#	JR996BF4	E2D11	JR961DE6	F3D10	JR973BF4	G4D11	JR985DE6	H5B09	JR640GC2	J5B03	JR650BG2	K3C12	JR310AV5
C3D07#	JR997BF4	E2D12	JR962GD2	F3D11	JR974EF4	G4D12	JR986GD2	H5B10	JR650BG8	J5B04	JR640CE2	K3C13	JR410CM4
C3D13#	JR998BF4	E2D13	JR720BN2	F3D13	JR973EF4	G4D13	JR720BE2	H5B11	JS070BC4	J5B05	JR650BG5	K4B07	JR540CC6
D2B03	JR740FM6	E3B02	JR750AC4	F4B03	JR840FB6	G5B02	JR750AG4	H5B12	JS070BA4	J5B07	JR640FE2	K4B08	JS070BN4
D2B09	JR951EJ4	E3B05	JR820BB6	F4B09	JR975EJ4	G5B05	JR820FF6	H5B13	JR420CE2	J5B08	JSC70BC4	K4B09	JR640FM6
D2B10	JR954GD2	E3D02	JR720AA2	F4B10	JR978GD2	G5D02	JR720BK2	H5D02	JS070BG4	J5B09	JR640GC2	K4B1C	JR650BC5
D2B11	JS200BH4	E3D03	JR956AH4	F4B11	JS100BH4	G5D03	JR988AH4	H5D03	JR640FH2	J5B10	JR650BG8	K4B11	JR640CM2
D2B12	JR951BC2	E3D04	JR962EF4	F4B12	JR975BC2	G5D04	JR986EF4	H5D04	JR240BG6	J5B11	JS070BC4	K4B12	JR650BC8
D2B13	JR720BA2	E3D05	JR961DD6	F4B13	JR720AA2	G5D05	JR985DD6	H5D05	JR650BK8	J5B12	JSC70BA4	K4B13	JSC7CBL4
D2D02	JR952BF4	E3D06	JR961BG2	F4D02	JR976BF4	G5D06	JR985BG2	H5D06	JS070BF4	J5B13	JR420CG2	K4C02	JR650BA5
D2D05	JR954BF4	E3D07	JR961DF6	F4D05	JR978BF4	G5D07	JR985DF6	H5D07	JS100BH4	J5D02	JS070BG4	K4C03	JS100FH4
D2D09	JR953GD2	E3D09	JR961BE2	F4D09	JR977GD2	G5D09	JR985BE2	H5D09	JR650BA8	J5D03	JR640FH2	K4D05	JR650BK2
D2D11	JR951DE6	E3D10	JR963BF4	F4D11	JR975DE6	G5D10	JR987BF4	H5D10	JR250CN2	J5CC4	JR240BG6	K4CC6	JR540CA6
D2D12	JR952GD2	E3D11	JR964EF4	F4D12	JR976GD2	G5D11	JR988EF4	H5D11	JR640DA2	J5D05	JR650BK8	K4D07	JS300BH4
D2D13	JR750AA2	E3D13	JR963EF4	F4D13	JR720BK2	G5D13	JR987EF4	H5D12	JS100FH4	J5D06	JS070BF4	K4D1C	JR650BK5
D3B02	JR750AC4	E4B03	JR740GM6	F5B02	JR750AG4	H2B03	JR840FE6	H5D13	JR640FA2	J5D07	JS200BH4	K4C12	JR640CH2
D3B05	JR820FC2	E4B09	JR965EJ4	F5B05	JR820FA6	H2B09	JR991EJ4	H6C04#	WC120FM5	J5D09	JR650BA8	K4C13	JSC70BM4
D3D02	JR720BC2	E4B10	JR968GD2	F5D02	JR720BA2	H2B10	JR994GD2	H6D02#	WC120FM1	J5D1C	JR250CN2	K5B02	JS070BJ4
D3D03	JR956AH4	E4B11	JS100BH4	F5D03	JR956AH4	H2B11	JS300BH4	H6D04#	WD120FM3	J5D11	JR640CA2	K5B03	JR650BG2
D3D04	JR952EF4	E4B12	JR965BC2	F5D04	JR976EF4	H2B12	JR991BC2	H6E02#	WD120FM5	J5D12	JS1CCFH4	K5B04	JR640CE2
D3D05	JR951DD6	E4B13	JR720BC2	F5D05	JR975DD6	H2B13	JR720BA2	J2B03	JR840FE6	J5D13	JR640FA2	K5B05	JR650BG5
D3D06	JR951BG2	E4D02	JR966BF4	F5D06	JR975BG2	H2D02	JR992BF4	J2BC9	JR995EJ4	J6C02#	WC120FK7	K5B07	JR640FE2
D3D07	JR951DF6	E4D05	JR968BF4	F5D07	JR975DF6	H2D05	JR994BF4	J2B10	JR998GC2	J6C04#	WD120FH3	K5B08	JS070BD4
D3D09	JR951BE2	E4D09	JR967GD2	F5D09	JR975BE2	H2D09	JR993GD2	J2B11	JS300BH4	J6D02#	WC120FM7	K5B09	JR640GC2
D3D10	JR953BF4	E4D11	JR965DE6	F5D10	JR977BF4	H2D11	JR991DE6	J2B12	JR995BC2	K2B04	WD210BC2	K5B1C	JR650BG8
D3D11	JR954EF4	E4D12	JR966GD2	F5D11	JR978EF4	H2D12	JR992GD2	J2B13	JR720AC2	K2B05	JR810CL4	K5B11	JSC70BC4
D3D13	JR953EF4	E4D13	JR720BA2	F5D13	JR977EF4	H2D13	JR720AA2	J2C02	JR996BF4	K2B07	JR810CK4	K5B12	JSC70BA4
D4B03	JR740FM6	E5B02	JR750AC4	G2B03	JR840FB6	H3B02	JR750AG4	J2C05	JR998BF4	K2B11	JR410EJ6	K5B13	JR420CC2
D4B09	JR955EJ4	E5B05	JR820BB6	G2B09	JR981EJ4	H3B05	JR820FF6	J2C09	JR997GD2	K2B12	JR320AT6	K5D02	JS070BG4
D4B10	JR958GD2	E5D02	JR720AE2	G2B10	JR984GC2	H3D02	JR820FM6	J2D11	JR995DE6	K2B13	JR330BJ4	K5D03	JR640FH2
D4B11	JS100BH4	E5D03	JR956AH4	G2B11	JS300BH4	H3D03	JR988AH4	J2D12	JR996GC2	K2CC2	JR330AE9	K5C04	JR240BG6
D4B12	JR955BC2	E5D04	JR966EF4	G2B12	JR981BC2	H3D04	JR992EF4	J2C13	JR720AE2	K2DC3	JR420CL2	K5D05	JR650BK8
D4B13	JR720AC2	E5D05	JR965DD6	G2B13	JR720AE2	H3D05	JR991DD6	J3B02	JR750AG4	K2D04	JR320BF6	K5C06	JSC70BF4

PART NO. 5554844

E.C. NO. 825032

VERSION 000

SIZE SINGLE

MACHINE IDA-SM15

LOCATION 018-A3

PIN ID: #-I/O PIN
*-I/O & LOGIC
V-VOLTAGE/GROUND

NOTE: 'T' FOLLOWING PIN LOCATION INDICATES TERMINATING RESISTOR

PIN	NET NO.	PIN	NET NO.	PIN	NET NO.	PIN	NET NO.	PIN	NET NO.	PIN	NET NO.	PIN	NET NO.
K5D07	JS300BH4	L4D05	JR21CAT2	M3B12	JR220AS6	N2B07	JR630EC6	N5BC3	JR650BA5	P3C02	JS940FB6	C2B05	JR250FN6
K5D09	JR650BA8	L4D06	JR830DG6	M3B13	JR210AT2	N2B09	JR810BK4	N5B04	JR240GG2	P3C03	JS930CC2	Q2B07	JR240BG6
K5D10	JR250DN2	L4D07	JR840FB6	M3D02	JR710DG6	N2B10	JS070BF4	N5B05	JR650BG2	P3CC4	JR210AT2	Q2B09	JR250GF6
K5D11	JR640DA2	L4D09	JR810EH6	M3D03	JR810EM4	N2B11	JS070BD4	N5B07	JR650BD5	P3D05	JS940FC6	Q2B10	JR650BA2
K5D12	JS100FH4	L4D10	JR740GM6	M3D04	JR810DK4	N2B12	JR810DL4	N5B08	JR350BA2	P3DC6	JS940FG6	Q2B11	JR540CC6
K5D13	JR640FA2	L4D11	JR550BC6	M3D05	JR750FD7	N2B13	JR810EM4	N5B09	JR730CA8	P3D07	JR210AZ2	Q2B12	JR650GJ2
K6A04#	WD120FH5	L4D12	JR260AL2	M3D10	JR210AZ2	N2D02	JR240GJ2	N5B10	JR730CC4	P3D09	JS940FK6	Q2B13	JR630EC6
K6B02#	WD120FK3	L4D13	JR820BB6	M3D11	JR740FD6	N2D03	JR630GA6	N5B11	JR640CH2	P3C10	JS920CC6	Q2C02	JR210AL2
K6B04#	WD120FH7	L5B02	JR230AY2	M3D13	JR750DF6	N2D04	JR660DK6	N5B12	JR730CA0	P3C12	JR250AB2	Q2C03	JR210AW2
L2B02	JR330AE9	L5B03	JR530AT6	M4B02	JR210AU2	N2D05	JR810EK6	N5B13	JR730CA0	P3C12	JR640FM6	Q2C04	JR650FC2
L2B03	JR510BR6	L5B04	JR350AN2	M4B03	JR730EL6	N2D06	JR630FE6	N5C02	JR250BJ6	P3D13	JR720BC2	Q2D05	JSC40AF8
L2B04	JR820FC2	L5B05	JR820BM2	M4B04	JR730DG6	N2D07	JR630FC6	N5C03	JR650BK5	P4B02	WC120FF7	Q2D07	JR540CA6
L2B05	JR410CM4	L5B07	JR810DL4	M4B05	JS030AQ6	N2D09	JR240CH6	N5D04	JR250GJ6	P4BC3	WD120FH5	Q2D1C	JS020AP6
L2B07	JR720BN2	L5B08	JR820CF2	M4B07	JS060AG2	N2D10	JR630FA6	N5D05	JR650CE2	P4B04	WC120FH3	Q2D12	JR260BH6
L2B09	WD210BK2	L5B09	JR830GC6	M4B09	JR740GA7	N2D11	JS070BG4	N5D06	JR720BN2	P4B05	JS040AC7	Q2D13	JR350AG2
L2D02	JR840Q09	L5B10	JR810FA4	M4B10	JR730DA0	N2D12	JR810DK4	N5D07	JR650BG5	P4BC7	JS040AC2	Q3B02	JR520AY6
L2D03	JR410EJ6	L5B11	JR320AY6	M4B11	JS060AP2	N2D13	JR810CM2	N5D09	JR650BD8	P4B08	JR720BK2	Q3B03	JR520AZ2
L2D04	JR810DK4	L5B12	JR520AU6	M4B12	JS060AG7	N3B02	JS070BL4	N5D10	JR730CC8	P4B09	WC120FM5	Q3B04	JR510BH6
L2D05	JR810BK4	L5B13	JR530BX6	M4B13	JR740GE7	N3B03	JR720BA2	N5D11	JR640GC2	P4B1C	WC120FM3	Q3BC5	JR210AX2
L2D06	JR420CC2	L5D02	JR240EB6	M4D02	JR710DJ6	N3B04	JR720AF4	N5D12	JR640FE2	P4B11	JR720BE2	Q3B07	JR220AU6
L2D07	JR820FK6	L5D03	JR810EK6	M4D03	JR830AL2	N3B05	JS070BJ4	N5D13	JR640FE2	P4B12	JR720BN2	Q3BC8	JR520BH2
L2D09	JR810DE4	L5D04	JR210AQ2	M4D04	JR750FC7	N3B07	JS070BA4	N6A02#	WD120FC7	P4B13	JR810CL4	Q3B09	JR210AT2
L2D10	JR350AA6	L5D05	JR810GD4	M4D05	JR750CB6	N3B08	JR720AC2	N6A04#	WD120FA3	P4CC2	WD120FK3	Q3B10	JR250CN2
L2D11	JR750DF6	L5D06	JR530AW6	M4D06	JR740FD6	N3B09	JR720AE2	N6B02#	WC120FE7	P4CC3	JR720AE2	Q3B11	JR510BJ6
L2D12	JS030AQ6	L5D07	JR810EM4	M4D07	JR210AW2	N3B10	JR650BA8	N6B04#	WC120FA1	P4CC4	JR720BA2	Q3B12	JR720CA6
L2D13	JR830FJ2	L5D09	JR830GJ6	M4D09	JR730DC4	N3B11	JR650BK8	N6DC4#	WD120FA5	P4CC5	WD120FM7	Q3B13	JR720EN6
L3B02	JR350AG6	L5D10	JR830GE2	M4D10	JR730DA6	N3B12	JR720BC2	N6E02#	WD120FC3	P4D06	WD120FK7	Q3D02	WC210BK5
L3B03	JR210AW2	L5D11	JR260AD6	M4D11	JR730DA8	N3B13	JR710FM2	N6E04#	WD120FA7	P4CC7	JR720AA2	Q3C04	JR350AN2
L3B04	JR530AV6	L5D12	JR830GB6	M4D12	JR730DA4	N3D02	JS070BM4	P2B02	JS930GG6	P4DC9	WC120FK5	Q3D05	JS040BA2
L3B08	JR710DG6	L5D13	JR320BF6	M4D13	JR740GJ7	N3D03	JR810GD4	P2B03	JR640GC2	P4C10	WC120FM1	Q3C06	JR220AR2
L3B09	JR210AX2	L6D02#	WD120FF2	M5B02	JS060AF2	N3D04	JR720AA2	P2B04	JR640FE2	P4D11	JS040BN7	Q3D07	JR350BC4
L3B10	JR710DB6	L6D04#	WD120FF4	M5B04	JS060AQ7	N3D05	JR250GL6	P2B05	JS930GJ6	P4D12	JR810DE4	Q3CC9	JR210AY2
L3B11	JR710DE2	M2B02	JR220AR2	M5B05	JR720AF4	N3D06	JR250AL2	P2B07	JS930EL6	P4C13	JS930FG2	Q3D1C	JS010BA2
L3B12	JR820CC6	M2B03	JR750AG4	M5B07	JS060AQ2	N3D07	JS070BN4	P2B09	JS930GL6	P5B02	WD120FA7	Q3C11	JR260AB2
L3B13	JR810GF6	M2B04	JR750AC4	M5B08	JR710GF6	N3D09	JR720BK2	P2B10	JS930GL6	P5B03	WC120FA5	Q3C12	JS040AC8
L3D02	JR810EC6	M2B05	JR710FM2	M5B09	JR720BE2	N3D10	JR750GM4	P2B11	JR640DE2	P5B04	JR810BK4	Q3D13	JR250GE6
L3D03	JR830AL2	M2B07	JR660FK4	M5B10	JR730DC6	N3D11	JR650GJ2	P2B12	JR640FH2	P5B05	JR640CM2	Q4B02	JR520AF6
L3D04	JR210AZ2	M2B09	JR210AX2	M5B11	JR720BK2	N3D12	JS070BC4	P2B13	JS920GE4	P5B07	WC120FC1	Q4B03	JR840FL2
L3D05	JR530AU6	M2B10	JR810EH6	M5B12	JR720BN2	N3D13	JR810GF6	P2C02	JS920GB6	P5B08	JR640DH2	Q4B04	JR510AL6
L3D06	JR820CH2	M2B11	JS030AR6	M5B13	JR720BA2	N4B02	JR660FK4	P2C03	WC120FA3	P5B09	WD120FE5	Q4B05	JR530AG0
L3D07	JR630FA6	M2B12	JR740FM6	M5D02	JR710DB6	N4B03	JR810GG6	P2C04	JR720AF4	P5B10	WC120FE3	Q4B07	JR530AG6
L3D09	JR710DL6	M2B13	JR820FK6	M5D03	JS060AP7	N4B04	JR730CA6	P2D05	JS930FJ6	P5B11	JR840FL2	Q4B08	JR210AV2
L3C10	JR730EL6	M2D02	JR810EC6	M5D04	JR720AA2	N4B05	JR640CA2	P2D06	JS930FL6	P5B12	JR810EN4	Q4B09	JR630CA6
L3D11	JR710DJ6	M2D04	JR820CC6	M5D05	JR720AE2	N4B07	JR730DA4	P2D07	JS930O01	P5B13	WC120FF4	Q4B10	JR530BR2
L3D12	JR820FF6	M2D05	JR750GM4	M5D06	JS060AF7	N4B08	JR730CC0	P2D09	JS920GG4	P5D02	WC120FC3	Q4B11	JR550AV4
L3D13	JR810CM2	M2D06	JR820BM2	M5D07	JR730DC8	N4B09	JR630GE6	P2D10	WD120FA1	P5D03	JR810FA4	Q4B12	JR550BC6
L4B02	JR310BL4	M2D07	JR710DL6	M5D09	JR720EN6	N4B10	JR640CM2	P2D11	JR640FA2	P5D04	JR250FF2	Q4B13	JR630FC6
L4B03	JR810GG6	M2D09	WD001BE4	M5D10	JR720AC2	N4B11	JR640FM6	P2D12	JR640CA2	P5D05	WC120FE7	Q4D02	JR210AQ2
L4B04	JR830FF6	M2D10	JR830FD6	M5D11	JR730DC0	N4B12	JR730DE6	P2C13	WC210BK7	P5D06	WC120FC7	Q4D03	JS010AP2
L4B05	JS030AR6	M2D11	JR740GM6	M5D12	JR720BC2	N4B13	JS040AD2	P3B02	JS940FM6	P5D07	JR350BC4	Q4D04	JR520BN2
L4B07	JR220AS6	M2D12	JR730DE6	M5D13	JR720DA6	N4D04	JR720BE2	P3B03	JR220AT2	P5D09	WC120FC5	Q4D05	JR530AA6
L4B08	JR840FE6	M2D13	JR740GJ7	M6A04#	WD120FE5	N4D05	JR720BE2	P3B04	JS040BN2	P5D10	WC120FE1	Q4D06	JR220AS6
L4B09	JR630EA6	M3B02	JR830DG6	M6B02#	WD120FE1	N4D06	JR640DE2	P3B05	JS040BN2	P5D11	JR810CK4	Q4C07	JS040AN6
L4B10	JR220AV2	M3B03	JR810DL4	M6B04#	WD120FE3	N4D07	JR640FA2	P3B07	JS940FC6	P5D12	JS930GE2	Q4D09	JS040AN2
L4B11	JR530BR2	M3B04	JR720DL4	M6C02#	WD120FC5	N4D09	WD120FK4	P3B08	JS940FF6	P5D13	WC120FF2	Q4C10	JR630FE6
L4B12	JR210AV2	M3B05	JR710DE2	M6E04#	WD120FC1	N4D10	JR620FK2	P3B09	JS940FH6	P6E02	JR988AH4	Q4D11	JR630EE6
L4B13	JR840FL2	M3B08	JR810BK4	N2B02	JR630EE6	N4D11	JR650FC2	P3B10	JR350AG2	P6EC4#	JS940FL6	Q4C12	JS030EB2
L4D02	JR820FM6	M3B09	JR220AV2	N2B03	JR250CN2	N4D12	JR650BK2	P3B11	JR220AS6	Q2B02	JR650CE2	Q4D13	JR330AE7
L4D03	JR820FA6	M3B10	JR830FJ2	N2B04	JR630GC6	N4D13	JR650BA2	P3B12	JR720AC2	Q2B03	JR530AG4	C5B02	JR420CL2
L4D04	JR830FD6	M3B11	JR220AU6	N2B05	JR630EA6	N5B02	JS040AD7	P3B13	JS940FL6	Q2B04	JR220AT2	C5B03	JR550CC1

DATE 11-20-75

MST-1

BOARD DISCRETE WIRE EQUIVALENT LIST SEQUENCED BY PIN NUMBER

PAGE 3

PART NO. 5554844

E.C. NO. 825032

VERSION 000

SIZE SINGLE

MACHINE IDA-SM15

LCCATICN 018-A3

PIN ID: #-I/O PIN

*-I/O & LOGIC

V-VOLTAGE/GROUND

NOTE: 'T' FOLLOWING PIN LOCATION INDICATES TERMINATING RESISTOR

PIN	NET NO.	PIN	NET NO.	PIN	NET NO.	PIN	NET NO.	PIN	NET NO.	PIN	NET NO.	PIN	NET NO.
Q5B04	JS040AN4	R3D09	JS030AK2	S2B13	JR820CH2	S5D02	JR350AV2	T4B08	JR230AN4	U2C07#	WD210BA5	U5B08#	JS930FG2
Q5B05	JR810DE4	R3D10	JS030AL2	S2D02	JR330BD6	S5D03	WD210BA4	T4B09	JR210AY2	U2C08	WD050CB4	U5B09#	WC050FF7
Q5B07	JS040AC5	R3D11	JS010B72	S2D04	JS930EE2	S5D04	JR410GJ2	T4B10	JR210AZ2	U2C09#	WC210BA6	U5B10#	WC050FF1
Q5B08	JS040AP2	R3D12	JS040AN2	S2D05	JR350BC4	S5D05	JR310AY6	T4B11	JR220AT2	U2D10#	WD210BA7	U5B11#	WC050CH4
Q5B09	JR530AV6	R3D13	JR640FA2	S2D06	JR340AH2	S5D06	JR310AW7	T4B12	JR230AM4	U2C11#	WD210BA8	U5B12#	WC050FH3
Q5B10	JR530AU6	R4B02	JR640DE2	S2D07	JR350AN2	S5D07	WD210BD2	T4B13	WD210BK9	U2D12	WD050CB4	U5B13#	WC210BF4
Q5B11	JR520AU6	R4B03	JR640FE2	S2D08	WD050AE4	S5D09	JR310AV5	T4D02	JR330AE9	U2D13#	WC210BA9	U5D02#	WC050FC1
Q5B12	JR510AX6	R4B04	JS040AC8	S2D09	JR330AE9	S5D10	JR510BC4	T4D03	JR330BJ7	U3B02#	WD210BK1	U5D03#	WC050FC3
Q5B13	JR510AM6	R4B05	JS040AH8	S2D10	WD210BK4	S5D11	WD210BA8	T4D04	WC210BD5	U3B03#	WD050CC4	U5D04#	WC050CCH4
Q5D02	JR330AE5	R4B07	JR310AV3	S2D11	JR320AT6	S5D13	JR360AQ7	T4D05	JR250AB2	U3B04#	WD210BK2	U5CC5#	WC050FC5
Q5D03	JR630GC6	R4B08	JR630EA6	S2D12	JR320AY6	S6A02#	JS940FB6	T4D06	WD210BG9	U3B05#	WD210BK3	U5CC6#	WC050FC7
Q5D04	JR530BX6	R4B09	JS040AN6	S3B05	WD210BA3	S6A04#	JS940FM6	T4D07	WD210BG4	U3B06#	WD210BK4	U5D07#	JR830GB6
Q5D05	JR530AT6	R4B10	JS060AQ7	S3B06	WD050CK4	T2B02	JR330AE5	T4D09	JR240BE6	U3B08#	WD210BK5	U5D08#	WC050CH4
Q5D06	JR660FK4	R4B11	JR310AV7	S3B07	JR350AG2	T2B03	JR250GJ6	T4D10	JR240CB2	U3B09#	WD210BK6	U5DC9#	JR330BC6
Q5D07	JR510BC4	R4B12	JS060AF2	S3B08	WD210BD7	T2B04	JR250GF6	T4D11	JR210AX2	U3B10#	WC210BK7	U5D10#	JR330BE6
Q5D09	JR330AE3	R4B13	JR630GA6	S3B09	WD210BD8	T2B05	JR250GE6	T4D12	JR260AM6	U3B11#	WD050CC4	U5D11#	WC050FF1
Q5D10	JR510BR6	R4D02	JS040BA2	S3B10	JR310AV9	T2B06	WD050CJ4	T4D13	JR220AR2	U3B12#	WD210BK8	U5D12#	WC050FF4
Q5D11	JR250AB2	R4D03	JS030AD6	S3B11	WD210BD6	T2B07	JR250CN2	T5B02	WC210BG7	U3B13#	WD210BK9	U5D13#	WC050FF3
Q5D12	JR530AG8	R4D04	JR630FA6	S3B12	JR310BL4	T2B09	JR660DK6	T5B03	WC210BG2	U3CC2#	WD210BG1	U6CC2#	JS930FL6
Q5D13	JR810DK4	R4D05	JR310AW5	S3B13	JR420BA6	T2B10	JR330AR6	T5B04	JR210AU2	U3C03#	WD210BG2	U6C04#	JS930EL6
Q6D02#	JS940FK6	R4D06	JR310AW3	S3D03	WD210BA2	T2B12	JR250FN6	T5B05	JR220AU6	U3C04	WD050CC4	U6D02#	JS930CFJ6
Q6D04#	JS940FH6	R4D07	JR310AV9	S3D06	WD210BA5	T2B13	JR350BC4	T5B06	WD050CM4	U3D05#	WD210BG3	U6D04#	JS930GJ6
R2B02	JR640DH2	R4D09	WD001FC4	S3D07	JR350AG6	T2D02	JR330AS6	T5B07	JR220AS6	U3CC6#	WD210BG4	V2B02#	WC210BC1
R2B03	JR640DM2	R4D10	JS060AP7	S3D08	WD050AF4	T2D03	JR330AE3	T5B08	WC210BG5	U3D07#	WD210BG5	V2B04#	WC210BC2
R2B04	JR230AP6	R4D11	JR230AT6	S3D09	WD210BD9	T2D04	JR250DF6	T5B09	JR230AT6	U3D08	WD050CC4	V2B05#	WC210BC3
R2B05	JR230AS6	R4D12	JS020AP6	S3D12	JR360AQ2	T2D05	JR250GL6	T5B10	JR230AQ6	U3C09#	WD210BG6	V2B06#	WC210BC4
R2B06	WD050AB4	R4D13	JR310AV5	S3D13	JR330AR6	T2D06	JR310BL4	T5B11	JR210AQ2	U3D10#	WD210BG7	V2B08#	WC210BC5
R2B07	JR630GC6	R5B02	JR230AN4	S4B02	JR340CB4	T2D07	JR250DN2	T5B12	JR830FC6	U3D11#	WD210BG8	V2B09#	WC210BC6
R2B09	JR230AM4	R5B03	JR630FC6	S4B03	JR420CL2	T2D09	JR230AY2	T5B13	JR240EB6	U3D12	WC050CC4	V2B10#	WC210BC7
R2B10	JR630FE6	R5B04	WD001BE4	S4B04	JR320AW6	T2D10	JR810EK6	T5D02	WC210BG6	U3D13#	WC210BG9	V2B12#	WC210BC8
R2B11	JR520AY6	R5B05	JR530AG4	S4B05	JR330BJ7	T2D11	JR250FF2	T5D03	JR230AP6	U4B02#	JR830GC6	V2B13#	WC210BC9
R2B12	JR530AG8	R5B07	JS040AC5	S4B06	WD050CL4	T2D12	JR250BJ6	T5D04	WC210BG8	U4B03#	WC050CF4	V2D02#	WC210CA1
R2B13	JS030AE2	R5B08	JS040AD2	S4B07	JR330BJ4	T2D13	JR240BG6	T5D05	JR230AS6	U4B04#	JR830GJ6	V2E03#	WC210CA2
R2D02	JS040BN2	R5B09	JR640FM6	S4B08	WD210BA1	T3B02	JS930EE2	T5D06	JR210AV2	U4B05#	WC050FB3	V2D05#	WC210CA3
R2D03	JR640FH2	R5B10	JS060AF7	S4B09	JR510AL6	T3B03	JR320AY6	T5D07	WD210BG3	U4B06#	WC050FB1	V2D06#	WC210CA4
R2D04	JS040BN7	R5B11	JR520BH2	S4B10	JR330AE7	T3B04	JR260BH6	T5D09	WD210BG1	U4B07	WD050CF4	V2D07#	WC210CA5
R2D05	JS030AR6	R5B12	JR250DF6	S4B11	JR330AE5	T3B05	JP830FF6	T5D10	JR210AW2	U4B08#	JR230BC6	V2D09#	WC210CA6
R2D06	JS030AT6	R5B13	JR520AU6	S4B12	JR330AE3	T3B06	WD050CK4	T5D11	JR230AR6	U4B09#	WD050FB5	V2D10#	WC210CA7
R2D07	JR240BE6	R5D02	JS040AD7	S4B13	JR340AR2	T3B07	JR260AB2	T5D12	JP260AD6	U4B10#	WD050FB7	V2D11#	WC210CA8
R2D09	JR630EE6	R5D03	JR630EC6	S4D02	JR320AX6	T3B08	JR420CC2	T5D13	JR220AL2	U4B11	WC050CF4	V2D13#	WC210CA9
R2D10	JS030AS6	R5D04	JR350BB2	S4D03	JR330AS6	T3B09	JR210AH2	T6A02	JR988AH4	U4B12#	JR230AC6	V3B02#	WC210BK1
R2D11	JS030AC6	R5D05	JS040AP2	S4D04	WD210BK3	T3B10	JR230BC6	T6A04#	JS920GE4	U4B13#	WD050FH5	V3B04#	WC210BK2
R2D12	JR630GE6	R5D06	JR350AN2	S4D05	JR420FK6	T3B11	JR240GG2	T6E02#	JS920GG4	U4C02#	JS030AC6	V3B05#	WC210BK3
R2D13	JS030AF2	R5D07	JR530AG6	S4D06	JR350BB2	T3B12	JR210AS2	T6E04#	JS930GL6	U4C03#	JS030AE2	V3B06#	WC210BK4
R3B02	JR520AZ2	R5D09	JS060AG7	S4D07	JR350BA2	T3B13	WD210BC1	U2B02#	WD210BC1	U4D04	WD050CF4	V3B08#	WC210BK5
R3B03	JR520BN2	R5D10	JS060AG2	S4D09	JR510AX6	T3D02	JR330GE2	U2B03	WD050CB4	U4D05#	JS030AF2	V3B09#	WC210BK6
R3B04	JR260AM6	R5D11	JS060AP2	S4D10	JR310AV7	T3D03	JR240CH6	U2B04#	WD210BC2	U4D06#	WD001FC4	V3B1C#	WC210BK7
R3B05	JR260AE6	R5D12	JR210AZ2	S4D11	JR510BJ6	T3D04	JR260AL2	U2B05#	WD210BD3	U4D07#	JS030AH2	V3B12#	WC210BK8
R3B06	WD050AC4	R5D13	JS060AQ2	S4D12	JR310AV3	T3D05	JS030BN2	U2B06#	WC210BD4	U4D08	WD050CF4	V3B13#	WC210BK9
R3B07	JR240DB2	R6B02#	JS940FG6	S4D13	JR510BH6	T3D06	JR320AW6	U2B08#	WD210BD5	U4D09#	JS030AJ2	V3D02#	WC210BG1
R3B08	JR310AW9	R6B04#	JS940FF6	S5B02	JR330BF6	T3D07	JR350AG2	U2B09#	WD210BD6	U4D10#	JS030AK2	V3DC3#	WC210BG2
R3B09	JR300AJ2	R6C02#	JS940FD6	S5B03	WD210BA7	T3D11	JR320AX6	U2B10#	WC210BD7	U4D11#	JS030AL2	V3DC5#	WC210BG3
R3B10	JR310AW7	R6C04#	JS940FC6	S5B04	JR210AW3	T3D12	WD210BK2	U2B11#	WD050CB4	U4D12#	WC050CF4	V3DC6#	WC210BG4
R3B11	JS030AH2	S2B02	JR210AS2	S5B05	JR310AW5	T3D13	JR240GJ2	U2B12#	WC210BC8	U4D13#	WC001BE4	V3D07#	WC210BG5
R3B12	JR640DA2	S2B04	JR330BE6	S5B06	WD050CM4	T4B02	JR250AL2	U2B13#	WD210BC9	U5B02#	WD050FF5	V3DC9#	WC210BG6
R3B13	JR640GC2	S2B05	JR320BF6	S5B07	JR520AF6	T4B03	JR260AE6	U2D02#	WC210BA1	U5B03	WC050CH4	V3D1C#	WC210BG7
R3D02	JR530AG0	S2B06	WD050CJ4	S5B08	JR310AW9	T4B04	JR220AV2	U2D03#	WD210BA2	U5B04#	JR340AR2	V3D11#	WC210BG8
R3D05	JS030BN2	S2B09	JR210AY2	S5B09	JR350AA6	T4B05	JR220AV2	U2D04	WD050CB4	U5B05#	JR340AH2	V3D13#	WC210BG9
R3D06	JS040AN4	S2B10	JR220AU6	S5B10	WD210BA6	T4B06	WD210BD4	U2D05#	WD210BA3	U5B06#	JR330BF6	V4B02#	JR830GC6
R3D07	JS010AP2	S2B12	WD210BD3	S5B13	WD210BA9	T4B07	JR210AT2	U2D06#	WD210BA4	U5B07	WD050CH4	V4B04#	JR830GJ6

PART NO. 5554844 E.C. NO. 825032 VERSION 000 SIZE SINGLE MACHINE IDA-SM15 LOCATION 01B-A3

				VOLTAGE PINS					
B2A14	-4.0	B2C06	-4.0	B3A14	-4.0	B3C06	-4.0	B3E01	-4.0
B4A14	-4.0	B4C06	-4.0	B4E01	-4.0	B5C06	-4.0	B5E01	-4.0
C2C06	-4.0	C3C06	-4.0	C4C06	-4.0	C5C06	-4.0	D1B13	-4.0
D1C10	-4.0	D2B06	-4.0	D3B06	-4.0	D4B06	-4.0	D5B06	-4.0
D6B05	-4.0	D6C02	-4.0	E2B06	-4.0	E3B06	-4.0	E4B06	-4.0
E5B06	-4.0	F2B06	-4.0	F3B06	-4.0	F4B06	-4.0	F5B06	-4.0
G1C13	-4.0	G1D10	-4.0	G2B06	-4.0	G3B06	-4.0	G4B06	-4.0
G5B06	-4.0	G6C05	-4.0	G6D02	-4.0	H2B06	-4.0	H3B06	-4.0
H4B06	-4.0	H5B06	-4.0	J2B06	-4.0	J3B06	-4.0	J4B06	-4.0
J5B06	-4.0	K1E13	-4.0	K2B06	-4.0	K3B06	-4.0	K4B06	-4.0
K5B06	-4.0	K6E05	-4.0	L1A10	-4.0	L2B06	-4.0	L3B06	-4.0
L4B06	-4.0	L5B06	-4.0	L6A02	-4.0	M2B06	-4.0	M3B06	-4.0
M4B06	-4.0	M5B06	-4.0	N2B06	-4.0	N3B06	-4.0	N4B06	-4.0
N5B06	-4.0	P1B13	-4.0	P1C10	-4.0	P2B06	-4.0	P3B06	-4.0
P4B06	-4.0	P5B06	-4.0	P6B05	-4.0	P6C02	-4.0	Q2B06	-4.0
Q3B06	-4.0	Q4B06	-4.0	Q5B06	-4.0	R2B06	-4.0	R3B06	-4.0
R4B06	-4.0	R5B06	-4.0	S1C13	-4.0	S1D10	-4.0	S2B06	-4.0
S3B06	-4.0	S4B06	-4.0	S5B06	-4.0	S6C05	-4.0	S6C02	-4.0
T2C06	-4.0	T3C06	-4.0	T4C06	-4.0	T5C06	-4.0	U2A14	-4.0
U2C06	-4.0	U3A14	-4.0	U3C06	-4.0	U3E01	-4.0	U4A14	-4.0
U4C06	-4.0	U4E01	-4.0	U5C06	-4.0	U5E01	-4.0		
A1E13	GND	A2B03	GND	A2B07	GND	A2B11	GND	A2C04	GND
A2D08	GND	A2D12	GND	A3B03	GND	A3B07	GND	A3B11	GND
A3D04	GND	A3D08	GND	A3D12	GND	A4B03	GND	A4B07	GND
A4B11	GND	A4D04	GND	A4D08	GND	A4D12	GND	A5B03	GND
A5B07	GND	A5B11	GND	A5D04	GND	A5D08	GND	A5C12	GND
A6E04	GND	B1A11	GND	B1D13	GND	B1E11	GND	B2C03	GND
B2C04	GND	B2C07	GND	B2C11	GND	B2C12	GND	B2C08	GND
B2E14	GND	B3A01	GND	B3C03	GND	B3C04	GND	B3C07	GND
B3C11	GND	B3C12	GND	B3D08	GND	B3E14	GND	B4A01	GND
B4C03	GND	B4C04	GND	B4C07	GND	B4C11	GND	B4C12	GND
B4D08	GND	B4E14	GND	B5A01	GND	B5C03	GND	B5C04	GND
B5C07	GND	B5C11	GND	B5C12	GND	B5D08	GND	B6A02	GND
B6D04	GND	B6E02	GND	C1C13	GND	C1D11	GND	C2C03	GND
C2C04	GND	C2C07	GND	C2C11	GND	C2C12	GND	C2C08	GND
C3C03	GND	C3C04	GND	C3C07	GND	C3C11	GND	C3C12	GND
C3D08	GND	C4C03	GND	C4C04	GND	C4C07	GND	C4C11	GND
C4C12	GND	C4D08	GND	C5C03	GND	C5C04	GND	C5C07	GND
C5C11	GND	C5C12	GND	C5D08	GND	C6C04	GND	C6C02	GND
D1B10	GND	D1C13	GND	D2D08	GND	D3D08	GND	D4D08	GND
D5D08	GND	D6B02	GND	D6C05	GND	E1A13	GND	E1B11	GND
E1E13	GND	E2D08	GND	E3D08	GND	E4D08	GND	E5D08	GND
E6A04	GND	E6B02	GND	E6E04	GND	F1A11	GND	F1D13	GND
F1E11	GND	F2D08	GND	F3D08	GND	F4D08	GND	F5C08	GND
F6A02	GND	F6D04	GND	F6E02	GND	G1C10	GND	G1D13	GND
G2D08	GND	G3D08	GND	G4D08	GND	G5D08	GND	G6C02	GND
G6D05	GND	H1B13	GND	H1C11	GND	H2D08	GND	H3C08	GND
H4D08	GND	H5D08	GND	H6B04	GND	H6C02	GND	J1A13	GND
J1B11	GND	J1E13	GND	J2C08	GND	J3D08	GND	J4C08	GND
J5D08	GND	J6A04	GND	J6B02	GND	J6E04	GND	K1A11	GND
K1E10	GND	K2D08	GND	K3D08	GND	K4D08	GND	K5C08	GND
K6A02	GND	K6E02	GND	L1A13	GND	L1E13	GND	L2C08	GND
L3D08	GND	L4D08	GND	L5D08	GND	L6A05	GND	L6E04	GND
M1A11	GND	M1D13	GND	M1E11	GND	M2D08	GND	M3D08	GND
M4D08	GND	M5D08	GND	M6A02	GND	M6D04	GND	M6E02	GND
N1C13	GND	N1D11	GND	N2D08	GND	N3D08	GND	N4C08	GND
N5D08	GND	N6C04	GND	N6D02	GND	P1B10	GND	P1C13	GND
P2D08	GND	P3D08	GND	P4D08	GND	P5D08	GND	P6B02	GND
P6C05	GND	Q1A13	GND	Q1B11	GND	Q1E13	GND	Q2C08	GND
Q3D08	GND	Q4D08	GND	Q5D08	GND	Q6A04	GND	Q6B02	GND

PART NO.	5554844	E.C. NO.	825032	VERSION 000	SIZE SINGLE	MACHINE IDA-SM15	LOCATION C18-A3
Q6E04	GND	R1A11	GND	R1D13	VOLTAGE PINS	R1E11	GND
R3D08	GND	R4D08	GND	R5D08	GND	R6A02	GND
R6E02	GND	S1C10	GND	S1D13	GND	S2D08	GND
S4D08	GND	S5D08	GND	S6C02	GND	S6D05	GND
T1C11	GND	T2C03	GND	T2C04	GND	T2C07	GND
T2C12	GND	T2D08	GND	T3C03	GND	T3C04	GND
T3C11	GND	T3C12	GND	T3D08	GND	T4C03	GND
T4C07	GND	T4C11	GND	T4C12	GND	T4D08	GND
T5C04	GND	T5C07	GND	T5C11	GND	T5C12	GND
T6B04	GND	T6C02	GND	U1A13	GND	U1B11	GND
U2C03	GND	U2C04	GND	U2C07	GND	U2C11	GND
U2D08	GND	U2E14	GND	U3A01	GND	U3C03	GND
U3C07	GND	U3C11	GND	U3C12	GND	U3D08	GND
U4A01	GND	U4C03	GND	U4C04	GND	U4C07	GND
U4C12	GND	U4D08	GND	U4E14	GND	U5A01	GND
U5C04	GND	U5C07	GND	U5C11	GND	U5C12	GND
U6A04	GND	U6B02	GND	U6E04	GND	V1A11	GND
V2B07	GND	V2B11	GND	V2D04	GND	V2D08	GND
V3B03	GND	V3B07	GND	V3B11	GND	V3D04	GND
V3D12	GND	V4B03	GND	V4B07	GND	V4B11	GND
V4D08	GND	V4D12	GND	V5B03	GND	V5B07	GND
V5D04	GND	V5D08	GND	V5D12	GND	V6A02	GND
						R2C08	GND
						R6D04	GND
						S3D08	GND
						T1B13	GND
						T2C11	GND
						T3C07	GND
						T4C04	GND
						T5C03	GND
						T5C08	GND
						U1E13	GND
						U2C12	GND
						U3C04	GND
						U3E14	GND
						U4C11	GND
						U5C03	GND
						U5C08	GND
						V2B03	GND
						V2D12	GND
						V3D08	GND
						V4C04	GND
						V5B11	GND

FOR ANY VOLTAGE PIN NOT INDICATED IN THE VOLTAGE PIN LIST, USE THE NET NUMBER TO LOCATE THE ALD PAGE FOR DETERMINING THE VOLTAGE INFORMATION

ENC OF LIST

Table with columns for connector type (A2-A5, B2-B5, C2-C5, D2-D5, E2-E5, F2-F5), part numbers (e.g., JR976, JR977, JR978), and pin configurations (e.g., 02 10 11 12).

Table with columns for connector type (G2-G5, H2-H5, J2-J5, K2-K3, L2-L5, M2-M5), part numbers (e.g., JR981, JR982, JR983), and pin configurations (e.g., 00 01 02 03 04 05).

Table with columns for connector type (N2-N5, P2-P5, Q2-Q5, R2-R5, S2-S5, T2-T5), part numbers (e.g., JR820, JR840, JR830), and pin configurations (e.g., 0E, 0F, 0G, 0H).

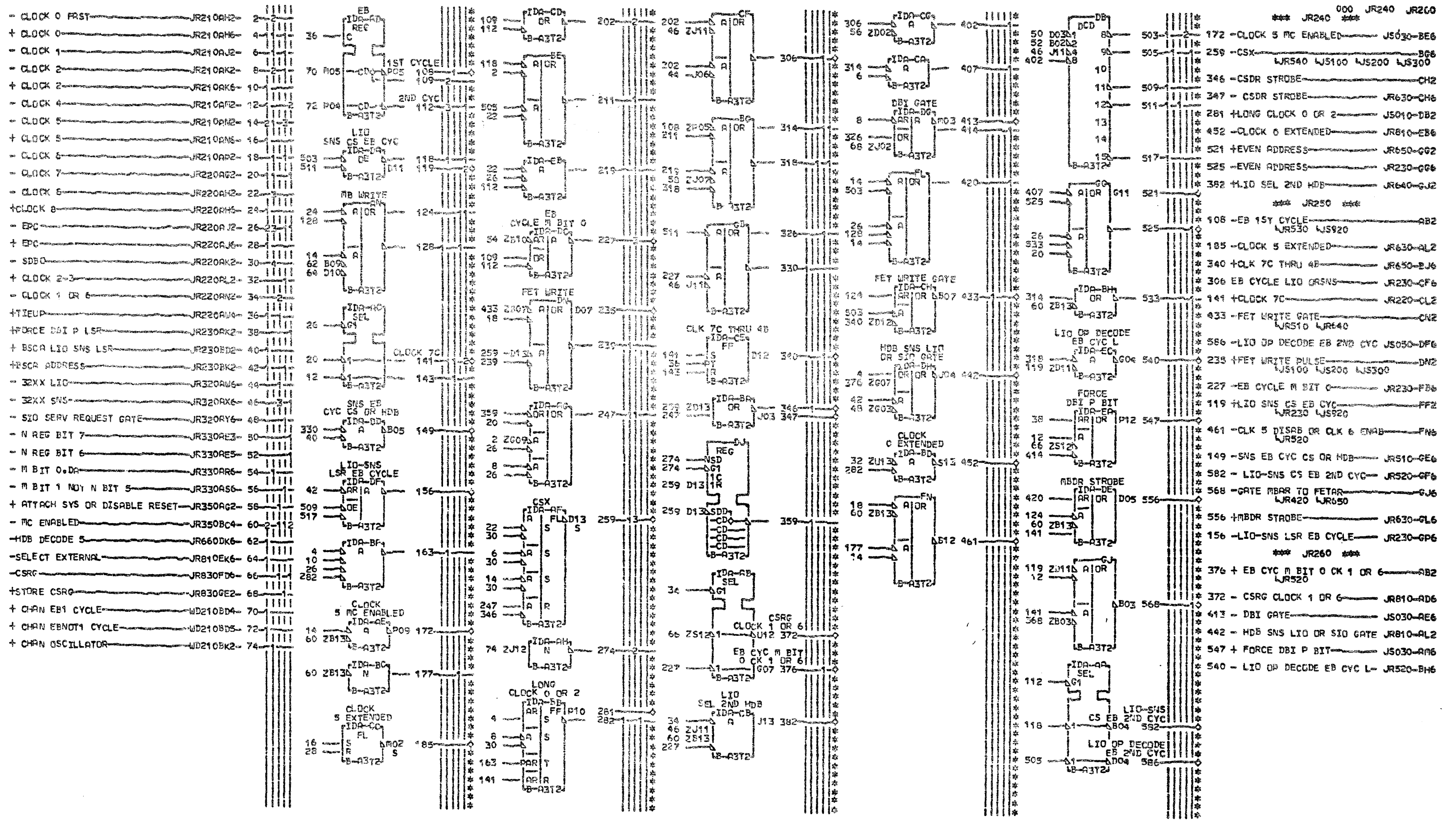
Table with columns for connector type (U2-U5, V2-V5, W2-W5, X2-X5, Y2-Y5, Z2-Z5), part numbers (e.g., JR740, JR750, JR760), and pin configurations (e.g., 2R, 2S, 2T, 2U).

Table with columns for connector type (AA2-AA5, AB2-AB5, AC2-AC5, AD2-AD5, AE2-AE5, AF2-AF5), part numbers (e.g., JS930, JS920, JS910), and pin configurations (e.g., 1H, 1J, 1K).

Table with columns for connector type (AG2-AG5, AH2-AH5, AI2-AI5, AJ2-AJ5, AK2-AK5, AL2-AL5), part numbers (e.g., JS040, JS060, JS040), and pin configurations (e.g., 00 01, 02 03).

Table with columns for connector type (AM2-AM5, AN2-AN5, AO2-AO5, AP2-AP5, AQ2-AQ5, AR2-AR5), part numbers (e.g., JR320, JR330, JR340), and pin configurations (e.g., 12 13 14 15, 16 17).

SOCKET LISTING
DATE 10-24-75
LOG 4048 BOARD 018-43
PREV. ENGR. 09-04-75 825031
PRES. ENGR. 10-22-75 825032
P.N. 4234336
IBM CRP. SDD BLK.

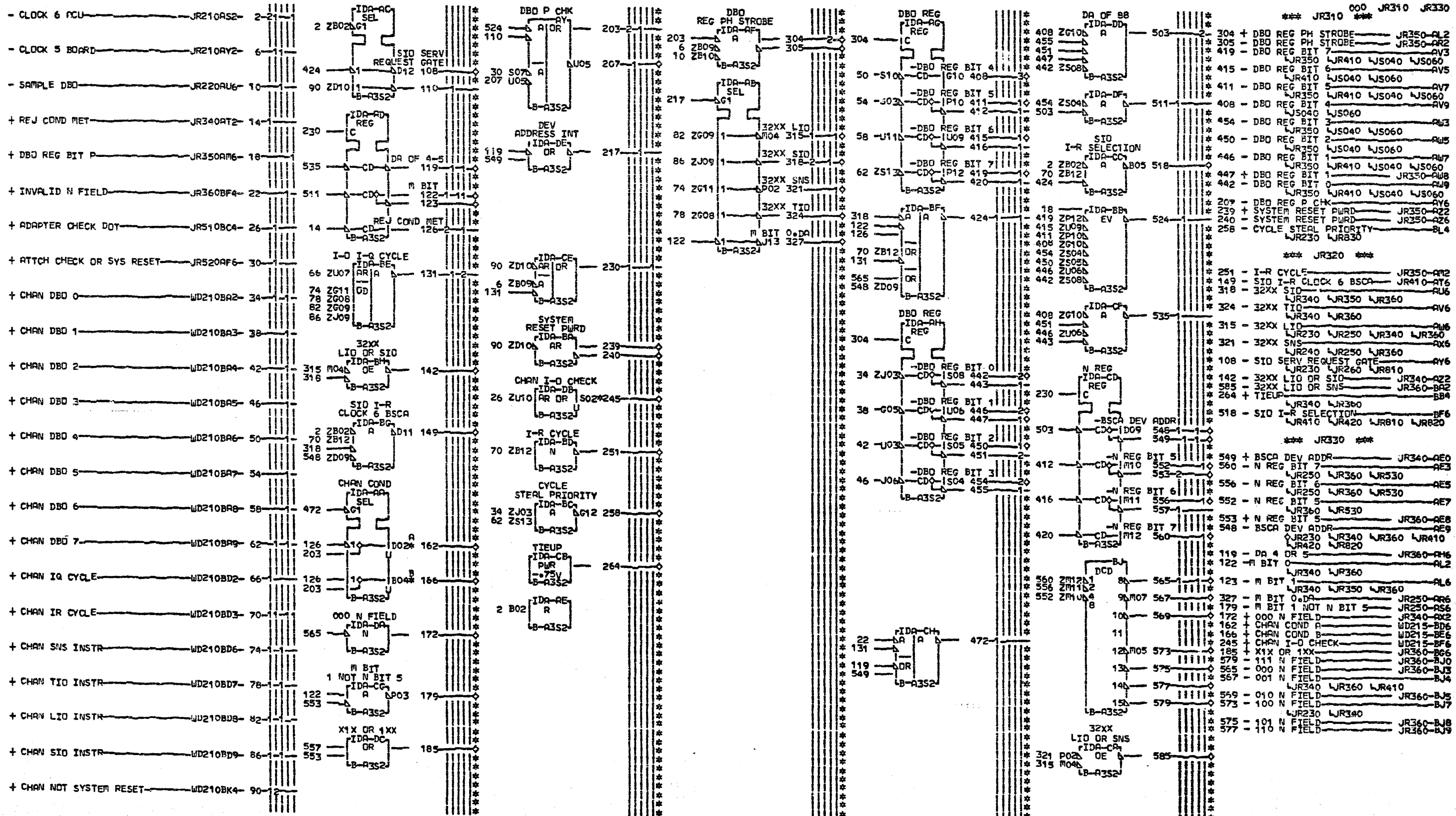


LOC. TYPE
B-A3T2 APB3

PAGE VER EC LEV
JR240 000 825022
JR250 000 825031
JR260 000 825022

JR240
JR260
000

CHANNEL POWERING			
E.C. HISTORY	01	RACH IDA-SP15	
825022			
DATE	LAST FC	FRAME	01 JR240
09-04-75	825031	IBR CORP.	JR260
		PN# 4234345	000



EDGE CONN#
 162 B-A3V5D09
 01B-A3V5D09
 166 B-A3V5D10
 01B-A3V5D10
 245 B-A3V5B06
 01B-A3V5B06

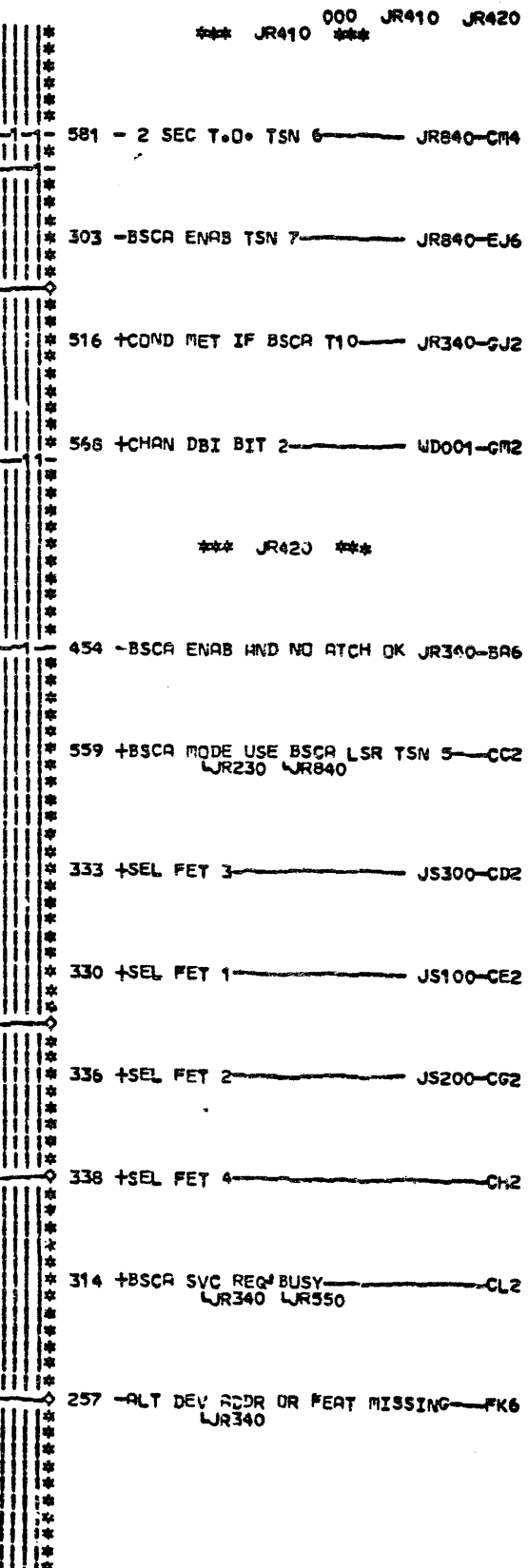
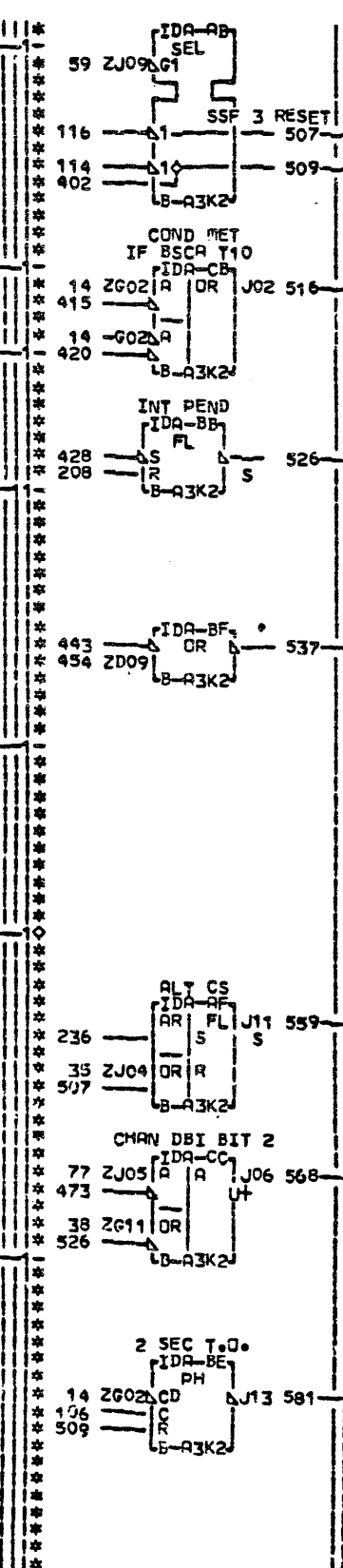
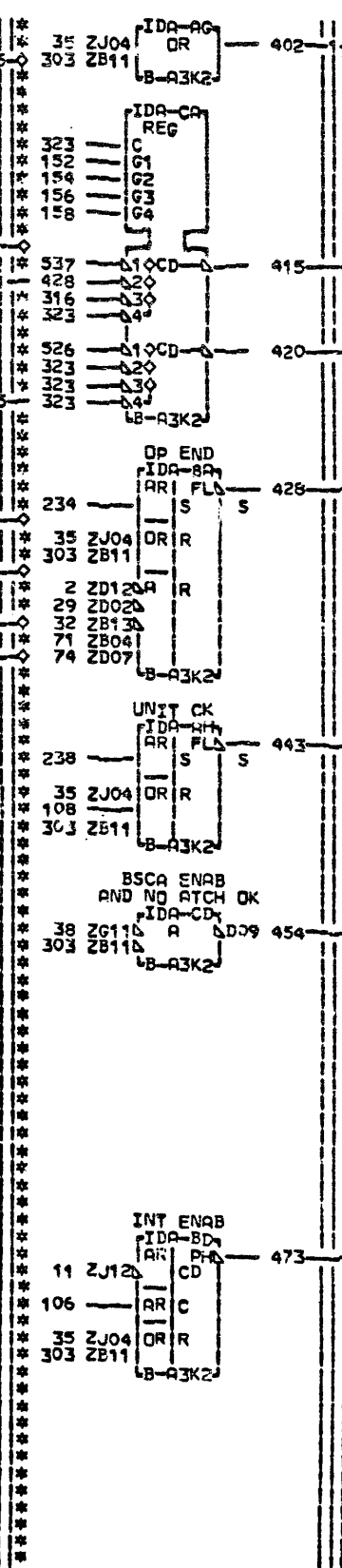
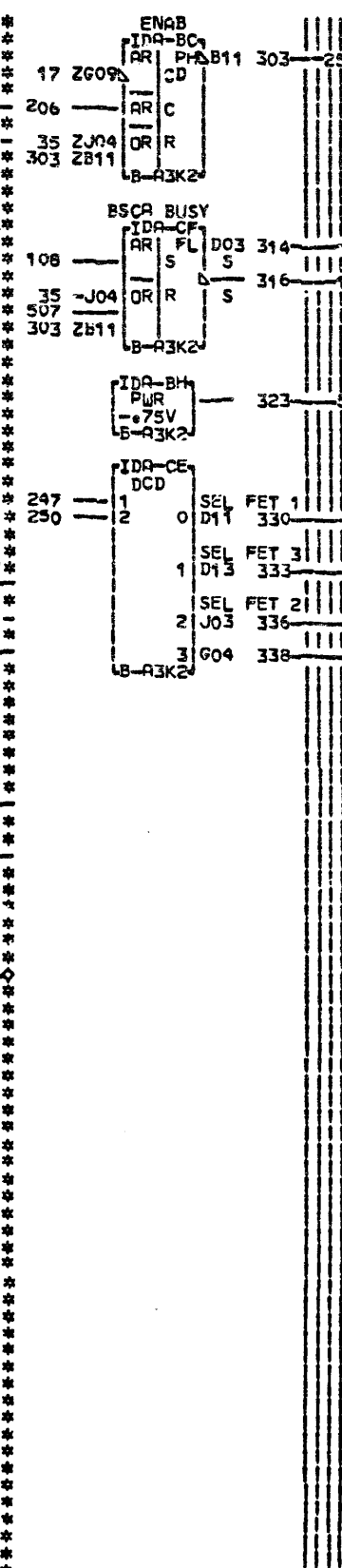
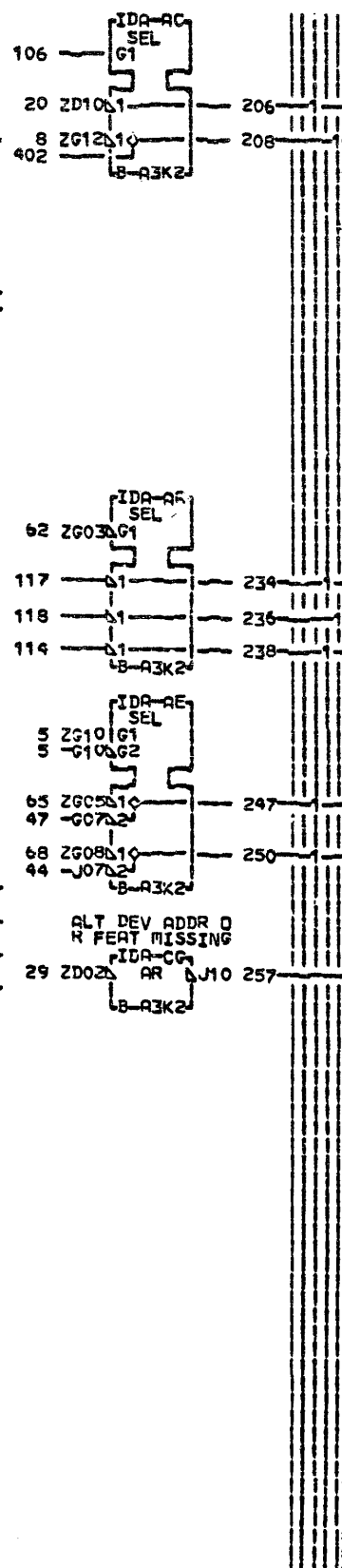
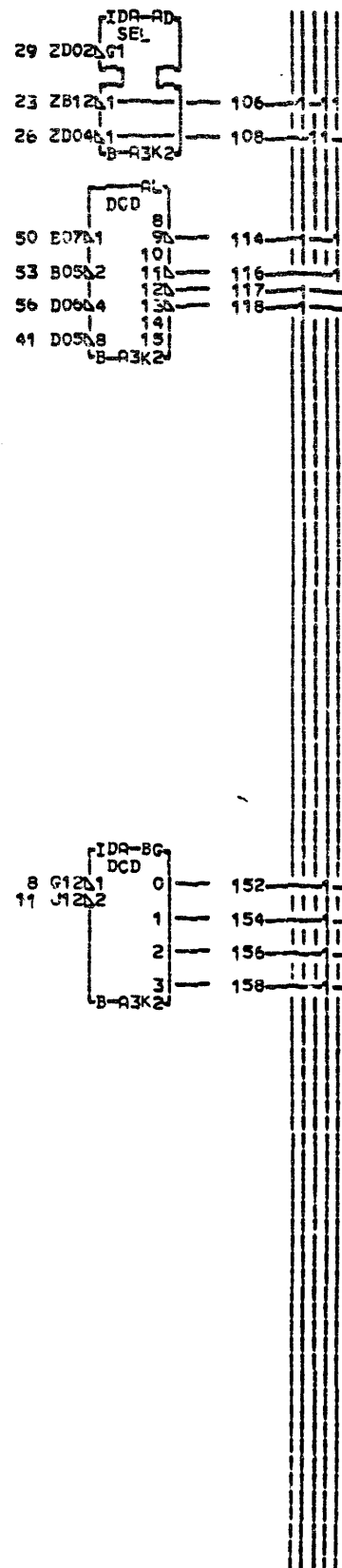
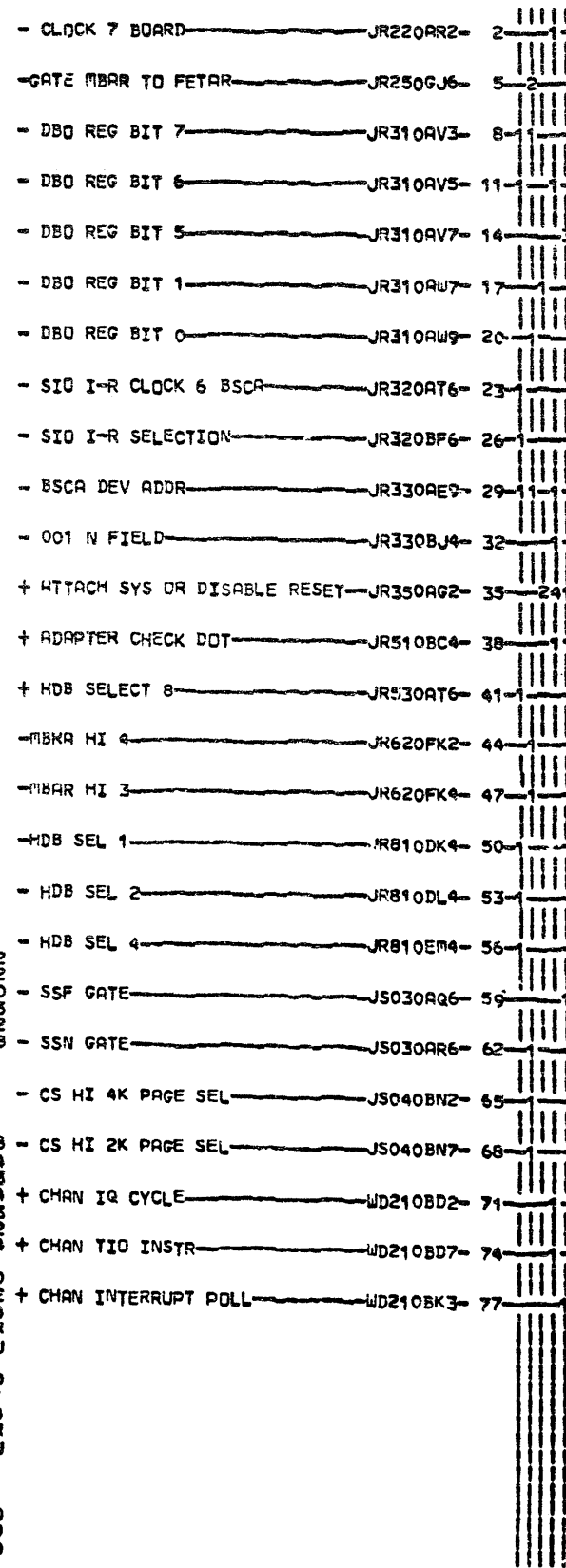
LOC. TYPE
 B-A352 AF79

PAGE VER EC LEV
 JR310 000 825032
 JR320 000 825031
 JR330 000 825032

DBD REG AND I-O INSTRUCTION			
E.C.#	HISTORY	C.	MACH.#
825022			IDA-SM15
825031			
DATE	LAST FC	IB#	CORP.#
09-29-75	825032		
P.#			4234346
			000

JR310
 JR330
 000

FRAME 01 JR310
 IB# CORP.# JR330
 P.No. 4234346 000

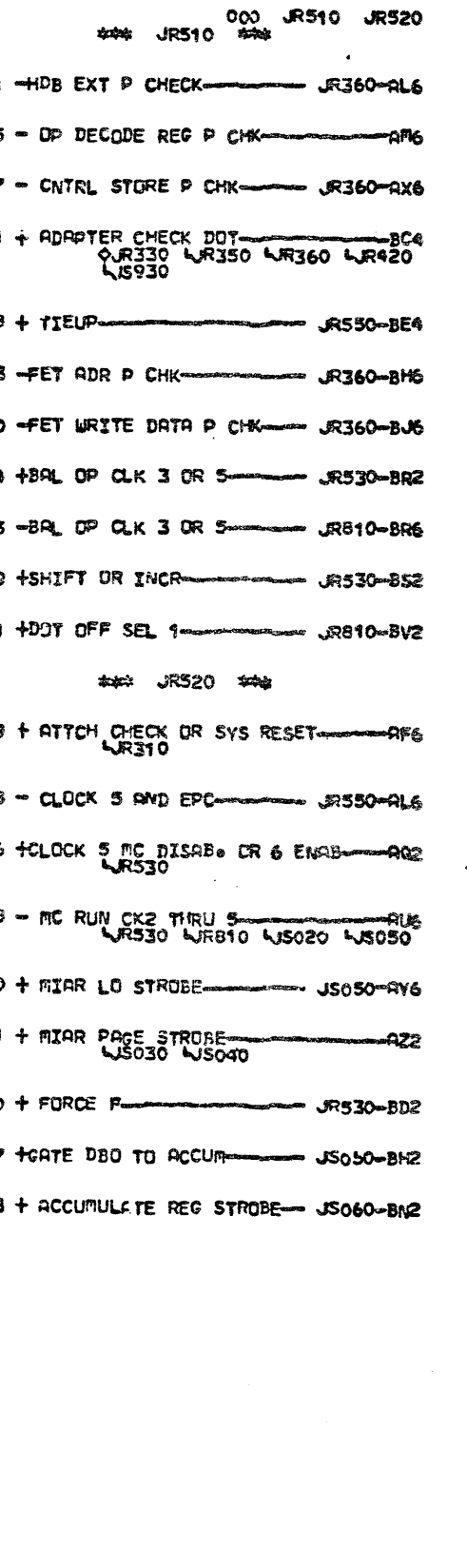
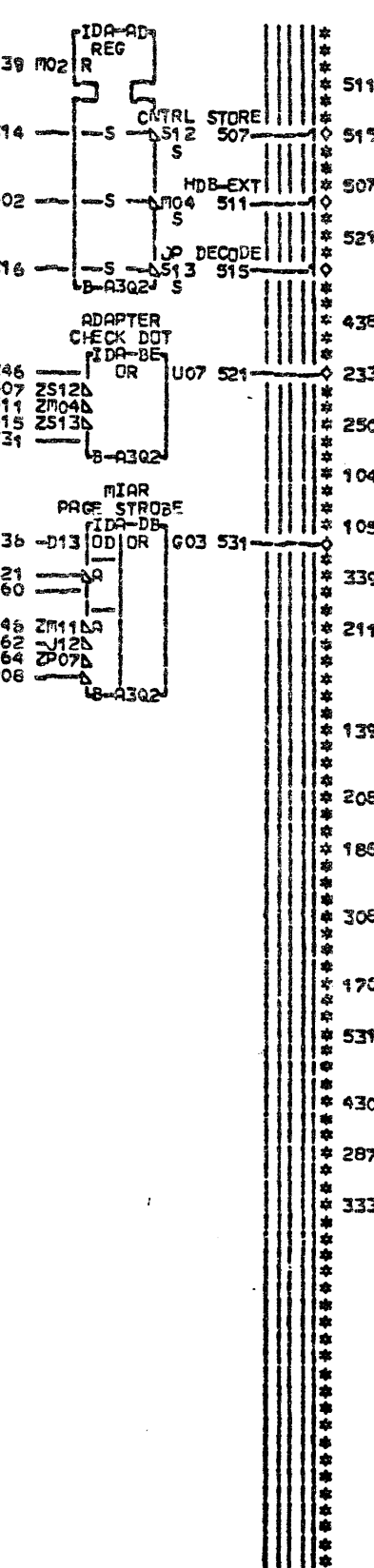
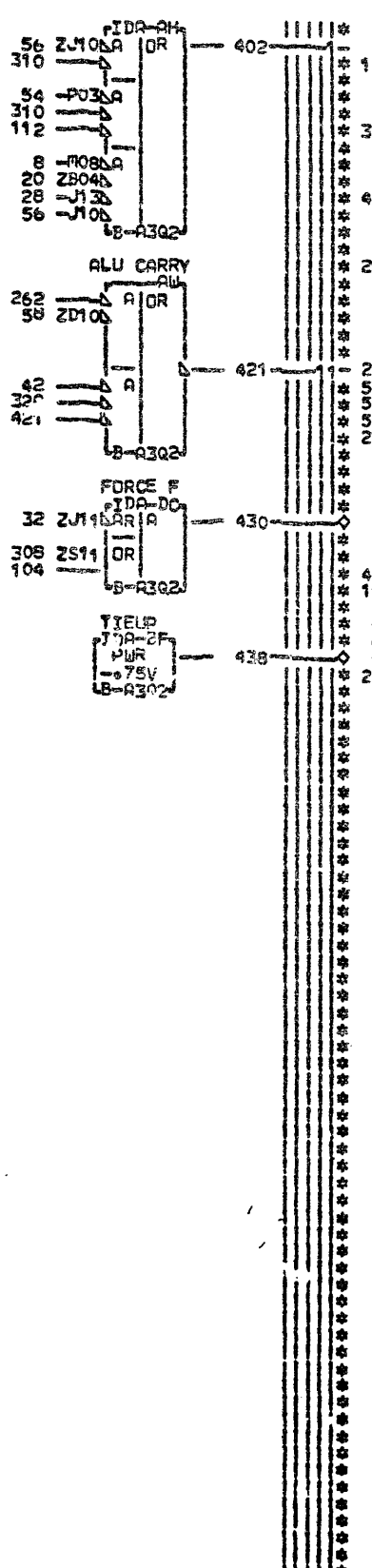
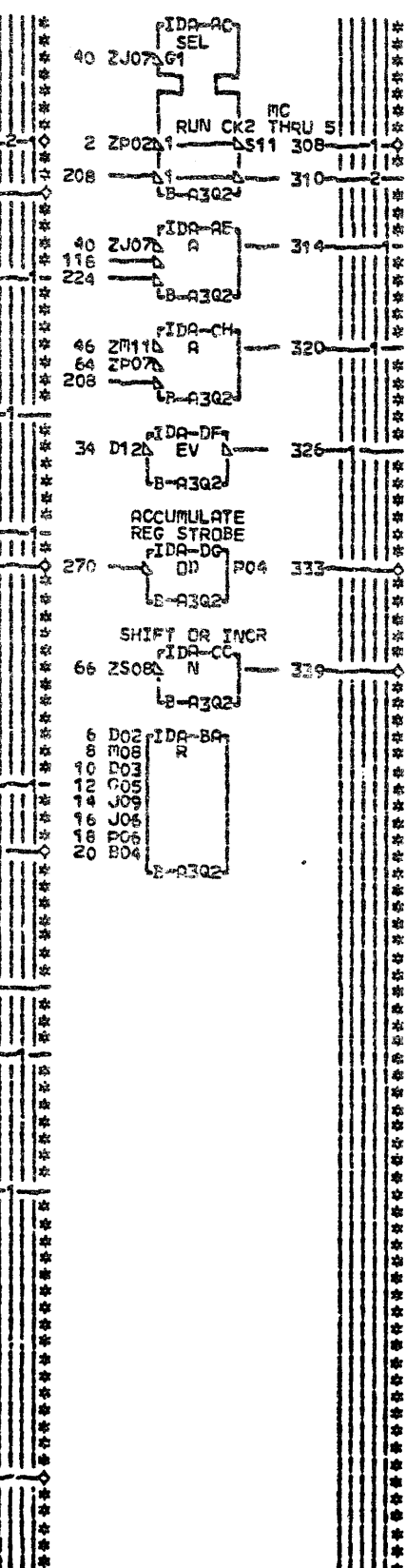
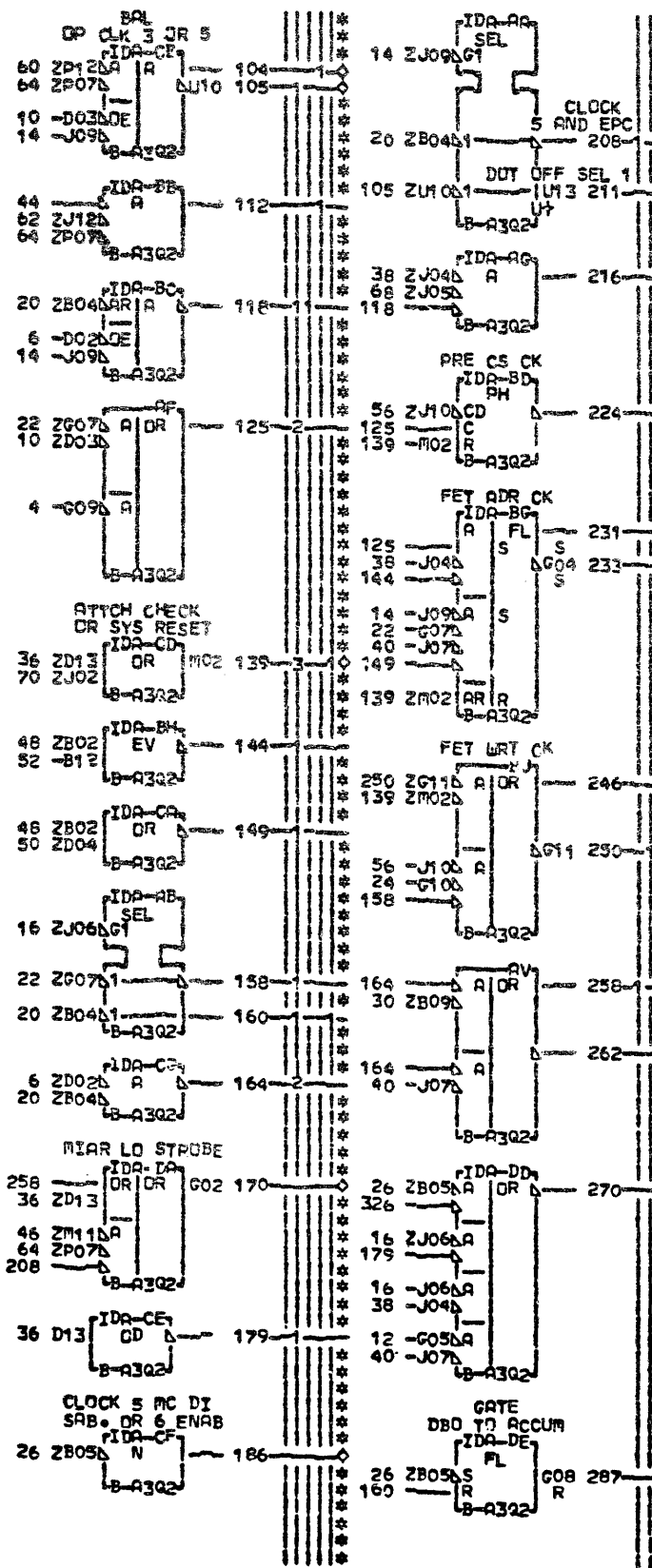
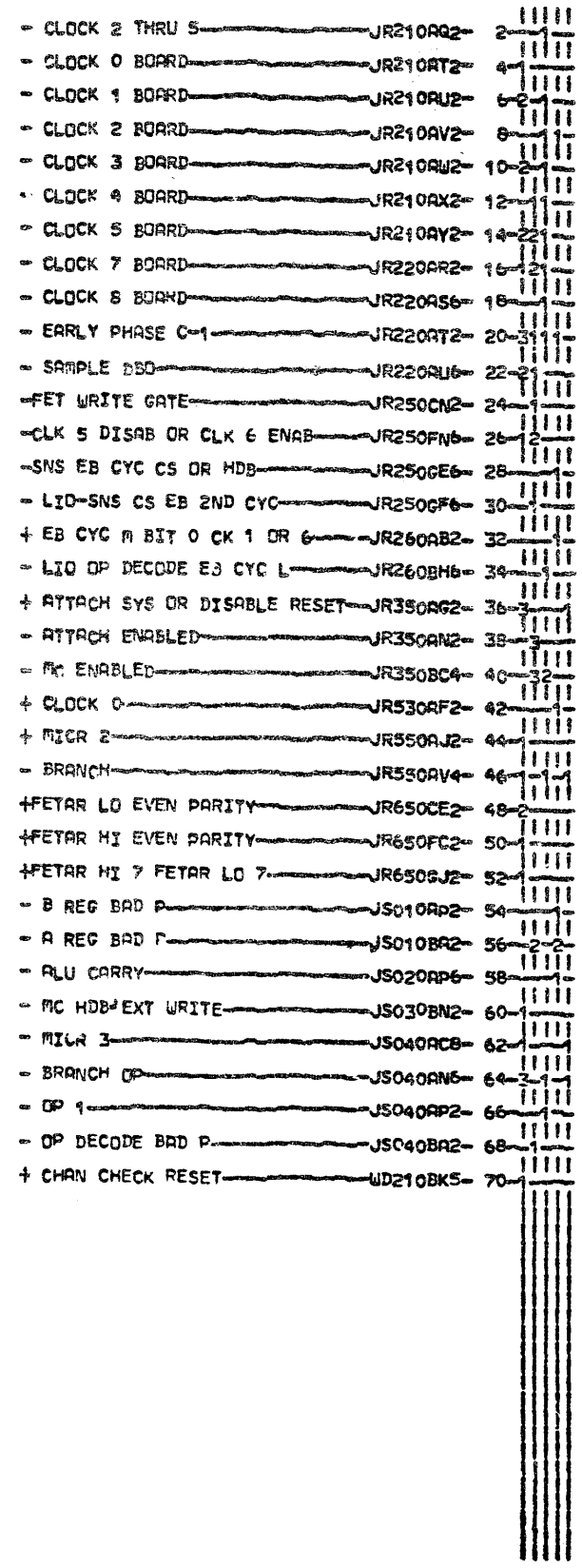


LCC TYPE
B-A3K2 AF75

PAGE VER EC LEV
JR410 000 825022
JR420 000 825022

BSCA EMULATOR			
E.C.	HISTORY	C.MACH.	IDA-SM15
FRAME	01	JR410	
DATE	LAST EC	IBM CORP.	GSD JR420
06-19-75	825022	P.N.	4234348 000

JR410
JR420
000

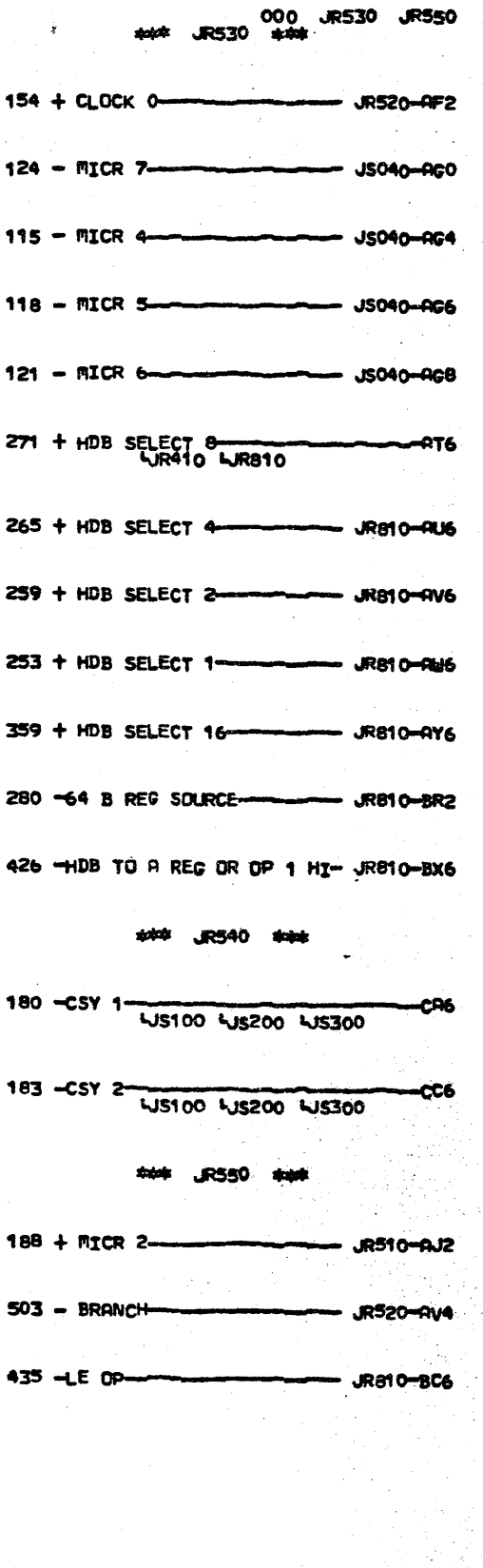
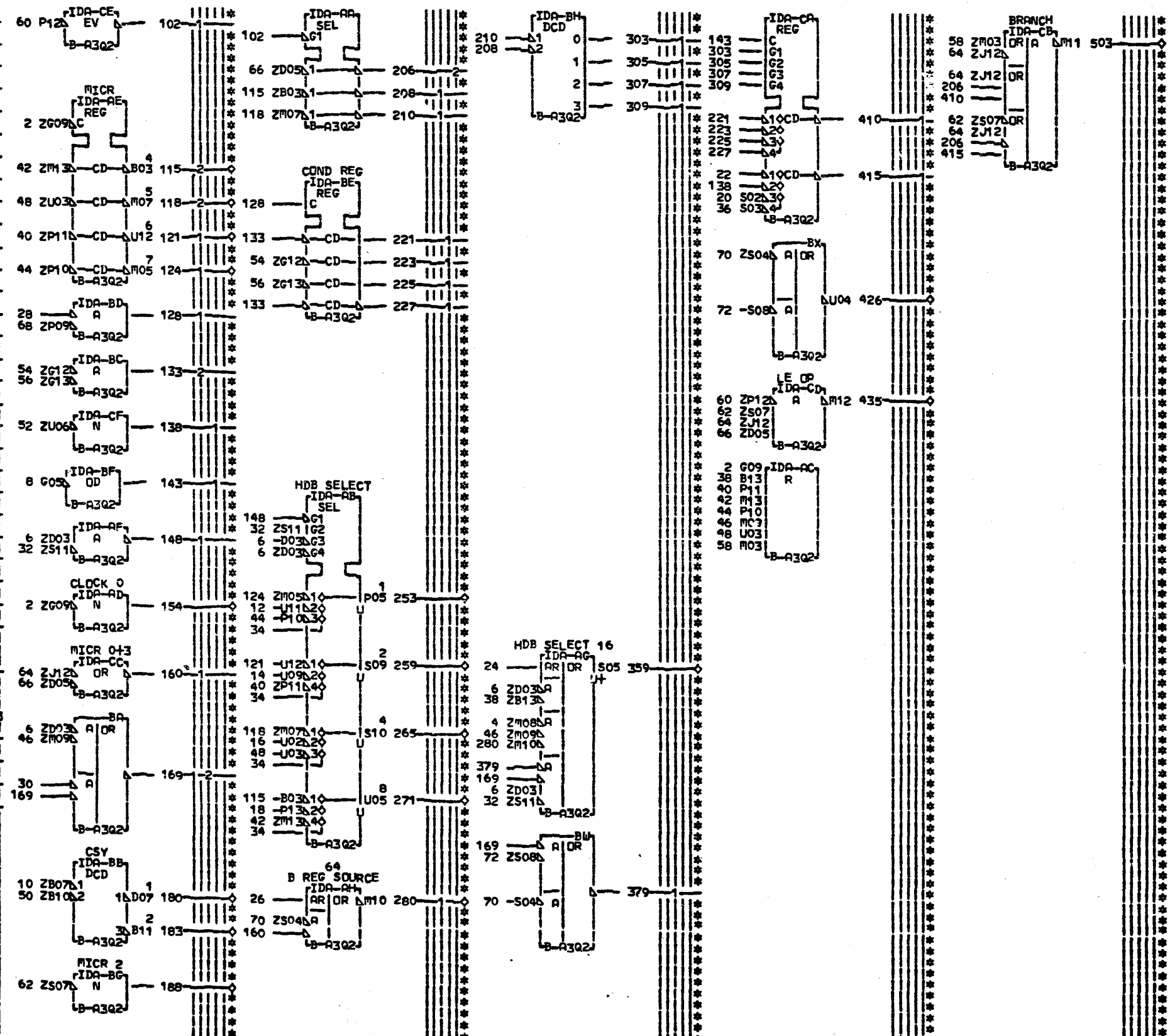
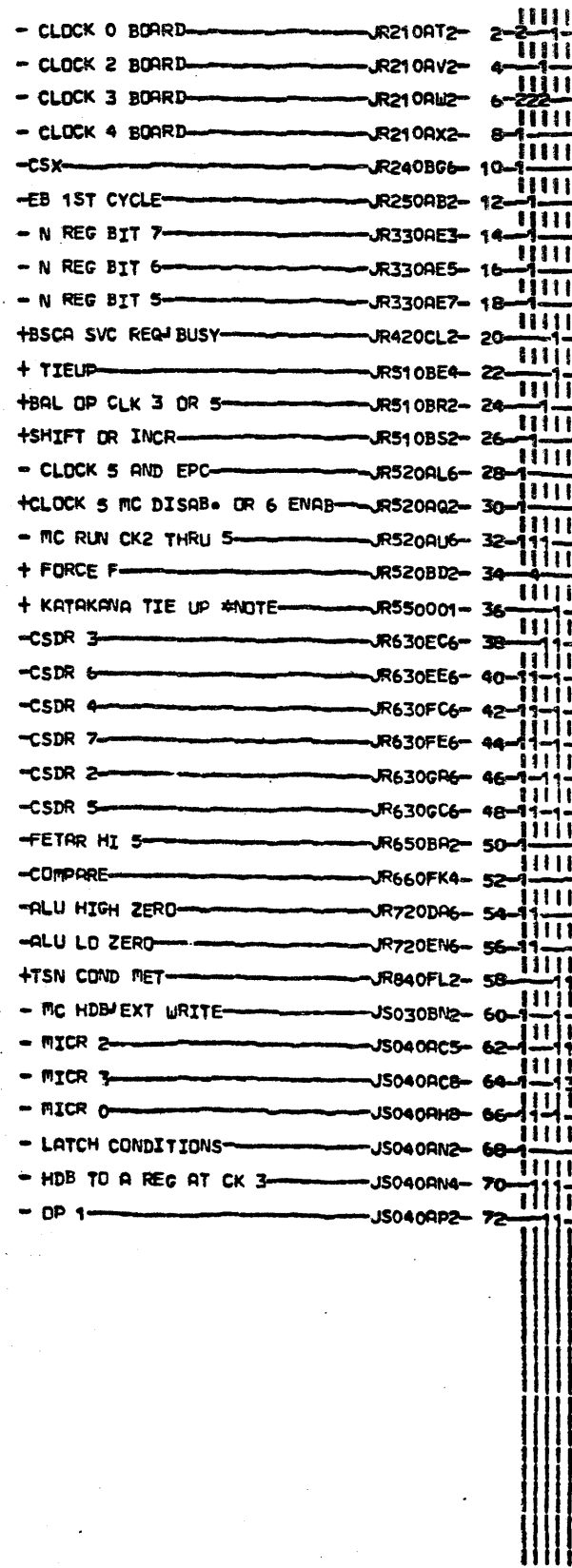


LOC. TYPE
B-A3Q2 AF85

PAGE VER EC LEV
JR510 000 82503
JR520 000 825022

JR510
JR520
000

MC CONTROL		
E-C-HISTORY 825022	C-MACH-IDA-SM15	
DATE LAST EC 09-04-75 825031	FRAME 01	JR510
	IBM CORP. RD	JR520
	P.No. 4234349	000



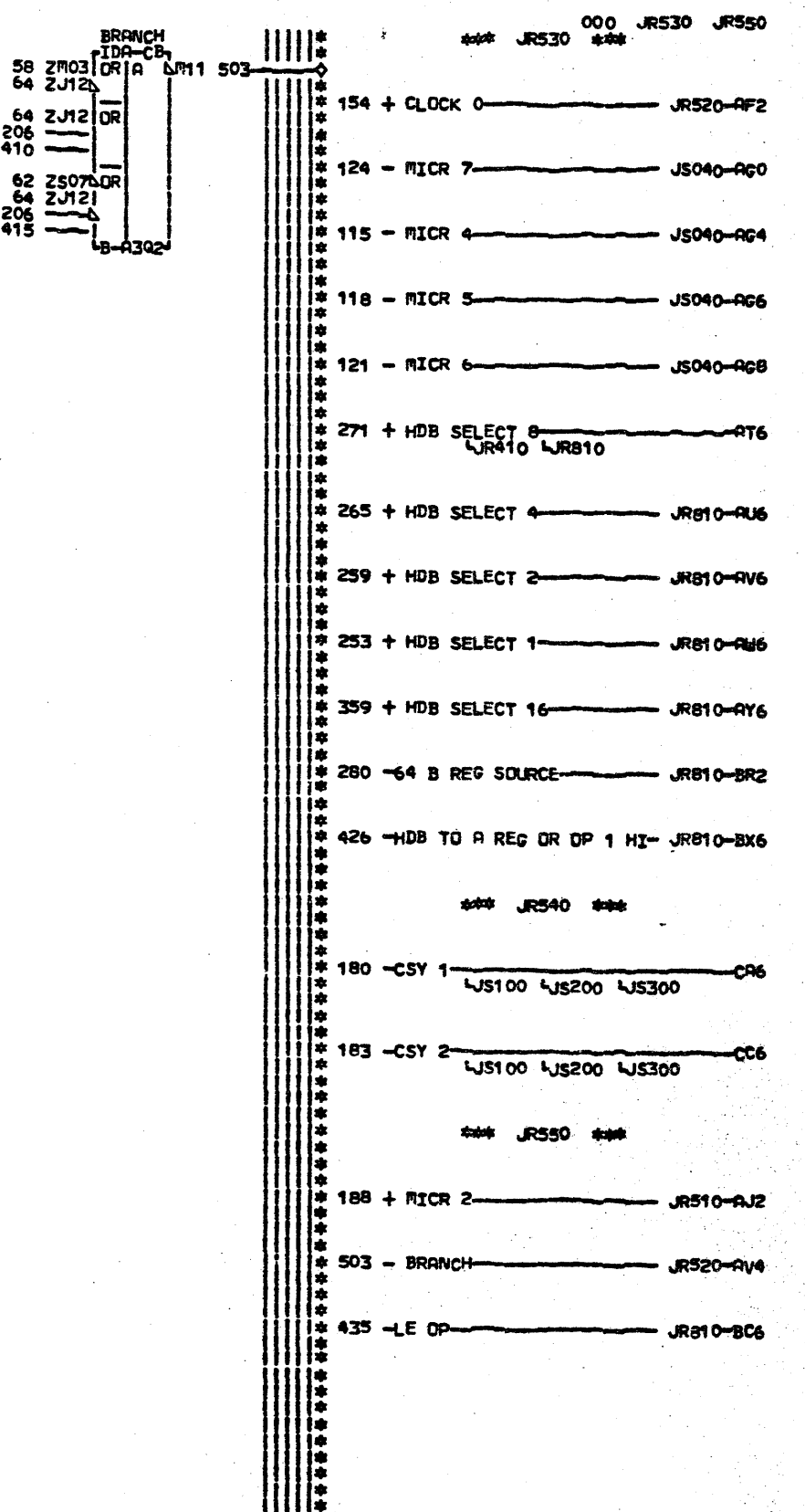
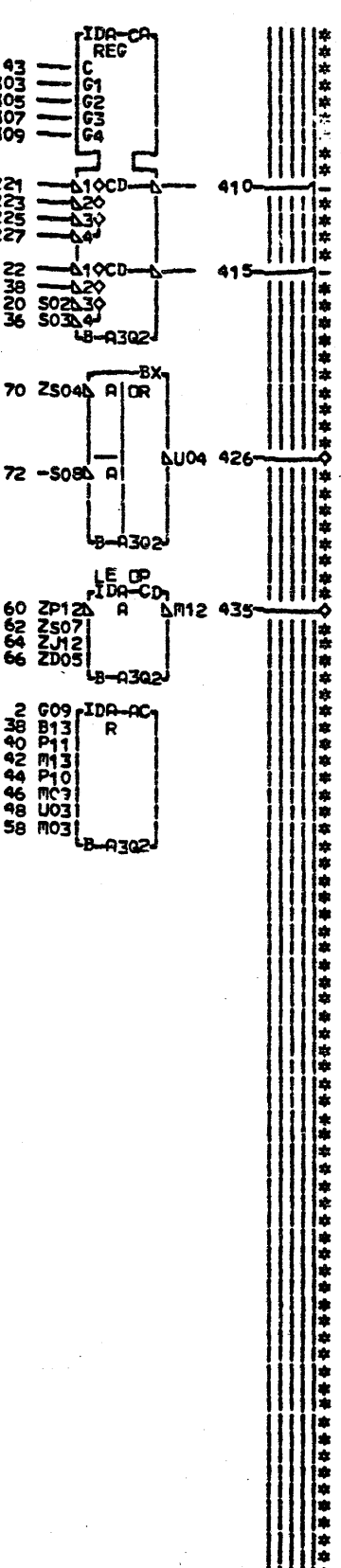
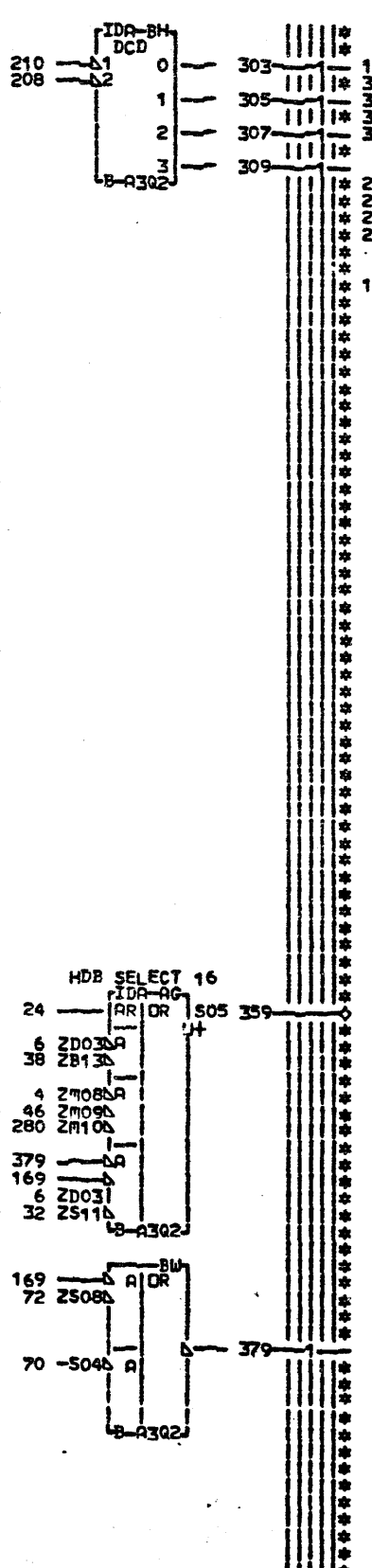
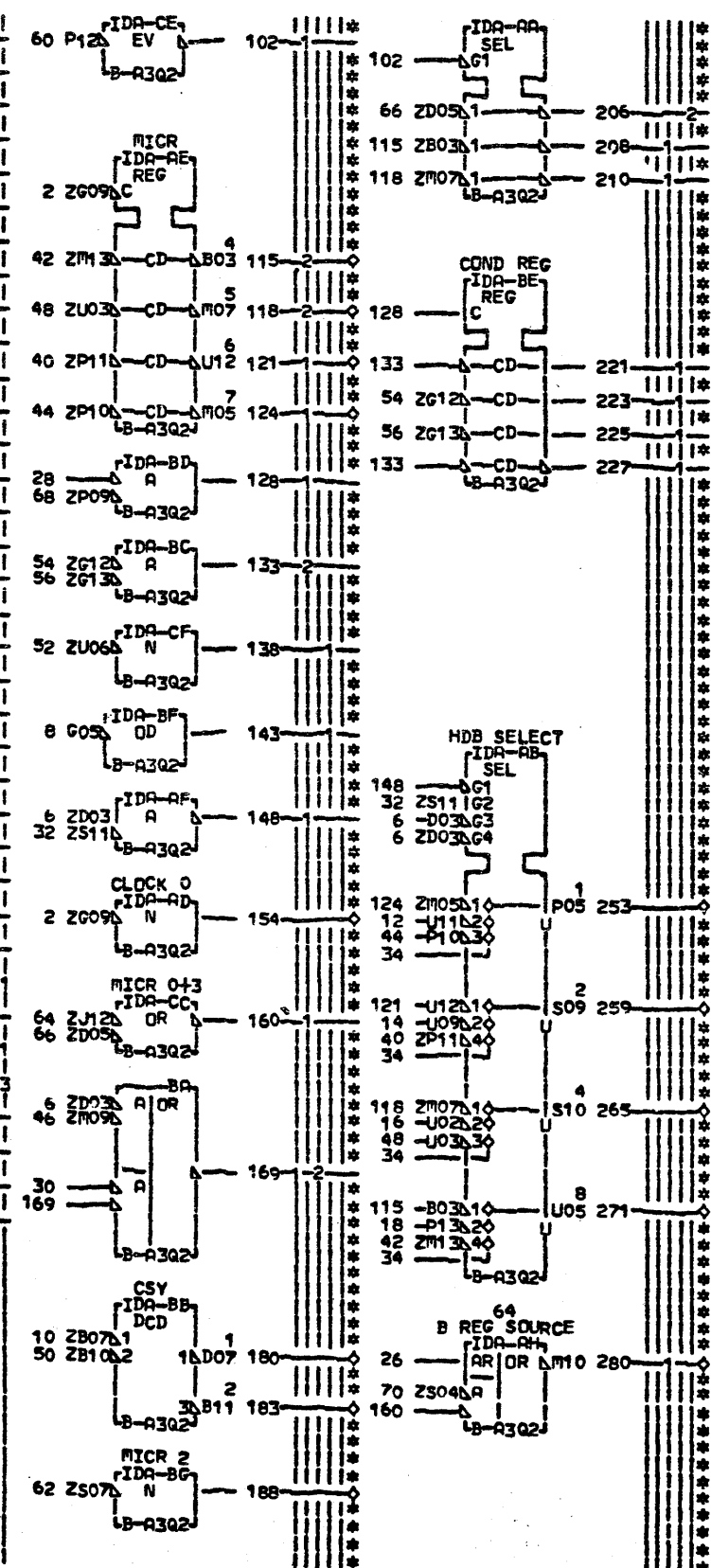
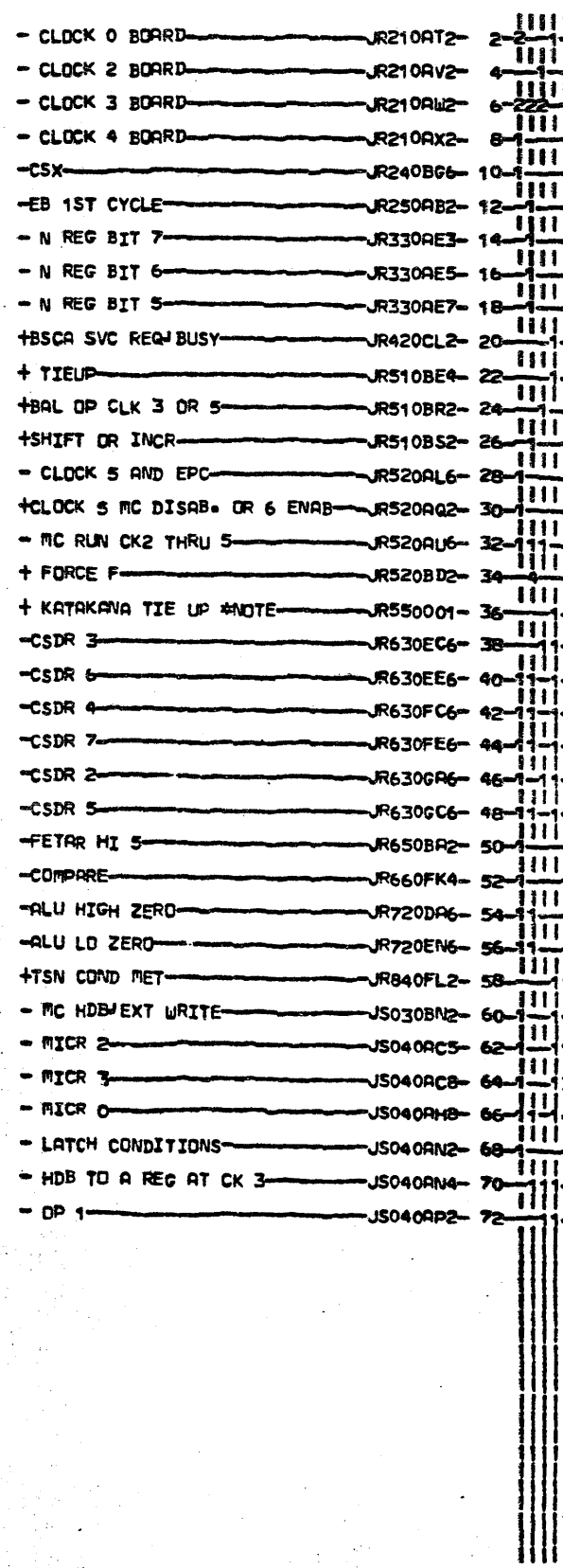
NOTE-IF KATAKANA FEATURE
 INSTALLED, WIRE Q2503 TO M2D05
 USING BLACK WIRE P/N 811695
 REF-NET JR750G14

LOC. TYPE
 B-A3Q2 AF8E

PAGE VER EC LEV
 JR530 000 825022
 JR540 000 825022
 JR550 000 825032

HDB SELECT AND BRANCH LOGIC			
E.C.	HISTORY	BRANCH	IDA-SM15
825022		01	JR530
		IBM CORP	JR550
DATE	LAST EC	P.No.	4234350 000
09-29-75	825032		

JR530
 JR550
 000



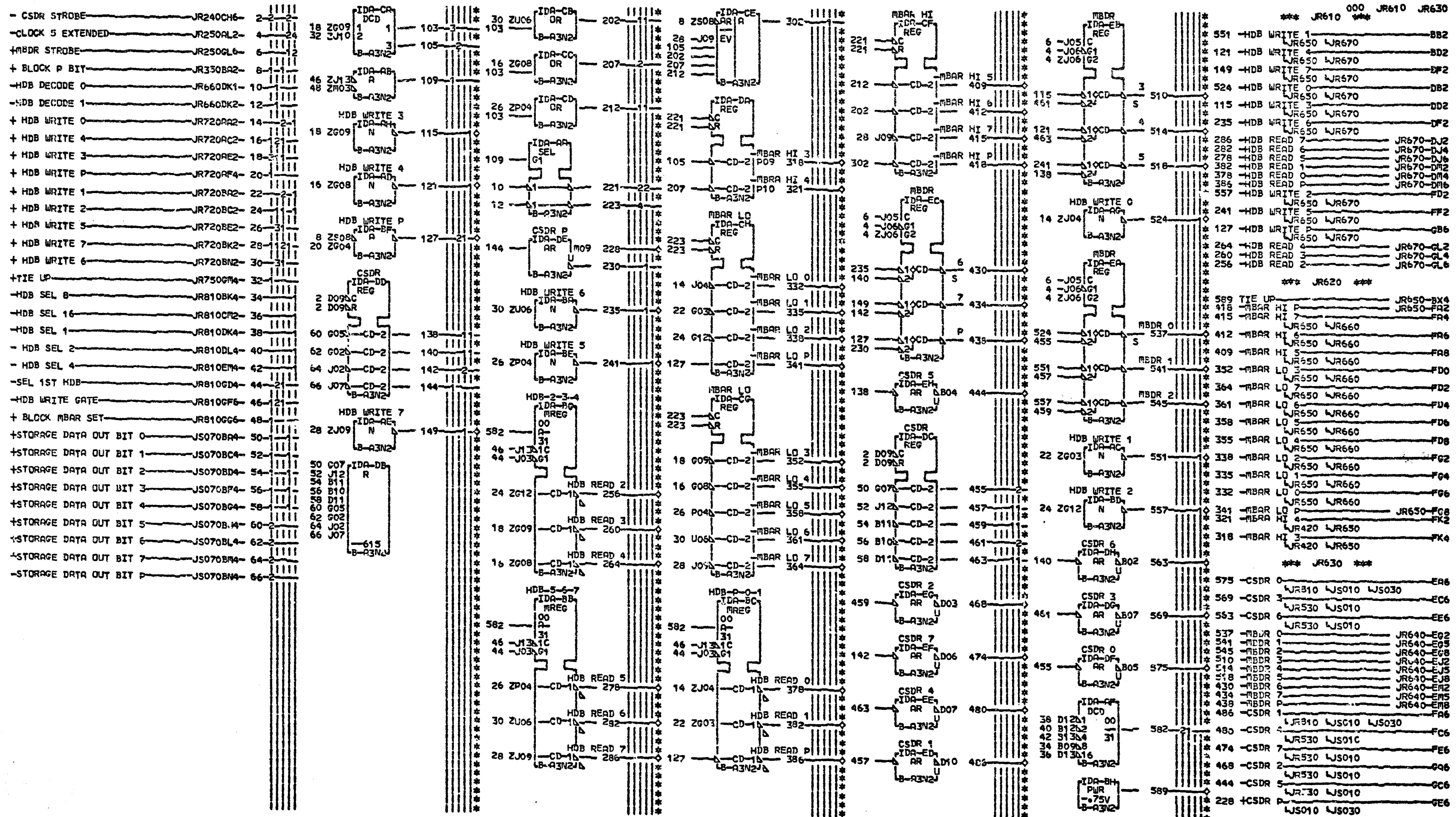
NOTE-IF KATAKANA FEATURE
 INSTALLED, WIRE Q2S03 TO Q2D05
 USING BLACK WIRE P/N 811695
 REF-NET JR750GM4

JR530
 JR550
 000

LOC. TYPE
 B-A3Q2 AF8E

PAGE VER EC LEV
 JR530 000 825022
 JR540 000 825022
 JR550 000 825032

HDB SELECT AND BRANCH LOGIC			
E.C. HISTORY	BRANCH	IDA-SM15	
825022	FRAME	01	JR530
DATE	LAST EC	IBR CORP.RO	JR550
09-29-75	825032	P.No. 4234350	000



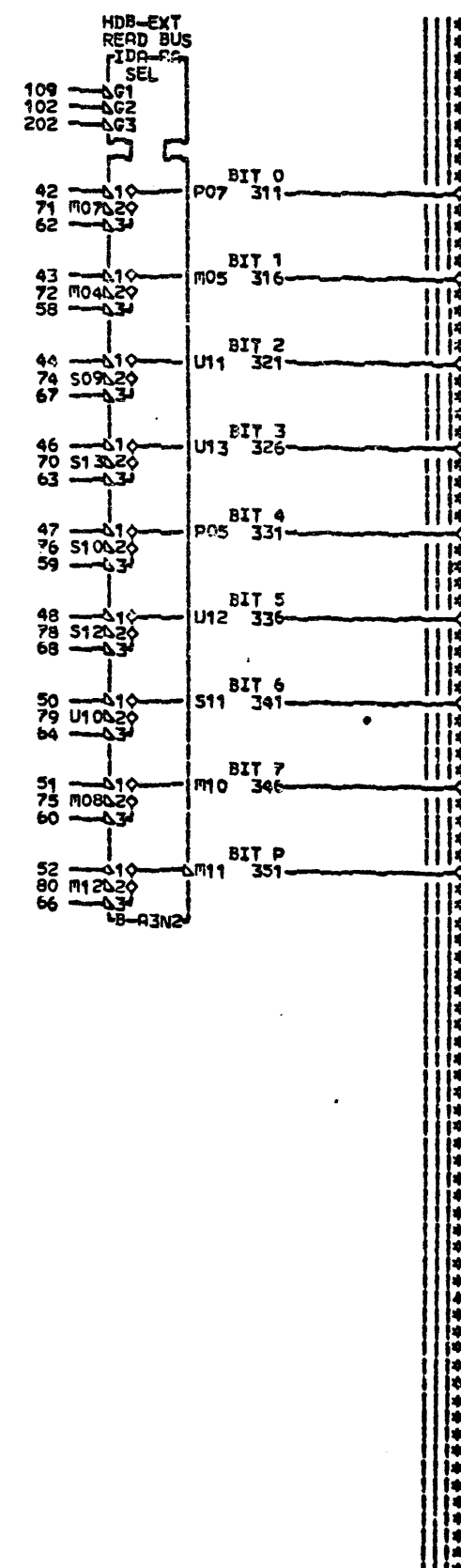
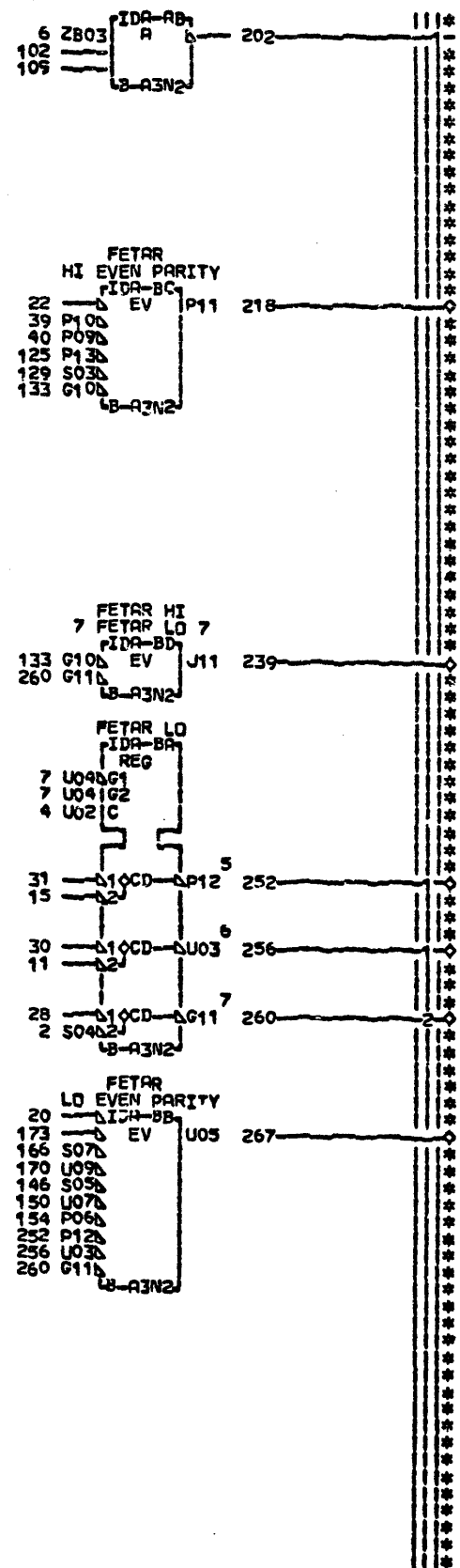
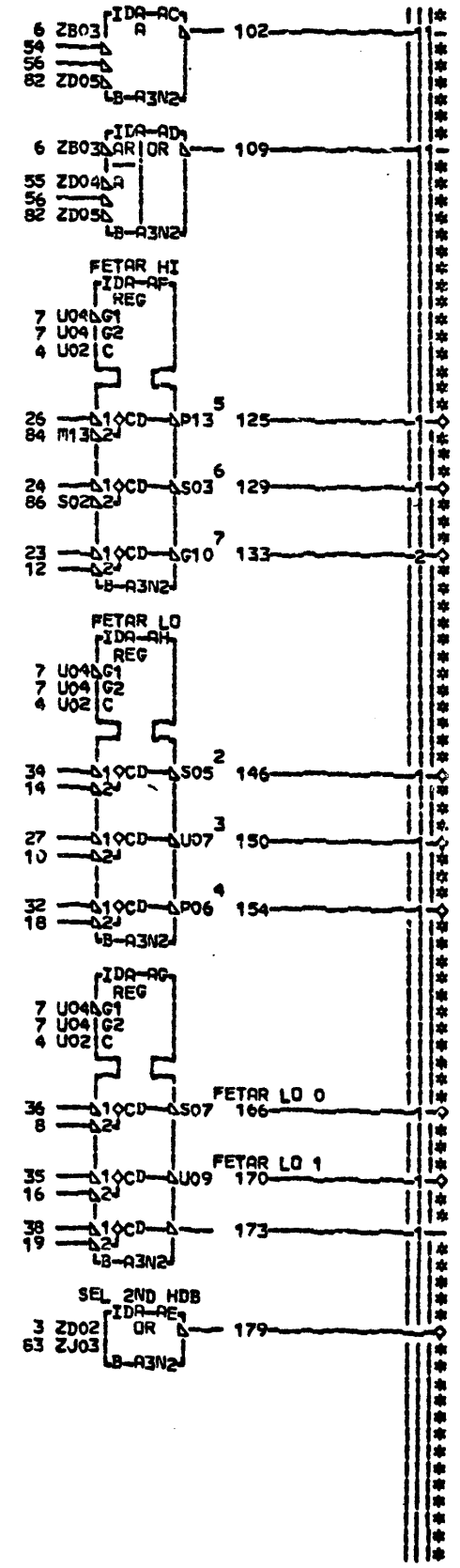
825022

825022

000

JR610
JR630
000

EVEN ADDRESS	JR240GG2	2	11
LD SEL 2ND HDB	JR240GJ2	3	1
CLK 7C THRU 4B	JR250BJ6	4	3
FET WRITE GATE	JR250CN2	6	21
GATE MBR TO FETAR	JR250GJ6	7	62
HDB WRITE 1	JR610BB2	8	1
HDB WRITE 4	JR610BD2	10	1
HDB WRITE 7	JR610BF2	11	1
HDB WRITE 0	JR610DB2	12	1
HDB WRITE 3	JR610DD2	14	1
HDB WRITE 6	JR610DF2	15	1
HDB WRITE 2	JR610FD2	16	1
HDB WRITE 5	JR610FF2	18	1
HDB WRITE P	JR610GB6	19	1
TIE UP	JR620BX4	20	1
MBAR HI P	JR620FA2	22	1
MBAR HI 7	JR620FA4	23	1
MBAR HI 6	JR620FA5	24	1
MBAR HI 5	JR620FA8	26	1
MBAR LO 3	JR620FD0	27	1
MBAR LO 7	JR620FD2	28	1
MBAR LO 6	JR620FD4	30	1
MBAR LO 5	JR620FD6	31	1
MBAR LO 4	JR620FD8	32	1
MBAR LO 2	JR620FG2	34	1
MBAR LO 1	JR620FG4	35	1
MBAR LO 0	JR620FG6	36	1
MBAR LO P	JR620FG8	38	1
MBAR HI 4	JR620FK2	39	1
MBAR HI 3	JR620FK4	40	1
MBDR 0	JR630EG2	42	1
MBDR 1	JR630EG5	43	1
MBDR 2	JR630EG8	44	1
MBDR 3	JR630EJ2	46	1
MBDR 4	JR630EJ5	47	1
MBDR 5	JR630EJ8	48	1
MBDR 6	JR630EM2	50	1
MBDR 7	JR630EM5	51	1
MBDR P	JR630EM8	52	1
HDB DECODE 4	JR660DK5	54	1
HDB DECODE 5	JR660DK6	55	1
HDB SELECT 16	JR670BN2	56	2
HDB READ 1 DOT	JR670E84	58	1
HDB READ 4 DOT	JR670EF4	59	1
HDB READ 7 DOT	JR670EK4	60	1
HDB READ 0 DOT	JR670FC4	62	1
HDB READ 3 DOT	JR670FG4	63	1
HDB READ 6 DOT	JR670FL4	64	1
HDB HEAD P DOT	JR670GD4	66	1
HDB READ 2 DOT	JR670GH4	67	1
HDB READ 5 DOT	JR670GM4	68	1
I-O REG 7	JR730DA0	70	1
I-O REG 4	JR730DA4	71	1
I-O REG 5	JR730DA6	72	1
I-O REG 6	JR730DA8	74	1
I-O REG 11	JR730DC0	75	1
I-O REG 8	JR730DC4	76	1
I-O REG 9	JR730DC6	78	1
I-O REG 10	JR730DC8	79	1
I-O REG P	JR730DE6	80	1
SELECT EXTERNAL	JR810EK6	82	2
SEL 1ST HDB	JR810GD4	83	1
CS HI 1K PAGE SELECT	JS040AD2	84	1
CS EVEN PAGE SELECT	JS040AD7	86	1



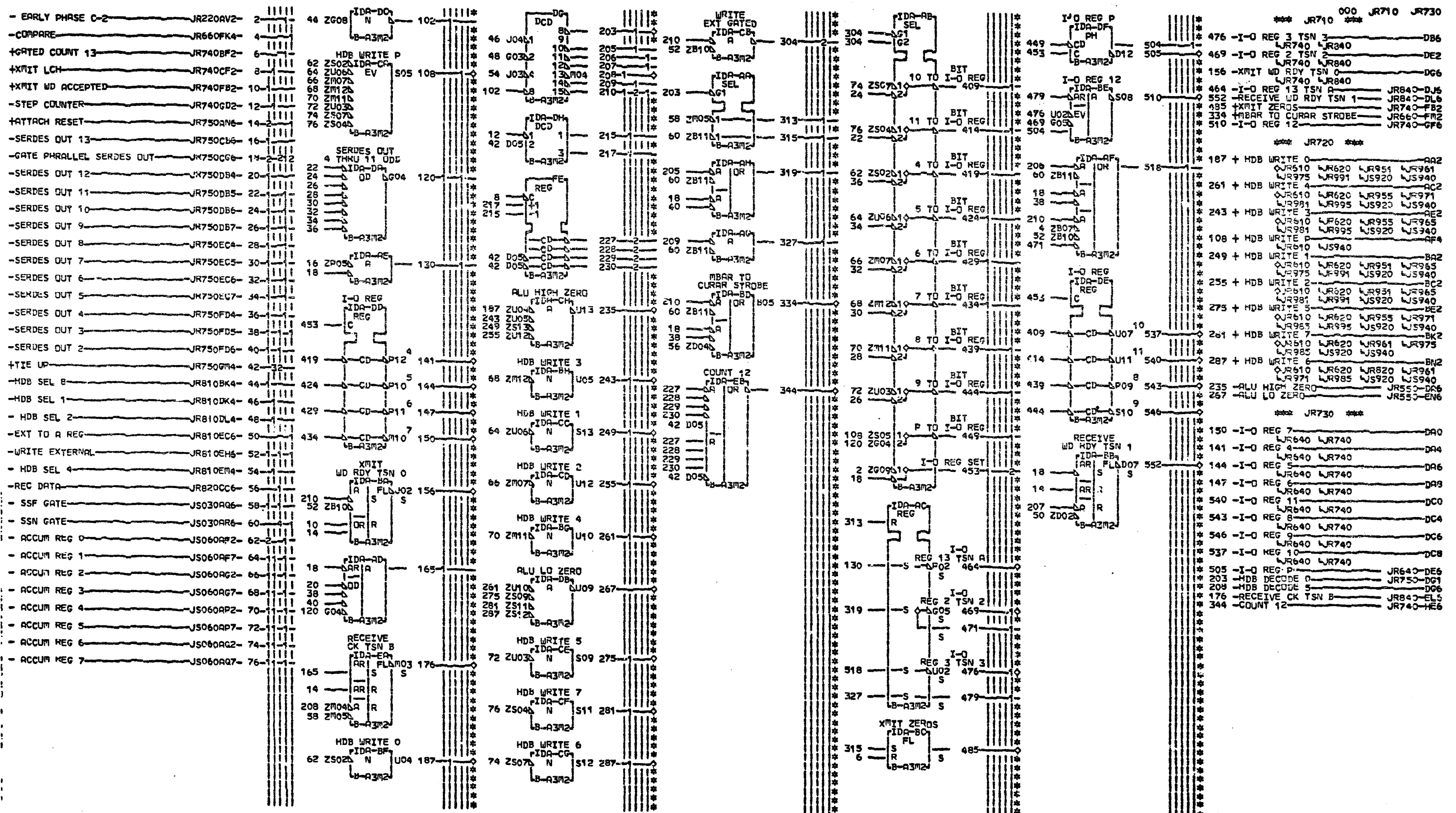
000 JR640 JR650	*** JR640 ***
316 HDB-EXT READ BUS BIT 1	DA2
JS010 JS100 JS200 JS300	
331 HDB-EXT READ BUS BIT 4	DE2
JS010 JS100 JS200 JS300	
341 HDB-EXT READ BUS BIT 6	DH2
JS010 JS100 JS200 JS300	
346 HDB-EXT READ BUS BIT 7	DM2
JS010 JS100 JS200 JS300	
311 HDB-EXT READ BUS BIT 0	FA2
JS010 JS100 JS200 JS300	
326 HDB-EXT READ BUS BIT 3	FE2
JS010 JS100 JS200 JS300	
336 HDB-EXT READ BUS BIT 5	FM2
JS010 JS100 JS200 JS300	
351 HDB-EXT READ BUS BIT P	FM6
JS010 JS100 JS200 JS300	
321 HDB-EXT READ BUS BIT 2	GC2
JS010 JS100 JS200 JS300	
179 -SEL 2ND HDB	JR670-GE2
*** JR650 ***	
125 -FETAR HI 5	JR540-BA2
129 -FETAR HI 6	BA5
JS100 JS200 JS300	
133 -FETAR HI 7	BA8
JS100 JS200 JS300	
166 -FETAR LO 0	BD5
JS100 JS200 JS300	
170 -FETAR LO 1	BD8
JS100 JS200 JS300	
146 -FETAR LO 2	BG2
JS100 JS200 JS300	
150 -FETAR LO 3	BG5
JS100 JS200 JS300	
154 -FETAR LO 4	BG8
JS100 JS200 JS300	
252 -FETAR LO 5	BK2
JS100 JS200 JS300	
256 -FETAR LO 6	BK5
JS100 JS200 JS300	
260 -FETAR LO 7	BK8
JS100 JS200 JS300	
267 -FETAR LO EVEN PARITY	JR510-CE2
278 -FETAR HI EVEN PARITY	JR510-FC2
239 -FETAR HI 7 FETAR LO 7	JR510-GJ2

1 JR640
2 JR650
3 000

LOC. TYPE
B-A3N2 P84

PAGE VER EC LEV
JR640 000 825022
JR650 000 825022

HDB-MBAR-FETAR-MSDR-MBDR	
HDB READ BUS	
E.C.-HISTORY	
DATE	LAST EC
06-19-75	825022
P.N.	4234352
000	

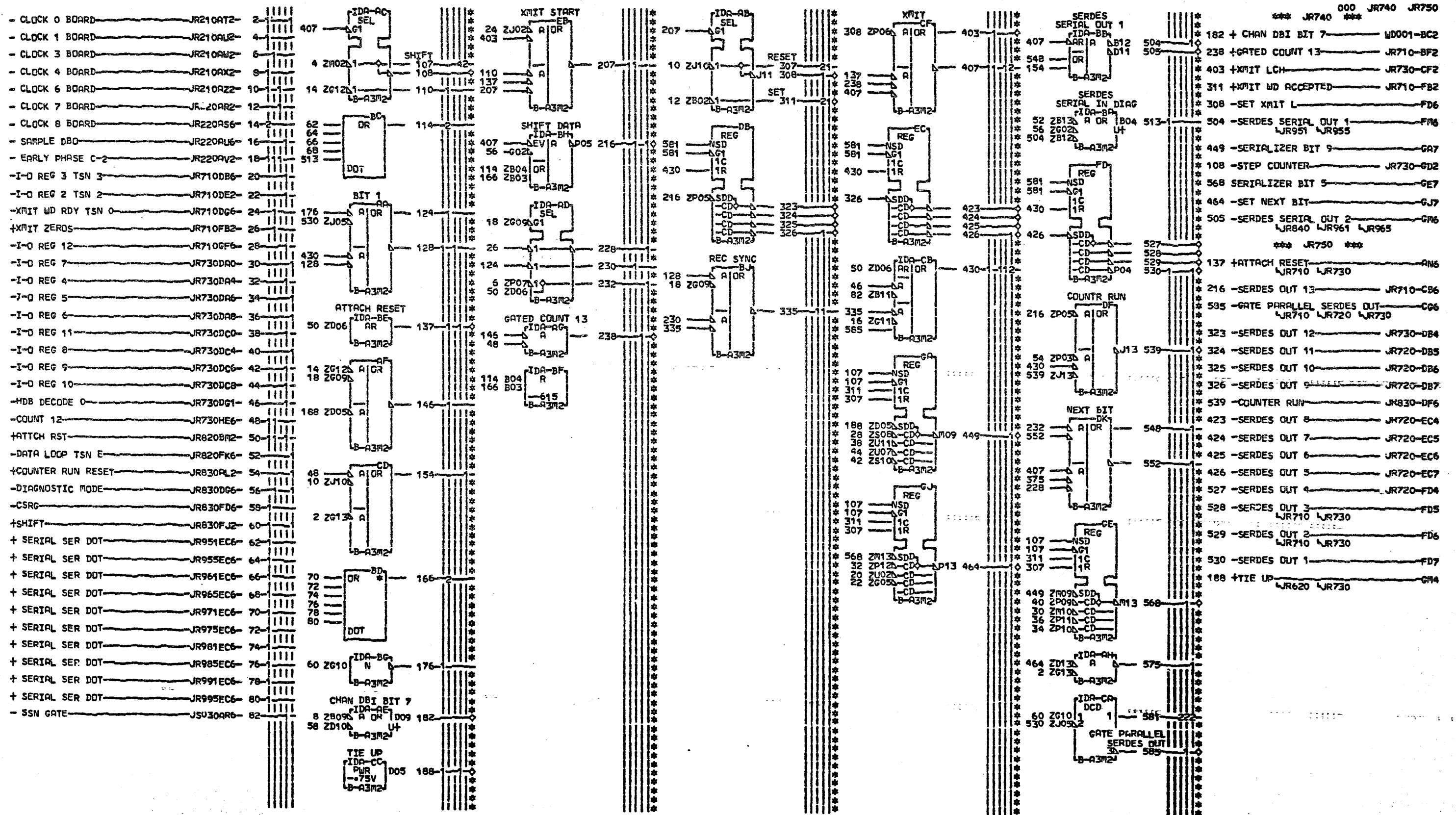


JR710
JR730
000

LOC. TYPE
B-A3M2 AF80

PAGE VER EC LEV
JR710 000 825022
JR720 000 825022
JR730 000 825022

I-O REGISTER		C-MACH-IDA-SR15	
REGISTER GATING		FRAME 01 JR710	
E.C.-HISTORY		IBM CORP.GSD JR730	
DATE	LAST EC	PaNo	4234354 000
06-19-75	825022		



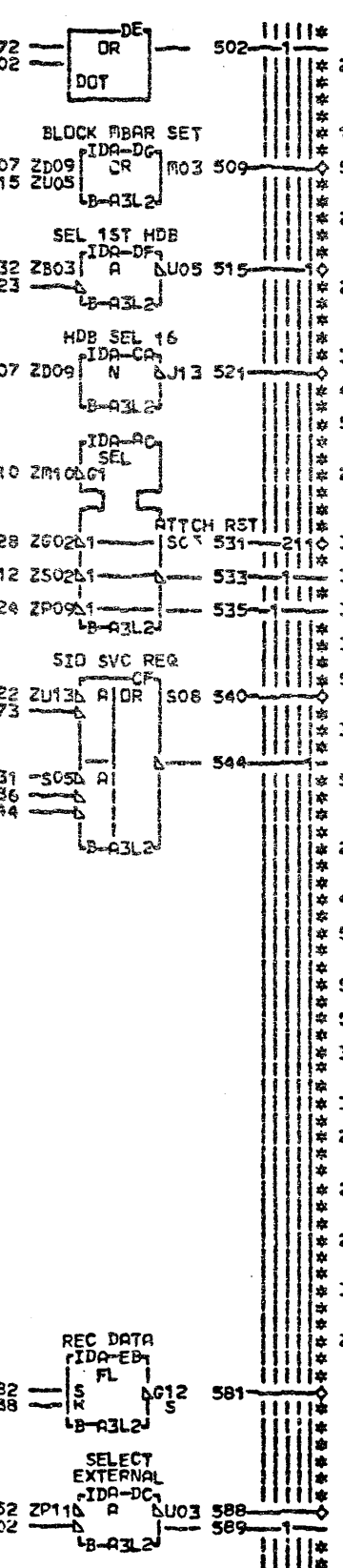
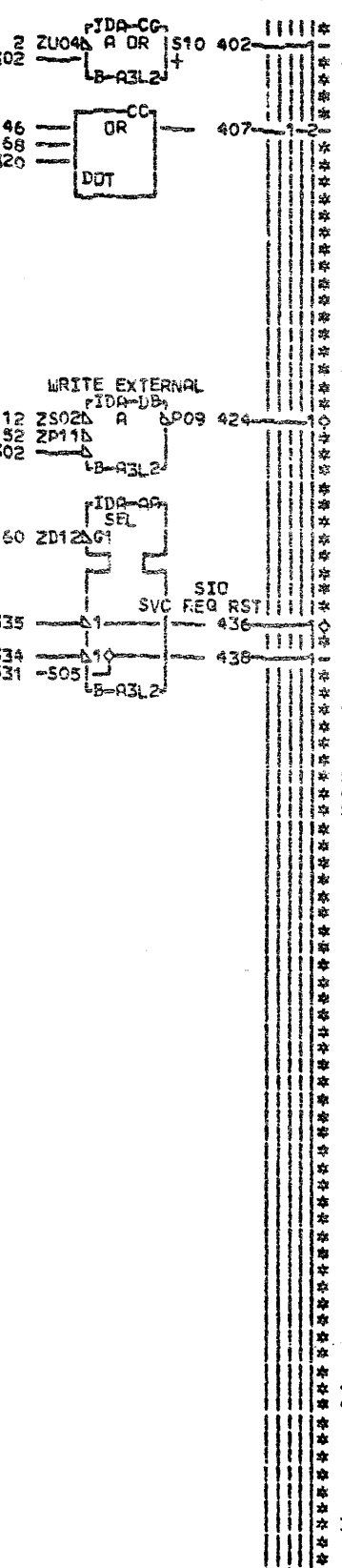
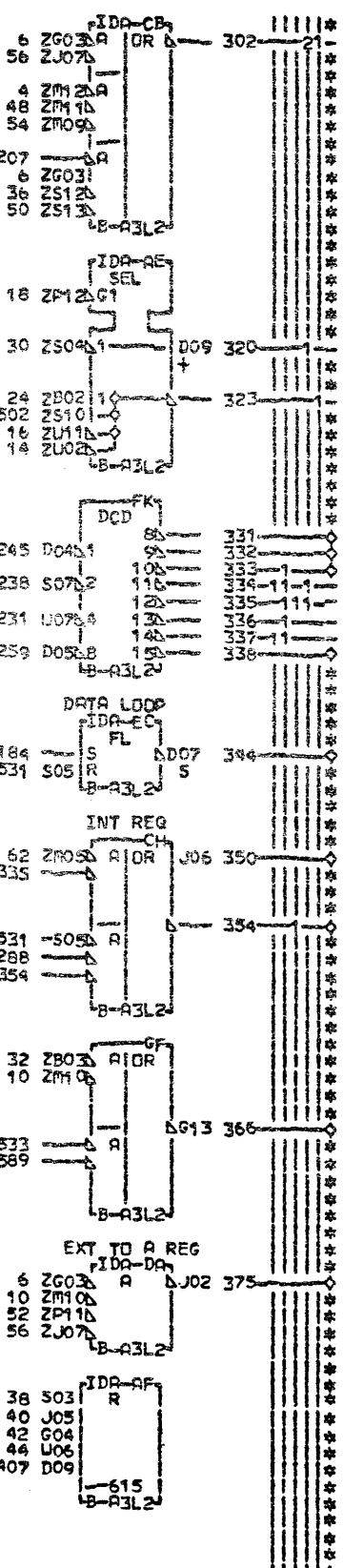
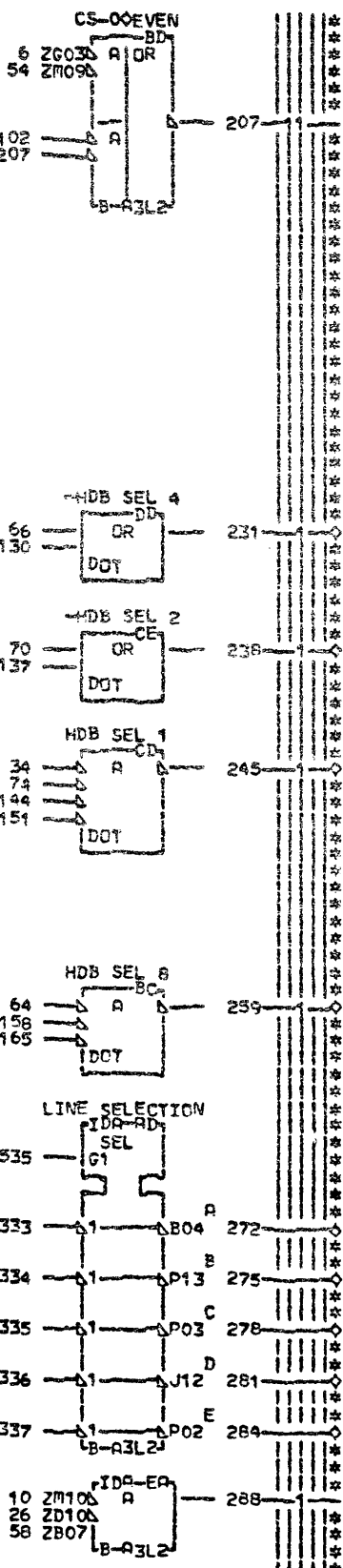
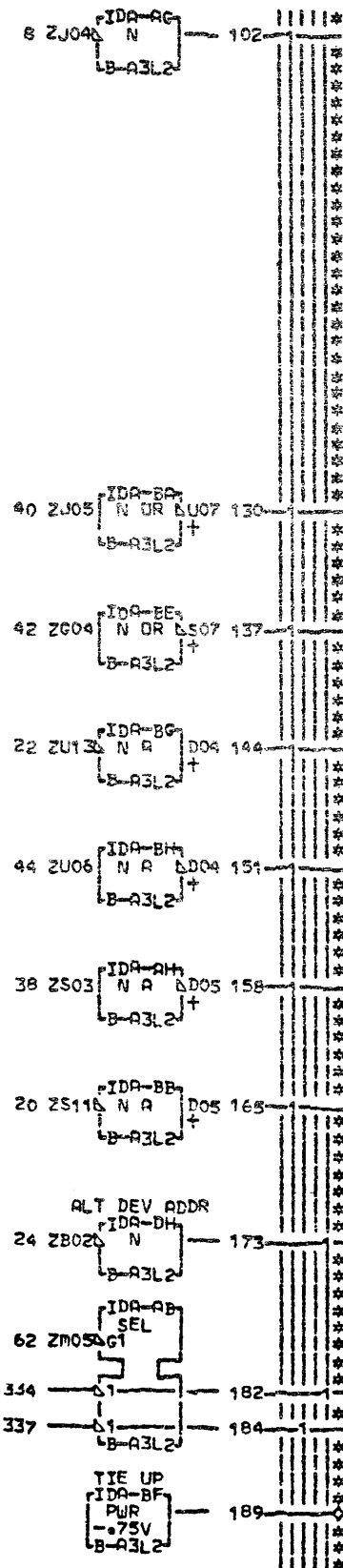
JR740
JR750
000

LOC. TYPE
B-A3M2 FF80

PAGE VER EC LEV
JR740 000 825032
JR750 000 825028

I-O REGISTER		MACH=IDA-SM15	
XMIT SERDES		FRAME 01 JR740	
E.C. HISTORY		IBM CORP.GSD JR750	
825022		P.N. 4234355 000	
825028			
DATE	LAST EC		
09-29-75	825032		

- CLOCK 2 THRU 5 JR210AG2- 2
 - CLOCK 2 BOARD JR210AV2- 4
 - CLOCK 3 BOARD JR210AW2- 6
 - CLOCK 6 BOARD JR210AZ2- 8
 - EARLY PHASE C-2 JR220AV2- 10
 - HDB WRITE GATE JR230AV2- 12
 - CLOCK 0 EXTENDED JR240EB6- 14
 - CSRG CLOCK 1 OR 6 JR260AD6- 16
 - HDB SNS LID OR SID GATE JR260AL2- 18
 - SID SERV REQUEST GATE JR320AY6- 20
 - SID I-R SELECTION JR320BF6- 22
 - BSCR DEV ADDR JR330AE9- 24
 - SID IR CLK 6 JR350AA6- 26
 - ATTACH SYS OR DISABLE RESET JR350AG6- 28
 - ATTACH ENABLED JR350AN2- 30
 - BAL DP CLK 3 OR 5 JR510ER6- 32
 - DUT OFF SEL 1 JR510BV2- 34
 - MC RUN CK2 THRU 5 JR520AU6- 36
 - HDB SELECT 8 JR530AT6- 38
 - HDB SELECT 4 JR530AU5- 40
 - HDB SELECT 2 JR530AV6- 42
 - HDB SELECT 1 JR530AW6- 44
 - HDB SELECT 16 JR530AY6- 46
 - 64 B REG SOURCE JR530BR2- 48
 - HDB TO A REG OR DP 1 HI JR530BX6- 50
 - LE DP JR550BC6- 52
 - CSDR 0 JR630EA6- 54
 - CSDR 1 JR630FA6- 56
 - HDB WRITE 6 JR720BN2- 58
 - SSF GATE JS030AQ6- 60
 - SSN GATE JS030AR6- 62
 - HDB SEL 8 DOT JS930EA2- 64
 - HDB SEL 4 DOT JS930EC2- 66
 - HDB SEL 16 DOT JS930FA2- 68
 - HDB SEL 2 DOT JS930FC2- 70
 - HDB SELECTION DOT JS930GA2- 72
 - HDB SEL 1 DOT JS930GC2- 74



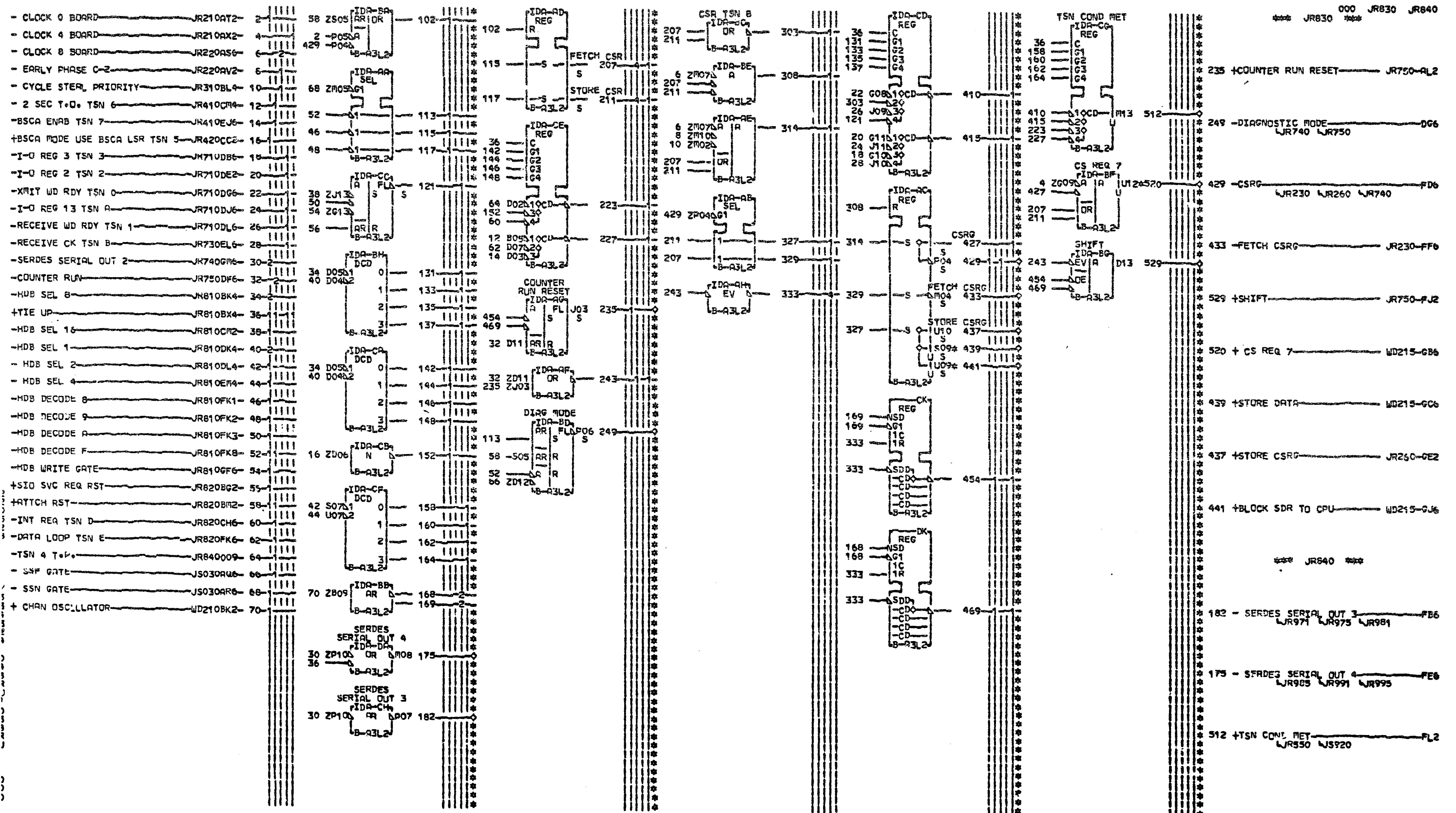
*** JR810 ***
 000 JR810 JR820
 259 -HDB SEL 8 BK4
 QJR610 WJR660 WJR670 WJR730
 WJR840
 189 -TIE UP JR840-BX4
 521 -HDB SEL 16 CM2
 WJR610 WJR670 WJR840
 245 -HDB SEL 1 DK4
 QJR410 WJR610 WJR660 WJR670
 WJR730 WJR840
 238 -HDB SEL 2 DL4
 QJR410 WJR610 WJR660 WJR670
 WJR730 WJR840
 375 -EXT TO A REG JR710-EC6
 424 -WRITE EXTERNAL JR720-EH6
 588 -SELECT EXTERNAL EK6
 WJR250 WJR640
 231 -HDB SEL 4 EM4
 QJR410 WJR610 WJR660 WJR670
 WJR730 WJR840
 331 -HDB DECODE 8 JR830-FK1
 332 -HDB DECODE 9 JR830-FK2
 333 -HDB DECODE A JR840-FK3
 338 -HDB DECODE F JR830-FK8
 515 -SEL 1ST HDB GD4
 WJR610 WJR640
 366 -HDB WRITE GATE GF6
 WJR610 WJR620 WJR670 WJR840
 309 -BLOCK MBAR SET JR620-966
 *** JR820 ***
 275 -LINE SELECTION B BB6
 WJR961 WJR965
 436 -SID SVC REQ RST JR840-B62
 531 -ATTCH RST BM2
 WJR750 WJR830
 581 -REC DATA JR710-CC6
 540 -SID SVC REQ ADAPT BUSY CF2
 350 -INT REQUEST CH2
 WJR350 WJR360
 354 -INT REQ TSN D JR840-CH6
 278 -LINE SELECTION C FA6
 WJR971 WJR975
 272 -LINE SELECTION A FC2
 WJR951 WJR955
 281 -LINE SELECTION D FF6
 WJR981 WJR985
 344 -DATA LOOP TSN E FK6
 WJR740 WJR840
 284 -LINE SELECTION E FA6
 WJR991 WJR995

LOC. TYPE
B-A3L2 AF81

PAGE VER EC LEV
JR810 000 825022
JR820 000 825032

GENERAL CONTROLS		
HDB DFCODE AND GATING		
E.C. HISTORY	C. MACH. IDA-SM19	
825022		
FRAME	01	JR810
DATE	LAST EC	IBM CORP. GSD JR820
09-29-75	825032	P.No. 4234356 000

JR810
JR820
000



EDGE CONN.
 439 B-A3V4B02
 01B-A3U4B02
 441 B-A3V4B04
 01B-A3U4B04
 520 B-A3V5D07
 01B-A3U5D07

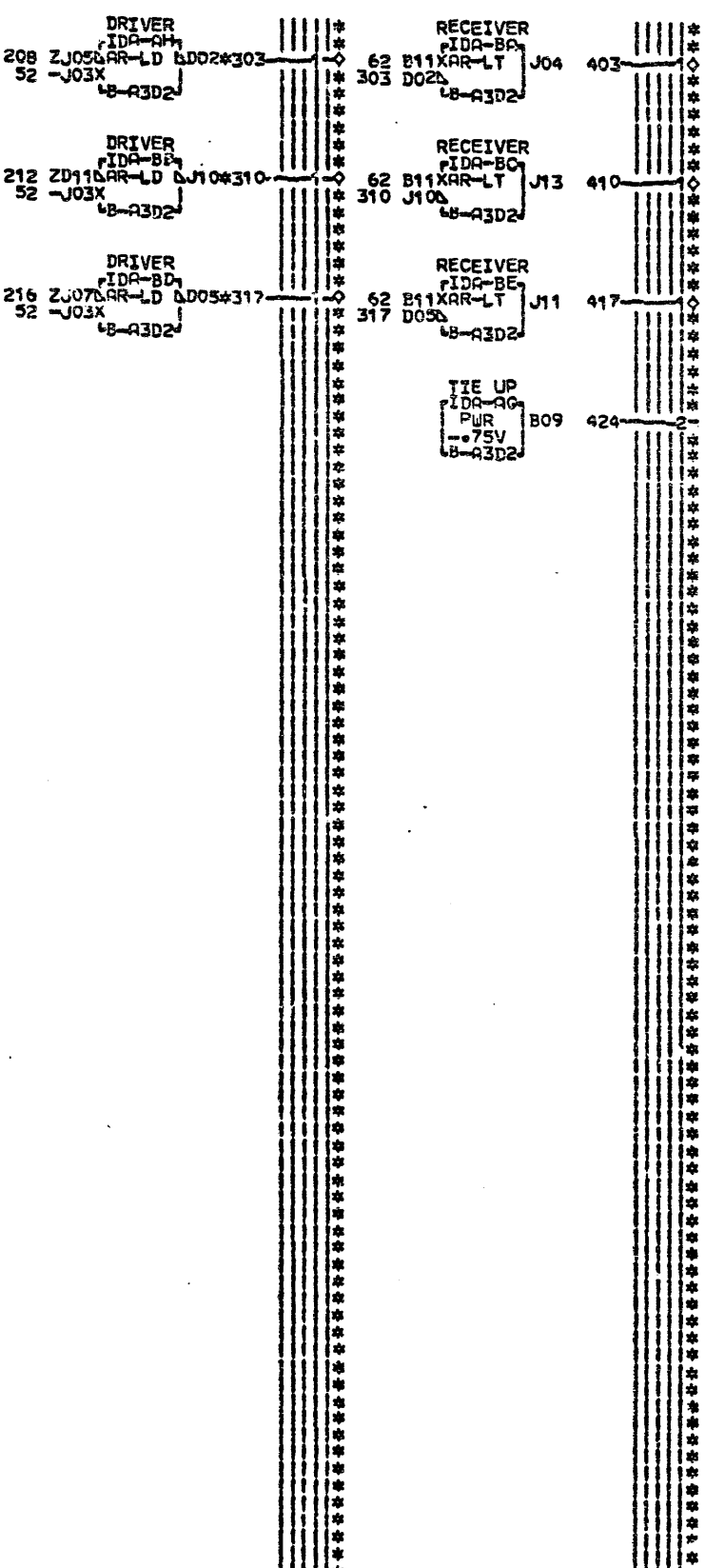
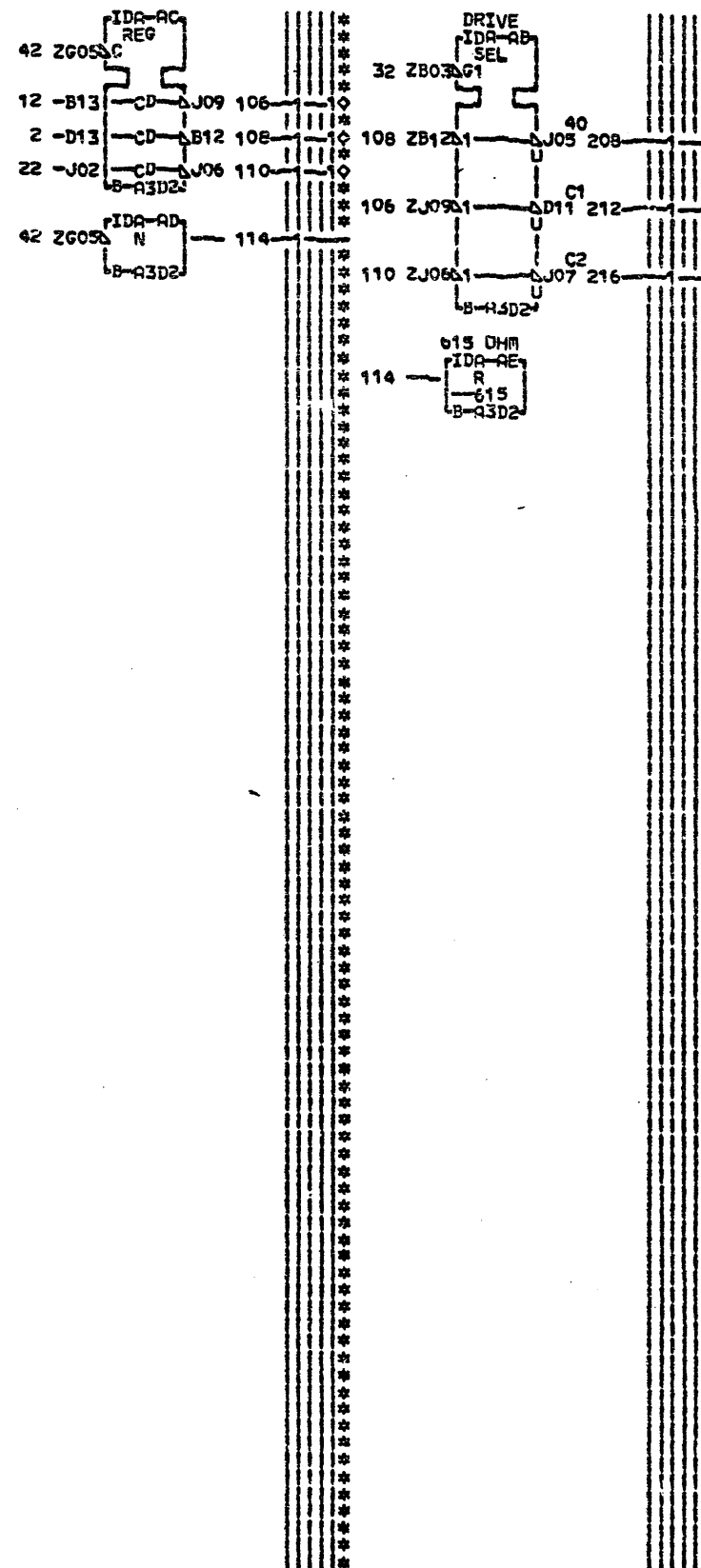
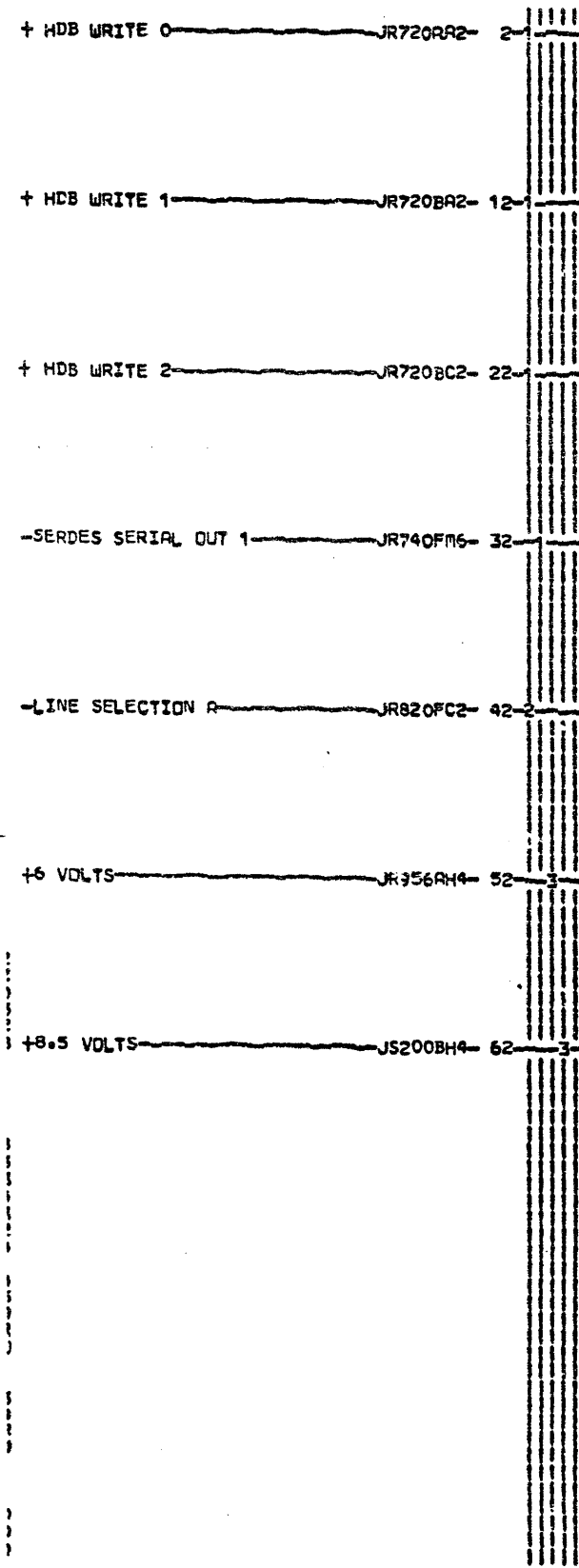
LOC. TYPE
 B-A3L2 AF81

PAGE VER EC LEV
 JR830 000 825022
 JR840 000 825022

GENERAL CONTROLS
 CYCLE STEAL + DIAGNOSTIC MODE
 E.C.-HISTORY - C-MACH-IDA-SM15

FRAME 01 JR830
 IBM CORP.-OSD JR840
 DATE LAST EC 06-19-75 825022
 P.No. 4214357 000

JR830
 JR840
 000



000 JR951 JR954
 *** JR951 ***
 108 - SET 40 TEST POINT
 106 - SET C1 TEST POINT
 110 - SET C2 TEST POINT
 519 + SERIAL SER DOT
 *** JR952 ***
 303 - DEVICE 40 LINE INPUT/OUTPUT
 403 RCVD SIG 40 TP
 *** JR953 ***
 310 - DEVICE C1 LINE INPUT/OUTPUT
 410 RCVD SIG C1 TP
 *** JR954 ***
 317 - DEVICE C2 LINE INPUT/OUTPUT
 417 RCVD SIG C2 TP

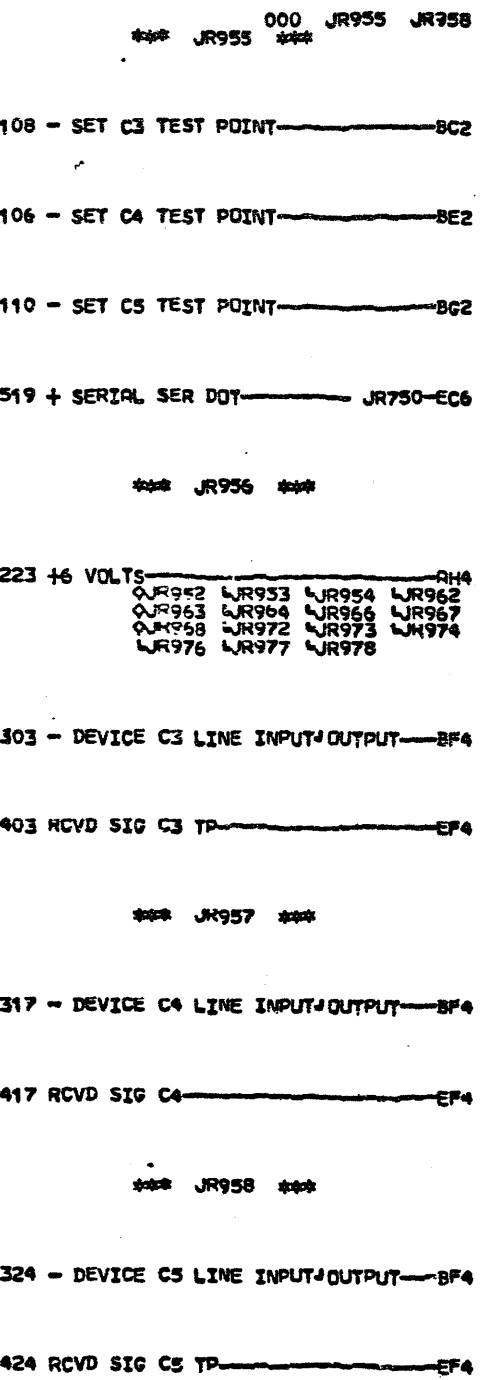
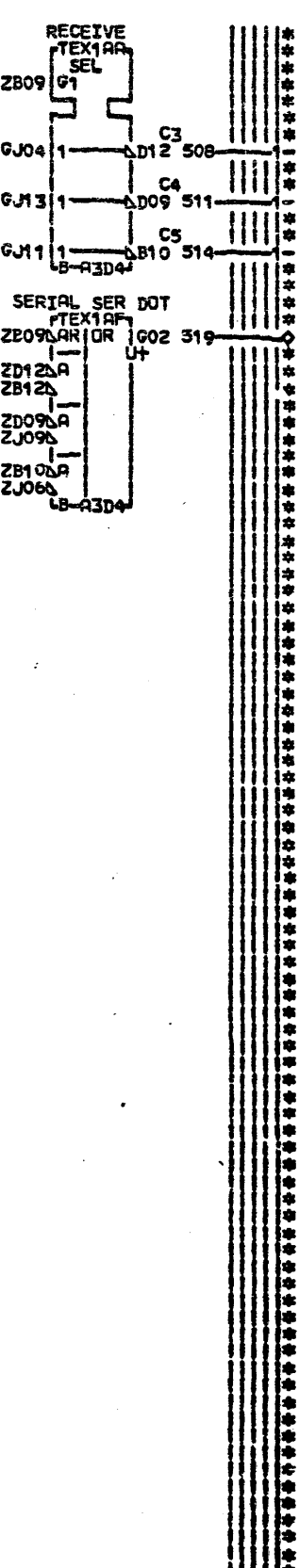
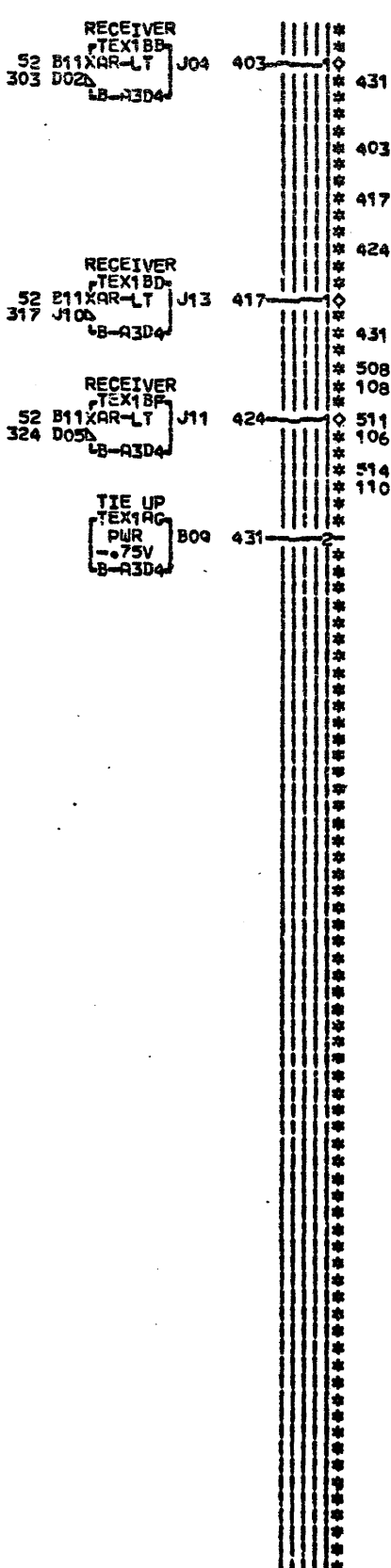
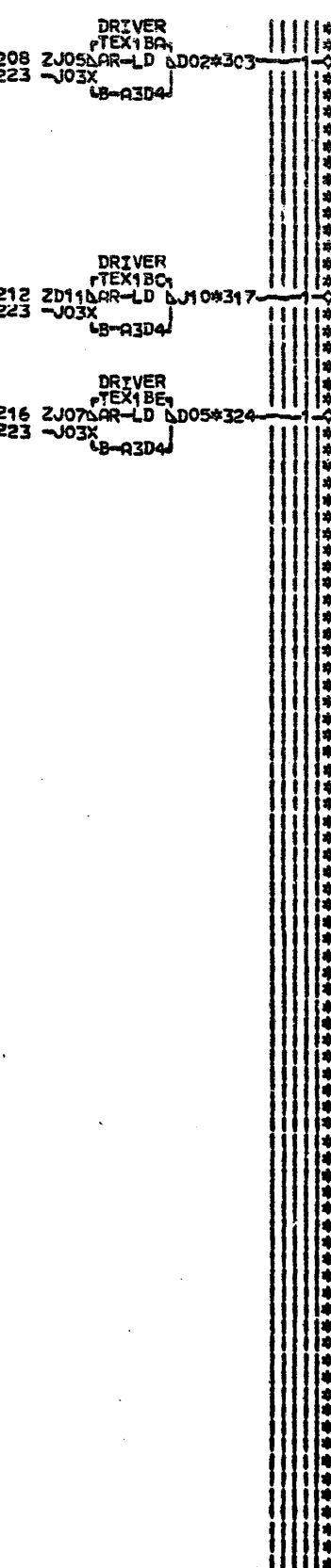
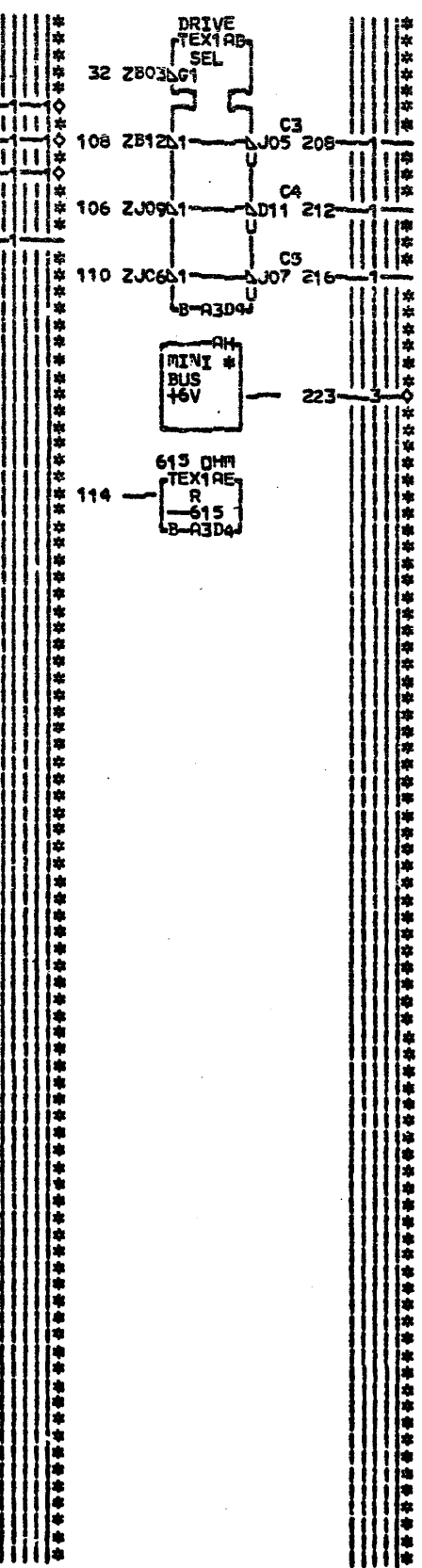
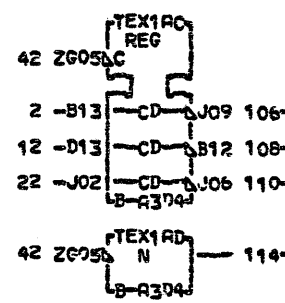
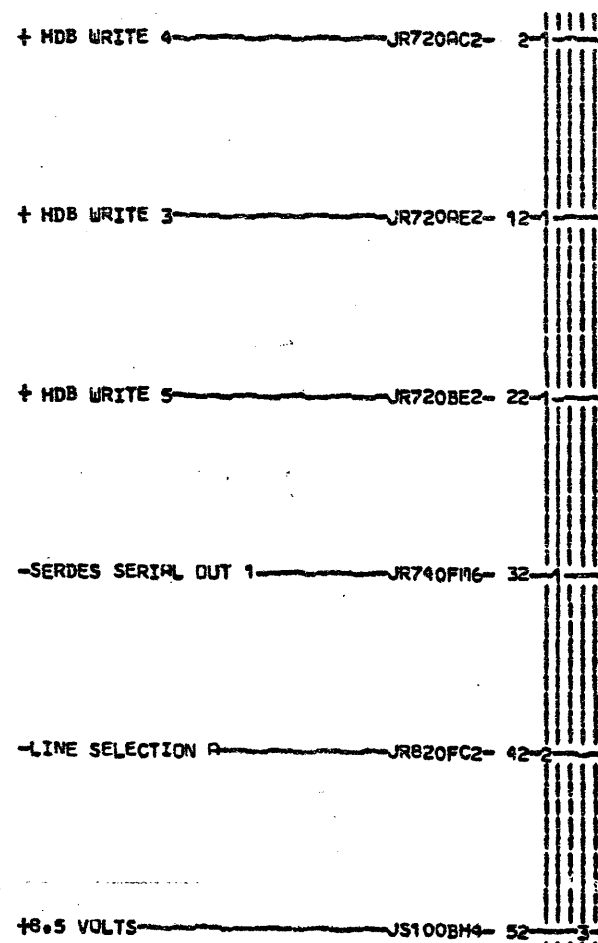
EDGE CONN.
 303 B-A3A2B02
 310 B-A3A2D07
 317 B-A3A2D13

LOC. TYPE
 B-A3D2 AF78

PAGE VER EC LEV
 JR951 000 825022
 JR952 000 825022
 JR953 000 825022
 JR954 000 825022

TRIPLE LINE DRIVER/RECEIVER
 E-C-HISTORY C-MACH IDA-SM15
 FRAME 01 JR951
 IBM CORP. JR954
 DATE LAST EC
 06-19-75 825022 P.No. 4234358 000

1 JR951
 1 JR954
 1 000



EDGE CONN.
 303 B-A3A3B02
 317 B-A3A3D07
 324 B-A3A3D13

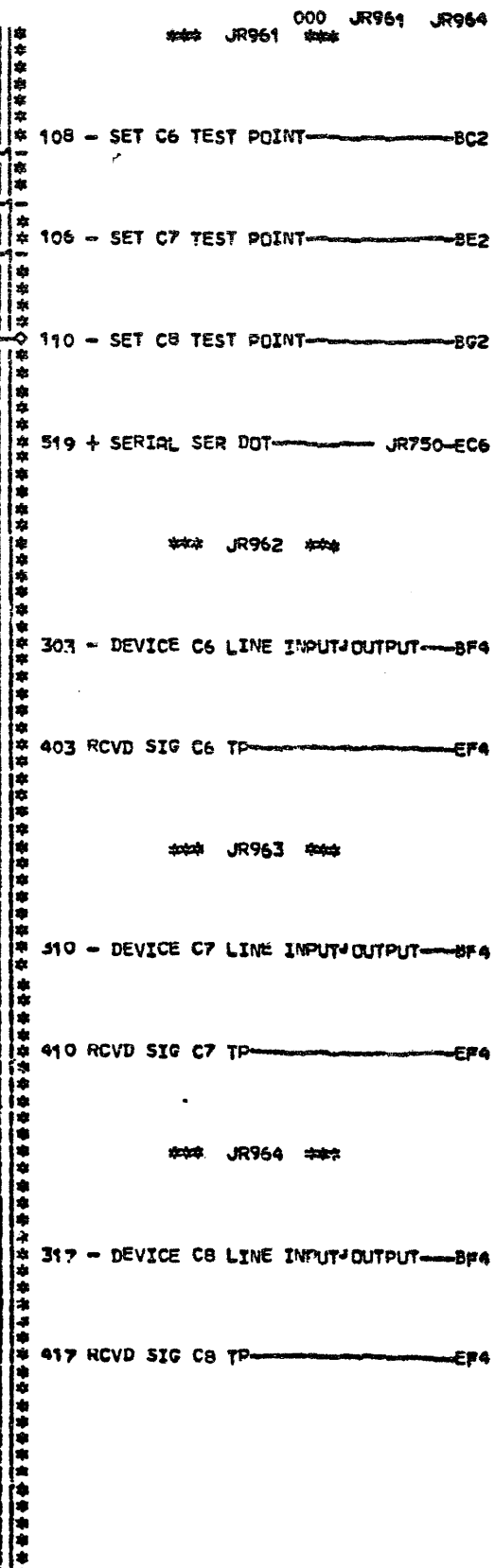
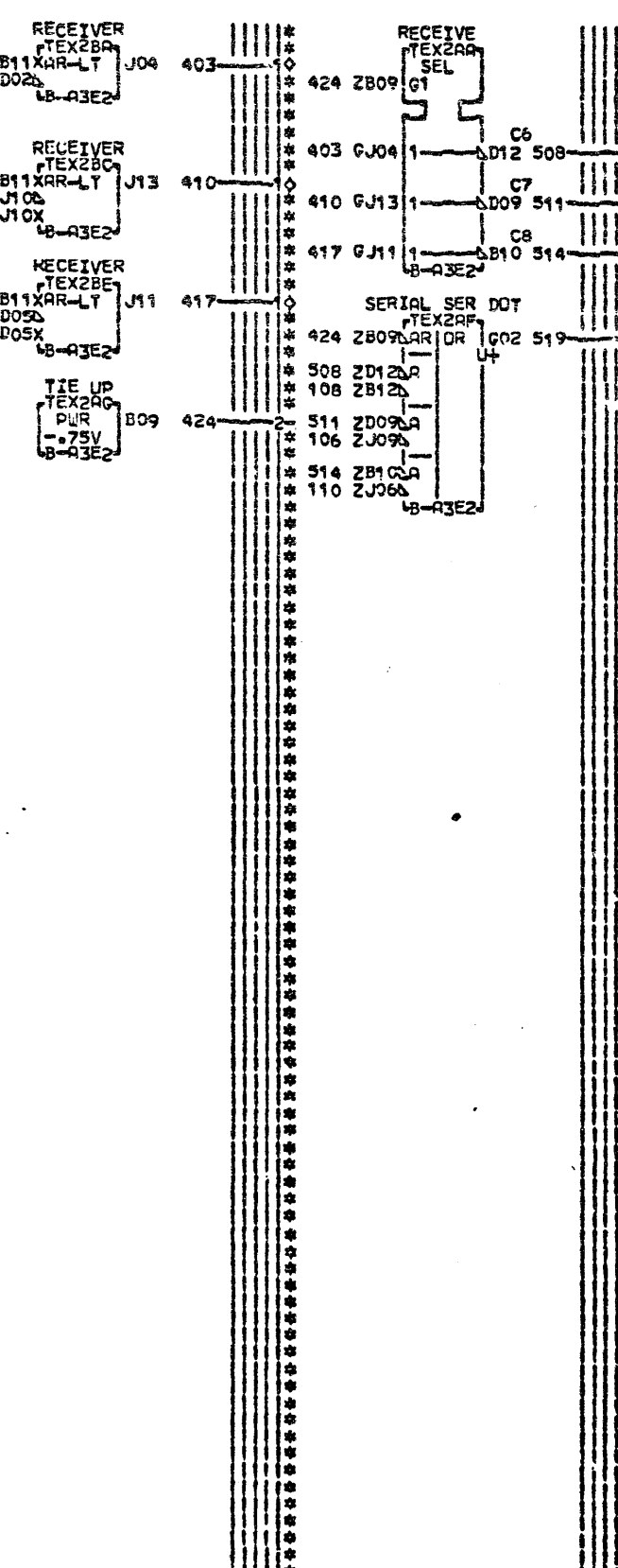
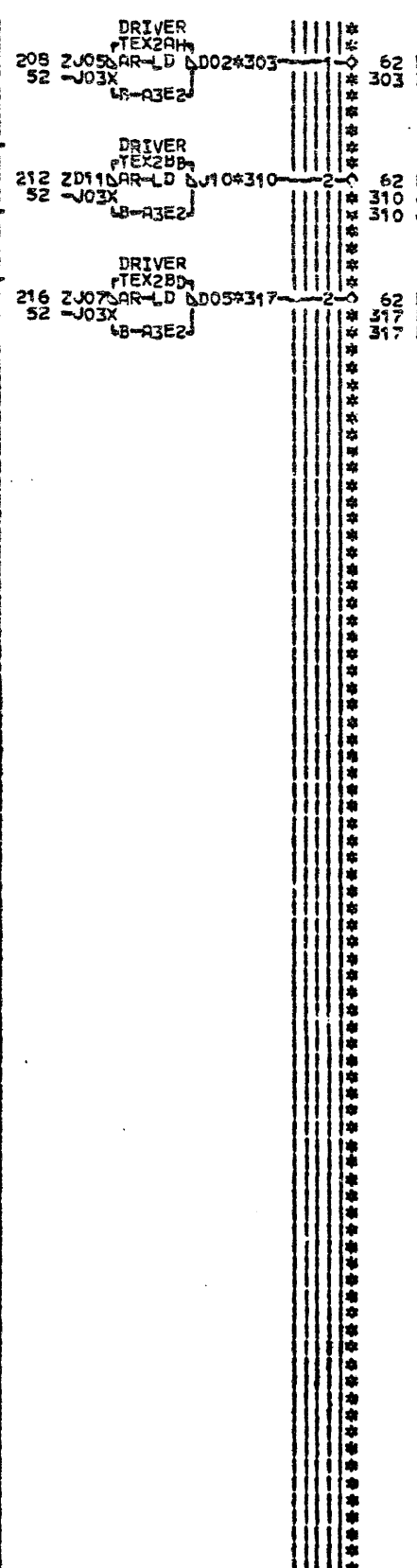
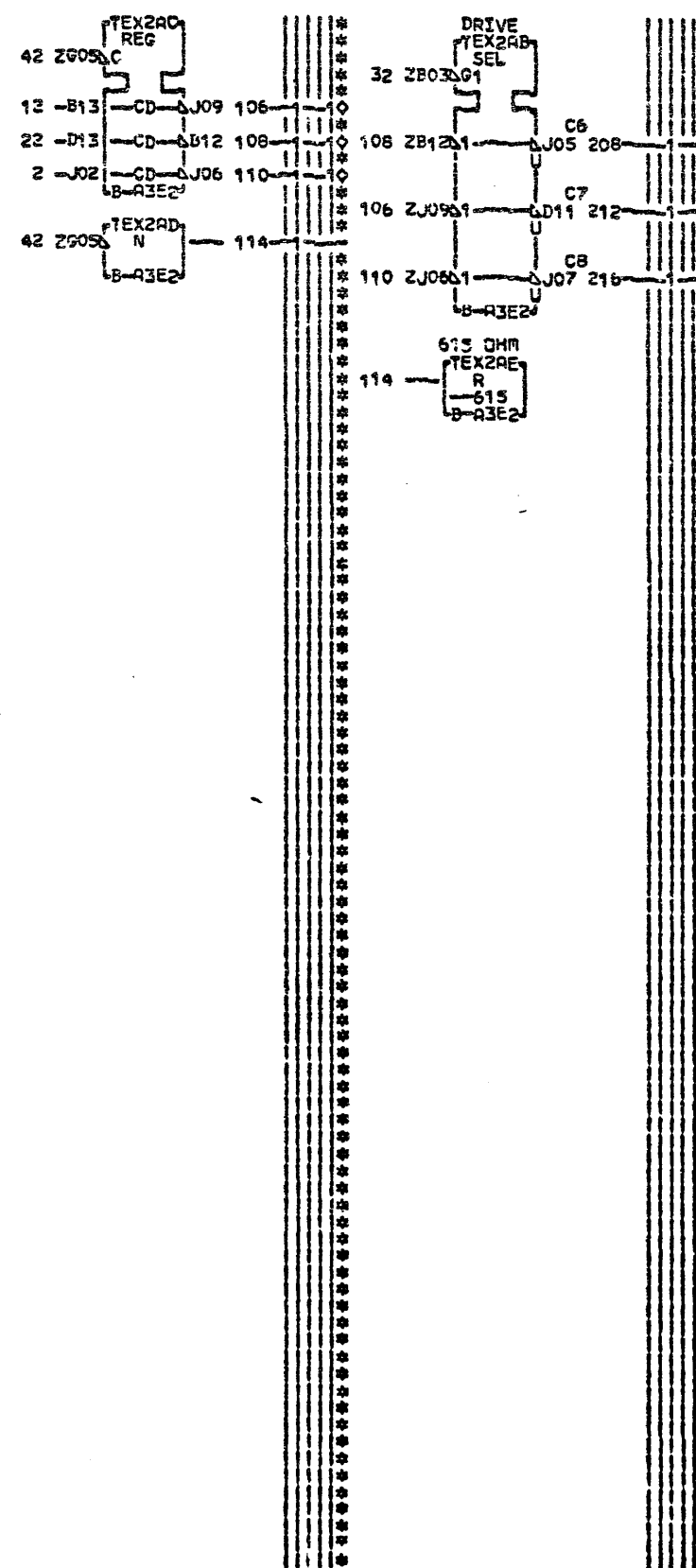
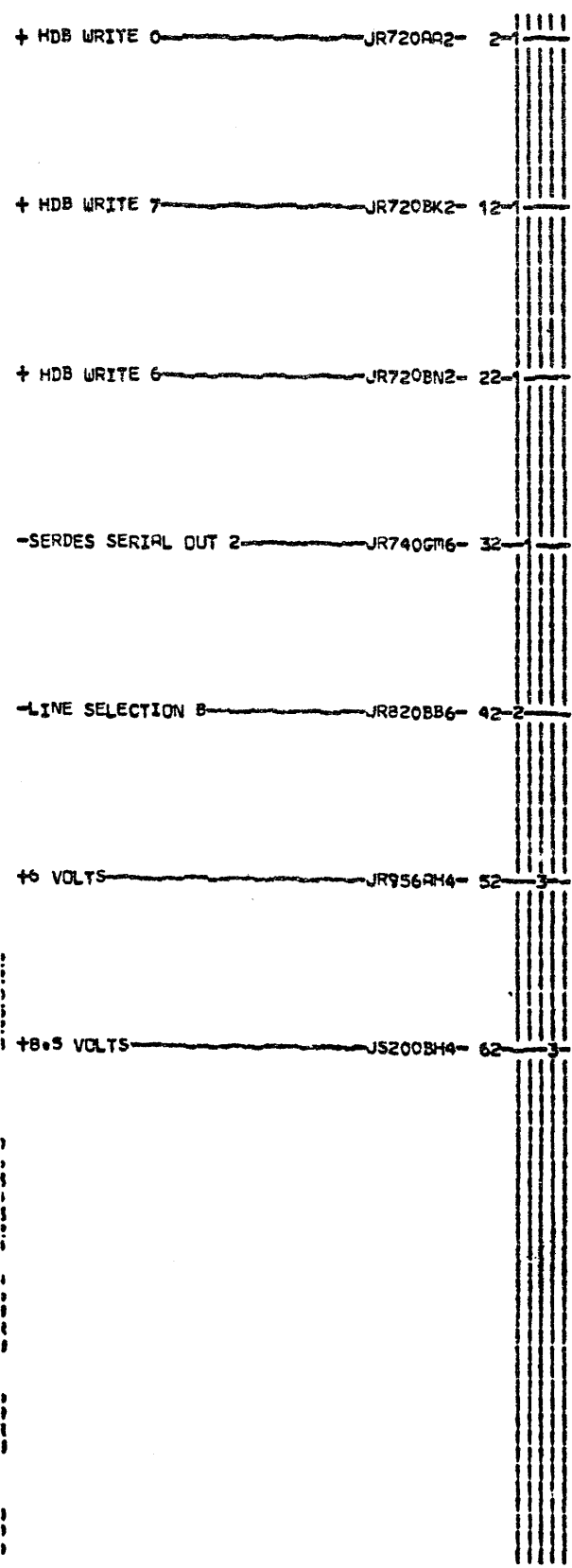
LOC. TYPE
 B-A3D4 R78

PAGE VER EC LEV
 JR955 000 825022
 JR956 000 825022
 JR957 000 825022
 JR958 000 825022

TRIPLE LINE DRIVER/RECEIVER			
E.C. HISTORY	C	RACH. IDA-SM15	
DATE	LAST EC	IBR CORP.	
06-19-75	825022	P.No. 4234359	000

JR955
 JR956
 000

MACH. IDA-SM15
 IBR CORP.
 P.No. 4234359



000 JR961 JR964
 *** JR961 ***

*** JR962 ***

*** JR963 ***

*** JR964 ***

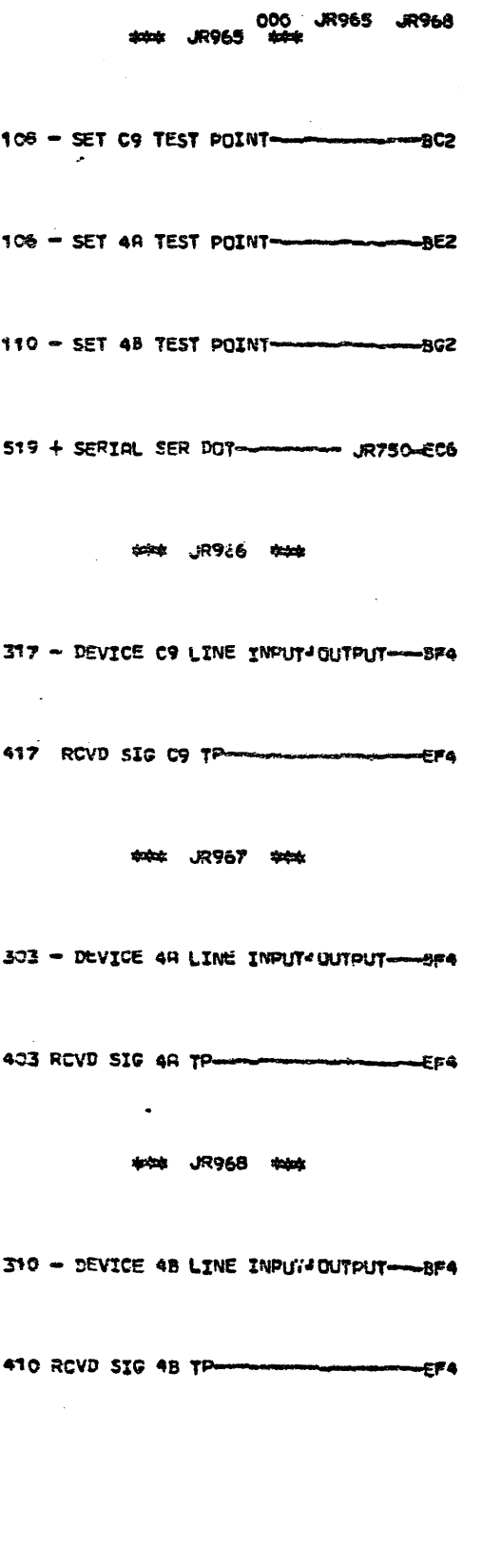
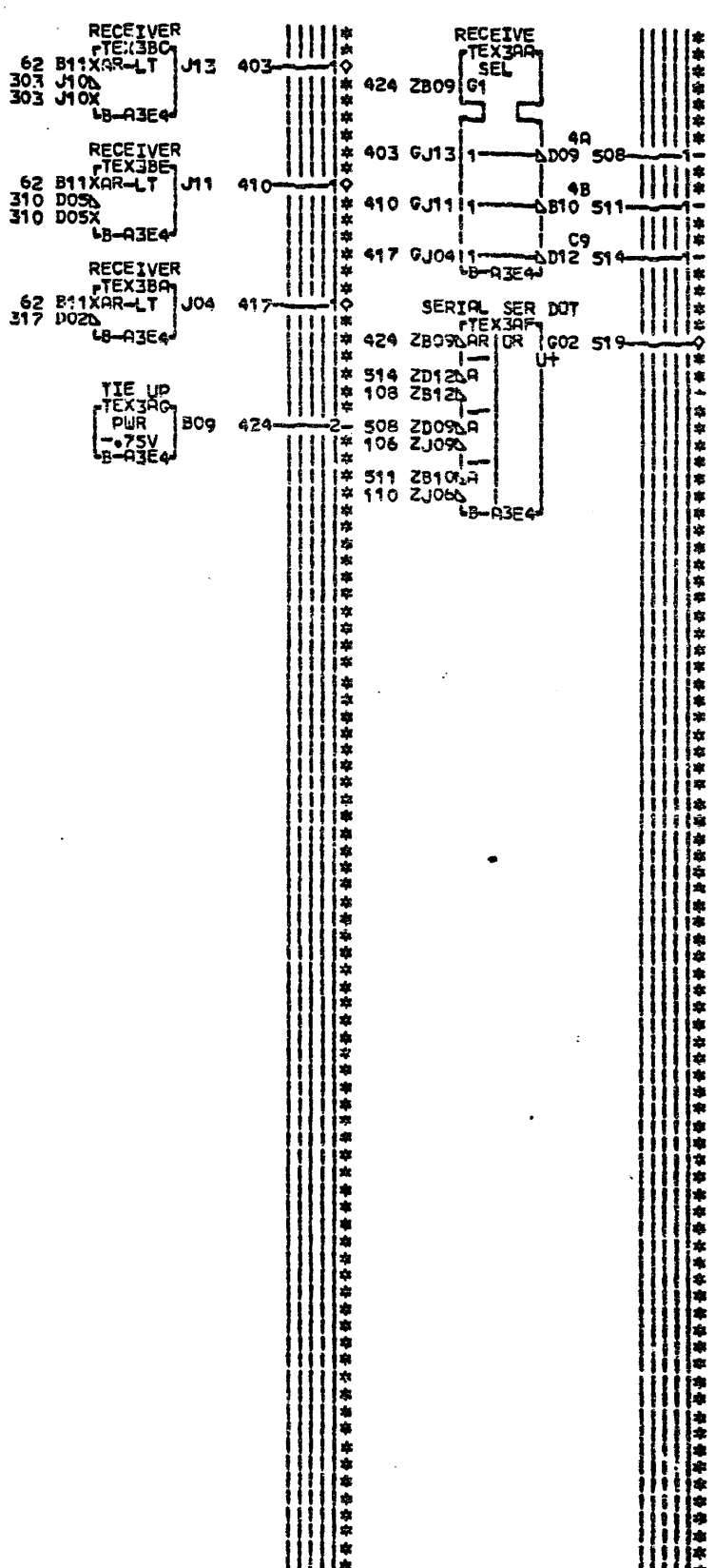
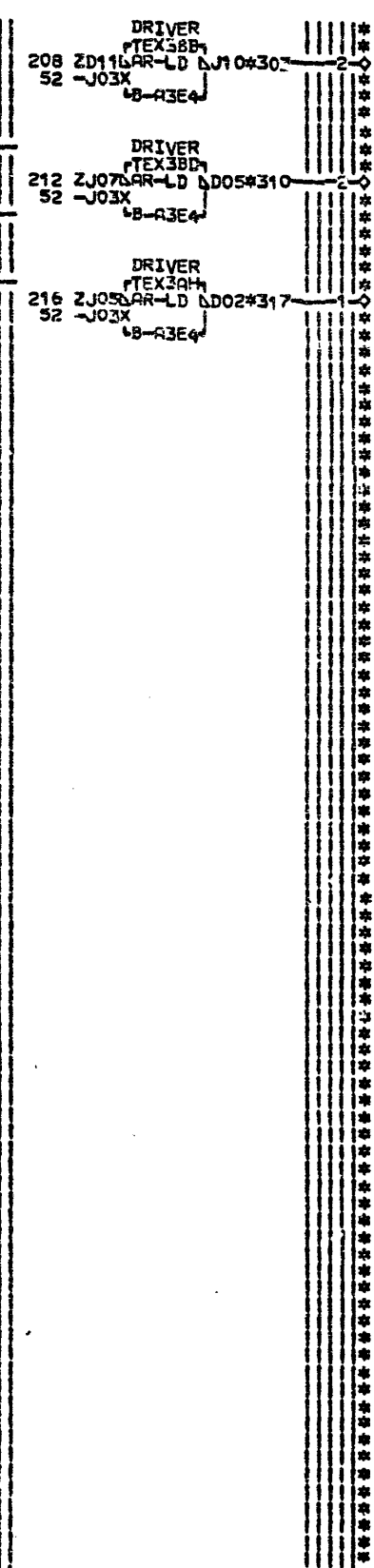
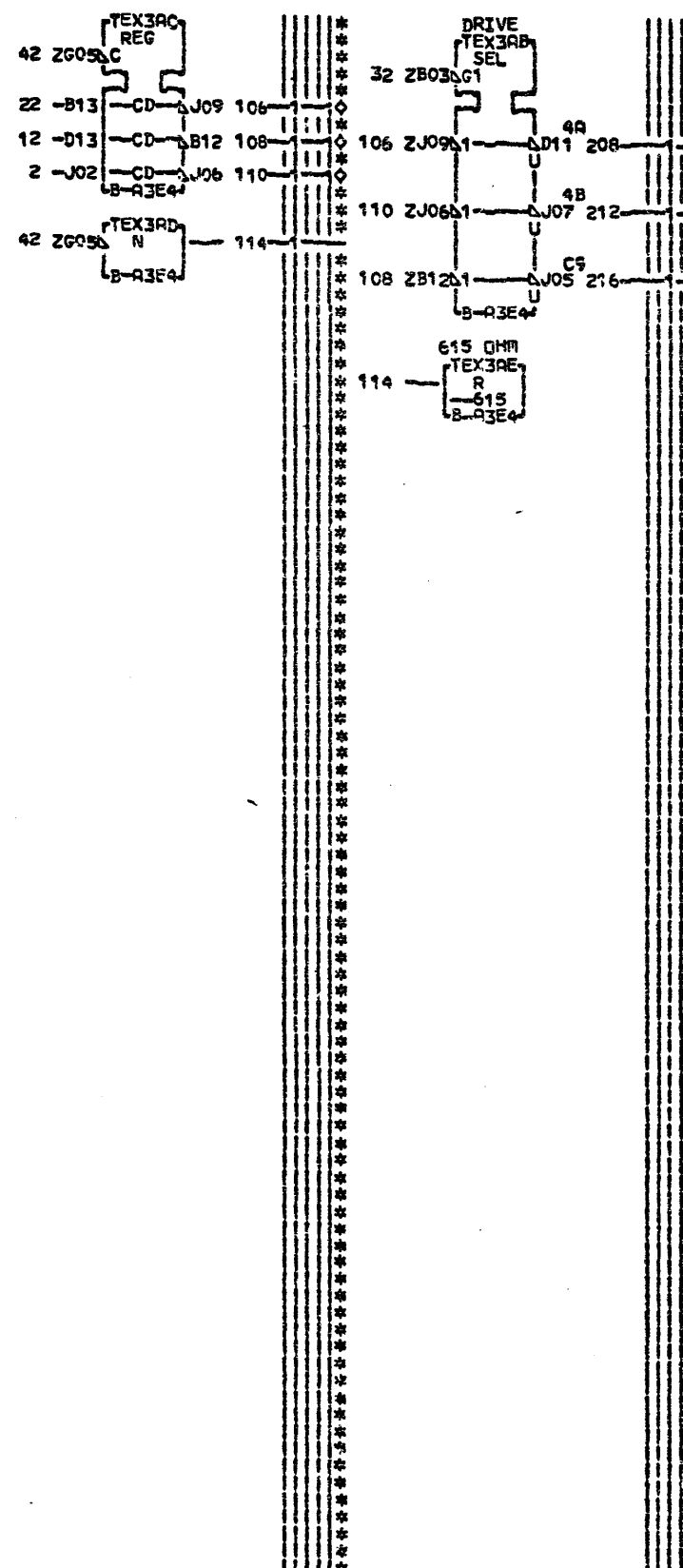
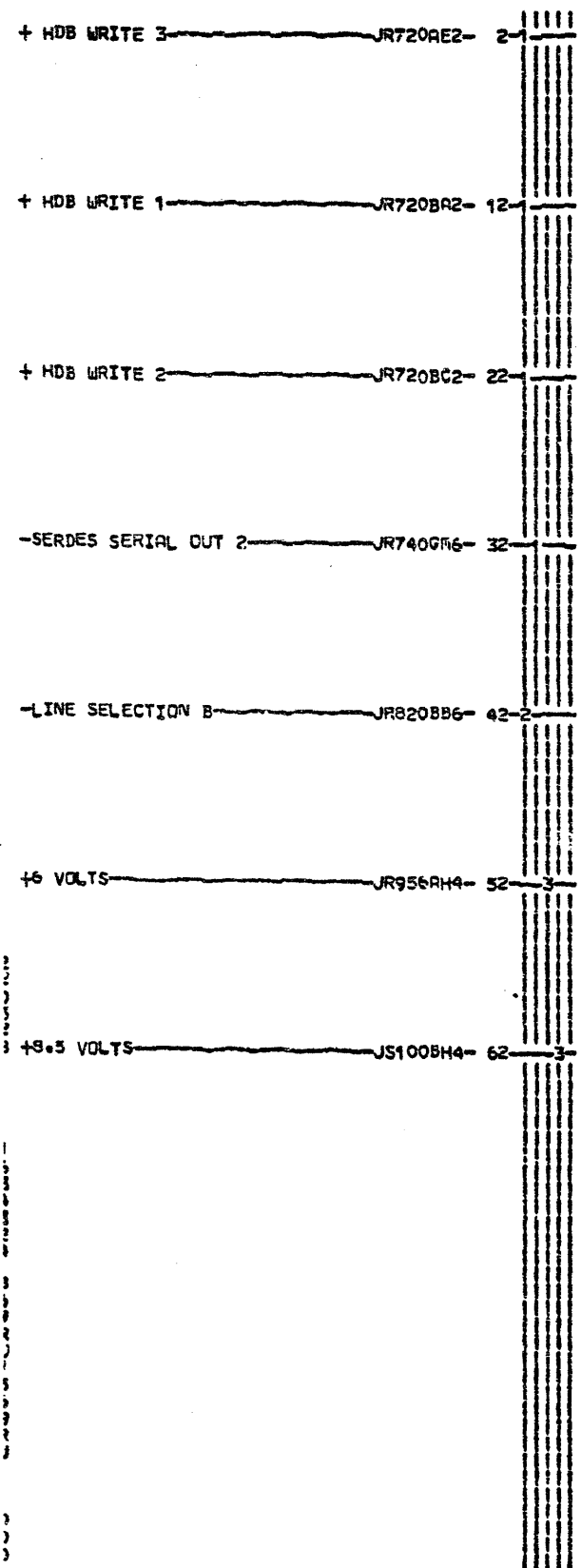
EDGE CONN.
 303 B-A3A4B02
 310 B-A3A4D07
 317 B-A3A4D13

LOC. TYPE
 B-A3E2 AF78

PAGE VER EC LEV
 JR961 000 825022
 JR962 000 825022
 JR963 000 825022
 JR964 000 825022

JR961
 JR964
 000

TRIPLE LINE DRIVER/RECEIVER			
—E-C—HISTORY	C	MACH. I.D.A-SM15	
DATE	LAST EC	FRAME	01 JR961
06-19-75	825022	IBM CORP.	JR964
		P.No.	4234360 000



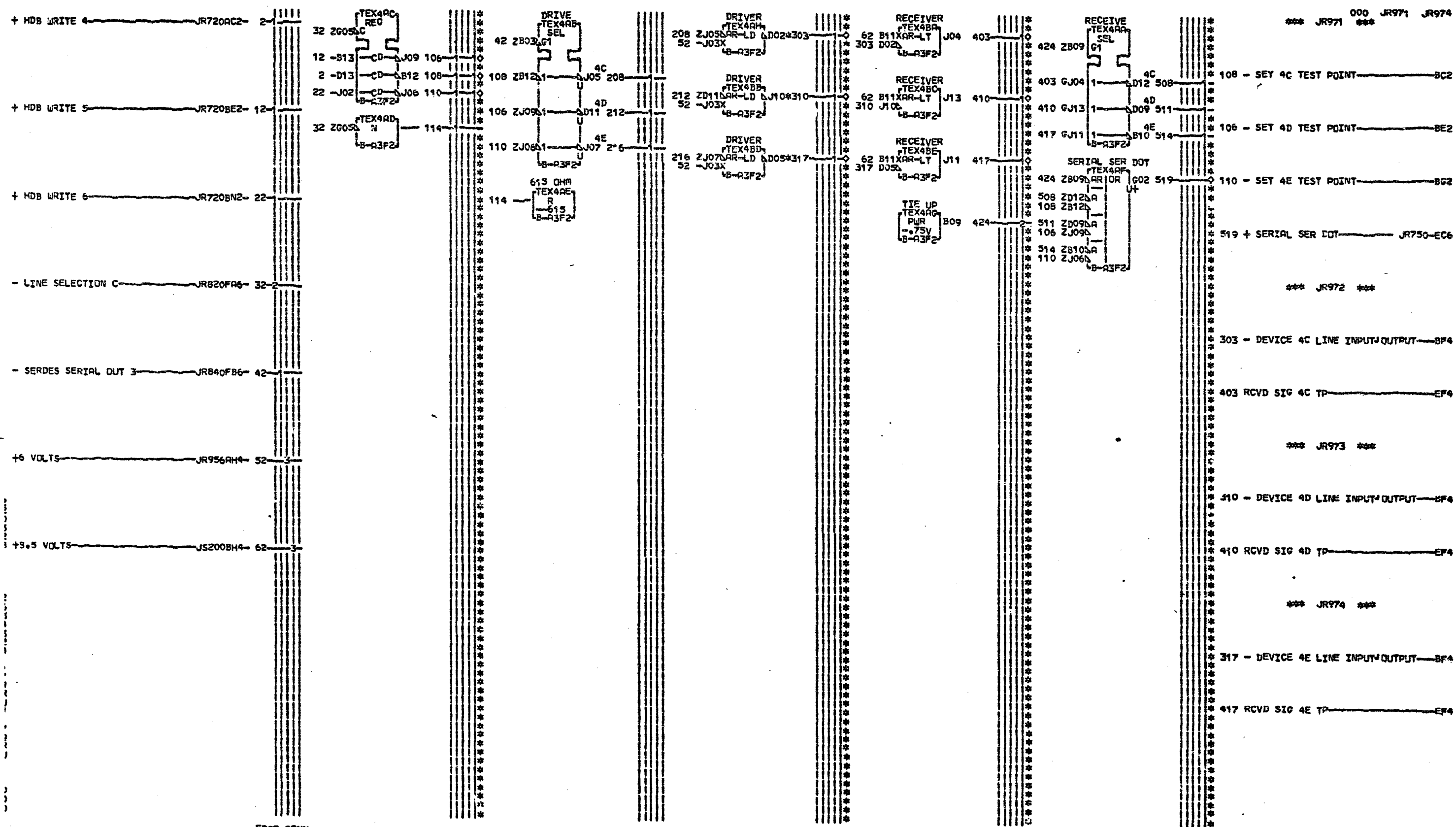
EDGE CONN.
 303 B-A3ASD07
 310 B-A3ASD13
 317 B-A3ASB02

LOC. TYPE
 B-A3E4 AF78

PAGE VER EC LEV
 JR965 000 825022
 JR966 000 825022
 JR967 000 825022
 JR968 000 825022

1 JR965
 1 JR968
 1 000

TRIPLE LINE DRIVER/RECEIVER			
-E-C-HISTORY-	C-MACH-IDA-SM15	FRAME	01 JR965
		IBR CORP.	JR968
DATE	LAST EC	IP#	4234361 000
06-19-75	825022		



000 JR971 JR974
 *** JR971 ***

*** JR972 ***

*** JR973 ***

*** JR974 ***

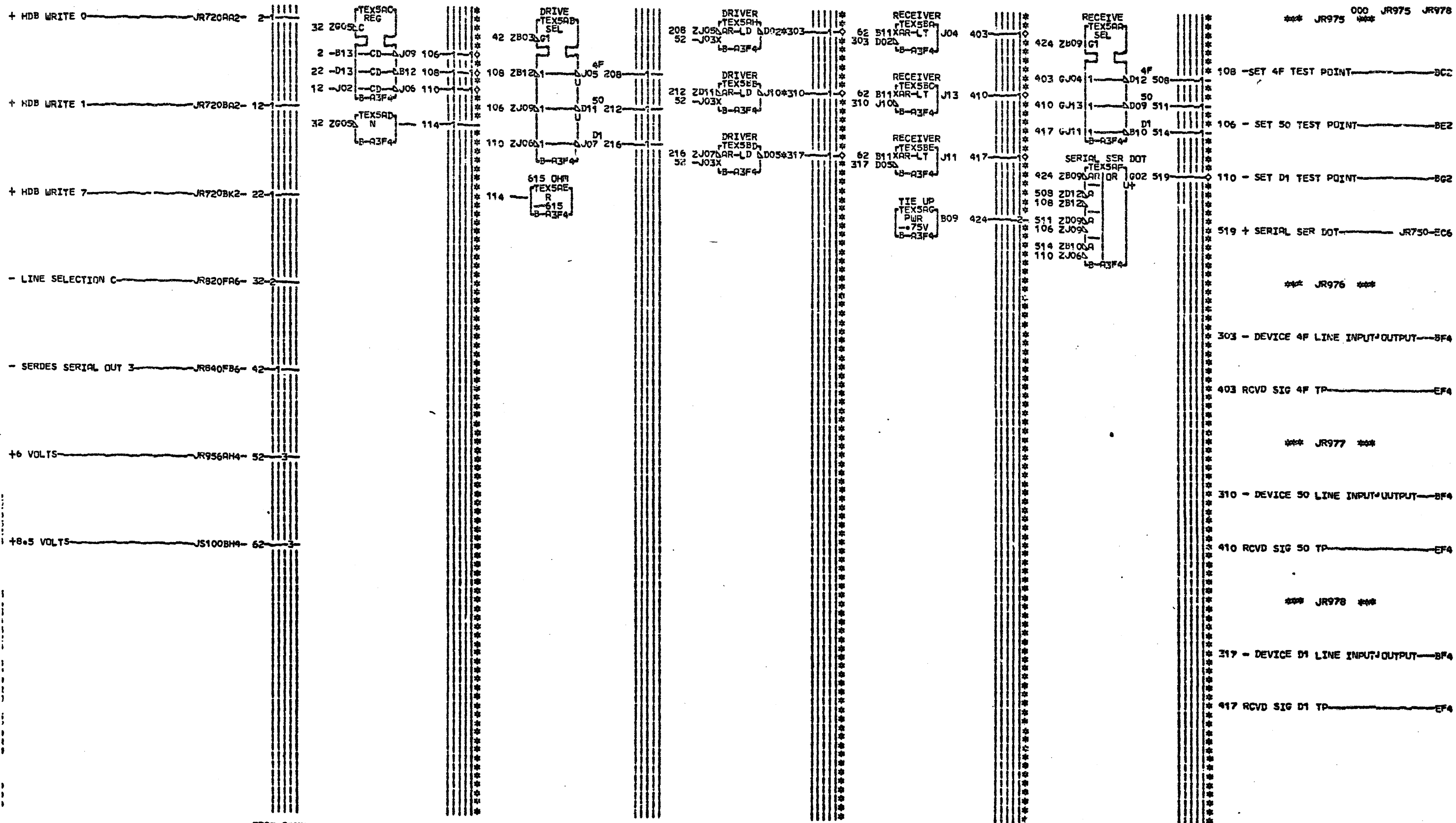
EDGE CONN.
 303 B-A3B2B02
 310 B-A3B2D07
 317 B-A3B2D13

LOC. TYPE
 B-A3F2 AF78

PAGE VER EC LEV
 JR971 000 825022
 JR972 000 825022
 JR973 000 825022
 JR974 000 825022

TRIPLE LINE DRIVER/RECEIVER			
E-C-HISTORY	C-MACH-IDR-SM15	FRAME	01 JR971
DATE	LAST EC	IBA CORP.	JR974
06-19-75	825022	P.No	4234362 000

JR971
 J. 974
 000



000 JR975 JR978
 *** JR975 ***

*** JR976 ***

*** JR977 ***

*** JR978 ***

EDGE CONN.
 303 B-A3B3802
 310 B-A3B3807
 317 B-A3B3813

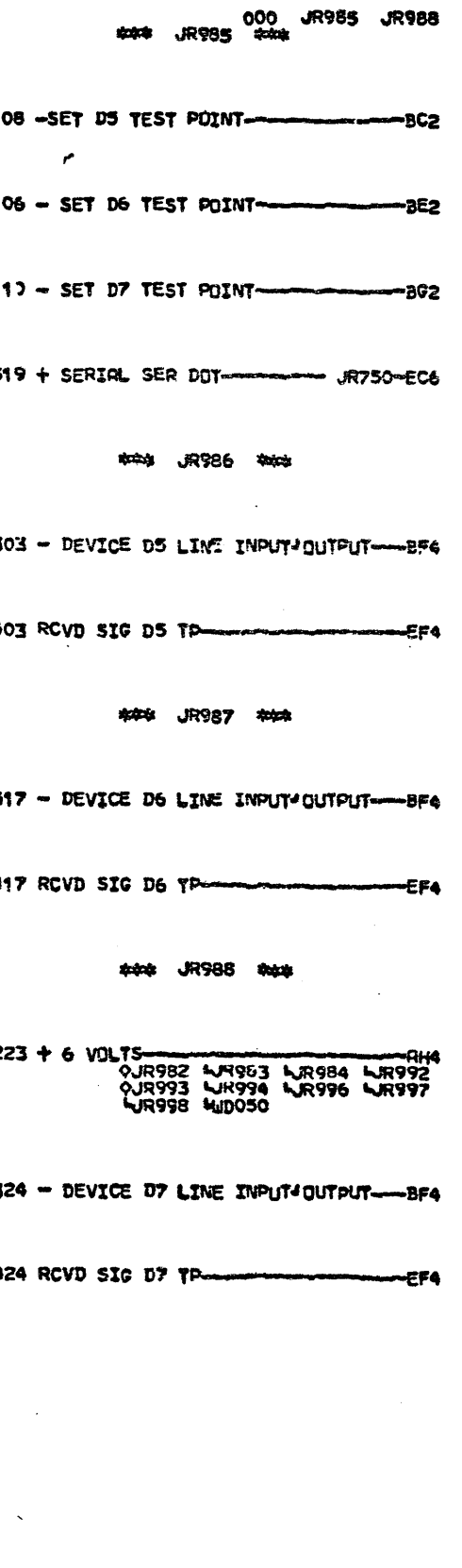
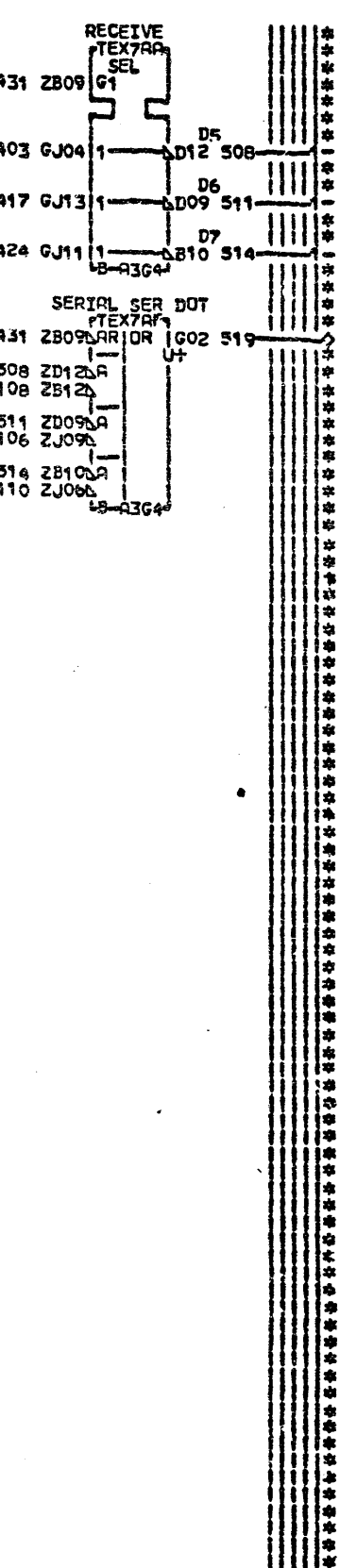
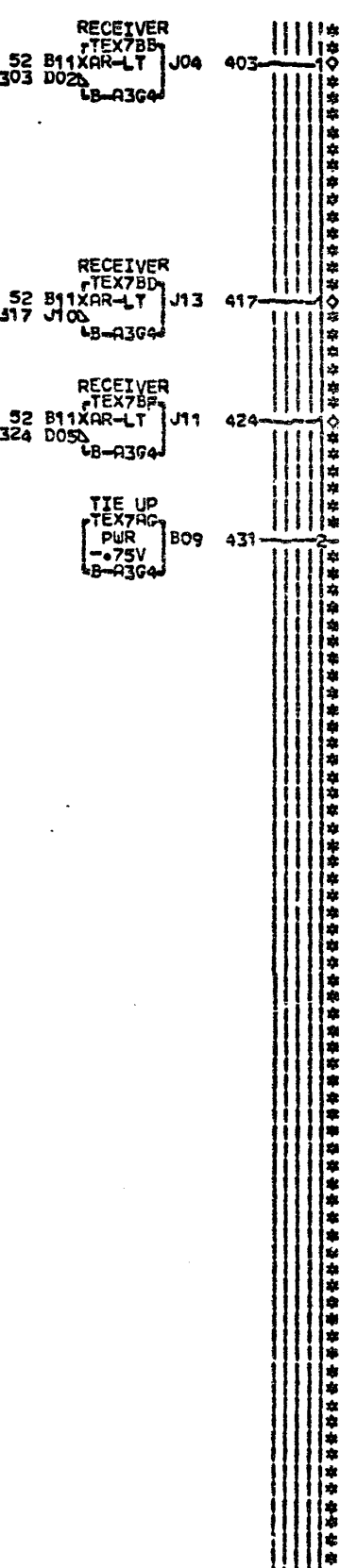
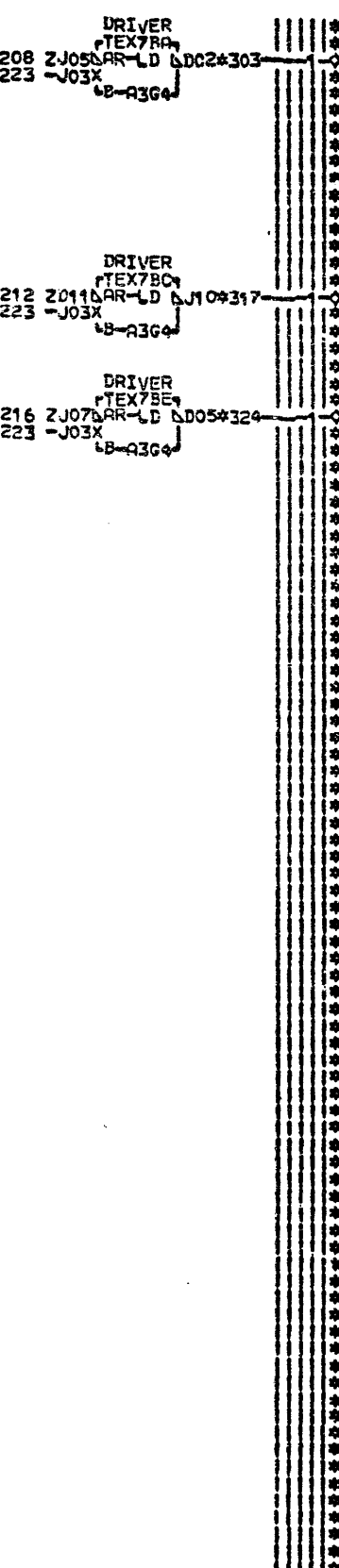
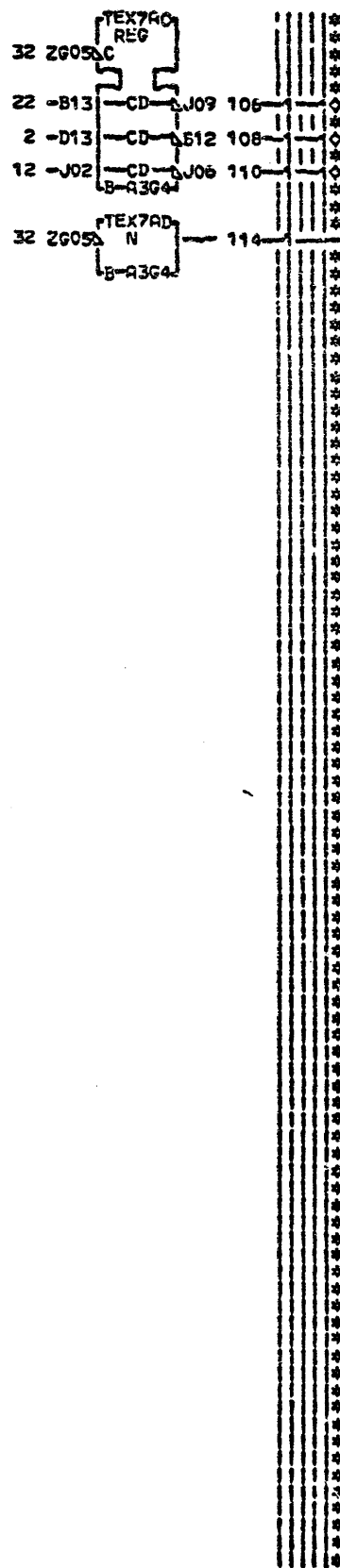
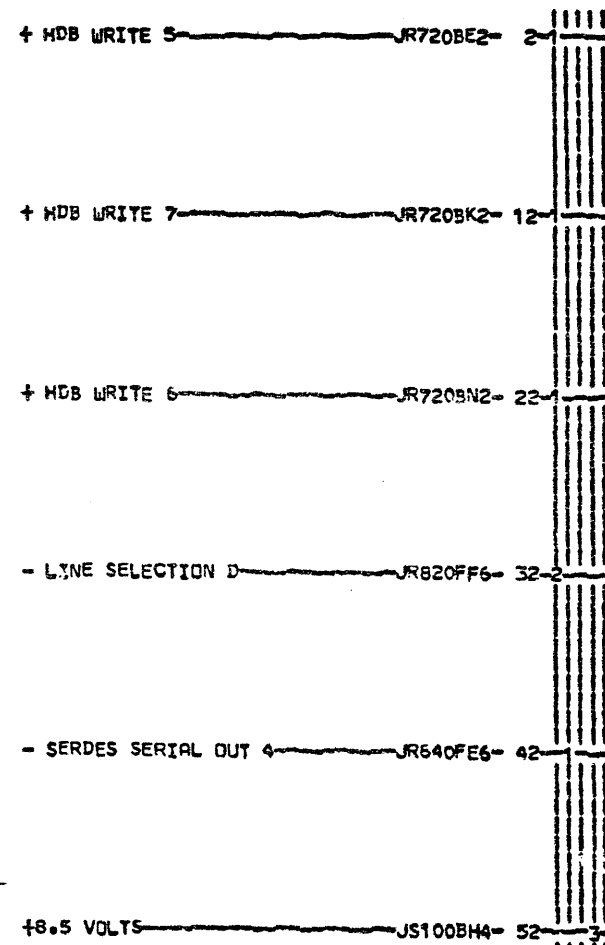
LOC. TYPE
 B-A3F4 AF78

PAGE VER EC LEV
 JR975 000 825022
 JR976 000 825022
 JR977 000 825022
 JR978 000 825022

TRIPLE LINE DRIVER/RECEIVER			
E-C-HISTORY	C-RACH-IDA-SM15	FRWME	01 JR975
DATE	LAST EC	IBM CORP.	JR978
06-19-75	825022	P.N. 4234363	000

JR975
 JR978
 000

ORIGINAL DRAWING BY T.M.M. 8/15/75



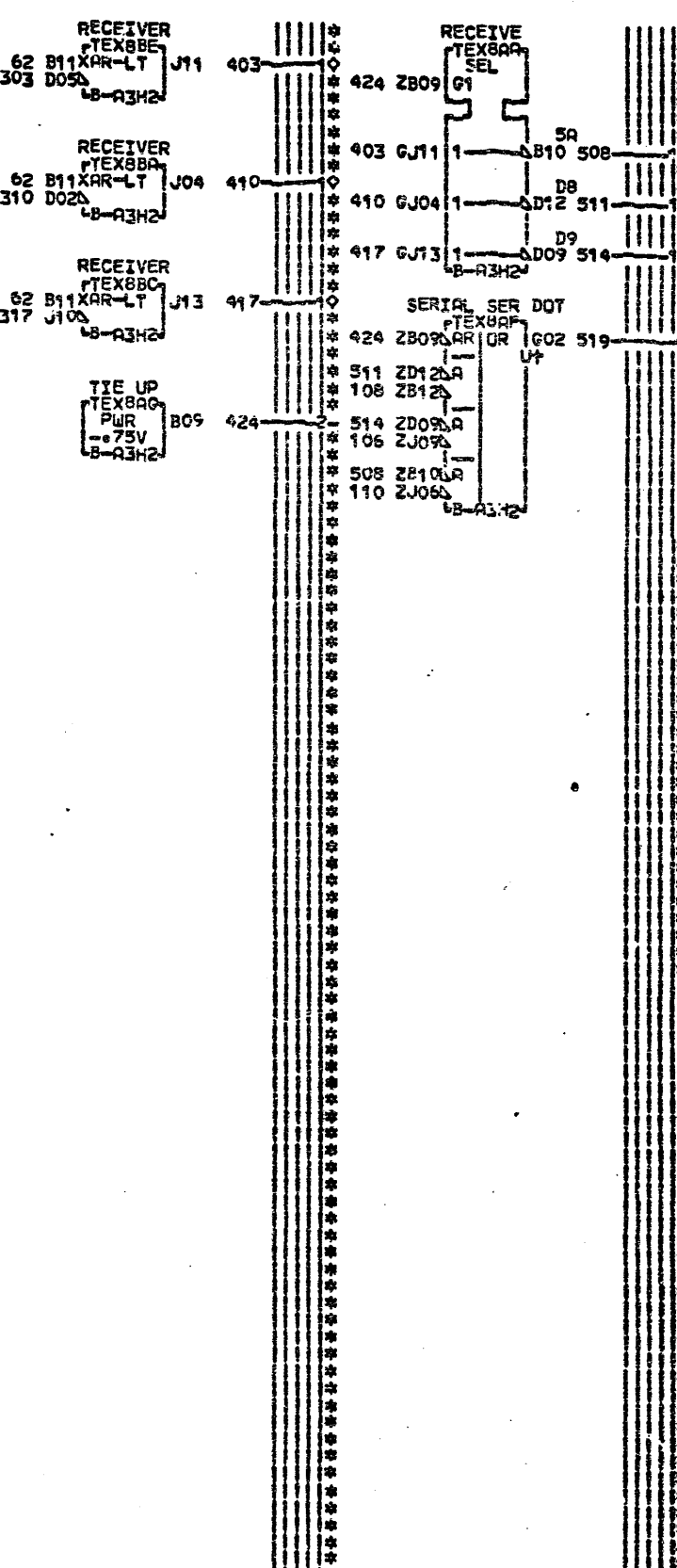
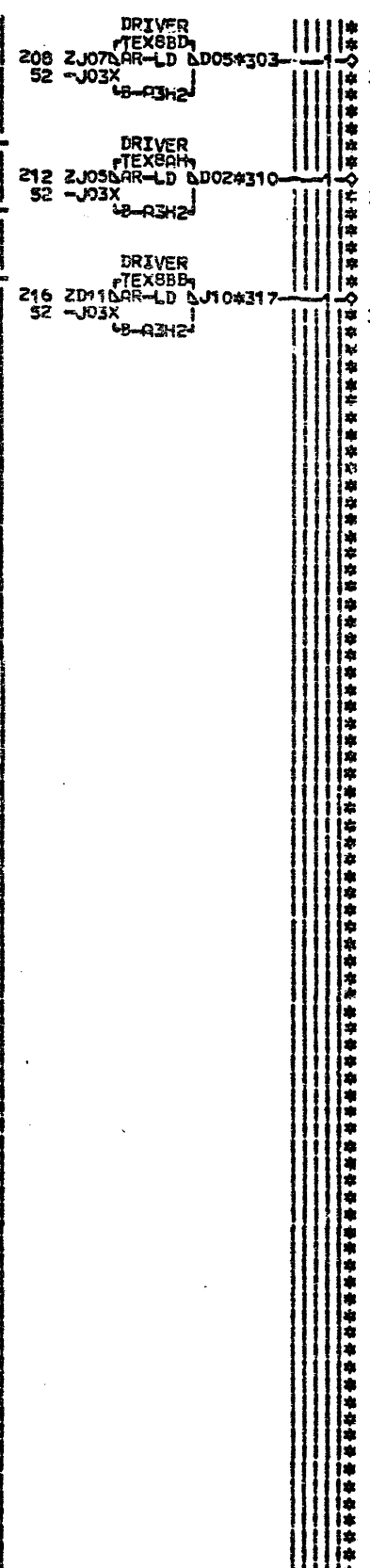
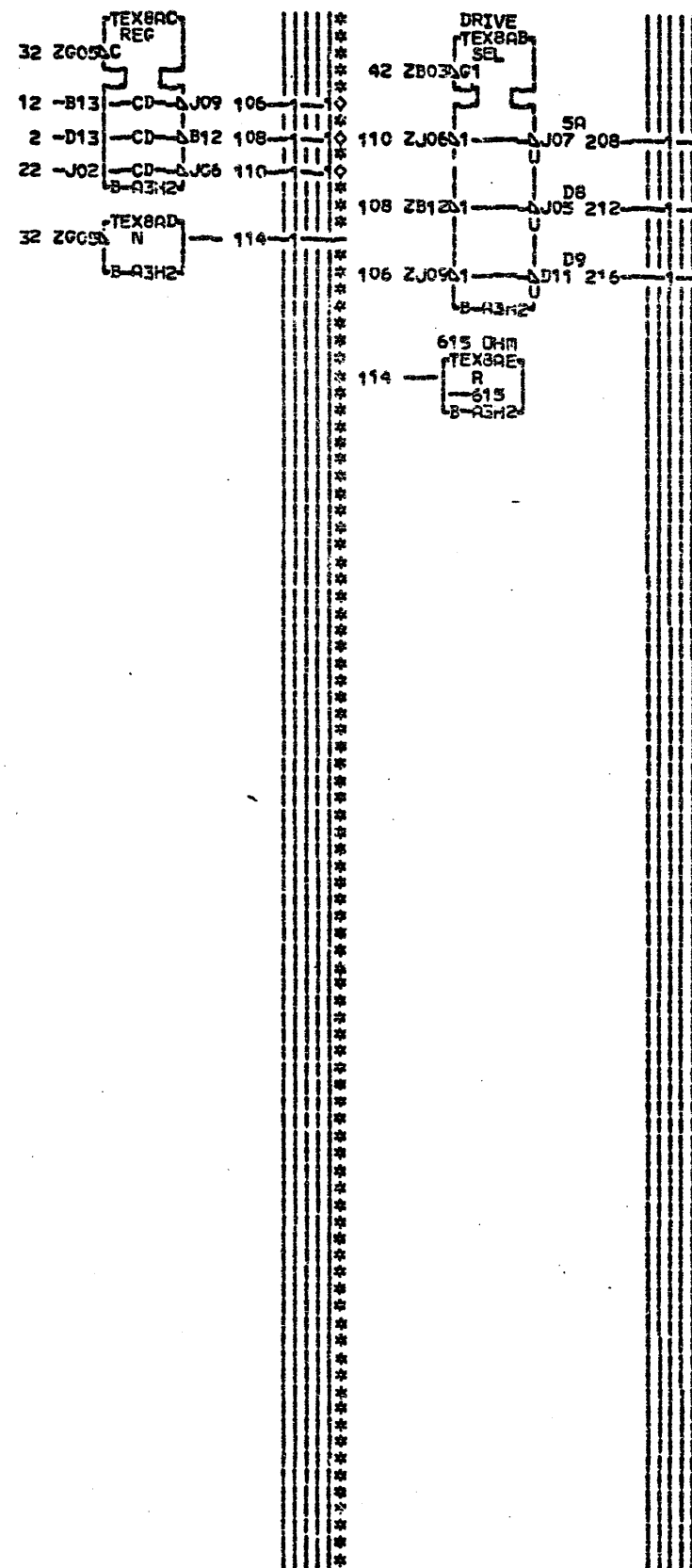
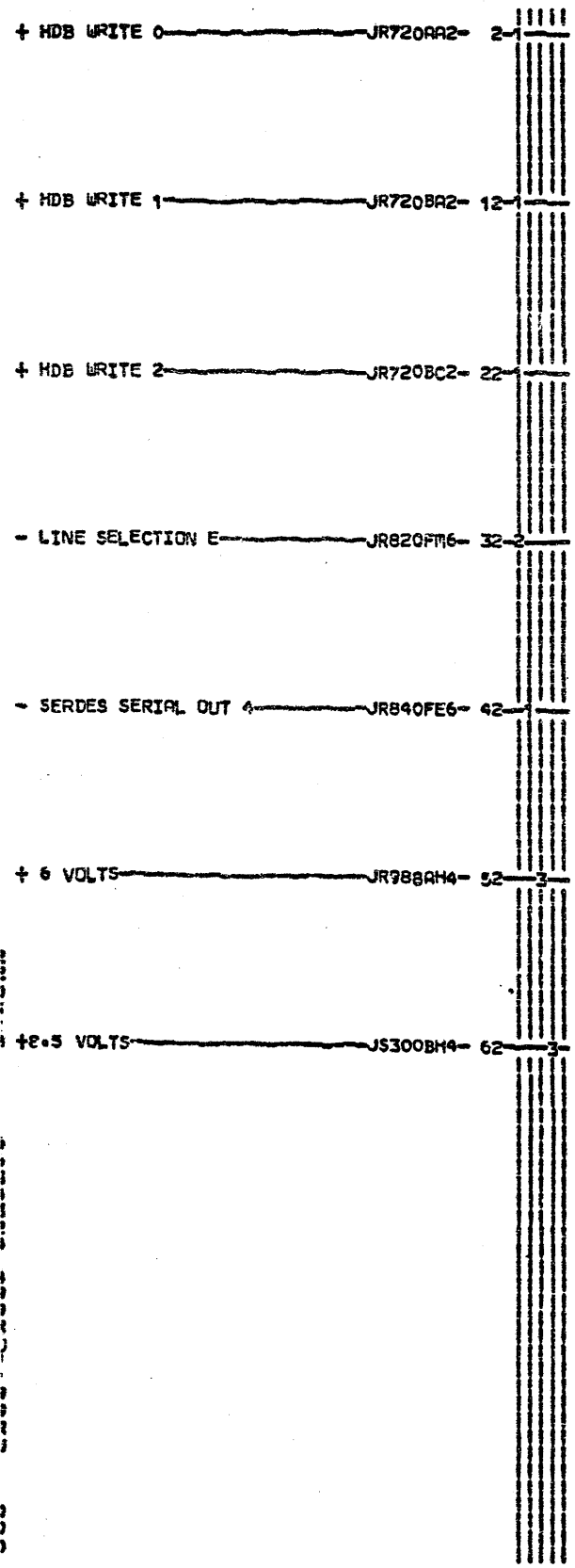
EDGE CONN.
 303 B-A3B5B02
 317 B-A3B5D07
 324 B-A3B5D13

LOC. TYPE
 B-A3G4 NF78

PAGE VER EC LEV
 JR985 000 825022
 JR986 000 825022
 JR987 000 825022
 JR988 000 825022

TRIPLE LINE DRIVER/RECEIVER	
-E-C-HISTORY-	C-MACH-IDA-SM15
DATE	LAST EC
06-19-75	825022
FRAME	01 JR985
IBN CORP.	JR988
IP.No	4234365
	000

JR985
 JR988
 000



000 JR991 JR994
 *** JR991 ***

108 - SET DB TEST POINT - BC2

106 - SET D9 TEST POINT - BE2

110 - SET SA TEST POINT - BG2

519 + SERIAL SER DOT - JR750-EC6

*** JR992 ***

310 - DEVICE DB LINE INPUT/OUTPUT - BF4

410 RCVD SIG DB TP - EF4

*** JR993 ***

317 - DEVICE D9 LINE INPUT/OUTPUT - BF4

417 RCVD SIG D9 TP - EF4

*** JR994 ***

303 - DEVICE SA LINE INPUT/OUTPUT - BF4

403 RCVD SIG SA TP - EF4

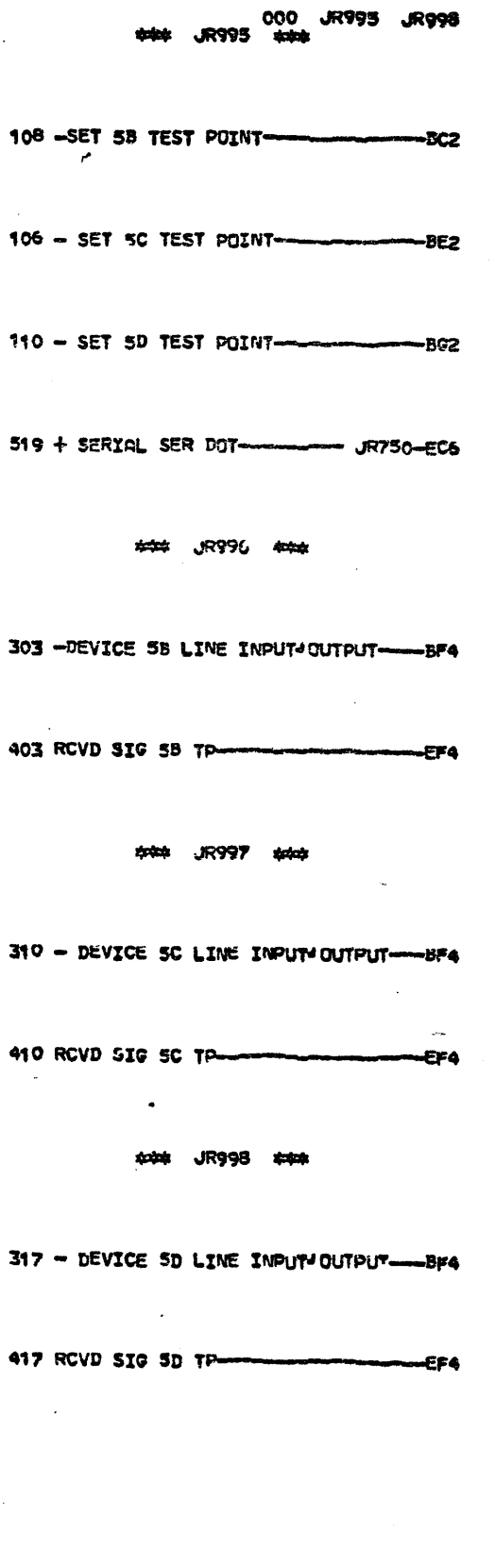
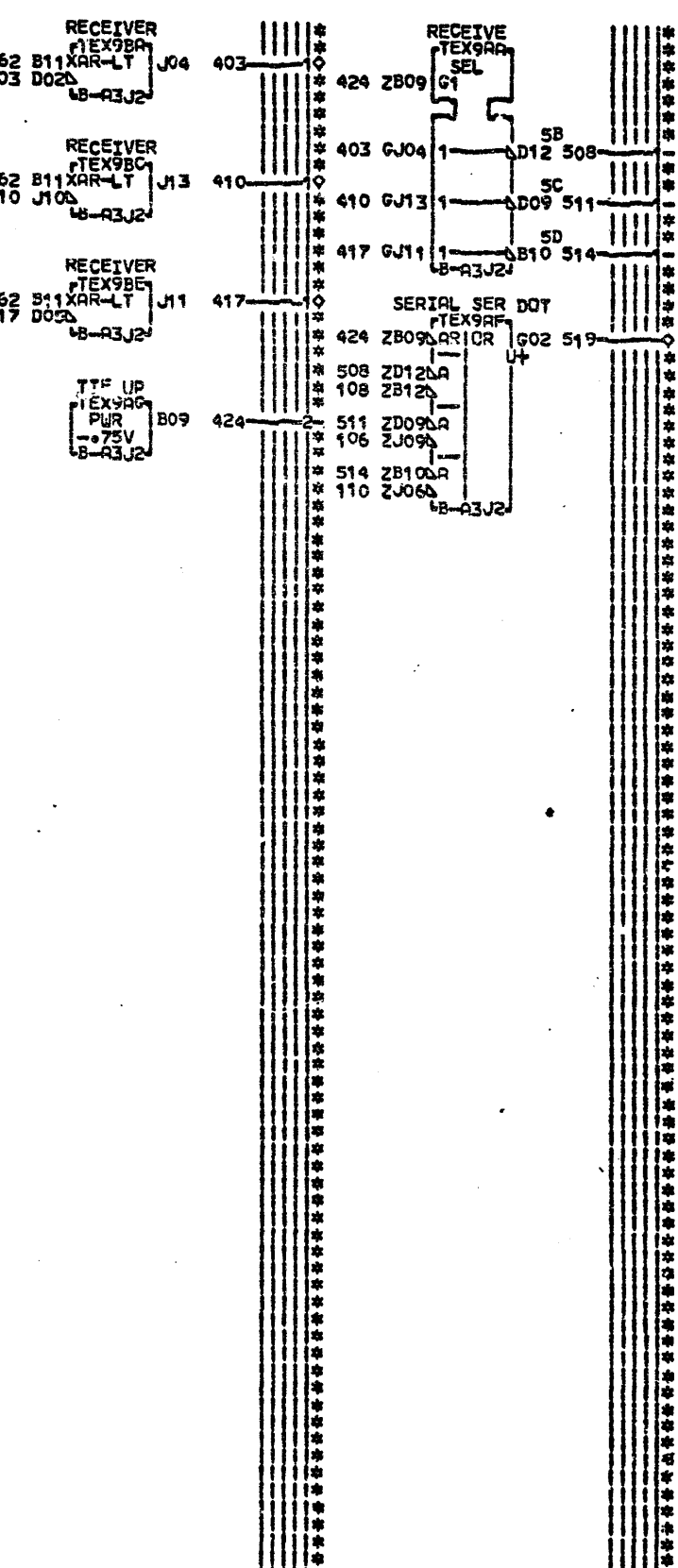
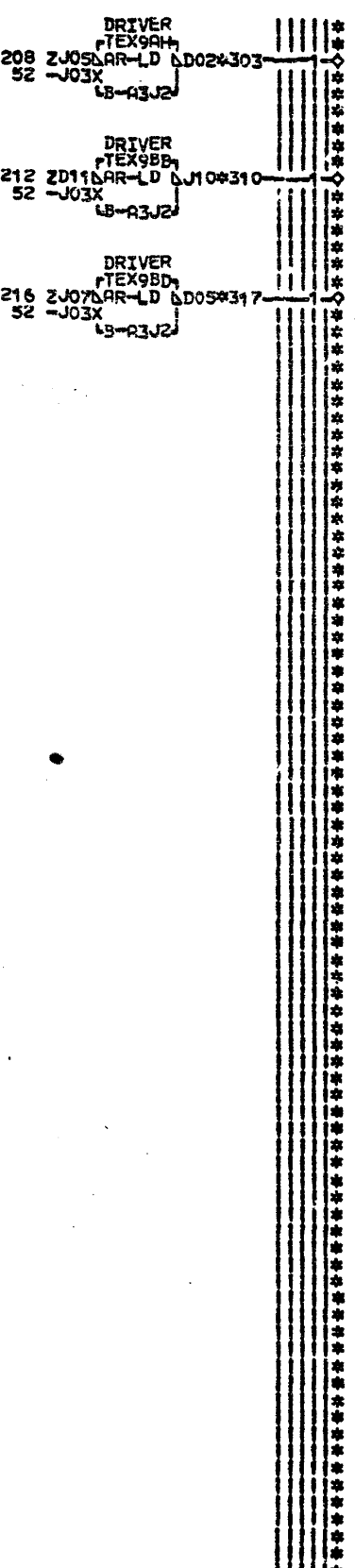
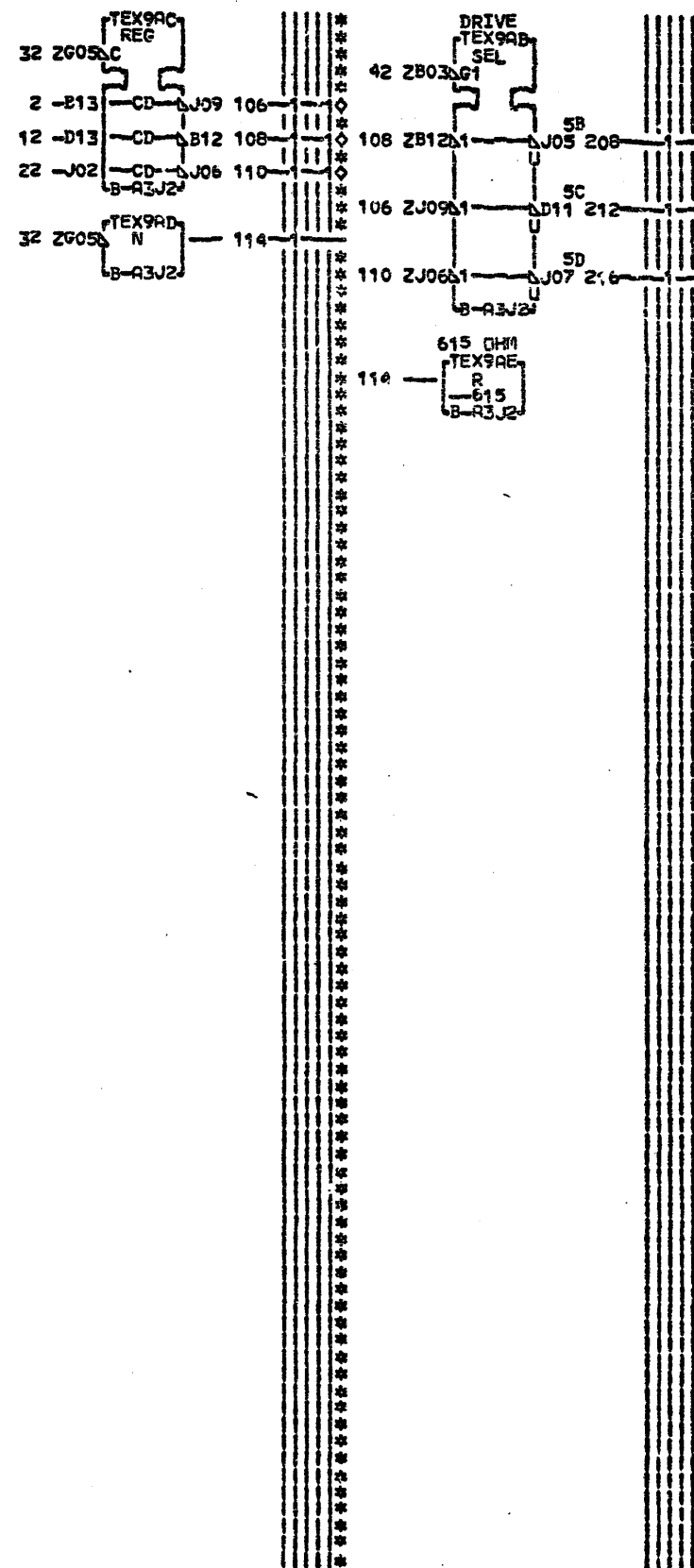
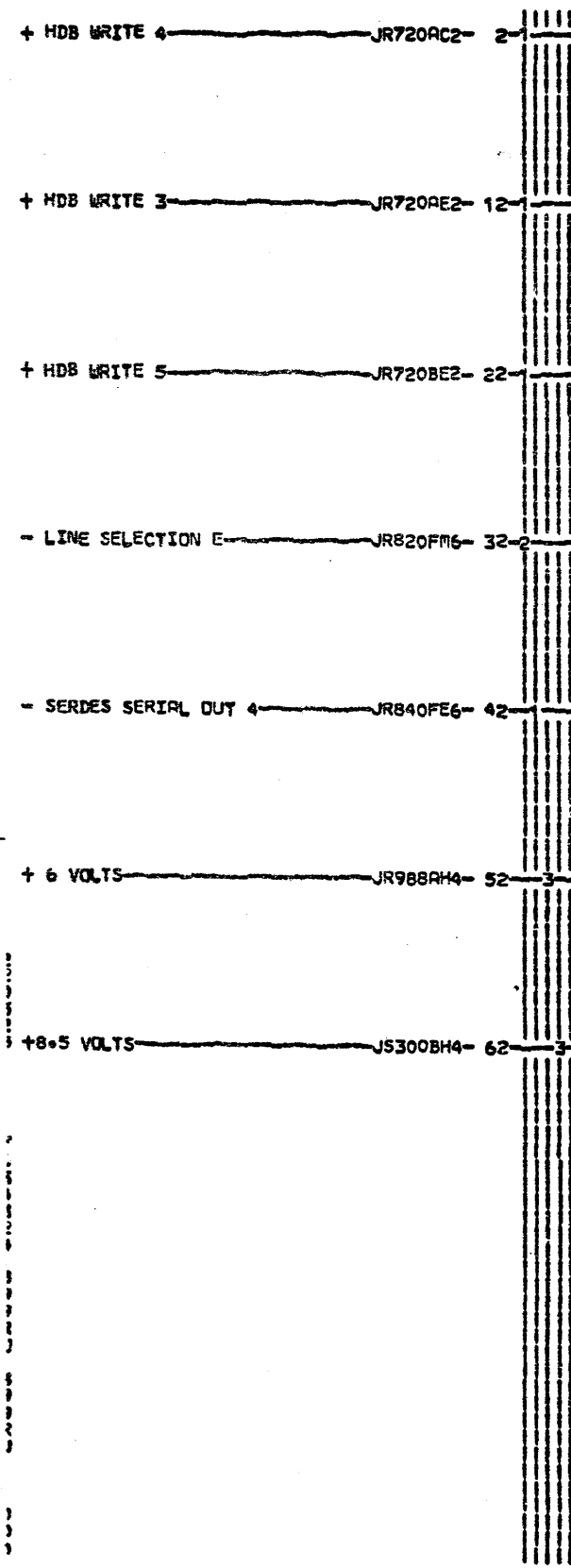
EDGE CONN.
 303 B-A3C2D13
 310 B-A3C2B02
 317 B-A3C2D07

LOC. TYPE
 B-A3H2 AF78

PAGE VER EC LEV
 JR991 000 825022
 JR992 000 825022
 JR993 000 825022
 JR994 000 825022

1 JR991
 1 JR. 94
 1 000

TRIPLE LINE DRIVER/RECEIVER			
E.C.	HISTORY	C. MACH.	IDA-SM15
DATE	LAST EC	IBN CORP.	JR991
06-19-75	325022	P.N. 4234366	JR994
			000



000 JR995 JR998
 *** JR995 ***

*** JR996 ***

*** JR997 ***

*** JR998 ***

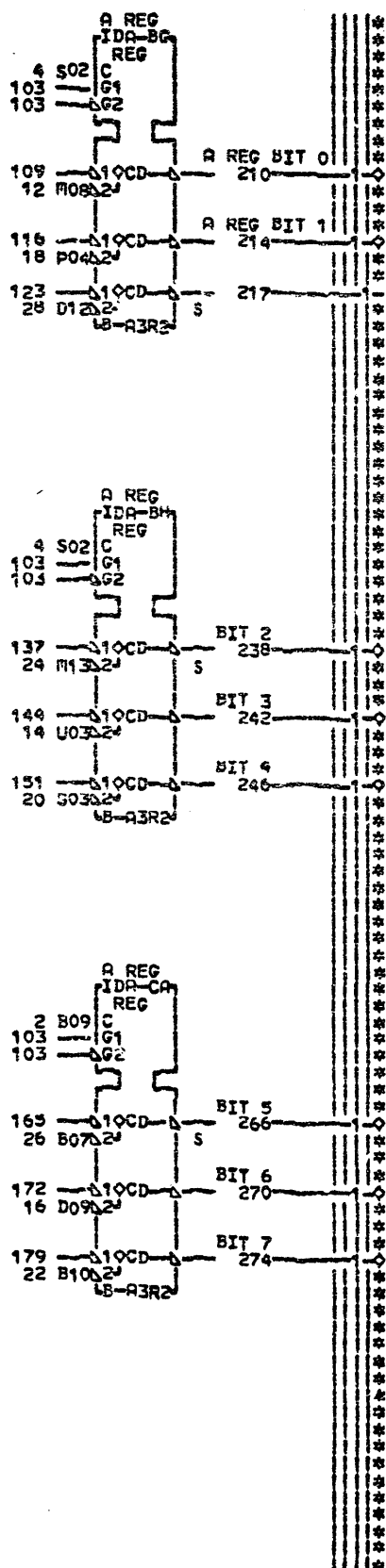
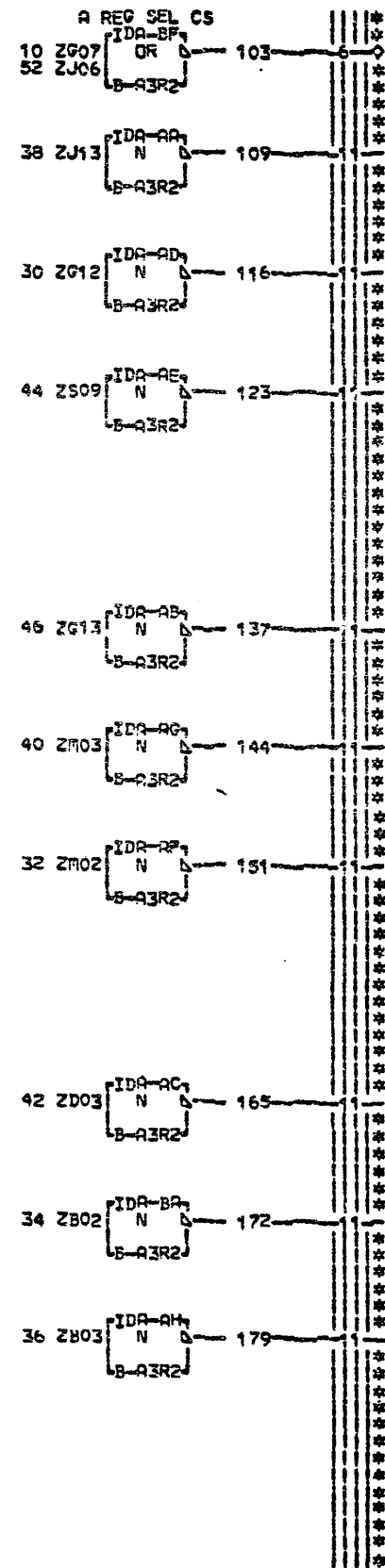
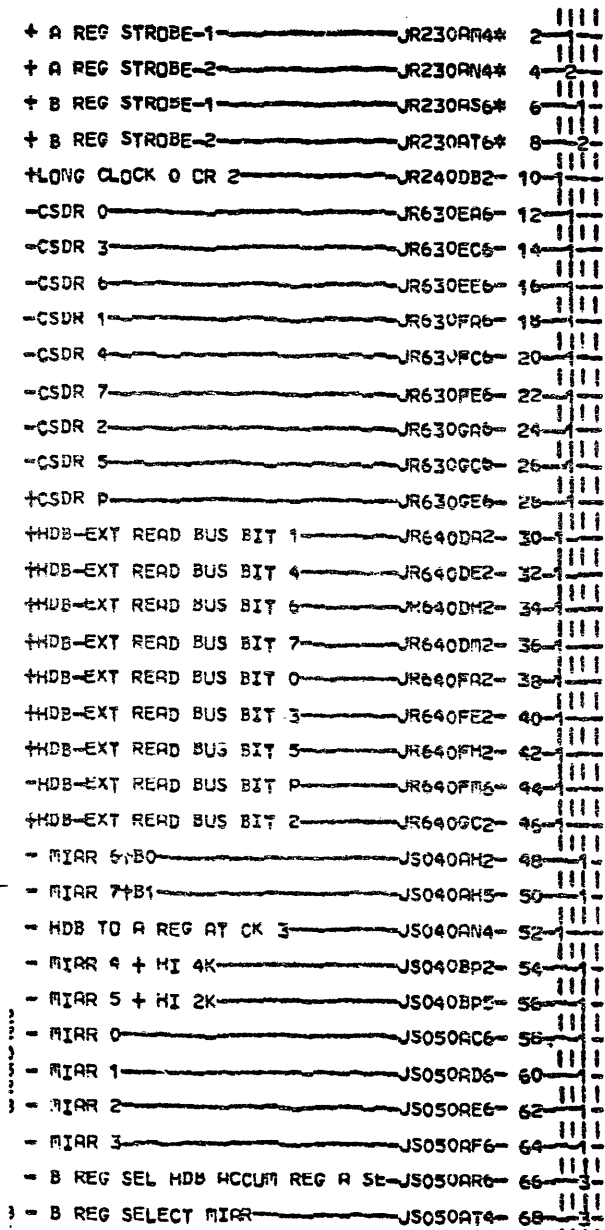
EDGE CONN.
 303 B-A3C3B02
 310 B-A3C3D07
 317 B-A3C3D13

LOC. TYPE
 B-A3J2 AF78

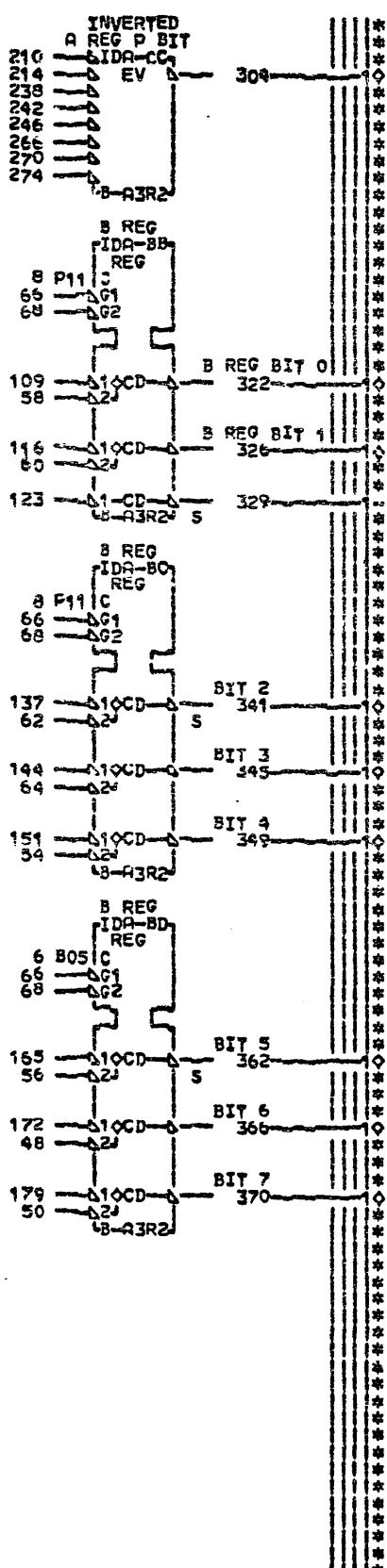
PAGE VER EC LEV
 JR995 000 825022
 JR996 000 825022
 JR997 000 825022
 JR998 000 825022

1 JR995
 2 JR998
 3 000

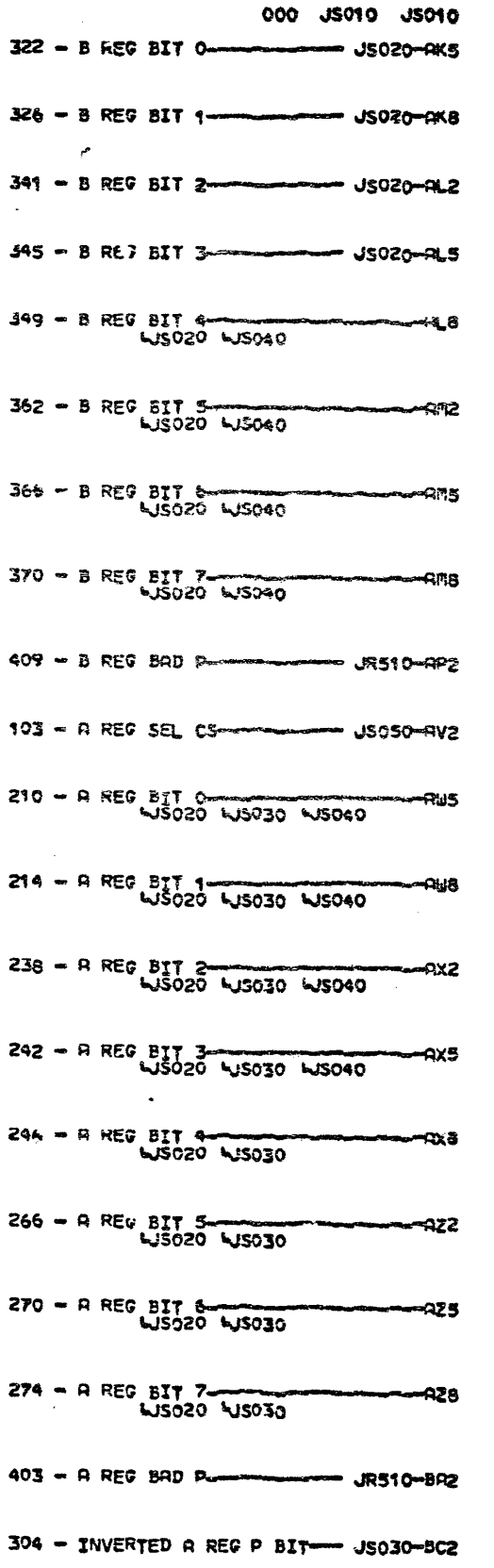
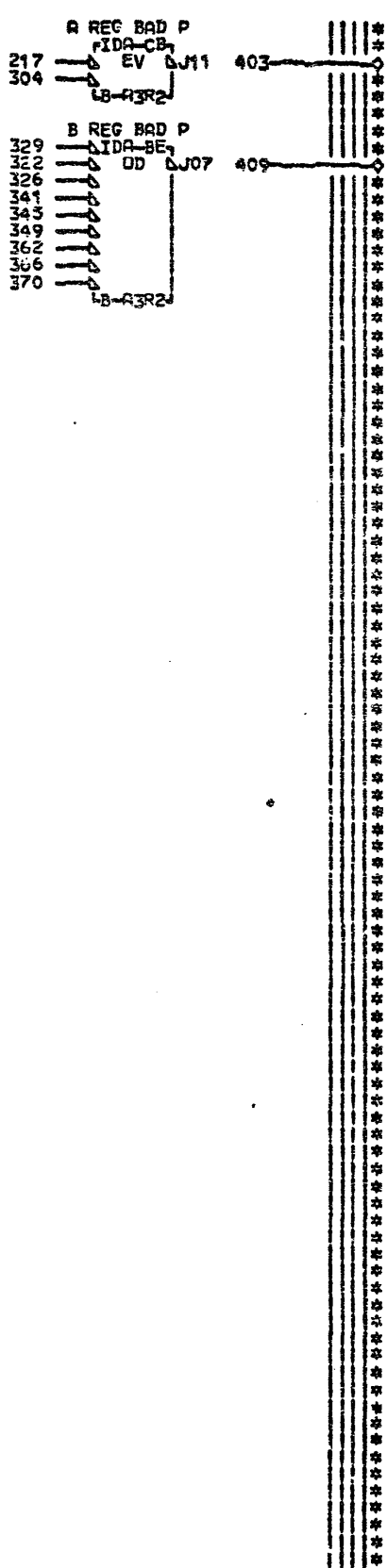
E.C. HISTORY		C-MACH. IDA-SM15	
DATE	L3ST EC	FRAME	01 JR995
06-19-75	J25022	IBM CORP.	JR998
		P.No.	4234367 000



LOC. TYPE
B-A3R2 RFR6



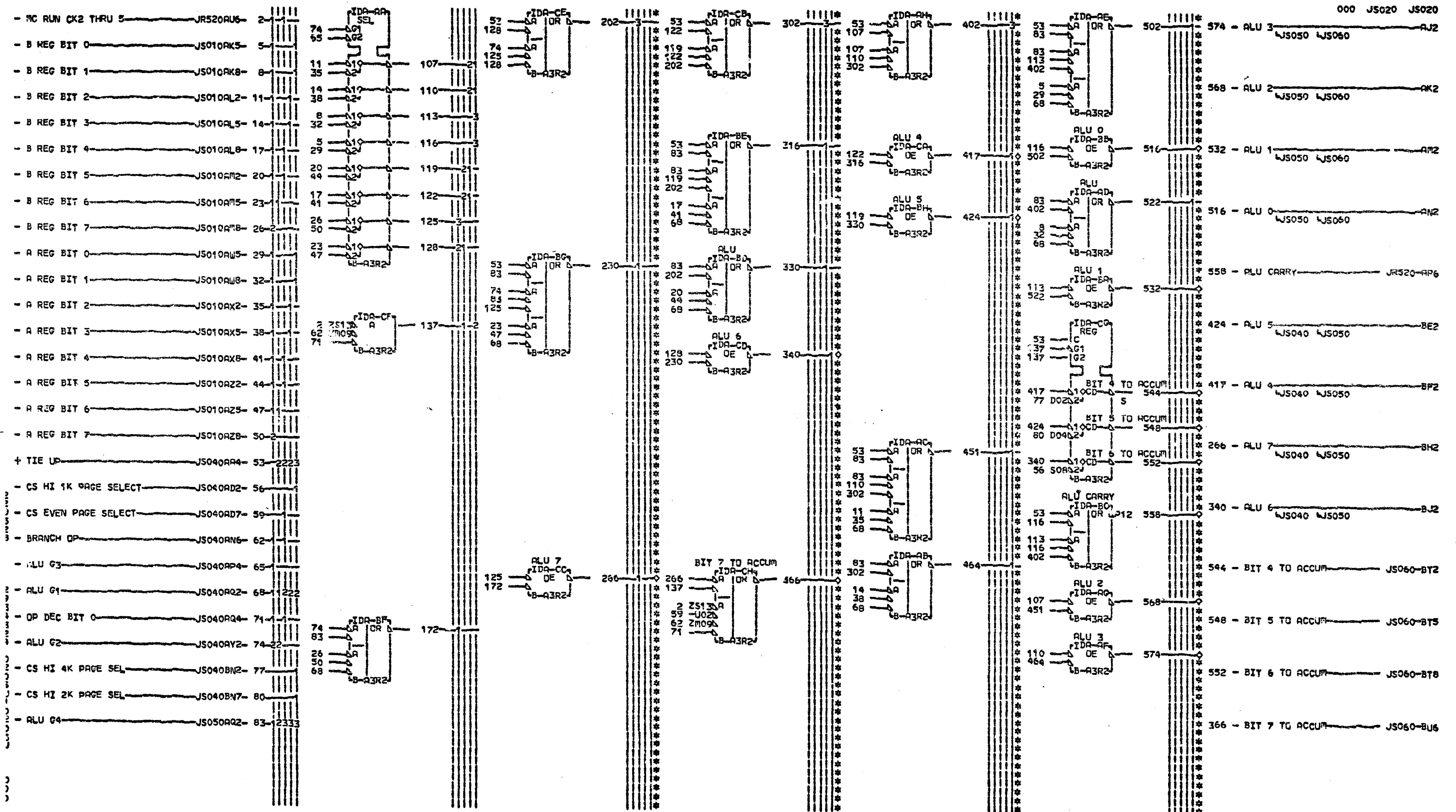
PAGE VER EC LEV
JS010 000 825022



JS010
JS010
000

EDGE CONN.
2 RESISTOR
B-A3R2B09
4 RESISTOR
B-A3R2S02
6 RESISTOR
B-A3R2B05
8 RESISTOR
B-A3R2P11

MICROCONTROLLER		
A AND B REGISTER		
E.C. HISTORY — C1 MACH. IDA-SM15		
FRAME	01	JS010
DATE	LAST EC	IBM CORP. RD JS010
06-19-75	325022	P.O.N. 4234368 000



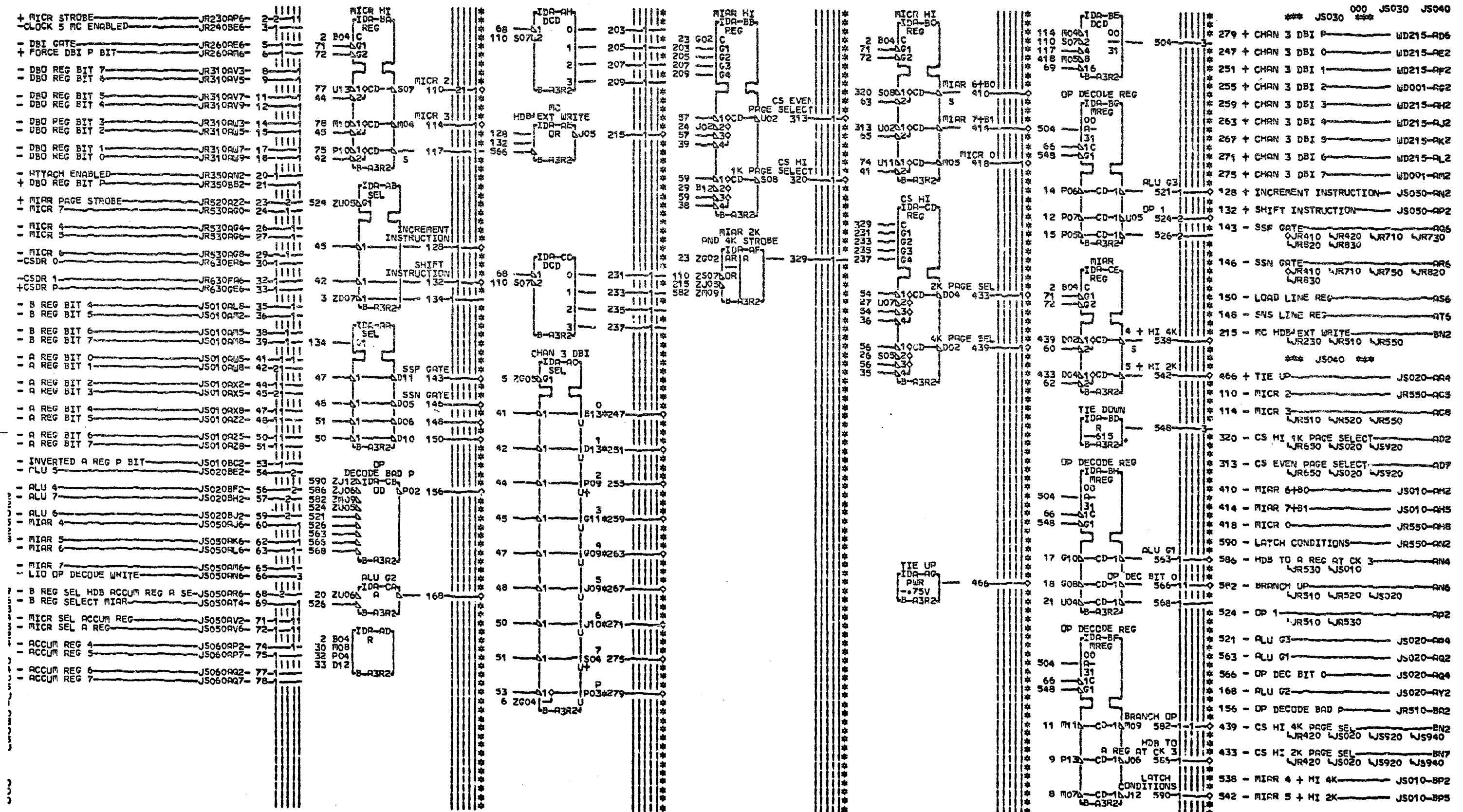
000 JS020 JS020

LOC. TYPE
B-A3R2 AF86

PAGE VER EC LEV
JS020 000 825022

JS020
JS020
000

MICROCONTROLLER	
ALU	C-MACH-IDA-SM15
E-C-HISTORY	FRAME 01 JS020
DATE: LAST EC	IBM CORP RD JS020
06-11-75 825022	IP-N. 4234392 000



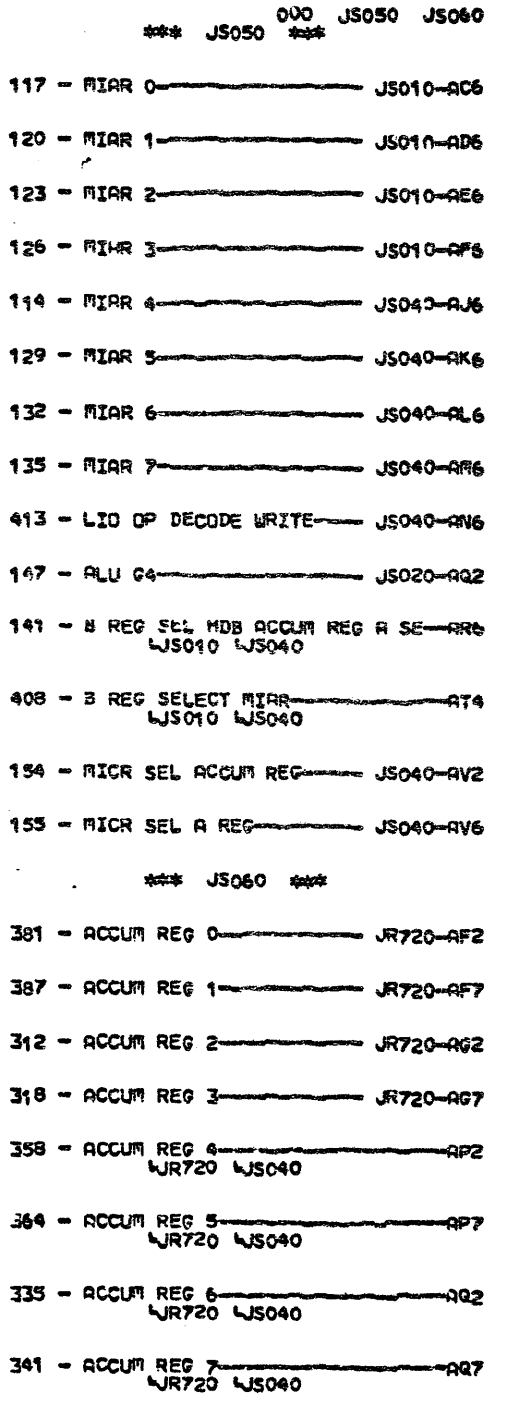
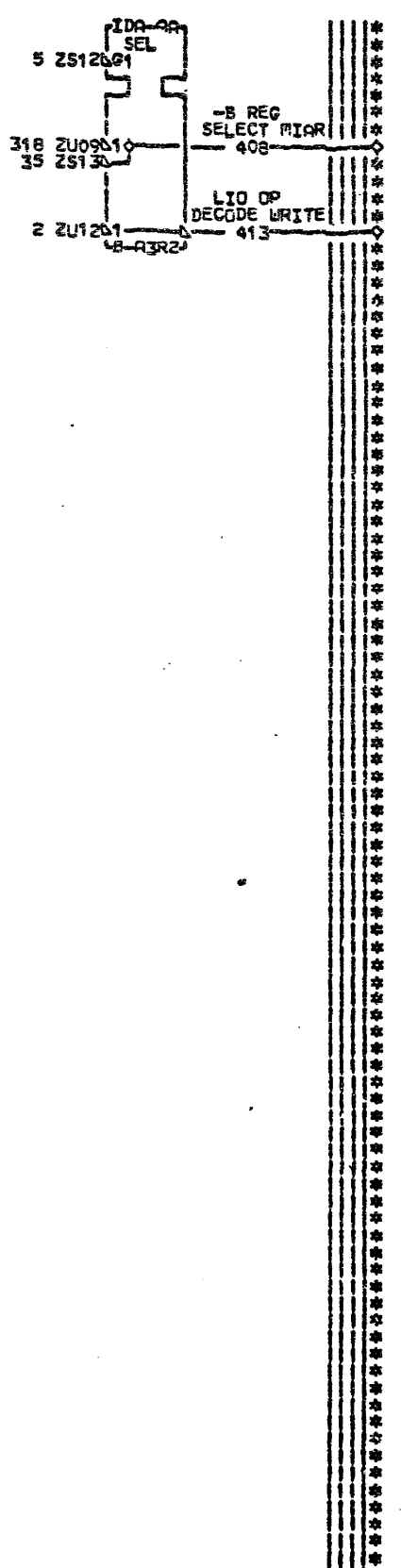
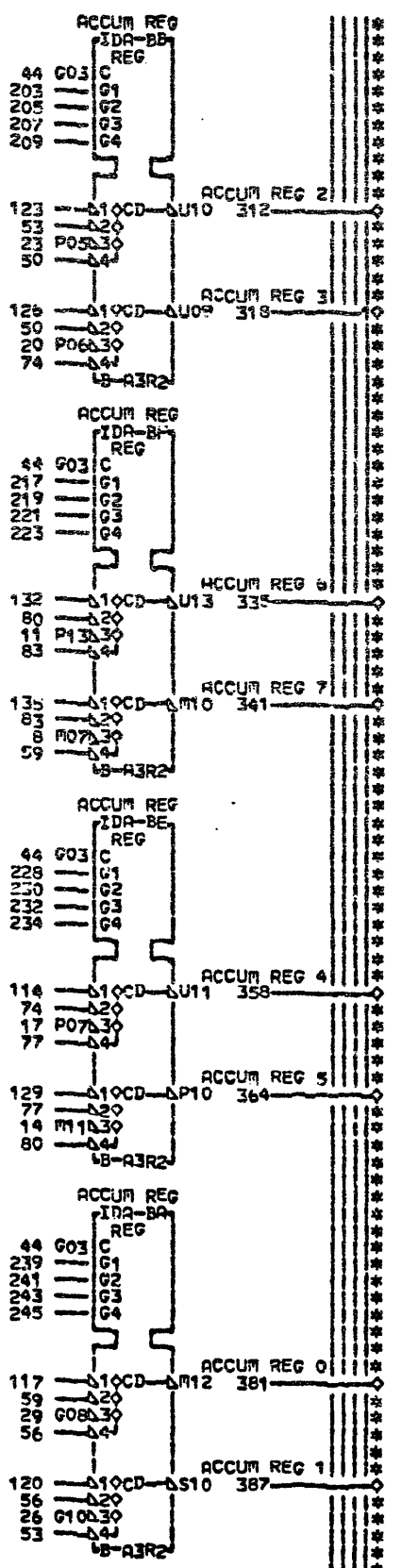
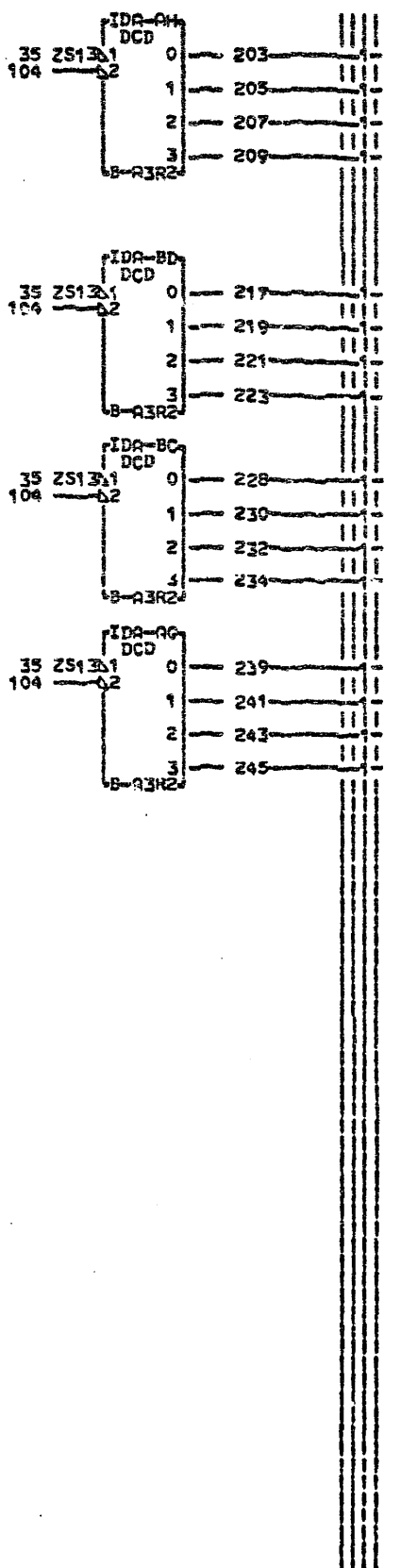
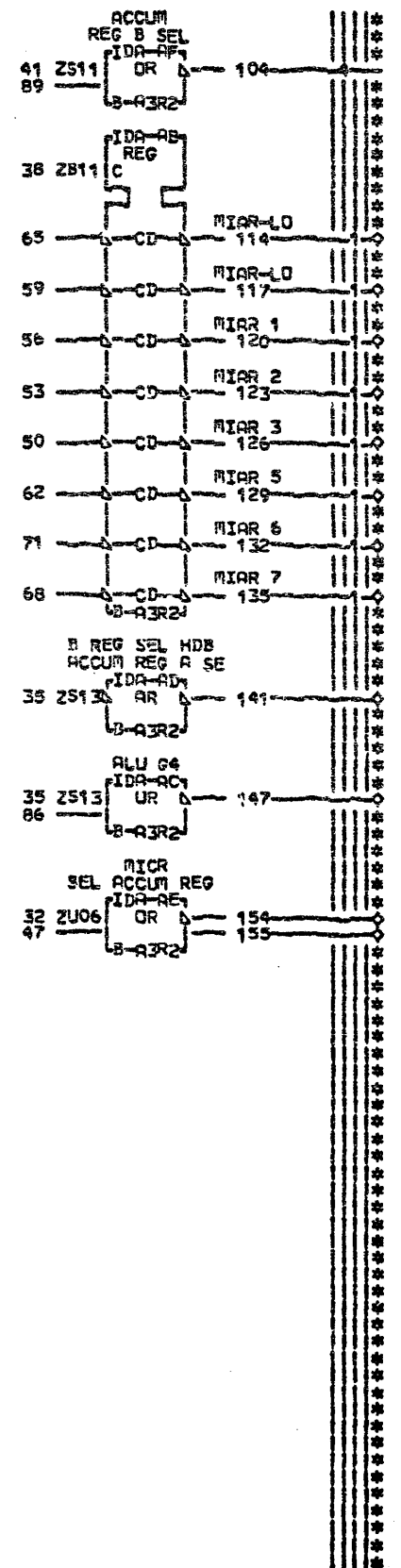
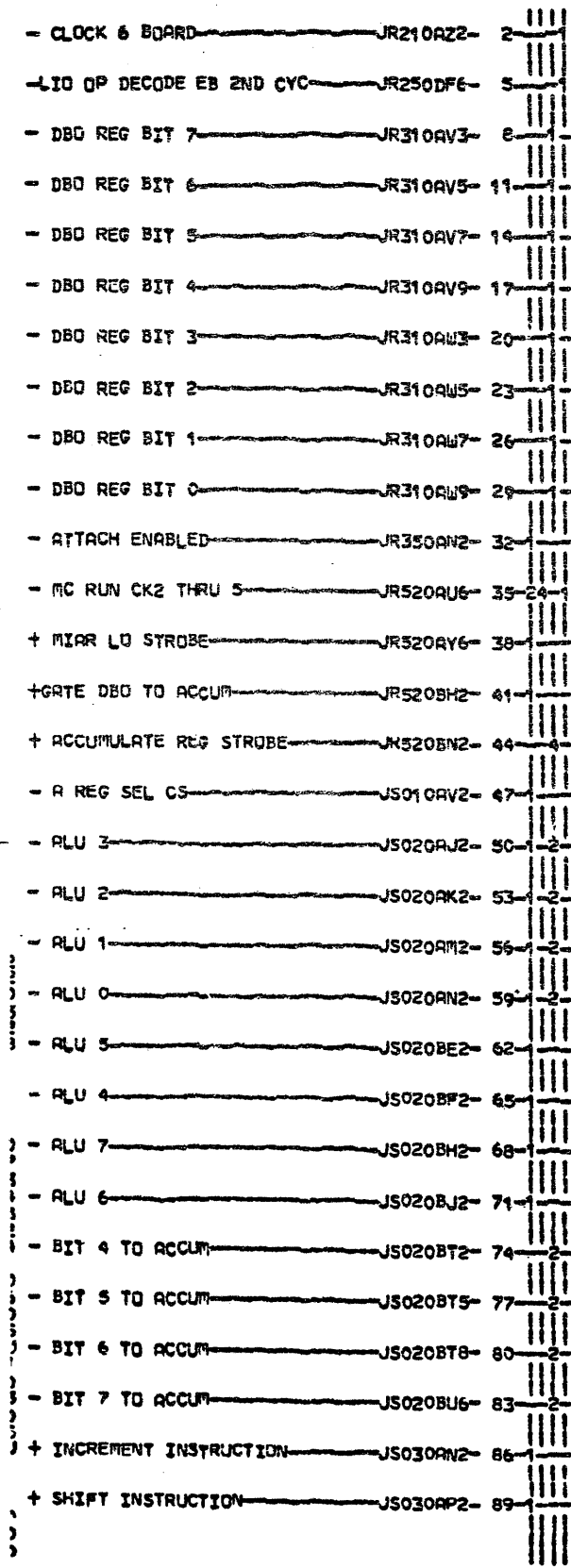
EDGE CONN.

247 B-A3V4D03	01B-A3U4D10
01B-A3U4D03	271 B-A3V4D11
251 B-A3V4D05	01B-A3U4D11
01B-A3U4D05	279 B-A3V4D02
259 B-A3V4D07	01B-A3U4D02
01B-A3U4D07	
263 B-A3V4D09	
01B-A3U4D09	
267 B-A3V4D10	

LOC. TYPE
3-A3R2 AF86

PAGE VER EC LEV
JS030 000 825022
JS040 000 825022

MICROCONTROLLER		
INSTRUCTION GATE + CHAN 3 DBI		
-E.C.+ISTORY- C-MACH-IDR-SM15		
DATE	LAST EC	FRAME 01 JS030
06-19-75	825022	IBM CORP. RD JS040
		P.No. 4234369 000

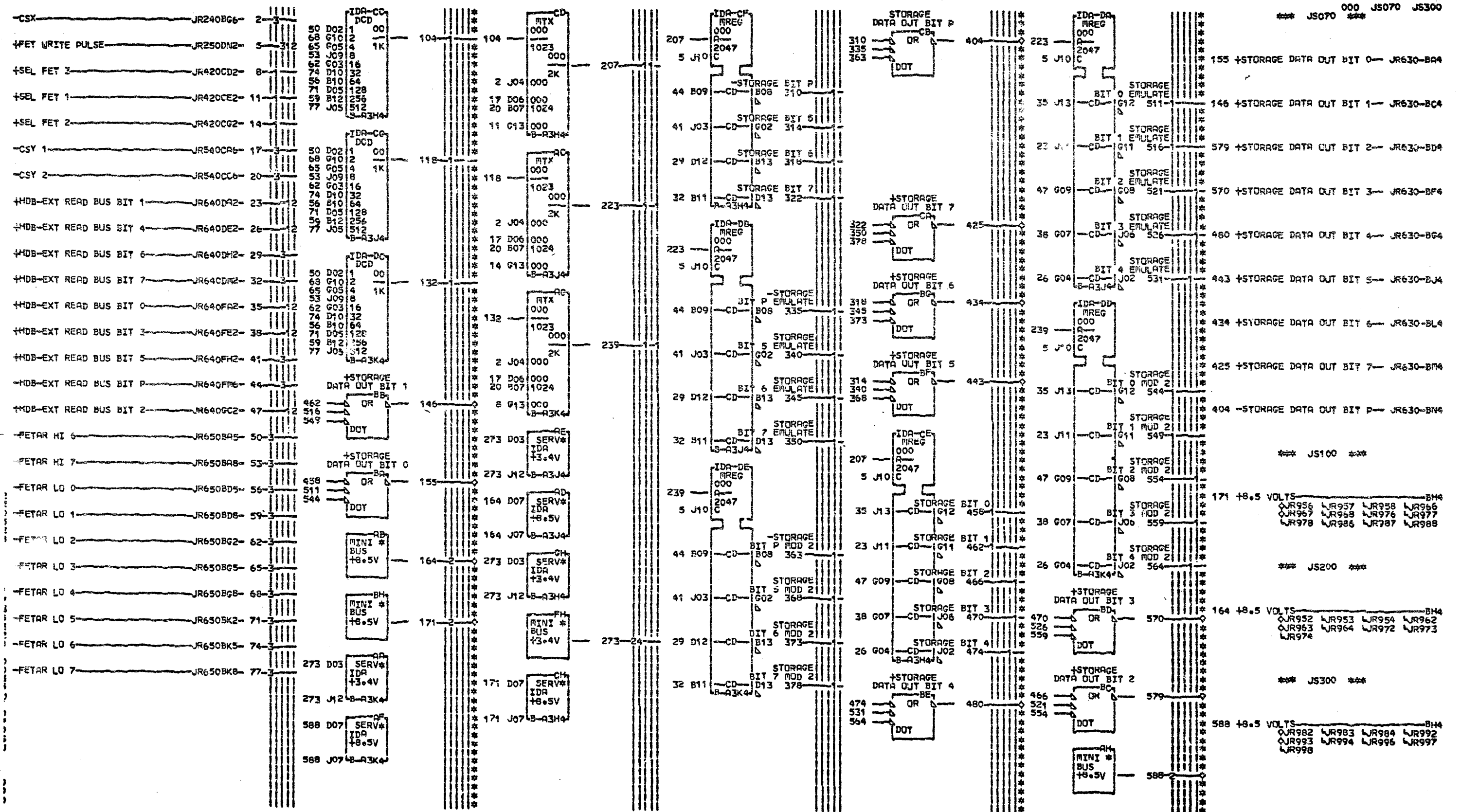


1 JS050
 3 JS060
 3 000

LOC. TYPE
B-A3R2 AF86

PAGE VER EC LEV
 JS050 000 825022
 JS060 000 825022

MICROCONTROLLER		
MIAR-LO + SELECT GATING		
E-C-HISTORY C-MACH-IDA-SM5		
FRAME	01	JS050
DATE	LAST EC	IBM CORP. RD JS060
06-19-71	825022	Pa.No. 4234370 000



LOC. TYPE
B-A3H4 Y823
B-A3J4 Y823
B-A3K4 Y823

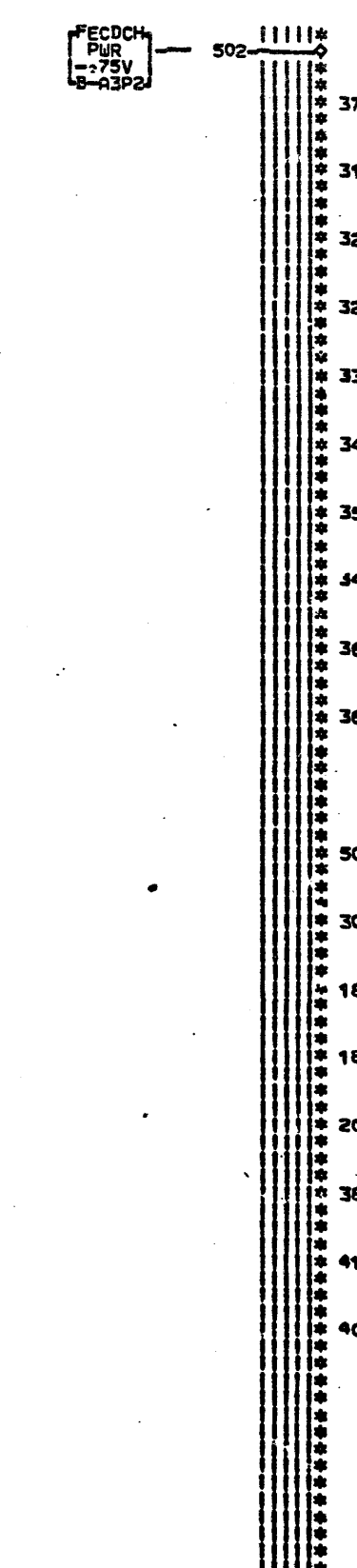
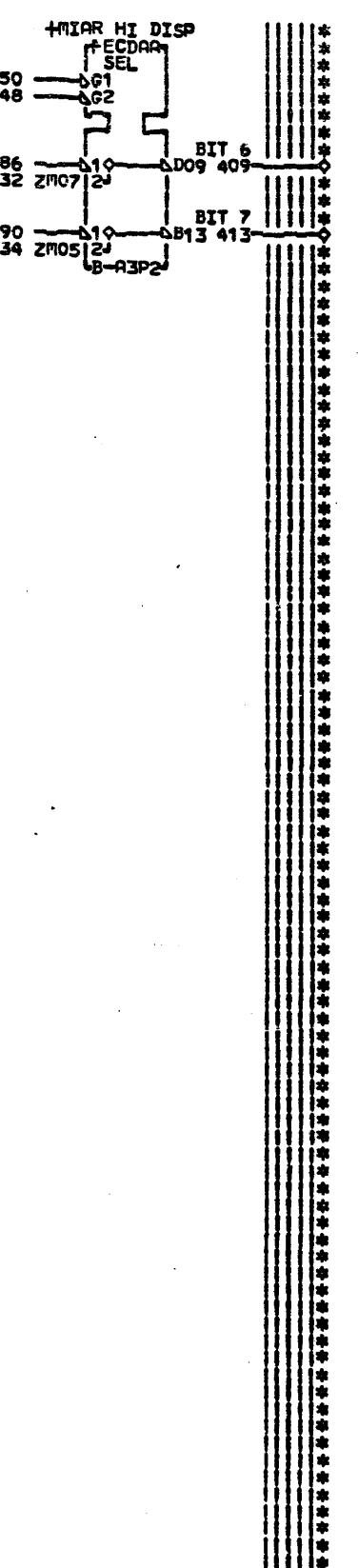
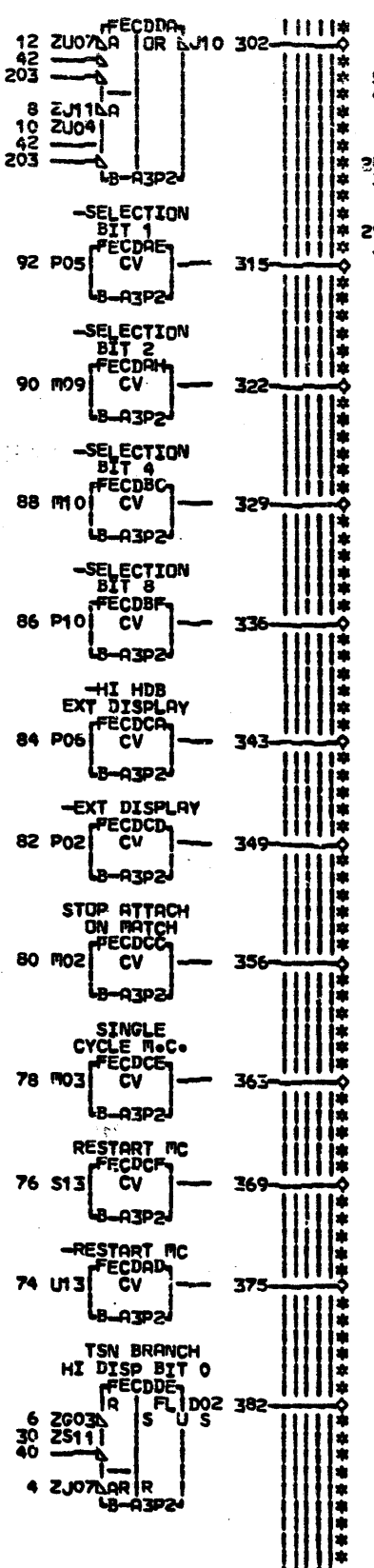
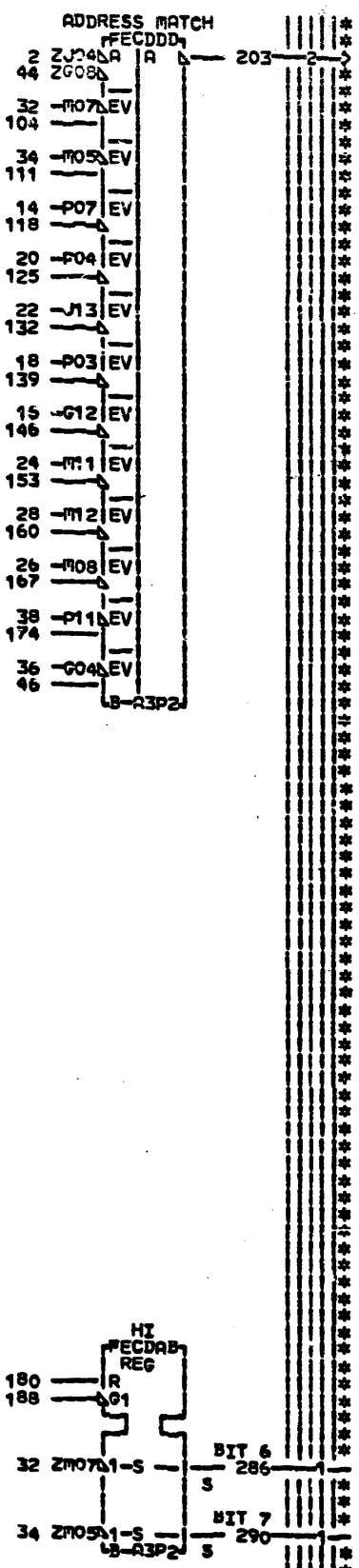
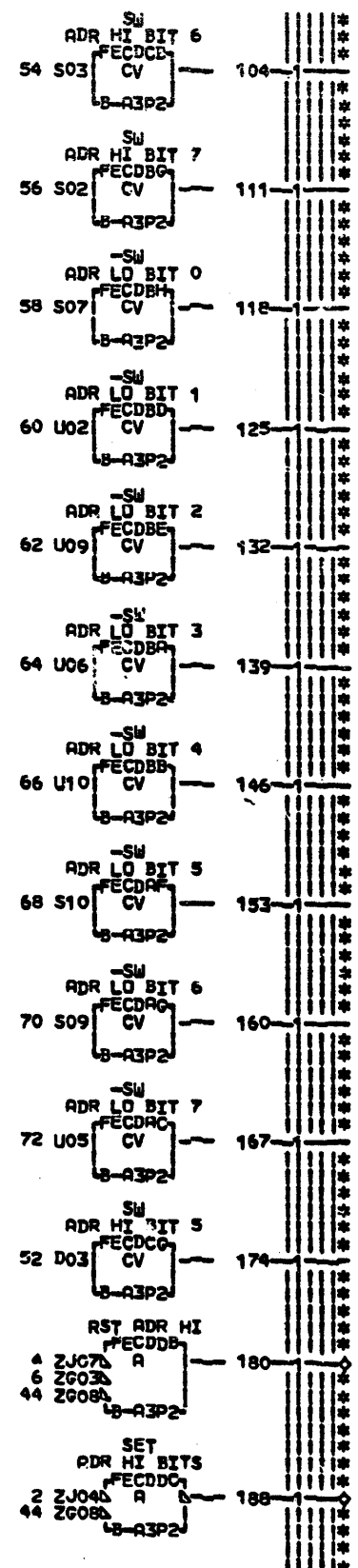
PAGE VER EC LEV
JS070 000 825022
JS100 000 825022
JS200 000 825022
JS300 000 825022

FET DATA DOTTING			
E.C. HISTORY C. MACH. IDA-SM15			
FRAME	01	JS070	
DATE	LAST EC	IBM CORP. GSD	JS300
06-19-75	825022	P.N. 4234371	000

JS070
JS300
000

1
2
3
4
5
6
7
8
9
10
11
12
13
14
15
16
17
18
19
20
21
22
23
24
25
26
27
28
29
30
31
32
33
34
35
36
37
38
39
40
41
42
43
44
45
46
47
48
49
50
51
52
53
54
55
56
57
58
59
60
61
62
63
64
65
66
67
68
69
70
71
72
73
74
75
76
77
78
79
80
81
82
83
84
85
86
87
88
89
90
91
92
93
94
95
96
97
98
99
100

- CLOCK 0 BOARD JR210AT2- 2
 - CLOCK 6 BOARD JR210AZ2- 4
 - EARLY PHASE C-1 JR220AT2- 6
 - EB 1ST CYCLE JR250AB2- 8
 +LIO SNS CS ER CYC JR250FF2- 10
 - MC ENABLED JR350BC4- 12
 + HDB WRITE 0 JR720AA2- 14
 + HDB WRITE 4 JR720AC2- 16
 + HDB WRITE 3 JK720AE2- 18
 + HDB WRITE 1 JR720BA2- 20
 + HDB WRITE 2 JR720BC2- 22
 + HDB WRITE 5 JR720BE2- 24
 + HDB WRITE 7 JR720BK2- 26
 + HDB WRITE 6 JR720BN2- 28
 +TSN COND MET JR840FL2- 30
 - CS HI 1K PAGE SELECT JS040AD2- 32
 - CS EVEN PAGE SELECT JS040AD7- 34
 - CS HI 4K PAGE SEL JS040BN2- 36
 - CS HI 2K PAGE SEL JS040BN7- 38
 -CLOCK 8 JS930BA6- 40
 +GATE SYNC-BURST REQ JS930BJ4- 42
 +CE STOP LATCH JS930EE2- 44
 +SW ADR HI BIT 4 JS940BD4- 46
 -HDB WRITE DISPLAY JS940BH4- 48
 +HDB WRITE DISPLAY JS940CK2- 50
 +ROW A SW 1 BIT 4 WD120FA3- 52
 +ROW A SW 1 BIT 2 WD120FA5- 54
 +ROW A SW 1 BIT 1 WD120FA7- 56
 -ROW A SW 2 BIT 8 WD120FC1- 58
 -ROW A SW 2 BIT 4 WD120FC3- 60
 -ROW A SW 2 BIT 2 WD120FC5- 62
 -ROW A SW 2 BIT 1 WD120FC7- 64
 -ROW A SW 3 BIT 8 WD120FE1- 66
 -ROW A SW 3 BIT 4 WD120FE3- 68
 -ROW A SW 3 BIT 2 WD120FE5- 70
 -ROW A SW 3 BIT 1 WD120FE7- 72
 -ROW A PUSHBUTTON ACTIVE WD120FF2- 74
 +ROW A PUSHBUTTON ACTIVE WD120FF4- 76
 +ROW B SW 1 BIT 2 WD120FH5- 78
 +ROW B SW 1 BIT 1 WD120FH7- 80
 -ROW B SW 2 BIT 4 WD120FK3- 82
 -ROW B SW 2 BIT 1 WD120FK7- 84
 -ROW B SW 3 BIT 8 WD120FM1- 86
 -ROW B SW 3 BIT 4 WD120FM3- 88
 -ROW B SW 3 BIT 2 WD120FM5- 90
 -ROW B SW 3 BIT 1 WD120FA7- 92



000 JS910 JS920
 *** JS910 ***
 375 -RESTART MC JS930-AE4
 315 -SELECTION BIT 1 JS930-AJ4
 322 -SELECTION BIT 2 JS930-BJ4
 329 -SELECTION BIT 4 JS930-CJ4
 336 -SELECTION BIT 8 JS930-DJ4
 343 -HI HDB EXT DISPLAY JS930-EJ4
 356 +STOP ATTACH ON MATCH JS930-FE4
 349 -EXT DISPLAY JS930-FJ4
 363 +SINGLE CYCLE M.C. JS930-GE4
 369 +RESTART MC JS930-GE4
 *** JS920 ***
 502 +TIE UP BX4
 302 -ADDRESS MATCH SYNC CD6
 180 +RST ADR HI JS940-CE2
 188 -SET ADR HI BITS JS940-DG6
 203 -ADDRESS MATCH JS930-EM6
 382 +TSN BRANCH HI DISP BIT 0 WD110-GB6
 413 +HIAR HI DISP BIT 7 WD110-GE4
 409 +HIAR HI DISP BIT 6 WD110-GG4

LOC. TYPE
B-A3P2 R#82

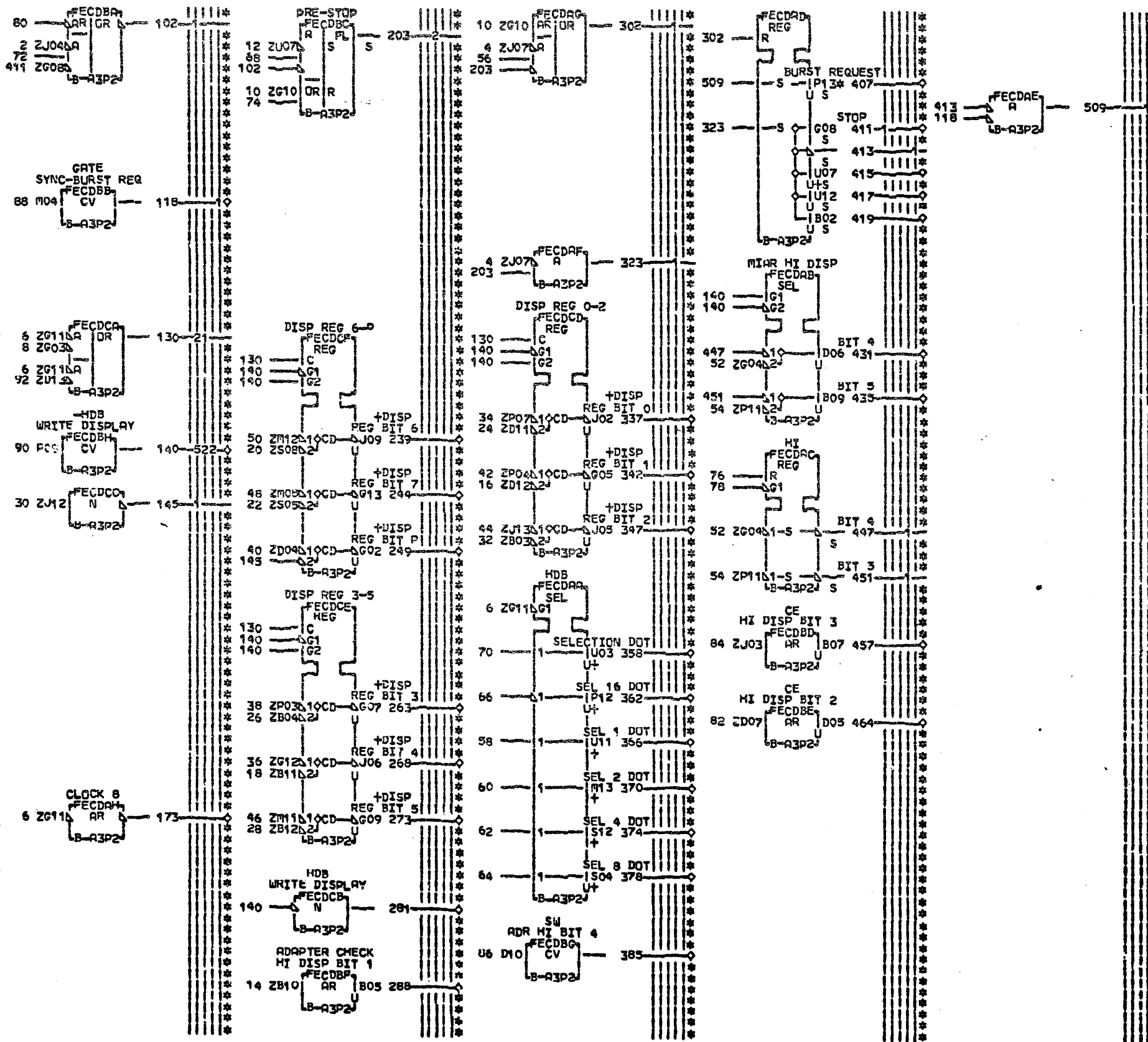
PAGE VER EC LEV
JS910 000 825022
JS920 000 825022

CE CARD		
E.C.-HISTORY	C ₁ MACH. IDA-SM15	
DATE	LAST EC	FRAME 01 JS910
06-19-78	825022	IBR CORP.GSD JS920
		P.N. 4234372 000

JS910
 JS920
 000

- CLOCK 0 BOARD JR210AT2- 2
 - CLOCK 6 BOARD JR210AZ2- 4
 - CLOCK 8 BOARD JR220AS5- 6
 - EARLY PHASE C-1 JR220AT2- 8
 + ATTACH SYS OR DISABLE RESET JR350AG2- 10
 - MC ENABLED JR350BC4- 12
 + ADAPTER CHECK DOT JR510BC4- 14
 +HDB-EXT READ BUS BIT 1 JR640DP2- 16
 +HDB-EXT READ BUS BIT 4 JR640DE2- 18
 +HDB-EXT READ BUS BIT 6 JR640DH2- 20
 +HDB-EXT READ BUS BIT 7 JR640DM2- 22
 +HDB-EXT READ BUS BIT 0 JR640FA2- 24
 +HDB-EXT READ BUS BIT 3 JR640FE2- 26
 +HDB-EXT READ BUS BIT 5 JR640FH2- 28
 -HDB-EXT READ BUS BIT P JR640FM6- 30
 +HDB-EXT READ BUS BIT 2 JR640GC2- 32
 + HDB WRITE 0 JR720AA2- 34
 + HDB WRITE 4 JR720AC2- 36
 + HDB WRITE 3 JR720AE2- 38
 + HDB WRITE P JR720AF4- 40
 + HDB WRITE 1 JR720BA2- 42
 + HDB WRITE 2 JR720BC2- 44
 + HDB WRITE 5 JR720BE2- 46
 + HDB WRITE 7 JR720BK2- 48
 + HDB WRITE 6 JR720BN2- 50
 - CS HI 4K PAGE SEL JS040BN2- 52
 - CS HI 2K PAGE SEL JS040BN7- 54
 -RESTART MC JS910AE4- 56
 -SELECTION BIT 1 JS910AJ4- 58
 -SELECTION BIT 2 JS910BJ4- 60
 -SELECTION BIT 4 JS910CJ4- 62
 -SELECTION BIT 8 JS910DJ4- 64
 -HI HDB EXT DISPLAY JS910EJ4- 66
 +STOP ATTACH ON MATCH JS910FE4- 68
 -EXT DISPLAY JS910FJ4- 70
 +SINGLE CYCLE M.C. JS910GA4- 72
 +RESTART MC JS910GE4- 74
 +RST ADR HI JS920CE2- 76
 -SET ADR HI BITS JS920DG6- 78
 -ADDRESS MATCH JS920EM6- 80
 +CE DISP INPUT BIT 2 JS930001- 82
 +CE DISP INPUT BIT 3 JS930002- 84
 +ROW A SW 1 BIT 8 WD120FA1- 86
 +ROW B SW 1 BIT 4 WD120FA3- 88
 -ROW B SW 2 BIT 2 WD120FK5- 90
 + CHAN CLOCK RUN WD210BK7- 92

EDGE CONN.
 407 B-A3V3B08
 01B-A3J5B08



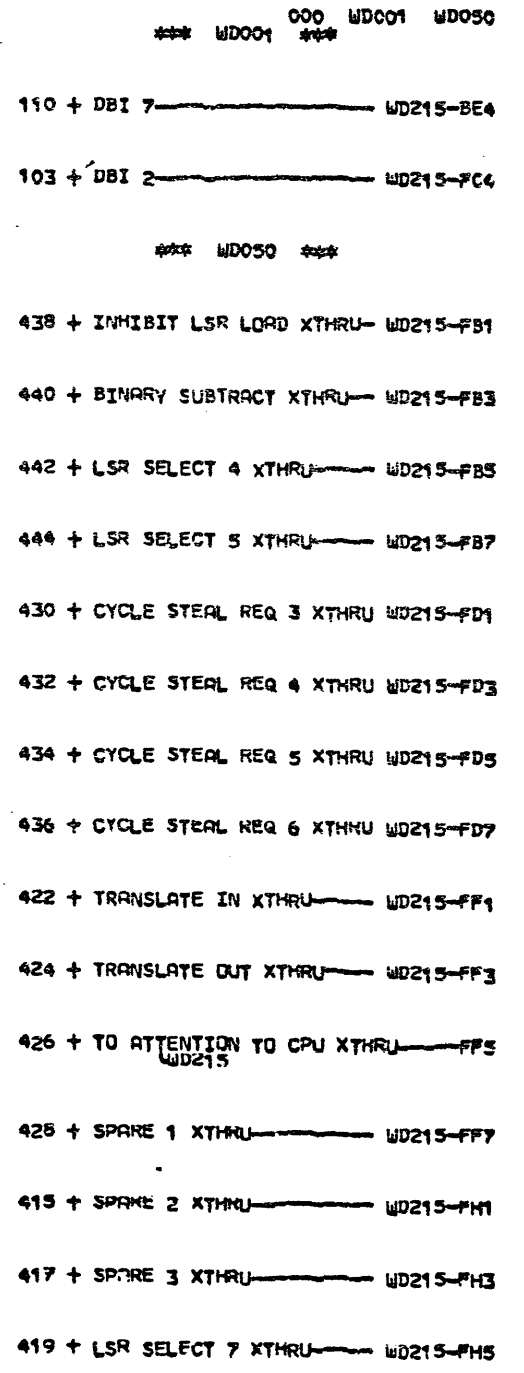
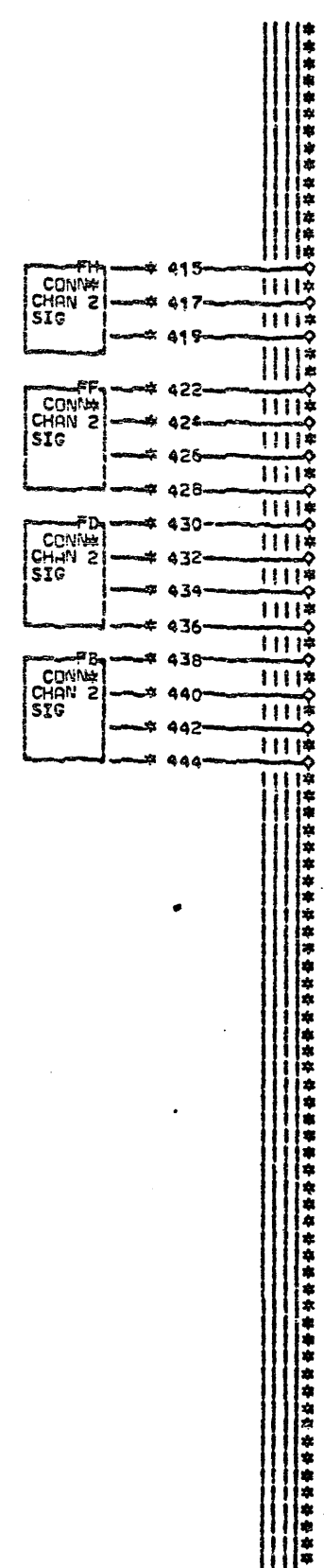
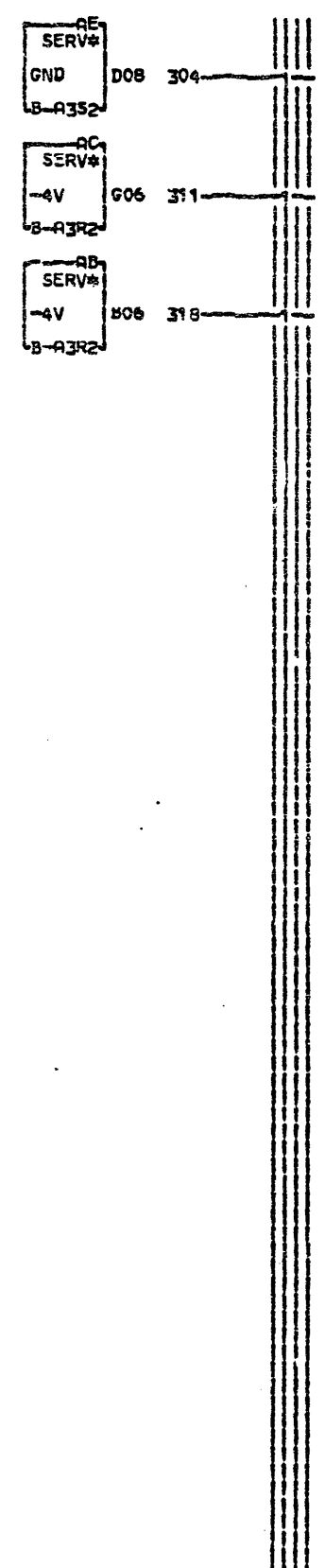
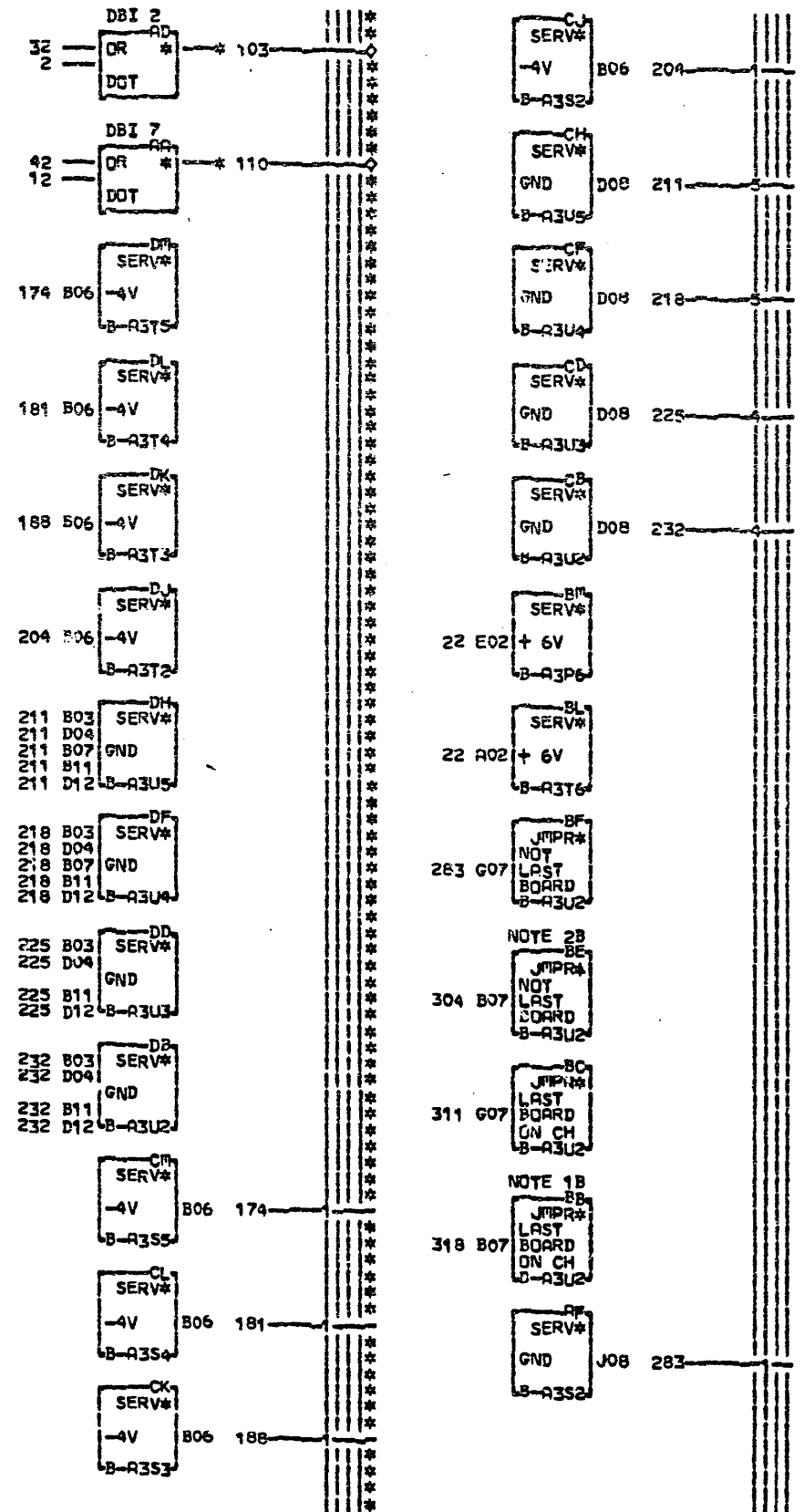
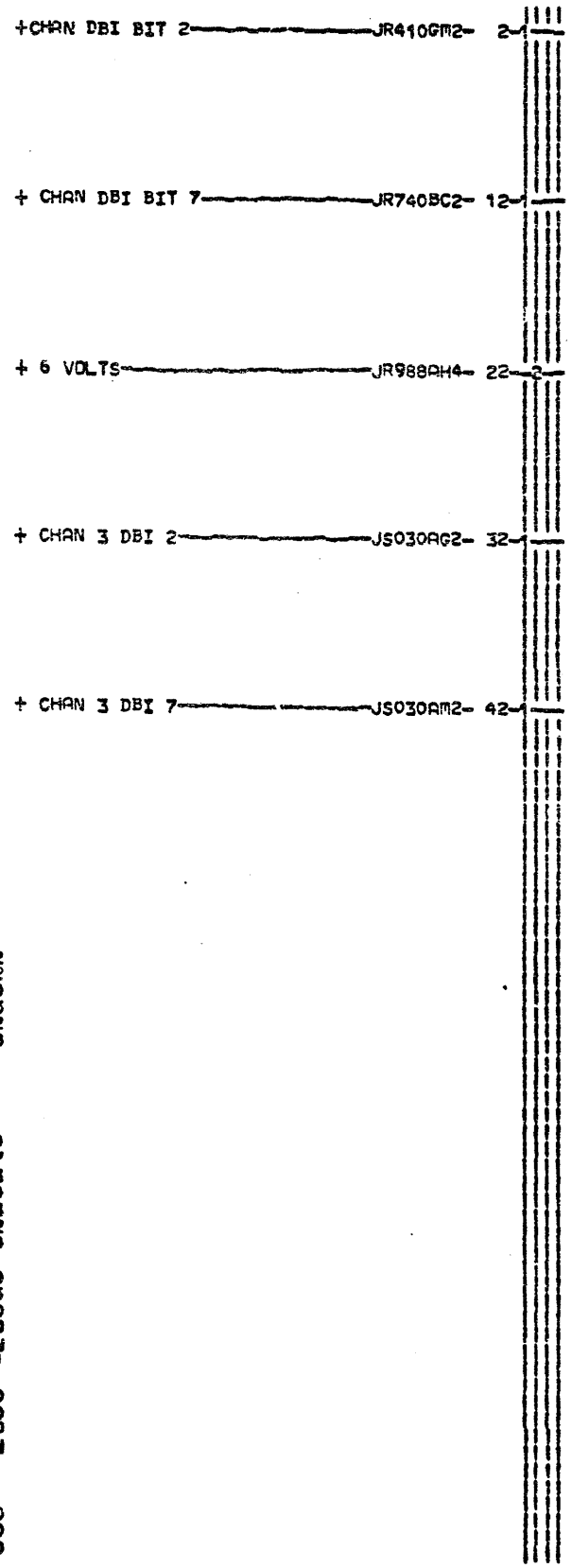
LOC. TYPE
 B-A3P2 A#82

PAGE VER EC LEV
 JS930 000 825022
 JS940 000 825022

C00 JS930 JS940
 *** JS930 ***
 173 -CLOCK 8 JS920-BA6
 118 +GATE SYNC-BURST REQ JS920-BJ4
 378 +HDB SEL 8 DOT JR810-EA2
 374 +HDB SEL 4 DOT JR810-EC2
 411 +CE STOP LATCH EE2
 UR230 UR340 UJ5920
 457 +CE HI DISP BIT 3 WD110-EL6
 362 +HDB SEL 16 DOT JR810-FA2
 370 +HDB SEL 2 DOT JR810-FC2
 415 +DOT OFF MC ENABLED JR350-FE2
 407 +BURST REQUEST TO CPU WD215-FG2
 464 +CE HI DISP BIT 2 WD110-FJ6
 431 +MIAR HI DISP BIT 4 WD110-FL6
 358 +HDB SELECTION DOT JR810-GA2
 366 +HDB SEL 1 DOT JR810-GC2
 417 +DOT DISABLE TIMEOUT GE2
 419 +ADR STOP MI DISP BIT P WD110-GG6
 288 +ADAPTER CHECK HI DISP BIT 1 GJ6
 WD110
 435 +MIAR HI DISP BIT 5 WD110-GL6
 *** JS940 ***
 385 +SW ADR HI BIT 4 JS920-BD4
 140 -HDB WRITE DISPLAY JS920-BH4
 281 +HDB WRITE DISPLAY JS920-CK2
 337 +DISP REG BIT 0 WD110-FB6
 342 +DISP REG BIT 1 WD110-FC6
 347 +DISP REG BIT 2 WD110-FD6
 263 +DISP REG BIT 3 WD110-FE6
 268 +DISP REG BIT 4 WD110-FG6
 273 +DISP REG BIT 5 WD110-FH6
 239 +DISP REG BIT 6 WD110-FK6
 244 +DISP REG BIT 7 WD110-FL6
 249 +DISP REG BIT P WD110-FM6

CE CARD			
-E-C-MISYORY-	C	MACH-IDA-SM15	
	FRAME	01	JS930
DATE	LAST EC	IBM CORP-GSD	JS940
06-15-75	825022	P.No.	4234373 000

1 JS930
 1 JS940
 1 000



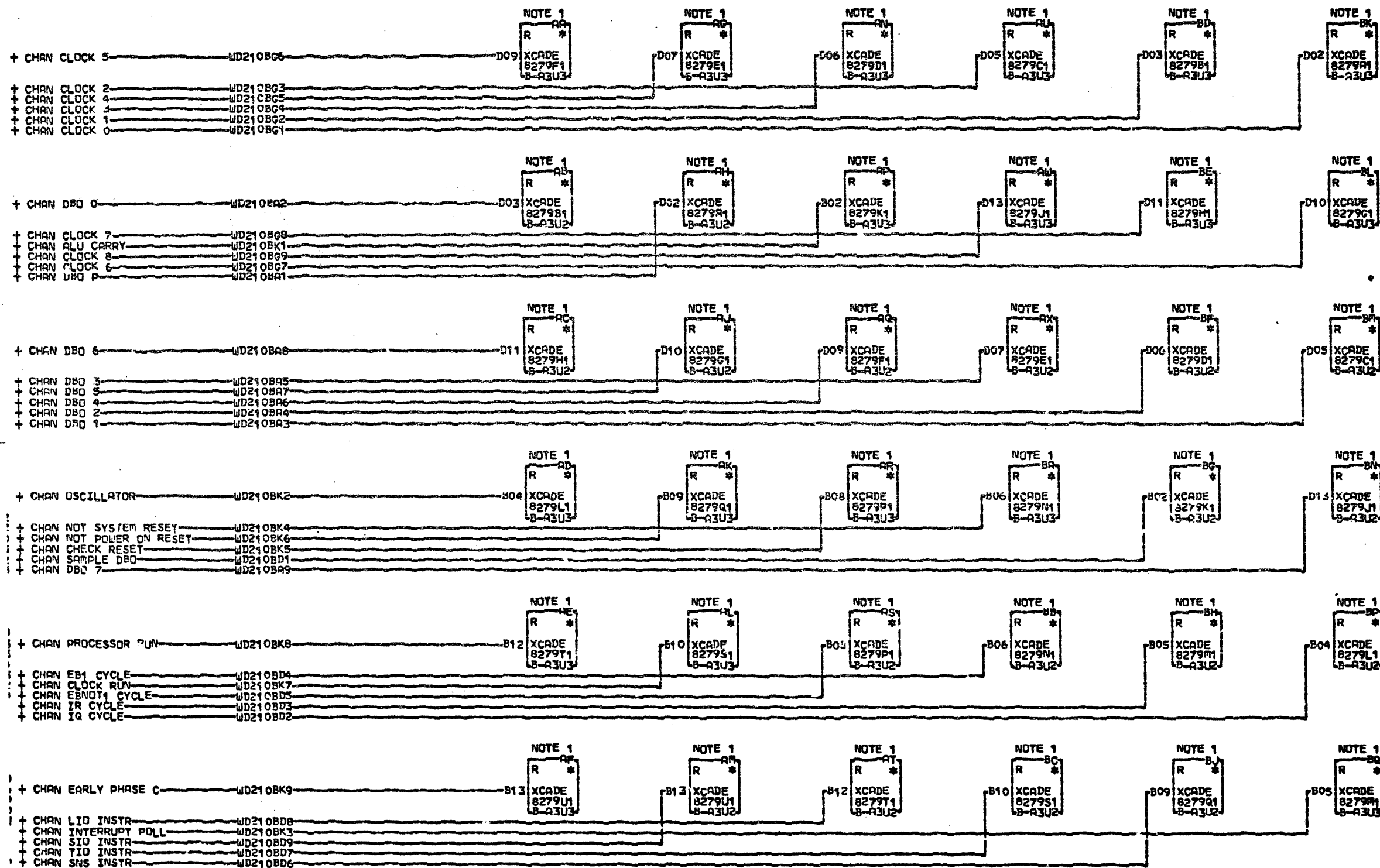
NOTE 1 IF THIS IS LAST BOARD ON CHANNEL WIRE R2B06 TO U2B07 AND R2G06 TO U2G07
 NOTE 2 IF THIS IS NOT LAST BOARD ON CHANNEL WIRE S2D08 TO U2B07 AND S2J08 TO U2G07

EDGE CONN.	01B-A3U4B13	01B-A3U5D02	01B-A3U4B05
103 B-A3V4D06	422 B-A3V5D11	432 B-A3V5D03	442 B-A3V4B09
01B-A3U4D06	01B-A3U5D11	01B-A3U5D03	01B-A3U4B09
110 B-A3V4D13	424 B-A3V5D13	434 B-A3V5D05	444 B-A3V4B10
01B-A3U4D13	01B-A3U5D13	01B-A3U5D05	01B-A3U4B10
415 B-A3V5B10	426 B-A3V5B02	436 B-A3V5D06	
01B-A3U5B10	01B-A3U5B02	01B-A3U5D06	
417 B-A3V5B12	428 B-A3V5B09	438 B-A3V4B06	
01B-A3U5B12	01B-A3U5B09	01B-A3U4B06	
419 B-A3V4B13	430 B-A3V5D02	440 B-A3V4B05	

LOC. TYPE

PAGE VER EC LEV
 WD001 000 825022
 WD050 000 825022

CHANNEL BANK BOARD SERVICE CONNECTIONS			
E.C. HISTORY	C. MACH. IDA-SM15		
DATE	LAST EC	FRAME	01 WD001
06-27-71	825022	IBM CORP. GSD	WD050
		P.N. 4234374	000

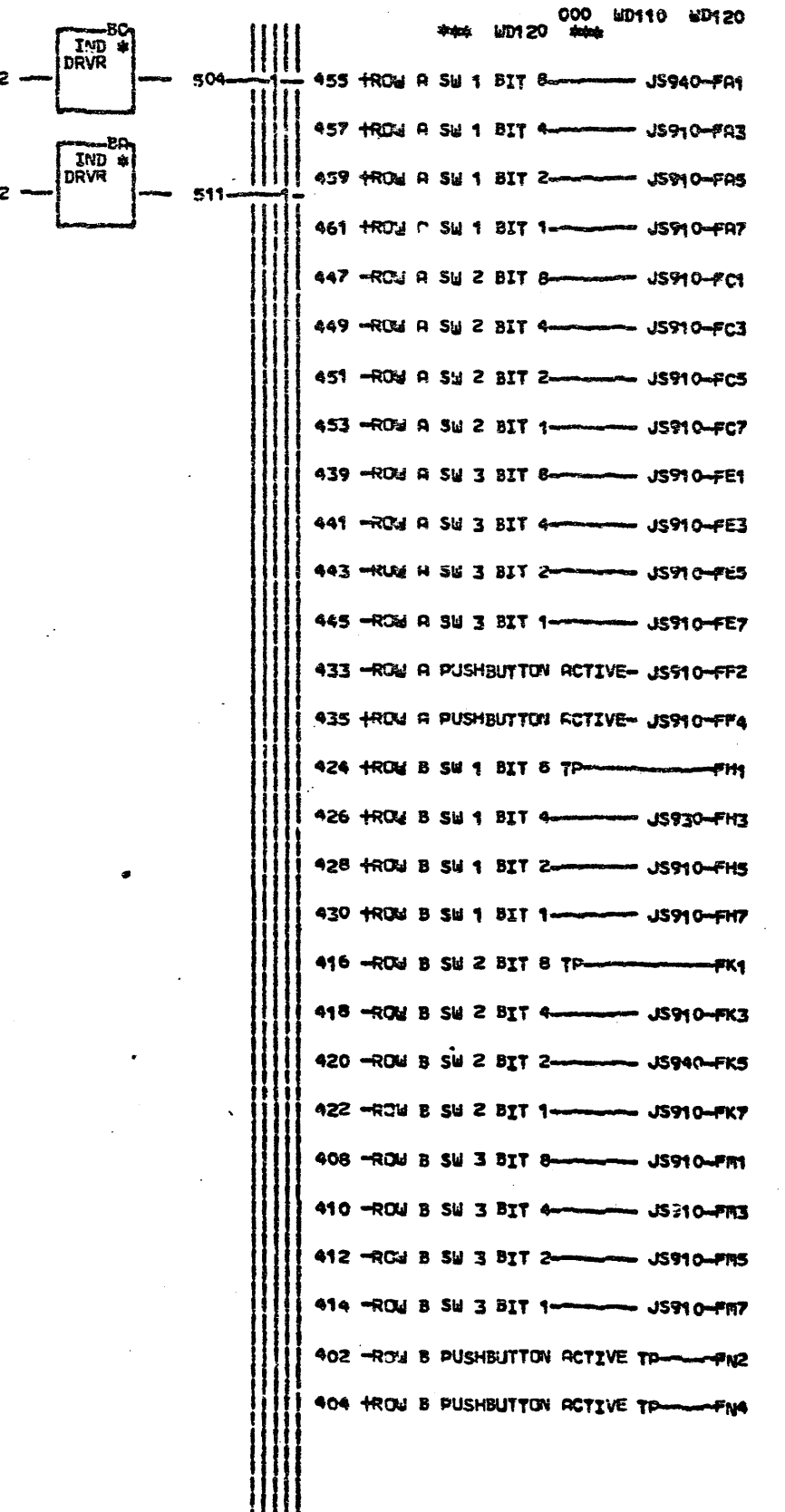
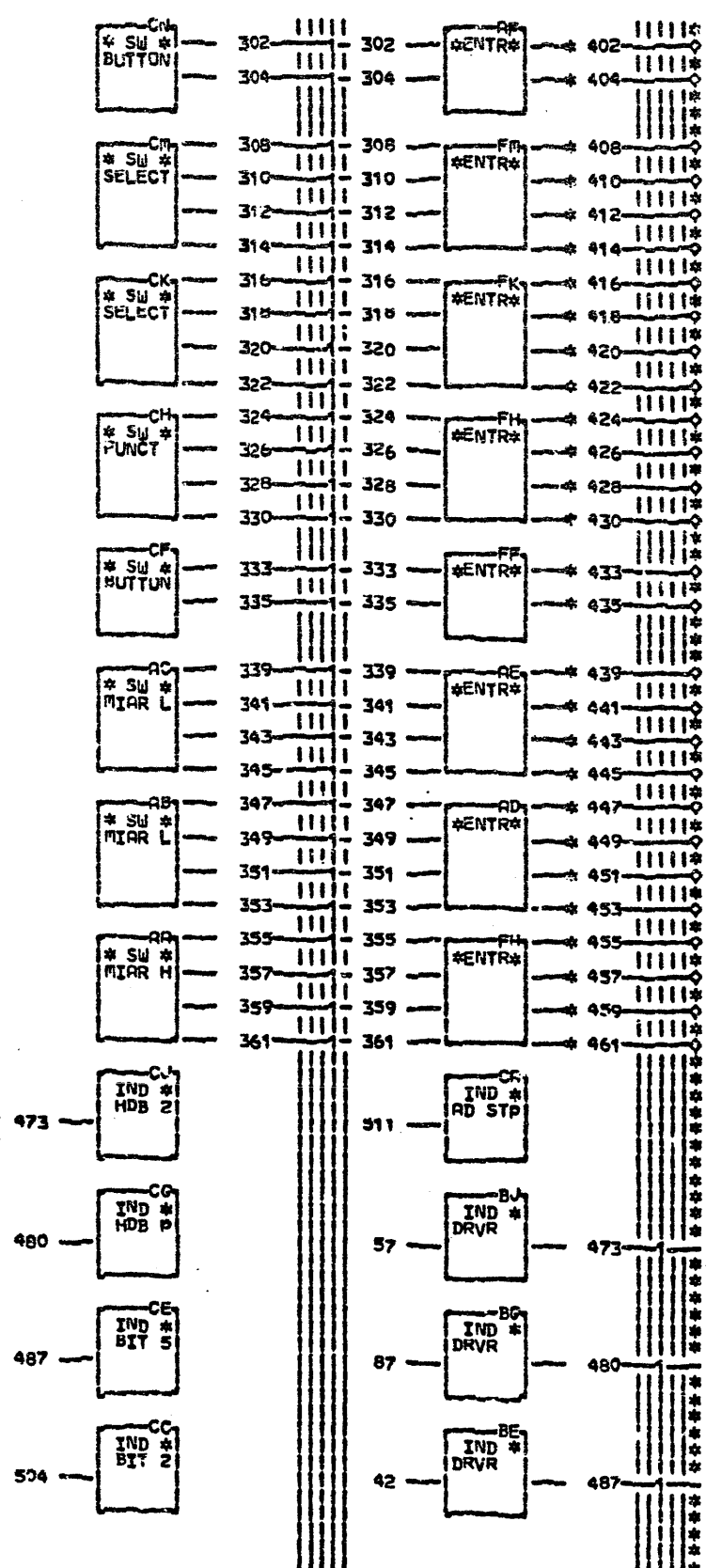
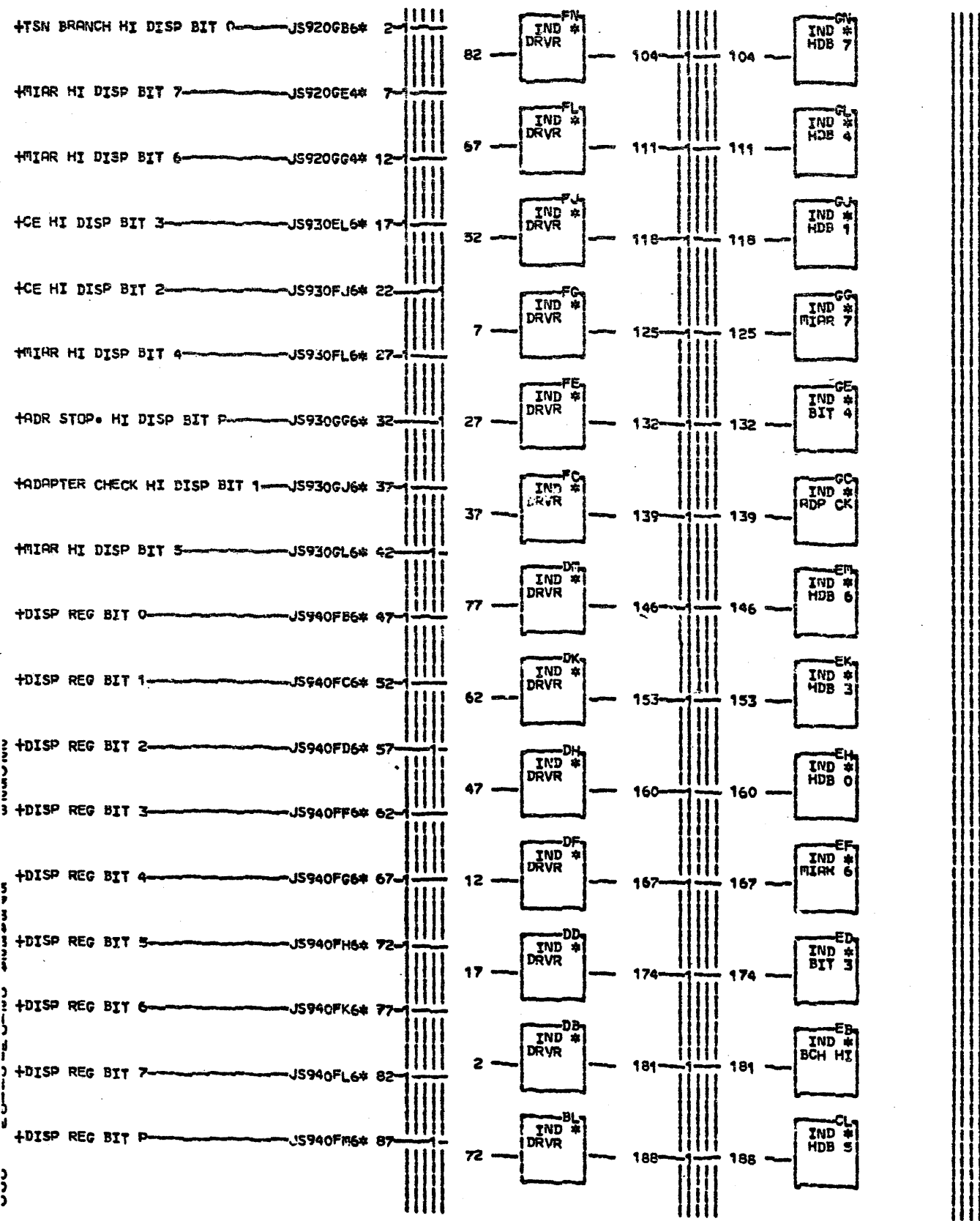


NOTE 1 CARD 5808279 WILL BE IN SOCKETS U2 AND U3 WHEN THIS BOARD IS THE ONLY OR LAST D FEATURE ON CHANNEL 2 0 OTHERWISE 6 CABLES WILL BE IN SOCKETS 0 U2-U3-U4-U5

LOC. TYPE

CHANNEL BANK TERMINATORS	
E.C.-HISTORY	0 MACH. IDA-SR15
	#FRAME 01
	IBM CORP. GSD
DATE LAST EC	P.N. 4234338
06-19-75 823022	

00000000

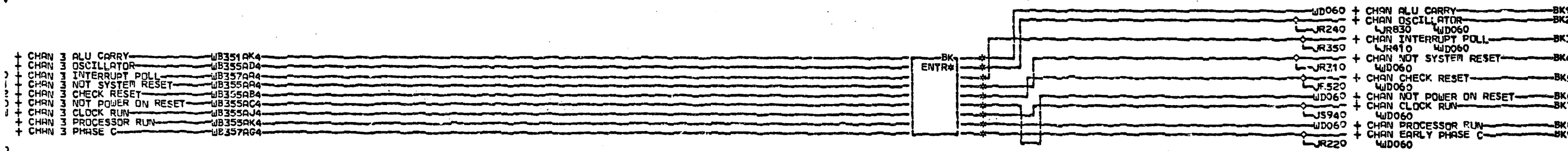
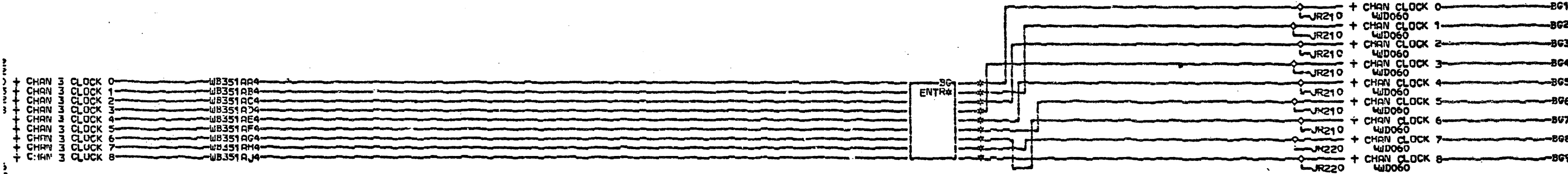
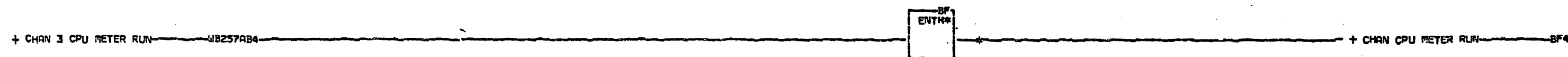
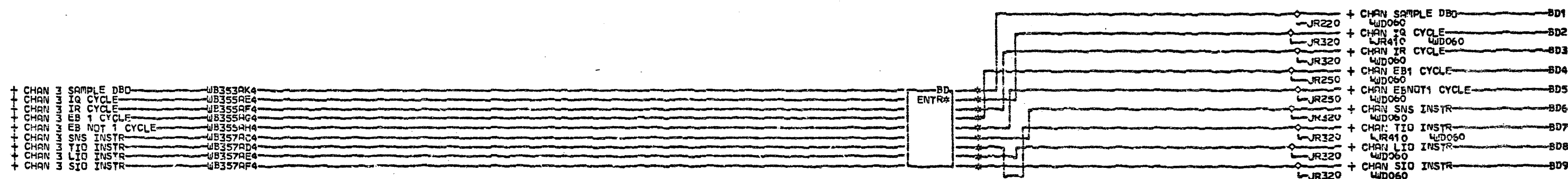
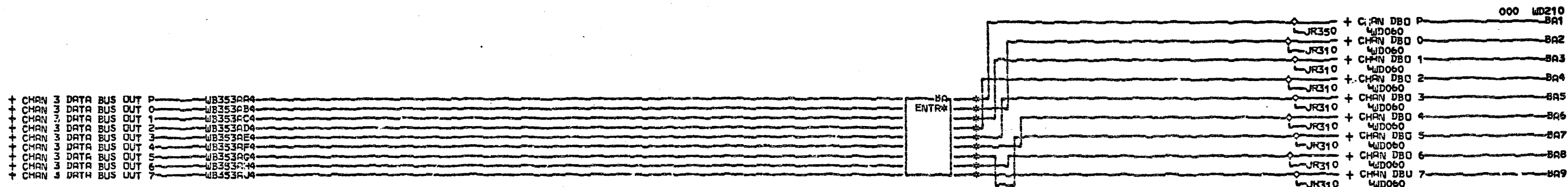


EDGE CONN.	47	B-A3S6A02	404	B-A3H6A04	426	B-A3J6C04	449	B-A3N6E02	
2	B-A3V6B02	52	B-A3R6C04	408	B-A3H6D02	428	B-A3K6A04	451	B-A3M6C02
7	B-A3T6A04	57	B-A3R6C02	410	B-A3H6D04	430	B-A3K6B04	453	B-A3N6A02
12	B-A3T6E02	62	B-A3R6B04	412	B-A3H6C04	433	B-A3L6D02	455	B-A3N6B04
17	B-A3U6C04	67	B-A3R6B02	414	B-A3J6D02	435	B-A3L6D04	457	B-A3N6D04
22	B-A3U6D02	72	B-A3Q6V04	416	B-A3J6B04	439	B-A3M6B02	459	B-A3N6D04
27	B-A3U6C02	77	B-A3Q6V02	418	B-A3K6B02	441	B-A3M6B04	461	B-A3N6E04
32	B-A3V6B04	82	B-A3P6E04	420	B-A3H6E02	443	B-A3M6A04		
37	B-A3U6D04	87	B-A3S6A04	422	B-A3J6C02	445	B-A3N6B02		
42	B-A3T6E04	402	B-A3H6A02	424	B-A3J6D04	447	B-A3N6E04		

LOC. TYPE PAGE VER EC LEV
WD110 000 825022
WD120 000 825022

CE CONTROLS AND INDICATORS			
E-C-HISTORY	C-MACH-IDR-SM15	FRAME	01 WD110
DATE	L-IST EC	IBM CORP.GSD	WD120
06-18-75	J25022	P.No	4234375 000

WD110
WD120
000



BA1 B-A3V2D02	01B-A3U2D07	BD1 B-A3V2B02	01B-A3U2B08	BF4 B-A3V5B13	01B-A3U3D06	BG9 B-A3V3D13	01B-A3U3B06	BK9 B-A3V3B13
01B-A3U2D02	BA6 B-A3V2D09	01B-A3U2B02	BD6 B-A3V2B09	01B-A3U5B13	BG5 B-A3V3D07	01B-A3U3D13	BK5 B-A3V3B08	01B-A3U3B13
BA2 B-A3V2D03	01B-A3U2D09	BD2 B-A3V2B04	01B-A3U2B09	BG1 B-A3V3D02	01B-A3U3D07	BK1 B-A3V3B02	01B-A3U3B08	
01B-A3U2D03	BA7 B-A3V2D10	01B-A3U2B04	BD7 B-A3V2B10	01B-A3U3D02	BG6 B-A3V3D09	01B-A3U3B02	BK6 B-A3V3B09	
BA3 B-A3V2D05	01B-A3U2D10	BD3 B-A3V2B05	01B-A3U2B10	BG2 B-A3V3D03	01B-A3U3D09	BK2 B-A3V3B04	01B-A3U3B09	
01B-A3U2D05	BA8 B-A3V2D11	01B-A3U2B05	BD8 B-A3V2B12	01B-A3U3D03	BG7 B-A3V3D10	01B-A3U3B04	BK7 B-A3V3B10	
BA4 B-A3V2D06	01B-A3U2D11	BD4 B-A3V2B06	01B-A3U2B12	BG3 B-A3V3D05	01B-A3U3D10	BK3 B-A3V3B05	01B-A3U3B10	
01B-A3U2D06	BA9 B-A3V2D13	01B-A3U2B06	BD9 B-A3V2B13	01B-A3U3D05	BG8 B-A3V3D11	01B-A3U3B05	BK8 B-A3V3B12	
BA5 B-A3V2D07	01B-A3U2D13	BD5 B-A3V2B08	01B-A3U2B13	BG4 B-A3V3D06	01B-A3U3D11	BK4 B-A3V3B06	01B-A3U3B12	

LOC. TYPE

CHANNEL ENTRY	
E.C.-HISTORY	C-MACH. I.D.A-SM15
DATE	LAST EC
06-19-75	825022
IP.No.	4234376

5
1
0
000

WD
2
1
0

CHAN 3 DBI 0	JS030AD6	WB301	DA CHAN 3 DATA BUS IN 0	BA1
CHAN 3 DBI 1	JS030AE2	WB301	DA CHAN 3 DATA BUS IN 1	BA2
CHAN 3 DBI 2	JS030AF2	WB301	DA CHAN 3 DATA BUS IN 2	BA3
CHAN 3 DBI 3	WD001FC4	WB301	DA CHAN 3 DATA BUS IN 3	BA4
CHAN 3 DBI 4	JS030AH2	WB301	DA CHAN 3 DATA BUS IN 4	BA5
CHAN 3 DBI 5	JS030AJ2	WB301	DA CHAN 3 DATA BUS IN 5	BA6
CHAN 3 DBI 6	JS030AK2	WB301	DA CHAN 3 DATA BUS IN 6	BA7
CHAN 3 DBI 7	JS030AL2	WB301	DA CHAN 3 DATA BUS IN 7	BA8
DBI 7	WD001BE4	WB301	DA CHAN 3 DATA BUS IN 7	BA9

STORE DATA	JR830GC6	WB303	DA CHAN 3 STORE DATA	BD1
BLOCK SDR TO CPU	JR830GJ6	WB305	DA CHAN 3 BLOCK SDR	BD2
BINARY SUBTRACT XTHRU	WD050FB3	WB305	DA CHAN 3 BINARY SUBTRACT	BD3
INHIBIT LSR LOAD XTHRU	WD050FB1	WB305	DA CHAN 3 INHIBIT LSR LOAD	BD4
CHAN LSR SEL 3	JR230BC6	WB303	DA CHAN 3 LSR SELECT 3	BD5
LSR SELECT 4 XTHRU	WD050FB5	WB303	DA CHAN 3 LSR SELECT 4	BD6
LSR SELECT 5 XTHRU	WD050FB7	WB303	DA CHAN 3 LSR SELECT 5	BD7
CHAN LSR SEL 6	JR230AG6	WB303	DA CHAN 3 LSR SELECT 6	BD8
LSR SELECT 7 XTHRU	WD050FB5	WB303	DA CHAN 3 LSR SELECT 7	BD9

CYCLE STEAL REQ 3 XTHRU	WD050FD1	WB305	DA CHAN 3 CSR 4	BC1
CYCLE STEAL REQ 4 XTHRU	WD050FD3	WB305	DA CHAN 3 CSR 5	BC2
CS REQ 7	JR830VB6	WB305	DA CHAN 3 CSR 6	BC3
CYCLE STEAL REQ 6 XTHRU	WD050FD7	WB305	DA CHAN 3 CSR 7	BC4
CYCLE STEAL REQ 5 XTHRU	WD050FD5	WB305	DA CHAN 3 CSR 8	BC5
CHAN COND A	JR330BD6	WB307	DA CHAN 3 I/O CONDITION A	BC6
CHAN COND B	JR330BE6	WB307	DA CHAN 3 I/O CONDITION B	BC7
TRANSLATE IN XTHRU	WD050FF1	WB303	DA CHAN 3 TRANSLATE IN	BC8
TRANSLATE OUT XTHRU	WD050FF3	WB303	DA CHAN 3 TRANSLATE OUT	BC9

ATTENTION TO CPU XTHRU	WD050FF5	WB305	DA CHAN 3 I/O ATTENTION	BK1
CHAN I-O METER RUN	JR340AR2	WB307	DA CHAN 3 I-O METER RUN	BK2
CHAN I-O WORKING	JR340AH2	WB307	DA CHAN 3 I-O WORKING	BK3
CHAN I-O CHECK	JR330BP6	WB307	DA CHAN 3 I-O CHECK	BK4
BURST REQUEST TO CPU	JS930FG2	WB303	DA CHAN 3 BURST REQUEST	BK5
SPARE 1 XTHRU	WD050FH7		SPARE 1	BK6
SPARE 2 XTHRU	WD050FH1		SPARE 2	BK7
SPARE 3 XTHRU	WD050FH3		SPARE 3	BK8

LOC. TYPE

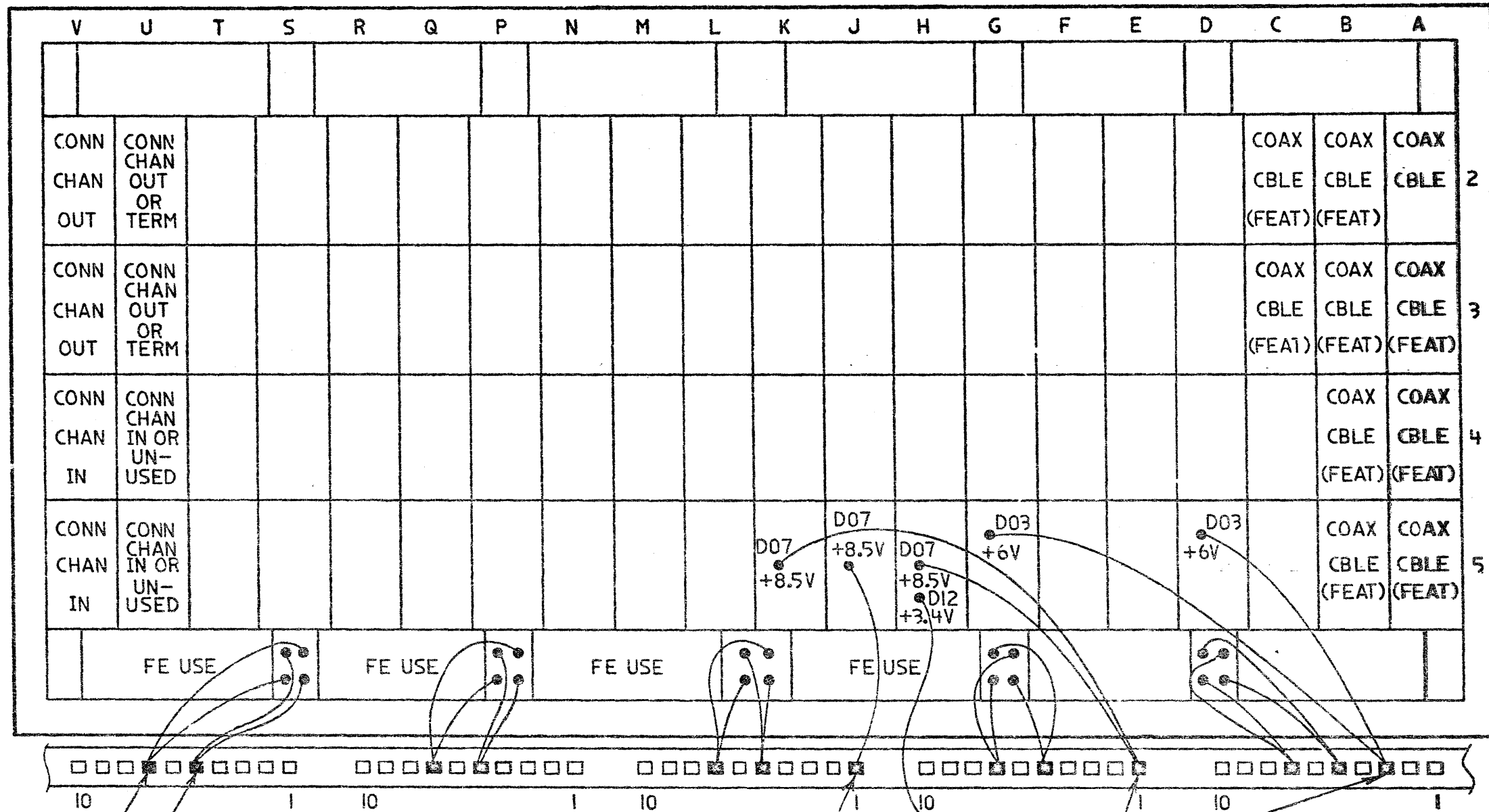
CHANNEL EXIT PAGE	
E.C. HISTORY	C. RACH. I.D.A. SR15
FRAME	01
DATE LAST EC	IBA CORP. 680
106-19-75 825022	IP.No. 4234391

WB215

4234269

Z A 2 1 3

PIN SIDE VIEW

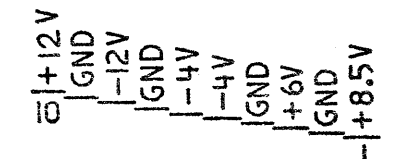


817421(5) JUMPER ASM-GND
817420(5) JUMPER ASM-4V

5558428 JUMPER ASM

5558426 (2) JUMPER ASM

4234268 (FROM A-GATE LOWER LAM. BUS T.B. POS 8)



REF-VOLTAGE BUS



REF BUS VOLTAGE (-4V)

EC HISTORY		DRAWING TITLE
23 MAY 75	825000	CONN. CHART BOARD 01B -A3
02 OCT 75	825031	MACH DA-SM15 ATTACHMENT
12 FEB 76	825034	PART NO 4234269
C	CLASSIFICATION	
	IBM CORP	

Z A 2 1 3

Z A 2 1 3