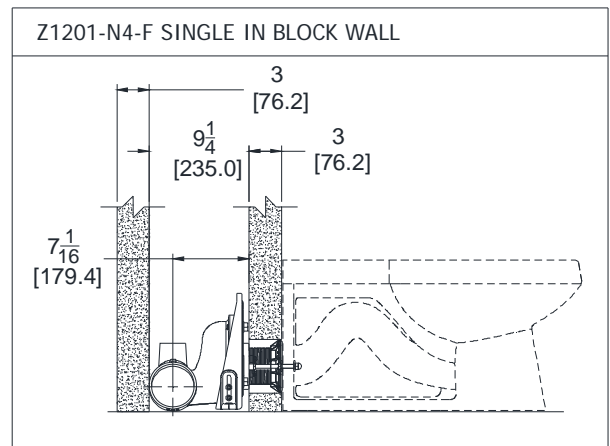
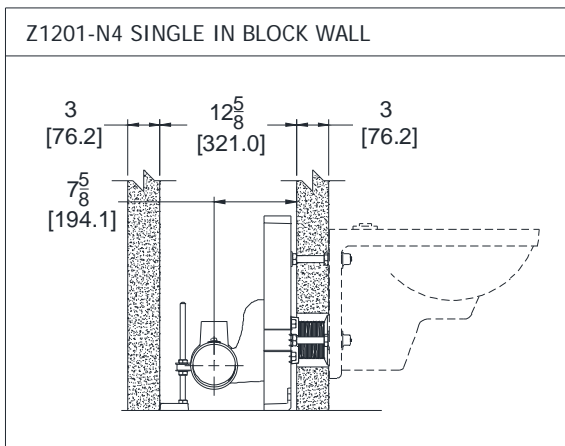
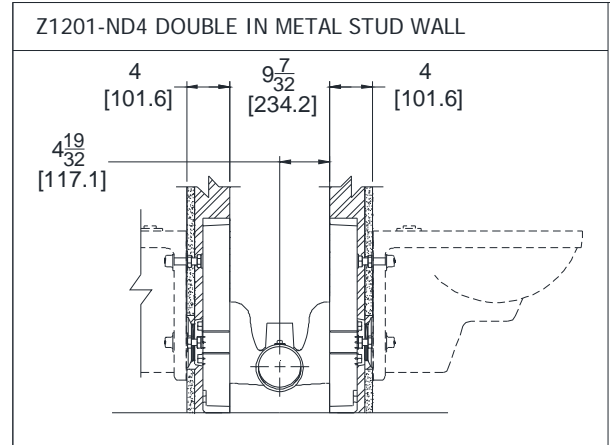
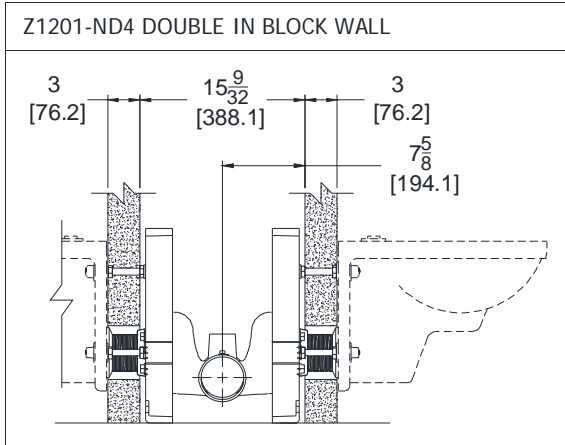
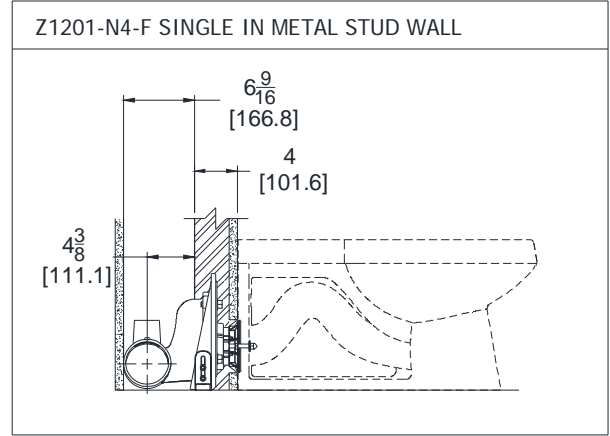
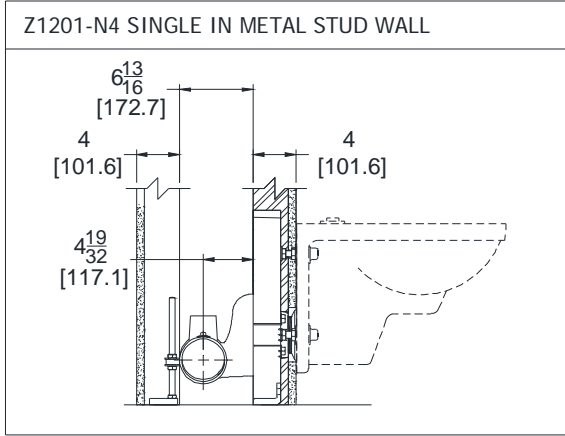




# Minimum Chase Requirements for Standard Wall Installation

Dimensional Data (inches and [mm]) are Subject to Manufacturing Tolerances and Change Without Notice

## Horizontal Adjustable Carriers



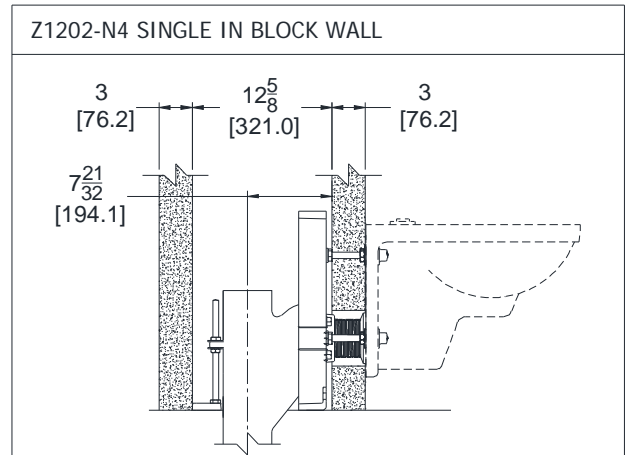
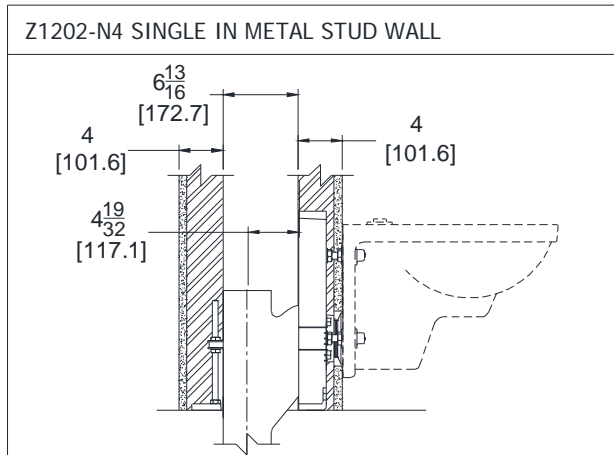
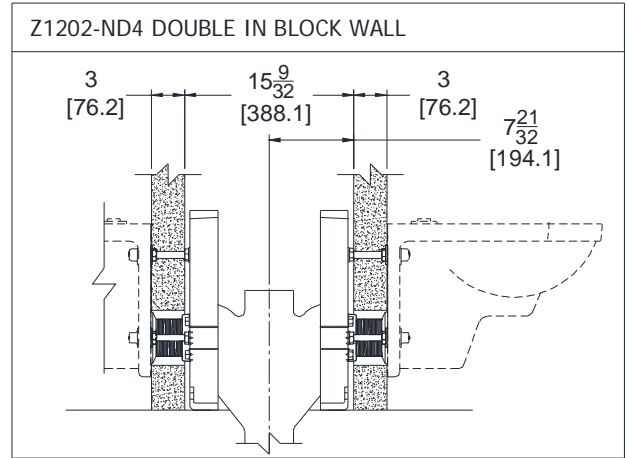
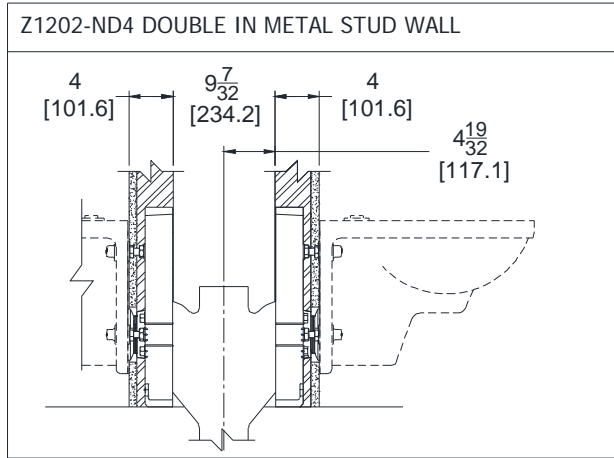
- ⚠ **WARNING:** Cancer and Reproductive Harm - [www.P65Warnings.ca.gov](http://www.P65Warnings.ca.gov)
- ⚠ **ADVERTENCIA:** Cáncer y daño reproductivo - [www.P65Warnings.ca.gov](http://www.P65Warnings.ca.gov)
- ⚠ **AVERTISSEMENT:** Cancer et effets néfastes sur la reproduction - [www.P65Warnings.ca.gov](http://www.P65Warnings.ca.gov)



# Minimum Chase Requirements for Standard Wall Installation

Dimensional Data (inches and [mm]) are Subject to Manufacturing Tolerances and Change Without Notice

## Vertical Adjustable Carriers



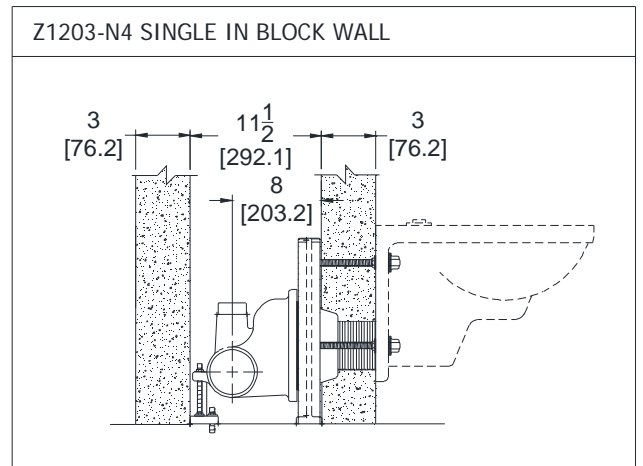
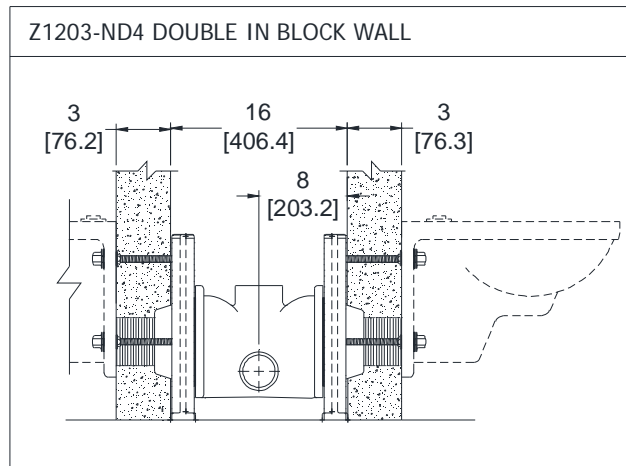
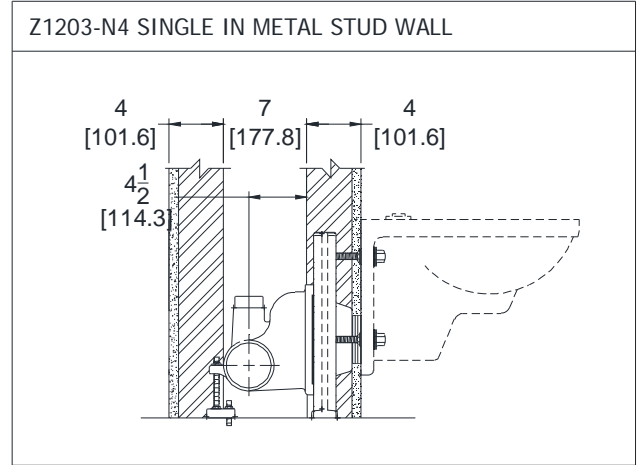
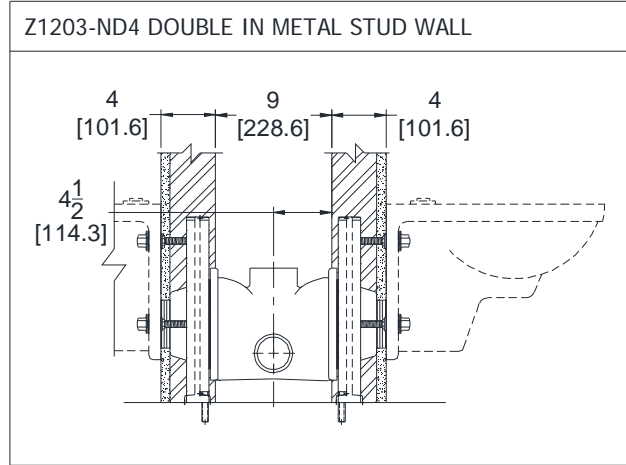
- ⚠ **WARNING:** Cancer and Reproductive Harm - [www.P65Warnings.ca.gov](http://www.P65Warnings.ca.gov)
- ⚠ **ADVERTENCIA:** Cáncer y daño reproductivo - [www.P65Warnings.ca.gov](http://www.P65Warnings.ca.gov)
- ⚠ **AVERTISSEMENT:** Cancer et effets néfastes sur la reproduction - [www.P65Warnings.ca.gov](http://www.P65Warnings.ca.gov)



# Minimum Chase Requirements for Standard Wall Installation

Dimensional Data (inches and [mm]) are Subject to Manufacturing Tolerances and Change Without Notice

## Horizontal Adjustable Carriers

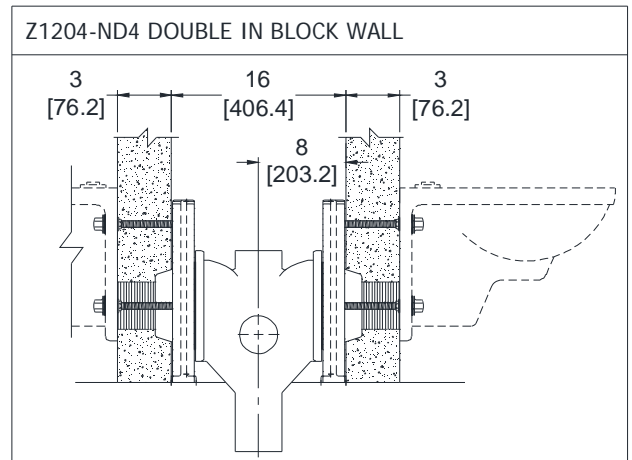
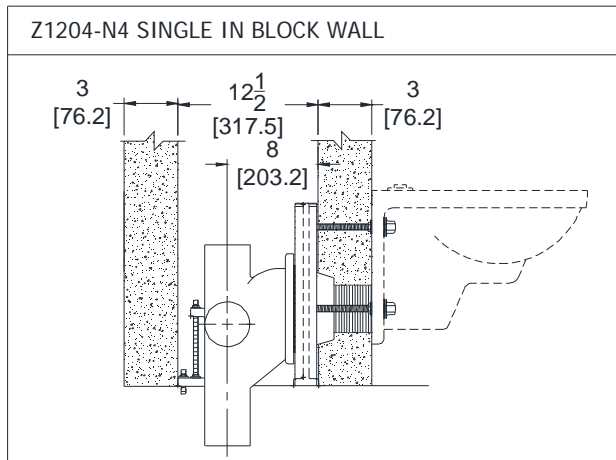
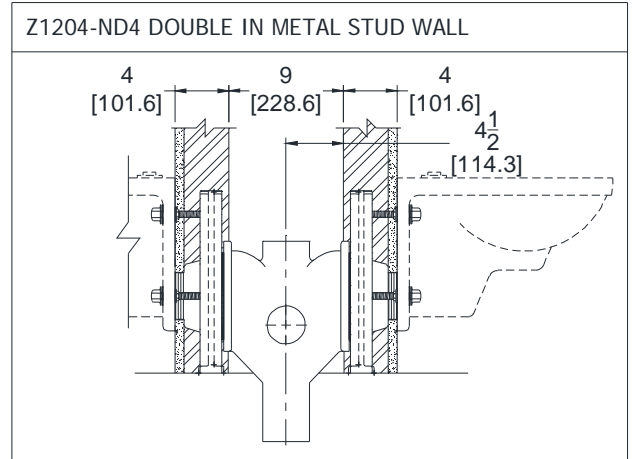
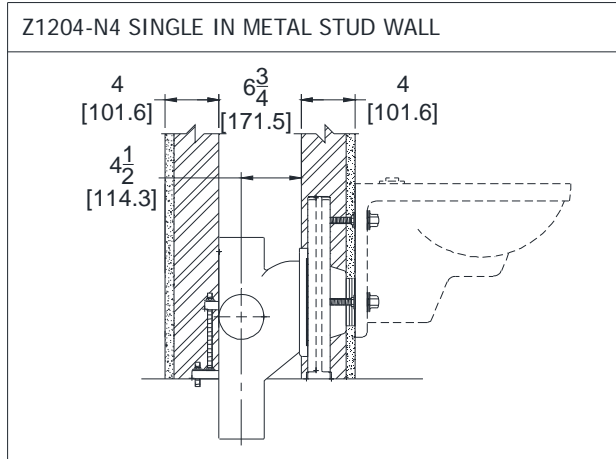




# Minimum Chase Requirements for Standard Wall Installation

Dimensional Data (inches and [mm]) are Subject to Manufacturing Tolerances and Change Without Notice

## Vertical Adjustable Carriers



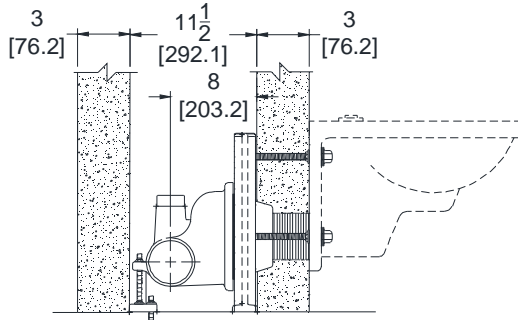


# Minimum Chase Requirements for Standard Wall Installation

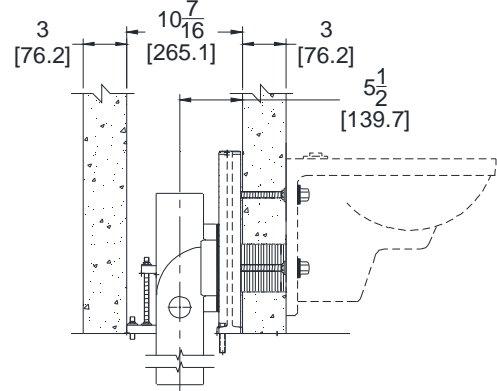
Dimensional Data (inches and [mm]) are Subject to Manufacturing Tolerances and Change Without Notice

## Horizontal Adjustable Carriers

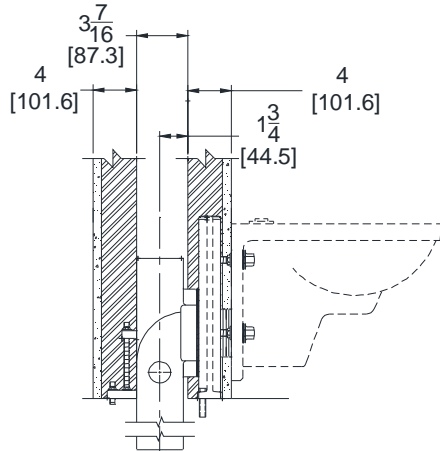
Z1203-N4 PRE-FABRICATED INSTALLATION  
SINGLE IN BLOCK WALL



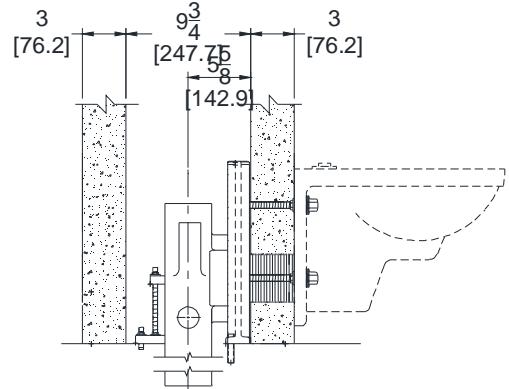
Z1208-N4 SINGLE IN BLOCK WALL



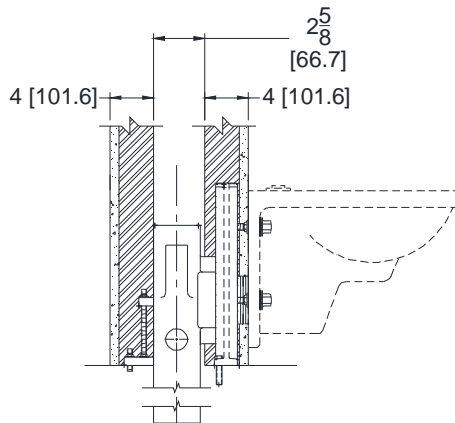
Z1208-N4 SINGLE IN STUD WALL



Z1209-N4 SINGLE IN BLOCK WALL



Z1209-N4 SINGLE IN STUD WALL



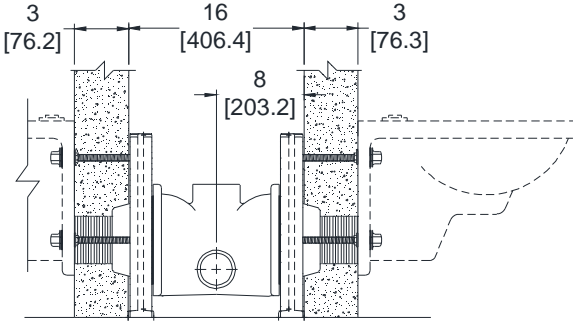


# Minimum Chase Requirements for Standard Wall Installation

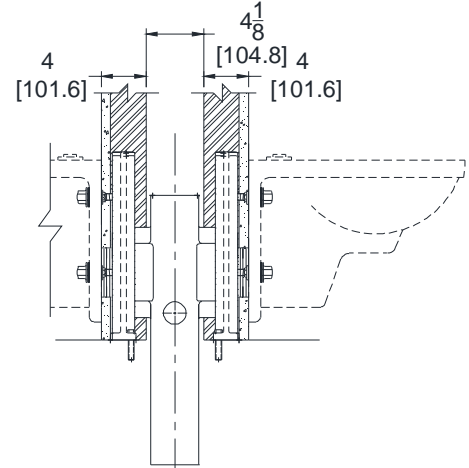
Dimensional Data (inches and [mm]) are Subject to Manufacturing Tolerances and Change Without Notice

## Vertical Adjustable Carriers

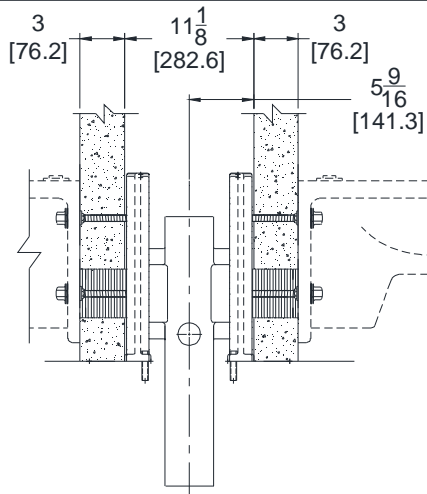
Z1203-ND4 PRE-FABRICATED INSTALLATION  
DOUBLE IN BLOCK WALL



Z1209-ND4 DOUBLE IN STUD WALL



Z1209-ND4 DOUBLE IN BLOCK WALL

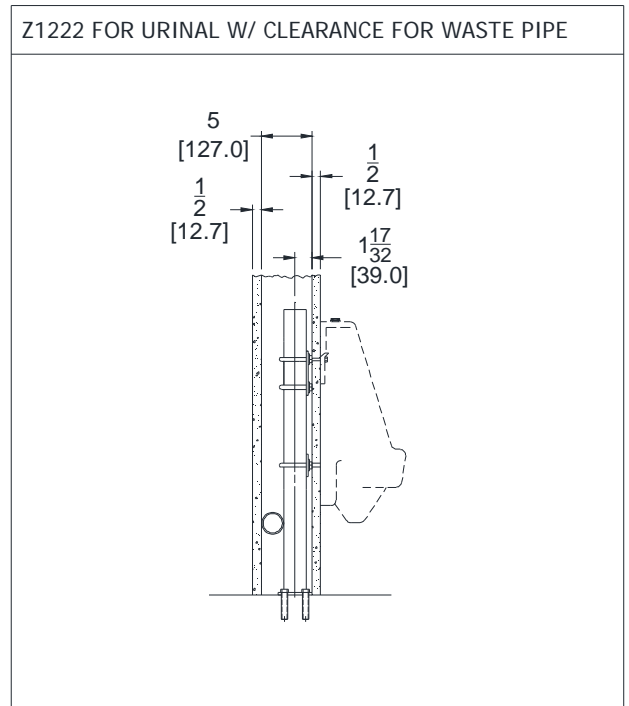
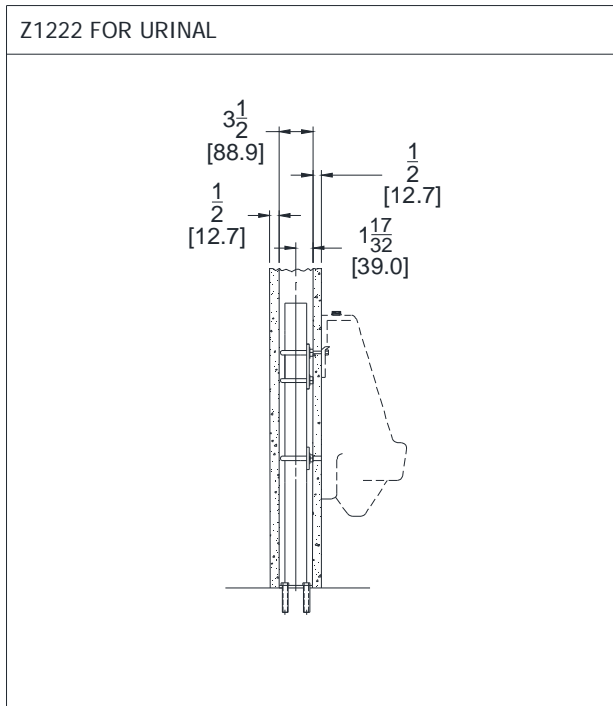
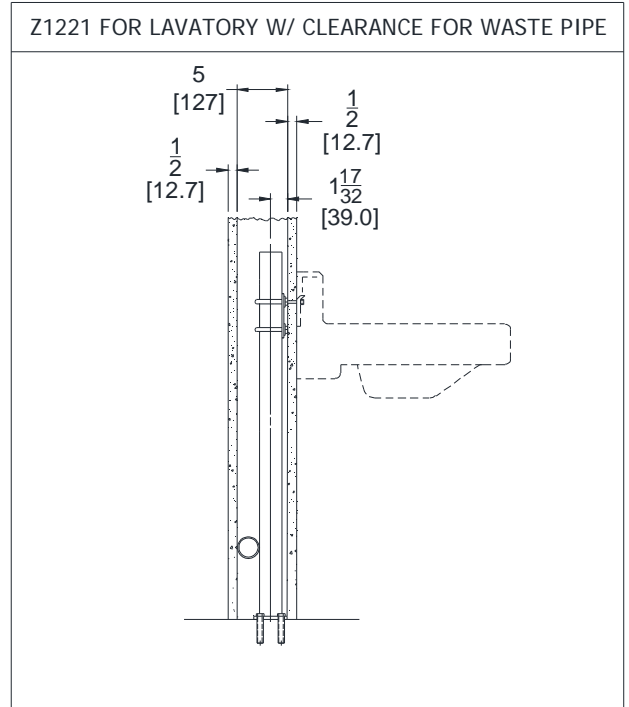
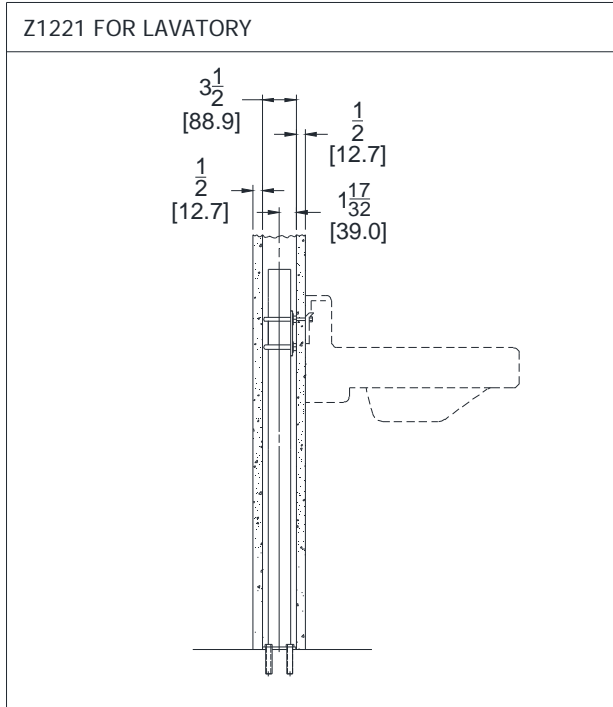




# Minimum Chase Requirements for Standard Wall Installation

Dimensional Data (inches and [mm]) are Subject to Manufacturing Tolerances and Change Without Notice

## Hanger Plate Carriers





# Minimum Chase Requirements for Standard Wall Installation

Dimensional Data (inches and [mm]) are Subject to Manufacturing Tolerances and Change Without Notice

## Arm Lavatory Carriers

<p>Z1231 CONCEALED ARM</p>	<p>Z1231EZ CONCEALED ARM</p>	<p>Z1231 CONCEALED ARM W/ CLEARANCE FOR WASTE PIPE</p>
<p>Z1231EZ-WL CONCEALED ARM W/ CLEARANCE FOR WASTE PIPE</p>	<p>Z1236 EXPOSED ARM</p>	<p>Z1236 EXPOSED ARM W/ CLEARANCE FOR WASTE PIPE</p>