

greenworks **pro**TM

CS60L03
CS60L4R3

ULTRAPOWER™
60V

EN CHAINSAW

OPERATOR MANUAL

ES SIERRA DE CADENA

MANUAL DEL OPERADOR

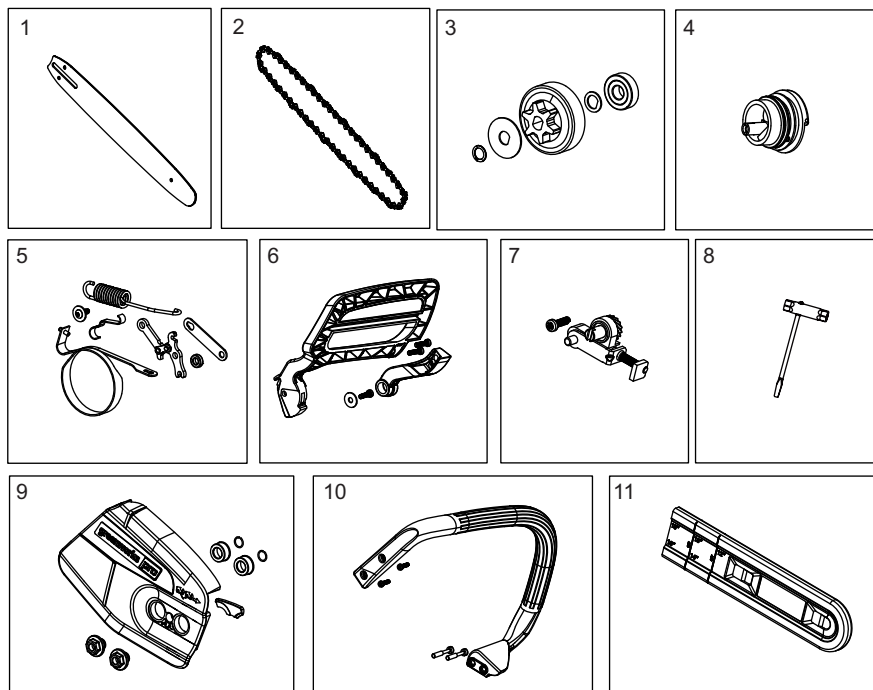


CSC404

www.greenworkstools.com

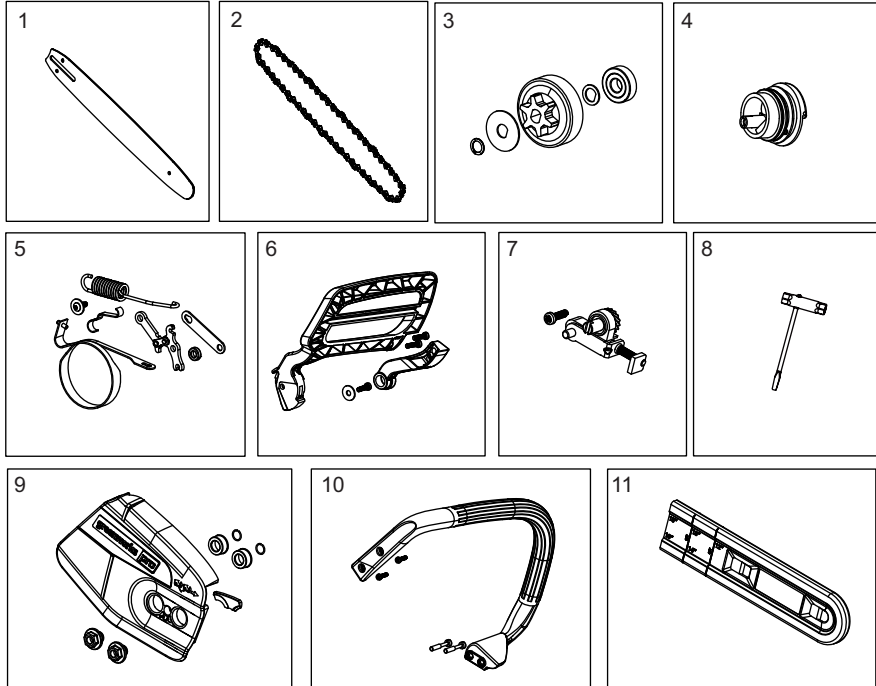


16 EXPLODED VIEW



| No | Part No. | Qty | Description | No | Part No. | Qty | Description |
|----|-------------|-----|--------------------|----|--------------|-----|-------------------------|
| 1 | R0201872-00 | 1 | Bar | 7 | R0200896-00 | 1 | Tensioner Kit |
| 2 | RB322041075 | 1 | Chain | 8 | RB333001890 | 1 | Wrench |
| 3 | R0200302-00 | 1 | Sprocket Kit | 9 | R0200304-00 | 1 | Sprocket Cover Assembly |
| 4 | R0200303-00 | 1 | Oil Cap Assembly | 10 | R0200306-00 | 1 | Auxiliary Handle Kit |
| 5 | R0201868-00 | 1 | Chain Brake Kit | 11 | RB341182031B | 1 | Scabbard |
| 6 | R0200009-00 | 1 | Chain Brake Handle | | | | |

16 VISTA DESPIEZADA



| Nº | Nº pieza | Cant. | Descripción | Nº | Nº pieza | Cant. | Descripción |
|----|-------------|-------|----------------------------|----|--------------|-------|-------------------------------|
| 1 | R0201872-00 | 1 | Barra | 7 | R0200896-00 | 1 | Kit de tensor |
| 2 | RB322041075 | 1 | Cadena | 8 | RB333001890 | 1 | Llave |
| 3 | R0200302-00 | 1 | Kit de piñón | 9 | R0200304-00 | 1 | Conjunto de cubierta de piñón |
| 4 | R0200303-00 | 1 | Conjunto de tapa de aceite | 10 | R0200306-00 | 1 | Kit de asa auxiliar |
| 5 | R0201868-00 | 1 | Kit de freno de cadena | 11 | RB341182031B | 1 | Vaina |
| 6 | R0200009-00 | 1 | Asa de freno de cadena | | | | |

greenworks

proTM

BL60L01
BL60L251

ULTRAPOWER™
60V

EN

BLOWER

OPERATOR MANUAL

ES

SOPLADOR

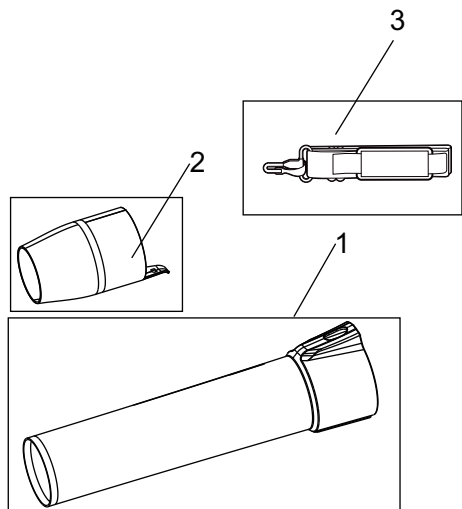
MANUAL DEL OPERADOR



BLC402

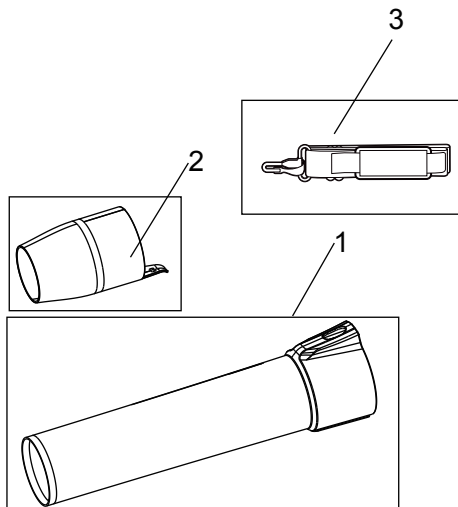
www.greenworkstools.com

17 EXPLODED VIEW



| No. | Part No. | Qty | Description |
|-----|-------------|-----|---------------------|
| 1 | R0201910-00 | 1 | Blower tube |
| 2 | R0201909-00 | 1 | Concentrator nozzle |
| 3 | RB37902144 | 1 | Shoulder strap |

17 VISTA DESPIEZADA



| Nº | Nº pieza | Ca nt. | Descripción |
|----|-------------|-----------|------------------------|
| 1 | R0201910-00 | 1 | Tubo soplador |
| 2 | R0201909-00 | 1 | Boquilla concentradora |
| 3 | RB37902144 | 1 | Correa de hombro |

greenworks

proTM

ST60L03
ST60L413

ULTRAPOWER™
60V

EN STRING TRIMMER

OPERATOR MANUAL

ES CORTABORDES

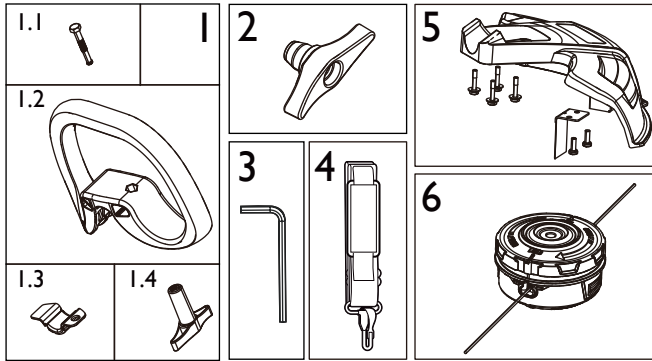
MANUAL DEL OPERADOR



STC456

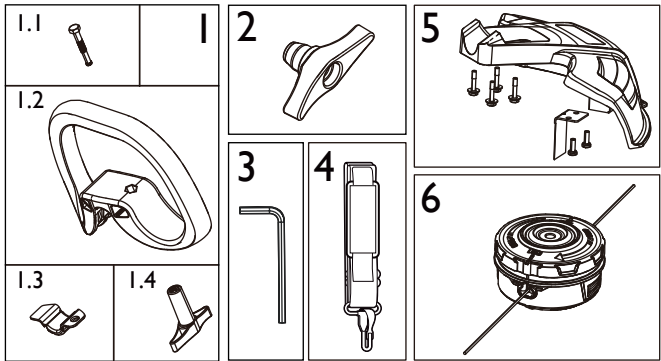
www.greenworktools.com

15 REPLACEMENT PARTS



| No. | Part No. | Qty | Description | No. | Part No. | Qty | Description |
|-----|-------------|-----|---------------------------|-----|-------------|-----|-----------------------|
| 1 | R0201836-00 | 1 | Auxiliary handle assembly | 2 | R0201784-00 | 1 | Coupler knob |
| 1.1 | R0201826-00 | 1 | Bolt | 3 | R0201770-00 | 1 | Allen key |
| 1.2 | R0201827-00 | 1 | Auxiliary handle | 4 | RB37902144 | 1 | Shoulder strap |
| 1.3 | R0201828-00 | 1 | Lower clamp | 5 | R0201835-00 | 1 | Guard assembly |
| 1.4 | R0201833-00 | 1 | Knob | 6 | R0201834-00 | 1 | Trimmer head assembly |

15 PIEZAS DE REPUESTO



| Nº | Nº pieza | Ca nt. | Descripción | Nº | Nº pieza | Ca nt. | Descripción |
|-----|-------------|--------|--------------------------|----|-------------|--------|-------------------------------|
| 1 | R0201836-00 | 1 | Conjunto de asa auxiliar | 2 | R0201833-00 | 1 | Mando de acoplamiento |
| 1.1 | R0201826-00 | 1 | Perno | 3 | R0201770-00 | 1 | Llave allen |
| 1.2 | R0201827-00 | 1 | Asa auxiliar | 4 | RB37902144 | 1 | Correa de hombro |
| 1.3 | R0201828-00 | 1 | Abrazadera inferior | 5 | R0201834-00 | 1 | Conjunto de cabezal de corte |
| 1.4 | R0201833-00 | 1 | Mando | 6 | R0201835-00 | 1 | Conjunto de garde protectrice |

greenworks

proTM

HT60L211
HT60L01

ULTRAPOWERTM
60V

EN HEDGE TRIMMER

OPERATOR MANUAL

ES CORTADOR DE SETOS

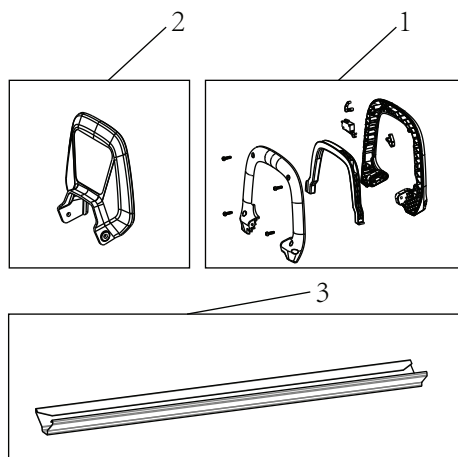
MANUAL DEL OPERADOR



HTC402

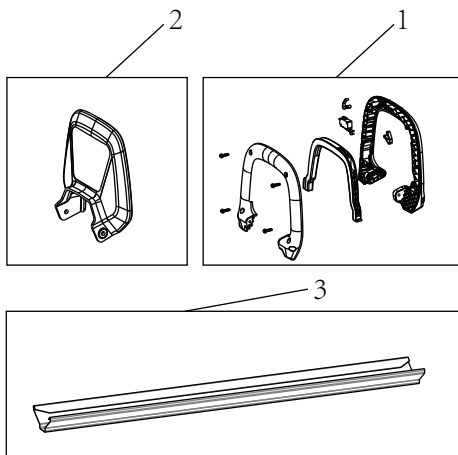
www.greenworkstools.com

15 EXPLODED VIEW



| No. | Part No. | Qty | Description |
|-----|-------------|-----|---------------------------|
| 1 | R0201807-00 | 1 | Auxiliary handle assembly |
| 2 | R0201808-00 | 1 | Guard |
| 3 | R0201931-00 | 1 | Blade cover |

15 VISTA DESPIEZADA



| Nº | Nº pieza | Cant. | Descripción |
|----|-------------|-------|--------------------------|
| 1 | R0201807-00 | 1 | Conjunto de asa auxiliar |
| 2 | R0201808-00 | 1 | Protección |
| 3 | R0201931-00 | 1 | Vaina |