

KOMA FieldKit

Sheet: KomaFieldKit-v5-AudioProcessing Sheet: KomaFieldKit-v5-AudioOut

Audio Processing

Audio Out

File: KomaFieldKit-v5-AudioProcessing.sch File: KomaFieldKit-v5-AudioOut.sch

Sheet: KomaFieldKit-v5-CVProcessing Sheet: KomaFieldKit-v5-MotorControl

CV Processing

Motor Control

LFO

File: KomaFieldKit-v5-CVPProcessing.sch File: KomaFieldKit-v5-MotorControl.sch

Sheet: KomaFieldKit-v5-Radio Sheet: KomaFieldKit-v5-PowerMechanic

Radio

Power / Mechanical

Analog Signal Interface

File: KomaFieldKit-v5-Radio.sch File: KomaFieldKit-v5-PowerMechanic.sch File: KomaFieldKit-v5-AnalogSignal.sch

- Current Consumption -
- Quiescent 80mA
- Speaker Full Blast +220mA
- DC Int. Full Blast +500mA
- Total Full Blast 800mA
- Total Margin 850mA

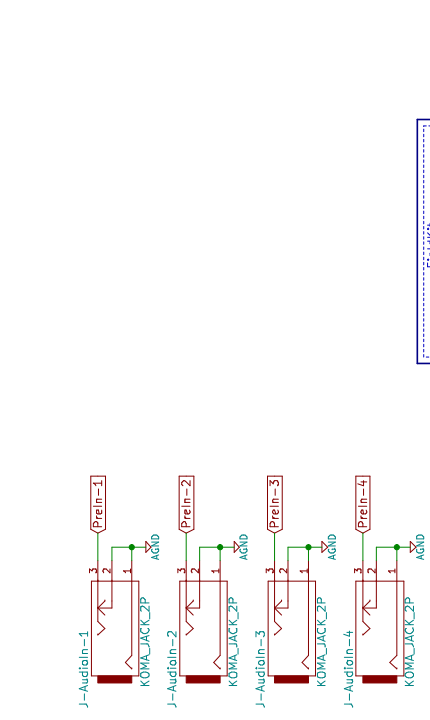
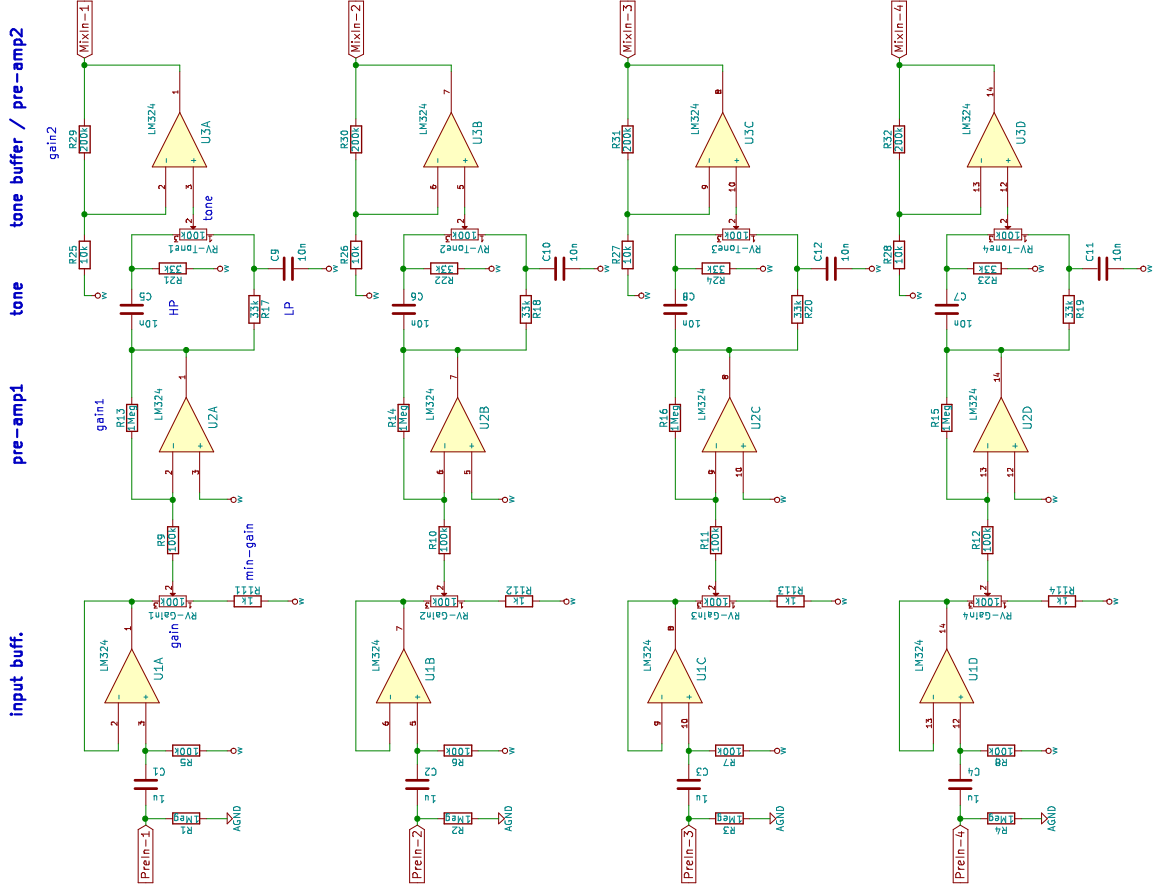
KOMA Elektronik GmbH

Sheet: /
File: KomaFieldKit-v5.sch

Title: Field Kit PR1

Size: A4 Date: 13 / 07 / 2017 **Rev: 1**
 KiCad E.D.A. kicad 4.0.16-e0-634953ubuntu16.04.1
 Id: 1/9

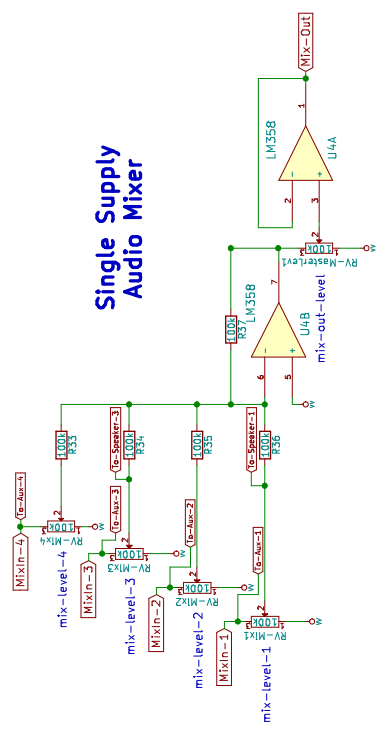
Pre-Amp / Tone

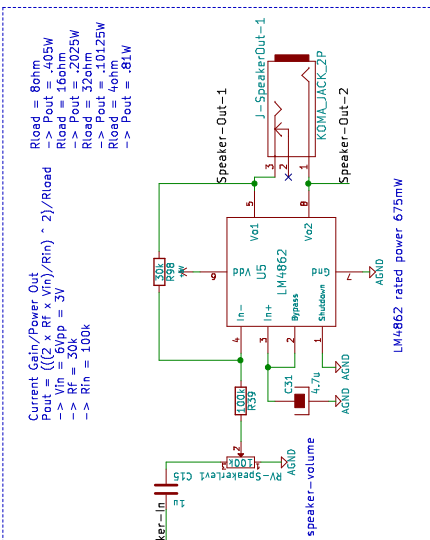
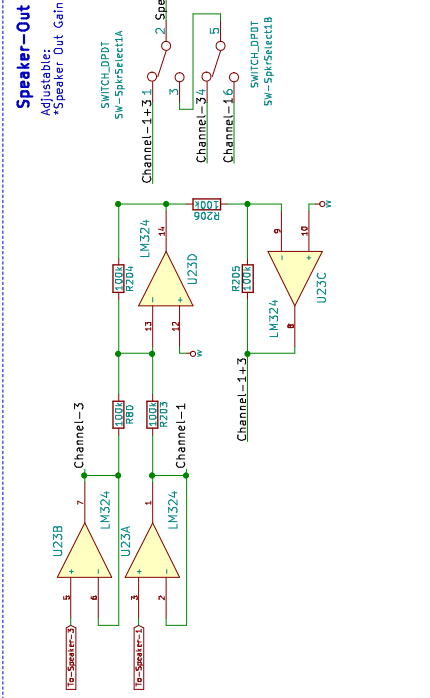
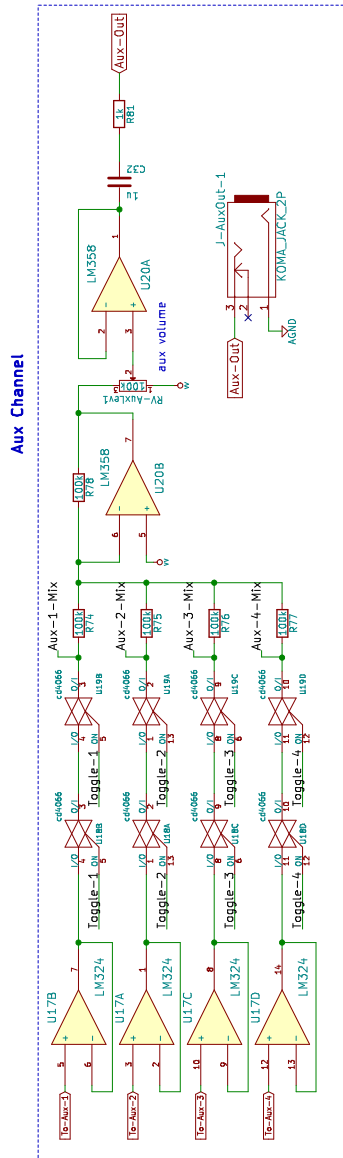
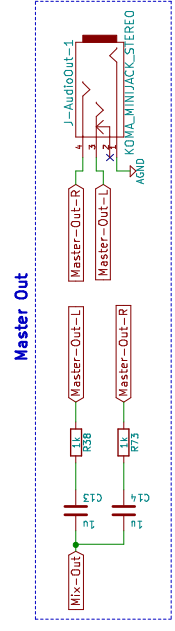
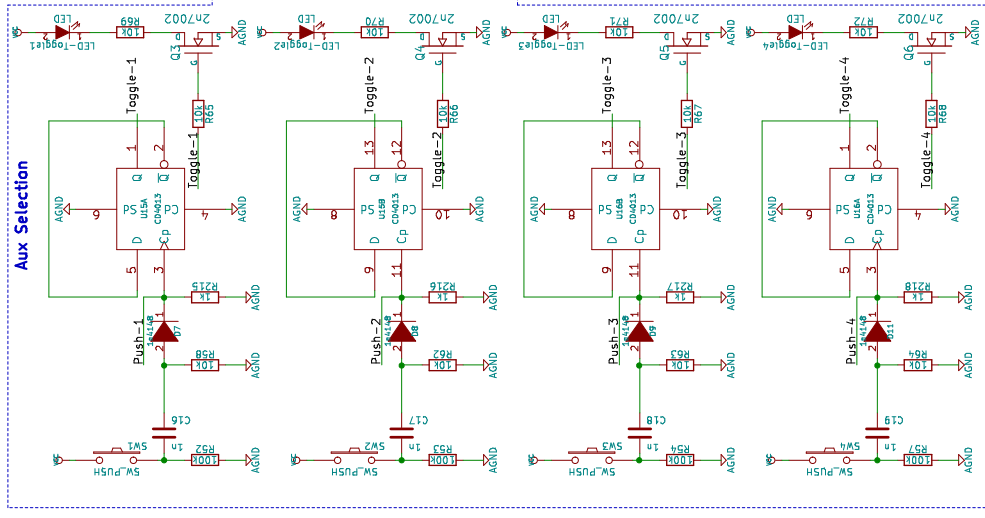


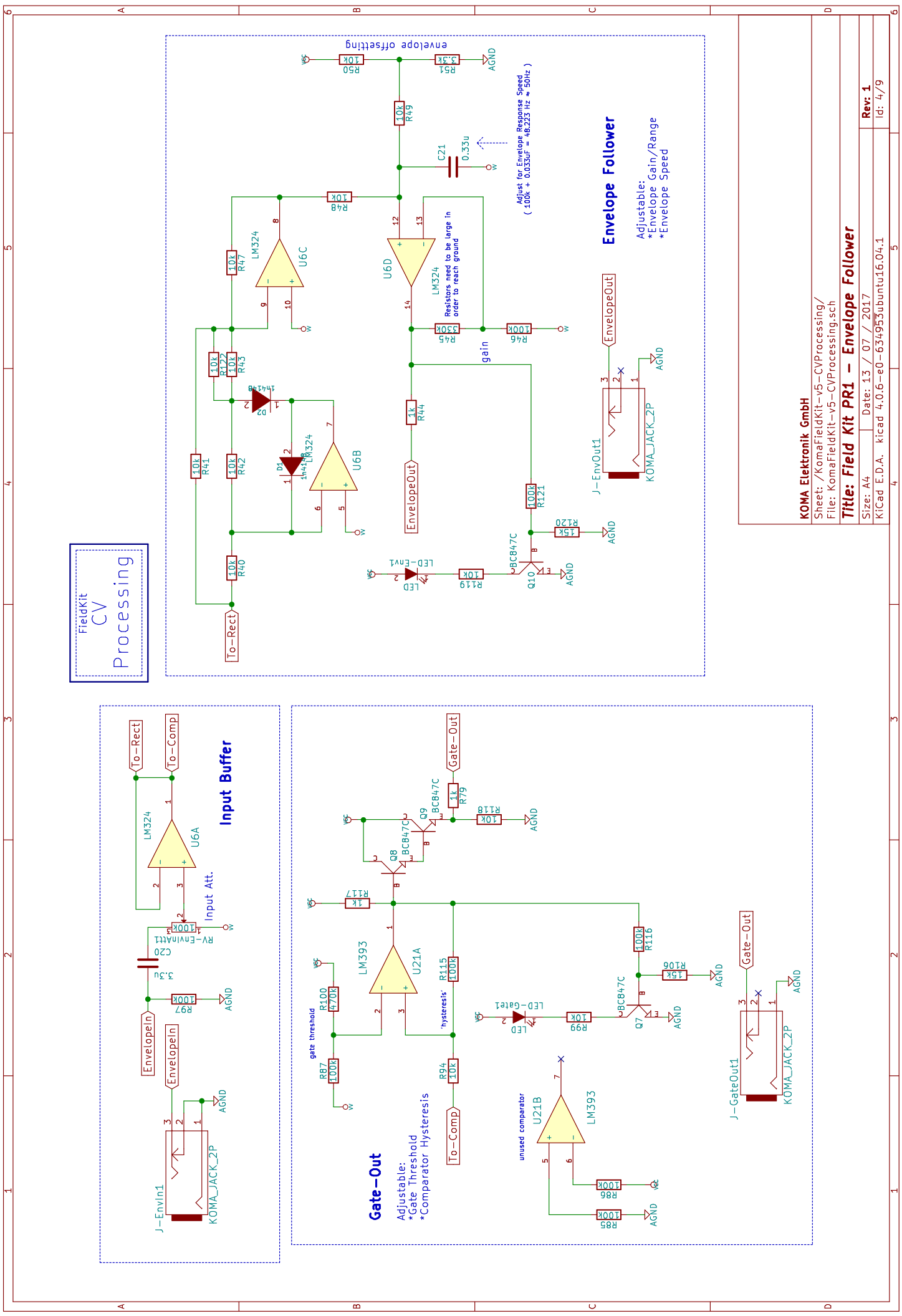
FieldKit

Adjustable:
 *Max Gain.
 *Tone Cutoff Freq.

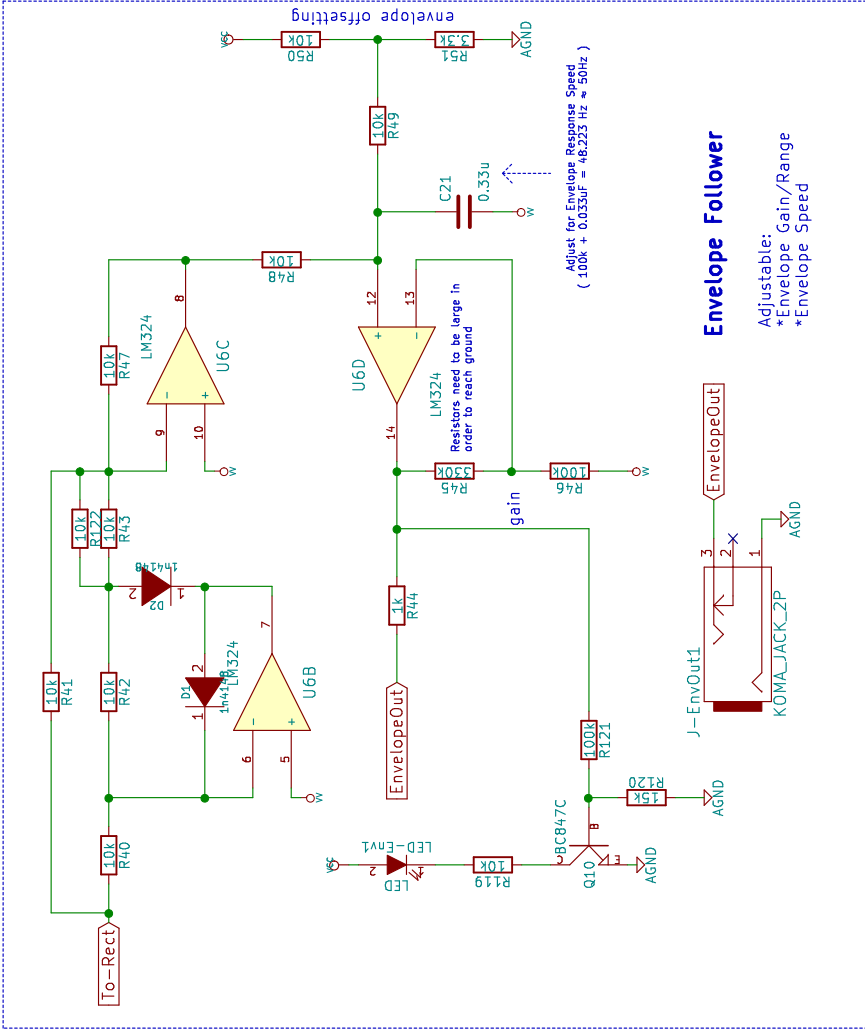
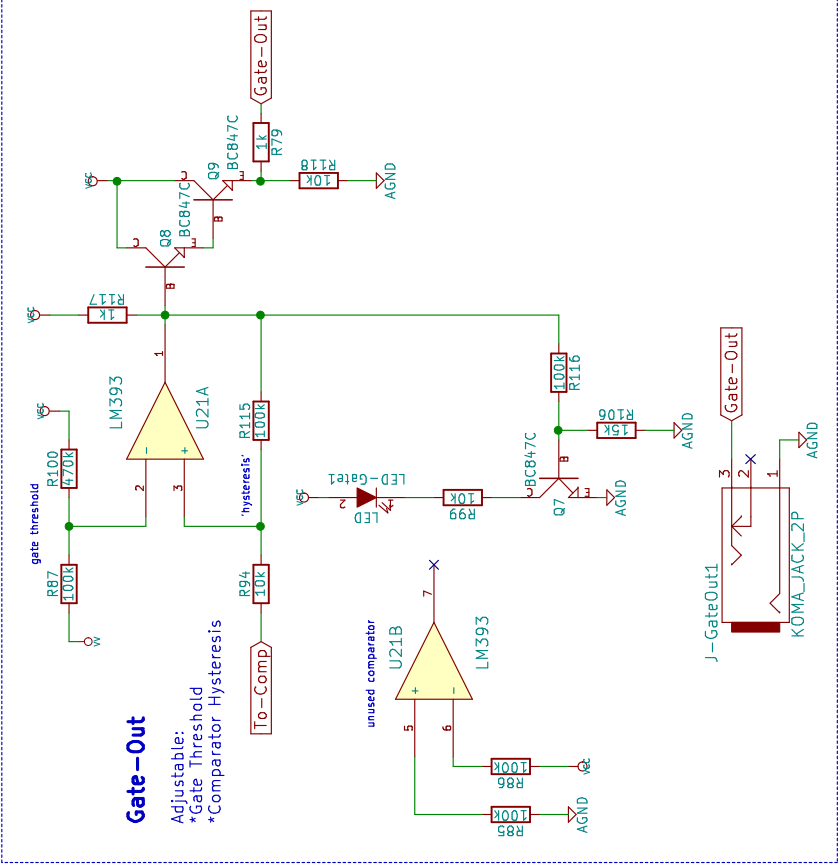
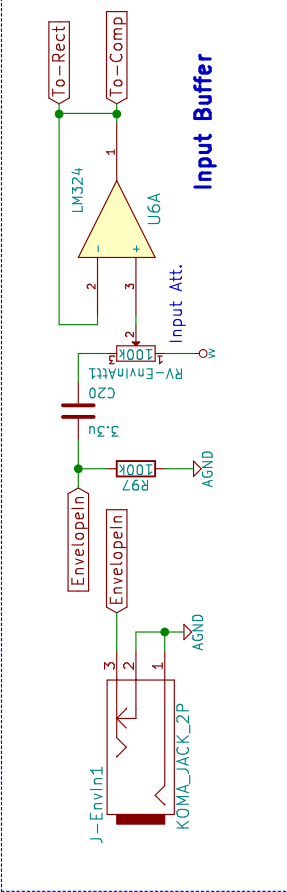
Single Supply Audio Mixer





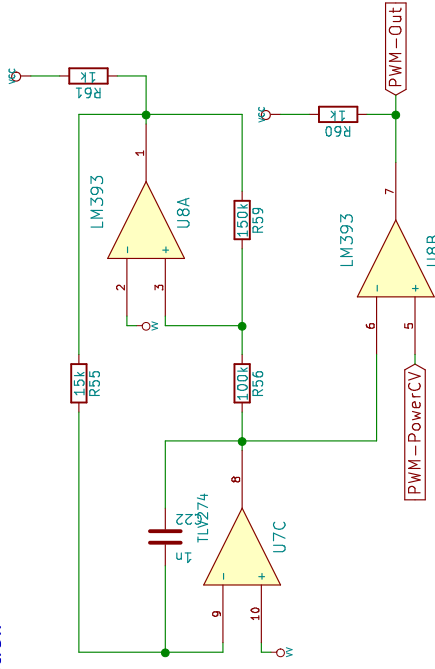


FieldKit
CV
Processing

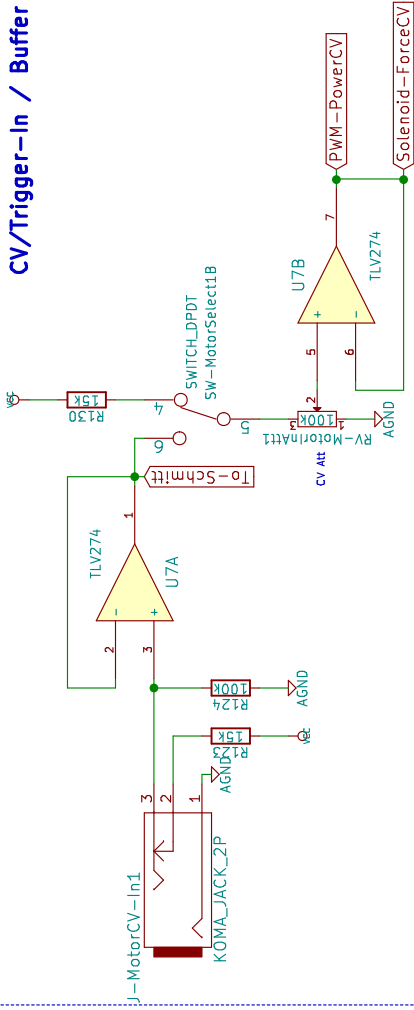


KOMA Elektronik GmbH
 Sheet: /KomaFieldKit-v5-CVProcessing/
 File: KomaFieldKit-v5-CVProcessing.sch
Title: Field Kit PR1 – Envelope Follower
 Size: A4 Date: 13 / 07 / 2017
 KiCad E.D.A. kicad 4.0.6-e0-634953ubuntu16.04.1 Id: 4/9

PWM Generation

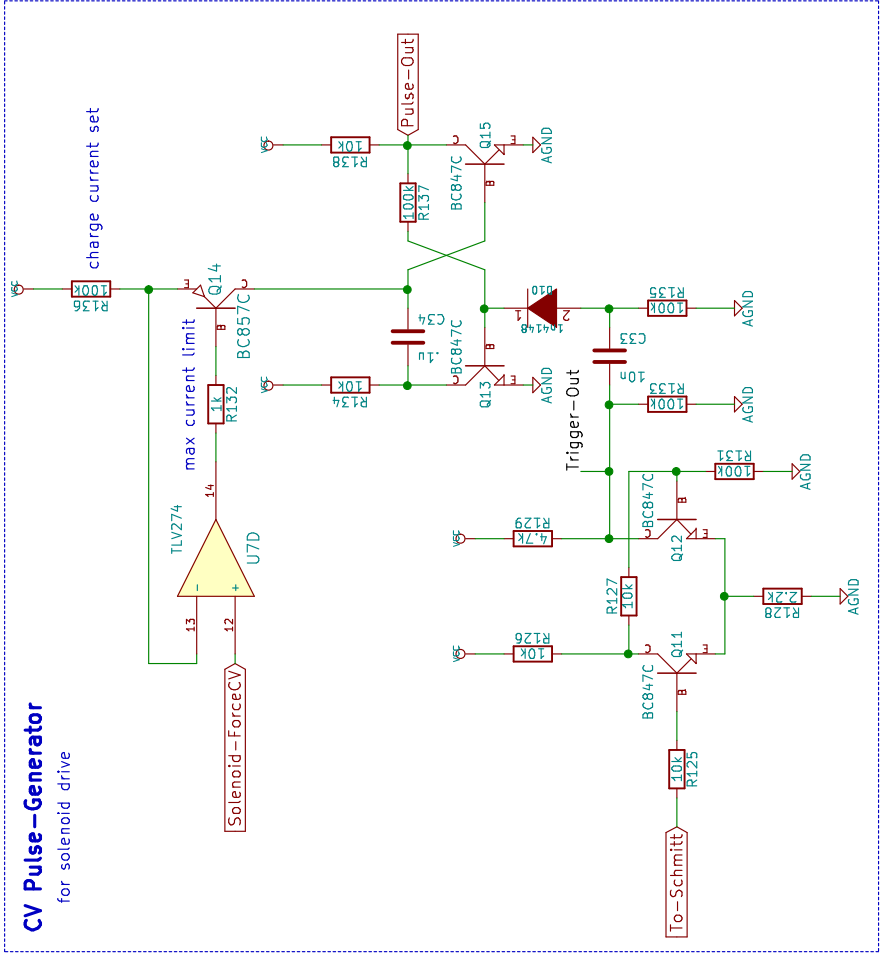


CV/Trigger-In / Buffer

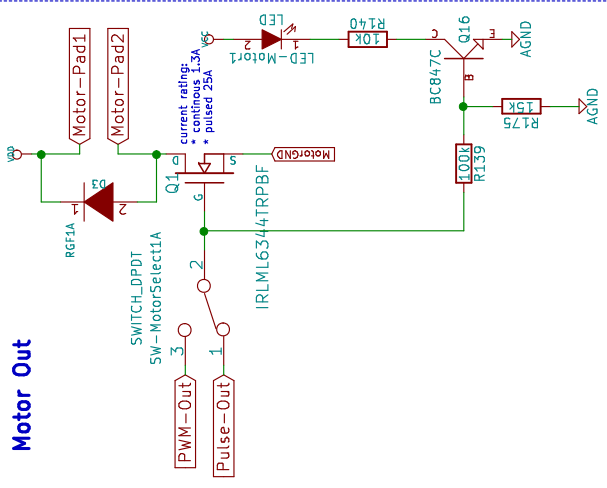


CV Pulse-Generator

for solenoid drive

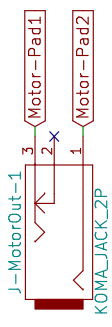


Motor Out



FieldKit
Motor
Control

Adjustable:
* Pulse Length



KOMA Elektronik GmbH

Sheet: /KomaFieldKit-v5-MotorControl/
File: KomaFieldKit-v5-MotorControl.sch

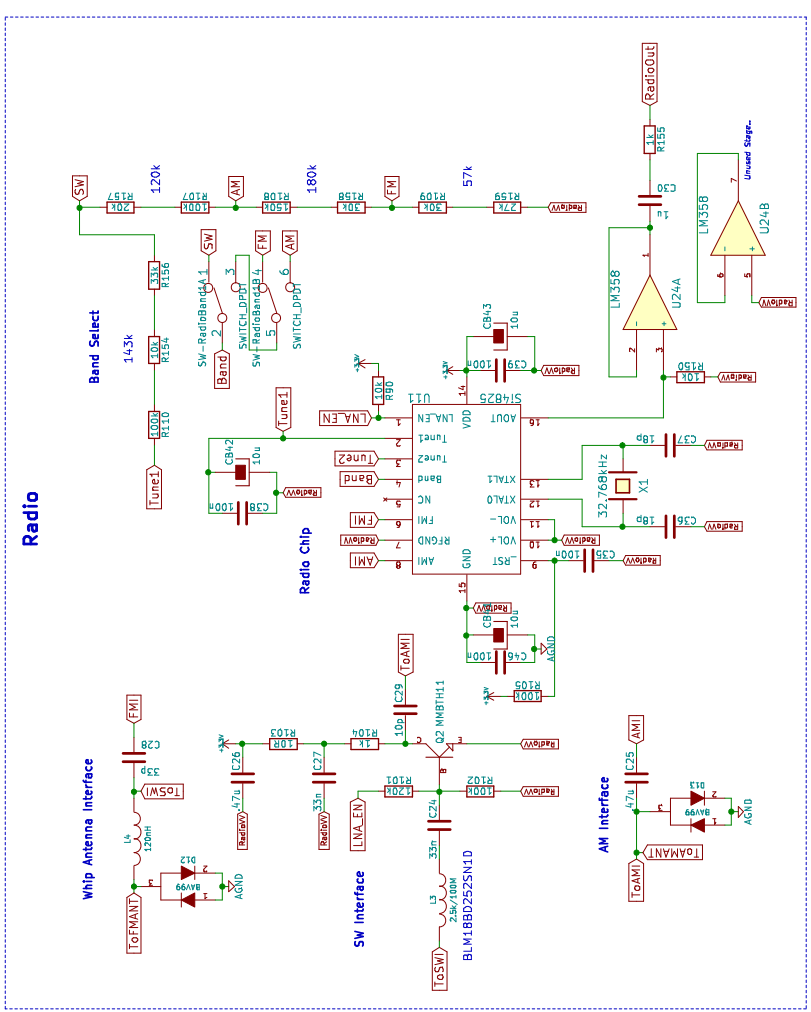
Title: Field Kit PR1 - DC Interface

Size: A4 Date: 13 / 07 / 2017

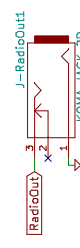
KiCad E.D.A. kicad 4.0.16-e0-634953ubuntu16.04.1

Rev. 1

Id: 5/9



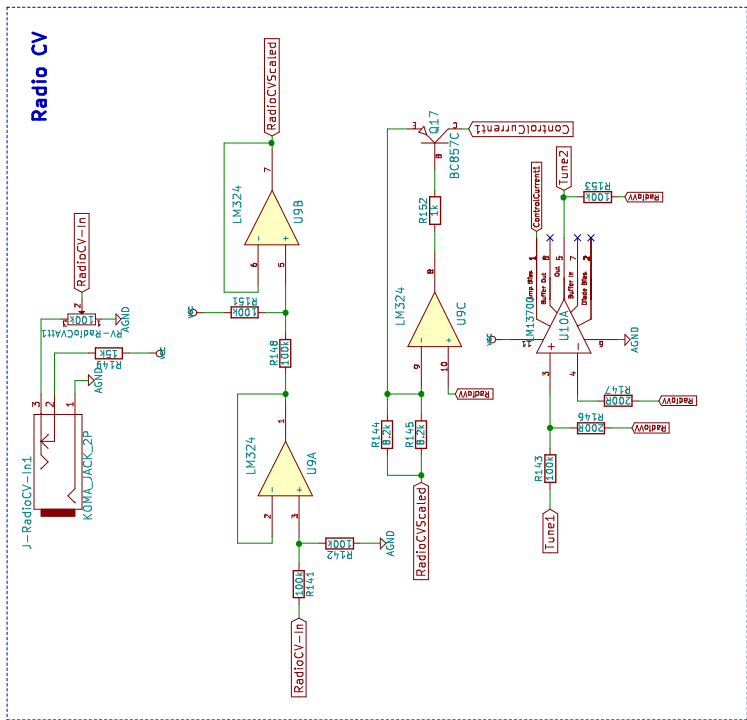
Radio



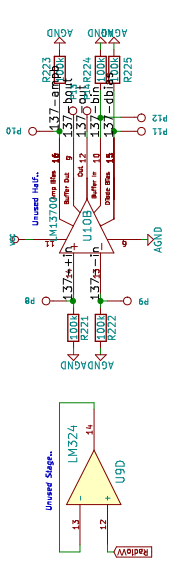
FM Range:
 (VHF Band II)
 87.5Mhz - 108Mhz, De-emphasis 50us
 Chip Band Select: FM2 = 87Mhz - 108Mhz, De-emphasis 50us
 Res to GND = 57k

AM Range:
 (Medium Wave)
 530.5KHz - 1600KHz, 9KHz spacing
 Chip Band Select: AM2 = 532 - 1620KHz, 9KHz separation
 Res to GND = 237kOhm

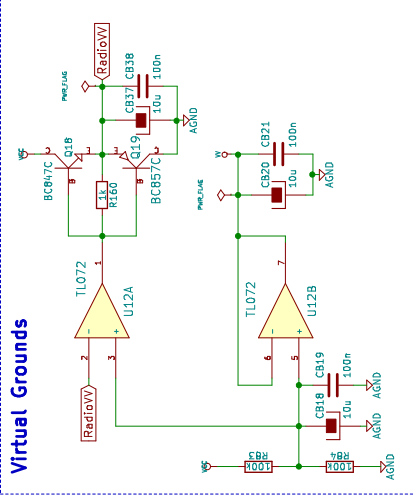
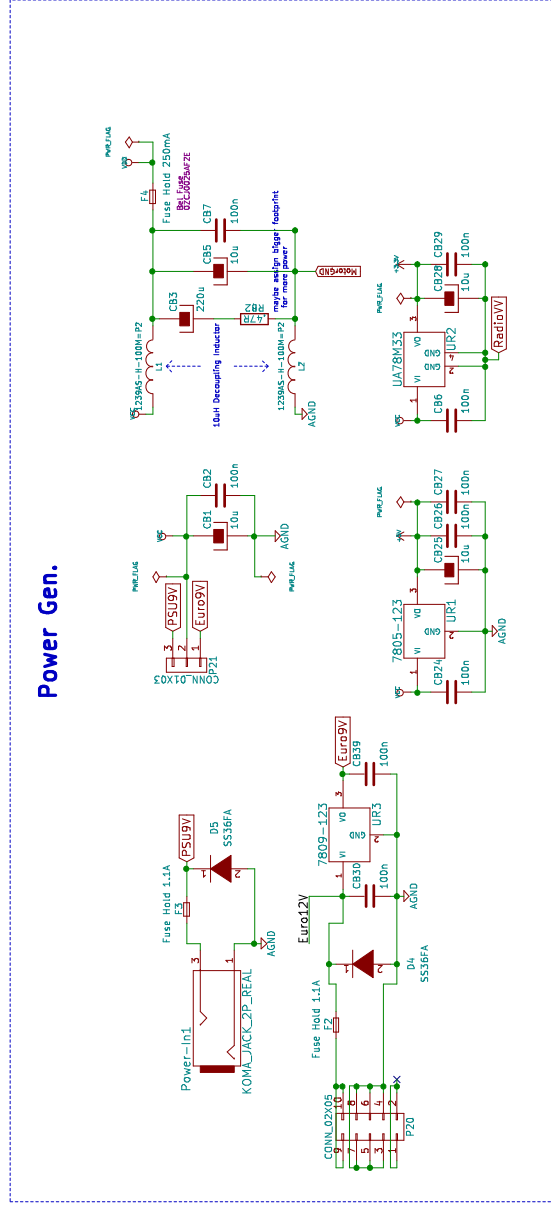
SW Range:
 (Full Range)
 2.3Mhz - 28.5Mhz, SW0 = 5.9 - 18Mhz, Wide
 Chip Band Select: SW0 = 5.9 - 18Mhz, Wide
 Res to GND = 357kOhm



Fieldkit
 AM/FM/SW
 Radio



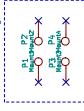
Power Gen.



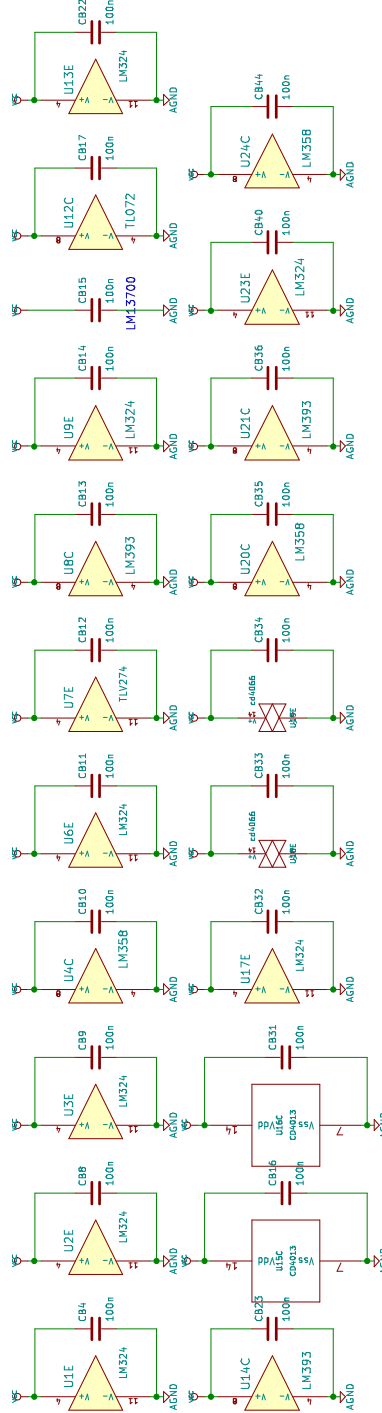
Virtual Grounds

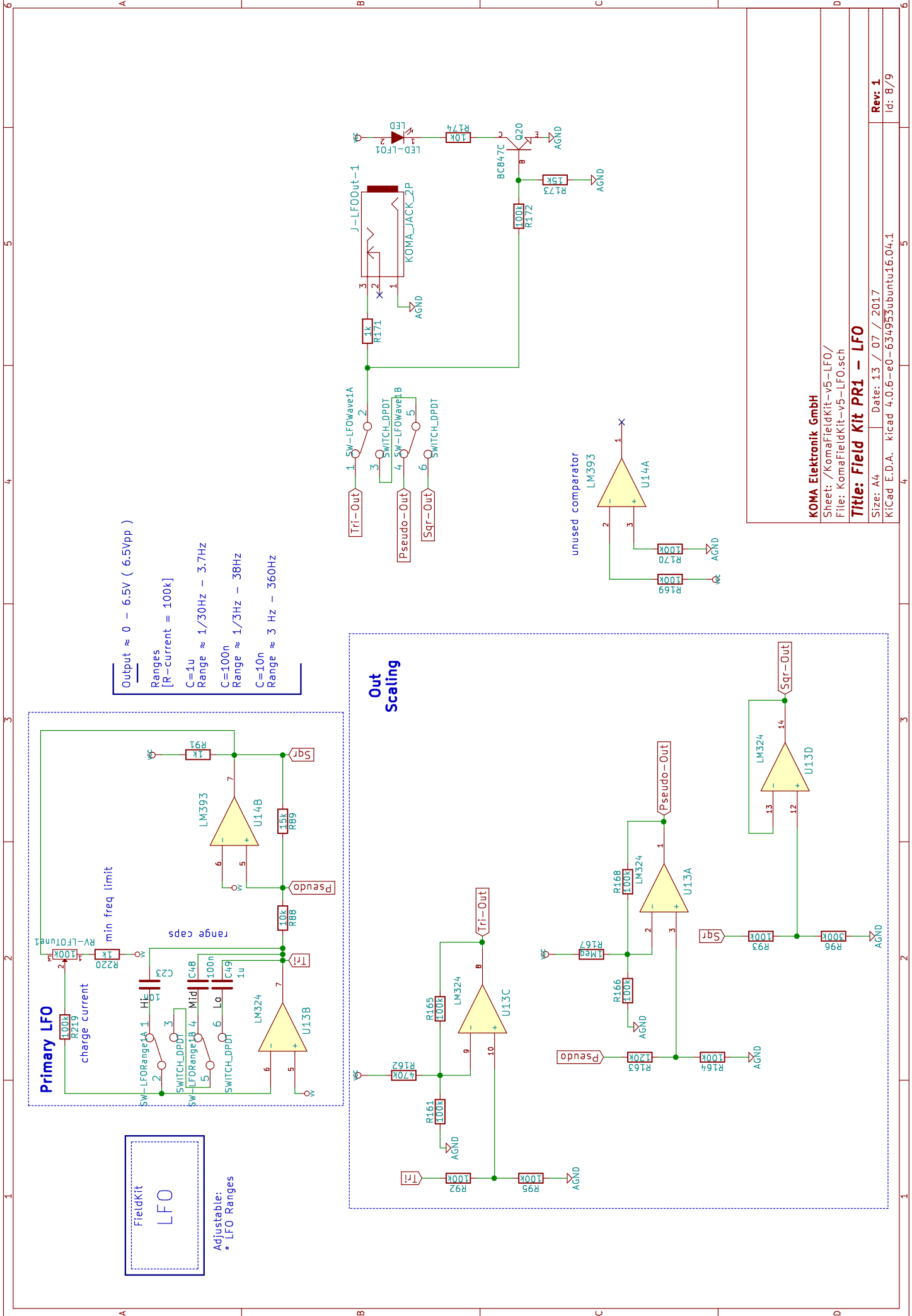
FieldKit
Power

Mounting



IC Powering





Output $\approx 0 - 6.5V$ (6.5Vpp)

Ranges
[K-current = 100k]

C=1u
Range $\approx 1/30Hz - 3.7Hz$

C=100n
Range $\approx 1/3Hz - 38Hz$

C=10n
Range $\approx 3 Hz - 360Hz$

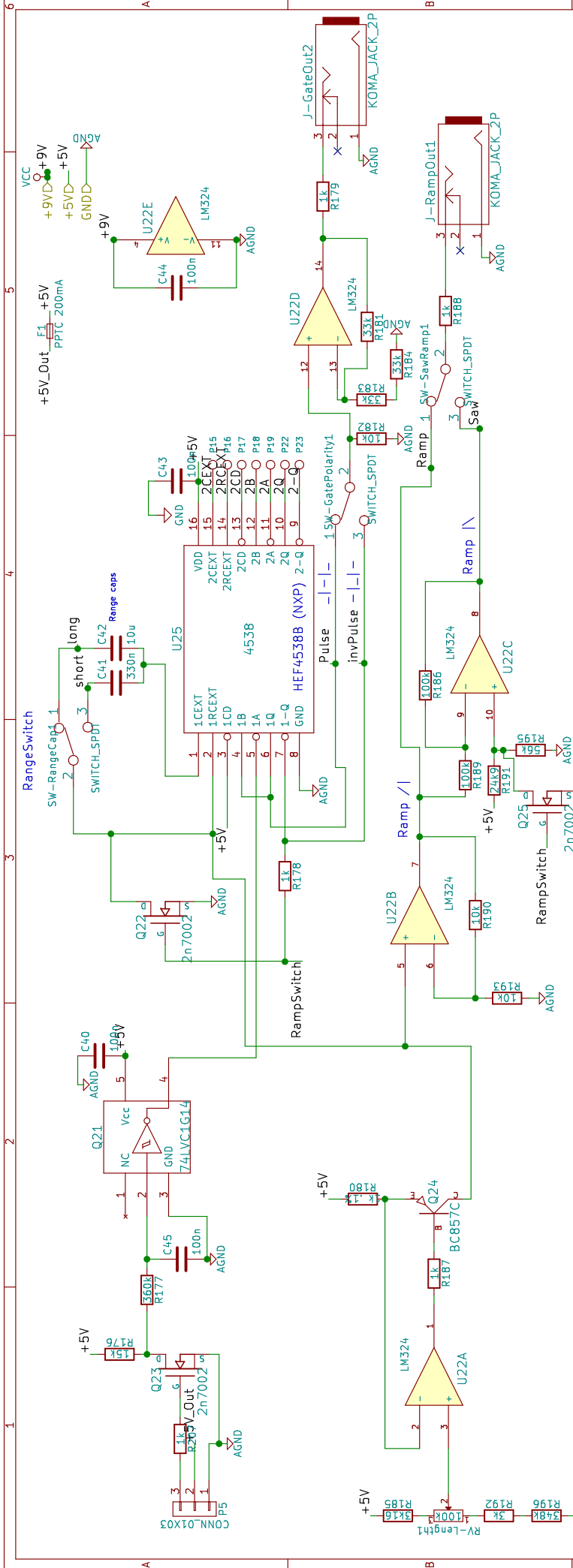
FieldKit
LFO

Adjustable:
* LFO Ranges

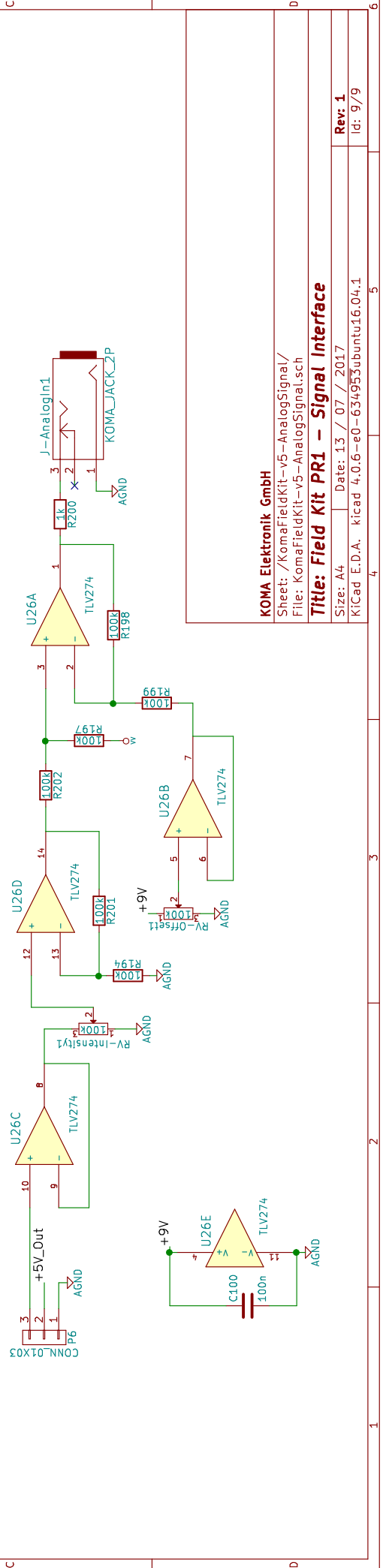
KOMA Elektronik GmbH
 Sheet: /KomaFieldKit-v5-LFO/
 File: KomaFieldKit-v5-LFO.sch
Title: Field Kit PR1 - LFO

Size: A4 | Date: 13 / 07 / 2017
 KiCad E.D.A. kicad 4.0.16-e0-634953ubuntu16.04.1

Rev. 1
 Id: 8/9



SWITCH SENSOR INTERFACE ANALOG SENSOR INTERFACE



KOMA Elektronik GmbH
 Sheet: /KomaFieldKit-v5-AnalogSignal/
 File: KomaFieldKit-v5-AnalogSignal.sch
Title: Field Kit PR1 - Signal Interface
 Size: A4 | Date: 13 / 07 / 2017
 KiCad E.D.A. kicad 4.0.16-e0-634953ubuntu16.04.1