



US009904535B2

(12) **United States Patent**
Gross et al.

(10) **Patent No.:** **US 9,904,535 B2**
(45) **Date of Patent:** **Feb. 27, 2018**

(54) **METHOD AND APPARATUS FOR DISTRIBUTING SOFTWARE**
(71) Applicant: **AT&T INTELLECTUAL PROPERTY I, LP**, Atlanta, GA (US)
(72) Inventors: **David Gross**, South River, NJ (US); **Joshua Lackey**, Lake Stevens, WA (US); **Donald E. Levy**, Holmdel, NJ (US); **Roger Piqueras Jover**, New York, NY (US); **Jayaraman Ramachandran**, Plainsboro, NJ (US); **Cristina Serban**, Middletown, NJ (US)

(73) Assignee: **AT&T Intellectual Property I, L.P.**, Atlanta, GA (US)
(*) Notice: Subject to any disclaimer, the term of this patent is extended or adjusted under 35 U.S.C. 154(b) by 94 days.

(21) Appl. No.: **14/853,297**

(22) Filed: **Sep. 14, 2015**

(65) **Prior Publication Data**
US 2017/0075677 A1 Mar. 16, 2017

(51) **Int. Cl.**
G06F 9/445 (2006.01)
H04B 3/52 (2006.01)
(Continued)

(52) **U.S. Cl.**
CPC **G06F 8/65** (2013.01); **H04B 3/52** (2013.01); **G01R 31/00** (2013.01); **H02J 13/00** (2013.01); **H04B 3/54** (2013.01); **H04B 7/155** (2013.01)

(58) **Field of Classification Search**
CPC G06F 8/65; H04B 10/25752; H04B 10/40; H04B 10/90; H04B 3/00; H04B 3/02;
(Continued)

(56) **References Cited**
U.S. PATENT DOCUMENTS

529,290 A 11/1819 Harry et al.
1,721,785 A 7/1929 Meyer
(Continued)

FOREIGN PATENT DOCUMENTS

AU 565039 B2 9/1987
AU 582630 B2 4/1989
(Continued)

OTHER PUBLICATIONS

International Search Report and Written Opinion in PCT/US2016/028417, dated Jul. 5, 2016, 13 pages, Authorized officer Brigitte Bettiol.

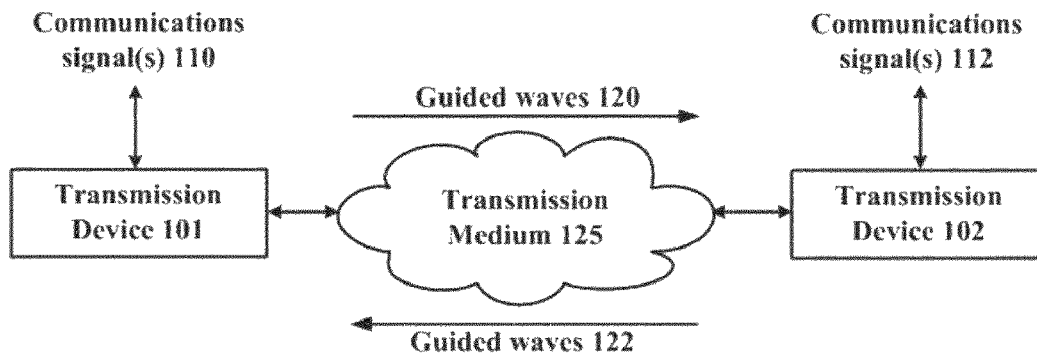
(Continued)

Primary Examiner — Wei Zhen
Assistant Examiner — Mohammed Huda
(74) *Attorney, Agent, or Firm* — Guntin & Gust, PLC; Matthew Tropper

(57) **ABSTRACT**

Aspects of the subject disclosure may include, for example, a first network device receiving from a second network device a software, the first network device adjusting operations at the first network device according to the software, the first network device providing a digital signature to the software to generate an adjusted software where the digital signature indicates that the first network device has received the software, and the first network device transmitting, to a third network device, the adjusted software. Other embodiments are disclosed.

20 Claims, 22 Drawing Sheets



(51) **Int. Cl.**
G01R 31/00 (2006.01)
H02J 13/00 (2006.01)
H04B 3/54 (2006.01)
H04B 7/155 (2006.01)

(58) **Field of Classification Search**
 CPC ... H04B 3/03; H04B 3/36; H04B 3/52; H04B
 3/54; H04B 3/56; H01P 3/16
 USPC 717/172
 See application file for complete search history.

(56) **References Cited**
 U.S. PATENT DOCUMENTS

1,798,613 A	3/1931	Manson et al.	2,810,111 A	10/1957	Cohn
1,860,123 A	5/1932	Yagi	2,819,451 A	1/1958	Sims et al.
2,058,611 A	10/1936	Merkle et al.	2,820,083 A	1/1958	Hendrix
2,106,770 A	2/1938	Southworth et al.	2,825,060 A	2/1958	Ruze et al.
2,129,711 A	9/1938	Southworth	2,835,871 A	5/1958	Raabe
2,129,714 A	9/1938	Southworth et al.	2,851,686 A	9/1958	Hagaman et al.
2,147,717 A	2/1939	Schelkunoff	2,867,776 A	1/1959	Wilkinson, Jr.
2,187,908 A	1/1940	McCreary	2,883,135 A	4/1959	Smalley et al.
2,199,083 A	4/1940	Schelkunoff	2,883,136 A	4/1959	Smalley et al.
2,232,179 A	2/1941	King	2,900,558 A	8/1959	Watkins et al.
2,283,935 A	5/1942	King	2,910,261 A	10/1959	Ward et al.
2,398,095 A	4/1946	Katzin	2,912,695 A	11/1959	Cutler
2,402,622 A	6/1946	Hansen	2,914,741 A	11/1959	Unger
2,405,242 A	8/1946	Southworth et al.	2,921,277 A	1/1960	Goubau
2,407,068 A	9/1946	Fiske et al.	2,925,458 A	2/1960	Lester et al.
2,407,069 A	9/1946	Fiske	2,933,701 A	4/1960	Lanctot et al.
2,410,113 A	10/1946	Edwin, Jr.	2,946,970 A	7/1960	Hafner et al.
2,411,338 A	11/1946	Roberts	2,949,589 A	8/1960	Hafner
2,415,089 A	2/1947	Feldman et al.	2,960,670 A	11/1960	Marcatili et al.
2,415,807 A	2/1947	Barrow et al.	2,970,800 A	2/1961	Smalley et al.
2,419,205 A	4/1947	Feldman et al.	2,972,148 A	2/1961	Rupp et al.
2,420,007 A	5/1947	Olden	2,974,297 A	3/1961	Ros
2,422,058 A	6/1947	Whinnery	2,981,949 A	4/1961	Elliott et al.
2,805,415 A	9/1947	Berkowitz	2,990,151 A	6/1961	Phillips et al.
2,432,134 A	12/1947	Bagnall	2,993,205 A	7/1961	Cooper et al.
2,461,005 A	2/1949	Southworth	3,016,520 A	1/1962	Chaimowicz et al.
2,471,021 A	5/1949	Bradley	3,025,478 A	3/1962	Marcatili et al.
2,488,400 A	11/1949	Harder	3,028,565 A	4/1962	Walker et al.
2,513,205 A	6/1950	Roberts et al.	3,040,278 A	6/1962	Griemsmann et al.
2,514,679 A	7/1950	Southworth	3,045,238 A	7/1962	Cheston et al.
2,519,603 A	8/1950	Reber	3,046,550 A	7/1962	Schlaud et al.
2,540,839 A	2/1951	Southworth	3,047,822 A	7/1962	Lakatos et al.
2,541,843 A	2/1951	Tiley et al.	3,065,945 A	11/1962	Newsome et al.
2,542,980 A	2/1951	Barrow	3,072,870 A	1/1963	Walker
2,677,055 A	4/1951	Allen	3,077,569 A	2/1963	Ikrath et al.
2,557,110 A	6/1951	Jaynes	3,096,462 A	7/1963	Feinstein et al.
2,562,281 A	7/1951	Mumford	3,101,472 A	8/1963	Goubau
2,596,190 A	5/1952	Wiley	3,109,175 A	10/1963	Lloyd
2,599,864 A	6/1952	Robertson-Sherbsby-Ha et al.	3,129,356 A	4/1964	Phillips
2,659,817 A	11/1953	Cutler et al.	3,134,951 A	5/1964	Huber et al.
2,667,578 A	1/1954	Carlson et al.	3,146,297 A	8/1964	Hahne
2,685,068 A	7/1954	Goubau	3,146,453 A	8/1964	Hagaman
2,688,732 A	9/1954	Kock	3,201,724 A	8/1965	Hafner
2,691,766 A	10/1954	Clapp	3,205,462 A	9/1965	Meinke
2,706,279 A	4/1955	Aron	3,218,384 A	11/1965	Shaw
2,711,514 A	6/1955	Rines	3,219,954 A	11/1965	Rutelli
2,723,378 A	11/1955	Clavier et al.	3,234,559 A	2/1966	Bartholoma et al.
2,727,232 A	12/1955	Pryga	3,255,454 A	6/1966	Walter et al.
2,735,092 A	2/1956	Brown	3,296,364 A	1/1967	Jefferson et al.
2,737,632 A	3/1956	Grieg et al.	3,296,685 A	1/1967	Menahem et al.
2,740,826 A	4/1956	Bondon	3,310,808 A	3/1967	Friis et al.
2,745,101 A	5/1956	Marie	3,316,344 A	4/1967	Toms et al.
2,748,350 A	5/1956	Miller et al.	3,316,345 A	4/1967	Toms et al.
2,749,545 A	6/1956	Kostriza	3,321,763 A	5/1967	Ikrath et al.
2,754,513 A	7/1956	Goubau	3,329,958 A	7/1967	Anderson et al.
2,761,137 A	8/1956	Atta et al.	3,355,738 A	11/1967	Algeo et al.
2,769,147 A	10/1956	Black et al.	3,369,788 A	2/1968	Eisele
2,769,148 A	10/1956	Clogston et al.	3,389,394 A	6/1968	Lewis et al.
2,770,783 A	11/1956	Thomas et al.	3,392,388 A	7/1968	Tsuneo et al.
2,794,959 A	6/1957	Fox	3,392,395 A	7/1968	Hannan
2,806,177 A	9/1957	Haefl et al.	3,411,112 A	11/1968	Honig et al.
2,806,972 A	9/1957	Sensiper	3,413,637 A	11/1968	Goebels, Jr. et al.
			3,413,642 A	11/1968	Cook
			3,414,903 A	12/1968	Bartlett et al.
			3,419,827 A	12/1968	Webb et al.
			3,420,596 A	1/1969	Osterberg
			3,427,573 A	2/1969	White et al.
			3,448,455 A	6/1969	Alfandari et al.
			3,453,617 A	7/1969	Brickey et al.
			3,459,873 A	8/1969	Harris et al.
			3,465,346 A	9/1969	Patterson et al.
			3,474,995 A	10/1969	Amidon et al.
			3,482,251 A	12/1969	Bowes
			3,487,158 A	12/1969	Killian
			3,495,262 A	2/1970	Paine
			3,500,422 A	3/1970	Grady et al.
			3,509,463 A	4/1970	Woodward et al.
			3,522,560 A	8/1970	Hayany
			3,524,192 A	8/1970	Sakiotis et al.

(56)

References Cited

U.S. PATENT DOCUMENTS

3,529,205	A	9/1970	Miller	4,129,872	A	12/1978	Toman et al.
3,530,481	A	9/1970	Tanaka et al.	4,141,015	A	2/1979	Wong et al.
3,531,803	A	9/1970	Hudspeth et al.	4,149,170	A	4/1979	Campbell et al.
3,536,800	A	10/1970	Hubbard	4,156,241	A	5/1979	Mobley et al.
3,555,553	A	1/1971	Boyns	4,166,669	A	9/1979	Leonberger et al.
3,557,341	A	1/1971	Sochilin et al.	4,175,257	A	11/1979	Smith et al.
3,566,317	A	2/1971	Hafner	4,188,595	A	2/1980	Cronson et al.
3,568,204	A	3/1971	Blaisdell	4,190,137	A	2/1980	Shimada et al.
3,569,979	A	3/1971	Munk et al.	4,191,953	A	3/1980	Woode et al.
3,573,838	A	4/1971	Ajioka	4,195,302	A	3/1980	Leupelt et al.
3,588,754	A	6/1971	Hafner	4,210,357	A	7/1980	Adachi et al.
3,588,755	A	6/1971	Sawada et al.	4,216,449	A	8/1980	Kach
3,589,121	A	6/1971	Mulvey	4,220,957	A	9/1980	Britt et al.
3,594,494	A	7/1971	Sullivan	4,231,042	A	10/1980	Turrin et al.
3,603,904	A	9/1971	Hafner	4,234,753	A	11/1980	Clutter
3,603,951	A	9/1971	Bracken et al.	4,238,974	A	12/1980	Fawcett et al.
3,609,247	A	9/1971	Halstead	4,246,584	A	1/1981	Noerpel et al.
3,623,114	A	11/1971	Seaton	4,247,858	A	1/1981	Eichweber et al.
3,624,655	A	11/1971	Yamada et al.	4,250,489	A	2/1981	Dudash et al.
3,638,224	A	1/1972	Bailey et al.	4,268,804	A	5/1981	Spinner et al.
3,653,622	A	4/1972	Farmer	4,274,097	A	6/1981	Krall et al.
3,666,902	A	5/1972	Owen et al.	4,274,112	A	6/1981	Leysieffer et al.
3,668,459	A	6/1972	Symons et al.	4,278,955	A	7/1981	Lunden et al.
3,668,574	A	6/1972	Barlow	4,293,833	A	10/1981	Popa et al.
3,672,202	A	6/1972	Barber et al.	4,298,877	A	11/1981	Sletten et al.
3,683,299	A	8/1972	Vzyatyshev et al.	4,300,242	A	11/1981	Nava et al.
3,686,596	A	8/1972	Thomas	4,307,938	A	12/1981	Dyott et al.
3,699,574	A	10/1972	Plunk et al.	4,316,646	A	2/1982	Siebens et al.
3,703,690	A	11/1972	Ravenscroft et al.	4,319,074	A	3/1982	Yaste et al.
3,704,001	A	11/1972	Sloop	4,329,690	A	5/1982	Parker
3,725,937	A	4/1973	Schreiber	4,333,082	A	6/1982	Susman et al.
3,753,086	A	8/1973	Shoemaker et al.	4,335,613	A	6/1982	Luukkala et al.
3,760,127	A	9/1973	Grossi et al.	4,336,719	A	6/1982	Lynnworth
3,765,021	A	10/1973	Chiron et al.	4,345,256	A	8/1982	Rainwater et al.
3,772,528	A	11/1973	Anderson et al.	4,366,565	A	12/1982	Herskowitz
3,775,769	A	11/1973	Heeren et al.	4,367,446	A	1/1983	Hall et al.
3,787,872	A	1/1974	Kauffman	4,378,143	A	3/1983	Winzer et al.
3,796,970	A	3/1974	Snell	4,384,289	A	5/1983	Roosevelt et al.
3,806,931	A	4/1974	Wright	4,398,058	A	8/1983	Gerth et al.
3,833,909	A	9/1974	Schaufelberger	4,398,121	A	8/1983	Chodorow et al.
3,835,407	A	9/1974	Yariv et al.	4,413,263	A	11/1983	Amitay et al.
3,845,426	A	10/1974	Barlow	4,447,811	A	5/1984	Hamid et al.
3,858,214	A	12/1974	Jones	4,458,250	A	7/1984	Bodnar et al.
3,877,032	A	4/1975	Rosa	4,463,329	A	7/1984	Suzuki et al.
3,896,380	A	7/1975	Martin	4,468,672	A	8/1984	Dragone et al.
3,906,508	A	9/1975	Foldes	4,475,209	A	10/1984	Udren
3,911,415	A	10/1975	Whyte	4,477,814	A	10/1984	Brumbaugh et al.
3,921,949	A	11/1975	Coon	4,482,899	A	11/1984	Dragone et al.
3,925,763	A	12/1975	Wadhvani	4,488,156	A	12/1984	DuFort et al.
3,935,577	A	1/1976	Hansen et al.	4,491,386	A	1/1985	Negishi et al.
3,936,836	A	2/1976	Wheeler et al.	4,495,498	A	1/1985	Petrelis et al.
3,936,838	A	2/1976	Foldes et al.	4,525,432	A	6/1985	Saito et al.
3,956,751	A	5/1976	Herman	4,525,693	A	6/1985	Suzuki et al.
3,959,794	A	5/1976	Chrepta et al.	4,533,875	A	8/1985	Lau et al.
3,973,087	A	8/1976	Fong et al.	4,541,303	A	9/1985	Kuzunishi et al.
3,973,240	A	8/1976	Fong et al.	4,550,271	A	10/1985	Lau et al.
3,976,358	A	8/1976	Thompson et al.	4,553,112	A	11/1985	Saad et al.
3,983,560	A	9/1976	MacDougall et al.	4,556,271	A	12/1985	Hubbard
4,010,799	A	3/1977	Kern et al.	4,558,325	A	12/1985	Stroem et al.
4,012,743	A	3/1977	Maciejewski et al.	4,565,348	A	1/1986	Larsen
4,020,431	A	4/1977	Saunders et al.	4,566,012	A	1/1986	Choung et al.
4,026,632	A	5/1977	Hill et al.	4,567,401	A	1/1986	Barnett et al.
4,030,048	A	6/1977	Foldes et al.	4,568,943	A	2/1986	Bowman
4,030,953	A	6/1977	Rutschow et al.	4,573,215	A	2/1986	Oates et al.
4,031,536	A	6/1977	Alford et al.	4,589,424	A	5/1986	Vaguine et al.
4,035,054	A	7/1977	Lattanzi et al.	4,598,262	A	7/1986	Chen et al.
4,047,180	A	9/1977	Kuo et al.	4,599,598	A	7/1986	Komoda et al.
4,079,361	A	3/1978	Woode et al.	4,604,624	A	8/1986	Amitay et al.
4,080,600	A	3/1978	Toman et al.	4,604,627	A	8/1986	Saad et al.
4,099,184	A	7/1978	Rapshys et al.	4,605,914	A	8/1986	Harman et al.
4,114,121	A	9/1978	Barlow et al.	4,618,867	A	10/1986	Gans et al.
4,115,782	A	9/1978	Han et al.	4,634,858	A	1/1987	Gerdts et al.
4,123,759	A	10/1978	Hines et al.	4,636,753	A	1/1987	Geller et al.
4,125,768	A	11/1978	Jackson et al.	4,638,322	A	1/1987	Lamberty et al.
4,129,841	A	12/1978	Hildebrand et al.	4,641,916	A	2/1987	Oestreich et al.
				4,642,651	A	2/1987	Kuhn et al.
				4,644,365	A	2/1987	Horning et al.
				4,647,329	A	3/1987	Oono et al.
				4,660,050	A	4/1987	Phillips et al.

(56)

References Cited

U.S. PATENT DOCUMENTS

4,665,660	A	5/1987	Krall et al.	H956	H	8/1991	Reindel
4,672,384	A	6/1987	Roy et al.	5,042,903	A	8/1991	Jakubowski et al.
4,673,943	A	6/1987	Hannan	5,043,538	A	8/1991	Hughey et al.
4,680,558	A	7/1987	Ghosh et al.	5,043,629	A	8/1991	Doane et al.
4,694,599	A	9/1987	Hart et al.	5,044,722	A	9/1991	Voser et al.
4,704,611	A	11/1987	Edwards et al.	5,045,820	A	9/1991	Oehlerking et al.
4,715,695	A	12/1987	Nishimura et al.	5,057,106	A	10/1991	Kasevich et al.
4,717,974	A	1/1988	Baumeister et al.	5,072,228	A	12/1991	Kuwahara et al.
4,730,172	A	3/1988	Bengeult	5,082,349	A	1/1992	Cordova-Plaza et al.
4,730,888	A	3/1988	Darcie et al.	5,086,467	A	2/1992	Malek
4,731,810	A	3/1988	Watkins	5,107,231	A	4/1992	Knox et al.
4,735,097	A	4/1988	Lynnworth et al.	5,109,232	A	4/1992	Monte et al.
4,743,915	A	5/1988	Rammos et al.	5,113,197	A	5/1992	Luh et al.
4,743,916	A	5/1988	Bengeult	5,117,237	A	5/1992	Legg
4,745,377	A	5/1988	Stern et al.	5,121,129	A	6/1992	Lee et al.
4,746,241	A	5/1988	Burbank, III et al.	5,126,750	A	6/1992	Wang et al.
4,749,244	A	6/1988	Luh	5,132,968	A	7/1992	Cephus
4,755,830	A	7/1988	Plunk et al.	5,134,251	A	7/1992	Martin et al.
4,757,324	A	7/1988	Dhanjal et al.	5,134,965	A	8/1992	Tokuda et al.
4,758,962	A	7/1988	Fernandes	5,136,671	A	8/1992	Dragone et al.
4,764,738	A	8/1988	Fried et al.	5,142,767	A	9/1992	Adams et al.
4,772,891	A	9/1988	Svy	5,148,509	A	9/1992	Kannabiran et al.
4,777,457	A	10/1988	Ghosh et al.	5,152,861	A	10/1992	Hann
4,785,304	A	11/1988	Stern et al.	5,153,676	A	10/1992	Bergh et al.
4,786,911	A	11/1988	Svy et al.	5,166,698	A	11/1992	Ashbaugh et al.
4,786,913	A	11/1988	Barendregt et al.	5,174,164	A	12/1992	Wilhelm et al.
4,788,553	A	11/1988	Phillips et al.	5,175,560	A	12/1992	Lucas et al.
4,792,771	A	12/1988	Siu et al.	5,182,427	A	1/1993	McGaffigan et al.
4,792,812	A	12/1988	Rinehart et al.	5,187,409	A	2/1993	Ito et al.
4,799,031	A	1/1989	Lang et al.	5,198,823	A	3/1993	Litchford et al.
4,800,350	A	1/1989	Bridges et al.	5,212,755	A	5/1993	Holmberg et al.
4,801,937	A	1/1989	Fernandes	5,214,394	A	5/1993	Wong et al.
4,808,950	A	2/1989	Apostolos et al.	5,214,438	A	5/1993	Smith et al.
4,818,963	A	4/1989	Green et al.	5,216,616	A	6/1993	Masters
4,818,990	A	4/1989	Fernandes	5,218,657	A	6/1993	Tokudome et al.
4,825,221	A	4/1989	Suzuki et al.	5,235,662	A	8/1993	Prince et al.
4,829,310	A	5/1989	Losee et al.	5,239,537	A	8/1993	Sakauchi
4,829,314	A	5/1989	Barbier et al.	5,241,321	A	8/1993	Tsao et al.
4,831,346	A	5/1989	Brooker et al.	5,241,701	A	8/1993	Andoh et al.
4,832,148	A	5/1989	Becker et al.	5,248,876	A	9/1993	Kerstens et al.
4,835,517	A	5/1989	Van Der et al.	5,254,809	A	10/1993	Martin
4,839,659	A	6/1989	Stern et al.	5,265,266	A	11/1993	Trinh
4,845,508	A	7/1989	Krall et al.	5,266,961	A	11/1993	Milroy et al.
4,847,610	A	7/1989	Ozawa et al.	5,276,455	A	1/1994	Fitzsimmons et al.
4,849,611	A	7/1989	Whitney et al.	5,278,687	A	1/1994	Jannson et al.
4,851,788	A	7/1989	Ives et al.	5,280,297	A	1/1994	Profera et al.
4,855,749	A	8/1989	DeFonzo et al.	5,291,211	A	3/1994	Tropper et al.
4,866,454	A	9/1989	Droessler et al.	5,304,999	A	4/1994	Roberts et al.
4,873,534	A	10/1989	Wohlleben et al.	5,311,596	A	5/1994	Scott et al.
4,875,026	A	10/1989	Walter et al.	5,327,149	A	7/1994	Kuffer et al.
4,879,544	A	11/1989	Maki et al.	5,329,285	A	7/1994	McCandless et al.
4,881,028	A	11/1989	Bright et al.	5,341,088	A	8/1994	David
4,886,980	A	12/1989	Fernandes et al.	5,345,522	A	9/1994	Vali et al.
4,897,663	A	1/1990	Kusano et al.	5,347,287	A	9/1994	Speciale et al.
4,904,996	A	2/1990	Fernandes	5,352,984	A	10/1994	Piesinger et al.
4,915,468	A	4/1990	Kim et al.	5,353,036	A	10/1994	Baldry
4,916,460	A	4/1990	Powell et al.	5,359,338	A	10/1994	Hatcher et al.
4,922,180	A	5/1990	Saffer et al.	5,371,623	A	12/1994	Eastmond et al.
4,929,962	A	5/1990	Begout et al.	5,379,455	A	1/1995	Koschek et al.
4,931,808	A	6/1990	Munson et al.	5,380,224	A	1/1995	Dicicco
4,946,202	A	8/1990	Perricone et al.	5,381,160	A	1/1995	Landmeier
4,965,856	A	10/1990	Swanic	5,389,442	A	2/1995	Kathiresan et al.
4,977,593	A	12/1990	Ballance	5,400,040	A	3/1995	Lane et al.
4,977,618	A	12/1990	Allen	5,402,151	A	3/1995	Duwaer
4,989,011	A	1/1991	Rosen et al.	5,404,146	A	4/1995	Rutledge et al.
4,998,095	A	3/1991	Shields	5,410,318	A	4/1995	Wong et al.
5,003,318	A	3/1991	Hall et al.	5,412,654	A	5/1995	Perkins
5,006,846	A	4/1991	Granville et al.	5,428,364	A	6/1995	Lee et al.
5,006,859	A	4/1991	Wong et al.	5,428,818	A	6/1995	Meidan et al.
5,015,914	A	5/1991	Ives et al.	5,434,575	A	7/1995	Jelinek et al.
5,017,936	A	5/1991	Massey et al.	5,440,660	A	8/1995	Dombrowski et al.
5,017,937	A	5/1991	Newham et al.	5,451,969	A	9/1995	Toth et al.
5,018,180	A	5/1991	Shoulders	5,457,469	A	10/1995	Diamond et al.
5,019,832	A	5/1991	Ekdahl et al.	5,473,336	A	12/1995	Harman et al.
5,036,335	A	7/1991	Jairam et al.	5,479,176	A	12/1995	Zavrel et al.
				5,481,268	A	1/1996	Higgins
				5,482,525	A	1/1996	Kajioka et al.
				5,486,839	A	1/1996	Rodeffer et al.
				5,488,380	A	1/1996	Harvey et al.

(56)

References Cited

U.S. PATENT DOCUMENTS

5,495,546	A	2/1996	Bottoms et al.	5,903,373	A	5/1999	Welch et al.
5,499,308	A	3/1996	Arai et al.	5,905,438	A	5/1999	Weiss et al.
5,499,311	A	3/1996	DeCusatis et al.	5,905,949	A	5/1999	Hawkes et al.
5,502,392	A	3/1996	Arjavalingham et al.	5,910,790	A	6/1999	Ohmuro et al.
5,512,906	A	4/1996	Speciale et al.	5,917,977	A	6/1999	Barrett et al.
5,513,176	A	4/1996	Dean et al.	5,922,081	A	7/1999	Seewig et al.
5,514,965	A	5/1996	Westwood et al.	5,926,128	A	7/1999	Brash et al.
5,515,059	A	5/1996	How et al.	5,933,422	A	8/1999	Suzuki et al.
5,519,408	A	5/1996	Schnetzler et al.	5,936,589	A	8/1999	Kawahata
5,528,208	A	6/1996	Kobayashi et al.	5,948,044	A	9/1999	Varley et al.
5,539,421	A	7/1996	Hong et al.	5,948,108	A	9/1999	Lu et al.
5,543,000	A	8/1996	Lique	5,952,964	A	9/1999	Chan et al.
5,557,283	A	9/1996	Sheen	5,952,972	A	9/1999	Ittipiboon et al.
5,559,359	A	9/1996	Reyes	5,952,984	A	9/1999	Kuramoto et al.
5,566,022	A	10/1996	Segev	5,955,992	A	9/1999	Shattil
5,566,196	A	10/1996	Scifres	5,959,578	A	9/1999	Kreutel et al.
5,576,721	A	11/1996	Hwang et al.	5,959,590	A	9/1999	Sanford et al.
5,586,054	A	12/1996	Jensen et al.	5,973,641	A	10/1999	Smith et al.
5,592,183	A	1/1997	Henf	5,977,650	A	11/1999	Rickard et al.
5,600,630	A	2/1997	Takahashi et al.	5,978,738	A	11/1999	Brown et al.
5,603,089	A	2/1997	Searle et al.	5,982,276	A	11/1999	Stewart
5,619,015	A	4/1997	Kirma	5,986,331	A	11/1999	Letavic et al.
5,627,879	A	5/1997	Russell et al.	5,987,099	A	11/1999	O'Neill et al.
5,628,050	A	5/1997	McGraw et al.	5,990,848	A	11/1999	Annamaa et al.
5,630,223	A	5/1997	Bahu et al.	5,994,984	A	11/1999	Stancil et al.
5,637,521	A	6/1997	Rhodes et al.	5,994,998	A	11/1999	Fisher et al.
5,640,168	A	6/1997	Heger et al.	6,005,694	A	12/1999	Liu
5,646,936	A	7/1997	Shah et al.	6,005,758	A	12/1999	Spencer et al.
5,650,788	A	7/1997	Jha	6,009,124	A	12/1999	Smith
5,652,554	A	7/1997	Krieg et al.	6,011,520	A	1/2000	Howell et al.
5,663,693	A	9/1997	Doughty et al.	6,011,524	A	1/2000	Jervis et al.
5,671,304	A	9/1997	Duguay	6,014,110	A	1/2000	Bridges et al.
5,677,699	A	10/1997	Strickland	6,018,659	A	1/2000	Ayyagari et al.
5,677,909	A	10/1997	Heide	6,023,619	A	2/2000	Kaminsky
5,680,139	A	10/1997	Huguenin et al.	6,026,173	A	2/2000	Svenson et al.
5,682,256	A	10/1997	Motley et al.	6,026,208	A	2/2000	Will et al.
5,684,495	A	11/1997	Dyott et al.	6,026,331	A	2/2000	Feldberg et al.
5,686,930	A	11/1997	Brydon	6,031,455	A	2/2000	Grube et al.
5,724,168	A	3/1998	Oschmann et al.	6,034,638	A	3/2000	Thiel et al.
5,726,980	A	3/1998	Rickard et al.	6,037,894	A	3/2000	Pfizenmaier et al.
5,748,153	A	5/1998	McKinzie et al.	6,038,425	A	3/2000	Jeffrey et al.
5,750,941	A	5/1998	Ishikawa et al.	6,049,647	A	4/2000	Register et al.
5,757,323	A	5/1998	Spencer et al.	6,057,802	A	5/2000	Nealy
5,767,807	A	6/1998	Pritchett et al.	6,061,035	A	5/2000	Kinasewitz et al.
5,768,689	A	6/1998	Borg	6,063,234	A	5/2000	Chen et al.
5,769,879	A	6/1998	Levay et al.	6,075,451	A	6/2000	Lebowitz et al.
5,784,033	A	7/1998	Boldissar, Jr. et al.	6,075,493	A	6/2000	Sugawara et al.
5,784,034	A	7/1998	Konishi et al.	6,076,044	A	6/2000	Brown et al.
5,784,683	A	7/1998	Sistanizadeh et al.	6,078,297	A	6/2000	Kormanyos et al.
5,793,334	A	8/1998	Harrison et al.	6,088,001	A	7/2000	Burger et al.
5,800,494	A	9/1998	Campbell et al.	6,095,820	A	8/2000	Luxon et al.
5,805,983	A	9/1998	Naidu et al.	6,100,846	A	8/2000	Li et al.
5,809,395	A	9/1998	Hamilton-Piercy et al.	6,103,031	A	8/2000	Aeschbacher et al.
5,812,524	A	9/1998	Moran et al.	6,107,897	A	8/2000	Hewett et al.
5,818,390	A	10/1998	Hill	6,114,998	A	9/2000	Scheffe et al.
5,818,396	A	10/1998	Harrison et al.	6,121,885	A	9/2000	Masone et al.
5,818,512	A	10/1998	Fuller	6,122,753	A	9/2000	Masuo et al.
5,845,391	A	12/1998	Miklosko et al.	6,140,911	A	10/2000	Fisher et al.
5,848,054	A	12/1998	Mosebrook et al.	6,140,976	A	10/2000	Locke et al.
5,850,199	A	12/1998	Wan et al.	6,146,330	A	11/2000	Tujino et al.
5,854,608	A	12/1998	Leisten	6,150,612	A	11/2000	Grandy et al.
5,859,618	A	1/1999	Miller, II et al.	6,151,145	A	11/2000	Srivastava et al.
5,861,843	A	1/1999	Sorace et al.	6,154,488	A	11/2000	Hunt
5,867,763	A	2/1999	Dean et al.	6,158,383	A	12/2000	Watanabe et al.
5,870,060	A	2/1999	Chen et al.	6,163,296	A	12/2000	Lier et al.
5,872,547	A	2/1999	Martek	6,166,694	A	12/2000	Ying et al.
5,872,812	A	2/1999	Saito et al.	6,167,055	A	12/2000	Ganek et al.
5,873,324	A	2/1999	Kaddas et al.	6,175,917	B1	1/2001	Arrow et al.
5,886,666	A	3/1999	Schellenberg et al.	6,177,801	B1	1/2001	Chong et al.
5,889,449	A	3/1999	Fiedziuszko	6,184,828	B1	2/2001	Shoki et al.
5,890,055	A	3/1999	Chu et al.	6,195,058	B1	2/2001	Nakamura et al.
5,892,480	A	4/1999	Killen et al.	6,195,395	B1	2/2001	Frodsham et al.
5,898,133	A	4/1999	Bleich et al.	6,198,440	B1	3/2001	Krylov et al.
5,898,830	A	4/1999	Wesinger, Jr. et al.	6,208,161	B1	3/2001	Suda et al.
5,900,847	A	5/1999	Ishikawa et al.	6,208,308	B1	3/2001	Lemons et al.
				6,208,903	B1	3/2001	Richards et al.
				6,211,836	B1	4/2001	Manasson et al.
				6,211,837	B1	4/2001	Crouch et al.
				6,215,443	B1	4/2001	Komatsu et al.

(56)

References Cited

U.S. PATENT DOCUMENTS

6,219,006	B1	4/2001	Rudish et al.	6,507,573	B1	1/2003	Brandt et al.
6,222,503	B1	4/2001	Gietema et al.	6,510,152	B1	1/2003	Gerszberg et al.
6,225,960	B1	5/2001	Collins et al.	6,515,635	B2	2/2003	Chiang et al.
6,229,327	B1	5/2001	Boll et al.	6,522,305	B2	2/2003	Sharman et al.
6,236,365	B1	5/2001	Karr et al.	6,531,991	B2	3/2003	Adachi et al.
6,239,377	B1	5/2001	Nishikawa et al.	6,532,215	B1	3/2003	Muntz et al.
6,239,379	B1	5/2001	Cotter et al.	6,534,996	B1	3/2003	Amrany et al.
6,239,761	B1	5/2001	Guo et al.	6,535,169	B2	3/2003	Fourdeux et al.
6,243,049	B1	6/2001	Chandler et al.	6,542,739	B1	4/2003	Garner
6,246,821	B1	6/2001	Hemken et al.	6,549,106	B2	4/2003	Martin et al.
6,252,553	B1	6/2001	Solomon et al.	6,549,173	B1	4/2003	King et al.
6,259,337	B1	7/2001	Wen et al.	6,552,693	B1	4/2003	Leisten et al.
6,266,016	B1	7/2001	Bergstedt et al.	6,559,811	B1	5/2003	Cash et al.
6,266,025	B1	7/2001	Popa et al.	6,563,981	B2	5/2003	Weisberg et al.
6,268,835	B1	7/2001	Toland et al.	6,567,573	B1	5/2003	Domash et al.
6,271,790	B2	8/2001	Smith et al.	6,573,803	B1	6/2003	Ziegner et al.
6,271,799	B1	8/2001	Rief et al.	6,573,813	B1	6/2003	Joannopoulos et al.
6,271,952	B1	8/2001	Epworth et al.	6,580,295	B2	6/2003	Takekuma et al.
6,278,357	B1	8/2001	Croushore et al.	6,584,084	B1	6/2003	Barany et al.
6,278,370	B1	8/2001	Underwood et al.	6,584,252	B1	6/2003	Schier et al.
6,281,769	B1	8/2001	Fiedziuszko et al.	6,587,077	B2	7/2003	Vail et al.
6,281,855	B1	8/2001	Aoki et al.	6,593,893	B2	7/2003	Hou et al.
6,282,354	B1	8/2001	Jones et al.	6,594,238	B1	7/2003	Wallentin et al.
6,283,425	B1	9/2001	Liljevik	6,596,944	B1	7/2003	Clark et al.
6,285,325	B1	9/2001	Nalbandian et al.	6,600,456	B2	7/2003	Gothard et al.
6,292,139	B1	9/2001	Yamamoto et al.	6,606,066	B1	8/2003	Fawcett et al.
6,292,143	B1	9/2001	Romanofsky et al.	6,606,077	B2	8/2003	Ebling et al.
6,292,153	B1	9/2001	Aiello et al.	6,611,252	B1	8/2003	DuFaux et al.
6,300,898	B1	10/2001	Schneider et al.	6,614,237	B2	9/2003	Ademian et al.
6,300,906	B1	10/2001	Rawnick et al.	6,631,229	B1	10/2003	Norris et al.
6,301,420	B1	10/2001	Greenaway et al.	6,634,225	B1	10/2003	Reime et al.
6,308,085	B1	10/2001	Shoki et al.	6,639,484	B2	10/2003	Tzuang et al.
6,311,288	B1	10/2001	Heeren et al.	6,639,566	B2	10/2003	Knop et al.
6,317,028	B1	11/2001	Valiulis et al.	6,642,887	B2	11/2003	Owechko et al.
6,317,092	B1	11/2001	de Schweinitz et al.	6,643,254	B1	11/2003	Abe et al.
6,320,509	B1	11/2001	Brady et al.	6,650,296	B2	11/2003	Wong et al.
6,320,553	B1	11/2001	Ergene et al.	6,653,598	B2	11/2003	Sullivan et al.
6,323,819	B1	11/2001	Ergene et al.	6,653,848	B2	11/2003	Adamian et al.
6,329,959	B1	12/2001	Varadan et al.	6,657,437	B1	12/2003	LeCroy et al.
6,335,993	B1	1/2002	Takahashi et al.	6,659,655	B2	12/2003	Dair et al.
6,348,683	B1	2/2002	Verghese et al.	6,661,391	B2	12/2003	Ohara et al.
6,351,247	B1	2/2002	Linstrom et al.	6,668,104	B1	12/2003	Mueller-Fiedler et al.
6,362,788	B1	3/2002	Louzir	6,670,921	B2	12/2003	Sievenpiper et al.
6,362,789	B1	3/2002	Trumbull et al.	6,671,824	B1	12/2003	Hyland et al.
6,366,238	B1	4/2002	DeMore et al.	6,677,899	B1	1/2004	Lee et al.
6,373,436	B1	4/2002	Chen et al.	6,680,903	B1	1/2004	Moriguchi et al.
6,373,441	B1	4/2002	Porath et al.	6,683,580	B2	1/2004	Kuramoto
6,376,824	B1	4/2002	Michenfelder et al.	6,686,832	B2	2/2004	Abraham et al.
6,380,822	B1	4/2002	Lindgren et al.	6,686,873	B2	2/2004	Patel et al.
6,388,564	B1	5/2002	Piercy et al.	6,686,875	B1	2/2004	Wolfson et al.
6,396,440	B1	5/2002	Chen et al.	6,697,030	B2	2/2004	Gleener
6,404,773	B1	6/2002	Williams et al.	6,703,981	B2	3/2004	Meitzler et al.
6,404,775	B1	6/2002	Leslie	6,714,165	B2	3/2004	Verstraeten
6,421,021	B1	7/2002	Rupp et al.	6,720,935	B2	4/2004	Lamensdorf et al.
6,433,736	B1	8/2002	Timothy et al.	6,725,035	B2	4/2004	Jochim et al.
6,433,741	B2	8/2002	Tanizaki et al.	6,727,470	B2	4/2004	Reichle et al.
6,436,536	B2	8/2002	Peruzzotti et al.	6,727,891	B2	4/2004	Moriya et al.
6,441,723	B1	8/2002	Mansfield, Jr. et al.	6,728,439	B2	4/2004	Weisberg et al.
6,445,351	B1	9/2002	Baker et al.	6,728,552	B2	4/2004	Chatain et al.
6,445,774	B1	9/2002	Kidder et al.	6,731,210	B2	5/2004	Swanson et al.
6,452,467	B1	9/2002	McEwan	6,731,649	B1	5/2004	Silverman
6,452,569	B1	9/2002	Park et al.	6,737,934	B2	5/2004	Yamada
6,452,923	B1	9/2002	Gerszberg et al.	6,741,705	B1	5/2004	Nelson et al.
6,455,769	B1	9/2002	Belli et al.	6,747,557	B1	6/2004	Petite et al.
6,456,251	B1	9/2002	Rao et al.	6,750,827	B2	6/2004	Manasson et al.
6,462,700	B1	10/2002	Schmidt et al.	6,751,441	B1	6/2004	Murray
6,463,295	B1	10/2002	Yun et al.	6,753,813	B2	6/2004	Kushihi et al.
6,469,676	B1	10/2002	Fehrenbach et al.	6,754,470	B2	6/2004	Hendrickson et al.
6,473,049	B2	10/2002	Takeuchi et al.	6,756,538	B1	6/2004	Murga-Gonzalez et al.
6,480,168	B1	11/2002	Lam et al.	6,763,195	B1	7/2004	Willebrand et al.
6,483,470	B1	11/2002	Hohnstein et al.	6,765,479	B2	7/2004	Stewart et al.
6,489,928	B2	12/2002	Sakurada	6,768,454	B2	7/2004	Kingsley et al.
6,489,931	B2	12/2002	Liu et al.	6,768,456	B1	7/2004	Lalezari et al.
6,492,957	B2	12/2002	Carillo, Jr. et al.	6,768,471	B2	7/2004	Bostwick et al.
6,501,433	B2	12/2002	Popa et al.	6,768,474	B2	7/2004	Hunt et al.
				6,771,216	B2	8/2004	Patel et al.
				6,771,225	B2	8/2004	Tits et al.
				6,771,739	B1	8/2004	Beamon et al.
				6,774,859	B2	8/2004	Schantz et al.

(56)

References Cited

U.S. PATENT DOCUMENTS

6,778,729	B1	8/2004	Guy et al.	7,012,489	B2	3/2006	Fisher et al.
6,788,865	B2	9/2004	Kawanishi et al.	7,012,572	B1	3/2006	Schaffner et al.
6,788,951	B2	9/2004	Aoki et al.	7,016,585	B2	3/2006	Diggle, III et al.
6,789,119	B1	9/2004	Zhu et al.	7,019,704	B2	3/2006	Weiss et al.
6,792,290	B2	9/2004	Proctor, Jr. et al.	7,023,400	B2	4/2006	Hill et al.
6,798,223	B2	9/2004	Huang et al.	7,026,917	B2	4/2006	Berkman et al.
6,806,710	B1	10/2004	Renz et al.	7,027,003	B2	4/2006	Sasaki et al.
6,809,633	B2	10/2004	Cern et al.	7,027,454	B2	4/2006	Dent et al.
6,809,695	B2	10/2004	Le Bayon et al.	7,032,016	B2	4/2006	Cerami et al.
6,812,895	B2	11/2004	Anderson et al.	7,038,636	B2	5/2006	Larouche et al.
6,819,744	B1	11/2004	Galli et al.	7,039,048	B1	5/2006	Monta et al.
6,822,615	B2	11/2004	Quan et al.	7,042,403	B2	5/2006	Sievenpiper et al.
6,839,032	B2	1/2005	Teshirogi et al.	7,042,416	B2	5/2006	Kingsley et al.
6,839,160	B2	1/2005	Tsuda et al.	7,042,420	B2	5/2006	Ebling et al.
6,839,846	B2	1/2005	Mangold et al.	7,054,286	B2	5/2006	Ertel et al.
6,842,157	B2	1/2005	Phelan et al.	7,054,376	B1	5/2006	Rubinstain et al.
6,842,430	B1	1/2005	Melnik et al.	7,054,513	B2	5/2006	Herz et al.
6,850,128	B2	2/2005	Park	7,055,148	B2	5/2006	Marsh et al.
6,853,351	B1	2/2005	Mohuchy et al.	7,057,558	B2	6/2006	Yasuho et al.
6,856,273	B1	2/2005	Bognar et al.	7,057,573	B2	6/2006	Ohira et al.
6,859,185	B2	2/2005	Royalty et al.	7,058,524	B2	6/2006	Hayes et al.
6,859,187	B2	2/2005	Ohlsson et al.	7,061,370	B2	6/2006	Cern et al.
6,859,590	B1	2/2005	Zaccone	7,061,891	B1	6/2006	Kilfoyle et al.
6,861,998	B2	3/2005	Louzir	7,064,726	B2	6/2006	Kitamori et al.
6,864,851	B2	3/2005	McGrath et al.	7,068,998	B2	6/2006	Zavidniak et al.
6,864,853	B2	3/2005	Judd et al.	7,069,163	B2	6/2006	Gunther et al.
6,867,744	B2	3/2005	Toncich et al.	7,075,414	B2	7/2006	Giannini et al.
6,868,258	B2	3/2005	Hayata et al.	7,075,485	B2	7/2006	Song et al.
6,870,465	B1	3/2005	Song et al.	7,075,496	B2	7/2006	Hidai et al.
6,873,265	B2	3/2005	Bleier et al.	7,082,321	B2	7/2006	Kuwahara et al.
6,885,674	B2	4/2005	Hunt et al.	7,084,742	B2	8/2006	Haines et al.
6,886,065	B2	4/2005	Sides et al.	7,088,221	B2	8/2006	Chan
6,888,623	B2	5/2005	Clements	7,088,306	B2	8/2006	Chiang et al.
6,901,064	B2	5/2005	Billhartz et al.	7,098,405	B2	8/2006	Glew et al.
6,904,218	B2	6/2005	Sun et al.	7,098,773	B2	8/2006	Berkman et al.
6,906,676	B2	6/2005	Killen et al.	7,102,581	B1	9/2006	West et al.
6,906,681	B2	6/2005	Hoppenstein et al.	7,106,265	B2	9/2006	Robertson et al.
6,909,893	B2	6/2005	Aoki et al.	7,106,270	B2	9/2006	Iigusa et al.
6,917,974	B1	7/2005	Stytz et al.	7,109,939	B2	9/2006	Lynch et al.
6,920,289	B2	7/2005	Zimmerman et al.	7,110,678	B2	9/2006	Willebrand et al.
6,920,315	B1	7/2005	Wilcox et al.	7,113,002	B2	9/2006	Otsuka et al.
6,920,407	B2	7/2005	Phillips et al.	7,113,134	B1	9/2006	Berkman et al.
6,922,135	B2	7/2005	Abraham et al.	7,119,755	B2	10/2006	Harvey et al.
6,924,732	B2	8/2005	Yokoo et al.	7,120,338	B2	10/2006	Gunn, III et al.
6,924,776	B2	8/2005	Le et al.	7,120,345	B2	10/2006	Naitou et al.
6,928,194	B2	8/2005	Mai et al.	7,122,012	B2	10/2006	Bouton et al.
6,933,887	B2	8/2005	Regnier et al.	7,123,191	B2	10/2006	Goldberg et al.
6,934,655	B2	8/2005	Jones et al.	7,123,801	B2	10/2006	Fitz et al.
6,943,553	B2	9/2005	Zimmermann et al.	7,125,512	B2	10/2006	Crump et al.
6,944,555	B2	9/2005	Blackett et al.	7,126,557	B2	10/2006	Warnagiris et al.
6,947,147	B2	9/2005	Motamedi et al.	7,126,711	B2	10/2006	Fruth
6,947,376	B1	9/2005	Deng et al.	7,127,348	B2	10/2006	Smitherman et al.
6,947,635	B2	9/2005	Kohns et al.	7,130,516	B2	10/2006	Wu et al.
6,948,371	B2	9/2005	Tanaka et al.	7,132,950	B2	11/2006	Stewart et al.
6,950,567	B2	9/2005	Kline et al.	7,133,930	B2	11/2006	Sabio et al.
6,952,143	B2	10/2005	Kinayman et al.	7,134,012	B2	11/2006	Doyle et al.
6,952,183	B2	10/2005	Yuanzhu et al.	7,134,135	B2	11/2006	Cerami et al.
6,956,506	B2	10/2005	Koivumaeki et al.	7,136,397	B2	11/2006	Sharma et al.
6,958,729	B1	10/2005	Metz et al.	7,136,772	B2	11/2006	Duchi et al.
6,965,302	B2	11/2005	Mollenkopf et al.	7,137,605	B1	11/2006	Guertler et al.
6,965,355	B1	11/2005	Durham et al.	7,138,767	B2	11/2006	Chen et al.
6,965,784	B2	11/2005	Kanamaluru et al.	7,139,328	B2	11/2006	Thomas et al.
6,967,627	B2	11/2005	Roper et al.	7,145,440	B2	12/2006	Gerszberg et al.
6,970,502	B2	11/2005	Kim et al.	7,145,552	B2	12/2006	Hollingsworth et al.
6,970,682	B2	11/2005	Crilly, Jr. et al.	7,151,497	B2	12/2006	Crystal et al.
6,972,729	B2	12/2005	Wang et al.	7,151,508	B2	12/2006	Schaffner et al.
6,980,091	B2	12/2005	White, II et al.	7,155,238	B2	12/2006	Katz et al.
6,982,611	B2	1/2006	Cope et al.	7,161,934	B2	1/2007	Buchsbaum et al.
6,982,679	B2	1/2006	Kralovec et al.	7,164,354	B1	1/2007	Panzer et al.
6,983,174	B2	1/2006	Hoppenstein et al.	7,167,139	B2	1/2007	Kim et al.
6,985,118	B2	1/2006	Killen et al.	7,171,087	B2	1/2007	Takahashi et al.
6,992,639	B1	1/2006	Lier et al.	7,171,308	B2	1/2007	Campbell et al.
6,999,667	B2	2/2006	Jang et al.	7,171,493	B2	1/2007	Shu et al.
7,008,120	B2	3/2006	Zaborsky et al.	7,176,589	B2	2/2007	Rouquette et al.
7,009,471	B2	3/2006	Elmore	7,180,459	B2	2/2007	Damini et al.
				7,180,467	B2	2/2007	Fabrega-Sanchez
				7,183,922	B2	2/2007	Mendolia et al.
				7,183,991	B2	2/2007	Bhattacharyya et al.
				7,183,998	B2	2/2007	Wilhelm et al.

(56)

References Cited

U.S. PATENT DOCUMENTS

7,193,562	B2	3/2007	Kish et al.	7,355,560	B2	4/2008	Nagai et al.
7,194,528	B1	3/2007	Davidow et al.	7,358,808	B2	4/2008	Berkman et al.
7,199,680	B2	4/2007	Fukunaga et al.	7,358,921	B2	4/2008	Snyder et al.
7,200,391	B2	4/2007	Chung et al.	7,369,085	B1	5/2008	Jacomb-Hood et al.
7,200,658	B2	4/2007	Goeller et al.	7,369,095	B2	5/2008	Thudor et al.
7,205,950	B2	4/2007	Imai et al.	7,376,191	B2	5/2008	Melick et al.
7,212,163	B2	5/2007	Huang et al.	7,380,272	B2	5/2008	Sharp et al.
7,215,220	B1	5/2007	Jia et al.	7,381,089	B2	6/2008	Hosler, Sr.
7,215,928	B2	5/2007	Gage et al.	7,382,232	B2	6/2008	Gidge et al.
7,218,285	B2	5/2007	Davis et al.	7,383,577	B2	6/2008	Hrastar et al.
7,224,170	B2	5/2007	Graham et al.	7,388,450	B2	6/2008	Camiade et al.
7,224,243	B2	5/2007	Cope et al.	7,397,422	B2	7/2008	Tekawy et al.
7,224,272	B2	5/2007	White, II et al.	7,398,946	B1	7/2008	Marshall
7,224,320	B2	5/2007	Cook et al.	7,400,304	B2	7/2008	Lewis et al.
7,224,985	B2	5/2007	Caci et al.	7,403,169	B2	7/2008	Svensson et al.
7,228,123	B2	6/2007	Moursund et al.	7,406,337	B2	7/2008	Kim et al.
7,234,413	B2	6/2007	Suzuki et al.	7,408,426	B2	8/2008	Broyde et al.
7,234,895	B2	6/2007	Richardson et al.	7,408,507	B1	8/2008	Paek et al.
7,239,284	B1	7/2007	Staal et al.	7,408,923	B1	8/2008	Khan et al.
7,243,610	B2	7/2007	Ishii et al.	7,410,606	B2	8/2008	Atkinson et al.
7,248,148	B2	7/2007	Kline et al.	7,417,587	B2	8/2008	Iskander et al.
7,250,772	B2	7/2007	Furse et al.	7,418,178	B2	8/2008	Kudou et al.
7,255,821	B2	8/2007	Priedeman, Jr. et al.	7,418,273	B2	8/2008	Suyama et al.
7,259,657	B2	8/2007	Mollenkopf et al.	7,420,474	B1	9/2008	Elks et al.
7,260,424	B2	8/2007	Schmidt et al.	7,420,525	B2	9/2008	Colburn et al.
7,266,154	B2	9/2007	Gundrum et al.	7,423,604	B2	9/2008	Nagai et al.
7,266,275	B2	9/2007	Hansen et al.	7,426,554	B2	9/2008	Kennedy et al.
7,268,722	B2	9/2007	Gottwald et al.	7,427,927	B2	9/2008	Borleske et al.
7,272,281	B2	9/2007	Stahulak et al.	7,430,257	B1	9/2008	Shattil et al.
7,272,362	B2	9/2007	Jeong et al.	7,430,932	B2	10/2008	Mekhanoshin et al.
7,274,305	B1	9/2007	Luttrell	7,443,334	B2	10/2008	Rees et al.
7,274,936	B2	9/2007	Stern-Berkowitz et al.	7,444,404	B2	10/2008	Wetherall et al.
7,276,990	B2	10/2007	Sievenpiper et al.	7,446,567	B2	11/2008	Otsuka et al.
7,280,033	B2	10/2007	Berkman et al.	7,450,000	B2	11/2008	Gidge et al.
7,280,803	B2	10/2007	Nelson et al.	7,450,001	B2	11/2008	Berkman
7,282,922	B2	10/2007	Lo et al.	7,453,352	B2	11/2008	Kline et al.
7,286,099	B1	10/2007	Lier et al.	7,453,393	B2	11/2008	Duivenvoorden et al.
7,289,449	B1	10/2007	Rubinstein et al.	7,456,650	B2	11/2008	Lee et al.
7,289,704	B1	10/2007	Wagman et al.	7,459,834	B2	12/2008	Knowles et al.
7,289,828	B2	10/2007	Cha et al.	7,460,834	B2	12/2008	Johnson et al.
7,292,125	B2	11/2007	Mansour et al.	7,463,877	B2	12/2008	Iwamura
7,292,196	B2	11/2007	Waterhouse et al.	7,465,879	B2	12/2008	Glew et al.
7,295,161	B2	11/2007	Gaucher et al.	7,466,225	B2	12/2008	White, II et al.
7,297,869	B2	11/2007	Hiller et al.	7,468,657	B2	12/2008	Yaney
7,301,440	B2	11/2007	Mollenkopf	7,477,285	B1	1/2009	Johnson et al.
7,301,508	B1	11/2007	O'Loughlin et al.	7,479,776	B2	1/2009	Renken et al.
7,307,357	B2	12/2007	Kopp et al.	7,479,841	B2	1/2009	Stenger et al.
7,307,596	B1	12/2007	West et al.	7,486,247	B2	2/2009	Ridgway et al.
7,308,264	B2	12/2007	Stern-Berkowitz et al.	7,490,275	B2	2/2009	Zerbe et al.
7,308,370	B2	12/2007	Mason, Jr. et al.	7,492,317	B2	2/2009	Tinsley et al.
7,309,873	B2	12/2007	Ishikawa	7,496,674	B2	2/2009	Jorgensen et al.
7,310,065	B2	12/2007	Anguera et al.	7,498,822	B2	3/2009	Lee et al.
7,310,335	B1	12/2007	Garcia-Luna-Aceves et al.	7,502,619	B1	3/2009	Katz et al.
7,311,605	B2	12/2007	Moser	7,504,938	B2	3/2009	Eiza et al.
7,312,686	B2	12/2007	Bruno	7,508,834	B2	3/2009	Berkman et al.
7,313,087	B2	12/2007	Patil et al.	7,509,009	B2	3/2009	Suzuki et al.
7,313,312	B2	12/2007	Kimball et al.	7,509,675	B2	3/2009	Aaron et al.
7,315,224	B2	1/2008	Gurovich et al.	7,511,662	B2	3/2009	Mathews et al.
7,315,678	B2	1/2008	Siegel	7,512,090	B2	3/2009	Benitez Pelaez et al.
7,318,564	B1	1/2008	Marshall et al.	7,515,041	B2	4/2009	Eisold et al.
7,319,717	B2	1/2008	Zitting et al.	7,516,487	B1	4/2009	Szeto et al.
7,321,291	B2	1/2008	Gidge et al.	7,518,529	B2	4/2009	O'Sullivan et al.
7,321,707	B2	1/2008	Noda et al.	7,518,952	B1	4/2009	Padden et al.
7,324,046	B1	1/2008	Wu et al.	7,519,323	B2	4/2009	Mohebbi et al.
7,324,817	B2	1/2008	Iacono et al.	7,522,115	B2	4/2009	Waltman et al.
7,329,815	B2	2/2008	Johnston et al.	7,522,812	B2	4/2009	Zitting
7,333,064	B1	2/2008	Timothy et al.	7,525,501	B2	4/2009	Black et al.
7,333,593	B2	2/2008	Beamon et al.	7,525,504	B1	4/2009	Song et al.
7,339,466	B2	3/2008	Mansfield et al.	7,531,803	B2	5/2009	Mittleman et al.
7,339,897	B2	3/2008	Larsson et al.	7,532,792	B2	5/2009	Skovgaard et al.
7,340,768	B2	3/2008	Rosenberger et al.	7,535,867	B1	5/2009	Kilfoyle et al.
7,345,623	B2	3/2008	McEwan et al.	7,539,381	B2	5/2009	Li et al.
7,346,244	B2	3/2008	Gowan et al.	7,545,818	B2	6/2009	Chen et al.
7,346,359	B2	3/2008	Damarla et al.	7,546,214	B2	6/2009	Rivers, Jr. et al.
7,353,293	B2	4/2008	Hipfinger et al.	7,548,212	B2	6/2009	Chekroun et al.
				7,551,921	B2	6/2009	Petermann et al.
				7,554,998	B2	6/2009	Simonsson et al.
				7,555,182	B2	6/2009	Martin et al.
				7,555,186	B2	6/2009	De Montmorillo et al.

(56)

References Cited

U.S. PATENT DOCUMENTS

7,555,187	B2	6/2009	Bickham	7,750,763	B2	7/2010	Praßmayer et al.
7,557,563	B2	7/2009	Cowan et al.	7,751,054	B2	7/2010	Backes et al.
7,561,025	B2	7/2009	Gerszberg et al.	7,760,978	B2	7/2010	Fishteyn et al.
7,567,154	B2	7/2009	Elmore	7,761,079	B2	7/2010	Mollenkopf et al.
7,567,740	B2	7/2009	Bayindir et al.	7,764,943	B2	7/2010	Radtke et al.
7,570,137	B2	8/2009	Kintis et al.	7,773,664	B2	8/2010	Myers et al.
7,570,470	B2	8/2009	Holley	7,782,156	B2	8/2010	Woods et al.
7,577,398	B2	8/2009	Tennant et al.	7,783,195	B2	8/2010	Riggsby et al.
7,580,643	B2	8/2009	Moore et al.	7,786,894	B2	8/2010	Polk et al.
7,581,702	B2	9/2009	Wheeler et al.	7,786,945	B2	8/2010	Baldauf et al.
7,583,074	B1	9/2009	Lynch et al.	7,786,946	B2	8/2010	Diaz et al.
7,583,233	B2	9/2009	Goldberg et al.	7,791,549	B2	9/2010	Clymer et al.
7,584,470	B2	9/2009	Barker et al.	7,792,016	B2	9/2010	Arai et al.
7,589,630	B2	9/2009	Drake et al.	7,795,877	B2	9/2010	Radtke et al.
7,589,686	B2	9/2009	Balzovsky et al.	7,795,994	B2	9/2010	Radtke et al.
7,590,404	B1	9/2009	Johnson	7,796,025	B2	9/2010	Berkman et al.
7,591,020	B2	9/2009	Kammer et al.	7,796,122	B2	9/2010	Shih et al.
7,591,792	B2	9/2009	Bouton et al.	7,796,890	B1	9/2010	Johnson
7,593,067	B2	9/2009	Taguchi et al.	7,797,367	B1	9/2010	Girod et al.
7,596,222	B2	9/2009	Jonas et al.	7,805,029	B2	9/2010	Bayindir et al.
7,598,844	B2	10/2009	Corcoran et al.	7,808,441	B2	10/2010	Parsche et al.
7,602,333	B2	10/2009	Hiramatsu et al.	7,809,223	B2	10/2010	Miyabe et al.
7,602,815	B2	10/2009	Houghton et al.	7,812,686	B2	10/2010	Woods et al.
7,605,768	B2	10/2009	Ebling et al.	7,812,778	B2	10/2010	Hasegawa et al.
7,620,370	B2	11/2009	Barak et al.	7,813,344	B2	10/2010	Cheswick
7,625,131	B2	12/2009	Zienkewicz et al.	7,817,063	B2	10/2010	Hawkins et al.
7,626,489	B2	12/2009	Berkman et al.	7,825,793	B1	11/2010	Spillman et al.
7,626,542	B2	12/2009	Kober et al.	7,825,867	B2	11/2010	Tuttle et al.
7,627,300	B2	12/2009	Abramov et al.	7,826,602	B1	11/2010	Hunyady et al.
7,633,442	B2	12/2009	Lynch et al.	7,827,610	B2	11/2010	Wang et al.
7,634,250	B1	12/2009	Prasad et al.	7,830,228	B2	11/2010	Evans et al.
7,639,201	B2	12/2009	Marklein et al.	7,834,270	B2	11/2010	Zhu et al.
7,640,562	B2	12/2009	Bouilloux-Lafont et al.	7,835,128	B2	11/2010	Divan et al.
7,640,581	B1	12/2009	Brenton et al.	7,835,600	B1	11/2010	Yap et al.
7,653,363	B2	1/2010	Karr et al.	7,843,375	B1	11/2010	Rennie et al.
RE41,147	E	2/2010	Pang et al.	7,844,081	B2	11/2010	McMakin et al.
7,656,167	B1	2/2010	McLean et al.	7,848,517	B2	12/2010	Britz et al.
7,656,358	B2	2/2010	Haziza et al.	7,852,752	B2	12/2010	Kano
7,660,244	B2	2/2010	Kadaba et al.	7,852,837	B1	12/2010	Au et al.
7,660,252	B1	2/2010	Huang et al.	7,853,267	B2	12/2010	Jensen et al.
7,660,328	B1	2/2010	Oz et al.	7,855,612	B2	12/2010	Zienkewicz et al.
7,664,117	B2	2/2010	Lou et al.	7,856,007	B2	12/2010	Corcoran et al.
7,669,049	B2	2/2010	Wang et al.	7,869,391	B2	1/2011	Lee et al.
7,671,701	B2	3/2010	Radtke	7,872,610	B2	1/2011	Motzer et al.
7,671,820	B2	3/2010	Tokoro et al.	7,872,611	B2	1/2011	Müller et al.
7,672,271	B2	3/2010	Lee et al.	7,873,249	B2	1/2011	Kachmar et al.
7,676,679	B2	3/2010	Weis et al.	7,876,174	B2	1/2011	Radtke et al.
7,680,478	B2	3/2010	Willars et al.	7,884,285	B2	2/2011	Spencer
7,680,516	B2	3/2010	Lovberg et al.	7,884,648	B2	2/2011	Broyde et al.
7,680,561	B2	3/2010	Rodgers et al.	7,885,542	B2	2/2011	Riggsby et al.
7,683,848	B2	3/2010	Musch et al.	7,889,129	B2	2/2011	Fox et al.
7,684,383	B1	3/2010	Thompson et al.	7,889,148	B2	2/2011	Diaz et al.
7,693,079	B2	4/2010	Cerami et al.	7,889,149	B2	2/2011	Peebles et al.
7,693,162	B2	4/2010	McKenna et al.	7,890,053	B2	2/2011	Washiro
7,693,939	B2	4/2010	Wu et al.	7,893,789	B2	2/2011	Paynter et al.
7,697,417	B2	4/2010	Chen et al.	7,894,770	B2	2/2011	Washiro et al.
7,701,931	B2	4/2010	Kajiwara	7,898,480	B2	3/2011	Rebeiz et al.
7,705,747	B2	4/2010	Twitchell, Jr.	7,899,403	B2	3/2011	Aaron
7,710,346	B2	5/2010	Bloss et al.	7,903,918	B1	3/2011	Bickham et al.
7,714,536	B1	5/2010	Silberg et al.	7,903,972	B2	3/2011	Riggsby et al.
7,714,709	B1	5/2010	Daniel et al.	7,906,973	B1	3/2011	Orr et al.
7,714,725	B2	5/2010	Medve et al.	7,907,097	B2	3/2011	Syed et al.
7,715,672	B2	5/2010	Dong et al.	7,915,980	B2	3/2011	Hardacker et al.
7,716,660	B2	5/2010	Mackay et al.	7,916,081	B2	3/2011	Lakkis et al.
7,724,782	B2	5/2010	Wang et al.	7,928,750	B2	4/2011	Miller et al.
7,728,772	B2	6/2010	Mortazawi et al.	7,929,940	B1	4/2011	Dianda et al.
7,729,285	B2	6/2010	Yoon et al.	7,930,750	B1	4/2011	Gauvin et al.
7,733,094	B2	6/2010	Bright et al.	7,937,699	B2	5/2011	Schneider et al.
7,734,717	B2	6/2010	Saanimäki et al.	7,940,207	B1	5/2011	Kienzle et al.
7,737,903	B1	6/2010	Rao et al.	7,940,731	B2	5/2011	Gao et al.
7,739,402	B2	6/2010	Graham et al.	7,956,818	B1	6/2011	Hsu et al.
7,743,403	B2	6/2010	McCarty et al.	7,958,120	B2	6/2011	Muntz et al.
7,747,356	B2	6/2010	Andarawis et al.	7,961,710	B2	6/2011	Lee et al.
7,747,774	B2	6/2010	Aaron et al.	7,962,957	B2	6/2011	Keohane et al.
7,750,244	B1	7/2010	Melding et al.	7,965,842	B2	6/2011	Whelan et al.
				7,970,365	B2	6/2011	Martin et al.
				7,970,937	B2	6/2011	Shuster et al.
				7,971,053	B2	6/2011	Gibson Sr. et al.
				7,973,296	B2	7/2011	Quick et al.

(56)

References Cited

U.S. PATENT DOCUMENTS

7,974,387 B2	7/2011	Lutz et al.	8,164,531 B2	4/2012	Lier et al.
7,983,740 B2	7/2011	Culver et al.	8,171,146 B2	5/2012	Chen et al.
7,986,711 B2	7/2011	Horvath et al.	8,172,173 B2	5/2012	Carlson et al.
7,990,146 B2	8/2011	Lazar et al.	8,173,943 B2	5/2012	Vilo et al.
7,990,329 B2	8/2011	Deng et al.	8,175,535 B2	5/2012	Mu et al.
7,991,877 B2	8/2011	Keohane et al.	8,175,649 B2	5/2012	Saban
7,992,014 B2	8/2011	Langgood et al.	8,179,787 B2	5/2012	Knapp
7,994,996 B2	8/2011	Rebeiz et al.	8,180,917 B1	5/2012	Yan et al.
7,994,999 B2	8/2011	Maeda et al.	8,184,015 B2	5/2012	Lilien et al.
8,010,116 B2	8/2011	Scheinert	8,184,059 B2	5/2012	Bunch et al.
8,013,694 B2	9/2011	Sagala et al.	8,184,311 B2	5/2012	Sakai et al.
8,019,288 B2	9/2011	Yu et al.	8,184,523 B2	5/2012	Belotserkovsky et al.
8,022,885 B2	9/2011	Smoyer et al.	8,185,062 B2	5/2012	Rofougaran et al.
8,022,887 B1	9/2011	Zarnaghi et al.	8,188,855 B2	5/2012	Sharma et al.
8,023,410 B2	9/2011	O'Neill et al.	8,199,762 B2	6/2012	Michelson et al.
8,027,391 B2	9/2011	Matsubara et al.	8,203,501 B2	6/2012	Kim et al.
8,036,207 B2	10/2011	Chen et al.	8,212,635 B2	7/2012	Miller, II et al.
8,049,576 B2	11/2011	Broyde et al.	8,212,722 B2	7/2012	Ngo et al.
8,054,199 B2	11/2011	Addy et al.	8,213,758 B2	7/2012	Dong et al.
8,059,576 B2	11/2011	Vavik et al.	8,218,929 B2	7/2012	Bickham et al.
8,059,593 B2	11/2011	Shih et al.	8,222,919 B2	7/2012	Broyde et al.
8,060,308 B2	11/2011	Breed et al.	8,222,977 B2	7/2012	Oyama et al.
8,063,832 B1	11/2011	Weller et al.	8,225,379 B2	7/2012	van de et al.
8,064,744 B2	11/2011	Atkins et al.	8,233,905 B2	7/2012	Vaswani et al.
8,064,944 B2	11/2011	Yun et al.	8,237,617 B1	8/2012	Johnson et al.
8,065,099 B2	11/2011	Gibala et al.	8,238,824 B2	8/2012	Washiro
8,069,483 B1	11/2011	Matlock et al.	8,238,840 B2	8/2012	Iio et al.
8,072,323 B2	12/2011	Kodama et al.	8,242,358 B2	8/2012	Park et al.
8,072,386 B2	12/2011	Lier et al.	8,243,603 B2	8/2012	Gossain et al.
8,073,810 B2	12/2011	Maes	8,249,028 B2	8/2012	Porras et al.
8,077,049 B2	12/2011	Yaney et al.	8,251,307 B2	8/2012	Goossen et al.
8,081,854 B2	12/2011	Yoon et al.	8,253,516 B2	8/2012	Miller, II et al.
8,089,356 B2	1/2012	Moore et al.	8,255,952 B2	8/2012	Boylan, III et al.
8,089,404 B2	1/2012	Nichols et al.	8,258,743 B2	9/2012	Tyler et al.
8,089,952 B2	1/2012	Spade et al.	8,264,417 B2	9/2012	Snow et al.
8,090,258 B2	1/2012	DeLew et al.	8,269,583 B2	9/2012	Miller, II et al.
8,090,379 B2	1/2012	Lambert et al.	8,284,102 B2	10/2012	Hayes et al.
8,094,081 B1	1/2012	Boone et al.	8,287,323 B2	10/2012	Kiesow et al.
8,094,985 B2	1/2012	Imamura et al.	8,295,301 B2	10/2012	Yonge, III et al.
8,095,093 B2	1/2012	Takinami et al.	8,300,538 B2	10/2012	Kim et al.
8,098,198 B2	1/2012	Thiesen et al.	8,300,640 B2	10/2012	Al-Banna et al.
8,102,324 B2	1/2012	Tuau et al.	8,316,228 B2	11/2012	Winslow et al.
8,102,779 B2	1/2012	Kim et al.	8,316,364 B2	11/2012	Stein et al.
8,106,749 B2	1/2012	Ina et al.	8,324,990 B2	12/2012	Vouloumanos
8,106,849 B2	1/2012	Suddath et al.	8,325,034 B2	12/2012	Moore et al.
RE43,163 E	2/2012	Anderson	8,325,636 B2	12/2012	Binder
8,111,148 B2	2/2012	Parker et al.	8,325,693 B2	12/2012	Binder et al.
8,112,649 B2	2/2012	Potkonjak et al.	8,330,259 B2	12/2012	Soler et al.
8,116,598 B2	2/2012	Shutter et al.	8,335,596 B2	12/2012	Raman et al.
8,120,488 B2	2/2012	Bloy et al.	8,340,438 B2	12/2012	Anderson et al.
8,121,624 B2	2/2012	Cai et al.	8,343,145 B2	1/2013	Brannan et al.
8,125,282 B2	2/2012	Bao et al.	8,344,829 B2	1/2013	Miller, II et al.
8,125,399 B2	2/2012	McKinzie et al.	8,354,970 B2	1/2013	Armbrecht et al.
8,126,393 B2	2/2012	Wu et al.	8,359,124 B2	1/2013	Zhou et al.
8,129,817 B2	3/2012	Jou et al.	8,362,775 B2	1/2013	Speckner et al.
8,131,125 B2	3/2012	Molin et al.	8,363,313 B2	1/2013	Nakaguma et al.
8,131,266 B2	3/2012	Cai et al.	8,369,667 B2	2/2013	Rose et al.
8,132,239 B2	3/2012	Wahl	8,373,095 B2	2/2013	Huynh et al.
8,134,424 B2	3/2012	Kato et al.	8,373,597 B2	2/2013	Schadler et al.
8,134,458 B2	3/2012	Lund	8,374,821 B2	2/2013	Rousselle et al.
8,135,050 B1	3/2012	Stadler et al.	8,384,600 B2	2/2013	Huang et al.
8,140,113 B2	3/2012	Rofougaran et al.	8,385,978 B2	2/2013	Leung et al.
8,150,311 B2	4/2012	Hart et al.	8,386,198 B2	2/2013	Lancaster
8,151,306 B2	4/2012	Rakib	8,390,307 B2	3/2013	Slupsky et al.
8,156,520 B2	4/2012	Casagrande et al.	8,390,402 B2	3/2013	Kunes et al.
8,159,316 B2	4/2012	Miyazato et al.	8,405,567 B2	3/2013	Park et al.
8,159,342 B1	4/2012	Medina, III et al.	8,406,239 B2	3/2013	Hurwitz et al.
8,159,385 B2	4/2012	Farneth et al.	8,406,593 B2	3/2013	Molin et al.
8,159,394 B2	4/2012	Hayes et al.	8,407,687 B2	3/2013	Moshir et al.
8,159,742 B2	4/2012	McKay et al.	8,412,130 B2	4/2013	Suematsu et al.
8,159,933 B2	4/2012	Henry	8,414,326 B2	4/2013	Bowman
8,159,955 B2	4/2012	Larsson et al.	8,415,884 B2	4/2013	Chen et al.
8,160,064 B2	4/2012	Kokernak et al.	8,428,033 B2	4/2013	Hettstedt et al.
8,160,530 B2	4/2012	Corman et al.	8,433,168 B2	4/2013	Filippov et al.
8,160,825 B1	4/2012	Roe, Jr. et al.	8,433,338 B1	4/2013	Flynn et al.
			8,434,103 B2	4/2013	Tsuchida et al.
			8,437,383 B2	5/2013	Wiwel et al.
			8,452,101 B2	5/2013	Ishikawa et al.
			8,452,555 B2	5/2013	Hayward et al.

(56)

References Cited

U.S. PATENT DOCUMENTS

8,457,027	B2	6/2013	Dougherty et al.	8,660,526	B1	2/2014	Heiderscheid et al.
8,458,453	B1	6/2013	Mahalingaiah et al.	8,660,698	B2	2/2014	Phillips et al.
8,462,063	B2	6/2013	Gummalla et al.	8,665,102	B2	3/2014	Salewske et al.
8,467,363	B2	6/2013	Lea et al.	8,666,553	B2	3/2014	Phillips et al.
8,468,244	B2	6/2013	Redlich et al.	8,670,946	B2	3/2014	Salazar et al.
8,471,513	B2	6/2013	Han	8,674,630	B1	3/2014	Cornelius et al.
8,472,327	B2	6/2013	DelRegno et al.	8,676,186	B2	3/2014	Niu
8,484,137	B2	7/2013	Johnson et al.	8,680,450	B2	3/2014	Pritchard et al.
8,484,511	B2	7/2013	Tidwell et al.	8,680,706	B2	3/2014	Zyren et al.
8,495,718	B2	7/2013	Han et al.	8,681,463	B2	3/2014	Franks et al.
8,497,749	B2	7/2013	Elmore	8,686,911	B2	4/2014	Kim et al.
8,503,845	B2	8/2013	Winzer et al.	8,687,650	B2	4/2014	King
8,504,135	B2	8/2013	Bourqui et al.	8,688,153	B2	4/2014	Komori et al.
8,505,057	B2	8/2013	Rogers	8,699,454	B2	4/2014	Hapsari et al.
8,509,114	B1	8/2013	Szajdecki	8,699,461	B2	4/2014	Qian et al.
8,514,980	B2	8/2013	Kuhtz	8,705,925	B2	4/2014	Terada et al.
8,515,383	B2	8/2013	Prince et al.	8,706,026	B2	4/2014	Truong et al.
8,516,129	B1	8/2013	Skene et al.	8,707,432	B1	4/2014	Rathi et al.
8,516,470	B1	8/2013	Joshi et al.	8,711,538	B2	4/2014	Woodworth et al.
8,516,474	B2	8/2013	Lamba et al.	8,711,732	B2	4/2014	Johnson et al.
8,519,892	B2	8/2013	Ding et al.	8,711,806	B2	4/2014	Lim et al.
8,520,578	B2	8/2013	Rayment et al.	8,711,857	B2	4/2014	Jackson et al.
8,520,636	B2	8/2013	Xu	8,712,200	B1	4/2014	Abernathy et al.
8,520,931	B2	8/2013	Tateno et al.	8,719,938	B2	5/2014	Demeter et al.
8,528,059	B1	9/2013	Saluzzo et al.	8,723,730	B2	5/2014	Lu et al.
8,532,023	B2	9/2013	Buddhikot et al.	8,724,102	B2	5/2014	Urban et al.
8,532,046	B2	9/2013	Hu et al.	8,729,857	B2	5/2014	Stählin et al.
8,532,492	B2	9/2013	Sadowski et al.	8,731,358	B2	5/2014	Pare et al.
8,536,857	B2	9/2013	Nero, Jr. et al.	8,732,476	B1	5/2014	Van et al.
8,537,068	B2	9/2013	Call et al.	8,736,502	B1	5/2014	Mehr et al.
8,537,705	B2	9/2013	Afkhamie et al.	8,737,793	B2	5/2014	Imamura et al.
8,538,428	B2	9/2013	Bartlett et al.	8,738,318	B2	5/2014	Spillane
8,539,540	B2	9/2013	Zenoni	8,742,997	B2	6/2014	McPeak et al.
8,539,569	B2	9/2013	Mansour	8,743,004	B2	6/2014	Haziza
8,542,968	B2	9/2013	Dong et al.	8,749,449	B2	6/2014	Caldwell et al.
8,545,322	B2	10/2013	George et al.	8,750,097	B2	6/2014	Maenpaa et al.
8,548,294	B2	10/2013	Toge et al.	8,750,664	B2	6/2014	Huang et al.
8,553,646	B2	10/2013	Kumar	8,754,852	B2	6/2014	Lee et al.
8,561,104	B1	10/2013	Dow et al.	8,755,659	B2	6/2014	Imamura et al.
8,561,181	B1	10/2013	Sobel et al.	8,760,354	B2	6/2014	Flannery et al.
8,565,568	B2	10/2013	Bigot-Astruc et al.	8,761,792	B2	6/2014	Sennett et al.
8,566,058	B2	10/2013	Pupalaikis et al.	8,763,097	B2	6/2014	Bhatnagar et al.
8,572,247	B2	10/2013	Larson et al.	8,766,657	B2	7/2014	DeJean et al.
8,572,639	B2	10/2013	Ficco	8,767,071	B1	7/2014	Marshall
8,572,661	B2	10/2013	Strong et al.	8,769,622	B2	7/2014	Chang et al.
8,578,076	B2	11/2013	van der Linden et al.	8,773,312	B1	7/2014	Diaz et al.
8,578,486	B2	11/2013	Lifliand et al.	8,780,012	B2	7/2014	Llombart Juan et al.
8,582,502	B2	11/2013	Conte et al.	8,782,195	B2	7/2014	Foti
8,584,195	B2	11/2013	Sherlock et al.	8,786,284	B2	7/2014	Sirigiri et al.
8,587,490	B2	11/2013	Niver et al.	8,786,514	B2	7/2014	Dickie et al.
8,587,492	B2	11/2013	Runyon et al.	8,789,091	B2	7/2014	Eldering et al.
8,588,567	B2	11/2013	Kamps et al.	8,792,760	B2	7/2014	Choi et al.
8,588,840	B2	11/2013	Truong et al.	8,792,933	B2	7/2014	Chen et al.
8,588,991	B1	11/2013	Forbes, Jr.	8,793,363	B2	7/2014	Sater et al.
8,593,238	B2	11/2013	Miller, II et al.	8,793,742	B2	7/2014	Macrae et al.
8,594,956	B2	11/2013	McBee et al.	8,797,207	B2	8/2014	Kienzle et al.
8,595,141	B2	11/2013	Hao et al.	8,797,848	B2	8/2014	Kim et al.
8,599,150	B2	12/2013	Philipp	8,804,667	B2	8/2014	Wang
8,600,602	B1	12/2013	Watson et al.	8,806,202	B2	8/2014	Shoemake et al.
8,604,982	B2	12/2013	Gummalla et al.	8,810,404	B2	8/2014	Bertoncini et al.
8,604,999	B2	12/2013	Abumrad et al.	8,810,421	B2	8/2014	Deaver, Sr. et al.
8,605,361	B2	12/2013	Batchko et al.	8,810,468	B2	8/2014	Cannon et al.
8,605,579	B2	12/2013	Abraham et al.	8,811,278	B2	8/2014	Hori et al.
8,612,550	B2	12/2013	Yoo et al.	8,811,912	B2	8/2014	Austin et al.
8,613,020	B2	12/2013	Knudson et al.	8,812,154	B2	8/2014	Vian et al.
8,615,190	B2	12/2013	Lu	8,817,741	B2	8/2014	Shaheen
8,625,547	B1	1/2014	Miller et al.	8,824,380	B2	9/2014	Jetcheva et al.
8,629,811	B2	1/2014	Gaynor et al.	8,825,239	B2	9/2014	Cooper et al.
8,639,260	B2	1/2014	Fox et al.	8,829,934	B2	9/2014	Sellathamby et al.
8,639,390	B2	1/2014	Tamarkin et al.	8,830,112	B1	9/2014	Buehler et al.
8,639,934	B2	1/2014	Kruglick	8,831,506	B2	9/2014	Claret et al.
8,644,219	B2	2/2014	Nishizaka et al.	8,836,503	B2	9/2014	Girod et al.
8,653,906	B2	2/2014	Mahon et al.	8,836,607	B2	9/2014	Cook et al.
8,655,396	B2	2/2014	Malladi et al.	8,839,350	B1	9/2014	Shapcott et al.
8,656,458	B2	2/2014	Heffez et al.	8,847,840	B1	9/2014	Diaz et al.
				8,847,846	B1	9/2014	Diaz et al.
				8,856,239	B1	10/2014	Oliver et al.
				8,856,530	B2	10/2014	Lamberg et al.
				8,863,245	B1	10/2014	Abhyanker

(56)

References Cited

U.S. PATENT DOCUMENTS

8,866,691	B2	10/2014	Montgomery et al.	9,021,251	B2	4/2015	Chawla
8,866,695	B2	10/2014	Jefferson et al.	9,021,575	B2	4/2015	Martini
8,867,226	B2	10/2014	Colomb et al.	RE45,514	E	5/2015	Brown
8,867,798	B2	10/2014	Shuster	9,024,831	B2	5/2015	Wang et al.
8,872,032	B2	10/2014	Su et al.	9,031,725	B1	5/2015	Diesposti et al.
8,875,224	B2	10/2014	Gross et al.	9,037,516	B2	5/2015	Abhyanker
8,878,740	B2	11/2014	Coupland et al.	9,042,245	B2	5/2015	Tzannes et al.
8,880,765	B2	11/2014	Seal et al.	9,042,812	B1	5/2015	Bennett et al.
8,881,588	B2	11/2014	Baer et al.	9,054,782	B2	6/2015	Hunter et al.
8,885,689	B2	11/2014	Blasco et al.	9,065,177	B2	6/2015	Alexopoulos
8,886,229	B2	11/2014	Agrawal et al.	9,066,224	B2	6/2015	Schwengler
8,887,212	B2	11/2014	Dua	9,070,962	B2	6/2015	Kobayashi
8,890,759	B2	11/2014	Pantea et al.	9,070,964	B1	6/2015	Schuss et al.
8,893,246	B2	11/2014	El-Moussa et al.	9,079,349	B2	7/2015	Slafer
8,897,215	B2	11/2014	Hazani et al.	9,082,307	B2	7/2015	Sharawi
8,897,499	B2	11/2014	Rekimoto	9,083,425	B1	7/2015	Moussouris et al.
8,897,697	B1	11/2014	Bennett	9,083,581	B1	7/2015	Addepalli et al.
8,901,916	B2	12/2014	Rodriguez et al.	9,084,124	B2	7/2015	Nickel et al.
8,903,214	B2	12/2014	Alkeskjold	9,092,962	B1	7/2015	Merrill et al.
8,907,222	B2	12/2014	Stranskky	9,092,963	B2	7/2015	Fetzer et al.
8,907,845	B2	12/2014	Jones	9,094,407	B1	7/2015	Matthieu
8,908,502	B2	12/2014	Hayashitani	9,094,840	B2	7/2015	Liu et al.
8,908,573	B1	12/2014	Wang et al.	9,098,325	B2	8/2015	Reddin
8,913,862	B1	12/2014	Emmerich et al.	9,099,787	B2	8/2015	Blech
8,917,210	B2	12/2014	Shamim et al.	9,103,864	B2	8/2015	Ali
8,917,215	B2	12/2014	Pohl	9,105,981	B2	8/2015	Syed
8,917,964	B2	12/2014	Blew et al.	9,106,617	B2	8/2015	Kshirsagar et al.
8,918,108	B2	12/2014	Van Heeswyk et al.	9,112,281	B2	8/2015	Bresciani et al.
8,918,135	B2	12/2014	Kang et al.	9,113,347	B2	8/2015	Henry
8,922,447	B2	12/2014	Gao et al.	9,119,127	B1	8/2015	Henry
8,925,079	B2	12/2014	Miyake et al.	9,119,179	B1	8/2015	Firoiu et al.
8,929,841	B2	1/2015	Rofougaran et al.	9,128,941	B2	9/2015	Shulman
8,934,747	B2	1/2015	Smith et al.	9,130,641	B2	9/2015	Mohebbi
8,937,577	B2	1/2015	Gerini et al.	9,134,945	B2	9/2015	Husain
8,938,144	B2	1/2015	Hennink et al.	9,137,485	B2	9/2015	Bar-Niv et al.
8,938,255	B2	1/2015	Dalla et al.	9,142,334	B2	9/2015	Muto et al.
8,941,912	B2	1/2015	Ichii et al.	9,143,084	B2	9/2015	Perez et al.
8,947,258	B2	2/2015	Reid et al.	9,143,196	B2	9/2015	Schwengler
8,948,235	B2	2/2015	Proctor, Jr. et al.	9,148,186	B1	9/2015	Murphy et al.
8,948,690	B2	2/2015	Duerksen et al.	9,154,641	B2	10/2015	Shaw
8,952,678	B2	2/2015	Giboney et al.	9,157,954	B2	10/2015	Nickel
8,955,051	B2	2/2015	Marzii	9,158,418	B2	10/2015	Oda et al.
8,955,075	B2	2/2015	Smith et al.	9,158,427	B1	10/2015	Wang
8,957,818	B2	2/2015	Chen et al.	9,167,535	B2	10/2015	Christoffersson et al.
8,958,356	B2	2/2015	Lu et al.	9,171,458	B2	10/2015	Salter
8,958,665	B2	2/2015	Ziari et al.	9,173,217	B2	10/2015	Teng et al.
8,958,812	B2	2/2015	Weiguo	9,178,282	B2	11/2015	Mittleman et al.
8,958,980	B2	2/2015	Hagan et al.	9,194,930	B2	11/2015	Pupalaikis
8,963,790	B2	2/2015	Brown et al.	9,219,594	B2	11/2015	Khlat
8,964,433	B2	2/2015	Hai-Maharsi	9,201,556	B2	12/2015	Free et al.
8,966,609	B2	2/2015	Lee et al.	9,202,371	B2	12/2015	Jain
8,968,287	B2	3/2015	Shroff et al.	9,203,149	B2	12/2015	Henderson et al.
8,970,438	B2	3/2015	Hager et al.	9,204,112	B2	12/2015	Pasteris et al.
8,984,113	B2	3/2015	Li et al.	9,204,418	B2	12/2015	Siomina et al.
8,989,788	B2	3/2015	Kim et al.	9,207,168	B2	12/2015	Lovely et al.
8,994,473	B2	3/2015	Levi et al.	9,209,902	B2	12/2015	Willis, III et al.
8,994,474	B2	3/2015	Mahon et al.	9,210,192	B1	12/2015	Pathuri et al.
8,996,188	B2	3/2015	Frader-thompson et al.	9,210,586	B2	12/2015	Catovic et al.
8,996,728	B2	3/2015	Cochinwala et al.	9,213,905	B2	12/2015	Lange et al.
9,000,353	B2	4/2015	Seo et al.	9,219,307	B2	12/2015	Takahashi et al.
9,001,689	B1	4/2015	Ponnampalam et al.	9,225,396	B2	12/2015	Maltsev et al.
9,001,717	B2	4/2015	Chun et al.	9,229,956	B2	1/2016	Ke et al.
9,003,492	B2	4/2015	Katar	9,235,763	B2	1/2016	Brown et al.
9,008,208	B2	4/2015	Khandani	9,240,835	B2	1/2016	Cune et al.
9,008,513	B2	4/2015	Kim et al.	9,244,117	B2	1/2016	Khan et al.
9,009,460	B2	4/2015	Chen	9,246,231	B2	1/2016	Ju
9,013,361	B1	4/2015	Lam et al.	9,246,334	B2	1/2016	Lo et al.
9,014,621	B2	4/2015	Mohebbi	9,253,588	B2	2/2016	Schmidt et al.
9,015,139	B2	4/2015	Wong	9,260,244	B1	2/2016	Cohn
9,015,467	B2	4/2015	Buer	9,264,204	B2	2/2016	Seo et al.
9,019,164	B2	4/2015	Syed et al.	9,265,078	B2	2/2016	Lim et al.
9,019,595	B2	4/2015	Jain et al.	9,270,013	B2	2/2016	Ley
9,019,846	B2	4/2015	Shetty et al.	9,271,185	B2	2/2016	Abdelmonem et al.
9,019,892	B2	4/2015	Zhou et al.	9,276,303	B2	3/2016	Chang et al.
9,020,555	B2	4/2015	Sheikh et al.	9,276,304	B2	3/2016	Behan
				9,277,331	B2	3/2016	Chao et al.
				9,281,564	B2	3/2016	Vincent
				9,282,144	B2	3/2016	Tebay et al.
				9,285,461	B2	3/2016	Townley et al.

(56)	References Cited		2002/0008672	A1	1/2002	Gothard et al.
	U.S. PATENT DOCUMENTS		2002/0011960	A1	1/2002	Yuanzhu et al.
			2002/0021716	A1	2/2002	Terk et al.
			2002/0024424	A1	2/2002	Burns et al.
9,287,605	B2	3/2016 Daughenbaugh et al.	2002/0027481	A1	3/2002	Fiedziuszko et al.
9,288,844	B1	3/2016 Akhavan-saraf et al.	2002/0040439	A1	4/2002	Kellum et al.
9,289,177	B2	3/2016 Samsudin et al.	2002/0057223	A1	5/2002	Hook
9,293,798	B2	3/2016 Ye	2002/0061217	A1	5/2002	Hillman et al.
9,293,801	B2	3/2016 Courtney et al.	2002/0069417	A1	6/2002	Kliger et al.
9,302,770	B2	4/2016 Cohen et al.	2002/0083194	A1	6/2002	Bak et al.
9,306,682	B2	4/2016 Singh	2002/0091807	A1	7/2002	Goodman et al.
9,312,929	B2	4/2016 Forenza et al.	2002/0099949	A1	7/2002	Fries et al.
9,315,663	B2	4/2016 Appleby	2002/0101852	A1	8/2002	Say et al.
9,319,311	B2	4/2016 Wang et al.	2002/0111997	A1	8/2002	Herlihy et al.
9,324,003	B2	4/2016 France et al.	2002/0156917	A1	10/2002	Nye et al.
9,324,020	B2	4/2016 Nazarov	2002/0186694	A1	12/2002	Mahajan et al.
9,325,067	B2	4/2016 Ali et al.	2002/0197979	A1*	12/2002	Vanderveen H04L 63/0869
9,325,516	B2	4/2016 Frei et al.				455/410
9,326,316	B2	4/2016 Yonge et al.	2003/0002125	A1	1/2003	Fuse et al.
9,334,052	B2	5/2016 Ubhi et al.	2003/0002476	A1	1/2003	Chung et al.
9,337,895	B2	5/2016 Turner et al.	2003/0010528	A1	1/2003	Niles
9,338,823	B2	5/2016 Saban et al.	2003/0022694	A1	1/2003	Olsen et al.
9,346,560	B2	5/2016 Wang	2003/0038753	A1	2/2003	Mahon et al.
9,350,063	B2	5/2016 Herbsommer et al.	2003/0049003	A1	3/2003	Ahmad et al.
9,351,182	B2	5/2016 Elliott et al.	2003/0054793	A1	3/2003	Manis et al.
9,356,358	B2	5/2016 Hu et al.	2003/0054811	A1	3/2003	Han et al.
9,362,629	B2	6/2016 Miller et al.	2003/0061346	A1	3/2003	Pekary et al.
9,363,333	B2	6/2016 Basso et al.	2003/0094976	A1	5/2003	Miyashita et al.
9,363,690	B1	6/2016 Suthar et al.	2003/0095208	A1	5/2003	Chouraqui et al.
9,363,761	B2	6/2016 Venkatraman	2003/0134660	A1	7/2003	Himmel et al.
9,366,743	B2	6/2016 Doshi et al.	2003/0137464	A1	7/2003	Foti et al.
9,368,275	B2	6/2016 McBee et al.	2003/0151548	A1	8/2003	Kingsley et al.
9,369,177	B2	6/2016 Hui et al.	2003/0152331	A1	8/2003	Dair et al.
9,372,228	B2	6/2016 Gavin et al.	2003/0164794	A1	9/2003	Haynes et al.
9,379,527	B2	6/2016 Jean et al.	2003/0188308	A1	10/2003	Kizuka
9,379,556	B2	7/2016 Haengen et al.	2003/0189974	A1	10/2003	Ferry et al.
9,380,857	B2	7/2016 Davis et al.	2003/0190110	A1	10/2003	Kline et al.
9,391,874	B2	7/2016 Corti et al.	2003/0193365	A1	10/2003	Loheit et al.
9,393,683	B2	7/2016 Kimberlin et al.	2003/0202756	A1	10/2003	Hurley et al.
9,394,716	B2	7/2016 Butler et al.	2003/0210197	A1	11/2003	Cencich et al.
9,397,380	B2	7/2016 Kudela et al.	2003/0224784	A1	12/2003	Hunt et al.
9,400,941	B2	7/2016 Meier et al.	2004/0005039	A1	1/2004	White et al.
9,401,863	B2	7/2016 Hui et al.	2004/0015725	A1	1/2004	Boneh et al.
9,404,750	B2	8/2016 Rios et al.	2004/0023640	A1	2/2004	Ballai et al.
9,413,519	B2	8/2016 Khoshnood et al.	2004/0024913	A1	2/2004	Ikeda et al.
9,414,126	B1	8/2016 Zinevich	2004/0037566	A1	2/2004	Willebrand et al.
9,417,731	B2	8/2016 Premont et al.	2004/0048596	A1	3/2004	Wyrzykowska et al.
9,419,712	B2	8/2016 Heidler	2004/0054425	A1	3/2004	Elmore
9,421,869	B1	8/2016 Ananthanarayanan et al.	2004/0085153	A1	5/2004	Fukunaga et al.
9,422,139	B1	8/2016 Bialkowski et al.	2004/0090312	A1	5/2004	Manis et al.
9,432,478	B2	8/2016 Gibbon et al.	2004/0091032	A1	5/2004	Duchi et al.
9,432,865	B1	8/2016 Jadunandan et al.	2004/0100343	A1	5/2004	Tsu et al.
9,439,092	B1	9/2016 Chukka et al.	2004/0104410	A1	6/2004	Gilbert et al.
9,443,417	B2	9/2016 Wang	2004/0109608	A1	6/2004	Love et al.
9,459,746	B2	10/2016 Zarraga et al.	2004/0113756	A1	6/2004	Mollenkopf et al.
9,461,706	B1	10/2016 Bennett et al.	2004/0113757	A1	6/2004	White, II et al.
9,465,397	B2	10/2016 Forbes, Jr. et al.	2004/0119564	A1	6/2004	Itoh et al.
9,467,219	B2	10/2016 Vilhar	2004/0131310	A1	7/2004	Walker et al.
9,467,870	B2	10/2016 Bennett	2004/0163135	A1	8/2004	Giaccherini et al.
9,476,932	B2	10/2016 Furse et al.	2004/0165669	A1	8/2004	Otsuka et al.
9,478,865	B1	10/2016 Willis et al.	2004/0169572	A1	9/2004	Elmore et al.
9,479,241	B2	10/2016 Pabla	2004/0196784	A1	10/2004	Larsson et al.
9,479,266	B2	10/2016 Henry et al.	2004/0198228	A1	10/2004	Raghothaman et al.
9,479,299	B2	10/2016 Kim et al.	2004/0208591	A1	10/2004	Willebrand et al.
9,479,392	B2	10/2016 Anderson et al.	2004/0212481	A1	10/2004	Abraham et al.
9,479,535	B2	10/2016 Cohen et al.	2004/0213147	A1	10/2004	Wiese et al.
9,490,869	B1	11/2016 Henry	2004/0213189	A1	10/2004	Alspaugh et al.
9,490,913	B2	11/2016 Berlin	2004/0213294	A1	10/2004	Hughes et al.
9,495,037	B2	11/2016 King-Smith	2004/0242185	A1	12/2004	Lee et al.
9,496,921	B1	11/2016 Corum	2004/0250069	A1	12/2004	Kosamo et al.
9,497,572	B2	11/2016 Britt et al.	2005/0002408	A1	1/2005	Lee et al.
9,503,170	B2	11/2016 Vu	2005/0005854	A1	1/2005	Suzuki et al.
9,503,189	B2	11/2016 Henry et al.	2005/0017825	A1	1/2005	Hansen
9,509,415	B1	11/2016 Henry et al.	2005/0031267	A1	2/2005	Sumimoto et al.
9,510,203	B2	11/2016 Jactat et al.	2005/0046511	A1	3/2005	Stenberg et al.
9,515,367	B2	12/2016 Herbsommer et al.	2005/0063422	A1	3/2005	Lazar et al.
9,544,006	B2	1/2017 Henry et al.	2005/0068223	A1	3/2005	Vavik et al.
2001/0030789	A1	10/2001 Jiang et al.	2005/0069321	A1	3/2005	Sullivan et al.
2002/0002040	A1	1/2002 Kline et al.	2005/0074208	A1	4/2005	Badcock et al.

(56)	References Cited				
	U.S. PATENT DOCUMENTS				
		2007/0223381	A1	9/2007	Radtke et al.
		2007/0226779	A1*	9/2007	Yokomitsu H04L 9/0869 726/2
		2007/0229184	A1	10/2007	Liu et al.
2005/0097396	A1 5/2005 Wood	2007/0229231	A1	10/2007	Hurwitz et al.
2005/0102185	A1 5/2005 Barker et al.	2007/0252998	A1	11/2007	Berthold et al.
2005/0111533	A1 5/2005 Berkman et al.	2007/0257858	A1	11/2007	Liu et al.
2005/0141808	A1 6/2005 Cheben et al.	2007/0258484	A1	11/2007	Tolaio et al.
2005/0143868	A1 6/2005 Whelan et al.	2007/0268124	A1	11/2007	Berkman et al.
2005/0151659	A1 7/2005 Donovan et al.	2007/0268846	A1	11/2007	Proctor et al.
2005/0159187	A1 7/2005 Mendolia et al.	2007/0300280	A1	12/2007	Turner et al.
2005/0164666	A1 7/2005 Lang et al.	2008/0002652	A1	1/2008	Gupta et al.
2005/0168326	A1 8/2005 White et al.	2008/0003872	A1	1/2008	Chen et al.
2005/0169056	A1 8/2005 Berkman	2008/0007416	A1	1/2008	Cern et al.
2005/0169401	A1 8/2005 Abraham et al.	2008/0008116	A1	1/2008	Buga et al.
2005/0175113	A1 8/2005 Okuyama et al.	2008/0043655	A1	2/2008	Lee et al.
2005/0177463	A1 8/2005 Crutchfield et al.	2008/0055149	A1	3/2008	Rees et al.
2005/0190101	A1 9/2005 Hiramatsu et al.	2008/0060832	A1	3/2008	Razavi et al.
2005/0208949	A1 9/2005 Chiueh et al.	2008/0064331	A1*	3/2008	Washiro H04B 5/0012 455/41.1
2005/0212626	A1 9/2005 Takamatsu et al.				
2005/0219126	A1 10/2005 Rebeiz et al.	2008/0077336	A1	3/2008	Fernandes et al.
2005/0219135	A1 10/2005 Lee et al.	2008/0080389	A1	4/2008	Hart et al.
2005/0220180	A1 10/2005 Barlev	2008/0084937	A1	4/2008	Barthold et al.
2005/0226353	A1 10/2005 Gebara et al.	2008/0101798	A1	5/2008	Healey et al.
2005/0249245	A1 11/2005 Hazani et al.	2008/0113616	A1	5/2008	Kim et al.
2005/0258920	A1 11/2005 Elmore	2008/0120667	A1	5/2008	Zaltsman
2006/0034724	A1 2/2006 Hamano et al.	2008/0122723	A1	5/2008	Rofougaran et al.
2006/0038660	A1 2/2006 Doumuki et al.	2008/0130639	A1	6/2008	Costa-Requena et al.
2006/0053486	A1 3/2006 Wesinger et al.	2008/0133922	A1*	6/2008	Williams G06F 8/65 713/176
2006/0071776	A1 4/2006 White et al.				
2006/0077906	A1 4/2006 Maegawa et al.	2008/0143491	A1	6/2008	Deaver et al.
2006/0082516	A1 4/2006 Strickland et al.	2008/0150790	A1	6/2008	Voigtlaender et al.
2006/0085813	A1 4/2006 Giraladin et al.	2008/0151916	A1	6/2008	Jetcheva et al.
2006/0094439	A1 5/2006 Christian et al.	2008/0153416	A1	6/2008	Washiro et al.
2006/0106741	A1 5/2006 Janarthanan et al.	2008/0177678	A1	7/2008	Di Martini et al.
2006/0111047	A1 5/2006 Louberg et al.	2008/0191851	A1	8/2008	Koga et al.
2006/0113425	A1 6/2006 Rader et al.	2008/0211727	A1	9/2008	Elmore et al.
2006/0114925	A1 6/2006 Gerszberg et al.	2008/0238796	A1	10/2008	Rofougaran et al.
2006/0119528	A1 6/2006 Bhattacharyya et al.	2008/0247716	A1	10/2008	Thomas et al.
2006/0120399	A1 6/2006 Claret et al.	2008/0252522	A1	10/2008	Asbridge et al.
2006/0128322	A1 6/2006 Igarashi et al.	2008/0253723	A1	10/2008	Stokes et al.
2006/0132380	A1 6/2006 Imai et al.	2008/0255782	A1	10/2008	Bilac et al.
2006/0153878	A1 7/2006 Savarino et al.	2008/0258993	A1	10/2008	Gummalla et al.
2006/0172781	A1 8/2006 Mohebbi et al.	2008/0266060	A1	10/2008	Takei et al.
2006/0176124	A1 8/2006 Mansour et al.	2008/0267076	A1	10/2008	Laperi et al.
2006/0181394	A1 8/2006 Clarke et al.	2008/0279199	A1	11/2008	Park et al.
2006/0187023	A1 8/2006 Iwamura et al.	2008/0279292	A1	11/2008	Tanabe et al.
2006/0192672	A1 8/2006 Gidge et al.	2008/0280574	A1	11/2008	Rofougaran et al.
2006/0220833	A1 10/2006 Berkman et al.	2008/0313691	A1	12/2008	Cholas
2006/0221995	A1 10/2006 Berkman et al.	2009/0002137	A1	1/2009	Radtke et al.
2006/0232493	A1 10/2006 Huang et al.	2009/0007189	A1	1/2009	Gutknecht
2006/0238347	A1 10/2006 Parkinson et al.	2009/0007190	A1	1/2009	Weber et al.
2006/0239501	A1 10/2006 Petrovic et al.	2009/0007194	A1	1/2009	Brady, Jr. et al.
2006/0244672	A1 11/2006 Avakian et al.	2009/0009408	A1	1/2009	Rofougaran et al.
2006/0249622	A1 11/2006 Steele et al.	2009/0015239	A1	1/2009	Georgiou et al.
2006/0255930	A1 11/2006 Berkman et al.	2009/0054056	A1	2/2009	Gil et al.
2006/0286927	A1 12/2006 Berkman et al.	2009/0054737	A1	2/2009	Magar et al.
2007/0002771	A1 1/2007 Berkman et al.	2009/0061940	A1	3/2009	Scheinert et al.
2007/0022475	A1 1/2007 Rossi et al.	2009/0067441	A1	3/2009	Ansari et al.
2007/0025265	A1 2/2007 Porras et al.	2009/0079660	A1	3/2009	Elmore
2007/0025386	A1 2/2007 Riedel et al.	2009/0085726	A1	4/2009	Radtke et al.
2007/0040628	A1 2/2007 Kanno et al.	2009/0088907	A1	4/2009	Lewis et al.
2007/0041464	A1 2/2007 Kim et al.	2009/0093267	A1	4/2009	Ariyur et al.
2007/0041554	A1 2/2007 Newman	2009/0109981	A1	4/2009	Keselman
2007/0054622	A1 3/2007 Berkman	2009/0125351	A1	5/2009	Davis, Jr. et al.
2007/0063914	A1 3/2007 Becker et al.	2009/0129301	A1	5/2009	Belimpasakis et al.
2007/0090185	A1 4/2007 Lewkowicz et al.	2009/0135848	A1	5/2009	Chan et al.
2007/0103333	A1 5/2007 Michalski et al.	2009/0138931	A1	5/2009	Lin et al.
2007/0105508	A1 5/2007 Tong et al.	2009/0140852	A1	6/2009	Stolarczyk et al.
2007/0135044	A1 6/2007 Rhodes et al.	2009/0144417	A1	6/2009	Kisel et al.
2007/0144779	A1 6/2007 Vicente et al.	2009/0171780	A1	7/2009	Aldrey et al.
2007/0164908	A1 7/2007 Turchinetz et al.	2009/0175195	A1	7/2009	Macauley et al.
2007/0185621	A1 8/2007 Gilmore et al.	2009/0181664	A1	7/2009	Kuruville et al.
2007/0189182	A1 8/2007 Berkman et al.	2009/0201133	A1	8/2009	Bruns et al.
2007/0201540	A1 8/2007 Berkman et al.	2009/0202020	A1	8/2009	Hafeez et al.
2007/0202913	A1 8/2007 Ban et al.	2009/0210901	A1	8/2009	Hawkins et al.
2007/0211689	A1 9/2007 Campero et al.	2009/0212938	A1	8/2009	Swaim et al.
2007/0211786	A1 9/2007 Shattil et al.	2009/0250449	A1	10/2009	Petrenko et al.
2007/0216596	A1 9/2007 Lewis et al.	2009/0254971	A1	10/2009	Herz et al.

(56)

References Cited

U.S. PATENT DOCUMENTS

2009/0258652	A1	10/2009	Lambert et al.	2011/0143673	A1	6/2011	Landesman et al.
2009/0284435	A1	11/2009	Elmore et al.	2011/0148578	A1	6/2011	Aloi et al.
2009/0286482	A1	11/2009	Gorokhov et al.	2011/0148687	A1	6/2011	Wright et al.
2009/0289863	A1	11/2009	Lier et al.	2011/0164514	A1	7/2011	Afkhamie et al.
2009/0304124	A1	12/2009	Graef et al.	2011/0165847	A1	7/2011	Kawasaki et al.
2009/0311960	A1	12/2009	Farahani et al.	2011/0169336	A1	7/2011	Yerazunis et al.
2009/0315668	A1	12/2009	Leete, III et al.	2011/0173447	A1	7/2011	Zhang et al.
2009/0320058	A1	12/2009	Wehmeyer et al.	2011/0182174	A1	7/2011	Pi et al.
2009/0325479	A1	12/2009	Chakrabarti et al.	2011/0187578	A1	8/2011	Farneth et al.
2009/0325628	A1	12/2009	Becker et al.	2011/0199265	A1	8/2011	Lin et al.
2010/0002618	A1	1/2010	Eichinger et al.	2011/0201269	A1	8/2011	Hobbs et al.
2010/0002731	A1	1/2010	Kimura et al.	2011/0208450	A1	8/2011	Salka et al.
2010/0013696	A1	1/2010	Schmitt et al.	2011/0214176	A1	9/2011	Burch et al.
2010/0026607	A1	2/2010	Imai et al.	2011/0219402	A1	9/2011	Candelore et al.
2010/0039339	A1	2/2010	Kuroda et al.	2011/0220394	A1	9/2011	Szylakowski et al.
2010/0045447	A1	2/2010	Mollenkopf et al.	2011/0225046	A1	9/2011	Eldering et al.
2010/0052799	A1	3/2010	Watanabe et al.	2011/0228814	A1	9/2011	Washiro et al.
2010/0053019	A1	3/2010	Ikawa et al.	2011/0235536	A1	9/2011	Nishizaka et al.
2010/0057894	A1	3/2010	Glasser	2011/0268085	A1	11/2011	Barany et al.
2010/0080203	A1	4/2010	Reynolds et al.	2011/0274396	A1	11/2011	Nakajima et al.
2010/0085036	A1	4/2010	Banting et al.	2011/0286506	A1	11/2011	Libby et al.
2010/0090887	A1	4/2010	Cooper et al.	2011/0291878	A1	12/2011	McLaughlin et al.
2010/0091712	A1	4/2010	Lu et al.	2011/0294509	A1	12/2011	Kim et al.
2010/0100918	A1	4/2010	Egan, Jr. et al.	2011/0311231	A1	12/2011	Ridgway et al.
2010/0111521	A1	5/2010	Kim et al.	2011/0316645	A1	12/2011	Takeuchi et al.
2010/0119234	A1	5/2010	Suematsu et al.	2012/0002973	A1	1/2012	Bruzzi et al.
2010/0121945	A1	5/2010	Gerber et al.	2012/0015382	A1	1/2012	Weitz et al.
2010/0127848	A1	5/2010	Mustapha et al.	2012/0015654	A1	1/2012	Palanki et al.
2010/0141527	A1	6/2010	Lalezari et al.	2012/0019420	A1	1/2012	Caimi et al.
2010/0142435	A1	6/2010	Kim et al.	2012/0019427	A1	1/2012	Ishikawa et al.
2010/0150215	A1	6/2010	Black et al.	2012/0038520	A1	2/2012	Cornwell et al.
2010/0153990	A1	6/2010	Ress et al.	2012/0039366	A1	2/2012	Wood et al.
2010/0159823	A1	6/2010	Smith et al.	2012/0046891	A1	2/2012	Yaney et al.
2010/0169937	A1	7/2010	Atwal et al.	2012/0054571	A1	3/2012	Howard
2010/0175080	A1	7/2010	Yuen et al.	2012/0068903	A1	3/2012	Thevenard et al.
2010/0176894	A1	7/2010	Tahara et al.	2012/0077485	A1	3/2012	Shin et al.
2010/0177894	A1	7/2010	Yasuma et al.	2012/0078452	A1	3/2012	Daum et al.
2010/0185614	A1	7/2010	O'Brien et al.	2012/0084807	A1	4/2012	Thompson et al.
2010/0201313	A1	8/2010	Vorenkamp et al.	2012/0091820	A1	4/2012	Campanella et al.
2010/0214183	A1	8/2010	Stoneback et al.	2012/0092161	A1	4/2012	West et al.
2010/0214185	A1	8/2010	Sammoura et al.	2012/0093078	A1	4/2012	Perlman et al.
2010/0220024	A1	9/2010	Snow et al.	2012/0102568	A1	4/2012	Tarbotton et al.
2010/0224732	A1	9/2010	Olson et al.	2012/0105246	A1	5/2012	Sexton et al.
2010/0225426	A1	9/2010	Unger et al.	2012/0105637	A1	5/2012	Yousefi et al.
2010/0232539	A1	9/2010	Han et al.	2012/0109545	A1	5/2012	Meynardi et al.
2010/0243633	A1	9/2010	Huynh et al.	2012/0109566	A1	5/2012	Adamian et al.
2010/0253450	A1	10/2010	Kim et al.	2012/0117584	A1	5/2012	Gordon
2010/0256955	A1	10/2010	Pupalaikis et al.	2012/0129566	A1	5/2012	Lee et al.
2010/0265877	A1	10/2010	Foxworthy et al.	2012/0133373	A1	5/2012	Ali et al.
2010/0266063	A1	10/2010	Harel et al.	2012/0137332	A1	5/2012	Kumar et al.
2010/0283693	A1	11/2010	Xie et al.	2012/0144420	A1	6/2012	Del Sordo et al.
2010/0284446	A1	11/2010	Mu et al.	2012/0146861	A1	6/2012	Ambrecht et al.
2010/0319068	A1	12/2010	Abbadessa et al.	2012/0153087	A1	6/2012	Collette et al.
2010/0327880	A1	12/2010	Stein et al.	2012/0154239	A1	6/2012	Bar-Sade et al.
2011/0018704	A1	1/2011	Burrows et al.	2012/0161543	A1	6/2012	Reuven et al.
2011/0040861	A1	2/2011	Van Der Merwe et al.	2012/0176906	A1	7/2012	Hartenstein et al.
2011/0042120	A1	2/2011	Otsuka et al.	2012/0181258	A1	7/2012	Shan et al.
2011/0043051	A1	2/2011	Meskens et al.	2012/0190386	A1	7/2012	Anderson
2011/0053498	A1	3/2011	Nogueira-Nine	2012/0197558	A1	8/2012	Henig et al.
2011/0068893	A1	3/2011	Lahiri et al.	2012/0201145	A1	8/2012	Ree et al.
2011/0068988	A1	3/2011	Monte et al.	2012/0214538	A1	8/2012	Kim et al.
2011/0080301	A1	4/2011	Chang et al.	2012/0224807	A1	9/2012	Winzer et al.
2011/0103274	A1	5/2011	Vavik et al.	2012/0226394	A1	9/2012	Marcus et al.
2011/0107364	A1	5/2011	Lajoie et al.	2012/0235864	A1	9/2012	Lu et al.
2011/0109499	A9	5/2011	Kienzle et al.	2012/0235881	A1	9/2012	Pan et al.
2011/0109936	A1	5/2011	Coffee et al.	2012/0250534	A1	10/2012	Langer et al.
2011/0110404	A1	5/2011	Washiro	2012/0250752	A1	10/2012	McHann et al.
2011/0118888	A1	5/2011	White et al.	2012/0263152	A1	10/2012	Fischer et al.
2011/0130135	A1	6/2011	Trigui et al.	2012/0267863	A1	10/2012	Kiest et al.
2011/0132658	A1	6/2011	Miller, II et al.	2012/0268340	A1	10/2012	Capozzoli et al.
2011/0133865	A1	6/2011	Miller, II et al.	2012/0270507	A1	10/2012	Qin et al.
2011/0133867	A1	6/2011	Miller, II et al.	2012/0272741	A1	11/2012	Xiao et al.
2011/0136432	A1	6/2011	Miller, II et al.	2012/0274528	A1	11/2012	McMahon et al.
2011/0140911	A1	6/2011	Pant et al.	2012/0287922	A1	11/2012	Heck et al.
2011/0141555	A1	6/2011	Fermann et al.	2012/0299671	A1	11/2012	Ikeda et al.
				2012/0304294	A1	11/2012	Fujiwara et al.
				2012/0306587	A1	12/2012	Strid et al.
				2012/0306708	A1	12/2012	Henderson et al.
				2012/0313895	A1	12/2012	Haroun et al.

(56)

References Cited

U.S. PATENT DOCUMENTS

2012/0319903	A1	12/2012	Huseth et al.	2013/0321225	A1	12/2013	Pettus et al.
2012/0322380	A1	12/2012	Nannarone et al.	2013/0326063	A1	12/2013	Burch et al.
2012/0322492	A1	12/2012	Koo et al.	2013/0326494	A1	12/2013	Nunez et al.
2012/0324018	A1	12/2012	Metcalf et al.	2013/0330050	A1	12/2013	Yang et al.
2012/0327908	A1	12/2012	Gupta et al.	2013/0335165	A1	12/2013	Arnold et al.
2012/0329523	A1	12/2012	Stewart et al.	2013/0336370	A1	12/2013	Jovanovic et al.
2012/0330756	A1	12/2012	Morris et al.	2013/0336418	A1	12/2013	Tomeba et al.
2013/0002409	A1	1/2013	Molina et al.	2013/0341094	A1	12/2013	Taherian et al.
2013/0003876	A1	1/2013	Bennett	2013/0342287	A1	12/2013	Randall et al.
2013/0010679	A1	1/2013	Ma et al.	2013/0343213	A1	12/2013	Reynolds et al.
2013/0015922	A1	1/2013	Liu et al.	2013/0343351	A1	12/2013	Sambhwani et al.
2013/0016022	A1	1/2013	Heiks et al.	2014/0003394	A1	1/2014	Rubin et al.
2013/0023302	A1	1/2013	Sivanesan et al.	2014/0003775	A1	1/2014	Ko et al.
2013/0039624	A1	2/2013	Scherer et al.	2014/0007076	A1	1/2014	Kim et al.
2013/0064178	A1	3/2013	Cs et al.	2014/0009270	A1	1/2014	Yamazaki et al.
2013/0064311	A1	3/2013	Turner et al.	2014/0009822	A1	1/2014	Dong et al.
2013/0070621	A1	3/2013	Marzetta et al.	2014/0015705	A1	1/2014	Ebihara
2013/0077612	A1	3/2013	Khorami et al.	2014/0019576	A1	1/2014	Lobo et al.
2013/0077664	A1	3/2013	Lee et al.	2014/0026170	A1	1/2014	Francisco et al.
2013/0080290	A1	3/2013	Kamm	2014/0028184	A1	1/2014	Voronin et al.
2013/0086639	A1	4/2013	Sondhi et al.	2014/0028190	A1	1/2014	Voronin et al.
2013/0093638	A1	4/2013	Shoemaker et al.	2014/0028532	A1	1/2014	Ehrenberg et al.
2013/0095875	A1	4/2013	Reuven et al.	2014/0032005	A1	1/2014	Iwamura
2013/0108206	A1	5/2013	Sasaoka et al.	2014/0036694	A1	2/2014	Courtice et al.
2013/0109317	A1	5/2013	Kikuchi et al.	2014/0041925	A1	2/2014	Siripurapu et al.
2013/0117852	A1	5/2013	Stute et al.	2014/0043189	A1	2/2014	Lee et al.
2013/0120548	A1	5/2013	Li et al.	2014/0043977	A1	2/2014	Wiley et al.
2013/0122828	A1	5/2013	Choi et al.	2014/0044139	A1	2/2014	Dong et al.
2013/0124365	A1	5/2013	Pradeep	2014/0050212	A1	2/2014	Braz et al.
2013/0127678	A1	5/2013	Chandler et al.	2014/0052810	A1	2/2014	Osorio et al.
2013/0136410	A1	5/2013	Sasaoka et al.	2014/0056130	A1	2/2014	Grayson et al.
2013/0144750	A1	6/2013	Brown	2014/0057576	A1	2/2014	Liu et al.
2013/0148194	A1	6/2013	Altug et al.	2014/0062784	A1	3/2014	Rison et al.
2013/0159153	A1	6/2013	Lau et al.	2014/0071818	A1	3/2014	Wang et al.
2013/0159856	A1	6/2013	Ferren	2014/0072064	A1	3/2014	Lemson et al.
2013/0160122	A1	6/2013	Choi et al.	2014/0072299	A1	3/2014	Stapleton et al.
2013/0162490	A1	6/2013	Blech et al.	2014/0077995	A1	3/2014	Artemenko et al.
2013/0166690	A1	6/2013	Shatzkamer et al.	2014/0086080	A1	3/2014	Hui et al.
2013/0169499	A1	7/2013	Lin et al.	2014/0086152	A1	3/2014	Bontu et al.
2013/0173807	A1	7/2013	De Groot et al.	2014/0102743	A1	4/2014	Doneker et al.
2013/0178998	A1	7/2013	Gadiraju et al.	2014/0112184	A1	4/2014	Chai
2013/0182804	A1	7/2013	Yutaka et al.	2014/0114635	A1	4/2014	Sato et al.
2013/0185552	A1	7/2013	Steer et al.	2014/0124236	A1	5/2014	Vu et al.
2013/0187636	A1	7/2013	Kast et al.	2014/0126914	A1	5/2014	Berlin et al.
2013/0191052	A1	7/2013	Fernandez et al.	2014/0130111	A1	5/2014	Nulty et al.
2013/0201006	A1	8/2013	Kummetz et al.	2014/0132728	A1	5/2014	Verano et al.
2013/0201904	A1	8/2013	Toskala et al.	2014/0139375	A1	5/2014	Faragher et al.
2013/0205370	A1	8/2013	Kalgi et al.	2014/0143055	A1	5/2014	Johnson
2013/0207681	A1	8/2013	Slupsky et al.	2014/0146902	A1	5/2014	Liu et al.
2013/0207859	A1	8/2013	Legay et al.	2014/0148107	A1	5/2014	Maltsev et al.
2013/0219308	A1	8/2013	Britton et al.	2014/0155054	A1	6/2014	Henry et al.
2013/0230235	A1	9/2013	Tateno et al.	2014/0165145	A1	6/2014	Baentsch et al.
2013/0234904	A1	9/2013	Blech et al.	2014/0169186	A1	6/2014	Zhu et al.
2013/0234961	A1	9/2013	Garfinkel et al.	2014/0177692	A1	6/2014	Yu et al.
2013/0235845	A1	9/2013	Kovvali et al.	2014/0179302	A1	6/2014	Polehn et al.
2013/0235871	A1	9/2013	Brzozowski et al.	2014/0189677	A1	7/2014	Curzi et al.
2013/0241726	A1	9/2013	Hunter et al.	2014/0189732	A1	7/2014	Shkedi et al.
2013/0262656	A1	10/2013	Cao et al.	2014/0191913	A1	7/2014	Ge et al.
2013/0262857	A1	10/2013	Neuman et al.	2014/0204000	A1	7/2014	Sato et al.
2013/0263263	A1	10/2013	Narkolayev et al.	2014/0204754	A1	7/2014	Jeong et al.
2013/0265732	A1	10/2013	Herbsommer et al.	2014/0207844	A1	7/2014	Mayo et al.
2013/0266026	A1	10/2013	McCormack et al.	2014/0208272	A1	7/2014	Vats et al.
2013/0268414	A1	10/2013	Lehtiniemi	2014/0211883	A1	7/2014	Chai et al.
2013/0271349	A1	10/2013	Wright et al.	2014/0222997	A1	8/2014	Mermoud et al.
2013/0278464	A1	10/2013	Xia et al.	2014/0223527	A1	8/2014	Bortz et al.
2013/0279561	A1	10/2013	Jin et al.	2014/0225129	A1	8/2014	Inoue et al.
2013/0279868	A1	10/2013	Zhang et al.	2014/0227905	A1	8/2014	Knott et al.
2013/0279914	A1	10/2013	Brooks et al.	2014/0227966	A1	8/2014	Artemenko et al.
2013/0285864	A1	10/2013	Clymer et al.	2014/0233900	A1	8/2014	Hugonnot et al.
2013/0303089	A1	11/2013	Wang et al.	2014/0241718	A1	8/2014	Jiang et al.
2013/0305369	A1	11/2013	Karta et al.	2014/0254516	A1	9/2014	Lee et al.
2013/0306351	A1	11/2013	Lambert et al.	2014/0254896	A1	9/2014	Zhou et al.
2013/0307645	A1	11/2013	Mita et al.	2014/0254979	A1	9/2014	Zhang et al.
2013/0311661	A1	11/2013	McPhee	2014/0266946	A1	9/2014	Stevenson et al.
2013/0314182	A1	11/2013	Takeda et al.	2014/0266953	A1	9/2014	Yen et al.
				2014/0267700	A1	9/2014	Wang et al.
				2014/0269260	A1	9/2014	Xue
				2014/0269691	A1	9/2014	Xue et al.
				2014/0269972	A1	9/2014	Rada et al.

(56)

References Cited

U.S. PATENT DOCUMENTS

2014/0273873	A1	9/2014	Huynh et al.	2015/0181449	A1	6/2015	Didenko et al.
2014/0285277	A1	9/2014	Herbsommer et al.	2015/0195349	A1	7/2015	Cardamore
2014/0285293	A1	9/2014	Schuppener et al.	2015/0195719	A1	7/2015	Rahman
2014/0285294	A1	9/2014	Haroun et al.	2015/0201228	A1	7/2015	Hasek
2014/0285373	A1	9/2014	Kuwahara et al.	2015/0207527	A1	7/2015	Eliaz et al.
2014/0285389	A1	9/2014	Fakharzadeh et al.	2015/0214615	A1	7/2015	Patel et al.
2014/0286189	A1	9/2014	Kang et al.	2015/0215268	A1	7/2015	Dinha
2014/0286235	A1	9/2014	Chang et al.	2015/0223078	A1	8/2015	Bennett et al.
2014/0286284	A1	9/2014	Lim et al.	2015/0223113	A1	8/2015	Matsunaga
2014/0287702	A1	9/2014	Schuppener et al.	2015/0223160	A1	8/2015	Ho
2014/0299349	A1	10/2014	Yamaguchi et al.	2015/0230109	A1	8/2015	Turner et al.
2014/0304498	A1	10/2014	Gonuguntla et al.	2015/0234122	A1	8/2015	Andle
2014/0317229	A1	10/2014	Hughes et al.	2015/0236778	A1	8/2015	Jalali
2014/0320364	A1	10/2014	Gu et al.	2015/0236779	A1	8/2015	Jalali
2014/0321273	A1	10/2014	Morrill et al.	2015/0237519	A1	8/2015	Ghai
2014/0325594	A1	10/2014	Klein et al.	2015/0249965	A1	9/2015	Dussmann et al.
2014/0334773	A1	11/2014	Mathai et al.	2015/0263424	A1	9/2015	Sanford
2014/0334789	A1	11/2014	Matsuo et al.	2015/0271830	A1	9/2015	Shin et al.
2014/0340271	A1	11/2014	Petkov et al.	2015/0276577	A1	10/2015	Ruege et al.
2014/0343883	A1	11/2014	Libby et al.	2015/0277569	A1	10/2015	Sprenger
2014/0349696	A1	11/2014	Hyde et al.	2015/0280328	A1	10/2015	Sanford et al.
2014/0351571	A1	11/2014	Jacobs	2015/0284079	A1	10/2015	Matsuda
2014/0355525	A1	12/2014	Barzegar et al.	2015/0288532	A1	10/2015	Veysch et al.
2014/0355989	A1	12/2014	Finckelstein	2015/0289247	A1	10/2015	Liu et al.
2014/0357269	A1	12/2014	Zhou et al.	2015/0303892	A1	10/2015	Desclos
2014/0359275	A1	12/2014	Murugesan et al.	2015/0304045	A1	10/2015	Henry et al.
2014/0362374	A1	12/2014	Santori	2015/0304869	A1	10/2015	Johnson et al.
2014/0362694	A1	12/2014	Rodrigues	2015/0311951	A1	10/2015	Hariz
2014/0368301	A1	12/2014	Herbsommer et al.	2015/0312774	A1	10/2015	Lau
2014/0369430	A1	12/2014	Parnell	2015/0318610	A1	11/2015	Lee et al.
2014/0372068	A1	12/2014	Seto et al.	2015/0323948	A1	11/2015	Jeong
2014/0373053	A1	12/2014	Leley et al.	2015/0325913	A1	11/2015	Vagman
2014/0376655	A1	12/2014	Ruan et al.	2015/0326274	A1	11/2015	Flood
2015/0008996	A1	1/2015	Jessup et al.	2015/0326287	A1	11/2015	Kazmi et al.
2015/0009089	A1	1/2015	Pesa	2015/0333386	A1	11/2015	Kaneda et al.
2015/0016260	A1	1/2015	Chow et al.	2015/0333804	A1	11/2015	Yang et al.
2015/0017473	A1	1/2015	Verhoeven et al.	2015/0334769	A1	11/2015	Kim et al.
2015/0022399	A1	1/2015	Flannery et al.	2015/0339912	A1	11/2015	Farrand et al.
2015/0026460	A1	1/2015	Walton	2015/0344136	A1	12/2015	Dahlstrom
2015/0029065	A1	1/2015	Cheng	2015/0349415	A1	12/2015	Iwanaka
2015/0036610	A1	2/2015	Kim et al.	2015/0356482	A1	12/2015	Whipple et al.
2015/0042526	A1	2/2015	Zeine	2015/0356848	A1	12/2015	Hatch
2015/0048238	A1	2/2015	Kawai	2015/0369660	A1	12/2015	Yu
2015/0049998	A1	2/2015	Dumais	2015/0370251	A1	12/2015	Siegel et al.
2015/0061859	A1	3/2015	Matsuoka et al.	2015/0373557	A1	12/2015	Bennett et al.
2015/0065166	A1	3/2015	Ward et al.	2015/0380814	A1	12/2015	Boutayeb et al.
2015/0070231	A1	3/2015	Kim et al.	2015/0382208	A1	12/2015	Elliott et al.
2015/0071594	A1	3/2015	Register	2015/0382363	A1	12/2015	Wang et al.
2015/0073594	A1	3/2015	Trujillo et al.	2016/0006129	A1	1/2016	Haziza
2015/0077740	A1	3/2015	Fuse	2016/0012460	A1	1/2016	Kruglick
2015/0078756	A1	3/2015	Soto	2016/0014749	A1	1/2016	Kang et al.
2015/0084660	A1	3/2015	Knierim et al.	2016/0021545	A1	1/2016	Shaw
2015/0084703	A1	3/2015	Sanduleanu	2016/0026301	A1	1/2016	Zhou et al.
2015/0084814	A1	3/2015	Rojanski et al.	2016/0029009	A1	1/2016	Lu et al.
2015/0091650	A1	4/2015	Nobbe	2016/0038074	A1	2/2016	Brown et al.
2015/0094104	A1	4/2015	Wilmhoff et al.	2016/0043478	A1	2/2016	Hartenstein
2015/0098387	A1	4/2015	Garg et al.	2016/0044705	A1	2/2016	Gao
2015/0099555	A1	4/2015	Krishnaswamy et al.	2016/0050028	A1	2/2016	Henry et al.
2015/0102972	A1	4/2015	Scire-Scappuzzo et al.	2016/0056543	A1	2/2016	Kwiatkowski
2015/0103685	A1	4/2015	Butchko et al.	2016/0063642	A1	3/2016	Luciani et al.
2015/0104005	A1	4/2015	Holman	2016/0064794	A1	3/2016	Henry et al.
2015/0105115	A1	4/2015	Hata et al.	2016/0065252	A1	3/2016	Preschutti
2015/0109178	A1	4/2015	Hyde et al.	2016/0065335	A1	3/2016	Koo et al.
2015/0116154	A1	4/2015	Artemenko	2016/0066191	A1	3/2016	Li
2015/0185425	A1	4/2015	Gundel et al.	2016/0068265	A1	3/2016	Hoareau et al.
2015/0122886	A1	5/2015	Michael	2016/0068277	A1	3/2016	Manitta
2015/0126107	A1	5/2015	Bennett et al.	2016/0069934	A1	3/2016	Saxby et al.
2015/0130675	A1	5/2015	Parsche	2016/0070265	A1	3/2016	Liu et al.
2015/0138022	A1	5/2015	Takahashi	2016/0072173	A1	3/2016	Herbsommer et al.
2015/0138144	A1	5/2015	Tanabe	2016/0072191	A1	3/2016	Iwai
2015/0153248	A1	6/2015	Hayward et al.	2016/0072287	A1	3/2016	Jia
2015/0156266	A1	6/2015	Gupta	2016/0079769	A1	3/2016	Corum et al.
2015/0162988	A1	6/2015	Henry et al.	2016/0079771	A1	3/2016	Corum
2015/0171522	A1	6/2015	Liu et al.	2016/0079809	A1	3/2016	Corum et al.
2015/0172036	A1	6/2015	Katar et al.	2016/0080035	A1	3/2016	Fuchs et al.
				2016/0080839	A1	3/2016	Fuchs et al.
				2016/0082460	A1	3/2016	McMaster et al.
				2016/0087344	A1	3/2016	Artemenko et al.
				2016/0088498	A1	3/2016	Sharawi

(56)

References Cited

U.S. PATENT DOCUMENTS

2016/0094420	A1	3/2016	Clemm et al.	2016/0285512	A1	9/2016	Henry et al.
2016/0094879	A1	3/2016	Gerszberg et al.	2016/0294444	A1	10/2016	Gerszberg et al.
2016/0069935	A1	4/2016	Kreikebaum et al.	2016/0294517	A1	10/2016	Barzegar et al.
2016/0099749	A1	4/2016	Bennett et al.	2016/0295431	A1	10/2016	Henry et al.
2016/0100324	A1	4/2016	Henry et al.	2016/0306361	A1	10/2016	Shalom et al.
2016/0103199	A1	4/2016	Rappaport	2016/0315659	A1	10/2016	Henry
2016/0105218	A1	4/2016	Henry et al.	2016/0322691	A1	11/2016	Bennett et al.
2016/0105233	A1	4/2016	Jalali	2016/0323015	A1	11/2016	Henry et al.
2016/0105239	A1	4/2016	Henry et al.	2016/0329957	A1	11/2016	Schmid et al.
2016/0105255	A1	4/2016	Henry et al.	2016/0336091	A1	11/2016	Henry et al.
2016/0111890	A1	4/2016	Corum et al.	2016/0336092	A1	11/2016	Henry et al.
2016/0112092	A1	4/2016	Henry et al.	2016/0336636	A1	11/2016	Henry et al.
2016/0112093	A1	4/2016	Barzegar	2016/0336996	A1	11/2016	Henry
2016/0112094	A1	4/2016	Stuckman et al.	2016/0336997	A1	11/2016	Henry
2016/0112115	A1	4/2016	Henry et al.	2016/0351987	A1	12/2016	Henry
2016/0112132	A1	4/2016	Henry et al.	2016/0359523	A1	12/2016	Bennett
2016/0112133	A1	4/2016	Henry et al.	2016/0359524	A1	12/2016	Bennett et al.
2016/0112135	A1	4/2016	Henry et al.	2016/0359529	A1	12/2016	Bennett et al.
2016/0112263	A1	4/2016	Henry et al.	2016/0359530	A1	12/2016	Bennett
2016/0116914	A1	4/2016	Mucci	2016/0359541	A1	12/2016	Bennett
2016/0118717	A1	4/2016	Britz et al.	2016/0359542	A1	12/2016	Bennett
2016/0124071	A1	5/2016	Baxley et al.	2016/0359543	A1	12/2016	Bennett et al.
2016/0127931	A1	5/2016	Baxley et al.	2016/0359544	A1	12/2016	Bennett
2016/0134006	A1	5/2016	Ness et al.	2016/0359546	A1	12/2016	Bennett
2016/0135132	A1	5/2016	Donepudi et al.	2016/0359547	A1	12/2016	Bennett
2016/0135184	A1	5/2016	Zavadsky et al.	2016/0359649	A1	12/2016	Bennett et al.
2016/0137311	A1	5/2016	Peverill et al.	2016/0360511	A1	12/2016	Barzegar
2016/0139731	A1	5/2016	Kim	2016/0360533	A1	12/2016	Bennett et al.
2016/0149312	A1	5/2016	Henry et al.	2016/0365175	A1	12/2016	Bennett et al.
2016/0149614	A1	5/2016	Barzegar	2016/0365893	A1	12/2016	Bennett et al.
2016/0149636	A1	5/2016	Gerszberg et al.	2016/0365894	A1	12/2016	Bennett et al.
2016/0149665	A1	5/2016	Henry et al.	2016/0365897	A1	12/2016	Gross
2016/0149731	A1	5/2016	Henry et al.	2016/0365916	A1	12/2016	Bennett et al.
2016/0149753	A1	5/2016	Gerszberg et al.	2016/0365943	A1	12/2016	Henry et al.
2016/0150427	A1	5/2016	Ramanath	2016/0365966	A1	12/2016	Bennett et al.
2016/0153938	A1	6/2016	Balasubramaniam et al.	2016/0366586	A1	12/2016	Gross et al.
2016/0164571	A1	6/2016	Bennett et al.	2016/0366587	A1	12/2016	Gross
2016/0164573	A1	6/2016	Birk et al.	2016/0373164	A1	12/2016	Kawasaki et al.
2016/0165472	A1	6/2016	Gopalakrishnan et al.	2016/0373937	A1	12/2016	Bennett et al.
2016/0165478	A1	6/2016	Yao et al.	2016/0380327	A1	12/2016	Henry
2016/0174040	A1	6/2016	Roberts et al.	2016/0380328	A1	12/2016	Henry
2016/0179134	A1	6/2016	Ryu	2016/0380358	A1	12/2016	Henry
2016/0181701	A1	6/2016	Sangaran et al.	2016/0380701	A1	12/2016	Henry et al.
2016/0182161	A1	6/2016	Barzegar	2016/0380702	A1	12/2016	Henry et al.
2016/0182981	A1	6/2016	Minarik et al.	2017/0018174	A1	1/2017	Gerszberg
2016/0188291	A1	6/2016	Vilermo et al.	2017/0018332	A1	1/2017	Barzegar et al.
2016/0189101	A1	6/2016	Kantor et al.	2017/0018830	A1	1/2017	Henry et al.
2016/0197392	A1	7/2016	Henry et al.	2017/0018831	A1	1/2017	Henry et al.
2016/0197409	A1	7/2016	Henry et al.	2017/0018832	A1	1/2017	Henry et al.
2016/0197630	A1	7/2016	Kawasaki	2017/0018833	A1	1/2017	Henry et al.
2016/0197642	A1	7/2016	Henry et al.	2017/0018851	A1	1/2017	Henry et al.
2016/0207627	A1	7/2016	Hoareau et al.	2017/0018852	A1	1/2017	Adriazola et al.
2016/0211566	A1	7/2016	Kikuchi et al.	2017/0018856	A1	1/2017	Henry
2016/0212065	A1	7/2016	To et al.	2017/0019130	A1	1/2017	Henry et al.
2016/0212641	A1	7/2016	Kong et al.	2017/0019131	A1	1/2017	Henry et al.
2016/0214717	A1	7/2016	De Silva	2017/0019150	A1	1/2017	Henry
2016/0218407	A1	7/2016	Henry et al.	2017/0019189	A1	1/2017	Henry et al.
2016/0218437	A1	7/2016	Guntupalli	2017/0025728	A1	1/2017	Henry et al.
2016/0221039	A1	8/2016	Fuchs et al.	2017/0025732	A1	1/2017	Henry et al.
2016/0224235	A1	8/2016	Forsstrom	2017/0025734	A1	1/2017	Henry et al.
2016/0226681	A1	8/2016	Henry et al.	2017/0025839	A1	1/2017	Henry et al.
2016/0244165	A1	8/2016	Patrick et al.	2017/0026063	A1	1/2017	Henry
2016/0248149	A1	8/2016	Kim et al.	2017/0026082	A1	1/2017	Henry et al.
2016/0248165	A1	8/2016	Henry	2017/0026084	A1	1/2017	Henry et al.
2016/0248509	A1	8/2016	Henry	2017/0026129	A1	1/2017	Henry
2016/0249233	A1	8/2016	Murray	2017/0033464	A1	2/2017	Henry et al.
2016/0252970	A1	9/2016	Dahl	2017/0033465	A1	2/2017	Henry et al.
2016/0261309	A1	9/2016	Henry	2017/0033466	A1	2/2017	Henry et al.
2016/0261310	A1	9/2016	Fuchs et al.	2017/0033834	A1	2/2017	Gross
2016/0261311	A1	9/2016	Henry et al.	2017/0033835	A1	2/2017	Bennett et al.
2016/0269156	A1	9/2016	Barzegar et al.	2017/0033953	A1	2/2017	Henry et al.
2016/0276725	A1	9/2016	Barnickel et al.	2017/0033954	A1	2/2017	Henry et al.
2016/0277939	A1	9/2016	Olcott et al.	2017/0034042	A1	2/2017	Gross et al.
2016/0278094	A1	9/2016	Henry et al.	2017/0041081	A1	2/2017	Henry et al.
2016/0285508	A1	9/2016	Bennett et al.	2017/0047662	A1	2/2017	Henry et al.
				2017/0063430	A1	3/2017	Henry
				2017/0064715	A1	3/2017	Niewczas
				2017/0069944	A1	3/2017	Henry
				2017/0077998	A1	3/2017	Gerszberg et al.

(56)

References Cited

U.S. PATENT DOCUMENTS

2017/0078063 A1 3/2017 Gerszberg
 2017/0078064 A1 3/2017 Gerszberg et al.
 2017/0079024 A1 3/2017 Gerszberg
 2017/0079036 A1 3/2017 Gerszberg
 2017/0079037 A1 3/2017 Gerszberg et al.
 2017/0079038 A1 3/2017 Gerszberg et al.
 2017/0079039 A1 3/2017 Gerszberg et al.
 2017/0085003 A1 3/2017 Johnson et al.
 2017/0085295 A1 3/2017 Stuckman
 2017/0085336 A1 3/2017 Henry
 2017/0093693 A1 3/2017 Barzegar et al.
 2017/0093807 A1 3/2017 Gross et al.
 2017/0098881 A1 4/2017 Barnickel et al.
 2017/0098884 A1 4/2017 Barnickel et al.
 2017/0098889 A1 4/2017 Henry
 2017/0099079 A1 4/2017 Gross
 2017/0110795 A1 4/2017 Henry
 2017/0110804 A1 4/2017 Hnery et al.
 2017/0111805 A1 4/2017 Barzegar et al.
 2017/0117937 A1 4/2017 Henry
 2017/0117938 A1 4/2017 Henry
 2017/0117939 A1 4/2017 Gerszberg et al.
 2017/0117941 A1 4/2017 Gerszberg et al.
 2017/0127290 A1 5/2017 Uelk et al.
 2017/0141856 A1 5/2017 Barzegar
 2017/0149489 A1 5/2017 Bennett
 2017/0163526 A1 6/2017 Henry

FOREIGN PATENT DOCUMENTS

AU 606303 B2 1/1991
 AU 7261000 A 4/2001
 AU 760272 B2 5/2003
 AU 2005227368 B2 2/2009
 AU 2010101079 A4 11/2010
 AU 2007215252 B2 1/2011
 AU 201400748 3/2014
 AU 2014200748 A1 3/2014
 CA 1136267 A1 11/1982
 CA 1211813 A1 9/1986
 CA 1328009 C 3/1994
 CA 2260380 C 12/2000
 CA 2449596 A1 6/2005
 CA 2515560 A1 2/2007
 CA 2467988 C 11/2010
 CA 2777147 A1 4/2011
 CA 2814529 A1 4/2012
 CA 2787580 A1 2/2013
 CA 2927054 A1 5/2015
 CA 2940976 9/2015
 CN 1155354 C 7/1997
 CN 1288717 A 7/1997
 CN 1411563 A 4/2003
 CN 1126425 C 10/2003
 CN 2730033 Y 9/2005
 CN 1833397 A 9/2006
 CN 1885736 A 12/2006
 CN 201048157 Y 4/2008
 CN 201146495 Y 11/2008
 CN 201207179 Y 3/2009
 CN 100502181 C 6/2009
 CN 201282193 Y 7/2009
 CN 101834011 U 4/2010
 CN 1823275 B 5/2010
 CN 101785201 A 7/2010
 CN 1820482 B 12/2010
 CN 101075702 B 2/2011
 CN 101978613 A 2/2011
 CN 102130698 A 7/2011
 CN 102136634 A 7/2011
 CN 201985870 U 9/2011
 CN 102208716 A 10/2011
 CN 102280704 A 12/2011
 CN 202093126 U 12/2011
 CN 102351415 A 2/2012

CN 202253536 U 5/2012
 CN 102544736 A 7/2012
 CN 102590893 A 7/2012
 CN 102694351 A 9/2012
 CN 202424729 U 9/2012
 CN 101662076 B 11/2012
 CN 102017692 B 4/2013
 CN 103078673 A 5/2013
 CN 103117118 A 5/2013
 CN 103163881 A 6/2013
 CN 203204743 U 9/2013
 CN 1863244 B 10/2013
 CN 103700442 12/2013
 CN 103700442 A 4/2014
 CN 103943925 A 7/2014
 CN 104052742 A 9/2014
 CN 104064844 A 9/2014
 CN 203813973 U 9/2014
 CN 104091987 A 10/2014
 CN 104092028 A 10/2014
 CN 203931626 U 11/2014
 CN 203950607 U 11/2014
 CN 104181552 A 12/2014
 CN 102412442 B 10/2015
 CN 204760545 U 11/2015
 CN 105262551 A 1/2016
 CN 205265924 1/2016
 CN 105359572 A 2/2016
 CN 105453340 3/2016
 CN 105594138 A 5/2016
 CN 104162995 B 6/2016
 CN 105813193 A 7/2016
 DE 3504546 A1 8/1986
 DE 3533204 A1 3/1987
 DE 3533211 A1 3/1987
 DE 3827956 A1 3/1989
 DE 4027367 C1 7/1991
 DE 4225595 C1 9/1993
 DE 19501448 A1 7/1996
 DE 19939832 A1 2/2001
 DE 10043761 C2 11/2002
 DE 102004024356 A1 9/2005
 DE 69732676 T2 4/2006
 DE 4337835 B4 5/2008
 DE 102007049914 A1 4/2009
 DE 102012004998 A1 7/2013
 DE 102012203816 A1 9/2013
 EP 0102846 3/1984
 EP 0110478 6/1984
 EP 0136818 4/1985
 EP 0280379 8/1988
 EP 0330303 8/1989
 EP 0331248 9/1989
 EP 0342149 11/1989
 EP 0391719 4/1990
 EP 425979 A2 5/1991
 EP 0485467 5/1992
 EP 272785 B1 2/1994
 EP 0651487 10/1994
 EP 0371660 4/1996
 EP 0756392 1/1997
 EP 834722 A2 4/1998
 EP 0840464 5/1998
 EP 0871241 B1 10/1998
 EP 0890132 1/1999
 EP 755092 A3 4/1999
 EP 0896380 10/1999
 EP 676648 B1 5/2000
 EP 1085599 A2 3/2001
 EP 0907983 B1 6/2001
 EP 0756786 8/2001
 EP 1127283 A1 8/2001
 EP 1129550 A1 9/2001
 EP 1184930 A1 3/2002
 EP 1195847 A2 4/2002
 EP 1237303 A2 9/2002
 EP 1296146 A1 3/2003
 EP 0772061 7/2003
 EP 1346431 A1 9/2003

(56)

References Cited

FOREIGN PATENT DOCUMENTS

EP	1249056	B1	1/2004	GB	993561	A	5/1965
EP	1376755	A1	1/2004	GB	1004318	A	9/1965
EP	1401048	A1	3/2004	GB	1076772	A	7/1967
EP	1454422	A1	9/2004	GB	1141390	A	1/1969
EP	1488397	A1	12/2004	GB	1298387	A	11/1972
EP	1509970		3/2005	GB	1383549	A	2/1974
EP	1371108	B1	6/2005	GB	1370669	A	10/1974
EP	1550327	A2	7/2005	GB	1422956	A	1/1976
EP	1341255	B8	8/2005	GB	1424351	A	2/1976
EP	1577687	A1	9/2005	GB	1468310	A	3/1977
EP	1312135	B1	11/2005	GB	1469840	A	4/1977
EP	1608110	A1	12/2005	GB	1527228	A	10/1978
EP	1624685	A2	2/2006	GB	2010528	A	6/1979
EP	1642468	A2	4/2006	GB	2045055	A	10/1980
EP	1647072	A1	4/2006	GB	1580627	A	12/1980
EP	1608110	B1	10/2006	GB	1584193	A	2/1981
EP	1793508	A1	6/2007	GB	2227369	A	7/1990
EP	1842265	A1	10/2007	GB	2247990	A	3/1992
EP	1898532	A2	3/2008	GB	2368468	A	5/2002
EP	1930982	A1	6/2008	GB	2362472	B	10/2003
EP	1696509	B1	10/2009	GB	2393370	A	3/2004
EP	2159749	A1	3/2010	GB	2394364	B	6/2005
EP	2165550	A1	3/2010	GB	2414862	A	12/2005
EP	1166599	B1	5/2010	GB	2411554	B	1/2006
EP	1807950	A4	1/2011	GB	705192		4/2007
EP	2404347	A2	1/2012	GB	714974		9/2007
EP	2472671	A1	7/2012	GB	718597		10/2007
EP	1817855	B1	1/2013	GB	2474037	A	4/2011
EP	2568528	A2	3/2013	GB	2476787	A	7/2011
EP	2302735	B1	9/2013	GB	2485355	A	5/2012
EP	2472737	B1	9/2013	GB	2481715	B	1/2014
EP	2640115	A1	9/2013	GB	2507269	A	4/2014
EP	2016643	B1	7/2014	GB	2476149	B	7/2014
EP	2760081	A1	7/2014	GB	2532207	A	5/2016
EP	2507939	B1	12/2014	IN	261253	A1	6/2014
EP	2680452	B1	1/2015	IN	7352/CHENO/2015	A	7/2016
EP	2838155	A1	2/2015	IN	20167015348	A	8/2016
EP	2846480	A1	3/2015	JP	S50109642		9/1975
EP	2849524	A1	3/2015	JP	55124303	U	9/1980
EP	2853902	A1	4/2015	JP	55138902	U	10/1980
EP	2854361	A1	4/2015	JP	574601		1/1982
EP	2870802	A1	5/2015	JP	61178682	U	11/1986
EP	2710400	A4	6/2015	JP	61260702	A	11/1986
EP	3076482	A1	10/2016	JP	62110303	U	7/1987
FR	2119804	A1	8/1972	JP	62190903	U	8/1987
FR	2214161	A1	8/1974	JP	02214307	A	8/1990
FR	2416562	A1	8/1979	JP	03167906	A	7/1991
FR	2583226	A1	12/1986	JP	0653894		8/1991
FR	2691602	A1	11/1993	JP	04369905	A	12/1992
FR	2849728	A1	7/2004	JP	3001844	U	9/1994
FR	2841387	B1	4/2006	JP	077769		1/1995
FR	2893717	A1	5/2007	JP	7212126		8/1995
FR	2946466	B1	3/2012	JP	0829545		2/1996
FR	2986376	B1	10/2014	JP	08167810	A	6/1996
FR	3034203		9/2016	JP	08196022	A	7/1996
GB	175489	A	2/1922	JP	08316918	A	11/1996
GB	462804	A	3/1937	JP	2595339	B2	4/1997
GB	529290	A	11/1940	JP	2639531	B2	8/1997
GB	603119	A	10/1945	JP	10206183	A	8/1998
GB	589603	A	6/1947	JP	10271071	A	10/1998
GB	640181	A	7/1950	JP	116928	A	1/1999
GB	663166	A	12/1951	JP	1114749	A	1/1999
GB	667290	A	2/1952	JP	11239085	A	8/1999
GB	668827	A	3/1952	JP	11313022	A	11/1999
GB	682115	A	11/1952	JP	2000077889	A	3/2000
GB	682817	A	11/1952	JP	2000216623	A	8/2000
GB	731473	A	6/1955	JP	2000244238	A	9/2000
GB	746111	A	3/1956	JP	2001217634	A	8/2001
GB	751153	A	6/1956	JP	2002029247	A	1/2002
GB	767506	A	2/1957	JP	2002111579	A	4/2002
GB	835976	A	6/1960	JP	2002236174	A	8/2002
GB	845492	A	8/1960	JP	200328219	A	1/2003
GB	859951	A	1/1961	JP	2003008336	A	1/2003
GB	889856	A	2/1962	JP	2003057464	A	2/2003
GB	905417	a	9/1962	JP	2003511677	A	3/2003
				JP	3411428	B2	6/2003
				JP	2003324309	A	11/2003
				JP	3480153	B2	12/2003
				JP	2003344883	A	12/2003

(56)

References Cited

FOREIGN PATENT DOCUMENTS

			WO	9210014	6/1992
			WO	9323928	11/1993
			WO	9424467 A1	10/1994
			WO	9523440 A1	8/1995
			WO	9529537 A1	11/1995
JP	2004521379 A	7/2004	WO	199529537	11/1995
JP	2004253853 A	9/2004	WO	9603801 A1	2/1996
JP	2004274656 A	9/2004	WO	199619089	6/1996
JP	2004297107 A	10/2004	WO	9639729 A1	12/1996
JP	2004304659 A	10/2004	WO	96/41157	12/1996
JP	2005503709 A	2/2005	WO	9735387 A1	9/1997
JP	2005110231 A	4/2005	WO	9737445 A1	10/1997
JP	2005182469 A	7/2005	WO	9829853 A1	7/1998
JP	3734975 B2	1/2006	WO	9859254 A1	12/1998
JP	2006153878 A	6/2006	WO	98/57207	12/1998
JP	2006163886 A	6/2006	WO	9923848 A2	5/1999
JP	2006166399 A	6/2006	WO	9948230 A1	9/1999
JP	2007042009 A	2/2007	WO	199945310	9/1999
JP	2007072945 A	3/2007	WO	9967903 A1	12/1999
JP	3938315 B2	6/2007	WO	0070891 A1	11/2000
JP	2007174017 A	7/2007	WO	2000/74428 A1	12/2000
JP	2007259001 A	10/2007	WO	2001014985 A1	3/2001
JP	4025674 B2	12/2007	WO	0128159 A2	4/2001
JP	2008017263 A	1/2008	WO	0131746 A1	5/2001
JP	2008021483 A	1/2008	WO	0145206 A1	6/2001
JP	4072280 B2	4/2008	WO	0192910 A2	12/2001
JP	4142062 B2	8/2008	WO	02061467 A2	8/2002
JP	2008209965 A	9/2008	WO	02061971 A1	8/2002
JP	2008218362 A	9/2008	WO	03/005629	1/2003
JP	2009004986 A	1/2009	WO	2003009083	1/2003
JP	4252573 B2	4/2009	WO	03012614 A1	2/2003
JP	4259760 B2	4/2009	WO	200326166	3/2003
JP	2009124229 A	6/2009	WO	03026462 A1	4/2003
JP	2010045471 A	2/2010	WO	03044981 A1	5/2003
JP	2010192992 A	9/2010	WO	2003088418	10/2003
JP	2010541468 A	12/2010	WO	03099740 A1	12/2003
JP	2011160446 A	8/2011	WO	2004011995 A1	2/2004
JP	2012058162 A	3/2012	WO	2004038891 A2	5/2004
JP	2012090242 A	5/2012	WO	2004/051804	6/2004
JP	2012175680 A	9/2012	WO	2004051804 A1	6/2004
JP	2012205104 A	10/2012	WO	2004054159 A2	6/2004
JP	2012248035 A	12/2012	WO	2004077746 A1	9/2004
JP	2013046412 A	3/2013	WO	2005015686 A1	2/2005
JP	2013110503 A	6/2013	WO	2005072469 A2	8/2005
JP	5230779 B2	7/2013	WO	2006012610 A2	2/2006
JP	2014045237 A	3/2014	WO	2006061865 A1	6/2006
JP	5475475 B2	4/2014	WO	2006085804 A1	8/2006
JP	5497348 B2	5/2014	WO	2006102419 A2	9/2006
JP	5618072 B2	11/2014	WO	2006111809 A1	10/2006
JP	2015095520 A	5/2015	WO	2006116396 A2	11/2006
JP	2015188174	10/2015	WO	2006122041 A2	11/2006
KR	20000074034	12/2000	WO	2006125279 A1	11/2006
KR	20020091917	12/2002	WO	2007000777 B1	2/2007
KR	100624049 B1	9/2006	WO	2006050331 A3	3/2007
KR	200425873 Y1	9/2006	WO	2007031435 A1	3/2007
KR	100636388 B1	10/2006	WO	2007071797 A1	6/2007
KR	100725002 B1	6/2007	WO	2007148097 A2	12/2007
KR	100849702 B1	7/2008	WO	2008003939 A1	1/2008
KR	100916077 B1	8/2009	WO	2007094944 A3	3/2008
KR	100952976 B1	4/2010	WO	2007149746 A3	4/2008
KR	100989064 B1	10/2010	WO	2008044062 A1	4/2008
KR	101060584 B1	8/2011	WO	2008055084 A2	5/2008
KR	101070364 B1	9/2011	WO	2008061107 A2	5/2008
KR	101212354 B1	12/2012	WO	2008069358 A1	6/2008
KR	101259715 B1	4/2013	WO	2008070957 A1	6/2008
KR	101288770 B1	7/2013	WO	2008102987 A1	8/2008
KR	20140104097 A	8/2014	WO	2008117973 A1	10/2008
KR	101435538 B1	9/2014	WO	2008155769 A2	12/2008
KR	101447809 B1	10/2014	WO	2009014704 A1	1/2009
KR	20150087455	7/2015	WO	2007098061 A3	2/2009
KR	101549622	9/2015	WO	2009031794 A1	3/2009
KR	200479199 Y1	12/2015	WO	2009035285 A2	3/2009
KR	101586236 B1	1/2016	WO	2009090602 A1	7/2009
KR	101606803	1/2016	WO	2009123404 A4	10/2009
NL	69072	1/1945	WO	2009131316 A2	10/2009
RU	2129746 C1	4/1999	WO	2010017549 A1	2/2010
RU	2432647 C1	10/2011	WO	2010050892 A1	5/2010
TW	201537432	10/2015	WO	2010147806 A1	12/2010
WO	8301711 A1	5/1983	WO	2011006210 A1	1/2011
WO	9116770 A1	10/1991	WO		

(56)

References Cited

FOREIGN PATENT DOCUMENTS

WO 2011032605 A1 3/2011
 WO 2011137793 A1 11/2011
 WO 2012/007831 1/2012
 WO 2012038816 A1 3/2012
 WO 2012050069 A1 4/2012
 WO 2012064333 A1 5/2012
 WO 2012113219 A1 8/2012
 WO 2012171205 A1 12/2012
 WO 2012172565 A1 12/2012
 WO 2013013162 A2 1/2013
 WO 2013023226 A1 2/2013
 WO 2013028197 A1 2/2013
 WO WO 2013/017822 2/2013
 WO 2013035110 A2 3/2013
 WO 2013/073548 5/2013
 WO 2013073548 A1 5/2013
 WO 2013100912 A1 7/2013
 WO 2013112353 A1 8/2013
 WO 2013115802 A1 8/2013
 WO 2013121682 A1 8/2013
 WO 2013123445 A1 8/2013
 WO 2013/138627 9/2013
 WO 2014/045236 9/2013
 WO 2013136213 A1 9/2013
 WO 2013138627 A1 9/2013
 WO 2013157978 A1 10/2013
 WO 2013172502 A1 11/2013
 WO 2014/018434 1/2014
 WO 2014011438 A1 1/2014
 WO 2014018434 A2 1/2014
 WO 2014065952 A1 5/2014
 WO 2014069941 A1 5/2014
 WO 2014083500 A1 6/2014
 WO 2014092644 A1 6/2014
 WO 2014094559 A1 6/2014
 WO 2014096868 A1 6/2014
 WO 2014099340 A2 6/2014
 WO 2013076499 A3 7/2014
 WO 2014112994 A1 7/2014
 WO 2014128253 A1 8/2014
 WO 2014137546 A1 9/2014
 WO 2014145862 A2 9/2014
 WO 2014147002 A1 9/2014
 WO 2014197926 A1 12/2014
 WO 2015002658 A1 1/2015
 WO 2015006636 A1 1/2015
 WO 2015008442 A1 1/2015
 WO 2015024006 A1 2/2015
 WO 2015027033 A1 2/2015
 WO 2015035463 A1 3/2015
 WO 2015/055230 4/2015
 WO 2015052478 4/2015
 WO 2015052480 4/2015
 WO 2015069090 A1 5/2015
 WO 2015069431 A2 5/2015
 WO 2015077644 5/2015
 WO 2015088650 A1 6/2015
 WO 2015120626 8/2015
 WO 2015123623 A1 8/2015
 WO 2015132618 A1 9/2015
 WO 2015167566 A1 11/2015
 WO 2015175054 A2 11/2015
 WO 2015197580 A1 12/2015
 WO 2016003291 A1 1/2016
 WO 2016004003 1/2016
 WO 2016009402 A2 1/2016
 WO WO 2016/012889 1/2016
 WO 2016027007 A1 2/2016
 WO 2016028767 2/2016
 WO 2016/043949 3/2016
 WO 2016032592 A1 3/2016
 WO 2016036951 A1 3/2016
 WO 2016043949 A1 3/2016
 WO 2016048214 A1 3/2016
 WO 2016048257 A1 3/2016

WO 2016053572 A1 4/2016
 WO 2016053573 A1 4/2016
 WO 2016060761 A1 4/2016
 WO 2016060762 A1 4/2016
 WO 2016061021 A1 4/2016
 WO 2016064502 A1 4/2016
 WO 2016064505 A1 4/2016
 WO 2016064516 A1 4/2016
 WO 2016064700 A2 4/2016
 WO WO 2016/064502 4/2016
 WO 2016073072 A1 5/2016
 WO 2016081125 5/2016
 WO 2016081128 5/2016
 WO 2016081129 A1 5/2016
 WO 2016081134 5/2016
 WO 2016081136 5/2016
 WO 2015090382 6/2016
 WO 2016086306 A1 6/2016
 WO 2016089491 6/2016
 WO 2016089492 A1 6/2016
 WO 2016096029 A1 6/2016
 WO 2016122409 A1 8/2016
 WO 2016133672 A1 8/2016
 WO WO 2016/125161 8/2016
 WO WO 2016/133509 8/2016
 WO 2016145411 9/2016
 WO WO 2016/137982 9/2016
 WO 2016161637 A1 10/2016
 WO 2016169058 A1 10/2016
 WO 2016176030 11/2016
 WO 2016200492 12/2016
 WO 2016200579 12/2016
 WO 2017/011099 1/2017
 WO 2017011100 1/2017
 WO 2017011101 1/2017
 WO 2017011102 1/2017
 WO 2017011103 1/2017
 WO 2017011227 1/2017
 WO 2017014840 1/2017
 WO 2017014842 1/2017
 WO 2017023412 2/2017
 WO 2017023413 2/2017
 WO 2017023417 2/2017
 WO WO 2017/048417 3/2017
 WO 2017058468 4/2017
 WO 2017058477 4/2017
 WO 2017065898 4/2017

OTHER PUBLICATIONS

International Search Report PCT/US2016/036292 dated Sep. 13, 2016.
 PCT/US16/027397 International Search Report & Written Opinion dated Jun. 24, 2016.
 PCT/US16/027398 International Search Report and Written Opinion dated Jun. 24, 2016.
 PCT/US16/027403 International Search Report & Written Opinion dated Jun. 22, 2016.
 PCT/US16/028395 International Search Report and Written Opinion dated Jun. 29, 2016.
 PCT/US16/032441 International Search Report and Written Opinion dated Jun. 29, 2016.
 PCT/US16/036284 International Search Report & Written Opinion dated Sep. 8, 2016.
 PCT/US16/036388 International Search Report and Written Opinion dated Aug. 30, 2016.
 PCT/US2016/036285 International Search Report and Written Opinion dated Aug. 23, 2016.
 PCT/US2016/036288 International Search Report & Written Opinion dated Sep. 1, 2016.
 PCT/US2016/036290 International Search Report & Written Opinion dated Aug. 11, 2016.
 PCT/US2016/036293 International Search Report & Written Opinion dated Sep. 15, 2016.
 "Alternative Local Loop Technologies: A Review", Organisation for Economic Co-operation and Development, Paris, OCDE/GD(96)181, <https://www.oecd.org/sti/2090965.pdf>, 1996.

(56)

References Cited

OTHER PUBLICATIONS

“Broadband Over Power Lines (BPL): Developments and Policy Issues”, Organisation for Economic Co-operation and Development, Directorate for Science, Technology and Industry, Committee for Information, Computer and Communications Policy, Jun. 2, 2009, 35 pages.

“Broadband: Bringing Home the Bits: Chapter 4 Technology Options and Economic Factors”, The National Academies Press, nap.edu, 2002.

“Delivering broadband over existing wiring”, Cabling Installation & Maintenance, cablinginstall.com, May 1, 2002.

“Doubly-fed Cage-cone Combined Broadband Antennas for Marine Applications”, <http://www.edatop.com/down/paper/antenna/%E5%A4%A9%E7%BA%BF%E8%AE%BE%E8%AE%A1-890w5nebp5ilpq.pdf>, 2007.

“Energy-Harvesting Power Supply”, <http://sdpm.arizona.edu/projects/project-publi/upid/38a8cf3b42f35576de25de1f6dcc20f3>, Discloses a project to harvest energy from a power line and that a device was built that clamps onto a power line., 2016.

“Fast Numerical Modeling of a Conical Horns Lens Antenna”, Comsol, comsol.com, Application ID: 18695, Sep. 16, 2016.

“Harvest energy from powerline”, <https://www.physicsforums.com/threads/harvest-energy-from-powerline.685148/>, Discussion thread about harvesting power from powerlines that includes the suggestion of clamping a device to the power line., 2013.

“International Preliminary Report on Patentability”, PCT/US2014/039746, dated Dec. 10, 2015.

“International Preliminary Report on Patentability”, PCT/US2014/060841, dated May 19, 2016, 8 pages.

“International Preliminary Report on Patentability & Written Opinion”, PCT/US2014/061445, dated Jun. 23, 2016, 9 pages.

“International Search Report & Written Opinion”, PCT/US2015/034827, dated Sep. 30, 2015.

“International Search Report & Written Opinion”, PCT/US2015/056316, dated Jan. 21, 2016.

“International Search Report & Written Opinion”, PCT/US2015/056320, dated Jan. 29, 2016.

“International Search Report & Written Opinion”, PCT/US2015/056365, dated Jan. 22, 2016.

“International Search Report & Written Opinion”, PCT/US2015/056368, dated Jan. 25, 2016.

“International Search Report & Written Opinion”, PCT/US2015/056598, dated Jan. 28, 2016.

“International Search Report & Written Opinion”, PCT/US2015/056615, dated Jan. 21, 2016.

“International Search Report & Written Opinion”, PCT/US2015/056626, dated Jan. 21, 2016.

“International Search Report & Written Opinion”, PCT/US2015/056632, dated Jan. 26, 2016.

“International Search Report & Written Opinion”, PCT/US2016/013988, dated Apr. 8, 2016.

“International Search Report & Written Opinion”, PCT/US2016/020001, dated May 23, 2016.

“International Search Report & Written Opinion”, PCT/US2016/026860, dated Jun. 1, 2016.

“International Search Report & Written Opinion”, PCT/US2016/026318, dated Jun. 15, 2016.

“International Search Report & Written Opinion”, PCT/US2016/028412, dated Jun. 27, 2016.

“International Search Report & Written Opinion”, PCT/US2016/028206, dated Jun. 29, 2016.

“International Search Report & Written Opinion”, PCT/US16/033182, dated Jul. 12, 2016.

“International Search Report & Written Opinion”, PCT/US2016/036551, dated Aug. 11, 2016.

“International Search Report & Written Opinion”, PCT/US2016/036798, dated Aug. 11, 2016.

“International Search Report & Written Opinion”, PCT/US2016/028205, dated Aug. 16, 2016.

“International Search Report & Written Opinion”, PCT/US2016/032460, dated Aug. 17, 2016.

“International Search Report & Written Opinion”, PCT/US2016/036303, dated Aug. 24, 2016.

“International Search Report & Written Opinion”, PCT/2016/035383, dated Sep. 2, 2016.

“International Search Report & Written Opinion”, PCT/US2016/036286, dated Sep. 13, 2016.

“International Search Report & Written Opinion”, PCT/US2014/039746, dated Jan. 12, 2015.

“International Search Report & Written Opinion”, PCT/US2014/060841, dated Jan. 7, 2015.

“International Search Report & Written Opinion”, PCT/US2015/039848, dated Oct. 20, 2015.

“International Search Report & Written Opinion”, PCT/US2015/047315, dated Oct. 30, 2015.

“International Search Report & Written Opinion”, PCT/US2015/048454, dated Nov. 11, 2015.

“International Search Report & Written Opinion”, PCT/US2015/049928, dated Nov. 16, 2015.

“International Search Report & Written Opinion”, PCT/US2015/049932, dated Nov. 16, 2015.

“International Search Report & Written Opinion”, PCT/US2015/049927, dated Nov. 24, 2015.

“International Search Report & Written Opinion”, PCT/US2015/051193, dated Nov. 27, 2015.

“International Search Report & Written Opinion”, PCT/US2015/051146, dated Dec. 15, 2015.

“International Search Report & Written Opinion”, PCT/US2015/051183, dated Dec. 15, 2015.

“International Search Report & Written Opinion”, PCT/US2015/051194, dated Dec. 15, 2015.

“International Search Report & Written Opinion”, PCT/US2015/051578, dated Dec. 17, 2015.

“International Search Report & Written Opinion”, PCT/US2015/051583, dated Dec. 21, 2015.

“International Search Report & Written Opinion”, PCT/US2015/048458, dated Dec. 23, 2015.

“International Search Report & Written Opinion”, PCT/US2015/051213, dated Dec. 4, 2015.

“International Search Report & Written Opinion”, PCT/US2015/051163, dated Dec. 7, 2015.

“International Search Report & Written Opinion”, PCT/US2014/061445, dated Feb. 10, 2015.

“International Search Report & Written Opinion”, PCT/US16/28207, dated Jun. 15, 2016.

“International Search Report & Written Opinion”, PCT/US2016/015501, dated Apr. 29, 2016, 11 pages.

“International Search Report & Written Opinion”, PCT/US2015/047225, dated Nov. 6, 2015, Nov. 6, 2015.

“International Search Report and Written Opinion”, PCT/US2016/028197, dated Jun. 24, 2016.

“International Search Report and Written Opinion”, PCT/US2016/036289, dated Aug. 11, 2016.

“International Search Report and Written Opinion”, PCT/US2016/036295, dated Aug. 30, 2016.

“International Search Report and Written Opinion”, PCT/US2016/030964, dated Aug. 4, 2016.

“International Search Report and Written Opinion”, PCT/US2016/036553, dated Aug. 30, 2016, 1-14.

“International Search Report and Written opinion”, PCT/US2016/036556, dated Sep. 22, 2016.

“International Searching Authority”, International Search Report and Written Opinion, dated Sep. 28, 2016, 1-12.

“Invitation to Pay Additional Fees & Partial Search Report”, PCT/US2016/028205, dated Jun. 22, 2016.

“Invitation to Pay Additional Fees & Partial Search Report”, PCT/US2016/032430, dated Jun. 22, 2016.

“Invitation to Pay Additional Fees and, Where Applicable, Protest Fee”, PCT/US2016/035384, dated Aug. 31, 2016, 7 pages.

“Lens Antennas”, Altair, feko.info, Jun. 30, 2014, 2 pages.

(56)

References Cited

OTHER PUBLICATIONS

- "Micromem Demonstrates UAV Installation of Power Line Monitoring Mounting System", MicroMem, micromem.com, Mar. 4, 2015, 1-3.
- "Parabolic focus pattern fed reflector with shroud", AntennaMagus, antennamagus.com, Jul. 4, 2014.
- "PCT International Search Report & Written Opinion", PCT/US2016/026193, dated Jun. 1, 2016.
- "PCT Search Report and Written opinion", PCT/US2016/036297, dated Sep. 5, 2016.
- "Prime Focus Antenna (QRP series)", QuinStar technology, Inc., quinstar.com, Aug. 19, 2016.
- "Transducer", IEEE Std 100-2000, Sep. 21, 2015, 1154.
- "Troubleshooting Problems Affecting Radio Frequency Communication", cisco.com, Oct. 19, 2009.
- "Waveguide Bragg Microcavity", lumerical.com, Sep. 2016.
- Adabo, Geraldo J., "Long Range Unmanned Aircraft System for Power Line Inspection of Brazilian Electrical System", Journal of Energy and Power Engineering 8 (2014), Feb. 28, 2014, 394-398.
- Alam, M. N. et al., "Novel Surface Wave Exciters for Power Line Fault Detection and Communications", Department of Electrical Engineering, University of South Carolina, Antennas and Propagation (APSURSI), 2011 IEEE International Symposium, IEEE, 2011, 1-4.
- Alam, M.N. et al., "Novel surface wave exciters for power line fault detection and communications", 2011 IEEE International Symposium, 2011.
- Ali, Tariq et al., "Diagonal and Vertical Routing Protocol for Underwater Wireless Sensor Network", Procedia—Social and Behavioral Sciences 129, 2014, 372-379.
- Ares-Pena, Francisco J. et al., "A simple alternative for beam reconfiguration of array antennas", Progress in Electromagnetics Research 88, 2008, 227-240.
- Babakhani, Aydin, "Direct antenna modulation (DAM) for on-chip mm-wave transceivers", Diss. California Institute of Technology, 2008.
- Barlow, H. M. et al., "Surface Waves", 621.396.11 : 538.566, Paper No. 1482 Radio Section, 1953, pp. 329-341.
- Benevent, Evangéline, "Transmission lines in MMIC technology", Università Mediterranea di Reggio Calabria, Jan. 28, 2010.
- Berweger, Samuel et al., "Light on the Tip of a Needle: Plasmonic Nanofocusing for Spectroscopy on the Nanoscale", The Journal of Physical Chemistry Letters; pubs.acs.org/JPLCL, 2012, 945-952.
- Bing, Benny, "Ubiquitous Broadband Access Networks with Peer-to-Peer Application Support", Evolving the Access Network, 2006, 27-36.
- Blattenberger, Kirt, "DroneBased Field Measurement System (dBFMS)", RF Cafe, rfcafe.com, Jul. 29, 2014.
- Brambilla, Gilberto et al., "Ultra-low-loss optical fiber nanotapers", Optoelectronics Research Centre, University of Southampton; <http://www.orc.soton.ac.uk>, vol. 12, No. 10, May 7, 2004, 2258-2263.
- Campista, Miguel E. et al., "Improving the Data Transmission Throughput Over the Home Electrical Wiring", The IEEE Conference on Local Computer Networks 30th Anniversary, 2005, 1-8.
- Capece, P. et al., "FDTD Analysis of a Circular Coaxial Feeder for Reflector Antenna", Antennas and Propagation Society International Symposium, IEEE Digest, vol. 3, 1997, pp. 1570-1573.
- Chandra, Shekar, "Transmission Line Fault Detection & Indication through GSM", IRD India, ISSN (Online): 2347-2812, vol. 2, Iss. 5, 2014.
- Choudhury, Romit R., "Utilizing Beamforming Antennas for Wireless Multi-hop Networks", www.slideserve.com, Sep. 20, 2012.
- Chu, Eunmi et al., "Self-organizing and self-healing mechanisms in cooperative small cell networks", PIMRC, 2013.
- Cliff, Oliver M. et al., "Online localization of radio-tagged wildlife with an autonomous aerial robot system", Proceedings of Robotics Science and Systems XI, 2015, 1317.
- Crosswell, "Aperture excited dielectric antennas", <http://ntrs.nasa.gov/archive/nasa/casi.ntrs.nasa.gov/19740017567.pdf>, 1974.
- Daniel, Kai et al., "Using Public Network Infrastructures for UAV Remote Sensing in Civilian Security Operations", Homeland Security Affairs, Supplement 3, Mar. 2011, 11 pages.
- De Freitas, Carvalho et al., "Unmanned Air Vehicle Based Localization and Range Estimation of WiFi Nodes", 2014.
- Debord, Benoit et al., "Generation and confinement of microwave gas-plasma in photonic dielectric microstructure", Optics express 21.21, 2013, 25509-25516.
- Deilmann, Michael, "Silicon oxide permeation barrier coating and sterilization of PET bottles by pulsed low-pressure microwave plasmas", Diss, 2008.
- Deng, Chuang et al., "Unmanned Aerial Vehicles for Power Line Inspection: A Cooperative Way in Platforms and Communications", Journal of Communications vol. No. 9, No. 9, Sep. 2014, 687-692.
- Doshi, D.A. et al., "Real Time Fault Failure Detection in Power Distribution Line using Power Line Communication", International Journal of Engineering Science 4834, 2016.
- Elmore, Glenn et al., "A Surface Wave Transmission Line", QEX, May/June 2012, pp. 3-9.
- Eom, Seung-Hyun et al., "Pattern switchable antenna system using inkjet-printed directional bow-tie for bi-direction sensing applications", Sensors 15.12, 2015, 31171-31179.
- Erickson, Katherine, "Conductive cylindrical surface waveguides", 2012.
- Erickson, Katherine, "Conductive cylindrical surface waveguides", www.ideals.illinois.edu/bitstream/handle/2142/30914, 2012.
- Farzaneh, Masoud et al., "Systems for Prediction and Monitoring of Ice Shedding, Anti-icing and De-icing for Power Line Conductors and Ground Wires", Dec. 1, 2010, 1-100.
- Feng, Wei et al., "Downlink power allocation for distributed antenna systems in a multi-cell environment", 2009 5th International Conference on Wireless Communications, Networking and Mobile Computing, IEEE, 2009.
- Fenn, Alan J. et al., "A Terrestrial Air Link for Evaluating Dual-Polarization Techniques in Satellite Communications", vol. 9, No. 1, The Lincoln Laboratory Journal, 1996, 3-18.
- Fitzgerald, William D., "A 35-GHz Beam Waveguide System for the Millimeter-Wave Radar", The Lincoln Laboratory Journal, vol. 5, No. 2, 1992, 245-272.
- Ford, Steven, "AT&T's new antenna system will boost cellular coverage at Walt Disney World", Orlando Sentinel, orlandosentinel.com, Mar. 9, 2014.
- Friedman, M et al., "Low-Loss RF Transport Over Long Distances", IEEE Transactions on Microwave Theory and Techniques, vol. 49, No. 2, Feb. 2001, 8 pages.
- Geterud, Erik, "Design and Optimization of Wideband Hat-Fed Reflector Antenna with Radome for Satellite Earth Station", <http://publications.lib.chalmers.se/records/fulltext/163718.pdf>, Discloses Frequency Selective Surfaces for antenna coverings for weather protection (table of materials on p. 29-30; pp. 37-46), 2012.
- Gloeckler, R., "Phased Array for Millimeter Wave Frequencies", International Journal of Infrared and Millimeter Waves, Springer, vol. 11, No. 2, Feb. 1, 1990.
- Guo, Shuo, "Detecting Faulty Nodes with Data Errors for Wireless Sensor Networks", 2014.
- Hadi, Ghazali S. et al., "Autonomous UAV System Development for Payload Dropping Mission", The Journal of Instrumentation, Automation and Systems, vol. 1, No. 2, 2014, pp. 72-22.
- Haider, Muhammad Kumail et al., "Mobility resilience and overhead constrained adaptation in directional 60 GHz WLANs: protocol design and system implementation", Proceedings of the 17th ACM International Symposium on Mobile Ad Hoc Networking and Computing, ACM, 2016.
- Hanashi, Abdalla M. et al., "Effect of the Dish Angle on the Wet Antenna Attenuation", IEEE, 2014, 1-4.
- Hays, Phillip, "SPG-49 Tracking Radar", <http://web.archive.org/web/20150314053758/http://www.okieboat.com/SPG-49%20description.html>, 2015.
- Heo, Joon et al., "Identity-Based Mutual Device Authentication Schemes for PLC Systems", IEEE International Symposium on Power Line Communications and Its Applications, 2008, pp. 47-51.

(56)

References Cited

OTHER PUBLICATIONS

- Howard, Courtney , "UAV command, control & communications", Military & Aerospace Electronics, militaryaerospace.com, Jul. 11, 2013, 15 pages.
- Huth, G. K. , "Integrated source and channel encoded digital communication system design study", <http://ntrs.nasa.gov/archive/nasa/casi.ntrs.nasa.gov/19750003064.pdf>, 1974.
- Islam, M. T. , "Coplanar Waveguide Fed Microstrip Patch Antenna", Information Technology Journal 9.2 (2010): 367-370., 2010, 367-370.
- James, J. R. et al., "Investigations and Comparisons of New Types of Millimetre-Wave Planar Arrays Using Microstrip and Dielectric Structures", Royal Military College of Science, Apr. 1985, 122 pages.
- Jiang, Peng , "A New Method for Node Fault Detection in Wireless Sensor Networks", 2009.
- Jones, Jr., Howard S. , "Conformal and Small Antenna Designs", U.S. Army Electronics Research and Development Command, Harry Diamond Laboratories, Apr. 1981, 32 pages.
- Karbowiak, A. E. et al., "Characteristics of Waveguides for Long-Distance Transmission", Journal of Research of the National Bureau of Standards, vol. 65D, No. 1, Jan.-Feb. 1961, May 23, 1960, 75-88.
- Katrasnik, Jaka , "New Robot for Power Line Inspection", 2008 IEEE Conference on Robotics, Automation and Mechatronics, 2008, 1-6.
- Kima, Yi-Gon et al., "Generating and detecting torsional guided waves using magnetostrictive sensors of crossed coils", Chonnam National University, Republic of Korea, Elsevier Ltd., 2010.
- Kliros, George , "Dielectric-EBG covered conical antenna for UWB applications", https://www.researchgate.net/profile/George_Kliros/publication/235322849_Dielectric-EBG_covered_conical_antenna_for_UWB_applications/links/54329e410cf225bddec7c037.pdf, Disclosing a quasi-planar wideband conical antenna coated with alternating high- and low-permittivity dielectric spherical shells (Section 2; Figure 1 on the 3rd Page)., 2010.
- Koga, Hisao et al., "High-Speed Power Line Communication System Based on Wavelet OFDM", 7th International Symposium on Power-Line Communications and Its Applications, Mar. 26-28, 2003, 226-231.
- Kune, Denis F. et al., "Ghost Talk: Mitigating EMI Signal Injection Attacks against Analog Sensors", 2013 IEEE Symposium on Security and Privacy, 145-159.
- Laforte, J.L. et al., "State-of-the-art on power line de-icing", Atmospheric Research 46, 143-158, 1998.
- Lazaropoulos, Athanasios G. , "Wireless sensor network design for transmission line monitoring, metering, and controlling: introducing broadband over power lines-enhanced network model (BPLeNM)", ISRN Power Engineering, 2014.
- Lee, Joseph C. , "A Compact Q-/K-Band Dual Frequency Feed Horn", No. TR-645, Massachusetts Institute of Technology, Lincoln Laboratory, May 3, 1983, 40 pages.
- Li, Xi et al., "FCM-Based peer grouping scheme for node failure recovery in wireless P2P file sharing. 2009 IEEE International Conference on Communications. IEEE, 2009., 2009.
- Liu, et al., "A 25 Gb/s (km²) urban wireless network beyond IMTAdvanced. IEEE Communications Magazine 49.2 (2011): 122-129.
- Matsukawa, et al., "A dynamic channel assignment scheme for distributed antenna networks. Vehicular Technology Conference (VTC Spring), 2012 IEEE 75th. IEEE, 2012.
- Meessen, A. , "Production of EM Surface Waves by Superconducting Spheres: A New Type of Harmonic Oscillators", Progress in Electromagnetics Research Symposium Proceedings, Moscow, Russia, Aug. 19-23, 2012, pp. 529-533.
- Miller, Ashley et al., "Pathway to Ubiquitous Broadband: Environments, Policies, and Technologies to Implementation Josh Winn Matthew Burch", Oct. 2016.
- Miller, David A. , "Establishing Optimal Wave Communication Channels Automatically", Journal of Lightwave Technology, vol. 31, No. 24, Dec. 15, 2013, 3987-3994.
- Mishra, Sumita et al., "Load Balancing Optimization in LTE/LTEA Cellular Networks: A Review", arXiv preprint arXiv:1412.7273 (2014), 2014, 1-7.
- Mori, A. et al., "The Power Line Transmission Characteristics for an OFDM Signal", Progress in Electromagnetics Research, PIER 61, Musashi Institute of Technology, 2006, 279-290.
- Mushref, Muhammad , "Matrix solution to electromagnetic scattering by a conducting cylinder with an eccentric metamaterial coating", <http://www.sciencedirect.com/science/article/pii/S0022247X06011450/pdf?md5=4823be0348a3771b5cec9fb7f326c2c&pid=1-s2.0-S0022247X06011450-main.pdf>, Discloses controlling antenna radiation pattern with coatings, 2007.
- Nakano, Hisamatsu , "[http://repo.lib.hosei.ac.jp/bitstream/10114/3835/1/31_TAP\(Low-Profile\).pdf](http://repo.lib.hosei.ac.jp/bitstream/10114/3835/1/31_TAP(Low-Profile).pdf)", Discloses affecting radiation patterns with alternating high- and low-permittivity dielectric shell coatings and formulae for determining the results (Figures 2-5 on p. 1865)., 2000.
- Nandi, Somen et al., "Computing for rural empowerment: enabled by last-mile telecommunications", IEEE Communications Magazine 54.6, 2016, 102-109.
- Nikitin, A. Y. et al., "Efficient Coupling of Light to Graphene Plasmons by Compressing Surface Polaritons with Tapered Bulk Materials", NanoLetters; pubs.acs.org/NanoLett, Apr. 28, 2014, 2896-2901.
- Nikitin, Pavel V. et al., "Propagation Model for the HVAC Duct as a Communication Channel", IEEE Transactions on Antennas and Propagation 51.5, 2003.
- Pato, et al., "On building a distributed antenna system with joint signal processing for next generation wireless access networks: The FUTON approach. 7th Conference on Telecommunications, Portugal. 2008.
- Pike, Kevin J. et al., "A spectrometer designed for 6.7 and 14.1 T DNP-enhanced solid-state MAS NMR using quasi-optical microwave transmission", Journal of Magnetic Resonance, 2012, 9 pages.
- Ponchak, George E. et al., "A New Model for Broadband Waveguide to Microstrip Transition Design", NASA TM-88905, Dec. 1, 1986, 18 pgs.
- Qiang, Ma , "Sensor Fault Detection in Wireless Sensor Networks and Avoiding the Path Failure Nodes", 2015.
- Qiu, Lili , "Fault Detection, Isolation, and Diagnosis in Multihop Wireless Networks", 2003.
- Rangan, Sundeeep et al., "Millimeter-Wave Cellular Wireless Networks: Potentials and Challenges", Proceedings of the IEEE, vol. 102, No. 3, Mar. 2014, 366-385.
- Rangel, Rodrigo K. et al., "Sistema de Inspecao de Linhas de Transmissao de Energia Electrica Utilizando Veiculos Aereos Nao-Tripulados", Sep. 14-16, 2009, 1-9.
- Ren-Bin, Zhong et al., "Surface plasmon wave propagation along single metal wire", Chin. Phys. B, vol. 21, No. 11, May 2, 2012, 9 pages.
- Rosenberg, Uwe et al., "A novel frequency-selective power combiner/divider in single-layer substrate integrated waveguide technology", IEEE Microwave and Wireless Components Letters, vol. 23, No. 8, Aug. 2013, 406-408.
- Sahoo, Srikanta , "Faulty Node Detection in Wireless Sensor Networks Using Cluster", 2013.
- Scerri, Paul et al., "Geolocation of RF emitters by many UAVs," AIAA Infotech@ Aerospace 2007 Conference and Exhibit, 2007.
- Shankland, Steven , "Lowly DSL poised for gigabit speed boost", CNet, cnet.com, Oct. 21, 2014.
- Shila, Devu M. , "Load-Aware Traffic Engineering for Mesh Networks", Computer Communications 31.7, 2008, 1460-1469.
- Silver, Ralph U. , "Local Loop Overview", National Communications System (NCS), BellSouth Network Training, newnetworks.com, Aug. 2016.
- Simons, Raine N. , "Coplanar Waveguide Feeds for Phased Array Antennas", Solid State Technology Branch of NASA Lewis Research Center Fourth Annual Digest (1992): 61., Conference on

(56)

References Cited

OTHER PUBLICATIONS

- Advanced Space Exploration Initiative Technologies cosponsored by AIAA, NASA and OAI, Sep. 4-6, 1991, 1-9.
- Singh, Seema M. et al., "Broadband Over Power Lines a White Paper", State of New Jersey, Division of the Ratepayer Advocate, NJ, Oct. 2016.
- Spencer, D. G. , "Novel Millimeter ACC Antenna Feed", IEEE Colloquium on Antennas for Automotives, Mar. 10, 2000.
- Stancil, Daniel D. et al., "High-speed internet access via HVAC ducts: a new approach", Global Telecommunications Conference, IEEE. vol. 6., 2001.
- Sundqvist, Lassi , "Cellular Controlled Drone Experiment: Evaluation of Network Requirements," (2015).
- Sung-Woo, Lee , "Mutual Coupling Considerations in the Development of Multi-feed Antenna Systems", <http://ntrs.nasa.gov/archive/nasa/casi.ntrs.nasa.gov/19750003064.pdf>, 2008.
- Szczys, Mike , "Cameras Perch on Power Lines, Steal Electricity", <http://hackaday.com/2010/06/28/cameras-perch-on-power-lines-steal-electricity/>, Discloses cameras that clamp on to power lines and use induction as a power source., 2010.
- Talbot, David , "Adapting Old-Style Phone Wires for Superfast Internet", Adapting Old-Style Phone Wires for Superfast Internet, Jul. 30, 2013.
- Tantawi, Sami G. et al., "High-power multimode X-band rf pulse compression system for future linear colliders", Physical Review Special Topics—Accelerators and Beams, 1098-4402/05/8(4)/042002, 2005, 19 pages.
- Teng, Ervin et al., "Aerial Sensing and Characterization of ThreeDimensional RF Fields," Univ. at Buffalo, cse.buffalo.edu, accessed: Sep. 2016.
- Thota, Saigopal et al., "Computing for Rural Empowerment: Enabled by Last-Mile Telecommunications (Extended Version)", Technical Report, 2013.
- Wade, Paul , "Multiple Reflector Dish Antennas", http://www.wlghz.org/antbook/conf/Multiple_reflector_antennas.pdf, 2004.
- Wang, Wei , "Optimization Design of an Inductive Energy Harvesting Device for Wireless Power Supply System Overhead High-Voltage Power Lines", <https://pdfs.semanticscholar.org/3941/601af7a21d55e8b57ab0c50d5f1d9f9f6868.pdf>, Discloses an induction based energy harvesting device that takes energy from overhead powerlines (Figure 4), 2016.
- Wang, Xingfu et al., "Zigzag coverage scheme algorithm & analysis for wireless sensor networks", Network Protocols and Algorithms 5.4, 2013, 19-38.
- Wenger, N. , "The launching of surface waves on an axial-cylindrical reactive surface", IEEE Transactions on Antennas and Propagation 13.1, 1965, 126-134.
- Werner, Louis B. et al., "Operation Greenhouse", Scientific Director's Report of Atomic Weapon Tests at Eniwetok, Annex 6.7 Contamination-Decontamination Studies Naval Radiological Defense Lab, 1951.
- Wolfe, Victor et al., "Feasibility Study of Utilizing 4G LTE Signals in Combination With Unmanned Aerial Vehicles for the Purpose of Search and Rescue of Avalanche Victims (Increment 1)", University of Colorado at Boulder, Research Report, 2014, 26 pages.
- Yeh, C. et al., "Thin-Ribbon Tapered Coupler for Dielectric Waveguides", 5/151994, 42-48.
- Yilmaz, et al., Self-optimization of coverage and capacity in LTE using adaptive antenna systems. Diss. Aalto University, 2010.
- "Cband & L/Sband Telemetry Horn Antennas," mWAVE, mwavellc.com, <http://www.mwavellc.com/custom-Band-LS-BandTelemetryHornAntennas.php>, Jul. 6, 2012.
- "Product Abstract—Program on Technology Innovation: Study on the Integration of High Temperature Superconducting DC Cables Within the Eastern and Western North American Power Grids." EPRI—Electronic Power Research Institute, epri.com, Product ID:10203, Nov. 25, 2009.
- "Boost: The world's first Wi-Fi extending led bulb," Sengled, sengled.com, http://www.sengled.com/sites/default/files/field/product/downloads/manual/a01-a60_na_user_manual.pdf, Dec. 2014.
- "Examples of Cell Antennas," RF Check®, rfcheck.com, <https://web.archive.org/web/20100201214318/http://www.rfcheck.com/Examplesof-Cell-Antennas.php>, Feb. 1, 2010.
- "Flashing Light : IR.LAMP," Beninca®, beninca.com, <http://www.beninca.com/en/news/2015/02/23/lampeggiante-irlamp.html>, Feb. 23, 2015.
- "An Improved Solid Dielectric Lens Impulse Radiating Antenna," SBIR/STTR, DoD, sbir.gov., 2004.
- "Power line communications: An overview Part I." King Fahd University of Petroleum and Minerals, Dhahran, KSA., 2008.
- "Power Line Communications," Atmel®, atmel.com <http://www.atmel.com/products/smartenergy/powerlinecommunications/default.aspx>, 2015.
- "Integrated Radio Masts Fully camouflaged Outdoor-Wi-Fi APs in GRP-lamp poles," Brown-ipposs, brown-ipposs.com., Mar. 21, 2014.
- "How is ELine Different?," ELine Corridor Systems, corridor.biz http://www.corridor.biz/ELine_is_different.html, Apr. 23, 2015.
- "Powerline Communication," Cypress Perform, cypress.com <http://www.cypress.com/?id=2330>, Apr. 23, 2015.
- "Products: GSM Micro Repeater." L-TEL: Quanzhou L-TEL Communication Equipment Co., Ltd., l-tel.com., Apr. 24, 2015.
- "New Wi-Fi antenna enhances wireless coverage," ScienceDaily®, sciencedaily.com., Apr. 29, 2015.
- "Dielectric Antenna," Microwave Technologies, Ind., microwavetechnologiesinc.co.in <http://www.microwavetechnologiesinc.co.in/microwavecom-communicationlabproducts.html#dielectricantenna>, May 21, 2015.
- "Horn Antennas," Steatite QPar Antennas, steatiteqparantennas.co.uk, <http://www.steatiteqparantennas.co.uk/products/hornantennas.html>? <http://www.steatiteqparantennas.co.uk/consultancy/customhornantennas/>, May 21, 2015.
- "24 Volt D.C. Flashing Light With Built-in Antenna 433Mhz, DEA+ Product Guide" Meteor electrical, meteorelectrical.com, Code: LUMY/24A., Jul. 28, 2010.
- "Waveguide-fed Conical Horn," Antenna Magus, antennamagus.com, © 2015, accessed: Aug. 2015.
- "Identity Management," Tuomas Aura CSE-C3400 Information Security, Aalto University, 33 pgs., Autumn 2014.
- "Power Communication," Communication Power Solutions, Inc., cpspower.biz, <http://www.cpspower.biz/services/powercommunications/>, Oct. 2013.
- "A Dielectric Lens Antenna with Enhanced Aperture Efficiency for Industrial Radar Applications", Computer Simulation Technology, cst.com, May 10, 2011.
- "A New Approach to Outdoor DAS Network Physical Layer Using E-Line Technology", Corridor Systems, Mar. 2011, 5 pages.
- "About Firelight Media Group", http://www.insurancetechnologies.com/Products/Products_firelight_overview.shtml, Firelight®. Insurance Technologies, LLC., Apr. 19, 2015.
- "Asahi Multi-Core Fiber Cable", Industrial Fiber optics, i-fiberoptics.com <http://i-fiberoptics.com/multi-core-fiber-cable.php>, Apr. 26, 2015.
- "Bi-Axial PA Horn with Gimbal Mount", Atlas Sound, MCM Electronics, mcmelectronics.com, MCM Part #555-13580., 2011.
- "Broadband Negligible Loss Metamaterials", Computer Electromagnetics and Antennas Research Laboratory, cearl.ee.psu.edu., May 15, 2012.
- "Cisco IP VSAT Satellite WAN Network Module for Cisco Integrated Services Routers", http://www.cisco.com/c/en/us/products/collateral/interfaces-modules/ip-vsatsatellite-wan-module/product_data_sheet0900aecd804bbf6f.html, Jul. 23, 2014.
- "Cloud Management", Cisco Meraki, cisco.com., Sep. 11, 2015.
- "Decryption: Identify & Control Encrypted Traffic", Palo Alto Networks, paloaltonetworks.com, Mar. 7, 2011.
- "Denso", Winn & Coales (Denso) Ltd. UK, denso.net, <http://www.denso.net/voidfiller/voidpump.htm>, 2015, 1 page.
- "Detecting and Preventing MAC Spoofing", Detecting and Preventing MAC Spoofing | Network Access Control Solutions, infoexpress, 2014.
- "Electronic Business Fulfillment FireLight®", Firelight Media Group LLC, firelightmedia.net <http://www.firelightmedia.net/fmg/index.php/home>, Apr. 19, 2015, 2 pages.

(56)

References Cited

OTHER PUBLICATIONS

- "Elliptical Polarization", "Elliptical Polarization" Wikipedia, <http://en.wikipedia.org/wiki/Elliptical_polarization>, 3 pgs., Apr. 21, 2015.
- "Exacter Outage-Avoidance System", <http://www.epri.com/abstracts/Pages/ProductAbstract.aspx?ProductId=00000000001020393>, Nov. 30, 2009.
- "GM-12 Gimbal Mount", Newmark System, Inc, newmarksystems.com., 2015.
- "HiveManager Network Management System", Aerohive® Networks, arohive.com., Sep. 2015.
- "Home", Darktrace, darktrace.com, Jul. 10, 2014.
- "How to Use STUF", STUF Page Link Info, crossdevices.com, http://www.crossdevices.com/cross_devices_010.htm, 2015, 1 page.
- "IEEE Standard for Information technology—Local and metropolitan area networks—Specific requirements", Part 15.4: Wireless Medium Access Control (MAC) and Physical Layer (PHY) Specifications for Low Rate Wireless Personal Area Networks (WPANs), in IEEE Std 802.15.4, (Revision of IEEE Std 802.15.4-2003), Sep. 7, 2006, 1-320.
- "Installing Satellite Accessories", ACE®, acehardware.com., May 8, 2006.
- "Iptek All-Optical Sensors", <http://www.ipitek.com/solutions-by-industry/all-optical-sensors>., Jun. 2, 2014.
- "mmWave Axial Choke Horn Antenna with Lens", Feko, Sep. 24, 2013.
- "Network technology", nbnTM, nbnc0.com.au, Jun. 27, 2014.
- "Norse Appliance™: Block attacks before they target your network, and dramatically improve the ROI on your entire security infrastructure", norsecorp.com, 2015.
- "Out-of-Band Mgmt", Cradle Point, cradlepoint.com., Sep. 2015.
- "Out-of-Band Security Solution", Gigamon®, gigamon.com., Aug. 3, 2014.
- "Powerline—Juice Up Your Network With Powerline", Netgear®, netgear.com <http://www.netgear.com/home/products/networking/powerline/>, Apr. 21, 2015, 3 pages.
- "Pro 600 SIRIUS XM Radio Amplified Outdoor Antenna", Pixel Technologies, Oct. 3, 2014.
- "Product Overview: Introducing SilentDefense", Security Matters, secmatters.com, Nov. 9, 2013.
- "Quickly identify malicious traffics: Detect", Lancopce®, lancopce.com, Mar. 15, 2015.
- "Radar at st Andrews", mmwaves.epr, st-andrews.ac.uk., Feb. 4, 2011.
- "Resilience to Smart Meter Disconnect Attacks", ADSC Illinois at Singapore PTE, Ltd., publish.illinois.edu <http://publish.illinois.edu/integrativesecurityassessment/resiliencetosmartmeterdisconnectattacks/>, 2015.
- "RF Sensor Node Development Platform for 6LoWPAN and 2.4 GHz Applications", <http://www.ti.com/tool/TIDM-RF-SENSORNODE>., Jun. 2, 2014.
- "Smart Out-of-Band Management", Open Gear, opengear.com., Sep. 2015.
- "Tapered waveguide", Lumerical Solutions, Inc., docs.lumerical.com., 2010.
- "Tapered Waveguides Improve Fiber Light Coupling Efficiency", Tech Briefs, techbriefs.com, Molex Inc., Downers Grove, Illinois and KiloLambda Technologies Ltd., Tel Aviv, Israel., Jan. 1, 2006.
- "Wireless powerline sensor", wikipedia.org, http://en.wikipedia.org/wiki/Wireless_powerline_sensor, 2014, 3 pages.
- Akiba, Shigeyuki et al., "Phononic Architecture for Beam Forming of RF Phased Array Antenna", Optical Fiber Communication Conference. Optical Society of America., Abstract Only, 2014.
- Alam, M N et al., "Novel surface wave exciters for power line fault detection and communications", Antennas and Propagation (APSURSI), IEEE International Symposium on, IEEE, pp. 1139-1142, Jul. 3, 2011.
- Alam, Md N. et al., "Design and Application of Surface Wave Sensors for nonintrusive Power Line Fault Detection," IEEE Sensors Journal, IEEE Service Center, New York, NY, US, vol. 13, No. 1, pp. 339-347, Jan. 1, 2013.
- Ali, Muhammad Q. et al., "Randomizing AMI configuration for proactive defense in smart grid", Smart Grid Communications (SmartGridComm), IEEE International Conference on, IEEE, Abstract Only, <http://ieeexplore.ieee.org/xpl/login.jsp?tp=&arnumber=6688027>, 2013.
- Angove, Alex , "Direct Bury Duct Assemblies, MPB 302 3+—Rib-bonet Microducts", Ericsson, archive.ericsson.net, Jul. 30, 2014.
- Angove, Alex , "How the NBN Differs from ADSL2+, Cable and Wireless", Whistle Out, whistleout.com.au, Jul. 30, 2014.
- Arage, Alebel et al., "Measurement of wet antenna effects on millimetre wave propagation", Radar, IEEE Conference on IEEE., Abstract Only, 2006.
- Arthur, Joseph Kweku , "Improving QoS in UMTS Network in ACCRA Business District Using Tower-Less Towers", IPASJ International Journal of Electrical Engineering (IJEE), vol. 2, Issue 11., Nov. 2014.
- Asadallahi, Sina et al., "Performance comparison of CSMA/CA Advanced Infrared (Alr) and a new pointtomultipoint optical MAC protocol." Wireless Communications and Mobile Computing Conference (IWCMC), 2012 8th International. IEEE., Abstract Only, 2012.
- Atwater, Harry A. , "The promise of plasmonics." Scientific American 296.4: 56-62., 2007.
- Bach, Christian , "Current Sensor—Power Line Monitoring for Energy Demand Control", Application Note 308, http://www.enocean.com/fileadmin/redaktion/pdf/app_notes/AN308_CURRENT_SENSOR_Jan09.pdf, Jan. 2009, 4 pages.
- Barron, Ashleigh L. , "Integrated Multicore Fibre Devices for Optical Trapping", Diss. Heriot-Watt University, 2014, 11-15.
- Beal, J.C. et al., "Coaxial-slot surface-wave launcher", Electronics Letters 4.25: 557559, Abstract Only, 1968.
- Bhushan, Naga , "Network densification: the dominant theme for wireless evolution into 5G", Communications Magazine, IEEE 52.2: 82-89, 2014.
- Bing, Benny , "Ubiquitous Broadband Access Networks with Peer-to-Peer Application Support", Evolving the Access Network: 27-36, 2006.
- Bock, James et al., "Optical coupling." Journal of Physics: Conference Series. vol. 155. No. 1. IOP Publishing., 2009.
- Bowen, Leland H. et al., "A Solid Dielectric Lens Impulse Radiating Antenna with High Dielectric Constant Surrounded by a Cylindrical Shroud," Sensor and Simulation Note 498., Introduction, Apr. 2005, 3 pages.
- Bridges, Greg E. et al., "Plane wave coupling to multiple conductor transmission lines above a lossy earth", Compatibility, IEEE Transactions on 31.1, Abstract Only, 1989, 21-33.
- Brooke, Gary H. , Properties of surface waveguides with discontinuities and perturbations in cross-section. Diss. University of British Columbia, 1977., 1977.
- Brown, J. et al., "The launching of radial cylindrical surface waves by a circumferential slot", Proceedings of the IEE Part B: Radio and Electronic Engineering 106.26: 123128., Abstract Only, 1959.
- Bruno, Joseph , "Interference Reduction in Wireless Networks", Computing Research Topics, Computing Sciences Department, Villanova University, Nov. 14, 2007, 8 pages.
- Burkhart, Martin et al., "Does Topology Control Reduce Interference?", Department of Computer Science, ETH Zurich, Proceedings of the 5th ACM international symposium on Mobile ad hoc networking and computing, ACM, 2004, 11 pages.
- Callis, et al., "An In-Line Power Monitor for HE11 Low Loss Transmission Lines", Proceedings of the 29th International Conference on Infrared and Millimeter Waves (IRMMW), Karlsruhe, Germany, 2004.
- Carroll, John M. et al., "Developing the Blacksburg electronic village", Communications of the ACM 39.12: 69-74, 1996.
- Chen, Dong et al., "A trust management model based on fuzzy reputation for internet of things", Computer Science and Information Systems 8.4: 12071228, Abstract Only, 2011.

(56)

References Cited

OTHER PUBLICATIONS

- Chen, Yingying , "Detecting and Localizing Wireless Spoofing Attacks", Sensor, Mesh and Ad Hoc Communications and Networks, SECON'07. 4th Annual IEEE Communications Society Conference on IEEE, 2007, 10 pages.
- Chiba, Jiro , "Experimental Studies of the Losses and Radiations Due to Bends in the Goubau Line", IEEE Transactions on Microwave Theory and Techniques, Feb. 1977, 94-100.
- Chiba, Jiro , "On the Equivalent Circuit for the G-Line Above Ground", International Wroclaw Symposium on Electromagnetic Compatibility, 1998, 78-82.
- Cimini, Carlos Alberto et al., "Temperature profile of progressive damaged overhead electrical conductors", Journal of Electrical Power & Energy Systems 49: 280-286., 2013.
- Costantine, Joseph et al., "The analysis of a reconfigurable antenna with a rotating feed using graph models", Antennas and Wireless Propagation Letters 8: 943-946, 2009.
- Covington, Michael J. et al., "Threat implications of the internet of things", Cyber Conflict (CyCon), 2013 5th International Conference on IEEE., Abstract Only, 2013.
- Crane, Robert K. , "Analysis of the effects of water on the ACTS propagation terminal antenna", Antennas and Propagation, IEEE Transactions on 50.7: 954965, Abstract Only, 2002.
- De Sabata, Aldo et al., "Universitatea Politehnica", din Timișoara Facultatea de Electronică și Telecomunicații., 2012.
- Dini, Gianluca et al., "MADAM: A Multilevel Anomaly Detector for Android Malware", MMMACNS. vol. 12, 2012.
- Doane, J.L. et al., "Oversized rectangular waveguides with modefree bends and twists for broadband applications", Microwave Journal 32(3), Abstract Only, 1989, 153-160.
- Doelitzscher, et al., "ViteaaS: Virtual cluster as a service." Cloud Computing Technology and Science (CloudCom), 2011 IEEE Third International Conference on IEEE., 2011.
- Dooley, Kevin , "Out-of-Band Management", auvik, auvik.com., Apr. 12, 2014.
- Dostert, Klaus , "Frequency-hopping spread-spectrum modulation for digital communications over electrical power lines." Selected Areas in Communications, IEEE Journal on 8.4: 700-710., Abstract Only, 1990.
- Dragoo, R.E. et al., "Fiber Optic Data Bus for the AN/GYQ21(V)." Harris Corp, U.S. Communications Syst. Div. Chart, Microcopy Resolution Test, 1980.
- Dutton, Harry Jr. , "Understanding Optical Communications", International Technical Support Organization, SG24-5230-00., Sep. 1998.
- Ehyaie, Danial , "Novel Approaches to the Design of Phased Array Antennas," Diss. The University of Michigan., 2011.
- Elmore, Glenn , "Introduction to the Propagating Wave on a Single Conductor", www.corridor.biz, Jul. 27, 2009, 30 pages.
- Erickson, Katherine , "Conductive cylindrical surface waveguides." https://www.ideals.illinois.edu/bitstream/handle/2142/30914/Erickson_Katherine.pdf?sequence=1, 2012.
- Eskelinen, Harri , "DFM (A)-aspects for a horn antenna design," Lappeenranta University of Technology., 2004.
- Eskelinen, P. , "A low-cost microwave rotary joint," International Radar Conference, 13-17, p. 1-4., Abstract Only, Oct. 2014, 1 page.
- Feng, Taiming et al., "Design of a survivable hybrid wireless-optical broadband-access network", Journal of Optical Communications and Networking 3.5, 2011, 458-464.
- Fenye, Bao et al., "Dynamic trust management for internet of things applications", Proceedings of the 2012 international workshop on Selfaware internet of things. ACM, Abstract Only, 2012, 1 page.
- Freyer, Dan , "Combating the Challenges of Ka-Band Signal Degradation", SatMagazine, satmagazine.com., Sep. 2014.
- Friedman, M et al., "Low-loss RF transport over long distances," IEEE Transactions on Microwave Theory and Techniques, Jan. 1, 2001, pp. 341-348.
- Friedman, M. et al., "Low-Loss RF Transport Over Long Distances", IEEE Transactions on Microwave Theory and Techniques, vol. 49, No. 2, Feb. 2001, 341-348.
- Fromm, W. et al., "A new microwave rotary joint," 1958 IRE International Convention Record, 21-25, 6:78-82., Abstract Only, Mar. 1966, 2 pages.
- Garcia-Etxarri, Aitzol et al., "A combination of concave/convex surfaces for fieldenhancement optimization: the indented nanocone", Optics express 20.23, 2012, 2520125212.
- Ghazisaidi, Navid et al., "Survivability analysis of next-generation passive optical networks and fiber-wireless access networks", Reliability, IEEE Transactions on 60.2, 2011, 479-492.
- Goldsmith, P.F. , "Quasi-optical techniques", Proceedings of the IEEE., vol. 80, No. 11, Nov. 1, 1992.
- Golrezaei, Negin et al., "FemtoCaching: Wireless Video Content Delivery through Distributed Caching Helpers", INFOCOM, Proceedings IEEE, 2012.
- Gomes, Nathan J. et al., "Radio-over-fiber transport for the support of wireless broadband services", Journal of Optical Networking 8.2: 156-178., 2009.
- Gonthier, François et al., "Mode coupling in nonuniform fibers: comparison between coupled-mode theory and finite-difference beam-propagation method simulations", JOSA B 8.2: 416421, Abstract Only, 1991, 3 pages.
- Gritzalis, Dimitris et al., "The Sphinx enigma in critical VoIP infrastructures: Human or botnet?." Information, Intelligence, Systems and Applications (IISA), 2013 Fourth International Conference, IEEE., 2013.
- Han, Chong et al., "crosslayer communication module for the Internet of Things", Computer Networks 57.3: 622633, Abstract Only, 2013, 1 page.
- Haroun, Ibrahim et al., "WLANs meet fiber optics—Evaluating 802.11 a WLANs over fiber optics links", RF Des. Mag: 36-39., 2003.
- Hassan, Karim , "Fabrication and characterization of thermo-plasmonic routers for telecom applications", Diss. Univ. de Bourgogne., 2014.
- Hassan, Maaly A. , "Interference reduction in mobile ad hoc and sensor networks", Journal of Engineering and Computer Innovations vol. 2(7), Sep. 2011, 138-154.
- Hassani, Alireza et al., "Porous polymer fibers for low-loss Terahertz guiding." Optics express 16.9: 6340-6351., 2008.
- Hautakorpi, Jani et al., "Requirements from Session Initiation Protocol (SIP) Session Border Control (SBC) Deployments." RFC5853, IETF (2010)., 2010.
- Hawrylyshen, A. et al., "SIPPING Working Group J. Hautakorpi, Ed. Internet-Draft G. Camarillo Intended status: Informational Ericsson Expires: Dec. 18, 2008 R. Penfield Acme Packet.", 2008.
- Hoss, R.J. et al., "Manufacturing Methods and Technology Program for Ruggedized Tactical Fiber Optic Cable", No. ITT-80-03-078. ITT Electrooptical Products Div Roanoke VA., 1980.
- Ippolito, Louis J. , "Propagation effects handbook for satellite systems design. A summary of propagation impairments on 10 to 100 GHz satellite links with techniques for system design", 1989, Abstract Only, 1 page.
- Izumiyama, Hidetaka et al., "Multicast over satellite", Applications and the Internet, (SAINT 2002). Proceedings. Symposium on IEEE, 2002.
- Jackson, Mark , "Timico CTO Hit by Slow FTTC Broadband Speeds After Copper Corrosion", ISP review, ispreview.co.uk, Mar. 5, 2013.
- Jaeger, Raymond et al., "Radiation Performance of Germanium Phosphosilicate Optical Fibers." RADC-TR-81-69: Final Technical Report, Galileo Electro-Optical Corp., May 1981.
- James, J.R. et al., "Investigations and Comparisons of New Types of Millimetre-Wave Planar Arrays Using Microstrip and Dielectric Structures", Royal Military Coll of Science Shrivenham (England)., 1985.
- Jang, Hung-Chin , "Applications of Geometric Algorithms to Reduce Interference in Wireless Mesh Network", Journal on Applications of Graph Theory in Wireless Ad hoc Networks and Sensor Networks (JGRAPH-HOC) vol. 2, No. 1, Abstract Only, Mar. 2010, 1 page.

(56)

References Cited

OTHER PUBLICATIONS

- Jawhar, Imad et al., "A hierarchical and topological classification of linear sensor networks", Wireless Telecommunications Symposium, WTS, IEEE, http://faculty.uaeu.ac.ae/Nader_M/papers/WTS2009.pdf, 2009, 8 pages.
- Jee, George et al., "Demonstration of the Technical Viability of PLC Systems on Medium- and Low-Voltage Lines in the United States", Broadband is Power: Internet Access via Power Line Networks, IEEE Communication Magazine, May 2003, 5 pages.
- Jeong, et al., "Study of elliptical polarization requirement of KSTAR 84-GHz ECH system", Journal—Korean Physical Society 49, 2006.
- Jin, , "Quasi-optical mode converter for a coaxial cavity gyrotron", Forschungszentrum, 2007.
- Jin, Yu et al., "Nevermind, the Problem Is Already Fixed: Proactively Detecting and Troubleshooting Customer DSL Problems", ACM CoNEXT, Philadelphia, USA, Nov.-Dec. 2010, 12 pages.
- Kamilaris, et al., "Exploring the Use of DNS as a Search Engine for the Web of Things." Internet of Things (WF-IoT), 2014 IEEE World Forum on. IEEE, 2014.
- Kang, , "Chapter 6: Array Antennas," IHS Engineering360, globalspec.com, <http://www.globalspec.com/reference/75109/203279/chapter-6-array-antennas>, Apr. 22, 2015.
- Katkovnik, Vladimir et al., "High-resolution signal processing for a switch antenna array FMCW radar with a single channel receiver", Sensor Array and Multichannel Signal Processing Workshop Proceedings, IEEE., 2002.
- Khan, , "Dual polarized dielectric resonator antennas", Chalmers University of Technology, 2010.
- Kikuchi, H. et al., "Hybrid transmission mode of Goubau lines" J.Inst.Electr.Comm.Engrs., Japan,vol. 43, pp. 39-45., 1960.
- Kirkham, H. et al., "Power system applications of fiber optics (Jet Propulsion Lab." JPL Publication 84-28, Electric Energy Systems Division, U.S. DoE, p. 180., 1984.
- Koshiha, Masanori et al., "Analytical expression of average power-coupling coefficients for estimating intercore crosstalk in multicore fibers", Photonics Journal, IEEE 4.5, 2012, 1987-1995.
- Kroon, Barnard et al., "Steady state RF fingerprinting for identity verification: one class classifier versus customized ensemble." Artificial Intelligence and Cognitive Science. Springer Berlin Heidelberg, 198206., Abstract Only, 2010, 3 pages.
- Kroyer, Thomas , "A Waveguide High Order Mode Reflectometer for the Large Hadron Collider Beam-pipe", Diss. TU Wien., 2003.
- Kuhn, Marc et al., "Power Line Enhanced Cooperative Wireless Communications", IEEE Journal on Selected Areas in Communications, vol. 24, No. 7, Jul. 2006, 10 pages.
- Kumar, Sailesh , "Survey of Current Network Intrusion Detection Techniques", Washington Univ. in St. Louis, Dec. 2007.
- Lappgroupusa, "Selection of Number of Cable Cores With Emphasis on Sizing Parameters", Industrial Cable & Connector Technology News, lappconnect.blogspot.com, http://lappconnect.blogspot.com/2014_10_01_archive.html, Oct. 30, 2014.
- Leech, Jamie et al., "Experimental investigation of a low-cost, high performance focal-plane horn array." Terahertz Science and Technology, IEEE Transactions on 2.1: 61-70., 2012.
- Li, Xiang-Yang et al., "Interference-Aware Topology Control for Wireless Sensor Networks", SECON. vol. 5, 2005.
- Li, Xiaowei et al., "Integrated plasmonic semi-circular launcher for dielectric-loaded surface plasmon-polariton waveguide", Optics express 19.7: 65416548, 2011.
- Li, Xu et al., "Smart community: an internet of things application", Communications Magazine, IEEE 49.11: 68-75, 2011.
- Lier, E. et al., "Simple hybrid mode horn feed loaded with a dielectric cone," Electronics Letters 21.13: 563564., 1985.
- Lim, Christina et al., "Fiber-wireless networks and subsystem technologies", Lightwave Technology, Journal of 28.4, 390-405, 2010.
- Lou, Tiancheng , "Minimizing Average Interference through Topology Control", Algorithms for Sensor Systems, Springer Berlin Heidelberg, 2012, 115-129.
- Lucyszyn, S. et al., "Novel RF MEMS Switches", Microwave Conference, APMC, Asia-Pacific. IEEE, 2007.
- Lucyszyn, Stepan et al., "RF MEMS for antenna applications", Antennas and Propagation (EuCAP), 7th European Conference on. IEEE., 2013.
- Luo, Qi et al., "Circularly polarized antennas", John Wiley & Sons, Book—description only, 2013, 1 page.
- Mahato, Suvranshu Sekhar , Studies on an Infrared Sensor Based Wireless Mesh Network. Diss., Abstract Only, 2010, 2 pages.
- Maier, Martin et al., "The audacity of fiberwireless (FiWi) networks", AccessNets. Springer Berlin Heidelberg, 16-35., 2009.
- Marcattili, E.A. et al., "Hollow Metallic and Dielectric Waveguides for Long Distance Optical Transmission and Lasers", Bell System Technical Journal 43(4), Abstract Only, 2 pages, 1964, 1783-1809.
- McAllister, M.W. et al., "Resonant hemispherical dielectric antenna," Electronics Letters 20.16: 657659., Abstract Only, 1984, 1 page.
- Meng, H. et al., "A transmission line model for high-frequency power line communication channel", Power System Technology, PowerCon 2002. International Conference on. vol. 2. IEEE, 2002. <http://infocom.uniroma1.it/~enzobac/MengChen02.pdf>, 2002.
- Menon, S.S. et al., "Propagation characteristics of guided modes in a solid dielectric pyramidal horn," Proceedings of the 2012 International Conference on Communication Systems and Network Technologies. IEEE Computer Society, 2012., Abstract Only, 2012, 2 pages.
- Mitchell, John E. , "Integrated Wireless Backhaul Over Optical Access Networks", Journal of Lightwave Technology 32.20, 2014, 3373-3382.
- Miyagi, M. , "Bending losses in hollow and dielectric tube leaky waveguides", Applied Optics 20(7), Abstract Only, 2 pages, 1981, 1221-1229.
- Moaveni-Nejad, Kousha et al., "Low-Interference Topology Control for Wireless Ad Hoc Networks", Department of Computer Science, Illinois Institute of Technology, Ad Hoc & Sensor Wireless Networks 1.1-2, 2005, 41-64.
- Moisan, M. et al., "Plasma sources based on the propagation of electromagnetic surface waves", Journal of Physics D: Applied Physics 24.7: 1025, 1991.
- Mokhtarian, Kianoosh et al., "Caching in Video CDNs: Building Strong Lines of Defense", EuroSys, Amsterdam, Netherlands, 2014.
- Morse, T.F. , "Research Support for the Laboratory for Lightwave Technology." Brown Univ Providence RI Div of Engineering, 1992., 1992.
- Mruk, Joseph Rene , "Wideband monolithically integrated frontend subsystems and components", Diss. University of Colorado, 2011.
- Nachiketh, P. et al., "Optimizing public-key encryption for wireless clients", Proceedings of the IEEE International Conference on Communications (ICC 2002). No. 1., 2002.
- Narayanan, Arvind , "Fingerprinting of RFID Tags and HighTech Stalking." 33 Bits of Entropy, 33bits.org, Oct. 4, 2011.
- Nassa, Vinay Kumar , "Wireless Communications: Past, Present and Future", Dronacharya Research Journal: 50. vol. III, Issue-II, Jul.-Dec. 2011, 2011.
- Nibarger, John P. , "An 84 pixel all-silicon corrugated feedhorn for CMB measurements." Journal of Low Temperature Physics 167.3-4 (2012): 522-527., 2012.
- Nicholson, Basil J. , "Microwave Rotary Joints for X-, C-, and S-band", Battelle Memorial Inst Columbus OH, 1965.
- Nuvotronics, "PolyStrata—Phased Arrays & Antennas", Nuvotronics, nuvotronics.com <http://www.nuvotronics.com/antennas.php>, Apr. 26, 2015.
- Olver, A. D. , "Microwave horns and feeds," vol. 39. IET, Book—description only, 1994, 1 page.
- Olver, A.D. et al., "Dielectric cone loaded horn antennas," Micro-waves, Antennas and Propagation, IEE Proceedings H. vol. 135. No. 3. IET., Abstract Only, 1988, 1 page.
- Orfanidis, Sophocles J. , "Electromagnetic waves and antennas," Rutgers University., 2002.

(56)

References Cited

OTHER PUBLICATIONS

- Pahlavan, Kaveh et al., "Wireless data communications", Proceedings of the IEEE 82.9: 1398-1430, 1994.
- Patel, Shwetak N. et al., "The Design and Evaluation of an End-User-Deployable, Whole House, Contactless Power Consumption Sensor", CHI 2010: Domestic Life, Apr. 2010, 10 pages.
- Paul, Sanjoy et al., "The Cache-and-Forward Network Architecture for Efficient Mobile Content Delivery Services in the Future Internet", Innovations in NGN: Future Network and Services, 2008. K-INGN 2008. First ITU-T Kaleidoscope Academic Conference, 2008.
- Perkons, Alfred R. et al., "TM surface-wave power combining by a planar active-lens amplifier", Microwave Theory and Techniques, IEEE Transactions on 46.6: 775783, 1998.
- Péter, Zsolt et al., "Assessment of the current intensity for preventing ice accretion on overhead conductors", Power Delivery, IEEE Transactions on 22.1: 565-574., 2007.
- Petrovsky, Oleg , "The Internet of Things: A Security Overview", w.druva.com, Mar. 31, 2015.
- Pham, Tien-Thang et al., "A WDM-PON-compatible system for simultaneous distribution of gigabit baseband and wireless ultrawideband services with flexible bandwidth allocation", Photonics Journal, IEEE 3.1, 2011, 13-19.
- Piksa, Petr et al., "Elliptic and hyperbolic dielectric lens antennas in mmwaves", Radioengineering 20.1, 2011, 271.
- Plagemann, Thomas et al., "Infrastructures for community networks", Content Delivery Networks. Springer Berlin Heidelberg, 367-388, 2008.
- Pohl, , "A dielectric lens-based antenna concept for high-precision industrial radar measurements at 24GHz," Radar Conference (EuRAD), 2012 9th European, IEEE., 2012.
- Pranonsatit, S. et al., "Sectorised horn antenna array using an RF MEMS rotary switch", Asia-Pacific Microwave Conf., APMC., 2010.
- Pranonsatit, Suneet et al., "Single-pole eight-throw RF MEMS rotary switch", Microelectromechanical Systems, Journal of 15.6: 1735-1744, 2006.
- Prashant, R.R. et al., "Detecting and Identifying the Location of Multiple Spoofing Adversaries in Wireless Network", International Journal of Computer Science and Mobile Applications, vol. 2 Issue. 5, May 2014, 1-6.
- Rahim, S. K. A. et al., "Measurement of wet antenna losses on 26 GHz terrestrial microwave link in Malaysia", Wireless Personal Communications 64.2: 225231, 2012.
- Rambabu, K. et al., "Compact single-channel rotary joint using ridged waveguide sections for phase adjustment," IEEE Transactions on Microwave Theory and Techniques (Aug. 2003) 51(8):1982-1986., Abstract Only, Aug. 2003, 2 pages.
- Rappaport, Theodore S. et al., "Mobile's Millimeter-Wave Make-over", Spectrum.IEEE.Org, Sep. 2014.
- Raychaudhuri, Dipankar et al., "Emerging Wireless Technologies and the Future Mobile Internet", Cambridge University Press, Abstract Only, Mar. 2011, 1 page.
- Raychem, , "Wire and Cable", Dimensions 2:1., 1996.
- Reynet, Olivier et al., "Effect of the magnetic properties of the inclusions on the high-frequency dielectric response of diluted composites." Physical Review B66.9: 094412., 2002.
- Rouse, Margaret , "Transport Layer Security (TLS)", TechTarget, searchsecurity.techtarget.com, Jul. 2006.
- Roze, Mathieu et al., "Suspended core subwavelength fibers: towards practical designs for low-loss terahertz guidance." Optics express 19.10 (2011): 9127-9138., 2011.
- Sagar, Nishant , "Powerline Communications Systems: Overview and Analysis", Thesis, May 2011, 80 pages.
- Sagues, Mikel et al., "Multi-tap complex-coefficient incoherent microwave photonic filters based on optical single-sideband modulation and narrow band optical filtering." Optics express 16.1: 295-303., 2008.
- Saied, Yosra Ben et al., "Trust management system design for the internet of things: a contextaware and multiservice approach", Computers & Security 39: 351365, Abstract Only, 2013, 2 pages.
- Salema, Carlos et al., "Solid dielectric horn antennas," Artech House Publishers, 1998.
- Salema, Carlos et al., "Solid dielectric horn antennas," Artech House Publishers, 1998, Amazon., Book—description only, 1998.
- Sarafi, A. et al., "Hybrid wireless-broadband over power lines: A promising broadband solution in rural areas." Communications Magazine, IEEE 47.11 (2009): 140-147., 2009.
- Sarafi, Angeliki M. et al., "Hybrid Wireless-Broadband over Power Lines: A Promising Broadband Solution in Rural Areas", IEEE Communications Magazine, Nov. 2009, 8 pages.
- Sarnecki, Joseph et al., "Microcell design principles", Communications Magazine, IEEE 31.4: 76-82, 1993.
- Saruhan, Ibrahim Halil , "Detecting and Preventing Rogue Devices on the Network", SANS Institute InfoSec Reading Room, sans.org, Aug. 8, 2007, 1 page.
- Scarfone, Karen et al., "Technical Guide to Information Security Testing and Assessment", National Institute of Standards and Technology, csrc.nist.gov, Special Publication, Sep. 2008, 800-115.
- Shafai, Lotfollah , "Dielectric Loaded Antennas", John Wiley & Sons, Inc., http://www.researchgate.net/publication/227998803_Dielectric_Loaded_Antennas, Apr. 15, 2005.
- Shafi, Mansoor et al., "Advances in Propagation Modeling for Wireless Systems", EURASIP Journal on Wireless Communications and Networking. Hindawi Publishing Corp, 2009, p. 5.
- Shimabukuko, F.I. et al., "Attenuation measurement of very low-loss dielectric waveguides by the cavity resonator method in the millimeter/submillimeter wavelength range." No. TR-0086A(2925-06)-1. Aerospace Corp El Segundo CA Electronics Research Lab, 1989., 1989.
- Shindo, Shuichi et al., "Attenuation measurement of cylindrical dielectric-rod waveguide." Electronics Letters 12.5, 117-118., 1976.
- Shumate, Paul W. et al., "Evolution of fiber in the residential loop plant." IEEE Communications Magazine 29.3: 68-74., 1991.
- Sievenpiper, D.F. et al., "Two-dimensional beam steering using an electrically tunable impedance surface," in Antennas and Propagation, IEEE Transactions on , vol. 51, No. 10, pp. 2713-2722., Oct. 2003.
- Sommerfeld, A. , "On the propagation of electrodynamic waves along a wire", Annals of Physics and Chemistry New Edition, vol. 67, No. 2, 1899, 72 pages.
- Strahler, Olivier , "Network Based VPNs", SANS Institute InfoSec Reading Room, sans.org., Aug. 2002.
- Strieby, M.E. et al., "Television transmission over wire lines." American Institute of Electrical Engineers, Transactions of the 60.12: 1090-1096., Abstract Only, 1941, 2 pages.
- Szabó, Csaba A. , "European Broadband Initiatives with Public Participation", Broadband Services: 255, 2005.
- Taboada, John M. et al., "Thermo-optically tuned cascaded polymer waveguide taps." Applied physics letters 75.2: 163-165., 1999.
- Templeton, Steven J. et al., "Detecting Spoofed Packets", DARPA Information Survivability Conference and Exposition, vol. 1, IEEE, 2003.
- Theoleyr, Fabrice , "Internet of Things and M2M Communications", books.google.com, ISBN13: 9788792982483, Book—description only, Apr. 17, 2013, 1 page.
- Thornton, John et al., "Modern lens antennas for communications engineering", vol. 39, 2013.
- Valladares, Cindy , "20 Critical Security Controls: Control 7—Wireless Device Control", Tripwire—The State of Security, tripwire.com, Mar. 21, 2013.
- Vogelgesang, Ralf et al., "Plasmonic nanostructures in aperture-less scanning near-field optical microscopy (aSNOM)", physica status solidi (b) 245.10: 22552260, 2008.
- Volat, C. et al., "De-icing/anti-icing techniques for power lines: current methods and future direction", Proceedings of the 11th International Workshop on Atmospheric Icing of Structures, Montreal, Canada., 2005.
- Wagter, Herman , "Fiber-to-the-X: the economics of last-mile fiber", ARS Technica, arstechnica.com., Mar. 31, 2010.

(56)

References Cited

OTHER PUBLICATIONS

- Wake, David et al., "Radio over fiber link design for next generation wireless systems", *Lightwave Technology, Journal of* 28.16: 2456-2464., 2010.
- Wang, Jing et al., "The influence of optical fiber bundle parameters on the transmission of laser speckle patterns", *Optics express* 22.8, 8908-8918.
- Wilkins, George A. , "Fiber Optic Telemetry in Ocean Cable Systems", Chapter in new edition of *Handbook of Oceanographic Winch, Wire and Cable Technology*, Alan H. Driscoll, Ed., (to be published by University of Rhode Island), 1986.
- Wolff, Christian , "Phased Array Antenna" Radar Tutorial, web.archive.org, radartutorial.eu, Oct. 21, 2014.
- Wu, Xidong et al., "Design and characterization of singleand multiplebeam mmwave circularly polarized substrate lens antennas for wireless communications", *Microwave Theory and Techniques, IEEE Transactions on* 49.3, 2001, 431-441.
- Xi, Liu Xiao , "Security services in SoftLayer", Sep. 21, 2015.
- Xia, Cen et al., "Supermodes for optical transmission", *Optics express* 19.17, 2011, 16653-16664.
- Yang, , "Power Line Sensor Networks for Enhancing Power Line Reliability and Utilization", Georgia Institute of Technology, https://smartech.gatech.edu/bitstream/handle/1853/41087/Yang_Yi_201108_phd.pdf, Apr. 26, 2011, 264 pages.
- Yang, et al., "Power line sensornet—a new concept for power grid monitoring", *IEEE Power Engineering Society General Meeting, Abstract Only*, 2006, pp. 8.
- Yeh, C. et al., "Ceramic Waveguides." *Interplanetary Network Progress Report* 141.26: 1., 2000.
- Yu, Shui et al., "Predicted packet padding for anonymous web browsing against traffic analysis attacks", *Information Forensics and Security, IEEE Transactions on* 7.4, <http://nsp.org.au/syu/papers/tifs12.pdf>, 2012, 1381-1393.
- Zelby, Leon W. , "Propagation Modes on a Dielectric Coated Wire", *J. The Franklin Institute*, vol. 274(2), pp. 85-97, 1962.
- Zhao, et al., "Energy harvesting for a wireless-monitoring system of overhead high-voltage power lines", *IET Generation, Transmission & Distribution* 7, *IEEE Xplore Abstract*, 2013, 2 pages.
- Zheng, Zhu et al., "Efficient coupling of propagating broadband terahertz radial beams to metal wires", *Optics express* 21.9: 1064210650, 2013.
- Zucker, , "Surface-wave antennas", *Antenna engineering handbook* 4, 2007.
- Article 34 Amendment/Response to Written Opinion filed Apr. 3, 2017, PCT/US16/28197, pp. 1-10.
- Article 34 Amendment/Response to Written Opinion PCT/US16/28412, filed Apr. 4, 2017, pp. 1-10.
- PCT/US2015/047225 International Preliminary Report on Patentability, dated Mar. 30, 2017, pp. 1-5.
- Int'l Preliminary Report on Patentability for PCT/US15/034827 dated Mar. 9, 2017.
- Article 34 Amendment filed for PCT/US16/32441 dated Mar. 14, 2017.
- Article 34 Amendment for PCT/US16/27398 filed on, Mar. 14, 2017.
- International Preliminary Report on Patentability for PCT/US2015/049927 dated Apr. 20, 2017.
- Amendment Under Article 34 / Response to Written Opinion for PCT/US16/36290 filed on, May 15, 2017.
- Amendment Under Article 34 / Response to Written Opinion for PCT/US16/36292 filed on, May 15, 2017.
- Amendment Under Article 34 / Response to Written Opinion for PCT/US16/36293 filed on, May 15, 2017.
- PCT/US16/36284 Article 34 Amendment filed, May 19, 2017.
- PCT/US16/36285 Article 34 Amendment filed, May 19, 2017.
- PCT/US16/36288 Article 34 Amendment filed, May 19, 2017.
- International Report on Patentability for PCT/US15/056365 dated Jun. 1, 2017.
- International Preliminary Report on Patentability for PCT/US2015/056626 dated Jun. 15, 2017.
- International Preliminary Report on Patentability for PCT/US2015/056632 dated Jun. 15, 2017.
- Article 34 Amendment, PCT/US16/36556, filed May 31, 2017, 1-13.
- International Preliminary Report on Patentability, PCT/US2015/051194, dated May 4, 2017, 1-7.
- International Preliminary Report on Patentability, PCT/US2015/056368, dated Jun. 1, 2017, 1-8.
- International Preliminary Report on Patentability, PCT/US2015/056320, dated Jun. 1, 2017, 1-9.
- International Preliminary Report on Patentability PCT/US16/28412, dated May 19, 2017, pp. 1-21.
- International Preliminary Report on Patentability PCT/US16/26860, dated May 19, 2017, pp. 1-95.
- "7785-1158-Wo Amendment Under Article 34-Response to Written Opinion Filed May 15, 2017", Application No. PCT/US16/36303 filed Jun. 8, 2016, 1-10.
- "7785-1164-WO Article 34 Amendment Filed May 19, 2017", PCT Application No. PCT/US16/36286 filed Jun. 8, 2016, 1-8.
- "7785-1178-WO Article 34 Amendment Filed", PCT Application No. PCT/US16/36553 Filed Jun. 9, 2016, 1-11.
- "7785-1184-02-WO Amendment Under Article 34 and Response to Written Opinion Filed May 15, 2017", Application No. PCT/US16/41561 filed Jul. 8, 2016, 1-14.
- "7785-1184-WO PCT Amendment Under Article 34 Response to Written Opinion Filed May 15, 2017", PCT Application PCT/US16/36254 filed Jun. 8, 2016, 1-11.
- "AirCheck G2 Wireless Tester", NetScout®, enterprise.netscout.com, Dec. 6, 2016, 10 pages.
- "Amendment Under Article 34 / Response to Written Opinion", PCT/US16/28207, Filed Apr. 3, 2017, pp. 1-12.
- "Amendment Under Article 34 / Response to Written Opinion", PCT/US16/36295, filed May 4, 2017.
- "Amendment Under Article 34 / Response to Written Opinion", PCT/US16/36297, filed May 31, 2017, 12 pages.
- "Amendment Under Article 34 / Response to Written Opinion", PCT Application No. PCT/US16/27403, dated Mar. 24, 2017, 11 pages.
- "Amendment Under Article 34 / Response to Written Opinion", PCT Application No. PCT/US16/32430, dated Mar. 14, 2017, 19 pages.
- "Amendment Under Article 34 / Response to Written Opinion", PCT Application No. PCT/US16/26193, dated Feb. 24, 2017, 6 pages.
- "Amendment Under Article 34 / Response to Written Opinion", PCT Application No. PCT/US16/26860, dated Feb. 28, 2017, 6 pages.
- "Amendment Under Article 34 / Response to Written Opinion", PCT Application No. PCT/US16/26318, dated Feb. 24, 2017, 7 pages.
- "Amendment Under Article 34, Response to Written Opinion", PCT/US16/36289, Filed May 11, 2017., 8 pages.
- "Amendment Under Article 34/Response to Written Opinion", PCT Application No. PCT/US2016/020001, dated Jan. 13, 2017, 6 pages.
- "Article 34 Amendment", PCT/US16/36798, dated May 15, 2017.
- "Article 34 Amendment", PCT/US16/33182, dated Apr. 4, 2017, 1-12.
- "Article 34 Amendment", PCT Application No. PCT/US16/30964, dated Apr. 25, 2017, 13 pages.
- "Article 34 Amendment", PCT/US16/36551, dated May 23, 2017, 14 pages.
- "Article 34 Amendment", PCT/US16/35383, dated Apr. 14, 2017, 15 pages.
- "Article 34 Amendment", PCT/US16/36388, dated May 31, 2017, 9 pages.
- "Article 34 Amendment Filed Apr. 18, 2017 in PCT Application No. PCT/US16/57161".
- "Article 34 Amendment filed Apr. 3, 2017", PCT Application No. PCT/US16/28206, dated Apr. 3, 2017, 9 pages.
- "Article 34 Amendment for", PCT/US16/40992 filed on, May 5, 2017.
- "Brackets, Conduit Standoff", Hubbell Power Systems, Inc., hubbellpowersystems.com, Dec. 2, 2010, 2 pages.

(56)

References Cited

OTHER PUBLICATIONS

- “Dual Band Switched-Parasitic Wire Antennas for Communications and Direction Finding”, www.researchgate.net/profile/David_Thiel2/publication/3898574_Dual_band_switched-parasitic_wire_antennas_for_communications_and_direction_finding/links/0fcfd5091b4273ce54000000.pdf, 2000, 5 pages.
- “Electronic Countermeasure (ECM) Antennas”, vol. 8, No. 2, Apr. 2000, 2 pages.
- “International Preliminary Report on Patentability”, PCT/US15/51583, dated May 4, 2017.
- “International Preliminary Report on Patentability”, PCT/US2015/049932, dated Apr. 27, 2017.
- “International Preliminary Report on Patentability”, PCT/US15/056598, dated Jun. 1, 2017.
- “International Preliminary Report on Patentability”, PCT/US15/48458, dated Apr. 13, 2017.
- “International Preliminary Report on Patentability”, PCT/US16/27398 dated May 1, 2017.
- “International Preliminary Report on Patentability”, PCT/US16/28207, dated May 16, 2017.
- “International Preliminary Report on Patentability”, PCT/US16/27403, dated May 19, 2017.
- “International Preliminary Report on Patentability”, PCT/US2015/051146, dated May 4, 2017.
- “International Preliminary Report on Patentability”, PCT/US2015/051163, dated May 4, 2017.
- “International Preliminary Report on Patentability”, PCT/US16/20001, dated Feb. 17, 2017, 1-14.
- “International Preliminary Report on Patentability”, PCT/US16/36798, dated Jun. 9, 2017, 20 pages.
- “International Preliminary Report on Patentability”, PCT/US15/56316, dated Jun. 1, 2017, 8 pages.
- “International Preliminary Report on Patentability”, PCT/US15/51213, dated May 4, 2017, 9.
- “International Preliminary Report on Patentability”, PCT/US2015/048454, dated Apr. 13, 7, pp. 1-9.
- “International Preliminary Report on Patentability & Written Opinion”, PCT/US16/32430, dated May 25, 2017, 122 pages.
- “International Preliminary Report on Patentability & Written Opinion”, PCT/US16/28206, dated May 16, 2017, 23 pages.
- “International Preliminary Report on Patentability & Written Opinion”, PCT/US2015/051578, dated May 4, 2017, 6 pages.
- “International Preliminary Report on Patentability & Written Opinion”, PCT/US2015/047315, Mar. 30, 2017, 8 pages.
- “International Preliminary Report on Patentability & Written Opinion”, PCT/US2015/051193, dated May 4, 2017, 8 pages.
- “International Preliminary Report on Patentability dated May 23, 2017”, PCT Application No. PCT/US2015/056615 filed Oct. 21, 2015, dated May 23, 2017, 1-7.
- “International Search Report & Written Opinion”, PCT/US2016/035384, dated Oct. 31, 2016.
- “International Search Report & Written Opinion”, PCT/US2016/040992, dated Oct. 17, 2006.
- “International Search Report & Written Opinion”, PCT/US16/050488, dated Nov. 11, 2016.
- “International Search Report & Written Opinion”, PCT/US16/50345, dated Nov. 15, 2016.
- “International Search Report & Written Opinion”, PCT/US2016/050346, dated Nov. 17, 2016.
- “International Search Report & Written Opinion”, PCT/US2016/050860, dated Nov. 17, 2016, 11 pages.
- “International Search Report & Written Opinion”, PCT/US2016/050344, dated Nov. 25, 2016, 16 pages.
- “International Search Report and Written Opinion”, PCT/US2016/046315, dated Nov. 3, 2016.
- “International Search Report and Written Opinion”, PCT/US2016/050039, dated Nov. 14, 2016.
- “International Search Report and Written Opinion”, PCT/US2016/050347, dated Nov. 15, 2016.
- “International Search Report and Written Opinion”, PCT/US2016/051217, dated Nov. 29, 2016.
- “Newsletter 4.4—Antenna Magus version 4.4 released!”, antennamagus.com, Aug. 10, 2013, 8 pages.
- “PCT Article 34 Amendment filed Apr. 12, 2017”, PCT Application PCT/US16/32289 filed May 13, 2016, 1-11.
- “PCT International Search Report”, PCT/US2016/057161, PCT International Search Report and Written Opinion, dated Jan. 12, 2017, 1-13, dated Jan. 12, 2017, 1-13.
- “PCT/US2016/041561, PCT International Search Report and Written Opinion”, dated Oct. 10, 2016, 1-15.
- “PCT/US2016/046323, PCT International Search Report”, dated Oct. 24, 2016, 1-13.
- “Response to Written Opinion and Article 34 Amendment”, PCT/US2016/035384, filed Apr. 12, 2017, 10 pages.
- “Technology Brief 13: Touchscreens and Active Digitizers”, <https://web.archive.org/web/20100701004625/http://web.engr.oregonstate.edu/~moon/engr203/read/read4.pdf>, 2010, 289-311.
- “The world’s first achievement of microwave electric-field measurement utilizing an optical electric-field sensor mounted on an optical fiber, within a microwave discharge ion engine boarded on asteroid explorers etc.”, Investigation of internal phenomena and performance improvement in microwave discharge ion engines, Japan Aerospace Exploration Agency (JAXA), Nippon Telegraph and Telephone Corporation, Aug. 7, 2013, 4 pages.
- Al-Ali, A.R. et al., “Mobile RFID Tracking System”, Information and Communication Technologies: From Theory to Applications, ICTTA 2008, 3rd International Conference on IEEE, 2008, 4 pages.
- Alaridhee, T. et al., “Transmission properties of slanted annular aperture arrays. Giant energy deviation over sub-wavelength distance”, *Optics express* 23.9, 2015, 11687-11701.
- Allen, Jeffrey et al., “New Concepts in Electromagnetic Materials and Antennas”, Air Force Research Laboratory, Jan. 2015, 80 pages.
- Amirshahi, P. et al., “Transmission channel model and capacity of overhead multiconductor medium-voltage powerlines for broadband communications”, Consumer Communications and Networking Conference, 2005, 5 pages.
- Amt, John H. et al., “Flight Testing of a Pseudolite Navigation System on a UAV”, Air Force Institute of Technology: ION Conference, Jan. 2007, 9 pages.
- Ascom, “TEMS Pocket—a Complete Measurement Smartphone System in your Hand”, http://www.ascom.us/us-en/tems_pocket_14.0_feature_specific_datasheet.pdf, 2014, 2 pages.
- Baanto, “Surface Acoustic Wave (SAW) Touch Screen”, <http://baanto.com/surface-acoustic-wave-saw-touch-screen>, 2016, 4 pages.
- Barnes, Heidi et al., “DeMystifying the 28 Gb/s PCB Channel: Design to Measurement”, *Design Con.* 2014, Feb. 28, 2014, 54 pages.
- Benkhalifa, Elhadj “User Profiling for Energy Optimisation in Mobile Cloud Computing”, 2015, 1159-1165.
- Blanco-Redondo, Andrea et al., “Coupling midinfrared light from a photonic crystal waveguide to metallic transmission lines”, *Applied Physics Letters* 104.1, 2014, 6 pages.
- Briso-Rodriguez, “Measurements and Modeling of Distributed Antenna Systems in Railway Tunnels”, *IEEE Transactions on Vehicular Technology*, vol. 56, No. 5, Sep. 2007, 2870-2879.
- Budde, Matthias “Using a 2DST Waveguide for Usable, Physically Constrained Out-of-Band Wi-Fi Authentication”, <https://pdfs.semanticscholar.org/282e/826938ab7170c198057f9236799e92e21219.pdf>, 2013, 8 pages.
- Chaimae, Elmakfalji et al., “New Way of Passive RFID Deployment for Smart Grid”, *Journal of Theoretical and Applied Information Technology* 82.1, Dec. 10, 2015, 81-84.
- Chen, Ke et al., “Geometric phase coded metasurface: from polarization dependent directive electromagnetic wave scattering to diffusionlike scattering”, *Scientific Reports* 6, 2016, 1-10.
- Collins, D.D. et al., “Final Report on Advanced Antenna Design Techniques”, GER 11246, Report No. 4, Sep. 6, 1963, 1-70.
- Crisp, “Uplink and Downlink Coverage Improvements of 802.11g Signals Using a Distributed Antenna Network”, *Journal of Light-wave Technology* (vol. 25, Issue: 11), Dec. 6, 2007, 1-4.

(56)

References Cited

OTHER PUBLICATIONS

Curry, James M. "A Web of Drones: A 2040 Strategy to Reduce the United States Dependence on Space Based Capabilities", Air War College, Feb. 17, 2015, 34 pages.

Dyson, John D. "The Equiangular Spiral Antenna", IRE Transactions on Antennas and Propagation, 1959, 181-187.

Earth Data, "Remote Sensors", NASA, earthdata.nasa.gov, Oct. 17, 2016, 36 pages.

Eizo, "How can a screen sense touch? a basic understanding of touch panels", www.eizo.com/library/basics/basic_understanding_of_touch_panel, Sep. 27, 2010, 8 pages.

Ekstrom, "Slot-line end-fire antennas for THz frequencies", Third International Symposium on Space Terahertz Technology, 280-290.

Emerson, "About Rosemount 5300 Level Transmitter", www.emerson.com, Nov. 2016, 6 pages.

Faggiani, Adriano "Smartphone-based crowdsourcing for network monitoring: opportunities, challenges, and a case study", <http://vecchio.iet.unipi.it/vecchio/files/2010/02/article.pdf>, 2014, 8 pages.

Fattah, E. Abdel et al., "Numerical 3D simulation of surface wave excitation in planar-type plasma processing device with a corrugated dielectric plate", Elsevier, Vacuum 86, 2011, 330-334.

Fiorelli, Riccardo et al., "ST7580 power line communication system-on-chip design guide", Doc ID 022923 Rev 2, Jul. 2012, 63 pages.

Galli, "For the Grid and Through the Grid: The Role of Power Line Communications in the Smart Grid", Proceedings of the IEEE 99.6, Jun. 2011, 1-26.

Gerini, Giampiero "Multilayer array antennas with integrated frequency selective surfaces conformal to a circular cylindrical surface", <http://alexandria.tue.nl/openaccess/Metis248614.pdf>, 2005, 2020-2030.

Gilbert, Barrie et al., "The Gears of Genius", IEEE SolidState Circuits Newsletter 4.12, 2007, 10-28.

Godara, "Applications of Antenna Arrays to Mobile Communications, Part I: Performance Improvement, Feasibility, and System Considerations", Proceedings of the IEEE, vol. 85, No. 7, Jul. 1997, 1031-1060.

Goubau, Georg et al., "Investigation of a Surface-Wave Line for Long Distance Transmission", 1952, 263-267.

Goubau, Georg et al., "Investigations with a Model Surface Wave Transmission Line", IRE Transactions on Antennas and Propagation, 1957, 222-227.

Goubau, Georg "Open Wire Lines", IRE Transactions on Microwave Theory and Techniques, 1956, 197-200.

Goubau, Georg "Single-Conductor Surface-Wave Transmission Lines", Proceedings of the I.R.E., 1951, 619-624.

Goubau, Georg "Surface Waves and Their Application to Transmission Lines", Radio Communication Branch, Coles Signal Laboratory, Mar. 10, 1950, 1119-1128.

Goubau, Georg "Waves on Interfaces", IRE Transactions on Antennas and Propagation, Dec. 1959, 140-146.

Greco, R. "Soil water content inverse profiling from single TDR waveforms", Journal of hydrology 317.3, 2006, 325-339.

Gunduz, Deniz et al., "The multiway relay channel", IEEE Transactions on Information Theory 59.1, 2013, 5163.

Hafeez, "Smart Home Area Networks Protocols within the Smart Grid Context", Journal of Communications vol. 9, No. 9, Sep. 2014, 665-671.

Halder, Achintya et al., "Low-cost alternate EVM test for wireless receiver systems", 23rd IEEE VLSI Test Symposium (VTS'05), 2005, 6 pages.

Hale, Paul et al., "A statistical study of deembedding applied to eye diagram analysis", IEEE Transactions on Instrumentation and Measurement 61.2, 2012, 475-488.

Halligan, Matthew S. "Maximum crosstalk estimation and modeling of electromagnetic radiation from PCB/highdensity connector interfaces", http://scholarsmine.mst.edu/cgi/viewcontent.cgi?article=3326&context=doctoral_dissertations, 2014, 251 pages.

Hussain, Mohamed T. et al., "Closely Packed Millimeter-Wave MIMO Antenna Arrays with Dielectric Resonator Elements", Antennas and Propagation (EuCAP) 2016 10th European Conference, Apr. 2016, 1-5.

Ikrath, K. et al., "Antenna Innovation Glass-Fiber Tube Focuses Microwave Beam", Electronics, vol. 35, No. 38, Sep. 21, 1962, 44-47.

Illinois Historic Archive, "Antennas on the Web", Photo Archive of Antennas, ece.illinois.edu, 1-18, Dec. 2016.

James, Graeme L. et al., "Diplexing Feed Assemblies for Application to Dual-Reflector Antennas", IEEE Transactions on Antennas and Propagation, vol. 51, No. 5, May 2003, 1024-1029.

Japan Patent Office, "JP Office Action dated Feb. 14, 2017", dated Feb. 14, 2017, 1-12.

Jensen, Michael "Data-Dependent Fingerprints for Wireless Device Authentication", www.dtic.mil/cgi-bin/GetTRDoc?AD=ADA626320, 2014, 15 pages.

Jiang, Y.S. et al., "Electromagnetic orbital angular momentum in remote sensing", PIERS Proceedings, Moscow, Russia, Aug. 18-21, 2009, 1330-1337.

Kado, Yuichi et al., "Exploring SubTHz Waves for Communications, Imaging, and Gas Sensing", Fog 2: O2, PIERS Proceedings, Beijing, China, Mar. 23-27, 2009, 42-47.

Kedar, "Wide Beam Tapered Slot Antenna for Wide Angle Scanning Phased Array Antenna", Progress in Electromagnetics Research B, vol. 27, 2011, 235-251.

Khan, Kaleemullah "Authentication in Multi-Hop Wireless Mesh Networks", World Academy of Science, Engineering and Technology, International Journal of Electrical, Computer, Energetic, Electronic and Communication Engineering vol. 2, No. 10, 2008, 2406-2411.

Khan, Mohammed R. "A beam steering technique using dielectric wedges", Diss. University of London, Dec. 1985, 3 pages.

Kim, Jong-Hyuk et al., "Real-time Navigation, Guidance, and Control of a UAV using Low-cost Sensors", Australian Centre for Field Robotics, Mar. 5, 2011, 6 pages.

Kleinrock, Leonard et al., "On measured behavior of the ARPA network", National Computer Conference, 1974, 767-780.

Kolpakov, Stanislav A. et al., "Toward a new generation of photonic humidity sensors", Sensors 14.3, 2014, 3986-4013.

Kuehn, E "Self-configuration and self-optimization of 4G Radio Access Networks", http://wirelessman.org/tgm/contrib/S80216m-07_169.pdf, 2007, 13 pages.

Kumar, Sumeet et al., "Urban street lighting infrastructure monitoring using a mobile sensor platform", IEEE Sensors Journal, 16.12, 2016, 4981-4994.

Lairdtech, "Allpurpose Mount Kit", www.lairdtech.com, Mar. 29, 2015, 2 pages.

Lazaropoulos, Athanasios "Towards Modal Integration of Overhead and Underground Low-Voltage and Medium-Voltage Power Line Communication Channels in the Smart Grid Landscape: Model Expansion, Broadband Signal Transmission Characteristics, and Statistical Performance Metrics", International Scholarly Research Network, ISRN Signal Processing, vol. 2012, Article ID 121628, 17 pages, Mar. 26, 2012, 18 pages.

Li, Mo et al., "Underground structure monitoring with wireless sensor networks", Proceedings of the 6th international conference on Information processing in sensor networks, ACM, 2007, 69-78.

Liang, Bin "Cylindrical Slot FSS Configuration for Beam-Switching Applications", IEEE Transactions on Antennas and Propagation, vol. 63, No. 1, Jan. 2015, 166-173.

Lier, Erik "A Dielectric Hybrid Mode Antenna Feed: A Simple Alternative to the Corrugated Horn", IEEE Transactions on Antennas and Propagation, vol. AP-34, No. 1, Jan. 1986, 21-30.

Luo, Hailu et al., "Reversed propagation dynamics of Laguerre-Gaussian beams in left-handed materials", Physical Review A 77.2, 023812., Feb. 20, 2008, 1-7.

Makwana, G. D. et al., "Wideband Stacked Rectangular Dielectric Resonator Antenna at 5.2 GHz", International Journal of Electromagnetics and Applications 2012, 2(3), 2012, 41-45.

Marin, Leandro "Optimized ECC Implementation for Secure Communication between Heterogeneous IoT Devices", www.mdpi.com/1424-8220/15/9/21478/pdf, 2015, 21478-21499.

(56)

References Cited

OTHER PUBLICATIONS

- Marrucci, Lorenzo "Rotating light with light: Generation of helical modes of light by spin-to-orbital angular momentum conversion in inhomogeneous liquid crystals", International Congress on Optics and Optoelectronics. International Society for Optics and Photonics, 2007, 12 pages.
- Marzetta, "Noncooperative Cellular Wireless with Unlimited Numbers of Base Station Antennas", IEEE Transactions on Wireless Communications, vol. 9, No. 11, Nov. 2010, 3590-3600.
- Matikainen, Leena et al., "Remote sensing methods for power line corridor surveys", ISPRS Journal of Photogrammetry and Remote Sensing, 119, 2016, 10-31.
- McKeown, David M. et al., "Rulebased interpretation of aerial imagery", IEEE Transactions on Pattern Analysis and Machine Intelligence 5, 1985, 570-585.
- Mehta, "Advance Featuring Smart Energy Meter With Bi-Directional Communication", Electronics & Communication MEFGL, Feb. 9, 2014, 169-174.
- Mena, F.P. et al., "Design and Performance of a 600720GHz SidebandSeparating Receiver Using and AIN SIS Junctions", IEEE Transactions on Microwave Theory and Techniques 59.1, 2011, 166-177.
- Mueller, G.E. et al., "Polyrod Antennas", Bell System Technical Journal, vol. 26, No. 4, Oct. 29, 1947, 837-851.
- Nakano, Hisamatsu et al., "A Spiral Antenna Backed by a Conducting Plane Reflector", IEEE Transactions on Antennas and Propagation, vol. AP-34 No. 6, Jun. 1986, 791-796.
- Nassar, "Local Utility Powerline Communications in the 3-500 kHz Band: Channel Impairments, Noise, and Standards", IEEE Signal Processing Magazine, 2012, 1-22.
- Niedermayer, Uwe et al., "Analytic modeling, simulation and interpretation of broadband beam coupling impedance bench measurements", Nuclear Instruments and Methods in Physics Research Section A: Accelerators, Spectrometers, Detectors and Associated Equipment 776, 2015, 129-143.
- NWclimate, "Weather Instruments and Equipment Explained", nwclimate.org, May 7, 2015, 22 pages.
- Ohliger, Michael "An introduction to coil array design for parallel MRI", http://mriquestions.com/uploads/3/4/5/7/34572113/intro_to_coil_design_parallel_.pdf, 2006, 16 pages.
- Paruchuri, et al., "Securing Powerline Communication", IEEE, 2008, 64-69.
- Patent Cooperation Treaty, "International Preliminary Report on Patentability dated Apr. 25, 2017", Application No. PCT/US2015/051183, dated Apr. 25, 2017, 1-8.
- Patent Cooperation Treaty (PCT), "International Preliminary Report on Patentability", Application No. PCT/US2015/049928, dated Apr. 27, 2017, 1-9.
- Qi, Xue et al., "Ad hoc QoS ondemand routing (AQOR) in mobile ad hoc networks", Journal of parallel and distributed computing 63.2, 2003, 154-165.
- Quan, Xulin "Analysis and Design of a Compact Dual-Band Directional Antenna", IEEE Antennas and Wireless Propagation Letters, vol. 11, 2012, 547-550.
- Ranga, Yogesh et al., "An ultra-wideband quasi-planar antenna with enhanced gain", Progress in Electromagnetics Research C 49, 2014, 59-65.
- Rekimoto, Jun "SmartSkin: An Infrastructure for Freehand Manipulation on Interactive Surfaces", <https://vs.inf.ethz.ch/edu/SS2005/DS/papers/surfaces/rekimoto-smartskin.pdf>, 2002, 8 pages.
- Ricardi, L. J. "Some Characteristics of a Communication Satellite Multiple-Beam Antenna", Massachusetts Institute of Technology, Lincoln Laboratory, Technical Note 1975-3, Jan. 28, 1975, 62 pages.
- Rieke, M. et al., "High-Precision Positioning and Real-Time Data Processing of UAV Systems", International Archives of the Photogrammetry, Remote Sensing and Spatial Information Sciences, vol. XXXVIII-1/C22, 2011, 119-124.
- Robinson, D.A. et al., "Advancing processbased watershed hydrological research using nearsurface geophysics: A vision for, and review of, electrical and magnetic geophysical methods", Hydrological Processes 22.18, Mar. 11, 2008, 3604-3635.
- Robles, Rosslyn John et al., "A Review on Security in Smart Home Development", International Journal of Advanced Science and Technology 15, Feb. 2010, 13-22.
- Rousstia, M. W. "Switched-beam antenna array design for millimeter-wave applications", <https://pure.tue.nl/ws/files/4418145/599448877400424.pdf>, Jan. 1, 2011, 148 pages.
- Schoning, Johannes et al., "Multi-Touch Surfaces: A Technical Guide", Johannes Schöning, Institute for Geoinformatics University of Münster, Technical Report TUM-10833, 2008, 19 pages.
- Sembaring, Krisantus "Dynamic Resource Allocation for Cloud-based Media Processing", <http://www.chinacloud.cn/upload/2013-04/13042109511919.pdf>, 2013, 49-54.
- Shin, Donghoon et al., "10 Gbps Millimeter-Wave OFDM Experimental System with Iterative Phase Noise Compensation", Tokyo Institute of Technology, IEEE, 2013, 184-186.
- Silvonen, Kimmo "Calibration and DeEmbedding of Microwave Measurements Using Any Combination of One or Two Port Standards", Publication of the Circuit Theory Laboratory, CT4, 1987, 1-28.
- Simionovici, Ana-Maria et al., "Predictive Modeling in a VoIP System", 2013, 32-40.
- Singh, Sapana et al., "Key Concepts and Network Architecture for 5G Mobile Technology", International Journal of Scientific Research Engineering & Technology (IJSRET), IIMT Engineering College, Meerut, India, vol. 1, Issue 5, Aug. 2012, 165-170.
- Song, Kaijun et al., "Broadband radial waveguide power amplifier using a spatial power combining technique", www.mtech.edu/academics/mines/geophysical/xzhou/publications/songfanzhou_2009b_imp.pdf, 2009, 7 pages.
- Sospedra, Joaquim et al., "Badalona Oil PierBased Met-Ocean Monitoring Station", Campbell Scientific, www.campbellsci.com, Nov. 2016, 2 pages.
- Souryal, Michael R. et al., "Rapidly Deployable Mesh Network Testbed", <https://pdfs.semanticscholar.org/f914/1ce6999c4095eab3bdea645745761ebe5141.pdf>, 2009, 6 pages.
- Sowmya, Arcot et al., "Modelling and representation issues in automated feature extraction from aerial and satellite images", ISPRS journal of photogrammetry and remote sensing, 55.1, 2000, 34-47.
- Sun, Zhi et al., "Magnetic Induction Communications for Wireless Underground Sensor Networks", IEEE Transactions on Antennas and Propagation, vol. 58, No. 7, Jul. 2010, 2426-2435.
- Tesoriero, Ricardo et al., "Tracking autonomous entities using RFID technology", IEEE Transactions on Consumer Electronics 55.2, 2009, 650-655.
- Thottapan, M. "Design and simulation of metal PBG waveguide mode launcher", www.researchgate.net/profile/Dr_M_Thottapan/publication/262415753_Design_and_Simulation_of_Metal_PBG_Waveguide_Mode_Launcher/links/0f317537ad93a5e2a4000000.pdf, 2014, 383-387.
- Tillack, M. S. et al., "Configuration and engineering design of the ARIES-RS tokamak power plant", https://www.researchgate.net/publication/222496003_Configuration_and_engineering_design_of_the_ARIES-RS_tokamak_power_plant, 1997, 87-113.
- UK Essays, "Beam Adaptive Algorithms for Smart Antennas Computer Science Essay", www.ukessays.com, Mar. 23, 2015, 21 pages.
- Van Atta, L.C. "Contributions to the antenna field during World War II", www.nonstopsystems.com/radio/pdf-hell/article-IRE-5-1962.pdf, 1962, 692-697.
- Wang, Hao et al., "Dielectric Loaded Substrate Integrated Waveguide (SIW)—Plan Horn Antennas", IEEE Transactions on Antennas and Propagation, IEEE Service Center, Piscataway, NJ, US, vol. 56, No. 3, Mar. 1, 2010, 640-647.
- Washiro, Takanori "Applications of RFID over power line for Smart Grid", Power Line Communications and Its Applications (ISPLC), 2012 16th IEEE International Symposium on. IEEE, 2012, 83-87.
- Wikipedia, "Angular Momentum of Light", https://en.wikipedia.org/wiki/Angular_momentum_of_light, Nov. 10, 2016, 1-7.
- Wilkes, Gilbert "Wave Length Lenses", Dec. 5, 1946, 49 pages.

(56)

References Cited

OTHER PUBLICATIONS

Won Jung, Chang et al., "Reconfigurable Scan-Beam Single-Arm Spiral Antenna Integrated With RF-MEMS Switches", IEEE Transactions on Antennas and Propagation, vol. 54, No. 2, Feb. 2006, 455-463.

Woodford, Chris "How do touchscreens work?", www.explainthatstuff.com/touchscreens.html, Aug. 23, 2016, 8 pages.

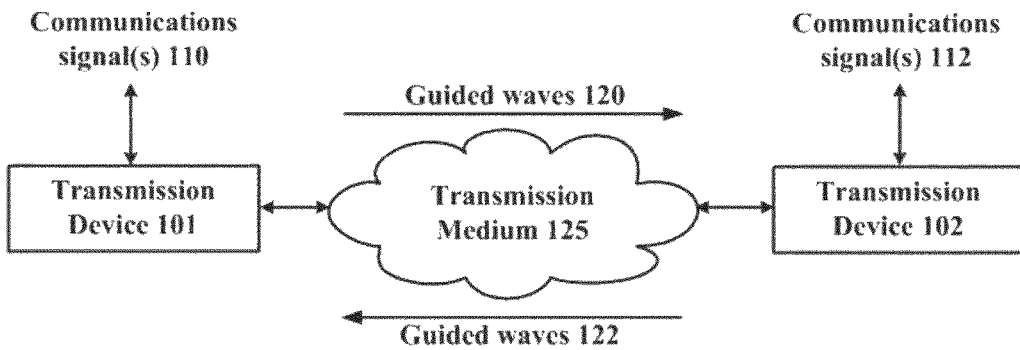
Xiao, Shiyi et al., "Spin-dependent optics with metasurfaces", Nanophotonics 6.1, 215-234., 2016, 215-234.

Yeh, W.H. C. "Electromagnetic Surface-Wave Propagation Along a Dielectric Cylinder of Elliptical Cross Section", Thesis, California Institute of Technology, Pasadena, CA, 1962, 182 pgs.

Zhang, "Modified Tapered Slot-line Antennas for Special Applications", REV Journal on Electronics and Communications, vol. 2, Jul.-Dec. 2012, 106-112.

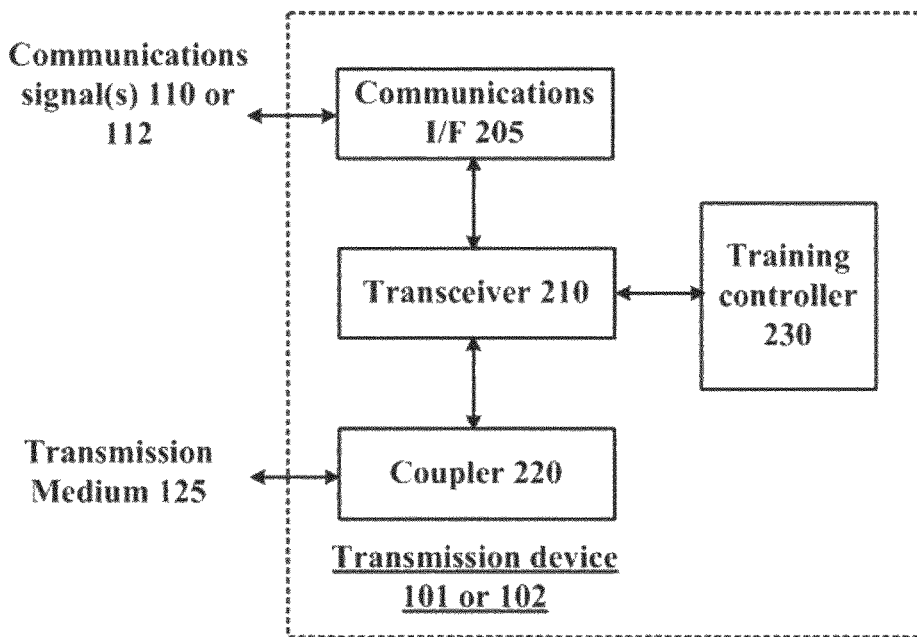
Zhang, Ming et al., "PlanetSeer: Internet Path Failure Monitoring and Characterization in Wide Area Services", OSDI, vol. 4, 2004, 33 pages.

* cited by examiner



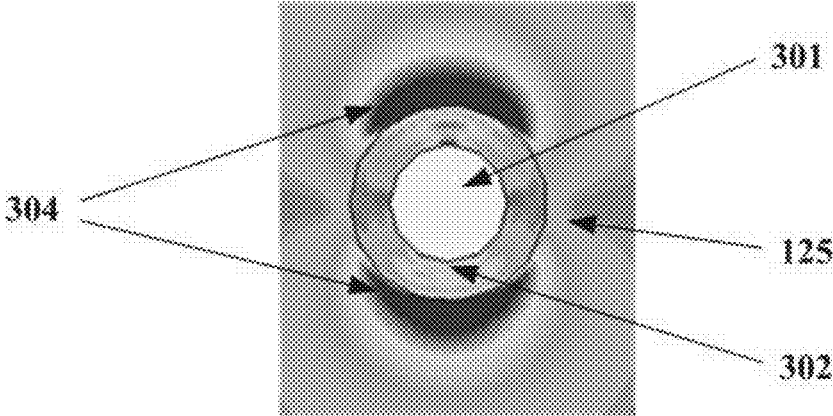
100

FIG. 1

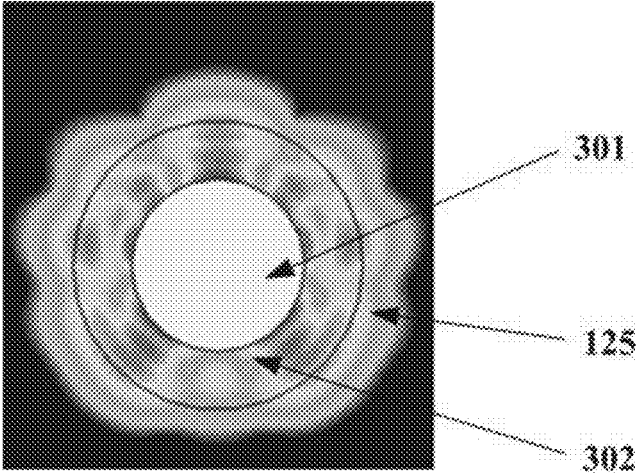


200

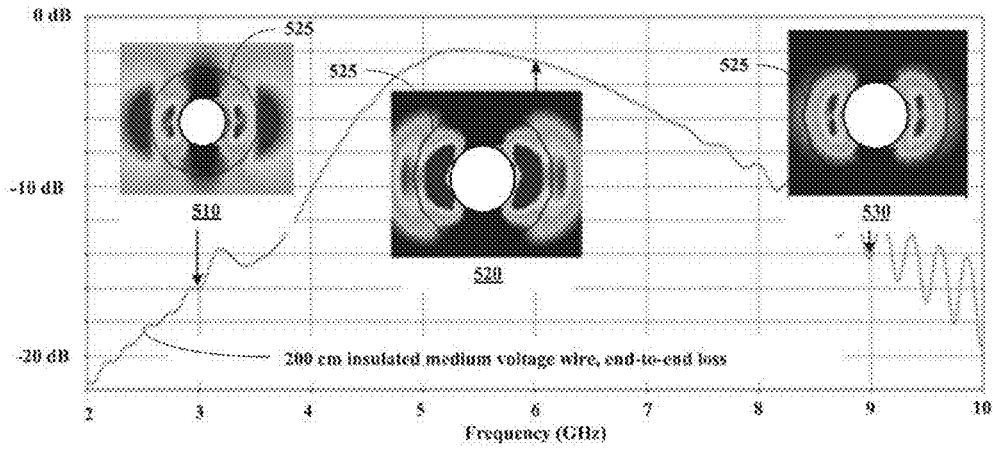
FIG. 2



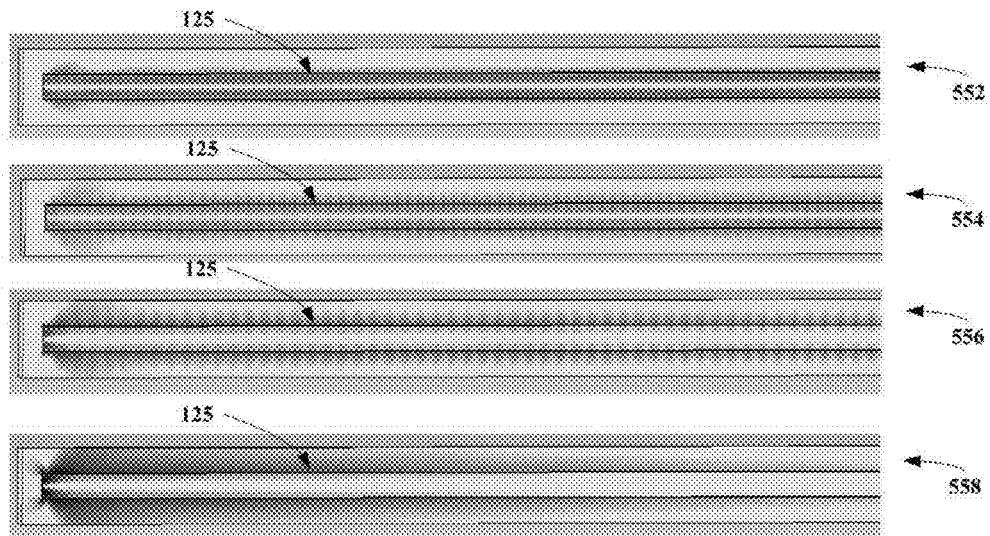
300
FIG. 3



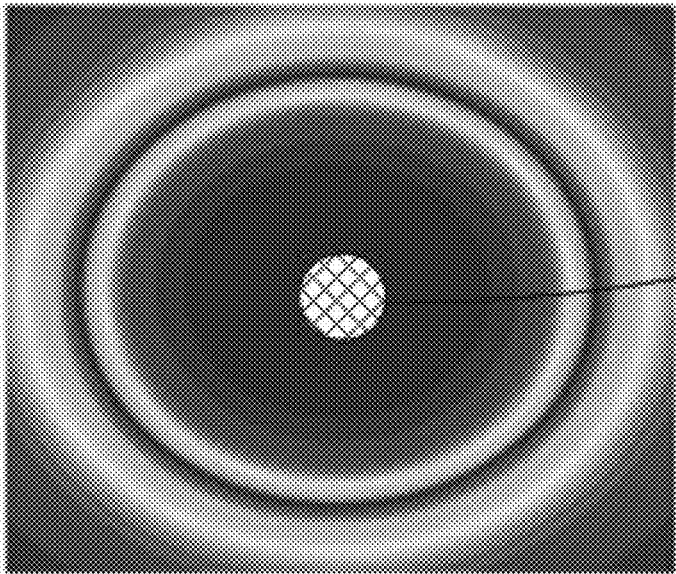
400
FIG. 4



500
FIG. 5A

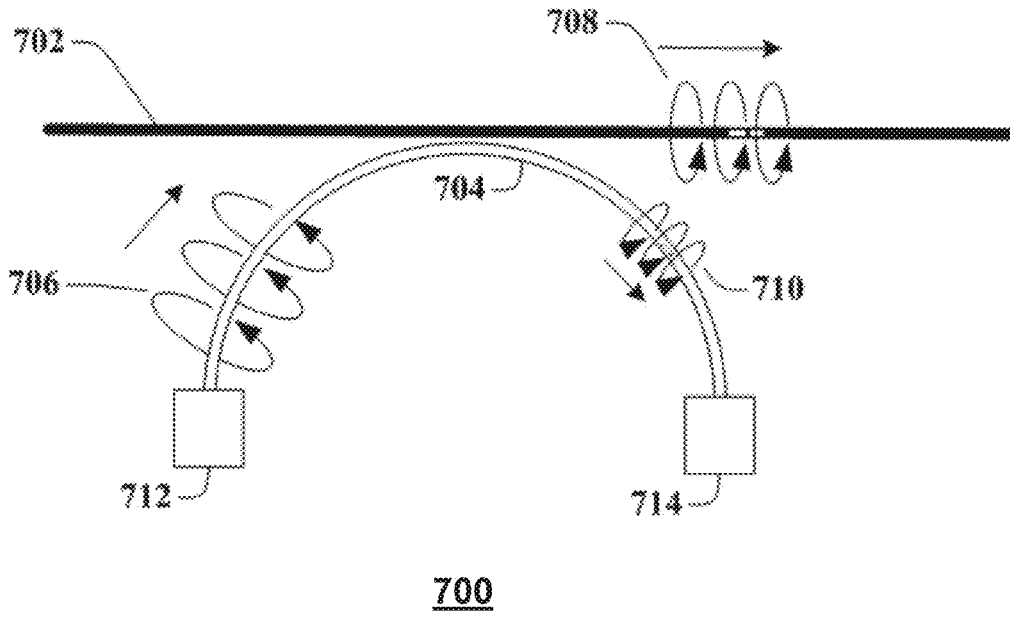


550
FIG. 5B

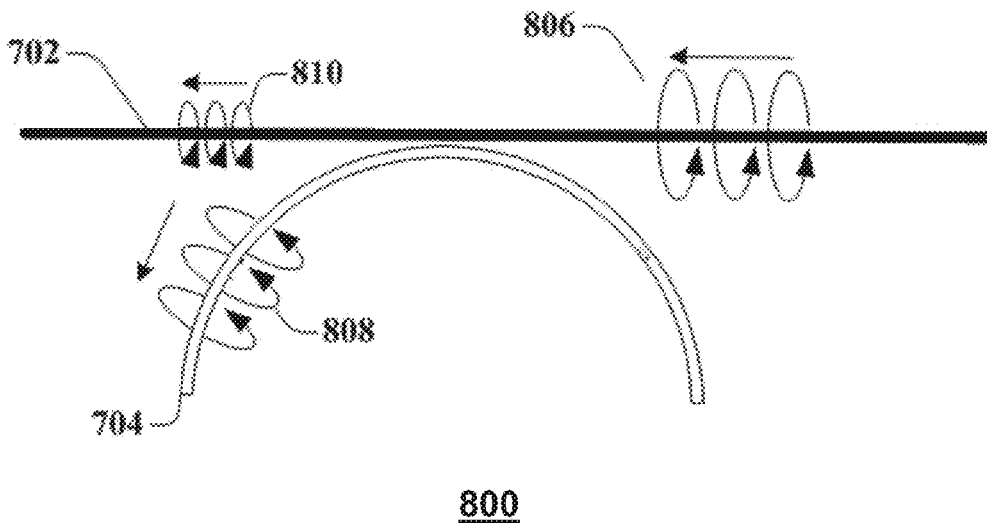


602

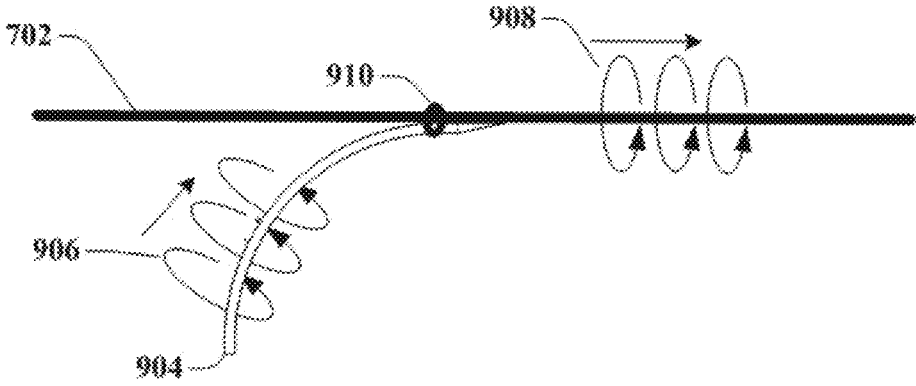
600
FIG. 6



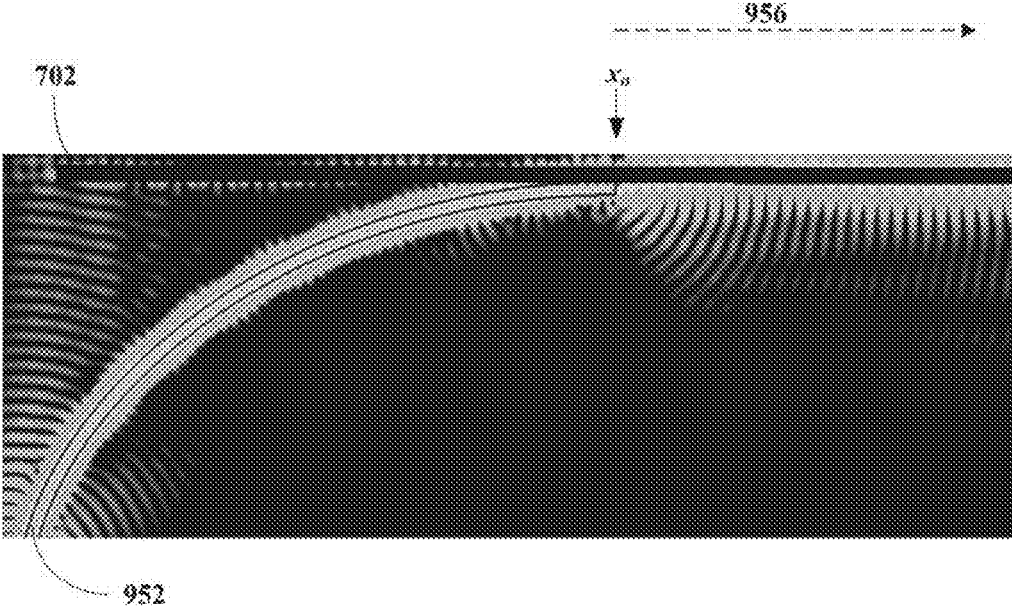
700
FIG. 7



800
FIG. 8

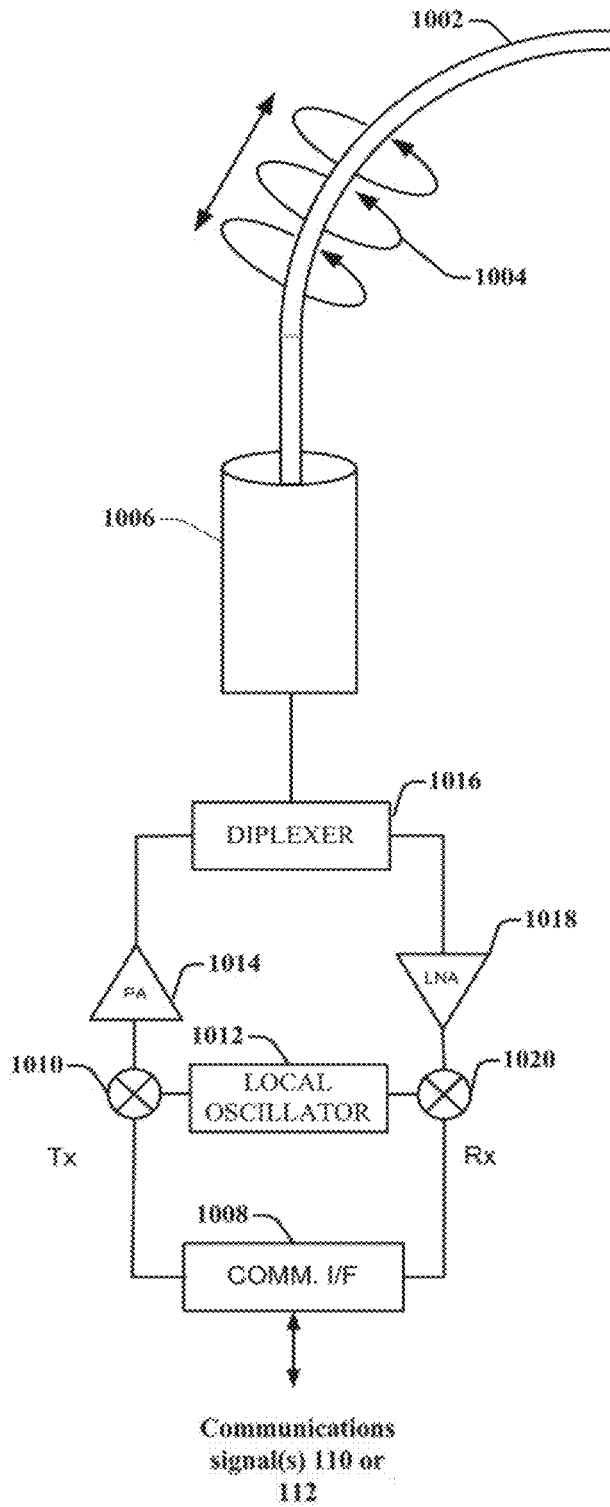


900
FIG. 9A



950
FIG. 9B

1000
FIG. 10A



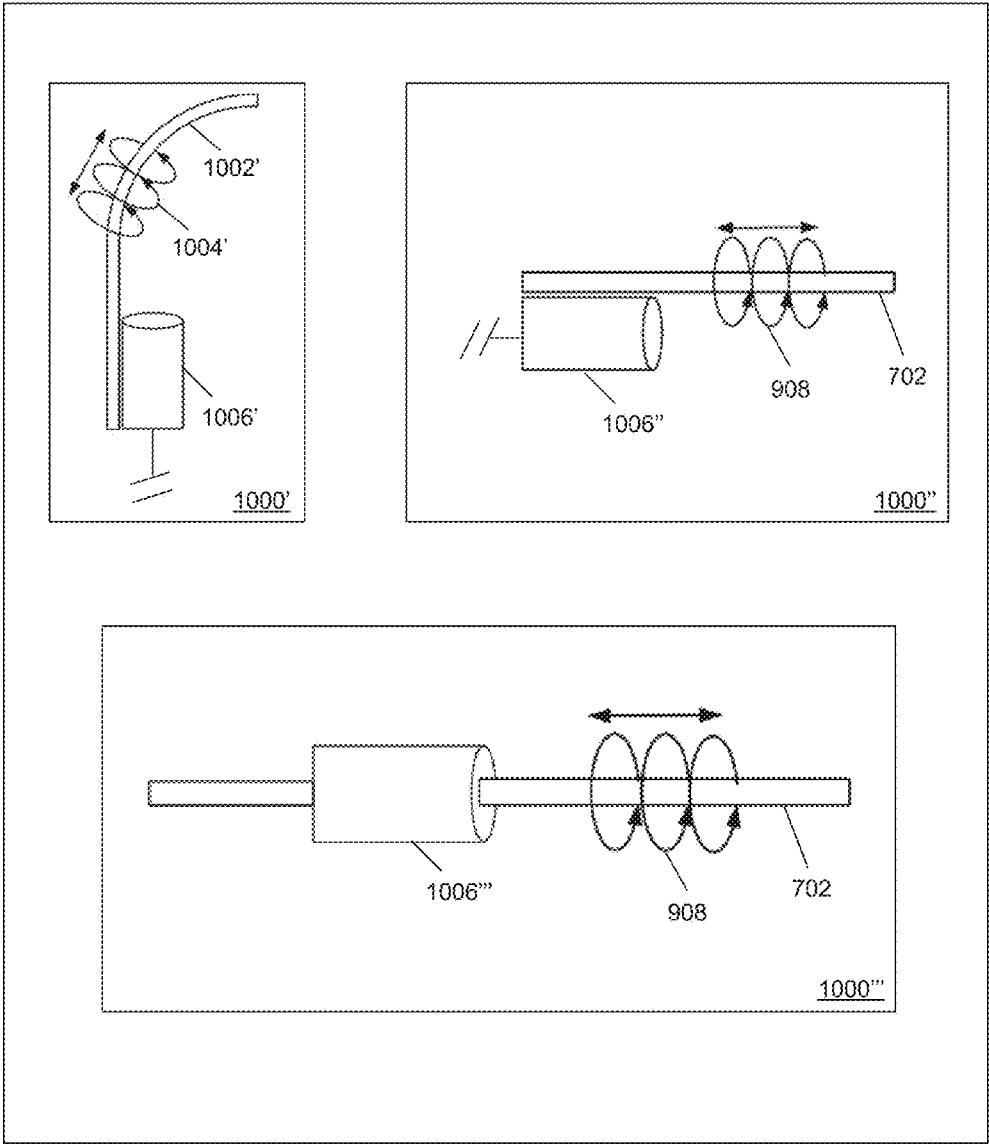
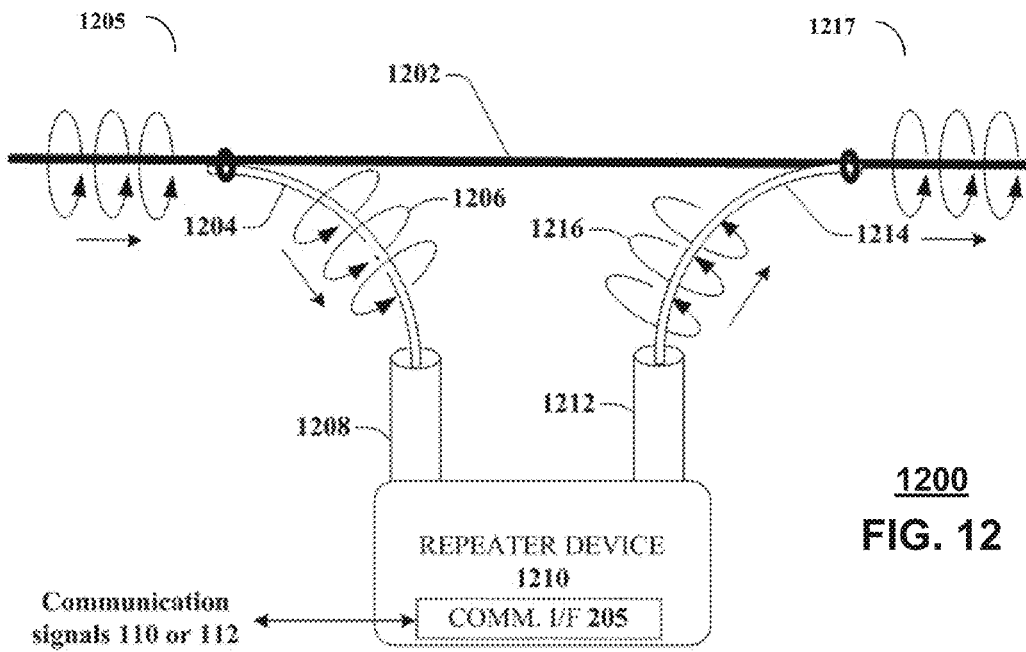
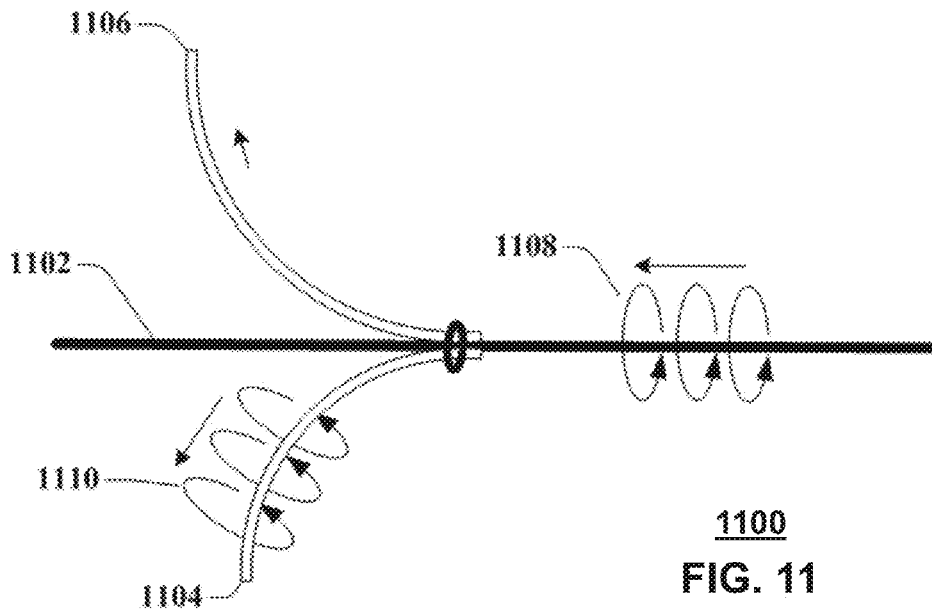
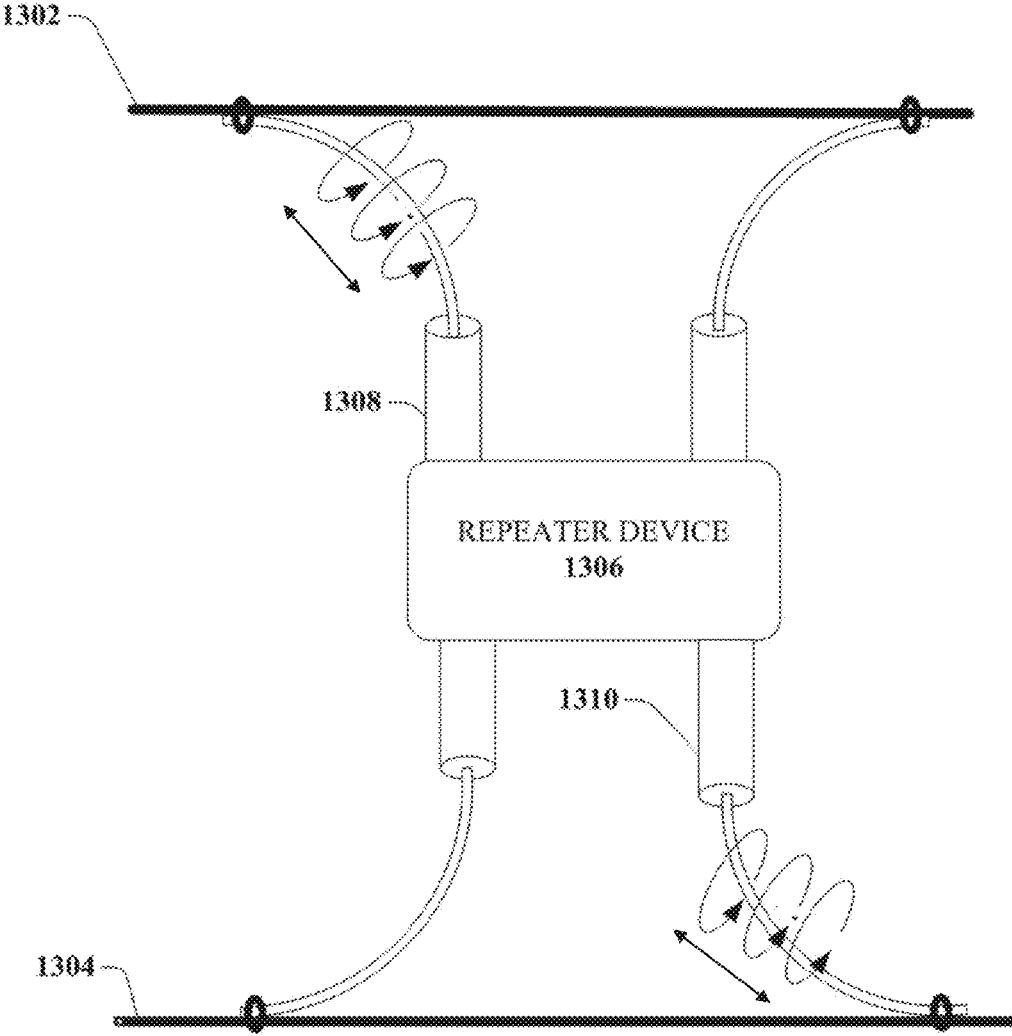
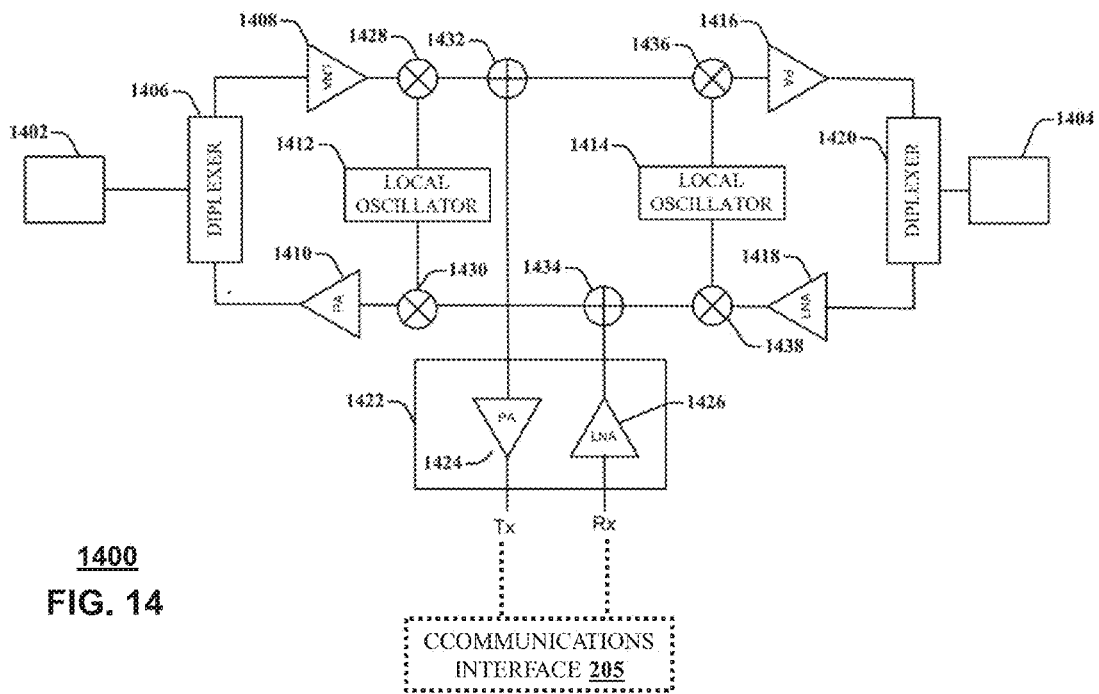


FIG. 10B

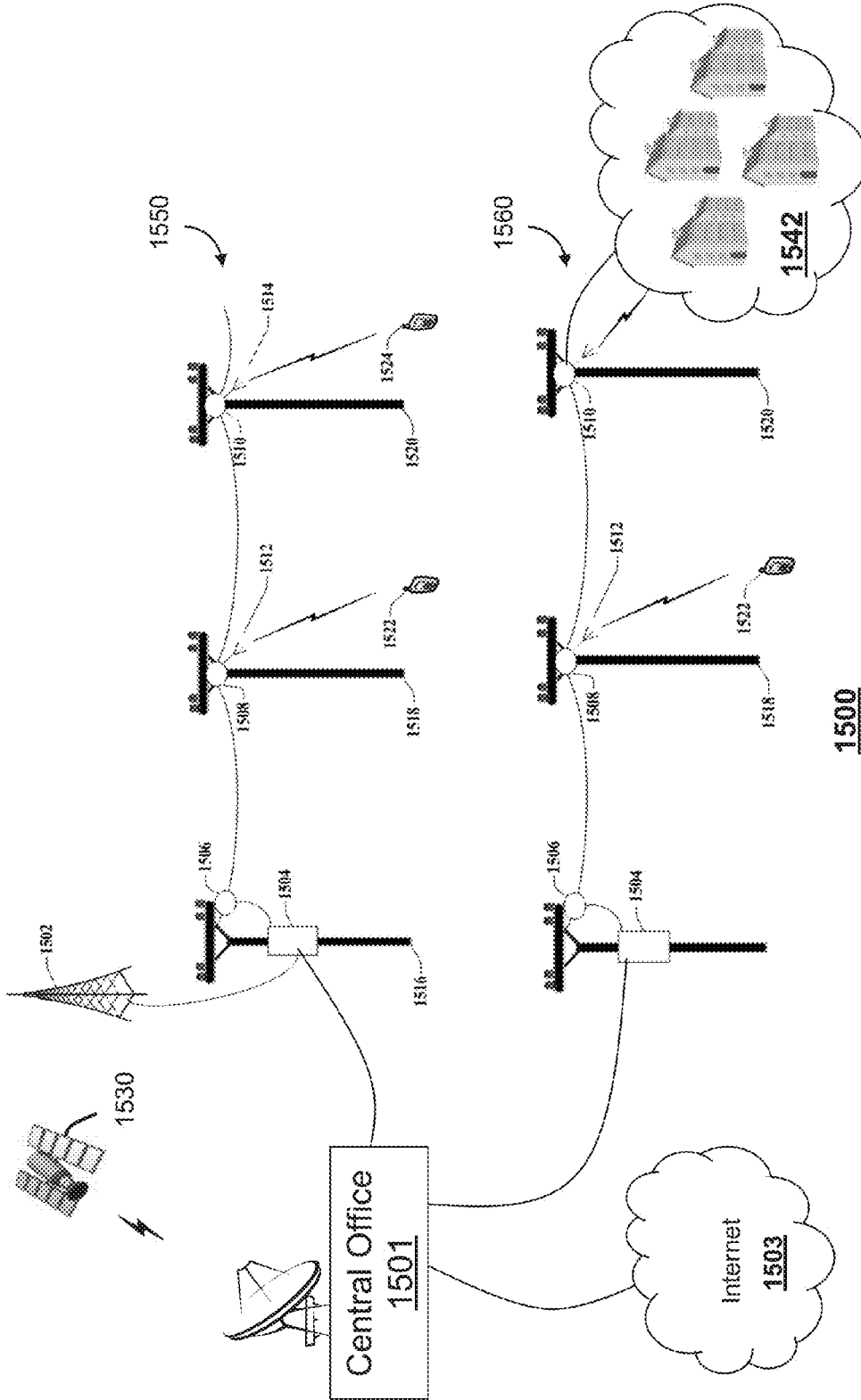




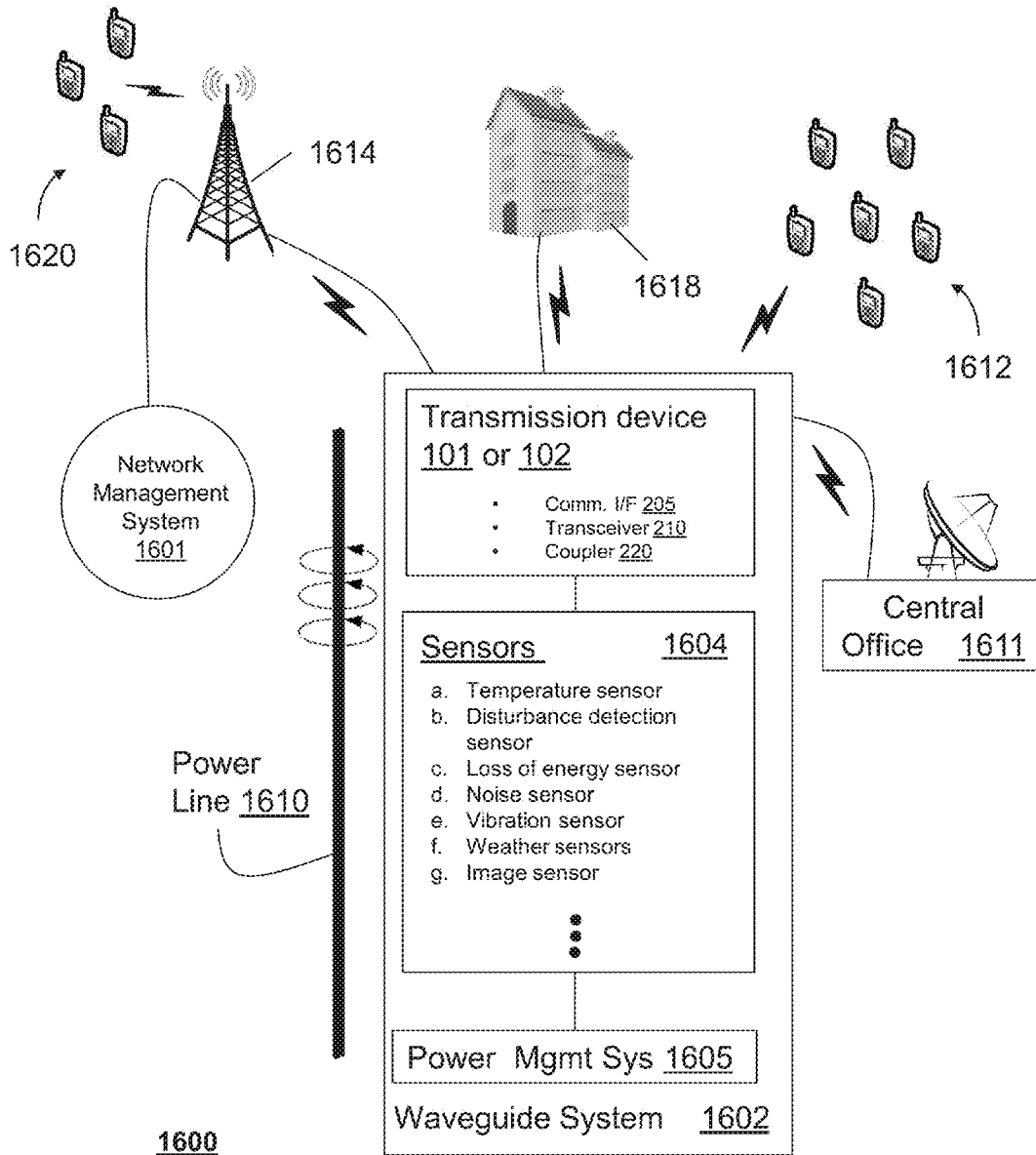
1300
FIG. 13



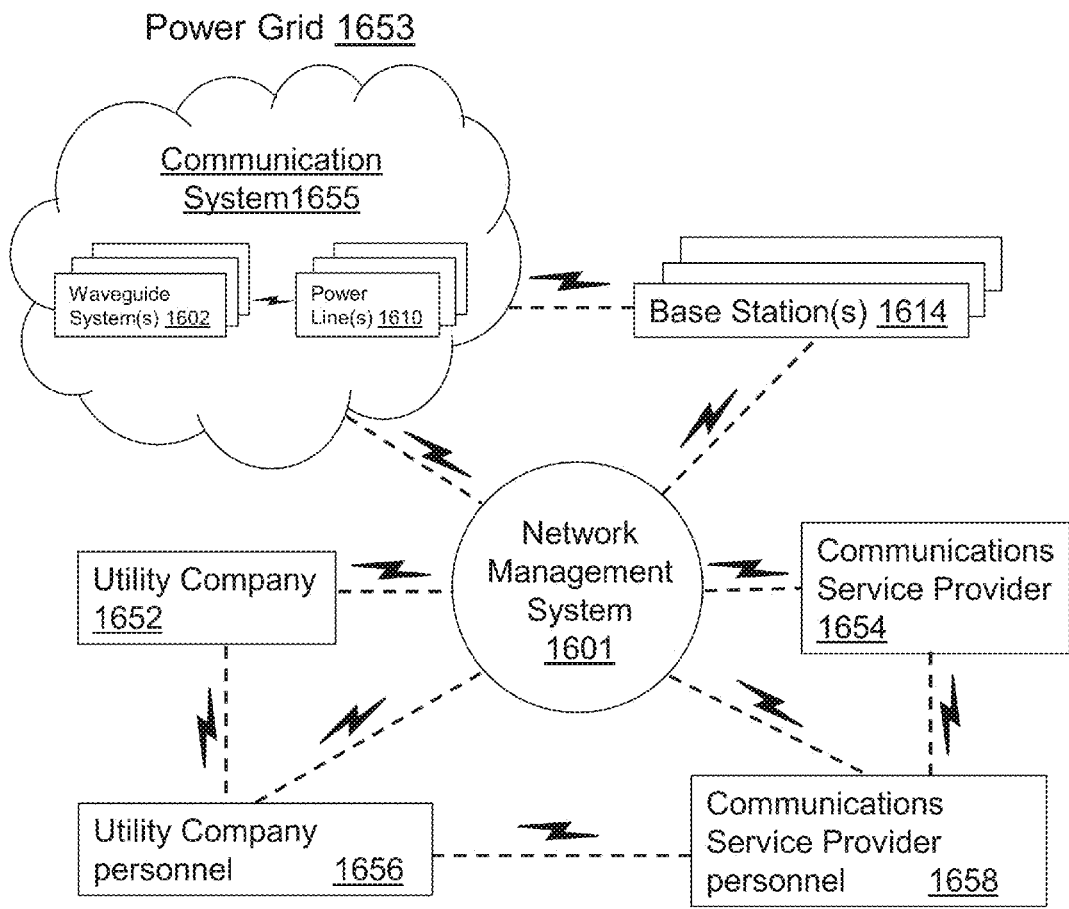
1400
FIG. 14



1500
FIG. 15

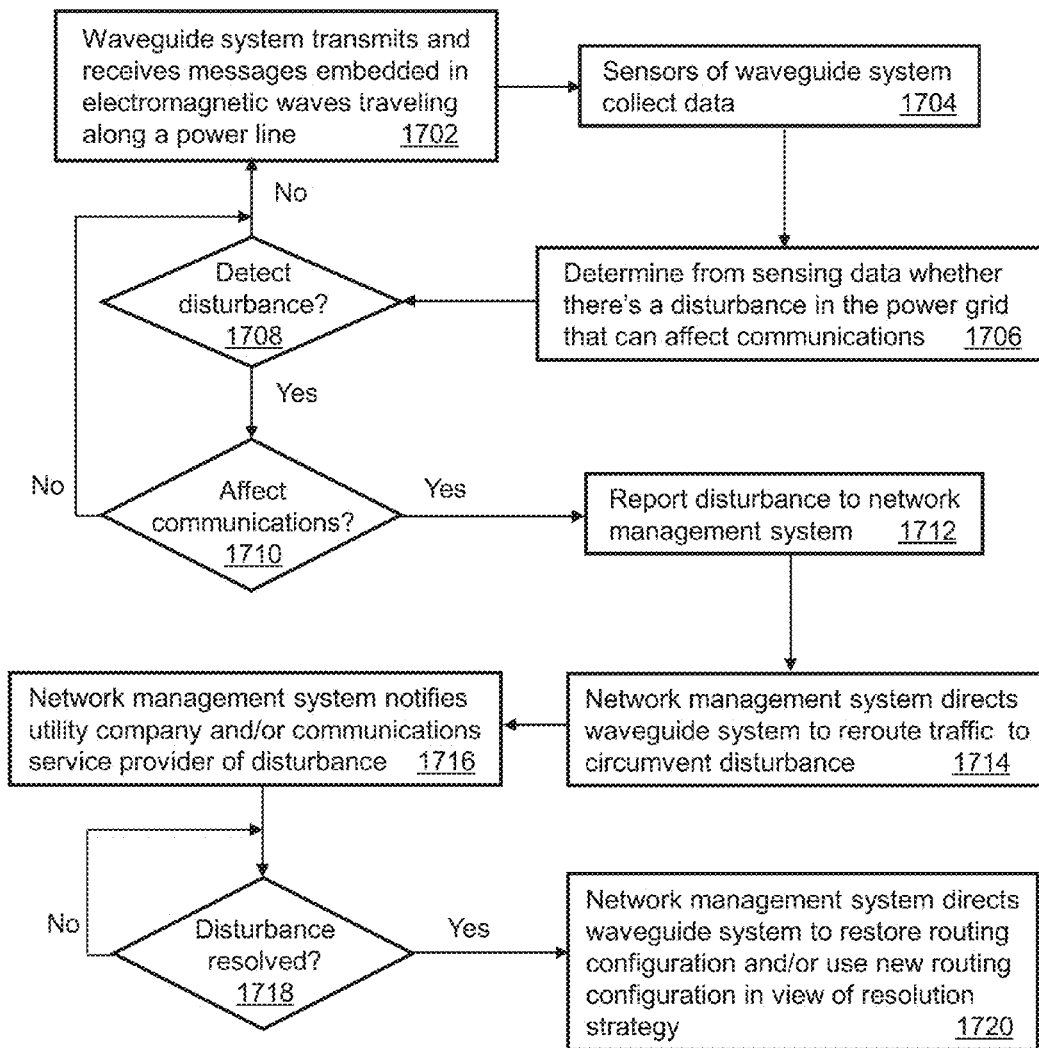


1600
FIG. 16A

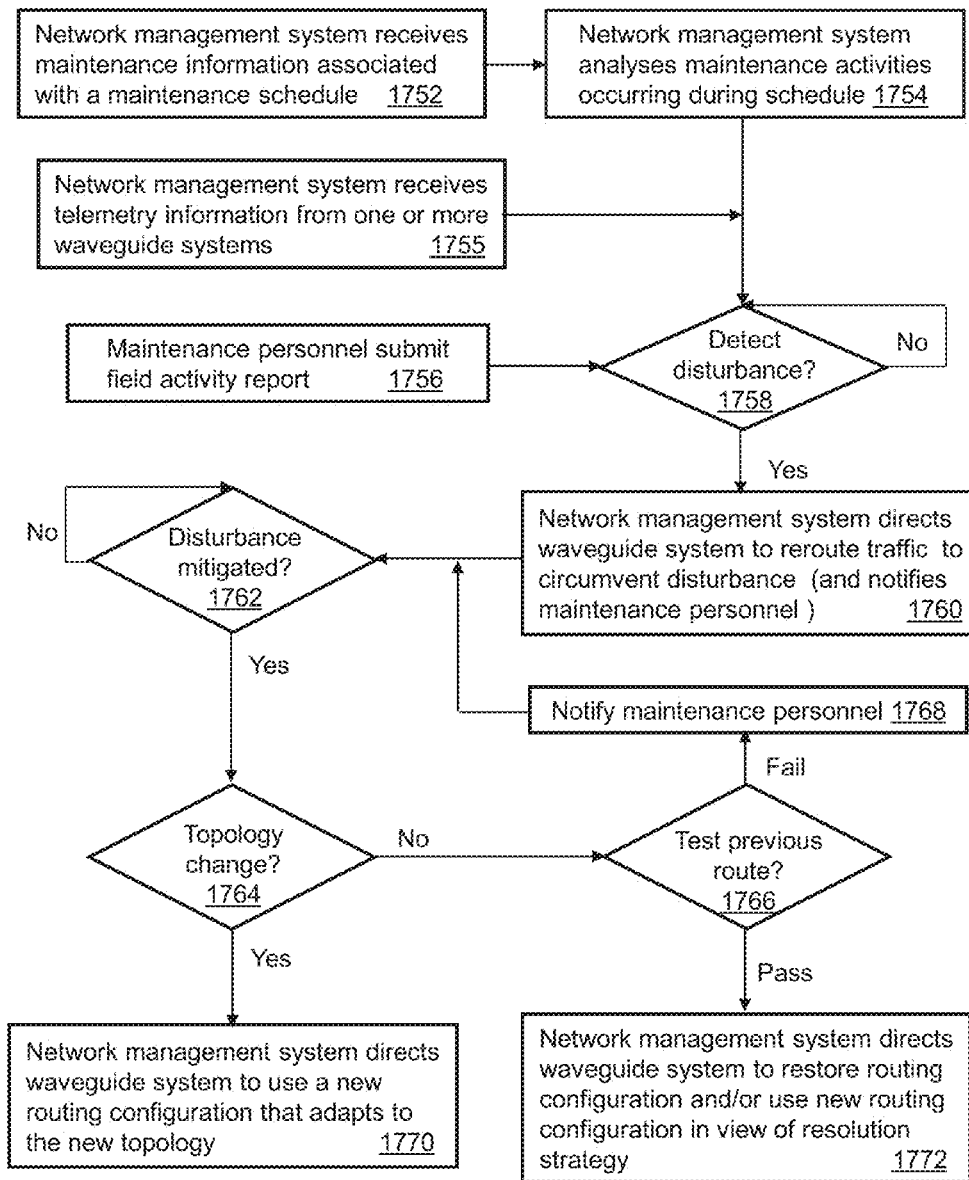


1650

FIG. 16B

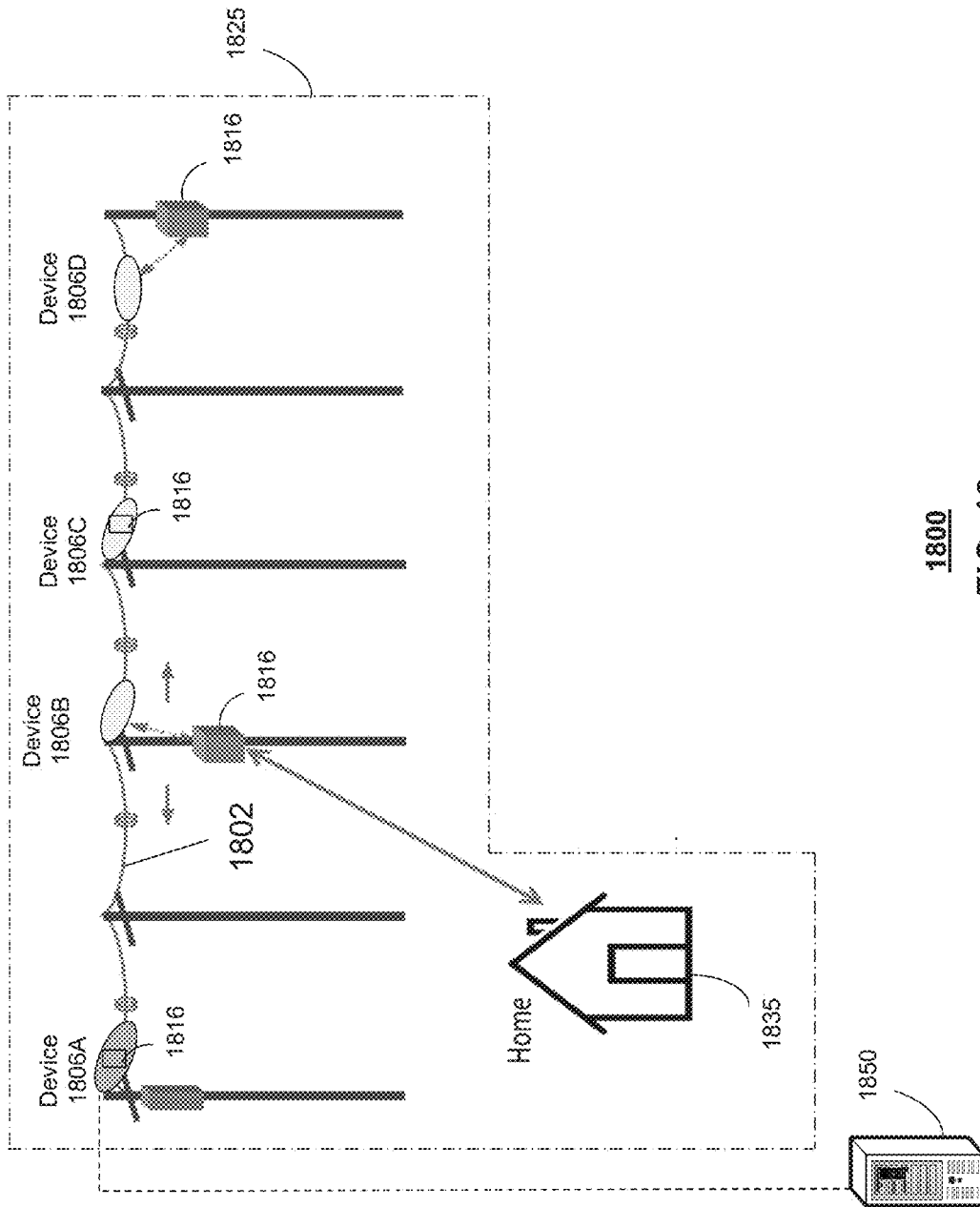


1700
FIG. 17A

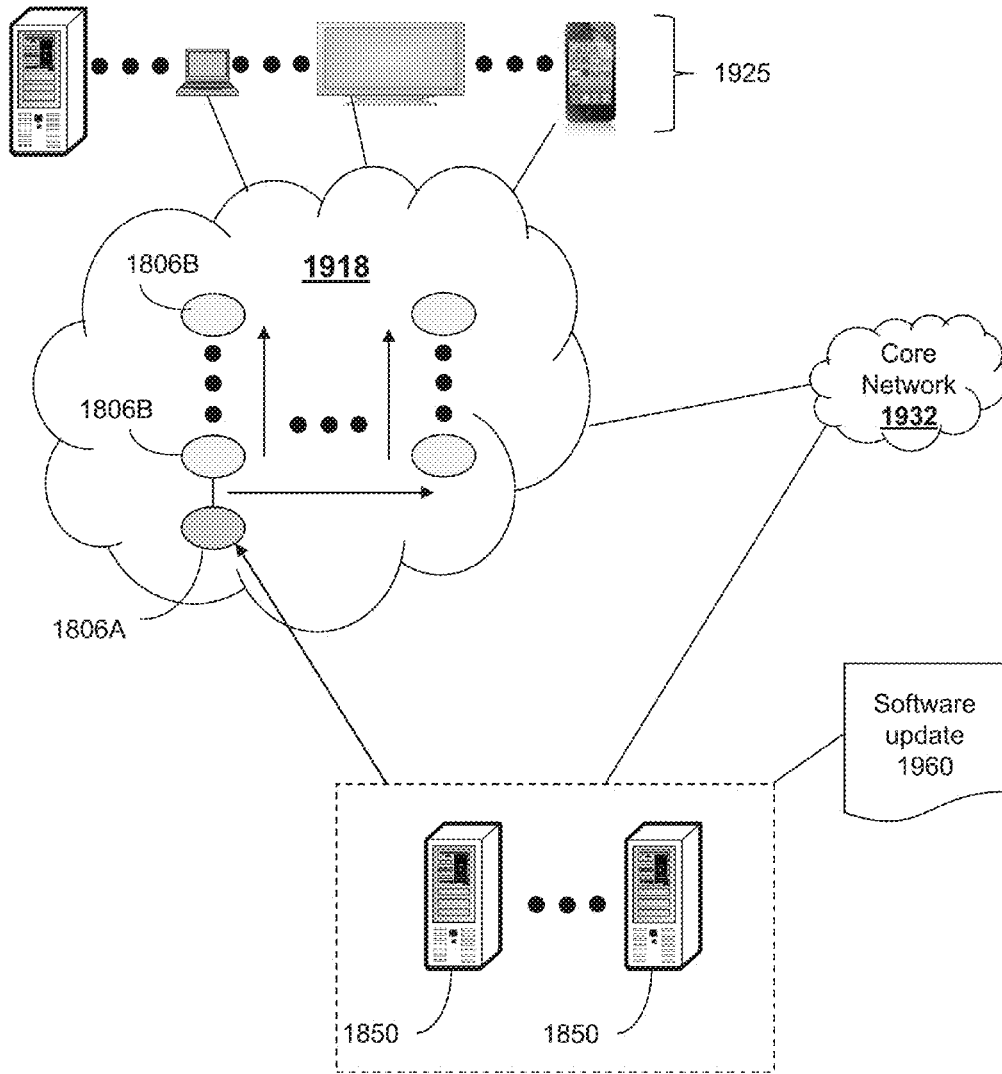


1750

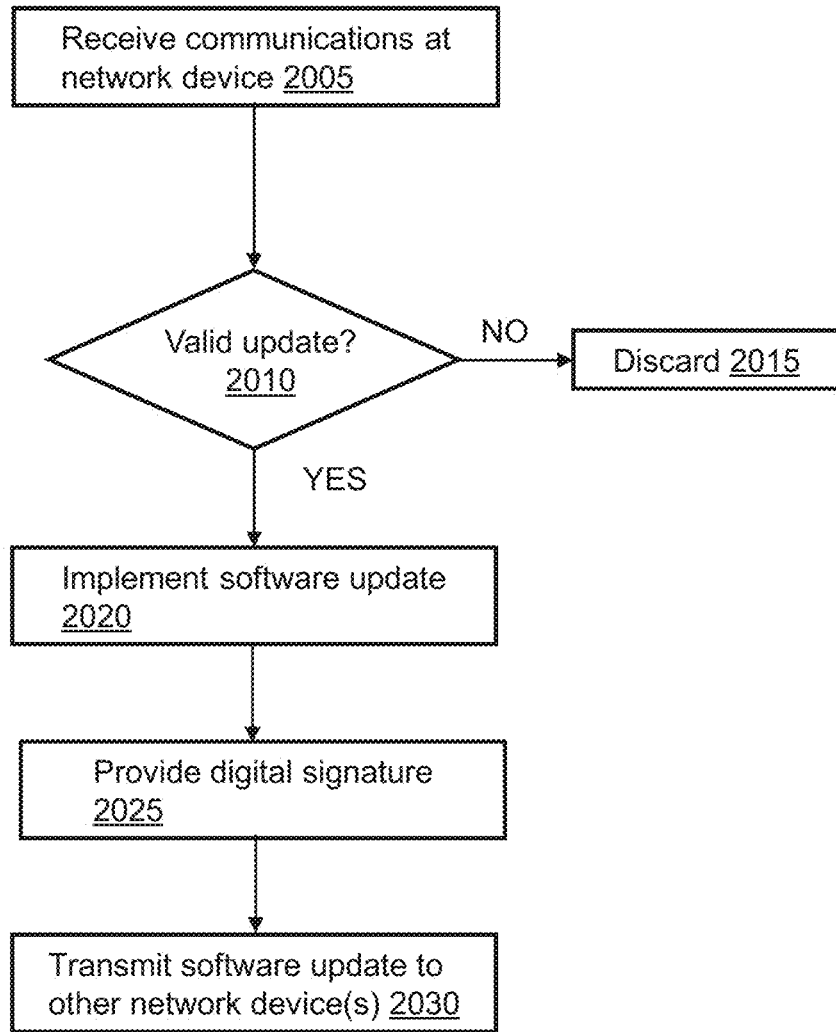
FIG. 17B



1800
FIG. 18



1900
FIG. 19



2000
FIG. 20

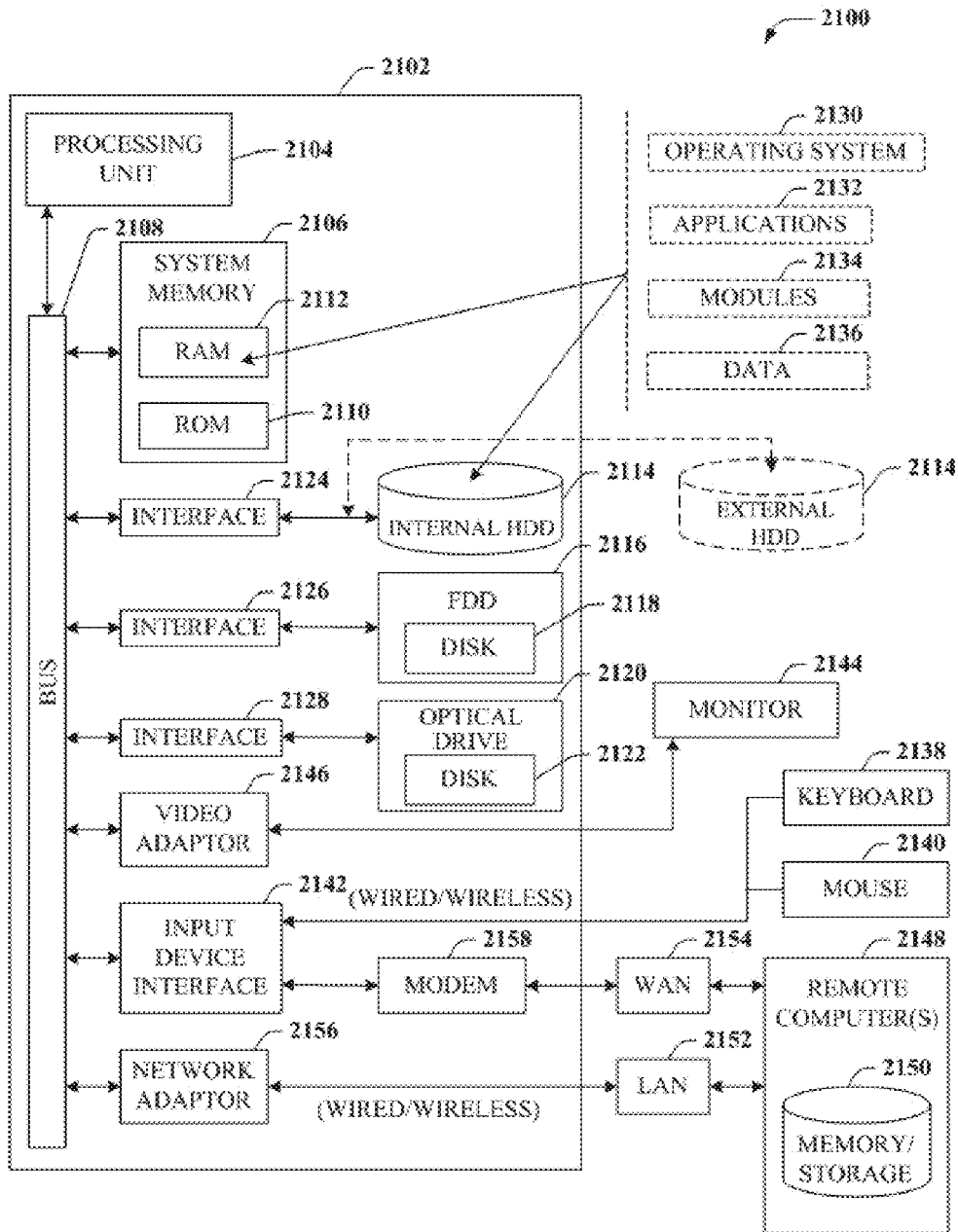


FIG. 21

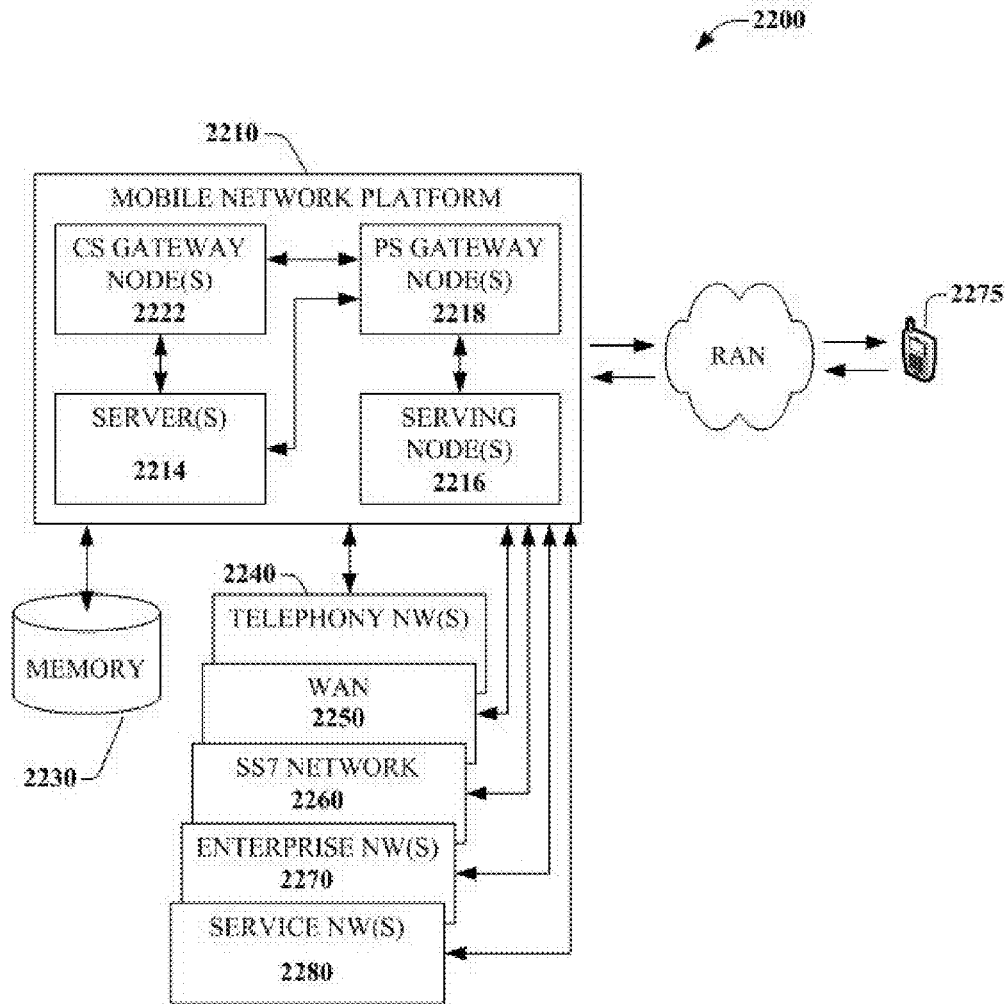
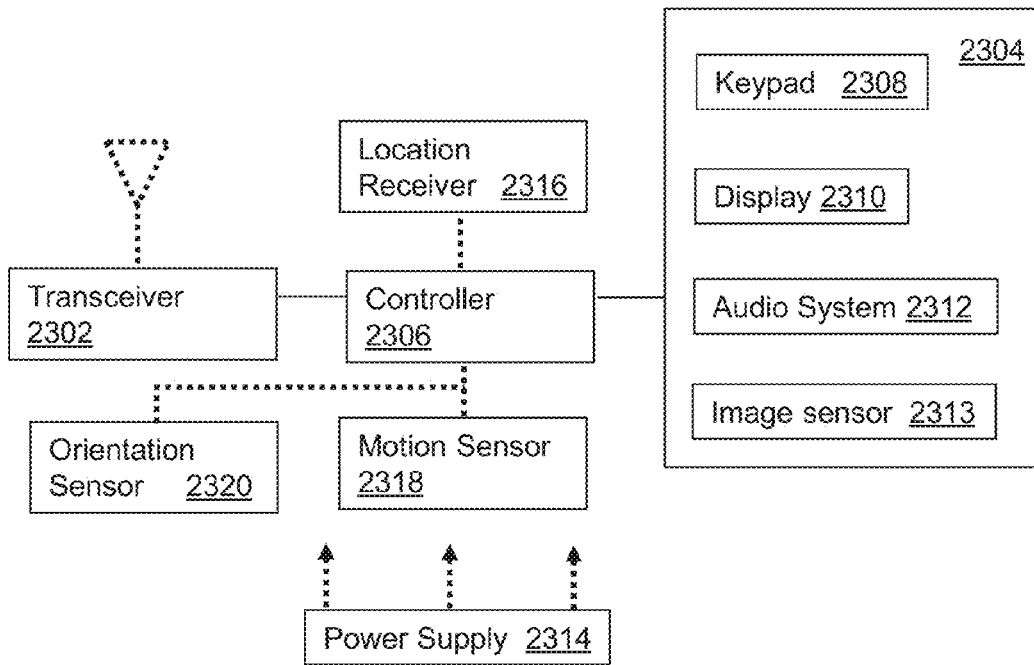


FIG. 22



2300

FIG. 23

1

METHOD AND APPARATUS FOR DISTRIBUTING SOFTWARE

FIELD OF THE DISCLOSURE

The subject disclosure relates to a method and apparatus for distributing software.

BACKGROUND

As smart phones and other portable devices increasingly become ubiquitous, and data usage increases, macrocell base station devices and existing wireless infrastructure in turn require higher bandwidth capability in order to address the increased demand. To provide additional mobile bandwidth, small cell deployment is being pursued, with microcells and picocells providing coverage for much smaller areas than traditional macrocells.

In addition, most homes and businesses have grown to rely on broadband data access for services such as voice, video and Internet browsing, etc. Broadband access networks include satellite, 4G or 5G wireless, power line communication, fiber, cable, and telephone networks.

BRIEF DESCRIPTION OF THE DRAWINGS

Reference will now be made to the accompanying drawings, which are not necessarily drawn to scale, and wherein:

FIG. 1 is a block diagram illustrating an example, non-limiting embodiment of a guided-wave communications system in accordance with various aspects described herein.

FIG. 2 is a block diagram illustrating an example, non-limiting embodiment of a transmission device in accordance with various aspects described herein.

FIG. 3 is a graphical diagram illustrating an example, non-limiting embodiment of an electromagnetic field distribution in accordance with various aspects described herein.

FIG. 4 is a graphical diagram illustrating an example, non-limiting embodiment of an electromagnetic field distribution in accordance with various aspects described herein.

FIG. 5A is a graphical diagram illustrating an example, non-limiting embodiment of a frequency response in accordance with various aspects described herein.

FIG. 5B is a graphical diagram illustrating example, non-limiting embodiments of a longitudinal cross-section of an insulated wire depicting fields of guided electromagnetic waves at various operating frequencies in accordance with various aspects described herein.

FIG. 6 is a graphical diagram illustrating an example, non-limiting embodiment of an electromagnetic field distribution in accordance with various aspects described herein.

FIG. 7 is a block diagram illustrating an example, non-limiting embodiment of an arc coupler in accordance with various aspects described herein.

FIG. 8 is a block diagram illustrating an example, non-limiting embodiment of an arc coupler in accordance with various aspects described herein.

FIG. 9A is a block diagram illustrating an example, non-limiting embodiment of a stub coupler in accordance with various aspects described herein.

FIG. 9B is a diagram illustrating an example, non-limiting embodiment of an electromagnetic distribution in accordance with various aspects described herein.

FIGS. 10A and 10B are block diagrams illustrating example, non-limiting embodiments of couplers and transceivers in accordance with various aspects described herein.

2

FIG. 11 is a block diagram illustrating an example, non-limiting embodiment of a dual stub coupler in accordance with various aspects described herein.

FIG. 12 is a block diagram illustrating an example, non-limiting embodiment of a repeater system in accordance with various aspects described herein.

FIG. 13 illustrates a block diagram illustrating an example, non-limiting embodiment of a bidirectional repeater in accordance with various aspects described herein.

FIG. 14 is a block diagram illustrating an example, non-limiting embodiment of a waveguide system in accordance with various aspects described herein.

FIG. 15 is a block diagram illustrating an example, non-limiting embodiment of a guided-wave communications system in accordance with various aspects described herein.

FIGS. 16A & 16B are block diagrams illustrating an example, non-limiting embodiment of a system for managing a power grid communication system in accordance with various aspects described herein.

FIG. 17A illustrates a flow diagram of an example, non-limiting embodiment of a method for detecting and mitigating disturbances occurring in a communication network of the system of FIGS. 16A and 16B.

FIG. 17B illustrates a flow diagram of an example, non-limiting embodiment of a method for detecting and mitigating disturbances occurring in a communication network of the system of FIGS. 16A and 16B.

FIG. 18 is a block diagram illustrating an example, non-limiting embodiment of a guided-wave communications system that implements a de-centralized software distribution process in accordance with various aspects described herein.

FIG. 19 illustrates a block diagram illustrating another example, non-limiting embodiment of a guided-wave communications system that implements a de-centralized software distribution process in accordance with various aspects described herein.

FIG. 20 illustrates a flow diagram of an example, non-limiting embodiment of a method of distributing software in accordance with various aspects described herein.

FIG. 21 is a block diagram of an example, non-limiting embodiment of a computing environment in accordance with various aspects described herein.

FIG. 22 is a block diagram of an example, non-limiting embodiment of a mobile network platform in accordance with various aspects described herein.

FIG. 23 is a block diagram of an example, non-limiting embodiment of a communication device in accordance with various aspects described herein.

DETAILED DESCRIPTION

One or more embodiments are now described with reference to the drawings, wherein like reference numerals are used to refer to like elements throughout. In the following description, for purposes of explanation, numerous details are set forth in order to provide a thorough understanding of the various embodiments. It is evident, however, that the various embodiments can be practiced without these details (and without applying to any particular networked environment or standard).

In an embodiment, a guided wave communication system is presented for sending and receiving communication signals such as data or other signaling via guided electromagnetic waves. The guided electromagnetic waves include, for

example, surface waves or other electromagnetic waves that are bound to or guided by a transmission medium. It will be appreciated that a variety of transmission media can be utilized with guided wave communications without departing from example embodiments. Examples of such transmission media can include one or more of the following, either alone or in one or more combinations: wires, whether insulated or not, and whether single-stranded or multi-stranded; conductors of other shapes or configurations including wire bundles, cables, rods, rails, pipes; non-conductors such as dielectric pipes, rods, rails, or other dielectric members; combinations of conductors and dielectric materials; or other guided wave transmission media.

The inducement of guided electromagnetic waves on a transmission medium can be independent of any electrical potential, charge or current that is injected or otherwise transmitted through the transmission medium as part of an electrical circuit. For example, in the case where the transmission medium is a wire, it is to be appreciated that while a small current in the wire may be formed in response to the propagation of the guided waves along the wire, this can be due to the propagation of the electromagnetic wave along the wire surface, and is not formed in response to electrical potential, charge or current that is injected into the wire as part of an electrical circuit. The electromagnetic waves traveling on the wire therefore do not require a circuit to propagate along the wire surface. The wire therefore is a single wire transmission line that is not part of a circuit. Also, in some embodiments, a wire is not necessary, and the electromagnetic waves can propagate along a single line transmission medium that is not a wire.

More generally, "guided electromagnetic waves" or "guided waves" as described by the subject disclosure are affected by the presence of a physical object that is at least a part of the transmission medium (e.g., a bare wire or other conductor, a dielectric, an insulated wire, a conduit or other hollow element, a bundle of insulated wires that is coated, covered or surrounded by a dielectric or insulator or other wire bundle, or another form of solid, liquid or otherwise non-gaseous transmission medium) so as to be at least partially bound to or guided by the physical object and so as to propagate along a transmission path of the physical object. Such a physical object can operate as at least a part of a transmission medium that guides, by way of an interface of the transmission medium (e.g., an outer surface, inner surface, an interior portion between the outer and the inner surfaces or other boundary between elements of the transmission medium), the propagation of guided electromagnetic waves, which in turn can carry energy, data and/or other signals along the transmission path from a sending device to a receiving device.

Unlike free space propagation of wireless signals such as unguided (or unbounded) electromagnetic waves that decrease in intensity inversely by the square of the distance traveled by the unguided electromagnetic waves, guided electromagnetic waves can propagate along a transmission medium with less loss in magnitude per unit distance than experienced by unguided electromagnetic waves.

Unlike electrical signals, guided electromagnetic waves can propagate from a sending device to a receiving device without requiring a separate electrical return path between the sending device and the receiving device. As a consequence, guided electromagnetic waves can propagate from a sending device to a receiving device along a transmission medium having no conductive components (e.g., a dielectric strip), or via a transmission medium having no more than a single conductor (e.g., a single bare wire or insulated wire).

Even if a transmission medium includes one or more conductive components and the guided electromagnetic waves propagating along the transmission medium generate currents that flow in the one or more conductive components in a direction of the guided electromagnetic waves, such guided electromagnetic waves can propagate along the transmission medium from a sending device to a receiving device without requiring a flow of opposing currents on an electrical return path between the sending device and the receiving device.

In a non-limiting illustration, consider electrical systems that transmit and receive electrical signals between sending and receiving devices by way of conductive media. Such systems generally rely on electrically separate forward and return paths. For instance, consider a coaxial cable having a center conductor and a ground shield that are separated by an insulator. Typically, in an electrical system a first terminal of a sending (or receiving) device can be connected to the center conductor, and a second terminal of the sending (or receiving) device can be connected to the ground shield. If the sending device injects an electrical signal in the center conductor via the first terminal, the electrical signal will propagate along the center conductor causing forward currents in the center conductor, and return currents in the ground shield. The same conditions apply for a two terminal receiving device.

In contrast, consider a guided wave communication system such as described in the subject disclosure, which can utilize different embodiments of a transmission medium (including among others a coaxial cable) for transmitting and receiving guided electromagnetic waves without an electrical return path. In one embodiment, for example, the guided wave communication system of the subject disclosure can be configured to induce guided electromagnetic waves that propagate along an outer surface of a coaxial cable. Although the guided electromagnetic waves will cause forward currents on the ground shield, the guided electromagnetic waves do not require return currents to enable the guided electromagnetic waves to propagate along the outer surface of the coaxial cable. The same can be said of other transmission media used by a guided wave communication system for the transmission and reception of guided electromagnetic waves. For example, guided electromagnetic waves induced by the guided wave communication system on an outer surface of a bare wire, or an insulated wire can propagate along the bare wire or the insulated bare wire without an electrical return path.

Consequently, electrical systems that require two or more conductors for carrying forward and reverse currents on separate conductors to enable the propagation of electrical signals injected by a sending device are distinct from guided wave systems that induce guided electromagnetic waves on an interface of a transmission medium without the need of an electrical return path to enable the propagation of the guided electromagnetic waves along the interface of the transmission medium.

It is further noted that guided electromagnetic waves as described in the subject disclosure can have an electromagnetic field structure that lies primarily or substantially outside of a transmission medium so as to be bound to or guided by the transmission medium and so as to propagate non-trivial distances on or along an outer surface of the transmission medium. In other embodiments, guided electromagnetic waves can have an electromagnetic field structure that lies primarily or substantially inside a transmission medium so as to be bound to or guided by the transmission medium and so as to propagate non-trivial distances within the

5

transmission medium. In other embodiments, guided electromagnetic waves can have an electromagnetic field structure that lies partially inside and partially outside a transmission medium so as to be bound to or guided by the transmission medium and so as to propagate non-trivial distances along the transmission medium. The desired electronic field structure in an embodiment may vary based upon a variety of factors, including the desired transmission distance, the characteristics of the transmission medium itself, and environmental conditions/characteristics outside of the transmission medium (e.g., presence of rain, fog, atmospheric conditions, etc.).

Various embodiments described herein relate to coupling devices, that can be referred to as “waveguide coupling devices”, “waveguide couplers” or more simply as “couplers”, “coupling devices” or “launchers” for launching and/or extracting guided electromagnetic waves to and from a transmission medium at millimeter-wave frequencies (e.g., 30 to 300 GHz), wherein the wavelength can be small compared to one or more dimensions of the coupling device and/or the transmission medium such as the circumference of a wire or other cross sectional dimension, or lower microwave frequencies such as 300 MHz to 30 GHz. Transmissions can be generated to propagate as waves guided by a coupling device, such as: a strip, arc or other length of dielectric material; a horn, monopole, rod, slot or other antenna; an array of antennas; a magnetic resonant cavity, or other resonant coupler; a coil, a strip line, a waveguide or other coupling device. In operation, the coupling device receives an electromagnetic wave from a transmitter or transmission medium. The electromagnetic field structure of the electromagnetic wave can be carried inside the coupling device, outside the coupling device or some combination thereof. When the coupling device is in close proximity to a transmission medium, at least a portion of an electromagnetic wave couples to or is bound to the transmission medium, and continues to propagate as guided electromagnetic waves. In a reciprocal fashion, a coupling device can extract guided waves from a transmission medium and transfer these electromagnetic waves to a receiver.

According to an example embodiment, a surface wave is a type of guided wave that is guided by a surface of a transmission medium, such as an exterior or outer surface of the wire, or another surface of the wire that is adjacent to or exposed to another type of medium having different properties (e.g., dielectric properties). Indeed, in an example embodiment, a surface of the wire that guides a surface wave can represent a transitional surface between two different types of media. For example, in the case of a bare or uninsulated wire, the surface of the wire can be the outer or exterior conductive surface of the bare or uninsulated wire that is exposed to air or free space. As another example, in the case of insulated wire, the surface of the wire can be the conductive portion of the wire that meets the insulator portion of the wire, or can otherwise be the insulator surface of the wire that is exposed to air or free space, or can otherwise be any material region between the insulator surface of the wire and the conductive portion of the wire that meets the insulator portion of the wire, depending upon the relative differences in the properties (e.g., dielectric properties) of the insulator, air, and/or the conductor and further dependent on the frequency and propagation mode or modes of the guided wave.

According to an example embodiment, the term “about” a wire or other transmission medium used in conjunction with a guided wave can include fundamental guided wave propagation modes such as a guided waves having a circular

6

or substantially circular field distribution, a symmetrical electromagnetic field distribution (e.g., electric field, magnetic field, electromagnetic field, etc.) or other fundamental mode pattern at least partially around a wire or other transmission medium. In addition, when a guided wave propagates “about” a wire or other transmission medium, it can do so according to a guided wave propagation mode that includes not only the fundamental wave propagation modes (e.g., zero order modes), but additionally or alternatively non-fundamental wave propagation modes such as higher-order guided wave modes (e.g., 1st order modes, 2nd order modes, etc.), asymmetrical modes and/or other guided (e.g., surface) waves that have non-circular field distributions around a wire or other transmission medium. As used herein, the term “guided wave mode” refers to a guided wave propagation mode of a transmission medium, coupling device or other system component of a guided wave communication system.

For example, such non-circular field distributions can be unilateral or multi-lateral with one or more axial lobes characterized by relatively higher field strength and/or one or more nulls or null regions characterized by relatively low-field strength, zero-field strength or substantially zero-field strength. Further, the field distribution can otherwise vary as a function of azimuthal orientation around the wire such that one or more angular regions around the wire have an electric or magnetic field strength (or combination thereof) that is higher than one or more other angular regions of azimuthal orientation, according to an example embodiment. It will be appreciated that the relative orientations or positions of the guided wave higher order modes or asymmetrical modes can vary as the guided wave travels along the wire.

As used herein, the term “millimeter-wave” can refer to electromagnetic waves/signals that fall within the “millimeter-wave frequency band” of 30 GHz to 300 GHz. The term “microwave” can refer to electromagnetic waves/signals that fall within a “microwave frequency band” of 300 MHz to 300 GHz. The term “radio frequency” or “RF” can refer to electromagnetic waves/signals that fall within the “radio frequency band” of 10 kHz to 1 THz. It is appreciated that wireless signals, electrical signals, and guided electromagnetic waves as described in the subject disclosure can be configured to operate at any desirable frequency range, such as, for example, at frequencies within, above or below millimeter-wave and/or microwave frequency bands. In particular, when a coupling device or transmission medium includes a conductive element, the frequency of the guided electromagnetic waves that are carried by the coupling device and/or propagate along the transmission medium can be below the mean collision frequency of the electrons in the conductive element. Further, the frequency of the guided electromagnetic waves that are carried by the coupling device and/or propagate along the transmission medium can be a non-optical frequency, e.g. a radio frequency below the range of optical frequencies that begins at 1 THz.

As used herein, the term “antenna” can refer to a device that is part of a transmitting or receiving system to transmit/radiate or receive wireless signals.

In accordance with one or more embodiments, a waveguide system includes a processor and a memory that stores executable instructions that, when executed by the processor, facilitate performance of operations, including receiving, from a second waveguide system, first electromagnetic waves via a transmission medium, where the first electromagnetic waves are guided by the transmission medium without utilizing an electrical return path, where the first

electromagnetic waves have a non-optical frequency range, where the first electromagnetic waves convey data, where the data comprises a software, and where the software is received by the waveguide system from the second waveguide system without being received directly from a network source server that originated the software. The waveguide system can adjust operations at the waveguide system according to the software. In one embodiment, the waveguide system can also transmit, to a third waveguide system, second electromagnetic waves via the transmission medium, where the second electromagnetic waves are guided by the transmission medium without utilizing the electrical return path, where the second electromagnetic waves have the non-optical frequency range, and where the second electromagnetic waves convey the data.

In accordance with one or more embodiments, a method includes authenticating, by a first network device, a second network device according to authentication information received from the second network device. The method includes responsive to an authentication of the second network device, receiving, by the first network device from the second network device, a software; and adjusting operations at the first network device according to the software. The method includes providing, by the first network device, a digital signature to the software to generate an adjusted software, where the digital signature indicates that the first network device has received the software. The method includes transmitting, to a third network device, the adjusted software.

In accordance with one or more embodiments, a machine-readable storage device includes instructions, which when executed by a processor of a network device cause the processor to perform operations including monitoring for an expiration of software operating at the first network device and, responsive to a determination that the software has expired, transmitting update requests to a group of network devices. The processor can, responsive to the update requests, receive first and second softwares from the group of network devices. The processor can compare the first and second software. The processor can, responsive to a determination that the first software is a later version than the second software, adjust operations at the first network device according to the first software. The transmitting of the update requests does not include providing the update requests to a network source server that originated the first software.

Referring now to FIG. 1, a block diagram **100** illustrating an example, non-limiting embodiment of a guided wave communications system is shown. In operation, a transmission device **101** receives one or more communication signals **110** from a communication network or other communications device that includes data and generates guided waves **120** to convey the data via the transmission medium **125** to the transmission device **102**. The transmission device **102** receives the guided waves **120** and converts them to communication signals **112** that include the data for transmission to a communications network or other communications device. The guided waves **120** can be modulated to convey data via a modulation technique such as phase shift keying, frequency shift keying, quadrature amplitude modulation, amplitude modulation, multi-carrier modulation such as orthogonal frequency division multiplexing and via multiple access techniques such as frequency division multiplexing, time division multiplexing, code division multiplexing, multiplexing via differing wave propagation modes and via other modulation and access strategies.

The communication network or networks can include a wireless communication network such as a mobile data network, a cellular voice and data network, a wireless local area network (e.g., WiFi or an 802.xx network), a satellite communications network, a personal area network or other wireless network. The communication network or networks can also include a wired communication network such as a telephone network, an Ethernet network, a local area network, a wide area network such as the Internet, a broadband access network, a cable network, a fiber optic network, or other wired network. The communication devices can include a network edge device, bridge device or home gateway, a set-top box, broadband modem, telephone adapter, access point, base station, or other fixed communication device, a mobile communication device such as an automotive gateway or automobile, laptop computer, tablet, smartphone, cellular telephone, or other communication device.

In an example embodiment, the guided wave communication system **100** can operate in a bi-directional fashion where transmission device **102** receives one or more communication signals **112** from a communication network or device that includes other data and generates guided waves **122** to convey the other data via the transmission medium **125** to the transmission device **101**. In this mode of operation, the transmission device **101** receives the guided waves **122** and converts them to communication signals **110** that include the other data for transmission to a communications network or device. The guided waves **122** can be modulated to convey data via a modulation technique such as phase shift keying, frequency shift keying, quadrature amplitude modulation, amplitude modulation, multi-carrier modulation such as orthogonal frequency division multiplexing and via multiple access techniques such as frequency division multiplexing, time division multiplexing, code division multiplexing, multiplexing via differing wave propagation modes and via other modulation and access strategies.

The transmission medium **125** can include a cable having at least one inner portion surrounded by a dielectric material such as an insulator or other dielectric cover, coating or other dielectric material, the dielectric material having an outer surface and a corresponding circumference. In an example embodiment, the transmission medium **125** operates as a single-wire transmission line to guide the transmission of an electromagnetic wave. When the transmission medium **125** is implemented as a single wire transmission system, it can include a wire. The wire can be insulated or uninsulated, and single-stranded or multi-stranded (e.g., braided). In other embodiments, the transmission medium **125** can contain conductors of other shapes or configurations including wire bundles, cables, rods, rails, pipes. In addition, the transmission medium **125** can include non-conductors such as dielectric pipes, rods, rails, or other dielectric members; combinations of conductors and dielectric materials, conductors without dielectric materials or other guided wave transmission media. It should be noted that the transmission medium **125** can otherwise include any of the transmission media previously discussed.

Further, as previously discussed, the guided waves **120** and **122** can be contrasted with radio transmissions over free space/air or conventional propagation of electrical power or signals through the conductor of a wire via an electrical circuit. In addition to the propagation of guided waves **120** and **122**, the transmission medium **125** may optionally contain one or more wires that propagate electrical power or other communication signals in a conventional manner as a part of one or more electrical circuits.

Referring now to FIG. 2, a block diagram 200 illustrating an example, non-limiting embodiment of a transmission device is shown. The transmission device 101 or 102 includes a communications interface (I/F) 205, a transceiver 210 and a coupler 220.

In an example of operation, the communications interface 205 receives a communication signal 110 or 112 that includes data. In various embodiments, the communications interface 205 can include a wireless interface for receiving a wireless communication signal in accordance with a wireless standard protocol such as LTE or other cellular voice and data protocol, WiFi or an 802.11 protocol, WIMAX protocol, Ultra Wideband protocol, Bluetooth protocol, Zigbee protocol, a direct broadcast satellite (DBS) or other satellite communication protocol or other wireless protocol. In addition or in the alternative, the communications interface 205 includes a wired interface that operates in accordance with an Ethernet protocol, universal serial bus (USB) protocol, a data over cable service interface specification (DOCSIS) protocol, a digital subscriber line (DSL) protocol, a Firewire (IEEE 1394) protocol, or other wired protocol. In addition to standards-based protocols, the communications interface 205 can operate in conjunction with other wired or wireless protocol. In addition, the communications interface 205 can optionally operate in conjunction with a protocol stack that includes multiple protocol layers including a MAC protocol, transport protocol, application protocol, etc.

In an example of operation, the transceiver 210 generates an electromagnetic wave based on the communication signal 110 or 112 to convey the data. The electromagnetic wave has at least one carrier frequency and at least one corresponding wavelength. The carrier frequency can be within a millimeter-wave frequency band of 30 GHz-300 GHz, such as 60 GHz or a carrier frequency in the range of 30-40 GHz or a lower frequency band of 300 MHz-30 GHz in the microwave frequency range such as 26-30 GHz, 11 GHz, 6 GHz or 3 GHz, but it will be appreciated that other carrier frequencies are possible in other embodiments. In one mode of operation, the transceiver 210 merely upconverts the communications signal or signals 110 or 112 for transmission of the electromagnetic signal in the microwave or millimeter-wave band as a guided electromagnetic wave that is guided by or bound to the transmission medium 125. In another mode of operation, the communications interface 205 either converts the communication signal 110 or 112 to a baseband or near baseband signal or extracts the data from the communication signal 110 or 112 and the transceiver 210 modulates a high-frequency carrier with the data, the baseband or near baseband signal for transmission. It should be appreciated that the transceiver 210 can modulate the data received via the communication signal 110 or 112 to preserve one or more data communication protocols of the communication signal 110 or 112 either by encapsulation in the payload of a different protocol or by simple frequency shifting. In the alternative, the transceiver 210 can otherwise translate the data received via the communication signal 110 or 112 to a protocol that is different from the data communication protocol or protocols of the communication signal 110 or 112.

In an example of operation, the coupler 220 couples the electromagnetic wave to the transmission medium 125 as a guided electromagnetic wave to convey the communications signal or signals 110 or 112. While the prior description has focused on the operation of the transceiver 210 as a transmitter, the transceiver 210 can also operate to receive electromagnetic waves that convey other data from the

single wire transmission medium via the coupler 220 and to generate communications signals 110 or 112, via communications interface 205 that includes the other data. Consider embodiments where an additional guided electromagnetic wave conveys other data that also propagates along the transmission medium 125. The coupler 220 can also couple this additional electromagnetic wave from the transmission medium 125 to the transceiver 210 for reception.

The transmission device 101 or 102 includes an optional training controller 230. In an example embodiment, the training controller 230 is implemented by a standalone processor or a processor that is shared with one or more other components of the transmission device 101 or 102. The training controller 230 selects the carrier frequencies, modulation schemes and/or guided wave modes for the guided electromagnetic waves based on feedback data received by the transceiver 210 from at least one remote transmission device coupled to receive the guided electromagnetic wave.

In an example embodiment, a guided electromagnetic wave transmitted by a remote transmission device 101 or 102 conveys data that also propagates along the transmission medium 125. The data from the remote transmission device 101 or 102 can be generated to include the feedback data. In operation, the coupler 220 also couples the guided electromagnetic wave from the transmission medium 125 and the transceiver receives the electromagnetic wave and processes the electromagnetic wave to extract the feedback data.

In an example embodiment, the training controller 230 operates based on the feedback data to evaluate a plurality of candidate frequencies, modulation schemes and/or transmission modes to select a carrier frequency, modulation scheme and/or transmission mode to enhance performance, such as throughput, signal strength, reduce propagation loss, etc.

Consider the following example: a transmission device 101 begins operation under control of the training controller 230 by sending a plurality of guided waves as test signals such as pilot waves or other test signals at a corresponding plurality of candidate frequencies and/or candidate modes directed to a remote transmission device 102 coupled to the transmission medium 125. The guided waves can include, in addition or in the alternative, test data. The test data can indicate the particular candidate frequency and/or guided-wave mode of the signal. In an embodiment, the training controller 230 at the remote transmission device 102 receives the test signals and/or test data from any of the guided waves that were properly received and determines the best candidate frequency and/or guided wave mode, a set of acceptable candidate frequencies and/or guided wave modes, or a rank ordering of candidate frequencies and/or guided wave modes. This selection of candidate frequenc(ies) or/and guided-mode(s) are generated by the training controller 230 based on one or more optimizing criteria such as received signal strength, bit error rate, packet error rate, signal to noise ratio, propagation loss, etc. The training controller 230 generates feedback data that indicates the selection of candidate frequenc(ies) or/and guided wave mode(s) and sends the feedback data to the transceiver 210 for transmission to the transmission device 101. The transmission device 101 and 102 can then communicate data with one another based on the selection of candidate frequenc(ies) or/and guided wave mode(s).

In other embodiments, the guided electromagnetic waves that contain the test signals and/or test data are reflected back, repeated back or otherwise looped back by the remote transmission device 102 to the transmission device 101 for

reception and analysis by the training controller **230** of the transmission device **101** that initiated these waves. For example, the transmission device **101** can send a signal to the remote transmission device **102** to initiate a test mode where a physical reflector is switched on the line, a termination impedance is changed to cause reflections, a loop back mode is switched on to couple electromagnetic waves back to the source transmission device **102**, and/or a repeater mode is enabled to amplify and retransmit the electromagnetic waves back to the source transmission device **102**. The training controller **230** at the source transmission device **102** receives the test signals and/or test data from any of the guided waves that were properly received and determines selection of candidate frequency(ies) or/and guided wave mode(s).

While the procedure above has been described in a start-up or initialization mode of operation, each transmission device **101** or **102** can send test signals, evaluate candidate frequencies or guided wave modes via non-test such as normal transmissions or otherwise evaluate candidate frequencies or guided wave modes at other times or continuously as well. In an example embodiment, the communication protocol between the transmission devices **101** and **102** can include an on-request or periodic test mode where either full testing or more limited testing of a subset of candidate frequencies and guided wave modes are tested and evaluated. In other modes of operation, the re-entry into such a test mode can be triggered by a degradation of performance due to a disturbance, weather conditions, etc. In an example embodiment, the receiver bandwidth of the transceiver **210** is either sufficiently wide or swept to receive all candidate frequencies or can be selectively adjusted by the training controller **230** to a training mode where the receiver bandwidth of the transceiver **210** is sufficiently wide or swept to receive all candidate frequencies.

Referring now to FIG. 3, a graphical diagram **300** illustrating an example, non-limiting embodiment of an electromagnetic field distribution is shown. In this embodiment, a transmission medium **125** in air includes an inner conductor **301** and an insulating jacket **302** of dielectric material, as shown in cross section. The diagram **300** includes different gray-scales that represent differing electromagnetic field strengths generated by the propagation of the guided wave having an asymmetrical and non-fundamental guided wave mode.

In particular, the electromagnetic field distribution corresponds to a modal “sweet spot” that enhances guided electromagnetic wave propagation along an insulated transmission medium and reduces end-to-end transmission loss. In this particular mode, electromagnetic waves are guided by the transmission medium **125** to propagate along an outer surface of the transmission medium—in this case, the outer surface of the insulating jacket **302**. Electromagnetic waves are partially embedded in the insulator and partially radiating on the outer surface of the insulator. In this fashion, electromagnetic waves are “lightly” coupled to the insulator so as to enable electromagnetic wave propagation at long distances with low propagation loss.

As shown, the guided wave has a field structure that lies primarily or substantially outside of the transmission medium **125** that serves to guide the electromagnetic waves. The regions inside the conductor **301** have little or no field. Likewise regions inside the insulating jacket **302** have low field strength. The majority of the electromagnetic field strength is distributed in the lobes **304** at the outer surface of the insulating jacket **302** and in close proximity thereof. The presence of an asymmetric guided wave mode is shown by

the high electromagnetic field strengths at the top and bottom of the outer surface of the insulating jacket **302** (in the orientation of the diagram)—as opposed to very small field strengths on the other sides of the insulating jacket **302**.

The example shown corresponds to a 38 GHz electromagnetic wave guided by a wire with a diameter of 1.1 cm and a dielectric insulation of thickness of 0.36 cm. Because the electromagnetic wave is guided by the transmission medium **125** and the majority of the field strength is concentrated in the air outside of the insulating jacket **302** within a limited distance of the outer surface, the guided wave can propagate longitudinally down the transmission medium **125** with very low loss. In the example shown, this “limited distance” corresponds to a distance from the outer surface that is less than half the largest cross sectional dimension of the transmission medium **125**. In this case, the largest cross sectional dimension of the wire corresponds to the overall diameter of 1.82 cm, however, this value can vary with the size and shape of the transmission medium **125**. For example, should the transmission medium **125** be of a rectangular shape with a height of 0.3 cm and a width of 0.4 cm, the largest cross sectional dimension would be the diagonal of 0.5 cm and the corresponding limited distance would be 0.25 cm. The dimensions of the area containing the majority of the field strength also vary with the frequency, and in general, increase as carrier frequencies decrease.

It should also be noted that the components of a guided wave communication system, such as couplers and transmission media can have their own cut-off frequencies for each guided wave mode. The cut-off frequency generally sets forth the lowest frequency that a particular guided wave mode is designed to be supported by that particular component. In an example embodiment, the particular asymmetric mode of propagation shown is induced on the transmission medium **125** by an electromagnetic wave having a frequency that falls within a limited range (such as F_c to $2F_c$) of the lower cut-off frequency F_c for this particular asymmetric mode. The lower cut-off frequency F_c is particular to the characteristics of transmission medium **125**. For embodiments as shown that include an inner conductor **301** surrounded by an insulating jacket **302**, this cutoff frequency can vary based on the dimensions and properties of the insulating jacket **302** and potentially the dimensions and properties of the inner conductor **301** and can be determined experimentally to have a desired mode pattern. It should be noted however, that similar effects can be found for a hollow dielectric or insulator without an inner conductor. In this case, the cutoff frequency can vary based on the dimensions and properties of the hollow dielectric or insulator.

At frequencies lower than the lower cut-off frequency, the asymmetric mode is difficult to induce in the transmission medium **125** and fails to propagate for all but trivial distances. As the frequency increases above the limited range of frequencies about the cut-off frequency, the asymmetric mode shifts more and more inward of the insulating jacket **302**. At frequencies much larger than the cut-off frequency, the field strength is no longer concentrated outside of the insulating jacket, but primarily inside of the insulating jacket **302**. While the transmission medium **125** provides strong guidance to the electromagnetic wave and propagation is still possible, ranges are more limited by increased losses due to propagation within the insulating jacket **302**—as opposed to the surrounding air.

Referring now to FIG. 4, a graphical diagram **400** illustrating an example, non-limiting embodiment of an electromagnetic field distribution is shown. In particular, a cross

section diagram **400**, similar to FIG. **3** is shown with common reference numerals used to refer to similar elements. The example shown corresponds to a 60 GHz wave guided by a wire with a diameter of 1.1 cm and a dielectric insulation of thickness of 0.36 cm. Because the frequency of the guided wave is above the limited range of the cut-off frequency of this particular asymmetric mode, much of the field strength has shifted inward of the insulating jacket **302**. In particular, the field strength is concentrated primarily inside of the insulating jacket **302**. While the transmission medium **125** provides strong guidance to the electromagnetic wave and propagation is still possible, ranges are more limited when compared with the embodiment of FIG. **3**, by increased losses due to propagation within the insulating jacket **302**.

Referring now to FIG. **5A**, a graphical diagram illustrating an example, non-limiting embodiment of a frequency response is shown. In particular, diagram **500** presents a graph of end-to-end loss (in dB) as a function of frequency, overlaid with electromagnetic field distributions **510**, **520** and **530** at three points for a 200 cm insulated medium voltage wire. The boundary between the insulator and the surrounding air is represented by reference numeral **525** in each electromagnetic field distribution.

As discussed in conjunction with FIG. **3**, an example of a desired asymmetric mode of propagation shown is induced on the transmission medium **125** by an electromagnetic wave having a frequency that falls within a limited range (such as F_c to $2F_c$) of the lower cut-off frequency F_c of the transmission medium for this particular asymmetric mode. In particular, the electromagnetic field distribution **520** at 6 GHz falls within this modal “sweet spot” that enhances electromagnetic wave propagation along an insulated transmission medium and reduces end-to-end transmission loss. In this particular mode, guided waves are partially embedded in the insulator and partially radiating on the outer surface of the insulator. In this fashion, the electromagnetic waves are “lightly” coupled to the insulator so as to enable guided electromagnetic wave propagation at long distances with low propagation loss.

At lower frequencies represented by the electromagnetic field distribution **510** at 3 GHz, the asymmetric mode radiates more heavily generating higher propagation losses. At higher frequencies represented by the electromagnetic field distribution **530** at 9 GHz, the asymmetric mode shifts more and more inward of the insulating jacket providing too much absorption, again generating higher propagation losses.

Referring now to FIG. **5B**, a graphical diagram **550** illustrating example, non-limiting embodiments of a longitudinal cross-section of a transmission medium **125**, such as an insulated wire, depicting fields of guided electromagnetic waves at various operating frequencies is shown. As shown in diagram **556**, when the guided electromagnetic waves are at approximately the cutoff frequency (f_c) corresponding to the modal “sweet spot”, the guided electromagnetic waves are loosely coupled to the insulated wire so that absorption is reduced, and the fields of the guided electromagnetic waves are bound sufficiently to reduce the amount radiated into the environment (e.g., air). Because absorption and radiation of the fields of the guided electromagnetic waves is low, propagation losses are consequently low, enabling the guided electromagnetic waves to propagate for longer distances.

As shown in diagram **554**, propagation losses increase when an operating frequency of the guide electromagnetic waves increases above about two-times the cutoff frequency

(f_c)—or as referred to, above the range of the “sweet spot”. More of the field strength of the electromagnetic wave is driven inside the insulating layer, increasing propagation losses. At frequencies much higher than the cutoff frequency (f_c) the guided electromagnetic waves are strongly bound to the insulated wire as a result of the fields emitted by the guided electromagnetic waves being concentrated in the insulation layer of the wire, as shown in diagram **552**. This in turn raises propagation losses further due to absorption of the guided electromagnetic waves by the insulation layer. Similarly, propagation losses increase when the operating frequency of the guided electromagnetic waves is substantially below the cutoff frequency (f_c), as shown in diagram **558**. At frequencies much lower than the cutoff frequency (f_c) the guided electromagnetic waves are weakly (or nominally) bound to the insulated wire and thereby tend to radiate into the environment (e.g., air), which in turn, raises propagation losses due to radiation of the guided electromagnetic waves.

Referring now to FIG. **6**, a graphical diagram **600** illustrating an example, non-limiting embodiment of an electromagnetic field distribution is shown. In this embodiment, a transmission medium **602** is a bare wire, as shown in cross section. The diagram **300** includes different gray-scales that represent differing electromagnetic field strengths generated by the propagation of a guided wave having a symmetrical and fundamental guided wave mode at a single carrier frequency.

In this particular mode, electromagnetic waves are guided by the transmission medium **602** to propagate along an outer surface of the transmission medium—in this case, the outer surface of the bare wire. Electromagnetic waves are “lightly” coupled to the wire so as to enable electromagnetic wave propagation at long distances with low propagation loss. As shown, the guided wave has a field structure that lies substantially outside of the transmission medium **602** that serves to guide the electromagnetic waves. The regions inside the conductor **625** have little or no field.

Referring now to FIG. **7**, a block diagram **700** illustrating an example, non-limiting embodiment of an arc coupler is shown. In particular a coupling device is presented for use in a transmission device, such as transmission device **101** or **102** presented in conjunction with FIG. **1**. The coupling device includes an arc coupler **704** coupled to a transmitter circuit **712** and termination or damper **714**. The arc coupler **704** can be made of a dielectric material, or other low-loss insulator (e.g., Teflon, polyethylene, etc.), or made of a conducting (e.g., metallic, non-metallic, etc.) material, or any combination of the foregoing materials. As shown, the arc coupler **704** operates as a waveguide and has a wave **706** propagating as a guided wave about a waveguide surface of the arc coupler **704**. In the embodiment shown, at least a portion of the arc coupler **704** can be placed near a wire **702** or other transmission medium, (such as transmission medium **125**), in order to facilitate coupling between the arc coupler **704** and the wire **702** or other transmission medium, as described herein to launch the guided wave **708** on the wire. The arc coupler **704** can be placed such that a portion of the curved arc coupler **704** is tangential to, and parallel or substantially parallel to the wire **702**. The portion of the arc coupler **704** that is parallel to the wire can be an apex of the curve, or any point where a tangent of the curve is parallel to the wire **702**. When the arc coupler **704** is positioned or placed thusly, the wave **706** travelling along the arc coupler **704** couples, at least in part, to the wire **702**, and propagates as guided wave **708** around or about the wire surface of the wire **702** and longitudinally along the wire **702**. The guided

wave 708 can be characterized as a surface wave or other electromagnetic wave that is guided by or bound to the wire 702 or other transmission medium.

A portion of the wave 706 that does not couple to the wire 702 propagates as a wave 710 along the arc coupler 704. It will be appreciated that the arc coupler 704 can be configured and arranged in a variety of positions in relation to the wire 702 to achieve a desired level of coupling or non-coupling of the wave 706 to the wire 702. For example, the curvature and/or length of the arc coupler 704 that is parallel or substantially parallel, as well as its separation distance (which can include zero separation distance in an embodiment), to the wire 702 can be varied without departing from example embodiments. Likewise, the arrangement of arc coupler 704 in relation to the wire 702 may be varied based upon considerations of the respective intrinsic characteristics (e.g., thickness, composition, electromagnetic properties, etc.) of the wire 702 and the arc coupler 704, as well as the characteristics (e.g., frequency, energy level, etc.) of the waves 706 and 708.

The guided wave 708 stays parallel or substantially parallel to the wire 702, even as the wire 702 bends and flexes. Bends in the wire 702 can increase transmission losses, which are also dependent on wire diameters, frequency, and materials. If the dimensions of the arc coupler 704 are chosen for efficient power transfer, most of the power in the wave 706 is transferred to the wire 702, with little power remaining in wave 710. It will be appreciated that the guided wave 708 can still be multi-modal in nature (discussed herein), including having modes that are non-fundamental or asymmetric, while traveling along a path that is parallel or substantially parallel to the wire 702, with or without a fundamental transmission mode. In an embodiment, non-fundamental or asymmetric modes can be utilized to minimize transmission losses and/or obtain increased propagation distances.

It is noted that the term parallel is generally a geometric construct which often is not exactly achievable in real systems. Accordingly, the term parallel as utilized in the subject disclosure represents an approximation rather than an exact configuration when used to describe embodiments disclosed in the subject disclosure. In an embodiment, substantially parallel can include approximations that are within 30 degrees of true parallel in all dimensions.

In an embodiment, the wave 706 can exhibit one or more wave propagation modes. The arc coupler modes can be dependent on the shape and/or design of the coupler 704. The one or more arc coupler modes of wave 706 can generate, influence, or impact one or more wave propagation modes of the guided wave 708 propagating along wire 702. It should be particularly noted however that the guided wave modes present in the guided wave 706 may be the same or different from the guided wave modes of the guided wave 708. In this fashion, one or more guided wave modes of the guided wave 706 may not be transferred to the guided wave 708, and further one or more guided wave modes of guided wave 708 may not have been present in guided wave 706. It should also be noted that the cut-off frequency of the arc coupler 704 for a particular guided wave mode may be different than the cutoff frequency of the wire 702 or other transmission medium for that same mode. For example, while the wire 702 or other transmission medium may be operated slightly above its cutoff frequency for a particular guided wave mode, the arc coupler 704 may be operated well above its cut-off frequency for that same mode for low loss, slightly below its cut-off frequency for that same mode

to, for example, induce greater coupling and power transfer, or some other point in relation to the arc coupler's cutoff frequency for that mode.

In an embodiment, the wave propagation modes on the wire 702 can be similar to the arc coupler modes since both waves 706 and 708 propagate about the outside of the arc coupler 704 and wire 702 respectively. In some embodiments, as the wave 706 couples to the wire 702, the modes can change form, or new modes can be created or generated, due to the coupling between the arc coupler 704 and the wire 702. For example, differences in size, material, and/or impedances of the arc coupler 704 and wire 702 may create additional modes not present in the arc coupler modes and/or suppress some of the arc coupler modes. The wave propagation modes can comprise the fundamental transverse electromagnetic mode (Quasi-TEM₀₀), where only small electric and/or magnetic fields extend in the direction of propagation, and the electric and magnetic fields extend radially outwards while the guided wave propagates along the wire. This guided wave mode can be donut shaped, where few of the electromagnetic fields exist within the arc coupler 704 or wire 702.

Waves 706 and 708 can comprise a fundamental TEM mode where the fields extend radially outwards, and also comprise other, non-fundamental (e.g., asymmetric, higher-level, etc.) modes. While particular wave propagation modes are discussed above, other wave propagation modes are likewise possible such as transverse electric (TE) and transverse magnetic (TM) modes, based on the frequencies employed, the design of the arc coupler 704, the dimensions and composition of the wire 702, as well as its surface characteristics, its insulation if present, the electromagnetic properties of the surrounding environment, etc. It should be noted that, depending on the frequency, the electrical and physical characteristics of the wire 702 and the particular wave propagation modes that are generated, guided wave 708 can travel along the conductive surface of an oxidized uninsulated wire, an unoxidized uninsulated wire, an insulated wire and/or along the insulating surface of an insulated wire.

In an embodiment, a diameter of the arc coupler 704 is smaller than the diameter of the wire 702. For the millimeter-band wavelength being used, the arc coupler 704 supports a single waveguide mode that makes up wave 706. This single waveguide mode can change as it couples to the wire 702 as guided wave 708. If the arc coupler 704 were larger, more than one waveguide mode can be supported, but these additional waveguide modes may not couple to the wire 702 as efficiently, and higher coupling losses can result. However, in some alternative embodiments, the diameter of the arc coupler 704 can be equal to or larger than the diameter of the wire 702, for example, where higher coupling losses are desirable or when used in conjunction with other techniques to otherwise reduce coupling losses (e.g., impedance matching with tapering, etc.).

In an embodiment, the wavelength of the waves 706 and 708 are comparable in size, or smaller than a circumference of the arc coupler 704 and the wire 702. In an example, if the wire 702 has a diameter of 0.5 cm, and a corresponding circumference of around 1.5 cm, the wavelength of the transmission is around 1.5 cm or less, corresponding to a frequency of 70 GHz or greater. In another embodiment, a suitable frequency of the transmission and the carrier-wave signal is in the range of 30-100 GHz, perhaps around 30-60 GHz, and around 38 GHz in one example. In an embodiment, when the circumference of the arc coupler 704 and wire 702 is comparable in size to, or greater, than a wave-

length of the transmission, the waves **706** and **708** can exhibit multiple wave propagation modes including fundamental and/or non-fundamental (symmetric and/or asymmetric) modes that propagate over sufficient distances to support various communication systems described herein. The waves **706** and **708** can therefore comprise more than one type of electric and magnetic field configuration. In an embodiment, as the guided wave **708** propagates down the wire **702**, the electrical and magnetic field configurations will remain the same from end to end of the wire **702**. In other embodiments, as the guided wave **708** encounters interference (distortion or obstructions) or loses energy due to transmission losses or scattering, the electric and magnetic field configurations can change as the guided wave **708** propagates down wire **702**.

In an embodiment, the arc coupler **704** can be composed of nylon, Teflon, polyethylene, a polyamide, or other plastics. In other embodiments, other dielectric materials are possible. The wire surface of wire **702** can be metallic with either a bare metallic surface, or can be insulated using plastic, dielectric, insulator or other coating, jacket or sheathing. In an embodiment, a dielectric or otherwise non-conducting/insulated waveguide can be paired with either a bare/metallic wire or insulated wire. In other embodiments, a metallic and/or conductive waveguide can be paired with a bare/metallic wire or insulated wire. In an embodiment, an oxidation layer on the bare metallic surface of the wire **702** (e.g., resulting from exposure of the bare metallic surface to oxygen/air) can also provide insulating or dielectric properties similar to those provided by some insulators or sheathings.

It is noted that the graphical representations of waves **706**, **708** and **710** are presented merely to illustrate the principles that wave **706** induces or otherwise launches a guided wave **708** on a wire **702** that operates, for example, as a single wire transmission line. Wave **710** represents the portion of wave **706** that remains on the arc coupler **704** after the generation of guided wave **708**. The actual electric and magnetic fields generated as a result of such wave propagation may vary depending on the frequencies employed, the particular wave propagation mode or modes, the design of the arc coupler **704**, the dimensions and composition of the wire **702**, as well as its surface characteristics, its optional insulation, the electromagnetic properties of the surrounding environment, etc.

It is noted that arc coupler **704** can include a termination circuit or damper **714** at the end of the arc coupler **704** that can absorb leftover radiation or energy from wave **710**. The termination circuit or damper **714** can prevent and/or minimize the leftover radiation or energy from wave **710** reflecting back toward transmitter circuit **712**. In an embodiment, the termination circuit or damper **714** can include termination resistors, and/or other components that perform impedance matching to attenuate reflection. In some embodiments, if the coupling efficiencies are high enough, and/or wave **710** is sufficiently small, it may not be necessary to use a termination circuit or damper **714**. For the sake of simplicity, these transmitter **712** and termination circuits or dampers **714** may not be depicted in the other figures, but in those embodiments, transmitter and termination circuits or dampers may possibly be used.

Further, while a single arc coupler **704** is presented that generates a single guided wave **708**, multiple arc couplers **704** placed at different points along the wire **702** and/or at different azimuthal orientations about the wire can be employed to generate and receive multiple guided waves

708 at the same or different frequencies, at the same or different phases, at the same or different wave propagation modes.

FIG. 8, a block diagram **800** illustrating an example, non-limiting embodiment of an arc coupler is shown. In the embodiment shown, at least a portion of the coupler **704** can be placed near a wire **702** or other transmission medium, (such as transmission medium **125**), in order to facilitate coupling between the arc coupler **704** and the wire **702** or other transmission medium, to extract a portion of the guided wave **806** as a guided wave **808** as described herein. The arc coupler **704** can be placed such that a portion of the curved arc coupler **704** is tangential to, and parallel or substantially parallel to the wire **702**. The portion of the arc coupler **704** that is parallel to the wire can be an apex of the curve, or any point where a tangent of the curve is parallel to the wire **702**. When the arc coupler **704** is positioned or placed thusly, the wave **806** travelling along the wire **702** couples, at least in part, to the arc coupler **704**, and propagates as guided wave **808** along the arc coupler **704** to a receiving device (not expressly shown). A portion of the wave **806** that does not couple to the arc coupler propagates as wave **810** along the wire **702** or other transmission medium.

In an embodiment, the wave **806** can exhibit one or more wave propagation modes. The arc coupler modes can be dependent on the shape and/or design of the coupler **704**. The one or more modes of guided wave **806** can generate, influence, or impact one or more guide-wave modes of the guided wave **808** propagating along the arc coupler **704**. It should be particularly noted however that the guided wave modes present in the guided wave **806** may be the same or different from the guided wave modes of the guided wave **808**. In this fashion, one or more guided wave modes of the guided wave **806** may not be transferred to the guided wave **808**, and further one or more guided wave modes of guided wave **808** may not have been present in guided wave **806**.

Referring now to FIG. 9A, a block diagram **900** illustrating an example, non-limiting embodiment of a stub coupler is shown. In particular a coupling device that includes stub coupler **904** is presented for use in a transmission device, such as transmission device **101** or **102** presented in conjunction with FIG. 1. The stub coupler **904** can be made of a dielectric material, or other low-loss insulator (e.g., Teflon, polyethylene and etc.), or made of a conducting (e.g., metallic, non-metallic, etc.) material, or any combination of the foregoing materials. As shown, the stub coupler **904** operates as a waveguide and has a wave **906** propagating as a guided wave about a waveguide surface of the stub coupler **904**. In the embodiment shown, at least a portion of the stub coupler **904** can be placed near a wire **702** or other transmission medium, (such as transmission medium **125**), in order to facilitate coupling between the stub coupler **904** and the wire **702** or other transmission medium, as described herein to launch the guided wave **908** on the wire.

In an embodiment, the stub coupler **904** is curved, and an end of the stub coupler **904** can be tied, fastened, or otherwise mechanically coupled to a wire **702**. When the end of the stub coupler **904** is fastened to the wire **702**, the end of the stub coupler **904** is parallel or substantially parallel to the wire **702**. Alternatively, another portion of the dielectric waveguide beyond an end can be fastened or coupled to wire **702** such that the fastened or coupled portion is parallel or substantially parallel to the wire **702**. The fastener **910** can be a nylon cable tie or other type of non-conducting/dielectric material that is either separate from the stub coupler **904** or constructed as an integrated component of

the stub coupler **904**. The stub coupler **904** can be adjacent to the wire **702** without surrounding the wire **702**.

Like the arc coupler **704** described in conjunction with FIG. 7, when the stub coupler **904** is placed with the end parallel to the wire **702**, the guided wave **906** travelling along the stub coupler **904** couples to the wire **702**, and propagates as guided wave **908** about the wire surface of the wire **702**. In an example embodiment, the guided wave **908** can be characterized as a surface wave or other electromagnetic wave.

It is noted that the graphical representations of waves **906** and **908** are presented merely to illustrate the principles that wave **906** induces or otherwise launches a guided wave **908** on a wire **702** that operates, for example, as a single wire transmission line. The actual electric and magnetic fields generated as a result of such wave propagation may vary depending on one or more of the shape and/or design of the coupler, the relative position of the dielectric waveguide to the wire, the frequencies employed, the design of the stub coupler **904**, the dimensions and composition of the wire **702**, as well as its surface characteristics, its optional insulation, the electromagnetic properties of the surrounding environment, etc.

In an embodiment, an end of stub coupler **904** can taper towards the wire **702** in order to increase coupling efficiencies. Indeed, the tapering of the end of the stub coupler **904** can provide impedance matching to the wire **702** and reduce reflections, according to an example embodiment of the subject disclosure. For example, an end of the stub coupler **904** can be gradually tapered in order to obtain a desired level of coupling between waves **906** and **908** as illustrated in FIG. 9A.

In an embodiment, the fastener **910** can be placed such that there is a short length of the stub coupler **904** between the fastener **910** and an end of the stub coupler **904**. Maximum coupling efficiencies are realized in this embodiment when the length of the end of the stub coupler **904** that is beyond the fastener **910** is at least several wavelengths long for whatever frequency is being transmitted.

Turning now to FIG. 9B, a diagram **950** illustrating an example, non-limiting embodiment of an electromagnetic distribution in accordance with various aspects described herein is shown. In particular, an electromagnetic distribution is presented in two dimensions for a transmission device that includes coupler **952**, shown in an example stub coupler constructed of a dielectric material. The coupler **952** couples an electromagnetic wave for propagation as a guided wave along an outer surface of a wire **702** or other transmission medium.

The coupler **952** guides the electromagnetic wave to a junction at x_0 via a symmetrical guided wave mode. While some of the energy of the electromagnetic wave that propagates along the coupler **952** is outside of the coupler **952**, the majority of the energy of this electromagnetic wave is contained within the coupler **952**. The junction at x_0 couples the electromagnetic wave to the wire **702** or other transmission medium at an azimuthal angle corresponding to the bottom of the transmission medium. This coupling induces an electromagnetic wave that is guided to propagate along the outer surface of the wire **702** or other transmission medium via at least one guided wave mode in direction **956**. The majority of the energy of the guided electromagnetic wave is outside or, but in close proximity to the outer surface of the wire **702** or other transmission medium. In the example shown, the junction at x_0 forms an electromagnetic wave that propagates via both a symmetrical mode and at least one asymmetrical surface mode, such as the first order

mode presented in conjunction with FIG. 3, that skims the surface of the wire **702** or other transmission medium.

It is noted that the graphical representations of guided waves are presented merely to illustrate an example of guided wave coupling and propagation. The actual electric and magnetic fields generated as a result of such wave propagation may vary depending on the frequencies employed, the design and/or configuration of the coupler **952**, the dimensions and composition of the wire **702** or other transmission medium, as well as its surface characteristics, its insulation if present, the electromagnetic properties of the surrounding environment, etc.

Turning now to FIG. 10A, illustrated is a block diagram **1000** of an example, non-limiting embodiment of a coupler and transceiver system in accordance with various aspects described herein. The system is an example of transmission device **101** or **102**. In particular, the communication interface **1008** is an example of communications interface **205**, the stub coupler **1002** is an example of coupler **220**, and the transmitter/receiver device **1006**, diplexer **1016**, power amplifier **1014**, low noise amplifier **1018**, frequency mixers **1010** and **1020** and local oscillator **1012** collectively form an example of transceiver **210**.

In operation, the transmitter/receiver device **1006** launches and receives waves (e.g., guided wave **1004** onto stub coupler **1002**). The guided waves **1004** can be used to transport signals received from and sent to a host device, base station, mobile devices, a building or other device by way of a communications interface **1008**. The communications interface **1008** can be an integral part of system **1000**. Alternatively, the communications interface **1008** can be tethered to system **1000**. The communications interface **1008** can comprise a wireless interface for interfacing to the host device, base station, mobile devices, a building or other device utilizing any of various wireless signaling protocols (e.g., LTE, WiFi, WiMAX, IEEE 802.xx, etc.) including an infrared protocol such as an infrared data association (IrDA) protocol or other line of sight optical protocol. The communications interface **1008** can also comprise a wired interface such as a fiber optic line, coaxial cable, twisted pair, category 5 (CAT-5) cable or other suitable wired or optical mediums for communicating with the host device, base station, mobile devices, a building or other device via a protocol such as an Ethernet protocol, universal serial bus (USB) protocol, a data over cable service interface specification (DOCSIS) protocol, a digital subscriber line (DSL) protocol, a Firewire (IEEE 1394) protocol, or other wired or optical protocol. For embodiments where system **1000** functions as a repeater, the communications interface **1008** may not be necessary.

The output signals (e.g., Tx) of the communications interface **1008** can be combined with a carrier wave (e.g., millimeter-wave carrier wave) generated by a local oscillator **1012** at frequency mixer **1010**. Frequency mixer **1010** can use heterodyning techniques or other frequency shifting techniques to frequency shift the output signals from communications interface **1008**. For example, signals sent to and from the communications interface **1008** can be modulated signals such as orthogonal frequency division multiplexed (OFDM) signals formatted in accordance with a Long-Term Evolution (LTE) wireless protocol or other wireless 3G, 4G, 5G or higher voice and data protocol, a Zigbee, WiMAX, UltraWideband or IEEE 802.11 wireless protocol; a wired protocol such as an Ethernet protocol, universal serial bus (USB) protocol, a data over cable service interface specification (DOCSIS) protocol, a digital subscriber line (DSL) protocol, a Firewire (IEEE 1394) protocol or other wired or

wireless protocol. In an example embodiment, this frequency conversion can be done in the analog domain, and as a result, the frequency shifting can be done without regard to the type of communications protocol used by a base station, mobile devices, or in-building devices. As new communications technologies are developed, the communications interface **1008** can be upgraded (e.g., updated with software, firmware, and/or hardware) or replaced and the frequency shifting and transmission apparatus can remain, simplifying upgrades. The carrier wave can then be sent to a power amplifier (“PA”) **1014** and can be transmitted via the transmitter receiver device **1006** via the diplexer **1016**.

Signals received from the transmitter/receiver device **1006** that are directed towards the communications interface **1008** can be separated from other signals via diplexer **1016**. The received signal can then be sent to low noise amplifier (“LNA”) **1018** for amplification. A frequency mixer **1020**, with help from local oscillator **1012** can downshift the received signal (which is in the millimeter-wave band or around 38 GHz in some embodiments) to the native frequency. The communications interface **1008** can then receive the transmission at an input port (Rx).

In an embodiment, transmitter/receiver device **1006** can include a cylindrical or non-cylindrical metal (which, for example, can be hollow in an embodiment, but not necessarily drawn to scale) or other conducting or non-conducting waveguide and an end of the stub coupler **1002** can be placed in or in proximity to the waveguide or the transmitter/receiver device **1006** such that when the transmitter/receiver device **1006** generates a transmission, the guided wave couples to stub coupler **1002** and propagates as a guided wave **1004** about the waveguide surface of the stub coupler **1002**. In some embodiments, the guided wave **1004** can propagate in part on the outer surface of the stub coupler **1002** and in part inside the stub coupler **1002**. In other embodiments, the guided wave **1004** can propagate substantially or completely on the outer surface of the stub coupler **1002**. In yet other embodiments, the guided wave **1004** can propagate substantially or completely inside the stub coupler **1002**. In this latter embodiment, the guided wave **1004** can radiate at an end of the stub coupler **1002** (such as the tapered end shown in FIG. 4) for coupling to a transmission medium such as a wire **702** of FIG. 7. Similarly, if guided wave **1004** is incoming (coupled to the stub coupler **1002** from a wire **702**), guided wave **1004** then enters the transmitter/receiver device **1006** and couples to the cylindrical waveguide or conducting waveguide. While transmitter/receiver device **1006** is shown to include a separate waveguide—an antenna, cavity resonator, klystron, magnetron, travelling wave tube, or other radiating element can be employed to induce a guided wave on the coupler **1002**, with or without the separate waveguide.

In an embodiment, stub coupler **1002** can be wholly constructed of a dielectric material (or another suitable insulating material), without any metallic or otherwise conducting materials therein. Stub coupler **1002** can be composed of nylon, Teflon, polyethylene, a polyamide, other plastics, or other materials that are non-conducting and suitable for facilitating transmission of electromagnetic waves at least in part on an outer surface of such materials. In another embodiment, stub coupler **1002** can include a core that is conducting/metallic, and have an exterior dielectric surface. Similarly, a transmission medium that couples to the stub coupler **1002** for propagating electromagnetic waves induced by the stub coupler **1002** or for supplying electromagnetic waves to the stub coupler **1002** can, in addition to being a bare or insulated wire, be wholly

constructed of a dielectric material (or another suitable insulating material), without any metallic or otherwise conducting materials therein.

It is noted that although FIG. 10A shows that the opening of transmitter receiver device **1006** is much wider than the stub coupler **1002**, this is not to scale, and that in other embodiments the width of the stub coupler **1002** is comparable or slightly smaller than the opening of the hollow waveguide. It is also not shown, but in an embodiment, an end of the coupler **1002** that is inserted into the transmitter/receiver device **1006** tapers down in order to reduce reflection and increase coupling efficiencies.

Before coupling to the stub coupler **1002**, the one or more waveguide modes of the guided wave generated by the transmitter/receiver device **1006** can couple to the stub coupler **1002** to induce one or more wave propagation modes of the guided wave **1004**. The wave propagation modes of the guided wave **1004** can be different than the hollow metal waveguide modes due to the different characteristics of the hollow metal waveguide and the dielectric waveguide. For instance, wave propagation modes of the guided wave **1004** can comprise the fundamental transverse electromagnetic mode (Quasi-TEM₀₀), where only small electrical and/or magnetic fields extend in the direction of propagation, and the electric and magnetic fields extend radially outwards from the stub coupler **1002** while the guided waves propagate along the stub coupler **1002**. The fundamental transverse electromagnetic mode wave propagation mode may or may not exist inside a waveguide that is hollow. Therefore, the hollow metal waveguide modes that are used by transmitter/receiver device **1006** are waveguide modes that can couple effectively and efficiently to wave propagation modes of stub coupler **1002**.

It will be appreciated that other constructs or combinations of the transmitter/receiver device **1006** and stub coupler **1002** are possible. For example, a stub coupler **1002'** can be placed tangentially or in parallel (with or without a gap) with respect to an outer surface of the hollow metal waveguide of the transmitter/receiver device **1006'** (corresponding circuitry not shown) as depicted by reference **1000'** of FIG. 10B. In another embodiment, not shown by reference **1000'**, the stub coupler **1002'** can be placed inside the hollow metal waveguide of the transmitter/receiver device **1006'** without an axis of the stub coupler **1002'** being coaxially aligned with an axis of the hollow metal waveguide of the transmitter/receiver device **1006'**. In either of these embodiments, the guided wave generated by the transmitter/receiver device **1006'** can couple to a surface of the stub coupler **1002'** to induce one or more wave propagation modes of the guided wave **1004'** on the stub coupler **1002'** including a fundamental mode (e.g., a symmetric mode) and/or a non-fundamental mode (e.g., asymmetric mode).

In one embodiment, the guided wave **1004'** can propagate in part on the outer surface of the stub coupler **1002'** and in part inside the stub coupler **1002'**. In another embodiment, the guided wave **1004'** can propagate substantially or completely on the outer surface of the stub coupler **1002'**. In yet other embodiments, the guided wave **1004'** can propagate substantially or completely inside the stub coupler **1002'**. In this latter embodiment, the guided wave **1004'** can radiate at an end of the stub coupler **1002'** (such as the tapered end shown in FIG. 9) for coupling to a transmission medium such as a wire **702** of FIG. 9.

It will be further appreciated that other constructs of the transmitter/receiver device **1006** are possible. For example, a hollow metal waveguide of a transmitter/receiver device **1006''** (corresponding circuitry not shown), depicted in FIG.

10B as reference 1000", can be placed tangentially or in parallel (with or without a gap) with respect to an outer surface of a transmission medium such as the wire 702 of FIG. 4 without the use of the stub coupler 1002. In this embodiment, the guided wave generated by the transmitter/ receiver device 1006" can couple to a surface of the wire 702 to induce one or more wave propagation modes of a guided wave 908 on the wire 702 including a fundamental mode (e.g., a symmetric mode) and/or a non-fundamental mode (e.g., asymmetric mode). In another embodiment, the wire 702 can be positioned inside a hollow metal waveguide of a transmitter/receiver device 1006'" (corresponding circuitry not shown) so that an axis of the wire 702 is coaxially (or not coaxially) aligned with an axis of the hollow metal waveguide without the use of the stub coupler 1002—see FIG. 10B reference 1000'. In this embodiment, the guided wave generated by the transmitter/receiver device 1006'" can couple to a surface of the wire 702 to induce one or more wave propagation modes of a guided wave 908 on the wire including a fundamental mode (e.g., a symmetric mode) and/or a non-fundamental mode (e.g., asymmetric mode).

In the embodiments of 1000" and 1000'", for a wire 702 having an insulated outer surface, the guided wave 908 can propagate in part on the outer surface of the insulator and in part inside the insulator. In embodiments, the guided wave 908 can propagate substantially or completely on the outer surface of the insulator, or substantially or completely inside the insulator. In the embodiments of 1000" and 1000', for a wire 702 that is a bare conductor, the guided wave 908 can propagate in part on the outer surface of the conductor and in part inside the conductor. In another embodiment, the guided wave 908 can propagate substantially or completely on the outer surface of the conductor.

Referring now to FIG. 11, a block diagram 1100 illustrating an example, non-limiting embodiment of a dual stub coupler is shown. In particular, a dual coupler design is presented for use in a transmission device, such as transmission device 101 or 102 presented in conjunction with FIG. 1. In an embodiment, two or more couplers (such as the stub couplers 1104 and 1106) can be positioned around a wire 1102 in order to receive guided wave 1108. In an embodiment, one coupler is enough to receive the guided wave 1108. In that case, guided wave 1108 couples to coupler 1104 and propagates as guided wave 1110. If the field structure of the guided wave 1108 oscillates or undulates around the wire 1102 due to the particular guided wave mode(s) or various outside factors, then coupler 1106 can be placed such that guided wave 1108 couples to coupler 1106. In some embodiments, four or more couplers can be placed around a portion of the wire 1102, e.g., at 90 degrees or another spacing with respect to each other, in order to receive guided waves that may oscillate or rotate around the wire 1102, that have been induced at different azimuthal orientations or that have non-fundamental or higher order modes that, for example, have lobes and/or nulls or other asymmetries that are orientation dependent. However, it will be appreciated that there may be less than or more than four couplers placed around a portion of the wire 1102 without departing from example embodiments.

It should be noted that while couplers 1106 and 1104 are illustrated as stub couplers, any other of the coupler designs described herein including arc couplers, antenna or horn couplers, magnetic couplers, etc., could likewise be used. It will also be appreciated that while some example embodiments have presented a plurality of couplers around at least a portion of a wire 1102, this plurality of couplers can also be considered as part of a single coupler system having

multiple coupler subcomponents. For example, two or more couplers can be manufactured as single system that can be installed around a wire in a single installation such that the couplers are either pre-positioned or adjustable relative to each other (either manually or automatically with a controllable mechanism such as a motor or other actuator) in accordance with the single system.

Receivers coupled to couplers 1106 and 1104 can use diversity combining to combine signals received from both couplers 1106 and 1104 in order to maximize the signal quality. In other embodiments, if one or the other of the couplers 1104 and 1106 receive a transmission that is above a predetermined threshold, receivers can use selection diversity when deciding which signal to use. Further, while reception by a plurality of couplers 1106 and 1104 is illustrated, transmission by couplers 1106 and 1104 in the same configuration can likewise take place. In particular, a wide range of multi-input multi-output (MIMO) transmission and reception techniques can be employed for transmissions where a transmission device, such as transmission device 101 or 102 presented in conjunction with FIG. 1 includes multiple transceivers and multiple couplers.

It is noted that the graphical representations of waves 1108 and 1110 are presented merely to illustrate the principles that guided wave 1108 induces or otherwise launches a wave 1110 on a coupler 1104. The actual electric and magnetic fields generated as a result of such wave propagation may vary depending on the frequencies employed, the design of the coupler 1104, the dimensions and composition of the wire 1102, as well as its surface characteristics, its insulation if any, the electromagnetic properties of the surrounding environment, etc.

Referring now to FIG. 12, a block diagram 1200 illustrating an example, non-limiting embodiment of a repeater system is shown. In particular, a repeater device 1210 is presented for use in a transmission device, such as transmission device 101 or 102 presented in conjunction with FIG. 1. In this system, two couplers 1204 and 1214 can be placed near a wire 1202 or other transmission medium such that guided waves 1205 propagating along the wire 1202 are extracted by coupler 1204 as wave 1206 (e.g. as a guided wave), and then are boosted or repeated by repeater device 1210 and launched as a wave 1216 (e.g. as a guided wave) onto coupler 1214. The wave 1216 can then be launched on the wire 1202 and continue to propagate along the wire 1202 as a guided wave 1217. In an embodiment, the repeater device 1210 can receive at least a portion of the power utilized for boosting or repeating through magnetic coupling with the wire 1202, for example, when the wire 1202 is a power line or otherwise contains a power-carrying conductor. It should be noted that while couplers 1204 and 1214 are illustrated as stub couplers, any other of the coupler designs described herein including arc couplers, antenna or horn couplers, magnetic couplers, or the like, could likewise be used.

In some embodiments, repeater device 1210 can repeat the transmission associated with wave 1206, and in other embodiments, repeater device 1210 can include a communications interface 205 that extracts data or other signals from the wave 1206 for supplying such data or signals to another network and/or one or more other devices as communication signals 110 or 112 and/or receiving communication signals 110 or 112 from another network and/or one or more other devices and launch guided wave 1216 having embedded therein the received communication signals 110 or 112. In a repeater configuration, receiver waveguide 1208 can receive the wave 1206 from the coupler 1204 and

25

transmitter waveguide **1212** can launch guided wave **1216** onto coupler **1214** as guided wave **1217**. Between receiver waveguide **1208** and transmitter waveguide **1212**, the signal embedded in guided wave **1206** and/or the guided wave **1216** itself can be amplified to correct for signal loss and other inefficiencies associated with guided wave communications or the signal can be received and processed to extract the data contained therein and regenerated for transmission. In an embodiment, the receiver waveguide **1208** can be configured to extract data from the signal, process the data to correct for data errors utilizing for example error correcting codes, and regenerate an updated signal with the corrected data. The transmitter waveguide **1212** can then transmit guided wave **1216** with the updated signal embedded therein. In an embodiment, a signal embedded in guided wave **1206** can be extracted from the transmission and processed for communication with another network and/or one or more other devices via communications interface **205** as communication signals **110** or **112**. Similarly, communication signals **110** or **112** received by the communications interface **205** can be inserted into a transmission of guided wave **1216** that is generated and launched onto coupler **1214** by transmitter waveguide **1212**.

It is noted that although FIG. **12** shows guided wave transmissions **1206** and **1216** entering from the left and exiting to the right respectively, this is merely a simplification and is not intended to be limiting. In other embodiments, receiver waveguide **1208** and transmitter waveguide **1212** can also function as transmitters and receivers respectively, allowing the repeater device **1210** to be bi-directional.

In an embodiment, repeater device **1210** can be placed at locations where there are discontinuities or obstacles on the wire **1202** or other transmission medium. In the case where the wire **1202** is a power line, these obstacles can include transformers, connections, utility poles, and other such power line devices. The repeater device **1210** can help the guided (e.g., surface) waves jump over these obstacles on the line and boost the transmission power at the same time. In other embodiments, a coupler can be used to jump over the obstacle without the use of a repeater device. In that embodiment, both ends of the coupler can be tied or fastened to the wire, thus providing a path for the guided wave to travel without being blocked by the obstacle.

Turning now to FIG. **13**, illustrated is a block diagram **1300** of an example, non-limiting embodiment of a bidirectional repeater in accordance with various aspects described herein. In particular, a bidirectional repeater device **1306** is presented for use in a transmission device, such as transmission device **101** or **102** presented in conjunction with FIG. **1**. It should be noted that while the couplers are illustrated as stub couplers, any other of the coupler designs described herein including arc couplers, antenna or horn couplers, magnetic couplers, or the like, could likewise be used. The bidirectional repeater **1306** can employ diversity paths in the case of when two or more wires or other transmission media are present. Since guided wave transmissions have different transmission efficiencies and coupling efficiencies for transmission medium of different types such as insulated wires, un-insulated wires or other types of transmission media and further, if exposed to the elements, can be affected by weather, and other atmospheric conditions, it can be advantageous to selectively transmit on different transmission media at certain times. In various embodiments, the various transmission media can be designated as a primary, secondary, tertiary, etc. whether or not such designation indicates a preference of one transmission medium over another.

26

In the embodiment shown, the transmission media include an insulated or uninsulated wire **1302** and an insulated or uninsulated wire **1304** (referred to herein as wires **1302** and **1304**, respectively). The repeater device **1306** uses a receiver coupler **1308** to receive a guided wave traveling along wire **1302** and repeats the transmission using transmitter waveguide **1310** as a guided wave along wire **1304**. In other embodiments, repeater device **1306** can switch from the wire **1304** to the wire **1302**, or can repeat the transmissions along the same paths. Repeater device **1306** can include sensors, or be in communication with sensors (or a network management system **1601** depicted in FIG. **16A**) that indicate conditions that can affect the transmission. Based on the feedback received from the sensors, the repeater device **1306** can make the determination about whether to keep the transmission along the same wire, or transfer the transmission to the other wire.

Turning now to FIG. **14**, illustrated is a block diagram **1400** illustrating an example, non-limiting embodiment of a bidirectional repeater system. In particular, a bidirectional repeater system is presented for use in a transmission device, such as transmission device **101** or **102** presented in conjunction with FIG. **1**. The bidirectional repeater system includes waveguide coupling devices **1402** and **1404** that receive and transmit transmissions from other coupling devices located in a distributed antenna system or backhaul system.

In various embodiments, waveguide coupling device **1402** can receive a transmission from another waveguide coupling device, wherein the transmission has a plurality of subcarriers. Diplexer **1406** can separate the transmission from other transmissions, and direct the transmission to low-noise amplifier (“LNA”) **1408**. A frequency mixer **1428**, with help from a local oscillator **1412**, can downshift the transmission (which is in the millimeter-wave band or around 38 GHz in some embodiments) to a lower frequency, such as a cellular band (~1.9 GHz) for a distributed antenna system, a native frequency, or other frequency for a backhaul system. An extractor (or demultiplexer) **1432** can extract the signal on a subcarrier and direct the signal to an output component **1422** for optional amplification, buffering or isolation by power amplifier **1424** for coupling to communications interface **205**. The communications interface **205** can further process the signals received from the power amplifier **1424** or otherwise transmit such signals over a wireless or wired interface to other devices such as a base station, mobile devices, a building, etc. For the signals that are not being extracted at this location, extractor **1432** can redirect them to another frequency mixer **1436**, where the signals are used to modulate a carrier wave generated by local oscillator **1414**. The carrier wave, with its subcarriers, is directed to a power amplifier (“PA”) **1416** and is retransmitted by waveguide coupling device **1404** to another system, via diplexer **1420**.

An LNA **1426** can be used to amplify, buffer or isolate signals that are received by the communication interface **205** and then send the signal to a multiplexer **1434** which merges the signal with signals that have been received from waveguide coupling device **1404**. The signals received from coupling device **1404** have been split by diplexer **1420**, and then passed through LNA **1418**, and downshifted in frequency by frequency mixer **1438**. When the signals are combined by multiplexer **1434**, they are upshifted in frequency by frequency mixer **1430**, and then boosted by PA **1410**, and transmitted to another system by waveguide coupling device **1402**. In an embodiment bidirectional repeater system can be merely a repeater without the output

device **1422**. In this embodiment, the multiplexer **1434** would not be utilized and signals from LNA **1418** would be directed to mixer **1430** as previously described. It will be appreciated that in some embodiments, the bidirectional repeater system could also be implemented using two distinct and separate unidirectional repeaters. In an alternative embodiment, a bidirectional repeater system could also be a booster or otherwise perform retransmissions without downshifting and upshifting. Indeed in example embodiment, the retransmissions can be based upon receiving a signal or guided wave and performing some signal or guided wave processing or reshaping, filtering, and/or amplification, prior to retransmission of the signal or guided wave.

Referring now to FIG. **15**, a block diagram **1500** illustrating an example, non-limiting embodiment of a guided wave communications system is shown. This diagram depicts an exemplary environment in which a guided wave communication system, such as the guided wave communication system presented in conjunction with FIG. **1**, can be used.

To provide network connectivity to additional base station devices, a backhaul network that links the communication cells (e.g., microcells and macrocells) to network devices of a core network correspondingly expands. Similarly, to provide network connectivity to a distributed antenna system, an extended communication system that links base station devices and their distributed antennas is desirable. A guided wave communication system **1500** such as shown in FIG. **15** can be provided to enable alternative, increased or additional network connectivity and a waveguide coupling system can be provided to transmit and/or receive guided wave (e.g., surface wave) communications on a transmission medium such as a wire that operates as a single-wire transmission line (e.g., a utility line), and that can be used as a waveguide and/or that otherwise operates to guide the transmission of an electromagnetic wave.

The guided wave communication system **1500** can comprise a first instance of a distribution system **1550** that includes one or more base station devices (e.g., base station device **1504**) that are communicably coupled to a central office **1501** and/or a macrocell site **1502**. Base station device **1504** can be connected by a wired (e.g., fiber and/or cable), or by a wireless (e.g., microwave wireless) connection to the macrocell site **1502** and the central office **1501**. A second instance of the distribution system **1560** can be used to provide wireless voice and data services to mobile device **1522** and to residential and/or commercial establishments **1542** (herein referred to as establishments **1542**). System **1500** can have additional instances of the distribution systems **1550** and **1560** for providing voice and/or data services to mobile devices **1522-1524** and establishments **1542** as shown in FIG. **15**.

Macrocells such as macrocell site **1502** can have dedicated connections to a mobile network and base station device **1504** or can share and/or otherwise use another connection. Central office **1501** can be used to distribute media content and/or provide internet service provider (ISP) services to mobile devices **1522-1524** and establishments **1542**. The central office **1501** can receive media content from a constellation of satellites **1530** (one of which is shown in FIG. **15**) or other sources of content, and distribute such content to mobile devices **1522-1524** and establishments **1542** via the first and second instances of the distribution system **1550** and **1560**. The central office **1501** can also be communicatively coupled to the Internet **1503** for providing internet data services to mobile devices **1522-1524** and establishments **1542**.

Base station device **1504** can be mounted on, or attached to, utility pole **1516**. In other embodiments, base station device **1504** can be near transformers and/or other locations situated nearby a power line. Base station device **1504** can facilitate connectivity to a mobile network for mobile devices **1522** and **1524**. Antennas **1512** and **1514**, mounted on or near utility poles **1518** and **1520**, respectively, can receive signals from base station device **1504** and transmit those signals to mobile devices **1522** and **1524** over a much wider area than if the antennas **1512** and **1514** were located at or near base station device **1504**.

It is noted that FIG. **15** displays three utility poles, in each instance of the distribution systems **1550** and **1560**, with one base station device, for purposes of simplicity. In other embodiments, utility pole **1516** can have more base station devices, and more utility poles with distributed antennas and/or tethered connections to establishments **1542**.

A transmission device **1506**, such as transmission device **101** or **102** presented in conjunction with FIG. **1**, can transmit a signal from base station device **1504** to antennas **1512** and **1514** via utility or power line(s) that connect the utility poles **1516**, **1518**, and **1520**. To transmit the signal, radio source and/or transmission device **1506** upconverts the signal (e.g., via frequency mixing) from base station device **1504** or otherwise converts the signal from the base station device **1504** to a microwave band signal and the transmission device **1506** launches a microwave band wave that propagates as a guided wave traveling along the utility line or other wire as described in previous embodiments. At utility pole **1518**, another transmission device **1508** receives the guided wave (and optionally can amplify it as needed or desired or operate as a repeater to receive it and regenerate it) and sends it forward as a guided wave on the utility line or other wire. The transmission device **1508** can also extract a signal from the microwave band guided wave and shift it down in frequency or otherwise convert it to its original cellular band frequency (e.g., 1.9 GHz or other defined cellular frequency) or another cellular (or non-cellular) band frequency. An antenna **1512** can wireless transmit the downshifted signal to mobile device **1522**. The process can be repeated by transmission device **1510**, antenna **1514** and mobile device **1524**, as necessary or desirable.

Transmissions from mobile devices **1522** and **1524** can also be received by antennas **1512** and **1514** respectively. The transmission devices **1508** and **1510** can upshift or otherwise convert the cellular band signals to microwave band and transmit the signals as guided wave (e.g., surface wave or other electromagnetic wave) transmissions over the power line(s) to base station device **1504**.

Media content received by the central office **1501** can be supplied to the second instance of the distribution system **1560** via the base station device **1504** for distribution to mobile devices **1522** and establishments **1542**. The transmission device **1510** can be tethered to the establishments **1542** by one or more wired connections or a wireless interface. The one or more wired connections may include without limitation, a power line, a coaxial cable, a fiber cable, a twisted pair cable, a guided wave transmission medium or other suitable wired mediums for distribution of media content and/or for providing internet services. In an example embodiment, the wired connections from the transmission device **1510** can be communicatively coupled to one or more very high bit rate digital subscriber line (VDSL) modems located at one or more corresponding service area interfaces (SAIs—not shown) or pedestals, each SAI or pedestal providing services to a portion of the establishments **1542**. The VDSL modems can be used to selectively

distribute media content and/or provide internet services to gateways (not shown) located in the establishments **1542**. The SAIs or pedestals can also be communicatively coupled to the establishments **1542** over a wired medium such as a power line, a coaxial cable, a fiber cable, a twisted pair cable, a guided wave transmission medium or other suitable wired mediums. In other example embodiments, the transmission device **1510** can be communicatively coupled directly to establishments **1542** without intermediate interfaces such as the SAIs or pedestals.

In another example embodiment, system **1500** can employ diversity paths, where two or more utility lines or other wires are strung between the utility poles **1516**, **1518**, and **1520** (e.g., for example, two or more wires between poles **1516** and **1520**) and redundant transmissions from base station/macrocell site **1502** are transmitted as guided waves down the surface of the utility lines or other wires. The utility lines or other wires can be either insulated or uninsulated, and depending on the environmental conditions that cause transmission losses, the coupling devices can selectively receive signals from the insulated or uninsulated utility lines or other wires. The selection can be based on measurements of the signal-to-noise ratio of the wires, or based on determined weather/environmental conditions (e.g., moisture detectors, weather forecasts, etc.). The use of diversity paths with system **1500** can enable alternate routing capabilities, load balancing, increased load handling, concurrent bi-directional or synchronous communications, spread spectrum communications, etc.

It is noted that the use of the transmission devices **1506**, **1508**, and **1510** in FIG. **15** are by way of example only, and that in other embodiments, other uses are possible. For instance, transmission devices can be used in a backhaul communication system, providing network connectivity to base station devices. Transmission devices **1506**, **1508**, and **1510** can be used in many circumstances where it is desirable to transmit guided wave communications over a wire, whether insulated or not insulated. Transmission devices **1506**, **1508**, and **1510** are improvements over other coupling devices due to no contact or limited physical and/or electrical contact with the wires that may carry high voltages. The transmission device can be located away from the wire (e.g., spaced apart from the wire) and/or located on the wire so long as it is not electrically in contact with the wire, as the dielectric acts as an insulator, allowing for cheap, easy, and/or less complex installation. However, as previously noted conducting or non-dielectric couplers can be employed, for example in configurations where the wires correspond to a telephone network, cable television network, broadband data service, fiber optic communications system or other network employing low voltages or having insulated transmission lines.

It is further noted, that while base station device **1504** and macrocell site **1502** are illustrated in an embodiment, other network configurations are likewise possible. For example, devices such as access points or other wireless gateways can be employed in a similar fashion to extend the reach of other networks such as a wireless local area network, a wireless personal area network or other wireless network that operates in accordance with a communication protocol such as a 802.11 protocol, WIMAX protocol, UltraWideband protocol, Bluetooth protocol, Zigbee protocol or other wireless protocol.

Referring now to FIGS. **16A** & **16B**, block diagrams illustrating an example, non-limiting embodiment of a system for managing a power grid communication system are shown. Considering FIG. **16A**, a waveguide system **1602** is

presented for use in a guided wave communications system, such as the system presented in conjunction with FIG. **15**. The waveguide system **1602** can comprise sensors **1604**, a power management system **1605**, a transmission device **101** or **102** that includes at least one communication interface **205**, transceiver **210** and coupler **220**.

The waveguide system **1602** can be coupled to a power line **1610** for facilitating guided wave communications in accordance with embodiments described in the subject disclosure. In an example embodiment, the transmission device **101** or **102** includes coupler **220** for inducing electromagnetic waves on a surface of the power line **1610** that longitudinally propagate along the surface of the power line **1610** as described in the subject disclosure. The transmission device **101** or **102** can also serve as a repeater for retransmitting electromagnetic waves on the same power line **1610** or for routing electromagnetic waves between power lines **1610** as shown in FIGS. **12-13**.

The transmission device **101** or **102** includes transceiver **210** configured to, for example, up-convert a signal operating at an original frequency range to electromagnetic waves operating at, exhibiting, or associated with a carrier frequency that propagate along a coupler to induce corresponding guided electromagnetic waves that propagate along a surface of the power line **1610**. A carrier frequency can be represented by a center frequency having upper and lower cutoff frequencies that define the bandwidth of the electromagnetic waves. The power line **1610** can be a wire (e.g., single stranded or multi-stranded) having a conducting surface or insulated surface. The transceiver **210** can also receive signals from the coupler **220** and down-convert the electromagnetic waves operating at a carrier frequency to signals at their original frequency.

Signals received by the communications interface **205** of transmission device **101** or **102** for up-conversion can include without limitation signals supplied by a central office **1611** over a wired or wireless interface of the communications interface **205**, a base station **1614** over a wired or wireless interface of the communications interface **205**, wireless signals transmitted by mobile devices **1620** to the base station **1614** for delivery over the wired or wireless interface of the communications interface **205**, signals supplied by in-building communication devices **1618** over the wired or wireless interface of the communications interface **205**, and/or wireless signals supplied to the communications interface **205** by mobile devices **1612** roaming in a wireless communication range of the communications interface **205**. In embodiments where the waveguide system **1602** functions as a repeater, such as shown in FIGS. **12-13**, the communications interface **205** may or may not be included in the waveguide system **1602**.

The electromagnetic waves propagating along the surface of the power line **1610** can be modulated and formatted to include packets or frames of data that include a data payload and further include networking information (such as header information for identifying one or more destination waveguide systems **1602**). The networking information may be provided by the waveguide system **1602** or an originating device such as the central office **1611**, the base station **1614**, mobile devices **1620**, or in-building devices **1618**, or a combination thereof. Additionally, the modulated electromagnetic waves can include error correction data for mitigating signal disturbances. The networking information and error correction data can be used by a destination waveguide system **1602** for detecting transmissions directed to it, and for down-converting and processing with error correction data transmissions that include voice and/or data signals

directed to recipient communication devices communicatively coupled to the destination waveguide system 1602.

Referring now to the sensors 1604 of the waveguide system 1602, the sensors 1604 can comprise one or more of a temperature sensor 1604a, a disturbance detection sensor 1604b, a loss of energy sensor 1604c, a noise sensor 1604d, a vibration sensor 1604e, an environmental (e.g., weather) sensor 1604f, and/or an image sensor 1604g. The temperature sensor 1604a can be used to measure ambient temperature, a temperature of the transmission device 101 or 102, a temperature of the power line 1610, temperature differentials (e.g., compared to a setpoint or baseline, between transmission device 101 or 102 and 1610, etc.), or any combination thereof. In one embodiment, temperature metrics can be collected and reported periodically to a network management system 1601 by way of the base station 1614.

The disturbance detection sensor 1604b can perform measurements on the power line 1610 to detect disturbances such as signal reflections, which may indicate a presence of a downstream disturbance that may impede the propagation of electromagnetic waves on the power line 1610. A signal reflection can represent a distortion resulting from, for example, an electromagnetic wave transmitted on the power line 1610 by the transmission device 101 or 102 that reflects in whole or in part back to the transmission device 101 or 102 from a disturbance in the power line 1610 located downstream from the transmission device 101 or 102.

Signal reflections can be caused by obstructions on the power line 1610. For example, a tree limb may cause electromagnetic wave reflections when the tree limb is lying on the power line 1610, or is in close proximity to the power line 1610 which may cause a corona discharge. Other obstructions that can cause electromagnetic wave reflections can include without limitation an object that has been entangled on the power line 1610 (e.g., clothing, a shoe wrapped around a power line 1610 with a shoe string, etc.), a corroded build-up on the power line 1610 or an ice build-up. Power grid components may also impede or obstruct with the propagation of electromagnetic waves on the surface of power lines 1610. Illustrations of power grid components that may cause signal reflections include without limitation a transformer and a joint for connecting spliced power lines. A sharp angle on the power line 1610 may also cause electromagnetic wave reflections.

The disturbance detection sensor 1604b can comprise a circuit to compare magnitudes of electromagnetic wave reflections to magnitudes of original electromagnetic waves transmitted by the transmission device 101 or 102 to determine how much a downstream disturbance in the power line 1610 attenuates transmissions. The disturbance detection sensor 1604b can further comprise a spectral analyzer circuit for performing spectral analysis on the reflected waves. The spectral data generated by the spectral analyzer circuit can be compared with spectral profiles via pattern recognition, an expert system, curve fitting, matched filtering or other artificial intelligence, classification or comparison technique to identify a type of disturbance based on, for example, the spectral profile that most closely matches the spectral data. The spectral profiles can be stored in a memory of the disturbance detection sensor 1604b or may be remotely accessible by the disturbance detection sensor 1604b. The profiles can comprise spectral data that models different disturbances that may be encountered on power lines 1610 to enable the disturbance detection sensor 1604b to identify disturbances locally. An identification of the disturbance if known can be reported to the network management system 1601 by way of the base station 1614. The disturbance

detection sensor 1604b can also utilize the transmission device 101 or 102 to transmit electromagnetic waves as test signals to determine a roundtrip time for an electromagnetic wave reflection. The round trip time measured by the disturbance detection sensor 1604b can be used to calculate a distance traveled by the electromagnetic wave up to a point where the reflection takes place, which enables the disturbance detection sensor 1604b to calculate a distance from the transmission device 101 or 102 to the downstream disturbance on the power line 1610.

The distance calculated can be reported to the network management system 1601 by way of the base station 1614. In one embodiment, the location of the waveguide system 1602 on the power line 1610 may be known to the network management system 1601, which the network management system 1601 can utilize to determine a location of the disturbance on the power line 1610 based on a known topology of the power grid. In another embodiment, the waveguide system 1602 can provide its location to the network management system 1601 to assist in the determination of the location of the disturbance on the power line 1610. The location of the waveguide system 1602 can be obtained by the waveguide system 1602 from a pre-programmed location of the waveguide system 1602 stored in a memory of the waveguide system 1602, or the waveguide system 1602 can determine its location using a GPS receiver (not shown) included in the waveguide system 1602.

The power management system 1605 provides energy to the aforementioned components of the waveguide system 1602. The power management system 1605 can receive energy from solar cells, or from a transformer (not shown) coupled to the power line 1610, or by inductive coupling to the power line 1610 or another nearby power line. The power management system 1605 can also include a backup battery and/or a super capacitor or other capacitor circuit for providing the waveguide system 1602 with temporary power. The loss of energy sensor 1604c can be used to detect when the waveguide system 1602 has a loss of power condition and/or the occurrence of some other malfunction. For example, the loss of energy sensor 1604c can detect when there is a loss of power due to defective solar cells, an obstruction on the solar cells that causes them to malfunction, loss of power on the power line 1610, and/or when the backup power system malfunctions due to expiration of a backup battery, or a detectable defect in a super capacitor. When a malfunction and/or loss of power occurs, the loss of energy sensor 1604c can notify the network management system 1601 by way of the base station 1614.

The noise sensor 1604d can be used to measure noise on the power line 1610 that may adversely affect transmission of electromagnetic waves on the power line 1610. The noise sensor 1604d can sense unexpected electromagnetic interference, noise bursts, or other sources of disturbances that may interrupt reception of modulated electromagnetic waves on a surface of a power line 1610. A noise burst can be caused by, for example, a corona discharge, or other source of noise. The noise sensor 1604d can compare the measured noise to a noise profile obtained by the waveguide system 1602 from an internal database of noise profiles or from a remotely located database that stores noise profiles via pattern recognition, an expert system, curve fitting, matched filtering or other artificial intelligence, classification or comparison technique. From the comparison, the noise sensor 1604d may identify a noise source (e.g., corona discharge or otherwise) based on, for example, the noise profile that provides the closest match to the measured noise. The noise sensor 1604d can also detect how noise affects

transmissions by measuring transmission metrics such as bit error rate, packet loss rate, jitter, packet retransmission requests, etc. The noise sensor **1604d** can report to the network management system **1601** by way of the base station **1614** the identity of noise sources, their time of occurrence, and transmission metrics, among other things.

The vibration sensor **1604e** can include accelerometers and/or gyroscopes to detect 2D or 3D vibrations on the power line **1610**. The vibrations can be compared to vibration profiles that can be stored locally in the waveguide system **1602**, or obtained by the waveguide system **1602** from a remote database via pattern recognition, an expert system, curve fitting, matched filtering or other artificial intelligence, classification or comparison technique. Vibration profiles can be used, for example, to distinguish fallen trees from wind gusts based on, for example, the vibration profile that provides the closest match to the measured vibrations. The results of this analysis can be reported by the vibration sensor **1604e** to the network management system **1601** by way of the base station **1614**.

The environmental sensor **1604f** can include a barometer for measuring atmospheric pressure, ambient temperature (which can be provided by the temperature sensor **1604a**), wind speed, humidity, wind direction, and rainfall, among other things. The environmental sensor **1604f** can collect raw information and process this information by comparing it to environmental profiles that can be obtained from a memory of the waveguide system **1602** or a remote database to predict weather conditions before they arise via pattern recognition, an expert system, knowledge-based system or other artificial intelligence, classification or other weather modeling and prediction technique. The environmental sensor **1604f** can report raw data as well as its analysis to the network management system **1601**.

The image sensor **1604g** can be a digital camera (e.g., a charged coupled device or CCD imager, infrared camera, etc.) for capturing images in a vicinity of the waveguide system **1602**. The image sensor **1604g** can include an electromechanical mechanism to control movement (e.g., actual position or focal points/zooms) of the camera for inspecting the power line **1610** from multiple perspectives (e.g., top surface, bottom surface, left surface, right surface and so on). Alternatively, the image sensor **1604g** can be designed such that no electromechanical mechanism is needed in order to obtain the multiple perspectives. The collection and retrieval of imaging data generated by the image sensor **1604g** can be controlled by the network management system **1601**, or can be autonomously collected and reported by the image sensor **1604g** to the network management system **1601**.

Other sensors that may be suitable for collecting telemetry information associated with the waveguide system **1602** and/or the power lines **1610** for purposes of detecting, predicting and/or mitigating disturbances that can impede the propagation of electromagnetic wave transmissions on power lines **1610** (or any other form of a transmission medium of electromagnetic waves) may be utilized by the waveguide system **1602**.

Referring now to FIG. **16B**, block diagram **1650** illustrates an example, non-limiting embodiment of a system for managing a power grid **1653** and a communication system **1655** embedded therein or associated therewith in accordance with various aspects described herein. The communication system **1655** comprises a plurality of waveguide systems **1602** coupled to power lines **1610** of the power grid **1653**. At least a portion of the waveguide systems **1602** used in the communication system **1655** can be in direct com-

munication with a base station **1614** and/or the network management system **1601**. Waveguide systems **1602** not directly connected to a base station **1614** or the network management system **1601** can engage in communication sessions with either a base station **1614** or the network management system **1601** by way of other downstream waveguide systems **1602** connected to a base station **1614** or the network management system **1601**.

The network management system **1601** can be communicatively coupled to equipment of a utility company **1652** and equipment of a communications service provider **1654** for providing each entity, status information associated with the power grid **1653** and the communication system **1655**, respectively. The network management system **1601**, the equipment of the utility company **1652**, and the communications service provider **1654** can access communication devices utilized by utility company personnel **1656** and/or communication devices utilized by communications service provider personnel **1658** for purposes of providing status information and/or for directing such personnel in the management of the power grid **1653** and/or communication system **1655**.

FIG. **17A** illustrates a flow diagram of an example, non-limiting embodiment of a method **1700** for detecting and mitigating disturbances occurring in a communication network of the systems of FIGS. **16A** & **16B**. Method **1700** can begin with step **1702** where a waveguide system **1602** transmits and receives messages embedded in, or forming part of, modulated electromagnetic waves or another type of electromagnetic waves traveling along a surface of a power line **1610**. The messages can be voice messages, streaming video, and/or other data/information exchanged between communication devices communicatively coupled to the communication system **1655**. At step **1704** the sensors **1604** of the waveguide system **1602** can collect sensing data. In an embodiment, the sensing data can be collected in step **1704** prior to, during, or after the transmission and/or receipt of messages in step **1702**. At step **1706** the waveguide system **1602** (or the sensors **1604** themselves) can determine from the sensing data an actual or predicted occurrence of a disturbance in the communication system **1655** that can affect communications originating from (e.g., transmitted by) or received by the waveguide system **1602**. The waveguide system **1602** (or the sensors **1604**) can process temperature data, signal reflection data, loss of energy data, noise data, vibration data, environmental data, or any combination thereof to make this determination. The waveguide system **1602** (or the sensors **1604**) may also detect, identify, estimate, or predict the source of the disturbance and/or its location in the communication system **1655**. If a disturbance is neither detected/identified nor predicted/estimated at step **1708**, the waveguide system **1602** can proceed to step **1702** where it continues to transmit and receive messages embedded in, or forming part of, modulated electromagnetic waves traveling along a surface of the power line **1610**.

If at step **1708** a disturbance is detected/identified or predicted/estimated to occur, the waveguide system **1602** proceeds to step **1710** to determine if the disturbance adversely affects (or alternatively, is likely to adversely affect or the extent to which it may adversely affect) transmission or reception of messages in the communication system **1655**. In one embodiment, a duration threshold and a frequency of occurrence threshold can be used at step **1710** to determine when a disturbance adversely affects communications in the communication system **1655**. For illustration purposes only, assume a duration threshold is set to 500 ms, while a frequency of occurrence threshold is set to 5

disturbances occurring in an observation period of 10 sec. Thus, a disturbance having a duration greater than 500 ms will trigger the duration threshold. Additionally, any disturbance occurring more than 5 times in a 10 sec time interval will trigger the frequency of occurrence threshold.

In one embodiment, a disturbance may be considered to adversely affect signal integrity in the communication systems **1655** when the duration threshold alone is exceeded. In another embodiment, a disturbance may be considered as adversely affecting signal integrity in the communication systems **1655** when both the duration threshold and the frequency of occurrence threshold are exceeded. The latter embodiment is thus more conservative than the former embodiment for classifying disturbances that adversely affect signal integrity in the communication system **1655**. It will be appreciated that many other algorithms and associated parameters and thresholds can be utilized for step **1710** in accordance with example embodiments.

Referring back to method **1700**, if at step **1710** the disturbance detected at step **1708** does not meet the condition for adversely affected communications (e.g., neither exceeds the duration threshold nor the frequency of occurrence threshold), the waveguide system **1602** may proceed to step **1702** and continue processing messages. For instance, if the disturbance detected in step **1708** has a duration of 1 msec with a single occurrence in a 10 sec time period, then neither threshold will be exceeded. Consequently, such a disturbance may be considered as having a nominal effect on signal integrity in the communication system **1655** and thus would not be flagged as a disturbance requiring mitigation. Although not flagged, the occurrence of the disturbance, its time of occurrence, its frequency of occurrence, spectral data, and/or other useful information, may be reported to the network management system **1601** as telemetry data for monitoring purposes.

Referring back to step **1710**, if on the other hand the disturbance satisfies the condition for adversely affected communications (e.g., exceeds either or both thresholds), the waveguide system **1602** can proceed to step **1712** and report the incident to the network management system **1601**. The report can include raw sensing data collected by the sensors **1604**, a description of the disturbance if known by the waveguide system **1602**, a time of occurrence of the disturbance, a frequency of occurrence of the disturbance, a location associated with the disturbance, parameters readings such as bit error rate, packet loss rate, retransmission requests, jitter, latency and so on. If the disturbance is based on a prediction by one or more sensors of the waveguide system **1602**, the report can include a type of disturbance expected, and if predictable, an expected time occurrence of the disturbance, and an expected frequency of occurrence of the predicted disturbance when the prediction is based on historical sensing data collected by the sensors **1604** of the waveguide system **1602**.

At step **1714**, the network management system **1601** can determine a mitigation, circumvention, or correction technique, which may include directing the waveguide system **1602** to reroute traffic to circumvent the disturbance if the location of the disturbance can be determined. In one embodiment, the waveguide coupling device **1402** detecting the disturbance may direct a repeater such as the one shown in FIGS. **13-14** to connect the waveguide system **1602** from a primary power line affected by the disturbance to a secondary power line to enable the waveguide system **1602** to reroute traffic to a different transmission medium and avoid the disturbance. In an embodiment where the waveguide system **1602** is configured as a repeater the waveguide

system **1602** can itself perform the rerouting of traffic from the primary power line to the secondary power line. It is further noted that for bidirectional communications (e.g., full or half-duplex communications), the repeater can be configured to reroute traffic from the secondary power line back to the primary power line for processing by the waveguide system **1602**.

In another embodiment, the waveguide system **1602** can redirect traffic by instructing a first repeater situated upstream of the disturbance and a second repeater situated downstream of the disturbance to redirect traffic from a primary power line temporarily to a secondary power line and back to the primary power line in a manner that avoids the disturbance. It is further noted that for bidirectional communications (e.g., full or half-duplex communications), repeaters can be configured to reroute traffic from the secondary power line back to the primary power line.

To avoid interrupting existing communication sessions occurring on a secondary power line, the network management system **1601** may direct the waveguide system **1602** to instruct repeater(s) to utilize unused time slot(s) and/or frequency band(s) of the secondary power line for redirecting data and/or voice traffic away from the primary power line to circumvent the disturbance.

At step **1716**, while traffic is being rerouted to avoid the disturbance, the network management system **1601** can notify equipment of the utility company **1652** and/or equipment of the communications service provider **1654**, which in turn may notify personnel of the utility company **1656** and/or personnel of the communications service provider **1658** of the detected disturbance and its location if known. Field personnel from either party can attend to resolving the disturbance at a determined location of the disturbance. Once the disturbance is removed or otherwise mitigated by personnel of the utility company and/or personnel of the communications service provider, such personnel can notify their respective companies and/or the network management system **1601** utilizing field equipment (e.g., a laptop computer, smartphone, etc.) communicatively coupled to network management system **1601**, and/or equipment of the utility company and/or the communications service provider. The notification can include a description of how the disturbance was mitigated and any changes to the power lines **1610** that may change a topology of the communication system **1655**.

Once the disturbance has been resolved (as determined in decision **1718**), the network management system **1601** can direct the waveguide system **1602** at step **1720** to restore the previous routing configuration used by the waveguide system **1602** or route traffic according to a new routing configuration if the restoration strategy used to mitigate the disturbance resulted in a new network topology of the communication system **1655**. In another embodiment, the waveguide system **1602** can be configured to monitor mitigation of the disturbance by transmitting test signals on the power line **1610** to determine when the disturbance has been removed. Once the waveguide system **1602** detects an absence of the disturbance it can autonomously restore its routing configuration without assistance by the network management system **1601** if it determines the network topology of the communication system **1655** has not changed, or it can utilize a new routing configuration that adapts to a detected new network topology.

FIG. **17B** illustrates a flow diagram of an example, non-limiting embodiment of a method **1750** for detecting and mitigating disturbances occurring in a communication network of the system of FIGS. **16A** and **16B**. In one

embodiment, method 1750 can begin with step 1752 where a network management system 1601 receives from equipment of the utility company 1652 or equipment of the communications service provider 1654 maintenance information associated with a maintenance schedule. The network management system 1601 can at step 1754 identify from the maintenance information, maintenance activities to be performed during the maintenance schedule. From these activities, the network management system 1601 can detect a disturbance resulting from the maintenance (e.g., scheduled replacement of a power line 1610, scheduled replacement of a waveguide system 1602 on the power line 1610, scheduled reconfiguration of power lines 1610 in the power grid 1653, etc.).

In another embodiment, the network management system 1601 can receive at step 1755 telemetry information from one or more waveguide systems 1602. The telemetry information can include among other things an identity of each waveguide system 1602 submitting the telemetry information, measurements taken by sensors 1604 of each waveguide system 1602, information relating to predicted, estimated, or actual disturbances detected by the sensors 1604 of each waveguide system 1602, location information associated with each waveguide system 1602, an estimated location of a detected disturbance, an identification of the disturbance, and so on. The network management system 1601 can determine from the telemetry information a type of disturbance that may be adverse to operations of the waveguide, transmission of the electromagnetic waves along the wire surface, or both. The network management system 1601 can also use telemetry information from multiple waveguide systems 1602 to isolate and identify the disturbance. Additionally, the network management system 1601 can request telemetry information from waveguide systems 1602 in a vicinity of an affected waveguide system 1602 to triangulate a location of the disturbance and/or validate an identification of the disturbance by receiving similar telemetry information from other waveguide systems 1602.

In yet another embodiment, the network management system 1601 can receive at step 1756 an unscheduled activity report from maintenance field personnel. Unscheduled maintenance may occur as result of field calls that are unplanned or as a result of unexpected field issues discovered during field calls or scheduled maintenance activities. The activity report can identify changes to a topology configuration of the power grid 1653 resulting from field personnel addressing discovered issues in the communication system 1655 and/or power grid 1653, changes to one or more waveguide systems 1602 (such as replacement or repair thereof), mitigation of disturbances performed if any, and so on.

At step 1758, the network management system 1601 can determine from reports received according to steps 1752 through 1756 if a disturbance will occur based on a maintenance schedule, or if a disturbance has occurred or is predicted to occur based on telemetry data, or if a disturbance has occurred due to an unplanned maintenance identified in a field activity report. From any of these reports, the network management system 1601 can determine whether a detected or predicted disturbance requires rerouting of traffic by the affected waveguide systems 1602 or other waveguide systems 1602 of the communication system 1655.

When a disturbance is detected or predicted at step 1758, the network management system 1601 can proceed to step 1760 where it can direct one or more waveguide systems 1602 to reroute traffic to circumvent the disturbance. When the disturbance is permanent due to a permanent topology

change of the power grid 1653, the network management system 1601 can proceed to step 1770 and skip steps 1762, 1764, 1766, and 1772. At step 1770, the network management system 1601 can direct one or more waveguide systems 1602 to use a new routing configuration that adapts to the new topology. However, when the disturbance has been detected from telemetry information supplied by one or more waveguide systems 1602, the network management system 1601 can notify maintenance personnel of the utility company 1656 or the communications service provider 1658 of a location of the disturbance, a type of disturbance if known, and related information that may be helpful to such personnel to mitigate the disturbance. When a disturbance is expected due to maintenance activities, the network management system 1601 can direct one or more waveguide systems 1602 to reconfigure traffic routes at a given schedule (consistent with the maintenance schedule) to avoid disturbances caused by the maintenance activities during the maintenance schedule.

Returning back to step 1760 and upon its completion, the process can continue with step 1762. At step 1762, the network management system 1601 can monitor when the disturbance(s) have been mitigated by field personnel. Mitigation of a disturbance can be detected at step 1762 by analyzing field reports submitted to the network management system 1601 by field personnel over a communications network (e.g., cellular communication system) utilizing field equipment (e.g., a laptop computer or handheld computer/device). If field personnel have reported that a disturbance has been mitigated, the network management system 1601 can proceed to step 1764 to determine from the field report whether a topology change was required to mitigate the disturbance. A topology change can include rerouting a power line 1610, reconfiguring a waveguide system 1602 to utilize a different power line 1610, otherwise utilizing an alternative link to bypass the disturbance and so on. If a topology change has taken place, the network management system 1601 can direct at step 1770 one or more waveguide systems 1602 to use a new routing configuration that adapts to the new topology.

If, however, a topology change has not been reported by field personnel, the network management system 1601 can proceed to step 1766 where it can direct one or more waveguide systems 1602 to send test signals to test a routing configuration that had been used prior to the detected disturbance(s). Test signals can be sent to affected waveguide systems 1602 in a vicinity of the disturbance. The test signals can be used to determine if signal disturbances (e.g., electromagnetic wave reflections) are detected by any of the waveguide systems 1602. If the test signals confirm that a prior routing configuration is no longer subject to previously detected disturbance(s), then the network management system 1601 can at step 1772 direct the affected waveguide systems 1602 to restore a previous routing configuration. If, however, test signals analyzed by one or more waveguide coupling device 1402 and reported to the network management system 1601 indicate that the disturbance(s) or new disturbance(s) are present, then the network management system 1601 will proceed to step 1768 and report this information to field personnel to further address field issues. The network management system 1601 can in this situation continue to monitor mitigation of the disturbance(s) at step 1762.

In the aforementioned embodiments, the waveguide systems 1602 can be configured to be self-adapting to changes in the power grid 1653 and/or to mitigation of disturbances. That is, one or more affected waveguide systems 1602 can

be configured to self-monitor mitigation of disturbances and reconfigure traffic routes without requiring instructions to be sent to them by the network management system **1601**. In this embodiment, the one or more waveguide systems **1602** that are self-configurable can inform the network management system **1601** of its routing choices so that the network management system **1601** can maintain a macro-level view of the communication topology of the communication system **1655**.

While for purposes of simplicity of explanation, the respective processes are shown and described as a series of blocks in FIGS. **17A** and **17B**, respectively, it is to be understood and appreciated that the claimed subject matter is not limited by the order of the blocks, as some blocks may occur in different orders and/or concurrently with other blocks from what is depicted and described herein. Moreover, not all illustrated blocks may be required to implement the methods described herein.

Turning now to FIG. **18**, a system **1800** is illustrated in which software can be efficiently distributed throughout a network or a targeted portion thereof utilizing network devices **1806**. The software can be directed to the network devices **1806** and/or other devices, including customer premises equipment and/or end user devices such as located at residence **1835**. System **1800** provides for a de-centralized process that distributes software and/or that locally validates the software being distributed. The distributed software can be any type of software that includes executable instructions. The software can be updates to existing software at the network device, software that is associated with or usable by existing software at the network device, and/or software that is unrelated to software existing at the network device. Many of the examples herein describe a de-centralized process and system for distributing software updates (or patches), however, the exemplary embodiments can be utilized for any type of software that may or may not be an update to software already existing at the network device(s). In one or more embodiments, the distributed software can be used for adjusting operations at the network device(s). The operations being adjusted can vary and can include changing the operation of the operating system at the network device, providing new functions at the network device, adjusting existing functions at the network device, changing communication protocols (e.g., transmitting protocols, security protocols, authentication protocols, encryption protocols, and so forth) utilized by the network device, and so forth.

The communication system **1800** provides for a peer-to-peer (p2p) model where network nodes can be active agents in obtaining or distributing software updates without the necessity of direct communication of updates from a network source. In one embodiment, the network devices **1806** can poll other network device(s), such as located at parent pathway nodes, for information on software update versions to determine whether an update is available and if so, when to install the software update.

In one embodiment, the network devices **1806** can be network nodes that are dynamically organized into a configuration from an update root node down to terminal nodes, and intermediate nodes can act as update servers for child nodes further along the communication path.

In another embodiment, an update management or source server can provide an initial update package (e.g., including desired update(s), upgrade(s), and/or patch(es)) into a targeted network (e.g., providing services to end user devices, m2m, IoT or similar devices) at a designated update root node(s). Various distribution processes can then be imple-

mented. For example, the designated update root node (e.g., network device **1806A**) can propagate the software update down or through a tree-like topology to other network devices and other terminal nodes.

In another example, other network node(s) in the network can be selected, either randomly or based on one or more criteria, as a starting point for the P2P distribution of the software update. For instance, the initial drop of the software update can be over a wired network to a selected network device. In another example, the initial drop of the software update can be via a wireless network, such as a cellular network. In another embodiment, multiple initial drop points (e.g., selected network devices) can be utilized. For instance, if the targeted local network is large and/or the software update is urgent, system **1800** can utilize two or more initial drop points (e.g., located at opposing ends of a targeted network), which can then propagate the software update (e.g., to separate sections of the network) and can reduce the overall distribution time to all nodes and/or devices.

In one embodiment, the network can be divided or otherwise categorized into portions to facilitate propagation of the software updates. For example, neighborhoods or sub-networks **1825** (only one of which is shown) can be designated according to a group of network devices **1806** (only four of which are shown) that provide a service area for communication devices located in or otherwise associated with particular areas. The particular network devices **1806** and the resulting service area can be selected based on various factors including one or more of boundaries of a physical neighborhood, premises having common characteristics or interests (e.g., proximity to same stores, attractions, public services, user demographics and so forth), similar infrastructure in a particular area, and so forth. In one embodiment, some or all devices of the group of network devices **1806** can be the closest network nodes that provide communication services to the premises in the designated area, such as a residence **1835**. The neighborhood network can provide a contiguous service area or can provide separated sub-service areas that make up the designated area. The premises served by the neighborhood network can include various types of premises including residential houses and/or buildings, commercial stores and facilities, government buildings, public areas and so forth. In a de-centralized fashion, software updates can be propagated, such as at the same or overlapping time period, over multiple designated neighborhood networks **1825**. In addition to distributing software updates, system **1800** can be used for various types of communications including voice, video, data and/or messaging.

System **1800** can include network devices **1806** of various numbers (four of which are illustrated) and in various configurations (for ease of illustration being depicted in a straight path). In one embodiment, each of the network devices **1806** can be a network node. In another embodiment, the network devices **1806** can be a plurality of waveguide systems, such as waveguide systems **1806A-1806D**. Waveguide systems **1806A-1806D** can be nodes of a wired network, which, for example, can include power lines **1802** as a transmission medium. In one embodiment, the waveguide systems **1806A-1806D** can enable electromagnetic waves to be received at a physical interface of a transmission medium without utilizing an electrical return path, where the electromagnetic waves are guided by the transmission medium, and where the electromagnetic waves have a non-optical frequency range. The electromagnetic waves can carry or convey various information, such as software updates, authentication information, and so forth.

While the communication device(s) illustrated in system **1800** are network devices and, particularly, waveguide systems, one or more of the exemplary embodiments can also include other types of devices coupled with a wired network and/or a wireless network that enable a de-centralized distribution of software updates.

One or more of the waveguide systems **1806A-1806D** (or other devices operating as the network devices) can include a processor **1816** that can perform various functions including one or more of authenticating other network devices; receiving and/or transmitting software updates (e.g., without the need to directly receive the software update from a network source server); adjusting operations according to software updates; providing a digital signature to the software update to generate an adjusted software update where the digital signature indicates that the network device has received and/or installed the software update; comparing software updates to determine which software update is to be utilized and/or to be forwarded to another network device(s); transmitting update requests to another network device or to a group of network devices without providing the update request to a network source server that originated the software update; determining a latest version of software updates being stored by other network devices; determining an applicability of the software update to the operations of the particular network device where the adjusting of the operations at the network device is responsive to a determination that the software update is applicable to the operations of the network device; identifying network devices from a group of digital signatures included with a software update; comparing the identified network devices to expected network devices along an expected communication path of the software update; determining a hierarchical configuration of network devices; discarding particular software updates according to a determination that a network device is a parent node and that another network device is a child node; monitoring for an expiration of software operating at the network device; and/or transmitting an update request to another network device responsive to determining that software has expired. In one embodiment, a first non-root node network device can receive a software update from a second-non-root node network device without directly receiving the software update from a root node network device (e.g., a patch drop point in the network).

The processor **1816** can be a separate device in communication with, or otherwise coupled to, the waveguide systems **1806A-1806D** (as shown with respect to waveguide systems **1806B** and **1806D**) or can be integrated with the waveguide systems, such as shown with respect to waveguide systems **1806A** and **1806C**.

In one embodiment, the waveguide system **1806B** can be a closest network node to a subset of the group of recipient devices (e.g., a recipient device located at premises **1835**) and can deliver information to the premises **1835**, as well as deliver the information to a next adjacent node (e.g., third waveguide system **1806C**) for further delivery to other devices of the group of recipient devices and/or to other network devices of the neighborhood network **1825**.

In one embodiment, waveguide system **1806A** can be an edge node of the neighborhood network that receives data including a software update from an external network device **1850** and that determines that the data is to be distributed to other network devices **1806**.

Turning now to FIG. **19**, system **1900** is illustrated which includes an access network **1918** coupled with a core network **1932** and with a group of network servers **1850** to deliver communication services to customer premises equip-

ment and/or end user devices **1925**. Any number of network servers **1850** can be used for providing services that enable peer-to-peer authentication between network devices **1806** in the access network **1918**, as well as a de-centralized propagation of software updates throughout the access network and/or to the devices **1925**. In one embodiment, the network servers **1850** can be part of the core network **1932**. The network devices **1806** can be waveguide systems and/or can be other types of network devices, including routers and/or DSLAMs.

In one embodiment, the network device(s) **1806A** can be selected as an initial drop point for distributing a software update **1960** throughout the access network **1918**. The selection process can be based on various criteria, including the configuration of the access network **1918**, the position of the network device **1806A** in a hierarchy of network devices, the capabilities of the network device, the type of software update **1960**, and so forth. In another embodiment, the selection of the network device **1806A** as the initial drop point can be based on past update distributions. For example, timing performance (e.g., time to complete the distribution to all or some of the network devices) can be monitored for different initial drop points to determine which network drop point(s) most effectively and efficiently previously distributed software updates. The network server **1850** can provide the network device **1806A** the software update **1960** utilizing wireless and/or wired communications.

In one embodiment, system **1900** can transmit the software update **1960** in a store-and-forward model between peer nodes (e.g., the network devices **1806**) that are mutually authenticating each other. The initial drop node (e.g., network device **1806A**) can propagate the software update **1960** to its neighbor node(s), each of the network nodes applying the software update as appropriate (given that some software updates might not apply to all devices, but only to some types thereof) and then forwarding the software update to the next adjacent node(s). The software update **1960** can be transmitted from node to node (e.g., from network device **1806A** to network device(s) **1806B** to network device(s) **1806B** and so on), in a peer-to-peer communication and viral-type fashion without needing to directly receive the software update from the source originating it (e.g., network server **1850**) and/or without communicating with the source (e.g., without transmitting a receipt acknowledgement to the network server **1850**). In one embodiment, each of the network devices **1806** can authenticate each other with mutual authentication thereby preventing or reducing sending/receiving software updates to/from a possibly malicious or compromised node.

In another embodiment, system **1900** can implement an update ready check. For example, each or some of the network nodes (e.g., network devices **1806**) can maintain a version list of update histories, such as to support roll backs. Software update versions can have a date of issue and/or a date of expiry. When a network device **1806** determines that its current software version is expired, the network device can initiate an update. In one embodiment, a network device can, independent of or prior to version expiry, periodically poll other network devices, such as at parent nodes (all or some), for their current version number (or other information that indicates the identity of the version being utilized at the other network device). In some instances, such as where a local network is large and parent pathways are long, an upper limit on the hierarchy tree can be utilized. For example, each network device **1806B** may only check the status of a maximum number of network devices located at

parent network nodes before validating a software update. If a number of network devices **1806** at the parent nodes (e.g., satisfying a threshold) have a more up-to-date version of the software update **1960** then the current network device can request the software update (e.g., from one of the polled network devices at the parent nodes) and can trigger an update during the next maintenance window.

In another embodiment, system **1900** can implement an update check. For example, network devices can validate the source of the software update **1960** by authenticating the network devices at parent node(s) that the software update was received from. As a software update **1960** is transmitted from the network server **1850** through a path of network nodes (where the network devices are located), each network device can digitally sign (or otherwise provide an indication that the network device has received the software update) the update package. Before installing the software update **1960**, a network device can validate the digital signatures of all the network devices on the path, such as based on a comparison to a list of expected network devices along the path. In one embodiment, any software update that fails these tests can be discarded. The software update package can be digitally signed, and receiving devices can check the signature, so tampering for all software update packages can be detected without delay, and tampered or forged software updates can be removed.

In another embodiment, system **1900** can implement conflict prevention. For example, network devices can have alternate means of receiving software updates. For instance, a single network node may have redundancy within the network either through another path way to a different node, to be used in the event of a failure, or through a separate transport mechanism. Examples can include out of band management pathways and/or the mobility network. In this embodiment, a network device can validate multiple paths to different update root nodes from which the software update is being received. In one embodiment, one pathway can be designated as a parent pathway by a priority selection process. In the event of a failure on the parent pathway, an alternate pathway to the update root node can be selected. In this example, a network device that has received a software update from an alternate path can communicate the existence of the software update to all its parent nodes, triggering a query by each parent node for an updated software version. In one embodiment, to prevent update loops, where a network device receives information about a software update from both parent and child nodes, the software update file may only be accepted from the parent pathway. In the event that a network node fails on a parent pathway, and a secondary pathway exists, then if that secondary path leads to a parent node earlier in the path it can be selected. Continuing with this example, the software update can then be received from the immediate parent node on the alternate pathway. When the primary pathway is restored, a child node may have a more current version of the software update than its parent nodes. The child node (or another node along the path) can then trigger an update request to all the nodes on the parent pathway, which can then start the process of obtaining the most up-to-date version of the software update.

Various authentication methods can be used as part of the de-centralized distribution of software updates. In one embodiment, waveguide system **1806A** (e.g., operating as an edge element or update root node) can be validated (e.g., by another waveguide system or a network server) according to an identification in an inventory database and/or an association with a specific network modification request. In

another embodiment, waveguide system **1806B** (e.g., operating as a non-edge element or a non-update root node) can be validated (e.g., by another waveguide system or a network server) according to an identification in an inventory database, being mapped to a valid location in the topology of its corresponding root node (waveguide system operating as an edge element), and/or having a specific upstream waveguide system which can be an edge element or a non-edge element. As an example, component services can be implemented by network servers **1850**, including an inventory service, a deployment service, and a modification management service that can be utilized for this validation process.

In one embodiment, whenever customers are added to the communication services provided via system **1900**, they are introduced as terminal nodes at the end of the transport pathway that are provided via the non-edge waveguide systems. In one embodiment, a terminal node can be user equipment as in an LTE use case, or can be a modem supporting a home network, cable, or voice services. Other security protocols can be implemented to prevent bogus clients joining the network by confirming identity using existing protocols, such as LTE or DOCSIS3.0 AAA protocols, and/or querying a customer profile service before allowing registration.

In one or more embodiments, peer-to-peer authentication between network devices can be performed, such as described in U.S. application Ser. No. 14/737,983, the disclosure of which is hereby incorporated by reference.

The example of system **1900** describes particular components and examples of handshake protocols, however, the peer-to-peer authentication being utilized or a portion thereof can be extended to other transport networks. Further, a subset of the exemplary protocols can be used and other protocols and components, based on the underlying transport technology specifics, can also be utilized with the exemplary embodiments.

Turning now to FIG. **20**, a flow diagram of an example, non-limiting embodiment of a method **2000**, is shown. In particular, a method is presented for use with one or more functions and features presented in conjunction with FIGS. **1-19**. Method **2000** enables distributing software updates in a de-centralized process. Systems **1800** and **1900** of FIGS. **18, 19** are described with respect to waveguide systems and method **2000** can be performed in conjunction with these systems. However, one or more embodiments of method **2000** (including all or some of the features described herein) can be performed using other types of network components and/or other architectures including in a wired network and/or a wireless network. Method **2000** is described as being performed by one or more network devices.

At **2005**, a network device operating as a node of a network can receive data of various types, including voice, video, and/or messaging. The data can include a software update. In one embodiment, the network device can be operating as a non-edge node and the data can be received from an adjacent network node, such as along a path extending from or to an edge node (or update root node). In another embodiment, the network device can be operating as an edge node and the data can be received from an external network device positioned outside of the neighborhood network.

At **2010**, the network device can determine if the received software update is a valid update. In one embodiment, the network device can perform authentication, such as mutual authentication, with the network device that transmitted the software update (e.g., an adjacent network node). In one

embodiment, the network device can detect or otherwise identify digital signature(s) or other indicia that are provided with the software update. The digital signatures can be provided by other network devices that have received and forwarded the software update. In this example, the network device can compare these identified network devices with expected network devices that should have been along the communication path.

In the event that a software update is determined to be invalid then at **2015** the software update can be discarded or otherwise flagged as invalid. In one embodiment, a notification can be generated and transmitted to other network devices and/or to a network server so that further investigation or actions can be performed with respect to the invalid software update.

If on the other hand, the software update is determined to be valid then at **2020** the software update can be implemented or otherwise installed at the network device, so as to adjust operations of the network device. In one embodiment, the network device can determine whether the software update is applicable to the particular network device. For example, the software update can be directed to particular types of network devices but not to other types. In another example, the network device may already be updated with the received software update and/or may have a more up-to-date version of the software.

At **2025**, the network device can provide a digital signature or other indicia that indicates that the network device has received the software update. In one embodiment, the digital signature or other indicia can indicate whether or not the transmitting network device implemented the software update. The added digital signature can then be utilized by a receiving network device to validate the software update. At **2030**, the software update can be transmitted by the network device to one or more other network devices, such as adjacent network node(s).

In one embodiment, the network devices can be waveguide systems that transmit and receive electromagnetic waves at a physical interface of a transmission medium, wherein the electromagnetic waves are guided by the transmission medium without utilizing an electrical return path, wherein the electromagnetic waves have a non-optical frequency range, and wherein the authentication information, the software update and/or the adjusted software update are conveyed via the electromagnetic waves. In another embodiment, multiple software updates can be received by a network device from multiple other network devices (e.g., along a single communication path or along several communication paths). In this example, the software updates can be compared and the latest version of the software update can be utilized. In one embodiment, a first network device, responsive to determining that a software update received from a second network device is out-of-date or not the latest version, can notify the second network device of the existence of (or provide to the second network device) the more-up-to-date version of the software update.

In one embodiment, the network device can transmit an update request to one network device or to a group of network devices, where the transmitting of the update request does not include providing the update request to a network source server that originated the software update. In this example, the network device can determine a latest version of the software update being stored by each of the group of network device and can then obtain that latest version from the particular network device. In one embodiment, the network device can determine a hierarchical configuration of other network devices and can discard

particular software updates according to a determination as to whether the update was received from a parent node (e.g., keep the update) or a child node (discard the update). In one embodiment, the network device can monitor for an expiration of software operating at the network device, and, responsive to a determination that the software has expired, transmit an update request to another network device, where the transmitting of the update request does not include providing the update request to a network source server that originated the software update,

While for purposes of simplicity of explanation, the respective processes are shown and described as a series of blocks in FIG. 20, it is to be understood and appreciated that the claimed subject matter is not limited by the order of the blocks, as some blocks may occur in different orders and/or concurrently with other blocks from what is depicted and described herein. Moreover, not all illustrated blocks may be required to implement the methods described herein.

In one embodiment, each network device can maintain a 'last known good configuration'. In order to prevent update flapping, roll backs can require additional validation that the current update has been fixed before a reinstall is initiated. In one embodiment, if multiple updates are available, a protocol can be used to check the types of each update. If a series of updates is required to be applied in order, the network device can do so. If a fresh update replaces all prior updates, the earlier updates can be discarded unless needed for a 'last known good configuration'.

In one embodiment, even when an update package is correctly received by a network device, and its integrity is verified (e.g., via digital signatures), more checking can be performed to assure upgrade-only patching, so the device goes to the most recent version, and not to an older patch which might actually re-instate a vulnerability. An increasing release number can be associated with each software update and checked by each receiving network device. In one embodiment, for emergency situations when reverting to a slightly older version is actually required in operation, the update can have a new, increased version number, to facilitate checking.

In one embodiment, accounting for differences in actual hardware can be performed. For example, software updates may not apply to network devices on a parent path if the network devices are manufactured by different vendors or if the actual hardware is not certified for the update. All network devices can still support the update protocols so that they can communicate updates downstream. In heterogeneous environments, network devices can apply a majority controls polling rule to account for this possibility.

In one embodiment, gold standard auditing can be performed. For example, all the nodes in the network can be polled on their current configuration to ensure that they are indeed compliant with current versions and configuration parameters. Deviations from a gold standard can be reported to system logs and can generate alerts. In one embodiment, transaction-based processing of updates can be performed. For example, update operations can be transactional (e.g., either the full update installation is completed, or none of it is installed). If an update fails, the network device can roll back to a valid state and/or can return to an active state.

In one embodiment, patch propagation for non-like devices communicating to pass along the update can be performed. For example, a local IoT network can comprise devices of different types, (e.g., in a smart home, there are many types of appliances and devices that communicate with one another). A new software update can be for a specific type of device, and not apply to other types. In this

example, the software update can include an indicator that specifies the type of device(s) it targets. After the initial drop, the receiving network device can inspect the indicator, and then pass the software update along to network devices that can use it. This can be implemented through device self-awareness and the receiving network device also knows the device type of its neighbors. When receiving a software update, the receiving network device can compare the patch's applicable device type indicator with the known types of its downstream network devices, and then can send the patch to applicable devices only. This example can save propagation time and resources. Devices that are along a required path and that receive non-applicable software updates for relaying them further down still save processing time as they only need to inspect the patch indicator, but not the entire software update.

In one embodiment, the exemplary systems and methods can reduce network usage along with dependency on centralized update management. The distributed update management of the exemplary embodiments can support self-healing and self-managing networks that are more robust in the face of failure and that can propagate corrections through the network automatically. For example, the exemplary embodiments can reduce wide area network usage. For instance, large updates can be sent only once—from the central server to the drop node(s)—instead of to each node individually. This cuts down significantly the Wide Area Network (WAN) communications, saving WAN bandwidth (which is typically lower than local capacity). The exemplary embodiments can reduce the load on central servers from communication and processing. For example, the central servers do not need to communicate with each network device, thereby reducing their communication load. Also there is no need to receive and process responses from all network devices, thereby reducing processing load for the central servers.

Referring now to FIG. 21, there is illustrated a block diagram of a computing environment in accordance with various aspects described herein. In order to provide additional context for various embodiments of the embodiments described herein, FIG. 21 and the following discussion are intended to provide a brief, general description of a suitable computing environment 2100 in which the various embodiments of the subject disclosure can be implemented. While the embodiments have been described above in the general context of computer-executable instructions that can run on one or more computers, those skilled in the art will recognize that the embodiments can be also implemented in combination with other program modules and/or as a combination of hardware and software.

Generally, program modules comprise routines, programs, components, data structures, etc., that perform particular tasks or implement particular abstract data types. Moreover, those skilled in the art will appreciate that the inventive methods can be practiced with other computer system configurations, comprising single-processor or multiprocessor computer systems, minicomputers, mainframe computers, as well as personal computers, hand-held computing devices, microprocessor-based or programmable consumer electronics, and the like, each of which can be operatively coupled to one or more associated devices.

As used herein, a processing circuit includes processor as well as other application specific circuits such as an application specific integrated circuit, digital logic circuit, state machine, programmable gate array or other circuit that processes input signals or data and that produces output signals or data in response thereto. It should be noted that

while any functions and features described herein in association with the operation of a processor could likewise be performed by a processing circuit.

The terms "first," "second," "third," and so forth, as used in the claims, unless otherwise clear by context, is for clarity only and doesn't otherwise indicate or imply any order in time. For instance, "a first determination," "a second determination," and "a third determination," does not indicate or imply that the first determination is to be made before the second determination, or vice versa, etc.

The illustrated embodiments of the embodiments herein can be also practiced in distributed computing environments where certain tasks are performed by remote processing devices that are linked through a communications network. In a distributed computing environment, program modules can be located in both local and remote memory storage devices.

Computing devices typically comprise a variety of media, which can comprise computer-readable storage media and/or communications media, which two terms are used herein differently from one another as follows. Computer-readable storage media can be any available storage media that can be accessed by the computer and comprises both volatile and nonvolatile media, removable and non-removable media. By way of example, and not limitation, computer-readable storage media can be implemented in connection with any method or technology for storage of information such as computer-readable instructions, program modules, structured data or unstructured data.

Computer-readable storage media can comprise, but are not limited to, random access memory (RAM), read only memory (ROM), electrically erasable programmable read only memory (EEPROM), flash memory or other memory technology, compact disk read only memory (CD-ROM), digital versatile disk (DVD) or other optical disk storage, magnetic cassettes, magnetic tape, magnetic disk storage or other magnetic storage devices or other tangible and/or non-transitory media which can be used to store desired information. In this regard, the terms "tangible" or "non-transitory" herein as applied to storage, memory or computer-readable media, are to be understood to exclude only propagating transitory signals per se as modifiers and do not relinquish rights to all standard storage, memory or computer-readable media that are not only propagating transitory signals per se.

Computer-readable storage media can be accessed by one or more local or remote computing devices, e.g., via access requests, queries or other data retrieval protocols, for a variety of operations with respect to the information stored by the medium.

Communications media typically embody computer-readable instructions, data structures, program modules or other structured or unstructured data in a data signal such as a modulated data signal, e.g., a carrier wave or other transport mechanism, and comprises any information delivery or transport media. The term "modulated data signal" or signals refers to a signal that has one or more of its characteristics set or changed in such a manner as to encode information in one or more signals. By way of example, and not limitation, communication media comprise wired media, such as a wired network or direct-wired connection, and wireless media such as acoustic, RF, infrared and other wireless media.

With reference again to FIG. 21, the example environment 2100 for transmitting and receiving signals via or forming at least part of a base station (e.g., base station devices 1504, macrocell site 1502, or base stations 1614) or central office

(e.g., central office **1501** or **1611**). At least a portion of the example environment **2100** can also be used for transmission devices **101** or **102**. The example environment can comprise a computer **2102**, the computer **2102** comprising a processing unit **2104**, a system memory **2106** and a system bus **2108**. The system bus **2108** couples system components including, but not limited to, the system memory **2106** to the processing unit **2104**. The processing unit **2104** can be any of various commercially available processors. Dual microprocessors and other multiprocessor architectures can also be employed as the processing unit **2104**.

The system bus **2108** can be any of several types of bus structure that can further interconnect to a memory bus (with or without a memory controller), a peripheral bus, and a local bus using any of a variety of commercially available bus architectures. The system memory **2106** comprises ROM **2110** and RAM **2112**. A basic input/output system (BIOS) can be stored in a non-volatile memory such as ROM, erasable programmable read only memory (EPROM), EEPROM, which BIOS contains the basic routines that help to transfer information between elements within the computer **2102**, such as during startup. The RAM **2112** can also comprise a high-speed RAM such as static RAM for caching data.

The computer **2102** further comprises an internal hard disk drive (HDD) **2114** (e.g., EIDE, SATA), which internal hard disk drive **2114** can also be configured for external use in a suitable chassis (not shown), a magnetic floppy disk drive (FDD) **2116**, (e.g., to read from or write to a removable diskette **2118**) and an optical disk drive **2120**, (e.g., reading a CD-ROM disk **2122** or, to read from or write to other high capacity optical media such as the DVD). The hard disk drive **2114**, magnetic disk drive **2116** and optical disk drive **2120** can be connected to the system bus **2108** by a hard disk drive interface **2124**, a magnetic disk drive interface **2126** and an optical drive interface **2128**, respectively. The interface **2124** for external drive implementations comprises at least one or both of Universal Serial Bus (USB) and Institute of Electrical and Electronics Engineers (IEEE) 1394 interface technologies. Other external drive connection technologies are within contemplation of the embodiments described herein.

The drives and their associated computer-readable storage media provide nonvolatile storage of data, data structures, computer-executable instructions, and so forth. For the computer **2102**, the drives and storage media accommodate the storage of any data in a suitable digital format. Although the description of computer-readable storage media above refers to a hard disk drive (HDD), a removable magnetic diskette, and a removable optical media such as a CD or DVD, it should be appreciated by those skilled in the art that other types of storage media which are readable by a computer, such as zip drives, magnetic cassettes, flash memory cards, cartridges, and the like, can also be used in the example operating environment, and further, that any such storage media can contain computer-executable instructions for performing the methods described herein.

A number of program modules can be stored in the drives and RAM **2112**, comprising an operating system **2130**, one or more application programs **2132**, other program modules **2134** and program data **2136**. All or portions of the operating system, applications, modules, and/or data can also be cached in the RAM **2112**. The systems and methods described herein can be implemented utilizing various commercially available operating systems or combinations of operating systems. Examples of application programs **2132** that can be implemented and otherwise executed by pro-

cessing unit **2104** include the diversity selection determining performed by transmission device **101** or **102**.

A user can enter commands and information into the computer **2102** through one or more wired/wireless input devices, e.g., a keyboard **2138** and a pointing device, such as a mouse **2140**. Other input devices (not shown) can comprise a microphone, an infrared (IR) remote control, a joystick, a game pad, a stylus pen, touch screen or the like. These and other input devices are often connected to the processing unit **2104** through an input device interface **2142** that can be coupled to the system bus **2108**, but can be connected by other interfaces, such as a parallel port, an IEEE 1394 serial port, a game port, a universal serial bus (USB) port, an IR interface, etc.

A monitor **2144** or other type of display device can be also connected to the system bus **2108** via an interface, such as a video adapter **2146**. It will also be appreciated that in alternative embodiments, a monitor **2144** can also be any display device (e.g., another computer having a display, a smart phone, a tablet computer, etc.) for receiving display information associated with computer **2102** via any communication means, including via the Internet and cloud-based networks. In addition to the monitor **2144**, a computer typically comprises other peripheral output devices (not shown), such as speakers, printers, etc.

The computer **2102** can operate in a networked environment using logical connections via wired and/or wireless communications to one or more remote computers, such as a remote computer(s) **2148**. The remote computer(s) **2148** can be a workstation, a server computer, a router, a personal computer, portable computer, microprocessor-based entertainment appliance, a peer device or other common network node, and typically comprises many or all of the elements described relative to the computer **2102**, although, for purposes of brevity, only a memory/storage device **2150** is illustrated. The logical connections depicted comprise wired/wireless connectivity to a local area network (LAN) **2152** and/or larger networks, e.g., a wide area network (WAN) **2154**. Such LAN and WAN networking environments are commonplace in offices and companies, and facilitate enterprise-wide computer networks, such as intranets, all of which can connect to a global communications network, e.g., the Internet.

When used in a LAN networking environment, the computer **2102** can be connected to the local network **2152** through a wired and/or wireless communication network interface or adapter **2156**. The adapter **2156** can facilitate wired or wireless communication to the LAN **2152**, which can also comprise a wireless AP disposed thereon for communicating with the wireless adapter **2156**.

When used in a WAN networking environment, the computer **2102** can comprise a modem **2158** or can be connected to a communications server on the WAN **2154** or has other means for establishing communications over the WAN **2154**, such as by way of the Internet. The modem **2158**, which can be internal or external and a wired or wireless device, can be connected to the system bus **2108** via the input device interface **2142**. In a networked environment, program modules depicted relative to the computer **2102** or portions thereof, can be stored in the remote memory/storage device **2150**. It will be appreciated that the network connections shown are example and other means of establishing a communications link between the computers can be used.

The computer **2102** can be operable to communicate with any wireless devices or entities operatively disposed in wireless communication, e.g., a printer, scanner, desktop

and/or portable computer, portable data assistant, communications satellite, any piece of equipment or location associated with a wirelessly detectable tag (e.g., a kiosk, news stand, restroom), and telephone. This can comprise Wireless Fidelity (Wi-Fi) and BLUETOOTH® wireless technologies. Thus, the communication can be a predefined structure as with a conventional network or simply an ad hoc communication between at least two devices.

Wi-Fi can allow connection to the Internet from a couch at home, a bed in a hotel room or a conference room at work, without wires. Wi-Fi is a wireless technology similar to that used in a cell phone that enables such devices, e.g., computers, to send and receive data indoors and out; anywhere within the range of a base station. Wi-Fi networks use radio technologies called IEEE 802.11 (a, b, g, n, ac, ag etc.) to provide secure, reliable, fast wireless connectivity. A Wi-Fi network can be used to connect computers to each other, to the Internet, and to wired networks (which can use IEEE 802.3 or Ethernet). Wi-Fi networks operate in the unlicensed 2.4 and 5 GHz radio bands for example or with products that contain both bands (dual band), so the networks can provide real-world performance similar to the basic 10BaseT wired Ethernet networks used in many offices.

FIG. 22 presents an example embodiment 2200 of a mobile network platform 2210 that can implement and exploit one or more aspects of the disclosed subject matter described herein. In one or more embodiments, the mobile network platform 2210 can generate and receive signals transmitted and received by base stations (e.g., base station devices 1504, macrocell site 1502, or base stations 1614), central office (e.g., central office 1501 or 1611), or transmission device 101 or 102 associated with the disclosed subject matter. Generally, wireless network platform 2210 can comprise components, e.g., nodes, gateways, interfaces, servers, or disparate platforms, that facilitate both packet-switched (PS) (e.g., internet protocol (IP), frame relay, asynchronous transfer mode (ATM)) and circuit-switched (CS) traffic (e.g., voice and data), as well as control generation for networked wireless telecommunication. As a non-limiting example, wireless network platform 2210 can be included in telecommunications carrier networks, and can be considered carrier-side components as discussed elsewhere herein. Mobile network platform 2210 comprises CS gateway node(s) 2222 which can interface CS traffic received from legacy networks like telephony network(s) 2240 (e.g., public switched telephone network (PSTN), or public land mobile network (PLMN)) or a signaling system #7 (SS7) network 2270. Circuit switched gateway node(s) 2222 can authorize and authenticate traffic (e.g., voice) arising from such networks. Additionally, CS gateway node(s) 2222 can access mobility, or roaming, data generated through SS7 network 2270; for instance, mobility data stored in a visited location register (VLR), which can reside in memory 2230. Moreover, CS gateway node(s) 2222 interfaces CS-based traffic and signaling and PS gateway node(s) 2218. As an example, in a 3GPP UMTS network, CS gateway node(s) 2222 can be realized at least in part in gateway GPRS support node(s) (GGSN). It should be appreciated that functionality and specific operation of CS gateway node(s) 2222, PS gateway node(s) 2218, and serving node(s) 2216, is provided and dictated by radio technology(ies) utilized by mobile network platform 2210 for telecommunication.

In addition to receiving and processing CS-switched traffic and signaling, PS gateway node(s) 2218 can authorize and authenticate PS-based data sessions with served mobile devices. Data sessions can comprise traffic, or content(s),

exchanged with networks external to the wireless network platform 2210, like wide area network(s) (WANs) 2250, enterprise network(s) 2270, and service network(s) 2280, which can be embodied in local area network(s) (LANs), can also be interfaced with mobile network platform 2210 through PS gateway node(s) 2218. It is to be noted that WANs 2250 and enterprise network(s) 2260 can embody, at least in part, a service network(s) like IP multimedia sub-system (IMS). Based on radio technology layer(s) available in technology resource(s) 2217, packet-switched gateway node(s) 2218 can generate packet data protocol contexts when a data session is established; other data structures that facilitate routing of packetized data also can be generated. To that end, in an aspect, PS gateway node(s) 2218 can comprise a tunnel interface (e.g., tunnel termination gateway (TTG) in 3GPP UMTS network(s) (not shown)) which can facilitate packetized communication with disparate wireless network(s), such as Wi-Fi networks.

In embodiment 2200, wireless network platform 2210 also comprises serving node(s) 2216 that, based upon available radio technology layer(s) within technology resource(s) 2217, convey the various packetized flows of data streams received through PS gateway node(s) 2218. It is to be noted that for technology resource(s) 2217 that rely primarily on CS communication, server node(s) can deliver traffic without reliance on PS gateway node(s) 2218; for example, server node(s) can embody at least in part a mobile switching center. As an example, in a 3GPP UMTS network, serving node(s) 2216 can be embodied in serving GPRS support node(s) (SGSN).

For radio technologies that exploit packetized communication, server(s) 2214 in wireless network platform 2210 can execute numerous applications that can generate multiple disparate packetized data streams or flows, and manage (e.g., schedule, queue, format . . .) such flows. Such application(s) can comprise add-on features to standard services (for example, provisioning, billing, customer support . . .) provided by wireless network platform 2210. Data streams (e.g., content(s) that are part of a voice call or data session) can be conveyed to PS gateway node(s) 2218 for authorization/authentication and initiation of a data session, and to serving node(s) 2216 for communication thereafter. In addition to application server, server(s) 2214 can comprise utility server(s), a utility server can comprise a provisioning server, an operations and maintenance server, a security server that can implement at least in part a certificate authority and firewalls as well as other security mechanisms, and the like. In an aspect, security server(s) secure communication served through wireless network platform 2210 to ensure network's operation and data integrity in addition to authorization and authentication procedures that CS gateway node(s) 2222 and PS gateway node(s) 2218 can enact. Moreover, provisioning server(s) can provision services from external network(s) like networks operated by a disparate service provider; for instance, WAN 2250 or Global Positioning System (GPS) network(s) (not shown). Provisioning server(s) can also provision coverage through networks associated to wireless network platform 2210 (e.g., deployed and operated by the same service provider), such as the distributed antennas networks shown in FIG. 1(s) that enhance wireless service coverage by providing more network coverage. Repeater devices such as those shown in FIGS. 7, 8, and 9 also improve network coverage in order to enhance subscriber service experience by way of UE 2275.

It is to be noted that server(s) 2214 can comprise one or more processors configured to confer at least in part the functionality of macro network platform 2210. To that end,

the one or more processor can execute code instructions stored in memory 2230, for example. It should be appreciated that server(s) 2214 can comprise a content manager 2215, which operates in substantially the same manner as described hereinbefore.

In example embodiment 2200, memory 2230 can store information related to operation of wireless network platform 2210. Other operational information can comprise provisioning information of mobile devices served through wireless platform network 2210, subscriber databases; application intelligence, pricing schemes, e.g., promotional rates, flat-rate programs, couponing campaigns; technical specification(s) consistent with telecommunication protocols for operation of disparate radio, or wireless, technology layers; and so forth. Memory 2230 can also store information from at least one of telephony network(s) 2240, WAN 2250, enterprise network(s) 2270, or SS7 network 2260. In an aspect, memory 2230 can be, for example, accessed as part of a data store component or as a remotely connected memory store.

In order to provide a context for the various aspects of the disclosed subject matter, FIG. 22, and the following discussion, are intended to provide a brief, general description of a suitable environment in which the various aspects of the disclosed subject matter can be implemented. While the subject matter has been described above in the general context of computer-executable instructions of a computer program that runs on a computer and/or computers, those skilled in the art will recognize that the disclosed subject matter also can be implemented in combination with other program modules. Generally, program modules comprise routines, programs, components, data structures, etc. that perform particular tasks and/or implement particular abstract data types.

FIG. 23 depicts an illustrative embodiment of a communication device 2300. The communication device 2300 can serve as an illustrative embodiment of devices such as mobile devices and in-building devices referred to by the subject disclosure (e.g., in FIGS. 15, 16A and 16B).

The communication device 2300 can comprise a wireline and/or wireless transceiver 2302 (herein transceiver 2302), a user interface (UI) 2304, a power supply 2314, a location receiver 2316, a motion sensor 2318, an orientation sensor 2320, and a controller 2306 for managing operations thereof. The transceiver 2302 can support short-range or long-range wireless access technologies such as Bluetooth®, ZigBee®, WiFi, DECT, or cellular communication technologies, just to mention a few (Bluetooth® and ZigBee® are trademarks registered by the Bluetooth® Special Interest Group and the ZigBee® Alliance, respectively). Cellular technologies can include, for example, CDMA-1X, UMTS/HSDPA, GSM/GPRS, TDMA/EDGE, EV/DO, WiMAX, SDR, LTE, as well as other next generation wireless communication technologies as they arise. The transceiver 2302 can also be adapted to support circuit-switched wireline access technologies (such as PSTN), packet-switched wireline access technologies (such as TCP/IP, VoIP, etc.), and combinations thereof.

The UI 2304 can include a depressible or touch-sensitive keypad 2308 with a navigation mechanism such as a roller ball, a joystick, a mouse, or a navigation disk for manipulating operations of the communication device 2300. The keypad 2308 can be an integral part of a housing assembly of the communication device 2300 or an independent device operably coupled thereto by a tethered wireline interface (such as a USB cable) or a wireless interface supporting for example Bluetooth®. The keypad 2308 can represent a

numeric keypad commonly used by phones, and/or a QWERTY keypad with alphanumeric keys. The UI 2304 can further include a display 2310 such as monochrome or color LCD (Liquid Crystal Display), OLED (Organic Light Emitting Diode) or other suitable display technology for conveying images to an end user of the communication device 2300. In an embodiment where the display 2310 is touch-sensitive, a portion or all of the keypad 2308 can be presented by way of the display 2310 with navigation features.

The display 2310 can use touch screen technology to also serve as a user interface for detecting user input. As a touch screen display, the communication device 2300 can be adapted to present a user interface having graphical user interface (GUI) elements that can be selected by a user with a touch of a finger. The touch screen display 2310 can be equipped with capacitive, resistive or other forms of sensing technology to detect how much surface area of a user's finger has been placed on a portion of the touch screen display. This sensing information can be used to control the manipulation of the GUI elements or other functions of the user interface. The display 2310 can be an integral part of the housing assembly of the communication device 2300 or an independent device communicatively coupled thereto by a tethered wireline interface (such as a cable) or a wireless interface.

The UI 2304 can also include an audio system 2312 that utilizes audio technology for conveying low volume audio (such as audio heard in proximity of a human ear) and high volume audio (such as speakerphone for hands free operation). The audio system 2312 can further include a microphone for receiving audible signals of an end user. The audio system 2312 can also be used for voice recognition applications. The UI 2304 can further include an image sensor 2313 such as a charged coupled device (CCD) camera for capturing still or moving images.

The power supply 2314 can utilize common power management technologies such as replaceable and rechargeable batteries, supply regulation technologies, and/or charging system technologies for supplying energy to the components of the communication device 2300 to facilitate long-range or short-range portable communications. Alternatively, or in combination, the charging system can utilize external power sources such as DC power supplied over a physical interface such as a USB port or other suitable tethering technologies.

The location receiver 2316 can utilize location technology such as a global positioning system (GPS) receiver capable of assisted GPS for identifying a location of the communication device 2300 based on signals generated by a constellation of GPS satellites, which can be used for facilitating location services such as navigation. The motion sensor 2318 can utilize motion sensing technology such as an accelerometer, a gyroscope, or other suitable motion sensing technology to detect motion of the communication device 2300 in three-dimensional space. The orientation sensor 2320 can utilize orientation sensing technology such as a magnetometer to detect the orientation of the communication device 2300 (north, south, west, and east, as well as combined orientations in degrees, minutes, or other suitable orientation metrics).

The communication device 2300 can use the transceiver 2302 to also determine a proximity to a cellular, WiFi, Bluetooth®, or other wireless access points by sensing techniques such as utilizing a received signal strength indicator (RSSI) and/or signal time of arrival (TOA) or time of flight (TOF) measurements. The controller 2306 can utilize computing technologies such as a microprocessor, a digital

signal processor (DSP), programmable gate arrays, application specific integrated circuits, and/or a video processor with associated storage memory such as Flash, ROM, RAM, SRAM, DRAM or other storage technologies for executing computer instructions, controlling, and processing data supplied by the aforementioned components of the communication device 2300.

Other components not shown in FIG. 23 can be used in one or more embodiments of the subject disclosure. For instance, the communication device 2300 can include a slot for adding or removing an identity module such as a Subscriber Identity Module (SIM) card or Universal Integrated Circuit Card (UICC). SIM or UICC cards can be used for identifying subscriber services, executing programs, storing subscriber data, and so on.

In the subject specification, terms such as “store,” “storage,” “data store,” data storage,” “database,” and substantially any other information storage component relevant to operation and functionality of a component, refer to “memory components,” or entities embodied in a “memory” or components comprising the memory. It will be appreciated that the memory components described herein can be either volatile memory or nonvolatile memory, or can comprise both volatile and nonvolatile memory, by way of illustration, and not limitation, volatile memory, non-volatile memory, disk storage, and memory storage. Further, non-volatile memory can be included in read only memory (ROM), programmable ROM (PROM), electrically programmable ROM (EPROM), electrically erasable ROM (EEPROM), or flash memory. Volatile memory can comprise random access memory (RAM), which acts as external cache memory. By way of illustration and not limitation, RAM is available in many forms such as synchronous RAM (SRAM), dynamic RAM (DRAM), synchronous DRAM (SDRAM), double data rate SDRAM (DDR SDRAM), enhanced SDRAM (ESDRAM), Synchlink DRAM (SLDRAM), and direct Rambus RAM (DRRAM). Additionally, the disclosed memory components of systems or methods herein are intended to comprise, without being limited to comprising, these and any other suitable types of memory.

Moreover, it will be noted that the disclosed subject matter can be practiced with other computer system configurations, comprising single-processor or multiprocessor computer systems, mini-computing devices, mainframe computers, as well as personal computers, hand-held computing devices (e.g., PDA, phone, smartphone, watch, tablet computers, netbook computers, etc.), microprocessor-based or programmable consumer or industrial electronics, and the like. The illustrated aspects can also be practiced in distributed computing environments where tasks are performed by remote processing devices that are linked through a communications network; however, some if not all aspects of the subject disclosure can be practiced on stand-alone computers. In a distributed computing environment, program modules can be located in both local and remote memory storage devices.

Some of the embodiments described herein can also employ artificial intelligence (AI) to facilitate automating one or more features described herein. For example, artificial intelligence can be used in optional training controller 230 evaluate and select candidate frequencies, modulation schemes, MIMO modes, and/or guided wave modes in order to maximize transfer efficiency. The embodiments (e.g., in connection with automatically identifying acquired cell sites that provide a maximum value/benefit after addition to an existing communication network) can employ various AI-

based schemes for carrying out various embodiments thereof. Moreover, the classifier can be employed to determine a ranking or priority of the each cell site of the acquired network. A classifier is a function that maps an input attribute vector, $x=(x_1, x_2, x_3, x_4, \dots, x_n)$, to a confidence that the input belongs to a class, that is, $f(x)=\text{confidence (class)}$. Such classification can employ a probabilistic and/or statistical-based analysis (e.g., factoring into the analysis utilities and costs) to prognose or infer an action that a user desires to be automatically performed. A support vector machine (SVM) is an example of a classifier that can be employed. The SVM operates by finding a hypersurface in the space of possible inputs, which the hypersurface attempts to split the triggering criteria from the non-triggering events. Intuitively, this makes the classification correct for testing data that is near, but not identical to training data. Other directed and undirected model classification approaches comprise, e.g., naïve Bayes, Bayesian networks, decision trees, neural networks, fuzzy logic models, and probabilistic classification models providing different patterns of independence can be employed. Classification as used herein also is inclusive of statistical regression that is utilized to develop models of priority.

As will be readily appreciated, one or more of the embodiments can employ classifiers that are explicitly trained (e.g., via a generic training data) as well as implicitly trained (e.g., via observing UE behavior, operator preferences, historical information, receiving extrinsic information). For example, SVMs can be configured via a learning or training phase within a classifier constructor and feature selection module. Thus, the classifier(s) can be used to automatically learn and perform a number of functions, including but not limited to determining according to a predetermined criteria which of the acquired cell sites will benefit a maximum number of subscribers and/or which of the acquired cell sites will add minimum value to the existing communication network coverage, etc.

As used in some contexts in this application, in some embodiments, the terms “component,” “system” and the like are intended to refer to, or comprise, a computer-related entity or an entity related to an operational apparatus with one or more specific functionalities, wherein the entity can be either hardware, a combination of hardware and software, software, or software in execution. As an example, a component may be, but is not limited to being, a process running on a processor, a processor, an object, an executable, a thread of execution, computer-executable instructions, a program, and/or a computer. By way of illustration and not limitation, both an application running on a server and the server can be a component. One or more components may reside within a process and/or thread of execution and a component may be localized on one computer and/or distributed between two or more computers. In addition, these components can execute from various computer readable media having various data structures stored thereon. The components may communicate via local and/or remote processes such as in accordance with a signal having one or more data packets (e.g., data from one component interacting with another component in a local system, distributed system, and/or across a network such as the Internet with other systems via the signal). As another example, a component can be an apparatus with specific functionality provided by mechanical parts operated by electric or electronic circuitry, which is operated by a software or firmware application executed by a processor, wherein the processor can be internal or external to the apparatus and executes at least a part of the software or firmware application. As yet

another example, a component can be an apparatus that provides specific functionality through electronic components without mechanical parts, the electronic components can comprise a processor therein to execute software or firmware that confers at least in part the functionality of the electronic components. While various components have been illustrated as separate components, it will be appreciated that multiple components can be implemented as a single component, or a single component can be implemented as multiple components, without departing from example embodiments.

Further, the various embodiments can be implemented as a method, apparatus or article of manufacture using standard programming and/or engineering techniques to produce software, firmware, hardware or any combination thereof to control a computer to implement the disclosed subject matter. The term "article of manufacture" as used herein is intended to encompass a computer program accessible from any computer-readable device or computer-readable storage/communications media. For example, computer readable storage media can include, but are not limited to, magnetic storage devices (e.g., hard disk, floppy disk, magnetic strips), optical disks (e.g., compact disk (CD), digital versatile disk (DVD)), smart cards, and flash memory devices (e.g., card, stick, key drive). Of course, those skilled in the art will recognize many modifications can be made to this configuration without departing from the scope or spirit of the various embodiments.

In addition, the words "example" and "exemplary" are used herein to mean serving as an instance or illustration. Any embodiment or design described herein as "example" or "exemplary" is not necessarily to be construed as preferred or advantageous over other embodiments or designs. Rather, use of the word example or exemplary is intended to present concepts in a concrete fashion. As used in this application, the term "or" is intended to mean an inclusive "or" rather than an exclusive "or". That is, unless specified otherwise or clear from context, "X employs A or B" is intended to mean any of the natural inclusive permutations. That is, if X employs A; X employs B; or X employs both A and B, then "X employs A or B" is satisfied under any of the foregoing instances. In addition, the articles "a" and "an" as used in this application and the appended claims should generally be construed to mean "one or more" unless specified otherwise or clear from context to be directed to a singular form.

Moreover, terms such as "user equipment," "mobile station," "mobile," "subscriber station," "access terminal," "terminal," "handset," "mobile device" (and/or terms representing similar terminology) can refer to a wireless device utilized by a subscriber or user of a wireless communication service to receive or convey data, control, voice, video, sound, gaming or substantially any data-stream or signaling-stream. The foregoing terms are utilized interchangeably herein and with reference to the related drawings.

Furthermore, the terms "user," "subscriber," "customer," "consumer" and the like are employed interchangeably throughout, unless context warrants particular distinctions among the terms. It should be appreciated that such terms can refer to human entities or automated components supported through artificial intelligence (e.g., a capacity to make inference based, at least, on complex mathematical formalisms), which can provide simulated vision, sound recognition and so forth.

As employed herein, the term "processor" can refer to substantially any computing processing unit or device comprising, but not limited to comprising, single-core proces-

sors; single-processors with software multithread execution capability; multi-core processors; multi-core processors with software multithread execution capability; multi-core processors with hardware multithread technology; parallel platforms; and parallel platforms with distributed shared memory. Additionally, a processor can refer to an integrated circuit, an application specific integrated circuit (ASIC), a digital signal processor (DSP), a field programmable gate array (FPGA), a programmable logic controller (PLC), a complex programmable logic device (CPLD), a discrete gate or transistor logic, discrete hardware components or any combination thereof designed to perform the functions described herein. Processors can exploit nano-scale architectures such as, but not limited to, molecular and quantum-dot based transistors, switches and gates, in order to optimize space usage or enhance performance of user equipment. A processor can also be implemented as a combination of computing processing units.

As used herein, terms such as "data storage," "data storage," "database," and substantially any other information storage component relevant to operation and functionality of a component, refer to "memory components," or entities embodied in a "memory" or components comprising the memory. It will be appreciated that the memory components or computer-readable storage media, described herein can be either volatile memory or nonvolatile memory or can include both volatile and nonvolatile memory.

What has been described above includes mere examples of various embodiments. It is, of course, not possible to describe every conceivable combination of components or methodologies for purposes of describing these examples, but one of ordinary skill in the art can recognize that many further combinations and permutations of the present embodiments are possible. Accordingly, the embodiments disclosed and/or claimed herein are intended to embrace all such alterations, modifications and variations that fall within the spirit and scope of the appended claims. Furthermore, to the extent that the term "includes" is used in either the detailed description or the claims, such term is intended to be inclusive in a manner similar to the term "comprising" as "comprising" is interpreted when employed as a transitional word in a claim.

In addition, a flow diagram may include a "start" and/or "continue" indication. The "start" and "continue" indications reflect that the steps presented can optionally be incorporated in or otherwise used in conjunction with other routines. In this context, "start" indicates the beginning of the first step presented and may be preceded by other activities not specifically shown. Further, the "continue" indication reflects that the steps presented may be performed multiple times and/or may be succeeded by other activities not specifically shown. Further, while a flow diagram indicates a particular ordering of steps, other orderings are likewise possible provided that the principles of causality are maintained.

As may also be used herein, the term(s) "operably coupled to", "coupled to", and/or "coupling" includes direct coupling between items and/or indirect coupling between items via one or more intervening items. Such items and intervening items include, but are not limited to, junctions, communication paths, components, circuit elements, circuits, functional blocks, and/or devices. As an example of indirect coupling, a signal conveyed from a first item to a second item may be modified by one or more intervening items by modifying the form, nature or format of information in a signal, while one or more elements of the information in the signal are nevertheless conveyed in a manner than can be

recognized by the second item. In a further example of indirect coupling, an action in a first item can cause a reaction on the second item, as a result of actions and/or reactions in one or more intervening items.

Although specific embodiments have been illustrated and described herein, it should be appreciated that any arrangement which achieves the same or similar purpose may be substituted for the embodiments described or shown by the subject disclosure. The subject disclosure is intended to cover any and all adaptations or variations of various embodiments. Combinations of the above embodiments, and other embodiments not specifically described herein, can be used in the subject disclosure. For instance, one or more features from one or more embodiments can be combined with one or more features of one or more other embodiments. In one or more embodiments, features that are positively recited can also be negatively recited and excluded from the embodiment with or without replacement by another structural and/or functional feature. The steps or functions described with respect to the embodiments of the subject disclosure can be performed in any order. The steps or functions described with respect to the embodiments of the subject disclosure can be performed alone or in combination with other steps or functions of the subject disclosure, as well as from other embodiments or from other steps that have not been described in the subject disclosure. Further, more than or less than all of the features described with respect to an embodiment can also be utilized.

What is claimed is:

1. A first waveguide system comprising:
 - a processor; and
 - a memory that stores executable instructions that, when executed by the processor, facilitate performance of operations, the operations comprising:
 - receiving, from a second waveguide system, first electromagnetic waves via a transmission medium, wherein the first electromagnetic waves are guided by the transmission medium without utilizing an electrical return path, wherein the first electromagnetic waves are within a non-optical frequency range, wherein the first electromagnetic waves convey data, wherein the data comprises software, wherein the software is received by the first waveguide system from the second waveguide system without being received directly from a network source server that originated the software, wherein a hierarchical configuration of the first waveguide system and the second waveguide system is dynamically organized such that the second waveguide system is designated as a root node, for distribution of the software, for a group of non-edge elements comprising the first waveguide system; and
 - adjusting operations at the first waveguide system utilizing the software.
2. The first waveguide system of claim 1, wherein the operations further comprise:
 - transmitting, to a third waveguide system, second electromagnetic waves via the transmission medium, wherein the second electromagnetic waves are guided by the transmission medium without utilizing the electrical return path, wherein the second electromagnetic waves have the non-optical frequency range, wherein the second electromagnetic waves convey the data; and
 - providing a digital signature to the data being transmitted to the third waveguide system, wherein the digital signature indicates that the first waveguide system has received the software.

3. The first waveguide system of claim 2, wherein the software comprises a software update associated with existing software at the first waveguide system, wherein the data received from the second waveguide system includes another digital signature indicating that the second waveguide system received the software update.

4. The first waveguide system of claim 2, wherein the first waveguide system is an adjacent node to the second waveguide system and to the third waveguide system, and wherein the adjusting of the operations at the first waveguide system comprises adjusting an operating system of the first waveguide system according to the software.

5. The first waveguide system of claim 2, wherein the group of non-edge elements further comprises the third waveguide system.

6. The first waveguide system of claim 1, wherein the operations further comprise:

- determining an applicability of the software to the operations of the first waveguide system, wherein the adjusting of the operations at the first waveguide system is responsive to a determination that the software is applicable to the operations of the first waveguide system.

7. The first waveguide system of claim 1, wherein the operations further comprise:

- transmitting, to the second waveguide system, second electromagnetic waves via the transmission medium, wherein the second electromagnetic waves are guided by the transmission medium without utilizing the electrical return path, wherein the second electromagnetic waves have the non-optical frequency range, wherein the second electromagnetic waves convey an update request,

- wherein the receiving of the software is responsive to the transmitting of the update request.

8. The first waveguide system of claim 1, wherein the first waveguide system and the second waveguide system are adjacent nodes in a wired network comprising power lines that are the transmission medium, and wherein the second waveguide system receives the data from the network source server that originated the software.

9. A method comprising:

- dynamically organizing a hierarchical configuration of a first waveguide system and a second waveguide system such that the second waveguide system is designated as a root node, for distribution of software, for a group of non-edge elements comprising the first waveguide system;

- authenticating, by the first waveguide system, the second waveguide system according to authentication information received from the second waveguide system; responsive to an authentication of the second waveguide system, receiving, by the first waveguide system from the second waveguide system, the software;

- adjusting operations at the first waveguide system according to the software;

- providing, by the first waveguide system, a digital signature to the software to generate an adjusted software, wherein the digital signature indicates that the first waveguide system has received the software; and
- transmitting, to a third waveguide system, the adjusted software.

10. The method of claim 9, wherein the first, second and third waveguide systems transmit and receive electromagnetic waves at a physical interface of a transmission medium, wherein the electromagnetic waves are guided by the transmission medium without utilizing an electrical

61

return path, wherein the electromagnetic waves are within a non-optical frequency range, and wherein the authentication information, the software and the adjusted software are conveyed via the electromagnetic waves.

11. The method of claim 9, wherein the first waveguide system is an adjacent node to the second and third waveguide systems, and wherein the method further comprises: authenticating, by the first waveguide system, a fourth waveguide system according to other authentication information received from the fourth waveguide system; responsive to another authentication of the fourth waveguide system, receiving, by the first waveguide system from the fourth waveguide system, a second software; and comparing the second software with the software; wherein the adjusting of the operations at the first waveguide system according to the software is responsive to a determination that the software is a later version than the second software.

12. The method of claim 9, further comprising: transmitting, by the first waveguide system, an update request to the group of non-edge elements including a fourth waveguide system, wherein the transmitting of the update request does not include providing the update request to a network source server that originated the software; and determining, by the first waveguide system, a latest version of the software being stored by each of the group of non-edge elements, wherein the receiving of the software is responsive to a determination that the second waveguide system has a latest version of the software.

13. The method of claim 9, wherein the software comprises a software update associated with existing software at the first waveguide system, and wherein the method further comprises determining an applicability of the software update to the operations of the first waveguide system, wherein the adjusting of the operations at the first waveguide system is responsive to a determination that the software update is applicable to the operations of the first waveguide system, and wherein the adjusting of the operations at the first waveguide system comprises adjusting an operating system of the first waveguide system according to the software.

14. The method of claim 9, further comprising: identifying a plurality of waveguide systems from a plurality of digital signatures included with the software, wherein the plurality of digital signatures includes a second digital signature of the second waveguide system; and comparing the plurality of waveguide systems to expected waveguide systems along an expected communication path of the software, wherein the adjusting of the operations at the first waveguide system according to the software is responsive to a determination that the plurality of waveguide systems matches the expected waveguide systems along the expected communication path.

15. The method of claim 9, wherein the first waveguide system is a child of the second waveguide system and the third waveguide system is a child of the first waveguide system.

62

16. The method of claim 9, further comprising: monitoring, by the first waveguide system, for an expiration of existing software operating at the first waveguide system; and

responsive to a determination that the existing software has expired, transmitting, by the first waveguide system, an update request to the second waveguide system, wherein the transmitting of the update request does not include providing the update request to a network source server that originated the software, wherein the receiving of the software is responsive to the update request.

17. A non-transitory machine-readable storage medium comprising instructions which, when executed by a processor of a first waveguide system, cause the processor to perform operations comprising:

dynamically organizing a hierarchical configuration of the first waveguide system, a second waveguide system and a third waveguide system such that the second waveguide system is designated as a root node, for distribution of software, for a group of non-edge elements comprising the first and third waveguide systems;

monitoring for an expiration of existing software operating at the first waveguide system;

responsive to a determination that the existing software has expired, transmitting update requests to the second and third waveguide systems;

responsive to the update requests, receiving first software from the second waveguide system and second software from the third waveguide system;

comparing the first and second software; and responsive to a determination that the first software is a later version than the second software, adjusting operations at the first waveguide system according to the first software,

wherein the transmitting of the update requests does not include providing the update requests to a network source server that originated the first software.

18. The non-transitory machine-readable storage medium of claim 17, wherein the adjusting of the operations at the first waveguide system comprises adjusting a communications protocol implemented by the first waveguide system, and wherein the operations further comprise:

providing a digital signature to the first software to generate an adjusted software, wherein the digital signature indicates that the first waveguide system has received the first software; and

transmitting, to a fourth waveguide system, the adjusted software.

19. The non-transitory machine-readable storage medium of claim 18, wherein the operations further comprise:

authenticating the fourth waveguide system according to authentication information received from the fourth waveguide system,

wherein the transmitting of the adjusted software is responsive to the authenticating.

20. The non-transitory machine-readable storage medium of claim 17, wherein the first waveguide system transmits and receives electromagnetic waves at a physical interface of a transmission medium, wherein the electromagnetic waves are guided by the transmission medium without utilizing an electrical return path, and wherein the electromagnetic waves are within a non-optical frequency range.