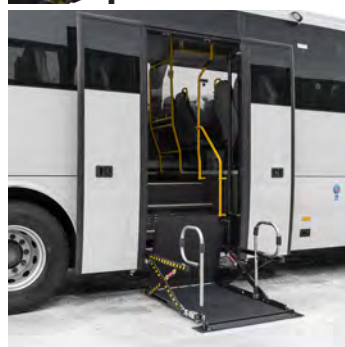
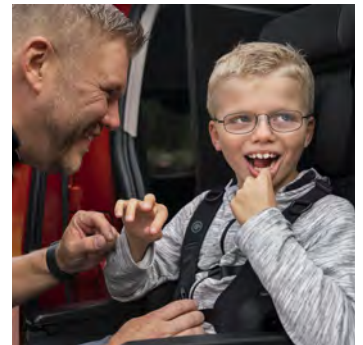
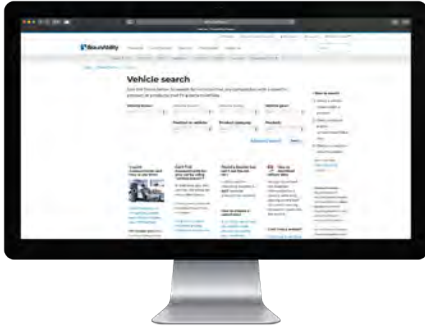


Product Catalogue

2021-03 | BraunAbility Europe







BraunAbility Dealerweb

Delivers up-to-date information around the clock.

In addition to the product catalogue, we offer our online service Dealerweb, which gives you instant access to the latest products, marketing material, manuals, bracket search and much more.

Using Dealerweb is easy. All you need is an internet connected computer and your login details. Once logged in, you have access to all available product information as well as the latest news and updates.

dealerweb.braunability.eu



Customer Support Centre

We are here to help you.

As our first line of support to our dealers the BraunAbility CSC handles many various tasks. We will assist you when placing your orders, provide technical support and guide you to the best product solutions to meet your requirements.

We will also assist if you have any complaints or claims for returned goods.

Opening hours

Monday to Friday 08:00-16:30 (CET)

- ✉ support@braunability.eu
- ☎ +46 302 25440
- 📠 +46 302 25407

UK Sales Support

- ✉ support.uk@braunability.eu
- ☎ 01935 827740

Monday to Thursday 08:30-17:00
Friday: 08:30-15:30

Product Catalogue

BraunAbility Europe

Getting seated

Transfer Board	18
Turnout	20
Turnout E	22
Turny Manual	24
Turny Low Vehicle	26
Turny HD	28
Turny Orbit	30
Turny Evo	32
Turny Evo BIS	34
Turny 6-Way	36
Accessories	38
Vehicle seats	39
Compact Seat	40
Recaro Specialist L	41
BEV Seat	42
GS Seat	44
Carony	46
Carony accessories	48
Carony Classic	50
Carony Classic Configurator	52
Carony Classic accessories	53
Carony Go	54
Carony Go accessories	56
Seating options	57

Stowing solutions

Chair Topper	60
Joey Lift	62
Carolift 40	64
Carolift 90 / 140	66
Carolift 6900	68
Load lifting attachments	70
A-Hatch	71

Driving aids

Carospeed Menox	74
Carospeed Classic	76
Pedals	77
Steering devices	78
Carobrake	80
Driver Test Station	81

Wheelchair lifts

E-Series	84
Accessories	86
Millennium	88
Vista Split	89
A-Series	90
UVL-Series	92
Swing-A-Way	94

Flooring and seating

SpaceFloor M1	98
SpaceFloor M2	100
Innotrax	102
Floor accessories	104
Floor layouts	105
Rails	106
Rail accessories	107
Space Legs	108
TwinLock	109
Seat fixtures	110
U-Seat	111
TriflexAIR	112
EasiSit	113

Wheelchair and occupant restraints

Intro	116
Restraint kits	118
Accessories	124
Occupant restraints	125

Ramps

Tailboard ramps	128
Professional tailboard ramps	130
iRamp Vehicle	132
Accessories	134
iRamp	135
Portable ramps	136

A GLOBAL ORGANISATION

Local specialities

Everything from product design to manufacturing takes place at the respective main facilities in the United States, the United Kingdom, Denmark and Sweden. By keeping manufacturing in-house, we can ensure a consistently high level of quality. Not only do we have the possibility to perform the appropriate quality controls, but should a problem arise the source of the error can be found and eliminated quickly.

Short lead times are another great benefit of local manufacturing that allows us to quickly implement changes in production and handle custom orders.

The importance of people

The employee turnover rate is remarkably low at BraunAbility. There are of course many reasons people choose to stay with BraunAbility. For example, the possibility to influence and our continuous development of competence

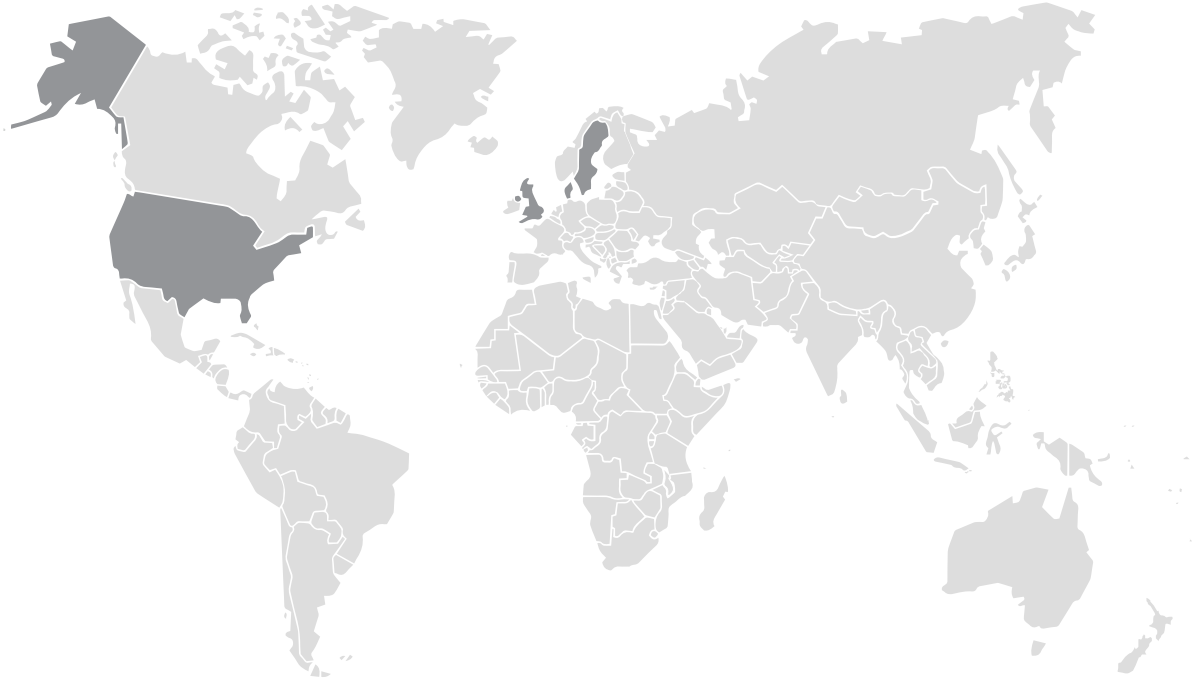
but perhaps most important is the feeling that what you do for a living improves the quality of life for people all over the world.

Owner structure

BraunAbility is one of many high-quality, high-growth businesses in Investor AB's Patricia Industries portfolio. Investor AB is the leading owner of Nordic-based international companies, founded by the Wallenberg family more than 100 years ago.

Investor's investments are divided into Listed Companies, Patricia Industries and Investments in EQT. Listed Companies consists of long-term, strategic listed holdings such as ABB, Ericsson, NASDAQ and many others. Patricia Industries contains wholly owned subsidiaries and other unlisted investments, for example, Mölnlycke Health Care, Laborie, Aleris and Permobil. Finally, EQT is an investment firm with portfolio companies in Europe, Asia and the U.S.





Global HQ

Location: Winamac and Indianapolis, USA

Employees: >1200

Facility size:
45,000 sqm

Product groups manufactured:
Wheelchair Accessible Vehicles
Wheelchair Lifts and Ramps
Getting Seated

European HQ

Location:
Stenkullen, Sweden

Employees: <150

Facility size:
13,000 sqm

Product groups manufactured:
Getting Seated
Driving Aids
Stowing Solutions
Wheelchair Lifts

UK Facility

Location:
Martock, UK

Employees: >50

Facility size:
4,000 sqm

Product groups manufactured:
Restraints
Flooring and Seating

Denmark Facility

Location:
Aabenraa, Denmark

Employees: <10

Facility size:
1,600 sqm

Product groups manufactured:
Flooring and Seating



EQUAL SAFETY


In addition to getting people out on the road there's one thing we take very seriously - **Safety**.

Our philosophy is that everyone should be able to travel safely in a vehicle regardless of adaptation needs. As a global leader it is our responsibility to continuously strive for a higher level of safety within the vehicle adaptation industry.

One way of achieving this is to offer high quality products that are both safe and functional. To guarantee our end users' safety, BraunAbility products are designed and tested according to relevant directives and standards. We also work together with users, organisations, the automotive industry and other interested parties to constantly push for increasingly stringent safety requirements.

Industry first

In April 2009 the BraunAbility Safety Centre in Stenkullen was accredited by Sweden's national accreditation body, SWEDAC, according to ISO/IEC 17025. This was the first accredited pull test lab in our industry. This accreditation means that our lab in Stenkullen has the authority to serve as a test institute and issue certifying documentation within applicable parts.



DYNAMIC TEST HOUSE. A vital process in product development is our in-house crash testing. Housed in our UK facility the dynamic test lab enables us to quickly bring new products and combinations to market.



BraunAbility Safety Centres

To remain in the front line among producers of safe and reliable vehicle adaptation products we have invested in multiple inhouse test facilities. Here our products must pass various tests before being released onto the market. Dynamic crash tests, static pull tests, climate tests, vibration tests and cycle tests are examples of tests that we perform at our BraunAbility Safety Centres.

For the tests we don't perform in-house we team up with RISE – Research Institutes of Sweden and TÜV in Germany.

Standards and paperwork

The rules and regulations regarding vehicle adaptation differ widely all over the world. To make sure our end users get the independence they desire we will provide all the necessary certificates and documents often required by road authorities and car inspection agencies.



Seamstresses working on occupant belts and tie-downs at the UK production facility.

Quality Control

Everything we do is carefully tested and documented. To provide peace of mind for everyone, design, development, production and installation plus our final checks are certified under the quality system ISO 9001. We want to be able to offer our end users a vehicle with the same safety conditions it had before being adapted.



360 DEGREES ASSEMBLY. The Chair Topper assembly in Stenkullen, Sweden. Telescopic pillars enable the assembly personnel to move around their work and maintain a good ergonomic working position from both above and below.



Lean Production

All throughout the company we have adopted the philosophy of Lean Production. A monumental and long-term investment that affects all parts of the company and everyone working in it. Lean helps us refine how a worktable is organised as well as it helps us recognize and develop the individual skills of an employee. A simplified explanation is that it helps us reduce waste in all forms. Waste such as overproduction, wait, stock, movement, rework, overwork, transport and untapped creativity of the workforce.

Strive for perfection – know that you are not

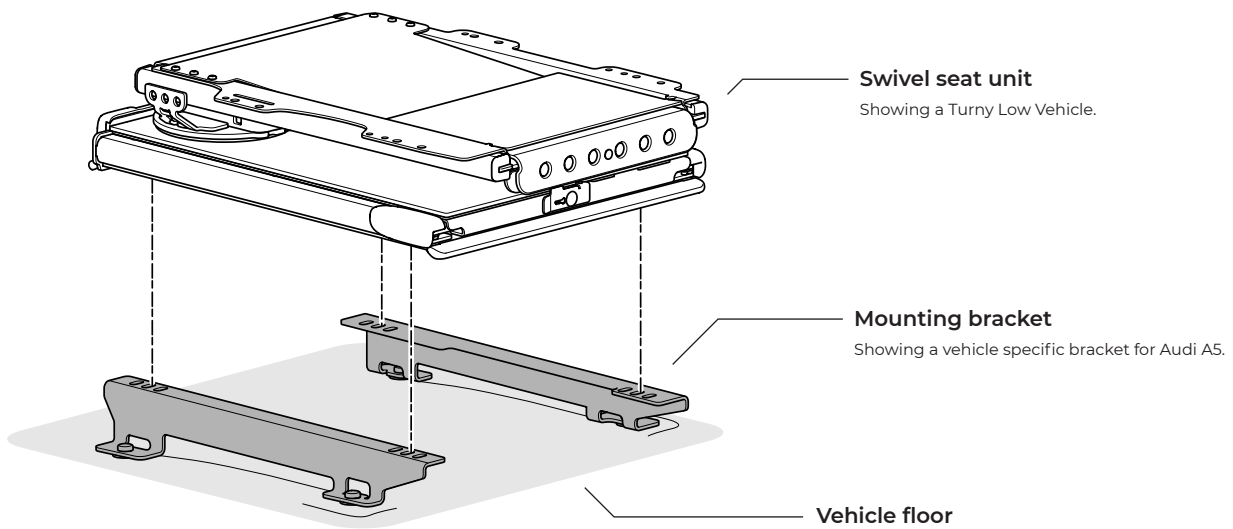
The notion that nothing is perfect has a central role in Lean Production. There is always room for improvement. This is usually referred to as continuous improvement and it's an area where the entire workforce is encouraged to constantly look for possible improvements. Suggested changes are then audited, then evaluated before being adopted or dropped. The goal is to become a constantly evolving and learning organisation. In conclusion, Lean helps us build a trustworthy, solid foundation for our employees, customers and owners.

Mounting brackets

The interface between our product and the vehicle it will be installed in.

A mounting bracket is the interface between our product and the vehicle it will be installed in. We offer either vehicle specific or universal mounting brackets. These are designed and tested for their intended use.

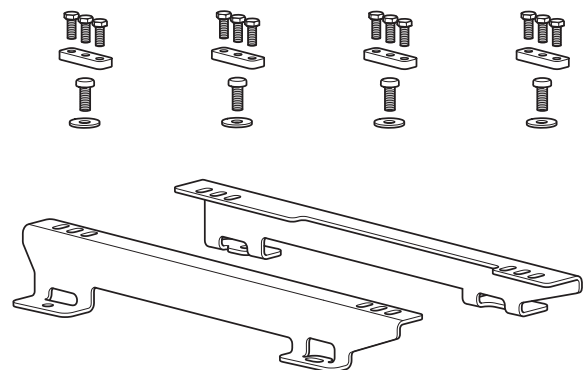
Although the universal mounting brackets are just as good, it is our recommendation that you always use the vehicle specific mounting bracket when available.



Vehicle specific mounting brackets

Our vehicle specific mounting brackets make installation easier, faster and you get all the parts you need for a proper installation. All in all, vehicle specific mounting brackets is better for everyone.

- All parts included
- No measuring
- No bending, cutting or drilling
- Fits your vehicle's original hole pattern
- Fastest way to install the product



This is the vehicle specific mounting bracket for a Turny Low Vehicle installation in a Ford S-Max.



Vehicle specific mounting brackets available
dealerweb.braunability.com

Will it fit my customer?

This is how you find out.

A vehicle specific mounting bracket tells you that a product will fit in a vehicle, but it won't tell you how much space there is for the individual user. We have a tool that will enable you to see if a product will be a good fit for your customer.

Since 2015 all our vehicle specific mounting brackets have corresponding H-point measurements that can be found on Dealerweb. These measurements will help you choose the best solution and vehicle for your customer.

Sounds complicated? It really isn't.

By measuring specific distances from the so called H-point, you will be able to tell a user how far from their knees the dashboard will be and how much room they will have above their head.



Video tutorial on dealerweb.braunability.com



H-point marker kit
Includes tape meter, writing pad, spirit level and bag.

103900 H-point marker kit



H-point position bracket
A physical reference to the H-point. Use with Dealerweb to determine what products will fit a specific user/vehicle.

- 103901** H-point bracket (BEV Seat)
- 103902** H-point bracket (Compact Seat)
- 103903** H-point bracket (Recaro)
- 105789** H-point bracket (Carony Seat)



Seat stand
Legs for our seats to simplify measuring the H-point.

103904 Seat stand



Find it on Dealerweb

You can find all our specific mounting brackets under the tab *Vehicles* on BraunAbility Dealerweb. There you can search based on vehicle brands, car model and product. When you find the mounting bracket, you can easily place an order.



Vehicle specific mounting brackets available
dealerweb.braunability.com

Getting seated

Products that can help a person to comfortably and safely get seated in a vehicle.



How to choose a swivel base

A quick guide to help you decide what product to use.

Choosing the correct swivel base for a user and their car comes down to a wide range of variables. The user's length, mobility and weight as well as the height of the car's door opening and the angle of the A and B pillar, all play an important role when deciding what will work for each specific user and their car.

So where do you start? We designed our swivel bases with different user needs and vehicle types in mind. The chart below will give you our recommendations and it's a good place to start. Once you know what swivel base might be right for your customer, go to Dealerweb's Vehicle Search to find if there are any specific mounting brackets for their vehicle or other information that might be useful for your situation.

Keep in mind that these are merely our recommendations. Vehicle adaptation is all about adapting to the situation at hand and sometimes that means using a Turny Low Vehicle in a high vehicle.



Car body styles

These are our **recommendations**, visit Dealerweb for specific car models.



HATCHBACK
COUPÉ



SEDAN
STATION WAGON



SUV
CUV



MINIVAN
VAN



MULTI PURPOSE VEHICLE
(MPV)

PRODUCT	FUNCTION	RECOMMENDED CAR BODY STYLE*
Turnout SWIVEL BASE	manual swivel	
Turnout E SWIVEL BASE	powered swivel	
Turny Manual SWIVEL BASE	manual swivel, extension and lengthwise adjustment	
Turny Low Vehicle SWIVEL BASE	programmable powered swivel, extension and lengthwise adjustment	
Turny HD SEAT LIFT	manual swivel and powered lift	
Turny Orbit SEAT LIFT	powered swivel and lift	
Turny Evo SEAT LIFT	programmable powered swivel, lift and lengthwise adjustment	
Turny 6-Way INWARD SWIVEL BASE	powered swivel, lengthwise adjustment and height adjustment	

*Visit Dealerweb for specific models and compatibility.

Swivel base compatibility matrix

A quick guide to help you find out what fits together.

The below matrix will show what products are compatible with your chosen swivel base. Keep in mind that this only shows if the products are mechanically compatible. It does not indicate that a combination will work in all positions of the car or that it will be a good solution for your customer.

If you are unsure, do not hesitate to contact our Customer Support Centre (CSC): support@braunability.eu or call +46 302 25440.

PRODUCT	CARONY COMPATIBILITY			SEATS COMPATIBILITY				ACCESSORIES COMPATIBILITY		
	CARONY 16"	CARONY CLASSIC	CARONY GO	BEV	COMPACT	RECARO	GS	TILDA TILT	CARO-SLIDE	SLIDE RAILS
Turnout SWIVEL BASE	✗	✓ ²	✓ ²	✓ ⁴	✓ ⁴	✓ ⁴	✓ ¹⁺⁴	✓	✓ ⁶	✓
Turnout E SWIVEL BASE	✗	✓ ²	✓ ²	✓ ⁴	✓ ⁴	✓ ⁴	✓ ¹⁺⁴	✓	✗	✓
Turny Manual SWIVEL BASE	✓	✗	✗	✗	✗	✗	✗	✗	✗	built in
Turny Low Vehicle SWIVEL BASE	✗	✗	✗	✓	✗	✓	✓ ¹	✗	built in	✗
Turny HD SEAT LIFT	✓ ³	✓ ²	✓ ²	✓	✓	✓	✓ ¹	✗	✗	✓
Turny Orbit SEAT LIFT	✓ ³	✓ ²	✓ ²	✓	✓	✓	✓ ¹	✗	✗	✓
Turny Evo SEAT LIFT	✓ ³	✓ ³	✓ ³	✓	✓	✓ ¹	✓ ¹	✓	built in	✗
Turny 6-Way INWARD SWIVEL BASE	✗	✗	✗	✓ ⁴	✓ ⁴	✓ ⁴	✓ ¹⁺⁴	✗	✗	✓ ⁵

1. requires adapter plate
2. requires Carony rails
3. requires adapter plate with Carony rails

4. requires Slide rails
5. required for installation with the non-OEM seats
6. only compatible with Turnout 2

Other helpful tools



Application Tools

Installing a swivel base can be both time consuming and heavy. The Application tool is designed to eliminate this. In short, the tool is a light weight dummy for a swivel base. It allows you to install the mounting brackets as well as fine tune the position of the swivel base, before taking the swivel base out of the box.



Universal mounting brackets

If a vehicle specific mounting bracket isn't available, you must use our universal mounting bracket. Mounting the product in any other way will void its CE-marking and be a potentially dangerous installation. Before you order a Universal mounting bracket, measure the vehicle to ensure that the product fits.



H-Point Measure Tools

If we have a vehicle specific mounting bracket for a car, you know that the product will fit in a vehicle. This tool will tell you if the product/vehicle combination will fit your customer. By measuring from the so called H-point, you will be able to tell how far from your customer's knees the dashboard will be and how much room they will have above their head.

Transfer Board

A simple solution to help you transfer from wheelchair to car seat.



Our transfer board is a simple aid to help you when getting seated in the car. The board folds out right next to the seat which gives you an amply sized platform to make a short stopover before sliding over to the seat. Once you're comfortably seated you can fold away the transfer board until you need it again. A transfer board is sometimes referred to as a transfer plate or a tip-up plate.

The BraunAbility Transfer Board uses the same bolt holes as the car seat itself. The installation requires no permanent alterations to the vehicle and installing one will not affect your car's resale value. This also means that you can bring your Transfer Board to your next car, providing it's a suitable model.

It doesn't matter if you're a driver or a passenger. It's possible to install the BraunAbility Transfer Board on both sides of the car. You can even have two units, one on each side. This could be very useful if you share your car.

Quick facts

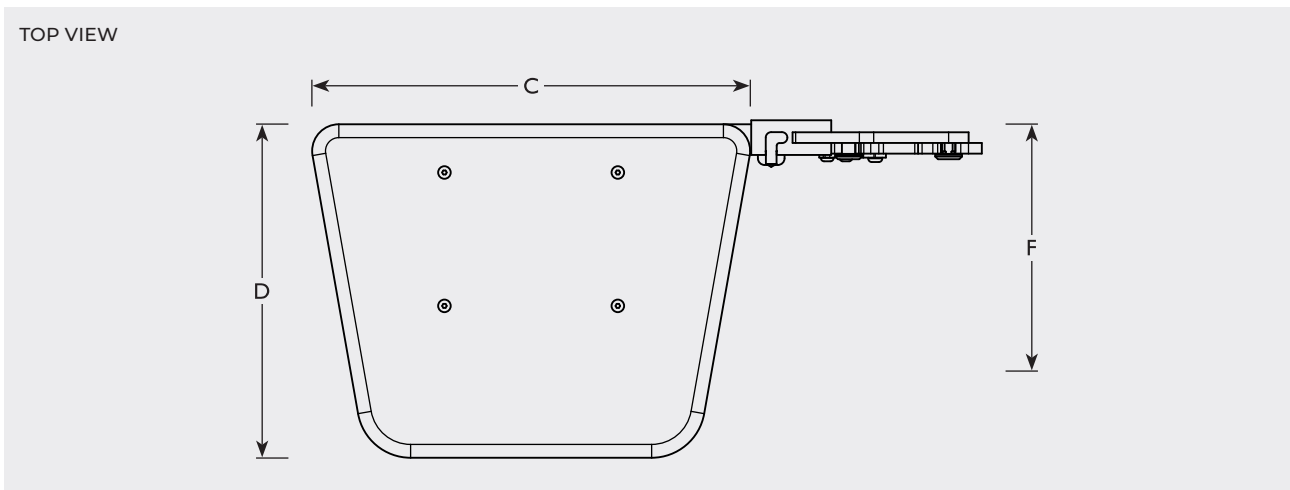
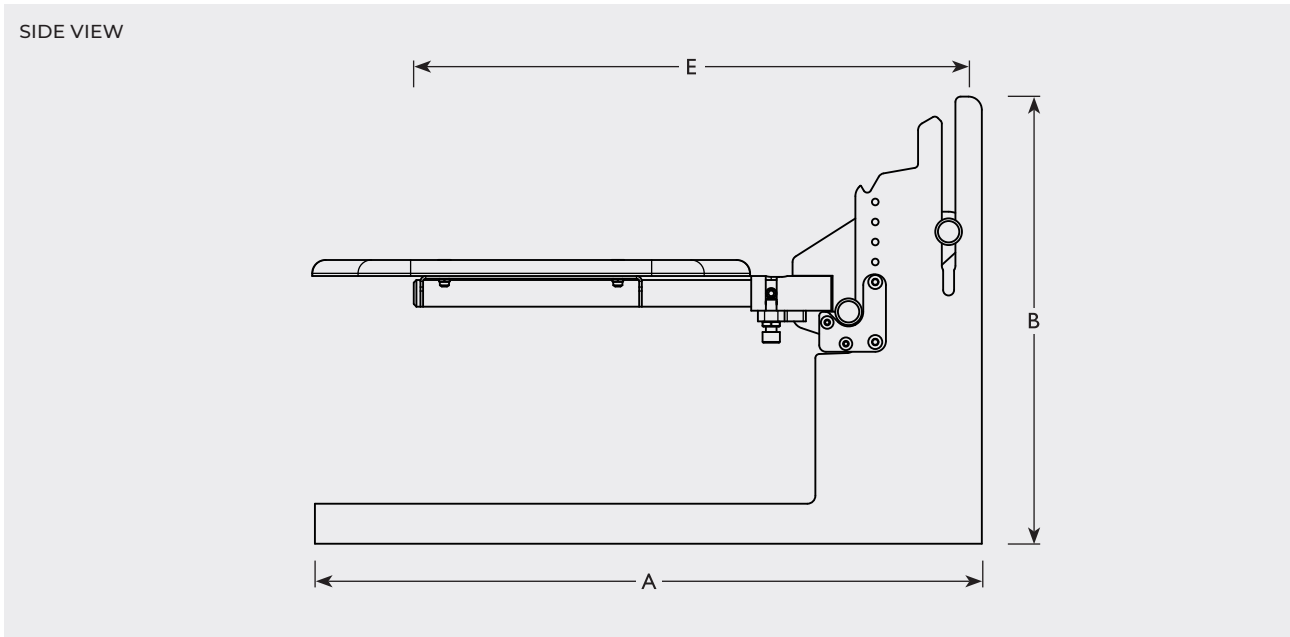
- Discreet and easy to use
- Drivers and passengers
- No permanent installation

To guarantee your safety BraunAbility products are designed and tested according to current directives and standards.



Transfer Board

Dimensions and models



Transfer Board		Installation in vehicle	A	B	C	D	E	F	Weight capacity	Unit weight
105956	Transfer Board, left	left	50	33.5	25.9-32.8	25	41.6	17.3	140	5
105957	Transfer Board, right	right	50	33.5	25.9-32.8	25	41.6	17.3	140	5

All weights and dimensions are given in kilograms and centimetres, and for reference only.

Turnout®

A manual swivel base that rotates the car seat towards the door opening.



The Turnout is a swivel base designed for those who find it difficult to enter a vehicle or make a transfer from the wheelchair. Installed as a layer between the vehicle's floor and the car seat the Turnout enables the car seat to be rotated facing outwards. An added bonus is that the rotated seat will be a little bit further out, in other words closer to the user.


This is our most economical manual swivel base. It is suitable for both drivers and passengers. It's available for 2-door or 4-door vehicles.

Quick facts

- Entry-level swivel seat
- Manual swivel
- Adds minimal height to the seat
- Low weight

To guarantee your safety BraunAbility products are designed and tested according to current directives and standards.



 **Vehicle specific mounting brackets available**
dealerweb.braunability.eu

SEAT COMPATIBILITY				
BEV	BEV KIDS	COMPACT	RECARO	GS
✓ ⁴	✓ ⁴	✓ ⁴	✓ ⁴	✓ ¹⁺⁴

1. requires adapter plate 4. requires Slide rails

CARONY COMPATIBILITY			ACCESSORIES COMPATIBILITY		
CARONY	CARONY CLASSIC	CARONY GO	TILDA TILT	CARO-SLIDE	SLIDE RAILS
✗	✓ ²	✓ ²	✓	✓ ⁶	✓

2. requires Carony rails

6. only compatible with Turnout 2

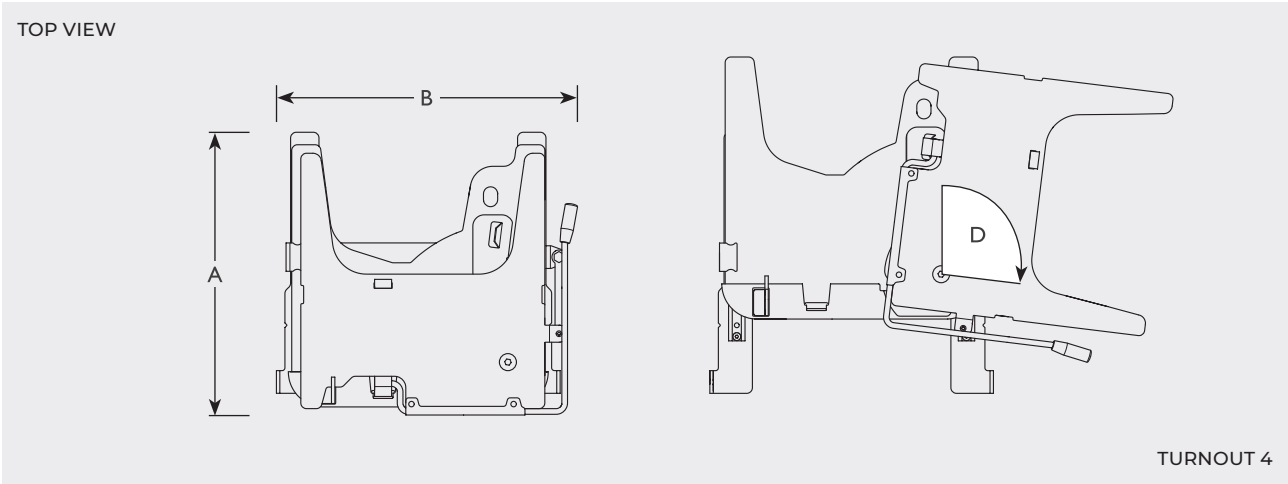


Turnout®

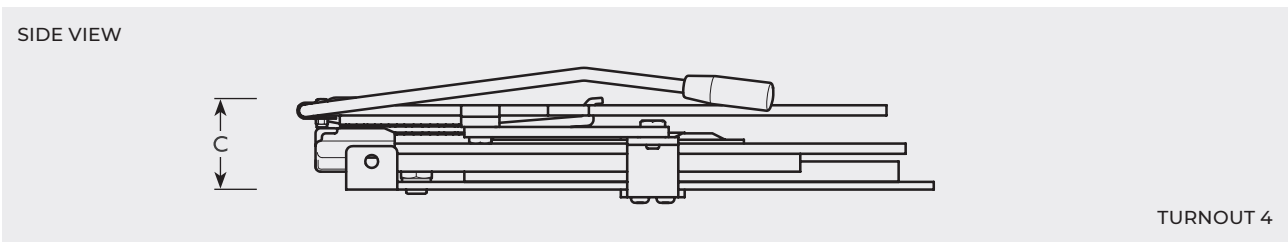
Dimensions and models

Requires a mounting bracket (Dealerweb) and Slide rails for installation.

Recommended accessories: Tilda, Caroslide



TURNOUT 4



TURNOUT 4



Open slewing bracket

Adds a slight outwards movement before the swivel, giving more space between knees and dashboard.

101685 for Turnout 4

Turnout	Installation in vehicle	Vehicle type	Length	Width	Height	Swivel range	Lengthwise movement	Vertical travel	Weight capacity	Unit weight	
											A
102597	Turnout 2	right	2 door	49	45	5.8/7.1**	0-97°	n/a*	n/a	180	21
102598	Turnout 2	left	2 door	49	45	5.8/7.1**	0-97°	n/a*	n/a	180	21
102599	Turnout 4	right	4 door	49	45	7.9	0-97°	n/a	n/a	180	21
102600	Turnout 4	left	4 door	49	45	7.9	0-97°	n/a	n/a	180	21
105129	Universal mounting bracket***										
105138	Application tool		right								
105139	Application tool		left								
100505	Slide rails (BEV, Compact, GS)										
100197	Slide rails (Recaro)										

All weights and dimensions are given in kilograms and centimetres, and for reference only. Weight capacity refers to the total weight of the seat, accessories and user.
 *Use Caroslide (101864) to add electric lengthwise movement. **Height depends on how you mount the included spacer.
 ***Check Dealerweb for vehicle specific mounting brackets before ordering the universal mounting bracket

Turnout® E

A powered swivel base that rotates the car seat towards the door opening.



The Turnout is a swivel base designed for those who find it difficult to enter a vehicle or make a transfer from the wheelchair. Installed as a layer between the vehicle's floor and the car seat the Turnout enables the car seat to be rotated facing outwards. An added bonus is that the rotated seat will be a little bit further out, in other words closer to the user.

This is our most economical powered swivel base. It is suitable for both drivers and passengers. It's available for 2-door or 4-door vehicles.

Quick facts

- Entry-level swivel seat
- Manual or powered swivel
- Adds minimal height to the seat
- Low weight

Specifications

POWER SUPPLY 12 V

To guarantee your safety BraunAbility products are designed and tested according to current directives and standards.

 **Vehicle specific mounting brackets available**
dealerweb.braunability.eu

SEAT COMPATIBILITY				
BEV	BEV KIDS	COMPACT	RECARO	GS
✓ ⁴	✓ ⁴	✓ ⁴	✓ ⁴	✓ ¹⁺⁴

1. requires adapter plate 4. requires Slide rails

CARONY COMPATIBILITY			ACCESSORIES COMPATIBILITY		
CARONY	CARONY CLASSIC	CARONY GO	TILDA TILT	CARO-SLIDE	SLIDE RAILS
✗	✓ ²	✓ ²	✓	✗	✓

2. requires Carony rails



CE MARKED



EMC TEST APPROVED



CRASH TEST APPROVED



FLAMMABILITY TEST APPROVED



CYCLE TEST APPROVED



CLIMATE TEST APPROVED

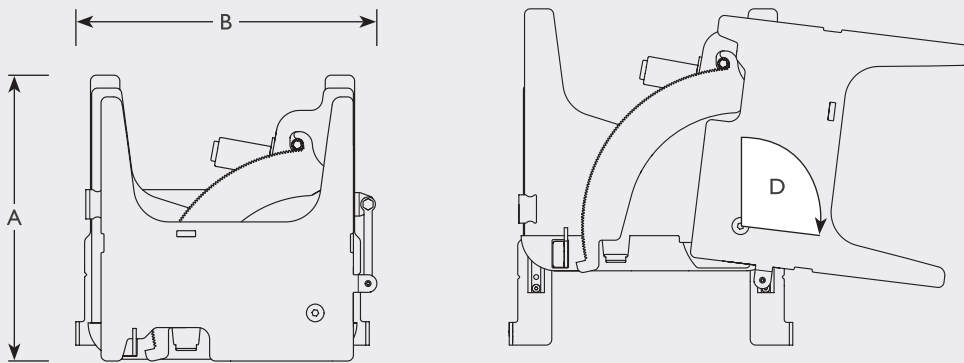
Turnout® E

Dimensions and models

Requires a mounting bracket (Dealerweb) and Slide rails for installation.

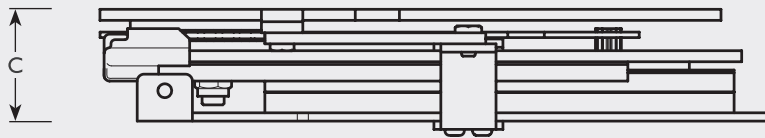
Recommended accessories: Tilda

TOP VIEW



TURNOUT 4E

SIDE VIEW



TURNOUT 4E



Open slewing bracket

Adds a slight outwards movement before the swivel, giving more space between knees and dashboard.

102242 for Turnout 4E



Universal remote

Key-ring transmitter and a receiver. Plug-and-play ready, 4 channels.

106046 Universal remote

Turnout E		Installation in vehicle	Vehicle type	Length	Width	Height	Swivel range	Lengthwise movement	Vertical travel	Weight capacity	Unit weight
102601	Turnout 2E	right	2 door	49	45	5.8/7.1*	0-97°	n/a	n/a	180	22
102602	Turnout 2E	left	2 door	49	45	5.8/7.1*	0-97°	n/a	n/a	180	22
102603	Turnout 4E	right	4 door	49	45	7.9	0-97°	n/a	n/a	180	25
102604	Turnout 4E	left	4 door	49	45	7.9	0-97°	n/a	n/a	180	25
105129	Universal mounting bracket**										
105138	Application tool	right									
105139	Application tool	left									
100505	Slide rails (BEV, Compact, GS)										
100197	Slide rails (Recaro)										

All weights and dimensions are given in kilograms and centimetres, and for reference only. Weight capacity refers to the total weight of the seat, accessories and user.

*Height depends on how you mount the included spacer.

**Check Dealerweb for vehicle specific mounting brackets before ordering the universal mounting bracket

Turny® Manual

A manual swivel base that rotates and extends the seat almost completely outside the vehicle.



Vehicle specific mounting brackets available
dealerweb.braunability.eu

The Turny Manual allows the seat to be rotated towards the door opening and then partly extended over the sill. As the name suggest the Turny Manual is a hand operated swivel base.

During the swivelling part of the operation, the user's head will be inside the vehicle. Not until the Turny Manual is extended, will the user pass through the door opening. This gives the care giver more control of the situation and making the procedure more comfortable for the user.

The lengthwise adjustment of the Turny Manual has three positions. Two of them are 8 cm apart. These can be used as comfort adjustment of the seat inside the car. The third position allows the seat to move and additional 16 cm when extending.

Turny Manual is specifically made for the Carony 16" and has several features that makes installation quick and easy.

Quick facts

- Made for Carony 16"
- Easy to install
- Pre-mounted H-bracket for fast installation
- Slim design
- 8 cm comfort adjustment
- 16 cm extension

To guarantee your safety BraunAbility products are designed and tested according to current directives and standards.

SEAT COMPATIBILITY				
BEV	BEV KIDS	COMPACT	RECARO	GS
✗	✗	✗	✗	✗

ⓘ Only compatible with the Carony 16" seat.

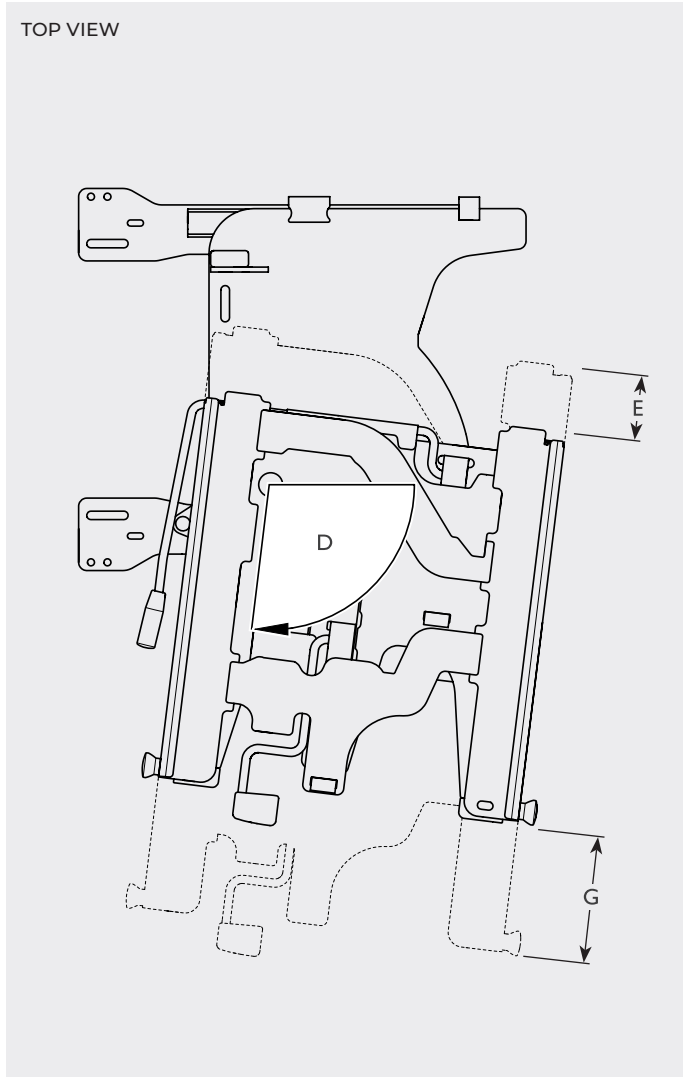
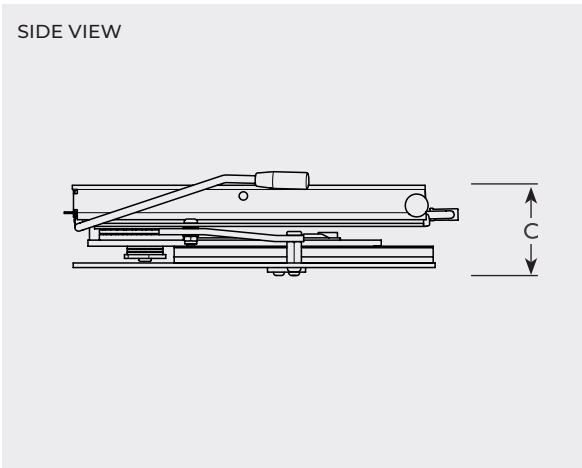
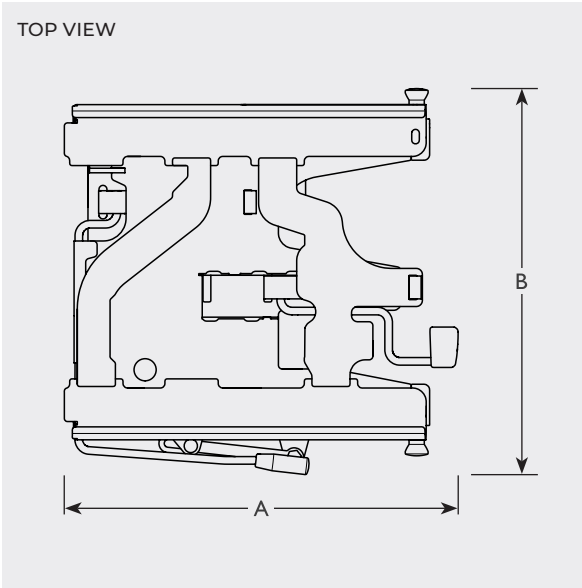
CARONY COMPATIBILITY			ACCESSORIES COMPATIBILITY		
CARONY	CARONY CLASSIC	CARONY GO	TILDA TILT	CARO-SLIDE	SLIDE RAILS
✓	✗	✗	✗	✗	built in



Turny® Manual

Dimensions and models

Requires a mounting bracket (Dealerweb) for installation.
Recommended accessories: Application tool



Turny Manual		Installation in vehicle	Length	Width	Height	Swivel range	Lengthwise movement	Vertical travel	Extension	Weight capacity	Unit weight
			A	B	C	D	E	F	G		
103928	Turny Manual	right	52	51	11	0-97°	8	n/a	16	150	28
103929	Turny Manual	left	52	51	11	0-97°	8	n/a	16	150	28
104065	Application tool	right									
104066	Application tool	left									
104087	Universal mounting bracket*	front									

All weights and dimensions are given in kilograms and centimetres, and for reference only. Weight capacity refers to the total weight of the seat, accessories and user.
 *Check Dealerweb for vehicle specific mounting brackets before ordering the universal mounting bracket

Turny® Low Vehicle

A programmable powered swivel base that rotates the car seat and extends it almost completely outside the vehicle.



 **Vehicle specific mounting brackets available**
dealerweb.braunability.eu

The Turny Low Vehicle is a swivel seat that will allow the user to get seated outside the vehicle, before being comfortably moved to a safe position inside. Having the car seat outside of the vehicle can be very helpful when getting seated or making the transfer from a wheelchair.

The Turny Low Vehicle is the most advanced swivel seat on the market today. Its many unique features makes it possible to adapt car models previously thought impossible to adapt with a swivel seat.

Designed to be installed in a 4° tilt, improving both comfort and pressure relief. The tilt also optimises the position of the user during swivel and extension, which in turn makes even more cars possible to adapt.

Quick facts

- Advanced swivel seat
- Powered swivel and extension
- Programmable movement path provides excellent head space and leg space
- Adjustable comfort position
- Unique 4° tilt installation gives numerous benefits

Specifications

POWER SUPPLY 12 V

To guarantee your safety BraunAbility products are designed and tested according to current directives and standards.

SEAT COMPATIBILITY				
BEV	BEV KIDS	COMPACT	RECARO	GS
✓	✓	✗	✓	✓ ¹

1. requires adapter plate

CARONY COMPATIBILITY			ACCESSORIES COMPATIBILITY		
CARONY	CARONY CLASSIC	CARONY GO	TILDA TILT	CARO-SLIDE	SLIDE RAILS
✗	✗	✗	✗	built in	✗



CE MARKED



EMC TEST APPROVED



CRASH TEST APPROVED



FLAMMABILITY TEST APPROVED



CYCLE TEST APPROVED



CLIMATE TEST APPROVED

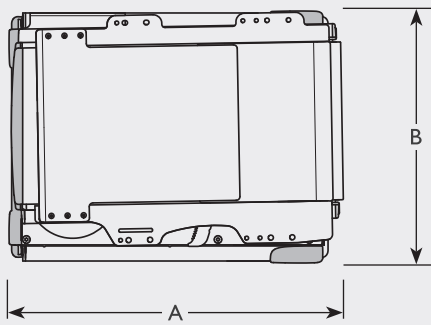
Turny® Low Vehicle

Dimensions and models

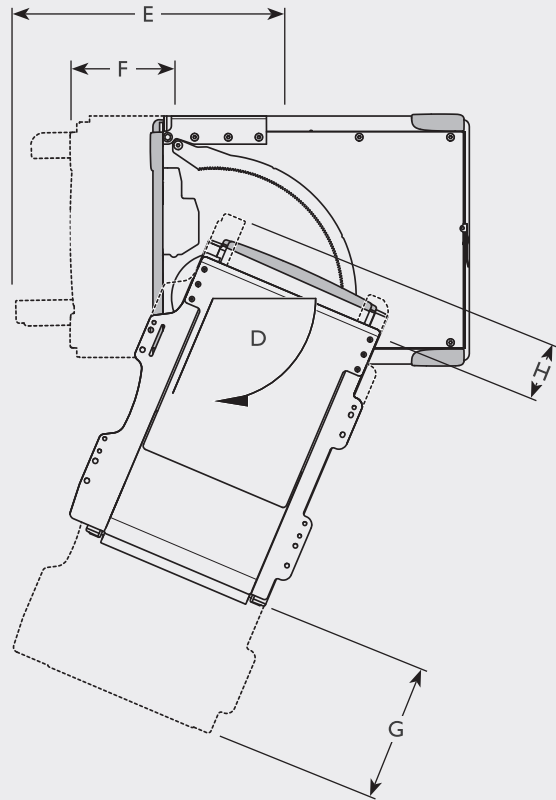
Requires a mounting bracket (Dealerweb) for installation.

Recommended accessories: Application tool, BraunAbility Remote

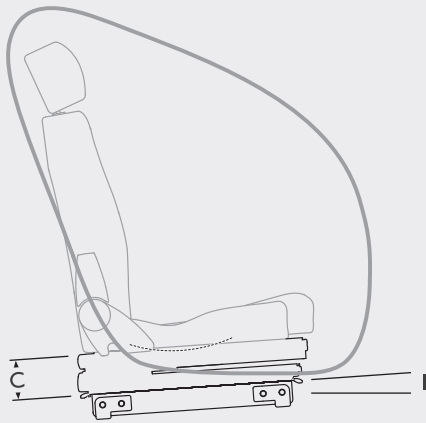
TOP VIEW



TOP VIEW



SIDE VIEW



Turny Low Vehicle		Installation in vehicle	Length	Width	Height	Swivel range	Movement, programming mode	Movement, comfort mode	Extension	Reverse extension (RExtension TM)	Inclination	Weight capacity	Unit weight
			A	B	C	D	E	F	G	H	I		
103259	Turny Low Vehicle	right	61	47	11	0-113°	51	0-41	30	10	4°	140	65
103260	Turny Low Vehicle	left	61	47	11	0-113°	51	0-41	30	10	4°	140	65
103648	Application tool	right											
103649	Application tool	left											
103562	Universal mounting bracket*	front											
105106	BraunAbility Remote: Turny Low Vehicle												

All weights and dimensions are given in kilograms and centimetres, and for reference only. Weight capacity refers to the total weight of the seat, accessories and user.
 *Check Dealerweb for vehicle specific mounting brackets before ordering the universal mounting bracket

Turny® HD

A manual swivel base with powered lift that rotates the car seat and brings it completely outside the vehicle.



TURNY HD 300



The Turny HD is a seat lift that will allow the user to get seated outside the vehicle, before being comfortably lifted to a safe position inside. Having the car seat completely outside of the vehicle and at a height of choice can be very helpful when getting seated or making the transfer from a wheelchair.

Turny HD features manual swivel and powered lift. It is suitable for passenger side installation only.

Quick facts

- Entry-level seat lift
- Powered lift
- Manual swivel
- Generous lifting height
- Optional footrest

Specifications

POWER SUPPLY 12 V

To guarantee your safety BraunAbility products are designed and tested according to current directives and standards.

NOTE! Turny HD is delivered without covers. Covers are sold separately.



Vehicle specific mounting brackets available
dealerweb.braunability.eu

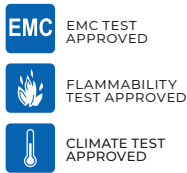
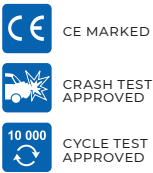
SEAT COMPATIBILITY				
BEV	BEV KIDS	COMPACT	RECARO	GS
✓	✓	✓	✓	✓ ¹

1. requires adapter plate

CARONY COMPATIBILITY			ACCESSORIES COMPATIBILITY		
CARONY	CARONY CLASSIC	CARONY GO	TILDA TILT	CARO-SLIDE	SLIDE RAILS
✓ ³	✓ ²	✓ ²	✗	✗	✓

2. requires Carony rails

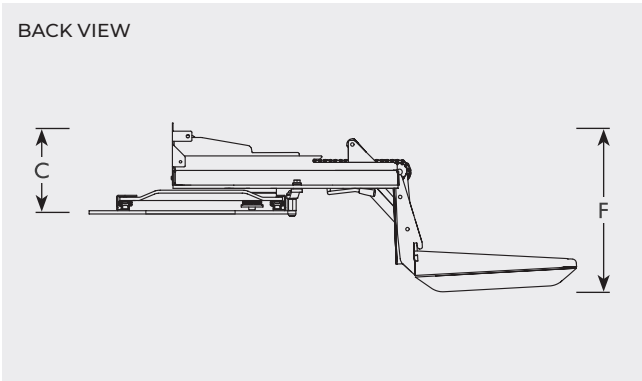
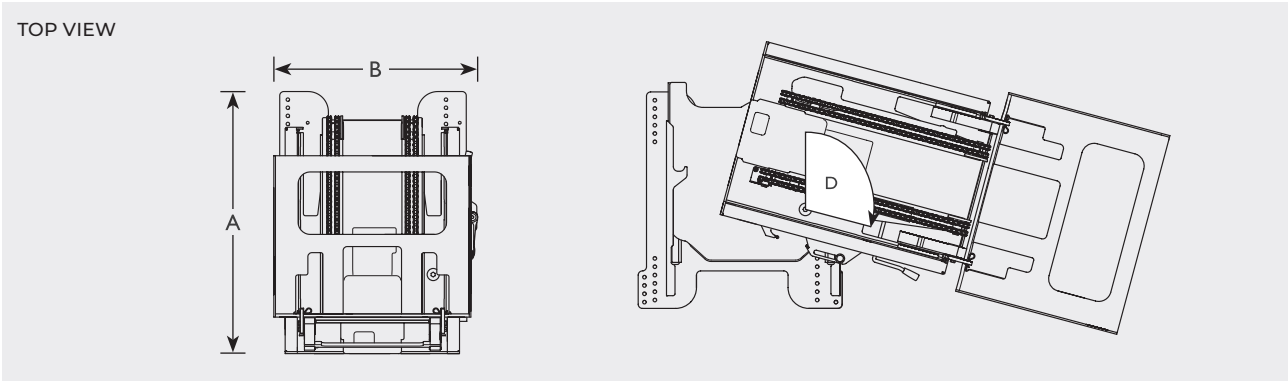
3. requires adapter plate with rails



Turny® HD

Dimensions and models

Requires covers and a mounting bracket (Dealerweb) for installation.
Recommended accessories: Footrest



Contour covers
101522 300 model, grey colour
101523 480 model, grey colour



Flat covers
101463 300 model, right side
101464 300 model, left side
101465 480 model, right side
101466 480 model, left side



Seat spacers
101227 35 mm
100728 70 mm



Turny HD/Orbit footrest
101292



Door safety switch
102622



Universal remote
106046

Turny HD		Installation in vehicle	Length	Width	Height	Swivel range	Lengthwise movement	Vertical travel	Weight capacity	Unit weight
			A	B	C	D	E	F		
102281	Turny HD, 300	right	59*	47.5*	16.5	0-105°	n/a	30	170	59
102282	Turny HD, 300	left	59*	47.5*	16.5	0-105°	n/a	30	170	59
102285	Turny HD, 480	right	59*	47.5*	16.5	0-105°	n/a	48	170	61
102286	Turny HD, 480	left	59*	47.5*	16.5	0-105°	n/a	48	170	61
105140	Application tool	right								
105141	Application tool	left								
105130	Universal mounting bracket**	front								
105131	Universal mounting bracket**	middle								

All weights and dimensions are given in kilograms and centimetres, and for reference only. Weight capacity refers to the total weight of the seat, accessories and user.
 *Measured without covers. **Check Dealerweb for vehicle specific mounting brackets before ordering the universal mounting bracket

Turny® Orbit

A powered swivel and lift base that rotates the car seat and brings it completely outside the vehicle.



TURNY ORBIT 480

The Turny Orbit is a seat lift that will allow the user to get seated outside the vehicle, before being comfortably lifted to a safe position inside. Having the car seat completely outside of the vehicle and at a height of choice can be very helpful when getting seated or making the transfer from a wheelchair.

Turny Orbit features powered swivel and lift. It is suitable for passenger side installation only.

Quick facts

- Entry-level seat lift
- Powered lift and swivel
- Generous lifting height
- Optional footrest

Specifications

POWER SUPPLY 12 V

To guarantee your safety BraunAbility products are designed and tested according to current directives and standards.

NOTE! Turny Orbit is delivered without covers. Covers are sold separately.



Vehicle specific mounting brackets available
dealerweb.braunability.eu

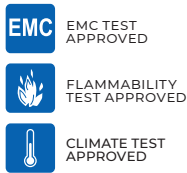
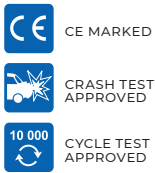
SEAT COMPATIBILITY				
BEV	BEV KIDS	COMPACT	RECARO	GS
✓	✓	✓	✓	✓ ¹

1. requires adapter plate

CARONY COMPATIBILITY			ACCESSORIES COMPATIBILITY		
CARONY	CARONY CLASSIC	CARONY GO	TILDA TILT	CARO-SLIDE	SLIDE RAILS
✓ ³	✓ ²	✓ ²	✗	✗	✓

2. requires Carony rails

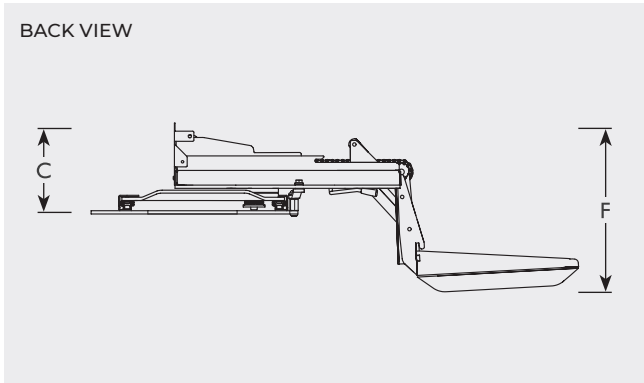
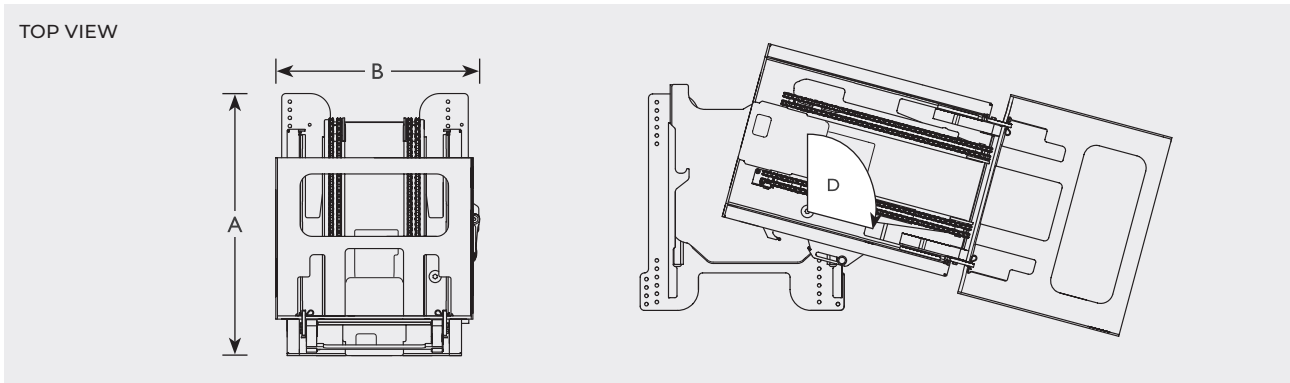
3. requires adapter plate with rails



Turny® Orbit

Dimensions and models

Requires covers and a mounting bracket (Dealerweb) for installation.
Recommended accessories: Footrest



Contour covers
101522 300 model, grey colour
101523 480 model, grey colour

Flat covers
101463 300 model, right side
101464 300 model, left side
101465 480 model, right side
101466 480 model, left side



Seat spacers
101227 35 mm
100728 70 mm



Turny HD/Orbit footrest
101292



Door safety switch
102622



Universal remote
106046

Turny Orbit	Installation in vehicle	Length	Width	Height	Swivel range	Lengthwise movement	Vertical travel	Weight capacity	Unit weight
		A	B	C	D	E	F		
102287 Turny Orbit, 300	right	59*	47.5*	16.5	0-97°	n/a	30	170	60
102288 Turny Orbit, 300	left	59*	47.5*	16.5	0-97°	n/a	30	170	60
102291 Turny Orbit, 480	right	59*	47.5*	16.5	0-97°	n/a	48	170	62
102292 Turny Orbit, 480	left	59*	47.5*	16.5	0-97°	n/a	48	170	62
105140 Application tool	right								
105141 Application tool	left								
105130 Universal mounting bracket**	front								
105131 Universal mounting bracket**	middle								

All weights and dimensions are given in kilograms and centimetres, and for reference only. Weight capacity refers to the total weight of the seat, accessories and user.
 *Measured without covers. **Check Dealerweb for vehicle specific mounting brackets before ordering the universal mounting bracket

Turny® Evo

A programmable powered swivel and lift base that rotates the car seat and brings it completely outside the vehicle.



The Turny Evo is a seat lift that will allow the user to get seated outside the vehicle, before being comfortably lifted to a safe position inside. Having the car seat completely outside of the vehicle and at a height of choice can be very helpful when getting seated or making the transfer from a wheelchair.

The unique feature of the Turny Evo is its programmable movement path. This allows the Turny Evo to be individually tailored to each user/vehicle combination and enables many driver's side installations.

Quick facts

- Advanced seat lift
- Programmable movement path provides excellent head space and leg space
- Powered lift and swivel
- Generous lifting height
- Built-in foot rest
- Adjustable comfort position

Specifications

POWER SUPPLY 12 V

To guarantee your safety BraunAbility products are designed and tested according to current directives and standards.

 **Vehicle specific mounting brackets available**
dealerweb.braunability.eu

SEAT COMPATIBILITY				
BEV	BEV KIDS	COMPACT	RECARO	GS
✓	✓	✓	✓ ¹	✓ ¹

1. requires adapter plate

CARONY COMPATIBILITY			ACCESSORIES COMPATIBILITY		
CARONY	CARONY CLASSIC	CARONY GO	TILDA TILT	CARO-SLIDE	SLIDE RAILS
✓ ³	✓ ³	✓ ³	✓	built in	✗

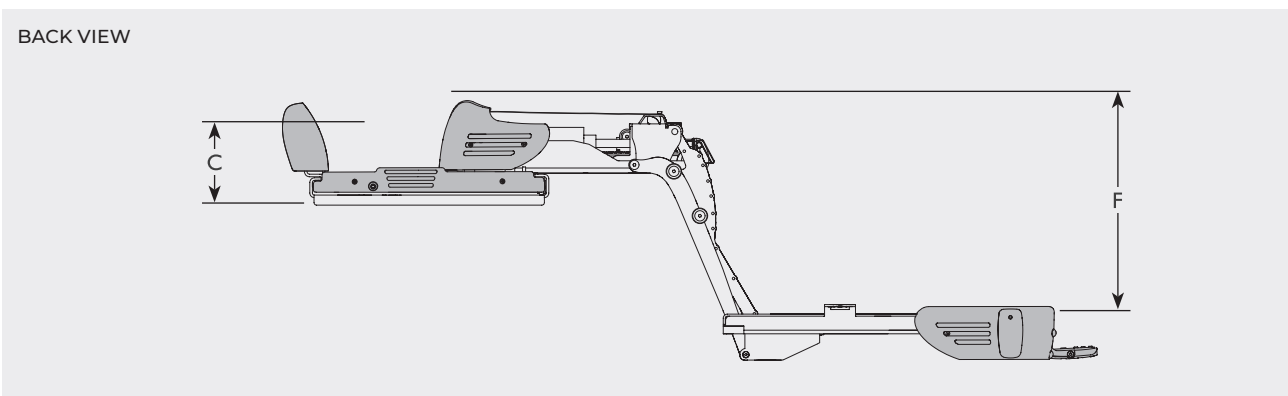
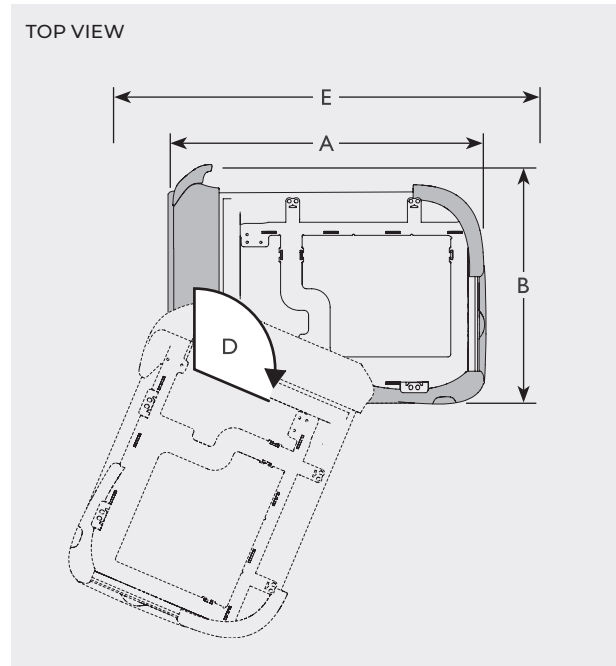
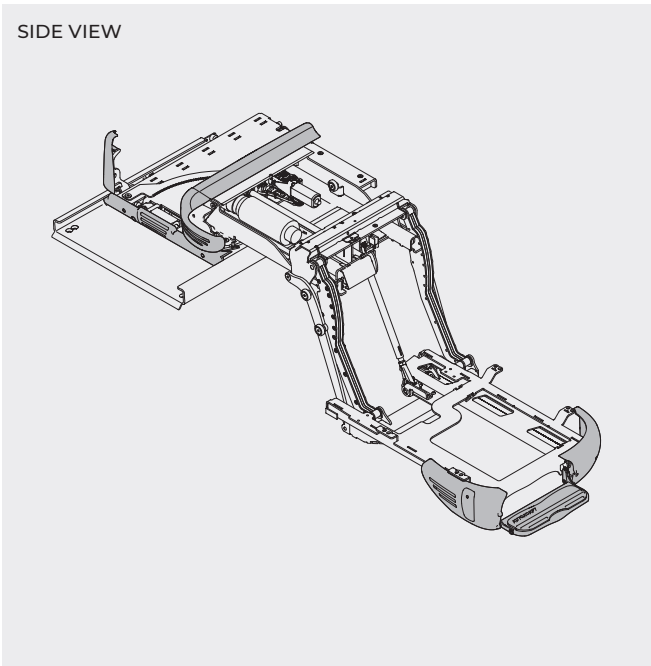
3. requires adapter plate with rails



Turny® Evo

Dimensions and models

Requires a mounting bracket (Dealerweb) for installation.
Recommended accessories: Application tool, BraunAbility Remote




Turny Evo		Installation in vehicle	Length	Width	Height	Swivel range	Lengthwise movement	Vertical travel	Weight capacity	Unit weight
		A	B	C	D	E	F			
103261	Turny Evo	right	70.3	54.2	16.3	0-113°	0-41	39	180	84
103262	Turny Evo	left	70.3	54.2	16.3	0-113°	0-41	39	180	84
103532	Application tool	right								
103533	Application tool	left								
103562	Universal mounting bracket*	front								
103563	Universal mounting bracket*	middle								
105169	BraunAbility Remote: Turny Evo									
105064	BraunAbility Remote: Turny Evo (with wire kit)**									

All weights and dimensions are given in kilograms and centimetres, and for reference only. Weight capacity refers to the total weight of the seat, accessories and user.
 *Check Dealerweb for vehicle specific mounting brackets before ordering the universal mounting bracket ** For older Turny Evo's with serial number up to: 2707039

Turny® Evo BIS

A kit solution consisting of the Turny Evo, our seat with an integrated belt and a vehicle-specific mounting bracket.



 **Vehicle specific mounting brackets available**
dealerweb.braunability.eu

CARONY COMPATIBILITY			ACCESSORIES COMPATIBILITY		
CARONY	CARONY CLASSIC	CARONY GO	TILDA TILT	CARO-SLIDE	SLIDE RAILS
✘	✘	✘	✘	built in	✘

This kit is designed for second-row installations in vans. With an integrated seat belt, when you move the Turny Evo, forward or backward, the belt moves with you, always maintaining that perfect seat belt geometry. This is important because wearing a seat belt correctly is what saves your life. It's why children use a booster seat until they are big enough to get the proper seat belt geometry by themselves.

Additionally, the seat belt is close enough to reach when you're seated. A seat belt attached the C pillar in a van, can be hard if not impossible to reach when seated. Especially if rotating your upper body is painful or difficult.

As with all our seats, the BIS is crash-test approved to provide you with the best possible protection in the unfortunate event of a crash.

The BIS Seat is a fully functional and comfortable car seat, available for both left and right side installations. Naturally, it comes with functions like adjustable backrest recline. The backrest can also be folded forward over the seat cushion if necessary. The BIS Seat can also be adapted with armrests if desired.

Quick facts

- Advanced seat lift
- Programmable movement path provides excellent head space and leg space
- Powered lift and swivel
- Generous lifting height
- Built-in foot rest
- Adjustable comfort position

Specifications

POWER SUPPLY 12 V

To guarantee your safety BraunAbility products are designed and tested according to current directives and standards.



CE MARKED



EMC TEST APPROVED



FMVSS APPROVED



CRASH TEST APPROVED



FLAMMABILITY TEST APPROVED



CYCLE TEST APPROVED



CLIMATE TEST APPROVED

Turny® Evo BIS

Models

Recommended accessories: BraunAbility Remote

106031 BIS kit: Citroën Space Tourer 2016-, right
106032 BIS kit: Citroën Space Tourer 2016-, left
106069 BIS kit: Fiat Talento 2016-2020, right
106070 BIS kit: Fiat Talento 2016-2020, left
106077 BIS kit: Ford Transit Custom 2019-, right
106078 BIS kit: Ford Transit Custom 2019-, left
105994 BIS kit: Ford Tourneo Custom 2013-, right
105995 BIS kit: Ford Tourneo Custom 2013-, left
105144 BIS kit: Mercedes-Benz V-Class 2014-, right
105145 BIS kit: Mercedes-Benz V-Class 2014-, left
106071 BIS kit: Nissan NV300 2014-, right
106072 BIS kit: Nissan NV300 2014-, left
106079 BIS kit: Opel/Vauxhall Vivaro 2019-, right
106080 BIS kit: Opel/Vauxhall Vivaro 2019-, left
106067 BIS kit: Opel/Vauxhall Vivaro 2014-2018, right
106068 BIS kit: Opel/Vauxhall Vivaro 2014-2018, left
106035 BIS kit: Opel Zafira 2020-, right
106036 BIS kit: Opel Zafira 2020-, left
106033 BIS kit: Peugeot Traveller 2016-, right
106034 BIS kit: Peugeot Traveller 2016-, left

106065 BIS kit: Renault Trafic 2014-, right
106066 BIS kit: Renault Trafic 2014-, left
106029 BIS kit: Toyota ProAce 2016-, right
106030 BIS kit: Toyota ProAce 2016-, left
105998 BIS kit: Volkswagen T6 2015-, right
105999 BIS kit: Volkswagen T6 2015-, left
106075 BIS kit: Volkswagen T6 Multivan 2015-, right
106076 BIS kit: Volkswagen T6 Multivan 2015-, left
105996 BIS kit: Volkswagen T5 2003-2015, right
105997 BIS kit: Volkswagen T5 2003-2015, left
106073 BIS kit: Volkswagen T5 Multivan 2003-2015, right
106074 BIS kit: Volkswagen T5 Multivan 2003-2015, left

103083 Armrest bracket for BIS seat (order one per side)
100429 Armrest for BEV/Compact seat, left side
100428 Armrest for BEV/Compact seat, right side
100848 Armrest kit for BEV/Compact seat

Turny® 6-Way

Transfer from wheelchair to the front seat, inside the vehicle.



The Turny 6-Way makes it easy to get from the wheelchair to the front seat and vice versa. As the name suggests the seat lift can move in 6 directions; up, down, forward, backward as well as rotate left to right. This means that you can bring the seat backwards, rotate it to face the inside of the car and set to your desired height.

Basically, you move the seat into an optimal position for you to transfer to and from your wheelchair. Once seated you have the luxury of using the controls to position yourself exactly as you like. The Turny 6-Way can be installed on the driver's side as well as on the passenger's side.


Quick facts

- Powered adjustment in six directions
- Adjustable comfort position
- Crash test approved
- Supports OEM seat electrical functions
- Optional foot rest

Specifications

POWER SUPPLY 12 V

To guarantee your safety BraunAbility products are designed and tested according to current directives and standards.

 **Vehicle specific mounting brackets available**
dealerweb.braunability.eu

SEAT COMPATIBILITY				
BEV	BEV KIDS	COMPACT	RECARO	GS
✓ ⁴	✓ ⁴	✓ ⁴	✓ ⁴	✓ ¹⁺⁴

1. requires adapter plate 4. requires Slide rails

CARONY COMPATIBILITY			ACCESSORIES COMPATIBILITY		
CARONY	CARONY CLASSIC	CARONY GO	TILDA TILT	CARO-SLIDE	SLIDE RAILS
✗	✗	✗	✗	built in	✓ ⁵

5. required for installation with non-OEM seats

Installation kits

Complete kits for installation in the floor and for the seat on top.

- 106056** Kit: Citroën Jumper Mk 3 2006-
- 106057** Kit: Citroën Relay Mk 3 2006-
- 106058** Kit: Fiat Ducato Mk3 2006-
- 105980** Kit: Fiat Talento 2016-
- 105974** Kit: Ford Tourneo Custom 2012-
- 105975** Kit: Ford Transit Custom 2012-
- 106053** Kit: Mercedes-Benz Sprinter 2018-, left
- 106054** Kit: Mercedes-Benz Sprinter 2018-, right
- 105971** Kit: Mercedes-Benz V-Class 2014-
- 105972** Kit: Mercedes-Benz Viano 2014-
- 105973** Kit: Mercedes-Benz Vito 2014-
- 105979** Kit: Nissan NV300 2014-
- 105977** Kit: Opel Vivaro 2014-2018
- 106055** Kit: Peugeot Boxer 2006-
- 105976** Kit: Renault Trafic 2014-
- 105978** Kit: Vauxhall Vivaro 2014-2018
- 105981** Kit: Volkswagen T6 2015-
- 105982** Kit: Volkswagen T5 2003-2015



CE MARKED



EMC TEST APPROVED



CRASH TEST APPROVED



FLAMMABILITY TEST APPROVED



10 000 CYCLE TEST APPROVED



CLIMATE TEST APPROVED

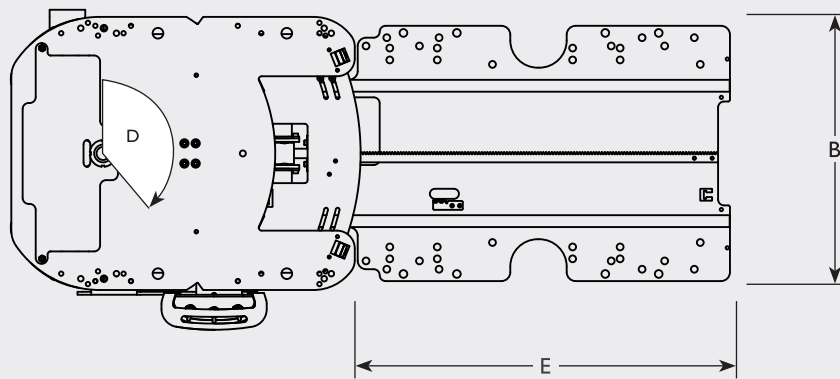
Turny® 6-Way

Dimensions and models

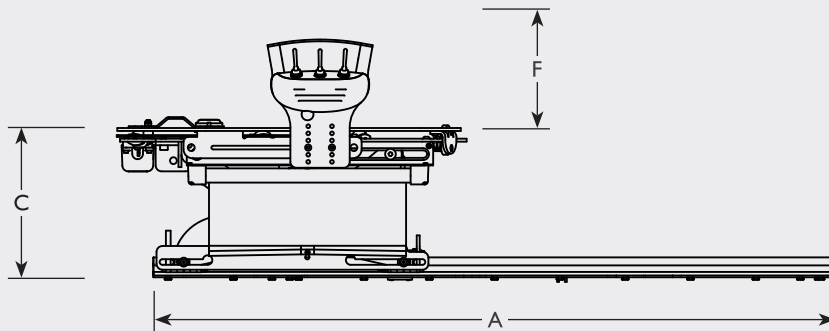
Requires an installation kit for installation.

Recommended accessories: Footrest

TOP VIEW



SIDE VIEW



Turny 6-Way	Installation in vehicle	Length	Width	Height	Swivel range	Lengthwise movement	Vertical travel	Weight capacity	Unit weight	
										A
105838	Turny 6-Way	both	115*	43	17-34.7	0-140° / 0-120° **	70.4	17.7	180	54
105991	Universal mounting bracket***	floor								
105992	Universal mounting bracket OEM seat***	seat								
105970	Footrest	both								
100505	Slide rails (BEV, Compact, GS)									
100197	Slide rails (Recaro)									

All weights and dimensions are given in kilograms and centimetres, and for reference only. Weight capacity refers to the total weight of the seat, accessories and user.

*can be cut by 45-190 mm by the installer if needed. **differs between left (140°) and right (120°) side installation.

***For installing a Turny 6-Way in a vehicle we don't offer an installation kit for.

Accessories

Getting seated



SWIVEL BASE COMPATIBILITY					
TURNOUT	TURNY MANUAL	TURNY LOW VEHICLE	TURNY HD/ORBIT	TURNY EVO	TURNY 6-WAY
✓	✗	✗	✗	✓	✗

Tilda

Tilda is an ergonomic tilt function with many uses. Installed under the car seat it allows the seat to be tilted in three steps, giving the user options in seating position for pressure relief and comfort when using a swivel seat. It can also be used to lower the user's head enough to clear the roof when swivelling in or out of the vehicle.

- 101837** Tilda, right **Tilting:** 0°, 7°, 11°, 15°
- 101838** Tilda, left **Height:** 2.4 cm
- 101839** Tilda footrest **Weight:** 7 kg



SWIVEL BASE COMPATIBILITY					
TURNOUT	TURNY MANUAL	TURNY LOW VEHICLE	TURNY HD/ORBIT	TURNY EVO	TURNY 6-WAY
✓ ⁶	✗	built in	✗	built in	built in

6. only compatible with Turnout 2 (not E-model)

Caroslide

Powered slide function for car seats. Installed under the car seat the Caroslide, allows the user to adjust their seating position lengthwise in the vehicle. Works for both left and right side installation and is prepared for all of our seats.

- 101864** Caroslide **Maximum slide:** 24 cm
- Height:** 4.1 cm
- Weight:** 10 kg



SWIVEL BASE COMPATIBILITY					
TURNOUT	TURNY MANUAL	TURNY LOW VEHICLE	TURNY HD/ORBIT	TURNY EVO	TURNY 6-WAY
✓	built in	✗	✓	✗	✓

Slide rails

Manual slide function for car seats. Installed between the product and the car seat, Slide Rails allows the user to adjust their seating position lengthwise in the vehicle. Works for both left and right side installation and is prepared for all of our seats.

- 100505** Slide rails (BEV, Compact, GS) **Maximum slide:** 22 cm
- 100197** Slide rails (Recaro) **Height:** 2.5 cm
- Weight:** 2.5 kg

Vehicle seats

Getting seated

Compatibility Matrix

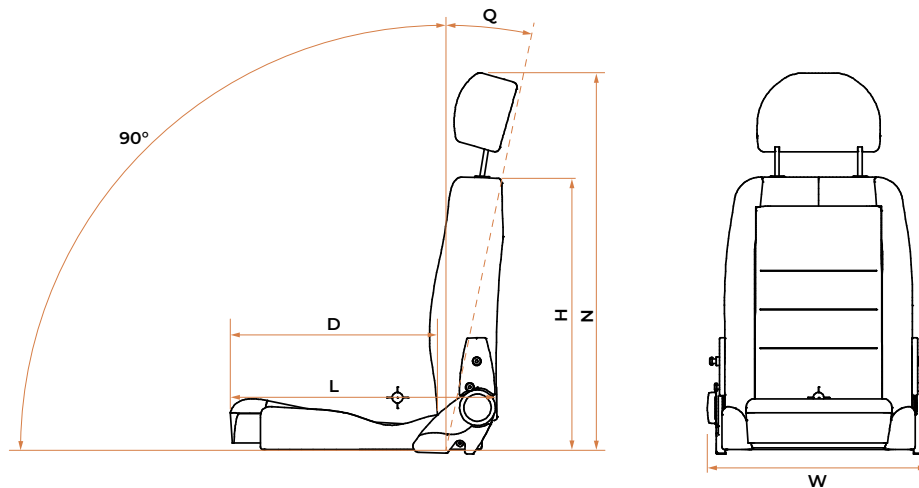
Our seats can be used with a majority of our Getting seated products, but there are a couple of exceptions. Use the matrix below to find which seats are available for each product.

	BEV	Compact	Recaro	GS	BIS
Turnout	YES ²	YES ²	YES ²	YES ¹⁺²	NO
Turny Manual ³	NO	NO	NO	NO	NO
Turny Low Vehicle	YES	NO	YES	YES ¹	NO
Turny HD/Orbit	YES	YES	YES	YES ¹	NO
Turny Evo	YES	YES	YES ¹	YES ¹	YES ⁴
Turny 6-Way	YES ²	YES ²	YES ²	YES ¹⁺²	NO

1. requires adapter plate 2. requires slide rails 3. only compatible with Carony 4. only available as a kit solution

Specifications

All the necessary data you need about our seats.



	BEV	BEV Kids	Compact	Recaro	GS	BIS
Length (L)	63 cm	54.5 cm	59 cm	60-64 cm	52-55 cm	63 cm
Width (W)	51 cm	51 cm	51 cm	54 cm	51 cm	51 cm
Height (H)	62 cm	62 cm	63 cm	65 cm	76 cm	69 cm
Height with headrest (N)	78-90 cm	78-90 cm	81-88 cm	80-85 cm	93 cm	85-92 cm
Depth (D)	47-52 cm	38.5-43.5 cm	48 cm	49,5-53,5 cm	22-45 cm	49 cm
Max recline (Q)	44°	44°	90°	90°	90°	90°
Weight	13 kg	13 kg	12 kg	18 kg	28 kg	19 kg

All dimensional measures taken at 20°-22° recliner angle.

L = Taken at H-point height, W = Widest part of seat, H = Height without headrest, N = Height including headrest, D = Taken at lumbar support, Q = Max possible recliner angle

Compact Seat

Economic low built seat.



SWIVEL BASE COMPATIBILITY					
TURNOUT	TURNY MANUAL	TURNY LOW VEHICLE	TURNY HD/ORBIT	TURNY EVO	TURNY 6-WAY
✓ ⁴	✗	✗	✓	✓	✓ ⁴

4. requires Slide rails



Compact Seat is a safe and economical alternative to other more feature-rich car seats that are designed to blend in with the vehicle's interior.

The optional Plus kit raises the front of the seat cushion which increases seating comfort and helps prevent users from sliding forward. We highly recommend this kit on all Compact Seat installations.

The Compact Seat is tested and approved according to M1 standards.

Quick facts

- Blends in with the car interior
- Adaptable with accessories
- Optional Plus kit for increased seating comfort
- Low profile
- M1 approved

Specifications

WEIGHT 12 kg
 DIMENSIONS (H, L, W) 81-88 x 59 x 51 cm
 SEAT DEPTH 48 cm

To guarantee your safety BraunAbility products are designed and tested according to current directives and standards.

- 102593** Compact seat
- 102978** Compact seat Plus
- 102893** Plus raising kit
- 100458** Comfort headrest, Compact/BEV
- 100665** Neck roll
- 100848** Armrest kit
- 100428** Armrest, right
- 100429** Armrest, left
- 103902** H-point bracket (Compact seat)

NOTE! Compact Seat does NOT have a release catch that allows the backrest to fold forward.

Manufactured by Recaro

Recaro Specialist L

Comfortable and ergonomic low built seat.



The Recaro Specialist L seat is a low built seat with a bucket seat cushion. Pull-out seat extensions together with robust side bolsters of the backrest ensure a comfortable and ergonomically correct driving position.

The Recaro Specialist L is tested and approved according to M1 standards.

Quick facts

- Blends in with the car interior
- Excellent support for both legs and thighs
- Adaptable with accessories
- Low profile
- M1 approved

Specifications

WEIGHT 18 kg
 DIMENSIONS (H, L, W) 80-85 x 60-64 x 54 cm
 SEAT DEPTH 49.5-53.5 cm

To guarantee your safety BraunAbility products are designed and tested according to current directives and standards.



- 100693** Recaro Specialist L
- 101153** Comfort headrest, Recaro
- 100665** Neck roll
- 102618** Armrest kit
- 101879** Armrest, right
- 101880** Armrest, left

- 102812** Adapter plate for Turny Evo
- 103784** Release handle for Turny Low Vehicle
- 103903** H-point bracket (Recaro)
- 100197** Slide rails (Recaro)

SWIVEL BASE COMPATIBILITY					
TURNOUT	TURNY MANUAL	TURNY LOW VEHICLE	TURNY HD/ORBIT	TURNY EVO	TURNY 6-WAY
✓ ⁴	✗	✓	✓	✓ ¹	✓ ⁴

1. requires adapter plate 4. requires Slide rails



BEV Seat

Ergonomic low built seat, specially designed for easy individual adaptation.



SWIVEL BASE COMPATIBILITY					
TURNOUT	TURNY MANUAL	TURNY LOW VEHICLE	TURNY HD/ORBIT	TURNY EVO	TURNY 6-WAY
✓ ⁴	✗	✓	✓	✓	✓ ⁴

4. requires Slide rails

The BEV seat has been designed for fitting in combination with the Turny or the Turnout swivel seats whenever available space means that a seat of the low-level type would be a major benefit.

The BEV seat has another great advantage in that the flat sides of the cushion have easy-slide upholstery well suited to transfers to and from a wheelchair.

The cushions in the backrest and base are removable, beneath which a variety of extras such as torso or lumbar supports can be fitted. The cushions are easily removed from their Velcro fasteners for cleaning or replacement.

There are also a number of practical accessories that further adapt seat use by those with particular needs and wishes.

The BEV seat is also available in a kids version, for children who need a shorter cushion or have other specific needs, such as a lower headrest.

The BEV Seat is tested and approved according to M1 standards.

Quick facts

- Highly adaptable with many accessories
- Low built
- M1 approved

Specifications

WEIGHT 13 kg
 DIMENSIONS (H, L, W) 78-90 x 63 x 51 cm
 SEAT DEPTH 47-52 cm

To guarantee your safety BraunAbility products are designed and tested according to current directives and standards.



BEV Seat

Models



100420 BEV seat



102594 BEV Kids seat



100458 Comfort headrest



101365 Kids headrest



100665 Head support



100430 Side support



102193 Backrest cushion



100432 Lumbar support



103901 H-point bracket (BEV Seat)



100848 Armrest kit
100428 Armrest, right
100429 Armrest, left



102194 Seat cushion
102191 Pressure seat cushion



GS Seat

Highly adaptable seat for children and people of short stature.



On the GS Seat, almost everything can be individually adjusted, for example, the seat depth and the position of each armrest in all three dimensions. The GS Seat also has a wide number of accessories that will help further adapt the seat to a user’s specific needs.

Designed with the growing child in mind, the GS Seat can be adjusted to provide comfortable and safe seating.

The GS Seat is tested and approved according to M1 standards.

Quick facts

- Highly adaptable with many accessories
- Can “grow” with the user
- Easy to adjust for the caregiver
- M1 approved

Specifications

WEIGHT 28 kg
 DIMENSIONS (H, L, W) 93 x 52-55 x 51 cm
 SEAT DEPTH 22-45 cm

To guarantee your safety BraunAbility products are designed and tested according to current directives and standards.

NOTE! The posture belt included in the GS Seat is not a safety belt.

NOTE! GS seat is not tested according to ECE R44 or R129.



SWIVEL BASE COMPATIBILITY					
TURNOUT	TURNY MANUAL	TURNY LOW VEHICLE	TURNY HD/ORBIT	TURNY EVO	TURNY 6-WAY
✓ ¹	✗	✓ ¹	✓ ¹	✓ ¹	✓ ¹

1. requires adapter plate



GS Seat

Models



Choose size of the side support
103237 Side support Large
103238 Side support Small

103235 GS Seat
 5-point belt, headrest small sides, leg support



103252 Headrest large sides



103250 Headrest
 For tall users



103243 Armrest kit



103248 Relieve table
 If the armrest is not enough



103089 Chest padding 5-p belt
 Improves comfort and prevents belt sliding apart



103245 Incontinence cover
 Protects the seat cushion



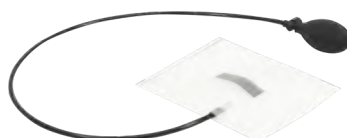
103249 Abduction block
 Keeps legs apart



103242 Belt deflector



103244 Footrest
103253 Straps with loop
103088 Heel support



103247 Lumbar support, air



103086 Adapter plate
 Gives BEV Seat hole pattern

Carony®

Transfer from wheelchair to car seat without lifting.



The Carony is a wheelchair that lets the user stay seated in the wheelchair when moving into the car. By docking onto a swivel base the entire wheelchair seat, with the seated user, can slide into the car, where it becomes the car seat.

Our latest version has been improved in many different ways in terms of comfort for the user, ergonomics and functions for the carer as well as a simplified installation process.

The included seat itself is highly adaptable with individually adjustable armrests, torso support and thigh support. A built in pneumatic bladder allows the front of the cushion to be raised to further improve seating comfort.

It comes in a discreet grey colour and has a sleek design matching both the interior and exterior of today's cars.

Suitable for people of all sizes, including those of short stature and children.

For a full review of the Carony's features, visit Dealerweb.

Quick facts

- Integrated push handles with brakes
- Many adjustment points for user comfort
- 16" high quality wheels with reflective stripes
- Improved stability
- One model only
- Uses same seat for both wheelchair and vehicle
- Puncture free front wheels

Specifications

FRAME MATERIAL metal
 FRAME COLOUR grey
 SEAT COLOUR black

To guarantee your safety BraunAbility products are designed and tested according to current directives and standards.

SWIVEL BASE COMPATIBILITY					
TURNOUT	TURNY MANUAL	TURNY LOW VEHICLE	TURNY HD/ORBIT	TURNY EVO	TURNY 6-WAY
✗	✓	✗	✓ ³	✓ ³	✗

3. requires adapter plate with rails



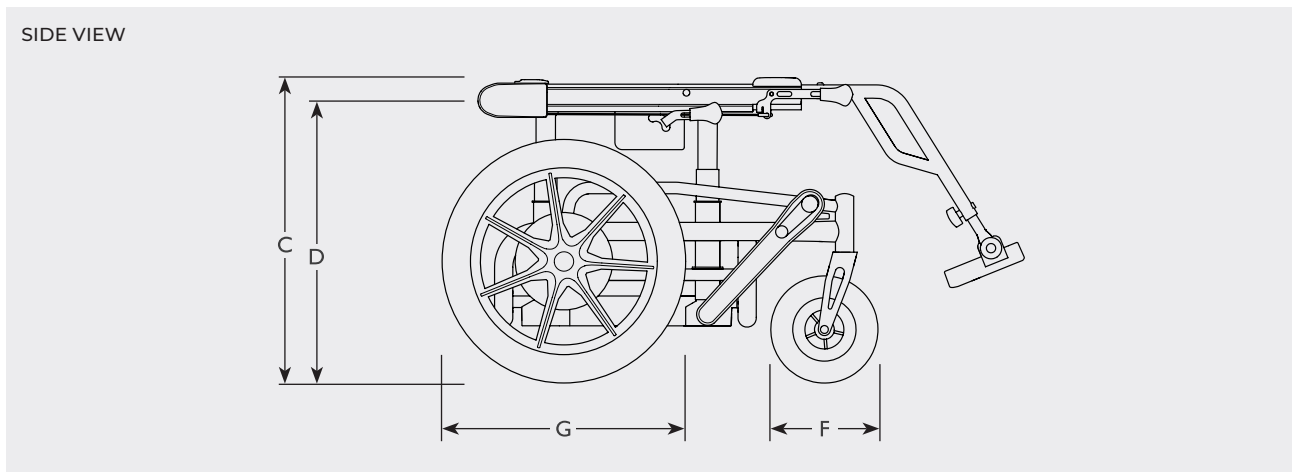
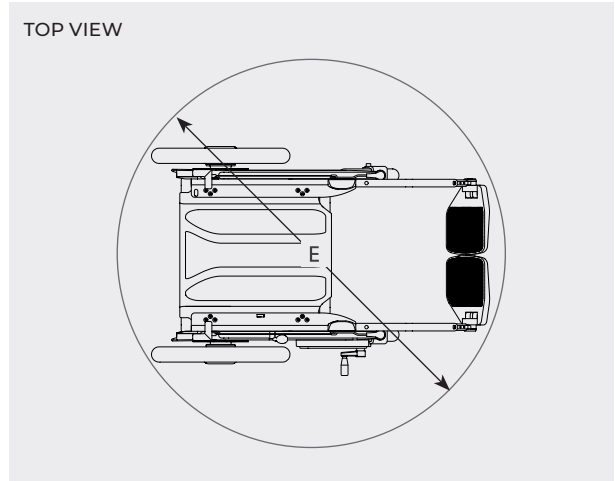
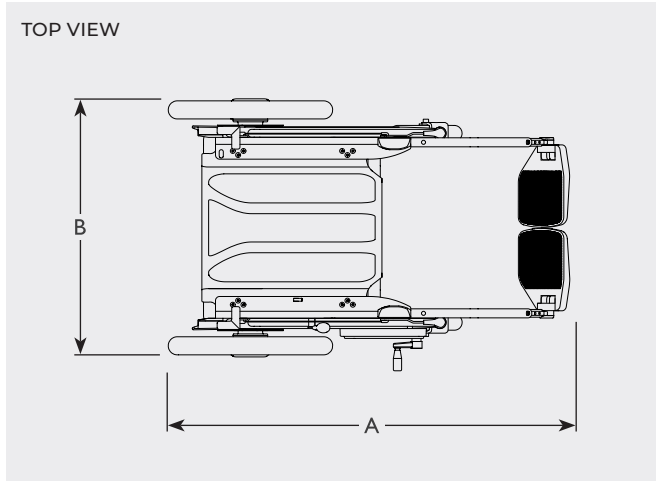
PATENT PENDING

Carony®

Dimensions and models

Requires a swivel seat for docking to a car.

Recommended accessories: Anti-tip device and Calf/heel support



Adapter: Turny Evo
 Required to use a Carony 16" with the Turny Evo.
104072 Turny Evo adapter plate



Adapter: Turny HD/Orbit
 Required to use a Carony 16" with the Turny HD/Orbit.
104073 Turny HD/Orbit adapter plate

Carony	Brake lever side	Length	Width	Height	Docking height	Turning radius	Front wheel diameter	Rear wheel diameter	Maximum user weight	Unit weight
	A	B	C	D	E	F	G			
103927 Carony 16" (wheelbase + seat)	both*	71	64	43-57	37-51	103	7"	16"	120	15.5
104072 Adapter plate with rails: Turny Evo										
104073 Adapter plate with rails: Turny HD/Orbit										

All weights and dimensions are given in kilograms and centimetres, and for reference only. *mount the brake lever on one of the two sides

Carony® accessories

Getting seated

Anti-tip device

With the intention to make it as easy as possible to use and to adapt the wheelchair to any situation, the anti-tip device is both activated and deactivated using the feet. Be it going down a couple of steps or traversing a higher obstacle.

104069 Anti-tip device



Puncture free wheels

Rear inner tubes are available in a puncture free version with the same premium quality and look.

104071 Puncture free wheels, rear



Elevating leg support

Improved leg support for those with long legs or rigid knees.

104081 Elevating leg support, right
104082 Elevating leg support, left



2-point hip belt

Provides good support and prevents you from sliding forward in the seat.

100425 2-point hip belt



Belt deflector

Places the seat belt at the correct angle for a small user/child.

105796 Belt deflector



Child armrest converter plates

Moves the armrests closer to the user's body and includes holes for child torso supports.

105795 Child armrest plates



Child headrest

Lower than the standard headrest to fit a child. Has integrated attachments for the 4-point shoulder harness.

105640 Child headrest



Thigh and torso support

Fitted anywhere along the slit along the backrest or under the seat, the premium adjustable torso support and thigh support provides a rigid brace wherever they're needed.

- 104083** Thigh support, right
- 104084** Thigh support, left
- 104085** Torso support, right
- 104086** Torso support, left

- 105183** Child torso support, right*
- 105184** Child torso support, left*
- *requires the child armrest converter plates (105795) for mounting



4-point shoulder harness

Distributing pressure across a 25% greater surface area than a traditional H-style harness, the 4-point shoulder harness has a body-contouring shape for optimal support and a comfortable fit. Curved pads follow the contours of the shoulders and ribcage, with a low-placed sternum strap for easy adjustability.

- 105854** XX Small, 21-24 cm
- 105853** X Small, 24-28 cm

- 105639** Small, 28-33 cm
- 104056** Large, 41-48 cm



Universal elastic strap

The 148 cm strap provides temporary or all-day support for travel, work, therapy, sports and fittings. Use on the chest, abdomen, thighs or lower legs. Adds 72 cm to the original Universal elastic strap.

- 104057** Universal elastic strap (148 cm)
- 104058** Elastic extension strap (72 cm)



Calf / heel support

With great pressure distribution and durability, they support the lower legs and control flexion without risk of bruising. Breathable fabric provide air circulation and comfort. Attaches around the leg rests using Velcro. Easy to move.

- 104059** Calf / heel support

Carony® Classic

A wheelchair that transforms into a car seat, while the user stays seated.



The Carony Classic is a wheelchair that lets the user stay seated while transferring to the car seat. By docking the wheelchair to either a swivel seat or seat lift, the wheelchair seat can be slid off its base and onto the docking plate where the seat locks safely in place and becomes the car seat. In short, a user can move from wheelchair to car seat and vice versa completely without lifting.

Available with 12" or 24" wheels and suitable for people of all sizes including those of short stature and children.

Quick facts

- Uses same seat for both wheelchair and vehicle
- Highly customisable
- 12" or 24" rear wheels
- Approved to be used as a wheelchair during transport (requires transport fittings)
- Compatible with Tilda tilt function

Specifications

FRAME MATERIAL metal

FRAME COLOUR red

To guarantee your safety BraunAbility products are designed and tested according to current directives and standards.

NOTE! See the Carony Classic configurator for available options.

SWIVEL BASE COMPATIBILITY					
TURNOUT	TURNY MANUAL	TURNY LOW VEHICLE	TURNY HD/ORBIT	TURNY EVO	TURNY 6-WAY
✓ ²	✗	✗	✓ ²	✓ ²	✗

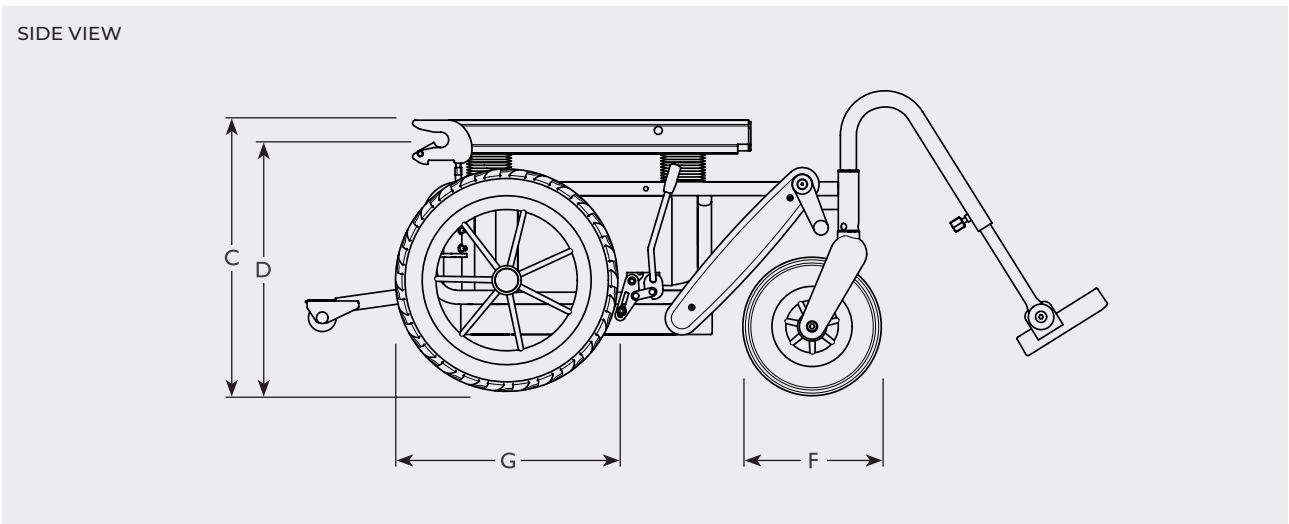
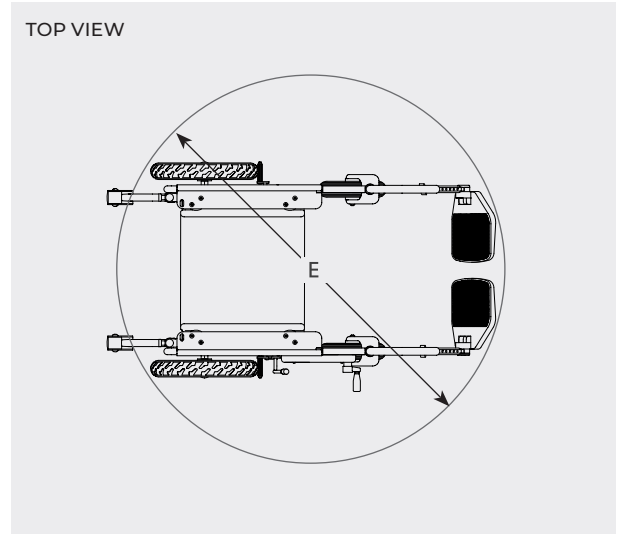
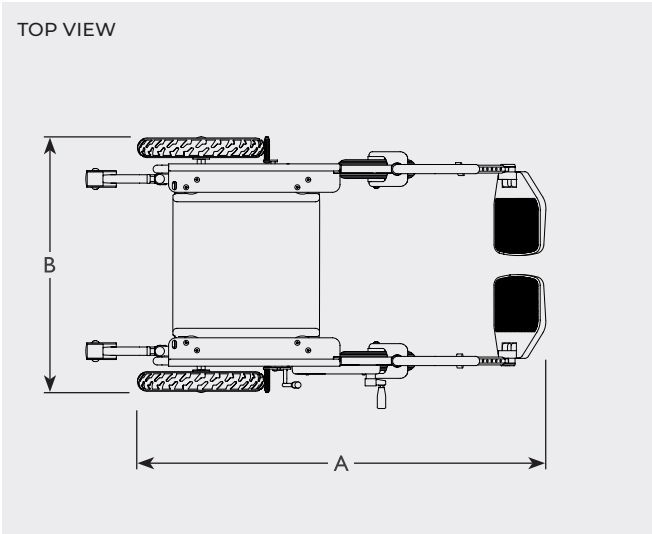
2. requires Carony rails



Carony® Classic

Dimensions and models

Requires a swivel seat for docking to a car.
Recommended accessories: Tilda



	Brake lever side	Length	Width	Height	Docking height	Turning radius	Front wheel diameter	Rear wheel diameter	Maximum user weight	Unit weight
Carony Classic, chassis		A	B	C	D	E	F	G		
Carony Classic 12", chassis	right	67	61	38-48	35-45	84	8"	12"	100	15
Carony Classic 12", chassis	left	67	61	38-48	35-45	84	8"	12"	100	15
Carony Classic 24", chassis	right	79*	67	38-48	35-45	84	7"	24"	100	19
Carony Classic 24", chassis	left	79*	67	38-48	35-45	84	7"	24"	100	19
Carony Classic 12" fixed, chassis	right	67	61	38, 43, 48	35, 40, 45	84	8"	12"	100	14
Carony Classic 12" fixed, chassis	left	67	61	38, 43, 48	35, 40, 45	84	8"	12"	100	14

All weights and dimensions are given in kilograms and centimetres, and for reference only. *Including the anti-tip protection
Note! Only chassis, no seats. For available options see the Carony Classic configurator.

Carony® Classic Configurator

Choose a model, seat and add docking rails.



Carony Classic Fixed 12"
INCLUDES <ul style="list-style-type: none"> • Seat (choose which) • Chassis 12" fixed height • 12" rear wheels • 8" front wheels • footrest • carriage • push handle • armrests

Carony Classic 12"
INCLUDES <ul style="list-style-type: none"> • Seat (choose which) • Chassis 12" adjustable height • 12" rear wheels • 8" front wheels • footrest • carriage • push handle • armrests

Carony Classic 24"
INCLUDES <ul style="list-style-type: none"> • Seat (choose which) • Chassis 24" adjustable height • 24" rear wheels • 7" puncture free front wheels • footrest • carriage • push handle • armrests • anti-tip protection

SEAT	RIGHT	LEFT	RIGHT	LEFT	RIGHT	LEFT
BEV seat	101232	101233	100399	100402	100872	100889
BEV Kids seat	101245	101246	101243	101244	101423	101422
Compact seat	102715	102716	102711	102712	102713	102714
Recaro Specialist L	102717	102718	100683	100684	100905	100906
GS seat	105027	105028	105023	105024	105025	105026



BEV seat



BEV Kids seat



Compact seat



Recaro Specialist L



GS seat

⊕ Select docking rails for the swivel seat to use it with the Carony Classic

SWIVEL BASE	Carony Classic Fixed 12"	Carony Classic 12"	Carony Classic 24"
	CARONY DOCKING RAILS	CARONY DOCKING RAILS	CARONY DOCKING RAILS
Turnout	475 mm (102720)	475 mm (102720)	550 mm (102721) / 600 mm (102722)
Turny HD/Orbit	475 mm (102720)	475 mm (102720)	475 mm (102720)
Turny Evo	550 mm incl. adapter plate* (102811)	550 mm incl. adapter plate* (102811)	550 mm incl. adapter plate* (102811)

* On the Turny Evo the Carony rails are mounted on an adapter plate.

Carony® Classic accessories

Getting seated



2-point hip belt

Provides good support and prevents you from sliding forward in the seat.

100425 2-point hip belt



4-point shoulder harness

Posture support in all directions. Curved pads with a low-placed sternum strap for easy adjustability.

105854 XX Small, 21-24 cm
105853 X Small, 24-28 cm
105639 Small, 28-33 cm
104056 Large, 41-48 cm



Universal elastic strap

Versatile support strap that can be used on the chest, abdomen, thighs or lower legs.

104057 Universal elastic strap
104058 Elastic extension strap



Neck roll

Extra support for the neck and head.

100665 Neck roll



Elevating leg support

Improved leg support for those with long legs or rigid knees.

100424 Elevating leg support, right
100426 Elevating leg support, left



Calf / heel support

Add support to the calves or place behind the heels to prevent the feet from slipping off the foot rests.

104059 Calf/heel support



Foot support, small

A shorter foot rest for children or people of short stature.

100754 Foot support, small



Heel belt

Adds supports to the heels and prevents the feet from slipping off the foot rests.

100630 Heel belt



Puncture free wheels

The original Carony Classic wheels but filled with gel instead of air.

100438 12" rear, 2pcs (CC 12")
100697 8" front, 1pcs (CC 12"/24")
101278 7" front, 1pcs (CC 24")



Anti-tip device

Prevents the Carony from tipping over backwards.

102719 Anti-tip protection



Level raising kit

Raise the seat height 50mm using this kit.

100700 Raising kit, 50mm

⊕ See also seat specific accessories for each seat

Carony® Go

A powered wheelchair that transforms into a car seat, while you stay seated.



The Carony Go is a powered wheelchair that lets you stay seated while transferring to the car seat. By docking the wheelchair to either a swivel seat or seat lift, the wheelchair seat can be slid off its base and onto the docking plate where the seat locks safely in place and becomes the car seat. This can be very useful if you are a heavy person and your carer's strength is limited or if moving from the wheelchair is painful for you.

Suitable for people of all sizes including those of short stature and children, the Carony Go has many of the features found on standard powered wheelchairs such as adjustable seat height and narrow wheelbase for indoor use.

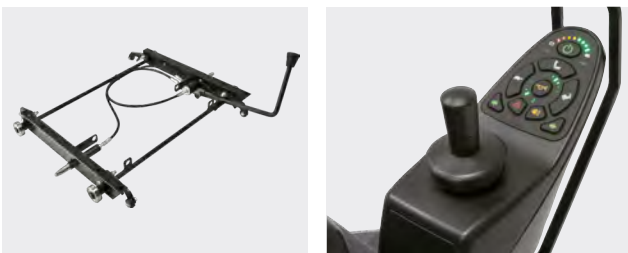
Quick facts

- Uses same seat for both wheelchair and vehicle
- Variable speed setting
- Powered height adjustment
- Signal horn
- Optional head lights and direction indicator lights
- Compatible with Tilda tilt function
- Anti-tip as standard

Specifications

MAX SPEED	6.5 km/h
RANGE	25 km
TIME TO FULL CHARGE	up to 8 h
MAINS VOLTAGE	230 V AC, 50 Hz

To guarantee your safety BraunAbility products are designed and tested according to current directives and standards.



SWIVEL BASE COMPATIBILITY					
TURNOUT	TURNY MANUAL	TURNY LOW VEHICLE	TURNY HD/ORBIT	TURNY EVO	TURNY 6-WAY
✓ ²	✗	✗	✓ ²	✓ ²	✗

2. requires Carony rails

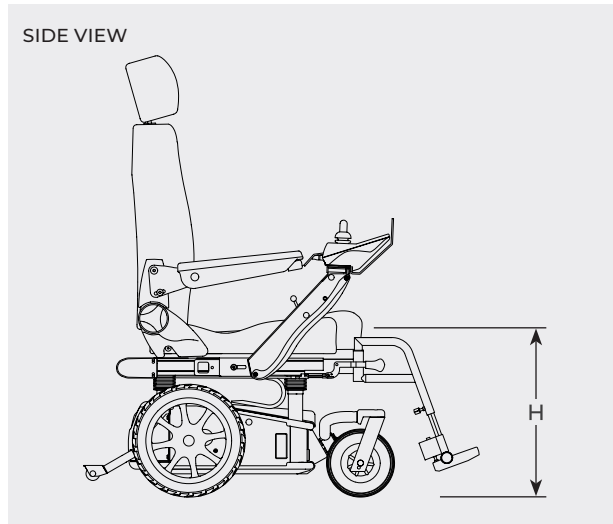
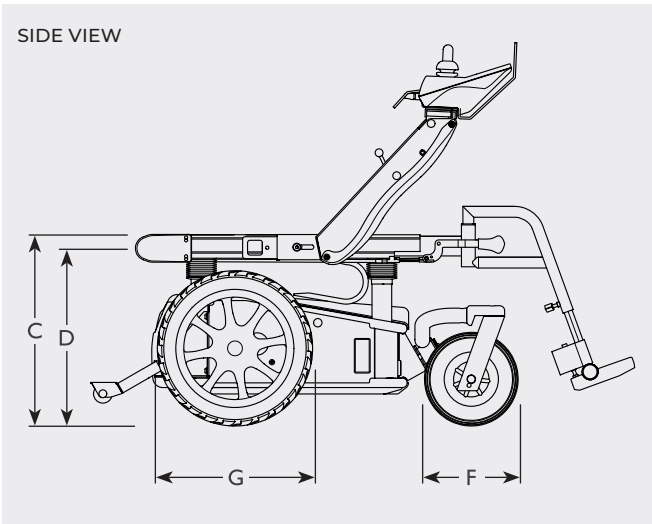
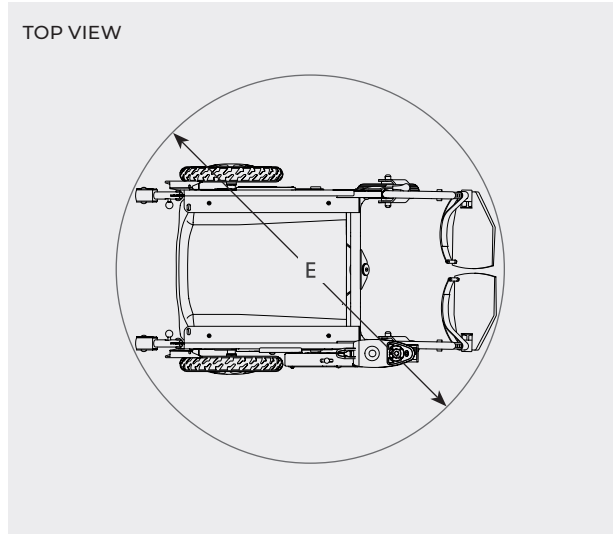
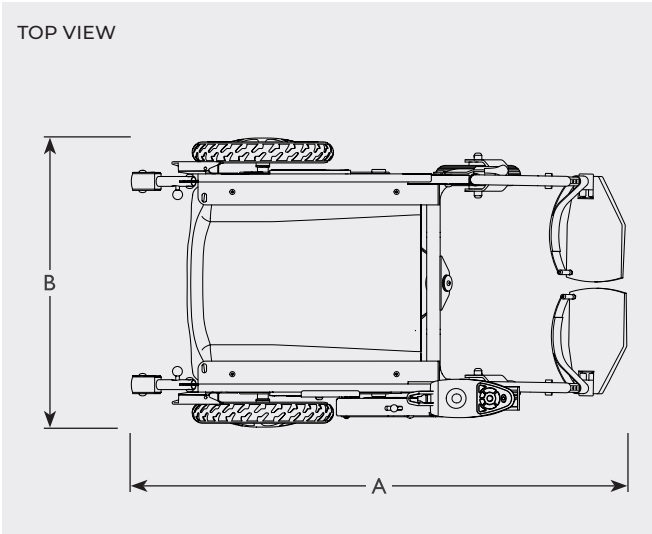
SWIVEL SEAT	CARONY DOCKING RAILS
Turnout	475 mm (102720)
Turny HD/Orbit	475 mm (102720)
Turny Evo	550 mm incl. adapter plate** (102811)



Carony® Go

Dimensions and models

Requires a swivel seat for docking to a car.
Accessories are available separately.



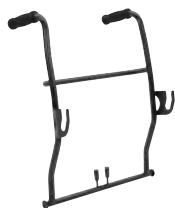
Carony Go		Joystick side	Obstacle height	Length	Width	Height	Docking height	Turning Radius	Front wheel diameter	Rear wheel diameter	Seat height	Maximum user weight	Unit weight
			A	B	C	D	E	F	G	H			
101527	Carony Go	right	8	75	65	38-50	34-46	90	20	31.5	43-55	120	93 / 75
101528	Carony Go	left	8	75	65	38-50	34-46	90	20	31.5	43-55	120	93 / 75
102634	Carony Go, including lights	right	8	75	65	38-50	34-46	90	20	31.5	43-55	120	93 / 75
102635	Carony Go, including lights	left	8	75	65	38-50	34-46	90	20	31.5	43-55	120	93 / 75

All weights and dimensions are given in kilograms and centimetres, and for reference only. Weight capacity refers to the total weight of the seat, accessories and user.

Carony® Go accessories

Getting seated

Carony Go



Push handle

For manual operation.

101519 Push handle



Attendance drive

A controller for a carer.
Requires the push handle.

101542 Attendance drive



Batteries

Replacement batteries (pair).
12 volt, 45 Ah.

101520 Carony Go batteries



Battery charger

In: 1x230 volt, 50 Hz, 2 A
Out: 24 volt, 8 A
External fuse: 16 A

101521 Battery charger



Dynamic programming unit

For programming the Carony Go.

101525 Dynamic programming unit



Elevating leg support

For long legs or rigid knees.

101575 Elevating leg support, R

101576 Elevating leg support, L



Calf / heel support

Add support to the calves or place
behind the heels to prevent the feet
from slipping off the foot rests.

104059 Calf/heel support



Heel belt

Adds supports to the heels and
prevents the feet from slipping off
the foot rests.

100630 Heel belt



2-point hip belt

Provides good support and prevents
you from sliding forward in the seat.

100425 2-point hip belt



4-point shoulder harness

Posture support in all directions.
Curved pads with a low-placed ster-
num strap for easy adjustability.

105854 XX Small, 21-24 cm

105853 X Small, 24-28 cm

105639 Small, 28-33 cm

104056 Large, 41-48 cm



Universal elastic strap

Versatile support strap that can be
used on the chest, abdomen, thighs
or lower legs.

104057 Universal elastic strap

104058 Elastic extension strap



Neck roll

Extra support for the neck and head.

100665 Neck roll

Seating options

Getting seated



2-point hip belt

Provides good support and prevents you from sliding forward in the seat.

100425 2-point hip belt



4-point shoulder harness

Posture support in all directions. Curved pads with a low-placed sternum strap for easy adjustability.

105854 XX Small, 21-24 cm
105853 X Small, 24-28 cm
105639 Small, 28-33 cm
104056 Large, 41-48 cm



Universal elastic strap

Versatile support strap that can be used on the chest, abdomen, thighs or lower legs.

104057 Universal elastic strap
104058 Elastic extension strap



Neck roll

Extra support for the neck and head.

100665 Neck roll



Careva belt

Will help achieve an upright sitting position which is required in order for the regular safety belt in vehicles to work properly.

101373 Careva Spinal belt, 3 channels, 2 buckles, Small
100955 Careva Spinal belt, 5 channels, 2 buckles, Medium/Large
101670 Careva Combi kit, small
101671 Careva Combi kit, medium
101672 Careva Combi kit, large
100959 Careva chest (thoracic) belt, 80cm
100958 Careva chest (thoracic) belt, 100cm
100957 Careva chest (thoracic) belt, 120cm
100590 Careva chest (thoracic) belt, 135cm
100968 Careva pelvic T-belt, small
100587 Careva pelvic T-belt, medium
100969 Careva pelvic T-belt, large



Crossit belt

Will help achieve an upright sitting position which is required in order for the regular safety belt in vehicles to work properly.

102581 Crossit
102582 Seat pad (option)
102583 Chest buckle (option)



XL-belt

3-point belt suitable for seats where a standard seat belt is missing.

100162 XL-belt, 4.4m
102122 Female buckle, long stalk (500mm), right
100512 Female buckle, long stalk (500mm), left
102123 Female buckle, flexible short stalk (200mm)
102124 Female buckle, short stalk (200mm)



Bestvest

Ensures proper seatbelt geometry at all times.

103347 Bestvest, small
103348 Bestvest, medium
103349 Bestvest, large
103350 Bestvest, X large
103351 Bestvest child, 116-128 cm
103352 Bestvest child, 128-140 cm
103353 Bestvest child, 140-152 cm
103354 Bestvest child, 152-164 cm

Stowing solutions

Products that can help a person to comfortably and safely stow a mobility aid.





Chair Topper®

A roof top box that lifts and stows a folding wheelchair.



The Chair Topper will pick up and unload a folding frame wheelchair right next to the vehicle's front door. By transporting the wheelchair in a roof top box, the space inside the car can be used as it was intended: seats for passengers and the boot for cargo.

The weatherproof compartment protects the wheelchair from rain, wind, sun and snow. It also keeps any dirt on the wheelchair out of the car.

The hand control is used to stow or retrieve the wheelchair, both operations takes about 30 seconds each.

Available in two versions, Left and Right, the Chair Topper can be installed for either the passenger side or the driver side. The Chair topper is installed using standard roof racks and requires no permanent alterations to the vehicle. Should the user buy a new car, the Chair Topper can be moved along, providing it fits.

Quick facts

- Flowing design
- Quick and easy stowing
- Weatherproof
- Mounted on standard roof racks
- No permanent alterations required

Specifications

POWER SUPPLY	12 V
FUSE	15 A
LIFT CAPACITY	20 kg

To guarantee your safety BraunAbility products are designed and tested according to current directives and standards.



CE MARKED



EMC TEST APPROVED



CRASH TEST APPROVED



CLIMATE TEST APPROVED



10 000 CYCLE TEST APPROVED

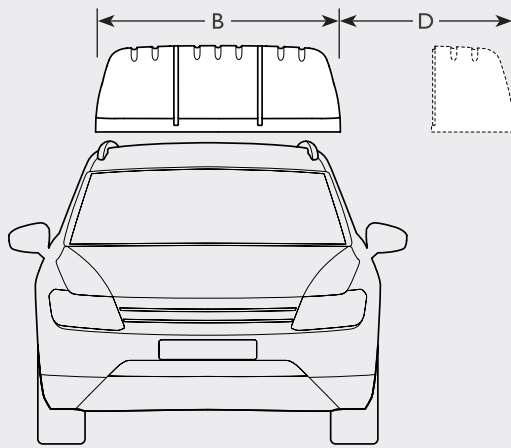
Chair Topper®

Dimensions and models

Requires a car with roof racks for installation.

Requires a foldable wheelchair for stowing.

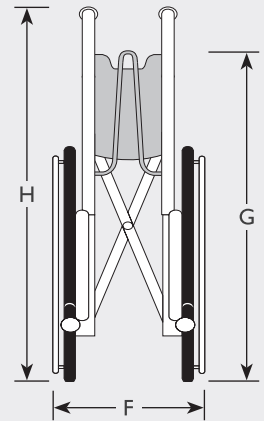
FRONT VIEW



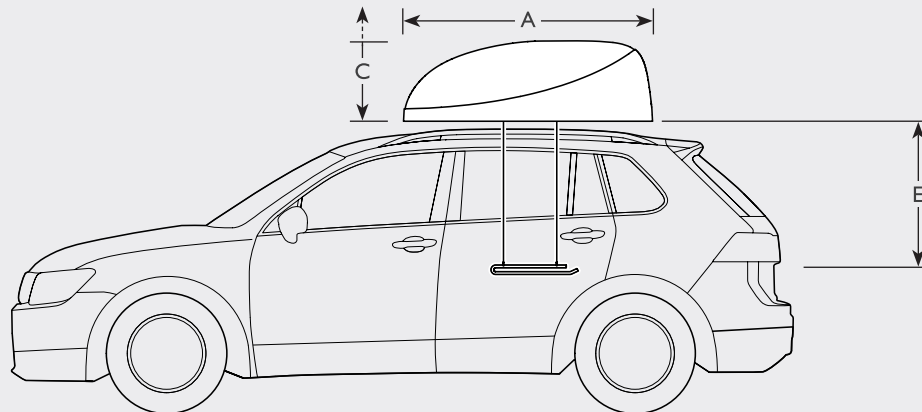
WHEELCHAIR DIMENSIONS

Max folded width
Max folded apex** height
Max folded height

F	G	H
23	87	101
25	87	100
28	86	98
30	85	96
33	84	95
35	83	93



SIDE VIEW



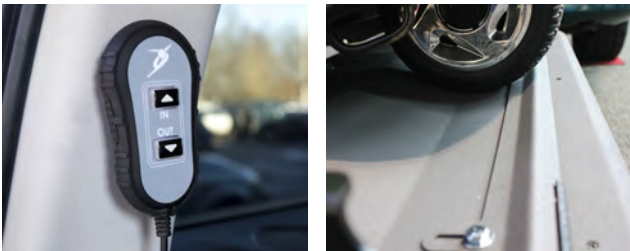
Chair Topper

		Hoist placement	Length	Width	Height	Extension	Chain length	Lift capacity	Unit weight
			A	B	C	D	E		
103993	Chair Topper	left	143	131	46+10*	91	109	20	55
103994	Chair Topper	right	143	131	46+10*	91	109	20	55
103506	Chain extension kit						91 (200)		
106046	Universal wireless remote								
105170	BraunAbility Remote: Chair Topper								

All weights and dimensions are given in kilograms and centimetres, and for reference only. *During operation the product extends an additional 10 cm in height. **The highest point of the folded wheelchair seat fabric. See the installation manual for instructions on how to lower the apex if needed.

Joey Lift

A small platform lift for easy lifting and stowing of a mobility device.



At the touch of a button the Joey Lift both lifts and stows an unoccupied scooter or powered wheelchair inside a vehicle. Ride the mobility device onto the platform, step off and the Joey Lift will take it from there. The ergonomic hand control with easy grip cover and one button operation, makes the whole process simple and convenient.

To secure the wheelchair to the barrier and prevent it from moving around during transport use the optional Barrier Belt Kit.

The compact design fits in an additional 35 vehicle models, see Dealerweb for more info.

Quick facts

- High lift capacity
- Easy and secure stowing of mobility device
- Crash tested barrier system
- Illuminated platform and hand control
- Optional barrier belt kit

Specifications

POWER SUPPLY	12 V
LIFT CAPACITY	159 kg

To guarantee your safety BraunAbility products are designed and tested according to current directives and standards.

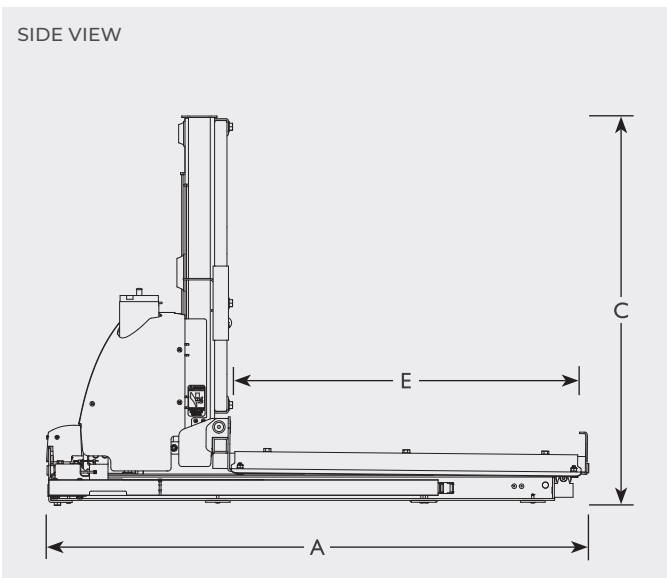
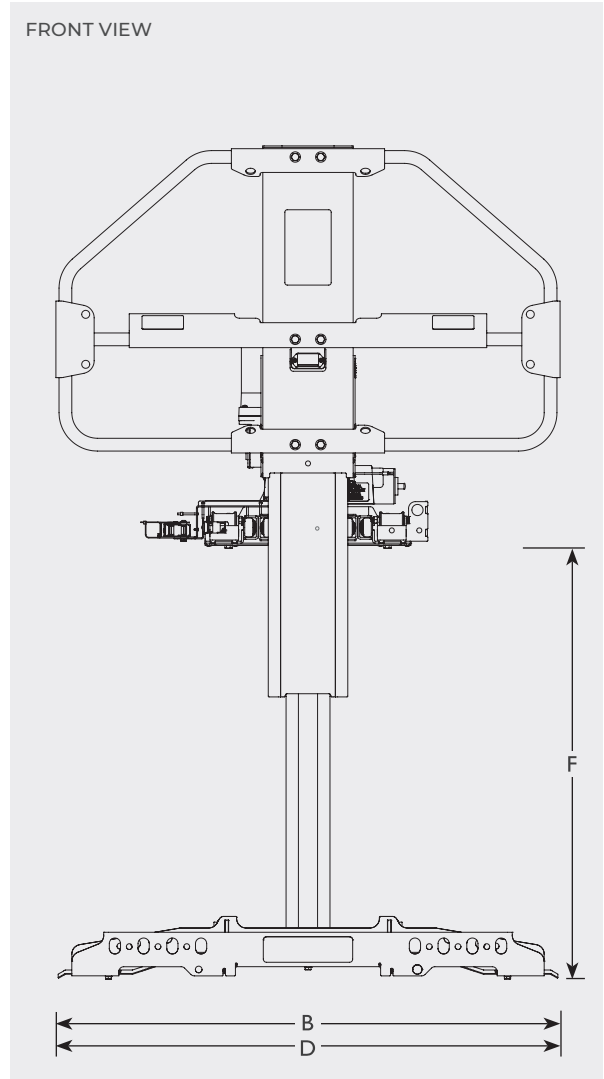
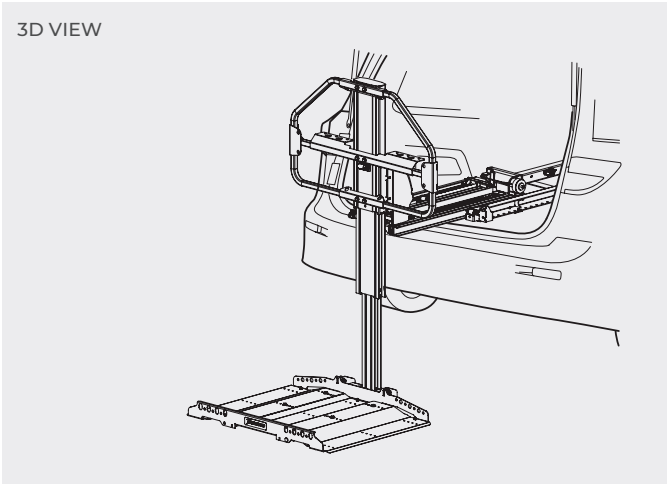
NOTE! Universal mounting bracket is included.



Joey Lift

Dimensions and models

Universal mounting bracket is included.
Recommended accessories: Barrier belt kit



Joey Lift		Length	Width	Height	Clear platform width	Clear platform length	Max floor to ground	Lift capacity	Unit weight
		A	B	C	D	E	F		
104016	Joey Lift	112	99-109*	80	99-109	71	87	159	92
104017	Wheel chock kit								
104049	Barrier belt kit								

All weights and dimensions are given in kilograms and centimetres, and for reference only. *Depends on the configured platform width.

Carolift® 40

A flexible wheelchair hoist for most vehicles.



The Carolift 40 provides excellent reach, even around to the side of the vehicle to pick up a wheelchair from the pavement. At the same time, it is easy to guide a load through narrow openings. The flexible arm is what makes this possible, in essence the arm can be short or long as needed.

The hoist fits in most vehicles and comes with assisted folding to and from storage position.

The Carolift 40 has manual swivel and powered lift, operated via controls on top of the hoist. Its maximum lift capacity is 40 kg.

Quick facts

- Flexible hoist arm (180°)
- Powered lift
- Manual swivel
- Assisted folding
- Height can be adjusted by cutting
- Fits almost all car models
- Suitable for both left and right side installations

Specifications

POWER SUPPLY 12 V
LIFT CAPACITY 40 kg

To guarantee your safety BraunAbility products are designed and tested according to current directives and standards.

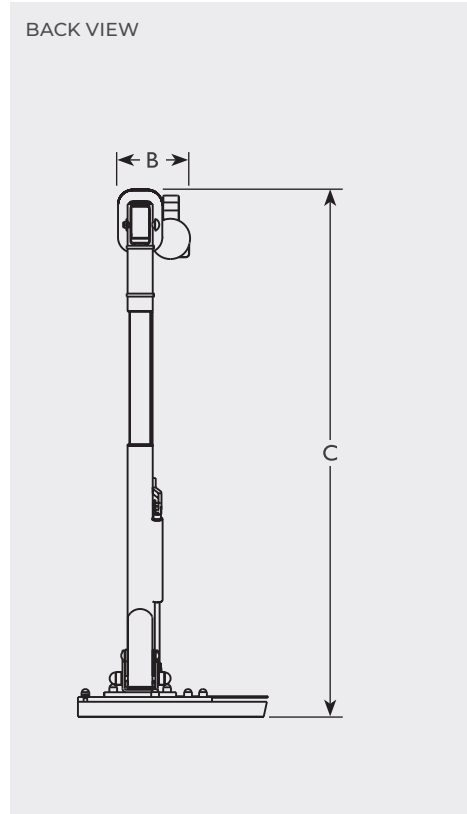
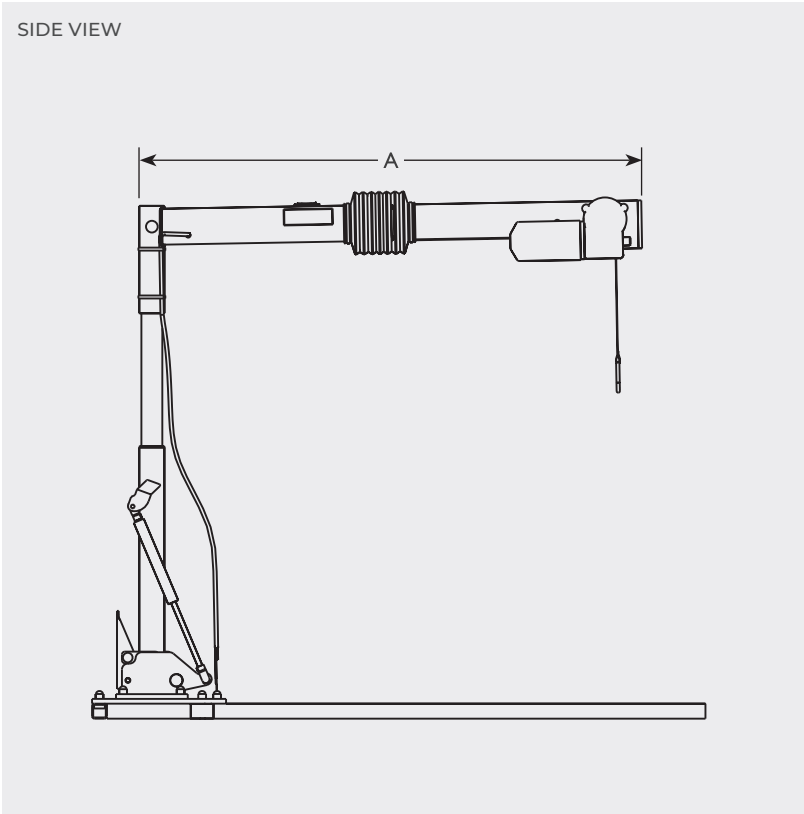
NOTE! Universal mounting bracket is included. Load lifting attachments are sold separately.



Carolift® 40

Dimensions and models

Universal mounting bracket is included.
Requires a load lifting attachment to lift a wheelchair.



Load lifting attachments

- 100621** The loop (max 25 kg)
- 101147** Clamping claw (max 25 kg)
- 101518** for Carony 12"/24"
- 104080** for Carony 16"

See page 70 for illustrations and descriptions.

Carolift 40	Length	Width	Height	Swivel range	Folded length	Folded height	Lift capacity	Unit weight
	A	B	C					
101663 Carolift 40	84	12	68-88*	0-360°	73-93**	17	40	11

All weights and dimensions are given in kilograms and centimetres, and for reference only. *Cut to desired height during installation. **Depends on the height of the lift.

Carolift® 90 / 140

A fixed wheelchair hoist with both powered lift and swivel.



The Carolift 90 and 140 are wheelchair hoists designed to lift mobility devices weighing up to 90 kg and 140 kg into the boot of a vehicle. Swivel and lift is operated via a hand held control.

To achieve a perfect fit this Carolift can be cut in both height and length upon installation. For vehicles with a sloping boot door the hoist can be folded down in between uses.

Quick facts

- Powered lift and swivel
- Foldable
- Height and length can be adjusted by cutting
- Flocked surface treatment provides pleasant grip in both hot and cold weather
- Suitable for both left and right side installations

Specifications

POWER SUPPLY 12 V
LIFT CAPACITY 90 kg / 140 kg

To guarantee your safety BraunAbility products are designed and tested according to current directives and standards.

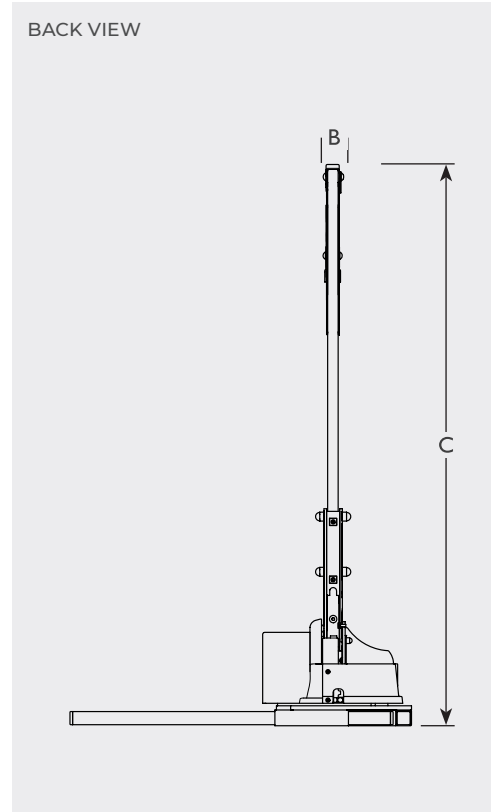
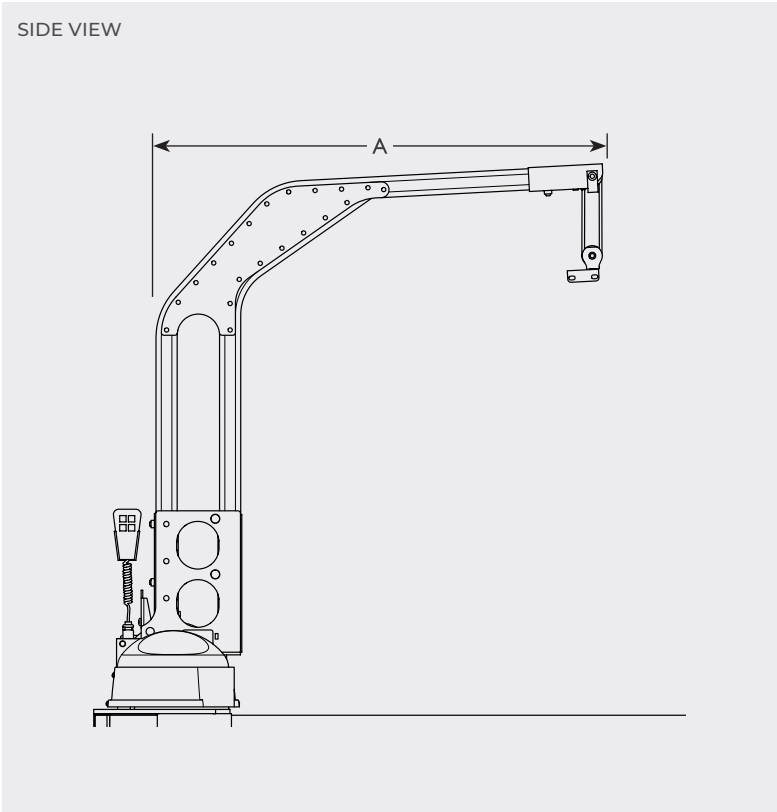
NOTE! Universal mounting bracket is included. Load lifting attachments are sold separately.



Carolift® 90 / 140

Dimensions and models

Universal mounting bracket is included.
Requires a load lifting attachment to lift a wheelchair.



Load lifting attachments

- 100621** The loop (max 25 kg)
- 101147** Clamping claw (max 25 kg)
- 101150** Claw and T-bar (max 90 kg)
- 101518** for Carony 12"/24"
- 104080** for Carony 16"
- 101151** 2 point lift belt (max 90 kg)
- 101152** 4 point lift belt (max 180 kg)
- 101149** C-arm and T-bar (max 180 kg)

- 101666** Pulley for Carolift 90 (max 90 kg)
- 101667** Pulley for Carolift 140 (max 140 kg)

See page 70 for illustrations and descriptions.

Carolift 90 / 140		Length	Width	Height	Swivel range	Folded length	Folded height	Lift capacity	Unit weight
		A	B	C					
100297	Carolift 90	80-109*	4	80-106**	0-186°	141	58	90	15
101018	Carolift 140	83-109*	4	75-105**	0-186°	134	62	140	35

All weights and dimensions are given in kilograms and centimetres, and for reference only.
*Cut to desired length during installation. **Cut to desired height during installation.

Carolift® 6900

A telescopic wheelchair hoist with both powered lift and swivel for loads up to 181 kg.



The Carolift 6900 is a wheelchair hoist designed to lift mobility devices weighing up to 181 kg into the boot of a vehicle. The offset arm gives the hoist the ability to reach around to the side of the vehicle to pick up a wheelchair from the pavement.

This Carolift has powered swivel and lift, operated via a hand-held control. The telescopic arm assists in bypassing narrow door openings or wide bumpers. To achieve a perfect fit these hoists can be cut in both height and length upon installation.

Quick facts

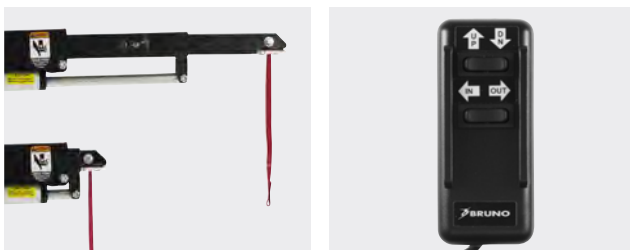
- Offset hoist arm reaches the vehicle's side
- Telescopic hoist arm adds flexibility
- Powered lift and swivel
- High lift capacity
- Swivels up to 360°
- Height, length and angle can be adjusted

Specifications

POWER SUPPLY 12 V
 LIFT CAPACITY 181 kg

To guarantee your safety BraunAbility products are designed and tested according to current directives and standards.

NOTE! Load lifting attachments are sold separately.



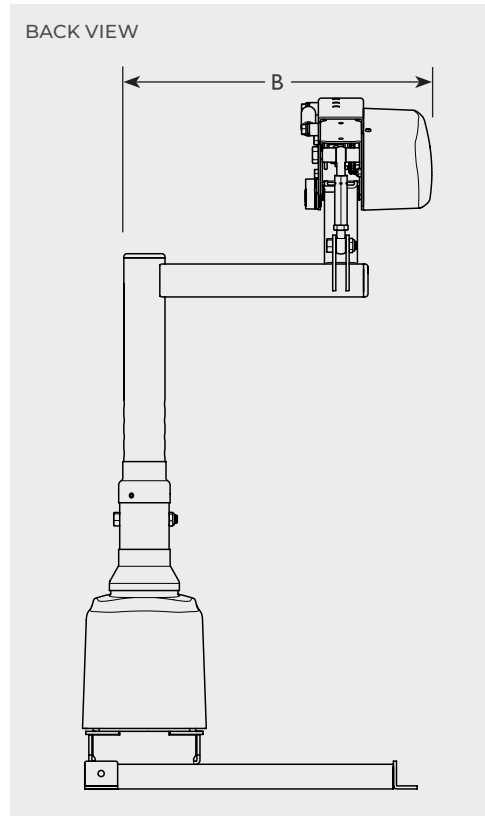
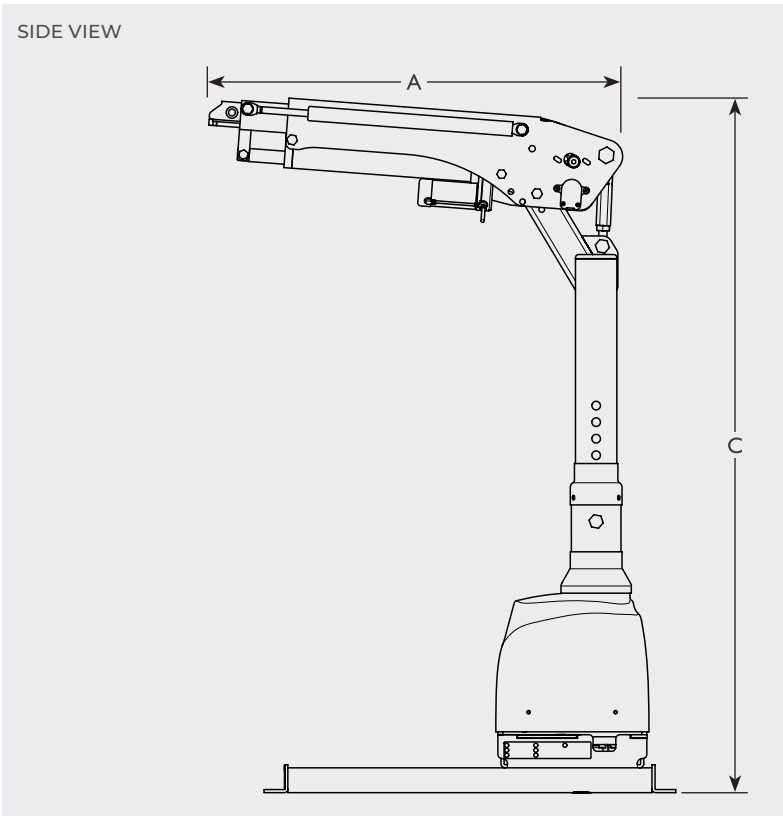
Vehicle specific mounting brackets available
dealerweb.braunability.eu



Carolift® 6900

Dimensions and models

Requires a mounting bracket (101889) for installation.
Requires a load lifting attachment to lift a wheelchair.



Load lifting attachments

- 101150** Claw and T-bar (max 90 kg)
- 101151** 2 point lift belt (max 90 kg)
- 101152** 4 point lift belt (max 180 kg)
- 101149** C-arm and T-bar (max 180 kg)

See page 70 for illustrations and descriptions.

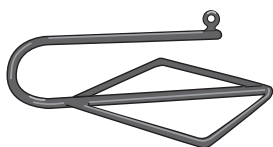
Carolift 6900		Installation in vehicle	Length	Width	Height	Telescopic extension	Swivel range	Lift capacity	Unit weight
101631	Carolift 6900	right	63-83	53	86-104*	20	0-360°	181	38
101632	Carolift 6900	left	63-83	53	86-104*	20	0-360°	181	38
101889	Universal mounting bracket								

All weights and dimensions are given in kilograms and centimetres, and for reference only. *Determined during installation.

Load lifting attachments

Stowing solutions

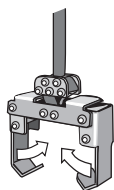
Manual wheelchair (Carolift 40, Carolift 90, Carolift 140)



The loop

For a manual wheelchair.
Max 25 kg.

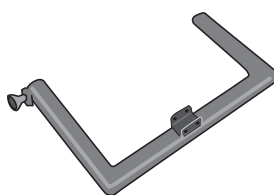
100621 The loop



Clamping claw

For a folded manual wheelchair,
placed vertically. Max 25 kg.

101147 Clamping claw

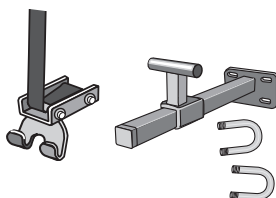


Carony docking device

For a Carony chassis.

101518 for Carony 12"/24"
104080 for Carony 16"

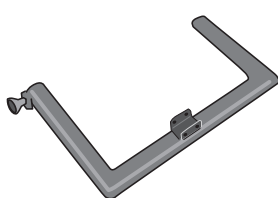
Powered wheelchair / scooter (Carolift 90, Carolift 140, Carolift 6900)



Claw and T-bar

For a powered wheelchair/scooter,
without the seat. Max 90 kg.

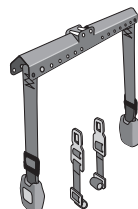
101150 Claw and T-bar



Carony docking device

For a Carony Go chassis.

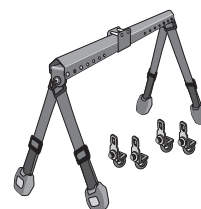
101518 Carony docking device



2 point lift belt

For all types of mobility devices.
Max 90 kg.

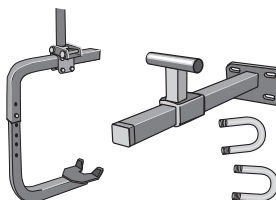
101151 2 point lift belt



4 point lift belt

For all types of mobility devices.
Max 180 kg.

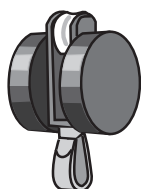
101152 4 point lift belt



C-arm and T-bar

For a powered wheelchair/scooter,
with the seat. Max 180 kg.

101149 C-arm and T-bar



Pulley

A loop for optional docking devices.
Max 90/140 kg.

101666 Pulley for Carolift 90
101667 Pulley for Carolift 140

A-Hatch

Converts a standard manual rear hatch into an automatic rear hatch.



Vehicle specific mounting brackets available
dealerweb.braunability.eu

A pneumatic hatch opener assists in opening and closing the rear hatch. Operated by a switch or by an optional wireless remote control. A-Hatch does not prevent the hatch from being opened or closed manually. Delivered complete with a universal bracket. The stroke length of the cylinder is 600 mm.

For vehicles without an electric hatch lock, the accessory Hatch Lock Opener can be integrated into the system.

Quick facts

- Clever universal fixation on windows
- Does not prevent manual use of the rear hatch
- Suits almost all vehicles/applications
- Small and flexible

Specifications

STROKE LENGTH 600 mm

To guarantee your safety BraunAbility products are designed and tested according to current directives and standards.

- 101683** A-Hatch 600
- 102252** A-Hatch XL 600 (2 compressors)
- 101684** Hatch lock opener
- 102060** Safety switch (to interact in combo with a ramp)



Universal remote

Key-ring transmitter and a receiver.
Plug-and-play ready, 4 channels.

- 106046** Universal remote



Driving aids

Products that can help a person to safely and independently drive a vehicle.



Carospeed® Menox

Hand control for accelerator and brake.



The Carospeed Menox moves the control of acceleration and brake from feet operated pedals to one hand operated lever. Pull the lever to accelerate and push to brake. Menox is designed to make each control ergonomic, conforming to a person's natural hand-wrist-arm motion.

The hand control comes with a "hill holder", a set function for the brake that frees up the hand for instance when changing from Drive to Neutral or tuning the radio. A simple and durable design that leaves extensive leg room for the driver. Carospeed is not in the way of knee air bags.

The Carospeed Menox is sold in parts as opposed to complete kits. In short you order the stripped version you need and add top cover, body cover and accessories as needed.

Quick facts

- Floor mounted
- Universal, suitable for most vehicles
- Wide range of upholstery selections
- Easy to install and adjust

To guarantee your safety BraunAbility products are designed and tested according to current directives and standards.





Carospeed® Menox

Requires a mounting bracket (100748) for installation.

Configure your hand control

102064 Carospeed Menox, left

102065 Carospeed Menox, right

+ Choose top cover



Grey top
102066



Wood top
102016



Carbon top
102017



Black top
102019

+ Choose body cover



Black leather-look cover
102020



Grey leather-look cover
102022



Beige leather-look cover
102023



Black plastic cover
102067

+ Add accessories



Universal mounting bracket

Needed for mounting a Carospeed hand control in a vehicle.

100748 Universal mounting bracket



Pedal attachment kit

Used for standing accelerator pedals where the space for fixation is limited.

102483 Pedal attachment kit



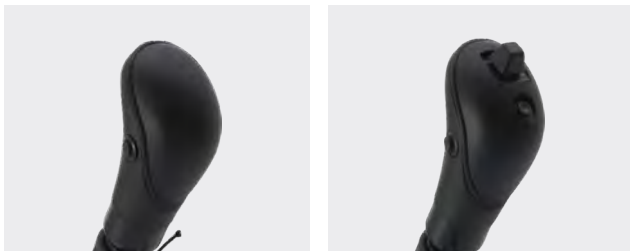
Menox wire pack (LHD)

For hand control installation with a standing accelerator pedal. Left hand drive only, included in right.

102026 Menox wire pack (LHD)

Carospeed® Classic

Hand control for accelerator and brake.



The Carospeed Classic moves the control of acceleration and brake from feet operated pedals to one hand operated lever. Pull the lever to accelerate and push to brake.

The hand control comes with a “hill holder”, a set function for the brake that frees up the hand for instance when changing from Drive to Neutral or tuning the radio. A simple and durable design that leaves extensive leg room for the driver. Carospeed is not in the way of knee air bags.

Available in three versions with various functionality.

Standard model: Gas and brake

Indicator model: Gas, brake and turn signals

E model: Gas, brake and a complete set of electrical functions such as turn signals, windscreen wipers, washers, horn, high and low beam and set function for the cruise control.

Quick facts

- Durable hand control
- Floor mounted
- Universal, suitable for most vehicles
- Responsive and direct driving feel

To guarantee your safety BraunAbility products are designed and tested according to current directives and standards.

100271 Carospeed Classic, left (operated by right hand)

100841 Carospeed Classic, right (operated by left hand)

100730 Carospeed Classic E, left (operated by right hand)

100840 Carospeed Classic E, right (operated by left hand)

101280 Carospeed Classic Indicator, left (operated by right hand)

101283 Carospeed Classic Indicator, right (operated by left hand)

100748 Universal mounting bracket

102483 Pedal attachment kit



Requires a mounting bracket (100748) for installation.

Pedals

Driving aids



Left foot accelerator, flip-up

Adds hinges to the left foot accelerator and the original accelerators, allowing for the desired pedal to be lowered into place while the other can be tucked away. Universal design that can be installed in RHD and LHD vehicles as well as in most makes and models.

102044 Left foot accelerator, flip-up



Left foot accelerator, QR

Mechanically controls the vehicle's original accelerator. QR is short for Quick Release and means that the pedal can easily be removed to restore the original function. Universal design that can be installed in RHD and LHD vehicles as well as in most makes and models.

102045 Left foot accelerator, QR



Pedal guard

Protects the pedals from being used by mistake. Floor-mounted quick release for quick removal.

102046 Pedal guard



Pedal Extension Mini

Enables an extension of 3-9 cm. The pedal extension can be lowered into place and tucked away when not in use. Models are available for both automatic and manual vehicles.

102047 Pedal extension mini, automatic gearbox
102048 Pedal extension mini, manual gearbox



Pedal Extension

Enables an extension of 10-30 cm. Adjustments can be made for distance, height and the desired space between pedals. They are also fitted with a quick release, to be easily removed. Can be installed into both automatic and manual vehicles.

102049 Pedal extension, automatic gearbox
102050 Pedal extension, manual gearbox



Pedal hinge kit

A hinge kit for making an original accelerator pedal foldable.

102051 Pedal hinge kit

Steering devices

One-hand grip for steering wheels.



Adapter for steering device

Needed for mounting any of our steering devices on your steering wheel.

102145 Adapter for steering device



The steering knob, the wheel spinner and the steering device are all the same product. A grip that lets you control your vehicle's steering wheel with just one hand. Available in a wide range of models and colours to suit your individual preferences.

Low model

The low design allows for the fingers to be in constant reach of the turn signals, cruise control and so forth. Available in 3 colour choices.

Standard model

The same handle as the Carospeed Menox hand control, for individuals seeking a uniform look and feel with their hand control. Available in 3 colour choices.

Round model

The round knob is available in two dimensions; 40 mm and 50 mm. Available in 3 colour choices.

Model Ergo

Oval shaped ergonomic design in a soft touch material.

2- and 3-pin model

A 2-pin or a 3-pin steering device for individuals with impaired hand function. Can easily be reshaped to fit the hand.

To guarantee your safety BraunAbility products are designed and tested according to current directives and standards.






Steering devices

Dimensions and models

Requires an adapter (102145) for mounting on steering wheel.




LOW MODEL



-  102028
-  102029
-  102031







STANDARD MODEL



-  102036
-  102037
-  102039

ROUND MODEL



- | 40 mm | 50 mm |
|--|--|
|  102032 |  102040 |
|  102033 |  102041 |
|  102035 |  102043 |

ERGO MODEL



-  102054

2-PIN MODEL (TETRA)



-  102058

3-PIN MODEL (PARA)



-  102059

Carobrake

Gives you full control of your vehicle’s parking brake at the touch of a button.



The Carobrake is a device that makes a manual parking brake into an automatic parking brake via an actuator pulling on the parking brake wire.

Carobrake comes in two versions, the 1600N and the 2200N. The number indicates how much force or tension in Newtons that the Carobrake is able to pull with. For example, the Carobrake 2200N, equipped with the more powerful actuator, pulls the parking brake wire with a force of 2200N.

Both models can be mounted under the vehicle and connected to the original parking brake wire.

We have both universal mounting brackets and vehicle specific mounting brackets for the Carobrake series. The latter is made for a specific vehicle type in combination with a specific Carobrake model. Visit Dealerweb for available brackets.

Quick facts

- Small and flexible
- One of the strongest available
- Easy to install
- IP66


Specifications

STROKE max 50 mm
 WIRE LENGTH 700 mm
 BRAKE FORCE 1600N / 2200N

To guarantee your safety BraunAbility products are designed and tested according to current directives and standards.

- 101845** Carobrake 1600N
- 105114** Carobrake 2200N
- 104015** Harness bracket



 **Vehicle specific mounting brackets available**
dealerweb.braunability.eu

DISCLAIMER! Carobrake tensions the vehicle’s original parking brake cable with a force of 1600 Newtons or 2200 Newtons depending on the model. Note that performance deteriorates if the product’s cable is installed bent. Carobrake replaces the function of the handbrake lever and should not be used in combination with it. The actuator itself can be fitted in or under the vehicle, depending on the prevailing circumstances.

Carobrake has been tested and approved for handling 30,000 cycles with a 5-minute rest between each cycle.

Ensure the force is appropriate for the intended type of vehicle, fitting and use before installation.

Driver Test Station

Test a driver's strength, flexibility, behaviour and reaction time in a safe and calm environment.



The DTS is not a simulator but a measuring tool for conducting qualified tests of a person's physical driving ability. It is used for testing basic functions such as steering, acceleration and braking. The data collected can be used as a basis when determining if the driver is able to drive a vehicle safely. The DTS can also be used to measure the driver's ability to find out if an adaptation is needed to drive a vehicle safely.

For more information, see our DTS brochure.

Quick facts

- Height and resistance-adjustable steering wheel
- Wheel and floor-mounted accelerator and brake controls
- Right and left accelerator pedals, and one brake pedal
- Software generates test reports in either PDF or CSV format
- Retractable wheels for moving the DTS indoors
- 7 different steering wheel spinners included
- 22" widescreen monitor included

Specifications

DIMENSIONS (L x W x H) 176 x 79 x 135 cm

WEIGHT 165 kg

To guarantee your safety BraunAbility products are designed and tested according to current directives and standards.

102981 Driver Test Station, left side

102982 Driver Test Station, right side



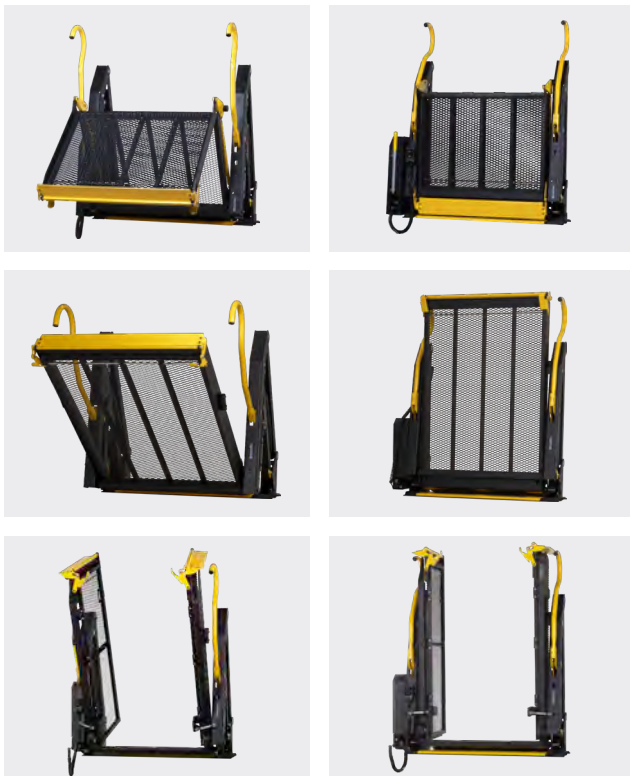
Wheelchair lifts

Lifts that can help a person to comfortably and safely enter a vehicle while seated in a wheelchair.



E-Series

Wheelchair lifts you can rely on.



The E-Series is the next generation workhorse from a brand that is synonymous with high-quality wheelchair lifts. Trusted for over 40 years, BraunAbility has re-invented the wheelchair lift. A modern take on simple, effective and reliable. But there's one thing about the E-Series that is more than meets the eye. Its superior platform stability.

The goal of the E-Series is to be the essential lift. There are no unnecessary or costly exclusive features. The design is simple and spare parts are universally interchangeable over the entire series. As an added bonus this design also means fewer points of potential failure and fewer points of service.

The E-Series wheelchair lifts come in three different platform types, Folding, Split and Solid. They are all well-proven platform types that have their own benefits. Choose the platform type that best suits your application.

Quick facts

- Super rigid platform
- Simple design
- Durable and intuitive hand pendant
- Easy service
- Ample kick-out
- Universal installation kit included

Specifications

POWER SUPPLY 12 V

To guarantee your safety BraunAbility products are designed and tested according to current directives and standards.

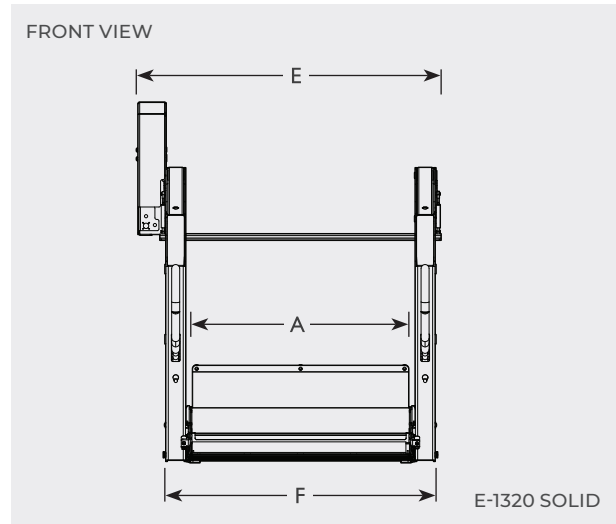
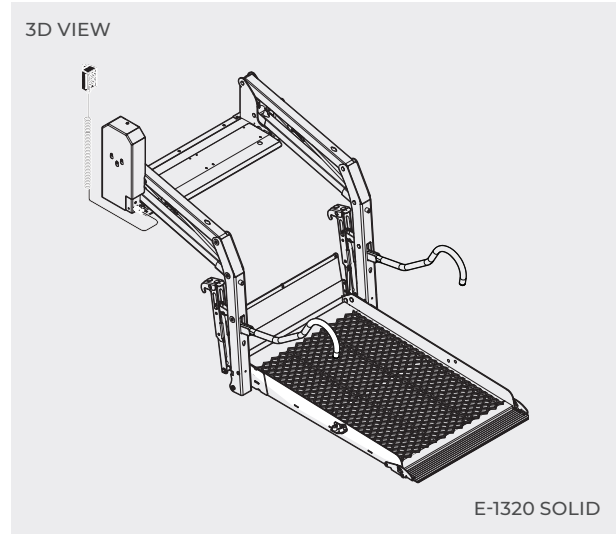
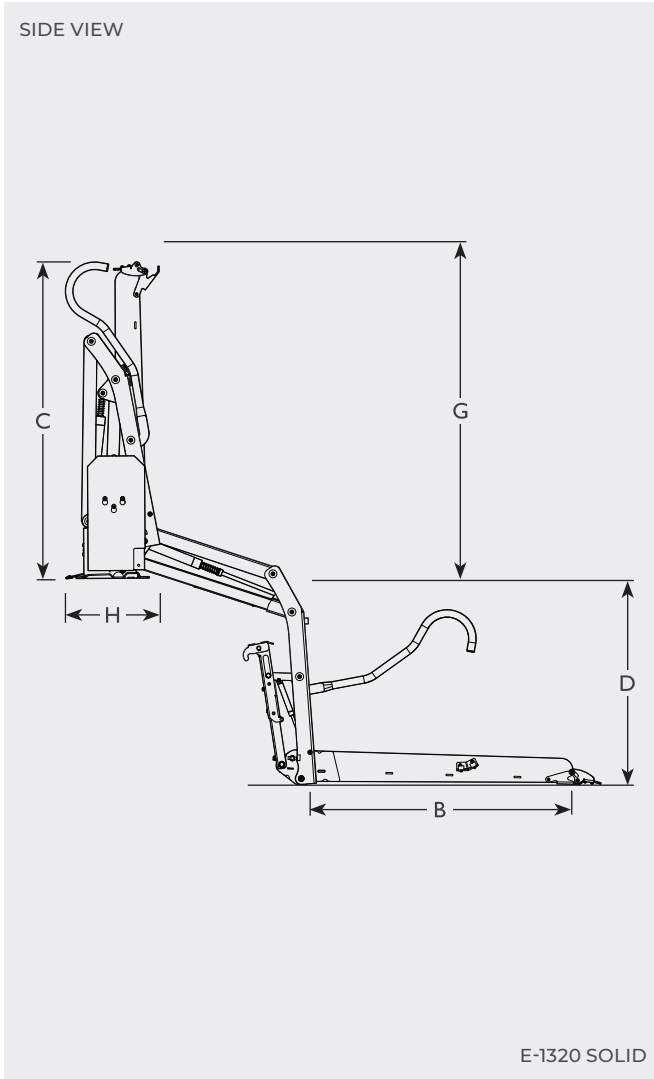


COMPLIES WITH REACH, GADSL, ROHS AND 3TG.

E-Series

Dimensions and models

Universal installation kit is included.



E-Series			Pump side	Clear platform width	Clear platform length	Overall lift height	Max floor to ground	Overall lift width	Min clear door opening width	Min clear door opening height	Overall depth	Weight capacity	Unit weight
			(seen from outside)										
			A	B	C	D	E	F	G	H			
105798	E-1500 Folding	right	86	150	136	80	122	110	138	43.3	400	146	
105797	E-1320 Folding	right	74	132	110	80	110	98	112	43.3	400	133	
105929	E-1500 Solid	right	90	150	160	80	126	114	162	43.3	400	144	
105098	E-1320 Solid	left	86	132	142	80	119.5	108.5	144	34	400	137	
105204	E-1050 Solid	left	74	105	115	80	108.5	96.5	117	35	400	124	
105205	E-1320 Split	left	86	132	142	80	119.5	108.5	144	54.5	400	149	
105206	E-1050 Split	left	74	105	115	80	108.5	96.5	117	47.5	400	137	
105107	BraunAbility Remote: E-Series												
105200	Carodoor (E-Series)												

All weights and dimensions are given in kilograms and centimetres, and for reference only.

Accessories

Wheelchair lifts



COMPATIBLE WITH
BraunAbility Remote

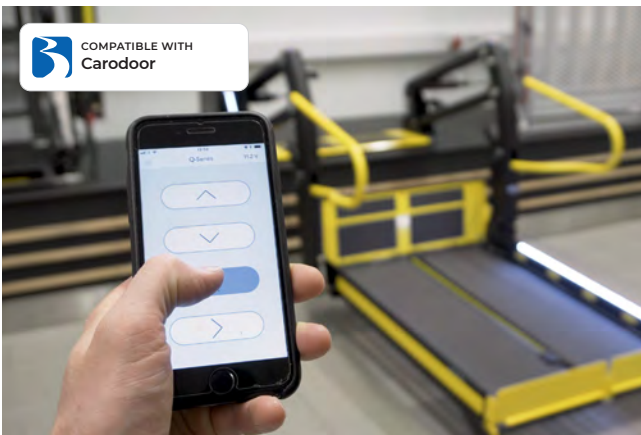


Vehicle specific mounting brackets available
dealerweb.braunability.eu

Carodoor®

Carodoor is an automatic door opener for rear doors. When using the Carodoor it's connected so that it works in unison with the wheelchair lift. In other words, you can control everything from a single remote. The doors will open before the lift comes out and they will close again once the lift stows.

- 105200** Carodoor (E-Series)
- 103945** Universal door brackets (Carodoor)
- 105137** Remote control kit (Carodoor)
- 105203** BraunAbility Remote for Carodoor with E-Series



COMPATIBLE WITH
Carodoor

BraunAbility Remote

By adding our Bluetooth® receiver you can control your BraunAbility product via your smartphone or similar device using the BraunAbility Remote app.

Available languages: Dutch, English, Finnish, French, German, Italian, Japanese, Polish, Portuguese, Spanish and Swedish.

- 105107** for E-Series, Millennium, Vista Split
- 105110** for A-Series
- 105203** for Carodoor with E-Series

Services for E-Series lifts



Installation of Carodoor on lift

Requires that you order Carodoor (105200).

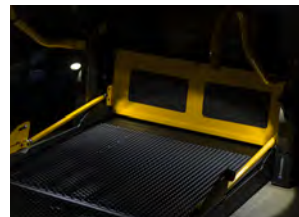
401957 Carodoor installation



Cutting handrails

Making the E-1500 Folding (105798) fit in vehicles with a low rear entrance height.

401958 Cutting handrails



Installation of Light kit

Requires that you order Light kit (105831).

401959 Light kit installation



Light kit

Platform lights for better visibility in low light.

105831 Light kit for E-Series



Imperial tool set

Tools for USA made products with imperial based fastenings.

401777 Imperial tool set



Pendant hanger

Hanger for the pendant mounted in the vehicle.

103695 Pendant hanger



Pendant harness

Kit for placing the hand control on the opposite side of the lift. For E-Series and generation 2 lifts.

103696 Pendant harness



Pivot pin removal tool

Tool to facilitate removal and insertion of pivot pins in lift arms.

105931 Pivot pin removal tool



Emergency release handle

Permit quick release from the inside of the vehicle.

105930 Generation 2 lifts
409120 E-Series (fixed pump)



Safety barrier arm

Automatic safety barrier to stop accidental falls from the vehicle during lift operation.

103703 Safety barrier arm

Millennium

A wide and powerful wheelchair lift with bariatric capabilities.



With its 500 kg lift capacity it's the most powerful wheelchair lift in our portfolio. It's also equipped with our widest platform. The solid platform measures 100 centimetres in width and 154 centimetres in length. The Millennium has a powerful double security roll stop, powered by hydraulics and locked mechanically, providing additional safety.

The lift is fully automatic and operated by an attendant using the standard handheld control. The inboard barrier, the rollstop and the handrails are easy to see in their high visibility yellow.

Made for heavy loads and demanding applications the Millennium lift can handle users in heavy powerchairs including an attendant.

Quick facts

- Up to 500 kg lifting capacity
- Widest platform 100x154 cm
- Platform illuminated by two powerful LED lights
- Hydraulic outer roll-stop, controlled by two independent systems
- Designed for side or rear door installation
- Manual backup keeps the lift operational even in a complete vehicle electrical failure
- Universal installation kit included

Specifications

POWER SUPPLY 12 V

To guarantee your safety BraunAbility products are designed and tested according to current directives and standards.

CE MARKED
 EMC TEST APPROVED
 CLIMATE TEST APPROVED

CYCLE TEST APPROVED
 EN 1756 COMPLIES WITH EN 1756

Millennium			A	B	C	D	E	F	G	H		
		Pump side (seen from outside)	Clear platform width	Clear platform length	Overall lift height	Max floor to ground	Overall lift width	Min clear door opening width	Min clear door opening height	Overall depth	Weight capacity	Unit weight
103531	Millennium L1100IB4061RP-2AA Solid	left	100	154	168	91	145	131	168	42	500	215
105107	BraunAbility Remote: Millennium											

All weights and dimensions are given in kilograms and centimetres, and for reference only.

Vista Split

A split platform wheelchair lift with a clear path for both visibility and access.



When not in use the split platform is stowed in parallel to the vehicle's sides, leaving an unobstructed view and good access.

The Vista Split is fully automatic and operated by an attendant using the standard handheld control. The in-board barrier, the roll stop and the handlebars are easy to see in their high visibility yellow.

All BraunAbility lifts are high quality work horses. Each unit goes under rigorous scrutiny both during and at the end of the production phase. We do this to ensure a lift that will do its job and continue to do so for a long, long time.

Quick facts

- Platform illuminated by two powerful LED lights
- When stowed, the split platform provides an unobstructed view, access and emergency exit
- Low tripping hazard and easy loading thanks to low lift to vehicle floor threshold
- Designed for side or rear door installation
- Universal installation kit included

Specifications

POWER SUPPLY 12 V

To guarantee your safety BraunAbility products are designed and tested according to current directives and standards.

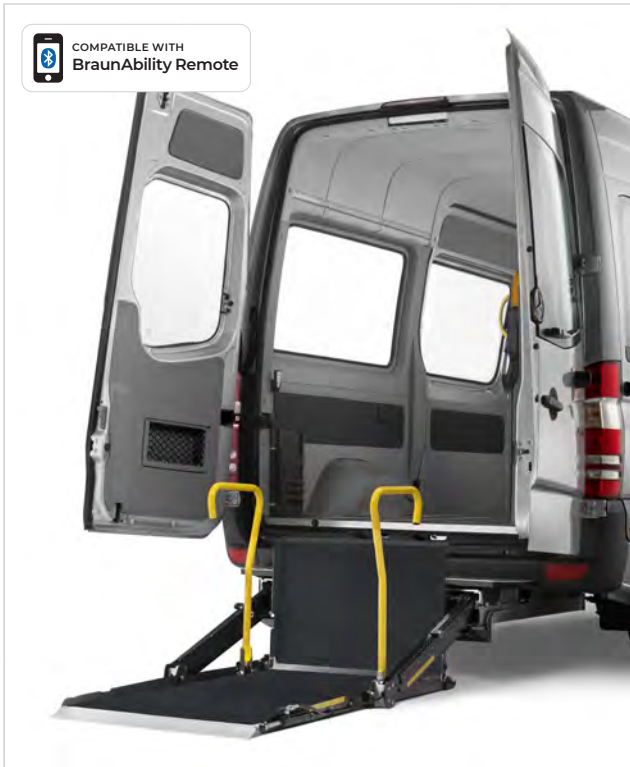
CE MARKED	EMC TEST APPROVED	CLIMATE TEST APPROVED
15 600 CYCLE TEST APPROVED	EN 1756 COMPLIES WITH EN 1756	

Vista Split			<div style="display: flex; justify-content: space-between; text-align: center;"> <div>Pump side (seen from outside)</div> <div>Clear platform width</div> <div>Clear platform length</div> <div>Overall lift height</div> <div>Max floor to ground</div> <div>Overall lift width</div> <div>Min clear door opening width</div> <div>Min clear door opening height</div> <div>Overall depth</div> <div>Weight capacity</div> <div>Unit weight</div> </div>									
			A	B	C	D	E	F	G	H		
103177	Vista VL998IB3463RP-2AA Split	left	86	160	172	107	122	115	174	58	363	181
105107	BraunAbility Remote: Vista Split											

All weights and dimensions are given in kilograms and centimetres, and for reference only.

A-Series

Cassette lift for public transport mini-buses.



Vehicle specific mounting brackets available
dealerweb.braunability.eu



103794 Extra hand control



103876 Wireless remote

We developed the A-Series lift for the European public transport market. The key focus points are low weight, reliability, quick installation and ease of service.

It has the lowest weight to lift capacity which also makes it the green choice in terms of fuel economy. Depending on the vehicle, a lightweight lift might be just the trick to get that one extra seat in and still comply with regulations.

For us, a reliable lift is one that will do its job regardless if it is used several times a day or only once a year. We've designed the A-Series to withstand the wear and tear that comes with public transport; dirt, water, extreme temperatures as well as the passage of time.

Our vehicle specific mounting brackets make the A-Series quick to install. Fine-tuning the lift's position very easy, thanks to the design of its attachment.

All the installation benefits transfer to servicing of the lift. It's quick to remove and easy to reach everywhere. As the A-Series uses only common relays and switches for its functionality, it has no proprietary electronics that can fail.

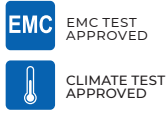
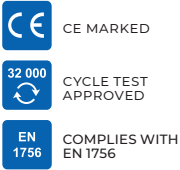
Quick facts

- Lowest weight to lift capacity ratio
- Quick and easy to install
- Mounting brackets for all major vehicle manufacturers
- Designed to endure dirt, water, extreme temperatures and years of use
- Anti-slip platform surface
- Smooth and silent in operation

Specifications

POWER SUPPLY 12 V

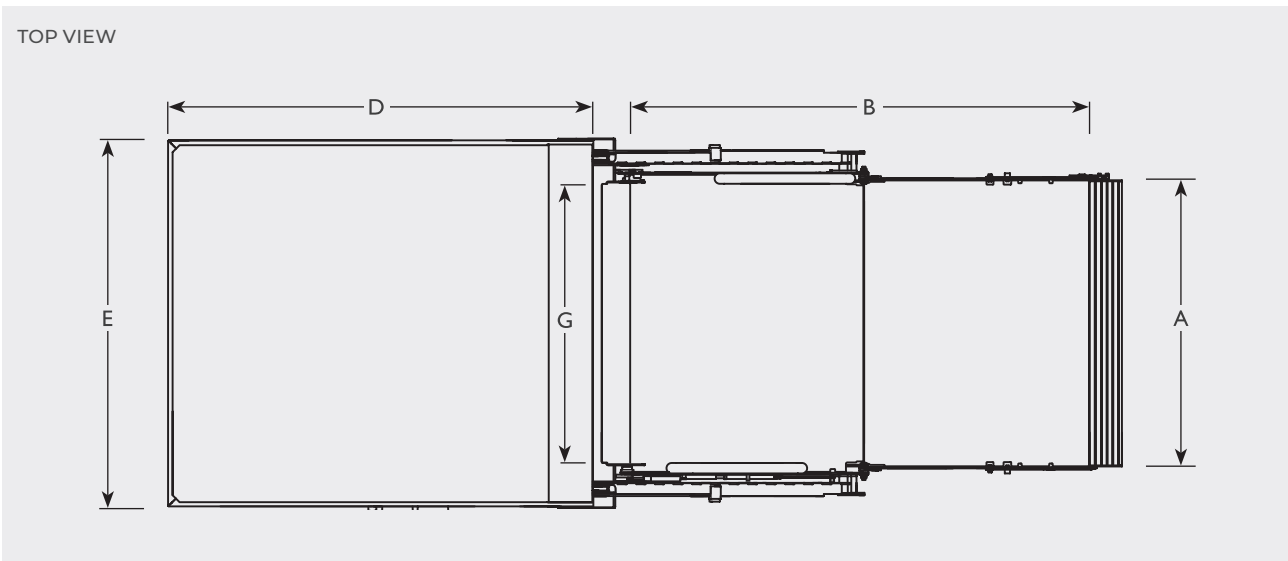
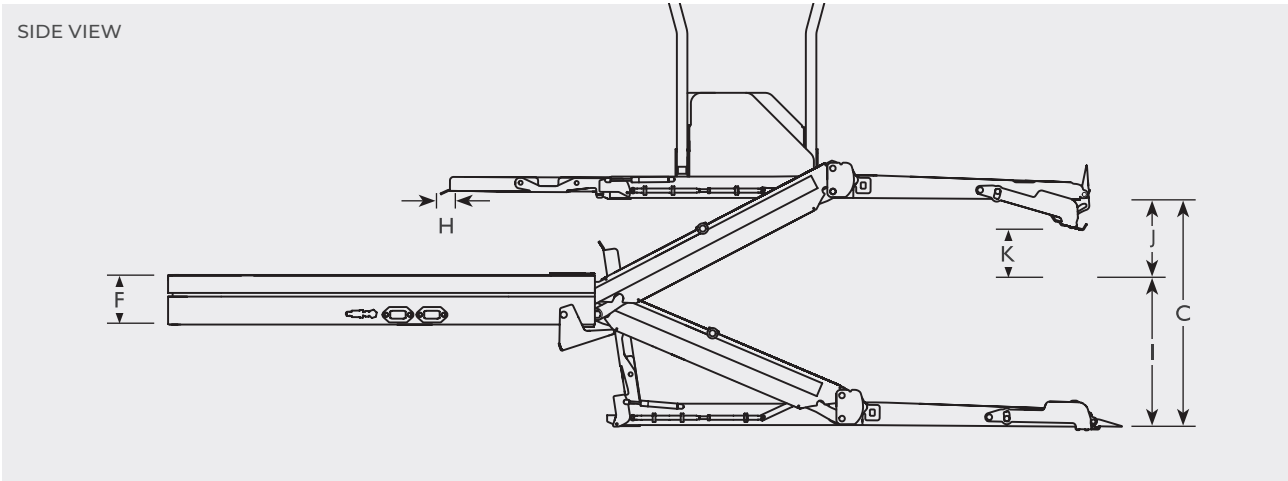
To guarantee your safety BraunAbility products are designed and tested according to current directives and standards.



A-Series

Dimensions and models

Requires a mounting bracket (Dealerweb) for installation.
Recommended accessories: Foot step, BraunAbility Remote



A-Series		A	B	C	D	E	F	G	H	I	J	K	Weight capacity	Unit weight
		Clear platform width	Clear platform length	Max floor to ground	Cassette length	Cassette width	Cassette height	Min clear door opening width	Minimum overlap	Max travel down	Max travel up	Min travel up		
105164	A-1360 Under vehicle	80	122-136*	107	122	105	14	82	2	64.5**	43**	13**	350	124
103702	Foot step (Sprinter, Crafter, Transit)													
103898	Foot step wide (Boxer, Jumper, Relay, Ducato)													
103912	Foot step rounded (Master, NV400, Movano)													
105198	Universal mounting bracket													
103794	Extra hand control													
103876	Wireless remote													
105110	BraunAbility Remote: A-Series													
103885	Pinch protection													

All weights and dimensions are given in kilograms and centimetres, and for reference only. *depending on the installation height and the angle of the bridge plate
**measured from the top of the cassette

UVL-Series

Accessibility for M3.



The UVL-Series are well-proven lifts for commercial use. Mounted in the step or other dedicated compartments of the bus, they stay out of sight and out of the way until called upon. The UVL-Series wheelchair lifts are fully automatic and operated by an attendant using a hand-held control.

Our UVL lifts are high-quality well-proven workhorses. These lifts are installed in thousands of buses and used daily all over the world. Each unit goes under rigorous scrutiny both during and at the end of the production phase. We do this to ensure a lift that will do its job and continue to do so for a long, long time.

Quick facts

- Discreet installation does not take up valuable floor space
- 3-button pendant controls all lift functions
- Manual backup keeps the lift operational even in a complete vehicle electrical failure
- Anti-slip platform surface
- Quiet and rattle-free in operation and while driving

Specifications

POWER SUPPLY 24 V

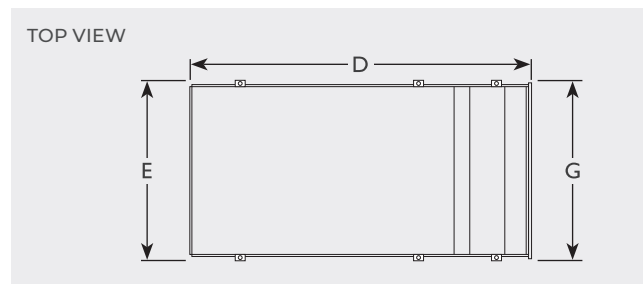
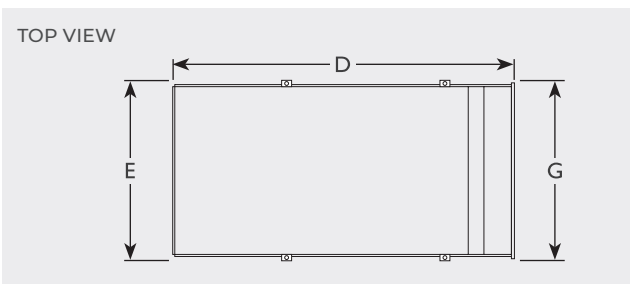
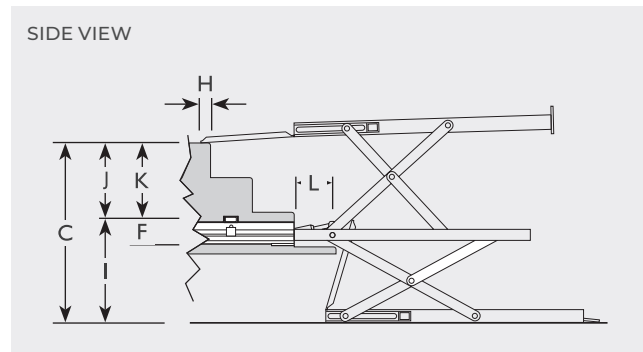
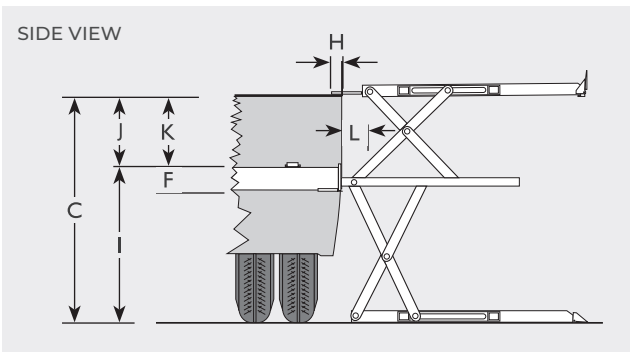
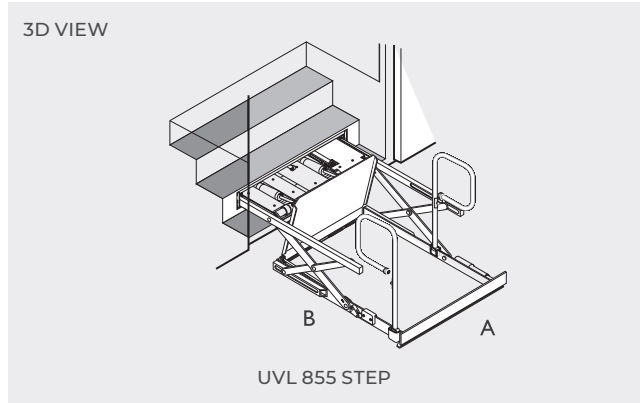
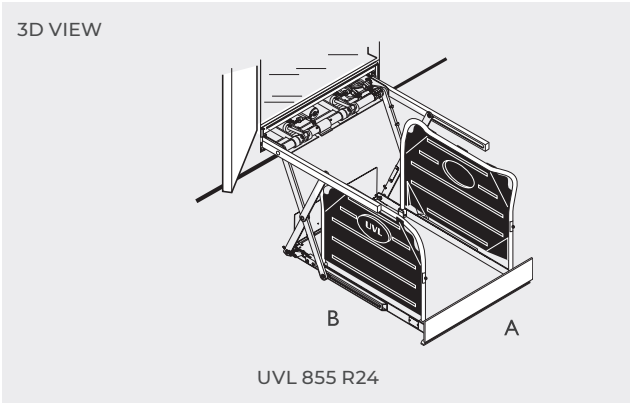
To guarantee your safety BraunAbility products are designed and tested according to current directives and standards.





UVL-Series

Dimensions and models



UVL-Series	A	B	C	D	E	F	G	H	I	J	K	L	Weight capacity	Unit weight
103156 UVL855 R24	76	135	160	184	110	13	110	3.8	93	67	12	8	340	263
103184 UVL855 STEP	80	122	124	195	110	13	108	3.8	57	67	48	30	363	272

All weights and dimensions are given in kilograms and centimetres, and for reference only.

Swing-A-Way

A swivelling wheelchair lift that can handle tight parking spaces.



The Swing-A-Way gives the user the ability to park close to buildings or narrow pavements as the deployed platform protrudes no more from the side of the vehicle than the fully opened front door. The telescopic platform extends to allow the wheelchair to be driven onto it in parallel to the vehicle.

Fully automatic and operated by either a user or carer using the standard handheld control or the controls located on the lift.

Quick facts

- Platform is driven on to in parallel to the vehicle
- Swivelling platform
- Requires minimal parking space
- When stowed the lift causes only a minor obstruction to the use of the door opening
- Designed for right side door installation
- Manual backup guarantees function in the event of a vehicle electrical failure
- Universal installation kit included

Specifications

POWER SUPPLY 12 V

To guarantee your safety BraunAbility products are designed and tested according to current directives and standards.





CE MARKED



EMC TEST APPROVED



CLIMATE TEST APPROVED



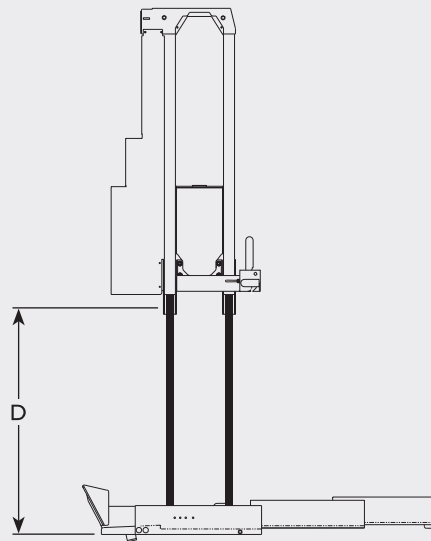
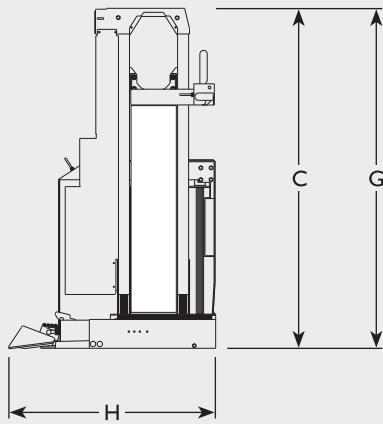
COMPLIES WITH EN 1756

Swing-A-Way

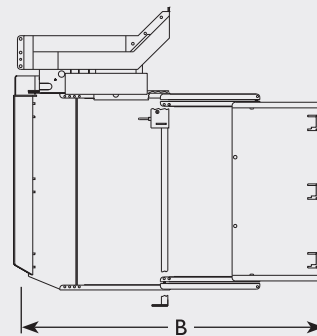
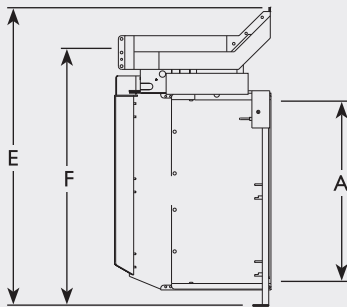
Dimensions and models

Universal installation kit is included.

SIDE VIEW



TOP VIEW



Swing-A-Way		A	B	C	D	E	F	G	H	Weight capacity	Unit weight
103850	Swing-A-Way L800XEVA (Rev. B)	66	117	117	69	115	100	118	71	363	122
103851	Swing-A-Way L800XVA (Rev. B)	74	92	117	69	117	100	118	71	363	111

All weights and dimensions are given in kilograms and centimetres, and for reference only.

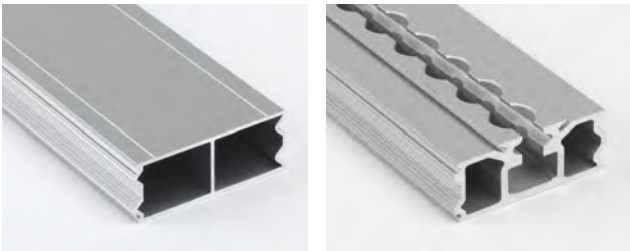
Flooring and seating

Products for a safe and flexible floor plan.



SpaceFloor® M1

The original aluminium floor for vehicles.



SpaceFloor is a floor system developed for all means of transportation where a flexible, safe installation of passenger seats is required. Each floor consists of a range of aluminium planks bonded together to form a tailored floor. The planks can be delivered with integrated pipes or channels, which can be used for floor heating or cables.

The finished floor is glued in place, making the entire vehicle strengthened and stabilized. If special needs or requirements regarding fixture is necessary, the system can be modified without any considerable increase of costs. Please contact us for further information: sales@braunability.eu

The SpaceFloor M1 system is Class M1 approved, it has extremely high structural strength at a very low weight.

Quick facts

- Easy to install
- Flexible modular system, tailored to order
- Suitable for mass production
- Delivered pre-cut in halves or as a whole floor

Specifications

MATERIAL Aluminium

Weight guideline

These weights are only guidelines and may vary for different vehicles and cutting layouts. Weights does not include mounting glue, brackets or vinyl.

6 tracks, 3200 mm	105 kg
8 tracks, 3200 mm	110 kg
10 tracks, 3200 mm	120 kg



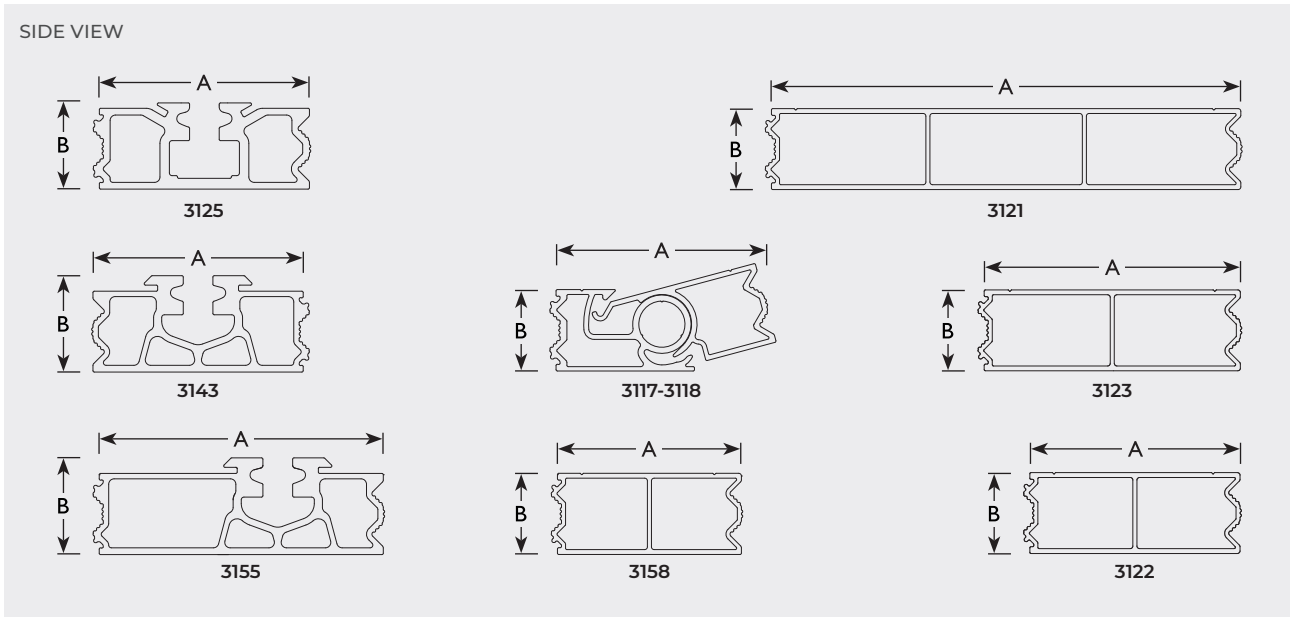
SpaceFloor® M1

Dimensions and models

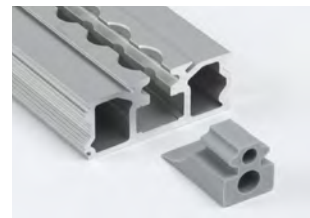


Contact us for a tailored floor design that fits your vehicle and requirements.

sales@braunability.eu



	SpaceFloor M1	SpaceFloor M2	Innotrax
TwinLock	YES	YES	NO
Space Legs	YES	YES	NO
Space Legs fixed	YES ¹	YES ²	NO
Standard Lockable	YES	YES	YES
Seat Locker	YES	YES	YES
HAL	YES	YES	YES
T-bolt	YES	YES	YES
Butterfly clip	YES	YES	YES
Glider	YES ¹	YES ²	NO



Sweep strip (profile 3125 only)
480000

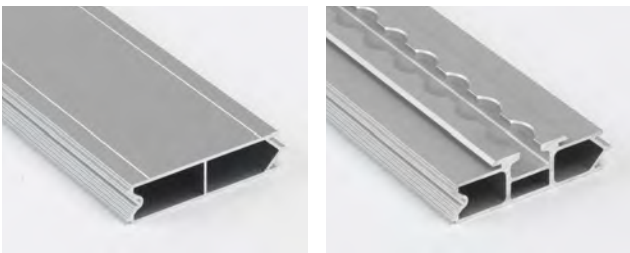
1. Use the M1 Glider (480149) 2. Use the M2 Glider (480090)

SpaceFloor M1		Length	Width (A)	Height (B)	Weight
3117-3118	Assembly profile	3200, 4200, 4900 mm	78 mm	30 mm	2.027 kg/m
3121	Spacer profile (174 mm)	3200, 4200, 4900 mm	174 mm	30 mm	2.210 kg/m
3123	Spacer profile (95 mm)	3200, 4200, 4900 mm	95 mm	30 mm	1.335 kg/m
3122	Spacer profile (78 mm)	3200, 4200, 4900 mm	78 mm	30 mm	1.168 kg/m
3158	Spacer profile (69 mm)	3200, 4200, 4900 mm	69 mm	30 mm	1.081 kg/m
3125	Track profile - sunken rail (flatfloor)	3200, 4200, 4900 mm	78 mm	32 mm	2.705 kg/m
3143	Track profile (78 mm)	3200, 4200, 4900 mm	78 mm	35.75 mm	2.500 kg/m
3155	Track profile (105 mm)	3200, 4200, 4900 mm	105 mm	35.75 mm	2.837 kg/m

All weights and dimensions are given in kilograms and millimeters, and for reference only.

SpaceFloor® M2

One of the lightest aluminium floors on the market.



SpaceFloor is a floor system developed for all means of transportation where a flexible, safe installation of passenger seats is required. The M2 version has the advantages of the SpaceFloor M1 design while producing a 25% lighter floor surface.

Each floor consists of a range of aluminium planks bonded together to form a tailored floor. The finished floor is glued in place, making the entire vehicle strengthened and stabilized.

If special needs or requirements regarding fixture is necessary, the system can be modified without any considerable increase of costs. Please contact us for further information: sales@braunability.eu

The SpaceFloor M2 system is Class M2 approved, it has extremely high structural strength at a very low weight.

Quick facts

- Easy to install
- Flexible modular system
- Suitable for mass production
- Delivered pre-cut in halves or as a whole floor
- 25% lower weight than other aluminium floors

Specifications

MATERIAL Aluminium

Weight guideline

These weights are only guidelines and may vary for different vehicles and cutting layouts. Weights does not include mounting glue, brackets or vinyl.

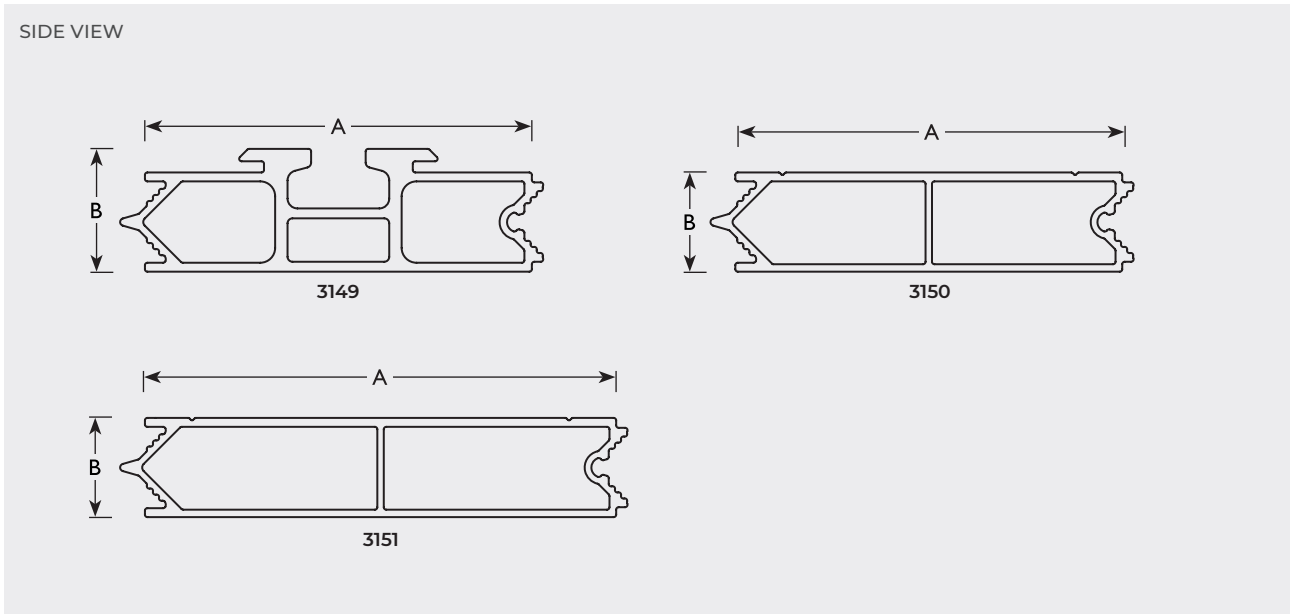
6 tracks, 4200 mm	105 kg
8 tracks, 4200 mm	110 kg
10 tracks, 4200 mm	115 kg



SpaceFloor® M2

Dimensions and models

Contact us for a tailored floor design that fits your vehicle and requirements.
sales@braunability.eu



	SpaceFloor M1	SpaceFloor M2	Innotrax
TwinLock	YES	YES	NO
Space Legs	YES	YES	NO
Space Legs fixed	YES ¹	YES ²	NO
Standard Lockable	YES	YES	YES
Seat Locker	YES	YES	YES
HAL	YES	YES	YES
T-bolt	YES	YES	YES
Butterfly clip	YES	YES	YES
Glider	YES ¹	YES ²	NO

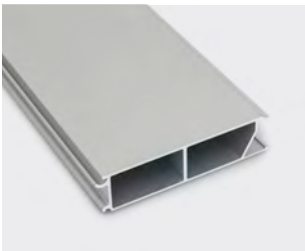
1. Use the M1 Glider (480149) 2. Use the M2 Glider (480090)

SpaceFloor M2		Length	Width (A)	Height (B)	Weight
3149	Track profile (78 mm)	4200, 4700 mm	78 mm	24.7 mm	0.987 kg/m
3150	Spacer profile (78 mm)	4200, 4700 mm	78 mm	20 mm	1.169 kg/m
3151	Spacer profile (95 mm)	4200, 4700 mm	95 mm	20 mm	1.565 kg/m

All weights and dimensions are given in kilograms and millimeters, and for reference only.

Innotrax®

Aluminium flooring system that ‘clicks’ together to form a perfect vehicle floor base.



An Innotrax floor is constructed from a range of aluminium planks that clicks together to form a floor layout. By combining various planks, it is possible to tailor each floor to the desired specification. Innotrax is available as individual planks or as a whole floor, delivered in halves. Installation is quick, simple and quality assured. In short, the Innotrax rails will always be perfectly parallel to each other. The finished floor is glued in place, making the entire vehicle strengthened and stabilized.

Innotrax is fully compatible with a wide range of products and tested to M1 standard. It offers certified approval for the most commonly used vehicle models.

Please contact us for further information:
sales@braunability.eu

Quick facts

- Easy to install
- Available in 3 different plank widths
- Double rail plank available
- Flexible modular system
- Suitable for individual adaptations or small series
- Sold as individual planks or pre-cut floor delivered in halves
- Compatible with a wide range of tie-downs, seat fixtures and restraints

Specifications

MATERIAL Aluminium

Weight guideline

These weights are only guidelines and may vary for different vehicles and cutting layouts. Weights does not include mounting glue, brackets or vinyl.

6 tracks, 3200 mm	105 kg
8 tracks, 3200 mm	110 kg
10 tracks, 3200 mm	120 kg

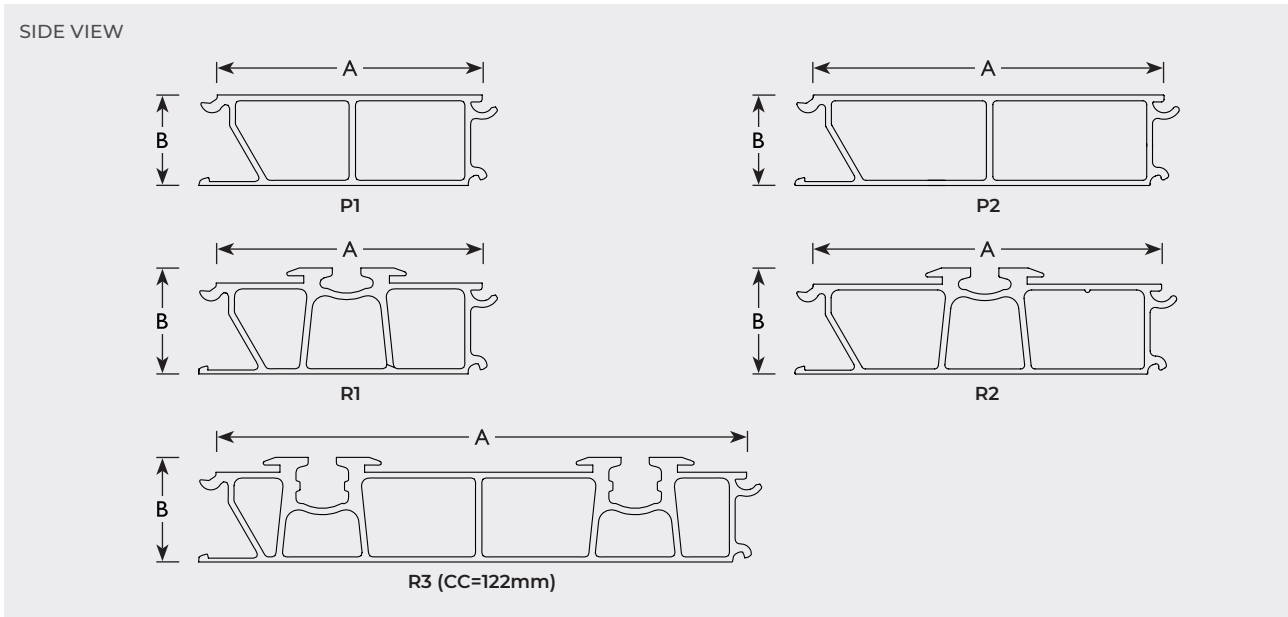


Innotrax®

Dimensions and models

Contact us for information regarding installation of this product.

sales@braunability.eu



	SpaceFloor M1	SpaceFloor M2	Innotrax
TwinLock	YES	YES	NO
Space Legs	YES	YES	NO
Space Legs fixed	YES ¹	YES ²	NO
Standard Lockable	YES	YES	YES
Seat Locker	YES	YES	YES
HAL	YES	YES	YES
T-bolt	YES	YES	YES
Butterfly clip	YES	YES	YES
Glider	YES ¹	YES ²	NO

1. Use the M1 Glider (480149) 2. Use the M2 Glider (480090)

Innotrax		Length	Width (A)	Height (B)	Weight
P1	P1 Innotrax plain plank	2580, 3200, 3800, 4300, 4700, 5200 mm	104 mm	35 mm	2.02 kg/m
P2	P2 Innotrax plain plank	2580, 3200, 3800, 4300, 4700, 5200 mm	138 mm	35 mm	2.40 kg/m
R1	R1 Innotrax rail plank	2580, 3200, 3800, 4300, 4700, 5200 mm	104 mm	41 mm	2.75 kg/m
R2	R2 Innotrax rail plank	2580, 3200, 3800, 4300, 4700, 5200 mm	138 mm	41 mm	3.13 kg/m
R3	R3 Innotrax double rail plank	2580, 3200, 3800, 4300, 4700, 5200 mm	209 mm	41 mm	5.38 kg/m

All weights and dimensions are given in kilograms and millimeters, and for reference only.

Floor accessories

Flooring and seating



Floor primer, 500 ml
480003



Glue, 600 ml
480001



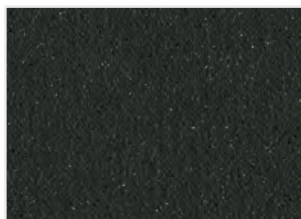
Rail cover, 3025 mm
480039



Rail trim
103391 Rail trim, 4 m
103392 Rail trim, 25 m



Carpet tape
480007 120 mm, 50 m
480008 135 mm, 50 m
480009 220 mm, 50 m
480010 290 mm, 50 m



Dark Grey Anthracite vinyl

Vinyl

Our high end quality vinyl will last the lifetime of your vehicle. Choose self-adhesive back for fast and easy fitting or standard vinyl and fit with tape or glue.

We supply vinyl in rolls (2x20m), pre-cut for your floor or pre-mounted on the floor (SpaceFloor only). Our standard colour is Dark Grey Anthracite, more colors and Wood-look are available on request. For non-standard colours the minimum order quantity is one roll (2x20m).

Weight: 2,2 kg pr m2 +/- 0,15 kg

Thickness: 1,9 mm +/- 0,15 mm

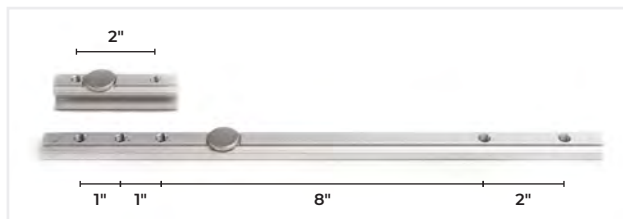
Standards: R10 – DIN 51 130

Fire Resistance: R118 serie 2 & FMVSS 302

SpaceFloor



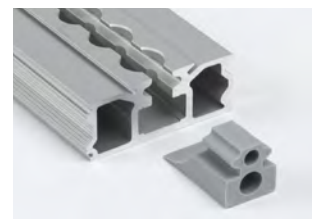
Safety bracket
480102



SpaceFloor Glider with coin
480149 M1 Glider (80 mm)
480090 M2 Glider (352 mm)

Bolts (not included)

M8 countersunk bolt with hex socket, grade 10-9 (DIN 7991)



Sweep strip (profile 3125 only)
480000

Innotrax



Rail alignment jig
102635



Underfloor spreader plate
103382



Rail insert, 305 mm
103390



M8 fasteners
103380 M8 fasteners, set of 10
103381 M8 fasteners, set of 100

Floor layouts

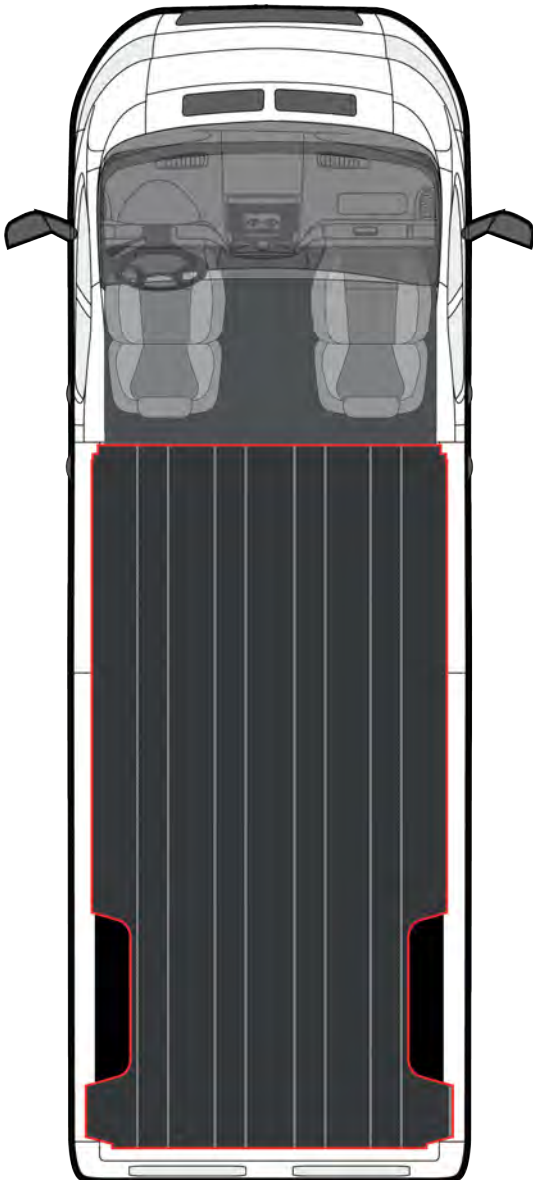
SpaceFloor is a ready-made floor.

We offer off-the-shelf pre-cut floor solutions for most common vehicles. Our pre-cut floors come in either 6, 8 or 10 track layouts. For those of you with specific needs, we are more than happy to offer fully customer-specific design, pre-cut and ready to install in the vehicle.

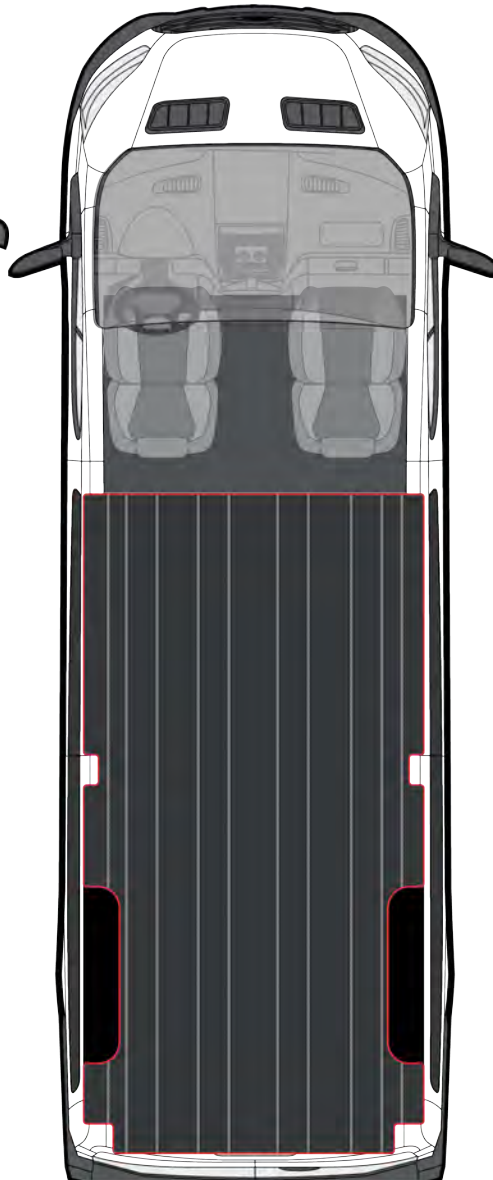
All our pre-cut floors can be ordered with pre-cut or pre-mounted vinyl.

Please contact us for more information and quotations.

8 tracks example
Fiat Ducato L3



10 tracks example
Ford Transit L3



Weight guideline

SpaceFloor M1	
6 tracks, 3200 mm	105 kg
8 tracks, 3200 mm	110 kg
10 tracks, 3200 mm	120 kg

SpaceFloor M2	
6 tracks, 4200 mm	105 kg
8 tracks, 4200 mm	110 kg
10 tracks, 4200 mm	115 kg

Innotrax	
6 tracks, 3200 mm	105 kg
8 tracks, 3200 mm	110 kg
10 tracks, 3200 mm	120 kg

NOTE! These weights are only guidelines and may vary for different vehicles and cutting layouts. Weights does not include mounting glue, brackets or vinyl.

Rails

Three types of rails for the transport market.



Low profile rail

Easy installation that can be recessed into the vehicle floor for a neat finish, with a height above the finishing floor of only 4 mm.

Low profile rail requires M8 fasteners, fixed into countersunk holes at 101.6 mm intervals for a flush head finish.

The low profile rail is available in different lengths up to 6m. Our rails can be machined, drilled, undrilled and unmached as per converters requirements.

Width: 46 mm **Height:** 15.5 mm **Weight:** 0.933 kg/m



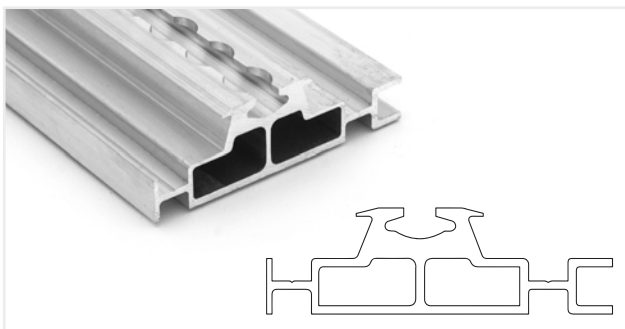
Surface rail

Designed for vehicles where flush-fitted rails are not possible, Surface rail is quick and easy to install into most vehicle floors, with a finished height of only 14 mm above the floor.

Surface rail is a popular solution for 3rd point passenger restraint fitment (cant rail).

The surface rail is available in different lengths up to 6m. Our rails can be machined, drilled, undrilled and unmached as per converters requirements.

Width: 42 mm **Height:** 13.5 mm **Weight:** 0.8 kg/m



Heavy duty rail

Heavy duty rail is specially designed to increase the structural integrity of the vehicle floor strength, it is the ideal choice for coach built conversions.

The heavy duty rail is designed to be used with M8 steel bolt and is available in four different lengths.

To further improve the versatility of the floor configuration, low profile rail can be fitted into heavy duty rails's side channels.

Width: 124 mm **Height:** 38 mm **Weight:** 2.95 kg/m

Rails	Length	Machined & drilled	Machined & undrilled	Unmachined & drilled	Unmachined & undrilled
Low Profile Rail	3.68 m	LPRD36 - 103374	LPRF36 - 103375	LPRB36 - 105374	LPRA36 - 105373
	4.50 m	LPRD45 - 105375	LPRF45 - 105377	LPRB45 - 105663	LPRA45 - 105665
	5.00 m	LPRD50 - 105662	LPRF50 - 105460	LPRB50 - 105664	LPRA50 - 105666
Surface Rail	3.68 m	SRD36 - 103376	SRF36 - 105673	SRB36 - 105397	SRA36 - 105396
	4.50 m	SRD45 - 105671	SRF45 - 105407	SRB45 - 105669	SRA45 - 105667
	5.00 m	SRD50 - 105672	SRF50 - 105459	SRB50 - 105670	SRA50 - 105668
Heavy Duty Rail	3.90 m		HDRF39 - 105370		
	4.70 m		HDRF47 - 105674		
	4.80 m		HDRF48 - 105675		
	5.00 m		HDRF50 - 105676		

All dimensions are for reference only.

Rail accessories

Flooring and seating



M8 fasteners

Mandatory on floor installations meeting M1 loads using Low Profile and Surface Rail.

- 103380** M8 fasteners, set of 10
- 103381** M8 fasteners, set of 100



Underfloor spreader plate

Useful for angled floor sections or where fitting a standard washer is difficult.

- 103382** Underfloor spreader plate



Rail alignment jig

Ensures perfect alignment during installation, avoiding later fitment issues.

- 102635** Rail alignment jig



Rail insert

Protects the tracking from damage and debris. Use on tracking with scallops.

- 103390** Rail insert, 305 mm



Rail trim

Protects the tracking from damage and debris. Use with any rail.

- 103391** Rail trim, 4 m
- 103392** Rail trim, 25 m



Rail pocket

Pocket with a short rail inside. Fitted directly to the vehicle floor. Designed for WAVs.

- 105345** Rail Pocket with cover
- 104055** Rail Pocket without cover



End caps (LPR)

Provide a neat finish to the ends of fitted low profile rails.

- 103383** Metal end cap
- 103385** Plastic end cap yellow
- 103386** Plastic end cap grey



End caps (SR)

Provide a neat finish to the ends of fitted surface rails.

- 103384** Metal end cap
- 103387** Plastic end cap yellow
- 103388** Plastic end cap grey

Camper Van Kits

Vehicle floor solutions designed for the camper van market.

Our camper van systems provide camper van owners with safe and secure way to create bespoke floor layouts. These rail kits are particularly suitable for the VW T4 & VW T5 vehicles

When installed as per our written instructions, the camper van flooring kits meet with international safety standard requirements.



CVLP KIT 1 - **105250**



CVSR KIT 1 - **105677**



CVLP KIT 2 - **105236**



CVSR KIT 2 - **105678**

Camper Van Kits

	Low Profile Rail	Surface Rail
Kit 1 - with 1.84m rail, fixings and end caps	CVLP KIT 1 105250	CVSR KIT 1 105677
Kit 2 - with 1.84m rail, 4 Standard Lockable, fixings and end caps	CVLP KIT 2 105236	CVSR KIT 2 105678

All dimensions are for reference only.

Space Legs

Low weight seat legs with screw locker.



Space Legs are seat legs that offer a simple way to secure the seat in the rails of the vehicle. Space Legs are bolted together making the seat legs perfectly square with no need to adjust to fit into the rails.

The standard Space Legs uses a simple screw locker mechanism to secure the seat in the rails. There is also the semi-permanent version, Space Legs fixed, which secures the seat to the rails by using an M1 or M2 glider.

Space Legs are tested and approved in combination with SpaceFloor according to M1 standards.

The optional wheels enable moving seats around the vehicle without lifting. To use Space Legs with our U-Seat the Seat bracket is needed due to the different hole pattern of the seat.

Quick facts

- Low weight
- Rattle free
- Available in two heights and three widths
- Optional transport wheels

Specifications

MATERIAL Steel

480126	Space Legs, screw locker	300x156 mm	4.7 kg
480269	Space Legs, screw locker	300x173 mm	4.83 kg
480270	Space Legs, screw locker	300x234 mm	4.91 kg
480271	Space Legs, screw locker	300x252 mm	5.09 kg
480280	Space Legs, screw locker	230x156 mm	4.2 kg
480281	Space Legs, screw locker	230x173 mm	4.33 kg
480282	Space Legs, screw locker	230x234 mm	4.41 kg
480283	Space Legs, screw locker	230x252 mm	4.6 kg
480272	Space Legs, fixed*	300x156 mm	3.7 kg
480273	Space Legs, fixed*	300x173 mm	3.83 kg
480274	Space Legs, fixed*	300x234 mm	3.91 kg
480275	Space Legs, fixed*	300x252 mm	4.09 kg
480276	Space Legs, fixed*	230x156 mm	3.2 kg
480277	Space Legs, fixed*	230x173 mm	3.33 kg
480278	Space Legs, fixed*	230x234 mm	3.41 kg
480279	Space Legs, fixed*	230x252 mm	3.6 kg

*add gliders to mount it in a track

- 480293** Seat bracket
- 480143** Transport wheels



480143 Transport wheels

480293 Seat bracket



Space Legs fixed

TwinLock

Joined seat legs with single hand locking feature.



The TwinLock is a joined set of seat legs with a mechanism to secure the seat in the rails of the vehicle. It's easy to use and requires only one hand for operation. The low friction surface under the TwinLock allows seats to slide back and forth effortlessly in the tracks. Once in the locked position, the seat is tensioned into the tracks so there is no rattle.

Each unit is a complete set of legs with a locker, all you need to add is your seat.

TwinLock is tested and approved in combination with SpaceFloor according to M1 standards.

The optional wheels enable moving seats around the vehicle without lifting. To use TwinLock with our U-Seat the Seat bracket is needed due to the different hole pattern of the seat.

Quick facts

- Easy to use single-handed operation
- Low weight
- Rattle free
- Available in two heights and four widths
- Optional transport wheels

Specifications

MATERIAL Steel

480041	TwinLock	300x156 mm	5.65 kg
480246	TwinLock	300x173 mm	5.77 kg
480220	TwinLock	300x234 mm	6.01 kg
480192	TwinLock	300x252 mm	6.2 kg
480106	TwinLock	230x156 mm	5.15 kg
480263	TwinLock	230x173 mm	5.27 kg
480264	TwinLock	230x234 mm	5.51 kg
480187	TwinLock	230x252 mm	5.7 kg

480293	Seat bracket
480143	Transport wheels



480143 Transport wheels



480293 Seat bracket (buy 2 per seat)



Seat fixtures

Secure fixation of seats in vehicle floors.



Standard Lockable

A lightweight, secure and easy to operate seat fixture. The plunger mechanism enables the seat to be quickly locked into place. Transport wheels are available as an accessory to allow you to easily move seats outside the vehicle.

Successfully tested at MIRA, TUV and Status to M1 on single seat of up to 33kg and M2 on double seat, the seat fixture meets requirements of ECE regulation 14, 17 and 80.

- 103401** Standard Lockable (SL) 38 x 3.2 x 1.7 cm 0.8 kg
- 103402** Transport wheels (TW)



Seat Locker

The Seat Locker is a device that locks the seat legs into a vehicle's floor tracking. Its main purpose is to add flexibility to a vehicle's seating configuration. Being the category's premium solution, the Seat Locker is a discreet low built lockable, engineered to be rattle free. A simple step on the actuator locks the seat into the tracking.

- 105517** Seat Locker, black (ULB-BE) 48.5 x 4 x 2 cm 1.25 kg
- 105803** Seat Locker, grey (ULS-BE) 48.5 x 4 x 2 cm 1.25 kg
- 105424** Seat Locker HD (M1), black 48.5 x 4 x 2 cm 1.4 kg
- 105689** Seat Locker HD (M1), grey 48.5 x 4 x 2 cm 1.4 kg
- 442021** Seat Locker DB (M2/M3), black 48.5 x 4 x 2 cm 1.4 kg
- 442022** Seat Locker DB (M2/M3), grey 48.5 x 4 x 2 cm 1.4 kg

- 105508** Transport wheels for Seat Locker (TWS)



HAL

A removable seat fixture suited to the community transport market. One single hand operation per fixture is all it takes to release the seat from the rail, so it can be either relocated or removed depending on the needs.

Transport wheels for moving seats outside the vehicle are available as an accessory as the integrated wheel is only designed for use within the vehicle.

- 103399** HAL, 2 fixing bolts 43 x 4 x 2 cm 1.7 kg
- 103400** HAL, 3 fixing bolts 43 x 4 x 2 cm 1.8 kg

- 103402** Transport wheels (only for HAL3)



T-bolts

Functions as a non-removable fixing for permanent seat positions, or can be easily reset by loosening the securing nuts and sliding the seat along the rail. If the seats are to be repositioned, the nyloc nut must be replaced.

- 103403** 25mm T-Bolt (M2)
- 103404** 25mm T-Bolt, 1" pitch
- 103405** 25mm T-Bolt, 2" pitch
- 103406** 25mm T-Bolt, 3" pitch



Butterfly clips

A one point fixing which allows the seats to be quickly secured for transport, or just as easily to be removed by loosening the binx nut.

- 103412** Butterfly clip
- 105395** Butterfly clip (M10)

U-Seat

Durable and versatile M1 seat for passenger transportation.



The U-Seat is a cost effective and versatile seat. Available in two versions, a discreet standard version in all black and a public version with highly visible details. We can also offer other fabrics and customer-unique solutions upon request.

It has ISOFIX anchor points for child safety seats as well as an integrated 3-point seatbelt.

The U-Seat is designed to stay nice and clean even after years of heavy usage. The leatherette upholstery is durable and will not absorb liquids. The back ABS shell provides good protection from scuffs and marks. Both materials can be easily wiped cleaned with a wet cloth.

To ensure a high level of safety the U-Seat comes fully tested and approved to M1 standard. Each of the individual functions adheres to its specific current directives for homologation.

In short, the U-Seat is a safe bet in any tender.

Quick facts

- Cost effective seat
- Standard and high visible public version available
- Tested and approved to M1 standard
- Optional armrest



105888	U-Seat Standard fixed, left	16 kg
105889	U-Seat Standard fixed, right	16 kg
105890	U-Seat Standard reclining, left	19 kg
105891	U-Seat Standard reclining, right	19 kg
105700	U-Seat Standard fixed leatherette, left	16 kg
105701	U-Seat Standard fixed leatherette, right	16 kg
105702	U-Seat Standard recline leatherette, left	19 kg
105703	U-Seat Standard recline leatherette, right	19 kg

105177	U-Seat Public fixed, left	16 kg
105178	U-Seat Public fixed, right	16 kg
105179	U-Seat Public reclining, left	19 kg
105180	U-Seat Public reclining, right	19 kg

105181	U-Seat Armrest (one)	
105182	Seat Legs (for Seat Locker or HAL)	
480293	Seat bracket for TwinLock/Space Legs	

TriflexAIR

Minimal space, maximum comfort.



TriflexAIR Seats combine minimal space with maximum comfort. Its ergonomic design ensures long lasting comfort during long trips. With maximum safety features that goes above & beyond the highest standards. With its clever folding feature, it's easy to obtain maximum space in one minimal movement.

The TriflexAir Seats has been successfully tested according to M1 guidelines, UN R14-07 on both SpaceFloor and Innotrax.

Quick facts

- M1 Approved & tested according to the highest safety standards
- Easy to fold/unfold in one effortless movement
- Ergonomic and slimline design with high quality materials
- Minimal space for maximum comfort for wheelchair passengers
- Adjustable headrest allows unobstructed view
- Integrated 3-point seatbelt
- Available in multiple colours and upholstery

NOTE! These seats are NOT stock items. Delivery time is approximately 4-6 weeks.



401802 TriflexAIR fixed, left
401803 TriflexAIR fixed, right

401805 TriflexAIR folding, left
401806 TriflexAIR folding, right
401808 TriflexAIR folding leather, left
401807 TriflexAIR folding leather, right
401804 TriflexAIR folding Transit, left
401809 TriflexAIR folding Transit, right

401811 TriflexAIR mount block fixed
401812 TriflexAIR Leg
401813 TriflexAIR armrest, right
401814 TriflexAIR armrest, left
401815 TriflexAIR wheelarch bracket, kit 1
401816 TriflexAIR wheelarch bracket, kit 2
401817 TriflexAIR mount. kit wheelarch bridge

EasiSit

A combined seat and wheelchair tie-down for wheelchair accessible transport services.



- 105452** EasiSit, bolted
- 105691** EasiSit, bolted with left armrest
- 105254** EasiSit, bolted with right armrest
- 105692** EasiSit, bolted with 2 armrest

- 105693** EasiSit, with Standard Lockable and no armrest
- 105694** EasiSit, with Standard Lockable and left armrest
- 105695** EasiSit, with Standard Lockable and right armrest
- 105696** EasiSit, with Standard Lockable and 2 armrests

- 103414** Armrest set
- 105697** Armrest, left
- 105698** Armrest, right

EasiSit is the perfect modular seating solution for PTS, ambulance sectors, airport transfer and school transport. EasiSit acts both as a standard seat and as a wheelchair restraint with full back, head and neck support. Both configurations include safety belts.

The look of the EasiSit can be tailored to your needs. We carry over 200 different upholstery and piping options in our range. EasiSit can be bolted to the vehicle floor for a permanent position or fitted with our seat fixtures for flexible seating layout.

EasiSit has been successfully tested to M1 & M2 Vehicle Seat Industry requirements and ISO 10542 standard.

Quick facts

- Narrow backrest and adjustable spacer bar makes it suitable for use with a wide range of wheelchairs models
- Small footprint guarantees more space in the vehicle
- Integrated longer seatbelts on both side for additional safety
- The look of the EasiSit can be tailored to your needs
- Karabiner wheelchair fitting to quickly secure wheelchairs
- Fitted with transport wheels for easy manoeuvre in and out of the vehicle

Specifications

WEIGHT	41.5 kg
HEIGHT	106 cm
WIDTH	40 cm
DEPTH FOLDED SEAT	22 cm

NOTE! EasiSit is NOT compatible with SpaceFloor M1 or SpaceFloor M2.

Wheelchair and occupant restraints

Products to safely secure people and
mobility aids for transport.



Secure wheelchairs and occupants

Transporting a wheelchair in a vehicle requires four tie-downs, two in the front and two in the rear. Additionally any person seated in the wheelchair will need a 3 point seat belt. This is the standard to which you should always strive to achieve. Anything less just isn't as safe.

Our product range covers everything from the floor fittings in the vehicle to the occupant's seatbelt. Making sure your customers can enjoy a safe ride.

Naturally our range of wheelchair tie-downs comply with or exceed the requirements of ISO 10542.



Product code guide

Each individual part of the restraint system is represented by one or two letters. Together these letters form the product code.

Floor fittings

Depending on your vehicle's floor solution and how flexible the wheelchair's location in the vehicle is, you can choose how to attach the restraint to the vehicle floor. This can be by bolt (**B**), floor anchor (**S**) or rail (**R**).

Tie-downs

Choose what type of tie-down you require. An over-centre buckle (**OB**) for tensioning, standard Quattro retractors (**Q**) with manual tensioning or Quattro Express retractors (**QE**) with a self-tensioning mechanism. The retractors are available with black plastic covers (**P**) or silver metal covers (**M**). Additionally we carry Electric front reels (**EF**) with integrated LED lights.

Wheelchair fixings

Depending on the type of wheelchair and how universal the fixings are, you choose how to attach the restraint to the wheelchair. This can be by tongue and buckle (**T**), hook (**H**), karabiner (**K**) or J-hook (**J**).

Occupant seatbelt

Choose what type of 3 point occupant restraint you require: static (**ST**) or retractable (**D**). Don't forget to add a third point fixing (**3PTRN/3PTFN**). See our combined systems, both wheelchair and occupant restraint in one to save space.

Choose what type of stalk you require with your seatbelt: fixed (**K**) or reversible (**I**).

NOTE! All product codes for wheelchair tie-downs include 2 pieces. You need a total of 4 pieces for a complete restraint system (2 at front and 2 at rear).

FLOOR ATTACHMENT



TIE-DOWNS



manual tensioning buckle

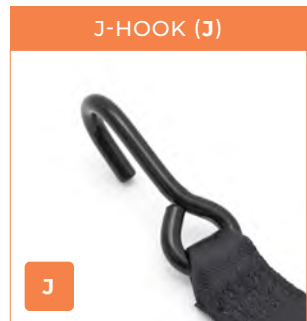
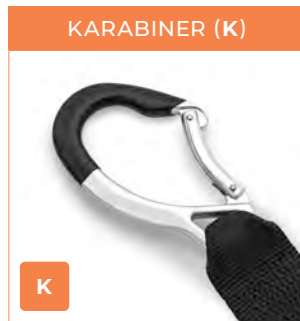
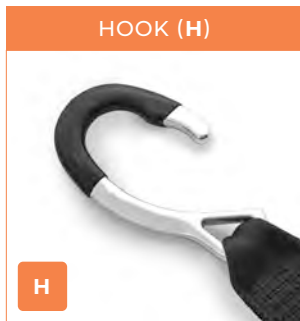


manual tensioning retractors



self-tensioning retractors

WHEELCHAIR ATTACHMENT



OCCUPANT SEATBELT



lap & shoulder belt



lap & shoulder belt



Product code examples

RQEMH

R = rail fitting
 QE = Quattro Express retractor
 M = metal cover
 H = hook fixing

SOBT

S = floor anchor fitting
 OB = over-centre buckle
 T = tongue and buckle fixing

DI-SOBT

D = double inertia retractable belt
 I = reversible stalk
 S = floor anchor fitting
 OB = over-centre buckle
 T = tongue and buckle fixing

Restraint kits

Combinations for wheelchairs and occupants.



Kit 1 (105230)

Static front straps and adjustable rear tie-downs.

Front tie-down: RFT
Rear tie-down: ROBT



Kit 2 (105229)

Static front straps and adjustable rear tie-downs.

Front tie-down: RFT
Rear tie-down: ROBK



Kit 3 (105228)

Static front straps, adjustable rear tie-downs and 3-point double inertia occupant system (here used as 2-point belt, for full use add a third fixing, 3PTRN).

Front tie-down: RFT
Rear tie-down: ROBK
Seatbelt: DI



Kit 4 (105227)

Static front straps, adjustable rear tie-downs and 3-point double inertia occupant system with shoulder belt.

Front tie-down: RFT
Rear tie-down: ROBK
Seatbelt: DI + 3PTRN

More kits available

Please contact us for more info



Kit 5 (105331)

Static front straps with combined rear tie-downs and 3-point double inertia occupant system with shoulder belt.

Front tie-down: RFT

Combined rear tie-down and seatbelt:
DI-ROBK + 3PTRN



Kit 6 (105330)

Static front straps, pair of retractable tie-downs and 3-point double inertia occupant system with shoulder belt.

Front tie-down: RFT

Rear tie-down: RQPK
Seatbelt: DI + 3PTRN



Kit 7 (105034)

2 pairs of retractable tie-downs and 3-point double inertia occupant system with shoulder belt.

Front tie-down: RQPK

Rear tie-down: RQPK

Seatbelt: DI + 3PTRN



Kit 8 (105337)

Solo static front straps, combined retractable tie-downs and 3-point double inertia occupant system with shoulder belt.

Front tie-down: SFT

Combined rear tie-down and seatbelt:
DI-SQMK + 3PTRN

More kits available

Please contact us for more info

Tie-downs bolted to the floor

To safely secure a wheelchair, a total of four tie-downs are needed. Two at the front and two at the back.

Each pair of tie-downs comes with a choice of three types of wheelchair fixings; tongue and buckle (**T**), hook (**H**), karabiner (**K**) or J-hook (**J**). The fixings connect the tie-downs to their load.



Electric reels				
<p>Electric tensioning front reels with LED-lights available in two lengths and without cover if space is limited.</p> <p> 2 x Electric front reel, cover (front only) Add Electric reel fixing kit (103463) to secure electric reels and spread their pulling load.</p>	<p>EF3CT 105261</p> <p>EF4CT 105490</p>	<p>EF3CH 105262</p> <p>EF4CH 105257</p>	<p>EF3CK 105237</p> <p>EF4CK 105258</p>	<p>EF3CJ 441608</p> <p>EF4CJ 441609</p>
<p> 2 x Electric front reel, no cover (front only) Add Electric reel fixing kit (103463) to secure electric reels and spread their pulling load.</p>	<p>EF3T 105263</p> <p>EF4T 105260</p>	<p>EF3H 105255</p> <p>EF4H 105259</p>	<p>EF3K 105256</p> <p>EF4K 105704</p>	<p>EF3J 441606</p> <p>EF4J 441607</p>

EF=electric reel, 3=3.2 metre webbing, 4=4 metre webbing, C=cover, T=tongue & buckle, H=hook, K=karabiner, J=J-hook

Solo floor anchors

Single anchorage points for a dedicated wheelchair space.



Solo floor anchor

A spring loaded floor anchor to be used with compatible tie-downs. The system consists of a patented, flush mounting floor anchor permanently fixed to the vehicle floor, and a fixing cleat fitted to the wheelchair tie-down. Made from stainless steel for longer lasting benefits, the floor anchor is quick, easy to use and very effective.

The floor anchors are available in three depth sizes.

- 103395** Floor anchor, 30 mm (SAS)
- 103393** Floor anchor, 50 mm (SA)
- 103394** Floor anchor, 90 mm (SAL)



Solo floor anchor (High Viz)

A yellow fluorescent highly visible spring loaded floor anchor to be used with compatible tie-downs. The system consists of a patented, flush mounting floor anchor permanently fixed to the vehicle floor, and a fixing cleat fitted to the wheelchair tie-down. Made from stainless steel for longer lasting benefits, the floor anchor is quick, easy to use and very effective.

The high viz floor anchors are available in three depth sizes.

- 105336** High viz floor anchor, 30 mm (HVSAS)
- 103397** High viz floor anchor, 50 mm (HVSA)
- 103398** High viz floor anchor, 90 mm (HVLSA)



Solo static floor anchor

A static floor anchor to be used with compatible tie-downs. The system comes with a patented static floor anchor permanently fixed to the vehicle floor and a fixing cleat which is fitted to the wheelchair tie-downs. Made from stainless steel, the raised mounting floor anchor is quick and easy to use and very effective.

The static floor anchor comes with a M10 tap screw and can easily be fitted to the vehicle floor.

- 103396** Static floor anchor, 10 mm bolt (S10)

Tie-downs for floor anchors

To safely secure a wheelchair, a total of four tie-downs are needed. Two at the front and two at the back.

Each pair of tie-downs comes with a choice of three types of wheelchair fixings; tongue and buckle (**T**), hook (**H**), karabiner (**K**) or J-hook (**J**). The fixings connect the tie-downs to their load.








Webbing straps Static front straps or manual tensioning adjustable straps with over-centre buckle mechanism.					
	2 x Static webbing strap (front only)	SFT 105356	SFH 105351	SFK 105352	SFJ 441605
	2 x Adjustable webbing strap with over-centre buckle	SOBT 105355	SOBH 105353	SOBK 105354	SOBJ 441598

S=floor anchor, F=static front strap, OB=over-centre buckle, T=tongue & buckle, H=hook, K=karabiner, J=J-hook

Quattro Manual tensioning retractor with black plastic or silver metal cover.					
	2 x Quattro retractor, plastic	SQPT 105711	SQPH 105334	SQPK 105335	SQPJ 441599
	2 x Quattro retractor, metal	SQMT 105498	SQMH 105333	SQMK 105710	SQMJ 441600

S=floor anchor, F=static front strap, OB=over-centre buckle, T=tongue & buckle, H=hook, K=karabiner, J=J-hook

Quattro Express Self-tensioning retractor with black plastic or silver metal cover.					
	2 x Quattro Express retractor, plastic	SQEPT 105713	SQEPH 105284	SQEPK 105285	SQEPJ 441602
	2 x Quattro Express retractor, metal	SQEMT 105712	SQEMH 105637	SQEMK 105282	SQEMJ 441601

S=floor anchor, F=static front strap, OB=over-centre buckle, T=tongue & buckle, H=hook, K=karabiner, J=J-hook

Tie-downs for rails

To safely secure a wheelchair, a total of four tie-downs are needed. Two at the front and two at the rear.

Each pair of tie-downs comes with a choice of three types of wheelchair fixings; tongue and buckle (**T**), hook (**H**), karabiner (**K**) or J-hook (**J**). The fixings connect the tie-downs to their load.



Webbing straps Static front straps or manual tensioning adjustable straps with over-centre buckle mechanism.					
	2 x Static webbing strap (front only)	RFT 105343	RFH 105338	RFK 105339	RFJ 441604
	2 x Adjustable webbing strap with over-centre buckle	ROBT 105342	ROBH 105340	ROBK 105341	ROBJ 441597

R=rail, F=static front strap, OB=over-centre buckle, T=tongue & buckle, H=hook, K=karabiner, J=J-hook

Quattro Manual tensioning retractor with black plastic or silver metal cover.					
	2 x Quattro retractor, plastic	RQPT 105327	RQPH 105325	RQPK 105326	RQPJ 441591
	2 x Quattro retractor, metal	RQMT 105501	RQMH 105019	RQMK 105324	RQMJ 441590

R=rail, F=static front strap, OB=over-centre buckle, T=tongue & buckle, H=hook, K=karabiner, J=J-hook

Quattro Express Self-tensioning retractor with black plastic or silver metal cover.					
	2 x Quattro Express retractor, plastic	RQEPT 105323	RQEPH 105596	RQEPK 105280	RQEPJ 441540
	2 x Quattro Express retractor, metal	RQEMT 105714	RQEMH 105020	RQEMK 105279	RQEMJ 427487

R=rail, F=static front strap, OB=over-centre buckle, T=tongue & buckle, H=hook, K=karabiner, J=J-hook

Combined system for rails

These sets combine the rear tie-downs with a 3-point occupant restraint. By using the combined sets, the number of required rail fittings are reduced to a total of four.

Each pair of tie-downs comes with a choice of three types of wheelchair fixings; tongue and buckle (**T**), hook (**H**), karabiner (**K**) or J-hook (**J**). The fixings connect the tie-downs to their load.

NOTE: Two front tie-downs and a 3rd point fixing is needed to complete the set. See page 125 for 3rd point fixings and page 122 for front tie-downs for rails.



Webbing straps

Manual tensioning adjustable straps with over-centre buckle mechanism.

	<p>2 x Adjustable webbing strap with over-centre buckle <i>DI = double inertia seatbelt with reversible stalk</i></p>	<p>DI-ROBT 105296</p>	<p>DI-ROBH 105736</p>	<p>DI-ROBK 105737</p>	<p>DI-ROBJ 441615</p>
--	---	----------------------------------	----------------------------------	----------------------------------	----------------------------------

D=double inertia, K=fixed stalk, I=reversible stalk, R=rail, OB=over-centre buckle, T=tongue & buckle, H=hook, K=karabiner, J=J-hook

Quattro

Manual tensioning retractor with black plastic or silver metal cover.

	<p>2 x Quattro retractor, plastic <i>DI = double inertia seatbelt with reversible stalk</i></p>	<p>DI-RQPT 105310</p>	<p>DI-RQPH 105738</p>	<p>DI-RQPK 105309</p>	<p>DI-RQPJ 441611</p>
	<p>2 x Quattro retractor, metal <i>DI = double inertia seatbelt with reversible stalk</i></p>	<p>DI-RQMT 105308</p>	<p>DI-RQMH 105306</p>	<p>DI-RQMK 105307</p>	<p>DI-RQMJ 441610</p>

D=double inertia, K=fixed stalk, I=reversible stalk, R=rail, Q=Quattro, QE=Quattro Express, P=plastic cover, M=metal cover, T=tongue & buckle, H=hook, K=karabiner, J=J-hook

Quattro Express

Self-tensioning retractor with black plastic or silver metal cover.

	<p>2 x Quattro Express retractor, plastic <i>DI = double inertia seatbelt with reversible stalk</i></p>	<p>DI-RQEPT 105739</p>	<p>DI-RQEPH 105305</p>	<p>DI-RQEPK 105502</p>	<p>DI-RQEPJ 441617</p>
	<p>2 x Quattro Express retractor, metal <i>DI = double inertia seatbelt with reversible stalk</i></p>	<p>DI-RQEMT 105740</p>	<p>DI-RQEMH 105741</p>	<p>DI-RQEMK 105304</p>	<p>DI-RQEMJ 441616</p>

D=double inertia, K=fixed stalk, I=reversible stalk, R=rail, Q=Quattro, QE=Quattro Express, P=plastic cover, M=metal cover, T=tongue & buckle, H=hook, K=karabiner, J=J-hook

Accessories

Wheelchair and occupant restraints



Reversible stalk
Fitted with rail fixing, it can be used in conjunction with any occupant restraint.

105408 Reversible stalk, 300 mm



Fixed stalk
Bolted to vehicle floor, it can be used in conjunction with any occupant restraint.

105350 Fixed stalk, 420 mm



Short fixed stalk
Bolted to vehicle floor. Ideal for WAV vehicles.

105222 Short fixed stalk, 250 mm



Extension strap (EX)
Seatbelt extension straps to be used with our 3-point belts.

105265 Extension strap, 200 mm
105266 Extension strap, 300 mm
105267 Extension strap, 400 mm
105268 Extension strap, 500 mm



D-rings
Enables karabiners to be used where they normally wouldn't fit or reach.

105208 D-rings



Wheelchair strap
Secures empty, manual folded wheelchairs or other items during transport.

103368 Wheelchair strap, rail



Wheelchair headrest
Crash-tested headrest to provide head support for wheelchair users.

105715 Headrest, small
105272 Headrest, medium
105716 Headrest, large
105717 Headrest, extra large



Scooter restraint
Designed to secure a scooter for transport. Max 120 kg.

103371 for rails (SCR)
103372 for anchor (SSCR)



Electric reel fixing kit
Designed to secure electric reels and spread their pulling load.

103463 2 x electric reel fixing kit



Stalk cover
Covers bolt on the bolted stalk for a neat finish.

103466 Stalk cover



Seatbelt pad
Provides additional comfort to the passenger and is easy to fasten around the seatbelt.

103467 Seatbelt pad



2-point static harness
Provides stability for the upper body to achieve an upright sitting position.

103355 Adult size (SHA)
103356 Junior size (SHJ)



Bestvest

Ensures proper seatbelt geometry at all times.

- 103347** Bestvest, small
- 103348** Bestvest, medium
- 103349** Bestvest, large
- 103350** Bestvest, X large
- 103351** Bestvest child, 116-128 cm
- 103352** Bestvest child, 128-140 cm
- 103353** Bestvest child, 140-152 cm
- 103354** Bestvest child, 152-164 cm

Occupant restraints

3-point restraint solutions for wheelchair users.



3-point belt, rail (DI)

3-point retractable seatbelt for rail floor fixing including a reversible stalk.

105329 with reversible stalk (DI)



3-point belt, bolted (BDI)

3-point retractable seatbelt for bolted floor fixing including a reversible stalk.

105720 with reversible stalk (BDI)



3-point belt, static (STK)

3-point static seatbelt for rail floor fixing, including bolted upper 3rd point fixing.

105718 3-point static belt (STK)



3rd point fixing

Adjustable shoulder. Used with the 3-point retractable seatbelts.

- 105401** bolted (3PTFN)
- 105402** for rail (3PTRN)



3-point belt, WAV (WI)

3-point retractable seatbelt for WAVs including long fixed stalk and upper 3rd point fixing.

105247 with long fixed stalk (WI)

Ramps

Ramps that can help a person to comfortably and safely enter a vehicle while seated in a wheelchair.



Manufactured by FEAL

Tailboard ramps

High quality wheelchair ramps for vehicle installation.



Our transport and tailboard ramps have a unique surface treatment that provides excellent grip and makes loading and unloading simple and safe. They are secured in the vehicle with our floor mounting plates and can be mounted or removed in one easy step. The perforations allow the driver to see through the folded ramp in the rear view mirror.


Quick facts

- Anti-slip surface
- High loading capacity
- Can be tailor-made according to your specific dimensions to meet your demands
- Many vehicle specific mounting brackets available for quick installations
- Universal mounting bracket for installations on rail floors
- Designed and manufactured in Sweden
- 3 years warranty

Specifications

MATERIAL Aluminium

To guarantee your safety BraunAbility products are designed and tested according to current directives and standards.

 **We can make ramps according to your specifications.**
Contact us for more information.

Anyramp		Length	Length folded	Inside width	Max load	Weight
104012	VR 10	100	52	82	400	11
102875	VR 16	160	85	82	400	18
102876	VR 20	200	105	82	400	21
102877	VR 25	250	130	82	400	25
103502	VR 28	280	145	82	400	29

All weights and dimensions are given in kilograms and centimetres, and for reference only.



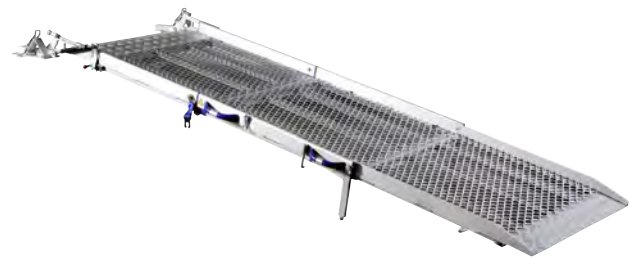


Vehicle specific mounting brackets available
dealerweb.braunability.eu

Tailboard ramps

Dimensions and models

A floor fixed device (102874) is included.
Accessories are available separately.



2-part ramps

		Length	Height folded	Inside width	Required door width	Max load	Weight
82 cm width							
100565	BGR 19	182	102	82	97.5	400	22
101055	BGR 21	202	112	82	97.5	400	24
101056	BGR 23	222	122	82	97.5	400	26
100845	BGR 27	262	142	82	97.5	400	30
103268	BGR 30	280	154	82	97.5	400	34
90 cm width							
102799	BGR 90-19	182	102	90	105.5	400	29
104009	BGR 90-21	202	112	90	105.5	400	31
102800	BGR 90-23	222	122	90	105.5	400	34
102860	BGR 90-27	262	142	90	105.5	400	38
Checked aluminium on the sides							
102792	BGR D 19	182	102	82	97.5	400	28
102793	BGR D 21	202	112	82	97.5	400	30
102794	BGR D 23	222	122	82	97.5	400	32
102795	BGR D 27	262	142	82	97.5	400	37

All weights and dimensions are given in kilograms and centimetres, and for reference only.

3-part ramps

		Length	Height folded	Inside width	Required door width	Max load	Weight
80 cm width							
100005	BGR 19-3	171	67	80	97.5	400	23
100006	BGR 25-3	235	92	80	97.5	400	28
100886	BGR 27-3	265	102	80	97.5	400	30
100887	BGR 33-3	325	122	80	97.5	400	35
102791	BGR 37-3	365	135	80	97.5	400	39
90 cm width							
104010	BGR 90-25-3	235	92	88	105.5	400	33
104011	BGR 90-27-3	265	102	88	105.5	400	36
102861	BGR 90-33-3	325	122	88	105.5	400	40
102862	BGR 90-37-3	365	135	88	105.5	400	46
Checked aluminium on the sides							
102796	BGR D 27-3	265	102	80	97.5	400	36
102797	BGR D 33-3	325	122	80	97.5	400	45
102798	BGR D 37-3	365	135	80	97.5	400	49

All weights and dimensions are given in kilograms and centimetres, and for reference only.

Manufactured by FEAL

Professional tailboard ramps

Heavy-duty wheelchair ramps for vehicle installation.



Designed to meet the special requirements of ambulances and the community transport market, the professional tailboard ramps from FEAL are unmatched in performance, quality and price.

Features include reinforcements for up to 600 kg loading capacity, highly reflective side profiles and kick-out wheels for emergency evacuation. The kick-out wheels will allow the ramp to be deployed from within the vehicle in case of an emergency. Additionally the wheels make every day ramp operations easier.

Quick facts

- Anti-slip surface
- Up to 600 kg loading capacity
- Emergency deployment
- Ergonomic operation
- Safety straps included
- Designed and manufactured in Sweden
- 3 years warranty

Specifications

MATERIAL Aluminium

To guarantee your safety BraunAbility products are designed and tested according to current directives and standards.

NOTE! The professional ramps are permanently installed in the vehicle.



We can make ramps according to your specifications.
Contact us for more information.

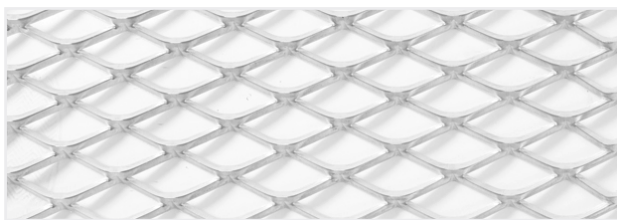
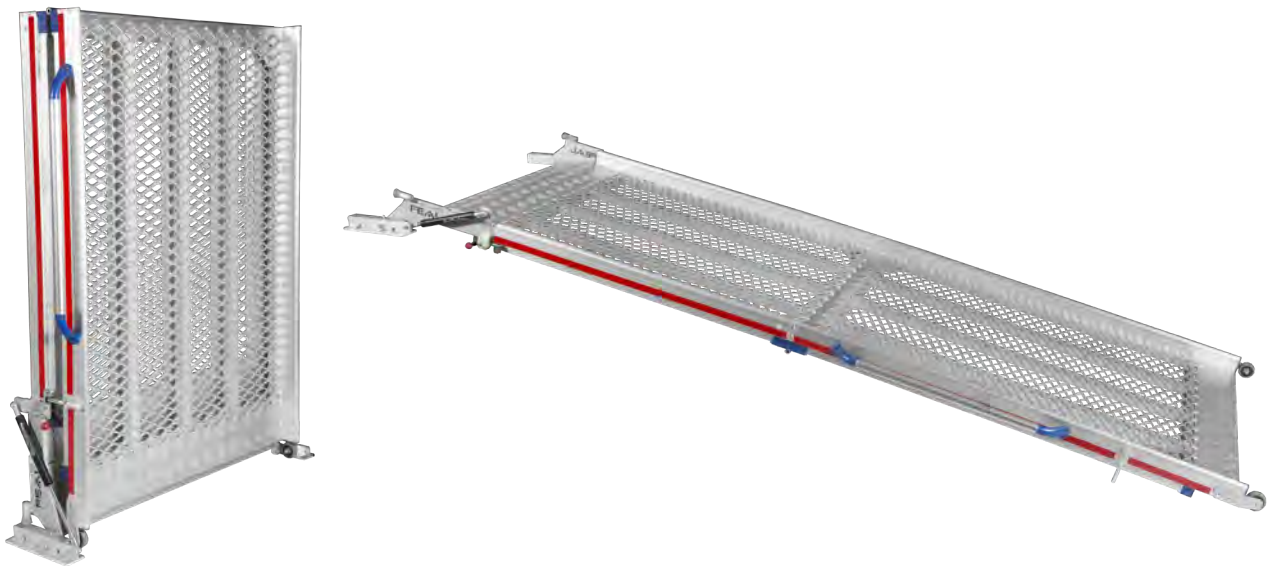


Vehicle specific mounting brackets available
dealerweb.braunability.eu

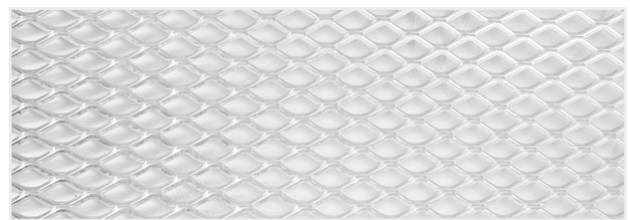
Professional tailboard ramps

Dimensions and models

Accessories are available separately.



Standard mesh



Tight mesh

2-part ramps		Length	Height folded	Inside width	Required door width	Max load	Weight
Professional ramps							
103272	BGR 90-21P	202	112	90	105.5	600	28
103276	BGR 90-25P	242	132	90	105.5	600	31
103279	BGR 90-30P	287	154	90	105.5	500	35

All weights and dimensions are given in kilograms and centimetres, and for reference only.

2-part ramps		Length	Height folded	Inside width	Required door width	Max load	Weight
Professional tight mesh ramps							
103830	BGR 90-21PTM	202	112	90	105.5	600	30
103831	BGR 90-25PTM	242	132	90	105.5	600	33
103832	BGR 90-30PTM	287	154	90	105.5	500	39

All weights and dimensions are given in kilograms and centimetres, and for reference only.

Manufactured by FEAL

iRamp Vehicle

High quality wheelchair ramps for vehicle installation.



iRamp Vehicle is a Swedish made high-quality ramp. Its lightweight minimalist design with many features makes operation and usage easy for all. The perforations in the mesh let through snow, rain and dirt keeping the inside of your vehicle as clean as possible. When stowed, the same perforations give you a good rearview visibility in the vehicle.

The platform surface features excellent slip resistance and is capable of supporting up to 400 kg or 600 kg for the commercial version. At the summit of the ramp, the patented transition plate smooths out any differences in height.

Quick facts

- Articulated transition plate
- Seamless transfer on and off the mesh
- Anti-slip surface
- Up to 600 kg loading capacity
- Ergonomic operation
- Safety straps included
- Designed and manufactured in Sweden
- 3 years warranty

Specifications

MATERIAL Aluminium

To guarantee your safety BraunAbility products are designed and tested according to current directives and standards.

NOTE! The iRamp Vehicle is permanently installed in the vehicle.



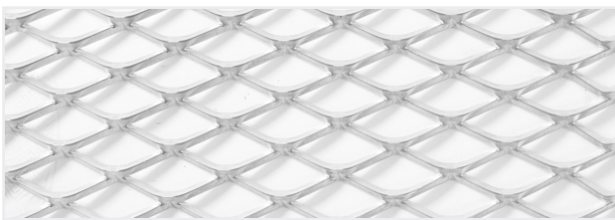
We can make ramps according to your specifications.
Contact us for more information.



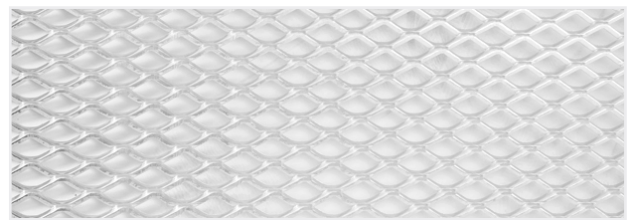
Vehicle specific mounting brackets available
dealerweb.braunability.eu

iRamp Vehicle

Dimensions and models



Standard mesh



Tight mesh

2-part ramps

Standard mesh ramps		Extended length	Height folded	Inside width	Required door width	Max load	Weight
105870	IRV162	160	96	90	104	400	25
105871	IRV182	180	106	90	104	400	27
105872	IRV202	200	116	90	104	400	29
105873	IRV222	220	126	90	104	400	31
105874	IRV242	240	136	90	104	400	33
105875	IRV262	260	146	90	104	400	35
105876	IRV282	280	156	90	104	400	37

All weights and dimensions are given in kilograms and centimetres, and for reference only.

2-part ramps

Professional standard mesh ramp		Extended length	Height folded	Inside width	Required door width	Max load	Weight
105877	IRV242P	240	136	90	104	600	34
Professional tight mesh ramp		Extended length	Height folded	Inside width	Required door width	Max load	Weight
105878	IRV242PTM	240	136	90	104	600	36

All weights and dimensions are given in kilograms and centimetres, and for reference only.

Manufactured by FEAL

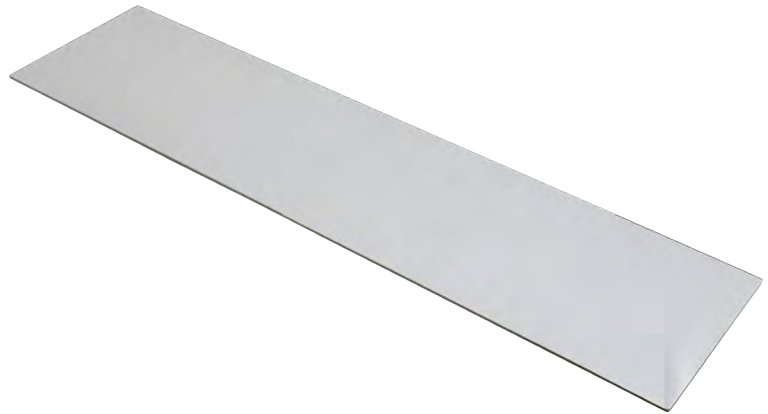
Accessories

Ramps

Adapter plate

For installation in standard flooring, can be cut as needed. 1200x300x6 mm

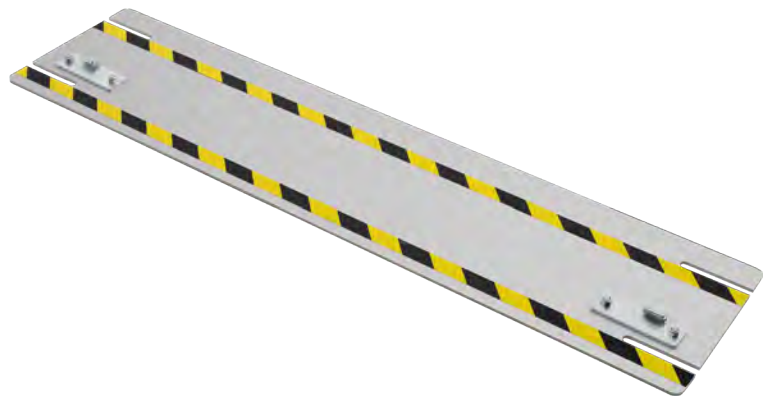
- 103284** Universal adapter plate for BGR
- 105906** Universal adapter plate for IRV



Mounting plate

For installation in vehicles with rail flooring.

- 102883** Universal mounting plate for BGR
- 105907** Universal mounting plate for IRV



Turnable mounting plate (BGR)

Enables the ramp to rotate on the left or right axis, for a clear passage when stowed. Choose which axis to rotate on and width depending on your specific ramp model. Available as a factory installed option or as a kit for retrofitting old ramps.



NOTE! Fits only the BGR tailboard ramps.

NOTE! Turnable mounting plate and quick release can NOT be combined.

Factory installed

- 102867** left axis, 80 cm
- 103732** right axis, 80 cm
- 103733** left axis, 90 cm
- 103734** right axis, 90 cm

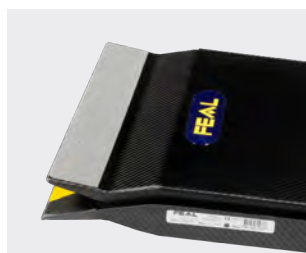
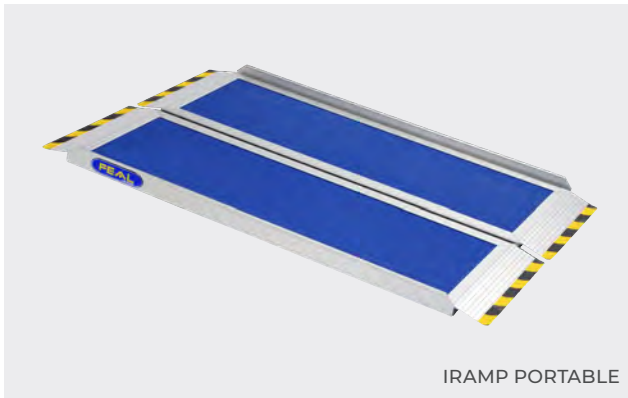
Kit for retrofitting

- 102868** left axis, 80 cm
- 103735** right axis, 80 cm
- 103736** left axis, 90 cm
- 103737** right axis, 90 cm

Manufactured by FEAL

iRamp

Portable full surface ramps for heavy loads.



iRamp Portable is a ramp which folds lengthways. It provides a full surface required for electric wheelchairs and three-wheeled scooters. It is very lightweight, made from a durable material and is capable of supporting heavy loads. The iRamps are only 5.5 cm thick when folded up.

The iRamp Carbon series is even lighter, 30% lighter than the competitors' counterparts. As the name suggest these ramps are manufactured from carbon fibre, a material that is extremely light, rigid and strong.

Quick facts

- Full surface
- High loading capacity
- Lightweight and mobile
- Designed and manufactured in Sweden
- 3 years warranty

Specifications

MATERIAL Aluminium / Carbon

To guarantee your safety BraunAbility products are designed and tested according to current directives and standards.

iRamp Portable		Length	Internal width	Recommended max height	Max load	Weight
102985	IRP50	52	76	10	400	3.8
102986	IRP90	92	76	18	400	6.5
102987	IRP120	116	76	24	400	8.7
103825	IRP150	150	76	31	400	10
102988	IRP170	167	76	34	400	12.5
102989	IRP200	200	76	40	400	14.7

iRamp Carbon		Length	Internal width	Recommended max height	Max load	Weight
103826	IRC075	75	75	15	250	2.6
103827	IRC120	120	75	25	250	3.9
103828	IRC150	150	75	30	250	5.0
103829	IRC200	200	75	40	250	6.8

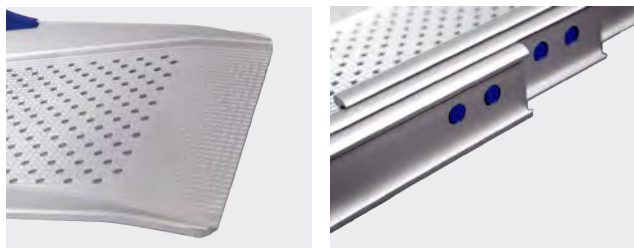
All weights and dimensions are given in kilograms and centimetres, and for reference only.

All weights and dimensions are given in kilograms and centimetres, and for reference only.

Manufactured by FEAL

Portable ramps

Lightweight and durable portable wheelchair ramps.



Fixed, folding or telescopic. Our portable ramps are available in a variety of different shapes and sizes. They're easy to bring along on trips or to places that do not have fixed ramps. Features include handles that retract effortlessly, simple locks that you can open and close in one easy step, and superior slip resistance.

All of our portable ramps have a side profile of 52 mm in height, except FL 110, FL 150 and FL 200, which have a 35 mm side profile. In these, the side profile also functions as a handle.

Quick facts

- Anti-slip surface
- High loading capacity
- Designed and manufactured in Sweden
- 3 years warranty

Specifications

MATERIAL Aluminium

To guarantee your safety BraunAbility products are designed and tested according to current directives and standards.

NOTE! All portable ramps are sold per 1 piece. You have to order 2 pieces to get a pair of ramps.



Portable ramps

Dimensions and models

Fixed		Length	Recommended max height	Internal width	Max load/pcs	Weight/pcs
102195	X 50	55	10	21	200	1.5
102196	X 100	116	20	21	200	3.1
102420	XW 100	106	20	27	200	3.5

All weights and dimensions are given in kilograms and centimetres, and for reference only.

Folding		Length	Length folded	Internal width	Recommended max height	Max load/pcs	Weight/pcs
101057	F 110	110	57	21	20	200	3.8
101058	F 150	150	76	21	30	200	4.9
101007	F 200	200	101	21	40	150	6.3
102863	FL* 110	110	56	18	20	200	2.3
102864	FL* 150	150	76	18	30	200	3.4
102865	FL* 200	200	101	18	40	150	6

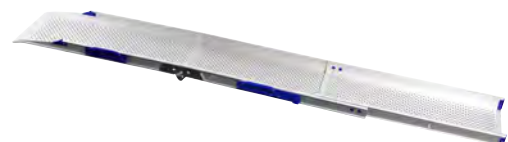
All weights and dimensions are given in kilograms and centimetres, and for reference only.
*FL = low side profiles without handles

Telescopic		Min. length	Max length	Internal width	Recommended max height	Max load/pcs	Weight/pcs
102983	T 90	58	90	19	20	200	2.8
102984	T 120	75	119	19	25	200	3.7
101062	T 200	116	202	19	40	150	5.6
101060	T 200-3	87	199	17	40	150	6.5
101021	T 300	116	288	17	60	125	8.2

All weights and dimensions are given in kilograms and centimetres, and for reference only.

Folding telescopic		Length	Length folded	Internal width	Recommended max height	Max load/pcs	Weight/pcs
102422	FTW 200	205	77	25	40	150	8.3
102423	FTW 300	295	107	25	60	125	11.4
102418	FT 200	201	76	19	40	150	6.8
102419	FT 300	276	101	19	60	125	8.6

All weights and dimensions are given in kilograms and centimetres, and for reference only.



www.braunability.eu

EUROPEAN HQ

BraunAbility Europe AB

Åkerivägen 7
S-443 61 Stenkullen
Sweden
Phone: +46 302 254 00
E-mail: sales@braunability.eu

FOR UK CUSTOMERS

BraunAbility UK Ltd

The Horseshoe, Coat Road
Martock, Somerset, TA12 6EY
United Kingdom
Phone: +44 1935 827740
E-mail: sales.uk@braunability.eu