

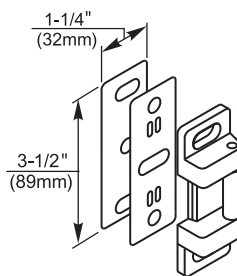


Announcement

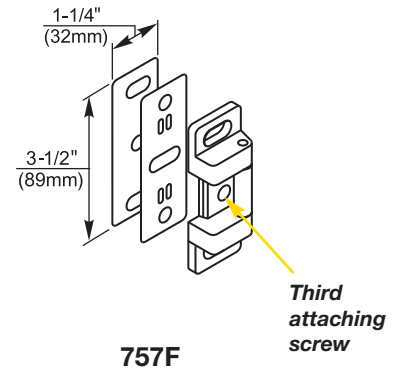
Yale to Change Standard Strike for Rim Exit Devices

Effective January 26, 2009, Yale will begin providing the 757F strike as a standard for all rim exit devices. This strike replaces the 757 which was previously issued for panic applications.

The 757F includes a third attaching screw that must be used for fire applications and is optional for panic applications. Please see comparison illustrations below.



757



757F

This will be a running change and upon inventory depletion, the 757 will no longer be available.

For more information on these or other Yale® products, please contact your ASSA ABLOY Door Security Solutions representatives.

Yale Commercial
Locks and Hardware

100 Yale Avenue
Lenoir City, TN 37771

www.yalecommercial.com

tel 800.438.1951

fax 800.338.0965

Yale® is a registered trademark of Yale Security, Inc., an ASSA ABLOY Group company. These materials are protected under U.S. copyright laws. All contents current at time of publication. Yale Security, Inc. reserves the right to change availability of any item in this catalog, its design, construction, and/or its materials. Copyright © 2009, Yale Security, Inc., an ASSA ABLOY Group company. All rights reserved. Reproduction in whole or in part without the express written permission of Yale Security, Inc. is prohibited.

ASSA ABLOY is the global leader in door opening solutions,
dedicated to satisfying end-user needs for security, safety and convenience.

42645-1/09N



New Product

Yale® Introduces Flush End Cap for 7000 Series Exit Devices

Yale Commercial Locks and Hardware is pleased to introduce an optional Flush End Cap for our 7000 Series Architectural Exit Devices.

When used in high traffic applications, exit devices are generally subject to abuse by vehicles being pushed through the doorway opening; i.e. carts, gurneys, wagons, etc. End Caps on traditional exit devices suffer from this abuse by often being ripped from the door. The new *Yale* Flush End Cap is angled and mounted so that it sits flush with the rail, therefore it is designed to more effectively deflect items as they are pushed through the doorway opening. The Flush End Cap is heavy-duty and constructed of solid cast or stainless steel materials making it the strongest, most durable End Cap available.

For those existing installations, Yale offers a retrofit kit. The retrofit kit contains items necessary to replace existing *Yale* End Caps with the Flush Mount End Cap to extend the life of the exit device for many years to come.

Features:

- Heavy-Duty cast or stainless steel
- Flush mounted for rip-resistance
- Angled and low-profile with no 'catch' points
- Available in all finishes for 7000 Series exit devices
- Retrofittable for existing installations

How to Order With Device:

Specify Option: ECK1

Model #	Size	Design	Trim	Finish	Option
7150F	36	TA	626F	630	ECK1

How to Order Retrofit Kit:

Specify Part Number: 81-9500-0620-FIN

The retrofit kit includes a bracket, which is mounted to the door using the standard prep, the Flush End Cap, and a pan head fastener to hold the end cap to the bracket.

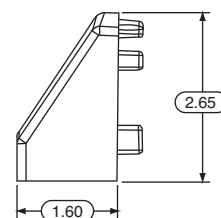
Pricing and Availability:

The Flush End Cap is currently available to order. There is no additional upcharge when ordered as an option with the exit device. Please refer to pricing bulletin 42619 for retrofit kit pricing. All prices are subject to change without notice and are not guaranteed. All shipments will be made at prices in effect at the time of shipment.

For more information on the Flush End Cap or other Yale® products, please contact your ASSA ABLOY Door Security Solutions representatives.



Available with MicroShield™ Antimicrobial Coating



ASSA ABLOY is the global leader in door opening solutions, dedicated to satisfying end-user needs for security, safety and convenience.

42618-8/08N

Yale Commercial
Locks and Hardware

100 Yale Avenue
Lenoir City, TN 37771

www.yalecommercial.com

tel 800.438.1951

fax 800.338.0965

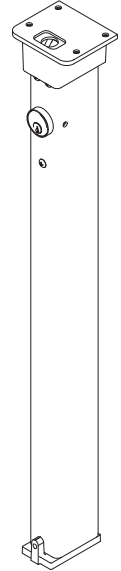
Yale® is a registered trademark of Yale Security, Inc., an ASSA ABLOY Group company. MicroShield™ is a trademark of Yale Security, Inc., an ASSA ABLOY Group company. These materials are protected under U.S. copyright laws. All contents current at time of publication. Yale Security, Inc. reserves the right to change availability of any item in this catalog, its design, construction, and/or its materials. Copyright © 2008, Yale Security, Inc., an ASSA ABLOY Group company. All rights reserved. Reproduction in whole or in part without the express written permission of Yale Security, Inc. is prohibited.



New Product

Yale® Introduces New Mullions

Yale Commercial Locks and Hardware is please to introduce new steel mullions for use with 7100, 7200M, 2100, 1500 and YM series exit devices. The new mullions will replace current model numbers M100F and KRM100F. Expansions to the offering include additional fire rated mullions and Windstorm/FEMA certified mullions.



The new mullion offering will consist of the following:

Model #	Replaces Model #	Description	Fire Rating	Height (Specify)
M200	M100	Removable	n/a	7', 8' or 10'
M200F	M100F	Removable, Fire Rated	3-Hour	7' or 8'
M200FWS	M100F	Removable, Fire Rated, Windstorm & FEMA Certified	3-Hour	7' or 8'
KRM200	KRM100	Keyed Removable	n/a	7', 8' or 10'
KRM200F	n/a	Keyed Removable – Fire Rated	90-Minute	7' or 8'
KRM200FWS	KRM100F	Keyed Removable – Fire Rated & Windstorm Certified	3-Hour	7' or 8'

Note: All M200(F) and KRM200(F) series mullions are 2" x 3" rectangular and provided in a red prime coat finish (ANSI/BHMA 600). These mullions differ in size and templating to the Yale® M100(F) and KRM100(F) series.

KRM mullions do not include cylinders/collars, they must be ordered separately. See cylinder chart for more information.

Mortise Cylinder Requirement for KRM Series Mullions

		Types of Cylinder Mechanisms							
		Conventional		Patented Keyway		Security		High Security	
		6-pin	7-pin	6-pin	7-pin	6-pin	7-pin	6-pin	7-pin
Cylinder Type	Fixed Core	2153	2153	K100	K100	5153	5153	n/a	
	LFIC	2196	2197	K820	K820	5196	5197		
	SFIC	n/a	n/a	K620	K620	n/a	n/a		

Yale Commercial
Locks and Hardware

100 Yale Avenue
Lenoir City, TN 37771

www.yalecommercial.com

tel 800.438.1951

fax 800.338.0965

Cylinder Collar Requirements

1765 Cylinder Collar Size				
Cylinder Type	Length	# Pins	Mullion Style	
			Std.	WS
			Ring Size	
2153	1-1/8"	6	0.312	0.156
2153	1-1/4"	7	0.500	0.250
2196	1-1/2"	6	0.750	0.500
2197	1-11/16"	7	0.844	0.719
K100	1-1/8"	6 or 7	0.312	0.156
K100	1-1/4"		0.500	0.250
K100	1-1/2"		0.750	0.500
K820	1-1/2"	6	0.750	0.500
K820	1-11/16"	7	0.844	0.719
5153	1-1/8"	6	0.312	0.156
5153	1-1/4"	7	0.500	0.250
5196	1-1/2"	6	0.750	0.500
5197	1-1/4"	7	0.500	0.250
K620	1-1/4"	6	0.406	0.312
K620	1-3/8"	6 or 7	0.563	0.500

How to Order

Quantity	Model Number	Height	Cylinder x Collar
5	KRM200F	7'	K100 x 1765.312

Parts

Available parts will include the following:

Model	Product Description
M203	Door Frame Spacer Block
M204	Door Frame Angle Bracket

Mullion Model Number	Part Numbers		
	Top Retainer Pack	Bottom Retainer Pack	Locking Mechanism
M200(F)	60-7000-0759	60-7000-0763	N/A
M200FWS	60-7000-0758	60-7000-0762	N/A
KRM200(F)	60-7000-0755	60-7000-0760	60-7000-0750
KRM200FWS	60-7000-0757	60-7000-0761	60-7000-0752

Note: Retainer packs include retainer and fasteners.

Pricing and Availability

These new mullions will be available for ordering on March 3, 2008, with shipping to begin March 17, 2008. For pricing, please refer to *Yale Price Book 42001-Mullions 2-08R*. All prices are subject to change without notice and are not guaranteed. All shipments will be made at prices in effect at the time of shipment.

The current M100(F) and KRM100F series mullions will be discontinued December 31, 2008. These products will be supported for warranty replacements only after this date. Beginning January 1, 2009, all orders received for these products will be automatically converted to the M200(F) or KRM200(F) series.

Yale® is a registered trademark of the respective ASSA ABLOY Group company. Other products' brand names may be trademarks or registered trademarks of their respective owners and are mentioned for reference purposes only. These materials are protected under U.S. copyright laws. All contents current at time of publication. The ASSA ABLOY Group companies reserve the right to change availability of any item in this catalog, its design, construction, and/or its materials. Copyright © 2008, ASSA ABLOY Group companies. All rights reserved. Reproduction in whole or in part without the express written permission of ASSA ABLOY, Inc. is prohibited.

ASSA ABLOY is the global leader in door opening solutions, dedicated to satisfying end-user needs for security, safety and convenience.

42583 - 2/08N



New Product

Yale® Introduces MicroShield™ Antimicrobial Coating



Yale Commercial
Locks and Hardware

100 Yale Avenue
Lenoir City, TN 37771

www.yalecommercial.com

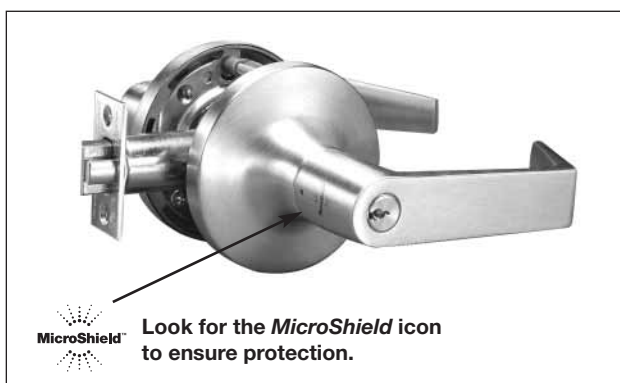
tel 800.438.1951

fax 800.338.0965

Yale is pleased to introduce MicroShield™, a revolutionary new hardware finish coating which permanently suppresses the growth of bacteria, algae, fungus, mold and mildew.

- Suppresses microbes
- Non-toxic
- Lasts for the life of the hardware

MicroShield products offer state-of-the-art protection and peace of mind for those hardware applications where vigilance in the war against bacteria and mold is critical. Hardware with MicroShield coating is ideal for hospitals, assisted living facilities, clinics, offices, schools and child care facilities.



The MicroShield coating incorporates the AgION® antimicrobial compound, a silver-based agent effective against a broad spectrum of bacteria and microbes.

MicroShield is available on the following Yale products:

Product	Series	MicroShield™ Coated Components^
Mortise Locks	8800(FL)	Knobs/levers*, roses and/or escutcheons, thumbturns
Cylindrical Locks	5400(LN) 5300LN 6400LN	Knobs/levers*, roses
Deadbolts	3500 3600 3700	Thumbturns*
Exit Devices	7000 2100	Latch cover*, touchpad, bottom rail, end cover, end cap, and plate Outside trim: knobs/levers/pulls*, escutcheons, thumbpieces, thumbturns
eBoss®	E8800FL E5400LN 890F	Levers*, escutcheons, keypad

^Microshield coating will only be applied to "high touch" components.

*MicroShield icon visible on these components. Other components have concealed marking.

Note: RL hardware by special application. Please contact factory for availability.

Available Finishes

ANSI/BHMA CODE	FINISH DESCRIPTION	MORTISE	CYLINDRICAL	DEADBOLTS	EXIT DEVICES & TRIM	EBOSS®
626	Satin Chrome Plated	✓	✓	✓	✓	✓
630	Satin Stainless Steel	✓			✓	

Other finishes by special application. Please consult factory for availability.

Note: MicroShield™ coating may vary finish color from architectural standards.

How to Order MicroShield™ Antimicrobial Coating:

Specify option: "YMS"

"YMS" must be included to the ordering sequence as an option for each product that *MicroShield* will be applied.

Pricing:

Refer to the current *Yale Price Book*. Orders for *MicroShield* coated products are currently being accepted.

For more information on *MicroShield* or other Yale® products, please contact your ASSA ABLOY Door Security Solutions representative.

Yale® is a registered trademark of Yale Security, Inc., an ASSA ABLOY Group company. MicroShield™ is a trademark of Yale Security, Inc., an ASSA ABLOY Group company. These materials are protected under U.S. copyright laws. All contents current at time of publication. Yale Security, Inc. reserves the right to change availability of any item in this catalog, its design, construction, and/or its materials. Copyright © 2007 - 2008 Yale Security, Inc., an ASSA ABLOY Group company. All rights reserved. Reproduction in whole or in part without the express written permission of Yale Security, Inc. is prohibited.



The AgION antimicrobial is not intended as a substitute for good hygiene. Coated products must still be cleaned to insure the surfaces will be free of destructive microbes. ASSA ABLOY makes no representations or warranties, express or implied, as to the efficacy of the AgION antimicrobial. A copy of the AgION warranty is available upon request. AgION is a registered trademark of AgION Technologies, Inc., Wakefield, MA, USA

ASSA ABLOY is the global leader in door opening solutions,
dedicated to satisfying end-user needs for security, safety and convenience.

42550 - 8/08R



New Product

Yale® Introduces Anti-Pry Bracket for 7000 Series Exit Devices

Yale Commercial Locks and Hardware is pleased to introduce an Anti-Pry Bracket for 7100 Rim and 7150 SquareBolt® Exit Devices.

The Anti-Pry Bracket offers end users increased security by improving resistance against jamb spreading during a pry attack. When the door is in the closed position, the Anti-Pry Bracket interlocks in position between the exit device strike and frame preventing the strike and exit device latch from being separated.

The Anti-Pry Bracket increases the resistance to pry-attack forces up to 30% without allowing the separation of the strike and latch. Added security is achieved while still satisfying life safety, fire, and windstorm codes, especially when the Anti-Pry Bracket is used in conjunction with a Yale® *SquareBolt* exit device that resists pull forces above 3,000 pounds. The exit device and door operate normally allowing free egress and, if desired, outside access via cylinder and key. The Anti-Pry Bracket may be also used in conjunction with Yale's alarmed or delayed egress exit devices. The Bracket installs behind the exit device chassis using standard fasteners and requires no additional door or frame preparation or reinforcement. The Anti-Pry Bracket is black powder coated for use with all exit devices finishes. Typical applications for this product include rear exits and stock doors on retail stores and restaurants.

Yale Commercial
Locks and Hardware

100 Yale Avenue
Lenoir City, TN 37771

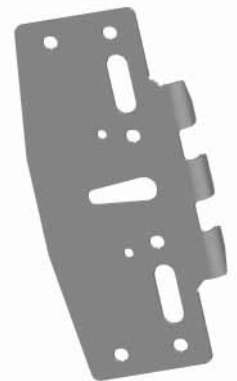
www.yalecommercial.com

tel 800.438.1951

fax 800.338.0965

Anti-Pry Bracket Benefits:

- Cost effective means of increasing exit door security
- Durable and easy to install
- Easy to retrofit exiting doors
- No additional door or frame preparation or reinforcement required
- Black powder coated part compatible with all exit device finishes
- May be used on high traffic doors and doors requiring key access
- Works on single and pairs of doors with removable mullion
- May be used with alarmed or delayed egress exit devices
- Complies with all life safety, fire, and windstorm codes
- Exit device with single latch protected by anti-pry bracket requires less maintenance than devices with multiple latches and rods



How to Order with Exit Device

Specify Option: 725

Model #	Size	Design	Trim	Finish	Option
7150F	36	TA	626F	630	725

How to Order Retro-fit Kit

Specify Model Number: 725

Option and retrofit kit includes the interlock bracket and end cap shim. The standard 1" mounting screws supplied with the exit device can be used; therefore, no additional fasteners are required.

Pricing and Availability:

The Anti-Pry Bracket is currently available for ordering with standard lead times for shipping. For pricing information, please refer to the current Yale® Price Book.. All prices are subject to change without notice and are not guaranteed. All shipments will be made at prices in effect at the time of shipment.

For more information on the Anti-Pry Bracket or other Yale® products, please contact your ASSA ABLOY Door Security Solutions representatives.

Yale® is a registered trademark of Yale Security, Inc., an ASSA ABLOY Group company. These materials are protected under U.S. copyright laws. All contents current at time of publication. Yale Security, Inc. reserves the right to change availability of any item in this catalog, its design, construction, and/or its materials. Copyright © 2007, 2008, Yale Security, Inc., an ASSA ABLOY Group company. All rights reserved. Reproduction in whole or in part without the express written permission of Yale Security, Inc. is prohibited.

ASSA ABLOY is the global leader in door opening solutions,
dedicated to satisfying end-user needs for security, safety and convenience.

42570 - 7/08R



New Product

Yale® Introduces Schlage® and Von Duprin® Retrofit Kits

Yale Commercial Locks and Hardware is pleased to announce the introduction of two retrofit kits for exit device hardware:

- New cam and housing assembly to accept *Schlage* rim cylinders.
- New tailpiece for *Yale* 1109 rim cylinder to operate *Von Duprin* exit devices.



Schlage® Cam Assembly



Von Duprin® Tailpiece

The new cam and housing assembly includes a cam engineered to accept *Schlage* rim cylinders with no modifications to existing *Yale* 500 and 600-series exit device trims while maintaining the trims' classroom and storeroom functions. It also gives architects and end users the ability to use *Yale* exit device hardware with existing *Schlage* key systems.

The new tailpiece for the 1109 rim cylinder enables *Yale* customers to develop new *Yale* key systems and maintain existing *Yale* key systems when *Von Duprin* exit devices are used for a night latch function.

How to Order

Part Number	Description
60-7000-0815	Schlage® cam and housing assembly
34-1145-1005-048	Tailpiece for 1109 cylinders to operate Von Duprin®

Availability and Pricing

Yale Commercial Locks and Hardware can accept orders for the new cam and housing assembly and tailpiece immediately with standard lead times. For pricing information, please refer to the current *Yale* Price Book. All prices are subject to change without notice and are not guaranteed. All shipments will be made at prices in effect at the time of shipment.

For more information on these or other *Yale* products, please contact your ASSA ABLOY Door Security Solutions representatives.

Yale Commercial
Locks and Hardware

100 Yale Avenue
Lenoir City, TN 37771

www.yalecommercial.com

tel 800.438.1951

fax 800.338.0965

Yale® is a registered trademark of Yale Security, Inc., an ASSA ABLOY Group company. Other products' brand names may be trademarks or registered trademarks of their respective owners and are mentioned for reference purposes only. These materials are protected under U.S. copyright laws. All contents current at time of publication. Yale Security, Inc. reserves the right to change availability of any item in the catalog, its design, construction, and/or its materials. Copyright © 2007, 2008, Yale Security, Inc., an ASSA ABLOY Group company. All rights reserved. Reproduction in whole or in part without the express written permission of Yale Security, Inc. is prohibited.

ASSA ABLOY is the global leader in door opening solutions,
dedicated to satisfying end-user needs for security, safety and convenience.

42568 - 7/08R

new product



Yale® Introduces



to 7000 Series Exit Devices

Being able to quickly find the exit and get out of the building safely during an emergency can help avoid a tragedy and should be a main priority of any building's safety plan. During a true emergency situation, where smoke could hide lighted exit signs or when the power is out, a requirement arises for non-powered emergency exit indicators.

Photoluminescent technology has been used for many years and is probably one of the most widely used forms of egress marking. Historically, this technology was primarily used by the military, but due to several tragic events in recent years, the use of photoluminescent products has been mandated by a number of international, national and state authorities concerned with life safety. The Pentagon has adopted PL as the emergency exit light source, and New York City has issued a mandatory edict that all office buildings in excess of 75 feet in height must have PL signage and stairwell markings.

Photoluminescence is being introduced as part of the LiteGuide™ egress lighting system from ASSA ABLOY. The ASSA ABLOY Group companies and their partners are developing the LiteGuide™ systems to enhance exit signage and provide visibility of exit doors in low-light, no light or smoky conditions. LiteGuide™ PL absorbs ambient lighting which is then emitted when the light source is diminished or eliminated.

LiteGuide™ PL Benefits:

- Requires no wiring, no maintenance, and is unaffected by heat, cold and shock
- Vandal resistant
- Recharges from ambient light
- Simple and economical to install in any building and especially suitable for existing buildings
- Non-toxic, will not rub or fade
- Cost-effective
- Fire-resistant and non-radioactive



Exit device shown in normal (non-emergency) environment.
See other side for loss of power view.



Exit device (illuminated) shown during loss of power.
See other side for normal environment.

Yale® is pleased to offer Lumi-Lite™. This new feature is patent pending as an option for the touchpad cover for the *Yale 7000 series* exit devices.

How to Order *Lumi-Lite* with Exit Device:

Specify Option: *LUM*

Model #	Size	Design	Trim	Finish	Option
7100	36	AU	626F	626	LUM

How to Order Separately:

The touchpad cover can be ordered separately and easily retrofits to existing 7000 series exit devices in the field. Touchpad cover comes standard with the word “Exit” centered on the top half in approximately 1" high lettering.

Model Number	Description
730-36 LUM	36" Touchpad cover with <i>Lumi-Lite</i>
730-48 LUM	48" Touchpad cover with <i>Lumi-Lite</i>

Pricing:

See current Yale® price book for details.

Availability:

Orders are currently being accepted with a 4-week lead time.

Yale Commercial Locks and Hardware • 100 Yale Avenue, Lenoir City, TN 37771 • tel 800.438.1951 • fax 800.338.0965 • www.yalecommercial.com
Yale® is a registered trademark of the respective ASSA ABLOY Group company. Lumi-Lite™ is a trademark of the respective ASSA ABLOY Group company. Other products' brand names may be trademarks or registered trademarks of their respective owners and are mentioned for reference purposes only. These materials are protected under U.S. copyright laws. All contents current at time of publication. Copyright © 2006, ASSA ABLOY Group companies. All rights reserved.
42518-6/06R



Yale® Introduces OT Option for 7100 Series Exit Devices

Yale Commercial Locks and Hardware is pleased to offer end users of Onity electronic locking systems (formerly TESA Entry Systems) a Yale® 7100 Series Exit Device specifically adapted for use with Onity battery-operated external trim. This allows Onity end users the flexibility of providing access control on doors requiring exit devices without the cost of running wires or installing external power supplies and other expensive electronic hardware. Access control is achieved via the battery powered Onity trim, while the *Yale* mechanical 7100 Exit Device provides security and satisfies life safety, fire, and wind storm codes.

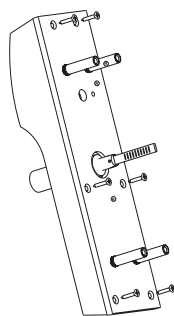
Yale 7100 Series Grade One Premium Exit Devices are offered in 17 architectural finishes and are available for both single and pairs of exterior or interior doors. Exit devices may be ordered modified at the factory or can be modified in the field via a conversion kit. The OT option and OT-K conversion kit are currently available for Rim (7100), SquareBolt® (7150), Surface Vertical Rod (7110 & 7170) and Concealed Vertical Rod (7120 & 7160) *Yale* Exit Devices. Frequent uses for the *Yale* 7100 Exit Device are to secure wide stile aluminum entrance doors, meeting room doors, and ballroom doors.

Each 7100-OT Exit Device includes an adapter plate and spindle specifically designed to allow Onity trim to mechanically interface with a *Yale* 7100 Series Exit Device. The 7100-OT is easy and cost-effective to install. The adapter plate is attached to the trim and affixed with through-bolts to the exit device for a solid and secure installation. There are no exposed fasteners to detract from the appearance of the device. The black powder-coated adapter plate is compatible with any finish.

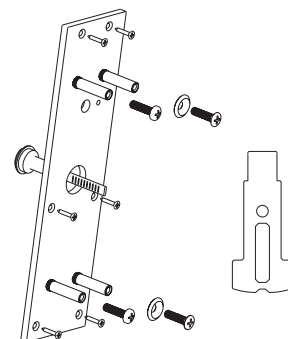
7100-OT Benefits:

- Easy and economical to install and maintain
- Requires no wiring, external power supply, motion sensor, or other electronic hardware
- Provide access control on single and pairs of doors while complying with egress & fire codes
- Durable Certified ANSI/BHMA Grade One exit device for years of reliable service
- Secure & aesthetically pleasing design in a variety of finishes - including hard-wearing PVD
- Retrofit kit available for most existing 7100 Series Exit Devices

*Onity Trim with Conversion
Plate & Spindle Installed*



*Onity Trim
Conversion Kit*



new product

How to Order Exit Device Adapted to Accept Onity Trim: Specify Option: OT

Model #	Option	Size	Design	Trim	Finish
7100	OT	36"	AU	626F	626

How to Order Separately:

A conversion kit may be ordered separately. Each kit enables field modification of one existing 7100 series exit device. It contains a trim adapter plate, new trim slide, spindle assembly, fasteners, and detailed conversion instructions.

Model #	Description
OT-K	Onity trim conversion kit for 7100, 7110, 7120, 7150, 7160 & 7170 exit devices Door thickness up to 2-1/4"
OT-KTD	Onity trim conversion kit for 7100, 7110, 7120, 7150, 7160 & 7170 exit devices Door thickness 2-1/4" and greater

Availability:

Orders will be accepted beginning January 1, 2006, with a 3-4 week lead time.

Yale Commercial Locks and Hardware • 100 Yale Avenue, Lenoir City, TN 37771 • tel 800.438.1951 • fax 800.338.0965 • www.yalecommercial.com

Yale® and SquareBolt® are registered trademarks of the respective ASSA ABLOY Group company. Other products' brand names may be trademarks or registered trademarks of their respective owners and are mentioned for reference purposes only. The ASSA ABLOY Group companies reserve the right to change availability of any item in this catalog, its design, construction, and/or its materials. These materials are protected under U.S. copyright laws. All contents current at time of publication. Copyright © 2006, ASSA ABLOY Group companies. All rights reserved.

42541-1/06N











530/560/570 Series Exit Trims to be Discontinued 630/660/670 Series Exit Trims Introduced

The 530/560/570 wide stile series exit device trims will be discontinued after October 31, 2005. The 630/660/670 series trims are a replacement for these series. These new trim series feature a heavy-duty, solid cast escutcheon with beveled sides for vandalism resistance, and the addition of fire plates to eliminate weld studs.

This change, along with the expansion of the 620/650 series trims and discontinuation of the 520/550 series trims announced in June 2005, allows us to continue streamlining our exit device trim offering to simplify our customer's ordering process and give our customers the security and peace of mind that comes from knowing that they are buying a top-quality product.

As of November 1, 2005, the available 630/660/670 exit device trims will be as follows:

								
Applications	Cylinder	Dummy Trim Blank Plate	Nightlatch Access by Key	Nightlatch Cylinder by Pull	Classroom Cylinder Controls T-Piece	Storeroom Cylinder Controls T-Piece	Dummy Trim Pull Plate	Passage Active T-Piece
2100(F) 2110(F) 7100(F) 7100(F)-2 7110(F) 7120(F) 7150(F) 7150(F)-2 7160(F) 7170(F)	Rim	630F	631F [^]	632F [^]	633F	633F*	634F	635F
1530 7130(F) 7130(F)-2	Mortise	630F	661F	662F	673F	—	634F	675F
		K5(F)	K5(F)	K5(F)	T8(F)		K5(F)	T8(F)
ANSI		—	03	03	05	06	02	15

*06 function achieved with a single trim modification at installation.

[^]Not recommended for use with surface or concealed vertical rod exit devices.

The following finishes are available for the 600 series exit trims:

ANSI/ BHMA Code	Finish Description
605	Bright Brass, Clear Coated
606	Satin Brass, Clear Coated
609	Satin Brass, Blackened, Satin Relieved, Clear Coated
611	Bright Bronze, Clear Coated
612	Satin Bronze, Clear Coated
613	Dark Oxidized Satin Bronze, Oil Rubbed
616	Satin Bronze, Blackened, Satin Relieved, Clear Coated
619	Satin Nickel Plated, Clear Coated
620	Satin Nickel Plated, Blackened, Satin Relieved, Clear Coated
625	Bright Chrome Plated
626*	Satin Chrome Plated
629**	Bright Stainless Steel
630**	Satin Stainless Steel

* Escutcheon is Satin Chrome plated to simulate Stainless Steel

** Escutcheon is Nickel plated to match Stainless Steel

ANSI/ BHMA Code	Finish Description
605e^	Bright Brass, PVD
606e^	Satin Brass, PVD
613e^	Dark Oxidized Satin Bronze, PVD
693^	Black Painted

^Signifies special finish

Note:

- Regular orders for 530/560/570 series exit trims will be accepted through October 31, 2005.
- A limited supply of 530/560/570 series exit trim will be available for special orders through December 31, 2005, to be used for retrofit purposes if the end user requires the trim to maintain continuity in an existing building.
- After December 31, 2005, 530/560/570 series trim will be completely discontinued and no purchase orders will be accepted.

Yale® 630/660/670 series heavy-duty exit device trim features vandal-resistant Free Wheeling trim for rim cylinder applications, carries a 5-year warranty and offers lifetime (PVD) finish options. This trim is a far superior trim and better suited to the rigors of frequent use.



520/550 Series Exit Trims to be Discontinued 620/650 Series Exit Trims to be Expanded

The 520/550 wide stile series exit device trims will be discontinued after June 30, 2005. The 620/650 series trims are a replacement for these series. Due to enhanced manufacturing procedures, Yale is now able to offer a 626 (satin chrome plated) finish for this proven line of 620/650 wide stile series exit device trims at an economical price. These can be used as a price competitive option with 630 (satin stainless steel) exit devices. In addition, Knob x Escutcheon trim configurations are now available for 600 series trims. See chart below and separate Yale pricing pages for more information.

With this change, we are streamlining our exit device trim offering to simplify our customer's ordering process and are giving our customers the security and piece of mind that comes from knowing that they are buying a top quality product.

As of July 1, 2005, the available 620/650 exit device trims will be as follows:

Application	Cylinder	Exit Only Blank Plate	Nightlatch	Classroom/Storeroom	Nightlatch	Passage Active Knob	Dummy Trim Rigid Knob	Classroom	Storeroom	Nightlatch	Passage	Dummy Trim Free-Wheeling	Dummy Trim Rigid Lever
1500 1510 1520 2100(F) 2110(F) 7100(F) 7100(F) 7150(F) 7110(F) 7120(F) 7160(F) 7170(F)	Rim	620F	621F**	622F	623F**	624F	625F	626F	626F*	627F**	628F	628F*	629F
1530	Mortise	620F	651F	652F†	652F	654F	654F	356F	-	356F	358F	-	358F
7130(F)	Mortise	620F	651F	652F†	652F	654F	654F	656F	-	656F	658F	-	658F
7100(F)-2 7150(F)-2	Rim x Rim	-	-	-	-	-	-	626F	-	-	-	-	-
7130(F)-2	Mortise x Rim	-	-	-	-	-	-	656F	-	-	-	-	-
ANSI	-	01	03	08/09	03	14	02	08	09	03	14	02	02

* 09 and Free Wheeling 02 achieved with single trim modification at installation.

** Not recommended for use with surface or concealed vertical rod devices.

† 08 only



The following finishes are available for the 600 series exit trims:

ANSI Code	Finish Description
605	Bright Brass, Clear Coated
606	Satin Brass, Clear Coated
609	Satin Brass, Blackened, Satin Relieved, Clear Coated
611	Bright Bronze, Clear Coated
612	Satin Bronze, Clear Coated
613	Dark Oxidized Satin Bronze, Oil Rubbed
616	Satin Bronze, Blackened, Satin Relieved, Clear Coated
619	Satin Nickel Plated, Clear Coated
620	Satin Nickel Plated, Blackened, Satin Relieved, Clear Coated
625	Bright Chrome Plated
626*	Satin Chrome Plated
629**	Bright Stainless Steel
630**	Satin Stainless Steel

ANSI Code	Finish Description
605e	❖ Bright Brass, PVD
606e	❖ Satin Brass, PVD
613e	❖ Dark Oxidized Satin Bronze, PVD
693	❖ Black Painted

❖ Signifies special finishes

* Escutcheon is Satin Chrome plated to simulate Stainless Steel

** Escutcheon is Nickel plated to match Stainless Steel

Note:

- Regular orders for 520/550 series exit trim will be accepted through June 30, 2005.
- A limited supply of 520/550 series exit trim will be available for special orders through December 31, 2005, to be used for retrofit purposes if the end user requires the trim to maintain continuity in an existing building.
- After December 31, 2005, the 520/550 series trim will be completely discontinued and no purchase orders will be accepted.
- There will be no changes on how to order 620/650 series exit trims.

Yale 620/650 series exit device trim features vandal resistant Free Wheeling trim for rim applications, carries a 5-year warranty and offers lifetime (PVD) finish options. This trim is a far superior trim and better suited to the rigors of frequent use.

Yale Commercial Locks and Hardware • 1902 Airport Road, Monroe, NC 28110 USA

Tel: 800.438.1951 • Fax: 800.338.0965 • www.yalecommercial.com

Copyright© 2005 Yale Commercial All rights reserved. These materials are protected under US copyright laws.

All contents current at time of publication. Yale reserves the right to change availability of any item in this bulletin, its design, construction, and/or its materials.

42525-6/05N

ASSA ABLOY is the world's leading manufacturer and supplier of locking solutions, meeting tough end-user demands for safety, security and user friendliness. The Group has some 30,000 employees and annual sales of about EUR 3 billion.



7000 Series Exit Device Offset Pull Trims

Yale Commercial Locks and Hardware is pleased to announce the availability of offset pull handles for the 7000 Series Exit Device. These pulls offer a wide variety of sizes and functions and are available in all finishes.

Functions

600 Series Heavy-Duty Offset Pull

- 680F – Dummy Trim
- 681F – Nightlatch
- 684F – Mortise Nightlatch with Cylinder

600 Series Heavy-Duty Offset Pulls are through-bolted to the door for maximum security and vandal resistance and can be used with all 7100 Series wide stile exit devices. Pull lengths are 7-1/4".

400 Series Offset Pull

- 480F – Dummy Trim
- 481F – Nightlatch
- 482F* – Dummy Trim (specify length)
- 483F* – Nightlatch (specify length)

400 Series Offset Pulls can only be used with 7200 Series narrow stile or M Series devices if nightlatch is desired. 480F and 481F trims are through-bolted to the door with 7-1/4" pull length. 482F and 483F trims are not through-bolted in order to allow pulls of different lengths to be utilized.

*Offset Pull lengths are measured center to center of mounting holes. 482F and 483F trims are for lengths of 9", 15" and 18" at no additional charge and must be specified on the order. Longer lengths up to 30" can be provided at an additional charge.

Handing

600 Series

Offset pulls come from the factory handed for Right Hand Reverse (RHR). For Left Hand Reverse, please specify "LHR" when ordering. Handing can be changed in the field.

400 Series

Not handed.

Cylinder Options

Offset pull trims utilizing cylinders are shipped less cylinder unless otherwise specified. Cylinder options include those available for all other 7000 series exit device trims. Refer to standard duty trim cylinders for 400 series and heavy-duty trim cylinders for 600 series. Please see catalog for details.



Availability

Offset Pulls for the 7000 Series Exit Device are currently available for ordering.

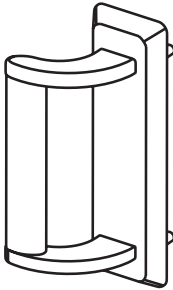
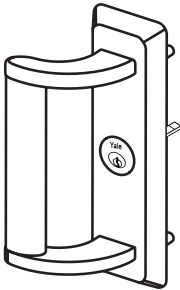
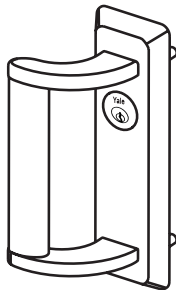
Pricing & Information

Pricing and additional information on this and other Yale products are available from your nearest Yale sales representative. Locate yours by visiting Yale's website at www.yalecommercial.com.

Order Examples

7130F x 684F x 630 x LHR

7250 x 483F-22" x 630

		
<p>680(F) Series Offset Pull Trim Non-Handed</p>	<p>681(F) Series Nightlatch Function Offset Pull Trim Handed - LHR Shown (Field Reversible)</p>	<p>684(F) Series Mortise Nightlatch Function Offset Pull Trim Handed - LHR Shown (Field Reversible)</p>

Yale®

ARCHITECTURAL EXIT DEVICE

7000 SERIES



CATALOG

PEACE OF MIND

YALE® 7000 INTRODUCTION

Yale 7000 Series exit devices deliver an unparalleled combination of durability, breadth of line, innovation and aesthetics.

As the most recognized name in the door hardware industry, Yale offers a proven selection of hard-working exit devices. The simple, clean lines of our wide and narrow stile devices are visually appealing and bring a gracious totality to the *Yale* line of locks and hardware.

To meet electronic access control needs, Yale's 7000 series exit devices come with a full array of electromechanical options and accessories. The 7000 series can be effortlessly integrated into existing security or fire alarm systems to ensure every opening is safeguarded.

Today's architecture stresses the safety and security of a building's contents, the most important of these being people. Reducing the consequences of potential risks is the goal of any designer. By mounting panic and fire exit devices, vandals are deterred, but swift, unobstructed egress is permitted. Yale's 7000 Series exit devices meet life safety codes and fire safety requirements, allowing for local ordinances to be met and allowing peace of mind for the people inside.



CONTENTS

Introduction	2-3
Functions	4-5
7100 Introduction & Applications	6-7
7150(F) SquareBolt®	8
7100(F) Rim	9
7110(F) SVR	10
7170(F) SVR	11
7120(F) CVR	12
7160(F) CVR	13
7130(F) Mortise	14
7100 Series Trim	15-17
7200M Introduction & Applications	18
7250M(F) SquareBolt	19
7200M(F) Rim	20
7210M(F) SVR	21
7220M(F) CVR	22
7200M Series Trim	23
7200 Introduction & Applications	24
7250 SquareBolt	25
7200 Rim	26
7210 SVR	27
7220 CVR	28
7200 Series Trim	29
Electrified Exit Devices	30-40
Mullions	41
Strikes	42
Options	43
Cylinders	44
Facts and Figures	45
Sample Specifications	46
How to Order	47

7000 SERIES FEATURES

Durability

- Steel chassis and heavy-duty components for superior strength, robustness and lower maintenance

Breadth and Innovation

- Full range of mechanical and electromechanical options for security and life safety applications
- Patented security features including SquareBolt® latchbolts (Pat. no. 5,605,362) and Free-Wheeling levers (Pat. no. 4,920,773)

Aesthetics

- Clean, modern, sleek design
- High-quality attractive architectural finishes deliver consistency and durability

7100(F) SERIES

A conventional exit device for single swing doors or pairs of doors of metal, wood or composite construction.

7200M(F) SERIES

A narrow appearance exit device designed for wide or flush stile doors of metal, wood or composite construction.

7200 SERIES

A narrow stile exit device compatible with the aesthetics and function requirements of contemporary doors of aluminum or metal construction.

INTRODUCTION CONT.

SQUAREBOLT® EXIT DEVICE

A revolutionary security and safety exit device from *Yale*, the SquareBolt's patented design (Pat. no. 5,605,362) presents an improved physical barrier over standard rim latchbolts.

Available in wide stile, narrow stile, and narrow appearance designs, the *SquareBolt* exit device locks into place and stays there. Credit cards, crowbars, door rattling and shaking are resisted, significantly reducing the threat of unauthorized entry.

SquareBolt®

ELECTRIFIED EXIT DEVICES

The *Yale* 7000 Series exit device offers a complete range of electrical options:

- Latch Pullback
- Electric Dogging
- Mortise Device Trim Control
- Touchbar Monitor or Signaling
- Outside Trim Monitor or Signaling
- Bolt Position Monitor or Signaling
- SecureX® Delayed Egress
- Electric Trim Control
- Exit Alarm

Continuity in appearance, security and functions with the 7000 Series mechanical exit devices is maintained.

7000 Series Electrified Exit Devices may be integrated into the security and alarm monitoring systems of most buildings.

END CAP

The 7000 series impact-resistant end cap is designed with heavy-duty material with three screw holes in strategic locations to resist abuse and maintain functionality. The ECK7 kit is available for easy retrofit to existing exit devices.



WARRANTY

- Mechanical exit devices and heavy-duty trim carry a five-year limited warranty.
- Utility-duty trim carries a one-year limited warranty.
- Electrical options and components carry a one-year limited warranty.

HEAVY-DUTY TRIM



- The 620F/650F Series trim provides significant vandal-resistant benefits:
 - Patented Free-Wheeling levers (not available on mortise trim)
 - Through-bolting with threaded studs
 - Beveled sides for resistance to attack
 - Heavy-duty solid forged escutcheon
 - Flush cylinder
- Eight lever designs
- Particularly recommended for use with the 7150 SquareBolt® Exit Device
- Retrofits existing *Yale* installations

FREE-WHEELING LEVER TRIM

All *Yale* exit device trims (except mortise trim) feature the unique Free-Wheeling lever mechanism, similar to our 5400LN cylindrical lock. This patented Free-Wheeling trim (Pat. no. 4,920,773) features a clutch mechanism which allows the lever to float down 60 degrees when operated in the locked condition, greatly improving vandal resistance.



PVD LIFETIME FINISH

Physical Vapor Deposition (PVD) is a technologically advanced finish coating that provides the ultimate surface protection against environmental elements and everyday wear and tear. PVD matches clear coated finishes in appearance, yet surpasses them in durability. *Yale* warrants all its PVD finishes against corrosion, tarnish, wear, discoloring and peeling for the lifetime of the part to which it has been applied. Ask your sales representative for specific warranty information.

PERFORMANCE STANDARDS

UL - cUL Panic Exit Listing: Doors up to 4'0" x 10'0"* (1.22m x 3.05m), single swing or pairs.

UL - cUL Fire Exit Label: Doors up to 4'0" x 10'0" (1.22m x 2.44m), single swing or pairs.

*UL does not set height limitations on panic devices.

Listing Agency	Listing Number	
	Panic Exit Devices	Fire Exit Devices
Underwriters Laboratories, Inc.	(FVSR)	(GXHX)
California Fire Marshal	4140-0257: 111	3725-0257: 112
New York City	MEA: 477-91-E	
B.H.M.A. (ANSI A156.3)	Directory of Certified Exit Devices	
B.H.M.A. (ANSI A156.24)	Directory of Certified Delayed Egress Exit Devices	

FINISHES

BHMA Symbol	Description
605	Bright Brass, Clear Coated
605e*	Bright Brass, PVD
606	Satin Brass, Clear Coated
606e*	Satin Brass, PVD
609	Satin Brass, Blackened, Satin Relieved, Clear Coated
611	Bright Bronze, Clear Coated
612	Satin Bronze, Clear Coated
613	Satin Bronze, Oxidized and Oil Rubbed
613e*	Satin Bronze, Oxidized, PVD
616	Satin Bronze, Blackened, Satin Relieved, Clear Coated
619	Satin Nickel Plated, Clear Coated
625	Bright Chrome Plated
626	Satin Chrome Plated
629	Bright Stainless Steel
630	Satin Stainless Steel

*PVD Lifetime finish

Finishes For Touchbar Scalps Only	
WU	Unfinished wood veneer
WF	Walnut, stained and sealed
SS	Stainless Steel
BN*	Semi-gloss black fused polymer

*Standard for device accent parts and strikes

FUNCTIONS

KNOB OR LEVER TRIMS

SquareBolt® 7150(F) 7250M(F) 7250		Rim 7100(F) 7200M(F) 7200		Surface Vertical Rod 7110(F) 7170(F90) 7210M(F) 7210		Concealed Vertical Rod 7120(F) 7160(F90) 7220M(F) 7220		Mortise 7130(F)		Type	ANSI Function No.	Function Description
Inside	Outside	Inside	Outside	Inside	Outside	Inside	Outside	Inside	Outside			
										Exit Only/ Blank Plate	01 -	Exit only, no trim. Exit only, blank plate.
										Dummy	02	Entrance by trim when actuating bar is locked down.
										Nightlatch	03	Entrance by trim when latchbolt is retracted by key. Key removable only when locked.
										Classroom	08	Entrance by knob or lever. Key locks or unlocks knob or lever.
										Storeroom	09	Entrance by knob or lever only when released by key. Key removable only when locked.
										Passage	14	Entrance by trim when latchbolt is released by knob or lever. Knob or lever always active, no cylinder.

Note: 09 and Free-Wheeling 02 achieved with a single modification at installation.

DOUBLE CYLINDER EXIT DEVICE LEVER TRIMS

SquareBolt® 7150(F)-2		Rim 7100(F)-2		Mortise 7130(F)-2		Type	ANSI Function No.	Function Description
Inside	Outside	Inside	Outside	Inside	Outside			
						Classroom	08	Entrance by lever. Key either side locks or unlocks lever.

FUNCTIONS

THUMBPIECE, THUMBTURN AND PULL TRIMS

SquareBolt® 7150(F) 7250M(F) 7250		Rim 7100(F) 7200M(F) 7200		Surface Vertical Rod 7110(F) 7170(F90) 7210M(F) 7210		Concealed Vertical Rod 7120(F) 7160(F90) 7220M(F) 7220		Mortise 7130(F)		Type	ANSI Function No.	Function Description
Inside	Outside	Inside	Outside	Inside	Outside	Inside	Outside	Inside	Outside			
										Exit Only/ Blank Plate	01 –	Exit only, no trim. Exit only, blank plate.
										Dummy/ Pull Plate	02	Entrance by trim when actuating bar is locked down.
										Nightlatch	03	Entrance by trim when latchbolt is retracted by key. Key removable only when locked.
										Classroom	05	Entrance by thumbpiece. Key locks or unlocks thumbpiece.
										Storeroom	06	Entrance by thumbpiece only when released by key. Key removable only when locked.
										Passage	15	Entrance by trim when latch is released by thumbpiece. Thumbpiece is always active, no cylinder.
										Classroom	11	Entrance by control turn piece. Key locks or unlocks control.
										Storeroom	12	Entrance by control turn piece only when released by turning key. Key removable only when locked.

Note: 06 and 12 achieved with a single modification at installation.

7100 SERIES APPLICATIONS

INTRODUCTION

The 7100 is the perfect choice for wide stile panic and fire-rated applications. The smooth architectural lines provide pleasing aesthetics to accent a building's appearance, and looks aren't always deceiving. Beneath the strong exterior lie the components to meet the demanding security and access control needs of today. The SecureX® delayed egress option is just one of the many electromechanical options offered to enhance security. Complementing the 7100 Series with the 600F Series heavy-duty trim completes the package for a heavy-duty, security hardware package.

APPLICATIONS

Single Door	UL Listing	Maximum Opening	Application
SquareBolt®			
7150/7150-2	Panic	4' x *	Surface applied; single-point latching.
7150F/7150F-2	3 Hr.	4' x 8'	
Rim			
7100/7100-2	Panic	4' x *	Surface applied; single-point latching.
7100F/7100F-2	3 Hr.	4' x 8'	
Mortise			
7130/7130-2	Panic	4' x *	Mortised in door; single-point latching.
7130F/7130F-2	1-1/2 Hr.	4' x 9'	
7130F/7130F-2	3 Hr.	4' x 8'	
Surface Vertical Rod			
7110	Panic	4' x 8'	Surface applied; one- or two-point latching.
7170	Panic	4' x *	
Concealed Vertical Rod			
7120	Panic	4' x 8'	Rods concealed in door; one- or two-point latching.
7160	Panic	4' x *	

Pair of Doors with Removable Mullion	UL Listing	Maximum Opening	Application
SquareBolt® x SquareBolt®			
7150 x 7150 x M100 Series	Panic	8' x 10'	Two independent active doors with removable mullion.
7150F x 7150F x M100F Series	3 Hr.	8' x 8'	
Rim x Rim			
7100 x 7100 x M100 Series	Panic	8' x 10'	Two independent active doors with removable mullion.
7100F x 7100F x M100F Series	3 Hr.	8' x 8'	

*UL does not set a door height limitation on panic applications.

7100 SERIES APPLICATIONS

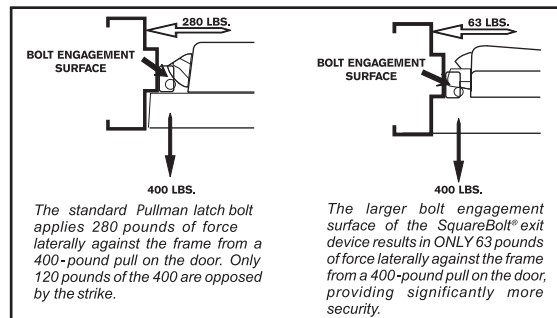
APPLICATIONS

Pair of Doors	UL Listing	Maximum Opening	Application
Surface Vertical Rod			
7110 x 7110	Panic	8' x 8'	Two independent doors with two-point latching, swinging in the same direction.
7110F x 7110F	3 Hr.	8' x 8'	
7170 x 7170	Panic	8' x *	Two independent doors with one- or two-point latching, swinging in the same direction.
7170F90 x 7170F90	1-1/2 Hr.	8' x 10'	
Surface Vertical Rod (Double Egress)			
7110 x 7110	Panic	8' x 8'	Two independent doors with two-point latching, swinging in opposite directions.
7110F x 7110F	3 Hr.	8' x 8'	
7170 x 7170	Panic	8' x *	Two independent doors with one- or two-point latching, swinging in opposite directions.
7170F90 x 7170F90	1-1/2 Hr.	8' x 10'	
Surface Vertical Rod x Mortise			
7110 x 7130	Panic	8' x 8'	Overlapping astragal required for 3-hour openings. Coordinator required with standard ANSI strike.
7110F x 7130F	3 Hr.	8' x 8'	
7110F x 7130F	1-1/2 Hr.	8' x 9'	
7170 x 7130	Panic	8' x *	Overlapping astragal required for fire-rated openings. Coordinator required with standard ANSI strike.
7170F90 x 7130F	1-1/2 Hr.	8' x 9'	
Concealed Vertical Rod			
7120 x 7120	Panic	8' x 8'	Two independent metal doors with two-point latching, swinging in the same direction.
7120F x 7120F	3 Hr.	8' x 8'	
7160 x 7160	Panic	8' x *	Two independent metal or wood doors with one- or two-point latching, swinging in the same direction.
7160F90 x 7160F90	1-1/2 Hr.	8' x 10'	
Concealed Vertical Rod (Double Egress)			
7120 x 7120	Panic	8' x 8'	Two independent metal doors with two-point latching, swinging in opposite directions.
7120F x 7120F	3 Hr.	8' x 8'	
7160 x 7160	Panic	8' x *	Two independent metal or wood doors with one- or two-point latching, swinging in opposite directions.
7160F90 x 7160F90	1-1/2 Hr.	8' x 10'	

*UL does not set a door height limitation on panic applications.

7150(F) SQUAREBOLT®

Just as easy to open as traditional latchbolts, the SquareBolt® exit device's unique construction offers innovative protection. Its patented *SquareBolt* (Pat. no. 5,605,362) design presents an improved physical barrier over standard rim latchbolts. The *SquareBolt* exit device locks into place and stays there. Credit cards, crowbars, door rattling and shaking are resisted, significantly reducing the threat of unauthorized entry.



CERTIFICATION/COMPLIANCE

UL/cUL Listed: FVSR/FVSR7 - Panic hardware
GXHX/GXHX7 -
Fire exit hardware (F)
(4' x 8' single, 8' x 8' pairs, 3 hr.)

ANSI Certified: A156.3 Type 1 or 28, Grade 1
BHMA Listed: Directory of Certified Products
U.S. Patent #: 5,605,362

FEATURES

- Patented *SquareBolt* security deadbolt (Pat. no. 5,605,362) designed for maximum holding power
- Non-handed for easy installation
- Can be retrofitted onto existing 7100 Series templated doors
- Fully adjustable surface-mounted 3/8" diameter roller strike complete with positive locking plate and shims
- Available in double cylinder function

APPLICATIONS

- Single swing doors
- Pairs of doors with removable mullions
- Metal, wood or composite door materials

SPECIFICATIONS

Door Opening Width:	-36 for 30" - 36" (762 - 914mm) doors -48 for 36-1/2" - 48" (927 - 1219mm) doors Optional sizes can be special ordered. Consult Technical Product Support.
Door Thickness:	1-3/4" (44mm) standard. 2" and 2-1/4" (51mm and 57mm) optional; specify when ordering.
Fasteners:	Machine screws and wood door fasteners standard for panic hardware. Sex nuts and bolts supplied standard for fire exit hardware.
Minimum Stile Width:	4-1/2" (114mm)
Projection:	3-1/4" (83mm) active, 2-3/4" (70mm) dogged
Deadbolt:	Patented 1" (25mm) slide projection bolt with full 3/4" (19mm) projection
Strike:	757 (panic), 757F (fire), 793 optional (double door application)
Trims:	620F Series heavy-duty trim (recommended), 520F utility trim, 530F pull/thumbpiece trim, 540F Series rose trim. See pages 15-17.
Options:	Cylinder dogging, Shim Kit # 723, Sex Nuts and Bolts
Warranty:	5-year limited

7100(F) RIM

The 7100(F) is a rim exit device to be used with single doors or pairs of doors constructed of metal, wood or composite materials. Designed for application in high-use areas, the 7100(F) comes in a variety of finishes and can be combined with a variety of trims to match any desired style.



CERTIFICATION/COMPLIANCE

UL/cUL Listed:	FVSR/FVSR7 - Panic hardware GXHX/GXHX7 - Fire exit hardware (F) (4' x 8' single, 8' x 8' pairs, 3 hr.)
ANSI Certified:	A156.3 Type 1, Grade 1
BHMA Listed:	Directory of Certified Products

FEATURES

- Designed for wide stile doors
- 3/4" throw deadlocking stainless steel Pullman latchbolt
- Electroplated ferrous components provide corrosion resistance
- Available in double cylinder function

APPLICATIONS

- Non-handed for easy installation
- Single swing doors
- Pairs of doors with removable mullions
- Metal, wood or composite door materials

SPECIFICATIONS

Door Opening Width:	-36 for 30" - 36" (762 - 914mm) doors -48 for 36-1/2" - 48" (927 - 1219mm) doors Optional sizes can be special ordered. Consult Technical Product Support.
Door Thickness:	1-3/4" (44mm) standard. 2" and 2-1/4" (51mm and 57mm) optional; specify when ordering.
Minimum Stile Width:	4-1/2" (114mm)
Projection:	3-1/4" (83mm) active, 2-3/4" (70mm) dogged
Latchbolt:	3/4" (19mm) deadlocking stainless steel Pullman-type
Strike:	757 (panic), 757F (fire), 793 optional (double door application)
Fasteners:	Machine screws and wood door fasteners standard for panic hardware. Sex nuts and bolts supplied standard for fire exit hardware.
Trims:	620F Series heavy-duty trim (recommended), 520F utility trim, 530F pull/thumbpiece trim, 540F Series rose trim. See pages 15-17.
Options:	Cylinder dogging, Shim Kit # 723, Sex Nuts and Bolts
Warranty:	5-year limited

7110(F) SURFACE VERTICAL ROD

The 7110(F) is a surface vertical rod exit device to be used on wide stile or flush doors up to 8' where two-point latching is desired.

CERTIFICATION/COMPLIANCE

UL/cUL Listed:	FVSR/FVSR7 - Panic hardware GXHX/GXHX7 - Fire exit hardware (F) (8' x 8' pairs, 3 hr.)
ANSI Certified:	A156.3 Type 2, Grade 1
BHMA Listed:	Directory of Certified Products

FEATURES

- Designed for wide stile and flush doors
- Handed. Specify hand (field reversible)
- Bottom deadbolt for secure latching
- Fully adjustable roller strike

APPLICATIONS

- Pairs of doors
- Double egress
- Metal, wood or composite door materials



SPECIFICATIONS

Door Opening Width:	-36 for 30" - 36" (762 - 914mm) doors -48 for 36-1/2" - 48" (927 - 1219mm) doors Optional sizes can be special ordered. Consult Technical Product Support.
Door Opening Height:	Standard door height 7'. Optional 8' available. For doors over 8', see the 7170(F) SVR.
Door Thickness:	1-3/4" (44mm) standard. 2" and 2-1/4" (51mm and 57mm) optional; specify when ordering.
Minimum Stile Width:	4-1/2" (114mm)
Projection:	3-1/4" (83mm) active, 2-3/4" (70mm) dogged
Latchbolt:	Top: 3/4" (19mm) throw, Pullman-type with automatic deadlatching Bottom: 5/8" (16mm) throw deadbolt, held retracted during door swing
Vertical Rods:	1/2" O.D. tubular brass, bronze or stainless steel with rod guides
Strike:	Top: Roller type 791 (panic and fire). Bottom: Flush mounted 790 (panic and fire). 794 floor strike optional (threshold openings).
Fasteners:	Machine screws and wood door fasteners standard for panic hardware. Sex nuts and bolts supplied standard for fire exit hardware.
Trims:	620F Series heavy-duty trim (recommended), 520F utility trim, 530F pull/thumbpiece trim, 540F Series rose trim. See pages 15-17.
Options:	Cylinder dogging, Shim Kit # 724, Sex Nuts and Bolts, 7010-2, 7010-6, 7010-12 rod extensions, bottom Pullman latch (panic only)
Warranty:	5-year limited

7170(F90) SURFACE VERTICAL ROD

The 7170(F) is a surface vertical rod exit device to be used on wide stile and flush doors up to 10' where two-point latching is desired. A Less Bottom Rod (LBR) option is available.

CERTIFICATION/COMPLIANCE

UL/cUL Listed: FVSR/FVSR7 - Panic hardware
GXHX/GXHX7 - Fire exit hardware (F)
(8' x 10' pairs, 1-1/2 hr.)

ANSI Certified: A156.3 Type 2, Grade 1

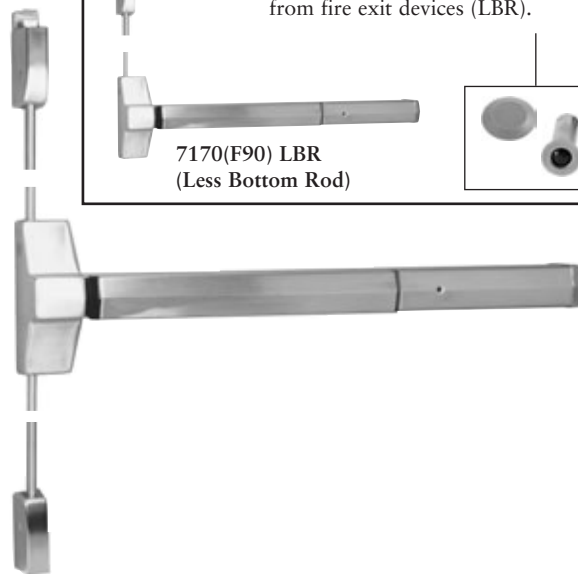
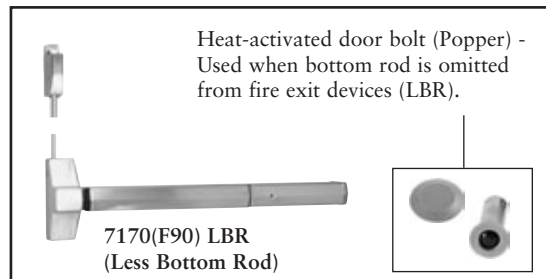
BHMA Listed: Directory of Certified Products

FEATURES

- Designed for wide stile and flush doors
- Handed. Specify hand (field reversible)
- Interlocking top strike and latch mounting plate
- Available less bottom rod (LBR option)

APPLICATIONS

- Pairs of doors
- Double egress
- Metal or wood doors



SPECIFICATIONS

Door Opening Width:	-36 for 30" - 36" (762 - 914mm) doors -48 for 36-1/2" - 48" (927 - 1219mm) doors Optional sizes can be special ordered. Consult Technical Product Support.
Door Opening Height:	Standard door height 7'. Optional heights specify suffix -8, -9, -10.
Door Thickness:	1-3/4" (44mm) standard. 2" and 2-1/4" (51mm and 57mm) optional; specify when ordering.
Minimum Stile Width:	4-1/2" (114mm)
Projection:	3-1/4" (83mm) active, 2-3/4" (70mm) dogged
Latchbolt:	Top: 3/4" (19mm) throw, Pullman-type with automatic deadlatching Bottom: 5/8" (16mm) throw deadbolt, held retracted during door swing
Vertical Rods:	1/2" (13mm) O.D. tubular brass, bronze or stainless steel with rod guides
Strike:	Top: 726 (panic and fire). Bottom: Flush-mounted 790 (panic and fire). 794 floor strike optional (threshold openings).
Fasteners:	Machine screws and wood door fasteners standard for panic hardware. Sex nuts and bolts supplied standard for fire exit hardware.
Trims:	620F Series heavy-duty trim (recommended), 520F utility trim, 530F pull/thumbpiece trim, 540F Series rose trim. See pages 15-17.
Electric Strikes:	LBR panic-only devices compatible with Folger Adam® 310-4 Series Strikes. Suffix ES when ordering.
Options:	Cylinder dogging, Shim Kit # 724, Sex Nuts and Bolts, bottom Pullman latch (panic only), Less Bottom Rod (LBR), -8, -9, -10 opening height, 7010-2, 7010-6, 7010-12 rod extensions.
Warranty:	5-year limited

7120(F) CONCEALED VERTICAL ROD

The 7120(F) is a concealed vertical rod exit device to be used on metal doors only up to 8' in height where two-point latching is desired.

CERTIFICATION/COMPLIANCE

UL/cUL Listed: FVSR/FVSR7 - Panic hardware
GXHX/GXHX7 - Fire exit hardware (F)
(8' x 8' pairs, 3 hr.)

ANSI Certified: A156.3 Type 8, Grade 1

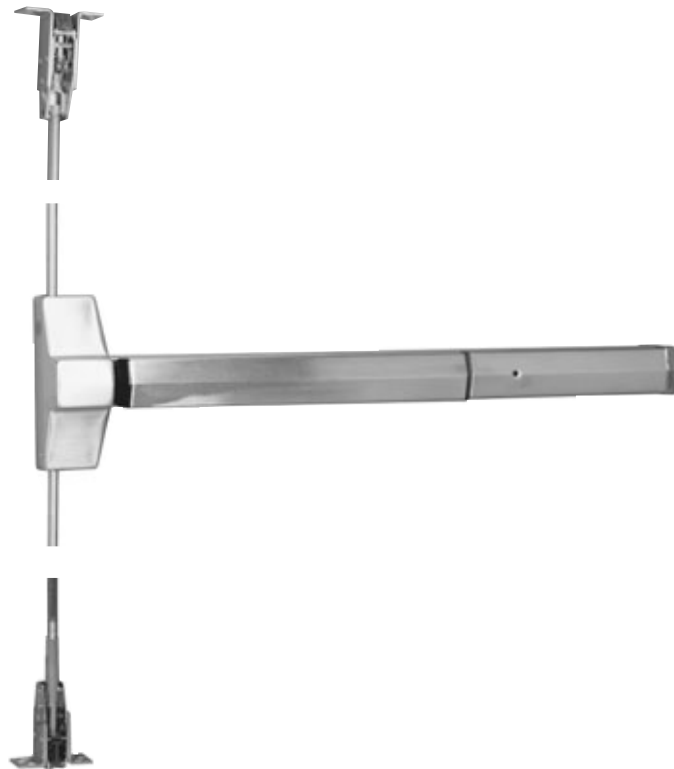
BHMA Listed: Directory of Certified Products

FEATURES

- Designed for wide stile and flush doors
- Handed. Specify hand (field reversible)
- Bottom deadbolt for secure latching
- Fully adjustable roller strike

APPLICATIONS

- Pairs of doors
- Double egress
- Metal doors only



SPECIFICATIONS

Door Opening Width:	-36 for 30" - 36" (762 - 914mm) doors -48 for 36-1/2" - 48" (927 - 1219mm) doors Optional sizes can be special ordered. Consult Technical Product Support.
Door Opening Height:	Standard door height adjustable to 8'. For doors over 8', see the 7160(F) CVR.
Door Thickness:	1-3/4" (44mm) standard. 2" and 2-1/4" (51mm and 57mm) optional; specify when ordering.
Minimum Stile Width:	4-1/2" (114mm)
Projection:	3-1/4" (83mm) active, 2-3/4" (70mm) dogged
Latchbolt:	Top: 3/4" (19mm) throw, Pullman-type with automatic deadlatching Bottom: 5/8" (16mm) throw deadbolt, held retracted during door swing
Vertical Rods:	1/2" (13mm) O.D. telescoping tubular rods
Strike:	Top: Roller type 791 (panic and fire). Bottom: Flush mounted 790 (panic and fire). 794 floor strike optional (threshold openings).
Fasteners:	Machine screws and wood door fasteners standard for panic hardware. Sex nuts and bolts supplied standard for fire exit hardware.
Trims:	620F Series heavy-duty trim (recommended), 520F utility trim, 530F pull/thumbpiece trim, 540F Series rose trim. See pages 15-17.
Options:	Cylinder dogging, Shim Kit # 723, Sex Nuts and Bolts, 7010-2, 7010-6, 7010-12 rod extensions, bottom Pullman latch (panic only).
Warranty:	5-year limited

7160(F90) CONCEALED VERTICAL ROD

The 7160(F90) is a concealed vertical rod exit device to be used on wood and metal doors up to 10' where two-point latching is desired. A Less Bottom Rod (LBR) option is available.

CERTIFICATION/COMPLIANCE

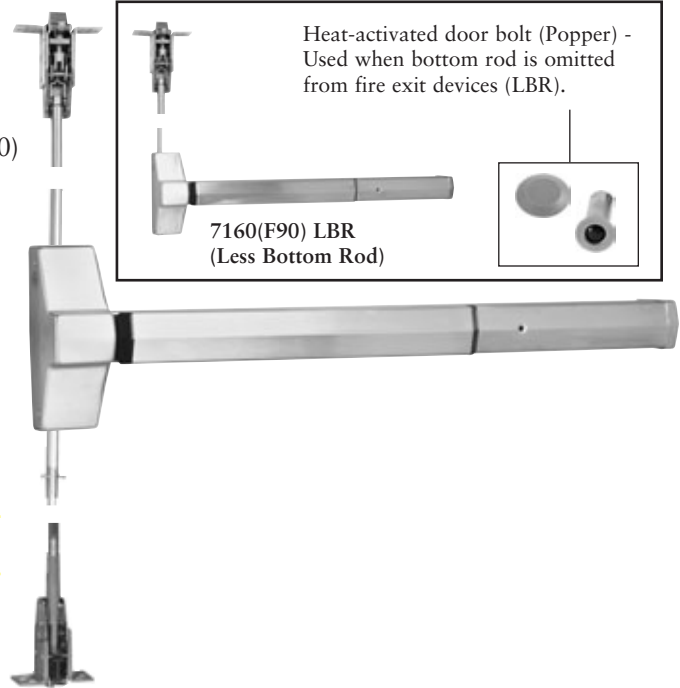
- UL/cUL Listed:** FVSR/FVSR7 - Panic hardware
GXHX/GXHX7 - Fire exit hardware (F90)
(8' x 10' pairs, 1-1/2 hr.)
- ANSI Certified:** A156.3 Type 7 and 8, Grade 1
- BHMA Listed:** Directory of Certified Products

FEATURES

- Designed for wide stile and flush doors
- Handed. Specify hand (field reversible)
- Mortised top strike
- Available less bottom rod (LBR option)

APPLICATIONS

- Pairs of doors
- Double egress
- Metal or wood doors



SPECIFICATIONS

- Door Opening Width:** -36 for 30" - 36" (762 - 914mm) doors
-48 for 36-1/2" - 48" (927 - 1219mm) doors
Optional sizes can be special ordered. Consult Technical Product Support.
- Door Opening Height:** Standard door height adjustable to 8'. Optional heights specify suffix -9, -10.
- Door Thickness:** 1-3/4" (44mm) standard. 2" and 2-1/4" (51mm and 57mm) optional; specify when ordering.
- Minimum Stile Width:** 4-1/2" (114mm)
- Projection:** 3-1/4" (83mm) active, 2-3/4" (70mm) dogged
- Latchbolt:** Top: 3/4" (19mm) throw, Pullman-type with automatic deadlatching
Bottom: 5/8" (16mm) throw deadbolt, held retracted during door swing
- Vertical Rods:** 1/2" (13mm) O.D. telescoping tubular rods
- Strike:** Top: 761 mortised (panic and fire). Bottom: Flush-mounted 790 (panic and fire).
794 floor strike optional (threshold openings).
- Fasteners:** Machine screws and wood door fasteners standard for panic hardware. Sex nuts and bolts supplied standard for fire exit hardware.
- Trims:** 540F Series Rose Trim and 620F Series Heavy-Duty Escutcheon Trim. See pages 15 and 16.
- Electric Strikes:** LBR panic-only devices compatible with Folger Adam® 310-6 Series strikes.
Suffix ES when ordering.
- Options:** Cylinder dogging, Shim Kit # 723, Sex Nuts and Bolts, Less Bottom Rod (LBR),
-9, -10 opening height, 7010-2, 7010-6, 7010-12 rod extensions, bottom Pullman
latch (panic only).
- Warranty:** 5-year limited

7130(F) MORTISE

The 7130(F) is an exit device integrated with the Yale® 8700 Series Mortise Lock for use on single doors or active leaf of a pair of doors where life safety and extra security are required. The 8700 Series Mortise Lock used is modified for use with the exit device only. The standard 8700 mortise lock cannot be used.

CERTIFICATION/COMPLIANCE

UL/cUL Listed: FVSR/FVSR7 - Panic hardware
GXHX/GXHX7 - Fire exit hardware (F)
(4' x 8' single, 8' x 8' pairs, 3 hr.)
(4' x 9' single, 8' x 9' pairs, 1-1/2 hr.)

ANSI Certified: A156.3 Type 3, Grade 1

BHMA Listed: Directory of Certified Products



FEATURES

- Designed for wide stile and flush doors
- Handed; specify hand
- Two-piece mechanical 3/4" throw deadlocking stainless steel latchbolt
- Easily disassembles for maintenance and service
- Available in double cylinder function

APPLICATIONS

- Single swing doors
- Pairs of doors with vertical rod devices or automatic flush bolts
- Metal, wood or compatible door materials

Order As Follows, According To Function.

7130-K5(F)	(01) Exit only
	(02) Entry by pull or rigid knob when dogged.
	(03) Key retracts latchbolt
7130-L5(F)	Electrical control for 552F and 652F knob trim, w/wo key override.
	(02) Entry by rigid lever when dogged.
	(03) Key retracts latchbolt.
7130-T5(F)	Electrical control for 556F and 652F lever trim, w/wo key override.
	(02) Entry by pull when dogged.
	(03) Key retracts latchbolt.
7130-K8(F)	(08) Entry by knob lock/unlocked by key or knob only (passage)
7130-L8(F)	(08) Entry by lever lock/unlocked by key or lever only (passage)
7130-L8(F)-2	(08) Entry by lever lock/unlocked by key either side or lever only (passage)
7130-T8(F)	(05) Entry by thumbpiece lock/unlocked by key or thumbpiece only (passage)

SPECIFICATIONS

Door Opening Width:	-36 for 30" - 36" (762 - 914mm) doors -48 for 36-1/2" - 48" (927 - 1219mm) doors Optional sizes can be special ordered. Consult Technical Product Support.
Door Thickness:	1-3/4" (44mm) standard. 2" and 2-1/4" (51mm and 57mm) optional; specify when ordering.
Minimum Stile Width:	4-1/2" (114mm)
Projection:	3-1/4" (83mm) active, 2-3/4" (70mm) dogged
Latchbolt:	Two piece mechanical 3/4" (19mm) deadlocking stainless steel with anti-friction insert and auxiliary deadlocking latch
Strike:	Curved lip, non-handed 798. Optional 712 for door pairs with astragals. Optional 718 open back strike.
Fasteners:	Machine screws and wood door fasteners standard for panic hardware. Sex nuts and bolts supplied standard for fire exit hardware.
Trims:	650F Series heavy-duty trim (recommended), 550F utility trim, 560F cylinder x pull/thumbpiece trim. See pages 15-17.
Electric Strikes:	Compatible with Folger Adam® 300, 500, 600, 700 Series strikes (consult factory for specific model).
Options:	Cylinder dogging, Shim Kit # 723, Sex Nuts and Bolts.
Warranty:	5-year limited.

7100 SERIES EXIT DEVICE TRIM

620F/650F SERIES HEAVY-DUTY TRIM

Yale's heavy-duty exit device trim features vandal resistant Free-Wheeling trim to be used for high-frequency applications or on doors subject to abuse. Free-Wheeling is not available on mortise trim.

- Trim through-bolts to exit device for strength.
- Beveled sides improve attack resistance.
- Solid forged escutcheon resists vandalism and abuse.
- Flush cylinder in 6-pin applications for additional security.
- 1-3/4" (44mm) door standard. For doors through 2-1/4" (57mm) or shim-mounted devices, specify on order.
- Dimensions: 3' x 10-1/4" x 13/16" (76mm x 260mm x 19mm).
- See page 44 for cylinder options. 1-1/2" mortise cylinder required for mortise trim.
- Available with AR, AU, CR, JN, MO, PB, PN, VI lever designs. See page 17.
- Trim ordering example: AU626F x 626 x RHR.
- 5-year limited warranty.

Application	Cylinder	Exit Only Blank Plate	Nightlatch	Dummy Trim Rigid Lever	Dummy Trim Free-Wheeling	Passage	Classroom	Storeroom	Nightlatch
7100(F) 7150(F) 7110(F) 7120(F) 7160(F) 7170(F)	Rim	620F	621F**	629F	628F*	628F	626F	626F*	627F
7130(F)	Mortise	620F	651F**	658F	–	658F	656F	–	656F
7100(F)-2 7150(F)-2	Rim x Rim	–	–	–	–	–	626F	–	–
7130(F)	Mortise x Rim	–	–	–	–	–	656F	–	–
ANSI		–	03	02	02	14	08	09	03

*09 and Free-Wheeling 02 achieved with single trim modification at installation.

**Not recommended for use with surface or concealed vertical rod devices.

121 CYLINDER ONLY NIGHTLATCH TRIM













- Application: 7100(F) and 7150(F) exit devices. Not recommended for surface or concealed vertical rod devices.
- Must specify rim cylinder when ordering. See page 44 for cylinder options.

Function Description	Nightlatch Access by Key
Model No.	121
ANSI	03

7100 SERIES EXIT DEVICE TRIM

520F/550F WIDE ESCUTCHEON UTILITY TRIM

- Through-bolted: 1-3/4" (44mm) door standard. For doors through 2-1/4" (54mm) or shim-mounted devices, specify on order.
- Dimensions: see page 45.
- For cylinder options, see page 44.
- Available with all lever and knob designs except CA. See page 17.
- Ordering example: MO528F x 630 x LHR
- 1-year limited warranty.

												
Applications	Cylinder	Exit Only Blank Plate	Nightlatch	Dummy Rigid Lever	Dummy Free-Wheeling	Passage	Classroom/Storeroom	Nightlatch	Dummy Trim Rigid Knob	Passage Active Knob	Classroom/Storeroom	Nightlatch
7100(F) 7110(F) 7120(F) 7150(F) 7170(F)	Rim	520F	521F**	529F	528F**	528F	526F**	527F	525F	524F	522F**	523F
7130(F)	Mortise	520F	551F**	558F	—	558F	556F†	556F	554F	554F	552F†	552F
ANSI	—	—	03	02	02	14	08/09	03	02	14	08/09	03





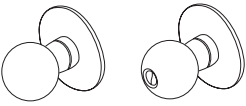
Note: 09 and Free-Wheeling 02 achieved with single trim modification at installation.

**Not recommended for use with surface or concealed vertical rod exit devices.

†08 only.

540F SERIES ROSE TRIM

- 540F rose trim for stock doors (161 Prep). Type 161 stock door trim, if used with 7100(F), 7150(F), or 7110(F) exit devices.
- Through-bolted. 1-3/4" (44mm) door standard. For doors thru 2-1/4" (57mm) or shim mounted devices, specify on order.
- AU, PB, MO and CA trim designs. See page 17.
- Accepts cylindrical type cylinders. See page 44 for cylinder options.
- Finishes: 605, 606, 611, 612, 613, 625, 626.
- 1-year warranty.

								
Applications	Dummy Trim Rigid Lever	Dummy Trim Free-Wheeling Lever	Passage Lever	Classroom	Nightlatch Access by Key	Dummy Trim Free-Wheeling Knob	Passage Knob	Classroom
7100(F), 7150(F), 7110(F), 7120(F), 7160F, 7170(F)	549F	548F	548F	546F	541F	CA544F	CA544F	CA542F
ANSI	02	02	14	08	03	02	14	08

7100 SERIES EXIT DEVICE TRIM

530F/560F WIDE ESCUTCHEON TRIM

- Through-bolted: 1-3/4" (44mm) door standard. For doors through 2-1/4" (57mm) or shim-mounted devices, specify on order.
- Dimensions: see page 45.
- For cylinder options, see page 44.
- Ordering example: 534F x 613
- 1-year limited warranty.

Applications	Cylinder	Dummy Trim Blank Plate	Dummy Trim Pull Plate	Nightlatch	Nightlatch	Passage	Classroom	Storeroom
7100(F) 7110(F) 7120(F) 7150(F) 7170(F)	Rim	530F	534F	531F**	532F**	535F	533F	533F*
7130(F)	Mortise	530F	534F	561F**	562F**	575F	573F	—
ANSI		—	02	03	03	15	05	06

*06 function achieved with a single trim modification at installation.

**Not recommended for use with surface or concealed vertical rod exit devices.

LEVER AND KNOB DESIGNS

AR Arcadia 	AU Augusta 	CR Carmel 	JN Jefferson 	MO Monroe 	PB Pacific Beach
PN Pinehurst 	VI Virginia 	BR Brandywine 	CO Copenhagen 	LF Litchfield 	CA* Carolina

*CA knob available for 540F Series trim only.

7200M SERIES APPLICATIONS

INTRODUCTION

The 7200M Series combines the appearance of the 7200 narrow stile series with the life safety and fire rating options of the 7100 Series. This unique narrow design exit device may be used on wide or flush stile doors and is available with a wide range of mechanical and electromechanical options including SecureX®, electric latch pullback and monitoring features. The 7200M Series is not to be used on narrow stile applications.

APPLICATIONS

Single Door	UL Listing	Maximum Opening	Application
SquareBolt®			
7250M	Panic	4' x *	Surface applied; single-point latching.
7250MF	3 Hr.	4' x 8'	
Rim			
7200M	Panic	4' x *	Surface applied; single-point latching.
7200MF	3 Hr.	4' x 8'	
Surface Vertical Rod			
7210M	Panic	4' x *	Surface applied; one- or two-point latching.
Concealed Vertical Rod			
7220M	Panic	4' x *	Rods concealed in door; one- or two-point latching.

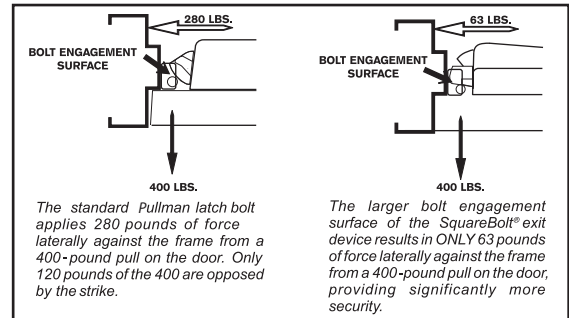
Pair of Doors	UL Listing	Maximum Opening	Application
Surface Vertical Rod			
7210M x 7210M	Panic	8' x *	Two independent doors with two-point latching, swinging in the same direction.
7210MF x 7210MF	3 Hr.	8' x 8'	
Surface Vertical Rod (Double Egress)			
7210M x 7210M	Panic	8' x *	Two independent doors with two-point latching, swinging in opposite directions.
7210MF x 7210MF	3 Hr.	8' x 8'	
Concealed Vertical Rod			
7220M x 7220M	Panic	8' x *	Two independent metal doors with two-point latching, swinging in the same direction.
7220MF x 7220MF	3 Hr.	8' x 8'	
Concealed Vertical Rod (Double Egress)			
7220M x 7220M	Panic	8' x *	Two independent metal doors with two-point latching, swinging in opposite directions.
7220MF x 7220MF	3 Hr.	8' x 8'	

Pair of Doors with Removable Mullion	UL Listing	Maximum Opening	Application
SquareBolt® x SquareBolt®			
7250M x 7250M x M100	Panic	8' x 10'	Two independent active doors with removable mullion.
7250MF x 7250MF x M100	3 Hr.	8' x 8'	
Rim x Rim			
7200M x 7200M x M100	Panic	8' x 10'	Two independent active doors with removable mullion.
7200MF x 7200MF x M100F	3 Hr.	8' x 8'	

*UL does not set a door height limitation on panic applications.

7250M(F) SQUAREBOLT®

The unique construction of the 7250M(F) *SquareBolt* exit device offers innovative protection while maintaining the appearance of a narrow stile exit device. The patented square latchbolt design provides an improved physical barrier over standard pullman-type latchbolts. The 7250M(F) *SquareBolt* is designed for wide stile or flush doors and provides design continuity of the 7000 Series exit devices.



CERTIFICATION/COMPLIANCE

UL/cUL Listed: FVSR/FVSR7 - Panic hardware
GXHX/GXHX7 - Fire exit hardware (F)
(4' x 8' single, 8' x 8' pairs, 3 hr.)

ANSI Certified: A156.3, Type 4 or 28, Grade 1
BHMA Listed: Directory of Certified Products
U.S. Patent #: 5,605,362

FEATURES

- Patented *SquareBolt* security deadbolt (Pat. no. 5,605,362) designed for maximum holding power
- Non-handed for easy installation
- Maintains the look of the Yale® 7200 Series architectural exit devices, allowing for continuum in both design and finish
- Fully adjustable surface mounted 3/8" diameter roller strike complete with positive locking plate and shims
- Used with narrow stile trim

APPLICATIONS

- Single swing doors
- Pairs of doors with removable mullions
- Metal, wood or composite door materials

SPECIFICATIONS

Door Opening Width:	-36 for 30" - 36" (762 - 914mm) doors -48 for 36-1/2" - 48" (927 - 1219mm) doors Optional sizes can be special ordered. Consult Technical Product Support.
Door Thickness:	1-3/4" (44mm) standard. 2" (51mm) and 2-1/4" (57mm); specify when ordering
Minimum Stile Width:	4-1/2" (114mm)
Projection:	3-1/4" (83mm) active, 2-3/4" (70mm) dogged
Deadbolt:	Patented 1" (25mm) slide projection bolt with full 3/4" (19mm) projection
Strike:	757F standard, 793 optional (double door application)
Fasteners:	Machine screws and wood door fasteners standard for panic hardware. Sex nuts and bolts supplied standard for fire exit hardware.
Trims:	500F/510F Series trim
Options:	Cylinder dogging, Shim Kit # 723NS, Sex Nuts and Bolts
Warranty:	5-year limited

7200M(F) RIM

The 7200M(F) rim exit device provides the appearance of a narrow stile rim exit device for use on wide stile or flush doors. Utilizing the 7200M(F) with narrow stile trim provides design continuity and pleasing aesthetics when matching exit devices for inside doors to outside narrow stile doors.



CERTIFICATION/COMPLIANCE

UL/cUL Listed: FVSR/FVSR7 - Panic hardware
GXHX/GXHX7 - Fire exit hardware (F)
(4' x 8' single, 8' x 8' pairs, 3 hr.)

ANSI Certified: A156.3, Type 4, Grade 1
BHMA Listed: Directory of Certified Products

FEATURES

- Narrow stile appearance designed for wide stile or flush doors
- 3/4" throw deadlocking stainless steel pullman latchbolt
- Non-handed for easy installation
- Fully adjustable surface mounted 3/8" diameter roller strike complete with positive locking plate and shims

APPLICATIONS

- Single swing doors
- Pairs of doors with removable mullions
- Metal, wood or composite door materials

SPECIFICATIONS

Door Opening Width:	-36 for 30" - 36" (762 - 914mm) doors. -48 for 36-1/2" - 48" (927 - 1219mm) doors. Optional sizes can be special ordered. Consult Technical Product Support.
Door Thickness:	1-3/4" (44mm) standard. 2" (51mm) and 2-1/4" (57mm); specify when ordering.
Minimum Stile Width:	4-1/2" (114mm)
Projection:	3-1/4" (83mm) active, 2-3/4" (70mm) dogged
Latchbolt:	3/4" (19mm) deadlocking stainless steel Pullman type
Strike:	757 (panic), 757F (fire), 793 optional (double door application)
Fasteners:	Machine screws and wood door fasteners standard for panic hardware. Sex nuts and bolts supplied standard for fire exit hardware.
Trims:	500F/510F Series trim
Options:	Cylinder dogging, Shim Kit # 723NS, Sex Nuts and Bolts
Warranty:	5-year limited

7210M(F) SURFACE VERTICAL ROD

The 7210M(F) is a narrow appearance surface vertical rod exit device to be used on wide stile and flush metal or wood doors where two-point latching is desired.

CERTIFICATION/COMPLIANCE

UL/cUL Listed: FVSR/FVSR7 - Panic hardware
GXHX/GXHX7 - Fire exit hardware (F)
(8' x 8' pairs, 3 hr.)

ANSI Certified: A156.3, Type 5, Grade 1

BHMA Listed: Directory of Certified Products

FEATURES

- Narrow stile appearance designed for wide stile doors
- Handed. Specify hand (field reversible)
- Fully adjustable roller strike

APPLICATIONS

- Pairs of doors
- Double egress
- Metal, wood or composite door materials



SPECIFICATIONS

Door Opening Width:	-36 for 30" - 36" (762 - 914mm) doors. -48 for 36-1/2" - 48" (927 - 1219mm) doors. Optional sizes can be special ordered. Consult Technical Product Support.
Door Opening Height:	Standard door height 7'. Optional heights specify suffix -8 (fire and panic), -9, -10 (panic only).
Door Thickness:	1-3/4" (44mm) standard. 2" (51mm) and 2-1/4" (57mm); specify when ordering.
Minimum Stile Width:	4-1/2" (114mm)
Projection:	3-1/4" (83mm) active, 2-3/4" (70mm) dogged
Latchbolt:	Top: 3/4" (19mm) throw, pullman-type with automatic deadlatching. Bottom: 5/8" (16mm) throw deadbolt, held retracted during door swing.
Vertical Rods:	1/2" O.D. tubular brass, bronze or stainless steel with rod guides.
Strike:	Top: Roller type 791 (panic and fire). Bottom: Flush mounted 790 (panic and fire). 794 floor strike optional (threshold openings).
Fasteners:	Machine screws and wood door fasteners standard for panic hardware. Sex nuts and bolts supplied standard for fire exit hardware.
Trims:	500F/510F Series trim
Options:	Cylinder dogging, Shim Kit # 724NS, Sex Nuts and Bolts, bottom Pullman latch (panic only), -8, -9, -10 opening height, 7010-2, 7010-6, 7010-12 rod extensions.
Warranty:	5-year limited

7220M(F) CONCEALED VERTICAL ROD

The 7220M(F) is a narrow appearance concealed vertical rod exit device for wide stile and flush metal doors only and is to be utilized where two-point latching is desired.

CERTIFICATION/COMPLIANCE

UL/cUL Listed: FVSR/FVSR7 - Panic hardware
GXHX/GXHX7 - Fire exit hardware (F)
(8' x 8' pairs, 3 hr.)

ANSI Certified: A156.3, Type 8, Grade 1

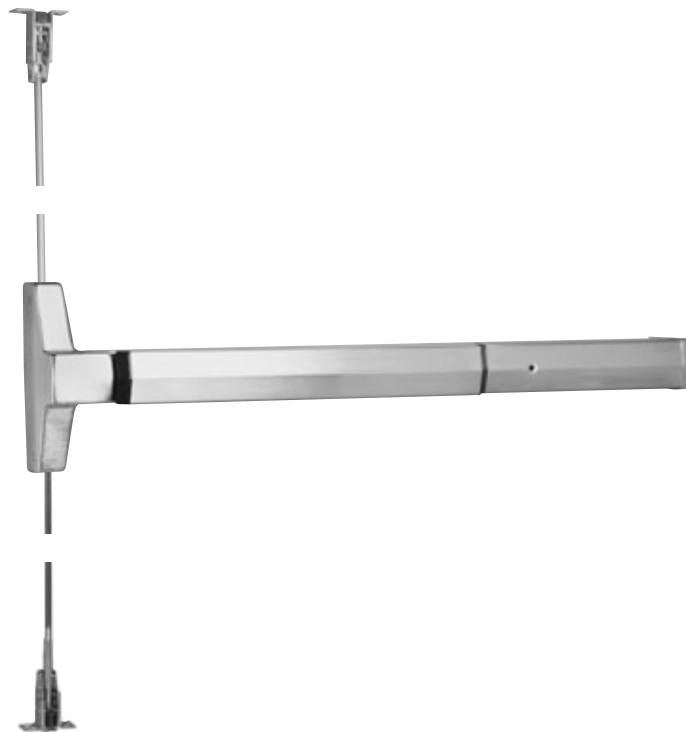
BHMA Listed: Directory of Certified Products

FEATURES

- Narrow stile look designed for wide stile doors
- Handed. Specify hand (field reversible)
- Bottom deadbolt for secure latching
- Fully adjustable roller strike

APPLICATIONS

- Pairs of doors
- Double egress
- Metal doors only



SPECIFICATIONS

Door Opening Width:	-36 for 30" - 36" (762 - 914mm) doors. -48 for 36-1/2" - 48" (927 - 1219mm) doors. Optional sizes can be special ordered. Consult Technical Product Support.
Door Opening Height:	Standard door height adjustable to 8'. Optional heights specify suffix -9, -10 (panic only).
Door Thickness:	1-3/4" (44mm) standard. 2" (51mm) and 2-1/4" (57mm); specify when ordering.
Minimum Stile Width:	4-1/2" (114mm)
Projection:	3-1/4" (83mm) active, 2-3/4" (70mm) dogged.
Latchbolt:	Top: 3/4" (19mm) throw, Pullman-type with automatic deadlatching. Bottom: 5/8" (16mm) throw deadbolt, held retracted during door swing.
Vertical Rods:	1/2" O.D. telescoping tubular rods.
Strike:	Top: Roller strike 791 (panic and fire). Bottom: Flush mounted 790 (panic and fire). 794 floor strike optional (threshold openings)
Fasteners:	Machine screws and wood door fasteners standard for panic hardware. Sex nuts and bolts supplied standard for fire exit hardware.
Trims:	500F/510F Series trim
Options:	Cylinder dogging, Shim Kit # 723NS, Sex Nuts and Bolts, bottom Pullman latch (panic only), -9, -10 opening height, 7010-2, 7010-6, 7010-12 rod extensions.
Warranty:	5-year limited.

7200M TRIM

121 & 500F SERIES NARROW ESCUTCHEON TRIM

- Through-bolted. 1-3/4" (44mm) door standard. For doors through 2-1/4" (57mm) or shim mounted devices, specify on order.
- Dimensions: see page 45.
- Accepts rim cylinders. For cylinder options, see page 44.
- Available with all lever and knob designs except CA. See page 45.
- Ordering example: 501F x 605
- 1-year limited warranty.

Applications	Exit Only Blank Plate	Nightlatch		Passage	Classroom/Storeroom	Dummy Trim	Passage	Dummy Trim	Passage or Dummy	Classroom/Storeroom	Classroom/Storeroom		
7200M(F) 7250M(F) 7210M(F) 7220M(F)	500F	121**	501F**	507F	503F*	505F	504F	509F	508F*	506F*	502F*		
ANSI	-	03	03	16	11/12	02	14	02	14/02	08/09	08/09		

*09, 12 and Free-Wheeling 02 achieved with simple trim modification at installation.

**Not recommended for use with surface or concealed vertical rod devices.

510F SERIES NARROW ESCUTCHEON TRIM

- Through-bolted: 1-3/4" (44mm) door standard. For doors through 2-1/4" (57mm) or shim mounted devices, specify on order.
- Dimensions: see page 45.
- Accepts rim cylinders. For cylinder options, see page 44.
- 1-year limited warranty.

Applications	Dummy Trim	Nightlatch	Passage	Classroom/Storeroom	Passage	Classroom/Storeroom	
7200M(F), 7250M(F), 7210M(F), 7220M(F)	514F	512F*	517F	513F	519F	518F	
ANSI	02	03	16	11/12	15	05/06	

*Not recommended for use with surface or concealed vertical rod devices.

LEVER AND KNOB DESIGNS

AR Arcadia 	AU Augusta 	CR Carmel 	JN Jefferson 	MO Monroe 	PB Pacific Beach
PN Pinehurst 	VI Virginia 	BR Brandywine 	CO Copenhagen 	LF Litchfield 	CA* Carolina

*CA knob available for 540F Series trim only.

7200 SERIES APPLICATIONS

INTRODUCTION

7200 Series narrow stile exit devices are designed for aluminum openings and are compatible with the aesthetics and functional requirements of contemporary glass doors. The device features lines chosen by leading architects and is available with the proven SquareBolt® exit device for increased security.

APPLICATIONS

Single Door	UL Listing	Maximum Opening	Application
SquareBolt®			
7250	Panic	4' x *	Surface applied; single-point latching.
Rim			
7200	Panic	4' x *	Surface applied; single-point latching.
Surface Vertical Rod			
7210	Panic	4' x *	Surface applied; two-point latching.
Concealed Vertical Rod			
7220	Panic	4' x *	Rods concealed in door; two-point latching.

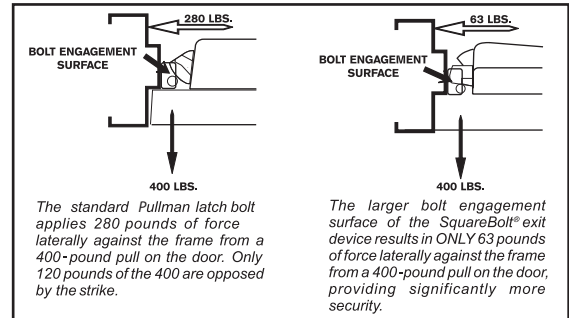
Pair of Doors	UL Listing	Maximum Opening	Application
Surface Vertical Rod			
7210 x 7210	Panic	8' x *	Two independent doors with two-point latching, swinging in the same direction.
Surface Vertical Rod (Double Egress)			
7210 x 7210	Panic	8' x *	Two independent doors with two-point latching, swinging in opposite directions.
Concealed Vertical Rod			
7220 x 7220	Panic	8' x *	Two independent metal doors with two-point latching, swinging in the same direction.
Concealed Vertical Rod (Double Egress)			
7220 x 7220	Panic	8' x *	Two independent metal doors with two-point latching, swinging in opposite directions.

Pair of Doors with Removable Mullion	UL Listing	Maximum Opening	Application
SquareBolt® x SquareBolt®			
7250 x 7250 x M300	Panic	8' x 10'	Two independent active doors with removable mullion.
Rim x Rim			
7200 x 7200 x M300	Panic	8' x 10'	Two independent active doors with removable mullion.

*UL does not set a door height limitation on panic applications.

7250 SQUAREBOLT®

The unique construction of the *SquareBolt* exit device offers innovative protection. The patented square latchbolt design provides an improved physical barrier over standard Pullman-type rim latchbolts. It locks into place and stays there. Credit cards, crowbars, door rattling and shaking are resisted, significantly reducing the threat of unauthorized entry, especially in applications that include removable mullions. The 7250 *SquareBolt* is designed for narrow stile doors.



CERTIFICATION/COMPLIANCE

UL/cUL Listed: FVSR/FVSR7 - Panic hardware

ANSI Certified: A156.3, Type 4 or 28, Grade 1

BHMA Listed: Directory of Certified Products

U.S. Patent #: 5,605,362

FEATURES

- Patented *SquareBolt* security deadbolt (Pat. no. 5,605,362) designed for maximum holding power
- Non-handed for easy installation
- Maintains the look of the Yale® 7200 Series architectural exit devices, allowing for continuity in both design and finish
- Fully adjustable surface mounted 3/8" diameter roller strike complete with positive locking plate and shims
- Used with narrow stile trim

APPLICATIONS

- Single swing narrow stile doors
- Pairs of narrow stile doors with removable mullions
- Metal and aluminum doors
- For panic-rated doors only

SPECIFICATIONS

Door Opening Width:	-36 for 30" - 36" (762 - 914mm) doors. -48 for 36-1/2" - 48" (927 - 1219mm) doors. Optional sizes can be special ordered. Consult Technical Product Support.
Door Thickness:	1-3/4" (44mm) standard. 2" (51mm) and 2-1/4" (57mm); specify when ordering.
Minimum Stile Width:	2" (51mm)
Projection:	3-1/4" (83mm) active, 2-3/4" (70mm) dogged
Deadbolt:	Patented 1" (25mm) slide projection bolt with full 3/4" (19mm) projection
Strike:	Standard: 759. Optional: 793 (double door applications)
Fasteners:	Machine screws standard for panic hardware
Trims:	500F/510F Series trim
Options:	Cylinder dogging, Shim Kit # 723NS, Sex Nuts and Bolts
Warranty:	5-year limited

7200 RIM

The 7200 is a narrow stile rim exit device compatible with the aesthetics and functional requirements of contemporary doors. The 7200 comes in varied finishes and can be combined with a variety of trims to match any desired style.



CERTIFICATION/COMPLIANCE

UL/cUL Listed: FVSR/FVSR7 - Panic hardware
ANSI Certified: A156.3, Type 4, Grade 1

BHMA Listed: Directory of Certified Products

FEATURES

- Designed for narrow stile doors
- 3/4" throw deadlocking stainless steel Pullman latch
- Non-handed for easy installation

APPLICATIONS

- Single swing narrow stile doors
- Pairs of narrow stile doors with removable mullions
- Metal and aluminum doors
- For panic-rated doors only

SPECIFICATIONS

Door Opening Width:	-36 for 30" - 36" (762 - 914mm) doors -48 for 36-1/2" - 48" (927 - 1219mm) doors Optional sizes can be special ordered. Consult Technical Product Support.
Door Thickness:	1-3/4" (44mm) standard. 2" (51mm) and 2-1/4" (57mm); specify when ordering.
Minimum Stile Width:	2" (51mm).
Projection:	3-1/4" (83mm) active, 2-3/4" (70mm) dogged.
Latchbolt:	3/4" (19mm) deadlocking stainless steel Pullman type.
Strike:	Standard: 759. Optional: 793 (double door applications).
Fasteners:	Machine screws standard for panic hardware.
Trims:	500F/510F Series trim.
Options	Cylinder dogging, Shim Kit # 723NS, Sex Nuts and Bolts.
Warranty:	5-year limited.

7210 SURFACE VERTICAL ROD

The 7210 is a narrow stile surface vertical rod exit device to be used on narrow stile, aluminum and metal doors where two-point latching is desired.

CERTIFICATION/COMPLIANCE

UL/cUL Listed: FVSR/FVSR7 - Panic hardware

ANSI Certified: A156.3 Type 5, Grade 1

BHMA Listed: Directory of Certified Products

FEATURES

- Designed for narrow stile doors
- Handed. Specify hand (field reversible)
- Bottom deadbolt for secure latching
- Fully adjustable roller strike

APPLICATIONS

- Pairs of narrow stile doors
- Metal and aluminum doors
- For panic-rated doors only



SPECIFICATIONS

Door Opening Width:	-36 for 30" - 36" (762 - 914mm) doors -48 for 36-1/2" - 48" (927 - 1219mm) doors Optional sizes can be special ordered. Consult Technical Product Support.
Door Opening Height:	Standard door height 7'. Optional heights specify suffix -8, -9, -10.
Door Thickness:	1-3/4" (44mm) standard. 2" (51mm) and 2-1/4" (57mm); specify when ordering.
Minimum Stile Width:	2" (51mm).
Projection:	3-1/4" (83mm) active, 2-3/4" (70mm) dogged.
Latchbolt:	Top: 3/4" (19mm) stainless steel throw, Pullman-type with automatic deadlatching. Bottom: 5/8" (16mm) throw deadbolt, held retracted during door swing.
Vertical Rods:	1/2" (13mm) O.D. tubular brass, bronze or stainless steel with rod guides.
Strike	Top: roller type 791. Bottom: flush mounted 790. 794 floor strike optional (threshold openings).
Fasteners:	Machine screws standard for panic hardware.
Trims:	500F/510F Series trim.
Options:	Cylinder dogging, Shim Kit # 724NS, Sex Nuts and Bolts, -8, -9, -10 opening height, 7010-2, 7010-6, 7010-12 rod extensions, bottom Pullman latch.
Warranty:	5-year limited.

7220 CONCEALED VERTICAL ROD

The 7220 is a narrow stile concealed vertical rod exit device to be used on narrow stile, aluminum and metal doors where two-point latching is desired.

CERTIFICATION/COMPLIANCE

UL/cUL Listed: FVSR/FVSR7 - Panic hardware

ANSI Certified: A156.3 Type 5, Grade 1

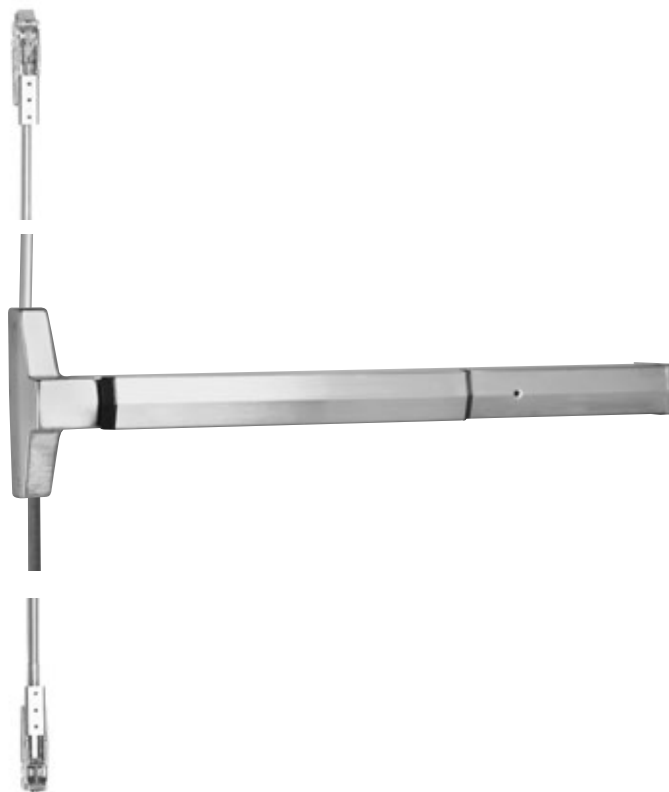
BHMA Listed: Directory of Certified Products

FEATURES

- Designed for narrow stile doors
- Handed. Specify hand (field reversible)
- Bottom deadbolt for secure latching
- Fully adjustable roller strike

APPLICATIONS

- Pairs of narrow stile doors
- Metal and aluminum doors
- For panic-rated doors only



SPECIFICATIONS

Door Opening Width:	-36 for 30" - 36" (762 - 914mm) doors -48 for 36-1/2" - 48" (927 - 1219mm) doors Optional sizes can be special ordered. Consult Technical Product Support.
Door Opening Height:	Standard door height adjustable to 8'. Optional heights specify suffix -9, -10
Door Thickness:	1-3/4" (44mm) standard. 2" (51mm) and 2-1/4" (57mm); specify when ordering.
Minimum Stile Width:	2" (51mm)
Projection:	3-1/4" (83mm) active, 2-3/4" (70mm) dogged
Latchbolt:	Top: 3/4" (19mm) throw, pullman-type with automatic deadlatching Bottom: 5/8" (16mm) throw deadbolt, held retracted during door swing
Vertical Rods:	1/2" (13mm) O.D. telescoping tubular rods
Strike:	Top: roller type 791. Bottom: flush mounted 790. 794 floor strike optional (threshold openings)
Fasteners:	Machine screws and wood door fasteners standard for panic devices.
Trims:	500F/510F Series trim
Options:	Cylinder dogging, Shim Kit # 723NS, Sex Nuts and Bolts, -9, -10 opening height, 7010-2, 7010-6, 7010-12 rod extensions, bottom Pullman latch.
Warranty:	5-year limited

7200 SERIES TRIM

121 & 500F SERIES NARROW ESCUTCHEON TRIM

- Through-bolted. 1-3/4" (44mm) door standard. For doors through 2-1/4" (57mm) or shim mounted devices, specify on order.
- Dimensions: see page 45.
- Accepts rim cylinders. For cylinder options, see page 44.
- Available with all lever and knob designs except CA. See page 45.
- Ordering example: 508F x 605
- 1-year limited warranty.

Applications	Exit Only Blank Plate	Nightlatch	Passage	Classroom/Storeroom	Dummy Trim	Passage	Dummy Trim	Passage or Dummy	Classroom/Storeroom	Classroom/Storeroom	
7200 7210 7220 7250	500F	121**	501F**	507F	503F*	505F	504F	509F	508F*	506F*	502F*
ANSI	-	03	03	16	11/12	02	14	02	14/02	08/09	08/09

*09, 12 and Free-Wheeling 02 achieved with simple trim modification at installation.

**Not recommended for use with surface or concealed vertical rod devices.

510F SERIES NARROW ESCUTCHEON TRIM

- Through-bolted: 1-3/4" (44mm) door standard. For doors through 2-1/4" (57mm) or shim mounted devices, specify on order.
- Dimensions: see page 45.
- Accepts rim cylinders. For cylinder options, see page 44.
- Ordering example: 519F x 606
- 1-year limited warranty.

Applications	Dummy Trim	Nightlatch	Passage	Classroom/Storeroom	Passage	Classroom/Storeroom
7200, 7210, 7220, 7250	514F	512F*	517F	513F	519F	518F
ANSI	02	03	16	11/12	15	05/06

*Not recommended for use with surface or concealed vertical rod devices.

LEVER AND KNOB DESIGNS

AR Arcadia 	AU Augusta 	CR Carmel 	JN Jefferson 	MO Monroe 	PB Pacific Beach
PN Pinehurst 	VI Virginia 	BR Brandywine 	CO Copenhagen 	LF Litchfield 	CA* Carolina

*CA knob available for 540F Series trim only.

ELECTRIFIED EXIT DEVICES

The Yale® 7000 Series exit devices offer a complete range of electrical options. A continuity in appearance, security and functions with the 7000 Series mechanical exit device is maintained. These electrified exit devices may be integrated into the monitoring security and alarm systems of most buildings.

ELECTRIFIED OPTIONS CHART FOR YALE® EXIT DEVICES

Model #	Exit Device Description	A	B	D	G	O	P	S	SAFE	SECURE	690F	691F
7100 (F)	Rim Exit Device (Std.)	x	x	x	x	x	x	x			x	x
7110 (F)	Surface Vertical Rod (Std.)	x	x	x	x	x	x				x	x
7120 (F)	Concealed Vertical Rod (Std.)	x	x	x	x	x	x	x				
7130 (F)	Mortise Exit Device (Std.)	x	x	x	x	x	x	x	x	x		
7150 (F)	Rim SquareBolt® Device (Std.)	x	x	x	x	x	x	x			x	x
7160 (F90)	Concealed Vertical Rod (Std.)	x	x	x	x	x	x	x				
7170 (F90)	Surface Vertical Rod (Std.)	x	x	x	x	x	x				x	x
7200 (M)(F)	Rim Exit Device (Narrow)	x	x	x	x		x	x				
7250 (M)(F)	Rim SquareBolt® Device (Narrow)	x	x	x	x		x	x				
7210 (M)(F)	Surface Vertical Rod (Narrow)	x	x	x	x		x					
7220 (M)(F)	Concealed Vertical Rod (Narrow)	x	x	x	x		x	x				

ELECTRIFIED HARDWARE OPTION DESCRIPTIONS FOR YALE® EXIT DEVICES

A	Alarm Option
B	Touchbar Monitor
D	SecureX® (Delayed Egress)
G	Electric Dogging
O	Trim Monitor
P	Latch Retraction
S	Bolt Monitor
SAFE*	Fail Safe Operation
SECURE*	Fail Secure Operation
690F	Fail Safe Electrified Trim
691F	Fail Secure Electrified Trim

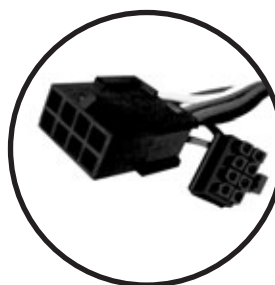
*Lever function trims only

Note: The following options cannot be ordered together: 1) P, G, or D 2) B or A 3) D, B or A 4) P, S and A on surface vertical rod



What normally took an hour or more to connect now takes minutes. Yale electrified exit devices and trims are equipped with ElectroLynx™ connectors. As a standard feature, these “plug & play” connectors link power from the incoming source to electrified locking products, including hinges, locks, exit devices, magnetic holders and strikes.

Note: Electrified door hardware with ElectroLynx™ connectors require a compatible number of lead wires attached to the door hinge.



ELECTRIFIED EXIT DEVICES

ELECTRIC LATCH RETRACTION “P”

Operation

Allows the latchbolt to be retracted electrically for momentary or maintained periods of time from a remote location. Device bolts remain retracted (push/pull) for as long as the device is energized. Removal of power returns the device to the life safety, self-latching mechanical mode. Easy interface with central or local fire alarm systems, automatic door operators, and access control systems. Allows free egress at all times. Manual hex key dogging standard on non-rated devices.

Electrical Specifications

Solenoid Assembly

- Continuous duty
- 5.5 volt solenoid with a 36-volt holding magnet (.172 amp seated)
- 9 amp inrush
- Requires a 4-wire minimum pivot or hinge to transfer power from frame to door.
- Requires the 781N controller for operation (USING ANY OTHER POWER SUPPLY VOIDS THE WARRANTY OF THE DEVICE.)

Listings

UL/cUL listed for panic and fire exit hardware. Fire-rated devices must be wired into an automatic fire alarm system.

Applications

Rim: 7100(F), 7200, 7200M(F)
SquareBolt®: 7150(F), 7250, 7250M(F)
SVR: 7110(F), 7170(F90), 7210, 7210M(F)
CVR: 7120(F), 7160(F90), 7220, 7220M(F)
Mortise: 7130(F)

Ordering

Suffix “P” to the Model Number. Ex: 7100P.

ELECTRIC DOGGING “G”

Operation

Provides continuous latch retraction and pushpad dogging simultaneously. When power is applied to the device, depressing the pushpad will retract the latchbolt and continuously hold down the pushpad in the unlock position for push/pull operation. Removal or interruption of power will release the pushpad and the latchbolt will extend and secure the opening. For use in areas that require quiet door operation. Exit device allows free egress at all times.

Electrical Specifications

- 2 Holding Magnets
- .35 amps @ 24VDC

Requires a 2-wire pivot or hinge and a standard 24VDC regulated and filtered power source (Recommended Folger Adam® MPS10 power supplies)

Listings

UL/cUL listed for panic and fire exit hardware. Fire-rated devices must be wired into an automatic fire alarm system.

Applications

Rim: 7100(F), 7200, 7200M(F)
SquareBolt: 7150(F), 7250, 7250M(F)
SVR: 7110(F), 7170(F90), 7210, 7210M(F)
CVR: 7120(F), 7160(F90), 7220, 7220M(F)
Mortise: 7130(F)

Ordering

Suffix “G” to the Model Number. Ex: 7150G.

MORTISE DEVICE TRIM CONTROL “SAFE/SECURE”

Operation

Allows the outside trim to lock or unlock electrically from a remote location. Exit device allows free egress at all times.

Fail Safe devices are commonly used in stair towers or locations that require the trim to unlock when power is removed or during fire alarm activation.

Fail Secure devices are used to secure openings and are usually integrated into the building security system to allow access control. Fail Secure trims remain locked when power is removed.

Electrical Specifications

Solenoid

- .35 amps @ 24VDC only (12 volt not available)
- Continuous duty
- Requires a 2-wire pivot or hinge and a standard 24VDC regulated and filtered power source (Recommended Folger Adam® MPS10 power supplies)

Listings

UL/cUL listed for panic and fire exit hardware.

Applications

Mortise: 7130(F) - lever functions only

Ordering

“Safe” – Maintains the outside trim in a locked state when energized. Removal of power unlocks outside trim.

“Secure” – Unlocks the outside trim when energized. Remains locked when power is removed.

Suffix “SAFE” or “SECURE” to the Model Number. Ex: 7130 x L5 x Safe.

SECUREX® DELAYED EGRESS

SECUREX™ “D”

The SecureX® delayed egress exit device provides additional security and safety in a strong line of panic and fire hardware. *SecureX* is an electromechanical device used to secure interior or exterior openings.

OPERATION

An exit door is normally closed and latched. The delayed egress device secures the door in the locked mode with the Red LED indicating locked mode status. Depressing the pushpad for less than three seconds will cause the device to beep without initiating the alarm. Depressing the pushpad for three seconds or longer will initiate an irreversible local audible beeping tone and a visual amber indicator. The person depressing the pushpad is denied egress for 15 or 30 seconds while alarm signals unauthorized egress. After the factory-set delay time (15 or 30 seconds), the device releases for egress, the LED changes to Green and the beep changes to a steady tone which continues to alarm until reset. The remote monitoring contact outputs can be used to alert security personnel.

Note: The 15-second time delay is standard. (Optional 30-seconds may be accepted by local jurisdiction.)

APPLICATIONS

- For use on hollow metal interior or exterior doors.
- Available for 7100(F), 7200M(F) and 7200 Series rim, SquareBolt®, surface vertical rod, concealed vertical rod and mortise panic and fire-rated exit devices. For surface vertical rod exit devices, rod and latch guards (provided by other) must be used.
- Complies with NFPA 101 “Code For Safety To Life From Buildings And Structures” by National Fire Protection Association.
- BOCA options available to comply with National Building Code requirements. BOCA option is not suitable for installations in accordance with NFPA 101.



- 1-3/4" door thickness standard; 2" and 2-1/4" optional; specify when ordering.
- Standard 36" device fits doors 35"-36" Device cannot be cut less than 35".
- Option -48 fits doors 41"-48". Devices cannot be cut less than 41".

STANDARD FEATURES

Key Switch Operation:

- **Normal:** The system is armed by applying power to the device (solid Red LED). Depressing the pushpad for more than the nuisance delay time starts the exit delay cycle.
- **Bypass:** Turning the key switch clockwise to the bypass position allows immediate egress without alarming. The bar functions as a standard exit device (Red LED flashes slowly).
- **Reset/Delay:** Used to reset device after the factory-set 15 or 30-second delay cycle has timed out. **Rearm:** If the device is armed, turning the key counterclockwise to the reset mode will release the device without alarm for egress and will rearm after 10 seconds (Red LED flashes quickly).

Local Visual Status Indicator:

- **RED:** The exit device is secure and the delayed egress circuitry is energized.
- **AMBER:** The egress cycle has started, indicated by an irreversible local audible beeping tone.
- **GREEN:** The exit device is in alarm and has released.

Nuisance Delay Time:

- Depressing the pushpad for less than three seconds sounds an audible beep without activating the irreversible alarm sequence. (Immediate alarm can be selected by removing a jumper on the control board.)

Internal Alarm Siren:

- When armed, depressing the pushpad initiates the internal 85db alarm siren.

Remote Control Inputs:

- **Remote Reset:** Accepts a momentary contact (keyswitch, pushbutton, etc) to reset the unit during alarm or allows momentary egress (10 seconds) when the unit is armed.
- **Remote Bypass:** Accepts a momentary contact to put the unit in a maintained bypass operation. The exit device functions as a standard device.

Alarm Outputs:

- Two sets of normally open and normally closed contacts. Contacts change only during alarm status. One set of contacts changes when device delay cycle has started (Alarm). One set of contacts changes when device has released (Secure).

Door Sign:

- Door sign per code included.

REQUIRED ACCESSORIES

Power Supply:

A regulated and filtered power supply with a fire alarm interface is required. 1 Amp minimum @ 24VDC per device. Special options will require more amperage. Consult factory. Recommend: Folger Adam® FA BPS Series.

Power Transfer:

Allows the power cable to make the transition from frame to door without pinching or removal of insulation.

TRIM

SecureX may be used with any 7000 series trim. The 600F Series heavy-duty trim is recommended.

SECUREX® DELAYED EGRESS

OPTIONS

Security Package “H”:

- An internal door position switch that gives added security to the opening and is recommended. When using this option the alarm will sound if the door is not closed and latched when arming the device or if the door is forced open when the device is armed.
- To order, suffix “H”.
- NOTE: Available for 7100(F) Rim and 7150(F) SquareBolt® devices only.

Latchbolt Monitor “S”:

- Used to monitor the positions of the latchbolt or vertical rods (SPDT switch).
- To order, suffix “S”.

Trim Monitor Switch “O”:

- Used when outside trim is desired. This switch will allow Bypass (disarms device) when the trim is used for ingress. The device will need to be reset upon entry by means of the keyswitch on the device or a remote switch.
- To order, suffix “O”.
- NOTE: If the security package or external DPS is not used, standard trim will allow entry without affecting the device in an armed mode. The device will only be affected when the pushpad is depressed.

NFPA 101 Requirements:

- 15- & 30-Second Delay
- Upon depressing the pushpad for 3 seconds, SecureX® will sound an audible beeping tone and allow the door to be opened after 15 (or 30) seconds. The tone will then change to a continuous alarm until reset. Resetting of the alarm and re-arming of the device is accomplished by manual means only.
 - To order, specify NFPA 15-second or NFPA 30-second.
 - Purchase orders that do not have an option noted will default to the NFPA 15-second delay.
 - NOTE: Where approved by the authority having jurisdiction, a delay not exceeding 30 seconds shall be permitted.

BOCA Requirements:

15- & 30-Second Delay

- Upon depressing the pushpad for 1 second, SecureX will sound an audible beeping tone and allow the door to be opened within 15 (or 30) seconds. The tone will then change to a continuous alarm until reset. Resetting of the alarm and re-arming of the device occurs automatically once the door has been returned to the closed position for 30 seconds. The 30-second re-arming timer will re-start if the pushpad is depressed or the door is re-opened before actual re-arming of the device occurs. A DPS (Door Position Switch) is required for the BOCA option.
- To order specify BOCA 15-second or BOCA 30-second.
- Purchase orders that do not have an option noted will default to the NFPA 15-second delay.
- NOTE: An increase in the egress delay to 30 seconds shall not be permitted except as approved by the authority having jurisdiction.

Electric Trim Control - “SAFE” or “SECURE”:

- The mortise delayed egress exit device can be ordered with fail safe or fail secure outside trim operation. In a fire condition the fail safe trim will release for entry. When access control is used the fail secure trim allows entry by means of a remote card reader, keyswitch, pushbutton, etc.
- To order, suffix “Safe” or “Secure”.
- NOTE: The trim will open the door without affecting the device in an armed condition, if a door position switch is not used.

See 690/691 electric trim for rim and vertical rod devices.

FINISHES

BHMA 605, 606, 611, 612, 613, 625, 626, 629, 630.

CYLINDERS

Utilizes a 1-1/8" mortise cylinder with a 2160 cam. Cylinder not included unless specified. See page 44.

WARRANTY

7000 Series exit devices and heavy duty trim carry a 5-year limited warranty. Electronic components and utility trim carry a 1-year limited warranty.

SPECIFICATION

Specifications:

- Input Voltage 24VDC (+/- 10%)

Power Consumption:

- Standard Device: 500 mA
- Device with Security Package: 750 mA
- Device with Electric Mortise Trim Control: 1.25 Amps

CERTIFICATIONS & LISTINGS

UL/cUL Listed: FUKD/FUKD7 - Controlled Exit Panic Devices
 FWAX/FWAX7 - Special Locking Arrangements
 GXHX/GXHX7 - Fire Exit Hardware
 ANSI Certified: A156.3 & A156.24
 BHMA Listed: Directory of Certified Products

ORDERING INFORMATION

- Suffix “D” after device.
 Example: 7150FD

ALARM KIT & ELECTRIC TRIM

ALARM KIT "A"



Activation: Alarm is armed by turning key clockwise. Low audible chirp indicates alarm has been activated. Alarm will sound when the exit device pushpad is depressed. Factory preset for standard alarm mode which automatically resets after 5 minutes.

Continuous Alarm Mode: Alarm sounds continuous when the exit device pushpad is depressed. Alarm must be manually reset by keyswitch. (This feature is selected by a switch on the circuit board.)

Low Battery Warning: Audible chirp.

Nuisance Alarm: Factory preset for instant alarm. Selectable feature for alarm to sound when pushpad is depressed for more than 2 seconds. (This feature is selected by a switch on the circuit board.)

Arming Delay/Authorized Egress: 10-second delay (after arming) permitting egress (by turning key clockwise).

Alarm Shunt: Ingress shunt alarm input for devices with bolt status (S) monitor. NOTE: "S" included with SVR devices.

Power Requirements: One 9-Volt Battery (included).

Loudness: 90db @ 10 feet.

Arm/Disarm: Uses one 1-1/8" straight cam mortise cylinder. Clockwise turn arms the alarm, counter clockwise turn disarms or silences the alarm.

Device Status: A Red LED indicator will illuminate every 30 seconds when the alarm is armed.

Tamper Resistant: Built-in safety monitor sounds alarm when tampering occurs.

Warning Decal: "EMERGENCY EXIT - ALARM WILL SOUND"

Applications: Rim: 7100(F), 7200, 7200M(F); SquareBolt®: 7150(F), 7250, 7250M(F); SVR: 7110(F), 7170(F90), 7210, 7210M(F); CVR: 7120(F), 7160(F90), 7220, 7220M(F); Mortise: 7130(F)

Kit: Available in kit form for field retrofit.

Bar Length: Available for 36" - 48" devices only. May not be used on bars less than 36".

- Standard 36" device fits doors 35" - 36" Device cannot be cut less than 35".
- Option -48 fits doors 41" - 48". Devices cannot be cut less than 41".

How to Order: Specify 7116 for alarm kit. Suffix -"A" when ordering with device. Ex: 7150-A.

NOTE: The 7116 alarm kit cannot be retrofitted in the field to the 7110(F), 7170(F), 7210 or 7210M(F) surface vertical rod exit devices. This option is available as a factory order only for these devices. Any attempt to retrofit the 7116 alarm kit with these surface vertical rod exit devices will void the warranties for these products.

ELECTRIC TRIM



The electrified 600 Series heavy-duty trim provides electric locking and unlocking of trim. Ideal for door control where increased security is necessary at all times, while meeting life safety codes.

Electric trim is ideal for many applications, including stairwell towers, high-security areas, schools, hospitals, and factories.

Functions

690F Trim - Fail Safe

- Lever is locked when power is on (Free-Wheeling)
- Power off allows entry from trim
- Inside device is always active for egress
- Mechanical key override (09 Function - Key allows lever to retract latchbolt. Key can only be removed in locked position)

691F Trim - Fail Secure

- Lever is locked when power is off (Free-Wheeling)
- Power on allows lever activation for entry
- Inside device is always active for egress
- Mechanical key override (09 Function - Key allows lever to retract latchbolt. Key can only be removed in locked position.)

Features

- Utilizes 600 Series heavy-duty trim
- Accepts all standard lever designs
- Plug connector with 4' wire lead (Exit device is used as wire raceway, not door)
- Key Override - Requires rim cylinder (sold separately)

Applications

- 7100(F) Rim Device
- 7150(F) SquareBolt®
- 7110(F), 7170(F90) Surface Vertical Rod

Electrical Specifications

- 330 mA @ 24 Volts
- SM - Security Monitor Switch
- 4 AMP @ 250VAC
- Voltage: 24 VAC/VDC only

FABPS Series Folger Adam® power supplies recommended.

Options

- SM - Security Monitor. A SPDT switch that monitors the position of the solenoid (lock and unlock status).
- EX - Trim gasket for exterior applications.

MONITORS AND SIGNAL SWITCHES

PUSHPAD MONITORING “B”

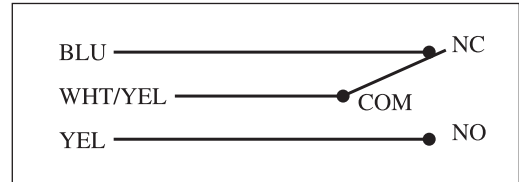
Provides indication of the pushpad being depressed. Used as a Request to Exit switch to shunt alarm systems, release electromagnetic locks or monitor egress.

Note: Not available on “D” Delayed Egress devices or with the “A” Alarm kit option.

Electrical Specifications: 4 Amps @ 250VAC contacts

Listings: UL/cUL listed for panic and fire exit hardware.

Applications: Rim: 7100(F), 7200, 7200M(F)
 SquareBolt®: 7150(F), 7250, 7250M(F)
 SVR: 7110(F), 7170(F90), 7210, 7210M(F)
 CVR: 7120(F), 7160(F90), 7220, 7220M(F)
 Mortise: 7130(F)



Ordering: Suffix “B” to the Model Number. Ex: 7120B.

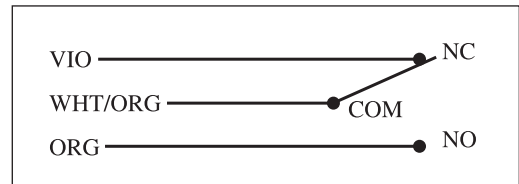
BOLT POSITION MONITORING “S”

Provides indication on the position of the latchbolt. Used with security systems to monitor the latchbolt, also used to activate automatic door operators upon latch retractions.

Electrical Specifications: SPDT contacts rated 5 amp @ 28VDC

Listings: UL/cUL listed for panic and fire exit hardware.

Applications: Rim: 7100(F), 7200, 7200M(F)
 SquareBolt®: 7150(F), 7250, 7250M(F)
 SVR: 7110(F), 7170(F90), 7210, 7210M(F)
 CVR: 7120(F), 7160(F90), 7220, 7220M(F)
 Mortise: 7130(F)



Ordering: Suffix “S” to the Model Number. Ex: 7120S.

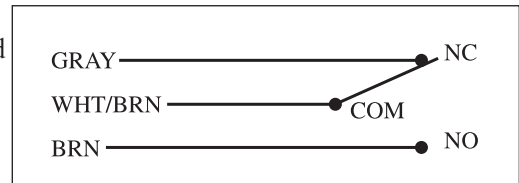
OUTSIDE TRIM MONITORING “O”

Provides indication of the trim being operated from the outside. Used as a Request to Enter signal switch to shunt alarms, also used to monitor entry.

Electrical Specifications: SPDT contacts rated 5 amp @ 28VDC

Listings: UL/cUL listed for panic and fire exit hardware.

Applications: Rim: 7100(F)
 SquareBolt®: 7150(F)
 SVR: 7110(F), 7160(F90)
 CVR: 7120(F), 7170(F90)
 Mortise: 7130(F)



Ordering: Suffix “O” to the Model Number. Ex: 7150O.

ELECTRIFIED EXIT DEVICE ACCESSORIES

781N POWER CONTROL



Operation

Designed to control one or two electric latch retraction “P” exit devices. Equipped with two 20-second timers which can operate the exit devices together or independently. Requires a momentary or timed, dry contact input and can be interfaced with access control systems, automatic door operators, “blow open” type scenarios and has provisions for N/C fire alarm systems.

Note: The 781N is required for use with the “P” latch retraction option. Using any other power supply with the “P” option voids the warranty of the device.

Features

- 2 control inputs. Accepts normally closed dry contacts for device activation from a key switch, push button, access control or fire alarm system.
- 2 normally open control outputs for automatic door operators
- 2 “P” device outputs
- Fire Alarm Interface input
- 12VDC output for audible or LEDs .25 AMP
- 24VDC output for audible or LEDs .25 AMP

Wiring

Up to 40 feet: 16 AWG wire
 Up to 60 feet: 14 AWG wire
 Up to 100 feet: 12 AWG wire

Electrical Specifications

- 120VAC or 120VAC 60 Hz Power input
- 9 amp inrush for 100 milliseconds

Listings

Listed as an Exit Device Control Unit to UL 294 requirements.

Applications

“P” Electric Latch Retraction Option

Ordering

781N Controller

FABPS POWER SUPPLY BY FOLGER ADAM®

Operation

Power supplies are designed to provide reliable filtered and regulated power for long life to a variety of electrified hardware components.

Recommended for the Safe, Secure, G and D options and 690/691 electric trim. Consult the Folger Adam® catalog for additional information on options and accessories.

Product Features

- Individual output circuit breakers
- Regulated and filtered fuse protected outputs
- LEDs monitor zone status (voltage or no voltage)
- Slide switches connect or disconnect load from power (Not available on 1 Amp supplies)
- Internal Back-Up Battery charging circuit
- Rugged steel enclosure
- Fire alarm interface

Listings

- UL CLASS 2

Applications (use with):

- D – Delayed Egress
- G – Electric Dogging
- Safe – Fail Safe mortise device trim control
- Secure – Fail Secure mortise device trim control
- 690/691 – Electric Trim

Ordering

Ex: FABPS-24-4

SECUREX® POWER SUPPLY REQUIREMENTS

Model	Input	Output	Application
FABPS-24-1	120 VAC	1 amp @ 24 VDC	1 “D”
FABPS-24-2	120 VAC	2 amp @ 24 VDC	2 “D” or 1 “D” with Safe or Secure
FABPS-24-4	120 VAC	4 amp @ 24 VDC	4 “D” or 3 “D” with Safe or Secure

Consult factory for additional power supply applications.

ELECTRIFIED EXIT DEVICE ACCESSORIES

EPT & EPTL

Patented electric power transfer is concealed in the door and frame edges, maintaining aesthetics and security. A unique advantage is that the EPT/EPTL accepts interior wire cables up to .25" (6mm) thick and protects the wires with a flexible steel shield. Suitable for applications where a relatively large current is required, and works with doors hung with butt hinges, continuous hinges and pivots.

Note: It will not function on a center pivot door due to the large gap between the door and frame edges when the door is open.

To order, specify:

EPT: Concealed Transfer for up to 120° swing doors

EPTL: Concealed Transfer for over 120° swing doors



ACCESSORIES BY FOLGER ADAM®

The following *Folger Adam* accessories can be integrated into an electronic package using 7000 series electrified exit devices and trims. These accessories must be ordered through *Folger Adam*. Reference the *Folger Adam* catalog for additional technical and ordering information.



REAR VIEW

Power Transfer Hinges 4-1/2 x 4-1/2 (McKinney)

PTH-2: 2 conductor

PTH-4: 4 conductor

PTH-10: 10 conductor

Electrical Specifications: 22 AWG, 5A @ 24V AC/DC

Finishes: 605, 612, 613, 625, 626

FATSB-C Door Cord 18"
(Less Wires)



Annunciators for SecureX®

101-1A: Remote or local single door annunciator with alarm and tricolor LED

101AK: Remote or local single door annunciator with 2-function key switch for reset and bypass, and audible alarm mute button with tri-color LED (2 gang). Accepts standard 1-1/8" to 1-1/4" mortise cylinder.

FOLGER ADAM® PUSH BUTTONS & KEY SWITCHES

FOLGER ADAM® HEAVY-DUTY PUSH BUTTON SWITCHES - 5, 6 AND 10 AMP

Push Buttons

FAPB Series

- Mounted on Brushed Stainless Steel plates
- Includes Exit Prompt
- Momentary or Alternate Action
- Illuminated Options

Model	Description
FAPB2	Push Button 2" Square Mom. Single Gang Illum.
FAPB3	Push Button 3/4" Rectangle Mom. Single Gang Illum.
FAPB3ER	Push Button Remote Mom. Surface Mount
PB3EA	Push Button 3/4" Rectangle Alt. Single Gang



FAPB2



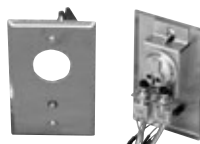
FAPB3



FAPB3ER

FOLGER ADAM® KEY SWITCHES (FAMK SERIES)

Model	Switch Description
FAMKA	Alternate Action SPDT
FAMK	Momentary SPDT
FAMK2	Momentary DPDT
FAMKAN	Alternate Action Narrow Stile SPDT
FAMKN	Momentary Narrow Stile SPDT
FAMKPZX MKS	Momentary x Momentary De Piezo



FAMK Series



FAMKN Series

Key switch Features

- Standard 12/24 VDC bi-color LED (Red/Green)
- 5 AMP rated SPDT plunger switch
- Accepts 1-1/4" or 1-1/8" mortise cylinder (not included)
- UL Listed

Note: Detailed information is available on all of the products listed above through the Folger Adam® catalog or at www.folgeradamdoorcontrols.com

Key switches require a straight cam, cam #1161. Ordering example: 1152 - 1-1/8 - 1161

DIGITAL ENTRY SYSTEMS

Low Security

FADK-11 (Indoor Use)

Product Features:

- 4 Individual User Codes
- 12 button keypad (10 digits plus "*" and "#")
- Single gang, stainless steel plate with plastic backbox
- 5 Amp SPDT timed, control relay output
- Two LEDs are standard (Red/Green)

Current Draw and Voltage:

- 70mA @ 12 or 24VDC



Medium to High Security

FADK-26SS (Stainless Steel) Narrow Stile (Indoor or Outdoor Use)

FADK-16 (Indoor Use) Mounts in Single Gang Box

Product Features:

- Cast stainless steel with 11 EPDM rubber keys (FADK-26)
- Weatherproof and vandal resistant (FADK-26)
- Mounts on a narrow mullion (FADK-26)
- True 10-digit operation
- Remote circuit board enclosure for security
- 5 Amp DPDT relay output for lock control and alarm shunt, camera call-up or other device interface or as a REX input
- 16 Ft. 12 conductor 22-gauge cable
- 3 LEDs and a bell button

Current Draw and Voltage:

- 7 mA@rest, 160mA active 12VAC or VDC
- 20mA@rest, 190mA active, 24VAC or VDC

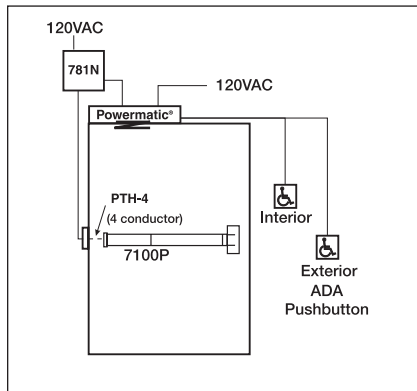


- Wiring diagrams are available for complete turn-key packages involving electrified hardware and components.

ELECTRIFIED SYSTEM GUIDE

LATCH PULLBACK

Electric Latch Pullback Interfaced with an Automatic Door Operator



Components

- 7100P Latch Retraction
- 781N Controller
- PowerMatic® Door Operator by Norton®
- ADA Pushbuttons #661 by Norton
- PTH-4 by Folger Adam® wire transfer hinge

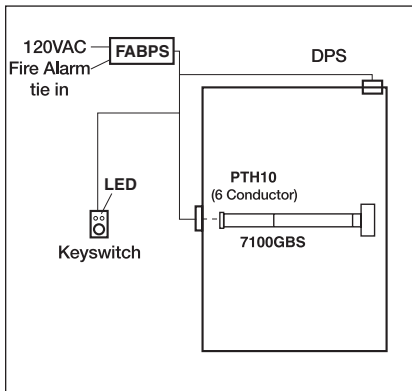
Operation

Exit device allows free egress at all times.

Activating the interior or exterior pushbutton retracts the latchbolt in the device and the door automatically opens. Door closes and relatches after hold open time has elapsed in the operator.

ELECTRIC DOGGING

Electric Dogging with Monitor Functions



Components

- 7100GBS Electric Dogging Device with Touchbar Monitor
- MPS10 Power Supply with fire alarm interface
- Keyswitch with a Red and a Green LED
- DPS (door position switch) by Folger Adam
- PTH-10 by Folger Adam wire transfer hinge

Operation

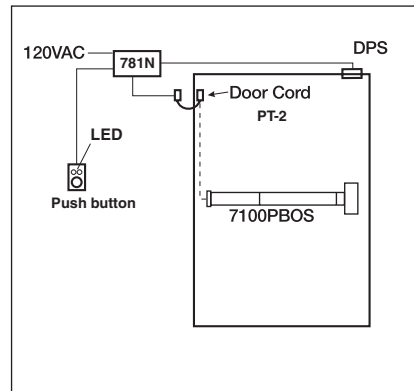
Exit device allows free egress at all times.

Activating the maintained keyswitch applies power to the 7100GBS device. The first mechanical depression of the pushpad will retract the latchbolt and hold the pushpad down in a dogged position. Fire alarm activation, interruption of power or turning the keyswitch off will release the pushpad and the latch will extend.

- The Green LED illuminates when power is on, and the pushpad can be depressed and dogged.
- The Red LED illuminates when power is off, the door is closed and the device is latched and secure.

MONITOR FUNCTIONS

Electric Latch Retraction with Monitor Functions



Components

- 7100PBOS, Exit Device with Touchbar, Outside Trim and Bolt Position Monitors
- 781N Controller
- Momentary Pushbutton with Red and Green LED
- DPS (door position switch) by Folger Adam
- PTH-2 Door Cord by Folger Adam

Operation

Exit device allows free egress at all times.

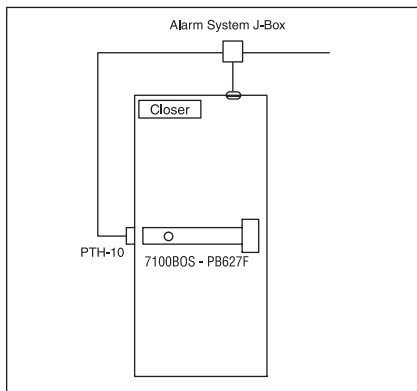
Activating the 402 x L2 push button retracts the latchbolt from a remote location.

- The Red LED indicates that the door is closed and latched.
- The Green LED illuminates when any of the following situations occur:
 - The pushpad is depressed
 - Tampering or retraction of the latchbolt
 - Operation of outside trim
 - Opening of door

ELECTRIFIED SYSTEM GUIDE

MONITOR FUNCTIONS

Rim Exit Device with High Security Application



Components

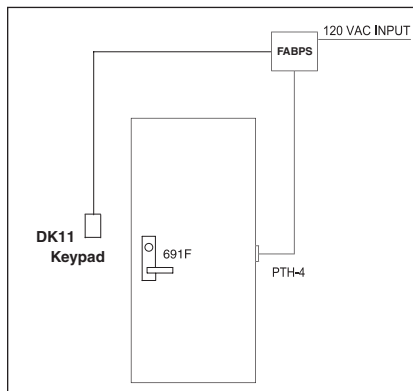
- 7100 - PB627F Nightlatch Trim - Yale®
- S Bolt Position Monitor Switch
- B Pushpad Monitor Switch
- O Trim Monitor Switch
- Door Position Switch - Folger Adam®
- PTH-10 Power Transfer Hinge - Folger Adam
- Surface Door Closer - Yale

Operation

Operation of the 7100 Exit Device with the S, B, O and ASSW-104A can be used together or individually to sound an alarm, shunt an alarm, monitor the door's security or as a "Request to Exit" in conjunction a magnetic lock.

ELECTRIC TRIM

Rim Exit Device with Electrified Trim



Components

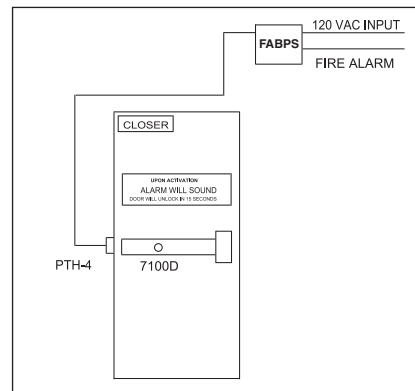
- 691F Electrified Trim - Yale
- 7100 Rim Exit Device - Yale
- Digital Keypad by Folger Adam
- PTH-4 Electrified Hinge by Folger Adam
- MPS10 Power Supply by Folger Adam

Operation

Operation of the Digital Keypad will allow keyless entry from the non-protected side of the opening. When a valid code is entered into the keypad, voltage will be applied to the trim, making the lever active and allowing ingress. Free exit is allowed by using the exit device from the protected side of the door.

DELAYED EGRESS

Rim Exit Device with Delayed Egress Option on "Exit Only" Door



Components

- 7100D Delayed Egress Exit Device - Yale
- PTH-4 Power Transfer Hinge by Folger Adam
- FABPS Power Supply - Folger Adam
- Surface Door Closer - Yale

Operation

Operation of the 7100D Exit Device will sound an alarm and activate either a 15- or 30-second alarm sequence inside of the exit device. After this time period, the device will release the pushpad, making it active and egress is possible. When the fire alarm is activated, power to the exit device will be interrupted, allowing free egress and mechanical latching. Authorized alarm bypass and reset is done through the built-in keyswitch located in the exit device. An optional High Security package includes a door prop alarm to prevent the door from being blocked open.

MULLIONS

M100(F) REMOVABLE MULLION

M100(F) mullions are for use with 7100 and 7200M Series exit devices. Mullions may be field cut to fit opening. Painted aluminum finish.

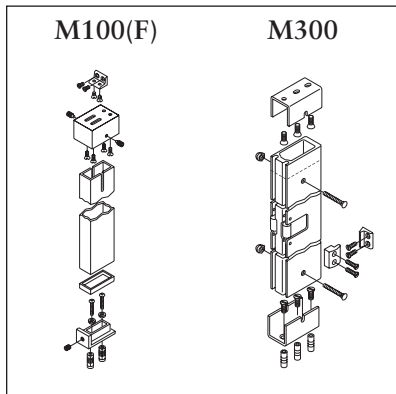
- M100 Removable Mullion for Panic Exits. Tubular steel, 1-1/2" x 3" (38mm x 76mm). Specify 7', 8', or 10'.
- M100F Removable Mullion for Fire Exits. Tubular steel, 1-1/2" x 3" (38mm x 76mm). Specify 7' or 8'.

M300 REMOVABLE MULLION

M300 mullions are for use with 7200 Series exit devices. They consist of an aluminum extrusion 1-1/4" x 3" (32mm x 76mm), with built-in strikes for device bolts. Supplied with mounting brackets, mechanical fasteners, and mullion stabilizers. Available finishes are 628 (Satin, clear anodized) and 695 (dark amber coat). Specify 8', 9', or 10'.

102S MULLION STABILIZER KIT

Recommended for high openings and whenever door movement must be further restricted. Supplied standard with M300 mullions. To order separately, specify 102S.



7000 Series Exit Device

KEYED REMOVABLE MULLION

Keyed removable mullions are for use with 7100 and 7200M Series exit devices. They are designed for simple removing/relocking when an unobstructed large opening is required. Patent # 6,427,387.

- KRM100 Keyed Removable Mullion for Panic Exits. Specify 7', 8', or 10'.
- KRM100F Keyed Removable Mullion for Fire Exits. Specify 7' or 8'.
- KRM150F Retrofit Kit. Fire-rated retrofit kit for all existing installations.

KRM FEATURES

- Easy cylinder installation.
- Mullion automatically relocks when reinstalled without the use of the cylinder key.
- Cylinder mechanism is in top fitting so it is not susceptible to damage when mullion is removed.
- Available in kit form to retrofit existing installations. Specify KRM150F.
- When ordering, add KR prefix to mullion, example: KRM100 and KRM100F.

KRM CYLINDERS

As with exit device trim, you must order a cylinder if one is required. The Yale® keyed removable mullion accepts a standard 6-pin 2153 mortise cylinder with cam No. 2160. Other cylinder options are available. See chart on page 44.

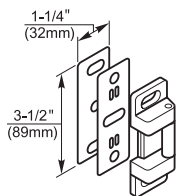
KRM OPTIONS

- M103 Spacer Block Recommended for double rabbeted frames where the stop face width is less than the mounting hole spacing or for applications with 5-3/4" (146mm) or less door frames.
- M104 Angle Bracket Recommended for any header configuration with less than 3" (76mm) of mounting surface.

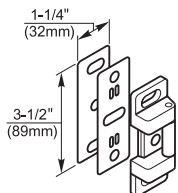


STANDARD & OPTIONAL STRIKES

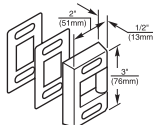
RIM DEVICES



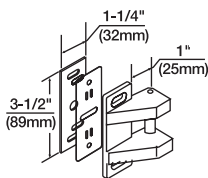
757
Standard 710X,
715X, 720XM



757F
Standard on
7100F, 7150F,
7200MF.



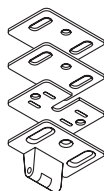
759
Standard 720X



793
Optional strike
for double door
applications.

VERTICAL ROD DEVICES

Top Strikes



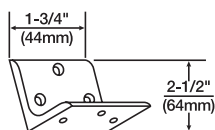
791
Standard top
strike for 711X,
7110F, 712X,
7120F, 721XM,
7210MF, 722XM,
7220MF, 721X,
722X.



726
Standard top
strike for 717X,
7170F.



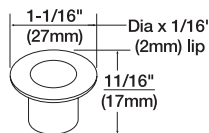
761
Standard top
strike for 716X,
7160F.



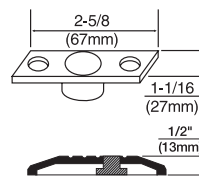
797 Bracket
Optional bracket
for SVR top
strike in flush
transom opening.

VERTICAL ROD DEVICES

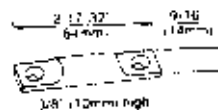
Floor Strikes



790
Standard floor
strike for 711X,
7110F, 712X,
7120F, 717X,
7170F, 716X,
7160F, 721XM,
7210MF,
722XM,
7220MF, 721X,
722X.

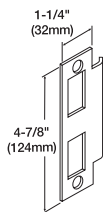


794
Optional floor
strike for fire
openings using
threshold or
flush floor
mount.

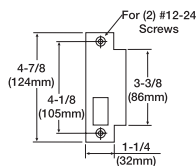


702
Optional floor
strike for
bottom Pullman
latch option.

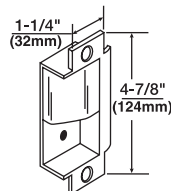
MORTISE DEVICES



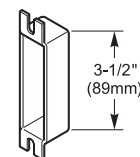
798
Standard on 7130, 7130F



712 Flat ANSI Strike
Optional for door pairs
with astragals (7/8" lip)



718 Open Back Strike
Optional for pairs of
doors where allowed by
door manufacturer

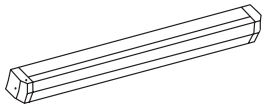


Options
202 Strike box for
ANSI strikes

OPTIONS

720 RIGID BAR

For push-pull vestibule doors leading to doors with 7000 Series exit devices. Bars fit doors up to 48" (1.22m) wide. Same finishes as devices. Specify 720 x finish.



SPECIALTY FASTENERS

Sex nuts, required for wood, composite or unreinforced metal doors.

SN-104, Interlock bracket pack of (4) 10-24 sex nuts for all fire rim and Squarebolt devices.

SN-134, pack of (4) 1/4-20 sex nuts for all devices.

TORX® Security Screws available for factory product orders. Wood screws may only be used in predrilled pilot holes of solid core wood doors.

EXTENSION RODS

Model #	Length
7010-2	2" (51mm)
7010-6	6" (152mm)
7010-12	12" (305mm)

Specify finish.

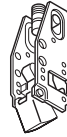
LONG SPINDLE KIT

Long spindle (tailpiece) kit for all series trim, up to 4-1/2" thick doors. Specify part number to order.

Part Number	Door Thickness	Trim Type
7000 Spindle Kit	2" - 2-1/4"	All Trim
81-9500-1633-000	2-1/2" - 3-1/2"	520F, 620F Series Lever & Knob Trim
81-9500-1634-000	3-1/2" - 4-1/2"	520F, 620F Series Lever & Knob Trim
81-9500-1635-000	2-1/2" - 3-1/2"	530F Series Thumbpiece Trim
81-9500-1636-000	3-1/2" - 4-1/2"	530F Series Thumbpiece Trim

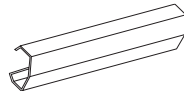
BOTTOM PULLMAN LATCH

Optional bottom Pullman latch available for panic listed vertical rod exit devices. To order, specify "bottom Pullman latch".



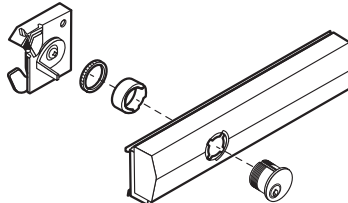
730 36/48 TOUCHPAD SCALP

Field replacement scalp to renew touchpad looks. Specify 730-36 or 730-48 x finish.



CYLINDER DOGGING

Cylinder dogging is available for all panic-listed exit devices only. Requires use of 1-1/8" mortise cylinder. When ordered with a device, 6-pin 2153 cylinder is supplied standard. (See How to Order, "Fourth Digit", page 47.) Cylinder dogging kit available; specify 715-48 (cylinder not included with this kit).

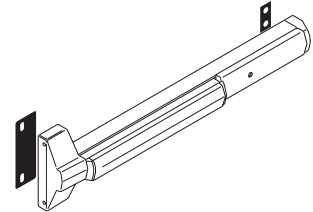


END CAP



The 7000 series impact-resistant end cap is designed with heavy-duty material with three screw holes in strategic locations to resist abuse and maintain functionality. The ECK7 kit is available for easy retrofit to existing exit devices. To order retrofit kit, specify ECK7 x finish.

SHIM KITS



Shim kits, for devices on doors with interfering molding, are available. Each shim kit contains 2 sets of 1/8" thick shims to shim a device 1/8" (3mm) or 1/4" (6mm). Longer device mounting screws (not included) are required for more than 1/4" (6mm) shimming. 693 (Black) finish.

723, Shim Kit for 7100(F) Series Rim, 7150(F) Series SquareBolt®, 7120(F) Series* Concealed Vertical Rod, and 7130(F) Series* Mortise Exit Devices.

723NS, Shim Kit for 7200 Series Rim, 7200M(F) Series Rim, 7250 Series SquareBolt, 7250M(F) Series SquareBolt, 7220 Series* and 7220M(F)* Concealed Vertical Rod Exit Devices.

724, Shim Kit for 7110(F) and 7170(F) Series Surface Vertical Rod Exit Devices.

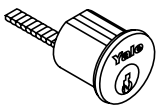
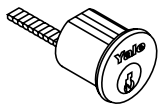
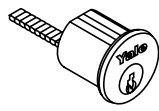
724NS, Shim Kit for 7210(F) Series Surface Vertical Rod Exit Devices.

*Note: Special mortise or concealed vertical rod components needed for openings requiring more than (2) shim kits, or for shimmed mortise devices in doors over 1-3/4" (44mm) thick. Details on application.

LESS BOTTOM ROD


7170(F90) surface and 7160(F90) concealed vertical rod exit devices available less bottom rod. Fire-rated devices supplied standard with a heat-activated door bolt popper. To order, suffix LBR.

CYLINDERS

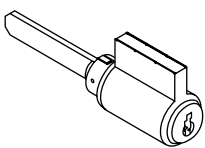
		Application:	Cylinder(s)	Description	Cylinder Ring	Mounting Screws	
Rim Cylinder	Narrow Escutcheon Trim 500F/510F Series Rim cylinders with special # 599 cylinder rings. NOT AVAILABLE with U5109 cylinder.		7200, 7200M, 7200MF Rim	1109 / 5109 6-pin	Standard / Security	599-419	60-7000-1235-048
			7250, 7250M, 7250MF	1109 / 5109 7-pin	Standard / Security	599-419	60-7000-1235-048
			SquareBolt®	1193 / 5193 6-pin	I.C. / Sec. I.C.	599-544	10-1193-1018-048
			7210, 7210M, 7210MF SVR	1193 / 5193 7-pin	I.C. / Sec. I.C.	599-544	10-1193-1018-048
			7220, 7220M, 7220MF CVR	1709 6-pin	CMK Cylinder	599-544	34-2311-8738-048
				1709 7-pin	CMK Cylinder	599-700	34-2311-8738-048
	Standard Escutcheon Trim 520F/530F Series Rim Cylinders		7100(F), 7100(F)-2 Rim	1109 / 5109 6-pin	Standard / Security	1765-250	60-7000-1235-048
			7150(F), 7150(F)-2	U5109 6-pin	High Security	----	60-7000-1235-048
			SquareBolt®	1109 / 5109 7-pin	Standard / Security	1765-250	60-7000-1235-048
			7110(F), 7170(F) SVR	U5109 7-pin	High Security	1766	60-7000-1235-048
			7120(F) CVR	1709 6-pin	CMK Cylinder	1765-656	34-2311-8738-048
				1709 7-pin	CMK Cylinder	1765-656	34-2311-8738-048
	Heavy-Duty Escutcheon Trim 620F and 600 Series Electric Trim Rim Cylinders		7100(F), 7100(F)-2 Rim	1109 / 5109 6-pin	Standard / Security	----	60-7000-1235-048
			7150(F) 7150(F)-2	U5109 6-pin	High Security	----	60-7000-1235-048
			SquareBolt®	1109 / 5109 7-pin	Standard / Security	----	60-7000-1235-048
			7110(F), 7170(F) SVR	U5109 7-pin	High Security	----	60-7000-1235-048
			7120(F), 7160(F) CVR	1709 6-pin	CMK Cylinder	1765-250	34-2311-8738-048
				1709 7-pin	CMK Cylinder	1765-250	34-2311-8738-048
	1193 / 5193 6-pin	Std. / Sec. I.C.	1765-250	10-1193-1018-048			
	1193 / 5193 7-pin	Std. / Sec. I.C.	1765-344	10-1193-1018-048			

Note: Mounting screw part numbers shown are the screws to mount the cylinder.

Note: Same cylinder used for inside and outside on double cylinder exit device..

		Application:	Cylinder(s)	Description	Cylinder Ring	
Mortise Cylinder	Mortise Exit Devices Standard Escutcheon trim 550F/560F Series 	7130(F), 7130(F)-2 Mortise	2153/5153, 6 or 7-pin, 1-1/4" (29mm)	Standard / Security	1765 - .062	As with exit device trim you must order a cylinder to go with a keyed removable mullion. The Yale keyed removable mullion accepts a standard 6-pin 2153 mortise cylinder with cam # 2160. Other cylinders are optional. *U5153 6 and 7-pin cylinders cannot be used with a keyed removable mullion.
			2196 / 5196 6-pin	Std. I.C. / Sec. I.C.	1765 - .344	
			2197 / 5197 7-pin	Std. I.C. / Sec. I.C.	1765 - .531	
			U5153, 6 or 7-pin, 1-1/4" (32mm)	High Security	----	
	Mortise Exit Devices Heavy-Duty Escutcheon Trim 650F Series	7130(F), 7130(F)-2 Mortise	2153 / 5153, 6 or 7-pin, 1-1/2" (38mm)	Standard / Security	----	
			2196 / 5196 6-pin	Std. I.C. / Sec. I.C.	----	
			2197 / 5197 7-pin	Std. I.C. / Sec. I.C.	1765 - .062	
	Keyed Removable Mullions KRM100/100F	7100(F), 7150(F), 7200, 7250, 7200M(F), 7250(F)	2153/5153*, 6 or 7-pin, 1-1/8" (29mm)	Standard / Security	----	
			2196 / 5196 6-pin	Std. I.C. / Sec. I.C.	1765-250	
	Cylinder Dogging	Panic-rated devices	2153, 6-pin, 1-1/8" (29mm)	Standard	----	
2153, 7-pin 1-1/4" (32mm)			Optional 7-pin	1765 - .156		
2196, 6-pin 1-1/2" (38mm)			Std. I.C. 6-pin	1765 - .406		
SecureX® & Alarm Kit	All exit devices	2197, 7-pin 1-11/16" (42mm)	Std. I.C. 7-pin	1765 - .594		

Note: Inside cylinder for double cylinder exit device is 2-3/4" (70mm) length with 1765-.250 ring

		Application:	Cylinder(s)	Description
Knob or Leverset Trim 540F Series Trim Keyed trim uses Yale® cylindrical lock cylinders.		7100(F) Rim 7150(F) SquareBolt 7110(F), 7170(F) SVR 7120(F) CVR	1801	6-pin Knob Cyl. (Std.)
			1802	6-pin Lever Cyl. (Std.)
			1802A	7-pin Lever Cylinder
			1210	6-pin I.C. Lever Cylinder
			1220	7-pin I.C. Lever Cylinder
			5802	6-pin Security Lever Cyl.
			5802A	7-pin Security Lever Cyl.
			5210	6-pin I.C. Security Cyl.
			5220	7-pin I.C. Security Cyl.
			107S	Adaptor kit for Schlage® Cyl.
			"B" Trim Prefix	Trim with lever for Best®, Arrow® or Falcon® IC cylinder (specify 6 or 7-pin)
			"R" Trim Prefix*	Trim with lever for Corbin Russwin IC cylinder

*AU & PB levers only.

Yale®
KeyMark® Refer to separate catalog section for availability.

FACTS AND FIGURES

Cover Detail

7100 and 7100F Series (all variables)

Series	"A"	"B"
7100-36	32-7/8" (835mm)	18" (457mm)
7100F-36		
7100-48	44-7/8" (1130mm)	24" (610mm)
7100F-48		

Cover Detail

7200 and 7200M Series (all variables)

Series	"A"	"B"
7200-36	34-5/8" (880mm)	18" (457mm)
7200M-36	32-7/8" (835mm)	18" (457mm)
7200MF-36		
7200-48	46-5/8" (1184mm)	24" (610mm)
7200M-48	44-7/8" (1130mm)	24" (610mm)
7200MF-48		

LEVER AND KNOB DESIGNS

AR Arcadia Projection: 3-1/16" (78mm)	AU Augusta Projection: 2-5/16" (59mm)	CR Carmel Projection: 2-7/8" (73mm)	JN Jefferson Projection: 2-3/8" (60mm)	MO Monroe Projection: 2-3/16" (71mm)	PB Pacific Beach Projection: 2-3/4" (70mm)
PN Pinehurst Projection: 2-7/8" (73mm)	VI Virginia Projection: 2-3/4" (70mm)	BR Brandywine Projection: 2-11/16" (68mm)	CO Copenhagen Projection: 3-1/8" (79mm)	LF Litchfield Projection: 2-1/2" (64mm)	CA* Carolina Projection: 2-15/16" (75mm)

*CA knob available for 540F Series trim only.

TRIM DIMENSIONS

600 Series Projection: 13/16" (20mm)	520/550 Series Projection: 1/4" (6mm)	530/550 Series Projection: 2-1/8" (54mm)	500F Series Projection: 1/4" (6mm)	510F Series Projection: 2-1/8" (54mm)
---	--	---	---	--

SAMPLE SPECIFICATIONS

SPECIFICATION

Exit devices shall be 7000 Series Pushpad Exit Devices as manufactured by Yale Commercial Locks and Hardware.

The exit device chassis shall be cold forged steel, electroplated for corrosion resistance, and shall be architecturally finished brass, bronze or stainless steel. The pushpad mechanism shall be constructed of extruded aluminum and shall be scalped with architecturally finished brass, bronze or stainless steel. The maximum projection shall be 3-1/4" when the pushpad is active and 2-3/4" when the pushpad is dogged down. Nylon bearings and stainless steel springs shall be used for long life and durability; only torsion springs are acceptable. Rear and active case covers shall be wrought brass or bronze and shall be plated to match the exit bar. Plastic or painted covers are not acceptable. Latchbolts shall be steel and shall incorporate a deadlocking latch for increased security. Devices without deadlocking latches are not acceptable. Mounting screws shall be concealed to deter tampering. Devices shall be closed on all sides with no pinch points. Exit devices shall be easily field sized to accommodate various door widths.

Panic-listed exit devices shall have single point, one quarter turn hex key dogging standard. Optional cylinder dogging shall be available on panic listed devices. Devices with hex key dogging shall be easily field converted to cylinder dogging. Panic listed devices shall be available less dogging.

Trims shall be throughbolted with concealed fasteners. Escutcheon and pull-type trims shall be constructed of brass or bronze. All lever trims shall use cast or forged levers. On rim, SquareBolt® and vertical rod trims with cylinders, the mechanism that locks and unlocks the trim shall be housed in the trim and not in the active case of the exit device. Lever trims (except mortise) shall be Free-Wheeling with clutch mechanism allowing lever to rotate 60° when locked to prevent vandalism. Lever trims shall match those on Yale® mortise and cylindrical locksets.

Exit devices and trims shall be furnished in BHMA standard architectural finishes.

Exit devices shall be listed by Underwriters Laboratories (UL) for safety as panic hardware. Fire-rated devices shall be listed for A label and lesser class doors.

Certification:
Federal Specification FF-H-1820
ANSI A156.3, Grade 1

Devices, trims and cylinders shall be from one manufacturer.

Devices and 600 Series trim shall carry a five-year limited warranty.

500 Series trim shall carry a one-year limited warranty.

Electronic components shall carry a one-year limited warranty.

SECUREX® SPECIFICATION

Delayed egress exit devices shall be 7100/7200 Series (rim, SquareBolt®, mortise or concealed vertical rod) with the "D" suffix, manufactured by Yale Commercial Locks and Hardware.

The *SecureX* device secures the door in the locked mode. Depressing the pushpad for less than three seconds will sound the device siren without initiating the alarm. Depressing the pushpad longer than three seconds will initiate an irreversible local audible beeping tone and allow the device to release for egress after 15 seconds. The alarm will continue until reset by the mechanical key switch located on the device. (When acceptable by local code agency, the delay period may be increased to 30 seconds, or other approved amount of time. Consult factory.)

Devices shall be 24 volts DC.


The exit device chassis shall be cold forged steel, electroplated for corrosion resistance, and shall be architecturally finished brass, bronze or stainless steel. The pushpad mechanism shall be constructed of extruded aluminum and shall be scalped with architecturally finished brass, bronze or stainless steel. The maximum projection shall be 3-1/4" when the pushpad is active and 2-3/4" when the pushpad is depressed. Nylon bearings and steel springs shall be used for long life and durability. Active case and alarm end cover shall be wrought brass, bronze or stainless steel and shall be plated to match the exit bar. Painted or plastic covers or end caps are not acceptable. Latchbolts shall be steel and shall incorporate a deadlocking latch for increased security. Devices without deadlocking latches are not acceptable. Mounting screws shall be concealed to deter tampering. Devices shall be closed on all sides with no pinch points. Device active cover and end cap attaching screws shall be security TORX®. When required, door position switches used on rim or *SquareBolt* devices shall be incorporated into the latch assembly of the device to allow added security.

Trims shall be through-bolted with concealed fasteners. Escutcheon and pull-type trims shall be constructed of brass, bronze or stainless steel. All lever trims shall use cast or forged levers. On rim, *SquareBolt* and vertical rod trims with cylinders, the mechanism that locks and unlocks the trim shall be housed in the trim and not in the active head of the exit device. Lever trims shall match those on *Yale* mortise and cylindrical locksets. Lever trims (except mortise) must have a clutch or Free-Wheeling spring assembly when in the locked mode to deter vandalism or damage to trim. Rigid lever trims are not acceptable.

Exit devices, trims and cylinders must be from one manufacturer.

HOW TO ORDER

From this outline select the Model Number for the Yale® 7000 Exit Device Series you require.

7	X	X	X	Mechanical/Electrical	Size	Design	Trim	Finish	Other Info.
	Second Digit: "1" - Standard device, 4-1/2" (114mm) or wider door stile. "2" - Narrow stile door or narrow escutcheon trim (500F, 510F Series)	Third Digit: "0" - Rim Device, Pullman Latch "1" - SVR Device up to 8' "2" - CVR Device, Metal Doors up to 8' "3" - Mortise Device "5" - SquareBolt®, Rim Security "6" - CVR Device over 8' "7" - SVR Device over 8'	Fourth Digit: "0" - Standard "5" - Cylinder Dogging (Not with suffix "F")	Mechanical Feature  "F" - Fire Exit Device "M" - Narrow escutcheon Trim in 4-1/2" (114mm) or wider door stile "LBR" - Less Bottom Rod (Note 2) "K5" - Mortise Device, EO, Entry by Key, or Key Override. "K8" - Mortise Device, Entry by Knob "L5" - Mortise Device, Rigid Lever or Key Override (Note 1) "L8" - Mortise Device, Entry by Lever "T5" - Mortise Device with Thumbpiece Trim "T8" - Mortise Device, active Thumbpiece Trim "2" - Double Cylinder Device (Note 3) Electrical Feature "A" - Alarm Kit "B" - Bar Monitor or Signaling "D" - Delayed Egress "ES" - Electric Strike Compatible "G" - Electric Dogging "O" - Outside Trim Monitor or Signaling "P" - Latch Pullback "S" - Bolt Status Monitor or Signaling "Safe" - Mortise Device Trim Control "Secure" - Mortise Device Trim Control	Size: DOW = Door Opening Width) "36" - 30" to 36" DOW "48" - 36" to 48" DOW "24" - 24" to 30" DOW Door Height: -8 = 8' (2.44m) -9 = 9' (2.74m) -10 = 10' (3.05m)	Trim Design (Lever or knob only)	Trim Model Number	See Page 3	Other Information: Door Hand - RHR or LHR Door Thickness - Over 1-3/4" (45mm) Fastener Options - TORX® Security Screws SNB (wood, composite, or unreinforced metal doors) Specialty Cylinders & Components

Notes:

1. Required for electrical feature, Suffix "-SAFE" or "-SECURE".
2. LBR available on 7160(F90) and 7170(F90) devices only.
3. For double cylinder devices, suffix "-2" after fourth digit

It is recommended that exit devices and trim for the same opening be ordered together. Standard product and warehouse inventories are for 1-3/4" (44mm) reinforced metal doors. Accessories detached from the device and trim should be specified separately. Materials by others are required to be fit for the purpose as detailed in this catalog and the product installation literature.

ORDERING EXAMPLES

Exit Device Only

7150D-36 x 626 x RHR x SNB

Exit Device with Trim and Cylinder

7170F90-9-48 x AU626F x 605 x LHR x 1109 GA 0-bit

Trim Only

MO656F x 630 x RHR x LC

Double Cylinder Exit Device with Trim


7150F-2-36 x AU626F x 630

online literature and templates

For the latest information on Yale Commercial Lock and Hardware products, visit our website at www.yalecommercial.com.

Click on the "Literature" button to find:

- Catalogs
- Parts manuals
- Templates
- Specifications
- Installation instructions

Yale® customers can click on the ebusiness symbol  on the website to register for an ebusiness account to:

- Check the status of orders
 - Check availability of QuickShip items
 - Track your order and confirm delivery
 - Receive email notification of template changes
- And More...

www.yalecommercial.com



Yale Commercial Locks and Hardware

Address: 1902 Airport Road, Monroe, NC 28110 USA

Tel: 1-800-438-1951 • *Fax:* 1-800-338-0965 • www.yalecommercial.com

Yale-Corbin Canada Ltd.

Address: 6940 Edwards Boulevard, Mississauga, Ontario, Canada L5T 2W2

Tel: 1-800-461-3007 • *Fax:* 1-800-461-8989 • www.yalecorbin.on.ca

Yale®, Yale Security Inc.®, SquareBolt®, and SecureX® are registered trademarks of Yale Security Inc. Free-Wheeling and Design™ is a trademark of Yale Security Inc. Folger Adam® is a registered trademark of Folger Adam Security Inc. Other products brand names may be trademarks or registered trademarks of their respective owners and are mentioned for reference purposes only. Copyright© 2002, 2004 Yale Security Inc. All rights reserved. These materials are protected under US copyright laws. All contents current at time of publication. Yale Security Inc. reserves the right to change availability of any item in this bulletin, its design, construction, and/or its materials.

The ASSA ABLOY Group is the world's leading manufacturer and supplier of locking solutions, dedicated to satisfying end-user needs for security, safety and convenience.